



# RANSOMES<sup>®</sup>

Parts Manual

---

## Commander 3510

Series: VB - Engine type: KUBOTA V2203  
Product codes: LGTT003



**WARNING:** If incorrectly used this machine can cause severe injury. Those who use and maintain this machine should be trained in its proper use, warned of its dangers and should read the entire manual before attempting to set up, operate, adjust or service the machine.



(RJ 100 052000)

**RANSOMES**

**TEXTRON**

TURF CARE AND SPECIALTY PRODUCTS

Part No. 24061G (rev.4)







# INTRODUCTION

## ITEM NUMBER

Each part which is identified in the illustrations has an item number. Parts which do not have an item number may not be readily identified in the illustration but are usually closely associated with the immediately adjacent part.

## ASSEMBLIES

A complete assembly, e.g. a wheel motor or hydraulic motor or roll assembly, is listed as a complete item with subsequent individual components listed separately.

The assembly is listed under its part number with component parts being listed offset to the right, e.g:-

ITEM	RANSOMES PART NO.	DESCRIPTION	QTY
1	LMSD798	Roll Assy.	1
2	MBB4490	• Tube	1
3	LMSD926	•• End Cap Assy.	2
4	MBB6851	••• End Cap	1
5	H009116	••• Bearing	1
6	MBB2356	•• Seal Housing	1
7	A224016	•• Seal	2
*	A122192	Screw	2

It may not be possible to illustrate every item. With certain items purchased from outside suppliers some component parts may not be available from Ransomes and may need to be specially ordered from the supplier e.g. Volvo hydraulic motor components.

## QUANTITIES

Quantities shown are for one assembly or sub-assembly.

## USING THE PARTS LIST

Determine the function and application of the part required. Turn to the main index page and select the appropriate section. Locate the part on the illustration and parts list and read off the quantity from the appropriate MODEL column.

## NUMERICAL INDEX

This is a summary of all part numbers used in the manual arranged in numerical sequence and showing the page and item number under which the parts appear.

## ORDERING OF SPARE PARTS

When ordering replacement parts, it is most important to quote the SERIAL NUMBER of the machine, PART NUMBER, DESCRIPTION and QUANTITY required.



# EINFÜHRUNG

## ARTIKELNUMMER

Jeder auf den Illustrationen identifizierte Teil hat eine Artikelnummer. Teile ohne Artikelnummer können nicht ohne weiteres aus der Abbildung identifiziert werden, aber stehen normalerweise mit dem benachbarten Teil in Verbindung.

## BAUGRUPPEN

Eine vollständige Baugruppe, z.B. ein Rad- oder hydraulischer Motor oder eine Rolleneinheit, wird als kompletter Artikel verzeichnet, dessen spätere individuelle Komponenten separat verzeichnet sind. Die Baugruppe wird unter ihrer Teilenummer aufgelistet, und die Komponententeile werden rechts davon angegeben, z.B.:-

ARTIKEL	RANSOMES TEILENUMMER	BESCHREIBUNG	MENGE
1	LMSD798	Rolleneinheit	1
2	MBB4490	• Rohr	1
3	LMSD926	•• Verschlußkappeneinheit	2
4	MBB6951	••• Verschlußkappe	1
5	H000116	••• Lager	1
6	MBB2356	•• Verdichtungsgehäuse	1
7	A224016	•• Verdichtung	2
	A122192	Schraube	2

Es ist nicht immer möglich, sämtliche Artikel abzubilden. Da einige Teile von Fremdlieferanten angekauft werden, sind sie nicht jederzeit von Ransomes erhältlich und müssen besonders vom Lieferanten bestellt werden, z.B. hydraulische Volvo-Motorkomponenten.

## MENGEN

Angegebene Mengen gelten nur für eine Baugruppe oder Untergruppe.

## ANWENDUNG DER TEILELISTE

Die Funktion und den Einsatzbereich des erwünschten Teils feststellen. Zum Hauptinhaltsverzeichnis gehen und den entsprechenden Abschnitt wählen. Suchen Sie das Teil auf der Abbildung und Teileliste, und entnehmen Sie die Menge der entsprechenden MENGE-Spalte.

## NUMERISCHER INDEX

Hier handelt es sich um eine Übersicht aller Teilenummern aus dem Handbuch. Sie sind in numerischer Reihenfolge aufgestellt und geben Seite und Artikelnummer an, unter denen die Teile angegeben wurden.

## BESTELLUNG VON ERSATZTEILEN

Bei Bestellung von Ersatzteilen ist es sehr wichtig, stets die SERIENUMMER der Maschine, die TEILENUMMER, die BESCHREIBUNG und die erwünschte MENGE anzugeben.



# INTRODUCTION

## NUMERO D'ARTICLE

Chaque pièce, qui est identifiée sur les illustrations, est accompagnée d'un numéro d'article. Il peut s'avérer difficile d'identifier les pièces ne possédant pas de numéro d'article, mais celles-ci sont généralement étroitement associées à la pièce immédiatement adjacente.

## ENSEMBLES

Un ensemble complet, par exemple: un ensemble de moteur de roue, de moteur hydraulique ou de rouleau, est listé en tant qu'article complet et les composants individuels subséquents sont listés séparément. L'ensemble est listé sous son numéro de pièce et les composants sont décalés vers la droite sur la liste, par exemple:

ARTICLE	NO.DE PIECE	DESCRIPTION	QTE
	<b>RANSOMES</b>		
1	LMSD798	Ensemble de rouleau	1
2	MBB1190	• Tube	1
3	LMSD926	•• Ensemble de bouchon	2
4	MBB6891	••• Bouchon	1
5	HOO9116	••• Roulement	1
6	MBB2356	•• Logement de joint	1
7	A224016	•• Joint	2
8	A123103	Vis	2

Il se peut que l'illustration de tous les articles ne soit pas possible. Pour certains articles achetés à des fournisseurs externes, il se peut que certains composants ne soient pas disponibles chez Ransomes et que ceux-ci soient commandés spécialement auprès du fournisseur, par exemple: composants de moteur hydraulique Volvo.

## QUANTITES

Les quantités indiquées s'appliquent à un ensemble ou sous-ensemble.

## UTILISATION DE LA LISTE DE PIECES

Déterminer la fonction et l'application de la pièce requise. Passer à la page d'index principal et sélectionner la section appropriée. Situer la pièce sur l'illustration et la liste de pièces, puis lire la quantité dans la colonne MODELE appropriée.

## INDEX NUMERIQUE

Il s'agit d'un récapitulatif de tous les numéros de pièce utilisés dans le manuel, classés en séquence numérique, et indiquant la page et le numéro d'article sous lesquels les pièces apparaissent.

## COMMANDE DES PIECES DE RECHANGE

Lors de la commande des pièces de rechange, il est essentiel de stipuler le NUMERO DE SERIE de la machine, le NUMERO DE PIECE, la DESCRIPTION et la QUANTITE requise.



# SPECIFICATIONS

## ENGINE SPECIFICATION

TYPE: Kubota 38KW (51HP) , 4 cylinder (in line) vertical Diesel engine, 4 stroke, cooled, 2197cc

water (134.06 cu.in) with 12V electric start.

Model: V2203 - B

Maximum Speed: 2800 ± 50 RPM (No load)

Idle Speed: 1400 ± 50 RPM

Oil Sump Capacity: 9.5 litres (16.72 Imp.pints) (20.08 US pints)

Firing Order: 1, 3, 4, 2.

Fuel: No. 2-D Diesel fuel (ASTM D975)

## MACHINE SPECIFICATION

Frame Construction: Main chassis of welded heavy-duty hollow section steel. Front and rear axle assembly and mounting points for cutting unit sub frames bolted to main chassis

Transmission: Hydrostatic transmissin with heavy-duty variable displacement, reversible piston pump with servo control and heavy-duty low speed, high torque wheel motors on all four wheels. On demand 2 or 4 wheel drive is controlled by a solenoid/pilot operated flow divider. Differential lock is fitted on front axle.

Speeds:

Cutting: 0 - 12.5km/h (0 - 7.5 mph) 4 WHEEL DRIVE FORWARD

DRIVE 0 - 10.0km/h (0 - 6.2 mph) 4 WHEEL DRIVE REVERSE

Transport: 0 - 25km/h (0 - 15mph) 2 WHEEL

DRIVE

FORWARD

Steering: Hydrostatic power steering on rear wheels.

Tyres: Front - 26 x 12.00 - 12 4 ply rating Turf tread  
Rear - 23 x 10.50 - 12 4 ply rating Turft tread

Pressures: All tyres 1.0 kg/cm<sup>2</sup> (14 p.s.i.)

Ground Pressure: 0.8 kg/cm<sup>2</sup> (11 p.s.i.)

Brakes: Hydrostatic braking with mechanical disc type emergency/parking brakes, wheels

on front

Cooling System Capacity: 6.8 litres (12 Imp. pints) (14.4 US pints)

Fuel Tank Capacity: 59 litres (13 Imp. galls) 15.5 US galls

Hydraulic Tank Capacity: 52 litres (11.4 Imp. galls) 13.7 US galls

## DIMENSIONS (Fig.2)

Width of cut: 3.50 meters (138in)

Overall width: (transport) 3.12 metres (123in) min.

Overall height: 1.45 metres (57in)

Overall length: 2.95 metres (116in)

Uncut turning circle: 1.30 metres (51in)

Ground Clearance: 198mm (7 3/4in) Sport 200  
161mm (6 5/16in) Magna 250

Wheel base: 1.65 metres (65in)

Wheel track - front: 1.50 metres (59in)

Wheel track - rear: 1.22 metres (48in)

Overall weight of machine: with Magna 250 6-knife fixed head units 1800kg (3967lb)



## TECHNISCHE DATEN

### MOTOR

Typ:	Kubota V2203-B, 38 kW (51 PS), Viertakt Diesel, 4 stehende Zylinder (in Reihe), wassergekühlt, 2197 cm <sup>3</sup> , 12 V
elektrischer Vollgasdrehzahl:	Anlasser. 2800 +/- 50 UpM (ohne Belastung)
Leerlaufdrehzahl:	1400 +/- 50 UpM
Füllmenge Motoröl:	9,5 l
Zündfolge:	1, 3, 4, 2.
Kraftstoff:	Diesell

### MASCHINE

Arbeitsgeschwindigkeit:	0 - 12,5km/h Vierradantrieb Vorwärtsfahrt
Rückwärtsfahrt	0 - 10,0km/h Vierradantrieb
Transportgeschwindigkeit:	0 - 25 km/h Zweiradantrieb Vorwärtsfahrt

Bereifung:	vorn: 26x12.00-12 4-ply hinten: 23x10.50-12 4-ply
Reifendruck:	1,0 bar für alle Reifen

Bremsen:	Hydrostatische Betriebsbremse mit mechanischer Feststellbremse an den Vorderrädern.
----------	---

Füllmenge	
- Kühlmittel:	6,8 l
- Kraftstoff:	59 l
- Hydrauliköl:	452 l

### MASSANGABEN

Schnittbreite:	3,50 m
Transportbreite:	2,00 m (min)
Gesamthöhe:	1,45 m
Gesamtlänge:	3,12 m
Gesamtgewicht	1,30 m

mit Sechsmesser-Fixed Head-Einheiten Sport 200 =  
der Maschine: 1800 kg



## CARACTERISTIQUES

### CARACTERISTIQUES MOTEUR

Type:	KUBOTA 51 cv (238kW) , 4 cylindres (en ligne), vertical, diesel, 4temps, refroidi eau, 2197 c.c. avec démarreur
par électrique	12 V
Modèle:	V2203-B
Vitesse maximum:	2800 ± 50 t/mn (à vide)
Ralenti:	1400 ± 50 t/mn
Capacité du carter:	9,5 litres
Ordre d'allumage:	1, 3, 4, 2.
Carburant:	gasoil

### CARATERISTIQUES

Vitesses:	
Travail:	0 - 12.5 km/h 4 roues motrices - AVANT
MARCHE	0 - 10 km/h roues motrices - MARCH ARRIERE
Transport:	0 - 25 km/h 2 roues motrices - AVANT
MARCHE	

Pneus Avant:	26X12.00-12, 4 plis
Arrière:	23X10.50-12, 4 plis
Gonflage:	Tous les pneus: 1,0 kg/cm <sup>2</sup>

Freins:	freinage hydrostatique avec freins de parking mécaniques sur les roues avant
---------	--

Système de refroidissement:	
Capacité:	6,8 litres
Réservoir à carburant:	
Capacité:	59 litres
Réservoir hydraulique:	
Capacité:	52 litres

### DIMENSIONS

Largeur de travail:	3,50 m
Largeur hors tout (transport):	2,00 m.
Hauteur hors tout:	1,45 m.
Longueur hors tout:	3,12 m.
Rayon de braquage:	1,30 m.

Poids total avec unités SPORT 200 6 couteaux têtes fixes: 1800 kg





## NOISE EMISSION

Conforms to the specification of Directive EEC 79/113, 84/538, 87/252, 88/180, 88/181

Sound Power Level: 103 dB(A) LWA (Bystander)  
Sound Pressure Level: 87dB(A) LpA (Operator Ear Level)

## RECOMMENDED LUBRICANTS

Engine oil: Should be to MIL-L-2104C or to A.P.I. Classification CC/CD/CE grades and as given in the table below:

Temperature	Oil Viscosity
ABOVE 25°C (77°F)	SAE 30 or SAE 10W-30
0°C to 25°C (32°F to 77°F)	SAE 20 or SAE 10W-30
BELOW 0°C (32°F)	SAE 10W or SAE 10W-30

Hydraulic Oil: To ISO.VG.46. Shell Tellus 46 or equivalent.

Grease: Shell Darina R2 or equivalent.



## GERÄUSCHPEGEL

Entspricht der Spezifikation der EEC Direktive 84/558.  
 Geräuschpegel in 10 m Abstand: 103dB(A) LWA  
 Geräusch am Fahrerohr: 87dB(A) LpA

## EMPFOHLENE SCHMIERMITTEL

Motoröl: MIL-L-2104C oder API-Normen CC/CD/CE  
 und gemäß nachstehender Tabelle.

Temperatur	Viskosität
Über 25 Grad C	SAE 30 / SAE 10W-30
0 Grad bis 25 Grad C	SAE 20 / SAE 10W-30
Unter 0 Grad C	SAE 10W / SAE 10W-30

Hydrauliköl: Gemäß ISO.VG.46 (wie Shell Tellus 46)  
 Schmierfett: Shell Darina R2



## NIVEAU SONORE

Conforme à la Directive EEC 84/558  
 A proximité: 103dB(A)LWA  
 Pour le conducteur: 87dB(A)LpA

## LUBRIFIANTS RECOMMANDES

Huile moteur: à MIL-L-2104C ou A.P.I.  
 classification grades CC/CD/CE et  
 suivant le tableau cidessous:

TEMPERATURE	VISCOSITE DE L'HUILE
Au-dessus de 25°C	SAE 30 / SAE10W-30
0°C - 25°C	SAE 20 / SAE10W-30
Au-dessous de 0°C	SAE 10W / SAE 10W-30

Huile hydraulique: à ISO.VG.46.Shell Tellus 46 ou  
 équivalente  
 Graisse: ShellDarina R2' ou équivalente.



## CONTENTS

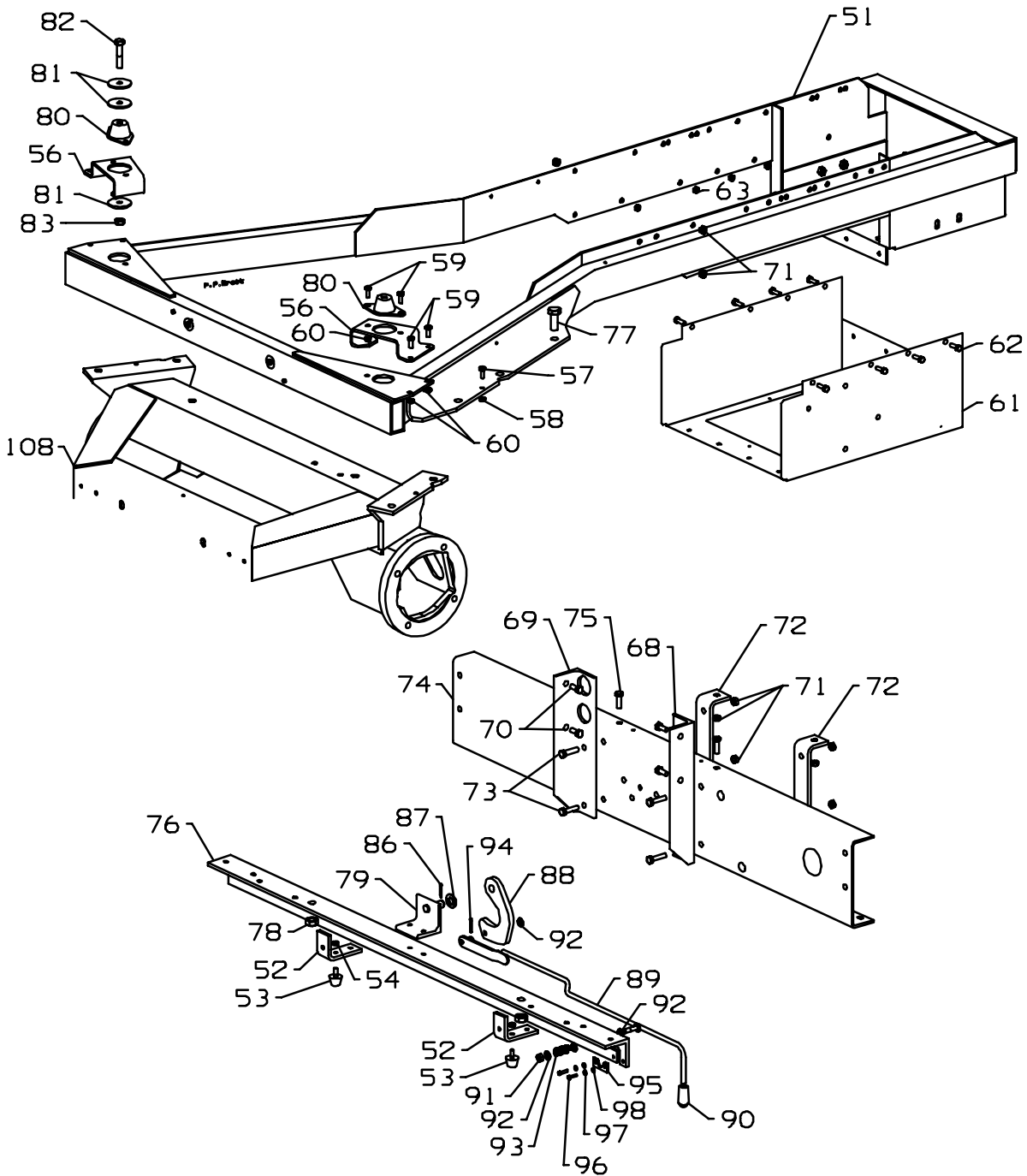
SECTION	PAGE
MAIN FRAME .....	13
FUEL TANK .....	17
HYDRAULIC TANK AND FILTERS .....	19
STEERING AND REAR AXLE .....	21
ELECTRICAL .....	23
HYDRAULICS TRACTION / BRAKE CIRCUIT (SUNDSTRAND PUMP) .....	31
HYDRAULICS TRACTION / BRAKE CIRCUIT (DANFOSS PUMP) .....	37
HYDRAULICS TRACTION / BRAKE CIRCUIT (DANFOSS PUMP) .....	43
HYDRAULICS COOLING CIRCUIT (SUNDSTRAND PUMP) .....	49
HYDRAULICS COOLING CIRCUIT (DANFOSS PUMP) .....	51
HYDRAULICS COOLING CIRCUIT (SUNDSTRAND PUMP) 15/11/1999 MODIFIED ...	53
HYDRAULICS COOLING CIRCUIT (DANFOSS PUMP) 15/11/1999 MODIFIED .....	55
HYDRAULICS CUTTING UNIT CIRCUIT (SUNDSTRAND PUMP) .....	57
HYDRAULICS CUTTING UNIT CIRCUIT (DANFOSS PUMP) .....	61
HYDRAULICS STEERING / LIFT CIRCUIT (SUNDSTRAND PUMP) .....	65
HYDRAULICS STEERING / LIFT CIRCUIT (DANFOSS PUMP) .....	67
HYDRAULIC MISCELLANEOUS ITEMS .....	69
ENGINE .....	73
COVERS .....	79
WHEELS .....	85
FRONT LIFT ARMS .....	87
RIGHT LIFT ARM .....	91
LEFT, CENTRE LIFT ARMS .....	95
DECALS .....	99
OPERATOR'S PLATFORM .....	101
SEAT AND FRAME .....	105
CONTROLS - TRACTION PEDAL / DIFF LOCK/MOW SWITCH .....	107
LOOSE PARTS .....	113
TRANSMISSION PUMP - SUNDSTRAND .....	115
TRANSMISSION PUMP - DANFOSS .....	117
TRANSMISSION PUMP - MS Control .....	119
TRANSMISSION PUMP - HTP Pump Housing .....	121
TRANSMISSION PUMP - Connection Flange .....	123
TRANSMISSION PUMP - Auxiliary Mounting Pad/ Shock Valves, HPRV/Charge Pump Relief Valve, LPRV .....	125
VALVE - BACK PRESSURE .....	127
PRESSURE COMPENSATOR VALVE .....	129
DIRECT DRIVE MOTOR WITH CARDAN SHAFT .....	131
CUTTING MOTOR VALVE .....	133
FREE WHEEL VALVE .....	135
TANDEM PUMP .....	137
WHEEL MOTOR FRONT - DANFOSS .....	139
WHEEL MOTOR REAR - Danfoss OMSW 200 .....	143
UNIT LIFT RAM .....	145
STEERING RAM .....	147
TRANSMISSION VALVE .....	149
STEERING UNIT AND PRIORITY VALVE .....	151
WEIGHT TRANSFER VALVE .....	153
PILOT OPERATED DIVERTOR VALVE - Danfoss .....	155
LIFT CONTROL VALVE ASSEMBLY - Danfoss/Dukes fluid power .....	157
SOLENOID VALVE .....	159
PILOT OPERATED FLOW DIVIDER - DANFOSS 4VXP7399-007 .....	161
SEALS, CLIPS AND TIES .....	163
SEAT BREAKDOWN S85 /90R .....	167
SEAT SUSPENSION BREAKDOWN DS85H .....	171


**D**

**F**

**RANSOMES  
COMMANDER 3510**

---

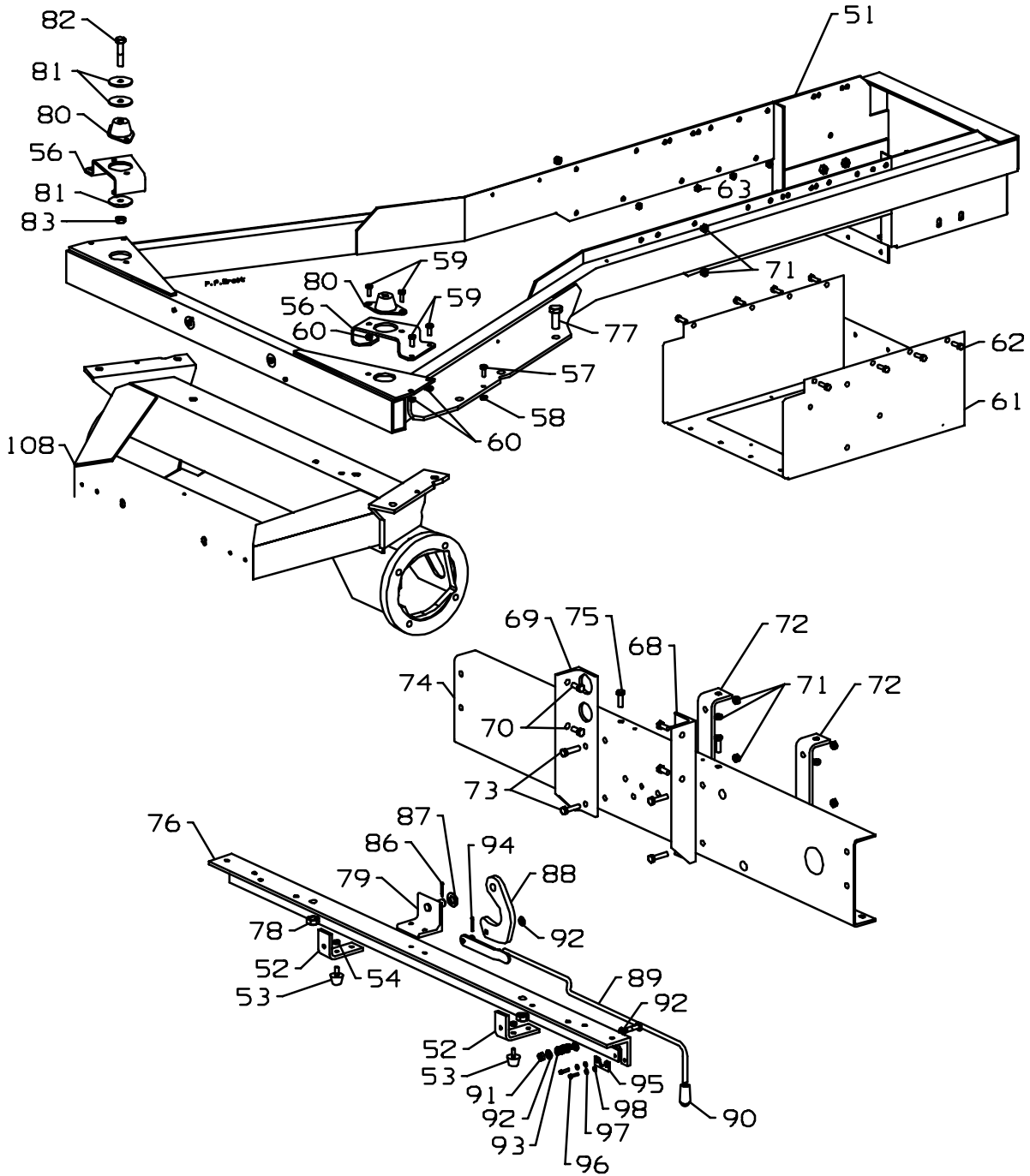


ITEM	RANSOMES PART NO	DESCRIPTION 	QTY	REMARKS
51	MBE3568H	CHASSIS.	1	
52	MBE4553	UNIT STOP BRACKET.	2	
53	A299405	BONDED RUBBER BUFFER	2	
54	450378	NUT, M8 NYLOC	2	
56	MBE4042	CAB MOUNT BRKT. W/ASSY.	2	
57	450191	SCREW, M8 x 20, HEX HD	1	
58	450378	NUT, M8 NYLOC	1	
59	450191	SCREW, M8 x 20, HEX HD	10	
60	450378	NUT, M8 NYLOC	10	
61	MBE4698	COVER LOWER W/ASSY.	1	
62	450192	SCREW, M8 x 25, HEX HD	10	
63	450378	NUT, M8 NYLOC	10	
68	MBE3574A	ANGLE - CHASSIS - LH.	1	
69	MBE3585A	ANGLE - CHASSIS - RH	1	
69*	MBG4119	ANGLE - CHASSIS - RH.	1	SERIAL No. VB000464 ONWARD
70	450214	SCREW, M10 x 25, HEX HD	4	
71	450379	NUT, M10 NYLOC	10	
72	MBE3575A	BRACKET.	2	
73	450216	SCREW, M10 x 35, HEX HD	4	
74	MBE3576D	CROSS MEMBER.	1	
75	450215	SCREW, M10 x 30, HEX HD	2	
76	MBE3577G	ANGLE CROSS MEMBER.	1	
77	450270	SCREW, M16 x 40, HEX HD	2	
78	450382	NUT, M16 NYLOC	2	
79	MBF1353	BRACKET WELDED ASSY.	1	30/10/1997 ONWARD.
79*	MBE4419	BRACKET WELDED ASSY.	1	
80	A299411	VIBRATION MOUNT	2	
81	MBE4000	WASHER.	10	
82	450052	BOLT, M12 x 60, HEX HD	2	
83	450380	NUT, M12 NYLOC	2	
84*	450411	S.L.WASHER, M8	4	
86	451257	SPLIT PIN, 4 x 25	1	
87	450393	WASHER, M16	1	
88	MBE4372A	HOOK.	1	
89	MBE4376B	LEVER WELDED ASSY.	1	
90	A299022	KNOB	1	
91	450379	NUT, M10 NYLOC	1	
92	450391	WASHER, M10	3	
93	A291112	COMPRESSION SPRING.	1	
94	451225	SPLIT PIN, 2.5 x 20	1	
95	MBE4701A	STOP PLATE.	1	
96	450170	SCREW, M6 x 16, HEX HD	2	


\* Not Illustrated

**RANSOMES  
COMMANDER 3510**

---



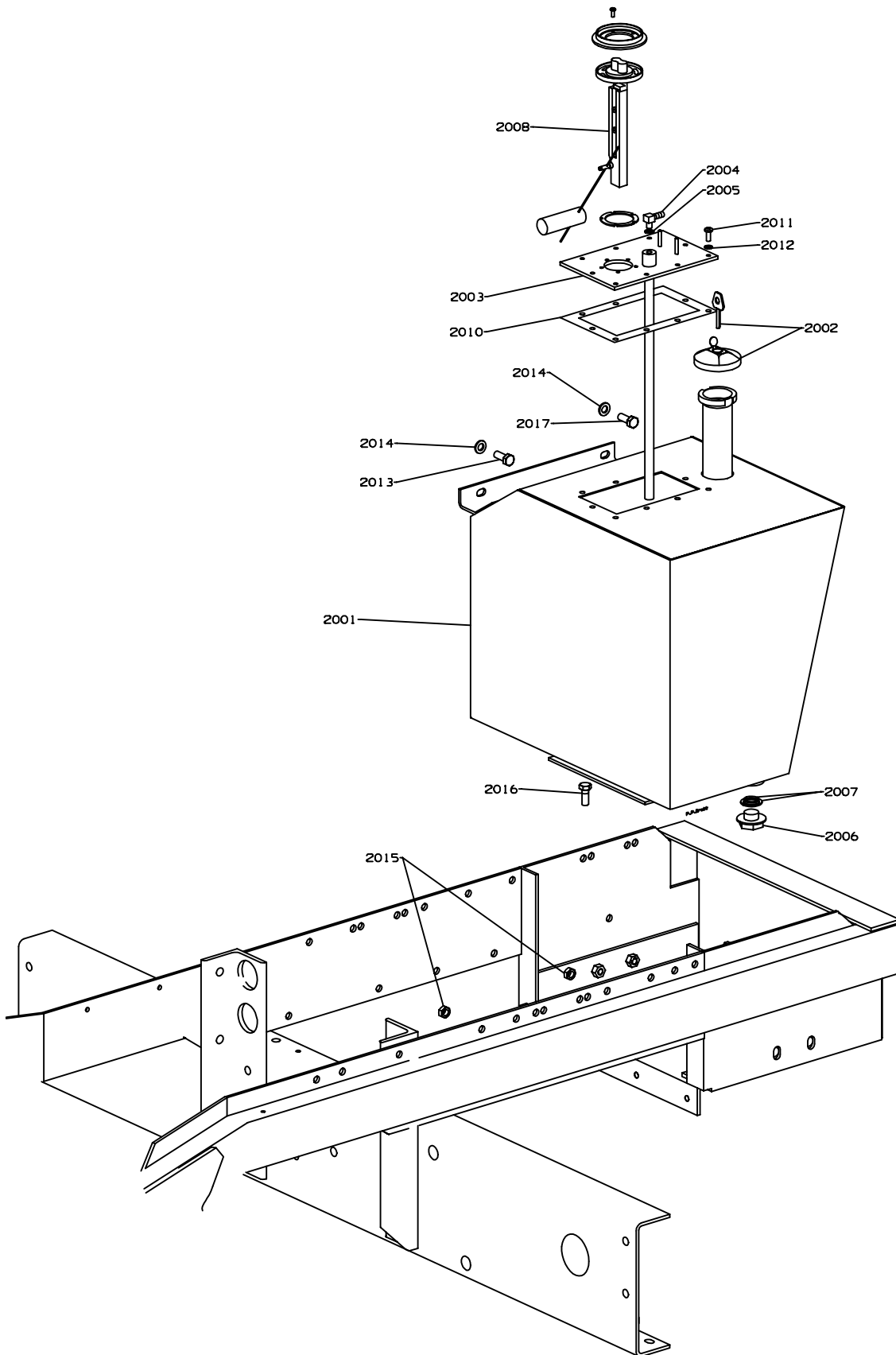


ITEM	RANSOMES PART NO	DESCRIPTION 	QTY	REMARKS
97	450389	WASHER, M6	2	
98	450410	S.L.WASHER, M6	2	
108	MBF1079B	FRONT AXLE WA	1	
109*	450270	SCREW, M16 x 40, HEX HD	4	
110*	450382	NUT, M16 NYLOC	4	

\* Not Illustrated


**RANSOMES  
COMMANDER 3510**

---



**FUEL TANK**

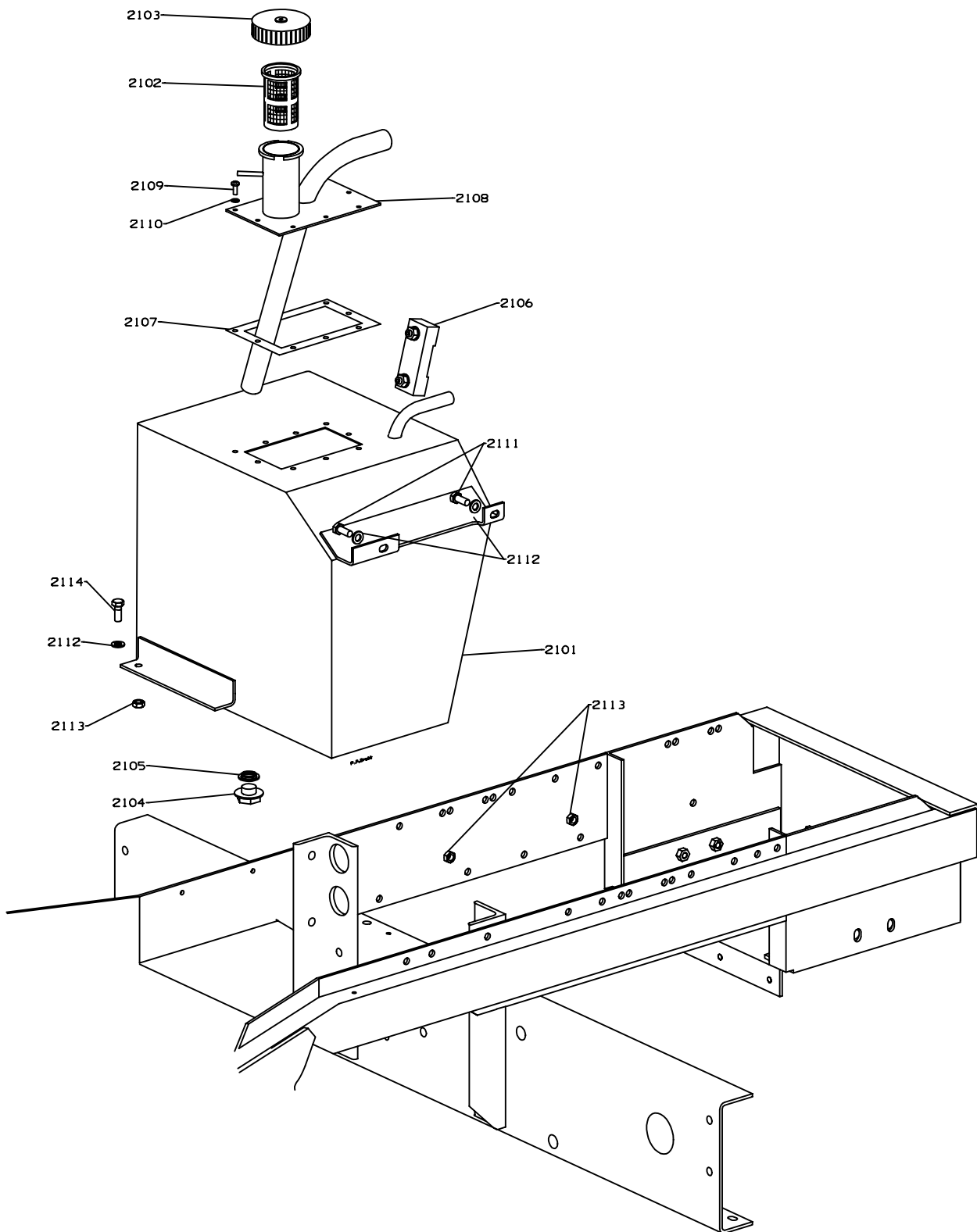
**LIST OF PARTS**

ITEM	RANSOMES PART NO	DESCRIPTION 	QTY	REMARKS
2001*	MBF0494A	FUEL TANK W/A	1	
2002	H460057	FILLER CAP	1	
2003	MBF0734A	COVER PLATE W/A	1	
2004	002494695	90 MALE ELBOW BSPT-TAIL	1	
2005	GSF3551EJ	FIBRE WASHER	1	
2006	H291025	MAGNETIC PLUG	1	
2007	A229979	5/8" SEAL	1	
2008	A810967	SENDER UNIT	1	24/5/1999 ONWARD
2008*	A810009	SENDER UNIT	1	
2010	A904021	GASKET	1	
2011	450541	SCREW, M6 x 16, PAN HD	9	
2012	450389	WASHER, M6	9	
2013	450214	SCREW, M10 x 25, HEX HD	1	
2014	450391	WASHER, M10	3	
2015	450379	NUT, M10 NYLOC	3	
2016	450029	BOLT, M10 x 35, HEX HD	1	
2017	450215	SCREW, M10 x 30, HEX HD	1	
2018*	MBC6171	CLAMP, COLLAR	1	FOR ITEM 2008 (A810967)
2019*	450529	SCREW-PAN HD M5x20	5	FOR ITEM 2018
2020*	A904939	FIBRE WASHER	5	FOR ITEM 2019

\* Not Illustrated


# RANSOMES COMMANDER 3510

---



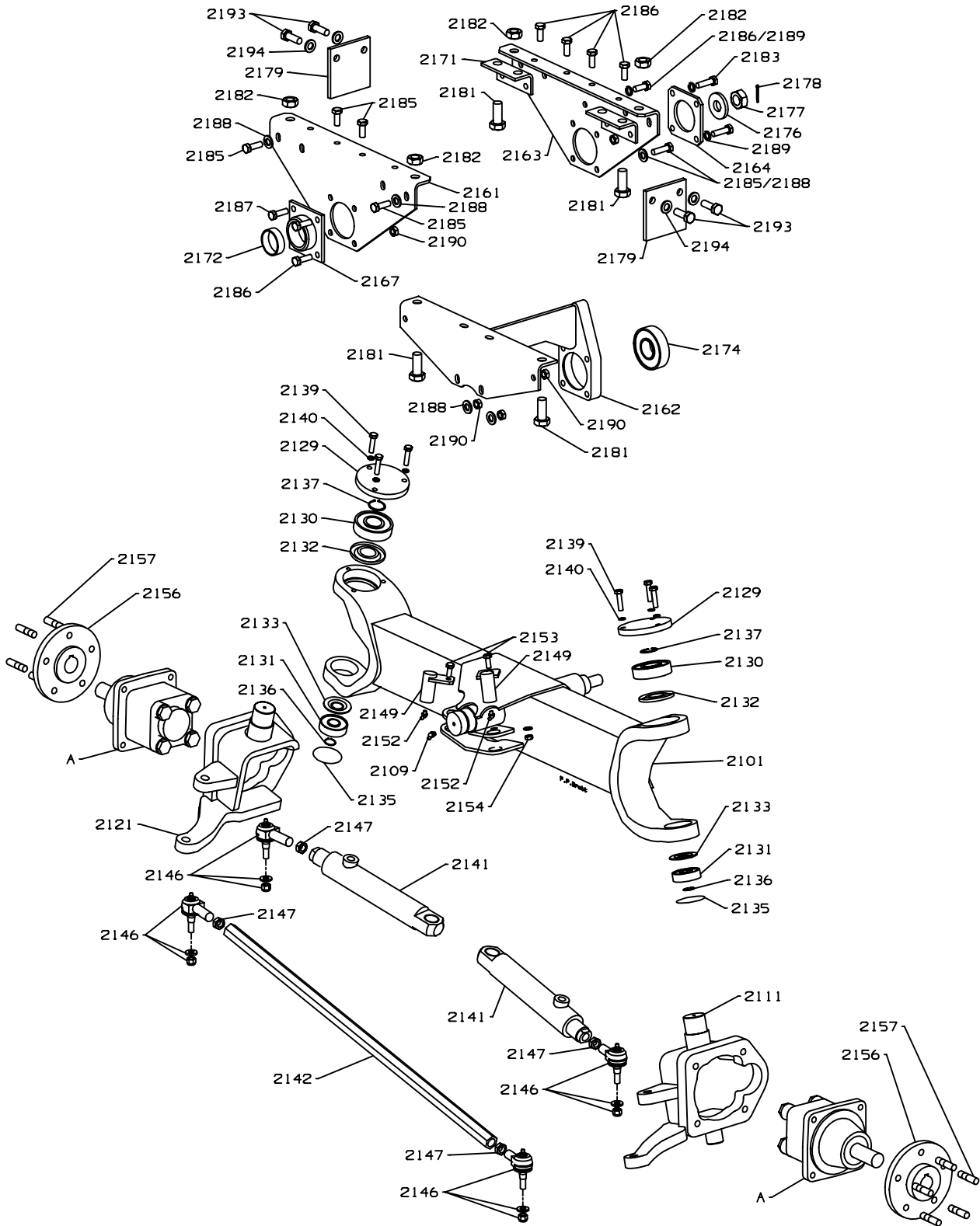
**HYDRAULIC TANK AND FILTERS**

**LIST OF PARTS**

ITEM	RANSOMES PART NO	DESCRIPTION 	QTY	REMARKS
2001	MBE3969E	HYDRAULIC TANK W/ASSY.	1	(11/11/1999 ONWARD - COOLING KIT)
2101	MBF1897B	HYDRAULIC TANK W/ASSY.	1	
2102	MBB2629	FILTER	1	
2103	H460004	FILLER CAP	1	
2104	H291025	MAGNETIC PLUG	1	
2105	A229979	5/8" SEAL	1	
2106	A808027	LEVEL GAUGE	1	
2107	A904021	GASKET	1	
2108	MBF1095A	HYD.TANK LID W.A.	1	
2109	450541	SCREW, M6 x 16, PAN HD	9	
2110	450389	WASHER, M6	9	
2111	450214	SCREW, M10 x 25, HEX HD	2	
2112	450391	WASHER, M10	3	
2113	450379	NUT, M10 NYLOC	3	
2114	450029	BOLT, M10 x 35, HEX HD	1	


\* Not Illustrated

# RANSOMES COMMANDER 3510



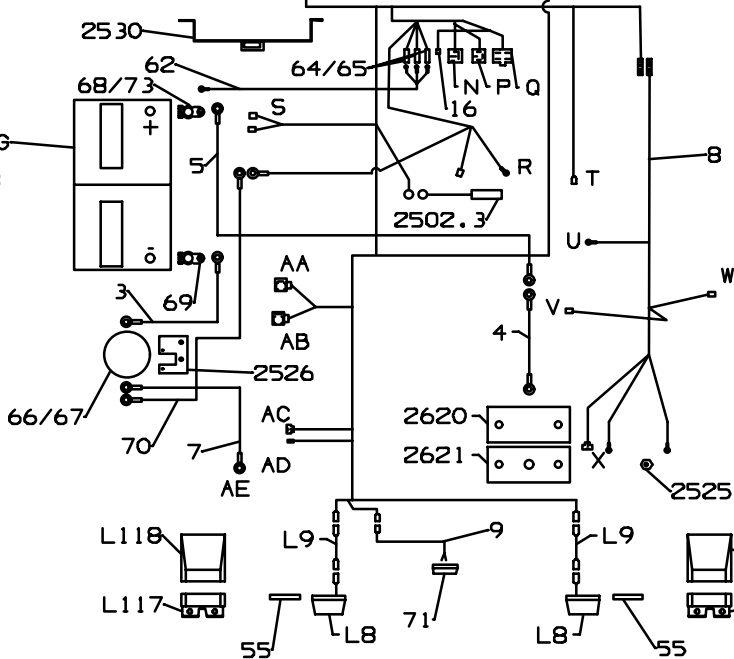
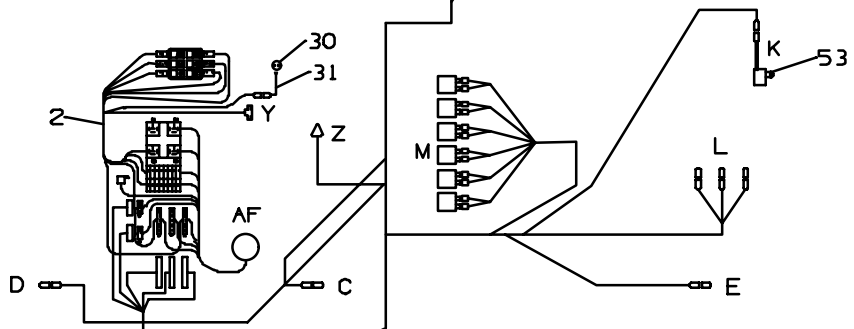
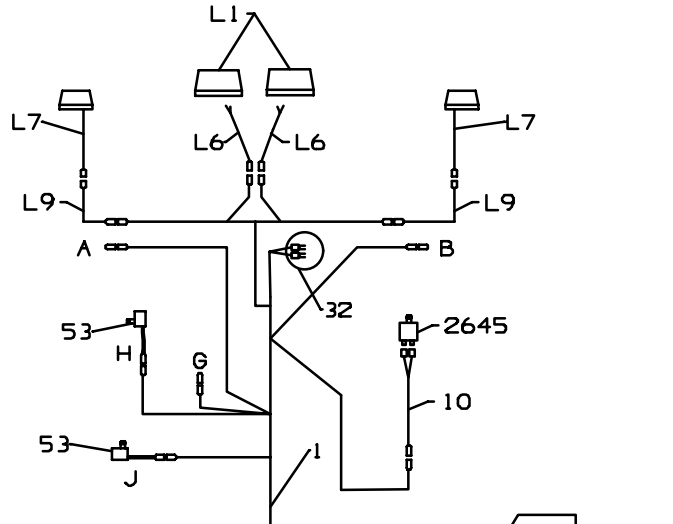
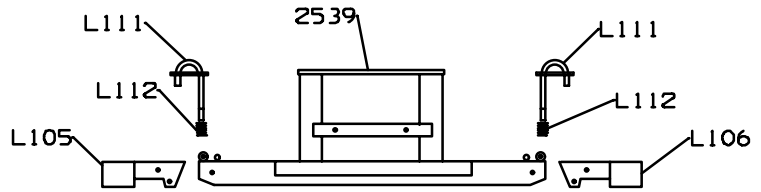
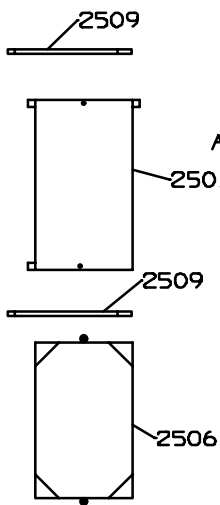
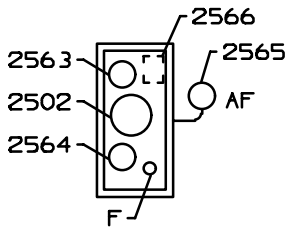
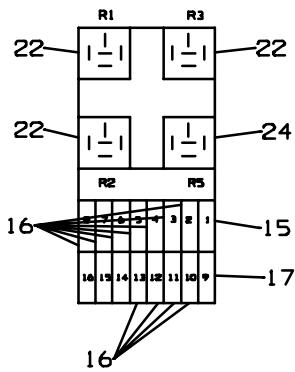
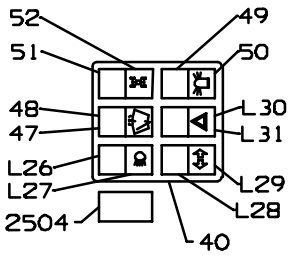
**STEERING AND REAR AXLE**

**LIST OF PARTS**


ITEM	RANSOMES PART NO	DESCRIPTION 	QTY	REMARKS
2101	MBE3824F	REAR AXLE.	1	
2109	A299306	LUBRICATOR	1	
2111	MBE3834C	AXLE SWIVEL LH.	1	
2121	MBE3835C	AXLE SWIVEL RH.	1	
2129	MBE3854	COVER.	2	
2130	A203706	BEARING, 30x72x19	2	
2131	A203605	BEARING, 25x52x15	2	
2132	A228306	NILOS RING	2	
2133	A228205	NILOS RING	2	
2135	A906500	PLUG	2	
2136	452050	EXT CIRCLIP, 25 mm	2	
2137	452055	EXT CIRCLIP, 30 mm	2	
2139	450016	BOLT, M8 x 40, HEX HD	6	
2140	450411	S.L.WASHER, M8	6	
2141	A902807	STEERING RAM	2	
2142	MBE3879	TRACK ROD.	1	
2146	A814546	STEERING JOINT	4	
2147	MBE3925	LOCKNUT.	4	
2149	MBE3855A	ANCHOR PIN.	2	
2152	A299316	LUBRICATOR	2	A299316
2153	450191	SCREW, M8 x 20, HEX HD	2	
2154	450378	NUT, M8 NYLOC	2	
2156	MBE3844C	WHEEL HUB.	2	
2157	456800237	STUD	10	GSF1194AH
2161	MBE3850	SUPPORT PLATE.	1	
2162	MBE3845B	SUPPORT HOUSING W/ASSY.	1	
2163	MBE4589	SUPPORT PLATE.	1	
2164	MBE4590	CLAMP - BEARING.	1	
2167	MBE4646	BEARING HOUSING W/ASSY.	1	
2171	MBE3849	BRACKET.	2	
2172	A214432	BUSH	1	
2174	A203707	BEARING, 35x80x21	1	
2176	AE45106	CLAMP WASHER	1	
2177	450383	NUT, M20 NYLOC	1	
2178	451274	SPLIT PIN, 5 x 32	1	
2179	MBE3897A	AXLE STOP.	2	
2181	450270	SCREW, M16 x 40, HEX HD	4	
2182	450382	NUT, M16 NYLOC	4	
2183	450216	SCREW, M10 x 35, HEX HD	4	
2185	450029	BOLT, M10 x 35, HEX HD	2	
2186	450214	SCREW, M10 x 25, HEX HD	4	
2187	450215	SCREW, M10 x 30, HEX HD	2	
2188	450391	WASHER, M10	2	
2189	450412	S.L.WASHER, M10	4	
2190	450379	NUT, M10 NYLOC	6	
2193	450242	SCREW, M12 x 35, HEX HD	4	
2194	450380	NUT, M12 NYLOC	4	
A	A800022	WHEEL MOTOR	2	

\* Not Illustrated

# RANSOMES COMMANDER 3510

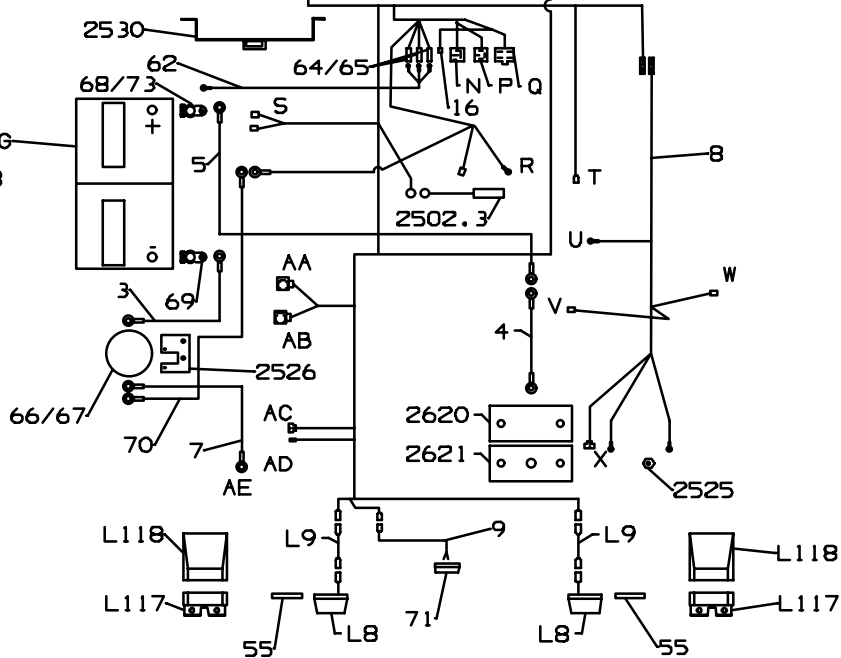
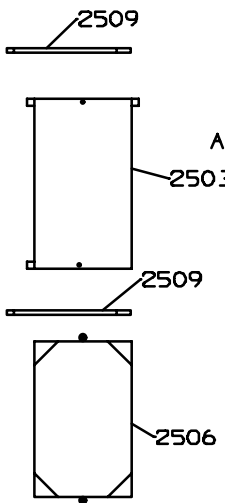
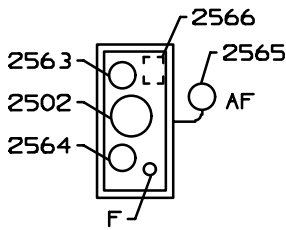
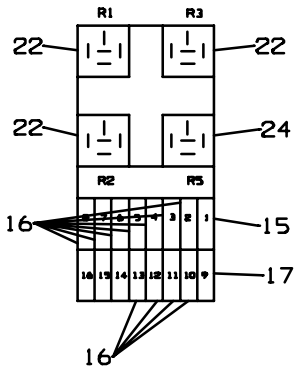
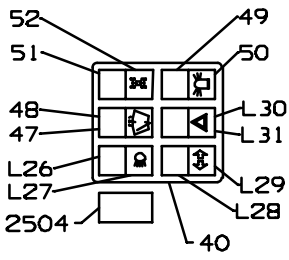





ITEM	RANSOMES PART NO	DESCRIPTION 	QTY	REMARKS	
2502	A810963	HOUR METER	1	ONLY USED IF LIGHTING KIT IS NOT FITTED	
2503	MBF1185A	BATTERY TRAY WA	1		
2504	A829521	BLANKING PLUG	3		
2505*	MBE3504	MIC.SWITCH KEEP PLATE.	3	(11/11/1999 ONWARD COOLING KIT)	
2506	MBE4149A	BATTERY CLAMP W/ASSY.	1		
2507*	W48228	HOSE CLIP	1		
2508*	A199253	EDGE CLIP, 6-7 mm	1		
2509	MBE4162	ROD.	2		
2510*	450324	NUT, M8	2		
2511*	450390	WASHER, M8	2		
2512*	450378	NUT, M8 NYLOC	2		
2513*	450215	SCREW, M10 x 30, HEX HD	1		
2514*	450391	WASHER, M10	1		
2515*	450379	NUT, M10 NYLOC	1		
2516*	A199232	CABLE TIE BASE	2		
2517*	A199211	TIE, 140 x 3.6	2		
2518*	450191	SCREW, M8 x 20, HEX HD	1		
2519*	450390	WASHER, M8	1		
2520*	450378	NUT, M8 NYLOC	1		
2521*	450191	SCREW, M8 x 20, HEX HD	1		
2522*	450390	WASHER, M8	1		
2523*	450411	S.L.WASHER, M8	1		
2524*	A119032	SCREW, M10 x 20	2		
2525	MBE4412	ADAPTOR.	1		
2526*	MBG5249	ISOLATOR BRACKET.	1		
2526	MBE4395	ISOLATOR BRACKET.	1		
2527*	450172	SCREW, M6 x 25, HEX HD	2		
2528*	450389	WASHER, M6	2		
2529*	450377	NUT, M6 NYLOC	2		
2530	MBE4315A	BRACKET - RELAY.	1		
2531*	450171	SCREW, M6 x 20, HEX HD	2		
2532*	450410	S.L.WASHER, M6	2		
2533*	450528	SCREW, M5 x 16, PAN HD	8		
2534*	450376	NUT, M5 NYLOC	8		
2535*	A199211	TIE, 140 x 3.6	15		
2536*	H499802	CABLE TIE	15		
2539	MBE4444D	BUMPER BAR W/ASSY.	1		
2540*	450217	SCREW, M10 x 40, HEX HD	4		
2541*	450412	S.L.WASHER, M10	4		
2542*	450325	NUT, M10	4		
2562*	A199232	CABLE TIE BASE	3		
2563	A810020	TEMP GAUGE, LCD	1		
2564	A810019	FUEL GAUGE LCD	1		
2565	A905543	INSTRUMENT HARNESS	1		A905717 + A905726
2566	A905018	SEAT SWITCH DELAY	1		
2567*	A903926	COLOUR CODING SPOT KIT	1		

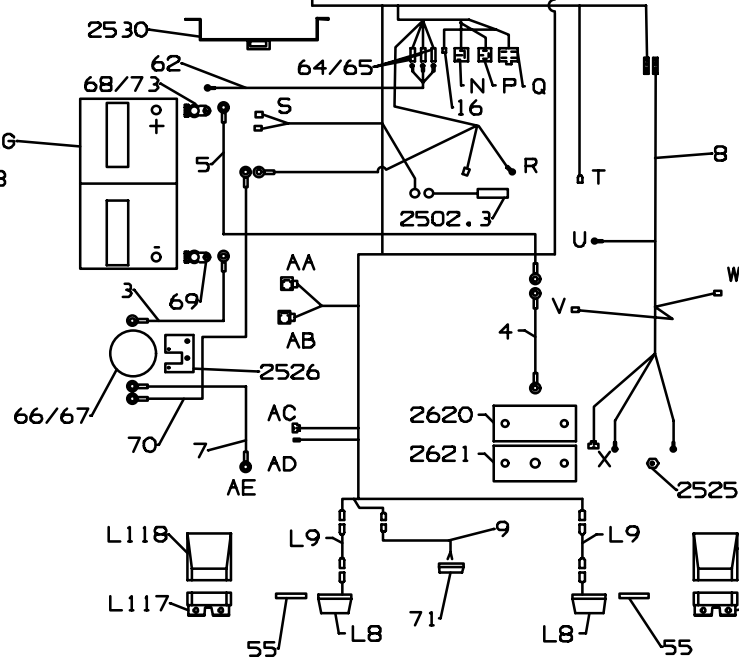
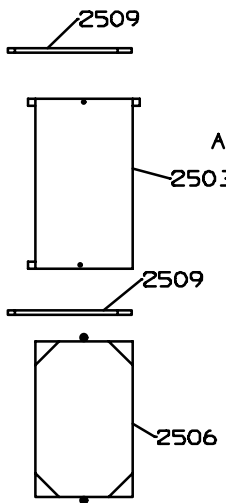
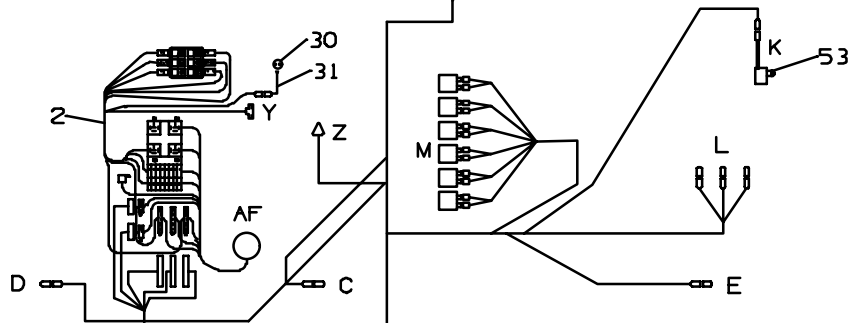
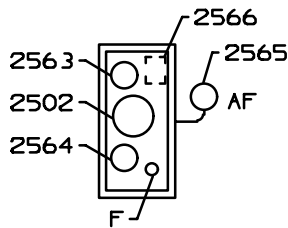
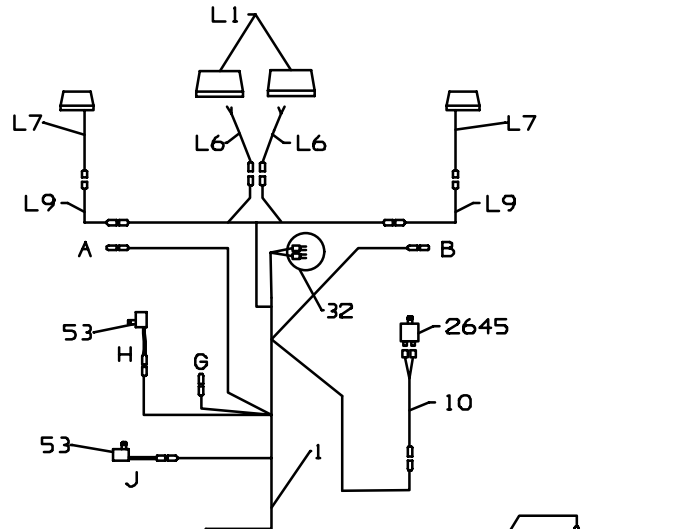
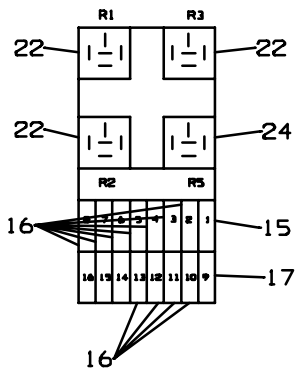
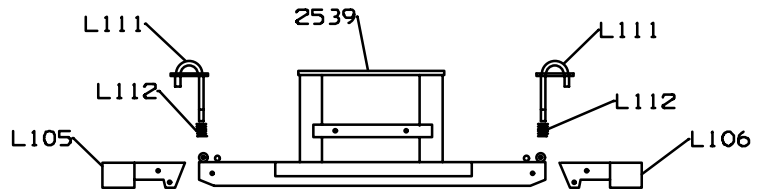
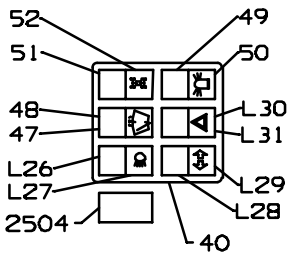
\* Not Illustrated


# RANSOMES COMMANDER 3510



ITEM	RANSOMES PART NO	DESCRIPTION 	QTY	REMARKS
2570*	MBG0003	KEEP PLATE.	1	FOR BATTERY LEADS
2620	A913488	TERMINAL PLATE	1	
2621	A913489	INSULATING PLATE	1	
2622*	A913490	SPACER, NYLON	2	
2631*	450195	SCREW, M8 x 40, HEX HD	1	
2632*	450390	WASHER, M8	4	
2633*	450324	NUT, M8	1	
2634*	450378	NUT, M8 NYLOC	1	
2635*	450856	SCREW, M6 x 35, SCKT CSK HD	2	
2636*	450389	WASHER, M6	1	
2637*	450377	NUT, M6 NYLOC	1	
2641*	A199235	CLIP, 12-14 mm	2	
2645	W038383	SWITCH	2	
2646	A913479	CORUGATED NYLON CONDUIT	1	
		<b>ELECTRICAL KIT</b>		
1	009056430	HARNESS - MAIN	1	
2	A905668	HARNESS CONSOLE	1	
3	A905646	BATTERY LEAD -VE	1	
4	A905662	BATTERY LEAD POS	1	
5	A905485	BATTERY LEAD +VE	1	
7	A905487	EARTH STRAP	1	
8	A905507	ENGINE SUB HARNESS	1	
9	A905677	HARNESS, REG PLATE	1	
10	A905665	HARNESS, SWITCH ADAPTOR	1	
15	A823315	5 AMP FUSE	1	
16	A823316	FUSE 10 AMP	11	
17	A823318	FUSE 20 AMP	2	
22	A824454	RELAY	3	
24	A824465	FLASHER RELAY	1	
30	A829854	SWITCH (PUSH BUTTON)	1	
31	A905469	SWITCH HARNESS	1	
32	A823972	HORN	1	
40	A829569	SWITCH FRAME (3WAY)	2	
47	A829529	ROCKER SWITCH	1	
48	A829556	LENS INSERT WIPER/WASH	1	
49	A829526	ROCKER SWITCH	1	
50	A823159	LENS INSERT - BEACON	1	
51	A829526	ROCKER SWITCH	1	
52	A829567	LENS INSERT, 4WD, GREEN.	1	
53	A905809	MICROSWITCH ASSLY	3	
55	A823153	REFLECTOR	2	
62	A905492	BATTERY FUSE HARNESS	1	
64	A823335	FUSE HOLDER	3	
65	A823337	FUSE, STRIP LINK	3	
66	A829576	BATTERY ISO SWITCH	1	
67	A829577	KEY FOR ISO SWITCH	1	

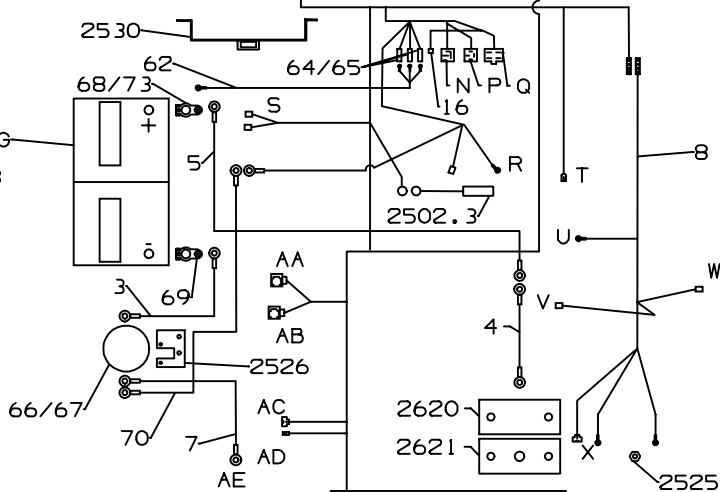
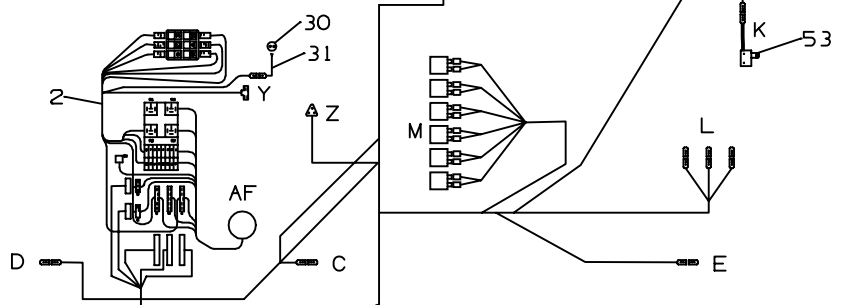
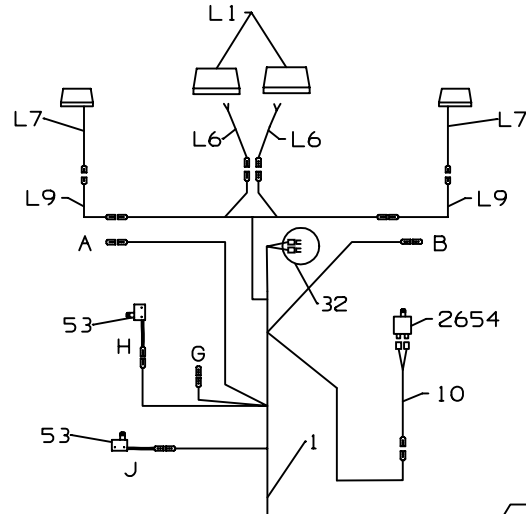
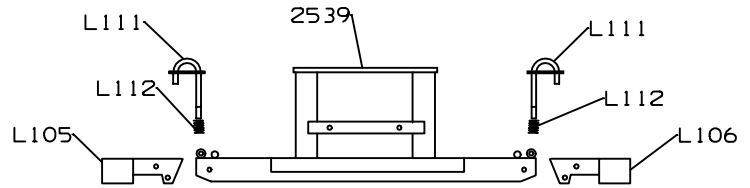
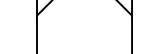
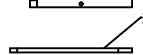
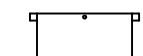
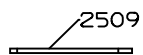
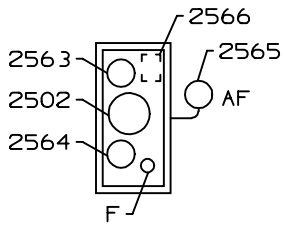
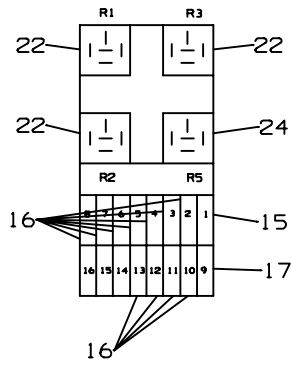
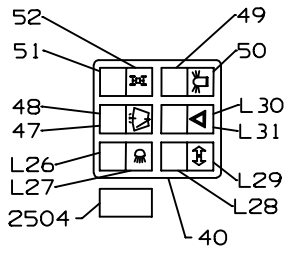
# RANSOMES COMMANDER 3510




ITEM	RANSOMES PART NO	DESCRIPTION 	QTY	REMARKS
68	A822207	BATTERY TERMINAL	1	
69	A822208	BATTERY TERMINAL	1	
70	A905651	ISO SWITCH LEAD -VE	1	
71	A823196	REG.PLATE LAMP	1	
72*	MBG4133	BUSH, STRAIN RELIEF	1	
73*	A823030	INSULATION BOOT	2	
*	A823343	RELAY / FUSE MOUNTING KIT	AR	
A				BLANK
B				SHORTING PLUG
C				BLANK
D				BLANK
E				BLANK
F		KEY SWITCH		
G				BLANK
H	A905414	MICROSWITCH		CYLINDER RESET
J	A905414	MICROSWITCH		DIFF. LOCK
K	A905414	MICROSWITCH		MOW CONTROL
L				BLANK
M	A801080	SOLENOID VALVES		
N	A824467	HEATER TIMER		
P	A824466	STARTER RELAY		
Q	31351-31413	STOP SOLENOID RELAY		EX KUBOTA
R		GLOW PLUGS		SEE KUBOTA ENGINE MANUAL.
S	A810009	FUEL LEVEL SENDER		
T		BEACON CONNECTION		
U		ENGINE OIL PRESSURE SENDER		SEE KUBOTA ENGINE MANUAL.
V		STARTER MOTOR		SEE KUBOTA ENGINE MANUAL.
W	A809088	HYD. PUMP OIL FILTER SENDER		
X		ALTERNATOR		SEE KUBOTA ENGINE MANUAL.
Y		KEY SWITCH		SEE KUBOTA ENGINE MANUAL.
Z		SEAT SWITCH CONNECTION		
AA	A801052	DIFF LOCK SOLENOID		
AB	A801052	4 WHEEL DRIVE SOLENOID		
AC		FUEL PUMP		SEE KUBOTA ENGINE MANUAL.
AD		ENGINE STOP SOLENOID		
AE		ENGINE EARTH		
AF		INSTRUMENT PANAL CONNECTION		
AG		BATTERY TYPE 665		

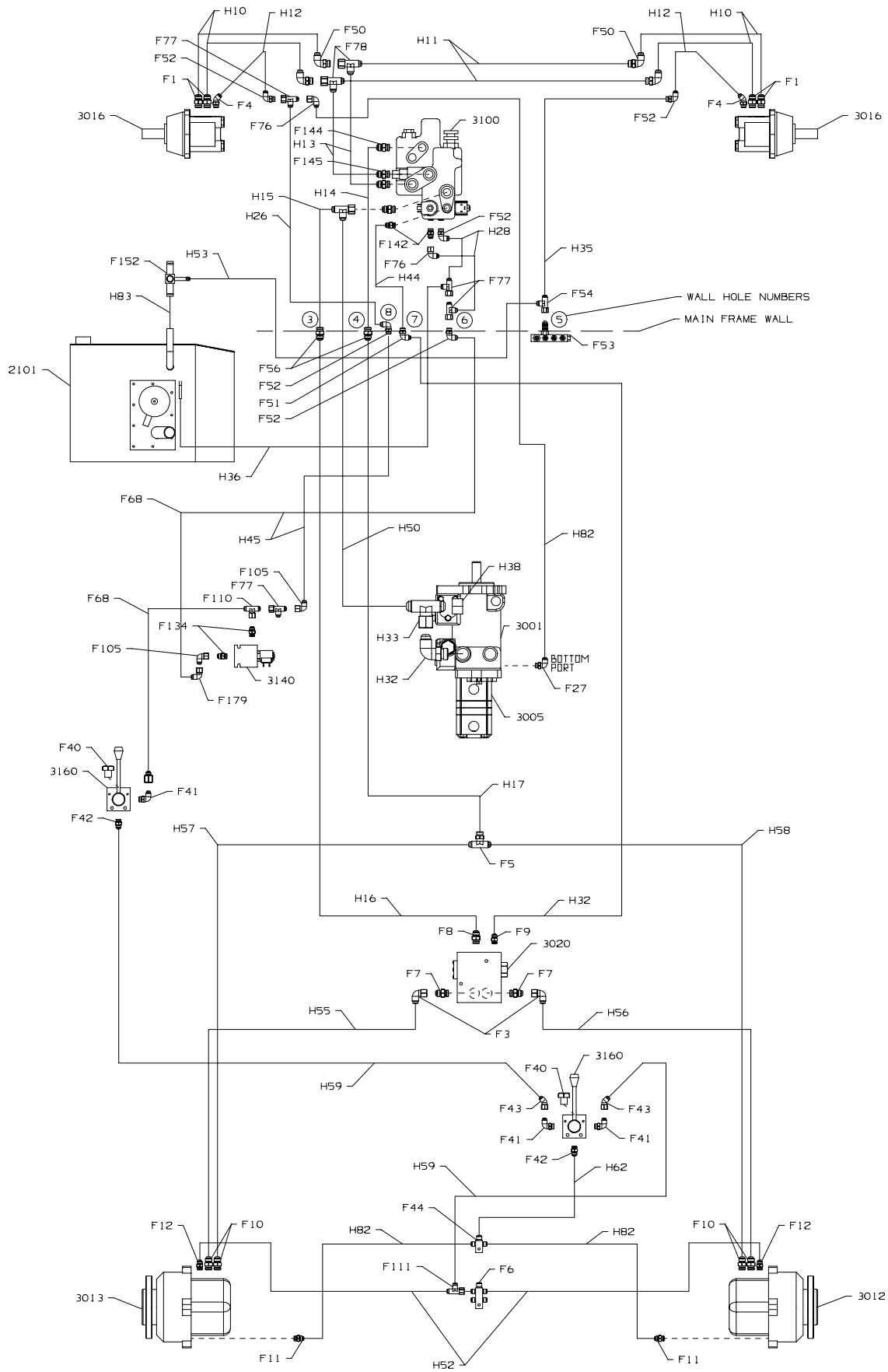
\* Not Illustrated

# RANSOMES COMMANDER 3510



ITEM	RANSOMES PART NO	DESCRIPTION 	QTY	REMARKS
<b>LIGHTING KIT</b>				
L1	A823179	HEAD LIGHT	2	
L2*	A823176	LIGHT BULB - BS NO. 382	4	
L6	A905675	HARNES, HEADLAMP	2	
L7	A823134	SIDELIGHT FRONT	2	
L8	A823180	LIGHT (REAR)	2	
L9	A900676	HARNES, SIDELAMP	4	
L13*	A295001	BUSH, STRAIN RELIEF	1	
L26	A829533	ROCKER SWITCH	1	
L27	A829552	LENS INSERT HEAD/SIDE	1	
L28	A829572	ROCKER SWITCH	1	
L29	A829573	LENS DIRECTION INDICATOR	1	
L30	A829525	HAZARD SWITCH	1	
L31	A829558	HAZARD LENS INSERT	1	
L105	MBE4472C	LAMP ARM LH.	1	
L106	MBE4478C	LAMP ARM RH.	1	
L107*	450040	BOLT, M10 x 90, HEX HD	2	
L108*	A292083	DISC SPRING WASHER	4	
L109*	450391	WASHER, M10	2	
L110*	450379	NUT, M10 NYLOC	2	
L111	MBE4534	HOOK W/ASSY.	2	
L112	A291013	COMPRESSION SPRING.	2	
L113*	450378	NUT, M8 NYLOC	2	
L114*	450168	SCREW, M6 x 12, HEX HD	2	
L115*	450323	NUT, M6	2	
L117	MBE4466D	LAMP BRACKET WELDMENT.	2	
L118	MBE4465A	LAMP COVER WELDMENT.	2	
L119*	450542	SCREW, M6 x 20, PAN HD	6	
L120*	450410	S.L.WASHER, M6	6	
L121*	450389	WASHER, M6	6	
L122*	450323	NUT, M6	6	
L123*	450539	SCREW, M6 x 12, PAN HD	8	
L124*	450389	WASHER, M6	8	
L131*	A199211	TIE, 140 x 3.6	6	
L132*	H499802	CABLE TIE	6	
L133*	A199232	CABLE TIE BASE	2	
L141*	MBG3716DG	ASSEMBLY DRAWING	1	
L142*	MBG3717DG	ASSEMBLY INSTRUCTIONS	1	

# RANSOMES COMMANDER 3510






**HYDRAULICS**

**LIST OF PARTS**

**TRACTION / BRAKE CIRCUIT (SUNDSTRAND PUMP)**

**From and including serial number: VB000469 (Plus VB000464)**

ITEM	RANSOMES PART NO	DESCRIPTION 	QTY	REMARKS
2101		HYDRAULIC TANK W/ASSY.	1	SEE HYDRAULIC TANK SECTION SAUER/SUNDSTRAND
3001	A800660	TRANSMISSION PUMP	1	
3005	A800637	TANDEM PUMP	1	
3012	A800635	DANFOSS MOTOR L,H.	1	
3013	A800636	DANFOSS MOTOR R,H.	1	
3016	A800022	HYD. MOTOR (200cc)	2	
3020	A802775	FLOW DIVIDER (DIFF LOCK)	1	
3100	A801063	TRANSMISSION VALVE	1	
3140	A801112	SOLENOID VALVE	1	
3160	A802834	FREE WHEEL VALVE	2	
H10	A792560	HOSE ASSY	4	
H11	A792575	HOSE ASSY	2	
H12	A791208	HOSE ASSY	2	
H13	A785047	HOSE ASSY	2	
H14	A792579	HOSE ASSY	1	
H15	A799630	HOSE ASSY	1	
H16	A799631	HOSE ASSY	1	
H17	A792566	HOSE ASSY	1	
H26	A791210	HOSE ASSY	1	
H28	A791211	HOSE ASSY	2	
H32	A791214	HOSE ASSY	1	
H35	A791212	HOSE ASSY	1	
H36	A796200	HOSE ASSY	1	
H44	A712030	HOSE ASSY	1	
H45	A712040	HOSE ASSY	2	
H50	A799564	HOSE ASSY	1	
H52	A799415	HOSE ASSY	2	
H53	A799416	HOSE ASSY	1	
H55	A799420	HOSE ASSY	1	
H56	A799421	HOSE ASSY	1	
H57	A799422	HOSE ASSY	1	
H58	A799423	HOSE ASSY	1	
H59	A799428	HOSE ASSY	1	
H62	A799431	HOSE ASSY	1	
H82	A712070	HOSE ASSY	3	
H83	005312009	HOSE ASSY	2	
F1	A240007	UNION MALE JIC-SAE	4	
F3	A241407	90 M/F ELBOW JIC	2	
F4	A242003	45 MALE ELBOW JIC-SAE	2	
F5	A243260	UNION TEE JIC	1	
F6	A249777	RETURN BLOCK	1	
F7	A240007	UNION MALE JIC-SAE	2	
F8	A240008	UNION MALE JIC-SAE	1	
F9	A240032	UNION MALE JIC-SAE	1	
F10	A249217	UNION MALE BSP-JIC	4	
F11	A249800	UNION MALE BSP-JIC	2	

\* Not Illustrated




**HYDRAULICS**

**LIST OF PARTS**

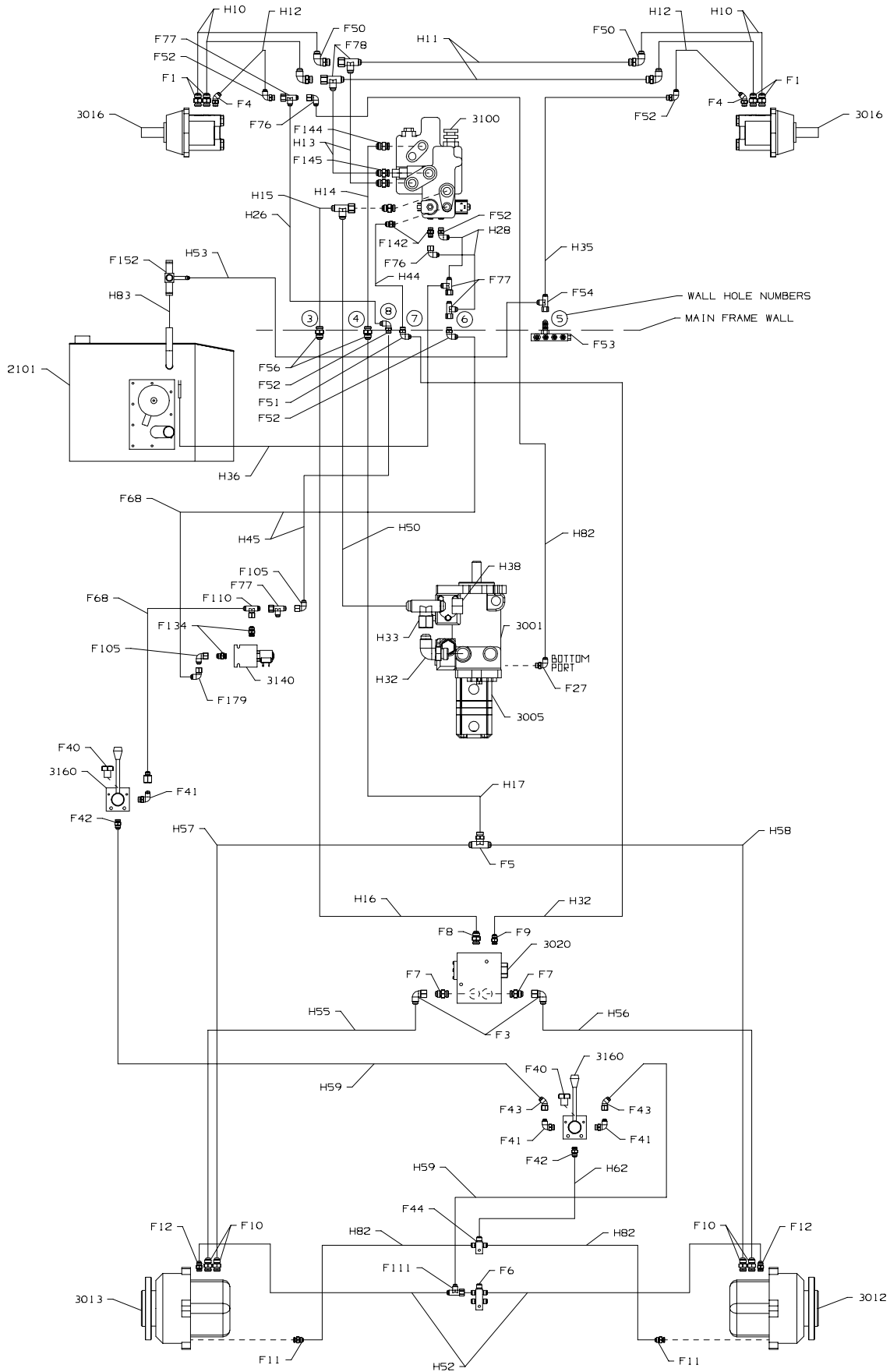
**TRACTION / BRAKE CIRCUIT (SUNDSTRAND PUMP)**

**From and including serial number: VB000469 (Plus VB000464)**

ITEM	RANSOMES PART NO	DESCRIPTION 	QTY	REMARKS
F12	GSF2570AB	STRAIGHT CONNECTOR	2	
F15*	108094-01	HOSE CLAMP .75 TO 1.75	12	
F16*	48383	CLAMP-HOSE 2-1/2 DIA.	4	
F27	A249740	90 MALE ELBOW BSP	5	
F28*	A241032	UNION MALE BSP-JIC	1	
F32	W158007-08	90° MALE ELBOW	1	
F33	69057-02	FITTING ORS BRANCH TEE	1	
F38	A259899	NUT AND PLUG	1	
F40	459100236	3/8" BSP PLUGS.	1	
F41	A249330	90 MALE ELBOW BSP-JIC	4	
F42	GSF2571AC	ADAPTOR	2	
F43	A242403	45 M/F ELBOW JIC	3	
F44	A249883	RETURN BLOCK	1	
F50	A249766	90 MALE ELBOW JIC	4	
F51	A249769	90 MALE ELBOW JIC	1	
F52	A249769	90 MALE ELBOW JIC	4	
F53	A249778	RETURN BLOCK	1	
F54	A249784	RUN TEE F/M/M JIC	1	
F55*	A240307	BULKHEAD UNION JIC	1	
F56	A240308	BULKHEAD UNION JIC	2	
F59*	A243505	RUN TEE M/F/M JIC	3	
F61*	A810959	COPPER WASHER	1	
F68	A797109	PILOT LINE ASSY	2	
F75*	A192516	HOSE CLAMP, 6-16	2	
F76	A241403	90 M/F ELBOW JIC	7	
F77	A243503	RUN TEE M/F/M JIC	5	
F78	A243507	RUN TEE M/F/M JIC	2	
F79*	A192532	HOSE CLAMP, 13-32	26	
F80*	A192914	DOUBLE WIRE HOSE CLIP	2	
F81*	A249791	90 MALE ELBOW BSPT-JIC	1	
F85*	A249788	90 M/F ELBOW BSPT	1	
F102*	A240007	UNION MALE JIC-SAE	16	
F103*	A241003	90 MALE ELBOW JIC-SAE	4	
F105	A241403	90 M/F ELBOW JIC	2	
F110	A243403	BRANCH TEE M/M/F JIC	2	
F111	A243503	RUN TEE M/F/M JIC	1	
F113*	A249799	UNION MALE BSP-JIC	4	
F115*	GSF2571AT	STRAIGHT CONNECTOR	2	
F118*	A249800	UNION MALE BSP-JIC	2	
F119*	A241005	90 MALE ELBOW JIC-SAE	1	
F123*	A249721	TEE M/F/F JIC-BSP	1	
F124*	A249740	90 MALE ELBOW BSP	1	
F125*	A240434	UNION M/F JIC	2	
F126*	A249333	90 MALE ELBOW BSP-JIC	2	
F132*	GSF2571AG	CONNECTOR	1	
F133*	A240003	UNION MALE JIC-SAE	2	
F134	A240032	UNION MALE JIC-SAE	5	
F136*	A241003	90 MALE ELBOW JIC-SAE	4	

\* Not Illustrated

# RANSOMES COMMANDER 3510




**HYDRAULICS**

**LIST OF PARTS**

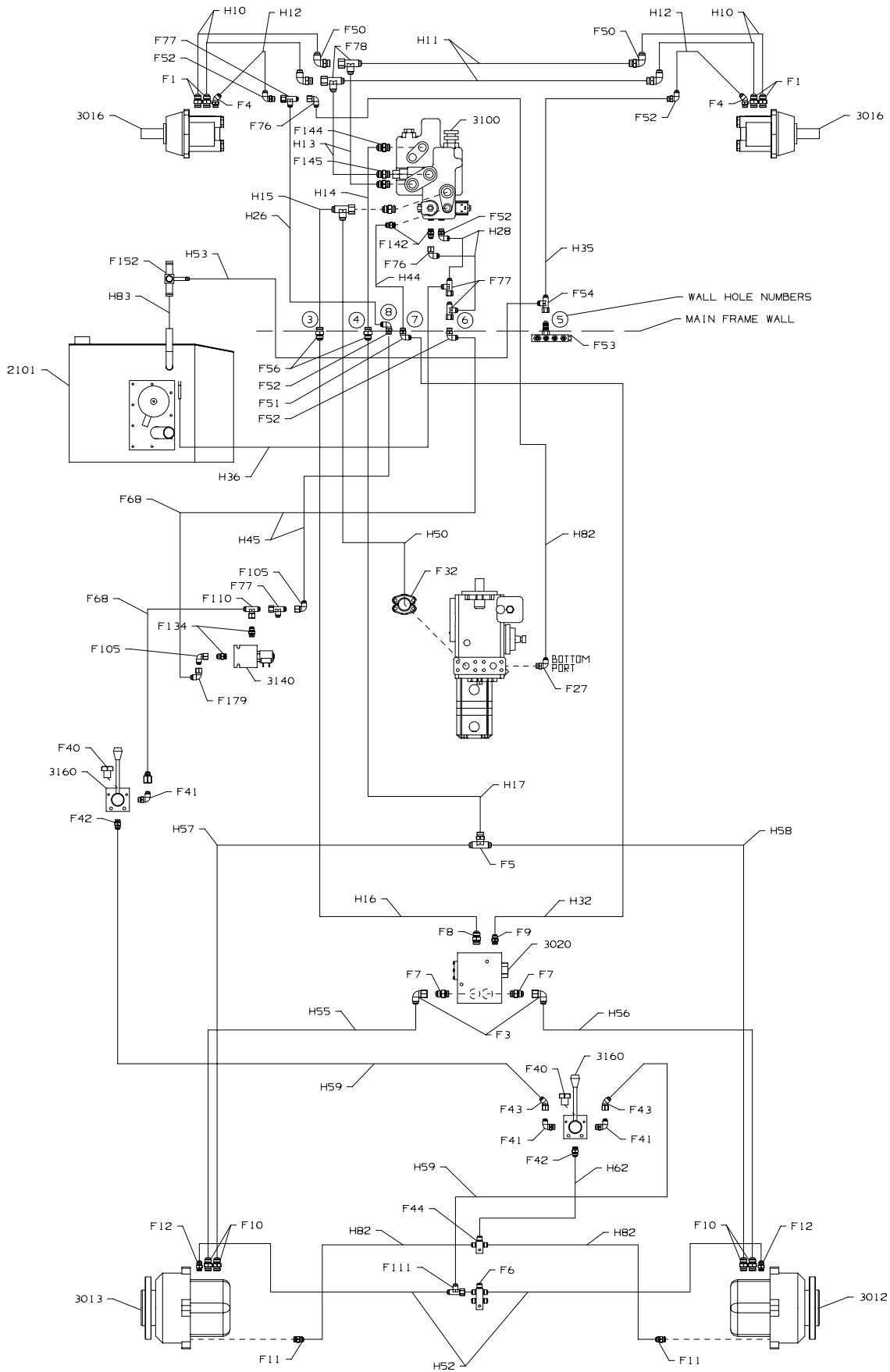
**TRACTION / BRAKE CIRCUIT (SUNDSTRAND PUMP)**

**From and including serial number: VB000469 (Plus VB000464)**

ITEM	RANSOMES PART NO	DESCRIPTION 	QTY	REMARKS
F137*	A241032	90 MALE ELBOW JIC-SAE	1	
F138*	A241403	90 M/F ELBOW JIC	3	
F141*	A244405	PLUG SAE	1	
F142	A240032	UNION MALE JIC-SAE	2	
F143*	A241032	90 MALE ELBOW JIC-SAE	1	
F144	A240008	UNION MALE JIC-SAE	2	
F145	A240090	UNION MALE JIC-SAE	2	
F147*	A243508	RUN TEE M/F/M JIC	1	
F148*	A241403	90 M/F ELBOW JIC	1	
F152	A249864	RETURN TEE	1	
F160*	A249870	90 DEG. ELBOW	1	
F165*	A192522	HOSE CLAMP, 8-22	1	
F166*	A192540	HOSE CLAMP, 19-40	8	
F167*	A192557	HOSE CLAMP, 34-57	4	
F168*	A192570	HOSE CLAMP, 23-70	1	
F169*	A242405	45 M/F ELBOW JIC	3	
F170*	459100888	HYDRAULIC ADAPTOR	2	
F172*	A242408	45 M/F ELBOW JIC	1	
F175*	A249770	UNION MALE JIC-SAE	1	
F176*	A249879	ELBOW 90 DEG 1/4BSPx7/16JIC	1	
F178*	A244805	CAP JIC	2	
F179	A241403	90 M/F ELBOW JIC	1	
F180	W158061-04	O RING	1	FOR 3001 TO 3005

\* Not Illustrated


# RANSOMES COMMANDER 3510



**HYDRAULICS  
TRACTION / BRAKE CIRCUIT (DANFOSS PUMP)**

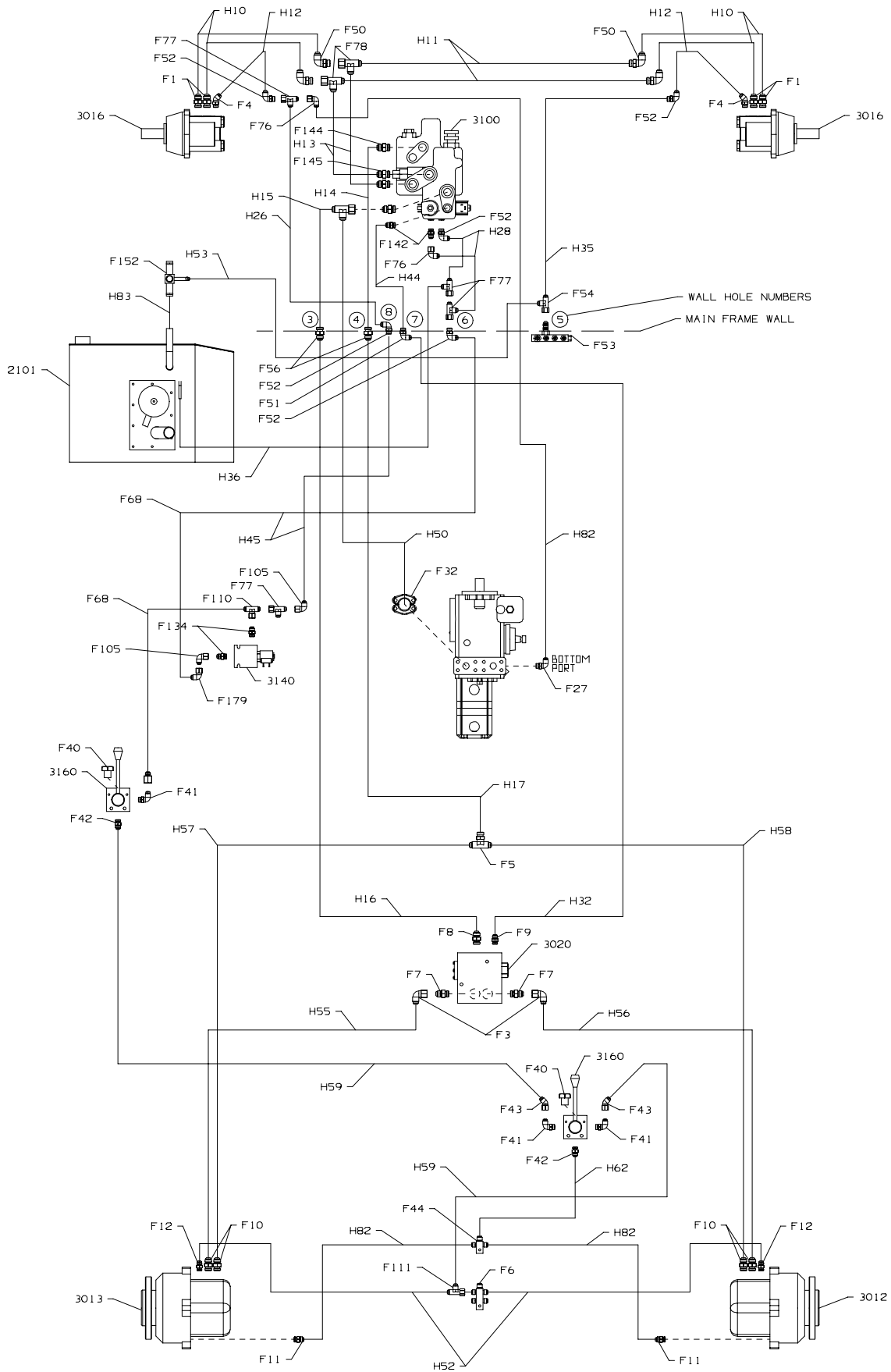
**LIST OF PARTS**

**From and including serial number: VB000372 to VB000463 and VB000465 to VB000468**

ITEM	RANSOMES PART NO	DESCRIPTION 	QTY	REMARKS
2101		HYDRAULIC TANK W/ASSY.	1	SEE HYDRAULIC TANK SECTION
3012	A800635	DANFOSS MOTOR L,H.	1	
3013	A800636	DANFOSS MOTOR R,H.	1	
3016	A800022	HYD. MOTOR (200cc)	2	
3020	A802775	FLOW DIVIDER (DIFF LOCK)	1	
3100	A801063	TRANSMISSION VALVE	1	
3140	A8011120	SOLENOID VALVE	1	
3160	A802834	FREE WHEEL VALVE	2	
H10	A792560M	HOSE ASSY	4	
H11	A792575M	HOSE ASSY	2	
H12	A791208M	HOSE ASSY	2	
H13	A785047M	HOSE ASSY	2	
H14	A792597M	HOSE ASSY	1	
H15	A792561M	HOSE ASSY	1	
H16	A792565M	HOSE ASSY	1	
H17	A792566M	HOSE ASSY	1	
H26	A791210M	HOSE ASSY	1	
H28	A791211M	HOSE ASSY	2	
H32	A791214M	HOSE ASSY	1	
H35	A791212M	HOSE ASSY	1	
H36	A796200M	HOSE ASSY	1	
H44	A712030M	HOSE ASSY	1	
H45	A712040M	HOSE ASSY	2	
H50	A799413	HOSE ASSY	1	
H52	A799415	HOSE ASSY	2	
H53	A799416	HOSE ASSY	1	
H55	A799420	HOSE ASSY	1	
H56	A799421	HOSE ASSY	1	
H57	A799422	HOSE ASSY	1	
H58	A799423	HOSE ASSY	1	
H59	A799428	HOSE ASSY	1	
H62	A799431	HOSE ASSY	1	
H82	A712070M	HOSE ASSY	3	
H83	A531200	HOSE ASSY	2	
F1	A240007	UNION MALE JIC-SAE	4	
F3	A241407	90 M/F ELBOW JIC	2	
F4	A242003	45 MALE ELBOW JIC-SAE	2	
F5	A243260	UNION TEE JIC	1	
F6	A249777	RETURN BLOCK	1	
F7	A240007	UNION MALE JIC-SAE	2	
F8	A240008	UNION MALE JIC-SAE	1	
F9	A240032	UNION MALE JIC-SAE	1	
F10	A249217	UNION MALE BSP-JIC	4	
F11	A249800	UNION MALE BSP-JIC	2	
F12	GSF2570AB	STRAIGHT CONNECTOR	2	
F15*	108094-01	HOSE CLAMP .75 TO 1.75	12	

\* Not Illustrated

# RANSOMES COMMANDER 3510






**HYDRAULICS  
TRACTION / BRAKE CIRCUIT (DANFOSS PUMP)**

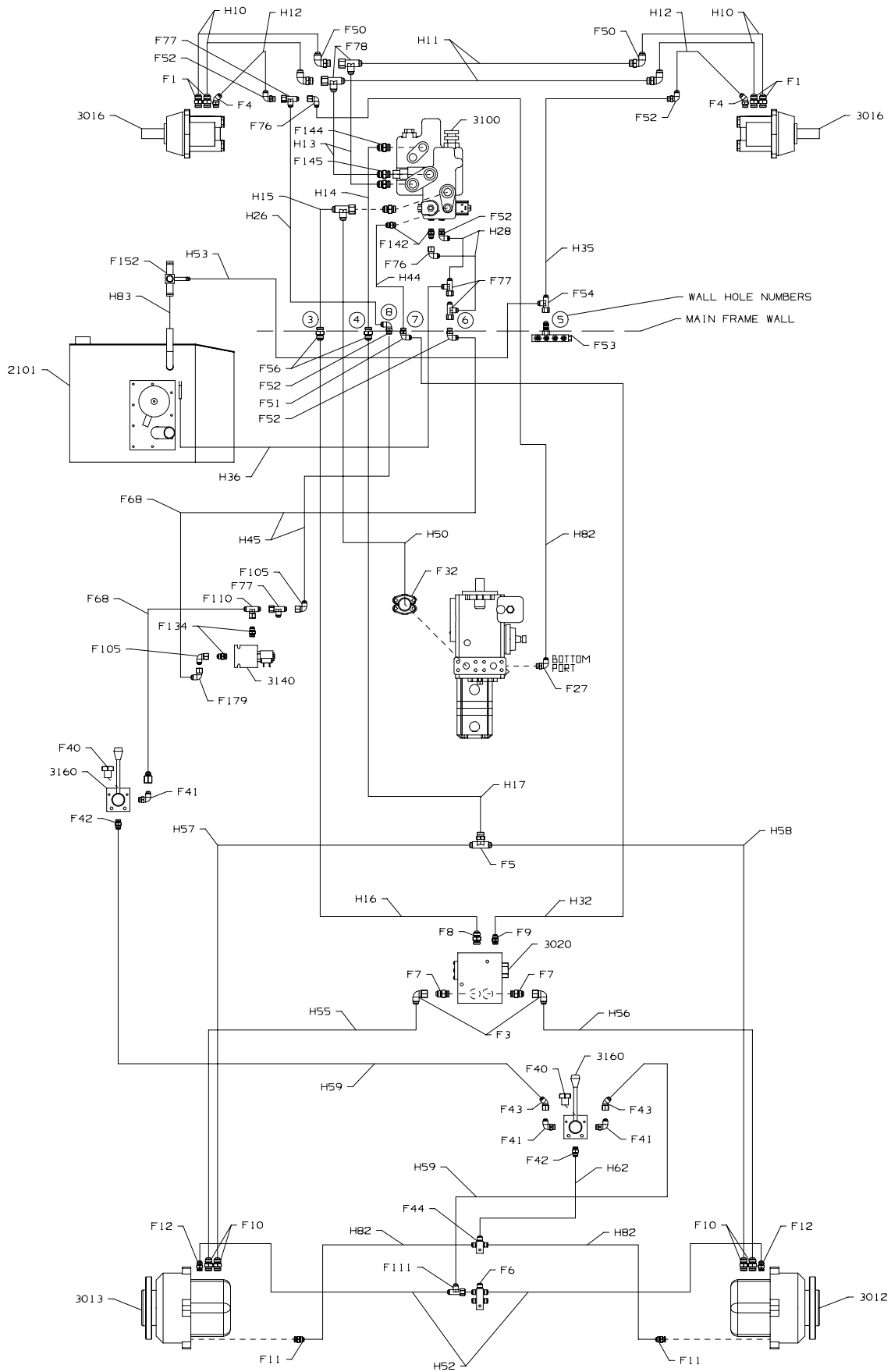
**LIST OF PARTS**

**From and including serial number: VB000372 to VB000463 and VB000465 to VB000468**

ITEM	RANSOMES PART NO	DESCRIPTION 	QTY	REMARKS
F16*	48383	CLAMP-HOSE 2-1/2 DIA.	4	
F27	A249740	90 MALE ELBOW BSP	5	
F28*	A249725	UNION MALE BSP-JIC	1	
F32	A249857	3/4-12 SPLIT FLANGE	2	
F33*	A221214	'O' RING	2	
F40	459100236	3/8" BSP PLUGS.	1	
F41	A249330	90 MALE ELBOW BSP-JIC	4	
F42	GSF2571AC	ADAPTOR	2	
F43	A242403	45 M/F ELBOW JIC	3	
F44	A249883	RETURN BLOCK	1	
F50	A249766	90 MALE ELBOW JIC	4	
F51	A249769	90 MALE ELBOW JIC	1	
F52	A249769	90 MALE ELBOW JIC	4	
F53	A249778	RETURN BLOCK	1	
F54	A249784	RUN TEE F/M/M JIC	1	
F55*	A240307	BULKHEAD UNION JIC	1	
F56	A240308	BULKHEAD UNION JIC	2	
F59*	A243505	RUN TEE M/F/M JIC	3	
F61*	A810959	COPPER WASHER	1	
F68	A797109	PILOT LINE ASSY	2	
F75*	A192516	HOSE CLAMP, 6-16	2	
F76	A241403	90 M/F ELBOW JIC	7	
F77	A243503	RUN TEE M/F/M JIC	5	
F78	A243507	RUN TEE M/F/M JIC	2	
F79*	A192532	HOSE CLAMP, 13-32	26	
F80*	A192914	DOUBLE WIRE HOSE CLIP	2	
F81*	A2497910	90 MALE ELBOW BSPT-JIC	1	
F85*	A249788	90 M/F ELBOW BSPT	1	
F102*	A240007	UNION MALE JIC-SAE	16	
F103*	A241003	90 MALE ELBOW JIC-SAE	4	
F105	A241403	90 M/F ELBOW JIC	2	
F110	A243403	BRANCH TEE M/M/F JIC	2	
F111	A243503	RUN TEE M/F/M JIC	1	
F113*	A249799	UNION MALE BSP-JIC	4	
F115*	GSF2571AT	STRAIGHT CONNECTOR	2	
F118*	A249800	UNION MALE BSP-JIC	2	
F119*	A241005	90 MALE ELBOW JIC-SAE	1	
F123*	A249721	TEE M/F/F JIC-BSP	1	
F124*	A249740	90 MALE ELBOW BSP	1	
F125*	A240434	UNION M/F JIC	2	
F126*	A249333	90 MALE ELBOW BSP-JIC	2	
F132*	GSF2571AG	CONNECTOR	1	
F133*	A240003	UNION MALE JIC-SAE	2	
F134	A240032	UNION MALE JIC-SAE	5	
F136*	A241003	90 MALE ELBOW JIC-SAE	4	
F137*	A241032	90 MALE ELBOW JIC-SAE	1	
F138*	A241403	90 M/F ELBOW JIC	3	
F141*	A244405	PLUG SAE	1	

\* Not Illustrated


# RANSOMES COMMANDER 3510



**HYDRAULICS  
TRACTION / BRAKE CIRCUIT (DANFOSS PUMP)**

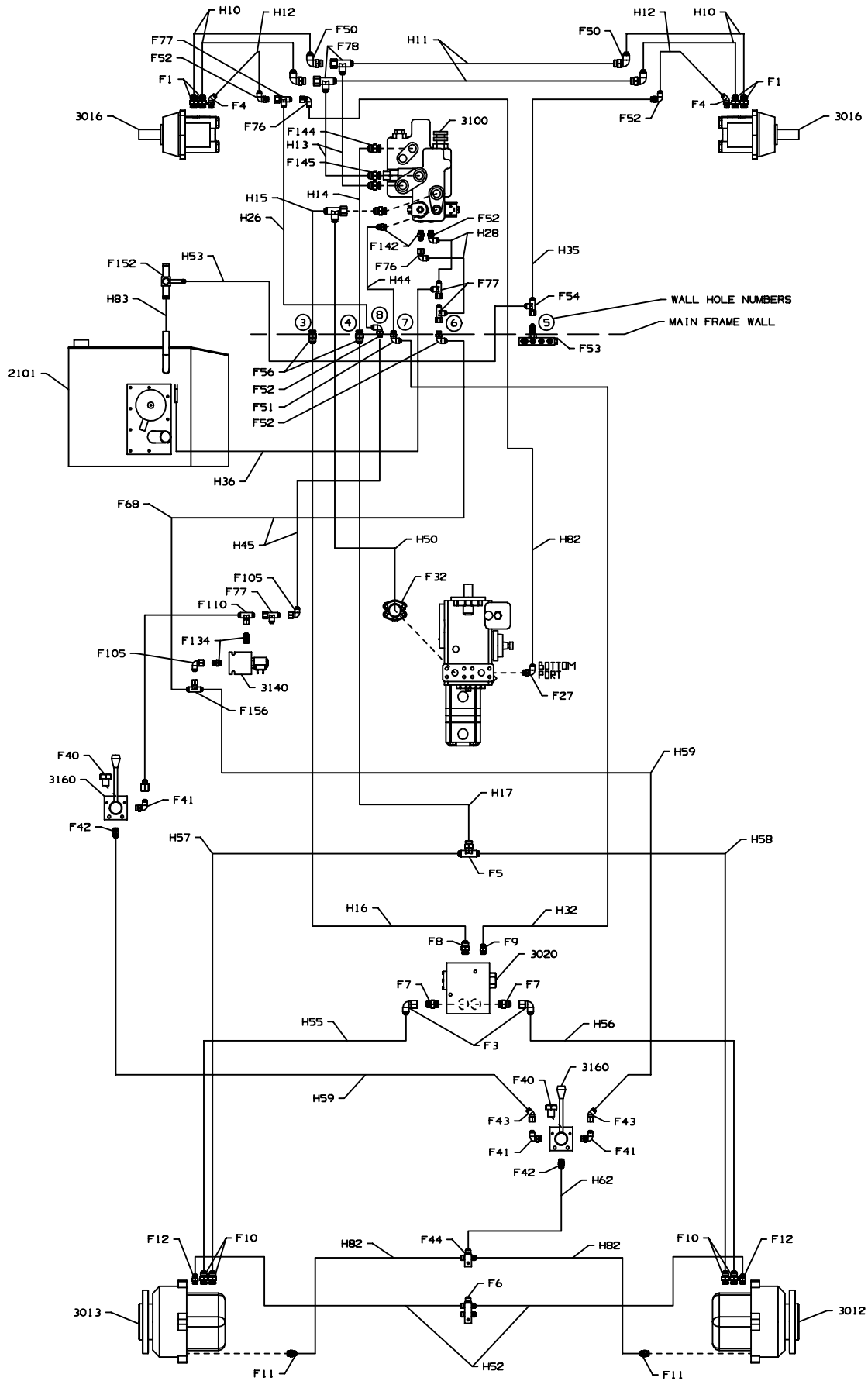
**LIST OF PARTS**

**From and including serial number: VB000372 to VB000463 and VB000465 to VB000468**

ITEM	RANSOMES PART NO	DESCRIPTION 	QTY	REMARKS
F142	A240032	UNION MALE JIC-SAE	2	
F143*	A241032	90 MALE ELBOW JIC-SAE	1	
F144	A240008	UNION MALE JIC-SAE	2	
F145	A240090	UNION MALE JIC-SAE	2	
F147*	A243508	RUN TEE M/F/M JIC	1	
F148*	A241403	90 M/F ELBOW JIC	1	
F152	A249864	RETURN TEE	1	
F160*	A249870	90 DEG. ELBOW	1	
F165*	A192522	HOSE CLAMP, 8-22	1	
F166*	A192540	HOSE CLAMP, 19-40	8	
F167*	A192557	HOSE CLAMP, 34-57	4	
F168*	A192570	HOSE CLAMP, 23-70	1	
F169*	A242405	45 M/F ELBOW JIC	3	
F170*	459100888	HYDRAULIC ADAPTOR	2	
F172*	A242408	45 M/F ELBOW JIC	1	
F175*	A249770	UNION MALE JIC-SAE	1	
F176*	A249879	ELBOW 90 DEG 1/4BSPx7/16JIC	1	
F178*	A244805	CAP JIC	2	
F179	A241403	90 M/F ELBOW JIC	1	


\* Not Illustrated

# RANSOMES COMMANDER 3510



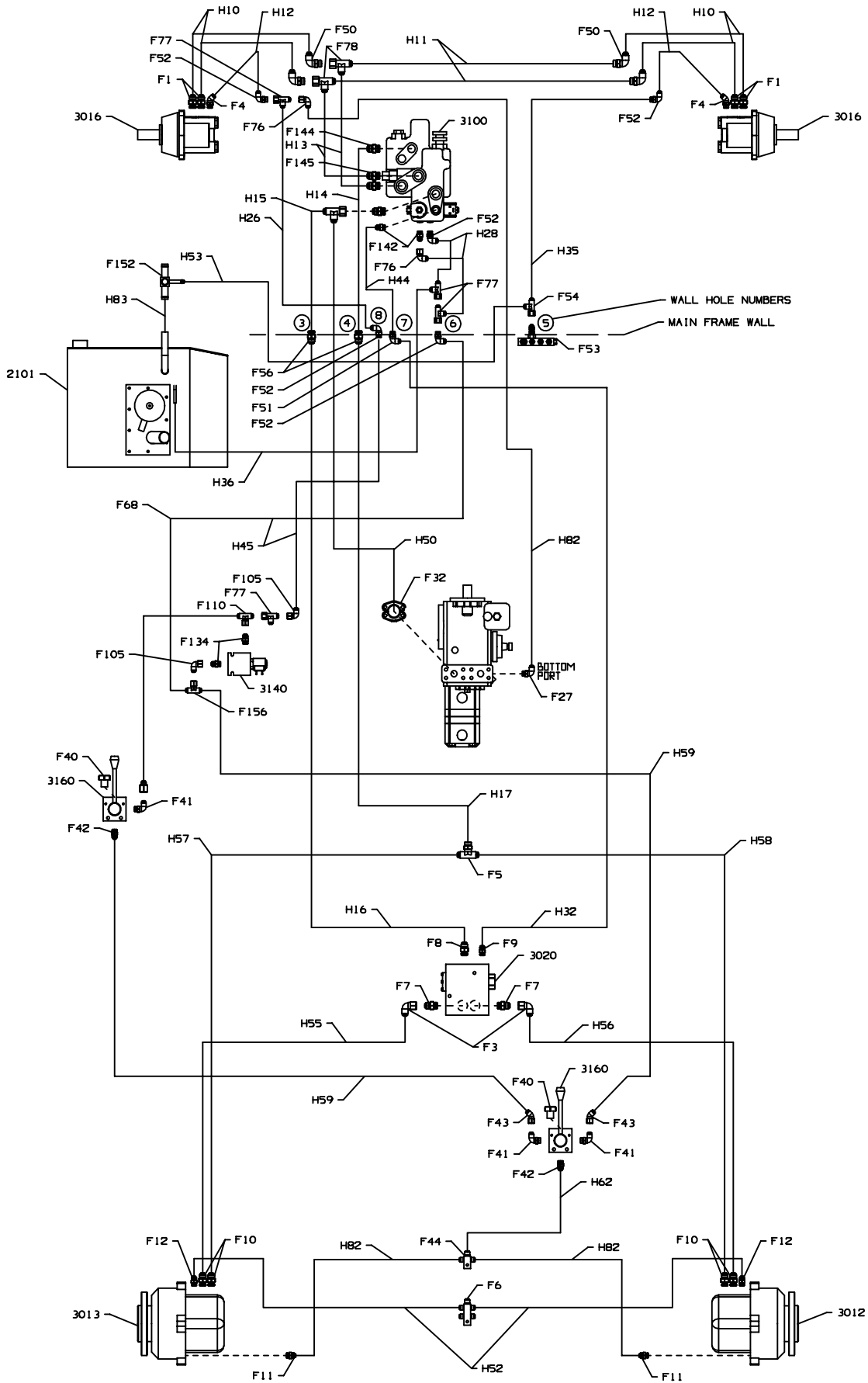
**HYDRAULICS**  
**TRACTION / BRAKE CIRCUIT (DANFOSS PUMP)**  
**Before serial number: VB000372**

**LIST OF PARTS**

ITEM	RANSOMES PART NO	DESCRIPTION 	QTY	REMARKS
2101		HYDRAULIC TANK W/ASSY.	1	SEE HYDRAULIC TANK SECTION
3012	A800635	DANFOSS MOTOR L,H.	1	
3013	A800636	DANFOSS MOTOR R,H.	1	
3016	A800022	HYD. MOTOR (200cc)	2	
3020	A802775	FLOW DIVIDER (DIFF LOCK)	1	
3100	A801063	TRANSMISSION VALVE	1	
3140	A8011120	SOLENOID VALVE	1	
3160	A802834	FREE WHEEL VALVE	2	
H10	A792560M	HOSE ASSY	4	
H11	A792575M	HOSE ASSY	2	
H12	A791208M	HOSE ASSY	2	
H13	A785047M	HOSE ASSY	2	
H14	A792597M	HOSE ASSY	1	
H15	A792561M	HOSE ASSY	1	
H16	A792565M	HOSE ASSY	1	
H17	A792566M	HOSE ASSY	1	
H26	A791210M	HOSE ASSY	1	
H28	A791211M	HOSE ASSY	2	
H32	A791214M	HOSE ASSY	1	
H35	A791212M	HOSE ASSY	1	
H36	A796200M	HOSE ASSY	1	
H44	A712030M	HOSE ASSY	1	
H45	A712040M	HOSE ASSY	2	
H50	A799413	HOSE ASSY	1	
H52	A799415	HOSE ASSY	2	
H53	A799416	HOSE ASSY	1	
H55	A799420	HOSE ASSY	1	
H56	A799421	HOSE ASSY	1	
H57	A799422	HOSE ASSY	1	
H58	A799423	HOSE ASSY	1	
H59	A799428	HOSE ASSY	1	
H62	A799431	HOSE ASSY	1	
H82	A712070M	HOSE ASSY	3	
H83	A531200	HOSE ASSY	2	
F1	A240007	UNION MALE JIC-SAE	4	
F3	A241407	90 M/F ELBOW JIC	2	
F4	A242003	45 MALE ELBOW JIC-SAE	2	
F5	A243260	UNION TEE JIC	1	
F6	A249777	RETURN BLOCK	1	
F7	A240007	UNION MALE JIC-SAE	2	
F8	A240008	UNION MALE JIC-SAE	1	
F9	A240032	UNION MALE JIC-SAE	1	
F10	A249217	UNION MALE BSP-JIC	4	
F11	A249800	UNION MALE BSP-JIC	2	
F12	GSF2570AB	STRAIGHT CONNECTOR	2	
F15*	108094-01	HOSE CLAMP .75 TO 1.75	12	


\* Not Illustrated

# RANSOMES COMMANDER 3510



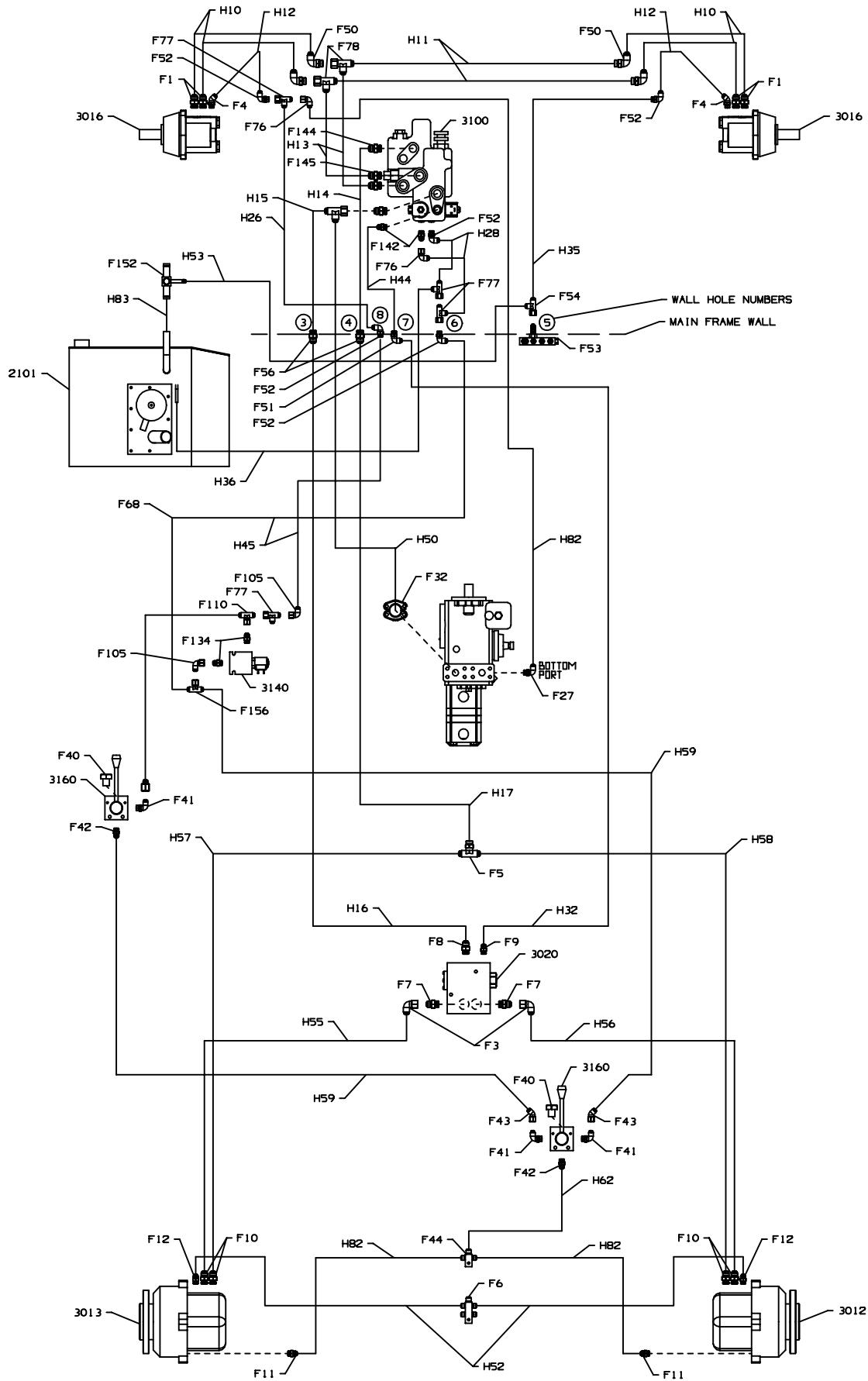
**HYDRAULICS**  
**TRACTION / BRAKE CIRCUIT (DANFOSS PUMP)**  
**Before serial number: VB000372**

**LIST OF PARTS**

ITEM	RANSOMES PART NO	DESCRIPTION 	QTY	REMARKS
F16*	48383	CLAMP-HOSE 2-1/2 DIA.	4	
F27	A249740	90 MALE ELBOW BSP	5	
F28*	A249725	UNION MALE BSP-JIC	1	
F32	A249857	3/4-12 SPLIT FLANGE	2	
F33*	A221214	'O' RING	2	
F40	459100236	3/8" BSP PLUGS.	1	
F41	A249330	90 MALE ELBOW BSP-JIC	4	
F42	GSF2571AC	ADAPTOR	2	
F43	A242403	45 M/F ELBOW JIC	3	
F44	A249883	RETURN BLOCK	1	
F50	A249766	90 MALE ELBOW JIC	4	
F51	A249769	90 MALE ELBOW JIC	1	
F52	A249769	90 MALE ELBOW JIC	4	
F53	A249778	RETURN BLOCK	1	
F54	A249784	RUN TEE F/M/M JIC	1	
F55*	A240307	BULKHEAD UNION JIC	1	
F56	A240308	BULKHEAD UNION JIC	2	
F59*	A243505	RUN TEE M/F/M JIC	3	
F61*	A810959	COPPER WASHER	1	
F68	A797109	PILOT LINE ASSY	2	
F75*	A192516	HOSE CLAMP, 6-16	2	
F76	A241403	90 M/F ELBOW JIC	7	
F77	A243503	RUN TEE M/F/M JIC	5	
F78	A243507	RUN TEE M/F/M JIC	2	
F79*	A192532	HOSE CLAMP, 13-32	26	
F80*	A192914	DOUBLE WIRE HOSE CLIP	2	
F81*	A2497910	90 MALE ELBOW BSPT-JIC	1	
F85*	A249788	90 M/F ELBOW BSPT	1	
F102*	A240007	UNION MALE JIC-SAE	16	
F103*	A241003	90 MALE ELBOW JIC-SAE	4	
F105	A241403	90 M/F ELBOW JIC	2	
F110	A243403	BRANCH TEE M/M/F JIC	2	
F113*	A249799	UNION MALE BSP-JIC	4	
F115*	GSF2571AT	STRAIGHT CONNECTOR	2	
F118*	A249800	UNION MALE BSP-JIC	2	
F119*	A241005	90 MALE ELBOW JIC-SAE	1	
F123*	A249721	TEE M/F/F JIC-BSP	1	
F124*	A249740	90 MALE ELBOW BSP	1	
F125*	A240434	UNION M/F JIC	2	
F126*	A249333	90 MALE ELBOW BSP-JIC	2	
F132*	GSF2571AG	CONNECTOR	1	
F133*	A240003	UNION MALE JIC-SAE	2	
F134	A240032	UNION MALE JIC-SAE	5	
F136*	A241003	90 MALE ELBOW JIC-SAE	4	
F137*	A241032	90 MALE ELBOW JIC-SAE	1	
F138*	A241403	90 M/F ELBOW JIC	3	
F141*	A244405	PLUG SAE	1	
F142	A240032	UNION MALE JIC-SAE	2	

\* Not Illustrated


# RANSOMES COMMANDER 3510





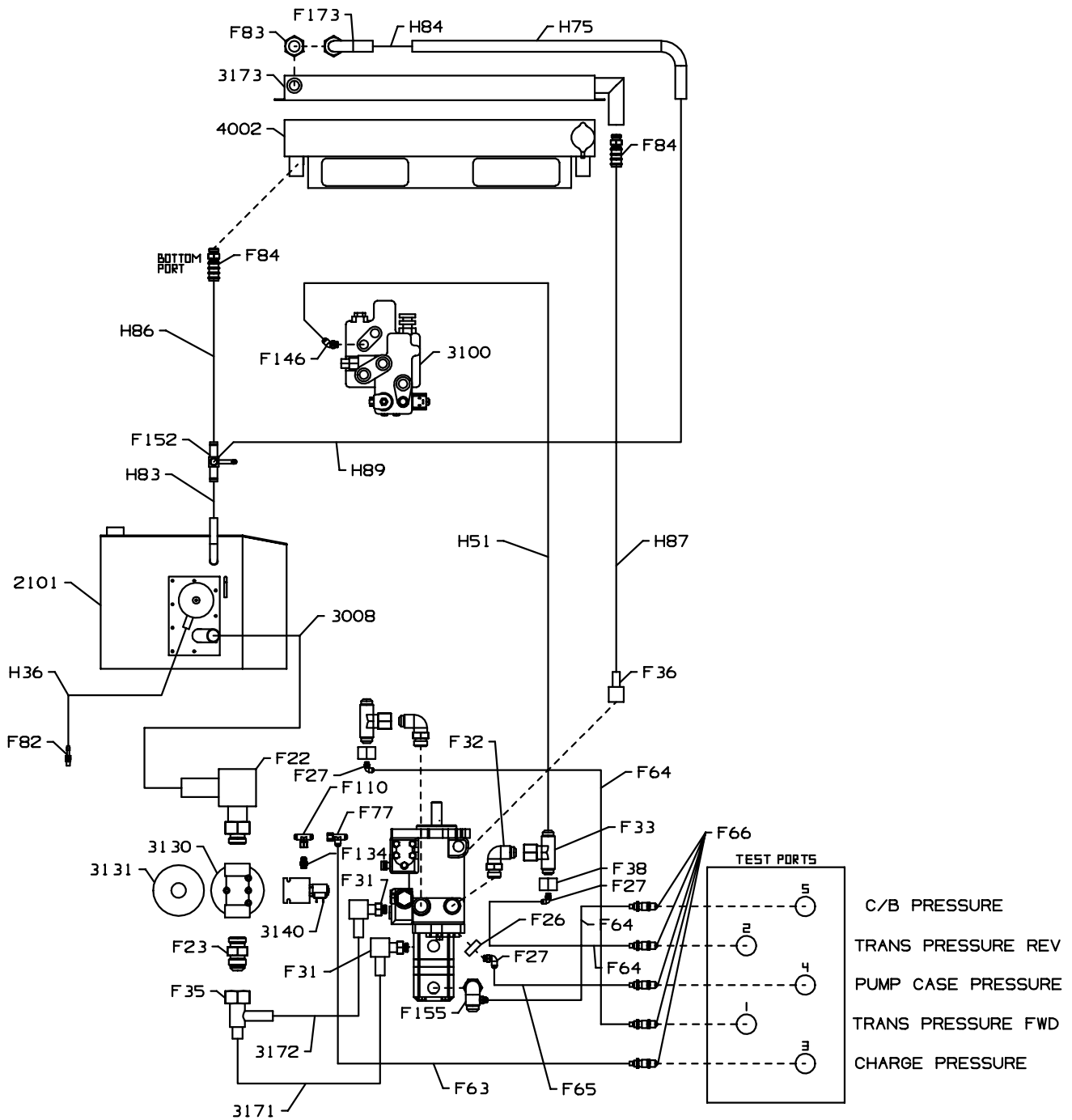
**HYDRAULICS**  
**TRACTION / BRAKE CIRCUIT (DANFOSS PUMP)**  
**Before serial number: VB000372**

**LIST OF PARTS**

ITEM	RANSOMES PART NO	DESCRIPTION 	QTY	REMARKS
F143*	A241032	90 MALE ELBOW JIC-SAE	1	
F144	A240008	UNION MALE JIC-SAE	2	
F145	A240090	UNION MALE JIC-SAE	2	
F147*	A243508	RUN TEE M/F/M JIC	1	
F148*	A241403	90 M/F ELBOW JIC	1	
F152	A249864	RETURN TEE	1	
F156	A249867	SWIVEL NUT RUN TEE	1	
F160*	A249870	90 DEG. ELBOW	1	
F165*	A192522	HOSE CLAMP, 8-22	1	
F166*	A192540	HOSE CLAMP, 19-40	8	
F167*	A192557	HOSE CLAMP, 34-57	4	
F168*	A192570	HOSE CLAMP, 23-70	1	
F169*	A242405	45 M/F ELBOW JIC	3	
F170*	459100888	HYDRAULIC ADAPTOR	2	
F172*	A242408	45 M/F ELBOW JIC	1	
F175*	A249770	UNION MALE JIC-SAE	1	
F176*	A249879	ELBOW 90 DEG 1/4BSPx7/16JIC	1	
F178*	A244805	CAP JIC	2	
F179*	A241403	90 M/F ELBOW JIC	1	

\* Not Illustrated

# RANSOMES COMMANDER 3510



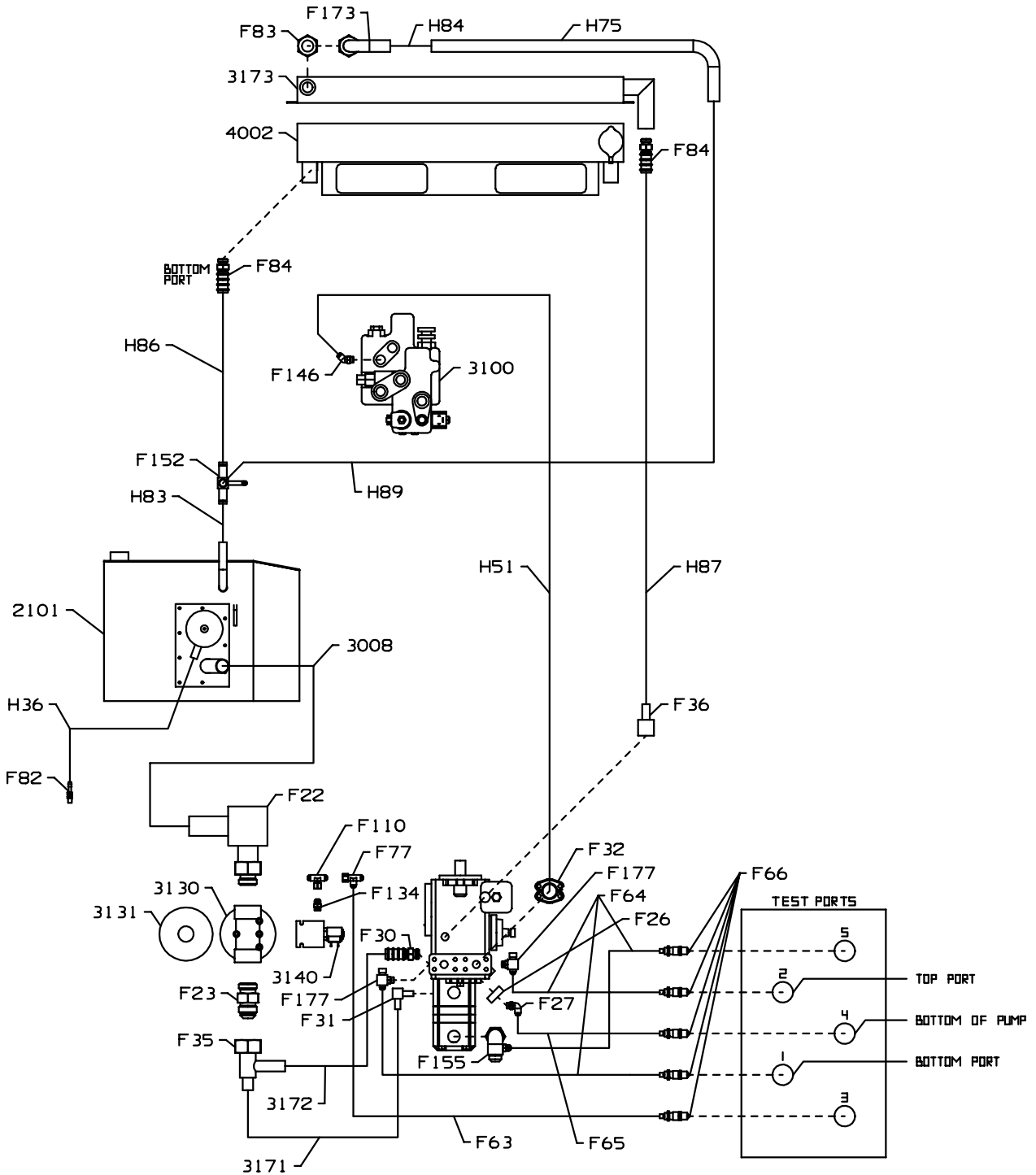
**HYDRAULICS**  
**COOLING CIRCUIT (SUNDSTRAND PUMP)**  
**From and including serial number: VB000469 (Plus VB000464)**

**LIST OF PARTS**

ITEM	RANSOMES PART NO	DESCRIPTION 	QTY	REMARKS
2101		HYDRAULIC TANK W/ASSY.	1	SEE HYDRAULIC TANK SECTION
3008	A912157	SUCTION HOSE	1	
3100	A801063	TRANSMISSION VALVE	1	
3130	2208038	FILTER HEAD-SPIN ON	1	
3131	W178025	OIL FILTER ELEMENT	1	
3140	A8011120	SOLENOID VALVE	1	
3171	A912169	SUCTION HOSE	1	
3172	A912170	SUCTION HOSE	1	
3173*	A691142	OIL COOLER	1	-(11/11/1999 ONWARD COOLING KIT)
3173	A691109	OIL COOLER	1	
4002*	A691141	RADIATOR	1	-(11/11/1999 ONWARD COOLING KIT)
4002	A691106	RADIATOR/OIL COOLER ASSY	1	
H36	A796200	HOSE ASSY	1	
H51	A799564	HOSE ASSY	1	
H75	A910042	E.R.W TUBE 3/4"X16 SWG	1	
H83	005312009	HOSE ASSY	2	
H84	005312010	HOSE 3/4 BORE X 100LG	1	
H86	005312041	HOSE 3/4 BORE X 410LG	1	
H87	005312115	HOSE 3/4 BORE X 1150LG	1	
H89	005312195	HOSE 3/4 BORE X 1950LG	1	
F22	158058-08	FITTING-90 BARB,ADJ	1	
F23	158006-12	FITTING ORS/ORB	1	
F26	A249898	PLUG BSP	1	
F27	A249740	90 MALE ELBOW BSP	5	
F31	A260007	FITTING-90 BARB,ADJ	2	
F32	158007-08	90° MALE ELBOW	1	
F33	69057-02	FITTING ORS BRANCH TEE	1	
F34*	A249296	UNION MALE, BSP. - SAE	1	USE WITH ITEM F36
F35	A910049	MANIFOLD-INLET	1	
F36	A249785	90 DEG.ELBOW	1	
F38	A249899	NUT AND PLUG	1	
F63	A808037	GAUGE LINE ASSEMBLY	1	
F64	A808038	GAUGE LINE ASSEMBLY	4	
F65	A808043	GAUGE LINE ASSY, 1060 LG	2	
F66	A244911	TEST POINT BSP	5	
F77	A243503	RUN TEE M/F/M JIC	5	
F82	A249704	BREATHER TAIL	1	
F83	A249742	UNION MALE BSP	1	
F84	A249787	UNION MALE BSP-TAIL	3	
F110	A243403	BRANCH TEE M/M/F JIC	2	
F134	A240032	UNION MALE JIC-SAE	5	
F146	A242008	45 MALE ELBOW JIC-SAE	1	
F152	A249864	RETURN TEE	1	
F155	A249869	90 DEG. ELBOW	1	
F173	A249785	90 F/M ELBOW BSP-TAIL	1	
F177	A249882	MALE TEE	2	

\* Not Illustrated


# RANSOMES COMMANDER 3510



**HYDRAULICS  
COOLING CIRCUIT (DANFOSS PUMP)**

**LIST OF PARTS**

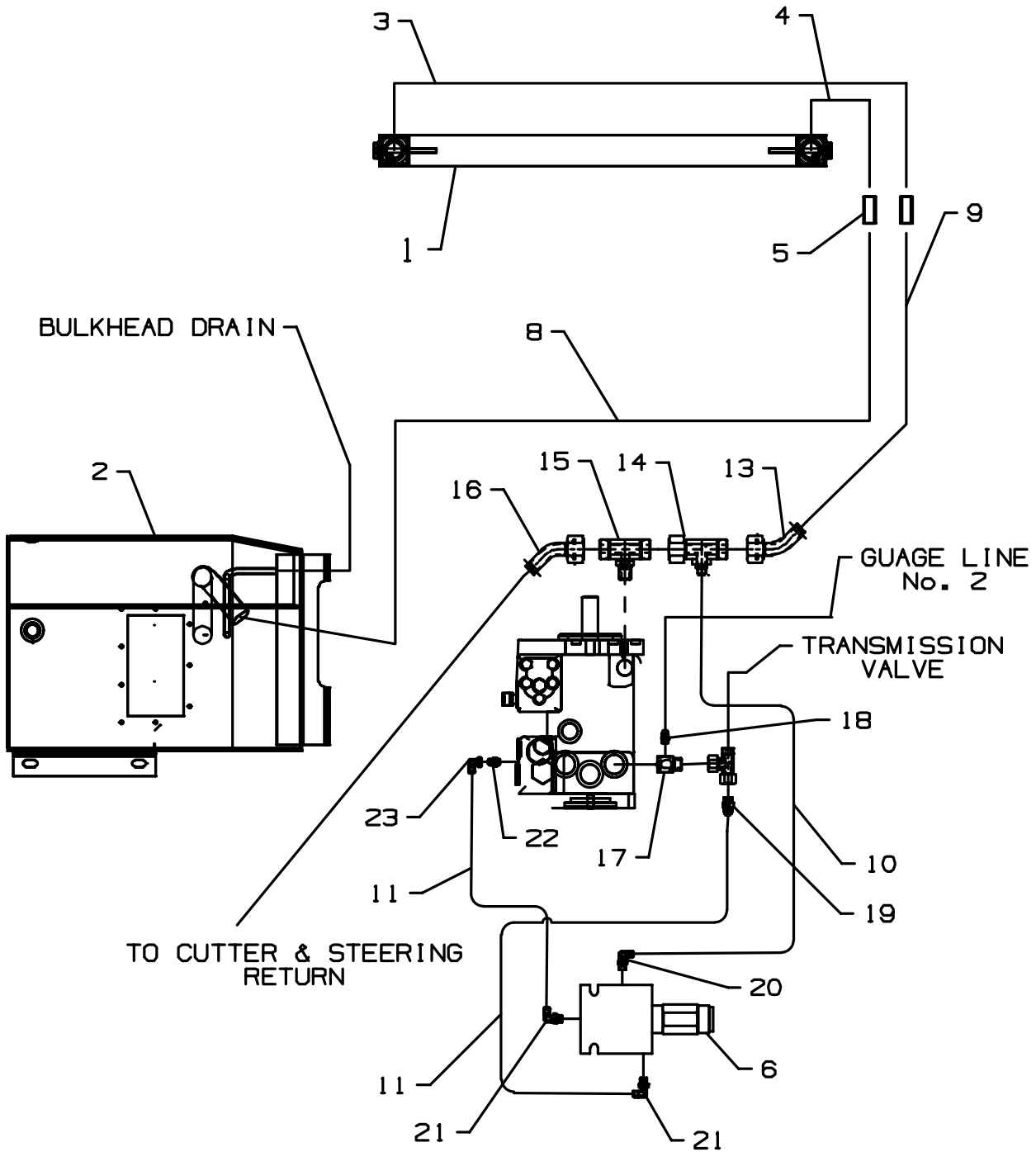
**From and including serial number: VB000300 to VB000463 and VB000465 to VB000468**

ITEM	RANSOMES PART NO	DESCRIPTION 	QTY	REMARKS
2101		HYDRAULIC TANK W/ASSY.	1	SEE HYDRAULIC TANK SECTION
3008	A912157	SUCTION HOSE	1	
3100	A801063	TRANSMISSION VALVE	1	
3130	2208038	FILTER HEAD-SPIN ON	1	
3131	W178025	OIL FILTER ELEMENT	1	
3140	A8011120	SOLENOID VALVE	1	
3171	A912167	SUCTION HOSE	1	
3172	A912168	SUCTION HOSE	1	
3173*	A691142	OIL COOLER	1	-(11/11/1999 ONWARD COOLING
3173	A691109	OIL COOLER	1	KIT)
4002*	A691141	RADIATOR	1	-(11/11/1999 ONWARD COOLING
4002	A691106	RADIATOR/OIL COOLER ASSY	1	KIT)
H36	A796200M	HOSE ASSY	1	
H51	A799414	HOSE ASSY	1	
H75	A910042	E.R.W TUBE 3/4"X16 SWG	1	
H83	A531200	HOSE ASSY	2	
H84	A531201	HOSE 3/4 BORE X 100LG	1	
H86	A531204	HOSE 3/4 BORE X 410LG	1	
H87	A531211	HOSE 3/4 BORE X 1150LG	1	
H89	A531219	HOSE 3/4 BORE X 1950LG	1	
F22	158058-08	FITTING-90 BARB,ADJ	1	
F23	158006-12	FITTING ORS/ORB	1	
F26	A249731	PLUG BSP	1	
F27	A249740	90 MALE ELBOW BSP	5	
F30	A249856	1" BSPP * 1" HOSETAIL	1	
F31	A249884	FITTING-90 BARB,ADJ	1	
F32	A249857	3/4-12 SPLIT FLANGE	2	
F35	A910032	MANIFOLD-INLET	1	
F36	A249388	90 DEG.ELBOW	1	
F63	A808037	GAUGE LINE ASSEMBLY	1	
F64	A808038	GAUGE LINE ASSEMBLY	4	
F65	A808043	GAUGE LINE ASSY, 1060 LG	2	
F66	A244911	TEST POINT BSP	5	
F77	A243503	RUN TEE M/F/M JIC	5	
F82	A249704	BREATHER TAIL	1	
F83	A249742	UNION MALE BSP	1	
F84	A249787	UNION MALE BSP-TAIL	3	
F110	A243403	BRANCH TEE M/M/F JIC	2	
F134	A240032	UNION MALE JIC-SAE	5	
F146	A242008	45 MALE ELBOW JIC-SAE	1	
F152	A249864	RETURN TEE	1	
F155	A249869	90 DEG. ELBOW	1	
F173	A249785	90 F/M ELBOW BSP-TAIL	1	
F177	A249882	MALE TEE	2	

\* Not Illustrated


**RANSOMES  
COMMANDER 3510**

---



**HYDRAULICS**  
**COOLING CIRCUIT (SUNDSTRAND PUMP)**  
**From and including serial number: -**

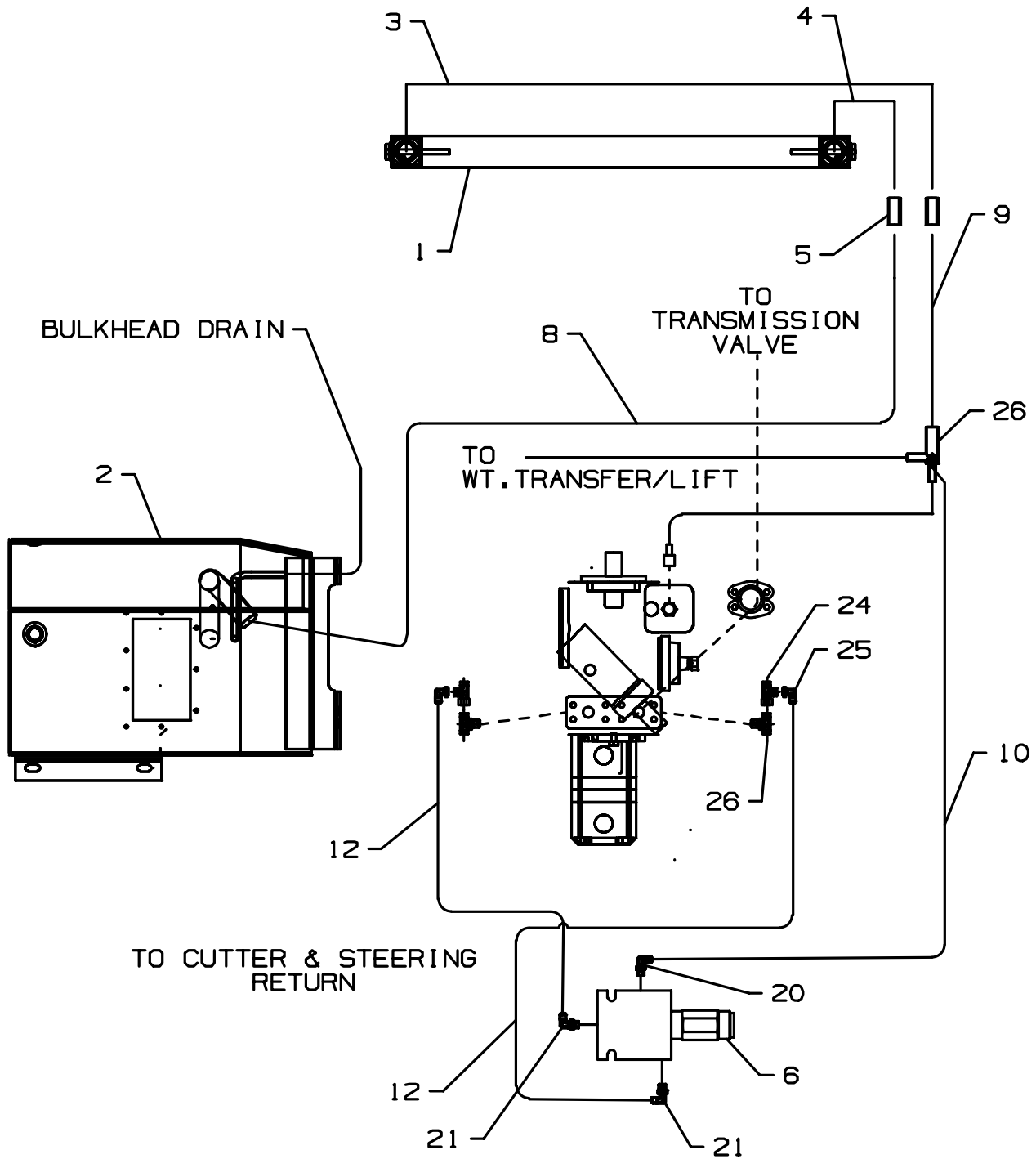
**LIST OF PARTS**  
**COOLING PACKAGE FITTED**  
**(USED ON MACHINES 15/11/1999 ON)**

ITEM	RANSOMES PART NO	DESCRIPTION 	QTY	REMARKS
1	A691142	OIL COOLER	1	USED ITEMS 1,2,3,4,5,13.
2	MBF1897B	HYDRAULIC TANK W/A	1	
3	A912188	RETURN HOSE	1	
4	A912189	RETURN HOSE	1	
5	A908098	TUBE	2	
6	A801184	SEQUENCE VALVE	1	
7*	108094-01	HOSE CLAMP .75 TO 1.75	8	
8	5320153	HOSE 1-1/4" BORE X 1530mm	1	
9	5320084	HOSE 1-1/4" BORE X 840mm	1	
10	007230700M	HOSE ASSY	1	
11	7120550	HYD HOSE ASSY	2	
13	2600260	45-F/M 1-7/16 ORS x 1-1/4 BARB	1	
14	2600220	TEE-F/M/M 1-7/16ORS(2)	1	
15	2600240	TEE-M/M/M 1-7/16ORS(2)	1	
16	2600250	45-F/M 1-7/16 ORS x 3/4 BARB	1	
17	2600330	90MMF1-3/16ORSx1-5/16SAE	1	
18	459100888	HYDRAULIC ADAPTOR	1	
19	459100040	STRAIGHT CONNECTOR	1	
20	2600320	90-M/M 9/16 SAE x 9/16 JIC	1	
21	2410320	90-M/M 7/16 JIC x 9/16 SAE	2	
22	2400327	FTG-7/16 JIC x 9/16 SAE	1	
23	2414031	90-M/F 7/16 JIC x 7/16 JIC	1	

\* Not Illustrated

**RANSOMES  
COMMANDER 3510**


---





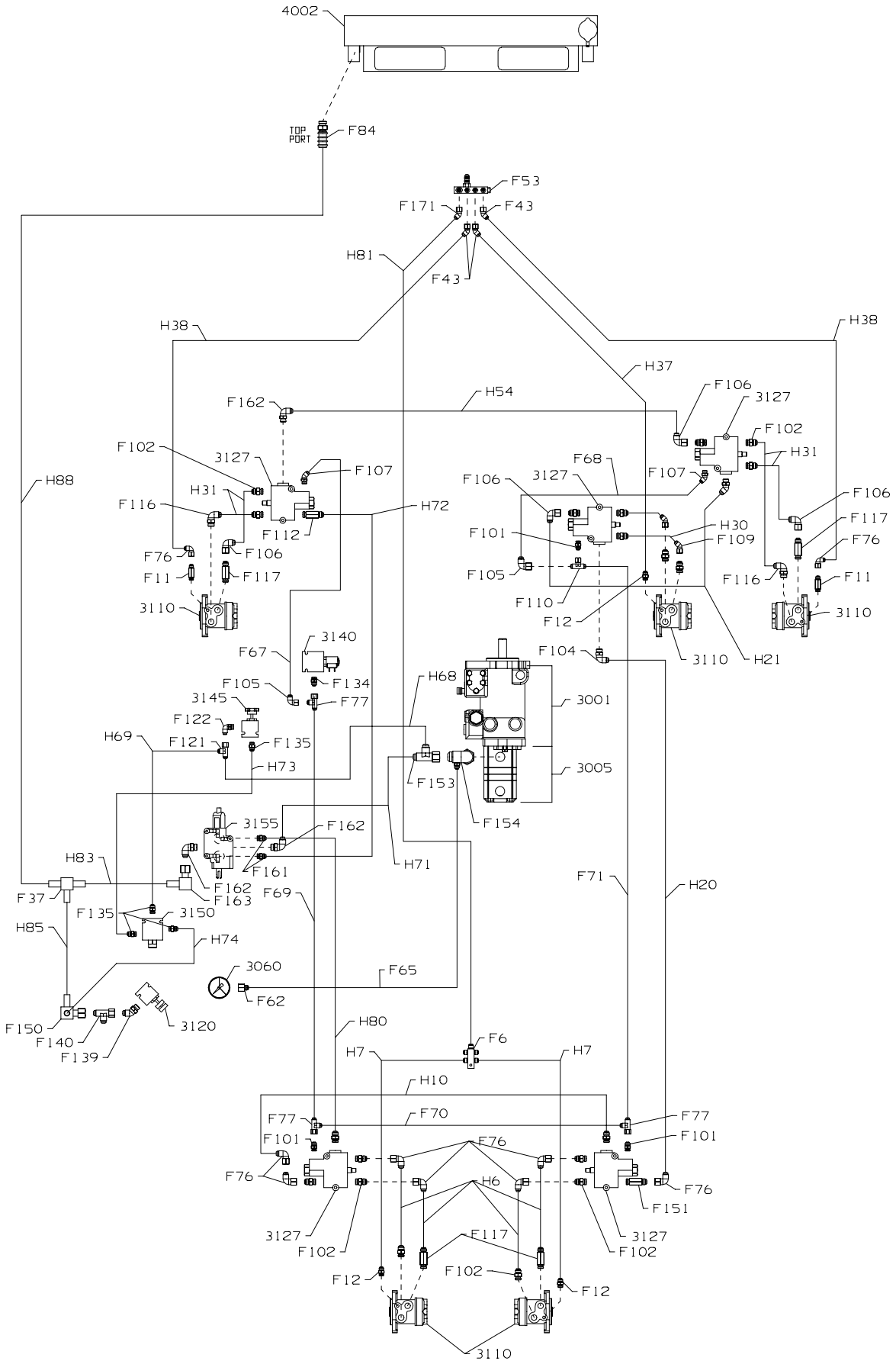
**HYDRAULICS**  
**COOLING CIRCUIT (DANFOSS PUMP)**  
**From and including serial number: -**

**LIST OF PARTS**  
**COOLING PACKAGE FITTED**  
**(USED ON MACHINES 15/11/1999 ON)**

ITEM	RANSOMES PART NO	DESCRIPTION 	QTY	REMARKS
1	A691142	OIL COOLER	1	USED ITEMS 1,2,3,4,5,13.
2	MBF1897B	HYDRAULIC TANK W/A	1	
3	A912188	RETURN HOSE	1	
4	A912189	RETURN HOSE	1	
5	A908098	TUBE	2	
6	A801184	SEQUENCE VALVE	1	
7*	108094-01	HOSE CLAMP .75 TO 1.75	8	
8	5320153	HOSE 1-1/4" BORE X 1530mm	1	
9	5320084	HOSE 1-1/4" BORE X 840mm	1	
10	007230700M	HOSE ASSY	1	
12	007120700M	HYD HOSE ASSY	2	
20	2600320	90-M/M 9/16 SAE x 9/16 JIC	1	
21	2410320	90-M/M 7/16 JIC x 9/16 SAE	2	
22	2400327	FTG-7/16 JIC x 9/16 SAE	1	
23	2414031	90-M/F 7/16 JIC x 7/16 JIC	1	
20	2600320	90-M/M 9/16 SAE x 9/16 JIC	1	
21	2410320	90-M/M 7/16 JIC x 9/16 SAE	2	
24	2435059	TEE-M/F/M 9/16 JIC	2	
25	2414940	90-M/F 7/16 JIC X 9/16 JIC	2	
26	2600350	MULTIPLE TEE	1	


\* Not Illustrated

# RANSOMES COMMANDER 3510



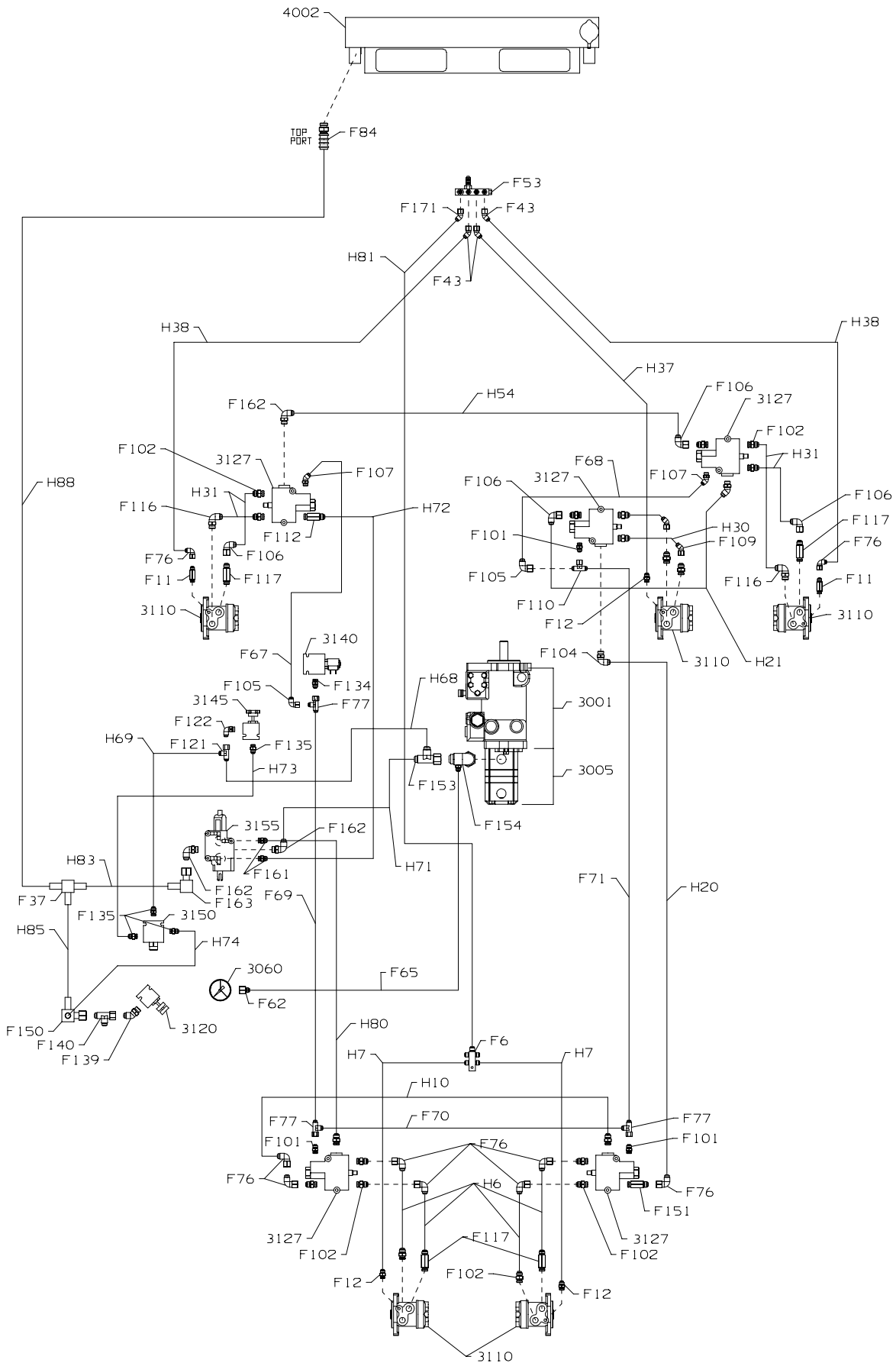
**HYDRAULICS**  
**CUTTING UNIT CIRCUIT (SUNDSTRAND PUMP)**  
**From and including serial number: VB000469 (Plus VB000464)**

**LIST OF PARTS**

ITEM	RANSOMES PART NO	DESCRIPTION 	QTY	REMARKS	
3001	A800660	HYD PUMP	1	SUNDSTRAND SERIES 46	
3005	A800637	TANDEM PUMP	1		
3060	A810941	PRESSURE GAUGE	1		
3110	A800020	HYD MOTOR OMN40	5		
3120	A801125	WEIGHT TRANSFER VALVE	1		
3127	A801035	DIVERTER VALVE	5		
3140	A8011120	SOLENOID VALVE	1		
3145	2208046	VALVE - BACK PRESSURE	1		
3150	A801126	PRESSURE COMP. VALVE	1		
3155	A801138	CUTTER MOTOR VALVE	1		
4002*	A691141	RADIATOR	1		(11/11/1999 ON COOLING KIT)
4002	A691106	RADIATOR/OIL COOLER ASSY	1		
H6	A792570	HOSE ASSY	4		
H7	A712160	HOSE ASSY	2		
H10	A792560	HOSE ASSY	4		
H20	A792570	HOSE ASSY	1		
H21	A792576	HOSE ASSY	1		
H30	A792572	HOSE ASSY	2		
H31	A792573	HOSE ASSY	4		
H37	A712130	HOSE ASSY	1		
H38	A712160	HOSE ASSY	2		
H54	A799417	HOSE ASSY	1		
H68	A799432	HOSE ASSY	1		
H69	A799433	HOSE ASSY	1		
H71	A799435	HOSE ASSY	1		
H72	A799437	HOSE ASSY	1		
H73	A799438	HOSE ASSY	1		
H74	A799439	HOSE ASSY	1		
H80	A785136	HOSE ASSY	1		
H81	A713170	HOSE ASSY	1		
H83	A531200	HOSE ASSY	2		
H85	A531201	HOSE 3/4 BORE X 180LG	1		
H88	A531216	HOSE 3/4 BORE X 1630LG	1		
F6	A249777	RETURN BLOCK	1		
F11	A249800	UNION MALE BSP-JIC	2		
F12	GSF2570AB	STRAIGHT CONNECTOR	2		
F21	A240007	UNION MALE JIC-SAE	1		
F37	A249748	EQUAL MALE TEE TAIL	1		
F43	A242403	45 M/F ELBOW JIC	3		
F53	A249778	RETURN BLOCK	1		
F62	A249287	UNION M/F BSP	1		
F65	A808043	GAUGE LINE ASSY, 1060 LG	2		
F67	A797110	PILOT LINE ASSY	1		


\* Not Illustrated

# RANSOMES COMMANDER 3510

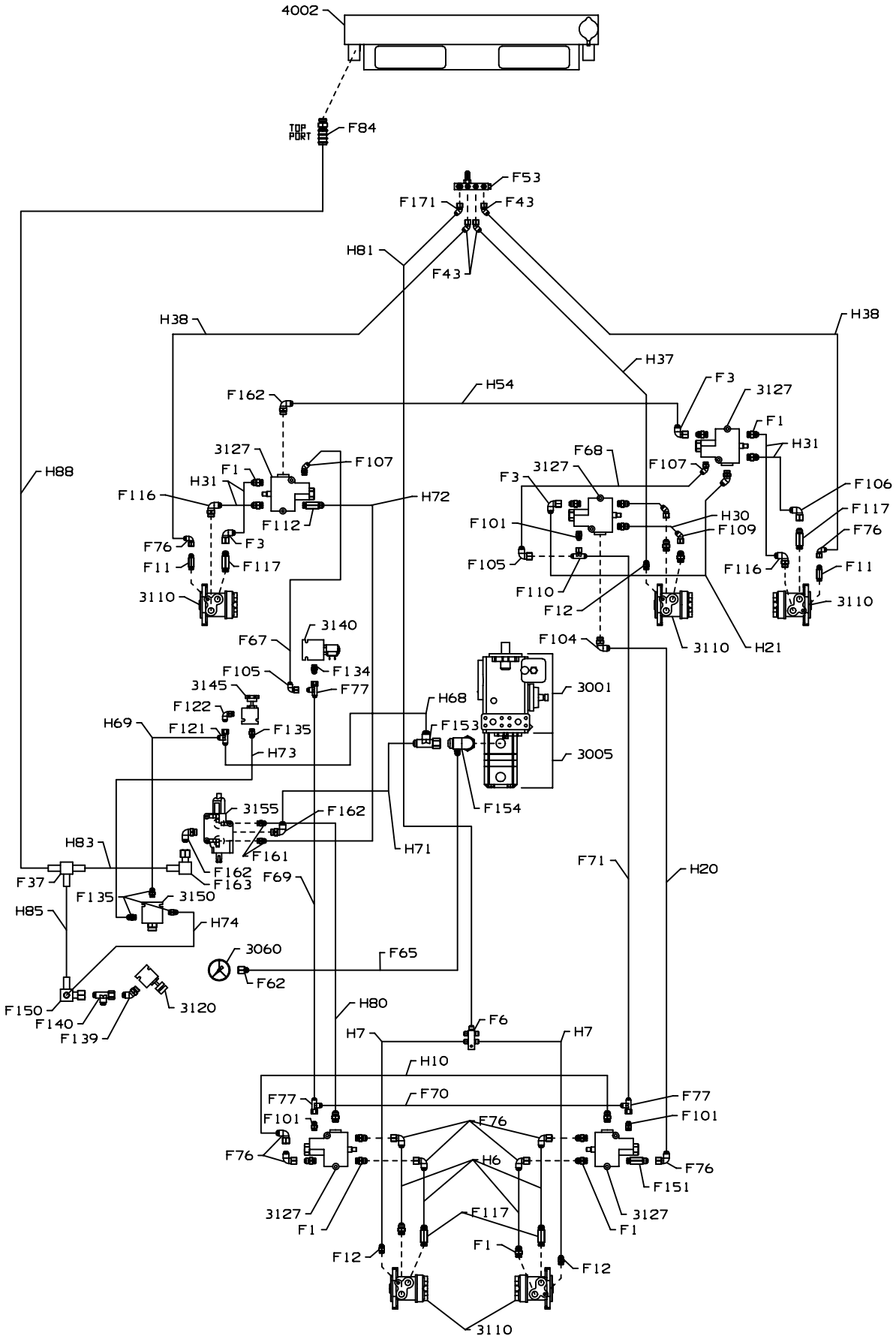


**HYDRAULICS**  
**CUTTING UNIT CIRCUIT (SUNDSTRAND PUMP)**  
**From and including serial number: VB000469 (Plus VB000464)**

**LIST OF PARTS**

ITEM	RANSOMES PART NO	DESCRIPTION 	QTY	REMARKS
F68	A797109	PILOT LINE ASSY	2	
F69	A797106	PILOT LINE ASSY	1	
F70	A797105	PILOT LINE ASSY	1	
F71	A797107	PILOT LINE ASSY	1	
F76	A241403	90 M/F ELBOW JIC	7	
F77	A243503	RUN TEE M/F/M JIC	5	
F84	A249787	UNION MALE BSP-TAIL	3	
F101	A240003	UNION MALE JIC-SAE	6	
F102	A240007	UNION MALE JIC-SAE	16	
F104	A241007	90 MALE ELBOW JIC-SAE	2	
F105	A241403	90 M/F ELBOW JIC	2	
F106	A241407	90 M/F ELBOW JIC	14	
F107	A242003	45 MALE ELBOW JIC-SAE	3	
F108	A242007	45 MALE ELBOW JIC-SAE	1	
F109	A242407	45 M/F ELBOW JIC	2	
F110	A243403	BRANCH TEE M/M/F JIC	2	
F112	A249312	UNION MALE JIC-SAE	1	
F116	A249798	90 MALE ELBOW BSP-JIC	2	
F117	A249799	UNION MALE BSP-JIC	2	
F121	A243505	RUN TEE M/F/M JIC	2	
F122	A241042	90 MALE ELBOW JIC-SAE	2	
F134	A240032	UNION MALE JIC-SAE	5	
F135	A240042	UNION MALE JIC-SAE	6	
F139	A242006	45 MALE ELBOW JIC-SAE	1	
F140	A243506	RUN TEE M/F/M JIC	1	
F150	A249871	90 DEG ELBOW	1	
F151	A249312	UNION MALE JIC-SAE	1	
F153	A249866	SWIVEL NUT RUN TEE	1	
F154	A249868	90 DEG. ELBOW	1	
F161	A240052	UNION MALE JIC-SAE	2	
F162	A241007	90 MALE ELBOW JIC-SAE	2	
F163	A249372	90 F/M ELBOW JIC-TAIL	1	
F171	A242405	45 M/F ELBOW JIC	2	


# RANSOMES COMMANDER 3510



**HYDRAULICS  
CUTTING UNIT CIRCUIT (DANFOSS PUMP)**

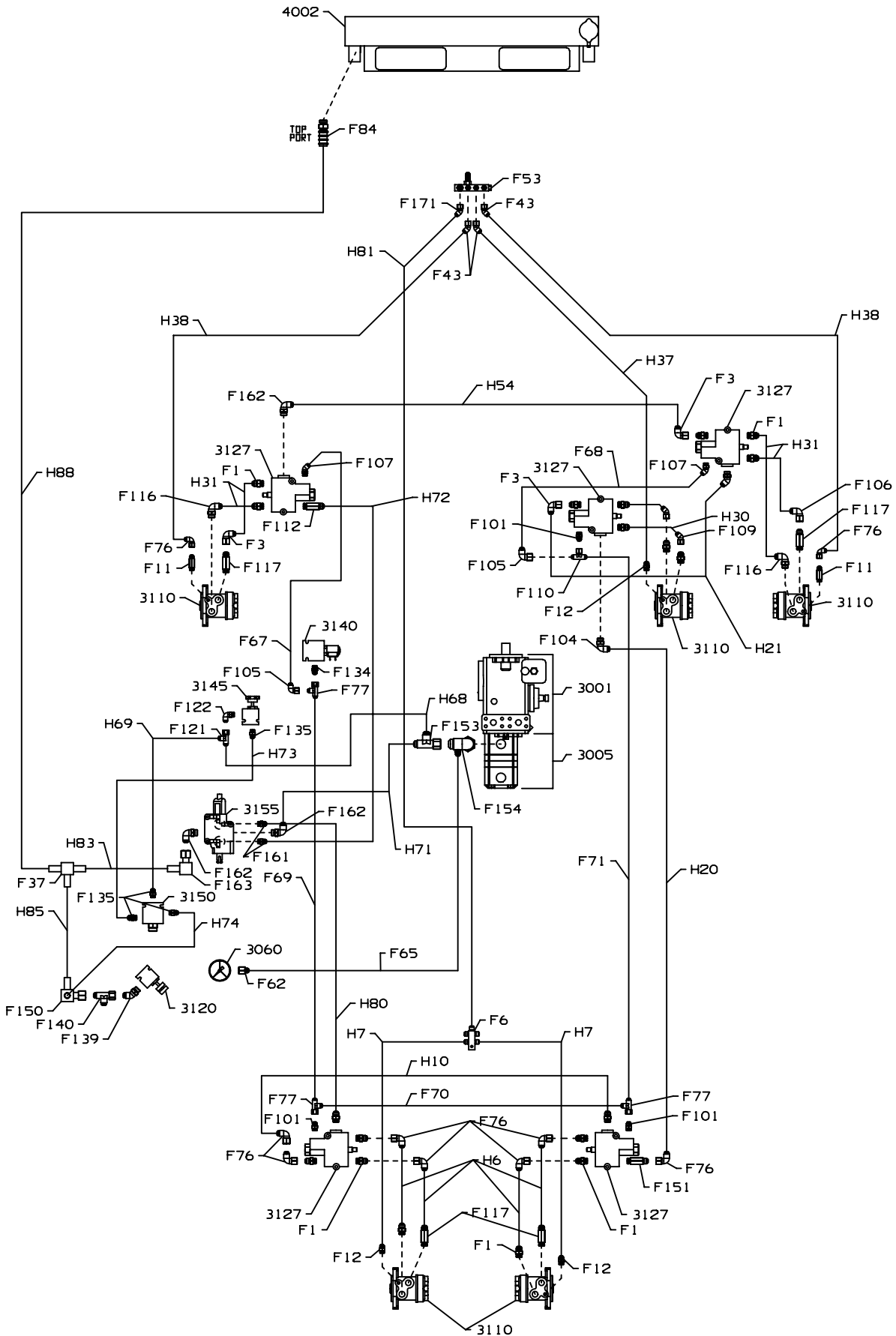
**LIST OF PARTS**

**From and including serial number: VB000300 to VB000463 and VB000465 to VB000468**

ITEM	RANSOMES PART NO	DESCRIPTION 	QTY	REMARKS
3001	A800647	HYD PUMP DANFOSS HTP 40	1	
3005	A800637	TANDEM PUMP	1	
3060	A810941	PRESSURE GAUGE	1	
3110	A800020	HYD MOTOR OMN40	5	
3120	A801125	WEIGHT TRANSFER VALVE	1	
3127	A801035	DIVERTER VALVE	5	
3140	A8011120	SOLENOID VALVE	1	
3145	2208046	VALVE - BACK PRESSURE	1	
3150	A801126	PRESSURE COMP. VALVE	1	
3155	A801138	CUTTER MOTOR VALVE	1	
4002*	A691141	RADIATOR	1	-(11/11/1999 ONWARD COOLING KIT)
4002	A691106	RADIATOR/OIL COOLER ASSY	1	
H6	A792570M	HOSE ASSY	4	
H7	A712160M	HOSE ASSY	2	
H10	A792560M	HOSE ASSY	4	
H20	A792570M	HOSE ASSY	1	
H21	A792576M	HOSE ASSY	1	
H30	A792572M	HOSE ASSY	2	
H31	A792573M	HOSE ASSY	4	
H37	A712130M	HOSE ASSY	1	
H38	A712160M	HOSE ASSY	2	
H54	A799417	HOSE ASSY	1	
H68	A799432	HOSE ASSY	1	
H69	A799433	HOSE ASSY	1	
H71	A799435	HOSE ASSY	1	
H72	A799437	HOSE ASSY	1	
H73	A799438	HOSE ASSY	1	
H74	A799439	HOSE ASSY	1	
H80	A785136M	HOSE ASSY	1	
H81	A713170M	HOSE ASSY	1	
H83	A531200	HOSE ASSY	2	
H85	A531201	HOSE 3/4 BORE X 180LG	1	
H88	A531216	HOSE 3/4 BORE X 1630LG	1	
F1	A240007	UNION MALE JIC-SAE	4	
F3	A241407	90 M/F ELBOW JIC	2	
F6	A249777	RETURN BLOCK	1	
F11	A249800	UNION MALE BSP-JIC	2	
F12	GSF2570AB	STRAIGHT CONNECTOR	2	
F21	A240007	UNION MALE JIC-SAE	1	
F37	A249748	EQUAL MALE TEE TAIL	1	
F43	A242403	45 M/F ELBOW JIC	3	
F53	A249778	RETURN BLOCK	1	
F62	A249287	UNION M/F BSP	1	
F65	A808043	GAUGE LINE ASSY, 1060 LG	2	

\* Not Illustrated

# RANSOMES COMMANDER 3510






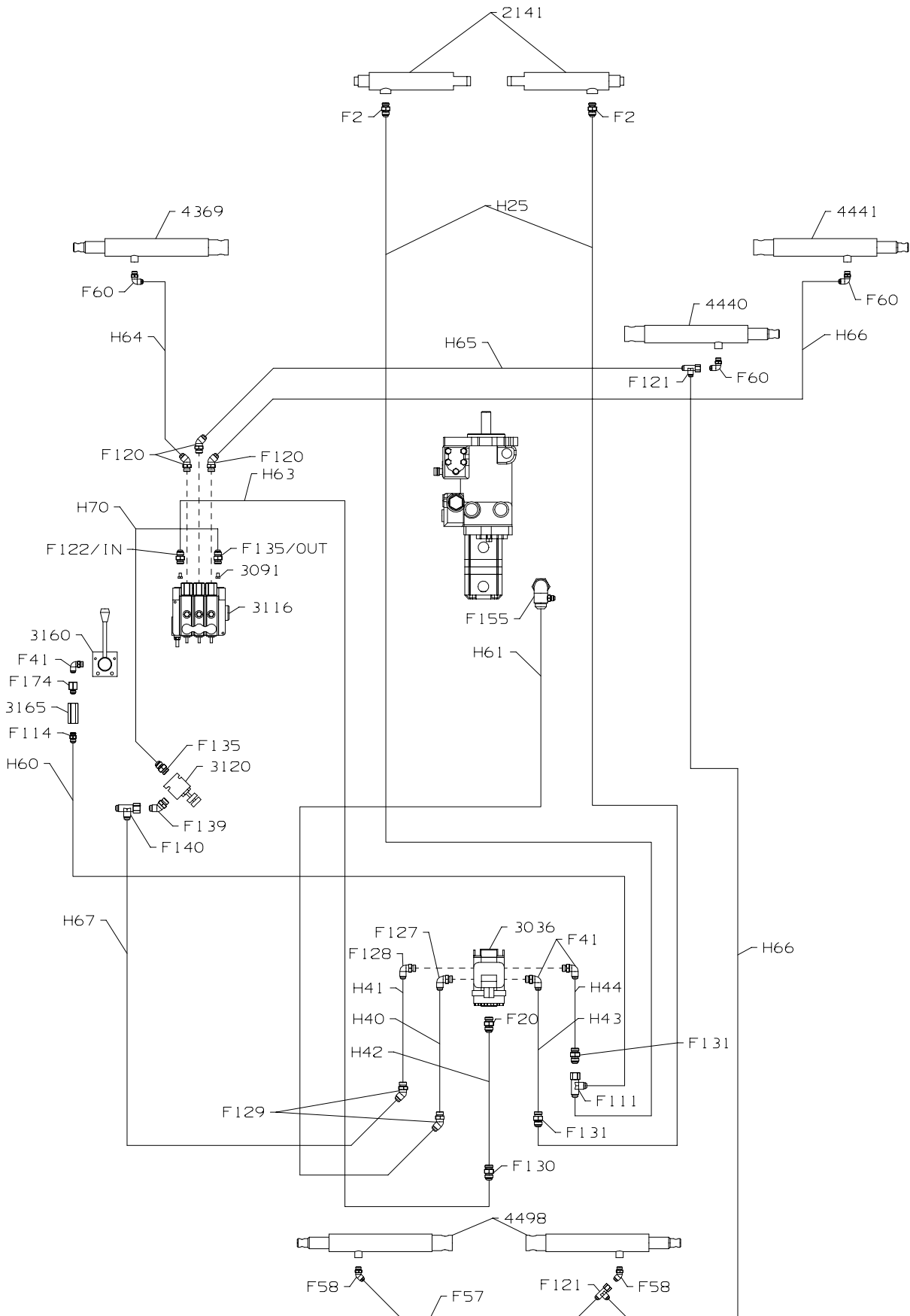
**HYDRAULICS  
CUTTING UNIT CIRCUIT (DANFOSS PUMP)**

**LIST OF PARTS**

**From and including serial number: VB000300 to VB000463 and VB000465 to VB000468**

ITEM	RANSOMES PART NO	DESCRIPTION 	QTY	REMARKS
F67	A797110	PILOT LINE ASSY	1	
F68	A797109	PILOT LINE ASSY	2	
F69	A797106	PILOT LINE ASSY	1	
F70	A797105	PILOT LINE ASSY	1	
F71	A797107	PILOT LINE ASSY	1	
F76	A241403	90 M/F ELBOW JIC	7	
F77	A243503	RUN TEE M/F/M JIC	5	
F84	A249787	UNION MALE BSP-TAIL	3	
F101	A240003	UNION MALE JIC-SAE	6	
F104	A241007	90 MALE ELBOW JIC-SAE	2	
F105	A241403	90 M/F ELBOW JIC	2	
F106	A241407	90 M/F ELBOW JIC	14	
F107	A242003	45 MALE ELBOW JIC-SAE	3	
F108	A242007	45 MALE ELBOW JIC-SAE	1	
F109	A242407	45 M/F ELBOW JIC	2	
F110	A243403	BRANCH TEE M/M/F JIC	2	
F112	A249312	UNION MALE JIC-SAE	1	
F116	A249798	90 MALE ELBOW BSP-JIC	2	
F117	A249799	UNION MALE BSP-JIC	2	
F121	A243505	RUN TEE M/F/M JIC	2	
F122	A241042	90 MALE ELBOW JIC-SAE	2	
F134	A240032	UNION MALE JIC-SAE	5	
F135	A240042	UNION MALE JIC-SAE	6	
F139	A242006	45 MALE ELBOW JIC-SAE	1	
F140	A243506	RUN TEE M/F/M JIC	1	
F150	A249871	90 DEG ELBOW	1	
F151	A249312	UNION MALE JIC-SAE	1	
F153	A249866	SWIVEL NUT RUN TEE	1	
F154	A249868	90 DEG. ELBOW	1	
F161	A240052	UNION MALE JIC-SAE	2	
F162	A241007	90 MALE ELBOW JIC-SAE	2	
F163	A249372	90 F/M ELBOW JIC-TAIL	1	
F171	A242405	45 M/F ELBOW JIC	2	


# RANSOMES COMMANDER 3510



**HYDRAULICS  
STEERING / LIFT CIRCUIT (SUNDSTRAND PUMP)**

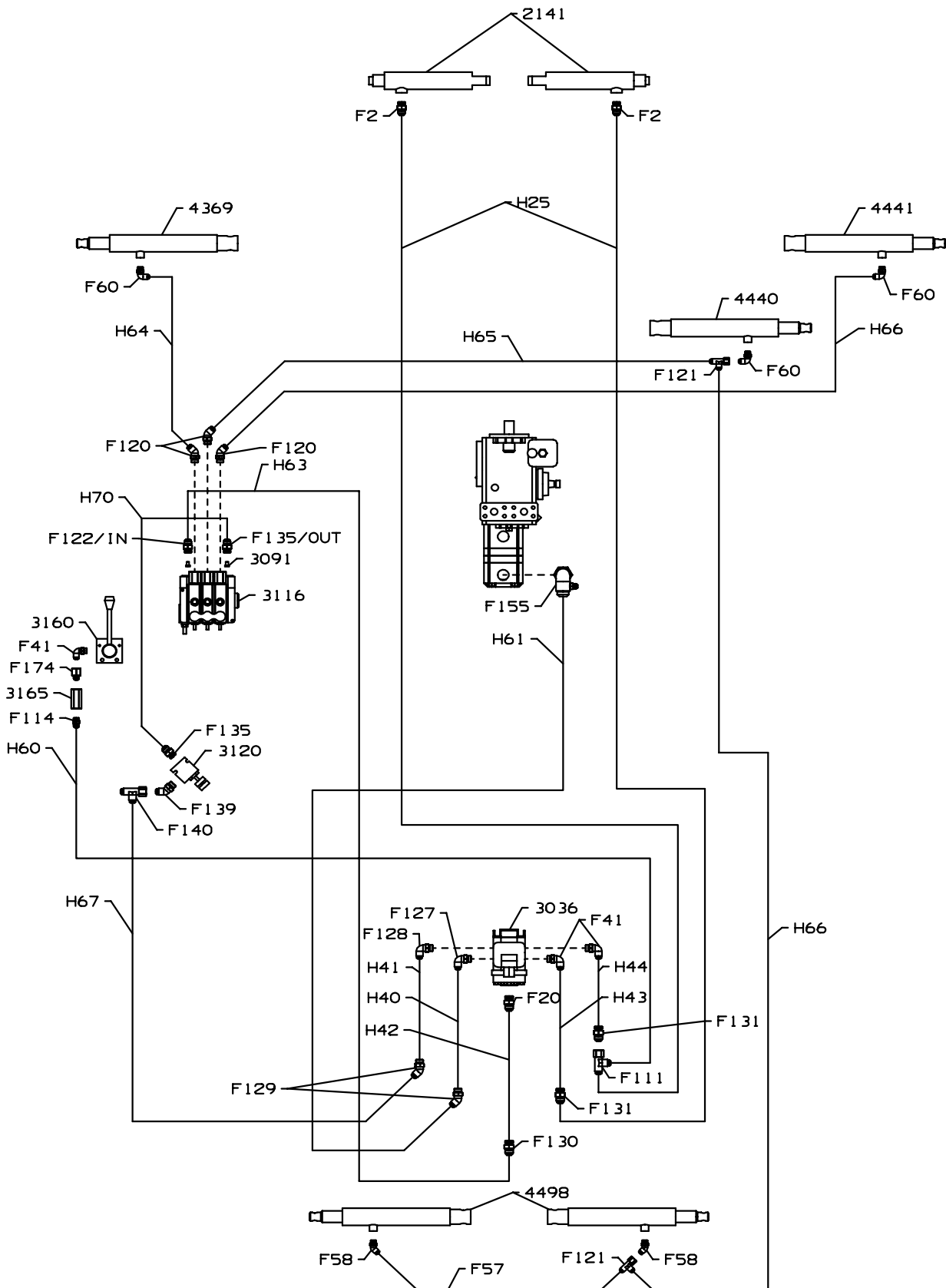
**LIST OF PARTS**

**From and including serial number: VB000372 to VB000463 and VB000465 to VB000468**

ITEM	RANSOMES PART NO	DESCRIPTION 	QTY	REMARKS
2141	A902807	STEERING RAM	2	
3036	A808949	COMBINED STEER UNIT	1	
3091	MBE4675A	DUAL RESTRICTOR.	2	
3116	A801036	LIFT VALVE	1	
3120	A801125	WEIGHT TRANSFER VALVE	1	
3160	A802834	HYDRAULIC VALVE	2	
3165	A801121	CHECK VALVE	1	
4369	A902811	HYDRAULIC RAM	1	
4440	A902734	HYDRAULIC RAM	1	
4441	A902811	HYDRAULIC RAM	1	
4498	A902734	HYDRAULIC RAM	2	
H25	A791329	HOSE ASSY	2	
H40	A784024	HOSE ASSY	1	
H41	A714030	HOSE ASSY	1	
H42	A792339	HOSE ASSY	1	
H43	A712022	HOSE ASSY	1	
H44	A712030	HOSE ASSY	1	
H60	A799429	HOSE ASSY	1	
H61	A799430	HOSE ASSY	1	
H63	A799424	HOSE ASSY	1	
H64	A799425	HOSE ASSY	1	
H65	A799426	HOSE ASSY	1	
H66	A799427	HOSE ASSY	1	
H67	A791416	HOSE ASSY	1	
H70	A799434	HOSE ASSY	1	
F2	A240032	UNION MALE JIC-SAE	2	
F20	A240048	UNION MALE JIC-SAE	1	
F41	A249330	90 MALE ELBOW BSP-JIC	4	
F57	A797200	HYD HOSE ASSY	1	
F58	A242005	45 MALE ELBOW JIC-SAE	2	
F60	A241005	90 MALE ELBOW JIC-SAE	3	
F111	A243503	RUN TEE M/F/M JIC	9	
F114	GSF2570AB	STRAIGHT CONNECTOR	4	
F120	A242005	45 MALE ELBOW JIC-SAE	3	
F121	A243505	RUN TEE M/F/M JIC	2	
F122	A241042	90 MALE ELBOW JIC-SAE	2	
F127	A249320	90 MALE ELBOW BSP-JIC	1	
F128	A249331	90 MALE ELBOW BSP-JIC	1	
F129	A249771	45 BULKHEAD ELBOW JIC	2	
F130	A240305	BULKHEAD UNION JIC	1	
F131	A240303	BULKHEAD UNION JIC	2	
F135	A240042	UNION MALE JIC-SAE	6	
F139	A242006	45 MALE ELBOW JIC-SAE	1	
F140	A243506	RUN TEE M/F/M JIC	1	
F155	A249869	90 DEG. ELBOW	1	
F174	A249795	UNION M/F BSP-JIC	1	

\* Not Illustrated


**RANSOMES  
COMMANDER 3510**



**HYDRAULICS  
STEERING / LIFT CIRCUIT (DANFOSS PUMP)**

**LIST OF PARTS**

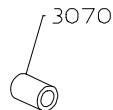
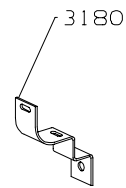
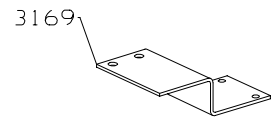
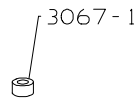
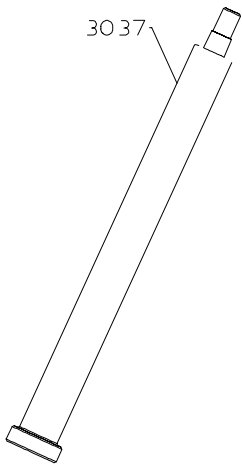
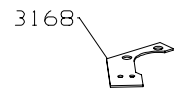
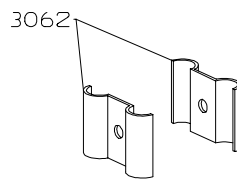
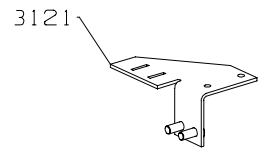
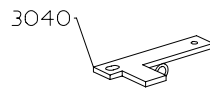
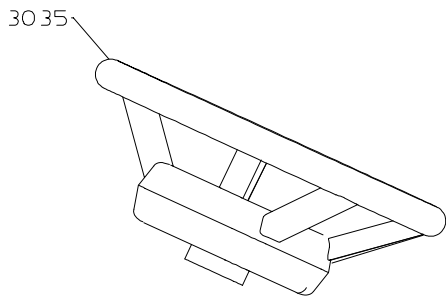
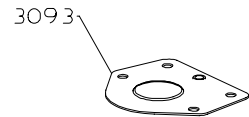
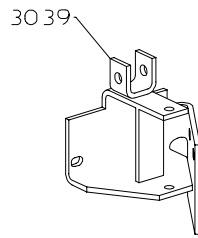
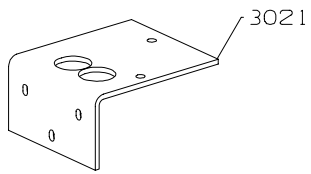
**From and including serial number: VB000300 to VB000463 and VB000465 to VB000468**

ITEM	RANSOMES PART NO	DESCRIPTION 	QTY	REMARKS
2141	A902807	STEERING RAM	2	
3036	A808949	COMBINED STEER UNIT	1	
3091	MBE4675A	DUAL RESTRICTOR.	2	
3116	A801036	LIFT VALVE	1	
3120	A801125	WEIGHT TRANSFER VALVE	1	
3160	A802834	HYDRAULIC VALVE	2	
3165	A801121	CHECK VALVE	1	
4369	A902811	HYDRAULIC RAM	1	
4440	A902734	HYDRAULIC RAM	1	
4441	A902811	HYDRAULIC RAM	1	
4498	A902734	HYDRAULIC RAM	2	
H25	A791329M	HOSE ASSY	2	
H40	A784024M	HOSE ASSY	1	
H41	A714030M	HOSE ASSY	1	
H42	A792339M	HOSE ASSY	1	
H43	A712022M	HOSE ASSY	1	
H44	A712030M	HOSE ASSY	1	
H60	A799429	HOSE ASSY	1	
H61	A799430	HOSE ASSY	1	
H63	A799424	HOSE ASSY	1	
H64	A799425	HOSE ASSY	1	
H65	A799426	HOSE ASSY	1	
H66	A799427	HOSE ASSY	1	
H67	A791416M	HOSE ASSY	1	
H70	A799434	HOSE ASSY	1	
F2	A240032	UNION MALE JIC-SAE	2	
F20	A240048	UNION MALE JIC-SAE	1	
F41	A249330	90 MALE ELBOW BSP-JIC	4	
F57	A797200	HYD HOSE ASSY	1	
F58	A242005	45 MALE ELBOW JIC-SAE	2	
F60	A241005	90 MALE ELBOW JIC-SAE	3	
F111	A243503	RUN TEE M/F/M JIC	9	
F114	GSF2570AB	STRAIGHT CONNECTOR	4	
F120	A242005	45 MALE ELBOW JIC-SAE	3	
F121	A243505	RUN TEE M/F/M JIC	2	
F122	A241042	90 MALE ELBOW JIC-SAE	2	
F127	A249320	90 MALE ELBOW BSP-JIC	1	
F128	A249331	90 MALE ELBOW BSP-JIC	1	
F129	A249771	45 BULKHEAD ELBOW JIC	2	
F130	A240305	BULKHEAD UNION JIC	1	
F131	A240303	BULKHEAD UNION JIC	2	
F135	A240042	UNION MALE JIC-SAE	6	
F139	A242006	45 MALE ELBOW JIC-SAE	1	
F140	A243506	RUN TEE M/F/M JIC	1	
F155	A249869	90 DEG. ELBOW	1	
F174	A249795	UNION M/F BSP-JIC	1	

\* Not Illustrated


# RANSOMES COMMANDER 3510

---



**HYDRAULIC MISCELLANEOUS ITEMS**

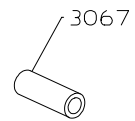
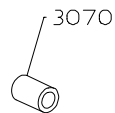
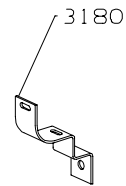
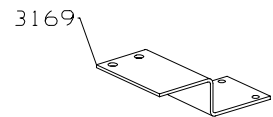
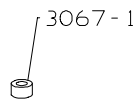
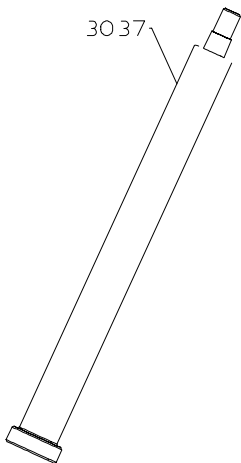
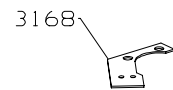
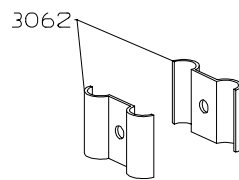
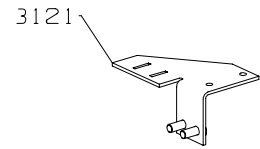
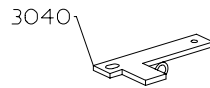
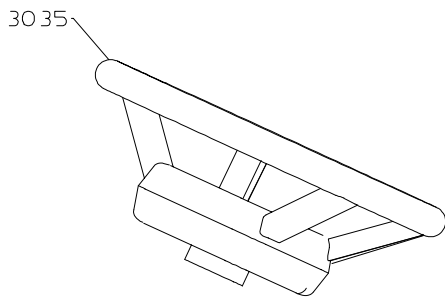
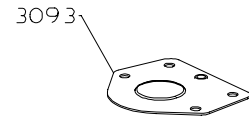
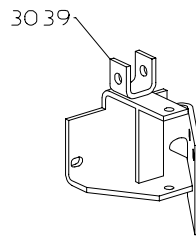
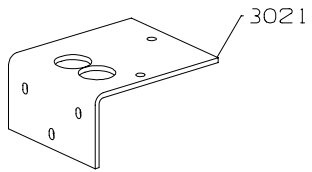
**LIST OF PARTS**

ITEM	RANSOMES PART NO	DESCRIPTION 	QTY	REMARKS
3002*	450048	BOLT, M12 x 40, HEX HD	2	FOR TRANSMISSION PUMP TO FLY WHEEL HOUSING.
3003*	A159905	WASHER, 33/64"	2	
3004*	450424	S.L.WASHER, M12	2	
3006*	450214	SCREW, M10 x 25, HEX HD	2	
3007*	450412	S.L.WASHER, M10	2	
3014*	450050	BOLT, M12 x 50, HEX HD	8	
3015*	450424	S.L.WASHER, M12	8	
3017*	450242	SCREW, M12 x 35, HEX HD	8	
3018*	450413	S.L.WASHER, M12	8	
3021	MBG0372A	VALVE BRACKET	1	
3022*	450170	SCREW, M6 x 16, HEX HD	3	
3023*	450026	BOLT, M8 x 90, HEX HD	2	
3024*	450324	NUT, M8	2	
3025*	450410	S.L.WASHER, M6	3	
3026*	A808107	ORIFACE PLATE	1	
3027*	450411	S.L.WASHER, M8	2	
3035	A819212	STEERING WHEEL	1	
3037	A819202	STEERING COLUMN	1	
3038*	0839862	LOGO-STEERING WHEEL	1	
3039	MBE4163B	BRACKET W/ASSY.	1	
3040	MBE4165A	LEVER W/ASSY.	1	
3041*	450192	SCREW, M8 x 25, HEX HD	2	
3042*	450390	WASHER, M8	2	
3043*	450378	NUT, M8 NYLOC	2	
3044*	450020	BOLT, M8 x 60, HEX HD	10	
3045*	450031	BOLT, M10 x 45, HEX HD	1	
3046*	450379	NUT, M10 NYLOC	1	
3047*	MBE4170	STUD.	1	
3048*	MBE4169	NUT.	1	
3049*	450378	NUT, M8 NYLOC	2	
3050*	A291079	SPRING	1	
3052*	450390	WASHER, M8	2	
3053*	H980031	'P' CLIP	5	
3061*	GSF2150L	WASHER	6	
3062	MBE1265	BRACKET.	4	
3063*	450173	SCREW, M6 x 30, HEX HD	4	
3064*	450215	SCREW, M10 x 30, HEX HD	2	
3065*	450391	WASHER, M10	3	
3066*	450379	NUT, M10 NYLOC	3	
3067	MBE4194A	SPACER.	1	USED ON EARLY MACHINES
3067-1	MBC5963	PACKER.	2	
3068*	450011	BOLT, M6 x 80, HEX HD	1	
3069*	450377	NUT, M6 NYLOC	1	
3070	MBE4236A	SPACER	1	USED ON EARLY MACHINES
3071*	MBE4237	CLAMP - HOSES.	1	
3072*	450018	BOLT, M8 x 50, HEX HD	1	
3073*	450378	NUT, M8 NYLOC	1	
3074*	A298401	HOSE SLEEVING	3	
3075*	A298401	HOSE SLEEVING	3	

\* Not Illustrated

# RANSOMES COMMANDER 3510


---





**HYDRAULIC MISCELLANEOUS ITEMS**

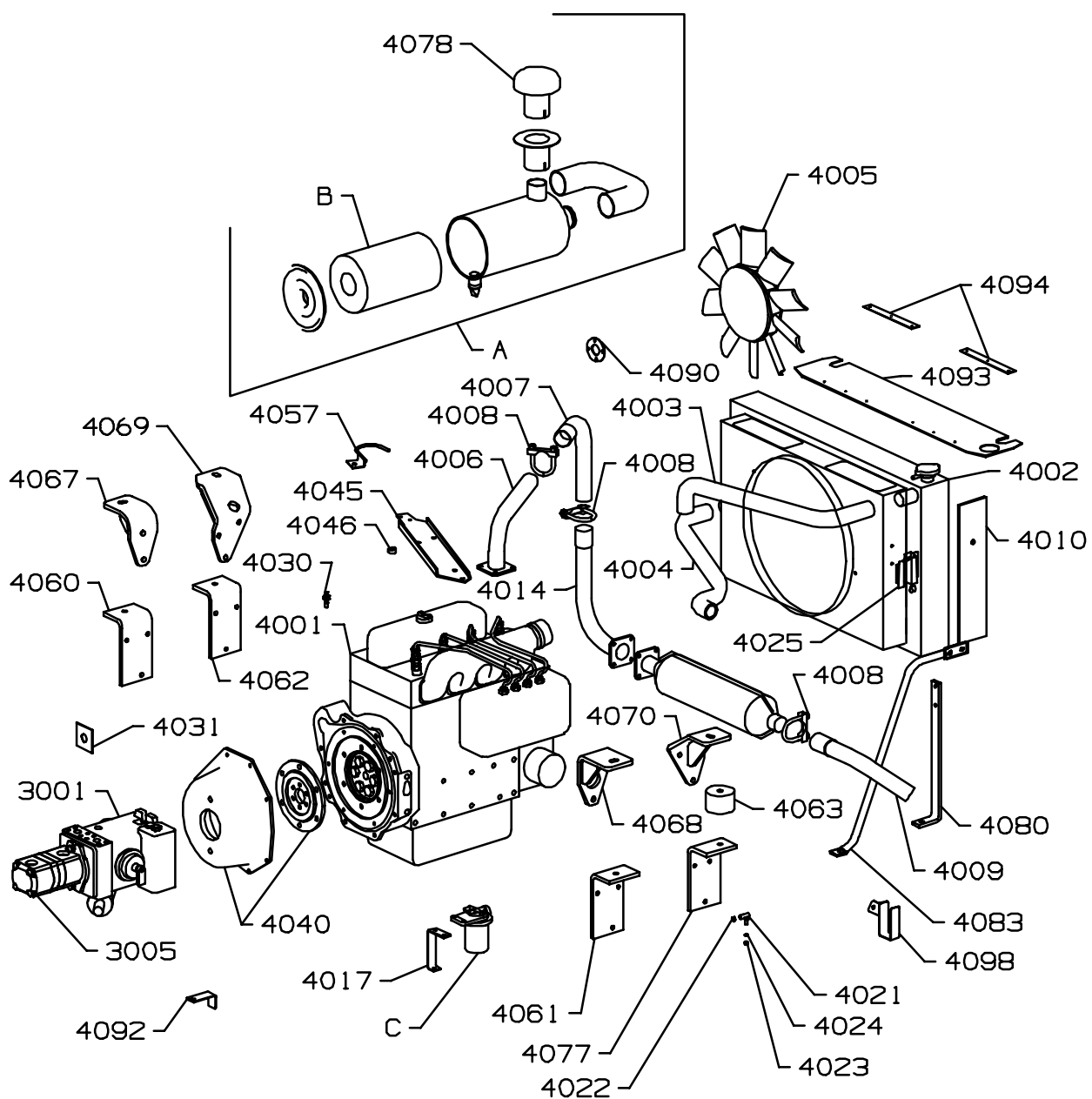
**LIST OF PARTS**

ITEM	RANSOMES PART NO	DESCRIPTION 	QTY	REMARKS
3080*	450740	SCREW M10 x 35 SCKT CAP	8	
3081*	450412	S.L.WASHER M10	8	
3085*	450529	SCREW, M5 x 20, PAN HD	6	
3086*	450322	NUT, M5	6	
3087*	450388	WASHER, M5	6	
3090*	H060105	PLASTIC SPRING GUARD	1	
3093	MBE4655	COVER PLATE.	5	
3111*	A800019	EXTERNAL CARDAN	5	
3121	MBF1401	BRACKET WA	1	
3122*	450411	S.L.WASHER, M8	2	
3123*	450324	NUT, M8	2	
3124*	450004	BOLT, M6 x 45, HEX HD	2	
3125*	450389	WASHER, M6	2	
3126*	450377	NUT, M6 NYLOC	2	
3133*	A119003	SCREW, 5/16 UNC x 3/4	3	
3134*	450390	WASHER, M8	4	
3135*	450192	SCREW, M8 x 25, HEX HD	1	
3136*	450411	S.L.WASHER, M8	4	
3137*	450378	NUT, M8 NYLOC	1	
3168	MBG3284A	BRACKET-M.SWITCH	1	
3169	MBG3283	BRACKET - EBV	1	
3174*	A298937	HOSE SLEEVING	7	
3175*	A199208	TIE, 200 x 4.8	15	
3180	MBG5544	BRACKET HOSE SUPPORT	2	(11/11/1999 ONWARD COOLING KIT)
3182*	450004	BOLT-HEX M6 x 45	2	
3183*	450323	NUT-HEX M6	2	
3184*	450389	WSHR-M6 x 12.5 x 1.8	4	
3185*	450410	LOCKWSHR-M6 x 9.6 x 1.5	2	

\* Not Illustrated


**RANSOMES  
COMMANDER 3510**

---



**ENGINE**

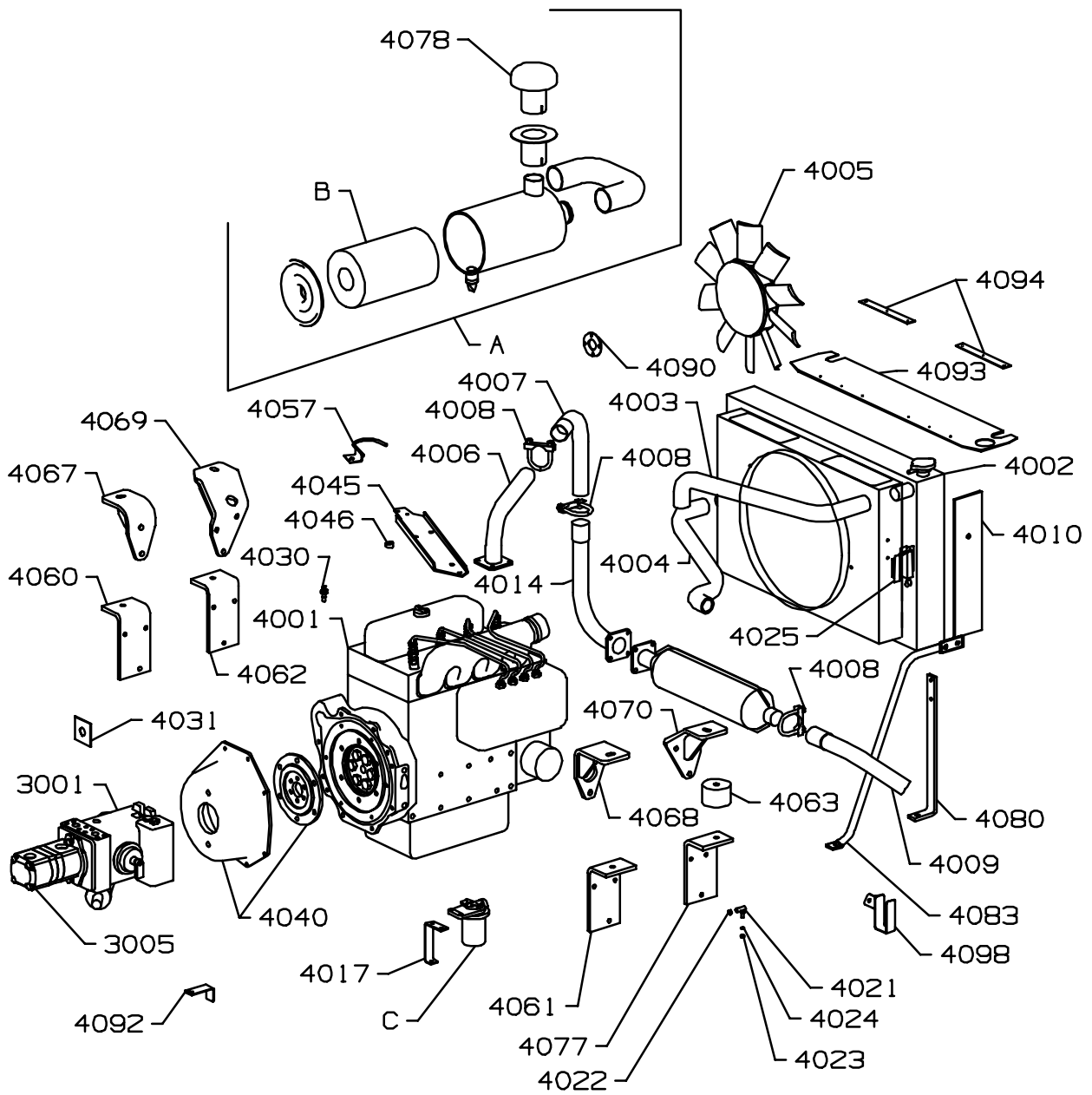
**LIST OF PARTS**


ITEM	RANSOMES PART NO	DESCRIPTION 	QTY	REMARKS	
4001	A682185	ENGINE (V2203)	1	(11/11/1999 ON, COOLING KIT)	
4002*	A691141	RADIATOR	1		
4002	A691106	RADIATOR/OIL COOLER ASSY	1		
4003	A912129	TOP HOSE	1		
4004	A912130	BOTTOM HOSE	1		
4005	A691104	FAN	1		
4006	MBE4668	FRONT EXHAUST W/ASSY.	1		
4007	MBE4667	REAR EXHAUST W/ASSY.	1		
4008	A199035	CLAMP, 1.3/4"	4		
4009	MBE4504A	EXHAUST TAILPIPE.	1		
4010	A914929	SEALING PAD	2		
4012*	A298930	SLEEVING	1		
4013*	A192557	HOSE CLAMP, 34-57	4		
4014	MBE4666	EXHAUST LOWER PIPE.	1		
4015*	A199035	CLAMP, 1.3/4"	1		
4016*	A907207	SPECIAL WASHER	3		
4017	MBE4309	FUEL FILTER BRACKET.	1		
4018*	450192	SCREW, M8 x 25, HEX HD	4		
4019*	450411	S.L.WASHER, M8	4		
4020*	450324	NUT, M8	4		
4021	A814501	BALL JOINT	1		
4022	A139314	NUT, M6	1		
4023	450323	NUT, M6	3		
4024	450410	S.L.WASHER, M6	2		
4025	MBF0138	SUPPORT-WATER BOTTLE	1		
4026*	450170	SCREW, M6 x 16, HEX HD	2		
4027*	450410	S.L.WASHER, M6	2		
4028*	450389	WASHER, M6	2		
4029*	450377	NUT, M6 NYLOC	2		
4030	A829603	TEMP SENDER CURTIS	1		
4031	MBE4658	ADAPTOR PLATE	1		
4040	A814639	BELL HOUSING AND COUPLING	1		COUPLING TO FLYWHEEL
4041*	450241	SCREW, M12 x 30, HEX HD	6		
4042*	450424	S.L.WASHER, M12	6		
4043*	A100972	BOLT, M10x1.25x65, HEX HD	8		
4044*	450411	S.L.WASHER, M8	8		
4045	MBE4548	BRACKET - AIR CLEANER.	1		
4046	MBE4291B	BOSS.	4		
4047*	450015	BOLT, M8 x 35, HEX HD	2		
4048*	450004	BOLT, M6 x 45, HEX HD	2		
4049*	450213	SCREW, M10 x 20, HEX HD	2		
4050*	450389	WASHER, M6	2		
4051*	450390	WASHER, M8	2		
4052*	450391	WASHER, M10	2		
4053*	450410	S.L.WASHER, M6	2		
4054*	450411	S.L.WASHER, M8	2		

\* Not Illustrated

**RANSOMES  
COMMANDER 3510**

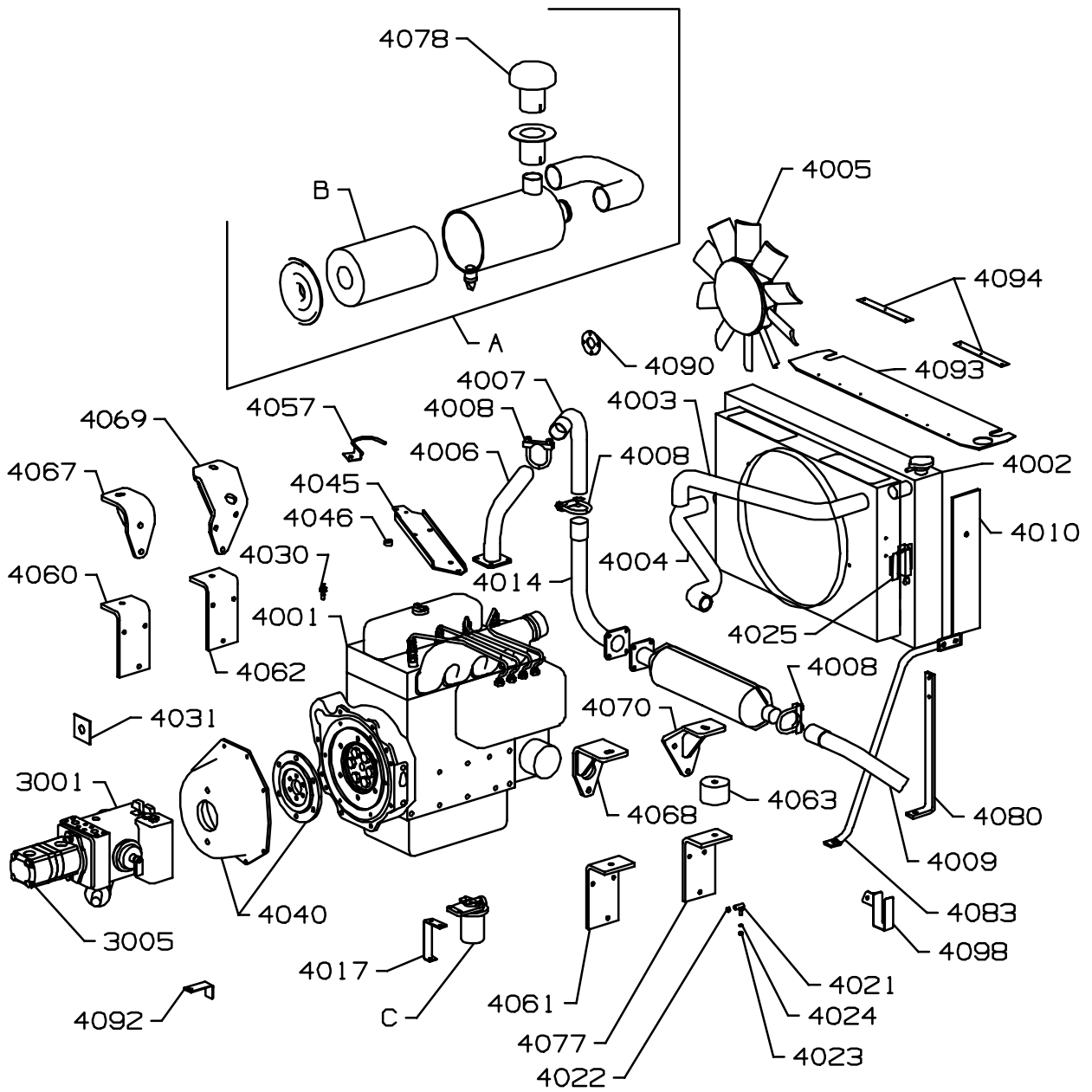
---




ITEM	RANSOMES PART NO	DESCRIPTION 	QTY	REMARKS
4055*	450412	S.L.WASHER, M10	2	
4056*	MBE4154	SPACER - AIR CLEANER BRKT.	2	
4057	MBF0075	STAY FOR AIR CLEANER	1	
4058*	MBC0175	WASHER	2	
4059*	450379	NUT, M10 NYLOC	1	
4060	MBG2928	MTG BRKT RH FRONT	1	
4061	MBG2940	MTG BRKT LH FRONT	1	
4062	MBG2929	MTG BRACKET REAR	1	
4063	BAF8380	RUBBER MOUNT	4	
4064*	64123-73	SCREW, 1/2" UNC X 1" LONG	7	
4065*	GSF2164L	1/2" SPRING LOCKWASHER	8	
4066*	450392	WASHER, M12	8	
4067	MBF1099A	ENG BRKT RH FRONT	1	
4068	MBF1100A	ENG BRKT LH FRONT	1	
4069	MBF1101A	ENG BRKT RH REAR	1	
4070	MBF1102A	ENG BRKT LH REAR	1	
4071*	A119116	SCREW, M14x1.5x30, HEX HD	4	
4072*	A159420	S.L.WASHER, M14	4	
4073*	A682057	BOLT, M12 x 30	5	
4074*	A682055	BOLT, M10 x 30	1	
4075*	450413	S.L.WASHER, M12	5	
4076*	450412	S.L.WASHER, M10	1	
4077	MBG3088	MTG BRKT REAR LH	1	
4078	MBF1140B	CLEANER ADAPTOR	1	
4079*	A192570	HOSE CLAMP, 23-70	1	
4080	MBG3130	EXHAUST STAY	1	
4081*	GSF2093JH	SCREW, 1/2" UNC X 1.1/4" LONG	1	
4082*	MBG4873	RADIATOR STIFFENER RH	1	
4083	MBG4874	RADIATOR STIFFENER LH	1	
4084*	450191	SCREW, M8 x 20, HEX HD	2	
4085*	450390	WASHER, M8	8	
4086*	450378	NUT, M8 NYLOC	2	
4090	MBF1826	SPACER 63.5 OD x 28.5 ID x 3	1	
4091*	64139-20	BOLT-WLF M6-1.00 x 16	4	(USED 4090)
4092	MBG5433	BRACKET	1	(11/11/1999 ON, COOLING KIT)
4093	MBG5628	RUBBER SEAL	1	(11/11/1999 ON, COOLING KIT)
4094	MBG5629	PLATE	1	(11/11/1999 ON, COOLING KIT)
4095*	A691153	TEXTRON KEY RING	1	
4096*	001496052	RIVET-POP 1/8 x 5/16	6	(11/11/1999 ON, COOLING KIT)
4097*	A298938	TRIM SEAL	2	(TOP/BOTTOM BUGSCREEN)
4098*	MBF2098	HOSE BRACKET W/A	1	
4099*	450016	BOLT HEX M8 x 40	1	(USED 4098)
4100*	450390	WSHR-M8 x 17 x 1.8	1	(USED 4098)

**RANSOMES  
COMMANDER 3510**

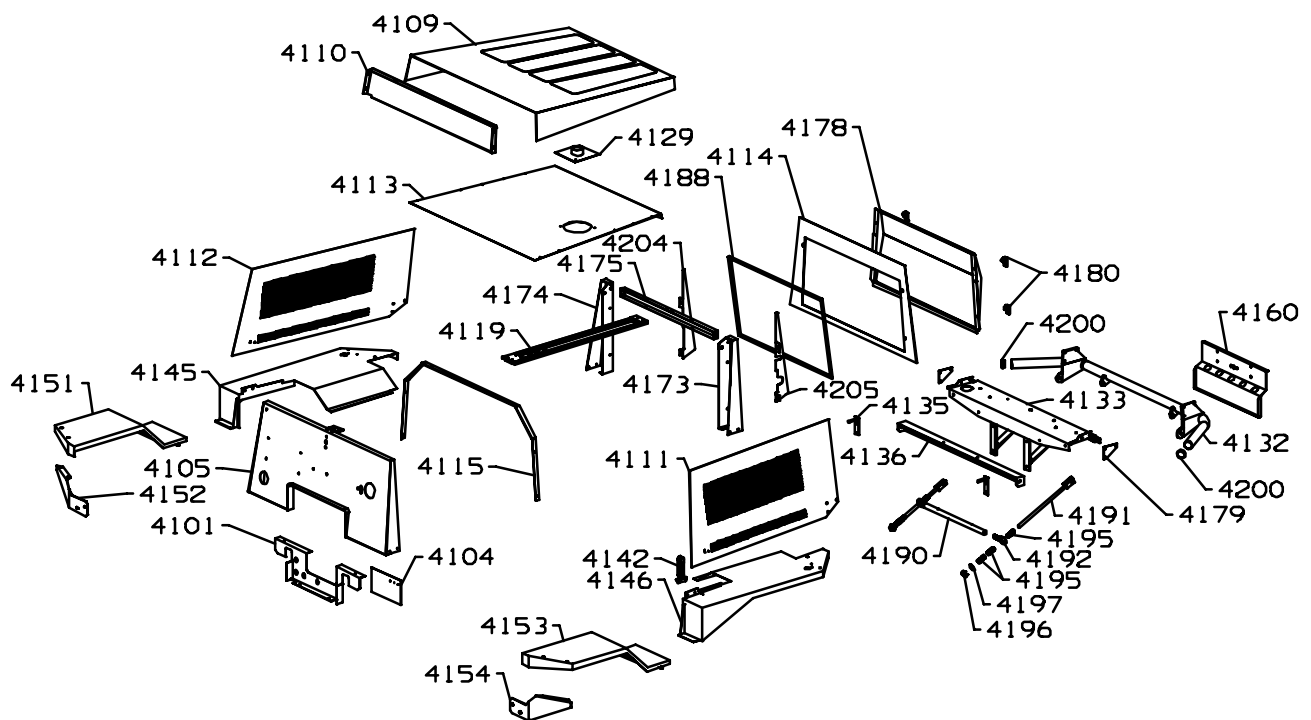
---



ITEM	RANSOMES PART NO	DESCRIPTION 	QTY	REMARKS
3001 3001 3005	A800647 A800660 A800637	HYDRAULIC PUMP (DAFOSS) HYDRAULIC PUMP (SAUER) TANDEM PUMP		
A	19077-4012	AIRCLEANER ASSY.	1	
B	17351-1108-0	AIRFILTER ELEMENT	1	
C	16665-43011	FUEL FILTER	1	

**RANSOMES  
COMMANDER 3510**


---





## COVERS

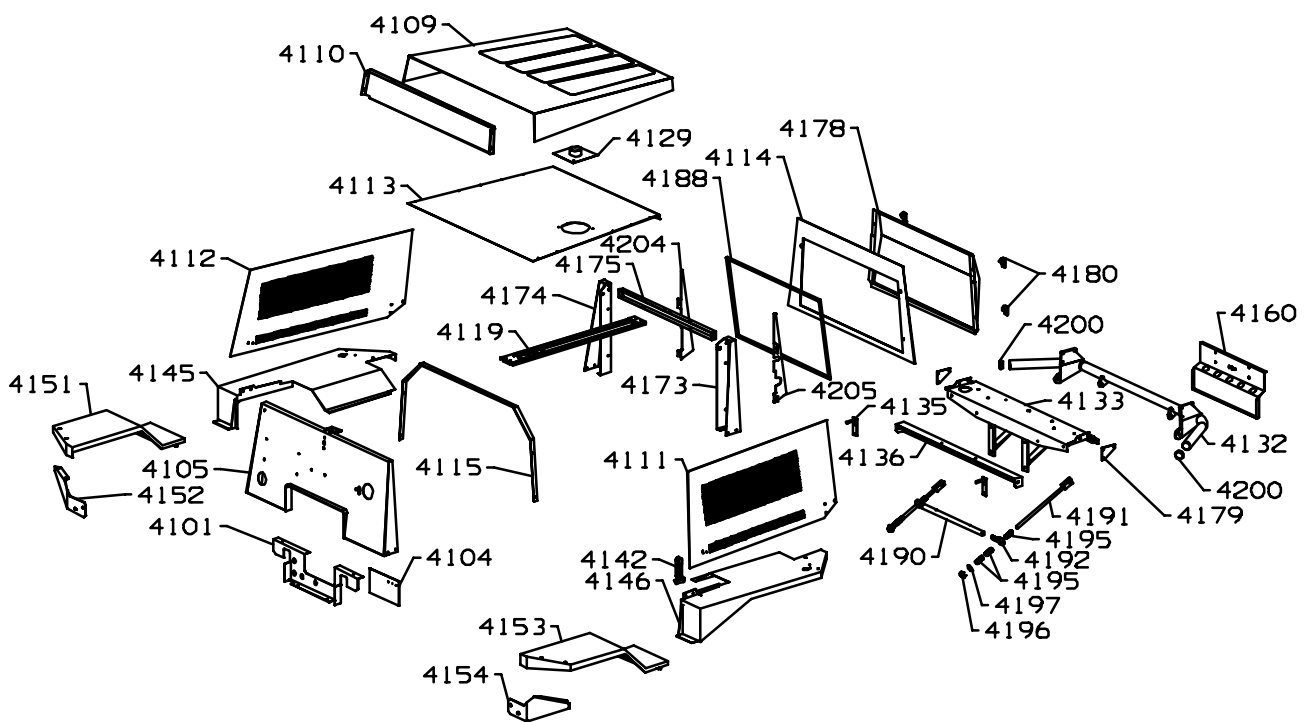
## LIST OF PARTS

ITEM	RANSOMES PART NO	DESCRIPTION 	QTY	REMARKS
4101	MBG2966	BULKHEAD PLATE	1	WITH DANFOSS PUMP
4102*	450170	SCREW, M6 x 16, HEX HD	4	WITH DANFOSS PUMP
4103*	450377	NUT, M6 NYLOC	4	WITH DANFOSS PUMP
4104	A912008	RELAY FLAP	1	
4105	MBF1108F	WLDMT-FRONT PANEL	1	
4106*	450389	WASHER, M6	2	
4107*	H089014	CLIP	6	
4109	MBF1074A	TOP COVER W.A.	1	
4110	MBG2839B	BACK PANEL	1	
4111	MBG2824A	SIDE PANEL L.H.	1	
4112	MBG2825A	SIDE PANEL R.H.	1	
4113	MBG2849B	TOP PANEL	1	
4114	MBG2858A	REAR PANEL	1	
4115	MBG2853	STAY	1	
4116*	AC008A	ACOUSTIC KIT	1	
4118*	A298936	DOOR SEAL	1	FOR ITEM 4114
4119	MBE3958A	BEAM W/ASSY	1	
4119*	MBF1405	BEAM W/ASSY.	1	(24/1/1998 ON)
4120*	64018-20	BLT-CRG 1/4-20 X 1/2	20	
4121*	A139305	NUT, 1/4 UNC	20	
4122*	A149615	RIVET, 1/8 X .400"	22	
4123*	450541	SCREW, M6 x 16, PAN HD	7	
4124*	450377	NUT, M6 NYLOC	4	
4125*	450357	NUTSERT, M6 A-K 1ST GRIP	3	
4126*	450170	SCREW, M6 x 16, HEX HD	4	
4127*	450410	S.L.WASHER, M6	6	
4128*	450541	SCREW, M6 x 16, PAN HD	2	
4129	MBF1138	AIR CLEANER EXTENSION	1	
4130*	451126	SCREW, No.6 x 9.5, PAN HD	4	
4132	MBF1083C	BUMPER ASSEMBLY	1	
4133	MBE3987E	REAR PANEL W/ASSY.	1	
4133*	MBF1359A	REAR PANEL W/ASSY.	1	(25/11/1997 ON)
4134*	A299409	RUBBER MOUNT	2	
4135	MBE4400B	EXHAUST BRACKET W/ASSY.	2	
4136	MBF1085	ANGLE SUPPORT	1	
4137*	450192	SCREW, M8 x 25, HEX HD	4	
4138*	450378	NUT, M8 NYLOC	4	
4139*	450170	SCREW, M6 x 16, HEX HD	4	
4140*	450389	WASHER, M6	4	
4141*	450377	NUT, M6 NYLOC	4	
4142	A199063	LATCH	3	
4143*	450528	SCREW, M5 x 16, PAN HD	8	
4144*	450388	WASHER, M5	8	
4145	MBE4028F	REAR MUDGUARD RH W/ASSY.	1	
4146	MBE4034G	REAR MUDGUARD LH W/ASSY.	1	
4147*	450170	SCREW, M6 x 16, HEX HD	4	
4148*	450377	NUT, M6 NYLOC	4	

\* Not Illustrated


**RANSOMES  
COMMANDER 3510**

---



## COVERS

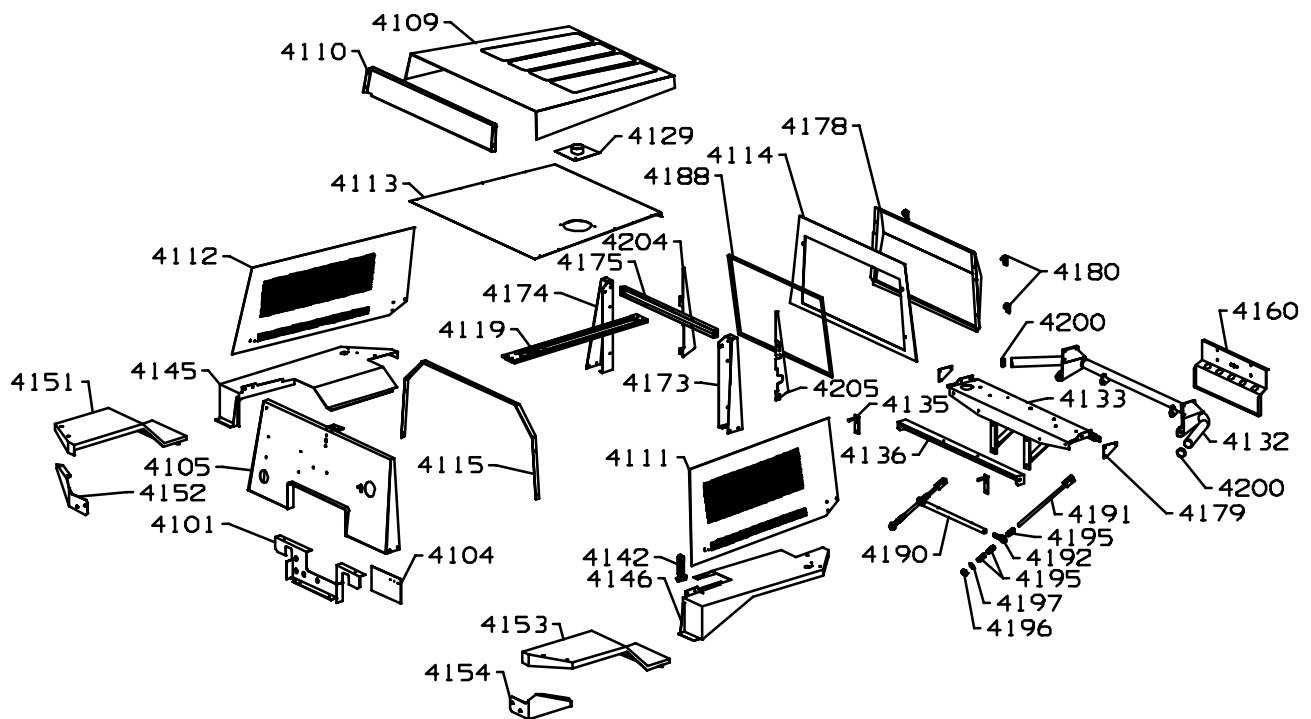
## LIST OF PARTS


ITEM	RANSOMES PART NO	DESCRIPTION 	QTY	REMARKS
4149*	450191	SCREW, M8 x 20, HEX HD	4	
4150*	450378	NUT, M8 NYLOC	4	
4151	MBE4051B	RH MUDGUARD W/ASSY.	1	
4152	MBE4056A	RH MUDGUARD SUPPT. BRKT.	1	
4153	MBE4052B	LH MUDGUARD W/ASSY.	1	
4154	MBE4057A	LH MUDGUARD SUPPORT W/A	1	
4155*	450170	SCREW, M6 x 16, HEX HD	4	
4156*	450170	SCREW, M6 x 16, HEX HD	4	
4157*	450170	SCREW, M6 x 16, HEX HD	4	
4158*	450410	S.L.WASHER, M6	12	
4159	A298904	SAFETY WALK STRIP	1	
4160	MBE4251C	NUMBER PLATE BRACKET.	1	
4161*	450170	SCREW, M6 x 16, HEX HD	4	
4162*	450377	NUT, M6 NYLOC	4	
4163*	450389	WASHER, M6	4	
4167*	A904295	RUBBER MAT	1	
4168*	A298928DG	SEALING STRIP	2	
4171*	H060104	BEADING	4	
4172*	AC002	ACOUSTIC KIT-COMMANDER	1	
4173	MBG3382A	SUPPORT LH.	1	
4173*	MBF1889A	SUPPORT LH W/A.	1	(15/11/1999 ON, COOLING KIT)
4174	MBG3383	SUPPORT RH	1	
4174*	MBF1888	SUPPORT RH W/A	1	(15/11/1999 ON, COOLING KIT)
4175	MBE3955B	CHANNEL.	1	
4175*	MBF1934A	CHANNEL W/A	1	(15/11/1999 ON, COOLING KIT)
4176*	450170	SCREW, M6 x 16, HEX HD	4	
4177*	450377	NUT, M6 NYLOC	4	
4178	MBG2831A	REAR ACCESS PANEL	1	
4179	MBG2880	SHIM	2	
4180	2198084	LATCH-SWELL	4	
4181*	AE22003	WASHER	2	
4182*	450192	SCREW, M8 x 25, HEX HD	6	
4183*	450378	NUT, M8 NYLOC	6	
4184*	450216	SCREW, M10 x 35, HEX HD	2	
4187*	A295322	GROMMET	1	
4188	A915133	SCREEN	1	
4189*	A298934	SEALING STRIP	1	
4190	MBG3168	SHAFT	1	
4191	MBF1178B	TIE ROD W.A.	2	
4192	A814541	ROD END	2	
4193*	450327	NUT, M16	2	
4194*	450194	SCREW, M8 x 35, HEX HD	2	
4195	A291118	COMPRESSION SPRING	6	
4196	450382	NUT, M16 NYLOC	2	
4197	450393	WASHER, M16	2	
4198*	450243	SCREW, M12 x 40, HEX HD	2	
4199*	450380	NUT, M12 NYLOC	2	
4200	A895516	PLASTIC PLUG	2	

\* Not Illustrated

**RANSOMES  
COMMANDER 3510**

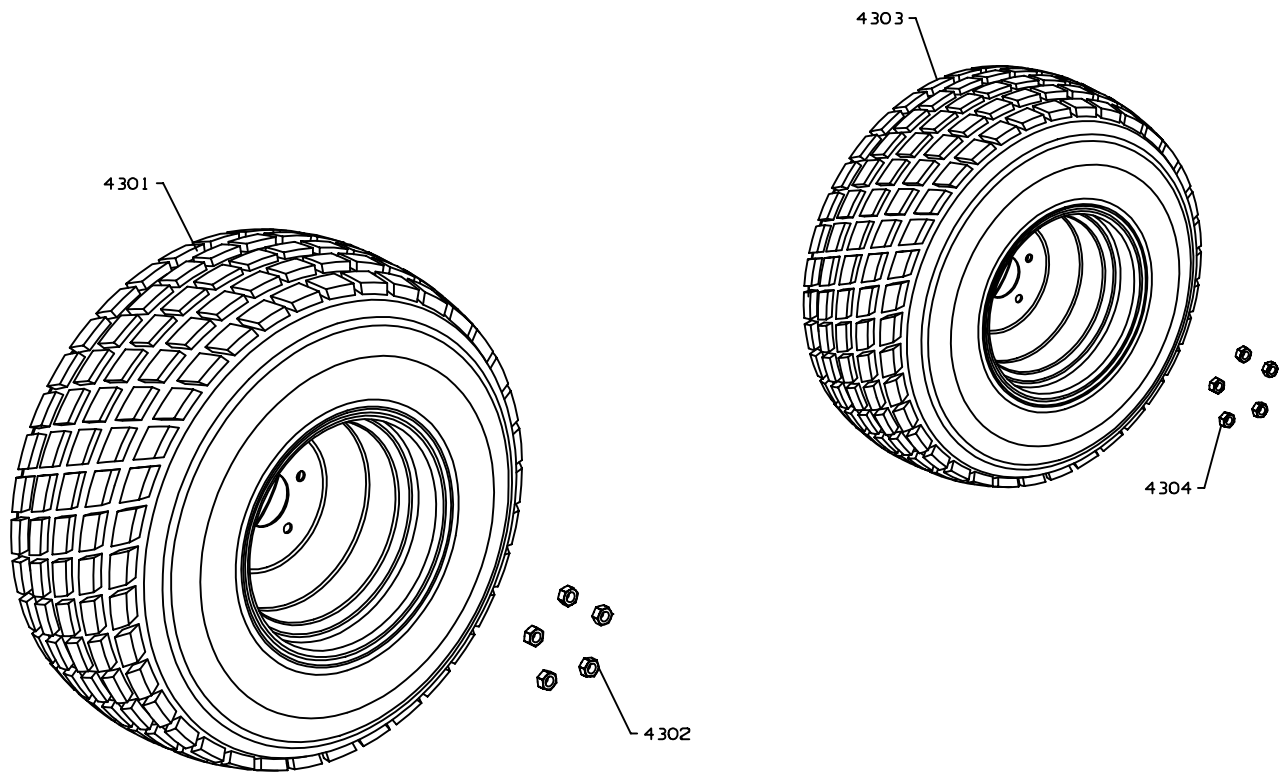
---



ITEM	RANSOMES PART NO	DESCRIPTION 	QTY	REMARKS
4201*	A914822	SOUND DEAFENING PAD	1	
4203*	451143	SCREW-PAN HD #10 x 9.5	2	
4204*	MBF1885A	BRACKET RH W/A	1	(15/11/1999 ON, COOLING KIT)
4204	MBF1228	SUPPORT RH WA	1	
4205*	MBF1886B	BRACKET LH W/A	1	(15/11/1999 ON, COOLING KIT)
4205	MBF1227A	SUPPORT LH WA	1	


**RANSOMES  
COMMANDER 3510**

---



**WHEELS**

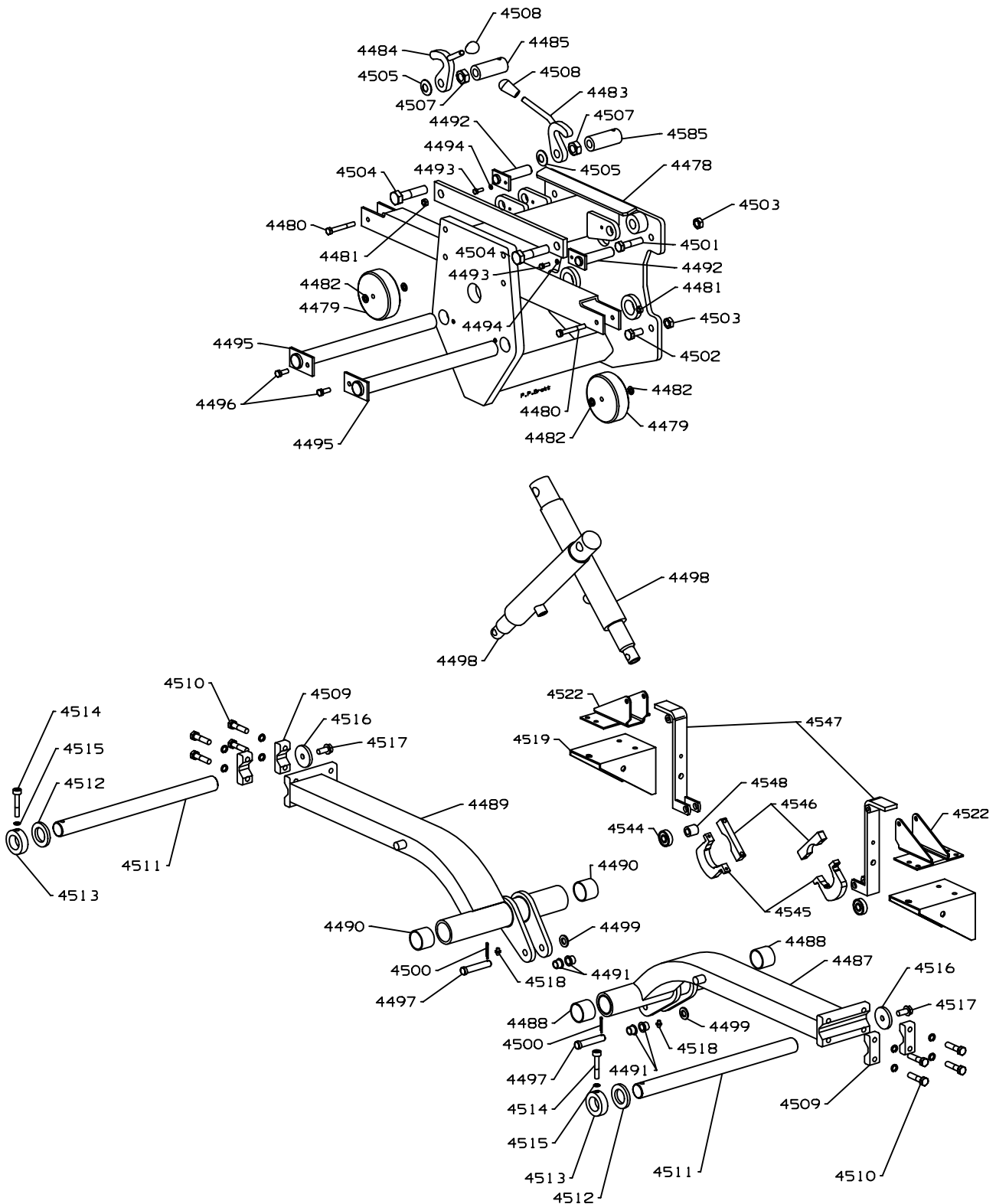
**LIST OF PARTS**

ITEM	RANSOMES PART NO	DESCRIPTION 	QTY	REMARKS
4301	A816241	FRT. WHEEL AND TYRE ASSY	2	
*	A816253	RIM	2	
*	A817048	TYRE 26B X 12.00 - 12 04PR	2	
*	A817312	TUBE	2	
4302	MBF1072A	CONE NUT	10	
4303	A816194	REAR WHEEL & TYRE ASSY	2	
*	A816144	RIM	2	
*	A817063	TYRE 23 X 10.5 - 12.4PR	2	
*	A817323	TUBE	2	
4304	A134111	WHEEL NUT	10	
4305*	A149061	PIN, 1/8 x 2	4	

\* Not Illustrated

# RANSOMES COMMANDER 3510


---





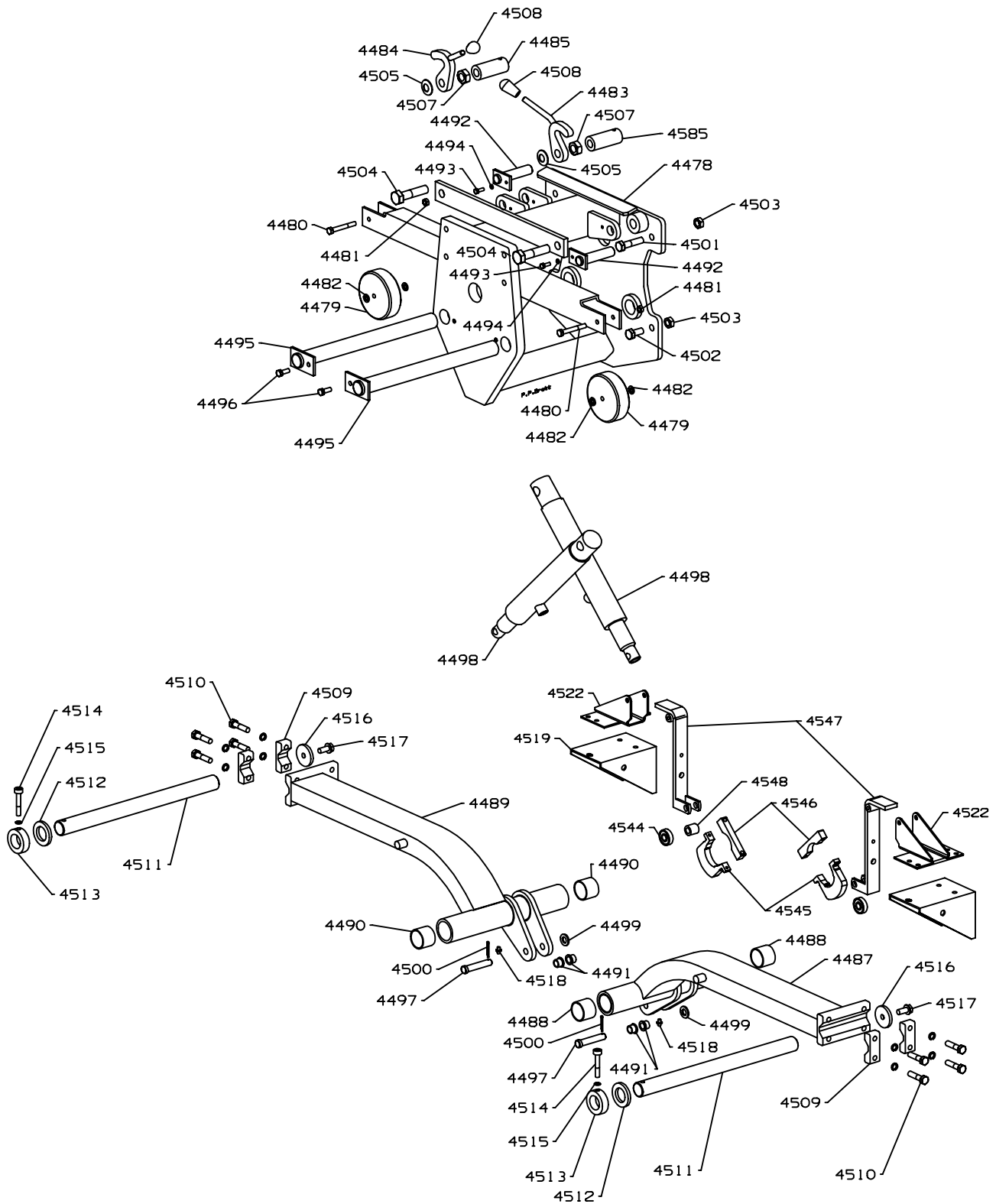
**FRONT LIFT ARMS**

**LIST OF PARTS**

ITEM	RANSOMES PART NO	DESCRIPTION 	QTY	REMARKS
4478	MBE3882D	FRONT UNITS BRACKET.	1	
4479	MBE1373	ROLLER	2	
4480	450020	BOLT, M8 x 60, HEX HD	2	
4481	450378	NUT, M8 NYLOC	2	
4482	450390	WASHER, M8	4	
4483	MBE3404	HOOK LH W/ASSY.	1	
4484	MBE3403	HOOK RH W/ASSY.	1	
4485	MBE4683	STOP BAR.	2	
4487	MBF1026	LIFT ARM L.H.FRONT	1	
4488	A219331	NYLON BUSH.	2	
4489	MBE3910B	LIFT ARM RH FRONT W/ASSY.	1	
4490	A219331	NYLON BUSH.	2	
4491	MBE4713	BUSH.	10	
4492	MBE3952	RAM PIN W/ASSY.	2	
4493	450151	SCREW, M5 x 16, HEX HD	2	
4494	450409	S.L.WASHER, M5	2	
4495	MBE3963C	PIVOT SHAFT W/ASSY.	2	
4496	450191	SCREW, M8 x 20, HEX HD	2	
4497	MBE3978	RAM PIN.	2	
4498	A902734	HYDRAULIC RAM	2	
4499	450392	WASHER, M12	2	
4500	451241	SPLIT PIN, 3.2 x 22	2	
4501	450054	BOLT, M12 x 70, HEX HD	2	
4502	450240	SCREW, M12 x 25, HEX HD	2	
4503	450380	NUT, M12 NYLOC	2	
4504	450071	BOLT, M16 x 60, HEX HD	1	
4505	A292110	DISC SPRING	5	
4506*	450393	WASHER, M16	2	
4507	450382	NUT, M16 NYLOC	2	
4508	A299022	KNOB	2	
4509	MBG3772	CLAMP CAP.	2	(NEW ONE PIECE CLAMP)
4510	A100975	BOLT, M10 x 45, HEX HD	4	
4511	MBC0092D	SHAFT.	2	
4512	MBE0297	COLLAR.	2	
4513	MBG4592	COLLAR	2	
4514	450729	SCREW, M8 x 50, SCKT CAP HD	2	
4515	450411	S.L.WASHER, M8	2	
4516	MBE0115	WASHER.	2	
4517	450477	SCREW, M10 x 20	2	VERBUS RIPP
4518	A299301	LUBRICATOR	2	
4519	MBE4274A	DIVERTOR BRACKET.	2	
4520*	450191	SCREW, M8 x 20, HEX HD	4	
4521*	450378	NUT, M8 NYLOC	10	
4522	MBE4275C	LEVER BRACKET W/ASSY.	2	
4523*	450003	BOLT, M6 x 40, HEX HD	4	
4525*	450014	BOLT, M8 x 30, HEX HD	4	
4526*	450324	NUT, M8	4	


\* Not Illustrated

# RANSOMES COMMANDER 3510



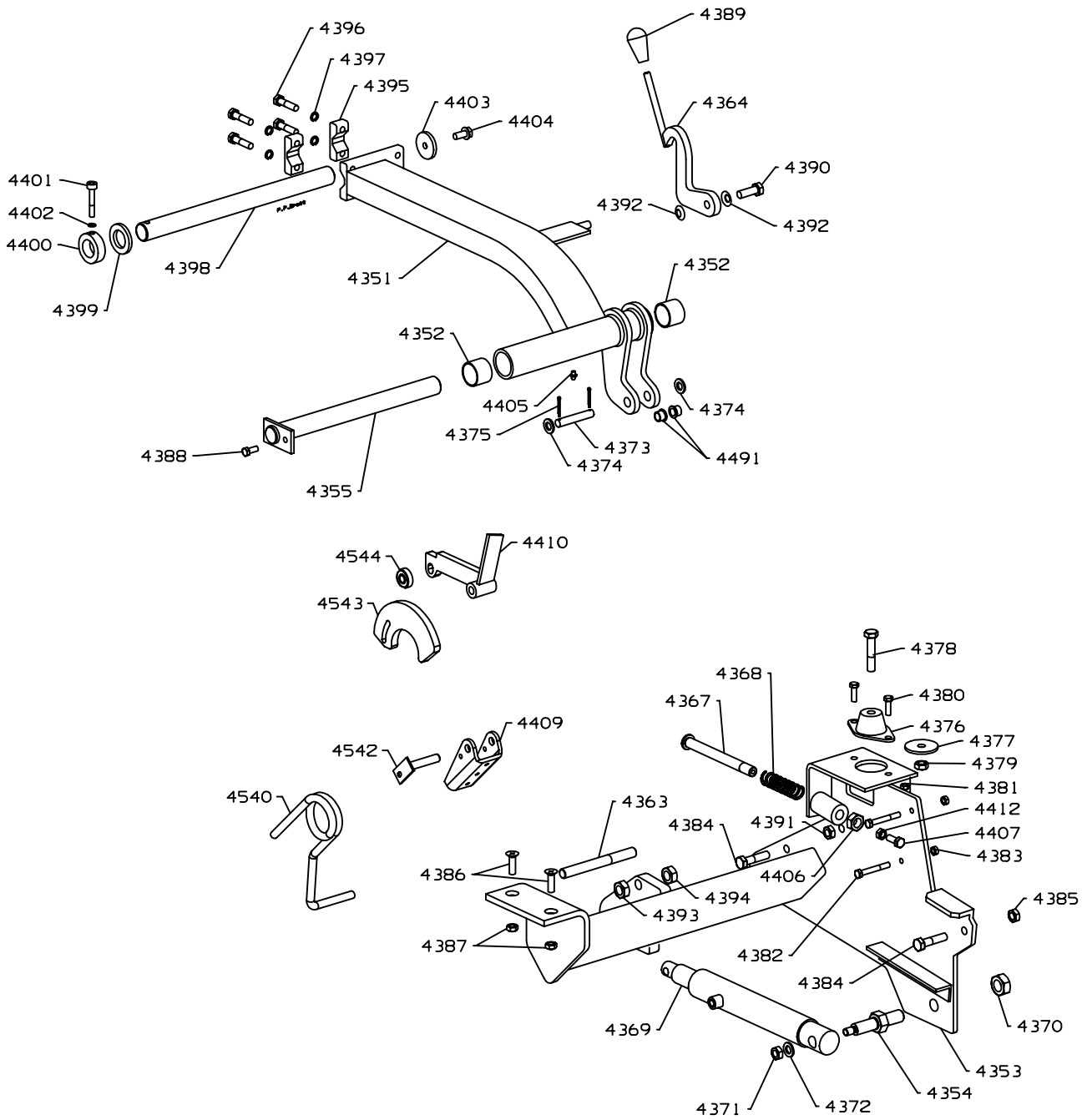
**FRONT LIFT ARMS**

**LIST OF PARTS**

ITEM	RANSOMES PART NO	DESCRIPTION 	QTY	REMARKS
4527*	450038	BOLT, M10 x 80, HEX HD	2	
4528*	A291079	SPRING	2	
4529*	450020	BOLT, M8 x 60, HEX HD	2	
4530*	A181434	SCREW, M3 x 45	4	
4531*	A182003	NUT, M3	4	
4532*	A183003	WASHER, 3 mm	4	
4537*	450324	NUT, M8	1	
4538*	450379	NUT, M10 NYLOC	2	
4539*	450412	S.L.WASHER, M10	8	
4544	A203601	BEARING, 12x32x10	4	
4545	MBF0972	DIVERTED CAM RING	2	
4545*	MBF1372	DIVERTER CAM RING	2	(8/1/1998 ON)
4546	MBG2532	CLAMP PLATE	2	
4547	MBF0974	LEVER W.A FRONT	2	(8/1/1998 ON)
4547*	MBF1373	LEVER W.A.FRONT	2	
4548	MBG2545	SPACER	1	

\* Not Illustrated

# RANSOMES COMMANDER 3510



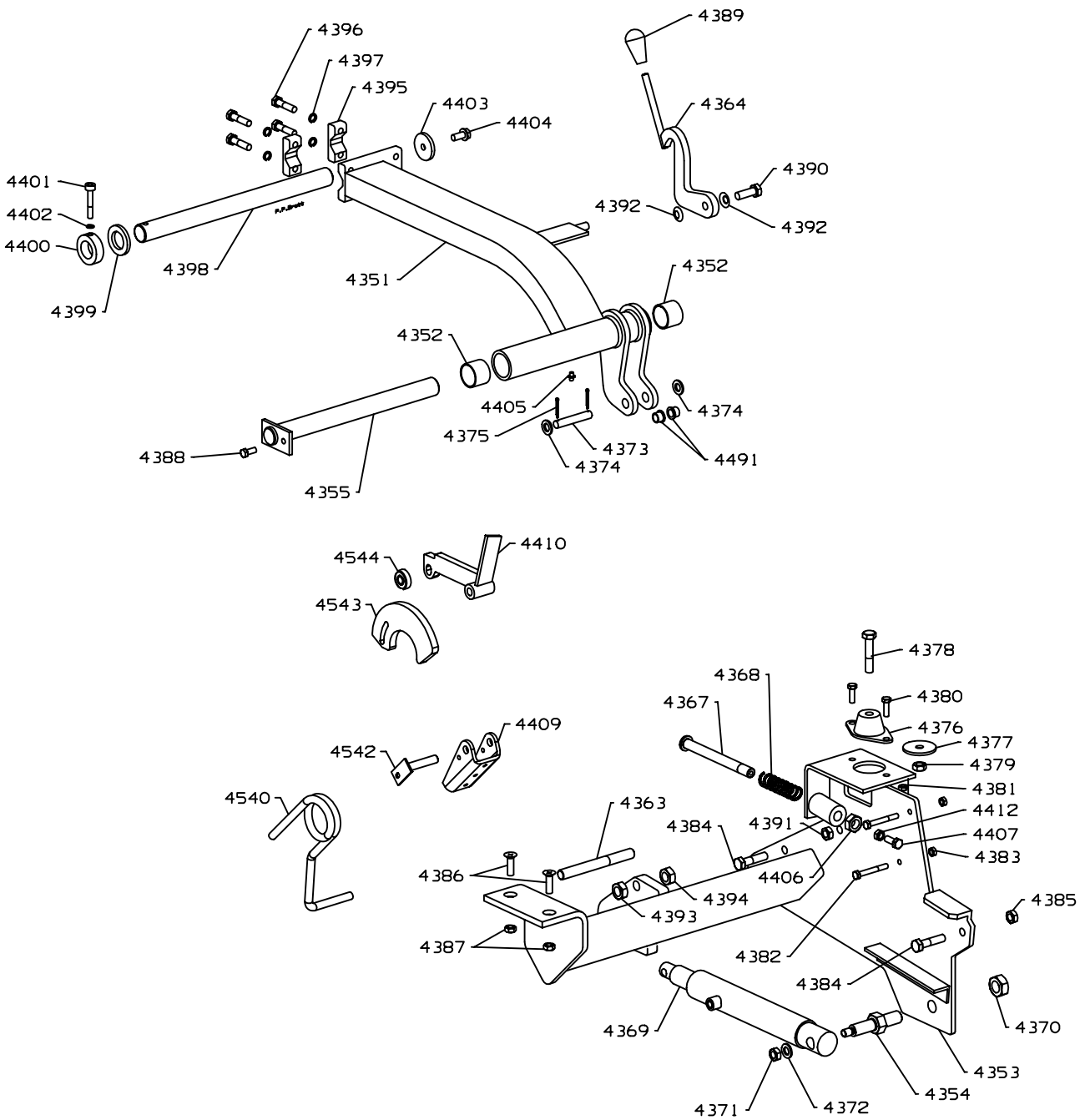
**RIGHT LIFT ARM**

**LIST OF PARTS**

ITEM	RANSOMES PART NO	DESCRIPTION 	QTY	REMARKS
4351	MBF1152	LIFT ARM RH WA	1	
4352	A219331	NYLON BUSH.	2	
4353	MBE3738G	SUPPORT PLATE RH W/ASSY.	1	
4354	MBE3699A	PIN. (RAM SUPPORT)	1	
4355	MBE3963C	PIVOT SHAFT W/ASSY.	2	
4358*	450212	SCREW, M10 x 16, HEX HD	2	
4359*	450412	S.L.WASHER, M10	2	
4360*	GSF2154GN	WASHER	2	
4363	MBG3086A	WING UNIT PIN	1	
4364	MBE4540	HOOK W/ASSY.	1	
4365*	450391	WASHER, M10	4	
4367	MBF1002	PLUNGER	1	
4368	A291128	COMPRESSION SPRING	1	
4369	A902811	HYDRAULIC RAM	1	
4370	450383	NUT, M20 NYLOC	1	
4371	450380	NUT, M12 NYLOC	1	
4372	450392	WASHER, M12	1	
4373	MBE0265	PISTON PIN.	1	
4374	450392	WASHER, M12	2	
4375	451241	SPLIT PIN, 3.2 x 22	2	
4376	A299411	VIBRATION MOUNT	1	
4377	MBE4000	WASHER.	1	
4378	450052	BOLT, M12 x 60, HEX HD	1	
4379	450380	NUT, M12 NYLOC	1	
4380	450192	SCREW, M8 x 25, HEX HD	2	
4381	450378	NUT, M8 NYLOC	2	
4382	450020	BOLT, M8 x 60, HEX HD	2	
4383	450378	NUT, M8 NYLOC	2	
4384	450048	BOLT, M12 x 40, HEX HD	3	
4385	450380	NUT, M12 NYLOC	3	
4386	450651	SCREW, M10 x 30, CSK HD	2	
4387	450379	NUT, M10 NYLOC	2	
4388	450191	SCREW, M8 x 20, HEX HD	1	
4389	A299022	KNOB	1	
4390	450242	SCREW, M12 x 35, HEX HD	1	
4391	450380	NUT, M12 NYLOC	1	
4392	A292100	DISC SPRINGS	2	
4393	450327	NUT, M16	1	
4394	450382	NUT, M16 NYLOC	1	
4395	MBG3772	CLAMP CAP.	1	
4396	A100975	BOLT, M10 x 45, HEX HD	4	
4397	450412	S.L.WASHER, M10	4	
4398	MBC0092D	SHAFT.	1	
4399	MBE0297	COLLAR.	1	
4400	MBG4592	COLLAR	1	
4401	450729	SCREW, M8 x 50, SCKT CAP HD	1	


\* Not Illustrated

# RANSOMES COMMANDER 3510



**RIGHT LIFT ARM**

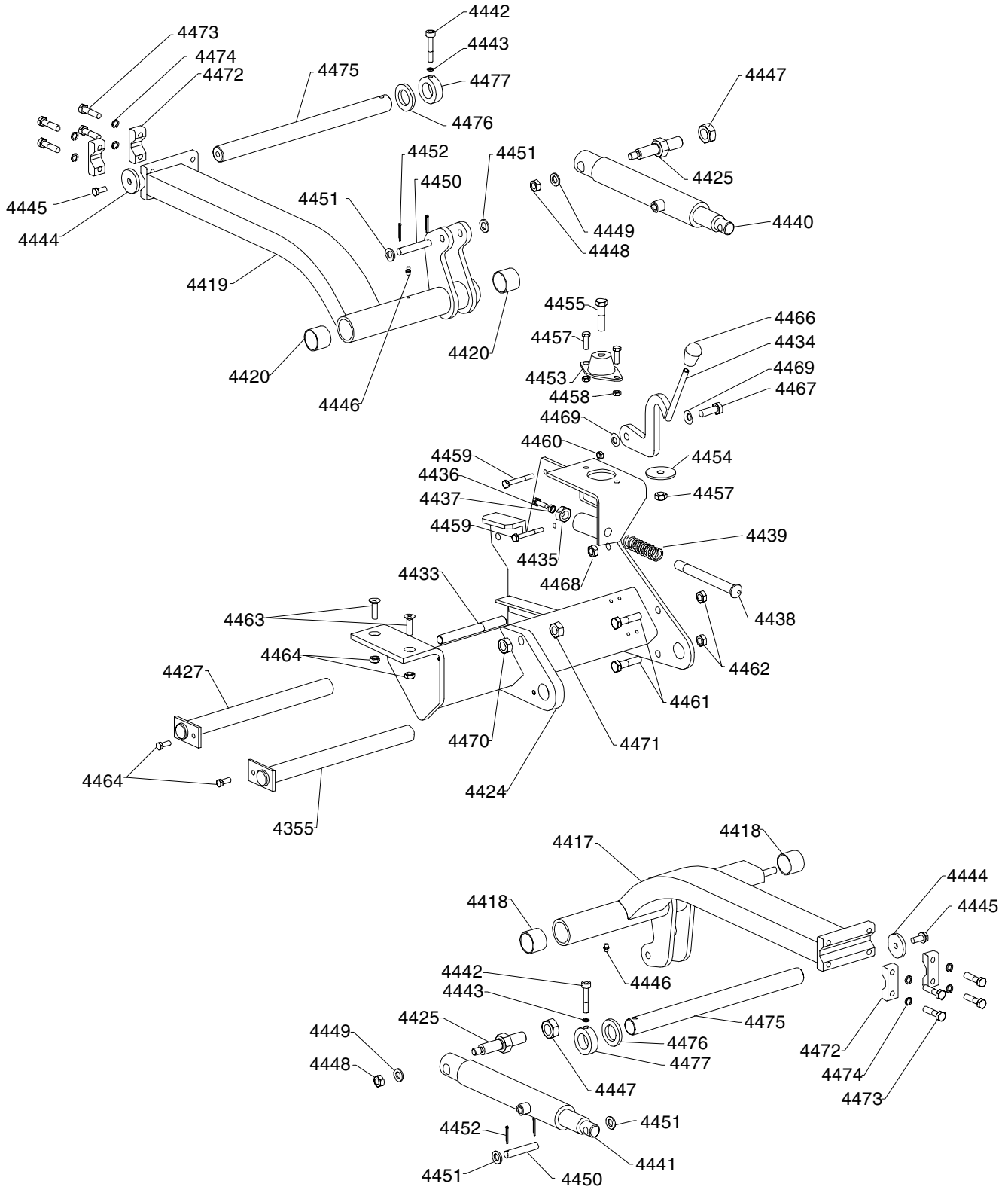
**LIST OF PARTS**

ITEM	RANSOMES PART NO	DESCRIPTION 	QTY	REMARKS
4402	450411	S.L.WASHER, M8	1	VERBUS RIPP
4403	MBE0115	WASHER.	1	
4404	450477	SCREW, M10 x 20	1	
4405	A299301	LUBRICATOR	1	
4406	450382	NUT, M16 NYLOC	1	
4407	450192	SCREW, M8 x 25, HEX HD	1	
4409	MBG2723A	BRACKET	1	
4410	MBF1042A	LEVER RH WA	1	
4411*	450192	SCREW, M8 x 25, HEX HD	1	
4412	450324	NUT, M8	1	
4413*	450168	SCREW, M6 x 12, HEX HD	2	
4414*	A181434	SCREW, M3 x 45	2	
4415*	A182003	NUT, M3	2	
4416*	A183003	WASHER, 3 mm	2	
4540	A906317	TORSION SPRING RH	1	
4542	MBF1040	PIN WA	2	
4543	MBF1001	DIVERTER CAM RING	2	
4544	A203601	BEARING, 12x32x10	4	

\* Not Illustrated

**RANSOMES  
COMMANDER 3510**


---





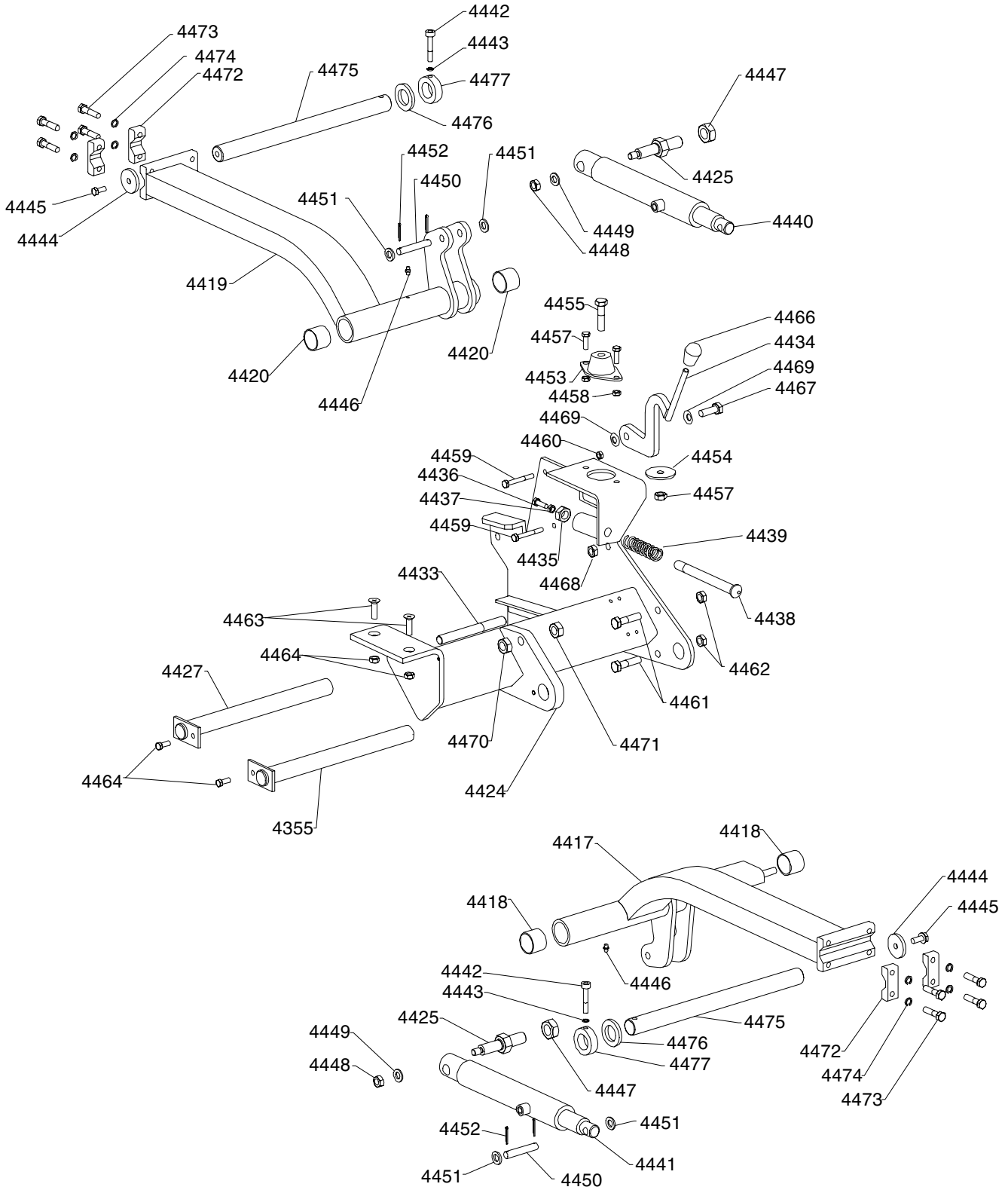
**LEFT, CENTRE LIFT ARMS**

**LIST OF PARTS**

ITEM	RANSOMES PART NO	DESCRIPTION 	QTY	REMARKS
4417	MBF1151	LIFT ARM LH WA	1	
4418	A219331	NYLON BUSH.	2	
4419	MBE3670B	LIFT ARM - CENTRE.	1	
4420	A219331	NYLON BUSH.	2	
4421*	MBG2723A	BRACKET	1	
4422*	MBF1043A	LEVER LH WA	1	
4423*	450192	SCREW, M8 x 25, HEX HD	1	
4424	MBE3712J	SUPPORT PLATE LH W/ASSY.	1	
4425	MBE3699A	PIN. (RAM SUPPORT)	2	
4426*	450852	SCREW, M6 x 16, SCKT CSK	2	
4427	MBE3963C	PIVOT SHAFT W/ASSY.	1	
4428*	450324	NUT, M8	1	
4429*	450168	SCREW, M6 x 12, HEX HD	2	
4430*	A181434	SCREW, M3 x 45	2	
4431*	A182003	NUT, M3	2	
4432*	A183003	WASHER, 3 mm	2	
4433	MBG3086A	WING UNIT PIN	1	
4434	MBE4540	HOOK W/ASSY.	1	
4435	450382	NUT, M16 NYLOC	1	
4436	450192	SCREW, M8 x 25, HEX HD	1	
4437	450324	NUT, M8	1	
4438	MBF1002	PLUNGER	1	
4439	A291128	COMPRESSION SPRING	1	
4440	A902734	HYDRAULIC RAM	1	
4441	A902811	HYDRAULIC RAM	1	
4442	450729	SCREW, M8 x 50, SCKT CAP HD	2	
4443	450411	S.L.WASHER, M8	2	
4444	MBE0115	WASHER.	2	
4445	450477	SCREW, M10 x 20	2	VERBUS RIPP
4446	A299301	LUBRICATOR	2	
4447	450383	NUT, M20 NYLOC	2	
4448	450380	NUT, M12 NYLOC	2	
4449	450392	WASHER, M12	2	
4450	MBE0265	PISTON PIN.	2	
4451	450392	WASHER, M12	4	
4452	451241	SPLIT PIN, 3.2 x 22	4	
4453	A299411	VIBRATION MOUNT	1	
4454	MBE4000	WASHER.	1	
4455	450052	BOLT, M12 x 60, HEX HD	1	
4456	450380	NUT, M12 NYLOC	1	
4457	450192	SCREW, M8 x 25, HEX HD	2	
4458	450378	NUT, M8 NYLOC	2	
4459	450020	BOLT, M8 x 60, HEX HD	2	
4460	450378	NUT, M8 NYLOC	2	
4461	450048	BOLT, M12 x 40, HEX HD	2	
4462	450380	NUT, M12 NYLOC	2	


\* Not Illustrated

# RANSOMES COMMANDER 3510



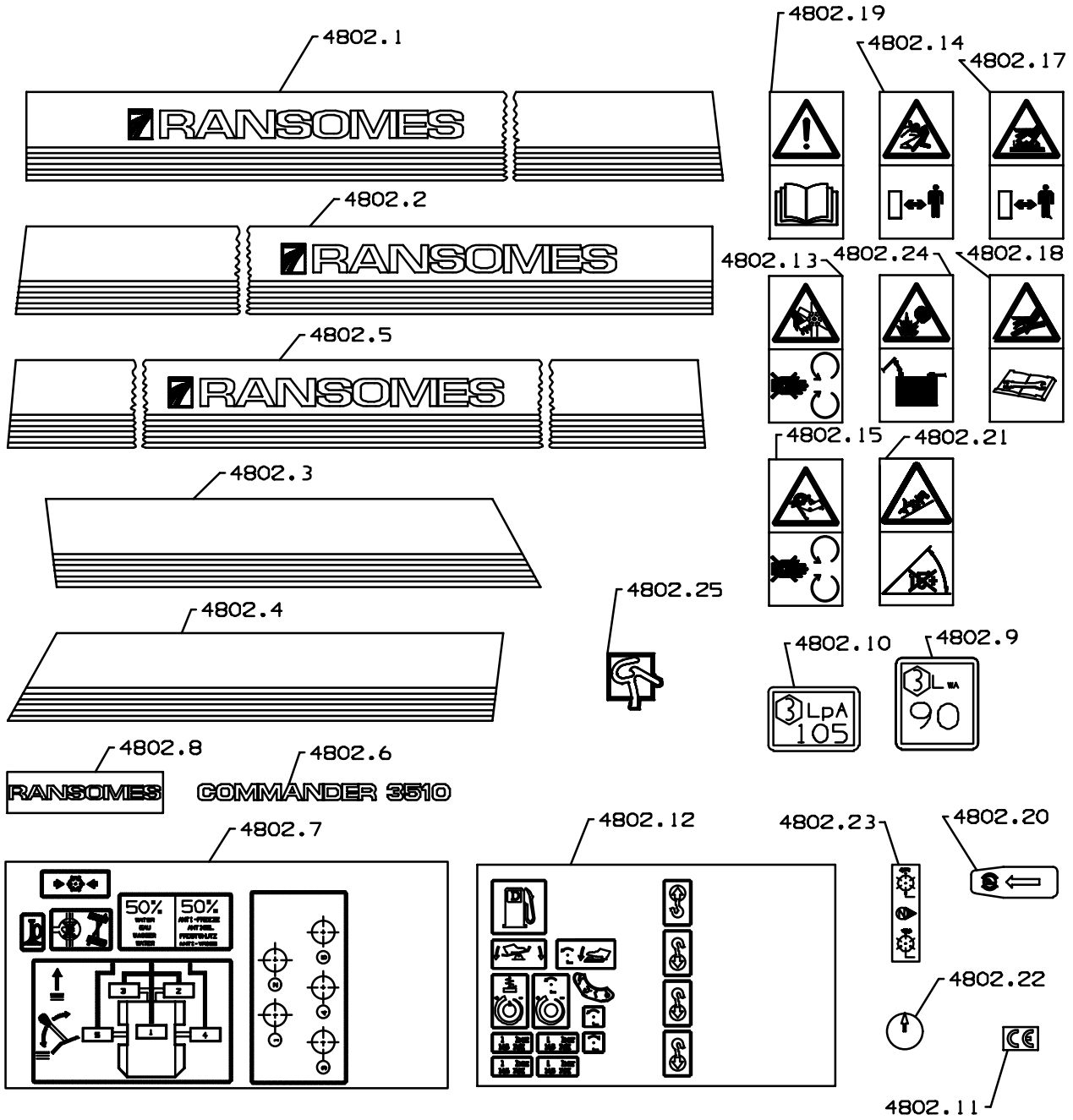
**LEFT, CENTRE LIFT ARMS**

**LIST OF PARTS**

ITEM	RANSOMES PART NO	DESCRIPTION 	QTY	REMARKS
4463	450651	SCREW, M10 x 30, CSK HD	2	FOR 4417, 4419
4464	450379	NUT, M10 NYLOC	2	
4465	450191	SCREW, M8 x 20, HEX HD	2	
4466	A299022	KNOB	1	
4467	450242	SCREW, M12 x 35, HEX HD	1	
4468	450380	NUT, M12 NYLOC	1	
4469	A292100	DISC SPRINGS	2	
4470	450327	NUT, M16	1	
4471	450382	NUT, M16 NYLOC	1	
4472	MBG3772	CLAMP CAP.	4	
4473	A100975	BOLT, M10 x 45, HEX HD	8	
4474	450412	S.L.WASHER, M10	8	
4475	MBC0092D	SHAFT.	2	
4476	MBE0297	COLLAR.	2	
4477	MBG4592	COLLAR	2	
4541*	A906316	TORSION SPRING LH	1	
4542*	MBF1040	PIN WA	2	
4543*	MBF1001	DIVERTER CAM RING	2	
4544*	A203601	BEARING, 12x32x10	4	


\* Not Illustrated

**RANSOMES  
COMMANDER 3510**



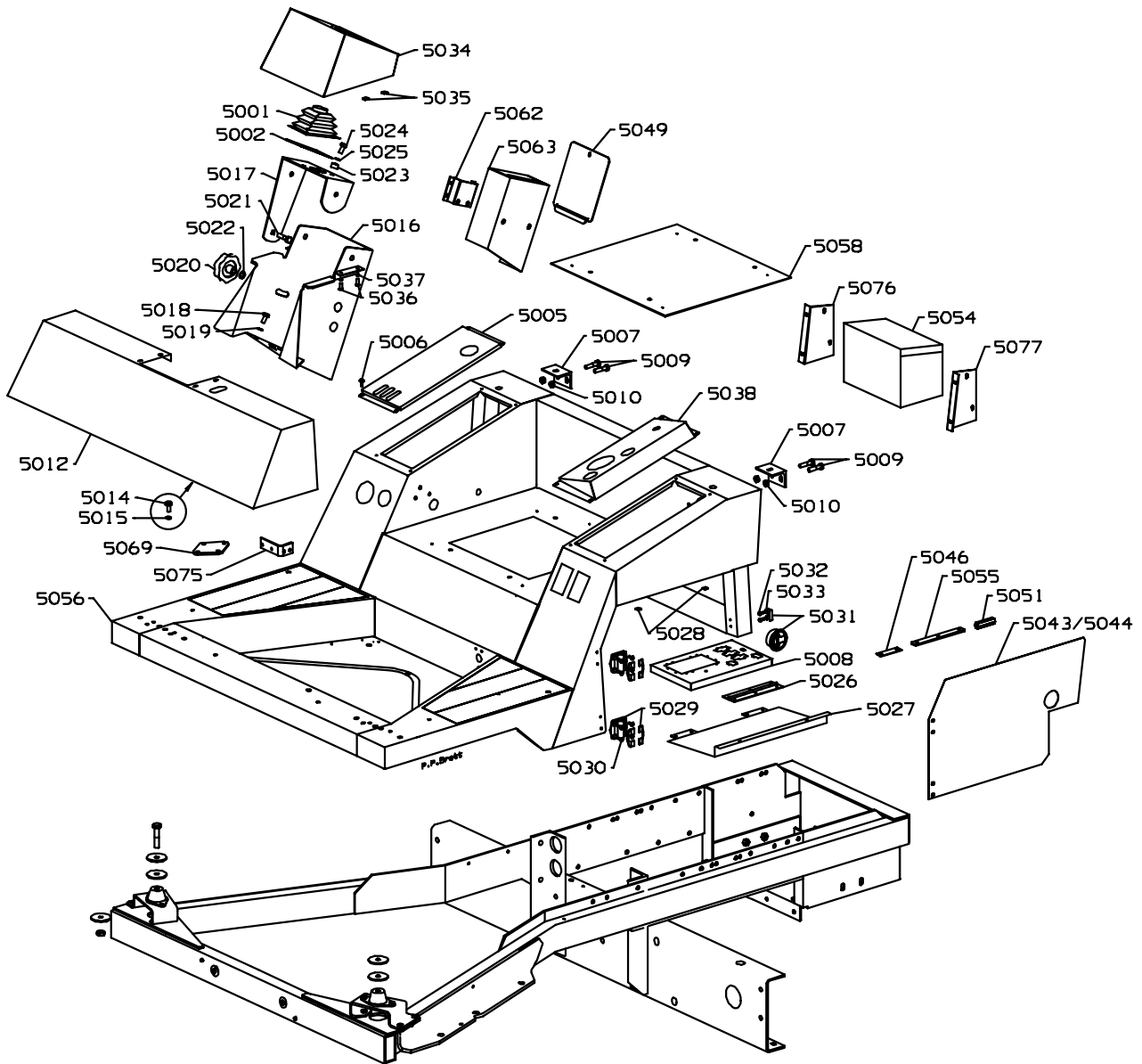
**DECALS**

**LIST OF PARTS**

ITEM	RANSOMES PART NO	DESCRIPTION 	QTY	REMARKS
4802	IDL011B	COMMANDER DECAL KIT	1	
4802 .1	A903699	DECAL ENGINE COVER R.H.	1	
4802 .2	A904601	DECAL ENGINE COVER L.H.	1	
4802 .3	009038770	DECAL DOOR R.H	1	
4802 .4	009038780	DECAL DOOR LH	1	
4802 .5	A904604	DECAL FRONT COWL	1	
4802 .6	A911526	COMMANDER 3510	2	
4802 .7	A911429	DECAL :SET OF DECALS	1	
4802 .8	2000582	COMMANDER REAR DECAL	1	
4802 .9	A903477	LABEL	1	
4802 .10	A903474	LABEL	1	
4802 .11	A903929	C E DECAL	1	
4802 .12	A903342	SET OF DECAL:	1	
4802 .13	A903488	DECAL :FAN	1	
4802 .14	A903489	DECAL :BYSTANDER	1	
4802 .15	A903490	DECAL :BELT	1	
4802 .17	A903492	DECAL :HOT	1	
4802 .18	A903493	DECAL :OIL	1	
4802 .19	009034910	DECAL INSTRUCTIONS	1	
4802 .20	A903940	DECAL, PARKING BRAKES	1	
4802 .21	A911416	DECAL: SLOPE 15 DEG	1	
4802 .22	2000616	LABEL,ADJUST KNOBS	1	
4802 .23	A903980	DECAL MOW VALVE	1	
4802 .24	A911410	DECAL :BATTERY DECAL	1	
4802 .25	2720122	LABEL-DIAMOND R	1	
4804*	MBG1167	NAMEPLATE	1	
4805*	MBE4688	TUV SERIAL PLATE.	1	
4806*	A127000	SCREW, No.6 x 3/8	4	

\* Not Illustrated

# RANSOMES COMMANDER 3510



**OPERATOR'S PLATFORM**

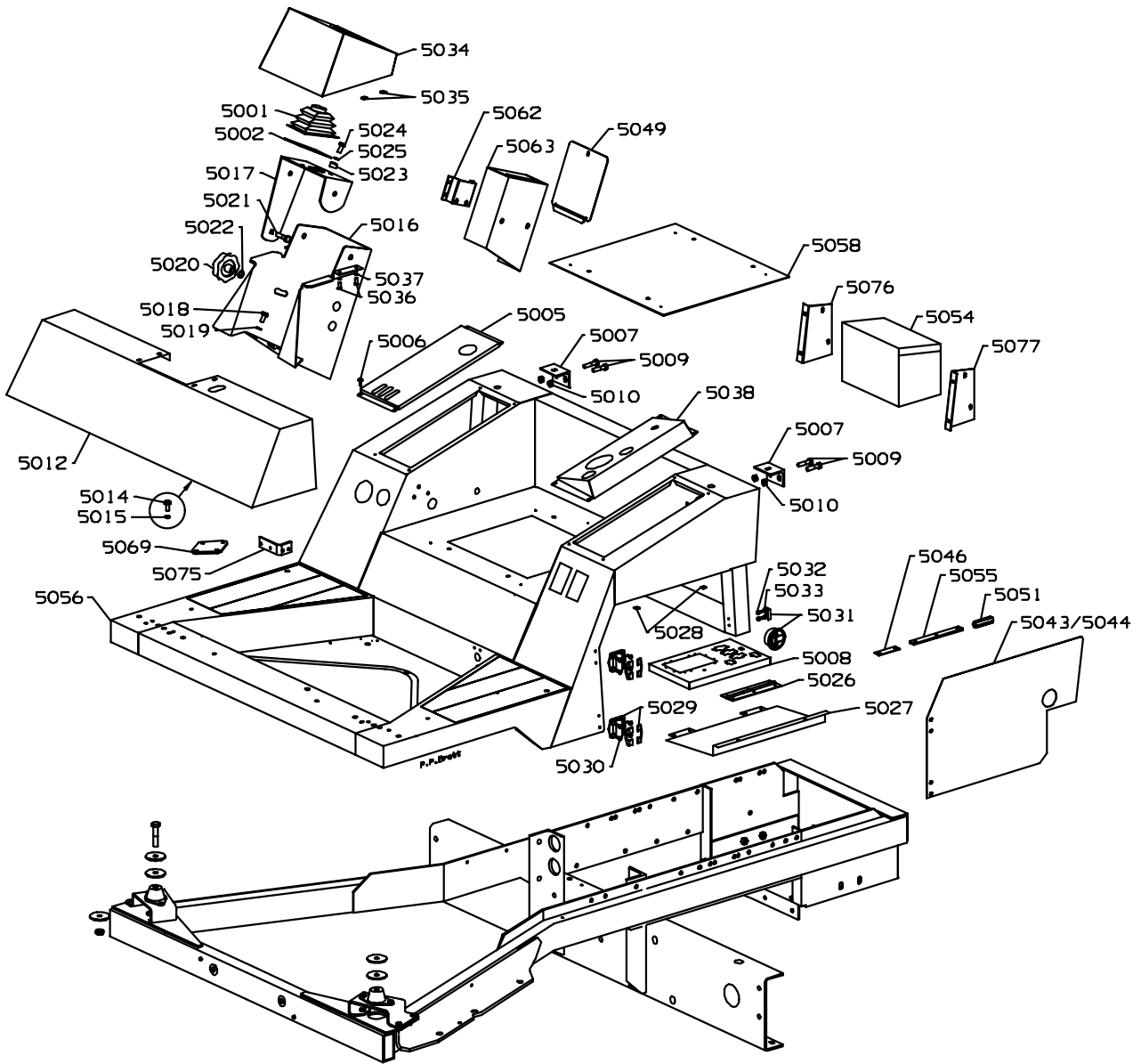
**LIST OF PARTS**

ITEM	RANSOMES PART NO	DESCRIPTION 	QTY	REMARKS
5001	A913416	GAITER (STEER FRAME)	1	
5002	MBE3961B	BEZEL - STEERING.	1	
5003*	A149605	RIVET, 1/8 x 5/16	6	
5004*	A295332	DIAPHRAGM GROMMET	6	
5005	MBG3179	VALVE COVER	1	
5006	452692	SCREW, M6 x 12, HEX TAPTITE	4	
5007	MBE3920A	CAB MOUNTING BRACKET.	2	
5008	MBG3557	RELAY PLATE.	1	
5009	450214	SCREW, M10 x 25, HEX HD	4	
5010	450379	NUT, M10 NYLOC	4	
5012	MBG3243	FRONT COWL	1	
5014	450191	SCREW, M8 x 20, HEX HD	8	
5015	450411	S.L.WASHER, M8	8	
5016	MBF0475B	SUPPORT BRKT. W/ASSY.	1	
5017	MBE3805	STEERING COLUMN SADDLE.	1	
5018	450215	SCREW, M10 x 30, HEX HD	6	
5019	450412	S.L.WASHER, M10	6	
5020	A299055	HANDWHEEL	1	
5021	452585	BOLT, M10 x 25, SQ NECK	1	
5022	A292083	DISC SPRING WASHER	1	
5023	MBC5963	PACKER	4	
5024	450029	BOLT, M10 x 35, HEX HD	4	
5025	450412	S.L.WASHER, M10	4	
5026	MBE3165A	TOOLBOX HINGE.	1	
5027	MBE4141C	FLOOR PLATE W/ASSY.	1	
5028	A907207	SPECIAL WASHER	7	
5029	A299104	HINGE	4	
5030	450528	SCREW, M5 x 16, PAN HD	8	
5031	A199065	LATCH	2	
5032	450528	SCREW, M5 x 16, PAN HD	4	
5033	450388	WASHER, M5	4	
5034	MBE3944C	STEERING COLUMN COVER.	1	
5035	A139401	NUT, M6	4	
5036	450170	SCREW, M6 x 16, HEX HD	4	
5037	450410	S.L.WASHER, M6	4	
5038	MBG0438	CONTROL PANEL	1	
5039*	452692	SCREW, M6 x 12, HEX TAPTITE	6	
5040*	450528	SCREW, M5 x 16, PAN HD	7	
5041*	450388	WASHER, M5	7	
5042*	450376	NUT, M5 NYLOC	7	
5043	MBG0518	RH DOOR PANEL	1	
5044	MBG3281	LH DOOR PANEL	1	
5045	MBE4437	TOOLBOX W/ASSY.	1	
5046	MBE4494	HINGE PACKER.	2	


\* Not Illustrated

**RANSOMES  
COMMANDER 3510**

---

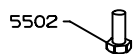
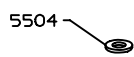
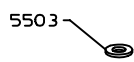
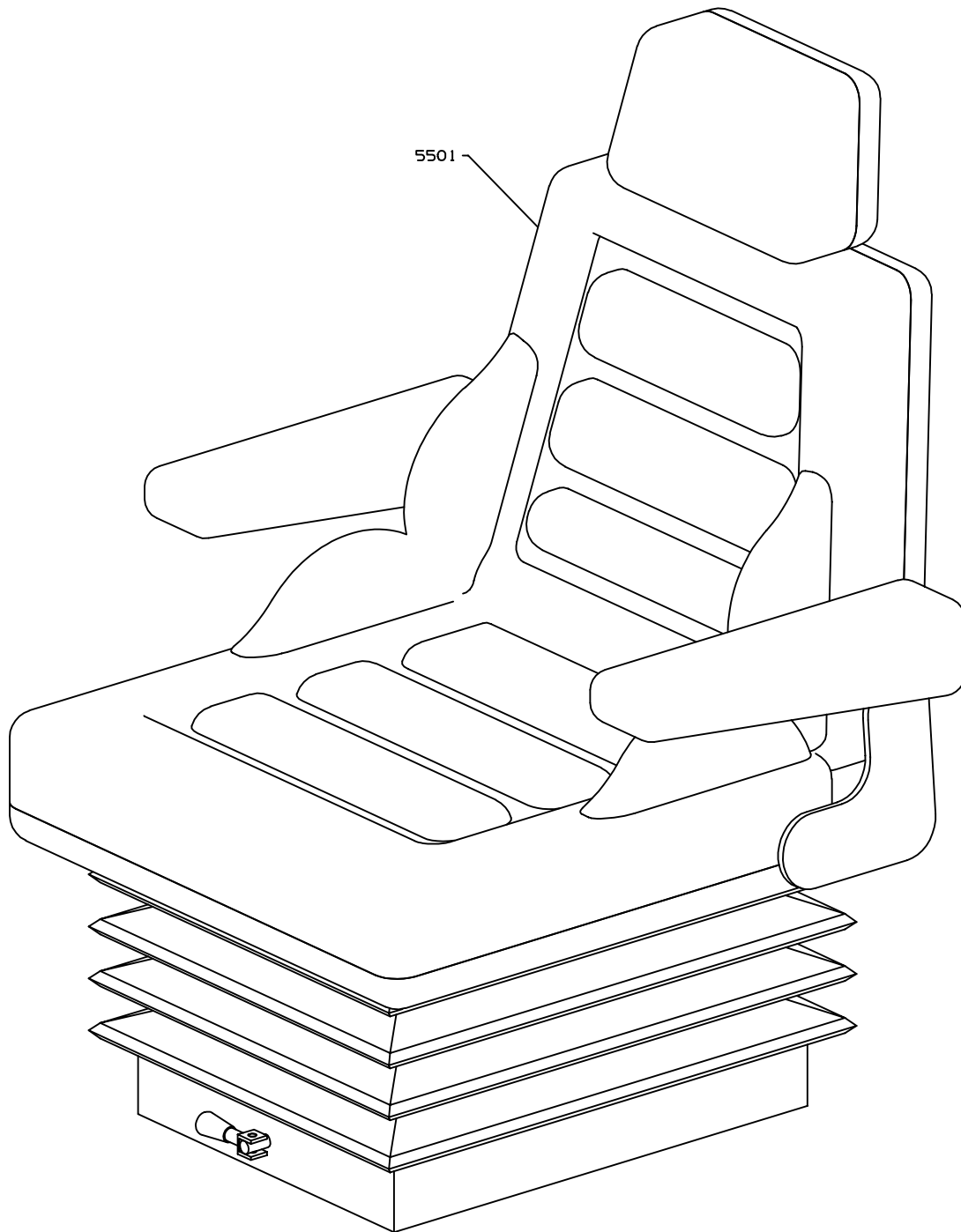





ITEM	RANSOMES PART NO	DESCRIPTION 	QTY	REMARKS
5049	MBE3806	ACCESS COVER.	1	
5050*	A295331	GROMMET	1	
5051	MBE4547A	RELAY PANEL SPACER.	1	
5052*	450191	SCREW, M8 x 20, HEX HD	2	
5053*	450411	S.L.WASHER, M8	2	
5054*	450390	WASHER, M8	2	
5055	MBE4643	RELAY PLATE PACKER.	1	
5056	MBF1166A	OPS COMPARTMENT	1	
5057*	A298904	SAFETY WALK STRIP	3	
5058	MBG2914	SEAT PLATE	1	
5059*	450369	NUTSERT, M8 A-L 1ST GRIP	4	
5060*	450188	SCREW, M8 x 12, HEX HD	4	
5061*	450411	S.L.WASHER, M8	4	
5062	MBG3074	BRIDGE	1	
5063	MBG3073A	VALVE COVER	1	
5064*	MBF1159	STUD	2	
5066*	450324	NUT, M8	2	
5067*	450390	WASHER, M8	4	
5068*	450378	NUT, M8 NYLOC	4	
5069	MBG3114	FILTER BRACKET	1	
5070*	A119003	SCREW, 5/16 UNC x 3/4	3	
5071*	450191	SCREW, M8 x 20, HEX HD	1	
5072*	450378	NUT, M8 NYLOC	1	
5073*	450390	WASHER, M8	4	
5075	MBG3189	NEEDLE VALVE BRACKET	1	
5076	MBG3320	BRACKET RH	1	
5077	MBG3321	BRACKET LH	1	
5078*	450369	NUTSERT-M8 A-L x 17.5	2	
5079*	A295263	END CAP	2	50 x 50

**RANSOMES  
COMMANDER 3510**

---

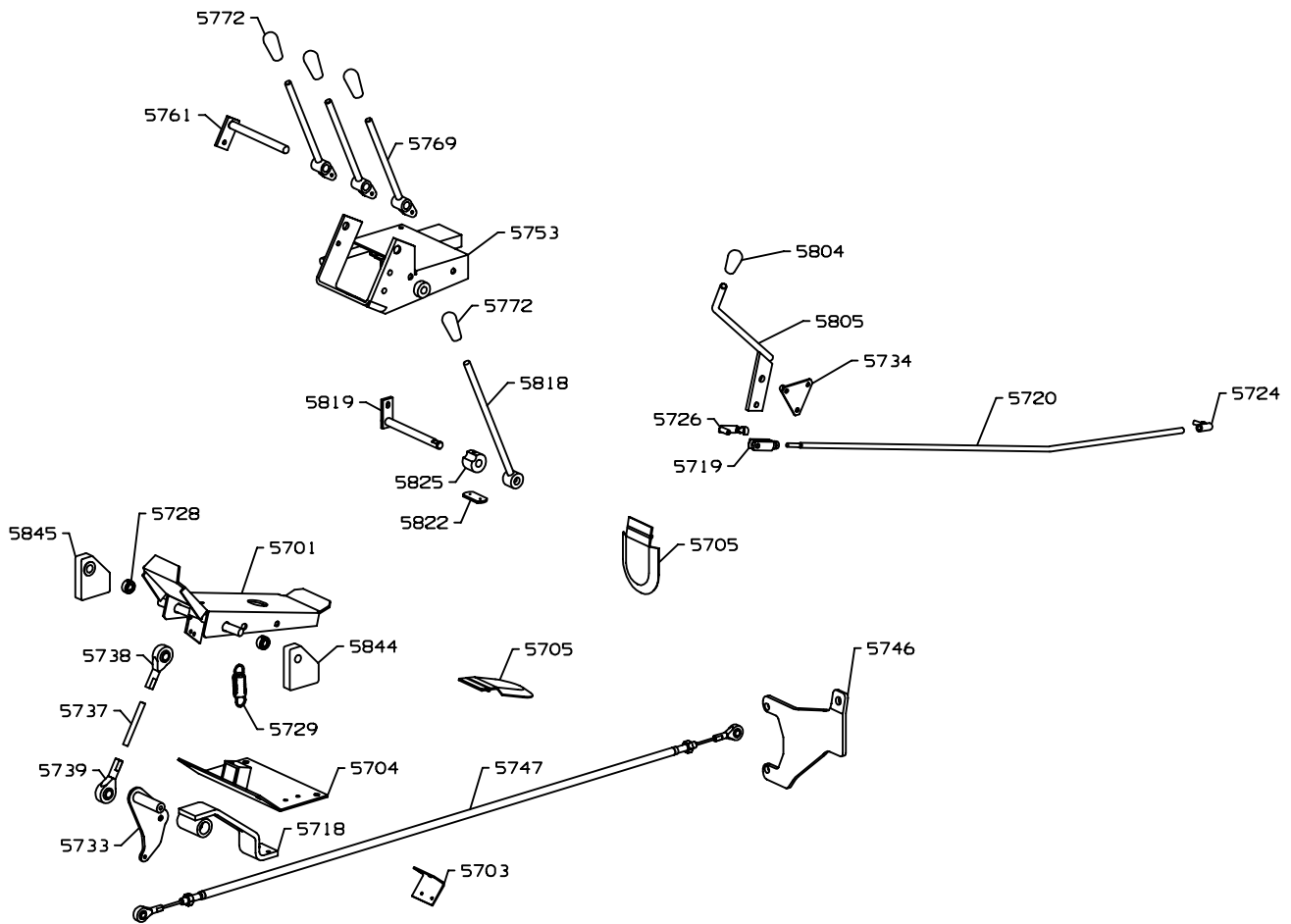


---

ITEM	RANSOMES PART NO	DESCRIPTION 	QTY	REMARKS
5501	A819940	SEAT (GREY)	1	
5502	450191	SCREW, M8 x 20, HEX HD	4	
5503	450390	WASHER, M8	4	
5504	450411	S.L.WASHER, M8	4	


# RANSOMES COMMANDER 3510

---



**CONTROLS - TRACTION PEDAL / DIFF LOCK/  
MOW SWITCH / UNIT LIFT / UNIT DRIVE**

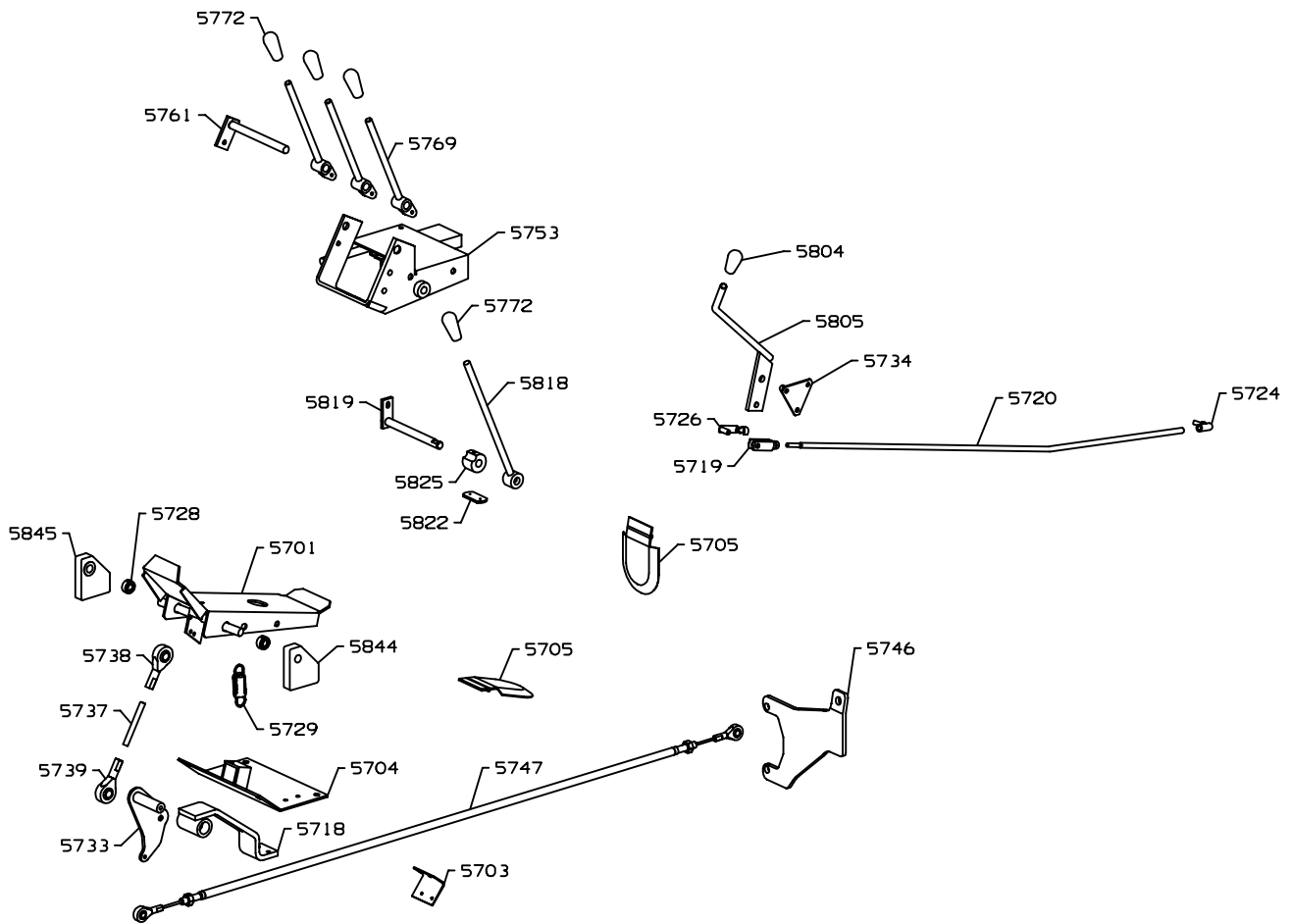
**LIST OF PARTS**

ITEM	RANSOMES PART NO	DESCRIPTION 	QTY	REMARKS
5701	MBF1156D	FOOTPEDAL	1	
5702*	A298904	SAFETY WALK STRIP	4	
5703	MBE3466A	BRACKET - MICRO SWITCH.	2	
5704	MBF0963C	BASE PLATE - NEUTRAL STOP	1	
5705	MBE3313C	PAD W/ASSY.	2	
5706*	450608	SCREW, M5 x 20, CSK HD	4	
5707*	450409	S.L.WASHER, M5	4	
5708*	450322	NUT, M5	4	
5709*	A291054	SPRING	2	
5710*	A109185	WELDBOLT, M8 x30	2	
5711*	450378	NUT, M8 NYLOC	2	
5713*	450619	SCREW, M6 x 16, CSK HD	4	
5714*	450191	SCREW, M8 x 20, HEX HD	4	
5715*	450390	WASHER, M8	4	
5716*	450193	SCREW, M8 x 30, HEX HD	1	
5717*	450324	NUT, M8	1	
5718	MBE4091	BRACKET - BUSHED ASSY.	1	
*	A210115	• BUSH	2	
5719	A194904	CLEVIS, M8	1	
5720	MBG0534	THROTTLE LINK	1	
5721*	450377	NUT, M6 NYLOC	1	
5722*	450389	WASHER, M6	1	
5723*	450323	NUT, M6	1	
5724	A814501	BALL JOINT	1	
5725*	450324	NUT, M8	1	
5726	A149066	SPRING CLIP	1	
5727*	450378	NUT, M8 NYLOC	1	
5728	MBF0654A	SET COLLAR	2	
5729	BAF8429	SPRING, EXTENSION	1	
5730*	A119004	SCREW, No.10 x 1/2	2	
5731*	A139325	NUT, No.10-24	2	
5732*	450388	WASHER, M5	4	
5733	MBE4118B	LEVER W/ASSY.	1	
5734	MBF0205	THROTTLE BRACKET	1	
5735*	450393	WASHER, M16	1	
5736*	452041	EXT CIRCLIP, 16 mm	1	
5737	MBF1106	CABLE ROD	1	
5738	A814513	ROD END LH	1	
5739	A814514	ROD END RH	1	
5740*	GSF2052BB	LOCKNUT 5/16" UNF LH	1	
5741*	GSF2052AB	LOCKNUT 5/16" UNF RH	1	
5742*	A292071	DISC SPRING	2	
5743*	A295340	GROMMET 31.8 PH-1.2PT-25.4	2	
5744*	W43067A	COLLAR - SET.	2	
5746	MBG3100	CABLE BRACKET	1	WITH DANFOSS PUMP
5746	MBG4085C	CABLE BRACKET	1	WITH SAUER PUMP

\* Not Illustrated


# RANSOMES COMMANDER 3510

---



**CONTROLS - TRACTION PEDAL / DIFF LOCK/  
MOW SWITCH / UNIT LIFT / UNIT DRIVE**

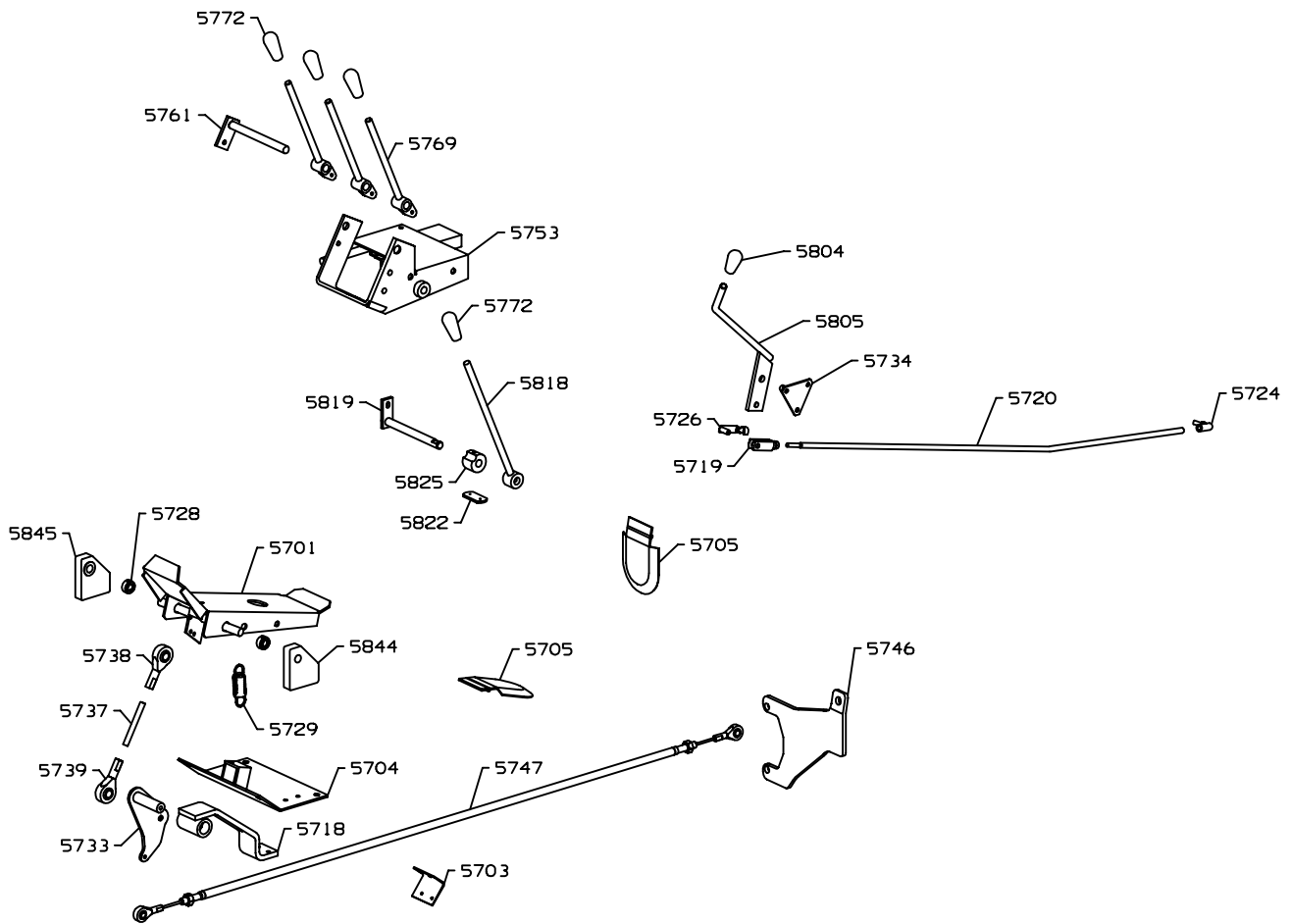
**LIST OF PARTS**

ITEM	RANSOMES PART NO	DESCRIPTION 	QTY	REMARKS
5747	A811103	CONTROL CABLE	1	DANFOSS PUMP
5747	A811106	CONTROL CABLE	1	SAUER PUMP
5748*	450739	SCREW, M10 x 30, SCKT HD	2	
5749*	450391	WASHER, M10	4	
5750*	450412	S.L.WASHER, M10	2	
5753	MBF1094B	VALVE BRACKET W.A.	1	
*	A219340	BUSH	2	FOR ITEM 5753
5754*	450005	BOLT, M6 x 50, HEX HD	2	
5755*	450389	WASHER, M6	2	
5756*	450377	NUT, M6 NYLOC	2	
5757*	450192	SCREW, M8 x 25, HEX HD	4	
5758*	450390	WASHER, M8	4	
5759*	450378	NUT, M8 NYLOC	4	
5761	MBE4216A	PIN W/ASSY.	1	
5762*	450171	SCREW, M6 x 20, HEX HD	1	
5763*	450377	NUT, M6 NYLOC	1	
5765*	A380202	CONNECTING LINK	3	
5769	MBF1180A	LEVER W.A.	3	
*	A219340	BUSH	6	FOR ITEM 5769
5772	A299022	KNOB	4	
5773*	450392	WASHER, M12	4	
5780	MBF1461A	WASHER	1	FOR CABLE A811106
5781	MBF1635	WASHER	1	FOR CABLE A811106
5782	450154	SCREW, M5 x 30, HEX HD	1	FOR CABLE A811106
5783	450376	NUT, M5 NYLOC	1	FOR CABLE A811106
5784	450409	S.L.WASHER, M5	1	FOR CABLE A811106
5804	A299022	KNOB	1	
5805	MBF0206	THROTTLE LEVER	1	
5806*	450391	WASHER, M10	1	
5807*	450332	NUT, M10 THIN	2	
5808*	A292083	DISC SPRING WASHER	2	
5809*	450171	SCREW, M6 x 20, HEX HD	2	
5810*	450389	WASHER, M6	3	
5811*	450020	BOLT, M8 x 60, HEX HD	1	
5812*	450003	BOLT, M6 x 40, HEX HD	1	
5814*	450410	S.L.WASHER, M6	3	
5815*	450377	NUT, M6 NYLOC	3	
5816*	450154	SCREW, M5 x 30, HEX HD	3	
5817*	450376	NUT, M5 NYLOC	1	
5818	MBF1170	WLDMT-FNR LEVER	1	
5819	MBF1168	WLDMT-FNR SHAFT	1	
5822	MBE3504	MIC.SWITCH KEEP PLATE.	1	
5823*	A119210	SCREW, M3 x 40	2	
5824*	A183003	WASHER, 3 mm	2	

\* Not Illustrated

# RANSOMES COMMANDER 3510


---





**CONTROLS - TRACTION PEDAL / DIFF LOCK/  
MOW SWITCH / UNIT LIFT / UNIT DRIVE**

**LIST OF PARTS**

ITEM	RANSOMES PART NO	DESCRIPTION 	QTY	REMARKS
5825	MBF0155	CAM-MICROSWITCH	1	
5826*	450959	SETSCREW, M6 x 8, CUP PNT	1	
5827*	A219335	NYLINER BEARING	1	
5828*	W43067A	COLLAR - SET.	1	
5829*	A129037	SCREW, 1/4 UNC x 1/4	1	
5830*	GSF1045LE	PIN	1	
5831*	454000077	SPLIT PIN	1	
5844	MBF1419	F/PEDAL BLOCK ASSY LH	1	
5845	MBF1420	F/PEDAL BLOCK ASSY RH	1	
5846*	MBF1280A	W/A NEUTRAL CONTROL	1	USED 5701
5847*	A219340	BUSH-EP 12x14x12	8	

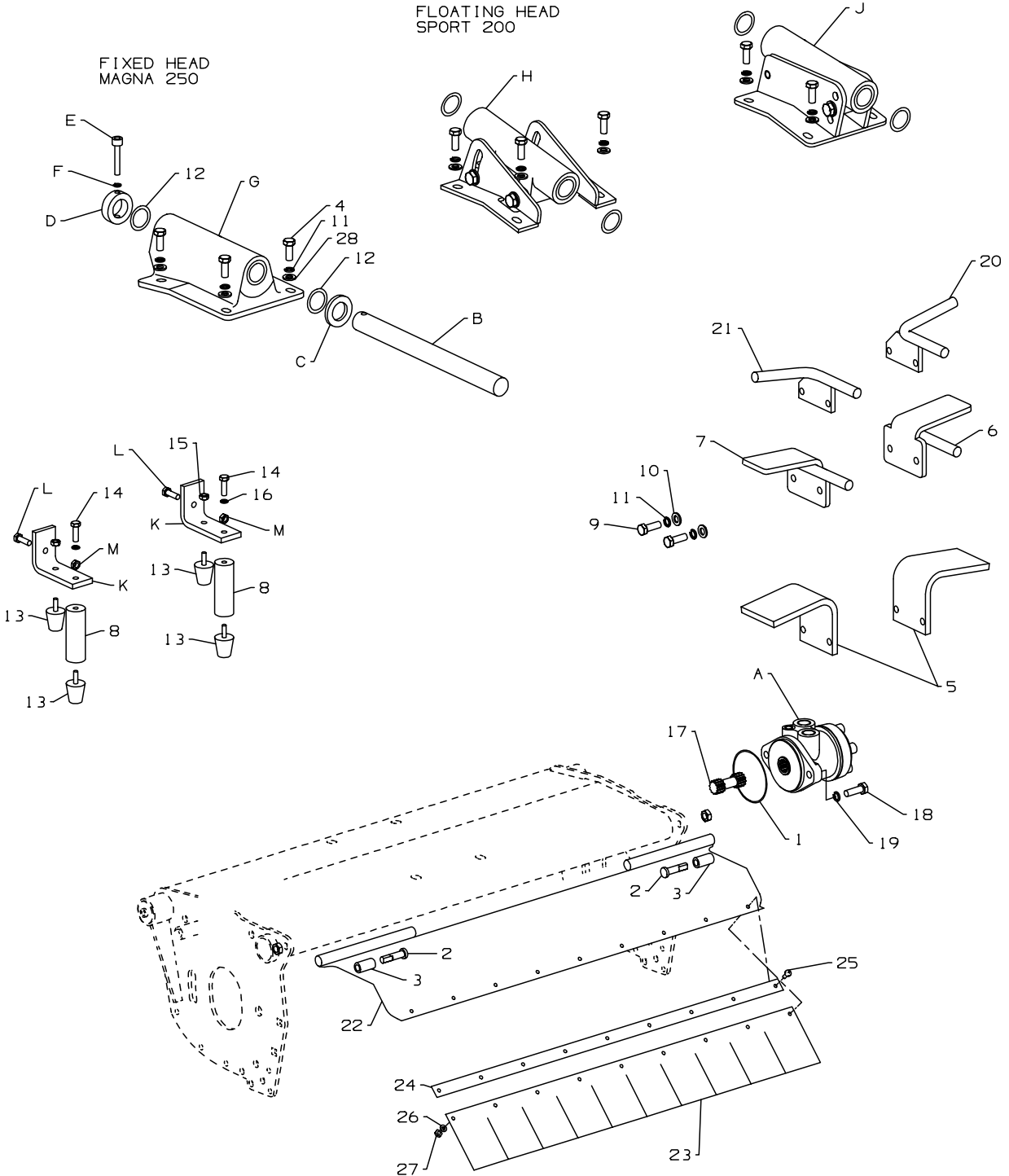
\* Not Illustrated

**RANSOMES  
COMMANDER 3510**


FIXED HEAD  
SPORT 200

FLOATING HEAD  
SPORT 200

FIXED HEAD  
MAGNA 250

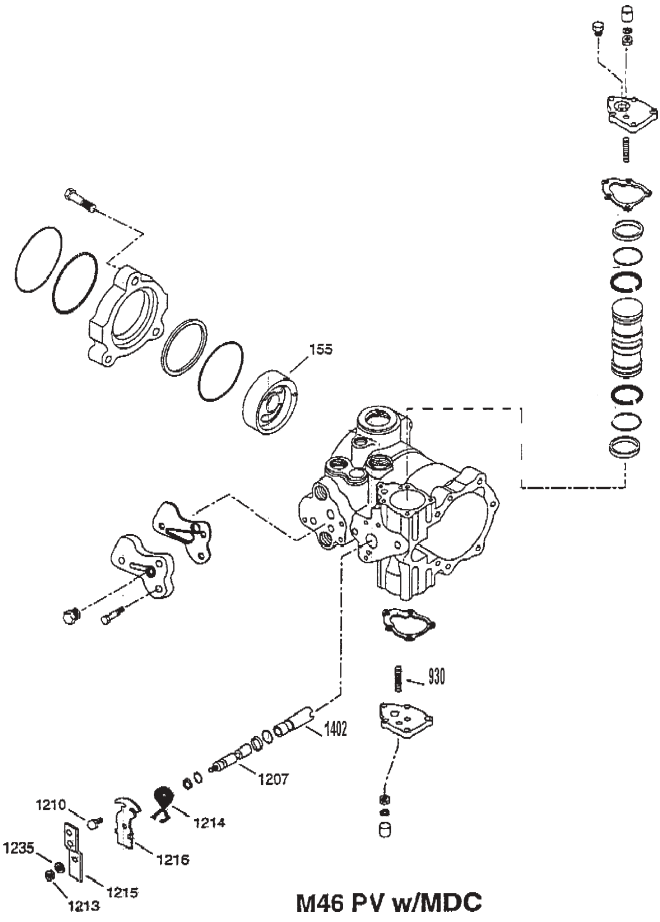


RH DRIVE UNIT SHOWN

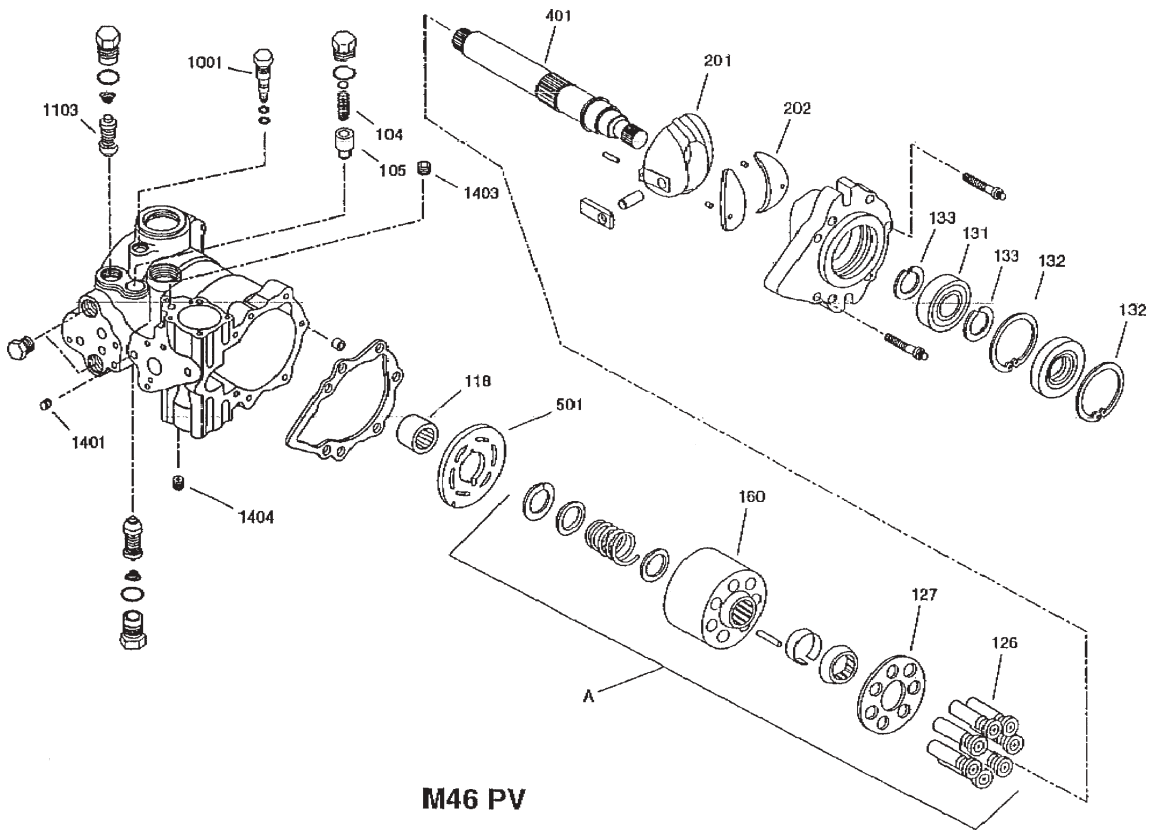
ITEM	RANSOMES PART NO	DESCRIPTION 	QTY	REMARKS
1	A221327	O RING	5	
2	MBC8956A	SPECIAL BOLT	10	
3	A298383	SPACER	10	
*	450379	STIFFNUT M10	10	
4	450029	BOLT M10 X 35	20	
5	MBE1276	ROLLER BRACKET	2	
6	MBE3815B	ANTI ROLL BRACKET LH	1	
7	MBE3858B	ANTI ROLL BRACKET RH	1	
8	MBE4554	SPACER	2	
9	450215	SCREW M10 X 30	12	
10	450391	WASHER 10mm	12	
11	450412	S.L.WASHER 10MM	32	
12	A221321	O RING	10	
13	A299405	BONDED RUBBER BUFFER	2	
14	450192	SCREW M8 X 25	2	
15	450378	NUT M8	4	
16	450411	S.L.WASHER 8mm	2	
*	MBB6448	"HEIGHT OF CUT BAR"	1	(8" floating head)
*	MBE3927	GREASE (SHELL 'S7222')	1	
17	A800019	EXTERNAL CARDAN SHAFT	5	
18	450215	SCREW M10 X 30	10	
19	450412	S.L.WASHER 10mm	10	
20	MBE4488	LATCH BRACKET LH	1	
21	MBE4491	LATCH BRACKET RH	1	
22	MBE4612	DEFLECTOR	5	
23	A904296	DEFLECTOR FLAP	5	
24	MBE4613	DEFLECTOR STRIP	5	
25	450526	SCREW M5 X 12	45	
26	450388	WASHER 5mm	45	
27	450322	NUT M5	45	
*	A829577	KEY FOR ISO SWITCH	1	
28	MBE4682	WASHER	20	

**RANSOMES  
COMMANDER 3510**


---



**M46 PV w/MDC**

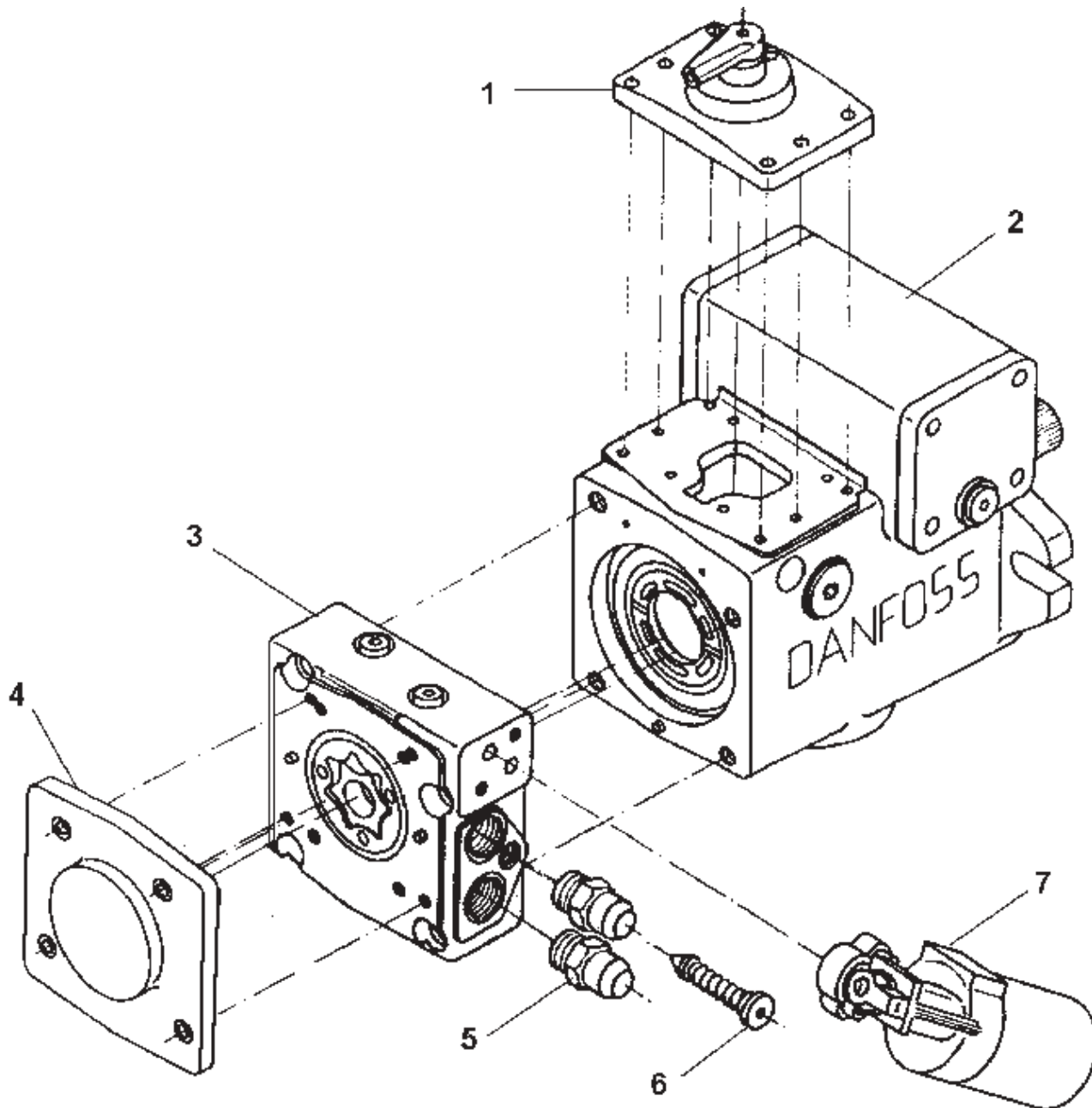



**M46 PV**

ITEM	RANSOMES PART NO	DESCRIPTION 	QTY	REMARKS
	A800660	TRANSMISSION PUMP	1	MPV046C
A	A800858	• CYLINDER BLOCK KIT	1	
104	A800859	• SPRING	1	CHARGE RELIEF VALVE
105	A800860	• POPPET	1	CHARGE RELIEF VALVE
118	A800861	• NEEDLE BEARING	1	
126	A800862	• PISTON	7	
127	A800863	• SLIPPER RETAINER	1	
131	A800864	• SHAFT BEARING	1	
132	A800865	• CIRCLIP	2	
133	A800866	• CIRCLIP	2	
155	A800867	• CHARGE PUMP HOUSING	1	
160	A800868	• CYLINDER BLOCK	1	
201	A800869	• SWASHPLATE	1	
202	A800870	• SWASHPLATE BEARING	2	
401	A800871	• DRIVE SHAFT	1	
501	A800872	• VALVE PLATE	1	
930	A800873	• ADJUSTER SCREW	1	
1001	A800874	• BY-PASS VALVE	1	
1103	A800875	• RELIEF VALVE CARTRIDGE	2	
1207	A800876	• ROTARY SPOOL	1	
1210	A800877	• ADJUSTER SCREW	1	
1213	A800878	• LOCKNUT	1	
1214	A800879	• RETURN SPRING	1	
1215	A800880	• CONTROL LEVER	1	
1216	A800881	• CAM PLATE	1	
1235	A800882	• LOCKWASHER	1	
1401	A800883	• ORIFICE	1	
1402	A800884	• SLEEVE	1	
1403	A800885	• ORIFICE	1	
1404	A800885	• ORIFICE	1	
*	A800886	• SEAL KIT	1	

RANSOMES  
COMMANDER 3510

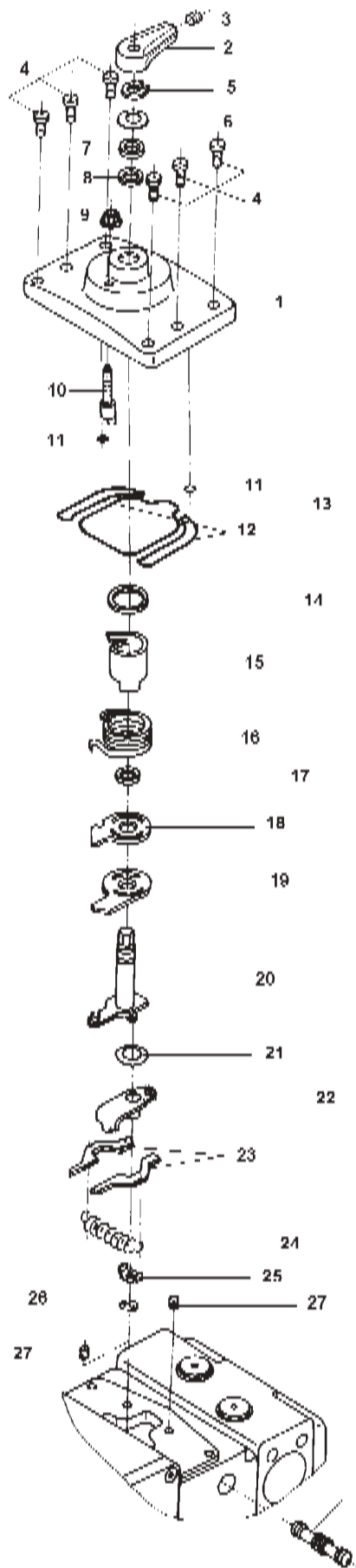
---



ITEM	RANSOMES PART NO	DESCRIPTION 	QTY	REMARKS
1	A800647	Pump (Danfoss HPT 40)	1	
2	A800619	MS control	1	SEE BREAKDOWN
3		HTP pump housing	1	SEE BREAKDOWN
4		Connection flange	1	SEE BREAKDOWN
5		Auxiliary mtg. pad	1	SEE BREAKDOWN
6		Shock valves HPRV	1	SEE BREAKDOWN
7		Charge pump relief valve LPRV	1	SEE BREAKDOWN
		Filtration & seal set	1	SEE BREAKDOWN

RANSOMES  
COMMANDER 3510

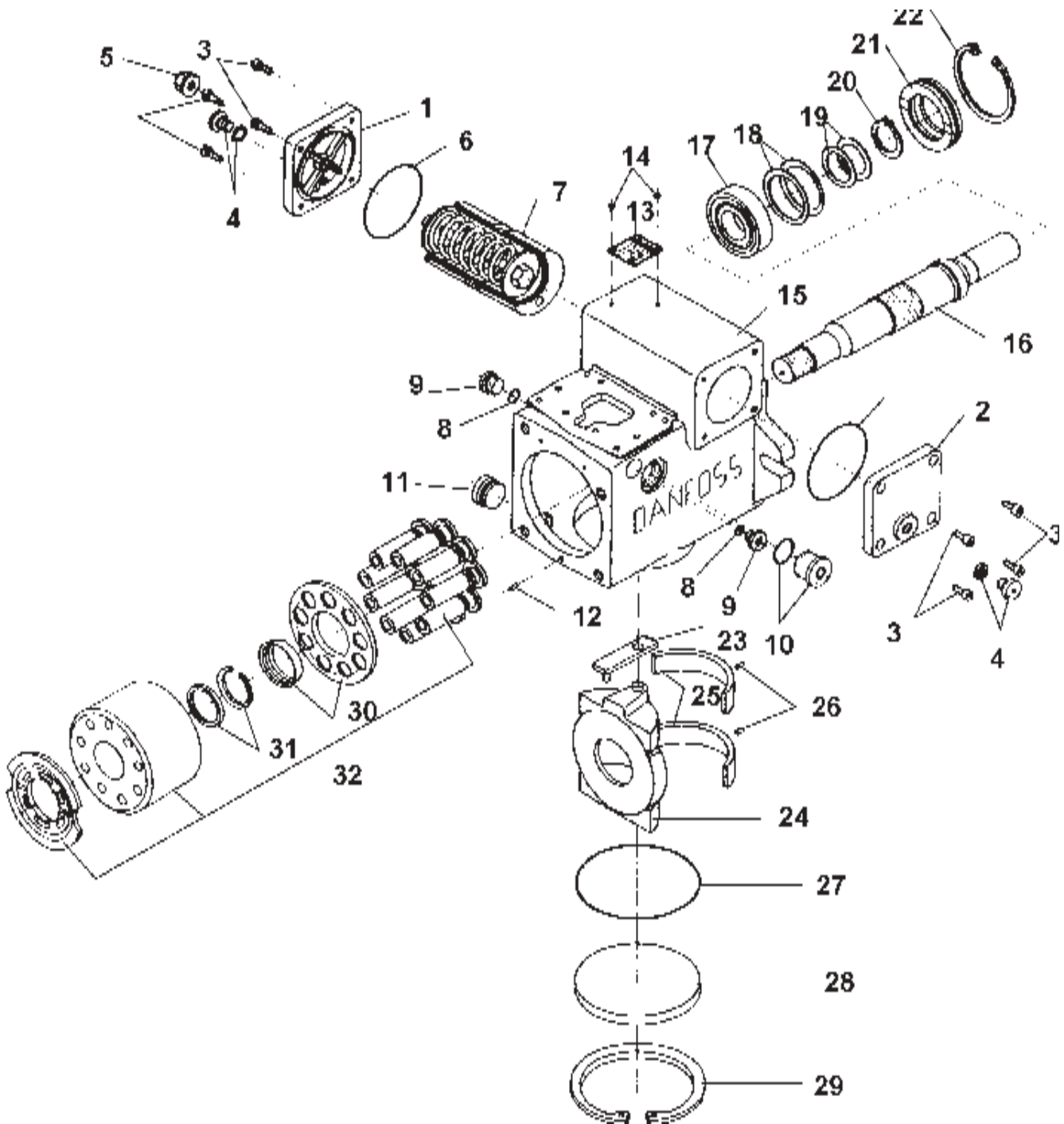
---






ITEM	RANSOMES PART NO	DESCRIPTION 	QTY	REMARKS
	A800619	MS Control	1	
1	A800650	MS Cover	1	
2	A800818	Foot	1	
3	N/A	Threaded Pin M8 x 8	1	
4	N/A	Screw M6 x 14	6	
5	N/A	Snap Ring	1	part of seal kit A230040
6	N/A	Washer	1	part of seal kit A230040
7	N/A	PTFE Ring	1	part of seal kit A230040
8	N/A	Sleeve	1	part of seal kit A230040
9	N/A	Nut M6	1	
10	A800580	Neutral Positioning Screw	1	
11	N/A	O Ring	2	part of seal kit A230040
12	N/A	O Ring	2	part of seal kit A230040
13	N/A	O Ring	1	part of seal kit A230040
14	N/A	Washer	1	
15	N/A	Torque Tube	1	
16	N/A	Shaft Spring	1	
17	N/A	Washer	1	part of seal kit A230040
18	N/A	Spring Arm	1	
19	N/A	Torque Tube Arm	1	
20	A800643	Assembled Shaft	1	
21	N/A	Spring Washer	1	
22	A800644	Assembled Arm	1	
23	N/A	Fork	2	
24	N/A	Tension Spring	1	
25	N/A	Lock Washer	1	part of seal kit A230040
26	N/A	Snap Ring	1	part of seal kit A230040
27	N/A	Orifice Screw	2	
28	N/A	Control Spool	1	
				Contact your local Danfoss dealer for your nearest authorised repair service shop.

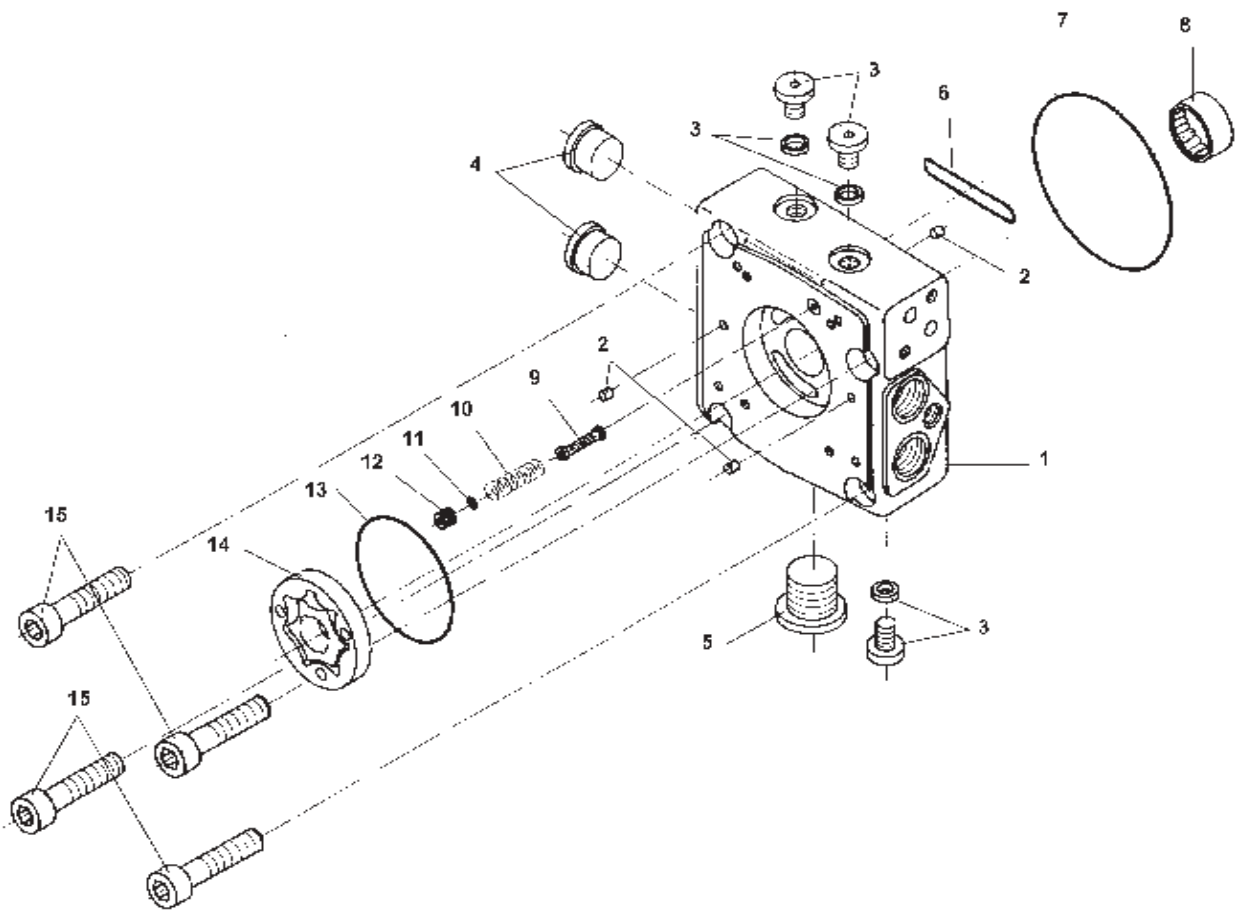
RANSOMES  
COMMANDER 3510




ITEM	RANSOMES PART NO	DESCRIPTION 	QTY	REMARKS
1	N/A	Side Cover - Left	1	
2	N/A	Side Cover - Right	1	
3	N/A	Screw M6 x 12	8	
4	N/A	Blind Cap	2	
5	N/A	Nut M10	1	
6	N/A	O Ring	2	contained in seal kit A230032
7	N/A	Assembled Piston	1	
8	N/A	O Ring	2	contained in seal kit A230032
9	N/A	Plug	2	
10	N/A	Blind Cap	1	
11	N/A	Plastic Cap	1	
12	N/A	Pin	1	
13	N/A	Nameplate	1	
14	N/A	Tubular Rivet	2	
15	N/A	Pump Housing	1	
16	N/A	Splined Shaft	1	
17	N/A	Roller Bearing	1	
18	N/A	Washer Set	AR	
19	N/A	Washer Set	AR	
20	N/A	Snap Ring	1	
21	N/A	Assembled Shaft Seal Housing	1	contained in seal kit A230032
22	N/A	Snap Ring	1	
23	N/A	Feed Back Arm	1	
24	N/A	Swash Plate	1	
25	N/A	Slide Bearing	2	
26	N/A	Pin	2	
27	N/A	O Ring	1	contained in seal kit A230032
28	N/A	Bottom Cover	1	
29	N/A	Snap Ring	1	
30	N/A	Return Plate/ Pivot Set	1	
31	N/A	Washer/Curved Spring Set	1	
32	N/A	Rotating Group with Balance Plate	1	
				Contact your local Danfoss dealer for your nearest authorised repair service shop.

RANSOMES  
COMMANDER 3510

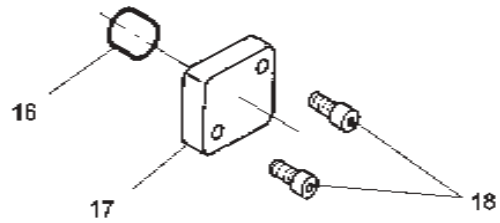
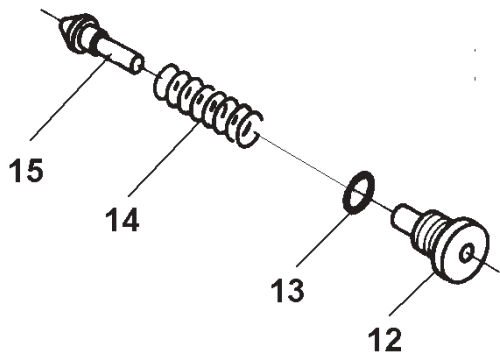
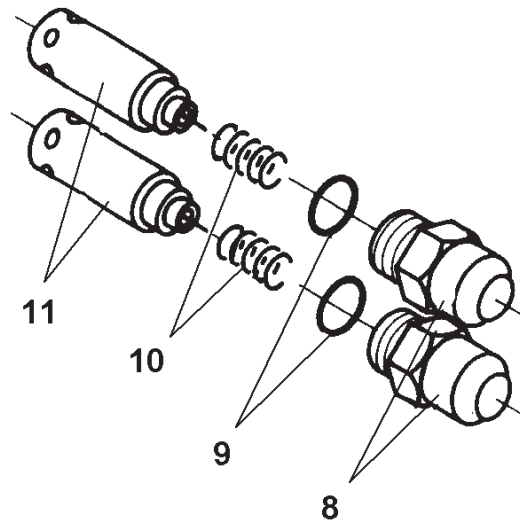
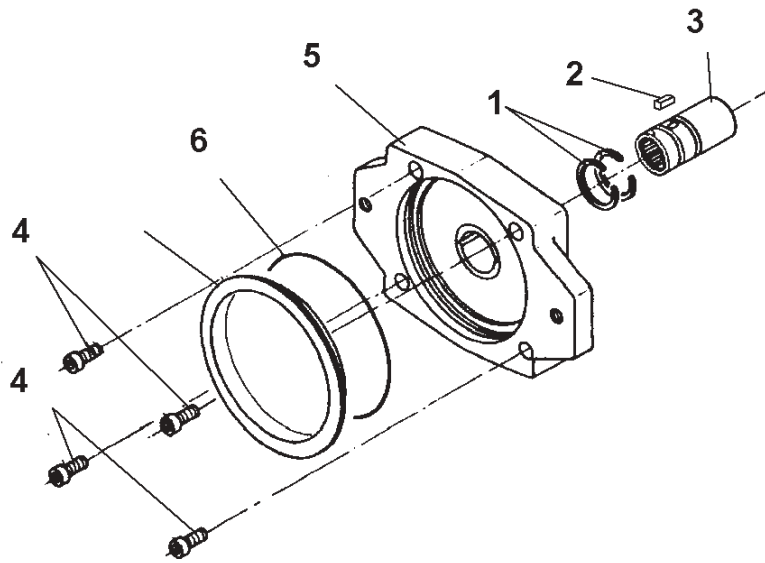
---



ITEM	RANSOMES PART NO	DESCRIPTION 	QTY	REMARKS
1		Connecting Flange (Assembled)	1	
2	N/A	Pin	3	
3	N/A	Blind Cap	3	
4	N/A	Plastic Cap	2	
5	N/A	Plastic Cap	1	
6	N/A	O Ring	1	contained in seal kit A230032
7	N/A	O Ring	1	contained in seal kit A230032
8	N/A	Needle Bearing	1	
9	N/A	Filter	1	
10	N/A	Spring	1	
11	N/A	O Ring	1	contained in seal kit A230032
12	N/A	Plug	1	
13	N/A	O Ring	1	contained in seal kit A230032
14	N/A	Gerotor Set	1	
15	N/A	Screw	4	
				Contact your local Danfoss dealer for your nearest authorised repair service shop.


RANSOMES  
COMMANDER 3510

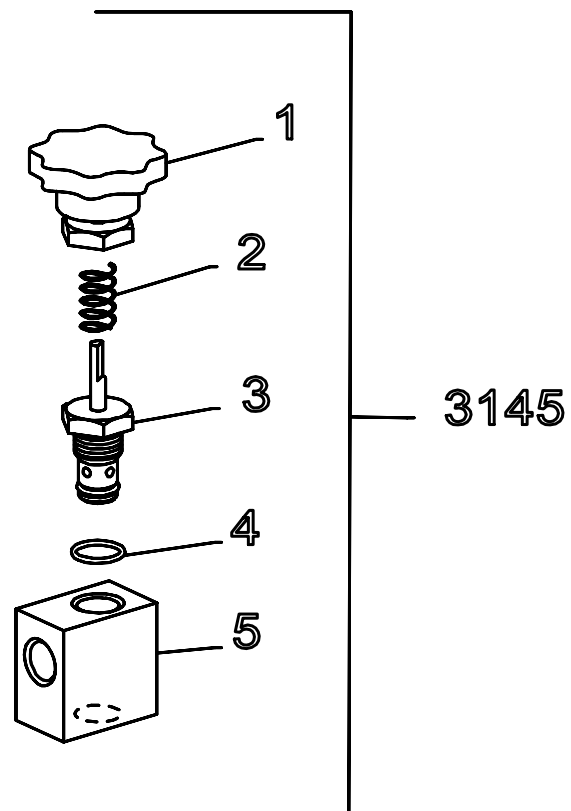
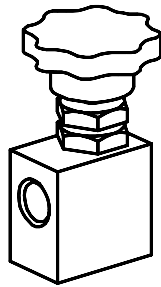
---



**TRANSMISSION PUMP - Auxiliary Mounting Pad / Shock Valves, HPRV / Charge Pump Relief Valve, LPRV**

**LIST OF PARTS**

ITEM	RANSOMES PART NO	DESCRIPTION 	QTY	REMARKS
1		AUXILIARY MTG. PAD		
2	A808926	Snap Ring	2	
3	A808927	Key	1	
4	A808927	Coupling 13T/13T	1	
5	N/A	Screw M8 x 18	4	
6	A808923	Intermediate Plate	1	
7	N/A	O Ring	1	contained in seal kit A230032
8	A808924	Plastic Cap	1	
9	A800810	SHOCK VALVES, HPRV		
10	N/A	Plug	2	
11	N/A	O Ring	2	contained in seal kit A230032
12	N/A	Spring	2	
13	N/A	Shock Valve 210 bar	2	
14		CHARGE PUMP RELIEF VALVE, LPRV		
15	N/A	Plug	1	
16	N/A	O Ring	1	contained in seal kit A230032
17	N/A	Spring	1	
18	N/A	Valve Cone	1	
19		FILTRATION		
20	N/A	O Ring	1	contained in seal kit A230031
21	N/A	Filter Cover	1	
22	N/A	Screw M8 x 25	2	
				Contact your local Danfoss dealer for your nearest authorised repair service shop.






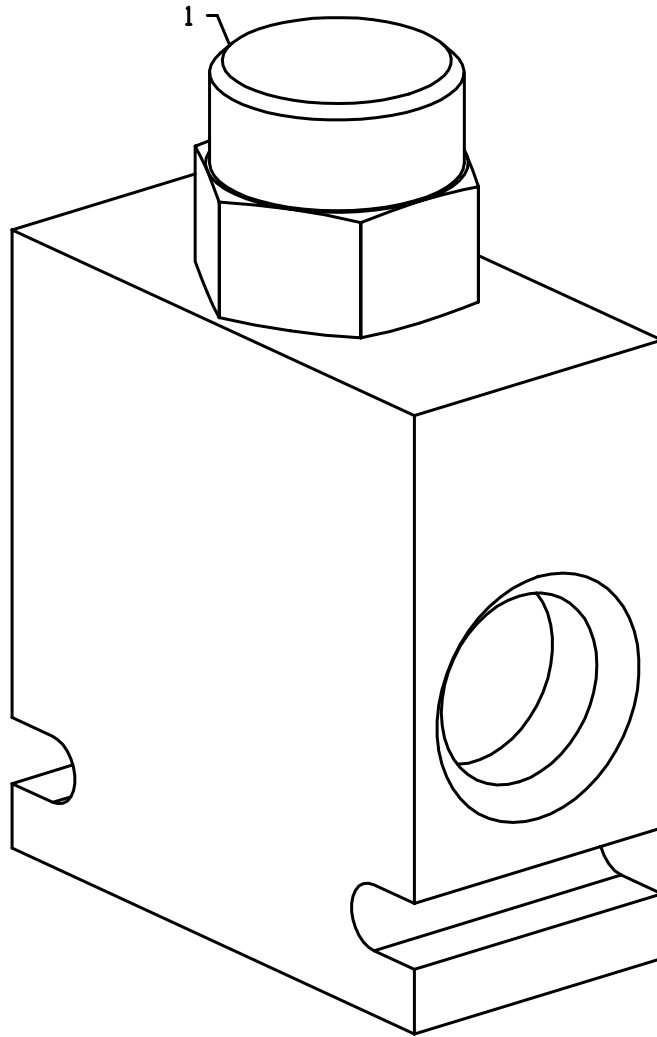
**VALVE - BACK PRESSURE**

**LIST OF PARTS**


**HYDRAFORCE NV10-21E-8T-N  
NEEDLE VALVE**

ITEM	RANSOMES PART NO	DESCRIPTION 	QTY	REMARKS
3145	2208046	VALVE - BACK PRESSURE	1	
1		KNOB	1	
2	2208085	SPRING-SS COMPRESSION	1	
3		CARTRIDGE	1	
4		O RING SEAL	1	
5		PORTED BODY	1	
*	178102-37	SEAL KIT	1	

\* Not Illustrated



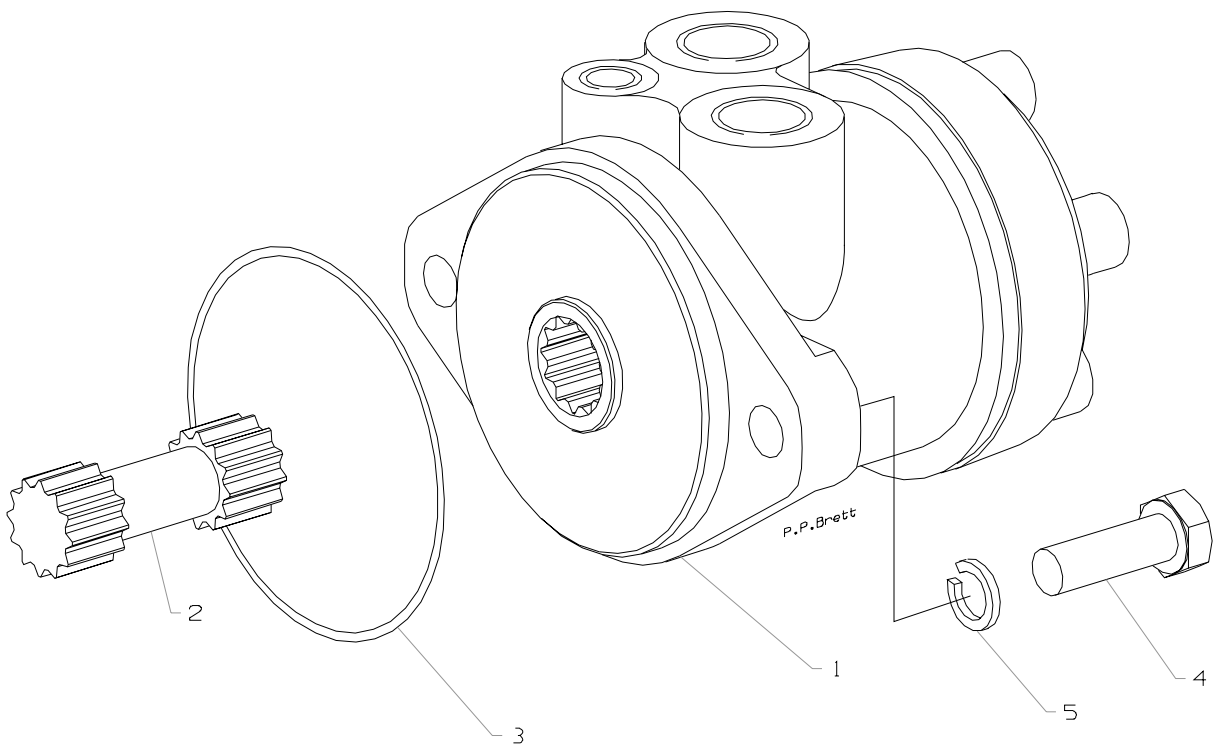
---


ITEM	RANSOMES PART NO	DESCRIPTION 	QTY	REMARKS
1 *	A801126 A230093	PRESSURE COMP. VALVE SEAL KIT	1 1	

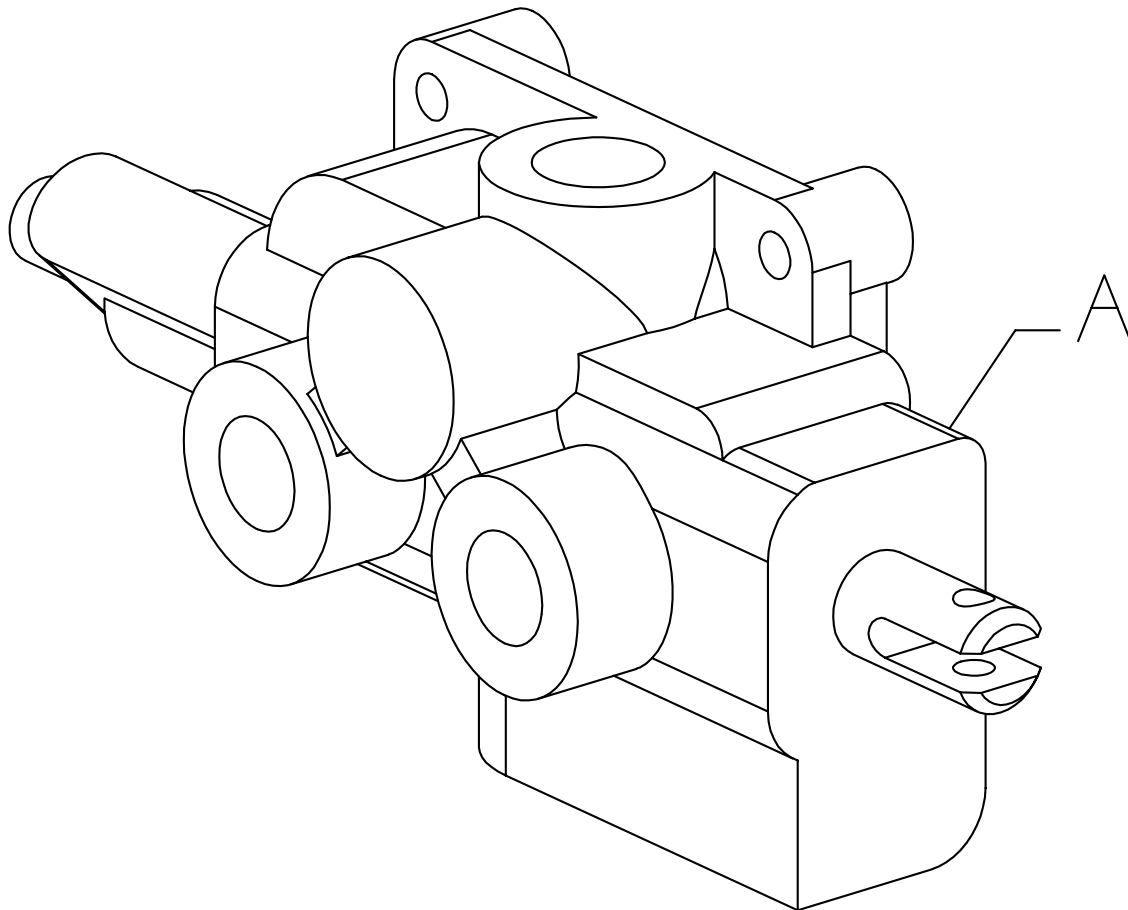
\* Not Illustrated


RANSOMES  
COMMANDER 3510

---



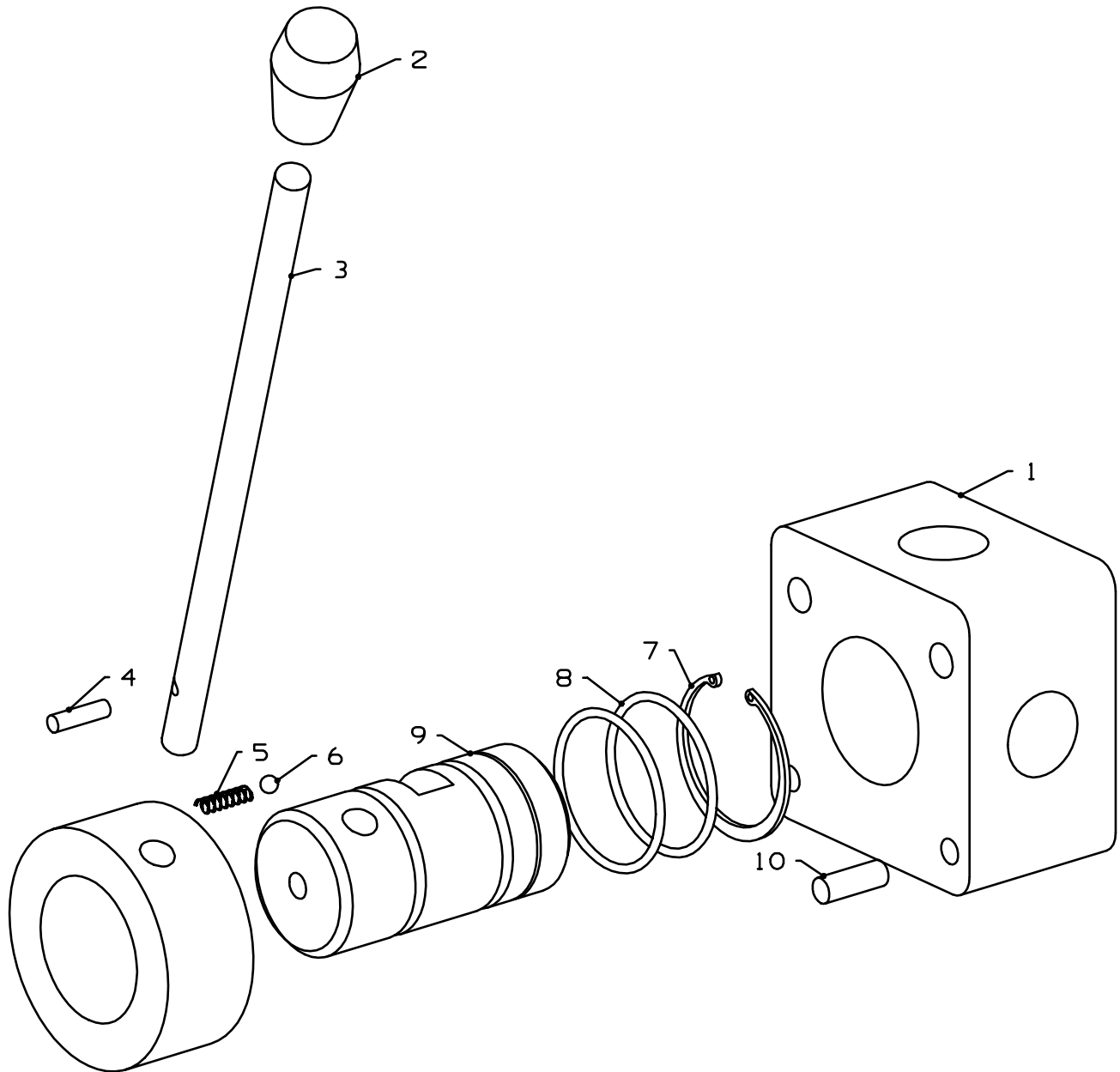
ITEM	RANSOMES PART NO	DESCRIPTION 	QTY	REMARKS
1	A800020	HYDRAULIC MOTOR, DANFOSS	1	Contact your local Danfoss dealer for your nearest authorised repair service shop.
*	A230038	SEAL KIT	1	
2	A800019	EXTERNAL CARDAN SHAFT	1	
3	A221327	O RING (1 to brg. hsg.)	1	
4	A110406	SCREW M10 x 30	2	
5	A151010	S.L.WASHER 10mm	2	



ITEM	RANSOMES PART NO	DESCRIPTION 	QTY	REMARKS
A * *	A801138 A230094 A801204	CUTTING MOTOR VALVE SEAL KIT RELIEF VALVE	1 1 1	FORWARD-NEUTRAL-REVERSE  Contact your local Danfoss dealer for your nearest authorised repair service shop.

RANSOMES  
COMMANDER 3510

---






**FREE WHEEL VALVE**

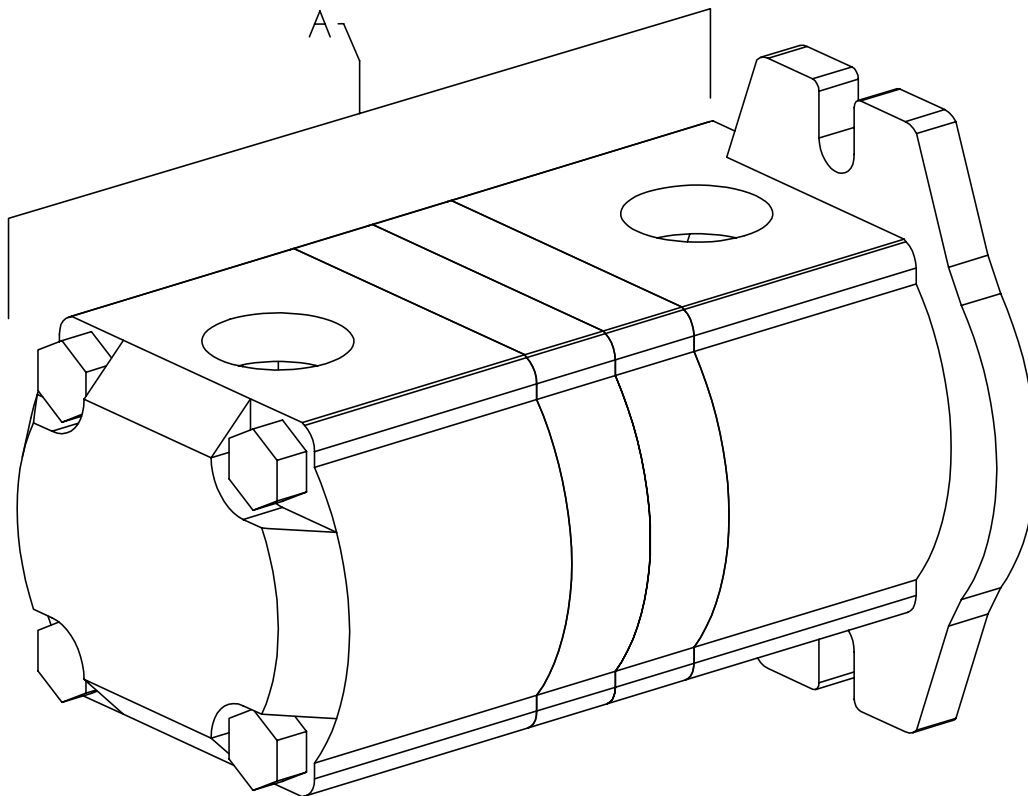
**LIST OF PARTS**


HY-PRO - V1860

ITEM	RANSOMES PART NO	DESCRIPTION 	QTY	REMARKS
	A802834	HYDRAULIC VALVE	1	
1	N/A	BODY	1	
2	N/A	KNOB	1	
3	N/A	LEVER	1	
4	N/A	TENSION PIN	1	
5	N/A	SPRING	1	
6	N/A	BALL	1	
7	A171025	CIRCLIP	1	
8	GSF3599BN	O RING	2	
9	N/A	SPOOL	1	
10	N/A	TENSION PIN	2	

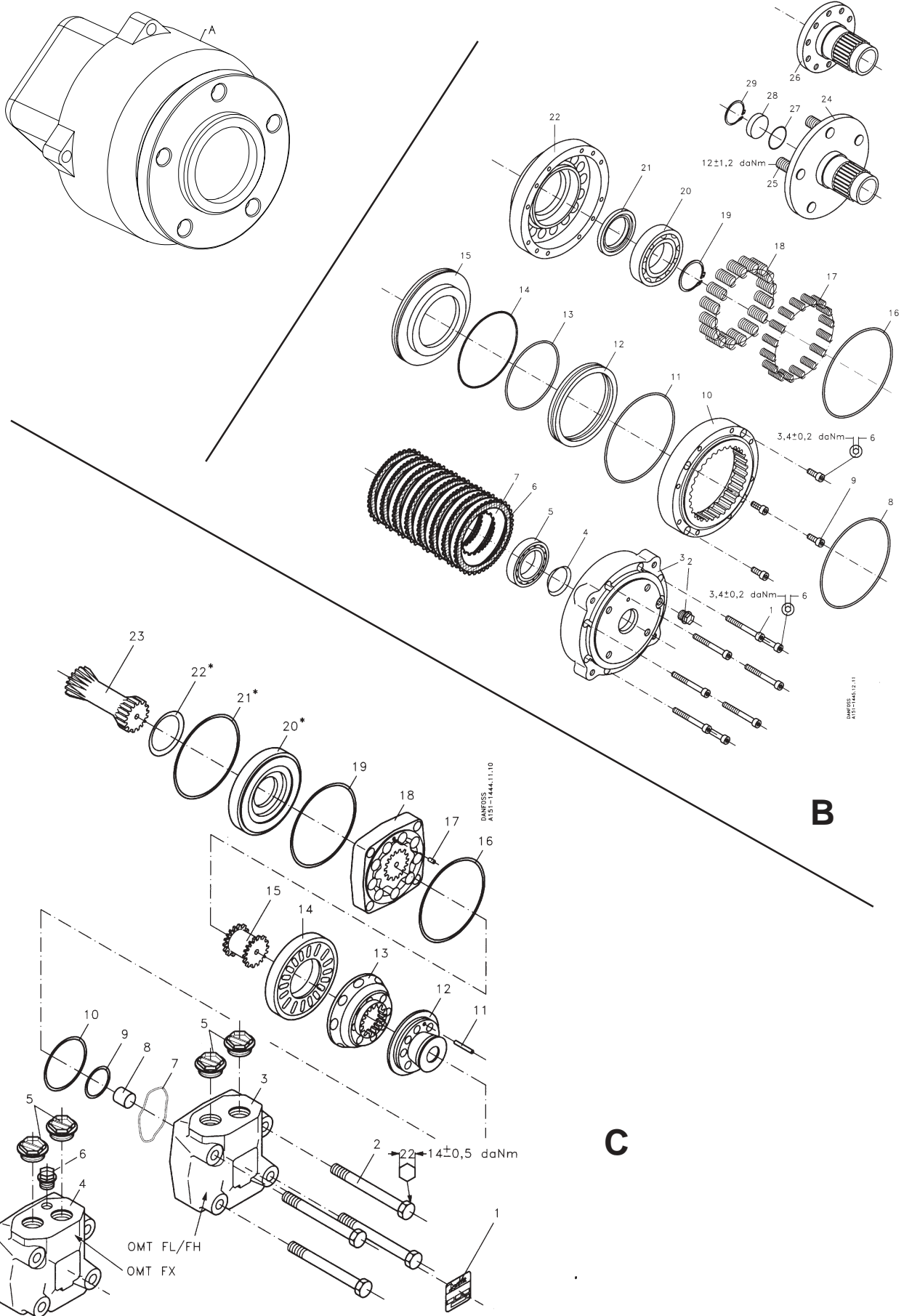
**RANSOMES  
COMMANDER 3510**


---



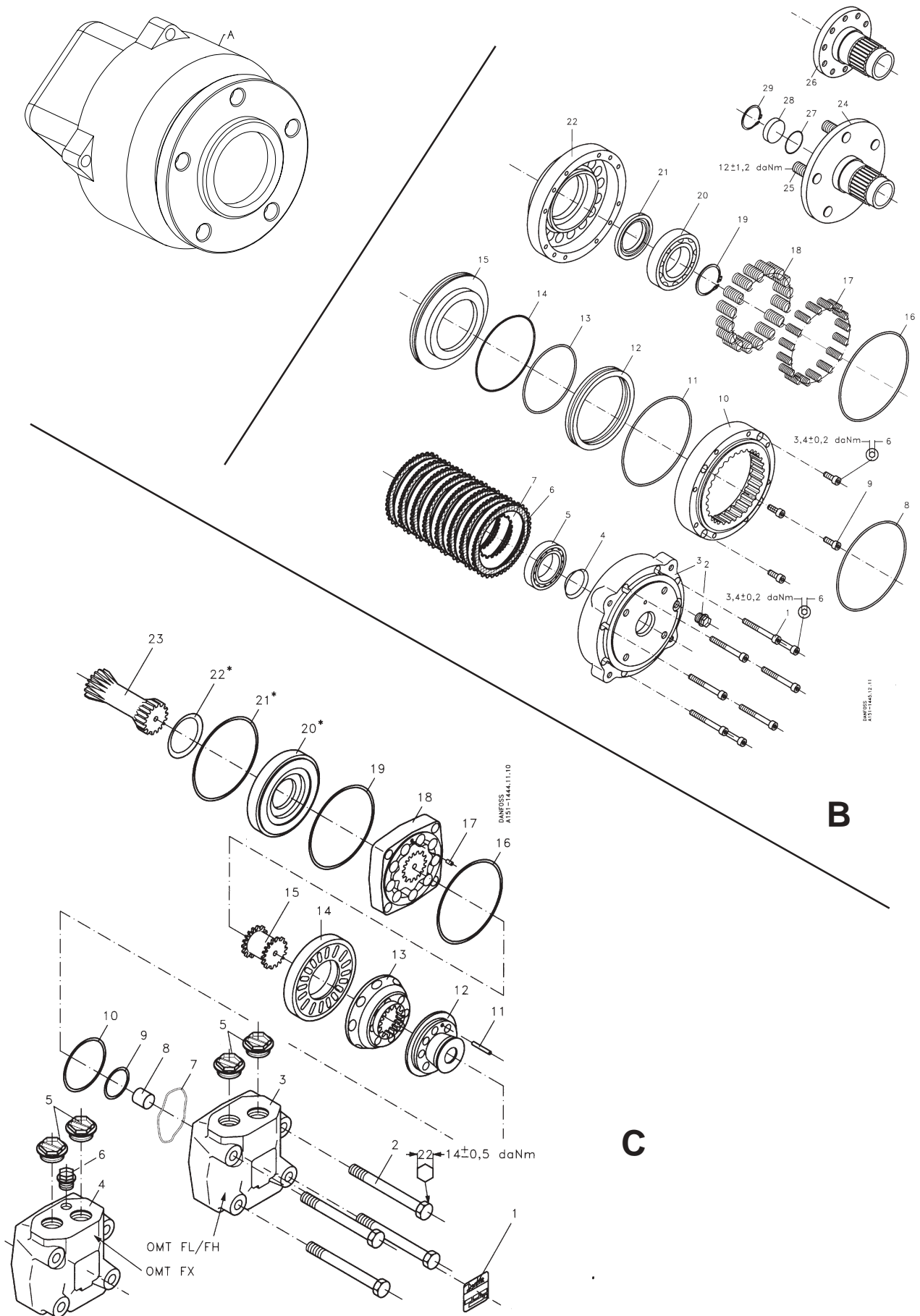
ITEM	RANSOMES PART NO	DESCRIPTION 	QTY	REMARKS
A *	A800637 A230092	HYDRAULIC PUMP SEAL KIT	1 1	


**RANSOMES  
COMMANDER 3510**



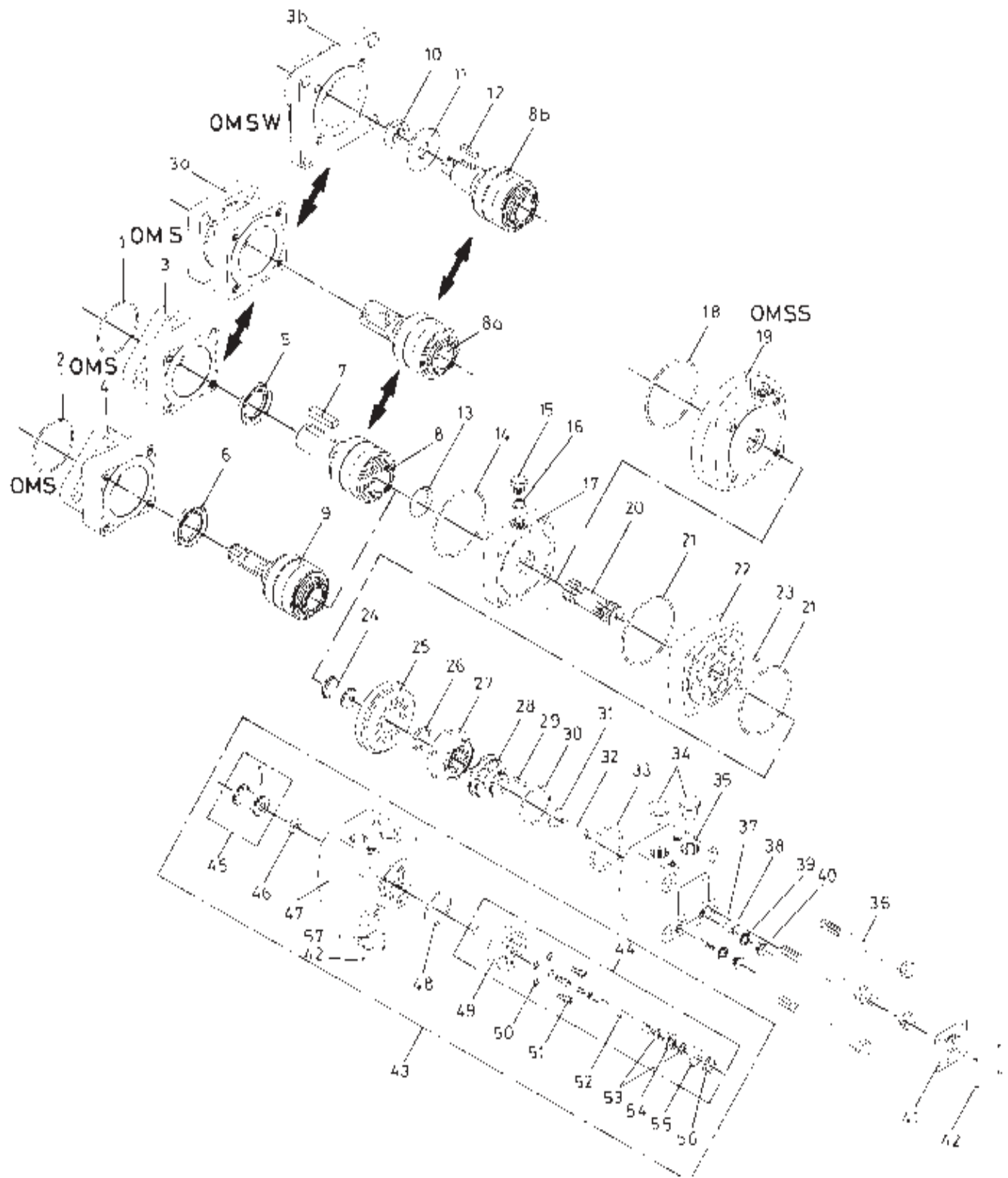
ITEM	RANSOMES PART NO	DESCRIPTION 	QTY	REMARKS
A	A800635	WHEEL MOTOR LH	1	
A	A800636	WHEEL MOTOR RH	1	
B		• MOTOR MODULE	1	
1	N/A	•• NAME PLATE	1	
2	A800839	•• SCREW M14 X 130	4	
3	N/A	•• VALVE HOUSING	1	OMT FL, OMT FH
4	N/A	•• VALVE HOUSING	1	OMT FX
5	N/A	•• MAIN PORT PLUG	2	PLASTIC
6	N/A	•• DRAIN PORT PLUG	1	PLASTIC
7	N/A	•• SPRING WASHER	1	
8	N/A	•• SPACER	1	
9	N/A	•• O RING	1	
10	N/A	•• O RING	1	
11	N/A	•• GUIDE PIN	1	
12	N/A	•• BALANCE PLATE	1	
13	N/A	•• DISC VALVE	1	
14	N/A	•• CHANNEL PLATE	1	
15	N/A	•• VALVE DRIVE	1	
16	N/A	•• O RING	1	
17	N/A	•• GUIDE PIN	1	
18	N/A	•• GEARWHEEL SET	1	
19	N/A	•• O RING	1	
20	N/A	•• INTERMEDIATE PLATE	1	
21	N/A	•• O RING	1	OMT FL, OMT FH
22	N/A	•• CONICAL SEAL RING	1	OMT FL, OMT FH
23	N/A	•• CARDAN SHAFT	1	
C		• BRAKE MODULE	1	
1	A800840	•• SCREW	8	
2	N/A	•• PLASTIC PLUG	1	
3	N/A	•• FLANGE	1	
4	N/A	•• BLUE SEAL RING	1	
5	N/A	•• BEARING SMALL	1	
6	N/A	•• OUTER BRAKE DISC	8	
7	N/A	•• INNER BRAKE DISC	7	
8	N/A	•• O RING	1	
9	N/A	•• SCREW	4	
10	N/A	•• INTERMEDIATE RIM	1	
11	N/A	•• O RING	1	
12	N/A	•• RING	1	
13	N/A	•• O RING	1	
14	N/A	•• O RING	1	
15	N/A	•• PISTON	1	
16	N/A	•• O RING	1	
17	N/A	•• SPRING	16	
18	N/A	•• SPRING	16	

**RANSOMES  
COMMANDER 3510**




ITEM	RANSOMES PART NO	DESCRIPTION 	QTY	REMARKS
19	N/A	•• SNAP RING	1	
20	N/A	•• BEARING LARGE	1	
21	N/A	•• SHAFT SEAL	1	
22	N/A	•• BEARING HOUSING	1	
24	N/A	•• WHEEL BOLT SHAFT	1	
25	A800705	•• WHEEL BOLTS	5	
26	N/A	•• THREAD HOLE SHAFT	1	
27	N/A	•• O RING	1	
28	N/A	•• PLUG	1	
29	N/A	•• SNAP RING	1	
*	A230091	SEAL KIT	1	MOTOR & BRAKE MODULE
				<p>Contact your local Danfoss dealer for your nearest authorised repair service shop.</p>

RANSOMES  
COMMANDER 3510

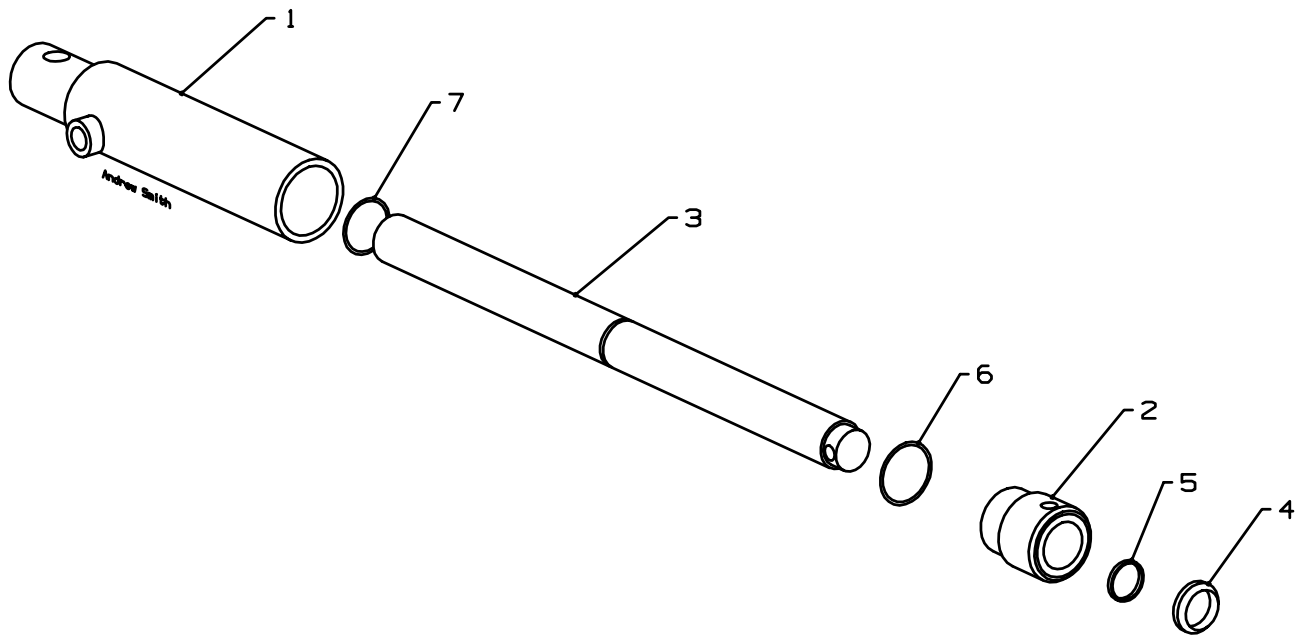





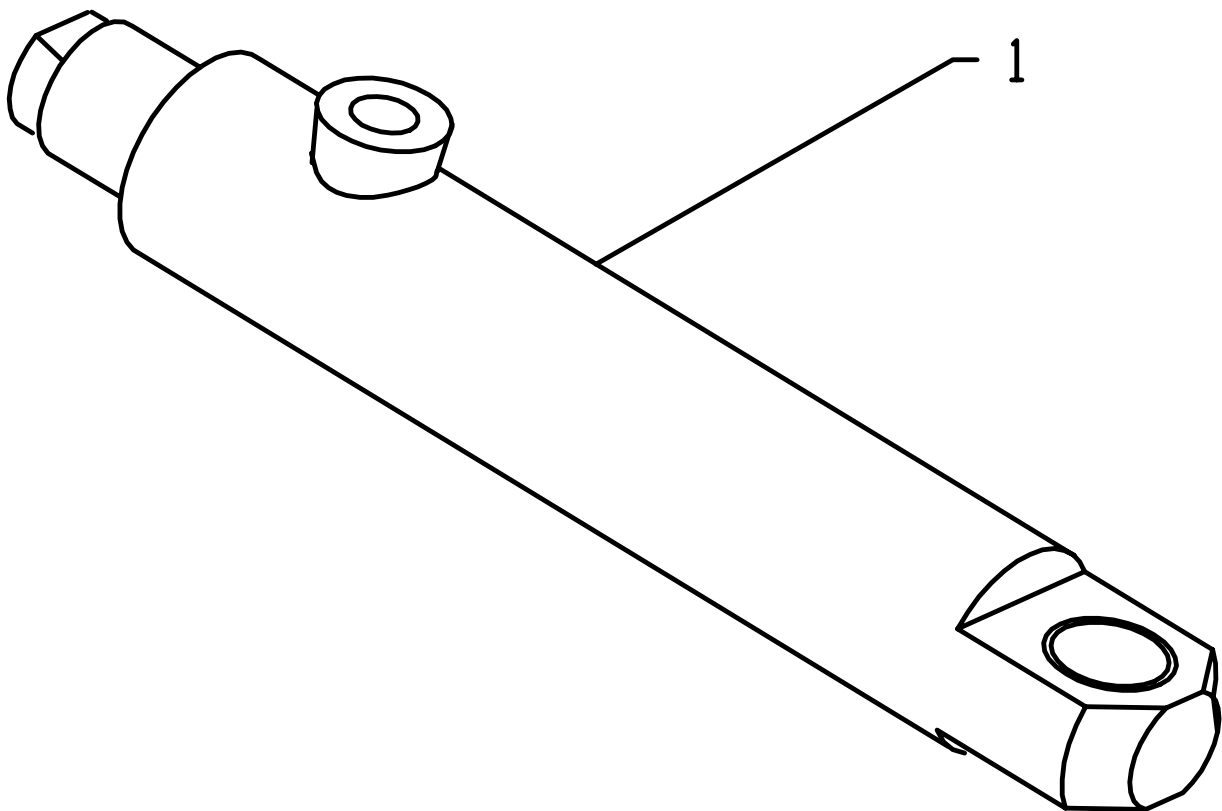
ITEM	RANSOMES PART NO	DESCRIPTION 	QTY	REMARKS
1	008000220	WHEELMOTOR	1	
3b	N/A	Dust seal ring	1	Part of seal kit 002300620
8b	N/A	Bearing housing	1	
	008007640	Tapered shaft with bearings incl. item 10,11 and 12	1	
10	008090890	Castellated nut M20	1	
11	008090800	Washer	1	
12	008007260	Parallel key	1	
13	N/A	Seal ring	1	Part of seal kit 002300620
14	N/A	O-ring	1	Part of seal kit 002300620/ 002300630
15	4118786	Drain plug	1	
16	4118787	Washer	1	
17	4118788	Intermediate plate	1	
20	4118796	Cardan shaft	1	
21	N/A	O-ring	2	Part of seal kit 002300620/ 002300630
22	4118797	Gearwheel set	1	
23	4118799	Guide pin	1	
24	4118800	Valve drive	1	
25	4118801	Channel plate	1	
27	4118812	Discvalve	1	
28	4118813	Balance plate	1	
29	4118814	Guide pin	1	
30	N/A	O-ring	1	Part of seal kit 002300620/ 002300630
31	N/A	O-ring	1	Part of seal kit 002300620/ 002300630
32	4118816	Spacer	1	
33	4118817	Spring washer	1	
34	N/A	Seal plug	2	
35	N/A	Valve housing	1	
36	4118818	Screw M10	4	
37	4118819	Check valve ball	2	
38	4118821	Check valve spring	2	
39	4118822	Washer (after week 26.7)		
40	4118823	Check valve plug (before week 26.7)		
40	4118824	Check valve plug (after week 26.7)	2	
41	N/A	Name plate	1	
A	002300620	Set of seals NBR	1	Item 1, 5, 13, 14, 21, 30, 31
B	002300630	Set of seals NBR	1	Item 13, 18, 21, 30, 31

RANSOMES  
COMMANDER 3510


---



ITEM	RANSOMES PART NO	DESCRIPTION 	QTY	REMARKS
	A902734	HYDRAULIC RAM FRONT & CENTRE	3	
	A902811	HYDRAULIC RAM,. WING	2	
1	N/A	• CYLINDER	1	
2	N/A	• GLAND	1	
3	N/A	• PISTON ROD	1	
	A230043	• SEAL KIT	1	
4	A224903	•• WIPER SEAL	1	
5	A229949	•• S.A.SEAL	1	
6	A221218	•• O RING	1	
7	GSF1058BB	• SNAP RING	1	



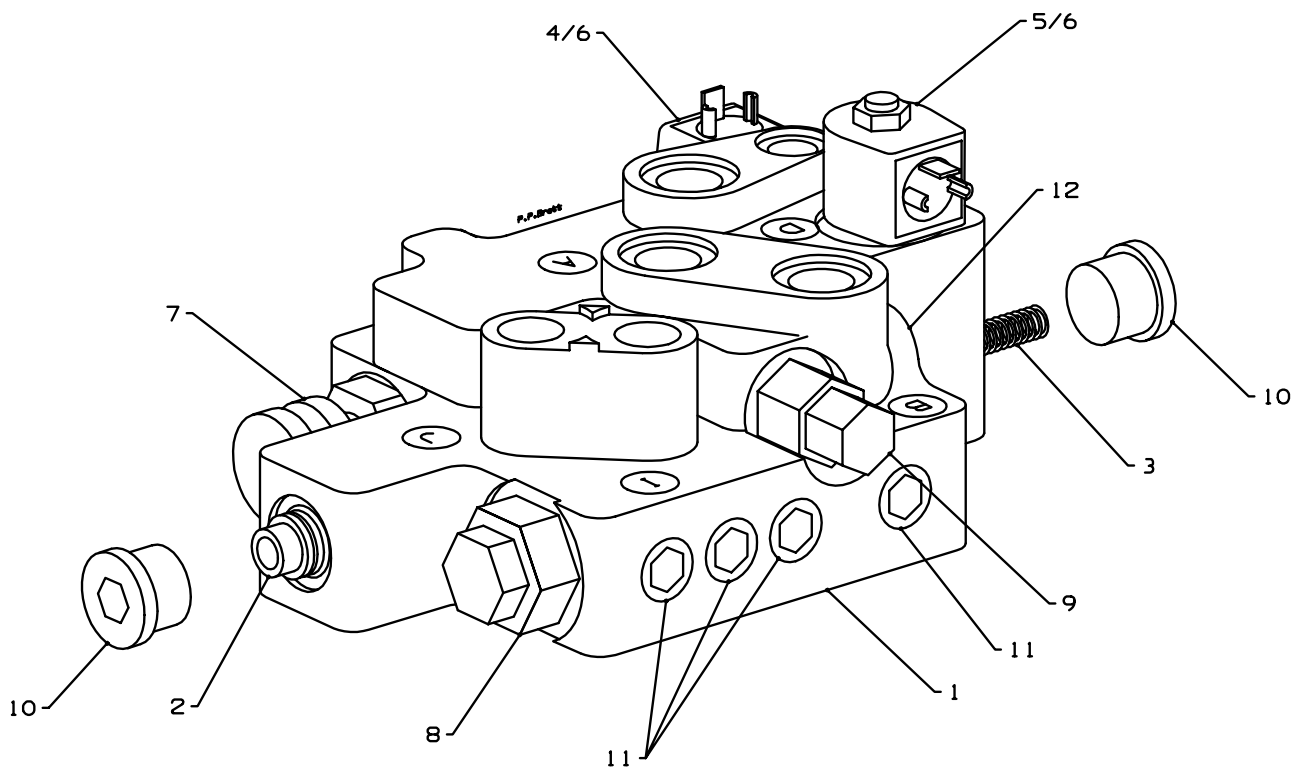
---


ITEM	RANSOMES PART NO	DESCRIPTION 	QTY	REMARKS
1 * *	A902807 A230042 A214393	STEERING RAM SEAL KIT BUSH	2 1 1	PIVOT

\* Not Illustrated

RANSOMES  
COMMANDER 3510

---

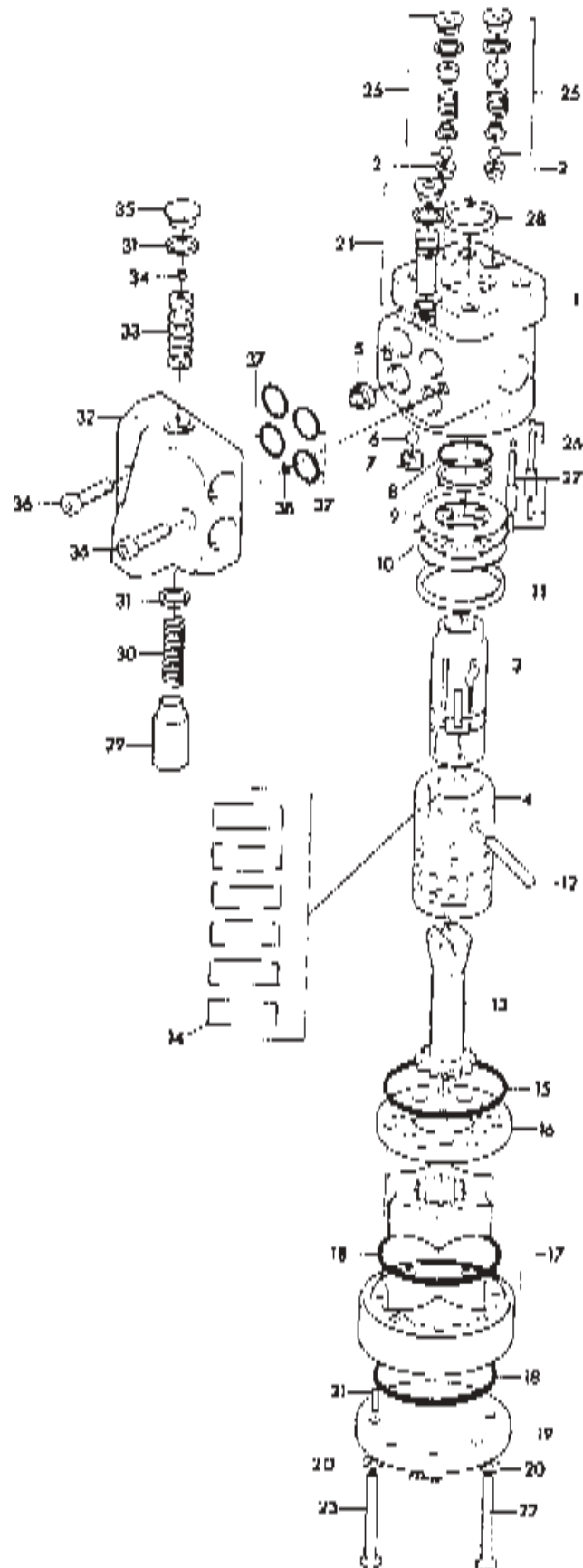


ITEM	RANSOMES PART NO	DESCRIPTION 	QTY	REMARKS
	A801063	TRANSMISSION VALVE	1	Contact your local Danfoss dealer for your nearest authorised repair service shop.
1	N/A	HOUSING	1	
2	N/A	SPOOL	1	
3	A801049	SPRING	2	
4	A801050	CARTRIDGE	1	
5	A801051	CARTRIDGE	1	
6	A801052	SOLENOID	2	
7	A801053	CARTRIDGE	1	
8	A801054	CARTRIDGE	1	
9	A801055	CARTRIDGE	1	
10	A801132	PLUG C/W O RING	2	
11	A801133	PLUG C/W O RING	5	
12	A801134	PLUG C/W O RING	1	
13*	A801056	SEAL KIT	1	

\* Not Illustrated

RANSOMES  
COMMANDER 3510

---






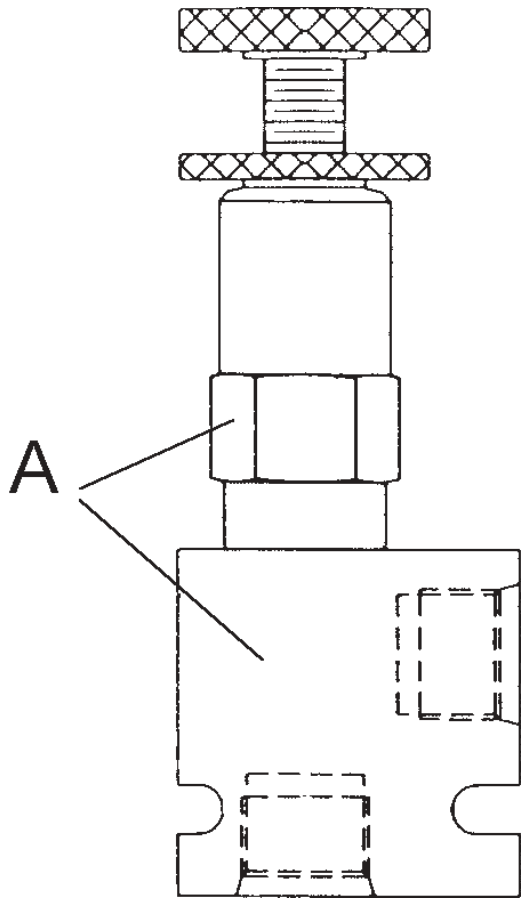
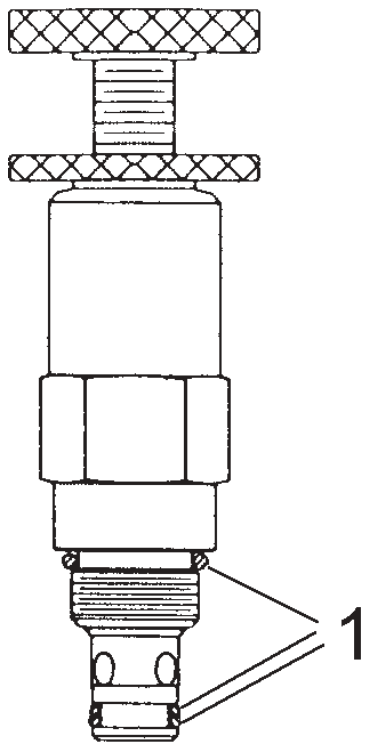
**STEERING UNIT AND PRIORITY VALVE**

**LIST OF PARTS**


**Steering Unit (Danfoss OSPC 50LS [150-1197])  
Priority Valve (Danfoss OLSA 40 [152B-0001])**

ITEM	RANSOMES PART NO	DESCRIPTION 	QTY	REMARKS
	A808028	Steering Unit (Danfoss OSPC 50LS [150-1197])(cont.1-28)	1	
1	N/A	Body	1	
2		Seat	2	
3	N/A	Spool	1	
4	N/A	Sleeve	1	
5		Orifice Plug	1	
6		ball	1	
7		Thread Bushing	1	
8	N/A	O Ring	1	part of Seal Kit A808030
9	N/A	King Ring	1	part of Seal Kit A808030
10	A808031	Bearing	1	
11	A808032	Ring	1	
12		Ring	1	
13		Cardan Shaft	1	
14		Spring Seat	1	
15	N/A	O Ring	1	part of Seal Kit A808030
16		Distributor Plate	1	
17		Gear Wheel Set	1	
18	N/A	O Ring	2	part of Seal Kit A808030
19		End Cover	1	
20	N/A	Washer	7	part of Seal Kit A808030
21		Rolled Pin	1	
22		Bolt	6	
23		Bolt	1	
24	A808033	Relief Valve	1	
25	A808034	Dual Shock Valve	2	
26		Ball	2	
27		Rolled Pin	2	
28	N/A	Dust Seal Ring	1	part of Seal Kit A808030
	A802873	Priority Valve (cont.29 - 38)	1	
29		Plug	1	
30		Spring	1	
31	A802875	Seal Ring	2	
32	N/A	Body	1	
33	N/A	Spool	1	
34	A802876	Orifice	1	
35		Plug	1	
36		Screw	2	
37	N/A	O Ring	4	
38	N/A	O Ring	1	
39*	A802874	Seal Kit ( cont. 37-38)	1	Contact your local Danfoss dealer for your nearest authorised repair service shop.

\* Not Illustrated

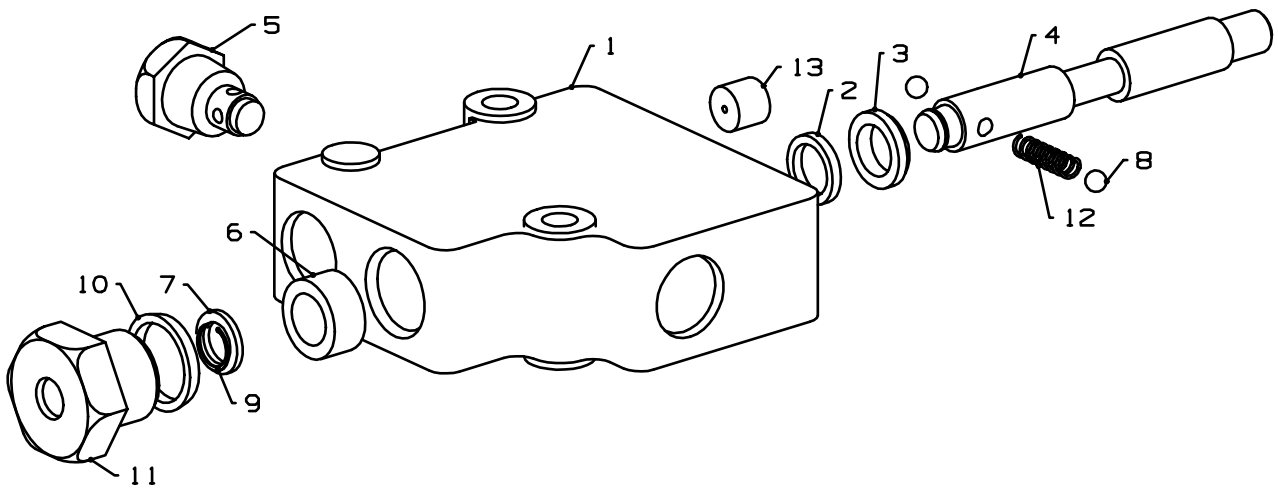



## Danfoss/Dukes

ITEM	RANSOMES PART NO	DESCRIPTION 	QTY	REMARKS
A 1	A801125 A801155	WEIGHT TRANSFER VALVE SEAL KIT	1 1	Contact your local Danfoss dealer for your nearest authorised repair service shop.

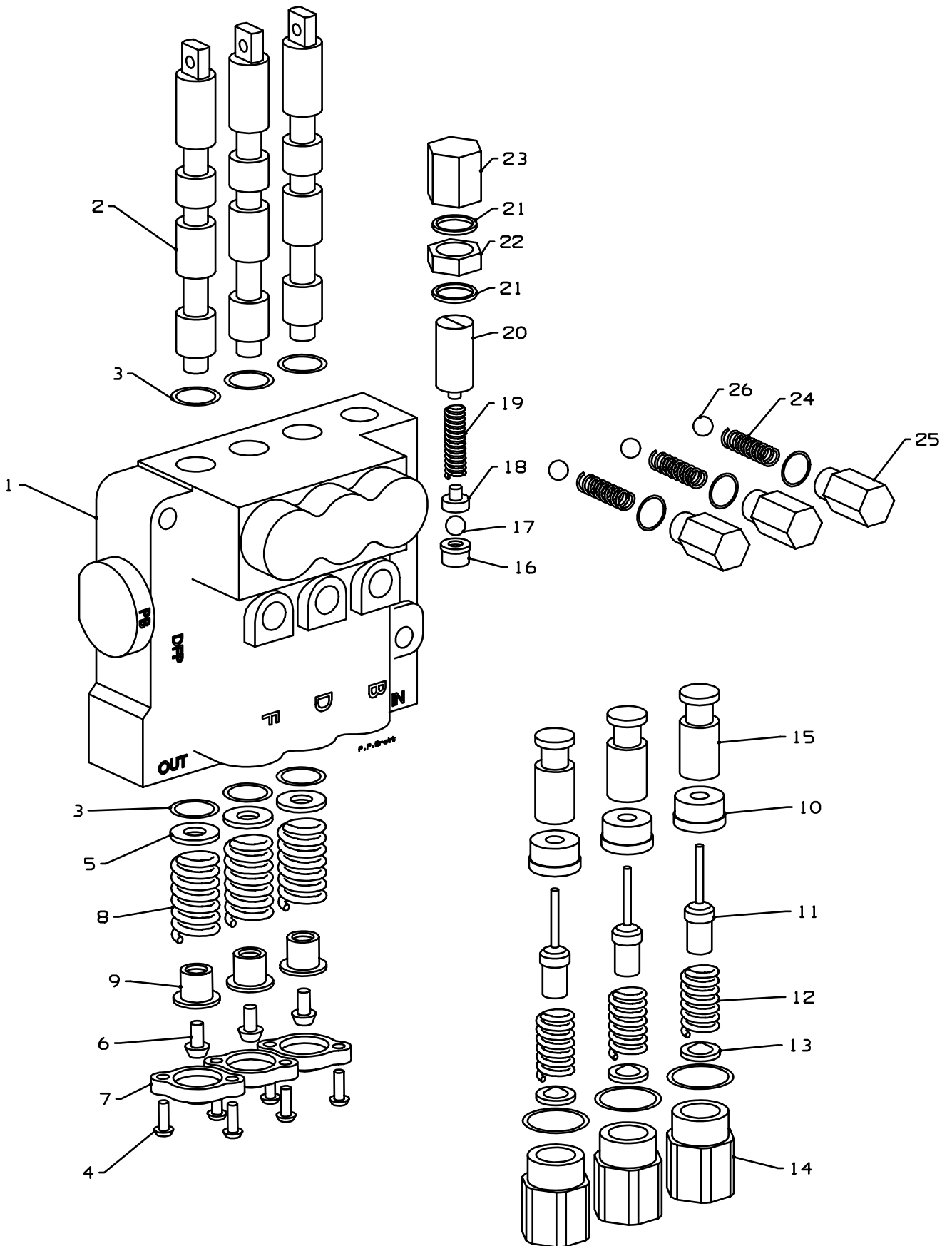
RANSOMES  
COMMANDER 3510


---

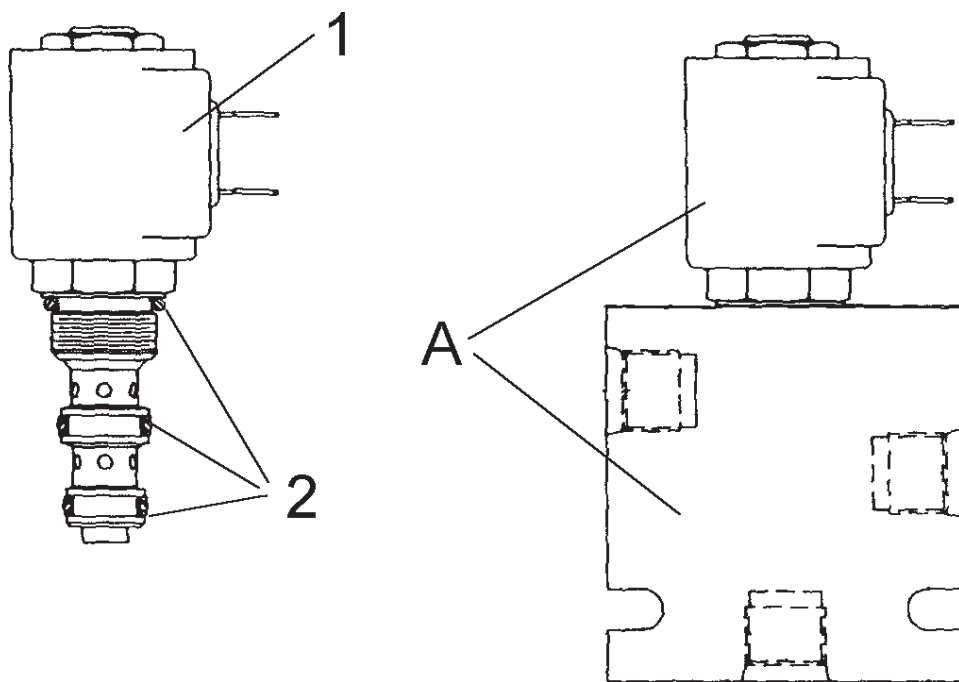


ITEM	RANSOMES PART NO	DESCRIPTION 	QTY	REMARKS
A 1 2 3 4 5 6 7 8 9 10 11 12 13	A801035 N/A N/A N/A N/A A801095  A801159  N/A A801163	Divertor Valve Body O Ring Wiper Seal Spool Check Valve Detent Sleeve Washer Steel Ball Retaining Ring O Ring Plug Spring Plug (2mm orifice)	1 1 1 1 1 1 1 1 2 1 1 1 1 1	contained in seal kit A230070 contained in seal kit A230070          contained in seal kit A230070
B	A230070	Seal Kit	1	Contact your local Danfoss dealer for your nearest authorised repair service shop.


RANSOMES  
COMMANDER 3510



ITEM	RANSOMES PART NO	DESCRIPTION 	QTY	REMARKS
	A801143	Lift Valve Assy.	1	
1	N/A	Body	1	
2	N/A	Spool	3	
3	N/A	O Ring	6	included in seal kit A230033
4	N/A	Screw with Lock Washer	6	
5	N/A	Washer	3	
6	N/A	Screw	3	
7	N/A	End Cap	3	
8	N/A	Spring, return	3	
9	N/A	Spacer	3	
10	A808922	Seat, pilot chk.	3	
	A802086	Pilot chk. valve assy	3	
11	A801073	• Poppet	1	
12	A808921	• Spring, pilot chk.	1	
13	A808928	• Poppet Stop	1	
14	A808920	• Port Adaptor	1	
15	A808929	Plunger, SA detent	3	
	A801097	Relief valve Cartridge 210 bar ( Items 16 to 23 )		
16	A801074	• Valve Seat	1	
17	A801075	• Ball, steel	1	
18	A801076	• Ball Retainer	1	
19	A801077	• Spring, relief	1	
20	N/A	• Screw, adjustment	1	
21	N/A	• Gasket	2	included in seal kit A230033
22	N/A	• Jam Nut	1	
23	N/A	• Relief Cap	1	
24	N/A	Spring, detent	3	
25	N/A	Detent Plug	3	
26	N/A	Ball, steel	3	
				Contact your local Danfoss dealer for your nearest authorised repair service shop.

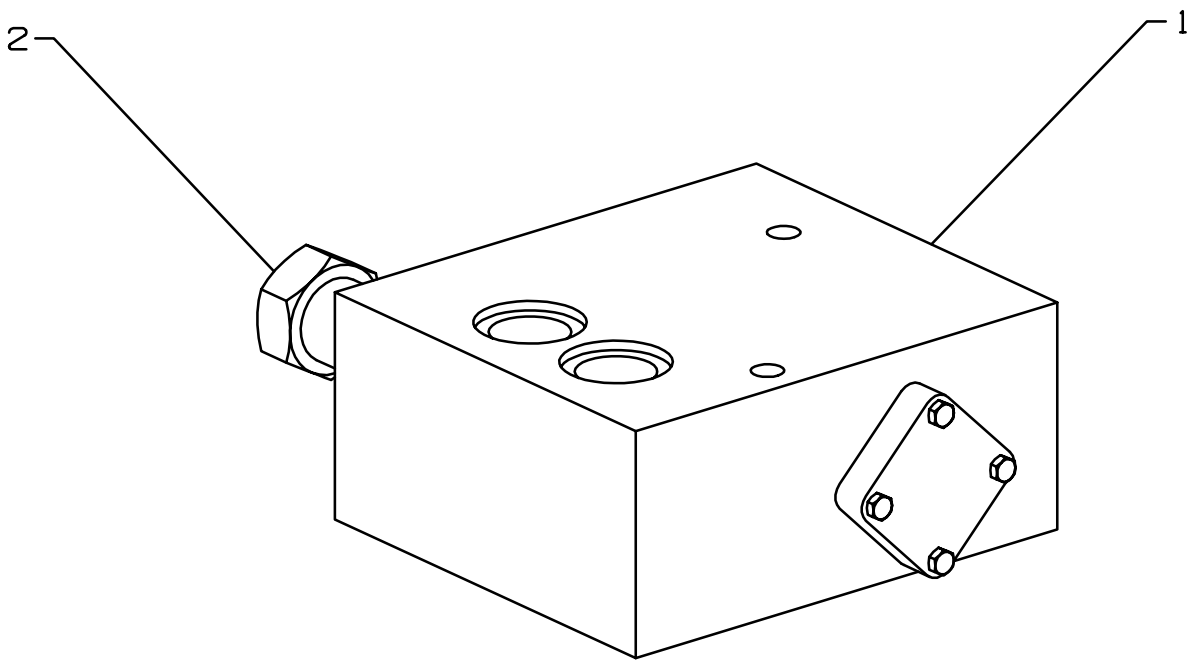





ITEM	RANSOMES PART NO	DESCRIPTION 	QTY	REMARKS
A 1 2	A801112 A801156 A801157	Solenoid Valve Solenoid Coil Seal Kit	1 1 1	

RANSOMES  
COMMANDER 3510


---



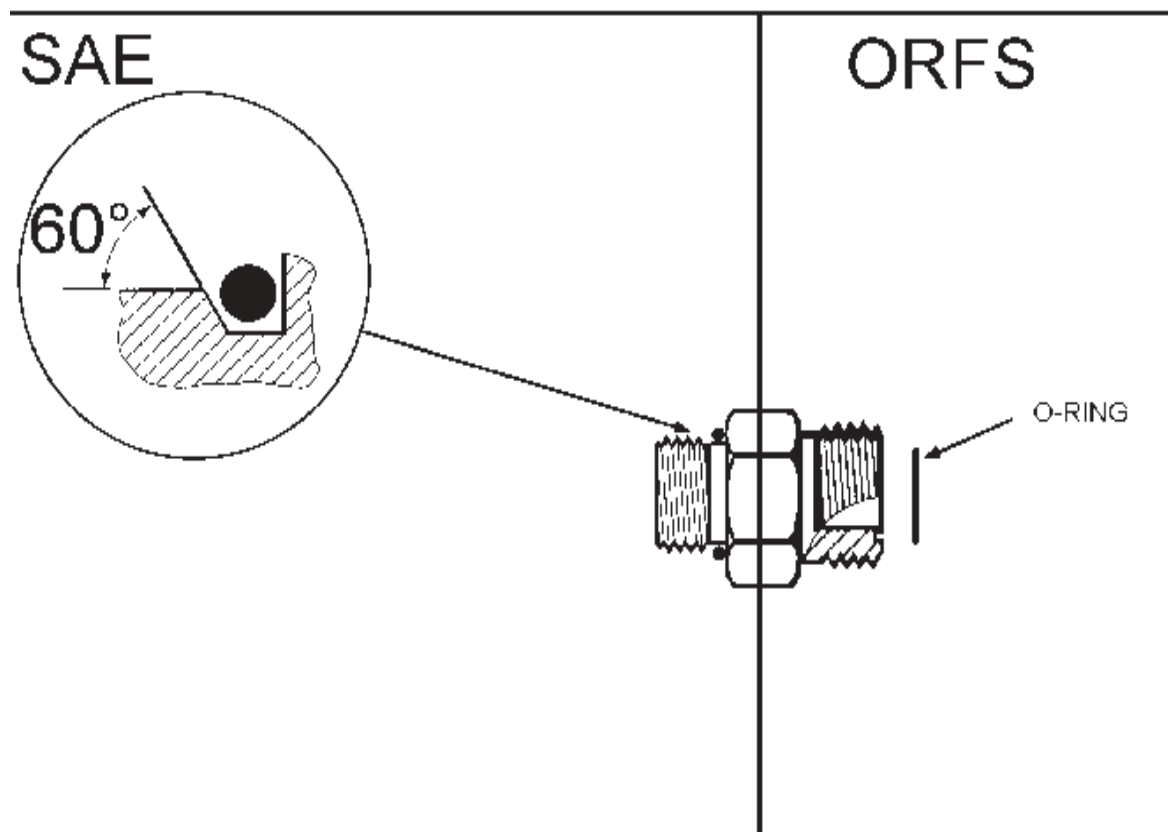
ITEM	RANSOMES PART NO	DESCRIPTION 	QTY	REMARKS
1	A802775	PILOT OPERATED FLOW DIVIDER	1	
2	A802781	CARTRIDGE VALVE	1	
*	A230075	SEAL KIT FOR ITEM 2	1	
*	A230076	SEAL KIT FOR ITEM 1 INCLUDING A230075	1	
				Contact your local Danfoss dealer for your nearest authorised repair service shop.




All hydraulic hose assemblies, tube assemblies & hose tube assemblies have there part numbers either stamped on the sleeve, tube or on a tag.

ITEM	RANSOMES PART NO	DESCRIPTION 	QTY	REMARKS
	<b>Bonded Seals</b>			
	<b>Seal</b>	<b>Fitting Size</b>		
	H014008	1/8" BSP		
	H014011	1/4" BSP		
	H014013	3/8" BSP		
	H014016	1/2" BSP		
	H014017	5/8" BSP		
	H014019	3/4" BSP		
	H014022	7/8" BSP		
	H014024	1" BSP		
	<b>O Ring Seal c/w Steel Support Washer</b>			
	<b>Seal</b>	<b>Fitting Size</b>		
	A229975	1/8" BSP		
	A229976	1/4" BSP		
	A229977	3/8" BSP		
	A229978	1/2" BSP		
	A229979	5/8" BSP		
	A229980	3/4" BSP		
	A229981	7/8" BSP		
	A229982	1" BSP		
	A229983	1 1/8" BSP		
	A229984	1 1/4" BSP		

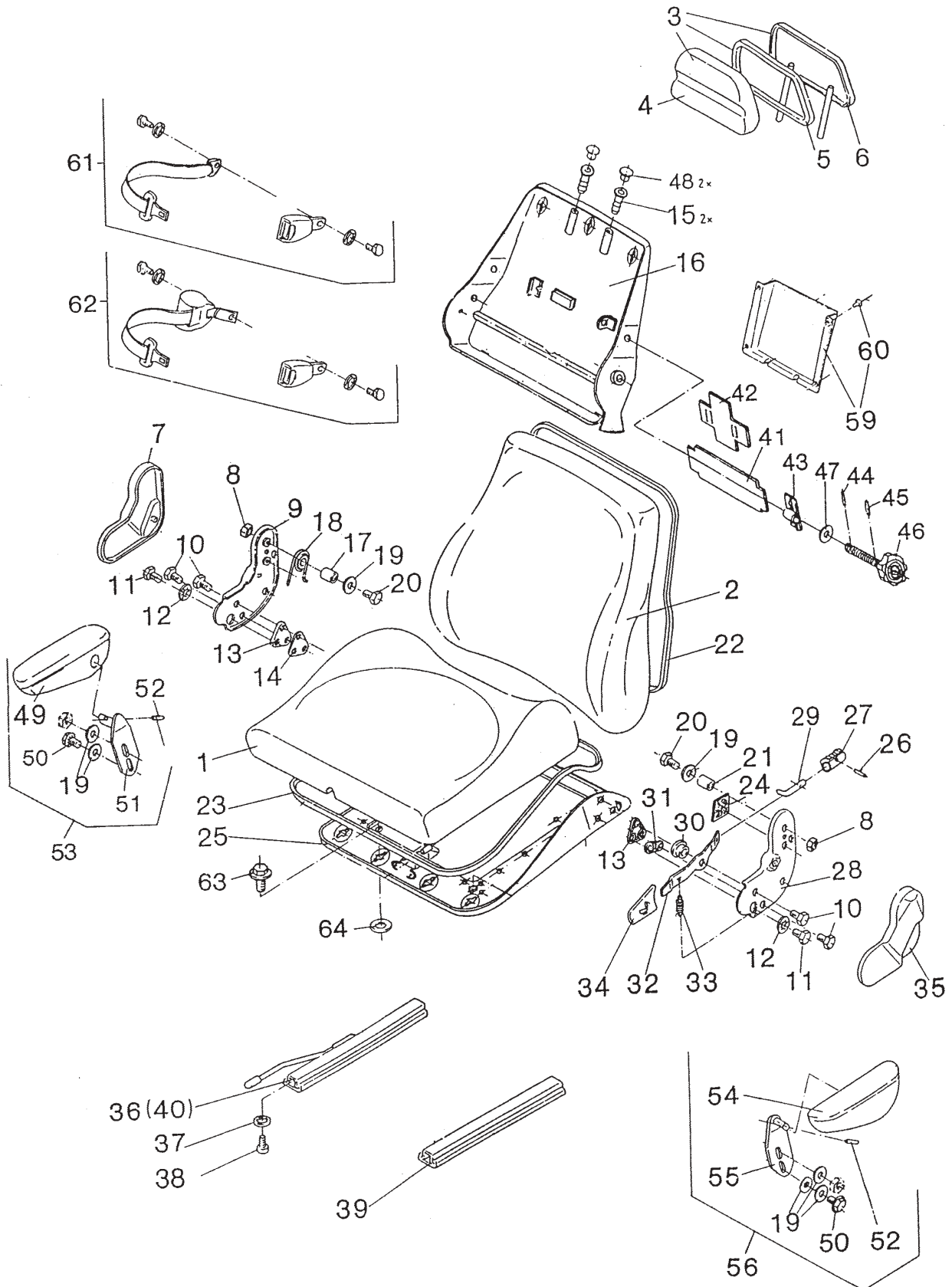
## FITTING TYPES




All hydraulic hose assemblies, tube assemblies & hose tube assemblies have there part numbers either stamped on the sleeve, tube or on a tag.

ITEM	RANSOMES PART NO	DESCRIPTION 	QTY	REMARKS
	<b>O RING ORF</b>			
	<b>O RING</b>	<b>FITTING SIZE</b>		
	158061-01	1 1/16" UNF		
	158061-02	1 3/16" UNF		
	158061-08	1" UNF		
	158061-09	1 - 3/16" UNF		
	158061-15	1- 11/16" UNF		
	158061-18	9/16" UNF		
	158061-19	1 - 7/16" UNF		
	<b>O RINGS SAE</b>			
	<b>O RING</b>	<b>FITTING SIZE</b>		
	A221803	3/8" UNF		
	A221804	7/16" UNF		
	A221806	9/16" UNF		
	A221808	3/4" UNF		
	A221810	7/8" UNF		
	A221812	1 - 1/16" UNF		
	A221814	1- 5/16" UNF		
	<b>Clip</b>	<b>Hose Clips Size</b>		
	A192516	6 - 16		
	A192532	13 - 32		
	A192557	34 - 57		
	A192522	8 - 32		
	A192540	19 - 40		

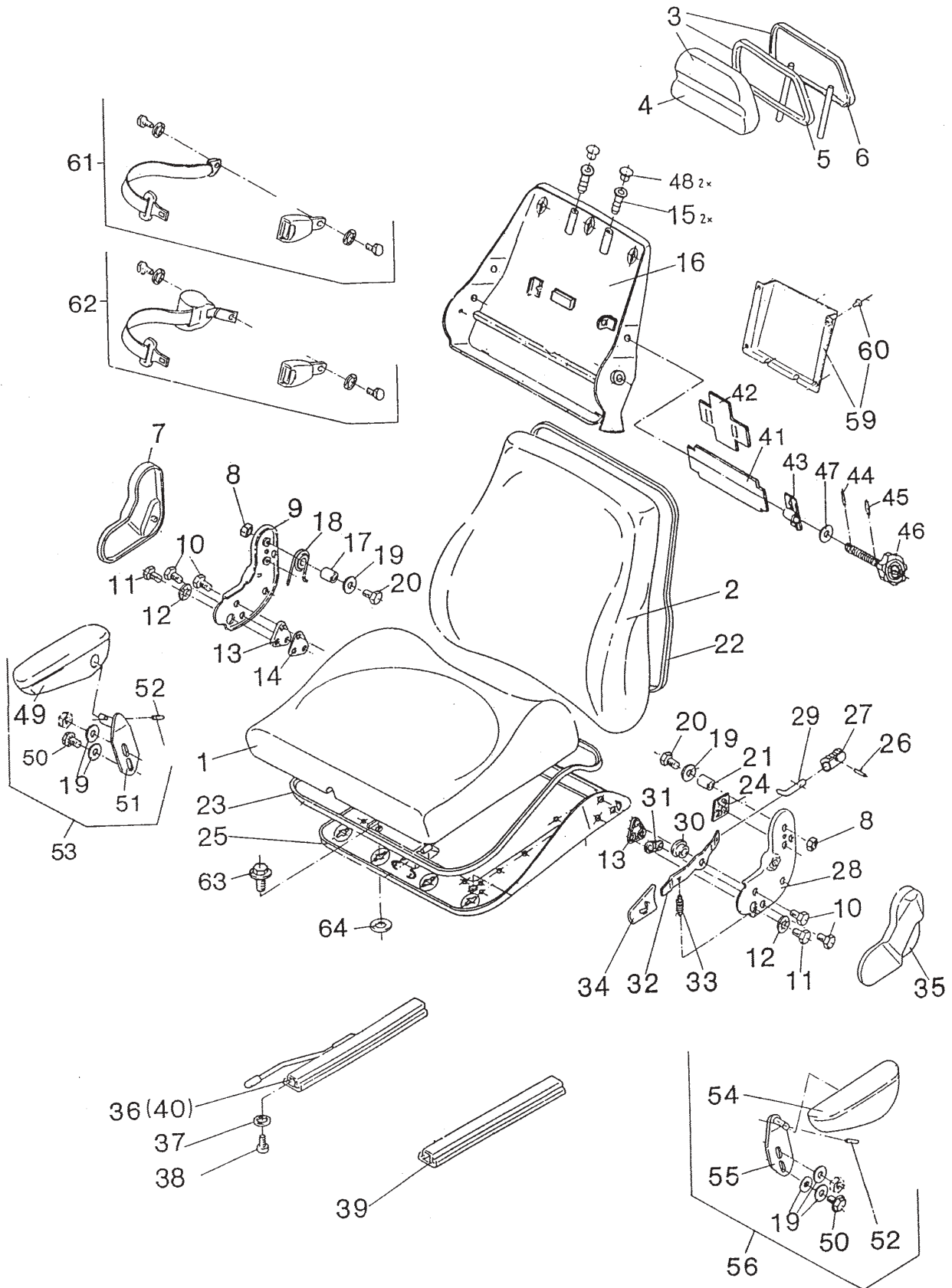
RANSOMES  
COMMANDER 3510






ITEM	RANSOMES PART NO	DESCRIPTION 	QTY	REMARKS
1	A819940	SEAT ASSY COMPLETE	1	INCLUDING SUSPENSION
2	A819945	SEAT CUSHION	1	
3	A819946	BACK REST CUSHION	1	
4	A819956	HEAD REST ASSY.	1	
5	A819947	HEAD REST CUSHION	1	
6	A817352	EDGE STRIP	1	
7	N/A	HEAD REST FRAME	1	
8	A819961	COVER RH	1	
9	A817337	NUT	2	
10	A817338	MOUNTING RH	1	
11	A817339	SCREW	4	
12	A817340	SCREW	2	
13	A817341	SP WASHER	2	
14	A817342	DISTANCE PLATE	2	
15	A817343	DISTANCE PLATE	1	
16	A817344	BUSH	2	
17	A819969	BACK PLATE	1	
18	A817345	TUBE	1	
19	A817346	SPRING	1	
20	A817347	WASHER	2	
21	A817348	SCREW	2	
22	A817349	TUBE	1	
23	A817350	EDGE STRIP	1	
24	A817351	EDGE STRIP	1	
25	A817353	DISTANCE PIECE	1	
26	A817354	SEAT PLATE	1	
27	A819965	PIN	1	
28	A819966	DETENT	1	
29	A817355	MOUNTING LH	1	
30	A819967	ROD	1	
31	A817356	BUSH	1	
32	A817357	DISTANCE PIECE	1	
33	A817335	LEVER	1	
34	A817336	SPRING	1	
35	A819988	HANDLE	1	
36	A817358	COVER LH	1	
37	A819964	RAIL WITH LEVER	1	
38	A817359	WASHER	4	
39	A817360	SCREW	4	
40	A819975	RAIL	1	
41	A817361	PLATE	1	
42	A817362	PLATE	1	
43	A819970	NUT	1	
44	A819971	PIN	1	

RANSOMES  
COMMANDER 3510

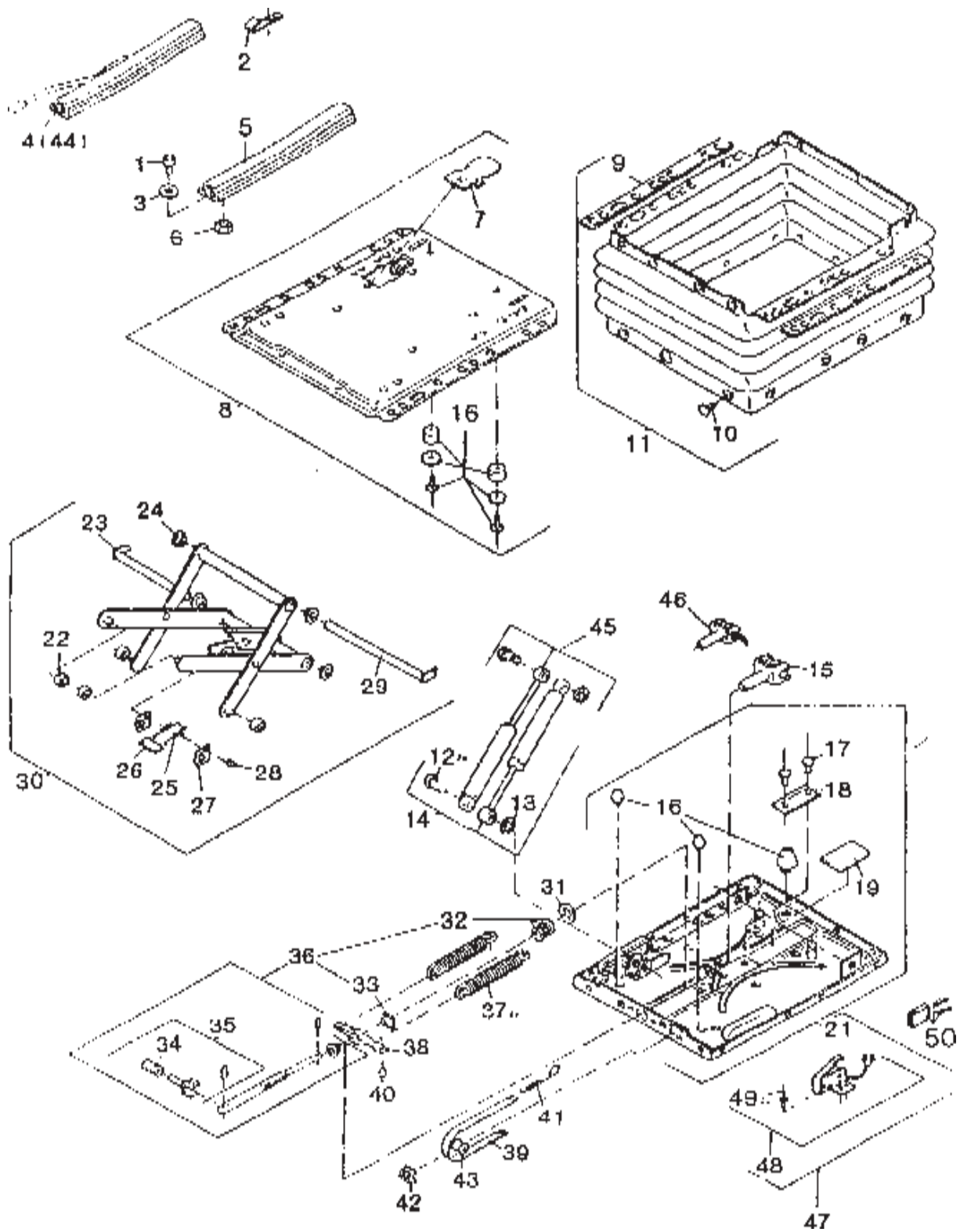


**SEAT BREAKDOWN**

**LIST OF PARTS**


ITEM	RANSOMES PART NO	DESCRIPTION 	QTY	REMARKS
45	A819972	PIN	1	
46	A819973	ADJUSTING SPINDLE	1	
47	A819974	WASHER	1	
48	N/A	PLUG	2	
49	A819955	ARM REST RH	1	
50	N/A	SCREW	2	
51	N/A	SUPPORT RH	1	
52	N/A	PIN	2	
53	A819985	ARM REST ASSY. RH	1	
54	A817363	ARM REST LH	1	
55	N/A	SUPPORT LH	1	
56	A819986	ARM REST ASSY. LH	1	
59	N/A	COVER ASSY	1	
60	N/A	SCREW	1	
61	N/A	SEAT BELT FIXED	1	
62	N/A	SEAT BELT REEL	1	
63	N/A	SCREW		
64	N/A	WASHER		

RANSOMES  
COMMANDER 3510



## SEAT SUSPENSION BREAKDOWN DS85H

## LIST OF PARTS

ITEM	RANSOMES PART NO	DESCRIPTION 	QTY	REMARKS
1	A817364	SCREW	6	
2	A817365	STOP	1	
3	A817366	WASHER	2	
4	A819964	SLIDE WITH LEVER	1	
5	A819975	SLIDE	1	
6	A817367	NUT	6	
7	A817368	COVER	1	
8	A817369	BASE ASSY.	1	
9	A817370	PLATE	2	
10	A819979	PIN	21	
11	A819984	GAITER ASSY.	1	
12	A817371	PIN	2	
13	A817372	E CLIP	2	
14	A819968	DAMPER ASSY	1	
16	A817373	BUFFER ASSY.	1	
17	A817374	RIVET	2	
18	A817375	RUNNER	1	
19	A817376	PLATE	1	
20	A817377	SUSPENSION ASSY.	1	
22	A817378	ROLLER	4	
23	A817379	PIN	1	
24	A817380	BUSH	4	
25	A817381	SPRING	2	
26	A817382	PLATE	1	
27	A817383	PLATE	2	
28	A817384	BOLT	1	
29	A817385	PIN	1	
30	A819990	HINGE	1	
31	A817386	WASHER	1	
32	A817387	BEARING	1	
33	A817388	NUT	1	
34	A817389	HANDLE	1	
35	A817390	LEVER ASSY.	1	
36	A819992	WEIGHT ADJUSTER	1	
37	A819941	SPRING	2	
38	A817391	SPRING HOOK	1	
39	A817392	WEIGHT INDICATOR	1	
40	A817393	STOP	1	
41	A817394	SPRING	1	
42	A817395	WINDOW	1	
43	A817396	ROLLER	1	
46	A817397	FORK	1	
47	A817398	SPRING FRAME	1	
48	A905448	MICROSWITCH	1	
49	A817399	SCREW	2	
50	A817400	CONNECTOR	1	

\* Not Illustrated

# NUMERICAL INDEX

PART NO.	DESCRIPTION	ITEM	PAGE	PART NO.	DESCRIPTION	ITEM	PAGE
48383	CLAMP-HOSE 2-1/2 DIA.	F16*	33	158061-15	1- 11/16" UNF		165
48383	CLAMP-HOSE 2-1/2 DIA.	F16*	39	158061-18	9/16" UNF		165
48383	CLAMP-HOSE 2-1/2 DIA.	F16*	45	158061-19	1 -7/16" UNF		165
839862	LOGO-STEERING WHEEL	3038*	69	16665-43011	FUEL FILTER	C	77
1496052	RIVET-POP 1/8 x 5/16	4096*	75	17351-1108-0	AIRFILTER ELEMENT	B	77
2000582	COMMANDER REAR DECAL	4802 .8	99	178102-37	SEAL KIT	*	127
2000616	LABEL,ADJUST KNOBS	4802 .22	99	19077-4012	AIRCLEANER ASSY.	A	77
2198084	LATCH-SWELL	4180	81	31351-31413	STOP SOLENOID RELAY	Q	27
2208038	FILTER HEAD-SPIN ON	3130	49	69057-02	FITTING ORS BRANCH TEE	F33	33
2208038	FILTER HEAD-SPIN ON	3130	51	69057-02	FITTING ORS BRANCH TEE	F33	49
2208046	VALVE - BACK PRESSURE	3145	57	A149061	PIN, 1/8 x 2	4305*	85
2208046	VALVE - BACK PRESSURE	3145	61	A149066	SPRING CLIP	5726	107
2208046	VALVE - BACK PRESSURE	3145	127	A149605	RIVET, 1/8 x 5/16	5003*	101
2208085	SPRING-SS COMPRESSION	2	127	A149615	RIVET, 1/8 X .400"	4122*	79
2400327	FTG-7/16 JIC x 9/16 SAE	22	53	A171025	CIRCLIP	7	135
2400327	FTG-7/16 JIC x 9/16 SAE	22	55	A192516	6-16		165
2410320	90-M/M 7/16 JIC x 9/16 SAE	21	53	A192516	HOSE CLAMP, 6-16	F75*	33
2410320	90-M/M 7/16 JIC x 9/16 SAE	21	55	A192516	HOSE CLAMP, 6-16	F75*	39
2410320	90-M/M 7/16 JIC x 9/16 SAE	21	55	A192516	HOSE CLAMP, 6-16	F75*	45
2414031	90-M/F 7/16 JIC x 7/16 JIC	23	53	A192522	8-32		165
2414031	90-M/F 7/16 JIC x 7/16 JIC	23	55	A192522	HOSE CLAMP, 8-22	F165*	35
2414940	90-M/F 7/16 JIC X 9/16 JIC	25	55	A192522	HOSE CLAMP, 8-22	F165*	41
2435059	TEE-M/F/M 9/16 JIC	24	55	A192522	HOSE CLAMP, 8-22	F165*	47
2494695	90 MALE ELBOW BSPT-TAIL	2004	17	A192532	13 - 32		165
2600220	TEE-F/M/M 1-7/16ORS(2)	14	53	A192532	HOSE CLAMP, 13-32	F79*	33
2600240	TEE-M/M/M 1-7/16ORS(2)	15	53	A192532	HOSE CLAMP, 13-32	F79*	39
2600250	45-F/M 1-7/16 ORS x 3/4	16	53	A192532	HOSE CLAMP, 13-32	F79*	45
2600260	45-F/M 1-7/16 ORS x 1-1/4	13	53	A192540	19 - 40		165
2600320	90-M/M 9/16 SAE x 9/16 JIC	20	53	A192540	HOSE CLAMP, 19-40	F166*	35
2600320	90-M/M 9/16 SAE x 9/16 JIC	20	55	A192540	HOSE CLAMP, 19-40	F166*	41
2600320	90-M/M 9/16 SAE x 9/16 JIC	20	55	A192540	HOSE CLAMP, 19-40	F166*	47
2600330	90MMF1-3/16ORSx1-5/16	17	53	A192557	34 - 57		165
2600350	MULTIPLE TEE	26	55	A192557	HOSE CLAMP, 34-57	4013*	73
2720122	LABEL-DIAMOND R	4802 .25	99	A192557	HOSE CLAMP, 34-57	F167*	35
5312009	HOSE ASSY	H83	31	A192557	HOSE CLAMP, 34-57	F167*	41
5312009	HOSE ASSY	H83	49	A192557	HOSE CLAMP, 34-57	F167*	47
5312010	HOSE 3/4 BORE X 100LG	H84	49	A192570	HOSE CLAMP, 23-70	4079*	75
5312041	HOSE 3/4 BORE X 410LG	H86	49	A192570	HOSE CLAMP, 23-70	F168*	35
5312115	HOSE 3/4 BORE X 1150LG	H87	49	A192570	HOSE CLAMP, 23-70	F168*	41
5312195	HOSE 3/4 BORE X 1950LG	H89	49	A192570	HOSE CLAMP, 23-70	F168*	47
5320084	HOSE 1-1/4" BORE X 840	9	53	A192914	DOUBLE WIRE HOSE CLIP	F80*	33
5320084	HOSE 1-1/4" BORE X 840	9	55	A192914	DOUBLE WIRE HOSE CLIP	F80*	39
5320153	HOSE 1-1/4" BORE X 1530	8	53	A192914	DOUBLE WIRE HOSE CLIP	F80*	45
5320153	HOSE 1-1/4" BORE X 1530	8	55	A194904	CLEVIS, M8	5719	107
7120550	HYD HOSE ASSY	11	53	A199035	CLAMP, 1.3/4"	4008	73
9034910	DECAL INSTRUCTIONS	4802 .19	99	A199035	CLAMP, 1.3/4"	4015*	73
9038770	DECAL DOOR R.H	4802 .3	99	A199063	LATCH	4142	79
9038780	DECAL DOOR LH	4802 .4	99	A199065	LATCH	5031	101
9056430	HARNESS - MAIN	1	25	A199208	TIE, 200 x 4.8	3175*	71
454000077	SPLIT PIN	5831*	111	A199211	TIE, 140 x 3.6	2517*	23
456800237	STUD	2157	21	A199211	TIE, 140 x 3.6	2535*	23
459100040	STRAIGHT CONNECTOR	19	53	A199211	TIE, 140 x 3.6	L131*	29
459100236	3/8" BSP PLUGS.	F40	33	A199232	CABLE TIE BASE	2516*	23
459100236	3/8" BSP PLUGS.	F40	39	A199232	CABLE TIE BASE	2562*	23
459100236	3/8" BSP PLUGS.	F40	45	A199232	CABLE TIE BASE	L133*	29
459100888	HYDRAULIC ADAPTOR	F170*	35	A199235	CLIP, 12-14 mm	2641*	25
459100888	HYDRAULIC ADAPTOR	F170*	41	A199253	EDGE CLIP, 6-7 mm	2508*	23
459100888	HYDRAULIC ADAPTOR	F170*	47	A203601	BEARING, 12x32x10	4544	89
459100888	HYDRAULIC ADAPTOR	18	53	A203601	BEARING, 12x32x10	4544	93
007120700M	HYD HOSE ASSY	12	55	A203601	BEARING, 12x32x10	4544*	97
007230700M	HOSE ASSY	10	53	A203605	BEARING, 25x52x15	2131	21
007230700M	HOSE ASSY	10	55	A203706	BEARING, 30x72x19	2130	21
108094-01	HOSE CLAMP .75 TO 1.75	7*	53	A203707	BEARING, 35x80x21	2174	21
108094-01	HOSE CLAMP .75 TO 1.75	7*	55	A210115	• BUSH	*	107
108094-01	HOSE CLAMP .75 TO 1.75	F15*	33	A214393	BUSH	*	149
108094-01	HOSE CLAMP .75 TO 1.75	F15*	37	A214432	BUSH	2172	21
108094-01	HOSE CLAMP .75 TO 1.75	F15*	43	A219331	NYLON BUSH.	4488	87
158006-12	FITTING ORS/ORB	F23	49	A219331	NYLON BUSH.	4490	87
158006-12	FITTING ORS/ORB	F23	51	A219331	NYLON BUSH.	4352	91
158007-08	90° MALE ELBOW	F32	49	A219331	NYLON BUSH.	4418	95
158058-08	FITTING-90 BARB,ADJ	F22	49	A219331	NYLON BUSH.	4420	95
158058-08	FITTING-90 BARB,ADJ	F22	51	A219335	NYLINER BEARING	5827*	111
158061-01	11/16" UNF		165	A219340	BUSH	*	109
158061-02	13/16" UNF		165	A219340	BUSH	*	109
158061-08	1" UNF		165	A219340	BUSH-EP 12x14x12	5847*	111
158061-09	1 - 3/16" UNF		165	A221214	'O' RING	F33*	39

## NUMERICAL INDEX

PART NO.	DESCRIPTION	ITEM	PAGE	PART NO.	DESCRIPTION	ITEM	PAGE
A221214	'O' RING	F33*	45	A240032	UNION MALE JIC-SAE	F134	63
A221218	•• O RING	6	145	A240032	UNION MALE JIC-SAE	F2	65
A221321	O RING	12	113	A240032	UNION MALE JIC-SAE	F2	67
A221327	O RING	1	113	A240042	UNION MALE JIC-SAE	F135	59
A221327	O RING (1 to brg. hsg.)	3	131	A240042	UNION MALE JIC-SAE	F135	63
A221803	3/8" UNF		165	A240042	UNION MALE JIC-SAE	F135	65
A221804	7/16" UNF		165	A240042	UNION MALE JIC-SAE	F135	67
A221806	9/16" UNF		165	A240048	UNION MALE JIC-SAE	F20	65
A221808	3/4" UNF		165	A240048	UNION MALE JIC-SAE	F20	67
A221810	7/8" UNF		165	A240052	UNION MALE JIC-SAE	F161	59
A221812	1 - 1/16" UNF		165	A240052	UNION MALE JIC-SAE	F161	63
A221814	1- 5/16" UNF		165	A240090	UNION MALE JIC-SAE	F145	35
A224903	•• WIPER SEAL	4	145	A240090	UNION MALE JIC-SAE	F145	41
A228205	NILOS RING	2133	21	A240090	UNION MALE JIC-SAE	F145	47
A228306	NILOS RING	2132	21	A240303	BULKHEAD UNION JIC	F131	65
A229949	•• S.A.SEAL	5	145	A240303	BULKHEAD UNION JIC	F131	67
A229975	1/8" BSP		163	A240305	BULKHEAD UNION JIC	F130	65
A229976	1/4" BSP		163	A240305	BULKHEAD UNION JIC	F130	67
A229977	3/8" BSP		163	A240307	BULKHEAD UNION JIC	F55*	33
A229978	1/2" BSP		163	A240307	BULKHEAD UNION JIC	F55*	39
A229979	5/8" BSP		163	A240307	BULKHEAD UNION JIC	F55*	45
A229979	5/8" SEAL	2007	17	A240308	BULKHEAD UNION JIC	F56	33
A229979	5/8" SEAL	2105	19	A240308	BULKHEAD UNION JIC	F56	39
A229980	3/4" BSP		163	A240308	BULKHEAD UNION JIC	F56	45
A229981	7/8" BSP		163	A240434	UNION M/F JIC	F125*	33
A229982	1" BSP		163	A240434	UNION M/F JIC	F125*	39
A229983	1 1/8" BSP		163	A240434	UNION M/F JIC	F125*	45
A229984	1 1/4" BSP		163	A241003	90 MALE ELBOW JIC-SAE	F103*	33
A230038	SEAL KIT	*	131	A241003	90 MALE ELBOW JIC-SAE	F136*	33
A230042	SEAL KIT	*	147	A241003	90 MALE ELBOW JIC-SAE	F103*	39
A230043	• SEAL KIT		145	A241003	90 MALE ELBOW JIC-SAE	F136*	39
A230062	Set of seals NBR	A	143	A241003	90 MALE ELBOW JIC-SAE	F103*	45
A230063	Set of seals NBR	B	143	A241003	90 MALE ELBOW JIC-SAE	F136*	45
A230070	Seal Kit	B	155	A241005	90 MALE ELBOW JIC-SAE	F119*	33
A230075	SEAL KIT FOR ITEM 2	*	161	A241005	90 MALE ELBOW JIC-SAE	F119*	39
A230076	SEAL KIT FOR ITEM 1	*	161	A241005	90 MALE ELBOW JIC-SAE	F119*	45
A230091	SEAL KIT	*	141	A241005	90 MALE ELBOW JIC-SAE	F60	65
A230092	SEAL KIT	*	137	A241005	90 MALE ELBOW JIC-SAE	F60	67
A230093	SEAL KIT	*	129	A241007	90 MALE ELBOW JIC-SAE	F104	59
A230094	SEAL KIT	*	133	A241007	90 MALE ELBOW JIC-SAE	F162	59
A240003	UNION MALE JIC-SAE	F133*	33	A241007	90 MALE ELBOW JIC-SAE	F104	63
A240003	UNION MALE JIC-SAE	F133*	39	A241007	90 MALE ELBOW JIC-SAE	F162	63
A240003	UNION MALE JIC-SAE	F133*	45	A241032	UNION MALE BSP-JIC	F28*	33
A240003	UNION MALE JIC-SAE	F101	59	A241032	90 MALE ELBOW JIC-SAE	F137*	35
A240003	UNION MALE JIC-SAE	F101	63	A241032	90 MALE ELBOW JIC-SAE	F143*	35
A240007	UNION MALE JIC-SAE	F102	59	A241032	90 MALE ELBOW JIC-SAE	F137*	39
A240007	UNION MALE JIC-SAE	F1	31	A241032	90 MALE ELBOW JIC-SAE	F143*	41
A240007	UNION MALE JIC-SAE	F7	31	A241032	90 MALE ELBOW JIC-SAE	F137*	45
A240007	UNION MALE JIC-SAE	F102*	33	A241032	90 MALE ELBOW JIC-SAE	F143*	47
A240007	UNION MALE JIC-SAE	F1	37	A241042	90 MALE ELBOW JIC-SAE	F122	59
A240007	UNION MALE JIC-SAE	F7	37	A241042	90 MALE ELBOW JIC-SAE	F122	63
A240007	UNION MALE JIC-SAE	F102*	39	A241042	90 MALE ELBOW JIC-SAE	F122	65
A240007	UNION MALE JIC-SAE	F1	43	A241042	90 MALE ELBOW JIC-SAE	F122	67
A240007	UNION MALE JIC-SAE	F7	43	A241403	90 M/F ELBOW JIC	F76	33
A240007	UNION MALE JIC-SAE	F102*	45	A241403	90 M/F ELBOW JIC	F105	33
A240007	UNION MALE JIC-SAE	F21	57	A241403	90 M/F ELBOW JIC	F138*	35
A240007	UNION MALE JIC-SAE	F1	61	A241403	90 M/F ELBOW JIC	F148*	35
A240007	UNION MALE JIC-SAE	F21	61	A241403	90 M/F ELBOW JIC	F179	35
A240008	UNION MALE JIC-SAE	F8	31	A241403	90 M/F ELBOW JIC	F76	39
A240008	UNION MALE JIC-SAE	F144	35	A241403	90 M/F ELBOW JIC	F105	39
A240008	UNION MALE JIC-SAE	F8	37	A241403	90 M/F ELBOW JIC	F138*	39
A240008	UNION MALE JIC-SAE	F144	41	A241403	90 M/F ELBOW JIC	F148*	41
A240008	UNION MALE JIC-SAE	F8	43	A241403	90 M/F ELBOW JIC	F179	41
A240008	UNION MALE JIC-SAE	F144	47	A241403	90 M/F ELBOW JIC	F76	45
A240032	UNION MALE JIC-SAE	F9	31	A241403	90 M/F ELBOW JIC	F105	45
A240032	UNION MALE JIC-SAE	F134	33	A241403	90 M/F ELBOW JIC	F138*	45
A240032	UNION MALE JIC-SAE	F142	35	A241403	90 M/F ELBOW JIC	F148*	47
A240032	UNION MALE JIC-SAE	F9	37	A241403	90 M/F ELBOW JIC	F179*	47
A240032	UNION MALE JIC-SAE	F134	39	A241403	90 M/F ELBOW JIC	F76	59
A240032	UNION MALE JIC-SAE	F142	41	A241403	90 M/F ELBOW JIC	F105	59
A240032	UNION MALE JIC-SAE	F9	43	A241403	90 M/F ELBOW JIC	F76	63
A240032	UNION MALE JIC-SAE	F134	45	A241403	90 M/F ELBOW JIC	F105	63
A240032	UNION MALE JIC-SAE	F142	45	A241407	90 M/F ELBOW JIC	F3	31
A240032	UNION MALE JIC-SAE	F134	49	A241407	90 M/F ELBOW JIC	F3	37
A240032	UNION MALE JIC-SAE	F134	51	A241407	90 M/F ELBOW JIC	F3	43
A240032	UNION MALE JIC-SAE	F134	59	A241407	90 M/F ELBOW JIC	F106	59

# NUMERICAL INDEX

PART NO.	DESCRIPTION	ITEM	PAGE	PART NO.	DESCRIPTION	ITEM	PAGE
A241407	90 M/F ELBOW JIC	F3	61	A244805	CAP JIC	F178*	41
A241407	90 M/F ELBOW JIC	F106	63	A244805	CAP JIC	F178*	47
A242003	45 MALE ELBOW JIC-SAE	F4	31	A244911	TEST POINT BSP	F66	49
A242003	45 MALE ELBOW JIC-SAE	F4	37	A244911	TEST POINT BSP	F66	51
A242003	45 MALE ELBOW JIC-SAE	F4	43	A249217	UNION MALE BSP-JIC	F10	31
A242003	45 MALE ELBOW JIC-SAE	F107	59	A249217	UNION MALE BSP-JIC	F10	37
A242003	45 MALE ELBOW JIC-SAE	F107	63	A249217	UNION MALE BSP-JIC	F10	43
A242005	45 MALE ELBOW JIC-SAE	F58	65	A249287	UNION M/F BSP	F62	57
A242005	45 MALE ELBOW JIC-SAE	F120	65	A249287	UNION M/F BSP	F62	61
A242005	45 MALE ELBOW JIC-SAE	F58	67	A249296	UNION MALE, BSP. - SAE	F34*	49
A242005	45 MALE ELBOW JIC-SAE	F120	67	A249312	UNION MALE JIC-SAE	F112	59
A242006	45 MALE ELBOW JIC-SAE	F139	59	A249312	UNION MALE JIC-SAE	F151	59
A242006	45 MALE ELBOW JIC-SAE	F139	63	A249312	UNION MALE JIC-SAE	F112	63
A242006	45 MALE ELBOW JIC-SAE	F139	65	A249312	UNION MALE JIC-SAE	F151	63
A242006	45 MALE ELBOW JIC-SAE	F139	67	A249320	90 MALE ELBOW BSP-JIC	F127	65
A242007	45 MALE ELBOW JIC-SAE	F108	59	A249320	90 MALE ELBOW BSP-JIC	F127	67
A242007	45 MALE ELBOW JIC-SAE	F108	63	A249330	90 MALE ELBOW BSP-JIC	F41	33
A242008	45 MALE ELBOW JIC-SAE	F146	49	A249330	90 MALE ELBOW BSP-JIC	F41	39
A242008	45 MALE ELBOW JIC-SAE	F146	51	A249330	90 MALE ELBOW BSP-JIC	F41	45
A242403	45 M/F ELBOW JIC	F43	33	A249330	90 MALE ELBOW BSP-JIC	F41	65
A242403	45 M/F ELBOW JIC	F43	39	A249330	90 MALE ELBOW BSP-JIC	F41	67
A242403	45 M/F ELBOW JIC	F43	45	A249331	90 MALE ELBOW BSP-JIC	F128	65
A242403	45 M/F ELBOW JIC	F43	57	A249331	90 MALE ELBOW BSP-JIC	F128	67
A242403	45 M/F ELBOW JIC	F43	61	A249333	90 MALE ELBOW BSP-JIC	F126*	33
A242405	45 M/F ELBOW JIC	F169*	35	A249333	90 MALE ELBOW BSP-JIC	F126*	39
A242405	45 M/F ELBOW JIC	F169*	41	A249333	90 MALE ELBOW BSP-JIC	F126*	45
A242405	45 M/F ELBOW JIC	F169*	47	A249372	90 F/M ELBOW JIC-TAIL	F163	59
A242405	45 M/F ELBOW JIC	F171	59	A249372	90 F/M ELBOW JIC-TAIL	F163	63
A242405	45 M/F ELBOW JIC	F171	63	A249388	90 DEG.ELBOW	F36	51
A242407	45 M/F ELBOW JIC	F109	59	A249704	BREATHER TAIL	F82	49
A242407	45 M/F ELBOW JIC	F109	63	A249704	BREATHER TAIL	F82	51
A242408	45 M/F ELBOW JIC	F172*	35	A249721	TEE M/F/F JIC-BSP	F123*	33
A242408	45 M/F ELBOW JIC	F172*	41	A249721	TEE M/F/F JIC-BSP	F123*	39
A242408	45 M/F ELBOW JIC	F172*	47	A249721	TEE M/F/F JIC-BSP	F123*	45
A243260	UNION TEE JIC	F5	31	A249725	UNION MALE BSP-JIC	F28*	39
A243260	UNION TEE JIC	F5	37	A249725	UNION MALE BSP-JIC	F28*	45
A243260	UNION TEE JIC	F5	43	A249731	PLUG BSP	F26	51
A243403	BRANCH TEE M/M/F JIC	F110	33	A249740	90 MALE ELBOW BSP	F27	33
A243403	BRANCH TEE M/M/F JIC	F110	39	A249740	90 MALE ELBOW BSP	F124*	33
A243403	BRANCH TEE M/M/F JIC	F110	45	A249740	90 MALE ELBOW BSP	F27	39
A243403	BRANCH TEE M/M/F JIC	F110	49	A249740	90 MALE ELBOW BSP	F124*	39
A243403	BRANCH TEE M/M/F JIC	F110	51	A249740	90 MALE ELBOW BSP	F27	45
A243403	BRANCH TEE M/M/F JIC	F110	59	A249740	90 MALE ELBOW BSP	F124*	45
A243403	BRANCH TEE M/M/F JIC	F110	63	A249740	90 MALE ELBOW BSP	F27	49
A243503	RUN TEE M/F/M JIC	F111	33	A249740	90 MALE ELBOW BSP	F27	51
A243503	RUN TEE M/F/M JIC	F111	39	A249742	UNION MALE BSP	F83	49
A243503	RUN TEE M/F/M JIC	F77	33	A249742	UNION MALE BSP	F83	51
A243503	RUN TEE M/F/M JIC	F77	39	A249748	EQUAL MALE TEE TAIL	F37	57
A243503	RUN TEE M/F/M JIC	F77	45	A249748	EQUAL MALE TEE TAIL	F37	61
A243503	RUN TEE M/F/M JIC	F77	49	A249766	90 MALE ELBOW JIC	F50	33
A243503	RUN TEE M/F/M JIC	F77	51	A249766	90 MALE ELBOW JIC	F50	39
A243503	RUN TEE M/F/M JIC	F77	59	A249766	90 MALE ELBOW JIC	F50	45
A243503	RUN TEE M/F/M JIC	F77	63	A249769	90 MALE ELBOW JIC	F51	33
A243503	RUN TEE M/F/M JIC	F111	65	A249769	90 MALE ELBOW JIC	F52	33
A243503	RUN TEE M/F/M JIC	F111	67	A249769	90 MALE ELBOW JIC	F51	39
A243505	RUN TEE M/F/M JIC	F59*	33	A249769	90 MALE ELBOW JIC	F52	39
A243505	RUN TEE M/F/M JIC	F59*	39	A249769	90 MALE ELBOW JIC	F51	45
A243505	RUN TEE M/F/M JIC	F59*	45	A249769	90 MALE ELBOW JIC	F52	45
A243505	RUN TEE M/F/M JIC	F121	59	A249770	UNION MALE JIC-SAE	F175*	35
A243505	RUN TEE M/F/M JIC	F121	63	A249770	UNION MALE JIC-SAE	F175*	41
A243505	RUN TEE M/F/M JIC	F121	65	A249770	UNION MALE JIC-SAE	F175*	47
A243505	RUN TEE M/F/M JIC	F121	67	A249771	45 BULKHEAD ELBOW JIC	F129	65
A243506	RUN TEE M/F/M JIC	F140	59	A249771	45 BULKHEAD ELBOW JIC	F129	67
A243506	RUN TEE M/F/M JIC	F140	63	A249777	RETURN BLOCK	F6	31
A243506	RUN TEE M/F/M JIC	F140	65	A249777	RETURN BLOCK	F6	37
A243506	RUN TEE M/F/M JIC	F140	67	A249777	RETURN BLOCK	F6	43
A243507	RUN TEE M/F/M JIC	F78	33	A249777	RETURN BLOCK	F6	57
A243507	RUN TEE M/F/M JIC	F78	39	A249777	RETURN BLOCK	F6	61
A243507	RUN TEE M/F/M JIC	F78	45	A249778	RETURN BLOCK	F53	33
A243508	RUN TEE M/F/M JIC	F147*	35	A249778	RETURN BLOCK	F53	39
A243508	RUN TEE M/F/M JIC	F147*	41	A249778	RETURN BLOCK	F53	45
A243508	RUN TEE M/F/M JIC	F147*	47	A249778	RETURN BLOCK	F53	57
A244405	PLUG SAE	F141*	35	A249778	RETURN BLOCK	F53	61
A244405	PLUG SAE	F141*	39	A249784	RUN TEE F/M/M JIC	F54	33
A244405	PLUG SAE	F141*	45	A249784	RUN TEE F/M/M JIC	F54	39
A244805	CAP JIC	F178*	35	A249784	RUN TEE F/M/M JIC	F54	45



## NUMERICAL INDEX

PART NO.	DESCRIPTION	ITEM	PAGE	PART NO.	DESCRIPTION	ITEM	PAGE
A249785	90 DEG.ELBOW	F36	49	A292083	DISC SPRING WASHER	5808*	109
A249785	90 F/M ELBOW BSP-TAIL	F173	49	A292100	DISC SPRINGS	4469	97
A249785	90 F/M ELBOW BSP-TAIL	F173	51	A292100	DISC SPRINGS	4392	91
A249787	UNION MALE BSP-TAIL	F84	49	A292110	DISC SPRING	4505	87
A249787	UNION MALE BSP-TAIL	F84	51	A295001	BUSH, STRAIN RELIEF	L13*	29
A249787	UNION MALE BSP-TAIL	F84	59	A295263	END CAP	5079*	103
A249787	UNION MALE BSP-TAIL	F84	63	A295322	GROMMET	4187*	81
A249788	90 M/F ELBOW BSPT	F85*	33	A295331	GROMMET	5050*	103
A249788	90 M/F ELBOW BSPT	F85*	39	A295332	DIAPHRAGM GROMMET	5004*	101
A249788	90 M/F ELBOW BSPT	F85*	45	A295340	GROMMET 31.8 PH-1.2PT	5743*	107
A249791	90 MALE ELBOW BSPT-JIC	F81*	33	A298383	SPACER	3	113
A2497910	90 MALE ELBOW BSPT-JIC	F81*	39	A298401	HOSE SLEEVING	3074*	69
A2497910	90 MALE ELBOW BSPT-JIC	F81*	45	A298401	HOSE SLEEVING	3075*	69
A249795	UNION M/F BSP-JIC	F174	65	A298904	SAFETY WALK STRIP	4159	81
A249795	UNION M/F BSP-JIC	F174	67	A298904	SAFETY WALK STRIP	5057*	103
A249798	90 MALE ELBOW BSP-JIC	F116	59	A298904	SAFETY WALK STRIP	5702*	107
A249798	90 MALE ELBOW BSP-JIC	F116	63	A298928DG	SEALING STRIP	4168*	81
A249799	UNION MALE BSP-JIC	F113*	33	A298930	SLEEVING	4012*	73
A249799	UNION MALE BSP-JIC	F113*	39	A298934	SEALING STRIP	4189*	81
A249799	UNION MALE BSP-JIC	F113*	45	A298936	DOOR SEAL	4118*	79
A249799	UNION MALE BSP-JIC	F117	59	A298937	HOSE SLEEVING	3174*	71
A249799	UNION MALE BSP-JIC	F117	63	A298938	TRIM SEAL	4097*	75
A249800	UNION MALE BSP-JIC	F11	31	A299022	KNOB	4389	91
A249800	UNION MALE BSP-JIC	F118*	33	A299022	KNOB	4508	87
A249800	UNION MALE BSP-JIC	F11	37	A299022	KNOB	4466	97
A249800	UNION MALE BSP-JIC	F118*	39	A299022	KNOB	90	13
A249800	UNION MALE BSP-JIC	F11	43	A299022	KNOB	5772	109
A249800	UNION MALE BSP-JIC	F118*	45	A299022	KNOB	5804	109
A249800	UNION MALE BSP-JIC	F11	57	A299055	HANDWHEEL	5020	101
A249800	UNION MALE BSP-JIC	F11	61	A299104	HINGE	5029	101
A249856	1" BSPP * 1" HOSETAIL	F30	51	A299301	LUBRICATOR	4518	87
A249857	3/4-12 SPLIT FLANGE	F32	39	A299301	LUBRICATOR	4405	93
A249857	3/4-12 SPLIT FLANGE	F32	45	A299301	LUBRICATOR	4446	95
A249857	3/4-12 SPLIT FLANGE	F32	51	A299306	LUBRICATOR	2109	21
A249864	RETURN TEE	F152	35	A299316	LUBRICATOR	2152	21
A249864	RETURN TEE	F152	41	A299405	BONDED RUBBER BUFFER	13	113
A249864	RETURN TEE	F152	47	A299405	BONDED RUBBER BUFFER	53	13
A249864	RETURN TEE	F152	49	A299409	RUBBER MOUNT	4134*	79
A249864	RETURN TEE	F152	51	A299411	VIBRATION MOUNT	80	13
A249866	SWIVEL NUT RUN TEE	F153	59	A299411	VIBRATION MOUNT	4376	91
A249866	SWIVEL NUT RUN TEE	F153	63	A299411	VIBRATION MOUNT	4453	95
A249867	SWIVEL NUT RUN TEE	F156	47	A299899	NUT AND PLUG	F38	49
A249868	90 DEG. ELBOW	F154	59	A380202	CONNECTING LINK	5765*	109
A249868	90 DEG. ELBOW	F154	63	A531200	HOSE ASSY	H83	37
A249869	90 DEG. ELBOW	F155	49	A531200	HOSE ASSY	H83	43
A249869	90 DEG. ELBOW	F155	51	A531200	HOSE ASSY	H83	51
A249869	90 DEG. ELBOW	F155	65	A531200	HOSE ASSY	H83	57
A249869	90 DEG. ELBOW	F155	67	A531200	HOSE ASSY	H83	61
A249870	90 DEG. ELBOW	F160*	35	A531201	HOSE 3/4 BORE X 180LG	H85	57
A249870	90 DEG. ELBOW	F160*	41	A531201	HOSE 3/4 BORE X 180LG	H85	61
A249870	90 DEG. ELBOW	F160*	47	A531201	HOSE 3/4 BORE X 100LG	H84	51
A249871	90 DEG ELBOW	F150	59	A531204	HOSE 3/4 BORE X 410LG	H86	51
A249871	90 DEG ELBOW	F150	63	A531211	HOSE 3/4 BORE X 1150LG	H87	51
A249879	ELBOW 90 DEG 1/4BSP	F176*	35	A531216	HOSE 3/4 BORE X 1630LG	H88	57
A249879	ELBOW 90 DEG 1/4BSP	F176*	41	A531216	HOSE 3/4 BORE X 1630LG	H88	61
A249879	ELBOW 90 DEG 1/4BSP	F176*	47	A531219	HOSE 3/4 BORE X 1950LG	H89	51
A249882	MALE TEE	F177	49	A682055	BOLT, M10 x 30	4074*	75
A249882	MALE TEE	F177	51	A682057	BOLT, M12 x 30	4073*	75
A249883	RETURN BLOCK	F44	33	A682185	ENGINE (V2203)	4001	73
A249883	RETURN BLOCK	F44	39	A691104	FAN	4005	73
A249883	RETURN BLOCK	F44	45	A691106	RADIATOR\OIL COOLER	4002	49
A249884	FITTING-90 BARB,ADJ	F31	51	A691106	RADIATOR\OIL COOLER	4002	51
A249898	PLUG BSP	F26	49	A691106	RADIATOR\OIL COOLER	4002	57
A259899	NUT AND PLUG	F38	33	A691106	RADIATOR\OIL COOLER	4002	61
A260007	FITTING-90 BARB,ADJ	F31	49	A691106	RADIATOR/OIL COOLER	4002	73
A291013	COMPRESSION SPRING.	L112	29	A691109	OIL COOLER	3173	49
A291054	SPRING	5709*	107	A691109	OIL COOLER	3173	51
A291079	SPRING	4528*	89	A691141	RADIATOR	4002*	49
A291079	SPRING	3050*	69	A691141	RADIATOR	4002*	51
A291112	COMPRESSION SPRING.	93	13	A691141	RADIATOR	4002*	57
A291118	COMPRESSION SPRING	4195	81	A691141	RADIATOR	4002*	61
A291128	COMPRESSION SPRING	4368	91	A691141	RADIATOR	4002*	73
A291128	COMPRESSION SPRING	4439	95	A691142	OIL COOLER	3173*	49
A292071	DISC SPRING	5742*	107	A691142	OIL COOLER	3173*	51
A292083	DISC SPRING WASHER	5022	101	A691142	OIL COOLER	1	53
A292083	DISC SPRING WASHER	L108*	29	A691142	OIL COOLER	1	55

# NUMERICAL INDEX

PART NO.	DESCRIPTION	ITEM	PAGE	PART NO.	DESCRIPTION	ITEM	PAGE
A691153	TEXTRON KEY RING	4095*	75	A792576M	HOSE ASSY	H21	61
A712022	HOSE ASSY	H43	65	A792579	HOSE ASSY	H14	31
A712022M	HOSE ASSY	H43	67	A792597M	HOSE ASSY	H14	37
A712030	HOSE ASSY	H44	31	A792597M	HOSE ASSY	H14	43
A712030	HOSE ASSY	H44	65	A796200	HOSE ASSY	H36	31
A712030M	HOSE ASSY	H44	37	A796200	HOSE ASSY	H36	49
A712030M	HOSE ASSY	H44	43	A796200M	HOSE ASSY	H36	37
A712030M	HOSE ASSY	H44	67	A796200M	HOSE ASSY	H36	43
A712040	HOSE ASSY	H45	31	A796200M	HOSE ASSY	H36	51
A712040M	HOSE ASSY	H45	37	A797105	PILOT LINE ASSY	F70	59
A712040M	HOSE ASSY	H45	43	A797105	PILOT LINE ASSY	F70	63
A712070	HOSE ASSY	H82	31	A797106	PILOT LINE ASSY	F69	59
A712070M	HOSE ASSY	H82	37	A797106	PILOT LINE ASSY	F69	63
A712070M	HOSE ASSY	H82	43	A797107	PILOT LINE ASSY	F71	59
A712130	HOSE ASSY	H37	57	A797107	PILOT LINE ASSY	F71	63
A712130M	HOSE ASSY	H37	61	A797109	PILOT LINE ASSY	F68	33
A712160	HOSE ASSY	H7	57	A797109	PILOT LINE ASSY	F68	39
A712160	HOSE ASSY	H38	57	A797109	PILOT LINE ASSY	F68	45
A712160M	HOSE ASSY	H7	61	A797109	PILOT LINE ASSY	F68	59
A712160M	HOSE ASSY	H38	61	A797109	PILOT LINE ASSY	F68	63
A713170	HOSE ASSY	H81	57	A797110	PILOT LINE ASSY	F67	57
A713170M	HOSE ASSY	H81	61	A797110	PILOT LINE ASSY	F67	63
A714030	HOSE ASSY	H41	65	A797200	HYD HOSE ASSY	F57	65
A714030M	HOSE ASSY	H41	67	A797200	HYD HOSE ASSY	F57	67
A784024	HOSE ASSY	H40	65	A799413	HOSE ASSY	H50	37
A784024M	HOSE ASSY	H40	67	A799413	HOSE ASSY	H50	43
A785047	HOSE ASSY	H13	31	A799414	HOSE ASSY	H51	51
A785047M	HOSE ASSY	H13	37	A799415	HOSE ASSY	H52	31
A785047M	HOSE ASSY	H13	43	A799415	HOSE ASSY	H52	37
A785136	HOSE ASSY	H80	57	A799415	HOSE ASSY	H52	43
A785136M	HOSE ASSY	H80	61	A799416	HOSE ASSY	H53	31
A791208	HOSE ASSY	H12	31	A799416	HOSE ASSY	H53	37
A791208M	HOSE ASSY	H12	37	A799416	HOSE ASSY	H53	43
A791208M	HOSE ASSY	H12	43	A799417	HOSE ASSY	H54	57
A791210	HOSE ASSY	H26	31	A799417	HOSE ASSY	H54	61
A791210M	HOSE ASSY	H26	37	A799420	HOSE ASSY	H55	31
A791210M	HOSE ASSY	H26	43	A799420	HOSE ASSY	H55	37
A791211	HOSE ASSY	H28	31	A799420	HOSE ASSY	H55	43
A791211M	HOSE ASSY	H28	37	A799421	HOSE ASSY	H56	31
A791211M	HOSE ASSY	H28	43	A799421	HOSE ASSY	H56	37
A791212	HOSE ASSY	H35	31	A799421	HOSE ASSY	H56	43
A791212M	HOSE ASSY	H35	37	A799422	HOSE ASSY	H57	31
A791212M	HOSE ASSY	H35	43	A799422	HOSE ASSY	H57	37
A791214	HOSE ASSY	H32	31	A799422	HOSE ASSY	H57	43
A791214M	HOSE ASSY	H32	37	A799423	HOSE ASSY	H58	31
A791214M	HOSE ASSY	H32	43	A799423	HOSE ASSY	H58	37
A791329	HOSE ASSY	H25	65	A799423	HOSE ASSY	H58	43
A791329M	HOSE ASSY	H25	67	A799424	HOSE ASSY	H63	65
A791416	HOSE ASSY	H67	65	A799424	HOSE ASSY	H63	67
A791416M	HOSE ASSY	H67	67	A799425	HOSE ASSY	H64	65
A792339	HOSE ASSY	H42	65	A799425	HOSE ASSY	H64	67
A792339M	HOSE ASSY	H42	67	A799426	HOSE ASSY	H65	65
A792560	HOSE ASSY	H10	31	A799426	HOSE ASSY	H65	67
A792560	HOSE ASSY	H10	57	A799427	HOSE ASSY	H66	65
A792560M	HOSE ASSY	H10	37	A799427	HOSE ASSY	H66	67
A792560M	HOSE ASSY	H10	43	A799428	HOSE ASSY	H59	31
A792560M	HOSE ASSY	H10	61	A799428	HOSE ASSY	H59	37
A792561M	HOSE ASSY	H15	37	A799428	HOSE ASSY	H59	43
A792561M	HOSE ASSY	H15	43	A799429	HOSE ASSY	H60	65
A792565M	HOSE ASSY	H16	37	A799429	HOSE ASSY	H60	67
A792565M	HOSE ASSY	H16	43	A799430	HOSE ASSY	H61	65
A792566	HOSE ASSY	H17	31	A799430	HOSE ASSY	H61	67
A792566M	HOSE ASSY	H17	37	A799431	HOSE ASSY	H62	31
A792566M	HOSE ASSY	H17	43	A799431	HOSE ASSY	H62	37
A792570	HOSE ASSY	H6	57	A799431	HOSE ASSY	H62	43
A792570	HOSE ASSY	H20	57	A799432	HOSE ASSY	H68	57
A792570M	HOSE ASSY	H6	61	A799432	HOSE ASSY	H68	61
A792570M	HOSE ASSY	H20	61	A799433	HOSE ASSY	H69	57
A792572	HOSE ASSY	H30	57	A799433	HOSE ASSY	H69	61
A792572M	HOSE ASSY	H30	61	A799434	HOSE ASSY	H70	65
A792573	HOSE ASSY	H31	57	A799434	HOSE ASSY	H70	67
A792573M	HOSE ASSY	H31	61	A799435	HOSE ASSY	H71	57
A792575	HOSE ASSY	H11	31	A799435	HOSE ASSY	H71	61
A792575M	HOSE ASSY	H11	37	A799437	HOSE ASSY	H72	57
A792575M	HOSE ASSY	H11	43	A799437	HOSE ASSY	H72	61
A792576	HOSE ASSY	H21	57	A799438	HOSE ASSY	H73	57

## NUMERICAL INDEX

PART NO.	DESCRIPTION	ITEM	PAGE	PART NO.	DESCRIPTION	ITEM	PAGE
A799438	HOSE ASSY	H73	61	A800884	• SLEEVE	1402	115
A799439	HOSE ASSY	H74	57	A800885	• ORIFICE	1403	115
A799439	HOSE ASSY	H74	61	A800885	• ORIFICE	1404	115
A799564	HOSE ASSY	H50	31	A800886	• SEAL KIT	*	115
A799564	HOSE ASSY	H51	49	A801035	Divertor Valve	A	155
A799630	HOSE ASSY	H15	31	A801035	DIVERTER VALVE	3127	57
A799631	HOSE ASSY	H16	31	A801035	DIVERTER VALVE	3127	61
A800019	EXTERNAL CARDAN SH	17	113	A801036	LIFT VALVE	3116	65
A800019	EXTERNAL CARDAN SH	2	131	A801036	LIFT VALVE	3116	67
A800019	EXTERNAL CARDAN	3111*	71	A801049	SPRING	3	149
A800020	HYDRAULIC MOTOR	1	131	A801050	CARTRIDGE	4	149
A800020	HYD MOTOR OMN40	3110	57	A801051	CARTRIDGE	5	149
A800020	HYD MOTOR OMN40	3110	61	A801052	DIFF LOCK SOLENOID	AA	27
A800022	WHEEL MOTOR	A	21	A801052	4 WHEEL DRIVE SO	AB	27
A800022	WHEEL MOTOR		143	A801052	SOLENOID	6	149
A800022	HYD. MOTOR (200cc)	3016	31	A801053	CARTRIDGE	7	149
A800022	HYD. MOTOR (200cc)	3016	37	A801054	CARTRIDGE	8	149
A800022	HYD. MOTOR (200cc)	3016	43	A801055	CARTRIDGE	9	149
A800580	Neutral Positioning S	10	119	A801056	SEAL KIT	13*	149
A800619	MS control	1	117	A801063	TRANSMISSION VALVE		149
A800619	MS Control		119	A801063	TRANSMISSION VALVE	3100	31
A800635	WHEEL MOTOR LH	A	139	A801063	TRANSMISSION VALVE	3100	37
A800635	DANFOSS MOTOR L,H.	3012	31	A801063	TRANSMISSION VALVE	3100	43
A800635	DANFOSS MOTOR L,H.	3012	37	A801063	TRANSMISSION VALVE	3100	49
A800635	DANFOSS MOTOR L,H.	3012	43	A801063	TRANSMISSION VALVE	3100	51
A800636	WHEEL MOTOR RH	A	139	A801073	• Poppet	11	157
A800636	DANFOSS MOTOR R,H.	3013	31	A801074	• Valve Seat	16	157
A800636	DANFOSS MOTOR R,H.	3013	37	A801075	• Ball, steel	17	157
A800636	DANFOSS MOTOR R,H.	3013	43	A801076	• Ball Retainer	18	157
A800637	TANDEM PUMP	3005	31	A801077	• Spring, relief	19	157
A800637	TANDEM PUMP	3005	77	A801080	SOLENOID VALVES	M	27
A800637	HYDRAULIC PUMP	A	137	A801095	Check Valve	5	155
A800637	TANDEM PUMP	3005	57	A801097	Relief valve Cartridge		157
A800637	TANDEM PUMP	3005	61	A801112	Solenoid Valve	A	159
A800643	Assembled Shaft	20	119	A801112	SOLENOID VALVE	3140	31
A800644	Assembled Arm	22	119	A8011120	SOLENOID VALVE	3140	37
A800647	HYDRAULIC PUMP	3001	77	A8011120	SOLENOID VALVE	3140	43
A800647	Pump (Danfoss HPT 40)		117	A8011120	SOLENOID VALVE	3140	49
A800647	HYD PUMP DANFOSS	3001	61	A8011120	SOLENOID VALVE	3140	51
A800650	MS Cover	1	119	A8011120	SOLENOID VALVE	3140	57
A800660	TRANSMISSION PUMP	3001	31	A8011120	SOLENOID VALVE	3140	61
A800660	HYDRAULIC PUMP	3001	77	A801121	CHECK VALVE	3165	65
A800660	TRANSMISSION PUMP		115	A801121	CHECK VALVE	3165	67
A800660	HYD PUMP	3001	57	A801125	WEIGHT TRANSFER VAL	A	153
A800705	•• WHEEL BOLTS	25	141	A801125	WEIGHT TRANSFER VAL	3120	57
A800726	Parallel key	12	143	A801125	WEIGHT TRANSFER VA	3120	61
A800810	SHOCK VALVES, HPRV		125	A801125	WEIGHT TRANSFER VA	3120	65
A800818	Foot	2	119	A801125	WEIGHT TRANSFER VA	3120	67
A800839	•• SCREW M14 X 130	2	139	A801126	PRESSURE COMP. VALVE	1	129
A800840	•• SCREW	1	139	A801126	PRESSURE COMP. VALVE	3150	57
A800858	• CYLINDER BLOCK KIT	A	115	A801126	PRESSURE COMP. VALVE	3150	61
A800859	• SPRING	104	115	A801132	PLUG C/W O RING	10	149
A800860	• POPPET	105	115	A801133	PLUG C/W O RING	11	149
A800861	• NEEDLE BEARING	118	115	A801134	PLUG C/W O RING	12	149
A800862	• PISTON	126	115	A801138	CUTTING MOTOR VALVE	A	133
A800863	• SLIPPER RETAINER	127	115	A801138	CUTTER MOTOR VALVE	3155	57
A800864	• SHAFT BEARING	131	115	A801138	CUTTER MOTOR VALVE	3155	61
A800865	• CIRCLIP	132	115	A801143	Lift Valve Assy.		157
A800866	• CIRCLIP	133	115	A801155	SEAL KIT	1	153
A800867	• CHARGE PUMP HOUSING	155	115	A801156	Solenoid Coil	1	159
A800868	• CYLINDER BLOCK	160	115	A801157	Seal Kit	2	159
A800869	• SWASHPLATE	201	115	A801159	Steel Ball	8	155
A800870	• SWASHPLATE BEARING	202	115	A801163	Spring	12	155
A800871	• DRIVE SHAFT	401	115	A801184	SEQUENCE VALVE	6	53
A800872	• VALVE PLATE	501	115	A801184	SEQUENCE VALVE	6	55
A800873	• ADJUSTER SCREW	930	115	A801204	RELIEF VALVE	*	133
A800874	• BY-PASS VALVE	1001	115	A802086	Pilot chk. valve assy		157
A800875	• RELIEF VALVE CARTRIDGE	1103	115	A802775	PILOT OPERATED	1	161
A800876	• ROTARY SPOOL	1207	115	A802775	FLOW DIVIDER (DIFF	3020	31
A800877	• ADJUSTER SCREW	1210	115	A802775	FLOW DIVIDER (DIFF	3020	37
A800878	• LOCKNUT	1213	115	A802775	FLOW DIVIDER (DIFF	3020	43
A800879	• RETURN SPRING	1214	115	A802781	CARTRIDGE VALVE	2	161
A800880	• CONTROL LEVER	1215	115	A802834	HYDRAULIC VALVE		135
A800881	• CAM PLATE	1216	115	A802834	FREE WHEEL VALVE	3160	31
A800882	• LOCKWASHER	1235	115	A802834	FREE WHEEL VALVE	3160	37
A800883	• ORIFICE	1401	115	A802834	FREE WHEEL VALVE	3160	43

# NUMERICAL INDEX

PART NO.	DESCRIPTION	ITEM	PAGE	PART NO.	DESCRIPTION	ITEM	PAGE
A802834	HYDRAULIC VALVE	3160	65	A817353	Distance Piece	24	167
A802834	HYDRAULIC VALVE	3160	67	A817354	Seat Plate	25	167
A802873	Priority Valve		151	A817355	Mounting LH	28	167
A802874	Seal Kit ( cont. 37-38)	39*	151	A817356	Bush	30	167
A802875	Seal Ring	31	151	A817357	Distance Piece	31	167
A802876	Orifice	34	151	A817358	Cover LH	35	167
A808027	LEVEL GAUGE	2106	19	A817359	Washer	37	167
A808028	Steering Uni		151	A817360	Screw	38	167
A808031	Bearing	10	151	A817361	Plate	41	167
A808032	Ring	11	151	A817362	Plate	42	167
A808033	Relief Valve	24	151	A817363	Arm Rest LH	54	169
A808034	Dual Shock Valve	25	151	A817364	SCREW	1	171
A808037	GAUGE LINE ASSEMBLY	F63	49	A817365	STOP	2	171
A808037	GAUGE LINE ASSEMBLY	F63	51	A817366	WASHER	3	171
A808038	GAUGE LINE ASSEMBLY	F64	49	A817367	NUT	6	171
A808038	GAUGE LINE ASSEMBLY	F64	51	A817368	COVER	7	171
A808043	GAUGE LINE ASSY, 1060	F65	49	A817369	BASE ASSY.	8	171
A808043	GAUGE LINE ASSY, 1060	F65	51	A817370	PLATE	9	171
A808043	GAUGE LINE ASSY, 1060	F65	57	A817371	PIN	12	171
A808043	GAUGE LINE ASSY, 1060	F65	61	A817372	E CLIP	13	171
A808107	ORIFACE PLATE	3026*	69	A817373	BUFFER ASSY.	16	171
A808920	• Port Adaptor	14	157	A817374	RIVET	17	171
A808921	• Spring, pilot chk.	12	157	A817375	RUNNER	18	171
A808922	Seat, pilot chk.	10	157	A817376	PLATE	19	171
A808923	Intermediate Plate	5	125	A817377	SUSPENSION ASSY.	20	171
A808924	Plastic Cap	7	125	A817378	ROLLER	22	171
A808926	Key	2	125	A817379	PIN	23	171
A808927	Coupling 13T/13T	3	125	A817380	BUSH	24	171
A808928	• Poppet Stop	13	157	A817381	SPRING	25	171
A808929	Plunger, SA detent	15	157	A817382	PLATE	26	171
A808949	COMBINED STEER UNIT	3036	65	A817383	PLATE	27	171
A808949	COMBINED STEER UNIT	3036	67	A817384	BOLT	28	171
A809088	HYD. PUMP OIL	W	27	A817385	PIN	29	171
A810009	SENDER UNIT	2008*	17	A817386	WASHER	31	171
A810009	FUEL LEVEL SENDER	S	27	A817387	BEARING	32	171
A810019	FUEL GAUGE LCD	2564	23	A817388	NUT	33	171
A810020	TEMP GAUGE, LCD	2563	23	A817389	HANDLE	34	171
A810941	PRESSURE GAUGE	3060	57	A817390	LEVER ASSY.	35	171
A810941	PRESSURE GAUGE	3060	61	A817391	SPRING HOOK	38	171
A810959	COPPER WASHER	F61*	33	A817392	WEIGHT INDICATOR	39	171
A810959	COPPER WASHER	F61*	39	A817393	STOP	40	171
A810959	COPPER WASHER	F61*	45	A817394	SPRING	41	171
A810963	HOUR METER	2502	23	A817395	WINDOW	42	171
A810967	SENDER UNIT	2008	17	A817396	ROLLER	43	171
A811103	CONTROL CABLE	5747	109	A817397	FORK	46	171
A811106	CONTROL CABLE	5747	109	A817398	SPRING FRAME	47	171
A814501	BALL JOINT	4021	73	A817399	SCREW	49	171
A814501	BALL JOINT	5724	107	A817400	CONNECTOR	50	171
A814513	ROD END LH	5738	107	A819202	STEERING COLUMN	3037	69
A814514	ROD END RH	5739	107	A819212	STEERING WHEEL	3035	69
A814541	ROD END	4192	81	A819940	Seat Assy complete		167
A814546	STEERING JOINT	2146	21	A819940	SEAT (GREY)	5501	105
A814639	BELL HOUSING	4040	73	A819941	SPRING	37	171
A816144	RIM	*	85	A819945	seat CUSHION	1	167
A816194	REAR WHEEL & TYRE	4303	85	A819946	BACK REST cushion	2	167
A816241	FRT. WHEEL AND TYRE	4301	85	A819947	HEAD REST CUSHION	4	167
A816253	RIM	*	85	A819955	Arm Rest RH	49	169
A817048	TYRE 26B X 12.00 - 12 0	*	85	A819956	Head Rest Assy.	3	167
A817063	TYRE 23 X 10.5 - 12.4PR	*	85	A819961	Cover RH	7	167
A817312	TUBE	*	85	A819964	Rail with Lever	36	167
A817323	TUBE	*	85	A819964	SLIDE WITH LEVER	4	171
A817335	Lever	32	167	A819965	PIN	26	167
A817336	Spring	33	167	A819966	Detent	27	167
A817337	Nut	8	167	A819967	Rod	29	167
A817338	Mounting RH	9	167	A819968	DAMPER ASSY	14	171
A817342	Distance Plate	13	167	A819969	Back Plate	16	167
A817343	Distance Plate	14	167	A819970	Nut	43	167
A817344	Bush	15	167	A819971	Pin	44	167
A817345	Tube	17	167	A819972	Pin	45	169
A817346	Spring	18	167	A819973	Adjusting Spindle	46	169
A817347	Washer	19	167	A819974	Washer	47	169
A817348	Screw	20	167	A819975	Rail	39	167
A817349	Tube	21	167	A819975	SLIDE	5	171
A817350	Edge Strip	22	167	A819979	PIN	10	171
A817351	Edge Strip	23	167	A819984	GAITER ASSY.	11	171
A817352	Edge Strip	5	167	A819985	Arm Rest Assy. RH	53	169

## NUMERICAL INDEX

PART NO.	DESCRIPTION	ITEM	PAGE	PART NO.	DESCRIPTION	ITEM	PAGE
A819986	Arm Rest Assy. LH	56	169	A904021	GASKET	2010	17
A819988	Handle	34	167	A904021	GASKET	2107	19
A819990	HINGE	30	171	A904295	RUBBER MAT	4167*	81
A819992	WEIGHT ADJUSTER	36	171	A904296	DEFLECTOR FLAP	23	113
A822207	BATTERY TERMINAL	68	27	A904601	DECAL ENGINE COVER	4802 .2	99
A822208	BATTERY TERMINAL	69	27	A904604	DECAL FRONT COWL	4802 .5	99
A823030	INSULATION BOOT	73*	27	A904939	FIBRE WASHER	2020*	17
A823134	SIDELIGHT FRONT	L7	29	A905018	SEAT SWITCH DELAY	2566	23
A823153	REFLECTOR	55	25	A905414	MICROSWITCH	H	27
A823159	LENS INSERT - BEACON	50	25	A905414	MICROSWITCH	J	27
A823176	LIGHT BULB - BS NO. 382	L2*	29	A905414	MICROSWITCH	K	27
A823179	HEAD LIGHT	L1	29	A905448	MICROSWITCH	48	171
A823180	LIGHT (REAR)	L8	29	A905469	SWITCH HARNESS	31	25
A823196	REG.PLATE LAMP	71	27	A905485	BATTERY LEAD +VE	5	25
A823315	5 AMP FUSE	15	25	A905487	EARTH STRAP	7	25
A823316	FUSE 10 AMP	16	25	A905492	BATTERY FUSE HARNESS	62	25
A823318	FUSE 20 AMP	17	25	A905507	ENGINE SUB HARNESS	8	25
A823335	FUSE HOLDER	64	25	A905543	INSTRUMENT HARNESS	2565	23
A823337	FUSE, STRIP LINK	65	25	A905646	BATTERY LEAD -VE	3	25
A823343	RELAY / FUSE MOUNTING	*	27	A905651	ISO SWITCH LEAD -VE	70	27
A823972	HORN	32	25	A905662	BATTERY LEAD POS	4	25
A824454	RELAY	22	25	A905665	HARNESS,SWITCH	10	25
A824465	FLASHER RELAY	24	25	A905668	HARNESS CONSOLE	2	25
A824466	STARTER RELAY	P	27	A905675	HARNESS, HEADLAMP	L6	29
A824467	HEATER TIMER	N	27	A905677	HARNESS, REG PLATE	9	25
A829521	BLANKING PLUG	2504	23	A905809	MICROSWITCH ASSLY	53	25
A829525	HAZARD SWITCH	L30	29	A906316	TORSION SPRING LH	4541*	97
A829526	ROCKER SWITCH	49	25	A906317	TORSION SPRING RH	4540	93
A829526	ROCKER SWITCH	51	25	A906500	PLUG	2135	21
A829529	ROCKER SWITCH	47	25	A907207	SPECIAL WASHER	4016*	73
A829533	ROCKER SWITCH	L26	29	A907207	SPECIAL WASHER	5028	101
A829552	LENS INSERT HEAD/SIDE	L27	29	A908098	TUBE	5	53
A829556	LENS INSERT WIPER/	48	25	A908098	TUBE	5	55
A829558	HAZARD LENS INSERT	L31	29	A910032	MANIFOLD-INLET	F35	51
A829567	LENS INSERT, 4WD,	52	25	A910042	E.R.W TUBE 3/4"X16	H75	49
A829569	SWITCH FRAME (3WAY)	40	25	A910042	E.R.W TUBE 3/4"X16	H75	51
A829572	ROCKER SWITCH	L28	29	A910049	MANIFOLD-INLET	F35	49
A829573	LENS DIRECTION IND	L29	29	A911410	DECAL :BATTERY D	4802 .24	99
A829576	BATTERY ISO SWITCH	66	25	A911416	DECAL: SLOPE 15 D	4802 .21	99
A829577	KEY FOR ISO SWITCH	*	113	A911429	DECAL :SET OF DEC	4802 .7	99
A829577	KEY FOR ISO SWITCH	67	25	A911526	COMMANDER 3510	4802 .6	99
A829603	TEMP SENDER CURTIS	4030	73	A912008	RELAY FLAP	4104	79
A829854	SWITCH (PUSH BUTTON)	30	25	A912129	TOP HOSE	4003	73
A895516	PLASTIC PLUG	4200	81	A912130	BOTTOM HOSE	4004	73
A900676	HARNESS, SIDELAMP	L9	29	A912157	SUCTION HOSE	3008	49
A902734	HYDRAULIC RAM		145	A912157	SUCTION HOSE	3008	51
A902734	HYDRAULIC RAM	4498	65	A912167	SUCTION HOSE	3171	51
A902734	HYDRAULIC RAM	4498	67	A912168	SUCTION HOSE	3172	51
A902734	HYDRAULIC RAM	4498	87	A912169	SUCTION HOSE	3171	49
A902734	HYDRAULIC RAM	4440	65	A912170	SUCTION HOSE	3172	49
A902734	HYDRAULIC RAM	4440	67	A912188	RETURN HOSE	3	53
A902734	HYDRAULIC RAM	4440	95	A912188	RETURN HOSE	3	55
A902807	STEERING RAM	1	147	A912189	RETURN HOSE	4	53
A902807	STEERING RAM	2141	21	A912189	RETURN HOSE	4	55
A902807	STEERING RAM	2141	65	A913416	GAITER (STEER FRAME)	5001	101
A902807	STEERING RAM	2141	67	A913479	CORUGATED NYLON	2646	25
A902811	HYDRAULIC RAM,. WING		145	A913488	TERMINAL PLATE	2620	25
A902811	HYDRAULIC RAM	4369	65	A913489	INSULATING PLATE	2621	25
A902811	HYDRAULIC RAM	4441	65	A913490	SPACER, NYLON	2622*	25
A902811	HYDRAULIC RAM	4369	67	A914822	SOUND DEAFENING PAD	4201*	83
A902811	HYDRAULIC RAM	4441	67	A914929	SEALING PAD	4010	73
A902811	HYDRAULIC RAM	4369	91	A915133	SCREEN	4188	81
A902811	HYDRAULIC RAM	4441	95	AC002	ACOUSTIC KIT-	4172*	81
A903342	SET OF DECAL:	4802 .12	99	AC008A	ACOUSTIC KIT	4116*	79
A903474	LABEL	4802 .10	99	AE22003	WASHER	4181*	81
A903477	LABEL	4802 .9	99	AE45106	CLAMP WASHER	2176	21
A903488	DECAL :FAN	4802 .13	99	BAF8380	RUBBER MOUNT	4063	75
A903489	DECAL :BYSTANDER	4802 .14	99	BAF8429	SPRING, EXTENSION	5729	107
A903490	DECAL :BELT	4802 .15	99	GSF1045LE	PIN	5830*	111
A903492	DECAL :HOT	4802 .17	99	GSF1058BB	• SNAP RING	7	145
A903493	DECAL :OIL	4802 .18	99	GSF2052AB	LOCKNUT 5/16" UNF RH	5741*	107
A903699	DECAL ENGINE COVE	4802 .1	99	GSF2052BB	LOCKNUT 5/16" UNF LH	5740*	107
A903926	COLOUR CODING	2567*	23	GSF2093JH	SCREW, 1/2" UNC X	4081*	75
A903929	C E DECAL	4802 .11	99	GSF2150L	WASHER	3061*	69
A903940	DECAL, PARKING	4802 .20	99	GSF2154GN	WASHER	4360*	91
A903980	DECAL MOW VALVE	4802 .23	99	GSF2164L	1/2" SPRING LO	4065*	75

## NUMERICAL INDEX

PART NO.	DESCRIPTION	ITEM	PAGE	PART NO.	DESCRIPTION	ITEM	PAGE
GSF2570AB	STRAIGHT CONNECTOR	F12	33	MBE3805	STEERING COLUMN	5017	101
GSF2570AB	STRAIGHT CONNECTOR	F12	37	MBE3806	ACCESS COVER.	5049	103
GSF2570AB	STRAIGHT CONNECTOR	F12	43	MBE3815B	ANTI ROLL BRACKET LH	6	113
GSF2570AB	STRAIGHT CONNECTOR	F12	57	MBE3824F	REAR AXLE.	2101	21
GSF2570AB	STRAIGHT CONNECTOR	F12	61	MBE3834C	AXLE SWIVEL LH.	2111	21
GSF2570AB	STRAIGHT CONNECTOR	F114	65	MBE3835C	AXLE SWIVEL RH.	2121	21
GSF2570AB	STRAIGHT CONNECTOR	F114	67	MBE3844C	WHEEL HUB.	2156	21
GSF2571AC	ADAPTOR	F42	33	MBE3845B	SUPPORT HOUSING	2162	21
GSF2571AC	ADAPTOR	F42	39	MBE3849	BRACKET.	2171	21
GSF2571AC	ADAPTOR	F42	45	MBE3850	SUPPORT PLATE.	2161	21
GSF2571AG	CONNECTOR	F132*	33	MBE3854	COVER.	2129	21
GSF2571AG	CONNECTOR	F132*	39	MBE3855A	ANCHOR PIN.	2149	21
GSF2571AG	CONNECTOR	F132*	45	MBE3858B	ANTI ROLL BRACKET RH	7	113
GSF2571AT	STRAIGHT CONNECTOR	F115*	33	MBE3879	TRACK ROD.	2142	21
GSF2571AT	STRAIGHT CONNECTOR	F115*	39	MBE3882D	FRONT UNITS BRACKET.	4478	87
GSF2571AT	STRAIGHT CONNECTOR	F115*	45	MBE3897A	AXLE STOP.	2179	21
GSF3551EJ	FIBRE WASHER	2005	17	MBE3910B	LIFT ARM RH FRONT	4489	87
GSF3599BN	O RING	8	135	MBE3920A	CAB MOUNTING	5007	101
H014008	1/8" BSP		163	MBE3925	LOCKNUT.	2147	21
H014011	1/4" BSP		163	MBE3927	GREASE	*	113
H014013	3/8" BSP		163	MBE3944C	STEERING COLUMN .	5034	101
H014016	1/2" BSP		163	MBE3952	RAM PIN W/ASSY.	4492	87
H014017	5/8" BSP		163	MBE3955B	CHANNEL.	4175	81
H014019	3/4" BSP		163	MBE3958A	BEAM W/ASSY	4119	79
H014022	7/8" BSP		163	MBE3961B	BEZEL - STEERING.	5002	101
H014024	1" BSP		163	MBE3963C	PIVOT SHAFT W/ASSY.	4495	87
H060104	BEADING	4171*	81	MBE3963C	PIVOT SHAFT W/ASSY.	4355	91
H060105	PLASTIC SPRING GUARD	3090*	71	MBE3963C	PIVOT SHAFT W/ASSY.	4427	95
H089014	CLIP	4107*	79	MBE3969E	HYDRAULIC TANK .	2001	19
H291025	MAGNETIC PLUG	2006	17	MBE3978	RAM PIN.	4497	87
H291025	MAGNETIC PLUG	2104	19	MBE3987E	REAR PANEL W/ASSY.	4133	79
H460004	FILLER CAP	2103	19	MBE4000	WASHER.	81	13
H460057	FILLER CAP	2002	17	MBE4000	WASHER.	4377	91
H499802	CABLE TIE	2536*	23	MBE4000	WASHER.	4454	95
H499802	CABLE TIE	L132*	29	MBE4028F	REAR MUDGUARD RH .	4145	79
H980031	'P' CLIP	3053*	69	MBE4034G	REAR MUDGUARD LH.	4146	79
IDL011B	COMMANDER DECAL KIT	4802	99	MBE4042	CAB MOUNT BRKT.	56	13
MBB2629	FILTER	2102	19	MBE4051B	RH MUDGUARD	4151	81
MBB6448	"HEIGHT OF CUT BAR"	*	113	MBE4052B	LH MUDGUARD	4153	81
MBC0092D	SHAFT.	4511	87	MBE4056A	RH MUDGUARD SUPP	4152	81
MBC0092D	SHAFT.	4398	91	MBE4057A	LH MUDGUARD SUPP	4154	81
MBC0092D	SHAFT.	4475	97	MBE4091	BRACKET - BUSHED	5718	107
MBC0175	WASHER	4058*	75	MBE4118B	LEVER W/ASSY.	5733	107
MBC5963	PACKER.	3067-1	69	MBE4141C	FLOOR PLATE	5027	101
MBC5963	PACKER	5023	101	MBE4149A	BATTERY CLAMP	2506	23
MBC6171	CLAMP, COLLAR	2018*	17	MBE4154	SPACER - AIR.	4056*	75
MBC8956A	SPECIAL BOLT	2	113	MBE4162	ROD.	2509	23
MBE0115	WASHER.	4516	87	MBE4163B	BRACKET W/ASSY.	3039	69
MBE0115	WASHER.	4403	93	MBE4165A	LEVER W/ASSY.	3040	69
MBE0115	WASHER.	4444	95	MBE4169	NUT.	3048*	69
MBE0265	PISTON PIN.	4373	91	MBE4170	STUD.	3047*	69
MBE0265	PISTON PIN.	4450	95	MBE4194A	SPACER.	3067	69
MBE0297	COLLAR.	4512	87	MBE4216A	PIN W/ASSY.	5761	109
MBE0297	COLLAR.	4399	91	MBE4236A	SPACER	3070	69
MBE0297	COLLAR.	4476	97	MBE4237	CLAMP - HOSES.	3071*	69
MBE1265	BRACKET.	3062	69	MBE4251C	NUMBER PLATE	4160	81
MBE1276	ROLLER BRACKET	5	113	MBE4274A	DIVERTOR BRACKET.	4519	87
MBE1373	ROLLER	4479	87	MBE4275C	LEVER BRACKET	4522	87
MBE3165A	TOOLBOX HINGE.	5026	101	MBE4291B	BOSS.	4046	73
MBE3313C	PAD W/ASSY.	5705	107	MBE4309	FUEL FILTER BRACKET.	4017	73
MBE3403	HOOK RH W/ASSY.	4484	87	MBE4315A	BRACKET - RELAY.	2530	23
MBE3404	HOOK LH W/ASSY.	4483	87	MBE4372A	HOOK.	88	13
MBE3466A	BRACKET - MICRO	5703	107	MBE4376B	LEVER WELDED ASSY.	89	13
MBE3504	MIC.SWITCH KEEP	2505*	23	MBE4395	ISOLATOR BRACKET.	2526	23
MBE3504	MIC.SWITCH KEEP	5822	109	MBE4400B	EXHAUST BRACKET	4135	79
MBE3568H	CHASSIS.	51	13	MBE4412	ADAPTOR.	2525	23
MBE3574A	ANGLE - CHASSIS - LH.	68	13	MBE4419	BRACKET WELDED ASSY.	79*	13
MBE3575A	BRACKET.	72	13	MBE4437	TOOLBOX W/ASSY.	5045	101
MBE3576D	CROSS MEMBER.	74	13	MBE4444D	BUMPER BAR W/ASSY.	2539	23
MBE3577G	ANGLE CROSS MEMB	76	13	MBE4465A	LAMP COVER	L118	29
MBE3585A	ANGLE - CHASSIS - RH	69	13	MBE4466D	LAMP BRACKET	L117	29
MBE3670B	LIFT ARM - CENTRE.	4419	95	MBE4472C	LAMP ARM LH.	L105	29
MBE3699A	PIN. (RAM SUPPORT)	4354	91	MBE4478C	LAMP ARM RH.	L106	29
MBE3699A	PIN. (RAM SUPPORT)	4425	95	MBE4488	LATCH BRACKET LH	20	113
MBE3712J	SUPPORT PLATE LH	4424	95	MBE4491	LATCH BRACKET RH	21	113
MBE3738G	SUPPORT PLATE RH	4353	91	MBE4494	HINGE PACKER.	5046	101

## NUMERICAL INDEX

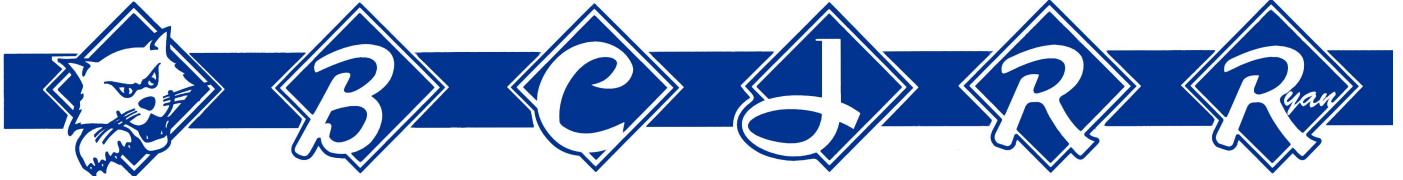
PART NO.	DESCRIPTION	ITEM	PAGE	PART NO.	DESCRIPTION	ITEM	PAGE
MBE4504A	EXHAUST TAILPIPE.	4009	73	MBF1353	BRACKET WELDED ASSY.	79	13
MBE4534	HOOK W/ASSY.	L111	29	MBF1359A	REAR PANEL W/ASSY.	4133*	79
MBE4540	HOOK W/ASSY.	4364	91	MBF1372	DIVERTER CAM RING	4545*	89
MBE4540	HOOK W/ASSY.	4434	95	MBF1373	LEVER W.A.FRONT	4547*	89
MBE4547A	RELAY PANEL SPACER.	5051	103	MBF1401	BRACKET WA	3121	71
MBE4548	BRACKET - AIR CLEANER.	4045	73	MBF1405	BEAM W/ASSY.	4119*	79
MBE4553	UNIT STOP BRACKET.	52	13	MBF1419	F/PEDAL BLOCK ASSY LH	5844	111
MBE4554	SPACER	8	113	MBF1420	F/PEDAL BLOCK ASSY RH	5845	111
MBE4589	SUPPORT PLATE.	2163	21	MBF1461A	WASHER	5780	109
MBE4590	CLAMP - BEARING.	2164	21	MBF1635	WASHER	5781	109
MBE4612	DEFLECTOR	22	113	MBF1826	SPACER 63.5 OD x 28.5	4090	75
MBE4613	DEFLECTOR STRIP	24	113	MBF1885A	BRACKET RH W/A	4204*	83
MBE4643	RELAY PLATE PACKER.	5055	103	MBF1886B	BRACKET LH W/A	4205*	83
MBE4646	BEARING HOUSING W/A	2167	21	MBF1888	SUPPORT RH W/A	4174*	81
MBE4655	COVER PLATE.	3093	71	MBF1889A	SUPPORT LH W/A.	4173*	81
MBE4658	ADAPTOR PLATE	4031	73	MBF1897B	HYDRAULIC TANK W/A.	2101	19
MBE4666	EXHAUST LOWER PIPE.	4014	73	MBF1897B	HYDRAULIC TANK W/A	2	53
MBE4667	REAR EXHAUST W/ASS	4007	73	MBF1897B	HYDRAULIC TANK W/A	2	55
MBE4668	FRONT EXHAUST W/AS.	4006	73	MBF1934A	CHANNEL W/A	4175*	81
MBE4675A	DUAL RESTRICTOR.	3091	65	MBF2098	HOSE BRACKET W/A	4098*	75
MBE4675A	DUAL RESTRICTOR.	3091	67	MBG0003	KEEP PLATE.	2570*	25
MBE4682	WASHER	28	113	MBG0372A	VALVE BRACKET	3021	69
MBE4683	STOP BAR.	4485	87	MBG0438	CONTROL PANEL	5038	101
MBE4688	TUV SERIAL PLATE.	4805*	99	MBG0518	RH DOOR PANEL	5043	101
MBE4698	COVER LOWER W/ASSY.	61	13	MBG0534	THROTTLE LINK	5720	107
MBE4701A	STOP PLATE.	95	13	MBG1167	NAMEPLATE	4804*	99
MBE4713	BUSH.	4491	87	MBG2532	CLAMP PLATE	4546	89
MBF0075	STAY FOR AIR CLEANER	4057	75	MBG2545	SPACER	4548	89
MBF0138	SUPPORT-WATER BOT	4025	73	MBG2723A	BRACKET	4409	93
MBF0155	CAM-MICROSWITCH	5825	111	MBG2723A	BRACKET	4421*	95
MBF0205	THROTTLE BRACKET	5734	107	MBG2824A	SIDE PANEL L.H.	4111	79
MBF0206	THROTTLE LEVER	5805	109	MBG2825A	SIDE PANEL R.H.	4112	79
MBF0475B	SUPPORT BRKT. W/ASSY	5016	101	MBG2831A	REAR ACCESS PANEL	4178	81
MBF0494A	FUEL TANK W/A	2001*	17	MBG2839B	BACK PANEL	4110	79
MBF0654A	SET COLLAR	5728	107	MBG2849B	TOP PANEL	4113	79
MBF0734A	COVER PLATE W/A	2003	17	MBG2853	STAY	4115	79
MBF0963C	BASE PLATE - NEUTRAL	5704	107	MBG2858A	REAR PANEL	4114	79
MBF0972	DIVERTED CAM RING	4545	89	MBG2880	SHIM	4179	81
MBF0974	LEVER W.A FRONT	4547	89	MBG2914	SEAT PLATE	5058	103
MBF1001	DIVERTER CAM RING	4543	93	MBG2928	MTG BRKT RH FRONT	4060	75
MBF1001	DIVERTER CAM RING	4543*	97	MBG2929	MTG BRACKET REAR	4062	75
MBF1002	PLUNGER	4367	91	MBG2940	MTG BRKT LH FRONT	4061	75
MBF1002	PLUNGER	4438	95	MBG2966	BULKHEAD PLATE	4101	79
MBF1026	LIFT ARM L.H.FRONT	4487	87	MBG3073A	VALVE COVER	5063	103
MBF1040	PIN WA	4542	93	MBG3074	BRIDGE	5062	103
MBF1040	PIN WA	4542*	97	MBG3086A	WING UNIT PIN	4363	91
MBF1042A	LEVER RH WA	4410	93	MBG3086A	WING UNIT PIN	4433	95
MBF1043A	LEVER LH WA	4422*	95	MBG3088	MTG BRKT REAR LH	4077	75
MBF1072A	CONE NUT	4302	85	MBG3100	CABLE BRACKET	5746	107
MBF1074A	TOP COVER W.A.	4109	79	MBG3114	FILTER BRACKET	5069	103
MBF1079B	FRONT AXLE WA	108	15	MBG3130	EXHAUST STAY	4080	75
MBF1083C	BUMPER ASSEMBLY	4132	79	MBG3168	SHAFT	4190	81
MBF1085	ANGLE SUPPORT	4136	79	MBG3179	VALVE COVER	5005	101
MBF1094B	VALVE BRACKET W.A.	5753	109	MBG3189	NEEDLE VALVE BRAC	5075	103
MBF1095A	HYD.TANK LID W.A.	2108	19	MBG3243	FRONT COWL	5012	101
MBF1099A	ENG BRKT RH FRONT	4067	75	MBG3281	LH DOOR PANEL	5044	101
MBF1100A	ENG BRKT LH FRONT	4068	75	MBG3283	BRACKET - EBV	3169	71
MBF1101A	ENG BRKT RH REAR	4069	75	MBG3284A	BRACKET-M.SWITCH	3168	71
MBF1102A	ENG BRKT LH REAR	4070	75	MBG3320	BRACKET RH	5076	103
MBF1106	CABLE ROD	5737	107	MBG3321	BRACKET LH	5077	103
MBF1108F	WLDMT-FRONT PANEL	4105	79	MBG3382A	SUPPORT LH.	4173	81
MBF1138	AIR CLEANER EXTENS	4129	79	MBG3383	SUPPORT RH	4174	81
MBF1140B	CLEANER ADAPTOR	4078	75	MBG3557	RELAY PLATE.	5008	101
MBF1151	LIFT ARM LH WA	4417	95	MBG3716DG	ASSEMBLY DRAWING	L141*	29
MBF1152	LIFT ARM RH WA	4351	91	MBG3717DG	ASSEMBLY INSTRUCTIO	L142*	29
MBF1156D	FOOTPEDAL	5701	107	MBG3772	CLAMP CAP.	4509	87
MBF1159	STUD	5064*	103	MBG3772	CLAMP CAP.	4395	91
MBF1166A	OPS COMPARTMENT	5056	103	MBG3772	CLAMP CAP.	4472	97
MBF1168	WLDMT-FNR SHAFT	5819	109	MBG4085C	CABLE BRACKET	5746	107
MBF1170	WLDMT-FNR LEVER	5818	109	MBG4119	ANGLE - CHASSIS - RH.	69*	13
MBF1178B	TIE ROD W.A.	4191	81	MBG4133	BUSH, STRAIN RELIEF	72*	27
MBF1180A	LEVER W.A.	5769	109	MBG4592	COLLAR	4513	87
MBF1185A	BATTERY TRAY WA	2503	23	MBG4592	COLLAR	4400	91
MBF1227A	SUPPORT LH WA	4205	83	MBG4592	COLLAR	4477	97
MBF1228	SUPPORT RH WA	4204	83	MBG4873	RADIATOR STIFFENER RH	4082*	75
MBF1280A	W/A NEUTRAL CONTROL	5846*	111	MBG4874	RADIATOR STIFFENER LH	4083	75

## NUMERICAL INDEX

PART NO.	DESCRIPTION	ITEM	PAGE	PART NO.	DESCRIPTION	ITEM	PAGE
MBG5249	ISOLATOR BRACKET.	2526*	23				
MBG5433	BRACKET	4092	75				
MBG5544	BRACKET HOSE SUPP	3180	71				
MBG5628	RUBBER SEAL	4093	75				
W038383	SWITCH	2645	25				
W158007-08	90° MALE ELBOW	F32	33				
W158061-04	O RING	F180	35				
W178025	OIL FILTER ELEMENT	3131	49				
W178025	OIL FILTER ELEMENT	3131	51				
W43067A	COLLAR - SET.	5744*	107				
W43067A	COLLAR - SET.	5828*	111				
W48228	HOSE CLIP	2507*	23				







## World Class Quality, Performance and Support

Equipment from Textron Turf Care and Specialty Products is built to exacting standards ensured by ISO 9001 registration at all our manufacturing locations.

A worldwide dealer network and factory-trained technicians backed by Textron Parts Xpress provide reliable, high-quality product support.



**BOB-CAT    BUNTON    CUSHMAN    JACOBSEN    RANSOMES    RYAN**

Ransomes Jacobsen Limited  
Ransomes Way, Ipswich, England, IP3 9QG  
English Company Registration No. 1070731  
[www.textronturf.com](http://www.textronturf.com)