

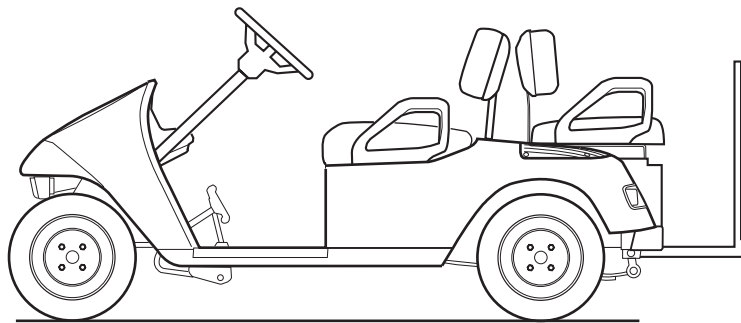
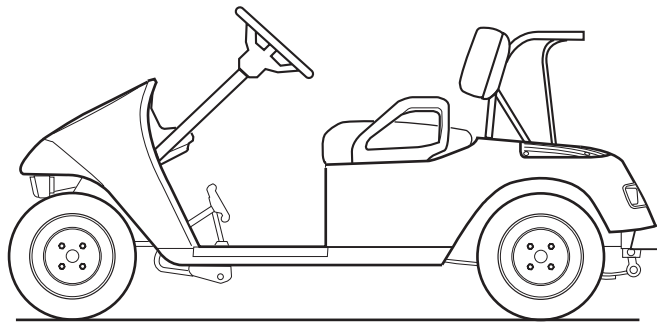
28789-G01



A Textron Company



SERVICE PARTS MANUAL



Ref Fcv 1

ELECTRIC POWERED FLEET GOLF CARS & PERSONAL VEHICLES

STARTING MODEL YEAR: 2003

SERVICE PARTS MANUAL

ELECTRIC POWERED FLEET GOLF CARS & PERSONAL VEHICLES

FLEET GOLF CAR

FLEET PDS GOLF CAR

FREEDOM™

FREEDOM™ SE

FREEDOM™ LE

PDS FREEDOM™

PDS FREEDOM™ SE

PDS FREEDOM™ LE

SHUTTLE™ 2+2

TEXTRON Golf, Turf & Specialty Products reserves the right to make design changes without obligation to make these changes on units previously sold and the information contained in this manual is subject to change without notice.

TEXTRON Golf, Turf & Specialty Products is not liable for errors in this manual or for incidental or consequential damages that result from the use of the material in this manual.

CUSTOMER SERVICE DEPARTMENT IN USA PHONE: 1-800-241-5855 FAX: 1-800-448-8124

OUTSIDE USA PHONE: 010-1-706-798-4311, FAX: 010-1-706-771-4609

TEXTRON GOLF, TURF & SPECIALTY PRODUCTS, P.O.BOX 388, AUGUSTA, GEORGIA USA 30903-0388

GENERAL INFORMATION

To obtain a copy of the limited warranty applicable to the vehicle, call or write a local Distributor, authorized Branch or the Warranty Department with vehicle serial number and manufacture date code.

The use of non Original Equipment Manufacturer (OEM) parts may void the warranty.

TABLE OF CONTENTS

SECTION	Page No.
HOW TO USE THE SERVICE PARTS MANUAL	v
ILLUSTRATED PARTS BREAKDOWN	vii
ACCELERATOR	A-1
BATTERY CHARGER - PORTABLE 36 VOLT	B-1
BATTERY CHARGER - ON BOARD 36 VOLT	B-7
BATTERY CHARGER - EXPORT 36 VOLT	B-15
BODY - FRONT	C-1
BODY - MID SECTION	C-5
BODY - REAR	C-7
BODY - FOOTREST	C-11
BODY - ACCESSORIES	C-13
BODY - ACCESSORIES CONTINUED	C-15
BODY - ACCESSORIES CONTINUED	C-17
BRAKES	D-1
DIRECTION SELECTOR	E-1
ELECTRICAL SYSTEM - COMMON	F-1
ELECTRICAL SYSTEM - PDS	F-9
ELECTRICAL SYSTEM - SERIES	F-11
ELECTRONIC SPEED CONTROL - SERIES	G-1
ELECTRONIC SPEED CONTROL - PDS	G-3
ELECTRONIC SPEED CONTROL - HD	G-7
FRONT SUSPENSION/STEERING	H-1
MOTOR	I-1
REAR AXLE	J-1
REAR SUSPENSION	K-1
SEATING AND BAG HOLDER - GOLF CAR	L-1
SEATING - SHUTTLE 2+2	L-3
SEATING - CONVERTIBLE CARRIER	L-7
TOW BAR - PERMANENT	M-1

TABLE OF CONTENTS

TOW BAR - CASUAL.....	M-5
WEATHER PROTECTION - GOLF CAR.....	N-1
WEATHER PROTECTION - SHUTTLE 2+2.....	N-7
WHEELS AND TIRES.....	O-1
SPECIALTY PRODUCTS.....	APPENDIX A-1
OPTIONS/ACCESSORIES.....	APPENDIX B-1
INDEX OF MAJOR COMPONENTS.....	INDEX-1

HOW TO USE THE SERVICE PARTS MANUAL

This manual is divided into several sections:

GENERAL INFORMATION

- TABLE OF CONTENTS
- HOW TO USE THE SERVICE PARTS MANUAL

ILLUSTRATED PARTS BREAKDOWN

- Contains illustrations and parts lists for all systems of the vehicle

APPENDIX

- Contains a listing of specialty products and options/accessories

INDEX OF MAJOR COMPONENTS

- Contains a listing of parts (excluding hardware) grouped by part number and description and indicates on which page(s) they can be found

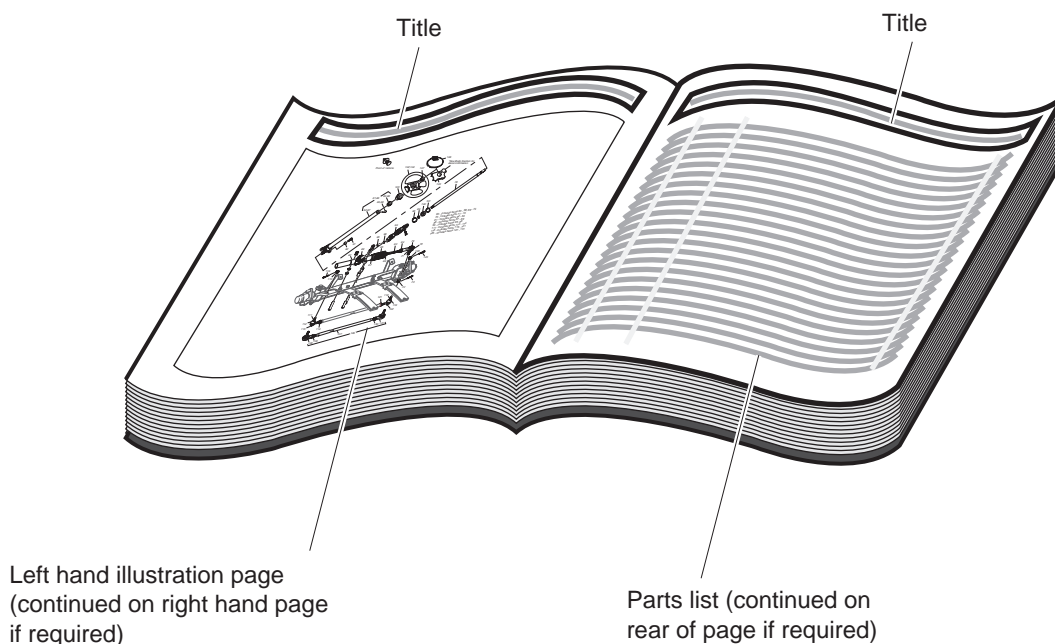
USE OF THE MANUAL

To use this manual, consult the TABLE OF CONTENTS (page iii) or the INDEX OF MAJOR COMPONENTS (located at rear of this manual) to locate the information or illustration required.

Introduction of some revisions varies due to supply of components; therefore, it is possible that various combinations of components may be found that are not directly reflected by each illustration. Consult the illustration that best suits your situation. Locate the serial number plate (see BODY located in the Illustrated Parts Breakdown section of this manual for its location) and note the complete number shown on the plate. It is important that the serial number of your vehicle and its model number be supplied to Service Parts when ordering any replacement components.

Locate the serial number plate (see BODY located in the Illustrated Parts Breakdown section of this manual for its location) and note the complete number shown on the plate.

HOW TO USE THE SERVICE PARTS MANUAL



1. WHEN THE PART NUMBER IS NOT KNOWN

- Determine the function and application of the part required. Turn to the INDEX OF MAJOR COMPONENTS and select the most appropriate component description.
- Turn to the page number indicated and locate the part description in the parts list. Read the full accompanying description for specific information regarding the part that was not shown in the index.
- From the parts list, obtain the item number assigned to it and confirm that the part selected is correct by verifying it with the pictorial representation on the illustrated page.

2. IF YOU KNOW THE PART NUMBER

- Use the INDEX OF MAJOR COMPONENTS to find the page(s) the part number appears on.
- Turn to the page number indicated and locate the part number in the parts list. Refer to the accompanying description for specific information regarding the part.
- From the parts list, obtain the item number assigned to it and confirm that the part selected is correct by verifying it with the pictorial representation on the illustrated page.

Should an asterisk (*) appear in the part number column on the parts list page, read upwards until a part number is found. The part number is the lowest assembly sold by Service Parts. The asterisk (*) indicates that the part depicted is not available for purchase.

NOTE: Descriptions are indented under the assembly that they are used on. That assembly is, in turn listed under the assembly that it is used on. This process is repeated until the highest final assembly is reached.

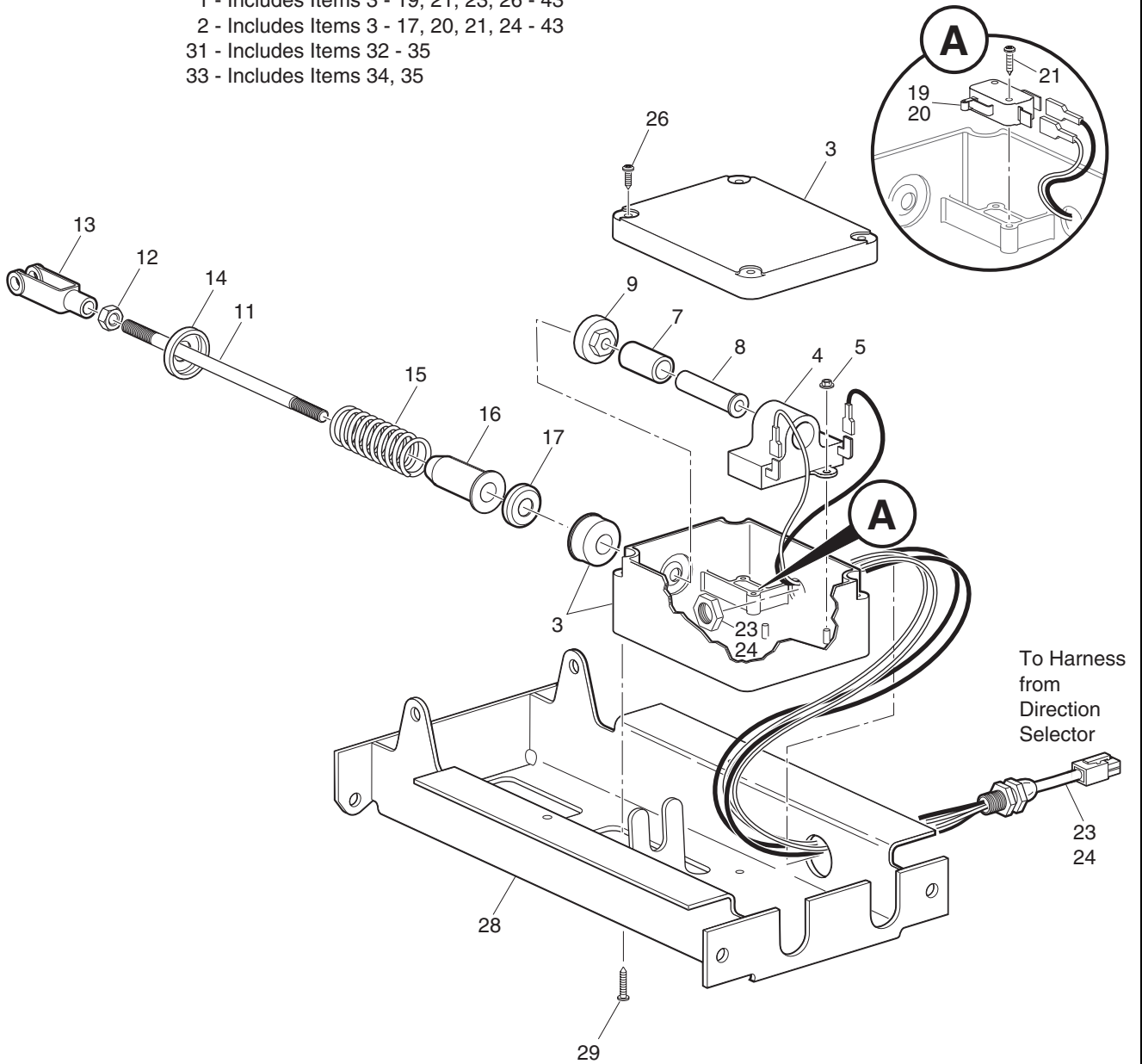
To facilitate the maintenance and repair of the vehicle, a Technician's Repair and Service Manual is available from the Service Parts Department.

ILLUSTRATED PARTS BREAKDOWN

ILLUSTRATED PARTS BREAKDOWN

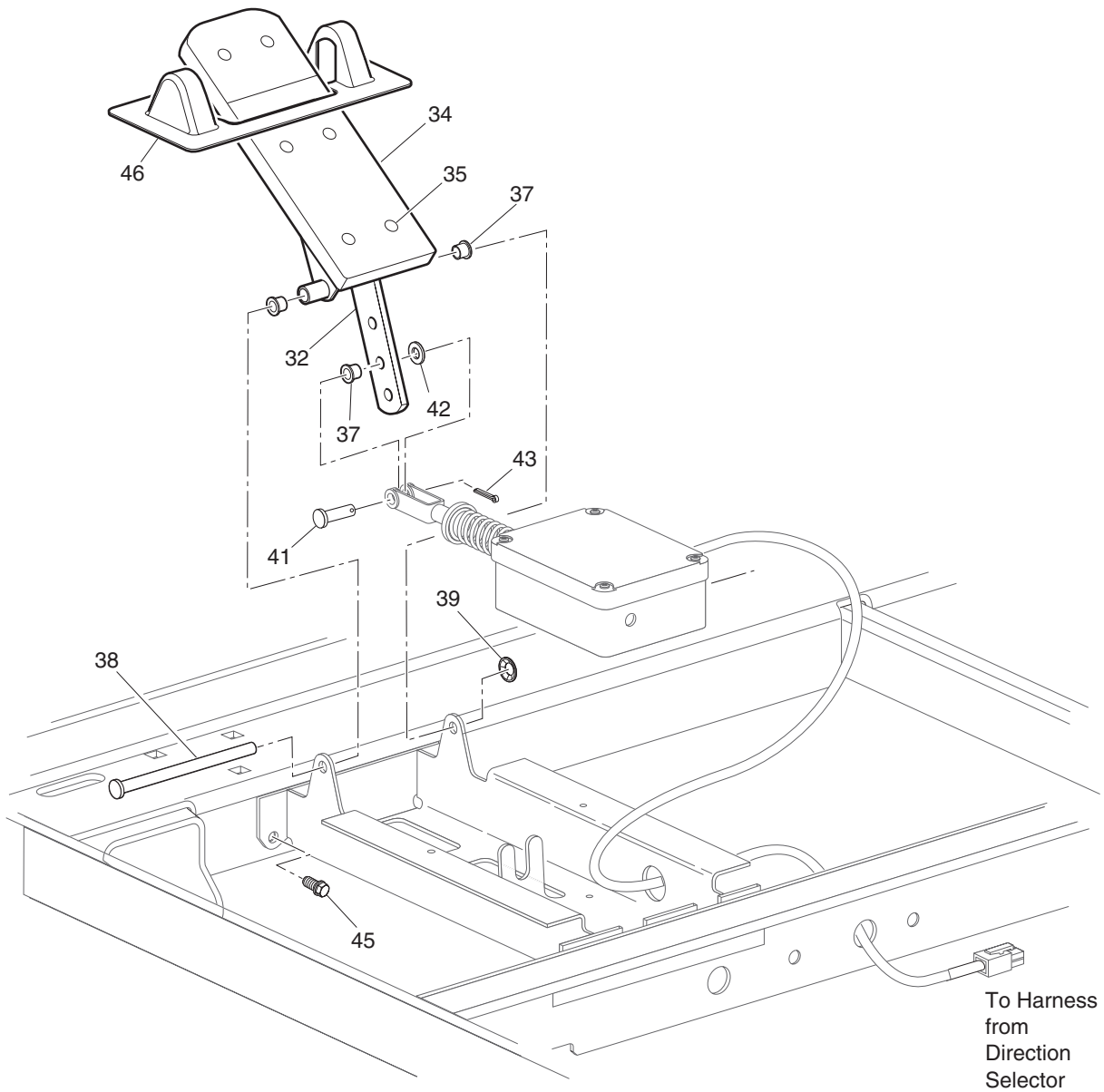
ACCELERATOR

- 1 - Includes Items 3 - 19, 21, 23, 26 - 43
- 2 - Includes Items 3 - 17, 20, 21, 24 - 43
- 31 - Includes Items 32 - 35
- 33 - Includes Items 34, 35



Ref Acl 1-1

ACCELERATOR



Ref Acl 1-2

ACCELERATOR

Where applicable, THE USE OF NON UL PARTS WILL VOID ANY UL LISTING.

When ordering parts, please specify the model and serial number of the product.

* Indicates a component that is not available as an individual part.

G** Indicates consult Customer Service Department for additional information.

ITEM	PART NO.	1 2 3 4 5	DESCRIPTION	QTY.
1	73333-G01		PEDAL BOX ASSEMBLY (INCLUDES ITEMS 3 - 19, 21, 23, 26 - 43).....	1
2	73333-G05		PEDAL BOX ASSEMBLY, PDS MODEL ONLY (INCLUDES ITEMS 3 - 17, 20, 21, 24 - 43)	1
3	25853-G01		PEDAL BOX AND COVER (SEAL AND BEARING).....	1
4	25854-G01		INDUCTIVE THROTTLE SENSOR	1
5	00983-G01		SELF THREADING NUT, 3/16"	2
6				
7	25857-G01		PLUNGER SLEEVE.....	1
8	28443-G01		PLUNGER.....	1
9	28444-G01		PLUNGER CAM.....	1
10				
11	73332-G01		ACCELERATOR ROD	1
12	00532-G4		NUT, 5/16 - 24.....	1
13	10385-G4		CLEVIS YOKE (ADJUSTABLE).....	1
14	17677-G2		SPRING RETAINER, 3/8"	1
15	73046-G01		COMPRESSION SPRING	1
16	17979-G1		ACCELERATOR ROD BUSHING	1
17	17677-G1		SPRING RETAINER, 1/2"	1
18				
19	25861-G01		MICRO SWITCH.....	1
20	25861-G02		MICRO SWITCH (PDS MODEL ONLY).....	1
21	00982-G01		SCREW, #4 - 14 X 5/8" LG	2
22				
23	25879-G03		WIRING HARNESS (PEDAL BOX ASSEMBLY)	1
24	25879-G05		WIRING HARNESS (PEDAL BOX ASSEMBLY) (PDS MODEL ONLY)	1
25				
26	00684-G6		SCREW, #8 - 32 X 3/4" LG (STAINLESS STEEL).....	4
27				
28	70116-G01		ACCELERATOR PEDAL BRACKET.....	1
29	01051-G01		SCREW, #8 - 16 X 1/2" LG	4

ACCELERATOR

Where applicable, THE USE OF NON UL PARTS WILL VOID ANY UL LISTING.

When ordering parts, please specify the model and serial number of the product.

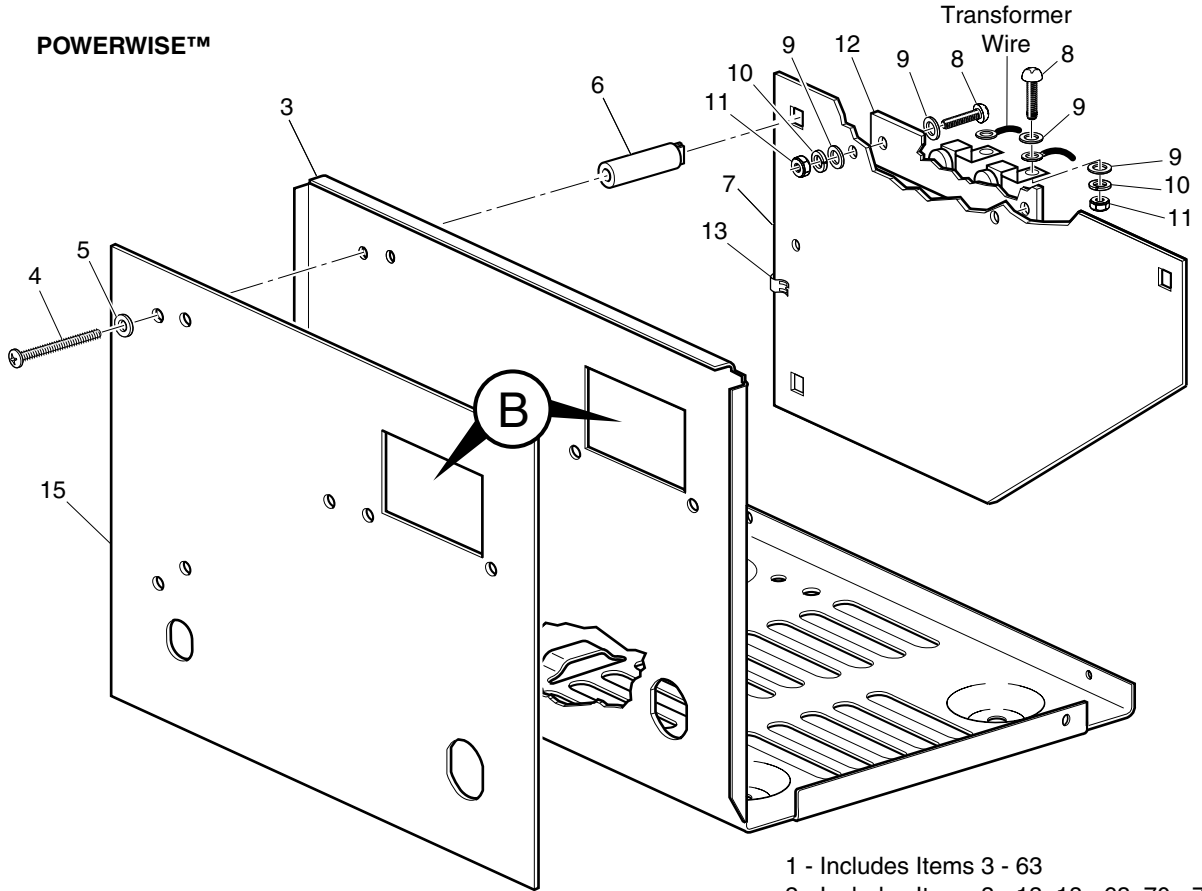
* Indicates a component that is not available as an individual part.

G** Indicates consult Customer Service Department for additional information.

ITEM	PART NO.	1	2	3	4	5	DESCRIPTION	QTY.
30								
31	25799-G01						ACCELERATOR PEDAL ASSEMBLY (INCLUDES ITEMS 32 - 35).....	1
32	*						ACCELERATOR PEDAL.....	1
33	27844-G01						ACCELERATOR PEDAL PAD KIT (INCLUDES ITEMS 34, 35).....	1
34	27512-G01						ACCELERATOR PEDAL PAD	1
35	15766-G1						OVAL RIVET 3/16" X 7/16" LG	6
36								
37	17838-G1						NYLON BUSHING	3
38	74432-G01						PEDAL PIVOT PIN	1
39	12064-G6						PUSHNUT, 9/32" I.D.	1
40								
41	10386-G3						CLEVIS PIN, 5/16" X 13/16" LG	1
42	17255-G1						TEFLON WASHER, 5/16"	1
43	10387-G3						COTTER PIN, 3/32" X 3/4" LG	1
44								
45	00715-G2						BOLT, 5/16 - 18 X 4/5" LG	4
46	70135-G01						PEDAL PIVOT COVER.....	1

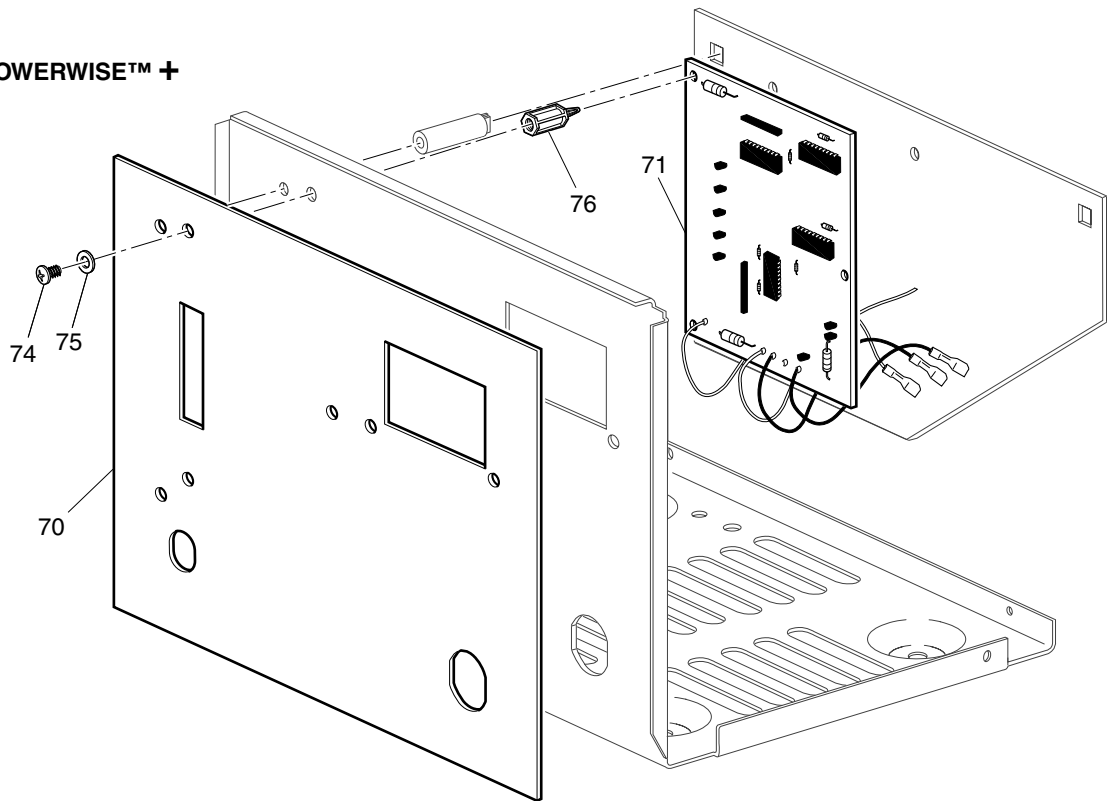
BATTERY CHARGER - PORTABLE 36 VOLT

POWERWISE™



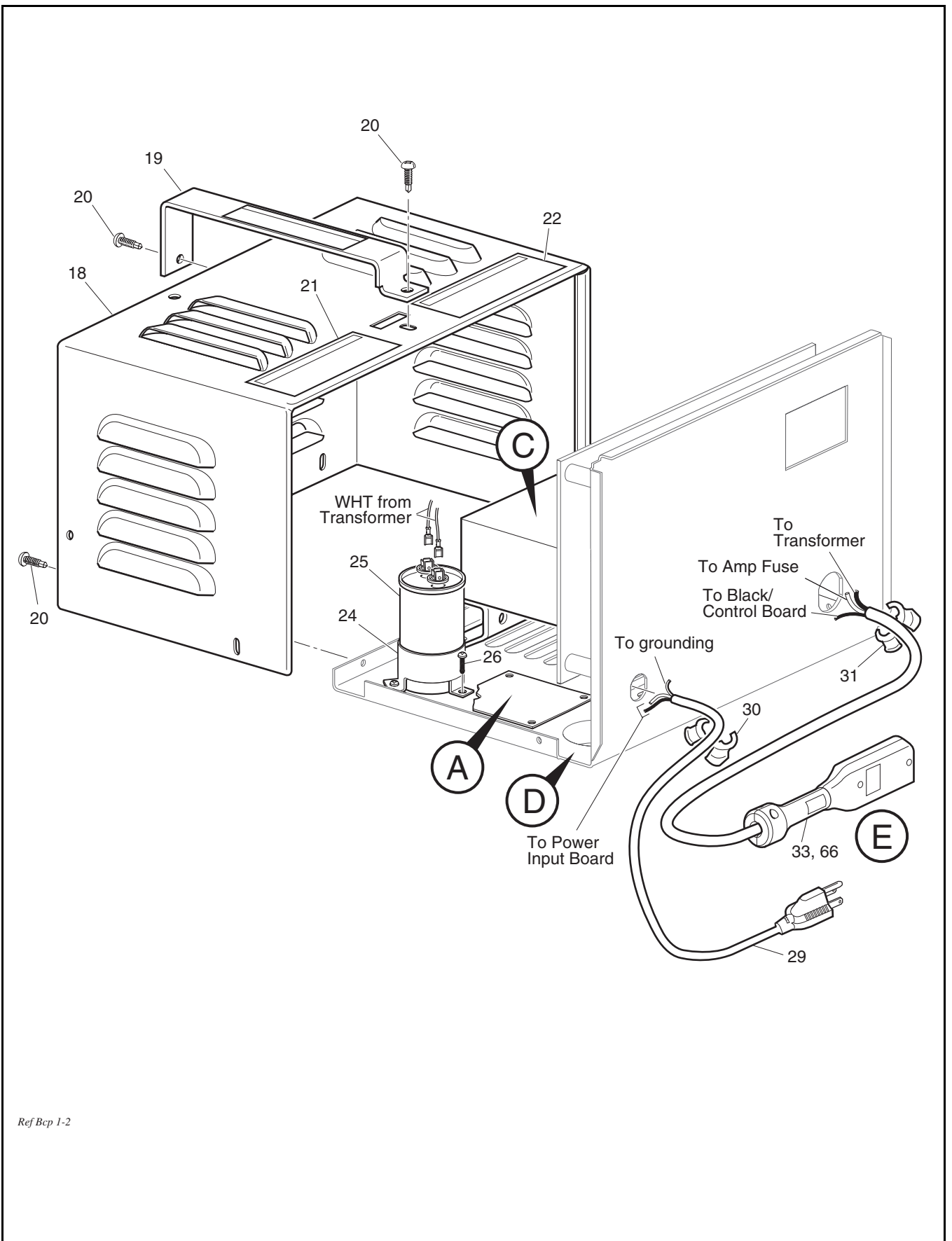
- 1 - Includes Items 3 - 63
- 2 - Includes Items 3 - 13, 18 - 63, 70 - 76

POWERWISE™ +



Ref Bcp 1-1

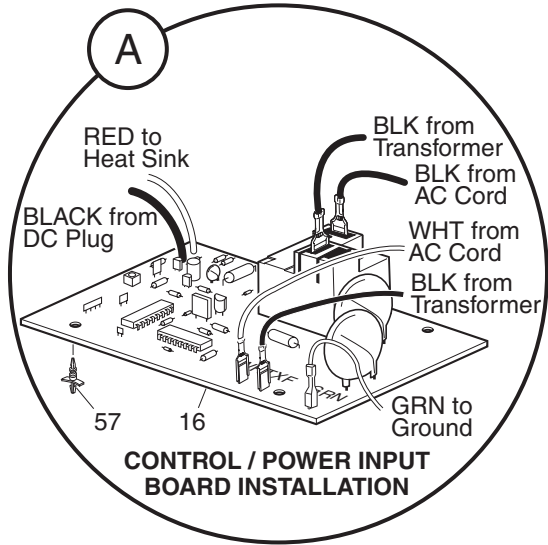
BATTERY CHARGER - PORTABLE 36 VOLT



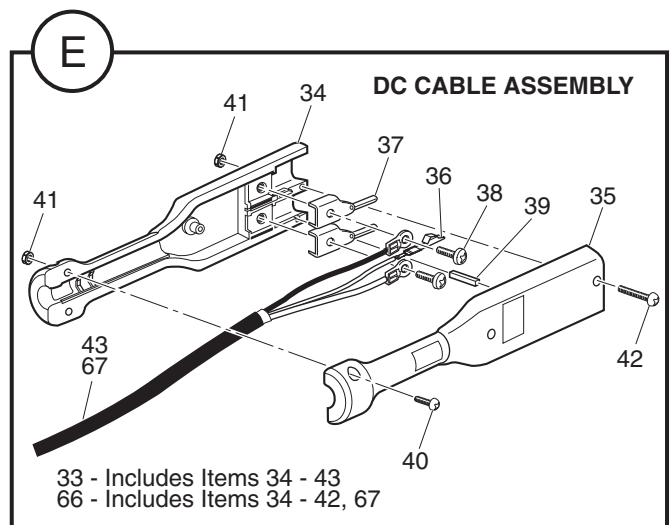
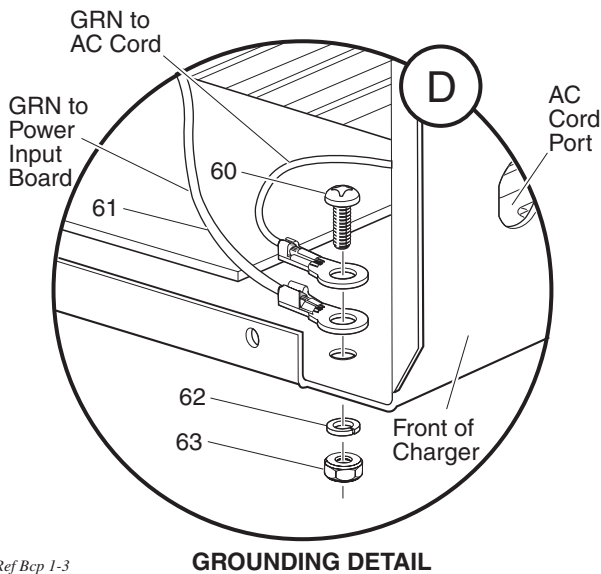
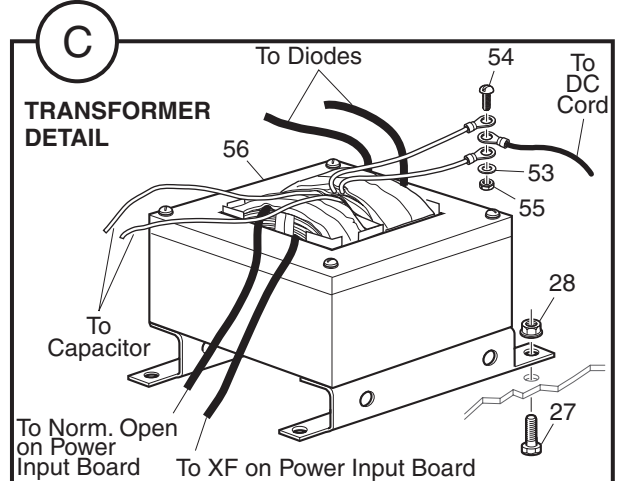
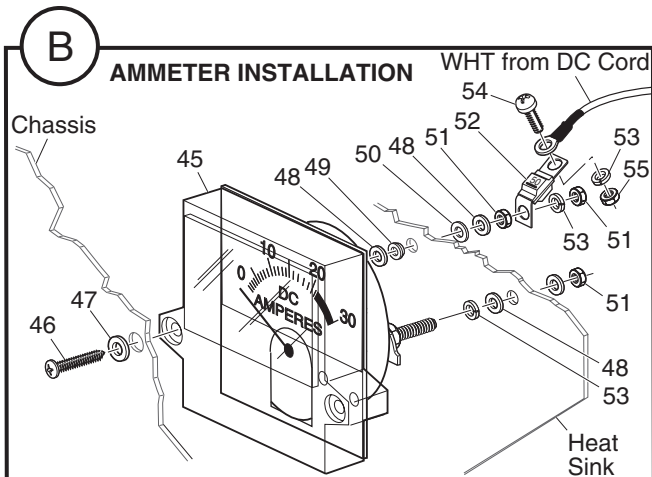
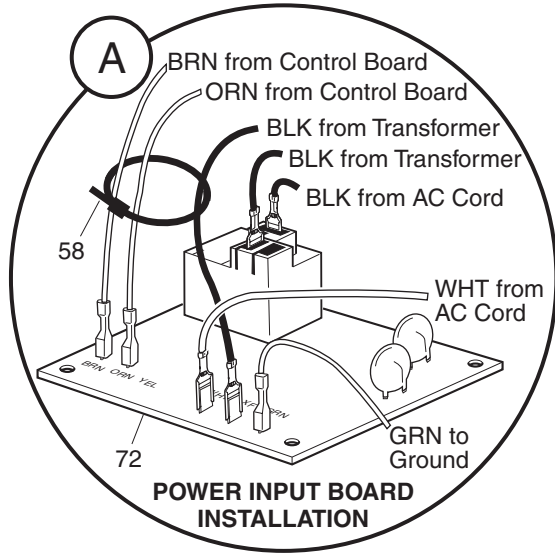
Ref Bep 1-2

BATTERY CHARGER - PORTABLE 36 VOLT

POWERWISE™



POWERWISE™ +



Ref Bcp 1-3

BATTERY CHARGER - PORTABLE 36 VOLT

Where applicable, THE USE OF NON UL PARTS WILL VOID ANY UL LISTING.

When ordering parts, please specify the model and serial number of the product.

* Indicates a component that is not available as an individual part.

G** Indicates consult Customer Service Department for additional information.

ITEM	PART NO.	1	2	3	4	5	DESCRIPTION	QTY.
1	28115-G01						POWERWISE™ CHARGER (10' CORD) (INCLUDES ITEMS 3 - 63).....	1
2	28115-G02						POWERWISE™ + CHARGER (PORTABLE, 10' CORD) (INCLUDES ITEMS 3 - 13, 18 - 63, 70 - 76).....	1
3	*						CHASSIS	1
4	00513-G6						SCREW, #8 - 18 X 1 3/4" LG	2
5	00559-G4						WASHER, #8	2
6	11572-G3						EXPANSION NUT	2
7	28104-G01						HEAT SINK	1
8	00372-G4						SCREW, #8 - 32 X 1/2" LG	4
9	00559-G4						WASHER, #8	4
10	00565-G4						LOCK WASHER, #8	4
11	00526-G1						NUT, #8 - 32.....	4
12	28548-G01						DIODE.....	1
13	28110-G01						ELECTRICAL CLIP	1
14								
15	*						LABEL (POWERWISE™)	1
16	28667-G01						CONTROL / POWER INPUT BOARD	1
17								
18	*						COVER	1
19	28102-G01						HANDLE	1
20	00614-G4						SCREW, #8 - 18 X 1/2" LG	6
21	28136-G01						LABEL (VENTILATION)	1
22	28136-G02						LABEL (CORD CONDITION).....	1
23								
24	26979-G01						CAPACITOR BRACKET	1
25	28109-G01						CAPACITOR	1
26	00969-G01						SCREW, #8 - 32 X 3/8" LG	3
27	00414-G5						BOLT, 1/4 - 20 X 5/8" LG.....	3
28	11027-G2						LOCK NUT, 1/4 - 20	3
29	19388-G4						AC CORD	1

BATTERY CHARGER - PORTABLE 36 VOLT

Where applicable, THE USE OF NON UL PARTS WILL VOID ANY UL LISTING.

When ordering parts, please specify the model and serial number of the product.

* Indicates a component that is not available as an individual part.

G** Indicates consult Customer Service Department for additional information.

ITEM	PART NO.	1	2	3	4	5	DESCRIPTION	QTY.
30	13557-G2						STRAIN RELIEF (AC).....	1
31	13557-G3						STRAIN RELIEF (DC).....	1
32								
33	73345-G01						DC CORD AND HANDLE ASSEMBLY (INCLUDES ITEMS 34 - 43)	1
34	73051-G11						PLUG (TOP HALF).....	1
35	73051-G12						PLUG (BOTTOM HALF).....	1
36	73051-G27						AUXILIARY CONTACT.....	1
37	73051-G14						MALE PIN.....	2
38	73051-G08						SCREW, #10 - 32 X 1/2" LG (BRASS)	2
39	73051-G15						MAGNET	1
40	73051-G16						SCREW, #6 - 32 X 1/2" LG (STAINLESS STEEL)	2
41	73051-G10						LOCK NUT, #6 - 32	4
42	73051-G17						SCREW, #6 - 32 X 1" LG (STAINLESS STEEL)	2
43	73344-G01						DC CORD, 10' LG	1
44								
45	28105-G01						AMMETER.....	1
46	01051-G01						SCREW, #8 - 16 X 1/2" LG	2
47	00559-G4						WASHER, #8	2
48	01003-G01						WASHER, #10 (BRASS).....	4
49	22589-G2						SHOULDER WASHER, #10	1
50	00771-G6						NYLON WASHER, 3/8".....	1
51	00528-G4						NUT, #10 - 32 (BRASS)	3
52	28106-G01						50 AMP FUSE.....	1
53	00565-G5						LOCK WASHER, #10	4
54	00378-G4						SCREW, #10 - 24 X 1/2" LG	2
55	00526-G3						NUT, #10 - 24.....	2
56	28103-G01						TRANSFORMER	1
57	27877-G01						SPACER SUPPORT	4
58	17618-G1						WIRE TIE.....	2
59								

BATTERY CHARGER - PORTABLE 36 VOLT

Where applicable, THE USE OF NON UL PARTS WILL VOID ANY UL LISTING.

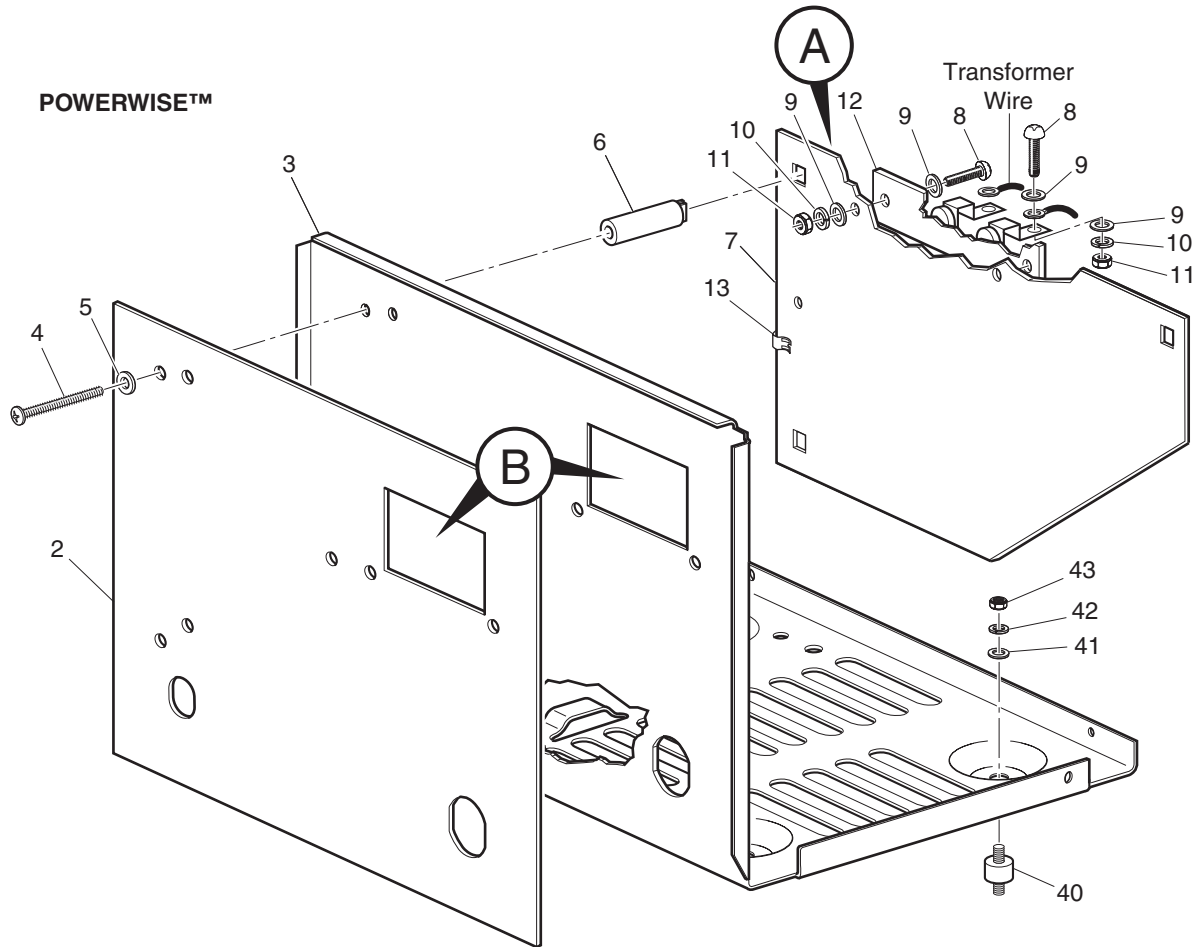
When ordering parts, please specify the model and serial number of the product.

* Indicates a component that is not available as an individual part.

G** Indicates consult Customer Service Department for additional information.

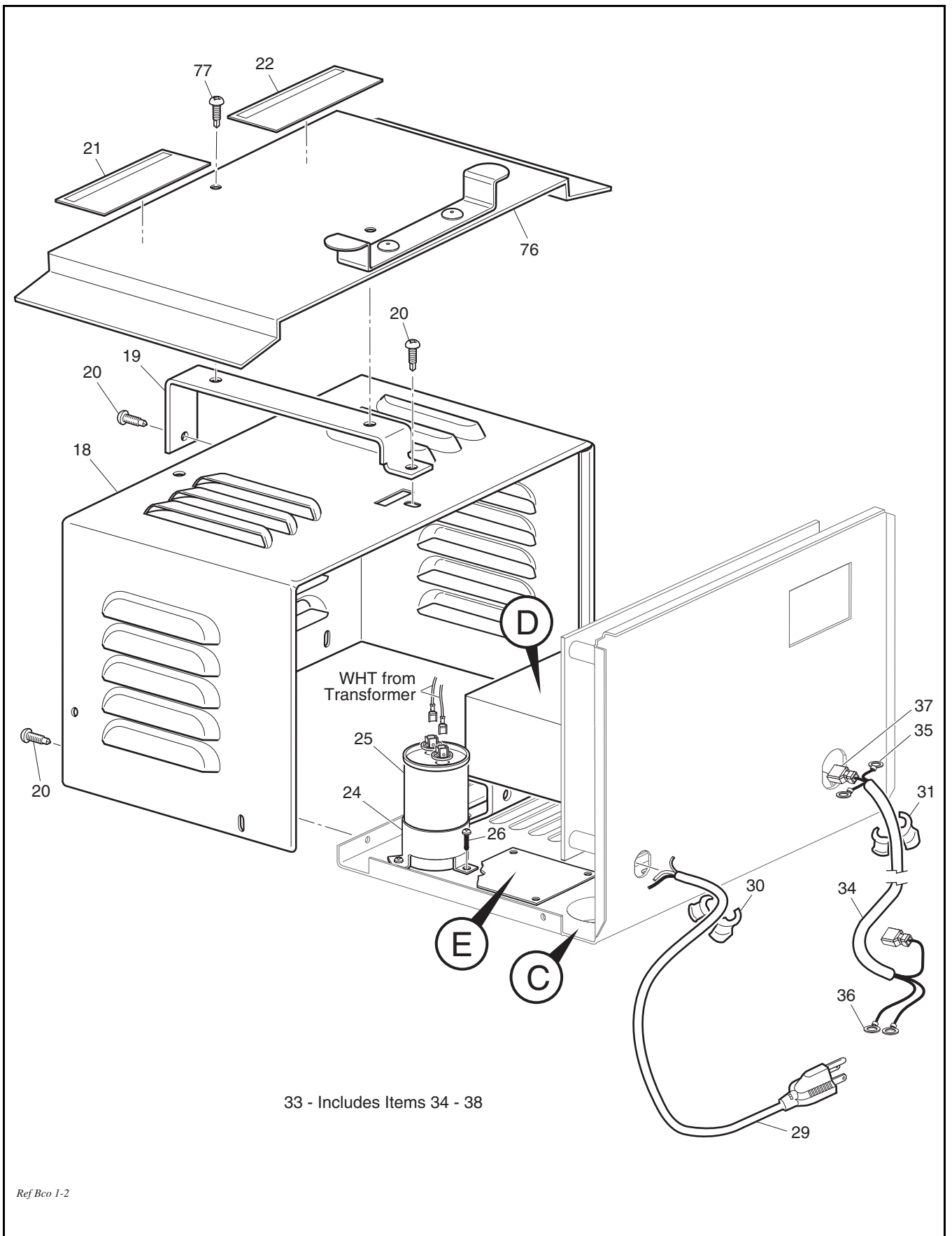
ITEM	PART NO.	1	2	3	4	5	DESCRIPTION	QTY.
60	00372-G3						SCREW, #8 - 32 X 3/8" LG	1
61	25977-G32						16 GA WIRE (GREEN 4")	1
62	00565-G4						LOCK WASHER, #8	1
63	00526-G1						NUT, #8 - 32.....	1
64								
65	28115-G07						POWERWISE™ CHARGER (PORTABLE, 18' CORD) (INCLUDES ITEMS 3 - 31, 45 - 63, 66, 67)	1
66	73345-G03						DC CORD AND HANDLE ASSEMBLY (INCLUDES ITEMS 34 - 42, 67)	1
67	73344-G03						DC CORD, 18' LG	1
68								
69	28115-G08						POWERWISE™ + CHARGER (PORTABLE, 18' CORD) (INCLUDES ITEMS 3 - 13, 18 - 31, 45 - 63, 66, 67, 70 - 76)	1
70	*						LABEL (POWERWISE™ +)	1
71	28667-G02						CONTROL BOARD.....	1
72	28667-G03						POWER INPUT BOARD.....	1
73								
74	01995-G01						SCREW, #6 - 19 X 5/16" LG	3
75	00559-G3						WASHER, #6	3
76	28111-G01						SUPPORT SPACER.....	3

BATTERY CHARGER - ON BOARD 36 VOLT



Ref Bco 1-1

BATTERY CHARGER - ON BOARD 36 VOLT

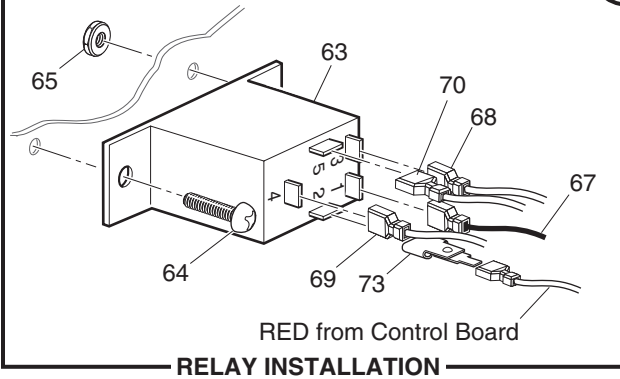


Ref Bco 1-2

BATTERY CHARGER - ON BOARD 36 VOLT

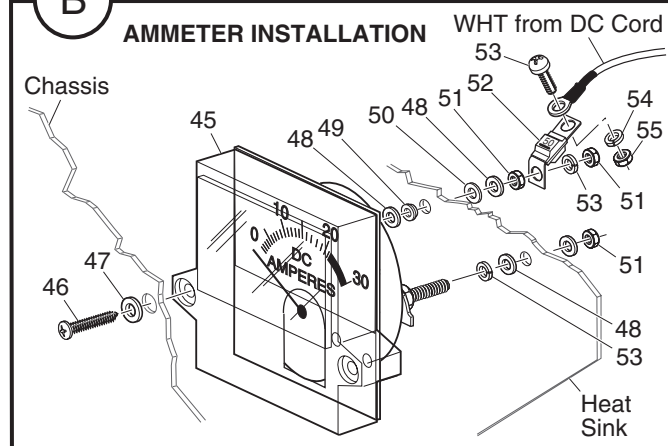
- Pin 1 - Wire 67 to Input Board "COM"
- Pin 2 - Tab Adapter 73, RED wire from Control Board
- Pin 3 - Wire 68 to Input Board "WHT"
- Pin 4 - Wire 69 to Heat Sink Clip
- Pin 5 - Wire 70 to DC Cord RED Wire

A

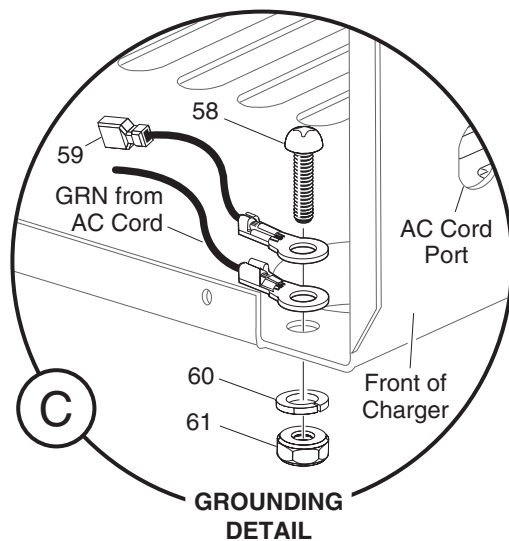


B

AMMETER INSTALLATION

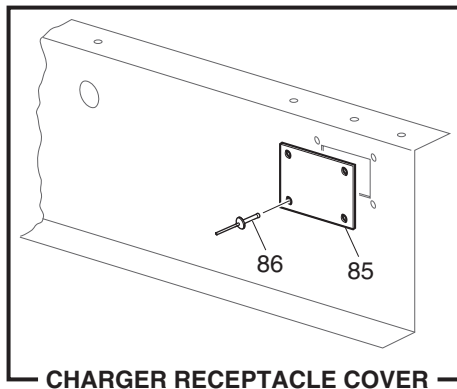
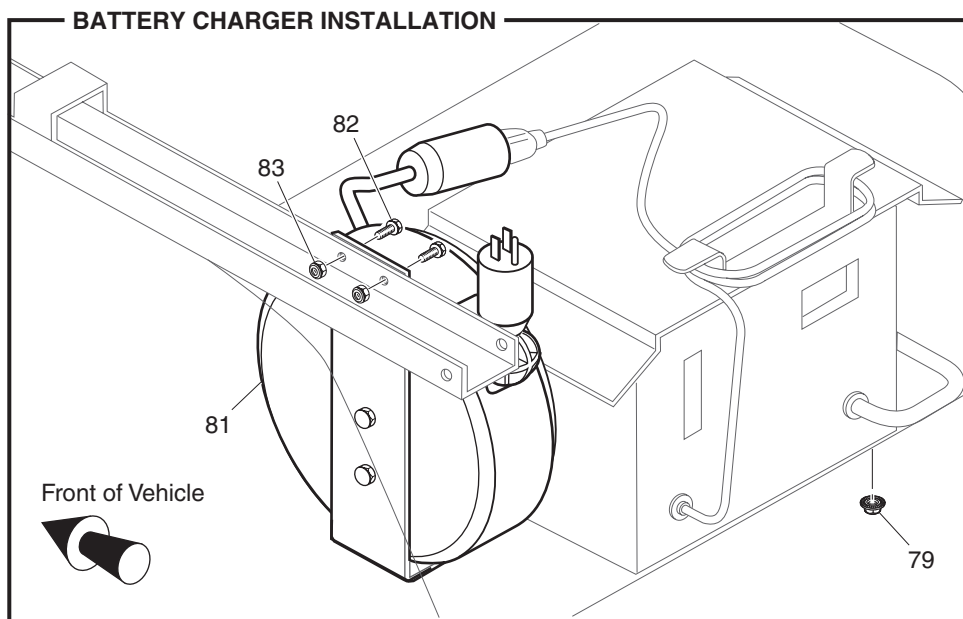
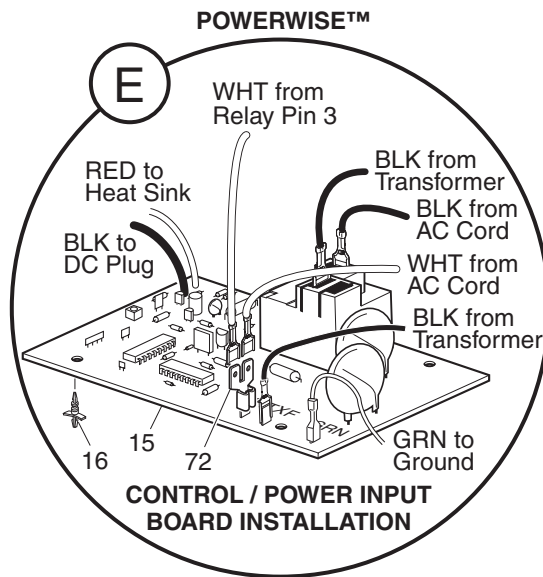
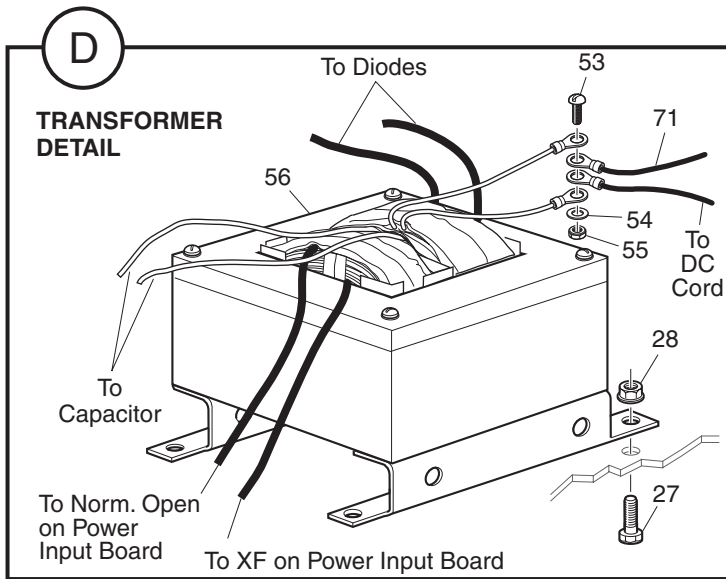


C



Ref Bco 1-3

BATTERY CHARGER - ON BOARD 36 VOLT



Ref Bco 1-4

BATTERY CHARGER - ON BOARD 36 VOLT

Where applicable, THE USE OF NON UL PARTS WILL VOID ANY UL LISTING.

When ordering parts, please specify the model and serial number of the product.

* Indicates a component that is not available as an individual part.

G** Indicates consult Customer Service Department for additional information.

ITEM	PART NO.	1	2	3	4	5	DESCRIPTION	QTY.
1	28115-G11						POWERWISE™ CHARGER (ON BOARD) (INCLUDES ITEMS 2 - 74).....	1
2	*						LABEL (POWERWISE™)	1
3	*						CHASSIS	1
4	00513-G6						SCREW, #8 - 18 X 1 3/4" LG	2
5	00559-G4						WASHER, #8	2
6	11572-G3						EXPANSION NUT	2
7	28104-G01						HEAT SINK	1
8	00372-G4						SCREW, #8 - 32 X 1/2" LG	4
9	00559-G4						WASHER, #8	6
10	00565-G4						LOCK WASHER, #8	4
11	00526-G1						NUT, #8 - 32.....	4
12	28548-G01						DIODE.....	1
13	28110-G01						ELECTRICAL CLIP	1
14								
15	28667-G01						CONTROL / POWER INPUT BOARD	1
16	27877-G01						SPACER SUPPORT	4
17								
18	*						COVER	1
19	28102-G01						HANDLE	1
20	00614-G4						SCREW, #8 - 18 X 1/2" LG	4
21	28136-G01						LABEL (VENTILATION)	1
22	28136-G02						LABEL (CORD CONDITION).....	1
23								
24	26979-G01						CAPACITOR BRACKET	1
25	28109-G01						CAPACITOR	1
26	00969-G01						SCREW, #8 - 32 X 3/8" LG	3
27	00414-G5						BOLT, 1/4 - 20 X 5/8" LG.....	3
28	11027-G2						LOCK NUT, 1/4 - 20	3
29	19388-G4						AC CORD	1
30	13557-G2						STRAIN RELIEF (AC).....	1

BATTERY CHARGER - ON BOARD 36 VOLT

Where applicable, THE USE OF NON UL PARTS WILL VOID ANY UL LISTING.

When ordering parts, please specify the model and serial number of the product.

* Indicates a component that is not available as an individual part.

G** Indicates consult Customer Service Department for additional information.

ITEM	PART NO.	1	2	3	4	5	DESCRIPTION	QTY.
31	13557-G3						STRAIN RELIEF (DC).....	1
32								
33	73344-G06						DC CORD ASSEMBLY (INCLUDES ITEMS 34 - 38)	1
34	28108-G01						DC CORD.....	1
35	11343-G3						RING TERMINAL, 3/16"	2
36	11343-G1						RING TERMINAL, 5/16"	2
37	17064-G1						FEMALE TERMINAL.....	2
38	22476-G1						HEAT SHRINK TUBING	A/R
39								
40	22009-G2						ISOLATION MOUNT.....	4
41	01110-G01						WASHER, 1/4" (STAINLESS STEEL).....	4
42	00664-G7						LOCK WASHER, 1/4" (STAINLESS STEEL).....	4
43	00532-G1						NUT, 1/4 - 20.....	4
44								
45	28105-G01						AMMETER.....	1
46	01051-G01						SCREW, #8 - 16 X 1/2" LG	2
47	00559-G4						WASHER, #8	2
48	01003-G01						WASHER, #10 (BRASS).....	4
49	22589-G2						SHOULDER WASHER, #10	1
50	00771-G6						NYLON WASHER, 3/8".....	1
51	00528-G4						NUT, #10 - 32 (BRASS)	3
52	28106-G01						50 AMP FUSE.....	1
53	00378-G4						SCREW, #10 - 24 X 1/2" LG	2
54	00565-G5						LOCK WASHER, #10	4
55	00526-G3						NUT, #10 - 24.....	2
56	28103-G01						TRANSFORMER	1
57								
58	00372-G3						SCREW, #8 - 32 X 3/8" LG	1
59	25977-G32						16 GA WIRE (GREEN 4").....	1
60	00565-G4						LOCK WASHER, #8	1

BATTERY CHARGER - ON BOARD 36 VOLT

Where applicable, THE USE OF NON UL PARTS WILL VOID ANY UL LISTING.

When ordering parts, please specify the model and serial number of the product.

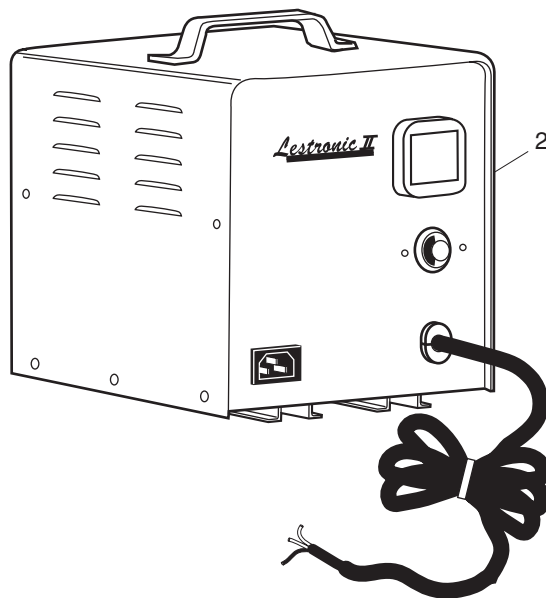
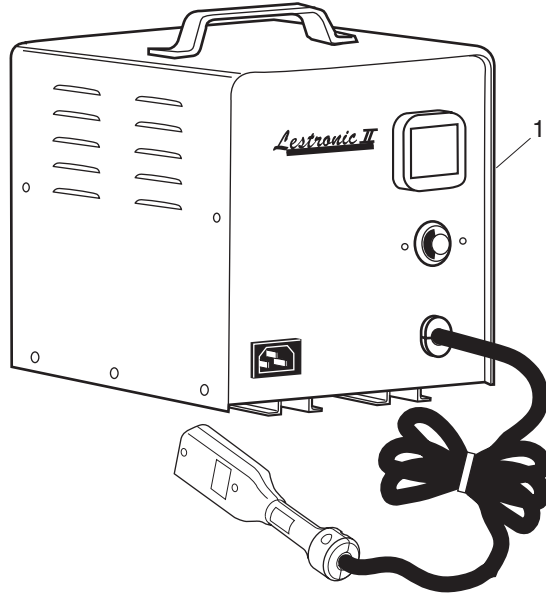
* Indicates a component that is not available as an individual part.

G** Indicates consult Customer Service Department for additional information.

ITEM	PART NO.	1	2	3	4	5	DESCRIPTION	QTY.
61	00526-G1						NUT, #8 - 32.....	1
62								
63	21971-G4						RELAY	1
64	00138-G4						SCREW, #6 - 32 X 1/2" LG	2
65	14390-G9						LOCK NUT, #6 - 32	2
66								
67	25977-G38						16 GA WIRE (BLACK 4")	1
68	25977-G37						16 GA WIRE (WHITE 5")	1
69	25978-G161						18 GA WIRE (BLUE 6")	1
70	25978-G162						18 GA WIRE (YELLOW 6").....	1
71	25978-G163						18 GA WIRE (BLACK 7")	1
72	17902-G1						ADAPTER TAB	1
73	28305-G01						ADAPTER TERMINAL, 1/4" X 3/16"	1
74	27285-G01						ADAPTER TERMINAL, 1/4" (1 FEMALE, 3 MALE).....	1
75								
76	71968-G01						SHIELD	1
77	00106-G6						SCREW, #12 - 24 X 3/4" LG.....	2
78								
79	11027-G1						LOCK NUT, 5/16 - 18	2
80								
81	73368-G01						CORD REEL	1
82	00438-G6						BOLT, 5/16 - 18 X 3/4" LG	2
83	11027-G1						LOCK NUT, 5/16 - 18	2
84								
85	73173-G01						COVER PLATE	1
86	14601-G10						RIVET, 1/8" X 7/16" LG (ALUMINUM).....	4

BATTERY CHARGER - ON BOARD 36 VOLT

BATTERY CHARGER - EXPORT 36 VOLT



Ref Bcl 1

BATTERY CHARGER - EXPORT 36 VOLT

Where applicable, THE USE OF NON UL PARTS WILL VOID ANY UL LISTING.

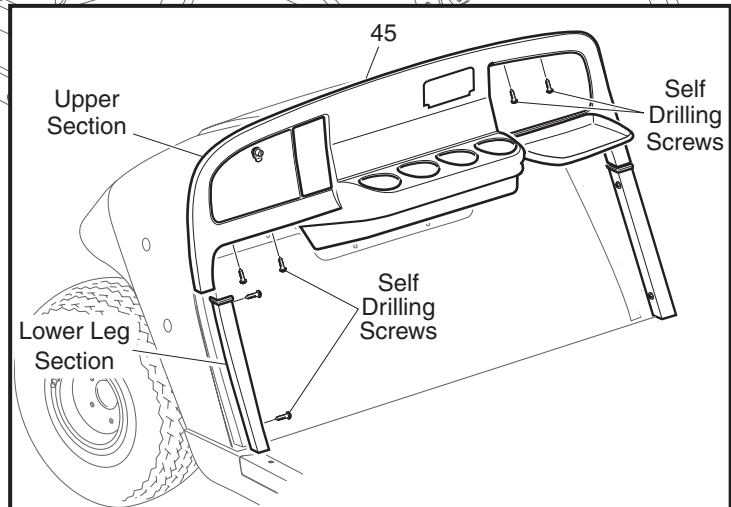
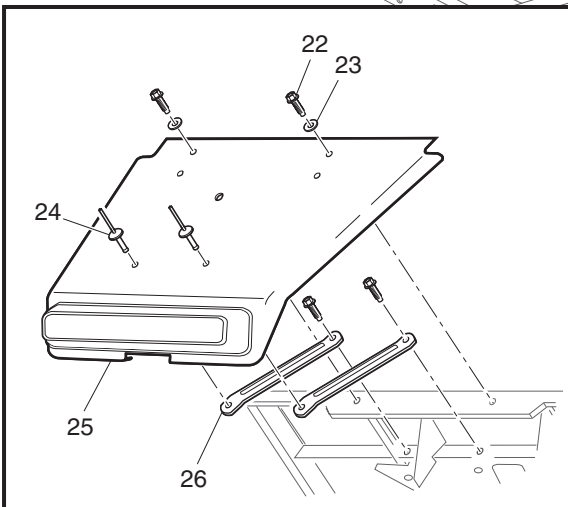
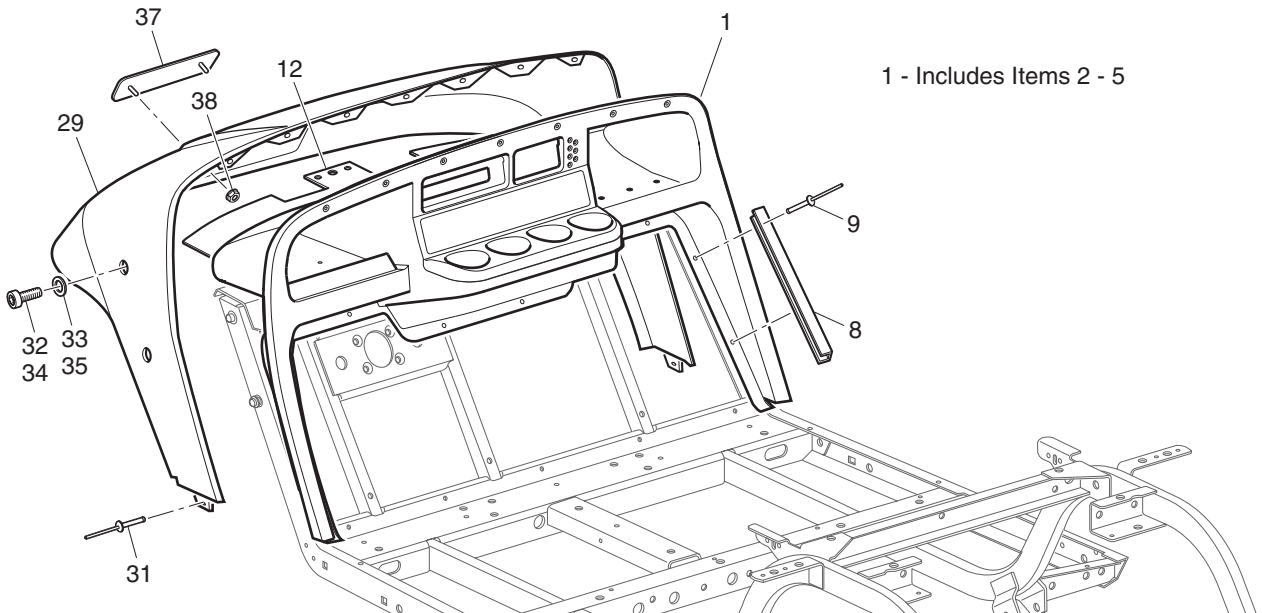
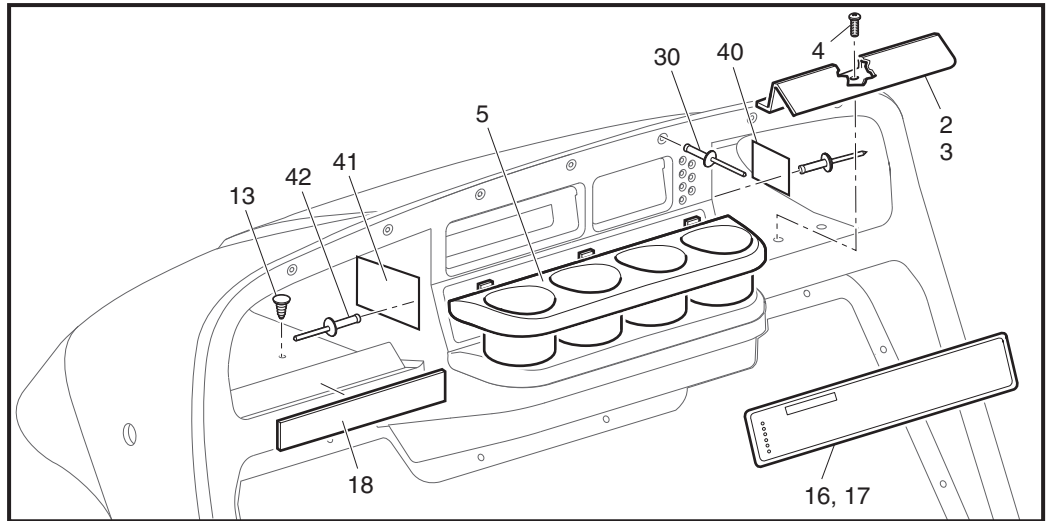
When ordering parts, please specify the model and serial number of the product.

* Indicates a component that is not available as an individual part.

G** Indicates consult Customer Service Department for additional information.

ITEM	PART NO.	1	2	3	4	5	DESCRIPTION	QTY.
1	28516-G01						BATTERY CHARGER, LESTER, 36 VOLT, PORTABLE WITH POWERWISE CONNECTOR, CE APPROVED (OPTIONAL)	
2	28516-G03						BATTERY CHARGER, LESTER, 36 VOLT, ON-BOARD, CE APPROVED (OPTIONAL) For service or replacement parts, contact: Lester Electrical 625 West "A" Street Lincoln, NE 68522 Phone: (402) 477-8988, FAX: (402) 474-1769 Always provide the following information when requesting information or ordering replacement parts: Model Number: Serial Number: (stamped into housing)	

BODY - FRONT



Ref Bod 1-1

BODY - FRONT

Where applicable, THE USE OF NON UL PARTS WILL VOID ANY UL LISTING.

When ordering parts, please specify the model and serial number of the product.

* Indicates a component that is not available as an individual part.

G** Indicates consult Customer Service Department for additional information.

ITEM	PART NO.	1 2 3 4 5	DESCRIPTION	QTY.
1	71151-G01		INSTRUMENT PANEL ASSEMBLY (INCLUDES ITEMS 2 - 5)	1
2	71153-G01		BALL DEFLECTOR (PASSENGER SIDE).....	1
3	71154-G01		BALL DEFLECTOR (DRIVER SIDE)	1
4	00614-G5		SCREW, #8 - 18 X 5/8" LG	6
5	71158-G01		INSTRUMENT PANEL INSERT (4 CUP HOLDER).....	1
6				
7				
8	71115-G01		VINYL TRIM	2
9	71055-G01		RIVET, 3/16" X 1" LG (ALUMINUM).....	10
10				
11				
12	71413-G01		SPLASH PANEL.....	1
13	16816-G2		RIVET, 1/4" X 3/4" LG	5
14				
15				
16	27647-G01		LABEL (SAFETY).....	1
17	35345-G01		LABEL (SAFETY - EC).....	1
18	74443-G01		LABEL (ANTI-ROLLBACK)	1
19				
20				
21				
22	01038-G01		BOLT, 1/4 - 20 X 11/16" LG	4
23	16469-G1		WASHER, 1/4"	2
24	01057-G01		RIVET, 1/4" X 1" LG	2
25	27166-G02		FRONT SHIELD	1
26	70725-G01		FRONT SHIELD BRACE.....	2
27				
28				
29	71051-G**		COWL.....	1
30	71055-G01		RIVET, 3/16" X 1" LG (ALUMINUM).....	9

BODY - FRONT

Where applicable, THE USE OF NON UL PARTS WILL VOID ANY UL LISTING.

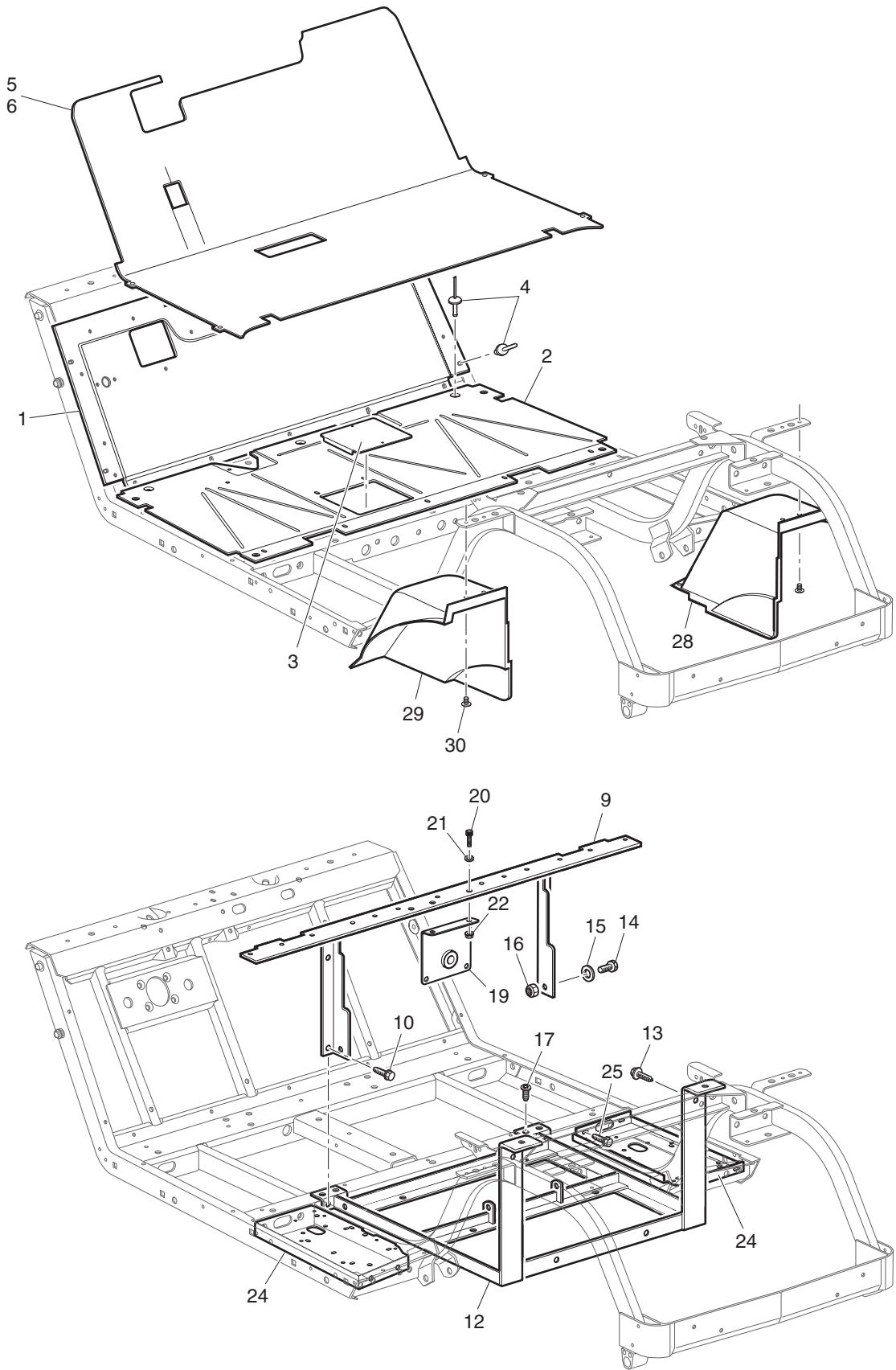
When ordering parts, please specify the model and serial number of the product.

* Indicates a component that is not available as an individual part.

G** Indicates consult Customer Service Department for additional information.

ITEM	PART NO.	1 2 3 4 5	DESCRIPTION	QTY.
31	10570-G11		RIVET, 3/16" X 3/4" LG (STAINLESS STEEL)	2
32	71056-G01		BOLT, 5/16 - 18 X 5/8" LG	4
33	00570-G2		WASHER, 5/16.....	4
34	00438-G6		BOLT, 5/16 - 18 X 3/4" LG (WITH TOP)	2
35	01110-G03		WASHER, 5/16" (STAINLESS STEEL) (WITH TOP)	2
36				
37	71037-G02		E-Z-GO NAMEPLATE (GOLD).....	1
38	71597-G01		NUT, SELF-THREADING, 5MM STUD x 10MM HEX	2
39				
40	*		SERIAL NUMBER PLATE (EARLY PRODUCTION).....	1
41	*		EC PLATE (EARLY PRODUCTION)	1
42	01041-G01		RIVET, 1/8" X 13/16" LG	4
43				
44				
45	74239-G01		INSTRUMENT PANEL WOODGRAIN APPLIQUE KIT	1

BODY - MID SECTION



Ref Bod 1-2

BODY - MID SECTION

Where applicable, THE USE OF NON UL PARTS WILL VOID ANY UL LISTING.

When ordering parts, please specify the model and serial number of the product.

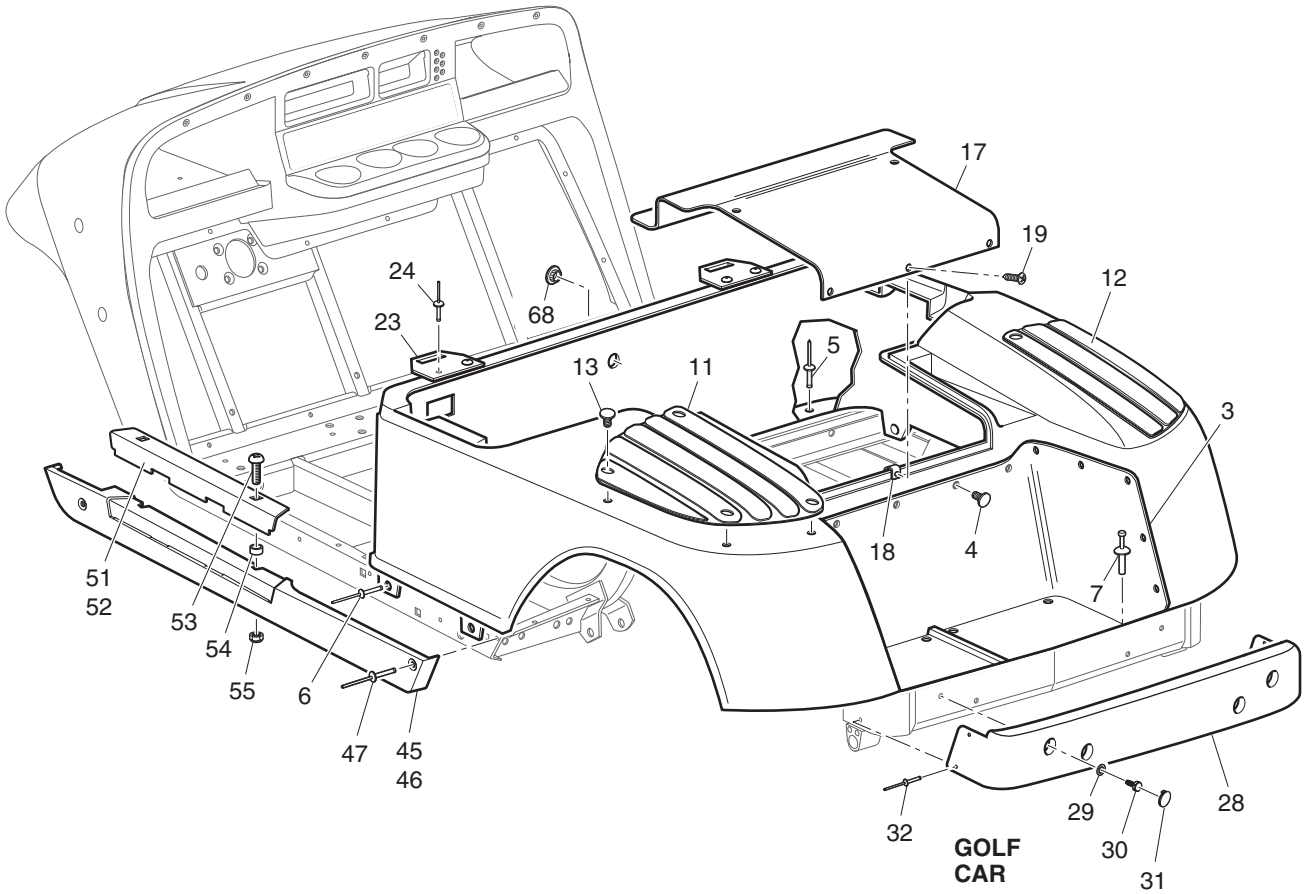
* Indicates a component that is not available as an individual part.

G** Indicates consult Customer Service Department for additional information.

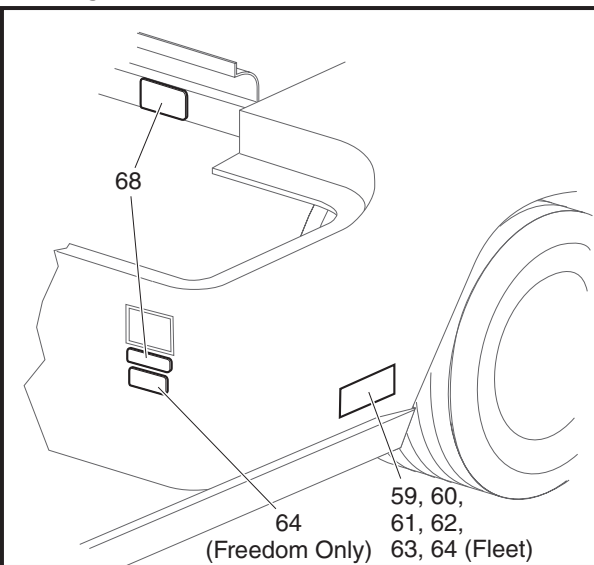
ITEM	PART NO.	1	2	3	4	5	DESCRIPTION	QTY.
1	70662-G01						UPPER FLOORPAN.....	1
2	70451-G01						LOWER FLOORPAN.....	1
3	70452-G01						ACCESS COVER.....	1
4	14601-G11						RIVET, 3/16" X 9/16" LG (ALUMINUM).....	16
5	70995-G01						FLOORMAT.....	1
6	70995-G02						FLOORMAT WITH HORN HOLES.....	1
7								
8								
9	70441-G01						SEAT FRAME.....	1
10	00715-G2						BOLT, 5/16 - 18 X 13/16" LG.....	2
11								
12	70046-G01						BATTERY RACK.....	1
13	00715-G2						BOLT, 5/16 - 18 X 13/16" LG.....	2
14	00438-G6						BOLT, 5/16 - 18 X 3/4" LG.....	2
15	00559-G8						WASHER, 5/16".....	2
16	01109-G01						LOCK NUT, 5/16 - 18 (STAINLESS STEEL).....	2
17	70200-G01						SCREW, 3/8 - 16 X 3/4" LG.....	2
18								
19	70444-G01						BRACKET.....	1
20	28272-G01						BOLT, 1/4 - 20 X 5/8" LG.....	2
21	01110-G01						WASHER, 1/4" (STAINLESS STEEL).....	2
22	11027-G2						LOCK NUT, 1/4 - 20.....	2
23								
24	70244-G02						SPLASH PANEL.....	2
25	00715-G2						BOLT, 5/16 - 18 X 13/16" LG.....	8
26								
27								
28	71812-G01						FENDER LINER (PASSENGER SIDE).....	1
29	71812-G02						FENDER LINER (DRIVER SIDE).....	1
30	16816-G2						RIVET, 1/4" X 3/4" LG.....	8

BODY - REAR

- 1 - Includes Items 3, 4
- 2 - Includes Items 3, 4

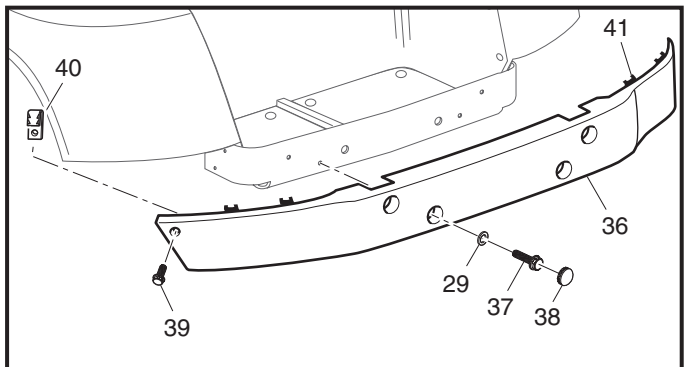


LABELS



Ref Bod 1-3

SHUTTLE 2+2 AND CONVERTIBLE CARRIER



BODY - REAR

Where applicable, THE USE OF NON UL PARTS WILL VOID ANY UL LISTING.

When ordering parts, please specify the model and serial number of the product.

* Indicates a component that is not available as an individual part.

G** Indicates consult Customer Service Department for additional information.

ITEM	PART NO.	1 2 3 4 5	DESCRIPTION	QTY.
1	71912-G0**		REAR BODY (WITHOUT TAILLIGHTS) (INCLUDES ITEMS 3, 4)	1
2	71334-G0**		REAR BODY (WITH TAILLIGHTS) (INCLUDES ITEMS 3, 4).....	1
3	71318-G01		BAGWELL LINER	1
4	16816-G1		RATCHET FASTENER, 1/4" X 9/16" LG	26
5	10570-G10		RIVET, 5/32" X 9/16" LG (STAINLESS STEEL)	6
6	10570-G12		RIVET, 1/4" X 9/16" LG (ALUMINUM)	4
7	18436-G1		RIVET, 1/4" X 3/4" LG	2
8				
9				
10				
11	75126-G01		FENDER SCUFFGUARD (DRIVER SIDE)	1
12	75126-G02		FENDER SCUFFGUARD (PASSENGER SIDE).....	1
13	16816-G2		RIVET, 1/4" X 3/4" LG	8
14				
15				
16				
17	71320-G01		ACCESS PANEL	1
18	71364-G02		'J' CLIP	1
19	01107-G01		SCREW, #8 X 5/8" LG (STAINLESS STEEL)	5
20				
21				
22				
23	71609-G01		SEAT HINGE PLATE	2
24	10570-G11		RIVET, 3/16" X 3/4" LG (STAINLESS STEEL)	4
25				
26				
27				
28	71578-G01		REAR BUMPER	1
29	00571-G2		WASHER, 5/16"	4
30	71102-G01		BOLT, 1/4 - 20 X 3/4" LG	4

BODY - REAR

Where applicable, THE USE OF NON UL PARTS WILL VOID ANY UL LISTING.

When ordering parts, please specify the model and serial number of the product.

* Indicates a component that is not available as an individual part.

G** Indicates consult Customer Service Department for additional information.

ITEM	PART NO.	1 2 3 4 5	DESCRIPTION	QTY.
31	71514-G01		BUMPER PLUG	4
32	14601-G17		RIVET, 3/16" X 9/16" LG (ALUMINUM)	4
33				
34				
35				
36	71456-G01		REAR BUMPER (SHUTTLE 2+2)	1
37	71398-G01		BOLT, 1/4 - 20 X 1 1/4" LG	2
38	71455-G01		BUMPER PLUG	4
39	71102-G01		BOLT, 1/4 - 20 X 3/4" LG	2
40	71554-G01		'J' TYPE NUT RETAINER.....	2
41	71457-G01		BUMPER STAY	4
42				
43				
44				
45	71501-G01		ROCKER PANEL (PASSENGER SIDE).....	1
46	71502-G01		ROCKER PANEL (DRIVER SIDE)	1
47	15058-G6		RIVET, 3/16" X 15/16" LG (ALUMINUM)	4
48				
49				
50				
51	71507-G01		SILL PLATE (PASSENGER SIDE).....	1
52	71507-G02		SILL PLATE (DRIVER SIDE).....	1
53	16705-G1		SCREW, 1/4 - 20 X 1" LG (STAINLESS STEEL)	4
54	23726-G4		SPACER, 5/16".....	4
55	00654-G2		LOCK NUT, 1/4 - 20 (STAINLESS STEEL)	4
56				
57				
58				
59	75960-G01		LABEL (FREEDOM).....	2
60	75962-G01		LABEL (FREEDOM SE)	2

BODY - REAR

Where applicable, THE USE OF NON UL PARTS WILL VOID ANY UL LISTING.

When ordering parts, please specify the model and serial number of the product.

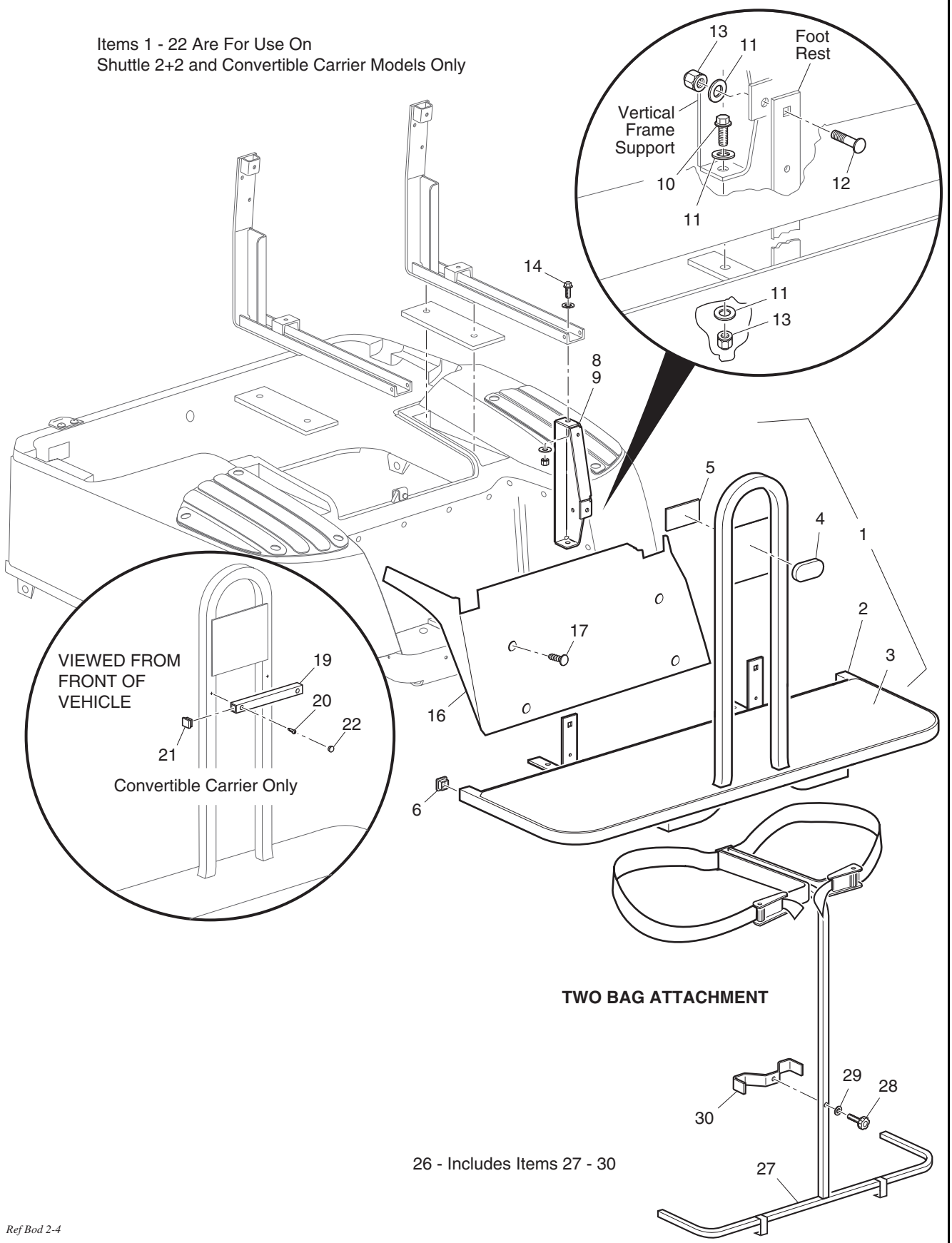
* Indicates a component that is not available as an individual part.

G** Indicates consult Customer Service Department for additional information.

ITEM	PART NO.	1	2	3	4	5	DESCRIPTION	QTY.
61	75964-G01						LABEL (FREEDOM LE)	2
62	35434-G01						LABEL (SHUTTLE)	2
63	35430-G19						LABEL (TXT 2+2).....	2
64	73330-G01						LABEL (PRECISION DRIVE SYSTEM™).....	AR
65								
66								
67								
68	*						LABEL (SERIAL NUMBER)	1
69								
70								
71								
72	71316-G01						HOLE PLUG (DASH MOUNTED DIRECTION SELECTOR SWITCH ONLY)	1

BODY - FOOTREST

Items 1 - 22 Are For Use On Shuttle 2+2 and Convertible Carrier Models Only



Ref Bod 2-4

BODY - FOOTREST

Where applicable, THE USE OF NON UL PARTS WILL VOID ANY UL LISTING.

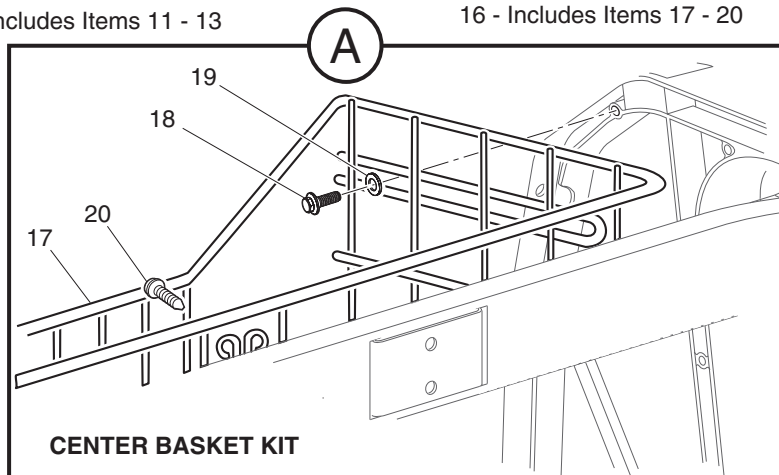
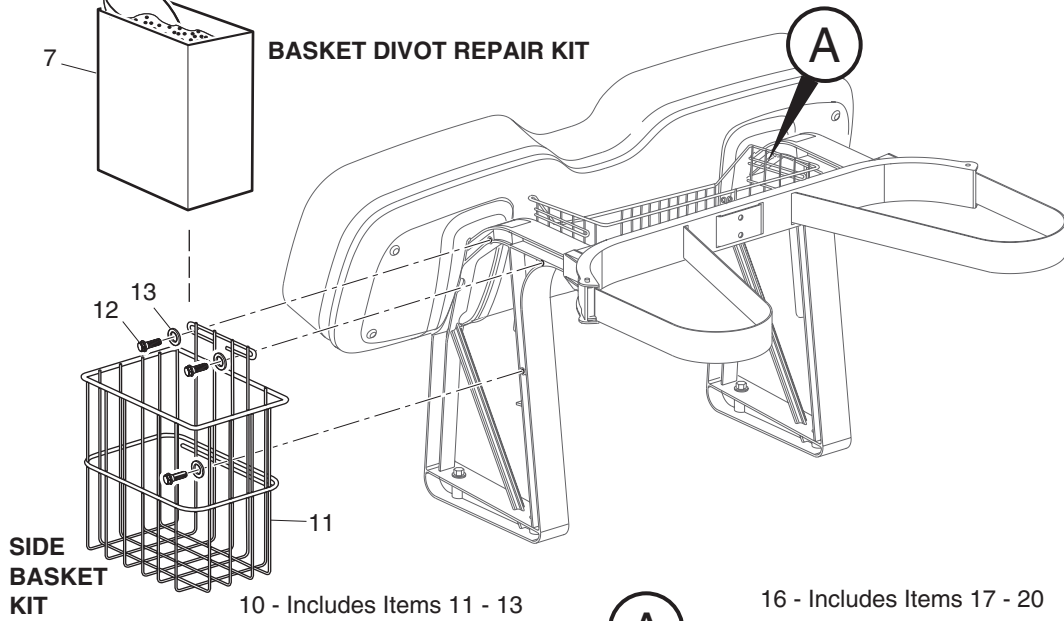
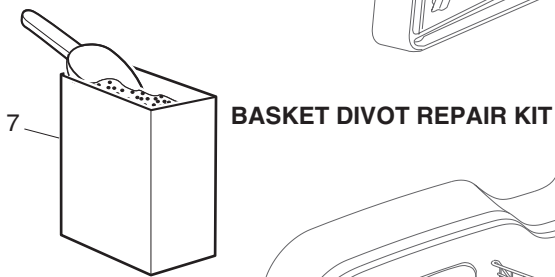
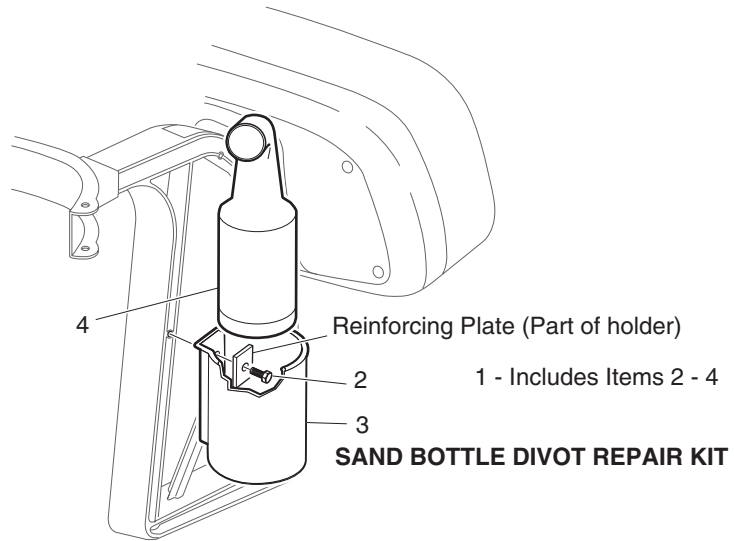
When ordering parts, please specify the model and serial number of the product.

* Indicates a component that is not available as an individual part.

G** Indicates consult Customer Service Department for additional information.

ITEM	PART NO.	1 2 3 4 5	DESCRIPTION	QTY.
1	70361-G01		FOOTREST ASSEMBLY (INCLUDES ITEMS 2 - 5).....	1
2	70350-G01		FOOTREST	1
3	70362-G01		FLOOR MAT	1
4	74129-G01		REFLECTOR	1
5	74132-G01		LABEL (WARNING)	1
6	19853-G1		END CAP, 1".....	2
7				
8	74126-G01		VERTICAL FRAME SUPPORT (PASSENGER SIDE)	1
9	74126-G02		VERTICAL FRAME SUPPORT (DRIVER SIDE).....	1
10	00427-G4		BOLT, 3/8 - 16 X 1 1/2" LG	2
11	00560-G1		WASHER, 3/8"	10
12	00769-G2		CARRIAGE BOLT, 3/8 - 16 X 1 1/4" LG	2
13	11098-G5		LOCK NUT, 3/8 - 16	10
14	00426-G8		BOLT, 3/8 - 16 X 1" LG	2
15				
16	74149-G01		VALANCE PANEL	1
17	16816-G2		RIVET, 1/4" X 3/4" LG	4
18				
19	75268-G01		SUPPORT TUBE.....	1
20	00106-G6		SELF THREADING SCREW, #12 - 24 X 3/4" LG	2
21	19859-G1		END CAP, 3/4".....	2
22	20271-G2		HOLE PLUG, 1/2"	2
23				
24				
25				
26	75183-G01		TWO BAG ATTACHMENT KIT (INCLUDES ITEMS 27 - 30).....	1
27	75188-G01		TWO BAG ATTACHMENT	1
28	22238-G2		KNOB, 3/8 - 16 X 1 1/2" LG	1
29	17255-G1		TEFLON WASHER, 5/16"	1
30	75187-G01		SUPPORT BRACKET.....	1

BODY - ACCESSORIES



Ref Bod 2-5

BODY - ACCESSORIES

Where applicable, THE USE OF NON UL PARTS WILL VOID ANY UL LISTING.

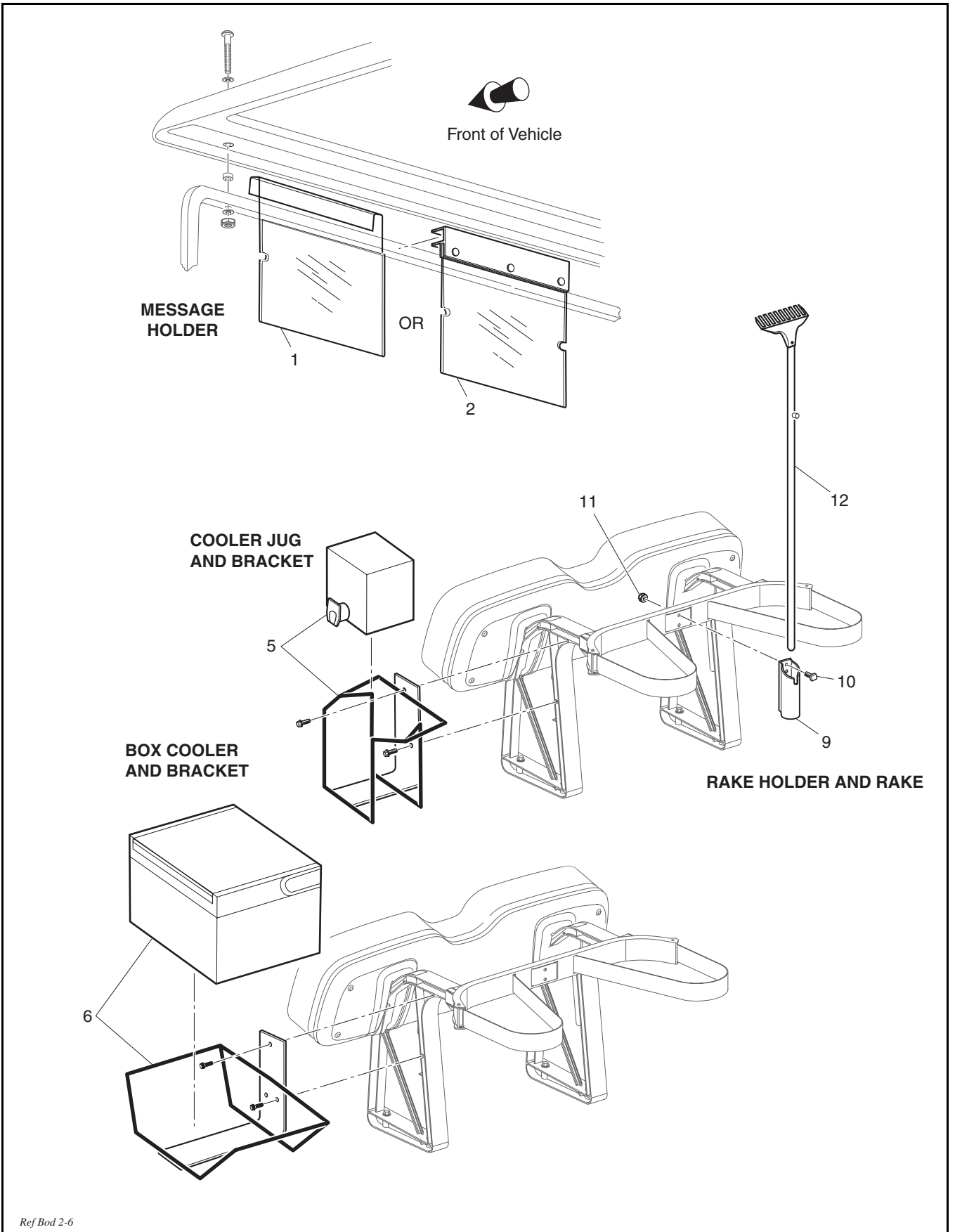
When ordering parts, please specify the model and serial number of the product.

* Indicates a component that is not available as an individual part.

G** Indicates consult Customer Service Department for additional information.

ITEM	PART NO.	1 2 3 4 5	DESCRIPTION	QTY.
1	28661-G01		SAND BOTTLE DIVOT REPAIR KIT (INCLUDES ITEMS 2 - 4).....	1
2	71102-G01		BOLT, 1/4 - 20 X 3/4" LG.....	1
3	28660-G01		SAND BOTTLE HOLDER.....	1
4	28659-G01		SAND BOTTLE.....	1
5				
6				
7	23300-G01		BASKET DIVOT REPAIR KIT (INCLUDES SCOOP).....	1
8				
9				
10	75007-G02		SIDE BASKET KIT (INCLUDES ITEMS 11 - 13).....	1
11	75460-G01		SIDE BASKET.....	1
12	71102-G01		BOLT, 1/4 - 20 X 3/4" LG.....	3
13	00793-G2		FLAT WASHER, 1/4" (STAINLESS STEEL).....	3
14				
15				
16	75003-G02		CENTER BASKET KIT (INCLUDES ITEMS 17 - 20).....	1
17	75461-G01		CENTER BASKET.....	1
18	71102-G01		BOLT, 1/4 - 20 X 3/4" LG.....	2
19	00793-G2		FLAT WASHER, 1/4" (STAINLESS STEEL).....	2
20	01105-G01		SCREW, #10 X 5/8" LG (STAINLESS STEEL).....	2

BODY - ACCESSORIES CONTINUED



BODY - ACCESSORIES CONTINUED

Where applicable, THE USE OF NON UL PARTS WILL VOID ANY UL LISTING.

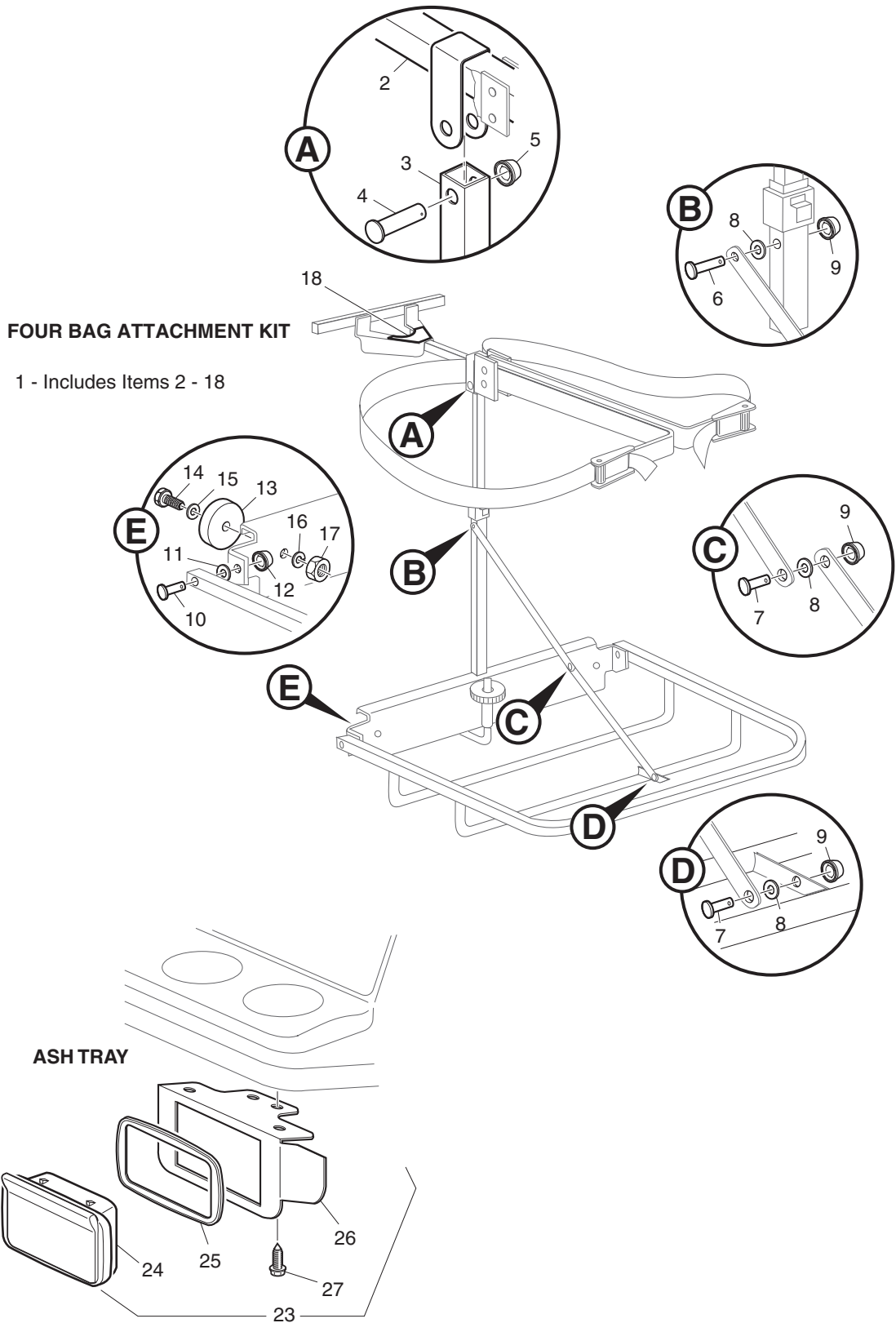
When ordering parts, please specify the model and serial number of the product.

* Indicates a component that is not available as an individual part.

G** Indicates consult Customer Service Department for additional information.

ITEM	PART NO.	1	2	3	4	5	DESCRIPTION	QTY.
1	75509-G01						MESSAGE HOLDER (ONE PIECE).....	1
2	75496-G01						MESSAGE HOLDER.....	1
3								
4								
5	75495-G01						COOLER JUG AND BRACKET KIT.....	1
6	75344-G01						BOX COOLER AND BRACKET KIT.....	1
7								
8								
9	25885-G01						RAKE HOLDER.....	1
10	00989-G6						SQUARE HEAD BOLT, 1/4 - 20 X 3/4" LG.....	2
11	11027-G2						LOCK NUT, 1/4 - 20.....	2
12	14735-G1						RAKE.....	1

BODY - ACCESSORIES CONTINUED



Ref Bod 2-7

BODY - ACCESSORIES CONTINUED

Where applicable, THE USE OF NON UL PARTS WILL VOID ANY UL LISTING.

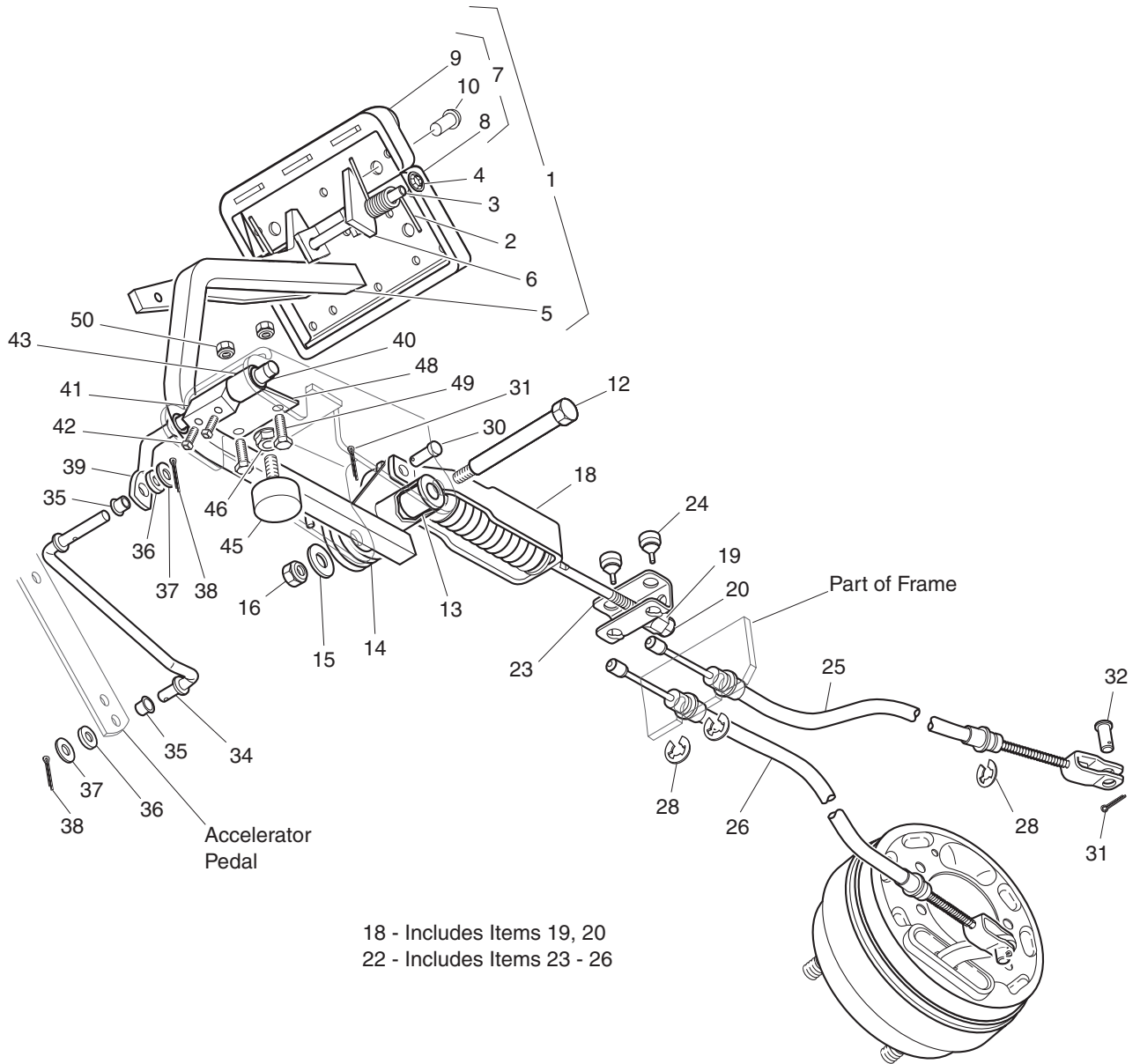
When ordering parts, please specify the model and serial number of the product.

* Indicates a component that is not available as an individual part.

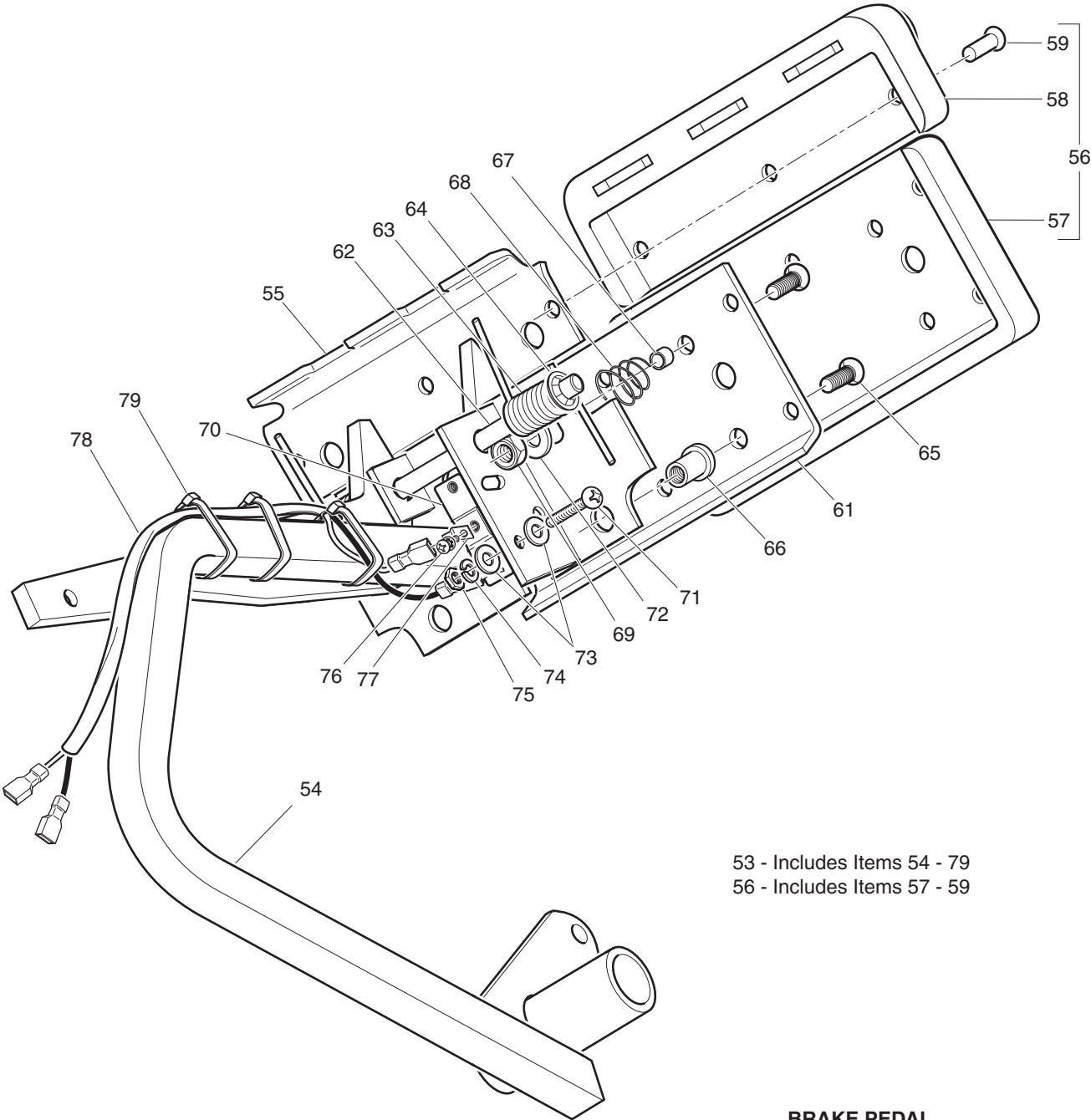
G** Indicates consult Customer Service Department for additional information.

ITEM	PART NO.	1	2	3	4	5	DESCRIPTION	QTY.
1	75355-G01						FOUR BAG ATTACHMENT KIT (INCLUDES ITEMS 2 - 18)	1
2	*						TOP ASSEMBLY	1
3	*						BOTTOM ASSEMBLY	1
4	17651-G2						CLEVIS PIN, 5/16 X 1 1/8" LG.....	1
5	28129-G01						PUSH NUT, 5/16".....	1
6	17651-G2						CLEVIS PIN, 5/16 X 1 1/8" LG.....	1
7	17651-G3						CLEVIS PIN, 5/16 X 1/2" LG.....	2
8	00559-G8						WASHER, 5/16"	3
9	28129-G01						PUSH NUT, 5/16".....	3
10	*						CLEVIS PIN 3/8 X 1 1/4" LG.....	2
11	00560-G1						WASHER, 3/8"	2
12	*						PUSH NUT, 3/8".....	2
13	13728-G1						RUBBER BUMPER.....	2
14	00150-G6						SCREW, #10 - 24 X 3/4" LG	2
15	00559-G5						WASHER, #10	2
16	00565-G5						LOCK WASHER, #10	2
17	00526-G3						NUT, #10 - 24.....	2
18	*						LABEL (WARNING)	1
19								
20								
21								
22								
23	75109-G02						ASH TRAY KIT (INCLUDES ITEMS 24 - 27)	1
24	27731-G01						ASH TRAY	1
25	27736-G01						GASKET	1
26	75108-G01						BRACKET	1
27	00100-G4						SCREW, #10 - 16 X 1/2" LG	4

BRAKES



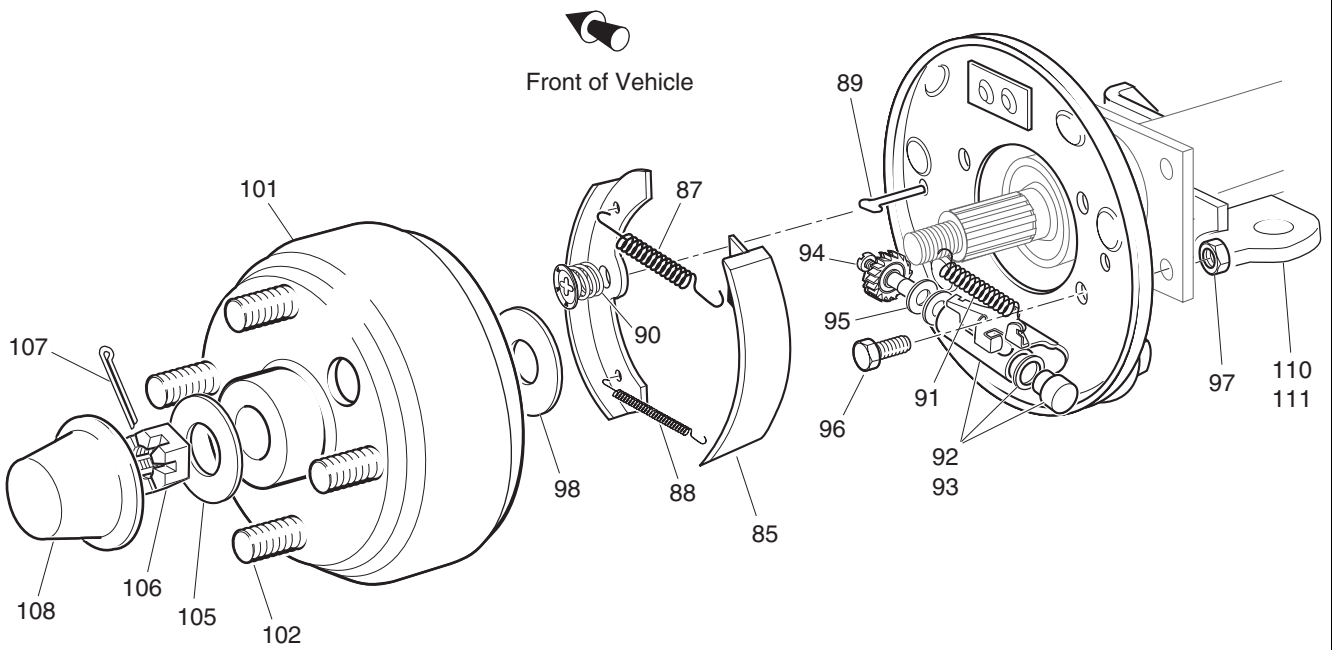
Ref Brk 1-1



**BRAKE PEDAL
(VEHICLE WITH BRAKE LIGHTS)**

Ref Brk 1-2

BRAKES



- 82 - Includes Items 84 - 92, 94, 95
- 83 - Includes Items 84 - 91, 93 - 95
- 84 - Includes Items 85
- 86 - Includes Items 87 - 91
- 92 - Includes Items 94, 95
- 93 - Includes Items 94, 95
- 100 - Includes Items 101, 102

Ref Brk 1-3

BRAKES

Where applicable, THE USE OF NON UL PARTS WILL VOID ANY UL LISTING.

When ordering parts, please specify the model and serial number of the product.

* Indicates a component that is not available as an individual part.

G** Indicates consult Customer Service Department for additional information.

ITEM	PART NO.	1 2 3 4 5	DESCRIPTION	QTY.
1	70612-G01		BRAKE PEDAL ASSEMBLY (WITHOUT BRAKE LIGHTS) (INCLUDES ITEMS 2 - 10).....	1
2	70681-G01		TORSION SPRING.....	2
3	70682-G01		PIVOT PIN.....	1
4	01071-G01		PUSHNUT, 5/16".....	2
5	*		BRAKE PEDAL.....	1
6	70611-G01		PARK BRAKE PEDAL.....	1
7	70274-G01		BRAKE/PARK BRAKE PEDAL PAD KIT (INCLUDES ITEMS 8 - 10).....	1
8	*		SERVICE BRAKE PAD.....	1
9	*		PARK BRAKE PEDAL PAD.....	1
10	15766-G1		OVAL RIVET, 3/16" X 7/16" LG.....	9
11				
12	70582-G01		SHOULDER BOLT, 3/8 - 16 X 4" LG (STAINLESS STEEL).....	1
13	70581-G01		FLANGED BUSHING.....	2
14	70676-G01		TORSION SPRING.....	1
15	00643-G1		WASHER, 3/8".....	1
16	11098-G5		LOCK NUT, 3/8 - 16.....	1
17				
18	70272-G04		COMPENSATOR ASSEMBLY (INCLUDES ITEMS 19, 20).....	1
19	00963-G01		SPHERICAL NUT, 5/16 - 24.....	1
20	11098-G9		LOCK NUT, 5/16 - 24.....	1
21				
22	70969-G03		EQUALIZER AND BRAKE CABLE ASSEMBLY (INCLUDES ITEMS 23 - 26)....	1
23	28082-G01		EQUALIZER BRACKET.....	1
24	28083-G01		BRAKE COMPENSATOR BUMPER.....	2
25	*		BRAKE CABLE (DRIVER SIDE).....	1
26	*		BRAKE CABLE (PASSENGER SIDE).....	1
27				
28	01111-G01		RETAINING RING, 4/5" (STAINLESS STEEL).....	4
29				

BRAKES

Where applicable, THE USE OF NON UL PARTS WILL VOID ANY UL LISTING.

When ordering parts, please specify the model and serial number of the product.

* Indicates a component that is not available as an individual part.

G** Indicates consult Customer Service Department for additional information.

ITEM	PART NO.	1 2 3 4 5	DESCRIPTION	QTY.
30	10386-G3		CLEVIS PIN, 5/16" X 13/16" LG	1
31	10387-G3		COTTER PIN, 3/32" X 3/4" LG	3
32	14443-G2		CLEVIS PIN, 5/16" X 5/8" LG	2
33				
34	70601-G01		KICK-OFF LINK.....	1
35	17838-G1		NYLON BUSHING.....	2
36	20835-G1		TEFLON WASHER, 3/8"	2
37	00559-G8		WASHER, 5/16"	2
38	10387-G3		COTTER PIN, 3/32" X 3/4" LG	2
39	70098-G01		KICK-OFF CAM PIVOT.....	1
40	10097-G6		FLANGED BEARING	2
41	70587-G01		KICK-OFF CAM.....	1
42	71215-G01		SETSCREW, 1/4 - 20 X 1/2" LG.....	2
43	14134-G4		SPACER.....	1
44				
45	70113-G01		ADJUSTABLE BUMPER	1
46	11027-G1		LOCK NUT, 5/16 - 18	1
47				
48	70080-G01		CATCH BRACKET	1
49	00414-G6		BOLT, 1/4 - 20 X 3/4" LG	2
50	00654-G2		LOCK NUT, 1/4 - 20 (STAINLESS STEEL)	2
51				
52				
53	70690-G01		BRAKE PEDAL ASSEMBLY (WITH BRAKE LIGHTS) (INCLUDES ITEMS 54 - 79).....	1
54	*		BRAKE PEDAL.....	1
55	70611-G01		PARK BRAKE PEDAL	1
56	70274-G01		BRAKE/PARK BRAKE PEDAL PAD KIT (INCLUDES ITEMS 57 - 59).....	1
57	*		SERVICE BRAKE PAD	1
58	*		PARK BRAKE PAD.....	1

BRAKES

Where applicable, THE USE OF NON UL PARTS WILL VOID ANY UL LISTING.

When ordering parts, please specify the model and serial number of the product.

* Indicates a component that is not available as an individual part.

G** Indicates consult Customer Service Department for additional information.

ITEM	PART NO.	1	2	3	4	5	DESCRIPTION	QTY.
59	15766-G1						OVAL RIVET, 3/16" x 7/16" LG	9
60								
61	70258-G02						BRAKE PEDAL PLATE	1
62	70682-G01						PIVOT PIN	1
63	70681-G01						TORSION SPRING	2
64	12064-G1						PUSHNUT, 5/16"	1
65	00737-G8						SCREW, #10 - 24 X 7/8" LG	4
66	00739-G1						RUBBER NUT, #10 - 24.....	2
67	22362-G3						BRAKE PEDAL STANDOFF	2
68	27137-G01						CONICAL SPRING	2
69	11098-G7						LOCK NUT, #10 - 24.....	2
70	10606-G8						MICRO SWITCH.....	1
71	00957-G1						BOLT, #6 - 32 X 1 1/4" LG.....	2
72	00559-G5						WASHER, #10	2
73	00559-G3						WASHER, #6	4
74	00565-G3						LOCK WASHER, #6	2
75	00525-G5						NUT, #6 - 32.....	2
76	13514-G1						SCREW AND LOCK WASHER, #6 - 32 X 1/4" (BRASS)	2
77	14628-G1						PUSH ON MALE TERMINAL.....	2
78	24605-G1						WIRE HARNESS (BRAKE LIGHT)	1
79	17618-G1						WIRE TIE	3
80								
81								
82	70998-G01						BRAKE ASSEMBLY (DRIVER SIDE) (INCLUDES ITEMS 84 - 92, 94, 95)	1
83	70998-G02						BRAKE ASSEMBLY (PASSENGER SIDE) (INCLUDES ITEMS 84 - 91, 93 - 95)	1
84	70794-G01						BRAKE SHOE KIT (INCLUDES ITEM 85).....	2
85	*						BRAKE SHOE	2
86	27944-G01						BRAKE SPRING KIT (INCLUDES ITEMS 87 - 91).....	2
87	*						UPPER SPRING	1

BRAKES

Where applicable, THE USE OF NON UL PARTS WILL VOID ANY UL LISTING.

When ordering parts, please specify the model and serial number of the product.

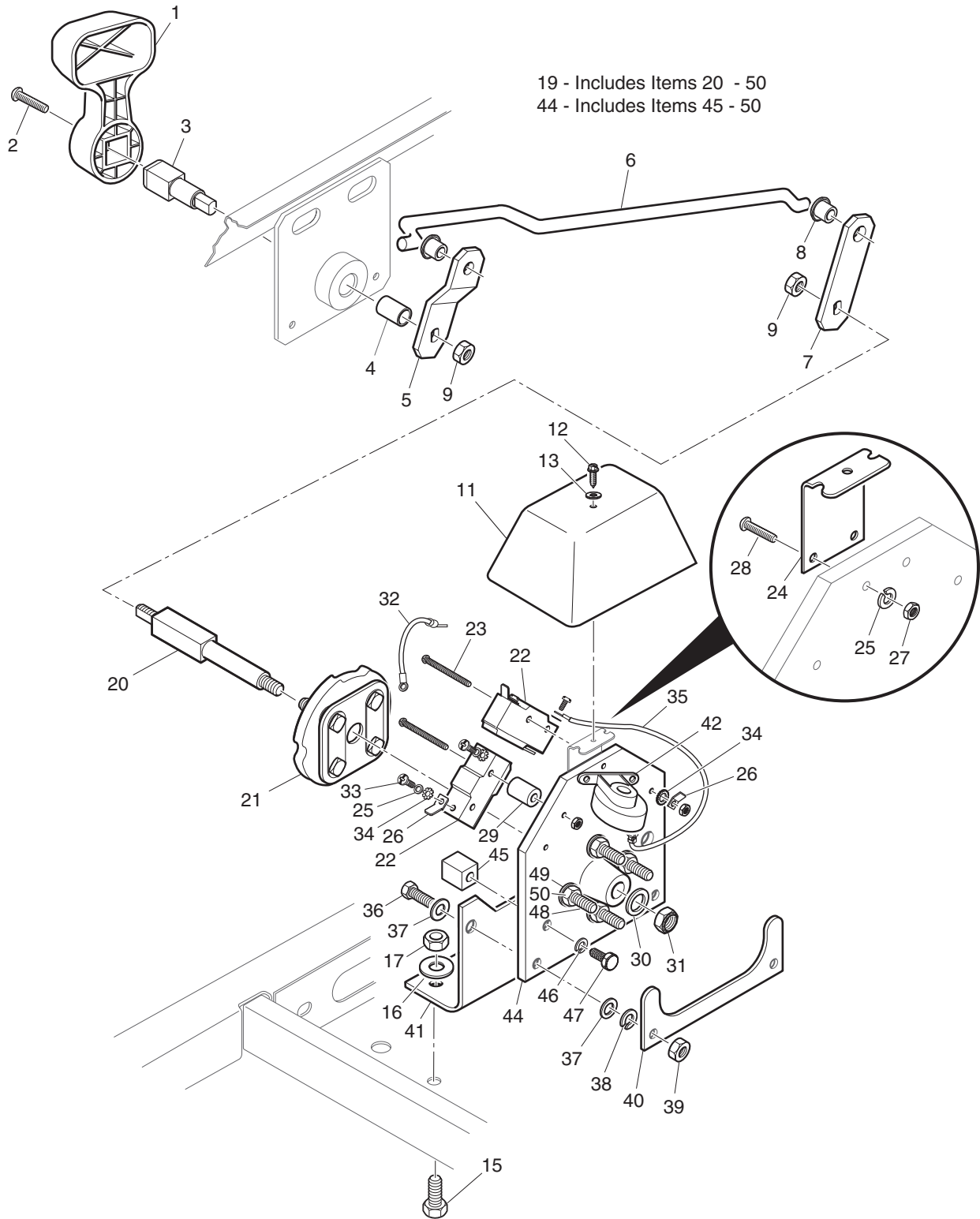
* Indicates a component that is not available as an individual part.

G** Indicates consult Customer Service Department for additional information.

ITEM	PART NO.	1	2	3	4	5	DESCRIPTION	QTY.
88	*						LOWER SPRING	1
89	*						PIN	2
90	*						CUP AND SPRING	2
91	*						ADJUSTER SPRING.....	1
92	72582-G01						BRAKE ADJUSTER KIT (DRIVER SIDE) (INCLUDES ITEMS 94, 95)	1
93	72582-G02						BRAKE ADJUSTER KIT (PASSENGER SIDE) (INCLUDES ITEMS 94, 95)	1
94	*						ADJUSTER	1
95	*						TEFLON WASHER.....	2
96	17083-G2						BOLT, 5/16 - 24 X 1" LG	8
97	15126-G1						LOCK NUT, 5/16 - 24	8
98	15485-G1						WASHER, 13/16"	2
99								
100	19186-G1						BRAKE DRUM ASSEMBLY (INCLUDES ITEMS 101 - 102).....	2
101	*						BRAKE DRUM	1
102	19862-G1						LUG BOLT, 1/2 - 20 X 1 3/16" LG	4
103								
104								
105	15487-G1						WASHER, 1 3/8" O.D. X 21/32"	2
106	15483-G1						CASTELLATED NUT, 5/8 - 18	2
107	10387-G1						COTTER PIN, 1/8" X 1 1/2" LG	2
108	74175-G01						SPINDLE CAP.....	2
109								
110	72036-G01						BRAKE CABLE BRACKET (PASSENGER SIDE).....	1
111	72036-G02						BRAKE CABLE BRACKET (DRIVER SIDE)	1

DIRECTION SELECTOR

*NOTE: For PDS Direction Selector See ELECTRICAL SYSTEM Section



Ref Dsl 1-1

DIRECTION SELECTOR

Where applicable, THE USE OF NON UL PARTS WILL VOID ANY UL LISTING.

When ordering parts, please specify the model and serial number of the product.

* Indicates a component that is not available as an individual part.

G** Indicates consult Customer Service Department for additional information.

ITEM	PART NO.	1 2 3 4 5	DESCRIPTION	QTY.
1	71205-G01		DIRECTION SELECTOR HANDLE.....	1
2	00740-G4		SCREW, #10 - 32 X 1/2" LG (STAINLESS STEEL)	1
3	70233-G01		DIRECTION SELECTOR SHAFT.....	1
4	25664-G2		BUSHING	1
5	70334-G01		OFFSET SHIFT LINKAGE ARM	1
6	70313-G01		LINKAGE ROD.....	1
7	70232-G03		SHIFT LINKAGE ARM	1
8	22754-G3		BUSHING	2
9	14390-G1		LOCK NUT, 3/8 - 24	2
10				
11	73049-G01		DIRECTION SELECTOR COVER.....	1
12	00114-G6		SCREW, 1/4 - 14 X 3/4" LG.....	1
13	16469-G7		WASHER, 1/4"	1
14				
15	00438-G6		BOLT, 5/16 - 18 X 3/4" LG	2
16	01110-G03		WASHER, 5/16" (STAINLESS STEEL)	2
17	01109-G01		LOCK NUT, 5/16 - 18 (STAINLESS STEEL)	2
18				
19	70578-G01		DIRECTION SELECTOR ASSEMBLY (INCLUDES ITEMS 20 - 50)	1
20	73027-G01		DIRECTION SELECTOR SHAFT	1
21	12835-G1		CAM.....	1
22	10606-G2		MICRO SWITCH.....	2
23	00645-G7		SCREW, #6 - 32 X 2" LG	4
24	73048-G01		COVER BRACKET	1
25	00565-G3		LOCK WASHER, #6	6
26	14628-G1		PUSH ON MALE TERMINAL.....	3
27	00525-G5		NUT, #6 - 32.....	6
28	00645-G5		SCREW, #6 - 32 X 5/8" LG	2
29	12806-G1		SPACER	4
30	00560-G1		WASHER, 3/8"	1

DIRECTION SELECTOR

Where applicable, THE USE OF NON UL PARTS WILL VOID ANY UL LISTING.

When ordering parts, please specify the model and serial number of the product.

* Indicates a component that is not available as an individual part.

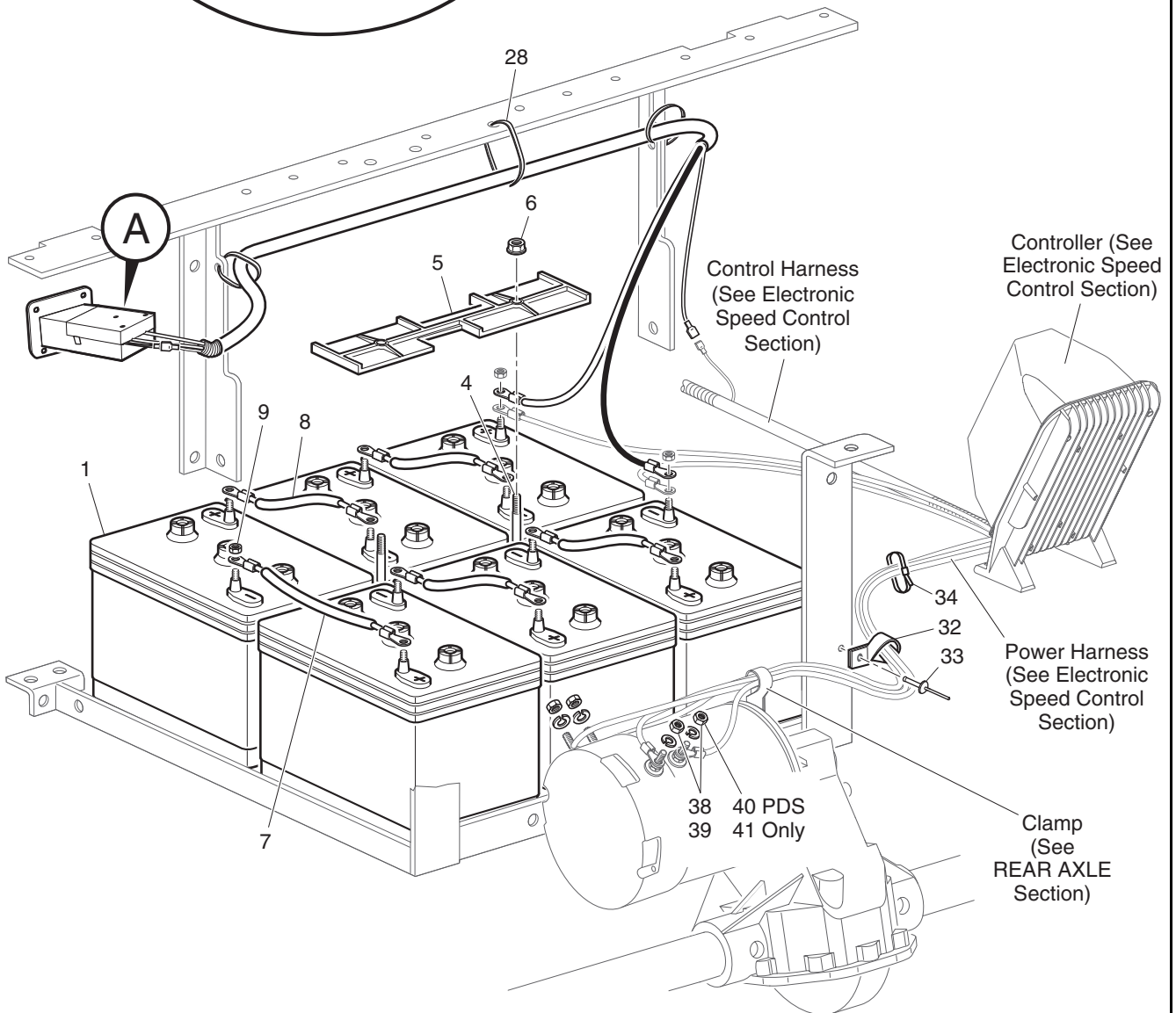
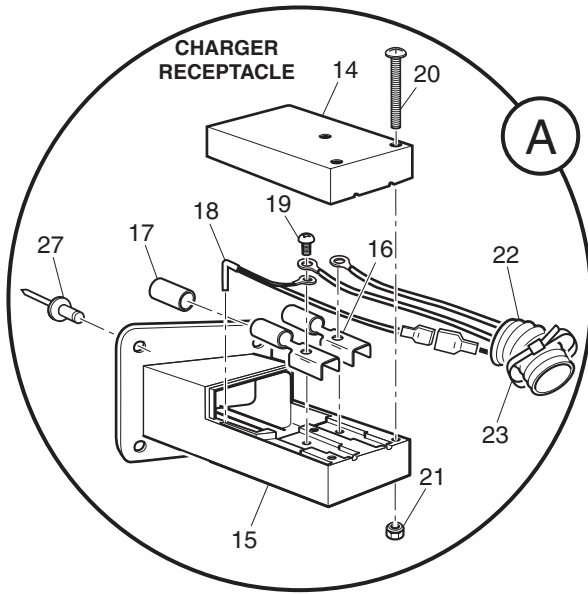
G** Indicates consult Customer Service Department for additional information.

ITEM	PART NO.	1	2	3	4	5	DESCRIPTION	QTY.
31	14390-G1						LOCK NUT, 3/8 - 24	1
32	25978-G37						18 GA WIRE (RED 4")	1
33	13514-G1						SCREW.....	4
34	00567-G3						LOCK WASHER, #6	4
35	25978-G343						18 GA WIRE (RED 6")	1
36	00661-G8						BOLT, 1/4 - 20 X 1" LG (STAINLESS STEEL)	2
37	01110-G01						WASHER, 1/4" (STAINLESS STEEL).....	4
38	00664-G7						LOCK WASHER, 1/4" (STAINLESS STEEL).....	2
39	00532-G1						NUT, 1/4 - 20.....	2
40	15461-G1						SUPPORT BRACKET.....	1
41	73031-G01						DIRECTION SELECTOR MOUNTING BRACKET	1
42	73290-G02						REVERSE WARNING BUZZER (CONTINUOUS TONE).....	1
43								
44	14651-G1						CONTACT BOARD ASSEMBLY (INCLUDES ITEMS 45 - 50)	1
45	24940-G1						STOP.....	2
46	00664-G7						LOCK WASHER, 1/4" (STAINLESS STEEL)	2
47	00414-G6						BOLT, 1/4 - 20 X 3/4" LG	2
48	18888-G1						CONTACT STUD, 5/16 - 18	4
49	00565-G8						LOCK WASHER, 5/16".....	4
50	00544-G3						NUT, 5/16 - 18	4

DIRECTION SELECTOR

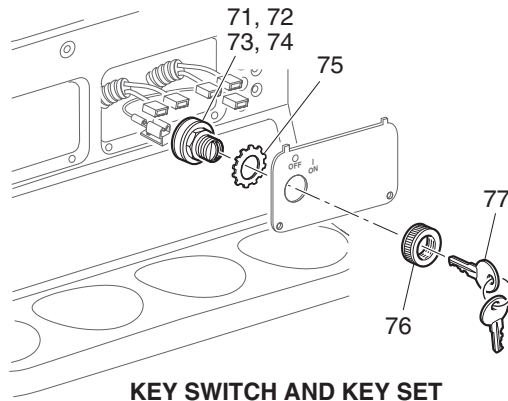
ELECTRICAL SYSTEM - COMMON

13 - Includes Items 14 - 23



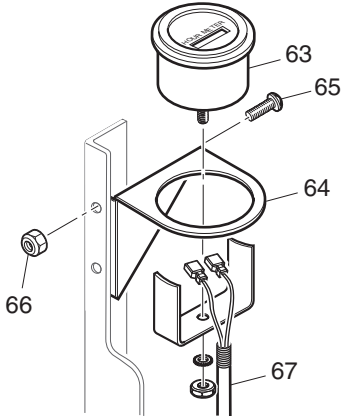
Ref Ele 1-1

ELECTRICAL SYSTEM - COMMON

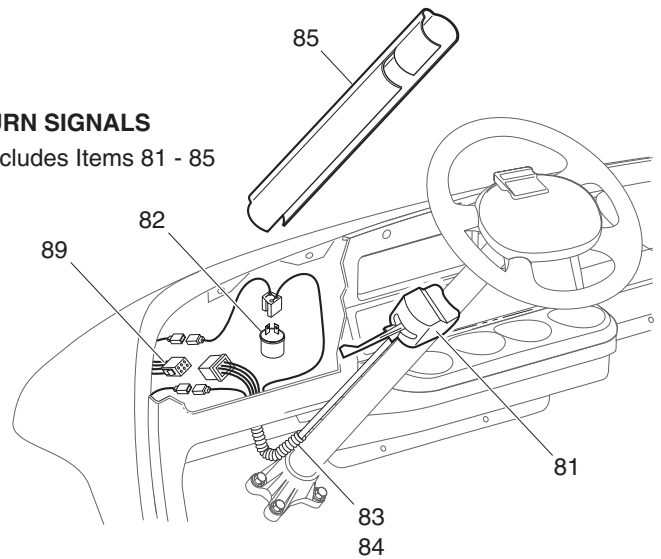


KEY SWITCH AND KEY SET

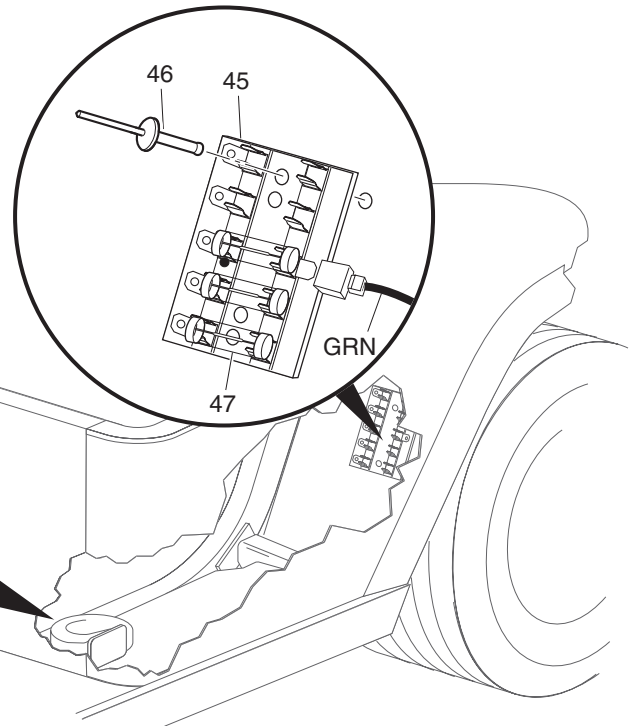
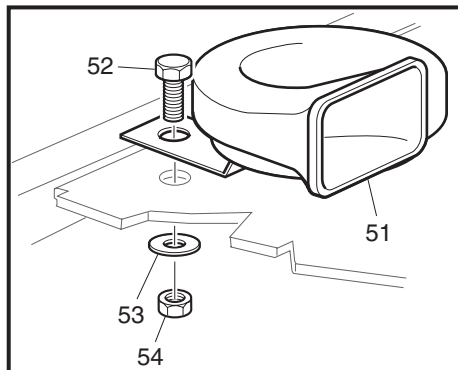
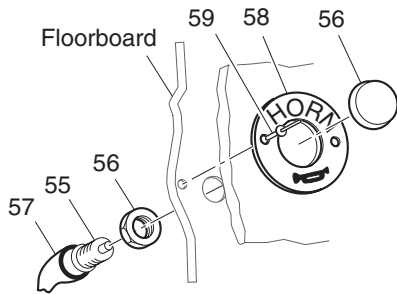
HOUR METER DETAIL
62 - Includes Items 63 - 67



TURN SIGNALS
80 - Includes Items 81 - 85

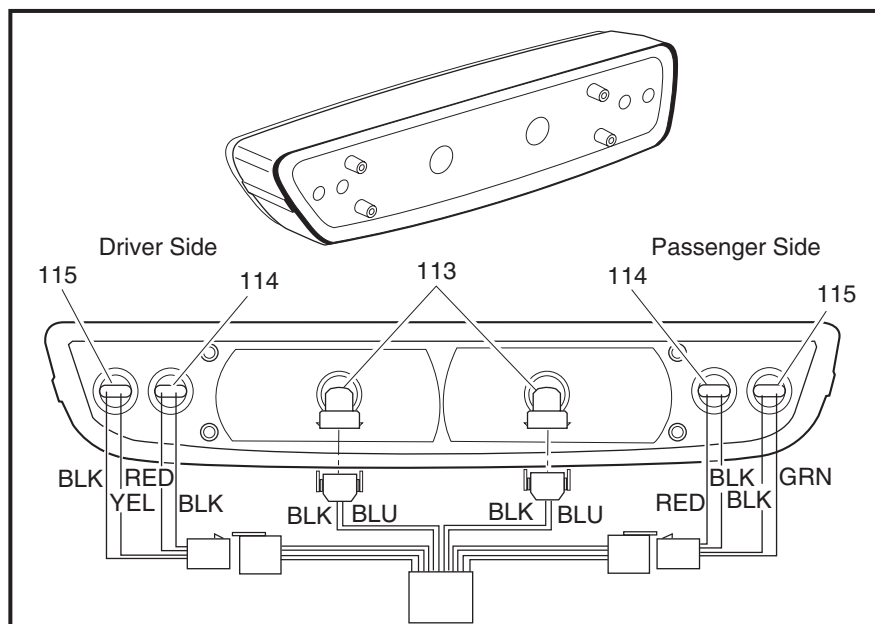
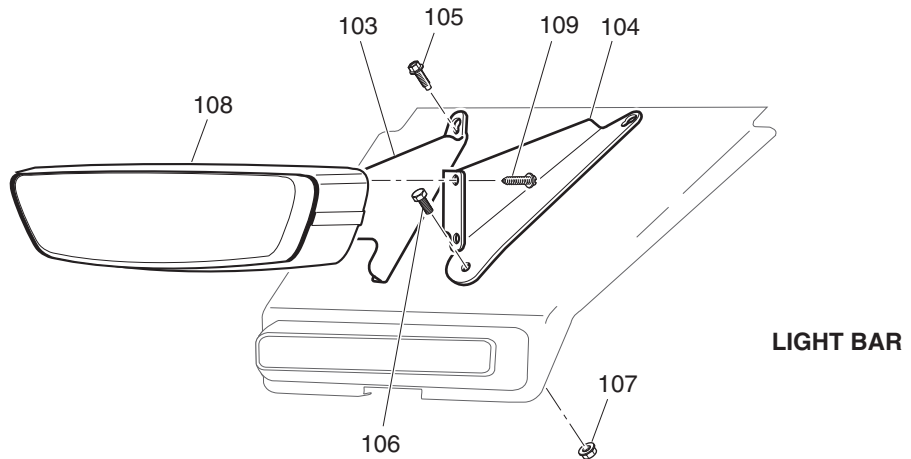
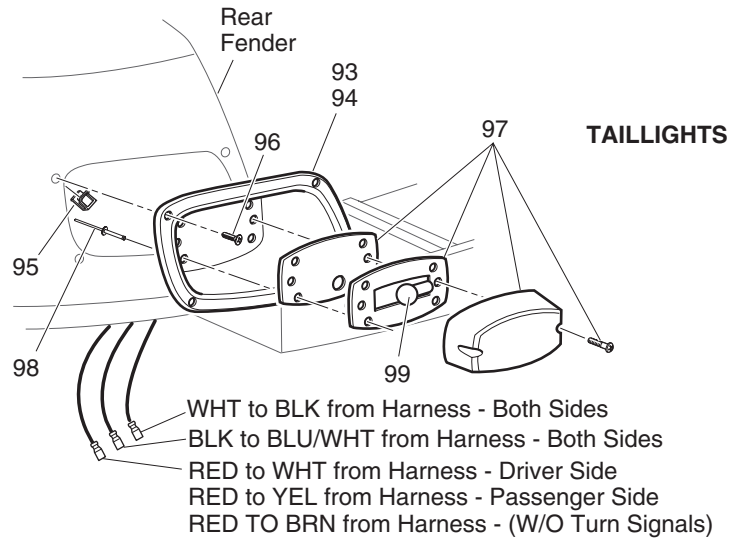


HORN BUTTON



Ref Ele 1-2

ELECTRICAL SYSTEM - COMMON



Ref Ele 1-3

ELECTRICAL SYSTEM - COMMON

Where applicable, THE USE OF NON UL PARTS WILL VOID ANY UL LISTING.

When ordering parts, please specify the model and serial number of the product.

* Indicates a component that is not available as an individual part.

G** Indicates consult Customer Service Department for additional information.

ITEM	PART NO.	1	2	3	4	5	DESCRIPTION	QTY.
1	XXXXX-GXX						6 VOLT BATTERY	6
2								
3								
4	01101-G01						HOLD DOWN BOLT (STAINLESS STEEL).....	2
5	70045-G01						BATTERY RETAINER	1
6	11027-G1						LOCK NUT, 5/16 - 18	2
7	25972-G32						6 GA WIRE (BATTERY INTERCONNECT, BLACK, 10 1/2")	1
8	25972-G40						6 GA WIRE (BATTERY INTERCONNECT, 6").....	4
9	00702-G2						NUT, 5/16 - 18	12
10								
11								
12								
13	73063-G01						CHARGER RECEPTACLE ASSEMBLY (INCLUDES ITEMS 14 - 23).....	1
14	*						RECEPTACLE COVER	1
15	*						RECEPTACLE BOTTOM	1
16	73051-G05						FEMALE CONNECTOR	2
17	73051-G06						INSULATOR SLEEVE.....	1
18	73051-G28						REED SWITCH.....	1
19	73051-G08						SCREW, #10 - 32 X 1/2" LG (BRASS)	2
20	73051-G09						SCREW, #6 - 32 X 1 3/4" LG (STAINLESS STEEL).....	3
21	73051-G10						LOCK NUT, #6 - 32.....	3
22	*						WIRE HARNESS (CHARGER).....	1
23	17618-G1						WIRE TIE	2
24								
25								
26								
27	71055-G01						RIVET, 3/16" X 1" LG (ALUMINUM).....	4
28	17618-G1						WIRE TIE	3
29								
30								

ELECTRICAL SYSTEM - COMMON

Where applicable, THE USE OF NON UL PARTS WILL VOID ANY UL LISTING.

When ordering parts, please specify the model and serial number of the product.

* Indicates a component that is not available as an individual part.

G** Indicates consult Customer Service Department for additional information.

ITEM	PART NO.	1	2	3	4	5	DESCRIPTION	QTY.
31								
32	27327-G02						CABLE CLAMP	1
33	10570-G11						RIVET, 3/16" X 3/4" LG (STAINLESS STEEL)	1
34	17618-G1						WIRE TIE	8
35								
36								
37								
38	00993-G01						LOCK WASHER, 5/16" (SILICON BRONZE)	AR
39	28418-G01						NUT, 5/16 - 18 (BRASS).....	AR
40	00993-G02						LOCK WASHER, 1/4" (SILICON BRONZE)	2
41	28418-G02						NUT, 1/4 - 20 (BRASS).....	2
42								
43								
44								
45	22674-G1						FUSE BLOCK.....	1
46	01041-G01						RIVET, 1/8" X 13/16" LG	2
47	18392-G1						15 AMP FUSE	AR
48								
49								
50								
51	32860-G1						HORN.....	1
52	00414-G5						BOLT, 1/4 - 20 X 5/8" LG	1
53	01110-G01						WASHER, 1/4" (STAINLESS STEEL)	1
54	00654-G2						LOCK NUT, 1/4 - 20 (STAINLESS STEEL)	1
55	17318-G1						HORN SWITCH.....	1
56	17318-G2						HORN SWITCH CAP AND NUT	1
57	27068-G01						HORN SWITCH BOOT	1
58	19233-G1						HORN SWITCH LABEL	1
59	71055-G01						RIVET, 3/16" X 1" LG (ALUMINUM).....	2
60								

ELECTRICAL SYSTEM - COMMON

Where applicable, THE USE OF NON UL PARTS WILL VOID ANY UL LISTING.

When ordering parts, please specify the model and serial number of the product.

* Indicates a component that is not available as an individual part.

G** Indicates consult Customer Service Department for additional information.

ITEM	PART NO.	1	2	3	4	5	DESCRIPTION	QTY.
61								
62	75113-G02						HOUR METER KIT (INCLUDES ITEMS 63 - 67)	1
63	21573-G1						HOUR METER.....	1
64	74019-G01						HOUR METER BRACKET	1
65	00150-G4						SCREW, #10 - 24 X 1/2" LG	2
66	11098-G7						LOCK NUT, #10 - 24	2
67	75117-G02						WIRE HARNESS (HOUR METER).....	1
68								
69								
70								
71	17421-G1						KEY SWITCH KIT (W/O LIGHTS - STANDARD - WITH HARDWARE)	1
72	17955-G1						KEY SWITCH (WITHOUT LIGHTS - NON STANDARD)	1
73	18027-G1						KEY SWITCH (WITHOUT LIGHTS - INDIVIDUALLY KEYED)	1
74	33639-G**						KEY SWITCH (WITH LIGHTS)	1
75	00568-G6						LOCK WASHER, 3/4"	1
76	17137-G1						FACE NUT, 3/4 - 20	1
77	17063-G1						KEY (SET)	1
78								
79								
80	75107-G02						TURN SIGNAL KIT (INCLUDES ITEMS 81 - 85)	1
81	17867-G1						TURN SIGNAL (WITH MOUNTING HARDWARE).....	1
82	21640-G1						TURN SIGNAL FLASHER.....	1
83	32307-G3						FLEX LOOM, 3/8" X 8" LG.....	1
84	17618-G1						WIRE TIE	2
85	20965-G3						STEERING COLUMN COVER	1
86								
87								
88								
89	73043-G01						WIRE HARNESS (ACCESSORY).....	1
90								

ELECTRICAL SYSTEM - COMMON

Where applicable, THE USE OF NON UL PARTS WILL VOID ANY UL LISTING.

When ordering parts, please specify the model and serial number of the product.

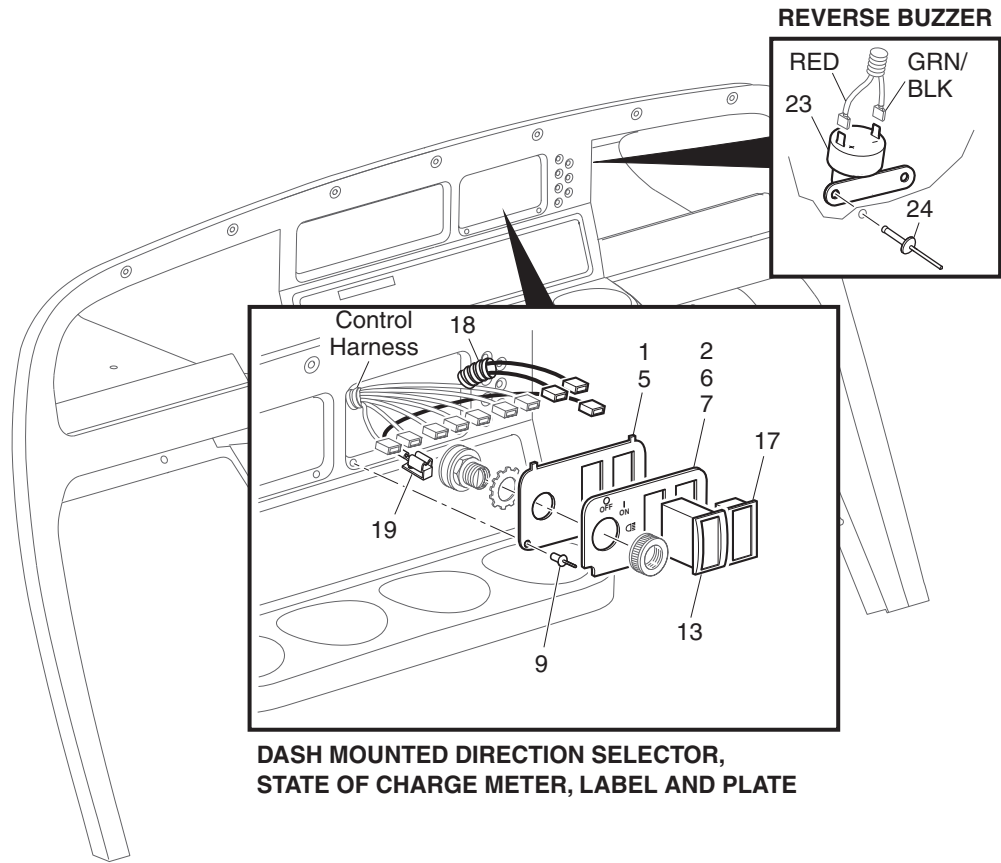
* Indicates a component that is not available as an individual part.

G** Indicates consult Customer Service Department for additional information.

ITEM	PART NO.	1	2	3	4	5	DESCRIPTION	QTY.
91								
92								
93	74371-G01						BEZEL (DRIVER SIDE).....	1
94	74371-G02						BEZEL (PASSENGER SIDE)	1
95	71364-G02						'J' CLIP	8
96	71425-G01						COUNTERSUNK SCREW, #8	8
97	22288-G2						BRAKE / TAILLIGHT LAMP.....	1
98	14601-G11						RIVET, 3/16" X 9/16" LG (ALUMINUM).....	4
99	21759-G1						TAILLIGHT BULB	AR
100								
101								
102								
103	74236-G01						HEADLIGHT MOUNT BRACKET (PASSENGER SIDE).....	1
104	74236-G02						HEADLIGHT MOUNT BRACKET (DRIVER SIDE)	1
105	01038-G01						BOLT, 1/4 - 20 X 11/16" LG	2
106	00414-G6						BOLT, 1/4 - 20 X 3/4" LG	2
107	11027-G2						LOCK NUT, 1/4 - 20	2
108	74001-G01						HEADLIGHT AND TURN SIGNAL LIGHT	1
109	00114-G6						SCREW, 1/4 - 14 X 3/4" LG.....	4
110								
111								
112								
113	74004-G01						HEAD LIGHT BULB	AR
114	74005-G01						MARKER LIGHT BULB	AR
115	74006-G01						TURN SIGNAL BULB.....	AR

ELECTRICAL SYSTEM - COMMON

ELECTRICAL SYSTEM - PDS



Ref Ele 1-4

ELECTRICAL SYSTEM - PDS

Where applicable, THE USE OF NON UL PARTS WILL VOID ANY UL LISTING.

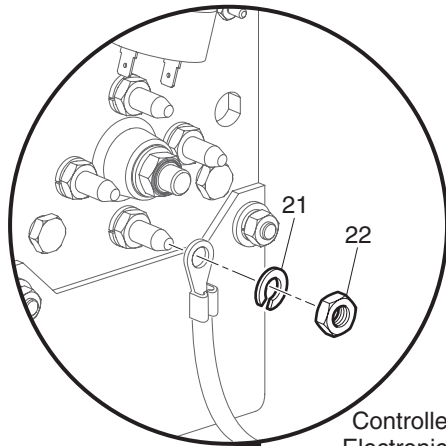
When ordering parts, please specify the model and serial number of the product.

* Indicates a component that is not available as an individual part.

G** Indicates consult Customer Service Department for additional information.

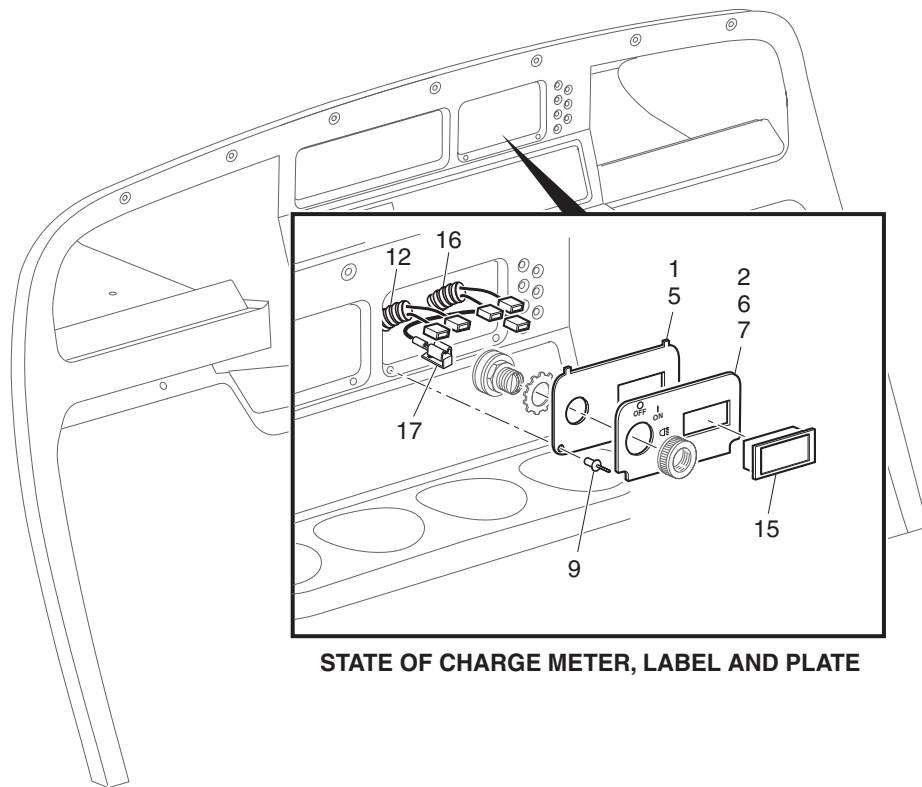
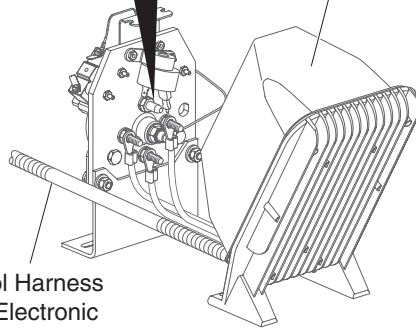
ITEM	PART NO.	1	2	3	4	5	DESCRIPTION	QTY.
1	73030-G05						PLATE (KEY SWITCH, DIRECTION SELECTOR)	1
2	74316-G01						LABEL (KEY SWITCH WITHOUT LIGHTS, DIRECTION SELECTOR).....	1
3								
4								
5	73030-G06						PLATE (KEY SWITCH, DIRECTION SELECTOR, CHARGE METER)	1
6	74320-G01						LABEL (KEY SWITCH WITHOUT LIGHTS, DIRECTION SELECTOR, CHARGE METER)	1
7	74322-G01						LABEL (KEY SWITCH WITH LIGHTS, DIRECTION SELECTOR, CHARGE METER)	1
8								
9	33623-G02						DRIVE RIVET, 3/16" X 3/8" LG	2
10								
11								
12								
13	74323-G01						DIRECTION SELECTOR SWITCH (DASH MOUNTED).....	1
14								
15								
16								
17	33636-G04						STATE OF CHARGE METER (VERTICAL)	1
18	74018-G01						WIRE HARNESS (STATE OF CHARGE METER)	1
19	25978-G74						18 GA WIRE (RED 6").....	1
20								
21								
22								
23	73290-G02						REVERSE WARNING BUZZER (CONTINUOUS TONE)	1
24	01041-G01						RIVET, 1/8" X 13/16" LG	2

ELECTRICAL SYSTEM - SERIES



Controller (See Electronic Speed Control Section)

Control Harness (See Electronic Speed Control Section)



STATE OF CHARGE METER, LABEL AND PLATE

Ref Ele 1-5

ELECTRICAL SYSTEM - SERIES

Where applicable, THE USE OF NON UL PARTS WILL VOID ANY UL LISTING.

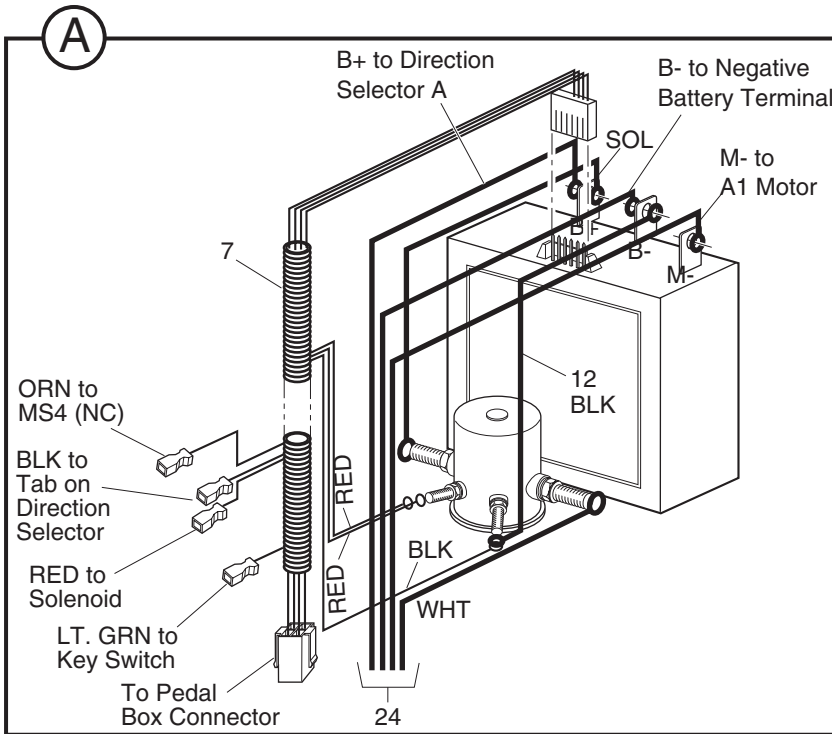
When ordering parts, please specify the model and serial number of the product.

* Indicates a component that is not available as an individual part.

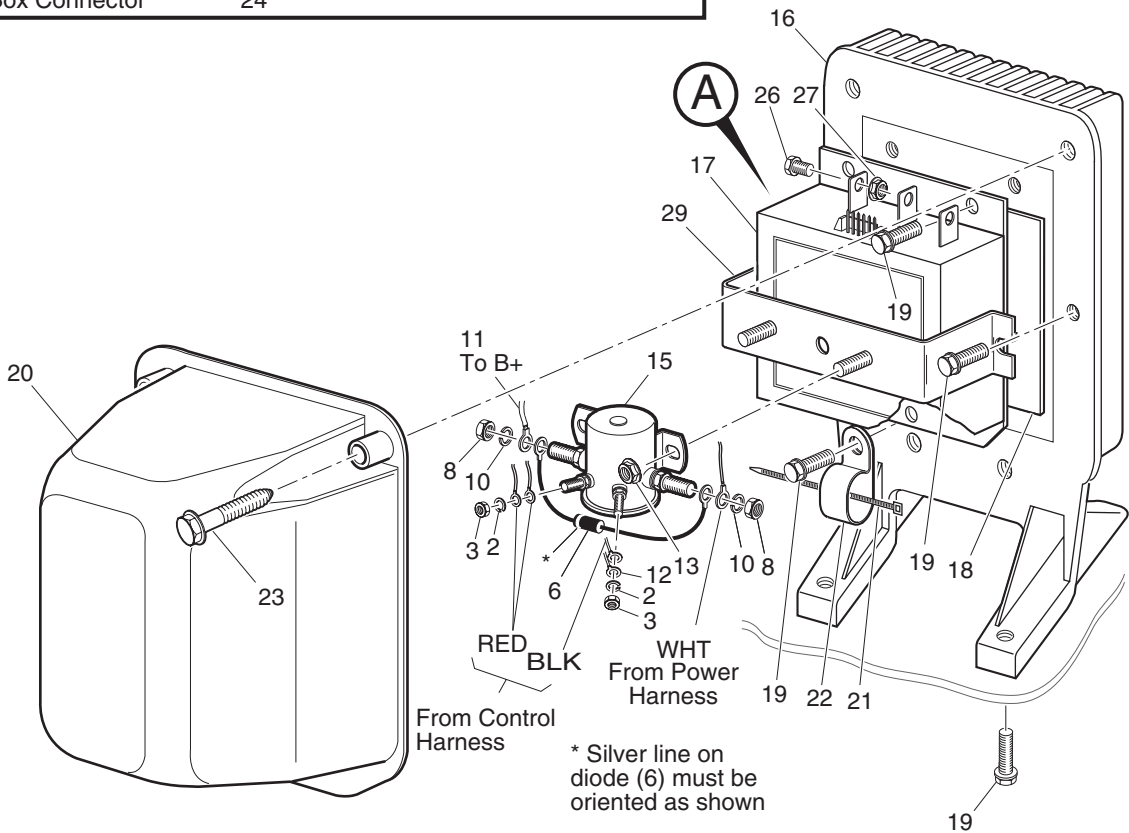
G** Indicates consult Customer Service Department for additional information.

ITEM	PART NO.	1	2	3	4	5	DESCRIPTION	QTY.
1	73030-G01						PLATE (KEY SWITCH ONLY)	1
2	71145-G01						LABEL (KEY SWITCH ONLY)	1
3								
4								
5	73030-G02						PLATE (KEY SWITCH, STATE OF CHARGE METER)	1
6	71123-G02						LABEL (KEY SWITCH W/O LIGHTS, STATE OF CHARGE METER)	1
7	71129-G02						LABEL (KEY SWITCH W/ LIGHTS, STATE OF CHARGE METER)	1
8								
9	33623-G02						DRIVE RIVET, 3/16" X 3/8" LG	2
10								
11								
12	73041-G01						WIRE HARNESS (KEY SWITCH)	1
13								
14								
15	33636-G01						STATE OF CHARGE METER	1
16	74018-G01						WIRE HARNESS (STATE OF CHARGE METER)	1
17	25978-G74						18 GA WIRE (RED 6")	1
18								
19								
20								
21	00565-G8						LOCK WASHER, 5/16"	4
22	00532-G3						NUT, 5/16 - 18	4

ELECTRONIC SPEED CONTROL - SERIES



1 - Includes Items 2 - 29



Ref Esc 1-1

ELECTRONIC SPEED CONTROL - SERIES

Where applicable, THE USE OF NON UL PARTS WILL VOID ANY UL LISTING.

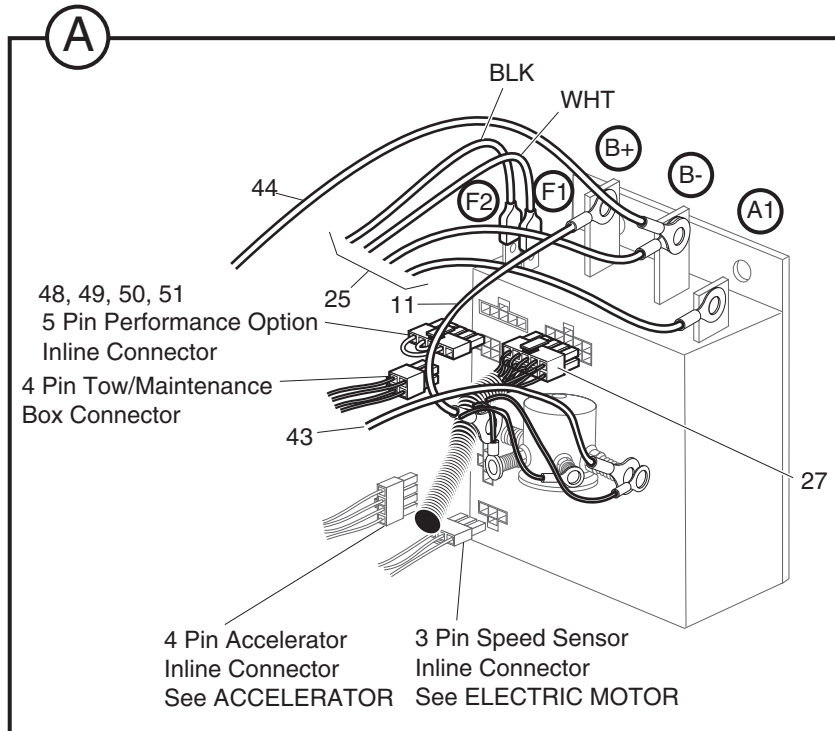
When ordering parts, please specify the model and serial number of the product.

* Indicates a component that is not available as an individual part.

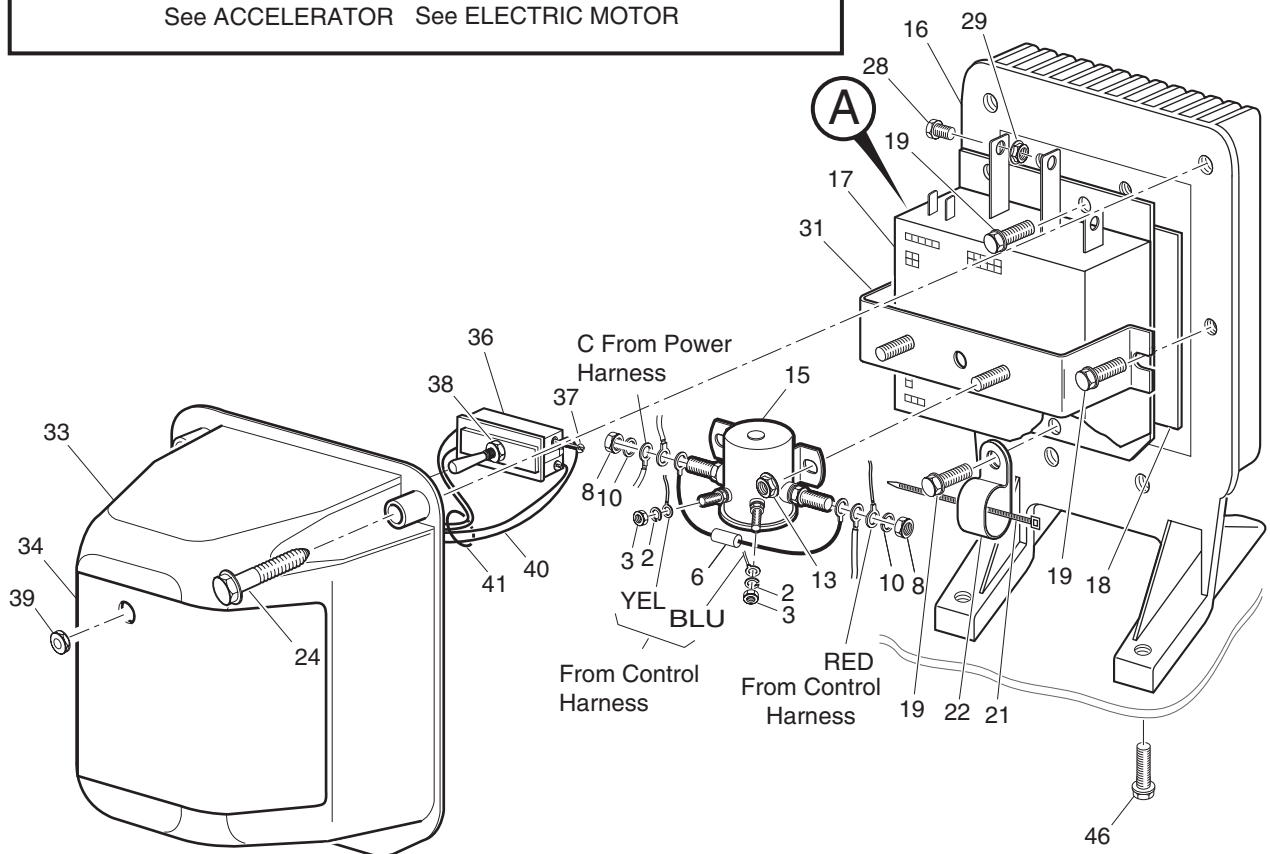
G** Indicates consult Customer Service Department for additional information.

ITEM	PART NO.	1	2	3	4	5	DESCRIPTION	QTY.
1	73056-G04						ELECTRONIC SPEED CONTROL ASSEMBLY (INCLUDES ITEMS 2 - 31).....	1
2	*						LOCK WASHER, #10	2
3	*						NUT, 10 - 32.....	2
4								
5	30353-G1						DIODE, 3 AMP.....	1
6	21764-G1						RESISTOR.....	1
7	73103-G02						WIRE HARNESS (CONTROL)	1
8	*						NUT, 5/16 - 24.....	2
9								
10	*						LOCK WASHER, 5/16"	2
11	25972-G02						6 GA WIRE (SOL - B+).....	1
12	25978-G10						18 GA WIRE (SOL - B-).....	1
13	11027-G2						LOCK NUT, 1/4 - 20	2
14								
15	27855-G01						SOLENOID, 36 VOLT	1
16	73083-G01						HEATSINK	1
17	25864-G05						ELECTRONIC SPEED CONTROLLER	1
18	73190-G01						THERMAL MOUNTING PAD	1
19	71102-G01						BOLT, 1/4 - 20 X 3/4" LG.....	9
20	73028-G01						COVER	1
21	31539-G1						WIRE TIE	1
22	73053-G01						DOUBLE TUBE CLAMP	1
23	71102-G03						BOLT, 1/4 - 20 X 1 3/16" LG.....	3
24	73039-G02						WIRE HARNESS (POWER)	1
25								
26	00270-G5						BOLT, 5/16 - 18 X 5/8" LG.....	3
27	11027-G1						LOCK NUT, 5/16 - 18.....	3
28								
29	25866-G01						SOLENOID BRACKET	1

ELECTRONIC SPEED CONTROL - PDS



- 1 - Includes Items 2 - 44
- 32 - Includes Items 33 - 41
- 36 - Includes Items 37 - 39



Ref Esp 1-1

ELECTRONIC SPEED CONTROL - PDS

Where applicable, THE USE OF NON UL PARTS WILL VOID ANY UL LISTING.

When ordering parts, please specify the model and serial number of the product.

* Indicates a component that is not available as an individual part.

G** Indicates consult Customer Service Department for additional information.

ITEM	PART NO.	1	2	3	4	5	DESCRIPTION	QTY.
1	73276-G02						ELECTRONIC SPEED CONTROL ASSEMBLY (INCLUDES ITEMS 2 - 44).....	1
2	*						LOCK WASHER, #10	2
3	*						NUT, 10 - 32.....	2
4								
5								
6	21764-G1						RESISTOR.....	1
7								
8	*						NUT, 5/16 - 24.....	2
9								
10	*						LOCK WASHER, 5/16"	2
11	25972-G56						6 GA WIRE (BLACK 6", C - B+).....	1
12								
13	11027-G2						LOCK NUT, 1/4 - 20	2
14								
15	27855-G01						SOLENOID, 36 VOLT	1
16	73083-G01						HEATSINK	1
17	73326-G02						ELECTRONIC SPEED CONTROLLER	1
18	73190-G01						THERMAL MOUNTING PAD	1
19	71102-G01						BOLT, 1/4 - 20 X 3/4" LG.....	5
20								
21	31539-G1						WIRE TIE	1
22	73053-G01						DOUBLE TUBE CLAMP	1
23								
24	71102-G03						BOLT, 1/4 - 20 X 1 3/16" LG.....	4
25	73106-G01						WIRE HARNESS (POWER)	1
26								
27	74324-G01						WIRE HARNESS (CONTROL)	1
28	00270-G5						BOLT, 5/16 - 18 X 5/8" LG.....	3
29	11027-G1						LOCK NUT, 5/16 - 18.....	3
30								

ELECTRONIC SPEED CONTROL - PDS

Where applicable, THE USE OF NON UL PARTS WILL VOID ANY UL LISTING.

When ordering parts, please specify the model and serial number of the product.

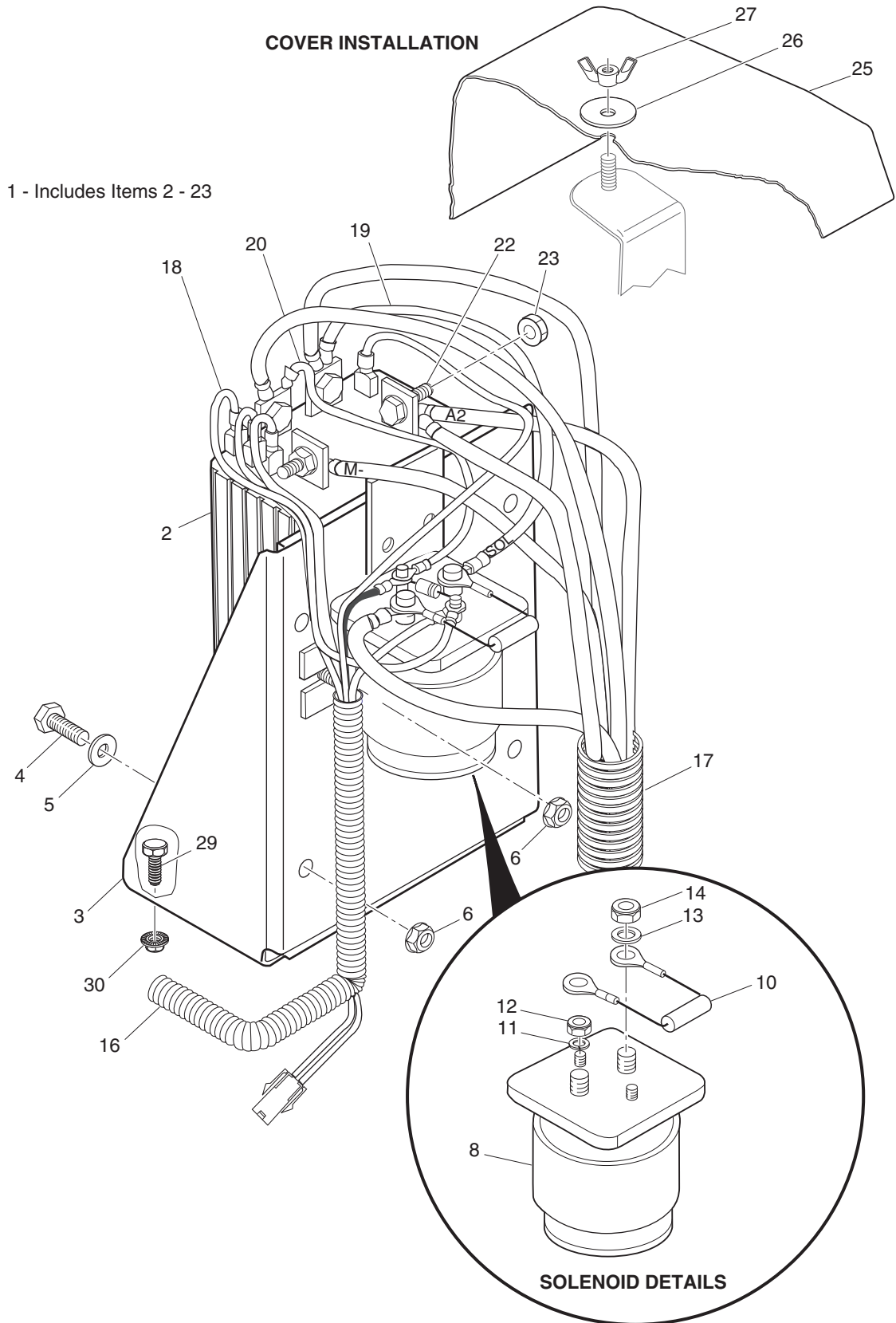
* Indicates a component that is not available as an individual part.

G** Indicates consult Customer Service Department for additional information.

ITEM	PART NO.	1	2	3	4	5	DESCRIPTION	QTY.
31	25866-G01						SOLENOID BRACKET	1
32	73089-G01						COVER ASSEMBLY (INCLUDES ITEMS 33 - 41)	1
33	73028-G02						COVER (WITH GASKET)	1
34	73093-G01						LABEL (TOW SWITCH)	1
35								
36	73125-G01						TOGGLE SWITCH WITH SEAL (INCLUDES ITEMS 37 - 39)	1
37	*						SCREW, #5 - 40.....	4
38	*						NUT, 15/32 - 32.....	1
39	73139-G01						SEALED NUT, 15/32 - 32.....	1
40	73138-G02						WIRE HARNESS (TOW SWITCH).....	1
41	17618-G1						WIRE TIE	1
42								
43	25972-G22						6 GA WIRE (BLACK 27", BL+ TO SOL)	1
44	25972-G32						6 GA WIRE (BLACK 36", BL- TO B-).....	1
45								
46	71102-G01						BOLT, 1/4 - 20 X 3/4" LG	4
47								
48	73272-G01						PERFORMANCE OPTION (FREEDOM) (NOT AVAILABLE FOR FLEET).....	1
49	73272-G02						PERFORMANCE OPTION (STEEP HILL).....	1
50	73272-G03						PERFORMANCE OPTION (MILD HILL)	1
51	73272-G04						PERFORMANCE OPTION (ALL TERRAIN)	1

ELECTRONIC SPEED CONTROL - PDS

ELECTRONIC SPEED CONTROL - HD



Ref Esh 1

ELECTRONIC SPEED CONTROL - HD

Where applicable, THE USE OF NON UL PARTS WILL VOID ANY UL LISTING.

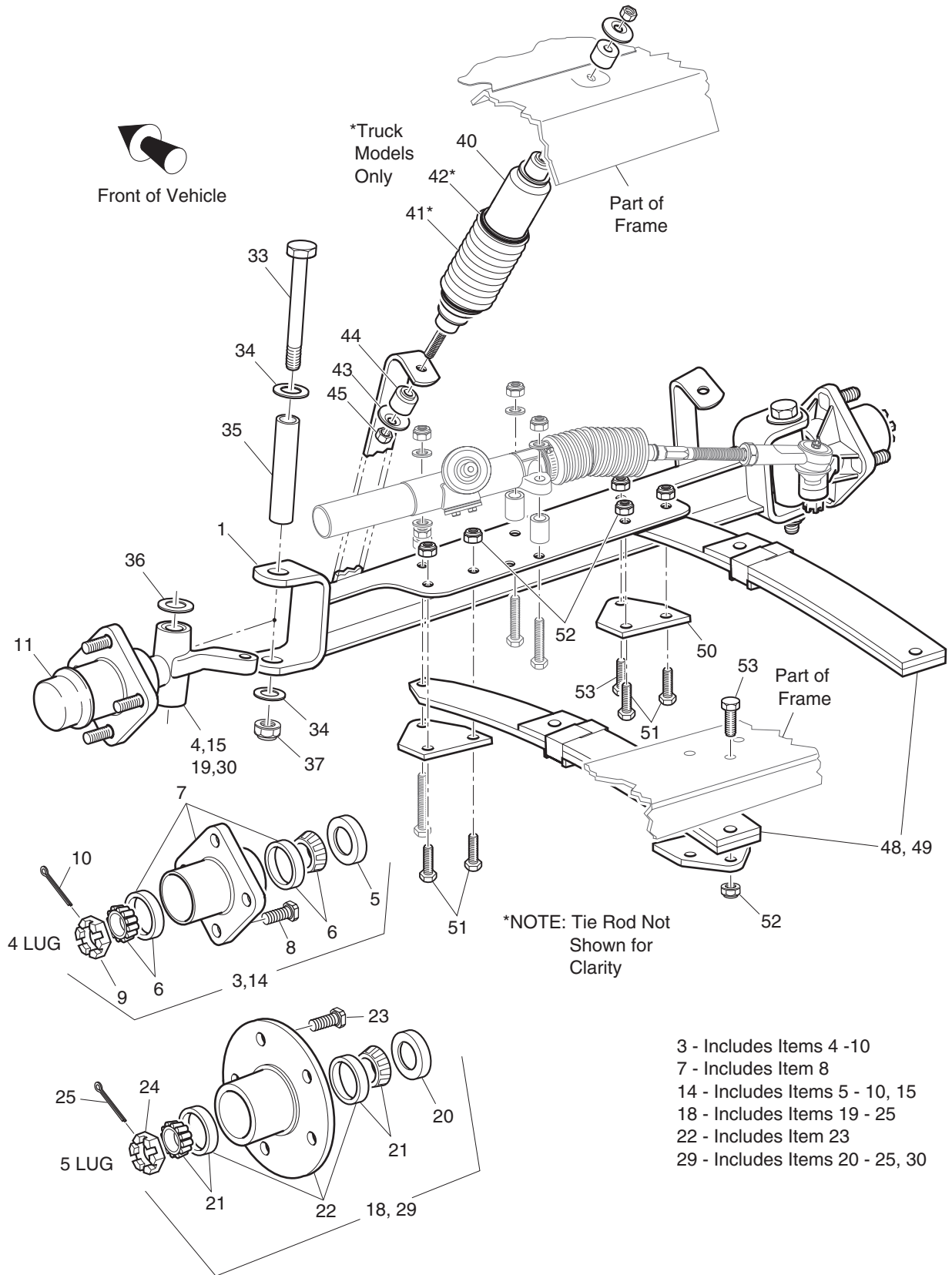
When ordering parts, please specify the model and serial number of the product.

* Indicates a component that is not available as an individual part.

G** Indicates consult Customer Service Department for additional information.

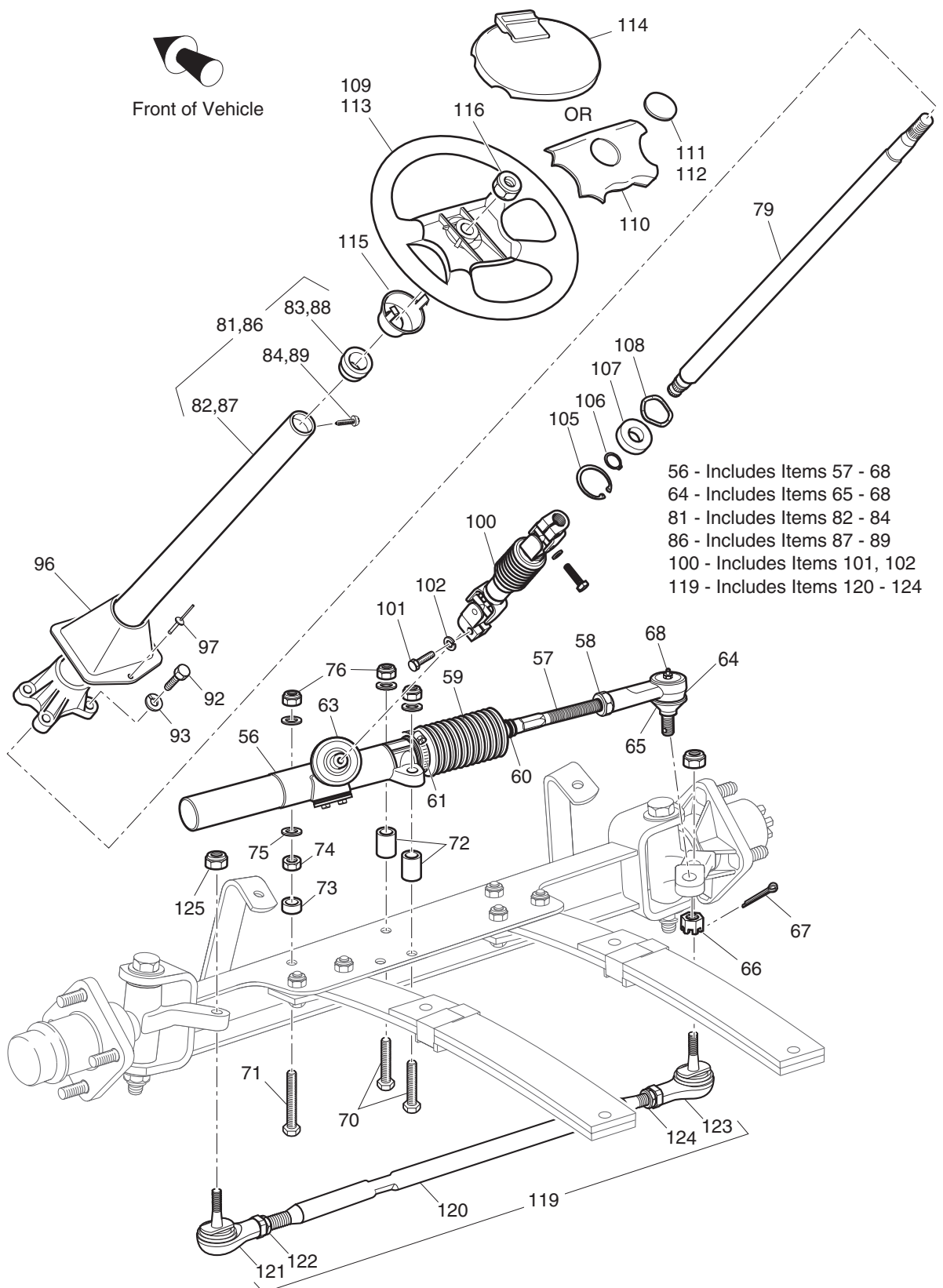
ITEM	PART NO.	1	2	3	4	5	DESCRIPTION	QTY.
1	73055-G02						ELECTRONIC SPEED CONTROL ASSEMBLY (INCLUDES ITEMS 2 - 23).....	1
2	73060-G01						ELECTRONIC SPEED CONTROLLER	1
3	74014-G01						CONTROLLER MOUNT	1
4	00414-G5						BOLT, 1/4 - 20 X 5/8" LG.....	4
5	01110-G01						WASHER, 1/4" (STAINLESS STEEL).....	2
6	11027-G2						LOCK NUT, 1/4 - 20.....	6
7								
8	28562-G01						SOLENOID	1
9								
10	21764-G1						RESISTOR.....	1
11	*						LOCK WASHER, #10	2
12	*						NUT, #10 - 32.....	2
13	*						WASHER, 5/16"	2
14	*						NUT, 5/16 - 24.....	2
15								
16	73095-G02						WIRE HARNESS (CONTROL)	1
17	28325-G01						WIRE HARNESS (POWER)	1
18	25978-G88						18 GA WIRE (RED 9")	1
19	25972-G02						6 GA WIRE (BLK 6", SOL - B+)	1
20	25978-G10						18 GA WIRE(BLK 6", SOL - B-).....	1
21								
22	00438-G6						BOLT, 5/16 - 18 X 3/4" LG.....	4
23	11027-G1						LOCK NUT, 5/16 - 18.....	4
24								
25	23723-G2						COVER.....	1
26	16469-G1						WASHER, 1/4"	1
27	14419-G1						WING NUT, 1/4 - 20	1
28								
29	00414-G5						BOLT, 1/4 - 20 X 5/8" LG	4
30	11027-G2						LOCK NUT, 1/4 - 20	4

FRONT SUSPENSION/STEERING



Ref Fss 1-1

FRONT SUSPENSION/STEERING



Ref Fss 1-2

FRONT SUSPENSION/STEERING

Where applicable, THE USE OF NON UL PARTS WILL VOID ANY UL LISTING.

When ordering parts, please specify the model and serial number of the product.

* Indicates a component that is not available as an individual part.

G** Indicates consult Customer Service Department for additional information.

ITEM	PART NO.	1	2	3	4	5	DESCRIPTION	QTY.
1	70963-G01						FRONT AXLE	1
2								
3	70942-G01						SPINDLE AND HUB ASSEMBLY, 4 LUG (PASSENGER SIDE) (INCLUDES ITEMS 4 - 10).....	1
4	70942-G02						SPINDLE ASSEMBLY (PASSENGER SIDE).....	1
5	25146-G1						GREASE SEAL.....	1
6	50892-G1						ROLLER BEARING AND RACE ASSEMBLY.....	2
7	70895-G01						WHEEL HUB ASSEMBLY WITH RACES, 4 LUG (INCLUDES ITEM 8)	1
8	19862-G1						LUG BOLT, 1/2 - 20 X 1 3/16" LG.....	4
9	12093-G1						CASTELLATED NUT, 1 - 14	1
10	00798-G8						COTTER PIN, 5/32" X 1 3/4" LG	1
11	12091-G2						SPINDLE CAP.....	2
12								
13								
14	70673-G01						SPINDLE AND HUB ASSEMBLY, 4 LUG (DRIVER SIDE) (INCLUDES ITEMS 5 - 10, 15).....	1
15	70673-G02						SPINDLE ASSEMBLY (DRIVER SIDE)	1
16								
17								
18	70943-G01						SPINDLE AND HUB ASSEMBLY, 5 LUG (PASSENGER SIDE) (INCLUDES ITEMS 19 - 25).....	1
19	70942-G02						SPINDLE ASSEMBLY (PASSENGER SIDE).....	1
20	12092-G1						GREASE SEAL.....	1
21	50892-G1						ROLLER BEARING AND RACE ASSEMBLY.....	2
22	70772-G01						WHEEL HUB ASSEMBLY WITH RACES, 5 LUG (INCLUDES ITEM 23)	1
23	30143-G1						LUG BOLT, 1/2 - 20 X 1 7/32" LG.....	5
24	12093-G1						CASTELLATED NUT, 1 - 14	1
25	00798-G8						COTTER PIN, 5/32" X 1 3/4" LG	1
26								
27								
28								

FRONT SUSPENSION/STEERING

Where applicable, THE USE OF NON UL PARTS WILL VOID ANY UL LISTING.

When ordering parts, please specify the model and serial number of the product.

* Indicates a component that is not available as an individual part.

G** Indicates consult Customer Service Department for additional information.

ITEM	PART NO.	1	2	3	4	5	DESCRIPTION	QTY.
29	70797-G01						SPINDLE AND HUB ASSEMBLY, 5 LUG (DRIVER SIDE) (INCLUDES ITEMS 20 - 25, 30).....	1
30	70673-G02						SPINDLE ASSEMBLY (DRIVER SIDE)	1
31								
32								
33	00407-G6						BOLT, 1/2 - 13 X 6" LG	2
34	00560-G3						WASHER, 1/2"	4
35	70745-G01						KING PIN TUBE	2
36	70754-G01						THRUST WASHER, 1" (STAINLESS STEEL).....	2
37	14390-G6						LOCK NUT, 1/2 - 13	2
38								
39								
40	70928-G01						SHOCK ABSORBER.....	2
41	70509-G01						SHOCK ABSORBER BOOT	2
42	31539-G1						WIRE TIE	4
43	10435-G1						SHOCK ABSORBER WASHER	8
44	10194-G1						RUBBER BUSHING	8
45	00532-G6						NUT, 3/8 - 24	4
46								
47								
48	70990-G02						LEAF SPRING (SEE PART NUMBER ON SPRING).....	2
49	70989-G02						LEAF SPRING (HEAVY DUTY) (SEE PART NUMBER ON SPRING).....	2
50	70163-G02						SPRING PLATE	4
51	00463-G4						BOLT, 7/16 - 14 X 1 1/2" LG	4
52	00734-G1						LOCK NUT, 7/16 - 14	11
53	00463-G6						BOLT, 7/16 - 14 X 1 3/4" LG	7
54								
55								
56	70964-G01						RACK AND PINION UNIT (COMPLETE) (INCLUDES ITEMS 57 - 68).....	1
57	70694-G01						RACK EXTENSION	1

FRONT SUSPENSION/STEERING

Where applicable, THE USE OF NON UL PARTS WILL VOID ANY UL LISTING.

When ordering parts, please specify the model and serial number of the product.

* Indicates a component that is not available as an individual part.

G** Indicates consult Customer Service Department for additional information.

ITEM	PART NO.	1	2	3	4	5	DESCRIPTION	QTY.
58	*						JAM NUT, 1/2 - 20.....	1
59	70961-G01						RACK BOOT.....	1
60	12416-G2						WIRE TIE.....	1
61	11391-G8						CLAMP, 1 13/16 - 2 3/8".....	1
62								
63	70638-G01						PINION SEAL.....	1
64	70695-G01						RACK BALL JOINT (INCLUDES ITEMS 65 - 68).....	1
65	50641-G1						RUBBER BOOT.....	1
66	50209-G2						CASTELLATED NUT, 7/16 - 20.....	1
67	10387-G2						COTTER PIN, 3/32" X 1" LG.....	1
68	10389-G3						GREASE FITTING, STRAIGHT.....	1
69								
70	00464-G6						BOLT, 7/16 - 14 X 2 3/4" LG.....	2
71	01068-G01						BOLT, 7/16 - 14 X 3 1/2" LG.....	1
72	70667-G02						SPACER.....	2
73	70667-G03						SPACER (SHORT).....	1
74	00532-G7						NUT, 7/16 - 14.....	1
75	00560-G2						FLAT WASHER, 7/16".....	4
76	00734-G1						LOCK NUT, 7/16 - 14.....	3
77								
78								
79	70607-G01						STEERING SHAFT.....	1
80								
81	70758-G03						STEERING COLUMN KIT (INCLUDES ITEMS 82 - 84).....	1
82	70610-G01						STEERING COLUMN.....	1
83	28569-G01						STEERING COLUMN BUSHING.....	1
84	01022-G01						SCREW, #6 - 20 X 5/16" LG.....	1
85								
86	70758-G04						STEERING COLUMN KIT (HORN) (INCLUDES ITEMS 87 - 89).....	1
87	70610-G02						STEERING COLUMN.....	1

FRONT SUSPENSION/STEERING

Where applicable, THE USE OF NON UL PARTS WILL VOID ANY UL LISTING.

When ordering parts, please specify the model and serial number of the product.

* Indicates a component that is not available as an individual part.

G** Indicates consult Customer Service Department for additional information.

ITEM	PART NO.	1	2	3	4	5	DESCRIPTION	QTY.
88	28569-G01						STEERING COLUMN BUSHING.....	1
89	01022-G01						SCREW, #6 - 20 X 5/16" LG	1
90								
91								
92	01006-G01						BOLT, 3/8 - 16 X 1 1/4" LG	4
93	00879-G1						LOCK WASHER, 3/8".....	4
94								
95								
96	70997-G01						COVER.....	1
97	71055-G01						RIVET, 3/16" X 1" LG (ALUMINUM).....	1
98								
99								
100	70580-G01						INTERMEDIATE SHAFT (INCLUDES ITEMS 101, 102).....	1
101	01055-G01						BOLT, M8 X 1.25 - 05.....	2
102	00565-G8						LOCK WASHER, 5/16"	2
103								
104								
105	70751-G01						RETAINING RING (INTERNAL).....	1
106	70888-G01						RETAINING RING (EXTERNAL).....	1
107	15112-G1						BALL BEARING	1
108	70887-G01						WAVE WASHER.....	1
109	71146-G01						STEERING WHEEL	1
110	71147-G01						STEERING WHEEL COVER	1
111	71047-G01						LABEL (E-Z-GO)	1
112	74405-G01						LABEL (CUSHMAN).....	1
113	71948-G01						STEERING WHEEL	1
114	71950-G01						CLIPBOARD.....	1
115	71949-G01						HUB COVER	1
116	14390-G2						LOCK NUT, 5/8 - 18	1
117								

FRONT SUSPENSION/STEERING

Where applicable, THE USE OF NON UL PARTS WILL VOID ANY UL LISTING.

When ordering parts, please specify the model and serial number of the product.

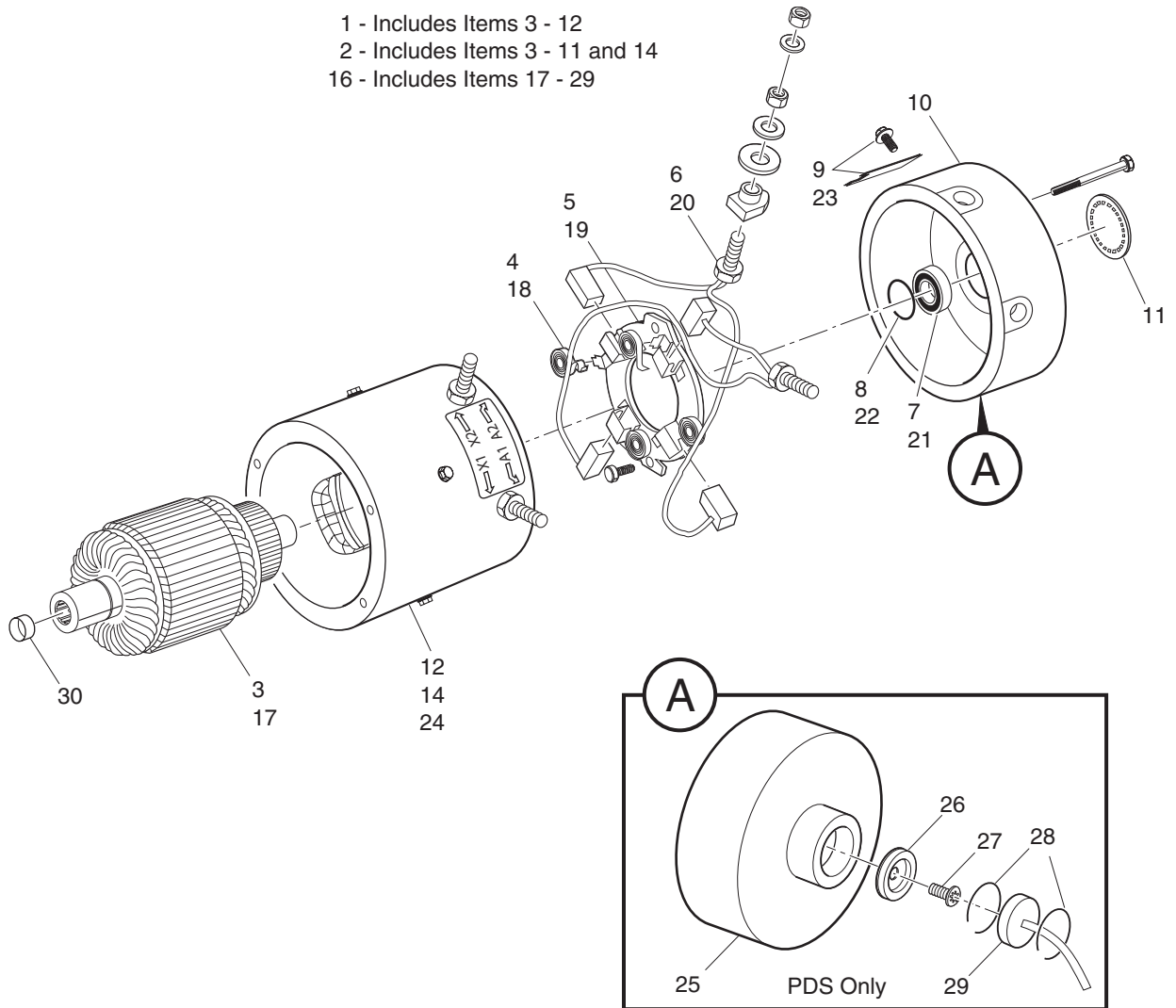
* Indicates a component that is not available as an individual part.

G** Indicates consult Customer Service Department for additional information.

ITEM	PART NO.	1 2 3 4 5	DESCRIPTION	QTY.
118				
119	70876-G02		TIE ROD ASSEMBLY (INCLUDES ITEMS 120 - 124).....	1
120	70897-G02		THREADED ROD (24" LG).....	1
121	70902-G01		TIE ROD END (LEFT HAND THREADS)	1
122	01069-G01		JAM NUT, M12 X 1.25 - 05 (LEFT HAND THREADS).....	1
123	70902-G02		TIE ROD END (RIGHT HAND THREADS).....	1
124	01069-G02		JAM NUT, M12 X 1.25 - 05 (RIGHT HAND THREADS)	1
125	00734-G1		LOCK NUT, 7/16 - 14	2

FRONT SUSPENSION/STEERING

MOTOR



Ref Mtr 1

MOTOR

Where applicable, THE USE OF NON UL PARTS WILL VOID ANY UL LISTING.

When ordering parts, please specify the model and serial number of the product.

* Indicates a component that is not available as an individual part.

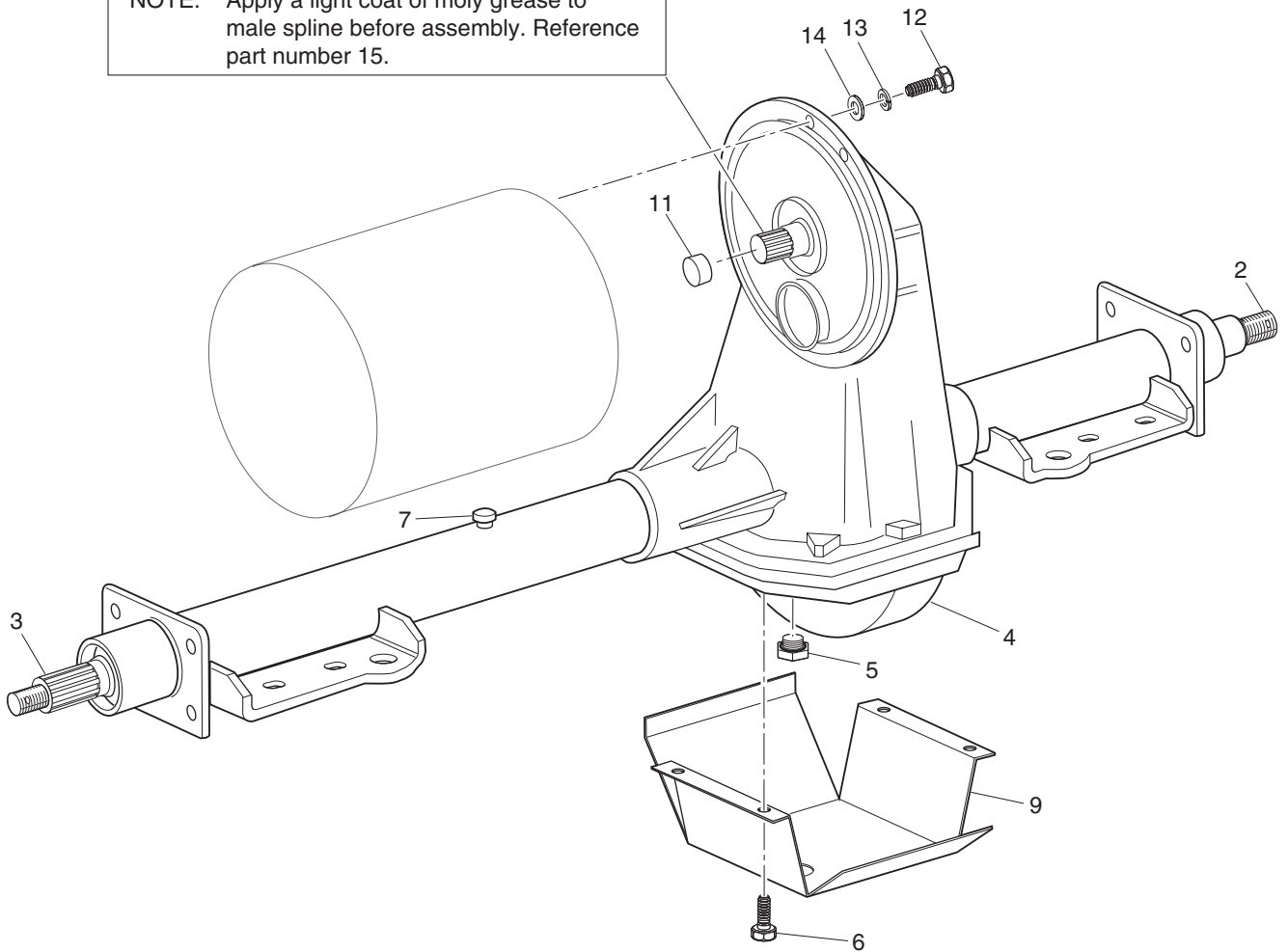
G** Indicates consult Customer Service Department for additional information.

ITEM	PART NO.	1	2	3	4	5	DESCRIPTION	QTY.
1	73124-G02						MOTOR (SERIES, FLEET SPEED) (INCLUDES ITEMS 3 - 12)	1
2	73124-G03						MOTOR (SERIES, HIGH SPEED) (INCLUDES ITEMS 3 - 11, 14).....	1
3	73120-G01						ARMATURE	1
4	73120-G03						BRUSH SPRING.....	4
5	73120-G15						BRUSH PLATE AND BOX	1
6	73120-G25						BRUSH REPLACEMENT KIT (INCLUDES HARDWARE)	1
7	73120-G07						BEARING.....	1
8	73120-G06						SNAP RING	1
9	73120-G09						COVER PLATE AND SCREW	1
10	73120-G08						COMMUTATOR END HOUSING	1
11	73120-G16						CAP.....	1
12	73120-G29						FRAME AND FIELD COIL (G02 MOTOR) (INCLUDES HARDWARE)	1
13								
14	73120-G30						FRAME AND FIELD COIL (G03 MOTOR) (INCLUDES HARDWARE)	1
15								
16	73124-G08						MOTOR (SEPARATELY EXCITED) (PDS) (INCLUDES ITEMS 17 - 29).....	1
17	73120-G18						ARMATURE	1
18	73120-G03						BRUSH SPRING.....	4
19	73120-G15						BRUSH PLATE AND BOX	1
20	73120-G25						BRUSH REPLACEMENT KIT (INCLUDES HARDWARE)	1
21	73120-G07						BEARING.....	1
22	73120-G06						SNAP RING	1
23	73120-G09						COVER PLATE AND SCREW	1
24	73120-G31						FRAME AND FIELD COIL (INCLUDES HARDWARE).....	1
25	73120-G19						COMMUTATOR END HOUSING	1
26	73328-G01						MAGNET.....	1
27	01037-G02						SCREW, #10 - 32 X 1/2" LG	1
28	73277-G01						RETAINING RING.....	2
29	73327-G01						SPEED SENSOR.....	1
30	24261-G1						SPLINE BUMPER	1

REAR AXLE

1 - Includes Items 2 - 7

NOTE: Apply a light coat of moly grease to male spline before assembly. Reference part number 15.



Ref Rax 1

REAR AXLE

Where applicable, THE USE OF NON UL PARTS WILL VOID ANY UL LISTING.

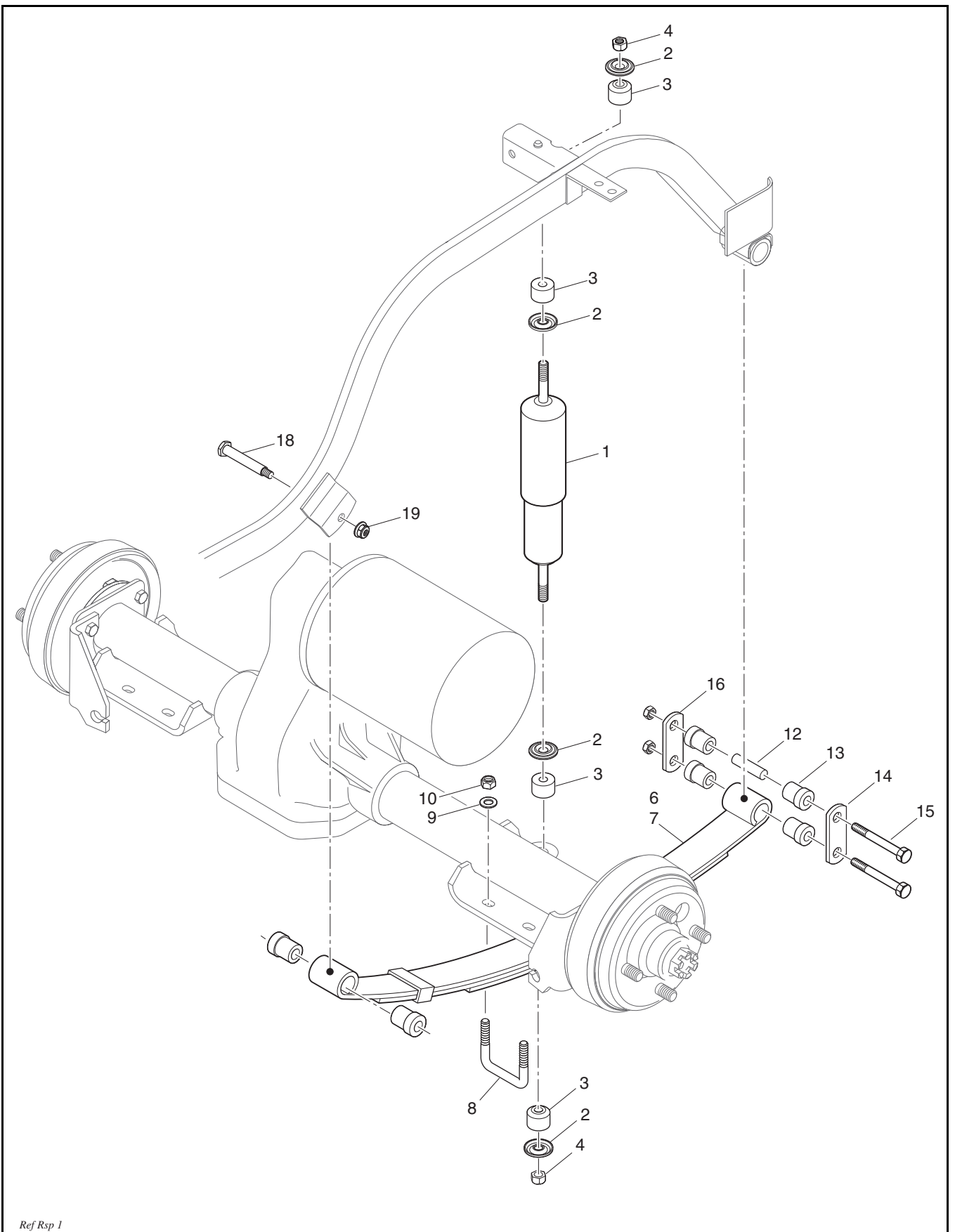
When ordering parts, please specify the model and serial number of the product.

* Indicates a component that is not available as an individual part.

G** Indicates consult Customer Service Department for additional information.

ITEM	PART NO.	1	2	3	4	5	DESCRIPTION	QTY.
1	73500-G01						REAR AXLE ASSEMBLY (INCLUDES ITEMS 2 - 7)	1
2	20377-G12						AXLE SHAFT (PASSENGER SIDE)	1
3	20377-G11						AXLE SHAFT (DRIVER SIDE).....	1
4	*						DIFFERENTIAL COVER.....	1
5	28610-G01						FILL PLUG WITH 'O' RING.....	1
6	15558-G1						BOLT, 5/16 - 18 X 3/4" LG.....	10
7	73050-G01						VENT	1
8								
9	72763-G01						SCUFF GUARD	1
10								
11	XXXXX-XXX						SPLINE BUMPER (SEE ELECTRIC MOTOR).....	1
12	00797-G2						BOLT, 1/4 - 20 X 1 1/4" LG	3
13	00664-G7						LOCK WASHER, 1/4" (STAINLESS STEEL)	3
14	01110-G01						WASHER, 1/4" (STAINLESS STEEL)	3
15	28095-G01						MOLY LUBE, 2 OZ.	AR

REAR SUSPENSION



Ref Rsp 1

REAR SUSPENSION

Where applicable, THE USE OF NON UL PARTS WILL VOID ANY UL LISTING.

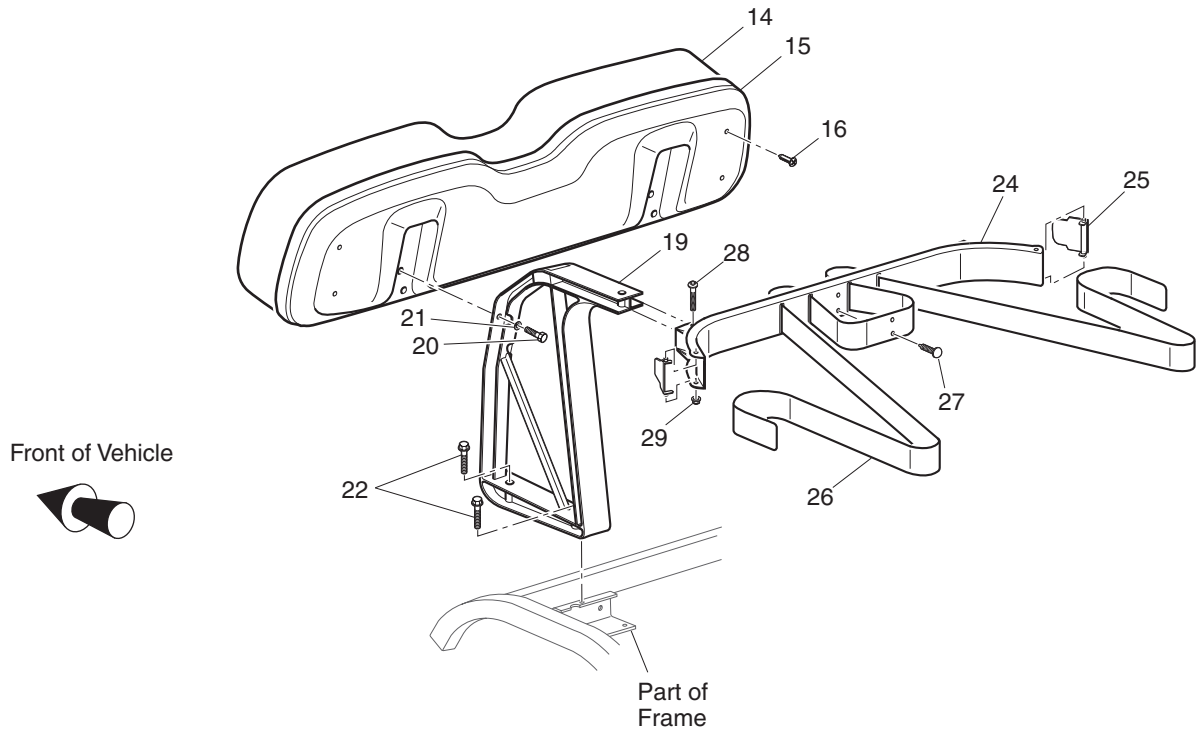
When ordering parts, please specify the model and serial number of the product.

* Indicates a component that is not available as an individual part.

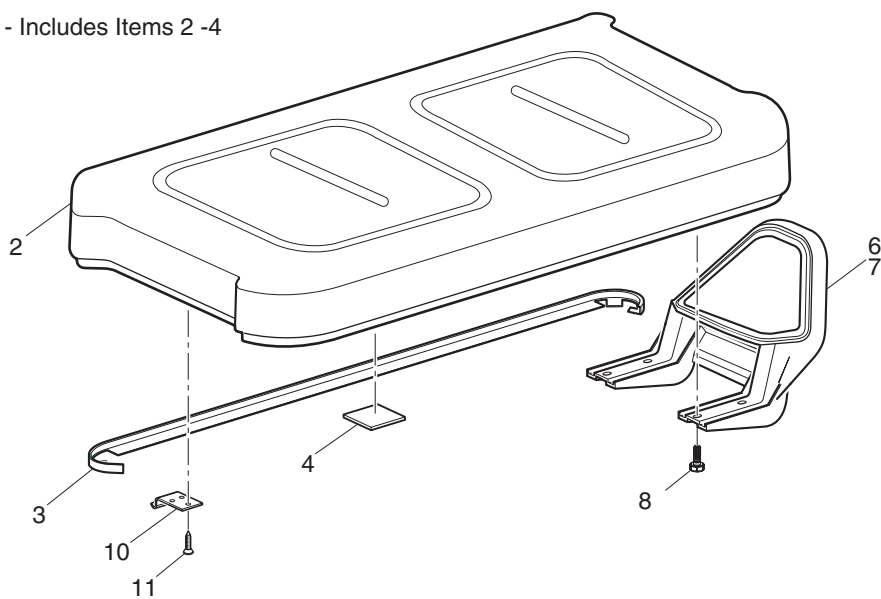
G** Indicates consult Customer Service Department for additional information.

ITEM	PART NO.	1 2 3 4 5	DESCRIPTION	QTY.
1	70324-G01		SHOCK ABSORBER.....	2
2	10435-G1		SHOCK ABSORBER WASHER.....	8
3	10194-G1		RUBBER BUSHING.....	8
4	00532-G6		NUT, 3/8 - 24.....	4
5				
6	70474-G01		LEAF SPRING, 2 LEAF.....	2
7	74207-G01		LEAF SPRING, 4 LEAF.....	2
8	72618-G01		'U' BOLT, 3/8 - 16 X 2" X 2 1/2" LG.....	4
9	00560-G1		WASHER, 3/8".....	8
10	11098-G5		LOCK NUT, 3/8 - 16.....	8
11				
12	70289-G02		SPACER.....	4
13	70291-G01		FLANGED BUSHING (LEAF SPRING).....	12
14	70290-G01		SHACKLE PLATE.....	4
15	00665-G9		BOLT, 3/8 - 16 X 3 1/2" LG (STAINLESS STEEL).....	4
16	11098-G5		LOCK NUT, 3/8 - 16.....	4
17				
18	14158-G1		SHOULDER BOLT, 3/8 - 16 X 3 1/4" LG.....	2
19	12262-G1		LOCK NUT, 3/8 - 16.....	2

SEATING AND BAG HOLDER - GOLF CAR



1 - Includes Items 2 -4



Ref Sgc 1

SEATING AND BAG HOLDER - GOLF CAR

Where applicable, THE USE OF NON UL PARTS WILL VOID ANY UL LISTING.

When ordering parts, please specify the model and serial number of the product.

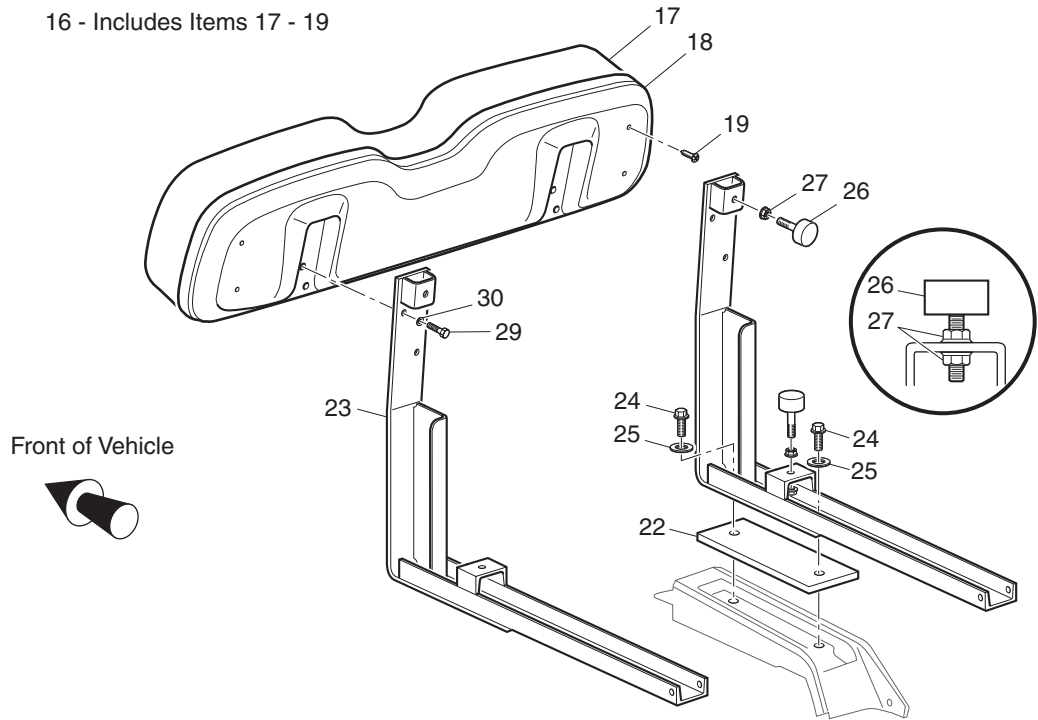
* Indicates a component that is not available as an individual part.

G** Indicates consult Customer Service Department for additional information.

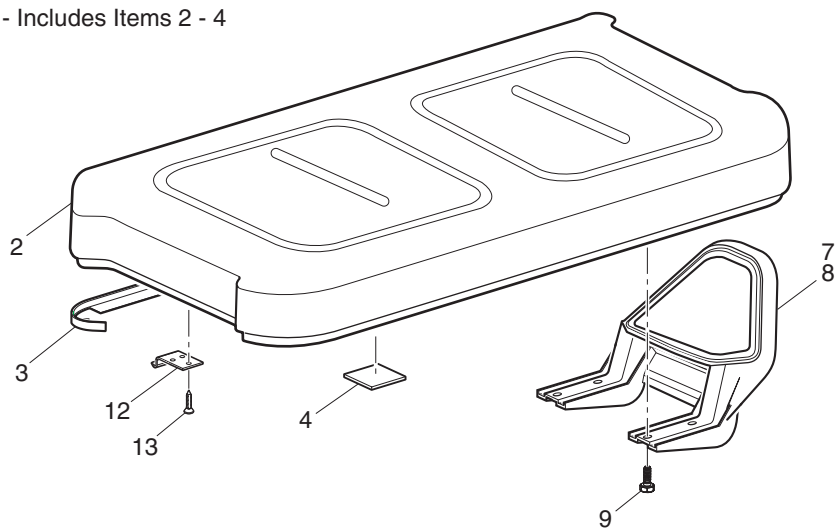
ITEM	PART NO.	1	2	3	4	5	DESCRIPTION	QTY.
1	71611-G**						SEAT BOTTOM ASSEMBLY (INCLUDES ITEMS 2 - 4)	1
2	71602-G**						VINYL SEAT BOTTOM COVER	1
3	71012-G01						VINYL TRIM (SEAT BOTTOM)	1
4	17074-G1						RUBBER PAD	2
5								
6	71701-G01						HIP RESTRAINT (PASSENGER SIDE)	1
7	71702-G01						HIP RESTRAINT (DRIVER SIDE)	1
8	71204-G01						BOLT, 1/4 - 20 X 7/8" LG	8
9								
10	71610-G01						SEAT HINGE	2
11	00720-G08						SCREW, #12 - 14 X 1" LG (STAINLESS STEEL)	4
12								
13	71751-G**						SEAT BACK ASSEMBLY (INCLUDES ITEMS 14 - 16)	1
14	71753-G**						VINYL SEAT BACK COVER	1
15	71752-G01						PLASTIC SEAT BACK COVER	1
16	01107-G01						SCREW, #8 X 5/8" LG (STAINLESS STEEL)	4
17								
18								
19	71811-G02						SEAT SUPPORT BRACKET	2
20	00661-G8						BOLT, 1/4 - 20 X 1" LG (STAINLESS STEEL)	4
21	00664-G7						LOCK WASHER, 1/4" (STAINLESS STEEL)	4
22	71802-G01						BOLT, 3/8 - 16 X 2 3/4" LG	4
23								
24	71851-G01						BAG HOLDER BRACKET	1
25	71856-G01						BAG RETAINER CLAMP	2
26	71853-G01						BAG RETAINER STRAP	1
27	16816-G1						RATCHET FASTENER, 1/4" X 9/16" LG	2
28	01102-G01						CARRIAGE BOLT, 1/4 - 20 X 1 1/2" LG (STAINLESS STEEL)	2
29	11027-G2						LOCK NUT, 1/4 - 20	2

SEATING - SHUTTLE 2+2

16 - Includes Items 17 - 19

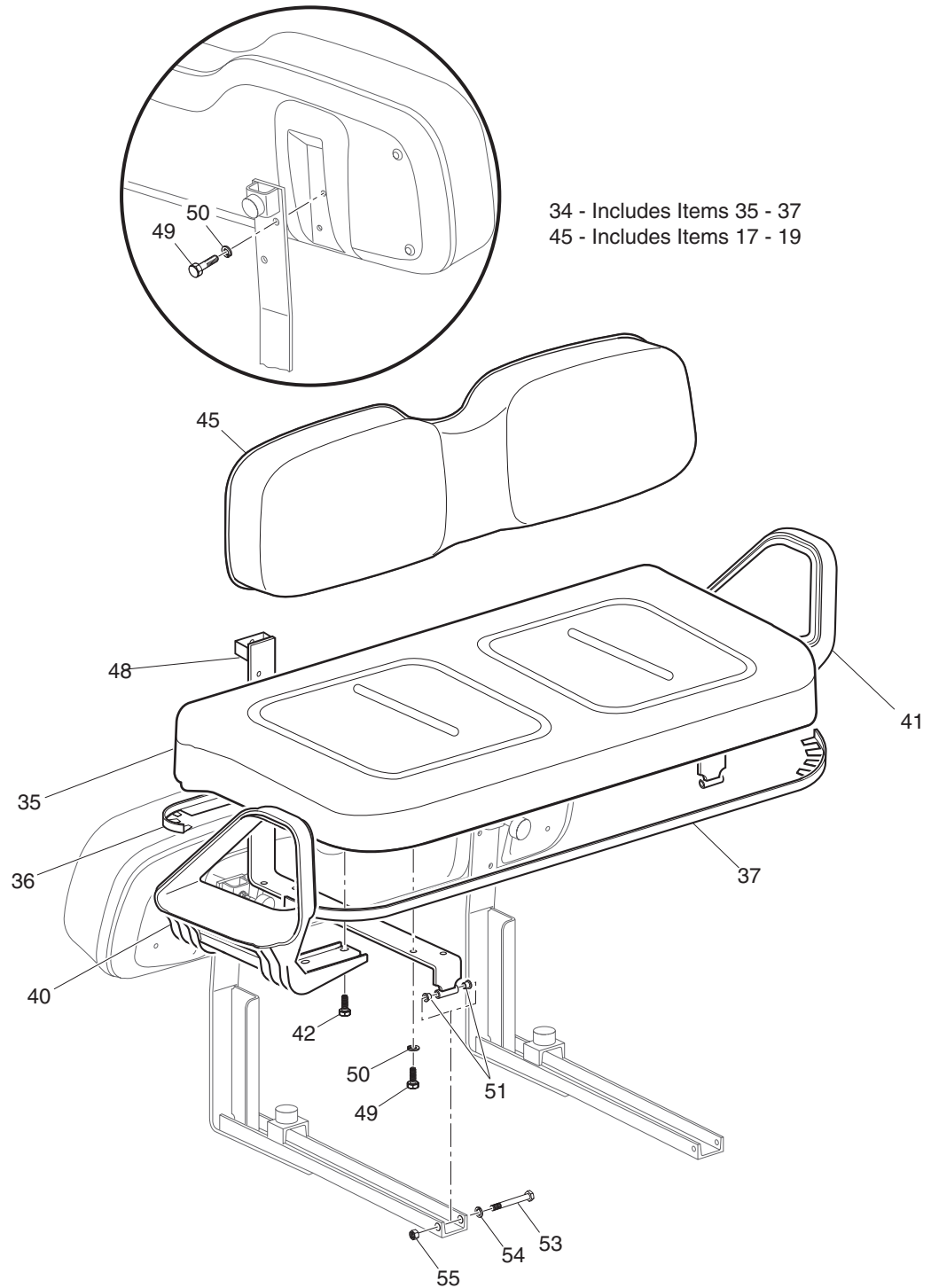


1 - Includes Items 2 - 4



Ref Ssh 1-1

SEATING - SHUTTLE 2+2



Ref Ssh 1-2

SEATING - SHUTTLE 2+2

Where applicable, THE USE OF NON UL PARTS WILL VOID ANY UL LISTING.

When ordering parts, please specify the model and serial number of the product.

* Indicates a component that is not available as an individual part.

G** Indicates consult Customer Service Department for additional information.

ITEM	PART NO.	1 2 3 4 5	DESCRIPTION	QTY.
1	71611-G**		SEAT BOTTOM ASSEMBLY (INCLUDES ITEMS 2 -4)	1
2	71602-G**		VINYL SEAT BOTTOM COVER	1
3	71012-G01		VINYL TRIM (SEAT BOTTOM)	1
4	17074-G1		RUBBER PAD	2
5				
6				
7	71701-G01		HIP RESTRAINT (PASSENGER SIDE)	1
8	71702-G01		HIP RESTRAINT (DRIVER SIDE)	1
9	71204-G01		BOLT, 1/4 - 20 X 7/8" LG	8
10				
11				
12	71610-G01		SEAT HINGE	2
13	00720-G08		SCREW, #12 - 14 X 1" LG (STAINLESS STEEL)	6
14				
15				
16	71751-G**		SEAT BACK ASSEMBLY (INCLUDES ITEMS 17 - 19)	1
17	71753-G**		VINYL SEAT BACK COVER	1
18	71752-G01		PLASTIC SEAT BACK COVER	1
19	01107-G01		SCREW, #8 X 5/8" LG (STAINLESS STEEL)	4
20				
21				
22	70364-G01		SPACER	2
23	74111-G01		SEAT BACK SUPPORT	2
24	01006-G02		BOLT, 3/8 - 16 X 1 1/2" LG	4
25	00560-G1		WASHER, 3/8"	4
26	70113-G01		ADJUSTABLE BUMPER	4
27	11027-G1		LOCK NUT, 5/16 - 18	6
28				
29	00661-G8		BOLT, 1/4 - 20 X 1" LG (STAINLESS STEEL)	4
30	00664-G7		LOCK WASHER, 1/4" (STAINLESS STEEL)	4

SEATING - SHUTTLE 2+2

Where applicable, THE USE OF NON UL PARTS WILL VOID ANY UL LISTING.

When ordering parts, please specify the model and serial number of the product.

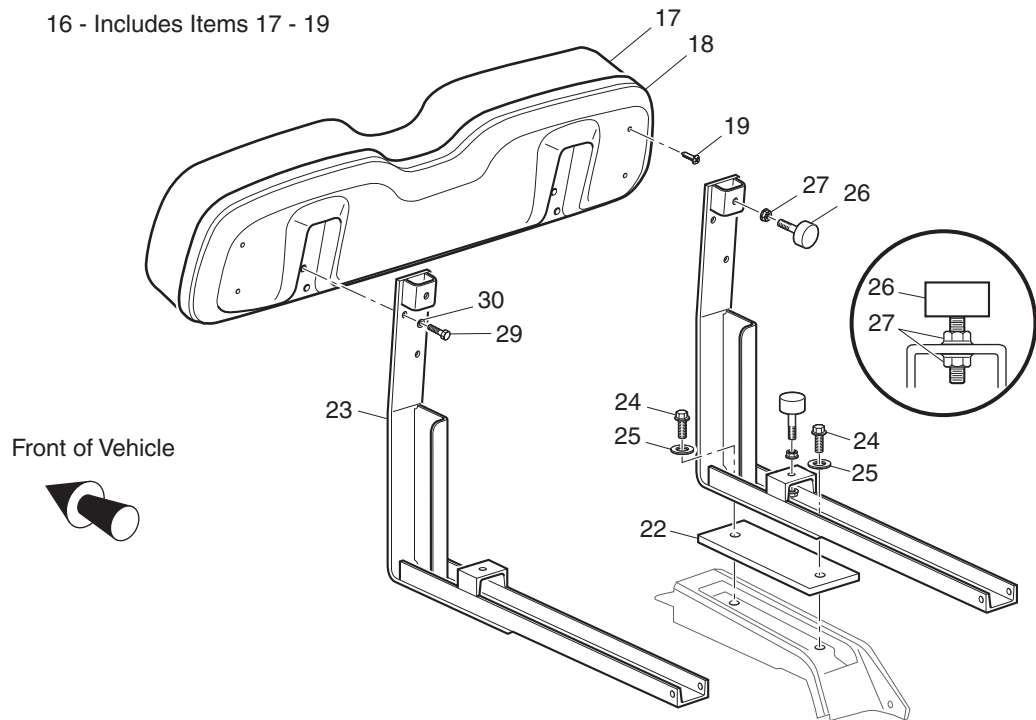
* Indicates a component that is not available as an individual part.

G** Indicates consult Customer Service Department for additional information.

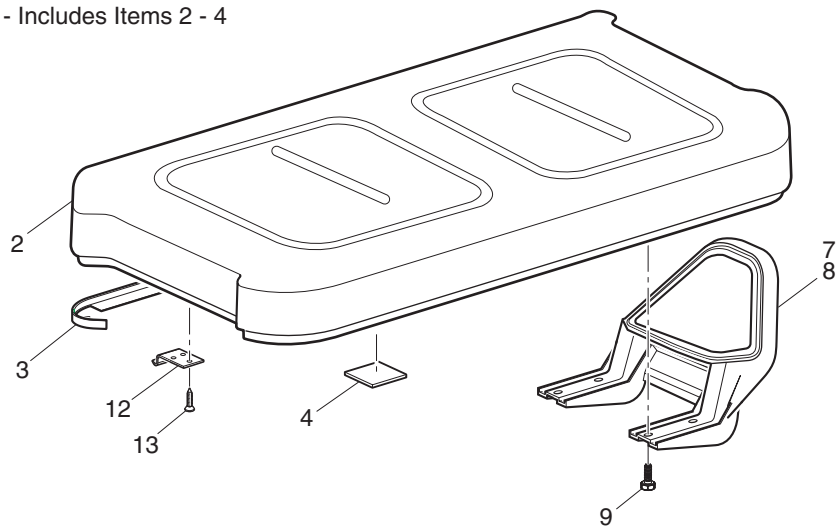
ITEM	PART NO.	1	2	3	4	5	DESCRIPTION	QTY.
31								
32								
33								
34	74139-G**						SEAT BOTTOM ASSEMBLY (INCLUDES ITEMS 42 - 44)	1
35	71602-G**						VINYL COVER (SEAT BOTTOM)	1
36	74140-G01						TRIM	1
37	71012-G01						TRIM	1
38								
39								
40	71702-G01						HIP RESTRAINT (DRIVER SIDE).....	1
41	71701-G01						HIP RESTRAINT (PASSENGER SIDE)	1
42	00661-G8						BOLT, 1/4 - 20 X 1" LG (STAINLESS STEEL).....	8
43								
44								
45	71751-G**						SEAT BACK ASSEMBLY (INCLUDES ITEMS 17 - 19).....	1
46								
47								
48	74117-G01						SEAT SUPPORT BRACKET	2
49	00661-G8						BOLT, 1/4 - 20 X 1" LG (STAINLESS STEEL).....	12
50	00664-G7						LOCK WASHER, 1/4" (STAINLESS STEEL)	12
51	17838-G1						NYLON BUSHING.....	4
52								
53	00440-G4						BOLT, 5/16 - 18 X 2 1/4" LG	2
54	00571-G2						WASHER, 5/16"	2
55	11098-G6						LOCK NUT, 5/16 - 18	2

SEATING - CONVERTIBLE CARRIER

16 - Includes Items 17 - 19

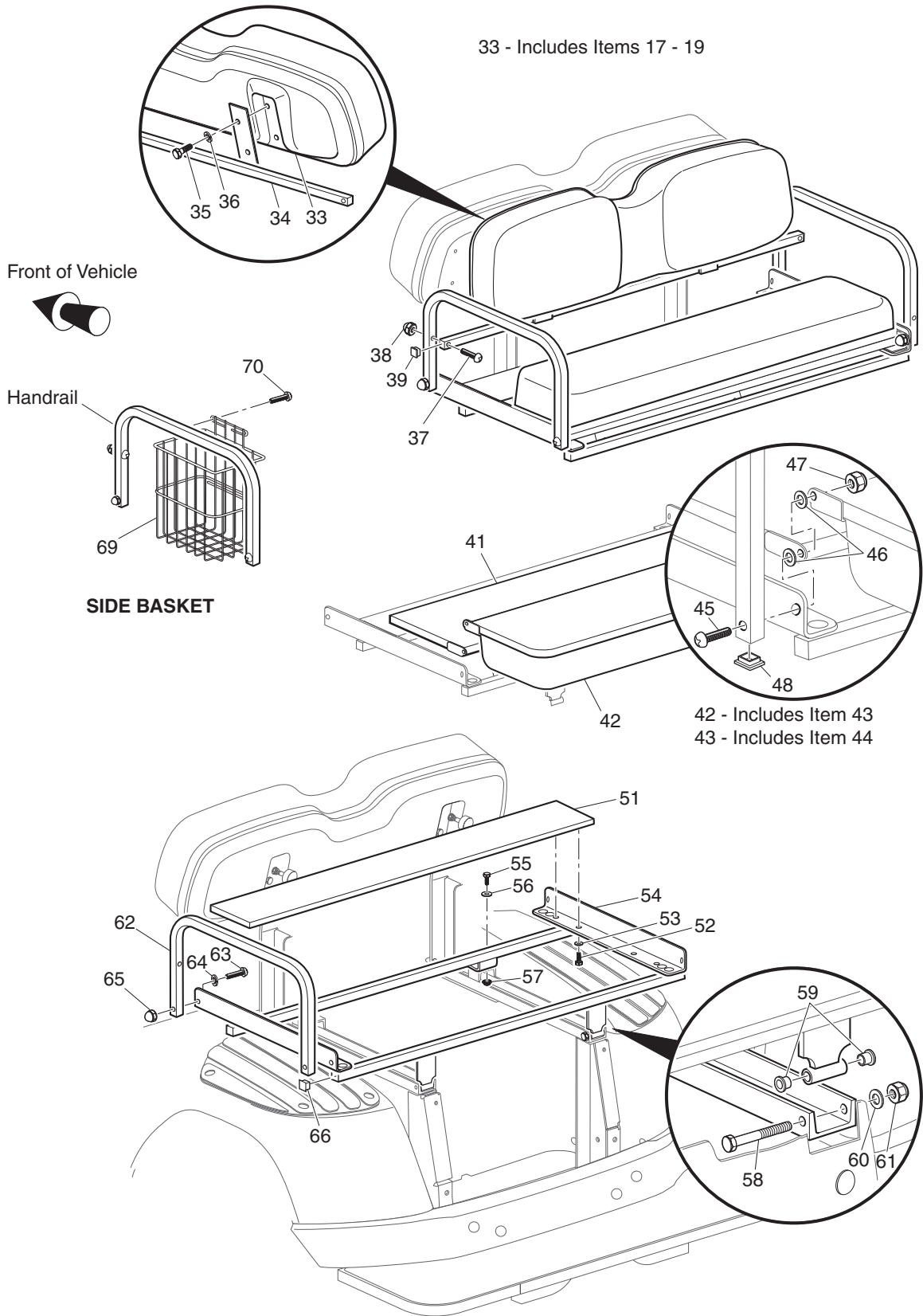


1 - Includes Items 2 - 4



Ref Scc 1-1

SEATING - CONVERTIBLE CARRIER



Ref Scc 1-2

SEATING - CONVERTIBLE CARRIER

Where applicable, THE USE OF NON UL PARTS WILL VOID ANY UL LISTING.

When ordering parts, please specify the model and serial number of the product.

* Indicates a component that is not available as an individual part.

G** Indicates consult Customer Service Department for additional information.

ITEM	PART NO.	1	2	3	4	5	DESCRIPTION	QTY.
1	71611-G**						SEAT BOTTOM ASSEMBLY (INCLUDES ITEMS 2 - 4)	1
2	71602-G**						VINYL SEAT BOTTOM COVER	1
3	71012-G01						VINYL TRIM (SEAT BOTTOM)	1
4	17074-G1						RUBBER PAD	2
5								
6								
7	71701-G01						HIP RESTRAINT (PASSENGER SIDE)	1
8	71702-G01						HIP RESTRAINT (DRIVER SIDE)	1
9	00661-G8						BOLT, 1/4 - 20 X 1" LG (STAINLESS STEEL)	8
10								
11								
12	71610-G01						SEAT HINGE	2
13	00720-G08						SCREW, #12 - 14 X 1" LG (STAINLESS STEEL)	4
14								
15								
16	71751-G**						SEAT BACK ASSEMBLY (INCLUDES ITEMS 17 - 19)	1
17	71753-G**						VINYL SEAT BACK COVER	1
18	71752-G01						PLASTIC SEAT BACK COVER	1
19	01107-G01						SCREW, #8 X 5/8" LG (STAINLESS STEEL)	4
20								
21								
22	70364-G01						SPACER	2
23	74111-G01						SEAT BACK SUPPORT	2
24	01006-G02						BOLT, 3/8 - 16 X 1 1/2" LG	4
25	00560-G1						WASHER, 3/8"	4
26	70113-G01						ADJUSTABLE BUMPER	2
27	11027-G1						LOCK NUT, 5/16 - 18	2
28								
29	00661-G8						BOLT, 1/4 - 20 X 1" LG (STAINLESS STEEL)	4
30	00664-G7						LOCK WASHER, 1/4" (STAINLESS STEEL)	4

SEATING - CONVERTIBLE CARRIER

Where applicable, THE USE OF NON UL PARTS WILL VOID ANY UL LISTING.

When ordering parts, please specify the model and serial number of the product.

* Indicates a component that is not available as an individual part.

G** Indicates consult Customer Service Department for additional information.

ITEM	PART NO.	1	2	3	4	5	DESCRIPTION	QTY.
31								
32								
33	71751-G**						SEAT BACK ASSEMBLY (INCLUDES ITEMS 17 - 19).....	1
34	75258-G01						SEAT BACK SUPPORT	1
35	00661-G8						BOLT, 1/4 - 20 X 1" LG (STAINLESS STEEL).....	4
36	00664-G7						LOCK WASHER, 1/4" (STAINLESS STEEL)	4
37	16705-G6						SCREW, 1/4 - 20 X 1 3/4" LG (STAINLESS STEEL)	2
38	00520-G1						ACORN NUT, 1/4 - 20 (STAINLESS STEEL)	2
39	19859-G1						END PLUG, 3/4"	2
40								
41	75229-G01						BED	1
42	75263-G**						SEAT BOTTOM ASSEMBLY (INCLUDES ITEM 43).....	1
43	75197-G**						SEAT BOTTOM (INCLUDES ITEM 44)	1
44	75252-G**						VINYL SEAT BOTTOM COVER	1
45	00762-G4						SCREW, 5/16 - 18 X 1 1/2" LG (STAINLESS STEEL)	2
46	17255-G1						TEFLON WASHER, 5/16"	4
47	00654-G3						LOCK NUT, 5/16 - 18 (STAINLESS STEEL)	2
48	19859-G1						END CAP, 3/4"	4
49								
50								
51	75273-G01						BED FRONT (INCLUDES MAT).....	1
52	00661-G6						BOLT, 1/4 - 20 X 3/4" LG (STAINLESS STEEL).....	4
53	00559-G8						WASHER, 5/16"	4
54	75193-G01						SUPPORT FRAME.....	1
55	00438-G8						BOLT, 5/16 - 18 X 1" LG	2
56	00559-G8						WASHER, 5/16"	2
57	11027-G1						LOCK NUT, 5/16 - 18	2
58	00440-G4						BOLT, 5/16 - 18 X 2 1/2" LG	2
59	17838-G1						NYLON BUSHING.....	4
60	00559-G8						WASHER, 5/16"	2

SEATING - CONVERTIBLE CARRIER

Where applicable, THE USE OF NON UL PARTS WILL VOID ANY UL LISTING.

When ordering parts, please specify the model and serial number of the product.

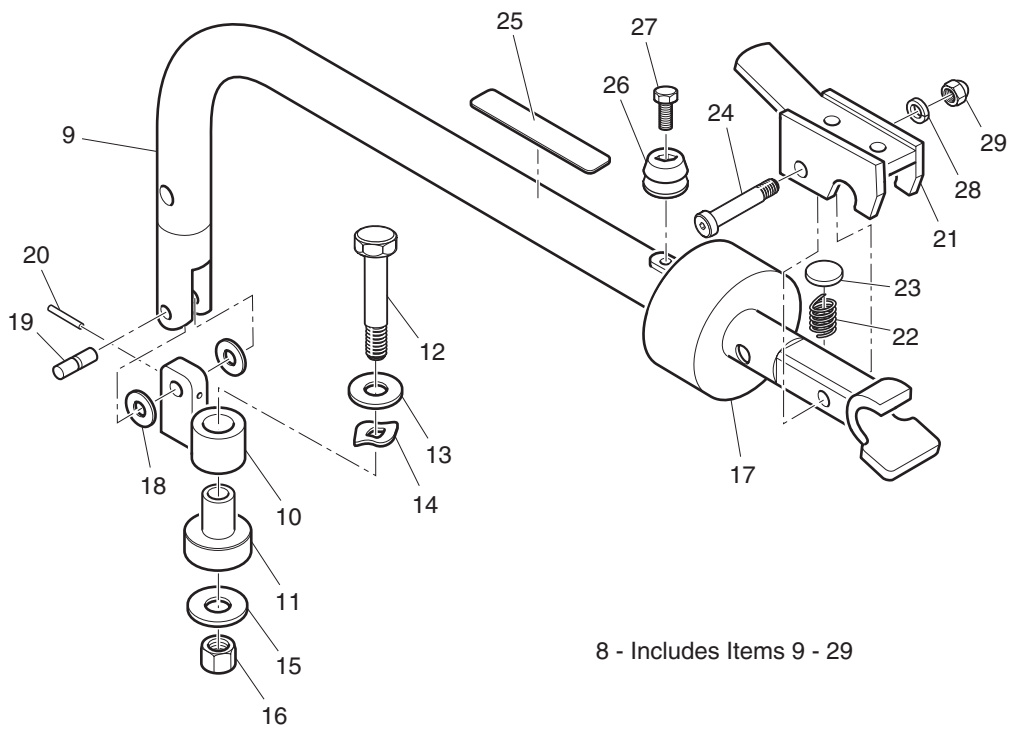
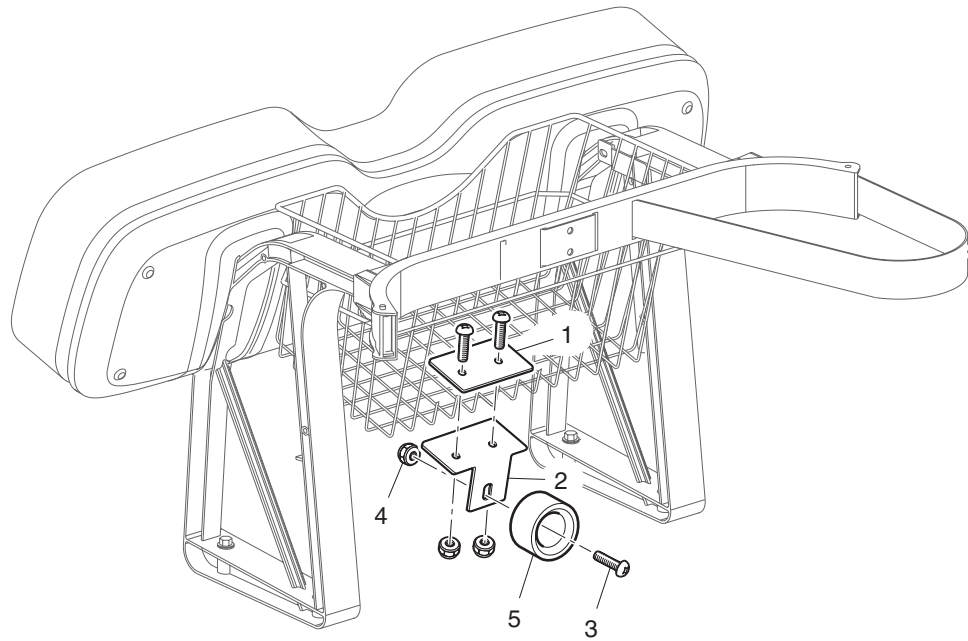
* Indicates a component that is not available as an individual part.

G** Indicates consult Customer Service Department for additional information.

ITEM	PART NO.	1	2	3	4	5	DESCRIPTION	QTY.
61	00654-G3						LOCK NUT, 5/16 - 18 (STAINLESS STEEL)	2
62	75196-G01						HANDRAIL	2
63	00762-G2						SCREW, 5/16 - 18 X 1 1/4" LG (STAINLESS STEEL)	2
64	00664-G8						LOCK WASHER, 5/16" (STAINLESS STEEL)	2
65	00520-G3						ACORN NUT, 5/16 - 18 (STAINLESS STEEL)	2
66	75261-G02						END CAP, 1"	4
67								
68								
69	75460-G01						SIDE BASKET (BLACK).....	2
70	00106-G6						SELF THREADING SCREW, #12 - 24 X 3/4" LG	4

SEATING - CONVERTIBLE CARRIER

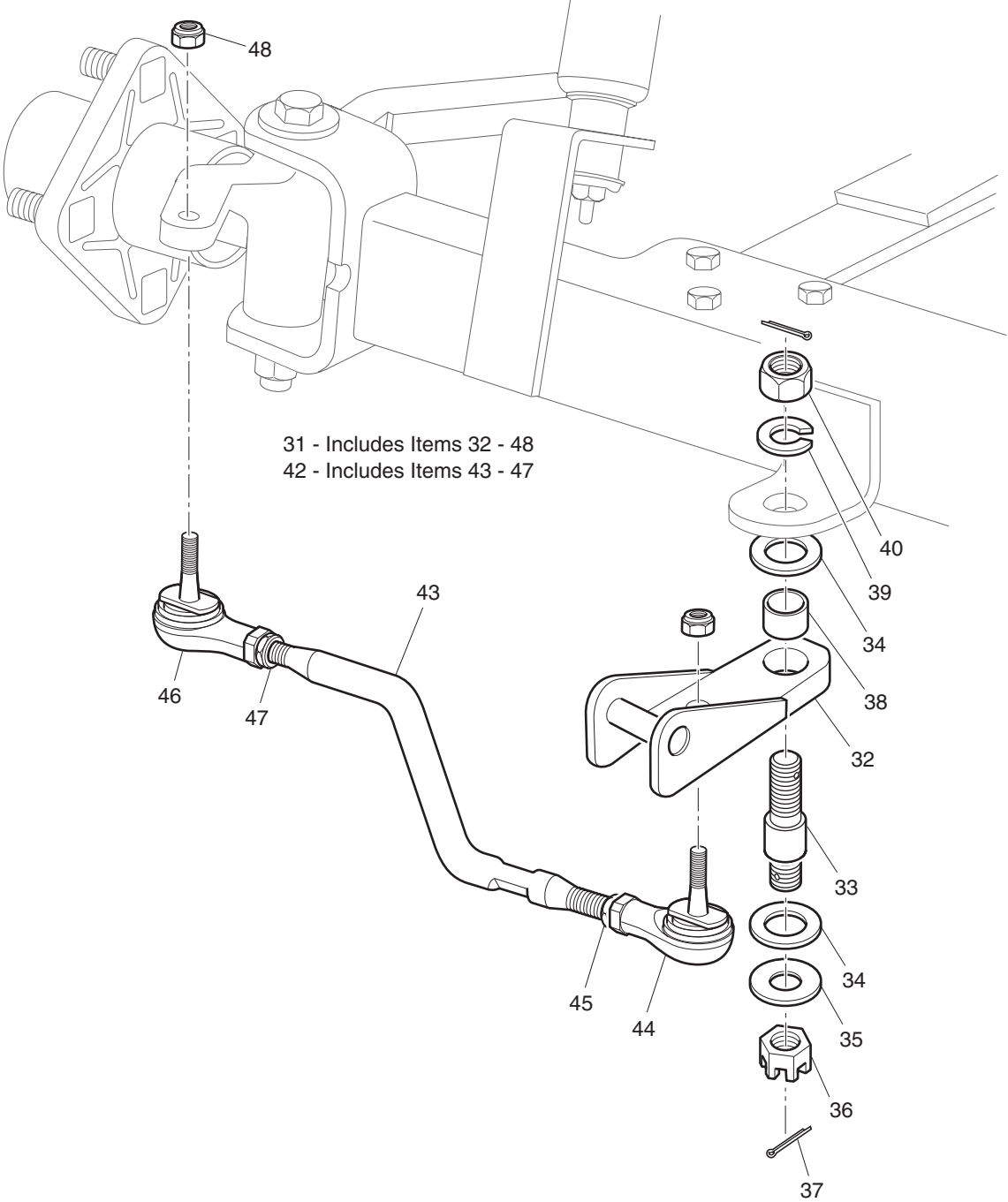
TOW BAR - PERMANENT



8 - Includes Items 9 - 29

Ref Twb 1-1

TOW BAR - PERMANENT



Ref Twb 1-2

TOW BAR - PERMANENT

Where applicable, THE USE OF NON UL PARTS WILL VOID ANY UL LISTING.

When ordering parts, please specify the model and serial number of the product.

* Indicates a component that is not available as an individual part.

G** Indicates consult Customer Service Department for additional information.

ITEM	PART NO.	1 2 3 4 5	DESCRIPTION	QTY.
1	75318-G01		MOUNTING PLATE.....	1
2	75319-G01		STOP MOUNT PLATE	1
3	16705-G1		SCREW, 1/4 - 20 X 1" LG (STAINLESS STEEL)	3
4	00654-G2		LOCK NUT, 1/4 - 20 (STAINLESS STEEL)	3
5	75338-G02		FEMALE STOP	1
6				
7				
8	75304-G01		TOW BAR ASSEMBLY (TOWING VEHICLE) (INCLUDES ITEMS 9 - 29)	1
9	75299-G01		TOW BAR	1
10	75302-G01		UPPER PIVOT	1
11	75291-G01		LOWER PIVOT	1
12	00410-G8		BOLT, 1/2 - 20 X 3" LG.....	1
13	00675-G3		WASHER, 1/2" (STAINLESS STEEL).....	1
14	75339-G01		SPRING WASHER	1
15	00571-G5		WASHER, 1/2"	1
16	11098-G8		LOCK NUT, 1/2 - 20.....	1
17	75362-G01		LATCH STOP.....	1
18	75340-G01		WASHER, 3/8"	2
19	75360-G01		PIVOT PIN	1
20	13571-G7		SPRING PIN	1
21	75303-G01		LATCH	1
22	20852-G2		COMPRESSION SPRING	1
23	25661-G02		CUP WASHER.....	1
24	13005-G4		SHOULDER BOLT, 5/16 - 18 X 2" LG.....	1
25	75370-G01		LABEL (WARNING)	1
26	75338-G03		MALE STOP	1
27	12547-G4		BOLT, 6MM X 1 X 30 MM LG.....	1
28	00565-G8		LOCK WASHER, 5/16"	1
29	00520-G3		ACORN NUT, 5/16 - 18 (STAINLESS STEEL)	1
30				

TOW BAR - PERMANENT

Where applicable, THE USE OF NON UL PARTS WILL VOID ANY UL LISTING.

When ordering parts, please specify the model and serial number of the product.

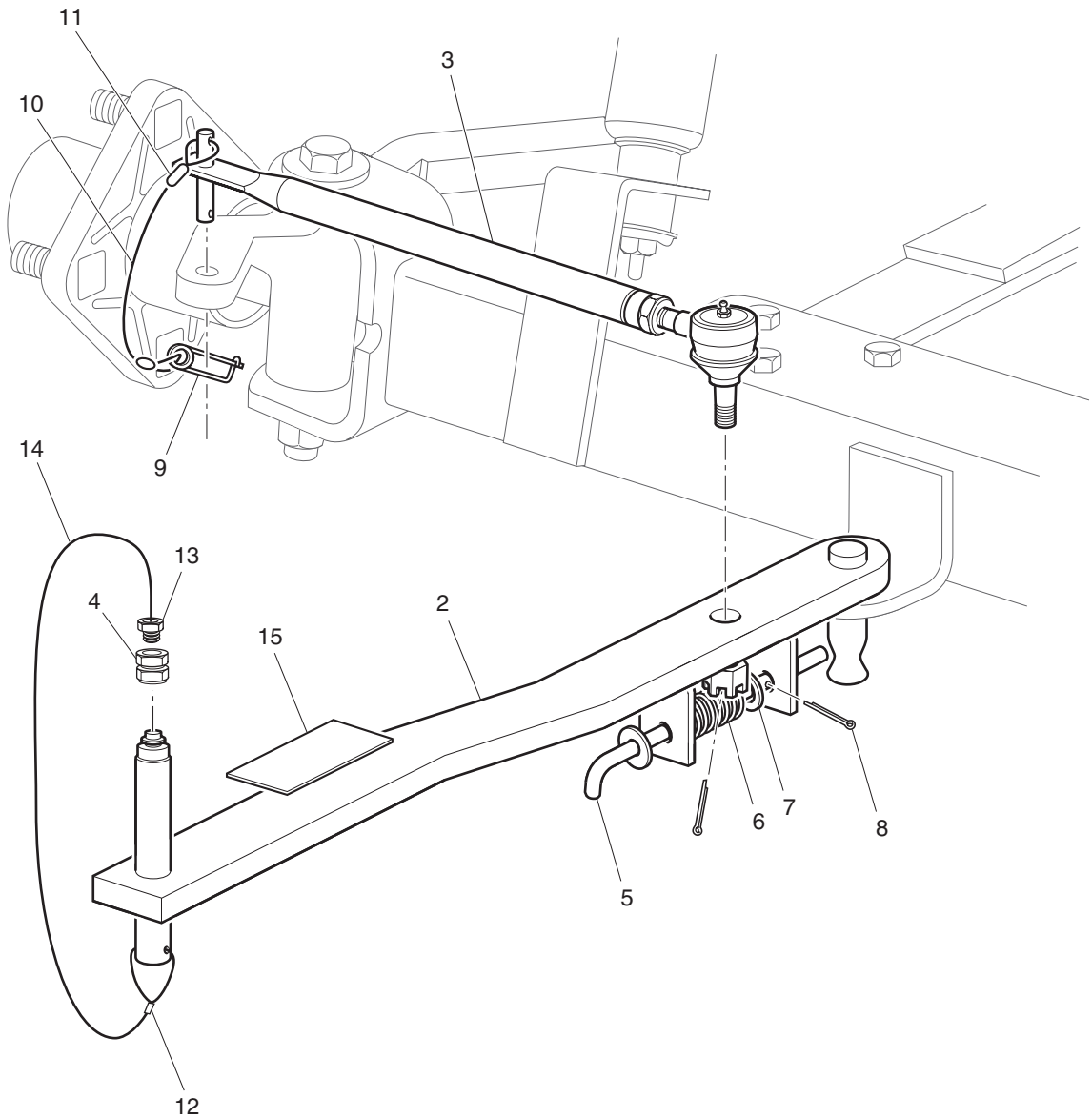
* Indicates a component that is not available as an individual part.

G** Indicates consult Customer Service Department for additional information.

ITEM	PART NO.	1	2	3	4	5	DESCRIPTION	QTY.
31	75308-G01						TOW BAR HITCH ASSEMBLY (TOWED VEHICLE) (INCLUDES ITEMS 32 - 48).....	1
32	75305-G01						HITCH.....	1
33	75292-G01						PIVOT BOLT.....	1
34	75309-G01						THRUST WASHER.....	2
35	75342-G01						WASHER, 3/4".....	1
36	00518-G8						CASTELLATED NUT, 3/4 - 16.....	1
37	10387-G1						COTTER PIN, 1/8" X 1 1/2" LG.....	2
38	75307-G01						BEARING.....	1
39	00566-G6						LOCK WASHER, 3/4".....	1
40	00533-G8						NUT, 3/4 - 16.....	1
41								
42	70905-G01						TIE ROD ASSEMBLY (INCLUDES ITEMS 43 - 47).....	1
43	70903-G01						THREADED ROD.....	1
44	70902-G01						TIE ROD END (LEFT HAND THREADS).....	1
45	01069-G01						JAM NUT, M12 X 1.25-05 (LEFT HAND THREADS).....	1
46	70902-G02						TIE ROD END (RIGHT HAND THREADS).....	1
47	01069-G02						JAM NUT, M12 X 1.25-05 (RIGHT HAND THREADS).....	1
48	00734-G1						LOCK NUT, 7/16 - 14.....	2

TOW BAR - CASUAL

1 - Includes Items 2 - 15



Ref Tbc 1

TOW BAR - CASUAL

Where applicable, THE USE OF NON UL PARTS WILL VOID ANY UL LISTING.

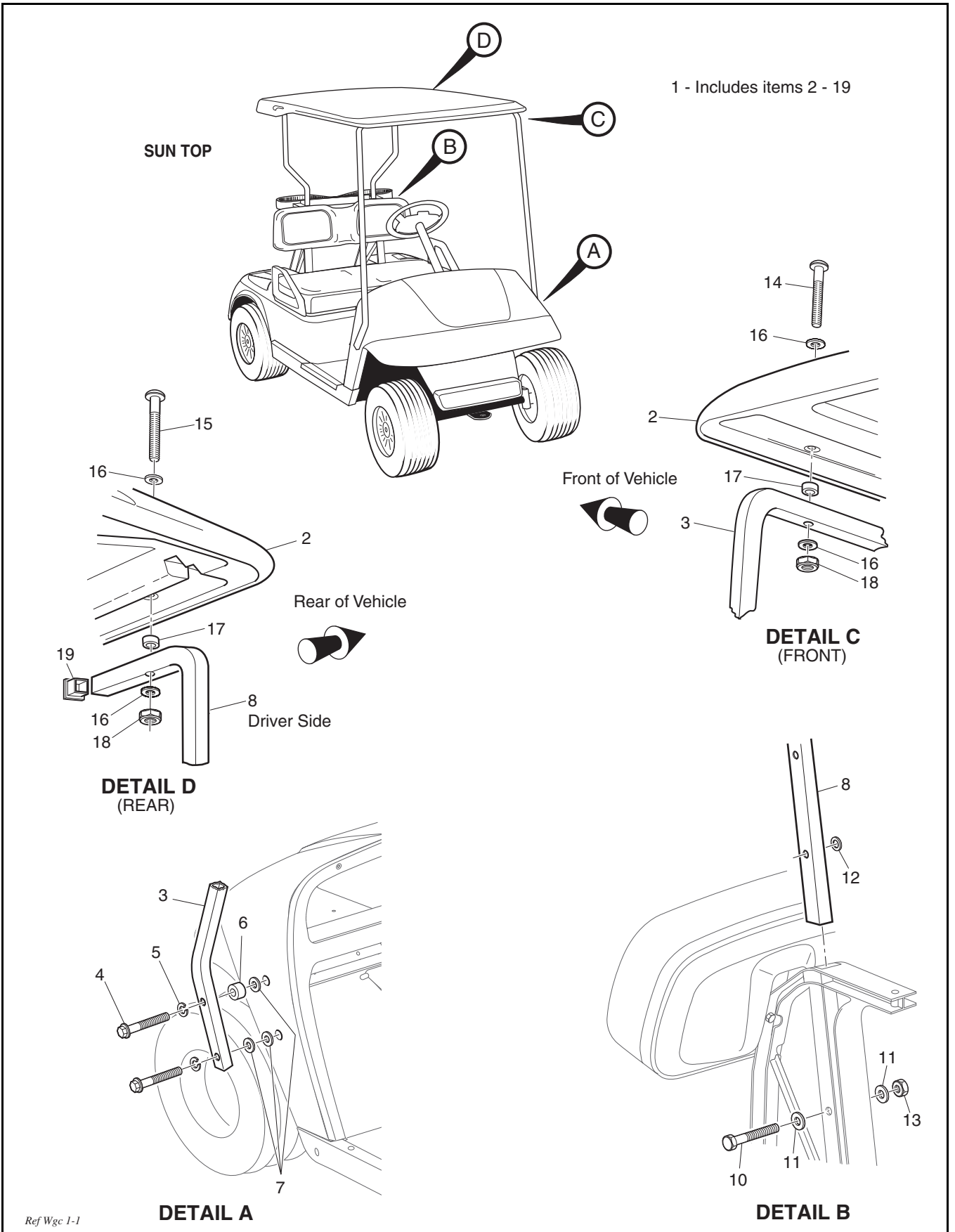
When ordering parts, please specify the model and serial number of the product.

* Indicates a component that is not available as an individual part.

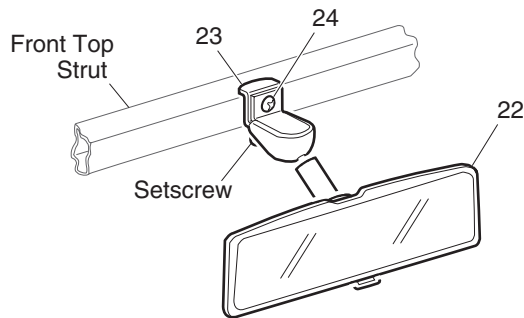
G** Indicates consult Customer Service Department for additional information.

ITEM	PART NO.	1	2	3	4	5	DESCRIPTION	QTY.
1	75033-G01						CASUAL TOW BAR (INCLUDES ITEMS 2 - 15).....	1
2	*						TOW BAR	1
3	75034-G01						TIE ROD (INCLUDES NUT AND COTTER PIN)	1
4	75060-G01						COUPLING	1
5	*						LOCK PIN	1
6	75065-G01						COMPRESSION SPRING	1
7	00922-G2						WASHER, 3/8"	1
8	10387-G2						COTTER PIN, 3/32" X 1" LG	1
9	75068-G01						SAFETY PIN.....	1
10	14869-G5						WIRE ROPE	1
11	16783-G1						FERRULE	3
12	75067-G01						FERRULE	1
13	75035-G02						HEX HEAD PLUG.....	1
14	14869-G3						WIRE ROPE	1
15	75091-G01						LABEL (WARNING)	1

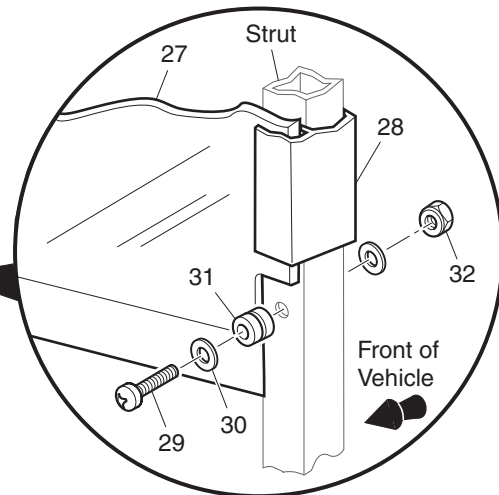
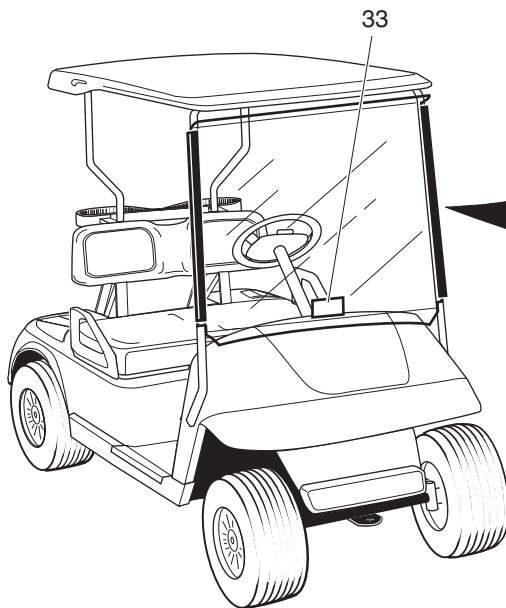
WEATHER PROTECTION - GOLF CAR



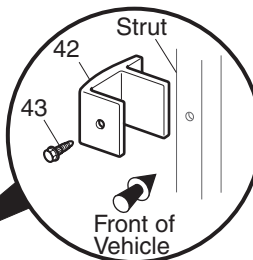
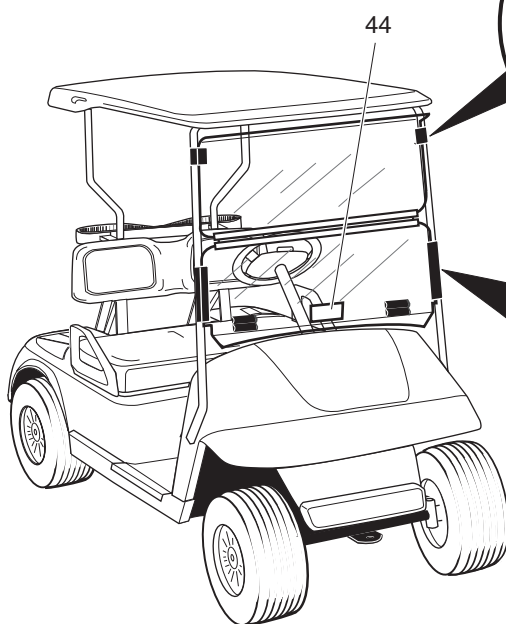
WEATHER PROTECTION - GOLF CAR



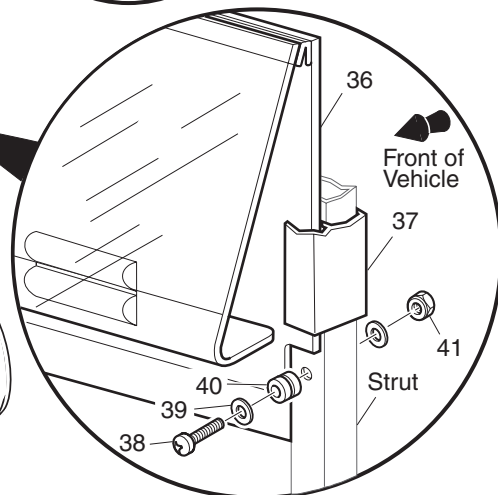
REAR VIEW MIRROR
21 - Includes Items 22 - 24



FULL WINDSHIELD
26 - Includes Items 27 - 33



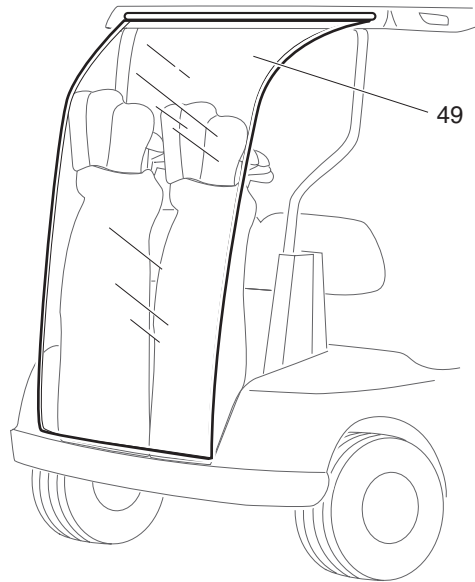
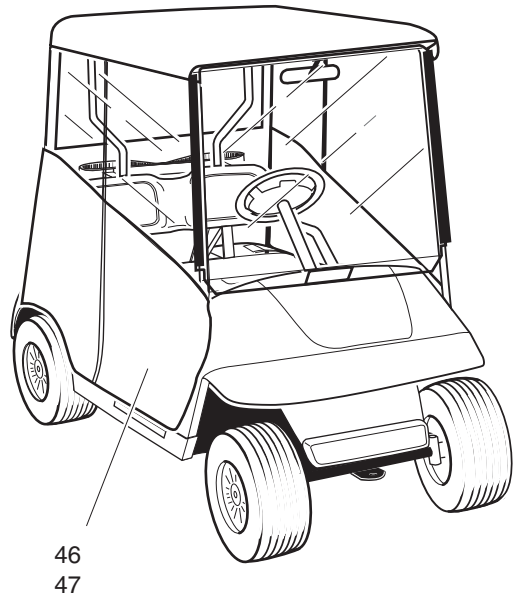
FOLD DOWN WINDSHIELD
35 - Includes Items 36 - 44



Ref Wgc 1-2

WEATHER PROTECTION - GOLF CAR

WEATHER ENCLOSURE



BAG AND RAIN CURTAIN

Ref Wgc 1-3

WEATHER PROTECTION - GOLF CAR

Where applicable, THE USE OF NON UL PARTS WILL VOID ANY UL LISTING.

When ordering parts, please specify the model and serial number of the product.

* Indicates a component that is not available as an individual part.

G** Indicates consult Customer Service Department for additional information.

ITEM	PART NO.	1	2	3	4	5	DESCRIPTION	QTY.
		For service or replacement parts, contact: Eagle Parts, Inc. 1411 Marvin Griffin Rd. Augusta, GA 30906 Telephone (706) 790-6687 or FAX (706) 790-6066						
1	75040-G**	SUN TOP KIT (GOLF CAR) (INCLUDES ITEMS 2 - 19)						1
2	27069-G**	SUN TOP						1
3	75045-G01	FRONT STRUT						1
4	01035-G01	BOLT, 5/16 - 18 X 2 1/4" LG						4
5	00905-G8	LOCK WASHER, 5/16"						4
6	75048-G01	SPACER, 1/2"						2
7	00570-G2	WASHER, 5/16"						6
8	75046-G01	REAR STRUT						2
9								
10	00685-G7	BOLT, 5/16 - 18 X 1 3/4" LG (STAINLESS STEEL)						4
11	01110-G03	WASHER, 5/16" (STAINLESS STEEL)						8
12	17255-G1	TEFLON WASHER, 5/16"						4
13	01109-G01	LOCK NUT, 5/16 - 18 (STAINLESS STEEL)						4
14	00753-G5	SCREW, 1/4 - 20 X 2" LG (STAINLESS STEEL)						2
15	00753-G6	SCREW, 1/4 - 20 X 2 1/4" LG (STAINLESS STEEL)						2
16	01110-G01	WASHER, 1/4" (STAINLESS STEEL)						8
17	75051-G01	SPACER						4
18	00654-G2	LOCK NUT, 1/4 - 20 (STAINLESS STEEL)						4
19	19853-G1	END CAP, 1"						2
20								
21	19528-G2	REAR VIEW MIRROR KIT (INCLUDES ITEMS 22 - 24)						1
22	19496-G1	REAR VIEW MIRROR						1
23	19502-G2	SUPPORT BRACKET						1
24	19527-G1	SCREW, #8 - 32 X 5/8" LG (STAINLESS STEEL)						1
25								

WEATHER PROTECTION - GOLF CAR

Where applicable, THE USE OF NON UL PARTS WILL VOID ANY UL LISTING.

When ordering parts, please specify the model and serial number of the product.

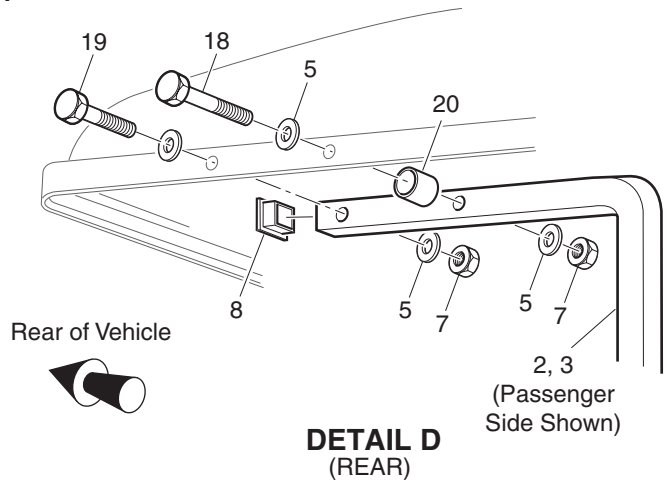
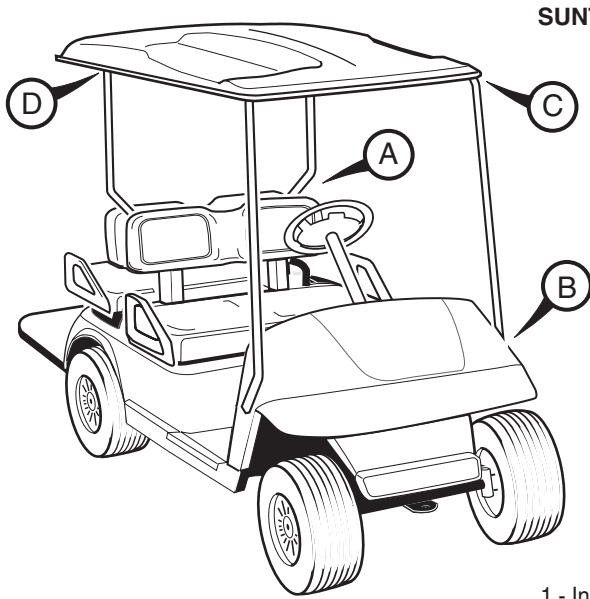
* Indicates a component that is not available as an individual part.

G** Indicates consult Customer Service Department for additional information.

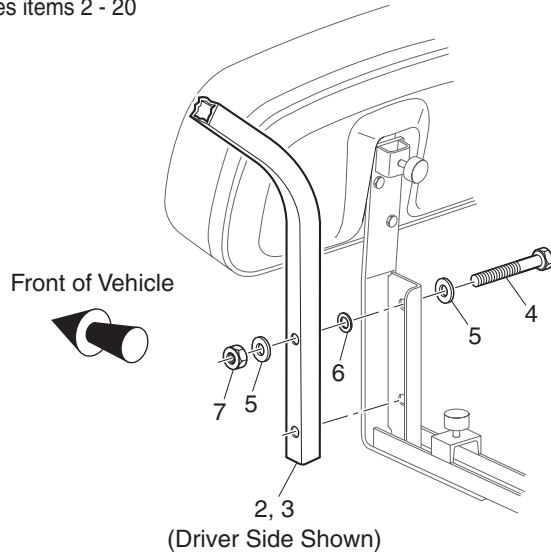
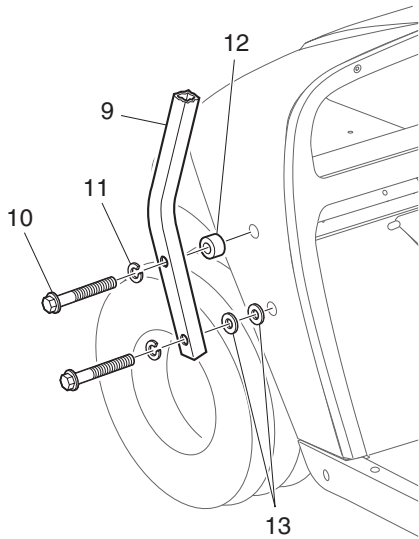
ITEM	PART NO.	1	2	3	4	5	DESCRIPTION	QTY.
26	75524-G01						WINDSHIELD KIT (GOLF CAR) (INCLUDES ITEMS 27 - 33).....	1
27	*						WINDSHIELD	1
28	EGWHC12						SASH, 26" LG	2
29	EGWHS12						SCREW, 1/4 - 20 X 1 3/4" LG (STAINLESS STEEL).....	2
30	EGWHW12						WASHER, 1/4" (STAINLESS STEEL).....	4
31	EGWHG13						RUBBER GROMMET	2
32	EGWHN12						LOCK NUT, 1/4 - 20 (STAINLESS STEEL).....	2
33	EGWHL14						LABEL (SAFETY)	1
34								
35	75525-G01						FOLD DOWN WINDSHIELD KIT (GOLF CAR) (INCLUDES ITEMS 36 - 44).....	1
36	*						WINDSHIELD	1
37	EGWHC10						SASH, 12" LG	2
38	EGWHS12						SCREW, 1/4 - 20 X 1 3/4" LG (STAINLESS STEEL).....	2
39	EGWHW12						WASHER, 1/4" (STAINLESS STEEL).....	4
40	EGWHG13						RUBBER GROMMET	2
41	EGWHN12						LOCK NUT, 1/4 - 20 (STAINLESS STEEL).....	2
42	137-010						TOP GRIP, 3/4" X 2"	2
43	136-008						TOP GRIP FASTENER.....	2
44	EGWHL14						LABEL (SAFETY)	1
45								
46	75078-G01						WEATHER ENCLOSURE (3 SIDED) RECOMMENDED FOR VEHICLES WITH WINDSHIELDS	1
47	75079-G01						WEATHER ENCLOSURE (4 SIDED) RECOMMENDED FOR VEHICLES WITHOUT WINDSHIELDS	1
48								
49	75191-G01						BAG COVER AND RAIN CURTAIN KIT.....	1

WEATHER PROTECTION - GOLF CAR

WEATHER PROTECTION - SHUTTLE 2+2

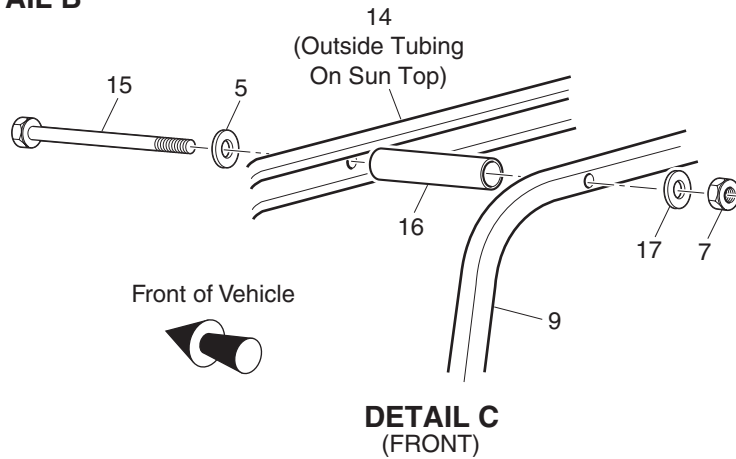


1 - Includes items 2 - 20



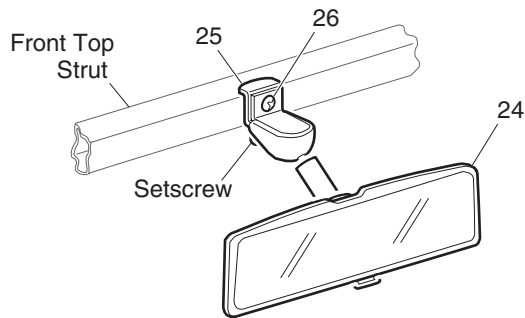
DETAIL B

DETAIL A

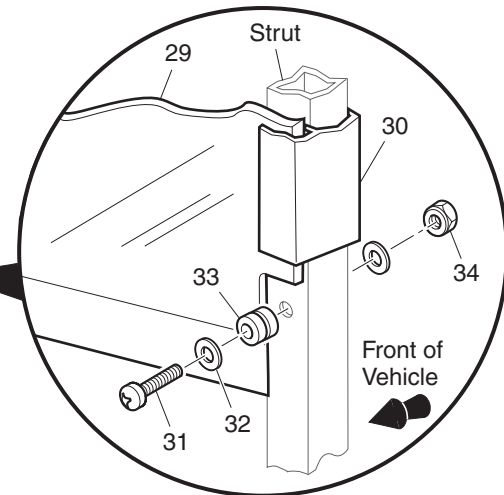
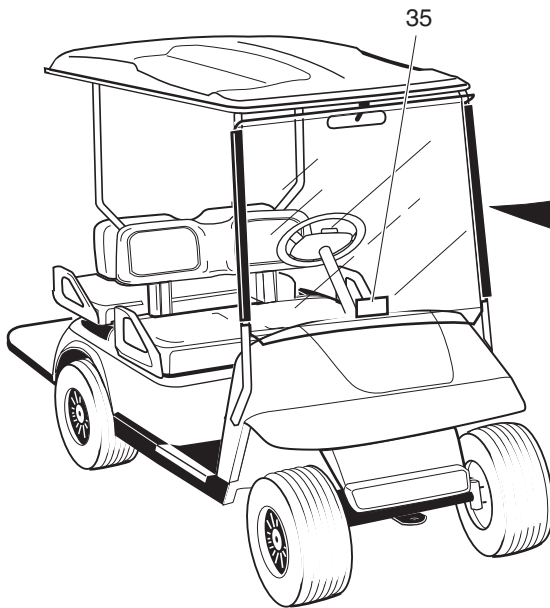


Ref Wsh 1-1

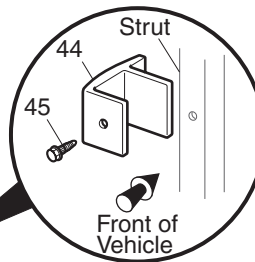
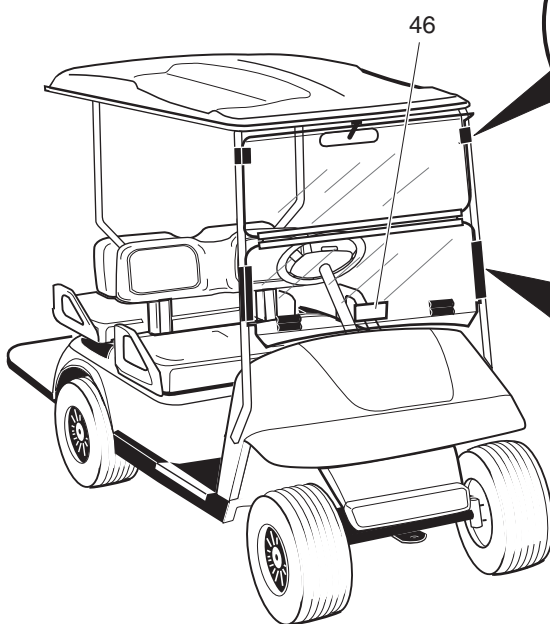
WEATHER PROTECTION - SHUTTLE 2+2



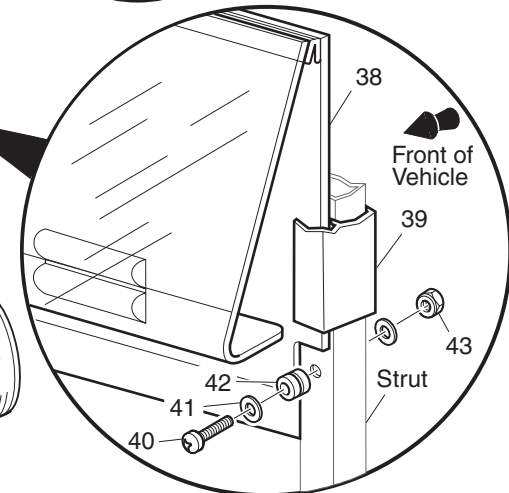
REAR VIEW MIRROR
23 - Includes Items 24 - 26



FULL WINDSHIELD
28 - Includes Items 29 - 35



FOLD DOWN WINDSHIELD
37 - Includes Items 38 - 46



Ref Wsh 1-2

WEATHER PROTECTION - SHUTTLE 2+2

Where applicable, THE USE OF NON UL PARTS WILL VOID ANY UL LISTING.

When ordering parts, please specify the model and serial number of the product.

* Indicates a component that is not available as an individual part.

G** Indicates consult Customer Service Department for additional information.

ITEM	PART NO.	1	2	3	4	5	DESCRIPTION	QTY.
		For service or replacement parts, contact: Eagle Parts, Inc. 1411 Marvin Griffin Rd. Augusta, GA 30906 Telephone (706) 790-6687 or FAX (706) 790-6066						
1	75123-G01	SUN TOP (SHUTTLE 2+2) (INCLUDES ITEMS 2 - 20).....						1
2	75074-G01	REAR STRUT (DRIVER SIDE).....						1
3	75074-G02	REAR STRUT (PASSENGER SIDE).....						1
4	00665-G5	BOLT, 3/8 - 16 X 1 3/4" LG (STAINLESS STEEL).....						4
5	00679-G1	WASHER, 3/8 (STAINLESS STEEL).....						18
6	00771-G5	WASHER, 3/8.....						4
7	00891-G5	LOCK NUT, 3/8 - 16.....						10
8	19853-G1	END CAP, 1".....						2
9	75125-G01	FRONT STRUT.....						1
10	01035-G01	BOLT, 5/16 - 18 X 2 1/4" LG.....						4
11	00905-G8	LOCK WASHER, 5/16".....						4
12	75048-G01	SPACER, 1/2".....						2
13	00879-G1	LOCK WASHER, 3/8".....						4
14	27604-G01	SUN TOP.....						1
15	00674-G8	BOLT, 3/8 - 16 X 5" LG (STAINLESS STEEL).....						2
16	18716-G1	SPACER.....						2
17	00653-G1	WASHER, 3/8" (STAINLESS STEEL).....						2
18	00665-G3	BOLT, 3/8 - 16 X 2 1/2" LG (STAINLESS STEEL).....						2
19	00665-G6	BOLT, 3/8 - 16 X 2" LG (STAINLESS STEEL).....						2
20	24647-G1	SPACER, 1/4".....						2
21								
22								
23	19528-G2	REAR VIEW MIRROR KIT (INCLUDES ITEMS 24 - 26).....						1
24	19496-G1	REAR VIEW MIRROR.....						1
25	19502-G2	SUPPORT BRACKET.....						1
26	19527-G1	SCREW, #8 - 32 X 5/8" LG (STAINLESS STEEL).....						1

WEATHER PROTECTION - SHUTTLE 2+2

Where applicable, THE USE OF NON UL PARTS WILL VOID ANY UL LISTING.

When ordering parts, please specify the model and serial number of the product.

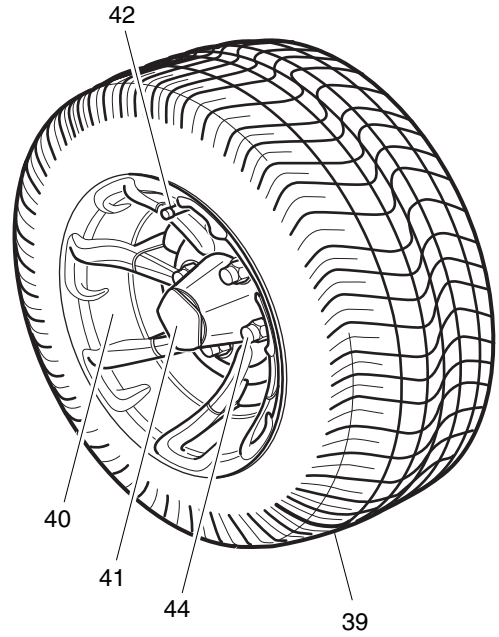
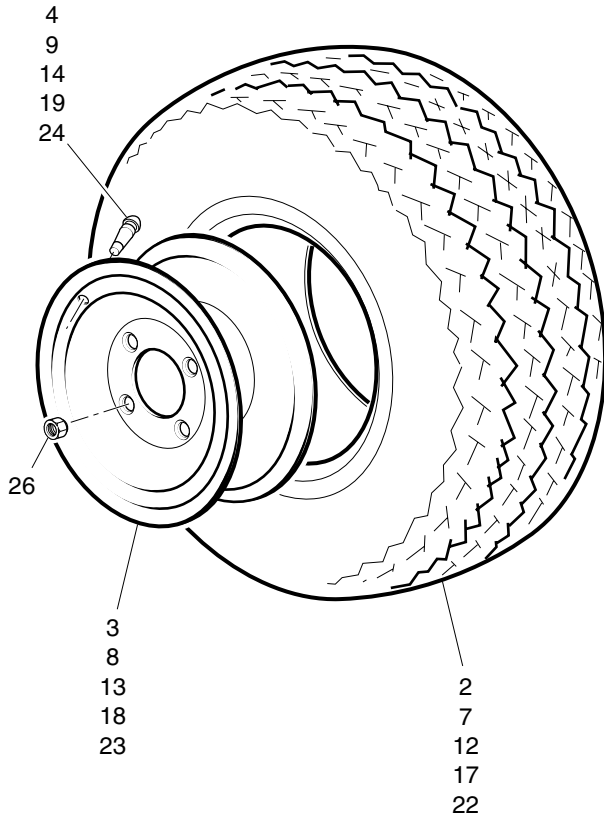
* Indicates a component that is not available as an individual part.

G** Indicates consult Customer Service Department for additional information.

ITEM	PART NO.	1	2	3	4	5	DESCRIPTION	QTY.
27								
28	75524-G02						WINDSHIELD KIT (SHUTTLE 2+2) (INCLUDES ITEMS 29 - 35).....	1
29	*						WINDSHIELD	1
30	EGWHC12						SASH, 26" LG	2
31	EGWHS12						SCREW, 1/4 - 20 X 1 3/4" LG (STAINLESS STEEL).....	2
32	EGWHW12						WASHER, 1/4" (STAINLESS STEEL).....	4
33	EGWHG13						RUBBER GROMMET	2
34	EGWHN12						LOCK NUT, 1/4 - 20 (STAINLESS STEEL).....	2
35	EGWHL14						LABEL (SAFETY)	1
36								
37	75525-G02						FOLD DOWN WINDSHIELD KIT (SHUTTLE 2+2) (INCLUDES ITEMS 38 - 46).....	1
38	*						WINDSHIELD	1
39	EGWHC10						SASH, 12" LG	2
40	EGWHS12						SCREW, 1/4 - 20 X 1 3/4" LG (STAINLESS STEEL).....	2
41	EGWHW12						WASHER, 1/4" (STAINLESS STEEL).....	4
42	EGWHG13						RUBBER GROMMET	2
43	EGWHN12						LOCK NUT, 1/4 - 20 (STAINLESS STEEL).....	2
44	137-010						TOP GRIP, 3/4" X 2"	2
45	136-008						TOP GRIP FASTENER.....	2
46	EGWHL14						LABEL (SAFETY)	1

WHEELS AND TIRES

- 1 - Includes Items 2 - 4
- 6 - Includes Items 7 - 9
- 11 - Includes Items 12 - 14
- 16 - Includes Items 17 - 19
- 21 - Includes Items 22 - 24
- 38 - Includes Items 39 - 42



6" CHROME HUBCAP
28



8" CHROME HUBCAP
29



SILVER / GOLD SPOKE HUBCAP
30, 31

Ref Whl 1

WHEELS AND TIRES

Where applicable, THE USE OF NON UL PARTS WILL VOID ANY UL LISTING.

When ordering parts, please specify the model and serial number of the product.

* Indicates a component that is not available as an individual part.

G** Indicates consult Customer Service Department for additional information.

ITEM	PART NO.	1 2 3 4 5	DESCRIPTION	QTY.
1	27772-G09		TIRE AND WHEEL ASSEMBLY (LINKS 1 18 X 8.5 - 8) (INCLUDES ITEMS 2 - 4).....	4
2	27772-G10		LINKS 1 CARLISLE TIRE, 18 X 8.5 - 8	1
3	15169-G1		WHEEL RIM (4 LUG).....	1
4	11657-G1		VALVE STEM.....	1
5				
6	27772-G03		WHEEL AND TIRE ASSEMBLY (TURF SAVER 18 X 8.5 - 8) (INCLUDES ITEMS 7 - 9).....	4
7	27772-G07		CARLISLE TIRE (TURF SAVER 18 X 8.5 - 8).....	1
8	15169-G1		WHEEL RIM (4 LUG).....	1
9	11657-G1		VALVE STEM.....	1
10				
11	27775-G01		WHEEL AND TIRE ASSEMBLY (USA TRAIL 6-PLY 18.5 X 8.5 - 8) (INCLUDES ITEMS 12 - 14).....	4
12	27775-G02		CARLISLE TIRE (USA TRAIL, 6 PLY 18 X 8.5 - 8)	1
13	15169-G1		WHEEL RIM (4 LUG).....	1
14	11657-G1		VALVE STEM.....	1
15				
16	27772-G02		WHEEL AND TIRE ASSEMBLY (TURF GLIDE 18 X 8.5 - 8) (INCLUDES ITEMS 17 - 19).....	4
17	27772-G06		CARLISLE TIRE (TURF GLIDE 18 X 8.5 - 8).....	1
18	15169-G1		WHEEL RIM (4 LUG).....	1
19	11657-G1		VALVE STEM.....	1
20				
21	27772-G04		WHEEL AND TIRE ASSEMBLY (FAIRWAY 18 X 8.5 - 8) (INCLUDES ITEMS 22 - 24).....	4
22	27772-G08		CARLISLE TIRE (FAIRWAY 18 X 8.5 - 8).....	1
23	15169-G1		WHEEL RIM (4 LUG).....	1
24	11657-G1		VALVE STEM.....	1
25				
26	14723-G1		LUG NUT, 1/2 - 20.....	16
27				

WHEELS AND TIRES

Where applicable, THE USE OF NON UL PARTS WILL VOID ANY UL LISTING.

When ordering parts, please specify the model and serial number of the product.

* Indicates a component that is not available as an individual part.

G** Indicates consult Customer Service Department for additional information.

ITEM	PART NO.	1 2 3 4 5	DESCRIPTION	QTY.
28	16042-G01		6" CHROME HUBCAP	4
29	16042-G02		6" CHROME HUBCAP (SET OF FOUR).....	1
30	14913-G01		8" CHROME HUBCAP	4
31	14913-G02		8" CHROME HUBCAP (SET OF FOUR).....	1
32	19241-G02		GOLD SPOKE HUBCAP	4
33	19241-G04		GOLD SPOKE HUBCAP (SET OF FOUR)	1
34	19241-G01		SILVER SPOKE HUBCAP.....	4
35	19241-G03		SILVER SPOKE HUBCAP (SET OF FOUR).....	1
36				
37				
38	28780-G01		ALLOY WHEEL AND TIRE ASSEMBLY (PRO TOUR 18 X 8.00 - 10) (INCLUDES ITEMS 39 - 42).....	4
39	74825-G01		KENDA TIRE (PRO TOUR, 18 X 8.00 - 10)	1
40	74828-G01		ALLOY WHEEL.....	1
41	28781-G01		ALLOY WHEEL CAP	1
42	74826-G01		VALVE STEM (CHROME).....	1
43				
44	28782-G01		ALLOY WHEEL LUG NUT	16

SPECIALTY PRODUCTS

SPECIALTY PRODUCTS

SPECIALTY PRODUCTS

SPECIAL TOOLS	PART NO.
BATTERY MAINTENANCE KIT	25587-G01
SEAL INSTALLATION TOOL (REAR AXLE SHAFT SEAL)	18739-G1
BATTERY SET DISCHARGER, 36 VOLT, 75 AMP	28251-G01
CURRENT INDICATOR	16489-G2
DIGITAL MULTI-METER	27481-G01
CRIMPING TOOL	27765-G01
SLIDE HAMMER (AXLE/HUB REMOVAL)	15947-G1
SLIDE HAMMER (AXLE REMOVAL ONLY)	18753-G1

TOUCH UP PAINT	PART NO.
PEN 3 OUNCE (89 ML) - HUNTER GREEN	28432-G02
PEN 3 OUNCE (89 ML) - CHAMPAGNE BEIGE	28432-G01
PEN 3 OUNCE (89 ML) - WHITE	28432-G05
PEN 3 OUNCE (89 ML) - INDUSTRIAL YELLOW.....	28432-G03
PEN 3 OUNCE (89 ML) - ORANGE	28432-G04
PEN 3 OUNCE (89 ML) - STEEL BLUE PEARL	28432-G**
PEN 3 OUNCE (89 ML) - CAMOUFLAGE PAINT (THREE PENS)	75831-G01
AEROSOL 12 OUNCE (360 ML) - HUNTER GREEN	28140-G09
AEROSOL 12 OUNCE (360 ML) - CHAMPAGNE BEIGE	28140-G15
AEROSOL 12 OUNCE (360 ML) - WHITE	28140-G03
AEROSOL 12 OUNCE (360 ML) - INDUSTRIAL YELLOW.....	28140-G14
AEROSOL 12 OUNCE (360 ML) - ORANGE	28140-G13
AEROSOL 12 OUNCE (360 ML) - STEEL BLUE PEARL	28140-G**

MAINTENANCE PRODUCTS	PART NO.
FORMULA 40 VINYL-COAT® - WHITE	28166-G01
PLEXUS® CLEANER, 7 OUNCE (210 ML) (FOR WINDSHIELDS)	28433-G01
PLEXUS® CLEANER, 13 OUNCE (380 ML) (FOR WINDSHIELDS)	28433-G02
BATTERY PROTECTOR, 14 OUNCE (410 ML) SPRAY	75500-G01
WHITE LITHIUM GREASE, 14 OUNCE (410 ML) SPRAY.....	75502-G01
PENETRANT/LUBRICANT, 15 OUNCE (440 ML) SPRAY	75503-G01
MULTI-PURPOSE CLEANER & DEGREASER, 14 OUNCE (410 ML) SPRAY	75504-G01
MULTI-PURPOSE HAND CLEANER, 32 OUNCE (950 ML) LIQUID	75505-G01

SPECIALTY PRODUCTS

BATTERY CLEANER, 32 OUNCE (950 ML) WITH TRIGGER SPRAYER 75506-G01

BIO-DEGRADABLE CLEANER, 32 OUNCE (950 ML) WITH TRIGGER SPRAYER..... 75507-G01

MULTI-PURPOSE VALUE PACK..... 75508-G01

- BATTERY PROTECTOR, 4 OUNCE (120 ML) SPRAY
- PENETRANT/LUBRICANT, 4 OUNCE (120 ML) SPRAY
- WHITE LITHIUM GREASE, 4 OUNCE (120 ML) SPRAY
- CARBURETOR & CHOKE CLEANER, 4 OUNCE (120 ML) SPRAY

SPECIALTY PRODUCTS

Notes:

OPTIONS/ACCESSORIES

OPTIONS/ACCESSORIES

OPTIONS/ACCESSORIES

ITEM	KIT NO.	SECTION
2 BAG ATTACHMENT	75183-G01	Body -Footrest
4 BAG ATTACHMENT	75335-G01	Body - Accessories Continued
ALLOY WHEEL AND TIRE ASSEMBLY	28780-G01	Wheels And Tires
ALLOY WHEEL CAP	28781-G01	Wheels And Tires
ALLOY WHEEL LUG NUT	28782-G01	Wheels And Tires
8" CHROME HUBCAP	14913-G*	Wheels And Tires
6" CHROME HUBCAP	16042-G*	Wheels And Tires
GOLD SPOKE HUBCAP	19241-G*	Wheels And Tires
SILVER SPOKE HUBCAP	19241-G*	Wheels And Tires
ASHTRAY KIT	75109-G02	Body - Accessories Continued
BAG COVER / RAIN CURTAIN KIT	75191-G01	Weather Protection - Golf Car
CONVERTIBLE CARRIER KIT	75179-G*	Body, Seating - Convertible Carrier
CENTER BASKET	75003-G02	Body - Accessories
COOLER JUG AND BRACKET KIT	75495-G01	Body - Accessories Continued
COOLER BOX AND BRACKET KIT	75344-G01	Body - Accessories Continued
DIVOT REPAIR KIT	23300-G01	Body - Accessories
HOUR METER	75113-G02	Electrical System - Common
MESSAGE HOLDER KIT (REQUIRES SUN TOP)	75509-G01	Body - Accessories Continued
MESSAGE HOLDER KIT (REQUIRES SUN TOP)	75496-G01	Body - Accessories Continued
REAR VIEW MIRROR (REQUIRES SUN TOP)	19528-G2	Weather Protection - Golf Car
SAND BOTTLE	28661-G01	Body - Accessories
SAND RAKE	14735-G1	Body - Accessories Continued
SAND RAKE HOLDER	75006-G01	Body - Accessories Continued
SHUTTLE 2+2 KIT	74150-G**	Body, Seating - Shuttle 2+2
SIDE BASKET	75007-G**	Body - Accessories
SUN TOP KIT, GOLF CAR	75040-G**	Weather Protection - Golf Car
SUN TOP KIT, SHUTTLE 2+2	75123-G01	Weather Protection - Shuttle 2+2
TOW BAR KIT (CASUAL)	75033-G01	Tow Bar - Casual
TOW BAR KIT (PERMANENT)	75310-G01	Tow Bar - Permanent
TURN SIGNAL KIT	75107-G02	Electrical System - Common
WEATHER ENCLOSURE (3 SIDED)	75078-G01	Weather Protection - Golf Car
WEATHER ENCLOSURE (3 SIDED)	75492-G01	Weather Protection - Shuttle 2+2

OPTIONS/ACCESSORIES

ITEM	KIT NO.	SECTION
WEATHER ENCLOSURE (4 SIDED).....	75079-G01.....	Weather Protection, Golf Car
WINDSHIELD KIT, GOLF CAR	75524-G01.....	Weather Protection, Golf Car
WINDSHIELD KIT, SHUTTLE 2+2.....	75524-G02.....	Weather Protection, Shuttle 2+2
WINDSHIELD KIT, FOLD DOWN, GOLF CAR	75525-G01.....	Weather Protection, Golf Car
WINDSHIELD KIT, FOLD DOWN, SHUTTLE 2+2.....	75525-G02.....	Weather Protection, Shuttle 2+2

OPTIONS/ACCESSORIES

INDEX OF MAJOR COMPONENTS

INDEX OF MAJOR COMPONENTS

BY PART DESCRIPTION

A

ACCELERATOR PEDAL	A-4
ALLOY WHEEL	O-3
ASH TRAY	C-18
AXLE SHAFT	J-2

B

BAG COVER	N-5
BATTERY	F-4
BATTERY CHARGER, LESTER	B-16
BATTERY RACK	C-6
BEARING AND RACE	H-3
BED	L-10
BOX COOLER	C-16
BRAKE	F-7
BRAKE ADJUSTER	D-7
BRAKE ASSEMBLY	D-6
BRAKE CABLE	D-4
BRAKE DRUM	D-7
BRAKE PEDAL PAD	D-4
BRAKE SHOE	D-6
BRAKE SPRING KIT	D-6
BUMPER PLUG	C-9

C

CATCH BRACKET	D-5
CENTER BASKET	C-14
CHARGER RECEPTACLE	F-4
COMPENSATOR ASSEMBLY	D-4
CONTACT BOARD	E-3
COOLER JUG	C-16
COWL	C-2

D

DIRECTION SELECTOR	E-2
DIRECTION SELECTOR HANDLE	E-2
DIRECTION SELECTOR SWITCH (DASH MOUNTED)	F-10
DIVOT REPAIR KIT	C-14

E

ELECTRONIC SPEED CONTROLLER	G-2, G-4, G-8
EQUALIZER	D-4

INDEX OF MAJOR COMPONENTS

F

FAIRWAY 18 X 8.5 - 8	O-2
FEMALE STOP	M-3
FENDER SCUFFGUARD	C-8
FLOORMAT	C-6
FLOORMAT WITH HORN HOLE	C-6
FLOORPAN	C-6
FOOTREST	C-12
FOUR BAG ATTACHMENT KIT	C-18
FRONT AXLE	H-3
FRONT SHIELD.....	C-2
FRONT STRUT.....	N-4, N-9
FUSE BLOCK	F-5

H

HEAD LIGHT	F-7
HIP RESTRAINT.....	L-2
HORN	F-5
HORN SWITCH	F-5
HOUR METER.....	F-6
HUB	H-3
HUBCAP	O-3

I

INSTRUMENT PANEL.....	C-2
INSTRUMENT PANEL WOODGRAIN APPLIQUE KIT	C-3
INTERMEDIATE SHAFT	H-6

K

KEY SWITCH.....	F-6
KICK-OFF	D-5

L

LEAF SPRING	H-4, K-2
LEAF SPRING (HEAVY DUTY).....	H-4
LINKS 1 18 X 8.5 - 8.....	O-2
LUG NUT	O-2, O-3

M

MALE STOP	M-3
MESSAGE HOLDER	C-16
MICRO SWITCH.....	D-6, E-2
MOTOR (SEPARATELY EXCITED) (PDS)	I-2
MOTOR (SERIES, FLEET SPEED).....	I-2
MOTOR (SERIES, HIGH SPEED).....	I-2

INDEX OF MAJOR COMPONENTS

P

PEDAL BOX ASSEMBLY	A-3
PEDAL BOX ASSEMBLY, PDS MODEL	A-3
PINION SEAL	H-5
POWERWISE™ + CHARGER	B-4
POWERWISE™ CHARGER	B-4
POWERWISE™ CHARGER (ON BOARD)	B-11
PRO TOUR 18 X 8.00 - 10	O-3

R

RACK AND PINION UNIT	H-4
RACK BALL JOINT	H-5
RACK BOOT	H-5
RAIN CURTAIN	N-5
RAKE	C-16
REAR AXLE	J-2
REAR BODY (WITH TAILLIGHTS)	C-8
REAR BODY (WITHOUT TAILLIGHTS)	C-8
REAR BUMPER	C-8
REAR BUMPER (SHUTTLE 2+2)	C-9
REAR STRUT	N-4
REAR STRUT (DRIVER SIDE)	N-9
REAR STRUT (PASSENGER SIDE)	N-9
REAR VIEW MIRROR	N-4
REVERSE WARNING BUZZER	E-3, F-10
ROCKER PANEL	C-9

S

SAND BOTTLE	C-14
SCUFF GUARD	J-2
SEAT	L-2, L-5, L-9
SEAT BACK MOUNT	L-10
SEAT BACK SUPPORT	L-5, L-9
SEAT HINGE	L-2
SEAT SUPPORT BRACKET	L-2, L-6
SHOCK ABSORBER	H-4, K-2
SHOCK ABSORBER BOOT	H-4
SIDE BASKET	C-14
SILL PLATE	C-9
SOLENOID	G-8
SOLENOID, 36 VOLT	G-2, G-4
SPINDLE	H-3
STATE OF CHARGE METER	F-12
STATE OF CHARGE METER (VERTICAL)	F-10
STEERING COLUMN	H-5
STEERING SHAFT	H-5
STEERING WHEEL	H-6
SUN TOP	N-4
SUN TOP (SHUTTLE 2+2)	N-9

INDEX OF MAJOR COMPONENTS

T

TIE ROD	H-7, M-4, M-6
TOW BAR	M-3, M-6
TOW BAR HITCH	M-4
TURF GLIDE 18 X 8.5 - 8.....	O-2
TURF SAVER 18 X 8.5 - 8.....	O-2
TURN SIGNAL.....	F-6
TWO BAG ATTACHMENT KIT.....	C-12

U

USA TRAIL 6-PLY 18.5 X 8.5 - 8.....	O-2
-------------------------------------	-----

V

VALANCE PANEL	C-12
---------------------	------

W

WEATHER ENCLOSURE (3 SIDED)	N-5
WEATHER ENCLOSURE (4 SIDED)	N-5
WINDSHIELD	N-5, N-10
WIRE HARNESS (BRAKE LIGHT).....	D-6

BY PART NUMBER

10606-G2 MICRO SWITCH.....	E-2
10606-G8 MICRO SWITCH.....	D-6
14651-G1 CONTACT BOARD ASSEMBLY	E-3
14735-G1 RAKE	C-16
14913-G** 8" CHROME HUBCAP	O-3
16042-G** 6" CHROME HUBCAP	O-3
17318-G1 HORN SWITCH	F-5
17867-G1 TURN SIGNAL.....	F-6
19241-G** GOLD SPOKE HUBCAP.....	O-3
19241-G** SILVER SPOKE HUBCAP	O-3
21573-G1 HOUR METER.....	F-6
21807-G1 BRAKE DRUM	D-7
22674-G1 FUSE BLOCK	F-5
23300-G01 BASKET DIVOT REPAIR KIT.....	C-14
24605-G1 WIRE HARNESS (BRAKE LIGHT).....	D-6
25799-G01 ACCELERATOR PEDAL	A-4
25864-G05 ELECTRONIC SPEED CONTROLLER	G-2
27166-G02 FRONT SHIELD.....	C-2
27855-G01 SOLENOID, 36 VOLT	G-2, G-4
27944-G01 BRAKE SPRING KIT	D-6
28115-G01 POWERWISE™ CHARGER.....	B-4
28115-G02 POWERWISE™ + CHARGER	B-4
28115-G11 POWERWISE™ CHARGER (ON BOARD).....	B-11
28380-G02 BATTERY CHARGER, LESTER	B-16
28516-G01 BATTERY CHARGER, LESTER	B-16
28562-G01 SOLENOID	G-8

INDEX OF MAJOR COMPONENTS

28659-G01 SAND BOTTLE.....	C-14
32860-G1 HORN.....	F-5
33636-G01 STATE OF CHARGE METER.....	F-12
33636-G04 STATE OF CHARGE METER (VERTICAL).....	F-10
70046-G01 BATTERY RACK.....	C-6
70080-G01 CATCH BRACKET.....	D-5
70272-G04 COMPENSATOR ASSEMBLY.....	D-4
70274-G01 BRAKE/PARK BRAKE PEDAL PAD KIT.....	D-4
70324-G01 SHOCK ABSORBER.....	K-2
70451-G01 LOWER FLOORPAN.....	C-6
70578-G01 DIRECTION SELECTOR ASSEMBLY.....	E-2
70597-G02 LEAF SPRING.....	H-4
70662-G01 UPPER FLOORPAN.....	C-6
70663-G01 FLOORMAT.....	C-6
70663-G02 FLOORMAT WITH HORN HOLE.....	C-6
70664-G02 LEAF SPRING (HEAVY DUTY).....	H-4
70794-G01 BRAKE SHOE KIT.....	D-6
70928-G01 SHOCK ABSORBER.....	H-4
70963-G01 FRONT AXLE.....	H-3
70964-G01 RACK AND PINION UNIT (COMPLETE).....	H-4
70969-G03 EQUALIZER AND BRAKE CABLE ASSEMBLY.....	D-4
70998-G01 BRAKE ASSEMBLY (DRIVER SIDE).....	D-6
70998-G02 BRAKE ASSEMBLY (PASSENGER SIDE).....	D-6
71051-G** COWL.....	C-2
71151-G01 INSTRUMENT PANEL.....	C-2
71205-G01 DIRECTION SELECTOR HANDLE.....	E-2
71334-G** REAR BODY (WITH TAILLIGHTS).....	C-8
71456-G01 NOTCHED REAR BUMPER.....	C-9
71578-G01 REAR BUMPER.....	C-8
71912-G** REAR BODY (WITHOUT TAILLIGHTS).....	C-8
72582-G01 BRAKE ADJUSTER KIT (DRIVER SIDE).....	D-7
72582-G02 BRAKE ADJUSTER KIT (PASSENGER SIDE).....	D-7
72763-G01 SCUFF GUARD.....	J-2
73060-G01 ELECTRONIC SPEED CONTROLLER.....	G-8
73063-G01 CHARGER RECEPTACLE.....	F-4
73124-G02 MOTOR (SERIES, FLEET SPEED).....	I-2
73124-G03 MOTOR (SERIES, HIGH SPEED).....	I-2
73124-G08 MOTOR (SEPARATELY EXCITED) (PDS).....	I-2
73290-G02 REVERSE WARNING BUZZER.....	E-3, F-10
73326-G02 ELECTRONIC SPEED CONTROLLER.....	G-4
73333-G01 PEDAL BOX ASSEMBLY.....	A-3
73333-G05 PEDAL BOX ASSEMBLY, PDS MODEL.....	A-3
73500-G01 REAR AXLE.....	J-2
74001-G01 LIGHT BAR.....	F-7
74239-G01 INSTRUMENT PANEL WOODGRAIN APPLIQUE KIT.....	C-3
74323-G01 DIRECTION SELECTOR SWITCH (DASH MOUNTED).....	F-10
75003-G02 CENTER BASKET KIT.....	C-14
75007-G02 SIDE BASKET KIT.....	C-14
75040-G** SUN TOP KIT.....	N-4
75045-G01 FRONT STRUT.....	N-4
75046-G01 REAR STRUT.....	N-4
75074-G01 REAR STRUT (DRIVER SIDE).....	N-9
75074-G02 REAR STRUT (PASSENGER SIDE).....	N-9
75109-G02 ASH TRAY KIT.....	C-18
75123-G01 SUN TOP (SHUTTLE 2+2).....	N-9
75125-G01 FRONT STRUT.....	N-9

INDEX OF MAJOR COMPONENTS

75183-G01 TWO BAG ATTACHMENT KIT	C-12
75344-G01 BOX COOLER AND BRACKET KIT	C-16
75355-G01 FOUR BAG ATTACHMENT KIT	C-18
75495-G01 COOLER JUG AND BRACKET KIT	C-16

INDEX OF MAJOR COMPONENTS



A Textron Company

E-Z-GO Division of Textron, Inc.
P.O. Box 388 Augusta, Georgia 30903-0388 USA
Inside USA Phone: 1-800-241-5855, FAX: 1-800-448-8124
Outside USA Phone: 010-1-706-798-4311, FAX: 010-1-706-771-4609

Copyrighted Material
This manual may not be reproduced in whole or
in part without the express permission of
E-Z-GO Division of Textron, Inc.
Technical Communications Department