

601028



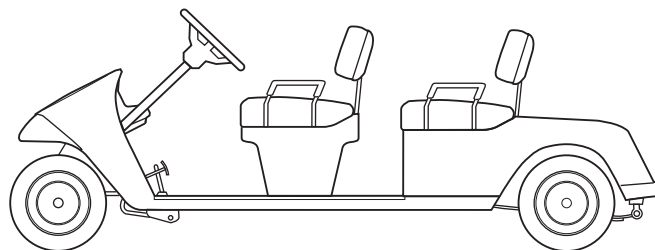
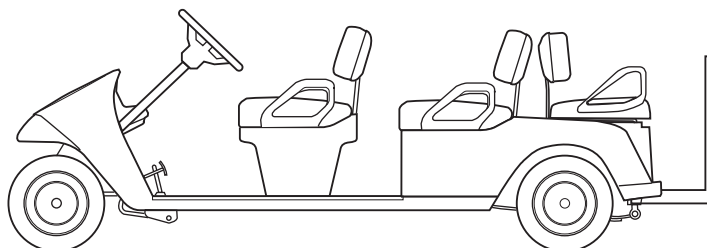
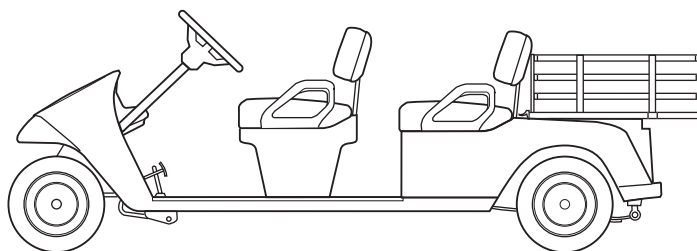
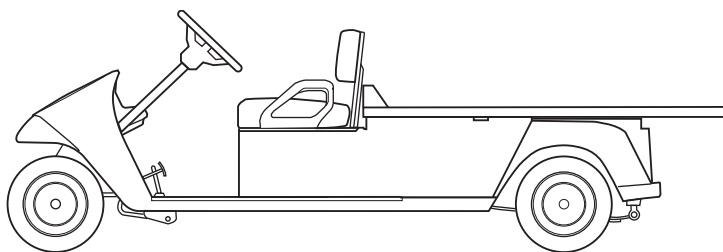
A Textron Company



A Textron Company



SERVICE PARTS MANUAL



GASOLINE POWERED PERSONNEL CARRIERS AND GOLF CAR

ISSUED DATE SEPTEMBER 2005 REVISED DATE JULY 2008

SERVICE PARTS MANUAL

GASOLINE POWERED PERSONNEL CARRIERS AND GOLF CARS

SHUTTLE/BELLHOP 2

SHUTTLE/BELLHOP 4

SHUTTLE/BELLHOP 6

TG5

STARTING MODEL YEAR 2005

DISCLAIMER: The E-Z-GO Division of Textron Inc. reserves the right to incorporate engineering and design changes to products in this Manual, without obligation to include these changes on units leased/sold previously.

The information contained in this Manual may be revised periodically by the E-Z-GO Division, and therefore is subject to change without notice.

The E-Z-GO Division DISCLAIMS LIABILITY FOR ERRORS IN THIS MANUAL, and the E-Z-GO Division SPECIFICALLY DISCLAIMS LIABILITY FOR INCIDENTAL AND CONSEQUENTIAL DAMAGES resulting from the use of the information and materials in this Manual.

CUSTOMER SERVICE DEPARTMENT IN USA PHONE: 1-800-241-5855 FAX: 1-800-448-8124

OUTSIDE USA PHONE: 001-706-798-4311, FAX: 001-706-771-4609

E-Z-GO DIVISION OF TEXTRON, INC., MARVIN GRIFFIN RD., AUGUSTA, GEORGIA USA 30906

NOTES

To obtain a copy of the limited warranty applicable to the vehicle, call or write a local Distributor, authorized Branch or the Warranty Department with vehicle serial number and manufacturer code.

The use of non Original Equipment Manufacturer (OEM) parts may void the warranty.

Overfilling of batteries may void the warranty.

BATTERY PROLONGED STORAGE

All batteries will self discharge over time. The rate of self discharge varies depending on the ambient temperature and the age and condition of the batteries.

A fully charged battery will not freeze in winter temperatures unless the temperature falls below -75° F (-60° C).

As with all electric vehicles, the batteries must be checked and recharged as required or at a minimum of 30 day intervals.

TABLE OF CONTENTS

| SECTION | Page No. |
|---|-----------------|
| HOW TO USE THE SERVICE PARTS MANUAL | v |
| ILLUSTRATED PARTS BREAKDOWN | vii |
| ACCELERATOR | A-1 |
| AIR CLEANER | B-1 |
| BODY | C-1 |
| BRAKES - MECHANICAL | D-1 |
| BRAKES - FRONT DISC | E-1 |
| CARBURETOR AND CHOKE | F-1 |
| CLUTCH | G-1 |
| DIRECTION SELECTOR | H-1 |
| ELECTRICAL SYSTEM | J-1 |
| ENGINE AND MUFFLER | K-1 |
| ENGINE MOUNTING | L-1 |
| FRONT SUSPENSION/STEERING | M-1 |
| FUEL SYSTEM | N-1 |
| REAR AXLE | P-1 |
| REAR SUSPENSION | Q-1 |
| SEATING | R-1 |
| STARTER / GENERATOR | S-1 |
| WEATHER PROTECTION | T-1 |
| WHEELS AND TIRES | U-1 |
| SPECIALTY PRODUCTS | APPENDIX A-1 |

HOW TO USE THE SERVICE PARTS MANUAL

This manual is divided into several sections:

- GENERAL INFORMATION
- ILLUSTRATED PARTS BREAKDOWN
- APPENDIX

The first section, GENERAL INFORMATION, contains the following information:

- WARRANTY INFORMATION
- GENERAL INDEX
- HOW TO USE THE SERVICE PARTS MANUAL

The second section, ILLUSTRATED PARTS BREAKDOWN, contains illustrations and parts lists for all systems of your vehicle.

The third section, APPENDIX, contains a listing of specialty products and accessories.

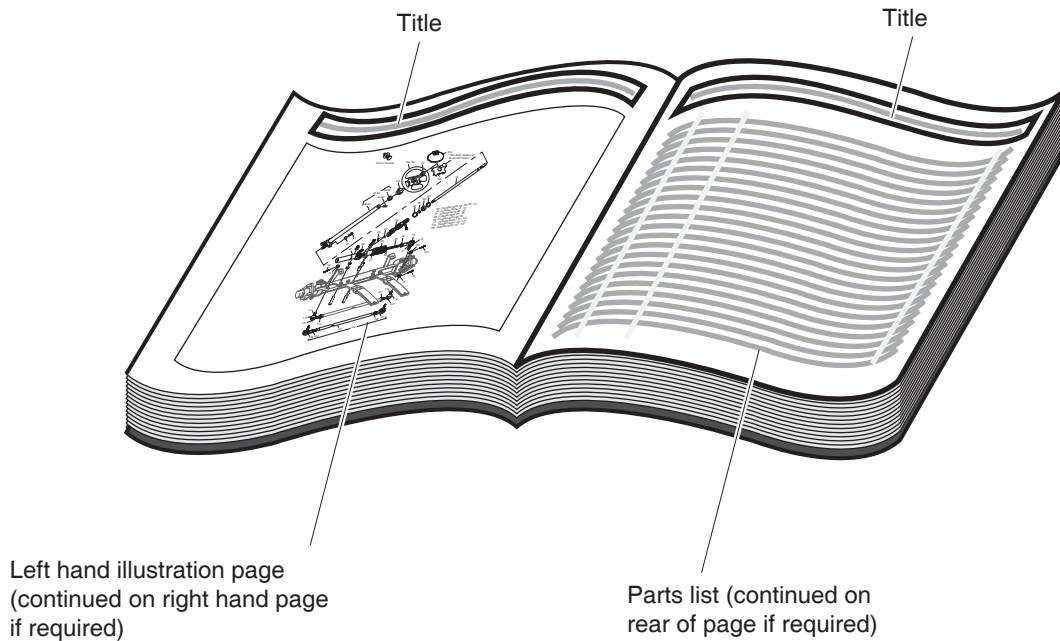
USE OF THE MANUAL

To use this manual, consult the GENERAL INDEX to locate the information or illustration required.

Introduction of some revisions varies due to supply of components; therefore, it is possible that various combinations of components may be found that are not directly reflected by each illustration. Consult the illustration that best suits your situation and then contact the Service Parts Department. It is important that the serial number of your vehicle and its model number be supplied to Service Parts when ordering any replacement components.

Locate the serial number plate (see BODY located in the Illustrated Parts Breakdown section of this manual for its location) and note the complete number shown on the plate.

HOW TO USE THE SERVICE PARTS MANUAL



1. WHEN THE PART NUMBER IS NOT KNOWN

- Determine the function and application of the part required. Turn to the General Index and select the most appropriate title.
- Turn to the page number indicated and locate the desired part on the illustration.
- From the illustration, obtain the item number assigned to the desired part. Refer to the accompanying description for specific information regarding the part.

2. IF YOU KNOW THE PART NUMBER

- Locate the part number or description in the appropriate column on the parts list page.

NOTE: It is suggested that you confirm that the part selected is correct by verifying it with the pictorial representation on the illustrated page.

Should an asterisk (*) appear in the part number column on the parts list page, read upwards until a part number is found. The part number is the lowest assembly sold by Service Parts and the asterisk (*) indicates that the part depicted is not available for purchase.

NOTE: Descriptions are indented under the assembly that they are used on. That assembly is, in turn listed under the assembly that it is used on. This process is repeated until the highest final assembly is reached.

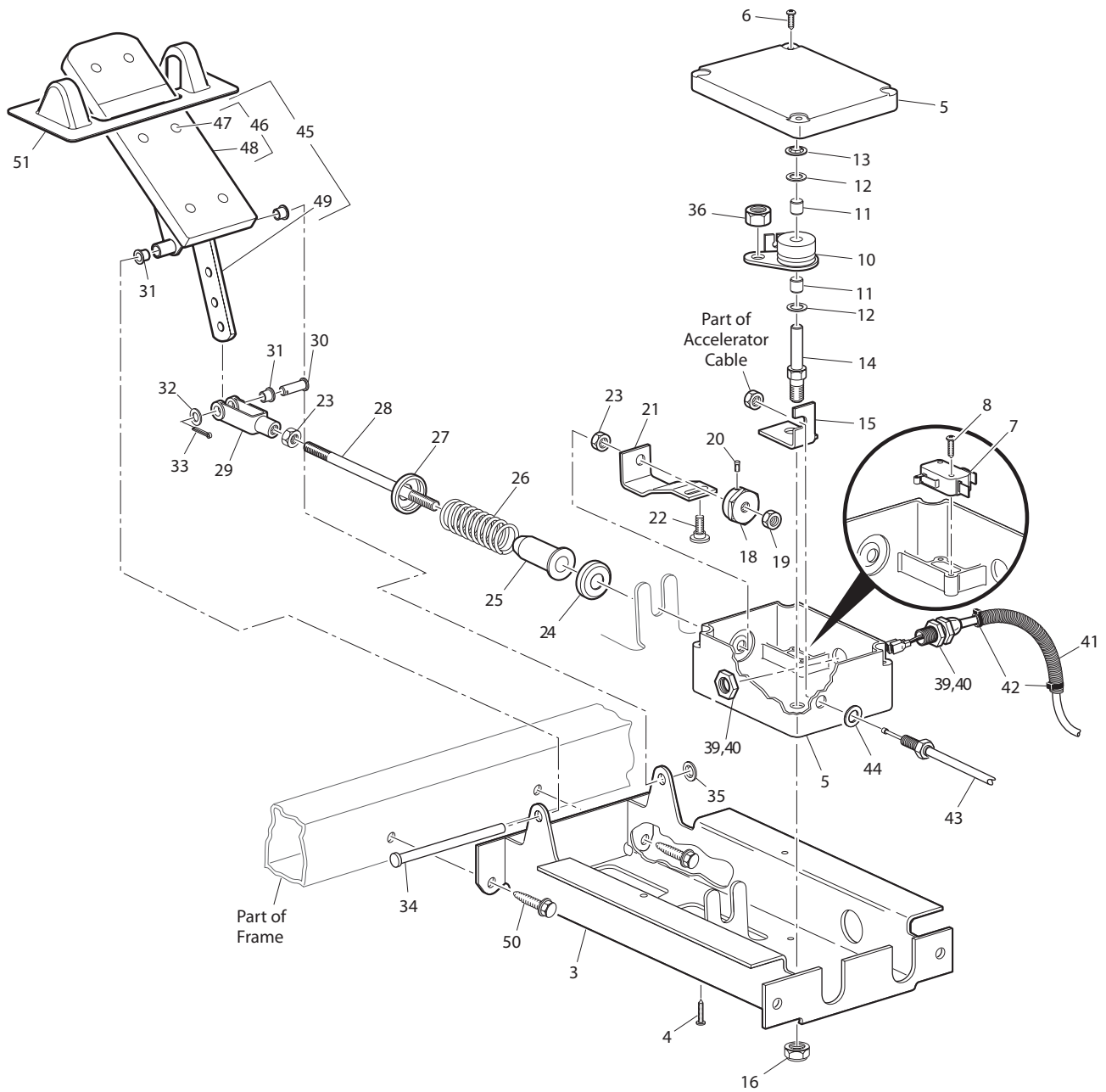
To facilitate the maintenance and repair of the vehicle, a Technician's Repair and Service Manual is available from the Service Parts Department.

ILLUSTRATED PARTS BREAKDOWN

ILLUSTRATED PARTS BREAKDOWN

ACCELERATOR

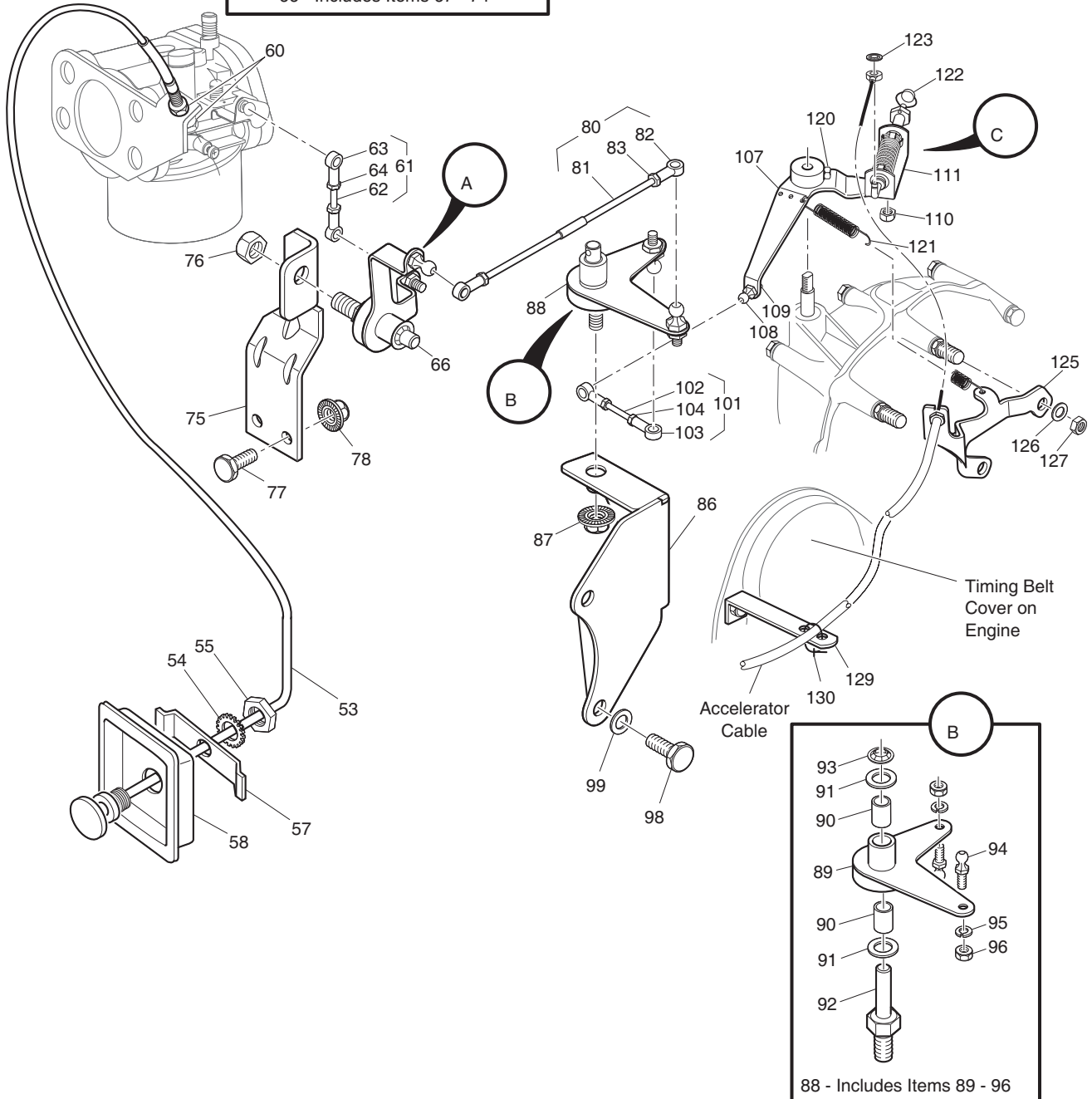
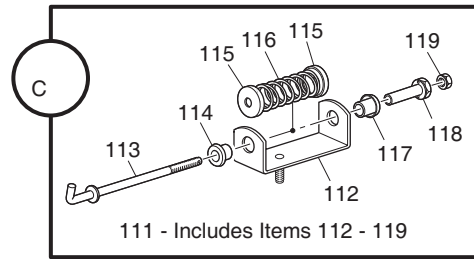
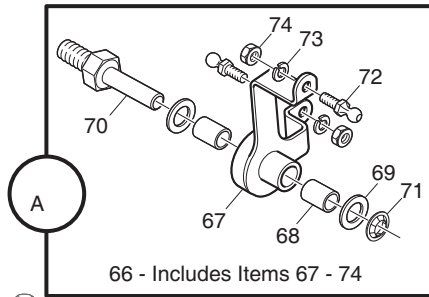
- 1 - Includes Items 3 - 39, 41 - 49
- 2 - Includes Items 3 - 37, 40 - 49 (TG5)



Ref Acl 8-1

ACCELERATOR

85 - Includes Items 86 - 96
 106 - Includes Items 107 - 119



Ref Acl 8-2

ACCELERATOR

When ordering parts, please specify the model and serial number of the product.

* Indicates a component that is not available as an individual part.

G** Indicates consult Customer Service Department for additional information.

| ITEM | PART NO. | 1 2 3 4 5 | DESCRIPTION | QTY. |
|------|-----------|-----------|---|------|
| 1 | 72062-G02 | | PEDAL BOX ASSEMBLY (INCLUDES ITEMS 3 - 39, 41 - 49)..... | 1 |
| 2 | 72062-G06 | | PEDAL BOX ASSEMBLY (INCLUDES ITEMS 3 - 37 , 40 - 49) (TG5)..... | 1 |
| 3 | 70116-G02 | | ACCELERATOR PEDAL BRACKET..... | 1 |
| 4 | 01051-G01 | | SCREW, #8 - 16 X 1/2" LG | 4 |
| 5 | 25853-G02 | | PEDAL BOX AND COVER | 1 |
| 6 | 00684-G6 | | SCREW, #8 - 32 X 3/4" LG (STAINLESS STEEL)..... | 2 |
| 7 | 25861-G01 | | MICRO SWITCH..... | 1 |
| 8 | 01050-G01 | | SCREW, #4 - 20 X 5/8" LG | 2 |
| 9 | | | | |
| 10 | 72066-G01 | | CONTROL ARM | 1 |
| 11 | 23860-G1 | | BEARING..... | 2 |
| 12 | 24621-G1 | | NYLON WASHER, 5/16"..... | 2 |
| 13 | 12064-G1 | | PUSH NUT, 5/16"..... | 1 |
| 14 | 25768-G01 | | PIVOT ROD | 1 |
| 15 | 72199-G01 | | PIVOT BRACKET | 1 |
| 16 | 14390-G1 | | LOCK NUT, 3/8-24 | 1 |
| 17 | | | | |
| 18 | 72198-G03 | | MICRO SWITCH CAM..... | 1 |
| 19 | 15126-G1 | | LOCK NUT, 5/16 - 24 | 1 |
| 20 | 00487-G3 | | SETSCREW, 1/4 - 20 X 3/8" LG | 1 |
| 21 | 72074-G01 | | CONTROL ARM LINK | 1 |
| 22 | 72225-G01 | | SHOULDER BOLT, #10 - 24 X 11/16" LG | 1 |
| 23 | 00532-G4 | | NUT, 5/16 - 24..... | 2 |
| 24 | 17677-G1 | | SPRING RETAINER | 1 |
| 25 | 17979-G1 | | ACCELERATOR ROD BUSHING | 1 |
| 26 | 73046-G01 | | COMPRESSION SPRING | 1 |
| 27 | 17677-G2 | | SPRING RETAINER | 1 |
| 28 | 72072-G01 | | ACCELERATOR ROD | 1 |
| 29 | 10385-G4 | | CLEVIS YOKE (ADJUSTABLE)..... | 1 |
| 30 | 10386-G3 | | CLEVIS PIN, 5/16" X 13/16" LG | 1 |

ACCELERATOR

When ordering parts, please specify the model and serial number of the product.

* Indicates a component that is not available as an individual part.

G** Indicates consult Customer Service Department for additional information.

| ITEM | PART NO. | 1 2 3 4 5 | DESCRIPTION | QTY. |
|------|-----------|-----------|---|------|
| 31 | 17838-G1 | | NYLON BUSHING | 3 |
| 32 | 17255-G1 | | TEFLON WASHER, 5/16" | 1 |
| 33 | 10387-G3 | | COTTER PIN, 3/32" X 3/4" LG | 1 |
| 34 | 74432-G01 | | PEDAL PIVOT PIN | 1 |
| 35 | 12064-G6 | | PUSH NUT, 9/32" | 1 |
| 36 | 14390-G10 | | LOCK NUT, #10 - 24 | 1 |
| 37 | 12730-G1 | | WHEEL BEARING GREASE (NOT ILLUSTRATED) | A/R |
| 38 | | | | |
| 39 | 72201-G02 | | WIRE HARNESS (PEDAL BOX) | 1 |
| 40 | 72201-G03 | | WIRE HARNESS (PEDAL BOX) (TG5) | 1 |
| 41 | 17313-G1 | | FLEX LOOM (BULK) | AR |
| 42 | 17618-G1 | | WIRE TIE | 2 |
| 43 | 72402-G01 | | ACCELERATOR CABLE | 1 |
| 44 | 00559-G8 | | WASHER, 5/16" | 1 |
| 45 | 25799-G02 | | ACCELERATOR PEDAL ASSEMBLY (INCLUDES ITEMS 47 - 49) | 1 |
| 46 | 27844-G01 | | ACCELERATOR PEDAL PAD KIT (INCLUDES ITEMS 47 - 48) | 1 |
| 47 | 15766-G1 | | OVAL RIVET, 3/16" X 7/16" LG | 6 |
| 48 | 27512-G01 | | ACCELERATOR PEDAL PAD | 1 |
| 49 | * | | ACCELERATOR PEDAL | |
| 50 | 00715-G2 | | BOLT, 5/16 - 18 X 4/5" LG | 4 |
| 51 | 70135-G01 | | PEDAL PIVOT COVER | 1 |
| 52 | | | | |
| 53 | 72401-G01 | | CHOKE CABLE (WITH NUTS) | 1 |
| 54 | 00568-G4 | | LOCK WASHER, 9/16" | 1 |
| 55 | 00545-G4 | | JAM NUT, 9/16 - 18 | 1 |
| 56 | | | | |
| 57 | 72155-G01 | | RETAINER | 1 |
| 58 | 72154-G01 | | CHOKE CABLE ADAPTER | 1 |
| 59 | | | | |
| 60 | 00544-G4 | | JAM NUT, 5/16 - 24 | 2 |

ACCELERATOR

When ordering parts, please specify the model and serial number of the product.

* Indicates a component that is not available as an individual part.

G** Indicates consult Customer Service Department for additional information.

| ITEM | PART NO. | 1 2 3 4 5 | DESCRIPTION | QTY. |
|------|-----------|-----------|---|------|
| 61 | 25737-G01 | | CARBURETOR LINKAGE ROD (INCLUDES ITEMS 62 - 64)..... | 1 |
| 62 | 23722-G1 | | ADJUSTING ROD (SHORT)..... | 1 |
| 63 | 24465-G1 | | BALL JOINT SOCKET | 2 |
| 64 | 00526-G4 | | NUT, #10 - 32..... | 2 |
| 65 | | | | |
| 66 | 25760-G01 | | CARBURETOR LINKAGE BELLCRANK (INCLUDES ITEMS 67 - 74)..... | 1 |
| 67 | 25759-G01 | | CARBURETOR PIVOT | 1 |
| 68 | 23860-G1 | | BEARING..... | 2 |
| 69 | 24621-G1 | | NYLON WASHER, 5/16"..... | 2 |
| 70 | 25768-G01 | | PIVOT ROD | 1 |
| 71 | 12064-G1 | | PUSH NUT, 5/16"..... | 1 |
| 72 | 24479-G1 | | BALL JOINT BALL | 2 |
| 73 | 00565-G5 | | LOCK WASHER, #10 | 2 |
| 74 | 00526-G4 | | NUT, #10 - 32..... | 2 |
| 75 | 72197-G01 | | PIVOT BRACKET..... | 1 |
| 76 | 14390-G1 | | LOCK NUT, 3/8 - 24 | 1 |
| 77 | 00414-G8 | | BOLT, 1/4 - 20 X 1" LG (STAINLESS STEEL)..... | 2 |
| 78 | 14390-G4 | | LOCK NUT, 1/4 - 20 | 2 |
| 79 | | | | |
| 80 | 72254-G01 | | THROTTLE LINKAGE ROD ASSEMBLY (INCLUDES ITEMS 81 - 83)..... | 1 |
| 81 | 72609-G01 | | ADJUSTING ROD (LONG)..... | 1 |
| 82 | 24465-G1 | | BALL JOINT SOCKET | 2 |
| 83 | 00526-G4 | | NUT, #10 - 32..... | 2 |
| 84 | | | | |
| 85 | 25702-G01 | | GOVERNOR PIVOT BRACKET ASSEMBLY (INCLUDES ITEMS 86 - 96)..... | 1 |
| 86 | 601088 | | BELLCRANK BRACKET..... | 1 |
| 87 | 14390-G1 | | LOCK NUT, 3/8 - 24..... | 1 |
| 88 | 25763-G01 | | GOVERNOR PIVOT ASSEMBLY (INCLUDES ITEMS 89 - 96) | 1 |
| 89 | 25762-G01 | | GOVERNOR PIVOT..... | 1 |
| 90 | 23860-G1 | | BEARING | 2 |

ACCELERATOR

When ordering parts, please specify the model and serial number of the product.

* Indicates a component that is not available as an individual part.

G** Indicates consult Customer Service Department for additional information.

| ITEM | PART NO. | 1 | 2 | 3 | 4 | 5 | DESCRIPTION | QTY. |
|------|-----------|---|---|---|---|---|--|------|
| 91 | 24621-G1 | | | | | | NYLON WASHER, 5/16" | 2 |
| 92 | 25768-G01 | | | | | | PIVOT ROD..... | 1 |
| 93 | 12064-G1 | | | | | | PUSH NUT, 5/16" | 1 |
| 94 | 24479-G1 | | | | | | BALL JOINT BALL | 2 |
| 95 | 00565-G5 | | | | | | LOCK WASHER, #10 | 2 |
| 96 | 00526-G4 | | | | | | NUT, #10 - 32 | 2 |
| 97 | | | | | | | | |
| 98 | 00276-G6 | | | | | | BOLT, 5/16 - 24 X 3/4" LG | 2 |
| 99 | 00565-G8 | | | | | | LOCK WASHER, 5/16" | 2 |
| 100 | | | | | | | | |
| 101 | 25737-G03 | | | | | | GOVERNOR LINKAGE ROD (INCLUDES ITEMS 102 - 104) | 1 |
| 102 | 23722-G1 | | | | | | ADJUSTING ROD..... | 1 |
| 103 | 24465-G1 | | | | | | BALL JOINT SOCKET | 2 |
| 104 | 00526-G4 | | | | | | NUT, #10 - 32..... | 2 |
| 105 | | | | | | | | |
| 106 | 25690-G01 | | | | | | GOVERNOR BELLCRANK ASSEMBLY (INCLUDES ITEMS 107 - 119) | 1 |
| 107 | 25765-G01 | | | | | | GOVERNOR BELLCRANK..... | 1 |
| 108 | 24479-G1 | | | | | | BALL JOINT BALL | 1 |
| 109 | 00734-G5 | | | | | | LOCK NUT, #10 - 32..... | 1 |
| 110 | 14390-G4 | | | | | | LOCK NUT, 1/4 - 20..... | 1 |
| 111 | 22751-G2 | | | | | | GOVERNOR BRACKET ASSEMBLY (INCLUDES ITEMS 112 - 119)..... | 1 |
| 112 | 22752-G1 | | | | | | GOVERNOR BRACKET | 1 |
| 113 | 25274-G1 | | | | | | GOVERNOR ROD | 1 |
| 114 | 22754-G1 | | | | | | BUSHING | 1 |
| 115 | 25661-G01 | | | | | | CUP WASHER | 2 |
| 116 | 23578-G1 | | | | | | COMPRESSION SPRING..... | 1 |
| 117 | 22754-G2 | | | | | | BUSHING | 1 |
| 118 | 23859-G1 | | | | | | GOVERNOR ADJUSTER | 1 |
| 119 | 00526-G4 | | | | | | NUT, #10 - 32 | 1 |
| 120 | 00491-G4 | | | | | | SETSCREW, 1/4 - 20 X 1/2" LG..... | 2 |

ACCELERATOR

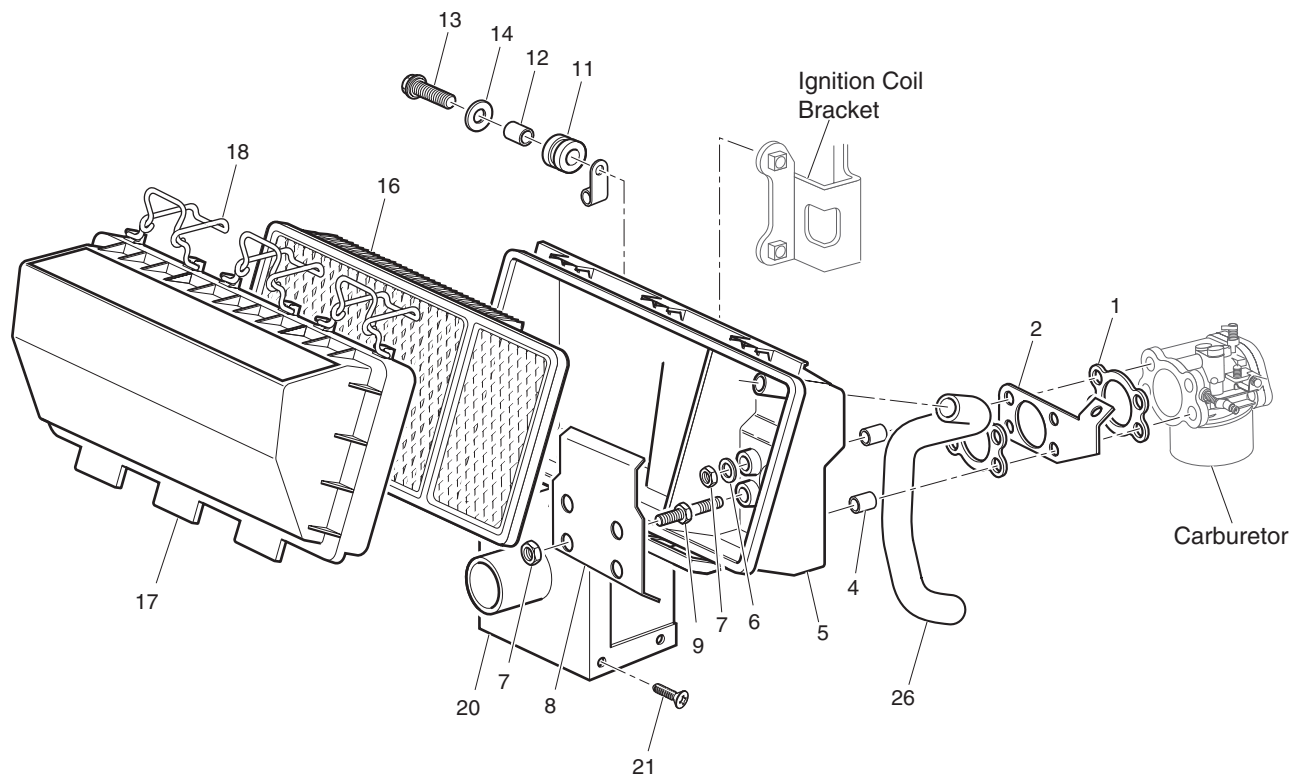
When ordering parts, please specify the model and serial number of the product.

* Indicates a component that is not available as an individual part.

G** Indicates consult Customer Service Department for additional information.

| ITEM | PART NO. | 1 2 3 4 5 | DESCRIPTION | QTY. |
|------|-----------|-----------|--------------------------------|------|
| 121 | 25738-G01 | | SPRING..... | 1 |
| 122 | 25286-G1 | | SAFETY SEAL, 3/8"..... | 1 |
| 123 | 12064-G3 | | PUSH NUT, 3/16"..... | 1 |
| 124 | | | | |
| 125 | 25653-G01 | | ACCELERATOR CABLE BRACKET..... | 1 |
| 126 | 26826-G01 | | LOCK WASHER, 8 MM..... | 2 |
| 127 | 26827-G01 | | NUT, M8 X 1.25 MM..... | 2 |
| 128 | | | | |
| 129 | 72055-G01 | | ACCELERATOR CABLE BRACKET..... | 1 |
| 130 | 17618-G1 | | WIRE TIE..... | 7 |

AIR CLEANER



Ref Air 8

AIR CLEANER

THE USE OF NON U.L. PARTS WILL VOID ANY U.L. LISTING.

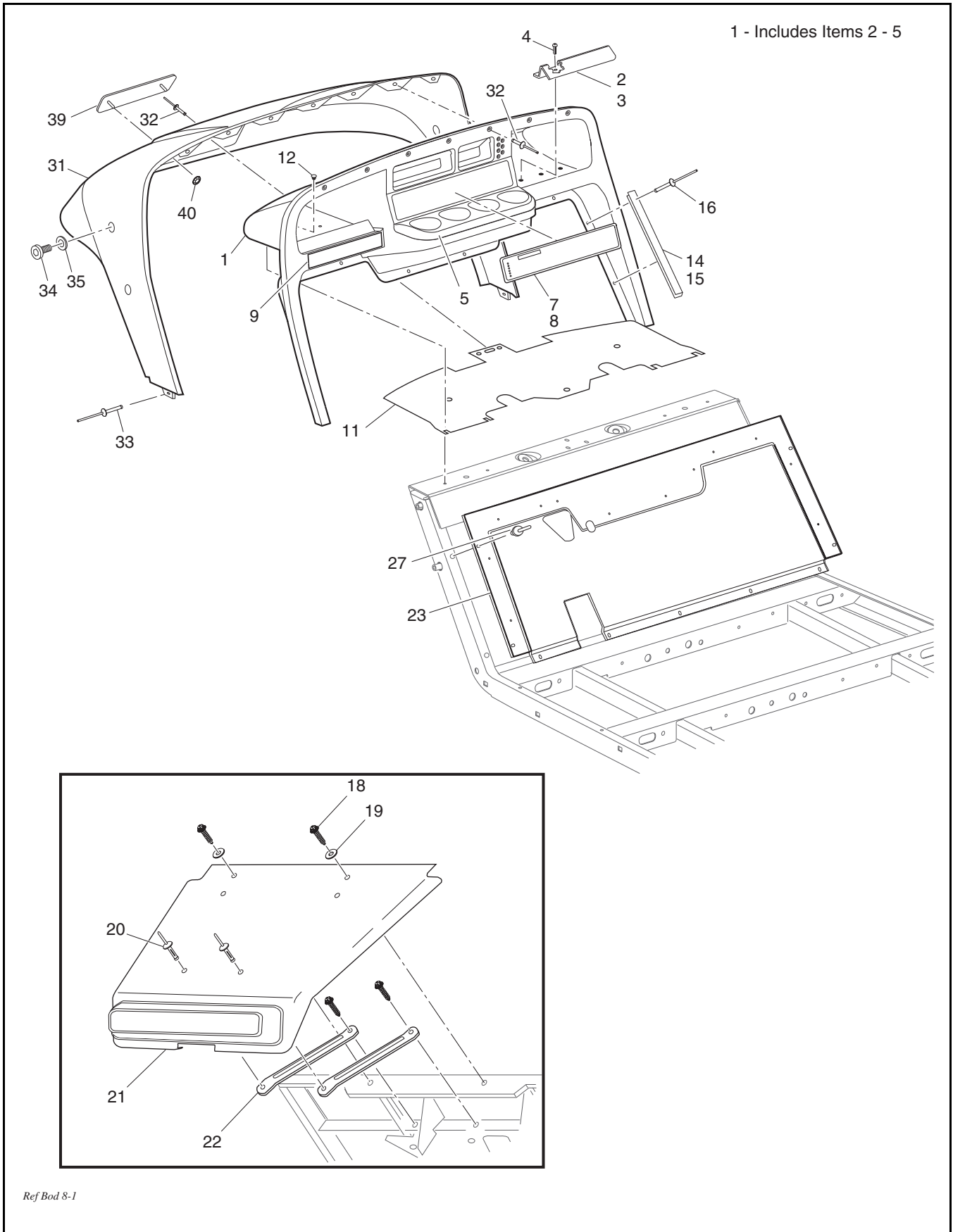
When ordering parts, please specify the model and serial number of the product.

* Indicates a component that is not available as an individual part.

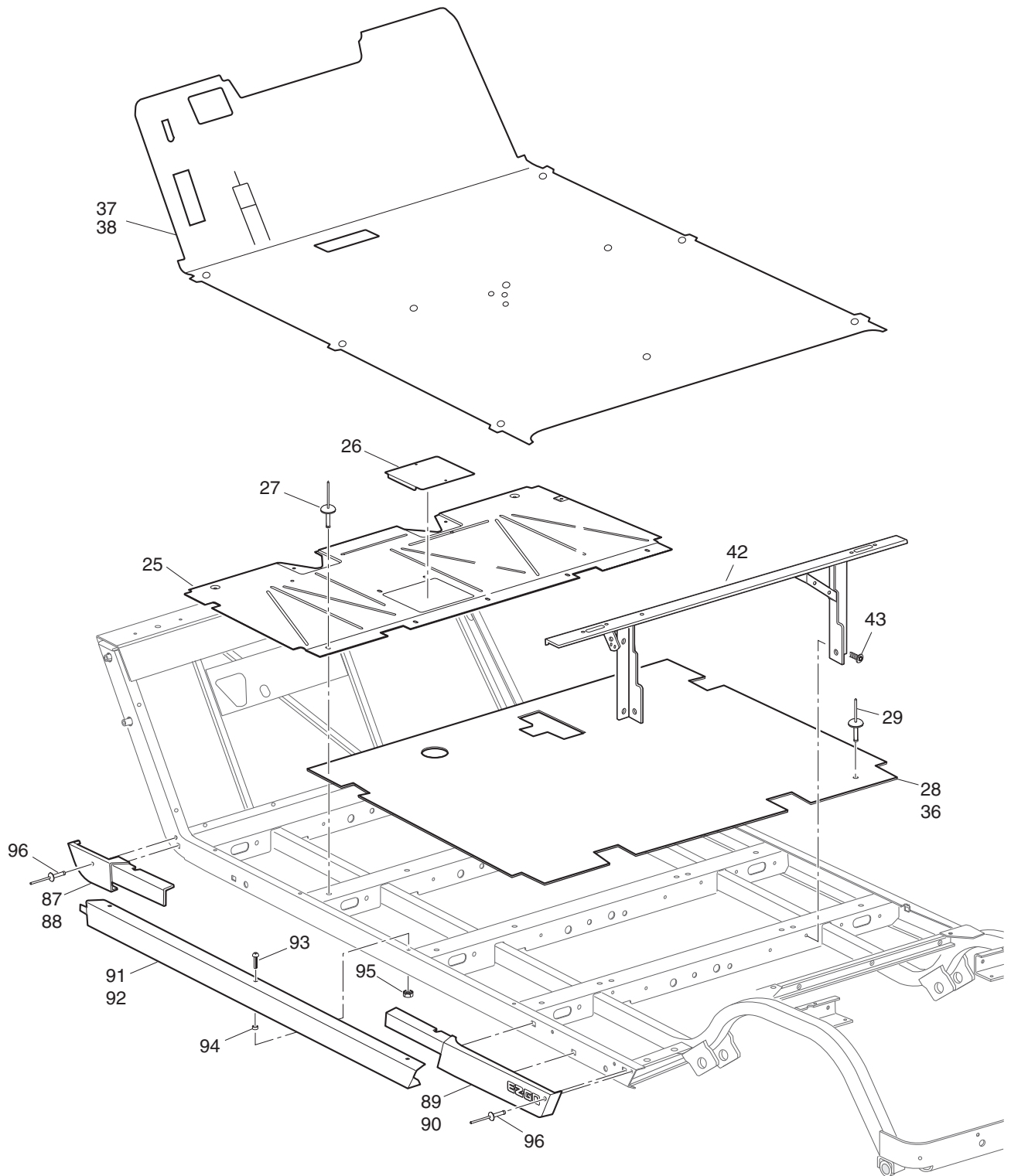
G** Indicates consult Customer Service Department for additional information.

| ITEM | PART NO. | 1 2 3 4 5 | DESCRIPTION | QTY. |
|------|-----------|-----------|--|------|
| 1 | 26727-G01 | | CARBURETOR / AIR BOX GASKET | 2 |
| 2 | 26728-G01 | | CHOKE BRACKET..... | 1 |
| 3 | | | | |
| 4 | 23726-G6 | | SPACER, 7/16" | 4 |
| 5 | 72178-G02 | | HOUSING..... | 1 |
| 6 | 00664-G7 | | LOCK WASHER, 1/4" (STAINLESS STEEL)..... | 2 |
| 7 | 13632-G1 | | NUT, M6 X 1..... | 4 |
| 8 | 72529-G01 | | BAFFLE..... | 1 |
| 9 | 72514-G01 | | STUD, M6 X 1 X 39 MM LG | 2 |
| 10 | | | | |
| 11 | 72147-G01 | | RUBBER GROMMET..... | 2 |
| 12 | 23726-G7 | | SPACER, 9/16" | 2 |
| 13 | 26671-G01 | | BOLT AND WASHER, M6 X 1 X 30 MM LG | 2 |
| 14 | 26701-G01 | | WASHER, 6.5 MM..... | 2 |
| 15 | | | | |
| 16 | 72368-G01 | | AIR FILTER ELEMENT | 1 |
| 17 | 72179-G02 | | AIR FILTER COVER | 1 |
| 18 | 72145-G01 | | LATCH..... | 3 |
| 19 | | | | |
| 20 | 72146-G02 | | INLET COVER | 1 |
| 21 | 00614-G5 | | SCREW, #8 - 18 X 5/8" LG | 6 |
| 22 | | | | |
| 23 | | | | |
| 24 | | | | |
| 25 | | | | |
| 26 | 72151-G01 | | PCV HOSE..... | 1 |

BODY

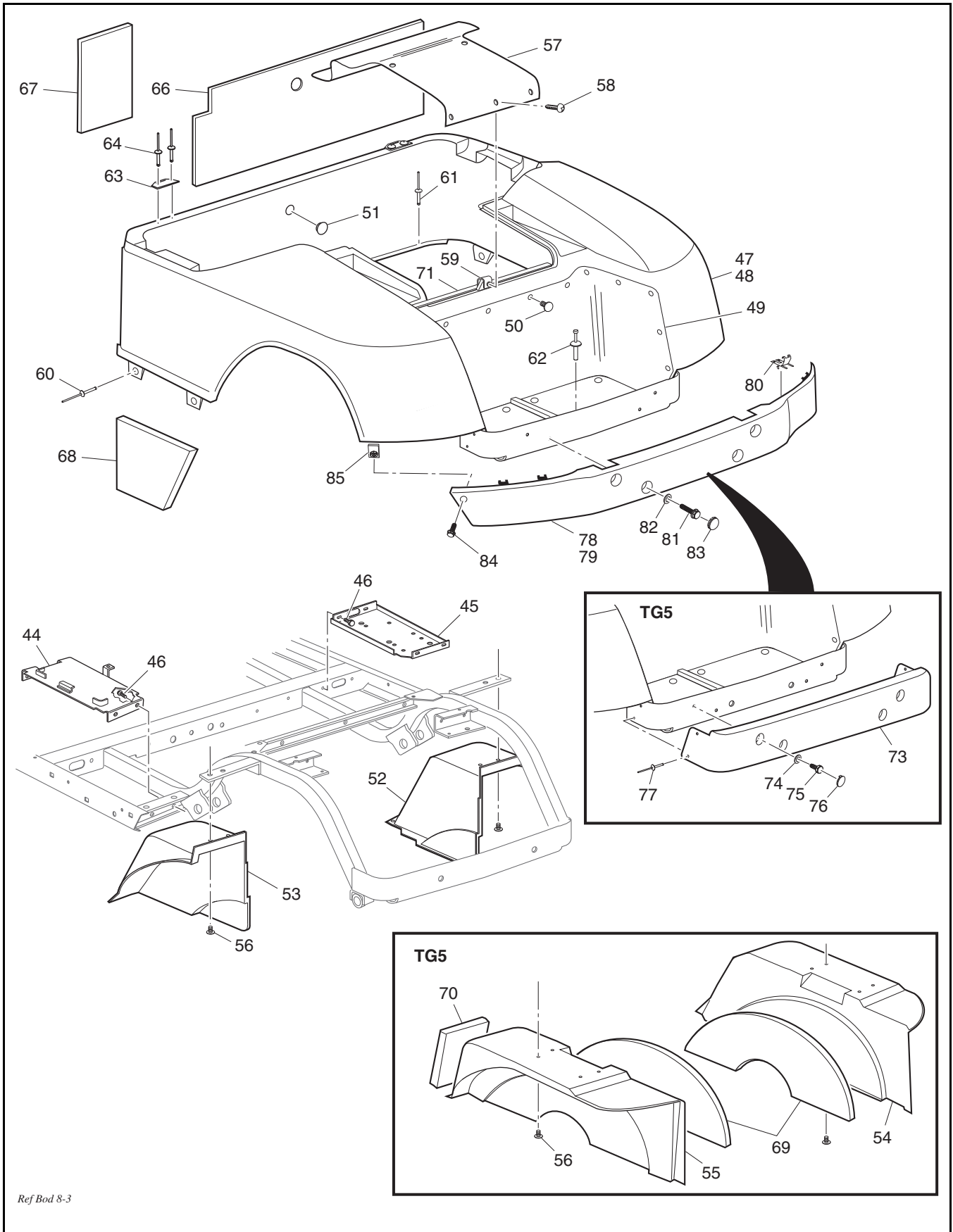


Ref Bod 8-1

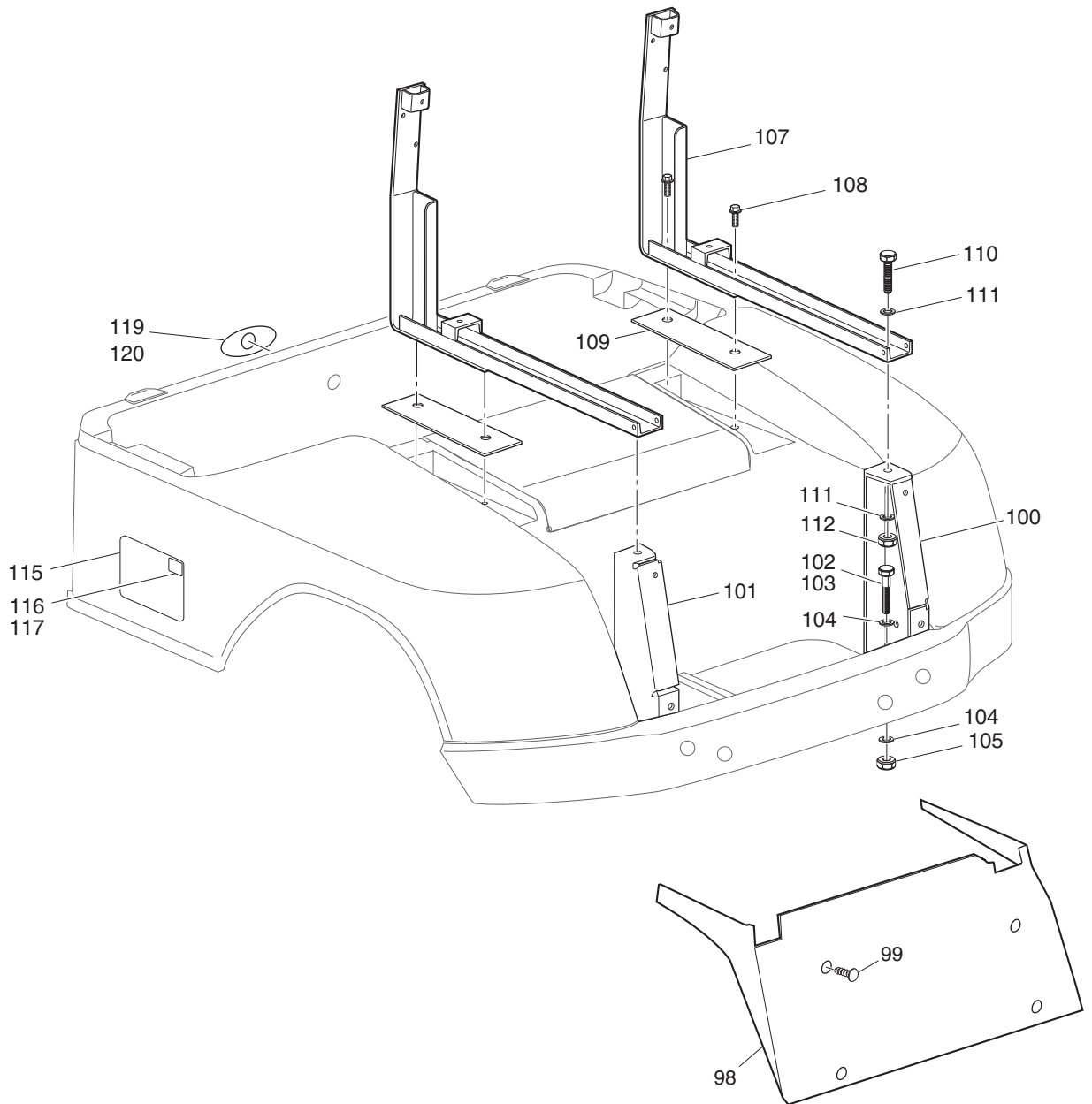


Ref Bod 8-2

BODY

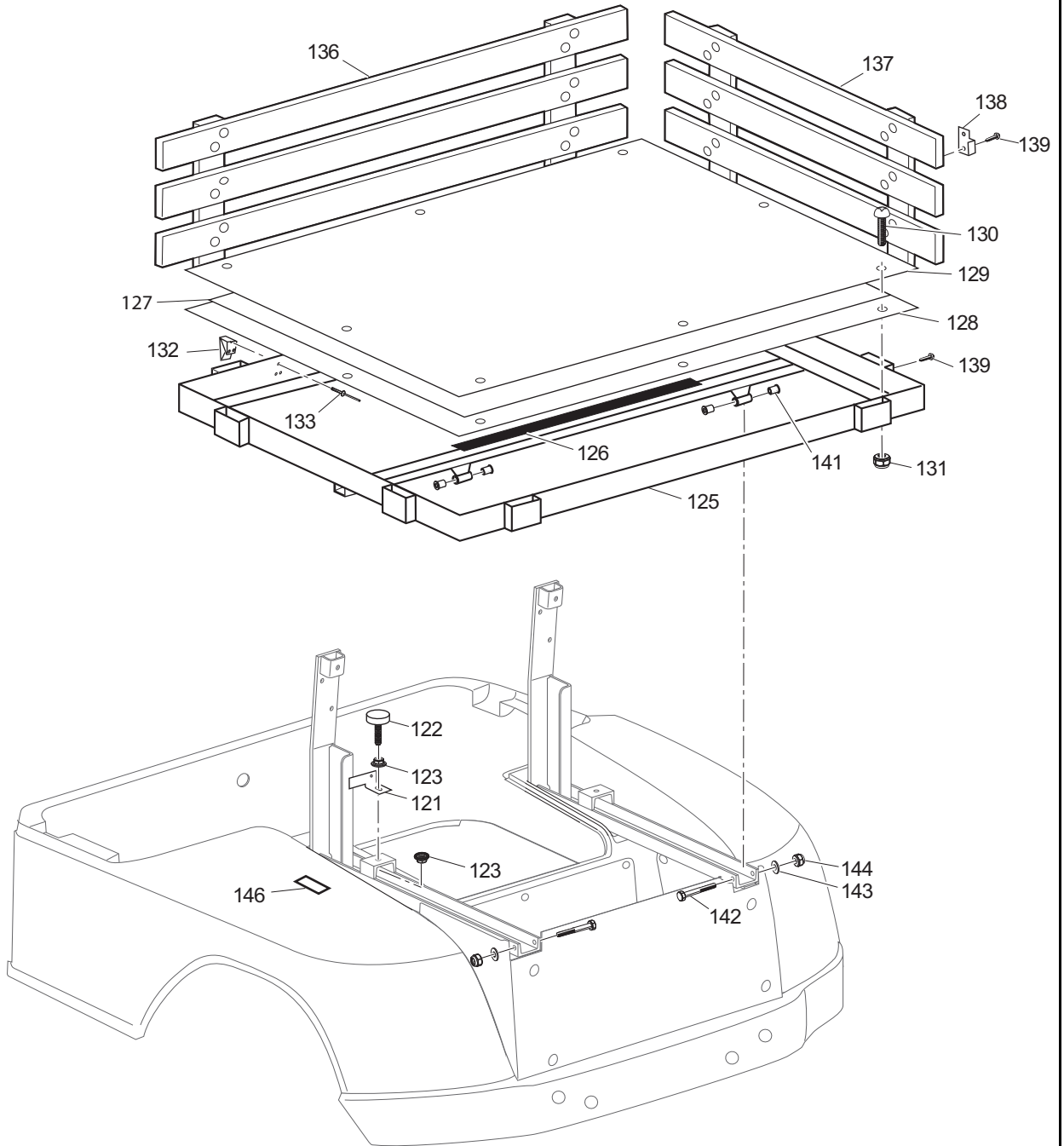


Ref Bod 8-3



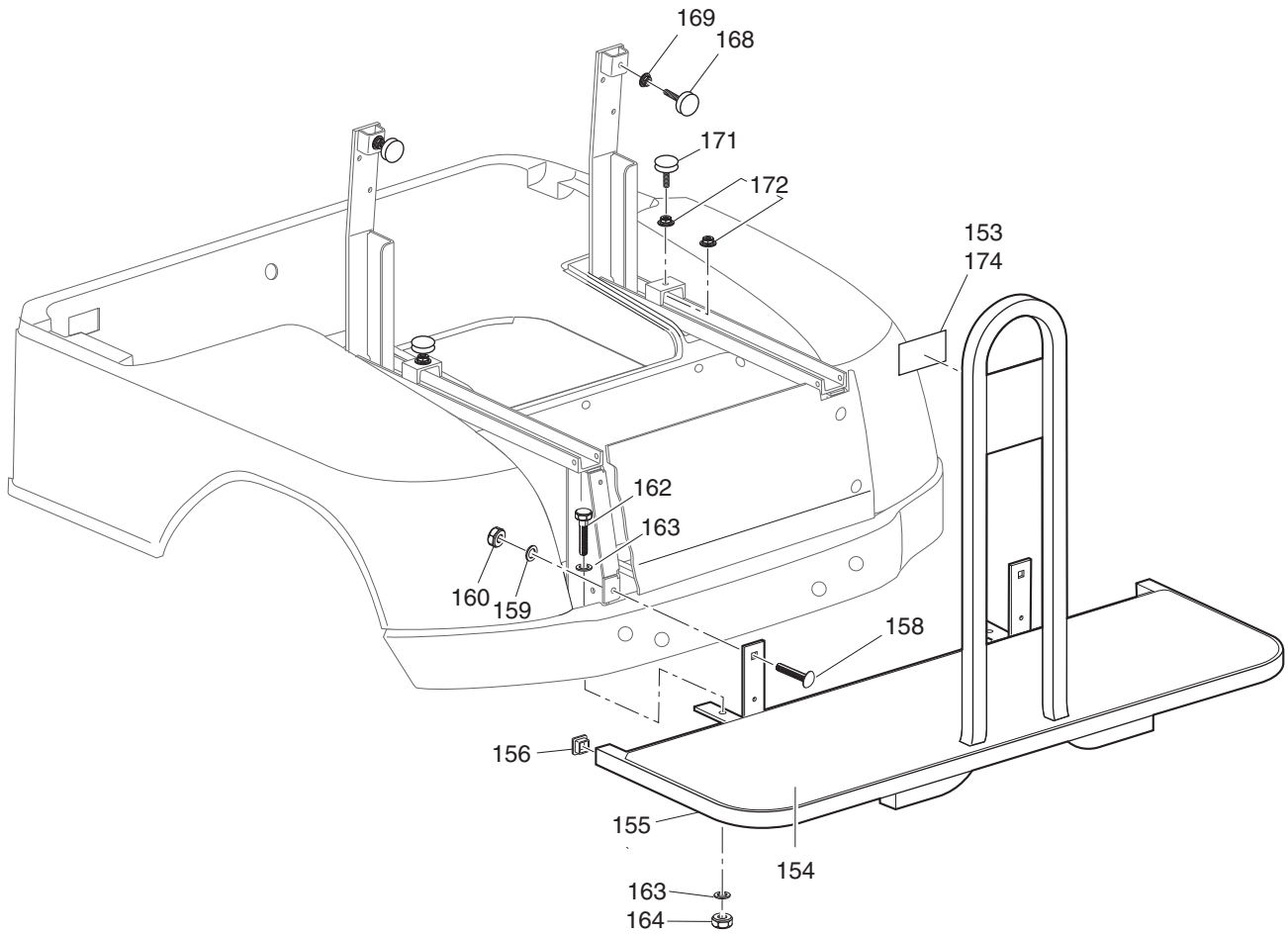
Ref Bod 8-4

BODY



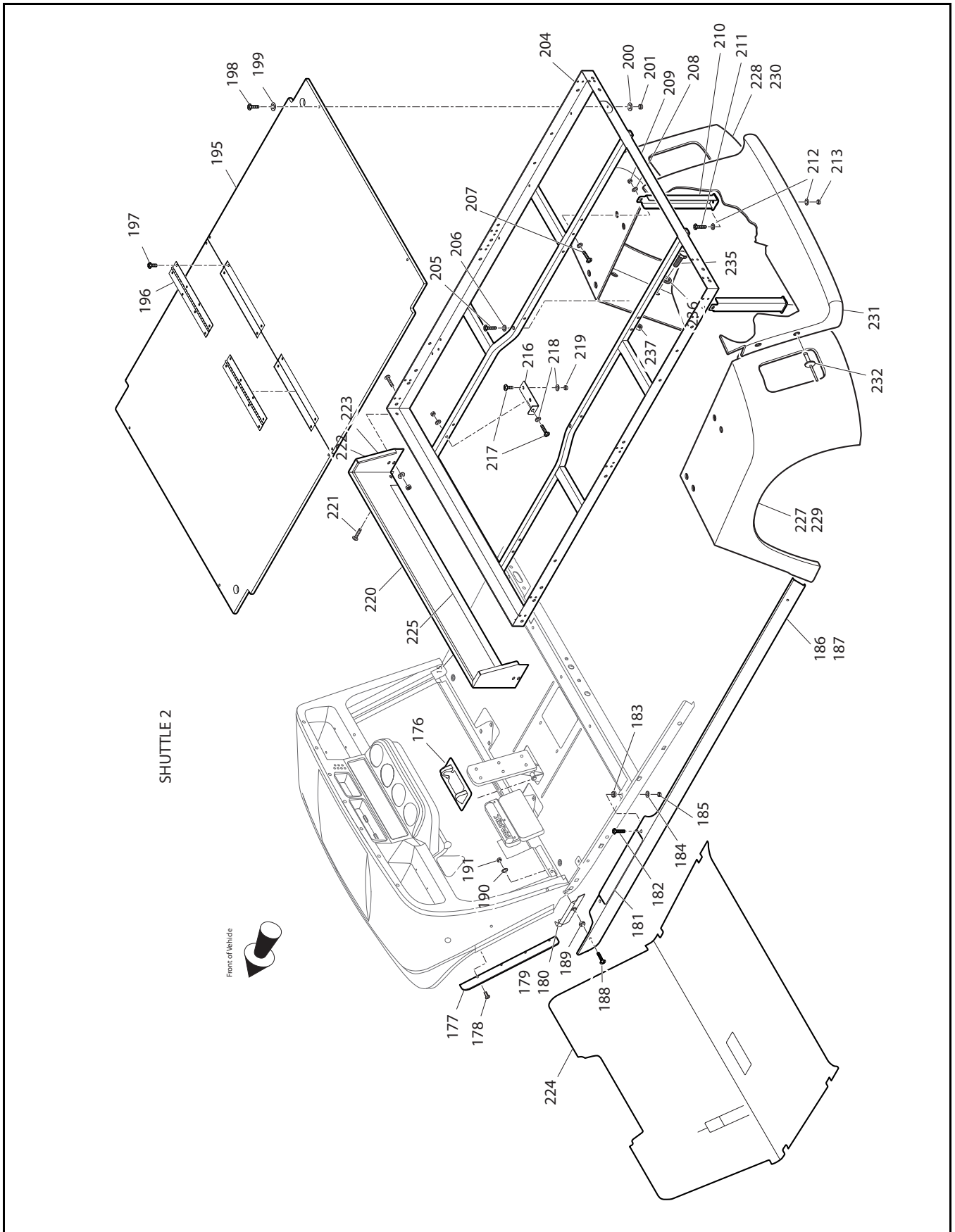
Ref Bod 8-5

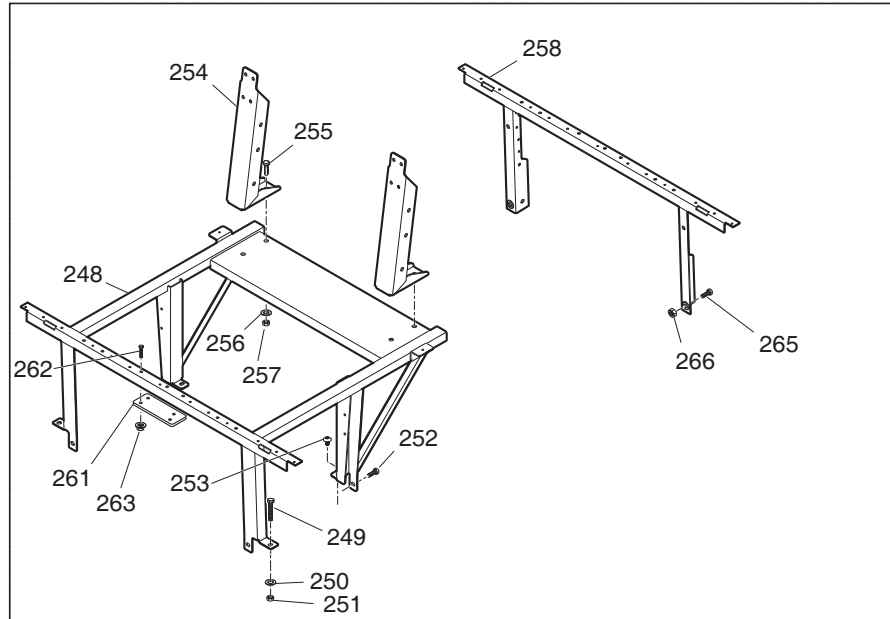
151 - Includes Items 152 - 155



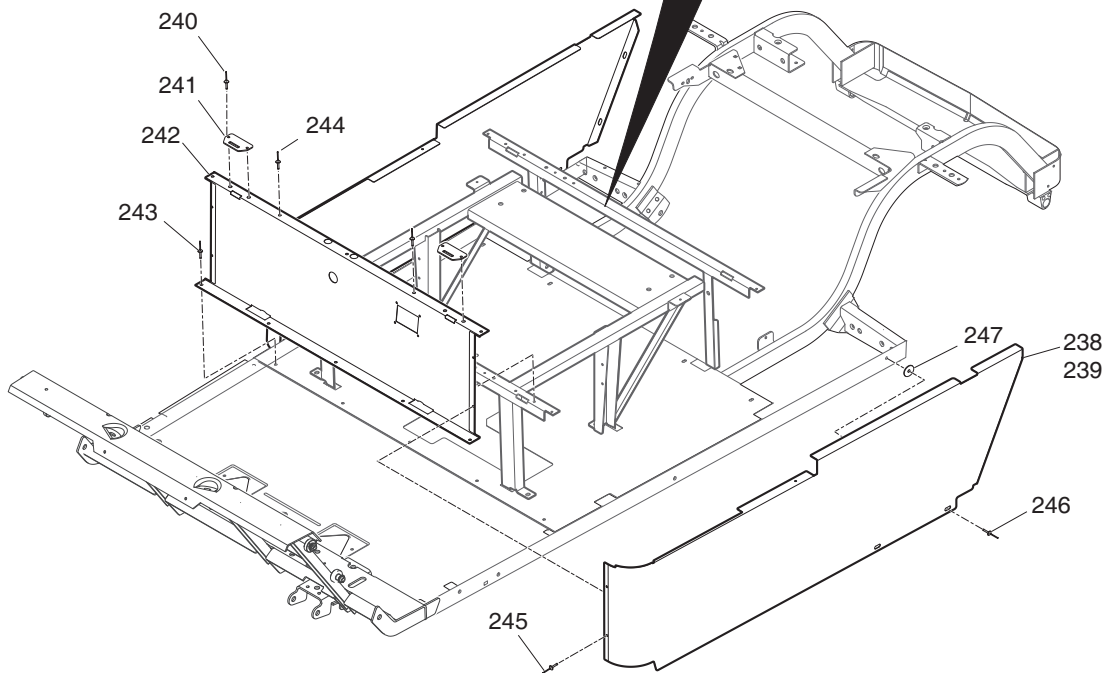
Ref Bod 8-6

BODY





SHUTTLE 2



BODY

THE USE OF NON U.L. PARTS WILL VOID ANY U.L. LISTING.

When ordering parts, please specify the model and serial number of the product.

* Indicates a component that is not available as an individual part.

G** Indicates consult Customer Service Department for additional information.

| ITEM | PART NO. | 1 2 3 4 5 | DESCRIPTION | QTY. |
|------|-----------|-----------|--|------|
| 1 | 71151-G01 | | INSTRUMENT PANEL ASSEMBLY (INCLUDES ITEMS 2 - 5) | 1 |
| 2 | 71153-G01 | | BALL DEFLECTOR (PASSENGER SIDE)..... | 1 |
| 3 | 71154-G01 | | BALL DEFLECTOR (DRIVER SIDE)..... | 1 |
| 4 | 00614-G5 | | SCREW, #8 - 18 X 5/8" LG | 6 |
| 5 | 71158-G01 | | INSTRUMENT PANEL INSERT (4 CUP HOLDER)..... | 1 |
| 6 | | | | |
| 7 | 35962-G01 | | LABEL (SAFETY)..... | 1 |
| 8 | 35964-G01 | | LABEL (SAFETY) (EC) | 1 |
| 9 | 74443-G01 | | LABEL (ANTI-ROLLBACK) | 1 |
| 10 | | | | |
| 11 | 71413-G01 | | SPLASH PANEL..... | 1 |
| 12 | 16816-G2 | | RATCHET FASTENER, 1/4" X 3/4" LG | 5 |
| 13 | | | | |
| 14 | 71115-G01 | | VINYL TRIM (SHUTTLE - QTY 2) (TG5 - QTY 1)..... | 2 |
| 15 | | | | |
| 16 | 71055-G01 | | RIVET, 3/16" X 1" LG (ALUMINUM)..... | 10 |
| 17 | | | | |
| 18 | 01038-G01 | | BOLT, 1/4 - 20 X 11/16" LG | 4 |
| 19 | 16469-G1 | | WASHER, 1/4" | 2 |
| 20 | 01057-G01 | | RIVET, KTR, 1/4" X 3/4" LG | 2 |
| 21 | 27166-G04 | | FRONT SHIELD | 1 |
| 22 | 70725-G01 | | FRONT SHIELD BRACE..... | 2 |
| 23 | 70662-G01 | | UPPER FLOORPAN..... | 1 |
| 24 | | | | |
| 25 | 70451-G01 | | LOWER FLOORPAN..... | 1 |
| 26 | 70452-G01 | | ACCESS COVER..... | 1 |
| 27 | 14601-G11 | | RIVET, 3/16" X 9/16" LG (ALUMINUM)..... | 16 |
| 28 | 70823-G01 | | REAR FLOORPAN | 1 |
| 29 | 10570-G10 | | RIVET, 5/32" X 9/16" LG (STAINLESS STEEL) | 5 |
| 30 | | | | |

THE USE OF NON U.L. PARTS WILL VOID ANY U.L. LISTING.
 When ordering parts, please specify the model and serial number of the product.
 * Indicates a component that is not available as an individual part.
 G** Indicates consult Customer Service Department for additional information.

| ITEM | PART NO. | 1 2 3 4 5 | DESCRIPTION | QTY. |
|------|------------|-----------|--|------|
| 31 | 71051-G** | | COWL..... | 1 |
| 32 | 71055-G01 | | RIVET, 3/16" X 1" LG (ALUMINUM)..... | 9 |
| 33 | 10570-G11 | | RIVET, 3/16" X 3/4" LG (STAINLESS STEEL)..... | 2 |
| 34 | 71056-G01 | | BOLT, 5/16 - 18 X 5/8" LG..... | 4 |
| 35 | 00570-G2 | | WASHER, 5/16..... | 4 |
| 36 | 70823-G01 | | REAR FLOORPAN (HAND PARK BRAKE)..... | 1 |
| 37 | 70668-G02 | | FLOORMAT (HAND PARK BRAKE)..... | 1 |
| 38 | 70663-G04 | | FLOORMAT..... | 1 |
| 39 | 71037-G02 | | E-Z-GO NAMEPLATE (GOLD)..... | 1 |
| 40 | 71597-G01 | | NUT, SELF THREADING..... | 2 |
| 41 | | | | |
| 42 | 70440-G03 | | SEAT FRAME..... | 1 |
| 43 | 00715-G2 | | BOLT, 5/16 - 18 X 4/5" LG..... | 2 |
| 44 | 600496 | | BATTERY TRAY..... | 1 |
| 45 | 70244-G03 | | SPLASH PAN..... | 1 |
| 46 | 00715-G2 | | BOLT, 5/16 - 18 X 4/5" LG..... | 8 |
| 47 | 71912-G6** | | REAR BODY ASSEMBLY (W/OUT TAILLIGHTS) (INCLUDES ITEMS 49, 50)..... | 1 |
| 48 | 71332-G3** | | REAR BODY ASSEMBLY (W/ TAILLIGHTS) (INCLUDES ITEMS 49, 50)..... | 1 |
| 49 | 71318-G01 | | BAGWELL LINER..... | 1 |
| 50 | 16816-G1 | | RATCHET FASTENER, 1/4" X 9/16" LG..... | 12 |
| 51 | 71316-G01 | | PLUG..... | 1 |
| 52 | 71812-G01 | | FENDER LINER (PASSENGER SIDE) (SHUTTLE)..... | 1 |
| 53 | 71812-G02 | | FENDER LINER (DRIVER SIDE) (SHUTTLE)..... | 1 |
| 54 | 71551-G05 | | FENDER LINER (PASSENGER SIDE) (TG5)..... | 1 |
| 55 | 71552-G05 | | FENDER LINER (DRIVER SIDE) (TG5)..... | 1 |
| 56 | 16816-G2 | | RATCHET FASTENER, 1/4" X 3/4" LG..... | 8 |
| 57 | 71320-G01 | | ACCESS PANEL..... | 1 |
| 58 | 01107-G01 | | SCREW, #8 X 3/8" LG (STAINLESS STEEL)..... | 5 |
| 59 | 71364-G02 | | 'J' CLIP..... | 1 |
| 60 | 10570-G12 | | RIVET, 1/4" X 9/16" LG (ALUMINUM)..... | 4 |

BODY

THE USE OF NON U.L. PARTS WILL VOID ANY U.L. LISTING.
 When ordering parts, please specify the model and serial number of the product.
 * Indicates a component that is not available as an individual part.
 G** Indicates consult Customer Service Department for additional information.

| ITEM | PART NO. | 1 2 3 4 5 | DESCRIPTION | QTY. |
|------|-----------|-----------|--|------|
| 61 | 10570-G10 | | RIVET, 5/32" X 9/16" LG (STAINLESS STEEL) | 6 |
| 62 | 18436-G1 | | PLASTIC DRIVE RIVET, 1/4" X 3/4" LG | 2 |
| 63 | 71609-G01 | | HINGE PLATE | 2 |
| 64 | 10570-G11 | | RIVET, 3/16" X 3/4" LG (STAINLESS STEEL) | 4 |
| 65 | | | | |
| 66 | 72112-G01 | | SEATWRAP NOISE SUPPRESSOR (LARGE)..... | 1 |
| 67 | 72549-G01 | | SEATWRAP NOISE SUPPRESSOR (SMALL) | 1 |
| 68 | 72552-G01 | | SEATWRAP NOISE SUPPRESSOR (DRIVER SIDE, SIDE)..... | 1 |
| 69 | 72548-G01 | | FENDER NOISE SUPPRESSOR | 2 |
| 70 | 72551-G01 | | FENDER NOISE SUPPRESSOR (DRIVER SIDE, FRONT)..... | 1 |
| 71 | 22744-G1 | | BAGWELL NOISE SUPPRESSOR..... | 1 |
| 72 | | | | |
| 73 | 71578-G01 | | BUMPER (TG5)..... | 1 |
| 74 | 00571-G2 | | WASHER, 5/16" | 4 |
| 75 | 71102-G01 | | BOLT, 1/4 - 20 X 5/8" LG | 4 |
| 76 | 71514-G01 | | BUMPER PLUG | 4 |
| 77 | 14601-G17 | | RIVET, 3/16" X 9/16" LG (ALUMINUM)..... | 4 |
| 78 | 71451-G02 | | BUMPER (SHUTTLE 4) | 1 |
| 79 | 71456-G01 | | BUMPER (SHUTTLE 6) | 1 |
| 80 | 71457-G01 | | STAY | 4 |
| 81 | 71398-G01 | | BOLT, 1/4 - 20 X 1 1/4" LG (SHUTTLE 4 - QTY 4) (SHUTTLE 6 - QTY 2) | AR |
| 82 | 00571-G2 | | WASHER, 5/16" (SHUTTLE 4 - QTY 4) (SHUTTLE 6 - QTY 2)..... | AR |
| 83 | 71455-G01 | | BUMPER PLUG | 4 |
| 84 | 71102-G03 | | BOLT, 1/4 - 20 x 11/16" LG..... | 2 |
| 85 | 71554-G01 | | 'J' TYPE NUT RETAINER, 1/4 - 20 | 2 |
| 86 | | | | |
| 87 | 71642-G02 | | ROCKER PANEL (FRONT, PASSENGER SIDE)..... | 1 |
| 88 | 71642-G01 | | ROCKER PANEL (FRONT, DRIVER SIDE) | 1 |
| 89 | 71643-G02 | | ROCKER PANEL (REAR, PASSENGER SIDE)..... | 1 |
| 90 | 71643-G01 | | ROCKER PANEL (REAR, DRIVER SIDE) | 1 |

THE USE OF NON U.L. PARTS WILL VOID ANY U.L. LISTING.
 When ordering parts, please specify the model and serial number of the product.
 * Indicates a component that is not available as an individual part.
 G** Indicates consult Customer Service Department for additional information.

| ITEM | PART NO. | 1 2 3 4 5 | DESCRIPTION | QTY. |
|------|-----------|-----------|---|------|
| 91 | 71641-G01 | | SILL PLATE (PASSENGER SIDE)..... | 1 |
| 92 | 71641-G02 | | SILL PLATE (DRIVER SIDE)..... | 1 |
| 93 | 16705-G1 | | SCREW, 1/4 - 20 X 1" LG (STAINLESS STEEL) | 6 |
| 94 | 23726-G4 | | SPACER, 5/16"..... | 6 |
| 95 | 00891-G2 | | LOCK NUT, 1/4 - 20 (STAINLESS STEEL) | 6 |
| 96 | 15058-G6 | | RIVET, 3/16" X 15/16" LG (ALUMINUM)..... | 4 |
| 97 | | | | |
| 98 | 74149-G01 | | VALANCE PANEL | 1 |
| 99 | 16816-G2 | | RATCHET FASTENER, 1/4" X 3/4" LG | 4 |
| 100 | 74126-G01 | | VERTICAL FRAME SUPPORT (PASSENGER SIDE)..... | 1 |
| 101 | 74126-G02 | | VERTICAL FRAME SUPPORT (DRIVER SIDE)..... | 1 |
| 102 | 00427-G4 | | BOLT, 3/8 - 16 X 1 1/2" LG (SHUTTLE 4) | 2 |
| 103 | 00427-G6 | | BOLT, 3/8 - 16 X 1 3/4" LG (SHUTTLE 6) | 2 |
| 104 | 00560-G1 | | WASHER, 3/8" | 4 |
| 105 | 11098-G5 | | LOCK NUT, 3/8 - 16 | 2 |
| 106 | | | | |
| 107 | 74111-G01 | | SEAT BACK SUPPORT | 2 |
| 108 | 01006-G02 | | SELF TAPPING SCREW, 3/8 - 16 X 1 1/2" LG | 4 |
| 109 | 70364-G01 | | SPACER..... | 2 |
| 110 | 00426-G8 | | BOLT, 3/8 - 16 X 1" LG | 2 |
| 111 | 00560-G1 | | WASHER, 3/8" | 4 |
| 112 | 11098-G5 | | LOCK NUT, 3/8 - 16 | 2 |
| 113 | | | | |
| 114 | | | | |
| 115 | 35434-G01 | | LABEL (SHUTTLE) | 2 |
| 116 | 35430-G13 | | LABEL (6)..... | 2 |
| 117 | 35430-G14 | | LABEL (4)..... | 2 |
| 118 | | | | |
| 119 | 12109-G01 | | LABEL (F-R)..... | 1 |
| 120 | 73317-G01 | | LABEL (F-R) (EC) | 1 |

BODY

THE USE OF NON U.L. PARTS WILL VOID ANY U.L. LISTING.
 When ordering parts, please specify the model and serial number of the product.
 * Indicates a component that is not available as an individual part.
 G** Indicates consult Customer Service Department for additional information.

| ITEM | PART NO. | 1 2 3 4 5 | DESCRIPTION | QTY. |
|------|-----------|-----------|---|------|
| 121 | 72914-G01 | | HOLD DOWN BRACKET | 1 |
| 122 | 70113-G01 | | ADJUSTABLE BUMPER | 2 |
| 123 | 11027-G1 | | LOCK NUT, 5/16 - 18 | 4 |
| 124 | | | | |
| 125 | 74080-G01 | | CARGO DECK | 1 |
| 126 | 23052-G1 | | NOISE SUPPRESSOR | 1 |
| 127 | 608984 | | TAPE, DOUBLE SIDED..... | 40" |
| 128 | 74082-G01 | | STEEL DECK..... | 1 |
| 129 | 74097-G01 | | CARGO BED MAT..... | 1 |
| 130 | 16705-G3 | | SCREW, 1/4 - 20 X 3/4" LG (STAINLESS STEEL) | 8 |
| 131 | 14390-G4 | | LOCK NUT, 1/4 - 20 | 8 |
| 132 | 72913-G01 | | LATCH..... | 1 |
| 133 | 00100-G6 | | RIVET, 5/32" X 9/16" LG (STAINLESS STEEL) | 3 |
| 134 | | | | |
| 135 | | | | |
| 136 | 34280-G02 | | FRONT/REAR CARGO RACK..... | 2 |
| 137 | 34280-G01 | | SIDE CARGO RACK..... | 2 |
| 138 | 74079-G01 | | TAILGATE RETAINER BRACKET | 2 |
| 139 | 00666-G6 | | SCREW, #10 - 12 X 3/4" LG (STAINLESS STEEL) | 10 |
| 140 | | | | |
| 141 | 17838-G1 | | BUSHING | 4 |
| 142 | 00440-G4 | | BOLT, 5/16 - 18 X 2 1/2" LG | 2 |
| 143 | 00559-G8 | | WASHER, 5/16" | 2 |
| 144 | 11098-G6 | | LOCK NUT, 5/16 - 18 (STAINLESS STEEL) | 2 |
| 145 | | | | |
| 146 | 74099-G01 | | WARNING LABEL..... | 1 |
| 147 | | | | |
| 148 | | | | |
| 149 | | | | |
| 150 | | | | |

THE USE OF NON U.L. PARTS WILL VOID ANY U.L. LISTING.
 When ordering parts, please specify the model and serial number of the product.
 * Indicates a component that is not available as an individual part.
 G** Indicates consult Customer Service Department for additional information.

| ITEM | PART NO. | 1 2 3 4 5 | DESCRIPTION | QTY. |
|------|-----------|-----------|--|------|
| 151 | 70361-G02 | | FOOT REST ASSEMBLY (INCLUDES ITEMS 152 - 155)..... | 1 |
| 152 | | | | |
| 153 | 74132-G01 | | WARNING LABEL | 1 |
| 154 | 70362-G01 | | FLOOR MAT | 1 |
| 155 | 70633-G01 | | FOOT REST | 1 |
| 156 | 19853-G1 | | END PLUG | 2 |
| 157 | | | | |
| 158 | 00769-G2 | | CARRIAGE BOLT, 3/8 - 16 X 1 1/4" LG | 2 |
| 159 | 00560-G1 | | WASHER, 3/8" | 2 |
| 160 | 11098-G5 | | LOCK NUT, 3/8 - 16 | 2 |
| 161 | | | | |
| 162 | 00427-G6 | | BOLT, 3/8 - 16 X 1 3/4" LG | 2 |
| 163 | 00560-G1 | | WASHER, 3/8" | 4 |
| 164 | 11098-G5 | | LOCK NUT, 3/8 - 16 | 2 |
| 165 | | | | |
| 166 | | | | |
| 167 | | | | |
| 168 | 70113-G01 | | ADJUSTABLE BUMPER | 2 |
| 169 | 11027-G1 | | LOCK NUT, 5/16 - 18 | 2 |
| 170 | | | | |
| 171 | 70113-G01 | | ADJUSTABLE BUMPER | 2 |
| 172 | 11027-G1 | | LOCK NUT, 5/16 - 18 | 4 |
| 173 | | | | |
| 174 | 74074-G01 | | LABEL, WARNING (EC)..... | 1 |
| 175 | | | | |
| 176 | 70135-G01 | | PEDAL PIVOT COVER | 1 |
| 177 | | | | |
| 178 | | | | |
| 179 | 71424-G01 | | SPACER, DRIVER SIDE | 1 |
| 180 | 71424-G02 | | SPACER, PASSENGER SIDE | 1 |

BODY

THE USE OF NON U.L. PARTS WILL VOID ANY U.L. LISTING.
 When ordering parts, please specify the model and serial number of the product.
 * Indicates a component that is not available as an individual part.
 G** Indicates consult Customer Service Department for additional information.

| ITEM | PART NO. | 1 2 3 4 5 | DESCRIPTION | QTY. |
|------|------------|-----------|---|------|
| 181 | 71764-G01 | | SILL PLATE TREAD..... | 2 |
| 182 | 16705-G1 | | SCREW, 1/4 - 20 X 1" LG (STAINLESS STEEL) | 4 |
| 183 | 23726-G2 | | SPACER, 1/4"..... | 4 |
| 184 | 00559-G7 | | WASHER, 1/4" | 4 |
| 185 | 14390-G4 | | LOCK NUT, 1/4 - 20 | 4 |
| 186 | 600035-G01 | | ROCKER PANEL, DRIVER SIDE..... | 1 |
| 187 | 600035-G02 | | ROCKER PANEL, PASSENGER SIDE | 1 |
| 188 | 00789-G2 | | SCREW, #10 - 24 X 1 1/4 LG..... | 4 |
| 189 | 23726-G2 | | SPACER, 1/4"..... | 4 |
| 190 | 00660-G5 | | WASHER, #10..... | 4 |
| 191 | 11098-G7 | | LOCK NUT, #10-24" | 4 |
| 192 | | | | |
| 193 | | | | |
| 194 | | | | |
| 195 | 72966-G01 | | CARGO DECK | 2 |
| 196 | 33121-G01 | | HINGE | 2 |
| 197 | 16705-G3 | | SCREW, 1/4 - 20 X 3/4" LG (STAINLESS STEEL) | 16 |
| 198 | 16705-G9 | | SCREW, 1/4 - 20 X 1 1/4" LG (STAINLESS STEEL) | 4 |
| 199 | 00559-G7 | | WASHER, 1/4" | 4 |
| 200 | 00559-G7 | | WASHER, 1/4" | 4 |
| 201 | 00654-G2 | | LOCK NUT, 1/4 - 20 | 4 |
| 202 | | | | |
| 203 | | | | |
| 204 | 72956-G01 | | BED FRAME | 1 |
| 205 | 01075-G01 | | SCREW, 3/8 - 16 X 2 3/4" LG..... | 2 |
| 206 | 00571-G3 | | WASHER, 3/8..... | 2 |
| 207 | 00439-G6 | | SCREW, 5/16 - 18 X 1 3/4" LG..... | 4 |
| 208 | 00559-G8 | | WASHER, 5/16..... | 8 |
| 209 | 11098-G6 | | LOCK NUT, 5/16 - 18 | 4 |
| 210 | 72982-G01 | | BRACKET | 2 |

THE USE OF NON U.L. PARTS WILL VOID ANY U.L. LISTING.
 When ordering parts, please specify the model and serial number of the product.
 * Indicates a component that is not available as an individual part.
 G** Indicates consult Customer Service Department for additional information.

| ITEM | PART NO. | 1 2 3 4 5 | DESCRIPTION | QTY. |
|------|-----------|-----------|---|------|
| 211 | 00438-G6 | | BOLT, 5/16 - 18 X 3/4" LG | 2 |
| 212 | 00559-G8 | | WASHER, 5/16..... | 4 |
| 213 | 11098-G6 | | LOCK NUT, 5/16 - 18 | 2 |
| 214 | | | | |
| 215 | | | | |
| 216 | 72983-G01 | | BED MOUNT BRACKET | 2 |
| 217 | 16705-G3 | | SCREW, 1/4 - 20 X 3/4" LG (STAINLESS STEEL) | 4 |
| 218 | 00559-G7 | | WASHER, 1/4" | 4 |
| 219 | 00654-G2 | | LOCK NUT, 1/4 - 20 | 4 |
| 220 | 72967-G01 | | BULKHEAD | 1 |
| 221 | 16705-G3 | | SCREW, 1/4 - 20 X 3/4" LG (STAINLESS STEEL) | 4 |
| 222 | 00559-G7 | | WASHER, 1/4" | 4 |
| 223 | 00654-G2 | | LOCK NUT, 1/4 - 20 | 4 |
| 224 | 70663-G03 | | FLOORMAT | 1 |
| 225 | 22524-G1 | | FOAM TAPE | 40" |
| 226 | | | | |
| 227 | 71572-G01 | | FENDER (DRIVER SIDE) | 1 |
| 228 | 71572-G02 | | FENDER (PASSENGER SIDE)..... | 1 |
| 229 | 71572-G03 | | FENDER WITH TAILLIGHT (DRIVER SIDE) | 1 |
| 230 | 71572-G04 | | FENDER WITH TAILLIGHT (PASSENGER SIDE)..... | 1 |
| 231 | 71587-G02 | | REAR PANEL | 1 |
| 232 | 71055-G01 | | RIVET, 3/16" X 1" LG | 4 |
| 233 | 11027-G2 | | LOCK NUT, 1/4 - 20 | 12 |
| 234 | 00559-G7 | | WASHER, 1/4" | 12 |
| 235 | 00414-G7 | | BOLT, 1/4 - 20 X 7/8" LG | 12 |
| 236 | | | | |
| 237 | | | | |
| 238 | 602037 | | SIDE PANEL, DRIVER SIDE..... | 1 |
| 239 | 602029 | | SIDE PANEL, PASSENGER SIDE | 1 |
| 240 | 10570-G11 | | RIVET, 3/16" X 3/4" LG (STAINLESS STEEL) | 4 |

BODY

THE USE OF NON U.L. PARTS WILL VOID ANY U.L. LISTING.

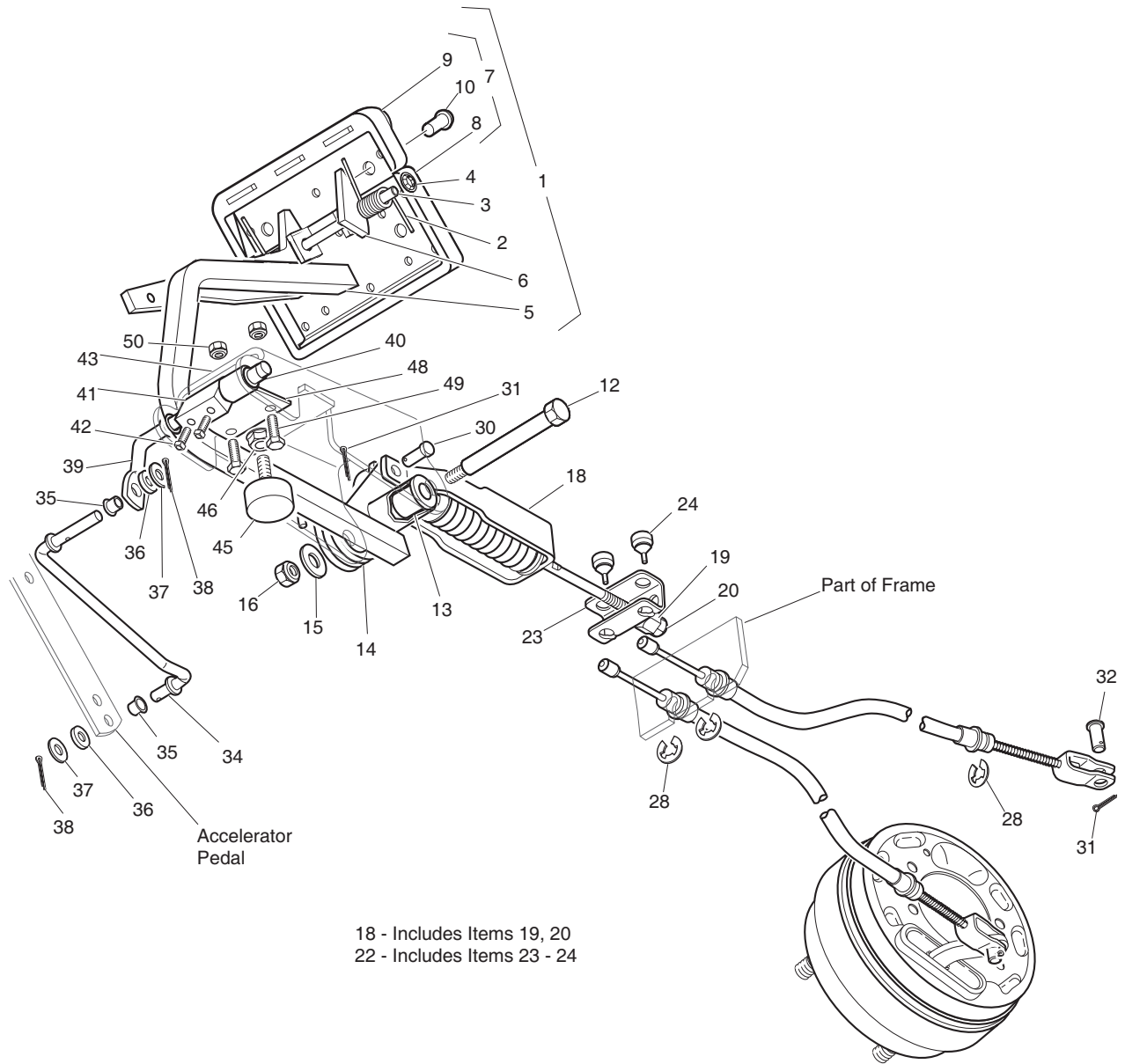
When ordering parts, please specify the model and serial number of the product.

* Indicates a component that is not available as an individual part.

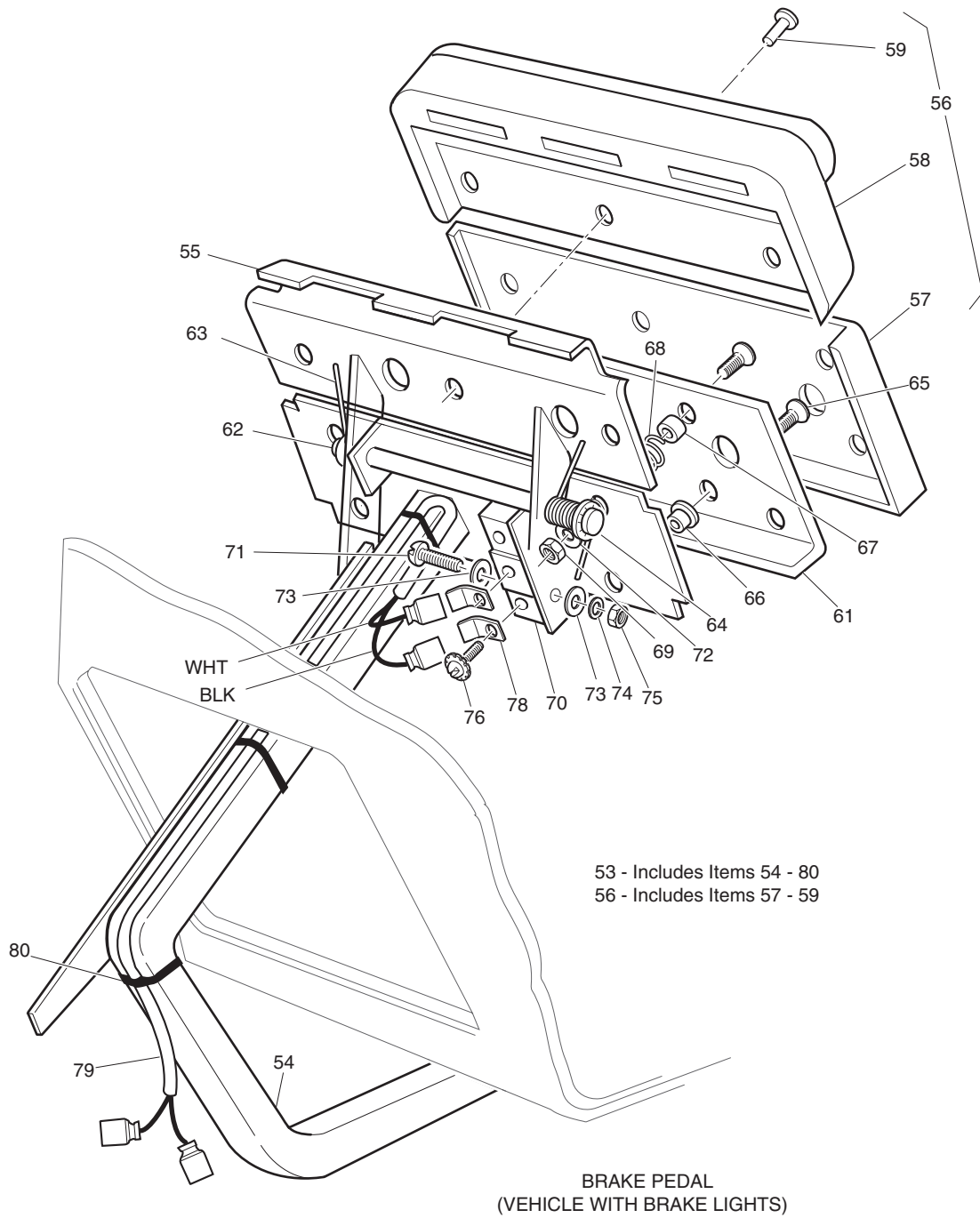
G** Indicates consult Customer Service Department for additional information.

| ITEM | PART NO. | 1 2 3 4 5 | DESCRIPTION | QTY. |
|------|------------|-----------|---|------|
| 241 | 71609-G01 | | SEAT HINGE | 2 |
| 242 | 600034GXX | | SEAT WRAP PANEL | 1 |
| 243 | 10570-G10 | | RIVET, 5/32" X 9/16" LG (STAINLESS STEEL) | 5 |
| 244 | 10570-G10 | | RIVET, 5/32" X 9/16" LG (STAINLESS STEEL) | 2 |
| 245 | 10570-G10 | | RIVET, 5/32" X 9/16" LG (STAINLESS STEEL) | 4 |
| 246 | 10570-G12 | | RIVET, 1/4" X 9/16" LG | 2 |
| 247 | 23726-G2 | | WASHER, 1/4" | 4 |
| 248 | 600038-G01 | | SEAT FRAME WELDMENT | 1 |
| 249 | 00438-G8 | | BOLT, 5/16 - 18 x 1" LG | 2 |
| 250 | 00559-G8 | | WASHER, 5/16 | 2 |
| 251 | 11098-G6 | | LOCK NUT, 5/16 - 18 | 2 |
| 252 | 00715-G2 | | BOLT, 5/16 - 18 X 13/16" LG | 4 |
| 253 | 70200-G01 | | BOLT, 3/8 - 16 X 3/4" LG | 2 |
| 254 | 75900-G02 | | SEAT BACK BRACKET | 2 |
| 255 | 00427-G2 | | BOLT, 3/8 - 16 X 1" LG | 4 |
| 256 | 00560-G1 | | WASHER, 3/8" | 4 |
| 257 | 11098-G4 | | LOCK NUT, 3/8 - 16 | 4 |
| 258 | 70440-G04 | | SEAT FRAME | 1 |
| 259 | | | | |
| 260 | | | | |
| 261 | 600264-G01 | | F&R BRACKET | 1 |
| 262 | 28272-G01 | | SCREW, 1/4 - 20 X 1 | 2 |
| 263 | 11027-G2 | | LOCK NUT, 1/4 - 20 | 2 |
| 264 | | | | |
| 265 | 00715-G2 | | BOLT, 5/16 - 18 X 13/16" LG | 2 |
| 266 | 11098-G6 | | LOCK NUT, 5/16 - 18 | 2 |

BRAKES - MECHANICAL

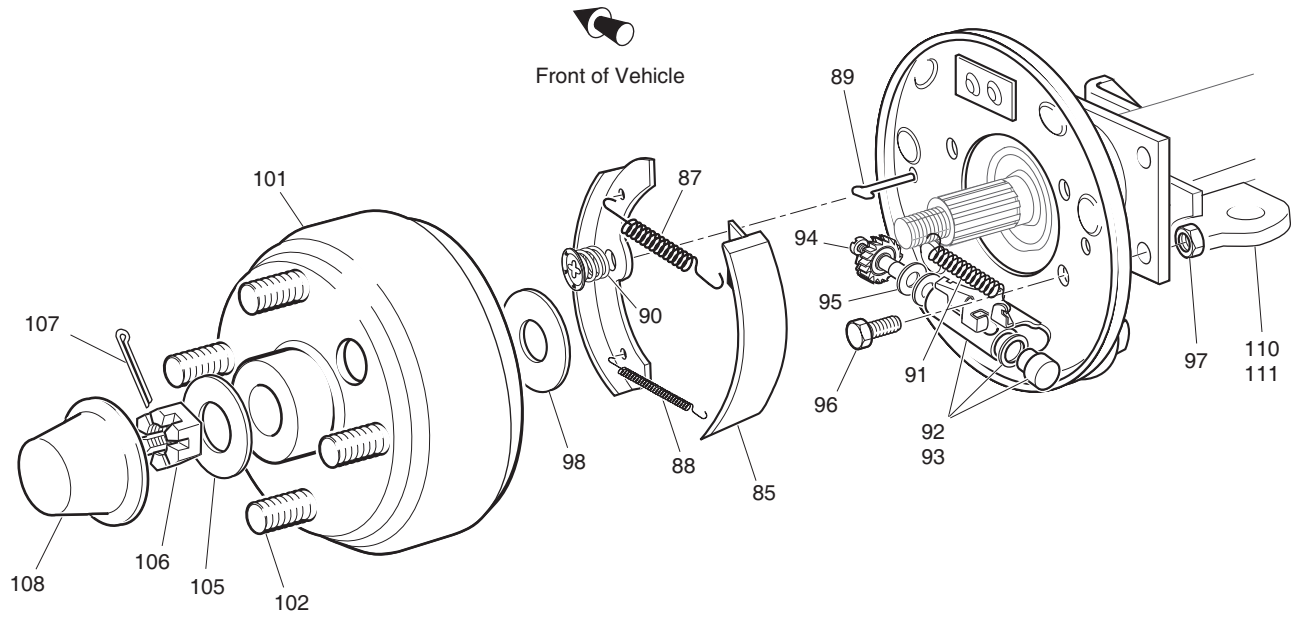


Ref Brm 8-1



Ref Brm 8-2

BRAKES - MECHANICAL



- 82 - Includes Items 84 - 92, 94, 95
- 83 - Includes Items 84 - 91, 93 - 95
- 84 - Includes Items 85
- 86 - Includes Items 87 - 91
- 92 - Includes Items 94, 95
- 93 - Includes Items 94, 95
- 100 - Includes Items 101, 102

Ref Bm 8-3

BRAKES - MECHANICAL

THE USE OF NON U.L. PARTS WILL VOID ANY U.L. LISTING.

When ordering parts, please specify the model and serial number of the product.

* Indicates a component that is not available as an individual part.

G** Indicates consult Customer Service Department for additional information.

| ITEM | PART NO. | 1 | 2 | 3 | 4 | 5 | DESCRIPTION | QTY. |
|------|-----------|---|---|---|---|---|---|------|
| 1 | 70612-G02 | | | | | | BRAKE PEDAL ASSEMBLY (WITHOUT BRAKE LIGHTS) (INCLUDES ITEMS 2 - 10)..... | 1 |
| 2 | 70681-G01 | | | | | | TORSION SPRING..... | 2 |
| 3 | 70682-G01 | | | | | | PIVOT PIN | 1 |
| 4 | 01071-G01 | | | | | | PUSHNUT, 5/16" | 2 |
| 5 | * | | | | | | BRAKE PEDAL..... | 1 |
| 6 | 70611-G02 | | | | | | PARK BRAKE PEDAL | 1 |
| 7 | 70274-G01 | | | | | | BRAKE/PARK BRAKE PEDAL PAD KIT (INCLUDES ITEMS 8 - 10) | 1 |
| 8 | * | | | | | | SERVICE BRAKE PAD | 1 |
| 9 | * | | | | | | PARK BRAKE PEDAL PAD | 1 |
| 10 | 15766-G1 | | | | | | OVAL RIVET, 3/16" X 7/16" LG..... | 9 |
| 11 | | | | | | | | |
| 12 | 70582-G01 | | | | | | SHOULDER BOLT, 3/8 - 16 X 4" LG (STAINLESS STEEL)..... | 1 |
| 13 | 70581-G01 | | | | | | FLANGED BUSHING | 2 |
| 14 | 70676-G01 | | | | | | TORSION SPRING | 1 |
| 15 | 00643-G1 | | | | | | WASHER, 3/8" | 1 |
| 16 | 11098-G5 | | | | | | LOCK NUT, 3/8 - 16 | 1 |
| 17 | | | | | | | | |
| 18 | 70272-G04 | | | | | | COMPENSATOR ASSEMBLY (INCLUDES ITEMS 19, 20) | 1 |
| 19 | 00963-G01 | | | | | | SPHERICAL NUT, 5/16 - 24 | 1 |
| 20 | 11098-G9 | | | | | | LOCK NUT, 5/16 - 24..... | 1 |
| 21 | | | | | | | | |
| 22 | 70969-G06 | | | | | | EQUALIZER AND BRAKE CABLE ASSEMBLY (INCLUDES ITEMS 23-24) | 1 |
| 23 | 28082-G01 | | | | | | EQUALIZER BRACKET..... | 1 |
| 24 | 28083-G01 | | | | | | BRAKE COMPENSATOR BUMPER | 2 |
| 25 | | | | | | | | |
| 26 | | | | | | | | |
| 27 | | | | | | | | |
| 28 | 01111-G01 | | | | | | RETAINING RING, 13/32" (STAINLESS STEEL)..... | 4 |
| 29 | | | | | | | | |

BRAKES - MECHANICAL

THE USE OF NON U.L. PARTS WILL VOID ANY U.L. LISTING.

When ordering parts, please specify the model and serial number of the product.

* Indicates a component that is not available as an individual part.

G** Indicates consult Customer Service Department for additional information.

| ITEM | PART NO. | 1 2 3 4 5 | DESCRIPTION | QTY. |
|------|-----------|-----------|---|------|
| 30 | 10386-G3 | | CLEVIS PIN, 5/16" X 13/16" LG | 1 |
| 31 | 10387-G3 | | COTTER PIN, 3/32" X 3/4" LG | 3 |
| 32 | 14443-G2 | | CLEVIS PIN, 5/16" X 5/8" LG | 2 |
| 33 | | | | |
| 34 | 70601-G01 | | KICK-OFF LINK..... | 1 |
| 35 | 17838-G1 | | NYLON BUSHING..... | 2 |
| 36 | 20835-G1 | | TEFLON WASHER, 3/8" | 2 |
| 37 | 00559-G8 | | WASHER, 5/16" | 2 |
| 38 | 10387-G3 | | COTTER PIN, 3/32" X 3/4" LG | 2 |
| 39 | 70098-G01 | | KICK-OFF CAM PIVOT | 1 |
| 40 | 10097-G6 | | FLANGED BEARING | 2 |
| 41 | 70587-G01 | | KICK-OFF CAM..... | 1 |
| 42 | 71215-G01 | | SETSCREW, 1/4 - 20 X 1/2" LG | 2 |
| 43 | 14134-G4 | | SPACER..... | 1 |
| 44 | | | | |
| 45 | 70113-G01 | | ADJUSTABLE BUMPER..... | 1 |
| 46 | 11027-G1 | | LOCK NUT, 5/16 - 18 | 1 |
| 47 | | | | |
| 48 | 70080-G02 | | CATCH BRACKET | 1 |
| 49 | 00414-G6 | | BOLT, 1/4 - 20 X 3/4" LG | 2 |
| 50 | 00891-G2 | | LOCK NUT, 1/4 - 20 (STAINLESS STEEL) | 2 |
| 51 | | | | |
| 52 | | | | |
| 53 | 70690-G01 | | BRAKE PEDAL ASSEMBLY (WITH BRAKE LIGHTS) (INCLUDES ITEMS 54 - 80)..... | 1 |
| 54 | * | | BRAKE PEDAL..... | 1 |
| 55 | 70611-G02 | | PARK BRAKE PEDAL | 1 |
| 56 | 70274-G01 | | BRAKE/PARK BRAKE PEDAL PAD KIT (INCLUDES ITEMS 57 - 59) | 1 |
| 57 | * | | SERVICE BRAKE PAD | 1 |
| 58 | * | | PARK BRAKE PAD | 1 |

BRAKES - MECHANICAL

THE USE OF NON U.L. PARTS WILL VOID ANY U.L. LISTING.

When ordering parts, please specify the model and serial number of the product.

* Indicates a component that is not available as an individual part.

G** Indicates consult Customer Service Department for additional information.

| ITEM | PART NO. | 1 | 2 | 3 | 4 | 5 | DESCRIPTION | QTY. |
|------|-----------|---|---|---|---|---|--|------|
| 59 | 15766-G1 | | | | | | OVAL RIVET, 3/16" x 7/16" LG | 9 |
| 60 | | | | | | | | |
| 61 | 70258-G03 | | | | | | BRAKE PEDAL PLATE..... | 1 |
| 62 | 70682-G01 | | | | | | PIVOT PIN | 1 |
| 63 | 70681-G01 | | | | | | TORSION SPRING..... | 2 |
| 64 | 01071-G01 | | | | | | PUSHNUT, 5/16" | 1 |
| 65 | 00737-G8 | | | | | | SCREW, #10 - 24 X 7/8" LG..... | 4 |
| 66 | 00739-G1 | | | | | | RUBBER NUT, #10 - 24 | 2 |
| 67 | 74535-G01 | | | | | | BRAKE PEDAL STANDOFF..... | 2 |
| 68 | 27137-G01 | | | | | | CONICAL SPRING | 2 |
| 69 | 14390-G10 | | | | | | LOCK NUT, #10 - 24..... | 2 |
| 70 | 10606-G8 | | | | | | MICRO SWITCH..... | 1 |
| 71 | 00957-G1 | | | | | | BOLT, #6 - 32 X 1 1/4" LG..... | 2 |
| 72 | 00559-G5 | | | | | | WASHER, #10 | 2 |
| 73 | 00559-G3 | | | | | | WASHER, #6 | 4 |
| 74 | 00565-G3 | | | | | | LOCK WASHER, #6 | 2 |
| 75 | 00525-G5 | | | | | | NUT, #6 - 32 | 2 |
| 76 | 13514-G1 | | | | | | SCREW AND LOCK WASHER, #6 | 2 |
| 77 | | | | | | | | |
| 78 | 14628-G1 | | | | | | FASTON TAB | 2 |
| 79 | 24605-G1 | | | | | | WIRE HARNESS (BRAKE LIGHT)..... | 1 |
| 80 | 17618-G1 | | | | | | WIRE TIE..... | 3 |
| 81 | | | | | | | | |
| 82 | 70998-G01 | | | | | | BRAKE ASSEMBLY (DRIVER SIDE) (INCLUDES ITEMS 84 - 92, 94, 95)..... | 1 |
| 83 | 70998-G02 | | | | | | BRAKE ASSEMBLY (PASSENGER SIDE) (INCLUDES ITEMS 84 - 91, 93 - 95) | 1 |
| 84 | 70794-G01 | | | | | | BRAKE SHOE KIT (INCLUDES ITEM 85)..... | 2 |
| 85 | * | | | | | | BRAKE SHOE | 2 |
| 86 | 27944-G01 | | | | | | BRAKE SPRING KIT (INCLUDES ITEMS 87 - 91)..... | 2 |
| 87 | * | | | | | | UPPER SPRING | 1 |

BRAKES - MECHANICAL

THE USE OF NON U.L. PARTS WILL VOID ANY U.L. LISTING.

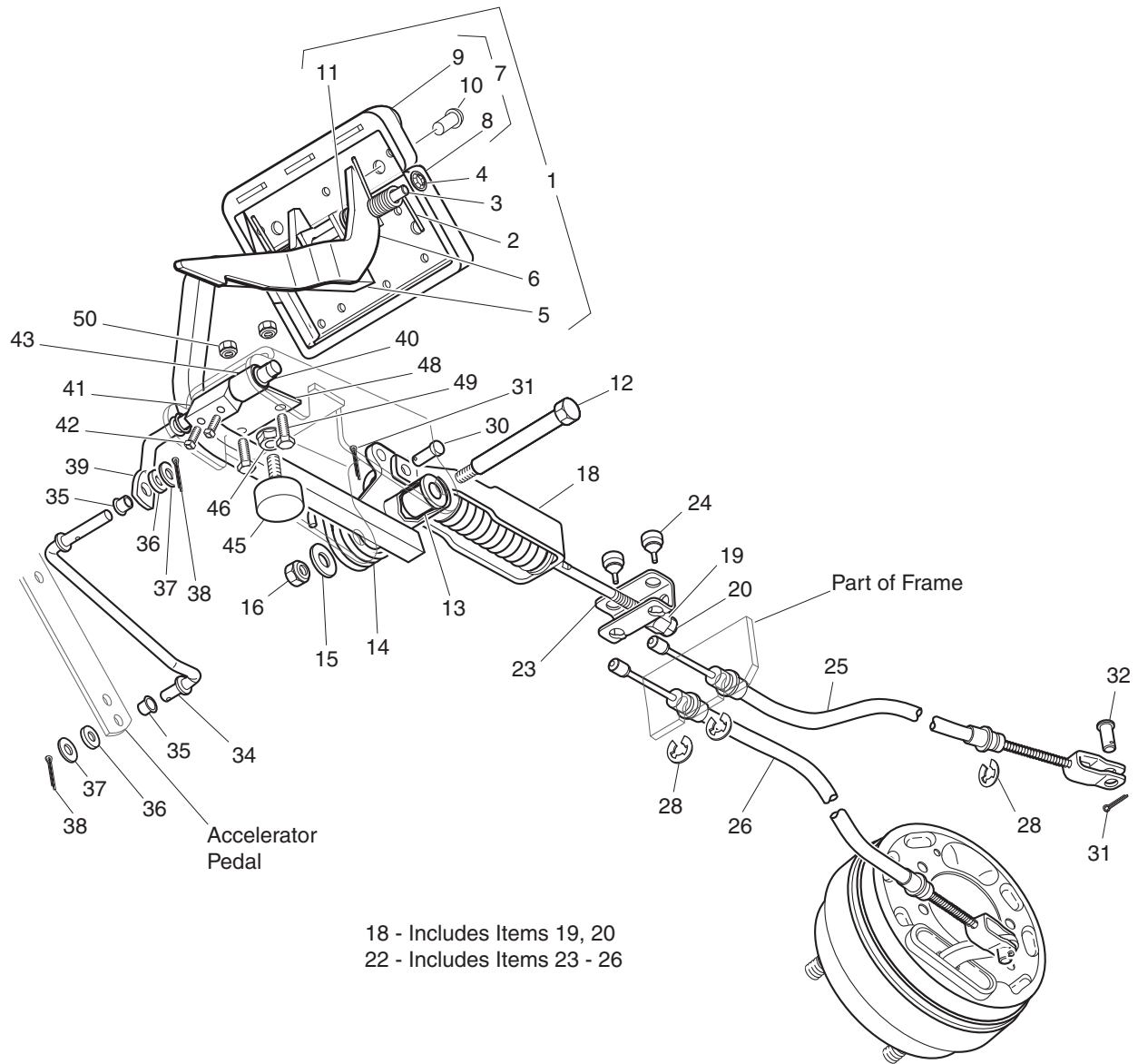
When ordering parts, please specify the model and serial number of the product.

* Indicates a component that is not available as an individual part.

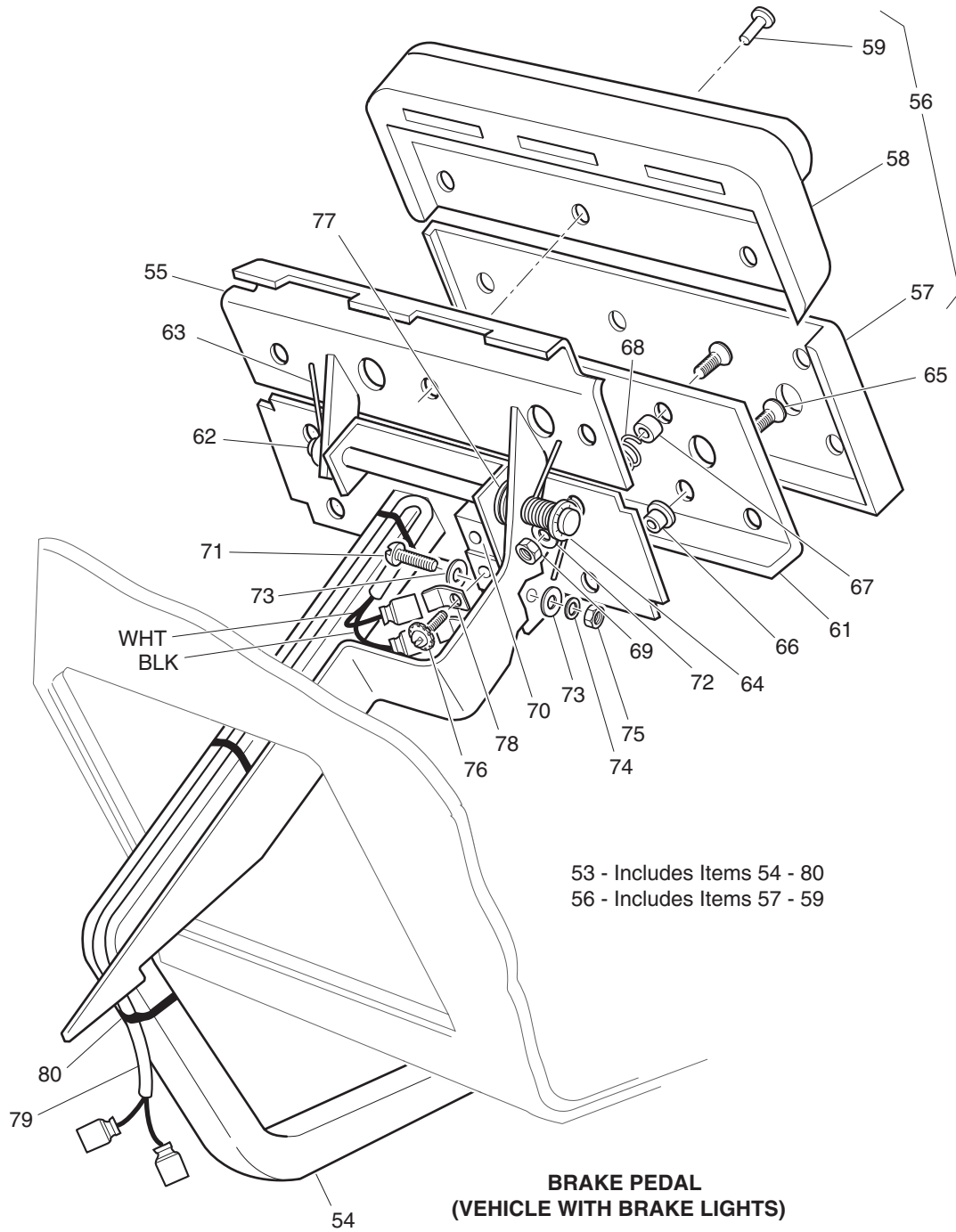
G** Indicates consult Customer Service Department for additional information.

| ITEM | PART NO. | 1 | 2 | 3 | 4 | 5 | DESCRIPTION | QTY. |
|------|-----------|---|---|---|---|---|--|------|
| 88 | * | | | | | | LOWER SPRING | 1 |
| 89 | * | | | | | | PIN | 2 |
| 90 | * | | | | | | CUP AND SPRING | 2 |
| 91 | * | | | | | | ADJUSTER SPRING..... | 1 |
| 92 | 72582-G01 | | | | | | BRAKE ADJUSTER KIT (DRIVER SIDE) (INCLUDES ITEMS 94, 95) | 1 |
| 93 | 72582-G02 | | | | | | BRAKE ADJUSTER KIT (PASSENGER SIDE) (INCL. ITEMS 94, 95) | 1 |
| 94 | * | | | | | | ADJUSTER | 1 |
| 95 | * | | | | | | TEFLON WASHER | 2 |
| 96 | 17083-G2 | | | | | | BOLT, 5/16 - 24 X 1" LG | 8 |
| 97 | 15126-G1 | | | | | | LOCK NUT, 5/16 - 24 | 8 |
| 98 | 21809-G1 | | | | | | INNER BRAKE DRUM WASHER, 1 5/16" OD X 1" ID X 1/32" | 2 |
| 99 | | | | | | | | |
| 100 | 21807-G1 | | | | | | BRAKE DRUM ASSEMBLY (INCLUDES ITEMS 101 - 102) | 2 |
| 101 | * | | | | | | BRAKE DRUM | 1 |
| 102 | 19862-G1 | | | | | | LUG BOLT, 1/2 - 20 X 1 3/16" LG | 4 |
| 103 | | | | | | | | |
| 104 | | | | | | | | |
| 105 | 21830-G1 | | | | | | OUTER BRAKE DRUM WASHER | 2 |
| 106 | 00518-G8 | | | | | | SLOTTED NUT, 3/4 - 16 | 2 |
| 107 | 10387-G1 | | | | | | COTTER PIN, 1/8" X 1 1/2" LG | 2 |
| 108 | 74175-G01 | | | | | | SPINDLE CAP | 2 |
| 109 | | | | | | | | |
| 110 | 72036-G03 | | | | | | BRAKE CABLE BRACKET (PASSENGER SIDE) | 1 |
| 111 | 72036-G04 | | | | | | BRAKE CABLE BRACKET (DRIVER SIDE) | 1 |

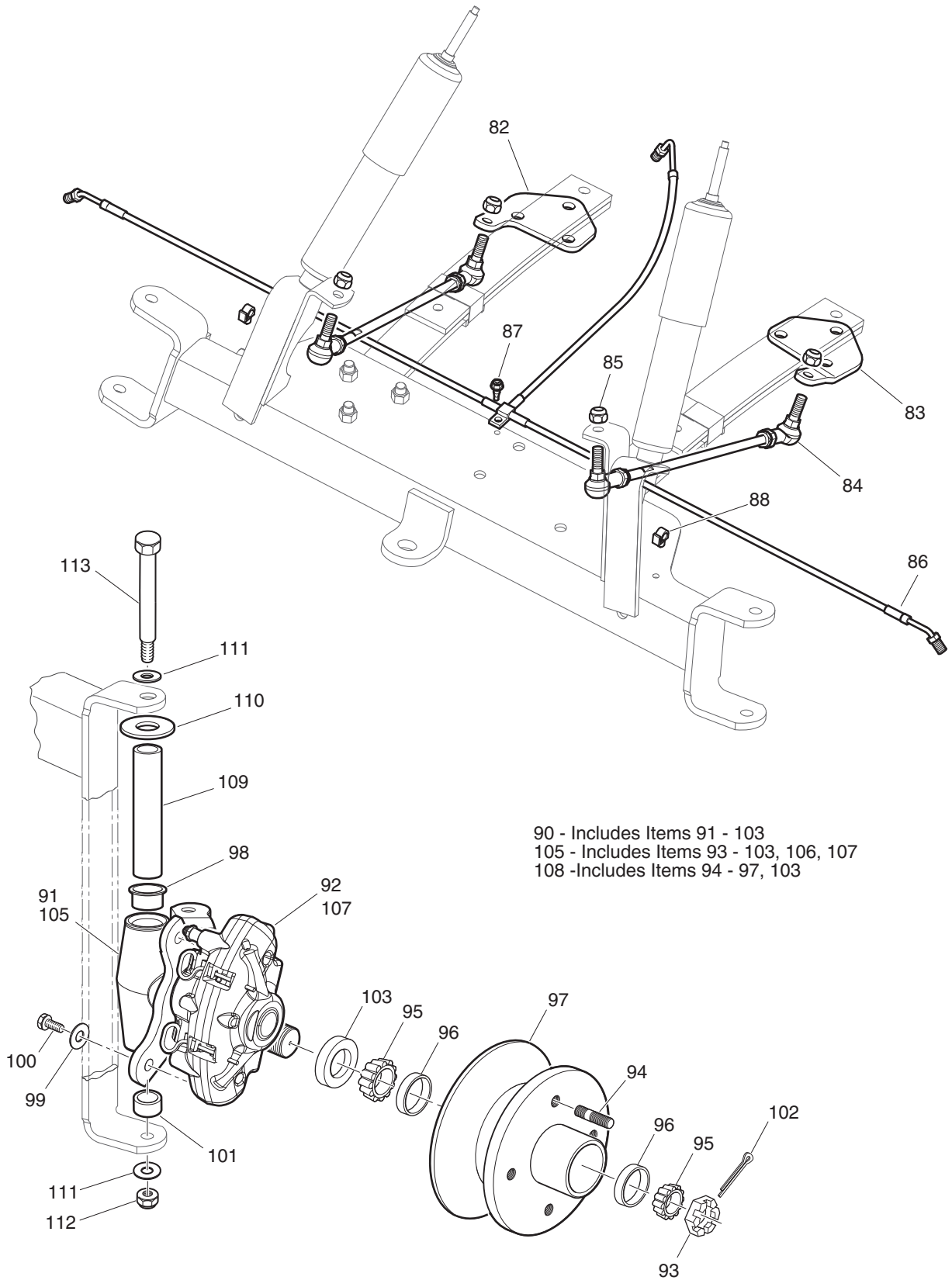
BRAKES - FRONT DISC



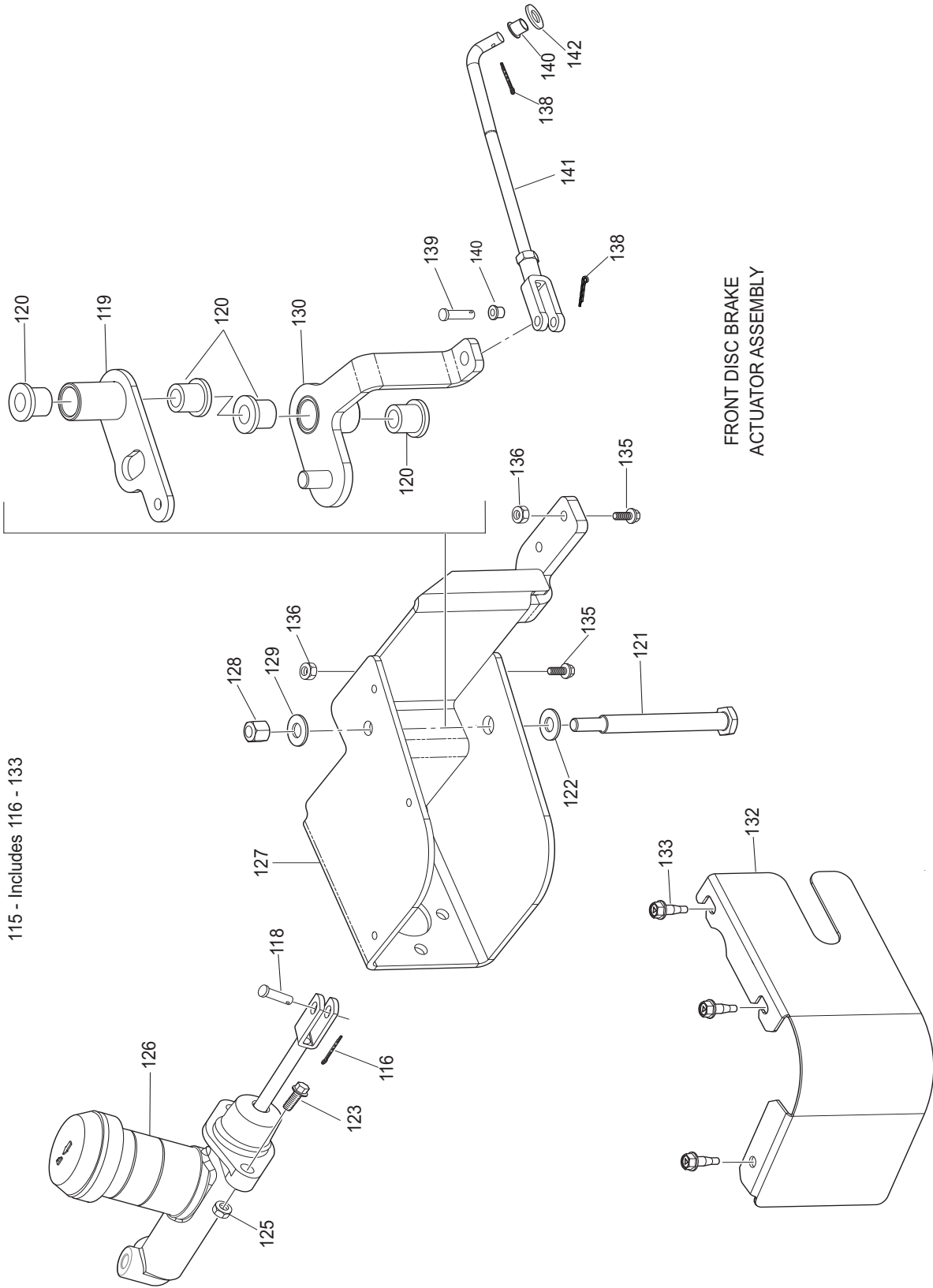
Ref Brh 21-1



BRAKES - FRONT DISC



Ref Brh 21-3



BRAKES - FRONT DISC

THE USE OF NON U.L. PARTS WILL VOID ANY U.L. LISTING.

When ordering parts, please specify the model and serial number of the product.

* Indicates a component that is not available as an individual part.

G** Indicates consult Customer Service Department for additional information.

| ITEM | PART NO. | 1 2 3 4 5 | DESCRIPTION | QTY. |
|------|-----------|-----------|---|------|
| 1 | 70886-G01 | | BRAKE PEDAL ASSEMBLY (WITHOUT BRAKE LIGHTS) (INCLUDES ITEMS 2 - 11)..... | 1 |
| 2 | 70681-G01 | | TORSION SPRING..... | 2 |
| 3 | 70682-G01 | | PIVOT PIN..... | 1 |
| 4 | 01071-G01 | | PUSHNUT, 5/16"..... | 1 |
| 5 | * | | BRAKE PEDAL..... | 1 |
| 6 | 74724-G01 | | PARK BRAKE PEDAL..... | 1 |
| 7 | 70274-G01 | | BRAKE/PARK BRAKE PEDAL PAD KIT (INCLUDES ITEMS 8 - 10)..... | 1 |
| 8 | * | | SERVICE BRAKE PAD..... | 1 |
| 9 | * | | PARK BRAKE PEDAL PAD..... | 1 |
| 10 | 16409-G1 | | OVAL RIVET, 3/16" X 15/32" LG..... | 9 |
| 11 | 20835-G1 | | WASHER, TEFLON, 3/8"..... | 2 |
| 12 | 70582-G01 | | SHOULDER BOLT, 3/8 - 16 X 4" LG..... | 1 |
| 13 | 70581-G01 | | FLANGED BUSHING..... | 2 |
| 14 | 70676-G01 | | TORSION SPRING..... | 1 |
| 15 | 00643-G1 | | WASHER, 3/8"..... | 1 |
| 16 | 11098-G5 | | LOCK NUT, 3/8 - 16..... | 1 |
| 17 | | | | |
| 18 | 70272-G04 | | COMPENSATOR ASSEMBLY (INCLUDES ITEMS 19, 20)..... | 1 |
| 19 | 00963-G01 | | SPHERICAL NUT, 5/16 - 24..... | 1 |
| 20 | 11098-G9 | | LOCK NUT, 5/16 - 24..... | 1 |
| 21 | | | | |
| 22 | 70969-G05 | | EQUALIZER AND BRAKE CABLE ASSEMBLY (INCLUDES ITEMS 23 - 26).... | 1 |
| 23 | 28082-G01 | | EQUALIZER BRACKET..... | 1 |
| 24 | 28083-G01 | | BRAKE COMPENSATOR BUMPER..... | 2 |
| 25 | * | | BRAKE CABLE (DRIVER SIDE)..... | 1 |
| 26 | * | | BRAKE CABLE (PASSENGER SIDE)..... | 1 |
| 27 | | | | |
| 28 | 01111-G01 | | RETAINING RING, S.S..... | 4 |
| 29 | | | | |

BRAKES - FRONT DISC

THE USE OF NON U.L. PARTS WILL VOID ANY U.L. LISTING.

When ordering parts, please specify the model and serial number of the product.

* Indicates a component that is not available as an individual part.

G** Indicates consult Customer Service Department for additional information.

| ITEM | PART NO. | 1 2 3 4 5 | DESCRIPTION | QTY. |
|------|-----------|-----------|---|------|
| 30 | 10386-G3 | | CLEVIS PIN, 5/16" X 1" LG | 3 |
| 31 | 10387-G3 | | COTTER PIN, 3/32" X 3/4" LG | 3 |
| 32 | 14443-G2 | | CLEVIS PIN, 5/16" X 3/4" LG | 2 |
| 33 | | | | |
| 34 | 70601-G01 | | KICK-OFF LINK..... | 1 |
| 35 | 17838-G1 | | NYLON BUSHING..... | 2 |
| 36 | 20835-G1 | | TEFLON WASHER, 3/8" | 2 |
| 37 | 00559-G8 | | WASHER, 5/16" | 2 |
| 38 | 10387-G3 | | COTTER PIN, 3/32" X 3/4" LG | 2 |
| 39 | 70098-G01 | | KICK-OFF CAM PIVOT..... | 1 |
| 40 | 10097-G6 | | FLANGED BEARING | 2 |
| 41 | 70587-G01 | | KICK-OFF CAM..... | 1 |
| 42 | 71215-G01 | | SETSCREW, 1/4 - 20 X 1/2" LG..... | 2 |
| 43 | 14134-G4 | | SPACER..... | 1 |
| 44 | | | | |
| 45 | 70113-G01 | | ADJUSTABLE BUMPER..... | 1 |
| 46 | 11027-G1 | | LOCK NUT, 5/16 - 18 | 1 |
| 47 | | | | |
| 48 | 70080-G01 | | CATCH BRACKET | 1 |
| 49 | 00414-G6 | | BOLT, 1/4 - 20 X 3/4" LG | 2 |
| 50 | 00891-G2 | | LOCK NUT, 1/4 - 20 | 2 |
| 51 | | | | |
| 52 | | | | |
| 53 | 74874-G01 | | BRAKE PEDAL ASSEMBLY (WITH BRAKE LIGHTS) (INCLUDES ITEMS 54 - 80)..... | 1 |
| 54 | * | | BRAKE PEDAL..... | 1 |
| 55 | 74724-G01 | | PARK BRAKE PEDAL | 1 |
| 56 | 70274-G01 | | BRAKE/PARK BRAKE PEDAL PAD KIT (INCLUDES ITEMS 57 - 59)..... | 1 |
| 57 | * | | SERVICE BRAKE PAD | 1 |
| 58 | * | | PARK BRAKE PAD..... | 1 |

BRAKES - FRONT DISC

THE USE OF NON U.L. PARTS WILL VOID ANY U.L. LISTING.

When ordering parts, please specify the model and serial number of the product.

* Indicates a component that is not available as an individual part.

G** Indicates consult Customer Service Department for additional information.

| ITEM | PART NO. | 1 | 2 | 3 | 4 | 5 | DESCRIPTION | QTY. |
|------|-----------|---|---|---|---|---|-------------------------------------|------|
| 59 | 16409-G1 | | | | | | OVAL RIVET, 3/16" X 15/32" LG | 9 |
| 60 | | | | | | | | |
| 61 | 70258-G03 | | | | | | BRAKE PEDAL PLATE | 1 |
| 62 | 70682-G01 | | | | | | PIVOT PIN | 1 |
| 63 | 70681-G01 | | | | | | TORSION SPRING | 2 |
| 64 | 01071-G01 | | | | | | PUSHNUT, 5/16" | 1 |
| 65 | 00737-G8 | | | | | | SCREW, #10 - 24 X 1" LG | 4 |
| 66 | 00739-G1 | | | | | | RUBBER NUT, #10 - 24 | 2 |
| 67 | 74535-G01 | | | | | | BRAKE PEDAL STANDOFF | 2 |
| 68 | 27137-G01 | | | | | | CONICAL SPRING | 2 |
| 69 | 14390-G10 | | | | | | LOCK NUT, #10 - 24 | 2 |
| 70 | 10606-G8 | | | | | | MICRO SWITCH | 1 |
| 71 | 00957-G1 | | | | | | SCREW, #6 - 32 X 1 1/4" LG | 2 |
| 72 | 00559-G5 | | | | | | WASHER, #10 | 2 |
| 73 | 00559-G3 | | | | | | WASHER, #6 | 4 |
| 74 | 00565-G3 | | | | | | LOCK WASHER, #6 | 2 |
| 75 | 00525-G5 | | | | | | NUT, #6 - 32 | 2 |
| 76 | 13514-G1 | | | | | | SCREW AND LOCK WASHER, #6 | 2 |
| 77 | 20835-G1 | | | | | | WASHER, TEFLON, 3/8" | 2 |
| 78 | 14628-G1 | | | | | | FASTON TAB | 2 |
| 79 | 24605-G1 | | | | | | WIRE HARNESS (BRAKE LIGHT) | 1 |
| 80 | 17618-G1 | | | | | | WIRE TIE | 3 |
| 81 | | | | | | | | |
| 82 | 74731-G02 | | | | | | SPRING PLATE (PASSENGER SIDE) | 1 |
| 83 | 74731-G01 | | | | | | SPRING PLATE (DRIVER SIDE) | 1 |
| 84 | 74730-G01 | | | | | | FOUR LINK ROD | 2 |
| 85 | 01084-G01 | | | | | | LOCK NUT, M10-1.25 | 4 |
| 86 | 74736-G01 | | | | | | BRAKE LINE | 1 |
| 87 | 01038-G01 | | | | | | SCREW, 1/4 - 20 X 4444" LG | 1 |
| 88 | 74875-G01 | | | | | | WIRE RETAINER | 2 |

BRAKES - FRONT DISC

THE USE OF NON U.L. PARTS WILL VOID ANY U.L. LISTING.
 When ordering parts, please specify the model and serial number of the product.
 * Indicates a component that is not available as an individual part.
 G** Indicates consult Customer Service Department for additional information.

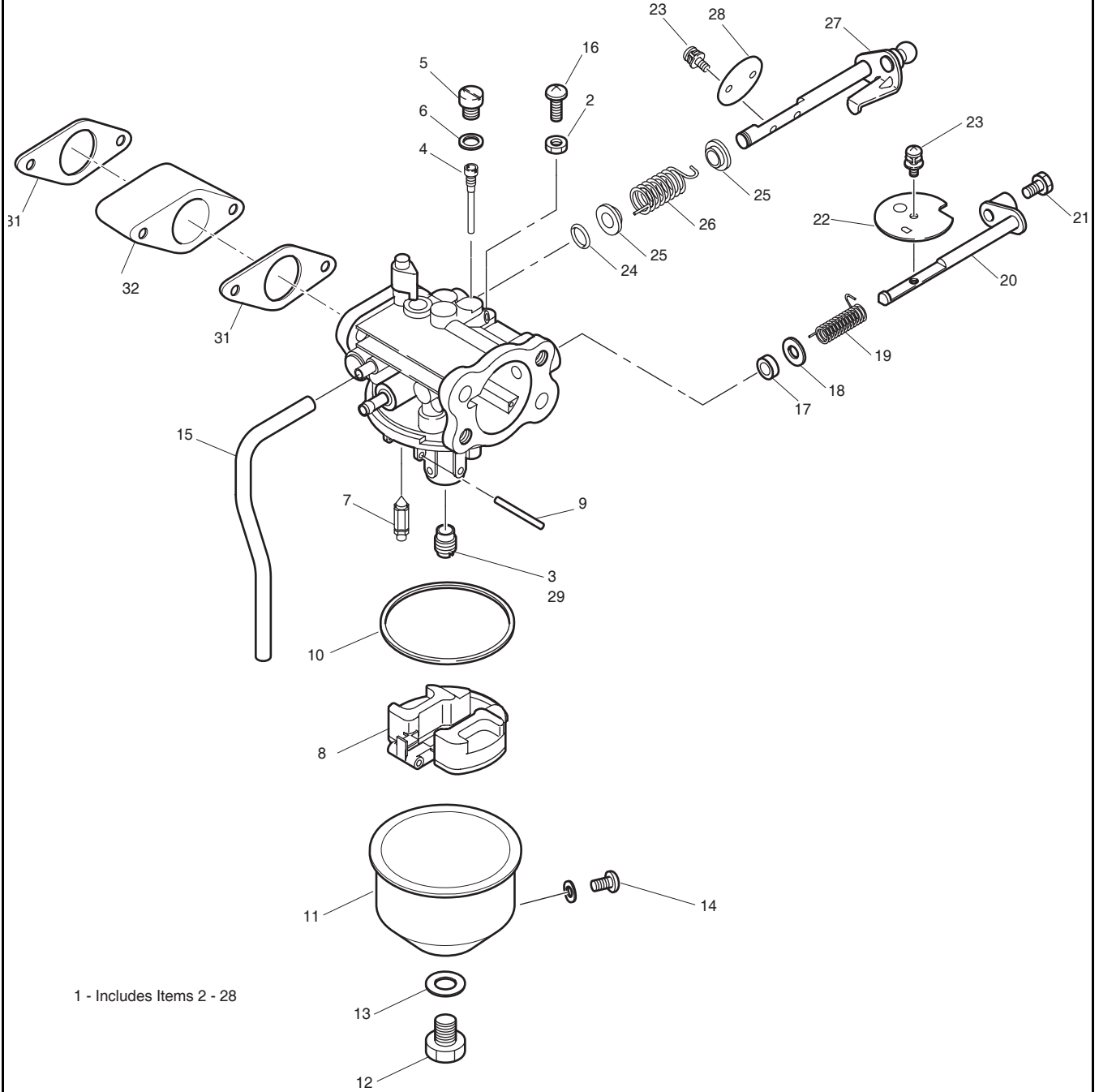
| ITEM | PART NO. | 1 | 2 | 3 | 4 | 5 | DESCRIPTION | QTY. |
|------|------------|---|---|---|---|---|---|------|
| 89 | | | | | | | | |
| 90 | 74677-G01 | | | | | | SPINDLE, CALIPER AND DISC HUB ASSEMBLY (DRIVER SIDE) (INCLUDES ITEMS 91 - 103)..... | 1 |
| 91 | 74672-G01 | | | | | | DISC BRAKE SPINDLE (DRIVER SIDE) | 1 |
| 92 | 74733-G02 | | | | | | CALIPER (DRIVER SIDE)..... | 1 |
| 93 | 12093-G1 | | | | | | SLOTTED NUT | 1 |
| 94 | 74864-G01 | | | | | | DRIVE FLANGE STUD..... | 4 |
| 95 | 11750-G2 | | | | | | ROLLER BEARING | 2 |
| 96 | 51141-G1 | | | | | | BEARING RACE..... | 2 |
| 97 | 749951-G01 | | | | | | DISC BRAKE HUB..... | 1 |
| 98 | 70648G01 | | | | | | FLANGED BEARING..... | 1 |
| 99 | 00566G1 | | | | | | WASHER, 3/8" | 2 |
| 100 | 00426-G8 | | | | | | BOLT, 3/8 - 16 X 1 | 2 |
| 101 | 70749-G01 | | | | | | BEARING..... | 1 |
| 102 | 00798-G8 | | | | | | COTTER PIN | 1 |
| 103 | 25146-G1 | | | | | | GREASE SEAL..... | 1 |
| 104 | | | | | | | | |
| 105 | 74676-G01 | | | | | | SPINDLE, CALIPER AND DISC HUB ASSEMBLY (PASSENGER SIDE) (INCLUDES ITEMS 93 - 103, 106, 107)..... | 1 |
| 106 | 74671-G01 | | | | | | DISC BRAKE SPINDLE (PASSENGER SIDE)..... | 1 |
| 107 | 74733-G01 | | | | | | CALIPER (PASSENGER SIDE)..... | 1 |
| 108 | 74948-G01 | | | | | | DISC BRAKE SERVICE HUB (INCLUDES ITEMS 94 - 97, 103)..... | 1 |
| 109 | 70745-G01 | | | | | | KINGPIN TUBE | 2 |
| 110 | 70754-G01 | | | | | | THRUST WASHER | 2 |
| 111 | 00560-G3 | | | | | | WASHER, 1/2" | 4 |
| 112 | 14390G3 | | | | | | LOCKNUT, 1/2 - 13 | 2 |
| 113 | 00407-G6 | | | | | | CAPSCREW, 1/2 - 13 X 6" LG | 2 |
| 114 | | | | | | | | |
| 115 | 608706 | | | | | | FRONT DISC BRAKE BRAKE ACTUATOR ASSEMBLY (INCLUDES ITEMS 116 - 133)..... | 1 |
| 116 | 10387-G3 | | | | | | COTTER PIN, 3/32 X 3/4" LG..... | 1 |

BRAKES - FRONT DISC

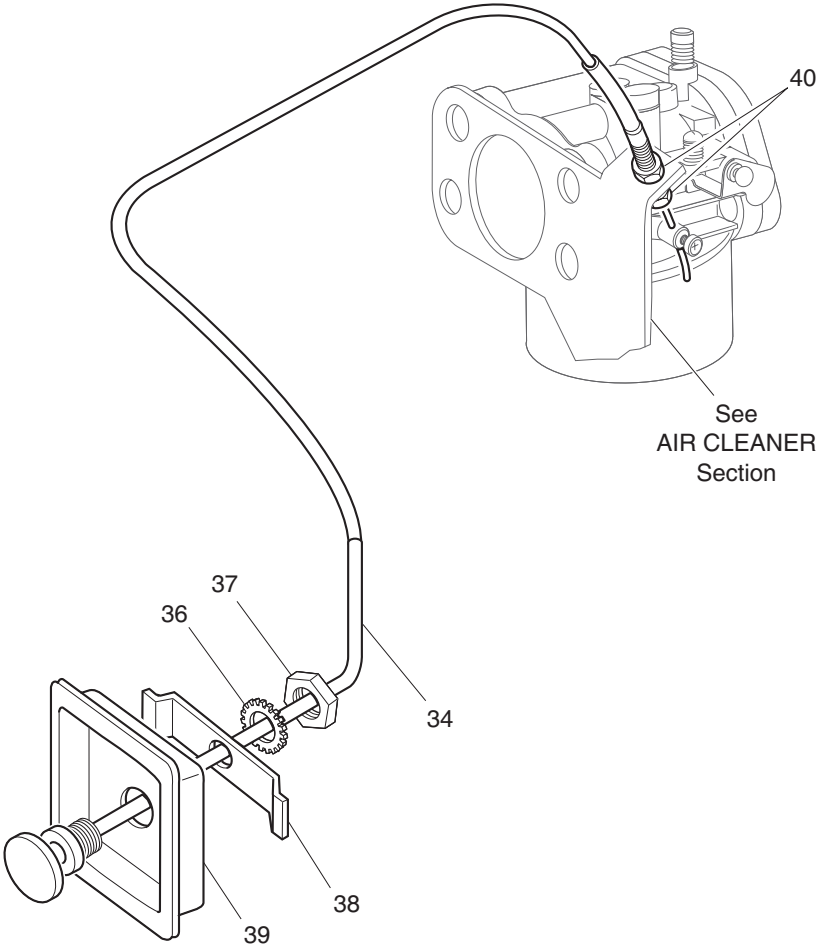
THE USE OF NON U.L. PARTS WILL VOID ANY U.L. LISTING.
 When ordering parts, please specify the model and serial number of the product.
 * Indicates a component that is not available as an individual part.
 G** Indicates consult Customer Service Department for additional information.

| ITEM | PART NO. | 1 | 2 | 3 | 4 | 5 | DESCRIPTION | QTY. |
|------|-----------|---|---|---|---|---|---|------|
| 117 | | | | | | | | |
| 118 | 10386-G3 | | | | | | CLEVIS PIN, 5/16 X 1" LG..... | 1 |
| 119 | 608122 | | | | | | UPPER ACTUATOR PIVOT | 1 |
| 120 | 70581-G02 | | | | | | ACETAL BUSHING..... | 4 |
| 121 | 74711-G01 | | | | | | ACTUATOR PIVOT BOLT..... | 1 |
| 122 | 00679-G1 | | | | | | WASHER, 3/8 STAINLESS..... | 1 |
| 123 | 00439-G1 | | | | | | SCREW, CAP HEX HD 5/16 - 18 X 1 -1/18" LG..... | 2 |
| 124 | | | | | | | | |
| 125 | 11098-G06 | | | | | | LOCKNUT, 5/16 - 18..... | 2 |
| 126 | 887364 | | | | | | CYLINDER..... | 1 |
| 127 | 608661 | | | | | | MASTER CYLINDER MOUNT WELDMENT | 1 |
| 128 | 11098-G5 | | | | | | LOCKNUT, 3/8 - 16..... | 1 |
| 129 | 00679-G1 | | | | | | WASHER, 3/8" STAINLESS | 1 |
| 130 | 608118 | | | | | | LOWER ACTUATOR PIVOT..... | 1 |
| 131 | | | | | | | | |
| 132 | 608663 | | | | | | ACTUATOR ASSEMBLY COVER..... | 1 |
| 133 | 01038-G01 | | | | | | SCREW, 1/4 -20 SWAGEFORM..... | 3 |
| 134 | | | | | | | | |
| 135 | 00414-G8 | | | | | | CAP SCREW, 1/4 - 20 X 1.00" LG | 4 |
| 136 | 00891-G2 | | | | | | LOCKNUT, 1/4 - 20 | 4 |
| 137 | | | | | | | | |
| 138 | 10387-G3 | | | | | | COTTER PIN, 3/32 X 3/4 | 2 |
| 139 | 10386-G3 | | | | | | CLEVIS PIN, 5/16 X 1" LG | 1 |
| 140 | 17838-G1 | | | | | | NYLON BUSHING..... | 2 |
| 141 | 608943 | | | | | | ACTUATOR LINKAGE | 1 |
| 142 | 00771-G5 | | | | | | WASHER, 3/8" | 1 |
| 143 | 74917-G01 | | | | | | DISC BRAKE PAD AND PIN KIT (SERVICES ONE CORNER) (INCLUDES ITEMS 144 - 145)..... | 1 |
| 144 | * | | | | | | BRAKE PADS | 2 |
| 145 | * | | | | | | BRAKE PAD RETAINER PINS | 2 |

CARBURETOR AND CHOKE



CARBURETOR AND CHOKE



Ref Cac 2-2

CARBURETOR AND CHOKE

Where applicable, THE USE OF NON UL PARTS WILL VOID ANY UL LISTING.

When ordering parts, please specify the model and serial number of the product.

* Indicates a component that is not available as an individual part.

G** Indicates consult Customer Service Department for additional information.

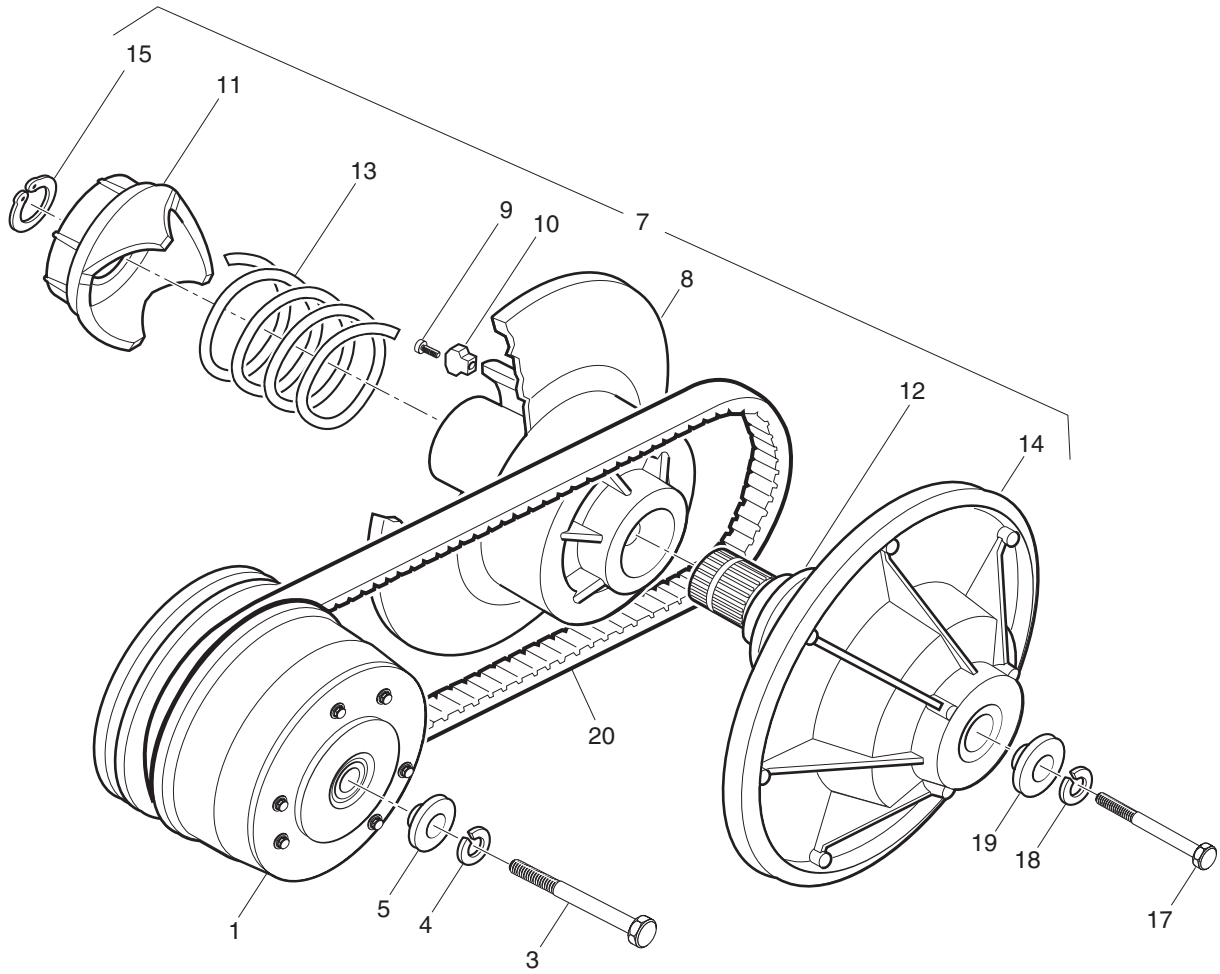
| ITEM | PART NO. | 1 2 3 4 5 | DESCRIPTION | QTY. |
|------|-----------|-----------|--|------|
| 1 | 72840-G02 | | CARBURETOR (FOR VEHICLES ORIGINALLY EQUIPPED WITH 350cc (EH35C)) (INCLUDES ITEMS 2 - 28) | 1 |
| 2 | 72310-G01 | | NUT..... | 1 |
| 3 | 26646-G05 | | MAIN JET (#82) | 1 |
| 4 | 26649-G05 | | PILOT JET (#46)..... | 1 |
| 5 | 26841-G01 | | PLUG | 1 |
| 6 | 72306-G01 | | GASKET | 1 |
| 7 | 72578-G01 | | NEEDLE VALVE | 1 |
| 8 | 26648-G01 | | FLOAT | 1 |
| 9 | 26840-G01 | | FLOAT PIN | 1 |
| 10 | 26843-G01 | | FLOAT BOWL GASKET | 1 |
| 11 | 26844-G01 | | FLOAT CHAMBER | 1 |
| 12 | 26839-G01 | | BOWL SCREW | 1 |
| 13 | 26838-G01 | | BOWL GASKET | 1 |
| 14 | 72579-G01 | | DRAIN SCREW | 1 |
| 15 | 26650-G01 | | VENT TUBE..... | 2 |
| 16 | 72317-G01 | | SCREW..... | 1 |
| 17 | 26755-G01 | | BUSHING..... | 1 |
| 18 | 26756-G01 | | COLLAR..... | 1 |
| 19 | 26757-G01 | | SPRING, CHOKE RETURN | 1 |
| 20 | 72315-G01 | | CHOKE SHAFT ASSY | 1 |
| 21 | 72314-G01 | | SCREW..... | 1 |
| 22 | * | | CHOKE VALVE..... | 1 |
| 23 | 72313-G01 | | SCREW..... | 3 |
| 24 | 26750-G01 | | OV RING..... | 1 |
| 25 | 26751-G01 | | COLLAR..... | 2 |
| 26 | 26752-G01 | | THROTTLE RETURN SPRING | 1 |
| 27 | 26753-G01 | | THROTTLE SHAFT ASSY..... | 1 |
| 28 | 26748-G01 | | THROTTLE VALVE | 1 |
| 29 | 26646-G04 | | MAIN JET (#78) (FOR ELEVATIONS OF 5000 FT - 10000 FT) | 1 |

CARBURETOR AND CHOKE

Where applicable, THE USE OF NON UL PARTS WILL VOID ANY UL LISTING.
 When ordering parts, please specify the model and serial number of the product.
 * Indicates a component that is not available as an individual part.
 G** Indicates consult Customer Service Department for additional information.

| ITEM | PART NO. | 1 2 3 4 5 | DESCRIPTION | QTY. |
|------|-----------|-----------|---|------|
| 30 | | | | |
| 31 | 26726-G01 | | CARBURETOR MOUNT GASKET | 2 |
| 32 | 72883-G01 | | CARBURETOR INSULATOR (FOR FUJI ENGINE EH35C)..... | 1 |
| 33 | | | | |
| 34 | 72401-G01 | | CHOKE CABLE (60 1/4" LG WITH NUTS) | 1 |
| 35 | | | | |
| 36 | 00568-G4 | | LOCK WASHER, 9/16"..... | 1 |
| 37 | 00545-G4 | | JAM NUT, 9/16 - 18..... | 1 |
| 38 | 72155-G01 | | RETAINER | 1 |
| 39 | 72154-G01 | | CHOKE CABLE ADAPTER..... | 1 |
| 40 | 00544-G4 | | JAM NUT, 5/16 - 24..... | 2 |

CLUTCH



Ref Clt 8

CLUTCH

THE USE OF NON U.L. PARTS WILL VOID ANY U.L. LISTING.

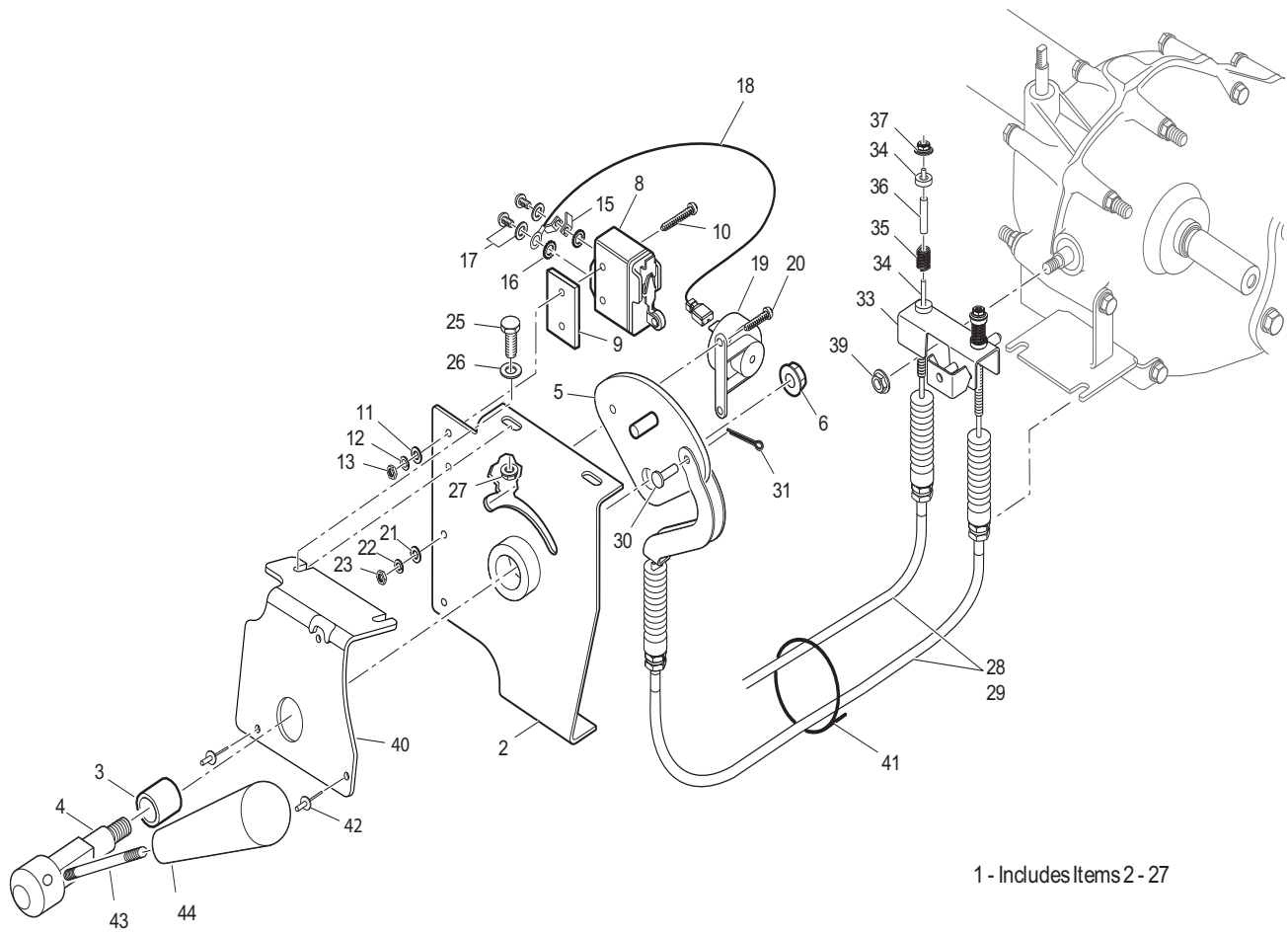
When ordering parts, please specify the model and serial number of the product.

* Indicates a component that is not available as an individual part.

G** Indicates consult Customer Service Department for additional information.

| ITEM | PART NO. | 1 2 3 4 5 | DESCRIPTION | QTY. |
|------|-----------|-----------|---|------|
| 1 | 26952-G01 | | DRIVE CLUTCH | 1 |
| 2 | | | | |
| 3 | 00473-G9 | | BOLT, 7/16 - 20 X 6 1/2" LG | 1 |
| 4 | 00566-G2 | | LOCK WASHER, 7/16"..... | 1 |
| 5 | 25757-G1 | | PILOT WASHER | 1 |
| 6 | | | | |
| 7 | 26301-G** | | DRIVEN CLUTCH ASSEMBLY (INCLUDES ITEMS 8 - 15)..... | 1 |
| 8 | * | | MOVABLE SHEAVE (INCLUDES ITEMS 9 -10) | 1 |
| 9 | 00979-G01 | | SCREW, #10 - 24 X 7/8" LG | 3 |
| 10 | 26479-G01 | | RAMP BUTTON | 3 |
| 11 | * | | CAM..... | 1 |
| 12 | 24600-G1 | | SPACER, 1 1/2" | 1 |
| 13 | 26304-G01 | | COMPRESSION SPRING | 1 |
| 14 | * | | SHEAVE AND POST | 1 |
| 15 | 27270-G01 | | HEAVY DUTY RETAINING RING | 1 |
| 16 | | | | |
| 17 | 00441-G8 | | BOLT, 5/16 - 18 X 4" LG | 1 |
| 18 | 00565-G8 | | LOCK WASHER, 5/16"..... | 4 |
| 19 | 25756-G1 | | RETAINING WASHER | 1 |
| 20 | 72054-G01 | | DRIVE BELT | 1 |

DIRECTION SELECTOR



DIRECTION SELECTOR

THE USE OF NON U.L. PARTS WILL VOID ANY U.L. LISTING.
 When ordering parts, please specify the model and serial number of the product.
 * Indicates a component that is not available as an individual part.
 G** Indicates consult Customer Service Department for additional information.

| ITEM | PART NO. | 1 | 2 | 3 | 4 | 5 | DESCRIPTION | QTY. |
|------|------------|---|---|---|---|---|---|------|
| 1 | 70594-G03 | | | | | | DIRECTION SELECTOR ASSEMBLY (INCLUDES ITEMS 2 - 27) | 1 |
| 2 | 25684-G01 | | | | | | DIRECTION SELECTOR BRACKET | 1 |
| 3 | 25664-G1 | | | | | | BUSHING..... | 1 |
| 4 | 25677-G01 | | | | | | DIRECTION SELECTOR SHAFT | 1 |
| 5 | 25745-G01 | | | | | | DIRECTION SELECTOR CAM..... | 1 |
| 6 | 14390-G1 | | | | | | LOCK NUT, 3/8 - 24 | 1 |
| 7 | | | | | | | | |
| 8 | 10606-G1 | | | | | | MICRO SWITCH..... | 1 |
| 9 | 27151-G01 | | | | | | MICRO SWITCH SPACER | 1 |
| 10 | 00645-G2 | | | | | | SCREW, #6 - 32 X 1 1/4" LG | 2 |
| 11 | 00559-G3 | | | | | | WASHER, #6 | 2 |
| 12 | 00565-G3 | | | | | | LOCK WASHER, #6 | 2 |
| 13 | 00525-G5 | | | | | | NUT, #6 - 32..... | 2 |
| 14 | | | | | | | | |
| 15 | 14628-G1 | | | | | | FASTON TAB..... | 2 |
| 16 | 00567-G3 | | | | | | LOCK WASHER, #6 | 2 |
| 17 | 13514-G1 | | | | | | SCREW AND WASHER ASSEMBLY | 2 |
| 18 | 25978-G343 | | | | | | 18 GA WIRE (RED) | 1 |
| 19 | 73290-G01 | | | | | | REVERSE WARNING BUZZER | 1 |
| 20 | 00138-G5 | | | | | | SCREW, #6 - 32 X 5/8" LG | 2 |
| 21 | 00559-G3 | | | | | | WASHER, #6 | 2 |
| 22 | 00565-G3 | | | | | | LOCK WASHER, #6 | 2 |
| 23 | 00525-G5 | | | | | | NUT, #6 - 32..... | 2 |
| 24 | | | | | | | | |
| 25 | 00414-G6 | | | | | | BOLT, 1/4 - 20 X 3/4" LG..... | 2 |
| 26 | 00559-G7 | | | | | | WASHER, 1/4" (STAINLESS STEEL)..... | 2 |
| 27 | 11027-G2 | | | | | | LOCK NUT, 1/4 - 20..... | 2 |
| 28 | 72400-G02 | | | | | | SHIFTER CONTROL CABLE (TG5 ONLY)..... | 2 |
| 29 | 72400-G01 | | | | | | SHIFTER CONTROL CABLE..... | 2 |
| 30 | 23176-G1 | | | | | | CLEVIS PIN, 3/16" X 7/16" LG..... | 2 |

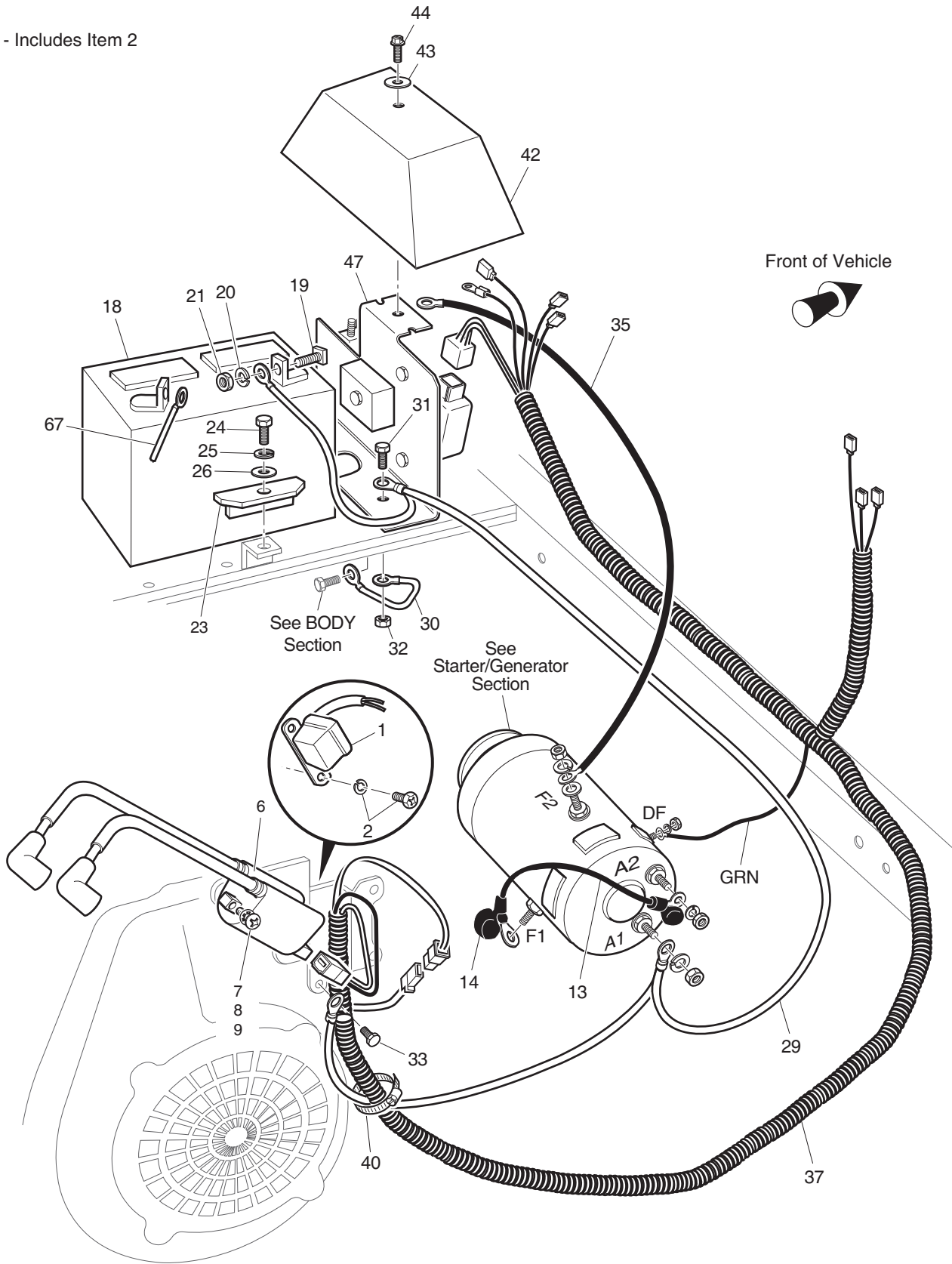
DIRECTION SELECTOR

THE USE OF NON U.L. PARTS WILL VOID ANY U.L. LISTING.
 When ordering parts, please specify the model and serial number of the product.
 * Indicates a component that is not available as an individual part.
 G** Indicates consult Customer Service Department for additional information.

| ITEM | PART NO. | 1 | 2 | 3 | 4 | 5 | DESCRIPTION | QTY. |
|------|-----------|---|---|---|---|---|-----------------------------------|------|
| 31 | 10387-G8 | | | | | | COTTER PIN, 1/16" X 3/4" LG | 2 |
| 32 | | | | | | | | |
| 33 | 72619-G01 | | | | | | PIVOT ARM..... | 1 |
| 34 | 25727-G01 | | | | | | CUP WASHER, 1/4" | 4 |
| 35 | 27764-G01 | | | | | | SPRING..... | 2 |
| 36 | 23726-G5 | | | | | | SPACER, 1 1/8" | 2 |
| 37 | 14390-G10 | | | | | | NUT, #10 - 24 | 2 |
| 38 | | | | | | | | |
| 39 | 26830-G01 | | | | | | NUT, M8 X 1.25 MM | 1 |
| 40 | 605869 | | | | | | MOUNTING BRACKET | 1 |
| 41 | 17618-G1 | | | | | | WIRE TIE | 1 |
| 42 | 71055-G01 | | | | | | RIVET | 3 |
| 43 | 25748-G01 | | | | | | DIRECTION SELECTOR ROD | 1 |
| 44 | 11989-G1 | | | | | | DIRECTION SELECTOR KNOB | 1 |

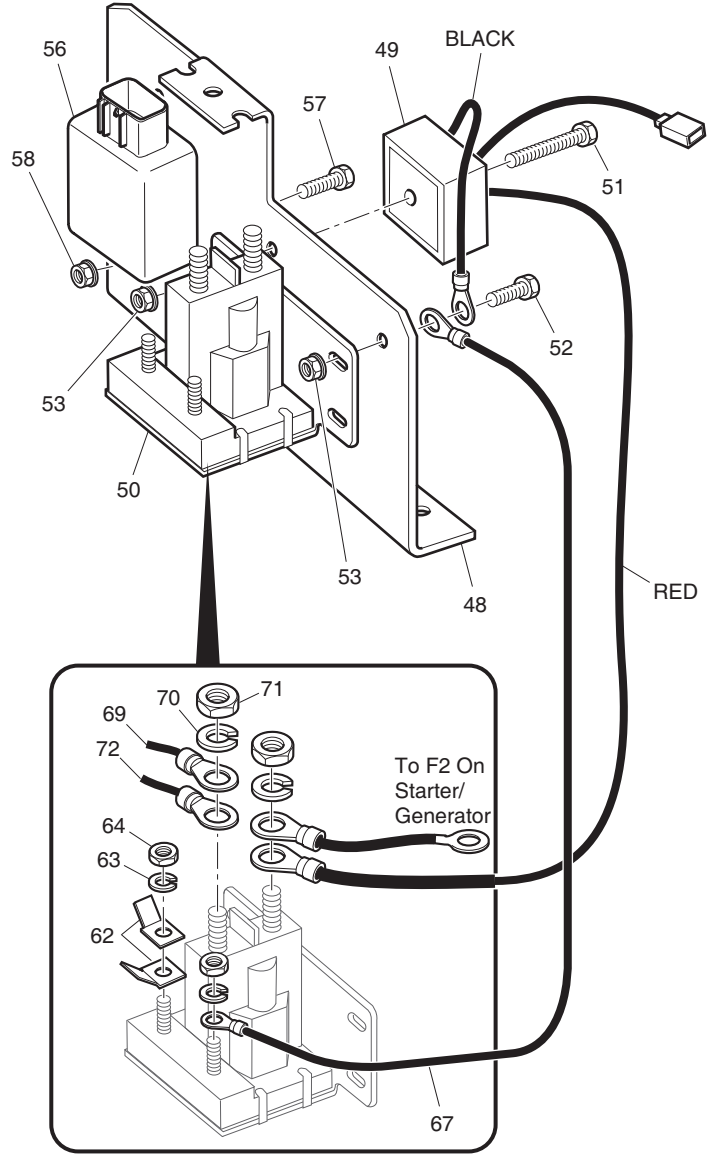
ELECTRICAL SYSTEM

1 - Includes Item 2



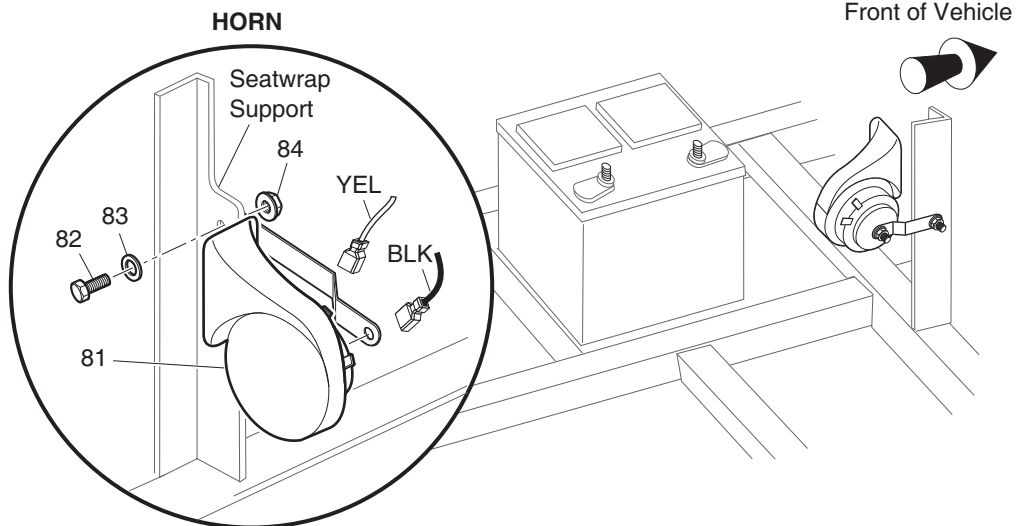
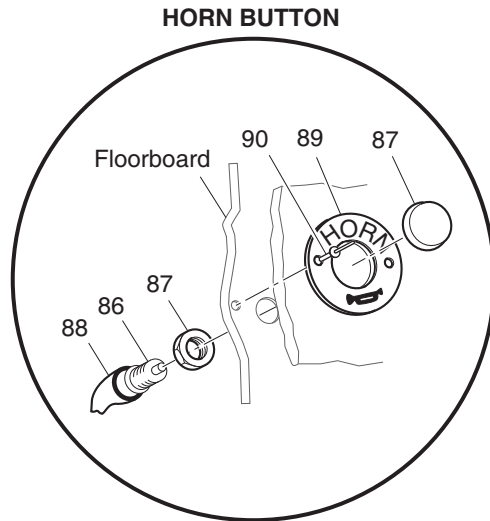
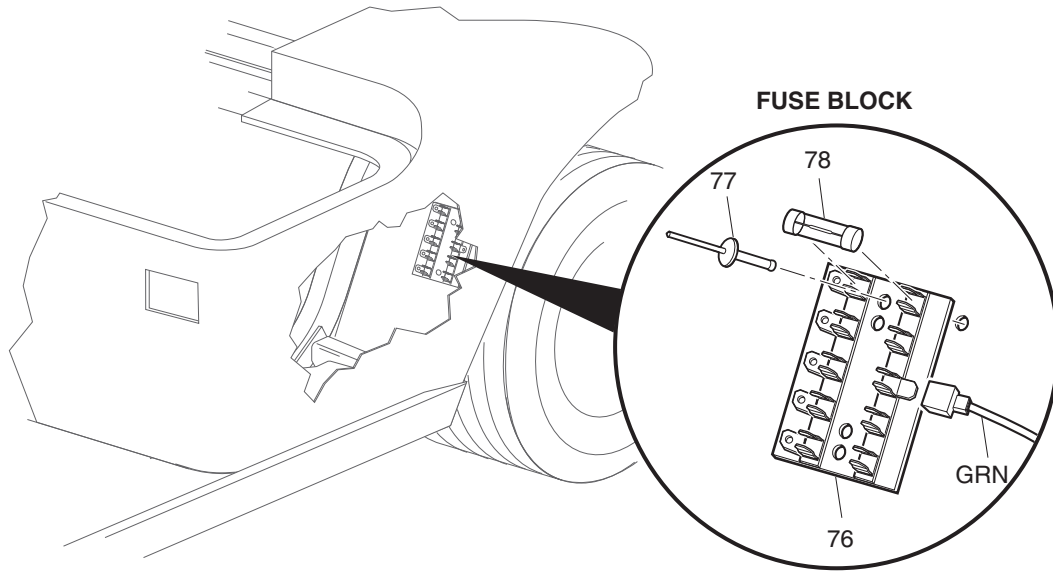
Ref Ele 2-1

47 - Includes Items 48 - 72



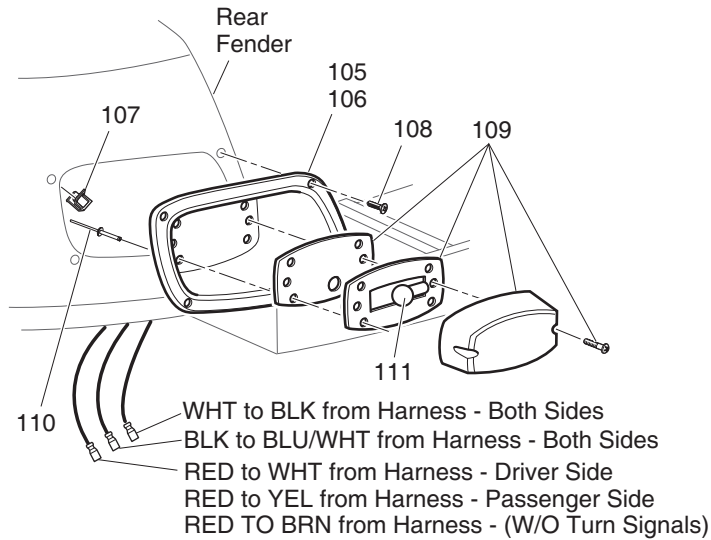
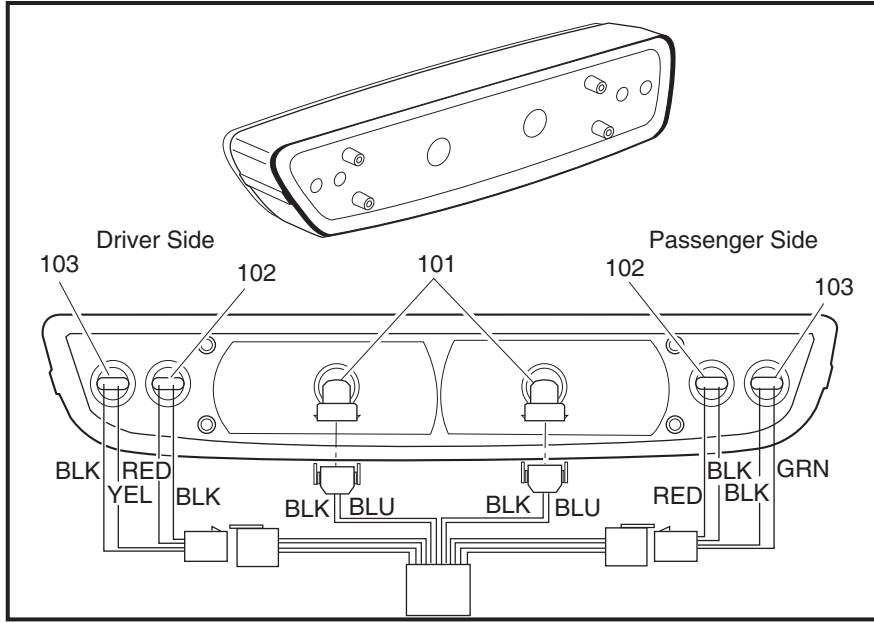
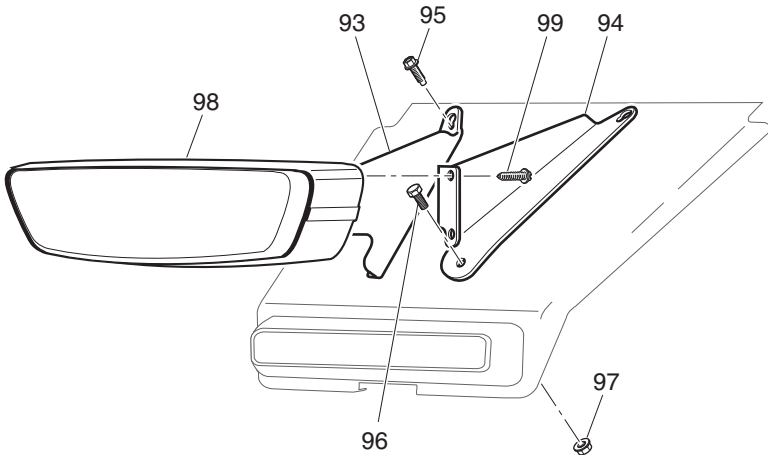
Ref Ele 2-2

ELECTRICAL SYSTEM



Ref Ele 8-3

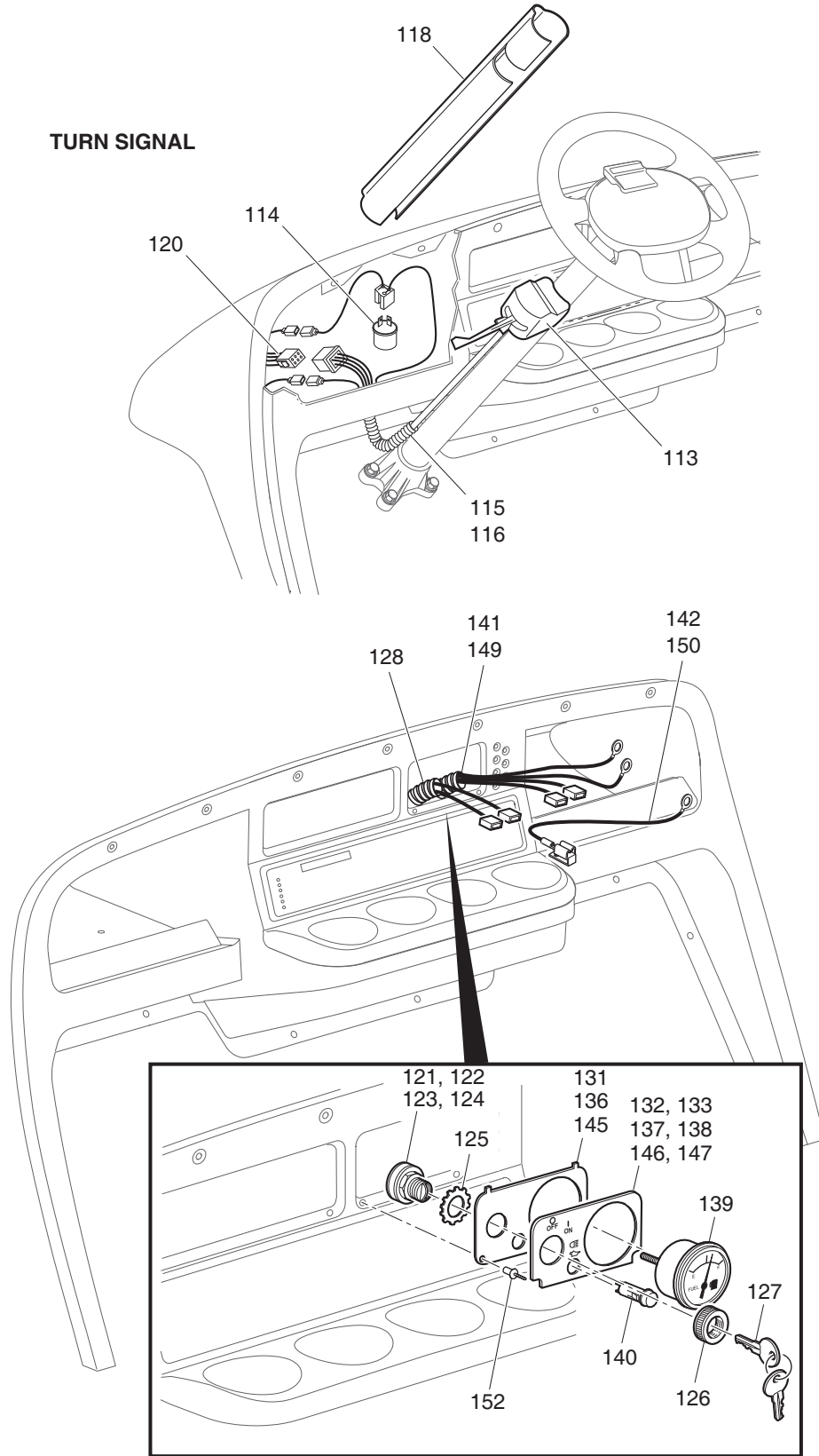
ELECTRICAL SYSTEM



Ref Ele 8-4

ELECTRICAL SYSTEM

TURN SIGNAL

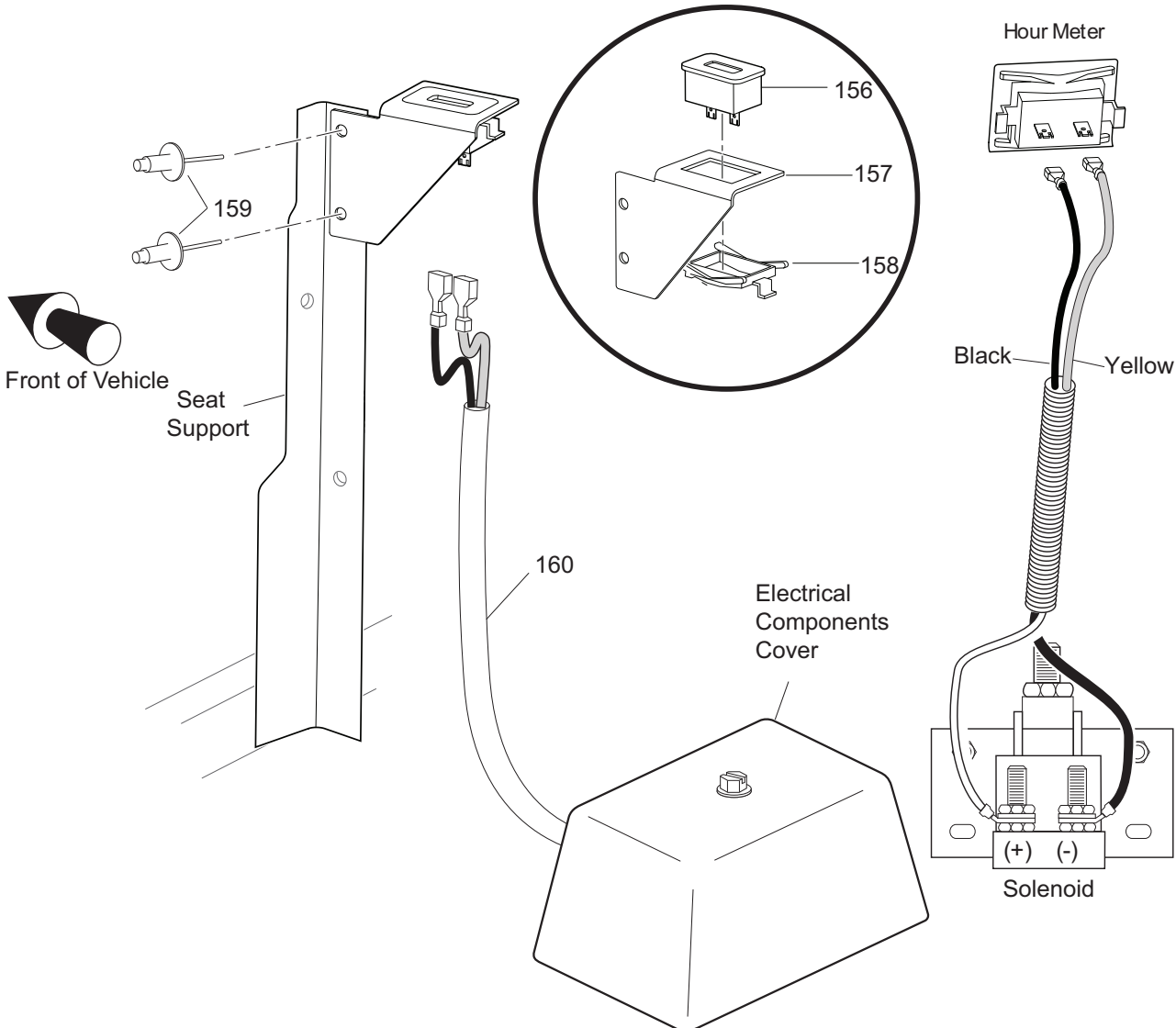


FUEL GAUGE, LOW OIL PRESSURE LIGHT, AND KEY SWITCH

Ref Ele 8-5

HOUR METER

155 - Includes Items 156 - 160



Ref Ele 8-6

ELECTRICAL SYSTEM

THE USE OF NON U.L. PARTS WILL VOID ANY U.L. LISTING.

When ordering parts, please specify the model and serial number of the product.

* Indicates a component that is not available as an individual part.

G** Indicates consult Customer Service Department for additional information.

| ITEM | PART NO. | 1 2 3 4 5 | DESCRIPTION | QTY. |
|------|-----------|-----------|---|------|
| 1 | 72865-G01 | | IGNITION PICKUP ASSEMBLY (INCLUDES ITEM 2)..... | 1 |
| 2 | 26707-G01 | | BOLT AND WASHER ASSEMBLY, M5 X 0.8 X 10 MM LG | 2 |
| 3 | | | | |
| 4 | | | | |
| 5 | | | | |
| 6 | 72866-G01 | | IGNITION COIL ASSEMBLY (INCLUDES SPARK PLUG WIRES)..... | 1 |
| 7 | * | | FLAT WASHER | 2 |
| 8 | * | | LOCK WASHER..... | 2 |
| 9 | 72871???? | | SCREW | 2 |
| 10 | | | | |
| 11 | | | | |
| 12 | | | | |
| 13 | 25887-G01 | | 6 GA WIRE (BLACK, 6", F1 - A2)..... | 1 |
| 14 | 25682-G01 | | TERMINAL COVER | 3 |
| 15 | | | | |
| 16 | | | | |
| 17 | | | | |
| 18 | 24775-G* | | BATTERY, 12V | 1 |
| 19 | 00962-G1 | | BOLT, 5/16 - 18 X 1 1/4" LG | 2 |
| 20 | 00993-G01 | | LOCK WASHER, 5/16" (SILICON BRONZE)..... | 2 |
| 21 | 00994-G01 | | NUT, 5/16 - 18 (SILICON BRONZE) | 2 |
| 22 | | | | |
| 23 | 72101-G02 | | BATTERY HOLD DOWN..... | 1 |
| 24 | 00438-G6 | | BOLT, 5/16 - 18 X 3/4" LG | 1 |
| 25 | 00565-G8 | | LOCK WASHER, 5/16"..... | 1 |
| 26 | 00571-G2 | | WASHER, 5/16" (STAINLESS STEEL) | 1 |
| 27 | | | | |
| 28 | | | | |
| 29 | 27044-G03 | | GROUND CABLE..... | 1 |
| 30 | 25976-G19 | | 14 GA WIRE (BLACK, 6") | 1 |

ELECTRICAL SYSTEM

THE USE OF NON U.L. PARTS WILL VOID ANY U.L. LISTING.
 When ordering parts, please specify the model and serial number of the product.
 * Indicates a component that is not available as an individual part.
 G** Indicates consult Customer Service Department for additional information.

| ITEM | PART NO. | 1 2 3 4 5 | DESCRIPTION | QTY. |
|------|-----------|-----------|--|------|
| 31 | 00438-G6 | | BOLT, 5/16 - 18 X 3/4" LG | 2 |
| 32 | 11027-G1 | | LOCK NUT, 5/16 - 18 | 2 |
| 33 | 26676-G01 | | FLANGED BOLT, M6 X 1 X 23 MM LG | 1 |
| 34 | | | | |
| 35 | 25972-G85 | | 6 GA WIRE (BLACK 23", F2 - SOL)..... | 1 |
| 36 | | | | |
| 37 | 74937-G02 | | WIRE HARNESS (CONTROL)..... | 1 |
| 38 | | | | |
| 39 | | | | |
| 40 | 17618-G1 | | WIRE TIE | AR |
| 41 | | | | |
| 42 | 73049-G01 | | COVER..... | 1 |
| 43 | 16469-G1 | | WASHER, 1/4" | 1 |
| 44 | 00114-G6 | | SCREW, 1/4 - 14 X 3/4" LG..... | 1 |
| 45 | | | | |
| 46 | | | | |
| 47 | 72909-G01 | | ELECTRICAL PLATE ASSEMBLY (INCLUDES ITEMS 48 - 72) | 1 |
| 48 | 73057-G01 | | BRACKET | 1 |
| 49 | 27739-G01 | | VOLTAGE REGULATOR | 1 |
| 50 | 27153-G01 | | SOLENOID | 1 |
| 51 | 00415-G2 | | BOLT, 1/4 - 20 X 1 1/4" LG..... | 1 |
| 52 | 00414-G8 | | BOLT, 1/4 - 20 X 1" LG..... | 1 |
| 53 | 11027-G2 | | LOCK NUT, 1/4 - 20 | 2 |
| 54 | | | | |
| 55 | | | | |
| 56 | 72872-G01 | | IGNITOR | 1 |
| 57 | 00414-G5 | | BOLT, 1/4 - 20 X 5/8" LG..... | 1 |
| 58 | 11027-G2 | | LOCK NUT, 1/4 - 20 | 1 |
| 59 | | | | |
| 60 | | | | |

ELECTRICAL SYSTEM

THE USE OF NON U.L. PARTS WILL VOID ANY U.L. LISTING.

When ordering parts, please specify the model and serial number of the product.

* Indicates a component that is not available as an individual part.

G** Indicates consult Customer Service Department for additional information.

| ITEM | PART NO. | 1 | 2 | 3 | 4 | 5 | DESCRIPTION | QTY. |
|------|-----------|---|---|---|---|---|---------------------------------------|------|
| 61 | | | | | | | | |
| 62 | 73446-G01 | | | | | | FASTON TAB, 90° | 2 |
| 63 | 00565-G5 | | | | | | LOCK WASHER, #10 | 2 |
| 64 | 00526-G4 | | | | | | NUT, #10 - 32..... | 2 |
| 65 | | | | | | | | |
| 66 | | | | | | | | |
| 67 | 25978-G56 | | | | | | 18 GA WIRE (BLACK, 5 3/4")..... | 1 |
| 68 | | | | | | | | |
| 69 | 22585-G3 | | | | | | IN-LINE FUSE HOLDER..... | 1 |
| 70 | 00565-G8 | | | | | | LOCK WASHER, 5/16" | 2 |
| 71 | 00544-G4 | | | | | | JAM NUT, 5/16 - 24..... | 2 |
| 72 | 25972-G33 | | | | | | 6 GA WIRE (BLACK, 24", B+ - SOL)..... | 1 |
| 73 | | | | | | | | |
| 74 | | | | | | | | |
| 75 | | | | | | | | |
| 76 | 22674-G1 | | | | | | FUSE BLOCK..... | 1 |
| 77 | 01041-G01 | | | | | | RIVET, 1/8" X 13/16" LG | 2 |
| 78 | 18392-G1 | | | | | | 15 AMP FUSE | 3 |
| 79 | | | | | | | | |
| 80 | | | | | | | | |
| 81 | 32860-G1 | | | | | | HORN..... | 1 |
| 82 | 00414-G5 | | | | | | BOLT, 1/4 - 20 x 5/8" LG..... | 1 |
| 83 | 00559-G7 | | | | | | WASHER, 1/4" (STAINLESS STEEL) | 1 |
| 84 | 14390-G4 | | | | | | LOCK NUT, 1/4 - 20 | 1 |
| 85 | | | | | | | | |
| 86 | 17318-G1 | | | | | | HORN SWITCH..... | 1 |
| 87 | 17318-G2 | | | | | | HORN SWITCH CAP AND NUT | 1 |
| 88 | 27068-G01 | | | | | | HORN SWITCH BOOT | 1 |
| 89 | 19233-G1 | | | | | | HORN SWITCH LABEL | 1 |
| 90 | 71055-G01 | | | | | | RIVET, 3/16" X 1" LG (ALUMINUM) | 2 |

ELECTRICAL SYSTEM

THE USE OF NON U.L. PARTS WILL VOID ANY U.L. LISTING.
 When ordering parts, please specify the model and serial number of the product.
 * Indicates a component that is not available as an individual part.
 G** Indicates consult Customer Service Department for additional information.

| ITEM | PART NO. | 1 | 2 | 3 | 4 | 5 | DESCRIPTION | QTY. |
|------|-----------|---|---|---|---|---|---|------|
| 91 | | | | | | | | |
| 92 | | | | | | | | |
| 93 | 74236-G03 | | | | | | HEADLIGHT MOUNT BRACKET (PASSENGER SIDE)..... | 1 |
| 94 | 74236-G04 | | | | | | HEADLIGHT MOUNT BRACKET (DRIVER SIDE) | 1 |
| 95 | 01038-G01 | | | | | | BOLT, 1/4 - 20 X 11/16" LG | 2 |
| 96 | 00414-G6 | | | | | | BOLT, 1/4 - 20 X 3/4" LG | 2 |
| 97 | 11027-G2 | | | | | | LOCK NUT, 1/4 - 20 | 2 |
| 98 | 74001-G01 | | | | | | HEADLIGHT AND TURN SIGNAL LIGHT | 1 |
| 99 | 00114-G6 | | | | | | SCREW, 1/4 - 14 X 3/4" LG..... | 4 |
| 100 | | | | | | | | |
| 101 | 74004-G01 | | | | | | HEADLIGHT BULB | AR |
| 102 | 74005-G01 | | | | | | MARKER LIGHT BULB | AR |
| 103 | 74006-G01 | | | | | | TURN SIGNAL BULB..... | AR |
| 104 | | | | | | | | |
| 105 | 74371-G01 | | | | | | BEZEL (DRIVER SIDE)..... | 1 |
| 106 | 74371-G02 | | | | | | BEZEL (PASSENGER SIDE) | 1 |
| 107 | 71364-G02 | | | | | | 'J' CLIP | 8 |
| 108 | 71425-G01 | | | | | | COUNTERSUNK SCREW, #8 | 8 |
| 109 | 22288-G2 | | | | | | BRAKE / TAILLIGHT LAMP..... | 1 |
| 110 | 14601-G11 | | | | | | RIVET, 3/16" X 9/16" LG (ALUMINUM)..... | 4 |
| 111 | 21759-G1 | | | | | | TAILLIGHT BULB | AR |
| 112 | | | | | | | | |
| 113 | 75107-G02 | | | | | | TURN SIGNAL KIT (INCLUDES ITEMS 114 - 118) | 1 |
| 114 | 17867-G1 | | | | | | TURN SIGNAL (WITH MOUNTING HARDWARE) (INCLUDES ITEM 115)..... | 1 |
| 115 | 21640-G1 | | | | | | TURN SIGNAL FLASHER..... | 1 |
| 116 | 32307-G3 | | | | | | FLEX LOOM, 3/8 X 8" LG | 1 |
| 117 | 17618-G1 | | | | | | WIRE TIE | 2 |
| 118 | 20965-G3 | | | | | | STEERING COLUMN COVER | 1 |
| 119 | | | | | | | | |
| 120 | 72228-G02 | | | | | | WIRE HARNESS (ACCESSORY)..... | 1 |

ELECTRICAL SYSTEM

THE USE OF NON U.L. PARTS WILL VOID ANY U.L. LISTING.

When ordering parts, please specify the model and serial number of the product.

* Indicates a component that is not available as an individual part.

G** Indicates consult Customer Service Department for additional information.

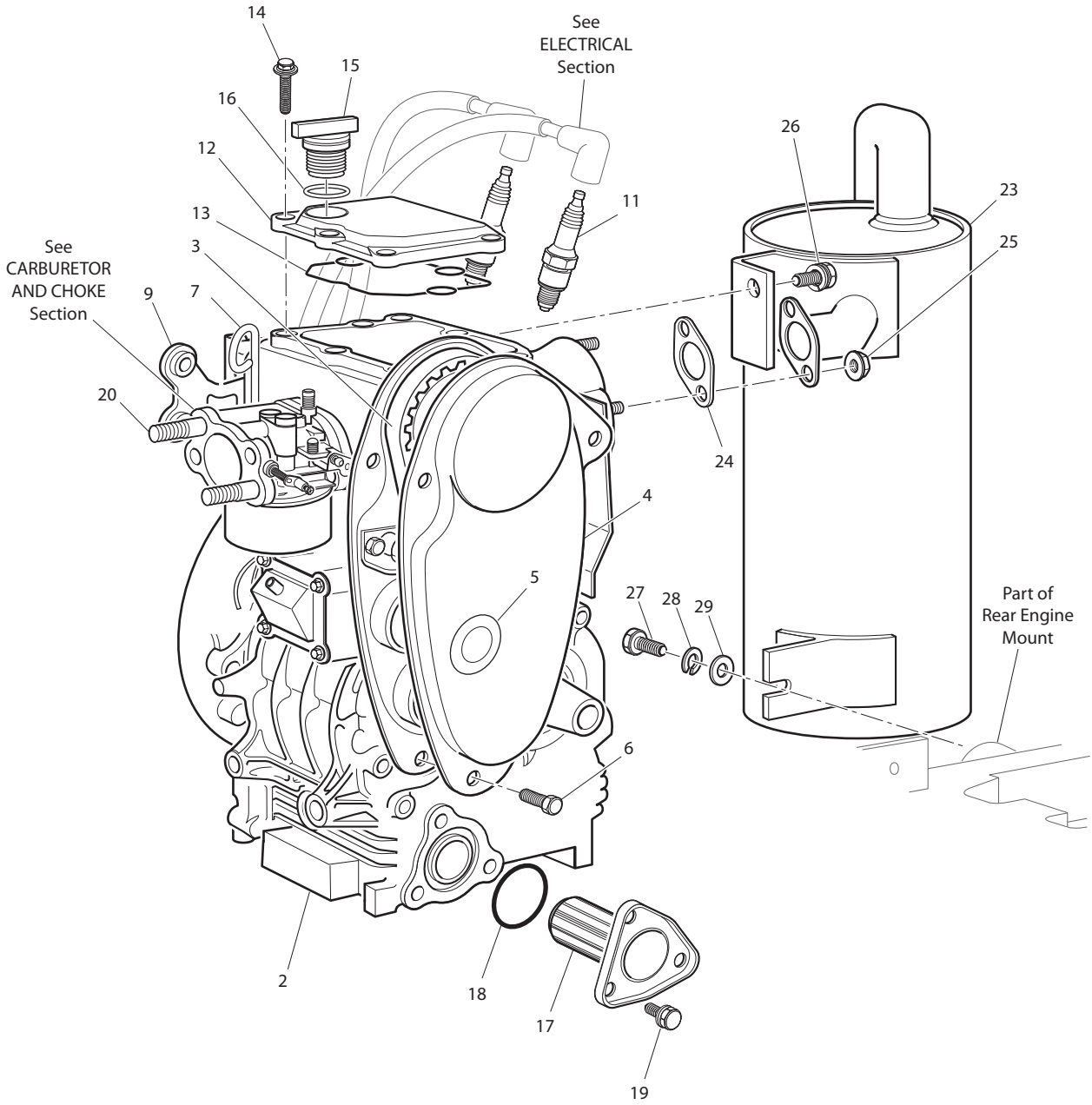
| ITEM | PART NO. | 1 2 3 4 5 | DESCRIPTION | QTY. |
|------|------------|-----------|---|------|
| 121 | 17421-G1 | | KEY SWITCH KIT (W/O LIGHTS - STANDARD - WITH HARDWARE)..... | 1 |
| 122 | 17955-G1 | | KEY SWITCH (WITHOUT LIGHTS - NON STANDARD) | 1 |
| 123 | 18027-G1 | | KEY SWITCH (WITHOUT LIGHTS - INDIVIDUALLY KEYED) | 1 |
| 124 | 33639-G** | | KEY SWITCH (WITH LIGHTS) | 1 |
| 125 | 00568-G6 | | LOCK WASHER, 3/4"..... | 1 |
| 126 | 17137-G1 | | FACE NUT, 3/4 - 20 | 1 |
| 127 | 17063-G1 | | KEY (SET)..... | 1 |
| 128 | 73041-G01 | | WIRE HARNESS (KEY SWITCH)..... | 1 |
| 129 | | | | |
| 130 | | | | |
| 131 | 73030-G01 | | PLATE (KEY SWITCH ONLY) | 1 |
| 132 | 71145-G01 | | LABEL (KEY SWITCH ONLY) WITHOUT HEADLIGHTS | 1 |
| 133 | 71181-G01 | | LABEL (KEY SWITCH ONLY) WITH HEADLIGHTS..... | 1 |
| 134 | | | | |
| 135 | | | | |
| 136 | 73030-G04 | | PLATE (FUEL GAUGE AND OIL LIGHT)..... | 1 |
| 137 | 71127-G01 | | LABEL (OIL LIGHT AND FUEL GAUGE W/O HEADLIGHTS) | 1 |
| 138 | 71131-G01 | | LABEL (OIL LIGHT AND FUEL GAUGE WITH HEADLIGHTS) | 1 |
| 139 | 21553-G1 | | FUEL GAUGE | 1 |
| 140 | 23474-G1 | | INDICATOR LIGHT | 1 |
| 141 | 74311-G01 | | WIRE HARNESS (OIL LIGHT/FUEL GAUGE)..... | 1 |
| 142 | 25978-G122 | | 18 GA WIRE (RED, 6" LG)..... | 1 |
| 143 | | | | |
| 144 | | | | |
| 145 | 73030-G03 | | PLATE (LOW FUEL AND OIL LIGHT INDICATOR)..... | 1 |
| 146 | 71125-G01 | | LABEL (LOW FUEL AND OIL LIGHT W/O HEADLIGHTS) | 1 |
| 147 | 71183-G01 | | LABEL (LOW FUEL AND OIL LIGHT WITH HEADLIGHTS) | 1 |
| 148 | | | | |
| 149 | 74309-G01 | | WIRE HARNESS (OIL LIGHT/FUEL LIGHT)..... | 1 |
| 150 | 25978-G74 | | 18 GA WIRE (RED, 6" LG)..... | 1 |

ELECTRICAL SYSTEM

THE USE OF NON U.L. PARTS WILL VOID ANY U.L. LISTING.
 When ordering parts, please specify the model and serial number of the product.
 * Indicates a component that is not available as an individual part.
 G** Indicates consult Customer Service Department for additional information.

| ITEM | PART NO. | 1 2 3 4 5 | DESCRIPTION | QTY. |
|------|-----------|-----------|--|------|
| 151 | | | | |
| 152 | 33623-G02 | | DRIVE RIVET, 3/16" X 3/8" LG | 2 |
| 153 | | | | |
| 154 | | | | |
| 155 | 75114-G02 | | HOUR METER KIT (INCLUDES ITEMS 156 - 160)..... | 1 |
| 156 | 74665-G02 | | HOUR METER..... | 1 |
| 157 | 74716-G01 | | HOUR METER BRACKET..... | 1 |
| 158 | 74696-G01 | | RATAINER CLIP | 1 |
| 159 | 10570-G11 | | RIVET | 2 |
| 160 | 75117-G04 | | WIRE HARNESS (HOUR METER)..... | 1 |

ENGINE AND MUFFLER



Ref Emf 2

ENGINE AND MUFFLER

Where applicable, THE USE OF NON UL PARTS WILL VOID ANY UL LISTING.

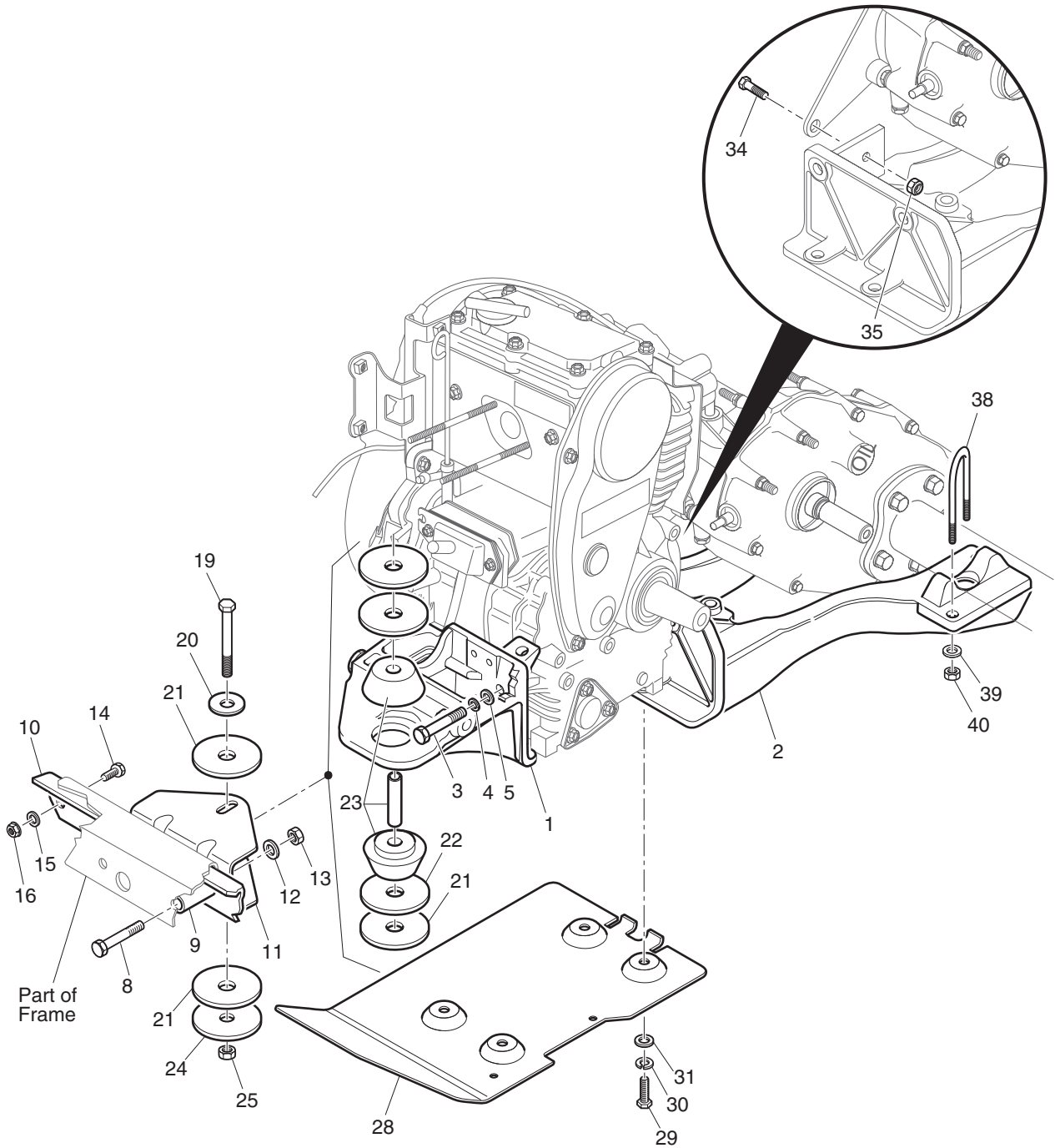
When ordering parts, please specify the model and serial number of the product.

* Indicates a component that is not available as an individual part.

G** Indicates consult Customer Service Department for additional information.

| ITEM | PART NO. | 1 2 3 4 5 | DESCRIPTION | QTY. |
|------|-----------|-----------|---|------|
| 1 | | | | |
| 2 | 72846-G01 | | ENGINE (FOR VEHICLES ORIGINALLY EQUIPPED WITH 350cc (EH35C) (INCLUDES ITEMS 3 - 20, 23)..... | 1 |
| 3 | 26626-G01 | | TIMING BELT..... | 1 |
| 4 | 72908-G01 | | TIMING BELT COVER..... | 1 |
| 5 | 26631-G01 | | TIMING BELT COVER GROMMET..... | 1 |
| 6 | 26678-G01 | | BOLT, M6 X 1 X 12 MM LG..... | 3 |
| 7 | 72538-G01 | | DIP STICK (0 DEGREES)..... | 1 |
| 8 | | | | |
| 9 | 72869-G01 | | IGNITION COIL BRACKET (350cc)..... | 1 |
| 10 | | | | |
| 11 | 72867-G01 | | SPARK PLUG (NGK BPR5ES - RESISTOR) (350cc)..... | 2 |
| 12 | 72848-G01 | | VALVE COVER..... | 1 |
| 13 | 72876-G01 | | VALVE COVER GASKET..... | 1 |
| 14 | 26676-G01 | | FLANGED BOLT, M6 X 1 X 23 MM LG..... | 6 |
| 15 | 26601-G01 | | OIL FILLER CAP..... | 1 |
| 16 | 26720-G01 | | OIL FILLER 'O' RING..... | 1 |
| 17 | 26591-G01 | | OIL FILTER..... | 1 |
| 18 | 26710-G01 | | OIL FILTER 'O' RING..... | 1 |
| 19 | 26680-G01 | | BOLT AND WASHER, M6 X 1 X 12 MM LG..... | 3 |
| 20 | 72307-G01 | | STUD, M6 X 1 X 115MM LG..... | 2 |
| 21 | | | | |
| 22 | | | | |
| 23 | 74829-G01 | | MUFFLER..... | 1 |
| 24 | 25531-G1 | | EXHAUST GASKET..... | 1 |
| 25 | 72851-G01 | | NUT, M6 X 1.0..... | 2 |
| 26 | 25532-G1 | | BOLT AND WASHER, M8 X 1.25 X 18 MM LG..... | 1 |
| 27 | 00438-G8 | | BOLT, 5/16 - 18 X 1" LG..... | 1 |
| 28 | 00565-G8 | | LOCK WASHER, 5/16"..... | 1 |
| 29 | 00642-G8 | | WASHER, 5/16"..... | 1 |

ENGINE MOUNTING



Ref Emt 8

ENGINE MOUNTING

THE USE OF NON U.L. PARTS WILL VOID ANY U.L. LISTING.

When ordering parts, please specify the model and serial number of the product.

* Indicates a component that is not available as an individual part.

G** Indicates consult Customer Service Department for additional information.

| ITEM | PART NO. | 1 2 3 4 5 | DESCRIPTION | QTY. |
|------|-----------|-----------|---|------|
| 1 | 72010-G01 | | FRONT ENGINE MOUNT | 1 |
| 2 | 72011-G01 | | REAR ENGINE MOUNT | 1 |
| 3 | 00463-G4 | | BOLT, 7/16 - 14 X 1 1/2" LG | 4 |
| 4 | 00566-G2 | | LOCK WASHER, 7/16"..... | 4 |
| 5 | 00922-G3 | | WASHER, 7/16" | 4 |
| 6 | | | | |
| 7 | | | | |
| 8 | 00428-G6 | | BOLT, 3/8 - 16 X 2 3/4" LG | 2 |
| 9 | 72016-G01 | | SPACER..... | 2 |
| 10 | 70269-G02 | | CROSSMEMBER BRACE | 1 |
| 11 | 72044-G01 | | MOUNT BRACKET | 1 |
| 12 | 00643-G1 | | WASHER, 3/8" | 2 |
| 13 | 11098-G5 | | LOCK NUT, 3/8 - 16 | 2 |
| 14 | 00438-G7 | | BOLT, 5/16 - 18 X 7/8" LG | 2 |
| 15 | 00571-G2 | | WASHER, 5/16" (STAINLESS STEEL)..... | 2 |
| 16 | 11098-G6 | | LOCK NUT, 5/16 - 18 (STAINLESS STEEL) | 2 |
| 17 | | | | |
| 18 | | | | |
| 19 | 00430-G4 | | BOLT, 3/8 - 16 X 4 1/2" LG | 1 |
| 20 | 15121-G1 | | WASHER, 1 1/4" X 3/8"..... | 1 |
| 21 | 72050-G01 | | PLASTIC WASHER, 5/8" X 2 1/4"..... | 4 |
| 22 | 72051-G01 | | WASHER, 2 1/2" X 5/8"..... | 2 |
| 23 | 72015-G01 | | ISOLATION MOUNT | 1 |
| 24 | 72051-G02 | | WASHER, 3/8" | 1 |
| 25 | 11098-G5 | | LOCK NUT, 3/8 - 16 | 1 |
| 26 | | | | |
| 27 | | | | |
| 28 | 72719-G03 | | ENGINE GUARD..... | 1 |
| 29 | 00463-G4 | | BOLT, 7/16 - 14 X 1 1/2" LG | 4 |
| 30 | 00566-G2 | | LOCK WASHER, 7/16"..... | 4 |

ENGINE MOUNTING

THE USE OF NON U.L. PARTS WILL VOID ANY U.L. LISTING.

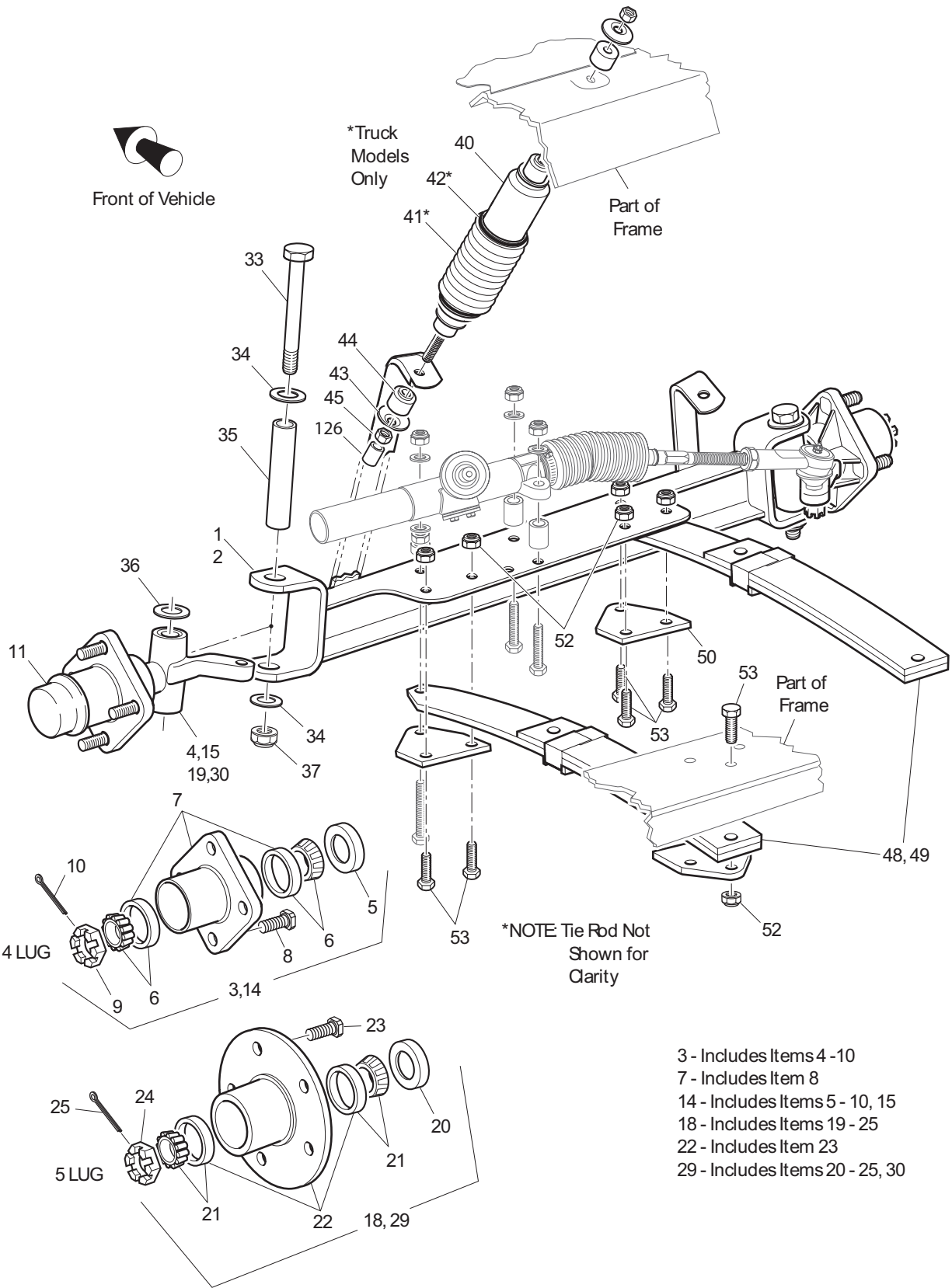
When ordering parts, please specify the model and serial number of the product.

* Indicates a component that is not available as an individual part.

G** Indicates consult Customer Service Department for additional information.

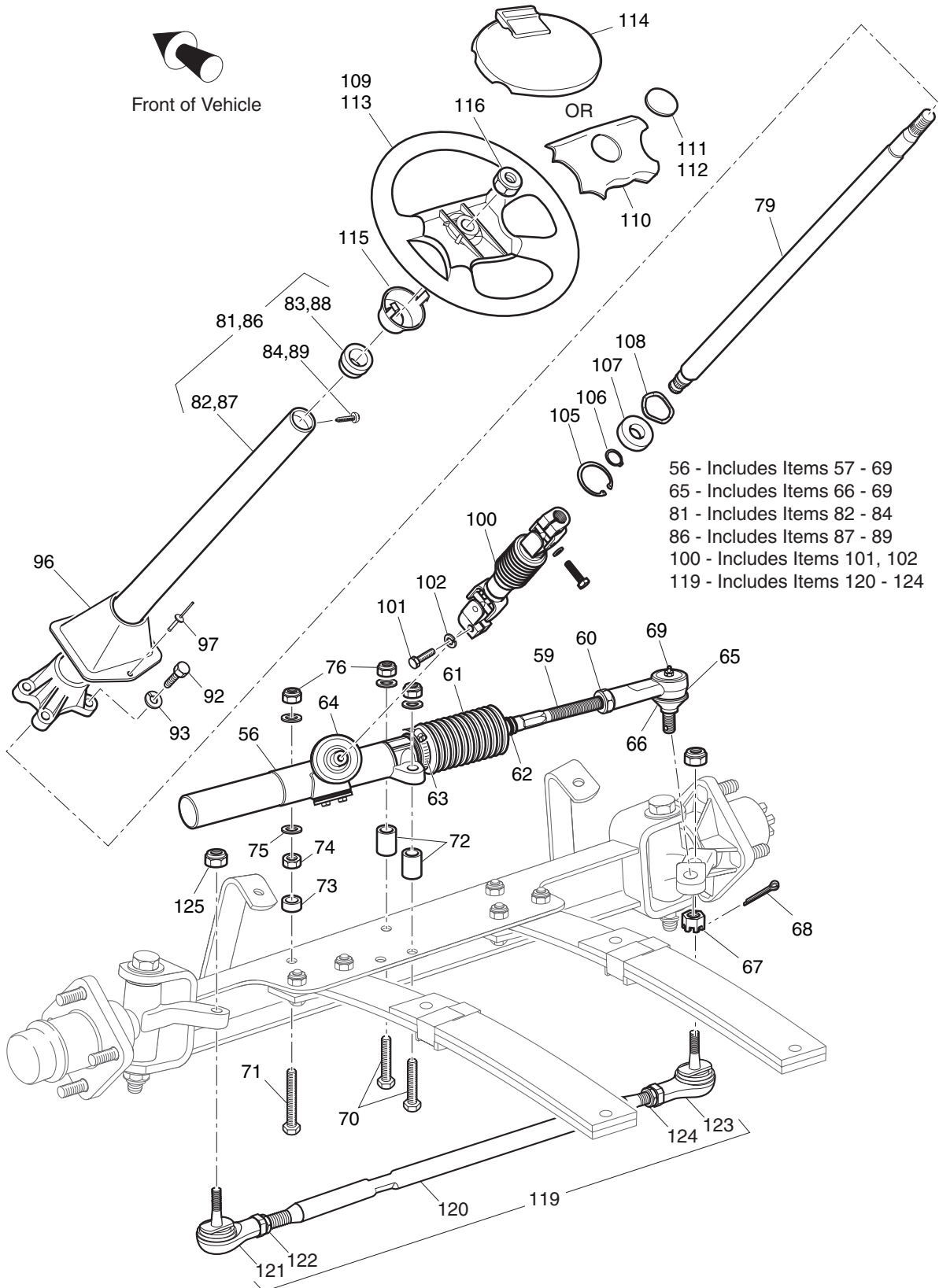
| ITEM | PART NO. | 1 2 3 4 5 | DESCRIPTION | QTY. |
|------|-----------|-----------|--|------|
| 31 | 00922-G3 | | WASHER, 7/16" | 4 |
| 32 | | | | |
| 33 | | | | |
| 34 | 00439-G2 | | BOLT, 5/16 - 18 X 1 1/8" LG | 1 |
| 35 | 11098-G6 | | LOCK NUT, 5/16 - 18 (STAINLESS STEEL) | 1 |
| 36 | | | | |
| 37 | | | | |
| 38 | 72035-G01 | | 'U' BOLT, 7/16 - 14 X 3 7/16" X 3 9/16" LG | 2 |
| 39 | 00922-G3 | | WASHER, 7/16" | 4 |
| 40 | 00734-G1 | | LOCK NUT, 7/16 - 14 | 4 |

FRONT SUSPENSION/STEERING



Ref Fss 1-1

FRONT SUSPENSION/STEERING



Ref Fss 1-2

FRONT SUSPENSION/STEERING

Where applicable, THE USE OF NON UL PARTS WILL VOID ANY UL LISTING.

When ordering parts, please specify the model and serial number of the product.

* Indicates a component that is not available as an individual part.

G** Indicates consult Customer Service Department for additional information.

| ITEM | PART NO. | 1 2 3 4 5 | DESCRIPTION | QTY. |
|------|-----------|-----------|---|------|
| 1 | 602513 | | FRONT AXLE | 1 |
| 2 | 600044G01 | | FRONT AXLE WITH FRONT DISC BRAKES | 1 |
| 3 | 70942-G01 | | SPINDLE AND HUB ASSEMBLY, 4 LUG (PASSENGER SIDE) (INCLUDES ITEMS 4 - 10)..... | 1 |
| 4 | 70942-G02 | | SPINDLE ASSEMBLY (PASSENGER SIDE)..... | 1 |
| 5 | 25146-G1 | | GREASE SEAL..... | 1 |
| 6 | 50892-G1 | | ROLLER BEARING AND RACE ASSEMBLY | 2 |
| 7 | 70895-G01 | | WHEEL HUB ASSEMBLY WITH RACES, 4 LUG (INCLUDES ITEM 8) | 1 |
| 8 | 19862-G1 | | LUG BOLT, 1/2 - 20 X 1 3/16" LG..... | 4 |
| 9 | 12093-G1 | | CASTELLATED NUT, 1 - 14 | 1 |
| 10 | 00798-G8 | | COTTER PIN, 5/32" X 1 3/4" LG | 1 |
| 11 | 12091-G2 | | SPINDLE CAP..... | 2 |
| 12 | | | | |
| 13 | | | | |
| 14 | 70673-G01 | | SPINDLE AND HUB ASSEMBLY, 4 LUG (DRIVER SIDE) (INCLUDES ITEMS 5 - 10, 15)..... | 1 |
| 15 | 70673-G02 | | SPINDLE ASSEMBLY (DRIVER SIDE)..... | 1 |
| 16 | | | | |
| 17 | | | | |
| 18 | 70943-G01 | | SPINDLE AND HUB ASSEMBLY, 5 LUG (PASSENGER SIDE) (INCLUDES ITEMS 19 - 25)..... | 1 |
| 19 | 70942-G02 | | SPINDLE ASSEMBLY (PASSENGER SIDE)..... | 1 |
| 20 | 12092-G1 | | GREASE SEAL..... | 1 |
| 21 | 50892-G1 | | ROLLER BEARING AND RACE ASSEMBLY | 2 |
| 22 | 70772-G01 | | WHEEL HUB ASSEMBLY WITH RACES, 5 LUG (INCLUDES ITEM 23) | 1 |
| 23 | 30143-G1 | | LUG BOLT, 1/2 - 20 X 1 7/32" LG..... | 5 |
| 24 | 12093-G1 | | CASTELLATED NUT, 1 - 14 | 1 |
| 25 | 00798-G8 | | COTTER PIN, 5/32" X 1 3/4" LG | 1 |
| 26 | | | | |
| 27 | | | | |
| 28 | | | | |

FRONT SUSPENSION/STEERING

Where applicable, THE USE OF NON UL PARTS WILL VOID ANY UL LISTING.

When ordering parts, please specify the model and serial number of the product.

* Indicates a component that is not available as an individual part.

G** Indicates consult Customer Service Department for additional information.

| ITEM | PART NO. | 1 | 2 | 3 | 4 | 5 | DESCRIPTION | QTY. |
|------|-----------|---|---|---|---|---|--|------|
| 29 | 70797-G01 | | | | | | SPINDLE AND HUB ASSEMBLY, 5 LUG (DRIVER SIDE) (INCLUDES ITEMS 20 - 25, 30)..... | 1 |
| 30 | 70673-G02 | | | | | | SPINDLE ASSEMBLY (DRIVER SIDE)..... | 1 |
| 31 | | | | | | | | |
| 32 | | | | | | | | |
| 33 | 00407-G6 | | | | | | BOLT, 1/2 - 13 X 6" LG | 2 |
| 34 | 00560-G3 | | | | | | WASHER, 1/2" | 4 |
| 35 | 70745-G01 | | | | | | KING PIN TUBE | 2 |
| 36 | 70754-G01 | | | | | | THRUST WASHER, 1" (STAINLESS STEEL)..... | 2 |
| 37 | 14390-G6 | | | | | | LOCK NUT, 1/2 - 13 | 2 |
| 38 | | | | | | | | |
| 39 | | | | | | | | |
| 40 | 76419-G01 | | | | | | SHOCK ABSORBER..... | 2 |
| 41 | 70509-G01 | | | | | | SHOCK ABSORBER BOOT | 2 |
| 42 | 31539-G1 | | | | | | WIRE TIE | 4 |
| 43 | 10435-G1 | | | | | | SHOCK ABSORBER WASHER..... | 8 |
| 44 | 10194-G1 | | | | | | RUBBER BUSHING | 8 |
| 45 | 00532-G6 | | | | | | NUT, 3/8 - 24 | 4 |
| 46 | | | | | | | | |
| 47 | | | | | | | | |
| 48 | 70990-G02 | | | | | | LEAF SPRING (SEE PART NUMBER ON SPRING)..... | 2 |
| 49 | 70664-G03 | | | | | | LEAF SPRING (HEAVY DUTY) (SEE PART NUMBER ON SPRING)..... | 2 |
| 50 | 70163-G03 | | | | | | SPRING PLATE | 4 |
| 51 | | | | | | | | |
| 52 | 00734-G1 | | | | | | LOCK NUT, 7/16 - 14 | 11 |
| 53 | 00463-G11 | | | | | | BOLT, 7/16 - 14 X 1 3/4" LG | 11 |
| 54 | | | | | | | | |
| 55 | | | | | | | | |
| 56 | 70964-G02 | | | | | | RACK AND PINION UNIT (COMPLETE) (INCLUDES ITEMS 57 - 69)..... | 1 |
| 57 | 70965-G01 | | | | | | STEERING RACK COVER & BEARING | 1 |

FRONT SUSPENSION/STEERING

Where applicable, THE USE OF NON UL PARTS WILL VOID ANY UL LISTING.

When ordering parts, please specify the model and serial number of the product.

* Indicates a component that is not available as an individual part.

G** Indicates consult Customer Service Department for additional information.

| ITEM | PART NO. | 1 | 2 | 3 | 4 | 5 | DESCRIPTION | QTY. |
|------|-----------|---|---|---|---|---|---|------|
| 58 | * | | | | | | STEERING BOX INSTALLATION TAG | 1 |
| 59 | 70694-G01 | | | | | | RACK EXTENSION | 1 |
| 60 | * | | | | | | JAM NUT, 1/2 - 20..... | 1 |
| 61 | 70961-G01 | | | | | | RACK BOOT | 1 |
| 62 | 12416-G2 | | | | | | WIRE TIE | 1 |
| 63 | 11391-G8 | | | | | | CLAMP, 1 13/16 - 2 3/8" | 1 |
| 64 | 70638-G01 | | | | | | PINION SEAL | 1 |
| 65 | 70695-G01 | | | | | | RACK BALL JOINT (INCLUDES ITEMS 66 - 69) | 1 |
| 66 | 50641-G1 | | | | | | RUBBER BOOT | 1 |
| 67 | 50209-G2 | | | | | | CASTELLATED NUT, 7/16 - 20 | 1 |
| 68 | 10387-G2 | | | | | | COTTER PIN, 3/32" X 1" LG | 1 |
| 69 | 10389-G3 | | | | | | GREASE FITTING, STRAIGHT | 1 |
| 70 | 00464-G6 | | | | | | BOLT, 7/16 - 14 X 2 3/4" LG | 2 |
| 71 | 01068-G01 | | | | | | BOLT, 7/16 - 14 X 3 1/2" LG | 1 |
| 72 | 70667-G02 | | | | | | SPACER | 2 |
| 73 | 70667-G03 | | | | | | SPACER (SHORT) | 1 |
| 74 | 00532-G7 | | | | | | NUT, 7/16 - 14 | 1 |
| 75 | 00560-G2 | | | | | | FLAT WASHER, 7/16" | 7 |
| 76 | 00734-G1 | | | | | | LOCK NUT, 7/16 - 14 | 3 |
| 77 | | | | | | | | |
| 78 | | | | | | | | |
| 79 | 70607-G01 | | | | | | STEERING SHAFT | 1 |
| 80 | | | | | | | | |
| 81 | 70758-G03 | | | | | | STEERING COLUMN KIT (INCLUDES ITEMS 82 - 84) | 1 |
| 82 | 70610-G01 | | | | | | STEERING COLUMN | 1 |
| 83 | 28569-G01 | | | | | | STEERING COLUMN BUSHING | 1 |
| 84 | 01022-G01 | | | | | | SCREW, #6 - 20 X 5/16" LG | 1 |
| 85 | | | | | | | | |
| 86 | 70758-G04 | | | | | | STEERING COLUMN KIT (HORN) (INCLUDES ITEMS 87 - 89) | 1 |
| 87 | 70610-G02 | | | | | | STEERING COLUMN | 1 |

FRONT SUSPENSION/STEERING

Where applicable, THE USE OF NON UL PARTS WILL VOID ANY UL LISTING.

When ordering parts, please specify the model and serial number of the product.

* Indicates a component that is not available as an individual part.

G** Indicates consult Customer Service Department for additional information.

| ITEM | PART NO. | 1 | 2 | 3 | 4 | 5 | DESCRIPTION | QTY. |
|------|-----------|---|---|---|---|---|---|------|
| 88 | 28569-G01 | | | | | | STEERING COLUMN BUSHING..... | 1 |
| 89 | 01022-G01 | | | | | | SCREW, #6 - 20 X 5/16" LG | 1 |
| 90 | | | | | | | | |
| 91 | | | | | | | | |
| 92 | 01006-G01 | | | | | | BOLT, 3/8 - 16 X 1 1/4" LG | 4 |
| 93 | 00879-G1 | | | | | | LOCK WASHER, 3/8"..... | 4 |
| 94 | | | | | | | | |
| 95 | | | | | | | | |
| 96 | 70997-G01 | | | | | | COVER..... | 1 |
| 97 | 71055-G01 | | | | | | RIVET, 3/16" X 1" LG (ALUMINUM)..... | 1 |
| 98 | | | | | | | | |
| 99 | | | | | | | | |
| 100 | 70580-G01 | | | | | | INTERMEDIATE SHAFT (INCLUDES ITEMS 101, 102)..... | 1 |
| 101 | 01055-G01 | | | | | | BOLT, M8 X 1.25 - 05..... | 2 |
| 102 | 00565-G8 | | | | | | LOCK WASHER, 5/16" | 2 |
| 103 | | | | | | | | |
| 104 | | | | | | | | |
| 105 | 70751-G01 | | | | | | RETAINING RING (INTERNAL)..... | 1 |
| 106 | 70888-G01 | | | | | | RETAINING RING (EXTERNAL)..... | 1 |
| 107 | 15112-G1 | | | | | | BALL BEARING | 1 |
| 108 | 70887-G01 | | | | | | WAVE WASHER..... | 1 |
| 109 | 71146-G01 | | | | | | STEERING WHEEL | 1 |
| 110 | 71147-G01 | | | | | | STEERING WHEEL COVER | 1 |
| 111 | 71047-G01 | | | | | | LABEL (E-Z-GO) | 1 |
| 112 | 74405-G01 | | | | | | LABEL (CUSHMAN)..... | 1 |
| 113 | 71948-G01 | | | | | | STEERING WHEEL | 1 |
| 114 | 71950-G01 | | | | | | CLIPBOARD..... | 1 |
| 115 | 71949-G01 | | | | | | HUB COVER | 1 |
| 116 | 14390-G2 | | | | | | LOCK NUT, 5/8 - 18 | 1 |
| 117 | | | | | | | | |

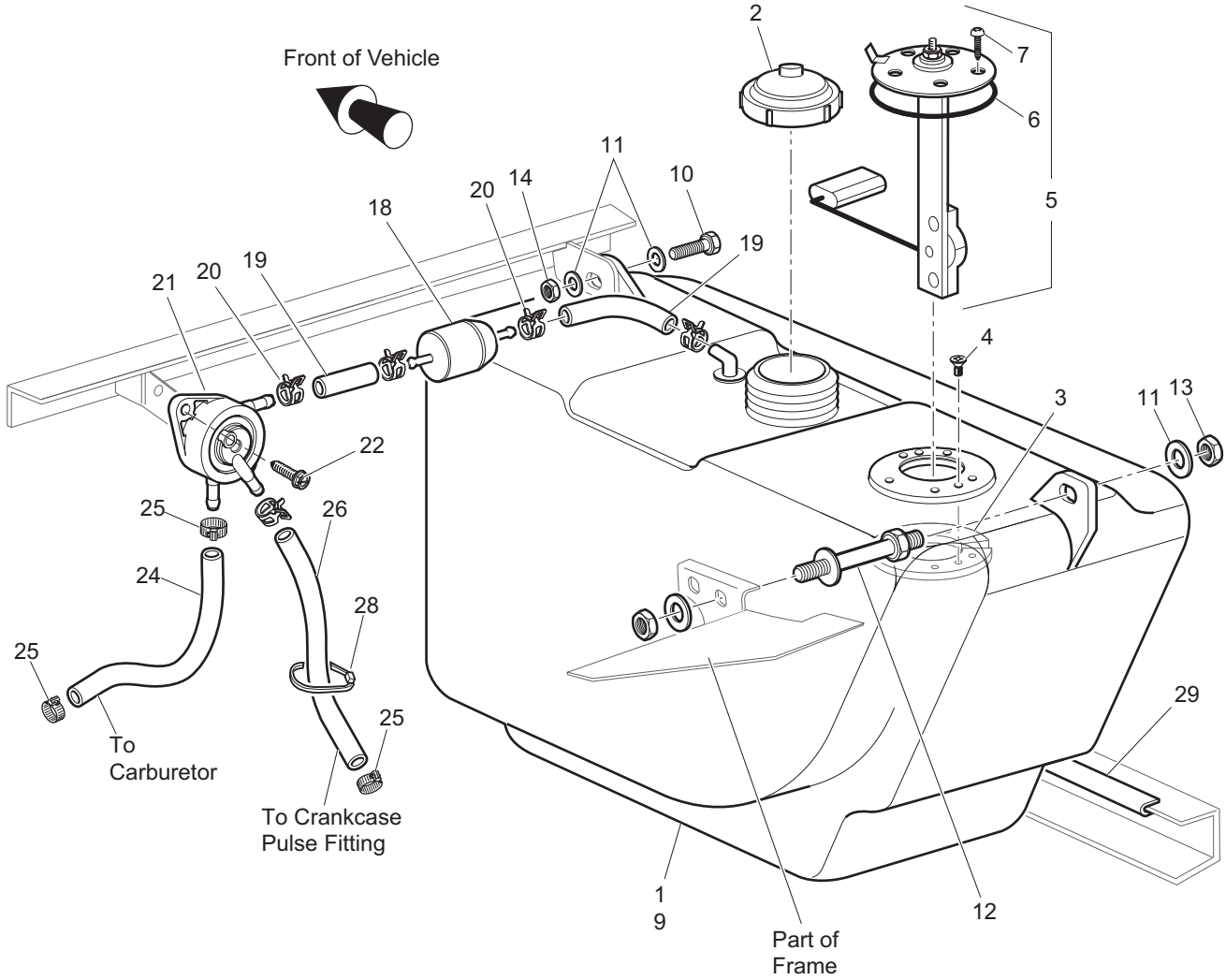
FRONT SUSPENSION/STEERING

Where applicable, THE USE OF NON UL PARTS WILL VOID ANY UL LISTING.
 When ordering parts, please specify the model and serial number of the product.
 * Indicates a component that is not available as an individual part.
 G** Indicates consult Customer Service Department for additional information.

| ITEM | PART NO. | 1 2 3 4 5 | DESCRIPTION | QTY. |
|------|-----------|-----------|---|------|
| 118 | | | | |
| 119 | 70876-G02 | | TIE ROD ASSEMBLY (INCLUDES ITEMS 120 - 124)..... | 1 |
| 120 | 70897-G02 | | THREADED ROD (24" LG)..... | 1 |
| 121 | 70902-G01 | | TIE ROD END (LEFT HAND THREADS) | 1 |
| 122 | 01069-G01 | | JAM NUT, M12 X 1.25 - 05 (LEFT HAND THREADS)..... | 1 |
| 123 | 70902-G02 | | TIE ROD END (RIGHT HAND THREADS)..... | 1 |
| 124 | 01069-G02 | | JAM NUT, M12 X 1.25 - 05 (RIGHT HAND THREADS) | 1 |
| 125 | 00734-G1 | | LOCK NUT, 7/16 - 14 | 2 |
| 126 | 10044-G01 | | CAP, VINYL | 2 |

FRONT SUSPENSION/STEERING

FUEL SYSTEM



Ref Fsy 8

FUEL SYSTEM

THE USE OF NON U.L. PARTS WILL VOID ANY U.L. LISTING.

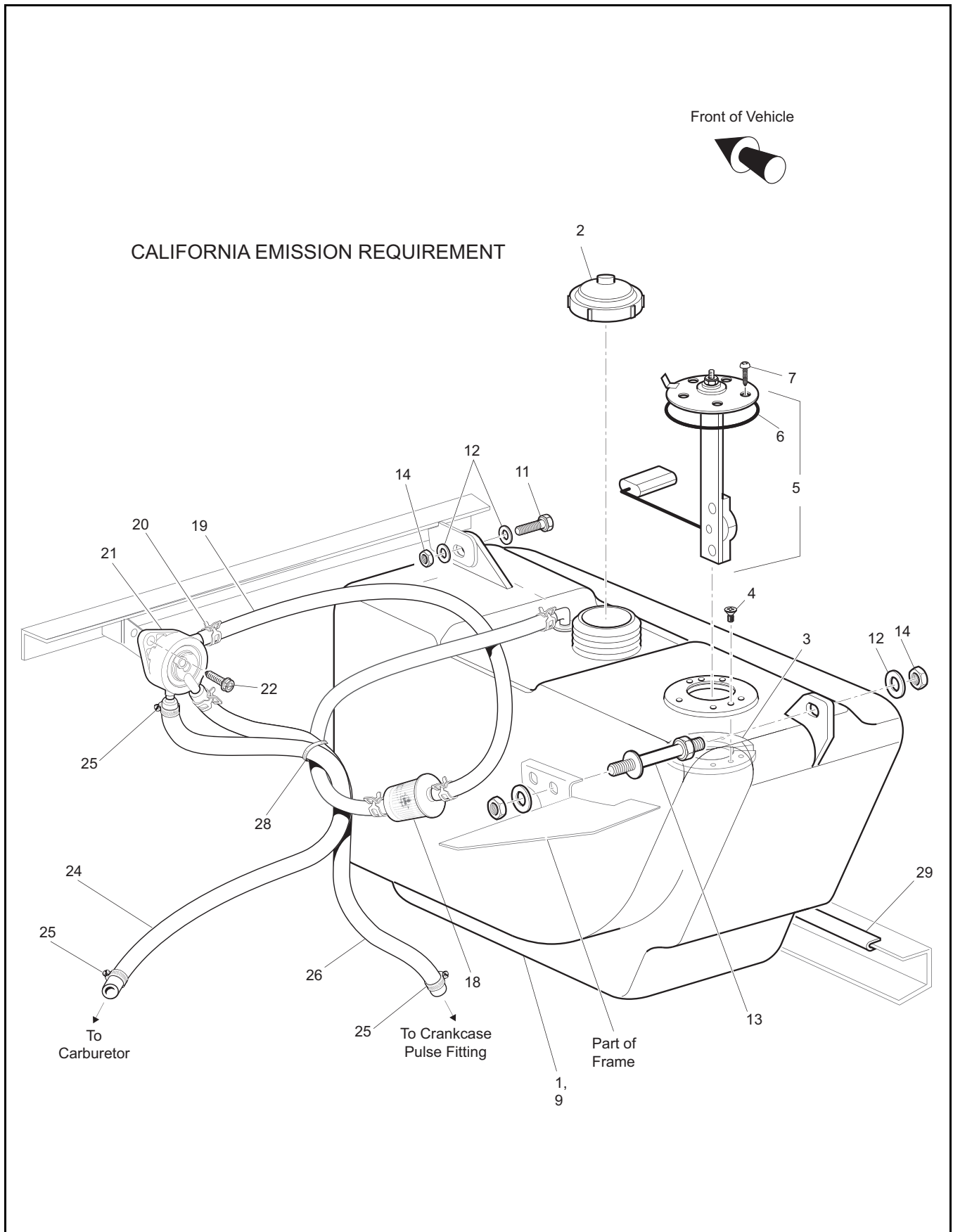
When ordering parts, please specify the model and serial number of the product.

* Indicates a component that is not available as an individual part.

G** Indicates consult Customer Service Department for additional information.

| ITEM | PART NO. | 1 2 3 4 5 | DESCRIPTION | QTY. |
|------|-----------|-----------|--|------|
| 1 | 605523 | | FUEL TANK (FOR ELECTRIC FUEL GAUGE)..... | 1 |
| 2 | 72282-G01 | | FUEL TANK CAP..... | 1 |
| 3 | 72229-G01 | | FUEL LEVEL SENDER ADAPTER..... | 1 |
| 4 | 72230-G01 | | SCREW, #6 - 32 X 1/2" LG..... | 2 |
| 5 | 20048-G2 | | FUEL LEVEL SENDER (ELEC. FUEL GAUGE) (INCLUDES ITEMS 6, 7) | 1 |
| 6 | * | | GASKET | 1 |
| 7 | 72232-G01 | | SCREW, #10 - 32 x 3/4" LG..... | 5 |
| 8 | | | | |
| 9 | 605521 | | FUEL TANK (FOR VEHICLES WITHOUT GAUGE) | 1 |
| 10 | | | | |
| 11 | 00438-G8 | | BOLT, 5/16 - 18 X 1" LG..... | 1 |
| 12 | 00559-G8 | | WASHER, 5/16" | 4 |
| 13 | 70483-G01 | | SPACER..... | 1 |
| 14 | 11098-G6 | | LOCK NUT, 5/16 - 18 | 3 |
| 15 | | | | |
| 16 | | | | |
| 17 | | | | |
| 18 | 72084-G01 | | FUEL FILTER..... | 1 |
| 19 | 17470-G1 | | TUBING, 1/4" ID X 1/2" OD (BULK), 3 1/4" LG | A/R |
| 20 | 18292-G1 | | CLAMP | 5 |
| 21 | 72873-G01 | | FUEL PUMP..... | 1 |
| 22 | 00114-G6 | | SCREW, 1/4 - 14 X 3/4" LG..... | 2 |
| 23 | | | | |
| 24 | 17470-G1 | | TUBING, 16" LG (BULK) | A/R |
| 25 | 11391-G4 | | HOSE CLAMP, 1/4" | 3 |
| 26 | 27184-G01 | | PULSE TUBING, 16" LG (BULK)..... | A/R |
| 27 | | | | |
| 28 | 17618-G1 | | WIRE TIE | 3 |
| 29 | 22280-G1 | | VINYL TRIM, 6 1/4" LG (BULK) | A/R |

FUELSYSTEM - CALIFORNIA REQUIREMENT

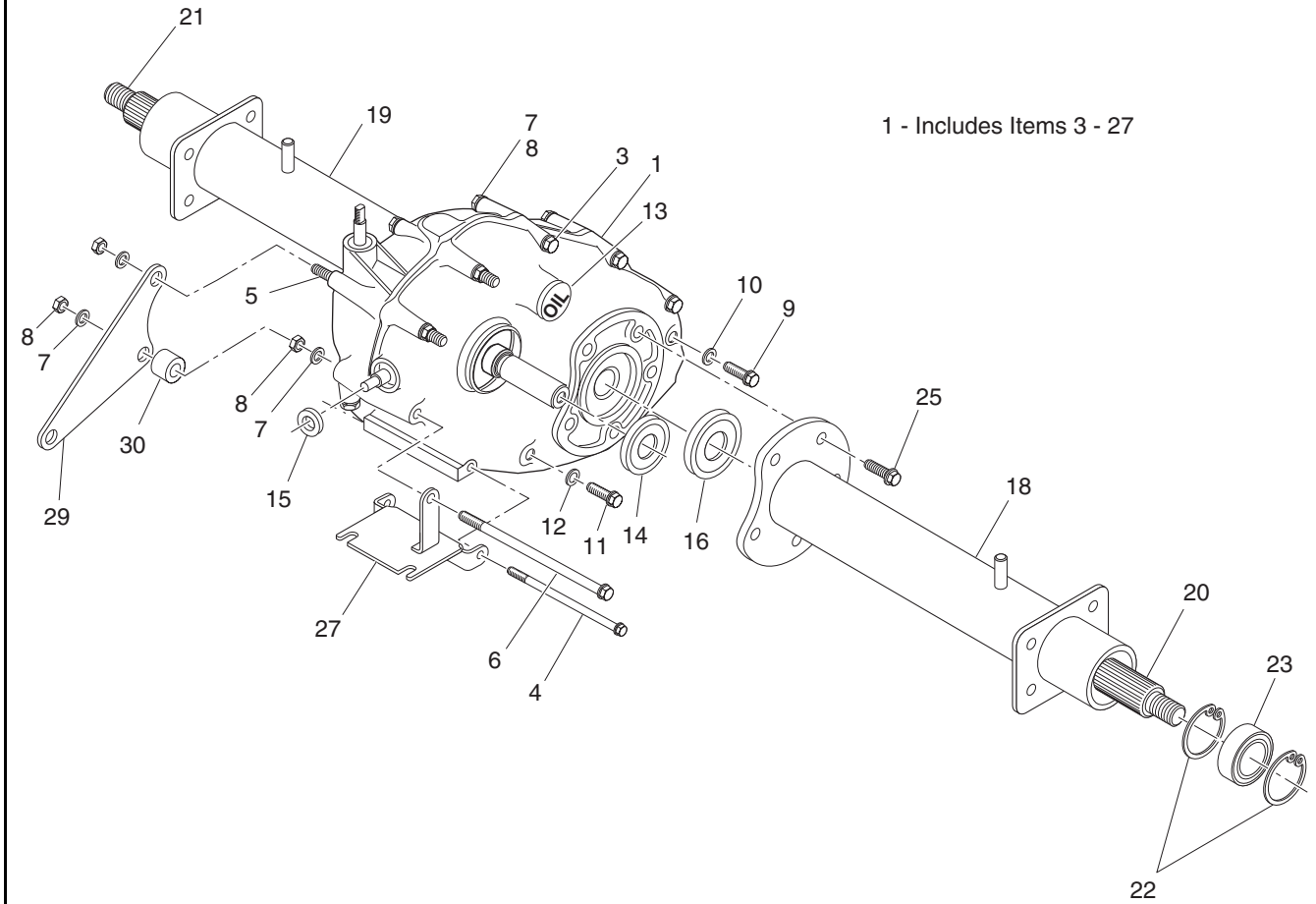


FUELSYSTEM - CALIFORNIA REQUIREMENT

THE USE OF NON U.L. PARTS WILL VOID ANY U.L. LISTING.
 When ordering parts, please specify the model and serial number of the product.
 * Indicates a component that is not available as an individual part.
 G** Indicates consult Customer Service Department for additional information.

| ITEM | PART NO. | 1 | 2 | 3 | 4 | 5 | DESCRIPTION | QTY. |
|------|-----------|---|---|---|---|---|--|------|
| 1 | 605523 | | | | | | FUEL TANK (FOR ELECTRIC FUEL GAUGE)..... | 1 |
| 2 | 72282-G01 | | | | | | FUEL TANK CAP..... | 1 |
| 3 | 72229-G01 | | | | | | FUEL LEVEL SENDER ADAPTER..... | 1 |
| 4 | 72230-G01 | | | | | | SCREW, #6 - 32 X 1/2" LG..... | 2 |
| 5 | 20048-G2 | | | | | | FUEL LEVEL SENDER (ELEC. FUEL GAUGE) (INCLUDES ITEMS 6, 7) | 1 |
| 6 | * | | | | | | GASKET | 1 |
| 7 | 72232-G01 | | | | | | SCREW, #10 - 32 x 3/4" LG..... | 5 |
| 8 | | | | | | | | |
| 9 | 605521 | | | | | | FUEL TANK (FOR VEHICLES WITHOUT GAUGE) | 1 |
| 10 | | | | | | | | |
| 11 | 00438-G8 | | | | | | BOLT, 5/16 - 18 X 1" LG..... | 1 |
| 12 | 00559-G8 | | | | | | WASHER, 5/16" | 4 |
| 13 | 70483-G01 | | | | | | SPACER..... | 1 |
| 14 | 11098-G6 | | | | | | LOCK NUT, 5/16 - 18 | 3 |
| 15 | | | | | | | | |
| 16 | | | | | | | | |
| 17 | | | | | | | | |
| 18 | 72084-G01 | | | | | | FUEL FILTER..... | 1 |
| 19 | 608014 | | | | | | TUBING, 1/4" ID X 1/2" OD (BULK), 3 1/4" LG | A/R |
| 20 | 18292-G1 | | | | | | CLAMP | 5 |
| 21 | 72873-G01 | | | | | | FUEL PUMP..... | 1 |
| 22 | 00114-G6 | | | | | | SCREW, 1/4 - 14 X 3/4" LG..... | 2 |
| 23 | | | | | | | | |
| 24 | 608014 | | | | | | TUBING, 16" LG (BULK) | A/R |
| 25 | 11391-G4 | | | | | | HOSE CLAMP, 1/4" | 3 |
| 26 | 27184-G01 | | | | | | PULSE TUBING, 16" LG (BULK)..... | A/R |
| 27 | | | | | | | | |
| 28 | 17618-G1 | | | | | | WIRE TIE | 3 |
| 29 | 22280-G1 | | | | | | VINYL TRIM, 6 1/4" LG (BULK) | A/R |

REAR AXLE



Ref Rem 8

REAR AXLE

THE USE OF NON U.L. PARTS WILL VOID ANY U.L. LISTING.

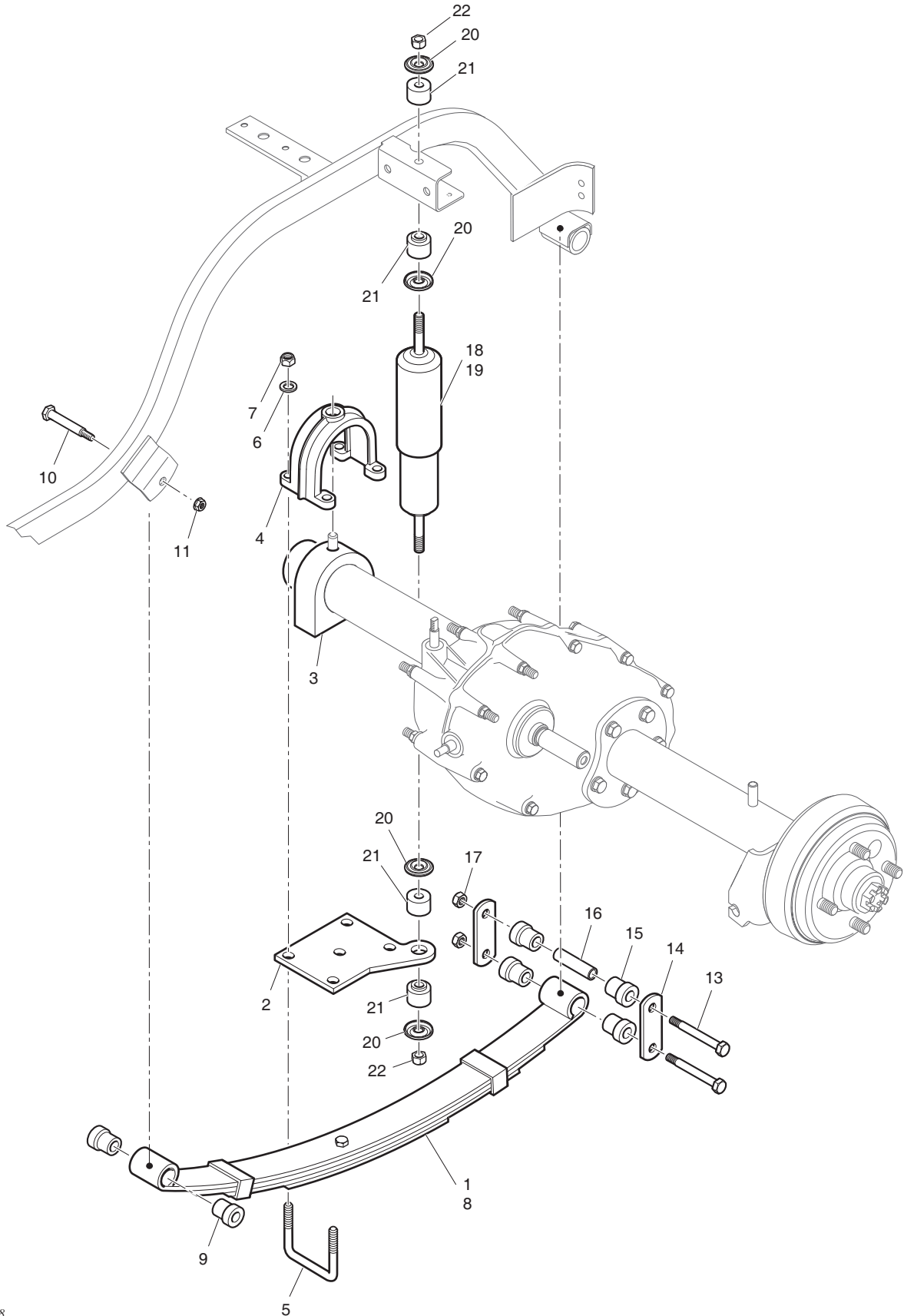
When ordering parts, please specify the model and serial number of the product.

* Indicates a component that is not available as an individual part.

G** Indicates consult Customer Service Department for additional information.

| ITEM | PART NO. | 1 2 3 4 5 | DESCRIPTION | QTY. |
|------|-----------|-----------|---|------|
| 1 | 72031-G01 | | REAR AXLE (13.32:1) (INCLUDES ITEMS 3 - 27) | 1 |
| 2 | | | | |
| 3 | 26823-G01 | | FLANGED BOLT, M8 X 1.25 X 100 MM LG | 7 |
| 4 | 26824-G01 | | FLANGED BOLT, M8 X 1.25 X 110 MM LG | 1 |
| 5 | 72745-G01 | | FLANGED BOLT, M8 X 1.25 X 146 MM LG | 1 |
| 6 | 72052-G01 | | FLANGED BOLT, M8 X 1.25 X 130 MM LG | 1 |
| 7 | 26826-G01 | | LOCK WASHER, M8 | 14 |
| 8 | 26827-G01 | | NUT, M8 X 1.25 MM | 14 |
| 9 | 26768-G01 | | OIL CHECK PLUG..... | 1 |
| 10 | 26769-G01 | | GASKET, 8 MM | 1 |
| 11 | 26770-G01 | | OIL DRAIN PLUG | 1 |
| 12 | 26771-G01 | | GASKET, 14 MM | 1 |
| 13 | 26772-G01 | | OIL FILLER PLUG | 1 |
| 14 | 26761-G01 | | INPUT SHAFT SEAL | 1 |
| 15 | 26762-G01 | | SHIFTER SHAFT SEAL..... | 1 |
| 16 | 26766-G01 | | AXLE SHAFT SEAL..... | 2 |
| 17 | | | | |
| 18 | 72058-G01 | | AXLE TUBE (DRIVER SIDE)..... | 1 |
| 19 | 72059-G01 | | AXLE TUBE (PASSENGER SIDE) | 1 |
| 20 | 72056-G01 | | AXLE SHAFT (DRIVER SIDE)..... | 1 |
| 21 | 72057-G01 | | AXLE SHAFT (PASSENGER SIDE)..... | 1 |
| 22 | 26814-G01 | | RETAINING RING | 4 |
| 23 | 26811-G01 | | BALL BEARING | 2 |
| 24 | | | | |
| 25 | 72260-G01 | | FLANGED BOLT, M10 X 1.5 X 23 MM LG | 10 |
| 26 | | | | |
| 27 | 26815-G01 | | SHIFTER CABLE BRACKET..... | 1 |
| 28 | | | | |
| 29 | 72017-G01 | | AXLE BRACKET | 1 |
| 30 | 75048-G01 | | SPACER, 1/2" | 1 |

REAR SUSPENSION



Ref Rsm 8

REAR SUSPENSION

THE USE OF NON U.L. PARTS WILL VOID ANY U.L. LISTING.

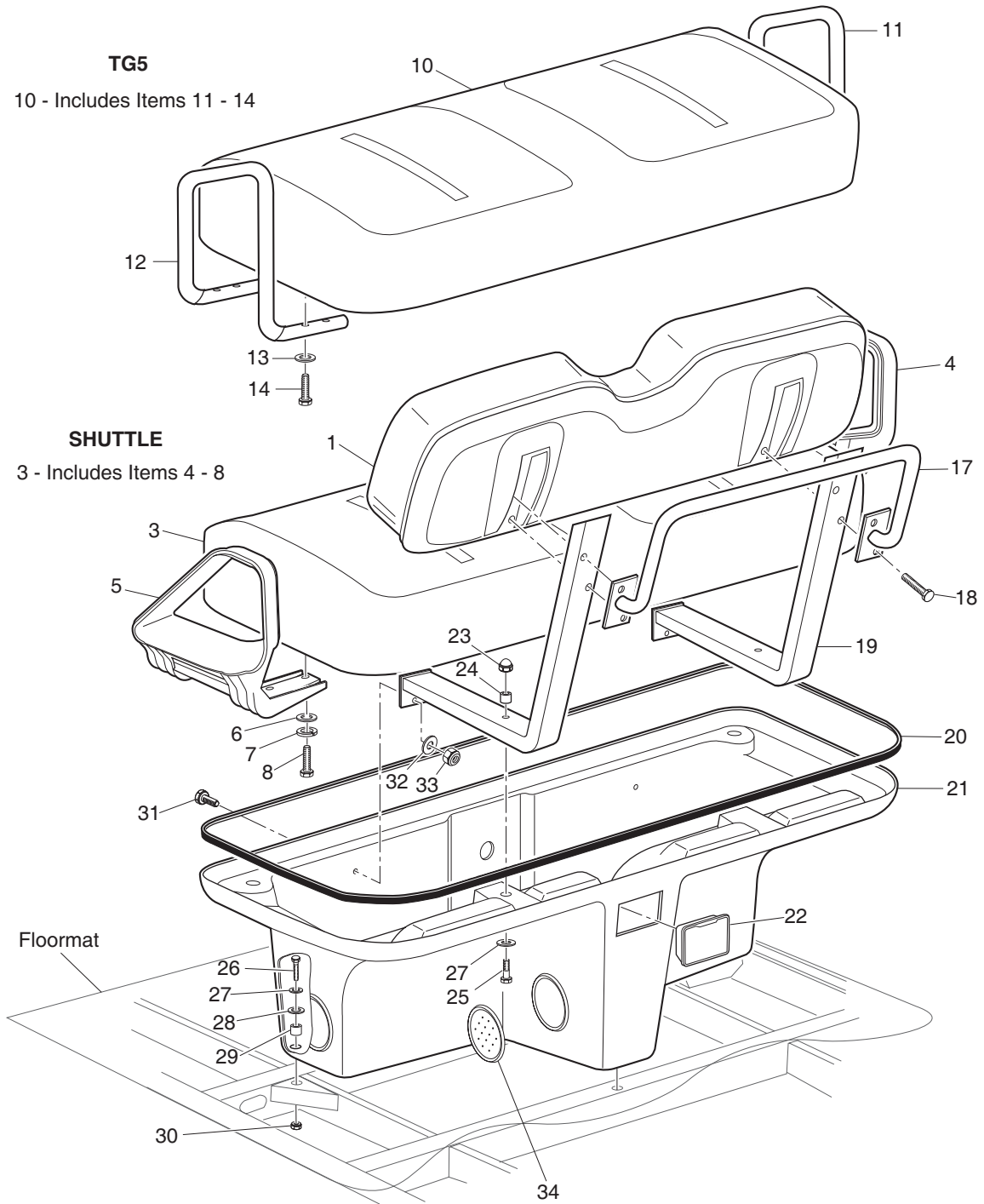
When ordering parts, please specify the model and serial number of the product.

* Indicates a component that is not available as an individual part.

G** Indicates consult Customer Service Department for additional information.

| ITEM | PART NO. | 1 2 3 4 5 | DESCRIPTION | QTY. |
|------|-----------|-----------|---|------|
| 1 | 74207-G01 | | HEAVY DUTY LEAF SPRING..... | 1 |
| 2 | 72028-G01 | | ISOMOUNT BASE PLATE | 2 |
| 3 | 72117-G01 | | ISOMOUNT BUSHING..... | 2 |
| 4 | 72037-G01 | | ISOMOUNT CAP..... | 2 |
| 5 | 72618-G01 | | 'U' BOLT, 3/8 - 16 X 2" X 2 1/2" LG | 4 |
| 6 | 00560-G1 | | WASHER, 3/8" | 8 |
| 7 | 11098-G5 | | LOCK NUT, 3/8 - 16 | 8 |
| 8 | 74207-G03 | | HEAVY DUTY LEAF SPRING (TG5 ONLY) | 1 |
| 9 | 70291-G01 | | FLANGED BUSHING | 4 |
| 10 | 14158-G1 | | SHOULDER BOLT, 3/8 - 16 x 3 1/4" LG..... | 2 |
| 11 | 12262-G1 | | LOCK NUT, 3/8 - 16 | 2 |
| 12 | | | | |
| 13 | 00665-G9 | | BOLT, 3/8 - 16 X 3 1/2" LG (STAINLESS STEEL)..... | 4 |
| 14 | 70290-G02 | | SHACKLE PLATE | 4 |
| 15 | 70291-G01 | | FLANGED BUSHING | 8 |
| 16 | 70289-G02 | | SPACER..... | 4 |
| 17 | 11098-G5 | | LOCK NUT, 3/8 - 16 | 4 |
| 18 | 70469-G01 | | SHOCK ABSORBER(TG5 ONLY) | 2 |
| 19 | 76418-G01 | | SHOCK ABSORBER..... | 2 |
| 20 | 10435-G1 | | SHOCK ABSORBER WASHER..... | 8 |
| 21 | 10194-G1 | | RUBBER BUSHING | 8 |
| 22 | 00532-G6 | | NUT, 3/8 - 24..... | 4 |

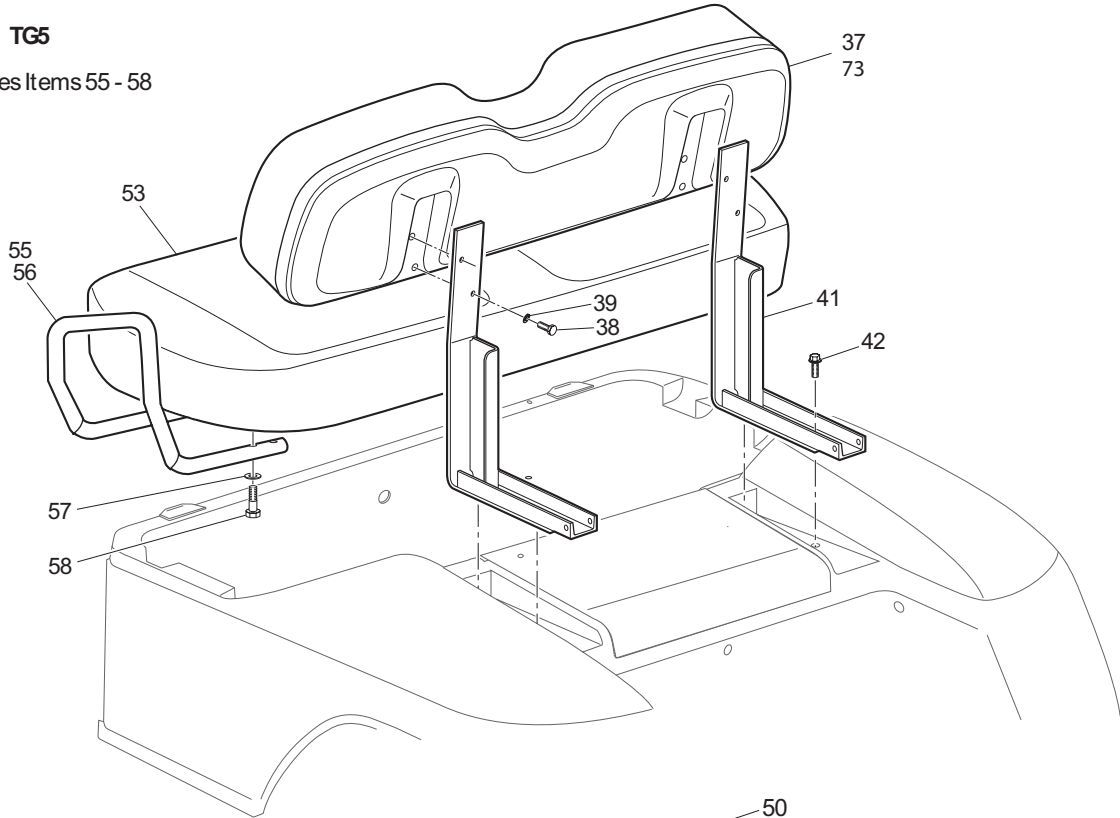
SEATING



Ref Sea 8-1

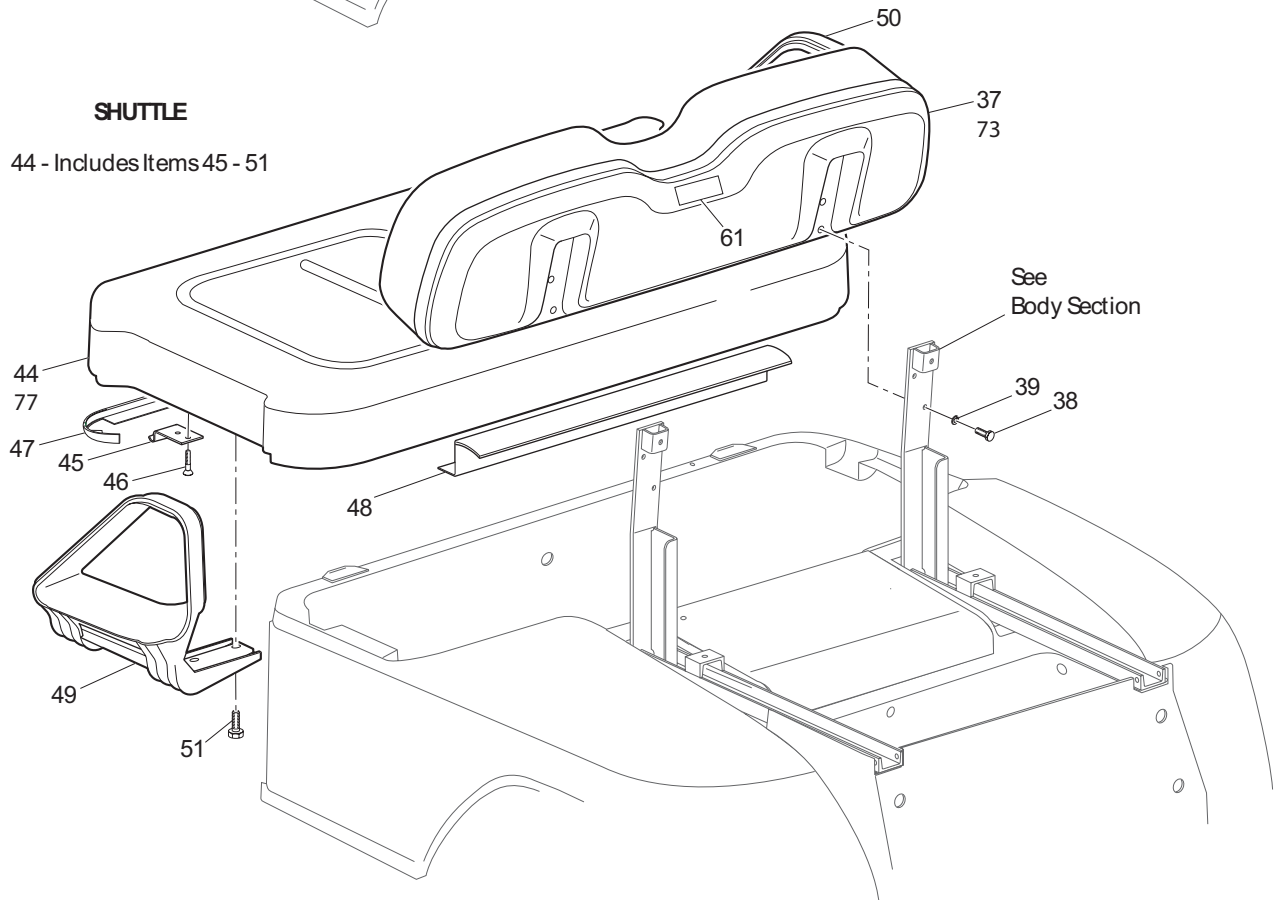
TG5

54 - Includes Items 55 - 58



SHUTTLE

44 - Includes Items 45 - 51

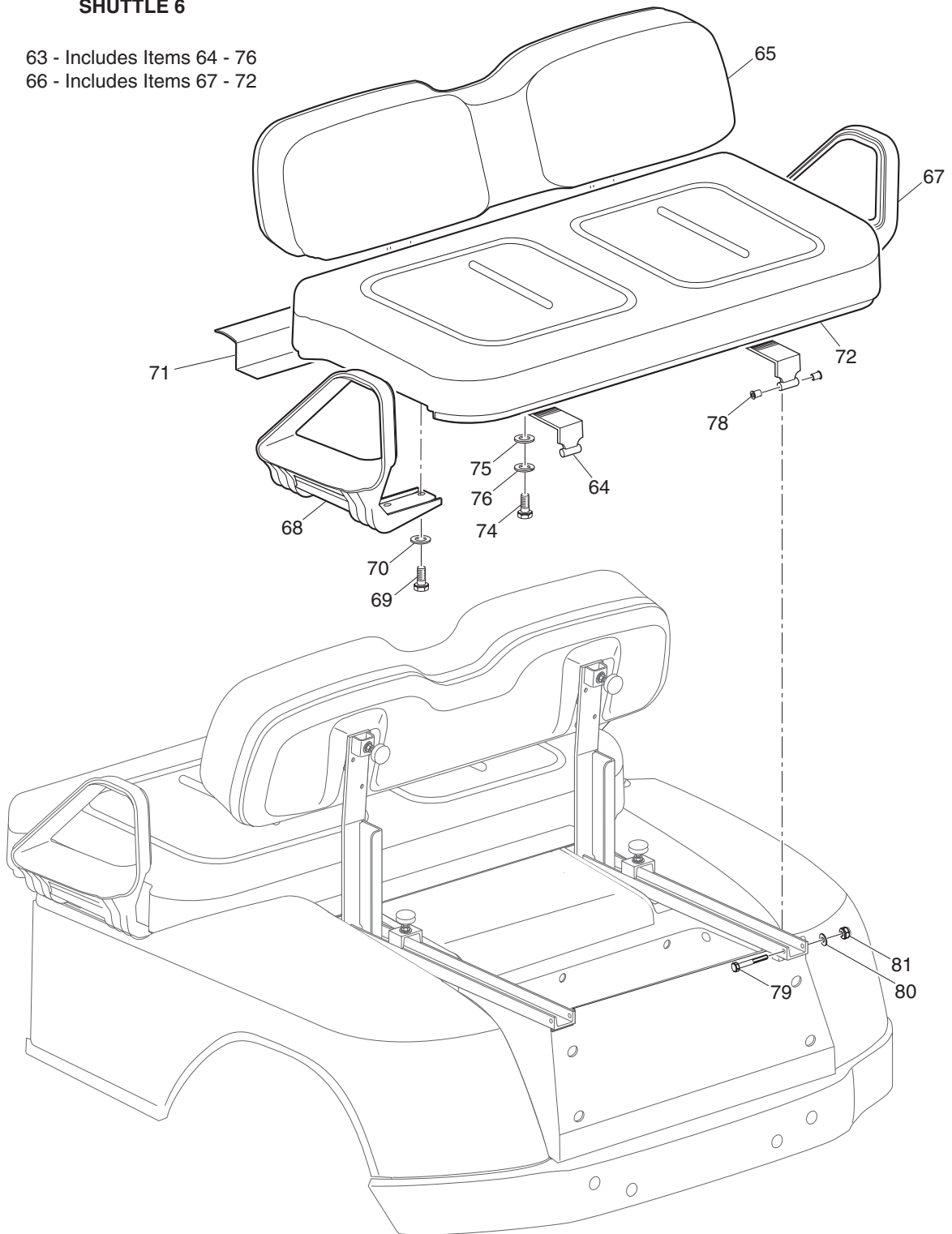


Ref Sea 8-2

SEATING

SHUTTLE 6

63 - Includes Items 64 - 76
66 - Includes Items 67 - 72



Ref Sea 8-3

SEATING

THE USE OF NON U.L. PARTS WILL VOID ANY U.L. LISTING.

When ordering parts, please specify the model and serial number of the product.

* Indicates a component that is not available as an individual part.

G** Indicates consult Customer Service Department for additional information.

| ITEM | PART NO. | 1 2 3 4 5 | DESCRIPTION | QTY. |
|------|------------|-----------|--|------|
| 1 | 71751-G** | | SEAT BACK ASSEMBLY | 1 |
| 2 | | | | |
| 3 | 71888-G** | | SEAT BOTTOM (INCLUDES ITEMS 4 - 8) (SHUTTLE 4 & 6) | 1 |
| 4 | 71701-G01 | | HIP RESTRAINT (PASSENGER SIDE)..... | 1 |
| 5 | 71702-G01 | | HIP RESTRAINT (DRIVER SIDE) | 1 |
| 6 | 01110-G01 | | WASHER, 1/4" (STAINLESS STEEL)..... | 8 |
| 7 | 00664-G7 | | LOCKWASHER, 1/4" (STAINLESS STEEL)..... | 8 |
| 8 | 00415-G2 | | BOLT, 1/4 - 20 X 1 1/4" LG..... | 8 |
| 9 | | | | |
| 10 | 71875-G** | | SEAT BOTTOM (INCLUDES ITEMS 11 - 14) (TG5) | 1 |
| 11 | 71877-G01 | | HIP RESTRAINT (PASSENGER SIDE)..... | 1 |
| 12 | 71877-G02 | | HIP RESTRAINT (DRIVER SIDE) | 1 |
| 13 | 01110-G01 | | WASHER, 1/4" (STAINLESS STEEL)..... | 8 |
| 14 | 00415-G2 | | BOLT, 1/4 - 20 X 1 1/4" LG..... | 8 |
| 15 | | | | |
| 16 | | | | |
| 17 | 71632-G01 | | REAR HAND HOLD BAR..... | 1 |
| 18 | 71204-G02 | | BOLT, 1/4 - 20 X 2" LG | 4 |
| 19 | 71868-G01 | | SEAT BACK BRACKET | 2 |
| 20 | 32805-G6 | | TRIM, BLACK..... | 1 |
| 21 | 70836-G0** | | SEAT POD | 1 |
| 22 | 27731-G01 | | ASHTRAY | 1 |
| 23 | 15717-G5 | | ACORN NUT, 3/8 - 16 | 2 |
| 24 | 23726-G4 | | SPACER, 5/16"..... | 2 |
| 25 | 00427-G8 | | BOLT, 3/8 - 16 X 2" LG | 2 |
| 26 | 00439-G8 | | BOLT, 5/16 - 18 X 2" LG | 3 |
| 27 | 00675-G1 | | WASHER, 3/8" (STAINLESS STEEL) | 5 |
| 28 | 71883-G01 | | RUBBER WASHER, 5/8" | 3 |
| 29 | 23726-G9 | | SPACER, 3/4"..... | 3 |
| 30 | 11098-G6 | | LOCK NUT, 5/16 - 18 (STAINLESS STEEL) | 3 |

SEATING

THE USE OF NON U.L. PARTS WILL VOID ANY U.L. LISTING.

When ordering parts, please specify the model and serial number of the product.

* Indicates a component that is not available as an individual part.

G** Indicates consult Customer Service Department for additional information.

| ITEM | PART NO. | 1 2 3 4 5 | DESCRIPTION | QTY. |
|------|-----------|-----------|--|------|
| 31 | 00976-G06 | | SCREW, 5/16 - 18 X 3/4" LG (STAINLESS STEEL) | 2 |
| 32 | 01110-G01 | | WASHER, 1/4" (STAINLESS STEEL) | 2 |
| 33 | 11098-G6 | | LOCK NUT, 1/4 - 20 (STAINLESS STEEL) | 2 |
| 34 | 71599-G01 | | VENT PLUG | 4 |
| 35 | | | | |
| 36 | | | | |
| 37 | 71751-G** | | SEAT BACK | 1 |
| 38 | 00661-G8 | | BOLT, 1/4 - 20 X 1" LG (STAINLESS STEEL)..... | 4 |
| 39 | 00664-G7 | | LOCK WASHER, 1/4" (STAINLESS STEEL) | 4 |
| 40 | | | | |
| 41 | 74137-G01 | | SEAT BACK SUPPORT (TG5)..... | 2 |
| 42 | 01006-G02 | | BOLT, 3/8 - 16 X 1 1/4" LG (TG5)..... | 4 |
| 43 | | | | |
| 44 | 71611-G** | | SEAT BOTTOM (INCLUDES ITEMS 45 - 51) (SHUTTLE 4 & 6) | 1 |
| 45 | 71610-G01 | | SEAT HINGE | 2 |
| 46 | 00720-G08 | | SCREW, #12 - 14 X 1" LG (STAINLESS STEEL)..... | 6 |
| 47 | 71012-G01 | | FRONT EDGE TRIM..... | 1 |
| 48 | 71608-G01 | | BACK EDGE TRIM | 1 |
| 49 | 71702-G01 | | HIP RESTRAINT (DRIVER SIDE) | 1 |
| 50 | 71701-G01 | | HIP RESTRAINT (PASSENGER SIDE)..... | 1 |
| 51 | 71204-G01 | | BOLT, 1/4 - 20 X 7/8" LG. | 8 |
| 52 | | | | |
| 53 | 71651-G** | | SEAT BOTTOM (TG5)..... | 1 |
| 54 | 71646-G01 | | HAND HOLD KIT (INCLUDES ITEMS 55 - 58) | 1 |
| 55 | 71876-G01 | | HIP RESTRAINT, REAR SEAT (DRIVER SIDE) | 1 |
| 56 | 71876-G02 | | HIP RESTRAINT, REAR SEAT (PASSENGER SIDE)..... | 1 |
| 57 | 01110-G01 | | WASHER, 1/4" (STAINLESS STEEL)..... | 8 |
| 58 | 00415-G2 | | BOLT, 1/4 - 20 X 1 1/4" LG. | 8 |
| 59 | | | | |
| 60 | | | | |

SEATING

THE USE OF NON U.L. PARTS WILL VOID ANY U.L. LISTING.

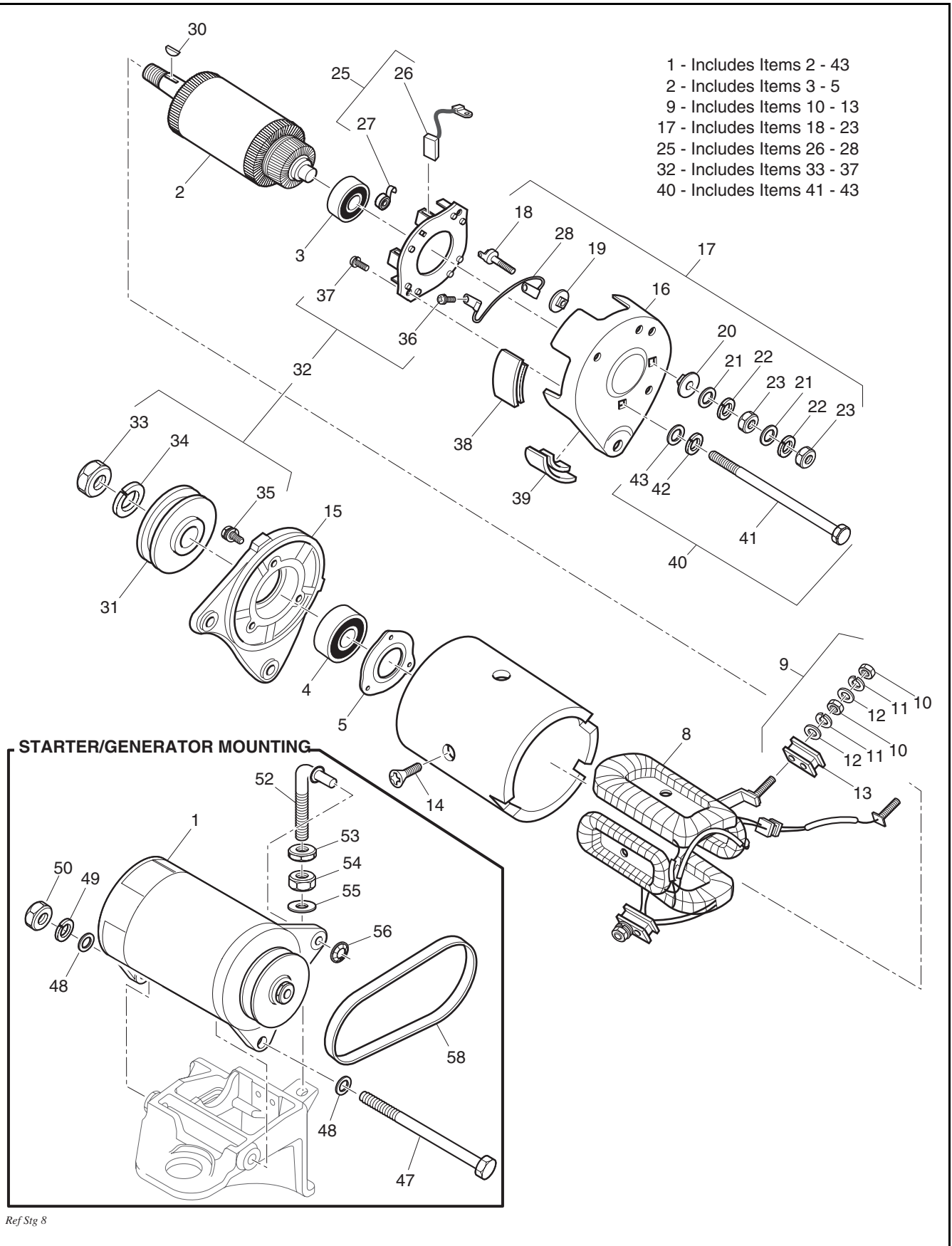
When ordering parts, please specify the model and serial number of the product.

* Indicates a component that is not available as an individual part.

G** Indicates consult Customer Service Department for additional information.

| ITEM | PART NO. | 1 2 3 4 5 | DESCRIPTION | QTY. |
|------|------------|-----------|---|------|
| 61 | 74095-G01 | | LABEL (WARNING) (SHUTTLE 4)..... | 1 |
| 62 | | | | |
| 63 | 74131-G** | | SEAT ASSEMBLY (INCLUDES ITEMS 64 - 76) (SHUTTLE 6)..... | 1 |
| 64 | 72918-G01 | | SEAT SUPPORT BRACKET | 2 |
| 65 | 71751-G** | | SEAT BACK..... | 1 |
| 66 | 74139-G** | | SEAT BOTTOM (INCLUDES ITEMS 67 - 72)..... | 1 |
| 67 | 71701-G01 | | HIP RESTRAINT (PASSENGER SIDE) | 1 |
| 68 | 71702-G01 | | HIP RESTRAINT (DRIVER SIDE)..... | 1 |
| 69 | 00661-G8 | | BOLT, 1/4 - 20 X 1" LG (STAINLESS STEEL)..... | 8 |
| 70 | 01110-G01 | | WASHER, 1/4" (STAINLESS STEEL) | 8 |
| 71 | 71012-G01 | | SEAT TRIM (REAR) | 1 |
| 72 | 74140-G01 | | SEAT TRIM (FRONT)..... | 1 |
| 73 | 604916-G** | | TWO TONE VINYL SEAT BACK..... | 1 |
| 74 | 00661-G8 | | BOLT, 1/4 - 20 X 1" LG (STAINLESS STEEL) | 12 |
| 75 | 01110-G01 | | WASHER, 1/4" (STAINLESS STEEL)..... | 12 |
| 76 | 00565-G2 | | LOCK WASHER, 1/4" | 12 |
| 77 | 604912-G** | | TWO TONE VINYL SEAT BOTTOM | 1 |
| 78 | 17838-G1 | | NYLON BUSHING..... | 4 |
| 79 | 00440-G4 | | BOLT, 5/16 - 18 X 2 1/2" LG | 2 |
| 80 | 00559-G8 | | WASHER, 5/16" | 2 |
| 81 | 11098-G6 | | LOCK NUT, 5/16 - 18 (STAINLESS STEEL) | 2 |

STARTER / GENERATOR



STARTER / GENERATOR

THE USE OF NON U.L. PARTS WILL VOID ANY U.L. LISTING.

When ordering parts, please specify the model and serial number of the product.

* Indicates a component that is not available as an individual part.

G** Indicates consult Customer Service Department for additional information.

| ITEM | PART NO. | 1 2 3 4 5 | DESCRIPTION | QTY. |
|------|-----------|-----------|--|------|
| 1 | 27065-G01 | | STARTER / GENERATOR (INCLUDES ITEMS 2 - 43) | 1 |
| 2 | 26870-G01 | | ARMATURE (INCLUDES ITEMS 3 - 5) | 1 |
| 3 | 26871-G01 | | REAR BALL BEARING | 1 |
| 4 | 26872-G01 | | FRONT BALL BEARING | 1 |
| 5 | 26873-G01 | | BEARING HOLDER | 1 |
| 6 | | | | |
| 7 | | | | |
| 8 | 26875-G01 | | FIELD COIL | 1 |
| 9 | 26876-G01 | | INSULATING BRUSH ASSEMBLY ('F') (INCLUDES ITEMS 10 - 13) | 2 |
| 10 | * | | NUT | 2 |
| 11 | * | | LOCK WASHER..... | 2 |
| 12 | * | | WASHER..... | 2 |
| 13 | * | | INSULATOR..... | 1 |
| 14 | 26877-G01 | | POLE CORE SETSCREW..... | 4 |
| 15 | 26878-G01 | | FRONT COVER..... | 1 |
| 16 | 26879-G01 | | REAR COVER | 1 |
| 17 | 26880-G01 | | TERMINAL ASSEMBLY ('A') (INCLUDES ITEMS 18 - 23) | 2 |
| 18 | * | | TERMINAL | 2 |
| 19 | * | | INSULATOR..... | 2 |
| 20 | * | | INSULATOR..... | 2 |
| 21 | * | | WASHER..... | 4 |
| 22 | * | | LOCK WASHER..... | 4 |
| 23 | * | | NUT | 4 |
| 24 | | | | |
| 25 | 26881-G01 | | BRUSH HOLDER ASSEMBLY (INCLUDES ITEMS 26 - 28) | 1 |
| 26 | 26658-G01 | | BRUSH..... | 4 |
| 27 | 26882-G01 | | BRUSH SPRING | 4 |
| 28 | 26883-G01 | | BRUSH CONNECTOR..... | 2 |
| 29 | | | | |
| 30 | 26884-G01 | | KEY..... | 1 |

STARTER / GENERATOR

THE USE OF NON U.L. PARTS WILL VOID ANY U.L. LISTING.

When ordering parts, please specify the model and serial number of the product.

* Indicates a component that is not available as an individual part.

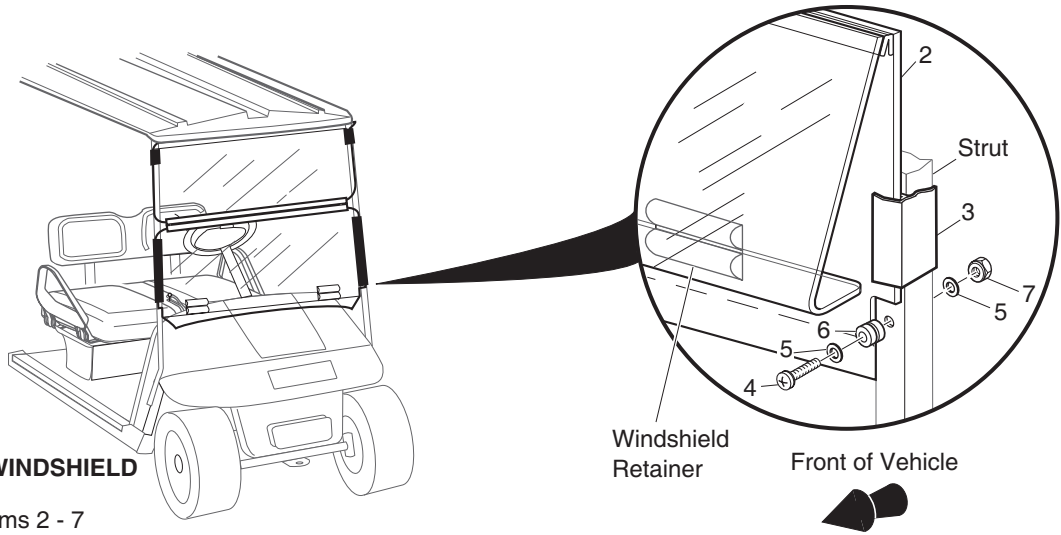
G** Indicates consult Customer Service Department for additional information.

| ITEM | PART NO. | 1 | 2 | 3 | 4 | 5 | DESCRIPTION | QTY. |
|------|-----------|---|---|---|---|---|---|------|
| 31 | 26885-G01 | | | | | | PULLEY | 1 |
| 32 | 26886-G01 | | | | | | NUT AND SCREW ASSEMBLY (INCLUDES ITEMS 33 - 37) | 1 |
| 33 | * | | | | | | NUT | 1 |
| 34 | * | | | | | | LOCK WASHER..... | 1 |
| 35 | * | | | | | | SCREW | 3 |
| 36 | * | | | | | | SCREW | 4 |
| 37 | * | | | | | | SCREW | 2 |
| 38 | 26887-G01 | | | | | | BRUSH 1 COVER..... | 3 |
| 39 | 26888-G01 | | | | | | BRUSH 2 COVER..... | 1 |
| 40 | 26889-G01 | | | | | | BOLT AND WASHER ASSEMBLY (INCLUDES ITEMS 41 - 43) | 2 |
| 41 | * | | | | | | BOLT | 2 |
| 42 | * | | | | | | LOCK WASHER..... | 2 |
| 43 | * | | | | | | WASHER..... | 2 |
| 44 | | | | | | | | |
| 45 | | | | | | | | |
| 46 | | | | | | | | |
| 47 | 00938-G4 | | | | | | BOLT, 1/2 - 13 X 8" LG | 1 |
| 48 | 00560-G3 | | | | | | WASHER, 1/2" | 2 |
| 49 | 00566-G3 | | | | | | LOCK WASHER, 1/2"..... | 1 |
| 50 | 00533-G1 | | | | | | NUT, 1/2 - 13..... | 1 |
| 51 | | | | | | | | |
| 52 | 28617-G01 | | | | | | STARTER / GENERATOR ADJUSTER..... | 1 |
| 53 | 00544-G5 | | | | | | JAM NUT, 3/8 - 16..... | 1 |
| 54 | 00532-G5 | | | | | | NUT, 3/8 - 16..... | 1 |
| 55 | 00560-G1 | | | | | | WASHER, 3/8" | 1 |
| 56 | 12064-G4 | | | | | | PUSH NUT, 5/16" | 1 |
| 57 | | | | | | | | |
| 58 | 26414-G01 | | | | | | STARTER / GENERATOR BELT | 1 |

WEATHER PROTECTION

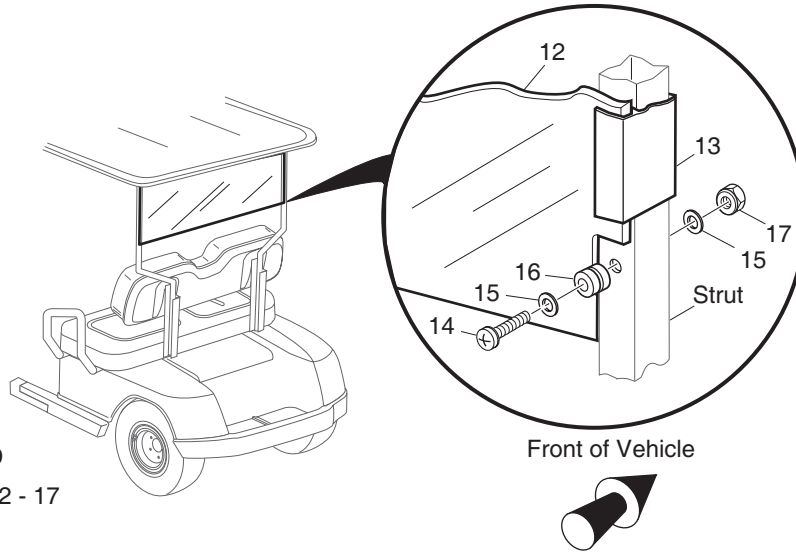
FOLD DOWN WINDSHIELD

1 - Includes Items 2 - 7



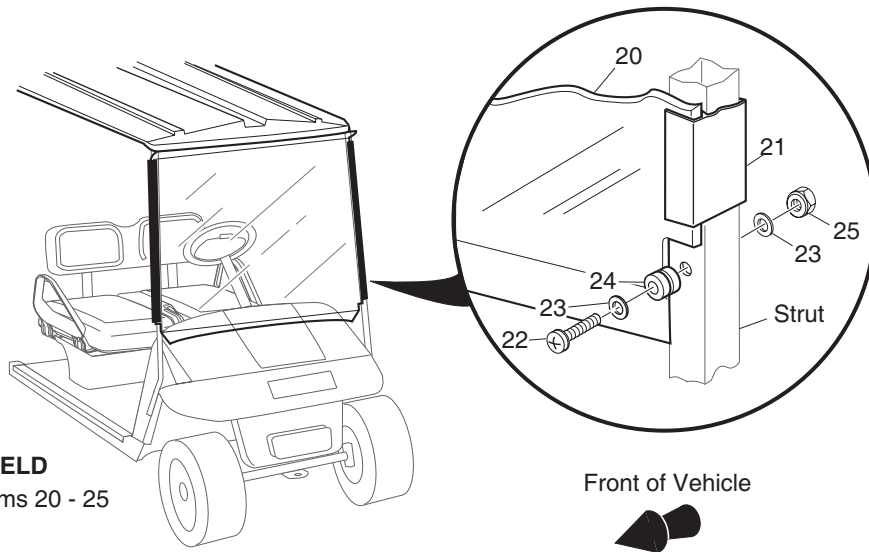
REAR WINDSHIELD

11 - Includes Items 12 - 17



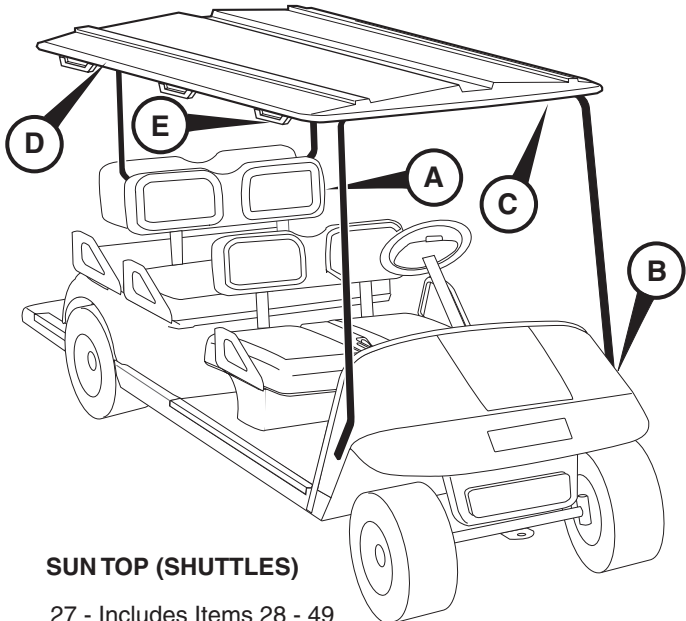
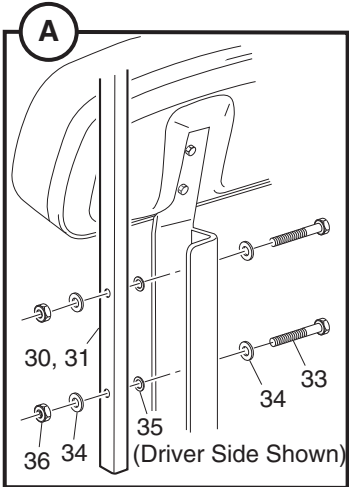
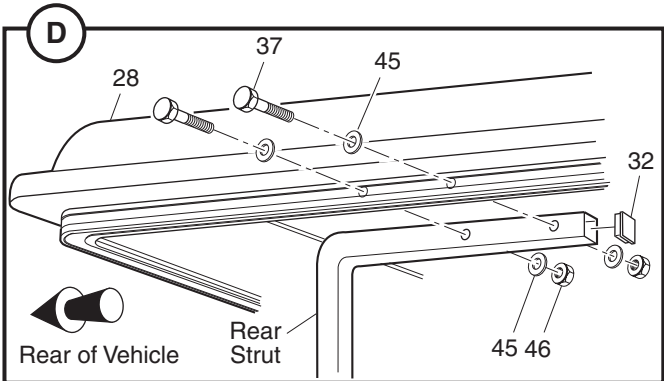
FULL WINDSHIELD

19 - Includes Items 20 - 25



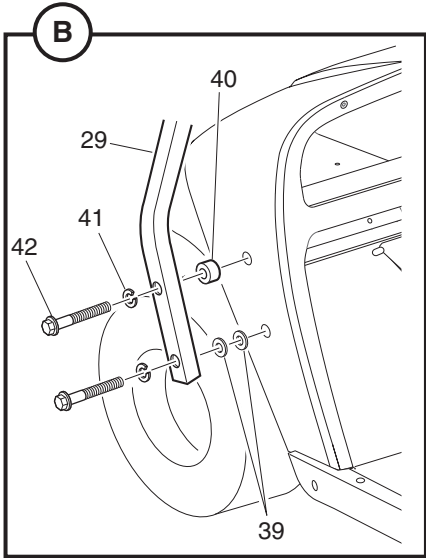
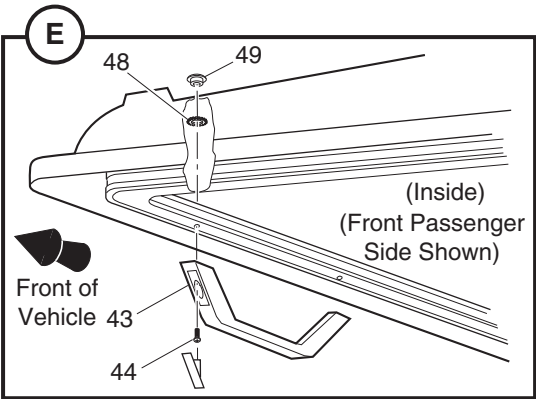
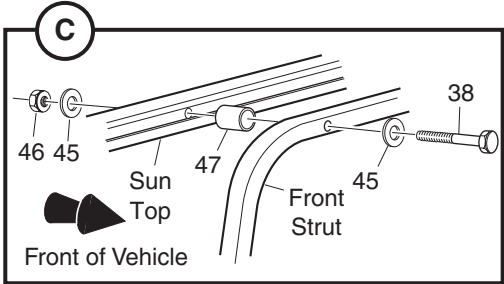
Ref Wea 7-1

WEATHER PROTECTION



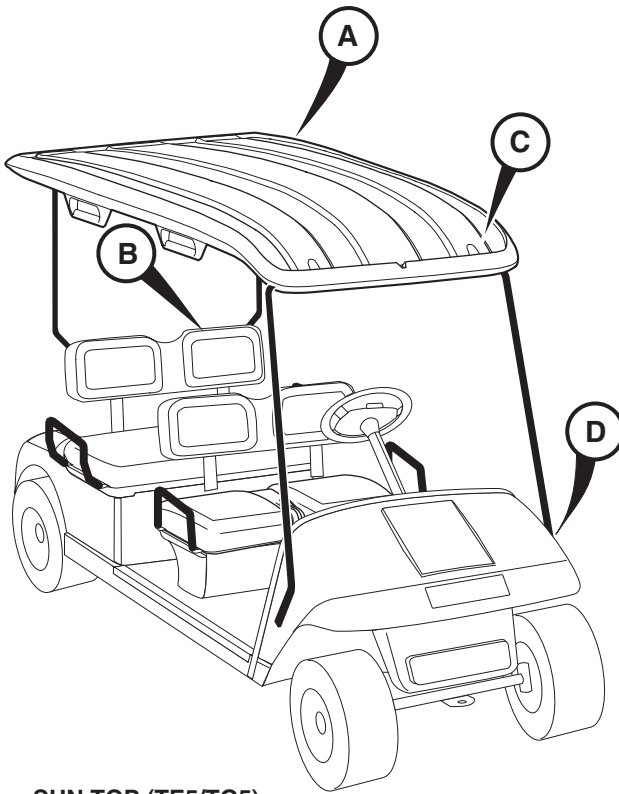
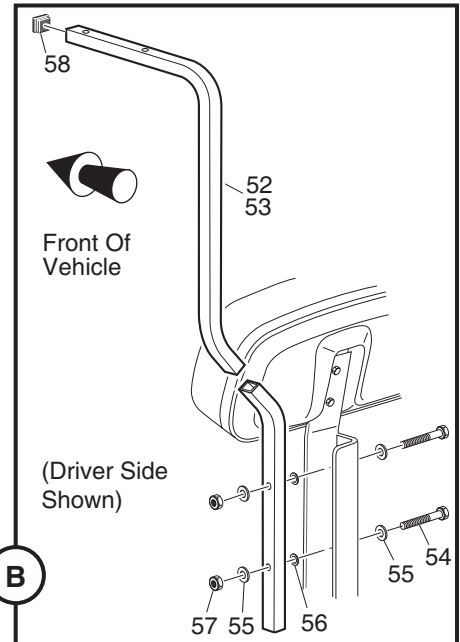
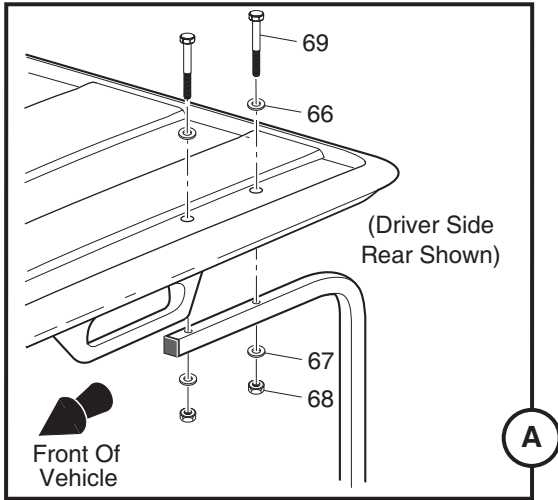
SUN TOP (SHUTTLES)

27 - Includes Items 28 - 49

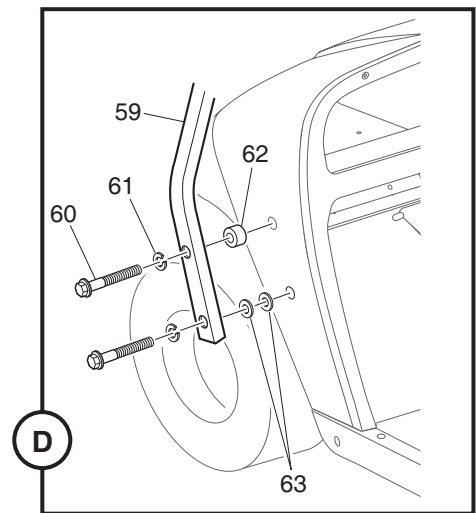
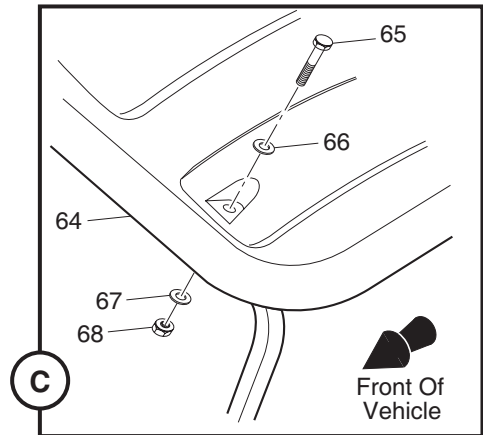


Ref Wea 7-2

WEATHER PROTECTION



SUN TOP (TE5/TG5)
51 - Includes Items 52 - 69



Ref Wea 7-3

WEATHER PROTECTION

THE USE OF NON U.L. PARTS WILL VOID ANY U.L. LISTING.

When ordering parts, please specify the model and serial number of the product.

* Indicates a component that is not available as an individual part.

G** Indicates consult Customer Service Department for additional information.

| ITEM | PART NO. | 1 2 3 4 5 | DESCRIPTION | QTY. |
|------|-----------|-----------|--|------|
| 1 | 75534-G01 | | WINDSHIELD KIT, FOLD DOWN (INCLUDES ITEMS 2 - 9) | 1 |
| 2 | E950WSB3 | | FOLD DOWN WINDSHIELD | 1 |
| 3 | EGWHC24 | | SASH, 3/4" X 14" LG | 2 |
| 4 | EGWHS12 | | SCREW, 1/4 - 20 X 1 3/4" LG (STAINLESS STEEL) | 2 |
| 5 | EGWHW12 | | WASHER, 1/4" (STAINLESS STEEL) | 4 |
| 6 | EGWHG13 | | RUBBER GROMMET | 2 |
| 7 | EGWHN12 | | LOCK NUT, 1/4 - 20 (STAINLESS STEEL) | 2 |
| 8 | | | | |
| 9 | | | | |
| 10 | | | | |
| 11 | 75535-G01 | | WINDSHIELD KIT, REAR (INCLUDES ITEMS 12 - 17) | 1 |
| 12 | EIRWFB3 | | REAR WINDSHIELD | 1 |
| 13 | EGWHC14 | | SASH, 1" X 15 9/16" LG | 2 |
| 14 | EGWHS14 | | SCREW, 1/4 - 20 X 2" LG (STAINLESS STEEL) | 2 |
| 15 | EGWHW13 | | WASHER, 1/4" (STAINLESS STEEL) | 6 |
| 16 | EGWHG13 | | RUBBER GROMMET | 2 |
| 17 | EGWHN13 | | LOCK NUT, 1/4 - 20 (STAINLESS STEEL) | 2 |
| 18 | | | | |
| 19 | 75536-G01 | | WINDSHIELD KIT, FULL (INCLUDES ITEMS 20 - 25)..... | 1 |
| 20 | EISWFB3 | | FULL, WINDSHIELD..... | 1 |
| 21 | EGWHC13 | | SASH, 3/4" X 22 7/16" LG | 2 |
| 22 | EGWHS13 | | SCREW, 1/4 - 20 X 1 3/4" LG (STAINLESS STEEL) | 2 |
| 23 | EGWHW13 | | WASHER, 1/4" (STAINLESS STEEL) | 4 |
| 24 | EGWHG13 | | RUBBER GROMMET | 2 |
| 25 | EGWHN13 | | LOCK NUT, 1/4 - 20 (STAINLESS STEEL) | 2 |
| 26 | | | | |
| 27 | 75282-G0* | | SUN TOP KIT (SHUTTLE) (INCLUDES ITEMS 28 - 49) | 1 |
| 28 | 75271-G0* | | SUN TOP | 1 |
| 29 | 75045-G03 | | FRONT STRUT..... | 1 |
| 30 | 75274-G01 | | REAR STRUT (DRIVER SIDE)..... | 1 |

WEATHER PROTECTION

THE USE OF NON U.L. PARTS WILL VOID ANY U.L. LISTING.

When ordering parts, please specify the model and serial number of the product.

* Indicates a component that is not available as an individual part.

G** Indicates consult Customer Service Department for additional information.

| ITEM | PART NO. | 1 | 2 | 3 | 4 | 5 | DESCRIPTION | QTY. |
|------|-----------|---|---|---|---|---|--|------|
| 31 | 75274-G02 | | | | | | REAR STRUT (PASSENGER SIDE)..... | 1 |
| 32 | 19853-G1 | | | | | | END CAP, 1"..... | 2 |
| 33 | 00665-G5 | | | | | | BOLT, 3/8 - 16 X 1 3/4" LG (STAINLESS STEEL) | 4 |
| 34 | 00679-G1 | | | | | | WASHER, 3/8" (STAINLESS STEEL) | 8 |
| 35 | 00771-G5 | | | | | | NYLON WASHER, 3/8" | 4 |
| 36 | 00891-G5 | | | | | | LOCK NUT, 3/8 - 16..... | 4 |
| 37 | 00440-G4 | | | | | | BOLT, 5/16 - 18 X 2 1/2" LG..... | 4 |
| 38 | 00441-G2 | | | | | | BOLT, 5/16 - 18 X 3 1/4" LG..... | 2 |
| 39 | 00879-G1 | | | | | | WASHER, 3/8" | 4 |
| 40 | 75048-G01 | | | | | | SPACER, 1/2" | 2 |
| 41 | 00905-G8 | | | | | | LOCK WASHER, 5/16" | 4 |
| 42 | 00440-G2 | | | | | | BOLT, 5/16 - 18 X 2 1/4" LG..... | 4 |
| 43 | 75240-G01 | | | | | | HANDLE | 5 |
| 44 | 00163-G2 | | | | | | SCREW, 1/4 - 20 X 1 1/4" LG..... | 10 |
| 45 | 00642-G8 | | | | | | WASHER, 5/16" | 12 |
| 46 | 11098-G6 | | | | | | LOCK NUT, 5/16 - 18 (STAINLESS STEEL)..... | 6 |
| 47 | 18716-G2 | | | | | | SPACER, 1"..... | 2 |
| 48 | 00567-G8 | | | | | | LOCK WASHER, 5/16" | 10 |
| 49 | 01010-G01 | | | | | | TEE NUT, 1/4 - 20 | 10 |
| 50 | | | | | | | | |
| 51 | 75485-G01 | | | | | | SUN TOP KIT (TE5/TG5) (INCLUDES ITEMS 52 - 69) | 1 |
| 52 | 75487-G02 | | | | | | REAR SUPPORT (DRIVER SIDE) | 2 |
| 53 | 75487-G01 | | | | | | REAR SUPPORT (PASSENGER SIDE) | 2 |
| 54 | 00665-G5 | | | | | | BOLT, 3/8 - 16 X 1 3/4" LG (STAINLESS STEEL) | 4 |
| 55 | 00679-G1 | | | | | | WASHER, 3/8" (STAINLESS STEEL) | 8 |
| 56 | 00771-G5 | | | | | | NYLON WASHER, 3/8" | 4 |
| 57 | 00891-G5 | | | | | | LOCK NUT, 3/8 - 16..... | 4 |
| 58 | 19853-G1 | | | | | | END CAP, 1"..... | 2 |
| 59 | 75488-G01 | | | | | | FRONT SUPPORT | 2 |
| 60 | 00440-G2 | | | | | | BOLT, 5/16 - 18 X 2 1/4" LG..... | 4 |

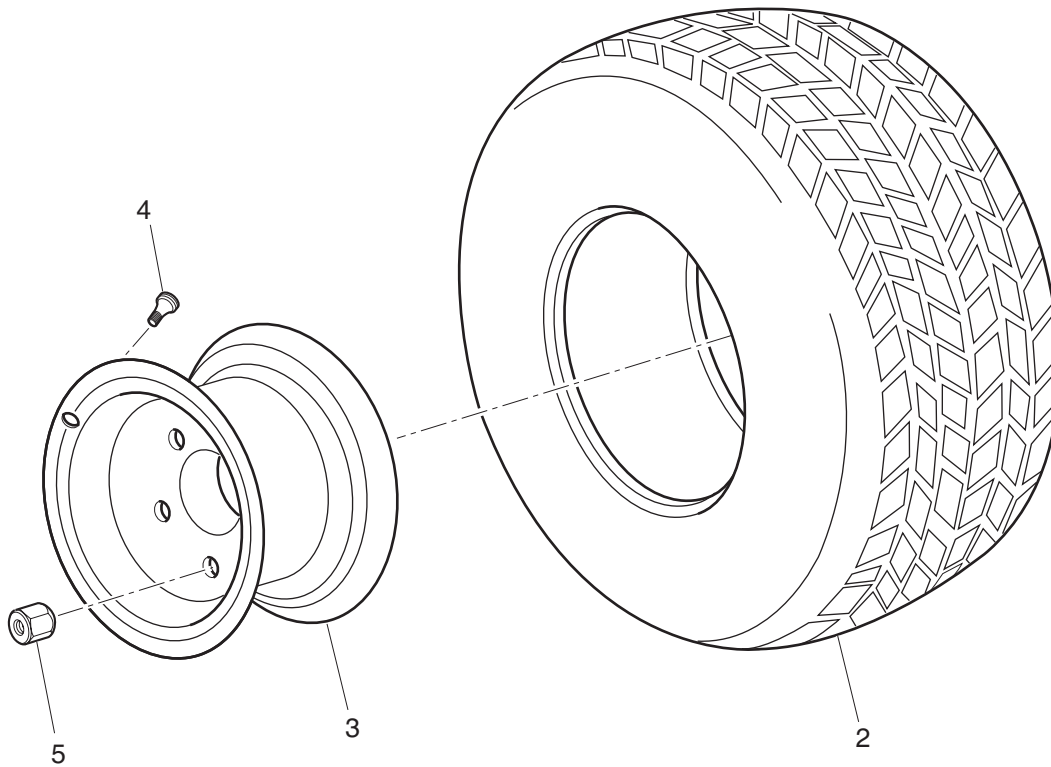
WEATHER PROTECTION

THE USE OF NON U.L. PARTS WILL VOID ANY U.L. LISTING.
 When ordering parts, please specify the model and serial number of the product.
 * Indicates a component that is not available as an individual part.
 G** Indicates consult Customer Service Department for additional information.

| ITEM | PART NO. | 1 | 2 | 3 | 4 | 5 | DESCRIPTION | QTY. |
|------|-----------|---|---|---|---|---|---|------|
| 61 | 00905-G8 | | | | | | LOCK WASHER, 5/16" | 4 |
| 62 | 75048-G01 | | | | | | SPACER, 1/2" | 2 |
| 63 | 00879-G1 | | | | | | LOCK WASHER, 3/8" | 4 |
| 64 | 74374-G01 | | | | | | SUN TOP | 1 |
| 65 | 00685-G10 | | | | | | BOLT, 5/16 - 18 X 2 3/4" LG (STAINLESS STEEL) | 2 |
| 66 | 00907-G2 | | | | | | WASHER, 5/16" (STAINLESS STEEL) | 6 |
| 67 | 00660-G8 | | | | | | WASHER, 5/16" (STAINLESS STEEL) | 6 |
| 68 | 11098-G6 | | | | | | LOCK NUT, 5/16 - 18 (STAINLESS STEEL) | 6 |
| 69 | 00685-G11 | | | | | | BOLT, 5/16 - 18 X 3 1/4" LG (STAINLESS STEEL) | 4 |

WHEELS AND TIRES

1 - Includes Items 2, 3, 4



(Style of tire may differ from tire shown)

WHEELS AND TIRES

THE USE OF NON U.L. PARTS WILL VOID ANY U.L. LISTING.
 When ordering parts, please specify the model and serial number of the product.
 * Indicates a component that is not available as an individual part.
 G** Indicates consult Customer Service Department for additional information.

| ITEM | PART NO. | 1 | 2 | 3 | 4 | 5 | DESCRIPTION | QTY. |
|------|-----------|---|---|---|---|---|---|------|
| 1 | 28757-G01 | | | | | | TIRE AND WHEEL ASSEMBLY (INCLUDES ITEMS 2, 3, 4) | AR |
| 2 | 28764-G01 | | | | | | TIRE, 18 X 8.50 - 8 LINKS® | 1 |
| 3 | 28759-G01 | | | | | | WHEEL RIM..... | 1 |
| 4 | 11657-G2 | | | | | | VALVE STEM | 1 |
| 5 | 14723-G1 | | | | | | LUG NUT, 1/2 - 20 | AR |

SPECIALTY PRODUCTS

SPECIALTY PRODUCTS

SPECIALTY PRODUCTS

| SPECIAL TOOLS | PART NO. |
|---|-----------------|
| HIGH RESISTANCE SPARK PLUG WIRE SET | 26733-G02 |
| CLUTCH PULLER (DRIVE) | 19779-G2 |
| FLYWHEEL PULLER..... | 27111-G01 |
| CURRENT INDICATOR..... | 16489-G2 |
| DIGITAL MULTI-METER | 27481-G01 |
| SLIDE HAMMER (AXLE/HUB REMOVAL)..... | 15947-G1 |
| SLIDE HAMMER (AXLE REMOVAL ONLY)..... | 18753-G1 |
| COMPRESSION TESTER..... | 72524-G01 |
| FEELER GAUGE | 72525-G01 |
| TACHOMETER..... | 72526-G01 |

| ENGINE OIL | PART NO. |
|---|-----------------|
| 4 CYCLE ENGINE OIL, 5 GALLON (19 LITER) | 25730-G03 |
| 4 CYCLE ENGINE OIL, 12 QUART CASE | 25730-G04 |
| 4 CYCLE ENGINE OIL, 1 QUART BOTTLE (950 ML) | 25730-G06 |

| TOUCH UP PAINT | PART NO. |
|--|-----------------|
| PEN 3 OUNCE (89 ML) - HUNTER GREEN | 28432-G02 |
| PEN 3 OUNCE (89 ML) - CHAMPAGNE BEIGE | 28432-G01 |
| PEN 3 OUNCE (89 ML) - WHITE | 28432-G05 |
| PEN 3 OUNCE (89 ML) - INDUSTRIAL YELLOW..... | 28432-G03 |
| PEN 3 OUNCE (89 ML) - ORANGE | 28432-G04 |
| PEN 3 OUNCE (89 ML) - STEEL BLUE PEARL | 28432-G24 |
| PEN 3 OUNCE (89 ML) - OLIVE GREEN..... | 28432-G** |
| PEN 3 OUNCE (89 ML) - CAMOUFLAGE PAINT (THREE PENS)..... | 75831-G01 |
| AEROSOL 12 OUNCE (360 ML) - HUNTER GREEN | 28140-G09 |
| AEROSOL 12 OUNCE (360 ML) - CHAMPAGNE BEIGE..... | 28140-G15 |
| AEROSOL 12 OUNCE (360 ML) - WHITE | 28140-G03 |
| AEROSOL 12 OUNCE (360 ML) - INDUSTRIAL YELLOW..... | 28140-G14 |
| AEROSOL 12 OUNCE (360 ML) - ORANGE | 28140-G13 |
| AEROSOL 12 OUNCE (360 ML) - STEEL BLUE PEARL | 28140-G** |
| AEROSOL 12 OUNCE (360 ML) - OLIVE GREEN..... | 28140-G** |

SPECIALTY PRODUCTS

| MAINTENANCE PRODUCTS | PART NO. |
|---|-----------------|
| FORMULA 40 VINYL-COAT® - WHITE | 28166-G01 |
| PLEXUS® CLEANER, 7 OUNCE (210 ML) (FOR WINDSHIELDS) | 28433-G01 |
| PLEXUS® CLEANER, 13 OUNCE (380 ML) (FOR WINDSHIELDS) | 28433-G02 |
| BATTERY PROTECTOR, 14 OUNCE (410 ML) SPRAY | 75500-G01 |
| CARBURETOR & CHOKE CLEANER, 15 OUNCE (440 ML) SPRAY | 75501-G01 |
| WHITE LITHIUM GREASE, 14 OUNCE (410 ML) SPRAY..... | 75502-G01 |
| PENETRANT/LUBRICANT, 15 OUNCE (440 ML) SPRAY | 75503-G01 |
| MULTI-PURPOSE CLEANER & DEGREASER, 14 OUNCE (410 ML) SPRAY | 75504-G01 |
| MULTI-PURPOSE HAND CLEANER, 32 OUNCE (950 ML) LIQUID | 75505-G01 |
| BATTERY CLEANER, 32 OUNCE (950 ML) WITH TRIGGER SPRAYER | 75506-G01 |
| BIO-DEGRADABLE CLEANER, 32 OUNCE (950 ML) WITH TRIGGER SPRAYER..... | 75507-G01 |
| MULTI-PURPOSE VALUE PACK..... | 75508-G01 |
| <ul style="list-style-type: none">• BATTERY PROTECTOR, 4 OUNCE (120 ML) SPRAY• PENETRANT/LUBRICANT, 4 OUNCE (120 ML) SPRAY• WHITE LITHIUM GREASE, 4 OUNCE (120 ML) SPRAY• CARBURETOR & CHOKE CLEANER, 4 OUNCE (120 ML) SPRAY | |

SPECIALTY PRODUCTS



A Textron Company

E-Z-GO Division Of Textron, Inc.,
1451 Marvin Griffin Road, Augusta, Georgia USA 30906-3852

TO CONTACT US

North America:

Technical Assistance & Warranty Phone: 1-800-774-3946, FAX: 1-800-448-8124
Service Parts Phone: 1-888-GET-EZGO (1-888-438-3946), FAX: 1-800-752-6175

International:

Phone: 001-706-798-4311, FAX: 001-706-771-4609

Certified ISO 9001 / ISO 14001 by



Copyrighted Material
This manual may not be reproduced in whole or
in part without the express permission of
E-Z-GO Division of Textron, Inc.
Technical Communications Department