

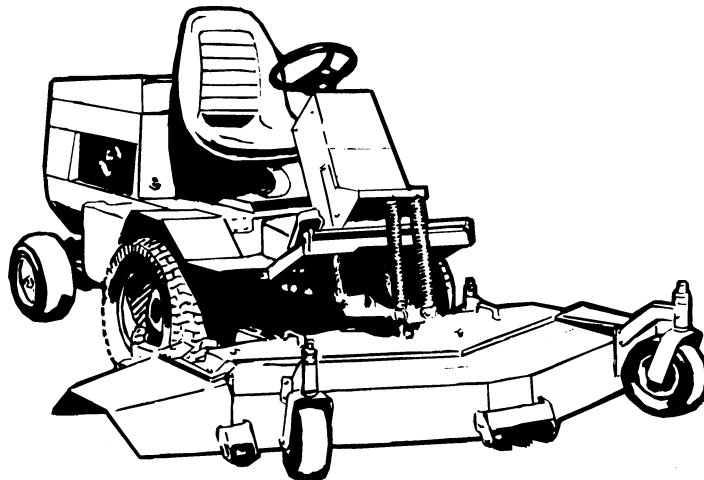


RANSOMES[®]

PARTS MANUAL

700 SERIES MOWERS

MODEL 946703-FRONTLINE 728D 4WD US
MODEL 946705-FRONTLINE 728D 2WD US



WARNING: If incorrectly used this machine can cause severe injury. Those who use and maintain this machine should be trained in its proper use, warned of its dangers and should read the entire manual before attempting to set up, operate, adjust or service the machine.

FOR USE WITH OPERATOR'S MANUAL 2198234

RANSOMES

TEXTRON
TURF CARE AND SPECIALTY PRODUCTS

2198204 REV06



QUICK REFERENCE INDEX2
 TORQUE SPECIFICATIONS3

FIGURE / DESCRIPTION PAGE

1) FRAME & FRONT AXLE ASSEMBLIES..... 4-5
 2) REAR AXLE ASSEMBLY..... 6-7
 3) ENGINE MOUNTING 8-9
 4) LIFT CYLINDER MOUNTING 10-11
 5) RADIATOR MOUNTING 12-13
 6) FUEL SEPARATOR/AIR CLEANER 14-15
 7) DECK VALVE/4WD VALVE CHECK 16-17
 8) PEDAL CONTROLS 18-19
 9) INSTRUMENT PANEL 20-21
 10) HOOD ASSEMBLY 22-23
 11) SEAT & PLATFORM 24-25
 12) STEERING 26-27
 13) DRIVE WHEELS & BRAKES 28-29
 14) ELECTRICAL DIAGRAM 30-31
 15) OPTIONAL STEERING BRAKES 32-33
 16) HYDRAULIC DIAGRAM 4WD 34-35
 17) HYDRAULIC DIAGRAM 2WD 36-37
 18) FUEL DIAGRAM..... 38-39
 19) MISCELLANEOUS OPTIONS..... 40-41
 20) DECALS..... 42-43
 21) OILGEAR PUMP..... 44-45
 22) CROSS REFERENCE 46-54

IMPORTANT! READ!

You have purchased a first class mower and the useful life you obtain from your machine depends to a large extent on proper maintenance and operation. Before attempting to use your mower, read your Operator's Manual carefully. Make yourself familiar with the operation, controls, adjustments, lubrication and maintenance sections.

ALL references to left and right are from operator's position.

For paint touch-ups use the following:

- 833140 PAINT, SPRAY 16 oz. RANSOMES GREEN
- 838141 PAINT, QUART RANSOMES GREEN

QUICK REFERENCE INDEX

700 Series Front Line Tractors



A		I	
Air Cleaner.....	14-15	Instrument Panel	
Axle, rear.....	6-7	Fuel Gauge.....	20-21
		Horn Switch.....	20-21
		Key Switch.....	20-21
		Clutch Switch.....	20-21
		Temp Gauge.....	20-21
B		L	
Battery.....	18-19	Lift Cylinder.....	10-11
Brakes.....	18-19	Lift Valve.....	10-11
.....	28-29		
C		M	
Control Pedals.....	18-19	Muffler	
		Diesel.....	14-15
E		O	
Engines.....	8-9	Oil Cooler.....	12-13
Engine Mount.....	8-9	Overflow bottle.....	12-13
F		P	
Fenders.....	22-23	Pump-Oilgear.....	44-45
Filters			
Hyd Fluid.....	18-19		
Air Cleaner.....	14-15		
Frame.....	4-5		
Fuel Gauge.....	20-21		
Fuel Sender.....	22-23		
Fuel Separator.....	14-15		
Fuel Tanks.....	22-23		
H		R	
Hood Latch.....	14-15	Radiator.....	12-13
Horn (optional).....	30-31	Radiator Screen.....	12-13
Horn Switch (optional).....	20-21		
Hose, Air Cleaner.....	14-15		
Hoses, Radiator.....	12-13		
Hour Meter.....	14-15		
Hub, Wheel.....	6-7		
.....	28-29		
Hyd Oil Cooler.....	12-13		
Hyd Reservoir.....	22-23		
Hyd Steer Gear.....	26-27		
		S	
		Seat.....	24-25
		Steering Wheel.....	26-27
		T	
		Throttle Cable.....	8-9
		Throttle Lever.....	24-25
		Tie Rod.....	6-7
		Tires.....	6-7
		28-29







700 Series Front Line Tractors





TORQUE SPECIFICATIONS

CAUTION

All torque values included in these charts are approximate and are for reference only. Use of these torque values is at your sole risk. Textron Turf Care And Specialty Products is not responsible for any loss, claim, or damage arising from the use of these charts. **Extreme caution should always be used when using any torque value.**

Textron Turf Care And Specialty Products uses Grade 5 or Grade 8.8 Plated bolts as standard, unless otherwise noted. For tightening plated bolts, use the value given for lubricated.

AMERICAN NATIONAL STANDARD FASTENERS											
SIZE	UNITS					SIZE	UNITS				
		LUBRICATED	DRY	LUBRICATED	DRY			LUBRICATED	DRY	LUBRICATED	DRY
6-32	in-lbs (Nm)	--	20 (2.3)	--	--	7/16-14	ft-lbs (Nm)	37 (50.1)	50 (67.8)	53 (71.8)	70 (94.9)
8-32	in-lbs (Nm)	--	24 (2.7)	--	30 (3.4)	7/16-20	ft-lbs (Nm)	42 (56.9)	55 (74.6)	59 (80.0)	78 (105.0)
10-24	in-lbs (Nm)	--	35 (4.0)	--	45 (5.1)	1/2-13	ft-lbs (Nm)	57 (77.2)	75 (101.0)	80 (108.0)	107 (145.0)
10-32	in-lbs (Nm)	--	40 (4.5)	--	50 (5.7)	1/2-20	ft-lbs (Nm)	64 (86.7)	85 (115.0)	90 (122.0)	120 (162.0)
12-24	in-lbs (Nm)	--	50 (5.7)	--	65 (7.3)	9/16-12	ft-lbs (Nm)	82 (111.0)	109 (148.0)	115 (156.0)	154 (209.0)
1/4-20	in-lbs (Nm)	75 (8.4)	100 (11.3)	107 (12.1)	143 (16.1)	9/16-18	ft-lbs (Nm)	92 (124.0)	122 (165.0)	129 (174.0)	172 (233.0)
1/4-28	in-lbs (Nm)	85 (9.6)	115 (11.3)	120 (13.5)	163 (18.4)	5/8-11	ft-lbs (Nm)	113 (153.0)	151 (204.0)	159 (215.0)	211 (286.0)
5/16-18	in-lbs (Nm)	157 (17.7)	210 (23.7)	220 (24.8)	305 (34.4)	5/8-18	ft-lbs (Nm)	128 (173.0)	170 (230.0)	180 (244.0)	240 (325.0)
5/16-24	in-lbs (Nm)	173 (19.5)	230 (26.0)	245 (27.6)	325 (36.7)	3/4-10	ft-lbs (Nm)	200 (271.0)	266 (360.0)	282 (382.0)	376 (509.0)
3/8-16	ft-lbs (Nm)	23 (31.1)	31 (42.0)	32 (43.3)	44 (59.6)	3/4-16	ft-lbs (Nm)	233 (302.0)	298 (404.0)	315 (427.0)	420 (569.0)
3/8-24	ft-lbs (Nm)	26 (35.2)	35 (47.4)	37 (50.1)	50 (67.8)	7/8-14	ft-lbs (Nm)	355 (481.0)	473 (641.0)	500 (678.0)	668 (905.0)

METRIC FASTENERS										
SIZE	UNITS									Non Critical Fasteners into Aluminum
		LUBRICATED	DRY	LUBRICATED	DRY	LUBRICATED	DRY	LUBRICATED	DRY	
M4	Nm (in-lb)	-	-	-	-	-	-	3.83 (34)	5.11 (45)	2.0 (18)
M5	Nm (in-lb)	1.80 (16)	2.40 (21)	4.63 (41)	6.18 (54)	6.63 (59)	8.84 (78)	7.75 (68)	10.3 (910)	4.0 (35)
M6	Nm (in-lb)	3.05 (27)	4.07 (36)	7.87 (69)	10.5 (93)	11.3 (102)	15.0 (133)	13.2 (117)	17.6 (156)	6.8 (60)
M8	Nm (in-lb)	7.41 (65)	9.98 (88)	19.1 (69)	25.5 (226)	27.3 (241)	36.5 (323)	32.0 (283)	42.6 (377)	17.0 (150)
M10	Nm (ft-lb)	14.7 (11)	19.6 (14)	37.8 (29)	50.5 (37)	54.1 (40)	72.2 (53)	63.3 (46)	84.4 (62)	33.9 (25)
M12	Nm (ft-lb)	25.6 (19)	34.1 (25)	66.0 (48)	88.0 (65)	94.5 (70)	125.0 (92)	110.0 (81)	147.0 (108)	61.0 (45)
M14	Nm (ft-lb)	40.8 (30)	54.3 (40)	105.0 (77)	140.0 (103)	150.0 (110)	200.0 (147)	175.0 (129)	234.0 (172)	94.9 (70)

SPECIFIC TORQUES:

BLADE BOLT: 70 FT-LBS (95 Nm)

DRIVE WHEEL LUG NUTS: 55-65 FT-LBS (75-85 Nm)

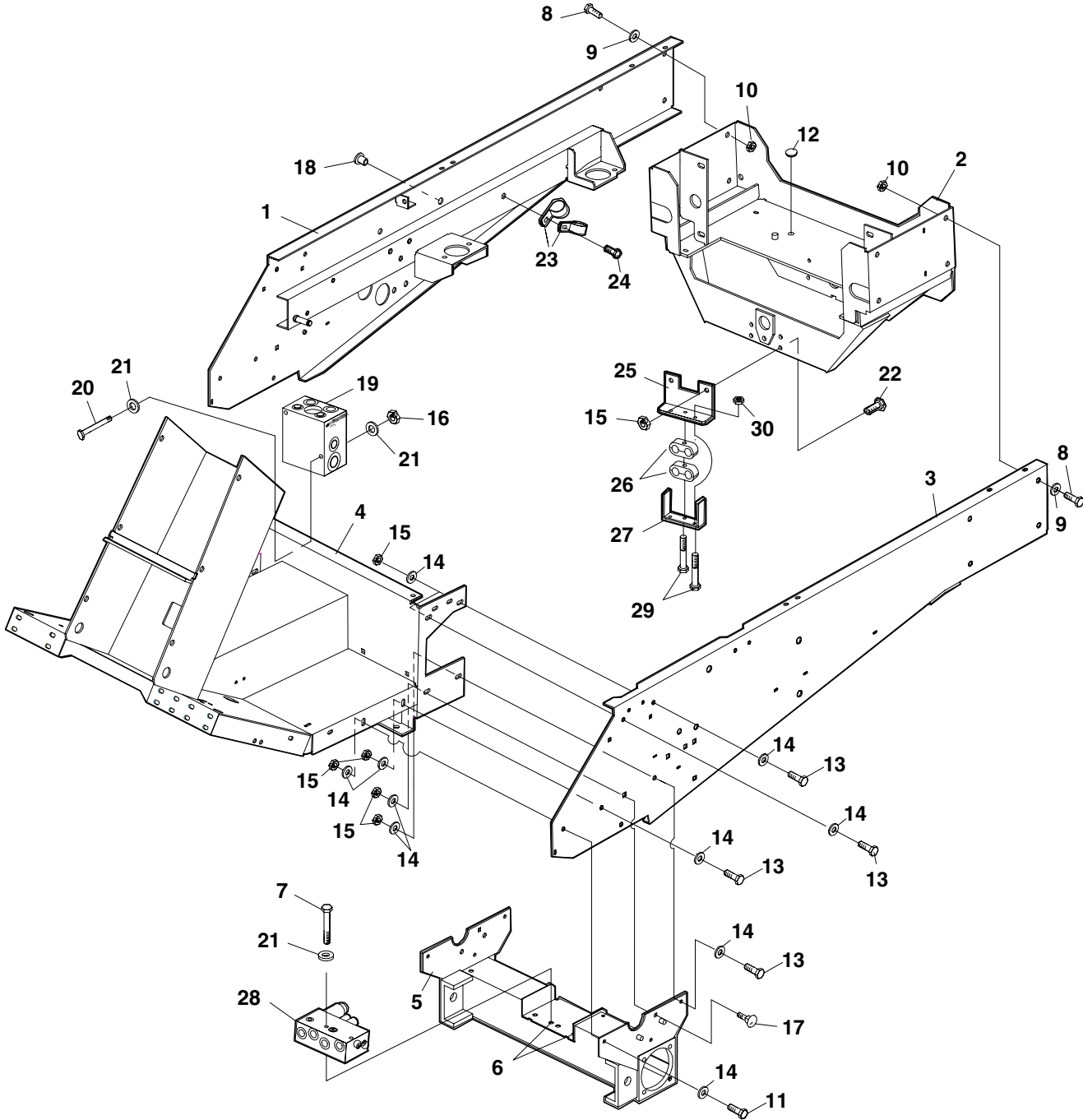
WHEEL HUB NUTS: 300 FT-LBS (407 Nm)

FRAME & FRONT AXLE ASSEMBLY

700 Series Front Line Tractors



FIGURE 1





700 Series Front Line Tractors

FRAME & FRONT AXLE ASSEMBLY

2197056

FIGURE 1

ITEM	PART NO.	DESCRIPTION	QTY	ITEM	PART NO.	DESCRIPTION	QTY
1-1	2196241	S-FRAME RAIL RH	1				
1-2	2196132	WLDMT-REAR FRAME	1				
1-3	2196242	S-FRAME RAIL LH 1	1				
1-4	2196154	S FRAME FRONT W/LABS	1				
1-5	2196134	WLDMT-FRONT AXLE	1				
1-6	64250-04	INSERT M8	2				
	(USE INSERT TOOL 2196247)						
1-7	64205-026	BOLT-MET.M81.25X80	2				
1-8	A1105061	BLT-MET.M12-1.75X30	8				
1-9	64251-005	WASHER-M12	8				
1-10	64237-06	LCKNT-NYLONM12-1.75	8				
1-11	64205-036	BOLT-MET M10-1.50X35	2				
1-12	48517-05	HOLE-PLUG .515	2				
1-13	A110406	SCREW M10-1.5X30	8				
1-14	64251-004	WASHER-M10	22				
1-15	64237-03	LOCKNUT-NYLONM10-1.5	14				
1-16 *	64237-05	LOCKNUT-NYLONM8-1.25	2				
1-17	64243-01	BLT-CRGM10-1.5X30	2				
1-18	48517-02	HOLE PLUG .625	1				
1-19 *	2198197	VALVE 4WD CHECK	1				
1-20 *	64205-044	BOLT-MET.M8-1.25X100	2				
1-21	64251-003	WASHER-M8	6				
1-22 *	64205-007	BLT-MET.M10-1.5X20	2				
1-23 *	48228-2A	CABLE CLIP	4				
1-24 *	64205-003	BOLT-MET.M8-1.25X30	2				
1-25 *	2192495	BRKT HOSE CLAMP	1				
1-26 *	148090-02	HOSE CLAMP	4				
1-27 *	2192493	FLAT HOSE CLAMP	1				
1-28	2721055	DECK VALVE	1				
1-29 *	64205-046	BOLT-MET.M6-1.0X80	3				
1-30 *	64237-02	LOCKNUT-NYLONM6-1	3				

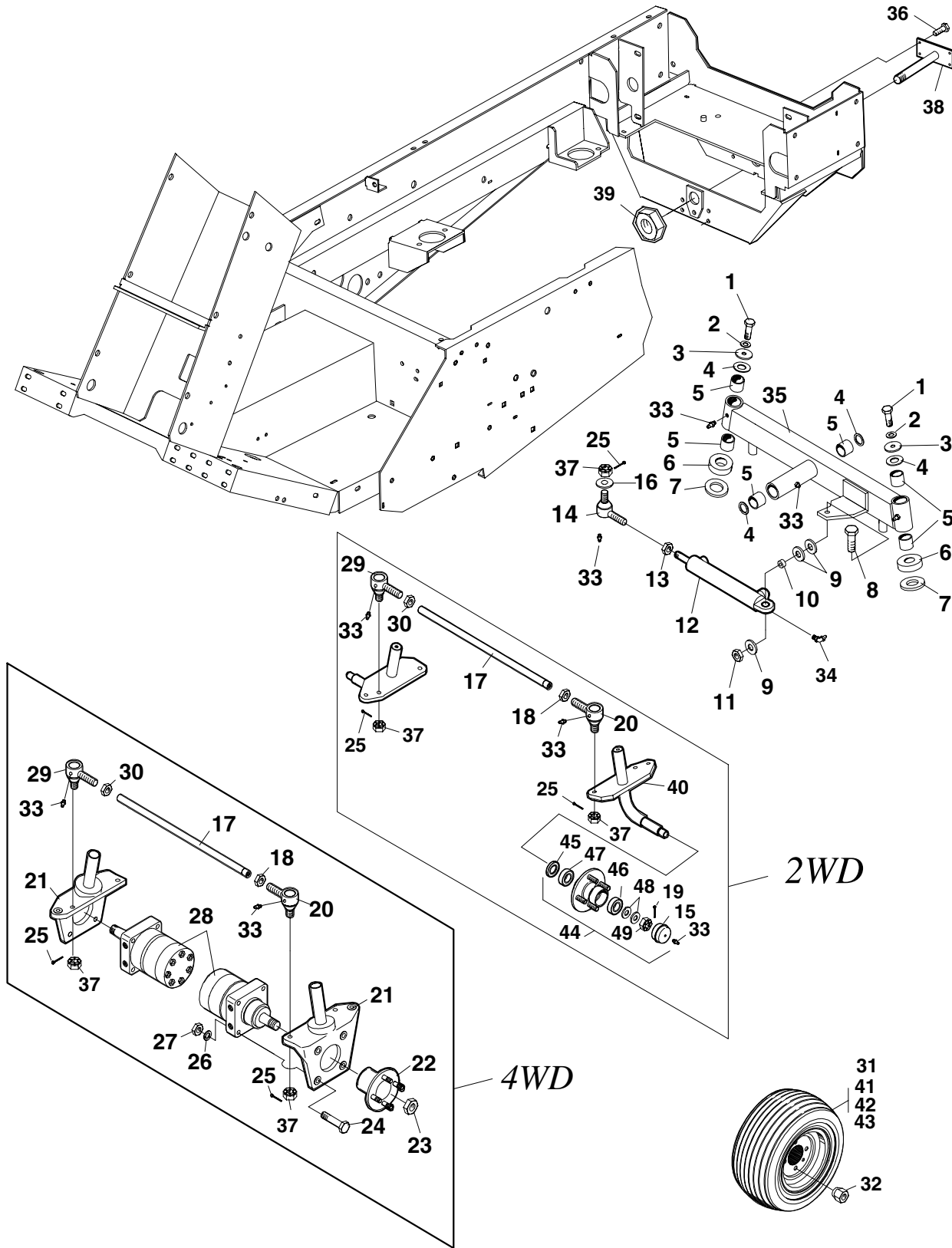
* ITEMS 16, 19, 20, 22, 23, 24, 25, 26, 27,
29 & 30 ON 4 WD ONLY

REAR AXLE ASSEMBLY

700 Series Front Line Tractors



FIGURE 2





700 Series Front Line Tractors

2197094

REAR AXLE ASSEMBLY

FIGURE 2

ITEM	PART NO.	DESCRIPTION	QTY	ITEM	PART NO.	DESCRIPTION	QTY
2-1	64205-007	BLT-MET.M10-1.5X20	2	2-39	64151-29	NUT-HEX 1 1/4-12 NYLK	1
2-2	800488	LOCKWASHER M10	2	2-40	2721185.2	WLDMT-WHL SPNDL,R	2
2-3	64163-17	25/64X2X11 GAWSHR	2				
2-4	62464-4A	WASHER-THRUST	4	2-41	2198231	WHEEL ASM, 18 X 8.5	2
2-5	108003	BUSHING	6			(INCLUDES ITEMS 42 & 43)	
2-6	2721223	THRUST BEARING	2	2-42	2198209-02	RIM ASSEMBLY	A/R
2-7	173042	SPACER-SPINDLE	2	2-43	2198231-01	TIRE-18X8.5 RIB TR	A/R
2-8	64123-72	BLT-HEX 1/2-13X2-1/2	1			(USE ON 2 WD)	
2-9	64163-19	WASHER	3				
2-10	2203049	BUSHING STEERING CYL	1	2-44	48476-A1	HUB ASM	2
2-11	64229-05	LOCKNUT-1/2-13	1			(INCLUDES ITEMS 45 - 49)	
2-12	198040	CYLINDER-STEERING	1	2-45	48480	SEAL	1
2-13	800490	NUT-14 MM-1.5	1	2-46	48043-03C	S CUP, OUTER BRG	2
2-14	2721183	END-TIE ROD	1	2-47	48043-04C	S CONE, OUTER BRG	2
		(INCLUDES ITEM 37)		2-48	64163-26	WASHER, .766 ID X 1.625	4
				2-49	64025-20	NUT-HEX 3/4-16 SLOT U	2
2-15	48479	S DUST COVER	1				
2-16	64251-005	WASHER	1				
2-17	2193045	TIE ROD	1				
2-18	64025-27	NUT 5/8-18 LH	1				
2-19	64140-5	COTTER PIN-1/8X1-1/2	2				
2-20	148058-02	ROD END LH	1				
		(INCLUDES ITEM 37)					
2-21	2721146	PLATE-MOTOR	2				
2-22	2720828.2	WLDMT-WHEEL HUB	2				
2-23	64025-35	NUT-1-1/8-18 UNSLOT TRW	2				
2-24	A1005166	BLT-MET.M12-1.75X80	8				
2-25	64140-1	COTTER PIN 1/8X1	3				
2-26	64006-05	LOCKWASHER 1/2	8				
2-27	64207-07	NUT-HEX M12-1.75	8				
2-28	2720824-04	WHL MTR ME090219AAJC	2				
		(USE S KEY 64164-08)					
2-29	148058-01	ROD END RH	1				
		(INCLUDES ITEM 37)					
2-30	64025-16	NUT-5/8-18 RH	1				
2-31	2198209	WHL ASM 18X8.5-8 4 PLY	2				
	2198209-01	S TIRE 18X8.5-8 4 PLY	A/R				
	2198209-02	S RIM 8 4 BLT	A/R				
		(USE ON 4 WD)					
2-32	64187-03	WHEEL NUT 1/2-20	8				
2-33	85010N	ZERK 1/4-28 STR	6				
2-34	35027N	ZERK FITTING	1				
2-35	2196145	WLDMT-REAR AXLE	1				
2-36	64197-001	BLT-TR 5/16-18X3/4	4				
2-37	64025-30	NUT 1/2-20 SLOT	3				
2-38	2206030	WLDMT-REAR AXLE PIVOT	1				



700 Series Front Line Tractors

2197058

ENGINE MOUNTING

FIGURE 3

ITEM	PART NO.	DESCRIPTION	QTY	ITEM	PART NO.	DESCRIPTION	QTY
3-1	2192447	MOUNT-ENGINE RR	1	3-42	2192505	BRKT-CONTROL CABLE	1
3-2	2192525	MNT-ENGINE RH	1	3-43	64163-38	WASHER	2
3-3 *	2198185	ENGINE-PERKINS 103-13 (PERKINS SERVICE MANUAL)	1	3-44	64237-05	LOCKNUT-NYLM8-1.25	3
3-4	2192450	ENGINE MOUNT-RF	1	3-45	A1103051	BOLT-M8-1.25X25	2
3-5	2198132	MOUNT-ISOLATION	2	3-46	2192444	BRKT-NEUTRAL CONTROL	1
3-6	2192451	ENGINE MOUNT-LF	1	3-47	64123-162	BLT-HEX 5/16-24X5	1
3-7	2192449	MOUNT-ENGINE LH	1	3-48	2193046	BUSHING	1
3-8	2192448	MOUNT-ENGINE LR	1	3-49	2198279	SPRING-COMPRESSION	1
3-9	2198205-02	FLANGE KIT	1	3-50	123032	BUSHING	1
3-10	2218009	ISOLATOR-VIBRATION	2	3-51	64151-24	HEX CL NUT 5/16-24	2
3-11	148057-01	CABLE-THROTTLE	1	3-52	64025-03	NUT-HEX 5/16-24	1
3-12	2198211	SWIVEL-CABLE CLAMP	1	3-53	48244A	BALL JOINT 5/16F W/STUD	1
3-13	64205-042	BLT-MET. M4-.7X12	1	3-54	64061-28	ROLL PIN-3/16X1-1/4	1
3-14	64206-14	BLT-MET. M14-1.5X30	8	3-55	2196133	WLDMT-CONTROL ARM	1
3-15	64205-007	BLT-MET. M10-1.5X20	8	3-56	64205-015	BOLT-M8-1.25X35	1
3-16	64205-019	BLT-MET. M10-1.5X80	4	3-57	64123-114	BOLT-1/4-20X1	1
3-17	2198205-01	BELL HOUSING	1	3-58	128089-02	CABLE, CONTROL	1
3-18	64237-03	LOCKNUT-NYLON M10-1.5	20	3-59	128079	ROD END 1/4 FEMALE	1
3-19	64251-003	WASHER-M8	2				
3-20	64205-027	BLT-MET. M10-1.5X40	8				
3-21	64251-004	WASHER-M10	24				
3-22	64229-01	LOCKNUT-NYLON 1/4-20	1				
3-23	64163-27	WASHER	6				
3-24	2192486	BRACKET-THROTTLE	1				
3-25	22372	CABLE-CLAMP	1				
3-26	64152-49	#10-24X3/4 MACH SCRW	1				
3-27	64025-15	NUT-HEX #10-24 KEPS	1				
3-28	A1102966	BOLT-M6-1.00X16	2				
3-29	64251-002	WASHER-M6	2				
3-30	2198187	COUPLING-13 TOOTH	1				
3-31	2198205	ASSY BELL HOUSING	1				
3-32	2721329	PUMP-OIL GEAR PVW022	1				
3-33	2198199	PUMP-HYDRAULIC	1				
3-34	64123-70	BLT-HEX 3/8-16X1-1/2	2				
3-35	64006-03	LOCKWASHER 3/8	2				
3-36	64205-045	BLT-MET. M12-1.75X35	2				
3-37	64251-005	WASHER-M12	2				
3-38	64250-02	INSERT-M6 (USE INSERT TOOL 2196246)	2				
3-39	64250-04	INSERT-M8 (USE INSERT TOOL 2196247)	5				
3-40	158061-24	O-RING	1				
3-41	64006-13	WASHER-9/16	8				

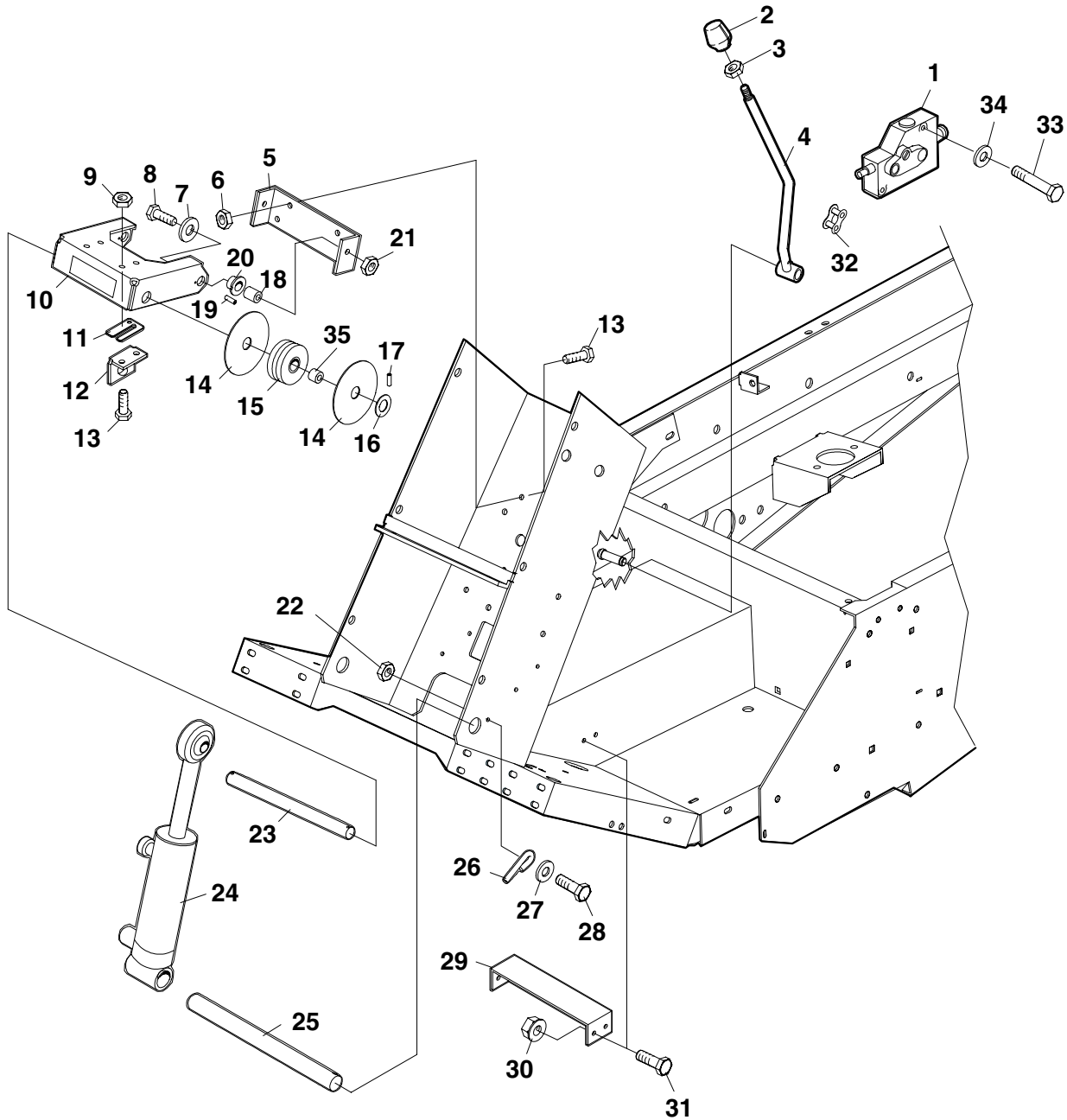
* AVAILABLE THROUGH PERKINS DEALER.

LIFT CYLINDER MOUNTING

700 Series Front Line Tractors



FIGURE 4





700 Series Front Line Tractors

2197059

LIFT CYLINDER MUONTING

FIGURE 4

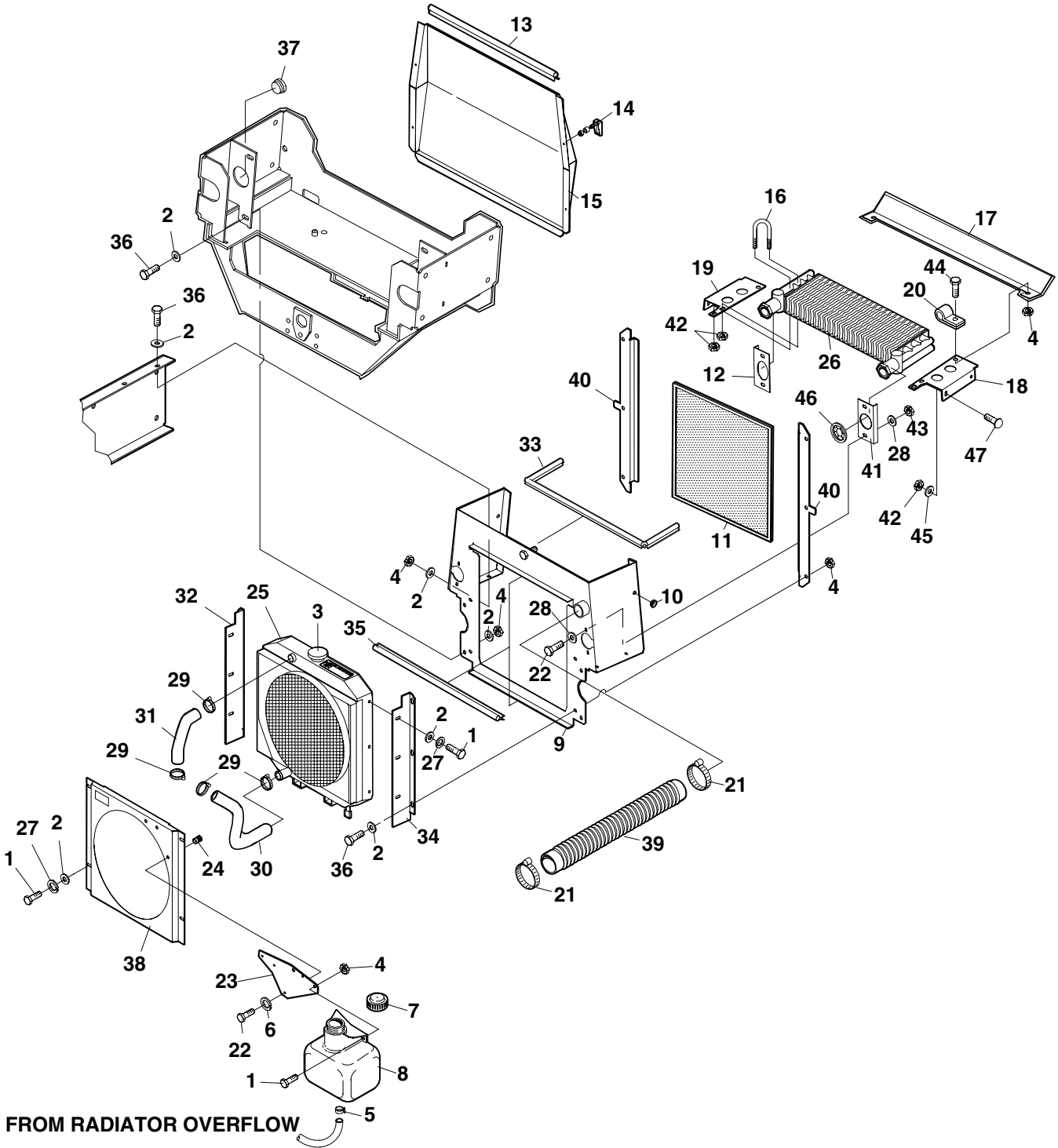
ITEM	PART NO.	DESCRIPTION	QTY	ITEM	PART NO.	DESCRIPTION	QTY
4-1	198042	VALVE-HYDRAULIC (USE SEAL KIT 198042-01)	1				
4-2	68156A	HANDLE-KNOB, BLACK	1				
4-3	64001-06	JAMNUT-3/8-16	1				
4-4	2196138	WLDMT-LIFT LEVER	1				
4-5	192087	BRKT-LIFT PIVOT MNT	1				
4-6	64141-6	NUT-WLF 5/16-18	4				
4-7	64163-31	WSHR-25/64X12 GA	2				
4-8	64123-16	BLT-HEX 3/8-16X1 1/4	2				
4-9	64151-15	5/16-18 HEX HD CL	4				
4-10	2196215	S-PULLEY-MOUNT BRKT	1				
4-11	2192291	SHIM-CYL SUP BRKT	4				
4-12	2192289	BRKT-CYL SUPPORT	2				
4-13	64139-08	BLT-WLF 5/16-18X3/4	8				
4-14	192086	GUIDE-CHAIN	4				
4-15	196004	PULLEY-CHAIN (INCLUDES 198003-01 BEARING)	2				
4-16	62464-3A	THRUST-WASHER	2				
4-17	64061-07	ROLL PIN 5/32X1-1/4	2				
4-18	2198127	TUBE-SPACER	2				
4-19	64061-15	ROLL PIN 1/8X1/2	2				
4-20	108031	BRG-FLANGE NOTCHED	2				
4-21	64151-18	NUT-HEX CL 3/8-16	2				
4-22	64151-17	NUT-HEX CL 1/4-20	1				
4-23	193003	SHAFT-PULLEY MNTNG	1				
4-24	2198081	CYLINDER-LIFT (USE SEAL KIT 2198082)	1				
4-25	2193027	SHAFT-CYL PIVOT	1				
4-26	2193028	PIN-LOCKING	1				
4-27	64163-34	WSHR-FLT.256IDX11 GA	1				
4-28	64123-114	BLT-HEX 1/4-20X1	1				
4-29	192187	BRKT-TUBE SUPPORT	1				
4-30	64141-2	NUT-WLF 1/4-20	4				
4-31	64139-04	BLT-WLF 1/4-20X3/4	4				
4-32	148062	MASTER LINK #50 CHAIN	1				
4-33	64205-023	BOLT-M6-1.0X50	2				
4-34	64006-01	LCKWSHR-HELICAL 1/4	2				
4-35	198003-01	BEARING-OILITE	2				

RADIATOR MOUNTING

700 Series Front Line Tractors



FIGURE 5





700 Series Front Line Tractors

2197060

RADIATOR MOUNTING

FIGURE 5

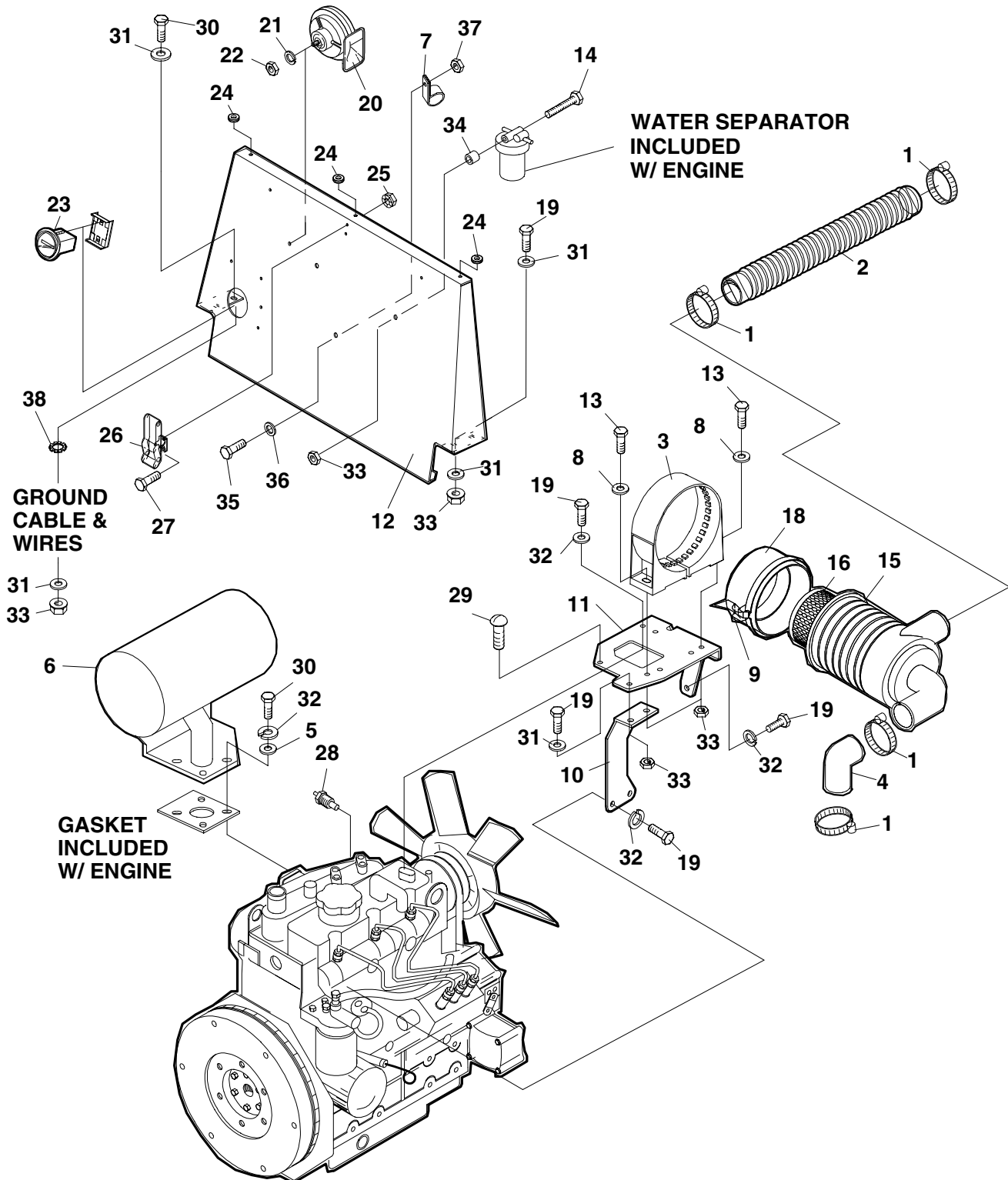
ITEM	PART NO.	DESCRIPTION	QTY	ITEM	PART NO.	DESCRIPTION	QTY
5-1	64205-018	BLT-MET. M8-1.25X15	12				
5-2	64251-003	WASHER-M8	32				
5-3	2178211-01	RADIATOR CAP	1				
5-4	64237-05	LOCKNUT-NYLM8-1.25	18				
5-5	88042-01	CLAMP-HOSE 3/8	1				
5-6	64006-01	LOCKWSHR-HELICAL 1/4	3				
5-7	831905	CAP-OVERFLOW BOTTLE	1				
5-8	831906	BOTTLE-OVERFLOW	1				
5-9	2196211	S RADIATOR PNL W/LABS	1				
5-10	118047-06	BUSHING FLIPLOCK .31 ID	2				
5-11	2198175	SCREEN	1				
5-12	2192557	COVER-OIL COOLER	1				
5-13	108194-06	CHANNEL FLEX TRIM 21.0	1				
5-14	2198084	LATCH-SWELL	4				
5-15	2196150	S REAR PANEL W/LABS	1				
5-16	64225-03	U-BOLT	2				
5-17	2192524	BAFFLE-OIL COOLER	1				
5-18	2192522	MOUNT-OIL COOLER LH	1				
5-19	2192523	MOUNT-OIL COOLER RH	1				
5-20	48228-1A	CLIP-CABLE INSULATED	2				
5-21	48383	CLAMP-HOSE 2 1/2 DIA	2				
5-22	A1102966	BLT-MET. M6-1.0X16	7				
5-23	2192470	MOUNT-BOTTLE	1				
5-24	64250-02	INSERT-GRIP M6-1.0 (USE INSERT TOOL 2196246)	3				
5-25	2198174	RADIATOR (INCLUDES NO. 3)	1				
5-26	2198201	OIL COOLER	1				
5-27	64006-02	LOCKWASHER-HEL. 5/16	10				
5-28	64251-002	WASHER M6	8				
5-29	108094-01	CLAMP	4				
5-30	2198178	HOSE-RAD LOWER	1				
5-31	2198177	HOSE-RAD UPPER	1				
5-32	2192440	MOUNT-RAD RH	1				
5-33	108194-13	CHANNEL-FLEX TRIM 39.0	1				
5-34	2192439	MOUNT-RAD LH	1				
5-35	108194-11	CHANNEL-FLEX TRIM 17.0	2				
5-36	64205-001	BLT-MET. M8-1.25X20	14				
5-37	48256	PLUG-HOLE	2				
5-38	2196219	S-FAN SHROUD	1				
5-39	198069-02	HOSE-AIR CLNR INTAKE	1				
5-40	2192441	SCREEN GUIDE	2				
5-41	2192549	COVER-OIL COOLER	1				
5-42	64229-01	NUT-1/4-20	8				
5-43	64237-02	LOCKNUT-NYLM6-1.0	4				
5-44	64205-001	BOLT-M8-1.25X20	2				
5-45	64163-03	WASHER	4				
5-46	2218084	GROMMET	1				
5-47	64018-2	BLT-CRG 1/4-20X3/4	4				

FUEL SEPARATOR/AIR CLEANER

700 Series Front Line Tractors



FIGURE 6





700 Series Front Line Tractors

FUEL SEPARATOR/AIR CLEANER

2197061

FIGURE 6

ITEM	PART NO.	DESCRIPTION	QTY	ITEM	PART NO.	DESCRIPTION	QTY
6-1	48383	CLAMP HOSE 2-1/2 DIA	4				
6-2	198069-02	HOSE-AIR CLEANER IN	1				
6-3	2198297	CLAMP-AIR CLEANER	1				
6-4	2198191	HOSE-AIR CLEANER	1				
6-5	64163-29	WASHER	4				
6-6	2208033	MUFFLER	1				
6-7	48228A	CABLE CLIP	1				
6-8	64163-29	WASHER	2				
6-9	2198147-04	S COVER CLIP	A/R				
6-10	2192488	BRACE-AIR CLEANER	1				
6-11	2192487	MOUNT-AIR CLEANER	1				
6-12	2192492	PANEL-FRONT	1				
6-13	64205-015	BOLT	2				
6-14	64205-026	BLT-MET.M8-1.25X80	1				
6-15	2198147	AIR CLEANER (CONTAINS ITEMS 9,16, 17, & 18)	1				
6-16	2198147-01	ELEMENT	A/R				
6-17	* 2198147-02	VALVE-DUST UNLOAD	A/R				
6-18	2198147-03	COVER	A/R				
6-19	64205-001	BLT-MET M8-1.25X20	9				
6-20	886425	HORN	1				
6-21	64006-01	LOCKWASHER 1/4	1				
6-22	64207-06	NUT-HEX M6-1.0	1				
6-23	48030N	HOUR METER ASSLY	1				
6-24	2198125	BUMPER	3				
6-25	64025-29	NUT-HEX #8-32 KEPS	2				
6-26	2198112	LATCH-HOOD	1				
6-27	64152-20	8-32X 1/2 MACH SCREW	2				
6-28	148270	TEMPERATURE SENDER	1				
6-29	64218-03	SCR-BT HD M8-1.25X16	1				
6-30	A1103051	BOLT-M8-1.25X25	5				
6-31	64251-003	WASHER-M8	9				
6-32	64006-02	LOCKWSHR-HEL 5/16	8				
6-33	64237-05	LOCKNUT-NYLON M8-1.25	8				
6-34	73017A	BUSHING	1				
6-35	A1102966	BOLT-M6-1.00X16	1				
6-36	64251-002	WASHER-M6	1				
6-37	64237-02	LOCKNUT-M6	1				
6-38	64002-04	LCKWASH-TOOTHEXT	1				

* NOT ILLUSTRATED

WING DECK VALVE

700 Series Front Line Tractors



FIGURE 7

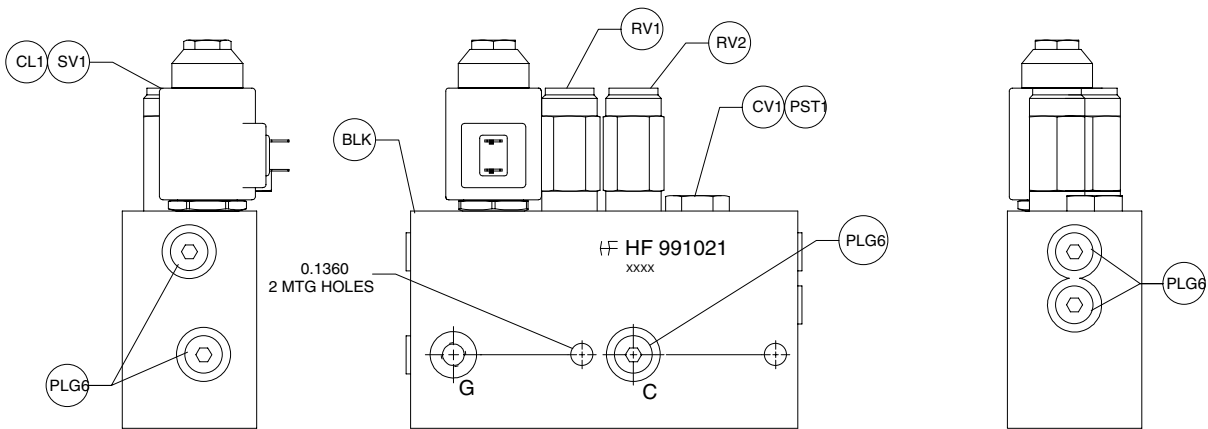
2197062A

DECK VALVE PART NO. 2721055

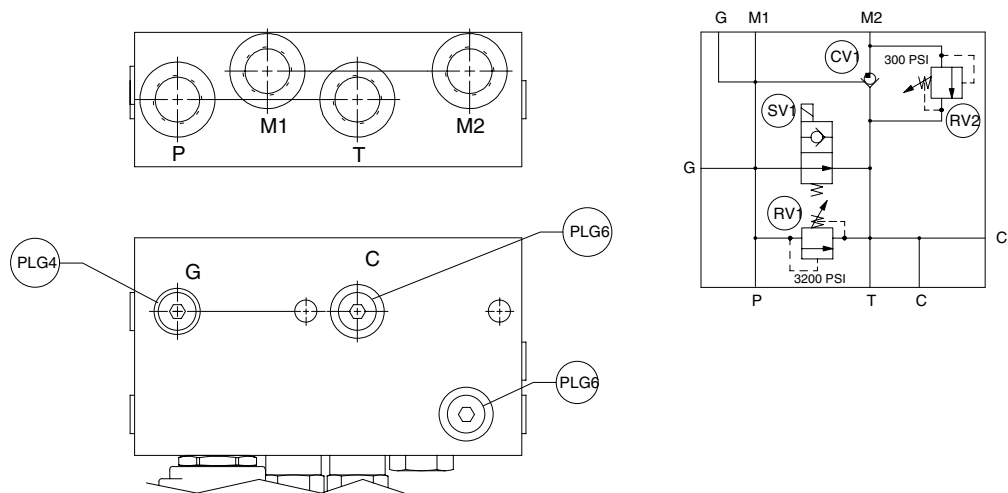
REF. HYDRAFORCE PART NO. HF991021

PORTING:

BOTH 'G's ARE SAE 04
BOTH 'C's ARE SAE 06
'P', 'T', 'M1', 'M2' ARE SAE 10



SCHEMATIC

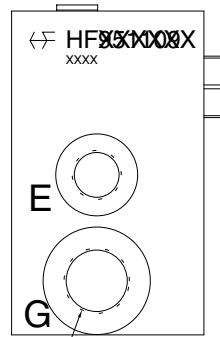
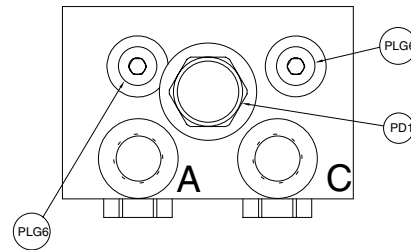
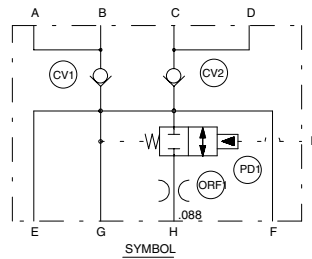


ITEM	HYDRAFORCE PART NO.	RANSOMES PART NO.	QTY	HYDRAFORCE SEAL KIT	RANSOMES PART NO.
RV1	RV10-22H-0-V-35/32	178102-79	1	SK10-2V-T/B	178102-83
RV2	RV10-22H-0-V-06/3.0	178102-13	1	SK10-2V-T/B	178102-83
CV1	CV10-20-0-V-70	178102-31	1	SK10-2V-T/B	178102-83
PST1	PILOT PISTON 7013200	178102-14	1	-----	-----
SV1	SV10-21W-0-V-00	178102-81	1	SK10-2V-T/B	178102-83
CL1	COIL 6351012	178102-17	1	-----	-----
PLG6	PORT PLUG 6118006	178102-61	7	6004906	178102-84
PLG4	PORT PLUG 6118004	178102-60	1	6004904	178102-85

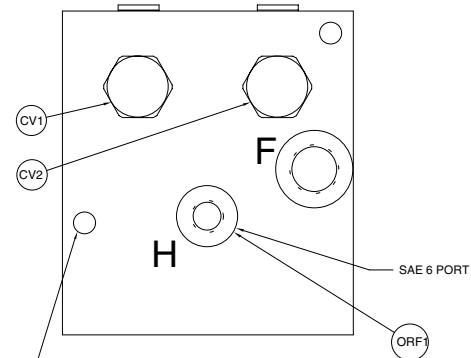


**4WD VALVE/CHECK
PART NO. 2198197**

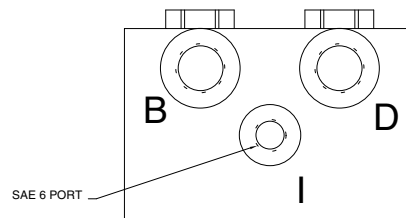
- 1) REF. HYDRAFORCE PART NO. HF951109
- 2) ALL PORTS SAE 8 UNLESS
UNLESS OTHERWISE NOTED.



SAE 12 PORT



.34 THRU MOUNTING HOLES
(2) PLACES



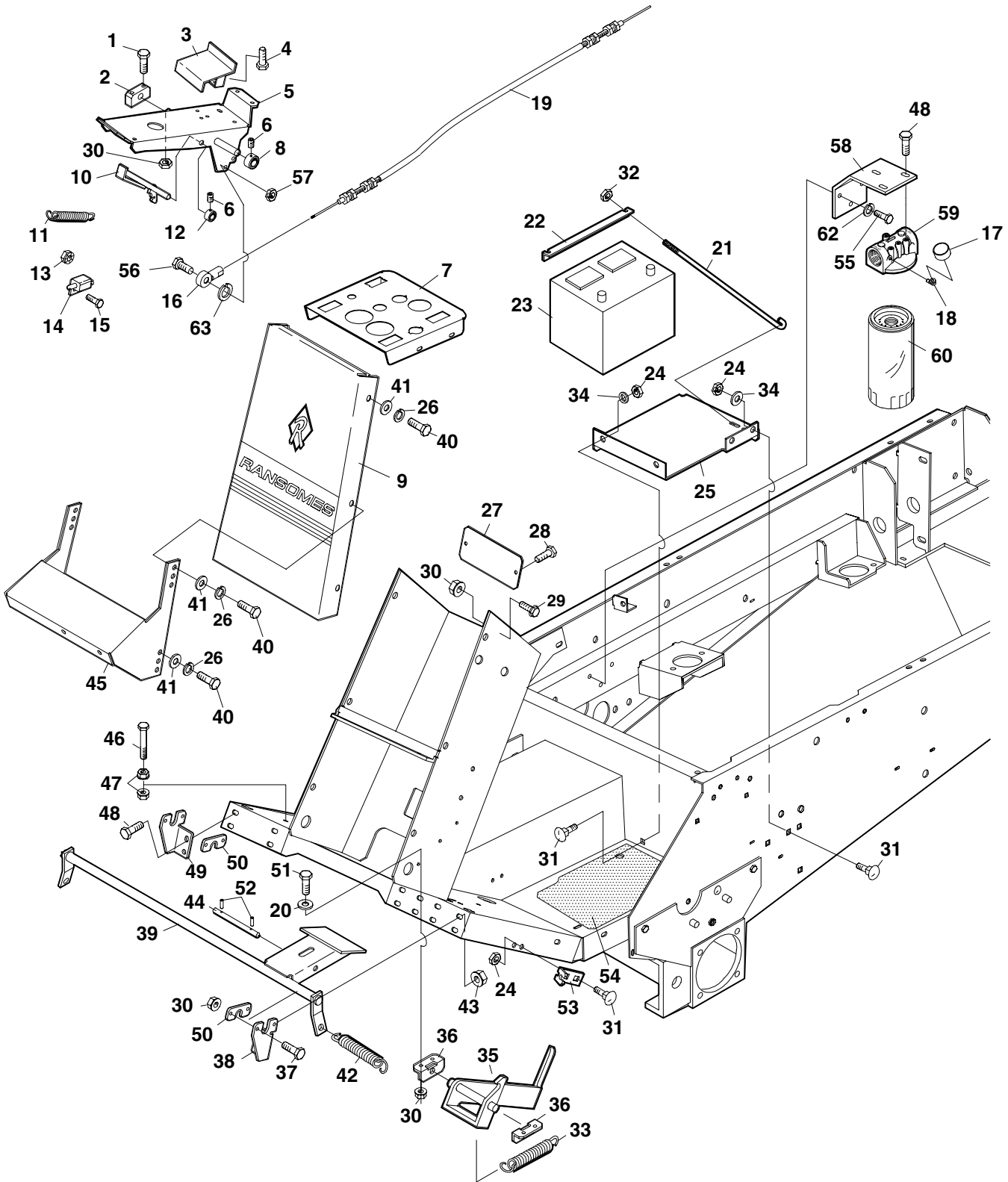
SAE 6 PORT

DOC-ASSY\SERVICE 2198197			2197054		2197054
ITEM	1	HYDRAFORCE P/N	R.I. P/N	SEAL KIT	R.I. P/N
CV1	1	CV08-20-0-N-04	178102-52	SK08-2N-T	178102-03
CV2	1	CV08-20-0-N-04	178102-52	SK08-2N-T	178102-03
PD1	1	PD10-44-0-N-110	178102-53	SK10-4N-MMM	178102-54
PLG6	2	PORT PLUG 6118006	178102-61	6062009	178102-63
ORF1	1	ORIFICE PLUG 6115088	178102-51	-----	-----

PEDAL CONTROLS

FIGURE 9

700 Series Front Line Tractors





700 Series Front Line Tractors

2197063

PEDAL CONTROLS

FIGURE 9

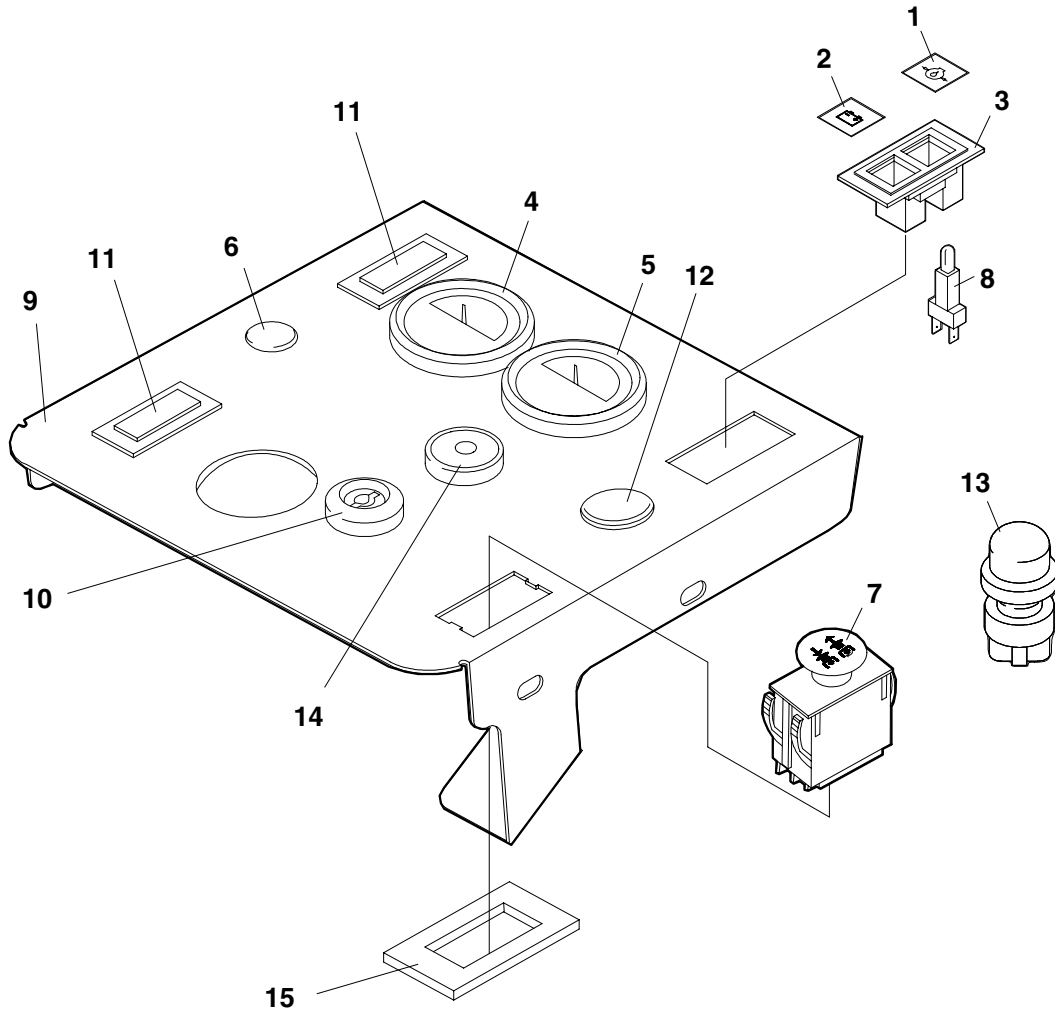
ITEM	PART NO.	DESCRIPTION	QTY	ITEM	PART NO.	DESCRIPTION	QTY
9-1	64123-07	BLT-HEX 1/4-20 X 1-1/2	4	9-50	2192361	CLAMP-BRAKE MNT	2
9-2	41028	BLOCK-BEARING	2	9-51	64123-89	BLT-HEX 1/4-20 X 3/4	4
9-3	146082	S PEDAL ADPTR W/MAT	1	9-52	64061-04	ROLL PIN-1/8X 3/4	2
9-4	64139-02	BLT-WLF 1/4-20 X 1/2	2	9-53	2192476	MOUNT-CABLE	2
9-5	2196117	S FWD/REV PED W/MAT	1	9-54	148086	MAT-FLOOR LH	1
9-6	64044-1	SET SCREW 1/4-20 X 1/4	4	*	148085	MAT-FLOOR RH	1
9-7	2196148	S INST PANEL W/LABS	1	9-55	A1103051	BLT-MET. M8-1.25X25	3
9-8	43067A	COLLAR, SET PLATE	2	9-56	64123-114	BOLT 1/4-20X1	1
9-9	2196168	S TOWER CVR W/LABS	1	9-57	64229-01	LOCKNUT 1/4-20	1
9-10	196021	CNTRL WLDMT-NEUTRAL	1	9-58	2192518	MOUNT-FILTER	1
9-11	48429	SPRING-EXTENSION	1	9-59	2198295	FILTER-HEAD	1
9-12	48428	COLLAR SET, 3/8 ID	2	9-60	178025	FILTER-SPINON	1
9-13	64025-15	NUT-HEX 10-24 KEPS	2	9-61	64243-02	BOLT-CARRIAGEM10X20	4
9-14	2308094	SWITCH-NCNC DBL POLE	1	9-62	64006-02	LOCKWASHER 5/16	3
9-15	64152-06	10-24 X 1/2 MACH SCRW	2	9-63	64006-01	LOCKWASHER 1/4	1
9-16	128079	ROD END 1/4 FEMALE	2				
9-17	2198294	GAUGE-FILTER VACUUM	1				
9-18	2690032-01	FTG-90 STREET EL	1				
9-19	128089-02	CONTROL CABLE	1				
9-20	64251-002	WASHER	4				
9-21	806953	ROD-BATTERY HOOK	2				
9-22	2182427.7	BATTERY-HOLD DOWN	1				
9-23	148074	BATTERY-BCI26	1				
9-24	64237-03	LOCKNUT-NYLONM10-1.5	8				
9-25	2192472	TRAY-BATTERY	1				
9-26	64006-03	LOCKWASHER 3/8	6				
9-27	2192220	PLATE-TOWER	1				
9-28	64152-23	1/4-20X3/8 LG SP SCR	2				
9-29	64139-02	BLT-WLF 1/4-20X5/8	4				
9-30	64141-2	NUT-WLF 1/4-20	16				
9-31	64243-04	BLT-CRGM10-1.5X25	8				
9-32	64229-02	LOCKNUT-NYLON5/16-18	2				
9-33	38129	SPRING-TENSION	2				
9-34	64251-004	WASHER-M10	4				
9-35	2196088	WLDMT-BRAKE LEVER	1				
9-36	2192351	BRKT-BRAKE PEDAL	2				
9-37	64139-04	BLT-WLF 1/4-20X3/4	4				
9-38	2192308	SUPP BRAKE SHAFT LH	1				
9-39	2196108	S BRAKE PEDAL W/MAT	1				
9-40	64123-50	BLT-HEX 3/8-16X1	6				
9-41	64163-31	WASHER	6				
9-42	128102	SPRING-EXTENSION	2				
9-43	64141-6	NUT-WLF 5/16-18	4				
9-44	143011	LINK-PEDAL	1				
9-45	2196104	S BRKT-SPRING W/LABS	1				
9-46	64123-82	BLT-HEX 3/8-16 X 2 1/2	1				
9-47	64141-4	BLT-HEX 3/8-16	2				
9-48	64139-08	BLT-WLF 5/16-18 X 3/4	7				
9-49	2192310	SUPP-BRAKE SHAFT RH	1				

* NOT ILLUSTRATED

INSTRUMENT PANEL

FIGURE 10

700 Series Front Line Tractors





700 Series Front Line Tractors

2197064

INSTRUMENT PANEL

FIGURE 10

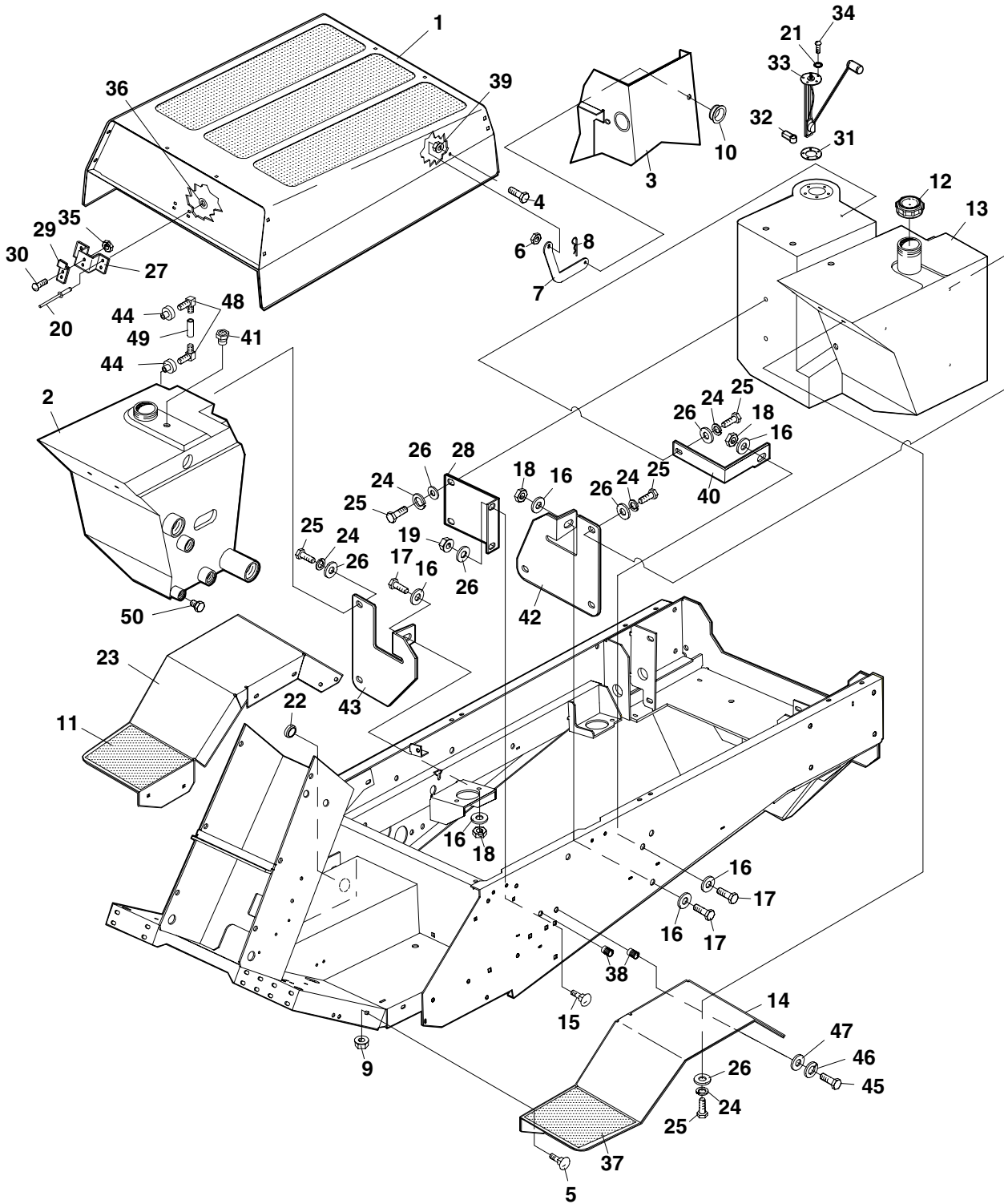
ITEM	PART NO.	DESCRIPTION	QTY	ITEM	PART NO.	DESCRIPTION	QTY
10-1	188015	OIL PRESSURE LENS	1				
10-2	2198088	LENS-BATTERY	1				
10-3	2198089	LAMP HOLDER	1				
	(INCLUDES TWO 178092-22 LAMPS)						
10-4	148032	GAUGE-FUEL	1				
10-5	148269	GAUGE-TEMP	1				
10-6	48517-02	HOLE PLUG .625	1				
10-7	2188153	SWITCH-CLUTCH	1				
10-8	178092-22	LAMP	1				
10-9	2196148	S INST PANEL W/LAB	1				
10-10	PERKINS KEY SWITCH INCLUDED WITH ENGINE.						
10-11	178092-13	S SNGL SWITCH BLANK	2				
10-12	48517	HOLE PLUG 1.00	1				
10-13	148061	HORN SWITCH	1				
	(OPTIONAL EQUIPMENT)						
10-14	PERKINS GLOW INDICATOR INCLUDED WITH ENGINE.						
10-15	2188178	SWITCH, RETAINER	1				

HOOD ASSEMBLY

700 Series Front Line Tractors



FIGURE 11





700 Series Front Line Tractors

2197065

HOOD ASSEMBLY

FIGURE 11

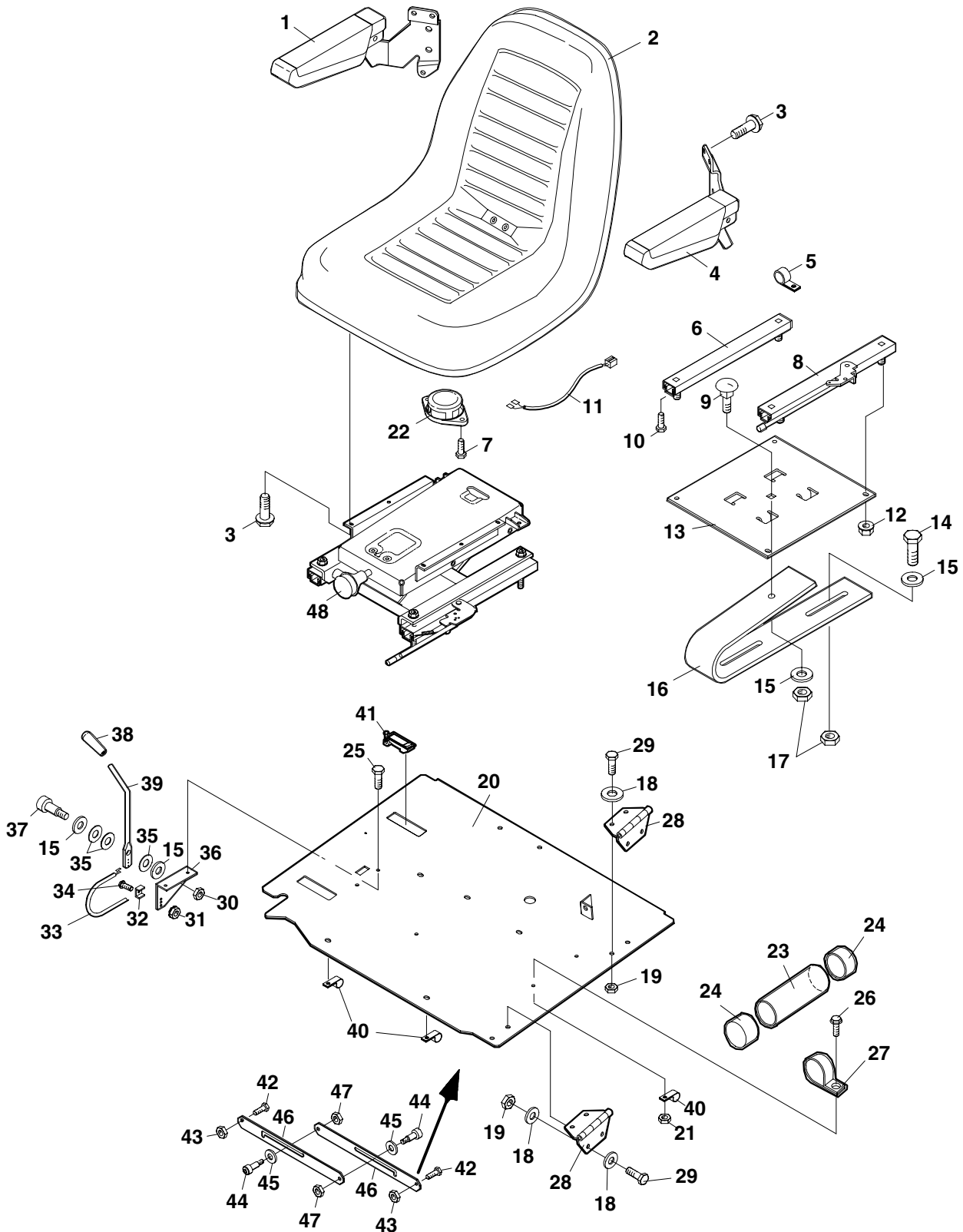
ITEM	PART NO.	DESCRIPTION	QTY	ITEM	PART NO.	DESCRIPTION	QTY
11-1	2196151	S HOOD ASSY W/LABS	1	11-41	148027	BREATHER-VENT	1
11-2	2198248	TANK-HYD 700 (INCLUDES ITEMS 44,48, & 49)	1	11-42	2192479	MOUNT-FUEL REAR	1
11-3	2196211	S RADIATOR PNL W/LABS	1	11-43	2192480	MOUNT-HYD TANK	1
11-4	64123-114	BLT-HEX 1/4-20 X 1	2	11-44	48310	S BUSHING FUEL TANK	2
11-5	64243-03	BLT-CRGM8-1.25X20	8	11-45	A1103051	BOLT M8X25	4
11-6	64151-8	1/4-20 HEX LOCK NUT	2	11-46	64006-02	LOCKWASHER 5/16	4
11-7	2192571	STOP-HOOD PIVOT	2	11-47	64251-003	WASHER M8	4
11-8	64168-2	HAIRPIN COTTER	2	11-48	2198159	FTG-1/4 90 ELBOW	2
11-9	64246-02	NUT-WLF M8-1.25	8	11-49	158122-01	TUBING-SIGHT	.18
11-10	118047-06	BUSHING-FLIP LOK .38ID	2	11-50	2690017-03	PTG-ORB PLUG-06	1
11-11	2198137	MAT-RH FENDER	1				
11-12	2198240	CAP VENTED, FUEL	1				
11-13	2198188	TANK-FUEL 700	1				
11-14	2196152	S FENDER LH W/LABS (INCLUDES ITEM 37)	1				
11-15	64243-04	BLT-CRGM10-1.5X25	2				
11-16	64251-005	WASHER-M12	6				
11-17	A1105061	BLT-MET.M12-1.75X30	3				
11-18	64237-06	LOCKNUT-NYLON M12	3				
11-19	64237-03	LOCKNUT-NYLON M10	2				
11-20	64215-05	RIVET-POP IFI #84	4				
11-21	64002-02	STAR WASHER	5				
11-22	48517-01	HOLE-PLUG .750	1				
11-23	2196153	S FENDER W/MAT RH (INCLUDES ITEM 11)	1				
11-24	800488	LOCKWASHER M10	12				
11-25	64205-007	BLT-MET.M10-1.5X20	12				
11-26	64251-004	WASHER-M10	14				
11-27	2192248.2	BRKT-HOOD LATCH	1				
11-28	2192477	MOUNT-FUEL FRONT	1				
11-29	2198112	LATCH-HOOD (ONLY PARTIAL SHOWN)	1				
11-30	64152-20	8-32 X 1/2 MACH SCRW	2				
11-31	148081	GASKET	1				
11-32	2198091	BOOT-FUEL SENDER	1				
11-33	2208073	SENDER-FUEL LEVEL	1				
11-34	64152-05	10-32 X 1/2 MACH SCRW	5				
11-35	64025-29	NUT-HEX #8-32 KEPS	2				
11-36	64211-02	WASHER	4				
11-37	2198136	MAT-LH FENDER	1				
11-38	64250-04	INSERT-GRIP M8 (USE INSERT TOOL 2196247)	4				
11-39	64141-2	NUT-WLF 1/4-20	2				
11-40	2192478	MOUNT-FUEL TOP	1				

SEAT & PLATFORM ASSEMBLY

700 Series Front Line Tractors



FIGURE 12





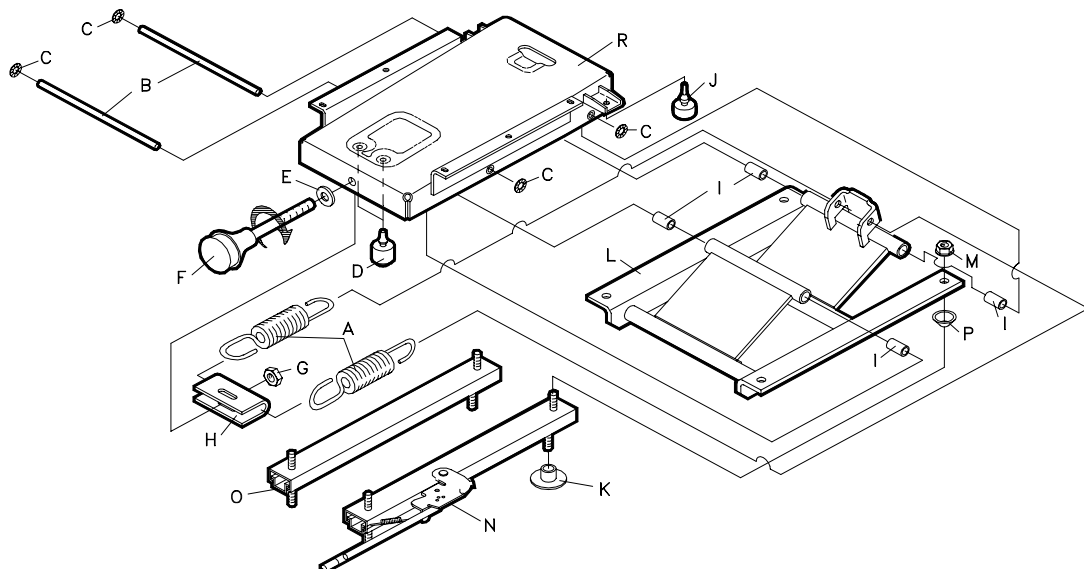
700 Series Front Line Tractors

SEAT & PLATFORM ASSEMBLY

2197066

FIGURE 12

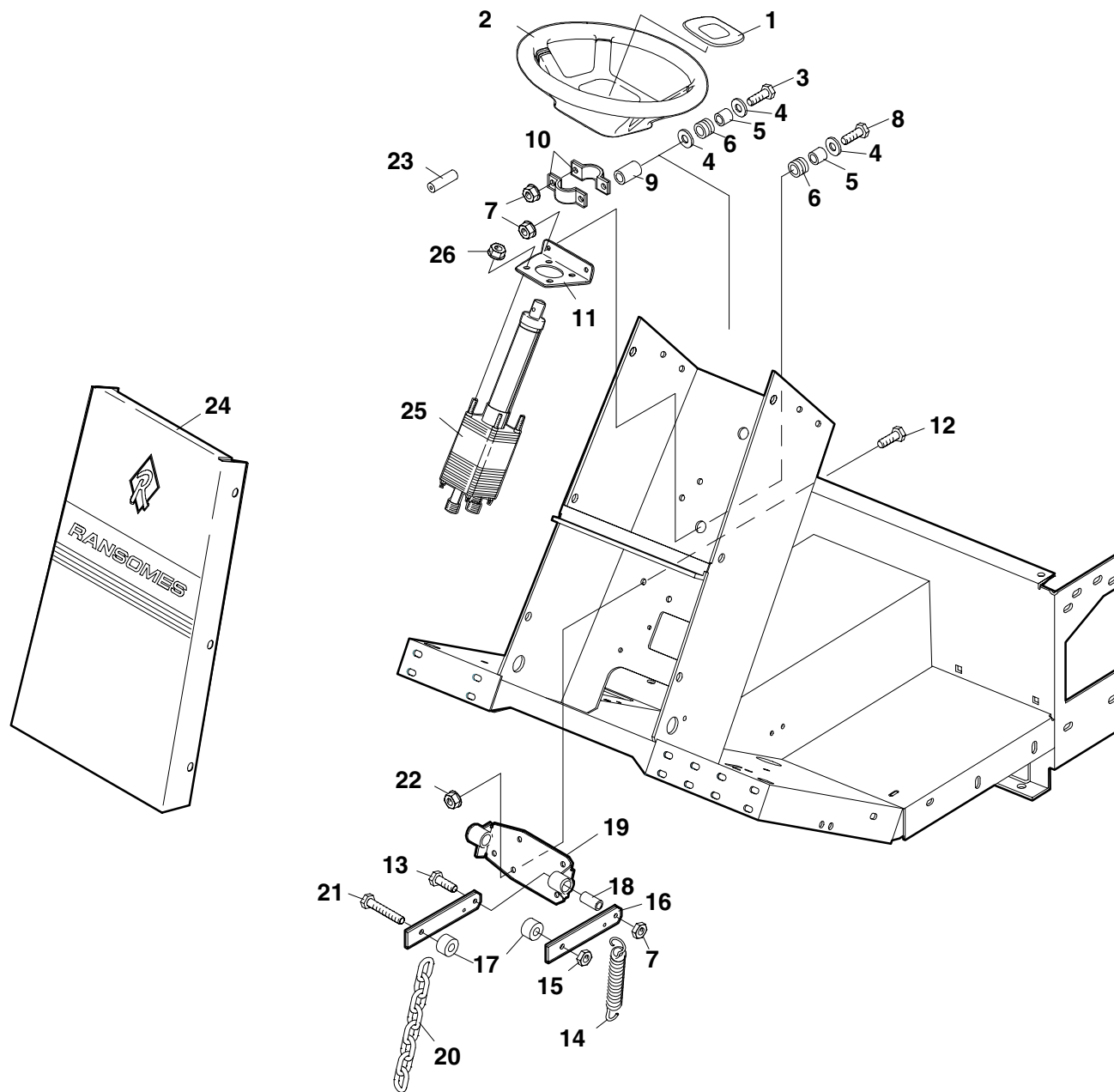
ITEM	PART NO.	DESCRIPTION	QTY	ITEM	PART NO.	DESCRIPTION	QTY
12-1	198066	ARM REST ASSY-RH	1	12-34	64152-49	10-24 X 3/4 MACH SCRW	1
12-2	198057	SEAT	1	12-35	64209-01	CONICAL SPRING WASH	3
SEAT KITS AVAILABLE:				12-36	2192254	BRKT-THROTTLE	1
(970039 INCLUDES ITEMS: 2,6-17, & 22)				12-37	64166-17	BLT-SHLDR 3/8-16 X 1.12	1
(970080 INCLUDES ITEMS: 1-5,7,11,12, 22 & 48)				12-38	2198109	KNOB-THROTTLE	1
	198057-01	CUSHN, EDNGNG, HWR	A/R	12-39	2193044	LEVER-THROTTLE	1
12-3	64139-16	BLT-WLF 5/16-18 X 5/8	10	12-40	48228-1A	CABLE-CLIP	3
12-4	198059	ARM REST ASSY-LH	1	12-41	2208075	LATCH-ADJ LEVER	2
12-5	48228-2A	CABLE CLIP	1	12-42	64205-007	BLT-MET. M10-1.5X20	2
12-6	198062	SLIDE RAIL-SLAVE	1	12-43	64237-03	LOCKNUT-NYLON M10-1.5	2
12-7	64139-02	BLT-WLF 1/4-20 X 1/2	2	12-44	64166-03	SHLDR BLT .281X5/16-18	2
12-8	198063	SLIDE RAIL-ADJUSTER	1	12-45	64163-31	WASHER 25/64X1X12 GA	2
12-9	64018-8A	BLT-CRG 1/2-13 X 1-1/2	1	12-46	2202118	SUPPORT-SEAT	2
12-10	2198096	SCRW-CAP W.375 WASH	4	12-47	64229-02	LOCKNUT-NYLON 5/16-18	2
12-11	158136	WIRE-SEAT SWITCH	1	12-48	198058	SUSPENSION W/ADJUST	1
12-12	64141-6	NUT-WLF 5/16-18	4	(INCLUDES ITEMS A THRU R)			
12-13	2142376	ADAPTER-SEAT	1	(SERVICE SUSPENSION W/148394, 148395, 148396, 148397)			
12-14	64123-73	BLT-HEX 1/2-13X1	2	B	148394	LOWER SEAT WELDMENT (INCLUDES ITEMS B,C,I, & L)	
12-15	64163-19	WASHER	5	C			
12-16	142095	SPRING-SEAT	1	I			
12-17	64151-7	1/2-13 HEX LOCKNUT	3	L			
12-18	64251-003	WASHER-M8	12	B	148395	UPPER SEAT WELDMENT (INCLUDES ITEMS B,C,D,J & R)	
12-19	64237-05	LOCKNUT-NYLON M8-1.25	8	C			
12-20	2196210	S SEAT PLATE W/LABS	1	D			
12-21	64151-8	NUT-HEX 1/4-20 EL	2	J			
12-22	158135-01	SWITCH-SEAT NO	1	R			
12-23	2306144	S DOCU TUBE W/LAB	1	A THRU K	148396 DELUX SEAT/SPRING SHAFT (INCLUDES ITEMS A THRU K)		
12-24	38061A	SPINDLE SHIELD	2	M THRU P	148397 SEAT ADJUSTOR (INCLUDES ITEMS M THRU P)		
12-25	64197-002	BOLT TR 1/4-20 X 3/4	2				
12-26	64123-89	BLT-HEX 1/4-20X3/4	2				
12-27	38542	CLAMP-DOCU TUBE	2				
12-28	2208058	HINGE-SEAT PLATE	2				
12-29	A1103051	BLT-MET. M8-1.25X20	8				
12-30	64151-18	3/8-16 CL HEX NUT	1				
12-31	64025-15	NUT HEX #10-24 KEPS	1				
12-32	22372	B & S CABLE CLIP	1				
12-33	148057-01	CABLE-THROTTLE	1				



STEERING

FIGURE 13

700 Series Front Line Tractors





700 Series Front Line Tractors

2197067

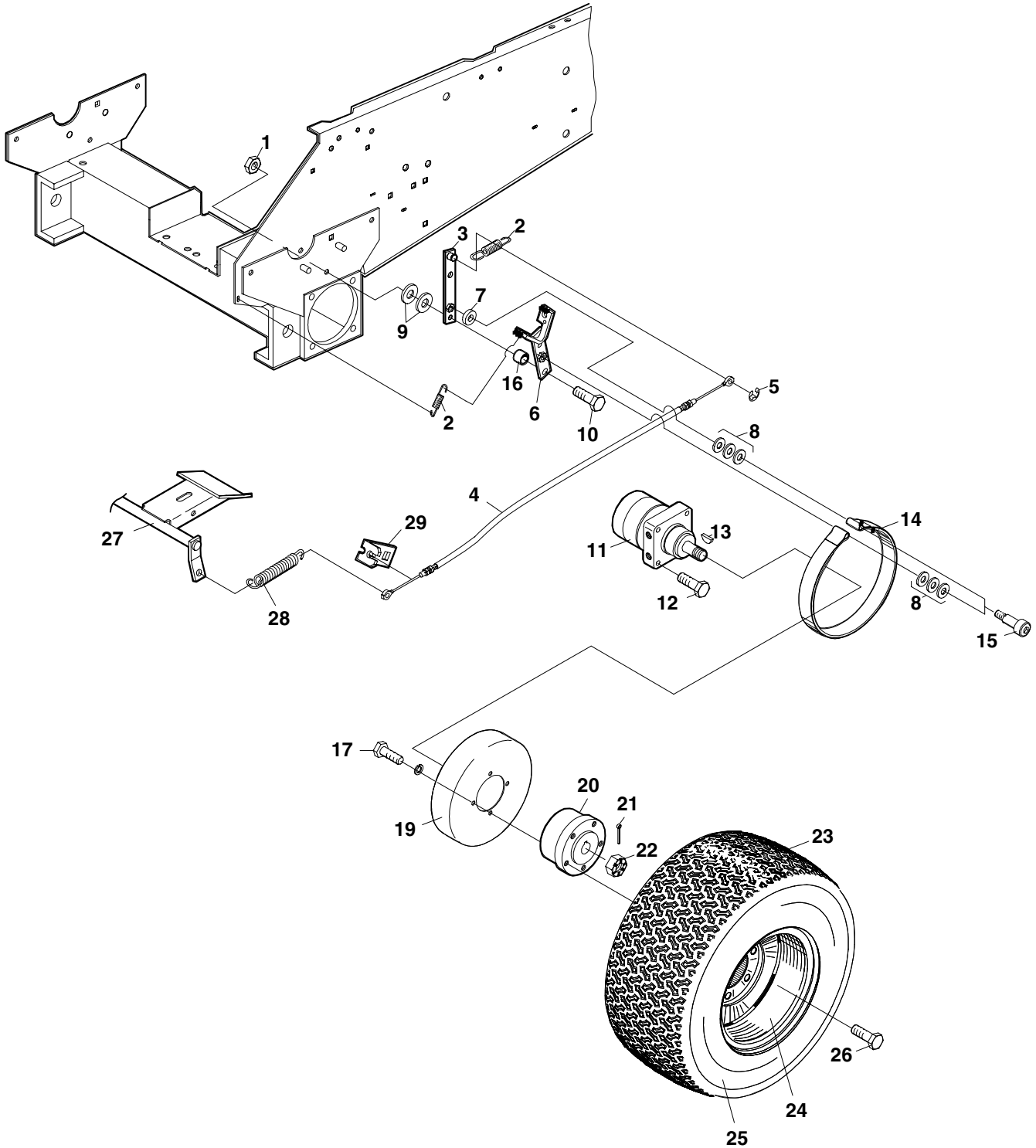
STEERING

FIGURE 13

ITEM	PART NO.	DESCRIPTION	QTY	ITEM	PART NO.	DESCRIPTION	QTY
13-1	839862	DECAL-RANS LOGO	1				
13-2	2198130	STEERING WHEEL	1				
13-3	64123-55	BLT-HEX 5/16-18X55	2				
13-4	64163-29	WSHR-.321-.328X11 GA	6				
13-5	2198134	SPACER TUBE	4				
13-6	148034-06	GROMMET	4				
13-7	64151-15	NUT-HEX 5/16-18	6				
13-8	64123-47	BLT-HEX 5/16-18X1 1/4	2				
13-9	2198126	SPACER TUBE	2				
13-10	142143	CLAMP-FRONT	2				
13-11	2192383	MNT-STEERING GEAR	1				
13-12	64139-08	BLT-WLF 5/16-18X3/4	5				
13-13	64123-56	BLT-HEX 5/16-18X2	2				
13-14	2198094	SPRING-EXTENSION	2				
13-15	64151-18	NUT-HEX CL 3/8-16	2				
13-16	192091	SLACK ARMS-CHAIN	4				
13-17	73017A	IDLER BUSHING	4				
13-18	2198126	TUBE-.500X.334X1.290	2				
13-19	2196093	WLDMT-LIFT ARM BRKT	1				
13-20	198002-01	CHAIN	2				
13-21	64123-67	BLT-HEX 3/8-16X2	2				
13-22	64141-6	NUT-WLF 5/16-18	5				
13-23	64061-26	ROLL PIN	1				
13-24	2196168	S TOWER CVR W/LABS	1				
13-25	148132	HYDRO STEER GEAR	1				
		(USE SEAL KIT 148132-01)					
13-26	64141-1	NUT-WLF 5/16-24	4				



FIGURE 14





700 Series Front Line Tractors

2197068

DRIVE WHEELS & BRAKES

FIGURE 14

ITEM	PART NO.	DESCRIPTION	QTY	ITEM	PART NO.	DESCRIPTION	QTY
14-1	64237-03	LOCKNUT-NYLONM10-1.5	2				
14-2	48429	SPRING-EXTENSION	4				
14-3	2196143	WLDMT-BRAKE ARM	2				
14-4	128025-02	CABLE-BRAKE	2				
14-5	64144-30	SNAP RING	2				
14-6	2196142	WLDMT-BRAKE ARM	2				
14-7	64163-02	WSHR-FLT .321-.328X11 GA	2				
14-8	64163-04	WSHR- .380-.390X16 GA	12				
14-9	64251-004	WASHER-MET. M10	4				
14-10	64205-011	SCREWM10-1.5X40HH	2				
14-11	2720824-01	WHL MTR ME120219-AAJC	2				
		(INCLUDES ITEM 13)					
		(USE SEAL KIT 148138)					
		(USE S KEY 64164-08)					
		(USE 2720825-01 ON 2WD RH SIDE)					
14-12	64123-90	BLT-1/2-20X2	8				
14-13	64164-08	KEY-WOODRUFF #1008	2				
14-14	178013	BAND-BRAKE	2				
14-15	64166-7	SHLDR-BOLT 5/16-18X1.75	4				
14-16	2203046	BUSHING-BRAKE	2				
14-17	64123-15	BLT-HEX 3/8-16X3/4	8				
14-18	64006-03	LOCKWASHER-HEL. 3/8	8				
14-19	172060	BRAKE DRUM	2				
14-20	2720826	HUB	2				
14-21	64140-5	COTTER PIN 1/8X1	2				
14-22	64025-36	NUT-1-1/8-18 SLOTTED TRW	2				
14-23	2198208	ASM WHL/TIRE 23X10.5X12	2				
14-24	2198208-01	S RIM ASM W/VALVE	1				
14-25	2198208-02	S TIRE 23X10.5X12 4 PLY	1				
14-26	64220-01	BLT-WHL 1/2-20X.75	10				
14-27	2196108	S BRAKE PEDAL W/MAT	1				
14-28	128102	SPRING-EXTENSION	2				
14-29	2192476	MOUNT-CABLE	2				

ELECTRICAL DIAGRAM

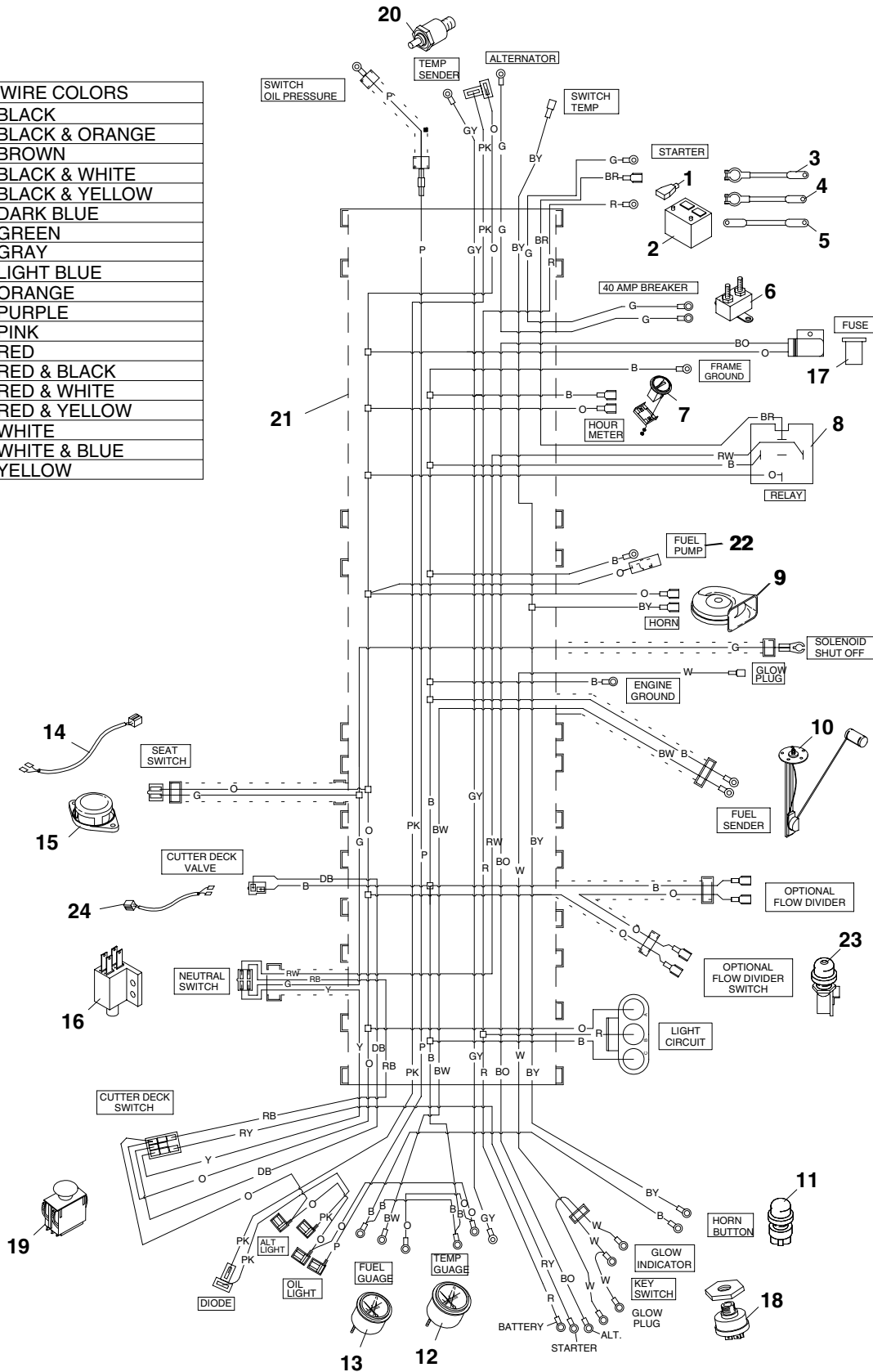
700 Series Front Line Tractors



FIGURE 15

REF.2198272

WIRE COLORS	
B	BLACK
BO	BLACK & ORANGE
BR	BROWN
BW	BLACK & WHITE
BY	BLACK & YELLOW
DB	DARK BLUE
G	GREEN
GY	GRAY
LB	LIGHT BLUE
O	ORANGE
P	PURPLE
PK	PINK
R	RED
RB	RED & BLACK
RW	RED & WHITE
RY	RED & YELLOW
W	WHITE
WB	WHITE & BLUE
Y	YELLOW





700 Series Front Line Tractors

2197069

ELECTRICAL DIAGRAM

FIGURE 15

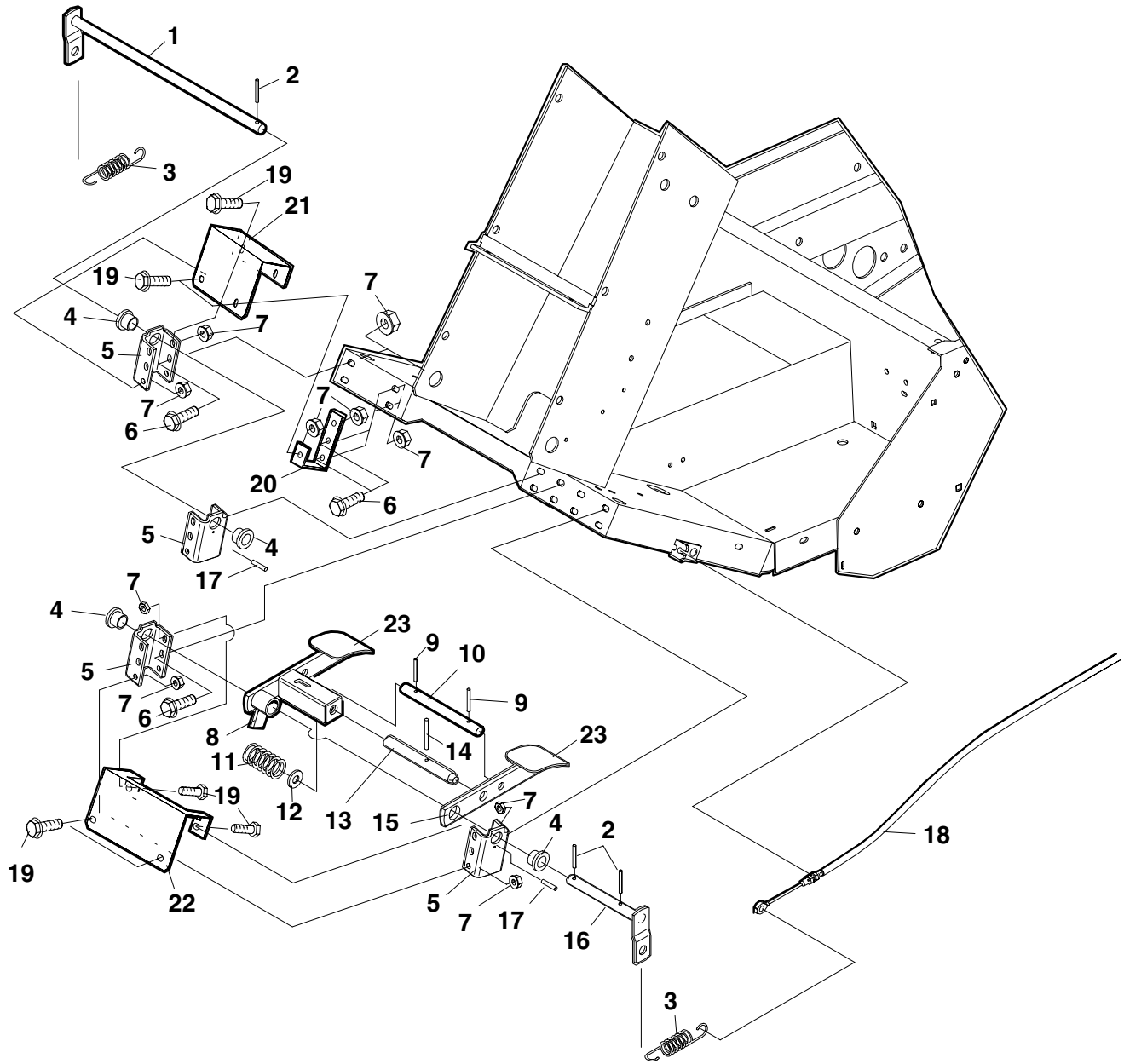
ITEM	PART NO.	DESCRIPTION	QTY	ITEM	PART NO.	DESCRIPTION	QTY
15-1	48037A	BOOT-BATTERY TERM	1	15-19	2188153	PTO SWITCH	1
15-2	148074	BATTERY-BCI26	1	15-20	148270	TEMPERATURE SENDER	1
15-3	148164	CABLE-BATTERY	1	15-21	2198194	HARNES-WIRING	1
15-4	148072	CABLE-BATTERY NEG.	1	15-22	888923	PUMP-AY FUEL	1
	64205-018	BLT-METRIC M8-1.25X15	1	15-23	2208099	SWITCH	1
	64006-02	LOCKWSHR-5/16	1			(OPTIONAL ON 2WD ONLY, W/ DIFFERENTIAL LOCK KIT)	
15-5	2198141	CABLE-FRAME GROUND	1				
15-6	48524	CIRCUIT BREAKER 40A	1	15-24	2198266	WIRE-DECK VALVE	1
	64206-13	BLT-MET M5-.8X12	2				
	64237-01	LOCKNUT NYLON M5	2				
	64251-001	WASHER M5	2				
15-7	48030N	HOUR METER	1			ON ENGINE STARTER	
15-8	128037	RELAY	1				
	64206-13	BLT-MET M5.8X12	1				
	64237-01	LOCKNUT NYLON M5	1				
	64251-001	WASHER M5	1				
15-9	886425	HORN	1				
15-10	2208073	SENDER-FUEL LEVEL	1				
15-11	148061	BUTTON-HORN	1				
		(OPTIONAL EQUIPMENT)					
15-12	148269	GAUGE-TEMPERATURE	1				
15-13	148032	GAUGE-FUEL	1				
15-14	158136	WIRE SEAT SWITCH	1				
15-15	158135-01	SWITCH-SEAT	1				
15-16	2308094	SWITCH-DBL POLE	1				
15-17	148082-20	FUSE-20 AMP	1				
	64206-13	BLT-MET M5.8X12	1				
	64237-01	LOCKNUT NYLON M5	1				
	64251-001	WASHER M5	1				
15-18		KEY SWITCH	1				
		GLOW INDICATOR	1				
		PERKINS KEY SWITCH DIODE & GLOW INDICATOR INCLUDED WITH ENGINE - AVAILABLE THROUGH PERKINS DEALER.					
	64006-02	LCKWSH-HELICAL 5/16	1				
	64207-01	NUT-HEX M8	1				
		(TO CONNECT STARTER WITH ENGINE)					

OPTIONAL STEERING BRAKES-970053

700 Series Front Line Tractors



FIGURE 16





700 Series Front Line Tractors

OPTIONAL STEERING BRAKES-970053

2197070

FIGURE 16

ITEM	PART NO.	DESCRIPTION	QTY	ITEM	PART NO.	DESCRIPTION	QTY
16-1	146029	WLDMT-BRAKE SHAFT RH	1				
16-2	64061-25	ROLL PIN 1/4X1 1/4	3				
16-3	128102	SPRING-EXTENSION	2				
16-4	108105	BEARING 3/4 ID FLANGE	4				
16-5	142034	SUPPORT-BEARING	4				
16-6	64139-06	BLT-WLF 5/16-18X5/8	10				
16-7	64141-6	NUT-WLF 5/16-18	18				
16-8	2196240	WLDMT-BRAKE PDL RH	1				
16-9	64061-04	ROLL PIN 1/8X3/4	2				
16-10	143011	LINK-PEDAL	1				
16-11	118045	SPRING-COMPRESSION	1				
16-12	64163-54	WASHER-.516X.75X12 GA	1				
16-13	143059	ROD-PEDAL LOCK	1				
16-14	64061-06	ROLL PIN 3/16X1 5/8	1				
16-15	2196243	WLDMT-BRAKE PDL LH	1				
16-16	146030	WLDMT-BRAKE SHAFT LH	1				
16-17	64061-15	ROLL PIN 1/8X1/2	4				
16-18	128025-02	CABLE-BRAKE	1				
16-19	64139-16	BLT-WLF 5/16-18X5/8	8				
16-20	2192648	BRACE-BRAKE SHFT CVR	1				
16-21	2192646	COVER-BRAKE SHAFT	1				
16-22	2192645	COVER-BRAKE PEDAL LH	1				
16-23	148084	MAT-BRAKE PEDAL	2				

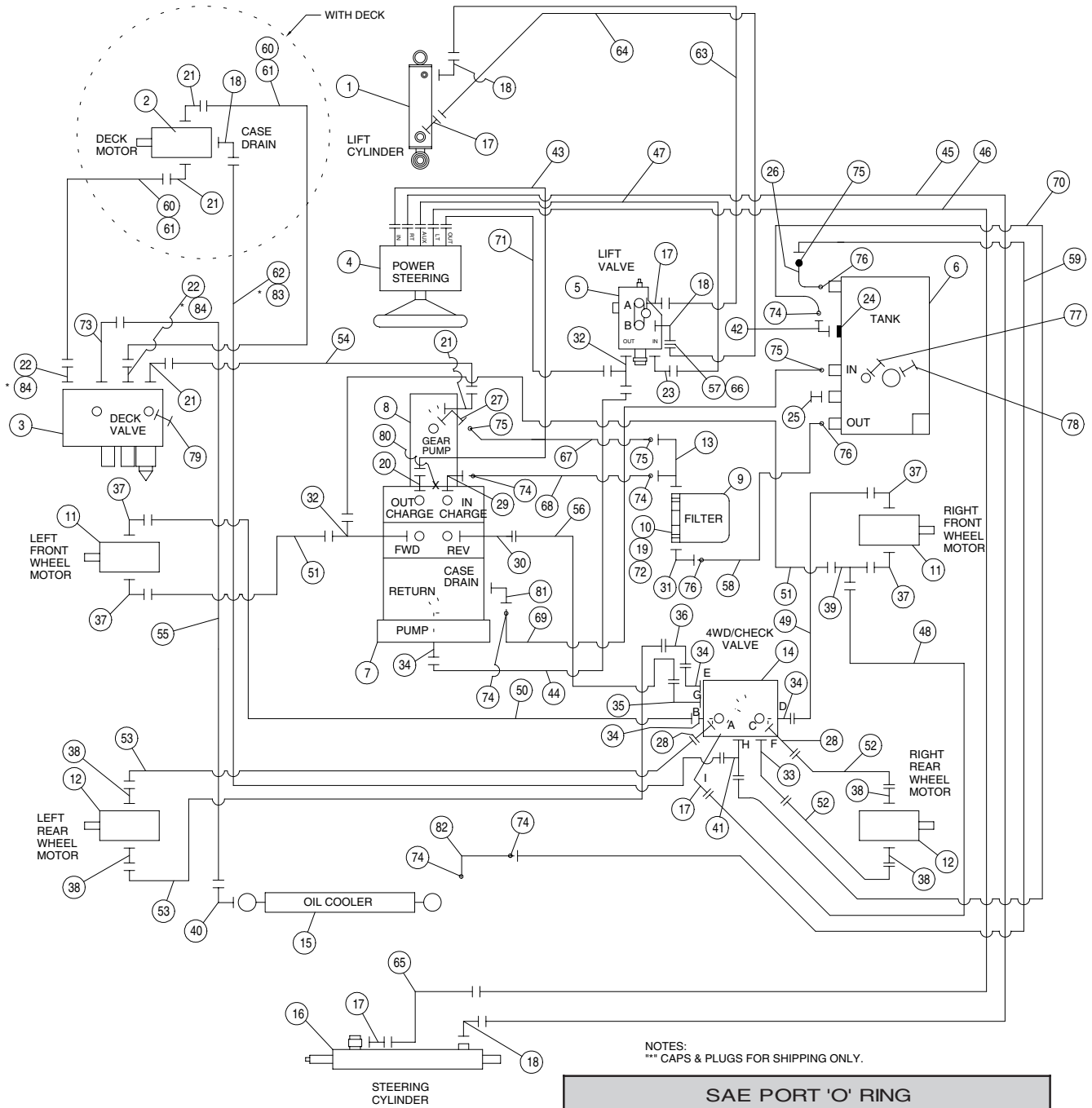
4 WD HYDRAULIC DIAGRAM

700 Series Front Line Tractors



FIGURE 17

REF.2197055



NOTES:
*** CAPS & PLUGS FOR SHIPPING ONLY.

FLAT FACE 'O' RINGS		
PART NUMBER	TUBE O.D.	AS-568#
158061-01	3/8"	012
158061-02	1/2"	014
158061-08	5/8"	016
158061-09	3/4"	018
158061-15	1-1/4"	025

SAE PORT 'O' RING		
PART NUMBER	THREAD SIZE	AS-568#
158061-10	9/16-18	-906
158061-11	3/4-16	-908
158061-12	7/8-14	-910
158061-13	1-1/16-12	-912
158061-14	1-5/16-12	-916
158061-16	1-5/8-12	-920
158061-03	1-7/8-12	-924



700 Series Front Line Tractors

2197071

4 WD HYDRAULIC DIAGRAM

FIGURE 17

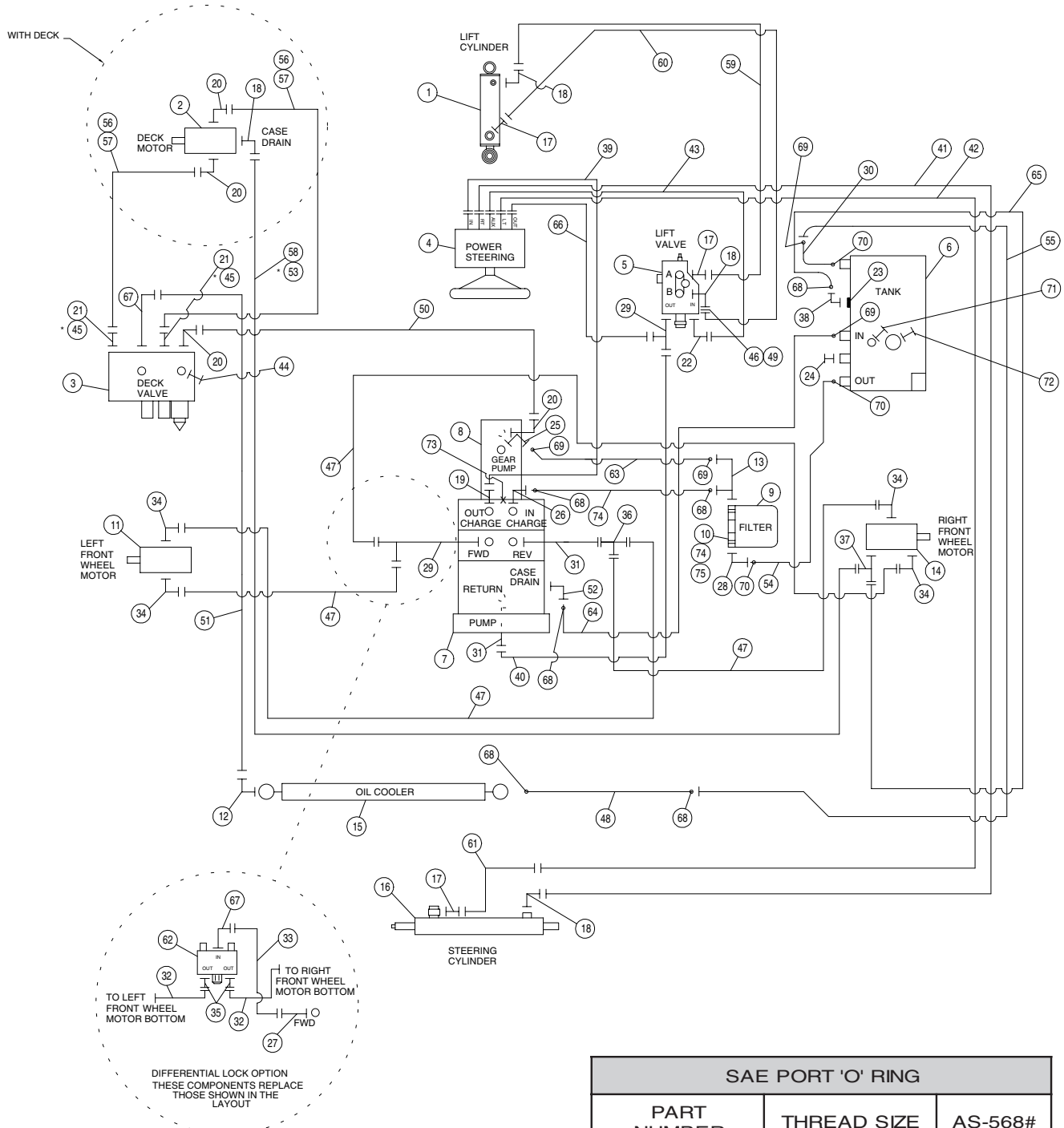
ITEM	PART NO.	DESCRIPTION	QTY	ITEM	PART NO.	DESCRIPTION	QTY
17-1	2198081	CYLINDER-LIFT	1	17-50	2692223-07	HSE-1/2 ORS/ORS X20.62	1
17-2	2692292-01	HOSE-.75 ID	.8FT	17-51	2692223-06	HSE-1/2 ORS/90 ORSX26.5	2
17-3	2721055	WING DECK VALVE	1	17-52	2692270-06	HSE-1/2 ORS/90 ORSX80.	2
17-4	148132	HYDROSTATIC STR GEAR	1	17-53	2692270-07	HSE-1/2 ORS/90 ORSX87.	2
17-5	198042	VALVE-HYDRAULIC	1	17-54	178112-09	HSE-5/8 ORS/90 ORSX15.5	2
17-6	2198248	TANK-HYDRAULIC 700	1	17-55	2692244-01	HSE-3/4 ORS/90ORSX64.	2
17-7	2721329	PUMP-OILGEAR PVW022	1	17-56	178089-02	HSE-3/4 ORS/90	1
17-8	2198199	PUMP-HYDRAULIC	1	17-57	158058-15	FITTING-90 BARB	1
17-9	178025	FILTER-SPINON	1	17-58	2198257	HOSE-TANK OUTLET	1
17-10	2198295	FILTER HEAD-SPIN ON	1	17-59	2198258	TUBE-OIL COOLER	1
17-11	2720824-01	WHL MTR-ME120219AAJC (USE SEAL KIT 148138)	2	17-60	2692238-04	HSE-5/8 ORS/ORSX20.75. (USE W/ 63" SD & 60" RD)	2
17-12	2720824-04	WHL MTR-ME090219AAJC (USE SEAL KIT 148138)	2	17-61	178113-03	HOSE-5/8 ORS/ORS (USE W/ 72" SD & 72" RD)	2
17-13	2198202	MANIFOLD-INLET	1	17-62	2692217-16	HSE-3/8 ORS/45 ORSX34.	1
17-14	2198197	VALVE-4WD CHECK	1	17-63	69206-05	HSE-3/8 ORS/ORSX32.5	1
17-15	2198201	COOLER-OIL	1	17-64	2692215-22	HSE-3/8 ORS/ORSX37.5	1
17-16	198040	CYLINDER-STEERING (USE SEAL KIT 198040-01)	1	17-65	2198218	TUBE-STEERING CYLINDER	1
17-17	158006-01	FITTING-ORS/ORB	4	17-66	69068-06	ORIFICE DISK	1
17-18	158007-01	FTG-90 ORS/ORB	3	17-67	2692232-05	HSE-WIRE REINFRCDX8.25	1
17-19	2198294	GAUGE-FILTER VACUUM	1	17-68	2692292-01	HSE-WIRE RNFRCD.75X8	.7FT
17-20	158006-13	FITTING-6 ORS/8 ORB	1	17-69	2198254	HOSE-CASE DRAIN	1
17-21	158007-05	FITTING-90 ORS/ORB	4	17-70	69213-03	HOSE-90 ORSX17.0	1
17-22	158006-07	FITTING-ORB/ORS	2	17-71	2692245-01	HSE-3/8 37-1 1/2 ORSX39.12	1
17-23	158007-10	FITTING-90 ORS/ORB	1	17-72	2690032-01	FTG-90 STRTEL 1/8NPTF	1
17-24	48310	BUSHING-FUEL TANK	1	17-73	158007-13	FITTING-90 ORS/ORB	1
17-25	2690017-03	PIPE-PLUG 1/4	1	17-74	108094-02	HOSE CLAMP .50 TO 1.25	9
17-26	2198255	HOSE-TANK RETURN	1	17-75	108094-01	HOSE CLAMP .75 TO 1.75	4
17-27	158058-12	FITTING-90 BRB ADJ	1	17-76	48383	CLAMP-HOSE 2 1/2 DIA	4
17-28	158007-02	FITTING-90 ORS/ORB	2	17-77	148027	BREATHER VENT	1
17-29	158058-01	FITTING-90 BRB ADJ	1	17-78	2690017-02	FITTING-ORB PLUG 1 5/8	1
17-30	158006-14	FITTING-ORB/ORS	1	17-79	178079	TEST PORT	1
17-31	158058-08	FITTING-90 BRB ADJ	1	17-80	158061-24	O-RING	1
17-32	158056-01	FITTING-ORS/O-RING TEE	2	THE FOLLOWING ITEMS ARE USED TO BUNDLE HOSES TOGETHER			
17-33	158059-03	FITTING-45 ORS/ORB ADJ	1	17-83	* 48396	HOSE-CLAMP 1.06/2.00 DIA	3
17-34	158006-05	FITTING-ORS-ORB	4	17-84	* 65362-02	RUBBER CLAMP, 6"	3
17-35	158007-07	FITTING-90 ORS/ORB	1	(ITEMS 88 & 89 ARE USED TO BUNDLE ITEMS 43, 47, 63, 64, 45 & 46 AS WELL AS (2) 53 & 55)			
17-36	158066-03	FITTING-90 ORS/ORB LNG	1	17-85	* 48383	HOSE-CLAMP 1.56/2.50 DIA	1
17-37	158007-03	FITTING-90 ORS/ORB	4	17-86	* 65362-04	RUBBER CLAMP, 10"	1
17-38	158006-06	FITTING-ORS/ORB	4	(ITEMS 90 & 91 ARE USED TO BUNDLE ITEMS (2) 52, (2) 53, 43, 47 45, 46 & 56)			
17-39	158010-03	FITTING-ORS RUN TEE	1	17-87	* 108094-01	HOSE-CLAMP .75/1.75 DIA	1
17-40	158059-07	FITTING-45 ORS/ORB ADJ	2	17-88	* 65362-01	RUBBER CLAMP 4"	1
17-41	158056-02	FITTING-ORS/O-RING TEE	1	(ITEMS 92 & 93 ARE USED TO BUNDLE ITEMS 45, 46, (2) 52)			
17-42	2690025	FITTING-3/8 ELBOW-90	1				
17-43	2692231-02	HSE-3/8 37/90 ORSX41.5	1				
17-44	2692219-03	HSE-1/2 90ORS/90ORSX20	1				
17-45	2692269-01	HOSE-3/8 37/ORS	1				
17-46	2692269-02	HOSE-3/8 37/ORSX82.5	1				
17-47	2692247-01	HOSE-3/8 37/45 ORS	1				
17-48	2198216	TUBE-VLV/RT WHL MTR BT	1				
17-49	2198215	TUBE-VLV/RT WHL MTR TP	1				

2 WD HYDRAULIC DIAGRAM

700 Series Front Line Tractors



FIGURE 18



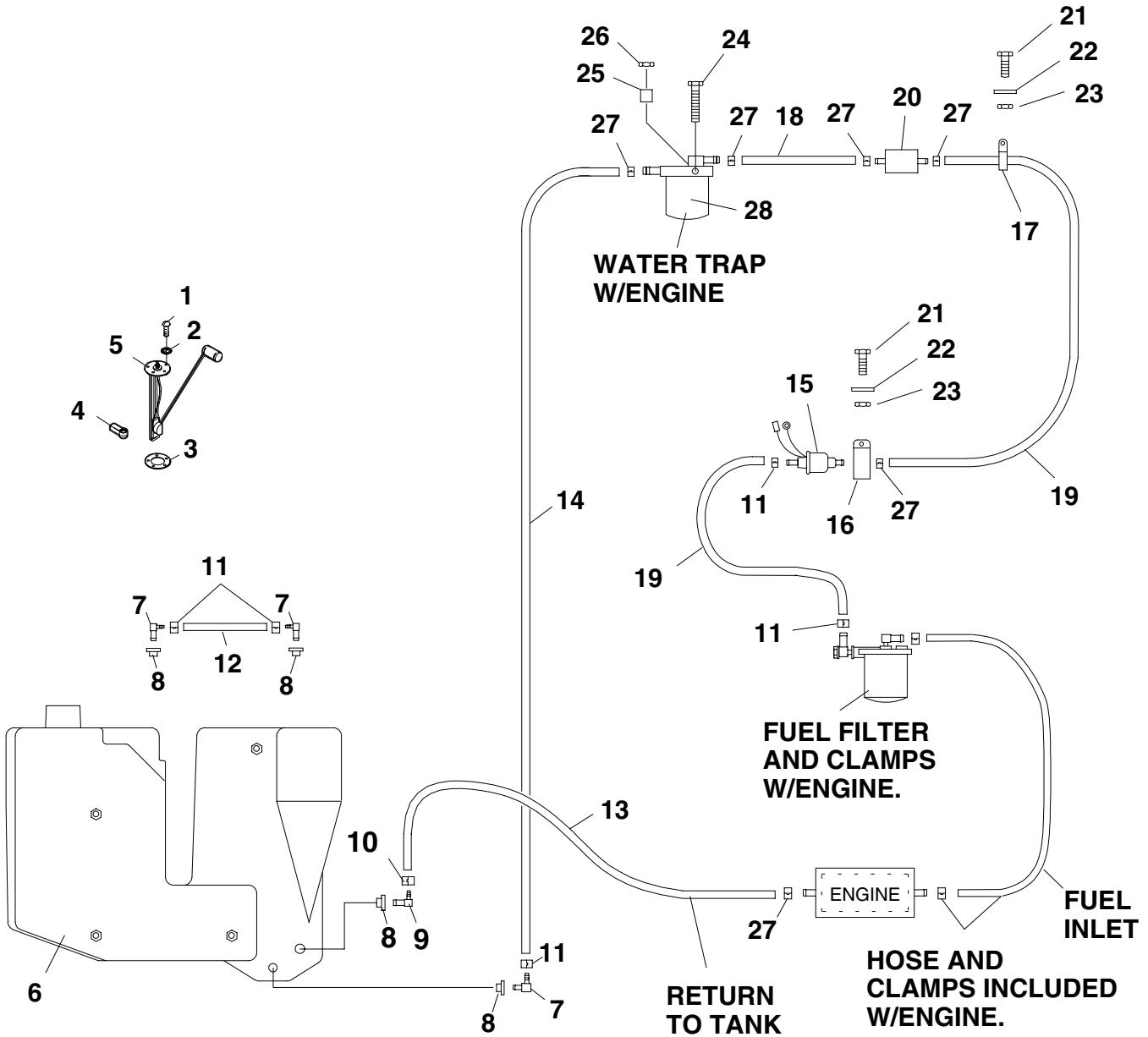
FLAT FACE 'O' RINGS		
PART NUMBER	TUBE O.D.	AS-568#
158061-01	3/8"	012
158061-02	1/2"	014
158061-08	5/8"	016
158061-09	3/4"	018
158061-15	1-1/4"	025

SAE PORT 'O' RING		
PART NUMBER	THREAD SIZE	AS-568#
158061-10	9/16-18	-906
158061-11	3/4-16	-908
158061-12	7/8-14	-910
158061-13	1-1/16-12	-912
158061-14	1-5/16-12	-916
158061-16	1-5/8-12	-920
158061-03	1-7/8-12	-924

FUEL DIAGRAM

FIGURE 19

700 Series Front Line Tractors





700 Series Front Line Tractors

2197074

FUEL DIAGRAM

FIGURE 19

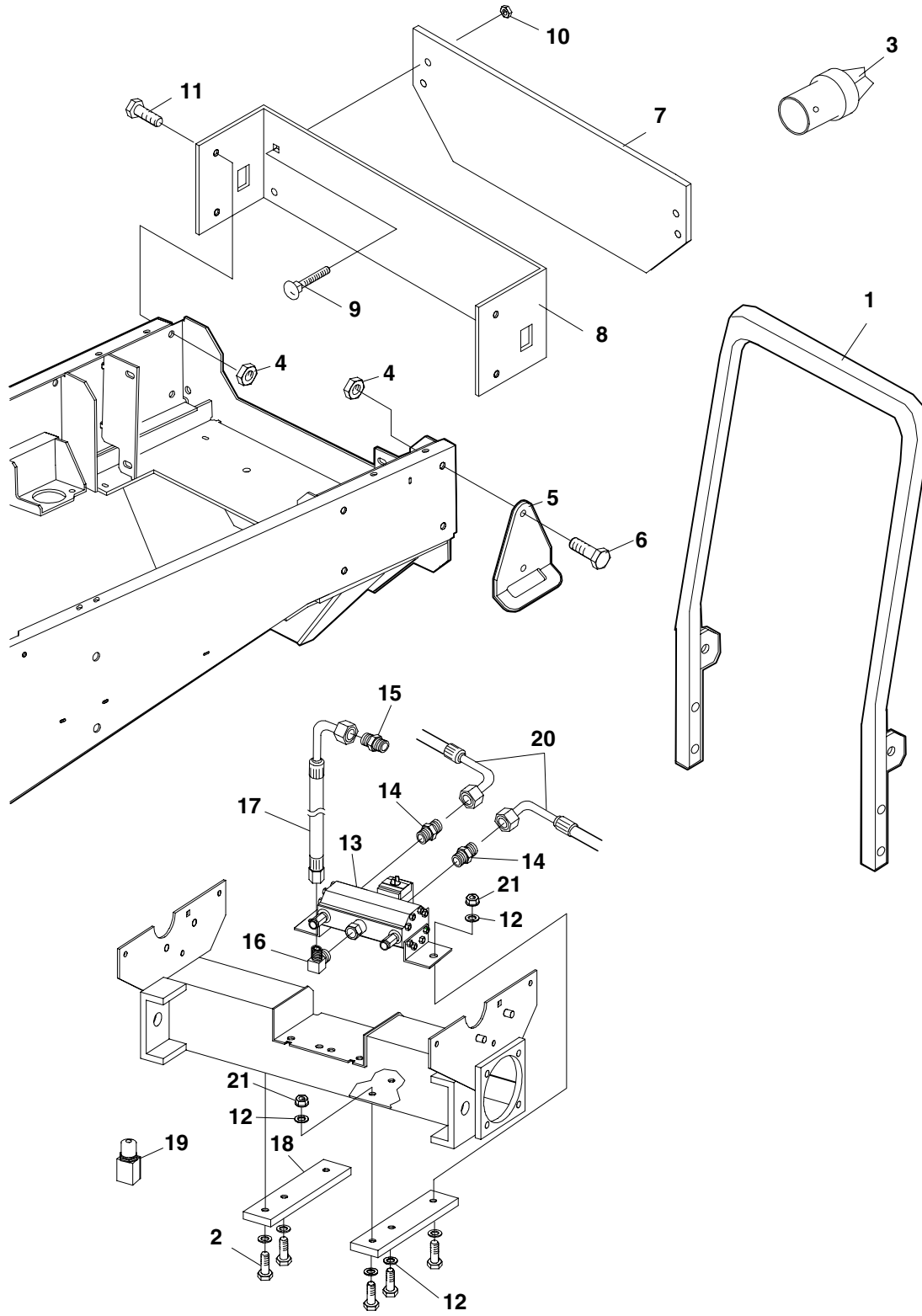
ITEM	PART NO.	DESCRIPTION	QTY	ITEM	PART NO.	DESCRIPTION	QTY
19-1	64152-05	#10-32X1/2 MACH SCRW	5				
19-2	64002-02	STAR WASHER	5				
19-3	148081	GASKET	1				
19-4	2198091	BOOT-FUEL SENDER	1				
19-5	2208073	SENDER-FUEL LEVEL	1				
19-6	2198188	TANK-FUEL 700	1				
19-7	2690023	FTNG-5/16 ELBW 90 DEG	3				
19-8	48310	SBUSHING-FUEL TANK	4				
19-9	2198159	FTNG-1/4 90 DEG ELBW	1				
19-10	88042-01	CLAMP-HOSE 3/16	2				
19-11	88042-02	CLAMP-HOSE 5/16	5				
19-12	148263-05	SHOSE-.56X.31X4.0	1				
19-13	148264-02	SHOSE-.44X.19X26.0	1				
19-14	148263-05	SHOSE-.56X.31X28.0	1				
19-15	888923	PUMP,AY FUEL	1				
19-16	838154	CLAMP-FUEL PUMP	1				
19-17	48228A	CABLE CLIP INSULATED	1				
19-18	148263-05	SHOSE-5/16X3.0	1				
19-19	148263-05	SHOSE-5/16X12.0	2				
19-20	825619	FUEL FILTER	1				
19-21	A1103966	BOLT-M6X16	2				
19-22	64251-002	WASHER M6	2				
19-23	64237-02	LOCKNUT M6	2				
19-24	64205-026	BOLT-M8X80	1				
19-25	73017A	IDLER BUSHING	1				
19-26	64237-05	LOCKNUT M8	1				
19-27	48540-01	HOSE CLAMP	6				
19-28	2198290	FILTER-WATER SPRTR	1				

MISCELLANEOUS OPTIONS

700 Series Front Line Tractors



FIGURE 20





700 Series Front Line Tractors

2197073

MISCELLANEOUS OPTIONS

FIGURE 20

ITEM	PART NO.	DESCRIPTION	QTY	ITEM	PART NO.	DESCRIPTION	QTY
20-1	970078	ATT-2 POST ROPS 250/700) (USE AFTER SERIAL NO. 356)	1				
20-2	A1104057	BOLT-M10-1.50X25	6				
20-3	148098	S-SPARK ARRESTOR	1				
970114 KIT-TIE DOWN BRACKETS INCLUDES:							
ITEMS 4,5, & 6							
20-4	64237-06	LCKNT-NYLON M12	4				
20-5	2192506	BRKT-TIE DOWN	2				
20-6	64205-029	BLT-METRIC M12X40	4				
970124 OPTIONAL WEIGHT KIT INCLUDES:							
ITEMS 4 & 7 - 11							
20-7	2192304	WEIGHT	10				
20-8	2192586	BUMPER	1				
20-9	64018-16	BLT-CRG 1/2-13X5	2				
20-10	64151-7	1/2-13 HEX LOCK NUT	2				
20-11	64205-029	BLT-MET M12X1.75X40	4				
970116 OPTIONAL DIFF LOCK KIT INCLUDES:							
ITEMS 13 - 23							
20-12	64251-004	WHSR-M10	12				
20-13	148387	FLOW DIVIDER-6000	1				
20-14	158006-06	FITTING-ORS/ORB	2				
20-15	158006-14	FITTING-ORB/ORS	1				
20-16	158007-13	FITTING-90 ORS/ORB	1				
20-17	178089-04	HOSE-3/4 ORS/90 ORS	1				
20-18	2192520	MNT-FLOW DIVIDER	2				
20-19	2208099	SWITCH-90043 CH-14	1				
20-20	2692249-01	HOSE-1/2 45 ORS/90 ORS	2				
20-21	64237-03	LOCKNUT-NYLON M10-1.5	6				

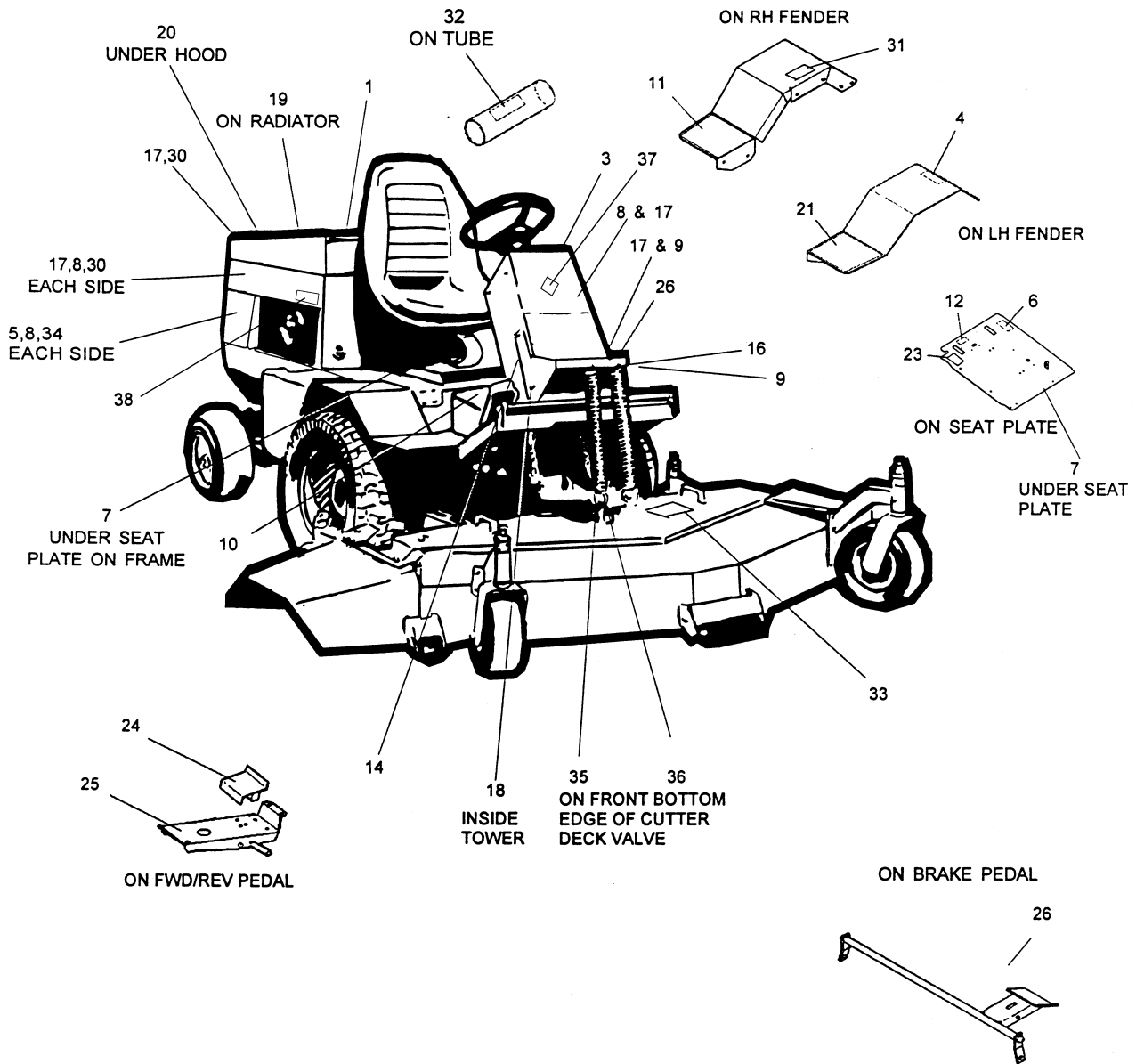
FOR PAINT TOUCH-UPS USE THE FOLLOWING:

- 838140 PAINT, SPRAY 16 oz. RANSOMES GREEN
- 838141 PAINT, QUART-RANSOMES GREEN

DECALS

FIGURE 21

700 Series Front Line Tractors





700 Series Front Line Tractors

2197075

DECALS

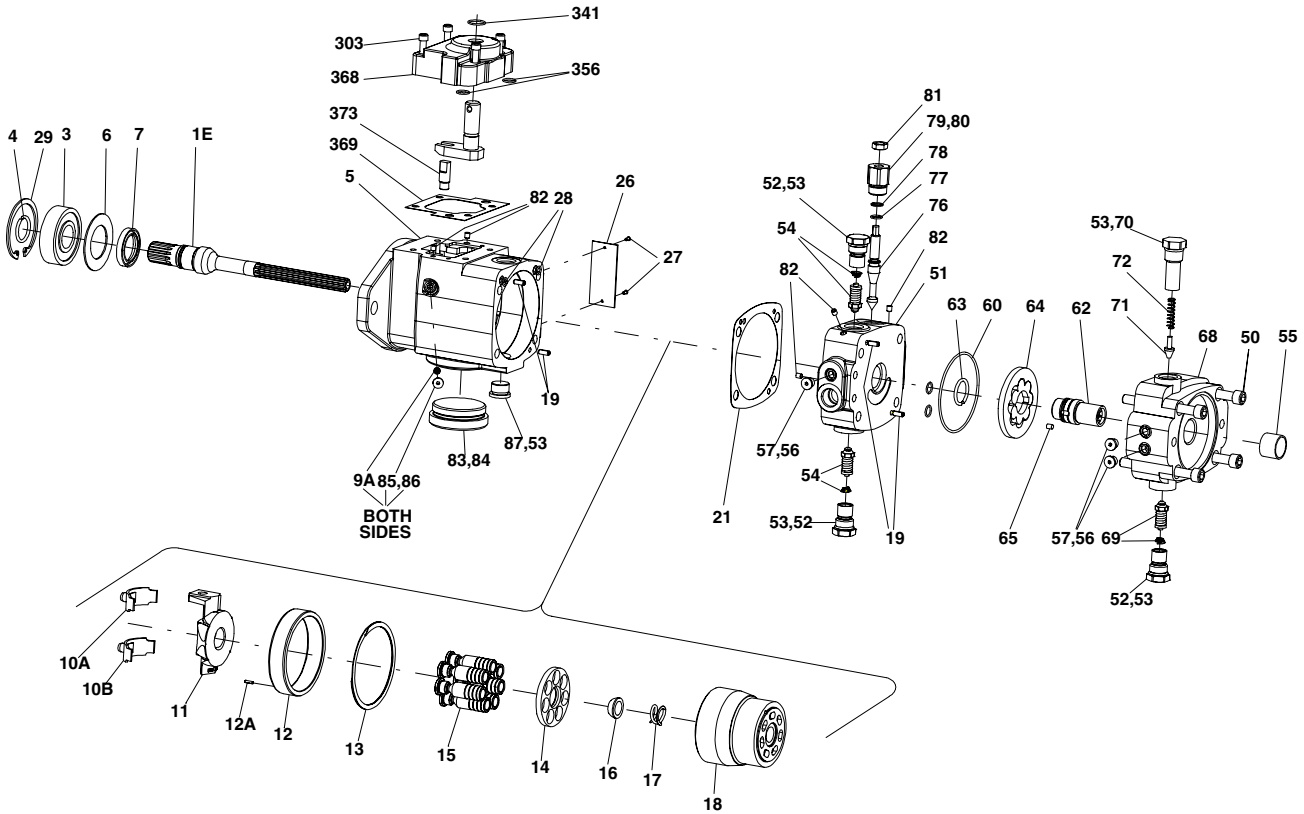
FIGURE 21

ITEM	PART NO.	DESCRIPTION	QTY	ITEM	PART NO.	DESCRIPTION	QTY
21-1	2000734	LABEL-AIR INTAKE	1				
21-3	2000738	LAB-INST PANEL #946703	1				
21-4	2000730	LABEL-DIESEL ONLY	1				
21-5	2000684	LABEL-4WD DIE CUT (USE ON 4WD ONLY)	2				
21-6	2000729	LABEL, HYD FILL	1				
21-7	2000590	LABEL, WARN BATTERY	1				
21-8	2000636	LABEL-728D DIE CUT	4				
21-9	2000727	LABEL-BRAKE PEDALS	1				
21-10	2000724	LABEL, MAIN WARNING	1				
21-11	2198137	MAT-FENDER RH	1				
21-12	2000591	LABEL, THROTTLE	1				
21-14	00225	DECAL, FWD/REV	1				
21-16	2000731	LABEL-RELIEVE SPRING	1				
21-17	2000628	DECAL-RANSOMES	4				
21-18	2000723	LABEL-PARTS ROTATE	1				
21-19	2000726	LABEL-FAN ROTATE	1				
21-20	2000703	LABEL-SERVICE CHART	1				
21-21	2198136	MAT-FENDER LH	1				
21-23	2000728	LABEL-DECK LIFT	1				
21-24	48013-06A	MAT-NON SKID	1				
21-25	48436	MAT-NON SKID	1				
21-26	2198129	MAT-BRAKE PEDAL	1				
21-27*	148085	MAT-FLOOR RH	1				
21-28*	148086	MAT-FLOOR LH	1				
21-30	838495	S-4' STRIPE 7369	A/R				
21-31	2000725	LABEL-HIGH PRESSURE	1				
21-32	2000673	LABEL-OPERATOR MAN	1				
21-33	00555	LABEL-HEIGHT OF CUT	1				
21-34	2000635	LABEL-FRONTLINE	2				
21-35	00459	LABEL-PRESSURE	1				
21-36	00460	LABEL-RETURN	1				
21-37	2720122	LABEL-DIAMOND R	1				
21-38	2720643	LABEL-TEXTRON	1				

* NOT ILLUSTRATED



FIGURE 22



PART NUMBER	OILGEAR P/N	DESCRIPTION	CONTAINS ITEMS
2198184-01	KIT #273	S-KIT-ROTATING GOUP	14, 15, 16, 17, 18
2721558	KIT #277	S-KIT, GASKETS AND SEALS	7, 21, 28, 53, 57, 60, 61, 77, 78, 80, 84, 86, 341, 356, 369
2198184-03	KIT #281	S-KIT-ROTATING GROUP BEARING	12, 12A, 13
2198184-04	KIT #282	S-KIT-SWASHBLOCK	11
2721559	KIT #285	S-KIT, SADDLE	10A, 10B
2198184-07	KIT #286	S-KIT-SHOE RETAINER AND BALL ASSY	14, 16
2198184-08	KIT #287	S-KIT PISTON AND SHOE ASSEMBLIES	15
2721560	KIT #288	S-KIT, FRONT VALVE PLATE	51, 52, 53, 54, 55, 56, 57, 58, 76, 77, 78, 79, 80, 81
2721561	KIT #289	S-KIT, GEROTOR AND COUPLING	62, 63, 64, 65
2721562	KIT #290	S-KIT, REAR PLATE ASSEMBLY	52, 53, 55, 56, 57, 68, 69, 70, 71, 72
2198184-12	KIT #291	S-KIT-TOW VALVE	76, 77, 78, 79, 80, 81
2721563	KIT #272A	S-KIT, PLUG	9A, 85, 86
2721564	KIT #272B	S-KIT, PLUG	83, 84



700 Series Front Line Tractors

2721957

PUMP-OILGEAR

FIGURE 22

ITEM	PART NO.	DESCRIPTION	QTY	ITEM	PART NO.	DESCRIPTION	QTY
22-1E	2721557	SPLINE-DRIVESHAFT	1	22-79	*	BONNET-TOW VALVE	1
22-3	2198184-15	BRG-FRT DRIVESHAFT	1			(TORQUE TO 50 FT/LBS)	
22-4	2198184-16	RING-SHAFT RETAINER	1	22-80	2198184-23	O-RING	1
22-6	2198184-17	RETAINER-SEAL	1	22-81	*	NUT-JAM .375-24UNF	1
22-7	2198184-18	SEAL-SHAFT	1	22-83	*	PLUG-ACCESS	1
22-9A	*	OROFICE-.250-2OUNCE	2			(TORQUE TO 225 FT/LBS)	
22-10A	*	BRG-UPPER SADDLE	1	22-84	*	O-RING	1
22-10B	*	BRG-LOWER SADDLE	1	22-303	2198184-30	SCRW-SHC .250-20UNCX1	4
22-11	*	SWASHBLOCK	1	22-341	*	O-RING	1
22-12	*	BRG-CYL HYDRODYNAM	1	22-369	2198184-31	PIN-CONTROL	1
22-12A	*	PIN-ROLL	1				
22-13	*	RING-RETAINER	1				
22-14	*	RETAINER-SHOE	1				
22-15	*	ASSY-PISTON & SHOE	1				
22-16	*	BALL-FULCRUM	1				
22-17	*	SPRING-SHOE RETAINER	1				
22-18	*	BARREL-CYLINDER	1				
22-21	2198184-19	GASKET-VALVE PLATE	2				
22-27	2198184-20	SCREW-DRIVE	2				
22-28	2198184-21	O-RING	2				
22-50	2198184-22	SCREW-.375-16UNCX3.50	4				
		(TORQUE TO 15 FT/LBS)					
22-51	*	VLV PLT-022RH W/TWVLV	1				
22-52	2198184-24	CAP-RELIEF VALVE	3				
		(TORQUE TO 50 FT/LBS)					
22-53	2198184-23	O-RING	4				
22-54	*	ASSY-HPRV W/CRSCHK	2				
22-55	*	BUSHING	1				
22-56	*	PLUG-#3 HP	3				
		(TORQUE TO 45 IN/LBS)					
22-57	*	O-RING	3				
22-58	*	PIN-ROLL	2				
22-60	*	O-RING	1				
22-61	*	O-RING	2				
22-62	*	COUPLING	1				
22-63	2198184-16	RING-RETAINING	1				
22-64	*	ASSY-GEROTOR PUMP	1				
22-65	2198184-25	KEY-GEROTOR PMP RD	1				
22-68	*	HSNG-RH GEROTOR	1				
22-69	2198184-26	ASSY-IPRV	1				
		(SET @ 63BAR/913PSI)					
22-70	2198184-27	CAP-BPRV	1				
22-71	2198184-28	POPPET-BPRV	1				
22-72	2198184-29	SPRING-BPRV-60PSI	1				
22-76	*	STEM-TOW VALVE	1				
22-77	*	O-RING	1				
22-78	*	RING-BACKUP	1				

*DENOTES KIT

CROSS REFERENCE

700 Series Front Line Tractors



PART NO.	DESCRIPTION	FIG/ITEM	PART NO.	DESCRIPTION	FIG/ITEM
00225	DECAL-FWD/REV	21 /14	148061	SWITCH-MOMENTARY	15 /11
00459	LBL-PRESSURE 6100	21 /35	148062	MASTER LINK #50 CHAIN	4 /32
00460	LBL-RETURN 6100	21 /36	148072	CABLE-BATTERY NEGATIVE	15 /4
00555	LABEL-HGT OF CUT	21 /33	148074	BATTERY-BCI26	9 /23
108003	BRG 1.5X1.25X1.25	2 /5	148074	BATTERY-BCI26	15 /2
108031	BEARING FLANGE NOTCHED	4 /20	148081	GASKET	11 /31
108091-02	HOSE,,.75IDX1.03ODX8LG	18 /48	148081	GASKET	19 /3
2692292-01	HOSE-WIRE RINFRCD .75x8.0	17 /82	148082-20	FUSE 20 AMP	15 /17
108094-01	CLAMP-HOSE SAE20	5 /29	148084	MAT-BRAKE PEDAL	16 /23
108094-01	CLAMP-HOSE SAE20	17 /75	148085	MAT-FLOOR R.H.	21 /27
108094-01	CLAMP-HOSE SAE20	17 /87	148086	MAT-FLOOR L.H.	9 /54
108094-01	CLAMP-HOSE SAE20	18 /69	148086	MAT-FLOOR L.H.	21 /28
108094-02	CLAMP-HOSE SAE12	17 /74	148090-02	SUPPORT-TUBE 3/4	1 /26
108094-02	CLAMP-HOSE SAE12	18 /68	148098	S SPARK ARRESTOR	20 /3
108105	BEARING 3/4ID W/FLANGE	16 /4	148132	HYDROSTATIC STEER GEAR	13 /25
108194-06	CHANNEL,FLEX TRIM SEAL	5 /13	148132	HYDROSTATIC STEER GEAR	17 /4
108194-11	CHANNEL,FLX TRIM SEAL	5 /35	148132	HYDROSTATIC STEER GEAR	18 /4
108194-13	FLEX TRIM 41.00	5 /33	148132-01	S SEAL KIT	13 /25
118045	SPRING COMPRESSION FRD	16 /11	148138	S SEAL KIT MB/ME MTRS	14 /33
118047-06	BUSHING FLIP-LOK.312ID	5 /10	148164	CABLE-BATTERY	15 /3
118047-06	BUSHING FLIP-LOK.312ID	11 /10	148263-05	HOSE-FUEL 5/16 46.0	19 /12
123032	BUSHING, NEUTRAL CNTRL	3 /50	148263-05	HOSE-FUEL 5/16 46.0	19 /13
128025-02	CABLE-BRAKE	14 /4	148263-05	HOSE-FUEL 5/16 46.0	19 /14
128025-02	CABLE-BRAKE	16 /18	148263-05	HOSE-FUEL 5/16 46.0	19 /18
128037	RELAY	15 /8	148263-05	HOSE-FUEL 5/16 46.0	19 /19
128079	ROD END, 1/4 FEMALE	3 /59	148269	GAUGE-TEMP	10 /5
128079	ROD END, 1/4 FEMALE	9 /16	148269	GAUGE-TEMP	15 /12
128089-02	CABLE, CONTROL X 37.50	3 /58	148270	SENDER-TEMP	6 /28
128089-02	CABLE, CONTROL X 37.50	9 /19	148270	SENDER-TEMP	15 /20
128102	SPRING,EXTENSION	9 /42	148387	FLOW DIVIDER-6000	20 /13
128102	SPRING,EXTENSION	14 /28	148387	FLOW DIVIDER-6000	18 /62
128102	SPRING,EXTENSION	16 /3	148394	KIT-S LWR SEAT WLDMT	12 /50
142034	SUPPORT-BEARING	16 /5	148395	KIT-S UPPER SEAT WLDMT	12 /51
142095	SPRING-SEAT	12 /16	148396	KIT-S DLX SEAT SPRING	12 /52
142143	CLAMP-FRONT	13 /10	148397	KIT-S DLX SEAT ADJSTR	12 /53
143011	LINK-PEDAL	9 /44	158006-01	FITTING-ORS/ORB	17 /17
143011	LINK-PEDAL	16 /10	158006-01	FITTING-ORS/ORB	18 /17
143059	ROD-PEDAL LOCK	16 /13	158006-05	FITTING ORS/ORB	17 /34
146029	WLDMT-BRAKE SHAFT R.H.	16 /1	158006-05	FITTING ORS/ORB	18 /31
146030	WLDMT-BRAKE SHAFT L.H.	16 /16	158006-06	FITTING-ORS/ORB	17 /38
146082	S PEDAL ADAPTER W/MAT	9 /3	158006-06	FITTING-ORS/ORB	20 /14
148027	BREATHER VENT	11 /41	158006-06	FITTING-ORS/ORB	18 /35
148027	BREATHER VENT	17 /77	158006-07	FITTING-ORB/ORS	17 /22
148027	BREATHER VENT	18 /71	158006-07	FITTING-ORB/ORS	18 /21
148032	GAUGE-FUEL	10 /4	158006-13	FTG-6 ORS/8 ORB	17 /20
148032	GAUGE-FUEL	15 /13	158006-13	FTG-6 ORS/8 ORB	18 /19
148034-06	INSUL.GROMMET 0.5I.D.	13 /6	158006-14	FITTING-ORB/ORS	17 /30
148057-01	CABLE-THROTTLE	3 /11	158006-14	FITTING-ORB/ORS	20 /15
148057-01	CABLE-THROTTLE	12 /33	158006-14	FITTING-ORB/ORS	18 /27
148058-01	ROD END R.H.	2 /29	158007-01	FITTING-90 ORS/ORB	17 /18
148058-02	ROD END L.H.	2 /20	158007-01	FITTING-90 ORS/ORB	18 /18
148061	SWITCH-MOMENTARY	10 /13	158007-02	FITTING-90 ORS/ORB	17 /28



700 Series Front Line Tractors

CROSS REFERENCE

PART NO.	DESCRIPTION	FIG/ITEM	PART NO.	DESCRIPTION	FIG/ITEM
158007-03	FITTING-90 ORS/ORB	17 /37	178092-22	LIGHT FOR ROCKER	10 /15
158007-03	FITTING-90 ORS/ORB	18 /34	178092-22	LIGHT FOR ROCKER	10 /8
158007-05	FITTING-90 ORS/ORB	17 /21	178102-03	SSK08-2N-T/B	8 /6
158007-05	FITTING-90 ORS/ORB	18 /20	178102-13	SRV10-22H-0-V-06/3.0	7 /3
158007-07	FITTING-90 ORS/ORB	17 /35	178102-14	S PILOT PISTON 7013200	7 /5
158007-10	FTG-90 DEG ORS/ORB	17 /23	178102-17	SCOIL 6351012	7 /7
158007-10	FTG-90 DEG ORS/ORB	18 /22	178102-31	SCV10-20-0-V-70	7 /4
158007-13	FITTING-90 ORS/ORB	17 /73	178102-51	SORIFICE PLUG 6115088	8 /5
158007-13	FITTING-90 ORS/ORB	20 /16	178102-52	SCV08-20-0-N-04	8 /2
158007-13	FITTING-90 ORS/ORB	18 /67	178102-53	SPD10-44-0-N-110	8 /3
158010-03	FTG-ORS RUN TEE	17 /39	178102-54	SSK10-4N-MMM	8 /7
158010-03	FTG-ORS RUN TEE	18 /36	178102-60	S PORT PLUG 6118004	7 /9
158056-01	FITTING-ORS/O-RING TEE	17 /32	178102-61	S PORT PLUG 6118006	7 /8
158056-01	FITTING-ORS/O-RING TEE	18 /29	178102-61	S PORT PLUG 6118006	8 /4
158056-02	FTG-ORS/O-RING TEE	17 /41	178102-63	S 6062009	8 /8
158056-02	FTG-ORS/O-RING TEE	18 /37	178102-79	SRV10-22H-O-V-35/32	7 /2
158058-01	FITTING-BARB 90, ADJ	17 /29	178102-81	SSV10-21W-0-V-00	7 /6
158058-01	FITTING-BARB 90, ADJ	18 /26	178112-09	HOSE-5/8 ORS/90 ORS X 15.5	17 /54
158058-08	FITTING-90 BARB, ADJ	17 /31	178112-09	HOSE-5/8 ORS/90 ORS X 15.5	18 /50
158058-08	FITTING-90 BARB, ADJ	18 /28	178113-03	HOSE-5/8 ORS/ORS	17 /61
158058-12	FITTING-90 BARB, ADJ	17 /27	178113-03	HOSE-5/8 ORS/ORS	18 /57
158058-12	FITTING-90 BARB, ADJ	18 /25	188015	OIL PRESSURE LENS	10 /1
158058-15	FITTING-90 BARB, ADJ	17 /57	192086	GUIDE-CHAIN	4 /14
158058-15	FITTING-90 BARB, ADJ	18 /52	192087	BRKT-LIFT PIVOT MOUNT	4 /5
158059-03	FITTING 45 ORS/ORB ADJ	17 /33	192091	SLACK ARMS-CHAIN	13 /16
158059-07	FITTING-45 ORS/ORB ADJ	17 /40	192187	BRTK-TUBE SUPPORTS	4 /29
158059-07	FITTING-45 ORS/ORB ADJ	18 /12	193003	SHAFT-PULLEY MOUNTING	4 /23
158061-01	O-RING -06	17 /57	196004	ASS'Y PULLEY-CHAIN	4 /15
158061-01	O-RING -06	18 /46	196021	WLDMT-NEUTRAL CONTROL	9 /10
158061-24	O-RING	3 /40	198002-01	CHAIN-1/4X29.37	13 /20
158061-24	O-RING	17 /80	198003-01	BRNG-.752X1.002X1.000	4 /35
158061-24	O-RING	18 /73	198040	CYL-STEERING	17 /16
158066-03	FITTING-ORS/ORB	17 /36	198040	CYL-STEERING	2 /12
158122-01	TUBING-SIGHT GLASS	11 /49	198040	CYL-STEERING	18 /16
158135-01	SWITCH-SEAT, NO	12 /22	198042	VALVE-HYDRAULIC	4 /1
158135-01	SWITCH-SEAT, NO	15 /15	198042	VALVE-HYDRAULIC	17 /5
158136	WIRE-SEAT SWITCH	12 /11	198042	VALVE-HYDRAULIC	18 /5
158136	WIRE-SEAT SWITCH	15 /14	198042-01	S SEAL REPAIR KIT	4 /36
172060	BRAKE DRUM	14 /19	198057	SEAT	12 /2
173042	SPACER-SPINDLE	2 /7	198057-01	SCUSHION,EDGING,HDW	12 /49
178013	BRAKE BAND	14 /14	198058	SUSPENSION W/ADJUSTERS	12 /48
178025	FILTER-SPINON	9 /60	198059	ARM REST ASSY - L	12 /4
178025	FILTER-SPINON	17 /9	198062	SLIDE RAIL - SLAVE	12 /6
178025	FILTER-SPINON	18 /9	198063	SLIDE RAIL - ADJ	12 /8
178079	TEST FITTING	17 /79	198066	ARM REST ASSY - R	12 /1
178079	TEST FITTING	18 /44	198069-02	S-HOSE AIR CLEANER COIL	5 /39
178087-01	PLUG-ORS-10	18 /45	198069-02	S-HOSE AIR CLEANER COIL	6 /2
178088-02	FTG-ORS PLUG 11/16-16	18 /53	2000590	LABEL, WARN BATTERY	21 /7
178089-02	HOSE-3/4 ORS/90 ORS	17 /56	2000591	LABEL-THROTTLE FRONTLINE	21 /12
178089-04	HOSE-3/4 ORS/90 ORS	20 /17	2000628	LABEL, 9 RANSOMES DIE CUT	21 /17
178089-04	HOSE-3/4 ORS/90 ORS	18 /33	2000635	LABEL, 700 FRONTLINE	21 /34
178092-13	S-SINGLE SWITCH BLANK	10 /11	2000636	LABEL-728D DIE CUT	21 /8

CROSS REFERENCE

700 Series Front Line Tractors



PART NO.	DESCRIPTION	FIG/ITEM	PART NO.	DESCRIPTION	FIG/ITEM
2000673	DECAL - OP MAN/TIRES	21 /32	2192493	BRKT-HOSE CLAMP	1 /27
2000703	LABEL-SERVICE CHART	21 /20	2192495	BRKT-HOSE CLAMP	1 /25
2000723	LABEL-ROTATING PARTS	21 /18	2192505	BRKT-CONTROL CABLE	3 /42
2000724	LABEL-GENERAL WARNING	21 /10	2192506	BRKT-TIE DOWN	20 /5
2000725	LABEL-HYD LEAK WARNING	21 /31	2192518	MOUNT-FILTER	9 /58
2000726	LABEL-FAN ROTATE	21 /19	2192520	MNT-FLOW DIVIDER	20 /18
2000727	LABEL-BRAKE PEDALS	21 /9	2192522	MOUNT-OIL COOLER LH	5 /18
2000728	LABEL-DECK LIFT	21 /23	2192523	MOUNT-OIL COOLER RH	5 /19
2000729	LABEL-HYD FILL	21 /6	2192524	BAFFLE-OIL COOLER	5 /17
2000730	LABEL-DIESEL FUEL/CHK	21 /4	2192525	MNT-ENGINE RH	3 /2
2000731	LABEL-RELIEVE SPRING	21 /16	2192549	COVER-OIL COOLER LH	5 /41
2000734	LABEL-AIR INTAKE	21 /1	2192557	COVER-OIL COOLER RH	5 /12
2000738	DECAL-INST PANEL #946703	21 /3	2192571	STOP-HOOD PIVOT	11 /7
2142376	ADAPTER-SEAT	12 /13	2192586	BUMPER	20 /8
2178193-03	S RIM ASSY W/VLV STM&CAP	14 /25	2192645	COVER-BRAKE PEDAL LH	16 /22
2178211-01	CAP-RADIATOR	5 /3	2192646	COVER-BRAKE SHAFT	16 /21
2182427.7	HOLDDOWN-BATTERY	9 /22	2192648	BRACE-BRAKE SHAFT COVER	16 /20
2188153	SWITCH, CLUTCH	10 /7	2193027	SHAFT-CYL. PIVOT	4 /25
2188153	SWITCH, CLUTCH	15 /19	2193028	PIN-LOCKING	4 /26
2188178	SWITCH-RETAINER	10 /14	2193044	LEVER-THROTTLE	12 /39
2192220	PLATE-TOWER COVER	9 /27	2193045	TIE ROD	2 /17
2192248.2	BRKT-LATCH POST	11 /27	2193046	BUSHING-NEUTRAL CONTROL	3 /48
2192254	BRKT-THROTTLE MOUNT	12 /36	2196088	WLDMT-BRAKE LEVER	9 /35
2192289	BRKT-CYL SUPP	4 /12	2196093	WLDMT-SLACK ARMS BRKT	13 /19
2192291	SHIM-CYL SUPP BRKT	4 /11	2196102	S TOWER COVER W/LABS	13 /24
2192304	WEIGHT	20 /7	2196104	S BRKT-SPRING W/LABS	9 /45
2192308	SUPP-BRAKE ROD LH	9 /38	2196108	S BRAKE PEDAL W/LABS	9 /39
2192310	SUPP-BRAKE ROD RH	9 /49	2196108	S BRAKE PEDAL W/LABS	14 /27
2192351	BRKT-BRAKE MNTG	9 /36	2196117	S FWD/REV PED W/MAT	9 /5
2192361	CLAMP-BRAKE MNT	9 /50	2196132	WLDMT-FRAME, REAR	1 /2
2192383	MOUNT-STEERING GEAR	13 /11	2196133	WLDMT-CONTROL ARM	3 /55
2192439	MOUNT-RADIATOR LH	5 /34	2196134	WLDMT-FRONT AXLE	1 /5
2192440	MOUNT-RADIATOR RH	5 /32	2196138	WLDMT-LIFT LEVER	4 /4
2192441	SCREEN GUIDE	5 /40	2196139	WLDMT-FRAME RAIL LH	1 /3
2192444	BRKT-NEUTRAL CONTROL	3 /46	2196140	WLDMT-FRAME RAIL RH	1 /1
2192447	MOUNT-ENGINE R.R.	3 /1	2196142	WLDMT-BRAKE	14 /6
2192448	MOUNT-ENGINE L.R.	3 /8	2196143	WLDMT-BRAKE ARM	14 /3
2192449	MOUNT-ENGINE LH	3 /7	2196145	WLDMT-REAR AXLE	2 /35
2192450	MOUNT-ENGINE R.F.	3 /4	2196148	S-PANEL-INST W/LAB	9 /7
2192451	MOUNT-ENGINE L.F.	3 /6	2196148	S-PANEL-INST W/LAB	10 /9
2192470	MOUNT-BOTTLE	5 /23	2196150	S-REAR PANEL W/LABS	5 /15
2192472	TRAY-BATTERY	9 /25	2196151	S-HOOD ASSY W/LABS	11 /1
2192476	CABLE-MOUNT	9 /53	2196152	S-FENDER LH W/LABS	11 /14
2192476	CABLE-MOUNT	14 /29	2196153	S-FENDER RH W/MAT	11 /23
2192477	MOUNT-FUEL, FRONT	11 /28	2196154	S-FRONT FRAME W/LABS	1 /4
2192478	MOUNT-FUEL, TOP	11 /40	2196168	S-TOWER COVER W/LABS	9 /9
2192479	MOUNT-FUEL, REAR	11 /42	2196210	S-SEAT PLATE W/LABS	12 /20
2192480	MOUNT-HYDR TANK	11 /43	2196211	S-RADIATOR PANEL W/LABS	5 /9
2192486	BRKT-THROTTLE	3 /24	2196211	S-RADIATOR PANEL W/LABS	11 /3
2192487	MOUNT-AIR CLEANER	6 /11	2196215	S-PULLEY MOUNT BRKT	4 /10
2192488	BRACE-AIR CLEANER	6 /10	2196218	WLDMT-WHL SPINDLE, REAR	2 /40
2192492	PANEL-FRONT	6 /12	2196219	S-FAN SHROUD W/LAB	5 /38



700 Series Front Line Tractors

CROSS REFERENCE

PART NO.	DESCRIPTION	FIG/ITEM	PART NO.	DESCRIPTION	FIG/ITEM
2196240	WLDMT-BRAKE PEDAL RH	16 /8	2198184-22	SCREW-.375-16UNCX3.50	22 /50
2196243	WLDMT-BRAKE PEDAL LH	16 /15	2198184-24	CAP-RELIEF VALVE	22 /52
2196246	S-INSERT TOOL M6	3 /62	2198184-23	O-RING	22 /53
2196246	S-INSERT TOOL M6	5 /50	2198184-16	RING-RETAINING	22 /63
2196247	S-INSERT TOOL M8	1 /32	2198184-25	KEY-GEROTOR PUMP	22 /65
2196247	S-INSERT TOOL M8	3 /63	2198184-26	ASSY-IPRV	22 /69
2198081	CYLINDER-LIFT	4 /24	2198184-27	CAP-BPRV	22 /70
2198081	CYLINDER-LIFT	17 /1	2198184-28	POPPET-BPRV	22 /71
2198081	CYLINDER-LIFT	18 /1	2198184-29	SPRING-BPRV-60PSI	22 /72
2198082	S-CYL SEAL REPAIR KIT	4 /37	2198184-23	O-RING	22 /80
2198084	LATCH-SWELL	5 /14	2198184-30	SCRW-SHC.250-20UNCX1	22 /303
2198088	LENS-BATTERY	10 /2	2198184-31	PIN-CONTROL	22 /369
2198089	LAMP HLDR-DUAL WINDOW	10 /3	2198185	ENG-PERKINS 103-13	3 /3
2198091	BOOT-FUEL SENDER	11 /32	2198187	COUPLING-13TOOTH	3 /30
2198091	BOOT-FUEL SENDER	19 /4	2198188	TANK-FUEL 700	11 /13
2198094	SPRG-EXT .50 OD x 4.00 LG	13 /14	2198188	TANK-FUEL 700	19 /6
2198096	SCREW-CAP W/.375 HEX	12 /10	2198191	HOSE-AIR INTAKE	6 /4
2198109	KNOB-LEVER	12 /38	2198197	VLV-4WD/CHECK #HF951109	1 /19
2198112	LATCH-HOOD	6 /26	2198197	VLV-4WD/CHECK #HF951109	8 /1
2198112	LATCH-HOOD	11 /29	2198197	VLV-4WD/CHECK #HF951109	17 /14
2198125	BUMPER	6 /24	2198199	PUMP-HYDRAULIC	3 /33
2198126	TUBE-.500X.334X1.290	13 /18	2198199	PUMP-HYDRAULIC	17 /8
2198126	TUBE-.500X.334X1.290	13 /9	2198199	PUMP-HYDRAULIC	18 /8
2198127	TUBE-.500X.375/.384X.56	4 /18	2198201	OIL COOLER	5 /26
2198129	MAT-BRAKE PEDAL	21 /26	2198201	OIL COOLER	17 /15
2198130	STEERING WHEEL	13 /2	2198201	OIL COOLER	18 /15
2198132	MOUNT-ISOLATION	3 /5	2198202	MANIFOLD-INLET	17 /13
2198134	TUBE-.344X.500X.44	13 /5	2198202	MANIFOLD-INLET	18 /13
2198136	MAT-LH FENDER	11 /37	2198205	HOUSING	3 /31
2198136	MAT-LH FENDER	21 /21	2198205-01	BELL HOUSING	3 /17
2198137	MAT-RH FENDER	11 /11	2198205-02	FLANGE KIT	3 /9
2198137	MAT-RH FENDER	21 /11	2198208	WHEEL & TIRE 23X10.5-12	14 /23
2198141	CABLE-FRAME GROUND	15 /5	2198209	WHEEL ASM 18X8.5 4 BOLT	2 /31
2198147	AIR CLEANER	6 /15	2198209-01	S-TIRE 18X8.5-8 4P TURF TRAC	2 /31
2198147-01	ELEMENT	6 /16	2198209-02	S-RIM ASM W/VALVE STEM	2 /31
2198147-02	VALVE-DUST UNLOADER	6 /17	2198209-02	S-RIM ASM W/VALVE STEM	2 /42
2198147-03	COVER	6 /18	2198211	SWIVEL-CABLE CLAMP	3 /12
2198147-04	S-COVER CLIP	6 /9	2198215	TUBE-VLV/RT WHL MTR TOP	17 /49
2198156-02	TIRE-23X10.5-12 4P MLT-TRAC	14 /24	2198216	TUBE-VLV/RT WHL MTR-BOT	17 /48
2198159	FTG-1/4 90 DEG ELBOW	11 /48	2198218	TUBE-STEERING CYLINDER	17 /65
2198159	FTG-1/4 90 DEG ELBOW	19 /9	2198218	TUBE-STEERING CYLINDER	18 /61
2198174	RADIATOR	5 /25	2198231	WHEEL ASM, 18 X 8.5	2 /41
2198175	SCREEN	5 /11	2198231-01	TIRE 18X8.50 RIB TREAD	2 /43
2198177	HOSE-UPPER RADIATOR	5 /31	2198240	CAP-VENTED FUEL	11 /12
2198178	HOSE-LOWER RADIATOR	5 /30	2198248	TANK-HYDRAULIC 700	11 /2
2198184-15	BRG-FRT DRIVESHAFT	22 /3	2198248	TANK-HYDRAULIC 700	17 /6
2198184-16	RING-SHAFT RETAINER	22 /4	2198248	TANK-HYDRAULIC 700	18 /6
2198184-17	RETAINER-SEAL	22 /6	2198254	HOSE-CASE DRAIN	17 /69
2198184-18	SEAL-SHAFT	22 /7	2198254	HOSE-CASE DRAIN	18 /64
2198184-19	GASKET-VALVE PLATE	22 /21	2198255	HOSE-TANK RETURN U.S.	17 /26
2198184-20	SCREW-DRIVE	22 /27	2198255	HOSE-TANK RETURN U.S.	18 /30
2198184-21	O-RING	22 /22	2198257	HOSE TANK OUTLET	17 /58

CROSS REFERENCE

700 Series Front Line Tractors



PART NO.	DESCRIPTION	FIG/ITEM	PART NO.	DESCRIPTION	FIG/ITEM
2198257	HOSE TANK OUTLET	18 /54	2692223-06	HOSE-1/2 ORS/90 ORS X 26.50	17 /51
2198258	TUBE-OIL COOLER	17 /59	2692223-06	HOSE-1/2 ORS/90 ORS X 26.50	18 /47
2198258	TUBE-OIL COOLER	18 /55	2692223-07	HOSE-1/2 ORS/90 ORS X 20.62	17 /50
2198266	WIRE-DECK VALVE	15 /24	2692231-02	HOSE-3/8 37/90 ORS X 41.00	17 /43
2198272	HARNESS-WIRING	15 /21	2692231-02	HOSE-3/8 37/90 ORS X 41.00	18 /39
2198279	SPRING-COMPRESSION	3 /49	2692232-05	HOSE-WIRE RNFRCDX 9.00	17 /67
2198290	FILTER-ELEM WATER SPRTR	19 /28	2692232-05	HOSE-WIRE RNFRCDX 9.00	18 /63
2198294	GAUGE-FILTER VACUUM	9 /17	2692238-04	HOSE-5/8 ORS/ORS X 20.75	17 /60
2198294	GAUGE-FILTER VACUUM	17 /19	2692238-04	HOSE-5/8 ORS/ORS X 20.75	18 /56
2198294	GAUGE-FILTER VACUUM	18 /75	2692244-01	HOSE-3/4 ORS/90 ORS X 64.0	17 /55
2198295	FILTER HEAD-SPIN/W PORT	9 /59	2692244-01	HOSE-3/4 ORS/90 ORS X 64.0	18 /51
2198295	FILTER HEAD-SPIN/W PORT	17 /10	2692245-01	HOSE-3/8 37/ 1/2 ORS X 39.12	17 /71
2198297	CLAMP-AIR CLEANER	6 /3	2692245-01	HOSE-3/8 37/ 1/2 ORS X 39.12	18 /66
2201009	PLATE-MOTOR	2 /21	2692247-01	HOSE-3/8 37/45 ORS X 39.00	17 /47
2202118.2	SUPT-SEAT	12 /46	2692247-01	HOSE-3/8 37/45 ORS X 39.00	18 /43
2203046	BUSHING-BRAKE	14 /16	2692249-01	HOSE-1/2 45 ORS/90 ORS	20 /20
2203049	BUSHING-STEERING CYL	2 /10	2692249-01	HOSE-1/2 45 ORS/90 ORS	18 /32
2206030.2	WLDMT-REAR AXLE PIVOT	2 /38	2692250-01	HOSE-3/8 ORS CUTOFF	18 /65
2208033	MUFFLER-EXHAUST	6 /6	2692269-01	HOSE-3/8 37/ORS X 87.00	17 /45
2208058.2	HINGE-SEAT PLATE	12 /28	2692269-01	HOSE-3/8 37/ORS X 87.00	18 /41
2208073	SENDER-FUEL LEVEL	11 /33	2692269-02	HOSE-3/8 37/ORS X 82.50	17 /46
2208073	SENDER-FUEL LEVEL	15 /10	2692269-02	HOSE-3/8 37/ORS X 82.50	18 /42
2208073	SENDER-FUEL LEVEL	19 /5	2692270-06	HOSE-1/2 ORS/90 ORS X 82.50	17 /52
2208075	LATCH-ADJUSTABLE LEVER	12 /41	2692270-07	HOSE-1/2 ORS/90 ORS X 89.50	17 /53
2208099	SWITCH-90043CH-14	15 /23	2692292-01	HOSE-WIRE RNFRCDX .75x8.0	17 /2
2208099	SWITCH-90043CH-14	20 /19	2720122	LABEL-DIAMOND R	21 /37
2218009	ISOLATOR-VIBRATION LF1-270	3 /10	2720643	LABEL-TEXTRON	21 /38
2218084	GROMMET	5 /46	2720824-01	WHEEL MTR-ME120219AAJC	14 /11
2218152-03	MOTOR-16CC	18 /2	2720824-01	WHEEL MTR-ME120219AAJC	17 /11
22372	B&S CABLE CLAMP	3 /25	2720824-01	WHEEL MTR-ME120219AAJC	17 /12
22372	B&S CABLE CLAMP	12 /32	2720824-01	WHEEL MTR-ME120219AAJC	18 /11
2306144	S DOC TUBE W/LABEL	12 /23	2720824-01	WHEEL MTR-ME120219AAJC	18 /14
2308094	SWITCH-NCNC DBL POLE	9 /14	2720824-04	WHEEL MTR-ME090219AAJC	2 /28
2308094	SWITCH-NCNC DBL POLE	15 /16	2720826	HUB	14 /20
2690017-02	FTG-ORB PLUG 20	17 /78	2720828.2	WLDMT-HUB, WHEEL	2 /22
2690017-02	FTG-ORB PLUG 20	18 /72	2721055	VALVE-DECK	1 /28
2690017-03	FTG-ORB PLUG -06	11 /50	2721055	VALVE-DECK	7 /1
2690017-03	FTG-ORB PLUG -06	17 /25	2721055	VALVE-DECK	17 /3
2690017-03	FTG-ORB PLUG -06	18 /24	2721055	VALVE-DECK	18 /3
2690023	FTG-5/16 ELBOW-90 DEG	19 /7	2721223	BEARING-THRUST	2 /6
2690025	FTG-3/8 ELBOW-90 DEG	17 /42	2721329	PUMP-OILGEAR	3 /32
2690025	FTG-3/8 ELBOW-90 DEG	18 /38	2721329	PUMP-OILGEAR	17 /7
2690032-01	FTG-90DEG STRT EL 1/8NPTF	9 /18	2721329	PUMP-OILGEAR	18 /7
2690032-01	FTG-90DEG STRT EL 1/8NPTF	17 /72	306825	NUT, 7/16-20 CASTLE	2 /15
2690032-01	FTG-90DEG STRT EL 1/8NPTF	18 /10	35027N	ZERK FITTING	2 /34
2690032-01	FTG-90DEG STRT EL 1/8NPTF	18 /74	38061A	SPINDLE SHIELD	12 /24
2692215-22	HOSE-3/8 ORS/90 ORS	17 /64	38129	SPRING, TEN.055X.5X2.25	9 /33
2692215-22	HOSE-3/8 ORS/90 ORS	18 /60	38542	CLAMP-DOCUMENT TUBE	12 /27
2692217-16	HOSE-3/8 ORS/45 ORS	17 /62	41028	BLOCK-BEARING	9 /2
2692217-16	HOSE-3/8 ORS/45 ORS	18 /58	43067A	COLLAR, SET, PLATE	9 /8
2692219-03	HOSE-1/2 90 ORS/90ORSX20.3	17 /44	48013-06A	MAT, NON SKID 2.75X2.75	21 /24
2692219-03	HOSE-1/2 90 ORS/90ORSX20.3	18 /40	48030N	HOUR METER ASSEMBLY	6 /23



700 Series Front Line Tractors

CROSS REFERENCE

PART NO.	DESCRIPTION	FIG/ITEM	PART NO.	DESCRIPTION	FIG/ITEM
48030N	HOUR METER ASSEMBLY	15 /7	64006-02	LOCKWSHR-HELICAL 5/16	15 /28
48037A	BOOT, BATTERY TERMINAL	15 /1	64006-03	LOCKWSHR-HELICAL 3/8	3 /35
48043-03C	S CUP, OUTER BEARING	2 /46	64006-03	LOCKWSHR-HELICAL 3/8	9 /26
48043-04C	S CONE, OUTER BEARING	2 /47	64006-05	LOCKWSHR-HELICAL 1/2	2 /26
48228-1A	CLIP-CABLE INSULATED	5 /20	64006-13	WASHER-HELICAL 9/16	3 /41
48228-1A	CLIP-CABLE INSULATED	12 /40	64018-16	BLT CRG 1/2-13 X 5	20 /9
48228-2A	CABLE CLIP 3/4 W/INSTN	1 /23	64018-2	BLT-CRG 1/4-20X3/4	5 /47
48228-2A	CABLE CLIP 3/4 W/INSTN	12 /5	64018-8A	BLT-CRG 1/2-13X1-1/2	12 /9
48228A	CABLE CLIP-INSULATED	6 /7	64025-03	NUT-HEX 5/16-24	3 /52
48228A	CABLE CLIP-INSULATED	19 /17	64025-15	NUT-HEX #10-24 KEPS	3 /27
48244A	BALL JT 5/16F W/STUD	3 /53	64025-15	NUT-HEX #10-24 KEPS	9 /13
48256	PLUG-HOLE	5 /37	64025-15	NUT-HEX #10-24 KEPS	12 /31
48310	S BUSHING, FUEL TANK	11 /44	64025-16	NUT-HEX 5/8-18	2 /30
48310	S BUSHING, FUEL TANK	17 /24	64025-20	NUT-HEX 3/4-16 SLOT U	2 /50
48310	S BUSHING, FUEL TANK	19 /8	64025-27	NUT-HEX 5/8-18 L.H.THD	2 /18
48310	S BUSHING, FUEL TANK	18 /23	64025-29	NUT-HEX #8-32 KEPS	6 /25
48383	CLAMP-HOSE SAE32	5 /21	64025-29	NUT-HEX #8-32 KEPS	11 /35
48383	CLAMP-HOSE SAE32	6 /1	64025-30	NUT-HEX 1/2-20 SLOT	2 /37
48383	CLAMP-HOSE SAE32	17 /76	64025-35	NUT-HEX 1-1/8-18 UNSLOTTED	2 /23
48383	CLAMP-HOSE SAE32	17 /85	64025-36	NUT-HEX 1-1/8-18 SLOTTED	14 /22
48383	CLAMP-HOSE SAE32	18 /70	64044-1	SCREW-SET 1/4-20X1/4	9 /6
48383	CLAMP-HOSE SAE32	18 /78	64061-04	ROLL PIN-1/8X3/4	9 /52
48396	HOSE-CLAMP SAE24	17 /83	64061-04	ROLL PIN-1/8X3/4	16 /9
48396	HOSE-CLAMP SAE24	18 /76	64061-06	ROLL PIN-3/16X1-5/8	16 /14
48428	COLLAR-SET, 3/8 ID	9 /12	64061-07	ROLL PIN-5/32X1-1/4	4 /17
48429	SPRING-EXTENSION	9 /11	64061-15	ROLL PIN-1/8X1/2	4 /19
48429	SPRING-EXTENSION	14 /2	64061-15	ROLL PIN-1/8X1/2	16 /17
48436	MAT-NON SKID	21 /25	64061-25	ROLL PIN-1/4X1-1/4	16 /2
48476-A1	HUB ASSY PURCHASE	2 /44	64061-26	ROLL PIN-1/4X1-3/4	13 /23
48479	S DUST COVER	2 /48	64061-28	ROLL PIN-3/16X1-1/4	3 /54
48480	SEAL CR 12411	2 /45	64123-07	BLT-HEX 1/4-20X1-1/2	9 /1
48517	HOLE PLUG 1.00	10 /12	64123-114	BLT-HEX 1/4-20X1	3 /57
48517-01	HOLE PLUG .750	11 /22	64123-114	BLT-HEX 1/4-20X1	4 /28
48517-02	HOLE PLUG .625	1 /18	64123-114	BLT-HEX 1/4-20X1	9 /56
48517-02	HOLE PLUG .625	10 /6	64123-114	BLT-HEX 1/4-20X1	11 /4
48517-05	HOLE PLUG .515	1 /12	64123-15	BLT-HEX 3/8-16X3/4	14 /17
48524	CIRCUIT BREAKER 40A	15 /6	64123-16	BLT-HEX 3/8-16X1-1/4	4 /8
48540-01	HOSE CLAMP WITTEK H	19 /27	64123-162	BLT-HEX 5/16-24X5	3 /47
62464-3A	WASHER, THRUST 3/4X1.25	4 /16	64123-47	BLT-HEX 5/16-18X1-1/4	13 /8
62464-4A	WASHER, THRUST 1.25X1.9	2 /4	64123-50	BLT-HEX 3/8-16X1	9 /40
64001-6	NUT-HEX JAM, 3/8-16	4 /3	64123-55	BLT-HEX 5/16-18X3	13 /3
64002-02	LOCKWSHR-TOOTH, EXT, #10	11 /21	64123-56	BLT-HEX 5/16-18X2	13 /13
64002-02	LOCKWSHR-TOOTH, EXT, #10	19 /2	64123-67	BLT-HEX 3/8-16X2	13 /21
64002-04	LOCKWSHR-TOOTH, EXT 5/16	6 /38	64123-70	BLT-HEX 3/8-16X1-1/2	3 /34
64006-01	LOCKWSHR-HELICAL 1/4	4 /34	64123-72	BLT-HEX 1/2-13X2-1/2	2 /8
64006-01	LOCKWSHR-HELICAL 1/4	5 /6	64123-73	BLT-HEX 1/2-13X1	12 /14
64006-01	LOCKWSHR-HELICAL 1/4	6 /21	64123-82	BLT-HEX 3/8-16X2-1/2	9 /46
64006-01	LOCKWSHR-HELICAL 1/4	9 /63	64123-89	BLT-HEX 1/4-20X3/4	9 /51
64006-02	LOCKWSHR-HELICAL 5/16	5 /27	64123-89	BLT-HEX 1/4-20X3/4	12 /26
64006-02	LOCKWSHR-HELICAL 5/16	6 /32	64123-90	BLT-HEX 1/2-20X2	14 /12
64006-02	LOCKWSHR-HELICAL 5/16	9 /62	64139-02	BLT-WLF 1/4-20X1/2	9 /29
64006-02	LOCKWSHR-HELICAL 5/16	11 /46	64139-02	BLT-WLF 1/4-20X1/2	9 /4

CROSS REFERENCE

700 Series Front Line Tractors



PART NO.	DESCRIPTION	FIG/ITEM	PART NO.	DESCRIPTION	FIG/ITEM
64139-02	BLT-WLF 1/4-20X1/2	12 /7	64163-29	21/64X1X11GA.WASHER	6 /8
64139-04	BOLT-WLF 1/4-20X3/4	4 /31	64163-29	21/64X1X11GA.WASHER	6 /5
64139-04	BOLT-WLF 1/4-20X3/4	9 /37	64163-29	21/64X1X11GA.WASHER	13 /4
64139-08	BLT-WLF 5/16-18X3/4	4 /13	64163-31	WASH.25/64X1X12 GA	4 /7
64139-08	BLT-WLF 5/16-18X3/4	9 /48	64163-31	WASH.25/64X1X12 GA	9 /41
64139-08	BLT-WLF 5/16-18X3/4	13 /12	64163-31	WASH.25/64X1X12 GA	12 /45
64139-08	BLT-WLF 5/16-18X3/4	16 /6	64163-34	WSHR.256/.267X1X11GA	4 /27
64139-13	BLT-WLF 5/16-18X1/2	16 /19	64163-38	WSHR.875X.390X.1046PLN	3 /43
64139-16	BLT-WLF 5/16-18X5/8	12 /3	64163-54	.516X.75X12GATHK WSHR	16 /12
64140-1	COTTERPIN-1/8X1	2 /25	64164-08	S-KEY FOR WHEEL MOTOR	14 /13
64140-3	COTTERPIN-3/32X3/4	2 /16	64164-08	S-KEY FOR WHEEL MOTOR	14 /34
64140-5	COTTERPIN-1/8X1-1/2	14 /21	64164-08	S-KEY FOR WHEEL MOTOR	2 /282
64140-5	COTTERPIN-1/8X1-1/2	2 /19	64166-03	SHBLT .281X5/16-18	12 /44
64141-1	NUT-WLF 5/16-24	13 /26	64166-7	SHOULDERBOLT	12 /37
64141-2	NUT-WLF 1/4-20	4 /30	64166-7	SHOULDERBOLT	14 /15
64141-2	NUT-WLF 1/4-20	9 /30	64168-2	COTTER-HAIRPIN .08X1.19	11 /8
64141-2	NUT-WLF 1/4-20	11 /39	64187-03	WHEEL NUT 1/2-20	2 /32
64141-4	NUT-WLF 3/8-16	9 /47	64197-001	BLT-TDFM 5/16-18X3/4	2 /36
64141-6	NUT-WLF 5/16-18	4 /6	64197-002	BLT-TDFM 1/4-20X3/4	12 /25
64141-6	NUT-WLF 5/16-18	9 /43	64205-001	BLT-METRIC M8-1.25X20	5 /36
64141-6	NUT-WLF 5/16-18	12 /12	64205-001	BLT-METRIC M8-1.25X20	5 /44
64141-6	NUT-WLF 5/16-18	13 /22	64205-001	BLT-METRIC M8-1.25X20	6 /19
64141-6	NUT-WLF 5/16-18	16 /7	64205-003	BLT-METRIC M8-1.25X30	1 /24
64144-30	SNAP RING .375	14 /5	64205-007	BLT METRIC M10-1.50X20	1 /22
64151-15	5/16-18 CL HEX NUT	4 /9	64205-007	BLT METRIC M10-1.50X20	3 /15
64151-15	5/16-18 CL HEX NUT	13 /7	64205-007	BLT METRIC M10-1.50X20	11 /25
64151-17	NUT,HEX LOCK CL 1/4-20	4 /22	64205-007	BLT METRIC M10-1.50X20	12 /42
64151-18	3/8-16 CL HEX NUT	4 /21	64205-007	BLT METRIC M10-1.50X20	2 /1
64151-18	3/8-16 CL HEX NUT	12 /30	64205-011	BLT-METRIC M10-1.50X40	14 /10
64151-18	3/8-16 CL HEX NUT	13 /15	64205-015	BLT-METRIC M8-1.25X35	3 /56
64151-24	HEX CL NUT 5/16-24	3 /51	64205-015	BLT-METRIC M8-1.25X35	6 /13
64151-29	NUT-HEX 1 1/4-12 NYLOK	2 /39	64205-018	BLT METRIC M8-1.25X15	5 /1
64151-7	1/2-13 HEX LOCK NUT	12 /17	64205-018	BLT METRIC M8-1.25X15	15 /30
64151-7	1/2-13 HEX LOCK NUT	20 /10	64205-019	BLT-METRIC M10-1.50X80	3 /16
64151-8	1/4-20 HEX LOCK NUT	11 /6	64205-023	BLT-METRIC M6-1.00X50	4 /33
64151-8	1/4-20 HEX LOCK NUT	12 /21	64205-026	BLT-METRIC M8-1.25X80	1 /7
64152-05	10-32X1/2 R MACH SCREW	11 /34	64205-026	BLT-METRIC M8-1.25X80	6 /14
64152-05	10-32X1/2 R MACH SCREW	19 /1	64205-026	BLT-METRIC M8-1.25X80	19 /24
64152-06	10-24X1/2 MACH SCREW	9 /15	64205-027	BLT-MTRC M10-1.5X40 FULL	3 /20
64152-20	8-32X1/2 MACH SCREW	6 /27	64205-029	BLT-METRIC M12X1.75X40	20 /11
64152-20	8-32X1/2 MACH SCREW	11 /30	64205-029	BLT-METRIC M12X1.75X40	20 /6
64152-23	1/4-20X3/8 LG SP SCREW	9 /28	64205-036	BLT-METRIC M10-1.50X35	1 /11
64152-49	SCR-SLT HH 10-24X3/4	3 /26	64205-042	BLT-METRIC M4-.7X12	3 /13
64152-49	SCR-SLT HH 10-24X3/4	12 /34	64205-044	BLT-METRIC M8-1.25x100	1 /20
64163-02	WSHR-.328X.593/.608X11GA	14 /7	64205-045	BLT-METRIC M12-1.75X35	3 /36
64163-03	WSHR-.256ID X .62OD X 18 GA.	5 /45	64205-046	BLT-METRIC M6-1.00X80	1 /29
64163-04	25/64X5/8X16GA WASHER	14 /8	64206-13	BLT-METRIC M5X.8X12	15 /25
64163-17	25/64 X 2 X 11GA WASHR	2 /3	64206-14	HHCS-M14-1.5 X 30	3 /14
64163-19	33/64X1-1/4X12GA WASHR	12 /15	64207-01	NUT-HEX,M8-1.25	15 /29
64163-19	33/64X1-1/4X12GA WASHR	2 /9	64207-06	NUT-HEX M6-1	6 /22
64163-26	WASHER,.766 ID X 1.625	2 /49	64207-07	NUT-HEX M12-1.75	2 /27
64163-27	WSHR-FLAT 2.0X.453X11 GA	3 /23	64209-01	CONICAL SPRING WASHER	12 /35



700 Series Front Line Tractors

CROSS REFERENCE

PART NO.	DESCRIPTION	FIG/ITEM	PART NO.	DESCRIPTION	FIG/ITEM
64211-02	WASHER	11 /36	64251-003	WHSR-M8	6 /31
64215-05	RIVET-POP IFI# 64	11 /20	64251-003	WHSR-M8	11 /47
64218-03	SCR-BTNHDM8-1.2X16	6 /29	64251-003	WHSR-M8	12 /18
64220-01	BLT-WHL 12-20X.75 60D	14 /26	64251-004	WHSR-M10	1 /14
64225-03	U-BOLT	5 /16	64251-004	WHSR-M10	3 /21
64229-01	LOCK NUT-NYLON 1/4-20	3 /22	64251-004	WHSR-M10	9 /34
64229-01	LOCK NUT-NYLON 1/4-20	5 /42	64251-004	WHSR-M10	11 /26
64229-01	LOCK NUT-NYLON 1/4-20	9 /57	64251-004	WHSR-M10	14 /9
64229-02	LOCK NUT-NYLON 5/16-18	9 /32	64251-004	WHSR-M10	20 /12
64229-02	LOCK NUT-NYLON 5/16-18	12 /47	64251-005	WHSR-M12	1 /9
64229-05	LOCK NUT-NYLON 1/2-13	2 /11	64251-005	WHSR-M12	3 /37
64237-01	LOCKNUT-NYLONM5X0.8	15 /26	64251-005	WHSR-M12	11 /16
64237-02	LOCKNUT-NYLONM6-1.00	1 /30	65362-01	RUBBER-CLAMP 4IN	17 /88
64237-02	LOCKNUT-NYLONM6-1.00	5 /43	65362-02	RUBBER-CLAMP 6IN	17 /84
64237-02	LOCKNUT-NYLONM6-1.00	6 /37	65362-02	RUBBER-CLAMP 6IN	18 /77
64237-02	LOCKNUT-NYLONM6-1.00	19 /23	65362-04	RUBBER-CLAMP 10IN	17 /86
64237-03	LOCKNUT-NYLONM10-1.5	1 /15	65362-04	RUBBER-CLAMP 10IN	18 /79
64237-03	LOCKNUT-NYLONM10-1.5	3 /18	68156A	HANDLE KNOB, BLACK	4 /2
64237-03	LOCKNUT-NYLONM10-1.5	9 /24	69068-06	ORIFICE DISK 06, .070	17 /66
64237-03	LOCKNUT-NYLONM10-1.5	11 /19	69068-06	ORIFICE DISK 06, .070	18 /49
64237-03	LOCKNUT-NYLONM10-1.5	12 /43	69206-05	HOSE-3/8 ORS/ORS 32.5	17 /63
64237-03	LOCKNUT-NYLONM10-1.5	14 /1	69206-05	HOSE-3/8 ORS/ORS 32.5	18 /59
64237-03	LOCKNUT-NYLONM10-1.5	20 /21	69213-03	HOSE-90 ORS X 17.0	17 /70
64237-05	LOCKNUT-NYLONM8-1.25	1 /16	73017A	IDLER BUSHING-PLATE	6 /34
64237-05	LOCKNUT-NYLONM8-1.25	3 /44	73017A	IDLER BUSHING-PLATE	13 /17
64237-05	LOCKNUT-NYLONM8-1.25	5 /4	73017A	IDLER BUSHING-PLATE	19 /25
64237-05	LOCKNUT-NYLONM8-1.25	6 /33	800488	LOCK WASHER M10	11 /24
64237-05	LOCKNUT-NYLONM8-1.25	12 /19	800488	LOCK WASHER M10	2 /2
64237-05	LOCKNUT-NYLONM8-1.25	19 /26	800490	NUT-14mm-1.5	2 /13
64237-06	LOCKNUT-NYLONM12-1.75	1 /10	806953	BOLT-BATTERY HOOK	9 /21
64237-06	LOCKNUT-NYLONM12-1.75	11 /18	825619	FILTER-FUEL	19 /20
64237-06	LOCKNUT-NYLONM12-1.75	20 /4	831905	CAP-OVERFLOW BOTTLE	5 /7
64243-01	BLT-CRGM10-1.50X30	1 /17	831906	BOTTLE-OVERFLOW	5 /8
64243-02	BLT-CRGM10-1.50X20	9 /61	838154	BRKT-MOUNTING FUEL PUMP	19 /16
64243-03	BLT-CRGM8-1.25X20	11 /5	838495	LABEL-RED/WHITE STRIPE 20'	21 /30
64243-04	BLT-CRGM10-1.50X25	9 /31	839862	DECAL, STEERING WHEEL	13 /1
64243-04	BLT-CRGM10-1.50X25	11 /15	85010N	ZERK, 1/4-28 STR SELF THRD	2 /33
64246-02	NUT-WLFM8-1.25	11 /9	88042-01	CLAMP-HOSE 3/16	19 /10
64250-02	INSERT-GRIPM6X1.0	3 /38	88042-02	CLAMP-HOSE 5/16	19 /11
64250-02	INSERT-GRIPM6X1.0	5 /24	886425	HORN	6 /20
64250-04	INSERT-GRIP M8	1 /6	886425	HORN	15 /9
64250-04	INSERT-GRIP M8	3 /39	887692	END,TIE ROD	2 /14
64250-04	INSERT-GRIP M8	11 /38	888923	PUMP AY,ELECT FUEL	15 /22
64251-001	WHSR-M5	15 /27	888923	PUMP AY,ELECT FUEL	19 /15
64251-002	WHSR-M6	3 /29	970078	ATT-2 POST ROPS (250/700)	20 /1
64251-002	WHSR-M6	5 /28	970114	KIT-TIE DOWN BRACKETS	20 /2
64251-002	WHSR-M6	6 /36	970116	KIT-DIFF LOCK	20 /24
64251-002	WHSR-M6	9 /20	970124	KIT-WEIGHT 700 ANSI COMPL	20 /12
64251-002	WHSR-M6	19 /22	A1005166	BOLT-M12-1.75X80	2 /24
64251-003	WHSR-M8	1 /21	A1102966	BOLT-M6-1.00X16	3 /28
64251-003	WHSR-M8	3 /19	A1102966	BOLT-M6-1.00X16	5 /22
64251-003	WHSR-M8	5 /2	A1102966	BOLT-M6-1.00X16	6 /35

CROSS REFERENCE

700 Series Front Line Tractors



PART NO.	DESCRIPTION	FIG/ITEM	PART NO.	DESCRIPTION	FIG/ITEM
A1102966	BOLT-M6-1.00X16	19 /21			
A1103051	BOLT-M8-1.25X25	3 /45			
A1103051	BOLT-M8-1.25X25	6 /30			
A1103051	BOLT-M8-1.25X25	9 /55			
A1103051	BOLT-M8-1.25X25	11 /45			
A1103051	BOLT-M8-1.25X25	12 /29			
A1104057	BOLT-M10-1.50X25	20 /2			
A110406	SCREW,M10X1.5X30HH	1 /13			
A1105061	BOLT-M12-1.75X30	1 /8			
A1105061	BOLT-M12-1.75X30	11 /17			

**CALIFORNIA
Proposition 65 Warning**

Diesel engine exhaust and some of its constituents are known to the State of California to cause cancer, birth defects and other reproductive harm.

 **WARNING**

The engine exhaust from this product contains chemicals known to the State of California to cause cancer, birth defects or other reproductive harm.

**Californie Proposition 65
Avertissement**

Les échappements des moteurs diesel et certains de leurs composés sont reconnus par l'Etat de Californie pour être cancérigènes, provoquer des défauts congénitaux et d'autres dangers en matière de reproduction.

 **AVERTISSEMENT**

L'émission du moteur de ce matériel contient des produits chimiques que l'Etat de Californie considère être cancérigènes, provoquer des défauts congénitaux et d'autres dangers en matière de reproduction.

**California Advertencia
de la Proposicion 65**

El estado de California hace saber que los gases de escape de los motores diesel y algunos de sus componentes producen cáncer, defectos de nacimiento y otros daños en el proceso de reproducción humana.

 **ADVERTENCIA**

El estado de California hace saber que los gases de escape de este producto contienen productos químicos que producen cáncer, defectos de nacimiento y otros daños en el proceso de reproducción humana.