



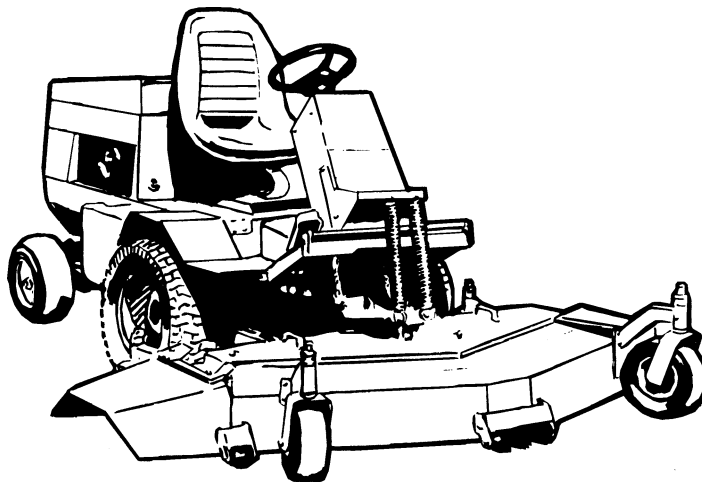
RANSOMES[®]

PARTS MANUAL

700 SERIES MOWERS

MODEL 946706 - FRONTLINE 728D 4WD EC

MODEL 946707 - FRONTLINE 728D 2WD EC



WARNING: If incorrectly used this machine can cause severe injury. Those who use and maintain this machine should be trained in its proper use, warned of its dangers and should read the entire manual before attempting to set up, operate, adjust or service the machine.

FOR USE WITH OPERATOR MANUALS 2198251, 2198252, 2198253

RANSOMES

TEXTRON
TURF CARE AND SPECIALTY PRODUCTS

2198249 REV05



QUICK REFERENCE INDEX2
 TORQUE SPECIFICATIONS3

FIGURE/DESCRIPTION	PAGE
1) FRAME & FRONT AXLE ASSEMBLIES.....	4-5
2) REAR AXLE ASSEMBLY.....	6-7
3) ENGINE MOUNTING	8-9
4) LIFT CYLINDER MOUNTING	10-11
5) RADIATOR MOUNTING	12-13
6) FUEL SEPARATOR/AIR CLEANER	14-15
7) DECK VALVE/4WD VALVE CHECK	16-17
8) PEDAL CONTROLS	18-19
9) INSTRUMENT PANEL	20-21
10) HOOD ASSEMBLY	22-23
11) SEAT & PLATFORM	24-25
12) STEERING	26-27
13) DRIVE WHEELS & BRAKES	28-29
14) ELECTRICAL DIAGRAM	30-31
15) STEERING BRAKES	32-33
16) 4WD HYDRAULIC DIAGRAM.....	34-35
17) 2WD HYDRAULIC DIAGRAM.....	36-37
18) FUEL DIAGRAM.....	38-39
19) MISCELLANEOUS OPTIONS.....	40-41
20) DECALS.....	42-43
21) CROSS REFERENCE	44-51

IMPORTANT! READ!

You have purchased a first class mower and the useful life you obtain from your machine depends to a large extent on proper maintenance and operation. Before attempting to use your mower, read your Operator's Manual carefully. Make yourself familiar with the operation, controls, adjustments, lubrication and maintenance sections.

ALL references to left and right are from operator's position.

For paint touch-ups use the following:

- 833140 PAINT, SPRAY 16 oz. RANSOMES GREEN
- 838141 PAINT, QUART RANSOMES GREEN



A		I	
Air Cleaner.....	14-15	Instrument Panel	
Axle, rear.....	6-7	Fuel Gauge.....	20-21
		Horn Switch.....	20-21
		Key Switch.....	20-21
		Clutch Switch.....	20-21
		Temp Gauge.....	20-21
B		L	
Battery.....	18-19	Lift Cylinder.....	10-11
Brakes.....	18-19	Lift Valve.....	10-11
.....	28-29		
C		M	
Control Pedals.....	18-19	Muffler	
		Diesel.....	14-15
E		O	
Engines.....	8-9	Oil Cooler.....	12-13
Engine Mount.....	8-9	Overflow bottle.....	12-13
F		R	
Fenders.....	22-23	Radiator.....	12-13
Filters		Radiator Screen.....	12-13
Hyd Fluid.....	18-19		
Air Cleaner.....	14-15	S	
Frame.....	4-5	Seat.....	24-25
Fuel Gauge.....	20-21	Steering Wheel.....	26-27
Fuel Sender.....	22-23		
Fuel Separator.....	14-15	T	
Fuel Tanks.....	22-23	Throttle Cable.....	8-9
		Throttle Lever.....	24-25
H		Tie Rod.....	6-7
Hood Latch.....	14-15	Tires.....	6-7
Horn (optional).....	30-31	28-29
Horn Switch (optional).....	20-21		
Hose, Air Cleaner.....	14-15		
Hoses, Radiator.....	12-13		
Hour Meter.....	14-15		
Hub, Wheel.....	6-7		
.....	28-29		
Hyd Oil Cooler.....	12-13		
Hyd Reservoir.....	22-23		
Hyd Steer Gear.....	26-27		



700 Series EC Tractors

TORQUE SPECIFICATIONS

RECOMMENDED TORQUES ($\pm 10\%$) FOR THESE GRADES OF FASTENERS. USE THESE SPECIFICATIONS UNLESS OTHERWISE NOTED.

TEXTRON TURF CARE AND SPECIALTY PRODUCTS USES GRADE 5 BOLTS AS STANDARD (MINIMUM COMMERCIAL QUALITY). DO NOT USE LOWER QUALITY BOLTS UNLESS OTHERWISE NOTED.



SPECIFIC TORQUES:

BLADE BOLT: 70 FT-LBS (95 Nm)






DRIVE WHEEL LUG NUTS: 55-65 FT-LBS (75-85 Nm)

WHEEL HUB NUTS: 300 FT-LBS (407 Nm)

AMERICAN NATIONAL STANDARD FASTENERS

SIZE	UNITS		
		GRADE 5	GRADE 8
6-32	in-lbs (Nm)	20 (2.3)	-
8-32	in-lbs (Nm)	24 (2.7)	30 (3.4)
10-24	in-lbs (Nm)	35 (4.0)	45 (5.1)
10-32	in-lbs (Nm)	40 (4.5)	50 (5.7)
12-24	in-lbs (Nm)	50 (5.7)	65 (7.3)
1/4-20	in-lbs (Nm)	95 (10.7)	125 (14.1)
1/4-28	in-lbs (Nm)	95 (10.7)	150 (17.0)
5/16-18	in-lbs (Nm)	200 (22.6)	270 (30.5)
5/16-24	in-lbs (Nm)	240 (27.1)	300 (33.9)
3/8-16	ft-lbs (Nm)	30 (40.7)	40 (54.2)
3/8-24	ft-lbs (Nm)	35 (47.5)	45 (61.0)
7/16-14	ft-lbs (Nm)	50 (67.8)	65 (88.1)
7/16-20	ft-lbs (Nm)	55 (74.6)	70 (94.9)
1/2-13	ft-lbs (Nm)	75 (101.7)	100 (135.6)
1/2-20	ft-lbs (Nm)	85 (115.3)	110 (149.2)
9/16-12	ft-lbs (Nm)	105 (142.4)	135 (183.1)
9/16-18	ft-lbs (Nm)	115 (155.9)	150 (203.4)
5/8-11	ft-lbs (Nm)	150 (203.4)	195 (264.4)
5/8-18	ft-lbs (Nm)	160 (217.0)	210 (284.8)
3/4-10	ft-lbs (Nm)	170 (230.5)	220 (298.3)
3/4-16	ft-lbs (Nm)	175 (237.3)	225 (305.1)
7/8-14	ft-lbs (Nm)	300 (406.8)	400 (542.4)

METRIC FASTENERS

SIZE	UNITS						Noncritical Fasteners into Aluminum
		4.8	5.8	8.8	10.9	12.9	
M4	Nm (in-lb)	1.2 (11)	1.7 (15)	2.9 (26)	4.1 (36)	5.0 (44)	2.0 (18)
M5	Nm (in-lb)	2.5 (22)	3.2 (28)	5.8 (51)	8.1 (72)	9.7 (86)	4.0 (35)
M6	Nm (in-lb)	4.3 (38)	5.7 (50)	9.9 (88)	14.0 (124)	16.5 (146)	6.8 (60)
M8	Nm (in-lb)	10.5 (93)	13.6 (120)	24.4 (216)	33.9 (300)	40.7 (360)	17.0 (150)
M10	Nm (ft-lb)	21.7 (16)	27.1 (20)	47.5 (35)	66.4 (49)	81.4 (60)	33.9 (25)
M12	Nm (ft-lb)	36.6 (27)	47.5 (35)	82.7 (61)	116.6 (86)	139.7 (103)	61.0 (45)
M14	Nm (ft-lb)	58.3 (43)	76.4 (55)	131.5 (97)	184.4 (136)	219.7 (162)	94.9 (70)



700 Series EC Tractors

2197107

FRAME & FRONT AXLE ASSEMBLY

FIGURE 1

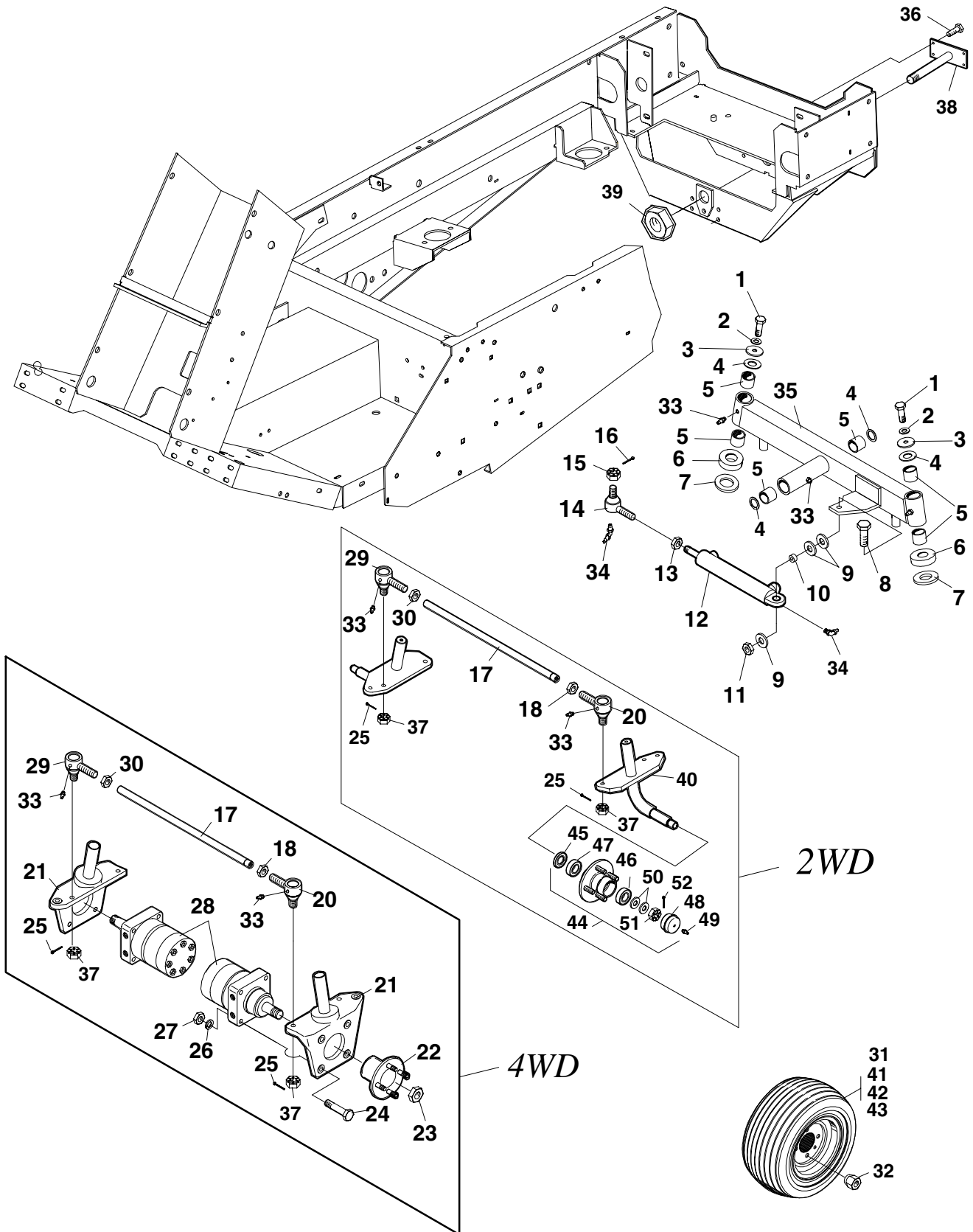
ITEM	PART NO.	DESCRIPTION	QTY	ITEM	PART NO.	DESCRIPTION	QTY
1-1	2196140	WLDMT-FRAME RAIL RH	1				
1-2	2196132	WLDMT-FRAME REAR	1				
1-3	2196139	WLDMT-FRAME RAIL LH	1				
1-4	2196154	S FRAME FRONT W/LABS	1				
1-5	2196134	WLDMT-FRONT AXLE	1				
1-6	64250-04	INSERT M8	2				
1-7	64205-026	BOLT-MET.M81.25X80	2				
1-8	A1105061	BLT-MET.M12-1.75X30	8				
1-9	64251-005	WASHER-M12	8				
1-10	64237-06	LCKNT-NYLONM12-1.75	8				
1-12	48517-05	HOLE-PLUG .515	2				
1-13	A110406	SCREW M10-1.5X30	10				
1-14	64251-004	WASHER-M10	22				
1-15	64237-03	LOCKNUT-NYLONM10-1.5	14				
1-16	64237-05	LOCKNUT-NYLONM8-1.25	2				
1-17	64243-01	BLT-CRGM10-1.5X30	2				
1-18	48517-02	HOLE PLUG .625	1				
1-19	2198197	VALVE 4WD CHECK	1				
1-20	64205-044	BOLT-MET.M8-1.25X100	2				
1-21	64251-003	WASHER-M8	6				
1-22	64205-007	BLT-MET.M10-1.5X20	2				
1-23	48228-2A	CABLE CLIP	4				
1-24	64205-003	BOLT-MET.M8-1.25X30	2				
1-25	2192495	BRKT HOSE CLAMP	1				
1-26	148090-02	HOSE CLAMP	4				
1-27	2192493	FLAT HOSE CLAMP	1				
1-28	2721055	DECK VALVE	1				
1-29	64205-046	BOLT-MET.M6-1.0X80	3				
1-30	64237-02	LOCKNUT-NYLONM6-1	3				
1-31	2192586	BUMPER	1				
1-32	2192304	WEIGHT					
		ON 2 WD	10				
		ON 4 WD	8				
1-33	64205-029	BLT-MET.M12-1.75X40	4				
1-34	64151-7	NUT-HEX 1/2-13	2				
1-35	64018-16	BLT-CARRIAGE 1/2-13X5	2				
		(USE ON 2 WD)	2				
1-36	64018-21	BLT-CARRIAGE 1/2-13X4	2				
		(USE ON 4 WD)	2				

REAR AXLE ASSEMBLY

700 Series EC Tractors



FIGURE 2





700 Series EC Tractors

2197094

REAR AXLE ASSEMBLY

FIGURE 2

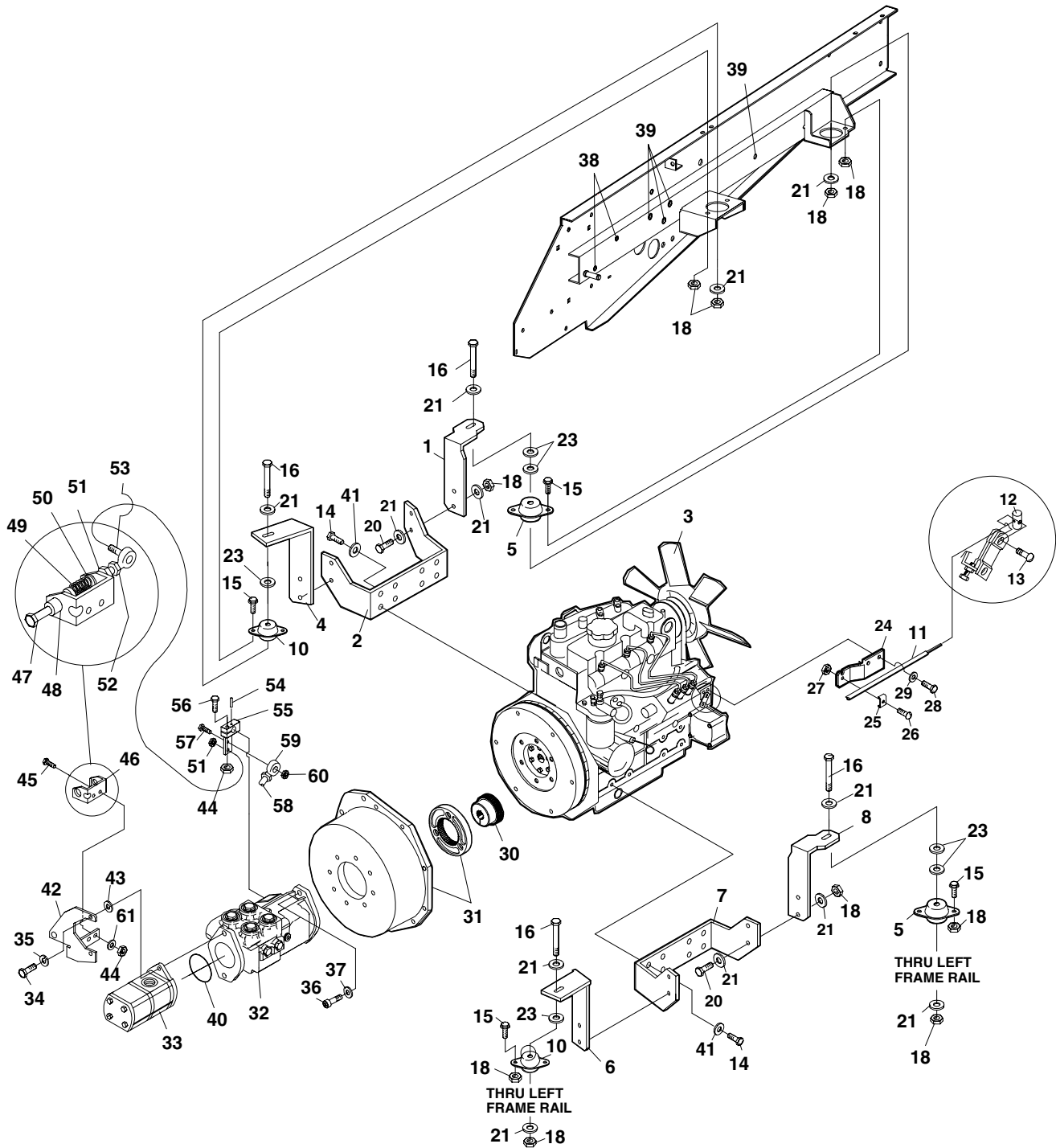
ITEM	PART NO.	DESCRIPTION	QTY	ITEM	PART NO.	DESCRIPTION	QTY
2-1	64205-007	BLT-MET.M10-1.5X20	2	2-40	2196218	WLDMT-WHL SPNDL,REAR	2
2-2	800488	LOCKWASHER M10	2	2-41	2198231	WHEEL ASM, 18 X 8.5 (INCLUDES ITEMS 42 & 43)	2
2-3	64163-17	25/64X2X11 GAWSHR	2	2-42	118082	RIM ASSEMBLY	A/R
2-4	62464-4A	WASHER-THRUST	4	2-43	2198231-01	TIRE-18X8.5 RIB TR (USE ON 2 WD)	A/R
2-5	108003	BUSHING	6	2-44	48476-A1	HUB ASM (INCLUDES ITEMS 45 - 49)	2
2-6	2721223	THRUST BEARING	2	2-45	48480	SEAL	1
2-7	173042	SPACER-SPINDLE	2	2-46	48043-03C	SCUP, OUTER BEARING	2
2-8	64123-72	BLT-HEX 1/2-13X2-1/2	1	2-47	48043-04C	SCONE, OUTER BEARING	2
2-9	64163-19	WASHER	3	2-48	48479	S DUST COVER	1
2-10	2203049	BUSHING STEERING CYL	1	2-49	85010N	ZERK STRAIGHT	1
2-11	64229-05	LOCKNUT-1/2-13	1	2-50	64163-26	WASHER,.766 ID X 1.625	4
2-12	198040	CYLINDER-STEERING	1	2-51	64025-20	NUT-HEX 3/4-16 SLOT U	2
2-13	800490	NUT-14 MM-1.5	1	2-52	64140-5	COTTERPIN-1/8X1-1/2	2
2-14	887692	END-TIE ROD (INCLUDES ITEMS 15 & 34)	1				
2-15	306825	NUT-7/16-20 CASTLE	1				
2-16	64140-3	COTTERPIN 3/32X3/4	1				
2-17	2193045	TIE ROD	1				
2-18	64025-27	NUT 5/8-18 LH	1				
2-20	148058-02	ROD END LH (INCLUDES ITEM 37)	1				
2-21	2201009	PLATE-MOTOR	2				
2-22	2720828.2	WLDMT-WHEEL HUB	2				
2-23	64025-35	NUT-1-1/8-18 UNSLOT TRW	2				
2-24	A1005166	BLT-MET.M12-1.75X80	8				
2-25	64140-1	COTTERPIN 1/8X1	2				
2-26	64006-05	LOCKWASHER 1/2	8				
2-27	64207-07	NUT-HEX M12-1.75	8				
2-28	2720824-04	WHL MTR ME090219AABT (USE S KEY 64164-08)	2				
2-29	148058-01	ROD END RH (INCLUDES ITEM 37)	1				
2-30	64025-16	NUT-5/8-18 RH	1				
2-31	2198209	WHL ASM 18X8.5-8 4 PLY	2				
	2198209-01	S TIRE 18X8.5-8 4 PLY	A/R				
	2198209-02	S RIM 8 4 BLT (USE ON 4 WD)	A/R				
2-32	64187-03	WHEEL NUT 1/2-20	8				
2-33	85010N	ZERK 1/4-28 STR	5				
2-34	35027N	ZERK FITTING	2				
2-35	2196145	WLDMT-REAR AXLE	1				
2-36	64197-001	BLT-TR 5/16-18X3/4	4				
2-37	64025-30	NUT 1/2-20 SLOT	2				
2-38	2206030.2	WLDMT-REAR AXLE PIVOT	1				
2-39	64151-29	NUT-HEX 1 1/4-12 NYLOCK	1				

ENGINE MOUNTING

700 Series EC Tractors



FIGURE 3





700 Series EC Tractors

2197095

ENGINE MOUNTING

FIGURE 3

ITEM	PART NO.	DESCRIPTION	QTY	ITEM	PART NO.	DESCRIPTION	QTY
3-1	2192447	MOUNT-ENGINE RR	1	3-46	2192444	BRKT-NEUTRAL CONTROL	1
3-2	2192525	MNT-ENGINE RH	1	3-47	64123-162	BLT-HEX 5/16-24X5	1
3-3 *	2198185	ENGINE-PERKINS 103-13 (PERKINS SERVICE MANUAL)	1	3-48	2193046	BUSHING	1
3-4	2192450	ENGINE MOUNT-RF	1	3-49	2198279	SPRING-COMPRESSION	1
3-5	2198132	MOUNT-ISOLATION	2	3-50	123032	BUSHING	1
3-6	2192451	ENGINE MOUNT-LF	1	3-51	64151-24	HEX CL NUT 5/16-24	2
3-7	2192449	MOUNT-ENGINE LH	1	3-52	64025-03	NUT-HEX 5/16-24	1
3-8	2192448	MOUNT-ENGINE LR	1	3-53	48244A	BALL JOINT 5/16FW/STUD	1
3-10	2218009	ISOLATOR-VIBRATION	2	3-54	64061-28	ROLL PIN-3/16X1-1/4	1
3-11	148057-01	CABLE-THROTTLE	1	3-55	2196133	WLDMT-CONTROL ARM	1
3-12	2198211	SWIVEL-CABLE CLAMP	1	3-56	64205-015	BOLT-M8-1.25X35	1
3-13	64205-042	BLT-MET. M4-.7X12	1	3-57	64123-114	BOLT-1/4-20X1	1
3-14	64206-14	BLT-MET. M14-1.5X30	8	3-58	128089-02	CABLE, CONTROL	1
3-15	64205-007	BLT-MET. M10-1.5X20	8	3-59	128079	ROD END 1/4 FEMALE	1
3-16	64205-019	BLT-MET. M10-1.5X80	4	3-60	64229-01	LOCKNUT-NYLON 1/4-20	1
3-18	64237-03	LOCKNUT-NYLON M10-1.5	20	3-61	64251-003	WASHER-M8	2
3-20	64205-027	BLT-MET. M10-1.5X40	8				
3-21	64251-004	WASHER-M10	24				
3-23	64163-27	WASHER	6				
3-24	2192486	BRACKET-THROTTLE	1				
3-25	22372	CABLE-CLAMP	1				
3-26	64152-49	#10-24X3/4 MACH SCRW	1				
3-27	64025-15	NUT-HEX #10-24 KEPS	1				
3-28	A1102966	BOLT-M6-1.00X16	2				
3-29	64251-002	WASHER-M6	2				
3-30	2198187	COUPLING-13 TOOTH	1				
3-31	2198205	ASSY BELL HOUSING (INCLUDES TWO PARTS)	1				
	2198205-01	BELL HOUSING	A/R				
	2198205-02	FLANGE KIT	A/R				
3-32	2721329	PUMP-OIL GEAR PVW022	1				
3-33	2198233	PUMP-HYDRAULIC	1				
3-34	64123-70	BLT-HEX 3/8-16X1-1/2	2				
3-35	64006-03	LOCKWASHER 3/8	2				
3-36	64205-045	BLT-MET. M12-1.75X35	2				
3-37	64251-005	WASHER-M12	2				
3-38	64250-02	INSERT-M6	2				
3-39	64250-04	INSERT-M8	5				
3-40	158061-24	O-RING	1				
3-41	64006-13	WASHER-9/16	8				
3-42	2192505	BRKT-CONTROL CABLE	1				
3-43	64163-38	WASHER	2				
3-44	64237-05	LOCKNUT-NYL M8-1.25	3				
3-45	A1103051	BOLT-M8-1.25X25	2				

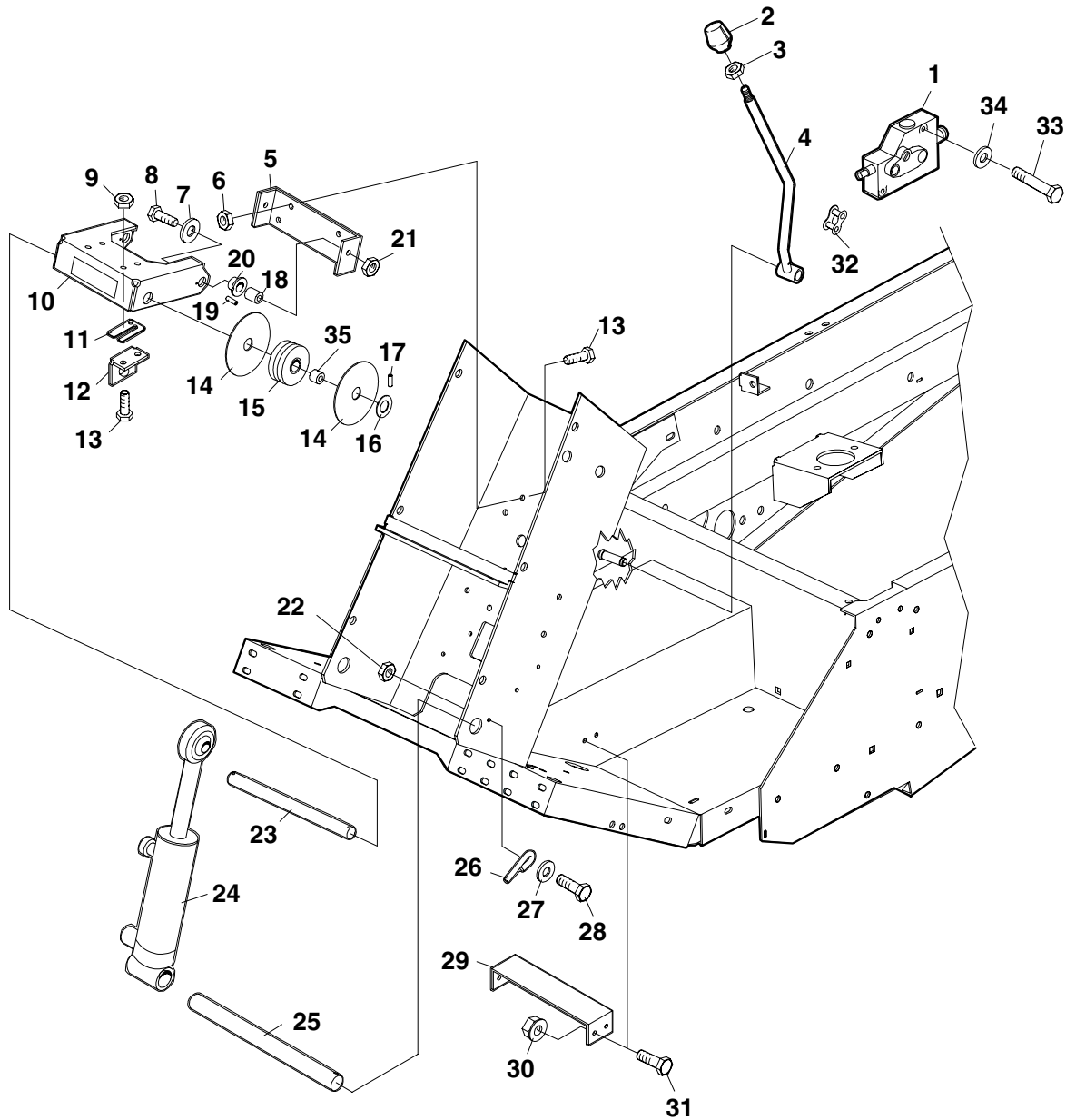
* AVAILABLE THROUGH PERKINS DEALER.

LIFT CYLINDER MOUNTING

700 Series
EC Tractors



FIGURE 4





700 Series EC Tractors

2197059

LIFT CYLINDER MOUNTING

FIGURE 4

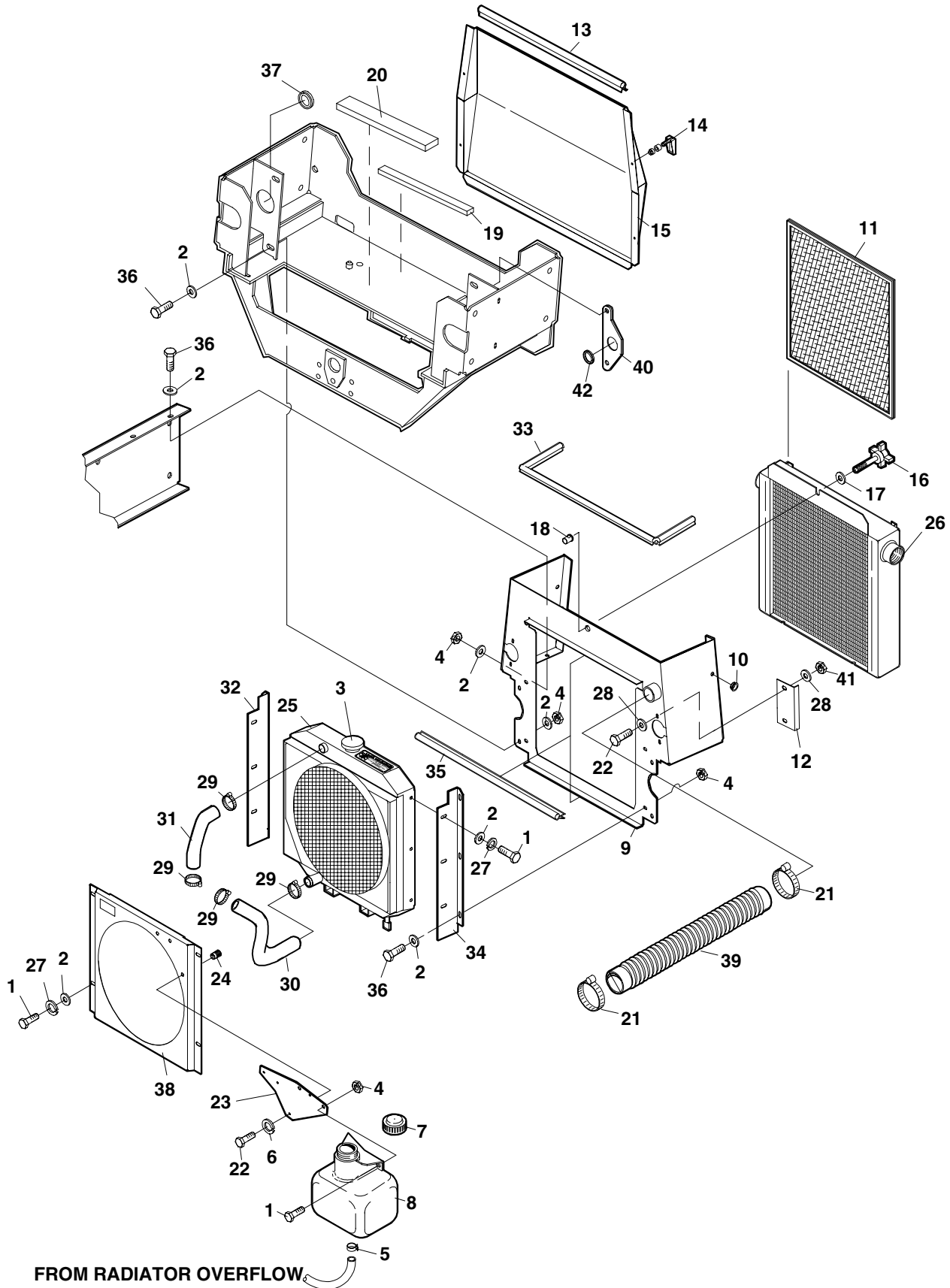
ITEM	PART NO.	DESCRIPTION	QTY	ITEM	PART NO.	DESCRIPTION	QTY
4-1	198042	VALVE-HYDRAULIC (USE SEAL KIT 198042-01)	1				
4-2	68156A	HANDLE-KNOB, BLACK	1				
4-3	64001-06	JAMNUT-3/8-16	1				
4-4	2196138	WLDMT-LIFT LEVER	1				
4-5	192087	BRKT-LIFT PIVOT MNT	1				
4-6	64141-6	NUT-WLF 5/16-18	4				
4-7	64163-31	WSHR-25/64X12 GA	2				
4-8	64123-16	BLT-HEX 3/8-16X1 1/4	2				
4-9	64151-15	5/16-18 HEX HD CL	4				
4-10	2196215	S-PULLEY-MOUNT BRKT	1				
4-11	2192291	SHIM-CYL SUP BRKT	4				
4-12	2192289	BRKT-CYL SUPPORT	2				
4-13	64139-08	BLT-WLF 5/16-18X3/4	8				
4-14	192086	GUIDE-CHAIN	4				
4-15	196004	ASSY-PULLEY CHAIN (INCLUDES 198003-01 BEARING)	2				
4-16	62464-3A	THRUST-WASHER	2				
4-17	64061-07	ROLL PIN 5/32X1-1/4	2				
4-18	2198127	TUBE-SPACER	2				
4-19	64061-15	ROLL PIN 1/8X1/2	2				
4-20	108031	BRG-FLANGE NOTCHED	2				
4-21	64151-18	NUT-HEX CL 3/8-16	2				
4-22	64151-17	NUT-HEX CL 1/4-20	1				
4-23	193003	SHAFT-PULLEY MNTNG	1				
4-24	2198081	CYLINDER-LIFT (USE SEAL KIT 2198082)	1				
4-25	2193027	SHAFT-CYL PIVOT	1				
4-26	2193028	PIN-LOCKING	1				
4-27	64163-34	WSHR-FLT.256IDX11 GA	1				
4-28	64123-114	BLT-HEX 1/4-20X1	1				
4-29	192187	BRKT-TUBE SUPPORT	1				
4-30	64141-2	NUT-WLF 1/4-20	4				
4-31	64139-04	BLT-WLF 1/4-20X3/4	4				
4-32	148062	MASTER LINK #50 CHAIN	1				
4-33	64205-023	BOLT-M6-1.0X50	2				
4-34	64251-002	WASHER-M6	2				
4-35	198003-01	BEARING-OILITE	2				

RADIATOR MOUNTING

700 Series EC Tractors



FIGURE 5





700 Series EC Tractors

2197096

RADIATOR MOUNTING

FIGURE 5

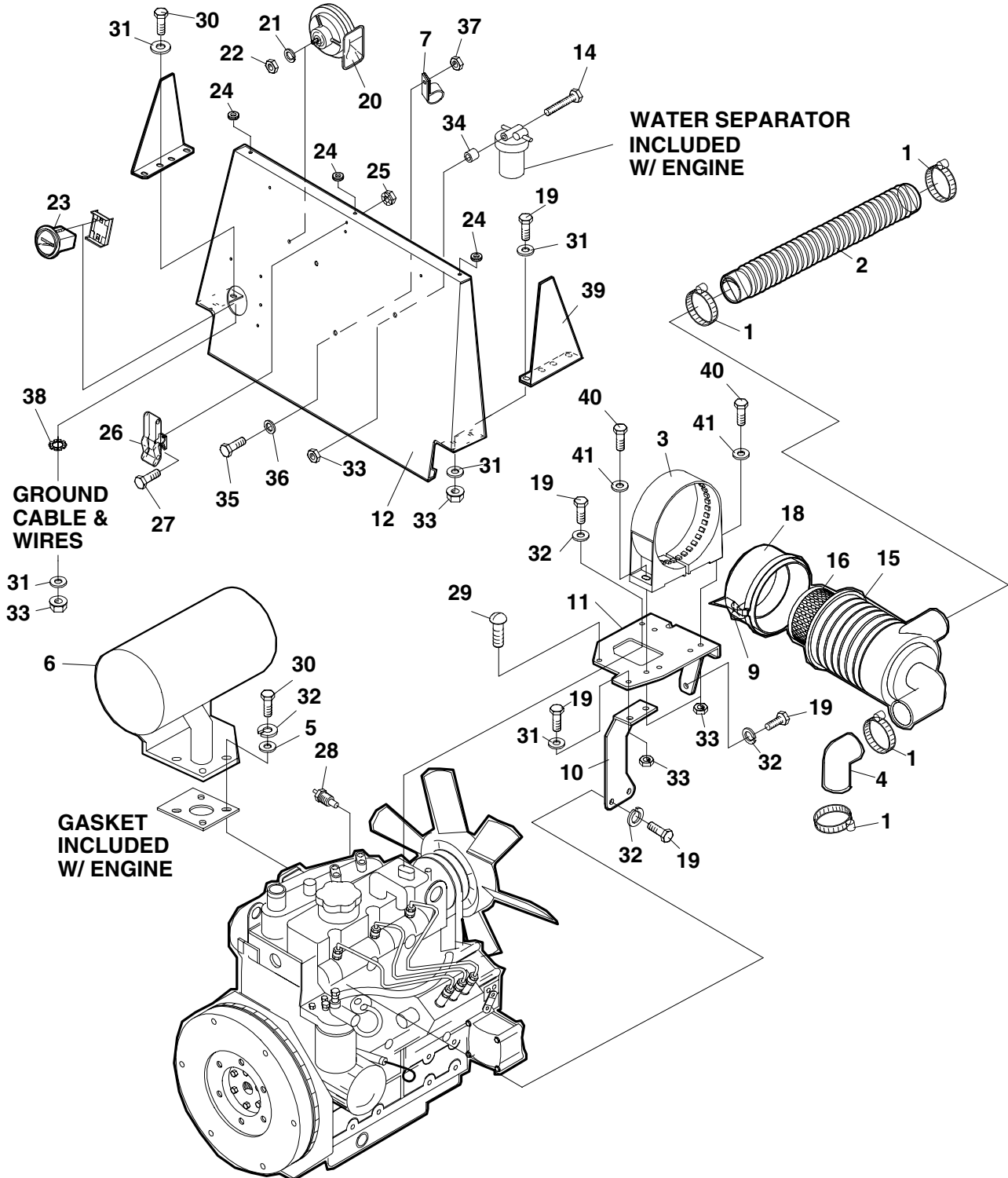
ITEM	PART NO.	DESCRIPTION	QTY	ITEM	PART NO.	DESCRIPTION	QTY
5-1	64205-018	BLT-MET. M8-1.25X15	12				
5-2	64251-003	WASHER-M8	32				
5-3	2178211-01	CAP-RADIATOR	1				
5-4	64237-05	LOCKNUT-NYL M8-1.25	18				
5-5	88042-01	CLAMP-HOSE 3/8	1				
5-6	64006-01	LOCKWSHR-HELICAL 1/4	3				
5-7	831905	CAP-OVERFLOW BOTTLE	1				
5-8	831906	BOTTLE-OVERFLOW	1				
5-9	2196211	S RADIATOR PNL W/LABS	1				
5-10	118047-06	BUSHING FLIPLOCK .31 ID	2				
5-11	887888	SCREEN	1				
5-12	2192583	COVER-OIL COOLER	2				
5-13	108194-06	CHANNEL FLEX TRIM 21.0	1				
5-14	2198084	LATCH-SWELL	4				
5-15	2196150	S REAR PANEL W/LABS	1				
5-16	2198237	KNOB	1				
5-17	64163-29	WASHER	1				
5-18	64250-04	INSERT-M8	1				
5-19	38471-09	S-FOAM X 120"	1.2'				
5-20	2208080	PAD-RUBBER	1				
5-21	48383	CLAMP-HOSE 2 1/2 DIA	2				
5-22	A1102966	BLT-MET. M6-1.0X16	7				
5-23	2192470	MOUNT-BOTTLE	1				
5-24	64250-02	INSERT-GRIP M6-1.0	3				
5-25	2198174	RADIATOR	1				
		(INCLUDES ITEM 3)					
5-26	2208026	OIL COOLER	1				
5-27	64006-02	LOCKWASHER-HEL. 5/16	10				
5-28	64251-002	WASHER M6	8				
5-29	108094-01	CLAMP	4				
5-30	2198178	HOSE-RAD LOWER	1				
5-31	2198177	HOSE-RAD UPPER	1				
5-32	2192440	MOUNT-RAD RH	1				
5-33	108194-13	CHANNEL-FLEX TRIM 39.0	1				
5-34	2192439	MOUNT-RAD LH	1				
5-35	108194-11	CHANNEL-FLEX TRIM 17.0	2				
5-36	64205-001	BLT-MET. M8-1.25X20	14				
5-37	148034-03	GROMMET	1				
5-38	2196219	S-FAN SHROUD	1				
5-39	198069-02	HOSE-AIR CLNR INTAKE	1				
5-40	2192584	PLATE-GROMMET	1				
5-41	64237-02	LOCKNUT-NYL M6-1.0	4				
5-42	2218084	GROMMET	1				

FUEL SEPARATOR / AIR CLEANER

700 Series EC Tractors



FIGURE 6





700 Series EC Tractors

2197061

FUEL SEPARATOR / AIR CLEANER

FIGURE 6

ITEM	PART NO.	DESCRIPTION	QTY	ITEM	PART NO.	DESCRIPTION	QTY
6-1	48383	CLAMP HOSE 2-1/2 DIA	4				
6-2	198069-02	HOSE-AIR CLEANER IN	1				
6-3	2198297	CLAMP-AIR CLEANER	1				
6-4	2198191	HOSE-AIR CLEANER	1				
6-5	64163-29	WASHER	4				
6-6	2208033	MUFFLER	1				
6-7	48228A	CABLE CLIP	1				
6-9	2198147-04	S COVER CLIP	A/R				
6-10	2192488	BRACE-AIR CLEANER	1				
6-11	2192487	MOUNT-AIR CLEANER	1				
6-12	2192492	PANEL-FRONT	1				
6-14	64205-026	BLT-MET.M8-1.25X80	1				
6-15	2198147	AIR CLEANER	1				
	(CONTAINS ITEMS 9,16, 17, & 18)						
6-16	2198147-01	ELEMENT	A/R				
6-17	* 2198147-02	VALVE-DUST UNLOAD	A/R				
6-18	2198147-03	COVER	A/R				
6-19	64205-001	BLT-MET M8-1.25X20	9				
6-20	886425	HORN	1				
6-21	64006-01	LOCKWASHER 1/4	1				
6-22	64207-06	NUT-HEXM6-1.0	1				
6-23	48030N	HOUR METER ASSLY	1				
6-24	2198125	BUMPER	3				
6-25	64025-29	NUT-HEX #8-32 KEPS	2				
6-26	2198112	LATCH-HOOD	1				
6-27	64152-20	8-32X 1/2 MACH SCREW	2				
6-28	148270	TEMPERATURE SENDER	1				
6-29	64218-03	SCR-BTN HD M8-1.25X16	1				
6-30	A1103051	BOLT-M8-1.25X25	5				
6-31	64251-003	WASHER-M8	9				
6-32	64006-02	LOCKWSHR-HEL 5/16	8				
6-33	64237-05	LOCKNUT-NYLONM8-1.25	8				
6-34	73017A	BUSHING	1				
6-35	A1102966	BOLT-M6-1.00X16	1				
6-36	64251-002	WASHER-M6	1				
6-37	64237-02	LOCKNUT-M6	1				
6-38	64002-04	LCKWASH-TOOTHEXT	1				
6-39	2192642	INSERT-SIDE PANEL EC	2				
6-40	64205-015	BLT-METRIC M8-1.25 X 35	2				
6-41	64163-29	21/64X1X11GA.WASHER	2				

* NOT ILLUSTRATED

DECK VALVE

FIGURE 7A

700 Series
EC Tractors



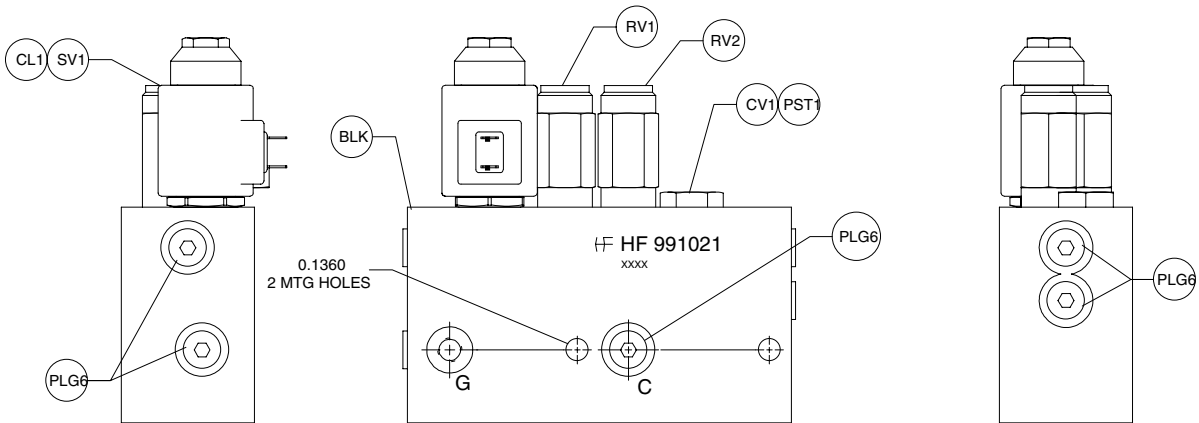
2197062A

DECK VALVE PART NO. 2721055

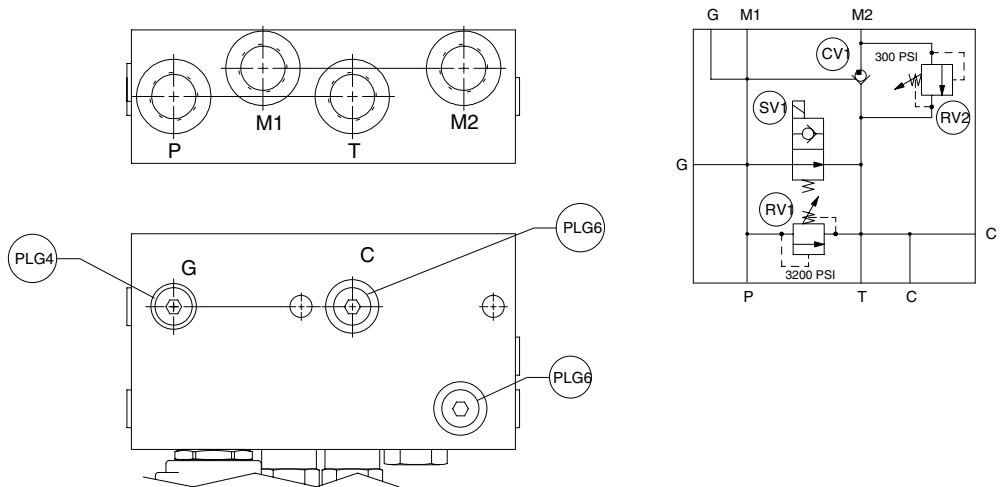
REF. HYDRAFORCE PART NO. HF991021

PORTING:

BOTH 'G's ARE SAE 04
BOTH 'C's ARE SAE 06
'P', 'T', 'M1', 'M2' ARE SAE 10



SCHEMATIC

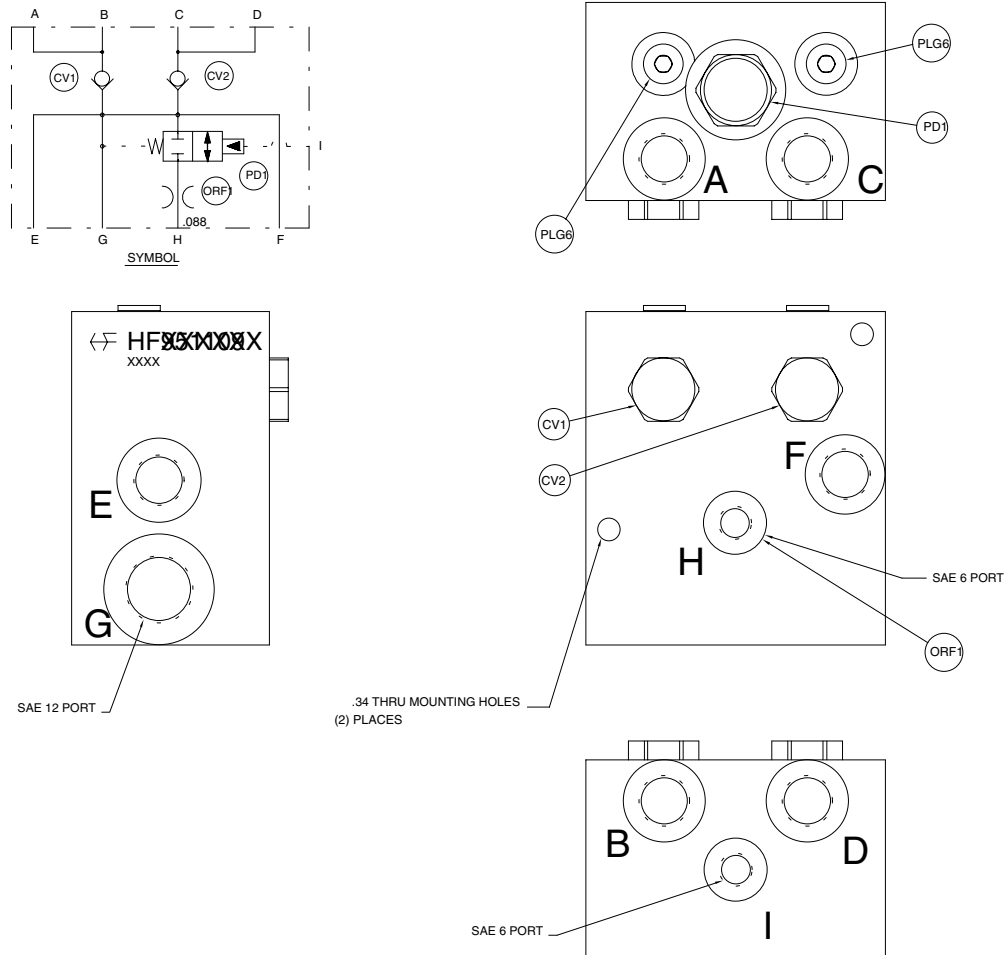


ITEM	HYDRAFORCE PART NO.	RANSOMES PART NO.	QTY	HYDRAFORCE SEAL KIT	RANSOMES PART NO.
RV1	RV10-22H-0-V-35/32	178102-79	1	SK10-2V-T/B	178102-83
RV2	RV10-22H-0-V-06/3.0	178102-13	1	SK10-2V-T/B	178102-83
CV1	CV10-20-0-V-70	178102-31	1	SK10-2V-T/B	178102-83
PST1	PILOT PISTON 7013200	178102-14	1	-----	-----
SV1	SV10-21W-0-V-00	178102-81	1	SK10-2V-T/B	178102-83
CL1	COIL 6351012	178102-17	1	-----	-----
PLG6	PORT PLUG 6118006	178102-61	7	6004906	178102-84
PLG4	PORT PLUG 6118004	178102-60	1	6004904	178102-85



**4WD VALVE/CHECK
PART NO. 2198197**

- 1) REF. HYDRAFORCE PART NO. HF951109
- 2) ALL PORTS SAE 8 UNLESS
UNLESS OTHERWISE NOTED.



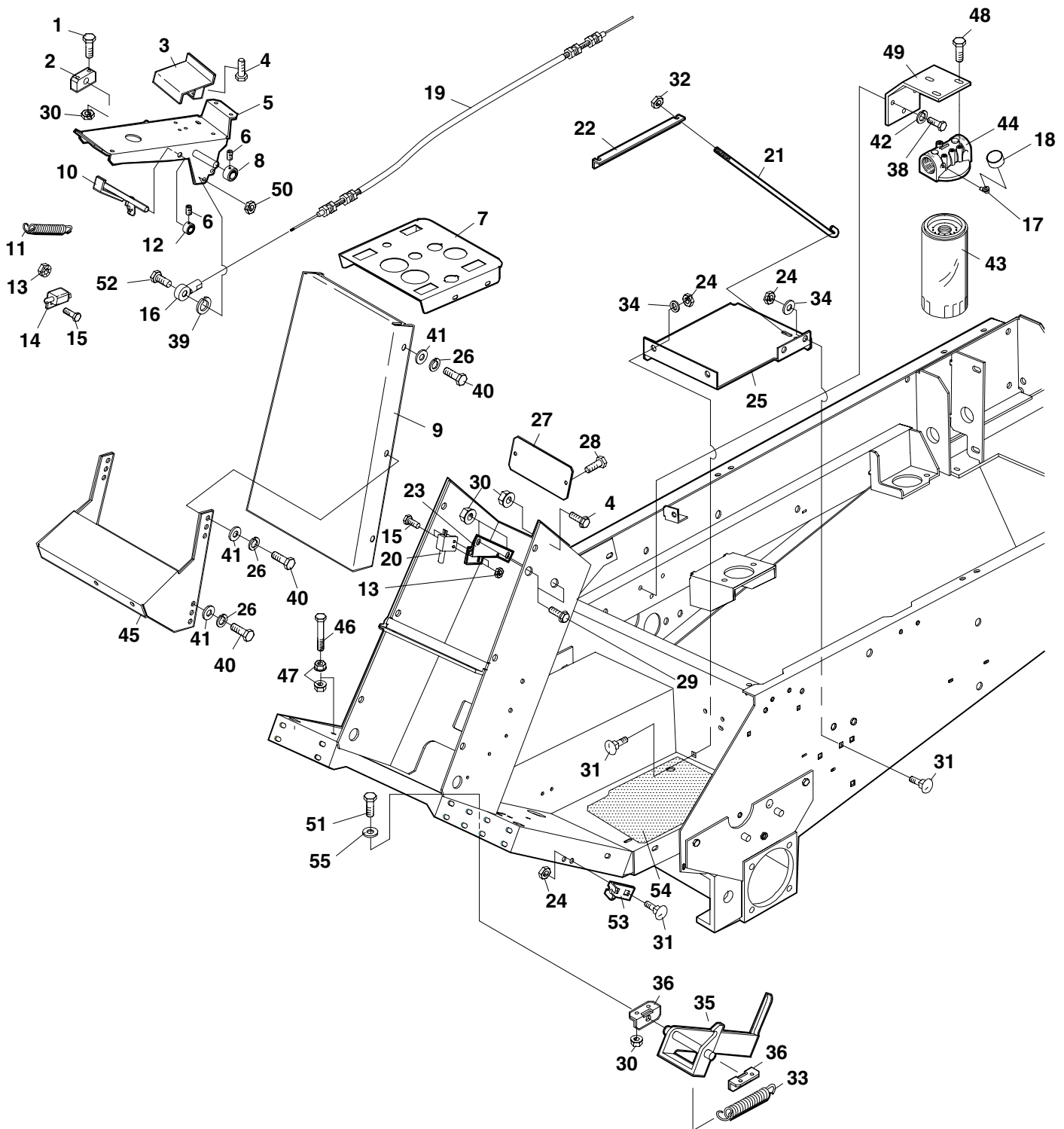
DOC-ASSY\SERVICE 2198197		2197054	2197054	2197054
ITEM	1	HYDRAFORCE P/N	R.I. P/N	SEAL KIT
				R.I. P/N
CV1	1	CV08-20-0-N-04	178102-52	SK08-2N-T
CV2	1	CV08-20-0-N-04	178102-52	SK08-2N-T
PD1	1	PD10-44-0-N-110	178102-53	SK10-4N-MMM
PLG6	2	PORT PLUG 6118006	178102-61	6062009
ORF1	1	ORIFICE PLUG 6115088	178102-51	-----

PEDAL CONTROLS

700 Series EC Tractors



FIGURE 8





700 Series EC Tractors

2197104

PEDAL CONTROLS

FIGURE 8

ITEM	PART NO.	DESCRIPTION	QTY	ITEM	PART NO.	DESCRIPTION	QTY
8-1	64123-07	BLT-HEX 1/4-20 X 1-1/2	4	8-48	64139-08	BLT-WLF 5/16-18 X 3/4	3
8-2	41028	BLOCK-BEARING	2	8-49	2192518	MOUNT-FILTER	1
8-3	146082	S PEDAL ADPTR W/MAT	1	8-50	64229-01	LOCKNUT 1/4-20	1
8-4	64139-02	BLT-WLF 1/4-20 X 1/2	6	8-51	64123-89	BLT-HEX 1/4-20 X 3/4	4
8-5	2196117	S FWD/REV PED W/MAT	1	8-52	64123-114	BOLT 1/4-20X1	1
8-6	64044-1	SET SCREW 1/4-20 X 1/4	4	8-53	2192476	MOUNT-CABLE	2
8-7	2196148	S INST PANEL W/LABS	1	8-54	148086	MAT-FLOOR LH	1
8-8	43067A	COLLAR, SET PLATE	2	* 148085	MAT-FLOOR RH	1	
8-9	2196102	S TOWER CVR W/LABS	1	8-55	64251-002	WASHER-M6	4
8-10	196021	CNTRL WLDMT-NEUTRAL	1				
8-11	48429	SPRING-EXTENSION	1				
8-12	48428	COLLAR SET, 3/8 ID	2				
8-13	64025-15	NUT-HEX 10-24 KEPS	4				
8-14	2308094	SWITCH-NCNC DBL POLE	1				
8-15	64152-06	10-24 X 1/2 MACH SCRW	4				
8-16	128079	ROD END 1/4 FEMALE	2				
8-17	2690032-01	FTG-90° STREET ELBOW	1				
8-18	2192294	GAUGE-FILTER VACUUM	1				
8-19	128089-02	CONTROL CABLE	1				
8-20	38383	SWITCH-N.C.	1				
8-21	806953	ROD-BATTERY HOOK	2				
8-22	2182427.7	BATTERY-HOLD DOWN	1				
8-23	2192649	MNT-DECK SAFTEY SW	1				
8-24	64237-03	LOCKNUT-NYLON M10-1.5	8				
8-25	2192472	TRAY-BATTERY	1				
8-26	64006-03	LOCKWASHER 3/8	6				
8-27	2192220	PLATE-TOWER	1				
8-28	64152-23	1/4-20X3/8 LG SP SCR	2				
8-29	64139-02	BLT-WLF 1/4-20X5/8	8				
8-30	64141-2	NUT-WLF 1/4-20	20				
8-31	64243-04	BLT-CRGM10-1.5X25	8				
8-32	64229-02	LOCKNUT-NYLON 5/16-18	2				
8-33	38129	SPRING-TENSION	2				
8-34	64251-004	WASHER-M10	4				
8-35	2196088	WLDMT-BRAKE LEVER	1				
8-36	2192351	BRKT-BRAKE PEDAL	2				
8-37	64139-04	BLT-WLF 1/4-20X3/4	4				
8-38	A1103051	BLT-MET. M8-1.25X25	3				
8-39	64006-01	LOCKWASHER 1/4	1				
8-40	64123-50	BLT-HEX 3/8-16X1	6				
8-41	64163-31	WASHER	6				
8-42	64006-02	LOCKWASHER 5/16	3				
8-43	178025	FILTER-SPINON	1				
8-44	2198295	FLTR-HEAD W/ GA PORT	1				
8-45	2196104	S BRKT-SPRING W/LABS	1				
8-46	64123-82	BLT-HEX 3/8-16 X 2 1/2	1				
8-47	64141-4	BLT-HEX 3/8-16	2				

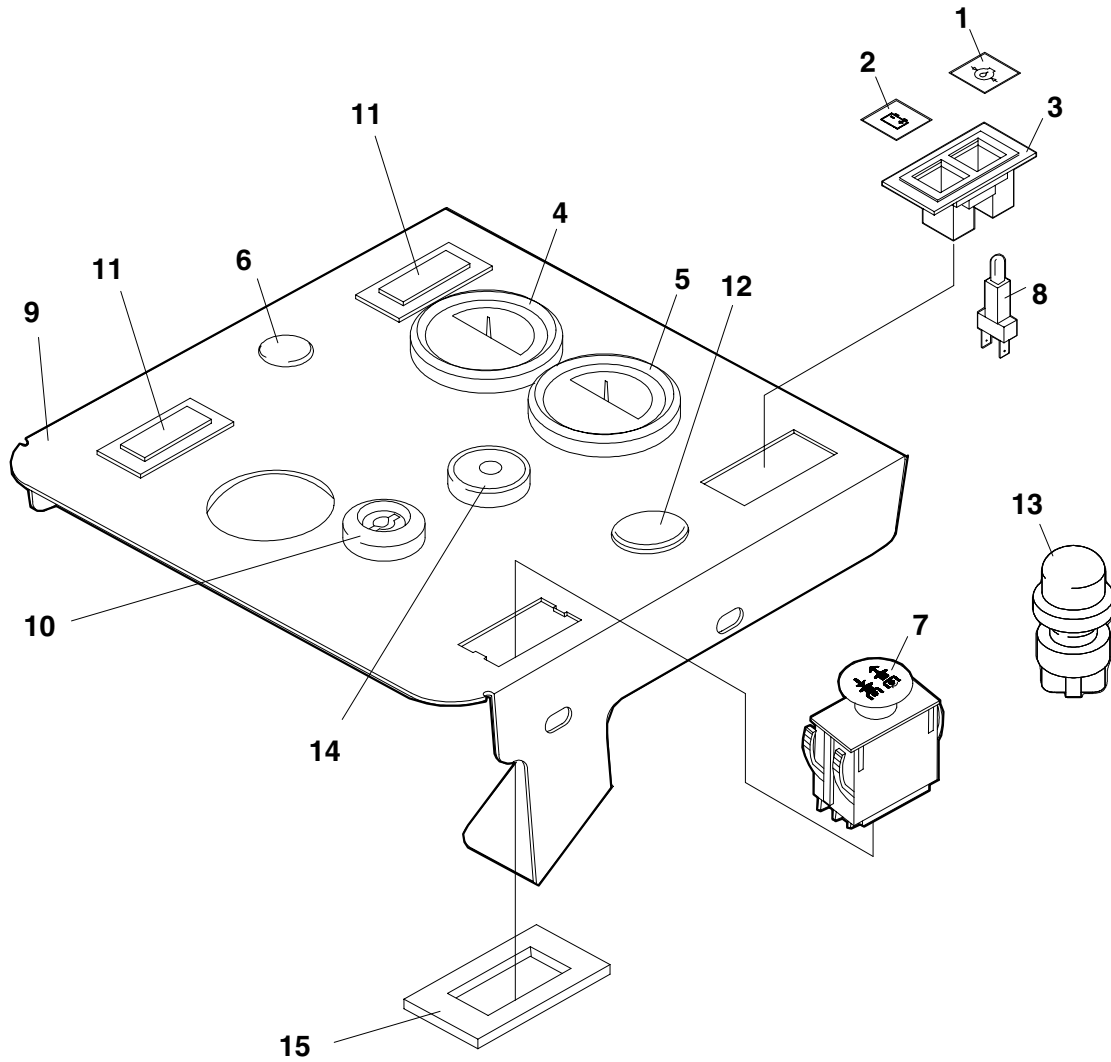
* NOT ILLUSTRATED

INSTRUMENT PANEL

700 Series
EC Tractors



FIGURE 9





700 Series EC Tractors

2197064

INSTRUMENT PANEL

FIGURE 9

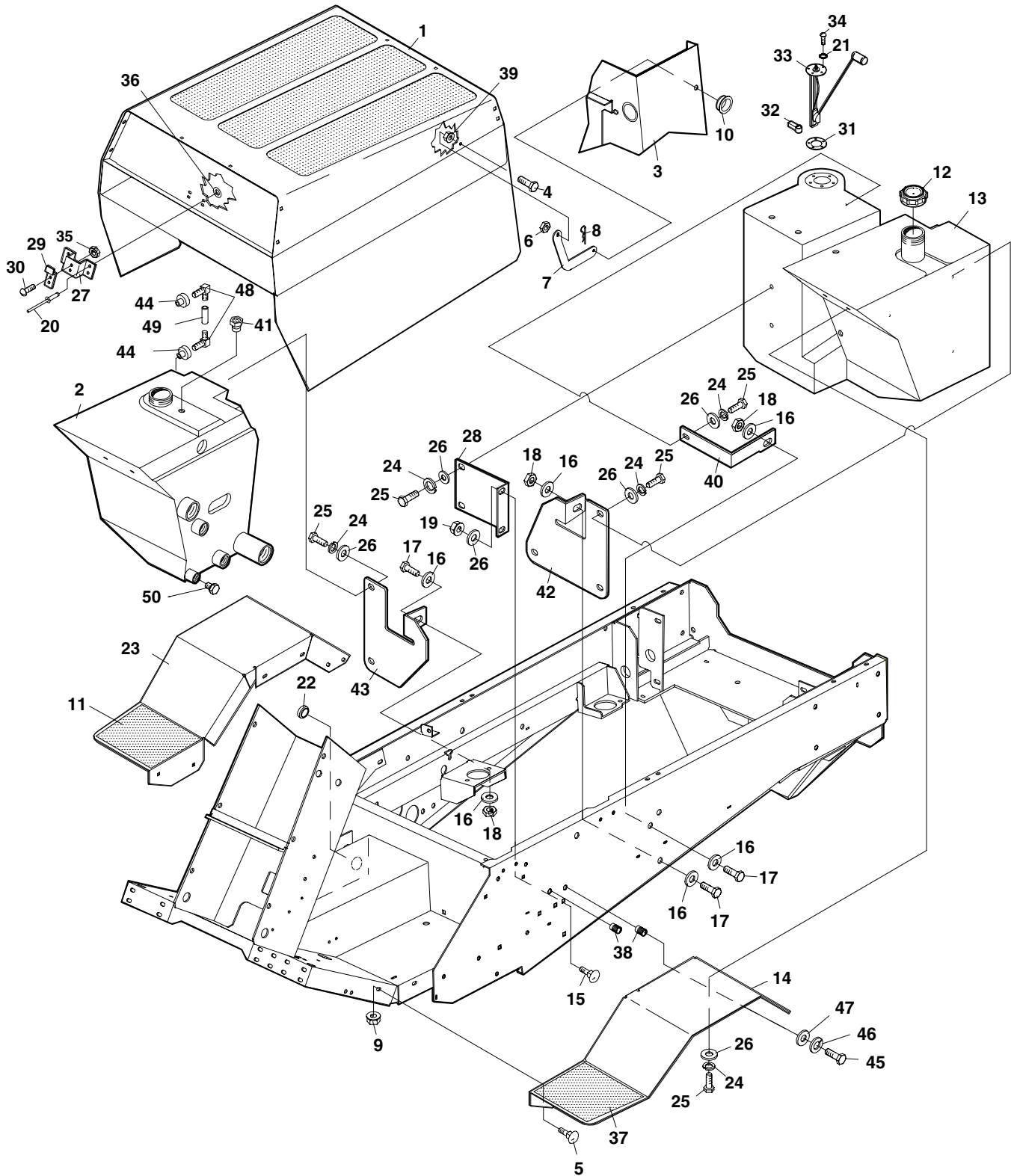
ITEM	PART NO.	DESCRIPTION	QTY	ITEM	PART NO.	DESCRIPTION	QTY
9-1	188015	OIL PRESSURE LENS	1				
9-2	2198088	LENS-BATTERY	1				
9-3	2198089	LAMP HOLDER	1				
	(INCLUDES TWO 178092-22 LAMPS)						
9-4	148032	GAUGE-FUEL	1				
9-5	148269	GAUGE-TEMP	1				
9-6	48517-02	HOLE PLUG .625	1				
9-7	2188153	SWITCH-CLUTCH	1				
9-8	178092-22	LAMP	1				
9-9	2196148	S INST PANEL W/LAB	1				
9-10	PERKINS KEY SWITCH INCLUDED WITH ENGINE.						
9-11	178092-13	S SNGL SWITCH BLANK	2				
9-12	48517	HOLE PLUG 1.00	1				
9-13	148061	HORN SWITCH	1				
	(OPTIONAL EQUIPMENT)						
9-14	PERKINS GLOW INDICATOR INCLUDED WITH ENGINE.						
9-15	2188178	SWITCH, RETAINER	1				

HOOD ASSEMBLY

700 Series EC Tractors



FIGURE 10





700 Series EC Tractors

2197072

HOOD ASSEMBLY

FIGURE 10

ITEM	PART NO.	DESCRIPTION	QTY	ITEM	PART NO.	DESCRIPTION	QTY
10-1	2196170	S HOOD ASSY W/LABS	1	10-45	A1103051	BOLT M8X25	4
10-2	2198248	TANK-HYD 700	1	10-46	64006-02	LOCKWASHER 5/16	4
	(INCLUDES ITEMS 44, 48, & 49)			10-47	64251-003	WASHER M8	4
10-3	2196211	S RADIATOR PNL W/LABS	1	10-48	2198159	FTG-1/4 90 ELBOW	2
10-4	64123-114	BLT-HEX 1/4-20 X 1	2	10-49	158122-01	TUBING-SIGHT	.18
10-5	64243-03	BLT-CRGM8-1.25X20	8	10-50	2690017-03	FTG-ORB PLUG-06	1
10-6	64151-8	1/4-20 HEX LOCKNUT	2				
10-7	2192571	STOP-HOOD PIVOT	2				
10-8	64168-2	HAIRPIN COTTER	2				
10-9	64246-02	NUT-WLF M8-1.25	8				
10-10	118047-06	BUSHING-FLIP LOK .38ID	2				
10-11	2198137	MAT-RH FENDER	1				
10-12	2198240	CAP VENTED, FUEL	1				
10-13	2198188	TANK-FUEL 700	1				
10-14	2196152	S FENDER LH W/LABS	1				
	(INCLUDES ITEM 37)						
10-15	64243-04	BLT-CRGM10-1.5X25	2				
10-16	64251-005	WASHER-M12	6				
10-17	A1105061	BLT-MET. M12-1.75X30	3				
10-18	64237-06	LOCKNUT-NYLON M12	3				
10-19	64237-03	LOCKNUT-NYLON M10	2				
10-20	64215-05	RIVET-POP IFI #84	4				
10-21	64002-02	STAR WASHER	5				
10-22	48517-01	HOLE-PLUG .750	1				
10-23	2196153	S FENDER W/MAT RH	1				
	(INCLUDES ITEM 11)						
10-24	800488	LOCKWASHER M10	12				
10-25	64205-007	BLT-MET. M10-1.5X20	12				
10-26	64251-004	WASHER-M10	14				
10-27	2192248.2	BRKT-HOOD LATCH	1				
10-28	2192477	MOUNT-FUEL FRONT	1				
10-29	2198112	LATCH-HOOD	1				
	(ONLY PARTIAL SHOWN)						
10-30	64152-20	8-32 X 1/2 MACH SCRW	2				
10-31	148081	GASKET	1				
10-32	2198091	BOOT-FUEL SENDER	1				
10-33	2208073	SENDER-FUEL LEVEL	1				
10-34	64152-05	10-32 X 1/2 MACH SCRW	5				
10-35	64025-29	NUT-HEX #8-32 KEPS	2				
10-36	64211-02	WASHER	4				
10-37	2198136	MAT-LH FENDER	1				
10-38	64250-04	INSERT-GRIP M8	4				
10-39	64141-2	NUT-WLF 1/4-20	2				
10-40	2192478	MOUNT-FUEL TOP	1				
10-41	148027	BREATH-VENT	1				
10-42	2192479	MOUNT-FUEL REAR	1				
10-43	2192480	MOUNT-HYD TANK	1				
10-44	48310	S BUSHING FUEL TANK	2				



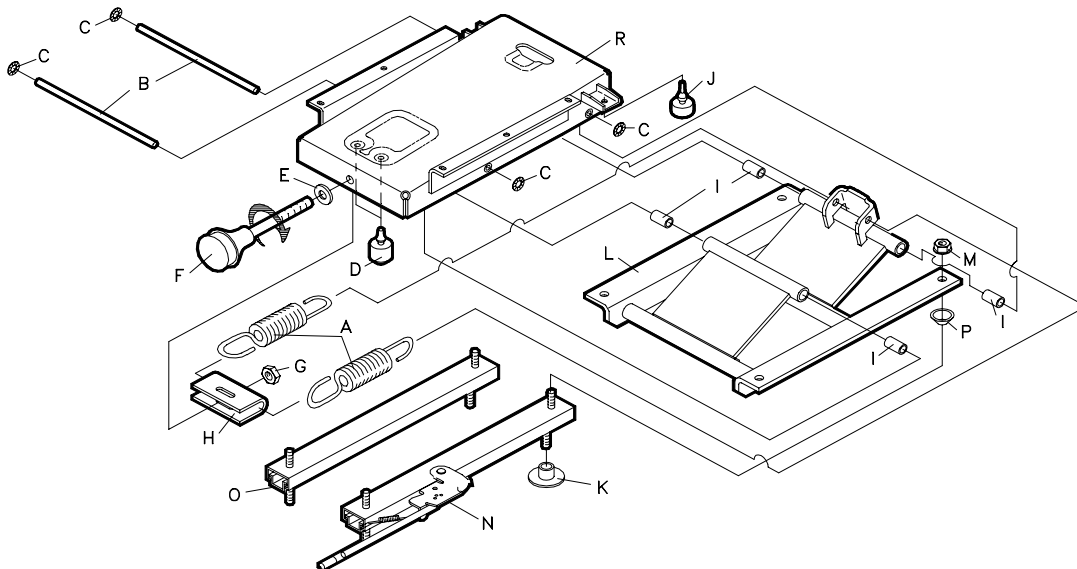
700 Series EC Tractors

2197066

SEAT & PLATFORM ASSEMBLY

FIGURE 11

ITEM	PART NO.	DESCRIPTION	QTY	ITEM	PART NO.	DESCRIPTION	QTY	
11-1	198066	ARM REST ASSY-RH	1	11-33	148057-01	CABLE-THROTTLE	1	
11-2	198057	SEAT	1	11-34	64152-49	10-24 X 3/4 MACH SCRW	1	
SEAT KITS AVAILABLE: (970080 INCLUDES ITEMS: 1-5,7,11,12,22 & 48) (970039 INCLUDES ITEMS 2, 6-17 & 22)				11-35	64209-01	CONICAL SPRING WASH	3	
	198057-01	CUSHN, EDNGNG, HWR	A/R	11-36	2192254	BRKT-THROTTLE	1	
11-3	64139-16	BLT-WLF 5/16-18 X 5/8	10	11-37	64166-17	BLT-SHLDR 3/8-16 X 1.12	1	
11-4	198059	ARM REST ASSY-LH	1	11-38	2198109	KNOB-THROTTLE	1	
11-5	48228-2A	CABLE CLIP	1	11-39	2193044	LEVER-THROTTLE	1	
11-6	198062	SLIDE RAIL-SLAVE	1	11-40	48228-1A	CABLE-CLIP	3	
11-7	64139-02	BLT-WLF 1/4-20 X 1/2	2	11-41	2208075	LATCH-ADJ LEVER	2	
11-8	198063	SLIDE RAIL-ADJUSTER	1	11-42	64205-007	BLT-MET. M10-1.5X20	2	
11-9	64018-8A	BLT-CRG 1/2-13 X 1-1/2	1	11-43	64237-03	LOCKNUT-NYLON M10-1.5	2	
11-10	2198096	SCRW-CAP W.375 WASH	4	11-44	64166-03	SHLDR BLT .281X5/16-18	2	
11-11	158136	WIRE-SEAT SWITCH	1	11-45	64163-31	WASHER 25/64X1X12 GA	2	
11-12	64141-6	NUT-WLF 5/16-18	4	11-46	2202118.2	SUPPORT-SEAT	2	
11-13	2142376	ADAPTER-SEAT	1	11-47	64229-02	LOCKNUT-NYLON 5/16-18	2	
11-14	64123-73	BLT-HEX 1/2-13X1	2	11-48	198058	SUSPENSION W/ADJUST	1	
11-15	64163-19	WASHER	5	(INCLUDES ITEMS A THRU R)				
11-16	142095	SPRING-SEAT	1	(SERVICE SUSPENSION W/148394, 148395, 148396, 148397)				
11-17	64151-7	1/2-13 HEX LOCKNUT	3	B	148394	LOWER SEAT WELDMENT (INCLUDES ITEMS B,C,I, & L)		
11-18	64251-003	WASHER-M8	12	C				
11-19	64237-05	LOCKNUT-NYLON M8-1.25	8	I				
11-20	2196210	S SEAT PLATE W/LABS	1	L				
11-21	64151-8	NUT-HEX 1/4-20 EL	2	B	148395	UPPER SEAT WELDMENT (INCLUDES ITEMS B,C,D,J & R)		
11-22	158135-01	SWITCH-SEAT NO	1	C				
11-23	2306144	S DOCU TUBE W/LAB	1	D				
11-24	38061A	SPINDLE SHIELD	2	J				
11-25	64197-002	BOLT TR 1/4-20 X 3/4	2	R				
11-26	64123-89	BLT-HEX 1/4-20X3/4	2	A THRU K	148396	DELUX SEAT/SPRING SHAFT (INCLUDES ITEMS A THRU K)		
11-27	38542	CLAMP-DOCUTUBE	2	M THRU P	148397	SEAT ADJUSTOR (INCLUDES ITEMS M THRU P)		
11-28	2208058.2	HINGE-SEAT PLATE	2					
11-29	A1103051	BLT-MET. M8-1.25X20	8					
11-30	64151-18	3/8-16 CL HEX NUT	1					
11-31	64025-15	NUT HEX #10-24 KEPS	1					
11-32	22372	B & S CABLE CLIP	1					

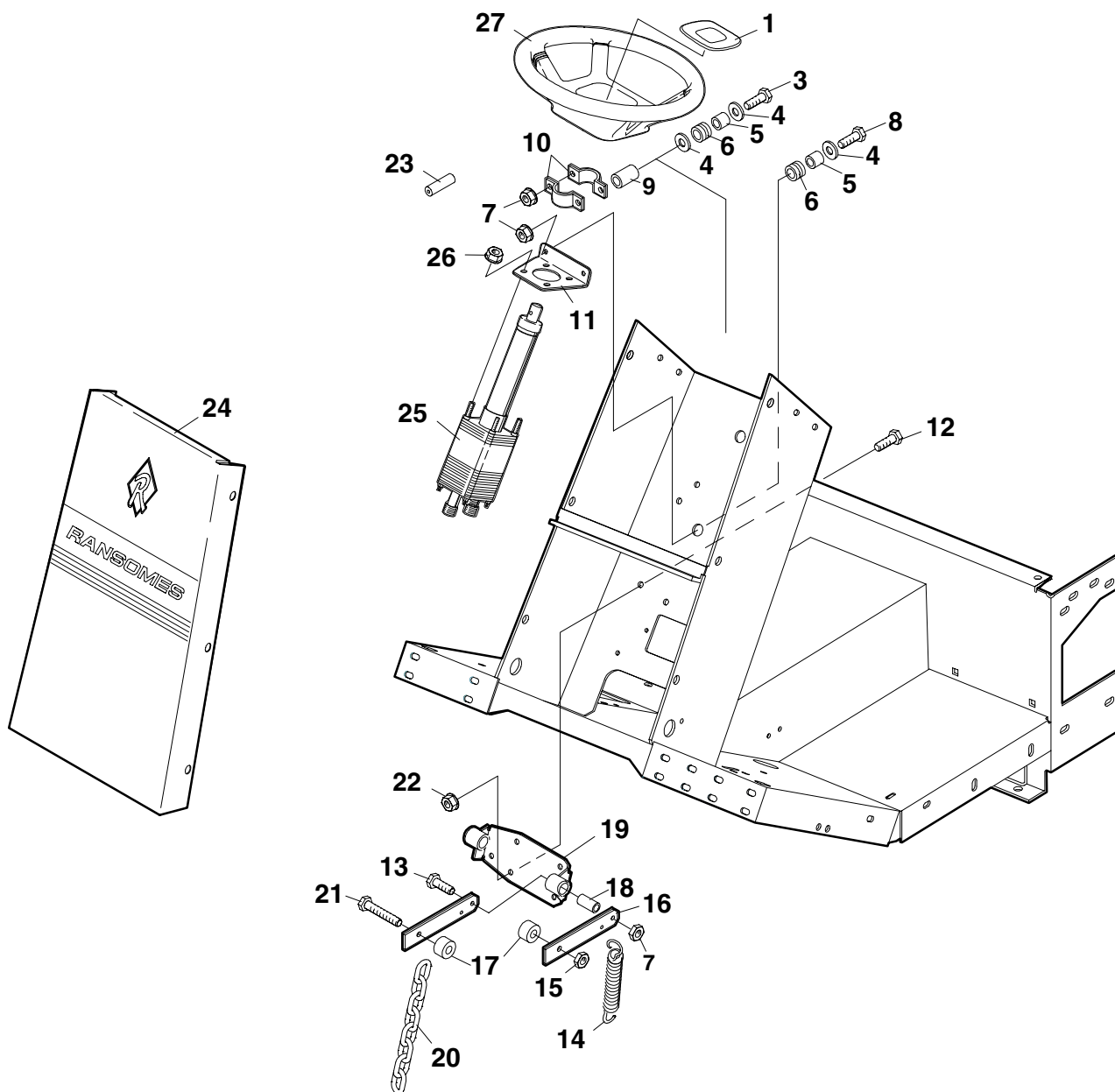


STEERING

700 Series EC Tractors



FIGURE 12





700 Series EC Tractors

2197067

STEERING

FIGURE 12

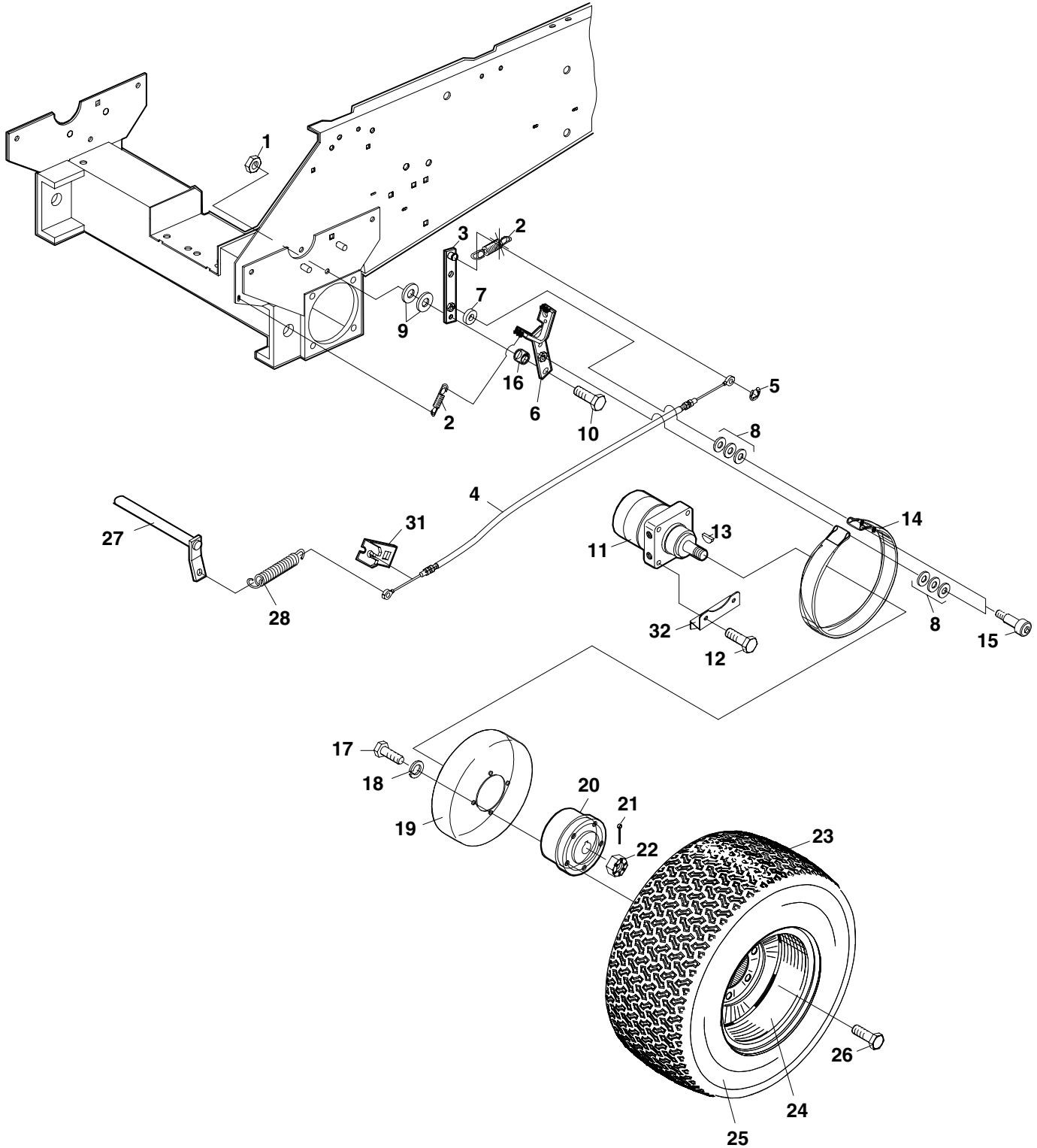
ITEM	PART NO.	DESCRIPTION	QTY	ITEM	PART NO.	DESCRIPTION	QTY
12-1	839862	DECAL-RANS LOGO	1				
12-3	64123-55	BLT-HEX 5/16-18X55	2				
12-4	64163-29	WSHR-.321-.328X11 GA	6				
12-5	2198134	SPACER TUBE	4				
12-6	148034-06	GROMMET	4				
12-7	64151-15	NUT-HEX 5/16-18	6				
12-8	64123-47	BLT-HEX 5/16-18X1 1/4	2				
12-9	2198126	SPACER TUBE	2				
12-10	142143	CLAMP-FRONT	2				
12-11	2192383	MNT-STEERING GEAR	1				
12-12	64139-08	BLT-WLF 5/16-18X3/4	5				
12-13	64123-56	BLT-HEX 5/16-18X2	2				
12-14	2198094	SPRING-EXTENSION	2				
12-15	64151-18	NUT-HEX CL 3/8-16	2				
12-16	192091	SLACK ARMS-CHAIN	4				
12-17	73017A	IDLER BUSHING	4				
12-18	2198126	SPACER TUBE	2				
12-19	2196093	WLDMT-LIFT ARM BRKT	1				
12-20	198002-01	CHAIN	2				
12-21	64123-67	BLT-HEX 3/8-16X2	2				
12-22	64141-6	NUT-WLF 5/16-18	5				
12-23	64061-26	ROLL PIN	1				
12-24	2196102	S TOWER CVR W/LABS	1				
12-25	148132	HYDRO STEER GEAR	1				
		(USE SEAL KIT 148132-01)					
12-26	64141-1	NUT-WLF 5/16-24	4				
12-27	2198130	STEERING WHEEL	1				

DRIVE WHEELS & BRAKES

700 Series EC Tractors



FIGURE 13





700 Series EC Tractors

2197110

DRIVE WHEELS & BRAKES

FIGURE 13

ITEM	PART NO.	DESCRIPTION	QTY	ITEM	PART NO.	DESCRIPTION	QTY
13-1	64237-03	LOCKNUT-NYLONM10-1.5	2				
13-2	48429	SPRING-EXTENSION	4				
13-3	2196143	WLDMT-BRAKE ARM	2				
13-4	128025-02	CABLE-BRAKE	2				
13-5	64144-30	SNAP RING	2				
13-6	2196142	WLDMT-BRAKE ARM	2				
13-7	64163-02	WSHR-FLT .321-.328X11 GA	2				
13-8	64163-04	WSHR- .380-.390X16 GA	12				
13-9	64251-004	WASHER-MET. M10	4				
13-10	64205-011	SCREWM10-1.5X40 HH	2				
13-11	2720824-01	WHL MTR ME120219-AABT	2				
		(USE SEAL KIT 148138)					
		(USE S KEY 64164-08)					
		(USE 2720825-01 MOTOR ON RH SIDE FOR 945707 2WD MODELS)					
13-12	64123-90	BLT-1/2-20X2	8				
13-13	64164-08	KEY-WOODRUFF #1008	2				
13-14	178013	BAND-BRAKE	2				
13-15	64166-7	SHLDR-BOLT 5/16-18X1.75	4				
13-16	2203046	BUSHING-BRAKE	2				
13-17	64123-15	BLT-HEX 3/8-16X3/4	8				
13-18	64006-03	LOCKWASHER-HEL. 3/8	8				
13-19	172060	BRAKE DRUM	2				
13-20	2720826	HUB	2				
13-21	64140-5	COTTER PIN 1/8 X 1-1/2	2				
13-22	64025-36	NUT-1-1/8-18 SLOTTED TRW	2				
13-23	2198208	ASM WHL/TIRE 23X10.5X12	2				
13-24	2178193-03	S-RIM ASM W/VALVE	A/R				
13-25	2198156-02	S-TIRE 23X10.5X12 4 PLY	A/R				
13-26	64220-01	BLT-WHL 1/2-20X.75	10				
13-27	146030	WLDMT-SHAFT	1				
13-28	128102	SPRING-EXTENSION	2				
13-31	2192476	MOUNT-CABLE	2				
13-32	2202247.2	STOP-BRAKE BAND	2				



700 Series EC Tractors

2197090

ELECTRICAL DIAGRAM

FIGURE 14

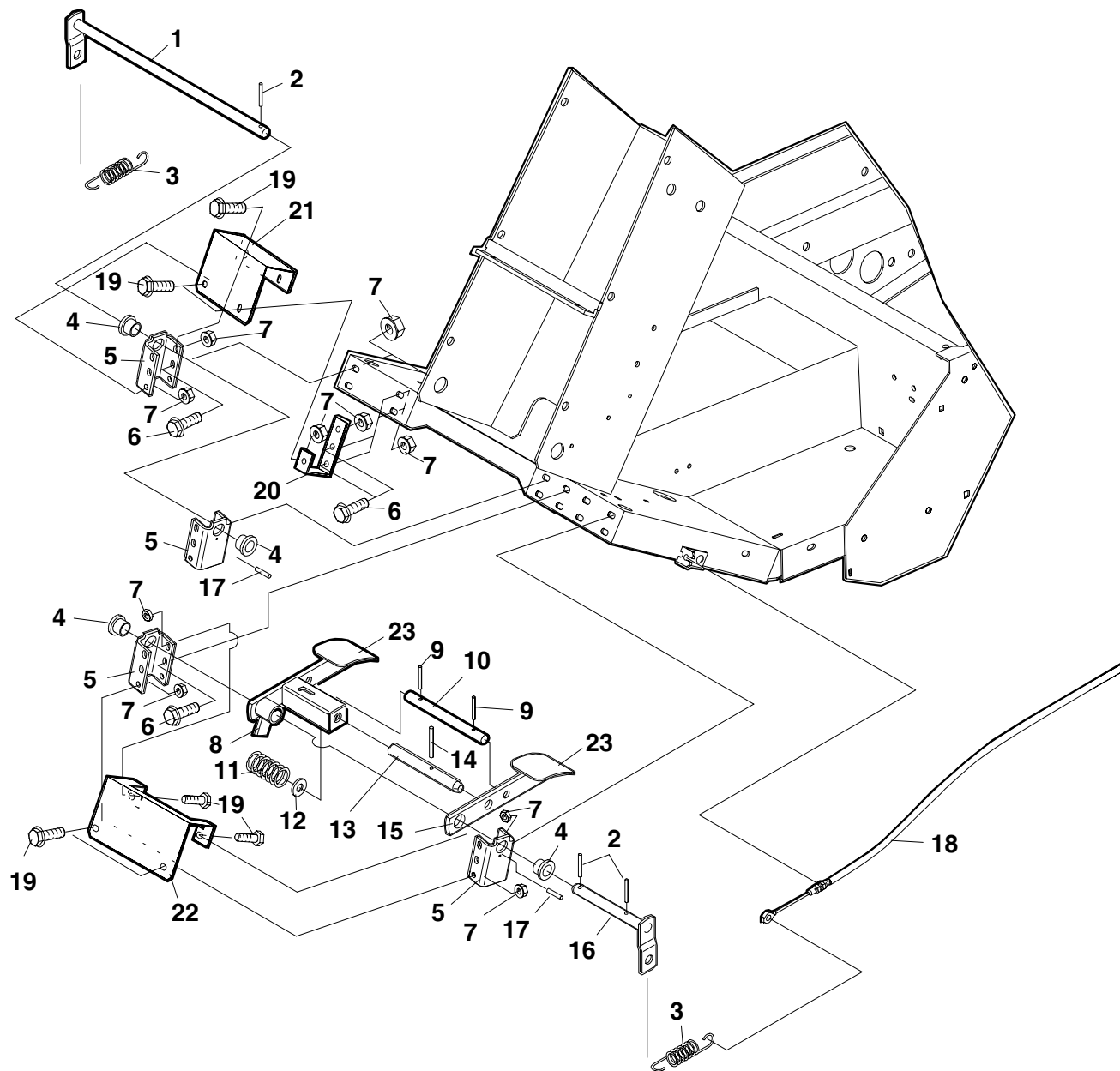
ITEM	PART NO.	DESCRIPTION	QTY	ITEM	PART NO.	DESCRIPTION	QTY
14-1	48037A	BOOT-BATTERY TERM	1				
14-2	148074	BATTERY-BCI26	1				
14-3	148164	CABLE-BATTERY	1				
14-4	148072	CABLE-BATTERY NEG.	1				
	64205-018	BLT METRIC M8-1.25X15	1				
	64006-02	LOCKWSHR-5/16	1				
14-5	2198141	CABLE-FRAME GROUND	1				
14-6	48524	CIRCUIT BREAKER 40A	1				
	64206-13	BLT-MET M5-.8X12	2				
	64237-01	LCKNUT NYLON M5	2				
14-7	48030N	HOUR METER	1				
14-8	128037	RELAY	2				
	64206-13	BLT-MET M5.8X12	2				
	64237-01	LCKNUT NYLON M5	2				
14-9	886425	HORN	1				
14-10	2208073	SENDER-FUEL LEVEL	1				
14-11	148061	BUTTON-HORN	1				
	(OPTIONAL EQUIPMENT)						
14-12	148269	GAUGE-TEMPERATURE	1				
14-13	148032	GAUGE-FUEL	1				
14-14	158136	WIRE SEAT SWITCH	1				
14-15	158135-01	SWITCH-SEAT	1				
14-16	2308094	SWITCH-DBL POLE	1				
14-17	148082-20	FUSE-20 AMP	1				
	64206-13	BLT-MET M5.8X12	1				
	64237-01	LCKNUT NYLON M5	1				
14-18		KEY SWITCH	1				
		GLOW INDICATOR	1				
	PERKINS KEY SWITCH DIODE & GLOW INDICATOR INCLUDED WITH ENGINE - AVAILABLE THROUGH PERKINS DEALER.						
	64006-02	LCKWSHR-HELICAL 5/16	1				
	64207-01	NUT-HEX M8	1				
	(TO CONNECT STARTER WITH ENGINE)						
14-19	2188153	SWITCH, CLUTCH	1				
14-20	148270	TEMPERATURE SENDER	1				
14-21	2198272	HARNESS-WIRING	1				
14-22	888923	PUMP-AY FUEL	1				
14-23	2208099	SWITCH	1				
	(OPTIONAL ON 2WD ONLY, W/ DIFFERENTIAL LOCK KIT)						
14-24	2198277	HARNESS-DECK EC	1				
14-25	38383	SWITCH-N.C.	1				
14-26	2208099	SWITCH	1				

STEERING BRAKES

700 Series EC Tractors



FIGURE 15





700 Series EC Tractors

2197070

STEERING BRAKES

FIGURE 15

ITEM	PART NO.	DESCRIPTION	QTY	ITEM	PART NO.	DESCRIPTION	QTY
15-1	146029	WLDMT-BRAKE SHAFT RH	1				
15-2	64061-25	ROLL PIN 1/4X1 1/4	3				
15-3	128102	SPRING-EXTENSION	2				
15-4	108105	BEARING 3/4 ID FLANGE	4				
15-5	142034	SUPPORT-BEARING	4				
15-6	64139-08	BLT-WLF 5/16-18 X 3/4	10				
15-7	64141-6	NUT-WLF 5/16-18	8				
15-8	2196240	WLDMT-BRAKE PDL RH	1				
15-9	64061-04	ROLL PIN 1/8X3/4	2				
15-10	143011	LINK-PEDAL	1				
15-11	118045	SPRING-COMPRESSION	1				
15-12	64163-54	WASHER-.516X.75X12 GA	1				
15-13	143059	ROD-PEDAL LOCK	1				
15-14	64061-06	ROLL PIN 3/16X1 5/8	1				
15-15	2196243	WLDMT-BRAKE PDL LH	1				
15-16	146030	WLDMT-BRAKE SHAFT LH	1				
15-17	64061-15	ROLL PIN 1/8X1/2	4				
15-18	128025-02	CABLE-BRAKE	1				
15-19	64139-13	BLT-WLF 5/16-18 X 1/2	8				
15-20	2192648	BRACE-BRAKE SHFT CVR	1				
15-21	2192646	COVER-BRAKE SHAFT	1				
15-22	2192645	COVER-BRAKE PEDAL LH	1				
15-23	148084	MAT-BRAKE PEDAL	2				

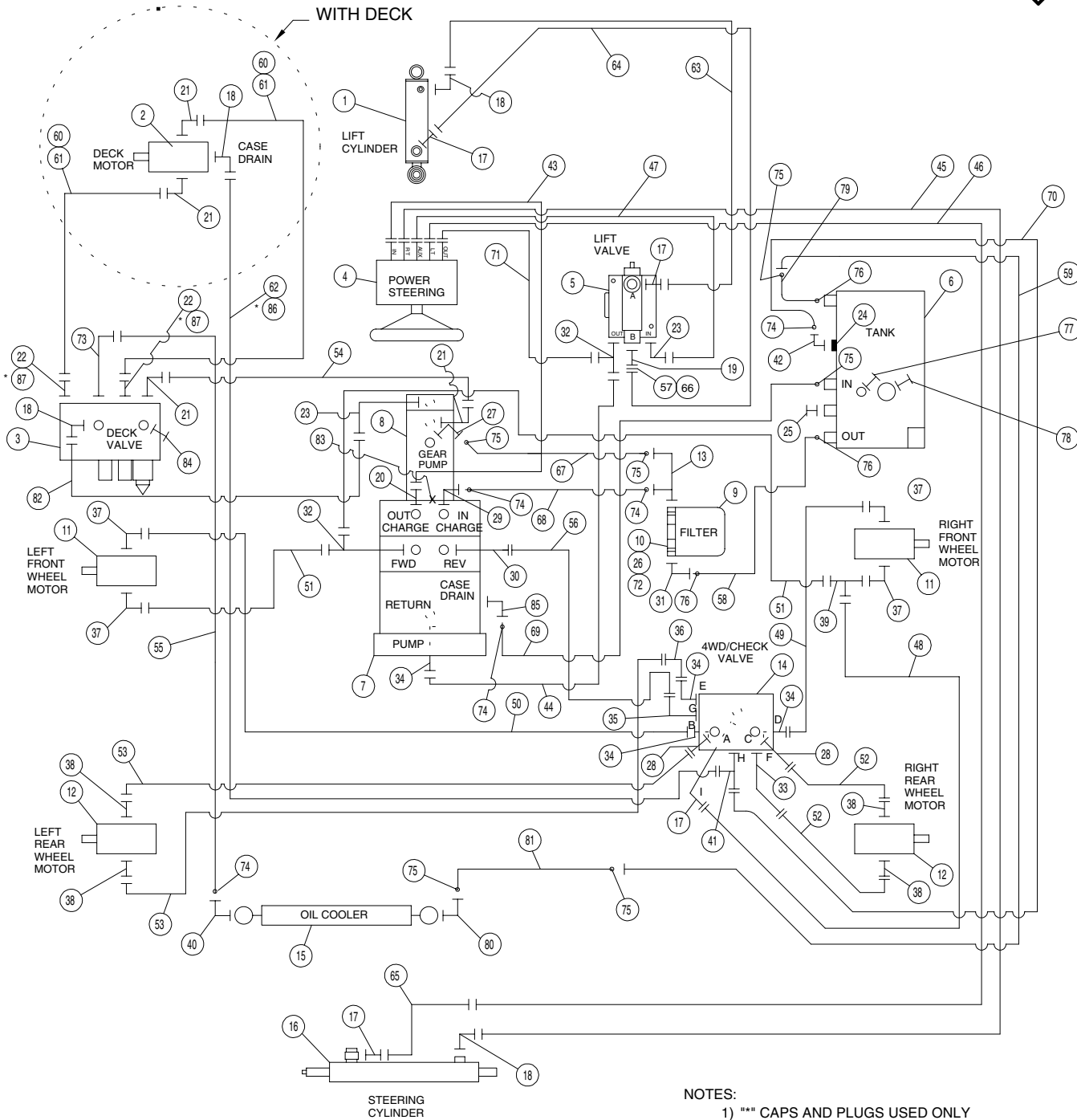
4WD HYDRAULIC DIAGRAM

700 Series EC Tractors



FIGURE 16

REF 2197087



NOTES:

- 1) *** CAPS AND PLUGS USED ONLY FOR SHIPPING PURPOSES.

SAE PORT 'O' RING		
PART NUMBER	THREAD SIZE	AS-568#
158061-10	9/16-18	-906
158061-11	3/4-16	-908
158061-12	7/8-14	-910
158061-13	1-1/16-12	-912
158061-14	1-5/16-12	-916
158061-16	1-5/8-12	-920
158061-03	1-7/8-12	-924

FLAT FACE 'O' RINGS		
PART NUMBER	TUBE O.D.	AS-568#
158061-01	3/8"	012
158061-02	1/2"	014
158061-08	5/8"	016
158061-09	3/4"	018
158061-15	1-1/4"	025



700 Series EC Tractors

2197105

4WD HYDRAULIC DIAGRAM

FIGURE 16

ITEM	PART NO.	DESCRIPTION	QTY	ITEM	PART NO.	DESCRIPTION	QTY
16-1	2198081	CYLINDER-LIFT	1	16-57	158061-01	O-RING	1
16-3	2721055	WING DECK VALVE	1	16-58	2198257	HOSE-TANK OUTLET	1
16-4	148132	HYDROSTATIC STR GEAR	1	16-59	2198217	TUBE-OIL COOLER	1
16-5	2198278	VALVE-LIFTEC	1	16-60	2692238-04	HSE-5/8 ORS/ORS X 20.75 (USE W/ 63" SD & 60" RD)	2
16-6	2198248	TANK-HYDRAULIC 700	1	16-61	178113-03	HSE-5/8 ORS/ORS (USE W/ 72" SD & 72" RD)	2
16-7	2721329	PUMP-OIL GEAR PVW022	1	16-62	2692217-16	HSE-3/8 ORS/45 ORSX36.	1
16-8	2198233	PUMP-HYDRAULIC	1	16-63	69206-05	HSE-3/8 ORS/ORSX32.5	1
16-9	178025	FILTER-SPIN ON	1	16-64	2692215-22	HSE-3/8 ORS/ORSX37.5	1
16-10	_2198295	FILTER-HEAD W/GA PORT	1	16-65	2198218	TUBE-STEERING CYLINDER	1
16-11	2720824-01	WHL MTR-ME120219AABT (USE SEAL KIT 148138)	2	16-66	69068-06	ORIFICE DISK	1
16-12	2720824-04	WHL MTR-ME090219AABT (USE SEAL KIT 148138)	2	16-67	2692232-05	HSE-WIRE REINFRCDX8.25	1
16-13	2198202	MANIFOLD-INLET	1	16-68	2692292-01	HSE-WIRE REINFRCD	.7FT
16-14	2198197	VALVE-4WD CHECK	1	16-69	2198254	HOSE-CASE DRAIN	1
16-15	2208026	COOLER-OIL	1	16-70	69213-03	HOSE-90 ORSX17.0	1
16-16	198040	CYLINDER-STEERING (USE SEAL KIT 198040-01)	1	16-71	2692245-01	HSE-3/8 37-1 1/2 ORSX39.12	1
16-17	158006-01	FITTING-ORS/ORB	4	16-72	2690032-01	FTG-90° STREET ELBOW	1
16-18	158007-01	FTG-90 ORS/ORB	5	16-73	158007-13	FITTING-90 ORS/ORB	1
16-19	158058-04	FITTING-BARB 90, ADJ	1	16-74	108094-02	HOSE CLAMP .50 TO 1.25	5
16-20	158006-13	FITTING-6 ORS/8 ORB	1	16-75	108094-01	HOSE CLAMP .75 TO 1.75	6
16-21	158007-05	FITTING-90 ORS/ORB	4	16-76	48383	CLAMP-HOSE 2 1/2 DIA	3
16-22	158006-07	FITTING-ORB/ORS	2	16-77	148027	BREATHER VENT	1
16-23	158007-10	FITTING-90 ORS/ORB	2	16-78	2690017-02	FITTING-ORB PLUG 1 5/8	1
16-24	48310	S-BUSHING FUEL TANK	1	16-79	2198256	HOSE-TANK RETURN EC	1
16-25	2690017-03	PIPE-PLUG 1/4	1	16-80	158058-09	FITTING-90 BARB	1
16-26	2198294	FILTER-HEAD W/ GA PORT	1	16-81	2692232-02	HSE-WIRE REINFORCED	1
16-27	158058-13	FITTING-90 BRB ADJ	1	16-82	69206-02	HOSE-3/8ORS/ORS	1
16-28	158007-02	FITTING-90 ORS/ORB	2	16-83	158061-24	O-RING	1
16-29	158058-01	FITTING-90 BRB ADJ	1	16-84	178079	TEST PORT	1
16-30	158006-14	FITTING-ORB/ORS	1	16-85	158058-15	FITTING-90 BARB	1
16-31	158058-08	FITTING-90 BRB ADJ	1	16-86	178088-02	PLUG-3/8 ORS	1
16-32	158056-01	FITTING-ORS/O-RING TEE	2	16-87	178087-01	CAP-5/8 ORS	2
16-33	158059-03	FITTING-45 ORS/ORB ADJ	1	THE FOLLOWING ITEMS ARE USED TO BUNDLE HOSES TOGETHER			
16-34	158006-05	FITTING-ORS-ORB	4	16-88	*48396	HOSE-CLAMP 1.06/2.00 DIA	3
16-35	158007-07	FITTING-90 ORS/ORB	1	16-89	*65362-02	RUBBER CLAMP, 6" (ITEMS 88 & 89 ARE USED TO BUNDLE ITEMS 43, 47, 63, 64, 45 & 46 AS WELL AS (2) 53 & 55)	3
16-36	158066-03	FITTING-90 ORS/ORB LNG	1	16-90	*48383	HOSE-CLAMP 1.56/2.50 DIA	1
16-37	158007-03	FITTING-90 ORS/ORB	4	16-91	*65362-04	RUBBER CLAMP, 10" (ITEMS 90 & 91 ARE USED TO BUNDLE ITEMS (2) 52, (2) 53, 43, 47 45, 46 & 56)	1
16-38	158006-06	FITTING-ORS/ORB	4	16-92	*108094-01	HOSE-CLAMP .75/1.75 DIA	1
16-39	158010-03	FITTING-ORS RUN TEE	1	16-93	*65362-01	RUBBER CLAMP 4" (ITEMS 92 & 93 ARE USED TO BUNDLE ITEMS 45, 46, (2) 52)	1
16-40	158058-14	FITTING-90 ORS/ORB ADJ	1				
16-41	158056-02	FITTING-3/8 ELBOW 90	1				
16-42	2690025	FITTING-BRB 90-3/8X3/8	1				
16-43	2692231-02	HSE-3/8 37/90 ORSX41.5	1				
16-44	2692219-03	HS-1/2 90ORS/90 ORSX20.25	1				
16-45	2692269-01	HOSE-3/8 37/ORS	1				
16-46	2692269-02	HOSE-3/8 37/ORSX82.5	1				
16-47	2692247-01	HOSE-3/8 37/45 ORS	1				
16-48	2198216	TUBE-VLV/RT WHL MTR BOT	1				
16-49	2198215	TUBE-VLV/RT WHL MTR TOP	1				
16-50	2692223-07	HSE-1/2 ORS/ORS X20.0	1				
16-51	2692223-06	HSE-1/2 ORS/90 ORSX26.5	2				
16-52	2692270-01	HSE-1/2 ORS/90 ORSX80.	2				
16-53	2692270-02	HSE-1/2 ORS/90 ORSX87.	2				
16-54	178112-09	HSE-5/8ORS/90ORSX15.5	1				
16-55	2692251-01	HSE-3/4 90 ORSX64.0	1				
16-56	178089-02	HSE-3/4 ORS/90 ORSX14.3	1				

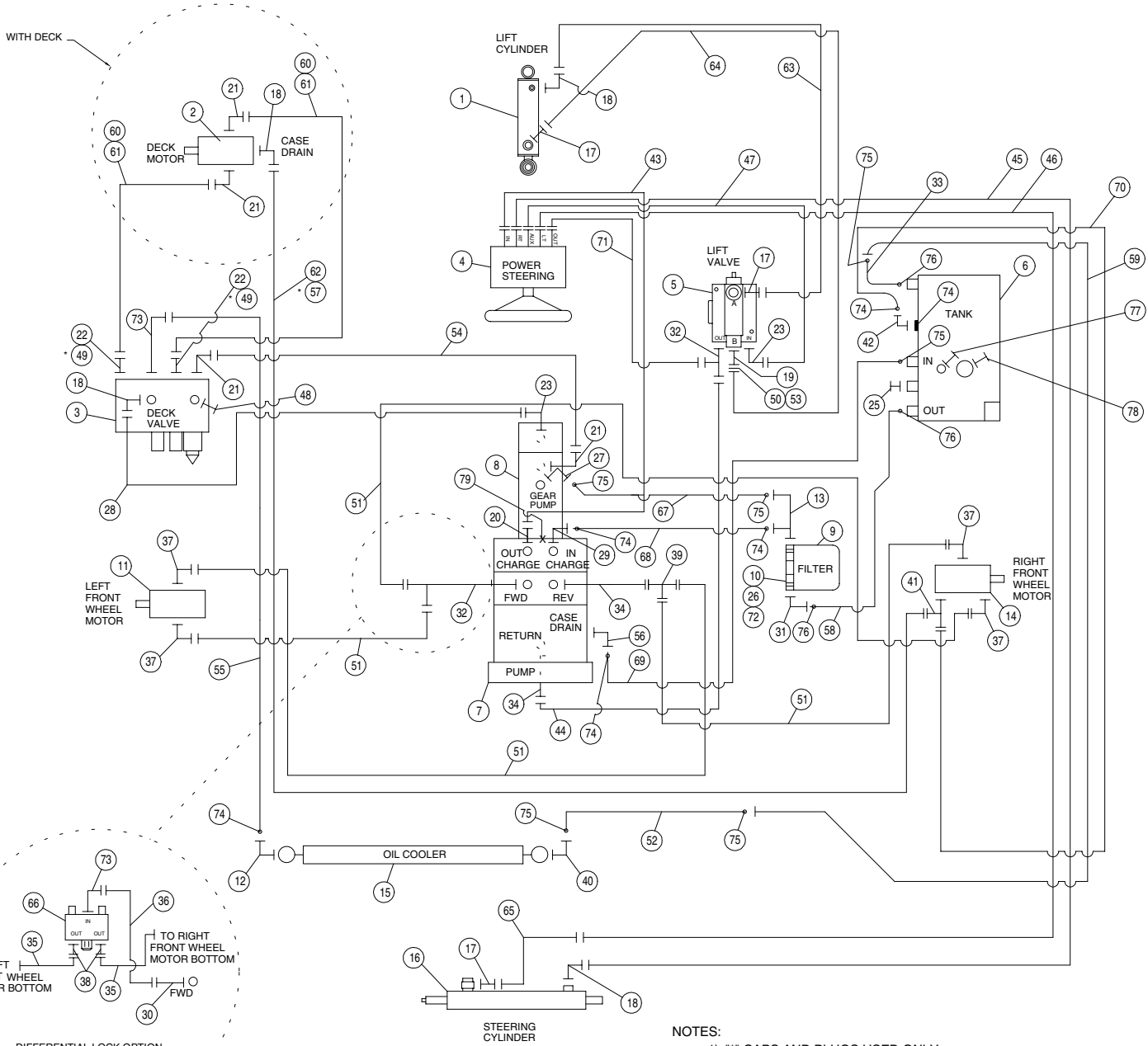
2WD HYDRAULIC DIAGRAM

700 Series EC Tractors

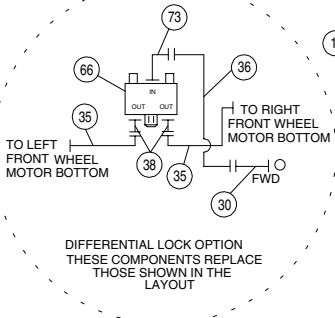


FIGURE 17

REF 2197085



NOTES:
1) *** CAPS AND PLUGS USED ONLY FOR SHIPPING PURPOSES.



DIFFERENTIAL LOCK OPTION
THESE COMPONENTS REPLACE
THOSE SHOWN IN THE
LAYOUT

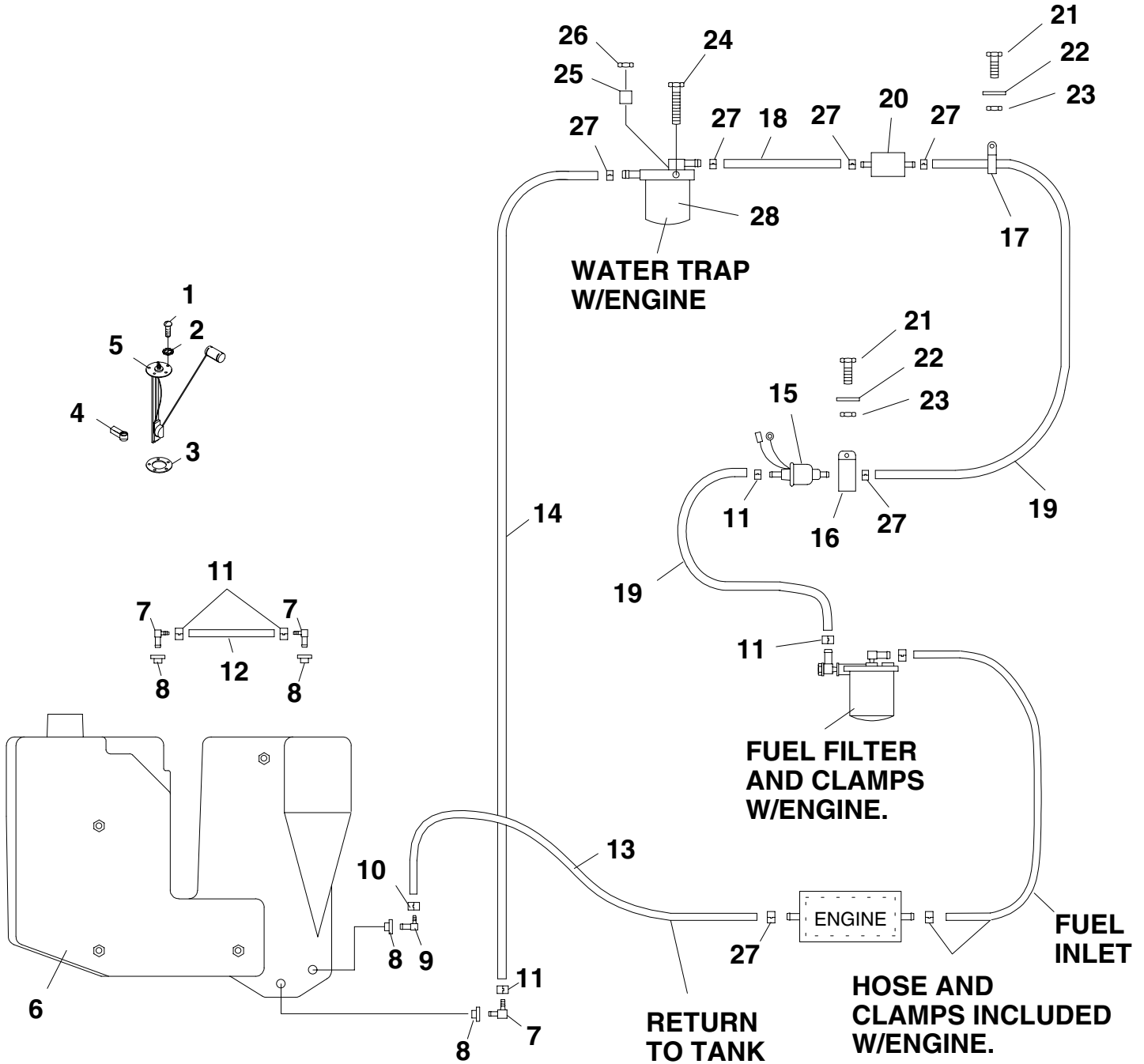
SAE PORT 'O' RING		
PART NUMBER	THREAD SIZE	AS-568#
158061-10	9/16-18	-906
158061-11	3/4-16	-908
158061-12	7/8-14	-910
158061-13	1-1/16-12	-912
158061-14	1-5/16-12	-916
158061-16	1-5/8-12	-920
158061-03	1-7/8-12	-924

FLAT FACE 'O' RINGS		
PART NUMBER	TUBE O.D.	AS-568#
158061-01	3/8"	012
158061-02	1/2"	014
158061-08	5/8"	016
158061-09	3/4"	018
158061-15	1-1/4"	025

FUEL DIAGRAM

FIGURE 18

700 Series EC Tractors





700 Series EC Tractors

2197109

FUEL DIAGRAM

FIGURE 18

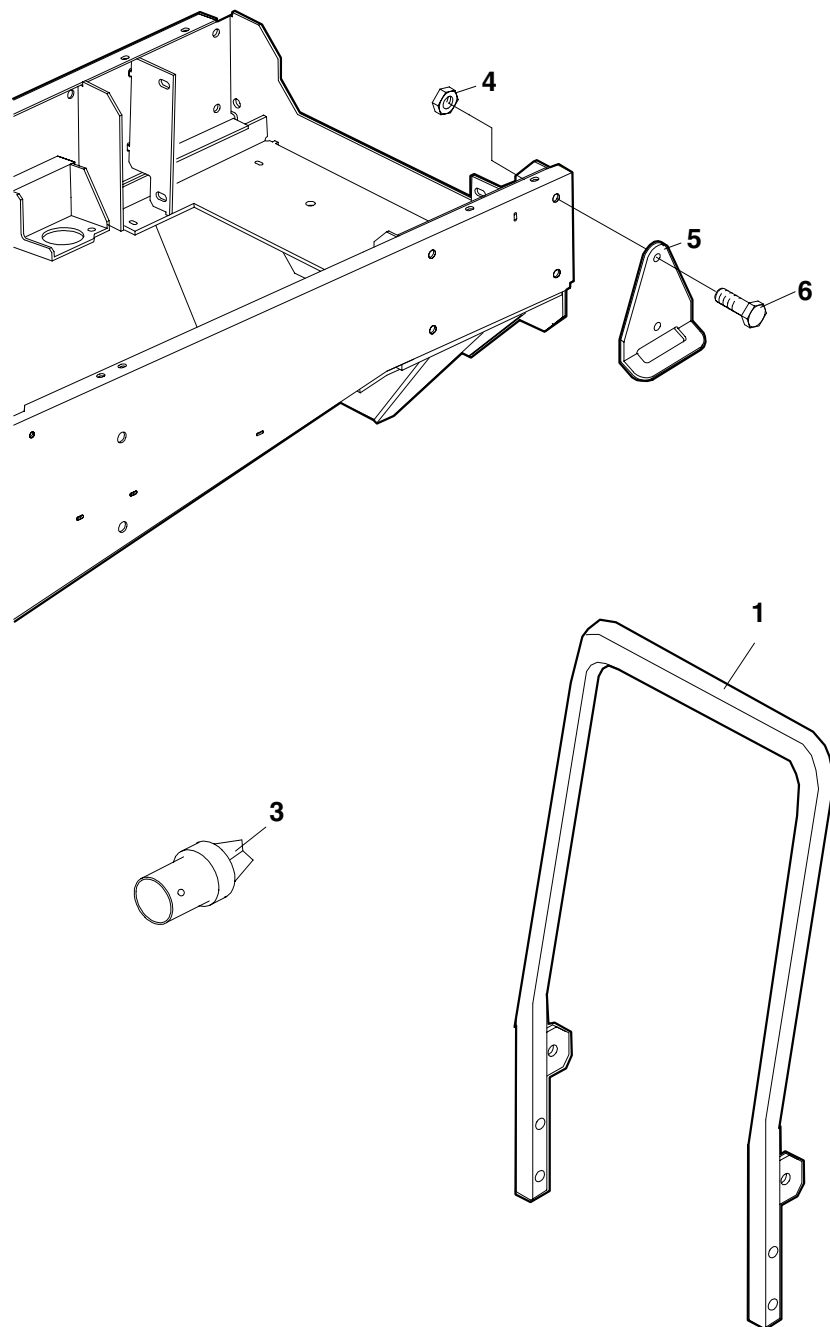
ITEM	PART NO.	DESCRIPTION	QTY	ITEM	PART NO.	DESCRIPTION	QTY
18-1	64152-05	#10-32X1/2 MACH SCRW	5				
18-2	64002-02	STAR WASHER	5				
18-3	148081	GASKET	1				
18-4	2198091	BOOT-FUEL SENDER	1				
18-5	2208073	SENDER-FUEL LEVEL	1				
18-6	2198188	TANK-FUEL 700	1				
18-7	2690023	FTNG-5/16 ELBW 90 DEG	3				
18-8	48310	S BUSHING-FUEL TANK	4				
18-9	2198159	FTNG-1/4 90 DEG ELBW	1				
18-10	88042-01	CLAMP-HOSE 3/16	1				
18-11	88042-02	CLAMP-HOSE 5/16	8				
18-12	148263-05	SHOSE-.56X.31X4.0	1				
18-13	148264-02	SHOSE-.44X.19X22.0	1				
18-14	148263-05	SHOSE-.56X.31X28.0	1				
18-15	888923	PUMP,AY FUEL	1				
18-16	838154	CLAMP-FUEL PUMP	1				
18-17	48228A	CABLE CLIP INSULATED	1				
18-18	148263-05	SHOSE-5/16X3.0	1				
18-19	148263-05	SHOSE-5/16X12.0	2				
18-20	825619	FUEL FILTER	1				
18-21	A1103966	BOLT-M6X16	2				
18-22	64251-002	WASHER M6	2				
18-23	64237-02	LOCKNUT M6	2				
18-24	64205-026	BOLT-M8X80	1				
18-25	73017A	IDLER BUSHING	1				
18-26	64237-05	LOCKNUT M8	1				
18-27	48540-01	HOSE CLAMP	3				
18-28	2198290	FILTER-ELEM WATER SEP	1				

MISCELLANEOUS OPTIONS

700 Series EC Tractors



FIGURE 19





**700 Series
EC Tractors**

2197111

MISCELLANEOUS OPTIONS

FIGURE 19

ITEM	PART NO.	DESCRIPTION	QTY
19-1	970078	S 2 POST ROPS	1
19-3	148098	S-SPARKARRESTOR	1
19-4	64237-06	LCKNT-NYLONM12	4
19-5	2192506	BRKT-TIE DOWN	2
19-6	64205-029	BLT-METRICM12X40	4

970114 KIT-TIE DOWN BRACKETS INCLUDES:
ITEMS 4,5, & 6

FOR PAINT TOUCH-UPS USE THE FOLLOWING:

838140 PAINT, SPRAY 16 oz. RANSOMES GREEN
838141 PAINT, QUART-RANSOMES GREEN

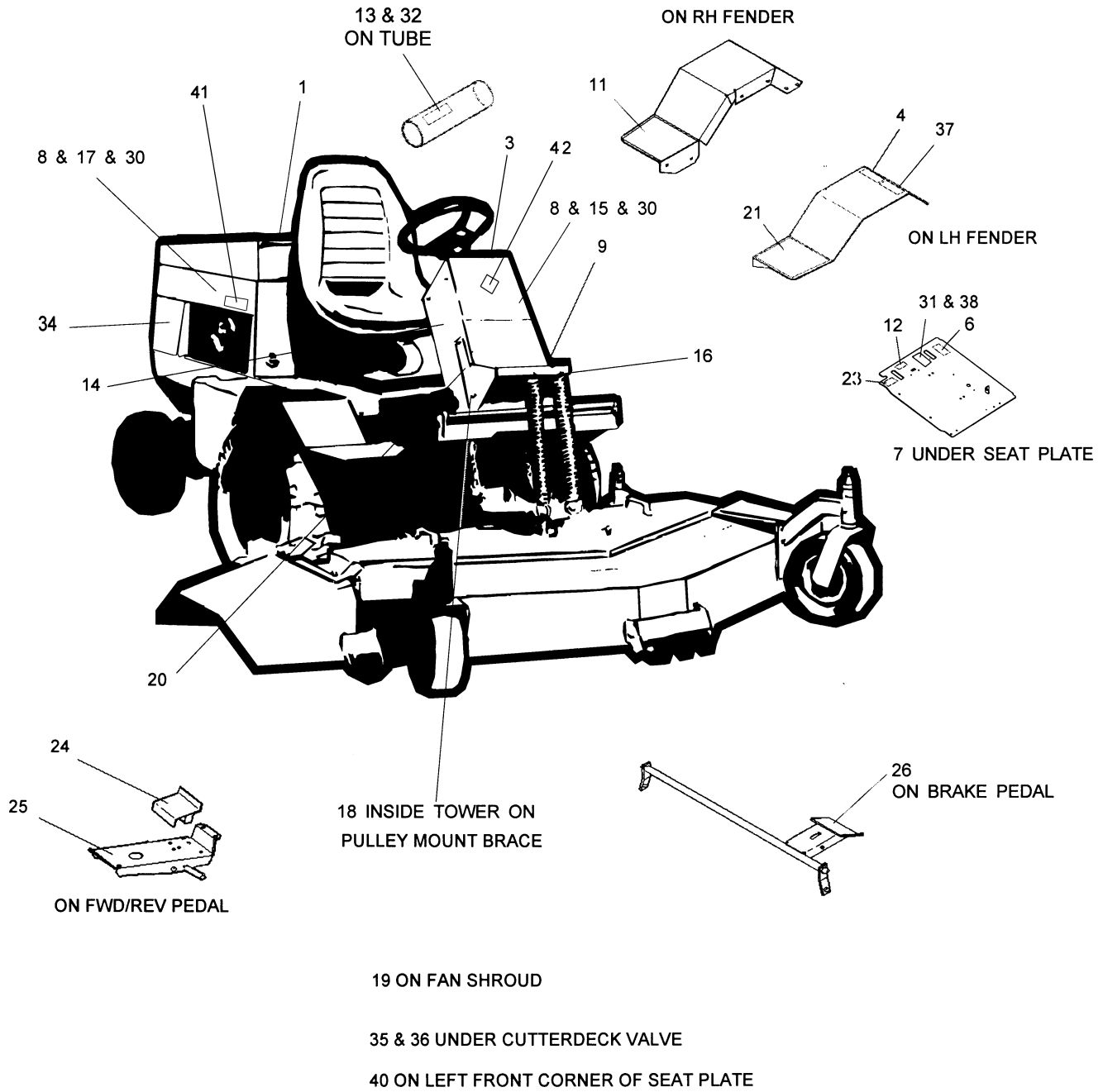
ITEM	PART NO.	DESCRIPTION	QTY
------	----------	-------------	-----

DECALS

700 Series EC Tractors



FIGURE 20





700 Series EC Tractors

2197106

DECALS

FIGURE 20

ITEM	PART NO.	DESCRIPTION	QTY	ITEM	PART NO.	DESCRIPTION	QTY
20-1	2000742	LABEL-AIR INTAKE	1				
20-3	2000738	LAB-INST PANEL #946703	1				
20-4	2000652	LABEL-DIESEL ONLY	1				
20-6	2000741	LABEL, HYD FILL	1				
20-7	2000650	LABEL, WARN BATTERY	1				
20-9	2000743	LABEL-BRAKE PEDALS	1				
20-11	2198137	MAT-FENDER RH	1				
20-12	00223	LABEL, THROTTLE	1				
20-13	2000688	LABEL, TIRE PRESSURE	1				
20-14	2000647	DECAL, FWD/REV	1				
20-15	2000628	LABEL-RNSMS DIE CUT	1				
20-16	2000745	LABEL-RELIEVE SPRING	1				
20-17	2000628	DECAL-RANSOMES	3				
20-18	2000744	LABEL-PARTS ROTATE	1				
20-19	2000739	LABEL-FAN ROTATE	1				
20-20	2000646	LABEL-CE 95	1				
20-21	2198136	MAT-FENDER LH	1				
20-23	2000740	LABEL-DECK LIFT	1				
20-24	48013-06A	MAT-NON SKID	1				
20-25	48436	MAT-NON SKID	1				
20-26	2198129	MAT-BRAKE PEDAL	1				
20-27*	148085	MAT-FLOOR RH	1				
20-28*	148086	MAT-FLOOR LH	1				
20-30	838495	LABEL-RED/WH STR 20'	A/R				
20-31	2000653	LABEL-EC HYD FLUID	1				
20-32	2000655	LABEL-OPERATOR MAN	1				
20-34	2000635	LABEL-FRONTLINE	2				
20-35	00459	LABEL-PRESSURE	1				
20-36	00460	LABEL-RETURN	1				
20-37	2000641	EXPLOSION FUEL EEC	1				
20-38	2000725	LABEL-HYD LEAK WARN	1				
20-40	2000767	LABEL-SLOPE ANGL EC	1				
20-41	2720122	LABEL-DIAMOND R	1				
20-42	2720643	LABEL-TEXTRON	2				

* NOT ILLUSTRATED

CROSS REFERENCE

700 Series EC Tractors



PART NO.	DESCRIPTION	FIG/ITEM	PART NO.	DESCRIPTION	FIG/ITEM
00223	DECAL-THROTTLE CONTROL	20 /12	148072	CABLE-BATTERY NEGATIVE	14 /4
00459	LBL-PRESSURE 6100	20 /35	148074	BATTERY-BCI26	14 /2
00460	LBL-RETURN 6100	20 /36	148081	GASKET	10 /31
108003	BRG 1.5X1.25X1.25	3 /5	148081	GASKET	18 /3
108031	BEARING FLANGE NOTCHED	5 /20	148082-20	FUSE 20 AMP	14 /17
108094-01	CLAMP-HOSE SAE20	5 /29	148084	MAT-BRAKE PEDAL	15 /23
108094-01	CLAMP-HOSE SAE20	16 /75	148085	MAT-FLOOR R.H.	8 /54
108094-01	CLAMP-HOSE SAE20	16 /92	148085	MAT-FLOOR R.H.	20 /27
108094-01	CLAMP-HOSE SAE20	17 /75	148086	MAT-FLOOR L.H.	8 /54
108094-02	CLAMP-HOSE SAE12	16 /74	148086	MAT-FLOOR L.H.	20 /28
108094-02	CLAMP-HOSE SAE12	17 /74	148090-02	SUPPORT-TUBE 3/4	2 /26
108105	BEARING 3/4ID W/FLANGE	15 /4	148098	S SPARK ARRESTOR	19 /3
108194-06	CHANNEL,FLEX TRIM SEAL	5 /13	148132	HYDROSTATIC STEER GEAR	12 /25
108194-11	CHANNEL,FLX TRIM SEAL	5 /35	148132	HYDROSTATIC STEER GEAR	16 /4
108194-13	FLEX TRIM 41.00	5 /33	148132	HYDROSTATIC STEER GEAR	17 /4
118045	SPRING COMPRESSION FRD	15 /11	148132-01	S SEAL KIT	12 /25
118047-06	BUSHING FLIP-LOK.312ID	10 /10	148138	S SEAL KIT MB/ME MTRS	16 /11
118047-06	BUSHING FLIP-LOK.312ID	5 /10	148138	S SEAL KIT MB/ME MTRS	16 /12
118082	S RIM 8 4 BOLT	3 /42	148138	S SEAL KIT MB/ME MTRS	17 /11
123032	BUSHING, NEUTRAL CNTRL	4 /50	148138	S SEAL KIT MB/ME MTRS	13 /11
128025-02	CABLE-BRAKE	15 /18	148164	CABLE-BATTERY	14 /3
128025-02	CABLE-BRAKE	13 /4	148249-02	WHEEL MTR-ME120208AAJD	17 /14
128037	RELAY	14 /8	148263-05	HOSE-FUEL 5/16 46.0	18 /12
128079	ROD END, 1/4 FEMALE	4 /59	148263-05	HOSE-FUEL 5/16 46.0	18 /14
128079	ROD END, 1/4 FEMALE	8 /16	148263-05	HOSE-FUEL 5/16 46.0	18 /18
128089-02	CABLE, CONTROL X 37.50	4 /58	148263-05	HOSE-FUEL 5/16 46.0	18 /19
128089-02	CABLE, CONTROL X 37.50	8 /19	148264-02	S HSE .44 X .19 X 26.0	18 /13
128102	SPRING,EXTENSION	15 /3	148269	GAUGE-TEMP	9 /5
128102	SPRING,EXTENSION	13 /28	148269	GAUGE-TEMP	14 /12
142034	SUPPORT-BEARING	15 /5	148270	SENDER-TEMP	6 /28
142095	SPRING-SEAT	11 /16	148270	SENDER-TEMP	14 /20
142143	CLAMP-FRONT	12 /10	148387	FLOW DIVIDER-6000	17 /66
143011	LINK-PEDAL	15 /10	148394	KIT-S LWR SEAT WLDMT	11 /50
143059	ROD-PEDAL LOCK	15 /13	148395	KIT-S UPPER SEAT WLDMT	11 /51
146029	WLDMT-BRAKE SHAFT R.H.	15 /1	148396	KIT-S DLX SEAT SPRING	11 /52
146030	WLDMT-BRAKE SHAFT L.H.	15 /16	148397	KIT-S DLX SEAT ADJSTR	11 /53
146030	WLDMT-BRAKE SHAFT L.H.	13 /27	158006-01	FITTING-ORS/ORB	16 /17
146082	S PEDAL ADAPTER W/MAT	8 /3	158006-01	FITTING-ORS/ORB	17 /17
148027	BREATHER VENT	10 /41	158006-05	FITTING ORS/ORB	16 /34
148027	BREATHER VENT	16 /77	158006-05	FITTING ORS/ORB	17 /34
148027	BREATHER VENT	17 /77	158006-06	FITTING-ORS/ORB	16 /38
148032	GAUGE-FUEL	9 /4	158006-06	FITTING-ORS/ORB	17 /38
148032	GAUGE-FUEL	14 /13	158006-07	FITTING-ORB/ORS	16 /22
148034-03	INSUL.GROMMET 2.5I.D.	5 /37	158006-07	FITTING-ORB/ORS	17 /22
148034-06	INSUL.GROMMET 0.5I.D.	12 /6	158006-13	FTG-6 ORS/8 ORB	16 /20
148057-01	CABLE-THROTTLE	11 /33	158006-13	FTG-6 ORS/8 ORB	17 /20
148057-01	CABLE-THROTTLE	4 /11	158006-14	FITTING-ORB/ORS	16 /30
148058-01	ROD END R.H.	3 /29	158006-14	FITTING-ORB/ORS	17 /30
148058-02	ROD END L.H.	3 /20	158007-01	FITTING-90 ORS/ORB	16 /18
148061	SWITCH-MOMENTARY	9 /13	158007-01	FITTING-90 ORS/ORB	17 /18
148061	SWITCH-MOMENTARY	14 /11	158007-02	FITTING-90 ORS/ORB	16 /28
148062	MASTER LINK #50 CHAIN	5 /32	158007-03	FITTING-90 ORS/ORB	16 /37



700 Series EC Tractors

CROSS REFERENCE

PART NO.	DESCRIPTION	FIG/ITEM	PART NO.	DESCRIPTION	FIG/ITEM
158007-03	FITTING-90 ORS/ORB	17 /37	178089-04	HOSE-3/4 ORS/90 ORS	17 /36
158007-05	FITTING-90 ORS/ORB	16 /21	178092-13	S-SINGLE SWITCH BLANK	9 /11
158007-05	FITTING-90 ORS/ORB	17 /21	178092-22	LIGHT FOR ROCKER	9 /15
158007-07	FITTING-90 ORS/ORB	16 /35	178092-22	LIGHT FOR ROCKER	9 /8
158007-10	FTG-90 DEG ORS/ORB	16 /23	178102-03	SSK08-2N-T/B	1 /6
158007-10	FTG-90 DEG ORS/ORB	17 /23	178102-13	SRV10-22H-0-V-06/3.0	7 /3
158007-13	FITTING-90 ORS/ORB	16 /73	178102-14	S PILOT PISTON 7013200	7 /5
158007-13	FITTING-90 ORS/ORB	17 /73	178102-17	SCOIL 6351012	7 /7
158010-03	FTG-ORS RUN TEE	16 /39	178102-31	SCV10-20-0-V-70	7 /4
158010-03	FTG-ORS RUN TEE	17 /39	178102-51	SORIFICE PLUG 6115088	1 /5
158056-01	FITTING-ORS/O-RING TEE	16 /32	178102-52	SCV08-20-0-N-04	1 /2
158056-01	FITTING-ORS/O-RING TEE	17 /32	178102-53	SPD10-44-0-N-110	1 /3
158056-02	FTG-ORS/O-RING TEE	16 /41	178102-54	SSK10-4N-MMM	1 /7
158056-02	FTG-ORS/O-RING TEE	17 /41	178102-60	S PORT PLUG 6118004	7 /9
158058-01	FITTING-BARB 90, ADJ	16 /29	178102-61	S PORT PLUG 6118006	7 /8
158058-01	FITTING-BARB 90, ADJ	17 /29	178102-61	S PORT PLUG 6118006	1 /4
158058-04	FITTING-BARB 90, ADJ	16 /19	178102-63	S 6062009	1 /8
158058-08	FITTING-90 BARB, ADJ	16 /31	178102-79	SRV10-22H-O-V-35/32	7 /2
158058-08	FITTING-90 BARB, ADJ	17 /31	178102-81	SSV10-21W-0-V-00	7 /6
158058-09	FITTING-90 BARB, ADJ	16 /80	178112-09	HOSE-5/8 ORS/90 ORS X 15.5	16 /54
158058-09	FITTING-90 BARB, ADJ	17 /40	178112-09	HOSE-5/8 ORS/90 ORS X 15.5	17 /54
158058-13	FITTING-90 BARB, ADJ	16 /27	178113-03	HOSE-5/8 ORS/ORS	16 /61
158058-13	FITTING-90 BARB, ADJ	17 /27	178113-03	HOSE-5/8 ORS/ORS	17 /61
158058-14	FITTING-90 BARB, ADJ	16 /40	188015	OIL PRESSURE LENS	9 /1
158058-15	FITTING-90 BARB, ADJ	16 /85	192086	GUIDE-CHAIN	5 /14
158058-15	FITTING-90 BARB, ADJ	17 /56	192087	BRKT-LIFT PIVOT MOUNT	5 /5
158059-03	FITTING 45 ORS/ORB ADJ	16 /33	192091	SLACK ARMS-CHAIN	12 /16
158059-04	FITTING-45 ORS/ORB ADJ	17 /19	192187	BRTK-TUBE SUPPORTS	5 /29
158061-01	O-RING -06	16 /57	193003	SHAFT-PULLEY MOUNTING	5 /23
158061-01	O-RING -06	17 /50	196004	ASS'Y PULLEY-CHAIN	5 /15
158061-24	O-RING	4 /40	196021	WLDMT-NEUTRAL CONTROL	8 /10
158061-24	O-RING	16 /83	198002-01	CHAIN-1/4X29.37	12 /20
158061-24	O-RING	17 /79	198003-01	BRNG-.752X1.002X1.000	5 /35
158066-03	FITTING-ORS/ORB	16 /36	198040	CYL-STEERING	3 /12
158122-01	TUBING-SIGHT GLASS	10 /49	198040	CYL-STEERING	16 /16
158135-01	SWITCH-SEAT, NO	11 /22	198040	CYL-STEERING	17 /16
158135-01	SWITCH-SEAT, NO	14 /15	198040-01	SEAL KIT	16 /16
158136	WIRE-SEAT SWITCH	11 /11	198040-01	SEAL KIT	17 /16
158136	WIRE-SEAT SWITCH	14 /14	198042	VALVE-HYDRAULIC	5 /1
172060	BRAKE DRUM	13 /19	198042-01	S SEAL REPAIR KIT	5 /36
173042	SPACER-SPINDLE	3 /7	198057	SEAT	11 /2
178013	BRAKE BAND	13 /14	198057-01	SCUSHION,EDGING,HDW	11 /49
178025	FILTER-SPINON	8 /43	198058	SUSPENSION W/ADJUSTERS	11 /48
178025	FILTER-SPINON	16 /9	198059	ARM REST ASSY - L	11 /4
178025	FILTER-SPINON	17 /9	198062	SLIDE RAIL - SLAVE	11 /6
178079	TEST FITTING	16 /84	198063	SLIDE RAIL - ADJ	11 /8
178079	TEST FITTING	17 /48	198066	ARM REST ASSY - R	11 /1
178087-01	PLUG-ORS-10	16 /87	198069-02	S-HOSE AIR CLEANER	6 /2
178087-01	PLUG-ORS-10	17 /49	198069-02	S-HOSE AIR CLEANER	5 /39
178088-02	FTG-ORS PLUG 11/16-16	16 /86	2000628	LABEL, 9 RANSOMES	20 /15
178088-02	FTG-ORS PLUG 11/16-16	17 /57	2000628	LABEL, 9 RANSOMES	20 /17
178089-02	HOSE-3/4 ORS/90 ORS	16 /56	2000635	LABEL, 700 FRONTLINE	20 /34

CROSS REFERENCE

700 Series EC Tractors



PART NO.	DESCRIPTION	FIG/ITEM	PART NO.	DESCRIPTION	FIG/ITEM
2000641	LABEL-EXPLOSION FUEL EEC	20 /37	2192493	BRKT-HOSE CLAMP	2 /27
2000646	LABEL-CE 95	20 /20	2192495	BRKT-HOSE CLAMP	2 /25
2000647	LABEL-FORWARD/REVERSE	20 /14	2192505	BRKT-CONTROL CABLE	4 /42
2000650	LABEL-BATTERY EEC	20 /7	2192506	BRKT-TIE DOWN	19 /5
2000652	LABEL-DIESEL FUEL EEC	20 /4	2192518	MOUNT-FILTER	8 /49
2000653	LBL-HIGH PRESS LEAK EEC	20 /31	2192525	MNT-ENGINE RH	4 /2
2000655	LABEL-READ OPEEC	20 /32	2192571	STOP-HOOD PIVOT	10 /7
2000688	DECAL-TIRE PRSS 14PSI EEC	20 /13	2192583	COVER-OIL COOLER	5 /12
2000725	LABEL-HYD LEAK WARNING	20 /38	2192584	PLATE-GROMMET	5 /40
2000738	DECAL-INST PANEL #946703	20 /3	2192586	BUMPER	2 /31
2000739	LABEL - FAN WARN EC	20 /19	2192642	INSERT-SIDE PANEL EC	6 /39
2000740	LBL-EC DECK LIFT	20 /23	2192645	COVER-BRAKE PEDAL LH	15 /22
2000741	LBL-EC HYDR RES	20 /6	2192646	COVER-BRAKE SHAFT	15 /21
2000742	LBL-EC AIR INTAKE	20 /1	2192648	BRACE-BRAKE SHAFT COVER	15 /20
2000743	LBL-EC PARK BRAK	20 /9	2192649	MNT-DECK SAFTEY SWITCH	8 /23
2000744	LBL-EC ROT PARTS	20 /18	2193027	SHAFT-CYL. PIVOT	5 /25
2000745	LBL-EC REL SPRNG	20 /16	2193028	PIN-LOCKING	5 /26
2000767	LABL-SLOPE ANGL EC	20 /40	2193044	LEVER-THROTTLE	11 /39
2142376	ADAPTER-SEAT	11 /13	2193045	TIE ROD	3 /17
2178193-03	S RIM ASSY W/VLV STEM	13 /24	2193046	BUSHING-NEUTRAL CONTROL	4 /48
2182427.7	HOLDDOWN-BATTERY	8 /22	2196088	WLDMT-BRAKE LEVER	8 /35
2188153	SWITCH, CLUTCH	9 /7	2196093	WLDMT-SLACK ARMS BRKT	12 /19
2188153	SWITCH, CLUTCH	14 /19	2196102	S TOWER COVER W/LABS	12 /24
2188178	SWITCH-RETAINER	9 /14	2196102	S TOWER COVER W/LABS	8 /9
2192220	PLATE-TOWER COVER	8 /27	2196104	S BRKT-SPRING W/LABS	8 /45
2192248.2	BRKT-LATCH POST	10 /27	2196117	S FWD/REV PED W/MAT	8 /5
2192254	BRKT-THROTTLE MOUNT	11 /36	2196132	WLDMT-FRAME, REAR	2 /2
2192289	BRKT-CYL SUPP	5 /12	2196133	WLDMT-CONTROL ARM	4 /55
2192291	SHIM-CYL SUPP BRKT	5 /11	2196134	WLDMT-FRONT AXLE	2 /5
2192304	WEIGHT	2 /32	2196138	WLDMT-LIFT LEVER	5 /4
2192351	BRKT-BRAKE MNTG	8 /36	2196139	WLDMT-FRAME RAIL LH	2 /3
2192383	MOUNT-STEERING GEAR	12 /11	2196140	WLDMT-FRAME RAIL RH	2 /1
2192439	MOUNT-RADIATOR LH	5 /34	2196142	WLDMT-BRAKE	13 /6
2192440	MOUNT-RADIATOR RH	5 /32	2196143	WLDMT-BRAKE ARM	13 /3
2192444	BRKT-NEUTRAL CONTROL	4 /46	2196145	WLDMT-REAR AXLE	3 /35
2192447	MOUNT-ENGINE R.R.	4 /1	2196148	S-PANEL-INST W/LAB	9 /9
2192448	MOUNT-ENGINE L.R.	4 /8	2196148	S-PANEL-INST W/LAB	8 /7
2192449	MOUNT-ENGINE LH	4 /7	2196150	S-REAR PANEL W/LABS	5 /15
2192450	MOUNT-ENGINE R.F.	4 /4	2196152	S-FENDER LH W/LABS	10 /14
2192451	MOUNT-ENGINE L.F.	4 /6	2196153	S-FENDER RH W/MAT	10 /23
2192470	MOUNT-BOTTLE	5 /23	2196154	S-FRONT FRAME W/LABS	2 /4
2192472	TRAY-BATTERY	8 /25	2196170	S-EC HOOD ASSY W/LABS	10 /1
2192476	CABLE-MOUNT	8 /53	2196210	S-SEAT PLATE W/LABS	11 /20
2192476	CABLE-MOUNT	13 /31	2196211	S-RADIATOR PANEL W/LABS	10 /3
2192477	MOUNT-FUEL, FRONT	10 /28	2196211	S-RADIATOR PANEL W/LABS	5 /9
2192478	MOUNT-FUEL, TOP	10 /40	2196215	S-PULLEY MOUNT BRKT	5 /10
2192479	MOUNT-FUEL, REAR	10 /42	2196218	WLDMT-WHL SPINDLE, REAR	3 /40
2192480	MOUNT-HYDR TANK	10 /43	2196219	S-FAN SHROUD W/LAB	5 /38
2192486	BRKT-THROTTLE	4 /24	2196240	WLDMT-BRAKE PEDAL RH	15 /8
2192487	MOUNT-AIR CLEANER	6 /11	2196243	WLDMT-BRAKE PEDAL LH	15 /15
2192488	BRACE-AIR CLEANER	6 /10	2196247	S-INSERT TOOL M8	10 /50
2192492	PANEL-FRONT	6 /12	2198081	CYLINDER-LIFT	5 /24



700 Series EC Tractors

CROSS REFERENCE

PART NO.	DESCRIPTION	FIG/ITEM	PART NO.	DESCRIPTION	FIG/ITEM
2198081	CYLINDER-LIFT	16 /1	2198209-01	S-TIRE 18X8.5-84P TURF TRAC	3 /31
2198081	CYLINDER-LIFT	17 /1	2198209-02	S-RIM ASM W/VALVE STEM	3 /31
2198082	S-CYL SEAL REPAIR KIT	5 /37	2198211	SWIVEL-CABLE CLAMP	4 /12
2198084	LATCH-SWELL	5 /14	2198215	TUBE-VLV/RT WHL MTR TOP	16 /49
2198088	LENS-BATTERY	9 /2	2198216	TUBE-VLE/RT WHL MTR-BOT	16 /48
2198089	LAMP HLDR-DUAL WINDOW	9 /3	2198217	TUBE-OIL COOL TO TANK	16 /59
2198091	BOOT-FUEL SENDER	10 /32	2198217	TUBE-OIL COOL TO TANK	17 /59
2198091	BOOT-FUEL SENDER	18 /4	2198218	TUBE-STEERING CYLINDER	16 /65
2198094	SPRG-EXT .50 OD x 4.00 LG	12 /14	2198218	TUBE-STEERING CYLINDER	17 /65
2198096	SCREW-CAP W/.375 HEX	11 /10	2198231	WHEEL ASM, 18 X 8.5	3 /41
2198109	KNOB-LEVER	11 /38	2198231-01	TIRE 18X8.50 RIB TREAD	3 /43
2198112	LATCH-HOOD	6 /26	2198233	PUMP-HYDRAULIC 2 SECTION	4 /33
2198112	LATCH-HOOD	10 /29	2198233	PUMP-HYDRAULIC 2 SECTION	16 /8
2198125	BUMPER	6 /24	2198233	PUMP-HYDRAULIC 2 SECTION	17 /8
2198126	TUBE-.500X.334X1.290	12 /18	2198237	KNOB-3 PRONG M8-1.25X32	5 /16
2198126	TUBE-.500X.334X1.290	12 /9	2198240	CAP-VENTED FUEL	10 /12
2198127	TUBE-.500X.375/.384X.56	5 /18	2198248	TANK-HYDRAULIC 700	10 /2
2198129	MAT-BRAKE PEDAL	20 /26	2198248	TANK-HYDRAULIC 700	16 /6
2198130	STEERING WHEEL	12 /27	2198248	TANK-HYDRAULIC 700	17 /6
2198132	MOUNT-ISOLATION	4 /5	2198254	HOSE-CASE DRAIN	16 /69
2198134	TUBE-.344X.500X.44	12 /5	2198254	HOSE-CASE DRAIN	17 /69
2198136	MAT-LH FENDER	10 /37	2198256	HOSE-TANK RETURN E.C.	16 /79
2198136	MAT-LH FENDER	20 /21	2198256	HOSE-TANK RETURN E.C.	17 /33
2198137	MAT-RH FENDER	10 /11	2198257	HOSE TANK OUTLET	16 /58
2198137	MAT-RH FENDER	20 /11	2198257	HOSE TANK OUTLET	17 /58
2198141	CABLE-FRAME GROUND	14 /5	2198272	HARNES-WIRING	14 /21
2198147	AIR CLEANER	6 /15	2198277	HARNES-DECK EC	14 /24
2198147-01	ELEMENT	6 /16	2198278	VALVE-LIFT EC	16 /5
2198147-02	VALVE-DUST UNLOADER	6 /17	2198278	VALVE-LIFT EC	17 /5
2198147-03	COVER	6 /18	2198279	SPRING-COMPRESSION	4 /49
2198147-04	S-COVER CLIP	6 /9	2198290	FILTER-ELEM WATER SPRTR	18 /28
2198156-02	TIRE-23X10.5-124P	13 /25	2198294	GAUGE-FILTER VACUUM	8 /18
2198159	FTG-1/4 90 DEG ELBOW	10 /48	2198294	FILTER-HEAD W/GA PORT	16 /26
2198159	FTG-1/4 90 DEG ELBOW	18 /9	2198294	GAUGE-FILTER VACUUM	17 /26
2198174	RADIATOR	5 /25	2198295	FILTER HEAD-SPIN ON	8 /44
2198177	HOSE-UPPER RADIATOR	5 /31	2198295	FILTER HEAD-SPIN ON	16 /10
2198178	HOSE-LOWER RADIATOR	5 /30	2198295	FILTER HEAD-SPIN ON	17 /10
2198185	ENG-PERKINS 103-13	4 /3	2198297	CLAMP-AIR CLEANER	6 /3
2198187	COUPLING-13 TOOTH	4 /30	2201009	PLATE-MOTOR	3 /21
2198188	TANK-FUEL 700	10 /13	2202118.2	SUPT-SEAT	11 /46
2198188	TANK-FUEL 700	18 /6	2202247.2	STOP-BRAKE BAND	13 /32
2198191	HOSE-AIR INTAKE	6 /4	2203046	BUSHING-BRAKE	13 /16
2198197	VALVE-4WD/CHCK #HF951109	1 /1	2203049	BUSHING-STEERING CYL	3 /10
2198197	VALVE-4WD/CHCK #HF951109	16 /14	2206030.2	WLDMT-REAR AXLE PIVOT	3 /38
2198197	VALVE-4WD/CHCK #HF951109	2 /19	2208026	COOLER-OIL	5 /26
2198202	MANIFOLD-INLET	16 /13	2208026	COOLER-OIL	16 /15
2198202	MANIFOLD-INLET	17 /13	2208026	COOLER-OIL	17 /15
2198205	HOUSING	4 /31	2208033	MUFFLER-EXHAUST	6 /6
2198205-01	BELL HOUSING	4 /62	2208058.2	HINGE-SEAT PLATE	11 /28
2198205-02	FLANGE KIT	4 /63	2208073	SENDER-FUEL LEVEL	10 /33
2198208	WHEEL & TIRE 23X10.5-12	13 /23	2208073	SENDER-FUEL LEVEL	14 /10
2198209	WHEEL ASM 18X8.5 4 BOLT	3 /31	2208073	SENDER-FUEL LEVEL	18 /5

CROSS REFERENCE

700 Series EC Tractors



PART NO.	DESCRIPTION	FIG/ITEM	PART NO.	DESCRIPTION	FIG/ITEM
2208075	LATCH-ADJUSTABLE LEVER	11 /41	2692292-01	HOSE-WIRE RNFRCD .75x8.0	17 /68
2208080	PAD-RUBBER	5 /20	2692270-06	HOSE-1/2 ORS/90 ORS X 82.50	16 /52
2208099	SWITCH-90043CH-14	14 /23	2692270-07	HOSE-1/2 ORS/90 ORS X 89.50	16 /53
2208099	SWITCH-90043CH-14	14 /26	2720122	LABEL-DIAMOND R	20 /41
2218009	ISOLATOR-VIBRATION LF1-270	4 /10	2720643	LABEL-TEXTRON	20 /42
2218084	GROMMET	5 /42	2720824-01	WHEEL MTR-ME120219AAJC	16 /11
22372	B&S CABLE CLAMP	11 /32	2720824-01	WHEEL MTR-ME120219AAJC	17 /11
22372	B&S CABLE CLAMP	4 /25	2720824-01	WHEEL MTR-ME120219AAJC	13 /11
2306144	S DOC TUBE W/LABEL	11 /23	2720824-04	WHEEL MTR-ME090219AAJC	3 /28
2308094	SWITCH-NCNC DBL POLE	14 /16	2720824-04	WHEEL MTR-ME090219AAJC	16 /12
2308094	SWITCH-NCNC DBL POLE	8 /14	2720825-01	WHEEL MTR-ME120219AAJD	17 /12
2690017-02	FTG-ORB PLUG 20	16 /78	2720825-01	WHEEL MTR-ME120219AAJD	13 /11
2690017-02	FTG-ORB PLUG 20	17 /78	2720826	HUB	13 /20
2690017-03	FTG-ORB PLUG-06	10 /50	2720828.2	WLDMT-HUB, WHEEL	3 /22
2690017-03	FTG-ORB PLUG-06	16 /25	2721055	VALVE-DECK	7 /1
2690017-03	FTG-ORB PLUG-06	17 /25	2721055	VALVE-DECK	16 /3
2690023	FTG-5/16 ELBOW-90 DEG	18 /7	2721055	VALVE-DECK	2 /28
2690025	FTG-3/8 ELBOW-90 DEG	16 /42	2721055	VALVE-DECK	17 /3
2690025	FTG-3/8 ELBOW-90 DEG	17 /42	2721223	THRUST BEARING	2 /6
2690032-01	FTG-90DEG STREET EL 1	8 /17	2721329	PUMP-OILGEAR PVW022	3 /32
2690032-01	FTG-90° STREET ELBOW	16 /72	2721329	PUMP-OILGEAR PVW022	16 /7
2690032-01	FTG-90DEG STREET EL	17 /72	2721329	PUMP-OILGEAR PVW022	17 /7
2692215-22	HOSE-3/8 ORS/90 ORS	16 /64	306825	NUT, 7/16-20 CASTLE	3 /15
2692215-22	HOSE-3/8 ORS/90 ORS	17 /64	35027N	ZERK FITTING	3 /34
2692217-16	HOSE-3/8 ORS/45 ORS	16 /62	38061A	SPINDLE SHIELD	11 /24
2692217-16	HOSE-3/8 ORS/45 ORS	17 /62	38129	SPRING, TEN.055X.5X2.25	8 /33
2692219-03	HSE-1/2 90 ORS/90ORSX20.25	16 /44	38383	SWITCH-N.C.	14 /25
2692219-03	HSE-1/2 90 ORS/90ORSX20.25	17 /44	38383	SWITCH-N.C.	8 /20
2692223-06	HOSE-1/2 ORS/90 ORS X 26.50	16 /51	38471-09	S-FOAM 120"	5 /19
2692223-06	HOSE-1/2 ORS/90 ORS X 26.50	17 /51	38542	CLAMP-DOCUMENT TUBE	11 /27
2692223-07	HOSE-1/2 ORS/90 ORS X 20.62	16 /50	41028	BLOCK-BEARING	8 /2
2692231-02	HOSE-3/8 37/90 ORS X 41.00	16 /43	43067A	COLLAR, SET, PLATE	8 /8
2692231-02	HOSE-3/8 37/90 ORS X 41.00	17 /43	48013-06A	MAT, NON SKID 2.75X2.75	20 /24
2692232-02	HOSE-1.25 X 21 WIRE RNFRCD	16 /81	48030N	HOUR METER ASSEMBLY	6 /23
2692232-02	HOSE-1.25 X 21 WIRE RNFRCD	17 /52	48030N	HOUR METER ASSEMBLY	14 /7
2692232-05	HOSE-WIRE RNFRCD X 9.00	16 /67	48037A	BOOT, BATTERY TERMINAL	14 /1
2692232-05	HOSE-WIRE RNFRCD X 9.00	17 /67	48043-03C	SCUP, OUTER BEARING	3 /46
2692238-04	HOSE-5/8 ORS/ORS X 20.75	16 /60	48043-04C	SCONE, OUTER BEARING	3 /47
2692238-04	HOSE-5/8 ORS/ORS X 20.75	17 /60	48228-1A	CLIP-CABLE INSULATED	11 /40
2692245-01	HOSE-3/8 37/ 1/2 ORS X 39.12	16 /71	48228-2A	CABLE CLIP 3/4 W/INSTN	11 /5
2692245-01	HOSE-3/8 37/ 1/2 ORS X 39.12	17 /71	48228-2A	CABLE CLIP 3/4 W/INSTN	2 /23
2692247-01	HOSE-3/8 37/45 ORS X 39.00	16 /47	48228A	CABLE CLIP-INSULATED	6 /7
2692247-01	HOSE-3/8 37/45 ORS X 39.00	17 /47	48228A	CABLE CLIP-INSULATED	18 /17
2692249-01	HOSE-1/2 45 ORS/90 ORS	17 /35	48244A	BALL JT 5/16F W/STUD	4 /53
2692250-01	HOSE-3/8 ORS CUTOFF	17 /70	48310	SBUSHING, FUEL TANK	10 /44
2692251-01	HOSE-3/4 90 ORS/CUTOFF	16 /55	48310	SBUSHING, FUEL TANK	16 /24
2692251-01	HOSE-3/4 90 ORS/CUTOFF	17 /55	48310	SBUSHING, FUEL TANK	17 /24
2692269-01	HOSE-3/8 37/ORS X 87.00	16 /45	48310	SBUSHING, FUEL TANK	18 /8
2692269-01	HOSE-3/8 37/ORS X 87.00	17 /45	48383	CLAMP-HOSE SAE32	6 /1
2692269-02	HOSE-3/8 37/ORS X 82.50	16 /46	48383	CLAMP-HOSE SAE32	5 /21
2692269-02	HOSE-3/8 37/ORS X 82.50	17 /46	48383	CLAMP-HOSE SAE32	16 /76
2692292-01	HOSE-WIRE RNFRCD .75x8.0	16 /68	48383	CLAMP-HOSE SAE32	16 /90



700 Series EC Tractors

CROSS REFERENCE

PART NO.	DESCRIPTION	FIG/ITEM	PART NO.	DESCRIPTION	FIG/ITEM
48383	CLAMP-HOSE SAE32	17 /76	64025-36	NUT-HEX 1-1/8-18 SLOTTED	13 /22
48383	CLAMP-HOSE SAE32	17 /82	64044-1	SCREW-SET 1/4-20X1/4	8 /6
48396	HOSE-CLAMP SAE24	16 /88	64061-04	ROLL PIN-1/8X3/4	15 /9
48396	HOSE-CLAMP SAE24	17 /80	64061-06	ROLL PIN-3/16X1-5/8	15 /14
48428	COLLAR-SET,3/8 ID	8 /12	64061-07	ROLL PIN-5/32X1-1/4	5 /17
48429	SPRING-EXTENSION	8 /11	64061-15	ROLL PIN-1/8X1/2	5 /19
48429	SPRING-EXTENSION	13 /2	64061-15	ROLL PIN-1/8X1/2	15 /17
48436	MAT-NON SKID	20 /25	64061-25	ROLL PIN-1/4X1-1/4	15 /2
48476-A1	HUB ASSY PURCHASE	3 /44	64061-26	ROLL PIN-1/4X1-3/4	12 /23
48479	S DUST COVER	3 /48	64061-28	ROLL PIN-3/16X1-1/4	4 /54
48480	SEAL CR 12411	3 /45	64123-07	BLT-HEX 1/4-20X1-1/2	8 /1
48517	HOLE PLUG 1.00	9 /12	64123-114	BLT-HEX 1/4-20X1	5 /28
48517-01	HOLE PLUG .750	10 /22	64123-114	BLT-HEX 1/4-20X1	10 /4
48517-02	HOLE PLUG .625	9 /6	64123-114	BLT-HEX 1/4-20X1	4 /57
48517-02	HOLE PLUG .625	2 /18	64123-114	BLT-HEX 1/4-20X1	8 /52
48517-05	HOLE PLUG .515	2 /12	64123-15	BLT-HEX 3/8-16X3/4	13 /17
48524	CIRCUIT BREAKER 40A	14 /6	64123-16	BLT-HEX 3/8-16X1-1/4	5 /8
48540-01	HOSE CLAMP WITTEK H	18 /27	64123-162	BLT-HEX 5/16-24X5	4 /47
62464-3A	WASHER,THRUST 3/4X1.25	5 /16	64123-47	BLT-HEX 5/16-18X1-1/4	12 /8
62464-4A	WASHER,THRUST 1.25X1.9	3 /4	64123-50	BLT-HEX 3/8-16X1	8 /40
64001-6	NUT-HEX JAM,3/8-16	5 /3	64123-55	BLT-HEX 5/16-18X3	12 /3
64002-02	LOCKWSHR-TOOTH,EXT,#10	10 /21	64123-56	BLT-HEX 5/16-18X2	12 /13
64002-02	LOCKWSHR-TOOTH,EXT,#10	18 /2	64123-67	BLT-HEX 3/8-16X2	12 /21
64002-04	LOCKWSHR-TOOTH,EXT5/16	6 /38	64123-70	BLT-HEX 3/8-16X1-1/2	4 /34
64006-01	LOCKWSHR-HELICAL 1/4	5 /34	64123-72	BLT-HEX 1/2-13X2-1/2	3 /8
64006-01	LOCKWSHR-HELICAL 1/4	6 /21	64123-73	BLT-HEX 1/2-13X1	11 /14
64006-01	LOCKWSHR-HELICAL 1/4	5 /6	64123-82	BLT-HEX 3/8-16X2-1/2	8 /46
64006-01	LOCKWSHR-HELICAL 1/4	8 /39	64123-89	BLT-HEX 1/4-20X3/4	11 /26
64006-02	LOCKWSHR-HELICAL 5/16	6 /32	64123-89	BLT-HEX 1/4-20X3/4	8 /51
64006-02	LOCKWSHR-HELICAL 5/16	10 /46	64123-90	BLT-HEX 1/2-20X2	13 /12
64006-02	LOCKWSHR-HELICAL 5/16	14 /28	64139-02	BLT-WLF 1/4-20X1/2	11 /7
64006-02	LOCKWSHR-HELICAL 5/16	5 /27	64139-02	BLT-WLF 1/4-20X1/2	8 /29
64006-02	LOCKWSHR-HELICAL 5/16	8 /42	64139-02	BLT-WLF 1/4-20X1/2	8 /4
64006-03	LOCKWSHR-HELICAL 3/8	4 /35	64139-04	BOLT-WLF 1/4-20X3/4	5 /31
64006-03	LOCKWSHR-HELICAL 3/8	8 /26	64139-04	BOLT-WLF 1/4-20X3/4	8 /37
64006-03	LOCKWSHR-HELICAL 3/8	13 /18	64139-08	BLT-WLF 5/16-18X3/4	5 /13
64006-05	LOCKWSHR-HELICAL 1/2	3 /26	64139-08	BLT-WLF 5/16-18X3/4	12 /12
64006-13	WASHER-HELICAL 9/16	4 /41	64139-08	BLT-WLF 5/16-18X3/4	15 /6
64018-16	BLT CRG 1/2-13 X 5	2 /35	64139-08	BLT-WLF 5/16-18X3/4	8 /48
64018-21	BLT-CRG 1/2-13X4	2 /36	64139-13	BLT-WLF 5/16-18X1/2	15 /19
64018-8A	BLT-CRG 1/2-13X1-1/2	11 /9	64139-16	BLT-WLF 5/16-18X5/8	11 /3
64025-03	NUT-HEX 5/16-24	4 /52	64140-1	COTTER PIN-1/8X1	3 /25
64025-15	NUT-HEX #10-24 KEPS	11 /31	64140-3	COTTER PIN-3/32X3/4	3 /16
64025-15	NUT-HEX #10-24 KEPS	4 /27	64140-5	COTTER PIN-1/8X1-1/2	3 /52
64025-15	NUT-HEX #10-24 KEPS	8 /13	64140-5	COTTER PIN-1/8X1-1/2	13 /21
64025-16	NUT-HEX 5/8-18	3 /30	64141-1	NUT-WLF 5/16-24	12 /26
64025-20	NUT-HEX 3/4-16 SLOT U	3 /51	64141-2	NUT-WLF 1/4-20	5 /30
64025-27	NUT-HEX 5/8-18 L.H. THD	3 /18	64141-2	NUT-WLF 1/4-20	10 /39
64025-29	NUT-HEX #8-32 KEPS	6 /25	64141-2	NUT-WLF 1/4-20	8 /30
64025-29	NUT-HEX #8-32 KEPS	10 /35	64141-4	NUT-WLF 3/8-16	8 /47
64025-30	NUT-HEX 1/2-20 SLOT	3 /37	64141-6	NUT-WLF 5/16-18	5 /6
64025-35	NUT-HEX 1-1/8-18 UNSLOTTED	3 /23	64141-6	NUT-WLF 5/16-18	11 /12

CROSS REFERENCE

700 Series EC Tractors



PART NO.	DESCRIPTION	FIG/ITEM	PART NO.	DESCRIPTION	FIG/ITEM
64141-6	NUT-WLF 5/16-18	12 /22	64205-003	BLT-METRIC M8-1.25X30	2 /24
64141-6	NUT-WLF 5/16-18	15 /7	64205-007	BLT METRIC M10-1.50X20	11 /42
64144-30	SNAP RING .375	13 /5	64205-007	BLT METRIC M10-1.50X20	10 /25
64151-15	5/16-18 CL HEX NUT	5 /9	64205-007	BLT METRIC M10-1.50X20	3 /1
64151-15	5/16-18 CL HEX NUT	12 /7	64205-007	BLT METRIC M10-1.50X20	4 /15
64151-17	NUT,HEX LOCK CL 1/4-20	5 /22	64205-007	BLT METRIC M10-1.50X20	2 /22
64151-18	3/8-16 CL HEX NUT	5 /21	64205-011	BLT-METRIC M10-1.50X40	13 /10
64151-18	3/8-16 CL HEX NUT	11 /30	64205-015	BLT-METRIC M8-1.25X35	6 /40
64151-18	3/8-16 CL HEX NUT	12 /15	64205-015	BLT-METRIC M8-1.25X35	4 /56
64151-24	HEX CL NUT 5/16-24	4 /51	64205-018	BLT METRIC M8-1.25X15	14 /32
64151-29	NUT-HEX 1 1/4-12 NYLOK	3 /39	64205-018	BLT METRIC M8-1.25X15	5 /1
64151-7	1/2-13 HEX LOCK NUT	11 /17	64205-019	BLT-METRIC M10-1.50X80	4 /16
64151-7	1/2-13 HEX LOCK NUT	2 /34	64205-023	BLT-METRIC M6-1.00X50	5 /33
64151-8	1/4-20 HEX LOCK NUT	11 /21	64205-026	BLT-METRIC M8-1.25X80	6 /14
64151-8	1/4-20 HEX LOCK NUT	10 /6	64205-026	BLT-METRIC M8-1.25X80	2 /7
64152-05	10-32X1/2 R MACH SCREW	10 /34	64205-026	BLT-METRIC M8-1.25X80	18 /24
64152-05	10-32X1/2 R MACH SCREW	18 /1	64205-027	BLT-METRIC M10-1.5X40	4 /20
64152-06	10-24X1/2 MACH SCREW	8 /15	64205-029	BLT-METRIC M12X1.75X40	2 /33
64152-20	8-32X1/2 MACH SCREW	6 /27	64205-029	BLT-METRIC M12X1.75X40	19 /6
64152-20	8-32X1/2 MACH SCREW	10 /30	64205-042	BLT-METRIC M4-.7X12	4 /13
64152-23	1/4-20X3/8 LG SP SCREW	8 /28	64205-044	BLT-METRIC M8-1.25x100	2 /20
64152-49	SCR-SLT HH 10-24X3/4	11 /34	64205-045	BLT-METRIC M12-1.75X35	4 /36
64152-49	SCR-SLT HH 10-24X3/4	4 /26	64205-046	BLT-METRIC M6-1.00X80	2 /29
64163-02	WSHR-.321/.328X.593/.608	13 /7	64206-13	BLT-METRIC M5X.8X12	14 /30
64163-04	25/64X5/8X16GA WASHER	13 /8	64206-14	HHCS-M14-1.5 X30	4 /14
64163-17	25/64 X 2 X 11GA WASHR	3 /3	64207-01	NUT-HEX,M8-1.25	14 /29
64163-19	33/64X1-1/4X12GA WASHR	11 /15	64207-06	NUT-HEX M6-1	6 /22
64163-19	33/64X1-1/4X12GA WASHR	3 /9	64207-07	NUT-HEX M12-1.75	3 /27
64163-26	WASHER,.766 ID X 1.625	3 /50	64209-01	CONICAL SPRING WASHER	11 /35
64163-27	WASHER-FLAT 2.0X.453X11 GA4	4 /23	64211-02	WASHER	10 /36
64163-29	21/64X1X11GA.WASHER	6 /41	64215-05	RIVET-POPIFI# 64	10 /20
64163-29	21/64X1X11GA.WASHER	6 /5	64218-03	SCR-BTN HDM8-1.2X16	6 /29
64163-29	21/64X1X11GA.WASHER	12 /4	64220-01	BLT-WHL 12-20X.7560D	13 /26
64163-29	21/64X1X11GA.WASHER	5 /17	64229-01	LOCK NUT-NYLON 1/4-20	4 /60
64163-31	WASH.25/64X1X12 GA	5 /7	64229-01	LOCK NUT-NYLON 1/4-20	8 /50
64163-31	WASH.25/64X1X12 GA	11 /45	64229-02	LOCK NUT-NYLON 5/16-18	11 /47
64163-31	WASH.25/64X1X12 GA	8 /41	64229-02	LOCK NUT-NYLON 5/16-18	8 /32
64163-34	WSHR.256/.267X1X11GA	5 /27	64229-05	LOCK NUT-NYLON 1/2-13	3 /11
64163-38	WSHR.875X.390X.1046PLN	4 /43	64237-01	LOCKNUT-NYLONM5X0.8	14 /31
64163-54	.516X.75X12GA THK WSHR	15 /12	64237-02	LOCKNUT-NYLONM6-1.00	6 /37
64164-08	S-KEY FOR WHEEL MOTOR	3 /282	64237-02	LOCKNUT-NYLONM6-1.00	5 /41
64164-08	S-KEY FOR WHEEL MOTOR	13 /11	64237-02	LOCKNUT-NYLONM6-1.00	2 /30
64164-08	S-KEY FOR WHEEL MOTOR	13 /13	64237-02	LOCKNUT-NYLONM6-1.00	18 /23
64166-03	SHBLT .281X5/16-18	11 /44	64237-03	LOCKNUT-NYLONM10-1.5	11 /43
64166-7	SHOULDER BOLT	11 /37	64237-03	LOCKNUT-NYLONM10-1.5	10 /19
64166-7	SHOULDER BOLT	13 /15	64237-03	LOCKNUT-NYLONM10-1.5	4 /18
64168-2	COTTER-HAIRPIN .08X1.19	10 /8	64237-03	LOCKNUT-NYLONM10-1.5	8 /24
64187-03	WHEEL NUT 1/2-20	3 /32	64237-03	LOCKNUT-NYLONM10-1.5	2 /15
64197-001	BLT-TDFM 5/16-18X3/4	3 /36	64237-03	LOCKNUT-NYLONM10-1.5	13 /1
64197-002	BLT-TDFM 1/4-20X3/4	11 /25	64237-05	LOCKNUT-NYLONM8-1.25	6 /33
64205-001	BLT-METRIC M8-1.25X20	6 /19	64237-05	LOCKNUT-NYLONM8-1.25	11 /19
64205-001	BLT-METRIC M8-1.25X20	5 /36	64237-05	LOCKNUT-NYLONM8-1.25	4 /44



700 Series EC Tractors

CROSS REFERENCE

PART NO.	DESCRIPTION	FIG/ITEM	PART NO.	DESCRIPTION	FIG/ITEM
64237-05	LOCKNUT-NYLONM8-1.25	5 /4	73017A	IDLER BUSHING-PLATE	18 /25
64237-05	LOCKNUT-NYLONM8-1.25	2 /16	800488	LOCK WASHER M10	10 /24
64237-05	LOCKNUT-NYLONM8-1.25	18 /26	800488	LOCK WASHER M10	3 /2
64237-06	LOCKNUT-NYLONM12-1.75	10 /18	800490	NUT-14mm-1.5	3 /13
64237-06	LOCKNUT-NYLONM12-1.75	2 /10	806953	BOLT-BATTERY HOOK	8 /21
64237-06	LOCKNUT-NYLONM12-1.75	19 /4	825619	FILTER-FUEL	18 /20
64243-01	BLT-CRGM10-1.50X30	2 /17	831905	CAP-OVERFLOW BOTTLE	5 /7
64243-03	BLT-CRGM8-1.25X20	10 /5	831906	BOTTLE-OVERFLOW	5 /8
64243-04	BLT-CRGM10-1.50X25	10 /15	838154	BRKT-MOUNTING FUEL PUMP	18 /16
64243-04	BLT-CRGM10-1.50X25	8 /31	838495	LABEL-RED/WHITE STRIPE 20'	20 /30
64246-02	NUT-WLFM8-1.25	10 /9	839862	DECAL, STEERING WHEEL	12 /1
64250-02	INSERT-GRIPM6X1.0	4 /38	85010N	ZERK, 1/4-28 STR SELF THRD	3 /33
64250-02	INSERT-GRIPM6X1.0	5 /24	88042-01	CLAMP-HOSE 3/16	5 /5
64250-04	INSERT-GRIP M8	10 /38	88042-01	CLAMP-HOSE 3/16	18 /10
64250-04	INSERT-GRIP M8	4 /39	88042-02	CLAMP-HOSE 5/16	18 /11
64250-04	INSERT-GRIP M8	5 /18	886425	HORN	6 /20
64250-04	INSERT-GRIP M8	2 /6	886425	HORN	14 /9
64251-001	WHSR-M5	14 /27	887692	END,TIE ROD	3 /14
64251-002	WHSR-M6	6 /36	887888	SCREEN	5 /11
64251-002	WHSR-M6	4 /29	888923	PUMP AY,ELECT FUEL	14 /22
64251-002	WHSR-M6	5 /28	888923	PUMP AY,ELECT FUEL	18 /15
64251-002	WHSR-M6	8 /55	970078	ATT-2 POST ROPS (250/700)	19 /1
64251-002	WHSR-M6	18 /22	A1005166	BOLT-M12-1.75X80	3 /24
64251-003	WHSR-M8	6 /31	A1102966	BOLT-M6-1.00X16	6 /35
64251-003	WHSR-M8	11 /18	A1102966	BOLT-M6-1.00X16	4 /28
64251-003	WHSR-M8	10 /47	A1102966	BOLT-M6-1.00X16	5 /22
64251-003	WHSR-M8	4 /61	A1102966	BOLT-M6-1.00X16	18 /21
64251-003	WHSR-M8	5 /2	A1103051	BOLT-M8-1.25X25	6 /30
64251-003	WHSR-M8	2 /21	A1103051	BOLT-M8-1.25X25	11 /29
64251-004	WHSR-M10	10 /26	A1103051	BOLT-M8-1.25X25	10 /45
64251-004	WHSR-M10	4 /21	A1103051	BOLT-M8-1.25X25	4 /45
64251-004	WHSR-M10	8 /34	A1103051	BOLT-M8-1.25X25	8 /38
64251-004	WHSR-M10	2 /14	A110406	SCREW,M10X1.5X30 HH 10/PK 2	13 /13
64251-004	WHSR-M10	13 /9	A1105061	BOLT-M12-1.75X30	10 /17
64251-005	WHSR-M12	10 /16	A1105061	BOLT-M12-1.75X30	2 /8
64251-005	WHSR-M12	4 /37			
64251-005	WHSR-M12	2 /9			
65362-01	RUBBER-CLAMP 4IN	16 /93			
65362-02	RUBBER-CLAMP 6IN	16 /89			
65362-02	RUBBER-CLAMP 6IN	17 /81			
65362-04	RUBBER-CLAMP 10IN	16 /91			
65362-04	RUBBER-CLAMP 10IN	17 /83			
68156A	HANDLE KNOB, BLACK	5 /2			
69068-06	ORIFICE DISK 06, .070	16 /66			
69068-06	ORIFICE DISK 06, .070	17 /53			
69206-02	HOSE-3/8 ORS/ORS 17.0	16 /82			
69206-02	HOSE-3/8 ORS/ORS 17.0	17 /28			
69206-05	HOSE-3/8 ORS/ORS 32.5	16 /63			
69206-05	HOSE-3/8 ORS/ORS 32.5	17 /63			
69213-03	HOSE-90 ORS X 17.0	16 /70			
73017A	IDLER BUSHING-PLATE	6 /34			
73017A	IDLER BUSHING-PLATE	12 /17			

**CALIFORNIA
Proposition 65 Warning**

Diesel engine exhaust and some of its constituents are known to the State of California to cause cancer, birth defects and other reproductive harm.

 **WARNING**

The engine exhaust from this product contains chemicals known to the State of California to cause cancer, birth defects or other reproductive harm.

**Californie Proposition 65
Avertissement**

Les échappements des moteurs diesel et certains de leurs composés sont reconnus par l'Etat de Californie pour être cancérigènes, provoquer des défauts congénitaux et d'autres dangers en matière de reproduction.

 **AVERTISSEMENT**

L'émission du moteur de ce matériel contient des produits chimiques que l'Etat de Californie considère être cancérigènes, provoquer des défauts congénitaux et d'autres dangers en matière de reproduction.

**California Advertencia
de la Proposicion 65**

El estado de California hace saber que los gases de escape de los motores diesel y algunos de sus componentes producen cáncer, defectos de nacimiento y otros daños en el proceso de reproducción humana.

 **ADVERTENCIA**

El estado de California hace saber que los gases de escape de este producto contienen productos químicos que producen cáncer, defectos de nacimiento y otros daños en el proceso de reproducción humana.