



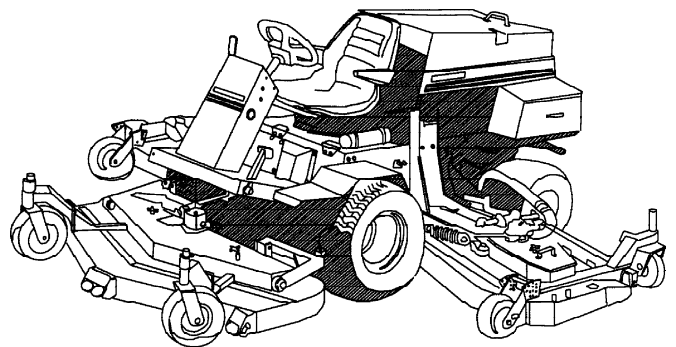
RANSOMES[®]

Parts Manual

Frontline 951 Plus

Series: XV - Engine type: Perkins 104.22

Product code: LHAK001



WARNING: If incorrectly used this machine can cause severe injury. Those who use and maintain this machine should be trained in its proper use, warned of its dangers and should read the entire manual before attempting to set up, operate, adjust or service the machine.



QUICK REFERENCE INDEX	2
TORQUE SPECIFICATIONS	3

FIGURE/DESCRIPTION	PAGE
1) ENGINE GROUP.....	5
2) ENGINE-AIR FILTER.....	11
3) FRAME-FRONT.....	13
4) FRAME-REAR.....	15
5) HOOD.....	19
6) FRONT AXLE.....	21
7) REAR AXLE.....	23
8) HYDRAULICS VALVES.....	25
9) HYDRAULICS FILTERS.....	27
10) FLUID TANKS.....	29
11) OPTIONAL-AUXILIARY FUEL TANK.....	31
12) CONTROLS - THROTTLE / PUMP.....	33
13) CONTROLS - LIFT.....	35
14) CONTROLS - BRAKES.....	37
15) CONTROLS - STEERING.....	39
16) COOLING & EXHAUST.....	45
17) SEAT & PLATFORM ASSEMBLY.....	49
17A) SEAT BREAKDOWN	51
17B) SEAT SUSPENSION	55
18) PUSHARM ASSEMBLY.....	57
19) DECK MOUNTING.....	59
20) SAUER-SUNDSTRAND M35 PUMP.....	63
21) 4WD VALVE.....	64
22) WING DECK VALVE	65
23) DECK VALVE.....	66
24) SERVICE O-RING.....	67
25) HYDRAULIC DIAGRAM.....	70
26) WIRING DIAGRAM.....	76
28) TRIM - EUROPEAN MODEL.....	79
30) DECK TRIM - EUROPEAN MODEL.....	81
31) FRONT CUTTER DECK.....	83
32) WING DECKS.....	85
33) CASTER WHEELS.....	89
34) SPINDLE ASSEMBLY.....	91
NUMERICAL INDEX.....	92

IMPORTANT! READ!

You have purchased a first class mower and the useful life you obtain from your machine depends to a large extent on proper maintenance and operation. Before attempting to use your mower, read your Operator's Manual carefully. Make yourself familiar with the operation, controls, adjustments, lubrication and maintenance sections.

ALL

references to left and right are from operator's position.

For paint touch-ups use the following:

- 833140 PAINT, SPRAY 16 oz. RANSOMES GREEN
- 838141 PAINT, QUART RANSOMES GREEN

A

Air Cleaner	11
Axle, front	21
Axle, rear	23

B

Battery	5
Belts	
Fan	5
Front Deck.....	83
Wing Deck	85
Brakes	37

E

Engine	5
Engine Bell Housing	5
Exhaust Pipes	47

F

Fenders	13
Filters	
Engine Oil.....	5
Fuel Filter.	11
Hyd Fluid	27
Air Cleaner	11
Frame, front	13
Frame, rear	15
Fuel Gauge	41
Fuel Pump.....	7
Fuel Level Sender	29
Fuel Separator	7
Fuel Tanks	29, 31

G

Gauge (Hydraulic Oil)	29
Gauges (Instrument Panel)	41

H

Hood.....	15
Hood Latch	15
Horn	43
Hoses, Radiator	45
Hour Meter	41
Hyd Diagram	68
Hyd Reservoir	31
Hyd Steer Gear	41

L

Lift Cylinder	57, 59
Lift Valve	35

M

Muffler	45
---------------	----

O

Oil Cooler	45
Overflow bottle	45

P

Pump.....	5,63
-----------	------

R

Radiator	45
----------------	----

S

Seat	51
Solenoid	11
Steering Wheel	41

T

Temperature Gauge	41
Throttle Cable.....	33
Throttle Lever	33
Tie Rod	23
Tires, Front.....	21
Rear	23

W

Wheel Motor	
Front.....	21
Rear.....	23
Wing Deck Mounting	59
Wing Deck Valve.....	65
Wiring Diagram	74

RECOMMENDED TORQUES ($\pm 10\%$) FOR THESE GRADES OF FASTENERS. USE THESE SPECIFICATIONS UNLESS OTHERWISE NOTED.

TEXTRON TURF CARE AND SPECIALTY PRODUCTS USES GRADE 5 BOLTS AS STANDARD (MINIMUM COMMERCIAL QUALITY). DO NOT USE LOWER QUALITY BOLTS UNLESS OTHERWISE

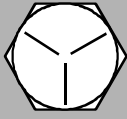
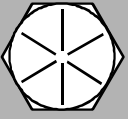
NOTED.

SPECIFIC TORQUES:

BLADE BOLT: 70 FT-LBS (95 Nm)

DRIVE WHEEL LUG NUTS: 55-65 FT-LBS (75-88 Nm)

WHEEL HUB NUTS: 300 FT-LBS (407 Nm)

AMERICAN NATIONAL STANDARD FASTENERS			
SIZE	UNITS	 GRADE 5	 GRADE 8
6-32	in-lbs (Nm)	20 (2.3)	-
8-32	in-lbs (Nm)	24 (2.7)	30 (3.4)
10-24	in-lbs (Nm)	35 (4.0)	45 (5.1)
10-32	in-lbs (Nm)	40 (4.5)	50 (5.7)
12-24	in-lbs (Nm)	50 (5.7)	65 (7.3)
1/4-20	in-lbs (Nm)	95 (10.7)	125 (14.1)
1/4-28	in-lbs (Nm)	95 (10.7)	150 (17.0)
5/16-18	in-lbs (Nm)	200 (22.6)	270 (30.5)
5/16-24	in-lbs (Nm)	240 (27.1)	300 (33.9)
3/8-16	ft-lbs (Nm)	30 (40.7)	40 (54.2)
3/8-24	ft-lbs (Nm)	35 (47.5)	45 (61.0)
7/16-14	ft-lbs (Nm)	50 (67.8)	65 (88.1)
7/16-20	ft-lbs (Nm)	55 (74.6)	70 (94.9)
1/2-13	ft-lbs (Nm)	75 (101.7)	100 (135.6)
1/2-20	ft-lbs (Nm)	85 (115.3)	110 (149.2)
9/16-12	ft-lbs (Nm)	105 (142.4)	135 (183.1)
9/16-18	ft-lbs (Nm)	115 (155.9)	150 (203.4)
5/8-11	ft-lbs (Nm)	150 (203.4)	195 (264.4)
5/8-18	ft-lbs (Nm)	160 (217.0)	210 (284.8)
3/4-10	ft-lbs (Nm)	170 (230.5)	220 (298.3)
3/4-16	ft-lbs (Nm)	175 (237.3)	225 (305.1)
7/8-14	ft-lbs (Nm)	300 (406.8)	400 (542.4)






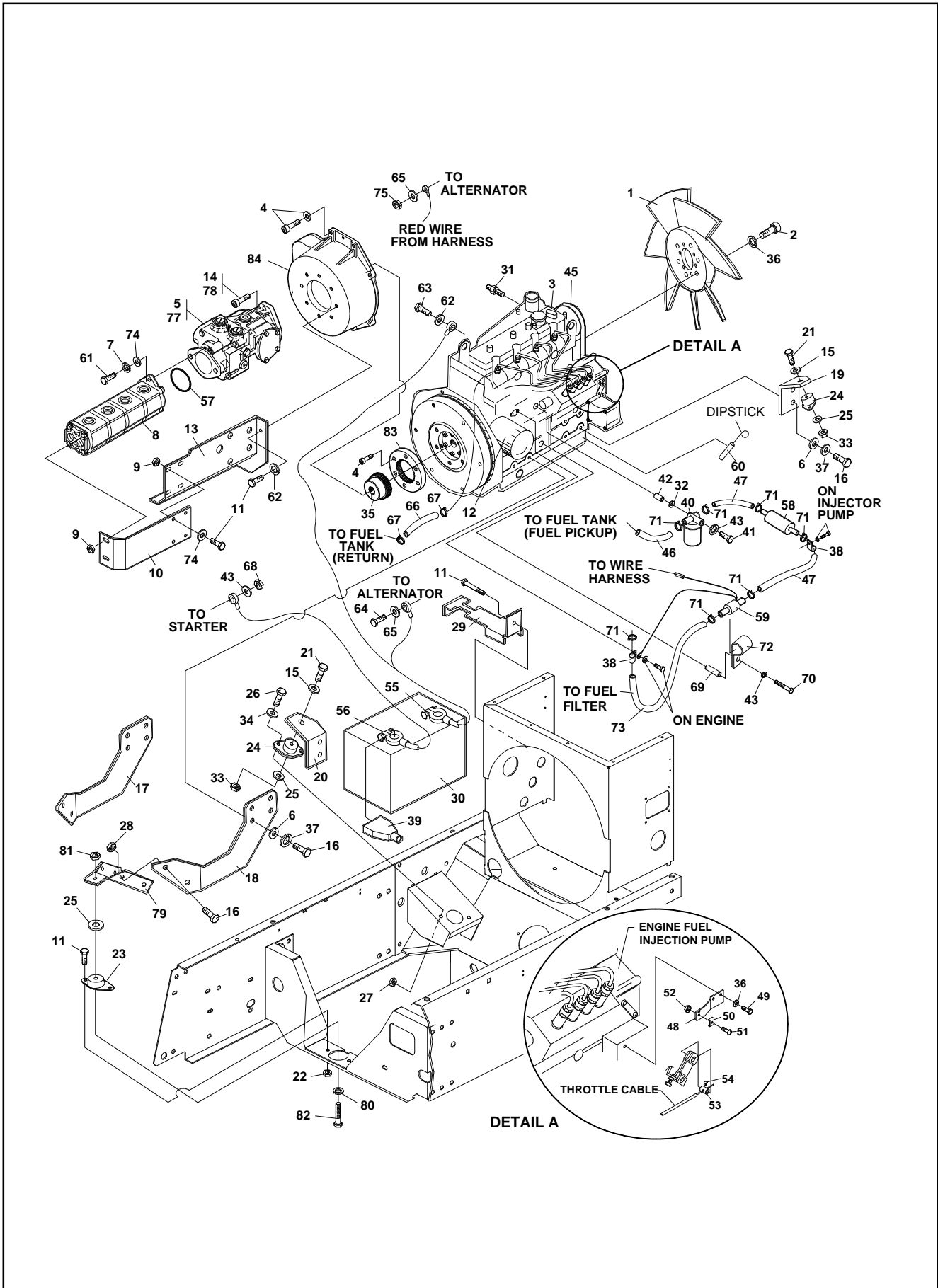
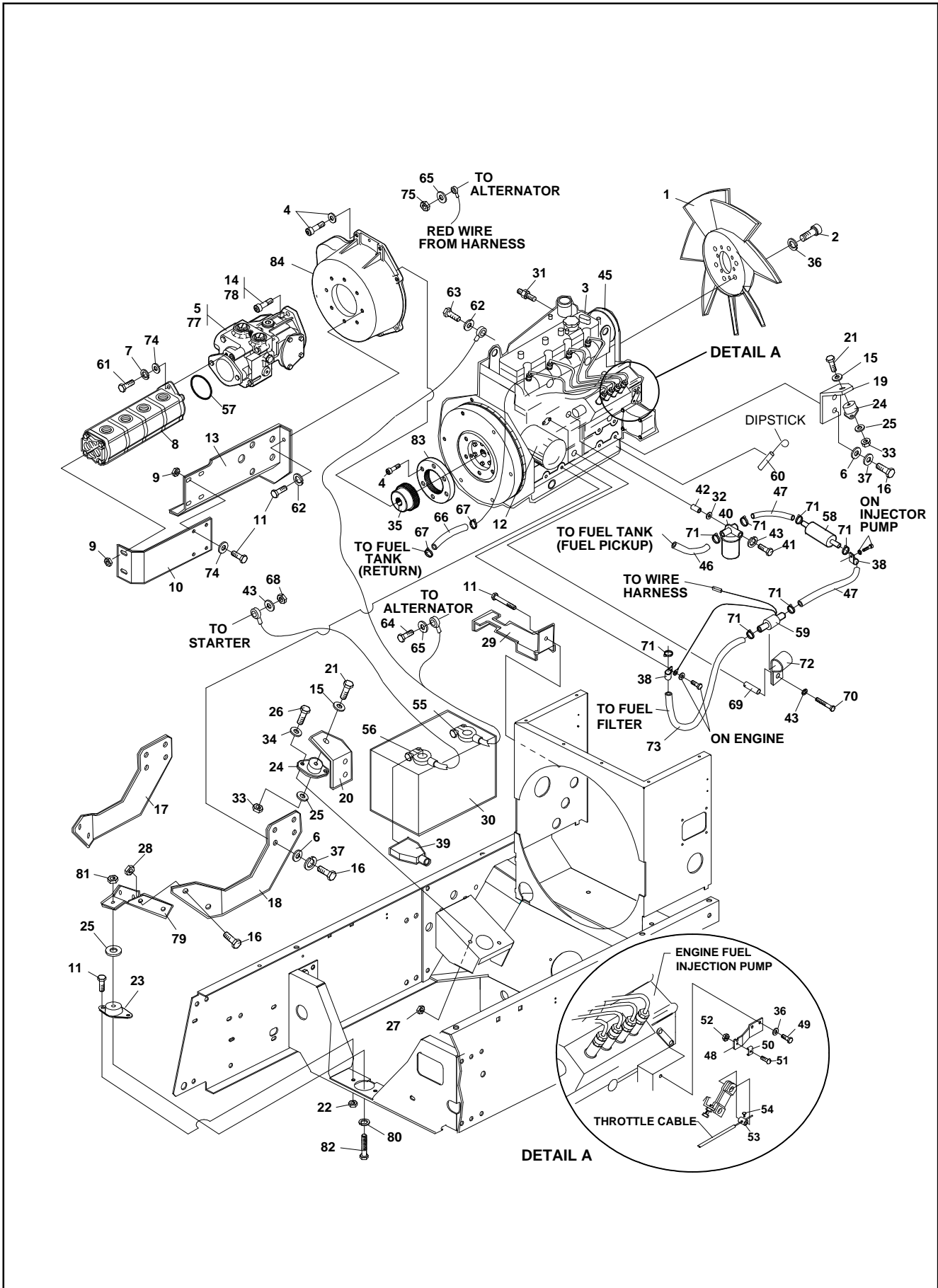
METRIC FASTENERS							
SIZE	UNITS	 4.8	 5.8	 8.8	 10.9	 12.9	Noncritical Fasteners into Aluminum
M4	Nm (in-lb)	1.2 (11)	1.7 (15)	2.9 (26)	4.1 (36)	5.0 (44)	2.0 (18)
M5	Nm (in-lb)	2.5 (22)	3.2 (28)	5.8 (51)	8.1 (72)	9.7 (86)	4.0 (35)
M6	Nm (in-lb)	4.3 (38)	5.7 (50)	9.9 (88)	14.0 (124)	16.5 (146)	6.8 (60)
M8	Nm (in-lb)	10.5 (93)	13.6 (120)	24.4 (216)	33.9 (300)	40.7 (360)	17.0 (150)
M10	Nm (ft-lb)	21.7 (16)	27.1 (20)	47.5 (35)	66.4 (49)	81.4 (60)	33.9 (25)
M12	Nm (ft-lb)	36.6 (27)	47.5 (35)	82.7 (61)	116.6 (86)	139.7 (103)	61.0 (45)
M14	Nm (ft-lb)	58.3 (43)	76.4 (55)	131.5 (97)	184.4 (136)	219.7 (162)	94.9 (70)

FIGURE 1



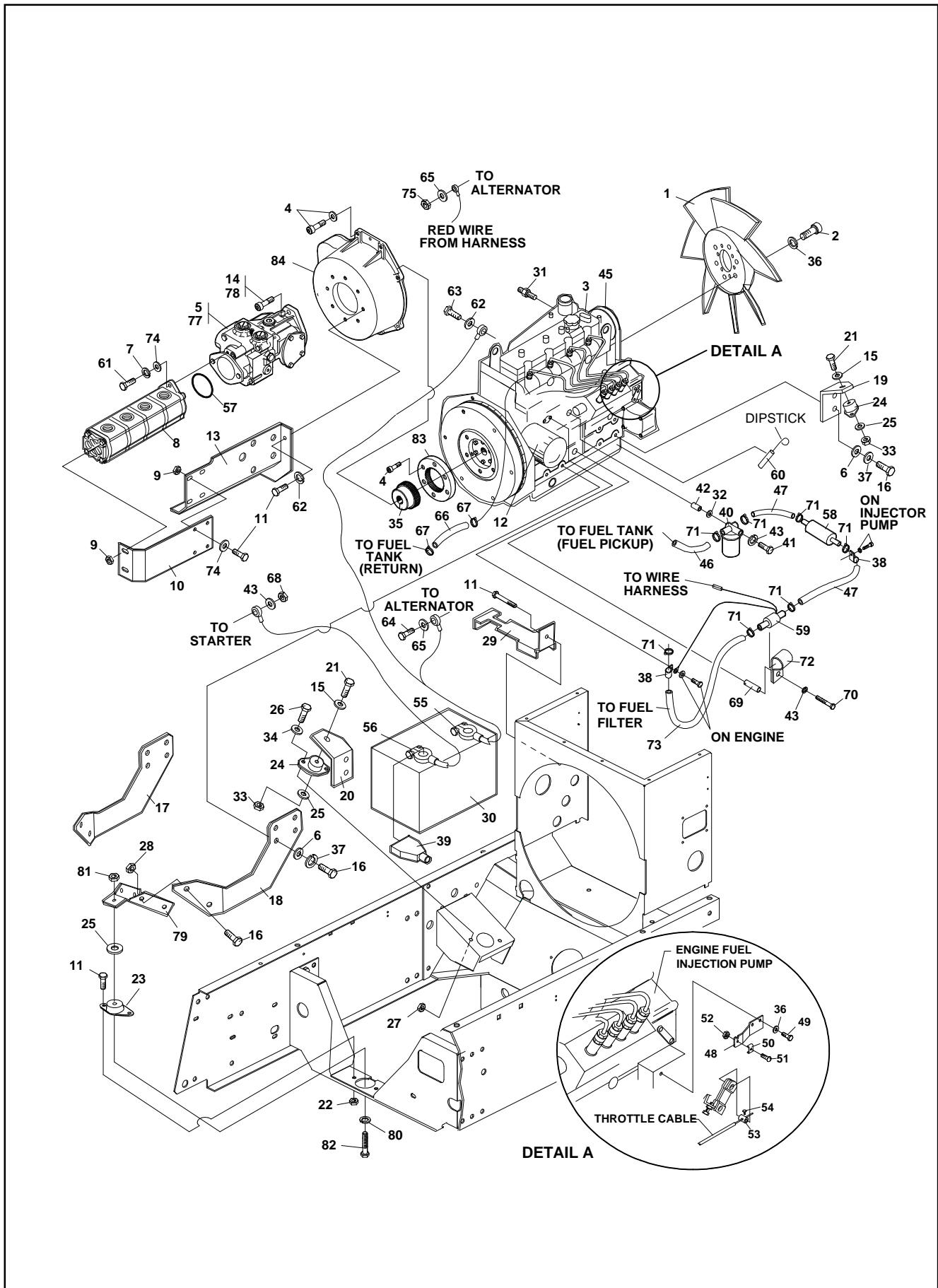
ITEM	RANSOMES PART NO	DESCRIPTION	QTY	REMARKS
1-1	2218149	FAN-16.75"	1	* (SEE SERVICE MANUAL FOR PERKINSKR30331)
1-2	64205-038	BLT-METRIC M6-1X20	5	
1-3	2178207	ENGINE-PERKINS 104.22	1	
1-4	2178208	BELL HOUSING & CPLG	1	(INCLUDES FOLLOWING ITEMS & TEMS 83, 84)
		M10-1.50 HEX NUT	9	
		M10 FLAT WASHER	9	
		M10-1.50 X 65 SHDCS GR 12.9	4	
		M10-1.50 X 45 SHDCS GR 12.9	2	
		M10-1.50 X 35 SHDCS GR12.9	3	
		M12-1.75 X 30 SHDCS GR 12.9	5	
1-5	178037	PUMP-M35	1	(
1-6	64251-006	WASHER-FLAT M14	12	
1-7	64006-03	LOCKWSHR-HELICAL 3/8	2	
1-8	2178214	PUMP-4 SECTION GEAR (SERVICE SEAL KIT 2178214-01) (SERVICE STUD KIT 2178214-02)	1	
1-9	64246-03	NUT-WHIZ M10-1.50	6	
1-10	2212073	BRCKT-CASSAPA PUMP	1	
1-11	A1104057	BLT-HEX M10-1.5X25	9	
1-12	2208174	OIL FILTER	1	
1-13	2216012	WLDMNT-PUMP-BRCKT	1	
1-14	64223-05	SHCS M12-1.75X30 (FOR U.S. MODEL 946900 ONLY)	2	
1-15	64163-31	WASH.25/64X1X12 GA	2	
1-16	64206-14	HHCS-M14-1.5 X 30	16	
1-17	2212019	MOUNT-RH MOTOR	1	
1-18	2212020	MOUNT-LH MOTOR	1	
1-19	2212031	MOUNT-ENG. LH REAR	1	
1-20	2212058	MOUNT-ENG. RH REAR	1	
1-21	64123-82	BLT-HEX 3/8-16X2-1/2	2	
1-22	64237-03	LCKNT-NYLON M10-1.5	2	
1-23	2218009	ISOLATOR-LF1-270	1	
1-24	2218010	ISOLATOR-LR1-230	2	
1-25	64163-27	WSHR-2.0X.453X11 GA	3	
1-26	64123-54	BLT-HEX 5/16-18X3/4	4	
1-27	64229-02	LOCKNUT-NYL 5/16-18	4	
1-28	64237-07	LOCKNUT-NYL M14-1.5	4	
1-29	2212107	BRCKT-BAT HLD DWN	1	
1-30	178082	BATTERY-BCI 34	1	

FIGURE 1



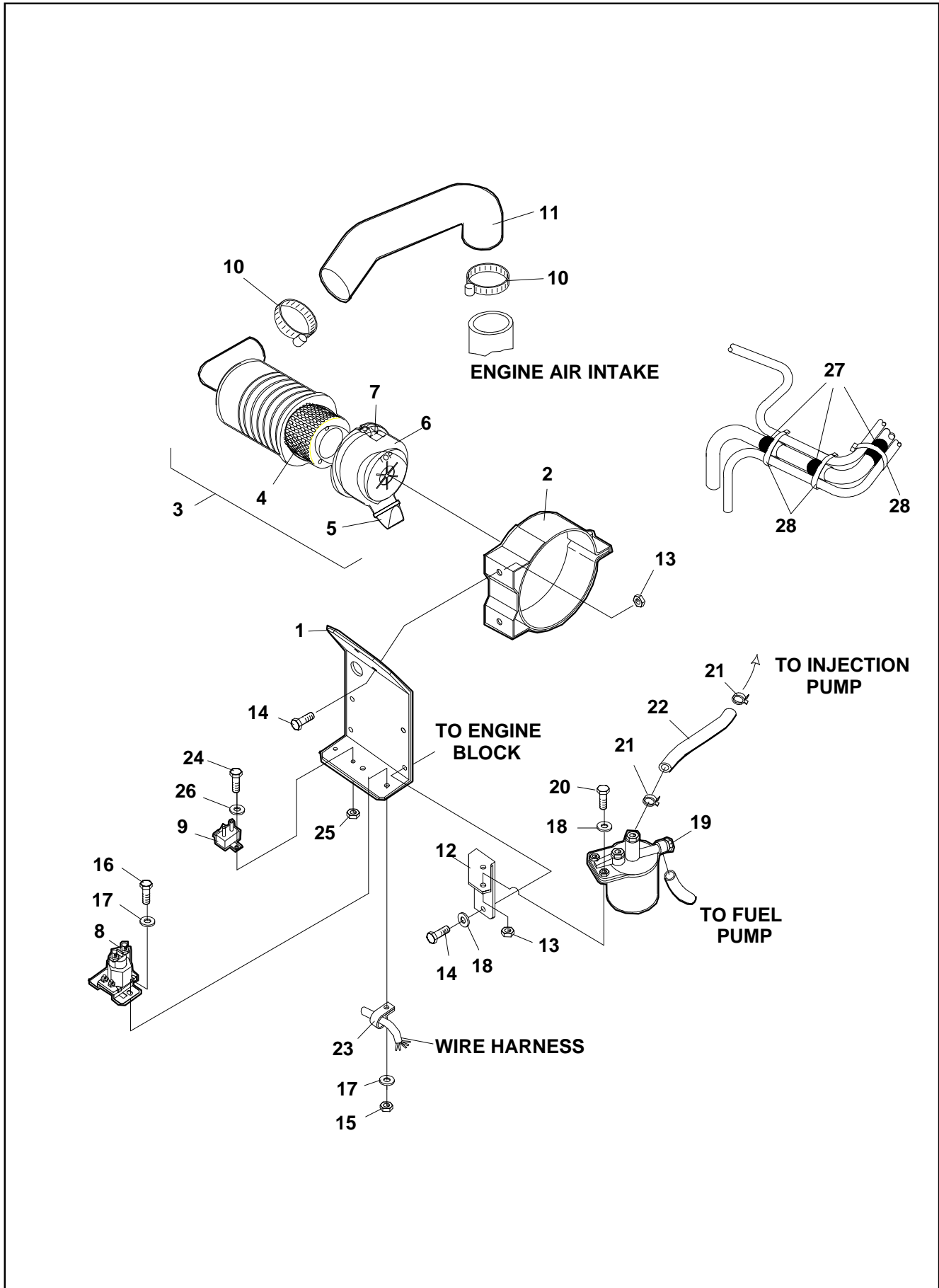
ITEM	RANSOMES PART NO	DESCRIPTION	QTY	REMARKS
1-31	148270	SENDER-TEMP	1	
1-32	64251-003	WASHER M8	1	
1-33	64229-03	LOCK NUT-NYLON 3/8-16	2	
1-34	64163-55	WSHR .328X.75X14 GA	4	
1-35	2208063	COUPLING-15 TOOTH	1	
1-36	64006-01	LOCKWSHR-HELICAL 1/4	6	
1-37	64006-13	WASHER-HELICAL 9/16 12		
1-38	48228A	CLIP-CABLE INSULATED	2	
1-39	48037A	BOOT BATTERY TERM	1	(SEE SERVICE MANUAL FOR PERKINS KR30331)
1-40 *		WATER SEPARATOR (INCLUDES ITEM 76)	1	(PERKINS PART ZZ7B901)
1-41	64205-047	BLT-METRIC M8-1.25X90	1	
1-42	43032A	SPACER, BRAKE	1	
1-43	64006-02	LCKWSHR-HELICAL 5/16	3	
1-44	148263-10	HOSE-5/16 FUEL 1.0'	1	
1-45 *		FAN BELT	1	(PERKINS PART 080109080)
1-46	148263-10	HOSE 5/16 ID 2.5'	1	
1-47	148263-10	HOSE-5/16 ID 1.0"	2	
*	148263-08	HOSE - 5/16ID 16" LONG	4	UK BUILD
1-48	2192486	BRKT-THROTTLE	1	
1-49	64205-013	BLT-METRIC M6-1X12	2	
1-50	22372	B&S CABLE CLAMP	1	
1-51	64152-10	10-24X3/4 MACH SCRW	1	
1-52	64025-15	NUT-HEX #10-24 KEPS	1	
1-53	2198211	SWIVEL-CABLE CLAMP	1	
1-54	64205-042	BLT-METRIC M4-.7X12	1	
1-55	2218088	CABLE-BATTERY NEG.	1	
1-56	2218089	CABLE-BATTERY POS	1	
1-57	158061-04	O-RING	1	
1-58	825619	FILTER-FUEL	1	
1-59	888923	PUMP AY,ELECT FUEL	1	
1-60	2218100	TUBE-DIPSTICK	1	
1-61	64123-16	BLT-HEX 3/8-16X1-1/4	2	
1-62	64006-06	LCKWSHR-HELICAL 7/16	3	
1-63	64205-007	BLT MET M10-1.50X20	1	
1-64	64206-13	BLT MET M5-.8X12	1	
1-65	64002-02	LCKWSHR-T,EXT,#10	1	
1-66	148264-11	HOSE-FUEL 3/16 2.7'	1	
1-67	88042-01	CLAMP-HOSE 3/16	2	
1-68	64207-01	NUT-HEX,M8-1.25	1	
1-69	2198126	SPACER	1	
1-70	64205-002	BLT-M8-1.25 X 50	1	
1-71	48540-01	CLAMP-HOSE	8	
1-72	838154	BRACKET, FUEL PUMP	1	
1-73	148263-10	HOSE-5/16 FUEL 1.13'	1	

FIGURE 1



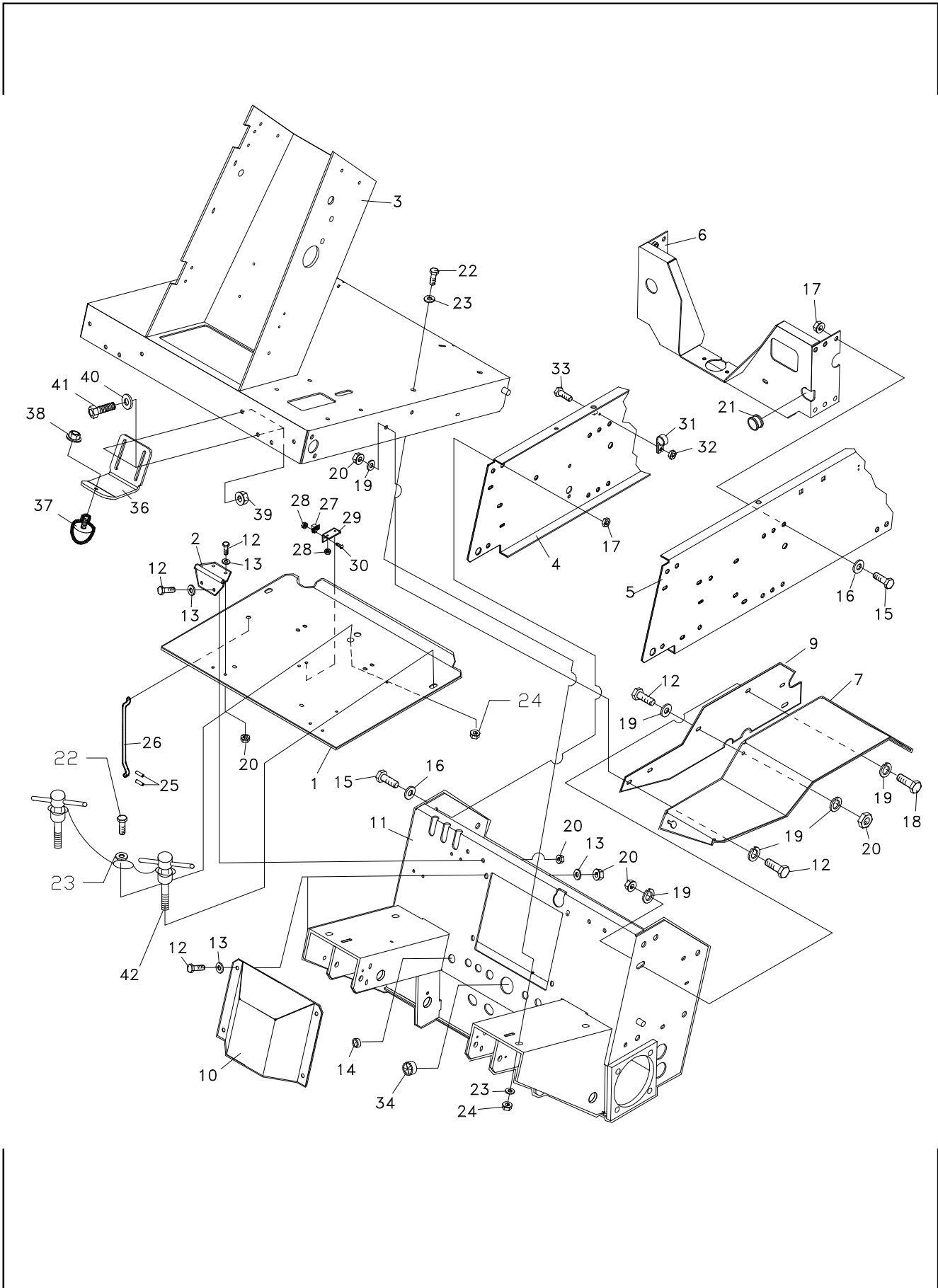
ITEM	RANSOMES PART NO	DESCRIPTION	QTY	REMARKS
1-74	64251-004	WHSR-M10	6	(NOT ILLUSTRATED)
1-75	64237-01	LOCKNUT-NYLON M5	1	
1-76*	2198290	+ FILTER-ELEM WATER SEP	1	
		(ITEMS 77 & 78 U.K. MODEL 946902 ONLY)		
1-77	2218170	PUMP-SUNDSTRAND M46	1	
1-78	64223-06	SCH CAPSCR M12X40	2	
1-79	2212206	MOUNT-TOP MOTOR	1	
1-80	64006-06	LCKWSHR-HELICAL 7/16	1	
1-81	64246-03	NUT-WHIZ M10-1.50	1	
1-82	64205-010	BLT-METRIC M10-1.50X60	1	
1-83	2178208-02	S-COUPLING 104-22	1	
1-84	2178208-01	S-BELL HOUSING 104-22	1	
		+ AVAILABLE FROM PERKINS DEALER		

FIGURE 2



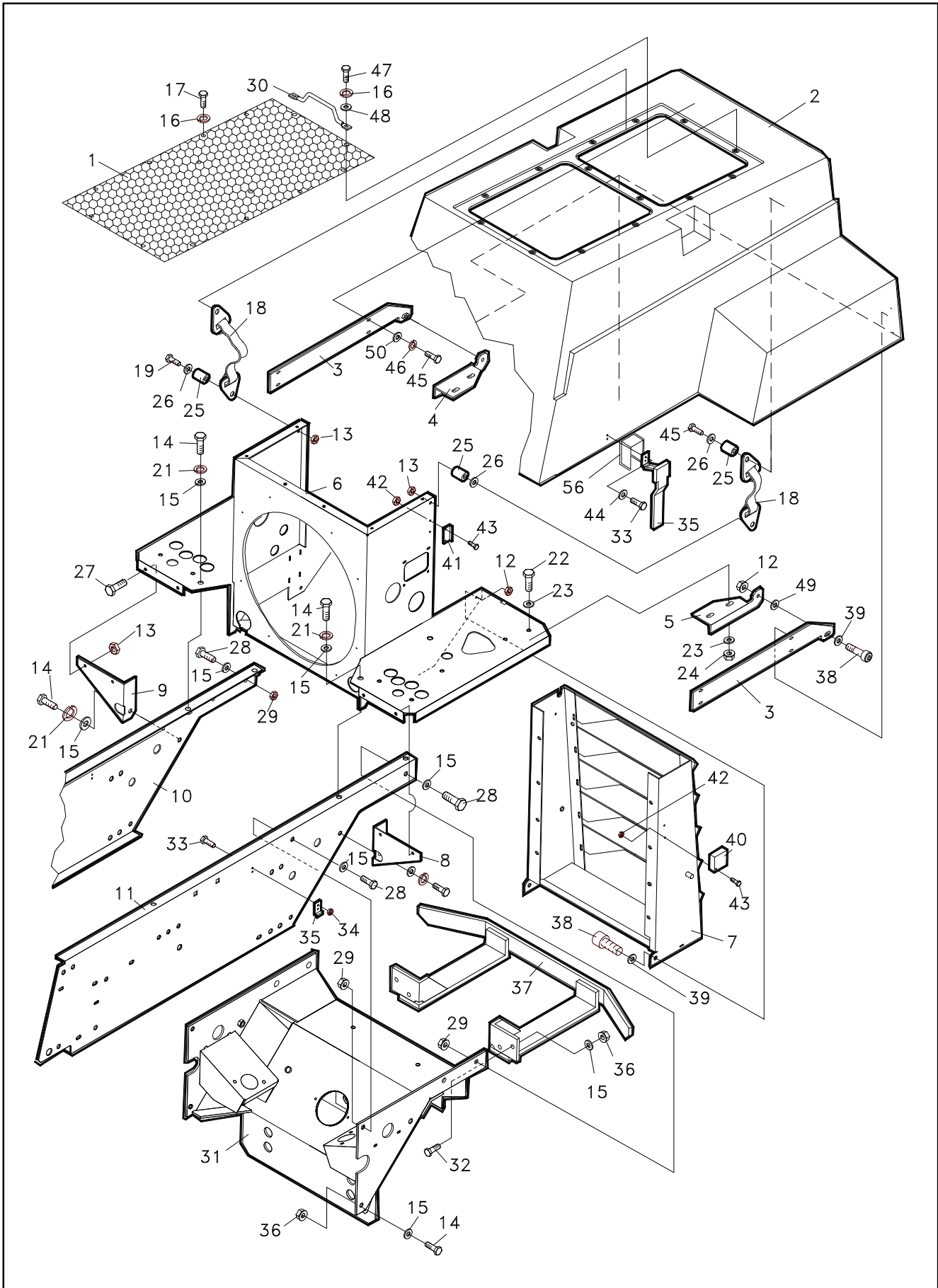
ITEM	RANSOMES PART NO	DESCRIPTION	QTY	REMARKS
2-1	2212077A	BRACKET-AIR FILTER	1	(INCLUDES ITEMS 4 - 7)
2-2	2198114	CLAMP-AIR CLEANER	1	
2-3	2198147	AIR CLEANER	1	
2-4	2198147-01	FILTER ELEMENT	1	(INCLUDED W/ ENGINE)
2-5	2198147-02	VALVE-DUST UNLOADER	1	
2-6	2198147-03	COVER	1	
2-7	2198147-04	S-COVER CLIP	1	
2-8	38665	SOLENOID	1	
2-9	48524	CIRCUIT BRKR 40A	1	
2-10	48383	CLAMP-HOSE 2-1/2 DIA.	2	
2-11	2218067	HOSE-AIR CLEANER	1	
2-12	2212103	BRACKET-FUEL FILTER	1	
2-13	64237-05	LCKNT-NYLON M8-1.25	4	
2-14	64205-001	BLT-METRIC M8-1.25X20	6	
2-15	64237-02	LCKNT-NYLON M6-1.00	2	
2-16	64205-038	BOLT-M6-1.00X20	2	
2-17	64251-002	WHSR-M6	3	
2-18	64251-003	WHSR-M8	6	
2-19	2208175	FUEL FILTER	1	
2-20	64205-015	BLT-METRIC M8-1.25X35	2	
2-21	48540-01	CLAMP-HOSE	2	
2-22	148263-10	HOSE-5/16 FUEL 1.25'	1	
2-23	48228-05	CLIP-CABLE INS.	1	
2-24	64206-13	BLT-METRIC M5X.8X12	2	
2-25	64237-01	LCKNT-NYLON M5X0.8	2	
2-26	64163-60	WSHR .50X.203X18GA	2	
2-27	69059-03	HOSE-1.25 I.D.X2"	.5'	
2-28	65286-5A	TIEWRAP	3	

FIGURE 3



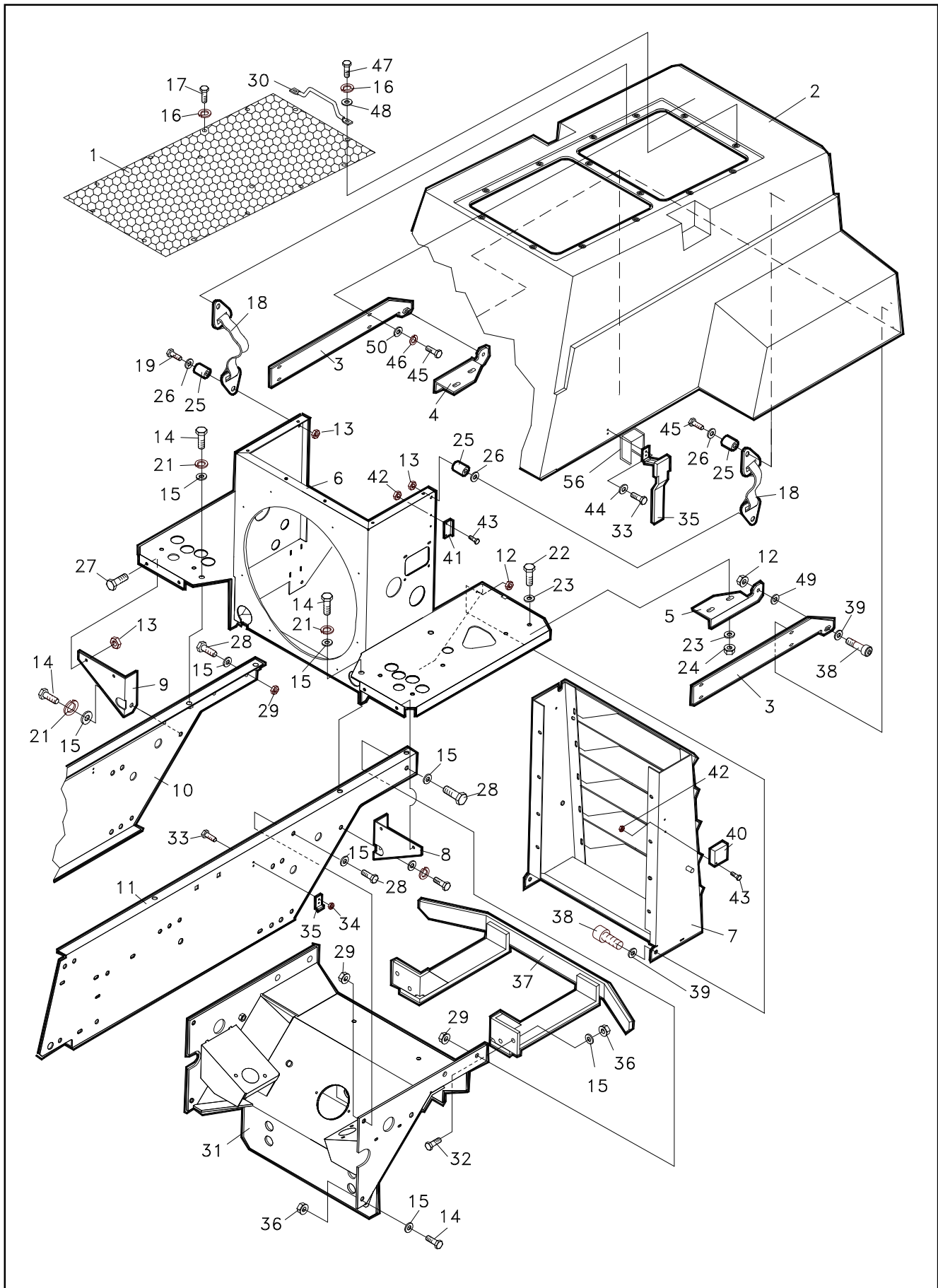
ITEM	RANSOMES PART NO	DESCRIPTION	QTY	REMARKS
3-1	2212048	S-SEAT PLATE W/LABS	1	
3-2	2208058	HINGE-SEAT PLATE	2	
3-3	2216004F	S-FRONT FRAME W/LAB	1	
3-4	2216027	WLDMT-RH FRAME RAIL	1	
3-5	2216059	S-LH FRAME RAIL W/LAB	1	
3-6	2216084	WLMNT-BULKHEAD	1	
3-7	2216061	S-LH FENDER W/ MAT	1	
3-8	2216060	S-RH FENDER W/MAT (NOT SHOWN)	1	
3-9	2212082	BACK-PLATE FENDER (USE ITEM 10 ON 946900 ONLY)	2	
3-10	2212064	COVER-ACCESS	1	
3-11	MBF1928A	WLDMT-FRONT AXLE	1	
	MBF1988	PLATE W/A	1	
	A298938	SEAL	AR	
3-12	64205-001	BLT-MET M8-1.25X20	13	
3-13	64251-003	WHSR-M8	8	
3-14	148034-08	INSULATED GROMMET	1	
3-15	A1105061	BOLT-M12-1.75X30	16	
3-16	64251-005	WHSR-M12	16	
3-17	64237-06	LCKNT-NYLON M12-1.75	14	
3-18	64205-003	BLT-MET M8-1.25X30	3	
3-19	64163-55	WASHER 14GA	18	
3-20	64237-05	LCKNT-NYLON M8-1.25	17	
3-21	148034-01	GROMMET	1	
3-22	A1104057	BOLT-M10-1.50X25	4	
3-23	64251-004	WHSR-M10	8	
3-24	64237-03	LCKNT-NYLON M10-1.5	4	
3-25	64061-04	ROLL PIN-1/8X3/4	2	
3-26	143036	ROD-SUPPORT	1	
3-27	138040	CLIP-HOOD ROD	1	
3-28	64025-26	NUT-HEX #6-32 KEPS	4	
3-29	142007	BRKT-ROD CLIP	1	
3-30	64152-21	6-32X1/2LG RD HD SC	4	
3-31	48228-05	CLIP-CABLE,INSULATED	1	
3-32	64229-01	LCK NUT-NYLON 1/4-20	1	
3-33	64123-49	BLT-HEX 1/4-20X1/2	1	
3-34	2218084	GROMMET	1	
3-35	64006-05	LOCKWASH-HELI 1/2	2	
3-36	MBG5723	BRACKET-DECK STOP	2	
3-37	523126	BUMPER-RUBBER	2	
3-38	64141-6	NUT-5/16-18 WLF	2	
3-39	64246-02	NUT-M8 WLF	4	
3-40	64163-29	WASHER	4	
3-41	A1103051	BOLT-M8-1.25 X 25	4	
3-42	2720289	ASSY-M12 BOLT W/LAN	2	

FIGURE 4



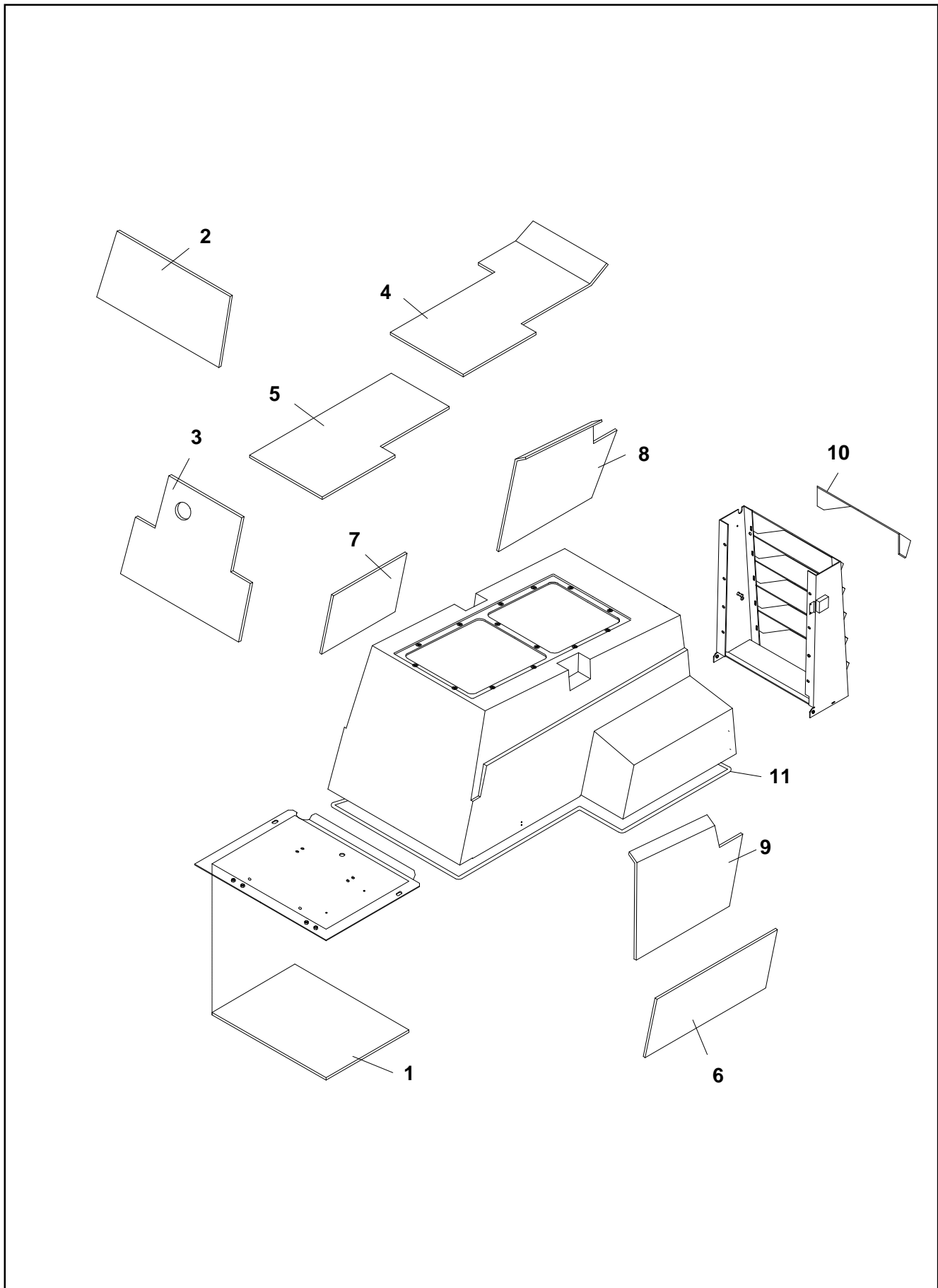
ITEM	RANSOMES PART NO	DESCRIPTION	QTY	REMARKS
4-1	2212072	SCREEN-HOOD	1	
4-2	2216057	S-HOOD W/LABS	1	
4-3	MBG5364	HINGE-PLATE	2	
4-4	2212054	HINGE-ADJ RH	1	
4-5	2212051	HINGE-ADJ LH	1	
4-6	2216081	S-FAN SHROUD W/LABS	1	
4-7	MBF1911	RADIATOR SUPPORT	1	
4-7A	MBF1912	LOUVRE PANEL	1	
4-8	2212046	GUSSET-LH	1	
4-9	2212045	GUSSET-RH	1	
4-10	2216027	WLDMT-RH FRAME RAIL	1	
4-11	2216059	S-LH FRAME RAIL W/LAB	1	
4-12	64229-03	LCKNT-NYLON 3/8-16	4	
4-13	64237-05	LCKNT-NYLON M8-1.25	4	
4-14	A1105061	BOLT-M12-1.75X30	8	
4-15	64251-005	WHSR-M12	12	
4-16	64006-01	LCKWSHR-HELICAL 1/4	12	
4-17	64205-013	BLT-METRIC M6-1X12	14	
4-18	2218083	LANYARD	2	
4-19	64205-001	BLT-METRIC M8-1.25X20	4	
4-21	64006-05	LCKWSHR-HELI 1/2	8	
4-22	A1104057	BOLT-M10-1.50X25	2	
4-23	64251-004	WHSR-M10	4	
4-24	64237-03	LCKNT-NYLON M10-1.5	2	
4-25	113006-01	BUSHING-.5X.32X.19 LG	4	
4-26	64163-29	21/64X1X11GA.WSHR	4	
4-27	A1103051	BOLT-M8-1.25X25	4	
4-28	64205-043	BLT-HEX M12-1.75 X 20	3	
4-29	64246-04	NUT-WHIZ M12-1.75	3	
4-30	2213023	HANDLE-HOOD	1	
4-31	2216006	WLDT-REAR AXLE SUPT	1	
4-32	64205-029	BLT-METRIC M12X1.7X40	4	
4-33	450542	BLT-METRIC M6X20	8	
4-34	64237-01	LCKNT-NYLON M5X0.8	4	
4-35	178142	LATCH-RUBBER	2	
4-36	64237-06	LCKNT-NYLON M12-1.75	7	
4-37	2216033	WLDMNT-BUMPER	1	
4-38	64166-17	SHOULDER BOLT	4	
4-39	64163-36	WASHER 1X33/64X.187	2	
4-40	MBB6854A	LATCH-OVER CNTR	2	
4-41	A907928	KEEPER-LATCH	2	
4-42	64025-29	NUT-HEX #8-32 KEPS	8	
4-43	64152-20	8-32X1/2 MACH SCREW	4	
4-44	64002-02	LCKWSHR-TH,EXT,#10	4	
4-45	64205-018	BOLT-MET M8-1.25X16	8	
4-46	64006-02	LCKWSHR 5/16	8	

FIGURE 4



ITEM	RANSOMES PART NO	DESCRIPTION	QTY	REMARKS
4-47	A1102966	BOLT-M6-1.00X16	2	
4-48	64251-002	WHSR-M6	2	
4-49	64163-54	.516X.75X12GA THK WSH	2	
4-50	64163-55	WSHR .328X.75X14 GA	8	
4-51	64205-029	BOLT-MET M12-1.75X40	1	
4-52	MBG3000	SHIM-LATCH	2	
4-53	64152-38	8-32X3/4 MACH SCREW	4	
4-54	64163-19	WSHR-.506X1.25X12 GA	4	
4-55	64251-003	WASHER-M8	4	
4-56	MBG6194	LATCH HOOD	2	

FIGURE 5

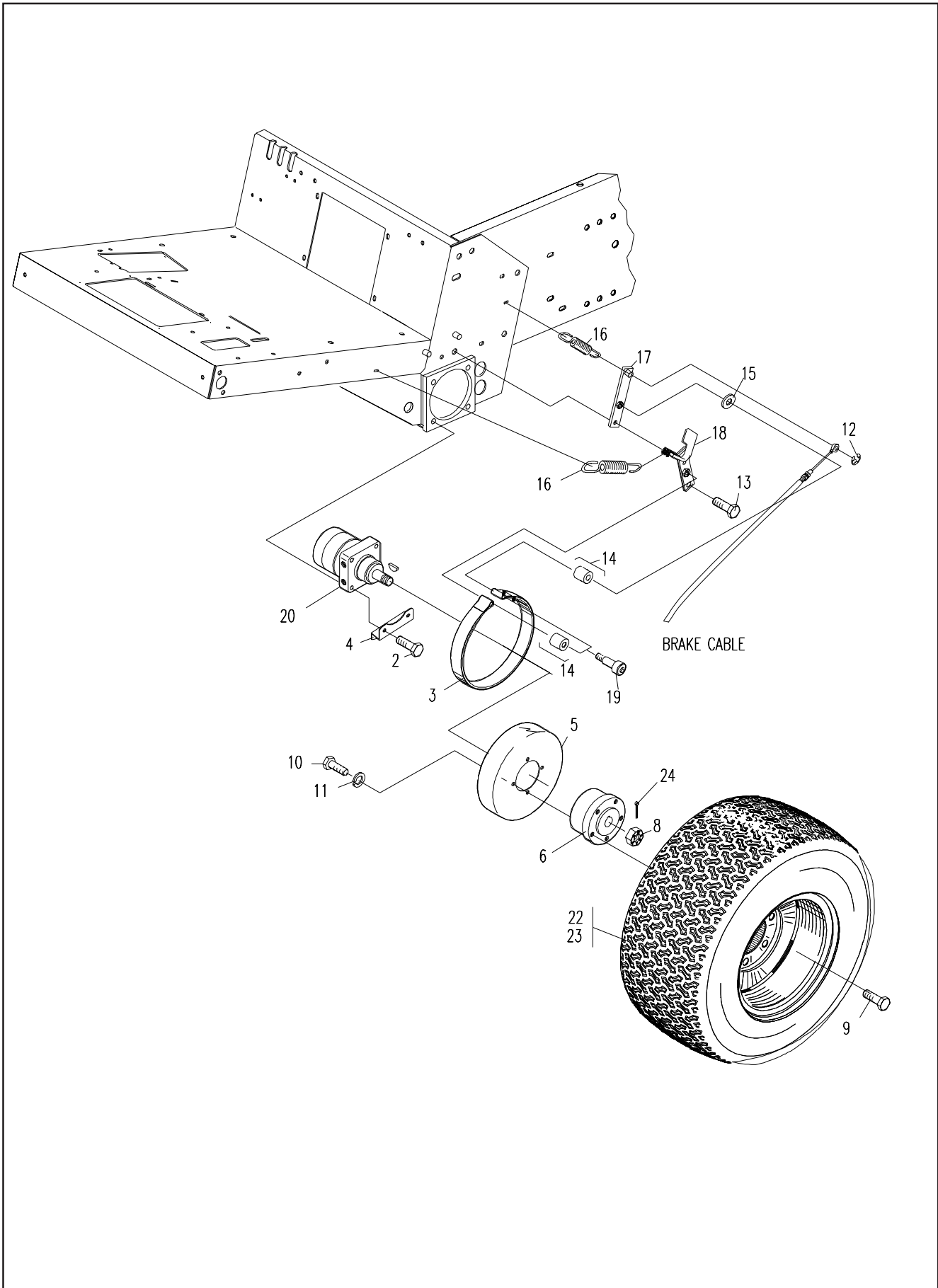


2217008

LIST OF PARTS
FIGURE 5

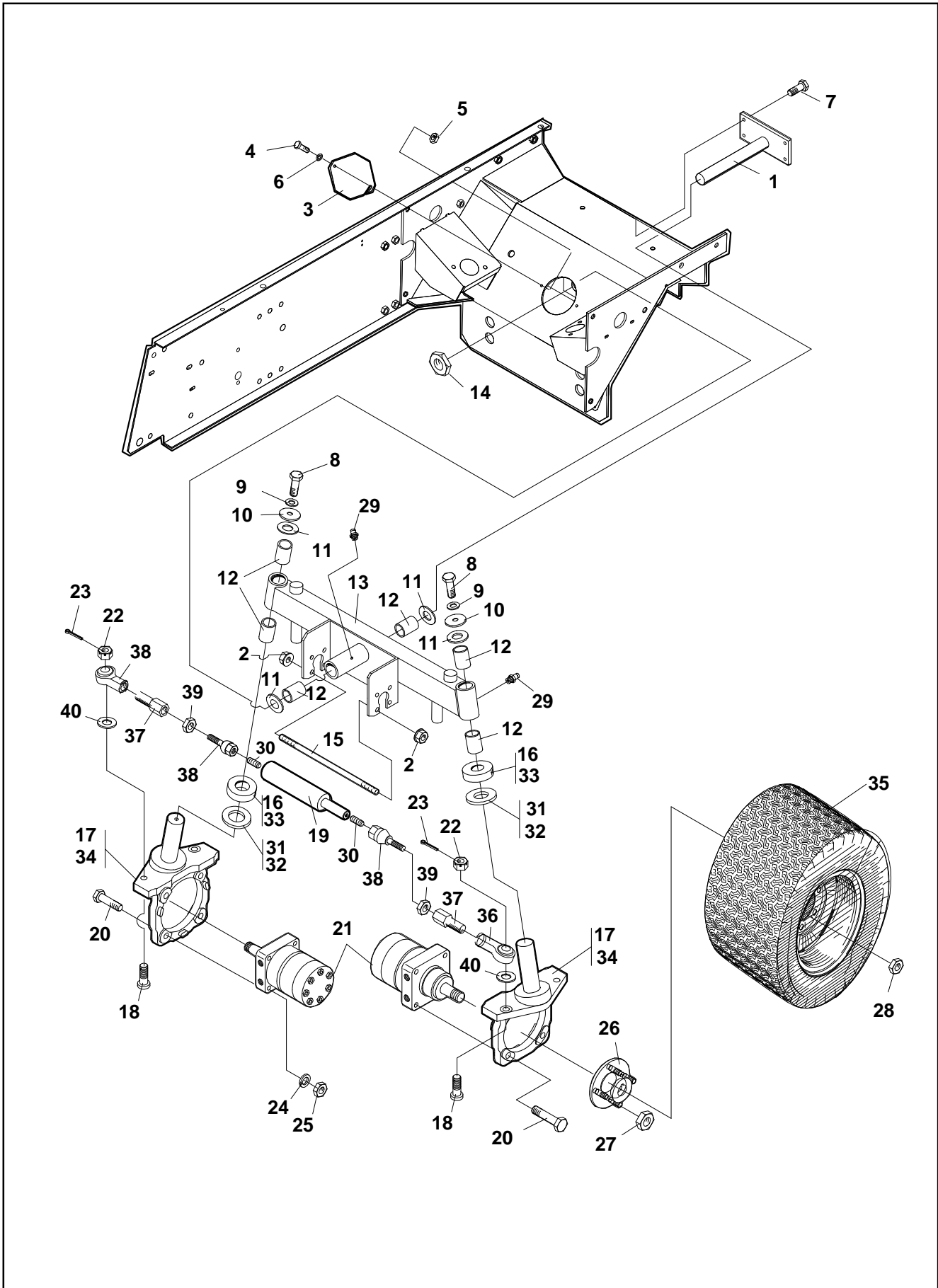
ITEM	RANSOMES PART NO	DESCRIPTION	QTY	REMARKS
5-1	2218112	INSULAT-SEAT PLATE	1	
5-2	2218113	INSULATION	1	
5-3	2218118	INSULATION	1	
5-4	2218119	INSULATION	1	
5-5	2218120	INSULATION	1	
5-6	2218117	INSULATION	1	
5-7	2218116	INSULATION	1	
5-8	2218114	INSULATION	1	
5-9	2218115	INSULATION	1	
5-10	2218111	INSULAT-LOUVER	5	
5-11	A904435	BONNET SEALING STRIP	1	

FIGURE 6



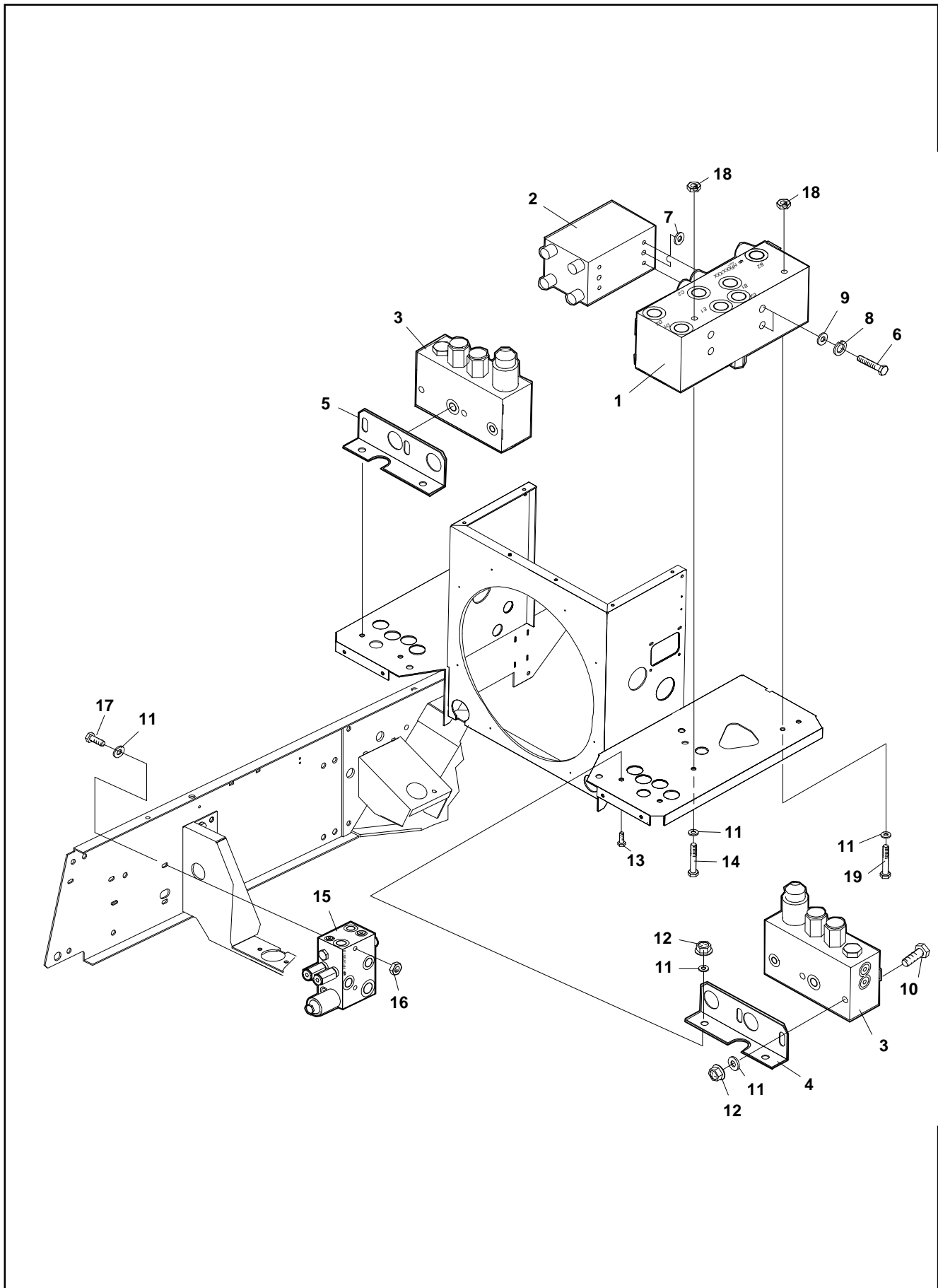
ITEM	RANSOMES PART NO	DESCRIPTION	QTY	REMARKS
6-2	451030641	BLT-HEX 1/2-20X2 1/4	8	
6-3	W178013	BRAKE BAND	2	
6-4	MBF1907	STOP-BRAKE BAND	2	
6-5	172060	BRAKE DRUM	2	
6-6	W2171004	HUB	2	
6-8	A800850	NUT 1 1/4 SLOTTED UNEF	2	
6-9	64220-01	BLT-WHL 12-20X.75 60D	10	
6-10	456110595	BLT-HEX 3/8-16X3/4	8	
6-11	452200134	LCKWSHR-HELICAL 3/8	8	
6-12	A179119	SNAP RING .375	2	
6-13	64166-17	BLT-SHLDR 3/8-16X1.12	2	
6-14	MBF1283	16 OD x 10.2 ID x 6 Lg	4	SERIAL XV000390 ON
6-14	64163-04	WASH 25/64x5/8x16GA	AR	
6-15	64163-02	WASH.21/64X19/32	2	
6-16	699527153	SPRING-EXTENSION	4	
6-17	2196143	WLDMT-BRAKE ARM	2	
6-17	MBF1652A	BRAKE ARM LH	1	SERIAL XV000390 ON
6-17	MBF1653A	BRAKE ARM RH	1	SERIAL XV000390 ON
6-18	2196142	WLDMT-BRAKE	2	
6-18	MBF1649A	BRAKE ARM LH	1	SERIAL XV000390 ON
6-18	MBF1651A	BRAKE ARM RH	1	SERIAL XV000390 ON
6-19	64166-7	SHOULDER BOLT	4	
6-19	MBG3598	BOLT-BRAKE BAND	4	SERIAL XV000390 ON
6-20	W2178201-01	WHL MTR-MJ15	2	
	A230108	• SEAL KIT	1	
	A800746	• SHAFT KEY	1	
	A800747	• CASTLE NUT	1	
6-21	2171004	HUB	2	
6-22	A816265	WHEEL ASSEMBLY	2	24x1300-12
6-23	A817413	• TYRE BLOCK PATTERN	1	MAXXIS 4 PLY, C165S
6-*	2208291	• RIM	1	
6-24	64140-5	COTTER PIN 1/8X1 1/2	2	

FIGURE 7



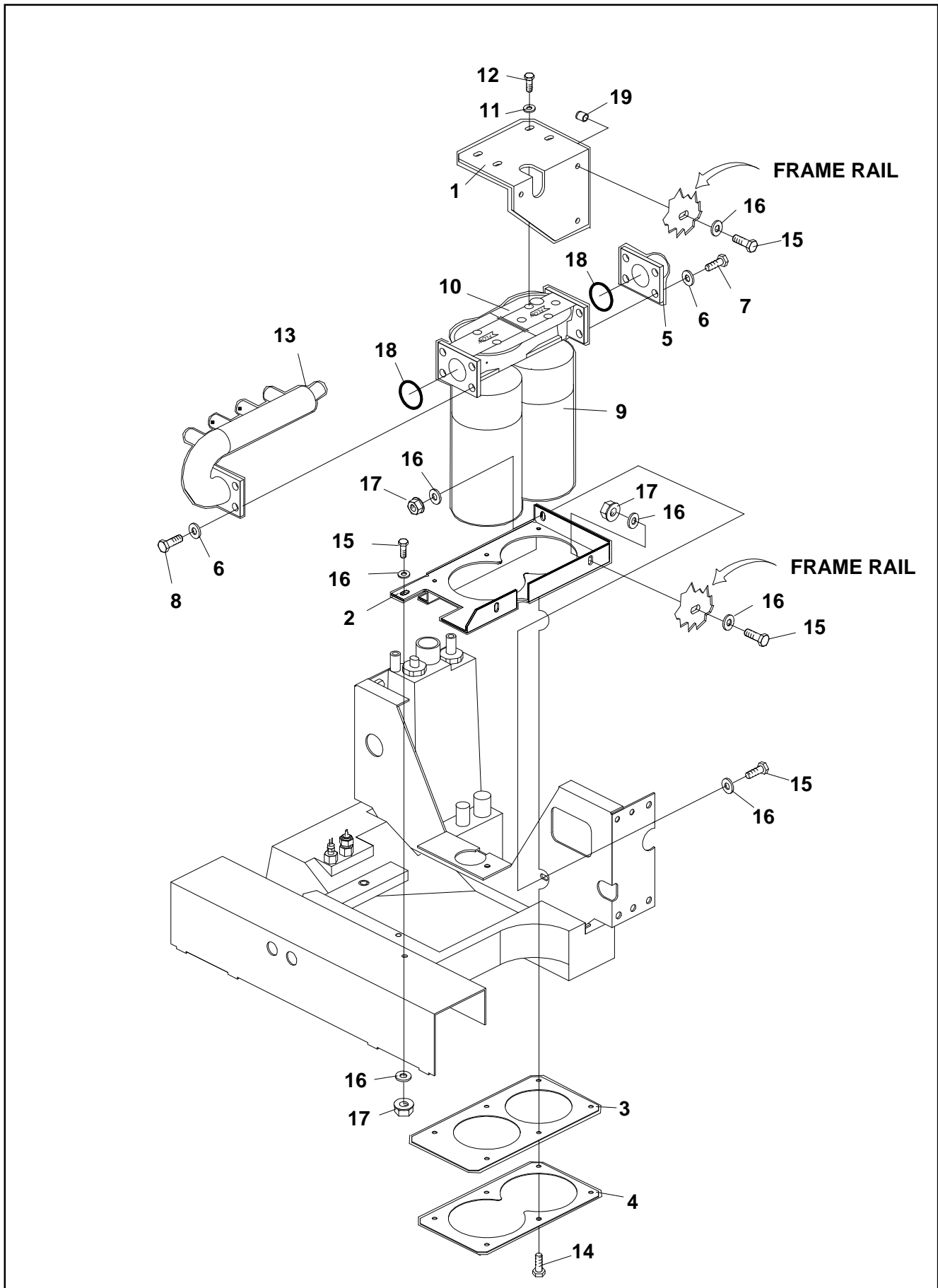
ITEM	RANSOMES PART NO	DESCRIPTION	QTY	REMARKS
7-1	176078	PIVOT PIN	1	
7-2	64141-4	NUT-WLF 3/8-16	8	
7-3	2212087	COVER-DRAIN	1	
7-4	64205-007	BLT-MET M10-1.5X20	2	
7-5	64237-03	LCKNT-NYL M10-1.5	2	
7-6	64251-004	WHSR-M10	2	
7-7	64197-001	BLT-TDFM 5/16-18X3/4	4	
7-8	64123-15	BLT-HEX 3/8-16X3/4	2	
7-9	64006-03	LCKWSHR-HELICAL 3/8	2	
7-10	64163-17	25/64 X 2 X 11GA WSHR	2	
7-11	62464-4A	WSHR,THRUST 1.25X1.9	6	
7-12	108003	BRG 1.5X1.25X1.25	6	
7-13	2216031	S-REAR AXLE	1	
7-14	64151-29	NUT-HEX 1 1/4-12 NYLK	1	
7-15	173033	ROD-THREADED	4	
7-18	2213041	STUD	2	
7-19	148404	CYLINDER-P.S.	1	(USE SEAL KIT 2148410)
7-20	64123-31	BLT-HEX 1/2-13X3	8	
7-21	148141-02	WHL MTR-ME120208AABT	2	(USE SEAL KIT 148138)
7-22	64025-20	NUT-HEX 3/4-16	2	
7-23	64140-5	COTTER PIN	2	
7-24	64006-05	LCKWSHR-HELICAL 1/2	8	
7-25	64025-19	NUT-HEX 1/2-13	8	
7-26	BAM6152	WLDMT-HUB,WHEEL	2	
7-27	64025-31	NUT 1-20 UNSL TRW	2	
7-28	64187-03	WHEEL NUT 1/2-20	8	
7-29	85010N	ZERK, 1/4-28 ST SLF TH	3	
7-30	143069	STUD-CYLINDER	2	
7-31	173042	SPACER-SPINDLE	2	
7-32	MBE1693	WASHER-KING PIN	2	
7-33	A202905	THRUST BEARING	2	
7-34	2211004A	PLATE-MOTOR	2	
7-35	A816236	ASM-WHL/TIRE 20-10.0X8	2	
	A817414	• TYRE 20X10X6 PLY)	1	
	A816280	• RIM	1	
7-36	2188234	ROD-END	2	
7-37	2213040	SLEEVE-THREAED	2	
7-38	2218224	LINK-STEERING	2	
7-39	64025-07	NUT-CASTLE	2	
7-40	64163-71	WASHER	AR	

FIGURE 8



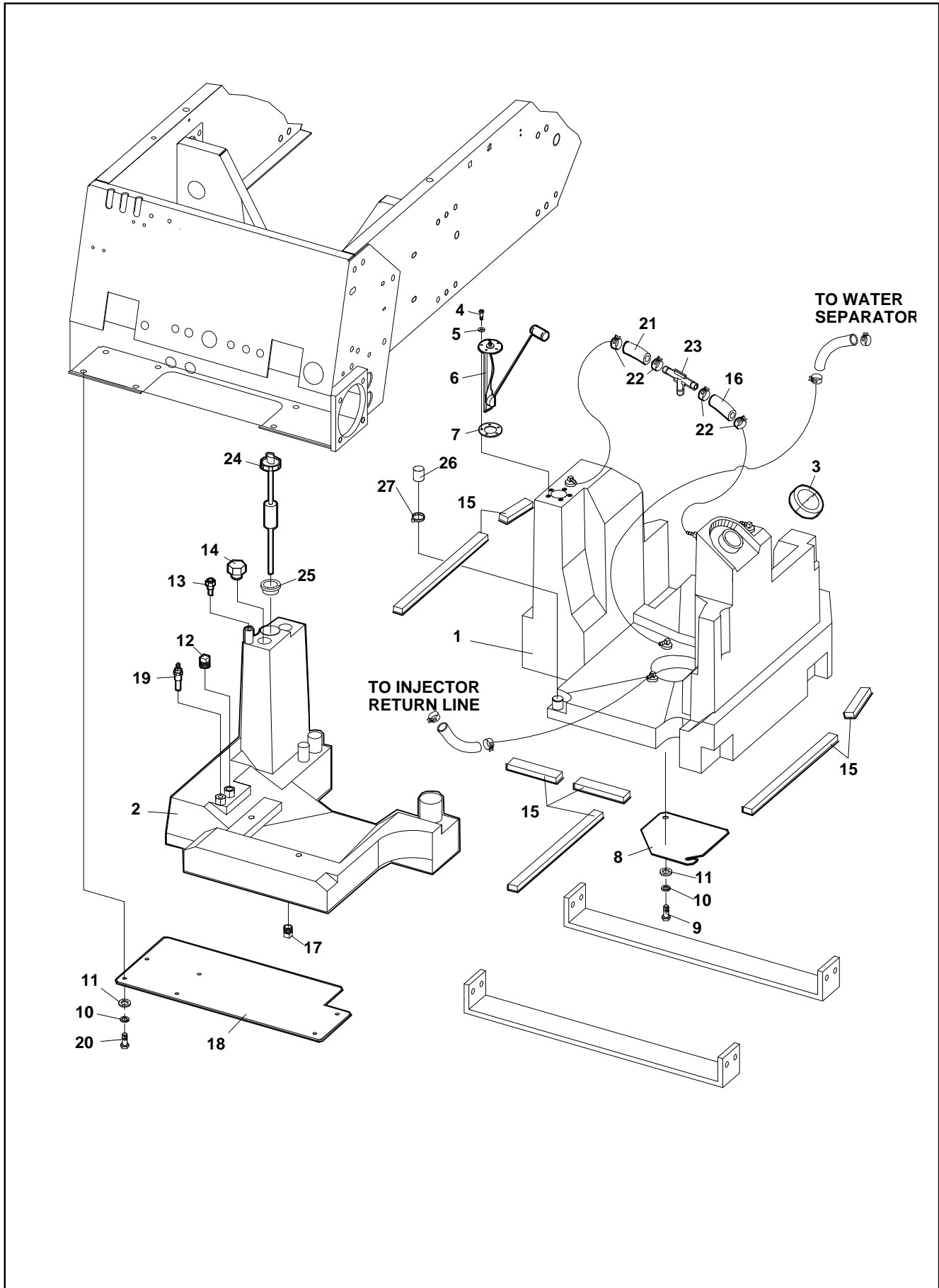
ITEM	RANSOMES PART NO	DESCRIPTION	QTY	REMARKS
8-1	2218226	VALVE-4WD #HF981123	1	(SEE FIG 21 FOR SERVICE)
8-2	2178213	FLOW DIVIDER	1	
8-3	2218227	VLV-WG DCK #HF981125	2	(SEE FIG 22 FOR SERVICE)
8-4	2212049	BRCKT-VALVE MTG	1	
8-5	2212092	BRCKT-RH VALVE MTG	1	
8-6	64123-207	HHCS-5/16-18 X 5"	4	
8-7	158061-20	O-RING- 022	2	
8-8	64006-02	LCKWSHR-HELCL 5/16	4	
8-9	64163-55	WSHR .328X.75X14 GA	4	
8-10	64205-17	BLT-MET M10-1.50X75	4	
8-11	64251-004	WHSR-M10	12	
8-12	64237-03	LCKNT-NYL M10-1.5	8	
8-13	64205-007	BLT MET M10-1.50X20	4	
8-14	64123-130	BLT-HEX 3/8-16X5-1/2	1	
8-15	2218225	VLV-DECK #HF1124	1	
8-16	64229-03	LCK NT-NYL 3/8-16	2	
8-17	64123-138	BLT-HEX 3/8-16X3-3/4	2	
8-18	64141-4	NUT-WLF 3/8-16	2	
8-19	64123-94	BLT-HEX 3/8-16X6	1	

FIGURE 9



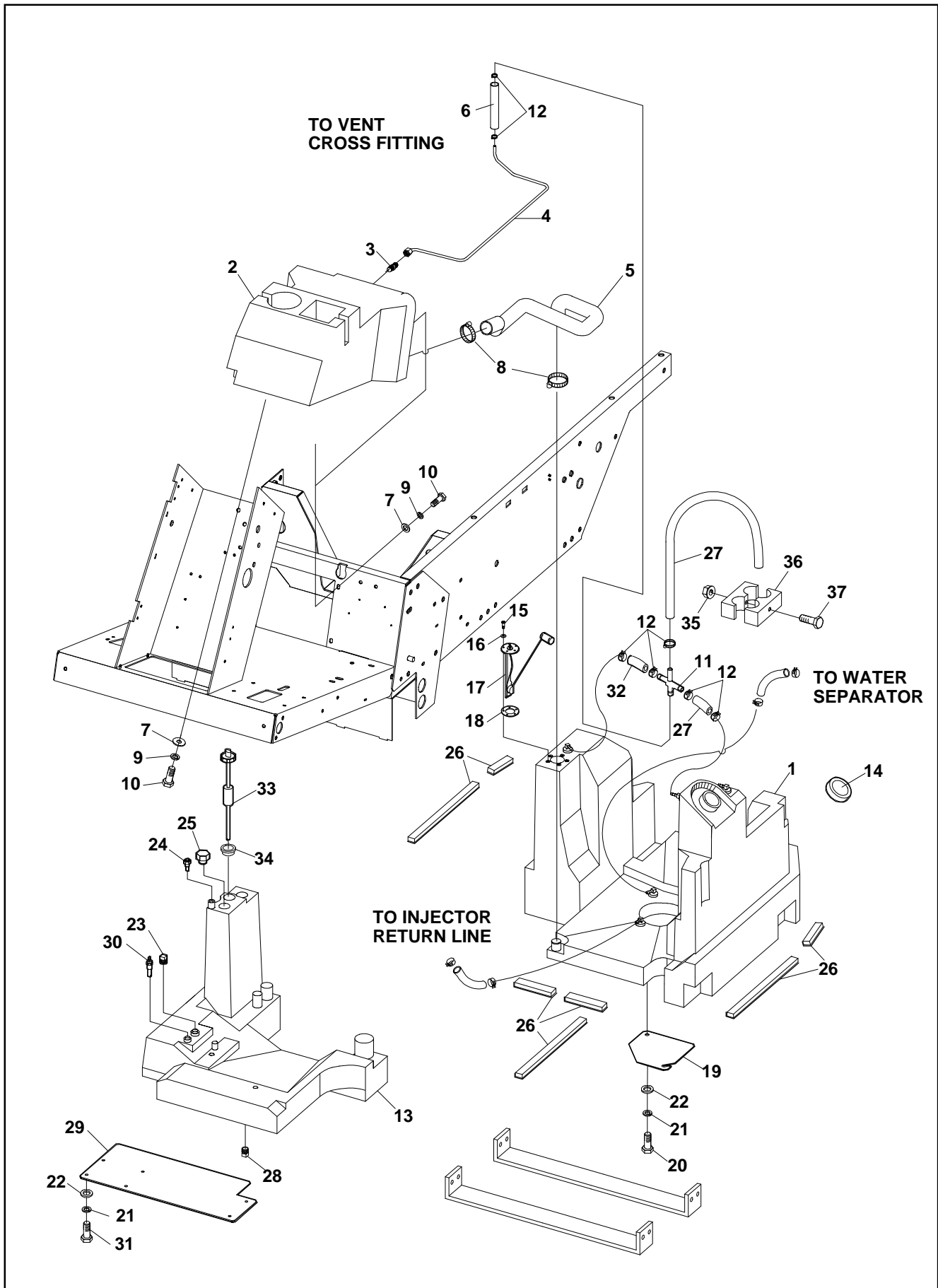
ITEM	RANSOMES PART NO	DESCRIPTION	QTY	REMARKS
9-1	2212075	BRACKET-FILTER-HD	1	
9-2	2212078	BAFFLE-FILTER HD	1	
9-3	2218043	SEAL-FILTER BAFFLE	1	
9-4	2212074	PLATE-FILTER BAFFLE	1	
9-5	178043	TUBE-FILTER HEAD	1	
9-6	64006-05	LCKWSHR-HELICAL 1/2	8	
9-7	64123-73	BLT-HEX 1/2-13X1	4	
9-8	64123-39	BLT-HEX 1/2-13X1-1/4	4	
9-9	178025	FILTER-SPIN ON	2	
9-10	178024	FILTER HEAD MODULE	1	
9-11	64006-03	LCKWSHR-HELICAL 3/8	4	
9-12	64123-50	BLT-HEX 3/8-16X1	4	
9-13	2218007	MANIFOLD-OIL INLET	1	
9-14	64248-01	BLT-THD FRM M8X15	6	
9-15	64205-003	BLT-METRIC M8-1.25X30	7	
9-16	64163-55	WASHER	11	
9-17	64237-05	LCKNUT-NYLON M8-1.25	4	
9-18	158061-05	O-RING	2	
9-19	64250-05	INSERT GRIP-M8-1.25	3	(USE INSERT TOOL 2196247)

FIGURE 10



ITEM	RANSOMES PART NO	DESCRIPTION	QTY	REMARKS
10-1	2218154	FUEL-TANK	1	
10-2	2218148	RESERVOIR-HYDRAULIC	1	
10-3	2218078	CAP-FUEL TANK	1	
10-4	64152-05	10-32X1/2 R MACH SCR	5	
10-5	64002-02	LCKWSHR-HELICAL 5/16	1	
10-6	2218046	SENDER-FUEL LEVEL	1	
10-7	148081	GASKET	1	
10-8	2212087	COVER-FUEL TANK AC	1	
10-9	64205-041	HHCS-M10-1.5 X 15	2	
10-10	64006-06	LCKWSHR-HELICAL 7/16	8	
10-11	64251-004	WHSR-M10	8	
10-12	69051-01	PIPE PLUG - 3/8	1	
10-13	148027	BREATHER VENT	1	
10-14	2690017-01	FTG-ORB PLUG 14	2	
10-15	38471-08	FOAM, CLOSED CELL	7.8'	
10-16	09007-10	HOSE .25X.8.5	1	
10-17	2690017-03	FTG-OAB PLUG	1	
10-18	2212076	SUPPORT-HYD.RSRVR	1	
10-19	2218136	SWITCH, TEMP-165 F	1	
10-20	A1104057	HHCS M10-1.5 X 15	6	
10-21	09007-10	HOSE 1/4 X 10.5	1	
10-22	88042N	HOSE CLAMP	4	
10-23	58026	3 WAY CONNCTR 1/4	1	
10-24	A915146	GAUGE-OIL TANK	1	
10-25	2218147	GROMMET	1	
10-26	2218162	CAP-RUBBER 25.4	1	
10-27	108094-01	CLAMP-HOSE SAE20	1	

FIGURE 11



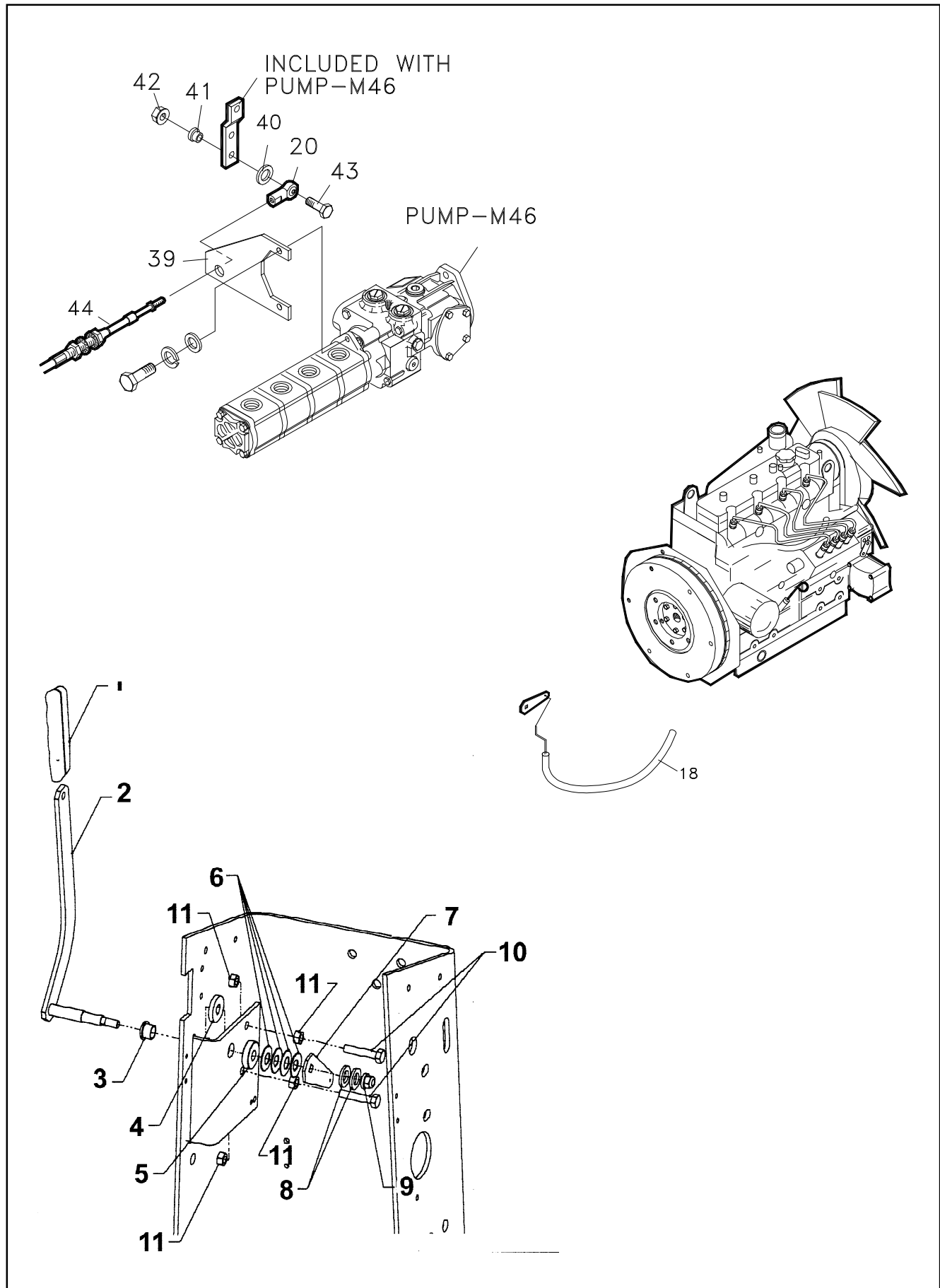
OPTIONAL-AUXILIARY FUEL TANK RANSOMES Frontline 951 Plus Series :XV PARTS MANUAL

2217064

LIST OF PARTS

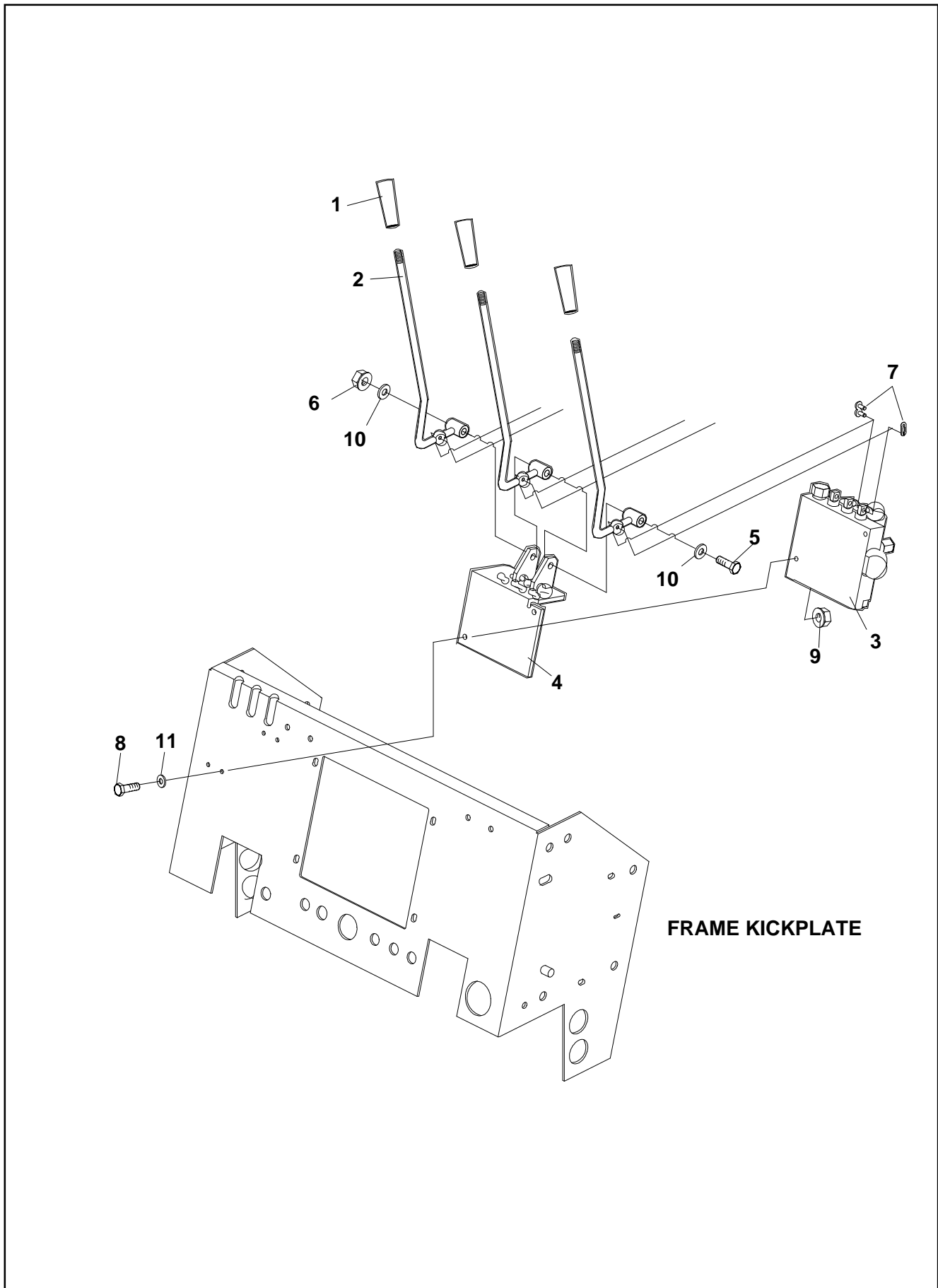
ITEM	RANSOMES PART NO	DESCRIPTION	QTY	REMARKS
11-1	2218154	FUEL-TANK	1	
11-2	2218150	TANK-AUXILIARY FUEL	1	
11-3	158006-15	FITTING-ORS/ORB	1	
11-4	A799721	TUBE-FUEL TANK VENT	1	
11-5	2218153	HOSE-FUEL TANK	1	
11-6	09007-09	S-HOSE .5X.25X3.0	1	
11-7	64251-003	WHSR-M8	3	
11-8	108094-01	CLAMP-HOSE SAE20	2	
11-9	64006-02	LOCKWSHR-HELICAL 5/16	3	
11-10	64205-018	BLT METRIC M8-1.25X15	3	
11-11	2690027	FITTING-1/4 CROSS	1	
11-13	2218148	RESERVOIR-HYDRAULIC	1	
11-14	2218078	CAP-FUEL TANK	1	
11-15	64152-05	10-32X1/2 R MACH SCR	5	
11-16	64002-02	LOCKWSHR-#10	1	
11-17	2218046	SENDER-FUEL LEVEL	1	
11-18	148081	GASKET	1	
11-19	2212087	FUEL-TANK ACCESS	1	
11-20	64205-041	BLT-METRIC M10-1.5X15	2	
11-21	64006-06	LOCKWSHR-HELICAL 7/16	8	
11-22	64251-004	WHSR-M10	8	
11-23	69051-01	PIPE PLUG - 3/8	1	
11-24	148027	BREATHER VENT	1	
11-25	2690017-01	FTG-ORB PLUG 14	2	
11-26	38471-09	S-FOAM X 120	7.8	
11-27	09007-08	S-HOSE .5X.25X17.0	2	
11-28	2690017-03	FTG-ORB PLUG -06	1	
11-29	2212076	SUPPORT-HYD.RSRVR	1	
11-30	2218136	SWITCH-TEMP-165F	1	
11-31	A1104057	BOLT-M10-1.50X25	6	
11-32	09007-06	S-HOSE .5X.25X9.0	1	
11-33	2218144	GAUGE-OIL LEVEL	1	
11-34	2218147	GROMMET-GAUGE	1	
11-35	64237-02	LOCKNUT-NYL M6-1.00	1	
11-36	148090	SUPPORT-TUBE 1/2	1	
11-37	64205-025	BLT-METRIC M6-1.00X25	1	

FIGURE 12



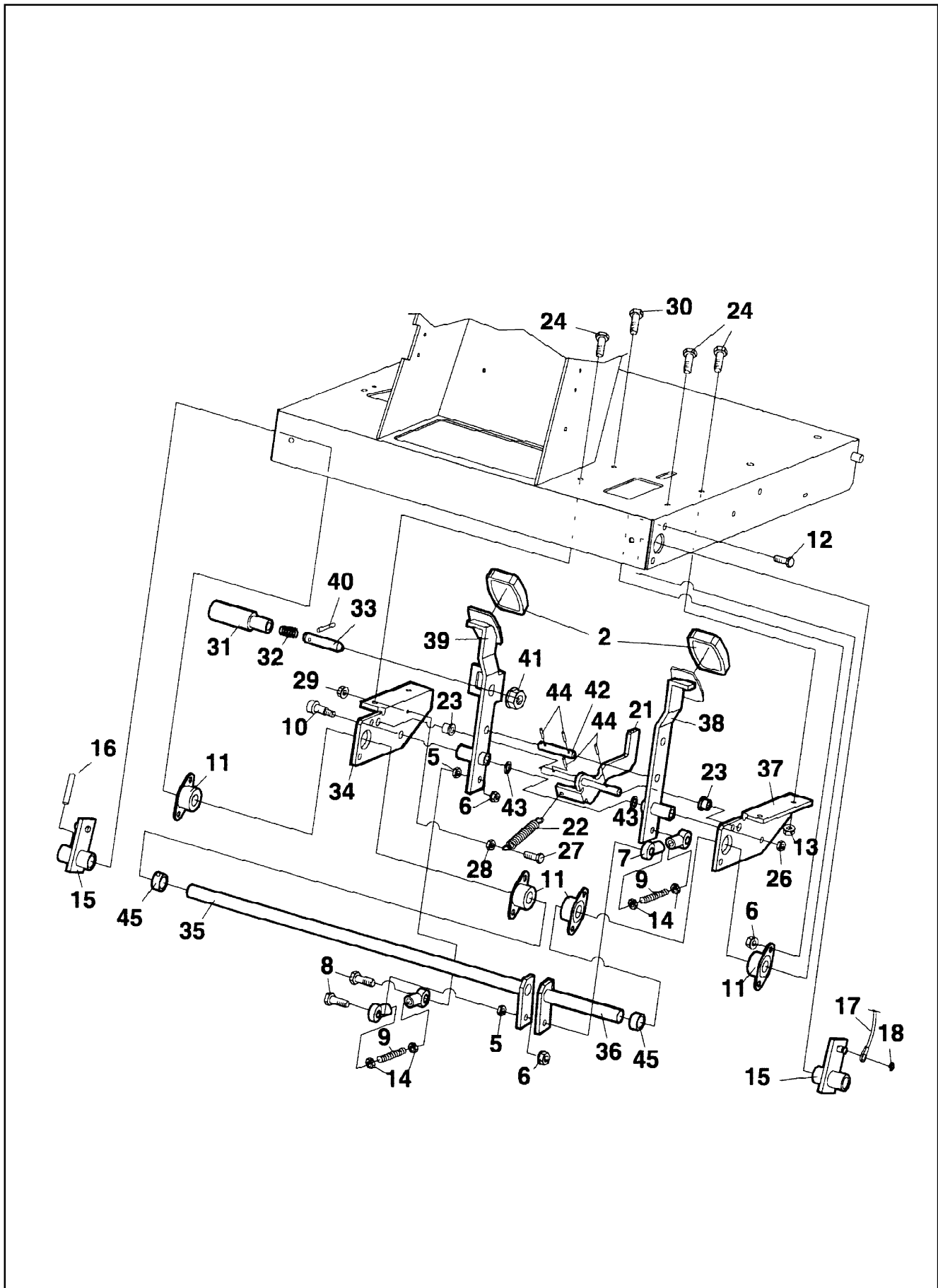
ITEM	RANSOMES PART NO	DESCRIPTION	QTY	REMARKS
12-1	W038404-02	GRIP, THROTTLE LEVER	1	
12-2	MBF1692	LEVER, THROTTLE	1	
12-3	W118047-02	BUSH	1	
12-4	MBF1720	WASHER	1	
12-5	MBF1691	WASHER	1	
12-6	461901679	DISC SPRING	4	
12-7	172088	LEVER	1	
12-8	450392	WASHER	2	
12-9	452436	NUT	1	
12-10	450195	BOLT	2	
12-11	450324	NUT	4	
12-18	148057-06	CABLE-TROTTLE	1	
12-20	128079	ROD END, 1/4 FEMALE	1	
12-39	MBG2938A	PLATE, PUMP	1	
12-40	2720158	SPACER-6.35X15.88X9.52	1	
12-41	2213035	SPACER-PUMP ARM	1	
12-42	64237-02	LOCKNUT-NYLON M6-1.00	1	
12-43	64205-030	BLT-MET M6-1.00 X 40	1	
12-44	128089-02	CABLE, CNTRL 36.50 LG	1	

FIGURE 13



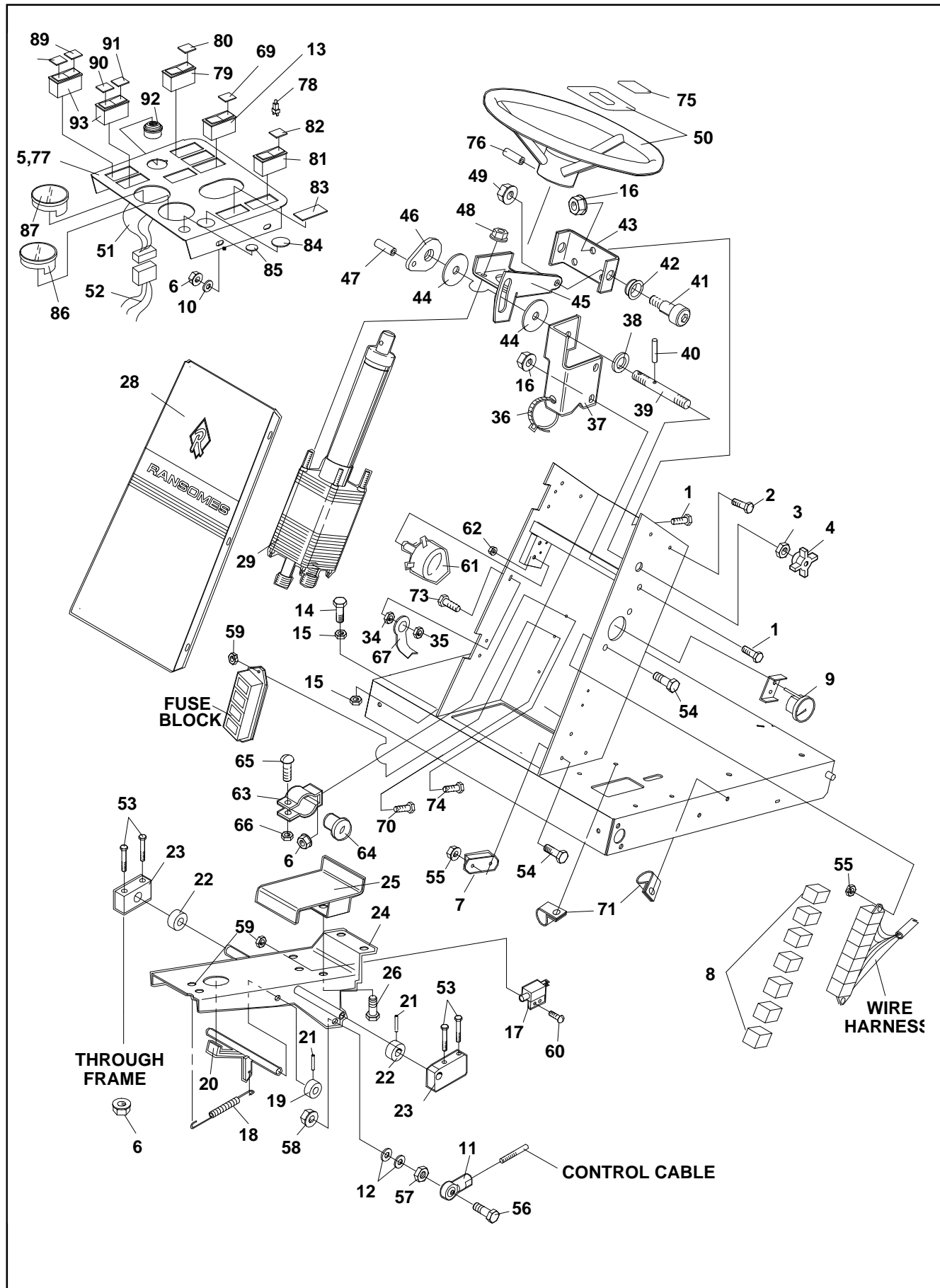
ITEM	RANSOMES PART NO	DESCRIPTION	QTY	REMARKS
13-1	2198109	KNOB-LEVER	3	(SERVICE SEAL KIT 2218002-01)
13-2	2216005	WLDMNT-LIFT LEVER	3	
13-3	2218002	VALVE-3 SPOOL LIFT	1	
13-4	2216003	WLDMNT-LEVER SUPPT	1	
13-5	64123-93	BLT-HEX 3/8-16X5	1	
13-6	64151-2	3/8-16 HH LOCK NUT	1	
13-7	148062	MASTER LINK #50 CHAIN	3	
13-8	64123-113	BLT-HEX 1/4-20X2-1/4	2	
13-9	64229-01	LOCK NUT-NYL 1/4-20	2	
13-10	64251-004	WSHR-M10	4	
13-11	64163-02	WASH.21/64X19/32X11GA.	2	

FIGURE 14



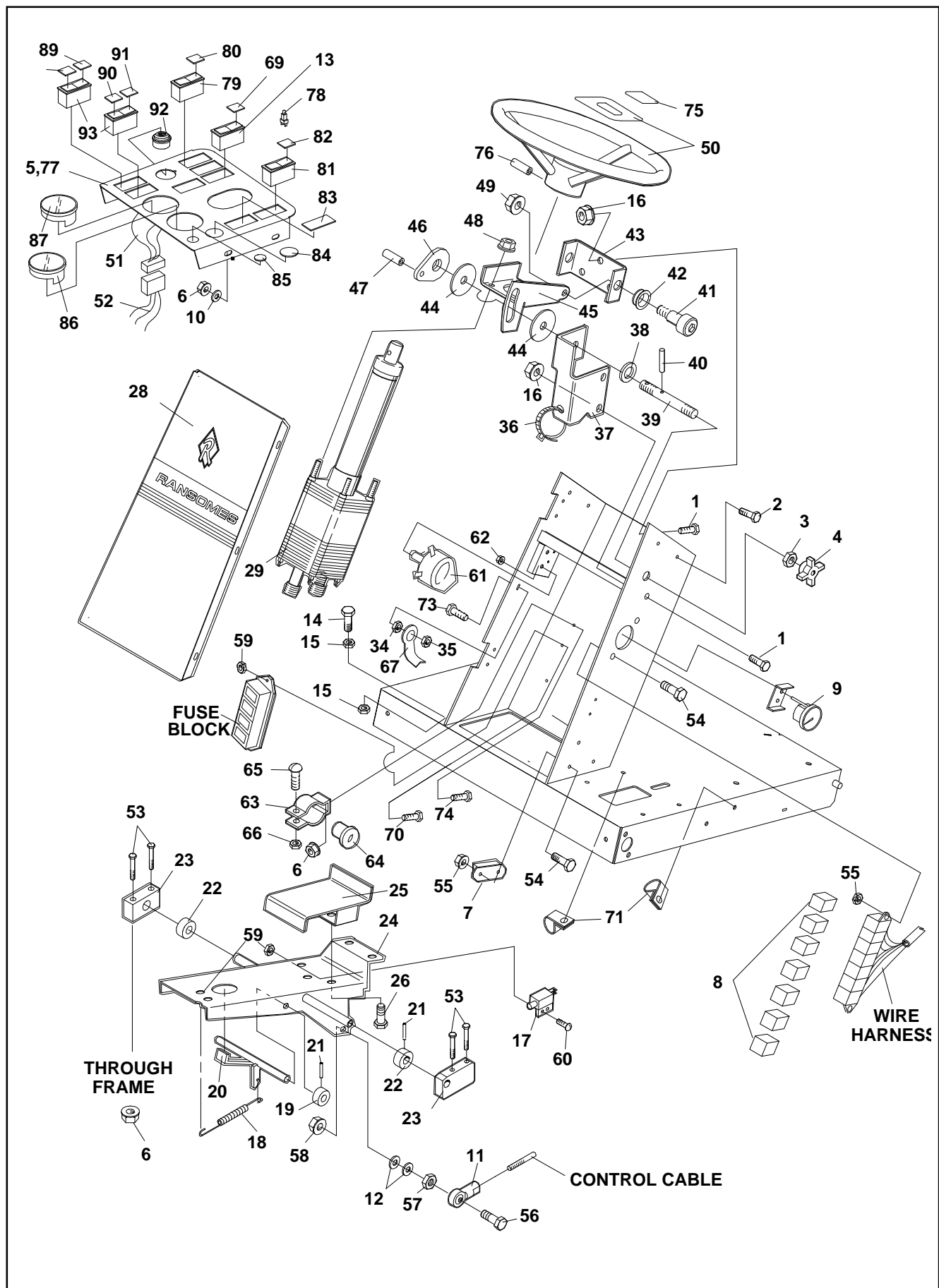
ITEM	RANSOMES PART NO	DESCRIPTION	QTY	REMARKS
14-02	810152	COVER-FOOTPEDAL	2	
14-05	64025-05	NUT-HEX 3/8-16	2	
14-06	A139322	NUT	2	
14-07	BAQ8011	BALL JOINT	4	
14-08	64123-70	BOLT-HEX	4	
14-09	64157-10	THREADED STUD	2	
14-10	64166-19	SHOULDER BOLT	1	
14-11	2188145	BEARING	6	
14-12	GSF2093ED	BLT-HEX 3/8-16 X 3/4	16	
14-13	452436	NUT M8 FLANGED NYLOC	4	
14-14	GSF2051AC	NUT-HEX 3/8-24	4	
14-15	2216035A	BRAKE SHAFT	2	
14-16	64061-02	ROLL PIN	2	
14-17	128025-07	CLUTCH CABLE	2	
14-18	A179119	SNAP RING 0.375	2	
14-21	2216070	LOCK LEVER	1	
14-22	2218081	SPRING-EXTENSION	1	
14-23	118047-08	BUSHING	2	
14-24	450191	SCREW M8 x 20 HEX HD	3	
14-25	2216035A	WLMNT-BRAKE SHAFT	2	
14-26	A139302	NUT 3/8 UNC	1	
14-27	450172	BOLT M6 x 25 HEX HD	1	
14-28	450323	NUT M6	1	
14-29	452435	NUT M6 FLANGED NYLOC	6	
14-30	450193	SCREW M8 30, HEX HD	2	
14-31	2213031	BUSHING - BRAKE LATCH	1	
14-32	A906320	COMPRESSION SPRING	1	
14-33	2218134	PIN - LATCH	1	
14-34	2212014A	BRACKET - BRAKE PIVOT LH	1	
14-35	2216017	BRAKE PIVOT ROD RH	1	
14-36	2216018	BRAKE PIVOT ROD LH	1	
14-37	2212047A	BRACKET - BRAKE PICOT RH	1	
14-38	2216068	BRAKE PEDAL LH	1	
14-39	2216069	BRAKE PEDAL RH	1	
14-40	64061-38	ROLL PIN	1	
14-41	450383	NUT, M20 NYLOC	1	
14-42	2213005	PIN - LATCH	1	
14-43	A159408	WASHER, 0.516"	2	
14-44	64061-37	ROLL PIN 1/8" x 1"	4	
14-45	2213034	BUSHING	2	

FIGURE 15



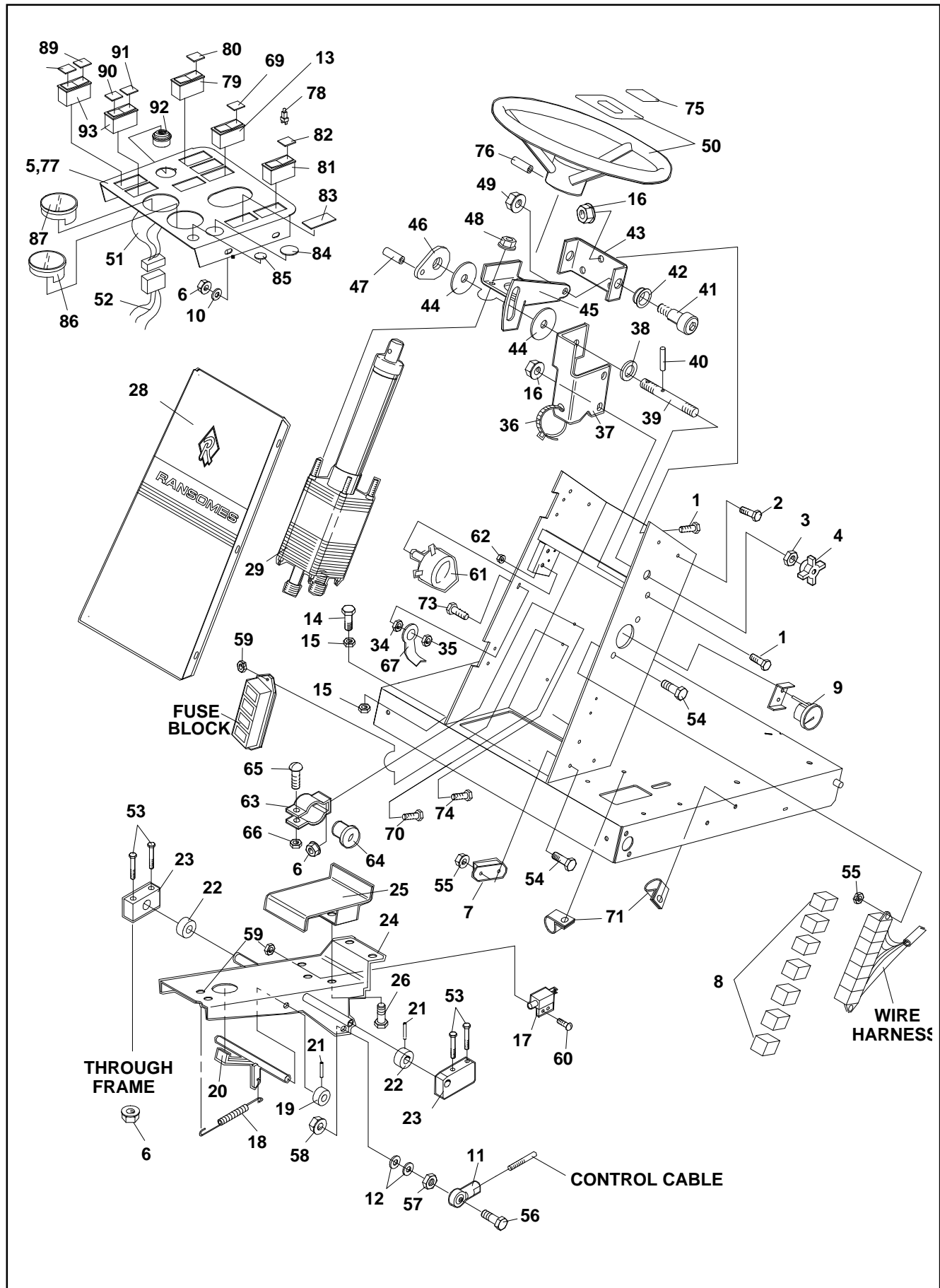
ITEM	RANSOMES PART NO	DESCRIPTION	QTY	REMARKS
15-1	64205-007	BLT METRIC M10-1.50X20	4	
15-2	452692	BOLT-M6-1.00X20	4	
15-3	64001-8	NUT-HEX JAM,1/2-13	1	
15-4	38124-01	KNOB	1	
15-5	MBG5127A	PANEL-INSTRUMENT	1	
15-6	64237-02	LOCKNUT-NYL M6-1.00	9	
15-7	2218069	RELAY-TIME DELAY	1	
15-8	A824473	RELAY	7	
15-9	A810966	HOUR METER ASSEM	1	
15-10	64251-002	WHSR-M6	4	
15-11	128079	ROD END, 1/4 FEMALE	1	
15-12	64251-002	WHSR-M6	2	
15-13	A829546	PTO ROCKER SWITCH	3	
15-14	A1003122	BOLT-M8-1.25X60	1	
15-15	64207-01	NUT-HEX,M8-1.25	2	
15-16	64237-03	LOCKNUT-NYL M10-1.5	5	
15-17	38383	SWITCH-N.C.	1	
15-18	48429	SPRING-EXTENSION	1	
15-19	48428	COLLAR-SET,3/8 ID	2	
15-20	196021	WLDMT-NTRL CNTRL	1	
15-21	64044-1	SCREW-SET 1/4-20X1/4	4	
15-22	43067A	COLLAR, SET, PLATE	2	
15-23	41028	BLOCK-BEARING	2	
15-24	2196117	S-FOOT PEDAL W/MAT	1	
15-25	146082	S-ADAPTER-PDL W/MAT	1	
15-26	64139-02	BLT-WLF 1/4-20X1/2	2	
15-27	2208077	CATCH-MAGNETIC	2	
15-28	MBG4402D	S-TOWER COVER	1	
*	2198125	BUMPER	2	USED ITEM 28
*	2198084	LATCH-SWELL	1	USED ITEM 28
*	450389	WSHR - M6 x 12.5	2	USED 2198084
15-29	2208142	STEER GEAR (USE SEAL KIT 2208142-01) (USE BEARING KIT 2208142-02) (USE CAP KIT 2208142-03) (USE RELIEF VALVE 2208142-04)	1	
15-34	64246-04	WLF NUT M12	1	
15-35	64237-06	LOCKNUT M12	1	
15-36	65286-4A	TIE WRAP	1	
15-37	172304	BRACKET-TILT WHEEL	1	
15-38	64163-54	.516X.75 THK WSHR	1	
15-39	173006	SHAFT-LOCKING	1	
15-40	64061-21	ROLL PIN-3/16X7/8	1	
15-41	64166-17	BLT-SHLDR 3/8-16X1.12	2	
15-42	118047-02	BUSHING FLIP-LOK, 1/2	2	

FIGURE 15



ITEM	RANSOMES PART NO	DESCRIPTION	QTY	REMARKS
15-43	172042	BRKT-STEERING	1	
15-44	178138	WASHER-FRICTION	2	
15-45	172298	SUPPORT-STEERING	1	
15-46	176100	WLDMT-FR WSHR	1	
15-47	64061-18	ROLL PIN-5/16X1	1	
15-48	64141-1	NUT-WLF 5/16-24	4	
15-49	64229-03	LOCKNUT-NYL 3/8-16	2	
15-50	2198130	STEERING WHEEL	1	
15-51	A905743	HARNESS-INST. PANEL	1	
15-52	A905741	HARNESS-MAIN	1	
15-53	64205-014	BOLT-MET M6X35	4	
15-54	64152-06	10-24X1/2 MACH SCR	4	
15-55	64025-15	NUT-HEX 10-24	4	
15-56	64205-048	BLT-METRIC M6-1X30	1	
15-57	64207-06	NUT-HEX M6-1	1	
15-58	64237-02	LOCKNUT-NYL M6-1.00	1	
15-59	64025-15	NUT-HEX #10-24 KEPS	4	
15-60	64152-06	10-24X1/2 MACH SCR	2	
15-61	A823972	HORN	1	
15-62	64246-01	NUT-WHIZ M6-1.00	1	
15-63	469020633	BRACKET-FOR FLASH	1	
15-64	48408	FLASHER-552 12V	1	
15-65	64018-2	BLT-CRG 1/4-20X3/4	1	
15-66	64229-01	LOCK NUT-NYL 1/4-20	1	
15-67	2218094	STRAP-DECK SUPPORT	1	
15-68	178150	DIODE-WARNING	6	
15-69	A829587	PTO LENS	3	
15-70	64152-10	SCREW 10-24X3/4	2	
15-71	48228-06	CLAMP	2	
15-72	64251-001	WASHER M5	8	
15-73	A1105061	HHCS M12	1	
15-74	A1102966	BOLT M6	1	
15-75	839862	DECAL-STEERING WHL	1	
15-76	64061-26	ROLL PIN-1/4 X 1-3/4	1	
15-77	2000755	DECAL-INST PANEL 951	1	
15-78	178092-22	LIGHT FOR ROCKER	9	
15-79	A829546	S-TRANSPORT RCKR SW	1	
15-80	A829588	S-GREEN RABBIT LENS	1	
15-81	178092-10	S-LIGHT ROCKER SW	1	
15-82	178092-14	S-GREEN HDLGHT LENS	1	
15-83	A829521	S-SINGLE SWITCH BLANK	1	
15-84	178092-18	S 1.0 HOLE PLUG	1	
15-85	178092-17	S 5/8 HOLE PLUG	1	
15-86	178092-04	S-FUEL GAUGE	1	
15-87	178092-03	S-WATER TEMP GAUGE	1	
15-88	A829571	LENS-HYDRAULIC OIL	1	

FIGURE 15

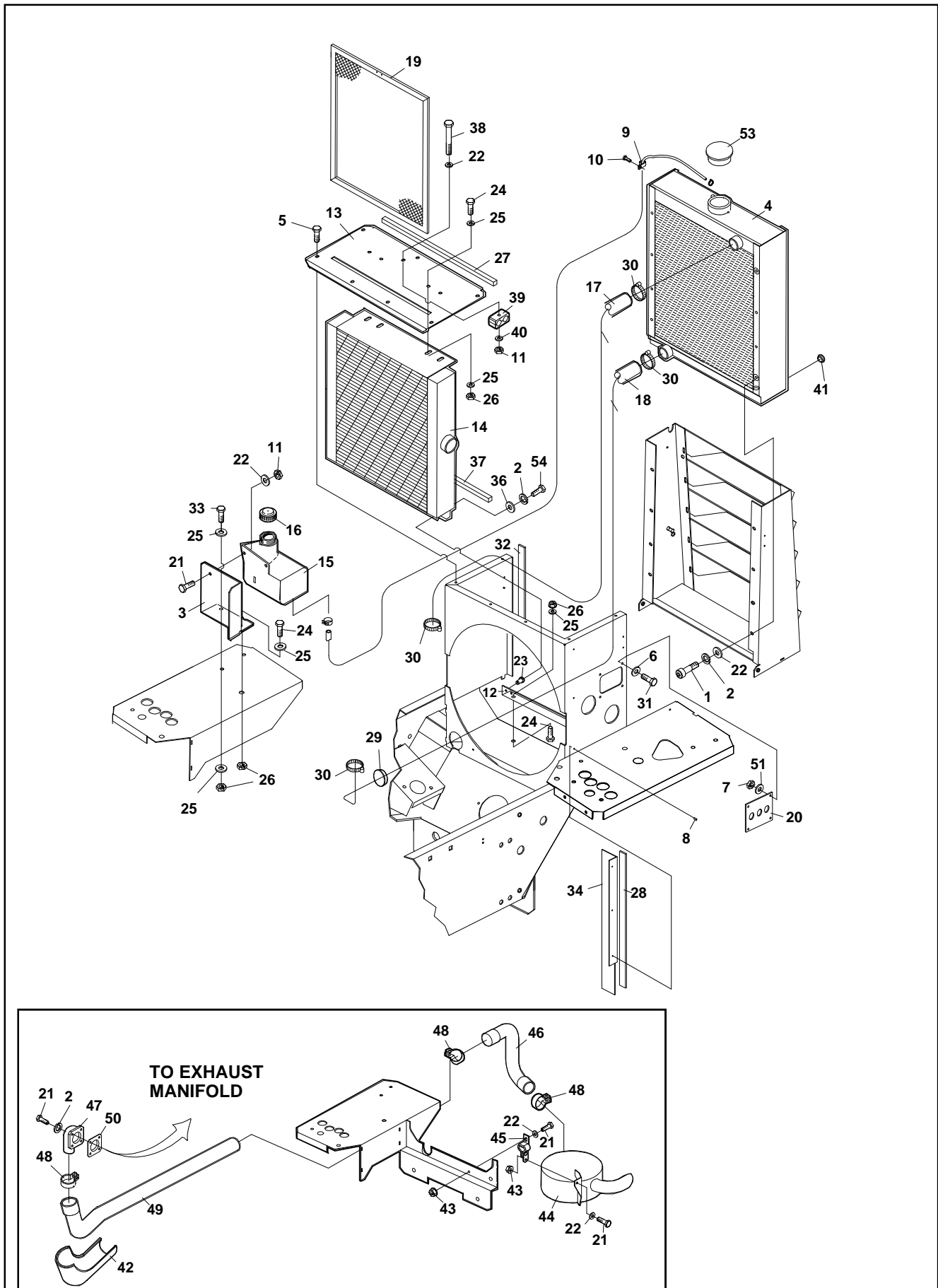


2217017

LIST OF PARTS

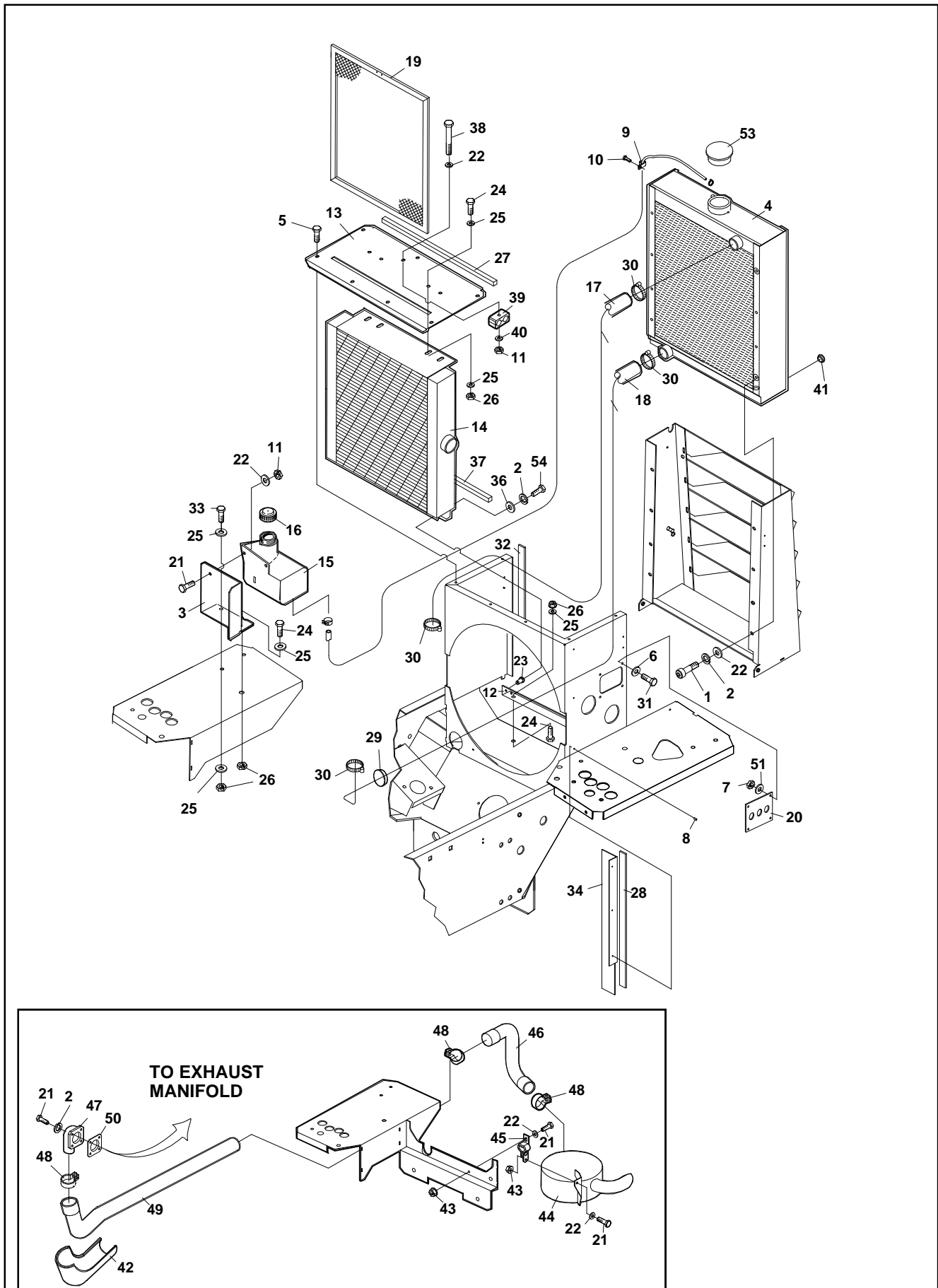
ITEM	RANSOMES PART NO	DESCRIPTION	QTY	REMARKS
15-89	A829564	LENS-BATTERY	1	
15-90	A829563	OIL PRESSURE LENS	1	
15-91	A829565	LENS-GLOW PLUG	1	
15-92		SWITCH-IGNITION	1	
		(PERKINS NUMBER 385201160)		
15-93	A829565	LAMP HOLDER-DL WNDW	2	
*	MBE3313C	PAD W/A	1	DECK DRIVE FOOT SWITCH
*	MBG5583	BRACKET	1	

FIGURE 16



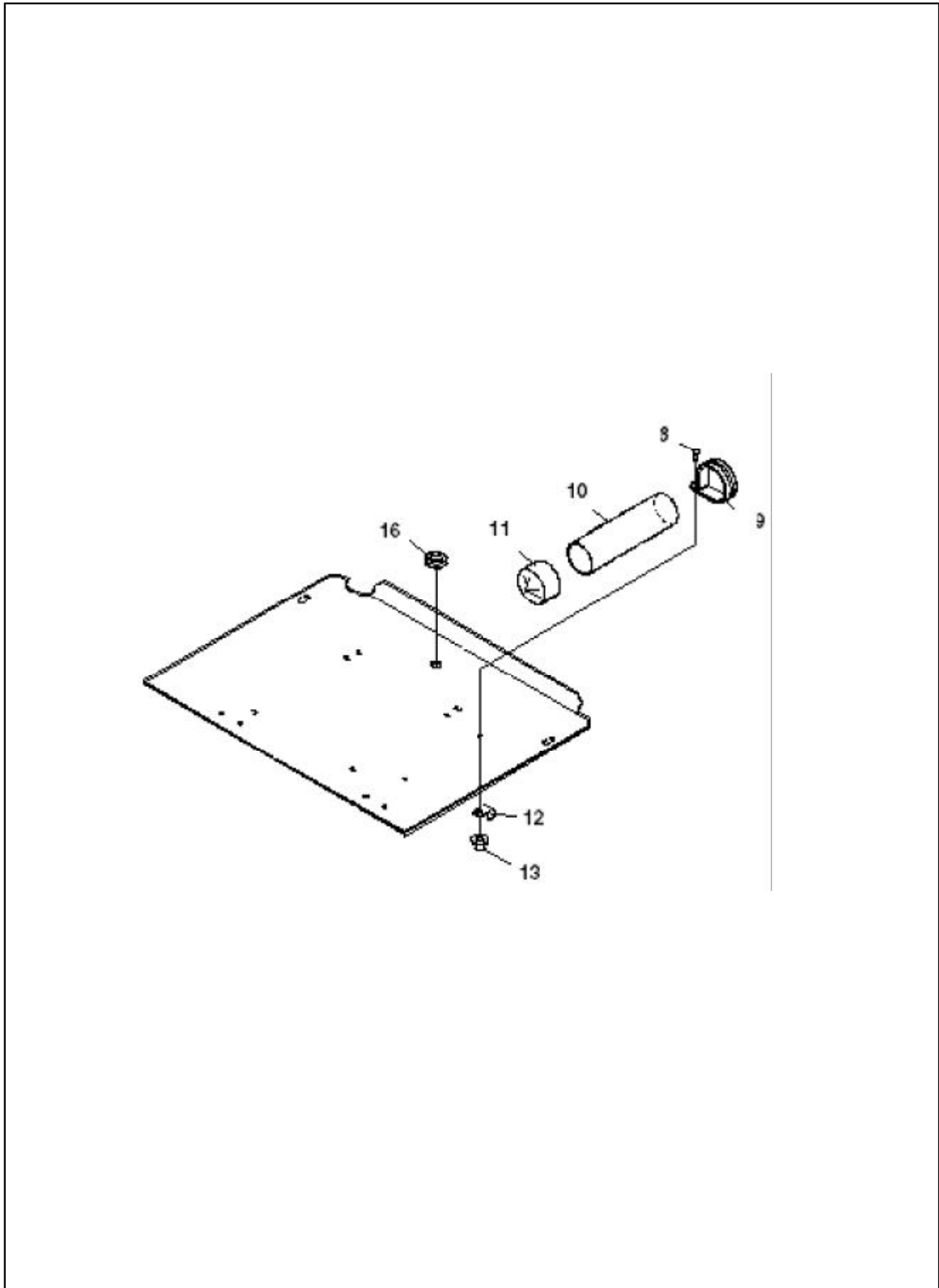
ITEM	RANSOMES PART NO	DESCRIPTION	QTY	REMARKS
16-1	64205-018	BLT MET M8-1.25X15	8	
16-2	64006-02	LCKWSHR-HELICAL 5/16 16		
16-3	2212091B	BRACKET-BOTTLE	1	
16-4	2178211	RADIATOR	1	
16-5	64248-01	BLT-THD FRM M8X15	6	
16-6	64251-002	WHSR-M6	8	
16-7	64237-02	LOCKNUT-NYL M6-1.00	4	
16-8	64215-01	RIVET	6	
16-9	48228A	CLAMP	1	
16-10	64152-27	SCREW 1/4-20X5/8	1	
16-11	64237-05	LOCKNUT-NYL M8-1.25	4	
16-12	2212043	BRACKET-OIL COOLER	1	
16-13	2212044	SHROUD-TOP FAN	1	
16-14	2178212	COOLER-HYD. OIL	1	
16-15	2208079	BOTTLE-COOLANT	1	
16-16	831905	CAP-OVERFL BOTTLE	1	
16-17	2218044	HOSE-RAD UPPER	1	
16-18	2218045	HOSE-RAD LOWER	1	
16-19	2218006	SCREEN	1	
16-20	2218086	SEAL-TUBE	1	
16-21	64205-001	BLT-MET M8-1.25X20	8	
16-22	64251-003	WHSR-M8	14	
16-23	64250-04	INSERT-GRIP M8	4	USE INSERT TOOL 2196247)
16-24	64205-007	BLT MET M10-1.50X20	6	
16-25	64251-004	WHSR-M10	11	
16-26	64237-03	LOCKNUT-NYL M10-1.5	7	
16-27	A904437	FOAM	1	
16-28	38471-08	FOAM X 19.5 LG	1	
16-29	148034-07	GROMMET-INSULATION	1	
16-30	48396	CLAMP-HOSE 2 DIA	4	
16-31	A1102966	BOLT-M6-1.00X16	4	
16-32	38471-08	FOAM X 21.2 LG	1	
16-33	A1104057	BLT-MET M10-1.5X25	1	
16-34	2212118	BAFFLE-OIL COOLER LH	1	
16-35*	2212119	BAFFLE-OIL COOLER RH	1	
16-36	64163-29	WASHER	4	
16-37	48450-07	FOAM 1X28	1	
16-38	A1003122	BOLT-M8-1.25X60	2	
16-39	2208139	CLAMP	2	
16-40	64163-31	WASHER	2	
16-41	2690024-01	PLUG 1/4 NPT	2	
16-42	2218080	INSULATION-EXHAUST	1	
16-43	64246-02	NUT-WLF M8-1.25	2	
16-44	2218074	MUFFLER	1	
16-45	176067	HANGER ASM-MUFFLER	1	
16-46	2213009	PIPE-MUFFLER	1	

FIGURE 16



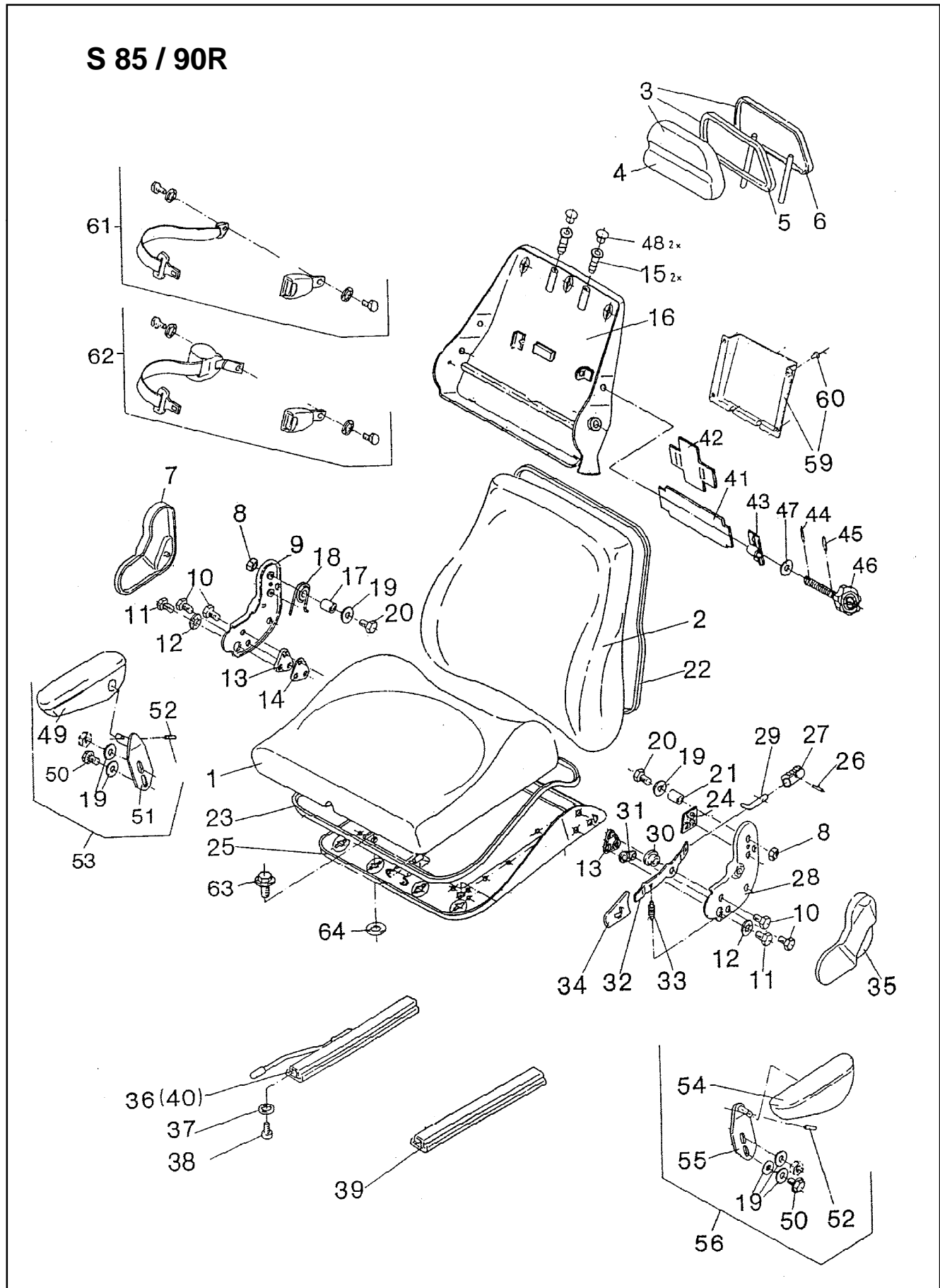
ITEM	RANSOMES PART NO	DESCRIPTION	QTY	REMARKS
16-47	2216016	WLDMNT-EXHST PIPE	1	
16-48	48319-04	CLAMP-MUFFLER 2-1/8	3	
16-49	2213008	PIPE-EXHAUST	1	
16-50		GASKET-EX. MANIFOLD (PERKINS NUMBER 314990013)	1	
16-51	64163-03	WASHER .256 ID	4	
16-52	A1103051	BOLT-M8-1.25X25	4	
16-53	4131560	CAP-RADITATOR	1	
16-54	MBG1052	TIE PLATE	1	SECURE HARNESS
16-55	MBG5543	BATTERY BRACE	1	SECURES BATTERY

FIGURE 17



ITEM	RANSOMES PART NO	DESCRIPTION	QTY	REMARKS
17-8	64205-038	BLT-MET M6-1.0X20	2	
17-9	38542	CLAMP-DOC TUBE	2	
17-10	2306144	S DOC TUBE W/LABEL	1	
17-11	38061A	SPINDLE SHIELD	2	
17-12	48228A	CABLE CLIP	1	
17-13	64246-01	NUT-WHIZ M6-1.00	2	
17-16	148034-06	GROMMET	1	

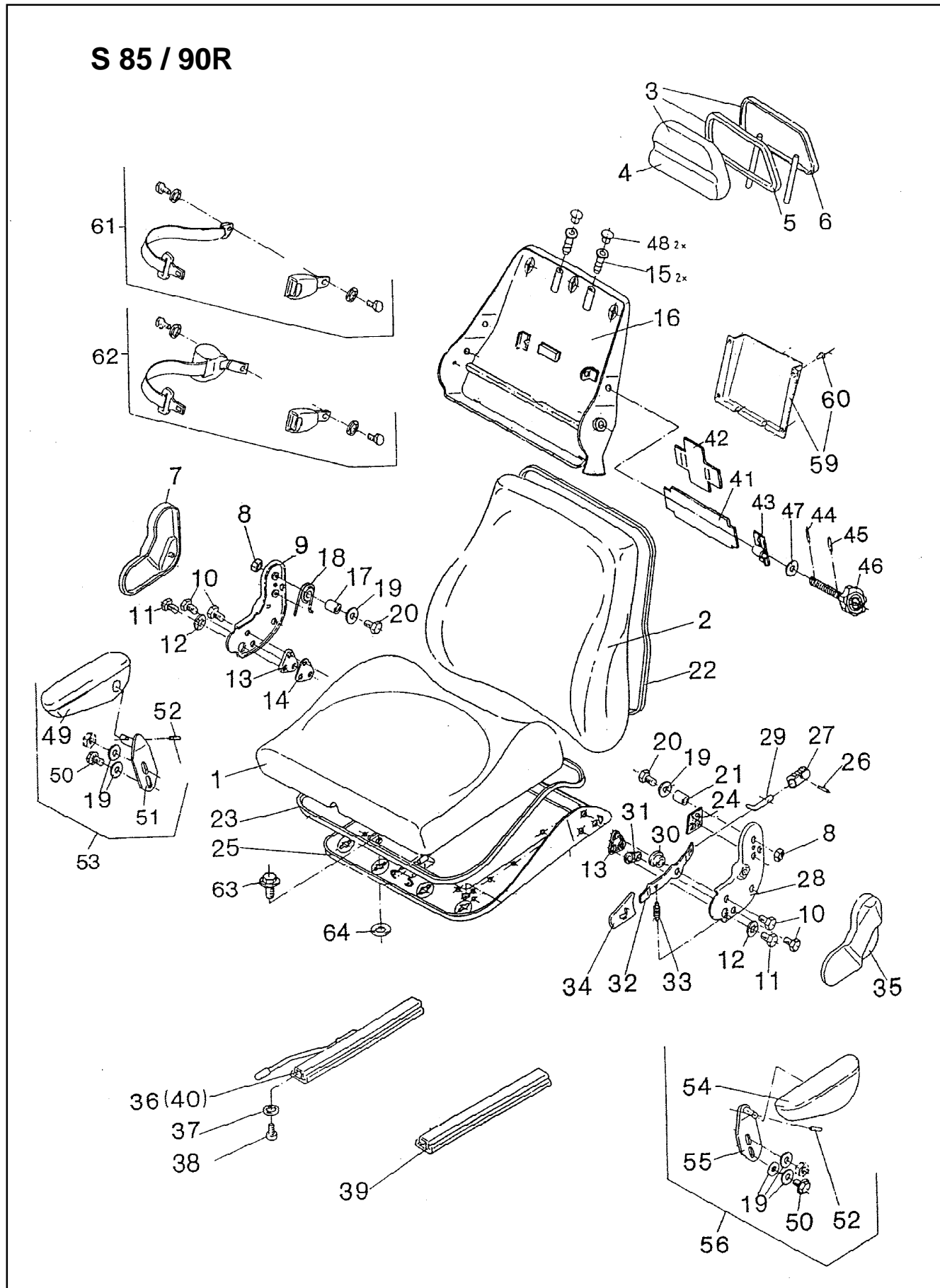
FIGURE 17a



S 85 / 90R

ITEM	RANSOMES PART NO	DESCRIPTION	QTY	REMARKS
1	A819940	SEAT ASSY COMPLETE	1	INCLUDING SUSPENSION
	A819945	SEAT CUSHION	1	
2	A819946	BACK REST CUSHION	1	
3	A819956	HEAD REST ASSY.	1	
4	A819947	HEAD REST CUSHION	1	
5	A817352	EDGE STRIP	1	
6	N/A	HEAD REST FRAME	1	
7	A819961	COVER RH	1	
8	A817337	NUT	2	
9	A817338	MOUNTING RH	1	
10	A817339	SCREW	4	
11	A817340	SCREW	2	
12	A817341	SP WASHER	2	
13	A817342	DISTANCE PLATE	2	
14	A817343	DISTANCE PLATE	1	
15	A817344	BUSH	2	
16	A819969	BACK PLATE	1	
17	A817345	TUBE	1	
18	A817346	SPRING	1	
19	A817347	WASHER	2	
20	A817348	SCREW	2	
21	A817349	TUBE	1	
22	A817350	EDGE STRIP	1	
23	A817351	EDGE STRIP	1	
24	A817353	DISTANCE PIECE	1	
25	A817354	SEAT PLATE	1	
26	A819965	PIN	1	
27	A819966	DETENT	1	
28	A817355	MOUNTING LH	1	
29	A819967	ROD	1	
30	A817356	BUSH	1	
31	A817357	DISTANCE PIECE	1	
32	A817335	LEVER	1	
33	A817336	SPRING	1	
34	A819986	HANDLE	1	
35	A817358	COVER LH	1	
36	A819964	RAIL WITH LEVER	1	
37	A817359	WASHER	4	
38	A817360	SCREW	4	
39	A819975	RAIL	1	
41	A817361	PLATE	1	
42	A817362	PLATE	1	
43	A819970	NUT	1	
44	A819971	PIN	1	

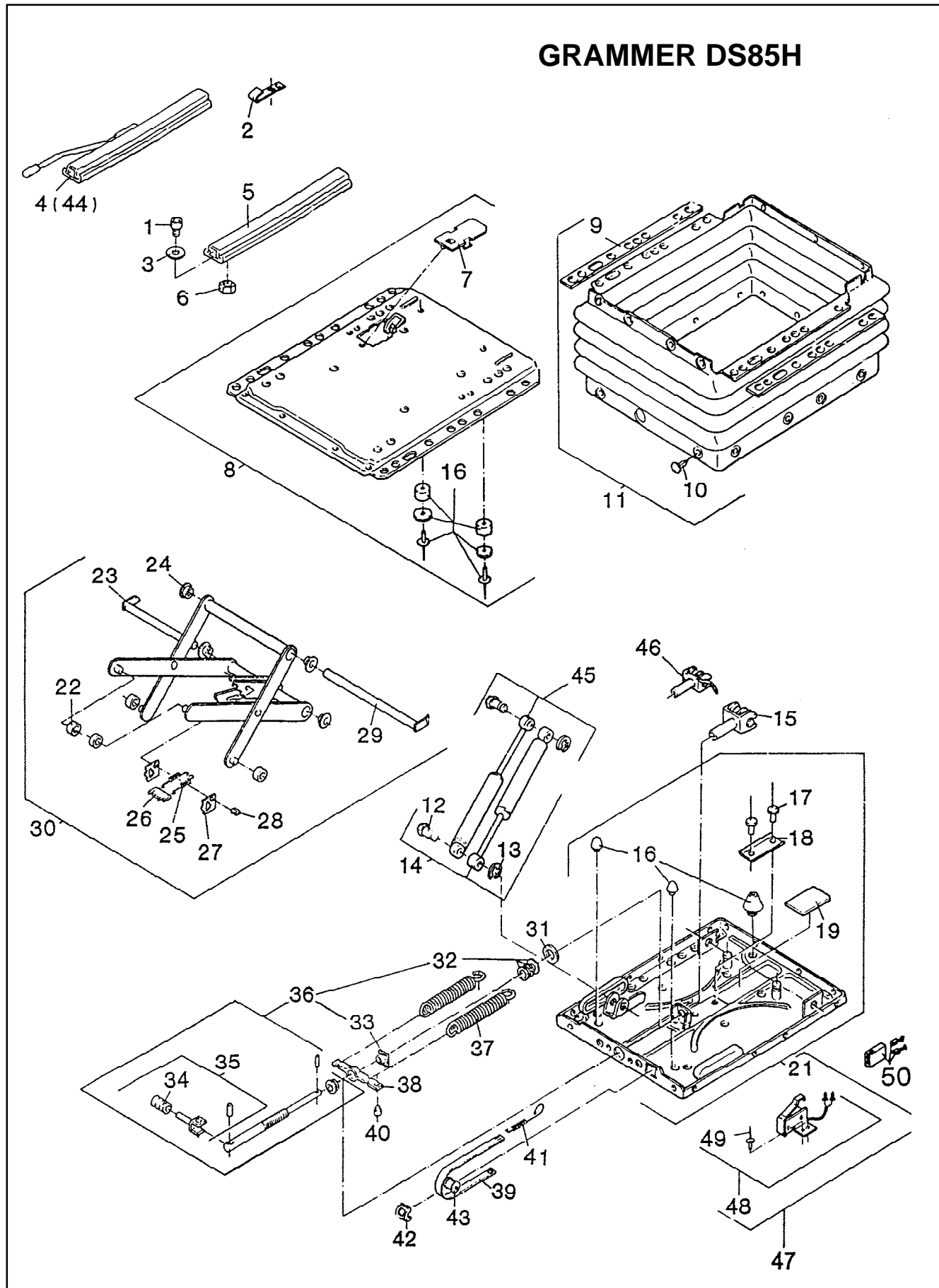
FIGURE 17a



S 85 / 90R

ITEM	RANSOMES PART NO	DESCRIPTION	QTY	REMARKS
45	A819972	PIN	1	
46	A819973	ADJUSTING SPINDLE	1	
47	A819974	WASHER	1	
48	N/A	PLUG	2	
49	A819955	ARM REST RH	1	
50	N/A	SCREW	2	
51	N/A	SUPPORT RH	1	
52	N/A	PIN	2	
53	A819985	ARM REST ASSY. RH	1	
54	A817363	ARM REST LH	1	
55	N/A	SUPPORT LH	1	
56	A819986	ARM REST ASSY. LH	1	
59	N/A	COVER ASSY	1	
60	N/A	SCREW	1	
61	N/A	SEAT BELT FIXED	1	
62	N/A	SEAT BELT REEL	1	
63	N/A	SCREW		
64	N/A	WASHER		

FIGURE 17c

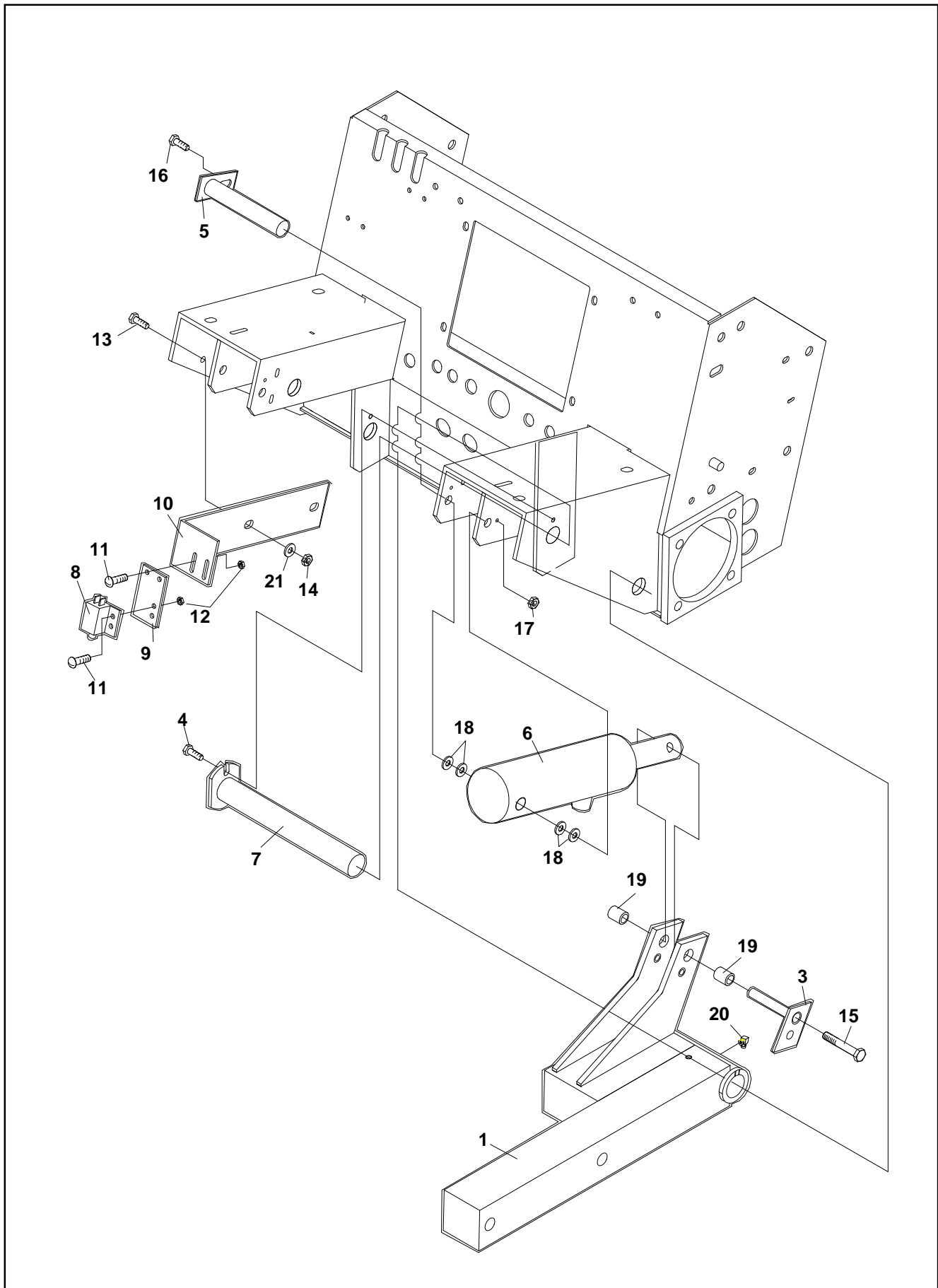


GRAMMER DS85H

LIST OF PARTS

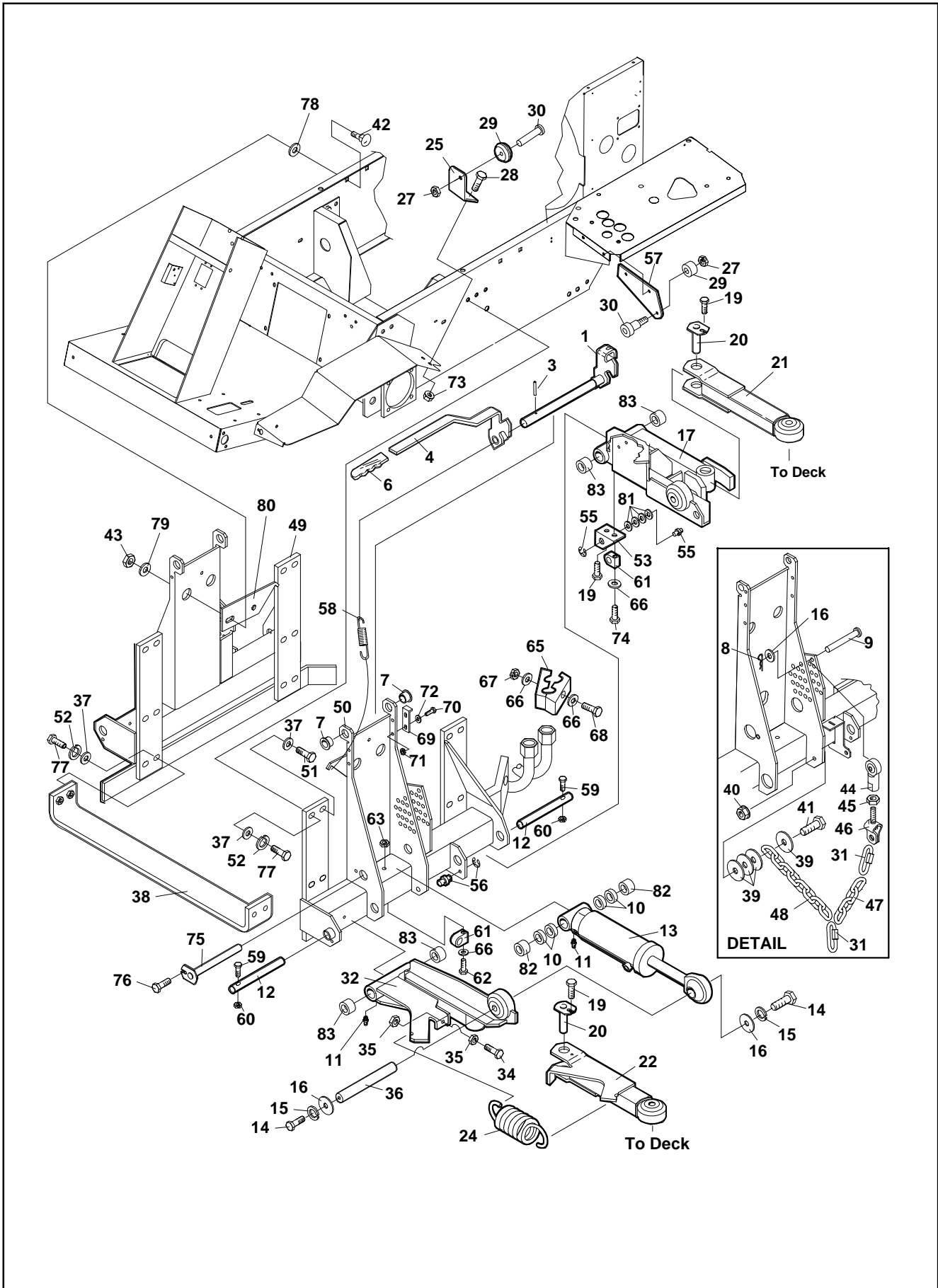
ITEM	RANSOMES PART NO	DESCRIPTION	QTY	REMARKS
1	A817364	SCREW	6	
2	A817365	STOP	1	
3	A817366	WASHER	2	
4	A819964	SLIDE WITH LEVER	1	
5	A819975	SLIDE	1	
6	A817367	NUT	6	
7	A817368	COVER	1	
8	A817369	BASE ASSY.	1	
9	A817370	PLATE	2	
10	A819979	PIN	21	
11	A819984	GAITER ASSY.	1	
12	A817371	PIN	2	
13	A817372	E CLIP	2	
14	A819968	DAMPER ASSY	1	
16	A817373	BUFFER ASSY.	1	
17	A817374	RIVET	2	
18	A817375	RUNNER	1	
19	A817376	PLATE	1	
20	A817377	SUSPENSION ASSY.	1	
22	A817378	ROLLER	4	
23	A817379	PIN	1	
24	A817380	BUSH	4	
25	A817381	SPRING	2	
26	A817382	PLATE	1	
27	A817383	PLATE	2	
28	A817384	BOLT	1	
29	A817385	PIN	1	
30	A819990	HINGE	1	
31	A817386	WASHER	1	
32	A817387	BEARING	1	
33	A817388	NUT	1	
34	A817389	HANDLE	1	
35	A817390	LEVER ASSY.	1	
36	A819992	WEIGHT ADJUSTER	1	
37	A819941	SPRING	2	
38	A817391	SPRING HOOK	1	
39	A817392	WEIGHT INDICATOR	1	
40	A817393	STOP	1	
41	A817394	SPRING	1	
42	A817395	WINDOW	1	
43	A817396	ROLLER	1	
46	A817397	FORK	1	
47	A817398	SPRING FRAME	1	
48	A905448	MICROSWITCH	1	
49	A817399	SCREW	2	
50	A817400	CONNECTOR	1	

FIGURE 18



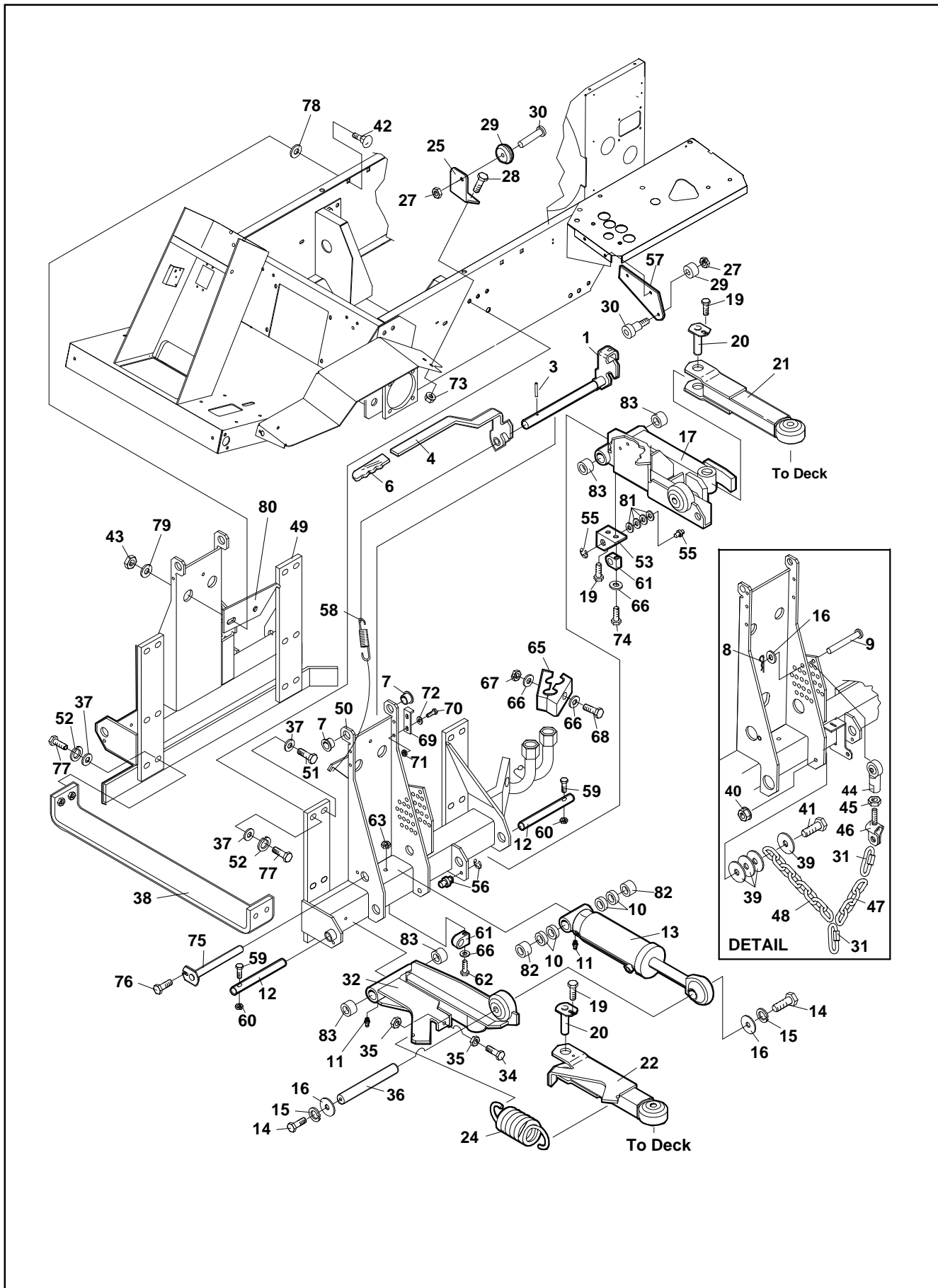
ITEM	RANSOMES PART NO	DESCRIPTION	QTY	REMARKS
18-1	MBF1925	WLDMT-PUSH ARM LH	1	
18-2 *	MBF1926	WLDMT-PUSH ARM RH	1	
18-3	46019A	PIN WELD, PUSH ROD	2	
18-4	64248-01	BLT-THD FRM M8X15	2	
18-5	2216025	WLDMNT-CYL ROD PIN	2	
18-6	2218014	CYLINDER-LIFT (USE SEAL KIT 148406)	2	
18-7	MBF1929	WLDMT-PUSH ARM PIN	2	
18-8	38383	SWITCH-N.C.	1	
18-9	172359	PLATE-PUSH ARM SW	1	
18-10	2212109	BRACKET-SWITCH MTG	1	
18-11	64152-06	10-24X1/2 MACH SCR	4	
18-12	64025-15	NUT-HEX #10-24 KEPS	4	
18-13	64205-001	BLT MET M8-1.25X20	2	
18-14	64237-05	LOCKNUT-NYL M8-1.25	2	
18-15	64139-03	BLT-WLF 1/4-20X5/16	2	
18-16	64123-89	BLT-HEX 1/4-20X3/4	2	
18-17	64229-01	LOCK NUT-NYL 1/4-20	2	
18-18	64163-54	.516X.75X12GA WSHR	8	
18-19	138024-02	BRG-DX,.500 I.D.	4	
18-20	35027N	ZERK	2	
18-21	64163-55	WSHR-.328X.75X14GA	2	

FIGURE 19



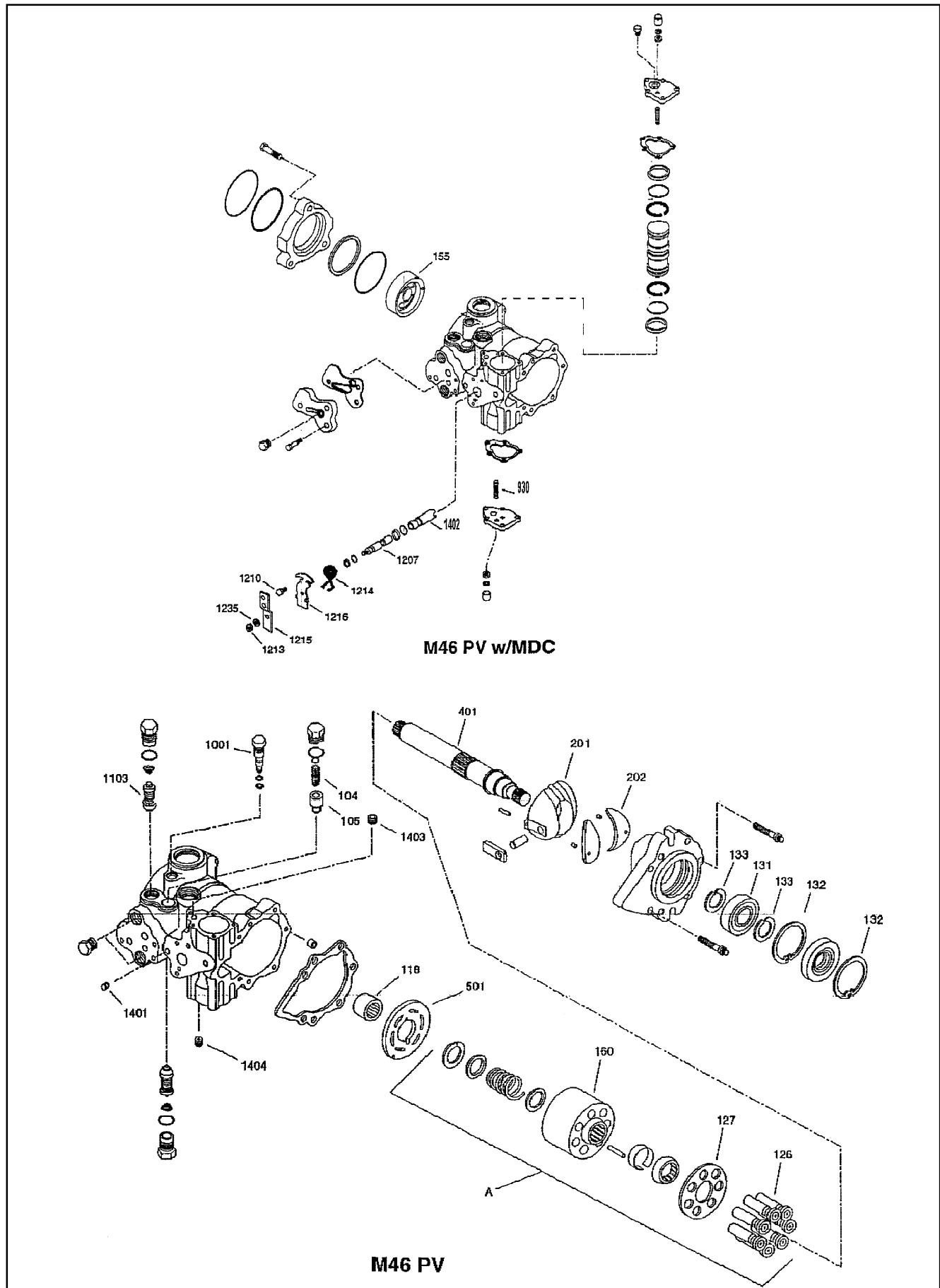
ITEM	RANSOMES PART NO	DESCRIPTION	QTY	REMARKS
19-1	2216042	WLDMNT-HOOK REAR LH	1	
19-2 *	2216041	WLDMNT-HOOK REAR RH	1	
19-3	64061-25	ROLL PIN-1/4X1-1/4	2	
19-4	176147-01	WLDMT-HOOK FRNT LH	1	
19-5 *	176147-02	WLDMT-HOOK FRNT RH	1	
19-6	38404-01	GRIP,CNTRL LVR	2	
19-7	118047-04	BSING FLIP-LOK, 1/2	4	
19-8	64168-1	HAIRPIN COTTER	2	
19-9	W64188-16	PIN, CLEVIS 3/8X2-3/4	2	
19-10	64163-64	WASHER 14 GA.	8	
19-11	85010N	ZERK	6	
19-12	2213006	PIN-PIVOT	4	
19-13	178154	CYLNDR-WING SQ PORT (USE BUSHING 178154-01 QTY 2)	2	(USE SEAL KIT 178169 WITH 84)
19-14	64123-15	BLT-HEX 3/8-16X3/4	4	
19-15	64006-03	LCKWSHR-HLCL 3/8	4	
19-16	64163-53	WSHR .391X1.50X9GA	6	
19-17	MBF1921	WLDMT-ARM REAR LH	1	(INCLUDES ITEM 83)
19-18 *	MBF1922	WLDMT-ARM REAR RH	1	(INCLUDES ITEM 83)
19-19	64152-27	1/4-20X5/8 LG SP SCR	6	
19-20	MBF1917	WLDMT-PIN	4	
19-21	176061	WLDMT-SWNGARM REAR	2	
19-22	176059	WLDMT-SWING ARM LF	1	
19-23 *	176060	WLDMT-SWING ARM RF	1	
19-24	178045	SPRING-WING DECK	2	
19-25	172193-01	BRKT-FRNT ROLLER LH	1	
19-26 *	172193-02	BRKT-FRNT ROLLER RH	1	
19-27	64151-17	NUT,HEX LOCK CL 1/4-20	4	
19-28	64139-17	BLT-WLF 1/4-20X5/8	4	
19-29	A904247	RUBBER ROLLER	4	
19-30	64166-15	SHLDR BOLT	4	
19-31	178153-01	CONNECTOR-CHN LINK	4	
19-32	MBF1871	WLDMT-ARM FRONT LH	1	(INCLUDES ITEM 84)
19-33 *	MBF1874	WLDMT-ARM FRONT RH	1	(INCLUDES ITEM 84)
19-34	64123-111	BLT-HEX 1/2-13X3-1/2	2	
19-35	64001-8	NUT-HEX JAM,1/2-13	4	
19-36	173010	SHAFT-CUTTER DECK	2	
19-37	64251-005	WASHER-M12	24	
19-38	2216037	WLDMNT-TANK SPRT	2	
19-39	64163-31	WASH.25/64X1X12 GA	8	
19-40	64229-02	LOCKNUT-NYL 5/16-18	2	
19-41	64123-47	BLT-HEX 5/16-18X1-1/4	2	
19-42	64018-13	BLT-CRG 1/2-13X2 GR5	4	
19-43	64151-7	1/2-13 HEX LOCK NUT	4	
19-44	138011	BALL JOINT	2	
19-45	64001-2	NUT-HEX JAM,3/8-24	2	

FIGURE 19



ITEM	RANSOMES PART NO	DESCRIPTION	QTY	REMARKS
19-46	MBG5696	LINK SCREW	2	
19-47	158001-05	CHAIN-5.7 LG PLATED	2	
19-48	158001	CHAIN	2	
19-49	2216097	WLDMNT-RH SUB FR	1	
19-50	2216096	WLDMNT-LH SUB FR	1	
19-51	A1105061	BOLT-M12-1.75X30	2	
19-52	64006-05	LOCKWSHR-HELICAL 1/2	22	
19-53	2212223	BRKT-LH MAGNET MTG	1	
19-54 *	2212222	BRKT-RH MAGNET MTG	1	
19-55	2208049	MAGNET-ACTUATOR	2	
19-56	2208036	SWITCH-PROXIMITY	2	
19-57	2212110	BRCKT-REAR ROLLER	2	
19-58	48429	SPRING-EXTENSION	2	
19-59	64205-008	S BLT-MET M10-1.50X55	4	
19-60	64237-03	LOCKNUT-NYL M10-1.5	4	
19-61	178097-01	CLAMP-TUBE	7	
19-62	64123-192	BLT-HEX 1/4-20 x 4-1/2	5	
19-63	64141-2	NUT-WLF 1/4-20	5	
19-64	148090-03	CLAMP	2	
19-65	64251-002	WASHER M6	11	
19-*	MBG5502	HOSE SUPPORT	2	
19-66	64237-02	LOCKNUT-NYL M6-1.00	2	
19-67	64205-030	BLT-MET M6-1.00X40	2	
19-68	2212116	BRACKET-STOP	2	
19-69	64123-89	BLT-HEX 1/4-20X3/4	4	
19-70	64229-01	LOCK NUT-NYL 1/4-20	4	
19-71	64163-03	WASHER	4	
19-72	64141-2	NUT-WLF 1/4-20	4	
19-73	64123-60	BOLT HEX 1/4-20X2	2	
19-74	146197	WLDMT-PUSH ARM PIN	2	
19-75	64205-018	BOLT MET M8-1.25X15	2	
19-76	64205-029	BOLT MET M12-1.75X40	22	
19-77	64006-01	LOCKWSHR-HELICAL 1/4	2	
19-78	64163-71	WSHR-.762X1-1/4X.250	4	
19-79	64163-19	WSHR-33/64X1-1/4X12GA	4	
19-80	2212230	BRACKET-SPRING	2	
19-81	72120N	THRUST WASHER,1/2ID	8	
19-82	178154-01	BUSHING-CYLINDER	4	
19-83	48048A	BUSHING	8	
19-84*	A159417	SHIM	8	FITTED TO LIFT ARMS

FIGURE 20

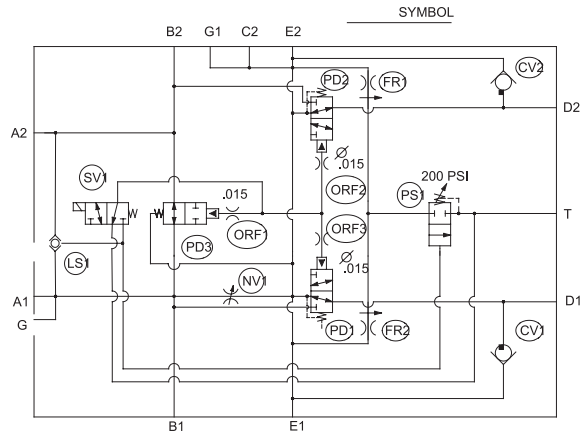


ITEM	RANSOMES PART NO	DESCRIPTION	QTY	REMARKS
	A800638	TRANSMISSION PUMP	1	
A	A800858	• CYLINDER BLOCK KIT	1	
104	A800859	• SPRING	1	
105	A800860	• POPPET	1	CHARGE RELIEF VALVE
118	A800861	• NEEDLE BEARING	1	CHARGE RELIEF VALVE
126	A800862	• PISTON	7	
127	A800863	• SLIPPER RETAINER	1	
131	A800864	• SHAFT BEARING	1	
132	A800865	• CIRCLIP	2	
133	A800866	• CIRCLIP	2	
155	A800867	• CHARGE PUMP HOUSING	1	
160	A800868	• CYLINDER BLOCK	1	
201	A800869	• SWASHPLATE	1	
202	A800870	• SWASHPLATE BEARING	2	
401	A800871	• DRIVE SHAFT	1	
501	A800872	• VALVE PLATE	1	
930	A800873	• ADJUSTER SCREW	1	
1001	A800874	• BY-PASS VALVE	1	
1103	a800889	• RELIEF VALVE CARTRIDGE	2	
1207	A800876	• ROTARY SPOOL	1	
1210	A800877	• ADJUSTER SCREW	1	
1213	A800878	• LOCKNUT	1	
1214	A800879	• RETURN SPRING	1	
1215	A800880	• CONTROL LEVER	1	
1216	A800881	• CAM PLATE	1	
1235	A800882	• LOCKWASHER	1	
1401	A800883	• ORIFICE	1	
1402	A800884	• SLEEVE	1	
1403	A800885	• ORIFICE	1	
1404	A800885	• ORIFICE	1	
*	A800886	• SEAL KIT	1	

FIGURE 21

2217023

4 WD VALVE 2218226
REF. HYDRAFORCE PART NO. HF981123
PORTING: PORTS 'G' AND 'G1' ARE SAE#4



SERVICE PARTS					
ITEM	QTY	HYDRAFORCE P/N	RANSOMES P/N	HYDRAFORCE P/N	RANSOMES P/N
CV1, CV2	2	S-DOC ASSY 2218143	2217059	SK08-2N-T	178102-03
ORF1..3	3	CV08-20-O-N-04	178102-52	---	---
PLG4	5	ORFICE DISC 7062015	178102-23	---	---
CL08	1	PORT PLUG 6118004	178102-60	6062008	178102-62
LS1	1	COIL ASSY 6301012	178102-21	---	---
SV1	1	LSC2-B30-O-N	178102-68	SK04-B3N-M	178102-69
PS1	1	PS08-32H 0126 06/03.5	178102-80	SK08-3N-TB	178102-48
NV1	1	NV10-20C-O-N	178102-77	SK10-2N-M	178102-08
FR1, FR2	2	FR08-20F-O-N-1.0	178102-26	SK8-2N-M	178102-04
PD3	1	PD10-45-O-N-110	178102-75	SK10-4N-MMM	178102-54
PD1, PD2	2	PD10-41-O-N-170	178102-70	SK10-4N-MMM	178102-54
SV1	1	SV08-30W-O-N-00	178102-71	SK08-3N-MM	178102-72
PLG12	2	PORT PLUG 6118012	178102-73	6062011	178102-74
PLG6	2	PORT PLUG 6118006	178102-61	6062009	178102-63
		HYDRAFORCE P/N	RANSOMES P/N	HYDRAFORCE P/N	RANSOMES P/N
		ITEM PART NUMBER		SEAL KIT PART NUMBER	

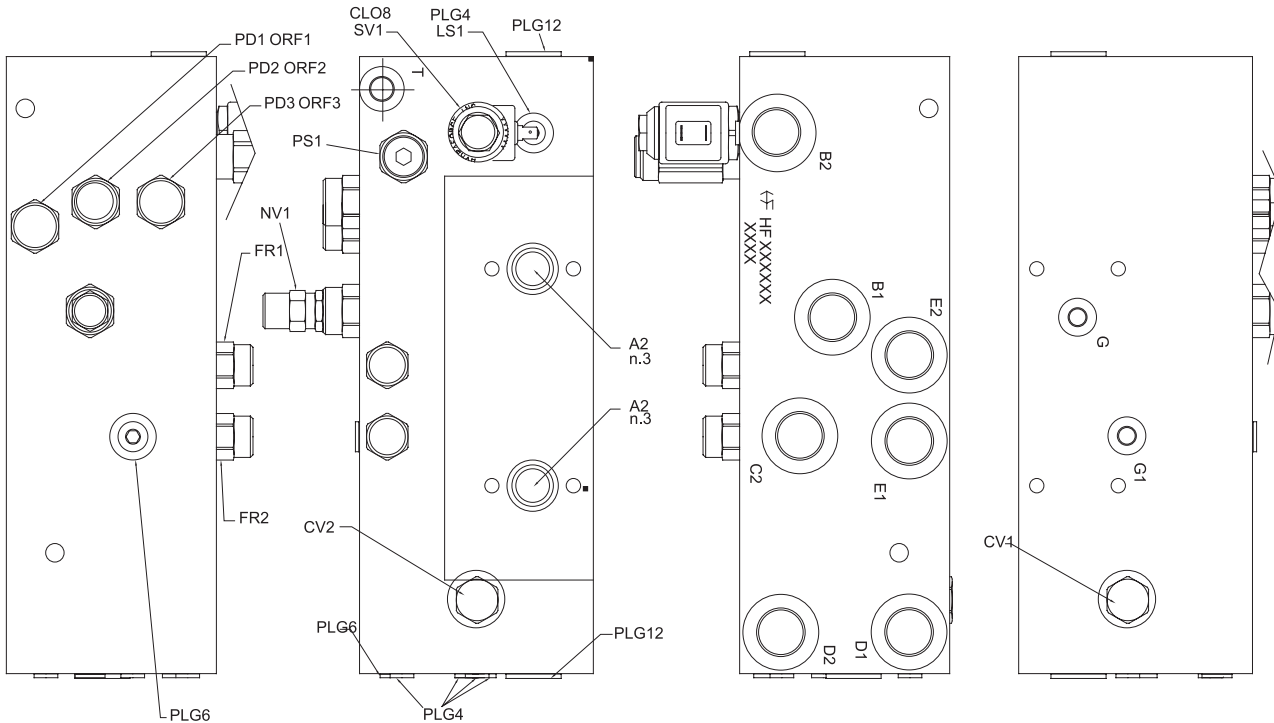


FIGURE 22

2217024

WING DECK VALVE 2218227 REF. HYDRAFORCE PART NO. HF981125

PORTING: BOTH 'G's ARE SAE 4.
BOTH 'C's ARE SAE 6.
'P', 'T', 'M1', 'M2' ARE SAE 10

ITEM	HYDRAFORCE PART NO.	R.I. P/N	QTY.	HYDRAFORCE SEAL KIT	R.I. P/N
RV1	RV10-22H-0-N-35/22	178102-42	1	SK10-2N-T	178102-01
RV2	RV10-22H-0-N-06/3.0	178102-13	1	SK10-2N-T	178102-01
CV	CV10-20-0-N-70	178102-31	1	SK10-2N-T	178102-01
PST	PILOT PISTON 7013200	178102-14	1	-----	-----
SV	SV10-21W-0-N-00	178102-16	1	SK10-2N-T	178102-01
COIL	COIL 6351012	178102-17	1	-----	-----
PLG4	SAE PLUG 6103004	178102-19	1	6002904	178102-09
PLG6	SAE PLUG 6103006	178102-18	6	6002906	178102-10

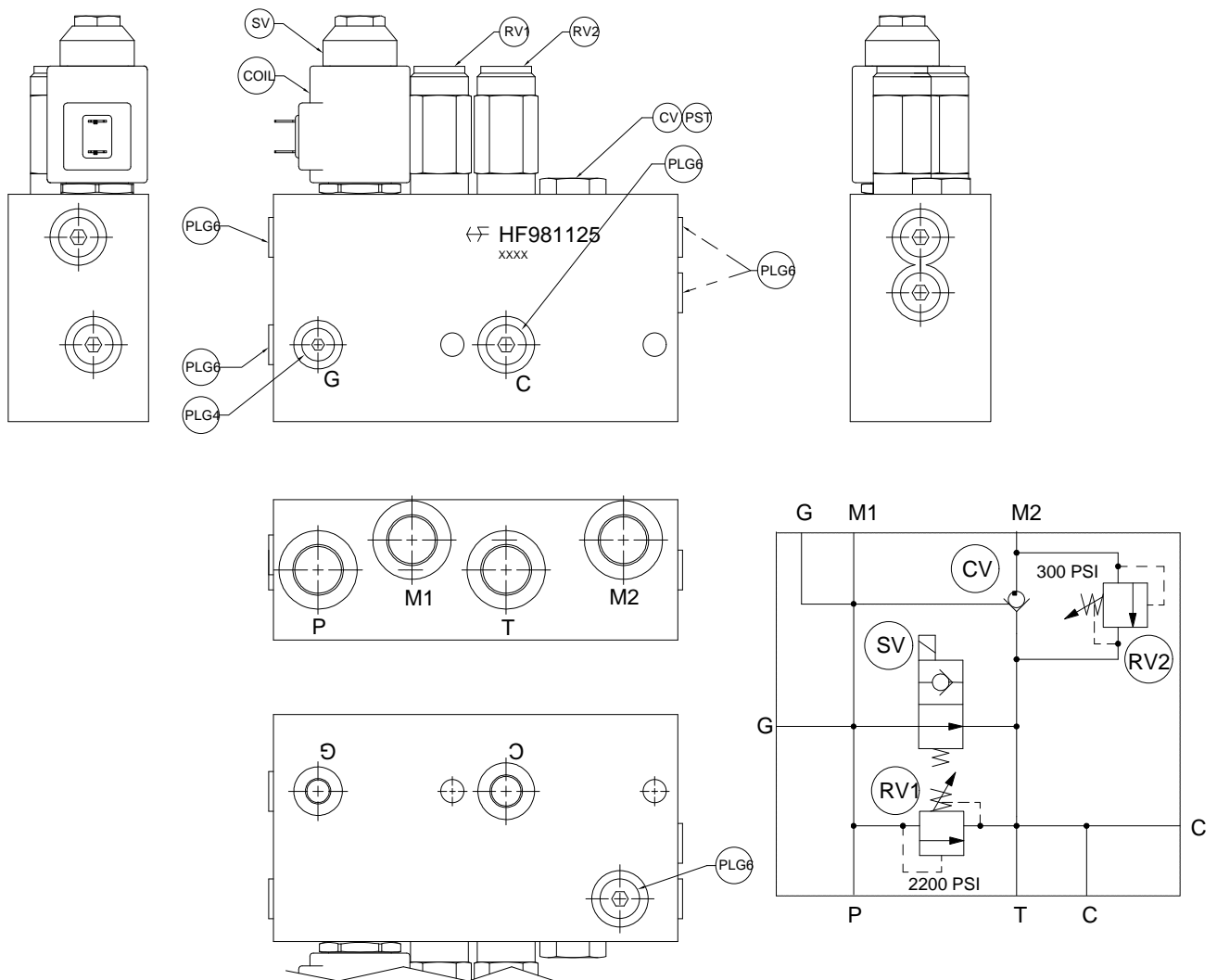


FIGURE 23

2217044

VALVE-DECK #2218225 REF. HYDRAFORCE PART NO. HF981124

PORTING: `G' IS SAE4
`R' IS SAE8
`P', `M1', `M2' ARE SAE10
`T' IS SAE12

2217060		S-DOC ASSY 2218146			
ITEM	HYDRAFORCE PART NO.	R.I. P/N	QTY.	HYDRAFORCE SEAL KIT	R.I. P/N
CV1	CV08-20-0-N-60	178102-58	1	SK08-2N-T	178102-03
CV2	CV10-20T-0-N-300	178102-59	1	SK10-2N-T	178102-01
RV1	RV10-22H-0-N-35/32	178102-79	1	SK10-2N-B	178102-02
RV2	RV10-2005H	178102-34	1	SK10-2N-B	178102-02
SV1	SV10-21W-0-N-00	178102-16	1	SK10-2N-T	178102-01
CL10	COIL 6351012	178102-17	1	-----	-----
PST1	PILOT PISTON 7013200S	178102-57	1	-----	-----
PLG4	SAE PLUG 6103004	178102-19	1	6002904	178102-09
PLG8	SAE PLUG 6103006	178102-18	4	6002906	178102-10

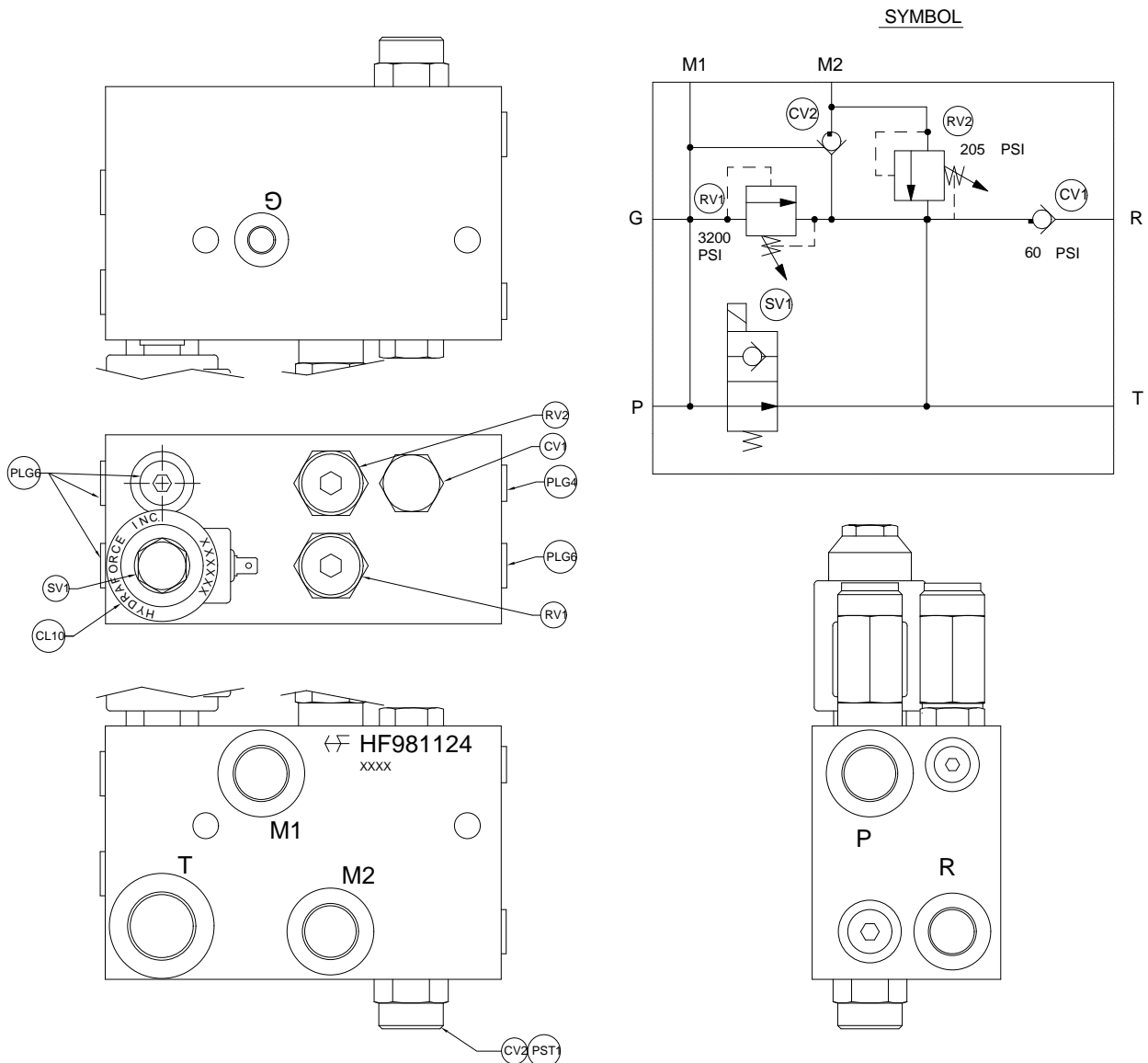
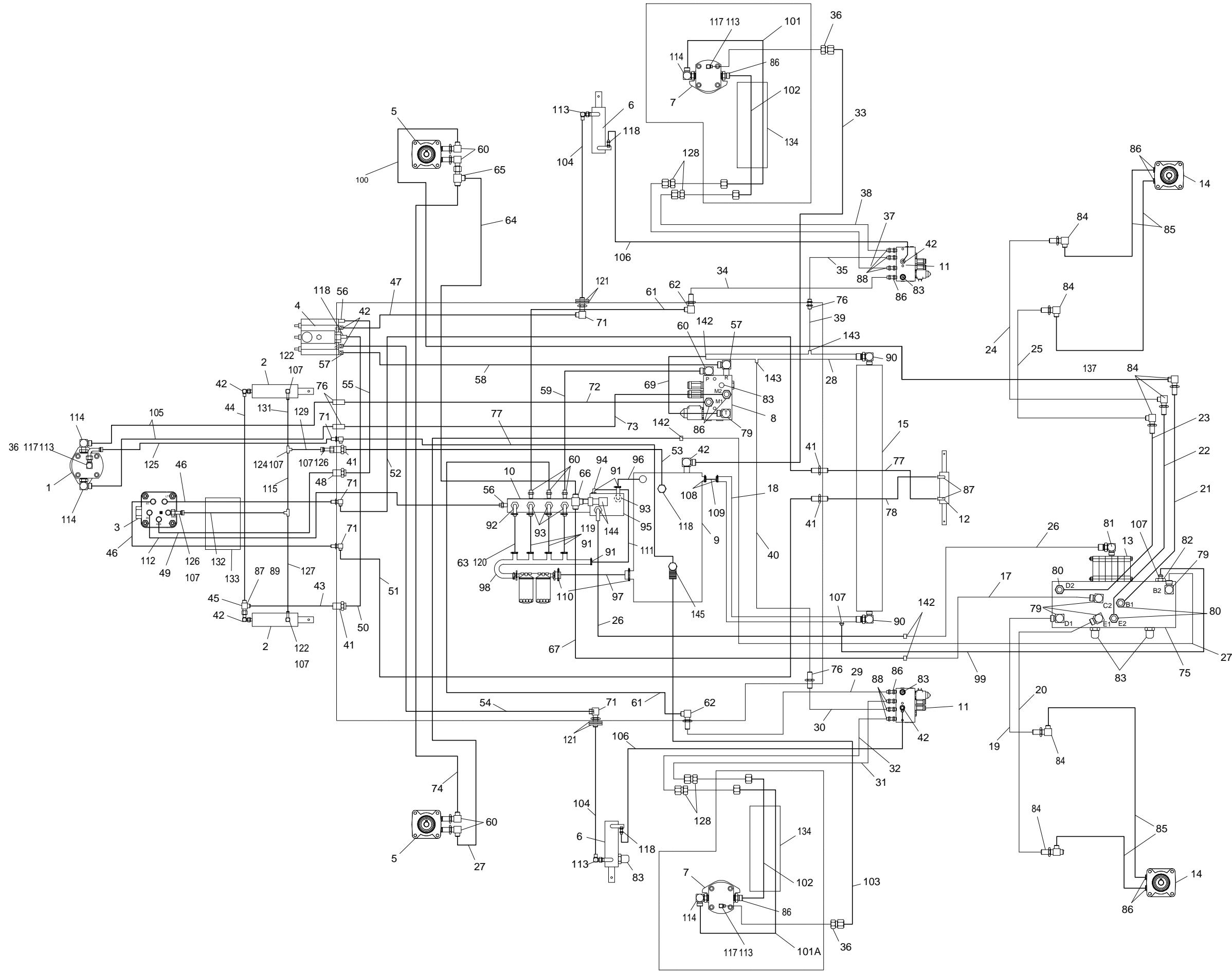


FIGURE 24

SAE PORT 'O' RING		
PART NUMBER	THREAD SIZE	AS-568#
158061-10	9/16-18	-906
158061-11	3/4-16	-908
158061-12	7/8-14	-910
158061-13	1 1/16-12	-912
158061-14	1 5/16-12	-916
158061-16	1 5/8-12	-920
158061-03	1 7/8-12	-924

FLAT FACE 'O' RING		
PART NUMBER	TUBE O.D.	AS-568#
158061-01	3/8"	-012
158061-02	1/2"	-014
158061-08	5/8"	-016
158061-09	3/4"	-018
158061-15	1 1/4"	-025

FIGURE 25



ITEM	RANSOMES PART NO	DESCRIPTION	QTY	REMARKS
25-1	2218152-02	MOTOR-HYD 14	1	
25-2	2218014	CYLINDER-LIFT	2	
25-3	2208142	STEER GEAR (USE SEAL KIT 2208142-01) (USE BEARING KIT 2208142-02) (USE CAP KIT 2208142-03) (USE RELIEF VALVE 2208142-04)	1	
25-4	2218002	VALVE-3 SPOOL LIFT	1	
25-5	148141-03	WHEEL MTR-ME150208AABT	2	
25-6	178154	CYLINDER-WING SQ PORT	2	
25-7	2218152-01	MOTOR-11 (9'8" only)	2	
	2218152-02	MOTOR-14 (10'7" only)	2	
25-8	2218225	VALVE-CUTTER DECK	1	
25-9	2218148	RESERVOIR-HYDRAULIC	1	
25-10	2178214	PUMP-4 SECTION GEAR	1	
25-11	2218227	VALVE-WING DECK #HF901009	2	
25-12	148404	CYLINDER-P.S.	1	
25-13	2178213	FLOW DIVIDER	1	
25-14	148141-02	WHEEL MTR-ME120208AABT	2	
25-15	2178212	COOLER-HYD. OIL	1	
25-17	2218027	TUBE-4WD VALVE-C2	1	
25-18	2218020	TUBE-OIL COOLER OUTLET	1	
25-19	2218019	TUBE-LH WHEEL MOTOR	1	
25-20	2218018	TUBE-LH WHEEL MOTOR	1	
25-21	2692239-05	HOSE-5/8 90 ORS/90 ORS X 34.5	1	
25-22	2692239-04	HOSE-5/8 90 ORS/90 ORS X 38.5	1	
25-23	2692239-03	HOSE-5/8 90 ORS/90 ORS X 39.5	1	
25-24	2218024	TUBE-RH WHEEL MOTOR	1	
25-25	2218023	TUBE-RH WHEEL MOTOR	1	
25-26	A799389	HOSE -FLOW DIVIDER	1	
25-27	A799390	HOSE -4WD VALVE B2	1	
25-28	2218030	TUBE-OIL COOLER INLET	1	
25-29	2218031	TUBE-LH WING VALVE P	1	
25-30	2218032	TUBE-LH WING VALVE T	1	
25-31	A799743	HOSE -LH WING VALVE M1	1	
25-32	A799744	HOSE -LH WING VALVE M2	1	
25-33	A799749	HOSE-3/8 ORS /90 ORS X 73.25	1	
25-34	2218036	TUBE-LH WING VALVE P	1	
25-35	2218037	TUBE-RH WING VALVE T	1	
25-36	178088-02	FTG-ORS PLUG 11/16-16	3	
25-37	A799744	HOSE -RH WING VALVE M1	1	
25-38	A799745	HOSE -RH WING VALVE M2	1	
25-39	2218041	TUBE-WING VALVE/OIL COOL	1	
25-40	2218049	TUBE-WING VALVE/COOLER	1	
25-41	158067-01	FITTING-BLKHD ORS/ORB	4	
25-42	158007-01	FITTING-90 ORS/ORB	7	

* Not Illustrated

FIGURE 25

2217025

ITEM	RANSOMES PART NO	DESCRIPTION	QTY	REMARKS
25-43	2692214-02	HOSE-3/8 ORS/ORS X 11.25	1	
25-44	2692214-09	HOSE-3/8 ORS/ORS X 13.50	1	
25-45	158010-01	FITTING-ORS RUN TEE	1	
25-46	2692214-10	HOSE-3/8 ORS/ORS X 44.13	2	
25-47	2692216-03	HOSE-3/8 90 ORS/45 ORS X 22.88	1	
25-48	158067-04	FTG-BLKHD ORS/ORS	1	
25-49	2692214-12	HOSE-3/8 ORS/ORS	1	
25-50	2692216-02	HOSE-3/8 90 ORS/45 ORS X 24	1	
25-51	2692217-09	HOSE-3/8 ORS/45 ORS X 57.00	1	
25-52	2692217-10	HOSE-3/8 ORS/45 ORS X 62.50	1	
25-53	2692215-19	HOSE-3/8 ORS/90 ORS X 12.25	1	
25-54	2692216-04	HOSE-3/8 90 ORS/45 ORS	1	
25-55	2692223-04	HOSE-1/2 ORS/90 ORS X 21.25	1	
25-56	158006-05	FITTING ORS/ORB	2	
25-57	158007-02	FITTING-90 ORS/ORB	2	
25-58	2692223-05	HOSE-1/2-ORS/90 ORS	1	
25-59	2692237-06	HOSE-5/8 ORS/45 ORS X 11.0 (US)	1	
	2692237-10	HOSE-5/8 ORS/45 ORS X 12.0 (UK)	1	
25-60	158007-05	FITTING-90 ORS/ORB	8	
25-61	2692240-02	HOSE-5/8 ORS/90 ORS X 45.38	2	
25-62	69055-02	FITTING-90 ORS/ORS	2	
25-63	108094-02	HOSECLAMP .50 TO 1.25	2	
25-64	2692240-04	HOSE-5/8 ORS/90 ORS X 20.75	1	
25-65	158010-02	FITTING-ORS RUN TEE	1	
25-66	69057-02	FITTING-BRANCH TEE -12 ORS	1	
25-67	2692226-03	HOSE-3/4 ORS/ORS X 38.13 (US)	1	
	2692226-05	HOSE-3/4 ORS/ORS X 38.88 (UK)	1	
25-69	2692228-02	HOSE-3/4 90 ORS/90 ORS X 19.75	1	
25-71	69055-01	FITTING-90 ORS/ORS	5	
25-72	2692237-08	HOSE-5/8 ORS/45 ORS X 19.50	1	
25-73	2692237-07	HOSE-5/8 ORS/45 ORS X 15.50	1	
25-74	2692238-03	HOSE-5/8 ORS/ORS X 24.50	1	
25-75	2218226	VALVE-4WD	1	
25-76	158067-02	FITTING-BLKHD ORS/ORS	4	
25-77	2692217-11	HOSE-3/8 ORS/45 ORS X 19.50	2	
25-78	2692214-11	HOSE-3/8 ORS/ORS X 17.00	1	
25-79	158007-07	FITTING-90 ORS/ORB	5	
25-80	158006-08	FITTING-ORB/ORS	3	
25-81	158007-08	FITTING-90 ORS/ORB	1	
25-82	69060-01	FITTING BARB, ADJ	1	
25-83	178079	TEST FITTING	6	
25-84	69055-03	FITTING-90 ORS/ORS	7	
25-85	178127-01	HOSE-5/8 90 ORS	4	
25-86	158006-07	FITTING-ORB/ORS	10	
25-87	158061-01	O-RING -06	1	
25-88	158059-06	FITTING-45 ORS/ORB ADJ	6	
25-89	69068-05	ORIFICE DISK 06, .089	1	

* Not Illustrated

LIST OF PARTS

ITEM	RANSOMES PART NO	DESCRIPTION	QTY	REMARKS
25-90	158007-12	FITTING-90 ORS/ORB	2	
25-91	108094-01	HOSE CLAMP .75 TO 1.75	10	
25-92	2690011	FTG-10-3/4 ADPT ORB/BARB 90	1	
25-93	158058-02	FITTING-90 BARB, ADJ	4	
25-94	158058-03	FITTING-90 BARB, ADJ (US)	1	
	158058-16	FITTING-90 BARB, ADJ (UK)	1	
25-95	178037	PUMP-M35 (US)	1	
	2218170	PUMP-SUNDSTRAND M46 (UK)	1	
25-96	2218065	HOSE-M35 RETURN	1	
25-97	2218066	HOSE-FILTER HEAD RETURN	1	
25-98	2218007	MANIFOLD-OIL INLET	1	
25-99	69053-05	HOSE-3/8 HI TEMP BULK	1	
25-100	2692240-05	HOSE-5/8 90 ORS/90 ORS	1	
25-101	A799747	HOSE-5/8-90 ORS ML	1	RH
25-101A	A799746	HOSE-5/8-90 ORS ML	1	LH
25-102	A799748	HOSE-5/8-ORS STR	2	
25-103	A799750	HOSE-3/8 ORS /90 ORS	1	
25-104	2692215-13	HOSE-3/8 ORS/90 ORS X 34.75	2	
25-105	2692224-05	HOSE-5/8 ORS/ORS X 24.75	2	
25-106	2692217-14	HOSE-3/8 ORS / 45 ORS X 51.00	2	
25-107	48540-01	HOSE CLAMP WITTEK H	12	
25-108	48396	CLAMP-HOSE 2 DIA	2	
25-109	69059-06	HOSE-1.25 ID	1	
25-110	48383	CLAMP-HOSE 2-1/2 DIA.	2	
25-111	A799757	HOSE-1" BORE x 500 mm LG	1	
25-112	2692215-16	HOSE- 3/8 ORS/90 ORS	1	
25-113	158007-09	FITTING-90 ORS/ORB	5	
25-114	158007-05	FITTING-90 ORS/ORB	4	
25-115	69053-06	HOSE-3/8 HI TEMP BULK	1	
25-117	158129-01	CAP PLUG, ORS-06 (US)	2	
	158129-01	CAP PLUG, ORS-06 (UK)	3	
25-118	158006-01	FITTING-ORS/ORB	5	
25-119	108092	S HOSE, 3.0	1	
25-120	108091A1	HOSE-1.0 X 1.5 X 8.25"	1	
25-121	64163-26	WASHER,.766 ID X 1.625	4	
25-122	158058-04	FITTING-BARB 90, ADJ	2	
25-124	58026-01	3 WAY CONNECTOR 3/8	2	
25-125	2692215-25	HOSE-3/8 ORS/90 ORS	1	
25-126	2690019-01	FITTING-ORS STR. STEM	2	
25-127	69053-05	HOSE-3/8 HI TEMP	7"	
25-128	69053-02	90° ORS BULKHEAD FITTING	4	
25-129	69053-05	HOSE-3/8 HI TEMP	7"	
25-131	69053-05	HOSE-3/8 HI TEMP	7"	
25-132	69053-05	HOSE-3/8 HI TEMP	34"	
25-133	108218-03	SLEEVE HOSE 24	1	
25-134	108218-11	SLEEVE HOSE 35	2	
25-142	158061-09	O-RING	4	

* Not Illustrated

ITEM	RANSOMES PART NO	DESCRIPTION	QTY	REMARKS
25-143	158061-08	O-RING	1	
25-144	158007-15	FITTING-90 ORB/ORS (UK)	2	
	158007-07	FITTING-90 ORB/ORS (US)	2	
25-145	158056-02	FITTING-ORS/ORB TEE	1	

* Not Illustrated

FIGURE 26

WIRE HARNESS COLORS

B	-	BLACK
B/W	-	BLACK/WHITE
BR	-	BROWN
BR/W	-	BROWN/WHITE
DB	-	DARK BLUE
DG	-	DARK GREEN
DG/W	-	DARK GREEN/WHITE
GY	-	GREY
GY/B	-	GREY/BLACK
GY/DB	-	GREY/DARK BLUE
GY/R	-	GREY/RED
LB	-	LIGHT BLUE
LB/W	-	LIGHT BLUE/WHITE
O	-	ORANGE
O/B	-	ORANGE/BLACK
P	-	PINK
PL	-	PURPLE
R	-	RED
R/W	-	RED/WHITE
W	-	WHITE
W/B	-	WHITE/BLACK
W/DB	-	WHITE/DARK BLUE
W/R	-	WHITE/RED
Y	-	YELLOW
Y/B	-	YELLOW/BLACK

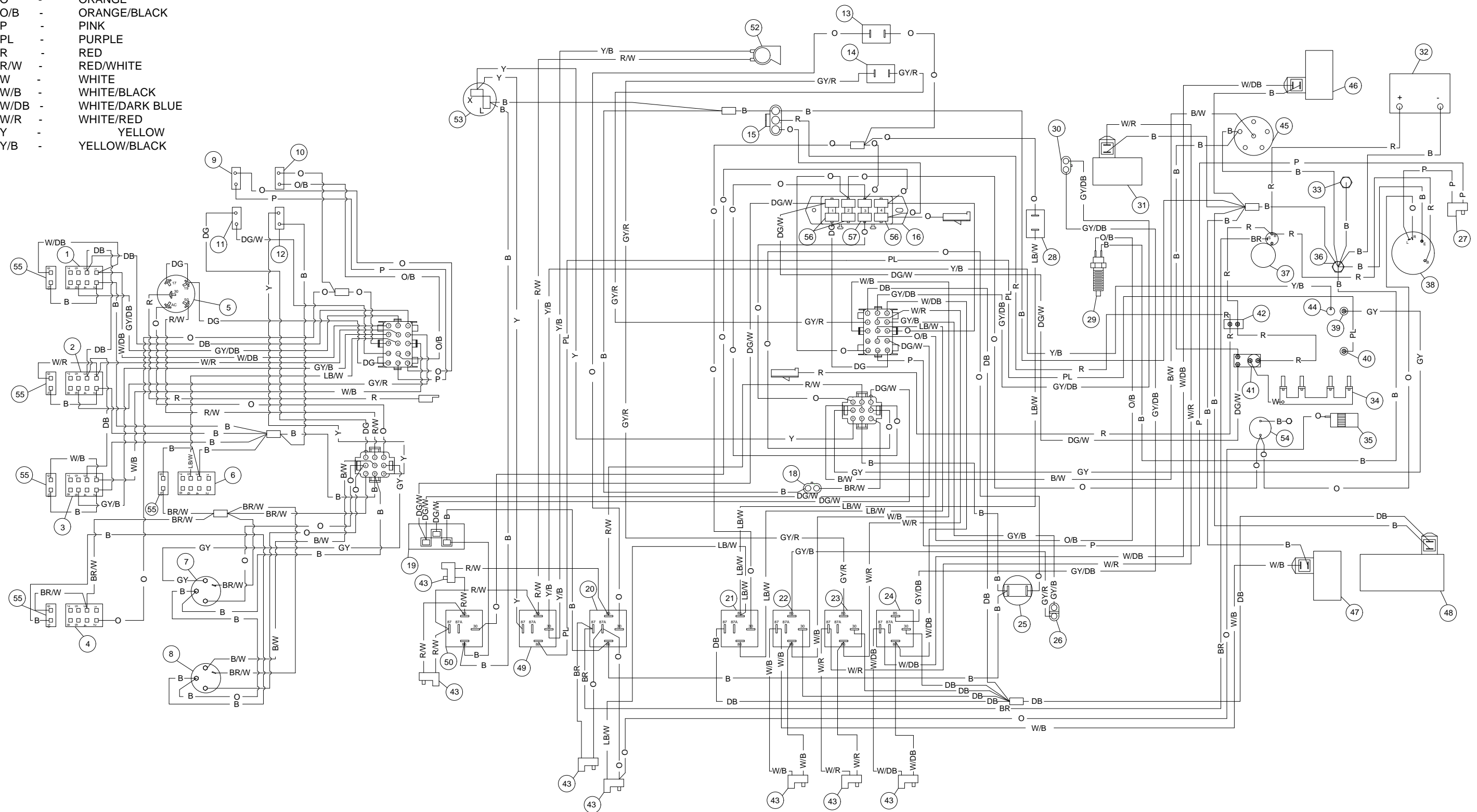


FIGURE 26

LIST OF PARTS

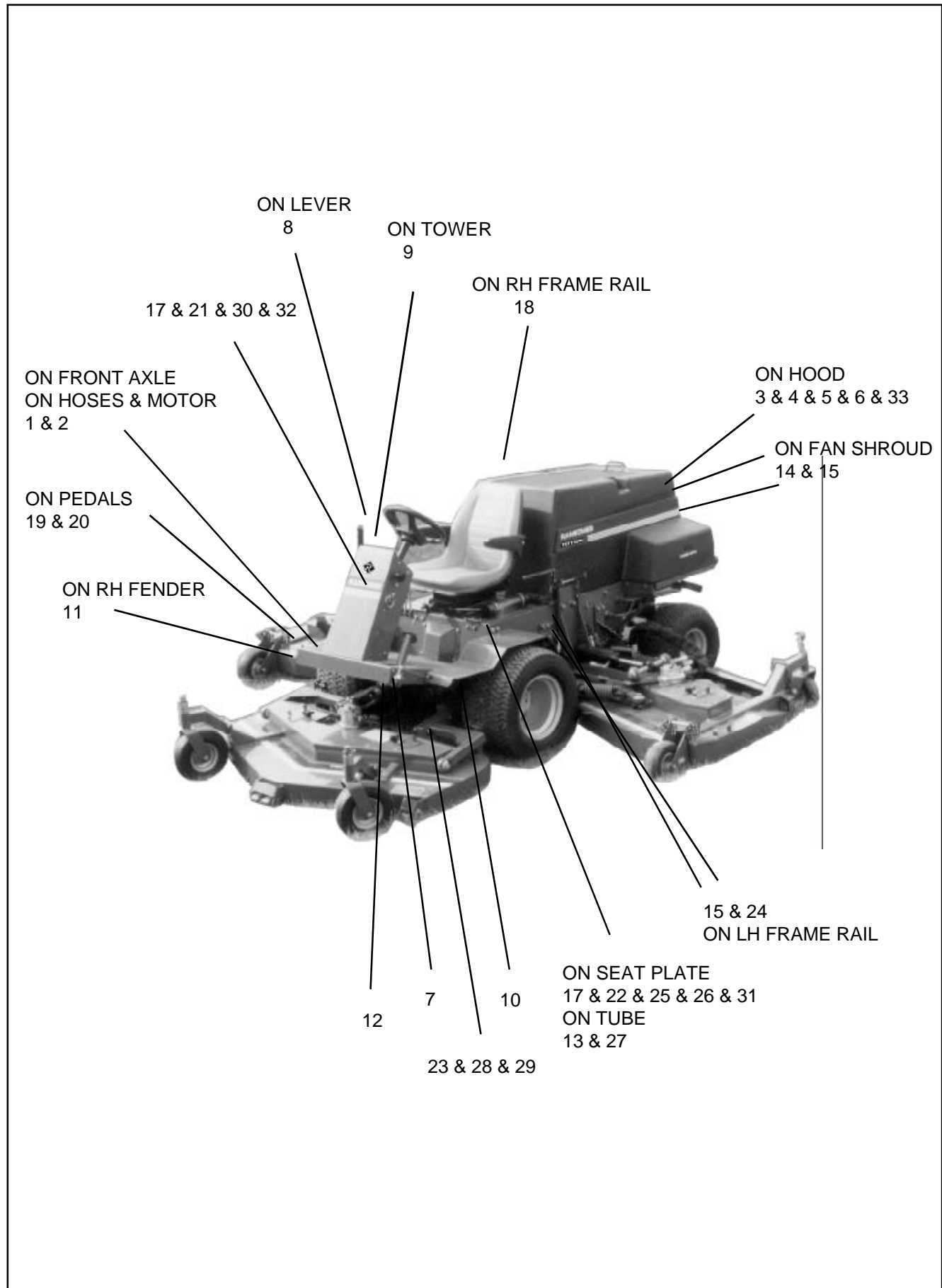
ITEM	RANSOMES PART NO	DESCRIPTION	QTY	REMARKS
26-2	A829546	SWITCH-CENTER DECK	1	
*	A829587	SWITCH-PTO LENS	1	
26-5	-	SWITCH-IGNITION	1	(PERKINS PART NO.385201160
26-6	A829546	S-4 WD SW	1	
*	A829588	SWITCH-LENS RABBIT	1	
26-7	W178092-03	S-WATER TEMP GAUGE	1	
26-8	W178092-04	S-FUEL GAUGE	1	
26-9	A829565	S-LIGHT, BATTERY	1	
*	A829564	LENS BATTERY	1	
26-10	A829565	S-LIGHT, OIL TEMP.	1	
*	A829571	LENS-HYDRAULIC OIL	1	
26-11	A829565	S-LIGHT, GLOW PLUG	1	
*	A829565	LENS-GLOW PLUG	1	
26-12	A829565	S-LIGHT, OIL PRESSURE	1	
*	A829563	LENS-PRESSURE	1	
26-13	W38383	SWITCH-NEUTRAL	1	
26-14	W38383	SWITCH-FRONT DECK	1	
26-15		EUROPEAN LIGHTS		
26-16		FUSE BLOCK	1	
26-17		OPTIONAL WARNING	1	
26-18		TO U.S. LIGHT KIT	1	
26-19	2218069	RELAY-TIME DELAY	1	
26-20	A824473	RELAY-START	1	
26-21	A824473	RELAY-4 WD	1	
26-22	A824473	RELAY-LH DECK	1	
26-23	A824473	RELAY-CENTER DECK	1	
26-24	A824473	RELAY-RH DECK	1	
26-25	A810966	HOUR METER ASSEM	1	
26-26	2208036	SWITCH-LH DECK (PROXIMITY)	1	
*	2208049	ACCTUATOR MAGNET	2	
26-27	2218017-01	S-DIODE	1	
26-28	158135-01	SWITCH-SEAT, NO	1	
26-29	2218136	SWITCH, TEMP-HYD. OIL	1	
26-30	2208036	SWITCH-RH DECK	1	
26-31	2218225	VALVE-FRONT DECK	1	
26-32		BATTERY-12 V	1	
26-33		FRAME GROUND	1	
26-34	-	GLOW PLUG	4	(PERKINS NO. 185366060)
26-35	-	SOLENOID SHUT-OFF	1	(PERKINS NO. 185206082)
26-36		ENGINE GROUND	1	
26-37	-	STARTER MOTOR	1	(PERKINS NO. 185086510) 1
26-38	-	ALTERNATOR	1	(PERKINS NO. 185046320)

* Not Illustrated

ITEM	RANSOMES PART NO	DESCRIPTION	QTY	REMARKS
26-39	148270	SENDER-TEMP	1	
26-40	-	SWITCH-OIL PRES.	1	PERKINS NO. 1852460060)
26-41	38665	RELAY-GLOW PLUG	1	
26-42	48524	CIRCUIT BREAKER 40A		
26-43	178150	DIODE-6AMP /5AMP FUSE	7	
26-44	-	SWITCH-WATER TEMP	1	(PERKINS NO.385720231)
26-45	2218046	SENDER-FUEL LEVEL	1	
26-46	178100	VALVE-RH DECK	1	
26-47	178100	VALVE-LH DECK	1	
26-48	2218226	VALVE-FRONT DECK	1	
26-49	A824473	RELAY-HORN	1	
26-50	A824473	RELAY-ALARM	1	
26-52	A823972	HORN	1	
26-53	699527226	FLASHER-552 12V	1	
26-54	891476	PUMP ,ELECT FUEL	1	
26-56	A823316	FUSE 10 AMP	3	
26-57	A823318	FUSE 20 AMP	1	
*	2208099	SWITCH-FOOTSWITCH	1	MOW ENGAGE (UK)
*	A905046	GROUND LEADS	1	(UK)
*	A824518	DIODE ASSY	1	(UK)
*	A905741	WIRING HARNESS- MAIN	1	(UK)
*	A905742	WIRING HARNESS, FUSE	1	(UK)
*	A905743	WIRING HARNESS- INSTR	1	(UK)
*	A824474	70 AMP RELAY	1	(UK)
*	A823315	5 AMP FUSE	7	(UK)
*	A824464	SEAT SWITCH DELAY	1	(UK)
*	A823335	FUSE HOLDER	3	(UK)
*	A823337	FUSE-STRIP LINK	3	(UK)

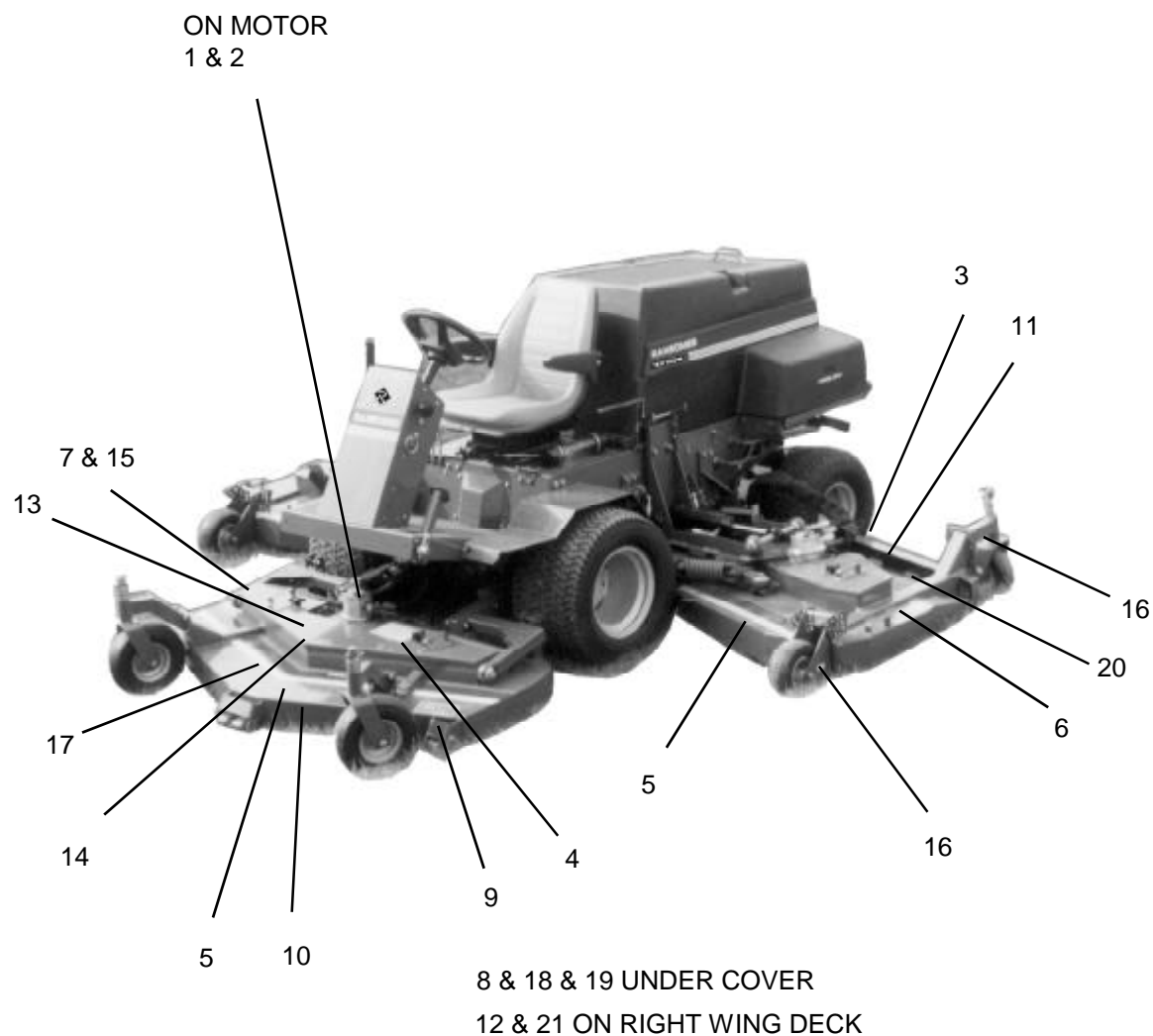
* Not Illustrated

FIGURE 28



ITEM	RANSOMES PART NO	DESCRIPTION	QTY	REMARKS
28-1	A923921	LBL-PRESSURE 6100	3	
28-3	2000682	DECAL-951	3	
28-4	2000684	DECAL-4 WHEEL DRIVE	2	
28-5	838495	LABEL-RED/WH STR 8.2'	1	
28-6	838588	LBL-RANSOMES W/LOGO	2	
28-7	2218087	MAT-PLATFORM	1	
28-8	00465	LABEL,6100 FAST/SLOW	1	
28-9	2000647	LABEL-FORWARD/REV	1	
28-10	148317-01	MAT-FENDER EXT LH	1	
28-11	148317-02	MAT-FENDER EXT RH	1	
28-12	A903970	LABEL-PARK BRAKE EC	1	
28-13	A903491	LABEL-READ OPER EEC	1	
28-14	A903488	LABEL-FAN ROTATE	1	
28-15	A911410	LABEL-BATTERY EEC	1	
28-16	2000652	LABEL-DIESEL FUEL EEC	1	
28-17	838495	LABEL-RED/WHITE STR 20'	1	
28-18	2000654	LABEL-HYDRAULIC FILL	1	
28-19	48013-06A	MAT, NON SKID 2.75X2.75	1	
28-20	48436	MAT-NON SKID	1	
28-21	2000628	LABEL, 9 RANSOMES	1	
28-22	2000649	LABEL-DECK LIFT EEC	1	
28-23		PLATE-SERIAL TAG	1	
28-24	2000641	LABEL-EXPLSN FUEL EEC	1	
28-25	2000653	LBL-EC HYD FLUID REQ	1	
28-26	2000644	LABEL-MAINT EEC	1	
28-27	2000688	DECAL-TIRE PR 14PSI EEC	1	
28-28	A903929	LABEL-CE	1	
28-29		PLATE-EEC	1	
28-31	2000767	LABEL-SLOPE ANGL EC	1	
28-32	2720122	LABEL-DIAMOND R	1	
28-33	2720643	LABEL-TEXTRON	2	

FIGURE 30



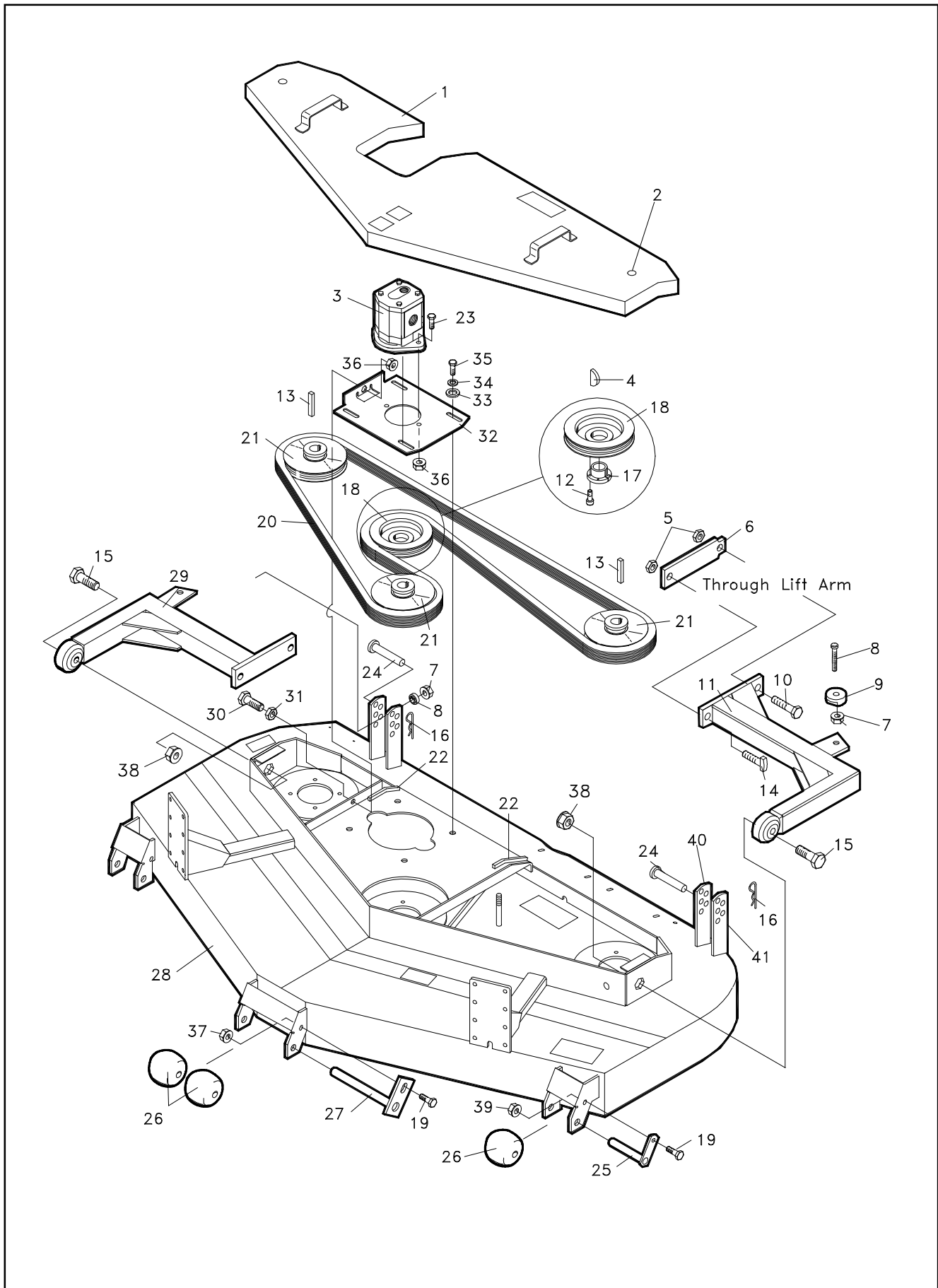
DECK TRIM-EUROPEAN MODEL RANSOMES Frontline 951 Plus Series :XV PARTS MANUAL

2217029

LIST OF PARTS

ITEM	RANSOMES PART NO	DESCRIPTION	QTY	REMARKS
30-1	A923921	LABEL-PRESSURE	1	
30-3	00429	LABEL-WARNING	2	
30-4	A923927	LABEL-HEIGHT OF CUT	1	
30-5	A923951	LABEL-RED/WH STR 4.1'	1	
30-6	75075A	LABEL-CPSC DANGER	2	
30-7	2000677	LABEL-DANGER/WARN	1	
30-8	2000737	LABEL-ROT PARTS	1	
30-9	2000572	LABEL-WARN BLADES	1	
30-10	00517	LABEL-61 RD DCK	1	
30-11	00447	LABEL-WING DECK AD LH	1	
30-12	00450	LABEL-WING DECK AD RH	1	
30-13	A903474	LABEL-EEC NOISE 90	1	
30-14	A903477	LABEL-EEC NOISE 105	1	
30-15	2000760	LABEL-HANDS/ROCK EC	1	
30-16	00253	DECAL-TIRE PRESS	6	
30-17	838588	LABEL-RANSOMES W/LO	1	
30-18	2000637	LABEL-WARN PULLEY EEC	1	
30-19	2000643	LABEL-WING DCK WSH EEC	1	
30-20	A9239290	HT. OF CUT DECAL-LH DECK	1	
30-21	A9239300	HT. OF CUT DECAL-RH DECK	1	

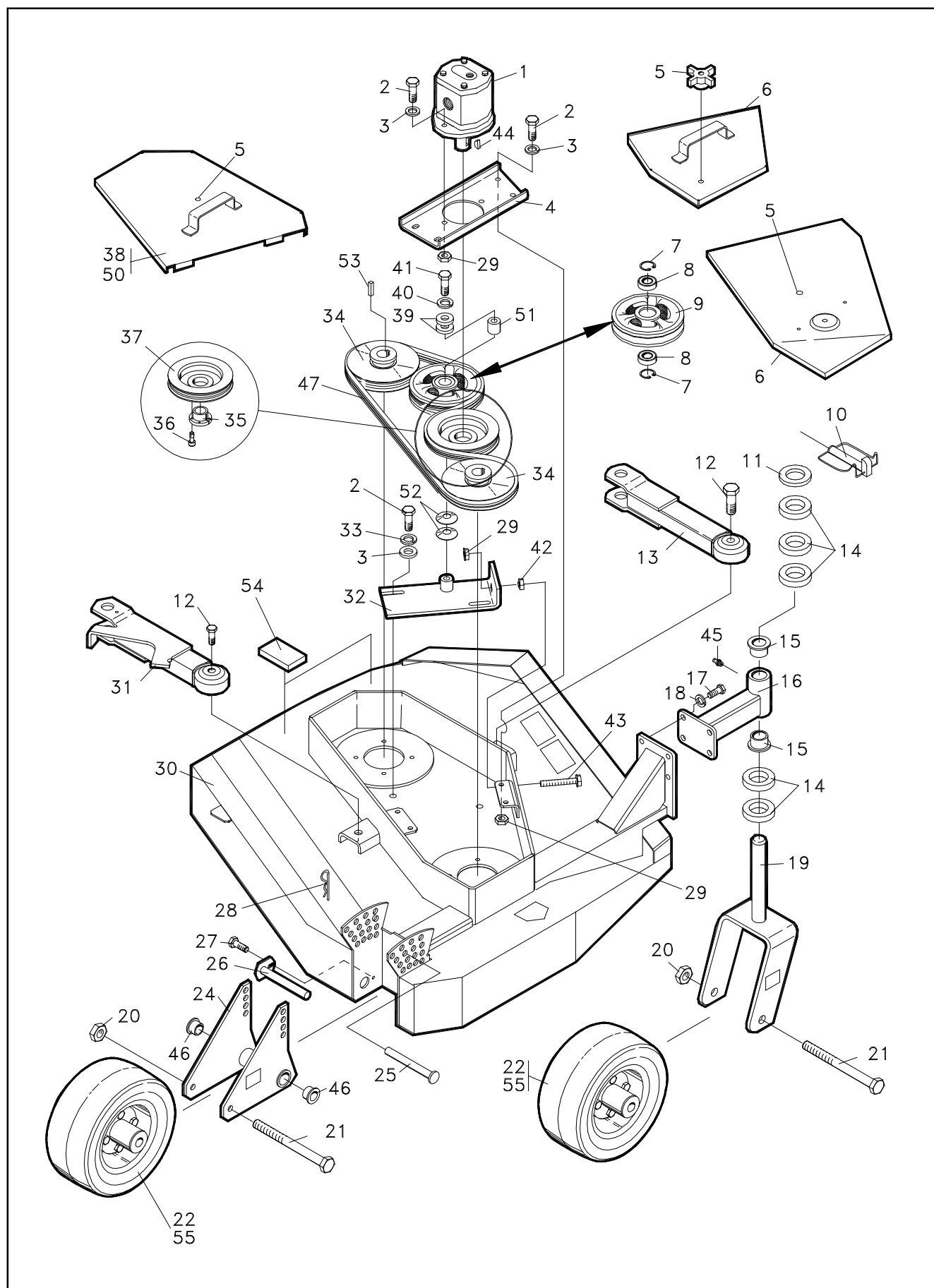
FIGURE 31



ITEM	RANSOMES PART NO	DESCRIPTION	QTY	REMARKS
31-1	MBF1932	COVER DECK 60RD (UK)	1	
31-2	W178111	SPRING LATCH	2	
31-3	2218152-02	MOTOR HYD 14	1	
31-*	2218152-04	S-SEAL KIT	A/R	
31-4	64164-27	KEY-1/4X1/4X1	1	
31-5	450382	NUT-HEX M16	4	
31-6	142064	PLATE-BACKING	2	
31-7	450327	NUT-HEX M16	2	
31-8	64223-08	SCREW SOC HD M16 60	2	
31-9	2213036	STOP HEIGHT ADJUSTMENT	2	
31-10	450078	BLT-HEX M16 x 100	2	
31-11	2216072	WLDMT-SPPRT ARM L.H.	1	
31-12	64189-7A	BLT-HX SOC #10-32X1/2	3	
31-13	64164-12	1/4X1/4X1 SQ END KEY	3	
31-14	64239-01	BLT-"T"5/8-18X3 3/4 G8	2	
31-15	450073	BLT-HEX M16 x 70	2	
31-16	A149022	HAIRPIN COTTER	2	
31-17	148075-02	BUSHING-JA 7/8 BORE	1	
31-18	W148195	PULLEY JA	1	
31-19	450191	BLT M8 x 20	4	
31-20	W178121	BELT-CENTER DECK	1	
31-21	MBG6038	PULLEY-5.75 OD	3	
31-22	48450-16	FOAM .5X4.0X.5	2	
31-23	64123-50	BLT-HEX 3/8-16X1	2	
31-24	64188-40	1/2 X 2-5/8 CLEVIS PIN	2	
31-25	46335	SHAFT ASM-ROLLER	5	
31-26	W2198153	ROLLER, 3	7	
31-27	W146067	WLDMT-ROLLER SHAFT	1	
31-28	MBF1931A	S 61" DECK W/LABS	1	
31-29	2216071	WLDMT-SUPPT ARM R.H.	1	
31-30	450222	BLT-HEX	1	
31-31	450325	NUT-HEX	1	
31-32	W172107	PLATE-MOTOR	1	
31-33	450391	WASHER	4	
31-34	450412	LOCKWSHR-HELICAL	4	
31-35	450215	BLT-HEX	4	
31-*	450372	NUTSERT	4	
31-36	450454	NUT, M10 VERBUS RIP	3	
31-37	64141-6	NUT-WLF 5/16-18	6	
31-38	450457	NUT-M16	2	
31-39	452436	NUT M8	2	
31-40	2212186	BRACKET, HEIGHT ADJUST	2	
31-41	2212187	BRACKET, HEIGHT ADJUST	2	
31-42*	A904025	SEALING BLOCK	1	
31-*	142088	BRACKET ROLLER	2	REAR LEFT FOR ITEM 25
31-*	38471	DECK COVER FOAM	AR	2.8m REQUIRED.

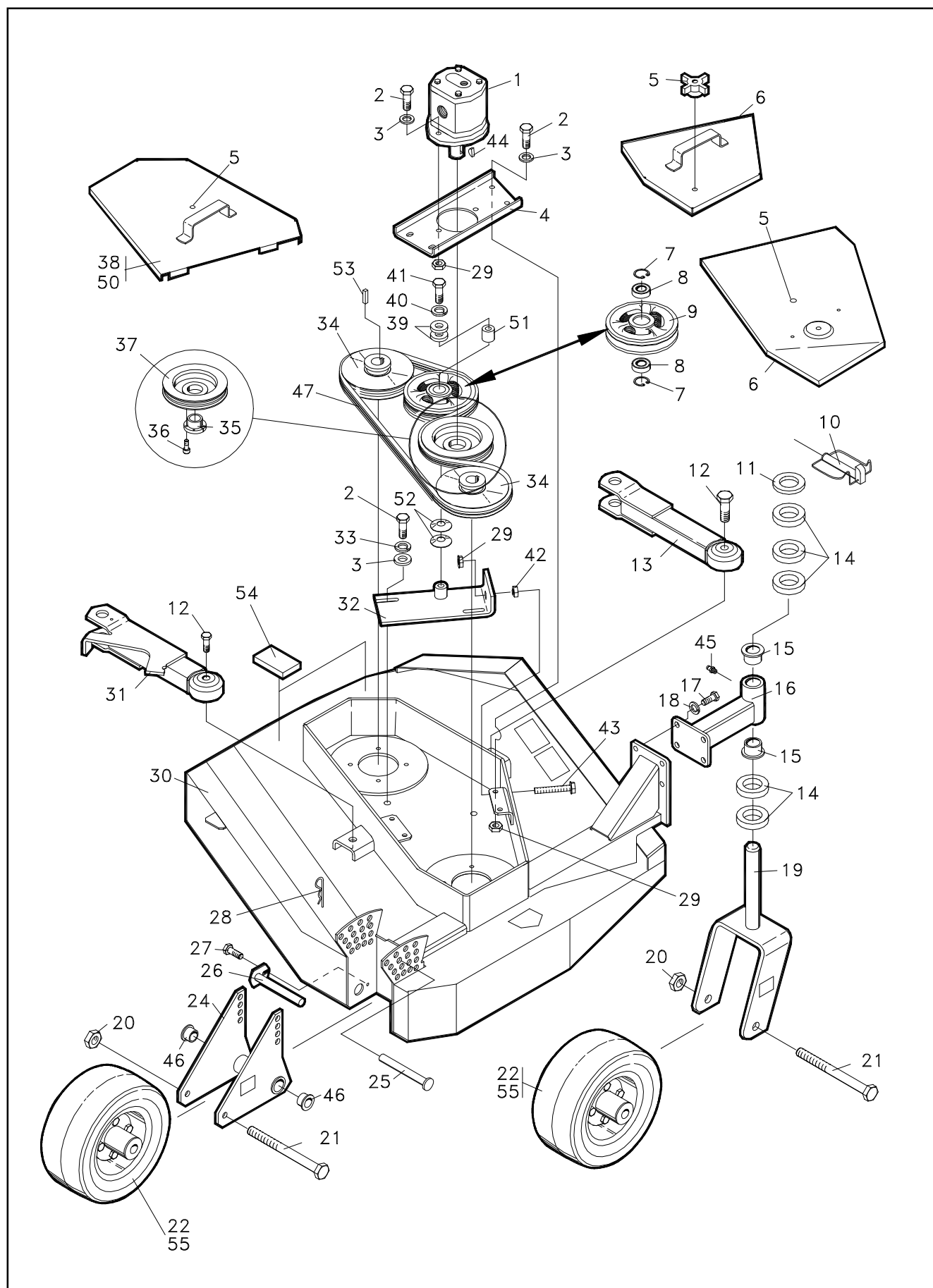
*NOT ILLUSTRATED

FIGURE 32



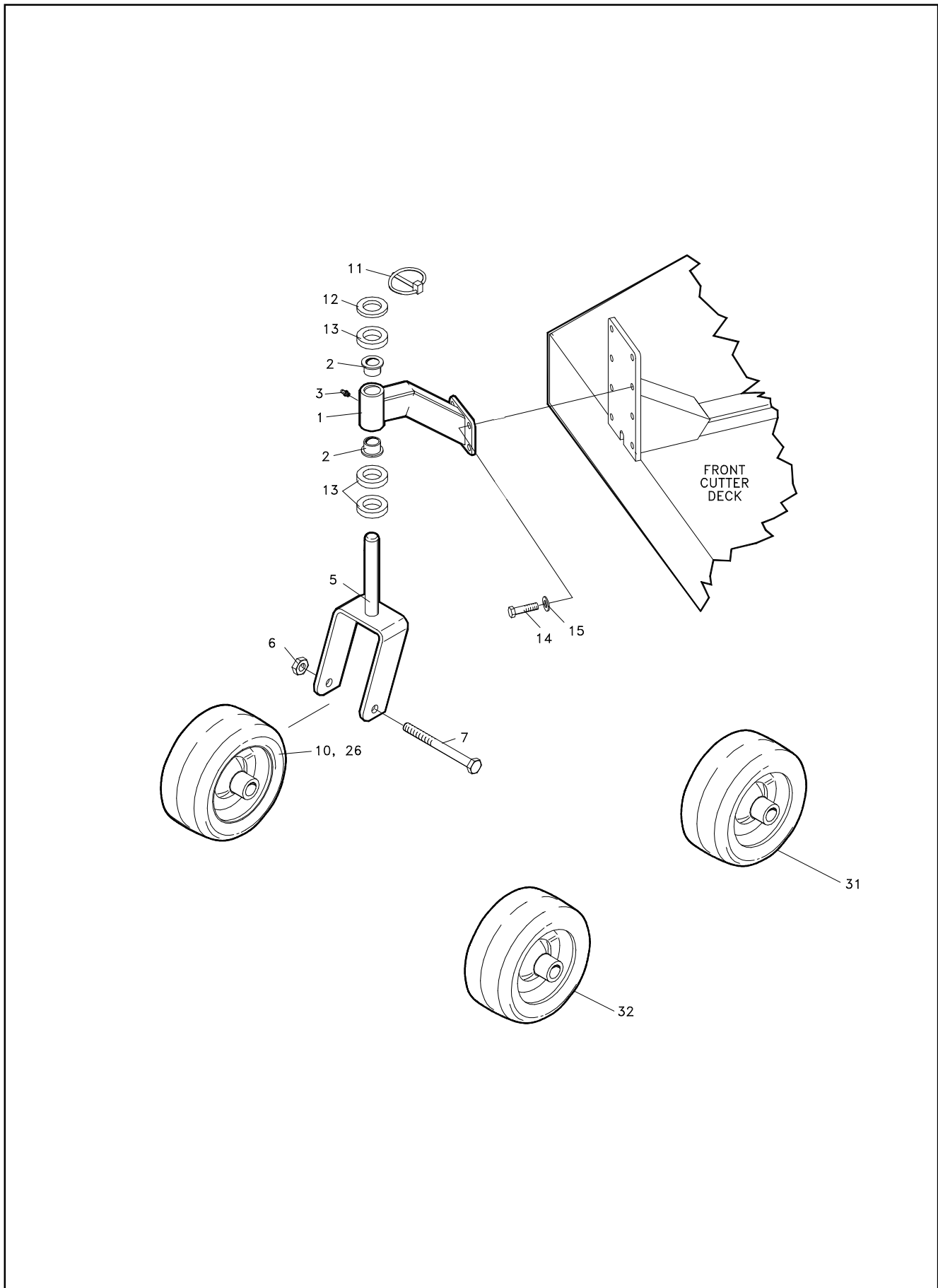
ITEM	RANSOMES PART NO	DESCRIPTION	QTY	REMARKS
32-1	2218152-01	MOTOR 11CC (SEAL KIT 2218152-04) (USE 2218152-02 ON 10'-7" MODELS)	2	
32-2	450213	BLT-HEX	16	
32-3	450391	WASHER	16	
32-4	2212097	MOTOR PLT-LH DECK	1	
*	2212094	MOTOR PLT-RH DECK ON 10'-7" MODELS USE THE FOLLOWING:	1	
*	2212099	MOTOR PLT-LH DECK	1	
*	2212098	MOTOR PLT-RH DECK	1	
32-5	W178111	1/4 TURN FASTENER	4	(AMERICAN BUILT)
32-6	MBG5574	WLDT-BELT CVR OUT LH	1	
*	MBG5575	WLDT-BELT CVR OUT RH ON 10'-7" MODELS USE THE FOLLOWING:	1	
*	MBG5570	WLDT-BELT CVR OUT LH	1	
*	MBG5571	WLDT-BELT CVR OUT RH	1	
32-7	451970	INTRNL RETAINER RING	2	
32-8	A203912	IDLER PULLEY BEARING	2	
32-9	146169	PULLEY IDLER W/BEARG (INCLUDES ITEMS 7 & 8)	2	
32-10	469009601	QUICK PIN	2	
32-11	MBG5426	WASHER	2	
32-12	450073	BOLT	4	
32-13	176061	WLDMT-SWNG ARM RR	2	
32-14	MBG5427	WASHER	10	
32-15	A219020	CASTER WHEEL BUSHG	4	
32-16	MBF1968	WLDMT-CASTER ARM	4	(INCL ITEM 15 Q2 & 46 Q1)
32-17	450239	BLT-HEX	16	
32-18	450424	LKWSHR-HELICAL	16	
32-19	MBF1967	YOKE	2	
32-20	450380	LOCK NUT	2	
32-21	452627	BOLT	2	
32-22	A816267	WHEEL ASSY 9X3.5-4.00	4	
32-24	176131	S CASTER WLDMT W/LAB	2	
32-25	W64188-29	PIN CLEVIS 1/2 X 6	2	
32-26	MBF1969	WLDMT-PUSH ARM PIN	2	
32-27	450171	BOLT	2	
32-28	A149022	HAIRPIN COTTER	2	
32-29	450379	NUT	4	
32-30	MBF1947	S T51 LH WNG DK W/LAB	1	

FIGURE 32



ITEM	RANSOMES PART NO	DESCRIPTION	QTY	REMARKS
*	MBF1948	S T51 RH WNG DK W/LAB ON 10'-7" MODELS USE THE FOLLOWING:	1	
*	MBF1990	S 10'-7" LH WING W/LABS	1	
*	MBF1989	S 10'-7" RH WING W/LABS	1	
32-31	176059	WLDMT-SWING ARM LF	1	
32-32		ON 9'-8" MODELS USE THE FOLLOWING:		
	MBF1959	WLDMT-ADJ PLT LH DCK	1	
*	MBF1958	WLDMT-ADJ PLT RH DCK ON 10'-7" MODELS USE THE FOLLOWING:	1	
	MBF1959	ON LEFT WING DECK		
	MBF1958	ON RIGHT WING DECK		
32-33	450412	LOCKWSHR-HELICAL	6	
32-34	MBG6038	PULLEY-5.75 OD	4	
32-35	148075-02	BUSHING-JA 7/8 BORE	2	
32-36	64189-6A	BLT-HX SOC#10-24X1	8	
32-37	W148195	PULLEY JA	2	
32-38	MBG5564	WLDMT-BELT CVR IN LH	1	
*	MBG5569	WLDMT-BELT CVR IN RH (USED ON 9'-8" MODELS ONLY)	1	
32-39	64163-36	WASHER	2	
32-40	64006-05	LOCKWSHR-HELICAL 1/2	2	
32-41	64123-72	BLT-HEX 1/2-13X2-1/2	2	
32-42	450325	NUT-HEX 3/8-16	2	
32-43	64123-159	BLT-HEX 3/8-16X2-1/2	2	
32-44	64164-27	S-KEY-1/4X1/4X1	A/R	
32-45	A299301	LUBRICATOR	4	
32-46	A219019	BUSHG-CASTER WHEEL	2	
32-47	W178007	BELT-CUTTER DECK (USE 178145 ON 10'-7" MODELS)	2	
32-50	MBG5572	WLDMT-BELT CVR IN LH	1	
*	MBG5573	WLDMT-BELT CVR IN RH	1	
32-51	43065A	SPACER-BUSHING	2	
32-52	64209-01	CONICAL SPRING WASH	4	
32-53	64164-12	KEY-1/4X1/4X1 SQ KEY	4	
32-54	168142-03	STRIP-RUBBER	2	
32-55	A816267	WHL-9X3.5X4.0 (FILLED)UK	2	
32-*	38471	DECK COVER FOAM	AR	(0.95m) 9'8" DECK
32-*	38471	DECK COVER FOAM	AR	(1.25m) 10'7" DECKS

FIGURE 33

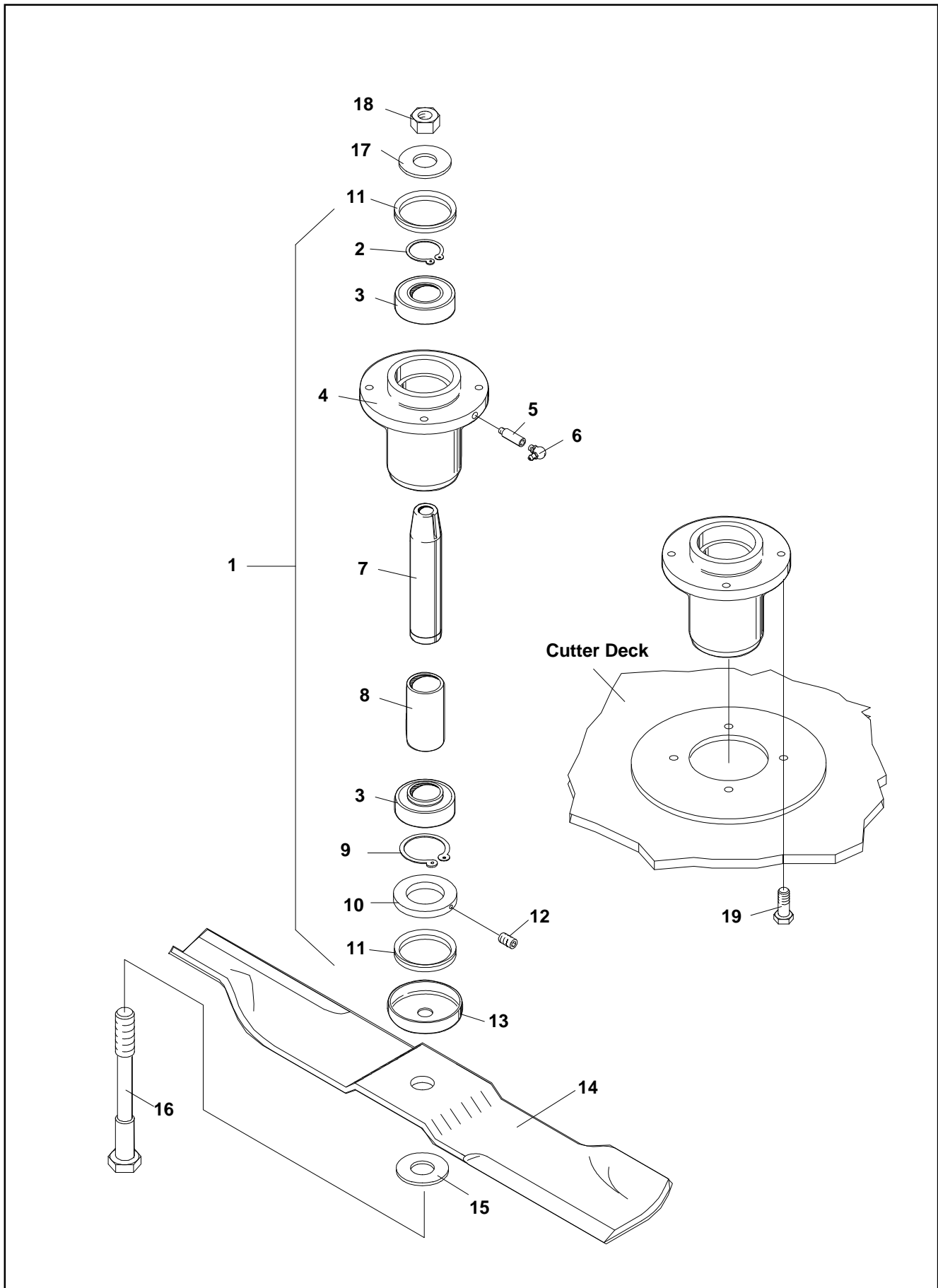


2217035a

LIST OF PARTS

ITEM	RANSOMES PART NO	DESCRIPTION	QTY	REMARKS	
33-1	MBF1937	SUPPORT ASSY W/BRGS	1	(INCLUDES ITEMS 2 & 3)	
33-2	A219020	• BEARING, FLANGED	2		
33-3	A299301	• LUBRICATOR	1		
33-5	MBF1939A	WLDMT-CASTER YOKE	1		
33-6	452438	HEX LOCK NUT	1		
33-7	452629	BLT M12 x 180 CUP HEAD SQ.	1		
33-11	469009601	QUICK PIN	1		
33-12	MBG5426	WASHER	1		
33-13	MBG5427	WASHER	3		
33-14	450239	BLT-HEX	8		
33-15	450424	LOCKWASHER-HELICAL	8		
33-26	148045-01	WHEEL, 11" FILLED	1		AMERICAN BUILT MACHINES
33-31	A816270	WHEEL ASSEMBLY 11"	2		DEEP GROOVE BEARINGS (UK BUILT MACHINES)
33-32	1004023	WHEEL ASSEMBLY 11"	2		TAPER ROLLER BEARINGS (MUST BE FOAM FILLED BEFORE USE). (EARLY UK BUILD).

FIGURE 34



ITEM	RANSOMES PART NO	DESCRIPTION	QTY	REMARKS
34-1	146064	ASM-SPINDLE	7	(INCLUDES ITEMS 2-12 & 17)
34-2	64144-28	SNAP RING 1.187	1	
34-3	148070	BEARING-BALL 1-1/4 10	2	
34-4	LMSE146	SPINDLE HOUSING	1	UK BUILT ONLY
34-5	MBG5448A	EXTENSION	1	UK BUILT ONLY
34-6	A229316	LUBRICATOR	1	UK BUILT ONLY
34-7	143030	SPINDLE	1	
34-8	143032	SPACER-BEARING	1	
34-9	64144-29	SNAP RING 1.250	1	
34-10	143031	SPACER-SEAL	1	
34-11	148071-01	V-RING V-60A	2	
34-12	450944	SET SCREW, CUP PNT.	2	UK BUILT ONLY
34-13	142108	CAP-SPINDLE	3	
34-14	112243-03	BLADE	7	(USE 112243-02 ON 9'-8" WING DECKS, QTY 4)
34-15	64163-01	WASHER	7	
34-16	A100977	BOLT-BLADE	7	UK BUILT
34-17	W64209-03	SPRING WASHER .67 ID	7	
34-18	450020176	NUT-HEX 5/8-18	7	
34-19	450472	BLT-WLF M8	28	UK BUILD EARLY
34-19	450479	M10 VERBUS RIP SCREW	28	UK BUILD
*				

PART NO	DESCRIPTION	PAGE	ITEM	PART NO	DESCRIPTION	PAGE	ITEM
253	DECAL-TIRE PRESS	79	30-16	148197	PULLEY-5.75 OD	85	32-34
301	LABEL-HEIGHT OF CUT	79	30-4	148270	SENDER-TEMP	7	1-31
308	LABEL-EEC NOISE 105	79	30-14	148270	SENDER-TEMP	75	26-39
429	LABEL-WARNING	79	30-3	148404	CYLINDER-P.S.	23	7-19
447	LABEL-WING DECK AD LH	79	30-11	148404	CYLINDER-P.S.	70	25-12
450	LABEL-WING DECK AD RH	79	30-12	158001	CHAIN	61	19-48
459	LBL-PRESSURE 6100	77	28-1	172042	BRKT-STEERING	41	15-43
459	LABEL-PRESSURE	79	30-1	172060	BRAKE DRUM	21	6-5
460	LBL-RETURN 6100	77	28-2	172088	LEVER	33	12-7
460	LABEL-RETURN	79	30-2	172107	PLATE-MOTOR	81	31-32
465	"LABEL,6100 FAST/SLOW "	77	28-8	172298	SUPPORT-STEERING	41	15-45
468	LABEL-EEC NOISE 90	79	30-13	172304	BRACKET-TILT WHEEL	39	15-37
517	LABEL-61 RD DCK	79	30-10	172359	PLATE-PUSH ARM SW	57	18-9
22372	B&S CABLE CLAMP	7	1-50	173006	SHAFT-LOCKING	39	15-39
38383	SWITCH-N.C.	39	15-17	173010	SHAFT-CUTTER DECK	59	19-36
38383	SWITCH-N.C.	57	18-8	173033	ROD-THREADED	23	7-15
38383	SWITCH-NEUTRAL	74	26-13	173042	SPACER-SPINDLE	23	7-31
38383	SWITCH-FRONT DECK	74	26-14	176059	WLDMT-SWING ARM LF	59	19-22
38542	CLAMP-DOC TUBE	49	17-9	176059	WLDMT-SWING ARM LF	85	32-31
38665	SOLENOID	11	2-8	176060	WLDMT-SWING ARM RF	59	19-23 *
38665	RELAY-GLOW PLUG	75	26-41	176061	WLDMT-SWNGARM REAR	59	19-21
41028	BLOCK-BEARING	39	15-23	176061	WLDMT-SWNG ARM RR	83	32-13
46335	SHAFT ASM-ROLLER	81	31-25	176067	HANGER ASM-MUFFLER	45	16-45
48383	CLAMP-HOSE 2-1/2 DIA.	11	2-10	176078	PIVOT PIN	23	7-1
48396	CLAMP-HOSE 2 DIA	45	16-30	176100	WLDMT-FR WSHR	41	15-46
48408	FLASHER-552 12V	41	15-64	176131	S CASTER WLDMT W/LAB	83	32-24
48408	FLASHER-552 12V	75	26-53	176149	ASM-BRKT/BOLT CHAIN	61	19-46
48428	"COLLAR-SET,3/8 ID"	39	15-19	178007	BELT-CUTTER DECK	85	32-47
48429	SPRING-EXTENSION	21	6-16	178013	BRAKE BAND	21	6-3
48429	SPRING-EXTENSION	39	15-18	178024	FILTER HEAD MODULE	27	9-10
48429	SPRING-EXTENSION	61	19-58	178025	FILTER-SPIN ON	27	9-9
48436	MAT-NON SKID	77	28-20	178037	PUMP-M35	5	1-5
48524	CIRCUIT BRKR 40A	11	2-9	178043	TUBE-FILTER HEAD	27	9-5
48524	CIRCUIT BREAKER 40A	75	26-42	178045	SPRING-WING DECK	59	19-24
58026	3 WAY CONNCTR 1/4	29	10-23	178082	BATTERY-BCI 34	5	1-30
108003	BRG 1.5X1.25X1.25	23	7-12	178082	BATTERY-12 V	74	26-32
128037	RELAY-START	74	26-20	178100	VALVE-RH DECK	75	26-46
128037	RELAY-4 WD	74	26-21	178100	VALVE-LH DECK	75	26-47
128037	RELAY-LH DECK	74	26-22	178121	BELT-CENTER DECK	81	31-20
128037	RELAY-CENTER DECK	74	26-23	178138	WASHER-FRICTION	41	15-44
128037	RELAY-RH DECK	74	26-24	178142	LATCH-RUBBER	15	4-35
128037	RELAY-HORN	75	26-49	178150	DIODE-WARNING	41	15-68 *
128037	RELAY-ALARM	75	26-50	178150	DIODE-6AMP /5AMP FUSE	75	26-43
128079	"ROD END, 1/4 FEMALE"	33	12-20	178154	CYLNR-WING SQ PORT	59	19-13
128079	"ROD END, 1/4 FEMALE "	39	15-11	178154	CYLINDER-WING SQ PORT	70	25-6
138011	BALL JOINT	59	19-44	196021	WLDMT-NTRL CNTRL	39	15-20
138040	CLIP-HOOD ROD	13	3-27	216072	WLDMT-SPPRT ARM L.H.	81	31-11
141009	HUB	21	6-6	450073	BLT-HEX M16 X 70	81	31-15
142007	BRKT-ROD CLIP	13	3-29	450073	BOLT	83	32-12
142064	PLATE-BACKING	81	31-6	450078	BLT-HEX M16 X 100	81	31-10
142108	CAP-SPINDLE	89	34-13	450171	BOLT	83	32-27
143030	SPINDLE	89	34-7	450172	BOLT M6 X 25 HEX HD	37	14-27
143031	SPACER-SEAL	89	34-10	450191	SCREW M8 X 20 HEX HD	37	14-24
143032	SPACER-BEARING	89	34-8	450191	BLT M8 X 20	81	31-19
143036	ROD-SUPPORT	13	3-26	450193	"SCREW M8 30, HEX HD"	37	14-30
143069	STUD-CYLINDER	23	7-30	450195	BOLT	33	12-10
146064	ASM-SPINDLE	89	34-1	450213	BLT-HEX	83	32-2
146067	WLDMT-ROLLER SHAFT	81	31-27	450215	BLT-HEX	81	31-35
146082	S-ADAPTER-PDL W/MAT	39	15-25	450222	BLT-HEX	81	31-30
146169	PULLEY IDLER W/BEARG	83	32-9	450239	BLT-HEX	83	32-17
146197	WLDMT-PUSH ARM PIN	61	19-74	450239	BLT-HEX	87	33-14
148027	BREATHER VENT	29	10-13	450323	NUT M6	37	14-28
148027	BREATHER VENT	31	11-24	450324	NUT	33	12-11
148062	MASTER LINK #50 CHAIN	35	13-7	450325	NUT-HEX	81	31-31
148070	BEARING-BALL 1-1/4 10	89	34-3	450325	NUT-HEX 3/8-16	85	32-42
148081	GASKET	29	10-7	450327	NUT-HEX M16	81	31-7
148081	GASKET	31	11-18	450372	NUTSERT	81	31-*
148090	SUPPORT-TUBE 1/2	31	11-36	450379	NUT	83	32-29
148195	PULLEY JA	81	31-18	450382	NUT-HEX M16	81	31-5
148195	PULLEY JA	85	32-37	450383	"NUT, M20 NYLOC"	37	14-41
148197	PULLEY-5.75 OD	81	31-21	450391	WASHER	81	31-33

PART NO	DESCRIPTION	PAGE	ITEM	PART NO	DESCRIPTION	PAGE	ITEM
450391	WASHER	83	32-3	2196117	S-FOOT PEDAL W/MAT	39	15-24
450392	WASHER	33	12-8	2196142	WLDMT-BRAKE	21	6-18
450412	LOCKWSHR-HELICAL	81	31-34	2196143	WLDMT-BRAKE ARM	21	6-17
450412	LOCKWSHR-HELICAL	85	32-33	2198109	KNOB-LEVER	35	13-1
450424	LKWSHR-HELICAL	83	32-18	2198114	CLAMP-AIR CLEANER	11	2-2
450424	LOCKWASHER-HELICAL	87	33-15	2198126	SPACER	7	1-69
450454	"NUT, M10"	81	31-36	2198130	STEERING WHEEL	41	15-50
450457	NUT-M16	81	31-38	2198147	AIR CLEANER	11	2-3
450472	BLT-WLF	89	34-19	2198153	"ROLLER, 3 "	81	31-26
452435	NUT M6 FLANGED NYLOC	37	14-29	2198211	SWIVEL-CABLE CLAMP	7	1-53
452436	NUT	33	12-9	2198290	#NAME?	9	1-76*
452436	NUT M8 FLANGED NYLOC	37	14-13	2202108	SPACER-TOWER HINGE	39	15-30
452436	NUT M8	81	31-39	2202247	STOP-BRAKE BAND	21	6-4
452438	LOCK NUT	83	32-20	2208036	SWITCH-PROXIMITY	61	19-56
452438	HEX LOCK NUT	87	33-6	2208036	SWITCH-LH DECK	74	26-26
452615	BOLT	83	32-21	2208036	SWITCH-RH DECK	74	26-30
452628	BLT-HEX	87	33-7	2208049	MAGNET-ACTUATOR	61	19-55
523126	BUMPER-RUBBER	13	3-37	2208058	HINGE-SEAT PLATE	13	3-2
810152	COVER-FOOTPEDAL	37	14-02	2208063	COUPLING-15 TOOTH	7	1-35
825619	FILTER-FUEL	7	1-58	2208076	HINGE-TOWER COVER	39	15-31
831905	CAP-OVERFL BOTTLE	45	16-16	2208077	CATCH-MAGNETIC	39	15-27
838154	"BRACKET, FUEL PUMP "	7	1-72	2208139	CLAMP	45	16-39
838495	LABEL-RED/WH STR 8.2'	77	28-5	2208142	STEER GEAR	39	15-29
838495	LABEL-RED/WHITE STR 20'	77	28-17	2208142	STEER GEAR	70	25-3
838495	LABEL-RED/WH STR 4.1'	79	30-5	2208174	OIL FILTER	5	1-12
838588	LBL-RANSOMES W/LOGO	77	28-6	2208175	FUEL FILTER	11	2-19
838588	LABEL-RANSOMES W/LO	79	30-17	2211004	PLATE-MOTOR	23	7-34
839862	DECAL-STEERING WHL	41	15-75	2212019	MOUNT-RH MOTOR	5	1-17
886425	HORN	75	26-52	2212020	MOUNT-LH MOTOR	5	1-18
888923	"PUMP AY,ELECT FUEL "	7	1-59	2212031	MOUNT-ENG. LH REAR	5	1-19
888923	"PUMP AY,ELECT FUEL "	75	26-54	2212043	BRACKET-OIL COOLER	45	16-12
1004023	"WHEEL ASSEMBLY 11'''''	87	33-32	2212044	SHROUD-TOP FAN	45	16-13
2000572	LABEL-WARN BLADES	79	30-9	2212045	GUSSETT-RH	15	4-9
2000628	"LABEL, 9 RANSOMES "	77	28-21	2212046	GUSSETT-LH	15	4-8
2000637	LABEL-WARN PULLEY EEC	79	30-18	2212049	BRCKT-VALVE MTG	25	8-4
2000641	LABEL-EXPLSN FUEL EEC	77	28-24	2212051	HINGE-ADJ LH	15	4-5
2000643	LABEL-WING DCK WSH EEC	79	30-19	2212054	HINGE-ADJ RH	15	4-4
2000644	LABEL-MAINT EEC	77	28-26	2212058	MOUNT-ENG. RH REAR	5	1-20
2000646	LABEL-CE 95	77	28-28	2212064	COVER-ACCESS	13	3-10
2000647	LABEL-FORWARD/REV	77	28-9	2212072	SCREEN-HOOD	15	4-1
2000649	LABEL-DECK LIFT EEC	77	28-22	2212073	BRCKT-CASSAPA PUMP	5	1-10
2000650	LABEL-BATTERY EEC	77	28-15	2212074	PLATE-FILTER BAFFLE	27	9-4
2000652	LABEL-DIESEL FUEL EEC	77	28-16	2212075	BRACKET-FILTER-HD	27	9-1
2000653	LBL-EC HYD FLUID REQ	77	28-25	2212076	SUPPORT-HYD.RSRVR	29	10-18
2000654	LABEL-HYDRAULIC FILL	77	28-18	2212076	SUPPORT-HYD.RSRVR	31	11-29
2000655	LABEL-READ OPER EEC	77	28-13	2212077A	BRACKET-AIR FILTER	11	2-1
2000669	LABEL-PARK BRAKE EC	77	28-12	2212078	BAFFLE-FILTER HD	27	9-2
2000677	LABEL-DANGER/WARN	79	30-7	2212082	BACK-PLATE FENDER	13	3-9
2000682	DECAL-951	77	28-3	2212087	COVER-DRAIN	23	7-3
2000684	DECAL-4 WHEEL DRIVE	77	28-4	2212087	COVER-FUEL TANK AC	29	10-8
2000688	DECAL-TIRE PR 14PSI EEC	77	28-27	2212087	FUEL-TANK ACCESS	31	11-19
2000737	LABEL-ROT PARTS	79	30-8	2212091	BRACKET-BOTTLE	45	16-3
2000739	LABEL-FAN ROTATE	77	28-14	2212092	BRCKT-RH VALVE MTG	25	8-5
2000748	LABEL-W/ TURF PROTECT	77	28-30	2212094	MOTOR PLT-RH DECK	83	*
2000755	DECAL-INST PANEL 951	41	15-77	2212097	MOTOR PLT-LH DECK	83	32-4
2000760	LABEL-HANDS/ROCK EC	79	30-15	2212098	MOTOR PLT-RH DECK	83	*
2000767	LABEL-SLOPE ANGL EC	77	28-31	2212099	MOTOR PLT-LH DECK	83	*
2146291	ASSY CASTOR WHEEL &	87	33-30	2212103	BRACKET-FUEL FILTER	11	2-12
2146292	"S ASSY 11''''' CSTR W/ YK "	87	33-27	2212107	BRCKT-BAT HLD DWN	5	1-29
2171004	HUB	21	6-21	2212109	BRACKET-SWITCH MTG	1	57 18-10
2178207	ENGINE-PERKINS 104.22	5	1-3	2212110	BRCKT-REAR ROLLER	61	19-57
2178208	BELL HOUSING & CPLG	5	1-4	2212116	BRACKET-STOP	61	19-68
2178211	RADIATOR	45	16-4	2212118	BAFFLE-OIL COOLER LH	45	16-34
2178212	COOLER-HYD. OIL	45	16-14	2212119	BAFFLE-OIL COOLER RH	45	16-35*
2178212	COOLER-HYD. OIL	70	25-15	2212186	"BRACKET, HEIGHT ADJUST"	81	31-40
2178213	FLOW DIVIDER	25	8-2	2212187	"BRACKET, HEIGHT ADJUST"	81	31-41
2178213	FLOW DIVIDER	70	25-13	2212206	MOUNT-TOP MOTOR	9	1-79
2178214	PUMP-4 SECTION GEAR	5	1-8	2212222	BRKT-RH MAGNET MTG	61	19-54 *
2178214	PUMP-4 SECTION GEAR	70	25-10	2212223	BRKT-LH MAGNET MTG	61	19-53
2188145	BEARING	37	14-11	2212230	BRACKET-SPRING	61	19-80
2188234	ROD-END	23	7-36	2212245.2	BRACKET-DECK STOP	13	3-36
2192486	BRKT-THROTTLE	7	1-48				

PART NO	DESCRIPTION	PAGE	ITEM	PART NO	DESCRIPTION	PAGE	ITEM
2213005	PIN - LATCH	37	14-42	2218046	SENDER-FUEL LEVEL	31	11-17
2213006	PIN-PIVOT	59	19-12	2218046	SENDER-FUEL LEVEL	75	26-45
2213008	PIPE-EXHAUST	47	16-49	2218049	TUBE-WING VALVE/COOLER	70	25-40
2213009	PIPE-MUFFLER	45	16-46	2218067	HOSE-AIR CLEANER	11	2-11
2213023	HANDLE-HOOD	15	4-30	2218069	RELAY-TIME DELAY	39	15-7
2213031	BUSHING - BRAKE LATCH	37	14-31	2218069	RELAY-TIME DELAY	74	26-19
2213034	BUSHING	37	14-45	2218074	MUFFLER	45	16-44
2213035	SPACER-PUMP ARM	33	12-41	2218077	BOTTLE-COOLANT	45	16-15
2213036	STOP HEIGHT ADJUSTMENT	81	31-9	2218078	CAP-FUEL TANK	29	10-3
2213040	SLEEVE-THREAED	23	7-37	2218078	CAP-FUEL TANK	31	11-14
2213041	STUD	23	7-18	2218080	INSULATION-EXHAUST	45	16-42
2216003	WLDMNT-LEVER SUPPT	35	13-4	2218081	SPRING-EXTENSION	37	14-22
2216005	WLDMNT-LIFT LEVER	35	13-2	2218083	LANYARD	15	4-18
2216006	WLDT-REAR AXLE SUPT	15	4-31	2218084	GROMMET	13	3-34
2216012	WLDMNT-PUMP-BRCKT	5	1-13	2218086	SEAL-TUBE	45	16-20
2216016	WLDMNT-EXHST PIPE	47	16-47	2218087	MAT-PLATFORM	77	28-7
2216017	BRAKE PIVOT ROD RH	37	14-35	2218088	CABLE-BATTERY NEG.	7	1-55
2216018	BRAKE PIVOT ROD LH	37	14-36	2218089	CABLE-BATTERY POS	7	1-56
2216025	WLDMNT-CYL ROD PIN	57	18-5	2218094	STRAP-DECK SUPPORT	41	15-67
2216027	WLDMT-RH FRAME RAIL	13	3-4	2218100	TUBE-DIPSTICK	7	1-60
2216027	WLDMT-RH FRAME RAIL	15	4-10	2218111	INSULAT-LOUVER	19	5-10
2216031	S-REAR AXLE	23	7-13	2218112	INSULAT-SEAT PLATE	19	5-1
2216033	WLDMNT-BUMPER	15	4-37	2218113	INSULATION	19	5-2
2216037	WLDMNT-TANK SPRT	59	19-38	2218114	INSULATION	19	5-8
2216041	WLDMNT-HOOK REAR RH	59	19-2 *	2218115	INSULATION	19	5-9
2216042	WLDMNT-HOOK REAR LH	59	19-1	2218116	INSULATION	19	5-7
2216052	S-TOWER COVER	39	15-28	2218117	INSULATION	19	5-6
2216056	S-FRONT FRAME W/LAB	13	3-3	2218118	INSULATION	19	5-3
2216057	S-HOOD W/LABS	15	4-2	2218119	INSULATION	19	5-4
2216059	S-LH FRAME RAIL W/LAB	13	3-5	2218120	INSULATION	19	5-5
2216059	S-LH FRAME RAIL W/LAB	15	4-11	2218134	PIN - LATCH	37	14-33
2216060	S-RH FENDER W/MAT	13	3-8	2218136	"SWITCH, TEMP-165 F "	29	10-19
2216061	S-LH FENDER W/ MAT	13	3-7	2218136	SWITCH-TEMP-165F	31	11-30
2216062	S-SEAT PLATE W/LABS	13	3-1	2218136	"SWITCH, TEMP-HYD. OIL"	74	26-29
2216068	BRAKE PEDAL LH	37	14-38	2218144	GAUGE-OIL LEVEL	31	11-33
2216069	BRAKE PEDAL RH	37	14-39	2218147	GROMMET	29	10-25
2216070	LOCK LEVER	37	14-21	2218147	GROMMET-GAUGE	31	11-34
2216071	WLDMT-SUPPT ARM R.H.	81	31-29	2218148	RESERVOIR-HYDRAULIC	29	10-2
2216081	S-FAN SHROUD W/LABS	15	4-6	2218148	RESERVOIR-HYDRAULIC	31	11-13
2216084	WLMNT-BULKHEAD	13	3-6	2218148	RESERVOIR-HYDRAULIC	70	25-9
2216096	WLDMNT-LH SUB FR	61	19-50	2218149	"FAN-16.75" "	5	1-1
2216097	WLDMNT-RH SUB FR	61	19-49	2218150	TANK-AUXILIARY FUEL	31	11-2
2218002	VALVE-3 SPOOL LIFT	35	13-3	2218153	HOSE-FUEL TANK	31	11-5
2218002	VALVE-3 SPOOL LIFT	70	25-4	2218154	FUEL-TANK	29	10-1
2218006	SCREEN	45	16-19	2218154	FUEL-TANK	31	11-1
2218007	MANIFOLD-OIL INLET	27	9-13	2218162	CAP-RUBBER 25.4	29	10-26
2218009	ISOLATOR-LF1-270	5	1-23	2218170	PUMP-SUNDSTRAND M46	9	1-77
2218010	ISOLATOR-LR1-230	5	1-24	2218224	LINK-STEERING	23	7-38
2218014	CYLINDER-LIFT	57	18-6	2218225	VLV-DECK #HF1124	25	8-15
2218014	CYLINDER-LIFT	70	25-2	2218225	VALVE-CUTTER DECK	70	25-8
2218018	TUBE-LH WHEEL MOTOR	70	25-19	2218225	VALVE-FRONT DECK	74	26-31
2218019	TUBE-LH WHEEL MOTOR	70	25-20	2218226	VALVE-4WD #HF981123	25	8-1
2218020	TUBE-OIL COOLER OUTLET	70	25-18	2218226	VALVE-FRONT DECK	75	26-48
2218023	TUBE-RH WHEEL MOTOR	70	25-25	2218227	VLV-WG DCK #HF981125	25	8-3
2218024	TUBE-RH WHEEL MOTOR	70	25-24	2218227	VALVE-WING DECK #HF901009	70	
2218025	TUBE-FLOW DIVIDER	70	25-26	25-11			
2218027	TUBE-4WD VALVE-C2	70	25-17	2306071	ASSY-CASTER FILLED	85	32-56*
2218029	TUBE-4WD VALVE B2	70	25-27	2306144	S DOC TUBE W/LABEL	49	17-10
2218030	TUBE-OIL COOLER INLET	70	25-28	2690027	FITTING-1/4 CROSS	31	11-11
2218031	TUBE-LH WING VALVE P	70	25-29	2720122	LABEL-DIAMOND R	77	28-32
2218032	TUBE-LH WING VALVE T	70	25-30	2720158	SPACER-6.35X15.88X9.52	33	12-40
2218033	TUBE-LH WING VALVE M1	70	25-31	2720643	LEBEL-TEXTRON	77	28-33
2218034	TUBE-LH WING VALVE M2	70	25-32	2720646	WHEEL ASSY 9X3.5-4.00	83	32-22
2218036	TUBE-LH WING VALVE P	70	25-34	2720656	WHL-9X3.5X4.0 (FILLED)UK	85	32-55
2218037	TUBE-RH WING VALVE T	70	25-35	461901679	DISC SPRING	33	12-6
2218039	TUBE-RH WING VALVE M1	70	25-37	469020633	BRACKET-FOR FLASH	41	15-63
2218040	TUBE-RH WING VALVE M2	70	25-38	09007-06	S-HOSE .5X.25X9.0	31	11-32
2218041	TUBE-WING VALVE/OIL COOL	70	25-39	09007-08	S-HOSE .5X.25X17.0	31	11-27
2218043	SEAL-FILTER BAFFLE	27	9-3	09007-09	S-HOSE .5X.25X3.0	31	11-6
2218044	HOSE-RAD UPPER	45	16-17	09007-10	HOSE .25X.8.5	29	10-16
2218045	HOSE-RAD LOWER	45	16-18	09007-10	HOSE 1/4 X 10.5	29	10-21
2218046	SENDER-FUEL LEVEL	29	10-6	108094-01	CLAMP-HOSE SAE20	29	10-27

PART NO	DESCRIPTION	PAGE	ITEM	PART NO	DESCRIPTION	PAGE	ITEM
108094-01	CLAMP-HOSE SAE20	31	11-8	178092-22	"S-LIGHT, OIL TEMP. "	74	26-10
108094-02	HOSECLAMP .50 TO 1.25	71	25-63	178097-01	CLAMP-TUBE	61	19-61
112243-03	BLADE	89	34-14	178153-01	CONNECTOR-CHN LINK	59	19-31
113006-01	BUSHING-.5X.32X.19 LG	15	4-25	178154-01	BUSHING-CYLINDER	61	19-82
118047-02	"BUSHING FLIP-LOK, 1/2 "	41	15-42	2178201-01	WHL MTR-MJ15	21	6-20
118047-04	"BSING FLIP-LOK, 1/2 "	59	19-7	2178208-01	S-BELL HOUSING 104-22	9	1-84
118047-08	BUSHING	37	14-23	2178208-02	S-COUPLING 104-22	9	1-83
128025-07	CLUTCH CABLE	37	14-17	2178211-01	CAP-RADITATOR	47	16-53
128089-03	"CABLE, CNTRL 36.50 LG "	33	12-44	2198147-01	FILTER ELEMENT	11	2-4
138024-02	"BRG-DX,.500 I.D. "	57	18-19	2198147-02	VALVE-DUST UNLOADER	11	2-5
148034-01	GROMMET	13	3-21	2198147-03	COVER	11	2-6
148034-06	GROMMET	49	17-16	2198147-04	S-COVER CLIP	11	2-7
148034-07	GROMMET-INSULATION	45	16-29	2212014A	BRACKET - BRAKE PIVOT LH	37	14-34
148034-08	INSULATED GROMMET	13	3-14	2212047A	BRACKET - BRAKE PICOT RH	37	14-37
148045-01	"WHEEL, 11"" FILLED "	87	33-26	2216035A	BRAKE SHAFT	37	14-15
148057-06	CABLE-TROTTLE	33	12-18	2216035A	WLMNT-BRAKE SHAFT	37	14-25
148071-01	V-RING V-60A	89	34-11	2218017-01	S-DIODE	74	26-27
148075-02	BUSHING-JA 7/8 BORE	81	31-17	2218152-01	"MOTOR-11 (9'8"" ONLY)"	70	25-7
148075-02	BUSHING-JA 7/8 BORE	85	32-35	2218152-01	MOTOR 11CC	83	32-1
148082-10	FUSE 10 AMP	75	26-56	2218152-02	MOTOR-HYD 14	70	25-1
148082-20	FUSE 20 AMP	75	26-57	2218152-02	"MOTOR-14 (10'7"" ONLY)"	70	
148090-03	CLAMP	61	19-64	2218152-02	MOTOR HYD 14	81	31-3
148141-02	WHEEL MTR-ME120208AABT	70	25-14	2218152-04	S-SEAL KIT	81	31-*
148141-02	WHL MTR-ME120208AABT	23	7-21	2218161-01	FOAM- CLOSED CELL	19	5-11
148141-03	WHEEL MTR-ME150208AABT	70	25-5	2690017-01	FTG-ORB PLUG 14	31	11-25
148263-10	HOSE 5/16 ID 2.5'	7	1-46	2690017-01	FTG-ORB PLUG 14	29	10-14
148263-10	HOSE-5/16 FUEL 1.0'	7	1-44	2690017-03	FTG-ORB PLUG -06	31	11-28
148263-10	HOSE-5/16 ID 1.0"	7	1-47	2690017-03	FTG-OAB PLUG	29	10-17
148263-10	HOSE-5/16 FUEL 1.25'	11	2-22	2690024-01	PLUG 1/4 NPT	45	16-41
148263-10	HOSE-5/16 FUEL 1.13'	7	1-73	2692214-02	HOSE-3/8 ORS/ORS X 11.25	71	25-43
148264-11	HOSE-FUEL 3/16 2.7'	7	1-66	2692214-09	HOSE-3/8 ORS/ORS X 13.50	71	25-44
148317-01	MAT-FENDER EXT LH	77	28-10	2692214-10	HOSE-3/8 ORS/ORS X 44.13	71	25-46
148317-02	MAT-FENDER EXT RH	77	28-11	2692214-12	HOSE-3/8 ORS/ORS	71	25-49
158001-05	CHAIN-5.7 LG PLATED	61	19-47	2692215-19	HOSE-3/8 ORS/90 ORS X 12.25	71	25-53
158006-05	FITTING ORS/ORB	71	25-56	2692215-21	HOSE-3/8 ORS /90 ORS X 73.25	70	
158006-15	FITTING-ORS/ORB	31	11-3	25-33			
158007-01	FITTING-90 ORS/ORB	70	25-42	2692216-02	HOSE-3/8 90 ORS/45 ORS X 24	71	25-50
158007-02	FITTING-90 ORS/ORB	71	25-57	2692216-03	HOSE-3/8 90 ORS/45 ORS X 22.88	71	
158007-05	FITTING-90 ORS/ORB	71	25-60	25-47			
158010-01	FITTING-ORS RUN TEE	71	25-45	2692216-04	HOSE-3/8 90 ORS/45 ORS	71	25-54
158010-02	FITTING-ORS RUN TEE	71	25-65	2692217-09	HOSE-3/8 ORS/45 ORS X 57.00	71	25-51
158061-04	O-RING	7	1-57	2692217-10	HOSE-3/8 ORS/45 ORS X 62.50	71	25-52
158061-05	O-RING	27	9-18	2692223-04	HOSE-1/2 ORS/90 ORS X 21.25	71	25-55
158061-20	O-RING- 022	25	8-7	2692223-05	HOSE-1/2-ORS/90 ORS	71	25-58
158067-01	FITTING-BLKHD ORS/ORB	70	25-41	2692226-03	HOSE-3/4 ORS/ORS X 38.13 (US)	71	
158067-04	FTG-BLKHD ORS/ORS	71	25-48	25-67			
158135-01	"SWITCH-SEAT, NO "	74	26-28	2692226-05	HOSE-3/4 ORS/ORS X 38.88 (UK)	71	
168142-03	STRIP-RUBBER	85	32-54	2692237-06	HOSE-5/8 ORS/45 ORS X 11.0 (US)	71	
172193-01	BRKT-FRNT ROLLER LH	59	19-25	25-59			
172193-02	BRKT-FRNT ROLLER RH	59	19-26 *	2692237-10	HOSE-5/8 ORS/45 ORS X 12.0 (UK)	71	
176019-01	ON LEFT WING DECK	85		2692239-03	HOSE-5/8 90 ORS/90 ORS X 39.5	70	
176019-02	ON RIGHT WING DECK	85		25-23			
176147-01	WLDMT-HOOK FRNT LH	59	19-4	2692239-04	HOSE-5/8 90 ORS/90 ORS X 38.5	70	
176147-02	WLDMT-HOOK FRNT RH	59	19-5 *	25-22			
178088-02	FTG-ORS PLUG 11/16-16	70	25-36	2692239-05	HOSE-5/8 90 ORS/90 ORS X 34.5	70	
178092-03	S-WATER TEMP GAUGE	41	15-87	25-21			
178092-03	S-WATER TEMP GAUGE	74	26-7	2692240-02	HOSE-5/8 ORS/90 ORS X 45.38	71	25-61
178092-04	S-FUEL GAUGE	41	15-86	2692240-04	HOSE-5/8 ORS/90 ORS X 20.75	71	25-64
178092-04	S-FUEL GAUGE	74	26-8	33049-05	BOLT-BLADE	89	34-16
178092-10	S-LIGHT ROCKER SW	41	15-81	35027N	ZERK	57	18-20
178092-10	S-LIGHT ROCKER SW	74	26-4	38061A	SPINDLE SHIELD	49	17-11
178092-14	S-GREEN HDLGT LENS	41	15-82	38124-01	KNOB	39	15-4
178092-17	S 5/8 HOLE PLUG	41	15-85	38404-01	"GRIP,CNTRL LVR "	59	19-6
178092-18	S 1.0 HOLE PLUG	41	15-84	38471-08	FOAM X 19.5 LG	45	16-28
178092-20	SWITCH-RH DECK	74	26-1	38471-08	"FOAM, CLOSED CELL "	29	10-15
178092-20	SWITCH-LH DECK	74	26-3	38471-08	FOAM X 21.2 LG	45	16-32
178092-20	SWITCH-CENTER DECK	74	26-2	38471-09	S-FOAM X 120	31	11-26
178092-22	LIGHT FOR ROCKER	75	26-55	43032A	"SPACER, BRAKE "	7	1-42
178092-22	"S-LIGHT, BATTERY "	74	26-9	43065A	SPACER-BUSHING	85	32-51
178092-22	"S-LIGHT, GLOW PLUG "	74	26-11	43067A	"COLLAR, SET, PLATE "	39	15-22
178092-22	"S-LIGHT, OIL PRESSURE"	74	26-12	46019A	"PIN WELD, PUSH ROD "	57	18-3
178092-22	LIGHT FOR ROCKER	41	15-78	48013-06A	"MAT,NON SKID 2.75X2.75 "	77	28-19

PART NO	DESCRIPTION	PAGE	ITEM	PART NO	DESCRIPTION	PAGE	ITEM
48030N	HOUR METER ASSEM	74	26-25	64061-37	"ROLL PIN 1/8"" X 1""	37	14-44
48037A	BOOT BATTERY TERM	7	1-39	64061-38	ROLL PIN	37	14-40
48048A	BUSHING	61	19-83	64123-111	BLT-HEX 1/2-13X3-1/2	59	19-34
48094A	IDLER PULLEY BEARING	83	32-8	64123-113	BLT-HEX 1/4-20X2-1/4	35	13-8
48228-05	CLIP-CABLE INS.	11	2-23	64123-130	BLT-HEX 3/8-16X5-1/2	25	8-14
48228-05	"CLIP-CABLE,INSULATED "	13	3-31	64123-138	BLT-HEX 3/8-16X3-3/4	25	8-17
48228-06	CLAMP	41	15-71	64123-15	BLT-HEX 3/8-16X3/4	21	6-10
48228A	CLAMP	45	16-9	64123-15	BLT-HEX 3/8-16X3/4	23	7-8
48228A	CLIP-CABLE INSULATED	7	1-38	64123-15	BLT-HEX 3/8-16X3/4	59	19-14
48228A	CABLE CLIP	49	17-12	64123-159	BLT-HEX 3/8-16X2-1/2	85	32-43
48319-04	CLAMP-MUFFLER 2-1/8	47	16-48	64123-16	BLT-HEX 3/8-16X1-1/4	7	1-61
48450-07	FOAM 1X28	45	16-37	64123-192	BLT-HEX 1/4-20 X 4-1/2	61	19-62
48450-16	FOAM .5X4.0X.5	81	31-22	64123-207	"HHCS-5/16-18 X 5"" "	25	8-6
48450-21	FOAM-.5 X .5 X 18.25 LG	45	16-27	64123-31	BLT-HEX 1/2-13X3	23	7-20
48540-01	CLAMP-HOSE	11	2-21	64123-39	BLT-HEX 1/2-13X1-1/4	27	9-8
48540-01	CLAMP-HOSE	7	1-71	64123-47	BLT-HEX 5/16-18X1-1/4	59	19-41
62464-4A	"WSHR,THRUST 1.25X1.9"	23	7-11	64123-49	BLT-HEX 1/4-20X1/2	13	3-33
64001-2	"NUT-HEX JAM,3/8-24 "	59	19-45	64123-50	BLT-HEX 3/8-16X1	81	31-23
64001-8	"NUT-HEX JAM,1/2-13 "	"39	15-3	64123-50	BLT-HEX 3/8-16X1	27	9-12
64001-8	"NUT-HEX JAM,1/2-13 "	59	19-35	64123-54	BLT-HEX 5/16-18X3/4	5	1-26
64002-02	LOCKWSHR-#10	31	11-16	64123-60	BOLT HEX 1/4-20X2	61	19-73
64002-02	"LCKWSHR-T,EXT,#10 "	7	1-65	64123-70	BOLT-HEX	37	14-08
64002-02	"LCKWSHR-TH,EXT,#10 "	15	4-44	64123-72	BLT-HEX 1/2-13X2-1/2	85	32-41
64002-02	LCKWSHR-HELICAL 5/16	29	10-5	64123-73	BLT-HEX 1/2-13X1	27	9-7
64006-01	LOCKWSHR-HELICAL 1/4	61	19-77	64123-82	BLT-HEX 3/8-16X2-1/2	5	1-21
64006-01	LOCKWSHR-HELICAL 1/4	7	1-36	64123-89	BLT-HEX 1/4-20X3/4	57	18-16
64006-01	LCKWSHR-HELICAL 1/4	15	4-16	64123-89	BLT-HEX 1/4-20X3/4	61	19-69
64006-02	LCKWSHR 5/16	15	4-46	64123-90	BLT-HEX 1/2-20X2	21	6-2
64006-02	LCKWSHR-HELICAL 5/16	7	1-43	64123-93	BLT-HEX 3/8-16X5	35	13-5
64006-02	LOCKWSHR-HELICAL 5/16	31	11-9	64123-94	BLT-HEX 3/8-16X6	25	8-19
64006-02	LCKWSHR-HELICAL 5/16 16	45	16-2	64139-02	BLT-WLF 1/4-20X1/2	39	15-26
64006-02	LCKWSHR-HELCL 5/16	25	8-8	64139-03	BLT-WLF 1/4-20X5/16	57	18-15
64006-03	LOCKWSHR-HELICAL 3/8	5	1-7	64139-17	BLT-WLF 1/4-20X5/8	59	19-28
64006-03	LCKWSHR-HELICAL 3/8	21	6-11	64140-5	COTTER PIN1/8X1 1/2	21	6-24
64006-03	LCKWSHR-HELICAL 3/8	27	9-11	64140-5	COTTER PIN	23	7-23
64006-03	LCKWSHR-HLCL 3/8	59	19-15	64141-1	NUT-WLF 5/16-24	41	15-48
64006-03	LCKWSHR-HELICAL 3/8	23	7-9	64141-2	NUT-WLF 1/4-20	61	19-63
64006-05	LOCKWASH-HELI 1/2	13	3-35	64141-2	NUT-WLF 1/4-20	61	19-72
64006-05	LOCKWSHR-HELICAL 1/2	85	32-40	64141-4	NUT-WLF 3/8-16	23	7-2
64006-05	LCKWSHR-HELI 1/2	15	4-21	64141-4	NUT-WLF 3/8-16	25	8-18
64006-05	LOCKWSHR-HELICAL 1/2	61	19-52	64141-6	NUT-5/16-18 WLF	13	3-38
64006-05	LCKWSHR-HELICAL 1/2	23	7-24	64141-6	NUT-WLF 5/16-18	81	31-37
64006-05	LCKWSHR-HELICAL 1/2	27	9-6	64144-14	INTRNL RETAINER RING	83	32-7
64006-06	LCKWSHR-HELICAL 7/16	9	1-80	64144-28	SNAP RING 1.187	89	34-2
64006-06	LCKWSHR-HELICAL 7/16	29	10-10	64144-29	SNAP RING 1.250	89	34-9
64006-06	LCKWSHR-HELICAL 7/16	7	1-62	64144-30	SNAP RING .375	21	6-12
64006-06	LOCKWSHR-HELICAL 7/16	31	11-21	64151-17	"NUT,HEX LOCK CL 1/4-20 "	59	19-27
64006-13	WASHER-HELICAL 9/16	7	1-37	64151-2	3/8-16 HH LOCK NUT	35	13-6
64018-13	BLT-CRG 1/2-13X2 GR5	59	19-42	64151-29	NUT-HEX 1 1/4-12 NYLK	23	7-14
64018-2	BLT-CRG 1/4-20X3/4	41	15-65	64151-7	1/2-13 HEX LOCK NUT	59	19-43
64025-05	NUT-HEX 3/8-16	37	14-05	64152-05	10-32X1/2 R MACH SCR	29	10-4
64025-07	NUT-CASTLE	23	7-39	64152-05	10-32X1/2 R MACH SCR	31	11-15
64025-15	NUT-HEX #10-24 KEPS	7	1-52	64152-06	10-24X1/2 MACH SCR	57	18-11
64025-15	NUT-HEX 10-24	41	15-55	64152-06	10-24X1/2 MACH SCR	41	15-54
64025-15	NUT-HEX #10-24 KEPS	57	18-12	64152-06	10-24X1/2 MACH SCR	41	15-60
64025-15	NUT-HEX #10-24 KEPS	41	15-59	64152-10	SCREW 10-24X3/4	41	15-70
64025-16	NUT-HEX 5/8-18	89	34-18	64152-10	10-24X3/4 MACH SCRW	7	1-51
64025-19	NUT-HEX 1/2-13	23	7-25	64152-20	8-32X1/2 MACH SCREW	15	4-43
64025-20	NUT-HEX 3/4-16	23	7-22	64152-21	6-32X1/2LG RD HD SC	13	3-30
64025-26	NUT-HEX #6-32 KEPS	13	3-28	64152-27	SCREW 1/4-20X5/8	45	16-10
64025-29	NUT-HEX #8-32 KEPS	15	4-42	64152-27	1/4-20X5/8 LG SP SCR	59	19-19
64025-31	NUT 1-20 UNSL TRW	23	7-27	64152-38	8-32X3/4 MACH SCREW	17	4-53
64025-32	NUT 1-20 SLOTTED TRW	21	6-8	64152-50	SCREW-M5-.08X16	39	15-32
64044-1	SCREW-SET 1/4-20X1/4	39	15-21	64157-10	THREADED STUD	37	14-09
64044-9	SET SCREW-#8-32 X 3/8	89	34-12	64163-01	WASHER	89	34-15
64061-02	ROLL PIN	37	14-16	64163-02	WASH.21/64X19/32X11GA.	35	13-11
64061-04	ROLL PIN-1/8X3/4	13	3-25	64163-02	WASH.21/64X19/32	21	6-15
64061-18	ROLL PIN-5/16X1	41	15-47	64163-03	WASHER .256 ID	47	16-51
64061-21	ROLL PIN-3/16X7/8	39	15-40	64163-03	WASHER	61	19-71
64061-25	ROLL PIN-1/4X1-1/4	59	19-3	64163-04	25/64X5/8X16GA WSHR	21	6-14
64061-26	ROLL PIN-1/4 X 1-3/4	41	15-76	64163-17	25/64 X 2 X 11GA WSHR	23	7-10
				64163-19	WSHR-.506X1.25X12 GA	17	4-54

PART NO	DESCRIPTION	PAGE	ITEM	PART NO	DESCRIPTION	PAGE	ITEM
64163-19	WSHR-33/64X1-1/4X12GA	61	19-79	64205-030	BLT-MET M6-1.00X40	61	19-67
64163-27	WSHR-2.0X.453X11 GA	5	1-25	64205-038	BLT-METRIC M6-1X20	5	1-2
64163-29	WASHER	13	3-40	64205-038	BOLT-M6-1.00X20	11	2-16
64163-29	WASHER	45	16-36	64205-038	BOLT-M6-1.00X20	39	15-2
64163-29	21/64X1X11GA.WSHR	15	4-26	64205-038	BLT-MET M6-1.0X20	49	17-8
64163-31	WASH.25/64X1X12 GA	5	1-15	64205-041	BLT-METRIC M10-1.5X15	31	11-20
64163-31	WASHER	45	16-40	64205-041	HHCS-M10-1.5 X 15	29	10-9
64163-31	WASH.25/64X1X12 GA	59	19-39	64205-042	BLT-METRIC M4-.7X12	7	1-54
64163-36	WASHER	85	32-39	64205-043	BLT-HEX M12-1.75 X 20	15	4-28
64163-36	WASHER 1X33/64X.187	15	4-39	64205-047	BLT-METRIC M8-1.25X90	7	1-41
64163-53	WSHR .391X1.50X9GA	59	19-16	64205-048	BLT-METRIC M6-1X30	41	15-56
64163-54	.516X.75X12GA THK WSH	17	4-49	64205-17	BLT-MET M10-1.50X75	25	8-10
64163-54	.516X.75X12GA WSHR	57	18-18	64206-13	BLT-METRIC M5X.8X12	15	4-33
64163-54	.516X.75 THK WSHR	39	15-38	64206-13	BLT MET M5-.8X12	7	1-64
64163-55	WSHR-.328X.75X14GA	57	18-21	64206-13	BLT-METRIC M5X.8X12	11	2-24
64163-55	WSHR .328X.75X14 GA	7	1-34	64206-14	HHCS-M14-1.5 X 30	5	1-16
64163-55	WASHER 14GA	13	3-19	64207-01	"NUT-HEX,M8-1.25 "	39	15-15
64163-55	WSHR .328X.75X14 GA	17	4-50	64207-01	"NUT-HEX,M8-1.25 "	7	1-68
64163-55	WSHR .328X.75X14 GA	25	8-9	64207-06	NUT-HEX M6-1	41	15-57
64163-55	WASHER	27	9-16	64209-01	CONICAL SPRING WASH	85	32-52
64163-60	WSHR .50X.203X18GA	11	2-26	64209-03	SPRING WASHER .67 ID	89	34-17
64163-64	WASHER 14 GA.	59	19-10	64215-01	RIVET	45	16-8
64163-71		23	7-40	64220-01	BLT-WHL 12-20X.75 60D	21	6-9
64163-71	WSHR-.762X1-1/4X.250	61	19-78	64223-05	SHCS M12-1.75X30	5	1-14
64164-12	1/4X1/4X1 SQ END KEY	81	31-13	64223-06	SCH CAPSCR M12X40	9	1-78
64164-12	KEY-1/4X1/4X1 SQ KEY	85	32-53	64223-08	SCREW SOC HD M16 60	81	31-8
64164-27	KEY-1/4X1/4X1	81	31-4	64229-01	LOCK NUT-NYL 1/4-20	35	13-9
64164-27	S-KEY-1/4X1/4X1	85	32-44	64229-01	LOCK NUT-NYL 1/4-20	41	15-66
64166-15	SHLDR BOLT	59	19-30	64229-01	LOCK NUT-NYL 1/4-20	57	18-17
64166-17	BLT-SHLDR 3/8-16X1.12	21	6-13	64229-01	LOCK NUT-NYL 1/4-20	61	19-70
64166-17	BLT-SHLDR 3/8-16X1.12	39	15-41	64229-01	LCK NUT-NYLON 1/4-20	13	3-32
64166-17	SHOULDER BOLT	15	4-38	64229-02	LOCKNUT-NYL 5/16-18	5	1-27
64166-19	SHOULDER BOLT	37	14-10	64229-02	LOCKNUT-NYL 5/16-18	59	19-40
64166-7	SHOULDER BOLT	21	6-19	64229-03	LOCK NUT-NYLON 3/8-16	7	1-33
64168-1	HAIRPIN COTTER	81	31-16	64229-03	LCKNT-NYLON 3/8-16	15	4-12
64168-1	HAIRPIN COTTER	83	32-28	64229-03	LOCKNUT-NYL 3/8-16	41	15-49
64168-1	HAIRPIN COTTER	59	19-8	64229-03	LCK NT-NYL 3/8-16	25	8-16
64187-03	WHEEL NUT 1/2-20	23	7-28	64237-01	LOCKNUT-NYLON M5	9	1-75
64188-16	"PIN, CLEVIS 3/8X2-3/4 "	59	19-9	64237-01	LCKNT-NYLON M5X0.8	11	2-25
64188-29	PIN CLEVIS 1/2 X 6	83	32-25	64237-01	LCKNT-NYLON M5X0.8	15	4-34
64188-40	1/2 X 2-5/8 CLEVIS PIN	81	31-24	64237-01	LOCKNUT-NYL M5X0.8	39	15-33
64189-6A	BLT-HX SOC #10-32X1/2	81	31-12	64237-02	LCKNT-NYLON M6-1.00	11	2-15
64189-7A	BLT-HX SOC#10-24X1	85	32-36	64237-02	LOCKNUT-NYL M6-1.00	31	11-35
64197-001	BLT-TDFM 5/16-18X3/4	23	7-7	64237-02	LOCKNUT-NYLON M6-1.00	33	12-42
64205-001	BLT MET M8-1.25X20	57	18-13	64237-02	LOCKNUT-NYL M6-1.00	39	15-6
64205-001	BLT-METRIC M8-1.25X20	11	2-14	64237-02	LOCKNUT-NYL M6-1.00	41	15-58
64205-001	BLT-MET M8-1.25X20	13	3-12	64237-02	LOCKNUT-NYL M6-1.00	45	16-7
64205-001	BLT-METRIC M8-1.25X20	15	4-19	64237-02	LOCKNUT-NYL M6-1.00	61	19-66
64205-001	BLT-MET M8-1.25X20	45	16-21	64237-03	LCKNT-NYLON M10-1.5	5	1-22
64205-002	BLT-M8-1.25 X 50	7	1-70	64237-03	LOCKNUT-NYL M10-1.5	39	15-16
64205-003	BLT-MET M8-1.25X30	13	3-18	64237-03	LOCKNUT-NYL M10-1.5	61	19-60
64205-003	BLT-METRIC M8-1.25X30	27	9-15	64237-03	LCKNT-NYLON M10-1.5	13	3-24
64205-007	BLT METRIC M10-1.50X20	39	15-1	64237-03	LCKNT-NYLON M10-1.5	15	4-24
64205-007	BLT MET M10-1.50X20	45	16-24	64237-03	LCKNT-NYL M10-1.5	23	7-5
64205-007	BLT MET M10-1.50X20	7	1-63	64237-03	LOCKNUT-NYL M10-1.5	45	16-26
64205-007	BLT MET M10-1.50X20	25	8-13	64237-03	LCKNT-NYL M10-1.5	25	8-12
64205-007	BLT-MET M10-1.5X20	23	7-4	64237-05	LCKNT-NYLON M8-1.25	11	2-13
64205-008	S BLT-MET M10-1.50X55	61	19-59	64237-05	LOCKNUT-NYL M8-1.25	45	16-11
64205-010	BLT-METRIC M10-1.50X60	9	1-82	64237-05	LOCKNUT-NYL M8-1.25	57	18-14
64205-013	BLT-METRIC M6-1X12	7	1-49	64237-05	LCKNT-NYLON M8-1.25	13	3-20
64205-013	BLT-METRIC M6-1X12	15	4-17	64237-05	LCKNT-NYLON M8-1.25	15	4-13
64205-014	BOLT-MET M6X35	41	15-53	64237-05	LCKNUT-NYLON M8-1.25	27	9-17
64205-015	BLT-METRIC M8-1.25X35	11	2-20	64237-06	LOCKNUT M12	39	15-35
64205-018	BOLT-MET M8-1.25X16	15	4-45	64237-06	LCKNT-NYLON M12-1.75	13	3-17
64205-018	BOLT MET M8-1.25X15	61	19-75	64237-06	LCKNT-NYLON M12-1.75	15	4-36
64205-018	BLT MET M8-1.25X15	45	16-1	64237-07	LOCKNUT-NYL M14-1.5	5	1-28
64205-018	BLT METRIC M8-1.25X15	31	11-10	64239-01	BLT-"T"5/8-18X3 3/4 G8	81	31-14
64205-025	BLT-METRIC M6-1.00X25	31	11-37	64246-01	NUT-WHIZ M6-1.00	49	17-13
64205-029	BOLT-MET M12-1.75X40	17	4-51	64246-01	NUT-WHIZ M6-1.00	41	15-62
64205-029	BOLT MET M12-1.75X40	61	19-76	64246-02	NUT-M8 WLF	13	3-39
64205-029	BLT-METRIC M12X1.7X40	15	4-32	64246-02	NUT-WLF M8-1.25	45	16-43
64205-030	BLT-MET M6-1.00 X 40	33	12-43	64246-03	NUT-WHIZ M10-1.50	5	1-9

PART NO	DESCRIPTION	PAGE	ITEM	PART NO	DESCRIPTION	PAGE	ITEM
64246-03	NUT-WHIZ M10-1.50	9	1-81	A179119	SNAP RING 0.375	37	14-18
64246-04	WLF NUT M12	39	15-34	A202905	THRUST BEARING	23	7-33
64246-04	NUT-WHIZ M12-1.75	15	4-29	A219019	BUSHG-CASTER WHEEL	85	32-46
64248-01	BLT-THD FRM M8X15	57	18-4	A219020	* BEARING, FLANGED "	87	33-2
64248-01	BLT-THD FRM M8X15	27	9-14	A229316	LUBRICATOR	89	34-6
64248-01	BLT-THD FRM M8X15	45	16-5	A230108	SEAL KIT	21	
64250-04	INSERT-GRIP M8	45	16-23	A299301	LUBRICATOR	85	32-45
64250-05	INSERT GRIP-M8-1.25	27	9-19	A299301	• LUBRICATOR	87	33-3
64251-001	WASHER M5	41	15-72	A799721	TUBE-FUEL TANK VENT	31	11-4
64251-002	WASHER M6	61	19-65	A800638	TRANSMISSION PUMP	63	
64251-002	WHSR-M6	39	15-10	A800746	SHAFT KEY	21	
64251-002	WHSR-M6	11	2-17	A800747	CASTLE NUT	21	
64251-002	WHSR-M6	39	15-12	A800858	CYLINDER BLOCK KIT	63	A
64251-002	WHSR-M6	17	4-48	A800859	SPRING	63	104
64251-002	WHSR-M6	45	16-6	A800860	POPPET	63	105
64251-003	WASHER-M8	17	4-55	A800861	NEEDLE BEARING	63	118
64251-003	WHSR-M8	11	2-18	A800862	PISTON	63	126
64251-003	WHSR-M8	13	3-13	A800863	SLIPPER RETAINER	63	127
64251-003	WHSR-M8	31	11-7	A800864	SHAFT BEARING	63	131
64251-003	WHSR-M8	45	16-22	A800865	CIRCLIP	63	132
64251-003	WASHER M8	7	1-32	A800866	CIRCLIP	63	133
64251-004	WHSR-M10	9	1-74	A800867	CHARGE PUMP HOUSING	63	155
64251-004	WHSR-M10	25	8-11	A800868	CYLINDER BLOCK	63	160
64251-004	WHSR-M10	29	10-11	A800869	SWASHPLATE	63	201
64251-004	WHSR-M10	31	11-22	A800870	SWASHPLATE BEARING	63	202
64251-004	WHSR-M10	13	3-23	A800871	DRIVE SHAFT	63	401
64251-004	WHSR-M10	15	4-23	A800872	VALVE PLATE	63	501
64251-004	WHSR-M10	23	7-6	A800873	ADJUSTER SCREW	63	930
64251-004	WHSR-M10	35	13-10	A800874	BY-PASS VALVE	63	1001
64251-004	WHSR-M10	45	16-25	A800876	ROTARY SPOOL	63	1207
64251-005	WHSR-M12	13	3-16	A800877	ADJUSTER SCREW	63	1210
64251-005	WHSR-M12	15	4-15	A800878	LOCKNUT	63	1213
64251-005	WASHER-M12	59	19-37	A800879	RETURN SPRING	63	1214
64251-006	WASHER-FLAT M14	5	1-6	A800880	CONTROL LEVER	63	1215
65286-4A	TIE WRAP	39	15-36	A800881	CAM PLATE	63	1216
65286-5A	TIEWRAP	11	2-28	A800882	LOCKWASHER	63	1235
69051-01	PIPE PLUG - 3/8	31	11-23	A800883	ORIFICE	63	1401
69051-01	PIPE PLUG - 3/8	29	10-12	A800884	SLEEVE	63	1402
69055-02	FITTING-90 ORS/ORS	71	25-62	A800885	ORIFICE	63	1403
69057-02	FITTING-BRANCH TEE -12 ORS	71		A800885	ORIFICE	63	1404
25-66				A800886	SEAL KIT	63	*
69059-03	"HOSE-1.25 I.D.X2"	" 11	2-27	A800889	RELIEF VALVE CARTRIDGE	63	1103
72120N	"THRUST WASHER,1/2ID"	61	19-81	A810966	HOUR METER ASSEM	39	15-9
75075A	"LABEL, CPSC DANGER "	" 79	30-6	A816236	ASM-WHL/TIRE 20-10.0X8	23	7-35
85010N	ZERK	59	19-11	A816265	WHEEL ASSEMBLY	21	6-22
85010N	"ZERK, 1/4-28 ST SLF TH "	" 23	7-29	A816270	"WHEEL ASSEMBLY 11""	87	33-31
88042-01	CLAMP-HOSE 3/16	7	1-67	A817335	LEVER	51	32
88042N	HOSE CLAMP	29	10-22	A817336	SPRING	51	33
A1003122	BOLT-M8-1.25X60	45	16-38	A817337	NUT	51	8
A1003122	BOLT-M8-1.25X60	39	15-14	A817338	MOUNTING RH	51	9
A1102966	BOLT M6	41	15-74	A817339	SCREW	51	10
A1102966	BOLT-M6-1.00X16	45	16-31	A817340	SCREW	51	11
A1102966	BOLT-M6-1.00X16	17	4-47	A817341	SP WASHER	51	12
A1103051	BOLT-M8-1.25 X 25	13	3-41	A817342	DISTANCE PLATE	51	13
A1103051	BOLT-M8-1.25X25	47	16-52	A817343	DISTANCE PLATE	51	14
A1103051	BOLT-M8-1.25X25	15	4-27	A817344	BUSH	51	15
A1104057	BLT-MET M10-1.5X25	45	16-33	A817345	TUBE	51	17
A1104057	HHCS M10-1.5 X 15	29	10-20	A817346	SPRING	51	18
A1104057	BOLT-M10-1.50X25	13	3-22	A817347	WASHER	51	19
A1104057	BOLT-M10-1.50X25	15	4-22	A817348	SCREW	51	20
A1104057	BOLT-M10-1.50X25	31	11-31	A817349	TUBE	51	21
A1104057	BLT-HEX M10-1.5X25	5	1-11	A817350	EDGE STRIP	51	22
A1105061	BOLT-M12-1.75X30	13	3-15	A817351	EDGE STRIP	51	23
A1105061	HHCS M12	41	15-73	A817352	EDGE STRIP	51	5
A1105061	BOLT-M12-1.75X30	61	19-51	A817353	DISTANCE PIECE	51	24
A1105061	BOLT-M12-1.75X30	15	4-14	A817354	SEAT PLATE	51	25
A139302	NUT 3/8 UNC	37	14-26	A817355	MOUNTING LH	51	28
A139322	NUT	37	14-06	A817356	BUSH	51	30
A149000	QUICK PIN	83	32-10	A817357	DISTANCE PIECE	51	31
A149000	CASTER WHEEL BUSHG	83	32-15	A817358	COVER LH	51	35
A149000	QUICK PIN	87	33-11	A817359	WASHER	51	37
A159408	"WASHER, 0.516""	37	14-43	A817360	SCREW	51	38

PART NO	DESCRIPTION	PAGE	ITEM	PART NO	DESCRIPTION	PAGE	ITEM
A817361	PLATE	51	41	A829546	PTO ROCKER SWITCH	39	15-13
A817362	PLATE	51	42	A829546	S-TRANSPORT RCKR SW	41	15-79
A817363	ARM REST LH	53	54	A829563	OIL PRESSURE LENS	43	15-90
A817364	SCREW	55	1	A829564	LENS-BATTERY	43	15-89
A817365	STOP	55	2	A829565	LAMP HOLDER-DL WNDW	43	15-93
A817366	WASHER	55	3	A829565	LENS-GLOW PLUG	43	15-91
A817367	NUT	55	6	A829571	LENS-HYDRAULIC OIL	43	15-88
A817368	COVER	55	7	A829587	PTO LENS	41	15-69
A817369	BASE ASSY.	55	8	A829588	S-GREEN RABBIT LENS	41	15-80
A817370	PLATE	55	9	A904247	RUBBER ROLLER	59	19-29
A817371	PIN	55	12	A905448	MICROSWITCH	55	48
A817372	E CLIP	55	13	A905741	HARNES-MAIN	41	15-52
A817373	BUFFER ASSY.	55	16	A905743	HARNES-INST. PANEL	41	15-51
A817374	RIVET	55	17	A906320	COMPRESSION SPRING	37	14-32
A817375	RUNNER	55	18	A907928	KEEPER-LATCH	15	4-41
A817376	PLATE	55	19	A915146	GAUGE-OIL TANK	29	10-24
A817377	SUSPENSION ASSY.	55	20	BAM6152	"WLDMT-HUB,WHEEL "	23	7-26
A817378	ROLLER	55	22	BAQ8011	BALL JOINT	37	14-07
A817379	PIN	55	23	GSF2051AC	NUT-HEX 3/8-24	37	14-14
A817380	BUSH	55	24	GSF2093ED	BLT-HEX 3/8-16 X 3/4	37	14-12
A817381	SPRING	55	25	MBB6854A	LATCH-OVER CNTR	15	4-40
A817382	PLATE	55	26	MBE1693	WASHER-KING PIN	23	7-32
A817383	PLATE	55	27	MBF1691	WASHER	33	12-5
A817384	BOLT	55	28	MBF1692	"LEVER, THROTTLE"	33	12-2
A817385	PIN	55	29	MBF1720	WASHER	33	12-4
A817386	WASHER	55	31	MBF1871	WLDMT-ARM FRONT LH	59	19-32
A817387	BEARING	55	32	MBF1874	WLDMT-ARM FRONT RH	59	19-33 *
A817388	NUT	55	33	MBF1911	RADIATOR SUPPORT	15	4-7
A817389	HANDLE	55	34	MBF1912	LOUVRE PANEL	15	4-7A
A817390	LEVER ASSY.	55	35	MBF1917	WLDMT-PIN	59	19-20
A817391	SPRING HOOK	55	38	MBF1921	WLDMT-ARM REAR LH	59	19-17
A817392	WEIGHT INDICATOR	55	39	MBF1922	WLDMT-ARM REAR RH	59	19-18 *
A817393	STOP	55	40	MBF1926	WLDMT-PUSH ARM LH	57	18-1
A817394	SPRING	55	41	MBF1926	WLDMT-PUSH ARM RH	57	18-2 *
A817395	WINDOW	55	42	MBF1928A	WLDMT-FRONT AXLE	13	3-11
A817396	ROLLER	55	43	MBF1929	WLDMT-PUSH ARM PIN	57	18-7
A817397	FORK	55	46	MBF1931	"S 61"" DECK W/LABS "	81	31-28
A817398	SPRING FRAME	55	47	MBF1932	S BELT COV W/LAB	81	31-1
A817399	SCREW	55	49	MBF1937	SUPPORT ASSY W/BRGS	87	33-1
A817400	CONNECTOR	55	50	MBF1939	WLDMT-CASTER YOKE	87	33-5
A819940	SEAT ASSY COMPLETE	51		MBF1947	S T51 LH WNG DK W/LAB	83	32-30
A819941	SPRING	55	37	MBF1958	WLDMT-ADJ PLT RH DCK	85	*
A819945	SEAT CUSHION	51	1	MBF1959	WLDMT-ADJ PLT LH DCK	85	
A819946	BACK REST CUSHION	51	2	MBF1967	YOKE	83	32-19
A819947	HEAD REST CUSHION	51	4	MBF1968	WLDMT-CASTER ARM	83	32-16
A819955	ARM REST RH	53	49	MBF1969	WLDMT-PUSH ARM PIN	83	32-26
A819956	HEAD REST ASSY.	51	3	MBF1972	"S 10'-7"" LH WING W/LABS "	85	*
A819961	COVER RH	51	7	MBF1973	"S 10'-7"" RH WING W/LABS"	85	*
A819964	RAIL WITH LEVER	51	36	MBG2938A	"PLATE, PUMP"	33	12-39
A819964	SLIDE WITH LEVER	55	4	MBG3000	SHIM-LATCH	17	4-52
A819965	PIN	51	26	MBG5127	PANEL-INSTRUMENT	39	15-5
A819966	DETENT	51	27	MBG5364	HINGE-PLATE	15	4-3
A819967	ROD	51	29	MBG5426	WASHER	83	32-11
A819968	DAMPER ASSY	55	14	MBG5426	WASHER	87	33-12
A819969	BACK PLATE	51	16	MBG5427	WASHER	83	32-14
A819970	NUT	51	43	MBG5427	WASHER	87	33-13
A819971	PIN	51	44	MBG5448A	EXTENSION	89	34-5
A819972	PIN	53	45	MBG5500	SPINDLE HOUSING	89	34-4
A819973	ADJUSTING SPINDLE	53	46	MBG5502	HOSE SUPPORT	61	19-*
A819974	WASHER	53	47	MBG5564	WLDMT-BELT CVR IN LH	85	32-38
A819975	RAIL	51	39	MBG5569	WLDMT-BELT CVR IN RH	85	*
A819975	SLIDE	55	5	MBG5570	WLDT-BELT CVR OUT LH	83	*
A819979	PIN	55	10	MBG5571	WLDT-BELT CVR OUT RH	83	*
A819984	GAITER ASSY.	55	11	MBG5572	WLDMT-BELT CVR IN LH	85	32-50
A819985	ARM REST ASSY. RH	53	53	MBG5573	WLDMT-BELT CVR IN RH	85	*
A819986	HANDLE	51	34	MBG5574	WLDT-BELT CVR OUT LH	83	32-6
A819986	ARM REST ASSY. LH	53	56	MBG5575	WLDT-BELT CVR OUT RH	83	*
A819990	HINGE	55	30	W038404-02	"GRIP, THROTTLE LEVER"	33	12-1
A819992	WEIGHT ADJUSTER	55	36	W118047-02	BUSH	33	12-3
A823972	HORN	41	15-61	W178111	1/4 TURN FASTENER	81	31-2
A824473	RELAY	39	15-8	W178111	1/4 TURN FASTENER	83	32-5
A829521	S-SINGLE SWITCH BLANK	41	15-83				



World Class Quality, Performance and Support

Equipment from Textron Turf Care and Specialty Products is built to exacting standards ensured by ISO 9001 registration at all our manufacturing locations.

A worldwide dealer network and factory-trained technicians backed by Textron Parts Xpress provide reliable, high-quality product support.



TEXTRON
TURF CARE AND SPECIALTY PRODUCTS

BOB-CAT BUNTON CUSHMAN JACOBSEN RANSOMES RYAN

Ransomes Jacobsen Limited
Ransomes Way, Ipswich, England, IP3 9QG
English Company Registration No. 1070731
www.textronturf.com