



Parts & Maintenance Manual

Greens King VI

62275 – 1862G, Briggs Vanguard Engine, 2WD

62276 – 1862G, Briggs Vanguard Engine, 3WD

62277 – 1962D, Kubota D662-EB Engine, 2WD

62278 – 1962D, Kubota D662-EB Engine, 3WD



WARNING: If incorrectly used this machine can cause severe injury. Those who use and maintain this machine should be trained in its proper use, warned of its dangers and should read the entire manual before attempting to set up, operate, adjust or service the machine.

To Order Parts

1. Write your **full** name and **complete** address on the order.
2. Explain where and how to make shipment.
3. Give product number, name and serial number that is stamped on the name plate or serial plate located on the left rear frame of your product.
4. Order by the quantity desired, the part number, and description of the part as given in the parts list.
5. Send or bring the order to an authorized Textron Turf Care And Specialty Products Dealer.
6. Inspect all shipments on receipt. If any parts are damaged or missing, file a claim with the carrier before accepting.
7. Do not return material without a letter of explanation, listing the parts being returned. Transportation charges must be prepaid.

Use of other than Textron Turf Care And Specialty Products authorized parts and accessories will void the warranty.

Table of Contents

1	Safety		4	4	Maintenance		
1.1	Operating Safety	4	4.1	General	15		
1.2	Important Safety Notes	5	4.2	Engine	15		
2	Specifications		4.3	Engine Oil	16		
2.1	Product Identification	6	4.4	Gas Engine Air Filter	16		
2.2	Engine	6	4.5	Diesel Air Filter	17		
2.3	Cutting Units:	6	4.6	Fuel	17		
2.4	Tractor	7	4.7	Fuel System	17		
2.5	Weights and Dimensions	7	4.8	Battery	18		
2.6	Accessories & Support Literature	7	4.9	Jump Starting	18		
3	Adjustments		4.10	Charging Battery	18		
3.1	General	8	4.11	Hydraulic Hoses	19		
3.2	Fan Belt (Diesel Engines)	8	4.12	Hydraulic Oil	19		
3.3	Pump Drive Belt	8	4.13	Hydraulic Oil Filters	20		
3.4	Bedknife-To-Reel	9	4.14	Electrical System	20		
3.5	Bedknife Adjustment	9	4.15	Muffler and Exhaust	20		
3.6	Cutting Height	10	4.16	Tires	20		
3.7	Reel Bearing	10	4.17	Wheel Mounting Procedure	21		
3.8	Choke Control (Gas Engines)	10	4.18	Care and Cleaning	21		
3.9	Mow / Transport Switch	11	4.19	Radiator (Diesel Engines)	21		
3.10	Anti-Sway Tether	11	4.20	Backlapping	22		
3.11	Parking Brake Adjustment	11	4.21	Storage	23		
3.12	Parking Brake Switch	12	5	Troubleshooting			
3.13	Neutral Start Switch	12	5.1	General	24		
3.14	3WD Switch	12	6	Maintenance & Lubrication Charts			
3.15	Reel Proximity Switch	13	6.1	General	25		
3.16	Installing Cutting Units	13	6.2	Lubrication Chart	25		
3.17	Torque Specification	14	6.3	Maintenance Charts	26		
3.18	Torque Requirements	14	7	Parts Catalog			
			7.1	Table Of Contents	27		

Suggested Stocking Guide

To Keep your Equipment fully operational and productive, Textron Turf Care And Specialty Products suggests you maintain a stock of the more commonly used maintenance items. We have included part numbers for additional support materials and training aids.

To order any of the following material:

1. Write your full name and complete address on your order form.
2. Explain where and how to make shipment:
 - UPS
 - Overnight
 - Regular Mail
 - 2nd Day
3. Order by the quantity desired, the part number, and the description of the part.
4. Send or bring the order to your authorized Textron Turf Care And Specialty Products Dealer.

Service Parts

Qty.	Part No.	Description	Qty.	Part No.	Description
	5000440	Gas Engine Oil Filter		5000078	Hydraulic Oil Filter
	5000441	Gas Engine Air Filter		336481	Gas Engine Pump Drive Belt
	5000436	Gas Engine Fuel Filter		3009565	Diesel Engine Pump Drive Belt
	5002644	Diesel Engine Oil Filter			
	5000913	Diesel Engine Air Filter			
	550489	Diesel Engine Fuel Filter			
	341837	Diesel Engine Pre-Fuel Filter			

Service Support Material

Qty.	Part No.	Description
	2811149	Safety & Operation Manual
	2811150	Parts & Maintenance Manual
	3004386	Diesel Engine Parts Catalog

Qty.	Description
	Service Manual
	Video, Operator Training

How To Use This Manual

Abbreviations

N/S - Not serviced separately, can only be obtained by ordering main component or kit.

AR -Variable quantity or measurement is required to obtain correct adjustment.

Symbols such as ●, next to the item number, indicate that a note exists which contain additional information important in ordering that part.

Bulleted Items

Bulleted items indicate component parts that are included as part of an assembly or another component. These parts can be ordered separately or as part of the main component.

Item	Part No.	Qty	Description	Serial Numbers/Notes
● 1	123456	1	Mount, Valve	<i>Indicates a piece part</i>
2	789012	1	Valve, Lift	<i>Includes Items 2 and 3</i>
3	345678	1	• Handle	<i>Serviced part included with Item 2</i>
4	N/S	1	• Seal Kit	<i>Non serviced part included with Item 2</i>
5	901234	1	Screw, 1/4-20 x 2" Hex Head	

1 SAFETY

1.1 OPERATING SAFETY

WARNING

EQUIPMENT OPERATED IMPROPERLY OR BY UNTRAINED PERSONNEL CAN BE DANGEROUS.

Familiarize yourself with the location and proper use of all controls. Inexperienced operator's should receive instruction from someone familiar with the equipment before being allowed to operate the machine.

1. Safety is dependent upon the awareness, concern and prudence of those who operate or service the equipment. Never allow minors to operate any equipment.
2. It is your responsibility to read this manual and all publications associated with this equipment (Safety and Operation Manual, engine manual, accessories and attachments). If the operator can not read English it is the owner's responsibility to explain the material contained in this manual to them.
3. Learn the proper use of the machine, the location and purpose of all the controls and gauges before you operate the equipment. Working with unfamiliar equipment can lead to accidents.
4. Never allow anyone to operate or service the machine or its attachments without proper training and instructions; or while under the influence of alcohol or drugs.
5. Wear all the necessary protective clothing and personal safety devices to protect your head, eyes, ears hands and feet. Operate the machine only in daylight or in good artificial light.
6. Inspect the area where the equipment will be used. Pick up all the debris you can find before operating. Beware of overhead obstructions (low tree limbs, electrical wires, etc.) and also underground obstacles (sprinklers, pipes, tree roots, etc.) Enter a new area cautiously. Stay alert for hidden hazards.
7. Never direct discharge of material toward bystanders, nor allow anyone near the machine while in operation. The owner/operator can prevent and is responsible for injuries inflicted to themselves, to bystanders and damage to property.
8. Never operate equipment that is not in perfect working order or is without decals, guards, shields, discharge deflectors or other protective devices securely fastened in place.
9. Never disconnect or bypass any switch.
10. Carbon monoxide in the exhaust fumes can be fatal when inhaled. Never operate the engine without proper ventilation.
11. Fuel is highly flammable, handle with care.
12. Keep the engine clean. Allow the engine to cool before storing and always remove the ignition key.
13. Disengage all drives and engage parking brake before starting the engine (motor). Start the engine only when sitting in operator's seat, never while standing beside the unit.
14. Equipment must comply with the latest federal, state, and local requirements when driven or transported on public roads.
15. Never use your hands to search for oil leaks. Hydraulic fluid under pressure can penetrate the skin and cause serious injury.
16. Operate the machine up and down the face of the slopes (vertically), not across the face (horizontally).
17. To prevent tipping or loss of control, do not start or stop suddenly; reduce speed when making sharp turns. Use caution when changing direction on slopes.
18. Always use the seat belt when operating tractors equipped with a ROPS.
Never use a seat belt when operating tractors without a ROPS.
19. Keep legs, arms and body inside the seating compartment while the vehicle is in motion.

This machine is to be operated and maintained as specified in this manual and is intended for the professional maintenance of specialized turf grasses. It is not intended for use on rough terrain or long grasses.

1.2 IMPORTANT SAFETY NOTES



This safety alert symbol is used to alert you to potential hazards.

DANGER - Indicates an imminently hazardous situation which, if not avoided, **WILL** result in death or serious injury.

WARNING - Indicates a potentially hazardous situation which, if not avoided, **COULD** result in death or serious injury.

CAUTION - Indicates a potentially hazardous situation which, if not avoided, **MAY** result in minor or moderate injury and property damage. It may also be used to alert against unsafe practices.

For pictorial clarity, some illustrations in this manual may show shields, guards or plates open or removed. Under no circumstances should this equipment be operated without these devices securely fastened in place



WARNING

The operator back-up system on this tractor prevents the tractor from starting unless the brake lever is engaged, mower switch is off and traction pedal is in neutral. The system will stop the engine if the operator leaves the seat without engaging the parking brake or setting the mower switch off.

NEVER operate tractor unless the operator back-up system is working.



WARNING

1. Before leaving the operator's position for any reason:
 - a. Return traction pedal to neutral.
 - b. Disengage all drives.
 - c. Lower all implements to the ground.
 - d. Engage parking brake.
 - e. Stop engine and remove the ignition key.
2. Keep hands, feet, and clothing away from moving parts. Wait for all movement to stop before you clean, adjust or service the machine.
3. Keep the area of operation clear of all bystanders and pets.
4. Never carry passengers, unless a seat is provided for them.
5. Never operate mowing equipment without the discharge deflector securely fastened in place.

By following all instructions in this manual, you will prolong the life of your machine and maintain its maximum efficiency. Adjustments and maintenance should always be performed by a qualified technician.

If additional information or service is needed, contact your Authorized Textron Turf Care And Specialty Products Dealer who is kept informed of the latest methods to service this equipment and can provide prompt and efficient service. **Use of other than original or authorized Textron Turf Care And Specialty Products parts and Accessories will void the warranty.**

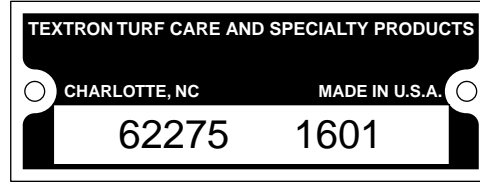
2 SPECIFICATIONS

2.1 PRODUCT IDENTIFICATION

- 62275..... Greens King VI 1862G 2-WD Tractor, 18 hp gasoline engine. Without battery, or mowers.
- 62276..... Greens King VI 1862G 3-WD Tractor, 18 hp gasoline engine. Without battery or mowers.
- 62277..... Greens King VI 1962D 2-WD Tractor, 19 hp diesel engine. Without battery, or mowers.
- 62278..... Greens King VI 1962D 3-WD Tractor, 19 hp diesel engine. Without battery or mowers.

Serial Number An identification plate, like the one shown, listing the serial number, is attached to the frame of the tractor near the center lift arm mount.

Always provide the serial number of the unit when ordering replacement parts or requesting service information.



Product	EEC Sound Power	Sound Pressure Level Operator Ear	Vibration M/S ²	
			Arms	Body
62275	96 dba	78.2 dba	2.52	.692
62276	96 dba	78.2 dba	2.52	.692
62277	<99.6	<83 dba	2.9	1.05
62278	<99.6	<83 dba	2.9	1.05

2.2 ENGINE

1862G Gasoline Engine

- Make Briggs & Stratton
- Model Vanguard V-Twin OHV
- Horsepower..... 18 hp (13.5 kW) @3600 rpm

Note: Actual sustained horsepower will likely be lower than listed in specifications due to operating limitations and environmental factors.

- Displacement 34.8 cu. In. (570 cc)
- Torque 26 ft. lbs. (35 Nm) @ 2600 rpm
- Fuel:
 - Type Unleaded Gasoline
 - Rating Min. 85 Octane
 - Capacity 5 U.S. Gal. (18.9 liters)
- Governor Flyweight Mechanical
- Lubrication:
 - Capacity 3.5 pints (1.4 liters)
 - Type SAE 30W
 - API Classification SF, SG, SH
- Air Filter Replaceable Dual Element.
- Alternator 16 amp
- Cooling System..... Air Cooled

1962D Diesel Engine

- Make Kubota
- Model..... D662-EB
- Horsepower 18.5 hp (13.8 kW) @3600 rpm

Note: Actual sustained horsepower will likely be lower than listed in specifications due to operating limitations and environmental factors.

- Displacement..... 40.03 cu. In. (656 cc)
- Torque..... 26 ft. lbs. (35 Nm) @ 2600 rpm
- Fuel:
 - Type No. 2 Diesel
 - Rating Min. Cetane rating 45
 - Capacity..... 5 U.S. Gal. (18.9 liters)
- Governor..... Ball Type Governor
 - Low Idle 1100 RPM
 - High Idle 3400 RPM
- Lubrication:
 - Capacity..... 3.4 quarts (3.2 liter) with filter
 - Type SAE 20W, SAE 30W
 - API Classification CD, CE
- Air Filter Dry type with evacuator valve and service indicator.
- Alternator 40 amp
- Cooling System Liquid Cooled
 - Capacity..... 3qt. (2.8 l) 50/50 water ethylene glycol mix

2.3 CUTTING UNITS:

Reel.....	3 Reels, 22 in. (559 mm) wide.	Cutting Frequency:	
Reel Diameter	5 in. (127 mm)	7 Blade.....	0.074 in./mph (1.17 mm/kph)
Blade Options	7 or 11 blades	11 Blade.....	0.047 in./mph (0.74 mm/kph)
Cutting Width	62 in. (1574 mm)		

2.4 TRACTOR

Tires	20 x 10 - 10 tubeless	Speed:	
Pressure:.....	8-12 psi (55-83 kPa)	Mow	0 - 3.7 mph (5.9 kph)
Battery:		Transport	0 - 7.6 mph (10.6 kph)
Type	12 Volt Lead/Acid	Reverse.....	0 - 3.5 mph (5.6 kph)
Group	45 GMF	Hydraulic System:	
Parking Brake.....	Mechanical front wheel disk	Capacity.....	5 U.S. gal. (19 liters) System
	Hand lever actuated	Fluid Type	GreensCare 32
Steering	Hydrostatic power steering	Filter.....	Full Flow 10 micron
		Mower Lift	Hydraulic Double Acting Cylinders

2.5 WEIGHTS AND DIMENSIONS

Dimensions:	Inches	(mm)	Weights:	Lbs.	(kg)
Length - Grass Catchers On	99.5	(2526)	Working Weight Less Operator		
Height - Steering Wheel Up	50	(1270)	62275	895	(406)
Wheel Base.....	52.8	(1341)	62276	1009	(458)
Width - Transport Position	68	(1727)	62277	930	(422)
Width - Mowing Position.....	70	(17780)	62278	1044	(474)
Width - Wheel	56.5	(1435)			
Turning Radius	18	(457)			

2.6 ACCESSORIES & SUPPORT LITERATURE

Contact your area Textron Turf Care And Specialty Products Dealer for a complete listing of accessories and attachments.



CAUTION

Use of other than Textron Turf Care And Specialty Products authorized parts and accessories may cause personal injury or damage to the equipment and will void the warranty.

Accessories

Air Blow Gun	JAC5098
Orange Touch-up Paint (12 oz. spray)	554598
Arm Rest.....	66156
Grass Catcher	67891
Backlap Kit 62275 <2056,62276 <1731,62277 <2257,62278 <1846. 68657	
Backlap Kit 62275 >2057,62276 >1732,62277 >2258,62278 >1847. 68671	
Fine Bristle Brush.....	68539
Green Sentry II Oil System Monitor	2811592
Rear Roller Cleaner	68643
Quick Roller (Set of 3).....	68664
Spiker (Set of 3)	68663
Traction Tire (Tire only)	5001591
Turf Groomer 1/4" Spacing.....	67911
Turf Groomer 1/2" Spacing.....	67913
Vertical Mower (Single)	67893
Lift Yoke / Coupler Kit.....	67896
Joystick Control Kit.....	68670

Reels

7 Blade Reel (Single).....	68645
11 Blade Reel (Single).....	68646

Rollers

Grooved Front Roller	68527
Solid Roller	68530
High Cut Roller 15/16 in.....	68634
High Cut Roller 3/4 in.....	68594
Grooved Front Roller (Steel).....	68613
Grooved Front Roller (Aluminum)	68614
Grooved Rear Roller.....	68580
Grooved Segmented Roller	68658

Support Literature

Safety & Operation Manual.....	2811149
Parts & Maintenance Manual.....	2811150
Diesel Engine Parts Catalog.....	3004386
Operator Training Video.....	5002115

3 ADJUSTMENTS

3.1 GENERAL

WARNING

To prevent injury, lower implements to the ground, disengage all drives, engage parking brake, stop engine and remove key from ignition switch before making any adjustments or performing maintenance.

Make sure the tractor is parked on a solid and level surface. Never work on a tractor that is supported only by the jack. Always use jack stands.

If only the front or rear of the tractor is raised, place chocks in front of and behind the wheels that are not raised.

1. Adjustments and maintenance should always be performed by a qualified technician. If proper adjustment cannot be made, contact an authorized Textron Turf Care And Specialty Products Dealer.
2. Replace, do not adjust, worn or damaged components.
3. Long hair, jewelry or loose fitting clothing may get tangled in moving parts.

CAUTION

Be careful to prevent entrapment of the hands and fingers between moving and fixed components of the machine.

4. Do not change governor settings or overspeed the engine.

3.2 FAN BELT (DIESEL ENGINES)

Inspect and adjust new belt after first ten hours of operation. Adjust every 100 hours thereafter.

1. Adjust alternator pulley so belt (B) deflects 9/32 to 11/32 in. (7 to 9 mm) with a 22 lb. (10 kgf) push at midspan between pulleys.
2. If tension is incorrect, loosen alternator mounting bolts (A) and adjust alternator until proper belt tension is achieved. Tighten hardware (A)

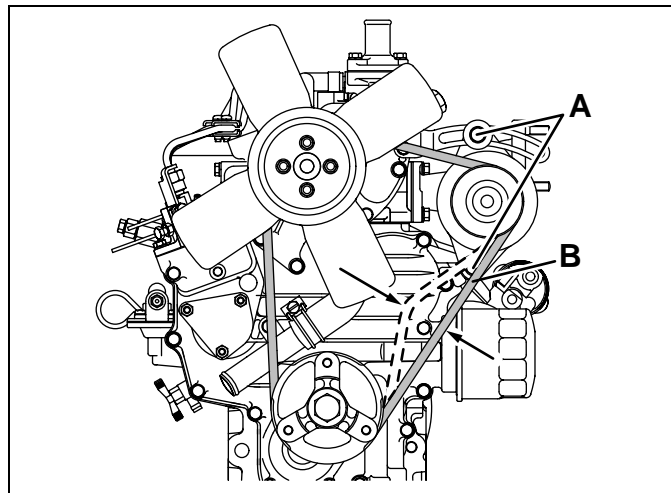


Figure 3A

3.3 PUMP DRIVE BELT

Adjust pump belt to deflect 3/16 in. (4.8 mm) with a force of 5-7 lb. (2-3 kgf) applied at midspan.

1. Loosen hardware (D and E).
2. Pivot pump assembly away from engine to increase tension on belt then tighten hardware (D and E).

Note: A square hole (C) that will fit a 1/2" socket driver or breaker bar has been provided in the pump mounting plate as a means of pivoting the pump.

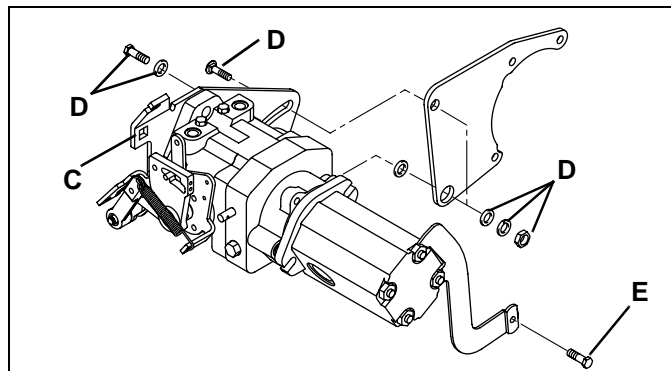


Figure 3B

3.4 BEDKNIFE-TO-REEL

(Pre-adjustment Check)

1. Check the reel bearings for end play or radial play. There should be no end play or radial play. See Section 3.7.

CAUTION

To prevent personal injury and damage to the cutting edges, wear gloves and handle the reel and bedknife with extreme care.

2. Inspect the reel blades and bedknife to insure good sharp edges without bends or nicks.
 - a. The leading edge of the reel blades (**F**) must be sharp, free of burrs and show no signs of rounding off.
 - b. The bedknife and bedknife backing must be securely tightened. The bedknife must be straight and sharp.
 - c. A flat surface of at least 1/16 in. (1.5 mm) minimum must be maintained on the front face of the bedknife. Use a standard flat file to dress the bedknife.
3. If wear or damage is beyond the point where the reel or bedknife can be corrected by the lapping process, they must be reground.
4. Proper reel-to-bedknife adjustment is critical. A gap of 0.001 to 0.003" (0.025 to 0.076 mm) must be maintained across the entire length of the reel and bedknife.

5. The reel must be parallel to the bedknife. An improperly adjusted reel will lose its sharp edges prematurely and may result in serious damage to the reel and bedknife.
6. Grass conditions will also affect the adjustment.
 - a. Dry, sparse conditions will require a wider gap to prevent heat buildup and damage to the reel and bedknife.
 - b. High quality grass with a good moisture content requires a closer gap (near zero).

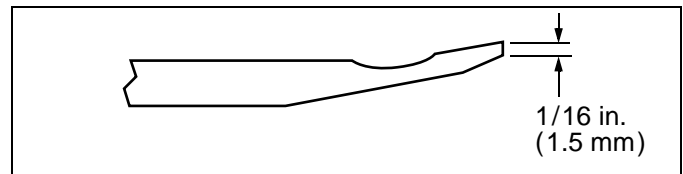


Figure 3C

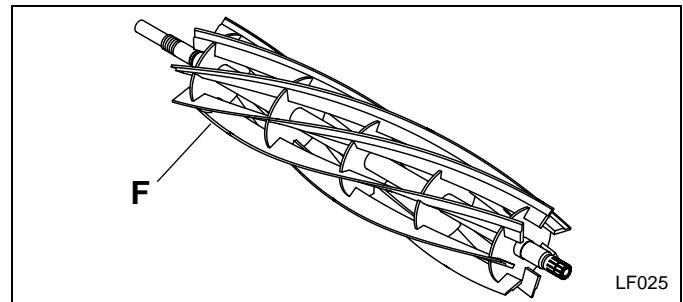


Figure 3D

3.5 BEDKNIFE ADJUSTMENT

1. Read Section 3.4 before making the adjustment.
2. Start adjustment at the leading end of the reel, followed by the trailing end. *The leading end of the reel blades is that end which passes over the bedknife first during normal reel rotation.*
3. Use adjusters (**G** and **H**), to adjust gap. Loosen bottom adjuster (**H**) and turn top adjuster (**G**) down (Clockwise) to close gap.
 - a. Slide a feeler gauge or shim stock 0.001" - 0.003" (0.025 - 0.075 mm) between the reel blade and the bedknife. Do not turn the reel.
 - b. Adjust the trailing end of the reel to the same gap in a similar manner then recheck the adjustment at the leading end.
 - c. When the reel is properly adjusted to the bedknife, the reel will spin freely and you should be able to cut a piece of newspaper, along the

full length of the reel, when the paper is held at 90° to the bedknife.

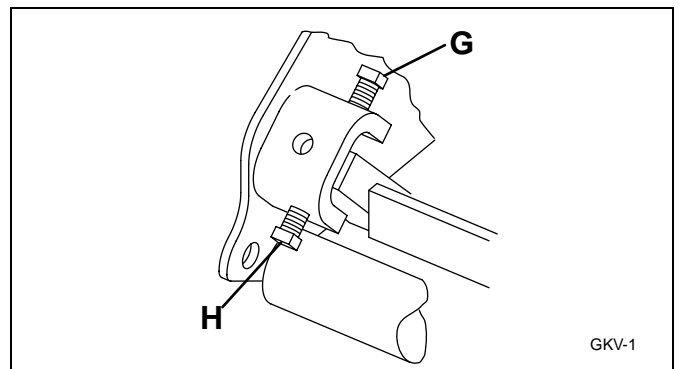


Figure 3E

Note: Avoid excessive tightening or serious damage may result to bedknife and reel blades. Reels must turn freely.

3 ADJUSTMENTS

3.6 CUTTING HEIGHT

Note: Always make the reel to bedknife adjustment before adjusting height of cut. (Sections 3.4 and 3.5).

1. Raise mowers to transport position then engage the parking brake, stop engine and remove key from ignition switch.
2. Set desired cutting height on the gauge (I).
 - a. Measure distance between the underside of screw head and gauge block surface (J).
 - b. Adjust screw (L) to obtain desired height then tighten the wing nut.
3. Loosen the nuts on the front roller brackets (K) just enough to allow the adjuster knob (N) to raise or lower the front roller.
4. Place gauge (I) across bottom of front and rear rollers near one end of roller.
5. Slide the head of gauge screw (L) over the bedknife (M) and adjust the knob (N) to close the gap between the screwhead and bedknife. Then tighten locknut (K).

6. Repeat Steps 4 and 5 on opposite end. Complete adjustment to one end before adjusting opposite end.
7. Tighten nuts (K) and recheck each end.

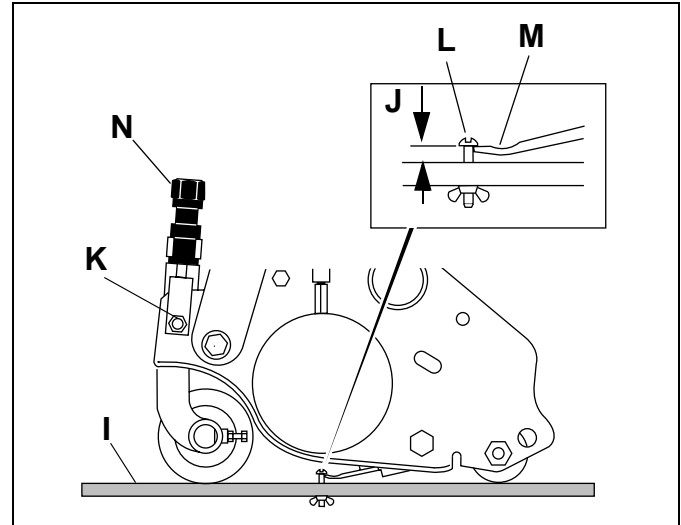


Figure 3F

3.7 REEL BEARING

Any end play or radial play indicates bad bearings, a weak tension spring or a backed off nut.

1. Check bearing housing mounting hardware. Tighten or replace components as required. Carefully clean threads with degreaser.
2. Apply a medium strength grade of Loctite to nut (P), then thread nut onto the reel shaft until the nut is 1-27/32" (46 mm) from the end of the reel shaft.
3. Fill reel bearing housings with NLGI - Grade O grease after adjusting spring.

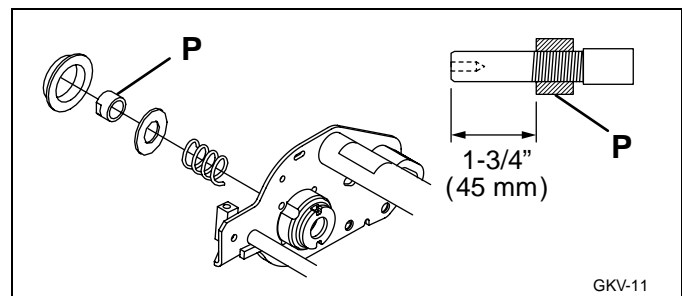


Figure 3G

3.8 CHOKE CONTROL (GAS ENGINES)

Gas Engines Only

1. Push choke control knob to the "Off" Position.
2. Set Choke lever at carburetor to "Off" (butterfly open) position.
3. Adjust control wire (at the carburetor) then clamp wire housing in place while keeping choke butterfly open and the control knob in the "Off" position.

3.9 MOW / TRANSPORT SWITCH

1. Remove the engine cowling to gain access to the switch.
2. Use a volt/ohm meter to determine when switch contacts open or close.
3. Place traction lever in transport position (2).
4. Adjust switch **(R)** so contacts are open in transport position, and close when lever is moved to mow position (1).

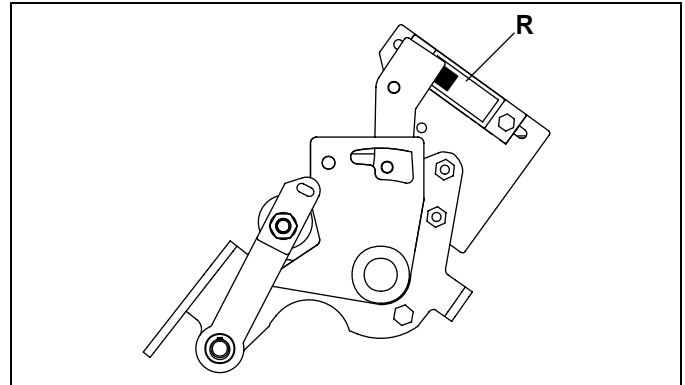


Figure 3H

3.10 ANTI-SWAY TETHER

1. The tether is used to prevent the reels from swaying during transport or gouging the turf when lowered.
2. Fully raise lift arms **(T)** to the transport position to check the cable.

Note: Stop bracket **(U)** must be up against the lift arm.

3. Loosen nut **(V)** and slide bracket **(W)** up or down to obtain a 1/8 to 3/8 in., (3 to 10 mm) deflection in cable **(X)**. The cable must not be too tight or have too much slack. The ends of the cable must be free to pivot.

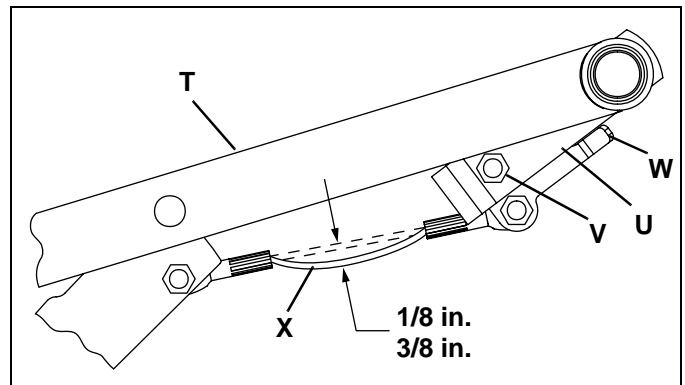


Figure 3I

3.11 PARKING BRAKE ADJUSTMENT

1. Remove console mounting hardware and move console out of the way. Do not disconnect wire harness from console.
2. Engage parking brake. At each tire, tighten nut **(S)** to compress spring to 1-1/2 in. (38 mm).
3. Disengage parking brake.
4. Loosen nut **(Y)** and turn turnbuckle **(Z)** as required to tighten brakes. Brakes must not drag when disengaged.
5. Brakes are properly adjusted when 200 ft lb (274 Nm) force is required to rotate tire with parking brake engaged.
6. Engage parking brake and re-install console.

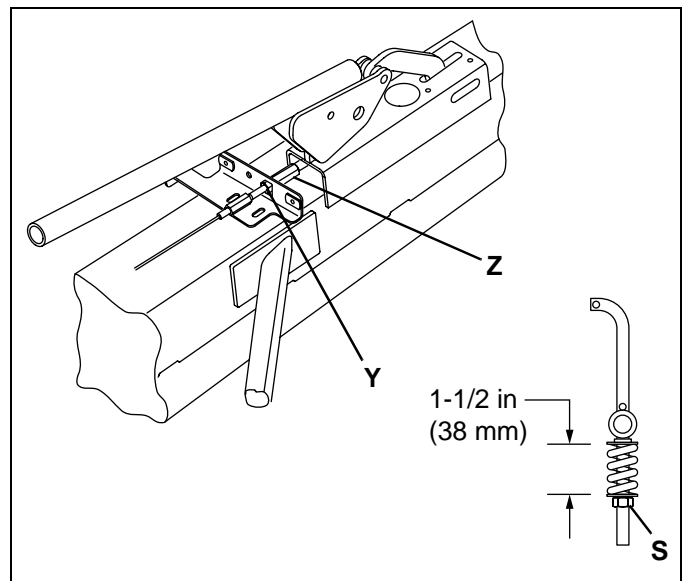


Figure 3J

3 ADJUSTMENTS

3.12 PARKING BRAKE SWITCH

1. Use a volt/ohm meter to determine when switch contacts open or close.
2. Engage parking brake and adjust parking brake switch **(A)** as required to close contacts. Switch contacts should open when parking brake is disengaged.
3. Check to see if gap of $\frac{3}{32}$ to $\frac{1}{8}$ in (2 to 3 mm) is maintained between sensing surface of switch and brake arm.

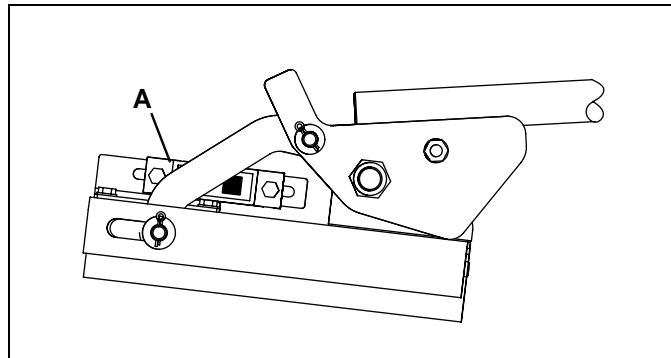


Figure 3K

3.13 NEUTRAL START SWITCH

1. Use a volt/ohm meter to determine when switch contacts open or close.
2. Adjust neutral switch **(B)** so "finger" of traction pedal is centered over sensing portion of switch.
3. Switch contacts should be closed with traction pedal in neutral and open with pedal movement in either forward or reverse direction.
4. Check to see if air gap of $\frac{3}{32}$ to $\frac{1}{8}$ " (2 to 3 mm) is maintained between sensing portion of switch and traction pedal finger.
5. Check pedal assembly for any lateral movement. Add shims to pedal arm as required.

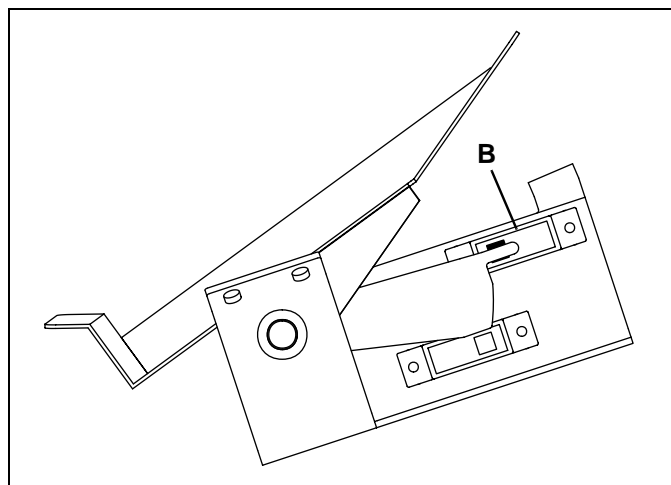


Figure 3L

3.14 3WD SWITCH

1. Use a volt/ohm meter to determine when switch contacts open or close.
2. Adjust 3WD switch **(C)** so contacts are open with traction pedal in neutral position and close with minimal pedal travel in forward direction.
3. Switch should remain open with pedal movement in reverse direction.
4. Check to see if air gap of $\frac{3}{32}$ to $\frac{1}{8}$ " (2 to 3 mm) is maintained between sensing portion of switch and traction pedal finger.
5. Check pedal assembly for any lateral movement. Add shims to pedal arm as required.

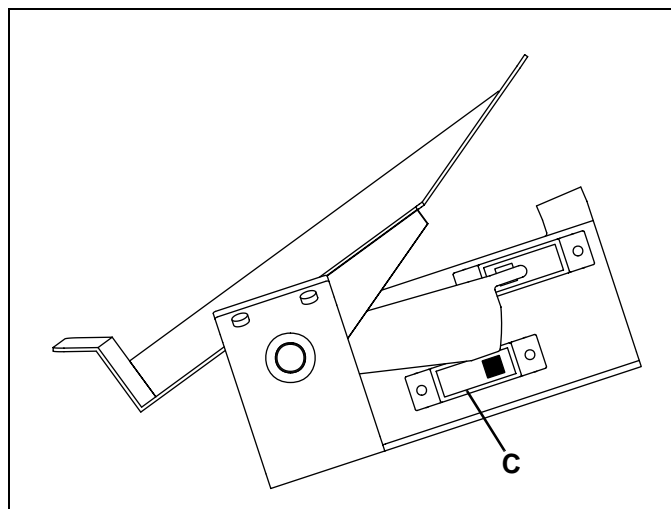


Figure 3M

3.15 REEL PROXIMITY SWITCH

1. The switch is factory set and should not require adjustment. The reels start turning when lowered and shut off when raised.
2. If reels do not shut off when raised, or turn on too slowly, loosen hardware **(D)** and adjust switch up or down as required.
3. Check to see if gap of 3/32 to 1/8 in (2 to 3 mm) is maintained between sensing surface and cam.

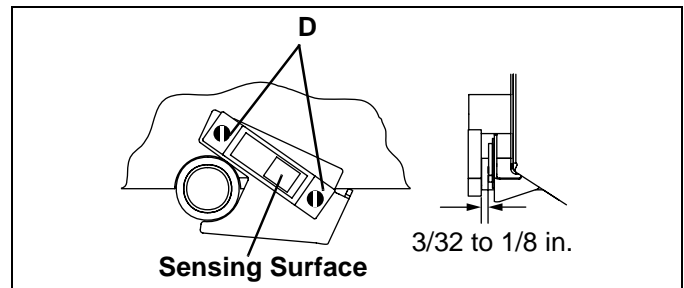


Figure 3N

3.16 INSTALLING CUTTING UNITS

1. Park the tractor on a flat and level surface, fully lower the lift arms, engage parking brake, stop the engine and remove the key from the ignition switch.
2. Place each cutting unit in front of its respective lift arm **(L)**.

The grass catcher mounting hooks must face outwards on the two front mowers. The center mower has a longer hook.

- a. Manually raise lift arm **(L)**, and slide the cutting unit so that yoke **(M)** is in line with swivel housing **(N)**.
 - b. Carefully lower swivel housing **(N)** onto yoke **(M)**.
 - c. Insert spring **(O)** and pin **(E)**, fasten retaining wire and snap plastic cap **(F)** over pin **(E)**.
3. Move the motors and their hoses to the cutting units.
 4. Remove protective plug **(G)** from bearing housing. Retain plug for future use. Coat spines of reel shaft with a good quality non-metallic, fibre based grease and assemble coupler **(H)** to the reel shaft.
 5. Apply a light coat of grease to motor O-ring and inside lip of bearing housing. Slide Motor end into bearing housing.

7. Secure the motor to the housing with two motor clips **(I and J)** as shown. Squeeze the two ears of the clip to freely slide into the slot of mounting pin **(K)**. Insert clip up to the first bend. The two ear loops should face towards the center of the motor.
8. For removal of the cutting units, follow the assembly procedure in reverse order.

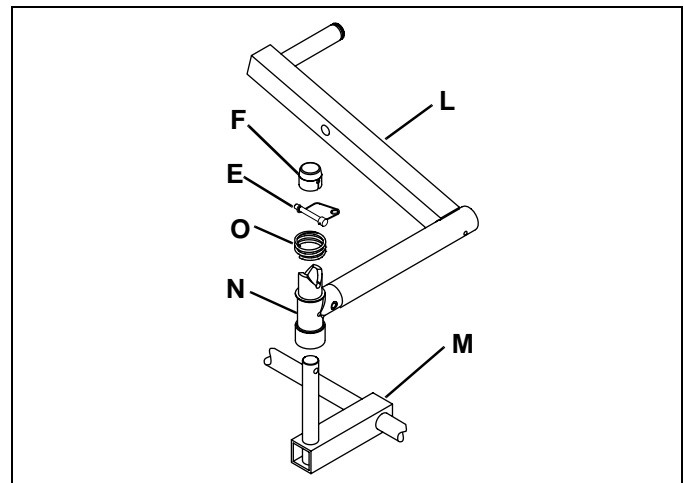


Figure 3O

⚠ WARNING

To prevent cuts use socket wrench or turf groomer knob to turn reel. **Do not turn reel by hand.**

6. If any resistance is felt, the reel may need to be turned to engage the motor spline. Slowly turn the reel, while applying pressure to the end of the motor, until the motor slides into place. Make certain the motor is fully seated against the bearing housing.

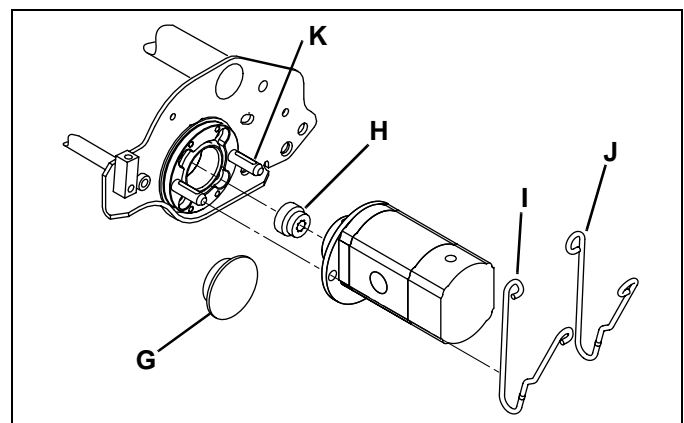


Figure 3P

3 ADJUSTMENTS





3.17 TORQUE SPECIFICATION

CAUTION





All torque values included in these charts are approximate and are for reference only. Use of these torque values is at your sole risk. Textron Turf Care And Specialty Products is not responsible for any loss, claim, or damage arising from the use of these charts. **Extreme caution should always be used when using any torque value.**

Textron Turf Care And Specialty Products uses Grade 5 Plated bolts as standard, unless otherwise noted. For tightening plated bolts, use the value given for lubricated.

AMERICAN NATIONAL STANDARD FASTENERS

SIZE	UNITS					SIZE	UNITS				
		GRADE 5		GRADE 8				GRADE 5		GRADE 8	
		Lubricated	Dry	Lubricated	Dry			Lubricated	Dry	Lubricated	Dry
#6-32	in-lb (Nm)	-	20 (2.3)	-	-	7/16-14	ft-lb (Nm)	37 (50.1)	50 (67.8)	53 (71.8)	70 (94.9)
#8-32	in-lb (Nm)	-	24 (2.7)	-	30 (3.4)	7/16-20	ft-lb (Nm)	42 (56.9)	55 (74.6)	59 (80.0)	78 (105)
#10-24	in-lb (Nm)	-	35 (4.0)	-	45 (5.1)	1/2-13	ft-lb (Nm)	57 (77.2)	75 (101)	80 (108)	107 (145)
#10-32	in-lb (Nm)	-	40 (4.5)	-	50 (5.7)	1/2-20	ft-lb (Nm)	64 (86.7)	85 (115)	90 (122)	120 (162)
#12-24	in-lb (Nm)	-	50 (5.7)	-	65 (7.3)	9/16-12	ft-lb (Nm)	82 (111)	109 (148)	115 (156)	154 (209)
1/4-20	in-lb (Nm)	75 (8.4)	100 (11.3)	107 (12.1)	143 (16.1)	9/16-18	ft-lb (Nm)	92 (124)	122 (165)	129 (174)	172 (233)
1/4-28	in-lb (Nm)	85 (9.6)	115 (13.0)	120 (13.5)	163 (18.4)	5/8-11	ft-lb (Nm)	113 (153)	151 (204)	159 (215)	211 (286)
5/16-18	in-lb (Nm)	157 (17.7)	210 (23.7)	220 (24.8)	305 (34.4)	5/8-18	ft-lb (Nm)	128 (173)	170 (230)	180 (244)	240 (325)
5/16-24	in-lb (Nm)	173 (19.5)	230 (26.0)	245 (27.6)	325 (36.7)	3/4-10	ft-lb (Nm)	200 (271)	266 (360)	282 (382)	376 (509)
3/8-16	ft-lb (Nm)	23 (31.1)	31 (42.0)	32 (43.3)	44 (59.6)	3/4-16	ft-lb (Nm)	223 (302)	298 404	315 (427)	420 (569)
3/8-24	ft-lb (Nm)	26 (35.2)	35 (47.4)	37 (50.1)	50 (67.8)	7/8-14	ft-lb (Nm)	355 (481)	473 (641)	500 (678)	668 (905)

METRIC FASTENERS

SIZE	UNITS									Non Critical Fasteners into Aluminum
		4.6		8.8		10.9		12.9		
		Lubricated	Dry	Lubricated	Dry	Lubricated	Dry	Lubricated	Dry	
M4	Nm (in-lb)	-	-	-	-	-	-	3.83 (34)	5.11 (45)	2.0 (18)
M5	Nm (in-lb)	1.80 (16)	2.40 (21)	4.63 (41)	6.18 (54)	6.63 (59)	8.84 (78)	7.75 (68)	10.3 (910)	4.0 (35)
M6	Nm (in-lb)	3.05 (27)	4.07 (36)	7.87 (69)	10.5 (93)	11.3 (102)	15.0 (133)	13.2 (117)	17.6 (156)	6.8 (60)
M8	Nm (in-lb)	7.41 (65)	9.98 (88)	19.1 (69)	25.5 (226)	27.3 (241)	36.5 (323)	32.0 (283)	42.6 (377)	17.0 (150)
M10	Nm (ft-lb)	14.7 (11)	19.6 (14)	37.8 (29)	50.5 (37)	54.1 (40)	72.2 (53)	63.3 (46)	84.4 (62)	33.9 (25)
M12	Nm (ft-lb)	25.6 (19)	34.1 (25)	66.0 (48)	88.0 (65)	94.5 (70)	125 (92)	110 (81)	147 (108)	61.0 (45)
M14	Nm (ft-lb)	40.8 (30)	54.3 (40)	105 (77)	140 (103)	150 (110)	200 (147)	175 (129)	234 (172)	94.9 (70)

3.18 TORQUE REQUIREMENTS

- Ball joints: 30 - 35 ft lb., (40.5 - 47.2 N.m).
- Bedknife shoe: 25 - 37 ft lb., (34 - 50 N.m).
- Steering wheel nut 25-30 ft. lb., (34-41 N.m)
- Wheel mounting hardware 80-95 ft lb., (108 - 128 N.m). Check and retorque daily until torque is maintained.

4.1 GENERAL

WARNING

Before you clean, adjust, or repair this equipment, disengage all drives, lower implements to the ground, engage parking brake, stop engine and remove key from ignition switch to prevent injuries

Make sure the tractor is parked on a solid and level surface. Never work on a tractor that is supported only by the jack. Always use jack stands.

1. Adjustment and maintenance should always be performed by a qualified technician. If proper adjustments cannot be made, contact an Authorized Textron Turf Care And Specialty Products Dealer.
2. Inspect the equipment on a regular basis, establish a maintenance schedule and keep detailed records.
 - a. Keep the equipment clean.

- b. Keep all moving parts properly adjusted and lubricated.
 - c. Replace worn or damaged parts before operating the machine.
 - d. Keep all fluids at their proper levels.
 - e. Keep shields in place and all hardware securely fastened.
 - f. Keep tires properly inflated.
3. Long hair, jewelry or loose fitting clothing may get tangled in moving parts.
 4. Use the illustrations in the Parts Catalog as reference for the disassembly and reassembly of components.
 5. Recycle or dispose of all hazardous materials (batteries, fuel, lubricants, anti-freeze, etc.) according to local, state or federal regulations.

4.2 ENGINE

IMPORTANT: A separate Engine Manual, prepared by the engine manufacturer, is supplied with this tractor. Read the engine manual carefully until you are familiar with the operation and maintenance of the engine. Proper attention to the engine manufacturer's directions will assure maximum service life of the engine. To order replacement engine manuals contact the engine manufacturer.

The proper break-in of a new engine can make a considerable difference to the performance and life of the engine.

Note: *The tractor is designed to operate and cut most efficiently at the preset governor setting. Do not change the engine governor settings or overspeed the engine.*

During the break-in period, Textron Turf Care And Specialty Products recommends the following:

Diesel Engine:

1. During the first 50 hours of operation, a new engine should be allowed to reach an operating temperature of at least 140°F (60°C) prior to operation at full load.
2. Check the engine oil level twice daily during the first 50 hours of operation. Higher than normal oil consumption is not uncommon during the initial break-in period.

3. Change engine oil and oil filter element after first 50 hours of operation.
4. Check and adjust fan and alternator belts.
5. Refer to Section 6.3 and Engine Manual for specific maintenance intervals.

If the injection pump, injectors or the fuel system require service, contact an authorized Textron Turf Care And Specialty Products Dealer.

Gasoline Engine:

1. Drive modestly for the first 25 hours at reduced engine speed.
2. Avoid full throttle starts and rapid acceleration.
3. Allow the engine to reach operating temperature before operating at full load.
4. Change the oil and filter after the first 8 hours of operation.
5. Refer to Section 6.3 and Engine Manual for specific maintenance intervals.

4 MAINTENANCE

4.3 ENGINE OIL

Check the engine oil at the start of each day, before starting the engine. If the oil level is low, remove oil filler cap and add oil as required.

Diesel Engine:

Perform initial oil change after first 50 hours of operation and every 75 hours thereafter. See Engine Manual.

Use only engine oils with API classification CD/CE.

Above 77°F (25°C)	SAE 30W or SAE 10W30/10W40
32 to 77°F (0 to 25°C)	SAE 20W or SAE 10W30/10W40
Below 32° (0°C)	SAE 10W or SAE 10W30/10W40

Gas Engine:

Perform initial oil change after the first 8 hours of operation. Change oil every 50 hours thereafter.

See the engine manufacturer's Owners's Manual for detailed service information.

After adding or changing oil, start and run engine at idle with all drives disengaged for 30 seconds. Shut engine off. Wait 30 seconds and check oil level. Add oil to bring up to FULL mark on dipstick.

Use only engine oils with API classification SF, SG,SH.

Above 40° F (5° C)	SAE 30W
0 to 40° F (-18 to 5° C)	SAE 5W30 or SAE 10W30

4.4 GAS ENGINE AIR FILTER

1. Remove and service the foam pre-cleaner **(A)** every 25 hours. Replace if dirty or damaged.

To service pre-cleaner, wash in a liquid detergent and water. Squeeze dry in a clean cloth. Saturate in clean engine oil and squeeze out excess oil in a clean, absorbent cloth.

2. Replace the air cleaner cartridge **(B)** every 100 hours, more often when operating in dusty conditions.

Note: Do not use petroleum solvents such as kerosene to clean cartridge. Do not use pressurized air to clean cartridge.

See the engine manufacturer's Owners's Manual for detailed service information.

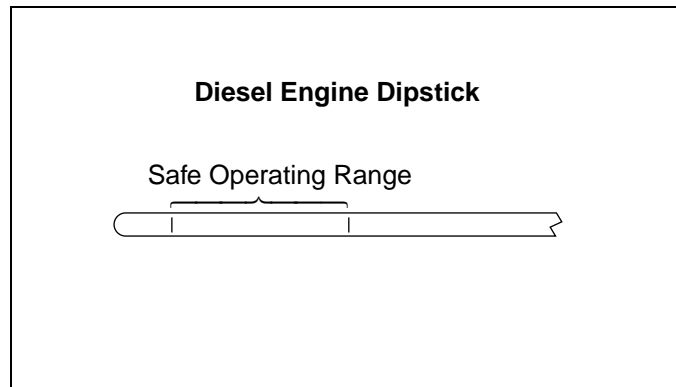


Figure 4A

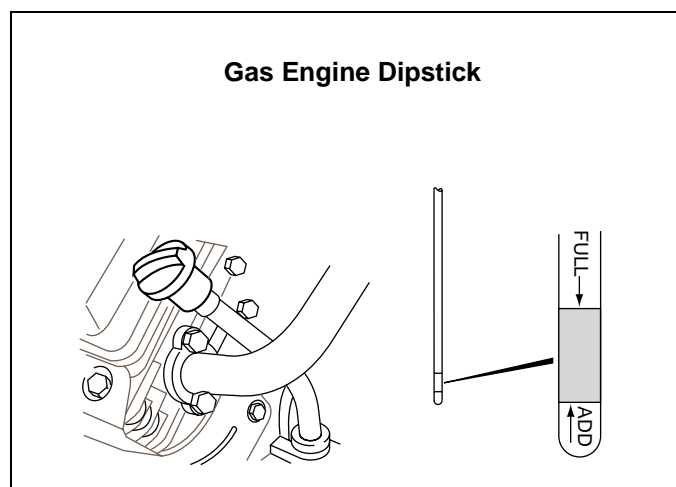


Figure 4B

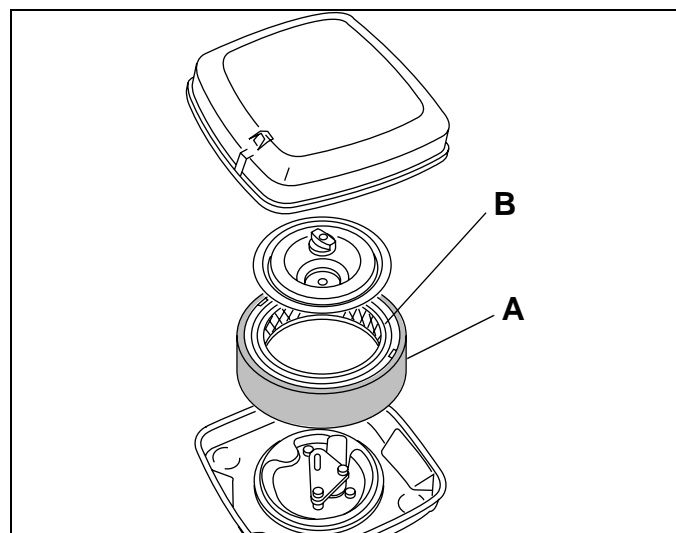


Figure 4C

4.5 DIESEL AIR FILTER

Check the service indicator daily. If red band appears in the window **(C)** replace the element.

Do not remove the element for inspection or cleaning. Unnecessary removal of the filter increases the risk of injecting dust and other impurities into the engine.

When service is required, first clean the outside of the filter housing; then remove the old element as gently as possible and discard.

1. Carefully clean the inside of the filter housing without allowing dust into the air intake.
2. Inspect the new element. Do not use a damaged element and never use an incorrect element.
3. Assemble the new element and make sure it seats properly. Reset the indicator by depressing button **(D)**.

4. Reassemble cap making sure it seals completely around the filter housing. Dust evacuator must be facing down.
5. Check all hoses and air ducts. Tighten hose clamps.

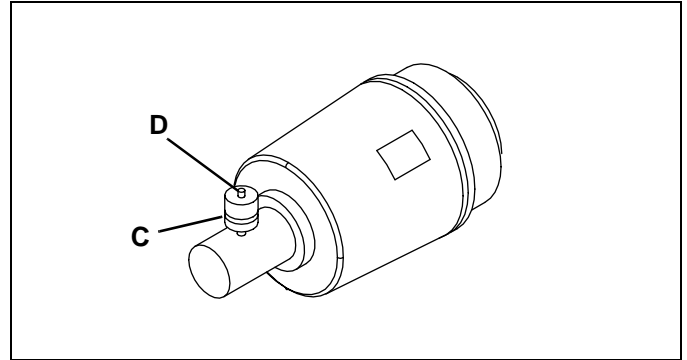


Figure 4D

4.6 FUEL

Handle fuel with care - it is highly flammable. Use an approved container, the spout must fit inside the fuel filler neck. Avoid using cans and funnels to transfer fuel.

WARNING

Never remove the fuel cap from the fuel tank, or add fuel, when the engine is running or while the engine is hot.

Do not smoke when handling fuel. Never fill or drain the fuel tank indoors.

Do not spill fuel and clean spilled fuel immediately.

Never handle or store fuel containers near an open flame or any device that may create sparks and ignite the fuel or fuel vapors.

Be sure to reinstall and tighten fuel cap securely.

- Fill the fuel tank to within 1 in. (25 mm) of the bottom of the filler neck.

- Store fuel according to local, state or federal ordinances and recommendations from your fuel supplier.
- Never overfill or allow the tank to become empty.
- Check fuel lines and clamps every 50 hours. Replace fuel lines and clamps at the first sign of damage.

Diesel Engine:

- Use clean, fresh, #2 Diesel fuel. Minimum Cetane rating 45. Refer to Engine Manual for additional information.

Gas Engine:

- Use clean, fresh, regular grade, unleaded gasoline minimum 85 Octane.
- Do not use hi-test gasoline or an oil-gasoline mixture. When using blended fuel, do not use a blend with more than 10% ethanol. Under no circumstances should you use a blend with methanol.

4.7 FUEL SYSTEM

Refer to Section 6.3 for specific maintenance intervals.

Before replacing any filter, thoroughly clean the filter housing and the area around the filter. Dirt must not be allowed to enter into fuel system.

For diesel engines, turn the key switch to the ON position to start the fuel pump, and bleed the fuel system if the fuel filter and lines have been removed, or the fuel tank has become empty. See Engine Manual.

4 MAINTENANCE

4.8 BATTERY

Make absolutely certain the ignition switch is “Off” and the key has been removed before servicing the battery.

CAUTION

Always use insulated tools, wear protective glasses or goggles and protective clothing when working with batteries. You must read and obey all battery manufacturers instructions.

Tighten cables securely to battery terminals and apply a light coat of silicone dielectric grease to terminals and cable ends to prevent corrosion. Keep vent caps and terminal covers in place

Check the electrolyte level every 100 hours. Keep the cable ends, battery and battery posts clean.

Verify battery polarity before connecting or disconnecting the battery cables.

1. When installing the battery, always assemble the RED, positive (+) battery cable first and the ground, BLACK, negative (-) cable last.
2. When removing the battery, always remove the ground, BLACK, negative (-) cable first and the RED, positive (+) cable last.
3. Make sure battery is properly installed and secured to the battery tray.

WARNING

Battery posts, terminals and related accessories contain lead and lead compounds, chemicals known to the State of California to cause cancer and reproductive harm. **Wash your hands after handling.**

4.9 JUMP STARTING

Before attempting to “jump start” the tractor, check the condition of the discharged battery. Section 4.8

WARNING

Batteries generate explosive hydrogen gas. To reduce the chance of an explosion, avoid creating sparks near battery. Always connect the negative jumper cable to the frame of the tractor with the discharged battery, away from the battery.

When connecting jumper cables:

1. Stop the engine on the vehicle with a good battery.
2. Connect RED jumper cable to the positive (+) terminal on the good battery and to the positive (+) terminal on the “discharged” battery.
3. Connect the BLACK jumper cable from the negative (-) terminal on the good battery to the frame of the tractor with the discharged battery.

After cables have been connected, start the engine on the vehicle with the good battery then start the tractor.

4.10 CHARGING BATTERY

WARNING

Charge battery in a well ventilated area. Batteries generate explosive gases. To prevent an explosion, keep any device that may create sparks or flames away from the battery.

To prevent injury, stand away from battery when the charger is turned on. A damaged battery could explode.

1. Refer to Section 4.8. Read the Battery and Charger's manual for specific instructions.
2. Whenever possible, remove the battery from the tractor before charging. If battery is not sealed, check that the electrolyte covers the plates in all the cells.
3. Make sure the charger is “Off”. Then connect the charger to the battery terminals as specified in the charger's manual.
4. Always turn the charger “Off” before disconnecting charger from the battery terminals.

4.11 HYDRAULIC HOSES



WARNING

To prevent serious injury from hot, high pressure oil, never use your hands to check for oil leaks, use paper or cardboard.

Hydraulic fluid escaping under pressure can have sufficient force to penetrate skin. If fluid is injected into the skin it must be surgically removed within a few hours by a doctor familiar with this form of injury or gangrene may result.

1. Always lower implements to ground, disengage all drives, engage parking brake, stop engine and remove key before inspecting or disconnecting hydraulic lines or hoses.
2. Check visible hoses and tubes daily. Look for wet hoses or oil spots. Replace worn or damaged hoses and tubes before operating the machine.
3. The replacement tube or hoses must be routed in the same path as the existing hose, do not move clamps, brackets and ties to a new location.
4. Thoroughly inspect all tubes, hoses and connections every 250 hours.

IMPORTANT: The hydraulic system can be permanently damaged if the oil becomes contaminated. Before disconnecting any hydraulic component, clean the area around the fittings and the hose ends to keep impurities out of the system.

- a. Before disconnecting any hydraulic component, tag or mark the location of each hose then clean the area around the fittings.
- b. As you disconnect the component, be prepared to assemble plugs or caps to the hose ends and open ports. This will keep impurities out of the hydraulic system and also prevent oil spills.
- c. Make sure "O" rings are clean and hose fittings are properly seated before tightening.
- d. Keep the hose from twisting. Twisted hoses can cause couplers to loosen as the hose flexes during operation resulting in oil leaks.
- e. Kinked or twisted hoses can restrict the oil flow causing the system to malfunction and the oil to overheat and also lead to hose failure.

4.12 HYDRAULIC OIL

Refer to Section 6.3 for specific maintenance intervals.

Drain and replace the hydraulic oil after a major component failure, or if you notice the presence of water or foam in the oil, or a rancid odor (indicating excessive heat).

Always replace the hydraulic filter when changing oil.

To change hydraulic oil:

1. Clean the area around the oil cap to prevent impurities from entering and contaminating the system.
 - a. Oil temperature should be at 60° to 90°F (16° - 32°C). Do not check oil level when oil is hot.
 - b. The main oil tank should always be full. A Low oil level in the main tank will drain oil from the expansion tank.
 - c. The oil level in the expansion tank should always be at or above the "COLD" level mark. Add oil to the expansion tank, not the main tank.

2. Drain and replace the hydraulic oil every 200 hours or after a major component failure, or if you notice the presence of water, foam, or a rancid odor.
3. Remove drain plug from bottom of main tank and loosen or remove breather cap on top of expansion tank. Check and clean the breather cap, replace as necessary.
4. After oil has drained install drain plug and fill with Textron Turf Care And Specialty Products Hydraulic oil.
5. Purge air from system.
 - a. Operate all tractor functions for about 5 minutes to purge air out of the system and stabilize the oil level.
 - b. Once the level has stabilized and the air is purged, fill the expansion tank to the "COLD" level.

4 MAINTENANCE

4.13 HYDRAULIC OIL FILTERS

The hydraulic system is protected by one 10 micron filter.

To replace hydraulic oil filter:

1. Remove the old filter.
2. Fill new filter with oil then install new filter. Hand tighten only.
3. Operate engine at idle speed with hydraulic system in neutral for five minutes.
4. Check hydraulic oil level in reservoir and fill to full mark on dipstick.

4.14 ELECTRICAL SYSTEM

CAUTION

Always turn the ignition switch off and remove the negative battery cable (Black) before inspecting or working on the electrical system.

General precautions that can be taken to reduce electrical problems are listed below.

1. Make certain all terminals and connections are clean and properly secured.
2. Check the operator backup system, and circuit breakers regularly.

If the operator backup does not function properly and the problem cannot be corrected, contact an authorized Textron Turf Care And Specialty Products Dealer.

3. Keep the wire harness and all individual wires away from moving parts to prevent damage.
4. Make sure the seat switch harness is connected to the main wire harness.
5. Check the battery and battery charging circuit.
6. Do not wash or pressure spray around electrical connections and components.

4.15 MUFFLER AND EXHAUST

WARNING

Exhaust fumes contain carbon monoxide that is toxic and can be fatal when inhaled.

NEVER operate an engine without proper ventilation.

To protect from carbon monoxide poisoning, inspect the complete exhaust system regularly and always replace a defective muffler.

If you notice a change in the color or sound of the exhaust, stop the engine immediately. Identify the problem and have the system repaired.

Torque all exhaust manifold hardware evenly. Tighten or replace exhaust clamps.

4.16 TIRES

1. Keep tires properly inflated to prolong tire life. Check inflation pressure while the tires are cool. Inspect tread wear.
5. Check the pressure with an accurate, low pressure tire gauge.
6. Keep tires inflated to:
 - Front - 10-12 psi - (69-83 kPa)
 - Rear - 8-10 psi (55-69 kPa)

CAUTION

Unless you have the proper training, tools and experience, **DO NOT** attempt to mount a tire on a rim. Improper mounting can produce an explosion which may result in personal injury.

4.17 WHEEL MOUNTING PROCEDURE

WARNING

Make sure the tractor is parked on a solid and level surface. Never work on a tractor that is supported only by the jack. Always use jack stands.

If only the front or rear of the tractor is raised, place chocks in front of and behind the wheels that are not raised.

1. Remove dirt, grease and oil from stud thread. Do not lubricate threads.
2. Position wheel on hub and inspect to insure full contact between mounting surface of wheel and hub or brake drum.
3. Finger tighten all hardware then torque hardware in criss-cross order; always tighten nuts in the top position.
4. Check and retorque daily until torque is maintained, 85-95 ft.lbs. (115-128 Nm)

4.18 CARE AND CLEANING

Wash the tractor and implements after each use. Keep the equipment clean.

Note: Do not wash any portion of the equipment while it is hot. Do not use high pressure spray or steam. Use cold water and automotive cleaners.

1. Use compressed air to clean engine and radiator fins. A special blow gun is available through Textron Turf Care And Specialty Products Dealer.
2. Use only fresh water for cleaning your equipment.

Note: Use of salt water or affluent water has been known to encourage rust and corrosion of metal parts resulting in premature deterioration or failure. Damage of this nature is not covered by the factory warranty.

3. Do not spray water directly at the instrument panel, ignition switch, controller or any other electrical components, or at bearing housings and seals.

4. Clean all plastic or rubber trim with a mild soap solution or use commercially available vinyl/rubber cleaners.

Repair damaged metal surfaces and use Textron Turf Care And Specialty Products touch-up paint. Wax the equipment for maximum paint protection.

CAUTION

Clean grass and debris from cutting units, mufflers, and engine to prevent fires.

WARNING

NEVER use your hands to clean cutting units. Use a brush to remove grass clippings from blades. Blades are extremely sharp and can cause serious injuries.

4.19 RADIATOR (DIESEL ENGINES)

WARNING

To prevent serious bodily injury from hot coolant or steam blow-out, never attempt to remove the radiator cap while the engine is running. Stop the engine and wait until it is cool. Even then, use extreme care when removing the cap.

CAUTION

Do not pour cold water into a hot radiator. Do not operate engine without a proper coolant mixture. Install cap and tighten securely

Check coolant level daily. Radiator should be full and recovery bottle should be up to the **cold** mark.

Drain and refill annually. Remove the radiator cap, open the engine block drain and the radiator drain. Empty and clean the recovery bottle.

Mix clean water with ethylene glycol based anti-freeze for the coldest ambient temperature. Read and follow the instructions on the anti-freeze container and engine manual.

Keep radiator air passages clean. Use compressed air (30 psi maximum) to clean the fins.

Check and tighten the fan belt. Replace clamps and hoses every two years.

If you have to add coolant more than once a month, or add more than one quart at a time, have a authorized Textron Turf Care And Specialty Products Dealer check the cooling system.

4 MAINTENANCE

4.20 BACKLAPPING

WARNING

To prevent injury, keep hands, feet and clothing away from rotating reels.

When the backlap switch is in the REVERSE position, the reels will turn whether mowers are up or down and the operator is on or off the seat.

Carbon Monoxide in exhaust fumes can be fatal when inhaled, never operate an engine without proper ventilation.

Note: *The backlapping feature is an optional kit that must be first installed on the tractor.*

Check the reel and bedknife to determine if backlapping or grinding will restore the cutting edge.

If wear or damage is beyond the point where the cutting edges can be corrected by the lapping process, they must be reground.

To Backlap:

1. Adjust reel to bedknife as described in Sections 3.4 and 3.5.
2. Lower the reels to the ground.
3. Open the hood and turn the backlap switch to "REVERSE" rotation. Close hood.
 - a. Make absolutely certain your feet and clothing are far away from the reel.
 - b. Make sure the parking brake is "ENGAGED", reel switch is "OFF", backlap switch is "OFF" and the traction pedal is in neutral.
 - c. Move the Forward / Reverse switch to "REVERSE".
 - d. Start the engine. Adjust throttle just above minimum RPM and place the reel switch in "ON" position.

4. Adjust the backlapping valve located under the left rear of the machine, to the desired speed.
5. Apply lapping compound with a long handle brush to high spots first then along entire length of the reel.
6. Continue lapping and at the same time make a slight adjustment on the reel until there is a uniform clearance along the full length of the cutting edges.
7. When the blades have been evenly honed, carefully and thoroughly clean off the remaining lapping compound.
8. Disengage reel switch and stop the engine. Open the hood and return backlap switch to "FORWARD" rotation.

4.21 STORAGE

General

1. Wash the tractor thoroughly and lubricate. Repair and paint damaged or exposed metal.
2. Inspect the tractor, tighten all hardware, replace worn or damaged components.
3. Drain and refill radiator.
4. Clean the tires thoroughly and store the tractor so the load is off the tires. If tractor is not on jack stands, check tires at regular intervals and reinflate as necessary.
5. Keep the machine and all its accessories clean, dry and protected from the elements during storage. Never store equipment near an open flame or spark which could ignite fuel or fuel vapors.

Battery

1. Remove, clean and store battery in upright position in a cool, dry place.
2. Check and recharge battery every 60 to 90 days while in storage.
3. Store batteries in a cool, dry place. To reduce the self discharge rate, room temperature should not be above 80°F (27°C) or fall below 20°F (-7°C) to prevent electrolyte from freezing.

Engine (General)

1. While the engine is warm, remove the drain plug, drain the oil from the crankcase and change oil filter. Install drain plug and refill with fresh oil. Let engine cool before storing.
2. Clean exterior of engine. Paint exposed metal, or apply a light coat of rust preventative oil.

Diesel Engine - Add a fuel conditioner or biocide to prevent gelling or bacterial growth in fuel. See your local fuel supplier.

Gas Engine - For engine protection Textron Turf Care And Specialty Products recommends the use of a fuel additive such as STABIL®. Mix additive following instructions on container. Run engine for a short time to circulate additive through carburetor.

Remove spark plugs and pour 1 oz. (30 ml) of engine oil into each cylinder. Replace spark plugs and crank slowly (do not start) to distribute oil in cylinder.

If storing indoors, drain fuel from tank.

Close fuel shut off valve.

Note: Do not use fuel with ethanol during storage.

Cutting Units

1. Wash the cutting units thoroughly, then repair and paint any damaged or exposed metal.
2. Lubricate all fittings and friction points.
3. Backlap the reels then back the reel away from the bedknife. Apply a light coat of rust preventative oil to the sharpened edges of the reel and bedknife.



CAUTION

To prevent personal injury and damage to the cutting edges, wear gloves and handle the reel and bedknife with extreme care.

After Storage

1. Check and reinstall battery
2. Check or service fuel filter and air cleaner.
3. Check the radiator coolant level.
4. Check oil level in the engine crankcase and hydraulic system.
5. Fill the fuel tank with fresh fuel. Open fuel shut off valve and bleed the fuel system.
6. Make certain that the tires are properly inflated.
7. Remove all oil from the reels and bedknife. Adjust bedknife and cutting height.
8. Start and operate the engine at 1/2 throttle. Allow enough time for the engine to become properly warmed and lubricated.



WARNING

Never operate the engine without proper ventilation; exhaust fumes can be fatal when inhaled.

5 TROUBLESHOOTING

5.1 GENERAL

The troubleshooting chart below lists basic problems that may occur during start-up and operation. For more detailed information regarding the hydraulic and electrical systems contact your area Textron Turf Care And Specialty Products Dealer.

Symptoms	Possible Causes	Action
Engine will not start.	<ol style="list-style-type: none"> 1. Parking brake disengaged, traction pedal not in neutral or reel switch on. 2. Battery low on charge or defective. 3. Fuel tank empty or dirty. Fuel shut off valve closed 4. Circuit breaker blown. 	<ol style="list-style-type: none"> 1. Check operator back-up system and start-up procedure. 2. Inspect condition of battery and battery connections. 3. Fill with fresh fuel. Change fuel filter. Bleed fuel lines. Open fuel shut off valve 4. Reset circuit breaker.
Engine hard to start or runs poorly.	<ol style="list-style-type: none"> 1. Fuel level low, fuel or fuel filter dirty. 2. Air cleaner dirty. 3. Injectors, fuel pump 4. Engine problem. 	<ol style="list-style-type: none"> 1. Fill with fresh fuel. Change fuel filter. Bleed fuel lines. 2. Inspect and replace air filter. 3. Consult engine manual. 4. Consult engine manual
Engine stops.	<ol style="list-style-type: none"> 1. Fuel tank empty. 2. Interlocks not set before leaving operator's seat. 	<ol style="list-style-type: none"> 1. Fill with fresh fuel and bleed fuel lines. 2. Engage parking brake, set reel switch to OFF and traction pedal in neutral.
Engine overheating	<ol style="list-style-type: none"> 1. Coolant level low.(Diesel) 2. Air intake restricted. 3. Water pump belt broken or loose.(Diesel) 4. Engine overload 	<ol style="list-style-type: none"> 1. Inspect and add coolant. 2. Clean cooling air intake. 3. Tighten or replace belt. 4. Reduce forward speed
Battery not holding charge.	<ol style="list-style-type: none"> 1. Loose or corroded battery terminals. 2. Low electrolyte. 3. Alternator belt loose or broken. 4. Charging system defective. 	<ol style="list-style-type: none"> 1. Inspect and clean terminals 2. Refill to correct level. 3. Tighten or replace belt 4. See engine manual
Reels cut unevenly	<ol style="list-style-type: none"> 1. Bedknife-to-reel not adjusted correctly. 2. Engine speed too low. 3. Low hydraulic oil 	<p>Inspect bedknife-to-reel adjustment.</p> <p>Check engine speed. Run engine at full throttle.</p> <p>Check reservoir level and fill if needed.</p>
Tractor does not react to traction pedal	<ol style="list-style-type: none"> 1. Parking brake engaged 2. Tow Valve Open 3. Low hydraulic oil 	<p>Disengage parking brake.</p> <p>Close Tow Valve</p> <p>Check reservoir level and fill if needed</p>
Cutting Unit(s) do not raise or lower.	1. Low hydraulic oil	Check reservoir level and fill as needed
	2. Cold Hydraulic Oil	Reduce engine speed and allow tractor to warm up.
	3. Bad Diode Assembly	Test / Replace Diode circuit board
Gauges/Indicator not operating	<ol style="list-style-type: none"> 1. Circuit Breaker blown 2. Loose wiring 	<p>Reset circuit breaker, check bulb</p> <p>Check electrical connections.</p>

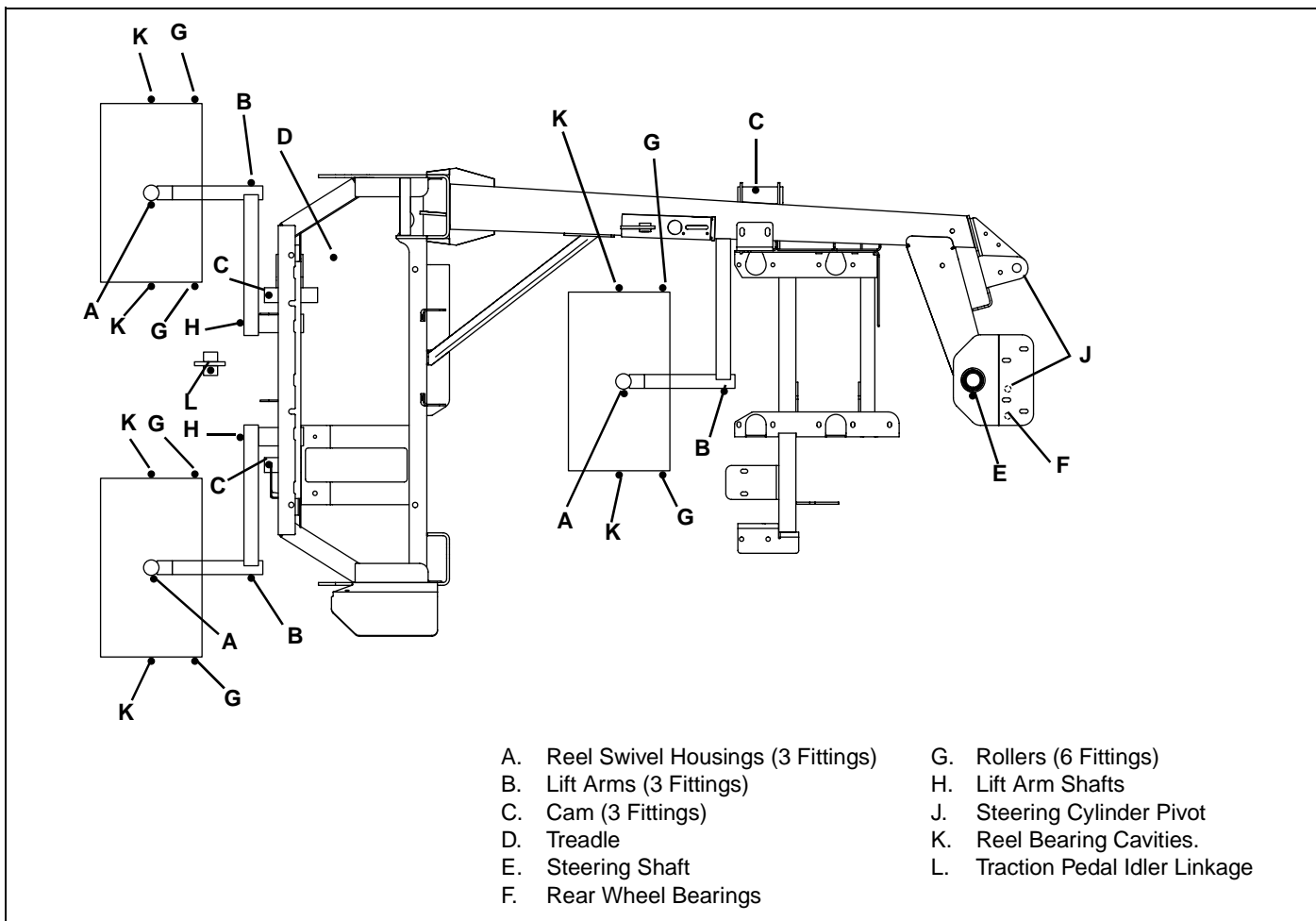
6.1 GENERAL

⚠ WARNING

Before you clean, adjust, or repair this equipment, disengage all drives, lower implements to the ground, engage parking brake, stop engine and remove key from ignition switch to prevent injuries

1. Always clean the grease fitting before and after lubricating.
2. Lubricate with grease that meets or exceeds NLGI Grade 2 LB specifications. Apply grease with a manual grease gun and fill slowly until grease begins to seep out. Do not use compressed air guns.
3. Periodically apply a small amount of lithium based grease to the seat runners.
4. For smooth operation of all levers, pivot points and other friction points that are not shown on the lubrication chart apply several drops of SAE 30 oil every 40 hours or as required.
5. Grease fittings (A - D) every 50 hours and fittings (E -K) every 100 hours.

6.2 LUBRICATION CHART



6 MAINTENANCE & LUBRICATION CHARTS

6.3 MAINTENANCE CHARTS

Recommended Service and Lubrication Intervals

	Every 8-10 Hours	Every 50 Hours	Every 100 Hours	Every 250 Hours	Every 400 Hours	Every 500 Hours	Every 1000 Hours	Yearly	See Section	Lubricant Type
Air Filter (Diesel)	I		AR					R	4.5	
Air Filter (Gas)	I	C	R					R	4.4	
Battery Charge			I						4.8	
Belts	I-A*		I-A			R			3.2, 3.3	
Brake		I-A*		A						
Cooling System (Diesel)	I-C-A							R	4.19	IV
Electrical System		I*		I					4.14	
Engine Oil (Diesel)	I	R*	R****						4.3	II
Engine Oil (Gas)	I-R*	R							4.3	II
Engine Oil Filter		R*	R							
Fuel System		I							4.7	
Fuel Filter						R			4.7	
Grease Fittings - All	L	L	L			L			6.2	I
Hydraulic Hoses and Tubes	I***			I					4.11	
Hydraulic Oil	I-A			R**				R**	4.12	III
Hydraulic Oil Filter	I	R*		R					4.13	
Muffler and Exhaust	I			I					4.15	
Radiator Screens	I-C/AR								4.19	
Tires		I-A							4.16	

A - Add or Adjust C - Clean I - Inspect L - Lubricate R - Replace AR - As Required

* Indicates initial service for new machines.

** Every 250 hrs or yearly whichever comes first.

*** Inspect visible hoses and tubes for leaks or oil marks.

**** Replace every 75 hours

I - Manual grease gun with NLGI Grade 2 (Service Class LB).

II - Engine Oil - See Section 4.3

III - Use Textron Turf Care And Specialty Products GreensCare 32 fluid: Capacity: 5 gallons (19 Liters). Order Part No. 4115977 containing 5 gal. (19 liter) pail or Part No. 4115976 containing 55 gal. (208 liters), drum.

IV - Capacity: 3qt. (2.8 l) 50/50 water ethylene glycol mix

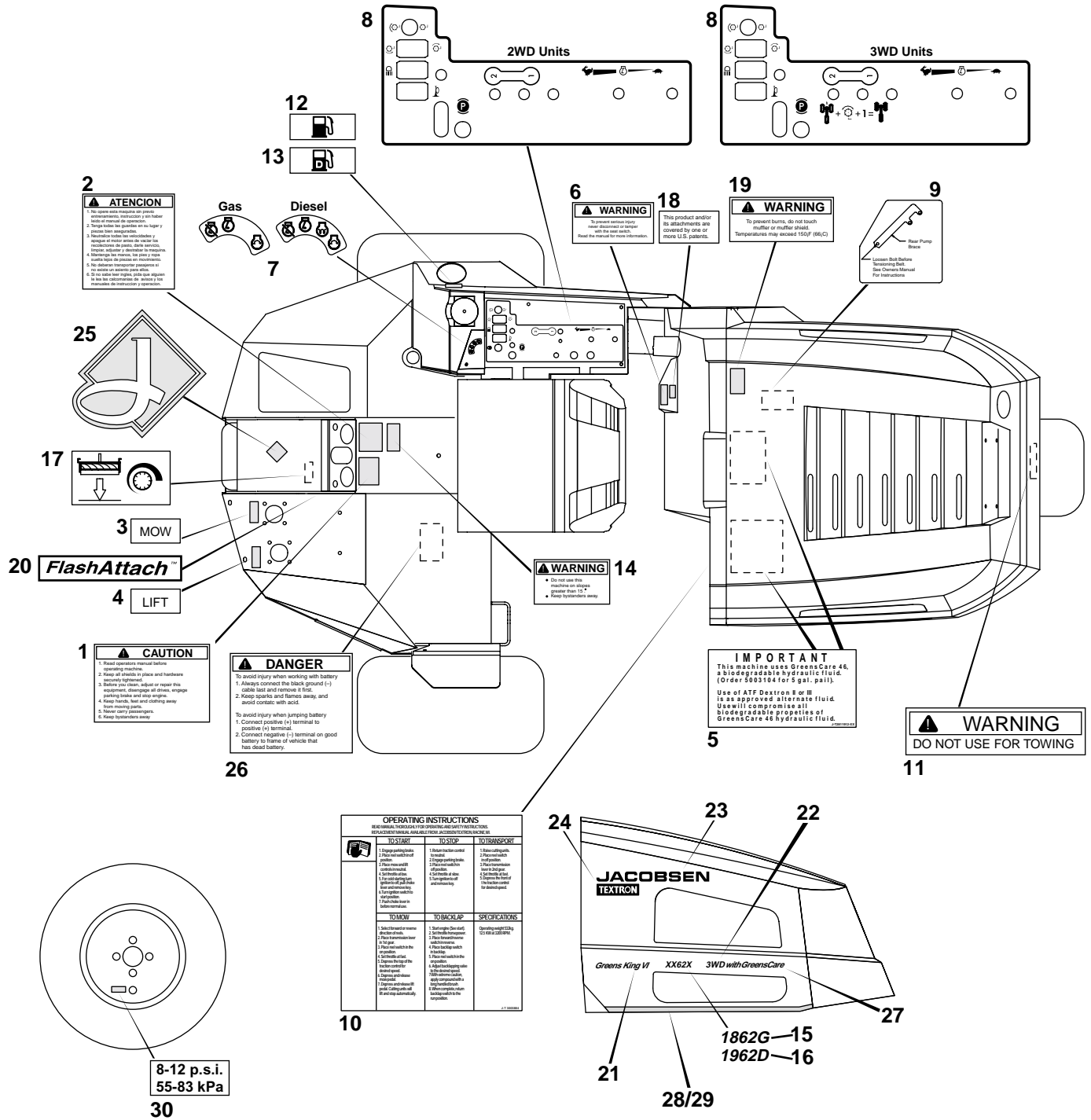
7.1 TABLE OF CONTENTS

<p>1.1 Decals 28</p> <p>2.1 Hood 30</p> <p>3.1 Hood, Cowling, and Console 31</p> <p>4.1 Operator's Platform 32</p> <p>5.1 Instrument Panel 34</p> <p>6.1 Gasoline Engine Control Console 36</p> <p>7.1 Diesel Engine Control Console 38</p> <p>8.1 Steering Tower and Gauges 40</p> <p>9.1 Traction Pedal Linkage 42</p> <p>10.1 Parking Brake 44</p> <p>11.1 Front Wheel Motors and Brakes 46</p> <p>12.1 Lift Mow Controls 48</p> <p>13.1 Seat 49</p> <p>14.1 Baseframe and Lift Arms 50</p> <p>15.1 Lift Linkage 52</p> <p>16.1 Steering Axle-2WD Units 54</p> <p>17.1 Steering Axle-3WD Units 55</p> <p>18.1 Steering Tower 56</p> <p>19.1 Gasoline Fuel Lines 58</p> <p>20.1 Diesel Fuel Lines 60</p> <p>21.1 Air Duct and Oil Cooler 62</p> <p>22.1 Radiator 64</p> <p>23.1 Gasoline Engine Mounting 66</p> <p>24.1 Gasoline Engine 68</p> <p>25.1 Diesel Engine Mounting 70</p> <p>26.1 Diesel Engine 72</p> <p>27.1 Pump Assembly 74</p> <p>28.1 Rear Frame Hydraulic Components 76</p> <p>29.1 Hydraulic Tanks 78</p>	<p>30.1 Pump Hydraulics 80</p> <p>31.1 Traction Hydraulics 81</p> <p>32.1 Steering Hydraulics 82</p> <p>33.1 Lift Hydraulics 84</p> <p>34.1 Front Reel Hydraulics 86</p> <p>34.2 Front Reel Hydraulics 88</p> <p>35.1 Rear Reel and Return Hydraulics 90</p> <p>35.2 Rear Reel and Return Hydraulics 92</p> <p>36.1 Hydraulic Hose Clamps 94</p> <p>36.2 Hydraulic Hose Clamps 96</p> <p>37.1 Circuit Breaker Mounting 98</p> <p>38.1 Circuit Breaker Mounting 99</p> <p>39.1 Electrical Routing 100</p> <p>40.1 Reel 102</p> <p>41.1 Reel (Continued) 104</p> <p>42.1 Rear Roller 106</p> <p>43.1 Rear Roller 107</p> <p>44.1 Hydrostatic Pump 108</p> <p>45.1 Wheel Motor 110</p> <p>46.1 Steering Valve 112</p> <p>47.1 3WD Valve 114</p> <p>48.1 Lift Valve 115</p> <p>49.1 Wheel and Tire 116</p> <p>50.1 Lift Cylinder 117</p> <p>51.1 Electrical Schematic 118</p> <p>52.1 Hydraulic Schematic 123</p> <p>53.1 O-Ring Chart 124</p>
--	--

GREENS KING VI

Serial No. All

1.1 Decals



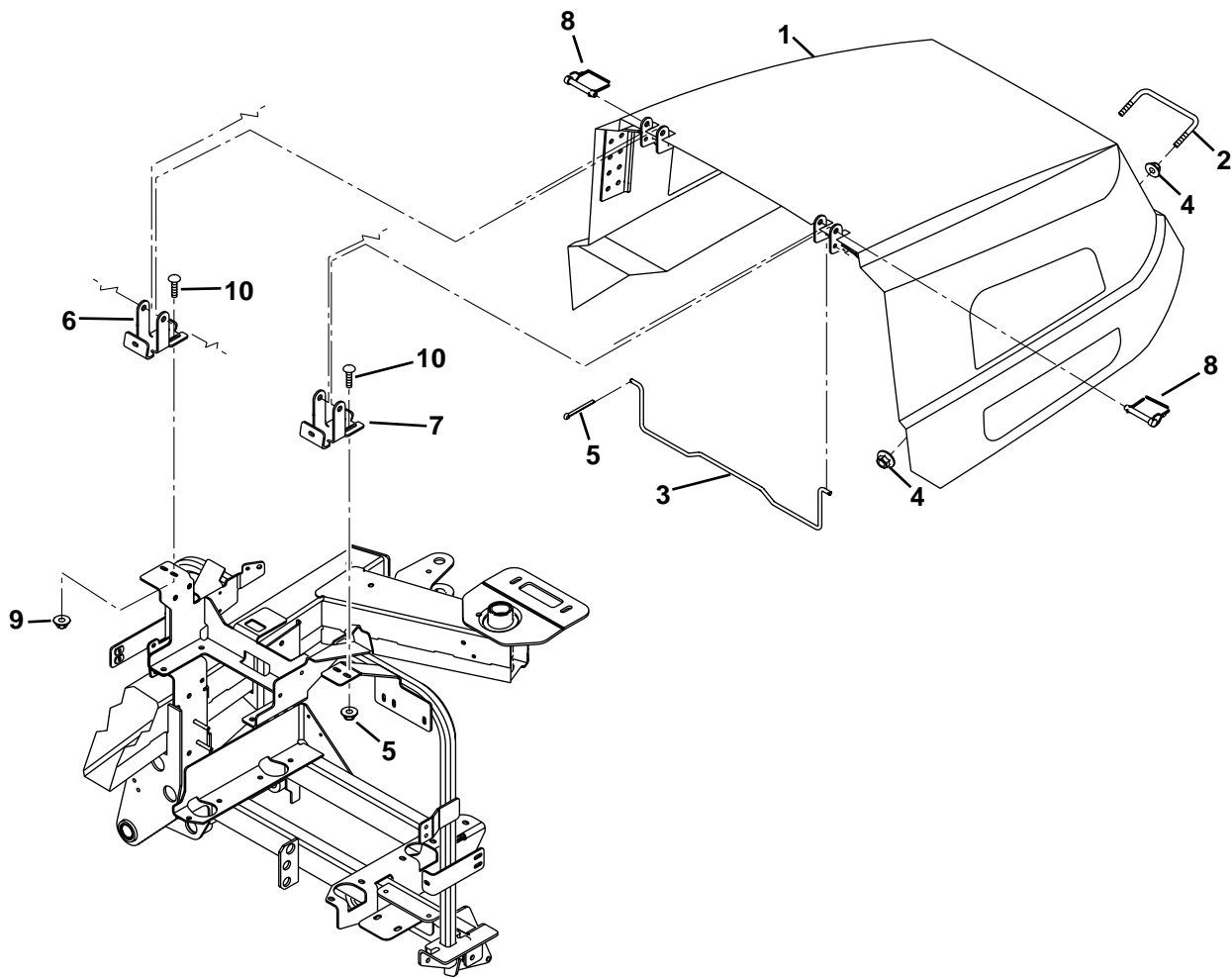
Item	Part No.	Qty.	Description	Serial Numbers/Notes
1	361854	1	Decal, Operating Caution	
2	340830	1	Decal, Operating Caution - Spanish	
3	361177	1	Decal, Mow	
4	361178	1	Decal, Lift	
5	4115978	2	Decal, Hydraulic Fluid	
6	365339	1	Decal, Seat Switch	
7	2810352	1	Decal, Key Switch	Gas Units
7	2810353	1	Decal, Key Switch	Diesel Units
8	2810481	1	Decal, Instrument Panel	2WD Units
8	2810482	1	Decal, Instrument Panel	3WD Units
9	3001861	1	Decal, Pump Adjust	Located on Pump Mounting Plate
10	3003884	1	Decal, Operating Instructions	Gas Units
10	3001862	1	Decal, Operating Instructions	Diesel Units
11	361175	1	Decal, Towing Warning	Located on Steering Cylinder
12	3001788	1	Decal, Gasoline	Gas Units
13	3008576	1	Decal, Diesel Fuel	Diesel Units
14	3002336	1	Decal, Slope Warning	
15	3007828	2	Decal, 1862G	Gas Units
16	3007829	2	Decal, 1962D	Diesel Units
17	3004263	1	Decal, Soft Drop	Located on Front Carrier
18	3004320	1	Decal, Patent	
19	339237	1	Decal, Heat	Gas Units Only
20	3006486	1	Decal, Flash Attach	
21	3007953	2	Decal, Greens King VI	
22	3007830	2	Decal, 3WD	3WD Units Only
23	3007504	2	Decal, Jacobsen	
24	3007513	2	Decal, Textron	
25	3007531	1	Emblem, Diamond J	
26	3001435	1	Decal, Battery	Located on Battery Strap
27	2811754	2	Decal, GreensCare	
28	3008112	1	Decal, Trim Left Side	
29	3008113	1	Decal, Trim Right Side	
30	354085	1	Decal, Tire Inflation	

> Change from previous revision

GREENS KING VI

Serial No. All

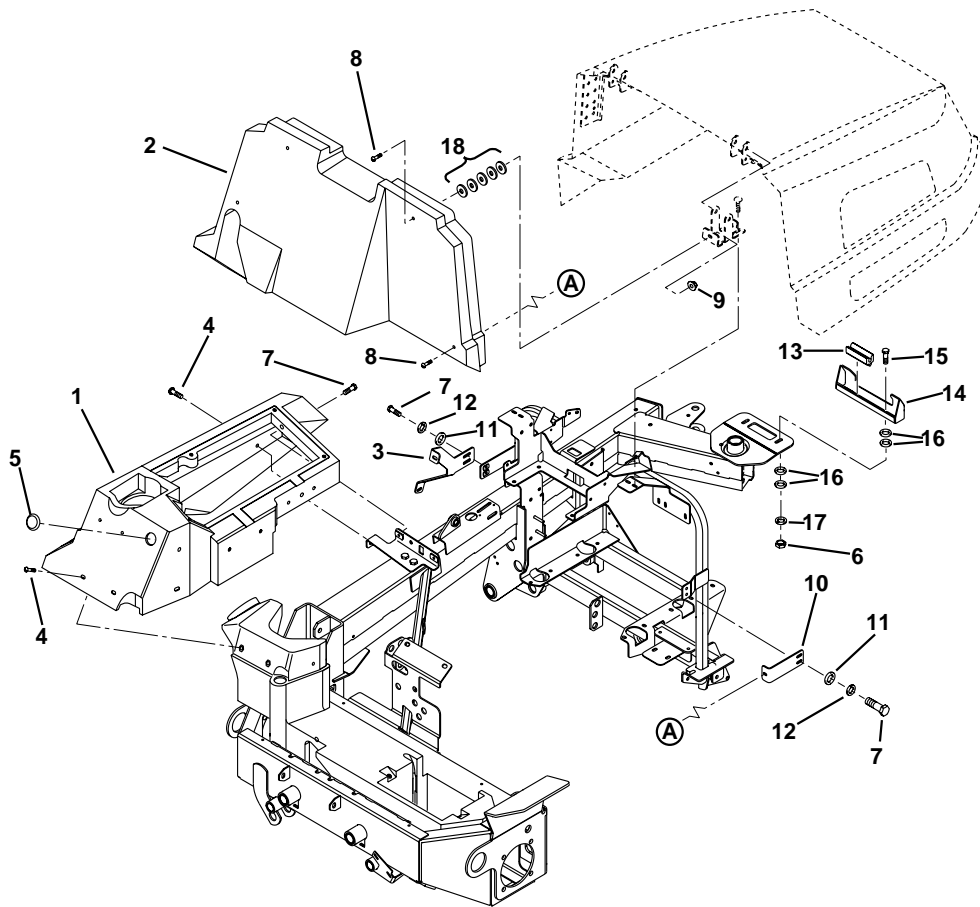
2.1 Hood



Item	Part No.	Qty.	Description	Serial Numbers/Notes
1	2811078	1	Hood Assembly	Includes Decals
2	2811130	1	• Handle, Hood	
3	2810673	1	• Support, Hood	
4	445796	4	• Nut, 3/8-16 Spirallock Flange	
5	460010	2	• Cotter Pin, 3/32 x 1/2"	
6	2812164	1	Bracket, Hinge	
7	2812163	1	Bracket, Hinge	
8	3007798	2	Lock Pins	
9	445794	4	Nut, 1/4-20 Sprialock Flange	
10	440040	4	Carriage Bolt, 1/4-20 x 3/4"	

> Change from previous revision

3.1 Hood, Cowling, and Console



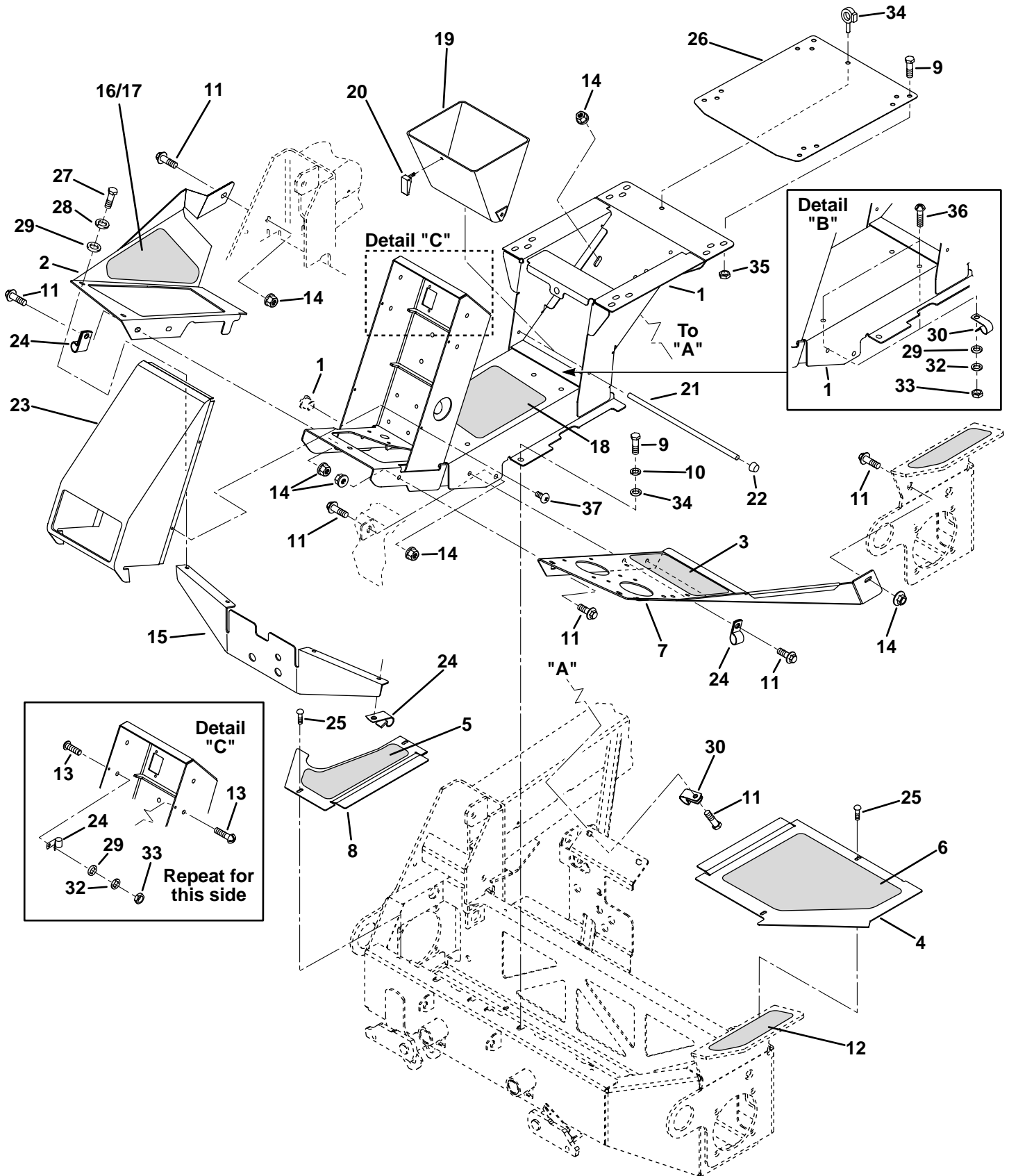
Item	Part No.	Qty.	Description	Serial Numbers/Notes
1	2811401	1	Console	
2	2811080	1	Cowling	
3	2810578	1	Bracket, Cowling	
4	404014	4	Screw, 1/4-20 x 1/2" Truss Head	
5	2811414	1	Plug, Plastic	
6	443106	2	Nut, 5/16-18 Hex	
7	400108	6	Screw, 1/4-20 x 3/4" Hex Head	
8	404016	5	Screw, 1/4-20 x 5/8" Truss Head	
9	445794	5	Nut, 1/4-20 Spirallock Flange	
10	2810363	1	Bracket, Cowling	
11	453023	4	Flat Washer, 1/4	
12	446128	4	Lockwasher, 1/4	
13	3006571	1	Extrusion, Hood Closure	
14	2812397	1	Channel, Extrusion, Mounting	
15	400188	2	Screw, 5/16-18 x 1" Hex Head	
16	452006	AR	Flat Washer, 5/16	
17	446134	2	Lockwasher, 5/16	
18	2809626	5	Washer, Rubber	

> Change from previous revision

GREENS KING VI

Serial No. All

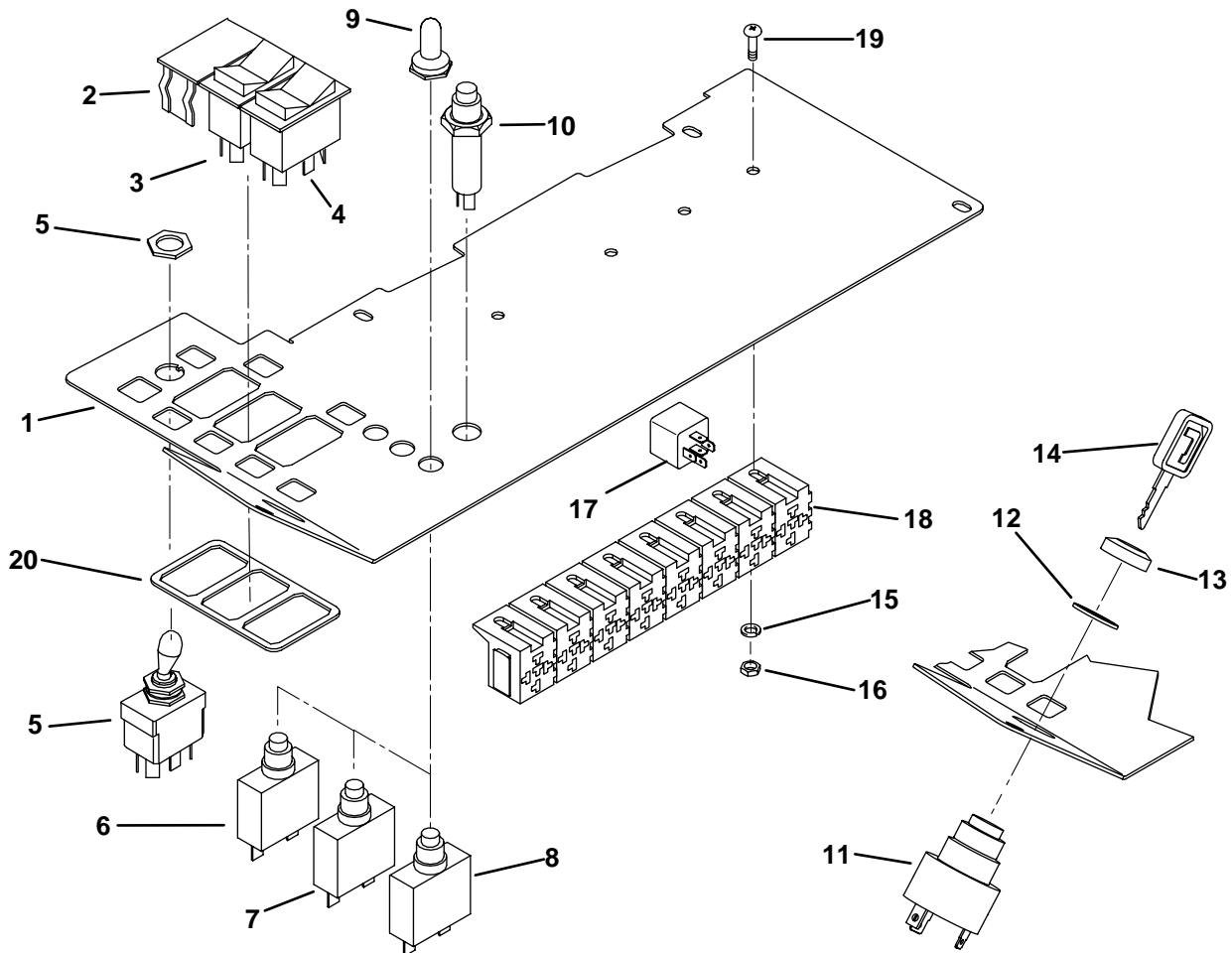
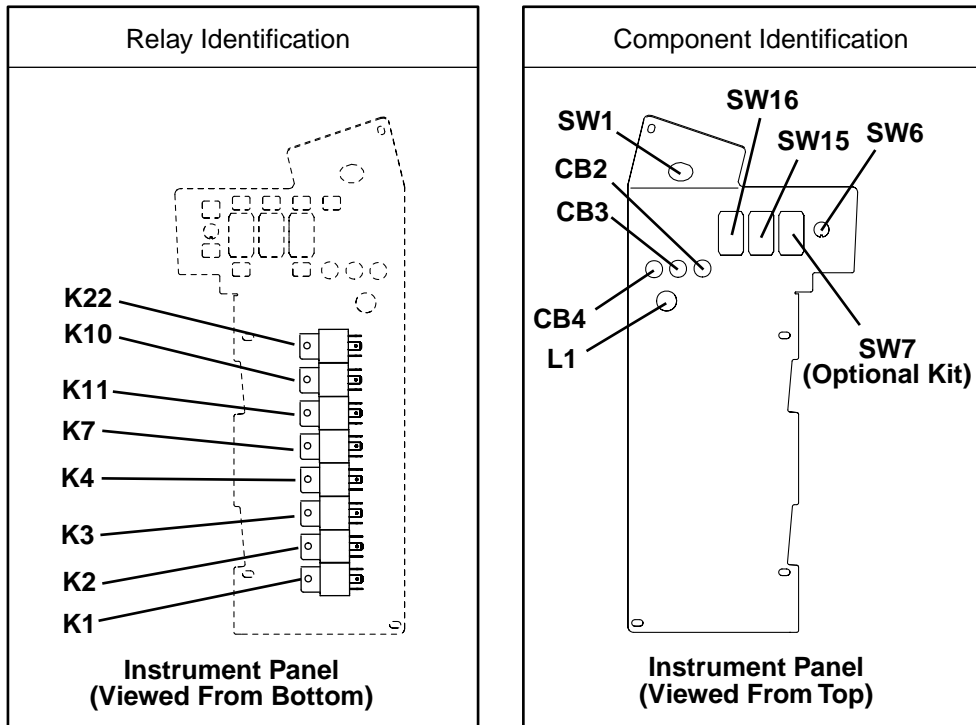
4.1 Operator's Platform



Item	Part No.	Qty.	Description	Serial Numbers/Notes
1	2810457	1	Operator Platform	See 9.1
	366724	2	• Bushing, Flanged Pedal Pivot	
2	2810451	1	Panel, Right Side Floor	
3	2811118	1	Pad, Left Side Floor Panel	
4	3000842	1	Panel, Battery Cover	
5	3002593	1	Pad, Floor Panel	
6	3000928	1	Pad, Battery Panel	
7	2811005	1	Left Side Floor Panel	
8	3001899	1	Panel, Floor	
9	400184	2	Screw, 5/16-18 x 3/4" Hex Head	
10	446136	2	Lockwasher, 5/16 Heavy	
11	403770	10	Screw, 5/16-18 x 3/4" Flange Head	
12	3002025	1	Pad, Fender	
13	404022	4	Screw, 1/4-20 x 1" Truss Head	
14	445781	8	Nut, 5/16-18 Hex Whiz Lock	
15	1001450	1	Bracket, Bulkhead	
16	2810581	1	Pad, Right Side Floor Panel	
17	3004285	1	Pad, Left Side Floor Panel	
18	3004287	1	Pad, Center Panel	
19	2811152	1	Bin, Utility	
20	3002098	1	Latch, Swell	
21	3001924	1	Pin, Bin Pivot	
22	3002112	2	Nut, Cap	
23	2811151	1	Cover, Steering Tower	
24	360970	5	Clamp, Wire Harness	
25	403910	4	Screw, #10-24 x 1/2" Truss Head	
26	2811433	1	Pan, Seat	
27	400106	4	Screw, 1/4-20 x 5/8" Hex Head	
28	446130	4	Lockwasher, 1/4 Heavy	
29	453023	9	Flat Washer, 1/4	
30	363514	3	Clamp, Wire Harness	
31	453009	2	Flat Washer, 5/16	
32	446128	4	Lockwasher, 1/4	
33	443102	4	Nut, 1/4-20 Hex	
34	3008383	1	Clip, Harness	
35	443106	4	Nut, 5/16-18 Hex	
36	404016	2	Screw, 1/4-20 x 5/8" Truss Head	
37	403771	4	Screw, #8-32 Vibra Tite	

> Change from previous revision

5.1 Instrument Panel



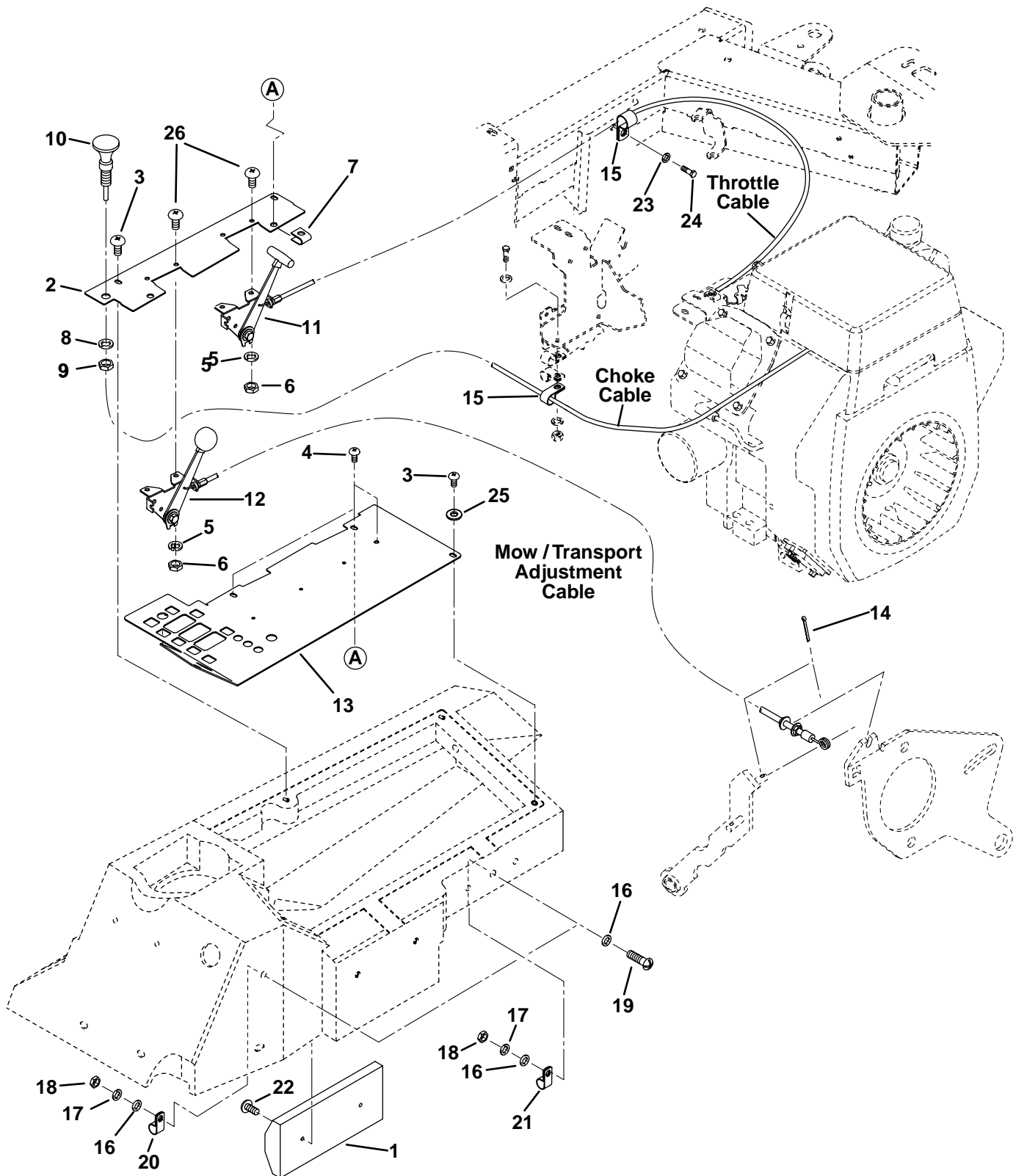
Item	Part No.	Qty.	Description	Serial Numbers/Notes
1	2810292	1	Instrument Panel	See 6.1
2	366932	1	Snap-in Blank	
3	3001375	1	Switch, Light	Reference SW15
4	2811173	1	Switch, Hydraulic Oil Level/ Test	Reference SW16
5	3001780	1	Switch, PTO	Reference SW6
6	338601	1	Circuit Breaker, 10 Amp	Reference CB2
7	338601	1	Circuit Breaker, 10 Amp	Reference CB3
8	338601	1	Circuit Breaker, 10 Amp	Reference CB4
9	364774	3	Boot, Circuit Breaker	
10	366751	1	Parking Brake Light	Reference L1
11	2810269	1	Ignition Switch	Reference SW1
12		1	• Special Washer	
13		1	• Collar Nut	
14	2811020	2	• Key, Ignition Switch	
15	446116	8	Lockwasher, #10	
16	444310	8	Nut, #10-24 Hex	
17	3001307	8	Relay, SPDT	Reference K1, K2, K3, K4, K7, K10, K11, K22
18	REF		Relay Mounting Block	See 39.1
19	403908	4	Screw, #10-24 x 3/4" Truss Head	
20	3002144	1	Plate, Backup	

> Change from previous revision

GREENS KING VI

Serial No. All

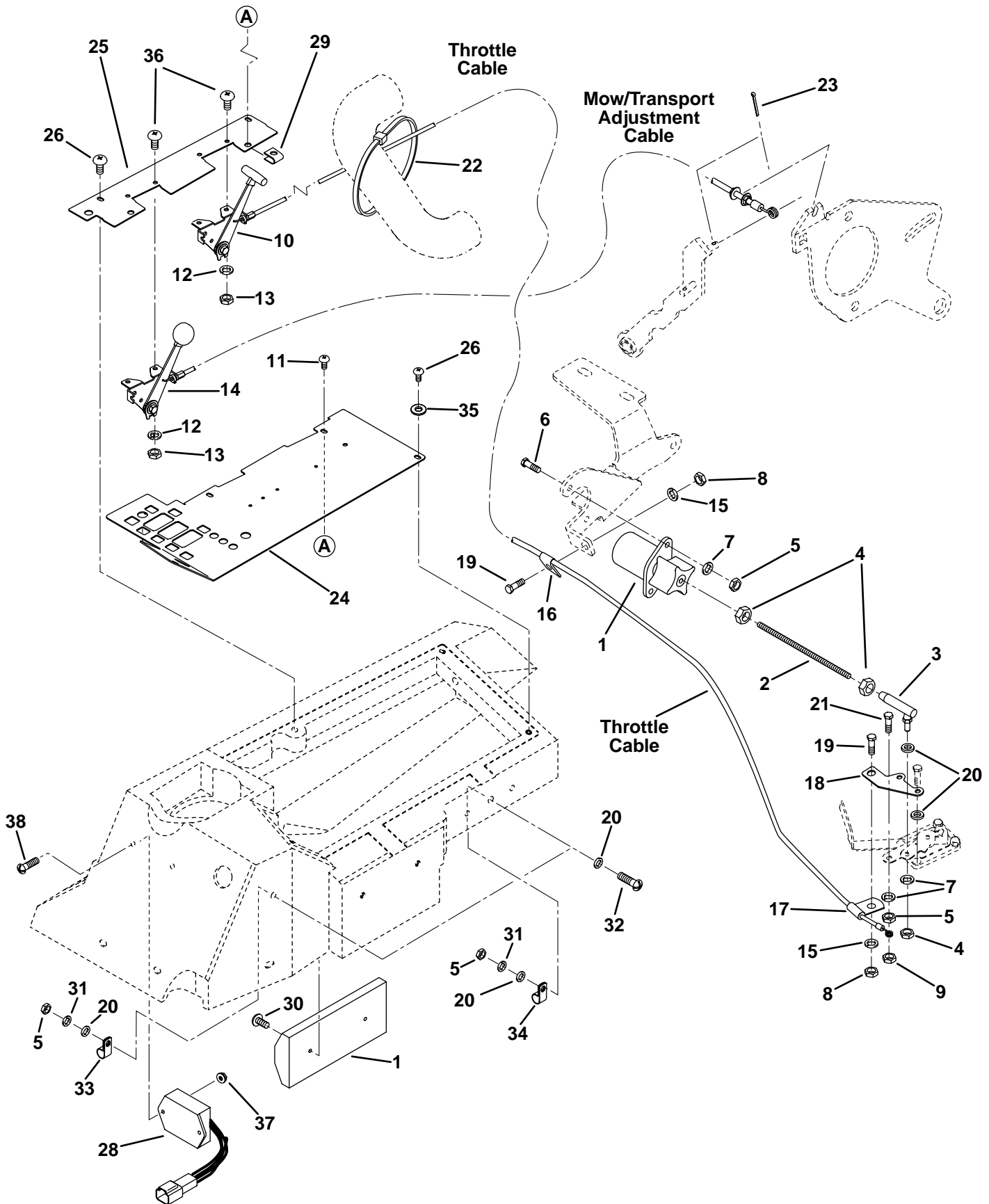
6.1 Gasoline Engine Control Console



Item	Part No.	Qty.	Description	Serial Numbers/Notes
1	2811061	1	Lamp, Dome	Reference L5
2	3004329	1	Panel, Mechanical Instrument	
3	2811595	4	Screw, #8-32 x 1/2" One-Way Security	
4	403908	2	Screw, #10-24 x 3/8" Truss Head	
5	446116	4	Lockwasher, #10	
6	444310	4	Nut, #10-24 Hex	
7	445207	2	Speed Nut, #10-24	
8	446142	1	Lockwasher, 3/8 Heavy	
9	443112	1	Nut, 3/8-24 Hex	
10	1000373	1	Cable, Choke Control	
11	1000374	1	Cable, Throttle	
12	1000375	1	Cable, Mow/Transport	
13	-	1	Instrument Panel	
14	460014	1	Cotter Pin	
15	324887	2	Hose Clamp	
16	453023	4	Flat Washer, 1/4"	
17	446128	2	Lockwasher, 1/4"	
18	443102	2	Nut, 1/4-20 Hex	
19	404016	2	Screw, 1/4-20 x 5/8" Truss Head	
20	363514	1	Clamp, Wire Harness	
21	333801	1	Clamp, Wire Harness	
22	403860	2	Screw, #8-32 x 5/8" Truss Head	
23	446134	1	Lockwasher, 5/16	
24	400184	1	Screw, 5/16-18 x 3/4" Hex Head	
25	453004	4	Washer, Flat, #8	
26	403910	4	Screw, #10-24 x 1/2" Truss Head	

> Change from previous revision

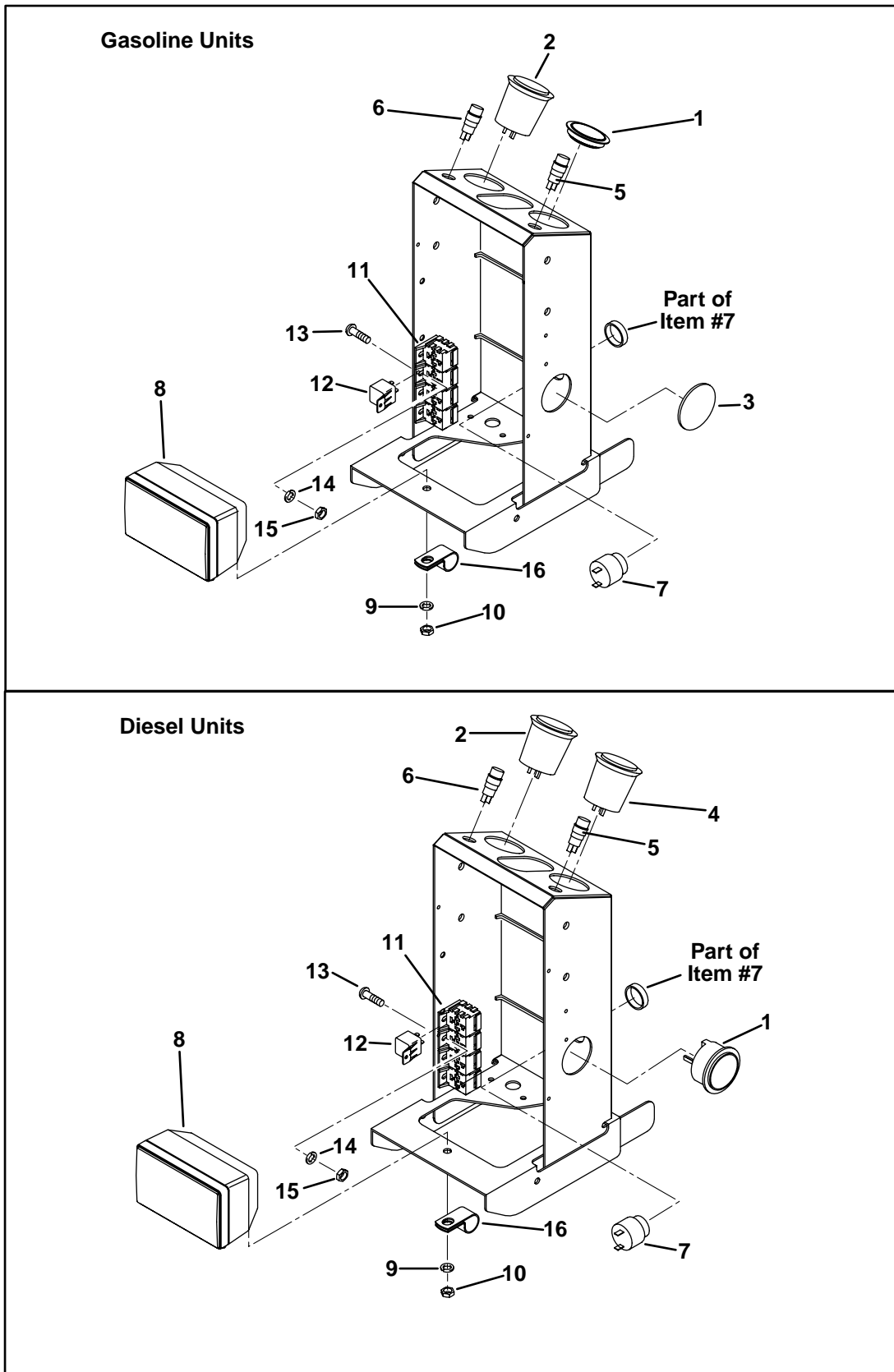
7.1 Diesel Engine Control Console



Item	Part No.	Qty.	Description	Serial Numbers/Notes
1	338289	1	Solenoid, Fuel	Reference K18
2	367191	1	Rod, 1/4-28 x 6-1/4" Threaded	
3	162478	1	Ball Joint, 1/4-28	
4	443104	3	Nut, 1/4-28 Hex	
5	443102	6	Nut, 1/4-20 Hex	
6	400108	2	Screw, 1/4-20 x 3/4" Hex Head	
7	446130	5	Lockwasher, 1/4 Heavy	
8	443110	2	Nut, 3/8-16 Hex	
9	444708	2	Locknut, 1/4-20 Center	
10	1001014	1	Cable, Throttle	
11	403908	2	Screw, #10-24 x 3/8" Truss Head	
12	446116	4	Lockwasher, #10	
13	444310	4	Nut, #10-24 Hex	
14	1000375	1	Cable, Mow/Transport	
15	446140	2	Lockwasher, 3/8 Heavy	
16	324887	1	Clamp, Throttle Cable	
17	360934	1	Clamp, Throttle Cable	
18	3004151	1	Bracket, Cable Clamp	
19	400260	2	Screw, 3/8-16 x 7/8" Hex Head	
20	453023	6	Flat Washer, 1/4	
21	400112	1	Screw, 1/4-20 x 1" Hex Head	
22	473144	1	Tie, Nylon	Throttle Cable to Air Intake Hose
23	460014	1	Pin, Cotter, 3/32" x 3/4"	
24		1	Instrument Panel	See 5.1
25	3004329	1	Panel, Mechanical Instrument	
26	2811595	4	Screw, #8-32 x 1/2" One-Way Security	
27	2811061	1	Lamp, Dome	Reference L5
28	3009544	1	Relay, Time Delay Module	Reference U6
29	445207	2	Speed Nut, #10-24	
30	403860	2	Screw, #8-32 x 5/8" Truss Head	
31	446128	2	Lockwasher, 1/4	
32	404016	2	Screw, 1/4-20 x 5/8" Truss Head	
33	363514	1	Clamp, Wire Harness	
34	333801	1	Clamp, Wire Harness	
35	453004	4	Washer, Flat, #8	
36	403910	4	Screw, #10-24 x 1/2" Truss Head	
37	2812249	2	Nut, #10-24 Hex Nylock Jam	
38	403914	2	Screw, #10-21 x 3/4" Truss Head	

> Change from previous revision

8.1 Steering Tower and Gauges



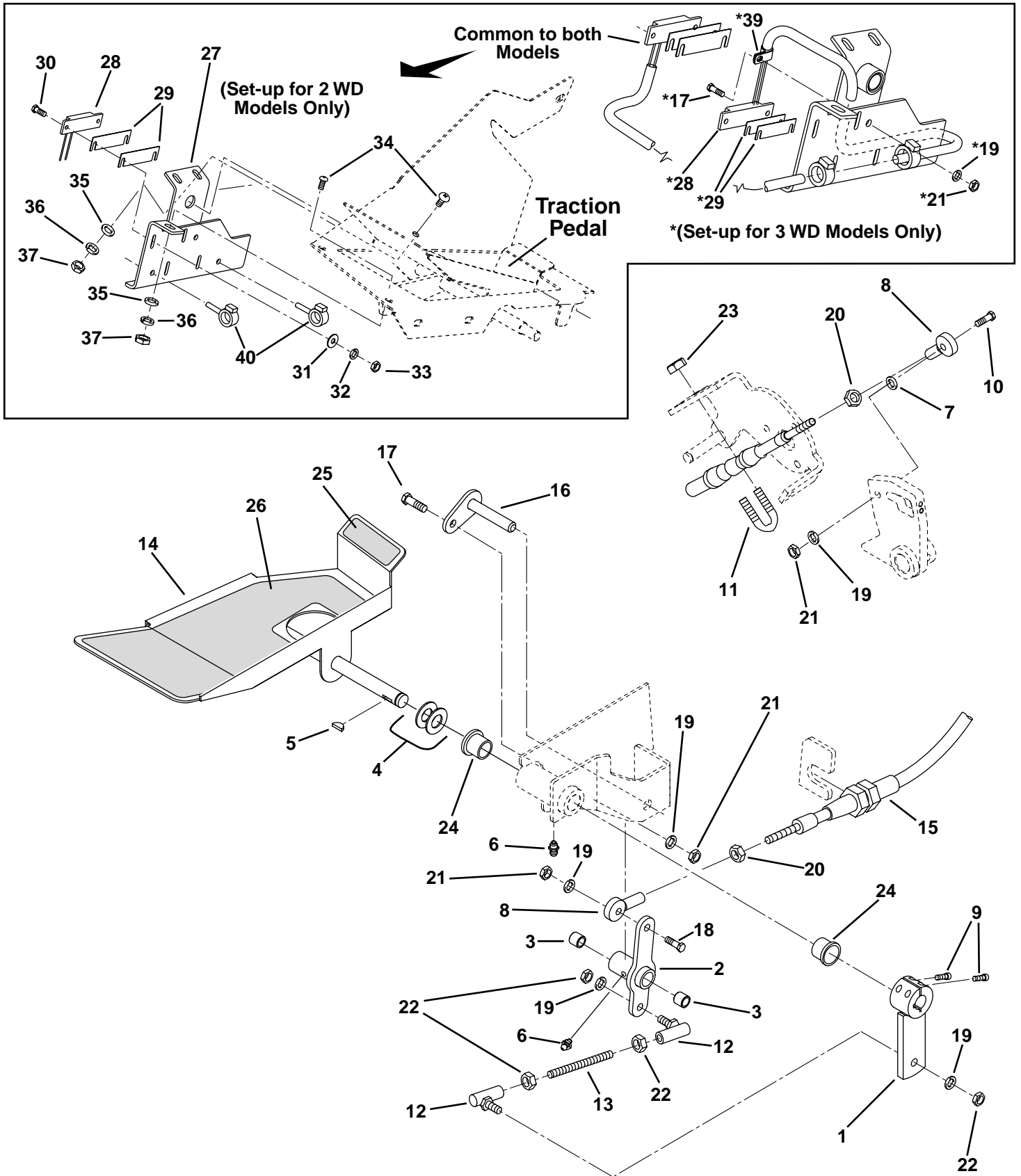
Item	Part No.	Qty.	Description	Serial Numbers/Notes
1	162723	1	Hour Meter	Reference U2
	447006	1	• Lockwasher, #10 External Tooth	
	444310	1	• Nut, #10-32 Hex	
2	162721	1	Volt Meter	Reference U3
	447002	3	• Lockwasher, #6 External Tooth	
	444304	3	• Nut, #6-32 Hex	
	447206	2	• Lockwasher, #8 Internal Tooth	
	444306	2	• Nut, #8-32 Hex	
3	366403	1	Plug	Gas Units Only
4	162720	1	Temperature Gauge	Diesel Units Only, Reference U4
	447002	3	• Lockwasher, #6 External Tooth	Diesel Units Only
	444304	3	• Nut, #6-32 Hex	Diesel Units Only
	447206	2	• Lockwasher, #8 Internal Tooth	Diesel Units Only
	444306	2	• Nut, #8-32 Hex	Diesel Units Only
5	158501	1	Light, Engine Oil Warning (Red)	Reference L3
6	366751	1	Light, Hydraulic Oil Warning (Yellow)	Reference L4
7	366670	1	Horn	Reference U1
8	1004776	1	Headlight	Reference L4
	5003623	1	• Bracket, Mounting	
	5000527	1	• Bulb, Replacement	
9	446142	1	Lockwasher, 3/8 Heavy	
10	443110	2	Nut, 3/8-16 Hex	
11	REF		Relay Mounting Block	See 39.1
12	3001307	4	Relay, SPST	Reference K12,K13,K14,K15
13	403910	2	Screw, #10-24 x 1/2" Truss Head	
14	446116	2	Lockwasher, #10	
15	444310	2	Nut, #10-24 Hex	
16	364016	1	Hose Clamp, Electrical Harness	

> Change from previous revision

GREENS KING VI

Serial No. All

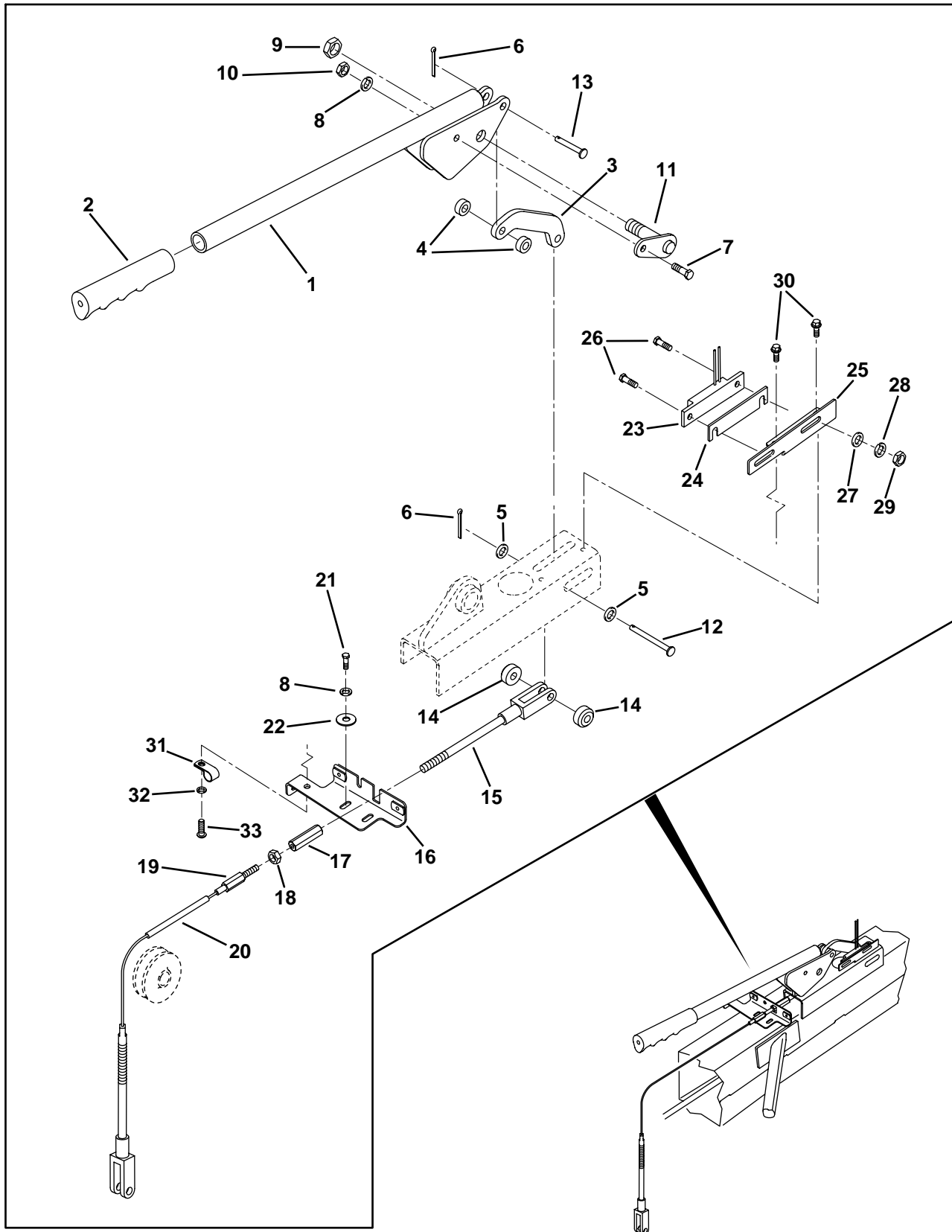
9.1 Traction Pedal Linkage



Item	Part No.	Qty.	Description	Serial Numbers/Notes
1	1003381	1	Pedal Arm	
2	2810486	1	Lever, Pivot	
3	361108	2	• Bushing	
4	357855	AR	Washer	
5	463003	1	Woodruff Key	
6	471216	2	Grease Fitting	
7	345625	1	Spacer	
8	364235	2	Rod End	
9	434044	2	Screw, #8-32 x 1/2" Socket Head	
10	400116	1	Screw, 1/4-20 x 1-1/2" Hex Head	
11	362744	1	U-Bolt	
12	326111	2	Ball Joint	
13	3000853	1	Threaded Rod, 1/4-28 x 2-3/4"	
14	2810407	1	Pedal, Traction	
15	3000268	1	Cable, Traction	
16	1000353	1	Pin, Lever Pivot	
17	400108	1	Screw, 1/4-20 x 3/4" Hex Head	
		2	• Screw, 1/4-20 x 3/4" Hex Head	3WD Units
18	400112	1	Screw, 1/4-20 x 1" Hex Head	
19	446130	6	Lockwasher, 1/4 Heavy	
		5	• Lockwasher, 1/4 Heavy	3WD Units
20	443804	2	Nut, 1/4-28 Hex Jam	
21	443102	3	Nut, 1/4-20 Hex	
		4	• Nut, 1/4-20 Hex	3WD Units
22	443104	3	Nut, 1/4-28 Hex	
23	444718	2	Locknut, 5/16-18 Center	
24	REF	2	Bushing, Flanged, Pedal Pivot	See 4.1
25	3002041	1	Pad, Heel	
26	3000926	1	Pad, Traction Pedal	
27	2810447	1	Bracket Assembly, Switch	
28	3007392	AR	Switch, Proximity	Reference SW3, SW11
29	3009193	AR	Shim, Proximity Switch	
30	403745	AR	Screw, #10-24 x 3/8" Hex Head	
31	452002	AR	Flat Washer, #10	
32	446116	AR	Lockwasher, #10	
33	444310	AR	Nut, #10-24 Hex	
34	404068	3	Screw, 5/16-18 x 3/4" Truss Head	
35	453009	2	Flat Washer, 5/16	
36	446134	3	Lockwasher, 5/16	
37	443106	3	Nut, 5/16-18 Hex	
38	2811187	2	Convuluted Conduit (Not Shown)	3WD Units Only
39	354081	1	Clamp, 3/8	3WD Units Only
40	3008383	2	Hose Clamp	

> Change from previous revision

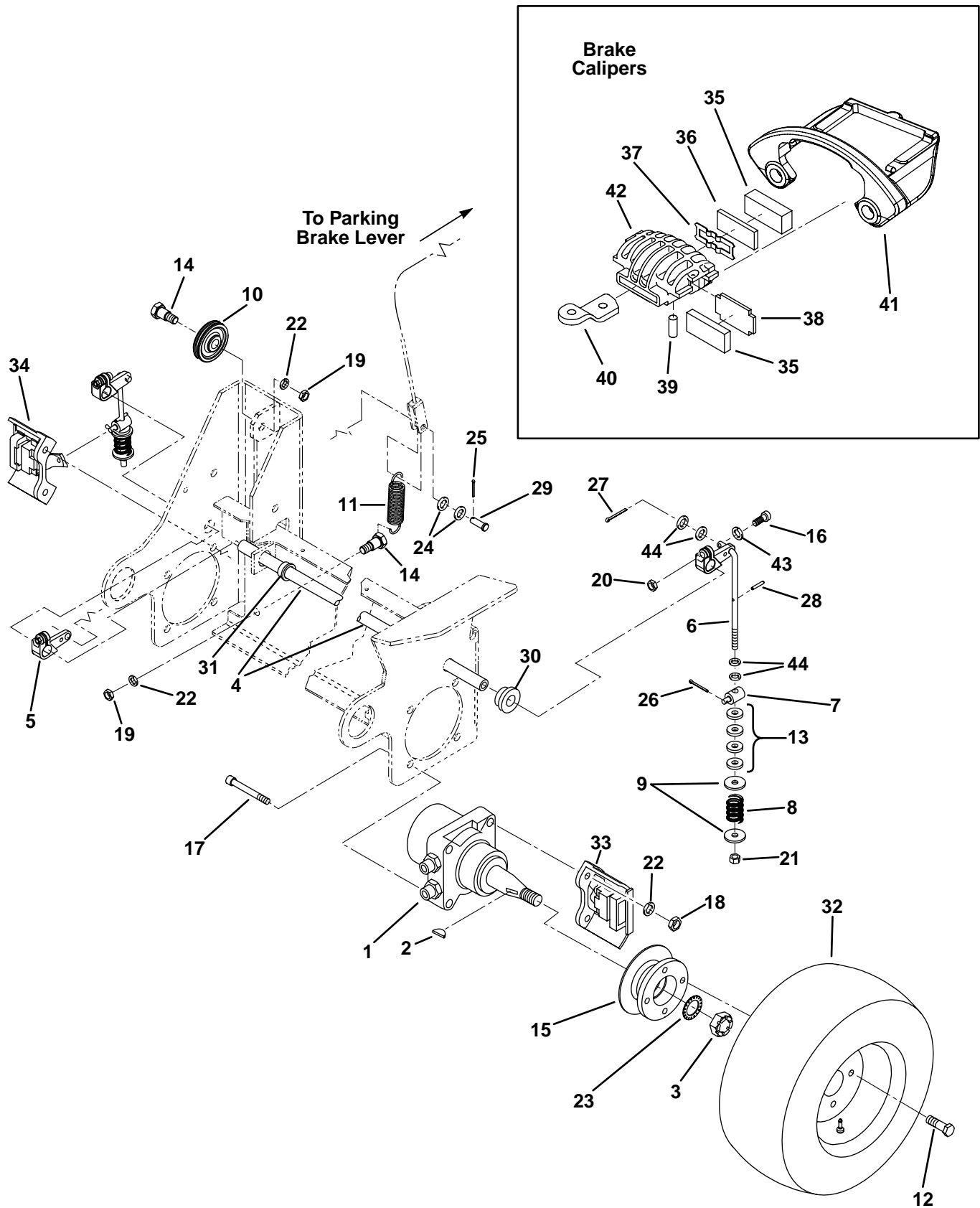
10.1 Parking Brake



Item	Part No.	Qty.	Description	Serial Numbers/Notes
1	2810048	1	Parking Brake Lever	
2	345689	1	Grip, Brake	
3	3001005	1	Link, Handbrake	
4	364528	2	Spacer	
5	453009	1	Flat Washer, 5/16	
6	460010	2	Cotter Pin, 3/32 x 1/2"	
7	400118	1	Screw, 1/4-20 x 1-3/4" Hex Head	
8	446130	3	Lockwasher, 1/4 Heavy	
9	444816	1	Locknut, 1/2-20 Flex Lock	
10	443102	1	Nut, 1/4-20 Hex	
11	1000465	1	Retaining Pin	
12	461498	1	Clevis Pin, 5/16 x 2-3/8"	
13	461456	1	Clevis Pin, 5/16 x 1-5/8"	
14	3002530	2	Bushing	
15	3001334	1	Yoke, L.H. Threaded	
16	2811430	1	Bracket, Console Mounting	
17	2811691	1	Coupling, Turnbuckle	
18	443108	1	Nut, 5/16-24 Hex	
19	2809991	1	Cable, Brake	
20	3004551	1	Conduit	
21	400108	2	Screw, 1/4-20 x 3/4" Hex Head	
22	452004	2	Flat Washer, 1/4	
23	3007392	1	Switch, Proximity	Reference SW4
24	3009193	2	Shim, Switch	
25	2810050	1	Bracket, Proximity Switch	
26	403745	2	Screw, #10-24 x 5/8" Hex Head	
27	452002	2	Flat Washer, #10	
28	446116	2	Lockwasher, #10	
29	444310	2	Nut, #10-24 Hex	
30	409804	2	Screw, #10-24 x 1/2" Thread Cutting	
31	364190	1	Clamp, Wire Harness	
32	446128	1	Lockwasher, 1/4	
33	404016	1	Screw, 1/4-20 x 5/8" Truss Head	

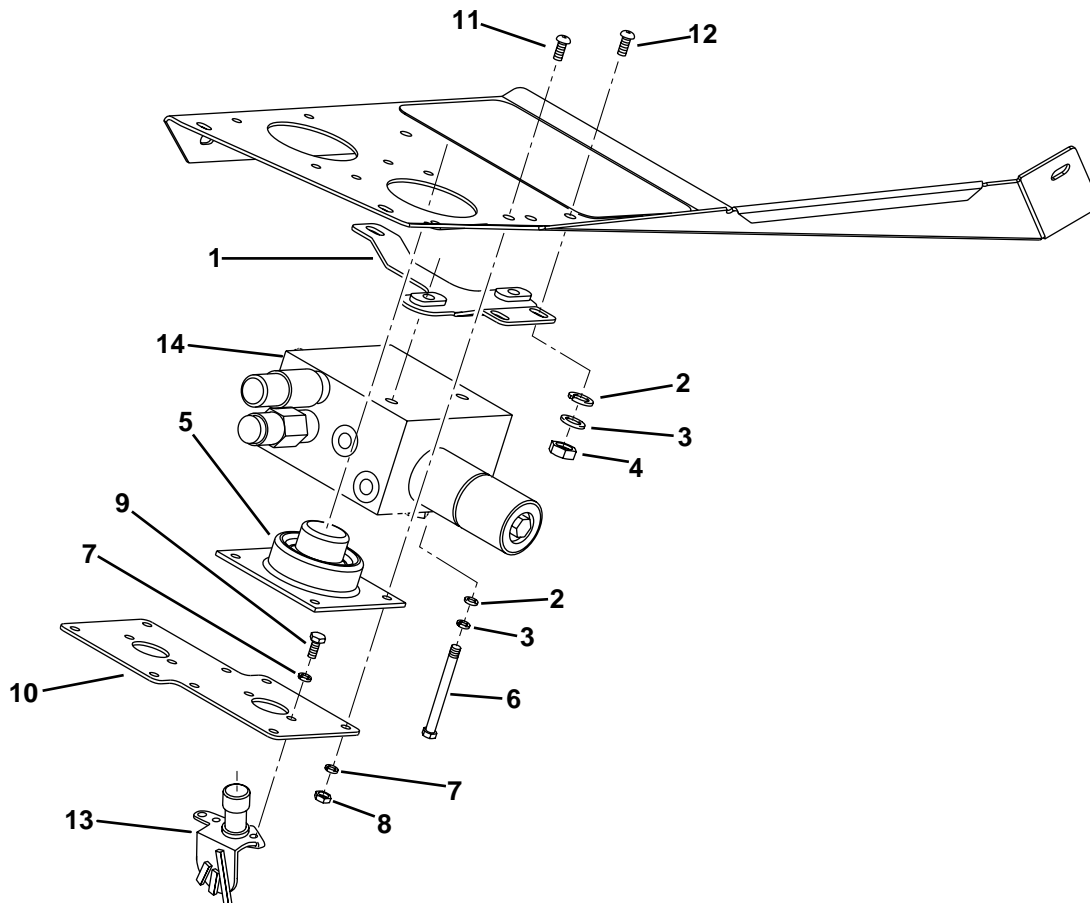
> Change from previous revision

11.1 Front Wheel Motors and Brakes



Item	Part No.	Qty.	Description	Serial Numbers/Notes	
1	1003508	2	Wheel Motor	See 45.1	
2	463027	2	• Key		
3	590101	2	• Nut		
4	2809909	1	Brake Shaft		
5	2809910	3	Brake Arm		
6	2809911	2	Rod, Brake Arm		
7	2809998	2	Guide, Brake		
8	3001512	2	Spring, Die		
9	310711	4	Washer, Pulley Retaining		
10	338383	1	Pulley, Brake		
11	353767	1	Spring, Extension		
12	353914	8	Wheel Bolt		
13	365677	4	Cover		
14	367588	2	Bolt, Shoulder		
15	395388	2	Wheel Hub		
16	434003	3	Screw, 5/16-18 x 1" Socket Head		
17	434039	8	Screw, 1/2-13 x 2-3/4" Socket Head		
18	443118	8	Nut, 1/2-13 Hex		
19	443818	2	Nut, 1/2-13 Hex Jam		
20	443106	3	Nut, 5/16-18 Hex		
21	445806	2	Nut, 3/8-16 Hex Nyloc		
22	446154	10	Lockwasher, 1/2 Heavy		
23	447030	2	Lockwasher, 1" External Tooth		
24	452008	2	Flat Washer, 3/8		
25	460014	1	Cotter Pin, 3/32 x 3/4"		
26	460026	2	Cotter Pin, 1/8 x 3/4"		
27	460038	2	Cotter Pin, 5/32 x 1"		
28	461375	2	Roll Pin, 5/32 x 1" Plain		
29	461465	1	Pin, Clevis 3/8 x 1-3/32		
30	352726	2	Bushing		
31	2810683	1	Bushing, Flange		
32	REF	1	Wheel and Tire	See 49.1	
33	117186	1	Caliper, Left Side Brake		
34	117185	1	Caliper, Right Side Brake		
35	530660	1	• Brake Pad Set Replacement Kit		
36	557826	2	• Pad Support		
37	557825	2	• Spring, Cam Retainer		
38	557824	2	• Pad, Support		
39	557823	2	• Pivot Pin		
40	557827	1	• Cam, Left Side		117186 Only
40	557822	1	• Cam, Right Side		117185 Only
41	N/S	2	• Bracket, Caliper Mounting		
42	N/S	2	• Caliper Pad Housing		
43	446134	3	Lockwasher, 5/16		
44	453009	4	Flat Washer, 5/16		

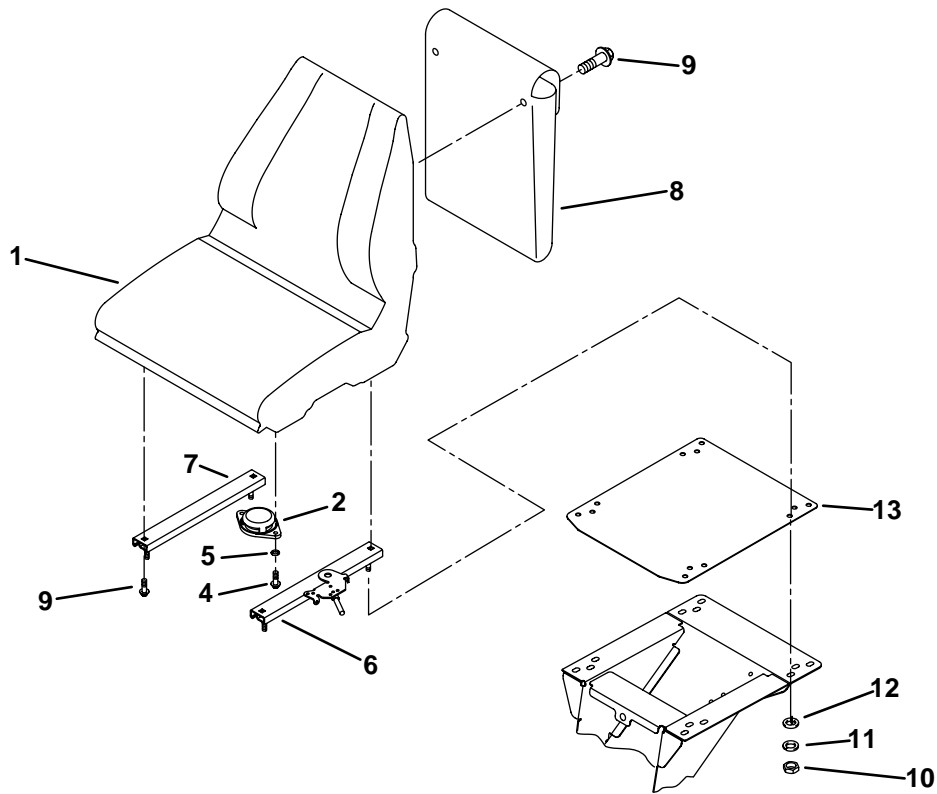
> Change from previous revision



Item	Part No.	Qty.	Description	Serial Numbers/Notes
1	2811065	1	Arm Assembly, Valve Mount	
2	453009	5	Flat Washer, 5/16	
3	446136	5	Lockwasher, 5/16 Heavy	
4	443106	3	Nut, 5/16-18 Hex	
5	365960	2	Cover, Floor Switch	
6	400204	2	Screw, 5/16-18 x 3-1/2" Hex Head	
7	446128	10	Lockwasher, 1/4	
8	443102	8	Nut, 1/4-20 Hex	
9	400104	4	Screw, 1/4-20 x 1/2" Hex Head	
10	2811010	1	Plate, Foot Switch	
11	404018	8	Screw, 1/4-20 x 3/4" Truss Head	
12	403784	3	Screw, 5/16-18 x 3/4"	
13	3002774	2	Floor Switch	Reference SW19 and SW20
14	2810600	1	Lift Valve	See 48.1

> Change from previous revision

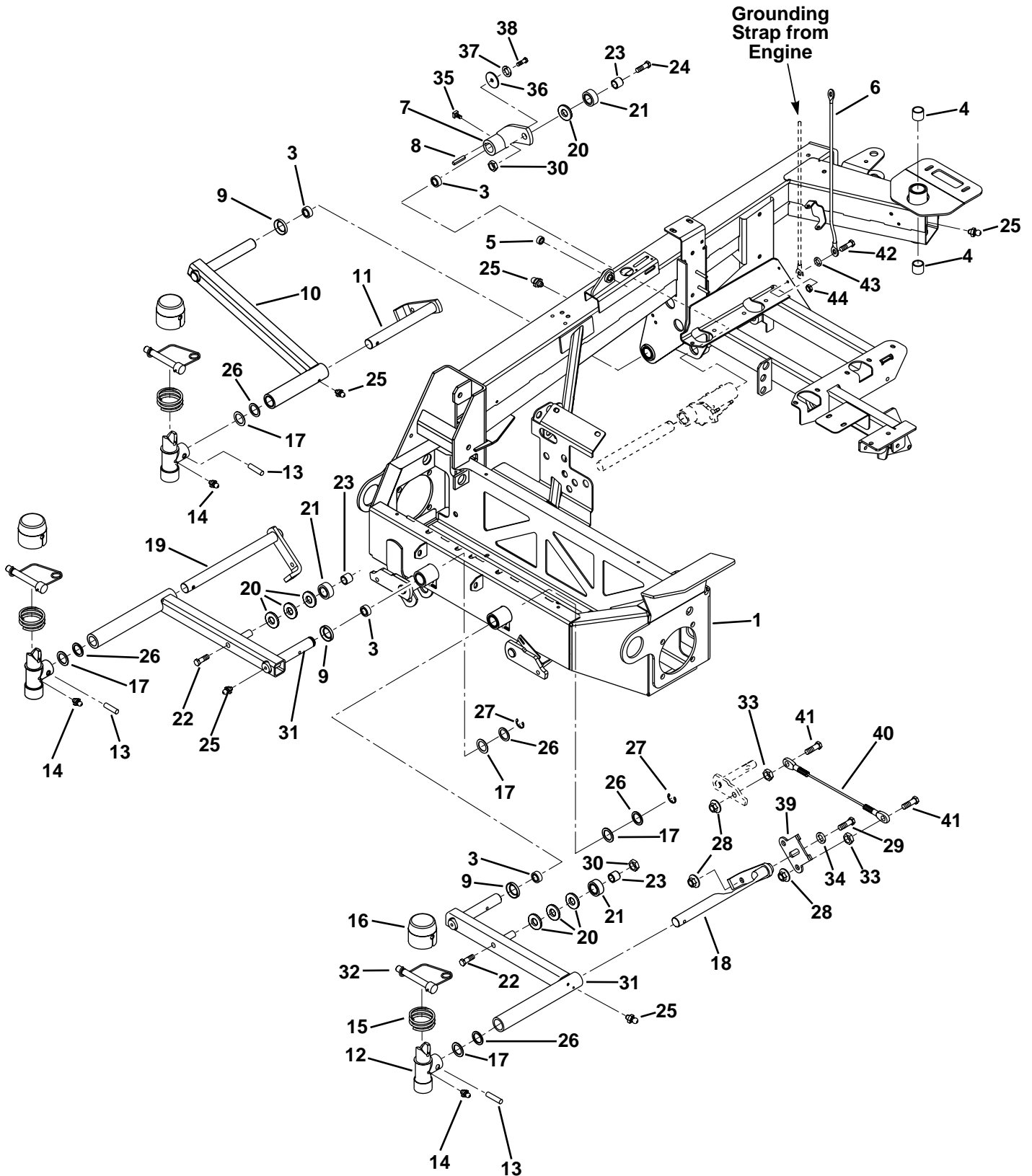
13.1 Seat



Item	Part No.	Qty.	Description	Serial Numbers/Notes
1	66172	1	Seat, Standard	Reference SW5 See 4.1
2	554390	1	• Seat Switch	
3	163583	1	• Harness, Switch (Not Shown)	
4	434011	2	• Screw, 1/4-20 x 5/8" Socket Head	
5	446130	2	• Lockwasher, 1/4 Heavy	
6	3006991	1	Adjuster, Latching	
7	3006988	1	Adjuster, Slave	
8	3003928	1	Literature Pouch	
9	3001328	6	Screw	
10	443106	6	Nut, 5/16-18 Hex	
11	446136	4	Lockwasher, 5/16 Heavy	
12	452006	4	Flat Washer, 5/16	
13	REF	1	Seat Pan	

> Change from previous revision

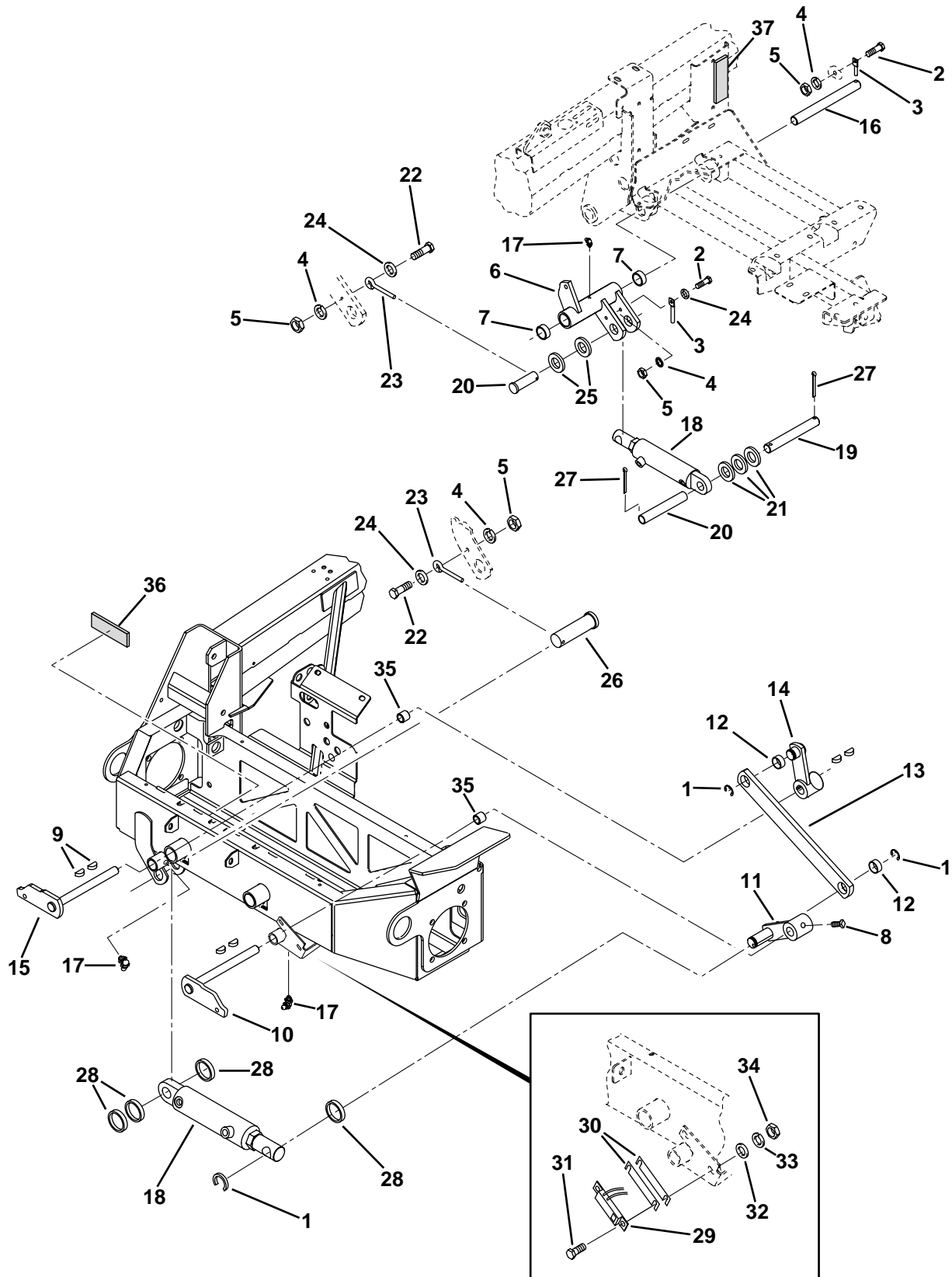
14.1 Baseframe and Lift Arms



Item	Part No.	Qty.	Description	Serial Numbers/Notes
1	4117463	1	Baseframe	See 15.1
2	357999	4	• Bushing, Front Cam (Not Shown)	
3	3007694	6	• Bushing, Lift Arm	
4	360460	2	• Bushing, Steering Tube	
5	328016	1	• Bushing, Parking Brake Pivot	
6	2811403	1	Cable, Negative, Battery	
7	1000253	1	Roller Arm	
8	362320	1	Key	
9	367349	3	Thrust Washer	
10	1000252	1	Lift Arm, Center Mower	
11	1000416	1	Shaft Assembly, Center Mower	
12	5002569	3	Swivel Housing	
13	461336	1	• Pin, 5/16-1-1/2" Type "E" Groove	
14	471214	1	• Grease Fitting, Straight	
15	3004063	1	• Compression Spring	
16	3004870	1	• Swivel Housing Cover	
17	345699	AR	Washer	
18	1000451	1	Shaft Assembly, Front Left Mower	
19	163430	1	Shaft Assembly, Front Right Mower	
20	453020	7	Flat Washer, 5/8	
21	1004059	3	Roller, Cam	
22	400624	2	Screw, 5/8-11 x 3" Hex Head	
23	3009234	3	Spacer, Cam Roller	
24	400614	1	Screw, 5/8-11 x 1-3/4" Hex Head	
25	471214	6	Grease Fitting, Straight	
26	303629	AR	Washer	
27	458433	2	Retaining Ring	
28	444762	6	Locknut, 3/8-16 Center Locking	
29	400262	2	Screw, 3/8-16 x 1" Hex Head	
30	444752	3	Locknut, 5/8-11 Center	
31	4113363	2	Front Lift Arm	
32	3005435	3	Pin, Spring Lock	
33	443810	4	Nut, 3/8-16 Hex Jam	
34	453011	2	Flat Washer, 3/8"	
35	412014	1	Screw, 5/16-18 x 1/2" Set	
36	367559	1	Washer, Flat	
37	446136	3	Lockwasher, 5/16 Heavy	
38	400184	1	Screw, 5/16-18 x 3/4" Hex Head	
39	3003667	2	Plate, Reel Tether	
40	3005636	2	Cable, Reel Tether	
41	400264	4	Screw, 3/8-16 x 1-1/4" Hex Head	
42	400182	1	Screw, 5/16-18 x 1" Hex Head	
43	452006	1	Flat Washer, 5/16	
44	445722	1	Nut, 5/16-18 Hex	

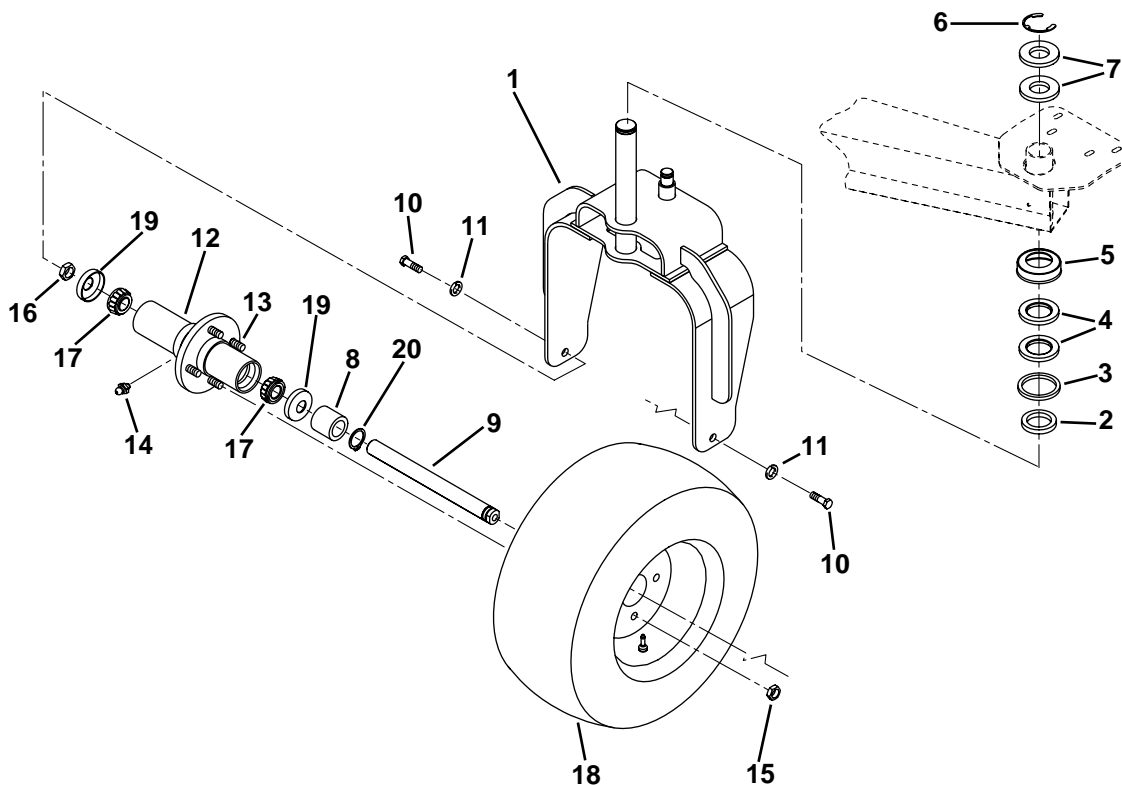
> Change from previous revision

15.1 Lift Linkage



Item	Part No.	Qty.	Description	Serial Numbers/Notes
1	458433	3	Retaining Ring	
2	400106	2	Screw, 1/4-20 x 5/8" Hex Head	
3	357998	2	Retaining Pin	
4	446130	4	Lockwasher, 1/4 Heavy	
5	443102	4	Nut, 1/4-20 Hex	
6	1004439	1	Cam, Rear Mower Lift	
7	3007694	2	• Bushing	
8	412017	2	Screw, 5/16-18 x 3/4" Square Set	
9	463017	4	Woodruff Key, 3/16 x 3/4"	
10	1000328	1	Cam, Front Left Mower Lift	
11	131675	1	Lift Lever, Left Side	
12	350542	2	Bushing	
13	353927	1	Connecting Bar	
14	131498	1	Lift Lever, Right Side	
15	1000327	1	Cam, Front Right Mower Lift	
16	3000675	1	Pin, Rear Mower Cam Pivot	
17	471221	3	Grease Fitting, 90°	
18	131450	2	Lift Cylinder	See 50.1
19	3000654	1	Pin, Rear Cylinder Pivot	
20	3000655	1	Spacer, Long	
21	347985	3	Spacer	Replaces 3000656
22	400112	2	Screw, 1/4-20 x 1" Hex Head	
23	3007954	2	Retaining Pin	
24	453023	3	Flat Washer, 1/4	
25	455004	2	Flat Washer, 1"	
26	3005577	2	Pin, Cylinder	
27	460052	2	Cotter Pin, 3/16 x 1-1/2"	
28	366197	4	Spacer	
29	3007392	1	Proximity Switch	Reference SW9
30	3009193	AR	Shim	
31	403745	2	Screw, #10-32 x 5/8" Hex Head	
32	452002	2	Flat Washer, #10	
33	446116	2	Lockwasher, #10	
34	444310	2	Nut, #10-32 Hex	
35	REF	4	Bushing, Front Cam	See 14.1
36	366535	1	Pad, Neoprene	
37	361174	1	Pad, Rubber	

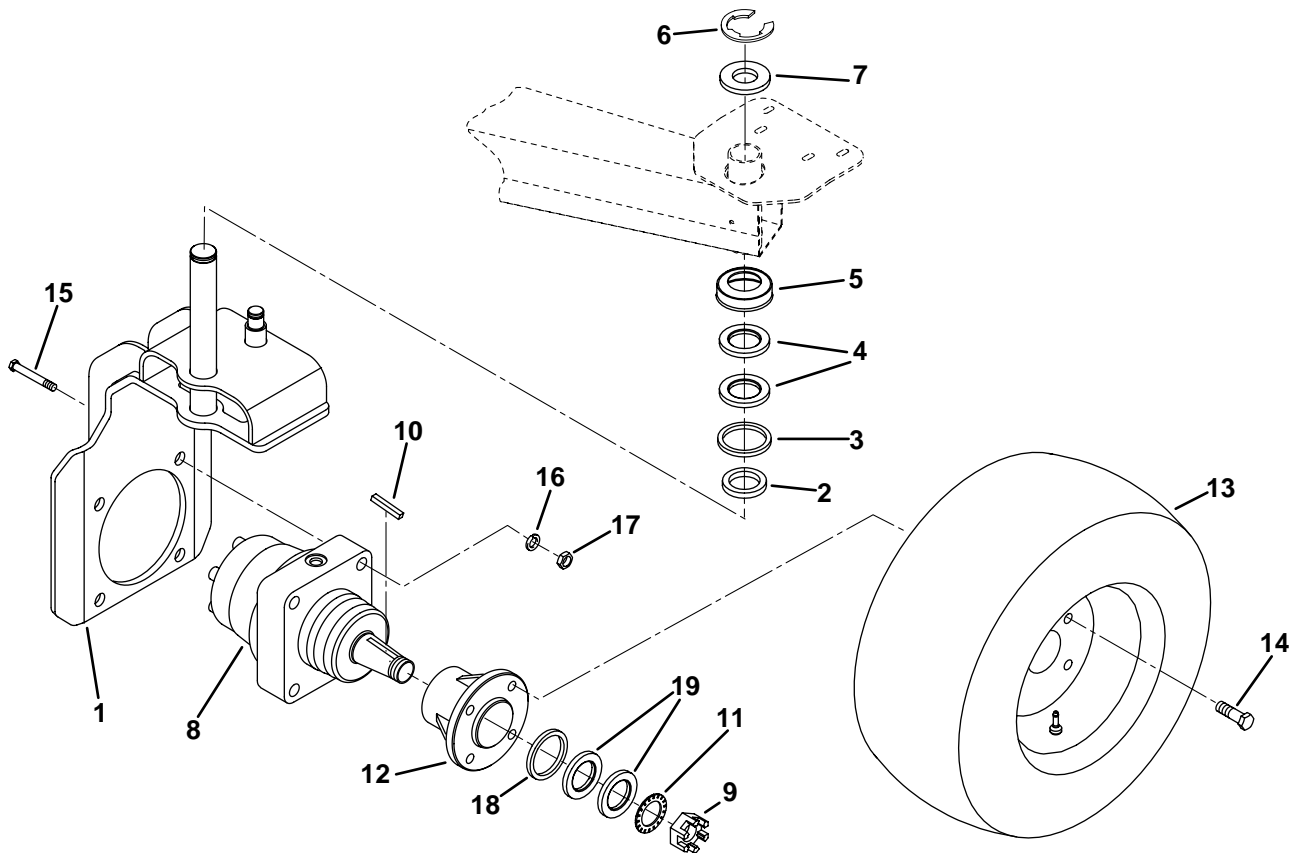
> Change from previous revision



Item	Part No.	Qty.	Description	Serial Numbers/Notes
1	2812251	1	Steering Yoke	
2	367249	1	Collar	
3	345621	1	Seal, Steering Shaft	
4	3003360	2	Thrust Washer	
5	3003361	1	Cup, Thrust Bearing	
6	458466	1	Retaining Ring	
7	2500477	AR	Washer, Shim	
8	2810327	1	Spacer, Yoke	
9	2810351	1	Axle, Rear Wheel	
10	400442	2	Screw, 1/2-20 x 1-1/2" Hex Head	
11	446154	2	Lockwasher, 1/2 Heavy	
12	2810402	1	Hub	Includes Cup Portion of Item 17
13	549730	4	• Wheel Bolt	
14	471217	1	• Grease Fitting, Straight	
15	345807	4	• Nut, Wheel	
16	445790	1	Nut, 1-14 Hex Nylock Jam	
17	500596	2	Bearing, Cup and Cone	
18	REF	1	Wheel and Tire	See 49.1
19	360680	2	Nylos Ring	
20	458039	1	Retaining Ring, External	

> Change from previous revision

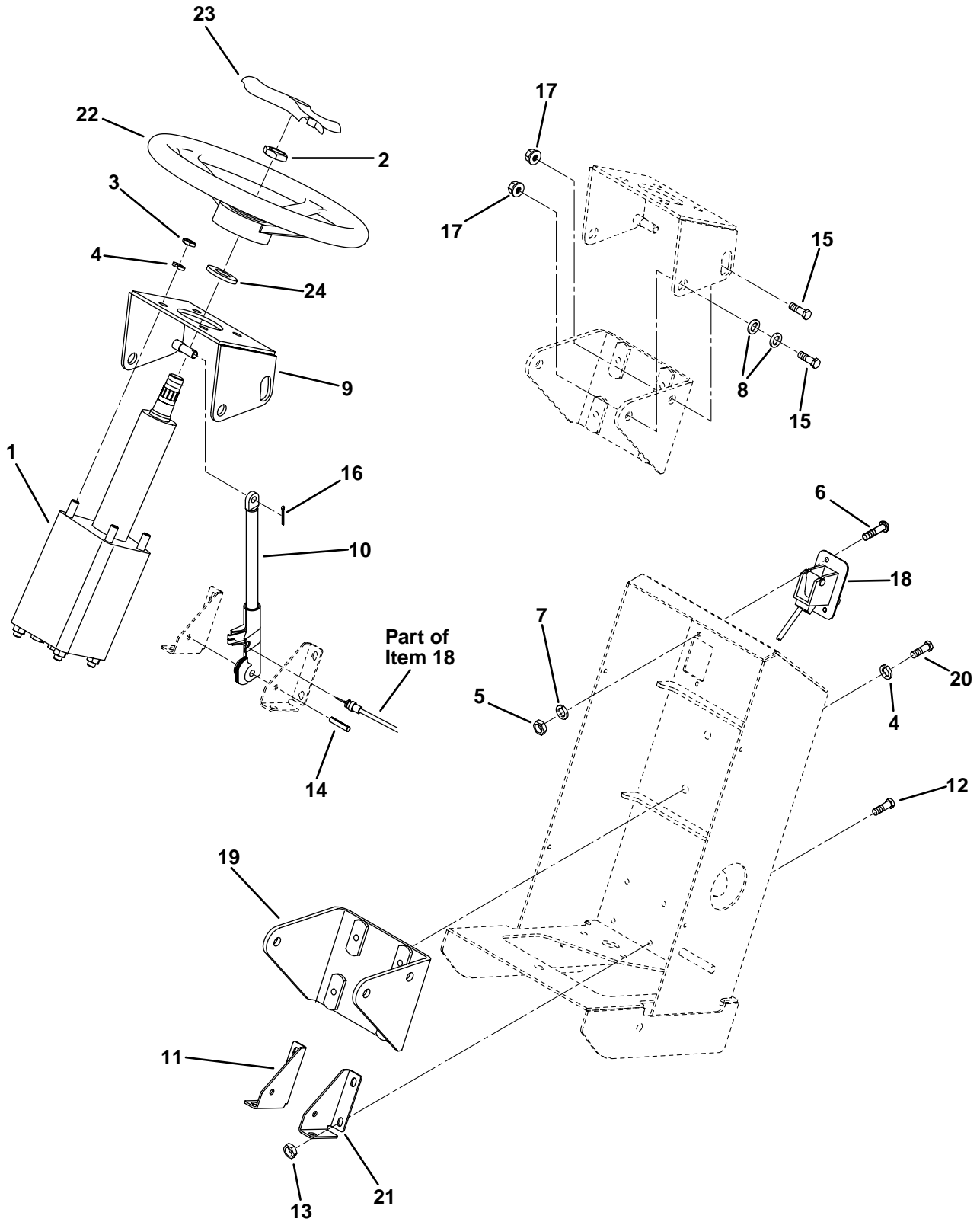
17.1 Steering Axle-3WD Units



Item	Part No.	Qty.	Description	Serial Numbers/Notes
1	2812252	1	Steering Yoke	
2	367249	1	Collar	
3	345621	1	Seal, Steering Shaft	
4	3003360	2	Thrust Washer	
5	3003361	1	Cup, Thrust Bearing	
6	458466	1	Retaining Ring	
7	2500477	AR	Washer	
8	1003508	1	Wheel Motor	See 45.1
9	590101	1	• Nut	
10	463027	1	• Key	
11	447030	1	Lockwasher, 1" External Tooth	
12	2810358	1	Hub, Rear Wheel	
13	REF	1	Wheel and Tire	See 49.1
14	353914	4	Bolt, Wheel	
15	400428	4	Screw, 1/2-13 x 2-3/4" Socket Head	
16	446154	4	Lockwasher, 1/2 Heavy	
17	443118	4	Nut, 1/2-13 Hex	
18	2810767	1	Spacer, 3WD, Hub	
19	455004	2	Flat Washer, 1"	

> Change from previous revision

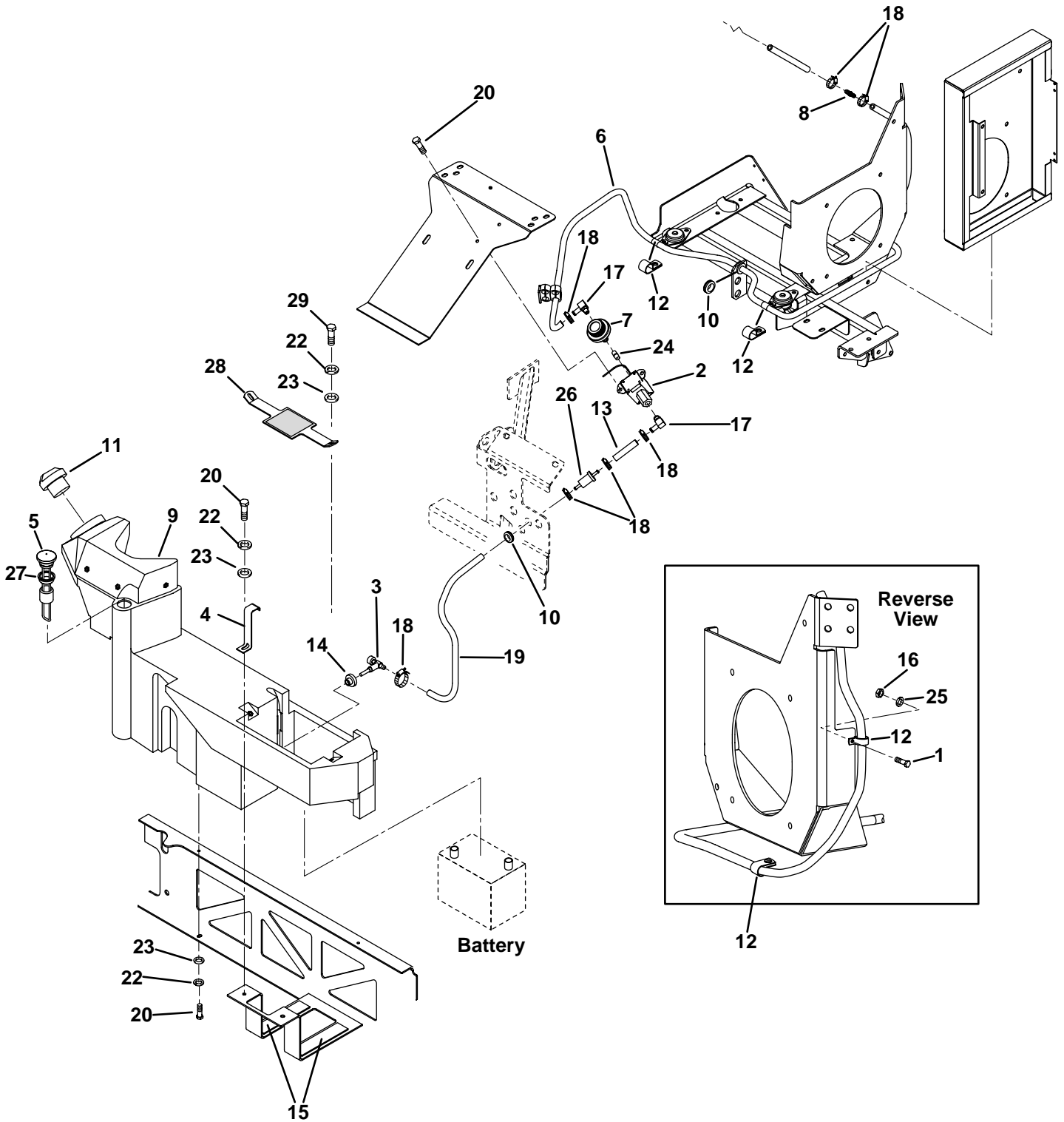
18.1 Steering Tower



Item	Part No.	Qty.	Description	Serial Numbers/Notes
1	2811360	1	Steering Valve	See 46.1
2	N/S	1	• Nut	
3	443108	4	Nut, 5/16-24 Hex	
4	446136	8	Lockwasher, 5/16 Heavy	
5	444306	2	Nut, #8-32 Hex	
6	402458	2	Screw, #8-32 x 1/2" Flat Head	
7	446110	2	Lockwasher, #8	
8	366878	6	Plastic Washer	
9	1000449	1	Bracket, Tilt Steering	
10	3001602	1	Actuator, Locking Spring	
11	3002262	1	Bracket, Right Side Tilt Lock	
12	400108	6	Screw, 1/4-20 x 3/4" Hex Head	
13	445784	6	Nut, 1/4-20 Hex Whizlock	
14	461403	1	Roll Pin, 5/16 x 1-3/4"	
15	344996	3	Bolt, 3/8-16 Special	
16	460014	1	Cotter Pin, 3/32 x 3/4"	
17	444762	3	Locknut, 3/8-16 Center	
18	3001891	1	Cable, Actuator Release	
19	132929	1	Bracket, Tower	
20	400184	5	Screw, 5/16-18 x 3/4" Hex Head	
21	3002263	1	Bracket, Left Side Tilt Lock	
22	2811364	1	Steering Wheel	
23	2811365	1	• Steering Wheel Cap	
24	2811547	1	Special Washer	

> Change from previous revision

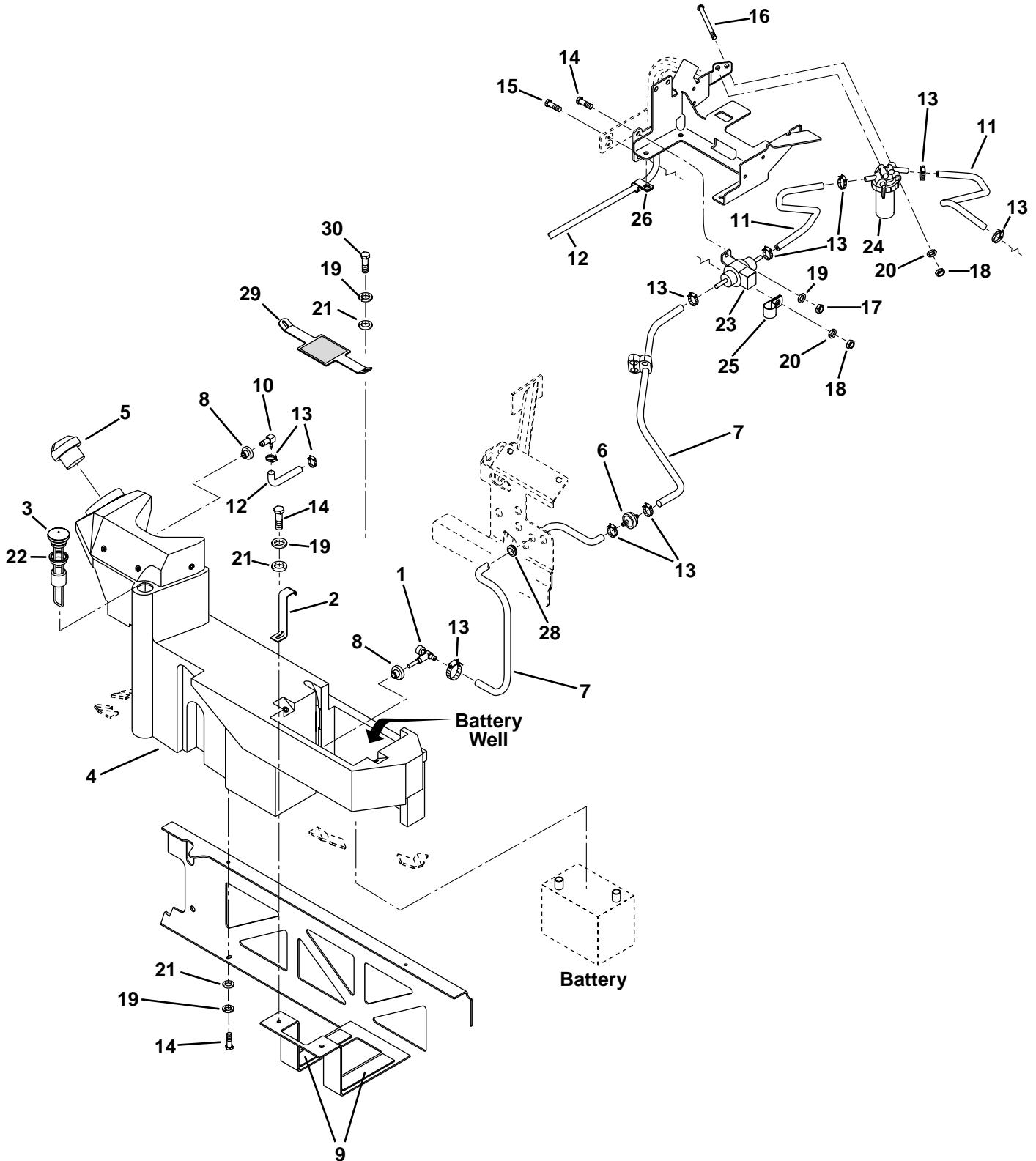
19.1 Gasoline Fuel Lines



Item	Part No.	Qty.	Description	Serial Numbers/Notes
1	400184	1	Screw, 5/16-18 x3/4" Hex Head	Reference M2
2	1002659	1	Pump, Electric, Fuel	
3	2810702	1	Valve, Needle	
4	3002238	1	Hold Down, Fuel Tank	
5	3004142	1	Gauge, Fuel	
6	554748	1	Hose, 5/16 x 74"	
7	3005937	1	Regulator, Fuel	
8	3005938	1	Fitting, Hose Mender	
9	3008416	1	Tank, Fuel	
10	303567	2	Grommet	
11	338547	1	Cap, Hydraulic Tank Intake	
12	345671	4	Hose Clamp	
13	554748	1	Hose, 5/16 x 3"	
14	361117	1	Bushing	
15	361174	2	Pad, Rubber	
16	443106	1	Nut, 5/16-18 Hex	
17	365976	2	Elbow, 90°	
18	366526	7	Clamps, Hose	
19	554748	1	Hose, 5/16" x 22"	
20	400108	4	Screw, 1/4-20 x 3/4" Hex Head	
21	443102	2	Nut, 1/4-20 Hex	
22	446130	7	Lockwasher, 1/4 Heavy	
23	453023	4	Flat Washer, 1/4	
24	471774	1	Nipple, Pipe	
25	446134	1	Lockwasher, 5/16	
26	5000436	1	Filter, Fuel	
27	5000869	1	Grommet	
28	5001686	1	Strap, Battery	
29	400106	2	Screw, 1/4-20 x 5/8"	

> Change from previous revision

20.1 Diesel Fuel Lines



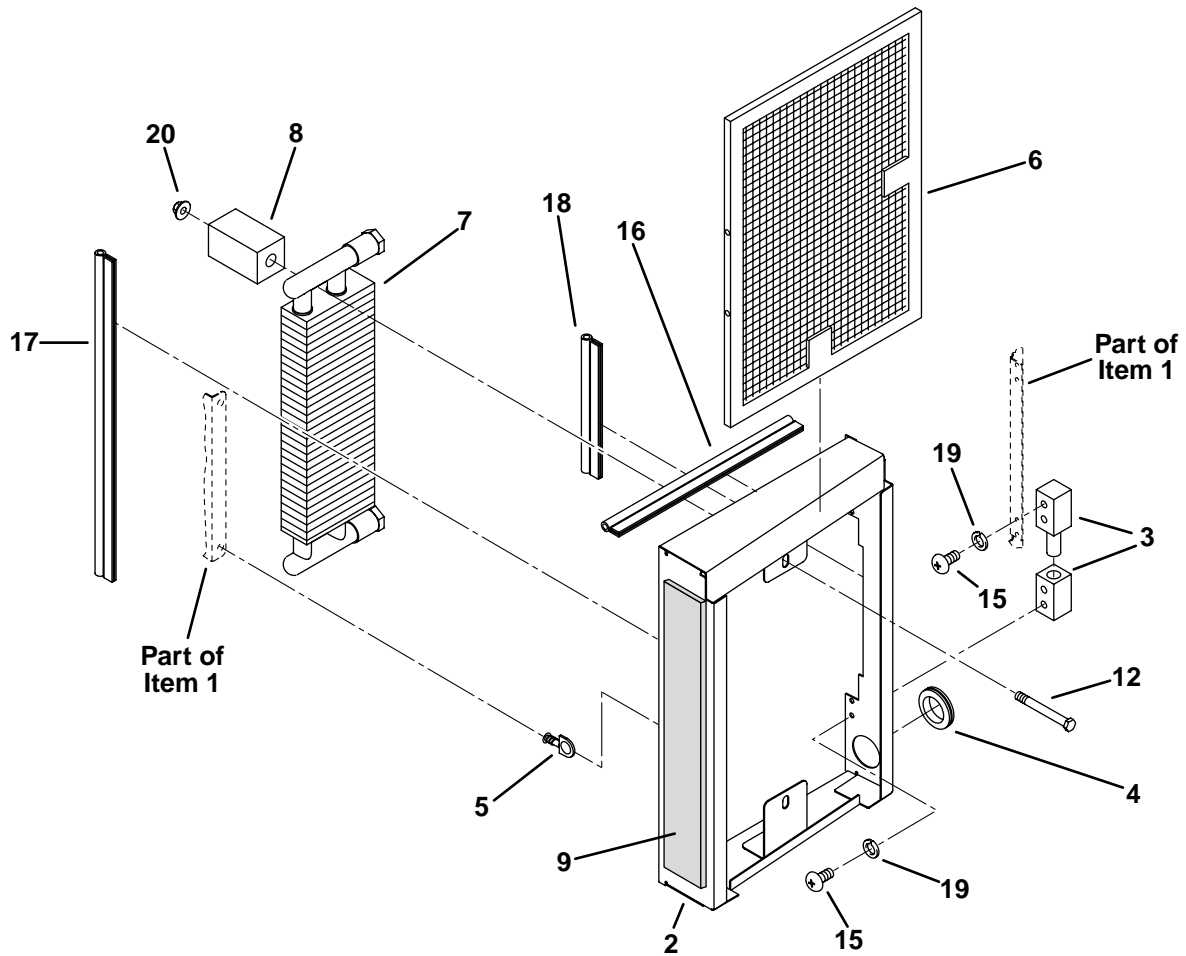
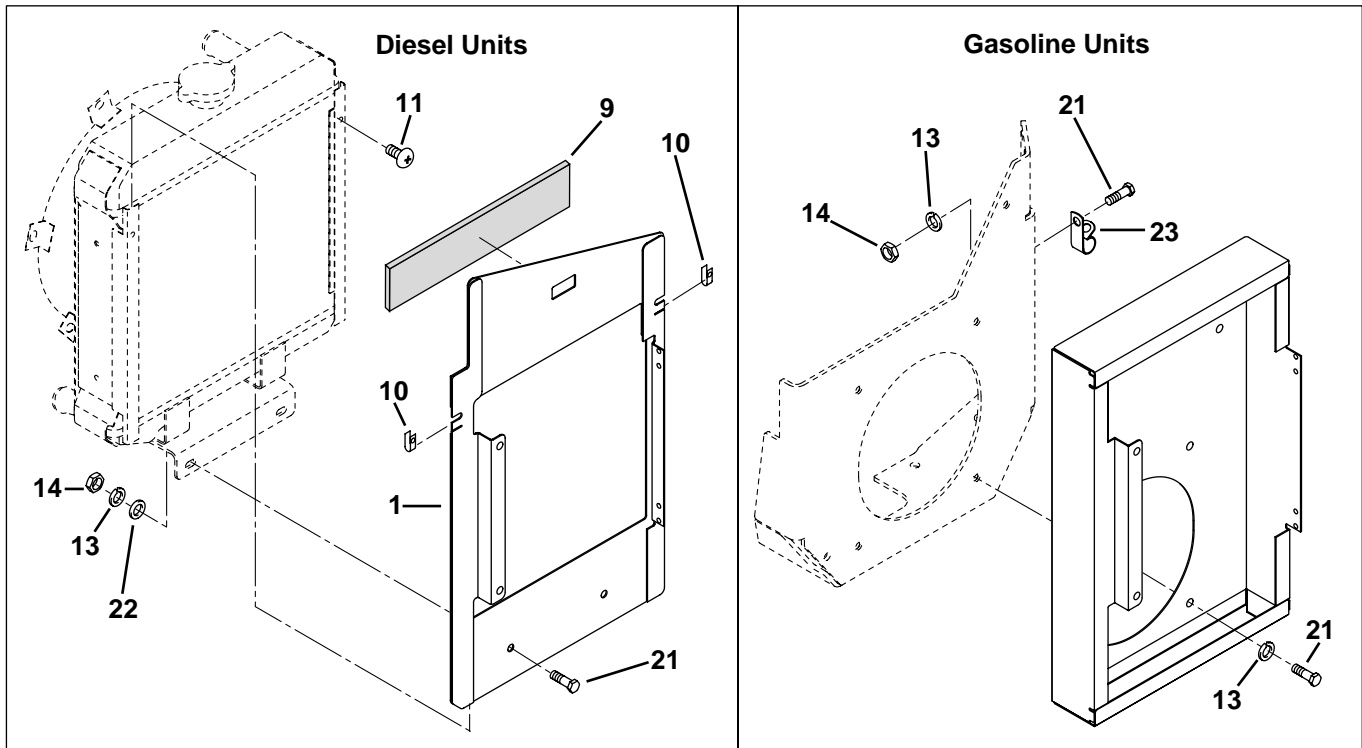
Item	Part No.	Qty.	Description	Serial Numbers/Notes
1	2810702	1	Valve, Needle	
2	3002238	1	Hold Down, Fuel Tank	
3	3004142	1	Gauge, Fuel	
4	3008415	1	Tank, Fuel	
5	338547	1	Cap, Hydraulic Tank Intake	
6	341837	1	Filter, Fuel Line Pre	
7	554748	2	Hose, 5/16 x 25"	
8	361117	1	Bushing	
9	361174	2	Pad, Rubber	
10	361748	1	Valve, Overflow	
11	554748	2	Hose, 5/16 x 15"	
12	554752	1	Hose, 3/16" x 49"	
13	366526	10	Clamps, Hose	
14	400108	5	Screw, 1/4-20 x 3/4" Hex Head	
15	400184	1	Screw, 5/16-18 x 3/4" Hex Head	
16	400216	1	Screw, 5/16-18 x 2- 3/4" Hex Head	
17	443102	3	Nut, 1/4-20 Hex	
18	443106	2	Nut, 5/16-18 Hex	
19	446130	7	Lockwasher, 1/4 Heavy	
20	446136	2	Lockwasher, 5/16 Heavy	
21	453023	4	Flat Washer, 1/4	
22	5000869	1	Grommet	
23	5001948	1	Fuel Pump	Reference M2
24	5001190	1	Fuel Filter Element	
25	364016	1	Clamp, Wire Harness	
26	345666	1	Hose Clamp	
27	360970	1	Clamp, Open	
28	303567	1	Grommet	
29	5001686	1	Strap, Battery	Includes Decal
30	400106	2	Screw, 1/4-20 x 5/8" Hex Head	

> Change from previous revision

GREENS KING VI

Serial No. All

21.1 Air Duct and Oil Cooler



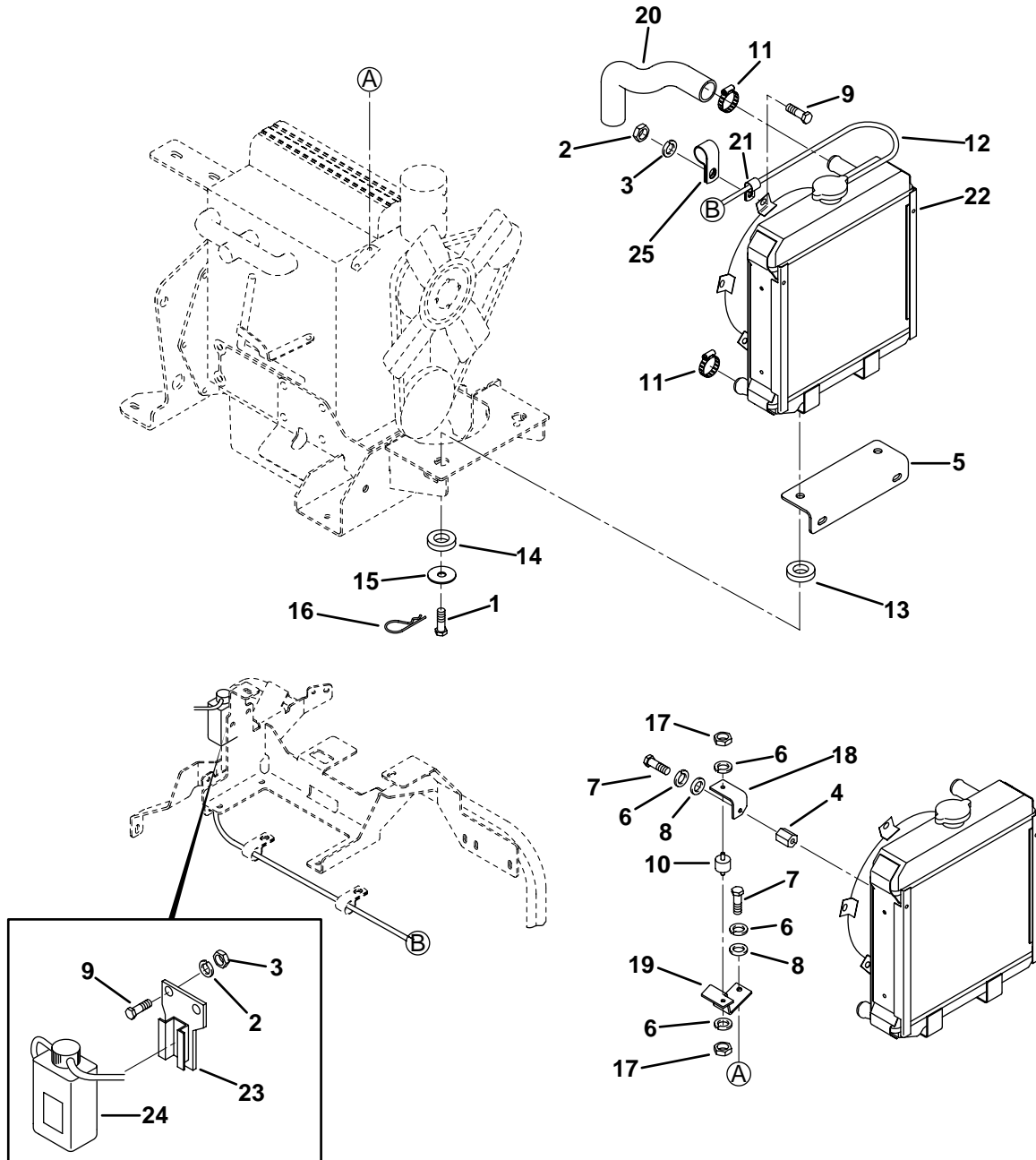
Item	Part No.	Qty.	Description	Serial Numbers/Notes
1	1001701	1	Air Duct Flange	Gas Units
1	1001565	1	Air Duct Flange	Diesel Units
2	1001566	1	Air Duct Door	
3	366013	2	Hinge	
4	363848	2	Grommet	
5	3003446	2	Quick Panel Fastener	
6	3003511	1	Screen	
7	3008769	1	Oil Cooler	
8	358971	2	Mounting Block	
9	366535	2	Neoprene Pad	Diesel Units Only
10	445245	2	Tinnerman Nut, 1/4-20	Diesel Units Only
11	404014	2	Screw, 1/4-20 x 1/2" Truss Head	Diesel Units Only
12	403783	2	Screw, 5/16-18 x 2-1/4" Hex Head	
13	446136	5	Lockwasher, 5/16 Heavy	Gas Units
13	446136	6	Lockwasher, 5/16 Heavy	Diesel Units
14	443106	1	Nut, 5/16-18 Hex	Gas Units
14	443106	2	Nut, 5/16-18 Hex	Diesel Units
15	403776	8	Screw, #10-32 x 1/4" Truss Head	
16	3003512	2	Trim Seal, Top and Bottom	
17	3003513	1	Trim Seal, Left Side	
18	3003514	1	Trim Seal, Right Side	
19	447006	8	Lockwasher, #10 External Tooth	
20	445722	2	Nut, 5/16-18 Whiz Lock	
21	400184	6	Screw, 5/16-18 x 3/4" Hex Head	Gas Units
21	400184	2	Screw, 5/16-18 x 3/4" Hex Head	Diesel Units
22	453009	2	Flat Washer, 5/16	Diesel Units Only
23	360970	1	Hose Clamp	Gas Units Only

> Change from previous revision

GREENS KING VI

Serial No. All

22.1 Radiator Diesel Units Only



GREENS KING VI PLUS

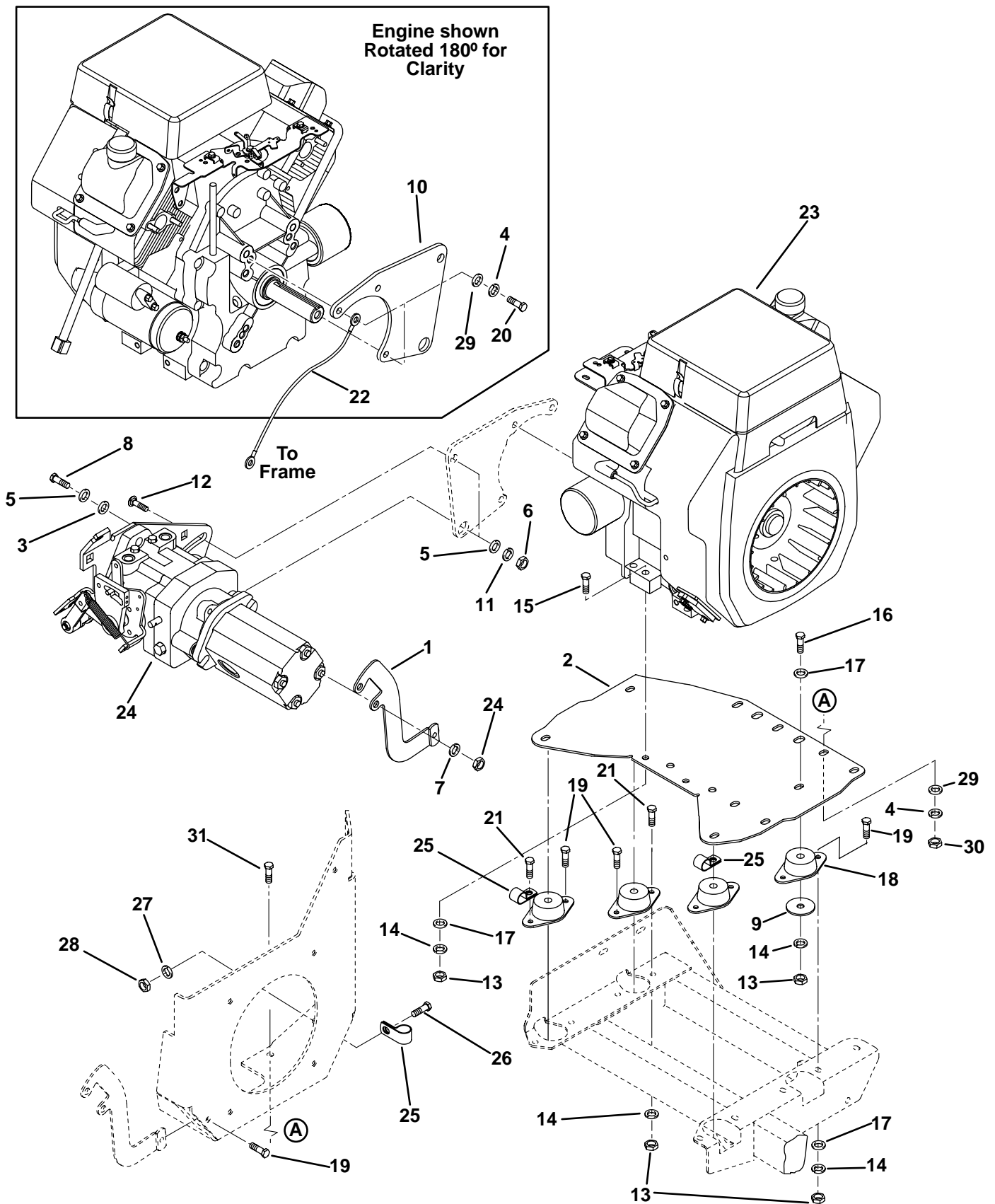
Item	Part No.	Qty.	Description	Serial Numbers/Notes
1	3006135	2	Screw, M10-1.25 x 40mm Hex Head	Refer to your Engine Parts Catalog for Service Parts
2	446136	3	Lockwasher, 5/16 Heavy	
3	443106	3	Nut, 5/16-18 Hex	
4	3004223	1	Spacer, Threaded	
5	3006066	1	Bracket, Door Mount	
6	446130	5	Lockwasher, 1/4 Heavy	
7	362535	3	Screw, M6-1 x 16mm Hex Head	
8	453023	3	Flat Washer, 1/4	
9	400184	3	Screw, 5/16-18 x 3/4" Hex Head	
10	3006127	1	Isomount, Radiator	
11	319914	4	Clamp, Hose	
12	3002622	1	Hose, Overflow	
13	3006131	2	Isomount, Bushing	
14	3006132	2	Isomount, Ring	
15	3006233	2	Washer, Isolator	
16	460335	2	Hair Pin	
17	443102	2	Nut, 1/4-20 Hex	
18	3006126	1	Bracket, Top Radiator Isomount	
19	3006098	1	Bracket, Isomount	
20	3006301	1	Cover, Top Radiator Hose	
21	360970	1	Clamp, Hose	
	REF	1	Engine	
22	-	1	• Radiator	
23	-	1	• Overflow Tank Mounting Bracket	
24	-	1	• Overflow Tank	
25	333801	1	Hose Clamp	

> Change from previous revision

GREENS KING VI

Serial No. All

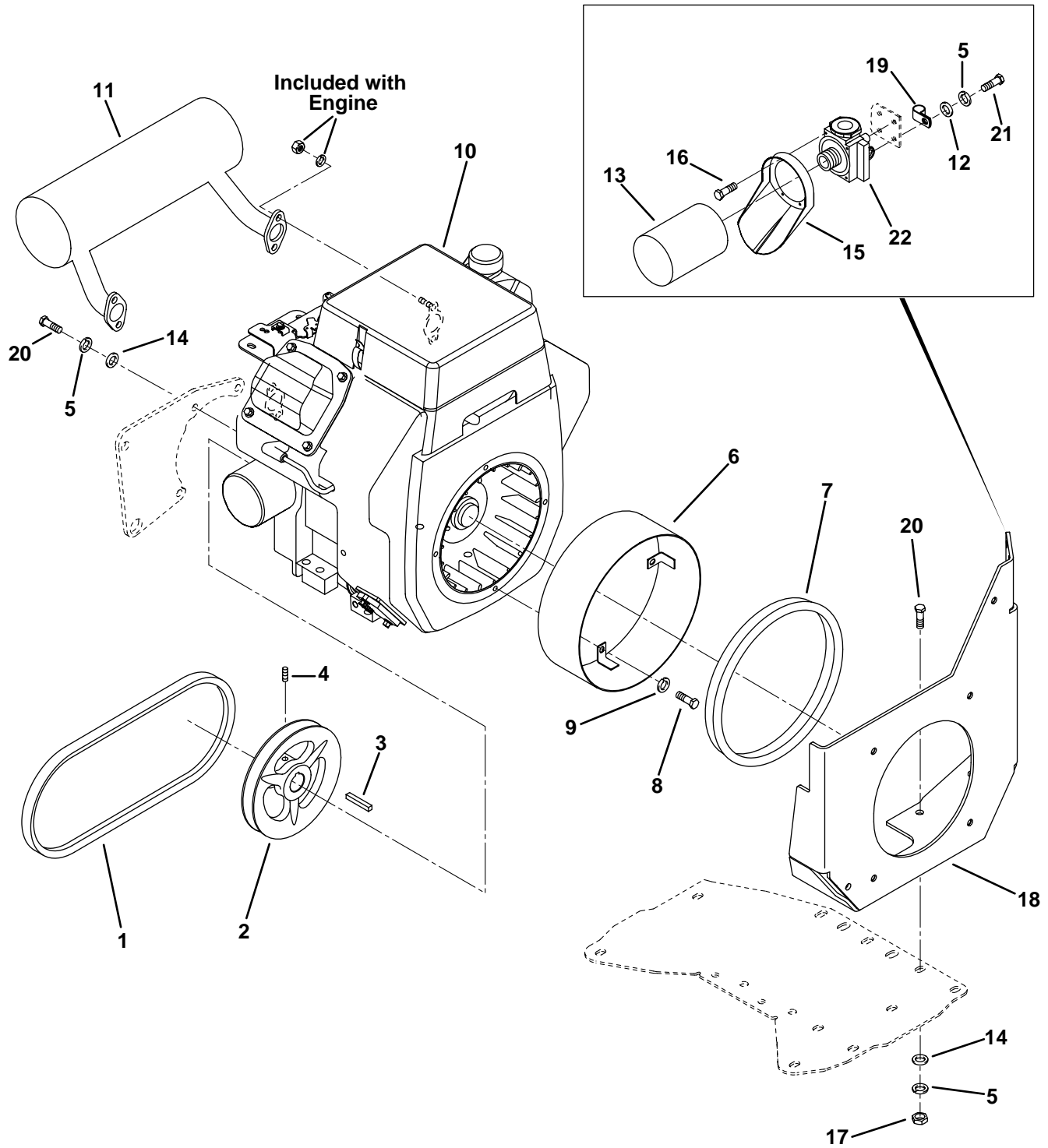
23.1 Gasoline Engine Mounting



Item	Part No.	Qty.	Description	Serial Numbers/Notes
1	1003851	1	Pump Brace	
2	391201	1	Base, Gas Engine	
3	354417	1	Spacer	
4	446142	2	Lockwasher, 3/8 Heavy	
5	453017	3	Flat Washer, 1/2	
6	443118	2	Nut, 1/2-13 Hex	
7	447216	2	Lockwasher, 3/8 Internal Tooth	
8	400408	1	Screw, 1/2-13 x 1-1/2" Hex Head	
9	367559	4	Washer, Isolator	
10	3001148	1	Mount, Pump	
11	446154	2	Lockwasher, 1/2 Heavy	
12	440192	1	Carriage Bolt, 1/2-13 x 1-1/4"	
13	443106	16	Nut, 5/16-18 Hex	
14	446136	16	Lockwasher, 5/16 Heavy	
15	400194	4	Screw, 5/16-18 x 1-3/4" Hex Head	
16	400198	4	Screw, 5/16-18 x 2-1/4" Hex Head	
17	453009	10	Flat Washer, 5/16	
18	367558	4	Isolation Mount	
19	400184	7	Screw, 5/16-18 x 3/4" Hex Head	
20	400262	2	Screw, 3/8-16 x 1" Hex Head	
21	400186	2	Screw, 5/16-18 x 7/8" Hex Head	
22	346006	1	Cable, Engine Ground	
23	REF	1	Engine	See 24.1
24	REF	1	Pump Assembly	See 27.1
25	345666	3	Clamp, Fuel Line	
26	400108	1	Screw, 1/4-20 x 3/4" Hex Head	
27	446130	1	Lockwasher, 1/4 Heavy	
28	443102	1	Nut, 1/4-20 Hex	
29	453011	5	Flat Washer, 3/8	
30	443110	4	Nut, 3/8-16 Hex	
31	400260	4	Screw, 3/8-16 x 7/8" Hex Head	

> Change from previous revision

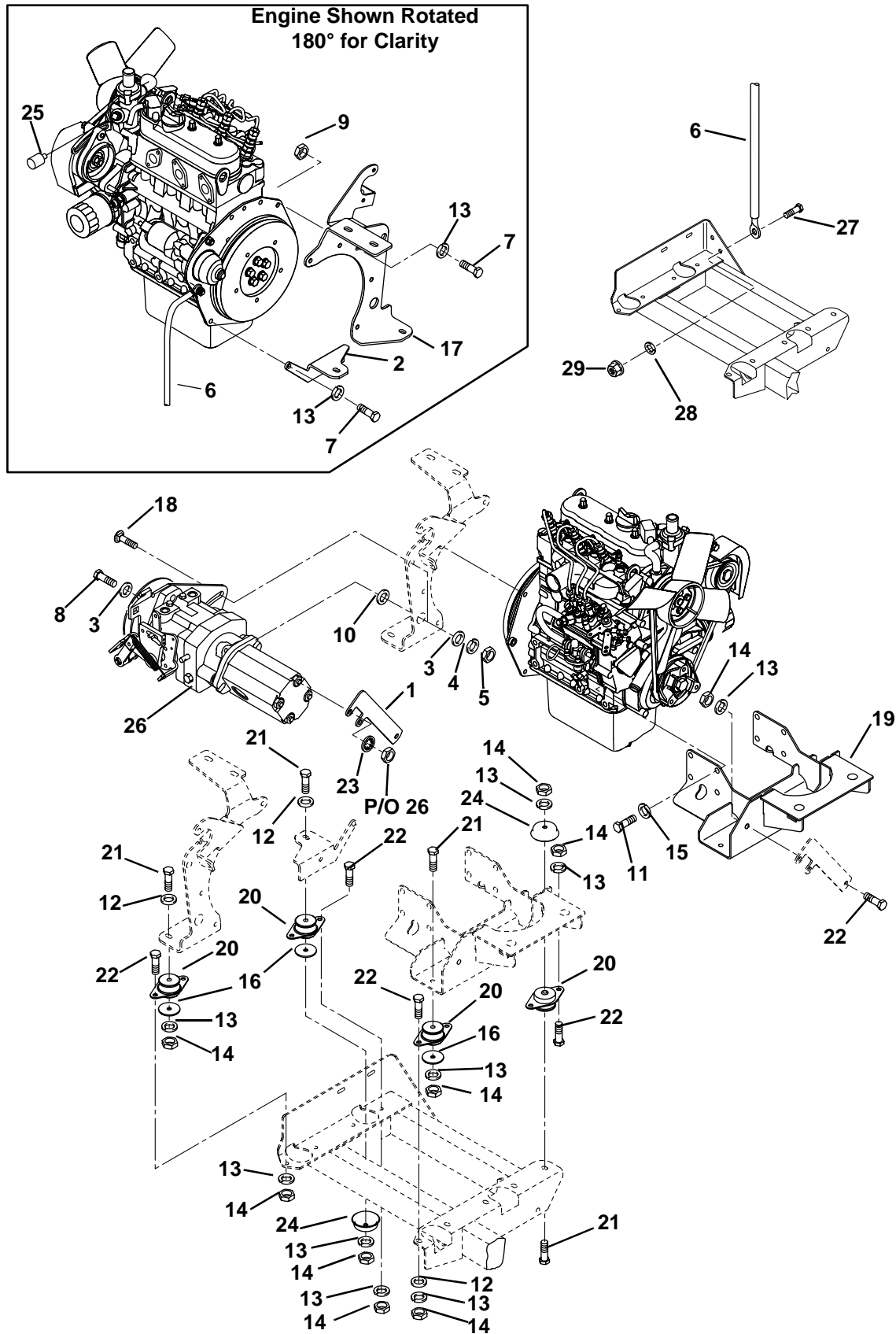
24.1 Gasoline Engine



Item	Part No.	Qty.	Description	Serial Numbers/Notes
1	336481	1	Belt, Pump Drive	See 27.1
2	340654	1	Pulley, Gas Engine	
3	362320	1	Key	
4	415527	2	Set Screw, 5/16-18 x 3/4"	
5	446142	9	Lockwasher, 3/8	
6	1001346	1	Duct, Engine	
7	3003255	1	Gasket, Duct	
8	3004280	4	Screw, M6-1 x 10mm Hex Head	
9	446130	4	Lockwasher, 1/4 Heavy	
10	1003551	1	Engine, Briggs 18 hp V-Twin OHV	
	5000441	1	• Engine Air Filter	
	5000440	1	• Engine Oil Filter	
	5000436	1	• Engine Fuel Filter	
11	2811349	1	Muffler, Briggs	
12	452008	2	Flat Washer, 3/8	
13	5000078	1	Hydraulic Oil Filter	
14	453011	5	Flat Washer, 3/8	
15	3003261	1	Spout, Oil Drip	
16	409439	4	Screw, #4-40 x 3/8" Pan Head	
17	443110	4	Nut, 3/8-16 Hex	
18	1003850	1	Support, Oil Cooler Door	
19	333801	1	Clamp, Wire Harness	
20	400262	5	Screw, 3/8-16 x 1" Hex Head	
21	400260	4	Screw, 3/8-16 x 7/8" Hex Head	
22	1001575	1	Filter Head	
	5000614	1	• Indicator Kit	
	5001434	1	• Indicator "O" Ring Kit	
			•	
			•	

> Change from previous revision

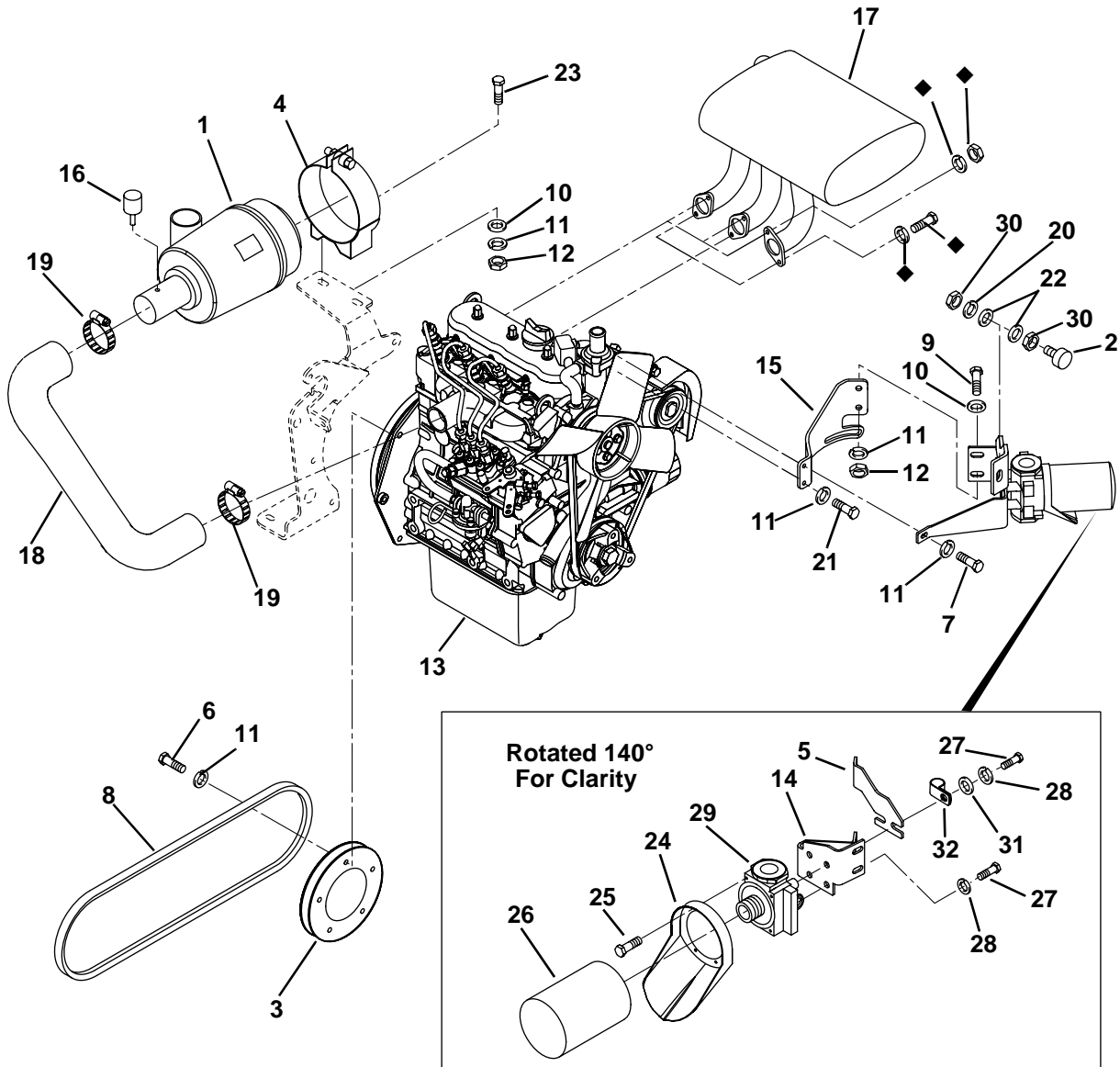
25.1 Diesel Engine Mounting



Item	Part No.	Qty.	Description	Serial Numbers/Notes
1	3002994	1	Brace, Pump	
2	3006267	1	Mount, Right Rear Engine	
3	453017	3	Flat Washer, 1/2	
4	446150	2	Lockwasher, 1/2	
5	443118	2	Nut, 1/2-13 Hex	
6	346006	1	Cable, Ground	
7	363586	7	Screw, M8-1.25 x 20mm Hex Head	
8	400408	1	Screw, 1/2-13 x 1-1/2" Hex Head	
9	361606	2	Nut, M8-1.25 Hex	
10	354417	1	Spacer	
11	366884	8	Screw, M10-1.25 x 20mm Hex Head	
12	453009	4	Flat Washer, 5/16	
13	446136	20	Lockwasher, 5/16 Heavy	
14	443106	13	Nut, 5/16-18 Hex	
15	363485	8	Lockwasher, M10	
16	367559	3	Washer, Isolator	
17	3001150	1	Mount, Front Right Engine	
18	440192	1	Carriage Bolt, 1/2-13 x 1-1/4"	
19	1002825	1	Mount, Left Engine and Radiator	
20	3006143	4	Isolation Mount	
21	400198	4	Screw, 5/16-18 x 2-1/4" Hex Head	
22	400184	9	Screw, 5/16-18 x 3/4" Hex Head	
23	447216	2	Lockwasher, 3/8 Internal Tooth	
24	3005276	2	Washer, Isolator Cupped	
25	364501	1	Temperature Sender	Reference U5
26	-	1	Pump Assembly	See 27.1
27	400182	1	Screw, 5/16-18 x 1" Hex Head	
28	452006	1	Flat Washer, 5/16	
29	445722	1	Nut, 5/16-18 Hex Whizlock Flange	

> Change from previous revision

26.1 Diesel Engine



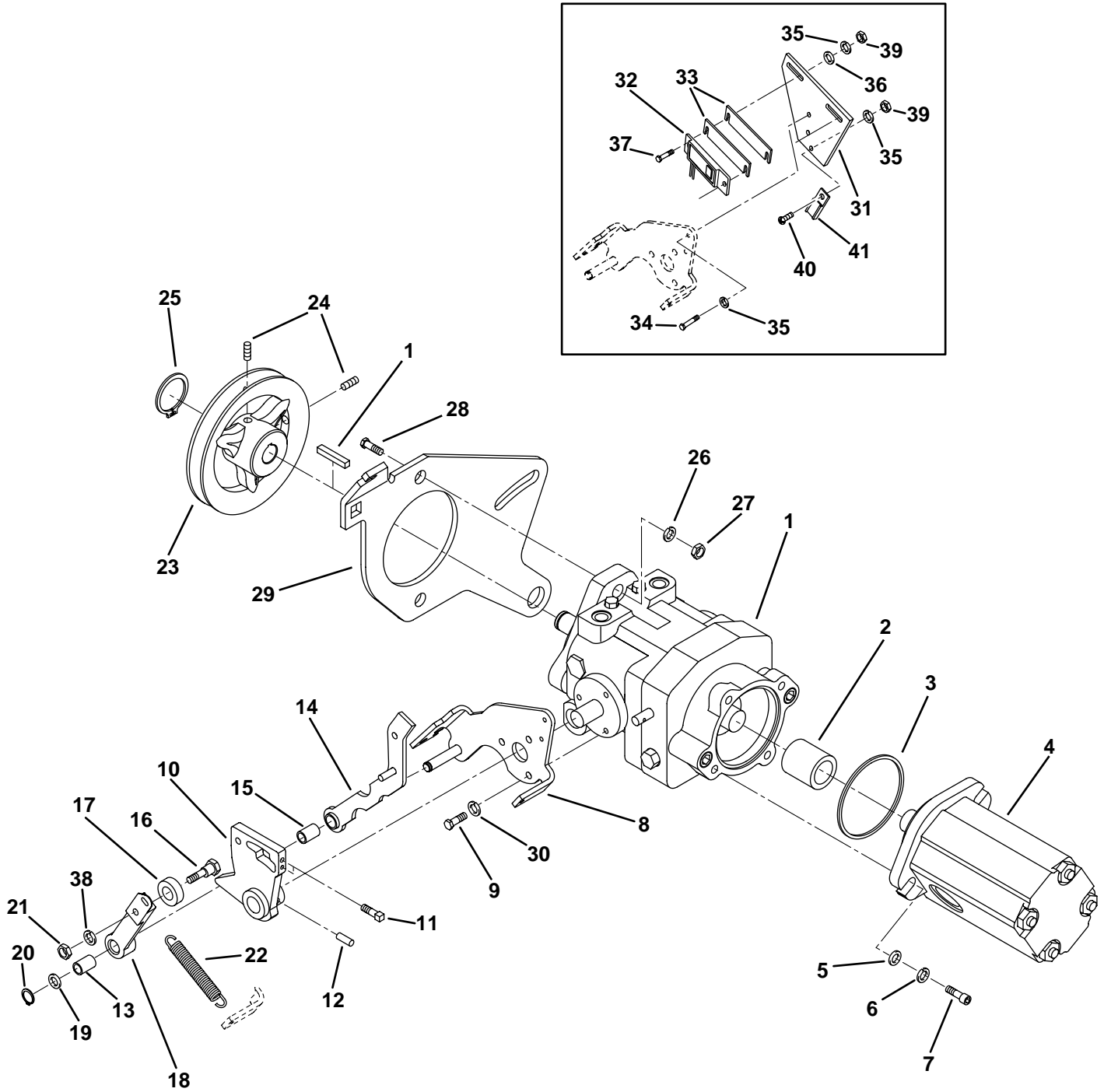
Item	Part No.	Qty.	Description	Serial Numbers/Notes
1	391127	1	Air Cleaner	
	5000913	1	• Element, Air Cleaner	
	5000912	1	• Cover, Air Cleaner	
	5000914	1	• Valve	
2	3006254	1	Pad, Radiator	
3	2810499	1	Pulley, Engine	
4	3002388	1	Bracket, Air Cleaner	
5	3006142	1	Plate, Radiator Stop	
6	2810545	5	Screw, M8-1.25 x 30mm	
7	3001337	1	Screw, M6-1 x 20mm Hex Head	
8	3009565	1	Belt, V	
9	400188	2	Screw, 5/16-18 x 1" Hex Head	
10	453009	4	Flat Washer, 5/16	
11	446136	11	Lockwasher, 5/16 Heavy	
12	443106	6	Nut, 5/16-18 Hex	
13	2811427	1	Engine, Kubota D662-EB	
	5002644	1	• Engine Oil Filter	
14	3006112	1	Bracket, Hydraulic Oil Filter	
15	3001349	1	Bracket, Alternator	
16	3002365	1	Indicator, Air Cleaner Service	
17	2811350	1	Muffler	
18	3002392	1	Hose, Air Cleaner	
19	326799	2	Clamp	
20	446130	1	Lockwasher, 1/4 Heavy	
21	362535	1	Bolt, M6-1 x 16mm Hex Head	
22	453023	2	Flat Washer, 1/4	
23	400184	2	Screw, 5/16-18 x 3/4" Hex Head	
24	3003261	1	Spout, Oil Drip	
25	409439	4	Clamp, Hose	
26	5000078	1	Hydraulic Oil Filter	
27	400260	4	Screw, 3/8-16 x 7/8" Hex Head	
28	446140	4	Lockwasher, 3/8	
29	1001575	1	Hydraulic Filter Head	
	5000614	1	• Indicator Kit	
	5001434	1	• Indicator "O" Ring Kit	
30	443102	2	Nut, 1/4-20 Hex	
31	452008	2	Flat Washer, 3/8	
32	333801	1	Clamp, Wire Harness	
◆			Included with engine	See Engine Manual for Service

> Change from previous revision

GREENS KING VI

Serial No. All

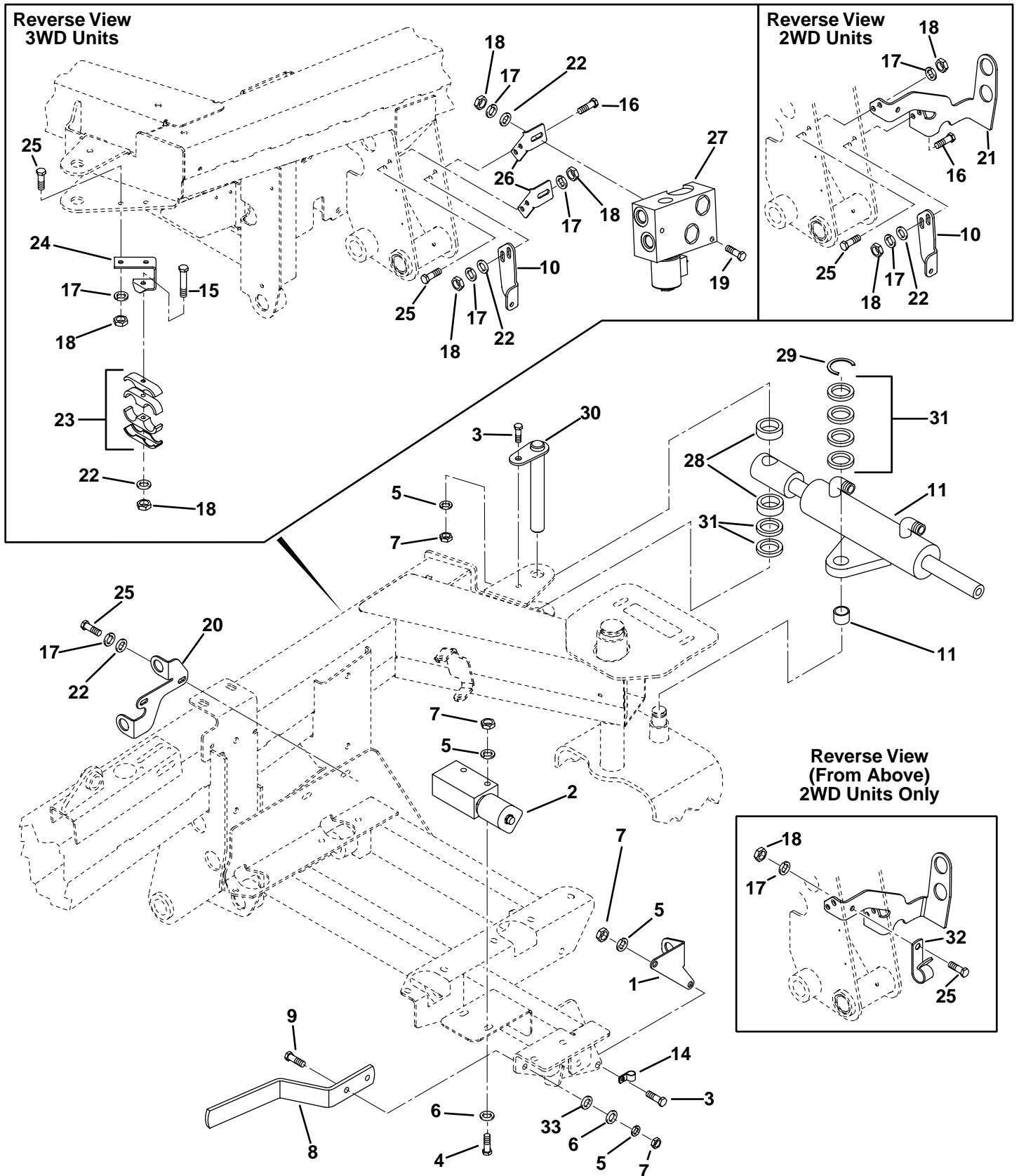
27.1 Pump Assembly



GREENS KING VI

28.1 Rear Frame Hydraulic Components

Serial No. All

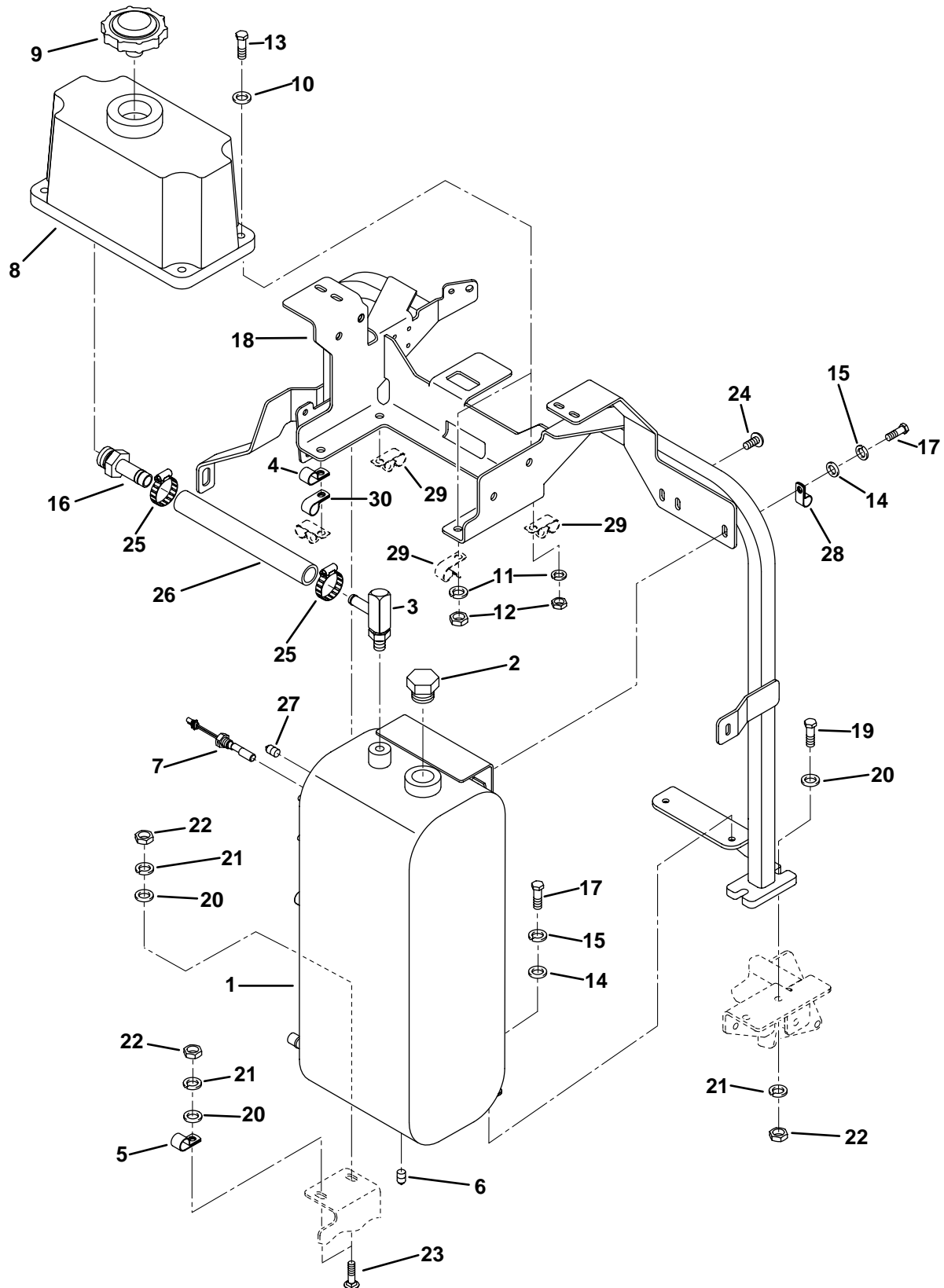


GREENS KING VI

Item	Part No.	Qty.	Description	Serial Numbers/Notes
1	3002633	1	Bracket	Serial No 62275 1601 ~ 2056 Serial No 62276 1601 ~ 1731 Serial No 62277 1601 ~ 2243 Serial No 62278 1601 ~ 1847
2	2810561	1	Valve, Reel Control	Reference K5
	2811184	1	• Coil Assembly	
	5001374	1	• Valve Assembly	
	5001375	1	• Body, Valve	
	5001376	1	• Seal Kit	
3	400184	AR	Screw, 5/16-18 x 3/4" Hex Head	HDM Cylinders Only Diesel Units Only 3WD Units Only 3WD Units Only 2WD Units Only 3WD Units Only 3WD Units Only 3WD Units Only 3WD Units Only 3WD Units Only, See 47.1
4	400198	2	Screw, 5/16-18 x 2-1/4" Hex Head	
5	446136	AR	Lockwasher, 5/16 Heavy	
6	452006	3	Flat Washer, 5/16	
7	443106	7	Nut, 5/16-18 Hex	
8	3000930	1	Stop, Center Reel	
9	400188	2	Screw, 5/16-18 x 1" Hex Head	
10	2810598	1	Bracket, Tube Clamp Mounting	
11	2812250	1	Steering Cylinder	
	2812287	1	• Bushing	
	5003660	1	• Seal Kit	
12	447212	2	Lockwasher, 1/4 Internal Tooth	
13	400118	2	Screw, 1/4-20 x 1-3/4" Hex Head	
14	345671	1	Clamp, Hose	
15	400118	1	Screw, 1/4-20 x 1-3/4" Hex Head	
16	400114	2	Screw, 1/4-20 x 1-1/4" Hex Head	
17	446128	AR	Lockwasher, 1/4	
18	443102	AR	Nut, 1/4-20 Hex	
19	400124	2	Screw, 1/4-20 x 2-1/2" Hex Head	
20	2811073	1	Bracket, Rear Cylinder Bulkhead	
21	2810558	1	Bracket, 2WD Traction Bulkhead	
22	453023	3	Flatwasher, 1/4	
23	3003473	1	Clamp, Double Hose	
24	3004990	1	Bracket, Rear Wheel Hose	
25	400108	AR	Screw, 1/4-20 x 3/4" Hex Head	
26	3005120	2	Bracket, 3WD Valve	
27	4111942	1	3WD Valve	
28	320650	2	Spacer	
29	458419	1	External Ring, 3/4" O.D.	
30	1001067	1	Pin, Cylinder Mounting	
31	311812	AR	Washer, Shim	
32	363514	1	Clamp, Open	
33	447012	1	Lockwasher, 5/16 External Tooth	

> Change from previous revision

29.1 Hydraulic Tanks



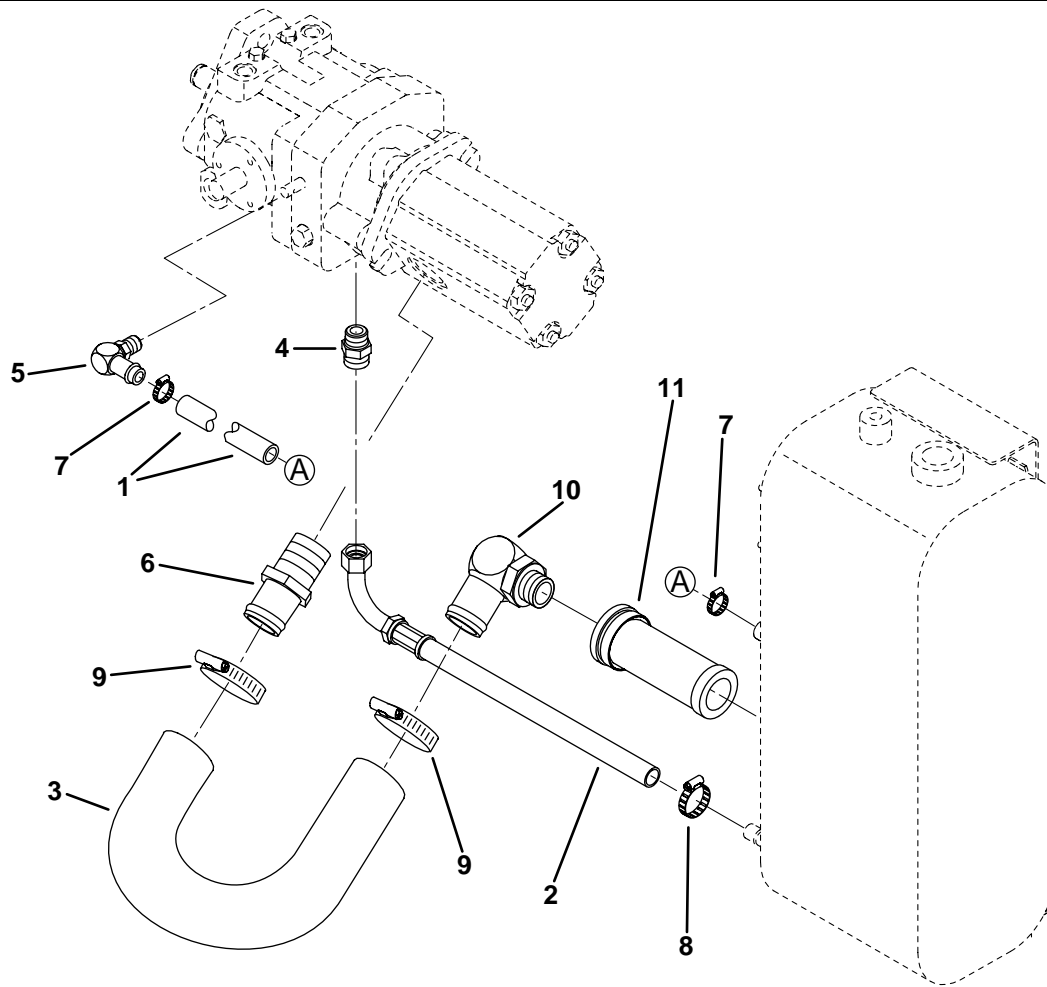
Item	Part No.	Qty.	Description	Serial Numbers/Notes
1	3008592	1	Tank, Hydraulic	
2	3001402	1	Plug, O-Ring	
3	366673	1	Elbow, 90°, Beaded	
4	3003773	1	Clamp, Choke Cable	Gas Units Only
5	324887	1	Clamp, Throttle Cable	Diesel Units Only
6	472205	1	Plug, 3/8 Square Head	
7	2810703	1	Switch, Hydraulic Level	Reference SW12
8	3002244	1	Tank, Hydraulic Expansion	
9	366675	1	Cap, Hydraulic Fill	
10	453009	4	Flat Washer, 5/16	
11	446136	4	Lockwasher, 5/16 Heavy	
12	443106	4	Nut, 5/16-18 Hex	
13	400194	4	Screw, 5/16-18 x 1-3/4" Hex Head	
14	453023	3	Flat Washer, 1/4	
15	446128	3	Lockwasher, 1/4	
16	3002836	1	Adapter, Straight	
17	400108	3	Screw, 1/4-20 x 3/4" Hex Head	
18	2812198	1	Mounting Assembly	
19	400264	2	Screw, 3/8-16 x 1-1/4" Hex Head	
20	453011	4	Flat Washer, 3/8	
21	446140	4	Lockwasher, 3/8	
22	444762	4	Locknut, 3/8-16 Center	
23	440120	2	Carriage Bolt, 3/8-16 x 1-1/4"	
24	404014	1	Screw, 1/4-20 x 1/2" Truss Head	
25	366526	2	Clamp, Hose	
26	1000420	1	Hose, Hydraulic Expansion Tank	
27	472203	1	Plug, 1/4 Square Head	
28	333801	1	Clamp, Wire Harness	
29	-		Clamp, Open	See 37.1
30	345671	1	Clamp, Wire Harness	

> Change from previous revision

GREENS KING VI

30.1 Pump Hydraulics

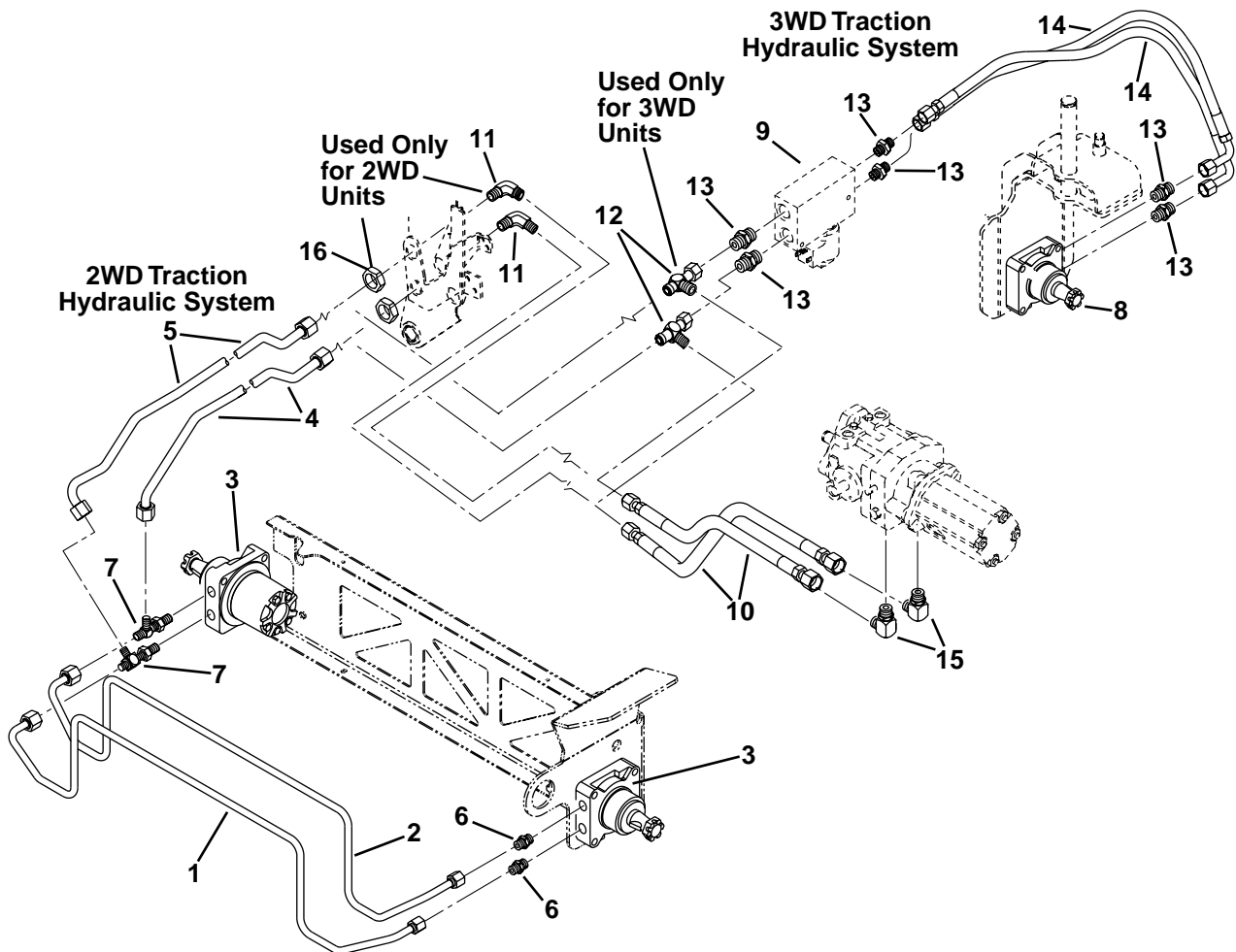
Serial No. All



Item	Part No.	Qty.	Description	Serial Numbers/Notes
1	1000749	1	Hose, Tank to Charge Pump Inlet	
2	1001984	1	Hose, Pump Case Drain to Tank	Gas Units
2	1000750	1	Hose, Pump Case Drain to Tank	Diesel Units
3	3001033	1	Hose, Gear Pump Inlet	Gas Units
3	3001643	1	Hose, Gear Pump Inlet	Diesel Units
4	339984	1	Adapter, Straight	
5	3002865	1	Adapter, 90° Beaded Tube	
6	3001296	1	Adapter, Straight Beaded Tube	
7	349816	2	Clamp, Hose	
8	359611	1	Clamp, Hose	
9	367458	2	Clamp, Hose	
10	3005602	1	Adapter, 90° Beaded Tube	
11	3005694	1	Strainer, Suction	

> Change from previous revision

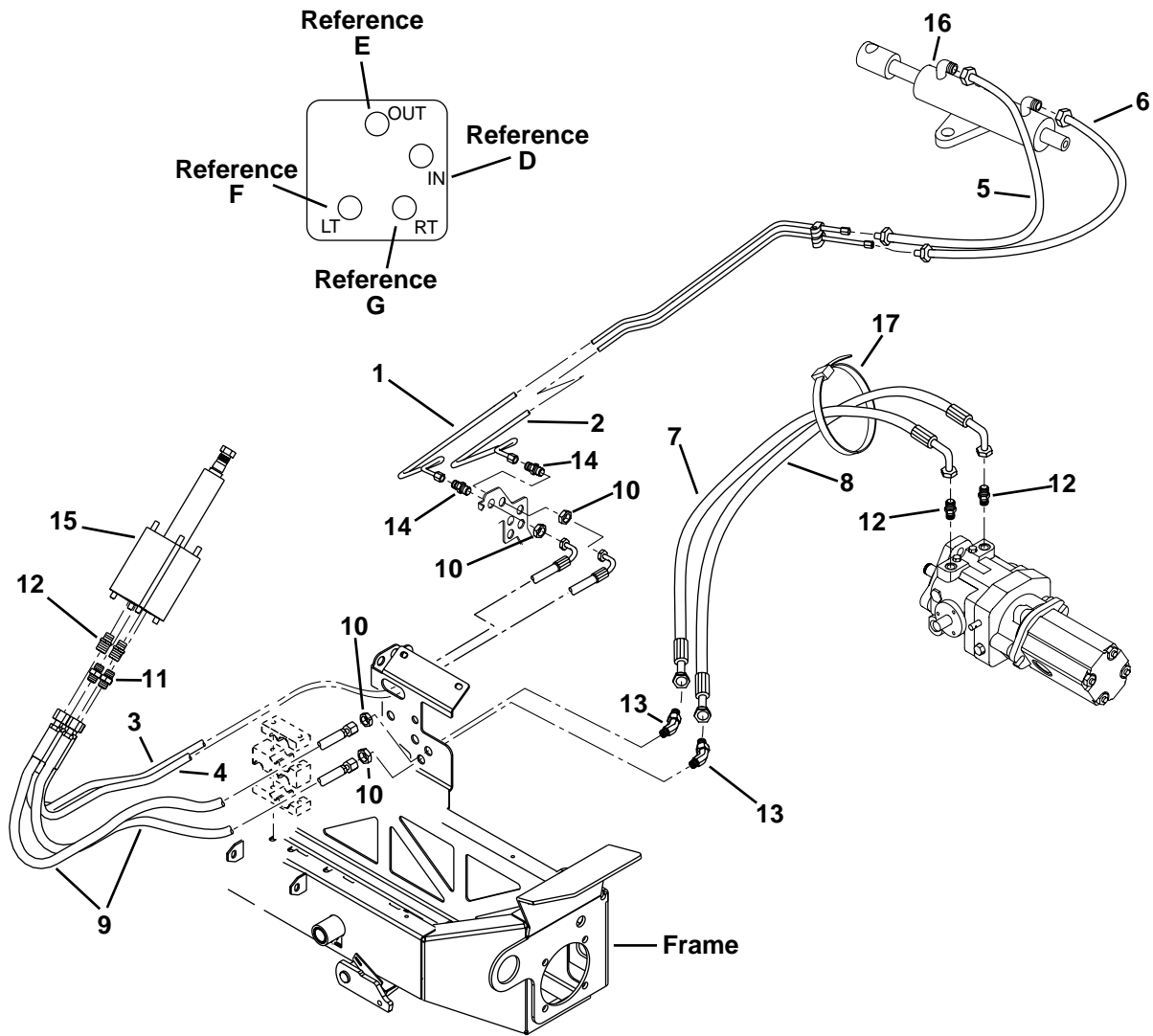
31.1 Traction Hydraulics



Item	Part No.	Qty.	Description	Serial Numbers/Notes
1	2810261	1	Tube, Forward Traction	
2	2810260	1	Tube, Reverse Traction	
3	REF	2	Wheel Motor	See 45.1
4	2810258	1	Tube, Reverse	
5	2810259	1	Tube, Forward	
6	339985	2	Adaptor, Straight	
7	340275	2	Tee, Straight Thread Run	
8	REF	1	Wheel Motor	See 45.1, 3WD Units Only
9	REF	1	Valve, 3WD	See 28.1, 3WD Units Only
10	2810335	2	Hose Assembly	
11	340169	2	Elbow, 90°, Bulkhead	2WD Units Only
12	340121	2	Tee, Swivel Run	3WD Units Only
13	339989	6	Adaptor, Straight	3WD Units Only
14	2810336	2	Hose, 3WD Valve to Wheel Motor	3WD Units Only
15	340084	2	Elbow, 90° Straight Thread	
16	339963	2	Locknut, Bulkhead	2WD Units Only

> Change from previous revision

32.1 Steering Hydraulics

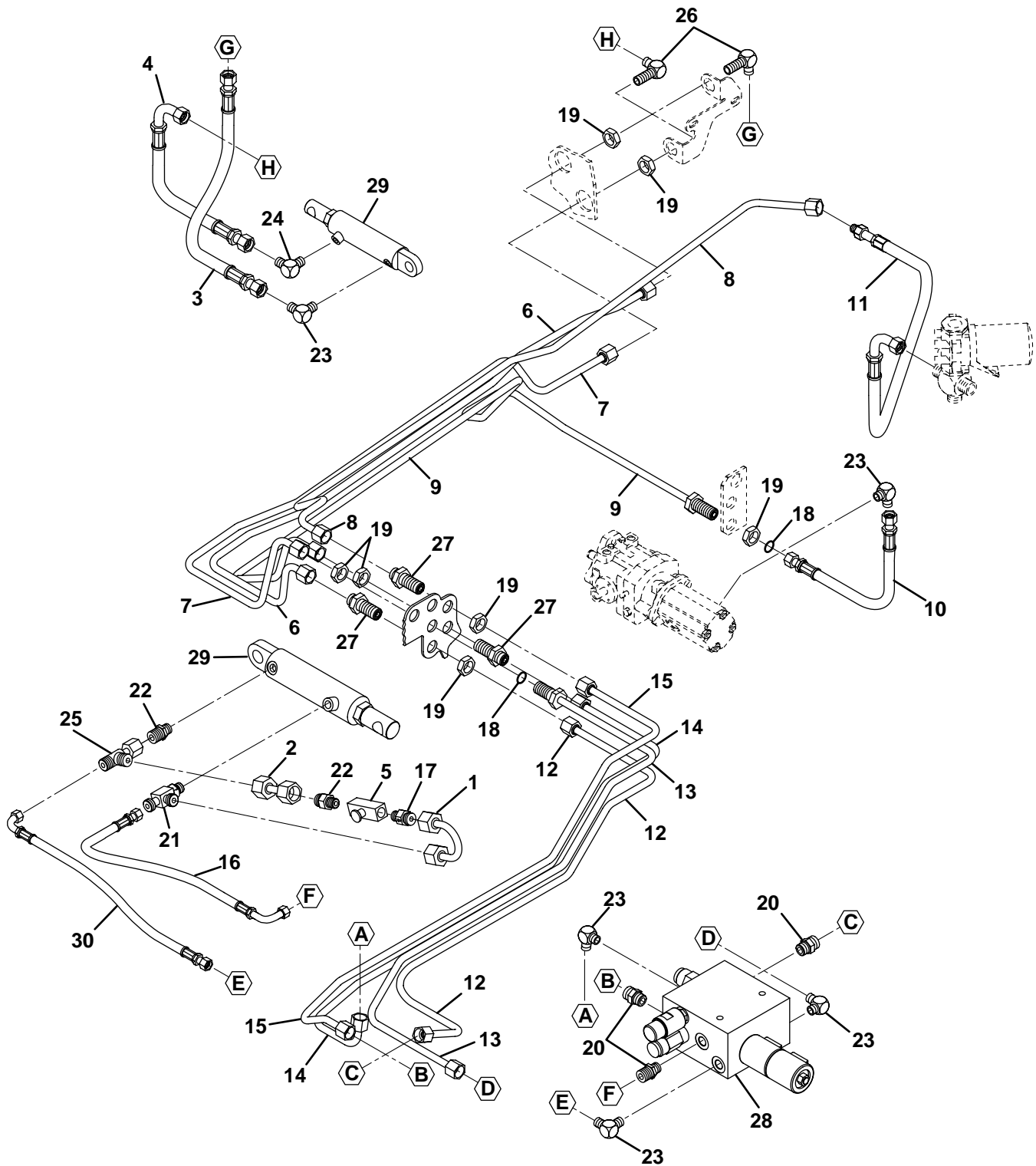


GREENS KING VI

Item	Part No.	Qty.	Description	Serial Numbers/Notes
1	2810206	1	Tube, Steering Cylinder To Bulkhead	(Reference O, See 36.1)
2	2810207	1	Tube, Steering Cylinder To Bulkhead	(Reference P, See 36.1)
3	2810313	1	Hose Assembly	(Reference F, See 36.1)
4	2810314	1	Hose Assembly	(Reference G, See 36.1)
5	2810315	1	Hose Assembly	
6	2810316	1	Hose Assembly	
7	2810317	1	Hose Assembly	(Reference T, See 36.1)
8	2810318	1	Hose Assembly	(Reference S, See 36.1)
9	2810319	2	Hose Assembly	(Reference D and E, See 36.1)
10	339961	4	Locknut, Bulkhead	
11	339974	2	Connector, Straight Thread	
12	339979	4	Connector, Straight Thread	
13	340191	2	Elbow, 45° Bulkhead	
14	340239	2	Union, Bulkhead	
15	REF	1	Valve, Power Steering	See 18.1
16	REF	1	Cylinder, Hydraulic	See 28.1
17	473137	1	Wire, Tie	

> Change from previous revision

33.1 Lift Hydraulics



Item	Part No.	Qty.	Description	Serial Numbers/Notes
1	1001972	1	Tube, U	
2	1002030	1	Tube, Soft Drop	
3	2811074	1	Hose, Rear Cylinder (Base) to Tube	
4	2810485	1	Hose, Rear Cylinder (Rod) to Tube	
5	162561	1	Needle Valve	
6	2810181	1	Tube, Bulkhead to Rear Cylinder	(Reference L, See 36.1)
7	2810182	1	Tube, Bulkhead to Rear Cylinder	(Reference M, See 36.1)
8	2810204	1	Tube, Bulkhead to Filter	(Reference Q, See 36.1)
9	2810217	1	Tube, Pump to Bulkhead	(Reference N, See 36.1)
10	2810333	1	Hose, Gear Pump to Tube	
11	2810334	1	Hose, Tube to Filter	
12	2811006	1	Tube, Lift Valve (RB) to Bulkhead	(Reference W, See 36.1)
13	2811007	1	Tube, Lift Valve (RR) to Bulkhead	(Reference J, See 36.1)
14	2811008	1	Tube, Lift Valve (P) to Bulkhead	(Reference H, See 36.1)
15	2811009	1	Tube, Lift Valve (T) to Bulkhead	(Reference I, See 36.1)
16	2811012	1	Hose, Lift Valve to Front Cylinder	
17	2812387	1	Check Valve	
18	339909	2	O-Ring, SAE #6 Face Seal	
19	339961	7	Locknut, 11/16-16 Bulkhead	
20	339979	3	Adaptor, Straight	
21	340263	1	Adaptor, Straight Thread Run Tee	
22	340006	2	Adaptor, Orifice Straight	
23	340061	5	Adaptor, 90°	
24	340087	1	Adaptor, 0.087 Orifice 90°	
25	340119	1	Adaptor, Swivel Run Tee	
26	340167	2	Adaptor, 90° Bulkhead	
27	340239	3	Adaptor, Straight Bulkhead	
28	REF	1	Lift Valve	See 12.1
29	REF	2	Lift Cylinder	See 15.1
30	4100280	1	Hose, Lift Valve to Front Cylinder	

> Change from previous revision

GREENS KING VI

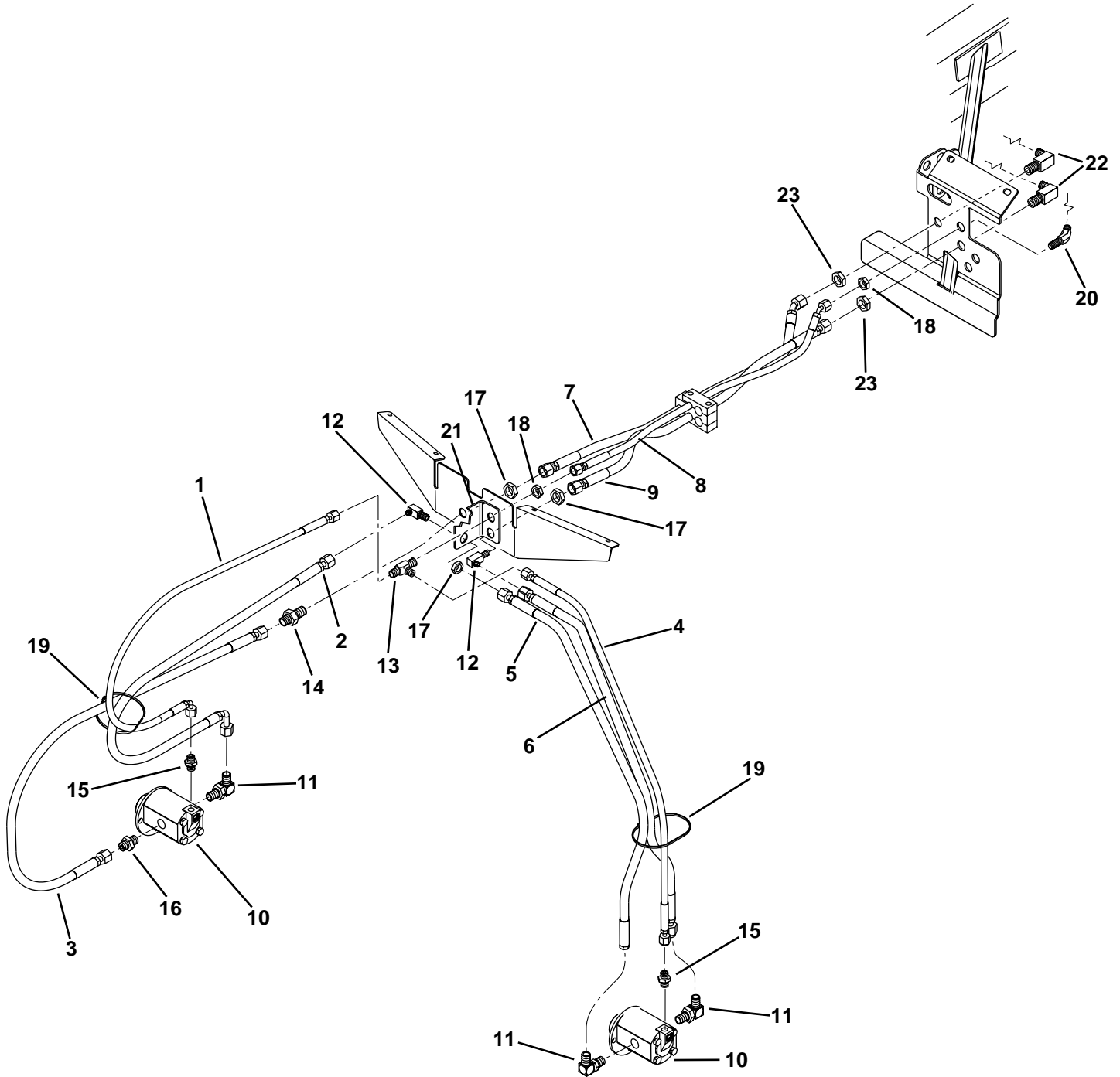
34.1 Front Reel Hydraulics

Serial No. 62275 1601 ~ 2056

Serial No. 62276 1601 ~ 1731

Serial No. 62277 1601 ~ 2243

Serial No. 62248 1601 ~ 1846



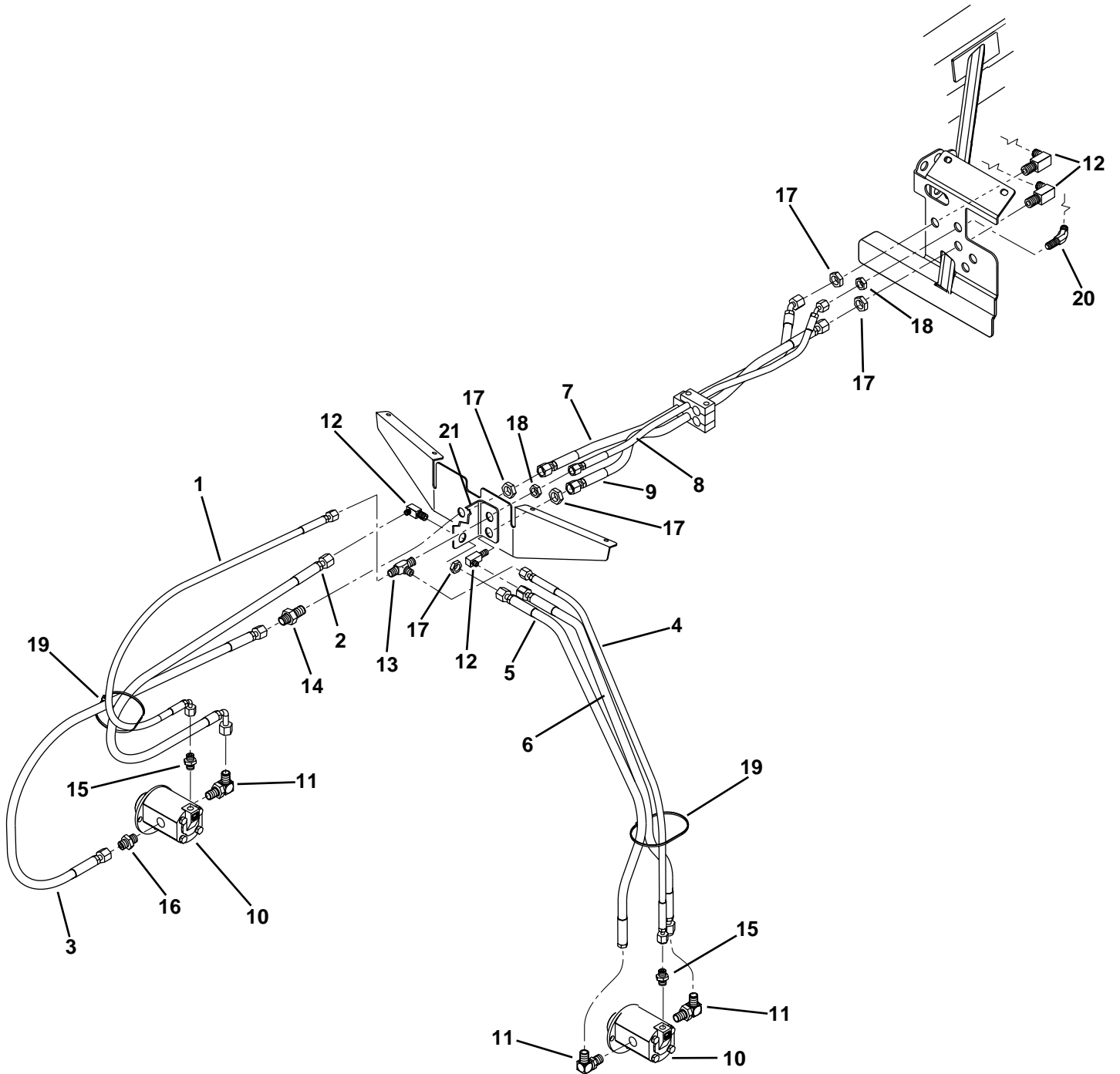
Item	Part No.	Qty.	Description	Serial Numbers/Notes
1	1004790	1	Hose, Right Motor Drain	
2	1001075	1	Hose, Right Motor to Left Motor	
3	1001076	1	Hose, Right Motor to Bulkhead	
4	1004791	1	Hose, Left Motor Drain	
5	1001073	1	Hose, Left Motor to Right Motor	
6	1001074	1	Hose, Left Motor to Bulkhead	
7	4113543	1	Hose, Forward Pressure Bulkhead	(Reference A, See 36.1)
8	2810356	1	Hose, Front Motor Drain Bulkhead	(Reference B, See 36.1)
9	4113542	1	Hose, Reverse Pressure Bulkhead	(Reference C, See 36.1)
10	2822505	2	Motor, Hydraulic	
11	340062	3	Elbow, 90°	
12	340167	2	Elbow, 90° Bulkhead	
13	340214	1	Tee, Bulkhead	
14	340239	1	Union, Bulkhead	
15	339972	2	Connector, Straight	
16	339980	1	Connector, Straight	
17	339961	3	Locknut, Bulkhead	
18	339960	2	Locknut, Bulkhead	
19	473137	4	Wire, Tie	
20	340190	1	Elbow, 45° Bulkhead	
21	3002186	1	Bracket, Bulkhead	
22	340168	2	Elbow, 90° Bulkhead	
23	339962	2	Locknut, Bulkhead	

> Change from previous revision

GREENS KING VI

34.2 Front Reel Hydraulics

Serial No. 62275 2057 and Up
Serial No. 62276 1732 and Up
Serial No. 62277 2244 and Up
Serial No. 62278 1847 and Up



Item	Part No.	Qty.	Description	Serial Numbers/Notes
1	1004790	1	Hose, Right Motor Drain	
2	4114954	1	Hose, Right Motor to Left Motor	
3	4114953	1	Hose, Right Motor to Bulkhead	
4	1004791	1	Hose, Left Motor Drain	
5	4114957	1	Hose, Left Motor to Right Motor	
6	4114955	1	Hose, Left Motor to Bulkhead	
7	4114951	1	Hose, Forward Pressure Bulkhead	(Reference A, See 36.1)
8	2810356	1	Hose, Front Motor Drain Bulkhead	(Reference B, See 36.1)
9	4114952	1	Hose, Reverse Pressure Bulkhead	(Reference C, See 36.1)
10	2822505	2	Motor, Hydraulic	
11	340066	3	Elbow, 90°	
12	340168	4	Elbow, 90° Bulkhead	
13	340214	1	Tee, Bulkhead	
14	340240	1	Union, Bulkhead	
15	339972	2	Connector, Straight	
16	339984	1	Connector, Straight	
17	339962	5	Locknut, Bulkhead	
18	339960	2	Locknut, Bulkhead	
19	473137	4	Wire, Tie	
20	340190	1	Elbow, 45° Bulkhead	
21	3002186	1	Bracket, Bulkhead	

> Change from previous revision

GREENS KING VI

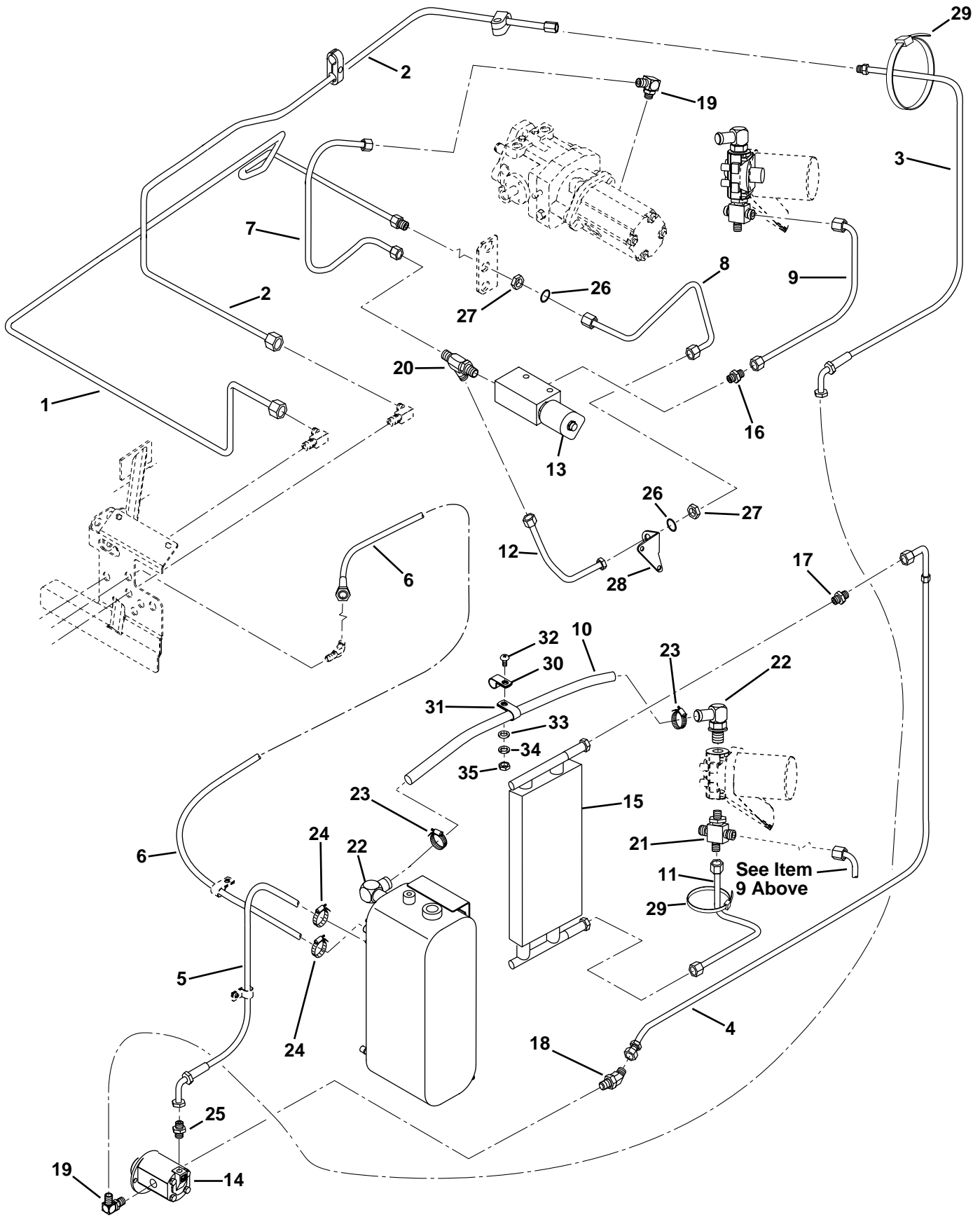
35.1 Rear Reel and Return Hydraulics

Serial No. 62275 1601 ~ 2056

Serial No. 62276 1601 ~ 1731

Serial No. 62277 1601 ~ 2243

Serial No. 62278 1601 ~ 1846



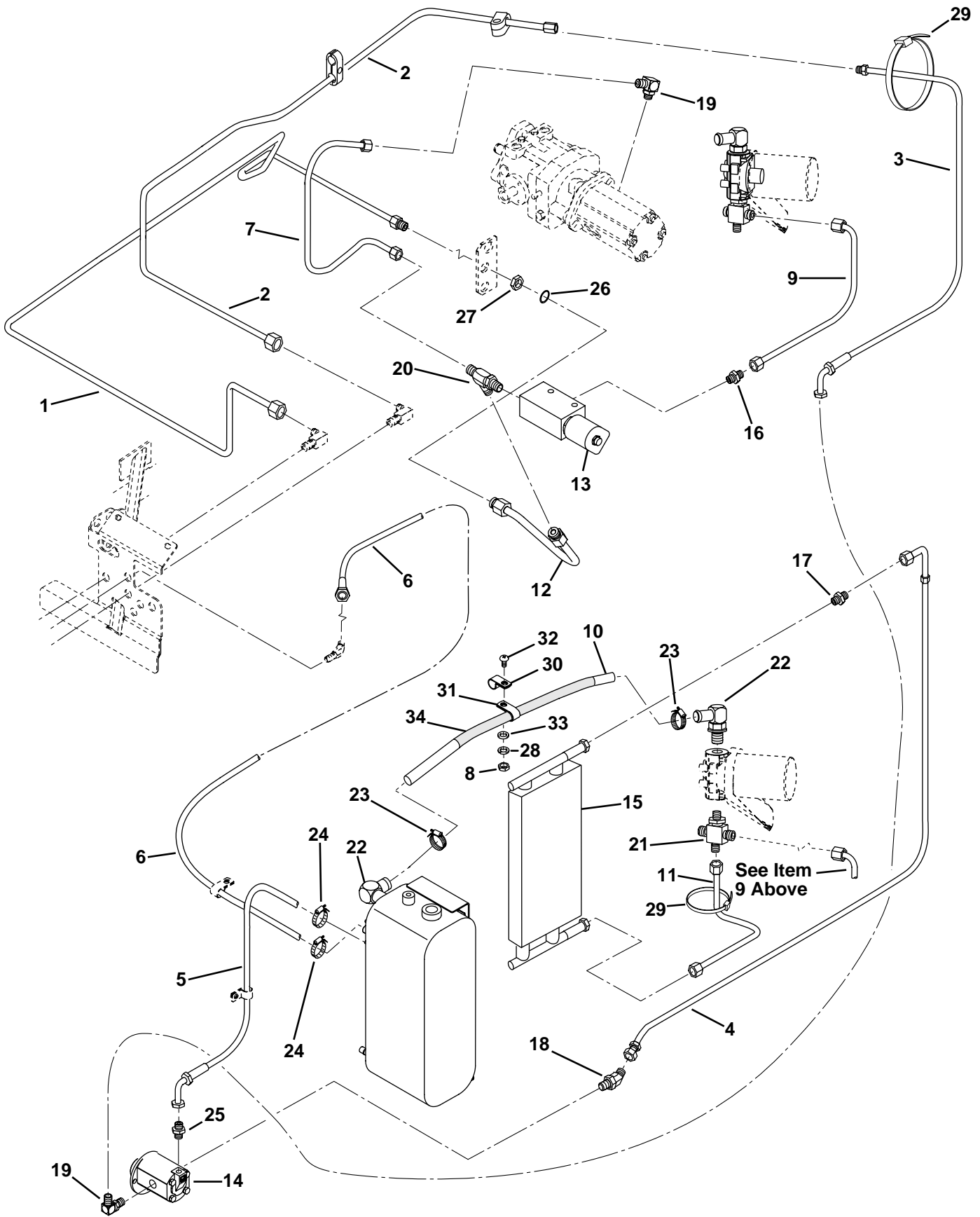
Item	Part No.	Qty.	Description	Serial Numbers/Notes
1	4113432	1	Tube, Forward Pressure Bulkhead	(Reference K, See 36.1)
2	4113429	1	Tube, Bulkhead to Center Motor	(Reference R, See 36.1)
3	4113541	1	Hose, Tube to Center Motor	
4	4113597	1	Hose, Center Motor to Cooler	
5	2811313	1	Hose, Center Motor Drain	
6	2810357	1	Hose, Front Motor Drain Bulkhead	(Reference U, See 36.1)
7	1000389	1	Hose, Pump to Reel Valve	
8	4113544	1	Hose, Backlap Plate to Bulkhead	
9	1000393	1	Hose, Reel Valve to Filter	
10	1000392	1	Hose, Filter to Tank	
11	2810462	1	Hose, Oil Cooler to Filter	
12	4113431	1	Tube, Reel Valve to Backlap Plate	
13	REF	1	Valve, Reel Control	See 28.1
14	2822505	1	Motor, Hydraulic	
15	REF	1	Oil Cooler	See 21.1
16	339984	1	Adapter, Straight	
17	339985	1	Adapter, Straight	
18	340029	1	Adapter, 45°	
19	340066	4	Adapter, 90°	
20	340264	1	Tee, Straight Thread Run	
21	3001027	1	Cross Connector	
22	3001025	2	Fitting, Beaded, 90°	
23	349816	2	Hose Clamp	
24	366526	2	Hose Clamp	
25	339972	1	Adapter, Straight	
26	339910	2	"O"-Ring, #8	
27	339962	2	Locknut, Bulkhead	
28	REF	1	Bracket, Tube	See 28.1
29	473137	2	Wire, Tie	
30	333801	1	Clamp, Wire Harness	Diesel Only
31	363514	1	Clamp, Hose	Diesel Only
32	404016	1	Screw, 1/4-20 x 5/8" Truss Head	Diesel Only
33	453023	1	Flat Washer, 1/4	Diesel Only
34	446128	1	Lockwasher, 1/4	Diesel Only
35	443102	1	Nut, 1/4-20	Diesel Only
36	473137	2	Wire, Tie	

> Change from previous revision

GREENS KING VI

35.2 Rear Reel and Return Hydraulics

Serial No. 62275 2057 and Up
Serial No. 62276 1732 and Up
Serial No. 62277 2244 and Up
Serial No. 62278 1847 and Up



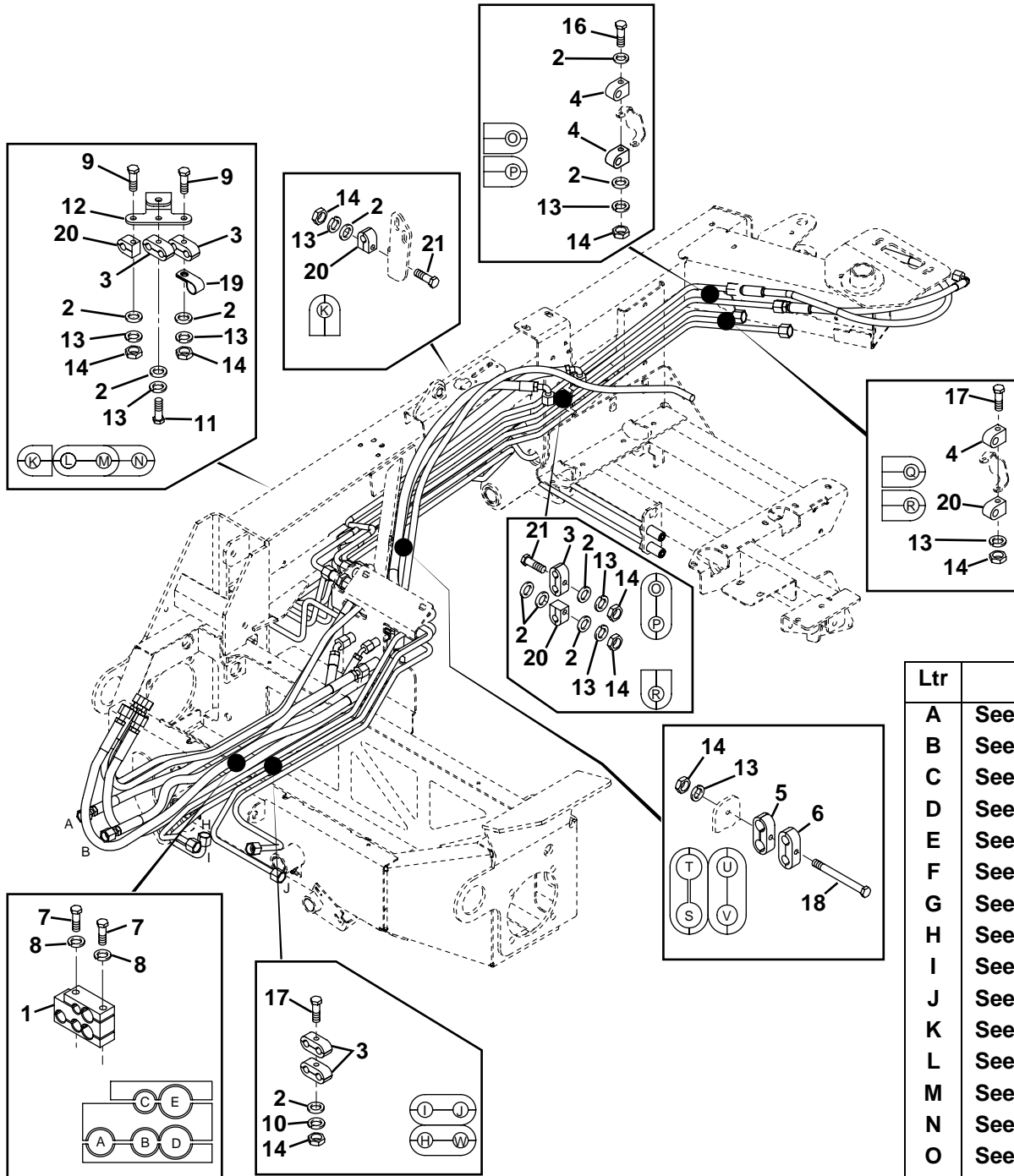
Item	Part No.	Qty.	Description	Serial Numbers/Notes
1	4113432	1	Tube, Forward Pressure Bulkhead	(Reference K, See 36.1)
2	4113429	1	Tube, Bulkhead to Center Motor	(Reference R, See 36.1)
3	4113541	1	Hose, Tube to Center Motor	
4	4113597	1	Hose, Center Motor to Cooler	
5	2811313	1	Hose, Center Motor Drain	
6	2810357	1	Hose, Front Motor Drain Bulkhead	(Reference U, See 36.1)
7	1000389	1	Hose, Pump to Reel Valve	
8	443102	1	Nut, 1/4-20	Diesel Only
9	1000393	1	Hose, Reel Valve to Filter	
10	1000392	1	Hose, Filter to Tank	
11	2810462	1	Hose, Oil Cooler to Filter	
12	4116753	1	Tube, Reel Valve to Backlap Plate	
13	REF	1	Valve, Reel Control	See 28.1
14	2822505	1	Motor, Hydraulic	
15	REF	1	Oil Cooler	See 21.1
16	339984	1	Adapter, Straight	
17	339985	1	Adapter, Straight	
18	340029	1	Adapter, 45°	
19	340066	4	Adapter, 90°	
20	340264	1	Tee, Straight Thread Run	
21	3001027	1	Cross Connector	
22	3001025	2	Fitting, Beaded, 90°	
23	349816	2	Hose Clamp	
24	366526	2	Hose Clamp	
25	339972	1	Adapter, Straight	
26	339910	1	"O"-Ring, #8	
27	339962	1	Locknut, Bulkhead	
28	446128	1	Lockwasher, 1/4	Diesel Only
29	473137	2	Wire, Tie	
30	333801	1	Clamp, Wire Harness	Diesel Only
31	363514	1	Clamp, Hose	Diesel Only
32	404016	1	Screw, 1/4-20 x 5/8" Truss Head	Diesel Only
33	453023	1	Flat Washer, 1/4	Diesel Only
34	3006302	1	Cover, Hose	Diesel Only

> Change from previous revision

GREENS KING VI

36.1 Hydraulic Hose Clamps

Serial No. 62275 1601 ~ 2056
 Serial No. 62276 1601 ~ 1731
 Serial No. 62277 1601 ~ 2243
 Serial No. 62248 1601 ~ 1846



Ltr	Reference
A	See 34.1
B	See 34.1
C	See 34.1
D	See 32.1
E	See 32.1
F	See 32.1
G	See 32.1
H	See 33.1
I	See 33.1
J	See 33.1
K	See 35.1
L	See 33.1
M	See 33.1
N	See 33.1
O	See 32.1
P	See 32.1
Q	See 33.1
R	See 35.1
S	See 32.1
T	See 32.1
U	See 35.1
V	
W	See 33.1

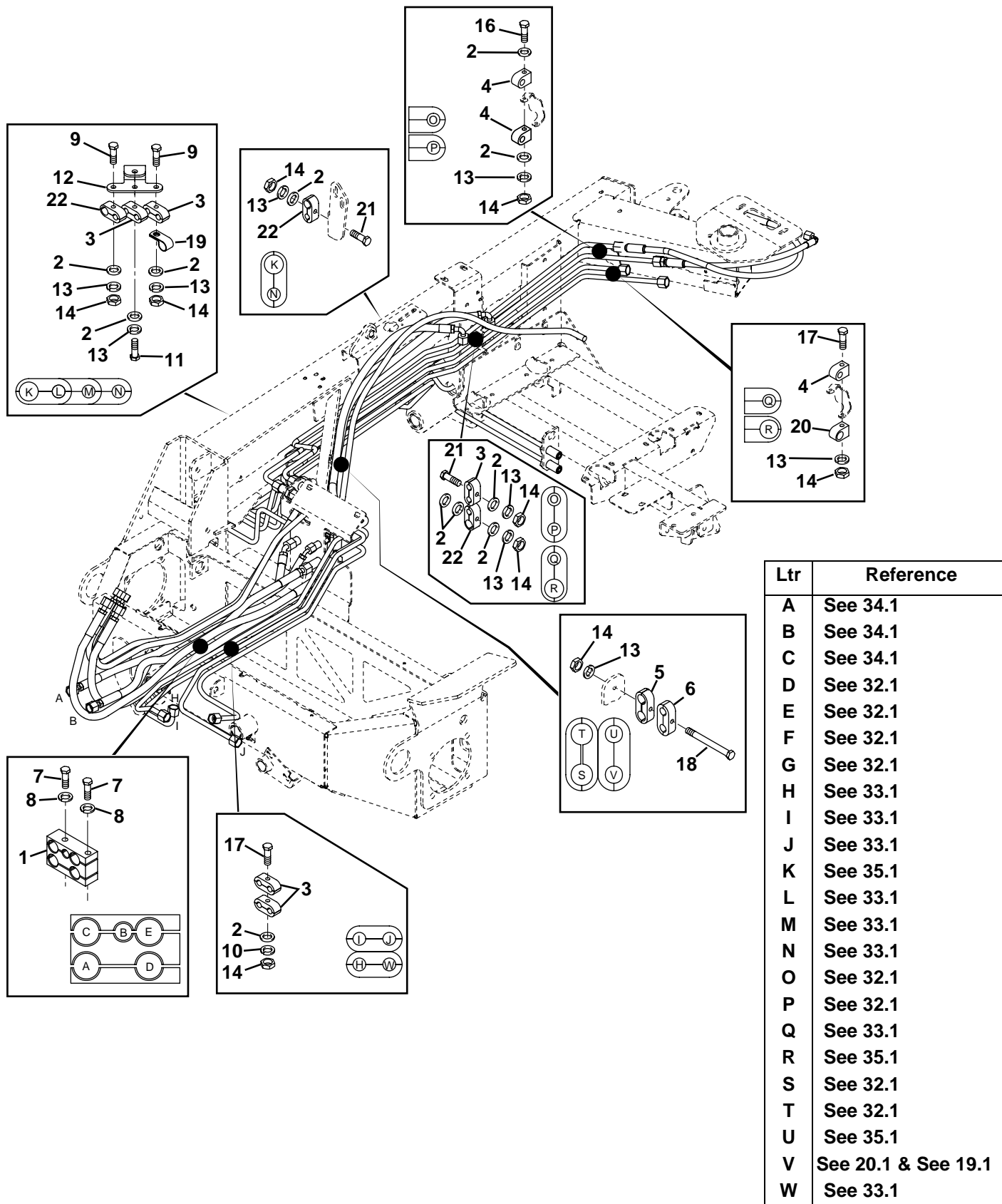
Item	Part No.	Qty.	Description	Serial Numbers/Notes
1	2809827	1	Clamp, 5 Hose	
2	453023	10	Flat Washer, 1/4	
3	364221	5	Clamp, 3/8" Double Tube	
4	364738	3	Clamp, 3/8" Tube	
5	3003110	1	Clamp, 5/8" Double Tube	
6	367186	1	Clamp, 1/2" Double Tube	
7	400202	2	Screw, 5/16-18 x 3" Hex Head	
8	446136	2	Lockwasher, 5/16 Heavy	
9	400116	2	Screw, 1/4-20 x 1-1/2" Hex Head	
10	446130	2	Lockwasher, 1/4 Heavy	
11	400124	1	Screw, 1/4-20 x 2-1/2" Hex Head	
12	2810556	1	Bracket, Clamp Mounting	
13	446128	11	Lockwasher, 1/4	
14	443102	10	Nut, 1/4-20 Hex	
15	400118	1	Screw, 1/4-20 x 1-3/4" Hex Head	
16	400122	1	Screw, 1/4-20 x 2-1/4" Hex Head	
17	400120	2	Screw, 1/4-20 x 2" Hex Head	
18	400126	1	Screw, 1/4-20 x 3" Hex Head	
19	333801	1	Hose Clamp	
20	4113433	4	Clamp, 1/2" Single Tube	
21	400114	2	Screw, 1/4-20 x 1-1/4"	

> Change from previous revision

GREENS KING VI

36.2 Hydraulic Hose Clamps

Serial No. 62275 2057 and Up
 Serial No. 62276 1732 and Up
 Serial No. 62277 2244 and Up
 Serial No. 62248 1847 and Up

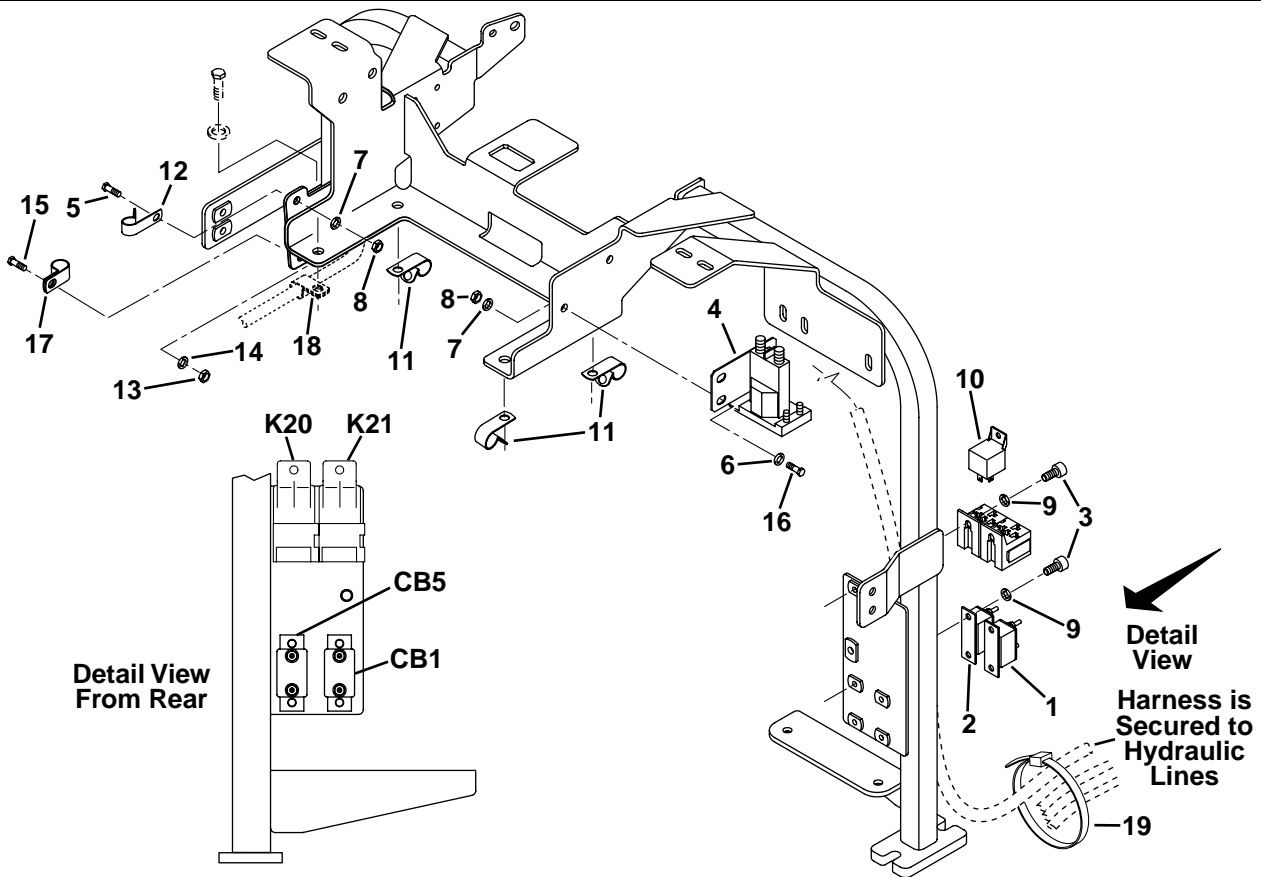


Item	Part No.	Qty.	Description	Serial Numbers/Notes
1	4116698	1	Clamp, 5 Hose	
2	453023	10	Flat Washer, 1/4	
3	364221	5	Clamp, 3/8" Double Tube	
4	364738	3	Clamp, 3/8" Tube	
5	3003110	1	Clamp, 5/8" Double Tube	
6	367186	1	Clamp, 1/2" Double Tube	
7	400202	2	Screw, 5/16-18 x 3" Hex Head	
8	446136	2	Lockwasher, 5/16 Heavy	
9	400116	2	Screw, 1/4-20 x 1-1/2" Hex Head	
10	446130	2	Lockwasher, 1/4 Heavy	
11	400124	1	Screw, 1/4-20 x 2-1/2" Hex Head	
12	2810556	1	Bracket, Clamp Mounting	
13	446128	11	Lockwasher, 1/4	
14	443102	10	Nut, 1/4-20 Hex	
15	400118	1	Screw, 1/4-20 x 1-3/4" Hex Head	
16	400122	1	Screw, 1/4-20 x 2-1/4" Hex Head	
17	400120	2	Screw, 1/4-20 x 2" Hex Head	
18	400126	1	Screw, 1/4-20 x 3" Hex Head	
19	333801	1	Hose Clamp	
20	4113433	1	Clamp, 1/2" Single Tube	
21	400114	2	Screw, 1/4-20 x 1-1/4"	
22	4115144	3	Clamp, Double Tube	

> Change from previous revision

37.1 Circuit Breaker Mounting

Gasoline Units

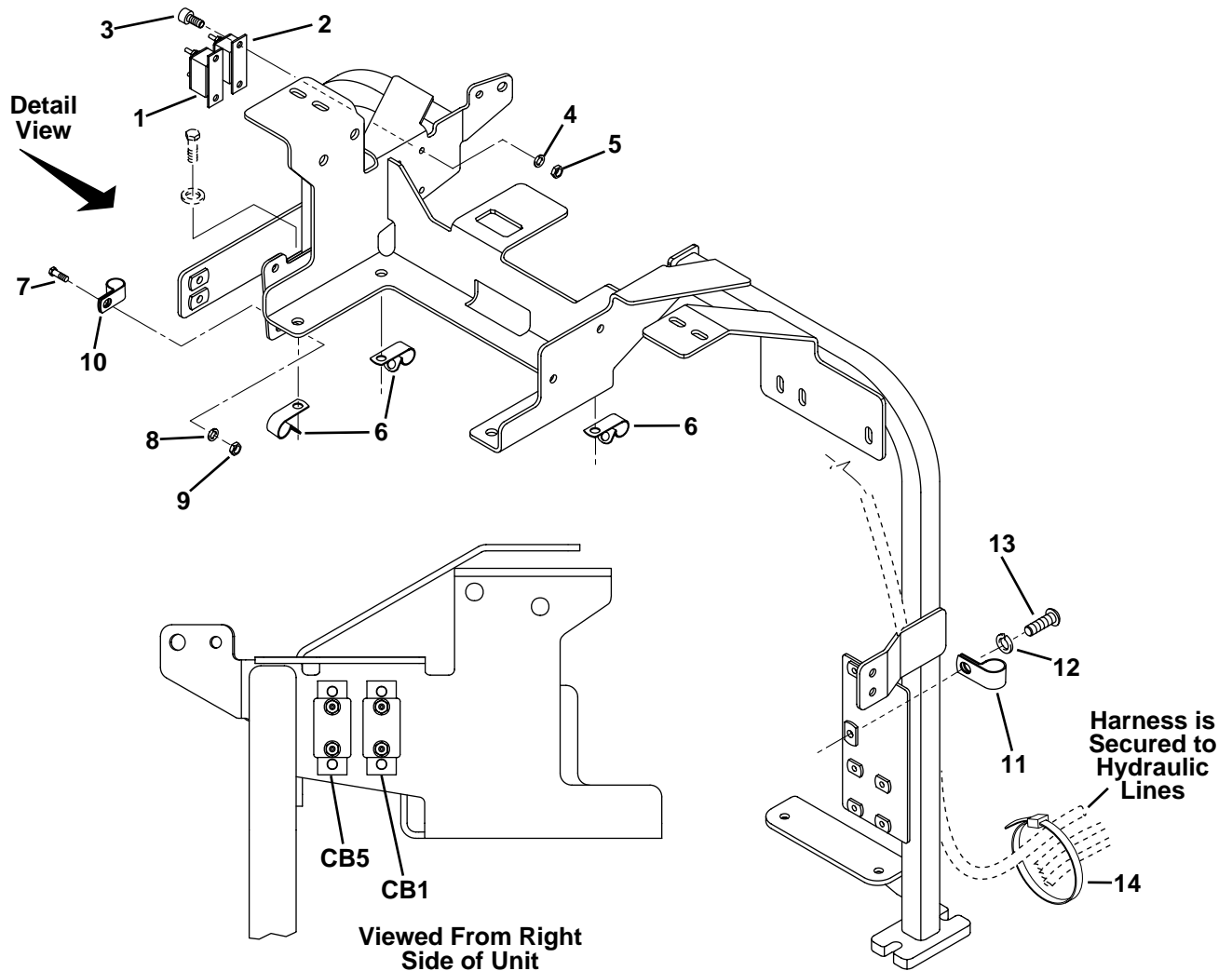


Item	Part No.	Qty.	Description	Serial Numbers/Notes
1	361439	1	Circuit Breaker, 50 Amp	Reference CB1
2	361439	1	Circuit Breaker, 50 Amp	Reference CB5
3	434038	6	Screw, #10-24 x 1/2" Socket Head	
4	131905	1	Starter Solenoid	Reference K19
5	400108	2	Screw, 1/4-20 x 3/4" Hex Head	
6	452004	2	Flat Washer, 1/4	
7	446130	3	Lockwasher, 1/4 Heavy	
8	443102	2	Nut, 1/4-20 Hex	
9	446116	6	Lockwasher, #10	
10	3001307	2	Relay	Reference K20 and K21
11	363514	3	Clamp, Open	
12	360970	1	Clamp, Open, Wire Harness	
13	443106	1	Nut, 5/16-18 Hex	
14	446136	1	Lockwasher, 5/16 Heavy	
15	400184	1	Screw, 5/16-18 x 3/4" Hex Head	
16	400106	2	Screw, 1/4-20 x 5/8" Hex Head	
17	364016	1	Clamp, Open, Wire Harness	
18	-		Clamp, Choke Cable	See 29.1
19	473137	1	Wire, Tie	

> Change from previous revision

38.1 Circuit Breaker Mounting

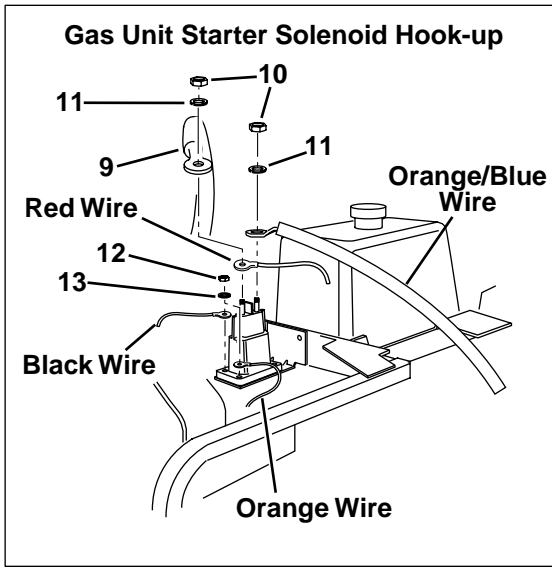
Diesel Units



Item	Part No.	Qty.	Description	Serial Numbers/Notes
1	361439	1	Circuit Breaker, 50 Amp	Reference CB1
2	361439	1	Circuit Breaker, 50 Amp	Reference CB5
3	434038	4	Screw, #10-24 x 1/2" Socket Head	
4	446116	4	Lockwasher, #10	
5	444310	4	Nut, #10-24 Hex	
6	363514	3	Clamp, Open	
7	400184	1	Screw, 5/16-18 x 3/4" Hex Head	
8	446136	1	Lockwasher, 5/16	
9	443106	1	Nut, 5/16-18 Hex	
10	364016	1	Hose Clamp	
11	333801	1	Hose Clamp	
12	446128	1	Lockwasher, 1/4	
13	404016	1	Screw, 1/4-20 x 5/8" Truss Head	
14	473137	1	Wire, Tie	

> Change from previous revision

39.1 Electrical Routing



Items Common to Both Units

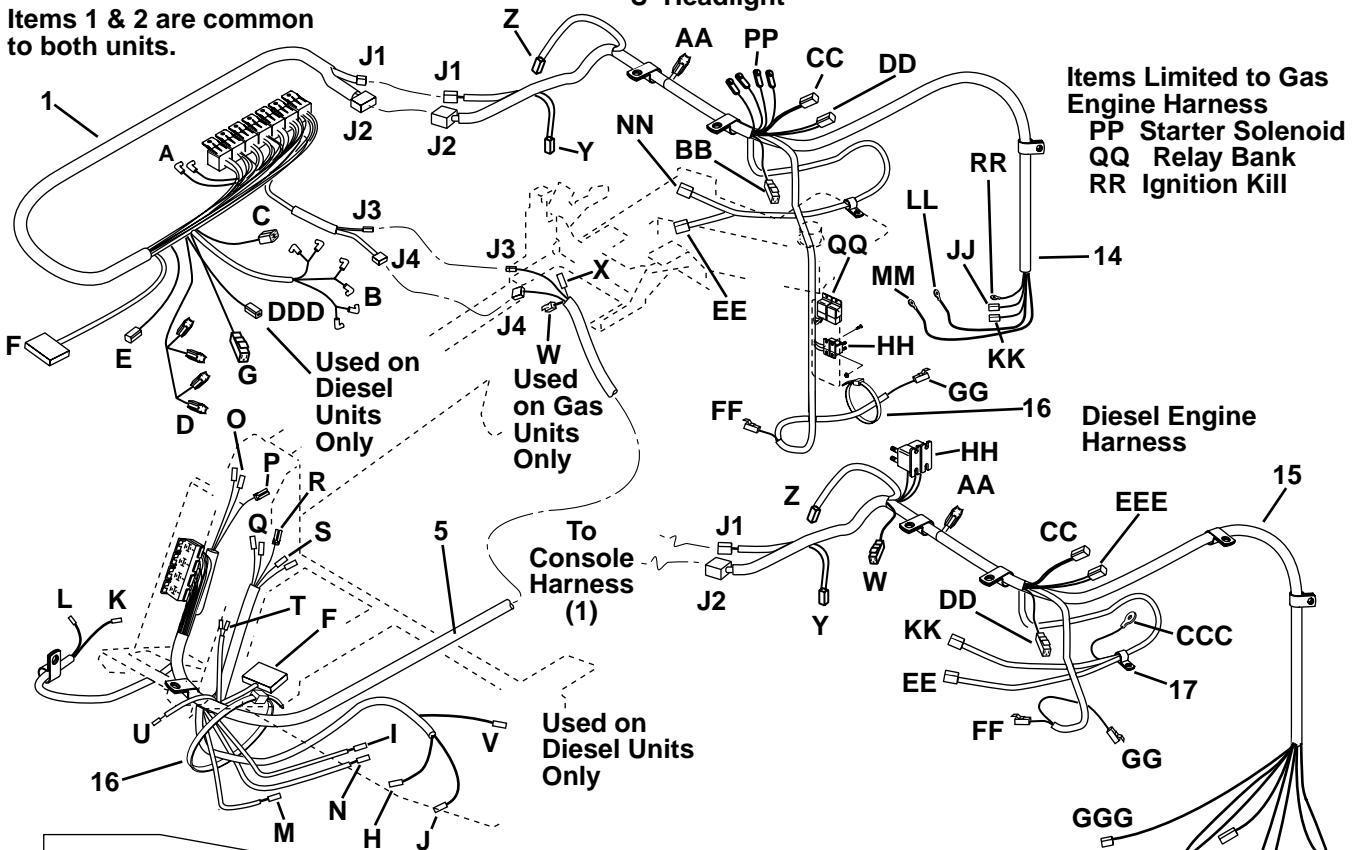
- A Brake Lights
- B Circuit Breakers
- C Center Light
- D Rocker Switches
- E Joystick
- F Diode Block
- G Key Switch
- H Raise Solenoid Valve
- I Lower Switch
- J Lower Solenoid Valve
- K 3WD Switch
- L Neutral Start Switch
- M Pressure Cutout Switch
- N Raise Switch
- O Hydraulic Oil Light
- P Volt Meter
- Q Engine Oil Light
- R Temperature Gauge
- S Hour Meter
- T Horn
- U Headlight

- V Reel Switch
- W Fuel Pump-Used on Gasoline Units Only
- X Seat Switch

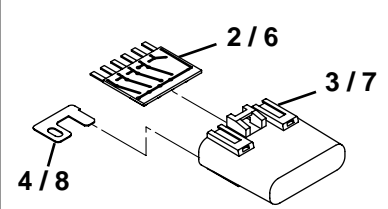
Items Common to Both Harnesses

- Y 3WD Solenoid Valve
- Z Parking Brake Switch
- AA Backlap Switch
- BB Leak Detect Sensor
- CC Hydraulic Fluid Level Sensor
- DD Leak Detect Solenoid Valve
- EE Mow / Transport Switch
- FF Reel Solenoid Valve
- GG Reel Backlap Solenoid Valve
- HH Circuit Breakers
- JJ Alternator (B+)
- KK Fuel Solenoid
- LL Starter Motor (B+)
- MM Ground
- NN Engine Oil Pressure

Items 1 & 2 are common to both units.

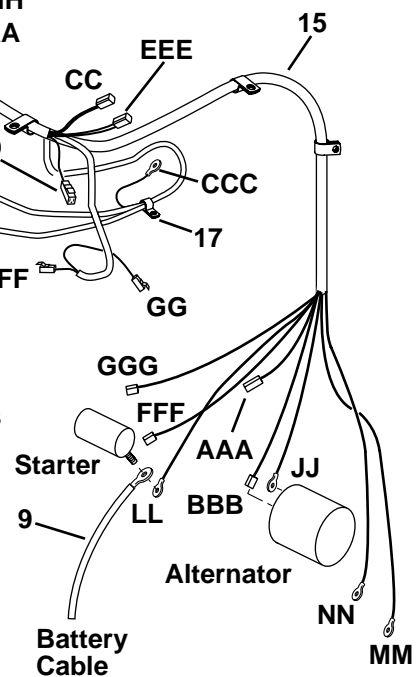


Harness Service Parts



Items Limited to Diesel Engine Harness

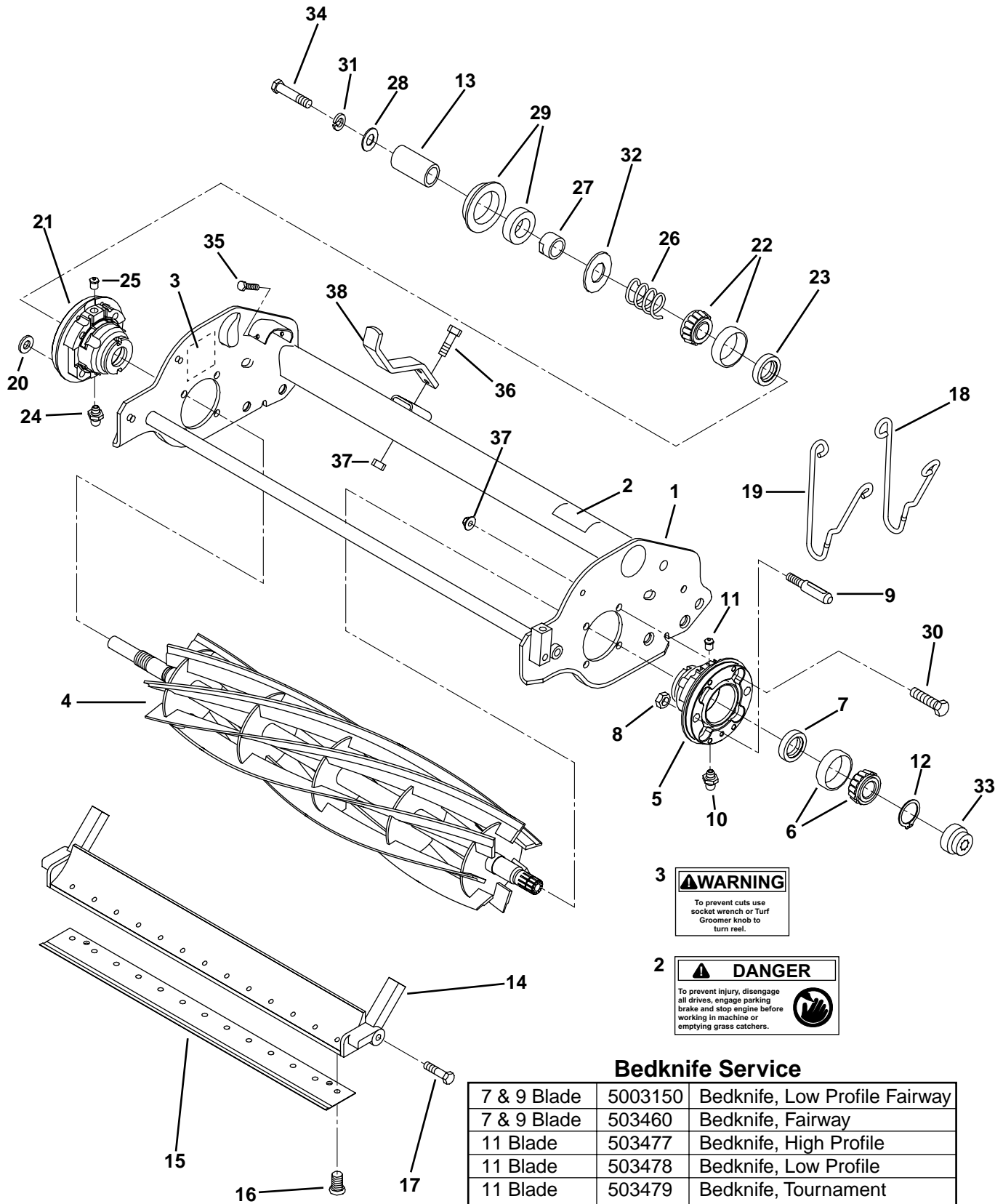
- AAA Coolant Sensor
- BBB Alternator Exciter
- CCC Glow Plug
- DDD Seat Timer (Module for Diesel Version) (Covered Plug for Gas Version)
- EEE Leak Detect Solenoid Valve
- FFF Starter Motor Engage
- GGG Starter Motor Pull-in



Item	Part No.	Qty.	Description	Serial Numbers/Notes
1	2811015	1	Harness, Console	
2	2811375	1	• 4 Diode Circuit Board	Reference D1
3	2811608	1	• Cover, Relay Board	
4	2811358	1	• Relay Mounting Clip	
5	2812286	1	Harness, Platform	
6	2811375	1	• 4 Diode Circuit Board	Reference D2
7	2811608	1	• Cover, Relay Board	
8	2811358	1	• Relay Mounting Clip	
9	2810559	1	Battery Cable, Positive	
10	443808	2	Nut, 5/16-24 Hex Jam	Gas Units Only
11	446134	2	Lockwasher, 5/16	Gas Units Only
12	444312	2	Nut, #10-32 Hex	Gas Units Only
13	446116	2	Lockwasher, #10	Gas Units Only
14	2811017	1	Harness, Engine, Gasoline	
15	2811016	1	Harness, Engine, Diesel	
16	473137	1	Wire, Tie	
17	360970	1	Hose Clamp	
18	3010780	1	Adapter Harness, Starter	Diesel Units Only

> Change from previous revision

40.1 Reel



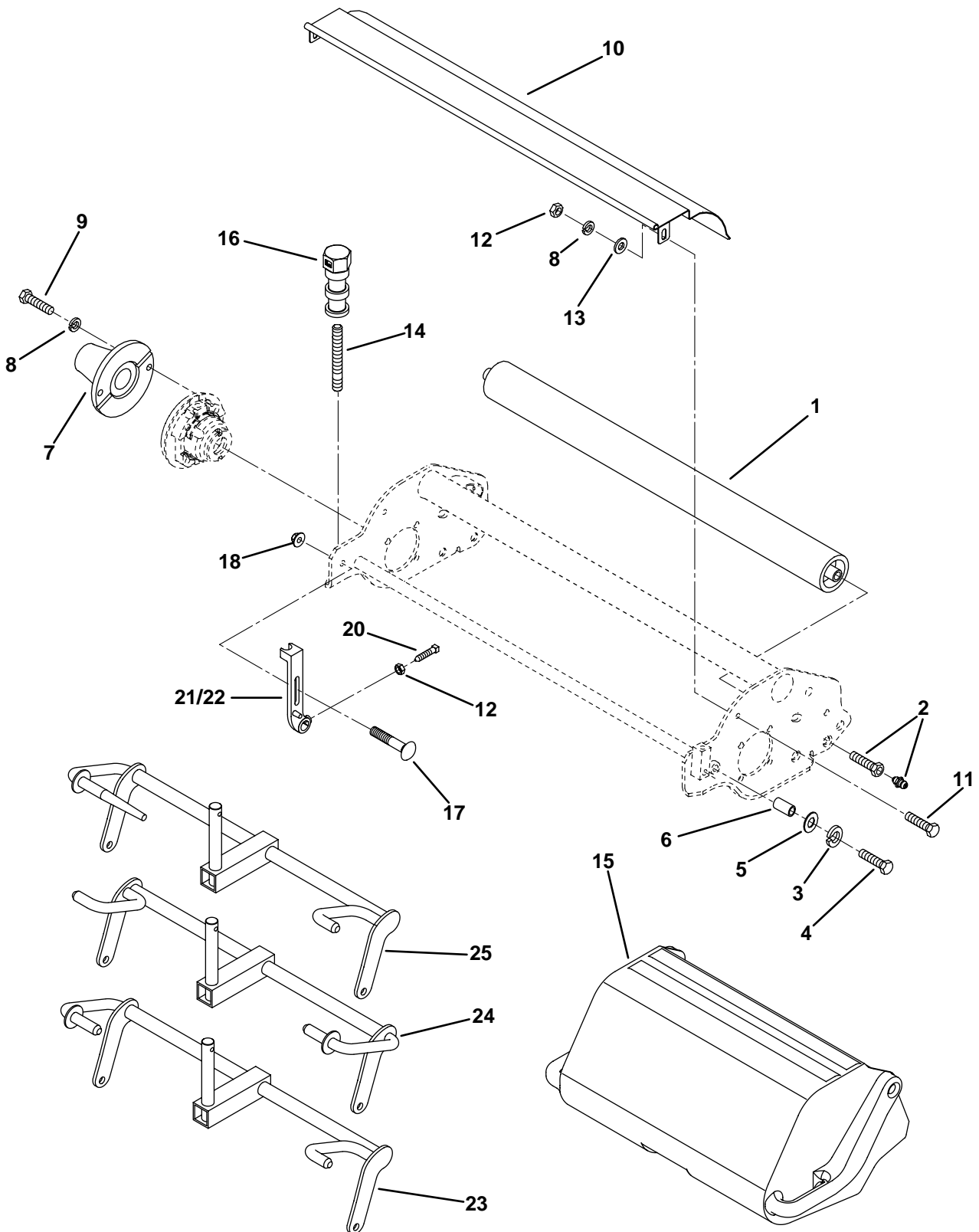
Item	Part No.	Qty.	Description	Serial Numbers/Notes
1	5002577	1	Frame, Reel	
2	361877	2	• Decal, Danger	
3	1000997	1	• Decal, Warning	
4	5003054	1	7 Blade Reel	68645 Only
4	5001102	1	11 Blade Reel	68646 Only
5	1004786	1	Bearing Housing	
6	500534	1	• Bearing, Cup and Cone	
7	336962	1	• Seal, Grease	
8	444708	2	• Locknut, 1/4-20 Center	
9	3010296	2	• Pin, Motor Mounting	
10	471214	1	• Grease Fitting	
11	471240	1	• Vent Fitting	
12	458013	1	Snap Ring	
13	367164	1	Spacer	
14	5000415	1	Bedknife Backing	
15	See Chart	1	Bedknife	
16	3009138	13	Screw, 1/4-20 x 1/2" Flat Head	
17	315298	2	Bolt, 7/16 x 3/4"	
18	2810165	1	Clip, Motor	
19	2810166	1	Clip, Motor	
20	453009	4	Flat Washer, 5/16	
21	1000480	1	Bearing Housing	
22	500534	1	• Bearing, Cup and Cone	
23	336962	1	• Seal, Grease	
24	471214	1	• Grease Fitting	
25	471242	1	• Vent Fitting	
26	5002151	1	Spring, Compression	
27	364900	1	Nut, Reel	
28	453011	1	Flat Washer, 3/8	
29	163892	1	Seal	
30	400192	8	Screw, 5/16-18 x 1-1/2" Hex Head	
31	446142	1	Lockwasher, 3/8 Heavy	
32	304745	1	Washer	
33	337370	1	Coupler	Included in 67896
34	400294	1	Screw, 3/8-24 x 1" Hex Head	
35	412503	4	Screw, 3/8-16 x 1-1/4" Square Head	
36	400184	2	Screw, 5/16-18 x 3/4" Hex Head	
37	445795	10	Nut, 5/16-18 Spiralock Flange	
38	3010293	1	Stop, Mower	

> Change from previous revision

GREENS KING VI

41.1 Reel (Continued)

Serial No. All



Item	Part No.	Qty.	Description	Serial Numbers/Notes
1	1000770	1	Rear Roller	See 42.1, 68645 Only
1	1004990	1	Rear Roller	See 43.1, 68646 Only
2	1002224	2	Zerk Bolt	
3	446142	2	Lockwasher, 3/8 Heavy	
4	400264	2	Screw, 3/8-16 x 1-1/4" Hex Head	
5	453011	2	Flat Washer, 3/8	
6	345510	2	Spacer	
7	2000065	1	Casting, Counterweight	
8	446130	4	Lockwasher, 1/4 Heavy	
9	400110	2	Screw, 1/4-20 x 7/8" Hex Head	
10	2810043	1	Shield, Reel	
11	403782	2	Screw, 1/4-20 x 3/4" Truss Head	
12	443102	4	Nut, 1/4-20 Hex	
13	453023	2	Washer, 1/4	
14	343616	2	Stud	
15	67891	3	Grass Catcher	
	2809600	1	• Bracket, Stop	
	404016	5	• Screw, 1/4-20 x 5/8" Truss Head	
	446128	5	• Lockwasher, 1/4	
	443102	5	• Nut, 1/4-20 Hex	
16	3005692	2	Knob, Front Roller Adjusting	
17	441674	2	Carriage Bolt, 5/16-18 x 1-3/4"	
18	445795	2	Nut, 5/16-18 Spiralock Flance	
19	158568	1	Gauge, Bedknife (Not Shown)	
20	352737	2	Screw, 1/4-20 x 7/8" Square Head	
21	3008438	1	Roller Bracket, Right Side	
22	3008439	1	Roller Bracket, Left Side	
	67896	1	Lift Yoke / Coupler Kit	
23	122786	1	• Left Side Lift Yoke	
24	122787	1	• Right Side Lift Yoke	
25	1000362	1	• Center Lift Yoke	

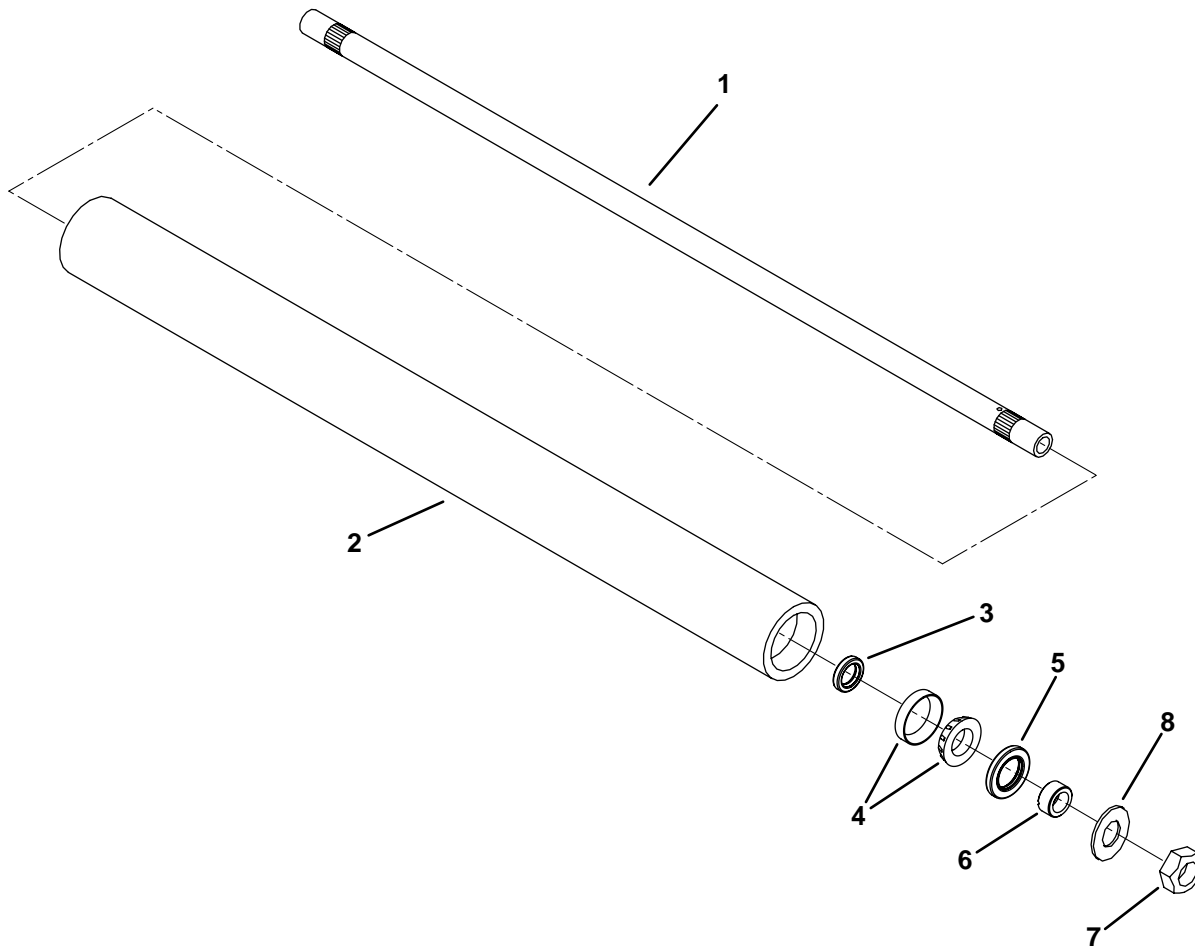
> Change from previous revision

GREENS KING VI

Serial No. All

42.1 Rear Roller

Part Number 1000770

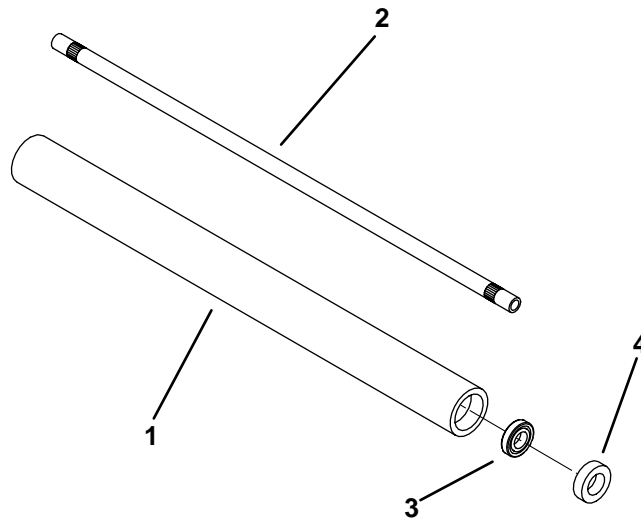


Item	Part No.	Qty.	Description	Serial Numbers/Notes
1	3001654	1	Shaft, Roller	
2	3001655	1	Tube, Roller	
3	3001656	2	Seal, Grease	
4	5000625	2	Bearing, Cup and Cone	
5	3000983	2	Seal, Grease	
6	3001762	2	Sleeve, Wear	
7	445801	2	Locknut, 5/8-18 Hex Jam	
8	3000698	2	Washer	

> Change from previous revision

43.1 Rear Roller

Part Number 1004990



Item	Part No.	Qty.	Description	Serial Numbers/Notes
1	N/S	1	Roller Tube	
2	3010422	1	Shaft	
3	3010712	2	Bearing	
4	3010286	2	Seal	

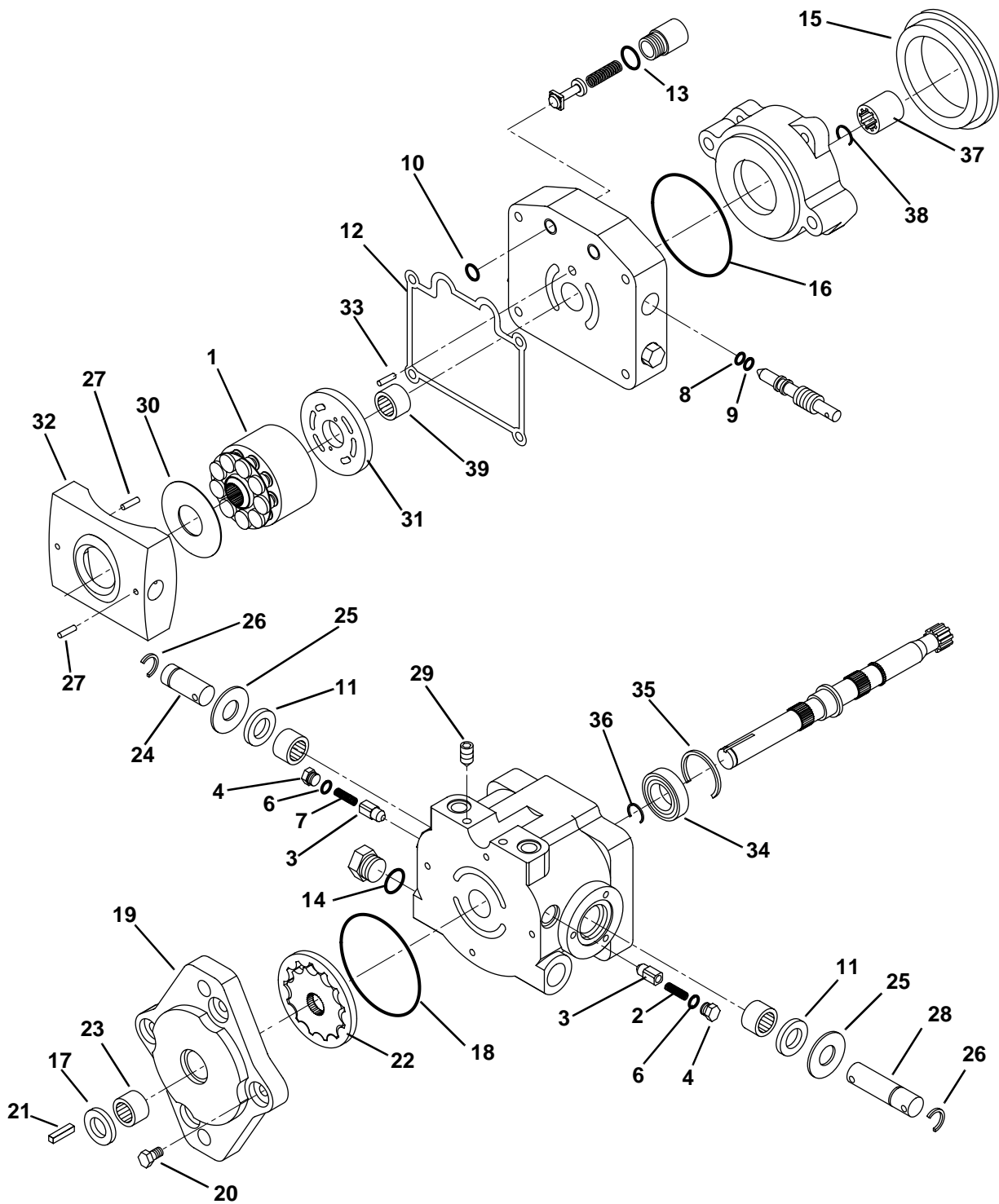
> Change from previous revision

GREENS KING VI

Serial No. All

44.1 Hydrostatic Pump

Part Number 123299



Item	Part No.	Qty.	Description	Serial Numbers/Notes
1	156287	1	Cylinder Block Kit	
	N/S	1	• Slipper Retainer	
	N/S	9	• Piston Assembly	
	2500597	1	Implement Relief Valve Kit	Includes Items 2 ~ 6
2	N/S	1	• Implement Relief Spring	
3	N/S	1	• Relief Valve	
4	N/S	1	• Plug	
5	N/S	1	• Relief Shim Kit (Not Shown)	
● 6	N/S	1	• O-Ring	
	2500596	1	Charge Relief Valve Kit	Includes Items 3 ~ 6 and 7
7	N/S	1	• Charge Relief Spring	
	5002068	1	Seal Kit	Includes Items marked ●
● 8	N/S	1	• O-Ring, Tow Valve	
● 9	N/S	1	• Back Up Ring, Tow Valve	
● 10	N/S	2	• O-Ring, Check Valve	
● 11	N/S	2	• Lip Seal, Trunion Shaft	
● 12	N/S	1	• Gasket, Variable Housing	
● 13	N/S	1	• O-Ring, Check Valve Plug	
● 14	N/S	1	• O-Ring, Plug	
● 15	362743	1	• O-Ring, Pump Mounting	
● 16	N/S		• O-Ring, Adapter Flange	
	5003450	1	Charge Pump Kit	
17	551049	1	• Lip Seal	
18	551047	1	• O-Ring, Charge Pump Housing	
19	N/S	1	• Charge Pump Cover	
20	N/S	4	• Screw, Charge Pump Mounting	
21	5002062	1	• Key, Input Shaft	
22	N/S	1	• Gerotor Assembly	
23	551048	1	• Needle Bearing	
24	558127	1	Trunion Shaft	
25	333846	2	Washer	
26	333845	2	Retaining Ring	
27	349577	3	Spring, Coiled Pin	
28	333835	1	Trunion Shaft	
29	590063	2	Pipe Plug	
30	333844	2	Thrust Plate	
31	5002063	1	Valve Plate	
32	333831	1	Swash Plate	
33	333855	1	Pin	
34	5003452	1	Ball Bearing	
35	360803	1	Retaining Ring	
36	5002065	1	Retaining Ring	
37	5002066	1	Coupler	
38	5002067	1	Retaining Ring	
39	558136	1	Roller Bearing	

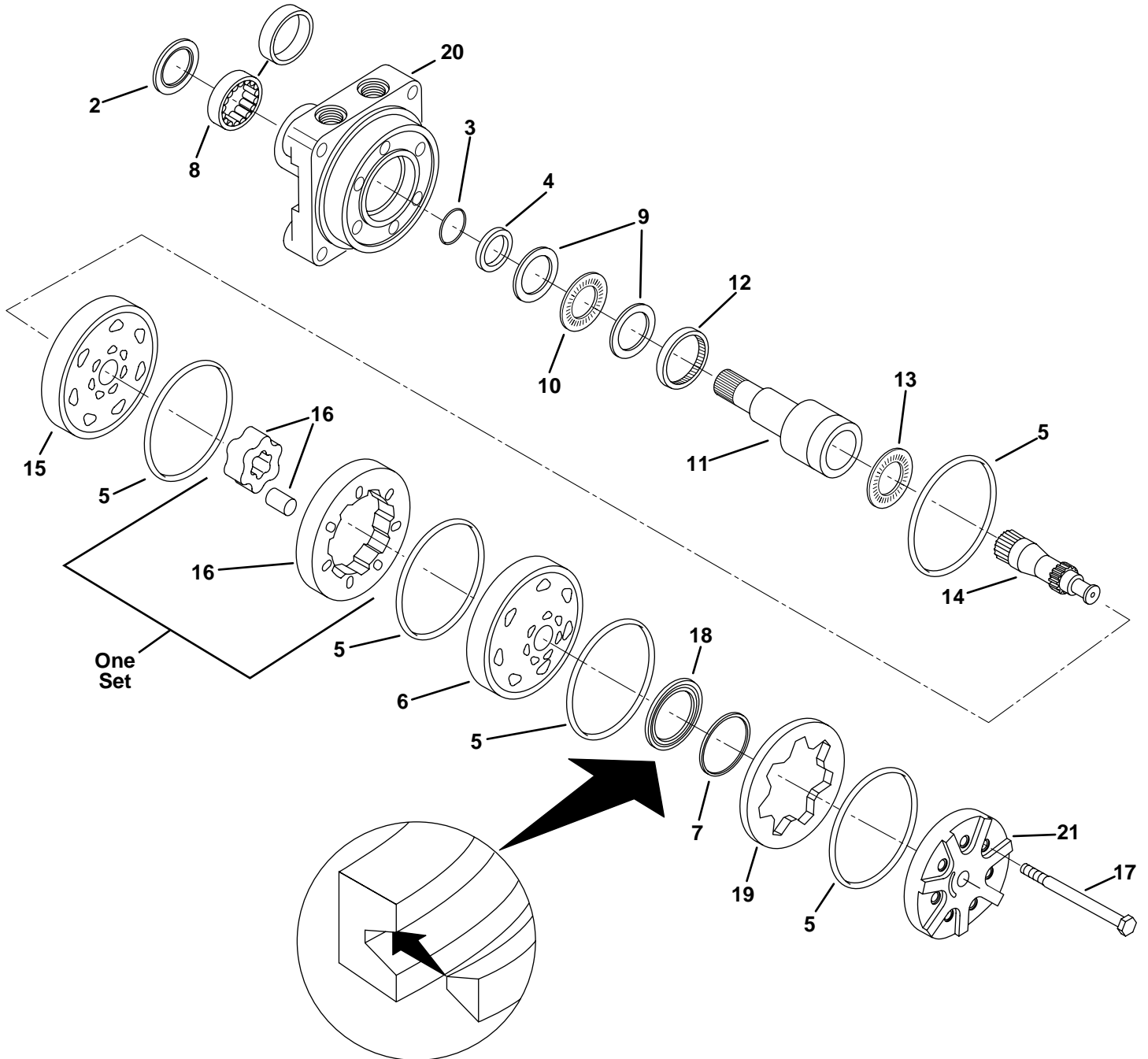
> Change from previous revision

GREENS KING VI

Serial No. All

45.1 Wheel Motor

Part Number 1003508

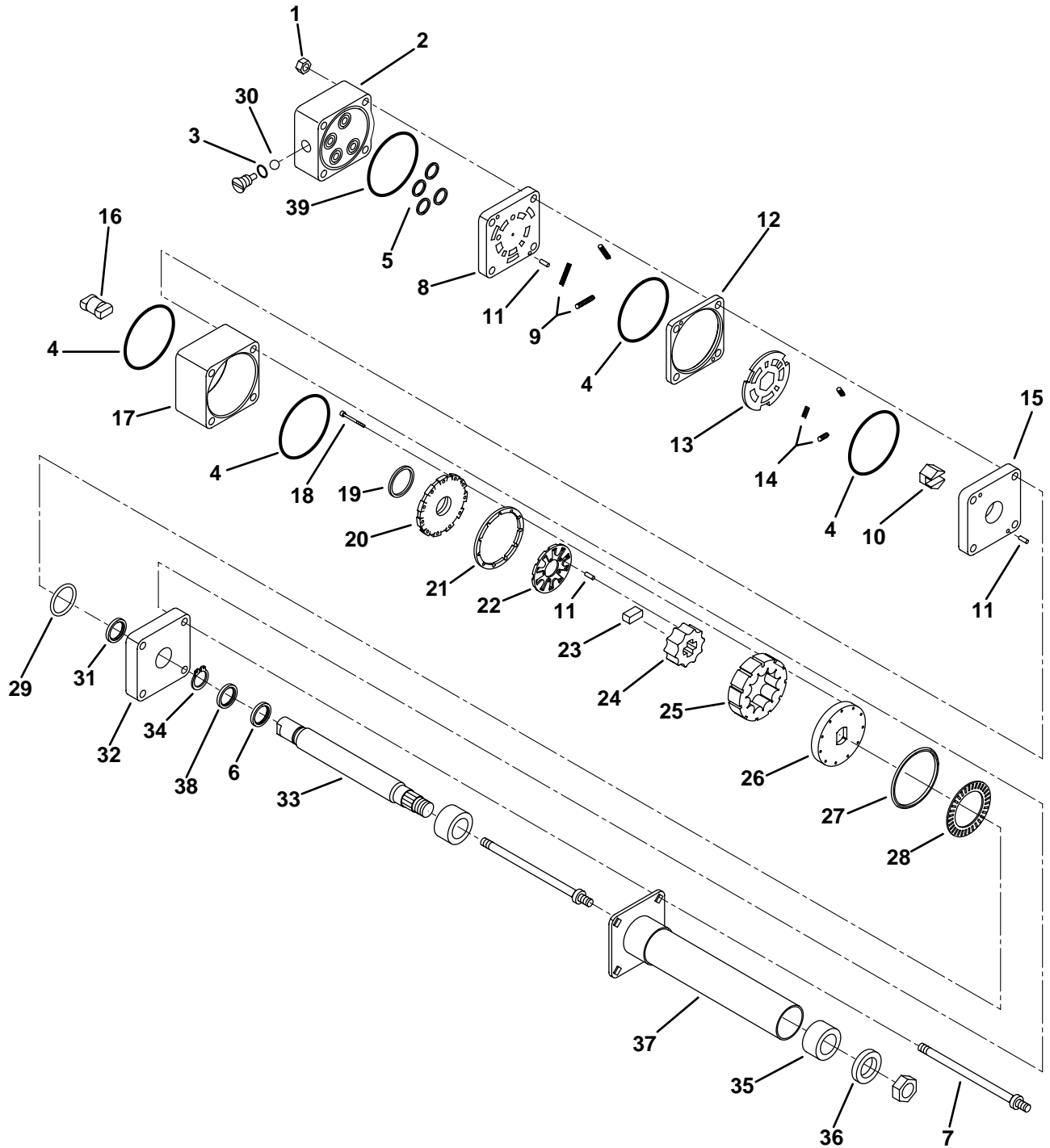


Item	Part No.	Qty.	Description	Serial Numbers/Notes
1	5003734	1	Seal Kit (Not Shown)	Includes Grease Pack
2		1	• Seal	
3		1	• Back-Up Ring	
4		1	• Shaft Seal	
5		5	• Seal Ring	
6		1	• Manifold	
7		1	• Bonded Ring	
8	554519	1	Bearing	As a Set
9	N/S	2	Thrust Washer	
10	N/S	1	Thrust Bearing	
11	N/S	1	Bearing	
12	N/S	1	Coupling Shaft	
13	N/S	1	Thrust Bearing	
14	N/S	1	Drive Link	
15	N/S	1	Wear Plate	
16	N/S	1	Rotor Assembly	
17	554873	4	Special Bolt	
18	N/S	1	Commutator	
19	N/S	1	Commutator Ring	
20	N/S	1	Housing Assembly	
21	N/S	1	End Cover	

> Change from previous revision

46.1 Steering Valve

Part Number 2811360



Item	Part No.	Qty.	Description	Serial Numbers/Notes
1	443108	4	Locknut, 5/16-18 Center	
2	5002074	1	Port Cover	
3	C	1	Seal, O-Ring	
4	C and E	4	Seal, O-Ring	
5	C	4	Seal, O-Ring	
6	D	1	Ring, Retaining Plate	
7	5002056	4	Special Bolt	
8	E	1	Port Manifold	
9	B and E	3	Spring, Port Side	
10	E	1	Hex Drive	
11	E	9	Needle Roller	
12	E	1	Valve Ring	
13	E	1	Valve Plate	
14	B and E	3	Spring, Shaft Side	
15	E	1	Isolation Manifold	
16	551105	1	Drive Link	
17	5002051	1	Metering Ring	
18	A	11	Screw, Socket Head	
19	C	1	Seal, Commutator	
20	A	1	Commutator Cover	
21	A	1	Commutator Ring	
22	A	1	Commutator	
23	A	1	Spacer	
24	A	1	Rotor	
25	A	1	Stator	
26	A	1	Drive Plate	
27	554855	1	Spacer, Thrust Bearing	
28	554856	1	Thrust Bearing	
29	C	1	Face Seal	
30	5002075	1	Ball, 7/32"	
31	554857	1	Seal, Spacer	
32	5000427	1	Upper Cover Plate	
33	D	1	Shaft	
34	5002054	1	Retaining Ring	
35	D	1	Bushing	
36	D	1	Seal	
37	2811361	1	Jacket	
38	5002055	1	Washer, Retaining Plate	
39	C and E	1	Seal, "O"Ring, White	
Service Kits				
A	5002059	1	Metering Assembly Kit	
B	502924	1	Spring Kit	
C	557738	1	Seal Kit	
D	2811361	1	Removable Column Kit	
E	5002060	1	Valve and Manifold Kit	

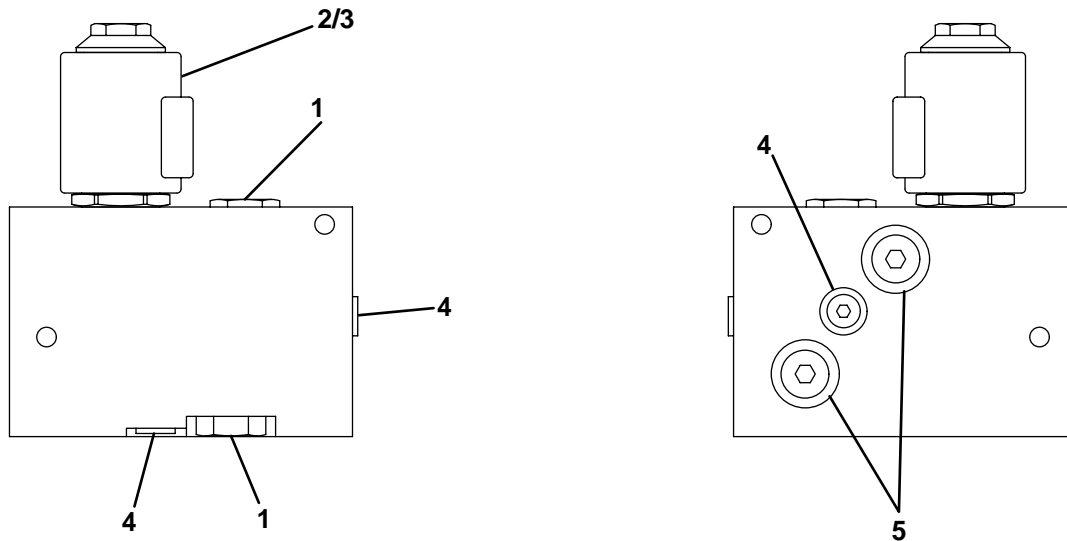
> Change from previous revision

GREENS KING VI

Serial No. All

47.1 3WD Valve

Part Number 4111942

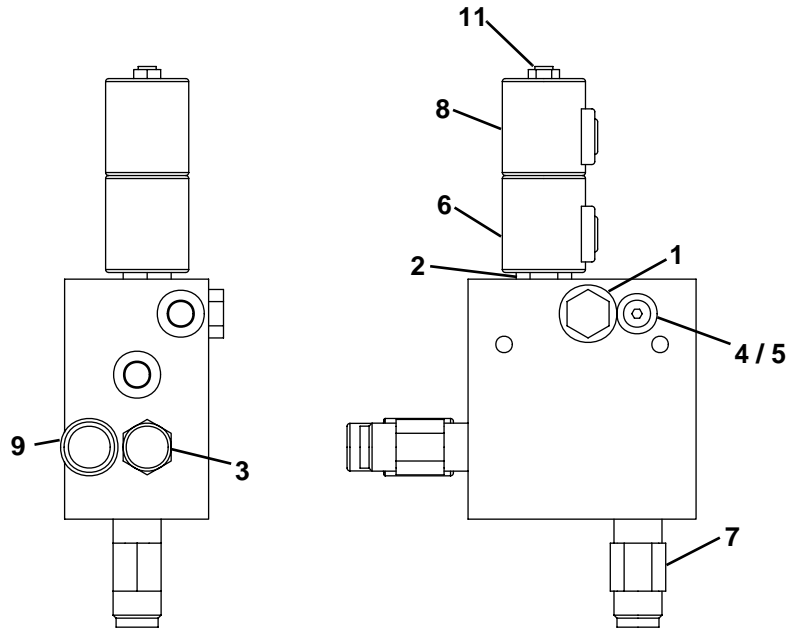


Item	Part No.	Qty.	Description	Serial Numbers/Notes
1	2810173	2	Check Valve	Reference K8, See 51.1
	5003578	1	• Seal Kit, Check Valve	
2	5001353	1	Spool Valve	
	5003579	1	• Seal Kit, Spool Valve	
3	5003507	1	Solenoid Coil	
4	5002157	3	Port Plug	
5	5001065	2	Port Plug	

> Change from previous revision

48.1 Lift Valve

Part Number 2810600



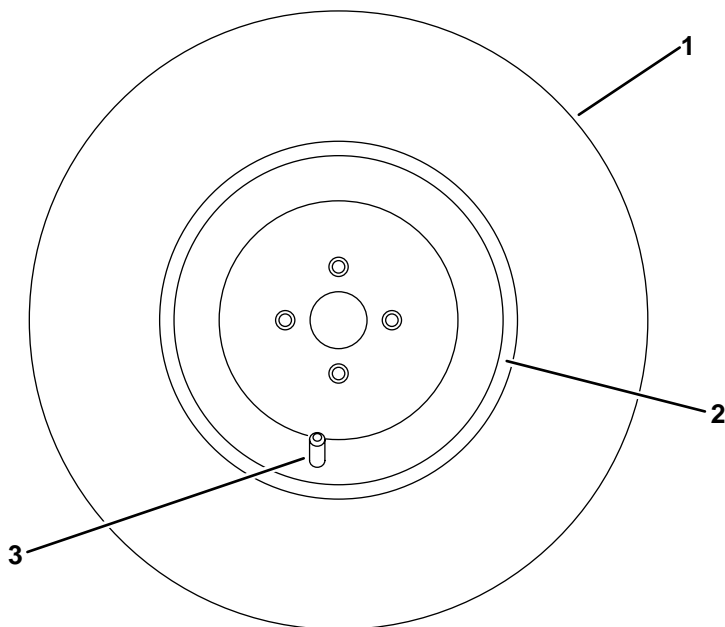
Item	Part No.	Qty.	Description	Serial Numbers/Notes
1	2811337	1	Check Valve	
	5003578	1	• Seal Kit	
2	2811334	1	4 Way Valve	
	5003579	1	• Seal Kit	
3	4103460	1	Relief Valve	
	5003578	1	• Seal Kit	
4	5002157	1	Port Plug	
5	2809796	1	Shuttle Valve	
	2809797	1	• Seal Kit	
6	2811794	1	Lift Solenoid Coil	Reference K16, See 51.1
7	2811338	1	Sequence Valve with Orifice	
	5003579	1	• Seal Kit	
8	5003506	1	Lower Solenoid Coil	Reference K17, See 51.1
	4103461	1	2200 psi Pressure Cut out Switch	Reference SW18, See 51.1
10	339909	1	• O-Ring	
11	2811490	1	Nut, Coil	

> Change from previous revision

GREENS KING VI

49.1 Wheel and Tire

Serial No. All

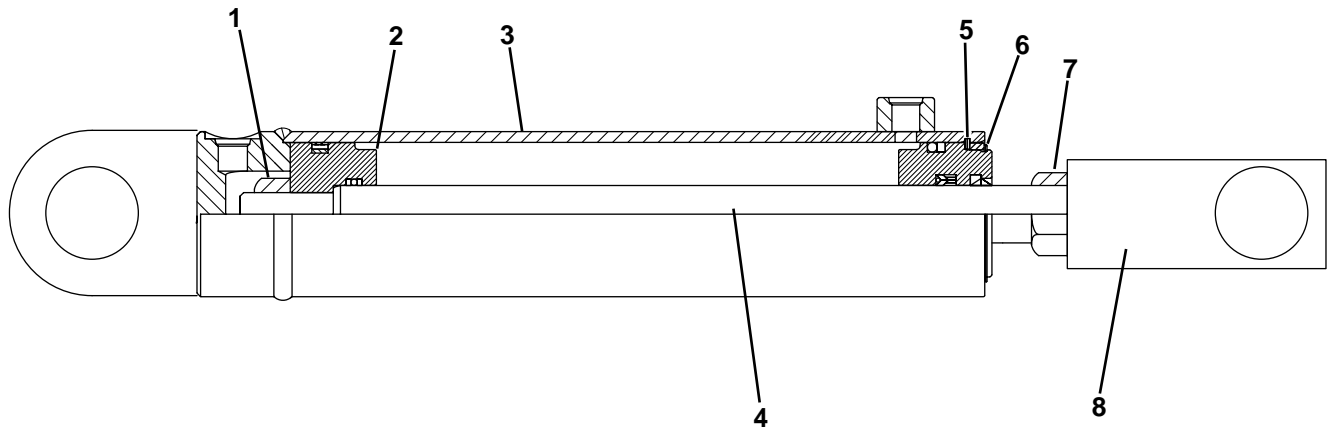


Item	Part No.	Qty.	Description	Serial Numbers/Notes
1	5000910	1	Tire	
2	3008134	1	Wheel	
3	360111	1	Valve	

> Change from previous revision

50.1 Lift Cylinder

Part Number 131450



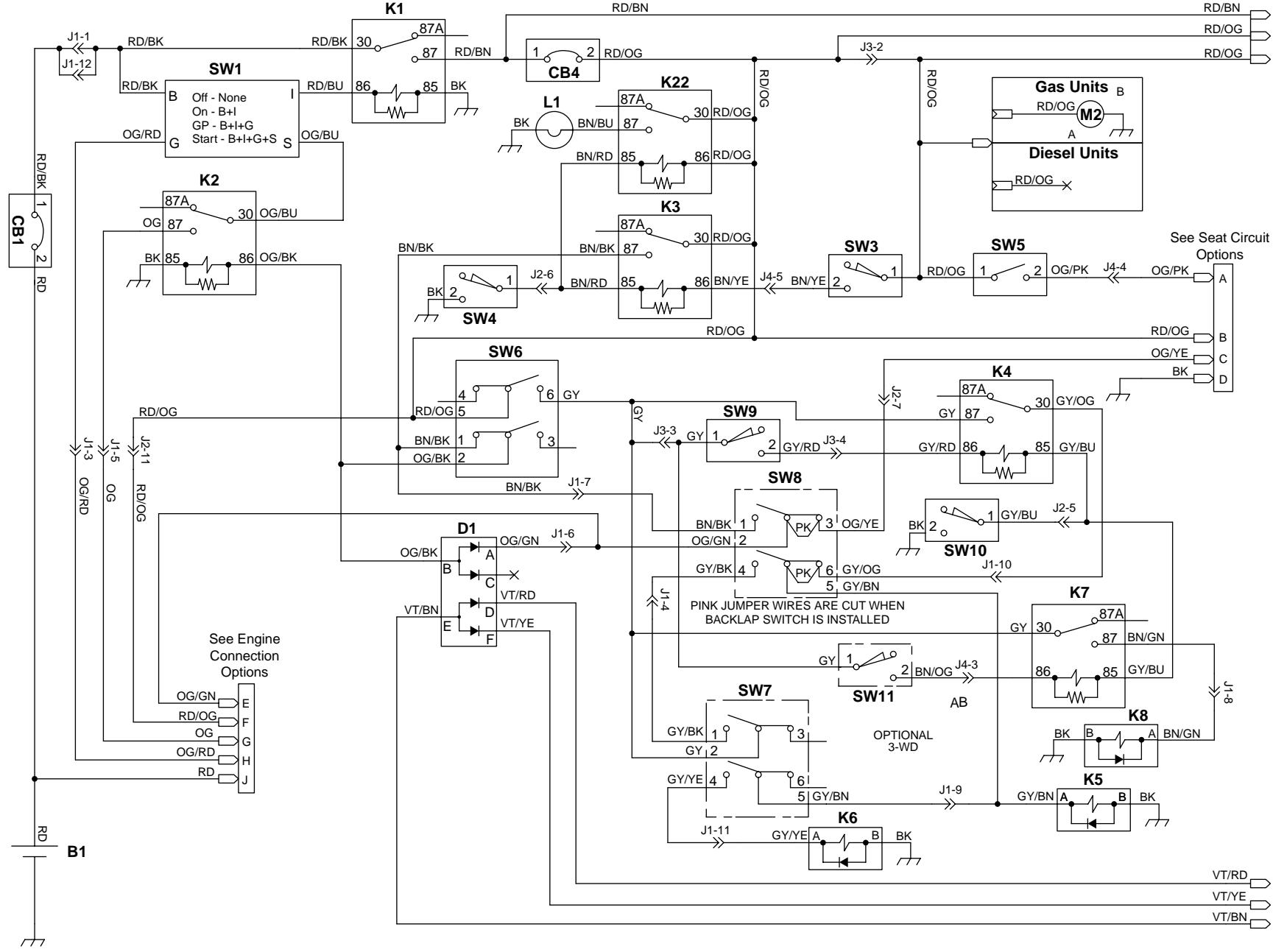
Item	Part No.	Qty.	Description	Serial Numbers/Notes
1	590287	1	Nut	Gold Star Cylinders Only
2	551067	1	Piston	Gold Star Cylinders Only
3	N/S	1	Cylinder Tube	Gold Star Cylinders Only
4	551068	1	Rod	Gold Star Cylinders Only
5	551069	1	Spacer	Gold Star Cylinders Only
6	551070	1	Lock Ring	Gold Star Cylinders Only
7	546526	1	Nut, 1" Jam	Gold Star Cylinders Only
8	546800	1	External Collar	Gold Star Cylinders Only
	5003661	1	Seal Kit - HDM	
	2500612	1	Seak Kit - Gold Star	

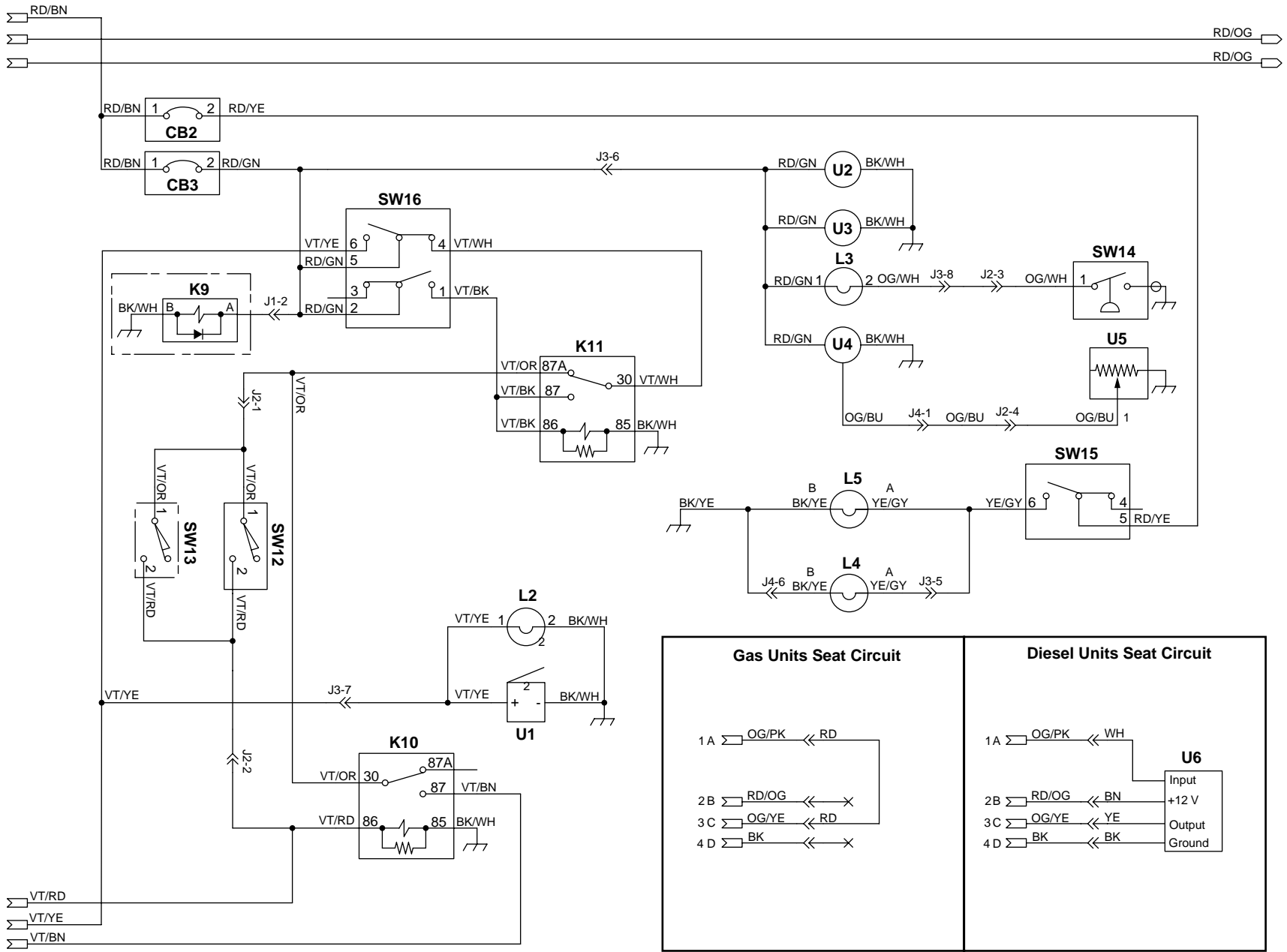
> Change from previous revision

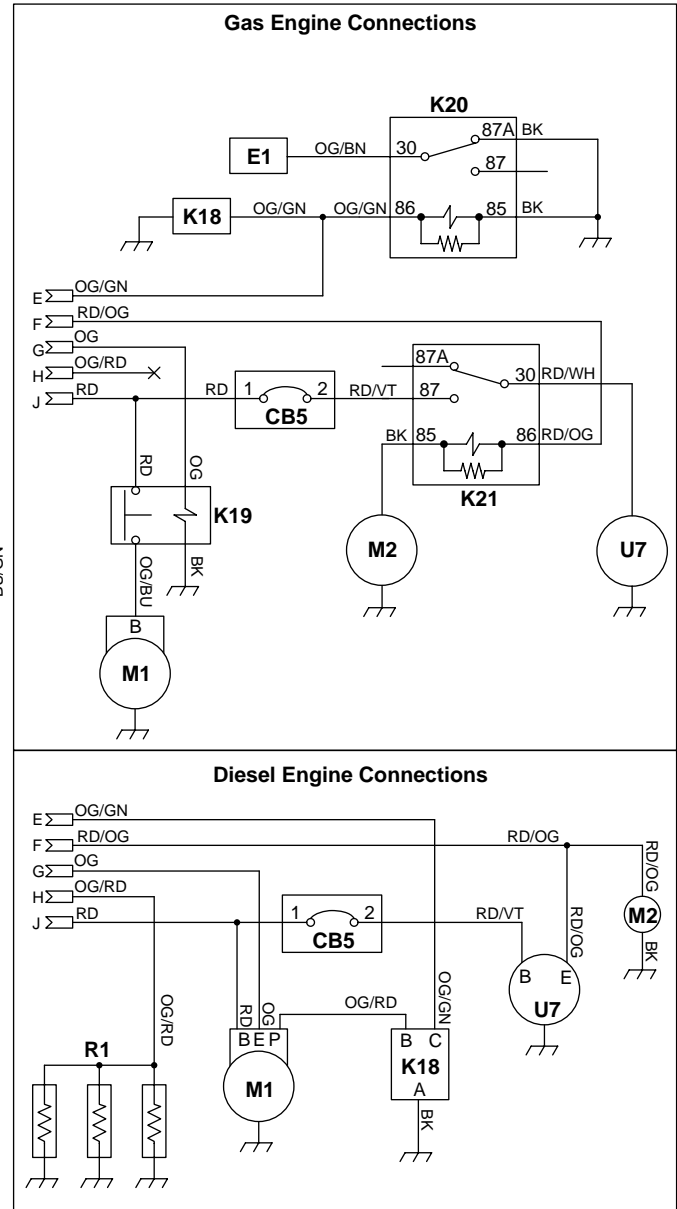
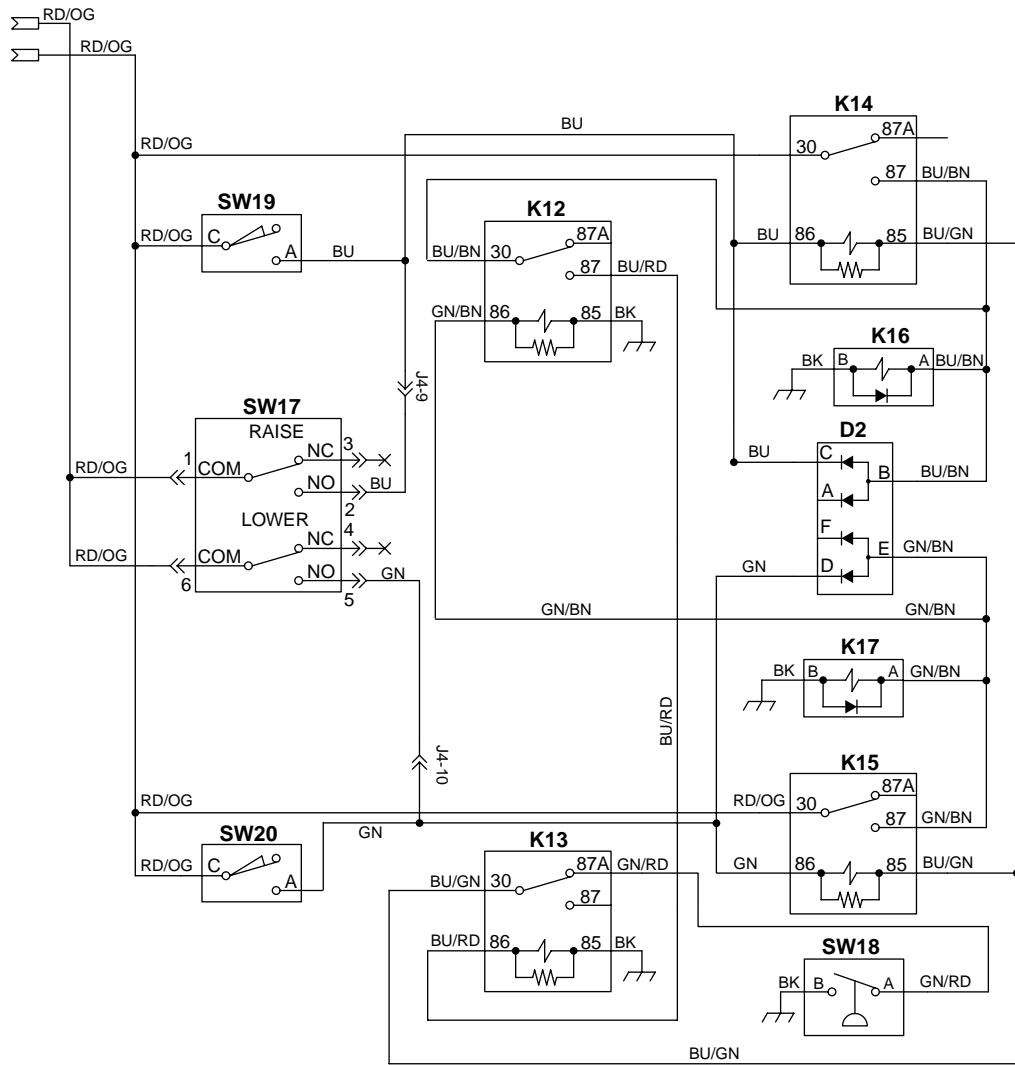
GREENS KING VI

51.1 Electrical Schematic

Serial No. All





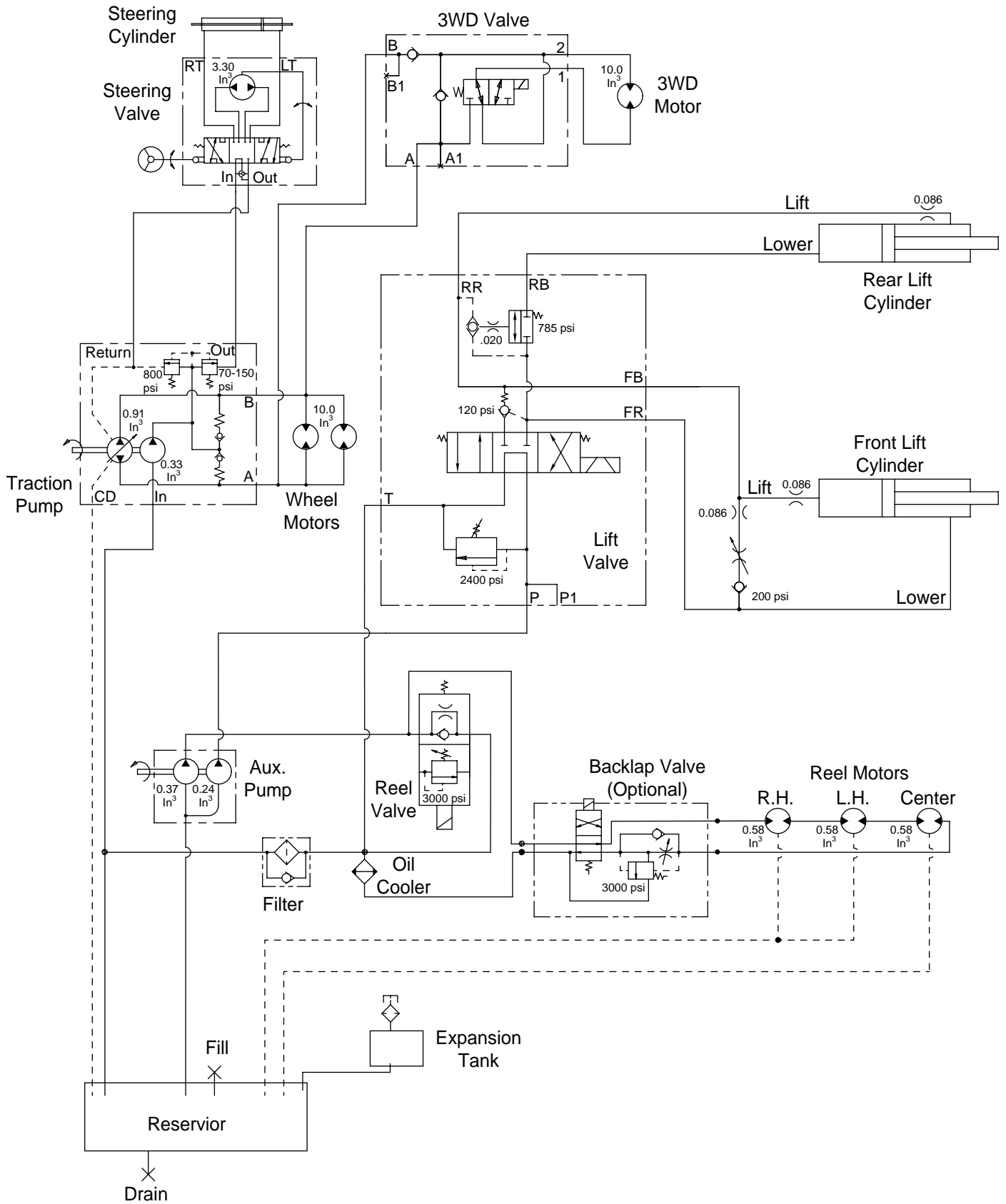


Item	Reference Illustration	Part Number	Description	Serial Numbers/Notes
B1	Not Shown	N/S	Battery	
CB1	See 37.1, 38.1	361439	50 Amp Circuit Breaker (Main)	
CB2	See 5.1	338601	10 Amp Circuit Breaker (Lights)	
CB3	See 5.1	338551	10 Amp Circuit Breaker (Instruments)	
CB4	See 5.1	338551	10 Amp Circuit Breaker (OPS)	
CB5	See 37.1, 38.1	361439	50 Amp Circuit Breaker (Alternator)	
D1	See 39.1	2811375	Diode Block (Interlock, Oil Level)	Included in Console Harness
D2	See 39.1	2811375	Diode Block (Lift/Lower)	Included in Platform Harness
E1	Not Shown	N/S	Engine Shut Down Terminal	Gas Units, Included In Engine
K1	See 5.1	3001307	Ignition Relay	
K2	See 5.1	3001307	Start Relay	
K3	See 5.1	3001307	Interlock Relay	
K4	See 5.1	3001307	Reel Relay	
K5	See 28.1	2811184	Reel Solenoid	Included in Part No. 2810561
K6	Not Shown	2811059	Backlap Solenoid (Optional)	Included in Part No. 2810562
K7	See 5.1	3001307	3WD Relay	3WD Units Only
K8	See 47.1	4113027	3WD Solenoid	3WD Units Only
K9	Not Shown		Leak Detection Solenoid (Optional)	Included in Product 68655
K10	See 5.1	3001307	Hydraulic Oil Level Latch Relay	
K11	See 5.1	3001307	Hydraulic Oil Level Mode Relay	
K12	See 8.1	3001307	Lift Reversing Relay	
K13	See 8.1	3001307	Lower Reversing Relay	
K14	See 8.1	3001307	Lift Hold Relay	
K15	See 8.1	3001307	Lower Hold Relay	
K16	See 48.1	5003507	Lift Solenoid	Included in Part No. 2810600
K17	See 48.1	5003506	Lower Solenoid	Included in Part No. 2810600
K18	Not Shown	N/S	Fuel Solenoid	Gas Units, Included In Engine
K18	See 7.1	338289	Fuel Solenoid	Diesel Units
K19	See 37.1	131905	Starter Solenoid	Gas Units Only
K20	See 37.1	3001307	Engine Shut Down Relay	Gas Units Only
K21	See 37.1	3001307	Alternator Relay	Gas Units Only
K22	See 5.1	3001307	Parking Brake Light Relay	
L1	See 5.1	366751	Parking Brake Light	
L2	See 8.1	366751	Hydraulic Oil Level Light	
L3	See 8.1	158501	Engine Oil Light	
L4	See 8.1	1004776	Work Light	
L5	See 6.1, 7.1	2811061	Instrument Panel Light	
M1	Not Shown	N/S	Starter Motor	Included in Engine
M2	See 19.1	1002659	Fuel Pump	Gas Units
M2	See 20.1	5001948	Fuel Pump	Diesel Units
R1	Not Shown	5000899	Glow Plugs	Diesel Units, Included in Engine
SW1	See 5.1	2810269	Ignition Switch	
SW2			Not Used	
SW3	See 9.1	3007392	Neutral Proximity Switch	
SW4	See 10.1	3007392	Parking Brake Proximity Switch	
SW5	See 13.1	554390	Seat Switch	

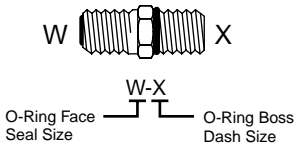
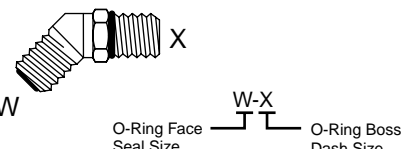
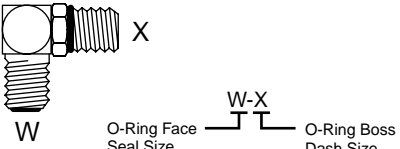
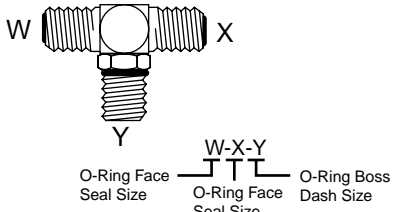
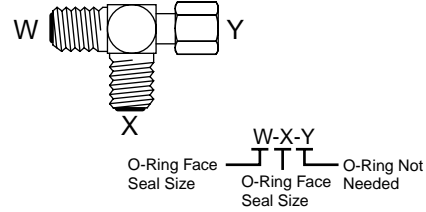
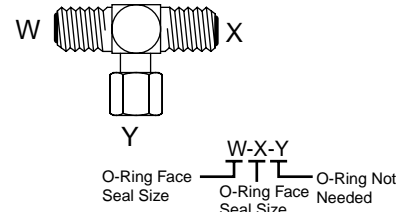
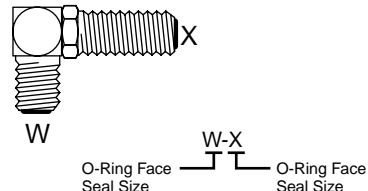
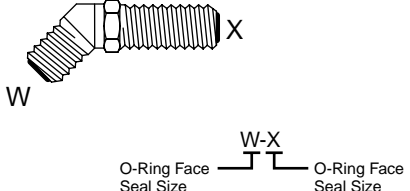
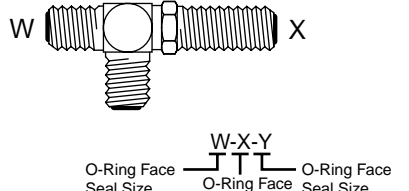
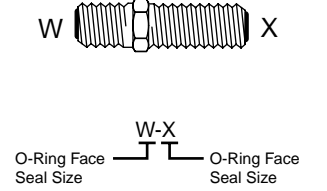
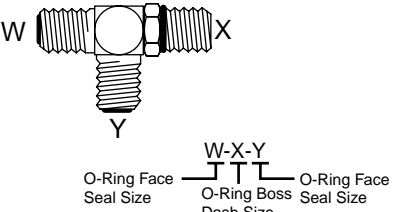
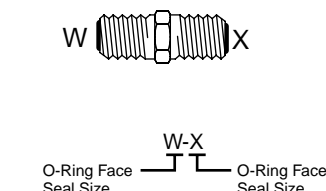
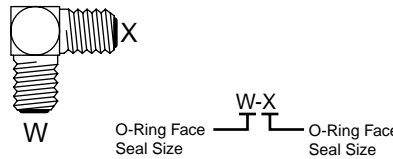
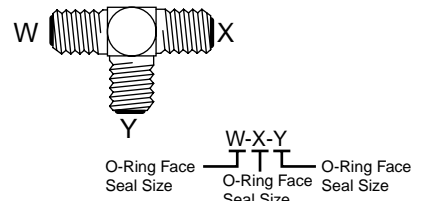
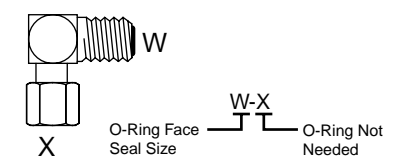
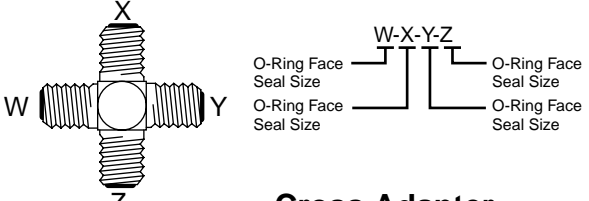

GREENS KING VI

Item	Reference Illustration	Part Number	Description	Serial Numbers/Notes
SW6	See 5.1	3001780	Reel Switch	
SW7	Not Shown	3003243	Forward/Reverse Switch (Optional)	Included in Product 68657
SW8	Not Shown	3003243	Backlap Switch (Optional)	Included in Product 68657
SW9	See 15.1	3007392	Reel Position Proximity Switch	
SW10	See 27.1	3007392	Mow/Transport Proximity Switch	
SW11	See 9.1	3007392	3WD Proximity Switch	3WD Units Only
SW12	See 29.1	2810703	Hydraulic Oil Float Switch	
SW13	Not Shown		Leak Detect Switch (Optional)	Included in Product 68655
SW14	Not Shown	3008600	Engine Oil Pressure Switch	Gas Units, Included in Engine
SW14	Not Shown	554018	Engine Oil Pressure Switch	Diesel Units, Included in Engine
SW15	See 5.1	3001375	Light Switch	
SW16	See 5.1	2811173	Hydraulic Oil Level/Test Switch	
SW17	Not Shown	1004290	Lift/Lower Joystick (Optional)	Included in Kit No. 2811472
SW18	See 48.1	2811136	Lift/Lower Pressure Kick Out Switch	Included in Part No. 2810600
SW19	See 12.1	3002774	Lift Foot Switch	
SW20	See 12.1	3002774	Lower Foot Switch	
U1	See 8.1	366670	Horn	
U2	See 8.1	162723	Hour Meter	
U3	See 8.1	162721	Volt Meter	
U4	See 8.1	162720	Temperature Gauge	Diesel Units Only
U5	See 25.1	364501	Temperature Sender	Diesel Units Only
U6	See 7.1	3009544	Relay, Time Delay	Diesel Units Only
U7	Not Shown	N/S	Alternator	Included in Engine

52.1 Hydraulic Schematic



53.1 O-Ring Chart

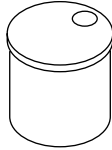

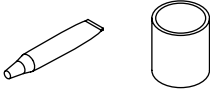
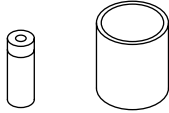
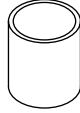
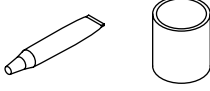
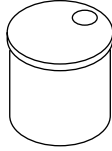
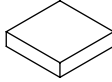
 <p>O-Ring Face Seal Size $W-X$ O-Ring Boss Dash Size X</p> <p>Straight Adapter</p>	 <p>O-Ring Face Seal Size $W-X$ O-Ring Boss Dash Size X</p> <p>45° Adapter</p>	 <p>O-Ring Face Seal Size $W-X$ O-Ring Boss Dash Size X</p> <p>90° Adapter</p>
 <p>O-Ring Face Seal Size $W-X-Y$ O-Ring Boss Dash Size Y</p> <p>Straight Thread Branch Tee</p>	 <p>O-Ring Face Seal Size $W-X-Y$ O-Ring Boss Dash Size X</p> <p>O-Ring Face Seal Size $W-X-Y$ O-Ring Not Needed</p> <p>Swivel Run Tee</p>	 <p>O-Ring Face Seal Size $W-X-Y$ O-Ring Boss Dash Size Y</p> <p>O-Ring Face Seal Size $W-X-Y$ O-Ring Not Needed</p> <p>Swivel Branch Tee</p>
 <p>O-Ring Face Seal Size $W-X$ O-Ring Face Seal Size X</p> <p>90° Bulkhead Adapter</p>	 <p>O-Ring Face Seal Size $W-X$ O-Ring Face Seal Size X</p> <p>45° Bulkhead Adapter</p>	 <p>O-Ring Face Seal Size $W-X-Y$ O-Ring Face Seal Size Y</p> <p>Bulkhead Run Tee</p>
 <p>O-Ring Face Seal Size $W-X$ O-Ring Face Seal Size X</p> <p>Union Bulkhead Adapter</p>	 <p>O-Ring Face Seal Size $W-X-Y$ O-Ring Boss Dash Size Y</p> <p>O-Ring Face Seal Size $W-X-Y$ O-Ring Face Seal Size X</p> <p>Straight Thread Run Tee</p>	 <p>O-Ring Face Seal Size $W-X$ O-Ring Face Seal Size X</p> <p>Union Adapter</p>
 <p>O-Ring Face Seal Size $W-X$ O-Ring Face Seal Size X</p> <p>90° Union Adapter</p>	 <p>O-Ring Face Seal Size $W-X-Y$ O-Ring Boss Dash Size Y</p> <p>O-Ring Face Seal Size $W-X-Y$ O-Ring Face Seal Size X</p> <p>Union Tee</p>	 <p>O-Ring Face Seal Size $W-X$ O-Ring Not Needed</p> <p>90° Swivel Adapter</p>
 <p>O-Ring Face Seal Size $W-X-Y-Z$ O-Ring Face Seal Size Z</p> <p>O-Ring Face Seal Size $W-X-Y-Z$ O-Ring Face Seal Size Z</p> <p>Cross Adapter</p>		 <p>Plug</p>

Adapter Part Number.	Dash Size	Adapter Type	(W) O-Ring	(X) O-Ring	(Y) O-Ring	(Z) O-Ring
339972	4-4	Straight Adapter	339908	339896		
339974	4-6	Straight Adapter	339908	339897		
339979	6-6	Straight Adapter	339909	339897		
339980	6-8	Straight Adapter	339909	339898		
339984	8-8	Straight Adapter	339910	339898		
339985	8-10	Straight Adapter	339910	339899		
340003	6-6	Straight Adapter	339906	339897		
340006	6-6	Straight Adapter	339906	339897		
340027	6-8	45° Adapter	339909	339898		
340029	8-8	45° Adapter	339910	339898		
340061	6-6	90° Adapter	339909	339897		
340062	6-8	90° Adapter	339909	339898		
340066	8-8	90° Adapter	339910	339898		
340084	8-8	90° Adapter	339910	339898		
340087	6-6	90° Adapter	339909	339897		
340119	6-6-6	Swivel Run Tee	339909	339909		
340121	10-10-10	Swivel Run Tee	339911	339911		
340167	6-6	90° Bulkhead Adapter	339909	339909		
340168	8-8	90° Bulkhead Adapter	339910	339910		
340169	10-10	90° Bulkhead Adapter	339911	339911		
340190	4-4	45° Bulkhead Adapter	339908	339908		
340191	6-6	45° Bulkhead Adapter	339909	339909		
340214	4-4-4	Bulkhead Run Tee	339908	339908	339908	
340239	6-6	Union Bulkhead Adapter	339909	339909		
340240	8-8	Union Bulkhead Adapter	339910	339910		
340263	6-6-6	Straight Thread Run Tee	339909	339897	339909	
340264	8-8-8	Straight Thread Run Tee	339910	339898	339910	
340275	10-10-10	Straight Thread Run Tee	339911	339899	339911	

SAE Boss O-Rings			ORS Face Seal O-Rings		
Dash Size	Thread Size	O-Ring	Dash Size	Thread Size	O-Ring
4	7/16-20	339896	4	9/16-18	339908
6	9/16-18	339897	6	11/16-16	339909
8	3/4-16	339898	8	13/16-16	339910
10	7/8-14	339899	10	1-14	339911
12	1 1/16-12	339900	12	1 3/16-12	339912
16	1 5/16-12	339901	16	1 7/16-12	339913
20	1 5/8-12	339902	20	1 11/16-12	339914
24	1 7/8-12	339903	24	2-12	339915
32	2 1/2-12	339904			

> Change from previous revision

Fluids and Compounds

Hydraulic Fluid*		
5001405	Two 2-1/2 Gallon Container of ISO VG68 Oil	
5001404	One 5 Gallon Pail of ISO VG68 Oil	
2500548	Two 2-1/2 Gallon Container of 10W30 Oil	
2500546	One 5 Gallon Pail of 10W30 Oil	
503409	Two 2-1/2 Gallon Container of ATF Fluid	
503407	One 5 Gallon Pail of ATF Fluid	
2-Cycle Oil		
554600	Twenty Four 16 Ounce Plastic Container	
554599	Twenty Four 8 Ounce Plastic Container	
Grease		
5000067	One 5 Gallon Pail OO-Grease	
5000068	Twenty Four 8 Ounce Tube OO-Grease	
Paint		
5003469	16 Ounce Gray Aerosol	
554598	Six 12 Ounce Orange Aerosol	
2500789	Twelve 1 Quart Can Orange	
546409	Two 1 Gallon Can Orange	
Lapping Compound		
5002488	One 10 Pound Pail of 80 Grit	
5002490	One 25 Pound Pail of 80 Grit	
5002489	One 10 Pound Pail of 120 Grit	
5002491	One 25 Pound Pail of 120 Grit	
Specialty Compound		
365422	5.3 Ounce Tube of Electrical Insulating Gel	
5001581	14 Ounce Can of Lubriplate Multi Lube A	
Biodegradable Hydraulic Fluid*		
5003102	One 55 Gallon Drum TGTSP GreensCare 68	
5003103	One 5 Gallon Pail TGTSP GreensCare 68	
5003105	One 55 Gallon Drum TGTSP GreensCare 46	
5003104	One 5 Gallon Pail TGTSP GreensCare 46	
4115976	One 55 Gallon Drum TGTSP GreensCare 32	
4115977	One 5 Gallon Pail TGTSP Greens Care 32	
5003106	Twenty Four 14 Ounce Tube Greens Care Grease	
O-Ring Kit		
5002452	SAE O-Ring Boss (3/32 ~ 2" Tube O.D.)	
5002453	Common O-Ring Kit	
5002454	O-Ring Face Seal ORFS (-4 ~ -24 ORS Tube Size)	
Right Start Kit for New Machines		
See your local TGTSP Dealer		
On-Time Maintenance Kit		
See your local TGTSP Dealer		

* Refer to the Parts & Maintenance manual for the correct hydraulic oil requirements for your machine.

Textron Golf, Turf & Specialty Products offers a High Usage Parts Catalog illustrating commonly used Parts through easy to read line Drawings. See your local TGTSP Dealer for a copy.

INDEX

1000252.....	51	122786.....	105	2810318.....	83	2811078.....	30
1000253.....	51	122787.....	105	2810319.....	83	2811080.....	31
1000255.....	75	123299.....	75	2810327.....	54	2811091.....	75
1000327.....	53	131450.....	53	2810333.....	85	2811118.....	33
1000328.....	53	131498.....	53	2810334.....	85	2811130.....	30
1000353.....	43	131675.....	53	2810335.....	81	2811151.....	33
1000362.....	105	131905.....	98	2810336.....	81	2811152.....	33
1000373.....	37	132929.....	57	2810351.....	54	2811173.....	35
1000374.....	37	156287.....	109	2810352.....	29	2811184.....	77
1000375.....	37, 39	158501.....	41	2810353.....	29	2811187.....	43
1000389.....	91, 93	158568.....	105	2810356.....	87, 89	2811313.....	91, 93
1000392.....	91, 93	162478.....	39	2810357.....	91, 93	2811334.....	115
1000393.....	91, 93	162561.....	85	2810358.....	55	2811337.....	115
1000416.....	51	162720.....	41	2810363.....	31	2811338.....	115
1000420.....	79	162721.....	41	2810395.....	75	2811349.....	69
1000449.....	57	162723.....	41	2810402.....	54	2811350.....	73
1000451.....	51	163430.....	51	2810407.....	43	2811358.....	101
1000465.....	45	163583.....	49	2810409.....	75	2811360.....	57
1000480.....	103	163892.....	103	2810447.....	43	2811361.....	113
1000749.....	80	2000065.....	105	2810451.....	33	2811364.....	57
1000750.....	80	2500477.....	54, 55	2810457.....	33	2811365.....	57
1000770.....	105	2500596.....	109	2810462.....	91, 93	2811375.....	101
1000997.....	103	2500597.....	109	2810481.....	29	2811401.....	31
1001014.....	39	2500612.....	117	2810482.....	29	2811403.....	51
1001067.....	77	2809600.....	105	2810485.....	85	2811414.....	31
1001073.....	87	2809626.....	31	2810486.....	43	2811427.....	73
1001074.....	87	2809796.....	115	2810499.....	73	2811430.....	45
1001075.....	87	2809797.....	115	2810545.....	73	2811433.....	33
1001076.....	87	2809827.....	95	2810556.....	95, 97	2811490.....	115
1001346.....	69	2809909.....	47	2810558.....	77	2811547.....	57
1001450.....	33	2809910.....	47	2810559.....	101	2811595.....	37
1001565.....	63	2809911.....	47	2810561.....	77	2811608.....	101
1001566.....	63	2809991.....	45	2810578.....	31	2811691.....	45
1001575.....	69, 73	2809998.....	47	2810581.....	33	2811754.....	29
1001701.....	63	2810050.....	45	2810598.....	77	2811794.....	115
1001972.....	85	2810085.....	75	2810600.....	48	2812163.....	30
1001984.....	80	2810165.....	103	2810673.....	30	2812164.....	30
1002030.....	85	2810166.....	103	2810683.....	47	2812198.....	79
1002142.....	75	2810173.....	114	2810702.....	59, 61	2812249.....	39
1002224.....	105	2810181.....	85	2810703.....	79	2812250.....	77
1002659.....	59	2810182.....	85	2810767.....	55	2812251.....	54
1002825.....	71	2810204.....	85	2811005.....	33	2812252.....	55
1003381.....	43	2810206.....	83	2811006.....	85	2812286.....	101
1003508.....	47, 55	2810207.....	83	2811007.....	85	2812287.....	77
1003551.....	69	2810217.....	85	2811008.....	85	2812387.....	85
1003850.....	69	2810258.....	81	2811009.....	85	2812397.....	31
1003851.....	67	2810259.....	81	2811010.....	48	2819948.....	45
1004059.....	51	2810260.....	81	2811012.....	85	2822505 ...	87, 89, 91, 93
1004439.....	53	2810261.....	81	2811015.....	101	3000268.....	43
1004776.....	41	2810269.....	35	2811016.....	101	3000654.....	53
1004786.....	103	2810292.....	35	2811017.....	101	3000655.....	53
1004790.....	87, 89	2810313.....	83	2811020.....	35	3000675.....	53
1004791.....	87, 89	2810314.....	83	2811061.....	37, 39	3000693.....	75
1004990.....	105	2810315.....	83	2811065.....	48	3000698.....	106
117185.....	47	2810316.....	83	2811073.....	77	3000842.....	33
117186.....	47	2810317.....	83	2811074.....	85	3000853.....	43

INDEX

3000926.....	43	3002994.....	71	3006991.....	49	336481.....	69
3000928.....	33	3003110.....	95, 97	3007392....	43, 45, 53, 75	336962.....	103
3000930.....	77	3003255.....	69	3007504.....	29	338289.....	39
3000983.....	106	3003261.....	69, 73	3007513.....	29	338383.....	47
3001005.....	45	3003360.....	54, 55	3007531.....	29	338547.....	59, 61
3001025.....	91, 93	3003361.....	54, 55	3007694.....	51, 53	338601.....	35
3001027.....	91, 93	3003446.....	63	3007798.....	30	339237.....	29
3001033.....	80	3003473.....	77	3007828.....	29	339909.....	85, 115
3001148.....	67	3003511.....	63	3007829.....	29	339910.....	91, 93
3001150.....	71	3003512.....	63	3007830.....	29	339960.....	87, 89
3001151.....	75	3003513.....	63	3007949.....	29	339961.....	83, 85, 87
3001296.....	80	3003514.....	63	3007954.....	53	339962....	87, 89, 91, 93
3001307.....	35, 41, 98	3003667.....	51	3008112.....	29	339963.....	81
3001328.....	49	3003773.....	37, 79	3008113.....	29	339972....	87, 89, 91, 93
3001334.....	45	3003884.....	29	3008134.....	116	339974.....	83
3001337.....	73	3003928.....	49	3008383.....	33, 43	339979.....	83, 85
3001349.....	73	3004063.....	51	3008415.....	61	339980.....	87
3001375.....	35	3004142.....	59, 61	3008416.....	59	339984....	80, 89, 91, 93
3001402.....	79	3004151.....	39	3008438.....	105	339985.....	81, 91, 93
3001435.....	29	3004223.....	65	3008439.....	105	340006.....	85
3001512.....	47	3004263.....	29	3008576.....	29	340029.....	91, 93
3001602.....	57	3004280.....	69	3008592.....	79	340061.....	85
3001643.....	80	3004285.....	33	3008769.....	63	340062.....	87
3001654.....	106	3004287.....	33	3009138.....	103	340066.....	89, 91, 93
3001655.....	106	3004320.....	29	3009193....	43, 45, 53, 75	340084.....	81
3001656.....	106	3004329.....	37, 39	3009234.....	51	340087.....	85
3001720.....	103	3004551.....	45	3009544.....	39	340119.....	85
3001762.....	106	3004870.....	51	3009565.....	73	340121.....	81
3001780.....	35	3004990.....	77	3009733.....	75	340167.....	85, 87
3001788.....	29	3005120.....	77	3009734.....	75	340168.....	87, 89
3001861.....	29	3005276.....	71	3010286.....	107	340169.....	81
3001862.....	29	3005435.....	51	3010293.....	103	340190.....	87, 89
3001891.....	57	3005577.....	53	3010296.....	103	340191.....	83
3001899.....	33	3005602.....	80	3010422.....	107	340214.....	87, 89
3001924.....	33	3005636.....	51	3010712.....	107	340239.....	83, 85, 87
3002025.....	33	3005692.....	105	303567.....	59, 61	340240.....	89
3002041.....	43	3005694.....	80	303629.....	51	340263.....	85
3002098.....	33	3005937.....	59	304745.....	103	340264.....	91, 93
3002112.....	33	3005938.....	59	308949.....	75	340275.....	81
3002144.....	35	3006066.....	65	310711.....	47	340652.....	75
3002186.....	87, 89	3006098.....	65	311812.....	77	340654.....	69
3002238.....	59, 61	3006112.....	73	315298.....	103	340830.....	29
3002244.....	79	3006126.....	65	319914.....	65	341837.....	61
3002262.....	57	3006127.....	65	320650.....	77	343616.....	105
3002263.....	57	3006131.....	65	324887.....	39, 79	344545.....	75
3002336.....	29	3006132.....	65	326111.....	43	344996.....	57
3002365.....	73	3006135.....	65	326799.....	73	345510.....	105
3002388.....	73	3006142.....	73	328016.....	33, 51	345621.....	54, 55
3002392.....	73	3006143.....	71	33380137, 39, 65, 69, 79,		345625.....	43
3002530.....	45	3006233.....	65 91, 93, 95, 97		345666.....	59, 61, 67
3002593.....	33	3006254.....	73	333831.....	109	345671.....	77
3002622.....	65	3006267.....	71	333835.....	109	345689.....	45
3002633.....	77	3006301.....	65	333844.....	109	345699.....	51
3002774.....	48	3006486.....	29	333845.....	109	345807.....	54
3002836.....	79	3006571.....	31	333846.....	109	346006.....	71
3002865.....	80	3006988.....	49	333855.....	109	347985.....	53

INDEX

349577.....	109	365976.....	59	5000441.....	69	503477.....	103
349816.....	80, 91, 93	366013.....	63	5000527.....	41	503478.....	103
350542.....	53	366197.....	53	5000614.....	69, 73	503479.....	103
352726.....	47	366403.....	41	5000625.....	106	530660.....	47
352737.....	105	366526.....	59, 61, 79, 91, 93	5000869.....	59, 61	546526.....	117
353767.....	47	366535.....	53, 63	5000910.....	116	546800.....	117
353914.....	47, 55	366670.....	41	5000912.....	73	549730.....	54
353927.....	53	366673.....	79	5000913.....	73	551047.....	109
354081.....	43	366675.....	79	5000914.....	73	551048.....	109
354085.....	29	366724.....	33	5001065.....	114	551049.....	109
354417.....	67, 71	366751.....	35, 41	5001102.....	103	551067.....	117
357855.....	43	366878.....	57	5001190.....	61	551068.....	117
357998.....	53	366884.....	71	5001353.....	114	551069.....	117
357999.....	51	366932.....	35	5001374.....	77	551070.....	117
358971.....	63	367164.....	103	5001375.....	77	551105.....	113
359611.....	80	367186.....	95, 97	5001376.....	77	554390.....	49
360111.....	116	367191.....	39	5001434.....	69, 73	554519.....	111
360343.....	41	367249.....	54, 55	5001686.....	59	554748.....	59, 61
360460.....	51	367349.....	51	5001858.....	75	554752.....	61
360680.....	54	367458.....	80	5001948.....	61	554855.....	113
360803.....	109	367558.....	67	5002051.....	113	554856.....	113
360934.....	39	367559.....	51, 67, 71	5002054.....	113	554857.....	113
36097033, 61, 63, 65, 98,	101	367588.....	47	5002055.....	113	554873.....	111
361108.....	43, 75	390950.....	105	5002056.....	113	557738.....	113
361117.....	59, 61	391127.....	73	5002059.....	113	557822.....	47
361174.....	53, 59, 61	391201.....	67	5002060.....	113	557823.....	47
361175.....	29	395388.....	47	5002062.....	109	557824.....	47
361177.....	29	4100280.....	85	5002063.....	109	557825.....	47
361178.....	29	4103460.....	115	5002065.....	109	557826.....	47
361439.....	98, 99	4103461.....	115	5002066.....	75, 109	557827.....	47
361606.....	71	4111942.....	77	5002067.....	109	558127.....	109
361748.....	61	4113363.....	51	5002068.....	109	558136.....	109
361854.....	29	4113429.....	91, 93	5002074.....	113	590063.....	109
361877.....	103	4113431.....	91	5002075.....	113	590101.....	47, 55
362320.....	51, 69	4113432.....	91, 93	5002151.....	103	590287.....	117
362535.....	65, 73	4113433.....	95, 97	5002157.....	114, 115	66172.....	49
362743.....	75, 109	4113541.....	91, 93	5002569.....	51	67891.....	105
362744.....	43	4113542.....	87	5002577.....	103	67896.....	105
363485.....	71	4113543.....	87	5002644.....	73		
36351433, 37, 39, 77, 91,	93, 98, 99	4113544.....	91	5003054.....	103		
363586.....	71	4113597.....	91, 93	5003150.....	103		
363848.....	63	4114951.....	89	5003450.....	109		
364016.....	61, 98, 99	4114952.....	89	5003452.....	109		
364190.....	45	4114953.....	89	5003506.....	115		
364221.....	95, 97	4114954.....	89	5003507.....	114		
364235.....	43	4114955.....	89	5003578.....	114, 115		
364501.....	71	4114957.....	89	5003579.....	114, 115		
364528.....	45	4115978.....	29	5003623.....	41		
364738.....	95, 97	4116698.....	97	5003660.....	77		
364774.....	35	4116753.....	93	5003661.....	117		
364900.....	103	4117463.....	51	5003734.....	111		
365339.....	29	5000078.....	69, 73	500534.....	103		
365677.....	47	5000415.....	103	500596.....	54		
365960.....	48	5000427.....	113	502924.....	113		
		5000436.....	59, 69	503398.....	113		
		5000440.....	69	503460.....	103		

World Class Quality, Performance And Support

Equipment from Textron Golf, Turf And Specialty Products is built to exacting standards ensured by ISO 9001 registration at all our manufacturing locations.

A worldwide dealer network and factory-trained technicians backed by Textron Parts Xpress provide reliable, high-quality product support.



JACOBSEN
A Textron Company

BOB CAT BUNTON CUSHMAN E-Z GO JACOBSEN RANSOMES RYAN STEINER

Textron Golf, Turf & Specialty Products
PO Box 7708, Charlotte, NC 28241-7708
www.ttcsp.com