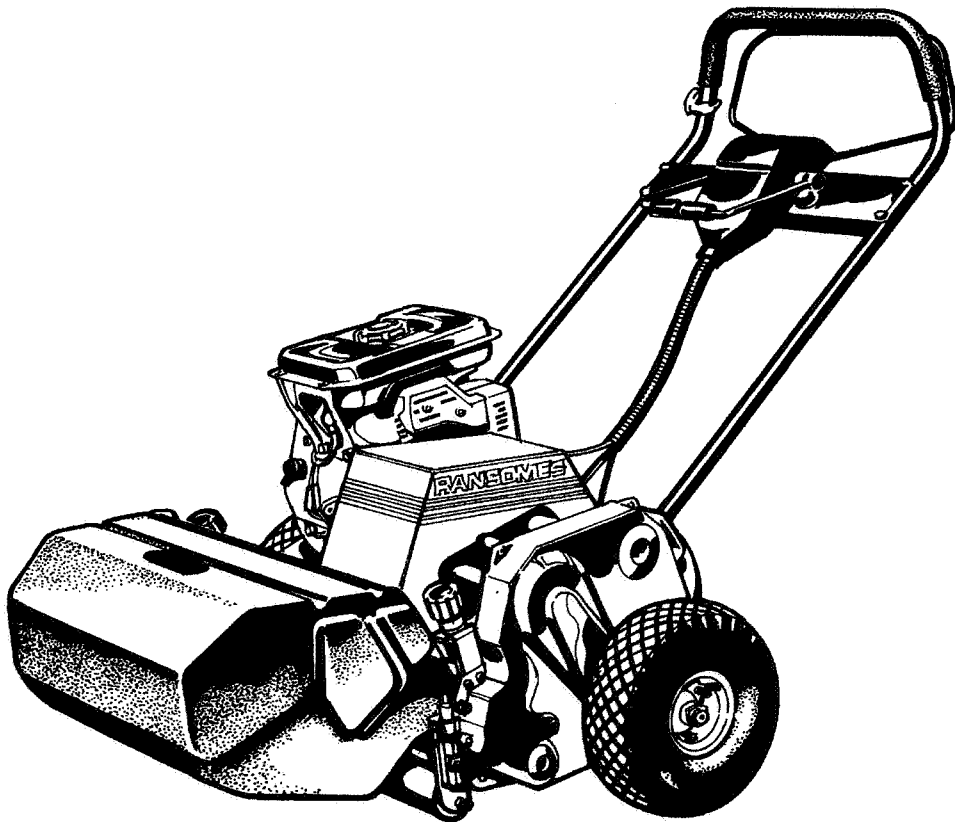


RANSOMES GREENS SUPER 50, 55, 60

LIST OF PARTS / ONDERELENJIST
LISTE DE PIÈCES / ERSATZTEILLISTE
LISTA DE PIEZAS / RESERVDIELSLISTA
RESERVDIELISTE / LISTA DEI COMPONENTI

GB NL F D E DK S I

SERIES: RH, RJ, RK, UZ, VH





INTRODUCTION

ITEM NUMBER

Each part which is identified in the illustrations has an item number. Parts which do not have an item number may not be readily identified in the illustration but are usually closely associated with the immediately adjacent part.

ASSEMBLIES

A complete assembly, e.g. a wheel motor or hydraulic motor or roll assembly, is listed as a complete item with subsequent individual components listed separately.

The assembly is listed under its part number with component parts being listed offset to the right, e.g.:-

ITEM	RANSOMES PART NO.	DESCRIPTION	QTY
1	LMSD798	Roll Assy.	1
2	MBB4490	• Tube	1
3	LMSD926	• End Cap Assy.	2
4	MBB6851	•• End Cap	1
5	H009116	••• Bearing	1
6	MBB2356	•• Seal Housing	1
7	A224016	• Seal	2
*	A122192	Screw	2

It may not be possible to illustrate every item. With certain items purchased from outside suppliers some component parts may not be available from Ransomes and may need to be specially ordered from the supplier e.g. Volvo hydraulic motor components.

QUANTITIES

Quantities shown are for one assembly or sub-assembly.

USING THE PARTS LIST

Determine the function and application of the part required. Turn to the main index page and select the appropriate section. Locate the part on the illustration and parts list and read off the quantity from the appropriate MODEL column.

NUMERICAL INDEX

This is a summary of all part numbers used in the manual arranged in numerical sequence and showing the page and item number under which the parts appear.

ORDERING OF SPARE PARTS

When ordering replacement parts, it is most important to quote the SERIAL NUMBER of the machine, PART NUMBER, DESCRIPTION and QUANTITY required.



EINFÜHRUNG

ARTIKELNUMMER

Jeder auf den Illustrationen identifizierte Teil hat eine Artikelnummer. Teile ohne Artikelnummer können nicht ohne weiteres aus der Abbildung identifiziert werden, aber stehen normalerweise mit dem benachbarten Teil in Verbindung.

BAUGRUPPEN

Eine vollständige Baugruppe, z.B. ein Rad- oder hydraulischer Motor oder eine Rolleneinheit, wird als kompletter Artikel verzeichnet, dessen spätere individuelle Komponenten separat verzeichnet sind. Die Baugruppe wird unter ihrer Teilenummer aufgelistet, und die Komponententeile werden rechts davon angegeben, z.B.:-

ARTIKEL	RANSOMES TEILENUMMER	BESCHREIBUNG	MENGE
1	LMSD798	Rolleneinheit	1
2	MBB4490	• Rohr	1
3	LMSD926	• Verschlusskappeneinheit	2
4	MBB6951	•• Verschlusskappe	1
5	H000116	••• Lager	1
6	MBB2356	•• Verdichtungsgehäuse	1
7	A224016	• Verdichtung	2
	A122192	Schraube	2

Es ist nicht immer möglich, sämtliche Artikel abzubilden. Da einige Teile von Fremdlieferanten angekauft werden, sind sie nicht jederzeit von Ransomes erhältlich und müssen besonders vom Lieferanten bestellt werden, z.B. hydraulische Volvo-Motorkomponenten.

MENGEN

Angegebene Mengen gelten nur für eine Baugruppe oder Untergruppe.

ANWENDUNG DER TEILELISTE

Die Funktion und den Einsatzbereich des erwünschten Teils feststellen. Zum Hauptinhaltsverzeichnis gehen und den entsprechenden Abschnitt wählen. Suchen Sie das Teil auf der Abbildung und Teilleiste, und entnehmen Sie die Menge der entsprechenden MENGE-Spalte.

NUMERISCHER INDEX

Hier handelt es sich um eine Übersicht aller Teilenummern aus dem Handbuch. Sie sind in numerischer Reihenfolge aufgestellt und geben Seite und Artikelnummer an, unter denen die Teile angegeben wurden.

BESTELLUNG VON ERSATZTEILEN

Bei Bestellung von Ersatzteilen ist es sehr wichtig, stets die SERIENUMMER der Maschine, die TEILENUMMER, die BESCHREIBUNG und die erwünschte MENGE anzugeben.



INTRODUCTION

NUMERO D'ARTICLE

Chaque pièce, qui est identifiée sur les illustrations, est accompagnée d'un numéro d'article. Il peut s'avérer difficile d'identifier les pièces ne possédant pas de numéro d'article, mais celles-ci sont généralement étroitement associées à la pièce immédiatement adjacente.

ENSEMBLES

Un ensemble complet, par exemple: un ensemble de moteur de roue, de moteur hydraulique ou de rouleau, est listé en tant qu'article complet et les composants individuels subséquents sont listés séparément. L'ensemble est listé sous son numéro de pièce et les composants sont décalés vers la droite sur la liste, par exemple:

ARTICLE	NO.DE PIECE RANSOMES	DESCRIPTION	QTE
1	LMSD798	Ensemble de rouleau	1
2	MBB1190	• Tube	1
3	LMSD926	• Ensemble de bouchon	2
4	MBB6891	•• Bouchon	1
5	HOO9116	••• Roulement	1
6	MBB2356	•• Logement de joint	1
7	A224016	• Joint	2
8	A123103	Vis	2

Il se peut que l'illustration de tous les articles ne soit pas possible. Pour certains articles achetés à des fournisseurs externes, il se peut que certains composants ne soient pas disponibles chez Ransomes et que ceux-ci soient commandés spécialement auprès du fournisseur, par exemple: composants de moteur hydraulique Volvo.

QUANTITES

Les quantités indiquées s'appliquent à un ensemble ou sous-ensemble.

UTILISATION DE LA LISTE DE PIECES

Déterminer la fonction et l'application de la pièce requise. Passer à la page d'index principal et sélectionner la section appropriée. Situer la pièce sur l'illustration et la liste de pièces, puis lire la quantité dans la colonne MODELE appropriée.

INDEX NUMERIQUE

Il s'agit d'un récapitulatif de tous les numéros de pièce utilisés dans le manuel, classés en séquence numérique, et indiquant la page et le numéro d'article sous lesquels les pièces apparaissent.

COMMANDE DES PIECES DE RECHANGE

Lors de la commande des pièces de rechange, il est essentiel de stipuler le NUMERO DE SERIE de la machine, le NUMERO DE PIECE, la DESCRIPTION et la QUANTITE requise.

GS50	RH_____
1997	
KG 112	KW 2.8
RANSOMES SIMS & JEFFERIES LTD.	
IPSWICH ENGLAND	

GS55	RJ_____
1997	
KG 114	KW 2.8
RANSOMES SIMS & JEFFERIES LTD.	
IPSWICH ENGLAND	

GS60	RK_____
1997	
KG 117	KW 2.8
RANSOMES SIMS & JEFFERIES LTD.	
IPSWICH ENGLAND	

GS55	UZ_____
1997	
KG 114	KW 2.8
RANSOMES SIMS & JEFFERIES LTD.	
IPSWICH ENGLAND	

GS55	VH_____
1998	
KG 103	KW 2.8
RANSOMES SIMS & JEFFERIES LTD.	
IPSWICH ENGLAND	

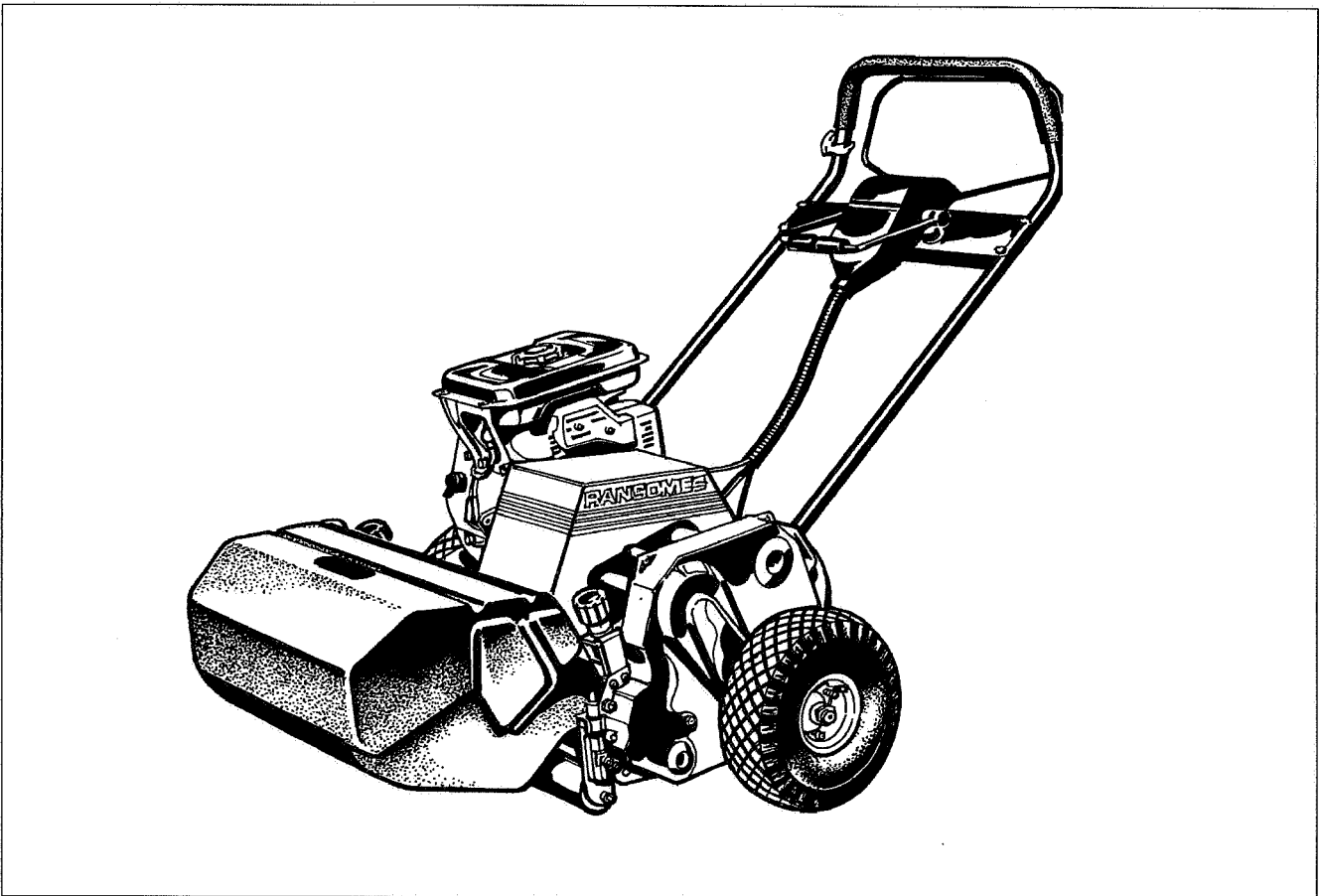


Fig. 1



Contents

Page

MAIN FRAME	13
LANDROLL ASSEMBLY	17
TRANSPORT WHEEL	19
HANDELS	21
DRIVES - PRIMARY	25
DRIVES - SECONDARY	29
DRIVES - BRAKES	33
CONTROLS series RH, RJ, RK	35
CONTROLS series UZ	39
COVERS	41
DECALS	43
ADJUSTERS	47
FRONT ROLL	49
GRASSBOX AND BRACKETS	51
GROOMER ATTACHMENT	53



SPECIFICATIONS

ENGINE SPECIFICATION

TYPE:	Kubota 2.8KW (3.7HP) @ 3600 RPM, Vertical, single cylinder, Air cooled, 121cc (7.39 cu.in), OHV, four cycle, recoil starter with mechanical decompression system, Petrol engine.
Model:	GH120 - R4
Ignition system:	Non-contact magnet ignition
Spark plug:	BP6HS
Camshaft:	2 : 1 reduction
Max. Camshaft Speed:	1800 RPM
No load max. speed:	1800 RPM
No load min. speed:	750 RPM
Lubrication system:	Splash lubrication
Oil Sump Capacity:	0.55 litres (1 Imp.pints) (0.58 US qts)
Fuel:	Lead free petrol
Fuel Tank Capacity:	3 litres (5.3 Imp. pints) (6.36 US pints)

MACHINE SPECIFICATION

Chassis series RH, RJ, RK, UZ:	Bolted frame with forged section cross members and flat steel end plates.
Chassis series VH	Bolted frame with forged section cross members and flat aluminium end plates.
Transmission:	
Primary:	Double Vee belts.
Secondary:	Synchronous toothed belt.
Traction:	Synchronous toothed belt.
Cylinder:	Synchronous toothed belt.
Clutches:	Belt clutch on primary transmission. Peg clutch on cylinder drive
Front roll:	62.3mm (2.5in) Grooved or smooth full width all aluminium roll running on double taper roller spring loaded bearings each end on stubshafts.
Landroll:	203mm (8in) machined aluminium landroll with automotive style nylon gear differential central in two piece roll.
Transport wheels:	4 x 4.00 4ply diamond pattern pneumatic tyres
Brakes: Landroll:	100mm (4in) band brake on primary layshaft.
Wheels:	60mm (2 3/8in) band brake on each end of traction drive roller shaft.



Cutting cylinder: All welded 130mm (5 1/8in)
11 knife cylinder running on
spring loaded taper roller
bearings.

Cutting ratio: 246 cuts/metre
(225 cuts/yard)

Bottom blade: High carbon manganese

Height of cut:
Standard blade: 2 - 15mm
(1/8 - 19/32in.)
Thin blade: 1.5mm - 13.5mm
(1/16 - 17/32in.)

Handles: Tubular steel counter
balanced floating with height
adjustment.

Grassbox: Moulded polyethelene on
steel hook frames.

Cutting width: 51cm (20in.)
56cm (22in.)
61cm (24in.)

Cutting performance:
GS 50 2400 sq. m. @ 4.8 km/hr
(2880 sq. yd. @ 3 mph)
GS 55 2635 sq. m. @ 4.8 km/hr
(3162 sq. yd. @ 3 mph)
GS 60 2870 sq. m. @ 4.8 km/hr
(3444 sq. yd. @ 3 mph)

Ground pressure: 0.28 kg / cm² (4lb / in²)

DIMENSIONS

	GS50	GS55	GS60
Overall height	95cm (37in)	95cm (37in)	95cm (37in)
Overall length	145cm (57in)	145cm (57in)	145cm (57in)
Overall width	77cm (30in)	87cm (34in)	95cm (38in)
Width of cut	51cm (20in)	56cm (22in)	61cm (24in)
Gross weight (incl. grassbox)	111.4kg (245.5lb)	114kg (251.3lb)	116.7kg (257.3lb)



NOISE EMISSION

Conforms to the specification of Directive
EEC 79/113, 84/558, 87/252, 88/180, 88/181.

GS50 Sound Power Level: 92dB(A) LWA(Bystander)
GS50 Sound Pressure 81.2dB(A) LpA(Operator ear)

GS55 Sound Power Level: 95dB(A) LWA(Bystander)
GS55 Sound Pressure: 84.1dB(A) LpA(Operator ear)

GS60 Sound Power Level: 93dB(A) LWA(Bystander)
GS60 Sound Pressure: 80.7dB(A) LpA(Operator ear)

HAND & ARM VIBRATION

The machine was tested in a stationery condition
supported off the ground with all drives engaged.

GS50	Vibration level:	3.06 m/sec ²
GS55	Vibration level:	m/sec ²
GS60	Vibration level:	3.08 m/sec ²

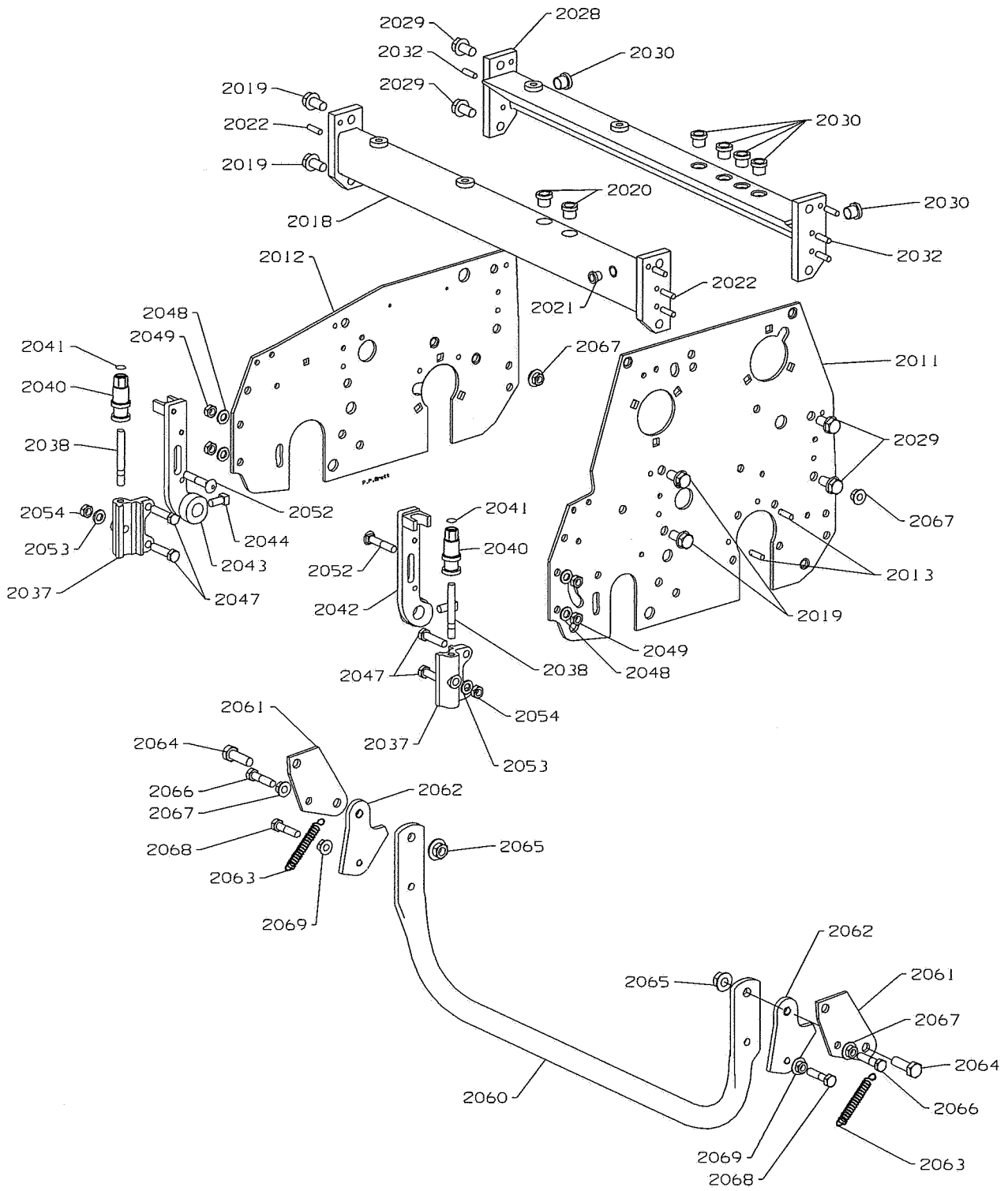
RECOMMENDED LUBRICANTS

Engine oil: Should be to MIL-L-2104B/ or to A.P.I.
Classification SC grades and as given in
the table below:

Temperature	Oil Viscosity
ABOVE 25°C (77°F)	SAE30
0°C to 25°C (32°F to 77°F)	SAE20
BELOW 0°C (32°F)	SAE10W or SAE10W-30

Grease: Shell Darina R2 or equivalent.

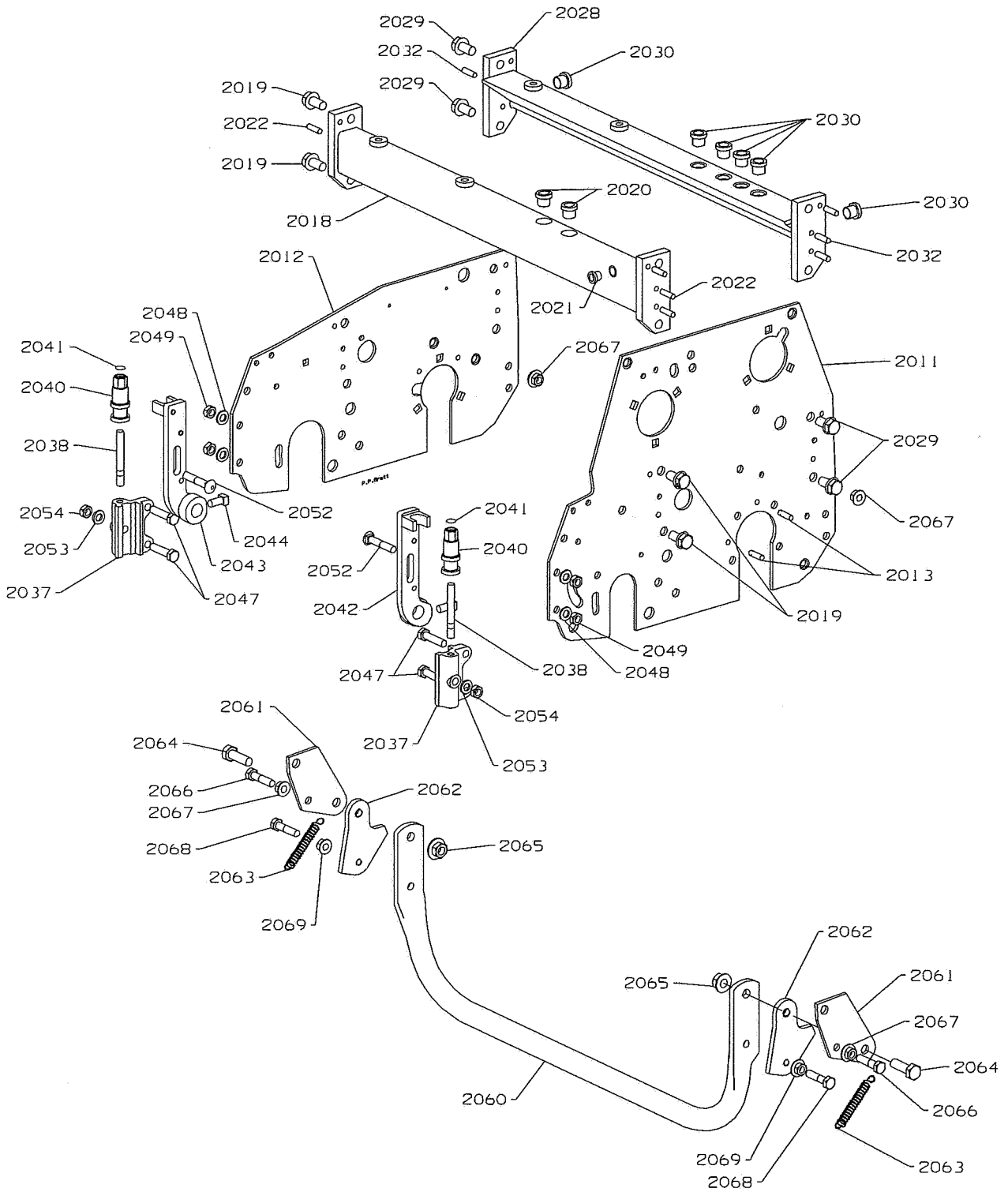
**RANSOMES
GREENS SUPER**



ITEM	RANSOMES PART NO	DESCRIPTION GB	QTY	REMARKS
2011	MBG2764	PLATE LH	1	SERIES RH, RJ, RK, UZ
2011	MBG3793	PLATE LH	1	SERIES VH
2012	MBG1543B	PLATE RH	1	SERIES RH, RJ, RK, UZ
2012	MBG3794	PLATE RH	1	SERIES VH
2013	451450	SPIROL PIN, 6 x 20	4	
2018	MBF0219B	CROSS MEMBER, FRONT	1	50cm
2018	MBF0123C	CROSS MEMBER, FRONT	1	55cm
2018	MBF0220B	CROSS MEMBER, FRONT	1	60cm
2019	450477	SCREW, M10 x 20 VERBUS RIPP	4	
2020	450369	NUTSERT, M8 A-L 1ST GRIP	2	
2021	450357	NUTSERT, M6 A-K 1ST GRIP	1	
2022	451450	SPIROL PIN, 6 x 20	6	
2028	MBF0221B	CROSS MEMBER, REAR	1	50cm
2028	MBF0124C	CROSS MEMBER, REAR	1	55cm
2028	MBF0222B	CROSS MEMBER, REAR	1	60cm
2029	450477	SCREW, M10 x 20 VERBUS RIPP	4	
2030	450370	NUTSERT, M8 A-L 2ND GRIP	6	
2032	451450	SPIROL PIN, 6 x 20	6	
2037	MBF0178	HOUSING, CARRIAGE	2	
2038	A109242	STUD, M8 X 65	2	
2039		LOCTITE 243	0	
2040	MBF0176A	KNOB, CARRIAGE	2	
2041	0800815	PLUG	2	
2042	MBF0171B	CARRIAGE LH	1	
2043	MBF0172B	CARRIAGE RH	1	
2044	A119063	SCREW	2	
2047	450193	SCREW, M8 x 30, HEX HD	4	
2048	450390	WASHER, M8	4	
2049	450378	NUT, M8 NYLOC	4	
2052	452567	BOLT, M8 x 40, SQ NECK	2	
2053	450390	WASHER, M8	2	
2054	450378	NUT, M8 NYLOC	2	
2060	A927061	Gs50 KICKSTAND	1	
2060	A927062	Gs55 KICKSTAND	1	SERIES RJ, UZ
2060	A927067	Gs55 KICKSTAND	1	SERIES VH
2060	A927066	Gs60 KICKSTAND	1	
2061	MBG0697	BRACKET, KICKSTAND	2	SERIES RH, RJ, RK, UZ
*	MBF1305A	BRACKET LH, KICKSTAND	1	SERIES VH
*	MBG3677	BRACKET RH, KICKSTAND	1	SERIES VH
2062	MBF0304B	STOP PLATE	2	SERIES RH, RJ, RK, UZ
*	MBF1306B	STOP PLATE	2	SERIES VH
2063	A290099	TENSION SPRING	1	
2064	450215	SCREW, M10 x 30, HEX HD	2	
2065	450379	NUT, M10 NYLOC	2	
2066	450016	BOLT, M8 x 40, HEX HD	1	

* Not Illustrated

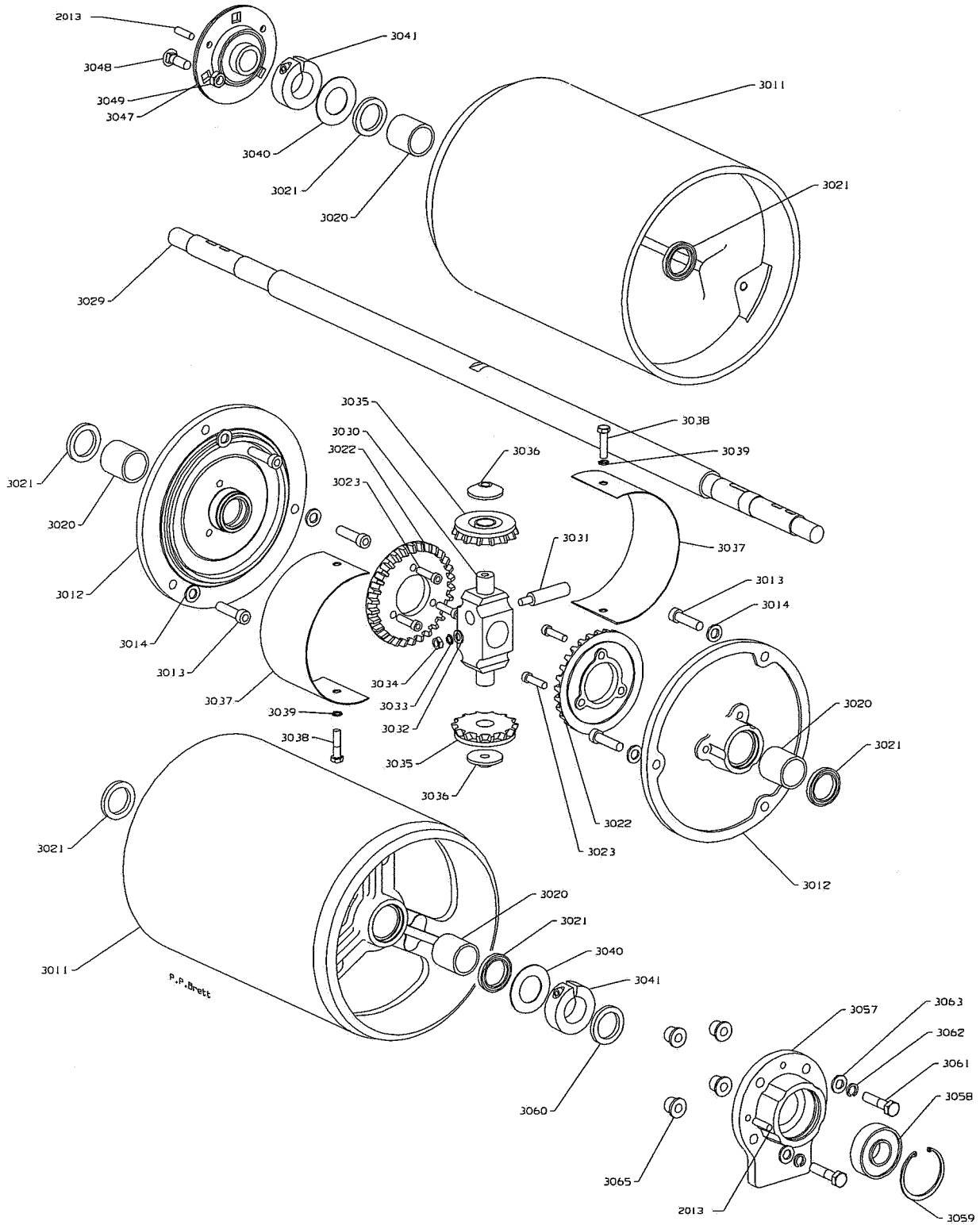
**RANSOMES
GREENS SUPER**




ITEM	RANSOMES PART NO	DESCRIPTION GB	QTY	REMARKS
2067	450453	NUT, M8 VERBUS RIPP	2	
2068	450019	BOLT, M8 x 55, HEX HD	1	
2069	450378	NUT, M8 NYLOC	4	
2070	450390	WASHER, M8	2	
2071	450191	SCREW, M8 x 20, HEX HD	1	
2072	450192	SCREW, M8 x 25, HEX HD	1	

* Not Illustrated

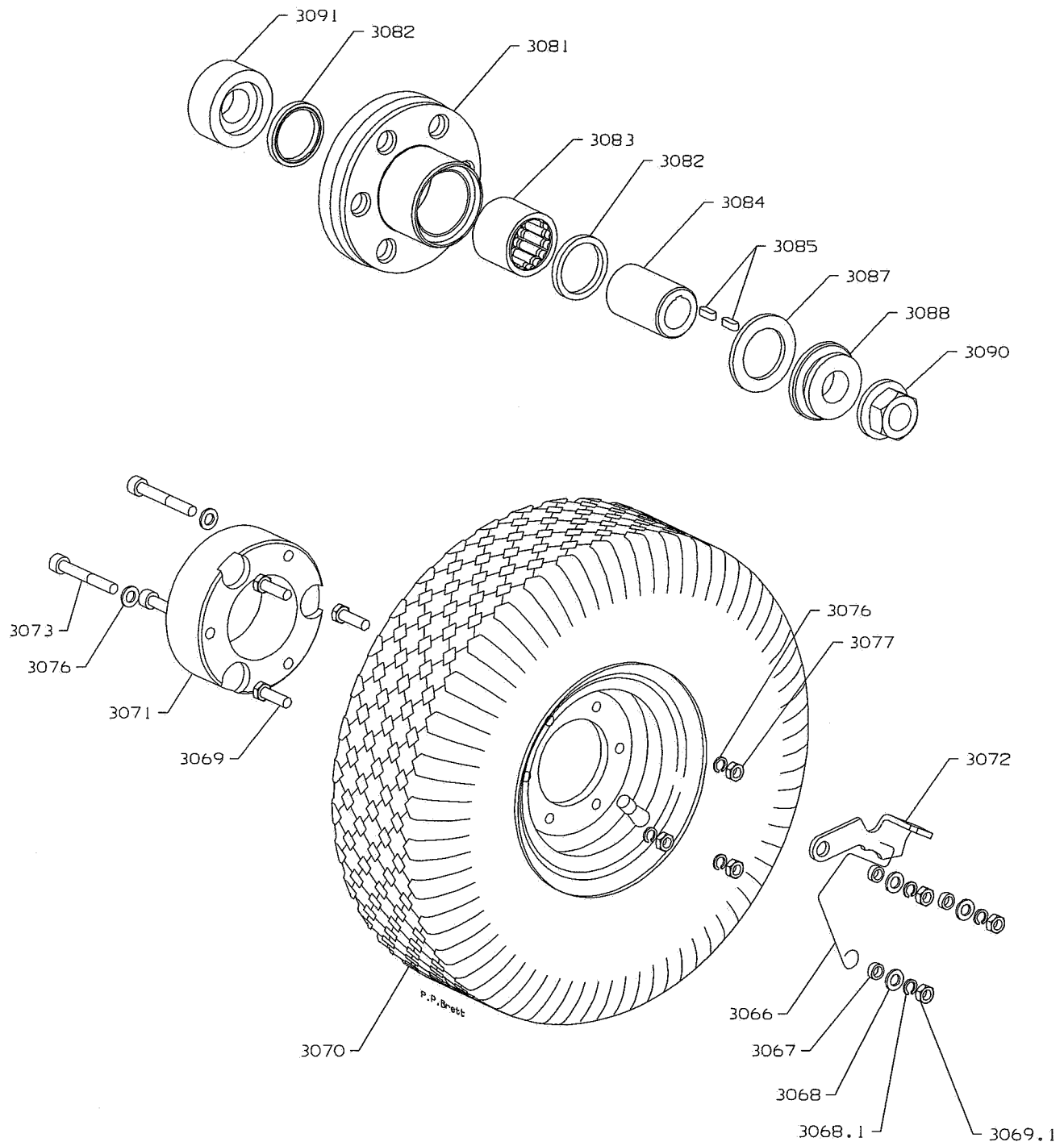
RANSOMES GREENS SUPER




ITEM	RANSOMES PART NO	DESCRIPTION 	QTY	REMARKS
3011	MBG0579A	LANDROLL 50cm	2	SERIES RJ, UZ
3011	MBG0105A	LANDROLL 55cm	2	
3011	MBG3840	LANDROLL 55cm	2	SERIES VH
3011	MBG0580A	LANDROLL 60cm	2	
3012	MBG0106A	GEAR FLANGE	2	
3013	450727	SCREW, M8 x 40, SCKT CAP HD	6	
3014	450433	S.P.WASHER, M8 EXT	6	
3020	A219310	NYLON BUSH	4	
3021	A230058	SEALING RING	6	
3022	MBA5282	BEVEL GEAR	2	
3023	GSF2015AF	SCREWS	6	
3028		ROCOL MT-LM	AR	
3029	MBG0581B	Gs50 LANDROLL SHAFT	1	
3029	MBG0352E	Gs55 LANDROLL SHAFT	1	
3029	MBG0582B	Gs60 LANDROLL SHAFT	1	
3030	MBC3324A	BEVEL GEAR CARRIER	1	SERIES RH, RJ, RK, UZ
3030	MBF1370	BEVEL GEAR CARRIER	1	
3031	A149065	COTTER PIN, 1/2"	1	SERIES VH
3032	450391	WASHER, M10	1	
3033	450412	S.L.WASHER, M10	1	
3034	GSF2051AC	NUT, 3/8" UNF	1	
3035	MBA5283	BEVEL PINION	2	
3036	MBA5347A	DISTANCE PIECE	2	
3037	MBA5284	DUST SHIELD	2	
3038	450172	SCREW, M6 x 25, HEX HD	2	
3039	450410	S.L.WASHER, M6	2	
3040	MBC7008A	COLLAR.	2	
3041	A195025	COLLAR, 25 mm	2	
3046	A209052	ROUND FLANGE FOR BEARING	1	
3047	A209048	BEARING, 45 NIPPLE	1	
3048	A102900	BOLT, M8 x 20	3	
3049	450378	NUT, M8 NYLOC	3	
3057	MBG0256D	BEARING HOUSING, LANDROLL	1	
3058	A203604	BEARING, 20x47x14	1	
3059	451977	INT CIRCLIP, 47 mm	1	
3060	A230058	SEALING RING	1	
3061	450015	BOLT, M8 x 35, HEX HD	4	
3062	450411	S.L.WASHER, M8	4	
3063	450390	WASHER, M8	4	

* Not Illustrated

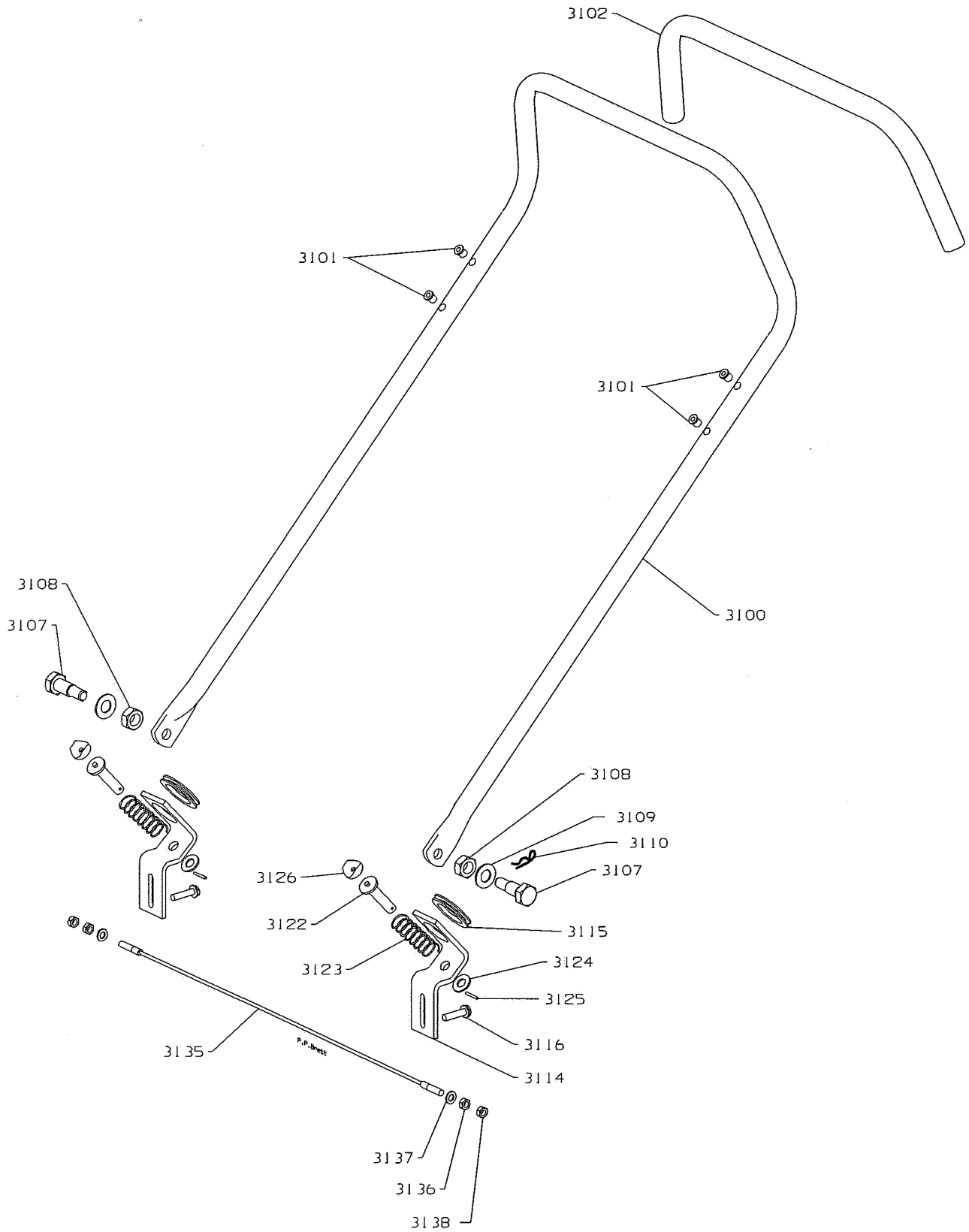
**RANSOMES
GREENS SUPER**



ITEM	RANSOMES PART NO	DESCRIPTION 	QTY	REMARKS
3065	450369	NUTSERT, M8 A-L 1ST GRIP	4	SERIES RH, RJ, RK, UZ SERIES VH
3066	A906306	SPRING	2	
3067	MBF0277	SPACER	8	
3068	450389	WASHER, M6	2	
3069	450171	SCREW, M6 x 20, HEX HD	4	
3070	A816181	WHEEL COMPLETE	2	
3071	A913443	WHEEL SPACER	2	
3071	MBG3688	WHEEL SPACER	2	
3072	MBF0278	LEVER	2	
3073	450717	SCREW, M6 x 45, SCKT CAP HD	6	
3076	450389	WASHER, M6	12	
3077	450377	NUT, M6 NYLOC	12	
3078	450172	SCREW, M6 x 25, HEX HD	2	
3079	GSF2151AD	WASHER	2	
3081	MBF0142C	WHEEL HUB, 6-BOLT	2	
3082	A230059	SEALING RING	4	
3083	A207532	30 MM ROLLER CLUTCH	2	
3084	MBF0132	CLUTCH SLEEVE	2	
3085	452145	KEY, 4 x 4 x 12	4	
3087	MBF0136	THRUST WASHER	2	
3088	MBF0137	LANDWHEEL COLLAR	2	
3089	450393	WASHER, M16	2	
3090	450382	NUT, M16 NYLOC	2	
3091	MBF0140	SPACER, WHEEL HUB	2	
3092	A159301	WASHER, 0.875"	1	

* Not Illustrated

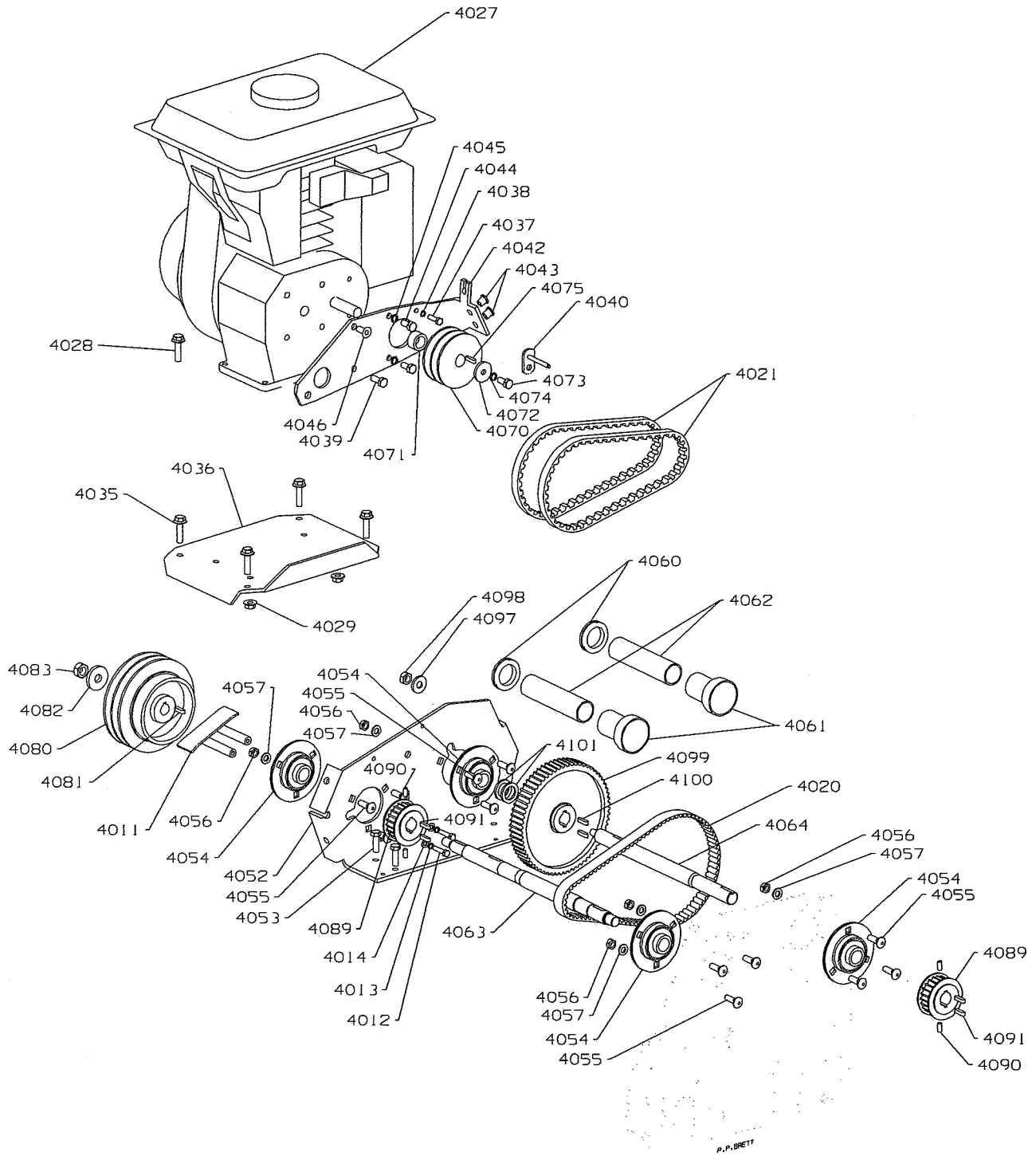
**RANSOMES
GREENS SUPER**



ITEM	RANSOMES PART NO	DESCRIPTION GB	QTY	REMARKS
3100	A927057	HANDLE TUBE,	1	50cm
3100	A927058	HANDLE TUBE,	1	55cm
3100	A927059	HANDLE TUBE,	1	60cm
3101	450357	NUTSERT, M6 A-K 1ST GRIP	4	
3102	A912509	RUBBER GRIP	1	
3107	MBF0285A	PIVOT BOLT	2	
3108	450327	NUT, M16	4	
3109	A159905	WASHER, 33/64"	2	
3110	A149022	'R' CLIP	2	
3114	MBF0332B	HANDLE BRACKET	2	SERIES RH, RJ, RK, UZ
3114	MBF1308A	HANDLE BRACKET	2	SERIES VH
3115	A295333	GROMMET	2	SERIES RH, RJ, RK, UZ
3115	A295346	GROMMET	2	SERIES VH
3116	450473	SCREW, M8 x 30 VERBUS RIPP	2	
3122	MBF0338	PIN, HANDLE	2	
3123	A291126	ENTEX 133 SPRING	2	
3124	450392	WASHER, M12	2	
3125	451241	SPLIT PIN, 3.2 x 22	2	
3126	A159411	SADDLE WASHER	2	
3127		EVOSTICK (IMPACT ADHESIVE)	AR	
3135	A906724	WIRE SCRAPER	1	50cm
3135	A906725	WIRE SCRAPER	1	55cm
3135	A906726	WIRE SCRAPER	1	60cm
3136	450324	NUT, M8	2	
3137	450390	WASHER, M8	4	
3138	450378	NUT, M8 NYLOC	2	

* Not Illustrated

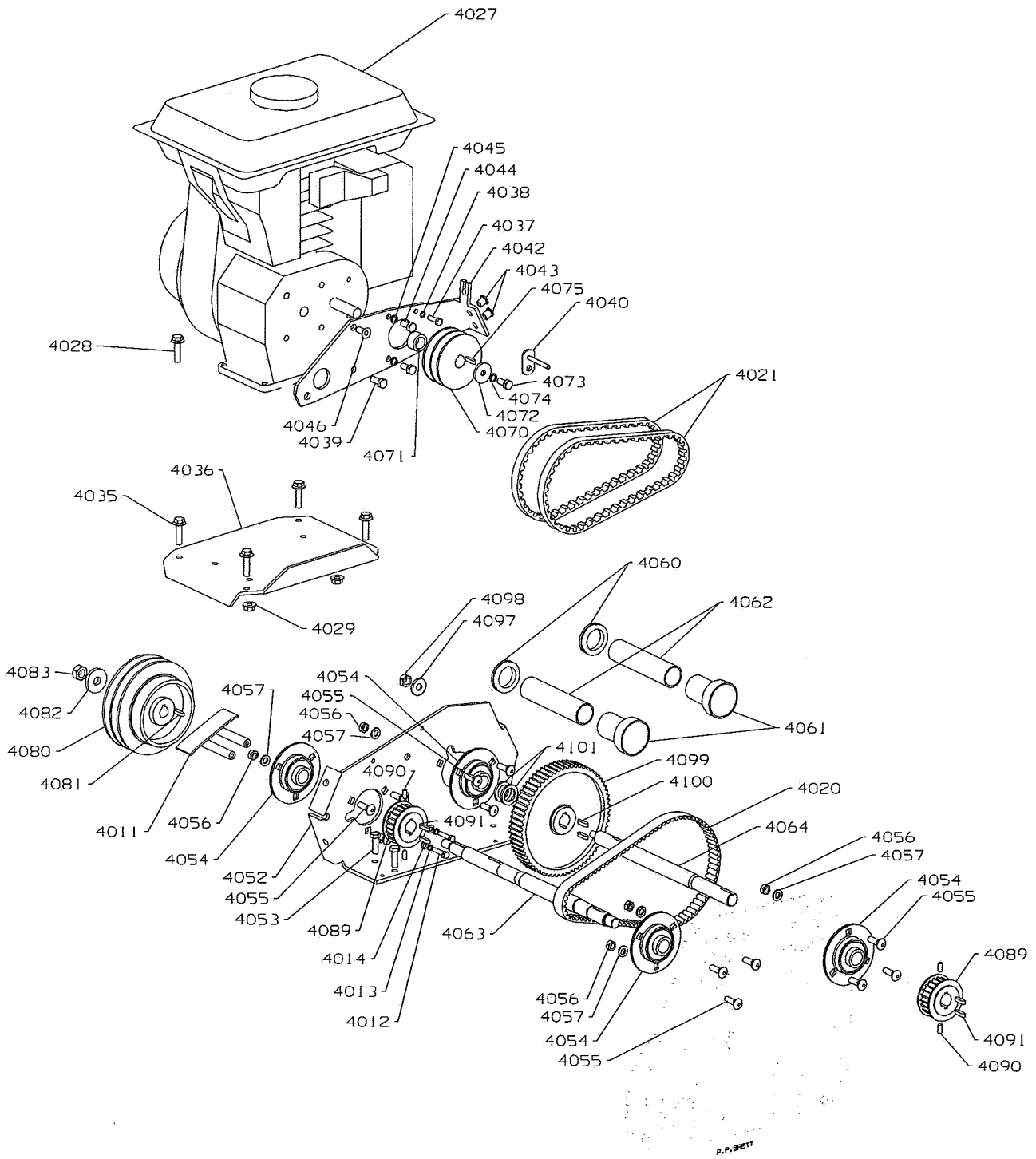
RANSOMES GREENS SUPER



ITEM	RANSOMES PART NO	DESCRIPTION GB	QTY	REMARKS
4011	MBF0358	BELT GUIDE W/A.	1	
4012	450171	SCREW, M6 x 20, HEX HD	2	
4013	450410	S.L.WASHER, M6	2	
4014	450389	WASHER, M6	2	
4020	A492115	TOOTHED DRIVE BELT	3	
4021	A490214	VEE BELT (MATCHED PAIR)	1	
4026	450391	WASHER, M10	8	
4027	A682180	KUBOTA GH120-R4 ENGINE	1	
4028	450016	BOLT, M8 x 40, HEX HD	4	
4029	450378	NUT, M8 NYLOC	4	
4030	MBC7029	DRAIN PLUG EXTN.	1	
4031	A186902	WASHER, 12 mm	1	
4035	450473	SCREW, M8 x 30 VERBUS RIPP	4	
4036	MBG0512A	ENGINE BED	1	SERIES RH, RJ, RK, UZ
4036	MBG3790	ENGINE PLATE	1	SERIES VH
4037	450171	SCREW, M6 x 20, HEX HD	2	
4038	450410	S.L.WASHER, M6	2	
4039	450191	SCREW, M8 x 20, HEX HD	1	
4040	MBF0476	GUIDE W/A	1	
4042	MBG0831A	ENGINE BRACKET	1	SERIES RH, RJ, RK, UZ
4042	MBG3792	ENGINE BRACKET	1	SERIES VH
4043	450358	NUTSERT, M6 A-K 2ND GRIP	2	
4044	450190	SCREW, M8 x 16, HEX HD	2	
4045	450411	S.L.WASHER, M8	3	
4046	450864	SCREW, M8 x 16, SCKT CSK HD	1	
4047	450000	BOLT, M6 x 25, HEX HD	2	
4048	450389	WASHER, M6	2	
4049	450410	S.L.WASHER, M6	2	
4052	MBG0830D	LAYPLATE	1	SERIES RH, RJ, RK, UZ
4052	MBG3791	LAYPLATE	1	SERIES VH
4053	450192	SCREW, M8 x 25, HEX HD	4	
4054	A209050	FLANGED BEARING (20mm)	4	SERIES RH, RJ, RK, UZ
4054	A209047	BEARING GRA20 FA119.1	4	SERIES VH
4055	A102900	BOLT, M8 x 20	12	
4056	450378	NUT, M8 NYLOC	12	
4057	450390	WASHER, M8	12	
4060	A295334	GROMMET	2	
4061	A913458	LAYSHAFT GUARD	2	
4062	MBG1011	LAYSHAFT GUARD 50cm	2	
4062	MBG0972	LAYSHAFT GUARD 55cm	2	SERIES RJ, UZ
4062	A913494	LAYSHAFT GUARD 55cm	2	SERIES VH
4062	MBG1012	LAYSHAFT GUARD 60cm	2	
4063	MBG0583C	Gs50 CYLINDER LAYSHAFT	1	
4063	MBG0829D	Gs55 CYLINDER LAYSHAFT	1	
4063	MBG0584C	Gs60 CYLINDER LAYSHAFT	1	

* Not Illustrated

**RANSOMES
GREENS SUPER**



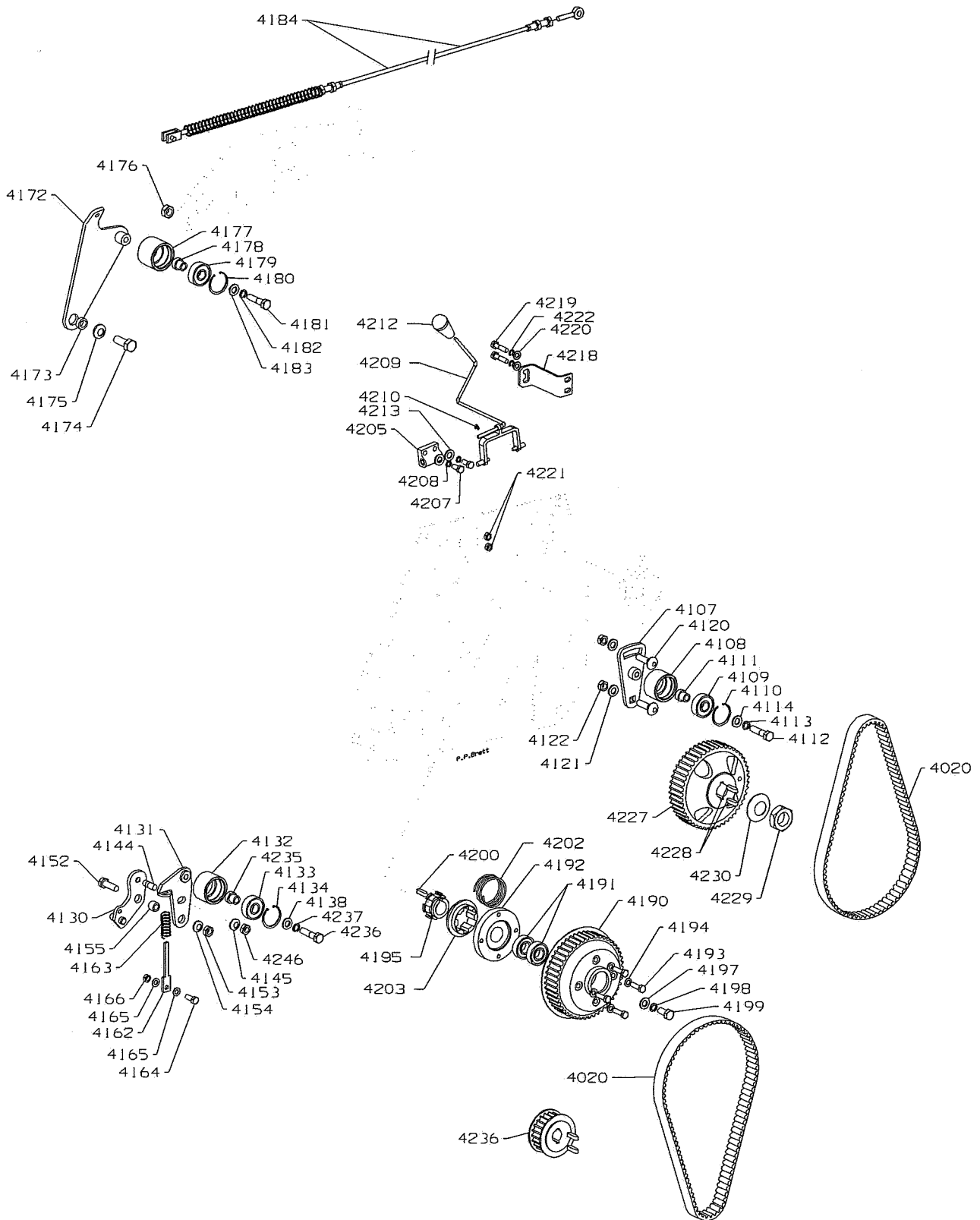
DRIVES - PRIMARY

LIST OF PARTS

ITEM	RANSOMES PART NO	DESCRIPTION GB	QTY	REMARKS
4064	MBG0585A	LAYSHAFT, LANDROLL	1	50cm
4064	MBG0828B	LAYSHAFT, LANDROLL	1	55cm
4064	MBG0586A	LAYSHAFT, LANDROLL	1	60cm
4070	MBG0251A	ENGINE PULLEY	1	
4071	MBF0234	PULLEY SPACER	1	
4072	MBF0368	WASHER	1	
4073	450190	SCREW, M8 x 16, HEX HD	1	
4074	450411	S.L.WASHER, M8	1	
4075	452167	KEY, 5 x 5 x 35	1	
4080	MBG0252C	LAYSHAFT PULLEY	1	
4081	452164	KEY, 5 x 5 x 25	1	
4082	MBF0364	WASHER	1	
4083	450380	NUT, M12 NYLOC	1	
4089	A917517	22T POWERGRIP GT PULLEY	2	
4090	450961	SETSCREW, M6 x 12, CUP PNT	4	
4091	452164	KEY, 5 x 5 x 25	4	
4092		LOCTITE 243	AR	
4097	MBF0365	WASHER	1	
4098	450379	NUT, M10 NYLOC	1	
4099	A917518	66T POWERGRIP GT PULLEY	1	
4100	452164	KEY, 5 x 5 x 25	2	
4101	MBF0363	ABUTMENT WASHER	2	


* Not Illustrated

RANSOMES GREENS SUPER



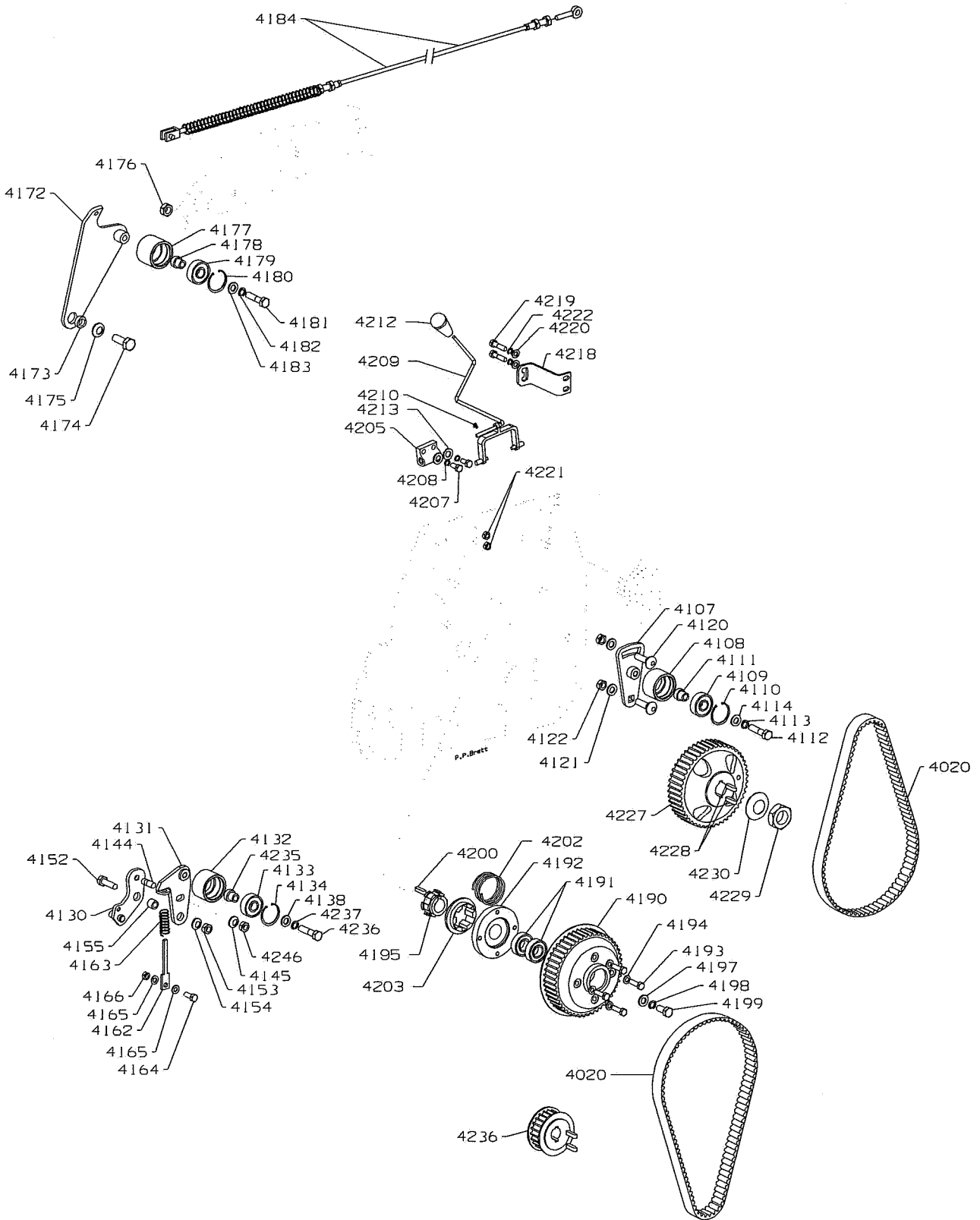
DRIVES - SECONDARY

LIST OF PARTS

ITEM	RANSOMES PART NO	DESCRIPTION 	QTY	REMARKS
4107	MBF0188A	JOCKEY LEVER	2	
4108	MBF0186A	JOCKEY PULLEY	2	
4109	A203601	BEARING, 12x32x10	2	
4110	451962	INT CIRCLIP, 32 mm	2	
4111	MBF0185	BEARING SLEEVE	2	
4112	450014	BOLT, M8 x 30, HEX HD	2	
4113	450411	S.L.WASHER, M8	2	
4114	450390	WASHER, M8	2	
4120	452564	BOLT, M8 x 25, SQ NECK	4	
4121	450390	WASHER, M8	4	
4122	450378	NUT, M8 NYLOC	4	
4130	MBF0335A	JOCKEY LEVER W/A	1	
4131	MBF0341A	JOCKEY LEVER	1	
4132	MBF0186A	JOCKEY PULLEY	1	
4133	A203601	BEARING, 12x32x10	1	
4134	451962	INT CIRCLIP, 32 mm	1	
4135	MBF0185	BEARING SLEEVE	1	
4136	450014	BOLT, M8 x 30, HEX HD	1	
4137	450411	S.L.WASHER, M8	1	
4138	450390	WASHER, M8	1	
4143		LOCTITE, LT270	AR	
4144	A109243	STUD, M8 X 21.5	1	
4145	A292071	DISC SPRING	1	
4146	450378	NUT, M8 NYLOC	1	
4152	450192	SCREW, M8 x 25, HEX HD	1	
4153	450378	NUT, M8 NYLOC	1	
4154	A292071	DISC SPRING	1	
4155	MBF0187A	PIVOT SLEEVE	1	
4156		ROCOL ANTI-SEIZE SPRAY	AR	
4162	MBF0334A	SPRINGROD	1	
4163	A291084	COMPRESSION SPRING	1	
4164	450170	SCREW, M6 x 16, HEX HD	1	
4165	450389	WASHER, M6	2	
4166	450323	NUT, M6	1	
4172	MBF0251A	JOCKEY LEVER	1	
4173	MBF0250A	PIVOT SLEEVE	1	
4174	450215	SCREW, M10 x 30, HEX HD	1	
4175	MBF0365	3/8" WASHER	1	
4176	452437	NUT, M10 FLANGED NYLOC	1	
4177	MBF0376A	JOCKEY PULLEY	1	
4178	MBF0185	BEARING SLEEVE	1	
4179	A203601	BEARING, 12x32x10	1	
4180	451962	INT CIRCLIP, 32 mm	1	
4181	450014	BOLT, M8 x 30, HEX HD	1	
4182	450411	S.L.WASHER, M8	1	
4183	450390	WASHER, M8	1	

* Not Illustrated

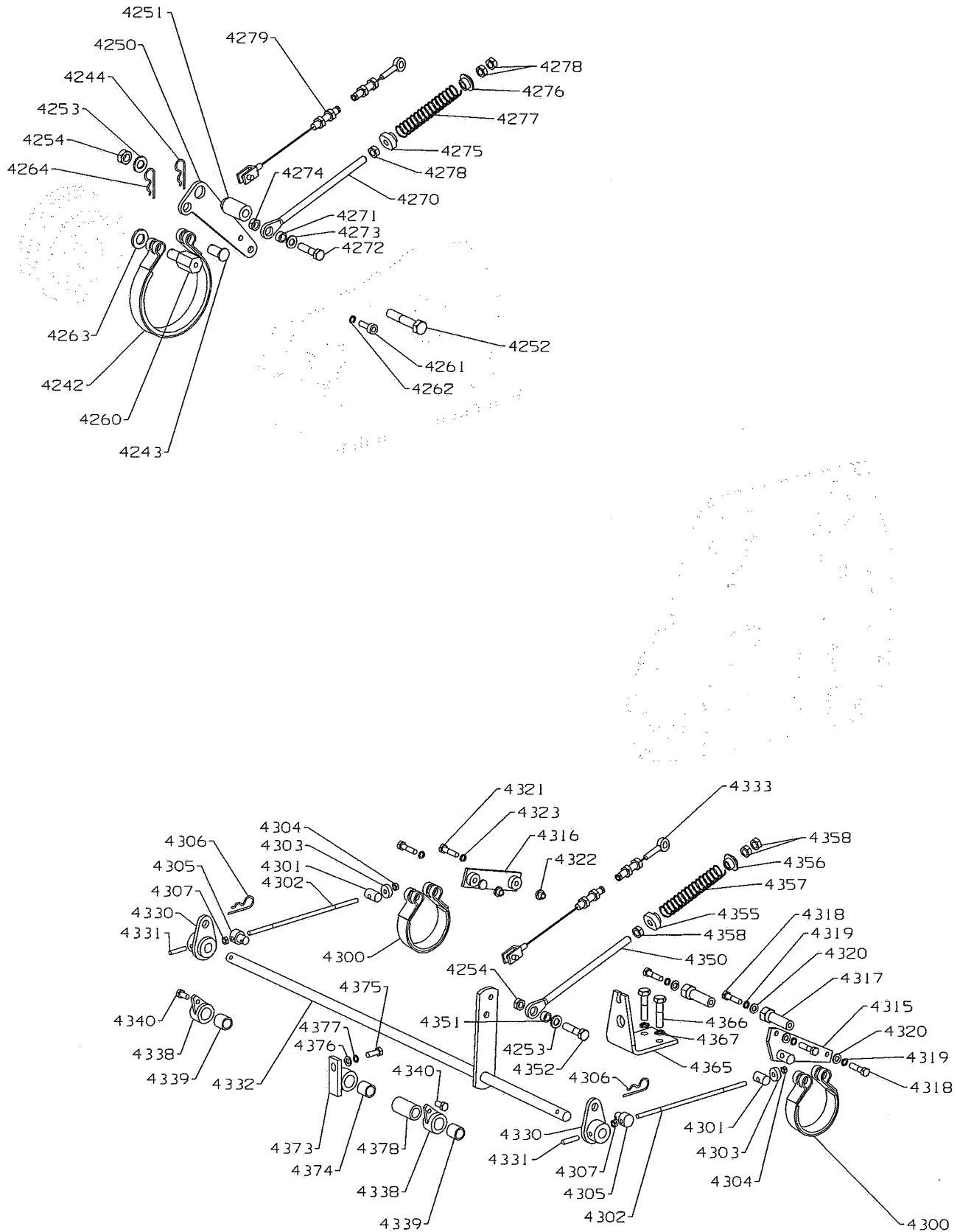
RANSOMES GREENS SUPER



ITEM	RANSOMES PART NO	DESCRIPTION GB	QTY	REMARKS
4184	A906746	CLUTCH CABLE (GS)	1	SERIES RH, RJ, RK SERIES UZ, VH
4184	A906750	CLUTCH CABLE (GS)	1	
4190	A917521	48T POWERGRIP GT PULLEY	1	
4191	A203926	BEARING, 15x32x9	2	
4192	MBF0916A	FIXED CLUTCH PLATE	1	
4193	450171	SCREW, M6 x 20, HEX HD	4	
4194	450432	S.P.WASHER, M6 EXT	4	
4195	MBF0915	SPLINED SLEEVE	1	
4196	450949	SETSCREW, M5 x 5, CUP PNT	1	
4197	A907207	SPECIAL WASHER	1	
4198	450411	S.L.WASHER, M8	1	
4199	450190	SCREW, M8 x 16, HEX HD	1	
4200	452160	KEY, 5 x 5 x 16	1	
4202	A291076	SPRING	1	
4203	MBF0833	SLIDING CLUTCH	1	
4204		LOCTITE 638	AR	
4205	A970003	PIVOT BLOCK	1	
4207	450171	SCREW, M6 x 20, HEX HD	2	
4208	450410	S.L.WASHER, M6	2	
4209	MBF0917A	WLDMT-CYL CLUTCH LEVER	1	
4210	452111	E CLIP, 4 mm	1	
4211	A292028	DISC SPRING	4	
4212	A299079	PLASTIC HANDLE	1	
4213	450389	WASHER, M6	2	
4218	MBF0914A	CYL CLUTCH BRKT	1	
4219	450171	SCREW, M6 x 20, HEX HD	2	
4220	450389	WASHER, M6	2	
4221	450358	NUTSERT, M6 A-K 2ND GRIP	2	
4222	450410	S.L.WASHER, M6	2	
4227	A917520	48T POWERGRIP GT PULLEY	1	
4228	452163	KEY, 5 x 5 x 22	2	
4229	MBC5464	NUT.	1	
4230	A292134	DISC SPRING	1	
4236	A917519	22T POWERGRIP GT PULLEY	1	

* Not Illustrated

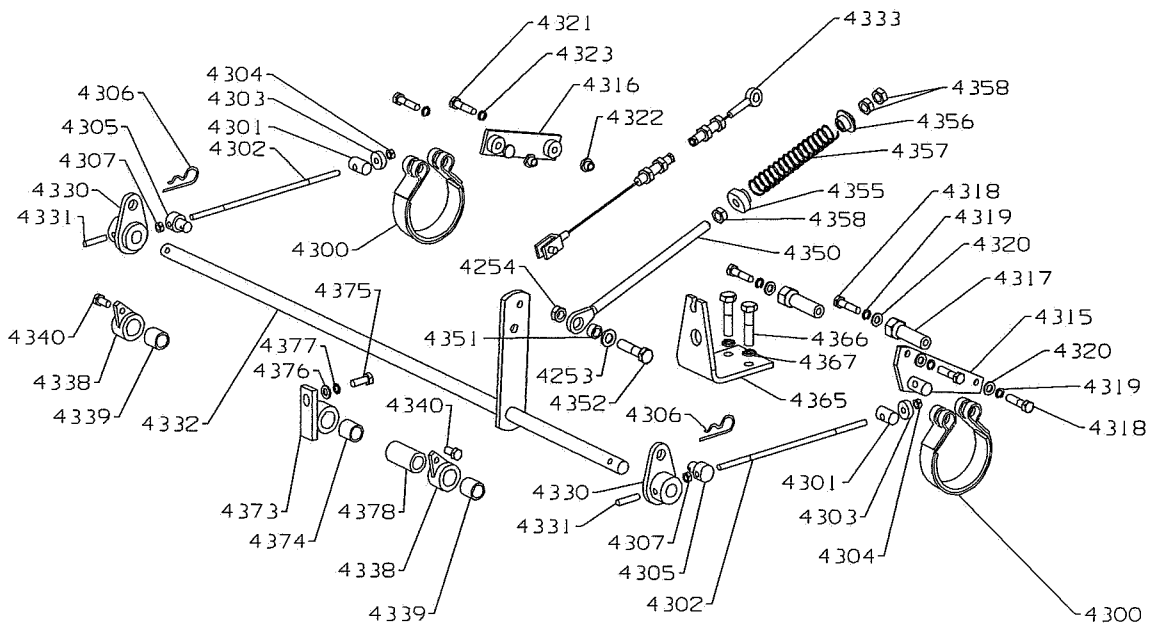
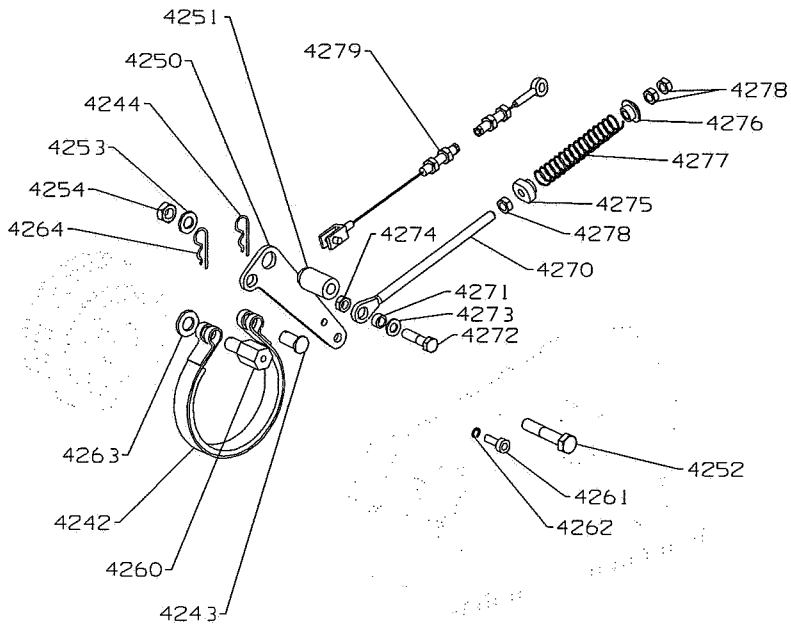
RANSOMES GREENS SUPER



ITEM	RANSOMES PART NO	DESCRIPTION GB	QTY	REMARKS
4242	A915122	BRAKE BAND	1	
4243	MBF0236	PIN	1	
4244	A149000	SPRING CLIP	1	
4250	MBG0609A	LEVER	1	
4251	MBF0241A	PIVOT	1	
4252	450033	BOLT, M10 x 55, HEX HD	1	
4253	450391	WASHER, M10	1	
4254	450379	NUT, M10 NYLOC	1	
4260	MBF0242A	PIN	1	
4261	450712	SCREW, M6 x 20, SCKT CAP HD	1	
4262	450410	S.L.WASHER, M6	1	
4263	450392	WASHER, M12	1	
4264	A149000	SPRING CLIP	1	
4270	MBG0608A	ADJUSTING ROD	1	
4271	MBF0290	SPACER	1	
4272	450192	SCREW, M8 x 25, HEX HD	1	
4273	450390	WASHER, M8	1	
4274	450378	NUT, M8 NYLOC	1	
4275	MBF0240	SPRING COLLAR	1	
4276	MBF0239	SPRING COLLAR	1	
4277	A291123	ENTEX 175 SPRING	1	
4278	450324	NUT, M8	1	
4279	A906745	BRAKE CABLE (GS)	1	SERIES RH, RJ, RK
4279	A906749	BRAKE CABLE (GS)	1	SERIES UZ, VH
4280	450378	NUT, M8 NYLOC	1	
4300	A915121	BRAKE BAND	2	
4301	MBF0273	TRUNNION	2	
4302	MBF0246	BRAKE ROD	2	
4303	450388	WASHER, M5	4	
4304	450376	NUT, M5 NYLOC	2	
4305	MBF0272A	CAPSTAN	2	
4306	A149000	SPRING CLIP	2	
4307	450376	NUT, M5 NYLOC	2	
4315	MBF0291	BRAKE FOOT LH	1	
4316	MBF0292	BRAKE FOOT RH	1	
4317	MBF0289A	BRAKE POST	2	
4318	450171	SCREW, M6 x 20, HEX HD	4	
4319	450410	S.L.WASHER, M6	4	
4320	450389	WASHER, M6	4	
4321	450543	SCREW, M6 x 25, PAN HD	2	
4322	450358	NUTSERT, M6 A-K 2ND GRIP	2	
4323	450410	S.L.WASHER, M6	2	
4330	MBF0270	LEVER BRAKE	2	
4331	451657	TENSION PIN, 5 x 24	2	
4332	MBF0286A	BRAKE SHAFT W.A.	1	
4333	A906727	WHEEL BRAKE CABLE	1	SERIES RH, RJ, RK, UZ

* Not Illustrated

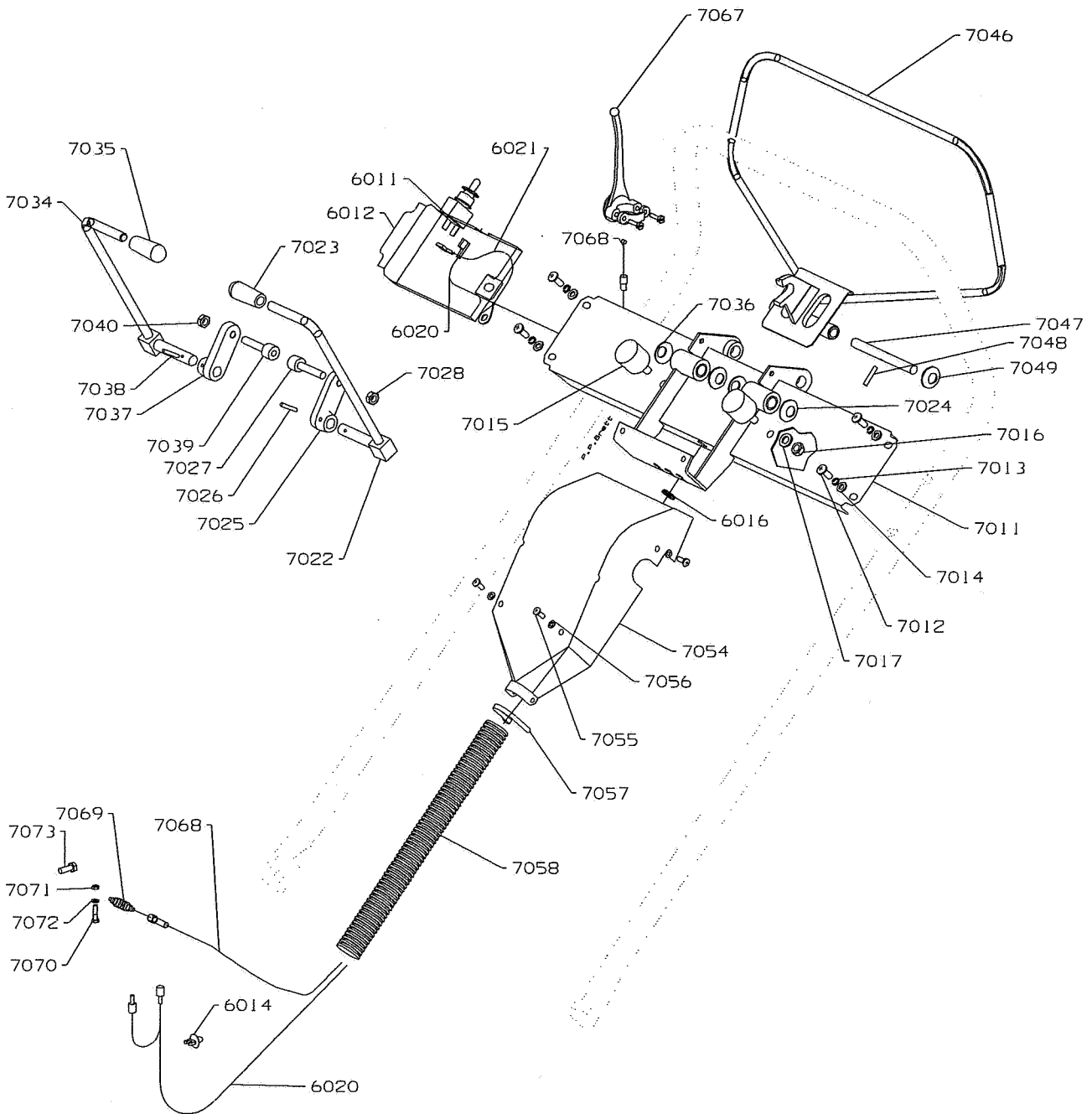
RANSOMES GREENS SUPER



ITEM	RANSOMES PART NO	DESCRIPTION GB	QTY	REMARKS
4333	A906748	WHEEL BRAKE CABLE	1	SERIES VH
4338	MBF0269C	HOUSING W/A	2	
4339	A210083	BUSH	2	
4340	452692	SCREW, M6 x 12, HEX TAPTITE	2	
4350	MBG0608A	ADJUSTING ROD	1	
4351	MBF0290	SPACER	1	
4352	450192	SCREW, M8 x 25, HEX HD	1	
4353	450390	WASHER, M8	1	
4354	450378	NUT, M8 NYLOC	1	
4355	MBF0240	SPRING COLLAR	1	
4356	MBF0239	SPRING COLLAR	1	
4357	A291123	ENTEX 175 SPRING	1	
4358	450324	NUT, M8	1	
4359	450378	NUT, M8 NYLOC	1	
4365	MBG0664A	BRAKE BRACKET	1	
4366	450192	SCREW, M8 x 25, HEX HD	2	
4367	450411	S.L.WASHER, M8	6	
4373	MBF0315	BUSH HOUSING WA	1	
4374	A210083	BUSH	1	
4375	450170	SCREW, M6 x 16, HEX HD	1	
4376	450389	WASHER, M6	1	
4377	450410	S.L.WASHER, M6	1	
4378	MBF0371	SLEEVE	1	
4379	451153	SCREW, No.12 x 13, PAN HD	1	

* Not Illustrated

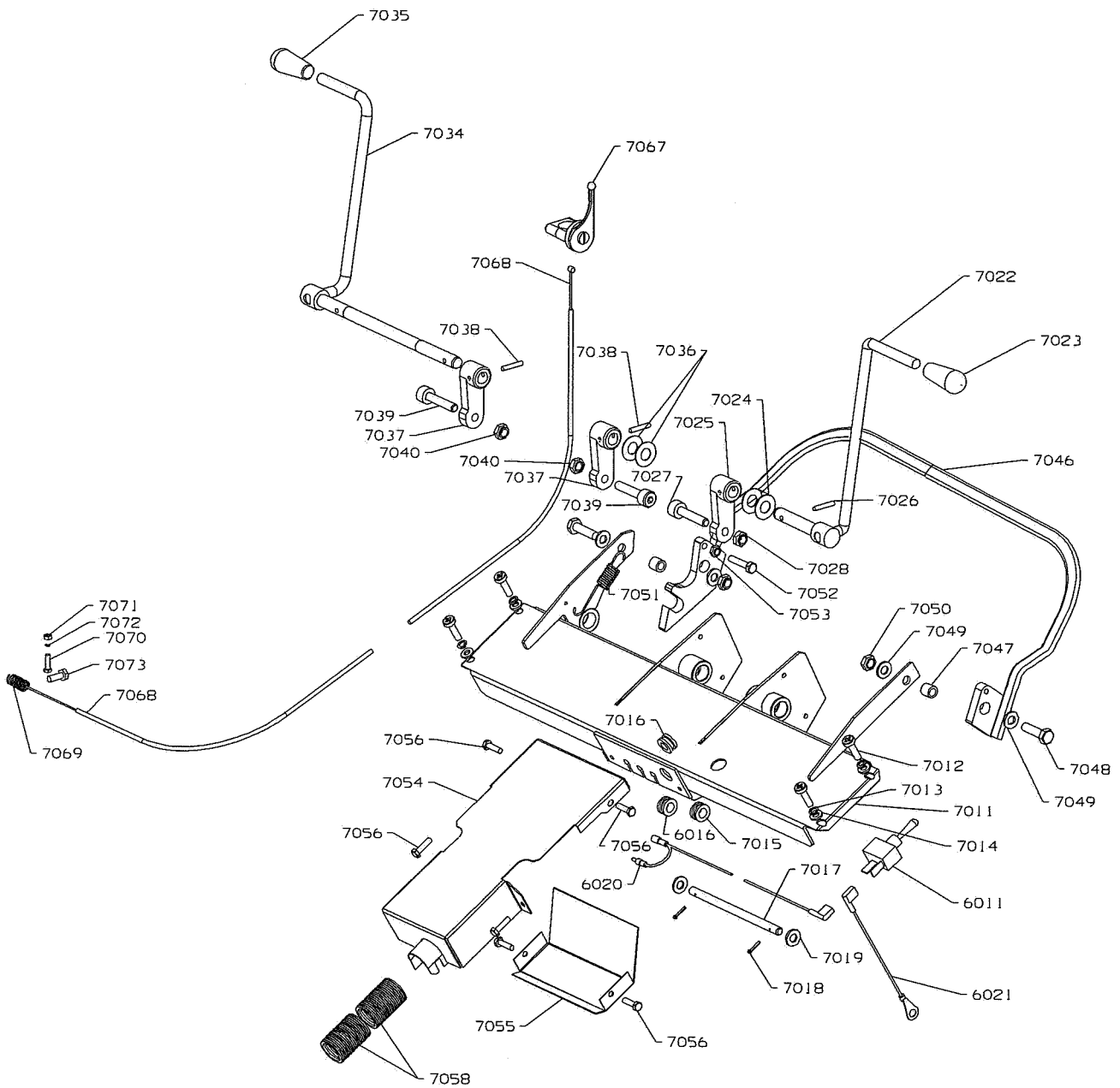
**RANSOMES
GREENS SUPER**



ITEM	RANSOMES PART NO	DESCRIPTION GB	QTY	REMARKS
6011	A829586	SWITCH, TOGGLE	1	
6012	MBG2106A	Gs SWITCH COVER	1	
6014	A199236	CLIP, 4.8 mm	1	
6016	H091013	GROMMET	1	
6020	A905605	STOPWIRE HARNESS	1	
6021	A905554	EARTH WIRE	1	
7011	MBF0253	FRAME, CONTROLS	1	
7012	450541	SCREW, M6 x 16, PAN HD	4	
7013	450410	S.L. WASHER, M6	4	
7014	450389	WASHER, M6	4	
7015	A299405	BONDED RUBBER BUFFER	2	
7016	450378	NUT, M8 NYLOC	2	
7017	450390	WASHER, M8	2	
7022	MBF0261	HANDLE, BRAKE	1	
7023	A299022	KNOB	1	
7024	A292085	DISC SPRING	2	
7025	MBF0248B	LEVER	1	
7026	451619	TENSION PIN, 4 x 24	1	
7027	450727	SCREW, M8 x 40, SCKT CAP HD	1	
7028	450378	NUT, M8 NYLOC	1	
7034	MBF0262	HANDLE, CLUTCH	1	
7035	A299022	KNOB	1	
7036	A292085	DISC SPRING	2	
7037	MBF0248B	LEVER	1	
7038	451619	TENSION PIN, 4 x 24	1	
7039	450725	SCREW, M8 x 30, SCKT CAP HD	1	
7040	450378	NUT, M8 NYLOC	1	
7046	MBF0249C	OPC RAIL	1	
7047	MBF0147	PIVOT PIN	1	
7048	451579	TENSION PIN, 3 x 16	1	
7049	A292085	DISC SPRING	1	
7054	A913453	COVER, CONTROLS	1	
7055	A119130	SCREW, M6 x 16	4	
7056	450389	WASHER, M6	4	
7057	H499802	CABLE TIE	1	
7058	A298078	CABLE TUBE CONDUIT	1	
7067	A811066	THROTTLE CONTROL LEVER	1	
7068	A906743	THROTTLE CABLE (GS)	1	
7069	A906303	SPRING	1	
7070	450135	SCREW, M4 x 20, HEX HD	1	
7071	450321	NUT, M4	1	
7072	450408	S.L. WASHER, M4	1	
7073	450170	SCREW, M6 x 16, HEX HD	1	

* Not Illustrated

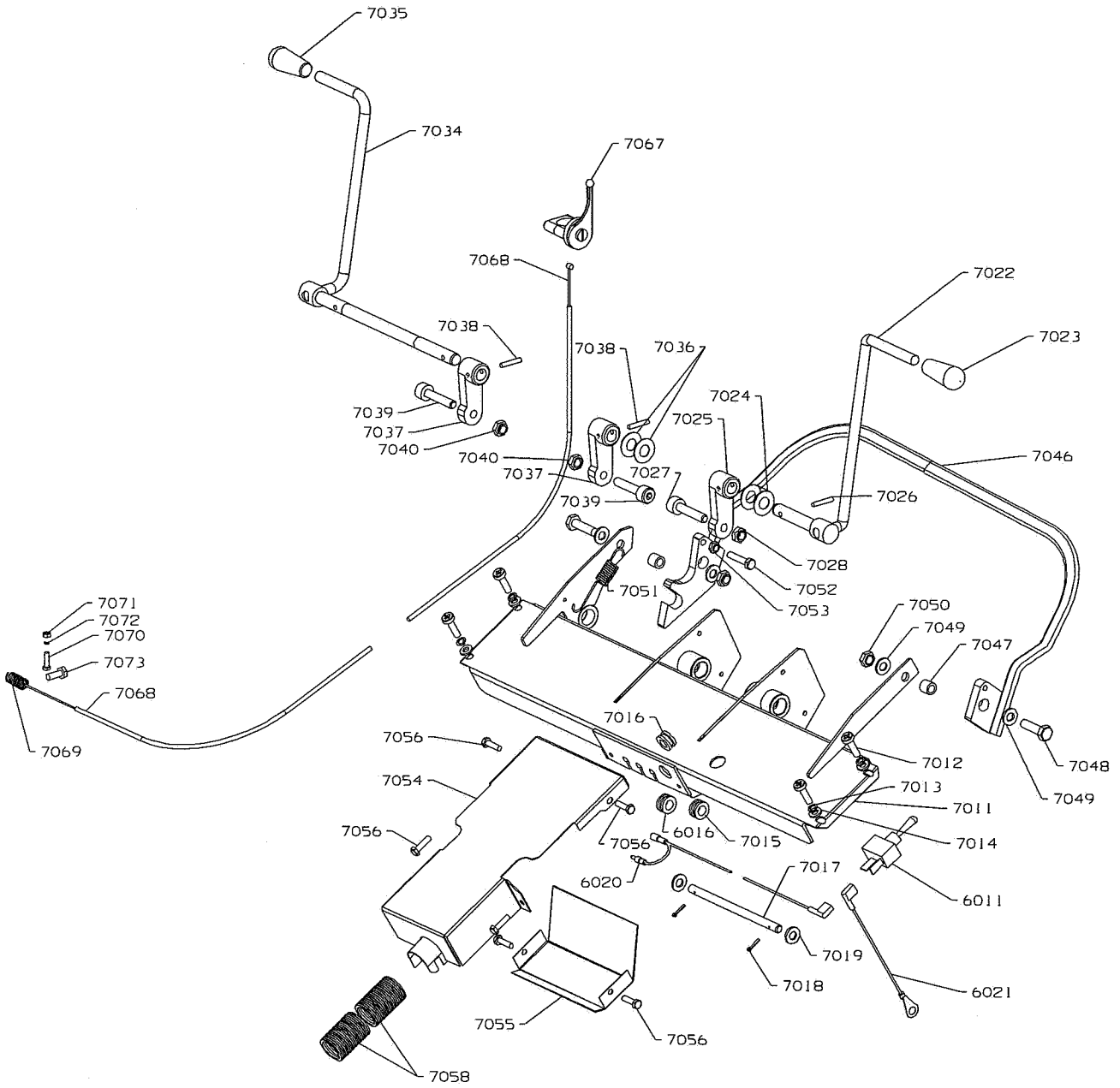
RANSOMES GREENS SUPER



ITEM	RANSOMES PART NO	DESCRIPTION GB	QTY	REMARKS
6011	A829582	SINGLE POLE TOGGLE SWITCH.	1	
6014*	A199236	CLIP, 4.8 mm	1	
6016	H091013	GROMMET	1	
6020	A905553	STOP WIRE HARNESS	1	
6021	A905554	EARTH WIRE	1	
7011	MBF0740A	WLDMT-CROSS MEMBER	1	
7012	450541	SCREW, M6 x 16, PAN HD	4	
7013	450410	S.L.WASHER, M6	4	
7014	450389	WASHER, M6	4	
7015	A295318	GROMMET	1	
7016	H091044	GROMMET	1	
7017	MBF0939	STOP BAR	1	
7018	451208	SPLIT PIN, 2 x 14	2	
7019	450390	WASHER, M8	2	
7022	MBF0748A	HANDLE BRAKE	1	
7023	A299022	KNOB	1	
7024	A292085	DISC SPRING	2	
7025	MBF0248B	LEVER	1	
7026	451619	TENSION PIN, 4 x 24	1	
7027	450727	SCREW, M8 x 40, SCKT CAP HD	1	
7028	450378	NUT, M8 NYLOC	1	
7034	MBF0747B	HANDLE CLUTCH	1	
7035	A299022	KNOB	1	
7036	A292085	DISC SPRING	2	
7037	MBF0248B	LEVER	2	
7038	451619	TENSION PIN, 4 x 24	2	
7039	450725	SCREW, M8 x 30, SCKT CAP HD	2	
7040	450378	NUT, M8 NYLOC	2	
7046	MBF0746	OPC RAIL ASSY	1	
7047	MBF0745	COLLAR	2	
7048	450014	BOLT, M8 x 30, HEX HD	2	
7049	450390	WASHER, M8	4	
7050	450378	NUT, M8 NYLOC	2	
7051	A906308	SPRING, EXTENSION	1	
7052	450001	BOLT, M6 x 30, HEX HD	1	
7053	450323	NUT, M6	1	
7054	MBF0762A	COVER ASSY	1	
7055	MBG1957B	COVER	1	
7056	452683	SCREW, M5 x 10, HEX TAPTITE	6	
7057*	A199203	TIE, 9 x 350	1	
7058	A298078	CABLE TUBE CONDUIT	1	

* Not Illustrated

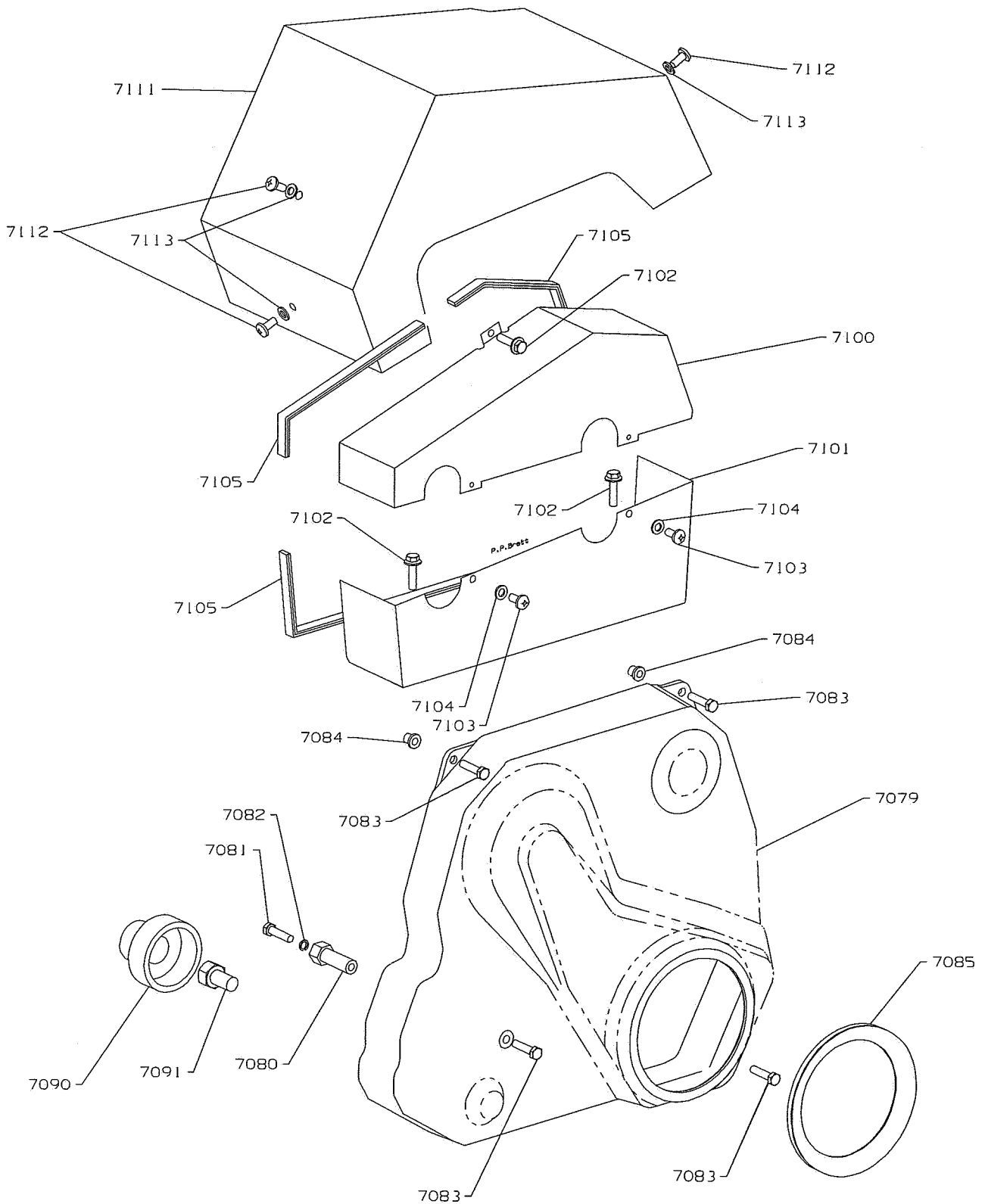
RANSOMES GREENS SUPER



ITEM	RANSOMES PART NO	DESCRIPTION GB	QTY	REMARKS
7067	A811070	THROTTLE LEVER	1	
7068	A906743	THROTTLE CABLE (GS)	1	
7069	A906303	SPRING	1	
7070	450135	SCREW, M4 x 20, HEX HD	1	
7071	450321	NUT, M4	1	
7072	450408	S.L.WASHER, M4	1	
7073	450170	SCREW, M6 x 16, HEX HD	1	

* Not Illustrated

**RANSOMES
GREENS SUPER**



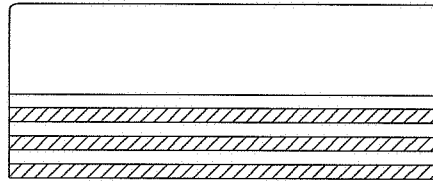
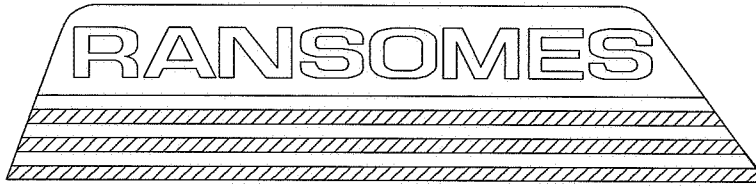
COVERS

LIST OF PARTS

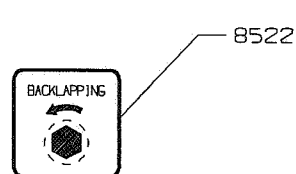
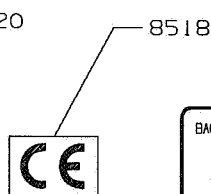
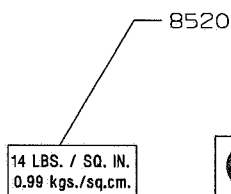
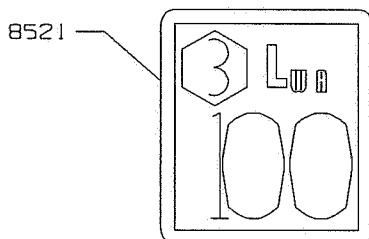
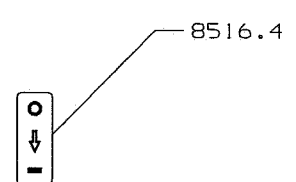
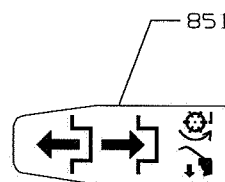
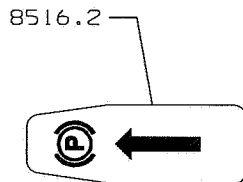
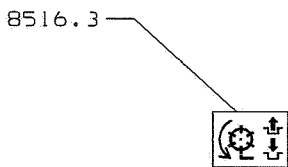
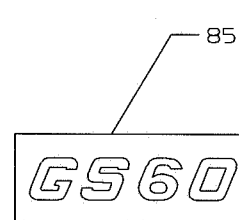
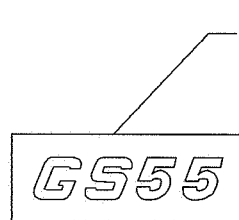
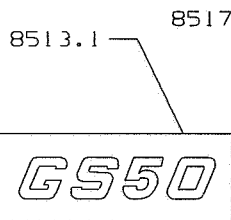
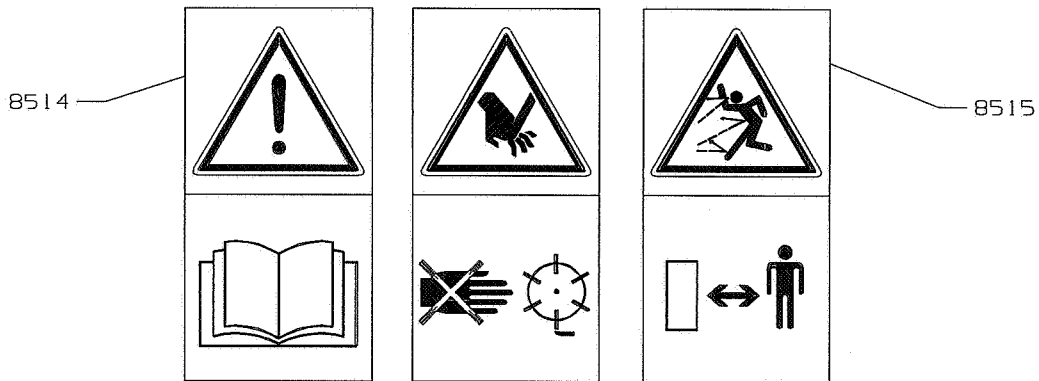
ITEM	RANSOMES PART NO	DESCRIPTION GB	QTY	REMARKS
7079	A913456	END COVER	1	
7080	MBF0408	COVER POST	1	
7081	450171	SCREW, M6 x 20, HEX HD	1	
7082	450410	S.L.WASHER, M6	1	
7083	450542	SCREW, M6 x 20, PAN HD	4	
7084	450358	NUTSERT, M6 A-K 2ND GRIP	3	
7085	A912510	SEAL-GROMMET	1	
7090	A912508	COVER, CYLINDER HOUSING	1	
7091	MBF0416A	BACKLAPPING SCREW	1	
7100	MBG0954A	BELT GUARD, TOP	1	
7101	MBG0955B	BELT GUARD, BASE	1	
7102	452692	SCREW, M6 x 12, HEX TAPTITE	3	
7103	451153	SCREW, No.12 x 13, PAN HD	2	
7104	450389	WASHER, M6	2	
7105	A298931	BEADING	1	
7111	A913457	BELT GUARD	1	
7112	450541	SCREW, M6 x 16, PAN HD	3	
7113	450389	WASHER, M6	3	

* Not Illustrated

**RANSOMES
GREENS SUPER**



8512



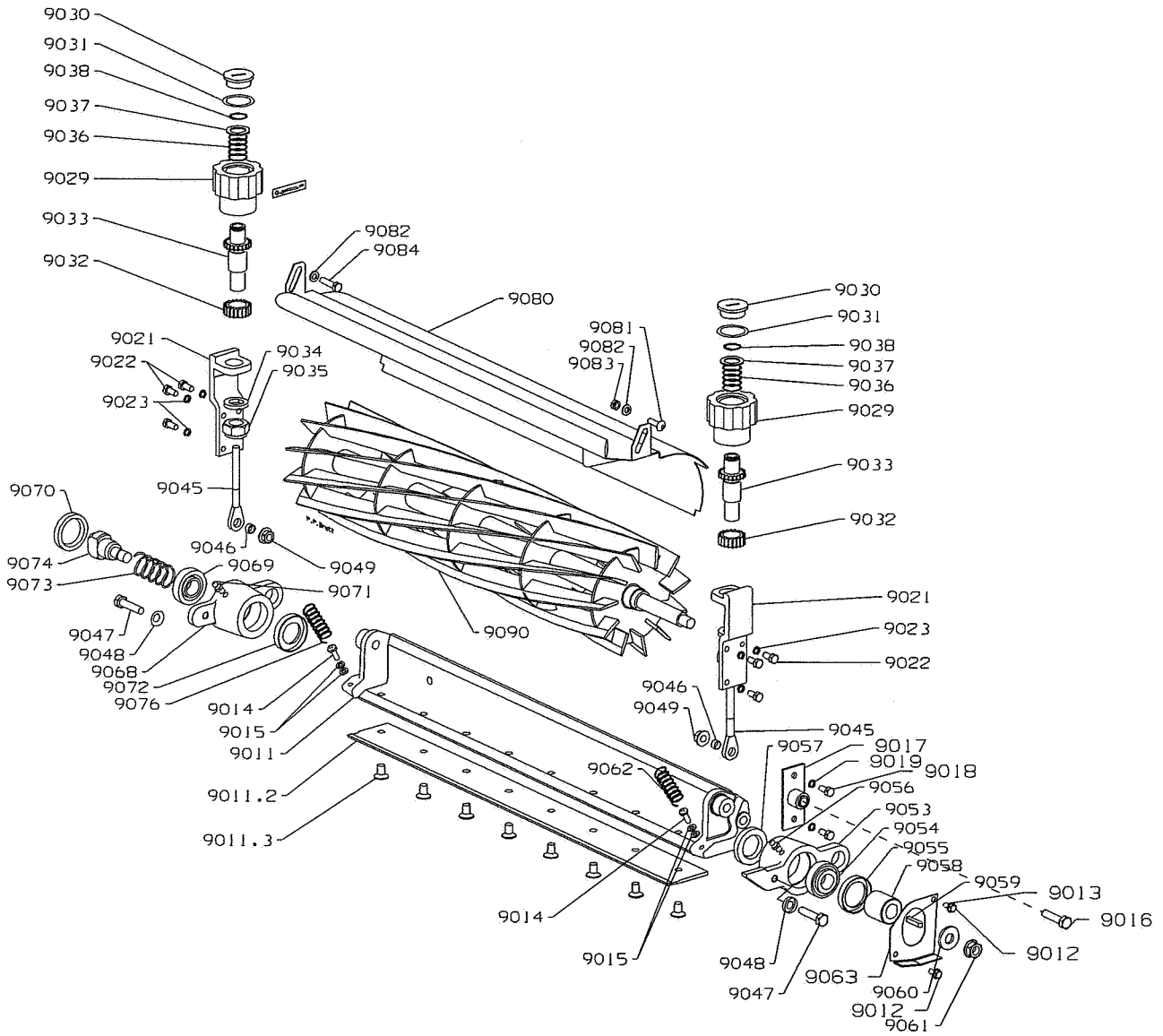
DECALS

LIST OF PARTS

ITEM	RANSOMES PART NO	DESCRIPTION GB	QTY	REMARKS
8511	MBG1090	GS50 NAMEPLATE	1	
8511	MBG1091	GS55 NAMEPLATE	1	
8511	MBG1092	GS60 NAMEPLATE	1	
8512	A903646	DECAL, SIDE	1	
8513	A903587	DECAL, GS50	1	
8513	A903586	DECAL, GS55	1	
8513	A903588	DECAL, GS60	1	
8514	A903491	DECAL :INSTRUCTION	1	
8515	A903489	DECAL :BYSTANDER	1	
8516	A903400	DECALS, INSTRUCTION	1	
8517	A903494	DECAL :CYLINDER	1	
8518	A903929	C E DECAL	1	
8519	A127000	SCREW, No.6 x 3/8	2	
8520	A903098	LABEL	2	
8521	A903476	LABEL	1	
8522	A903469	DECAL	1	

* Not Illustrated

RANSOMES GREENS SUPER



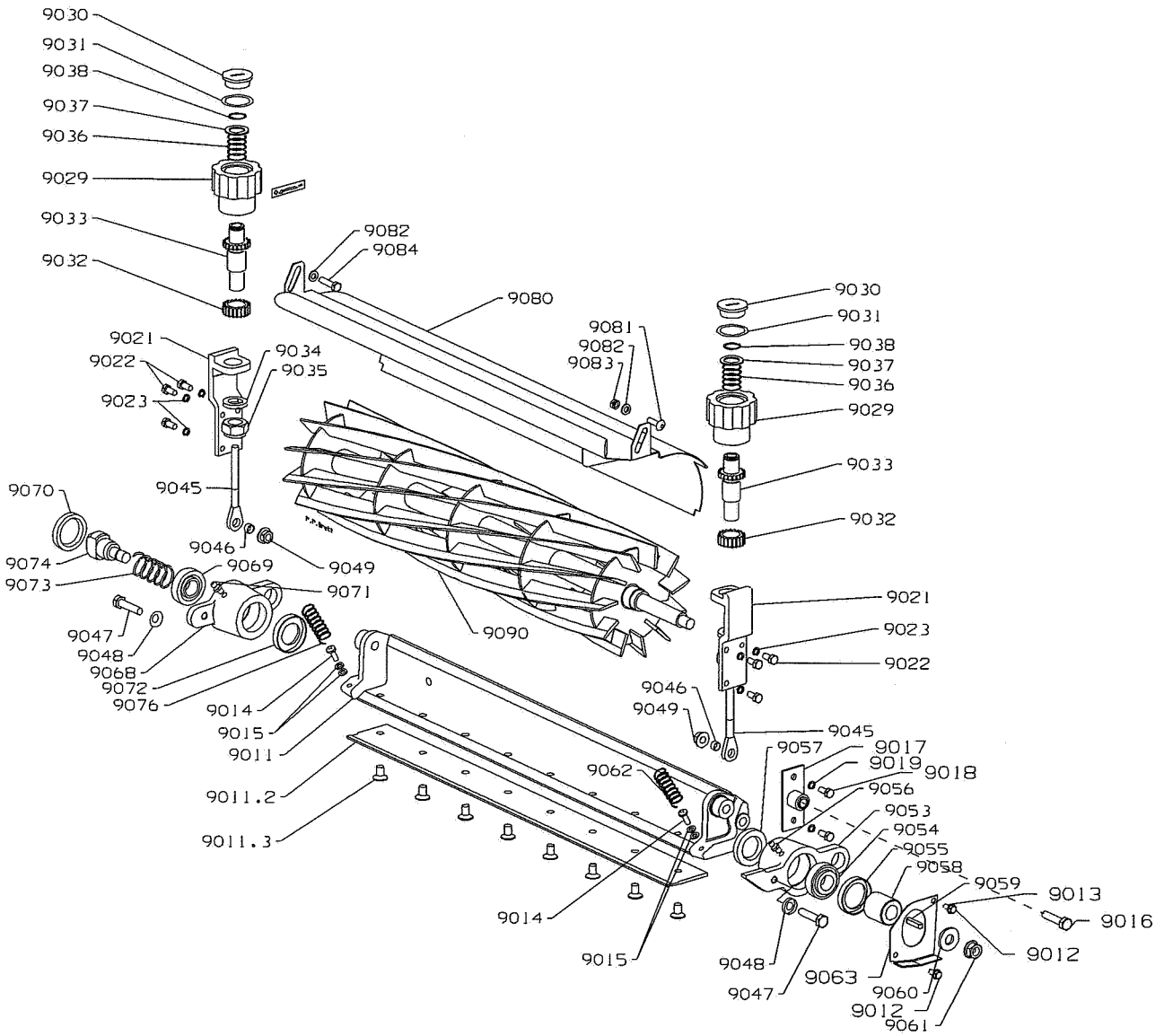
ADJUSTERS

LIST OF PARTS

ITEM	RANSOMES PART NO	DESCRIPTION GB	QTY	REMARKS
9011	LMAB461	Gs50 BLOCK ASSY (Q/R)	1	
9011.2	MBA7111	• Gs50 BOTTOM BLADE	1	
9011	LMAB462	Gs55 BLOCK ASSY (Q/R)	1	
9011.2	MBA7110	• Gs55 BOTTOM BLADE	1	
9011	LMAB463	Gs60 BLOCK ASSY (Q/R)	1	
9011.2	MBA7112	• Gs60 BOTTOM BLADE	1	
9011.3	A119002	• SCREW	8	
9012	450477	SCREW, M10 x 20 VERBUS RIPP	2	
9013	450412	S.L.WASHER, M10	2	
9014	451153	SCREW, No.12 x 13, PAN HD	2	
9015	450388	WASHER, M5	4	
9016	450029	BOLT, M10 x 35, HEX HD	2	
9017	MBF0609A	PIN ASSY.	2	
9018	450171	SCREW, M6 x 20, HEX HD	4	
9019	450410	S.L.WASHER, M6	4	
9021	MBF0191B	ABUTMENT BRACKET	2	
9022	450168	SCREW, M6 x 12, HEX HD	6	
9023	450410	S.L.WASHER, M6	6	
9029	A299054	HANDWHEEL	2	
9030	A249111	SCREW PLUG	2	
9031	A221026	'O' RING NO.26 TO BS.1806	2	
9032	MBE2968A	LOCKING RING.	2	
9033	MBE2969	ADJUSTER.	2	
9034	450393	WASHER, M16	2	
9035	450382	NUT, M16 NYLOC	2	
9036	A291093	COMPRESSION SPRING	2	
9037	A189420	WASHER, 17.2 mm	2	
9038	452042	EXT CIRCLIP, 17 mm	2	
9039		ROCOL ANTI-SEIZE SPRAY	AR	
9045	MBG0496	ADJUSTING ROD	2	
9046	MBF0290	SPACER	2	
9047	450192	SCREW, M8 x 25, HEX HD	2	
9048	A292070	DISC SPRING	2	
9049	450453	NUT, M8 VERBUS RIPP	2	
9053	MBG0289C	CYL HOUSING LH	1	
9054	H002795	BEARING	1	
9055	A220252	OIL SEAL, 25 X 42 X 7	1	
9056	A299301	LUBRICATOR	1	
9057	A220305	SEAL, 30X42X7	1	
9058	MBF0203A	SPACER	1	
9059	452164	KEY, 5 x 5 x 25	2	
9060	MBF0365	WASHER	1	
9061	450454	NUT, M10 VERBUS RIPP	1	
9062	GSF2240KT	SPRING	1	
9063	MBG1540A	CYL.COVER	1	
9064	450357	NUTSERT, M6 A-K 1ST GRIP	4	

* Not Illustrated

RANSOMES GREENS SUPER



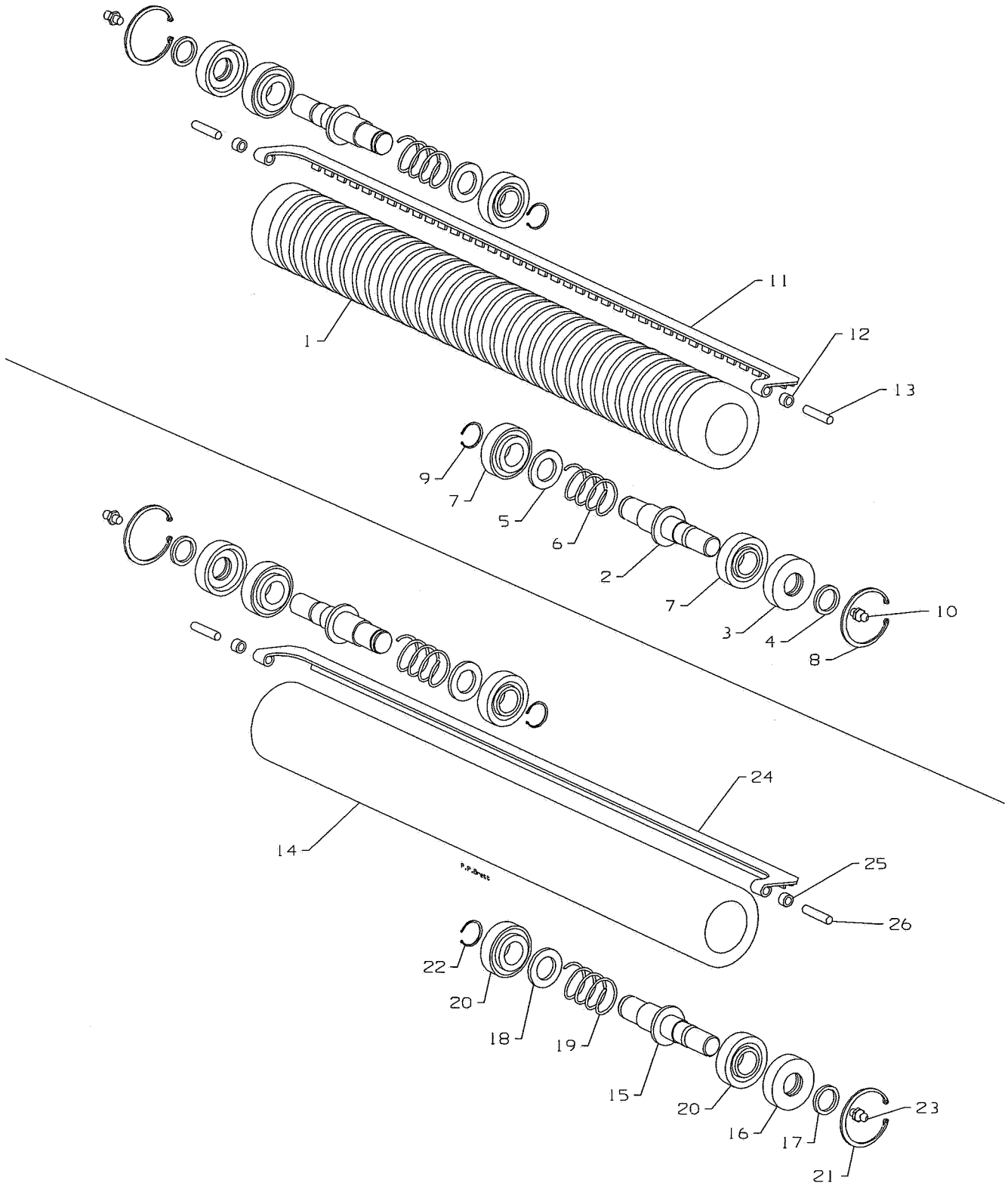
ADJUSTERS

LIST OF PARTS

ITEM	RANSOMES PART NO	DESCRIPTION GB	QTY	REMARKS
9065	452683	SCREW, M5 x 10, HEX TAPTITE	2	
9068	MBG0290C	CYL HOUSING RH	1	
9069	H002795	BEARING	1	
9070	A220252	OIL SEAL, 25 X 42 X 7	1	
9071	A299301	LUBRICATOR	1	
9072	A220305	SEAL, 30X42X7	1	
9073	A291104	SPRING, 28.2 O/D X 42.5 LG	1	
9074	MBF0204A	STUB SHAFT	1	
9075		LOCTITE 243	AR	
9076	GSF2240KT	SPRING	1	
9080	MBF0385C	CONCAVE, 50cm	1	
9080	MBF0218G	CONCAVE, 55cm	1	SERIES RJ, UZ
9080	MBF1339	CONCAVE, 55cm	1	SERIES VH
9080	MBF0386C	CONCAVE, 60cm	1	
9081	452542	BOLT, M6 x 20, SQ NECK	1	
9082	GSF2154AY	WASHER	2	
9083	450377	NUT, M6 NYLOC	1	
9084	450170	SCREW, M6 x 16, HEX HD	1	
9085	MBG3773	DEFLECTOR LH	1	SERIES VH
9086	MBG3774	DEFLECTOR RH	1	SERIES VH
9090	MBF0224B	CYLINDER 50cm X 11K	1	
9090	MBF0196B	CYLINDER 55cm X 11K	1	SERIES RJ, UZ
9090	NBF1303	CYLINDER 55cm X 11K	1	SERIES VH
9090	MBF0226B	CYLINDER 60cm X 11K	1	
9185	MBC9010	HEIGHT OF CUT TOOL	1	

* Not Illustrated

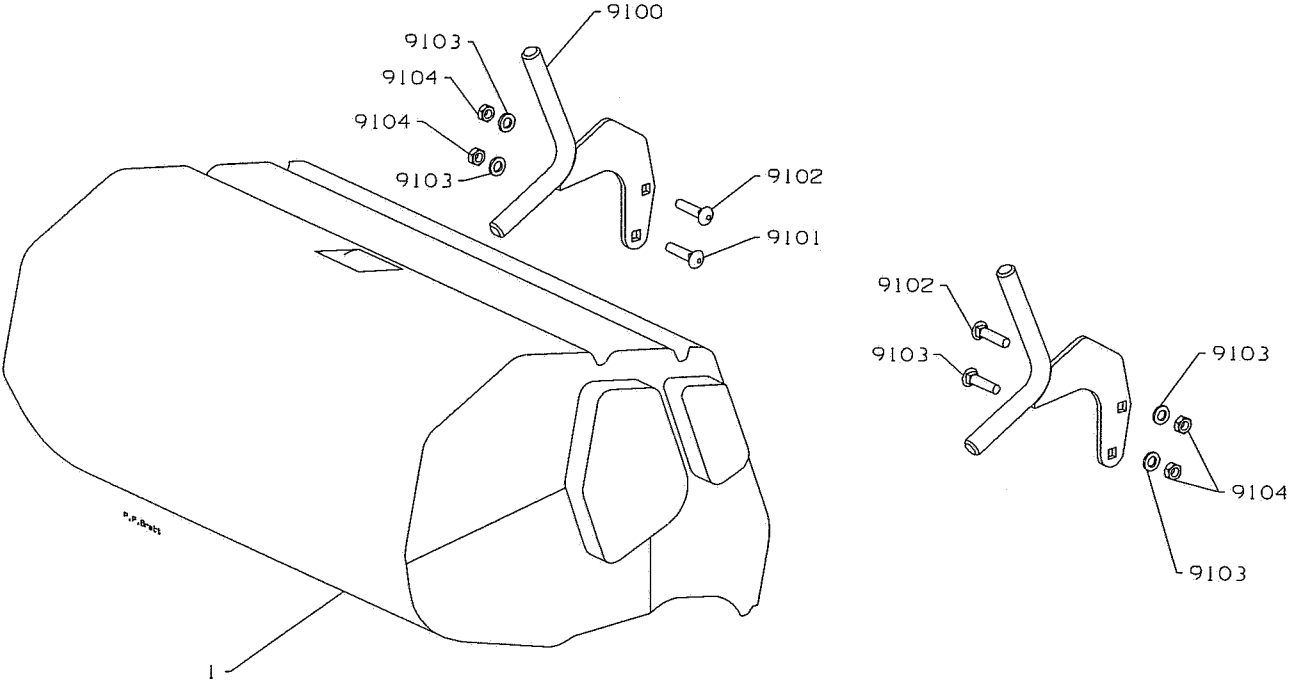
**RANSOMES
GREENS SUPER**



ITEM	RANSOMES PART NO	DESCRIPTION GB	QTY	REMARKS
		GROOVED ROLL		
	LMSE101	FRONT ROLL ASSY, 50		
	LMSE099	FRONT ROLL ASSY, 55		
	LMSE103	FRONT ROLL ASSY, 60		
1	MBG1005A	ROLL TUBE, 50	1	
1	MBG0868A	ROLL TUBE, 55	1	
1	MBG1007A	ROLL TUBE, 60	1	
2	MBG0212C	STUB SHAFT	2	
3	MBF0083	END CAP	2	
4	A221914	QUAD RING	2	
5	MBG0213	WASHER	2	
6	A291125	SPRING, 27 O/D X 58 LG	2	
7	H002795	BEARING	4	
8	A170040	INT CIRCLIP, 40 mm	2	
9	A171017	EXT CIRCLIP, 17 mm	2	
10	A299301	LUBRICATOR	2	
		SCRAPER		
11	MBG1024A	FRONT SCRAPER (50)	1	
11	MBG1025A	FRONT SCRAPER (55)	1	
11	MBG1026A	FRONT SCRAPER (60)	1	
12	MBG1031	LOCATOR	2	
13	A141490	PIN, 6 x 28	2	
		PLAIN ROLL		
	LMSE102	FRONT ROLL ASSY, 50		
	LMSE100	FRONT ROLL ASSY, 55		
	LMSE104	FRONT ROLL ASSY, 60		
14	MBG1006A	ROLL TUBE, 50	1	
14	MBG0867A	ROLL TUBE, 55	1	
14	MBG1008A	ROLL TUBE, 60	1	
15	MBG0212C	STUB SHAFT	2	
16	MBF0083	END CAP	2	
17	A221914	QUAD RING	2	
18	MBG0213	WASHER	2	
19	A291125	SPRING, 27 O/D X 58 LG	2	
20	H002795	BEARING	4	
21	A170040	INT CIRCLIP, 40 mm	2	
22	A171017	EXT CIRCLIP, 17 mm	2	
23	A299301	LUBRICATOR	2	
		SCRAPER		
24	MBG1028A	FRONT SCRAPER (50)	1	
24	MBG1029A	FRONT SCRAPER (55)	1	
24	MBG1030A	FRONT SCRAPER (60)	1	
25	MBG1031	LOCATOR	2	
26	A141490	PIN, 6 x 28	2	

* Not Illustrated

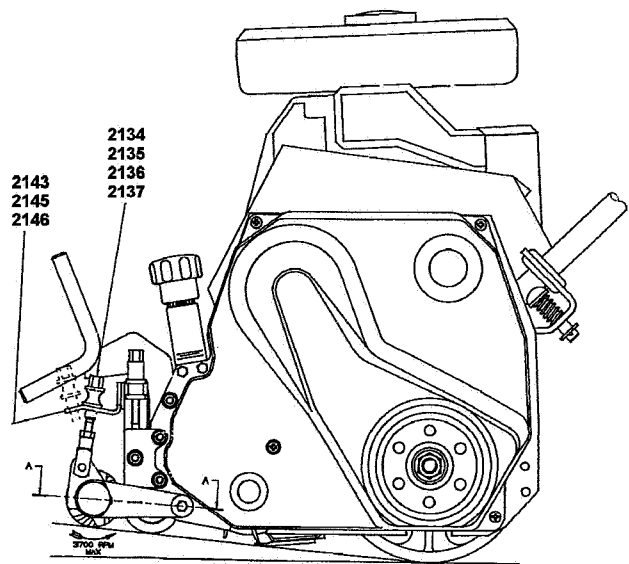
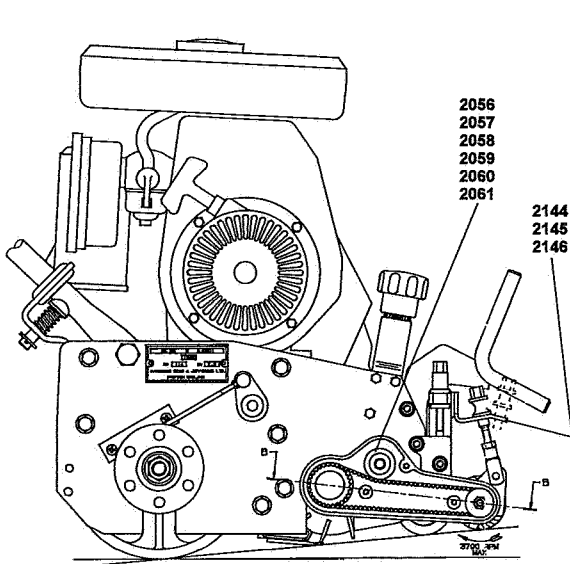
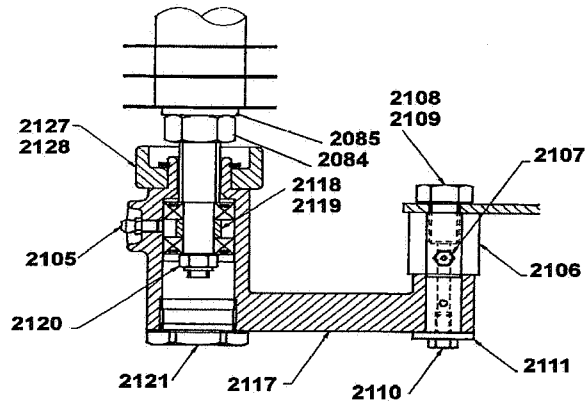
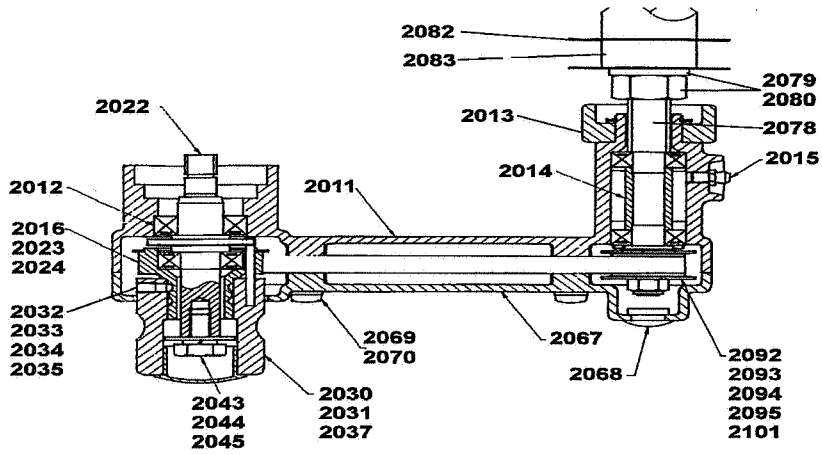
**RANSOMES
GREENS SUPER**




ITEM	RANSOMES PART NO	DESCRIPTION GB	QTY	REMARKS
9100	MBF0754	WLDMT-CATCHER ARM	2	
9101	452565	BOLT, M8 x 30, SQ NECK	2	
9102	A102900	BOLT, M8 x 20	2	
9103	450390	WASHER, M8	4	
9104	450378	NUT, M8 NYLOC	4	
1	A913450	GRASSBOX 50cm (20")	1	
1	A913451	GRASSBOX 56cm (22")	1	
1	A913452	GRASSBOX 60cm (24")	1	

* Not Illustrated

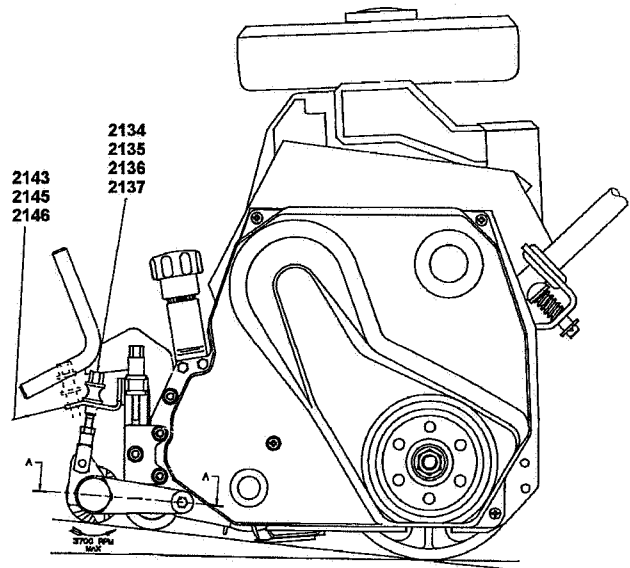
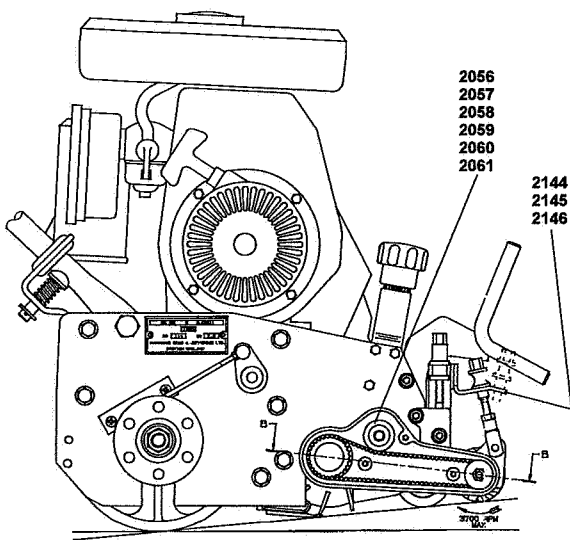
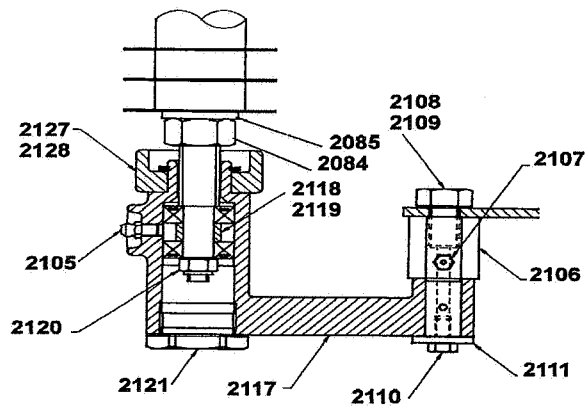
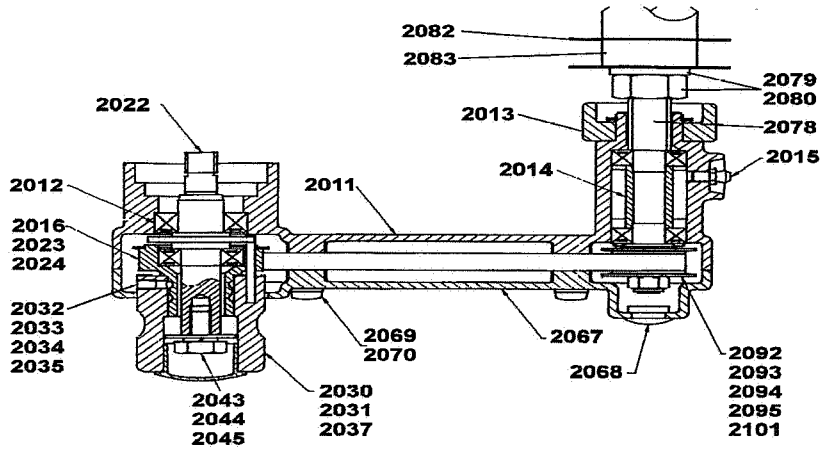
**RANSOMES
GREENS SUPER**




ITEM	RANSOMES PART NO	DESCRIPTION 	QTY	REMARKS
2011	MBG1047A	DRIVE BELT HOUSING	1	
2012	A203929	BEARING, 17x35x10	1	
2013	A203927	BEARING, 12x28x8	2	
2014	A296006	SPACER	1	
2015	A299301	LUBRICATOR	2	
2016	A292500	TOLERANCE RING	1	
2022	MBG1087	DRIVE DISC	1	
2023	A203926	BEARING, 15x32x9	1	
2024	A917522	30T POWERGRIP GT PULLEY	1	
2029		LOCTITE, GD.635	0	
2030	MBC9262A	CLUTCH HANDWHEEL.	1	
2031	MBE0992	DOWEL PIN.	3	
2032	459000014	STEEL BALLS	2	
2033	A291111	COMPRESSION SPRING.	1	
2034	A291105	SPRING, 3.83 O/D X 7.8 LG	1	
2035	450950	SETSCREW, M5 x 6, CUP PNT	1	
2036		LOCTITE 243	0	
2037	A295258	PLUG (O28)	1	
2043	MBC9297	STOP.	1	
2044	MBE1137	SCREW	1	
2045	450411	S.L.WASHER, M8	1	
2056	MBC9627	COLLAR.	1	
2057	MBC9695	TENSIONER.	1	
2058	450172	SCREW, M6 x 25, HEX HD	1	
2059	450389	WASHER, M6	2	
2060	450377	NUT, M6 STAYTITE	1	
2061	H001746	BEARING	1	
2067	MBG1048	LID	1	
2068	A295327	GROMMET	1	
2069	450543	SCREW, M6 x 25, PAN HD	3	
2070	450389	WASHER, M6	3	
2078	MBG1058	GROOMER SHAFT, GS50	1	
2079	450327	NUT, M16	1	
2080	450393	WASHER, M16	1	
2081		LOCTITE, GD.635	0	
2082	A920286	GROOMER BLADE	32	
2083	A904252	SPACER, 35 O/D X 22 I/D X 14 TK	31	
2084	450327	NUT, M16	1	
2085	450393	WASHER, M16	1	
2086		LOCTITE 243	0	
2092	A228918	NILOS RING.	1	
2093	A917523	18T POWERGRIP GT PULLEY	1	
2094	452145	KEY, 4 x 4 x 12	1	
2095	450378	NUT, M8 STAYTITE	1	
2101	A492116	DRIVE BELT	1	

* Not Illustrated

RANSOMES GREENS SUPER



ITEM	RANSOMES PART NO	DESCRIPTION 	QTY	REMARKS
2106	MBF0435A	PIVOT PIN	1	
2107	A299301	LUBRICATOR	1	
2108	450239	SCREW, M12 x 20, HEX HD	1	
2109	450446	S.P.WASHER, M12 INT	1	
2110	450168	SCREW, M6 x 12, HEX HD	1	
2111	MBF0443	WASHER, GROOMER LINK	1	
2117	MBG1051	GROOMER LINK	1	
2118	A203927	BEARING, 12x28x8	2	
2119	A296012	SPACER	1	
2120	450378	NUT, M8 STAYTITE	1	
2121	MBC9544	PLUG.	1	
2127	A913310	WHEEL	2	
2128	452050	EXT CIRCLIP, 25 mm	2	
2134	MBF0448	ADJ SCREW, GROOMER	2	
2135	450324	NUT, M8	2	
2136	A194903	CLEVIS, M8	2	
2137	A149060	SPRING PIN	2	
2143	MBF0449A	GROOMER BRACKET LH	1	
2144	MBF0450A	GROOMER BRACKET RH	1	
2145	450168	SCREW, M6 x 12, HEX HD	4	
2146	450410	S.L.WASHER, M6	4	

* Not Illustrated



