
RANSOMES®

**GREENSPLEX™ 160 & 160D
GREENS MOWER**

Model 898850B - Gasoline

Model 898851B - Diesel

PARTS MANUAL



RANSOMES

Driven to be the best.
Part No. 840879 Rev. 1

GENERAL INFORMATION



WARNING

- When replacement parts are required, use genuine Ransomes parts or parts with equivalent characteristics including type, strength and material. Failure to do so may result in product malfunction and possible injury to the operator and/or bystanders.
- Illustrations in this manual are for parts identification **ONLY**. These illustrations may not depict actual positioning of component parts and should **NOT** be used as assembly diagrams. Doing so may result in improper assembly, leading to sudden failure.

Ransomes reserves the right to make changes at any time, without notice, in specifications and models and also to discontinue models and the accessories designed to be used on these models. The right is also reserved to change specifications or parts at any time without incurring any obligation to equip same on models manufactured prior to date of such change.

While the information contained in this parts manual is based on the latest product information available at the time of publication, the continuing accuracy of this parts manual cannot be guaranteed.

IDENTIFICATION

IDENTIFICATION NUMBERS MUST APPEAR ON ALL CORRESPONDENCE CONCERNING THIS UNIT.

MODEL NUMBER & SERIAL NUMBER

Both the Model Number and Serial Number are on the identification nameplate decal located on the right rear frame. See Figure 1.



FIGURE 1
1. Model and Serial Number

ENGINE IDENTIFICATION NUMBERS

The gasoline engine identification numbers are located on the engine cowl plate shown in Figure 2.

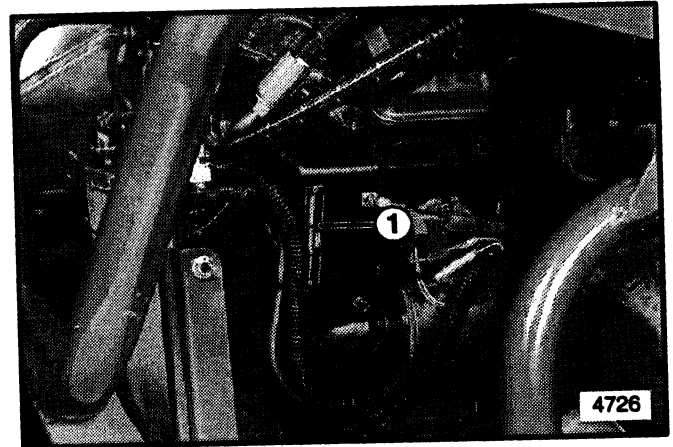


FIGURE 2
1. Engine Cowl Plate

The diesel engine serial number is stamped into the block directly below the injector pump. See Figure 3.

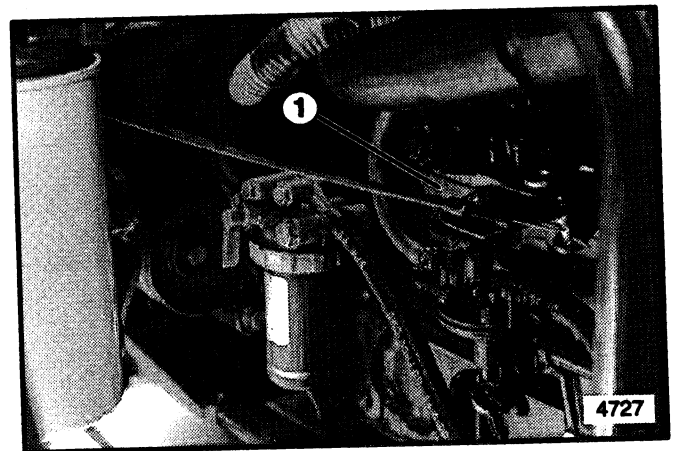


FIGURE 3
1. Diesel Serial Number

TOUCH-UP PAINT

Ransomes Green

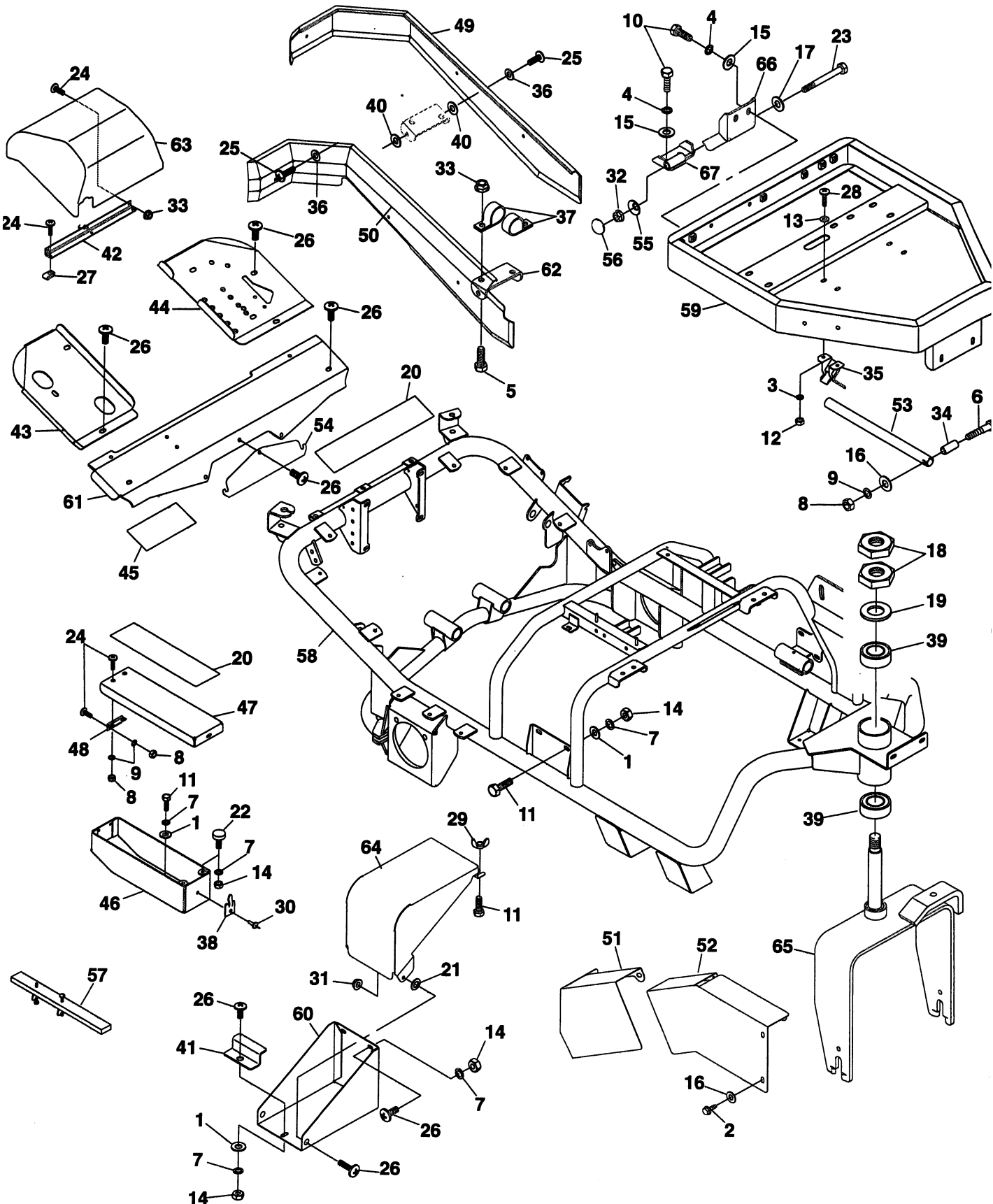
16 oz. (0.5L) sprayorder Part No. 838140

1 qt. (0.95L) canorder Part No. 838141

INDEX

	Page		Page
Accessories		Hydraulic Reservoir	15
Cutting Heads	48–49	Hydraulic Wheel Drive Circuit	26–27
Front Roller	51	Lift Assembly	
Front Roller Scraper	54	Front Cutting heads	36–37
Grass Catcher	51	Rear cutting head	38
Groomer	52–53	Mow/Lift Pedal	30–31
Rear Roller	51	Mow/Speed Control	22–23
Rear Roller Scraper	55	Muffler	8
Turf Protection System	50	Neutral Pedal and Linkage	34
Verticutter	46–47	“O” Rings	27
Air Cleaner (diesel)	11	Oil Cooler	10, 24–25
Belt, drive	4–7	Parking Brake	32–33
Chassis and Covers	2–3	Power Assembly	
Connectors	41	Diesel	6–7
Control Arm	35	Gas	4–5
Control Panel	35	Power Steering Circuit	24–25
Control Pedals and Linkage	30–31	Pump Control Linkage	14
Decals	42–43	Pump, hydraulic	26–27
Direction Control Pedal	30–31	Pump, reel drive	16
Drive Motors, reel	17	Radiator (diesel)	9
Drive Motors, wheel	26–27	Seat	39
Electrical Components	44–45	Selector Valve Linkage	28
Frame, main	2–3	Steering Wheel	35
Frame, power (diesel)	6–7	Turf Protection System	50
Frame, power (gasoline)	4–5	Valve Control	29
Fuel System		Valve, reel drive	18–21
Diesel	13	Wheels and Rear Hub	40
Gas	12	Wiring Diagram	
Hydraulic Lift Circuit (A–Models)	18–19	Diesel	58–59
Hydraulic Lift Circuit (B–Models)	20–21	Gas	56–57
Hydraulic Power Steering Circuit	24–25		
Hydraulic Reel Circuit			
Pump to Valve	16		
Valve to Motors	17		

CHASSIS AND COVERS



CHASSIS AND COVERS

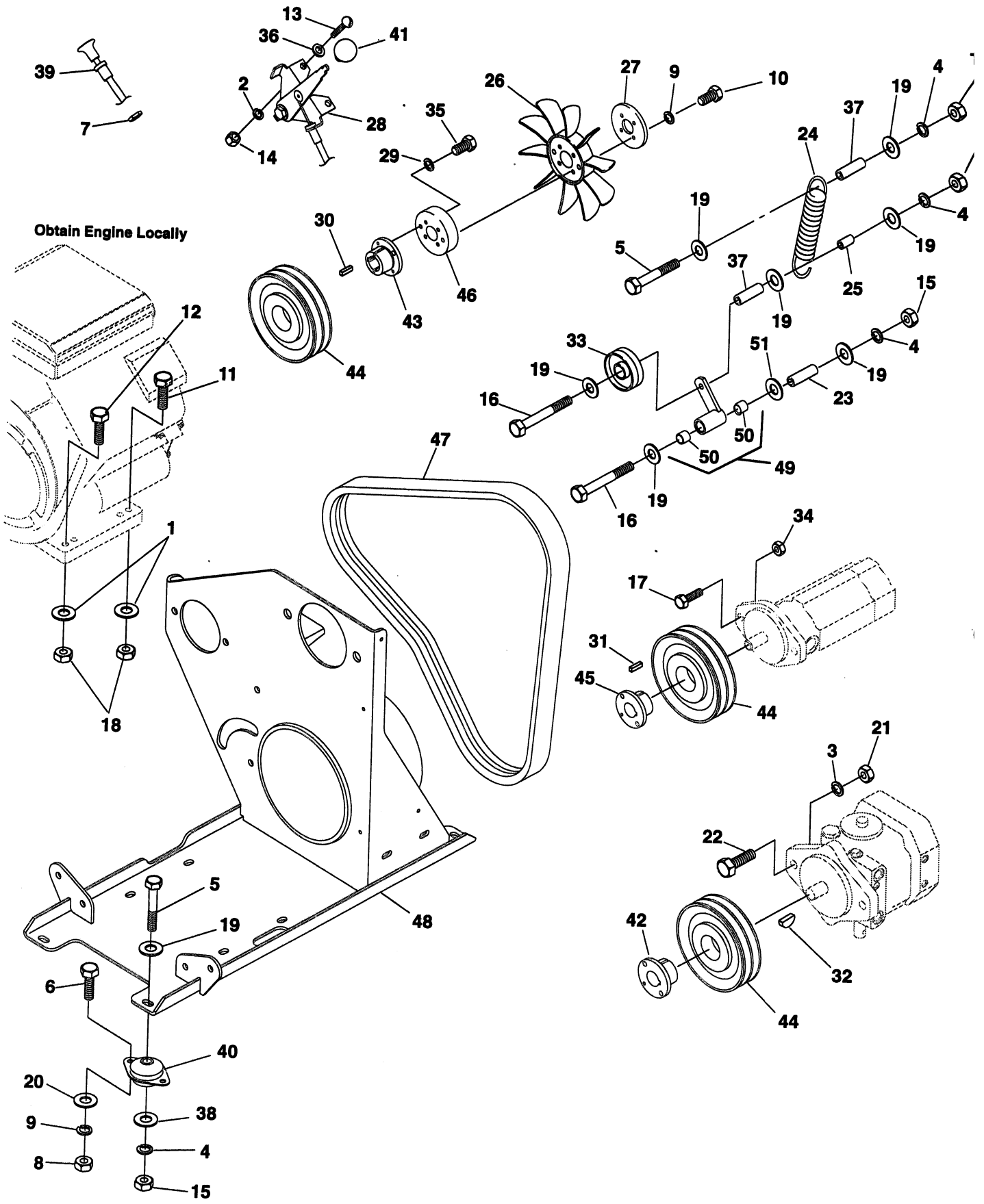
Ref. No.	Part No.	Description	No. Req'd.	Ref. No.	Part No.	Description	No. Req'd.
1	103867	Washer, 5/16"	5	37	831225	Clamp	6
2	112050	Screw, tapping, 1/4-20 x 5/8"	6	38	835039	Fastener, snap	1
3	120052	Lockwasher, #10	2	39	837429	Bearing, ball	2
4	120177	Lockwasher, 3/8"	8	40	838496	Washer, rubber, 1/4" i.d. x 1" o.d. .	6
5	300646	Screw, 1/4-20 x 3/4"	6	41	839391	Clamp, battery	1
6	303459	Screw, 1/4-20 x 1 1/2"	1	42	839962	Hinge, valve cover	1
7	306325	Lockwasher, 5/16"	9	43	893029	Panel, foot, left	1
8	306375	Nut, 1/4-20	5	44	841442	Panel, foot, right	1
9	306396	Lockwasher, 1/4"	5	45	840146	Tread, floor, 4 1/2" x 2 3/4" (114 x 70mm)	1
10	306414	Screw, 3/8-16 x 1"	8	46	840170	Box, tool/step	1
11	306416	Screw, 5/16-18 x 1"	6	47	840171	Cover, box	1
12	306531	Nut, #10-24	2	48	840172	Hinge, box	1
13	303952	Washer, #10	2	49	840193	Cover, hydraulic line, outer	1
14	306932	Nut, 5/16-18	7	50	840194	Cover, hydraulic line, inner	1
15	306981	Washer, 3/8"	8	51	840833	Cover, belt, lower	1
16	308090	Washer, 1/4"	7	52	840834	Cover, belt, upper	1
17	308091	Washer, 1/2"	1	53	840838	Tube, support	1
18	310854	Nut, jam, 1-14	2	54	840875	Panel, line cover	1
19	518170	Washer, 1" i.d. x 2" o.d.	1	55	840914	◇Cup, Washer	1
20	523169	Tread, pedal, 13 1/2" x 3" (343 x 76mm)	2	56	840915	◇Cap, bolt	1
21	523183	Washer, nylon, 5/8"	2	57	892010	Gauge, cutting height	1
22	523224	Bumper, rubber	2	58	892196	Frame, main	1
23	548941	Screw, 1/2-13 x 4 1/2"	2	59	892264	Frame, tank support	1
24	800019	Screw, P.T.H., 1/4-20 x 1/2"	11	60	892289	Tray, battery	1
25	800026	Screw, P.T.H., 1/4-20 x 3/4"	6	61	892483	Panel, foot, center	1
26	800177	Screw, P.T.H., 5/16-18 x 3/4" ...	17	62	892597	Bracket, shield	3
27	800279	Nut, speed, 1/4-20	3	63	892630	Cover, valve (w/decals)	1
28	800296	Screw, P.T.H., #10-24 x 3/4"	2	*	840156	•Decal, information	1
29	800315	Nut, wing, 5/16-18	2	*	840228	•Decal, warning, backlap	1
30	800475	Rivet, pop, 13/64" x 3/8"	1	64	892631	Cover, battery (w/decals)	1
31	800697	Nut, crownlock flange, 5/16-18 ...	2	*	840227	•Decal, warning, operation	1
32	800700	Nut, crownlock flange, 1/2-13	2	*	840862	•Decal, warning, battery, EEC	1
33	800706	Nut, crownlock flange, 1/4-20 ...	10	65	892913	Fork	1
34	820529	Spacer	1	66	892914	Channel, upper	1
35	821304	Handle Holder	1	67	892915	Channel, lower	1
36	821427	Washer, sealing	6				

• INDENTED PART NAMES INDICATE THESE PARTS ARE INCLUDED IN PRECEDING ASSEMBLY

* Not Illustrated

◇ On diesel models ONLY

POWER ASSEMBLY (GAS)



POWER ASSEMBLY (GAS)

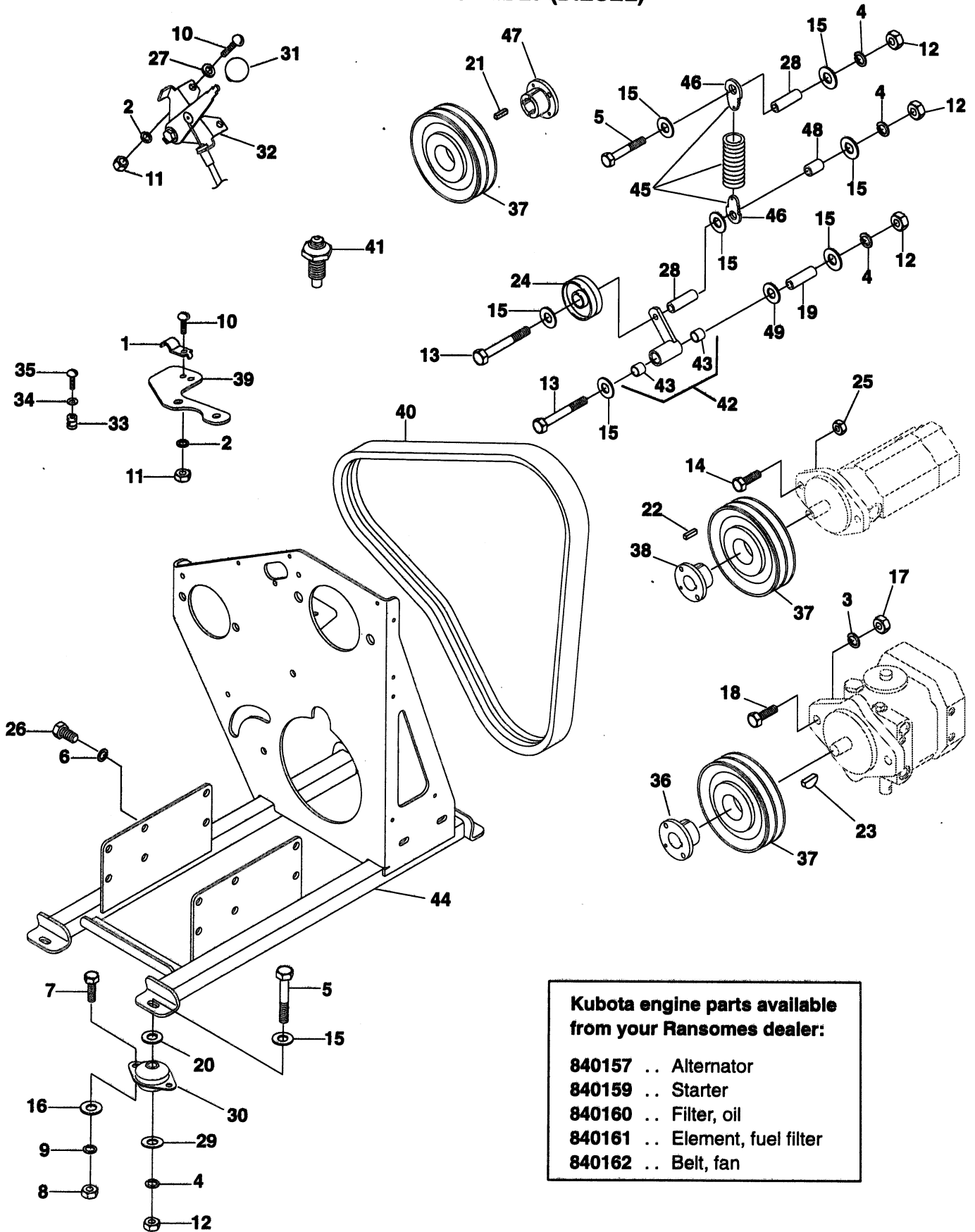
Ref. No.	Part No.	Description	No. Req'd.	Ref. No.	Part No.	Description	No. Req'd.
1	103867	Washer, 5/16"	4	27	523803	Spacer	1
2	120052	Lockwasher, #10	2	28	547610	Cable, control (throttle)	1
3	120166	Lockwasher, 1/2"	2	29	548181	Lockwasher, 1/4"	2
4	120177	Lockwasher, 3/8"	7	30	548365	Key, 1/4" x 1/4" x 1 1/4"	1
5	131794	Screw, 3/8-16 x 2"	5	31	548366	Key, 3/16" x 3/16" x 1 1/4"	1
6	300646	Screw, 1/4-20 x 3/4"	8	32	548369	Key, woodruff, 3/16" x 5/8"	1
7	306319	Nut, 3/8-16	1	33	548942	Pulley, idler 3 1/4" (83mm)	1
8	306375	Nut, 1/4-20	8	34	800294	Nut, centerlock, 7/16-14	2
9	306396	Lockwasher, 1/4"	12	35	800512	Screw, 1/4-20 x 1 1/4"	2
10	306419	Screw, 1/4-20 x 1/2"	4	36	800868	Washer, polyethylene, 13/64" i.d.	1
11	306423	Screw, 5/16-18 x 1 3/4"	2	37	808959	Spacer	1
12	306501	Screw, 5/16-18 x 1 1/2"	2	38	809174	Washer, 3/8"	4
13	306514	Screw, #10-24 x 1/2"	2	39	819538	Cable, choke, 5' (152cm)	1
14	306531	Nut, #10-24	2	40	826218	Mount, motor	4
15	306562	Nut, 3/8-16	7	41	827821	Knob, ball	1
16	306837	Screw, 3/8-16 x 3 1/4"	2	42	838047	Hub (traction pump pulley)	1
17	306838	Screw, 7/16-14 x 1"	2	43	838048	Hub (drive pulley)	1
18	306932	Nut, 5/16-18	4	44	839342	Pulley, 5 1/2" (140mm)	3
19	306981	Washer, 3/8"	12	45	839345	Hub (mower pump pulley)	1
20	308090	Washer, 1/4"	8	46	839505	Spacer, fan blade	1
21	308332	Nut, 1/2-13	2	47	840970	Belt, 2V drive	1
22	311401	Screw, 1/2-13 x 1 1/2"	2	48	892259	Frame, power (gas)	1
23	515759	Bushing	1	49	892260	Pivot, idler	1
24	518473	Spring, extension	1	50	516915	•Bushing	2
25	521679	Bushing	1	51	800251	Washer, spring, 21/32"	1
26	523727	Blade, fan, 7" (178mm)	1				

• INDENTED PART NAMES INDICATE THESE PARTS ARE INCLUDED IN PRECEDING ASSEMBLY

Replacement engine specification:

Briggs & Stratton Vanguard, 18hp, V-twin
Model 350447, Type 1170, Trim A1

POWER ASSEMBLY (DIESEL)



POWER ASSEMBLY (DIESEL)

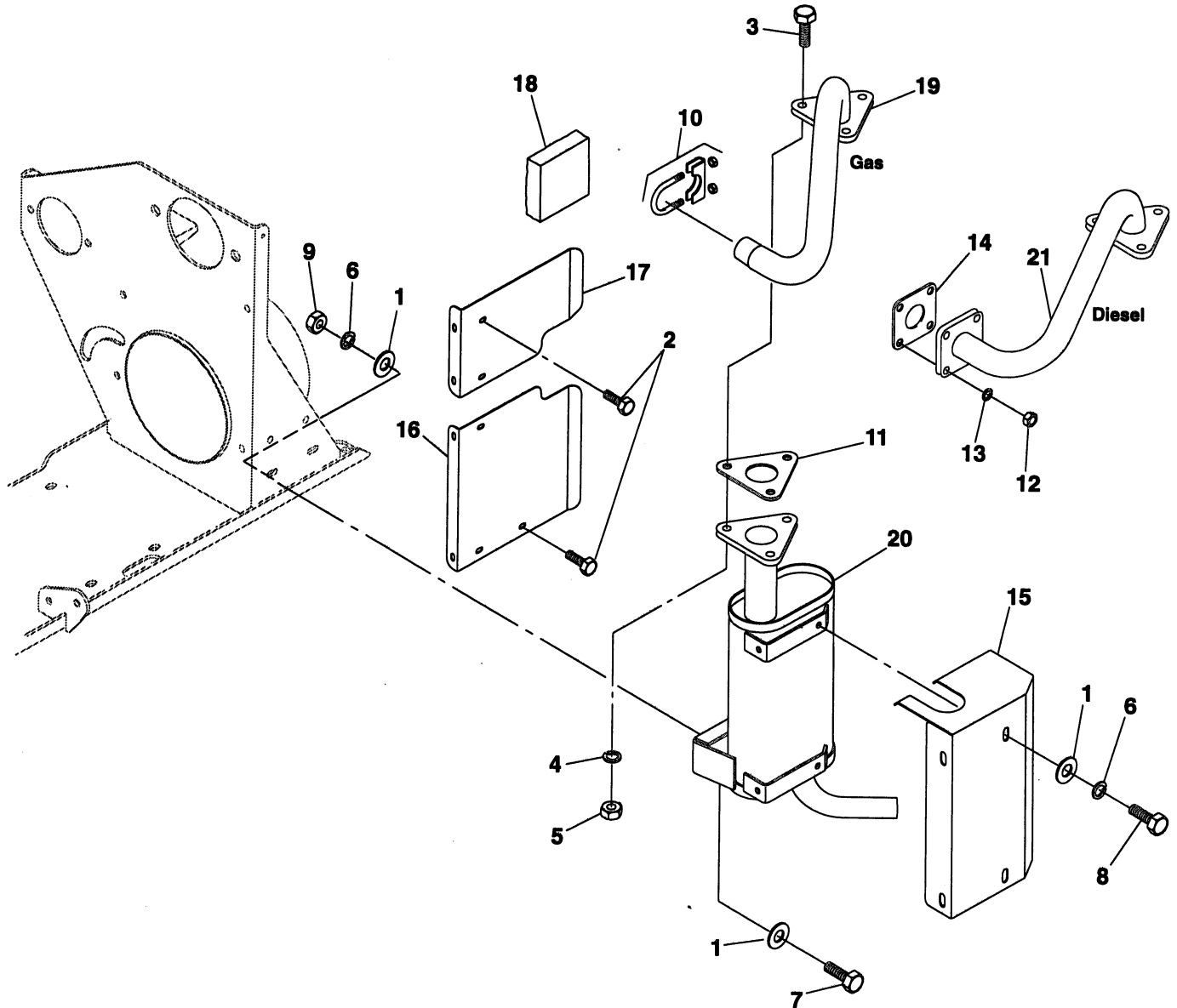
Ref. No.	Part No.	Description	No. Req'd.	Ref. No.	Part No.	Description	No. Req'd.
1	111898	Clamp, cable	1	26	800547	Screw, M10-1.25 x 20mm (grade 8)	8
2	120052	Lockwasher, #10	3	27	800868	Washer, polyethylene, 13/64" i.d.	1
3	120166	Lockwasher, 1/2"	2	28	808959	Spacer	2
4	120177	Lockwasher, 3/8"	7	29	809174	Washer, 13/32"	4
5	131794	Screw, 3/8-16 x 2"	5	30	826218	Mount, motor	4
6	303269	Lockwasher, 7/16"	8	31	827821	Knob, ball	1
7	300646	Screw, 1/4-20 x 3/4"	8	32	828049	Cable, control (throttle)	1
8	306375	Nut, 1/4-20	8	33	831888	Swivel, throttle cable	1
9	306396	Lockwasher, 1/4"	8	34	831889	Washer, swivel	1
10	306514	Screw, slotted, #10-24 x 1/2"	3	35	831890	Screw, swivel	1
11	306531	Nut, #10-24	3	36	838047	Hub (traction pump pulley)	1
12	306562	Nut, 3/8-16	7	37	839342	Pulley, 5 1/2" (140mm)	3
13	306837	Screw, 3/8-16 x 3 1/4"	2	38	839345	Hub (mower pump pulley)	1
14	306838	Screw, 7/16-14 x 1"	2	39	839972	Bracket, cable mounting	1
15	306981	Washer, 3/8"	12	40	840970	Belt, 2V drive	1
16	308090	Washer, 1/4"	8	41	887735	Sender, water temperature	1
17	308332	Nut, 1/2-13	2	42	892260	Pivot, idler	1
18	311401	Screw, 1/2-13 x 1 1/2"	2	43	516915	•Bushing	2
19	515759	Bushing	1	44	893179	Frame, power, diesel	1
20	809168	Washer, 3/8"	4	45	892732	Spring, idler	1
21	548365	Key, 1/4" x 1/4" x 1 1/4"	1	46	523381	•Hook	2
22	548366	Key, 3/16" x 3/16" x 1 1/4"	1	47	D3004	Bushing, split taper	1
23	548369	Key, woodruff, 3/16" x 5/8"	1	48	521679	Bushing	1
24	548942	Pulley, 3 1/4" (83mm)	1	49	800251	Washer, spring, 21/32" i.d.	1
25	800294	Nut, lock, 7/16-14	2				

• INDENTED PART NAMES INDICATE THESE PARTS ARE INCLUDED IN PRECEDING ASSEMBLY

Replacement engine specification:

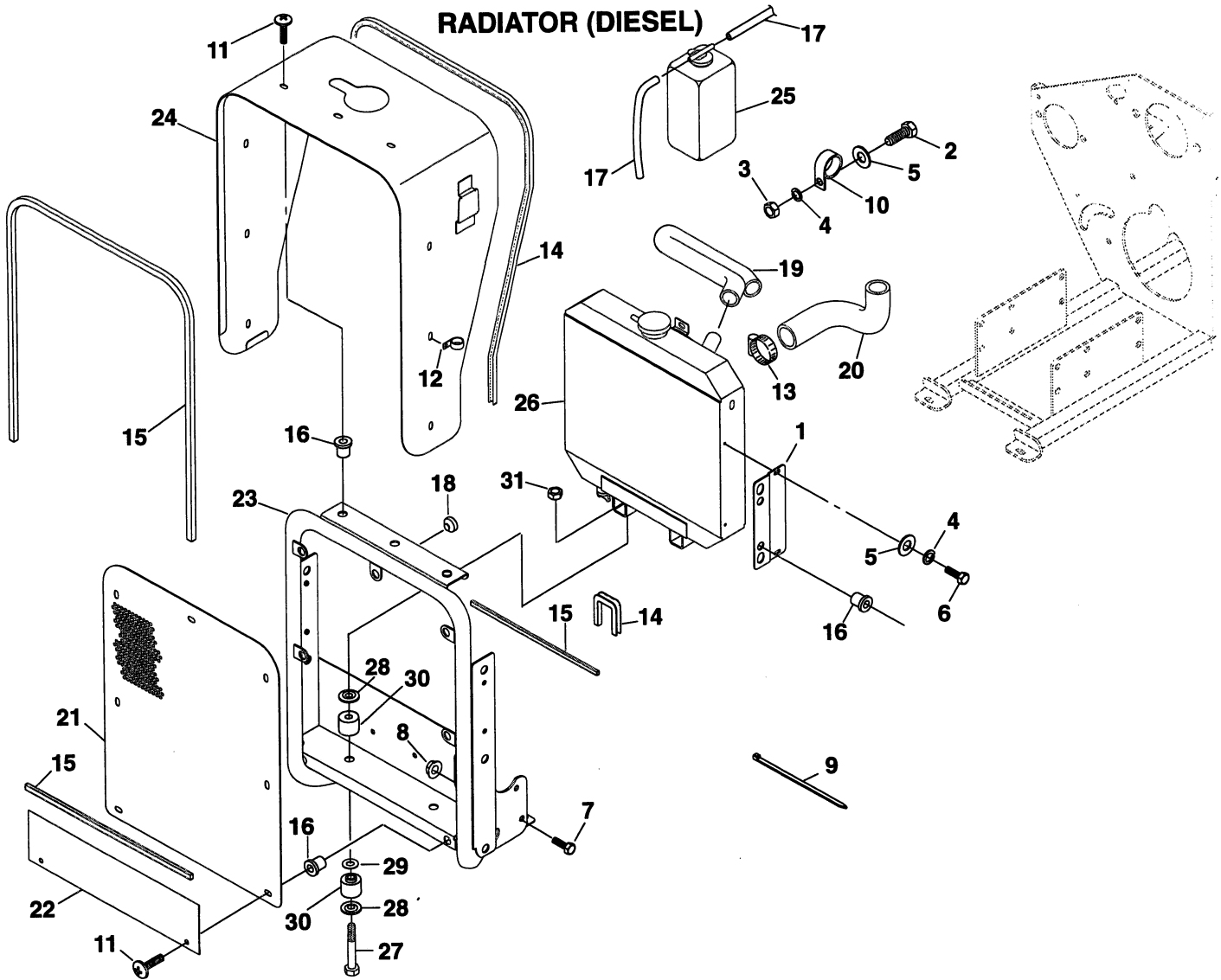
Kubota diesel, 18hp, 3 cylinder, liquid cooled Model D722 B-1

MUFFLER



Ref. No.	Part No.	Description	No. Req'd.	Ref. No.	Part No.	Description	No. Req'd.
1	103867	Washer, 5/16"	8	12	834277	Nut, M8-1.25	4
2	112050	Screw, tapping, 1/4-20 x 5/8"	5	13	834288	Lockwasher, M8	4
3	130538	Screw, 7/16-14 x 1 1/4"	3	14	834606	Gasket, header tube (diesel)	1
4	303269	Lockwasher, 7/16"	3	15	839346	Shield, muffler	1
5	304364	Nut, 7/16-14	3	16	839761	Shield, heat, lower	1
6	306325	Lockwasher, 5/16"	6	17	839762	Shield, heat, upper	1
7	306416	Screw, 5/16-18 x 1"	2	18	839828	Insulation, shield	1
8	306555	Screw, 5/16-18 x 5/8"	4	19	892168	Tube, header (gas)	1
9	306932	Nut, 5/16-18	2	20	892169	Muffler, complete	1
10	813688	Clamp, tube, exhaust	1	21	892170	Tube, header (diesel)	1
11	833208	Gasket, exhaust	1				

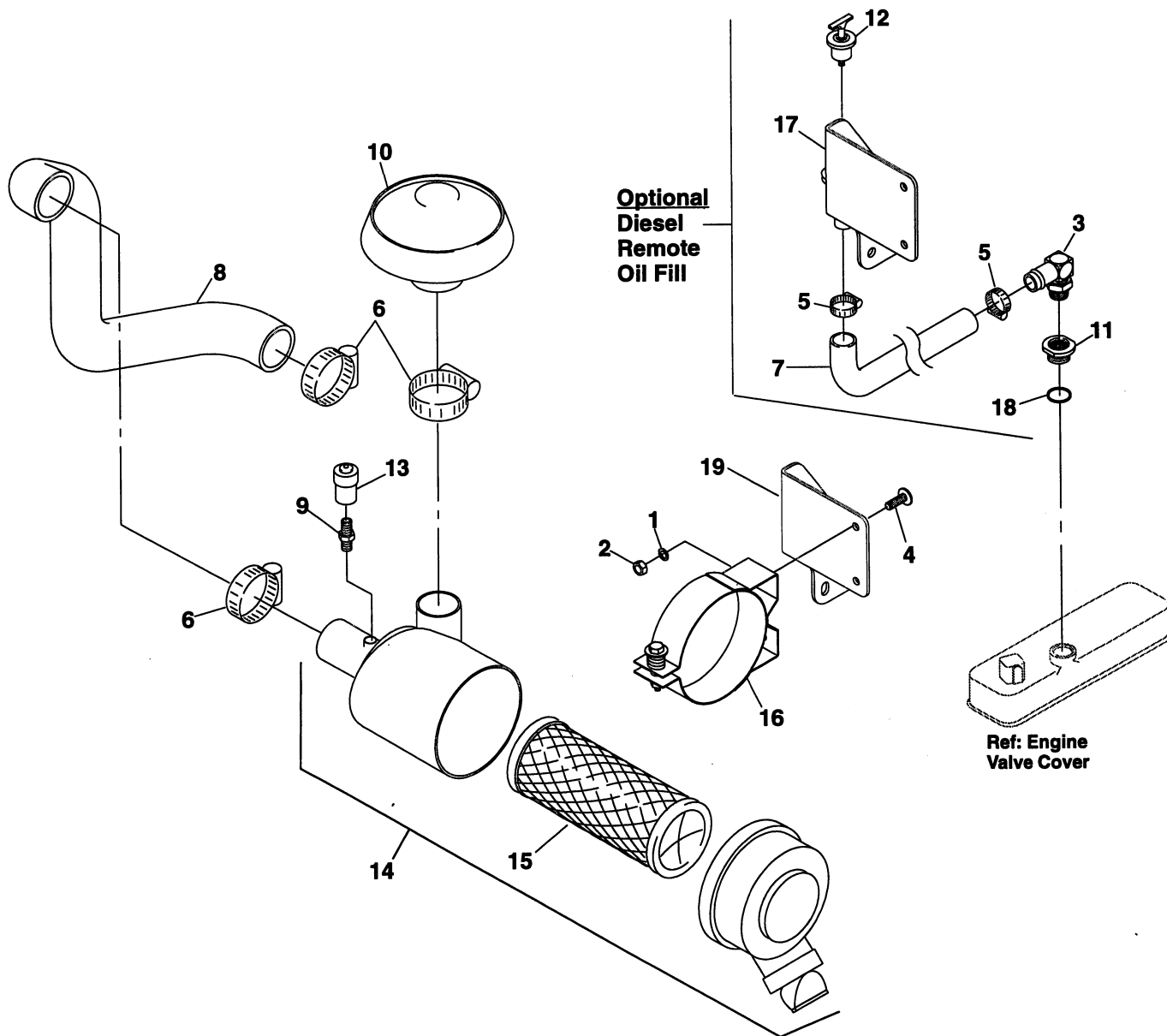
RADIATOR (DIESEL)



Ref. No.	Part No.	Description	No. Req'd.	Ref. No.	Part No.	Description	No. Req'd.
1	841160	Bracket, radiator	2	18	810149	Bumper, rubber	1
2	300646	Screw, 1/4-20 x 3/4"	1	19	839952	Hose, radiator, top	1
3	306375	Nut, 1/4-20	1	20	839953	Hose, radiator, bottom	1
4	306396	Lockwasher, 1/4"	5	21	839973	Panel, screen	1
5	308090	Washer, 1/4"	5	22	840062	Panel, radiator	1
6	828162	Screw, M6-1.0 x 16mm, grade 8	4	23	892261	Frame, radiator	1
7	306834	Screw, 3/8-16 x 3/4"	4	24	892634	Cover, radiator	1
8	800698	Nut, crownlock flange, 3/8-16	4	*	832130	•Decal, WARNING	1
9	320107	Tie, cable, 7 1/2" (191mm)	3	*	833610	•Decal, NOTICE	1
10	523213	Clip	1	25	◆	Bottle, overflow	1
11	800177	Screw, 5/16-18 x 3/4", P.T.H.	16	26	◆	Radiator	1
12	815058	Clamp	1	27	800566	Screw, M10-1.25 x 60mm, grade 8	2
13	820889	Clamp, tubing	4	28	810758	Retainer	4
14	821893	Trim, push-on, 12' (3.6M)	As Req'd	29	548165	Washer, 5/8"	2
15	830355	Weatherseal, 35' (10.6M)	As Req'd	30	810157	Bushing, rubber	4
16	831846	Nut, isolation	16	31	800571	Nut, M10-1.25, grade 8	2
17	835805	Hose, overflow 4' (1.2M)	As Req'd				

- INDENTED PART NAMES INDICATE THESE PARTS ARE INCLUDED IN PRECEDING ASSEMBLY
- * Not Illustrated
- ◆ Obtain from your Kubota dealer

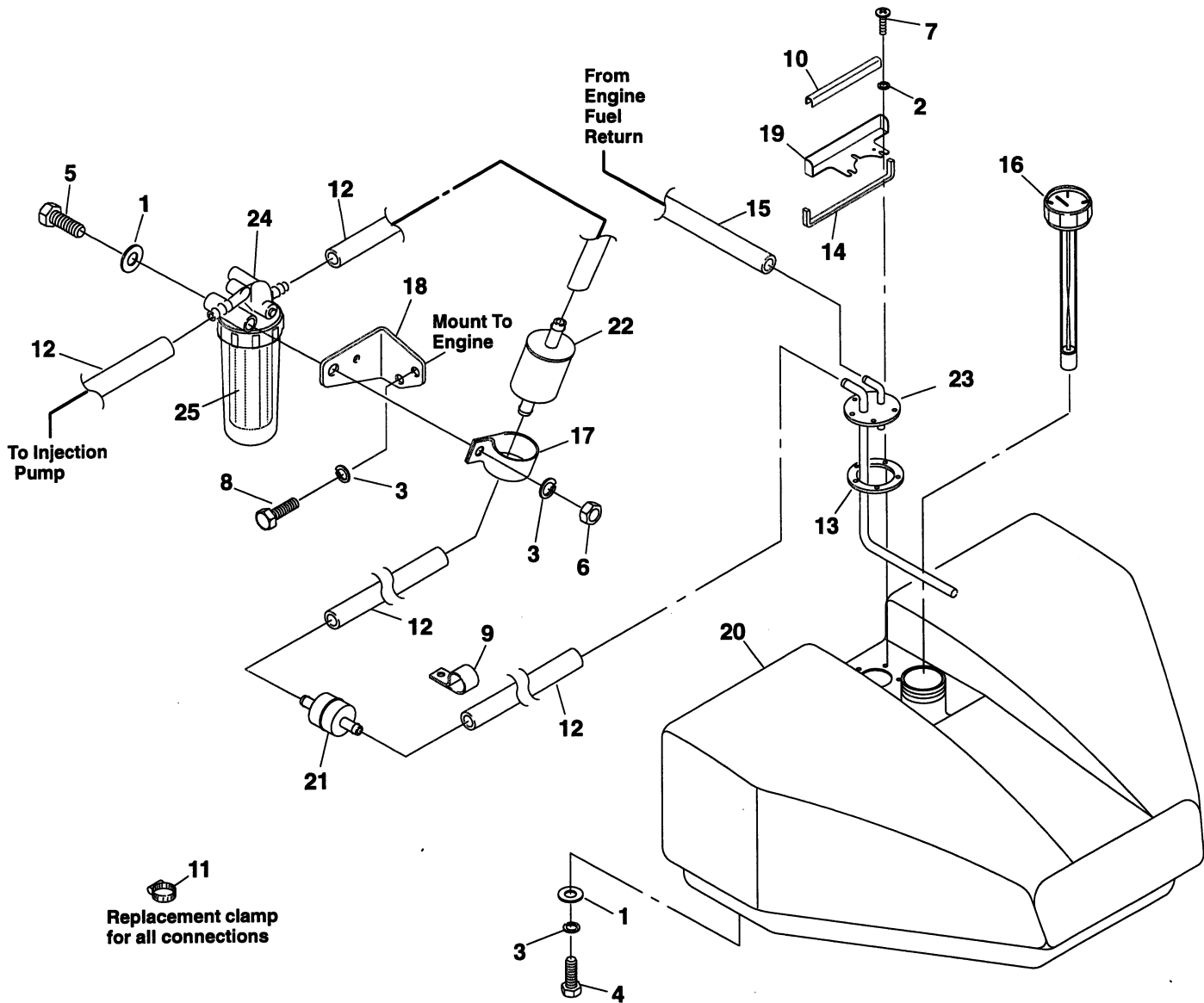
AIR CLEANER (DIESEL)



Ref. No.	Part No.	Description	No. Req'd.	Ref. No.	Part No.	Description	No. Req'd.
1	306325	Lockwasher, 5/16"	2	11	840444	Fitting, oil fill	1
2	306932	Nut, 5/16-18	2	12	840463	Cap, remote oil fill	1
3	523768	Adaptor, 90° elbow	1	13	888036	Gauge, restriction	1
4	800177	Screw, 5/16-18 x 3/4", P.T.H.	2	14	892679	Filter, air, complete	1
5	820889	Clamp, tubing	2	15	840352	•Element, air filter	1
6	825358	Clamp, hose, worm drive	3	16	892680	Bracket, filter	1
7	839559	Hose, 3/4" i.d. x 15" (38cm)	1	17	892762	Bracket, oil/air	1
8	839954	Hose, air intake	1	18	E0039	O-Ring, 1.17" i.d. x .116"	1
9	840346	Adaptor, gauge	1	19	840063	Bracket, air filter	1
10	840347	Hood, inlet	1				

• INDENTED PART NAMES INDICATE THESE PARTS ARE INCLUDED IN PRECEDING ASSEMBLY

FUEL SYSTEM – DIESEL

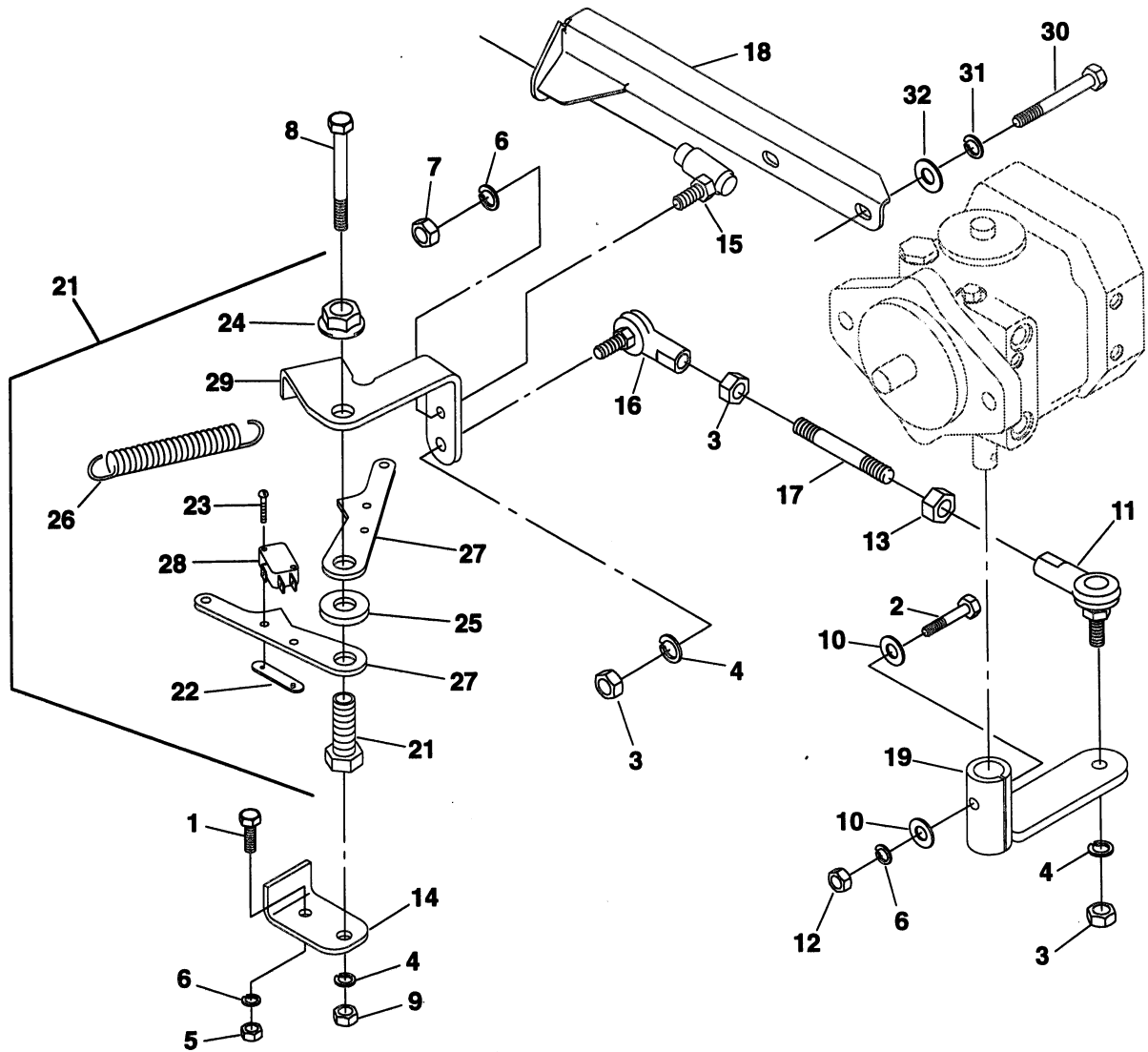


 11
Replacement clamp for all connections

Ref. No.	Part No.	Description	No. Req'd.	Ref. No.	Part No.	Description	No. Req'd.
1	103867	Washer, 5/16"	3	13	829954	Gasket	1
2	120052	Lockwasher, #10	5	14	830355	Seal, 35' (10.7M)	As Req'd
3	306325	Lockwasher, 5/16"	5	15	831039	Hose, fuel, 25' (7.6M)	As Req'd
4	306555	Screw, 5/16-18 x 5/8"	2	16	838049	Cap, fuel w/gauge	1
5	306823	Screw, 5/16-18 x 2 3/4"	1	17	838154	Bracket, fuel pump mount	1
6	306932	Nut, 5/16-18	1	18	839975	Bracket, mounting, fuel filter	1
7	800021	Screw, #10-32 x 1/2", P.T.H.	5	19	840658	Shield, fuel	1
8	800548	Screw, M8-1.25 x 20mm (grade 8)	2	20	869087	Tank, fuel	1
9	814924	Clamp, hose	1	21	825619	Filter, fuel	1
10	821893	Trim, 12' (3.6M)	As Req'd	22	891476	Pump, fuel	1
11	825624	Clamp, hose	As Req'd	23	893077	Pickup, fuel	1
12	826590	Hose, fuel, 25' (7.6M)	As Req'd	24	◆	Filter Assembly, fuel	1
				25	840161	◆Element, fuel filter	1

- INDENTED PART NAMES INDICATE THESE PARTS ARE INCLUDED IN PRECEDING ASSEMBLY
- ◆ Kubota part. Obtain from your Kubota dealer.

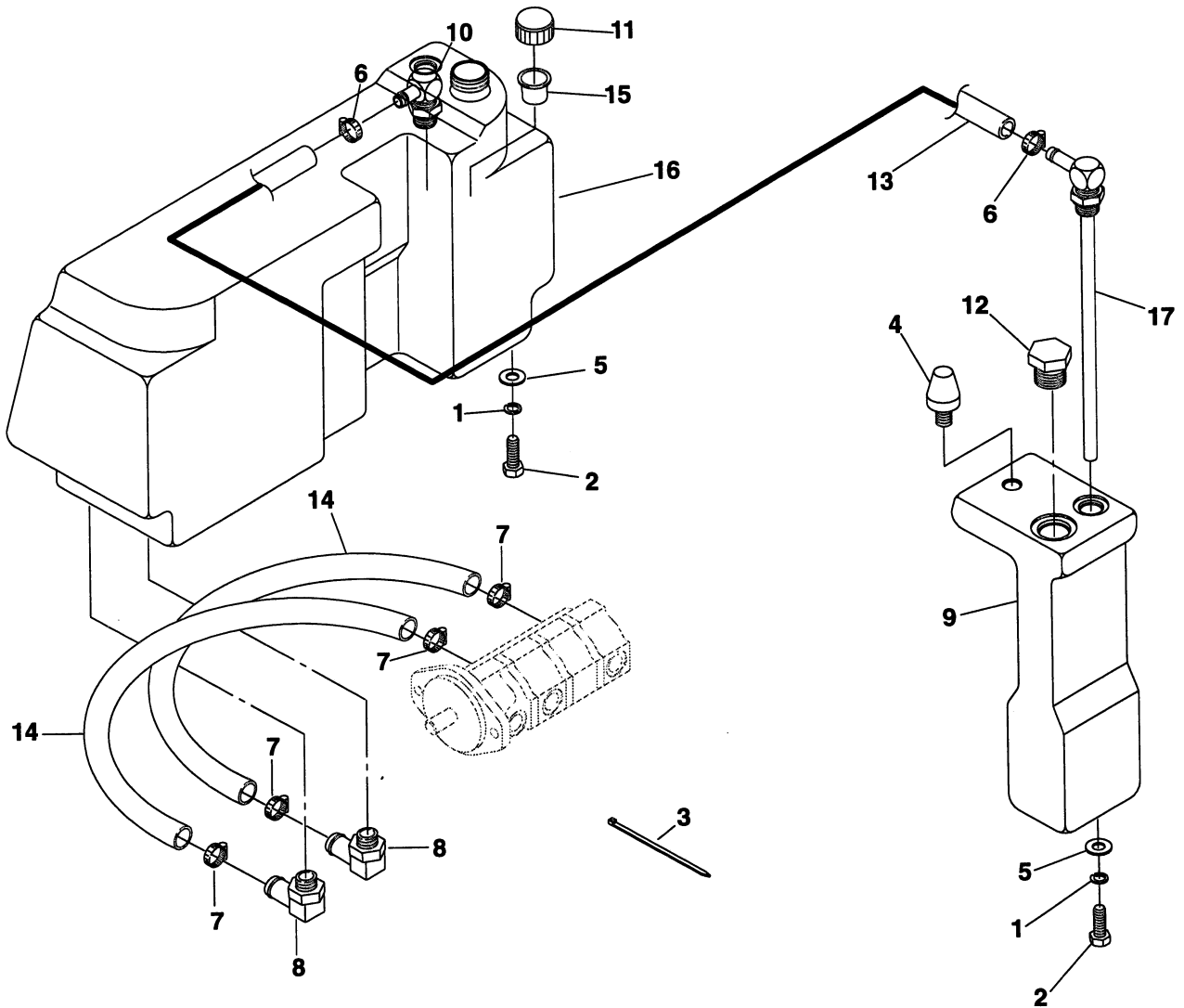
PUMP CONTROL LINKAGE



Ref. No.	Part No.	Description	No. Req'd.	Ref. No.	Part No.	Description	No. Req'd.
1	300646	Screw, 1/4-20 x 3/4"	1	17	838093	Rod, threaded, 5/16-24 x 2 1/2"	1
2	303459	Screw, 1/4-20 x 1 1/2"	1	18	841475	Bracket, direction control	1
3	306320	Nut, 5/16-24	3	19	892285	Arm, pump control	1
4	306325	Lockwasher, 5/16"	3	20	892290	Bellcrank assembly	1
5	306375	Nut, 1/4-20	1	21	523492	•Bushing	1
6	306396	Lockwasher, 1/4"	3	22	841151	•Nut, twin tapping, #4	2
7	306397	Nut, 1/4-28	1	23	800897	•Screw, tapping, #4-40 x 3/4"	4
8	306464	Screw, 5/16-18 x 2 1/2"	1	24	800559	•Nut, crownlock flange, 1/2-20	1
9	306932	Nut, 5/16-18	1	25	809180	•Washer, 7/16"	1
10	308090	Washer, 1/4"	2	26	817598	•Spring	1
11	523253	End, control rod	1	27	827320	•Arm, spring retainer	2
12	548597	Nut, lock, 1/4-20	1	28	830139	•Switch, start safety	2
13	800543	Nut, 5/16-24 (left hand thread)	1	29	839387	•Arm, neutral	1
14	827316	Stop, neutral control arm	1	30	800903	Screw, 3/8-16 x 2 3/4"	2
15	831518	Ball Joint	1	31	120177	Lockwasher, 3/8"	2
16	831586	Ball Joint	1	32	306981	Washer, 3/8"	2

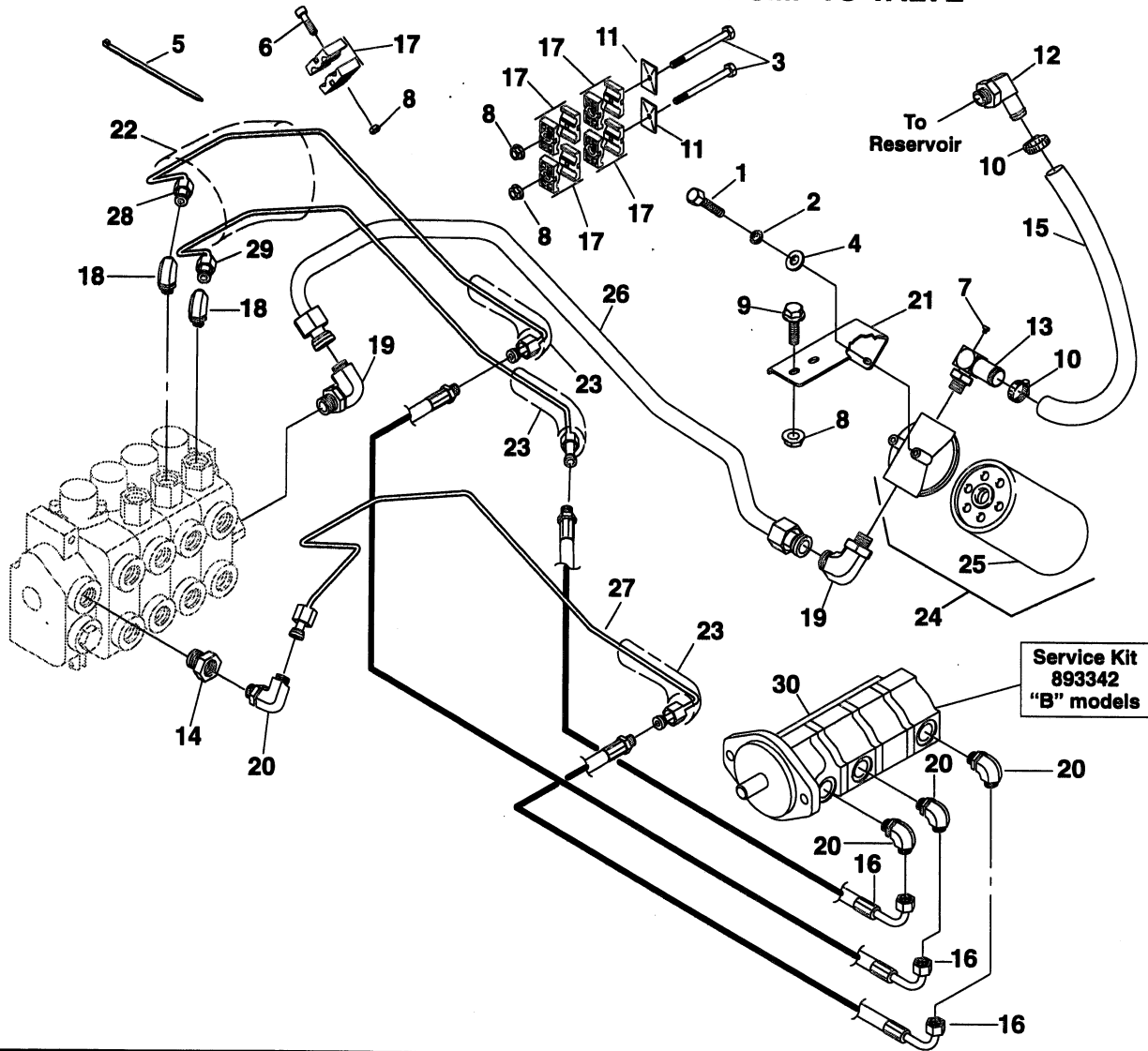
• INDENTED PART NAMES INDICATE THESE PARTS ARE INCLUDED IN PRECEDING ASSEMBLY

HYDRAULIC RESERVOIR



Ref. No.	Part No.	Description	No. Req'd.	Ref. No.	Part No.	Description	No. Req'd.
1	306325	Lockwasher, 5/16"	4	10	839497	Fitting, elbow, 90°	1
2	306555	Screw, 5/16-18 x 5/8"	4	11	839498	Cap, non-vented	1
3	823549	Tie, cable, 15 1/2" (39cm)	1	12	839723	Fitting, plug, 1 3/16" (30mm)	1
4	823587	Breather	1	13	839805	Hose, 1/2" i.d. x 4 3/4" (12cm)	1
5	825128	Washer, 5/16"	4	14	839810	Hose, 1" i.d. x 38" (97cm)	2
6	832033	Clamp, hose	2	15	840251	Plug, cap	1
7	836206	Clamp, hose	4	16	869088	Reservoir, oil	1
8	839557	Fitting, adaptor, 90°	2	17	892304	Fitting, expansion tank	1
9	839428	Tank, expansion	1				

HYDRAULIC REEL CIRCUIT – PUMP TO VALVE

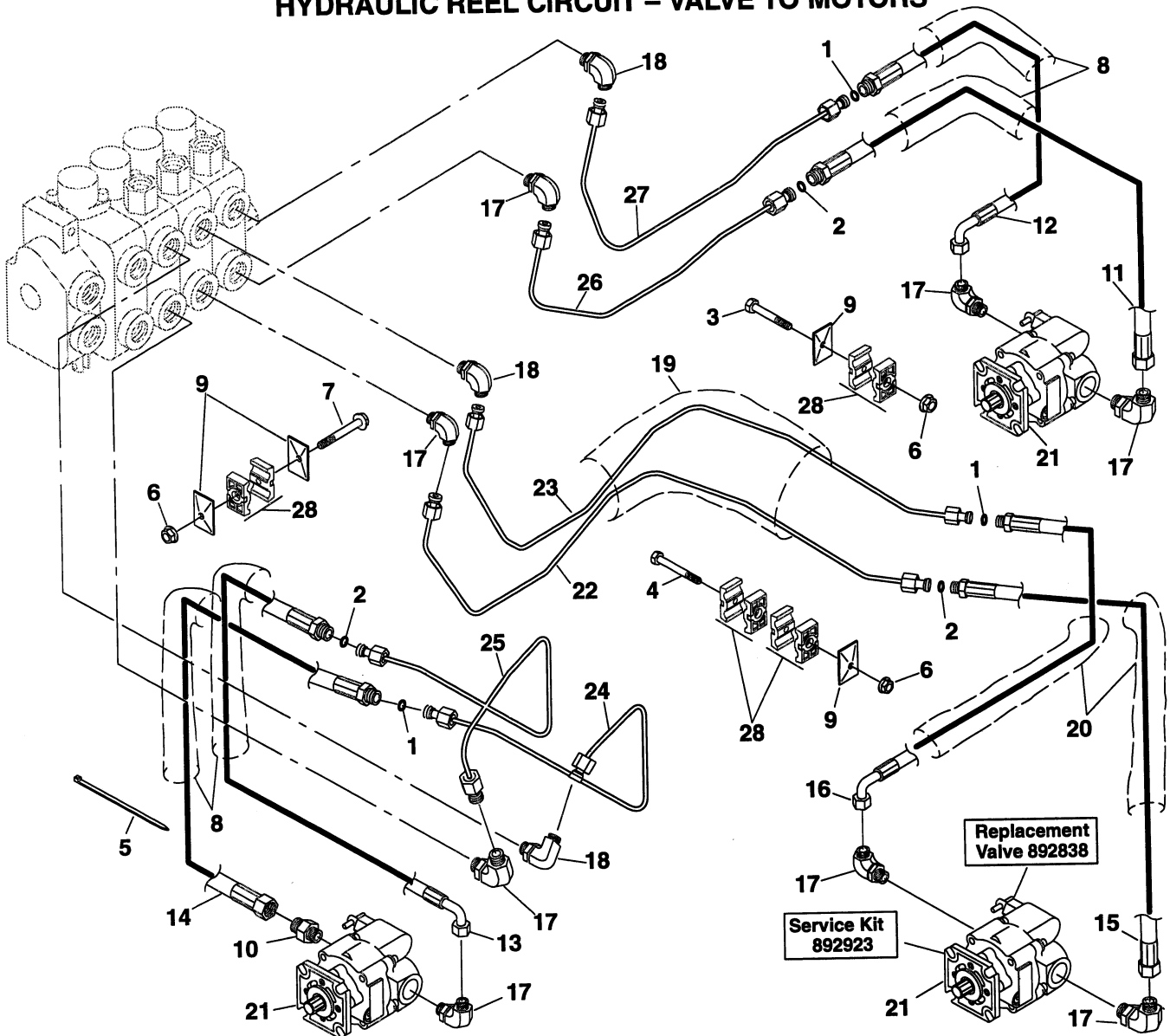


Ref. No.	Part No.	Description	No. Req'd.	Ref. No.	Part No.	Description	No. Req'd.
1	300646	Screw, 1/4–20 x 3/4"	2	17	892418	Set, clamp	1
2	306396	Lockwasher, 1/4"	2	18	839819	Adaptor, elbow, 90°	2
3	306823	Screw, 5/16–18 x 2 3/4"	2	19	839820	Adaptor, elbow, 90°	2
4	308090	Washer, 1/4"	2	20	839821	Adaptor, elbow, 90°	4
5	320107	Tie, cable, 7 1/2" (191mm)	2	21	839822	Bracket, filter mounting	1
6	330748	Screw, 5/16–18 x 1" (grade 8)	1	22	840190	Sleeve, nylon, 3" x 9"	1
7	800227	Plug, pipe, 1/8–27	1	23	840876	Sleeve, nylon, 1.88 x 15" (38cm)	3
8	800697	Nut, crownlock flange, 5/16–18	5	24	892278	Filter, hydraulic, complete	1
9	800794	Screw, 5/16–18 x 3/4"	2	25	885249	•Element, filter	1
10	836206	Clamp, hose	2	26	892410	Line, hydraulic main return	1
11	837736	Plate, clamp cover	2	27	892411	Line, hydraulic motor (left)	1
12	839557	Fitting, adaptor, 90°	1	28	892412	Line, hydraulic motor (center)	1
13	839806	Fitting, adaptor, 90°	1	29	892413	Line, hydraulic motor (right)	1
14	839807	Adaptor	1	30	893334	Pump, reel drive	1
15	839809	Hose, hyd. 1" i.d. x 19" (48cm)	1	*	548366	•Key, 3/16" x 3/16" x 1 1/4"	1
16	839811	Hose, hyd. 3/8" i.d. x 16 1/2" (42cm)	3	*	893342	•Service Kit	As Req'd

• INDENTED PART NAMES INDICATE THESE PARTS ARE INCLUDED IN PRECEDING ASSEMBLY

* Not Illustrated

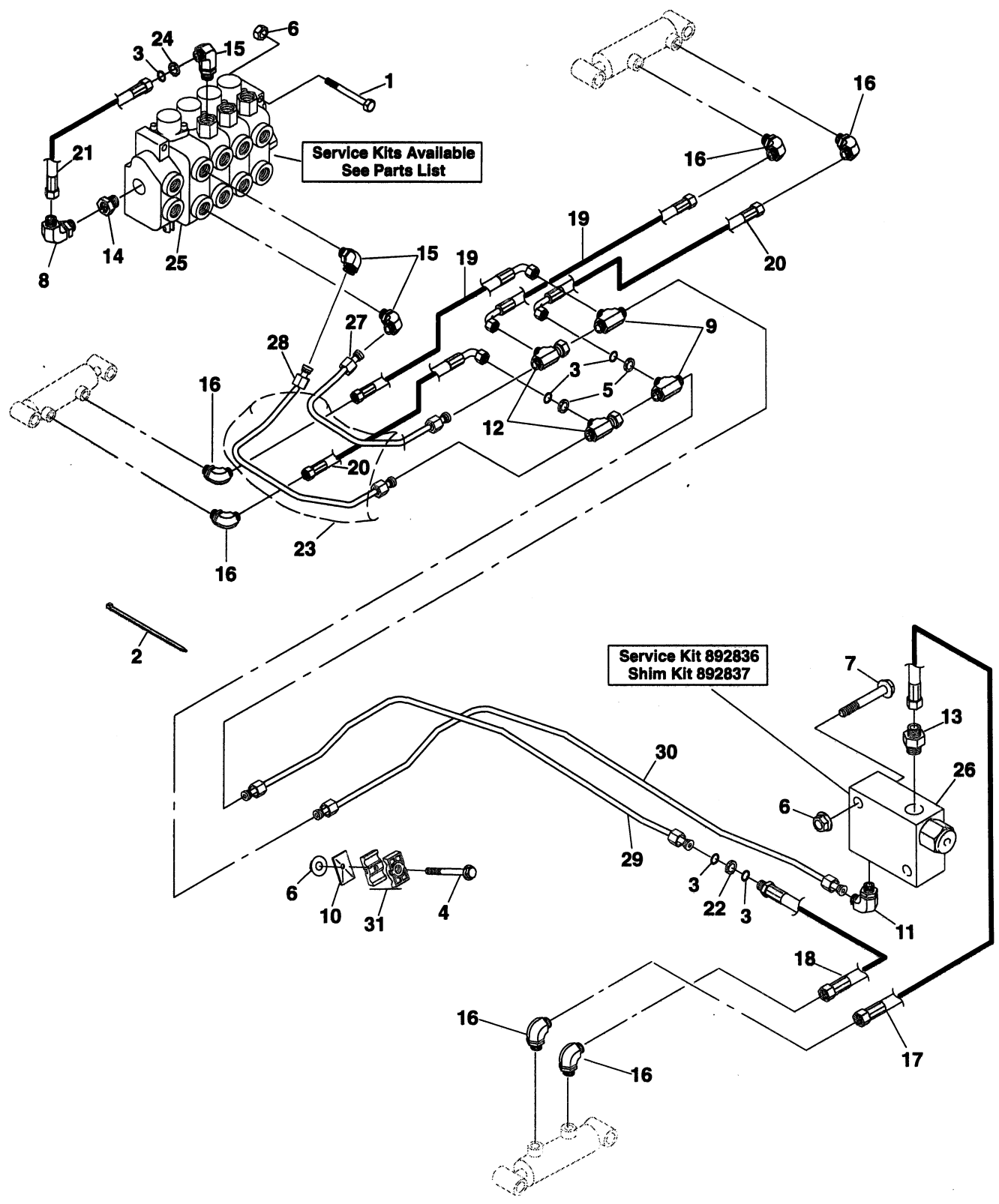
HYDRAULIC REEL CIRCUIT – VALVE TO MOTORS



Ref. No.	Part No.	Description	No. Req'd.	Ref. No.	Part No.	Description	No. Req'd.
1	158061-01	O-Ring, -06 orifice	3	16	839817	Hose, hyd. 3/8" i.d. x 27" (69cm)	1
2	158061-02	O-Ring, -08 orifice	3	17	839819	Adaptor, elbow, 90°	8
3	306423	Screw, 5/16-18 x 1 3/4"	1	18	839827	Adaptor, elbow, 90°	3
4	306823	Screw, 5/16-18 x 2 3/4"	1	19	840192	Sleeve, nylon, 3" x 16" (41cm)	1
5	320107	Tie, cable, 7 1/2" (191 mm)	4	20	840878	Sleeve, nylon, 1.88" x 36" (92cm)	2
6	800697	Nut, crownlock flange, 5/16-18	3	21	892275	Motor, reel drive	3
7	800715	Screw, flange, 5/16-18 x 2 1/4"	1	*	892838	•Valve, replacement	As Req'd
8	833944	Sleeve, nylon, 1.88" x 43" (109cm)	4	*	892923	•Service Kit	As Req'd
9	837736	Plate, clamp cover	4	22	892384	Line, hydraulic center return	1
10	839808	Adaptor, straight	1	23	892385	Line, hydraulic center pressure	1
11	839812	Hose, hyd. 1/2" i.d. x 31" (79cm)	1	24	892386	Line, hyd. motor pressure (left)	1
12	839813	Hose, hyd. 3/8" i.d. x 35" (89cm)	1	25	892387	Line, hyd. motor return (left)	1
13	839814	Hose, hyd. 1/2" i.d. x 38" (97cm)	1	26	892388	Line, hyd. motor return (right)	1
14	839815	Hose, hyd. 3/8" i.d. x 34" (86cm)	1	27	892389	Line, hyd. motor pressure (right)	1
15	839816	Hose, hyd. 1/2" i.d. x 26" (66cm)	1	28	892418	Set, clamp	4

• INDENTED PART NAMES INDICATE THESE PARTS ARE INCLUDED IN PRECEDING ASSEMBLY
 * Not Illustrated

HYDRAULIC LIFT CIRCUIT ("A" MODELS)



HYDRAULIC LIFT CIRCUIT ("A" MODELS)

Ref. No.	Part No.	Description	No. Req'd.	Ref. No.	Part No.	Description	No. Req'd.
1	131590	Screw, 5/16-18 x 3"	3	23	840190	Sleeve, nylon, 3" x 9" (23cm) . .	1
2	320107	Tie, cable, 7 1/2" (191mm)	1	24	840210	Disk, orifice .067 diameter	1
3	158061-01	O-ring, -06 orifice	5	25	892276	Valve, reel drive	1
4	800715	Screw, flange, 5/16-18 x 2 1/4"	2	*	840557	•Spring, PO check	As Req'd
5	69068-01	Disk, orifice .052 diameter	2	*	892839	•Valve, relief sect. 3&4	As Req'd
6	800697	Nut, crownlock flange, 5/16-18	7	*	892840	•Cartridge, PO check	As Req'd
7	800751	Screw, flange, 5/16-18 x 2"	2	*	892841	•Kit, service spring center	As Req'd
8	836596	Elbow	1	*	892842	•Valve, main relief	As Req'd
9	836600	Tee, union	2	*	892843	•Boot, valve spool	As Req'd
10	837736	Plate, clamp cover	2	*	892844	•Kit, service spool & section	As Req'd
11	838035	Adaptor, elbow, 90°	1	*	892845	•Kit, KO positioner	As Req'd
12	838565	Tee, o-ring	2	*	892846	•◇Spool, sect. 1-KO	As Req'd
13	839003	Fitting, adaptor	1	*	892847	•◇Spool, sect. 2	As Req'd
14	839807	Adaptor, straight	1	*	892848	•◇Spool, sect. 3	As Req'd
15	839827	Adaptor, elbow, 90°	3	*	892849	•◇Spool, sect. 4	As Req'd
16	839831	Adaptor, elbow, 90°	6	26	892277	Valve, sequence	1
17	839834	Hose, hydraulic, 1/4" i.d. x 12" (30cm)	1	*	892836	•Kit, service	As Req'd
18	839835	Hose, hydraulic, 3/8" i.d. x 18" (46cm)	1	*	892837	•Kit, shim	As Req'd
19	839836	Hose, hydraulic, 1/4" i.d. x 9" (23cm)	2	27	892373	Line, bottom front, hydraulic cylinder	1
20	839837	Hose, hydraulic, 1/4" i.d. x 10 1/2" (27cm)	2	28	892374	Line, top front, hydraulic cylinder	1
21	839838	Hose, hydraulic, 1/4" i.d. x 8 1/2" (22cm)	1	29	892375	Line, hydraulic rear cylinder . . .	1
22	840051	Disk, orifice .081 diameter	1	30	892376	Line, sequence, hydraulic cylinder	1
				31	892418	Set, clamp	2

• INDENTED PART NAMES INDICATE THESE PARTS ARE INCLUDED IN PRECEDING ASSEMBLY

* Not Illustrated

◇ Spools are numbered left to right as shown in parts drawing.

**HYDRAULIC LIFT CIRCUIT
("B" MODELS)**

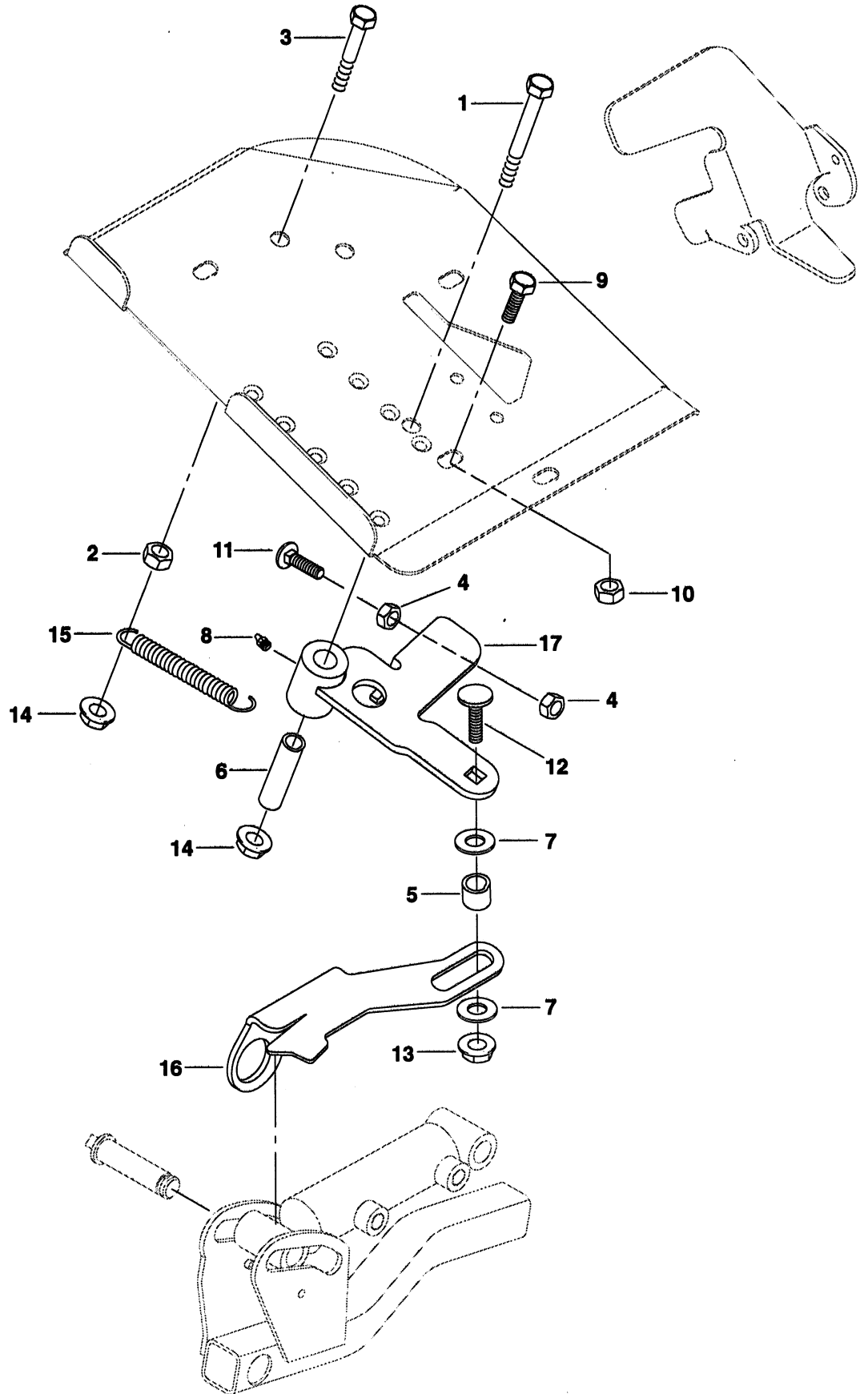
Ref. No.	Part No.	Description	No. Req'd.	Ref. No.	Part No.	Description	No. Req'd.
1	131590	Screw, 5/16-18 x 3"	3	20	839837	Hose, hydraulic, 1/4" i.d. x 10 1/2" (27cm)	2
2	320107	Tie, cable, 7 1/2" (191mm)	1	21	839838	Hose, hydraulic, 1/4" i.d. x 8 1/2" (22cm)	1
3	158061-01	O-ring, -06 orifice	7	22	841497	Disk, orifice .035 diameter	1
4	800715	Screw, flange, 5/16-18 x 2 1/4"	2	23	840190	Sleeve, nylon, 3" x 9" (8cm x 23cm)	1
5	841496	Disk, orifice .052 diameter	2	24	841498	Disk, orifice .076 diameter	1
6	800697	Nut, crownlock flange, 5/16-18	5	25	892418	Set, clamp	1
7	892376	Line, sequence, hydraulic cylinder	1	26	893272	Valve, reel drive	1
8	836596	Elbow	1	*	840557	•Spring, PO check	As Req'd
9	836600	Tee, union	2	*	892839	•Valve, relief sect. 3&4	As Req'd
10	837736	Plate, clamp cover	2	*	892840	•Cartridge, PO check	As Req'd
11	892375	Line, hydraulic rear cylinder	1	*	892841	•Kit, service spring center	As Req'd
12	838565	Tee, o-ring	2	*	893275	•Valve, main relief	As Req'd
13	892374	Line, top front, hydraulic cylinder	1	*	892843	•Boot, valve spool	As Req'd
14	839807	Adaptor, straight	1	*	892844	•Kit, service spool & section	As Req'd
15	839827	Adaptor, elbow, 90°	3	*	892845	•Kit, KO positioner	As Req'd
16	839831	Adaptor, elbow, 90°	6	*	893274	•◇Spool, sect. 1	As Req'd
17	892373	Line, bottom front, hydraulic cylinder	1	*	892847	•◇Spool, sect. 2	As Req'd
18	839835	Hose, hydraulic, 3/8" i.d. x 18" (46cm)	2	*	892848	•◇Spool, sect. 3	As Req'd
19	839836	Hose, hydraulic, 1/4" i.d. x 9" (23cm)	2	*	892849	•◇Spool, sect. 4	As Req'd

• INDENTED PART NAMES INDICATE THESE PARTS ARE INCLUDED IN PRECEDING ASSEMBLY

* Not Illustrated

◇ Spools are numbered left to right as shown in parts drawing.

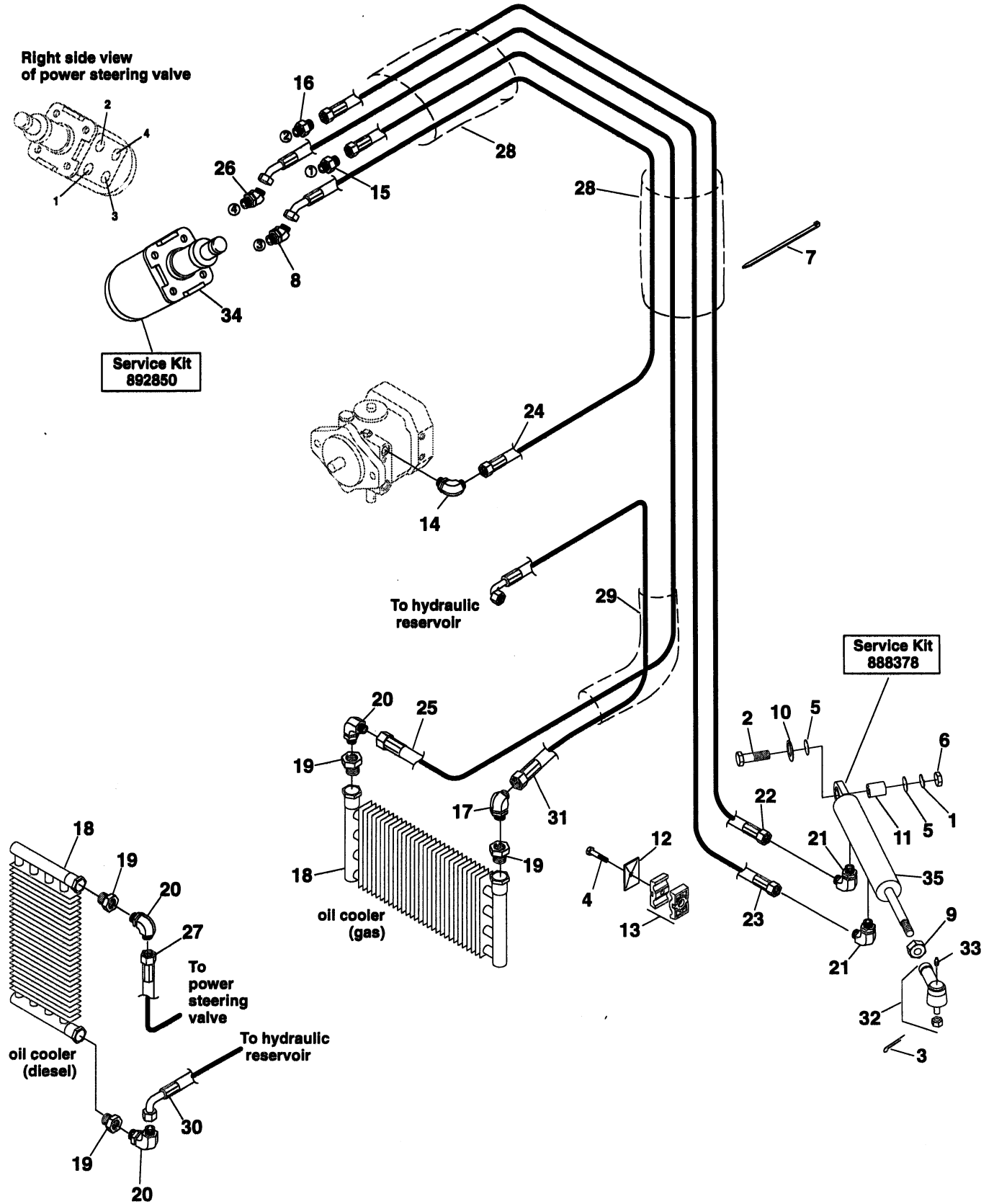
MOW/SPEED CONTROL



MOW/SPEED CONTROL

Ref. No.	Part No.	Description	No. Req'd	Ref. No.	Part No.	Description	No. Req'd
1	131794	Screw, 3/8-16 x 2"	1	9	548604	Screw, flangelock, 5/16-18 x 3/4"	1
2	305652	Nut, 3/8-16	1	10	548911	Nut, flangelock, 5/16-18	1
3	306835	Screw, 3/8-16 x 1 1/4"	1	11	800062	Bolt, carriage, 5/16-18 x 1 1/4" ..	1
4	306932	Nut, 5/16-18	2	12	800085	Bolt, carriage, 5/16-18 x 1"	1
5	515268	Bushing	1	13	800697	Nut, crownlock flange, 5/16-18 ..	1
6	523221	Spacer	1	14	800698	Nut, crownlock flange, 3/8-16 ...	2
7	548159	Washer, 5/16"	2	15	829500	Spring, extension	1
8	548225	Fitting, self tapping, 45°, 1/4-28	1	16	841487	Angle, lockout link	1
				17	893359	Bellcrank, lockout	1

HYDRAULIC POWER STEERING CIRCUIT



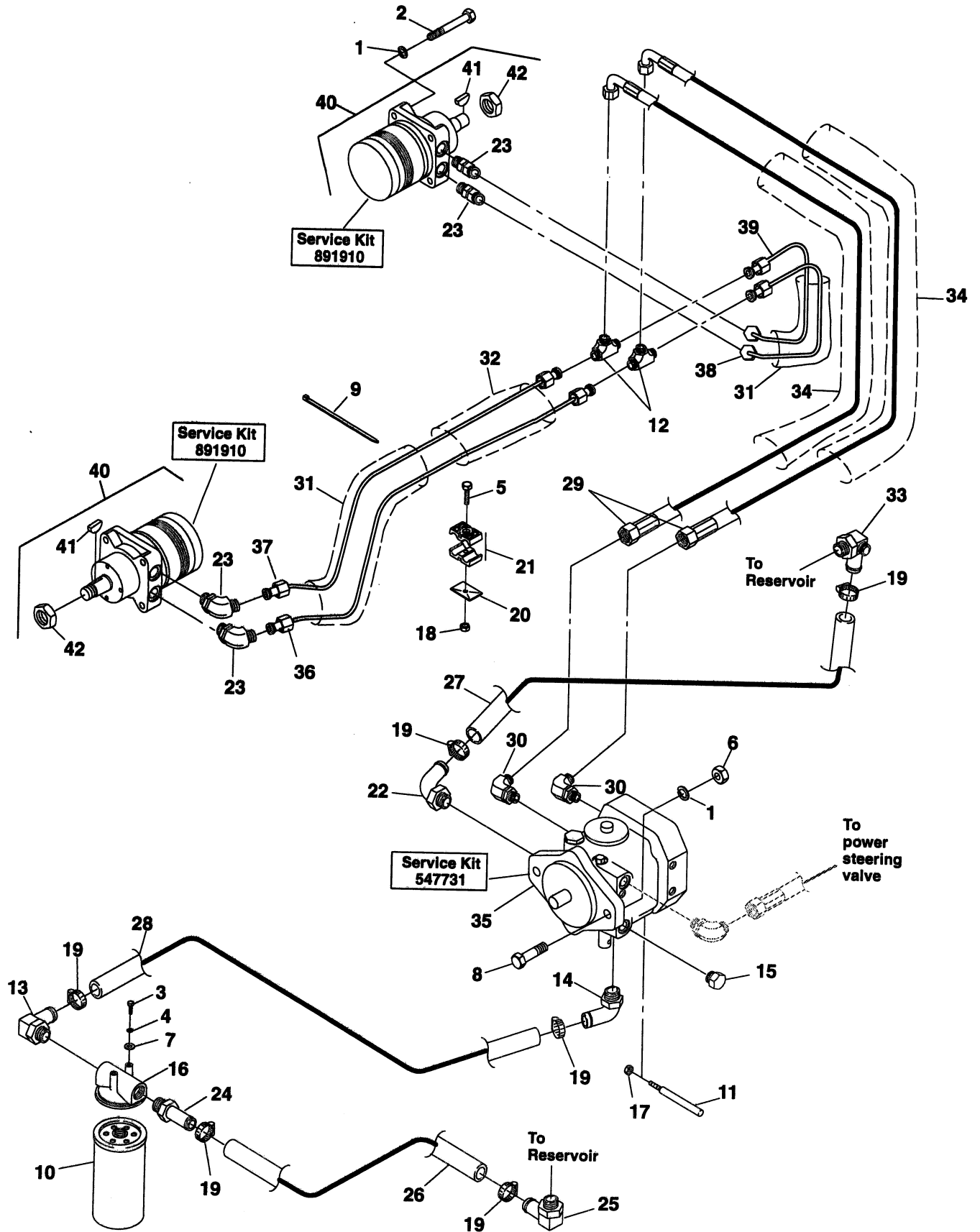
HYDRAULIC POWER STEERING CIRCUIT

Ref. No.	Part No.	Description	No. Req'd.	Ref. No.	Part No.	Description	No. Req'd.
1	120166	Lockwasher, 1/2"	1	22	839841	Hose, hydraulic, 1/4" i.d. x 70" (178cm)	1
2	131981	Screw, 1/2-13 x 2 1/2"	1	23	839842	Hose, hydraulic, 1/4" i.d. x 77" (196cm)	1
3	306328	Pin, cotter, 3/32" x 3/4"	1	24	839843	Hose, hydraulic, 3/8" i.d. x 61" (155cm)	1
4	306501	Screw, 5/16-18 x 1 1/2"	1	25	839844	Hose, hydraulic, 3/8" i.d. x 104" (264cm)	1
5	308091	Washer, 1/2"	2	26	839846	Fitting, adaptor, 45°	1
6	308332	Nut, 1/2-13	1	27	840029	Hose, hydraulic, 3/8" i.d. x 114" (290cm)	1
7	320107	Tie, cable, 7 1/2" (191mm)	3	28	840190	Sleeve, nylon 3" x 9" (23cm)	2
8	524100	Adaptor, elbow, 45°	1	29	840192	Sleeve, nylon 3" x 16" (41cm)	1
9	800490	Nut, M14 x 1.5, grade 8	1	30	840714	Hose, hydraulic, 3/8" i.d. x 70" (178cm)	1
10	800800	Washer, 1/2" i.d., 1 1/2" o.d.	1	31	840715	Hose, hydraulic, 3/8" x 58" (147cm)	1
11	831877	Bushing	1	32	887692	End, tie rod	1
12	837736	Plate, clamp cover	1	33	548224	•Fitting, lubrication, 1/4-28	1
13	837737	Set, clamp, hydraulic	1	34	892271	Control, power steering	1
14	838035	Adaptor, elbow, 90°	1	*	892850	•Kit, service	As Req'd
15	838036	Adaptor, straight	1	35	892272	Cylinder, hydraulic	1
16	839003	Fitting, adaptor	1	*	888378	•Kit, service	As Req'd
17	839562	Adaptor, elbow, 45°	1				
18	839600	Cooler, oil	1				
19	839807	Adaptor	2				
20	839821	Adaptor, elbow, 90°	2				
21	839831	Adaptor, elbow, 90°	2				

• INDENTED PART NAMES INDICATE THESE PARTS ARE INCLUDED IN PRECEDING ASSEMBLY

* Not Illustrated

HYDRAULIC WHEEL DRIVE CIRCUIT



HYDRAULIC WHEEL DRIVE CIRCUIT

Ref. No.	Part No.	Description	No. Req'd.	Ref. No.	Part No.	Description	No. Req'd.
1	120166	Lockwasher, 1/2"	10	25	839557	Fitting, adaptor	1
2	131981	Screw, 1/2-13 x 2 1/2"	8	26	839558	Hose, hydraulic, 1" i.d. x 13" (33cm)	1
3	300646	Screw, 1/4-20 x 3/4"	2	27	839559	Hose, hydraulic, 3/4" i.d. x 15" (38cm)	1
4	306396	Lockwasher, 1/4"	2	28	839560	Hose, hydraulic, 3/4" i.d. x 31" (79cm)	1
5	306423	Screw, 5/16-18 x 1 3/4"	1	29	839561	Hose, hydraulic, 1/2" i.d. x 19" (48cm)	2
6	308332	Nut, 1/2-13	2	30	839562	Fitting, adaptor, 45°	2
7	308090	Washer, 1/4"	2	31	840191	Sleeve, nylon, 3" x 25" (64cm)	2
8	311401	Screw, 1/2-13 x 1 1/2"	2	32	840192	Sleeve, nylon, 3" x 16" (41cm)	1
9	320107	Tie, cable, 7 1/2" (191mm)	6	33	840703	Fitting, adaptor	1
10	522972	Filter, hydraulic oil	1	34	840877	Sleeve, nylon 1.88" x 22" (56cm)	2
11	523409	Arm	1	35	889734	Pump, hydraulic	1
12	523761	Adaptor, tee	2	*	547731	•Kit, service	As Req'd
13	523768	Adaptor, elbow, 90°	1	*	548369	•Key, woodruff, 3/16" x 5/8"	1
14	523769	Adaptor, elbow, 90°	1	36	892345	Line, hydraulic, bottom (left)	1
15	524038	Plug, hex head	1	37	892346	Line, hydraulic, top (top)	1
16	547818	Head, filter	1	38	892347	Line, hydraulic, bottom (right)	1
17	548973	Nut, stop, #10-24	1	39	892348	Line, hydraulic, top (right)	1
18	800697	Nut, crownlock flange, 5/16-18	1	40	892381	Motor, hydraulic	2
19	836206	Clamp, hose	6	41	800777	•Key, woodruff, 5/16" x 1"	1
20	837736	Plate, clamp cover	1	42	800778	•Nut, 1-20	1
21	837737	Set, clamp, hydraulic	1	*	891910	•Kit, service	As Req'd
22	837993	Adaptor, elbow, 90°	1				
23	838019	Adaptor, elbow, 45°	4				
24	839556	Fitting, adaptor	1				

• INDENTED PART NAMES INDICATE THESE PARTS ARE INCLUDED IN PRECEDING ASSEMBLY

* Not Illustrated

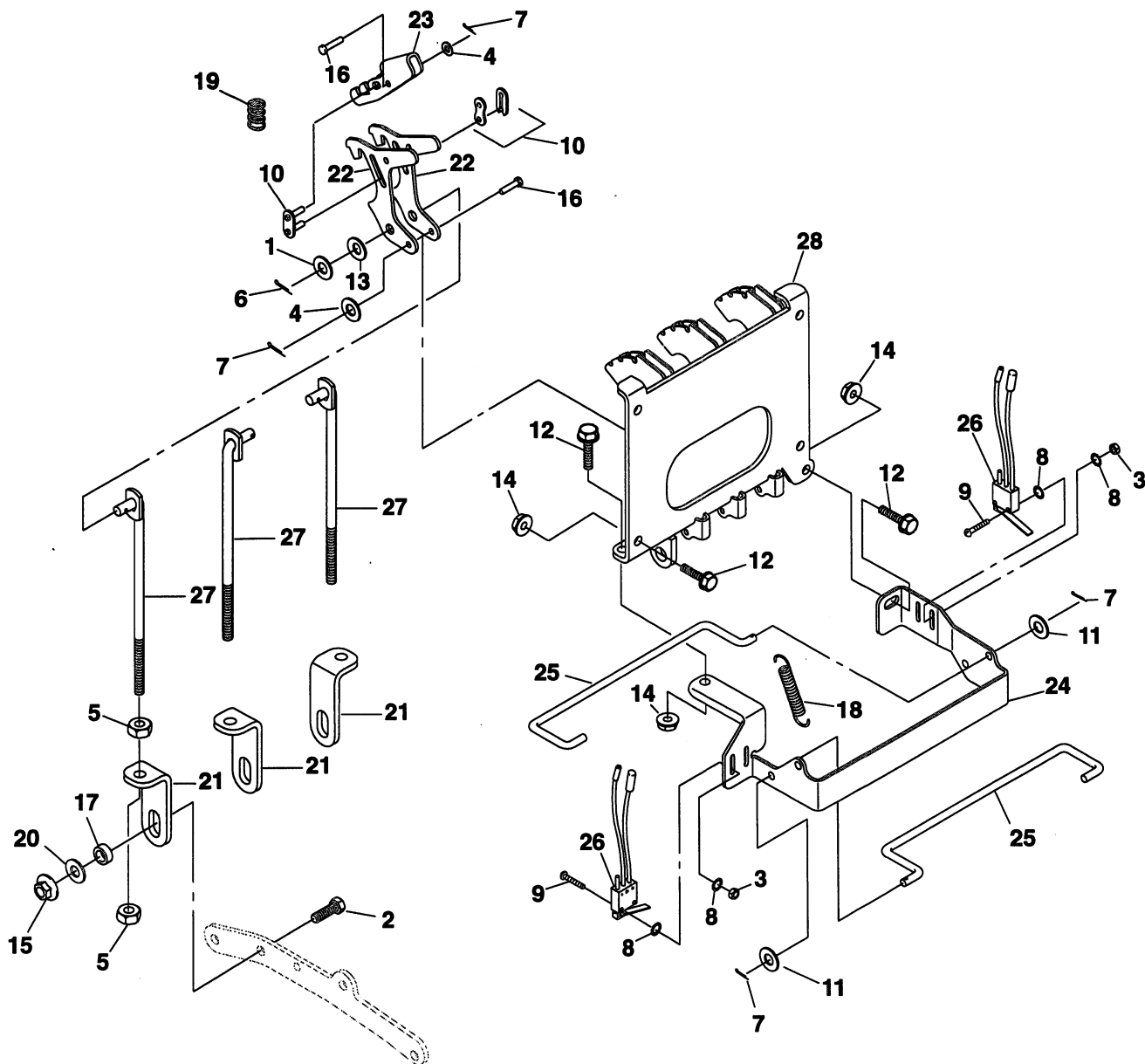
SERVICE "O" RINGS AVAILABLE

FLAT FACE "O" RINGS

SAE PORT "O" RINGS

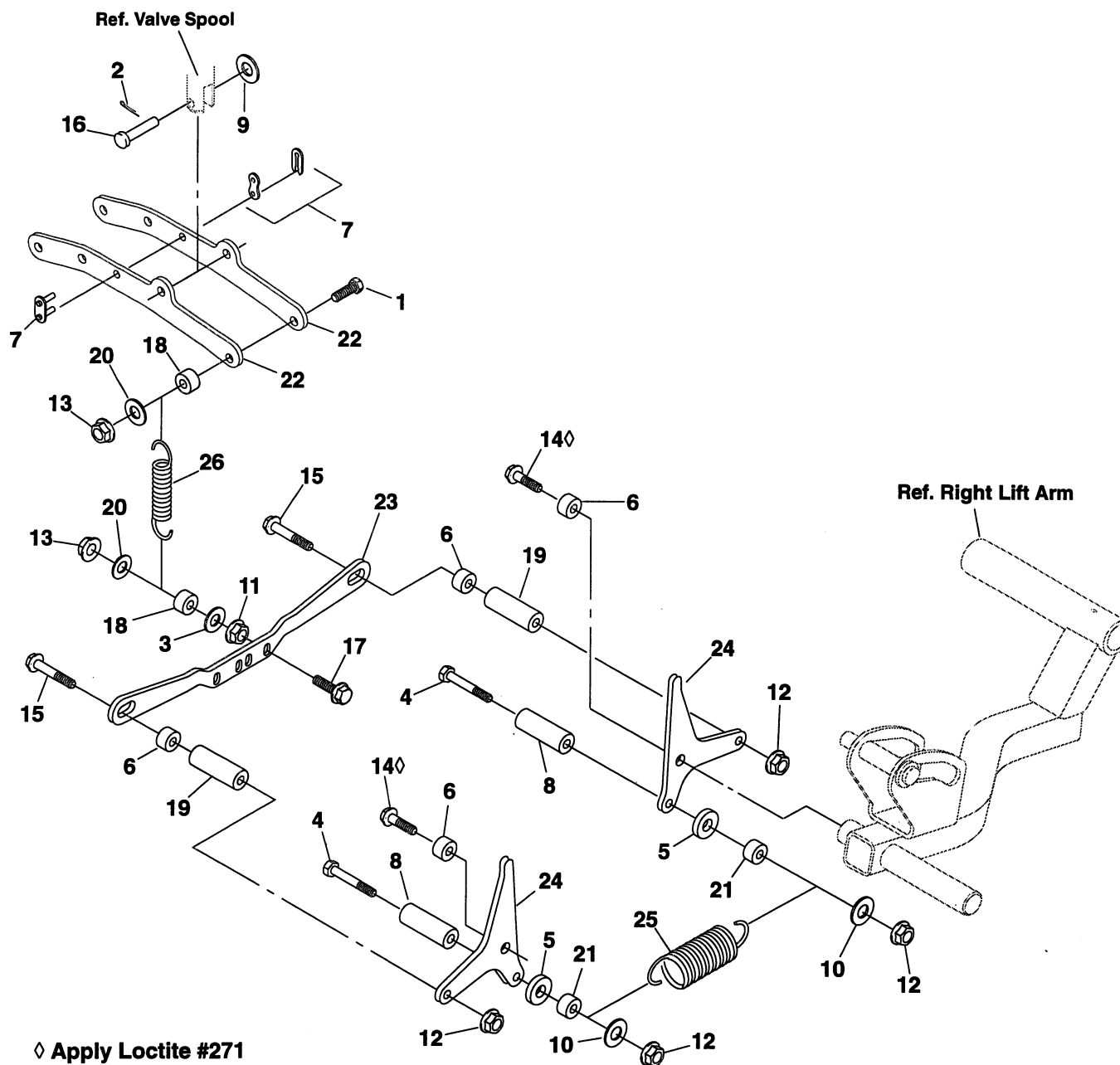
Part Number	Tube I.D.	AS-568#		Part Number	Thread Size	AS-568#
158061-04	1/4"	-011		158061-10	9/16-18	-906
158061-01	3/8"	-012		158061-11	3/4-16	-908
158061-02	1/2"	-014		158061-12	7/8-14	-910
158061-08	5/8"	-016		158061-13	1 1/16-12	-912
158061-09	3/4"	-018		158061-14	1 5/16-12	-916
158061-19	1"	-021		158061-16	1 5/8-12	-920
158061-15	1 1/4"	-025		158061-03	1 7/8-12	-924

SELECTOR VALVE LINKAGE



Ref. No.	Part No.	Description	No. Req'd.	Ref. No.	Part No.	Description	No. Req'd.
1	103867	Washer, 5/16"	3	15	800706	Nut, crownlock flange, 1/4-20	3
2	302288	Screw, 1/4-20 x 1"	3	16	800781	Pin, clevis, 3/16" x 3/4"	6
3	302437	Nut, #6-32	4	17	805245	Bushing	3
4	303952	Washer, #10	6	18	805421	Spring, extension	1
5	306320	Nut, 5/16-24	6	19	805452	Spring, compression	3
6	306328	Pin, cotter, 3/32" x 3/4"	3	20	816307	Washer, 1/4"	3
7	306372	Pin, cotter 3/32" x 1/2"	8	21	839545	Bracket, upper link	3
8	306990	Lockwasher, shakeproof, #6	8	22	839546	Handle, reel control	6
9	316056	Screw, #6-32 x 3/4"	4	23	839547	Latch, reel control	3
10	522123	Link, #50 connector	3	24	840021	Mount, micro switch	1
11	548158	Washer, 1/4"	2	25	840022	Actuator, switch	2
12	548604	Screw, flangelock, 5/16-18 x 3/4"	3	26	890808	Switch, (normally open)	2
13	800254	Washer, spring, 25/64"	3	27	892340	Rod, upper link	3
14	800697	Nut, crownlock flange, 5/16-18	3	28	892341	Mount, valve	1

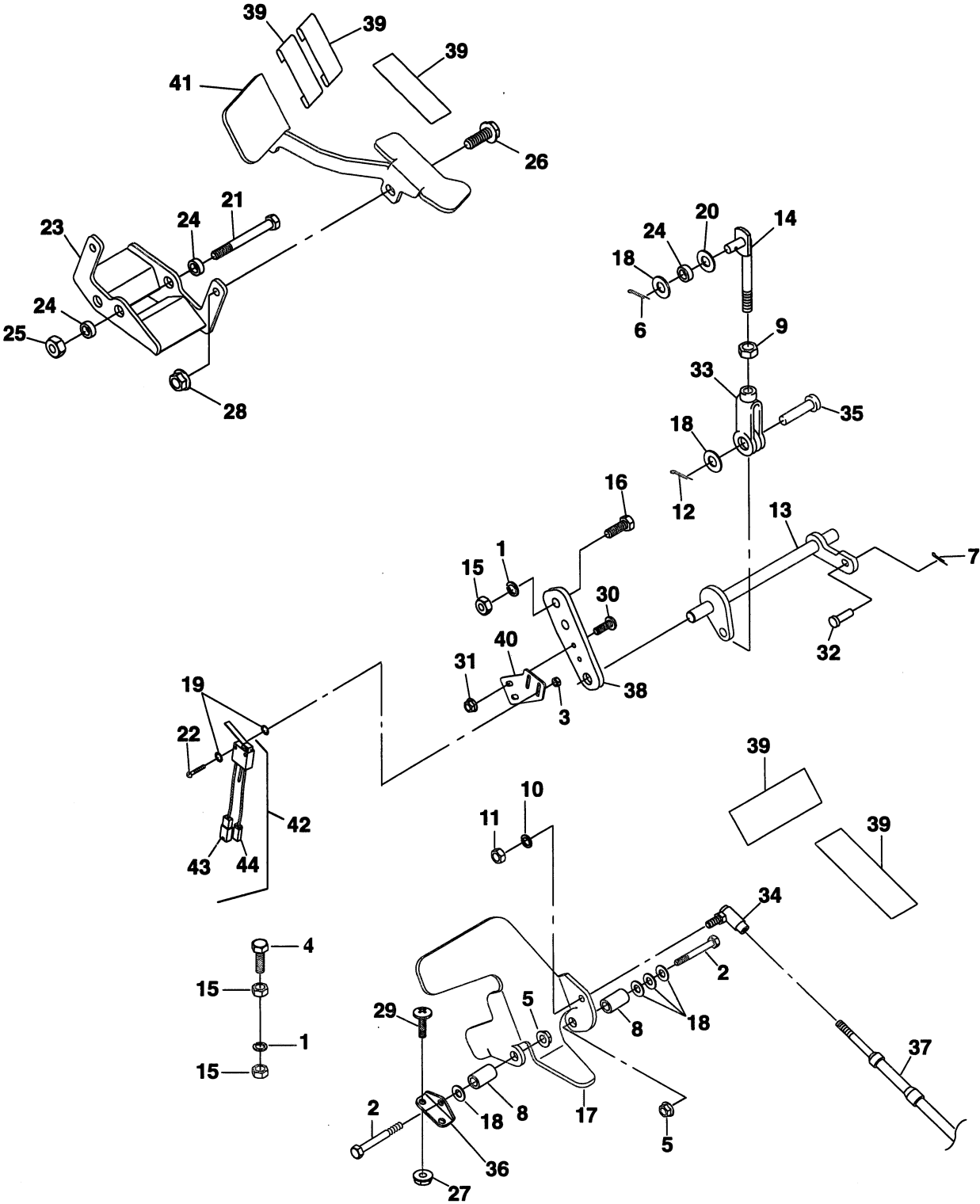
VALVE CONTROL



◇ Apply Loctite #271

Ref. No.	Part No.	Description	No. Req'd.	Ref. No.	Part No.	Description	No. Req'd.
1	302288	Screw, 1/4-20 x 1"	3	14	800709	Screw, flange, 3/8-16 x 1"	2
2	306372	Pin, cotter, 3/32" x 1/2"	3	15	800711	Screw, flange, 3/8-16 x 1 3/4"	2
3	308090	Washer, 1/4"	3	16	800826	Pin, clevis, 1/4" x 7/8"	3
4	307776	Screw, 3/8-16 x 2 3/4"	2	17	800871	Screw, flange, 1/4-20 x 1 1/4"	3
5	518277	Spacer	2	18	805245	Bushing	6
6	521679	Bushing	4	19	808930	Bushing	2
7	522123	Link, #50 connector	3	20	816307	Washer, 1/4"	6
8	522351	Bushing	2	21	833948	Bushing	2
9	548158	Washer, 1/4"	3	22	839541	Lever, lift link	6
10	604174	Washer, 3/8"	2	23	839542	Bar, lift link	1
11	800697	Nut, crownlock flange, 5/16-18 ...	3	24	839543	Arm, lift link	2
12	800698	Nut, crownlock flange, 3/8-16	4	25	840475	Spring, extension	1
13	800706	Nut, crownlock flange, 1/4-20	6	26	840476	Spring, extension	3

CONTROL PEDALS AND LINKAGE

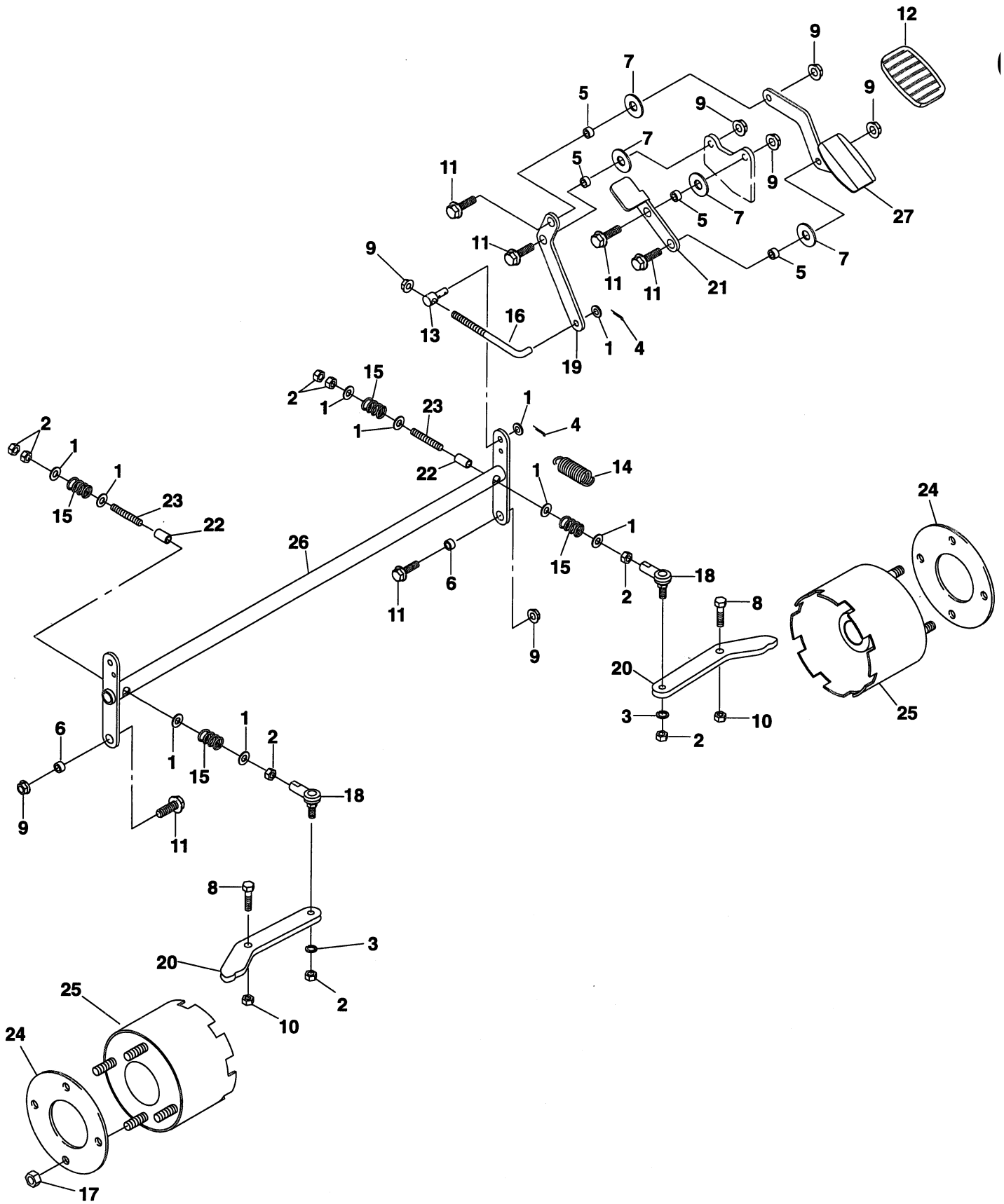


CONTROL PEDALS AND LINKAGE

Ref. No.	Part No.	Description	No. Req'd.	Ref. No.	Part No.	Description	No. Req'd.
1	120177	Lockwasher, 3/8"	3	23	893027	Pivot, pedal	1
2	302288	Screw, 1/4-20 x 1"	2	24	521679	Bushing	3
3	302437	Nut, #6-32	2	25	548052	Nut, lock, 3/8-16	1
4	302600	Screw, 3/8-16 x 1 1/2"	1	26	548604	Screw, flangelock, 5/16-18 x 3/4" .	2
5	800706	Nut, crownlock flange, 1/4-20	2	27	548910	Nut, flangelock, 1/4-20	2
6	306328	Pin, cotter, 3/32" x 3/4"	1	28	548911	Nut, flangelock 5/16-18	2
7	306372	Pin, cotter, 3/32" x 1/2"	1	29	800019	Screw, 1/4-20 x 1/2", P.T.H.	2
8	833273	Bushing	2	30	800296	Screw, #10-24 x 3/4", P.T.H.	2
9	306388	Nut, jam, 3/8-24	1	31	800521	Nut, flangelock, #10-24	2
10	306396	Lockwasher, 1/4"	2	32	800826	Pin, clevis, 1/4" x 7/8"	1
11	306397	Nut, 1/4-28	2	33	827498	Yoke	1
12	306956	Pin, cotter, 1/8" x 3/4"	1	34	831518	Ball Joint	2
13	893028	Shaft, pivot	1	35	832185	Pin, clevis	1
14	897143	Link, pedal	1	36	839388	Bracket, pivot mounting	1
15	306562	Nut, 3/8-16	4	37	839504	Cable, direction control	1
16	306835	Screw, 3/8-16 x 1 1/4"	2	38	839515	Bracket, pivot mounting	1
17	841476	Pedal, direction control	1	39	840003	Tread, control pedal	5
18	306981	Washer, 3/8"	4	40	840189	Bracket, lift/lower switch	1
19	306990	Lockwasher, shakeproof, #6	4	41	840963	Pedal, lift/mow	1
20	308091	Washer, 1/2"	1	42	892351	Switch Assembly	1
21	315340	Screw, 3/8-16 x 3 1/2"	1	43	825880	•Connector, female	1
22	316056	Screw, #6-32 x 3/4"	2	44	826726	•Connector, male, single contact .	1

• INDENTED PART NAMES INDICATE THESE PARTS ARE INCLUDED IN PRECEDING ASSEMBLY

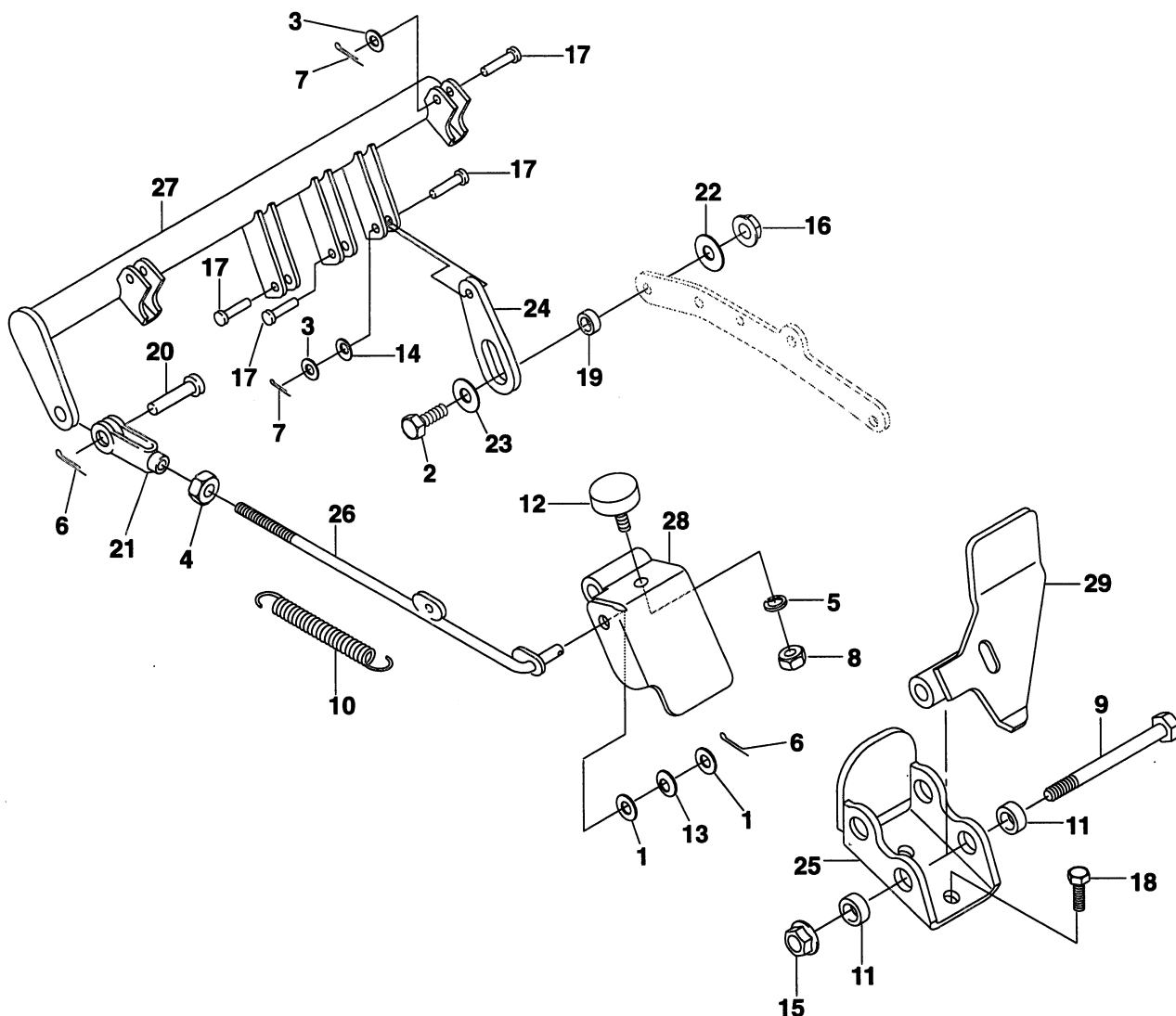
PARKING BRAKE



PARKING BRAKE

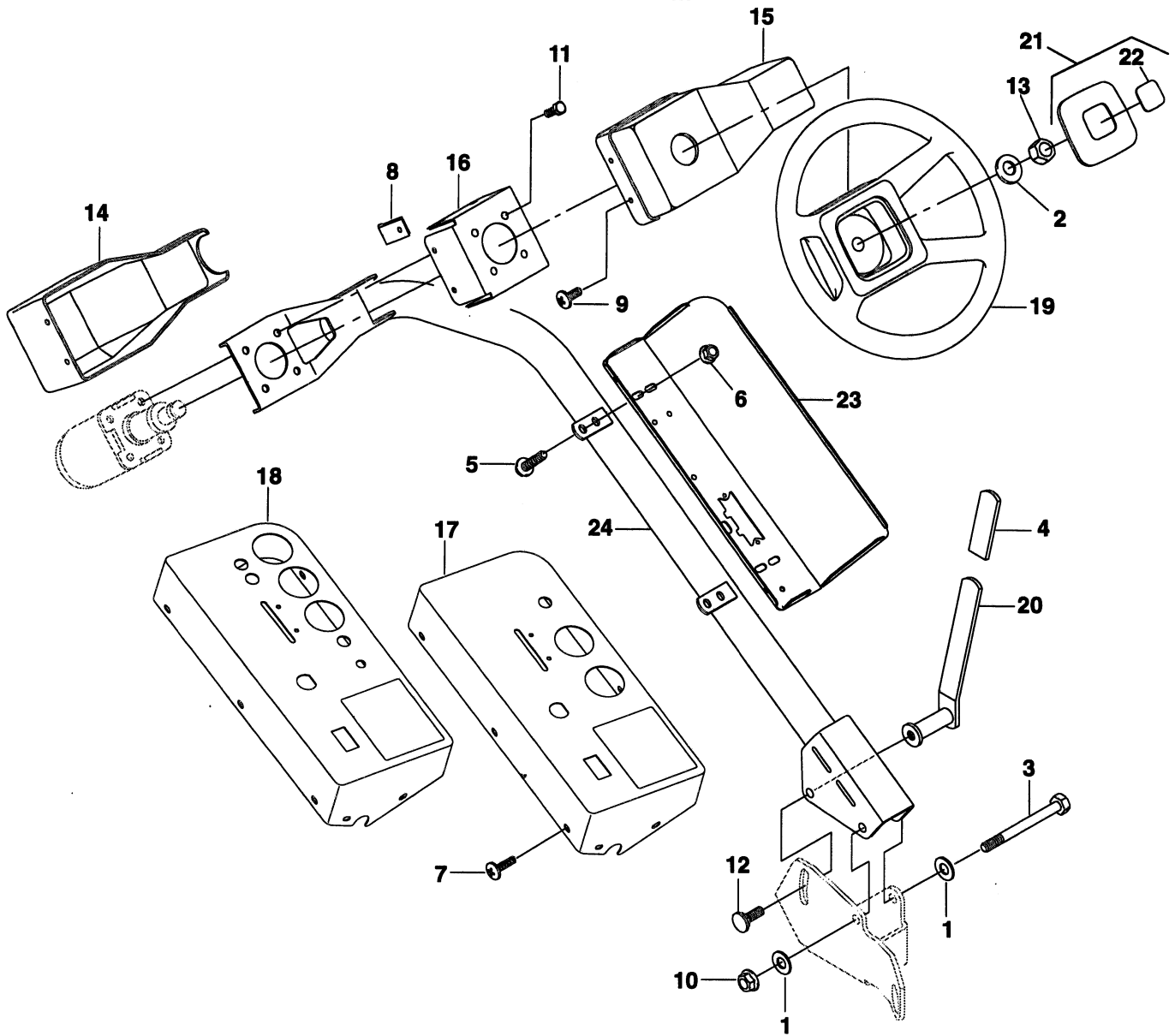
Ref. No.	Part No.	Description	No. Req'd.	Ref. No.	Part No.	Description	No. Req'd.
1	103867	Washer, 5/16"	10	15	818020	Spring, brake (compression)	4
2	306320	Nut, 5/16-24	8	16	824942	Stop, latch	1
3	306325	Lockwasher, 5/16"	2	17	829441	Nut, wheel mounting	8
4	306328	Pin, cotter, 3/32" x 3/4"	2	18	831586	Ball Joint, rod end	2
5	515268	Bushing	4	19	839870	Bellcrank, park brake	1
6	517226	Bushing, pivot	2	20	839872	Pawl, park brake	2
7	548157	Washer, 7/16"	4	21	839874	Link, park brake	1
8	551094	Screw, 3/8-16 x 1 3/4"	2	22	839876	Bushing, brake rod	2
9	800697	Nut, crownlock flange, 5/16-18 ...	7	23	839877	Rod, brake pawl	2
10	800698	Nut, crownlock flange, 3/8-16	2	24	840702	Spacer, wheel	2
11	800710	Screw, flange, 5/16-18 x 1"	6	25	892172	Hub, spider	2
12	810152	Cover, foot pedal	1	26	892436	Pivot, park brake	1
13	817495	Pin, connector, rod	1	27	892437	Pedal, park brake	1
14	817598	Spring, brake (extension)	1				

NEUTRAL PEDAL AND LINKAGE



Ref. No.	Part No.	Description	No. Req'd.	Ref. No.	Part No.	Description	No. Req'd.
1	103867	Washer, 5/16"	2	16	800706	Nut, crownlock flange, 1/4-20	3
2	302288	Screw, 1/4-20 x 1"	3	17	800781	Pin, clevis, 3/16" x 3/4"	5
3	303952	Washer, #10	5	18	800794	Screw, 5/16-18 x 3/4"	2
4	306320	Nut, 5/16-24	1	19	805245	Bushing	3
5	306325	Lockwasher, 5/16"	1	20	806703	Pin, clevis, 5/16" x 31/32"	1
6	306328	Pin, cotter 3/32" x 3/4"	2	21	810722	Yoke	1
7	306372	Pin, cotter 3/32" x 1/2"	5	22	815680	Washer, 1/4"	3
8	306932	Nut, 5/16-18	1	23	816307	Washer, 1/4"	3
9	307776	Screw, 3/8-16 x 2 3/4"	2	24	839926	Plate, neutral link	3
10	520420	Spring, extension	1	25	839930	Bracket, pedal mount	1
11	521679	Bushing	4	26	892466	Rod, neutral link	1
12	523224	Bumper, rubber	1	27	892467	Arm, neutral link	1
13	800254	Washer, spring, 3/8"	1	28	892468	Pedal, neutral set	1
14	800303	Washer, spring, 1/4"	3	29	892469	Pedal, neutral cancel	1
15	800698	Nut, crownlock flange, 3/8-16	2				

CONTROL ARM

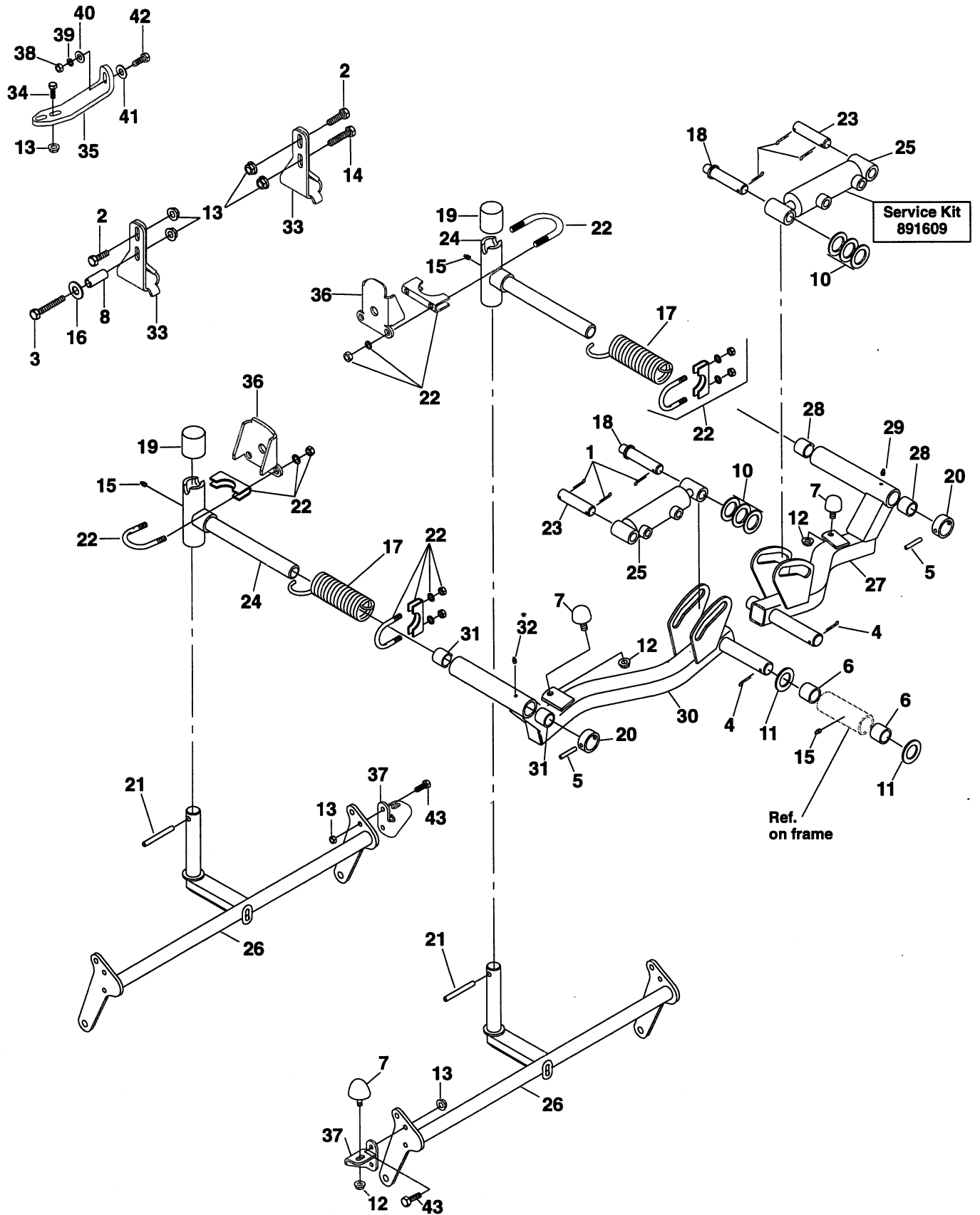


Ref. No.	Part No.	Description	No. Req'd.	Ref. No.	Part No.	Description	No. Req'd.
1	308091	Washer, 1/2"	2	14	839721	Cover, steering unit, lower	1
2	311496	Washer, 5/8"	1	15	839722	Cover, steering unit, top	1
3	316913	Screw, 1/2-13 x 4"	1	16	839860	Bracket, mounting cover	1
4	521144	Cover, handle	1	17	840139	Panel, control (gas)	1
5	548604	Screw, flangelock, 5/16-18 x 3/4"	4	18	840141	Panel, control (diesel)	1
6	548911	Nut, 5/16-18	4	19	892228	Wheel, steering, 14" (36cm)	1
7	800026	Screw, 1/4-20 x 3/4", P.T.H.	10	20	892435	Handle	1
8	800279	Nut, speed, 1/4-20	6	21	892486	Cover, steering wheel w/decals	1
9	800582	Screw, 1/4-20 x 3/4" P.T.H.	6	22	839862	•Decal, Ransomes	1
10	800700	Nut, crownlock flange, 1/2-13	1	23	892548	Base, panel	1
11	800714	Screw, flange, 3/8-16 x 1 1/4"	2	24	892632	Arm, steering w/decals	1
12	800845	Bolt, carriage, 1/2-13 x 1 1/2"	1	*	840748	•Decal, warning guards	1
13	800886	Nut, M16 x 1.50	1				

• INDENTED PART NAMES INDICATE THESE PARTS ARE INCLUDED IN PRECEDING ASSEMBLY

* Not Illustrated

LIFT ASSEMBLY – FRONT CUTTING HEAD



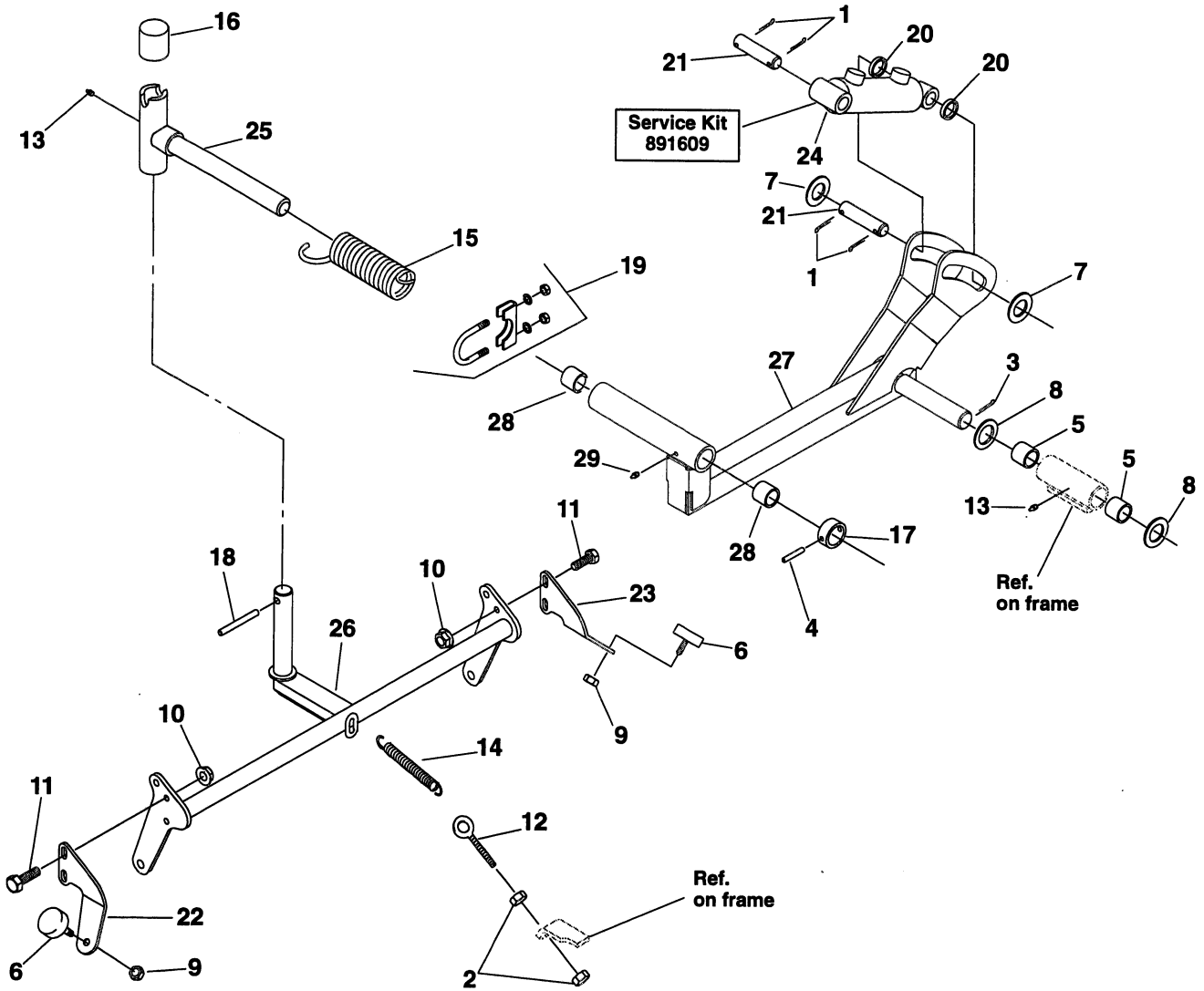
LIFT ASSEMBLY – FRONT CUTTING HEAD

Ref. No.	Part No.	Description	No. Req'd.	Ref. No.	Part No.	Description	No. Req'd.
1	304636	Pin, cotter 1/8" x 1 1/8"	6	24	892175	Pivot, front head steering	2
2	306435	Screw, 5/16–18 x 1 1/4"	2	25	892273	Cylinder, hydraulic lift	2
3	306823	Screw, 5/16–18 x 2 3/4"	1	*	891609	•Kit, service	As Req'd
4	316930	Pin, cotter, 3/16" x 1 3/4"	2	26	892291	Frame, head steering	2
5	316945	Pin, spirol, 1/4" x 1 1/4"	2	27	892673	Arm, RH lift w/decals & bushings ..	1
6	520528	Bushing	4	28	520528	•Bushing	2
7	523126	Bumper, rubber	4	29	807439	•Fitting, lubrication, 1/4–28	1
8	523221	Spacer	1	*	840223	•Decal, caution	1
9	548159	Washer, 5/16"	6	30	892674	Arm, LH lift w/decals & bushings ..	1
10	548168	Washer, 5/8"	As Req'd	31	520528	•Bushing	2
11	548173	Washer, 1"	4	32	807439	•Fitting, lubrication, 1/4–28	1
12	548911	Nut, flangelock, 5/16–18	4	*	840223	•Decal, caution	1
13	800697	Nut, crownlock flange, 5/16–18 ..	12	33	892794	Bracket, bumper	2
14	800715	Screw, flange, 5/16–18 x 2 1/4" ..	1	34	800710	Screw, flange, 5/16–18 x 1"	4
15	807439	Fitting, lubrication, 1/4–28	4	35	841467	Bracket, snubber	2
16	825128	Washer, 5/16"	1	36	841468	Bracket, snubber stop	2
17	839373	Spring, torsion	2	37	841466	Bracket, bumper–front	2
18	839400	Pin, lift cylinder mounting	2	38	306932	Nut, 5/16–18	2
19	839408	Cap, pivot shaft	2	39	306325	Lockwasher, 5/16"	2
20	839410	Bushing, spring stop	2	40	103867	Washer, 5/16"	2
21	839508	Pin, spirol, 3/8" x 1 3/8"	2	41	306982	Washer, 7/16"	2
22	840196	Clamp, tubing, 1 3/8"	2	42	800085	Bolt, carriage, 5/16–18 x 1"	2
23	840507	Pin, lift cylinder pivot	2	43	306322	Screw, 5/16–18 x 7/8"	4

• INDENTED PART NAMES INDICATE THESE PARTS ARE INCLUDED IN PRECEDING ASSEMBLY

* Not Illustrated

LIFT ASSEMBLY – REAR CUTTING HEAD

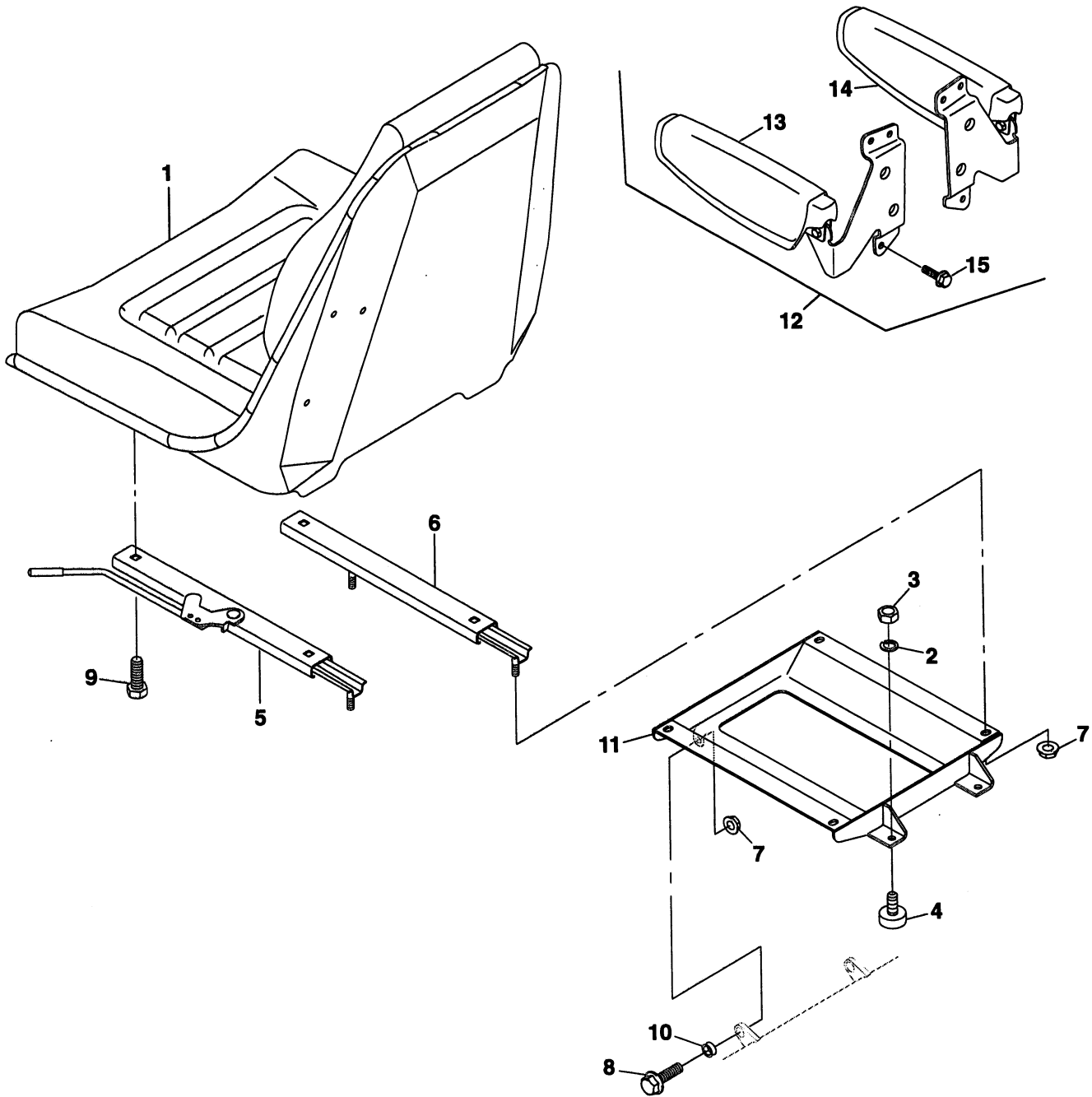


Ref. No.	Part No.	Description	No. Req'd.	Ref. No.	Part No.	Description	No. Req'd.
1	304636	Pin, cotter, 1/8" x 1 1/8"	4	17	839410	Bushing, spring stop	1
2	306932	Nut, 5/16-18	2	18	839508	Pin, spirol, 3/8" x 1 3/8"	1
3	316930	Pin, cotter, 3/16" x 1 3/4"	1	19	840196	Clamp, tubing	1
4	316945	Pin, spirol, 1/4" x 1 1/4"	1	20	840344	Bushing	2
5	520528	Bushing	2	21	840507	Pin, lift cylinder pivot	2
6	523224	Bumper, rubber	2	22	869118	Mount, rear frame stop (left)	1
7	548168	Washer, 5/8"	2	23	869119	Mount, rear frame stop (right)	1
8	548173	Washer, 1"	2	24	891272	Cylinder, hydraulic	1
9	548911	Nut, flangelock, 5/16-18	2	*	891609	•Kit, service	As Req'd
10	800697	Nut, crownlock, 5/16-18	4	25	892176	Pivot, rear head steering	1
11	800794	Screw, 5/16-18 x 3/4"	4	26	892291	Frame, head steering	1
12	800850	Bolt, eye, 5/16-18 x 2 1/4"	1	27	893386	Arm, rear lift w/decals & bushings	1
13	807439	Fitting, lubrication, 1/4-28	2	28	520528	•Bushing	2
14	829085	Spring, extension	1	29	807439	•Fitting, lubrication, 1/4-28	1
15	839373	Spring, torsion	1	*	840223	•Decal, caution	1
16	839408	Cap, pivot shaft	1				

• INDENTED PART NAMES INDICATE THESE PARTS ARE INCLUDED IN PRECEDING ASSEMBLY

* Not Illustrated

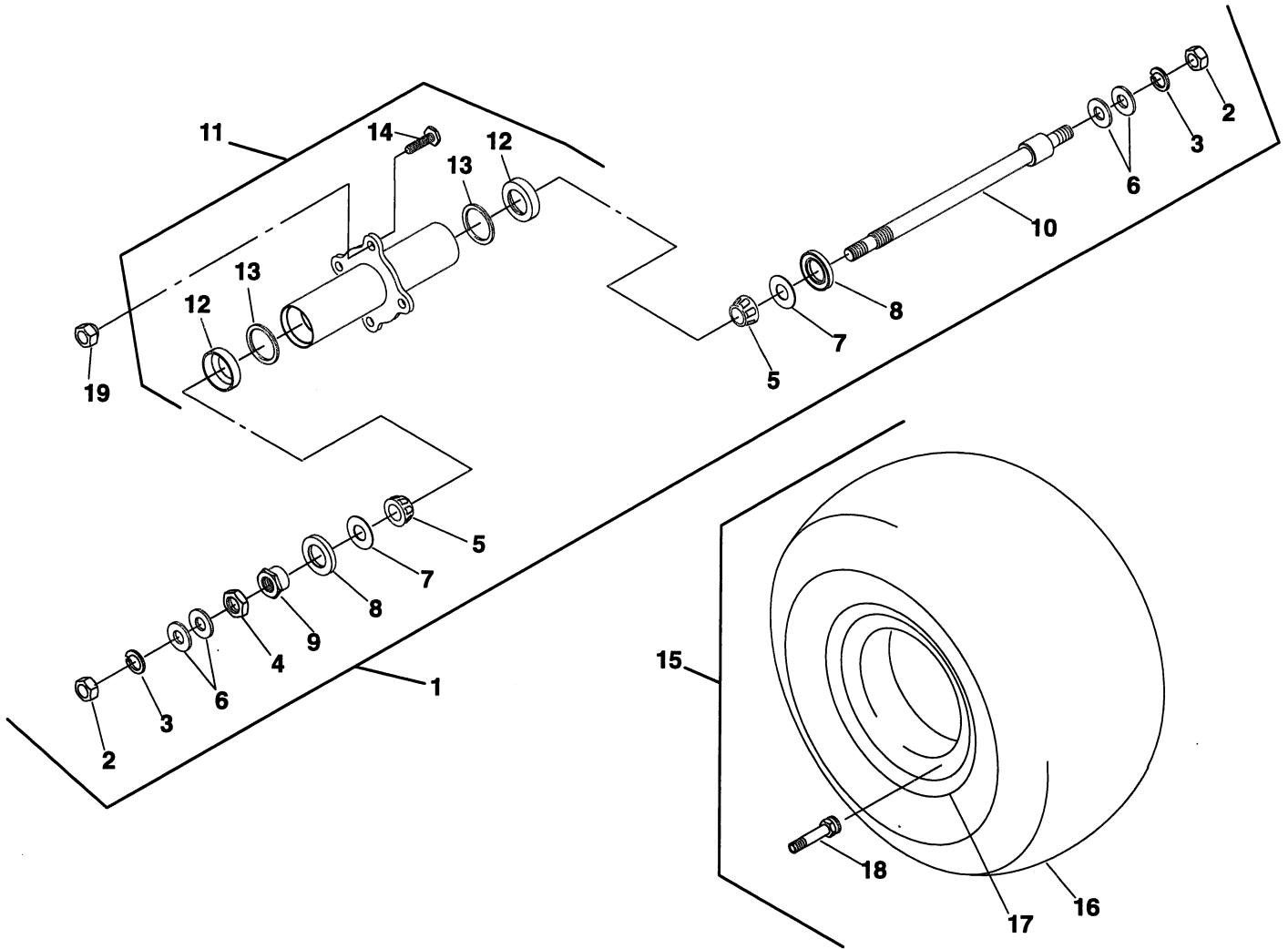
SEAT



Ref. No.	Part No.	Description	No. Req'd.	Ref. No.	Part No.	Description	No. Req'd.
1	198057	Seat	1	9	800794	Screw, 5/16-18 x 3/4"	4
2	306325	Lockwasher, 5/16"	2	10	823332	Bushing	2
3	306932	Nut, 5/16-18	2	11	892235	Seat pivot & support, complete ..	1
4	523224	Bumper, rubber	2	12	2196054	Arm Rest Set (accessory)	1
5	523356	Adjuster, seat w/handle (left)	1	13	198059	•Arm Rest (left)	1
6	523357	Adjuster seat (right)	1	14	198066	•Arm Rest (right)	1
7	800697	Nut, crownlock flange, 5/16-18 ..	6	15	548604	•Screw, flangelock, 5/16-18 x 3/4"	6
8	800710	Screw, flange, 5/16-18 x 1"	2				

• INDENTED PART NAMES INDICATE THESE PARTS ARE INCLUDED IN PRECEDING ASSEMBLY

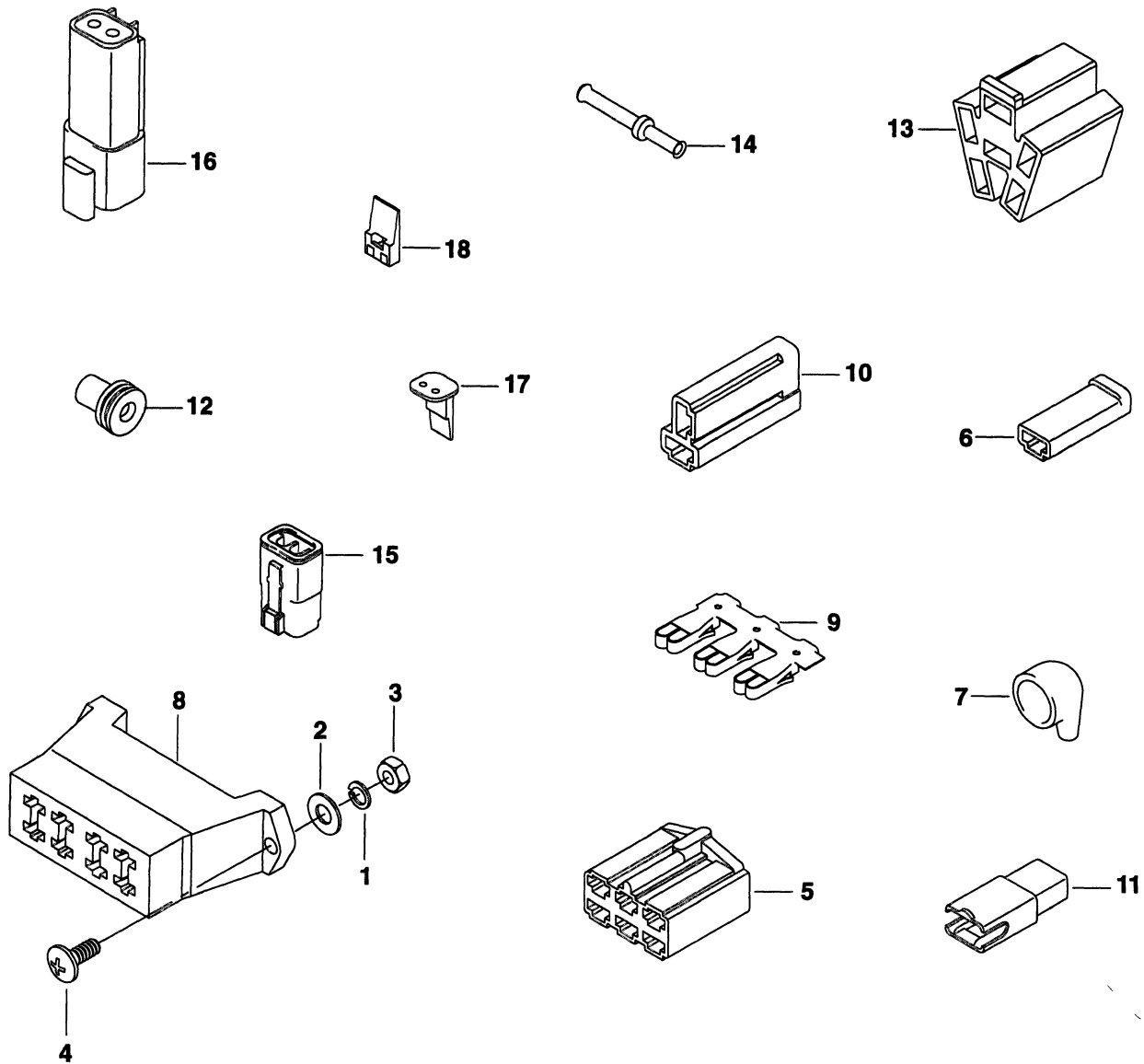
WHEELS AND REAR HUB



Ref. No.	Part No.	Description	No. Req'd.	Ref. No.	Part No.	Description	No. Req'd.
1	892225	Hub & Axle, complete	1	11	892171	•Hub	1
2	304104	•Nut, jam, 5/8-18	2	12	808088	••Cup, tapered roller bearing	2
3	306494	•Lockwasher, 5/8"	2	13	809268	••Ring, bearing backing	2
4	307665	•Nut, jam, 3/4-16	1	14	816320	••Screw, 7/16-20 x 1 1/8"	4
5	385174	•Bearing, cone and roller	2	15	892312	Wheel, complete	3
6	809156	•Washer, 5/8"	4	16	◇	•Tire, 20 x10.00 - 10	1
7	809229	•Flinger, grease seal	2	17	892687	•Rim, 10 X 8.50	1
8	836621	•Seal, oil	2	18	886735	•Valve Stem	1
9	836719	•Nut, bearing adj.	1	19	829441	Nut, wheel mounting	4
10	889843	•Axle	1				

• INDENTED PART NAMES INDICATE THESE PARTS ARE INCLUDED IN PRECEDING ASSEMBLY
 ◇ Obtain locally

CONNECTORS

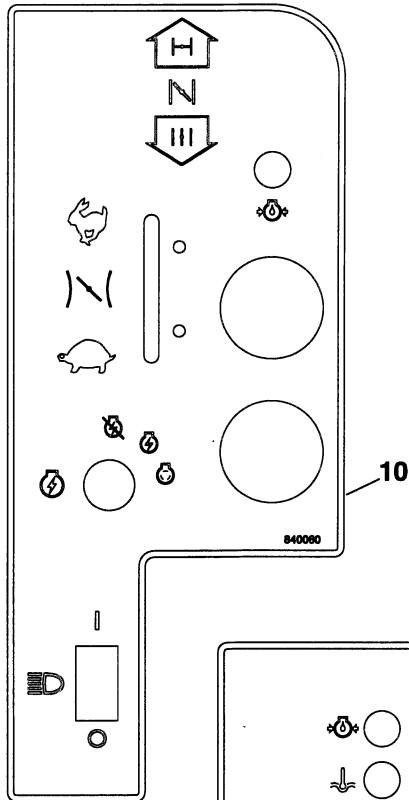


Ref. No.	Part No.	Description	No. Req'd.	Ref. No.	Part No.	Description	No. Req'd.
1	120052	Lockwasher, #10	2	*	826191	Tubing, convoluted, black 0.500" (12.7 mm) i.d. 25' (7.6 M) As Req'd.	
2	303952	Washer, #10	2				
3	306531	Nut, #10-24	2				
4	800296	Screw, #10-24 x 3/4", P.T.H.	2	11	826726	Connector, male, 1-contact	1
5	825877	Connector, female, six contact	1	*	829959	Tubing convoluted, green, 0.500" (12.7 mm) i.d. 25' (7.6 M) As Req'd.	
6	825880	Connector, female, 1-contact	8				
7	825970	Boot, terminal	2				
8	825996	Connector, fuse holder	1	12	837159	Seal, connector relay	2
9	825999	Terminal, fuse clip, 3-way	1	13	837296	Connector	1
10	826005	Connector, male, 2 contact	4	14	838769	Terminal, socket, .084" dia.	2
*	826190	Tubing, convoluted, 0.350" (8.9 mm) i.d. 50' (15.2 M) As Req'd.		15	839917	Plug, 2-wire	1
				16	839918	Receptacle, 2-wire	2
				17	839921	Lock, 2-wire plug	1
				18	839935	Retainer, Deutsch, 2 pin	2

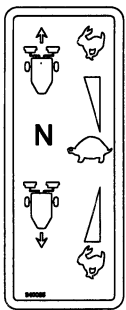
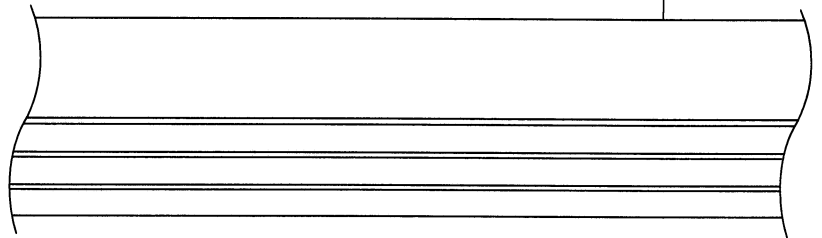
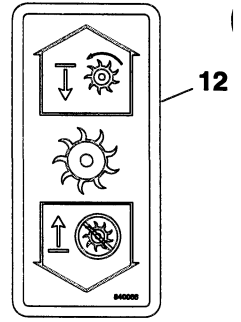
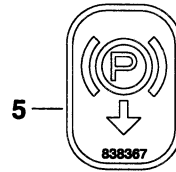
* Not illustrated

DECALS

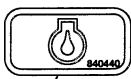
RANSOMES 8
GREENSPLEX 160D 14
GREENSPLEX 160 13



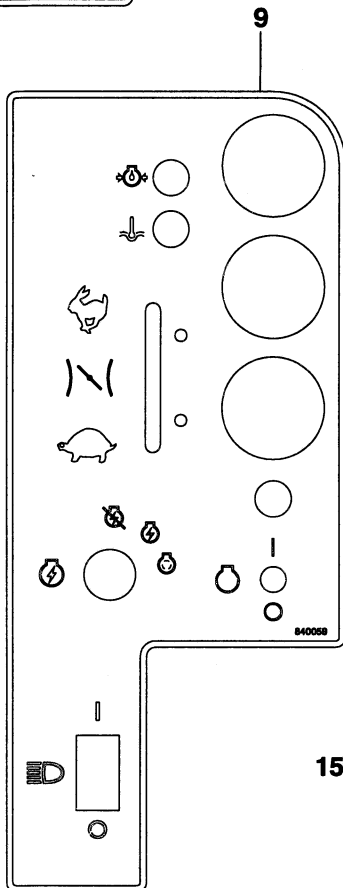
DIESEL 6



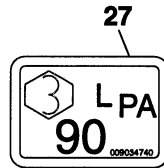
11



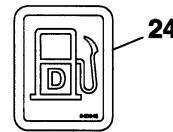
21



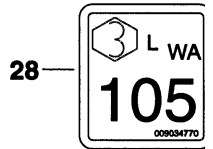
9



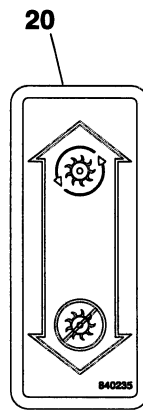
27



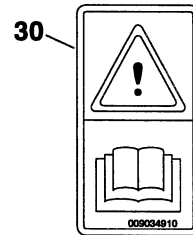
24



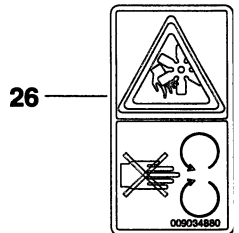
28



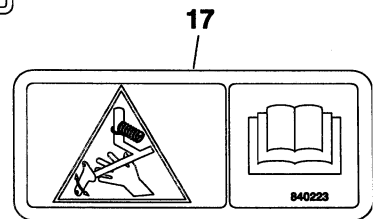
20



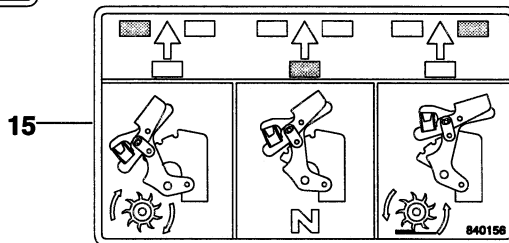
30



26



17

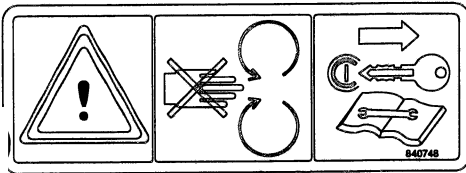


15



29

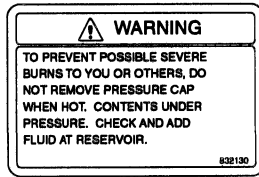
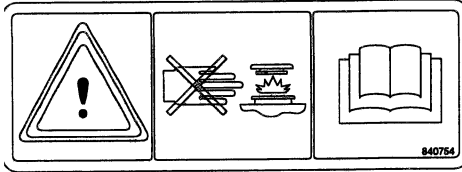
DECALS



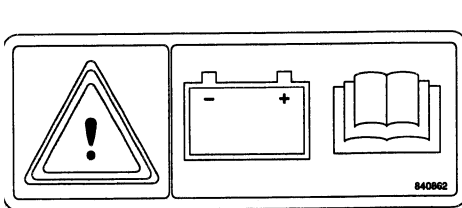
22

18

23



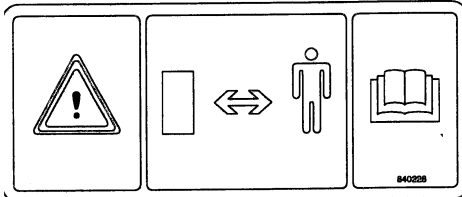
3



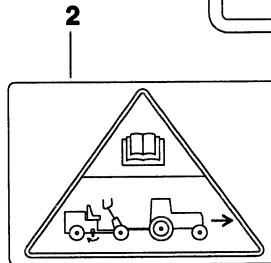
25



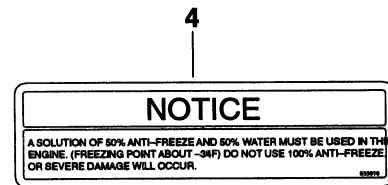
31



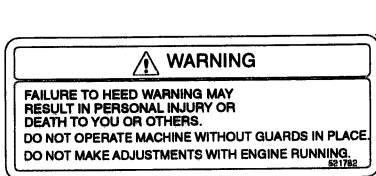
19



2

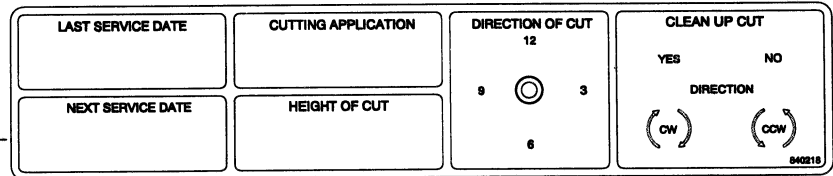


4



1

16



CUTTING APPLICATION

DIRECTION OF CUT

CLEAN UP CUT

YES NO

DIRECTION



840215

HEIGHT OF CUT

NEXT SERVICE DATE

LAST SERVICE DATE

12

9 3 6

6

Ref. No.	Part No.	Description	No. Req'd.	Ref. No.	Part No.	Description	No. Req'd.
1	521782	Decal, warning guards	1	17	840223	Decal, caution, stored energy	3
2	523476	Decal, towing instructions	1	18	840227	Decal, warning, vehicle operation	1
3	832130	Decal, warning, liquid/pressure	1	19	840228	Decal, warning, backlap	1
4	833610	Decal, radiator solution	1	20	840235	Decal, reel lockout	1
5	838367	Decal, park brake	1	21	840440	Decal, Information, oil fill	1
6	838419	Decal, diesel, white	1	22	840748	Decal, warning, guards	1
7	838494	Decal, stripe, 2.38" x 20' (6.1M)	As Req'd	23	840754	Decal, warning, pressure	1
8	838588	Decal, Ransomes, 1" (25mm)	3	24	840845	Decal, diesel fuel only	1
9	840059	Decal, instrument panel (diesel)	1	25	840862	Decal, warning, battery	1
10	840060	Decal, instrument panel (gas)	1	26	009034880	Decal, warning, fan	1
11	840065	Decal, speed control	1	27	009034740	Decal, sound pressure	1
12	840066	Decal, reel control	1	28	009034770	Decal, sound power level	1
13	840148	Decal, greensplex 160	1	29	009034890	Decal, caution, bystander	1
14	840149	Decal, greensplex 160D	1	30	009034910	Decal, caution, read manual	1
15	840156	Decal, Information valve	1	31	009039290	Decal, CE	1
16	840218	Decal, service tractor	1				

◊ European models only

WARNING

FAILURE TO HEED THESE WARNINGS MAY RESULT IN PERSONAL OR FATAL INJURY TO YOU OR OTHERS AND MAY ALSO RESULT IN EQUIPMENT AND/OR PROPERTY DAMAGES. NEVER ALLOW UNSKILLED OR IMPROPERLY TRAINED PERSONNEL TO OPERATE THIS EQUIPMENT.

BEFORE OPERATING-

READ STUDY AND UNDERSTAND ALL WARNING LABELS AND OPERATING INSTRUCTIONS FURNISHED WITH THIS EQUIPMENT PRIOR TO USE. IF ANY PART OF THIS MATERIAL IS UNCLEAR, CONTACT YOUR FACTORY REPRESENTATIVE FOR CLARIFICATION, DO NOT PERMIT PASSENGERS ANY PLACE ON THE EQUIPMENT.

WHILE OPERATING-

REMAIN SEATED: USE BOTH HANDS FOR STEERING. KEEP ARMS AND LEGS WITHIN VEHICLE BODY. AVOID SUDDEN STARTS AND STOPS. IF A MALFUNCTION OCCURS, CEASE OPERATION-DO NOT OPERATE VEHICLE UNTIL CONDITION IS CORRECTED.

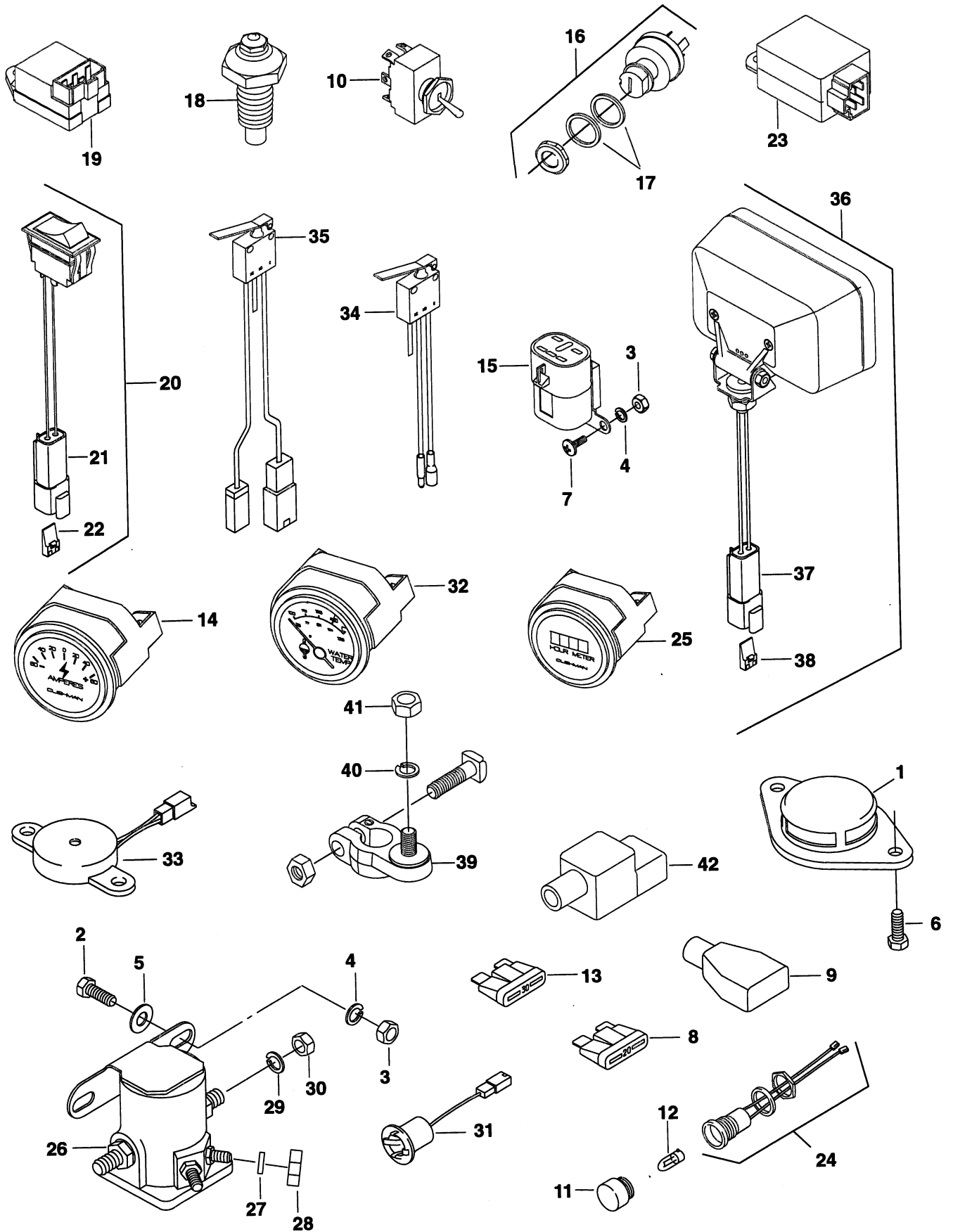
BEFORE LEAVING VEHICLE-

TURN IGNITION TO "OFF" POSITION AND REMOVE KEY. APPLY PARKING BRAKE-PARKING BRAKE IS NOT AUTOMATICALLY APPLIED. FOLLOW PROCEDURES IN OPERATOR'S MANUAL FOR STORAGE PROCEDURES;

IT IS YOUR RESPONSIBILITY TO KEEP ALL LABELS (DECALS) AND INSTRUCTIONAL LITERATURE LEGIBLE AND INTACT. REPLACEMENT LABELS (DECALS) AND LITERATURE ARE AVAILABLE FROM THE FACTORY.

840227

ELECTRICAL COMPONENTS

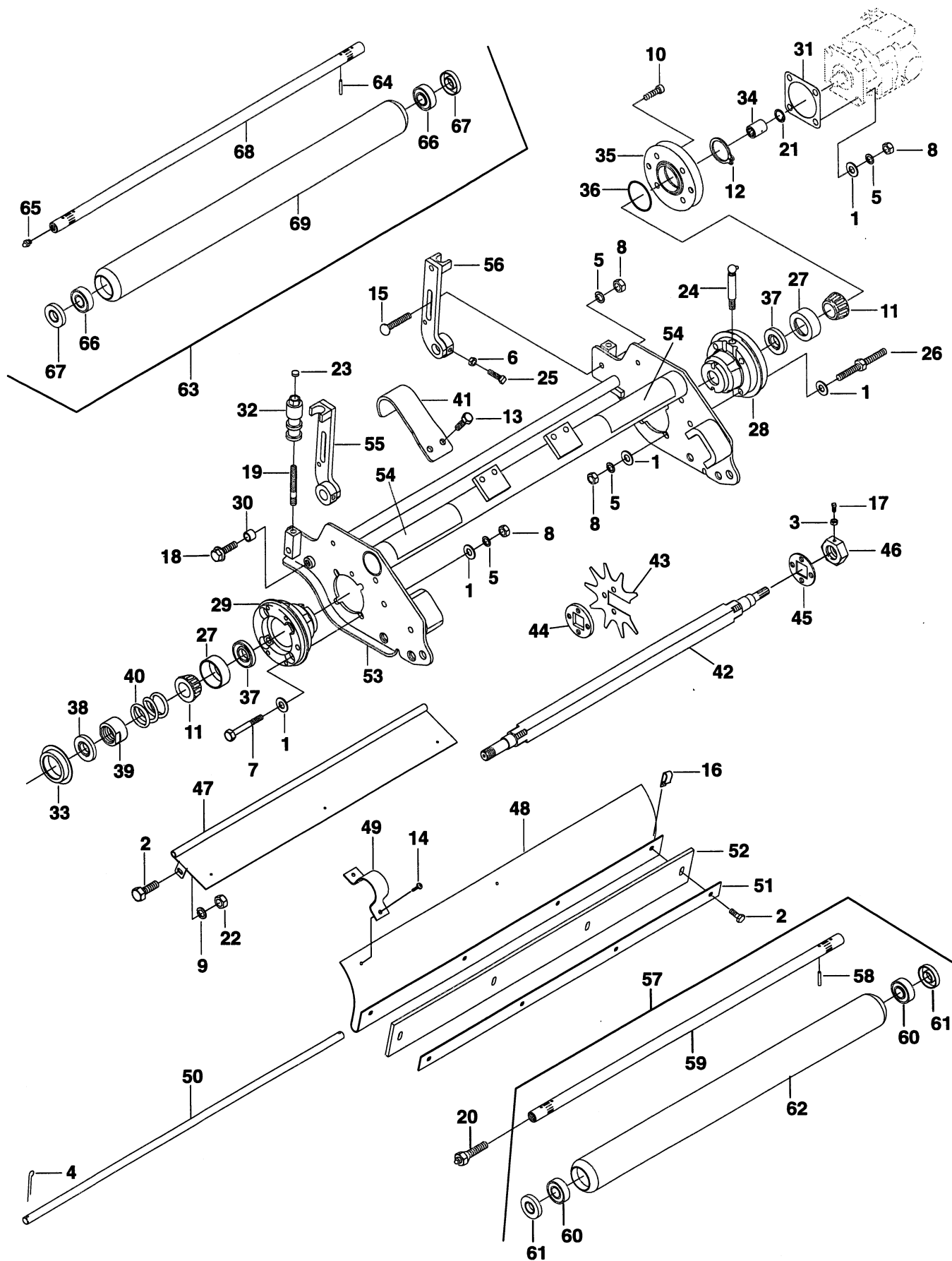


ELECTRICAL COMPONENTS

Ref. No.	Part No.	Description	No. Req'd.	Ref. No.	Part No.	Description	No. Req'd.
1	158135-01	Switch, seat	1	22	839935	•Lock, 2-wire receptacle	1
2	300646	Screw, 1/4-20 x 3/4"	2	23	840002	Timer, fuel shut off	1
3	306375	Nut, 1/4-20	4	24	885999	Socket, light	1
4	306396	Lockwasher, 1/4"	4	25	886802	Gauge, hour meter	1
5	308090	Washer, 1/4"	2	26	879945	Solenoid, 12 volt	1
6	548045	Screw, 1/4-20 x 3/4"	2	27	120052	•Lockwasher, #10	2
7	800026	Screw, 1/4-20 x 3/4", P.T.H. ...	2	28	132520	•Nut, #10-32	2
8	826000	Fuse, 20 amp	4	29	306325	Lockwasher, 5/16"	2
9	827492	Cover, battery terminal	1	30	306932	Nut, 5/16-18	2
10	827800	Switch, DP DT momentary	1	31	888502	Holder, lamp	1
11	828470	Lens, light	1	32	889022	Gauge, water temperature	1
12	828473	Bulb, miniature (No. 1873)	1	33	890000	Buzzer	1
13	833038	Fuse, 30 amp	1	34	890808	Switch, clutch	2
14	833280	Gauge, ammeter	1	35	892351	Switch ass'y, NC	1
15	835480	Relay, 30 amp	1	36	892523	Headlight	2
16	837295	Switch, ignition	1	37	839918	•Receptacle, 2-wire	1
17	837298	•Spacer,	2	38	839935	•Lock, 2-wire receptacle	1
18	887735	Sender, water temperature ...	1	39	893395	Terminal, battery	1
19	839406	Timer, lamp 12VDC	1	40	306325	•Lockwasher, 5/16"	1
20	839502	Switch, rocker	1	41	306932	•Nut, 5/16-18	1
21	839918	•Receptacle, 2-wire	1	42	837462	•Boot, battery terminal	1

• INDENTED PART NAMES INDICATE THESE PARTS ARE INCLUDED IN THE PRECEDING ASSEMBLY.

VERTICUTTER ACCESSORY

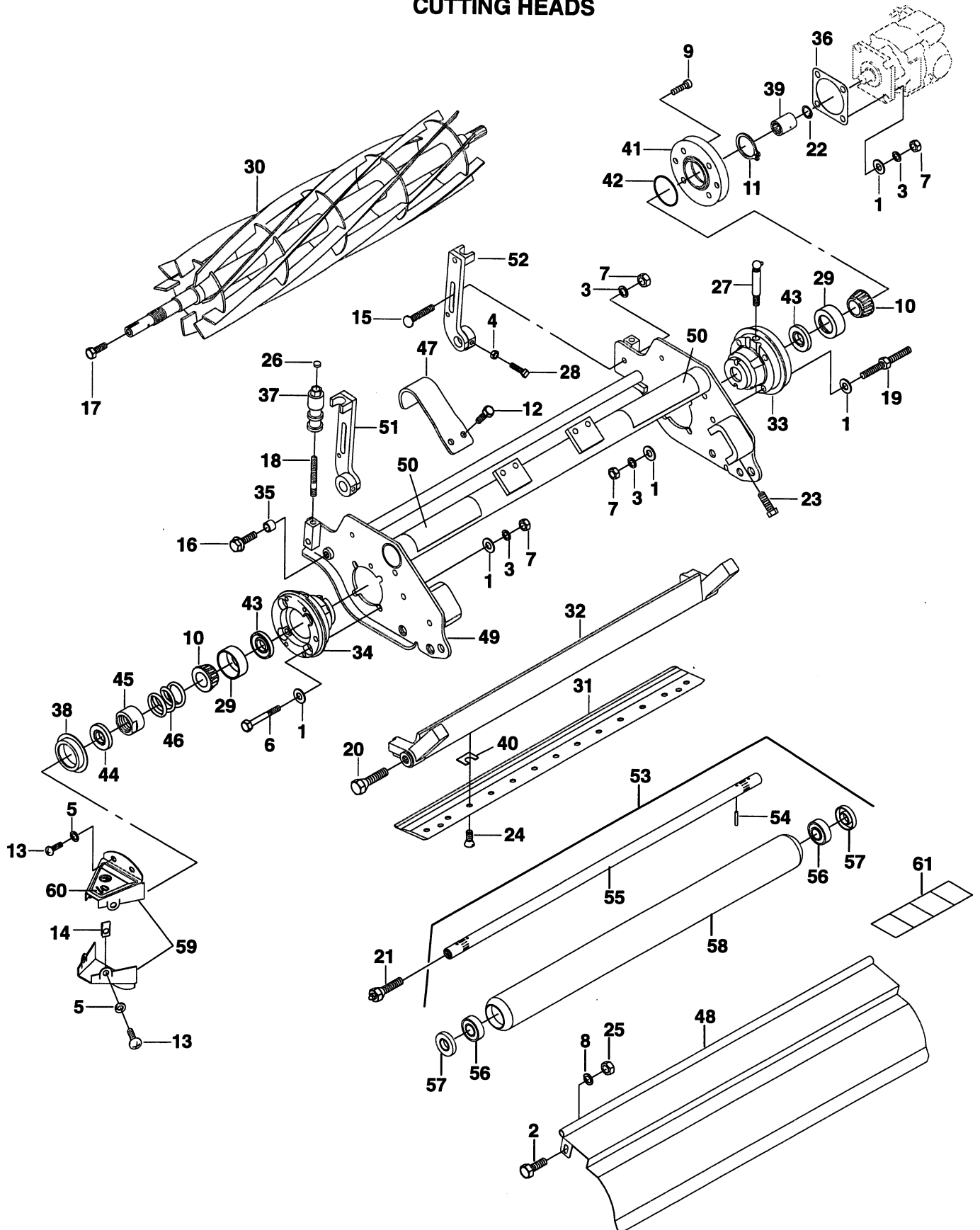


VERTICUTTER ACCESSORY

Ref. No.	Part No.	Description	No. Req'd.	Ref. No.	Part No.	Description	No. Req'd.
1	103867	Washer, 5/16"	20	35	839061	Adaptor, motor	1
2	300646	Screw, 1/4-20 x 3/4"	6	36	839062	Seal, o-ring, 1.88 i.d. x .06	1
3	302103	Nut, jam, 5/16-18	2	37	839064	Seal, oil, 1.38" o.d. x .88" i.d.	2
4	304636	Pin, cotter, 1/8" x 1 1/8"	2	38	839065	Seal, oil, 1.56" o.d. x 1.00" i.d.	1
5	306325	Lockwasher, 5/16"	14	39	839067	Nut, bearing adjustment, 3/4-16	1
6	306375	Nut, 1/4-20	2	40	839068	Spring, compression	1
7	306501	Screw, 5/16-18 x 1 1/2"	4	41	839069	Hook, stop	1
8	306932	Nut, 5/16-18	14	42	841358	Shaft, reel	1
9	308090	Washer, 1/4"	2	43	841359	Blade, verticut	26
10	330748	Screw, socket head, 5/16-18 x 1", grade 8	2	44	841360	Spacer, blade	76
11	385174	Cone, tapered roller bearing, 3/4" i.d.	2	45	841361	Collar, blade	2
12	548324	Ring, retaining, external	1	46	841362	Nut, jam, 1 1/8-12	2
13	548604	Screw, flangelock, 5/16-18 x 3/4"	2	47	841390	Shield, front	1
14	800149	Screw, self tapping, #10 x 3/8" P.T.H.	6	48	841391	Shield, rear	1
15	800354	Bolt, carriage, 5/16-18 x 1 3/4"	2	49	841392	Clip	3
16	800449	Nut, speed, 1/4-20	4	50	841393	Rod	1
17	800555	Screw, set, 5/16-18 x 5/8"	2	51	841394	Retainer	1
18	800709	Screw, flange, 3/8-16 x 1"	2	52	841395	Scraper	1
19	800806	Stud, 5/16-18 x 2 3/4"	2	53	892009	Frame, decal &	1
20	800809	Bolt, lug, lube fitting, 7/16-20	2	54	869081	•Decal, danger hands and feet	2
21	800810	Ring, retaining, internal	1	55	891998	Bracket, front roller, left	1
22	800814	Nut, stop, 1/4-20	2	56	891999	Bracket, front roller, right	1
23	800815	Plug, expansion, aluminum, 3/8"	2	57	892000	Roller, rear, 2" smooth	1
24	800816	Fitting, lubrication, 1/8" NPT, 90°	2	58	306966	•Pin, roll, 1/8" x 3/4"	2
25	800848	Screw, set, 1/4-20 x 1	2	59	839057	•Shaft, roller	1
26	800856	Stud, 5/16-18 x 3 1/4"	4	60	839063	•Bearing, ball, 1.38" o.d. x .63" i.d.	2
27	808088	Cup, tapered roller bearing	2	61	839066	•Seal, oil, 1.38" o.d. x .63" i.d.	2
28	839035	Housing, bearing, right	1	62	892005	•Tube, roller	1
29	839036	Housing, bearing, left	1	63	892323	Roller, front, 2" smooth	1
30	839046	Bushing, threaded, 3/8-16 x 1/2" o.d.	2	64	306966	•Pin, roll, 1/8" x 3/4"	2
31	839049	Gasket, motor	1	65	807439	•Fitting, lubrication, 1/4-28	2
32	839050	Knob, adjustment	2	66	839063	•Bearing, ball, 1.38" o.d. x .63" i.d.	2
33	839053	Retainer, seal, nylon	1	67	839066	•Seal, oil, 1.38" o.d. x .63" i.d.	2
34	839054	Coupling, drive	1	68	839075	•Shaft, front roller	1
				69	892005	•Tube, roller	1

•INDENTED PART NAMES INDICATE THESE PARTS ARE INCLUDED IN PRECEDING ASSEMBLY

CUTTING HEADS



CUTTING HEADS

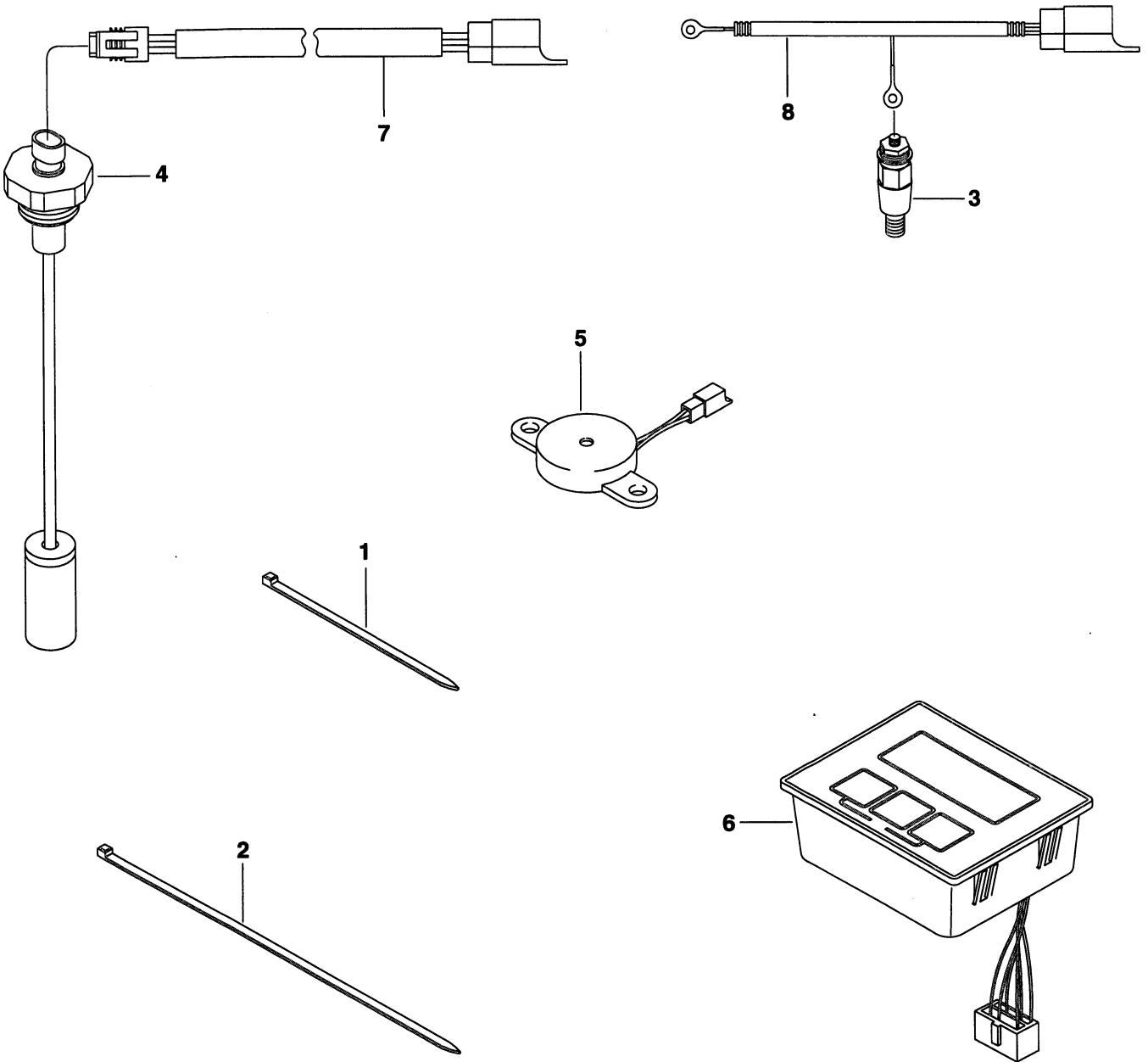
Ref. No.	Part No.	Description	No. Req'd.	Ref. No.	Part No.	Description	No. Req'd.
1	103867	Washer, 5/16"	20	32	839032	Bedbar	1
2	300646	Screw, 1/4-20 x 3/4"	2	33	839035	Housing, bearing, right	1
3	306325	Lockwasher, 5/16"	14	34	839036	Housing, bearing, left	1
4	306375	Nut, 1/4-20	2	35	839046	Bushing, threaded, 3/8-16 x 1/2"	2
5	306396	Lockwasher, 1/4"	6	36	839049	Gasket, motor	1
6	306501	Screw, 5/16-18 x 1 1/2"	4	37	839050	Knob, adjustment	2
7	306932	Nut, 5/16-18	14	38	839053	Retainer, seal	1
8	308090	Washer, 1/4"	2	39	839054	Coupling, drive	1
9	330748	Screw, socket head, 5/16-18 x 1", grade 8	2	40	839058	Shim, bedknife, .003"	As Req'd
10	385174	Cone, tapered roller bearing	2			or	
11	548324	Ring, retaining	1		839059	Shim, bedknife, .007"	As Req'd
12	548604	Screw, flangelock, 5/16-18 x 3/4"	2	41	839061	Adaptor, motor	1
13	800019	Screw, 1/4-20 x 1/2 P.T.H.	6	42	839062	Seal, O-ring, 1.88" i.d. x .07" thick	1
14	800196	Nut, speed, 1/4-20	2	43	839064	Seal, oil, 1.38" o.d. x .88" i.d.	2
15	800354	Bolt, carriage, 5/16-18 x 1 3/4"	2	44	839065	Seal, oil, 1.56" o.d. x 1" i.d.	1
16	800709	Screw, flange, 3/8-16 x 1"	2	45	839067	Nut, bearing adjustment, 3/4-16UNF	1
17	800805	Screw, 3/8-24 x 3/4", grade 8	1	46	839068	Spring, compression	1
18	800806	Stud, 5/16-18 x 2 3/4"	2	47	839069	Hook, stop	1
19	800856	Stud, 5/16-18 x 3 1/4"	4	48	839070	Shield, grass	1
20	800808	Bolt, lug, 7/16-20	2	49	892009	Frame	1
21	800809	Bolt, lug, 7/16-20	2	50	869081	•Decal, danger hands and feet	2
22	800810	Ring, retaining, internal	1	51	891998	Bracket, front roller, left	1
23	800857	Screw, set, 3/8-24 x 1 1/4", grade 8	4	52	891999	Bracket, front roller, right	1
24	800813	Screw, 1/4-20 x 1/2"	13	53	892000	Roller, rear, 2" smooth	1
25	800814	Nut, lock, 1/4-20	2	54	306966	•Pin, roll, 1/8" x 3/4"	2
26	800815	Plug, expansion, 3/8"	2	55	839057	•Shaft, roller	1
27	800816	Fitting, lubrication, 90°, 1/8" NPT	2	56	839063	•Bearing, ball, 1.38" o.d. x .63 i.d.	2
28	800848	Screw, set, 1/4-20 x 1"	2	57	839066	•Seal, oil, 1.38" o.d. x .63 i.d.	2
29	808088	Cup, roller bearing, tapered	2	58	892005	•Tube, roller	1
30	839030	Reel, 11 blade	1	59	892008	Cover, shaft	2
		or		60	839047	•Decal, Warning, reel rotation	1
	839019	Reel, 9 blade	1	61	840219	Decal, service cutting head	1
31	839022	Bedknife, .175"	1			Accessory rollers	
		or		*	892323	Roller, front, 2" smooth	1
	839023	Bedknife, .200" (standard)	1	*	892324	Roller, front, 2" grooved	1
		or		*	892325	Roller, rear, 2" grooved	1
	839024	Bedknife, .250"	1				

• INDENTED PART NAMES INDICATE THESE PARTS ARE INCLUDED IN PRECEDING ASSEMBLY

* Not Illustrated

◊ Some very early units will have coarse thread set screws, Part No. 800811 (3/8-16 x 1 1/4")

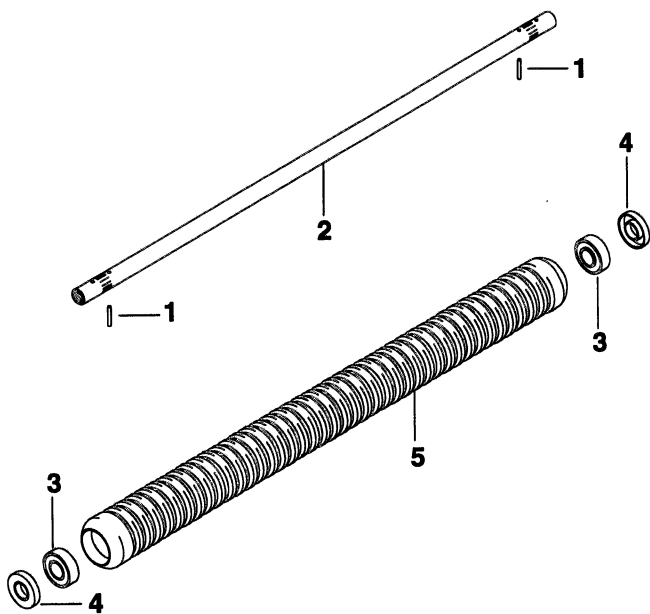
TURF PROTECTION SYSTEM



Ref. No.	Part No.	Description	No. Req'd.	Ref. No.	Part No.	Description	No. Req'd.
1	320107	Tie Strap, 7 1/2" (191 mm)	3	5	890000	Buzzer	1
2	823549	Tie Strap, 15 1/2" (394 mm)	1	6	893168	Module, instrument	1
3	833615	Sender, temperature	1	7	892539	Harness, oil sensor	1
4	840054	Sensor, oil	1	8	892543	Wire Assy., temp. sender	1

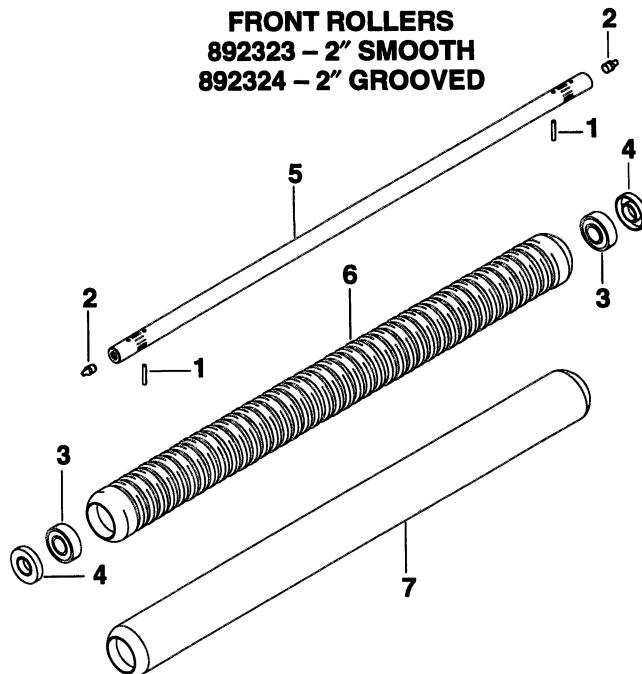
ACCESSORIES

REAR ROLLER 892325 - 2" GROOVED



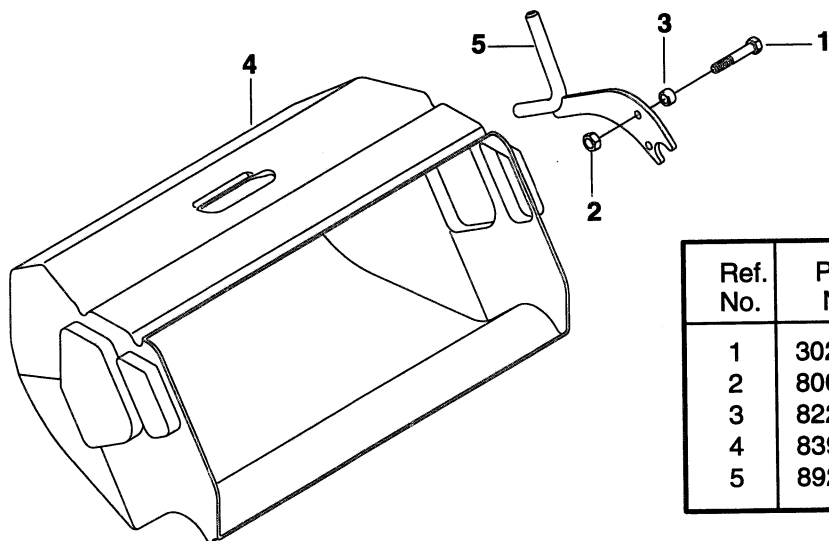
Ref. No.	Part No.	Description	No. Req'd.
1	306966	Pin, roll, 1/8" x 3/4"	2
2	839057	Shaft, rear roller	1
3	839063	Bearing, ball, 1.38" o.d. x .63" i.d.	2
4	839066	Seal, oil, 1.38" o.d. x .63" i.d.	2
5	839076	Tube, roller (grooved)	1

FRONT ROLLERS 892323 - 2" SMOOTH 892324 - 2" GROOVED



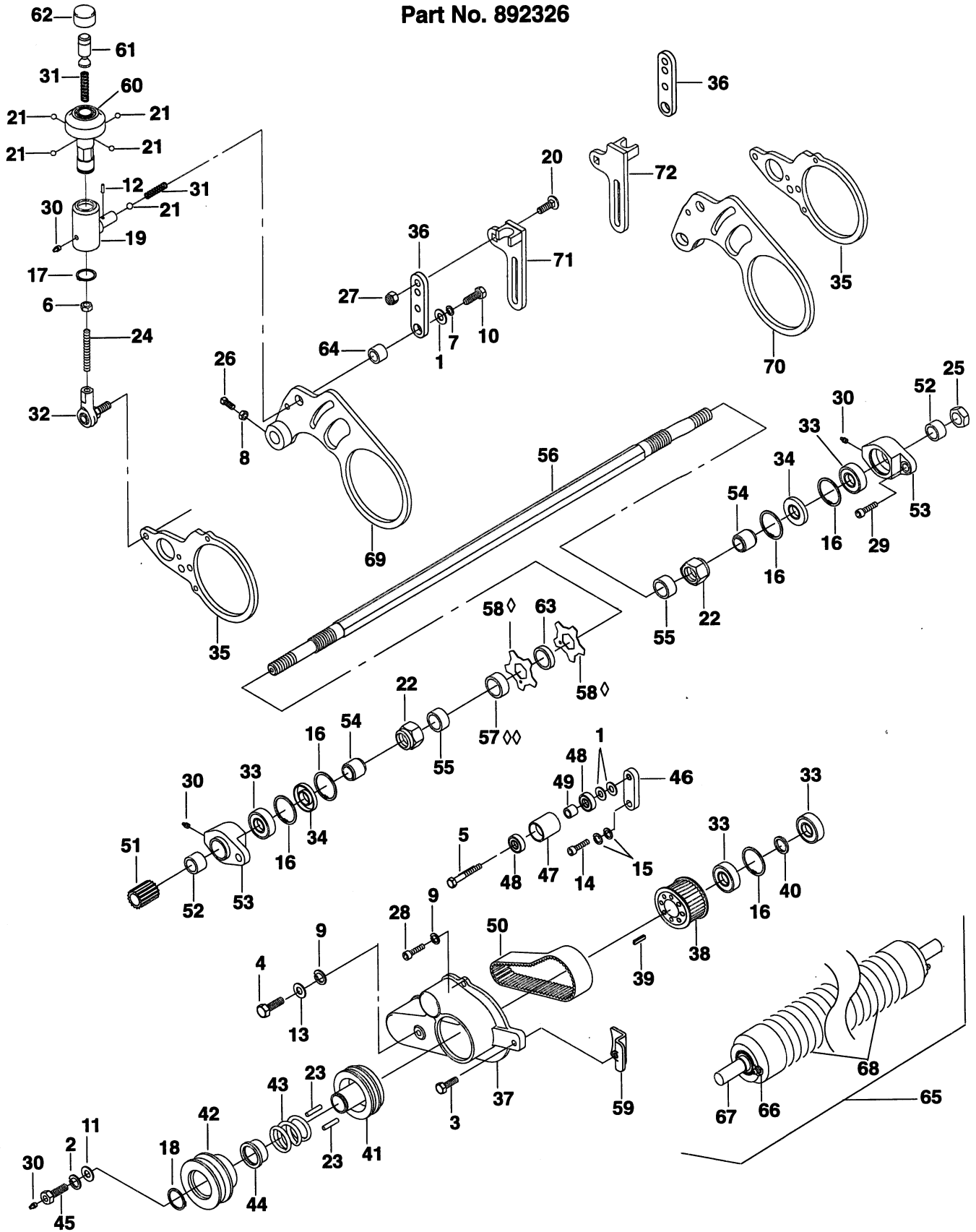
Ref. No.	Part No.	Description	No. Req'd.
1	306966	Pin, roll, 1/8" x 3/4"	2
2	807439	Fitting, lubrication, 1/4-28	2
3	839063	Bearing, ball, 1.38" o.d. x .63" i.d.	2
4	839066	Seal, oil, 1.38" o.d. x .63" i.d.	2
5	839075	Shaft, front roller	1
6	839076	Tube, roller (grooved)	1
7	892005	Tube, roller (smooth)	1

GRASS CATCHER 892006



Ref. No.	Part No.	Description	No. Req'd.
1	302600	Screw, 3/8-16 x 1 1/2"	2
2	800619	Nut, 3/8-16 (nylon insert)	2
3	822474	Spacer	2
4	839072	Catcher, grass	1
5	892007	Bracket, catcher	2

GROOMER ACCESSORY
Part No. 892326



GROOMER ACCESSORY
Part No. 892326

Ref. No.	Part No.	Description	No. Req'd.	Ref. No.	Part No.	Description	No. Req'd.
	892326	Groomer, 1/4" spacing	1	36	841356	•Link, connector	2
	892330	Groomer, 1/2" spacing	1	37	839452	•Cover, belt	1
1	103867	•Washer, 5/16"	4	38	839453	•Pulley, 32 tooth	1
2	120177	•Lockwasher, 3/8"	1	39	839454	•Key, 1/8" x 1/8" x 3/8"	1
3	300646	•Screw, 1/4-20 x 3/4"	1	40	839455	•Spacer, bearing	1
4	302754	•Screw, 1/4-20 x 2 1/4"	1	41	839456	•Hub, clutch drive	1
5	304055	•Screw, 5/16-18 x 1 3/8"	1	42	839457	•Knob, clutch	1
6	306390	•Nut, jam, 5/16-24	1	43	839458	•Spring, compression	1
7	306325	•Lockwasher, 5/16"	3	44	839459	•Retainer, knob	1
8	306375	•Nut, 1/4-20	2	45	839461	•Bolt, lube fitting, 3/8-24	1
9	306396	•Lockwasher, spring, 1/4"	2	46	839462	•Arm, idler pulley	1
10	306450	•Screw, 5/16-18 x 3/4"	2	47	839463	•Pulley, idler	1
11	306981	•Washer, 3/8"	1	48	839464	•Bearing, ball, .866" o.d. x .314" i.d.	2
12	307981	•Pin, roll, 3/32" x 3/8"	1	49	839465	•Spacer, bearing, .433"	1
13	308090	•Washer, 1/4"	1	50	839466	•Belt, 62 tooth	1
14	330747	•Screw, socket head, grade 8, 5/16-18 x 3/4"	1	51	839467	•Pulley, 16 tooth	1
15	548183	•Lockwasher, 5/16"	2	52	839468	•Spacer, 19/32"	2
16	548323	•Ring, internal retaining	5	53	839469	•Housing, bearing	2
17	548324	•Ring, external retaining	1	54	839470	• Sleeve, seal	2
18	548327	•Ring, retaining	1	55	839471	•Spacer, 1/2"	2
19	892561	•Housing, adjuster	1	56	839472	•Shaft, groomer	1
20	800085	•Bolt, carriage, 5/16-18 x 1"	2	57	839473	•Spacer, .468" (1/2" Groomer)	◇42
21	800130	•Ball, chrome steel, 1/4"	5	58	839474	•Blade, groomer	◇As Req'd
22	800508	•Nut, stop, 3/4-16	2	59	841331	•Retainer	1
23	800823	•Pin, dowel, 3/16" x 1"	2	60	892562	•Shaft, adjuster	1
24	841355	•Stud, 5/16-24 x 1 1/2"	1	61	839484	•Button, release	1
25	800847	•Nut, 5/8-18, left hand thread	1	62	839485	•Cap	1
26	800848	•Screw, set, 1/4-20 x 1"	2	63	839487	•Spacer, .218" (1/4" Groomer)	80
27	800855	•Nut, 5/16-18	2	64	839488	•Spacer, link	2
28	800862	•Screw, socket head, grade 8, 1/4-20 x 1/2"	2	*	840652	•Lubricant, anti-seize, 1 oz.	1
29	800863	•Screw, socket head, grade 8, 3/8-16 x 1/2"	2	65	892004	•Roller, grooved aluminum, 2 1/2", complete	1
30	807439	•Fitting, lubrication, 1/4-28	4	66	807439	••Fitting, lubrication, 1/4-28	2
31	815012	•Spring	2	67	832054	••Bearing, ball	2
32	831586	•Ball joint	1	68	839078	••Roller, grooved, 2 1/2"	1
33	839063	•Bearing, ball, 1.38" o.d. x .63" i.d.	4	69	893268	•Bracket, roller, left	1
34	839064	•Seal, oil, 1.38" o.d. x .88" i.d.	2	70	893269	•Bracket, roller, right	1
35	839448	•Bracket, groomer	2	71	892555	•Link, adjuster, left	1
				72	892556	•Link, adjuster, right	1

• INDENTED PART NAMES INDICATE THESE PARTS ARE INCLUDED IN PRECEDING ASSEMBLY

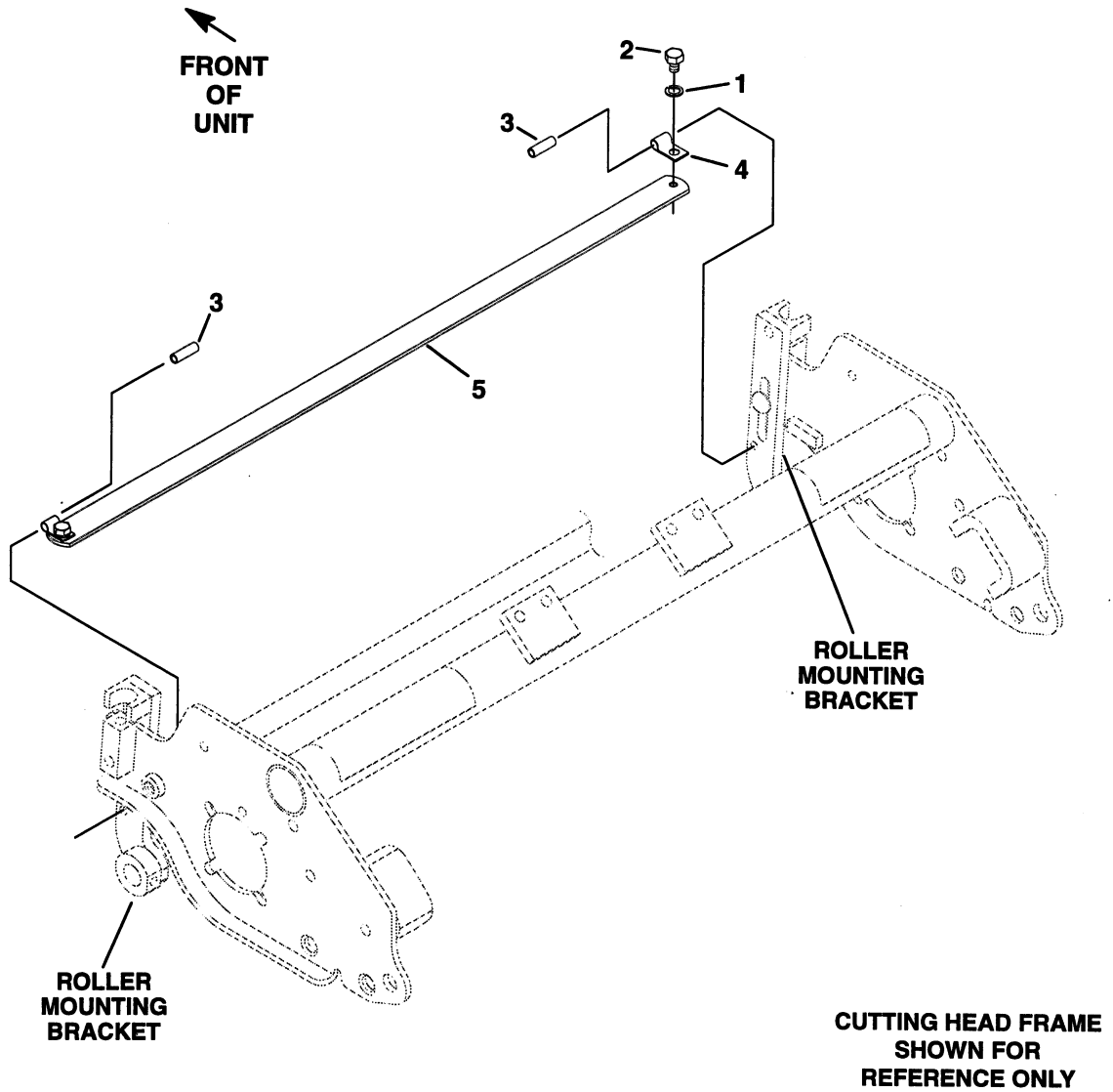
* Not illustrated

◇ 41 Blades required for 1/2" spacing

81 Blades required for 1/4" spacing

◇◇ Two Ref. # 57 are used on both ends with 1/4" spacing

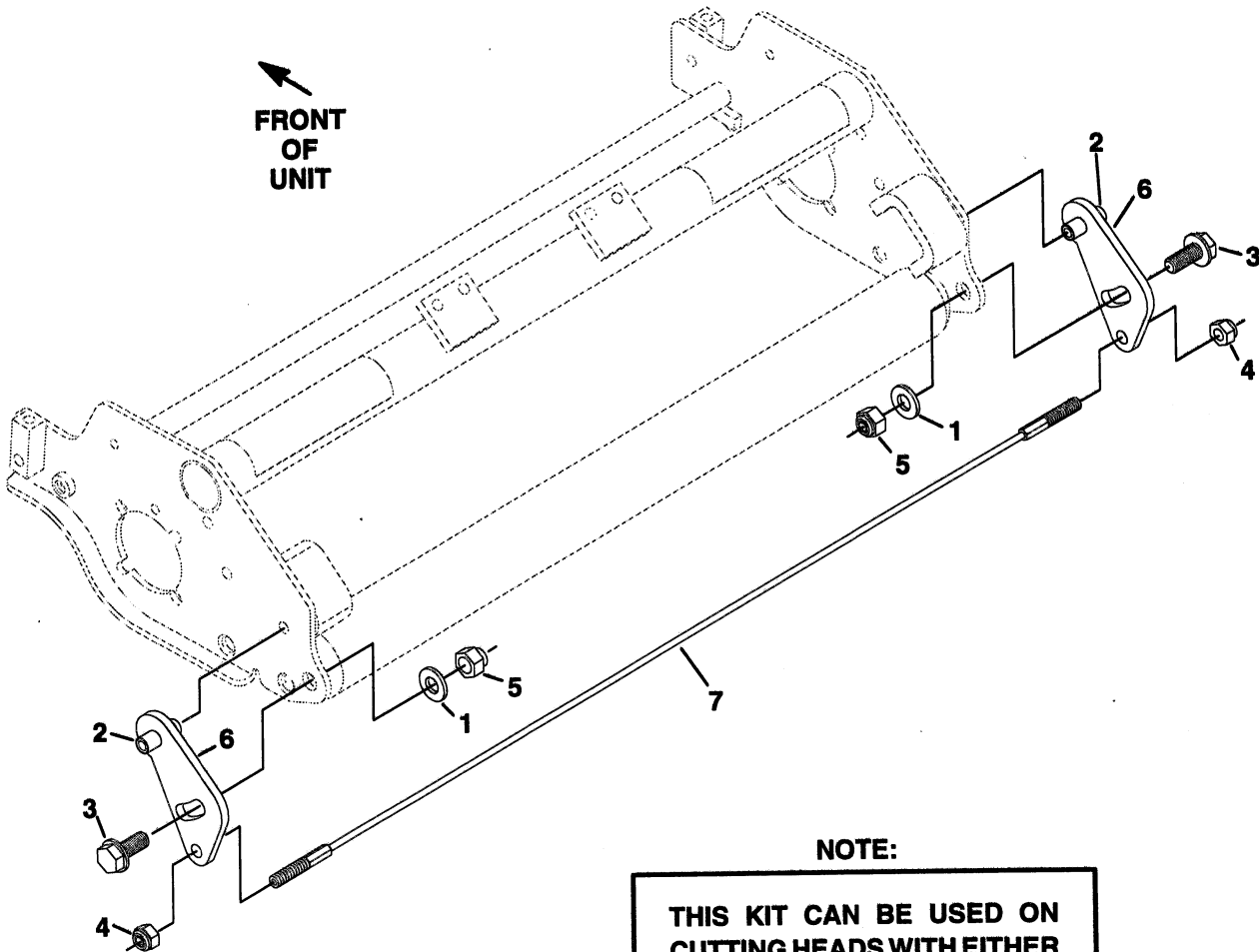
**ACCESSORY
FRONT ROLLER SCRAPER
PART NO. 892329**



Ref. No.	Part No.	Description	No. Req'd.	Ref. No.	Part No.	Description	No. Req'd.
1	892329	Scraper, front roller	1	3	800900	•Pin, spirol, 1/4" x 1"	2
2	306396	•Lockwasher, 1/4"	2	4	809143	•Clamp	2
	306831	•Screw, 1/4-20 x 3/8"	2	5	839486	•Scraper	1

• INDENTED PART NAMES INDICATE THESE PARTS ARE INCLUDED IN PRECEDING ASSEMBLY

**ACCESSORY
REAR ROLLER SCRAPER
PART NO. 892328**

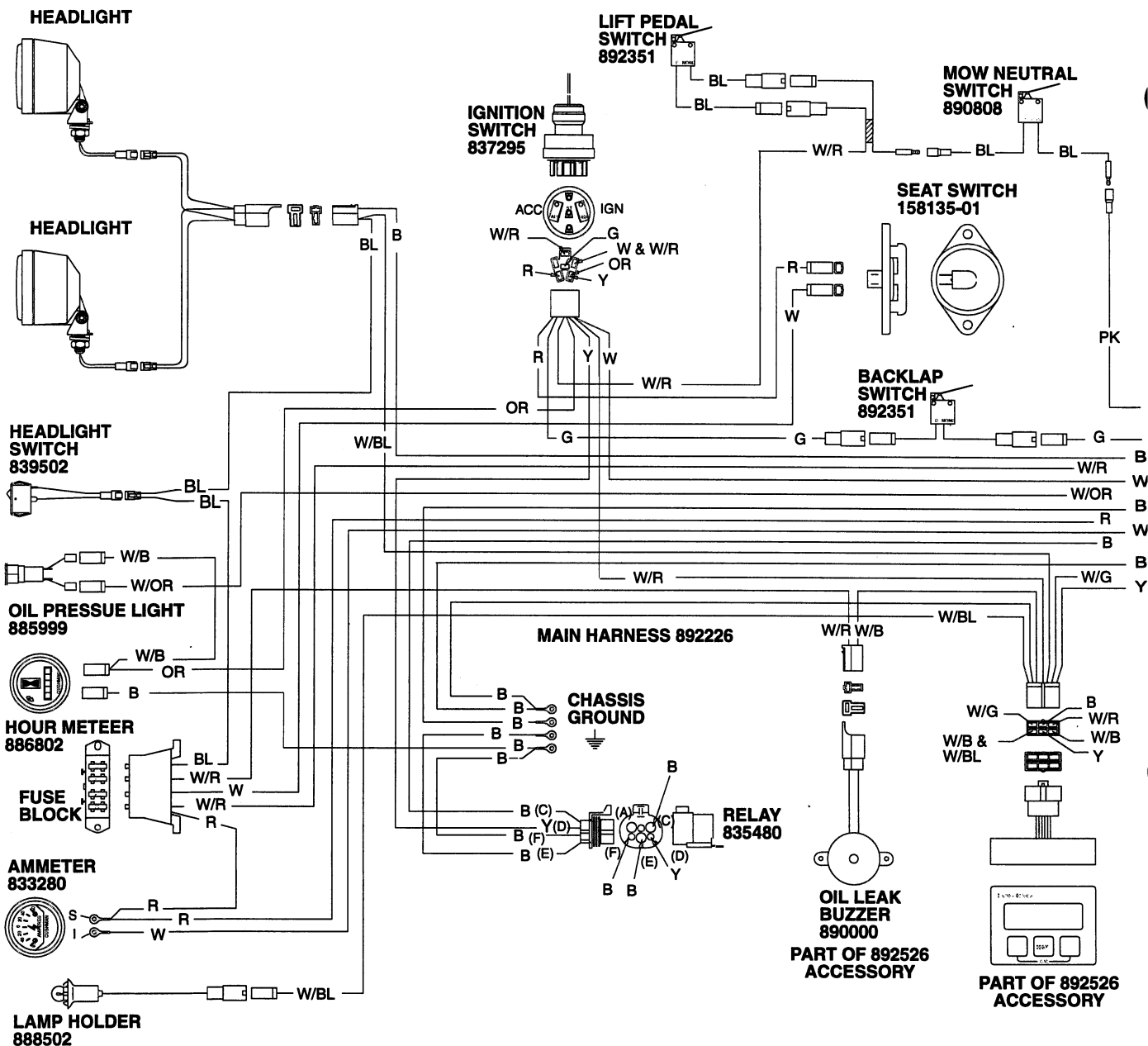


NOTE:
**THIS KIT CAN BE USED ON
CUTTING HEADS WITH EITHER
2" OR 2 1/2" ROLLERS.**

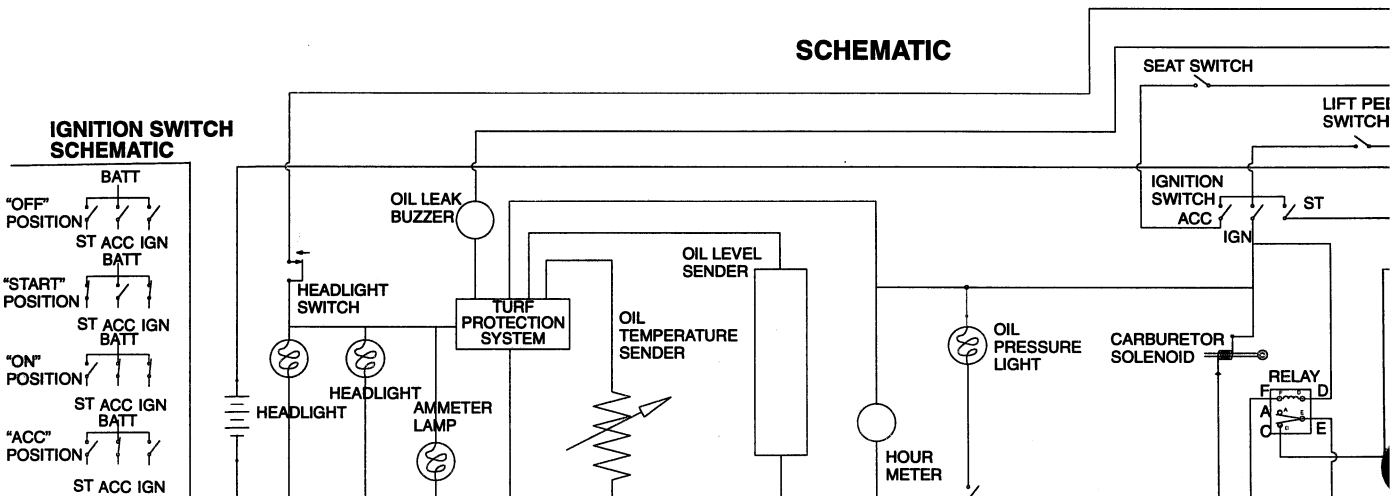
Ref. No.	Part No.	Description	No. Req'd.	Ref. No.	Part No.	Description	No. Req'd.
1	892328	Scraper, rear roller	1	4	800814	•Nut, nyloc, 1/4-20	2
	103867	•Washer, 5/16"	2	5	800855	•Nut, nyloc, 5/16-18	2
2	316946	•Pin, spirol, 5/16 x 7/8"	2	6	841181	•Bracket, scraper	9
3	800794	•Screw, 5/16-18 x 3/4"	2	7	841182	•Cable, 26.38" (670 mm)	1

• INDENTED PART NAMES INDICATE THESE PARTS ARE INCLUDED IN PRECEDING ASSEMBLY

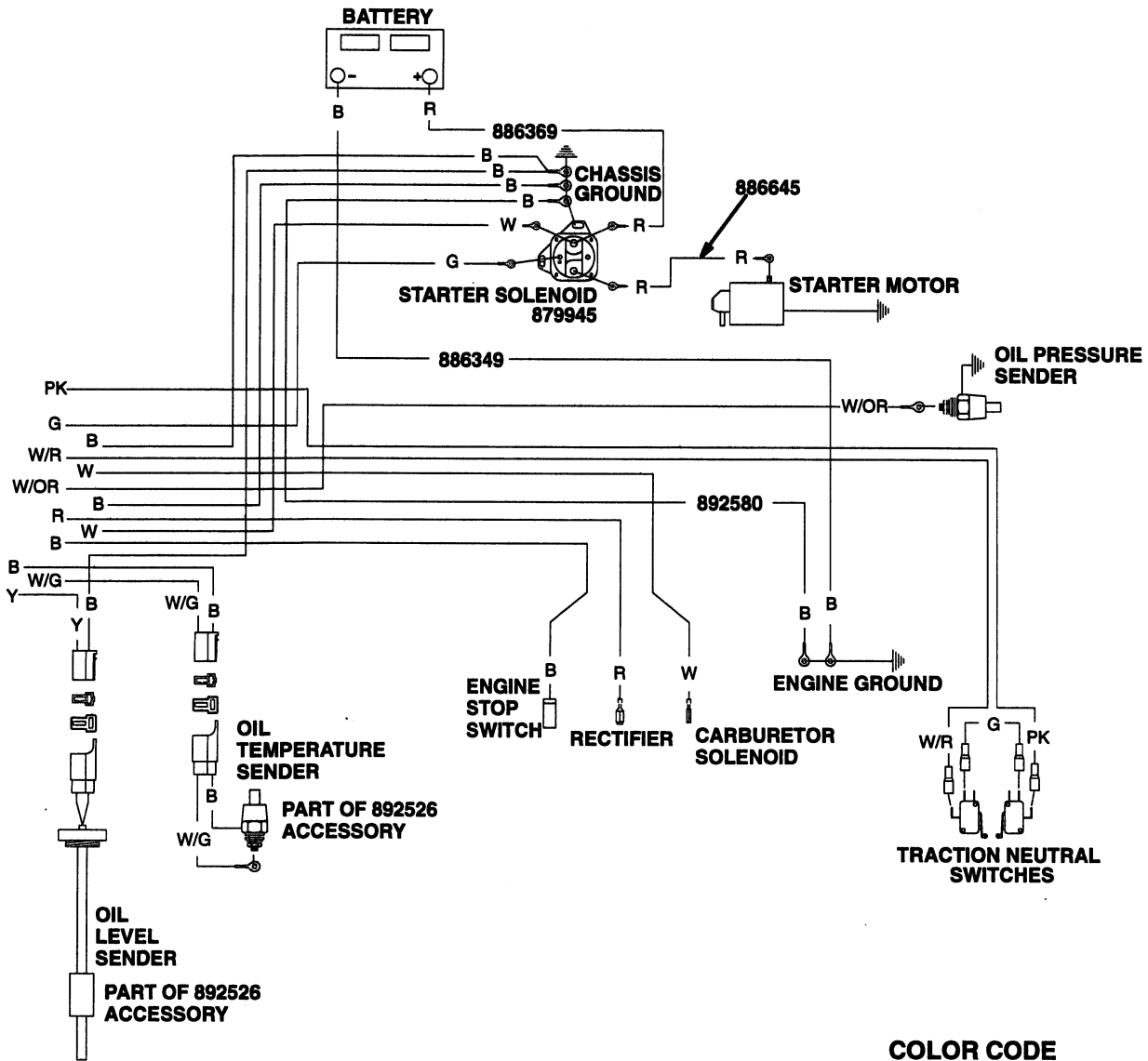
WIRING DIAGRAM – GASOLINE



SCHEMATIC

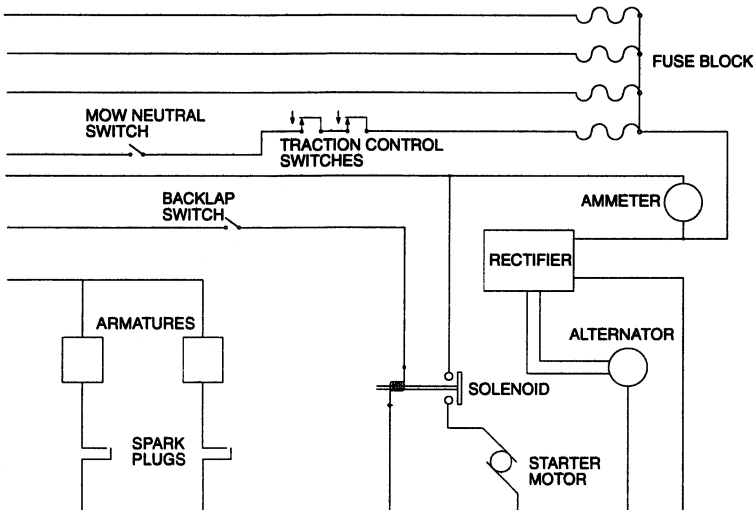


WIRING DIAGRAM - GASOLINE

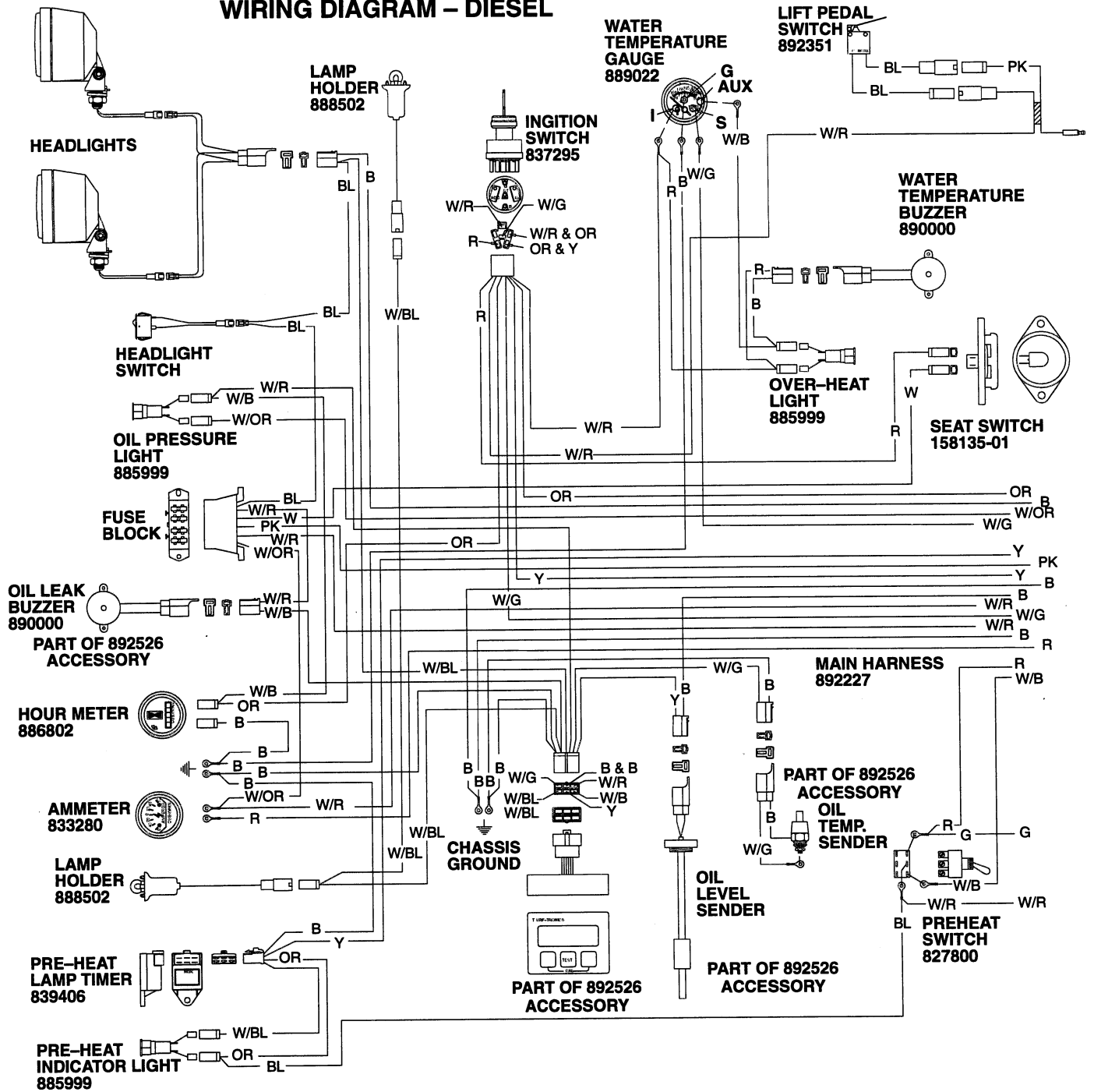


COLOR CODE

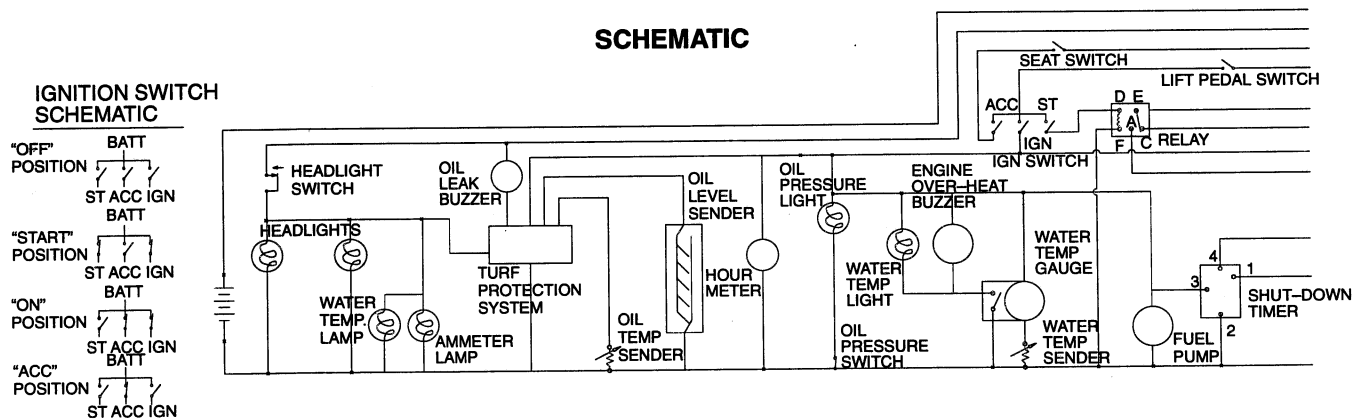
W	WHITE
R	RED
B	BLACK
BL	BLUE
BR	BROWN
OR	ORANGE
PK	PINK
Y	YELLOW
G	GREEN
W/R	WHITE W/RED STRIPE
W/B	WHITE W/BLACK STRIPE
W/BL	WHITE W/BLUE STRIPE
W/G	WHITE W/GREEN STRIPE
W/OR	WHITE W/ORANGE STRIPE



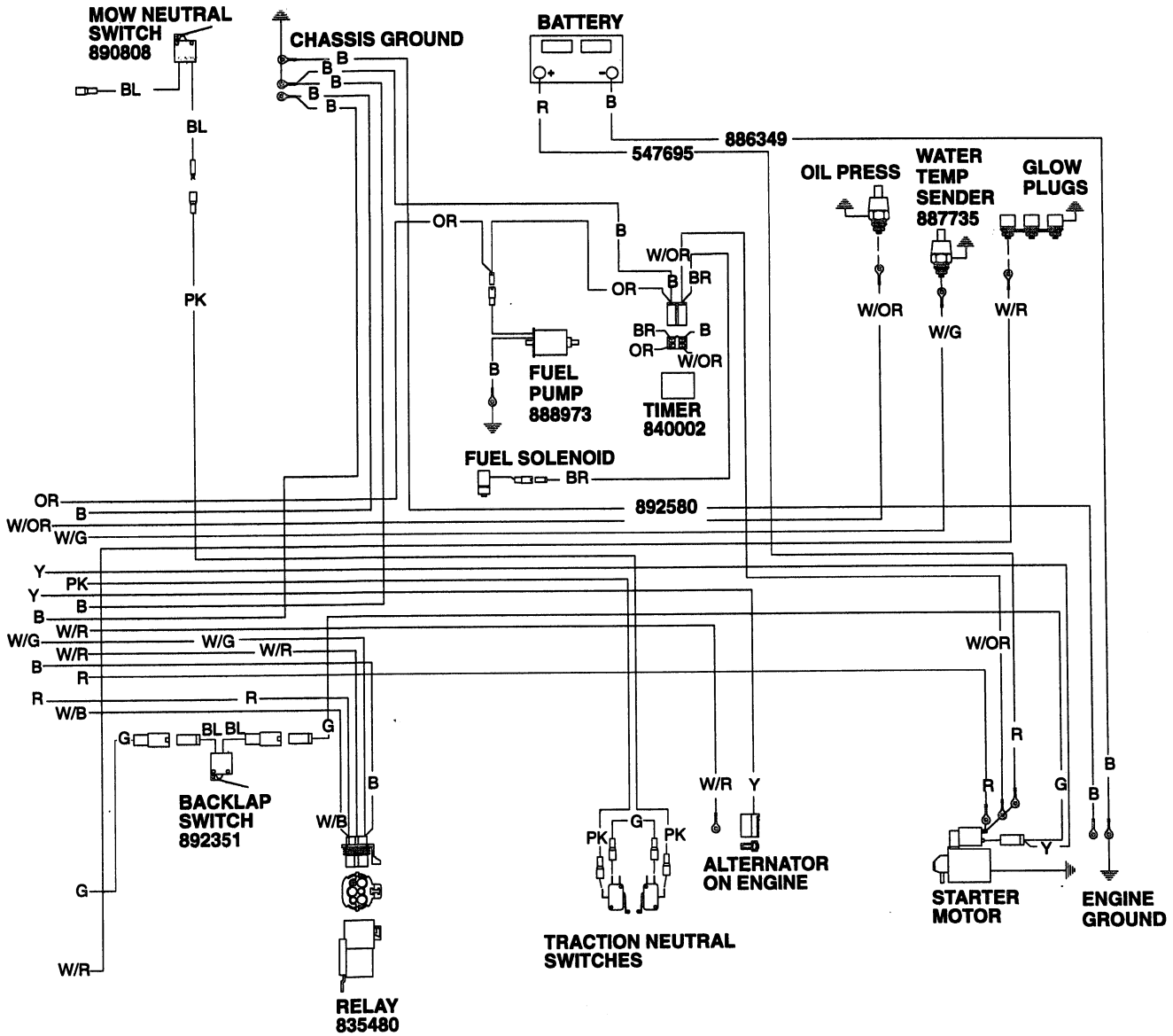
WIRING DIAGRAM - DIESEL



SCHEMATIC

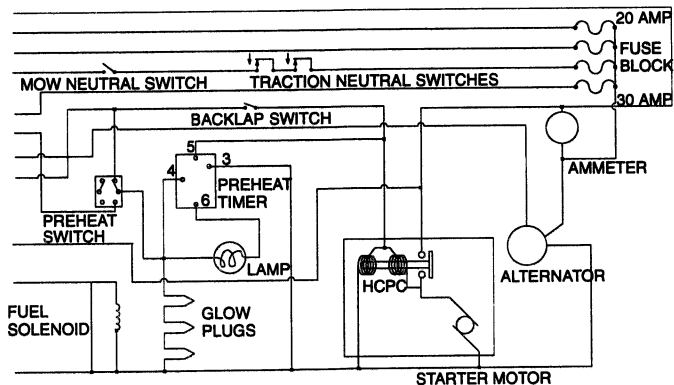


WIRING DIAGRAM – DIESEL



COLOR CODE

W	WHITE
R	RED
B	BLACK
BL	BLUE
BR	BROWN
OR	ORANGE
PK	PINK
Y	YELLOW
G	GREEN
W/R	WHITE W/RED STRIPE
W/B	WHITE W/BLACK STRIPE
W/BL	WHITE W/BLUE STRIPE
W/G	WHITE W/GREEN STRIPE
W/OR	WHITE W/ORANGE STRIPE



NOTES



**RANSOMES
CUSHMAN
RYAN**

Driven to be the best.

Cushman Inc., A Ransomes America Corporation Company
P.O. Box 82409 • Lincoln, Nebraska • 68501-2409