

JACOBSEN®

PARTS CATALOG

LF-3810™ Fairway Mower

Product No. 67760
Serial No. 2550 and Up

Product No. 67769
Serial No. 2000 and Up

26" Fairway Reel
Product No. 67761

LIBRARY COPY
★ DONT MAIL ★

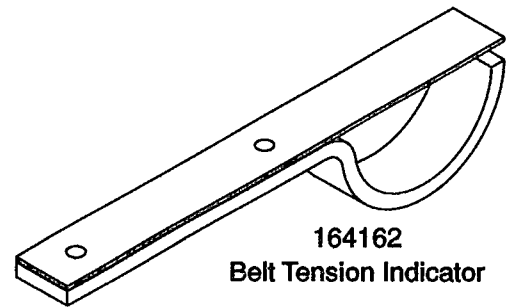
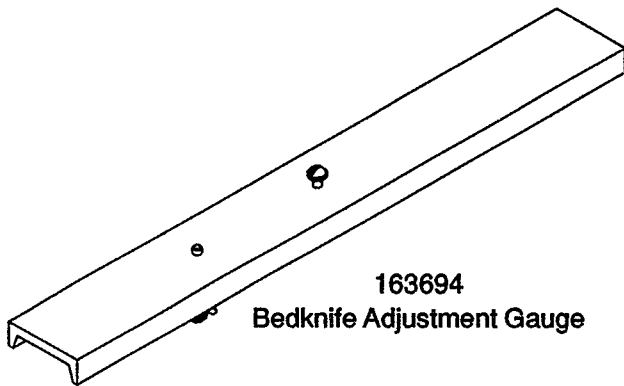


WARNING: *If incorrectly used this machine can cause severe injury. Those who use and maintain the machine should be trained in its proper use, warned of its dangers and should read the entire manual before attempting to set up, operate, adjust or service the machine.*

TO ORDER PARTS

1. Write your full name and complete address on the order.
 2. Explain where and how to make shipment.
 3. Give product number, name and serial number that is stamped on the nameplate or serial plate of your product.
 4. Order by quantity desired, the Part Number, and description of the part as given in the parts list.
 5. Send or bring the order to your nearest Authorized Jacobsen Turf Equipment Dealer.
 6. Inspect all shipments on receipt. If any parts are damaged or missing, file a claim with the carrier before accepting.
 7. Do not return material to your Authorized Jacobsen Turf Equipment Dealer without a letter of explanation. Make a list of all returned parts, show your name and address, and include it with the shipment. Transportation charges must be prepaid.
- All information in this publication is based on the product information available at time of approval for printing.*

SPECIAL TOOLS

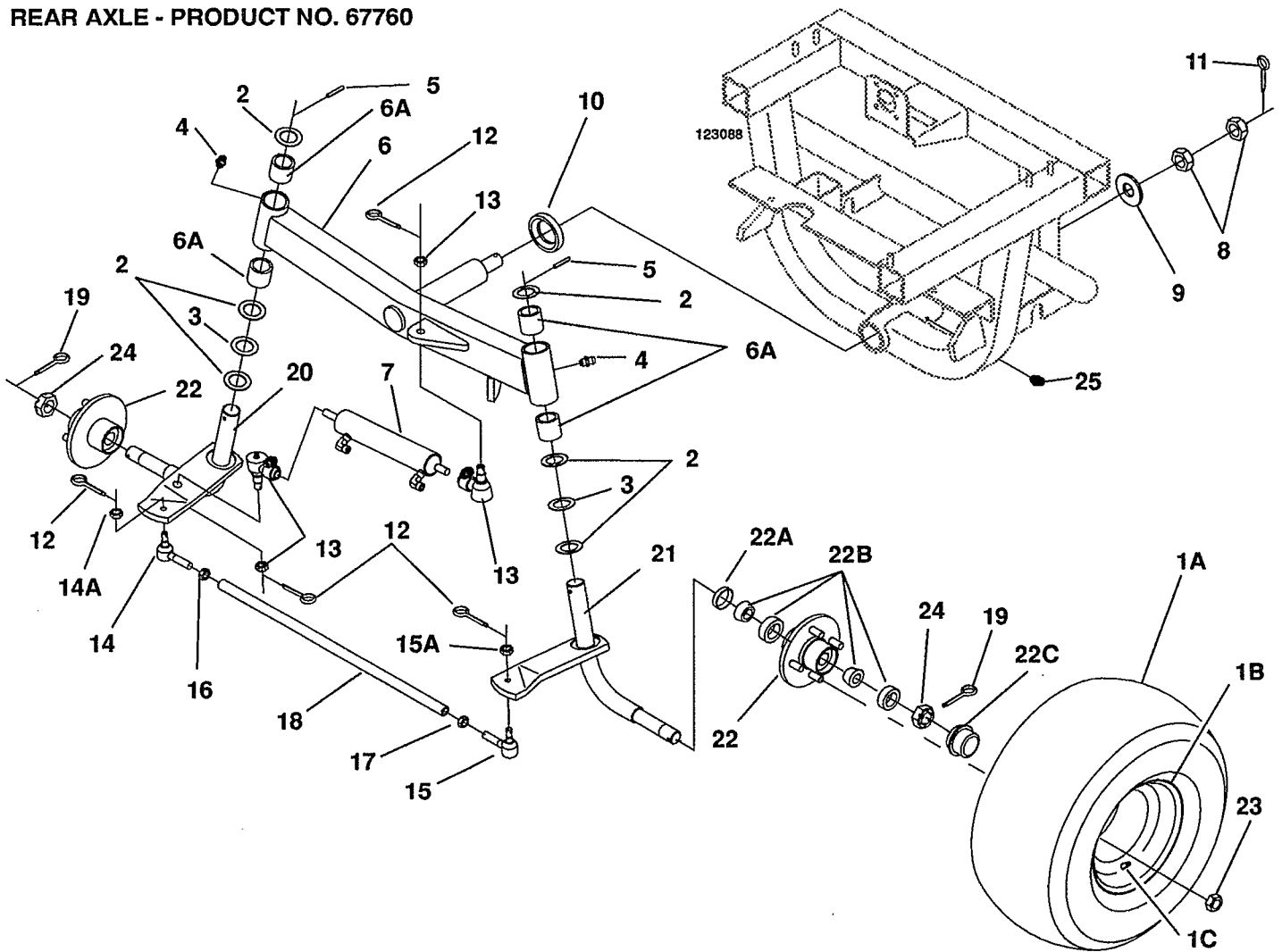


CONTENTS

Rear Axle - Product No. 67760	4	Main Hydraulics	35
Rear Axle - Product No. 67769	5	Lift Valve and Cylinder Hydraulics	36
Engine Mounting	7	Steering and Lift Hydraulics	37
Frame, Battery, Fuel and Hydraulic Tanks	9	4 WD Hydraulics	38
Fuel Line and Cooling Hose Routing	11	Reel Motors and Hydraulics	39
Radiator and Air Cleaner Mounting	13	Roller Assembly	40
Front Tire and Brakes	15	Reel Motor	40
Service Kit 503663	16	Lift Valve	41
Lift Levers and Valves and Filters	17	Hydraulic Steering Unit	42
Hydro Pedal	19	Traction Pump	43
Tilt Steering	21	Seat	44
Instrument Panel and Throttle Control	23	Gear Pump	45
Hood and Seat Assembly	25	Fan Motor	46
Hood, Hinge and Platform Latch	27	Wheel Motor	47
Lift Arms and Cylinders	29	Disc Brake	48
Complete Reel	31	Hydro Centering Assembly	48
Reel Breakdown	33	Manifold Valve	48

ILLUSTRATION 1A

REAR AXLE - PRODUCT NO. 67760

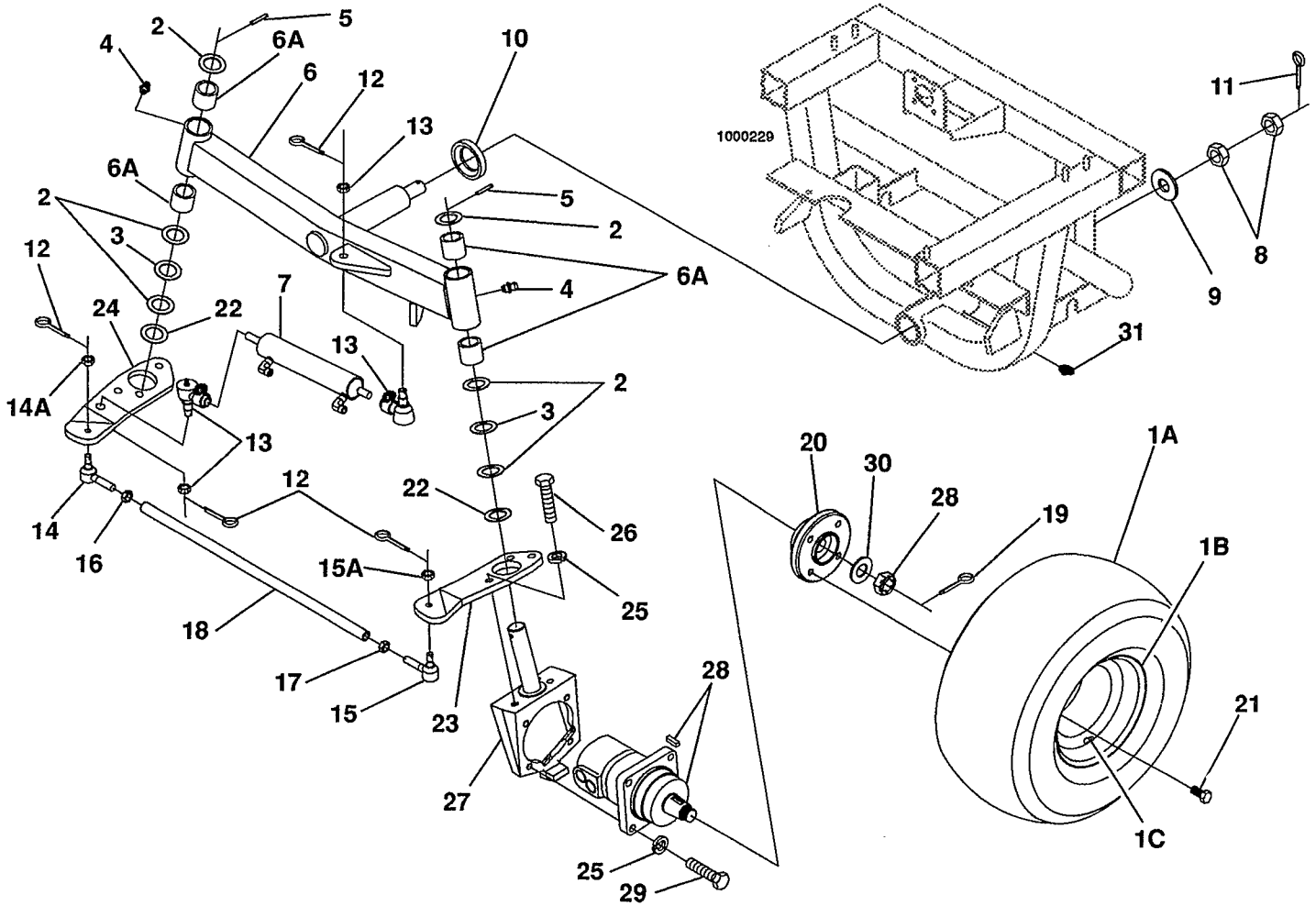


Item	Part No.	Qty.	Description	Item	Part No.	Qty.	Description
1A	366790	2	Tire, 20 x 10 x 8 2-ply	14A	445647	1	Nut, 3/8-24 Slotted
1B	122367	2	Rim	15	162991	1	Ball Joint, L.H. (Includes Item 15A)
1C	360111	2	Valve Stem	15A	445647	1	Nut, 3/8-24 Slotted
2	361648	6	Thrust Washer	16	443120	1	Nut, 1/2-20 R.H.
3	361647	2	Thrust Bearing	17	445664	1	Nut, 1/2-20 L.H.
4	471214	2	Grease Fitting	18	366785	1	Tie Rod
5	461408	2	Roll Pin, 1/4 x 1-1/2"	19	460050	2	Cotter Pin, 3/16 x 1-1/2"
6	117139	1	Axle Assembly (Includes Item 6A)	20	132670	1	Spindle Assembly, R.H.
6A	363562	4	Bushing	21	132671	1	Spindle Assembly, L.H.
7V	340491	1	Steering Cylinder	22	5000092	2	Wheel Hub Assembly (Includes Items 22A ~ C)
8	443840	2	Nut, 1-12 Jam	22A	554329	2	Seal
9	452022	1	Washer	22B	500596	4	Bearing Set, Cup and Cone
10	366789	1	Spacer	22C	545865	2	Dust Cap
11	460064	1	Cotter Pin, 1/4 x 1-1/2"	23	354807	8	Nut, 1/2-20 Lug
12	460026	4	Cotter Pin, 1/8 x 3/4"	24	445710	2	Nut, 1-14 Slotted
13	153234	2	Ball Joint	25	471227	1	Grease Fitting 45°
14	162424	1	Ball Joint, R.H. (Includes Item 14A)				

V - For Seal Repair Kit order Part No. 557621.

ILLUSTRATION 1B

REAR AXLE - PRODUCT NO. 67769



Item	Part No.	Qty.	Description	Item	Part No.	Qty.	Description
1A	366790	2	Tire, 20 x 10 x 8 2-ply	15	162991	1	Ball Joint, L.H.
1B	122367	2	Rim				(Includes Item 15A)
1C	360111	2	Valve Stem	15A	445647	1	Nut, 3/8-24 Slotted
2	361648	6	Thrust Washer	16	443120	1	Nut, 1/2-20 R.H.
3	361647	2	Thrust Bearing	17	445664	1	Nut, 1/2-20 L.H.
4	471214	2	Grease Fitting	18	366785	1	Tie Rod
5	461408	2	Roll Pin, 1/4 x 1-1/2"	19	460032	2	Cotter Pin, 1/8 x 1-1/2"
6	117139	1	Axle Assembly (Includes Item 6A)	20	2000012	2	Wheel Hub
6A	363562	4	Bushing	21	353914	8	Wheel Bolt
7V	340491	1	Steering Cylinder	22	367350	2	Beveled Washer
8	443840	2	Nut, 1-12 Jam	23	3000476	1	Steering Arm
9	452022	1	Washer	24	3000475	1	Steering Arm
10	366789	1	Spacer	25	446154	14	Lockwasher, 1/2 Hvy.
11	460064	1	Cotter Pin, 1/4 x 1-1/2"	26	400406	6	Screw, 1/2-13 x 1-1/4"
12	460026	4	Cotter Pin, 1/8 x 3/4"	27	2000057	2	Motor Mount
13	153234	2	Ball Joint	28♦	390859	2	Wheel Motor
14	162424	1	Ball Joint, R.H. (Includes Item 14A)	29	400410	8	Screw, 1/2-13 x 1-3/4"
14A	445647	1	Nut, 3/8-24 Slotted	30	361451	2	Thrust Washer
				31	471227	1	Grease Fitting 45°

V - For Seal Repair Kit order Part No. 557621.

♦ - See Illustration 29 for Service Parts.

ILLUSTRATION 2

Item	Part No.	Qty.	Description	Item	Part No.	Qty.	Description
1	132679	1	Engine, Kubota V-1505 (Includes Items 1A, 1B, and 66)	41	3000684	1	Spring, Idler
1A	555693	1	Coupler, Solenoid (Not Shown)	42	1000499	1	Mount Assembly, Pump (Includes Item 42A)
1B	557981	1	Assembly, Coupler (Not Shown)	42A	3001043	2	Bushing
2	5000026	1	Coupling Kit (Includes Item 33)	43	164106	1	Mtg Bracket, Rear Engine
3	3000038	2	Washer, Iso Mount	44	367118	1	Mtg Bracket, Traction Pump
4	395380	1	Mount, Traction Pump	45	132099	1	Damper Assembly, Hydro
5#	117140	1	Pump, Traction	46	340585*	1	Belt, Gear Pump
6	1001177	1	Mount Assembly, Hydro Return	47	400270	2	Screw, 3/8-16 x 2"
7◇	132517	1	Hydro Return	48	367031	2	Flat Washer, Special
8	401230	2	Screw, 1/4-28 x 1-1/4" Grade 8	49	351485	1	Flat Washer, Special
9	1001178	1	Arm Assembly, Traction Pump	50	444753	1	Locknut, 7/16-14 Center
10	1000011	1	Assembly, Iso Body	51	444752	1	Locknut, 5/8-11 Center
11	452008	5	Flat Washer, 3/8	52	364528	1	Spacer
12	340583	1	Mount, Pump	53	367540	3	Bolt, M8-1.25 x 45mm
13	3002406	1	Switch	54	444762	3	Locknut, 3/8-16 Center
13•	3002406	1	Switch	55	444718	2	Locknut, 5/16-18 Center
14	366879	3	Engine Isolator	56	400336	2	Screw, 7/16-14 x 1-1/4"
15	366884	12	Bolt, M10-1.25 x 20mm	57	446148	2	Lockwasher, 7/16 Hvy.
16	400274	1	Screw, 3/8-16 x 2-1/2"	58	363485	12	Lockwasher, M10
17	400190	5	Screw, 5/16-18 x 1-1/4"	59	443114	2	Nut, 7/16-14
18	446136	21	Lockwasher, 5/16 Hvy.	60	340710	1	Brace, Pump
19	443106	9	Nut, 5/16-18	61	400186	6	Screw, 5/16-18 x 7/8"
20	400264	7	Screw, 3/8-16 x 1-1/4"	62	3000716	1	Heat Shield
21	446130	4	Lockwasher, 1/4 Hvy.	63	3001089	1	Sleeve, Idler
21•	446130	2	Lockwasher, 1/4 Hvy.	64	400354	1	Screw, 7/16-14 x 4-1/2"
22	443102	1	Nut, 1/4-20	65	3001971	1	Muffler
23	400122	1	Screw, 1/4-20 x 2-1/4"	66◆	553020	1	Gasket, Muffler
24	446154	2	Lockwasher, 1/2 Hvy.	67	340612	1	Bracket, Tube Mounting
25	400404	2	Screw, 1/2-13 x 1"	68	3000039	1	Spacer, Iso Mount
26	446142	7	Lockwasher, 3/8 Hvy.	69	3000042	1	Bushing, Iso Mount
27	443110	4	Nut, 3/8-16	70	1000237	1	Wire Harness, Engine
28▽	402016	2	Screw, #6-32 x 1-1/4" Sl. Rd. Hd.		558019	1	Resistor
28•	402022	2	Screw, #6-32 x 2" Sl. Rd. Hd.		554895	10	Connector, Hirschmann
29	453005	2	Flat Washer, #6	71	361001	1	Nut, M6-1
30	446106	2	Lockwasher, #6 Hvy.	72	360970	1	Clamp, Hose
31	444304	2	Nut, #6-32	73	361005	1	Bolt, M8-1.25 x 25mm
32	367080	8	Bolt, M8-1.25 x 30mm	74	340711	1	Cable, Battery to Ground
33	366872	3	Bolt, Special	75	340712	1	Cable, Battery to Starter
34	362539	2	Nut, M8-1.25	76	473144	1	Tie, Nylon
35	1000472	1	Cable, Traction	77	473142	1	Tie, Nylon
36⊕	117147	1	Pump, Three Section Gear	78•	3002434	1	Cam, Switch
37	3001039	1	Pulley, Idler	79•	400106	2	Screw, 1/4-20 x 5/8"
38	132705	1	Arm Assembly, Idler	80	445793	2	Nut, 1/4-28, Grade 8
39	220324	1	Pulley, Gear Pump	81	557759*	1	Filter - Engine Oil
40	220323	1	Pulley, Engine	82	3000972	1	Spacer
				83	471214	1	Grease Fitting
				84	452006	2	Flat Washer 5/16

◆ - Included in engine assembly.

▽ - Used on Product No. 67760 only.

• - Used on Product No. 67769 only.

- See Illustration 24 for Service Parts.

6

◇ - See Illustration 30 for Service Parts.

⊕ - See Illustration 26 for Service Parts.

* - Included in Kit #503663. See Parts List Illustration 7.

ILLUSTRATION 2

ENGINE MOUNTING

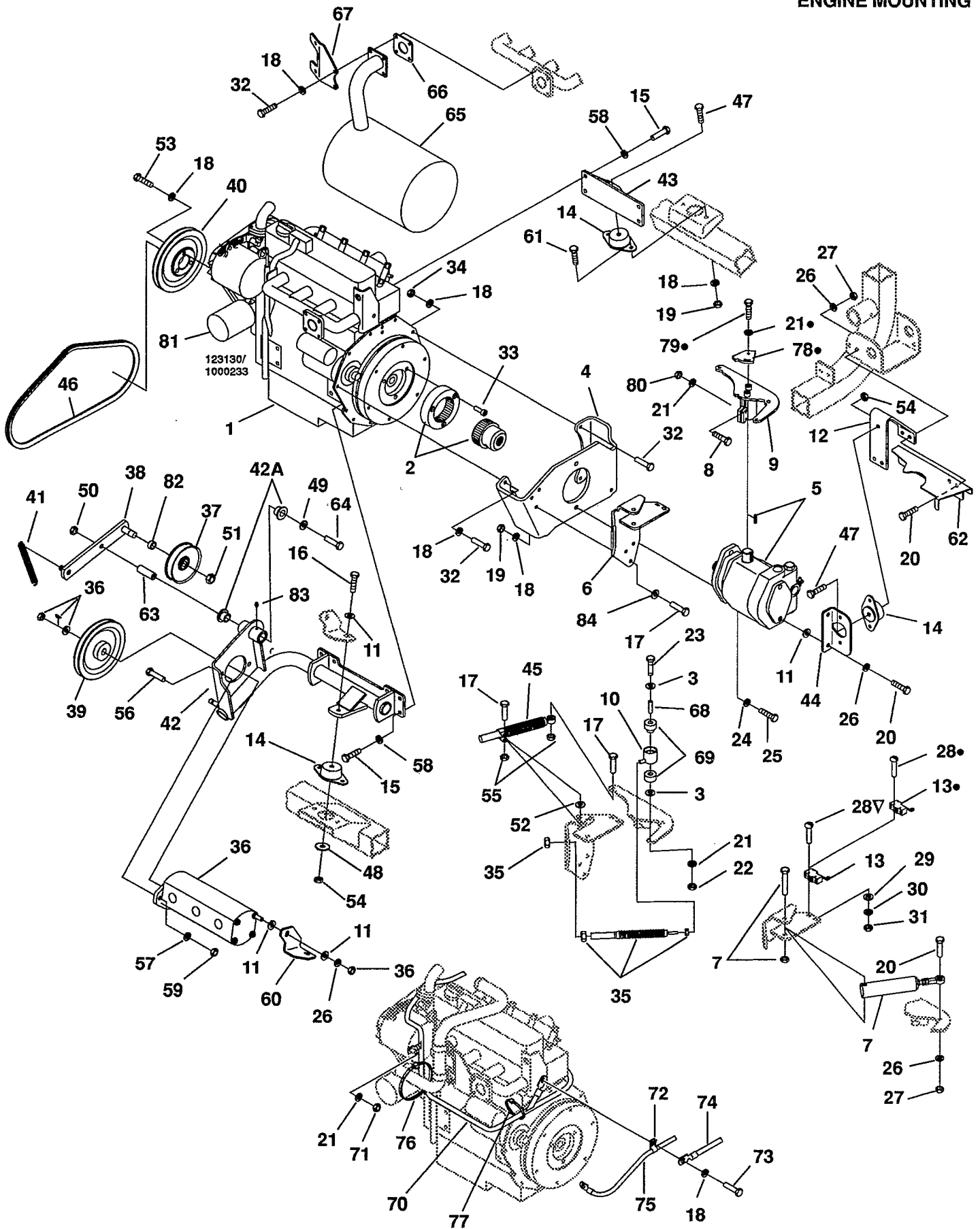


ILLUSTRATION 3

Item	Part No.	Qty.	Description	Item	Part No.	Qty.	Description
1	5000935	1	Frame Assembly (Includes Items 1A ~ G)	23	443818	1	Nut, 1/2-13 Jam
1A	366871	2	Bushing, Pivot	24	342675	1	Pin, Lock
1B	360460	2	Bushing, Lower Frame Side	25	366961	1	Guide, Front Oil Tank
1C	303990	2	Bushing, Upper Frame Side	26	366962	1	Guide, Rear Oil Tank
1D	367091	1	Decal, Backlap Speed Control	27	367096	1	Spring, Extension
1E	364907	1	Decal, Tow Valve Caution	28	444762	6	Locknut, 3/8-16 Center
1F	340610	2	Decal, Wing Lift Spring	29	443110	2	Nut, 3/8-16
1G	361947	2	Decal, Mower Removal	30	452008	8	Flat Washer, 3/8
2	395384	1	Tank, Fuel	31	340606	1	Hub, Fan Motor
3	558012	4	Mounting Pad (10 Ft. Length)	32♦	557982	1	Fan
4	340546	2	Mounting Strap, Fuel Tank	33#	117158	1	Motor, Fan
5	Item 3	2	Mounting Pad	34	443102	2	Nut, 1/4-20
6	Item 3	1	Mounting Pad	35	400104	4	Screw, 1/4-20 x 1/2"
7	3001531	1	Mounting Strap, Oil Tank	36	446130	9	Lockwasher, 1/4 Hvy.
8	Item 3	2	Mounting Pad	37	415504	2	Set Screw, 1/4-20 x 1/2" Soc. Hd.
9	3000870	1	Tank, Lower Hydraulic Oil	38	366964	1	Pad, Frame Step
10	395385	1	Tank, Upper Hydraulic Oil	39	452004	3	Flat Washer, 1/4
11	5000011	1	Tray, Battery (Includes Item 44)	40	400120	3	Screw, 1/4-20 x 2"
12	391095	1	Retainer, Battery	41	338547	1	Cap, Hydraulic Oil Tank
13	366931	1	Battery	42	340524	1	Cover, Battery
14	400186	6	Screw, 5/16-18 x 7/8"	43	352487	1	Decal, Hydraulic Fluids
15	446136	6	Lockwasher, 5/16 Hvy.	44	336640	1	Decal, Battery Danger/Caution
16	443106	6	Nut, 5/16-18	45	132098	1	Cap, Fuel Tank
17	340544	1	Plate	46	366957	1	Strap, Battery Cover
18	366936	1	Rod, Battery Hinge	47	404014	2	Screw, 1/4-20 x 1/2" Truss Hd.
19	460012	2	Cotter Pin, 3/32 x 5/8"	48	367223	2	Cover, Mower Stop
20	446142	2	Lockwasher, 3/8 Hvy.	49	367127	1	Cover, Spring
21	366956	1	Pin, Battery Box	50	453009	4	Flat Washer, 5/16
22	409804	2	Screw, #10 x 1/2" Thd. Cut.	51	1001211	1	Wire Harness, Engine

♦ - Included in engine assembly. See Illustration 2.

- See Illustration 27 for Service Parts.

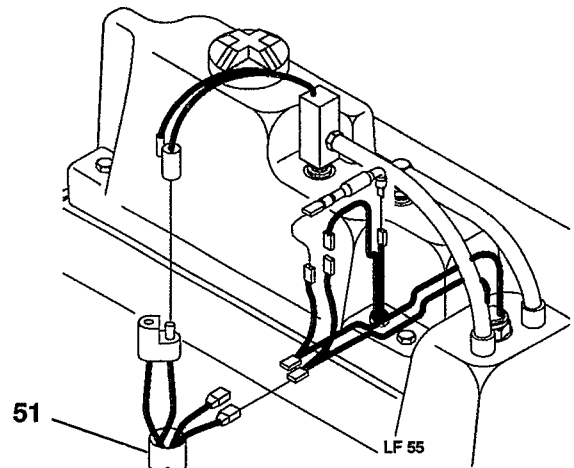


ILLUSTRATION 3

FRAME, BATTERY, FUEL AND HYDRAULIC TANKS

123178

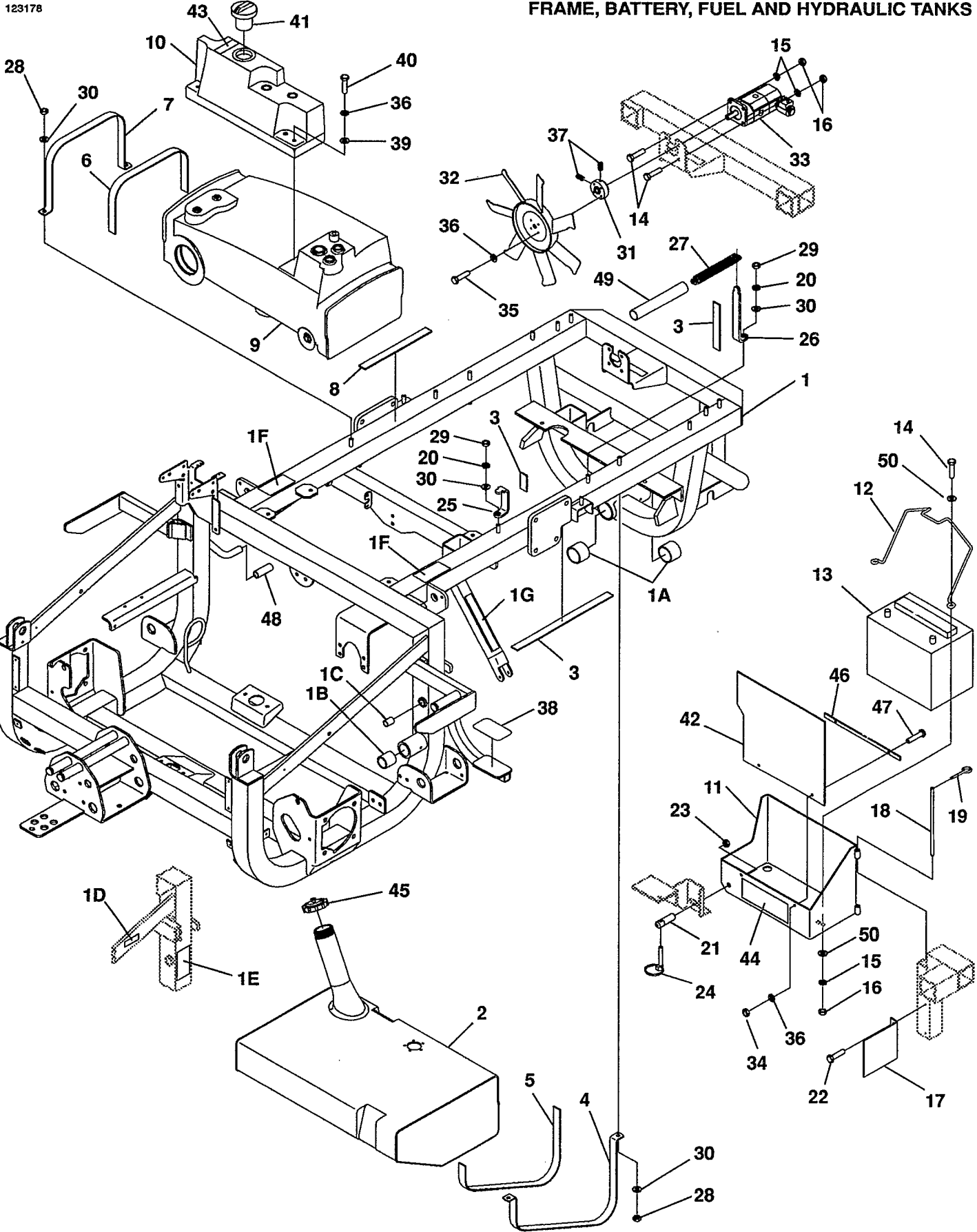


ILLUSTRATION 4

Item	Part No.	Qty.	Description	Item	Part No.	Qty.	Description
1	340593	1	Hose, Air Cleaner	27	340594	1	Hose, Upper Radiator to Engine
2	123155	1	Tube, Air Cleaner to Engine	28	443106	8	Nut, 5/16-18
3	395390	1	Tube, Top Radiator	29	367131	1	Switch, Fan Control
4	395389	1	Tube Bottom Radiator	30	364501	1	Temperature Sender
5	367072	2	Hose, Radiator	31	3002124	1	Oil Pressure Sender
6	359615	4	Clamp, Hose	32♦	557985	1	Thread Adapter
7	367458	10	Clamp, Hose	33	503683	1	Mounting Plate, Bulkhead (Includes Items 38, 39 and 51)
8	554748	2	Hose, Fuel (10 Foot Length)	34	340605	1	Grass Shield, Center
9	473164	2	Tie, Nylon	35	391109	1	Grass Shield, Right
10	554752	1	Hose, Fuel (10 Foot Length)	36	3000745	1	Grass Shield, Left
11	132647	1	Valve Assembly, Fuel Shut Off	37	551651	2	Edge Guard (10 Foot Length)
12	366526	6	Clamp, Hose	38	367091	1	Decal, Backlap Speed Control
13	337255	1	Fuel Level Indicator	39	339237	1	Decal, Muffler Warning
14	403912	5	Screw, #10-24 x 5/8" Truss Hd.	40	400186	2	Screw, 5/16-18 x 7/8" Hex Hd
15	366424	4	Clamp, Hose	41	340622	1	Hose, Air Cleaner Inlet
16	400106	19	Screw, 1/4-20 x 5/8" Hex Hd	42	391122	1	Tube, Engine to Lower Radiator
17	446130	17	Lockwasher, 1/4 Hvy.	43	340595	1	Hose, Lower Radiator to Engine
18	453023	17	Flat Washer, 1/4	44	361117	2	Bushing, Fuel Tank
19	367073	1	Hose, Engine to Radiator Tube	45	361748	1	Valve, Overflow
20	365398	1	Indicator, Air Cleaner Service	46	391106	1	Hose, Air Cleaner to Engine
21	3000717	1	Pipe, Exhaust	47	3000744	1	Bracket, Tail Pipe
22	348856	1	Clamp, Muffler	48	364902	1	Clamp, Hose
23	365566	6	Clamp, Hose	49	446142	1	Lockwasher, 3/8 Hvy.
24	367090	1	Clamp, Hose	50	326112	1	Clamp, Hose
25	400188	6	Screw, 5/16-18 x 1" Hex Hd	51	367097	1	Decal, Oil Drain
26	446136	8	Lockwasher, 5/16 Hvy.				

♦ - Included in engine assembly. See Illustration 2.

ILLUSTRATION 4

FUEL LINE AND COOLING HOSE ROUTING

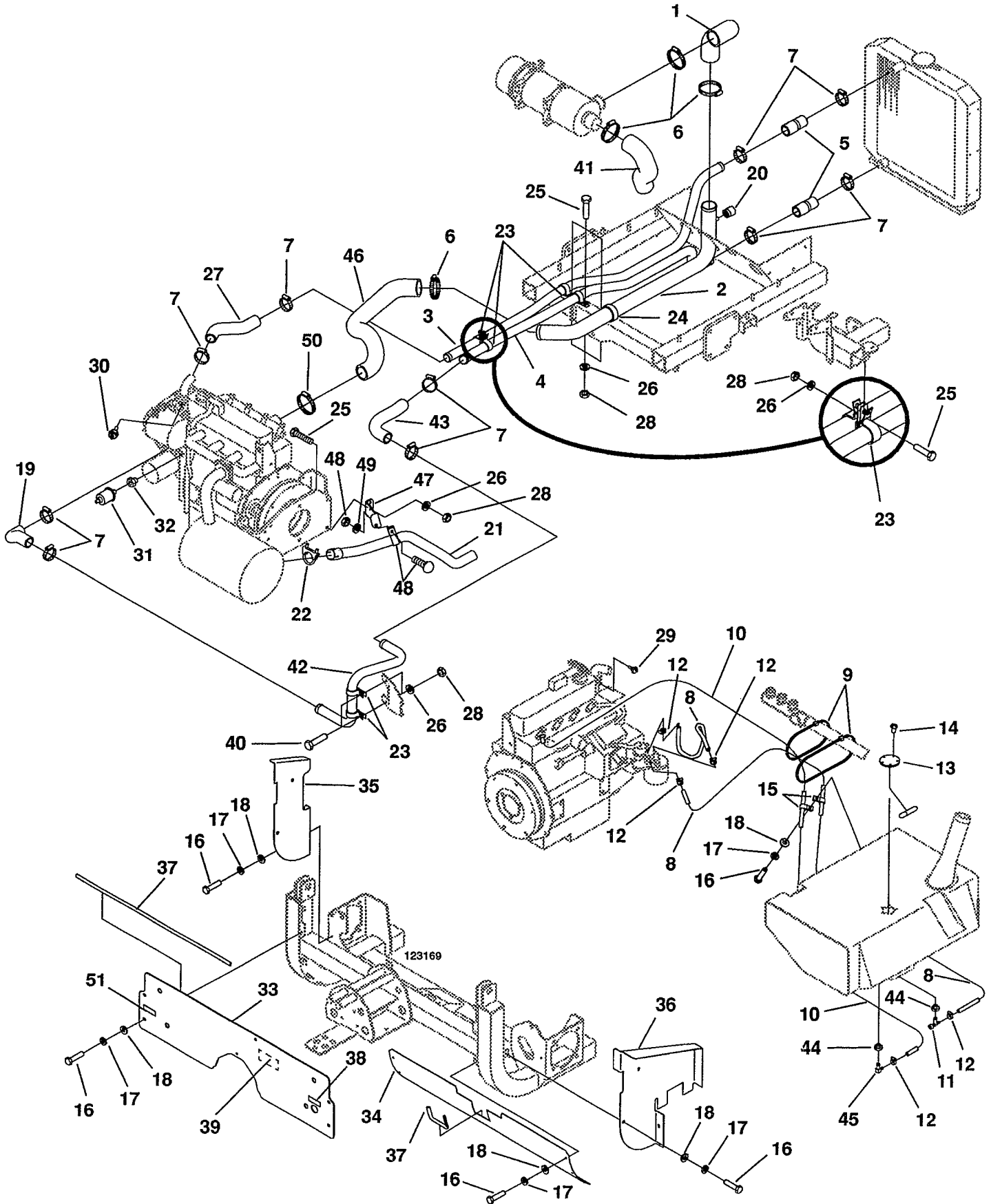


ILLUSTRATION 5

Item	Part No.	Qty.	Description	Item	Part No.	Qty.	Description
1♦	557983	1	Radiator	22	362263	2	Bolt, M10-1.25 x 25mm
2	366937	2	Mounting Bracket, Oil Cooler	23	400216	2	Screw, 5/16-18 x 2-3/4"
3	3000338	1	Oil Cooler	24	355174	6	Bolt, M6-1.00 x 12mm
4	132694	1	Bracket, Overflow Tank	25	453009	3	Flat Washer, 5/16
5	366965	1	Seal, Duct	26	445781	6	Nut, 5/16-18 Serr Wash
6♦	557367	1	Overflow Tank (Includes Items 6A ~ E)	27	444718	5	Locknut, 5/16-18 Center
6A	557984	1	Cap	28	366948	1	Seal
6B	557369	1	Gasket	29	366943	1	Seal
6C	557370	1	Hose, Overflow Outlet	30	366944	2	Seal
6D	553914	3	Clip, Pipe	31	129902	2	Bracket, Air Cleaner Mounting
6E	553915	1	Label, Caution	32	358971	2	Rubber Block
7	116276	1	Air Cleaner (Includes Items 7A ~ D)	33	340554	1	Retainer, Screen
7A	549593*	1	Element Assembly	34	3002309	1	Decal, Diesel Fuel
7B	503242	1	Nut and Gasket	35	445784	10	Nut, 1/4-20 Serr Wash
7C	554745	1	Cup Assembly	36	400192	3	Screw, 5/16-18 x 1-1/2"
7D	361851	1	Decal, Air Cleaner Service	37	366966	1	Cover, Duct
8	5000012	1	Duct Assembly (Includes Items 5, 11, 15, 16, 29, 30, 34, 38, 46 ~ 49, and 55)	38	366880	1	Decal, Radiator
9	3000435	1	Decal, Starting Fluids	39	340551	2	Brace, Duct Assembly
10	365674	3	Spring, Compression	40	452008	2	Flat Washer, 3/8
11	340633	1	Foam, Rear Air Duct	41	446142	2	Lockwasher, 3/8 Hvy.
12	3000049	1	Cover Assembly, Duct	42	443110	2	Nut, 3/8-16
13	452006	5	Flat Washer, 5/16	43	367175	1	Hose Radiator Overflow
14	340487	1	Screen	44	340549	1	Panel, Duct
15	365956	2	Decal, Radiator Warning	45	132790	1	Panel Assembly, Duct
16	363995	1	Decal, Anti-Freeze	46	391119	1	Foam, L.H. Side Air Duct
17	403753	14	Screw, 1/4-20 x 1/2" Serr Wash	47	391120	1	Foam, R.H. Side Air Duct
18	403751	9	Screw, 5/16-18 x 3/4" Serr Wash	48	3000094	1	Decal, Service
19	445270	4	Nut, 5/16-18 Tinnerman Speed	49	3000095	1	Decal, Lubrication
20	446130	6	Lockwasher, 1/4 Hvy.	50	3000040	1	Retainer, Access Door
21	446148	2	Lockwasher, 7/16 Hvy.	51	3000142	1	Rod, Filler Neck Support
				52	554751	1	Cover, Rod (10 Foot Length)
				53	400188	1	Screw, 5/16-18 x 1"
				54	446136	1	Lockwasher, 5/16 Hvy.
				55	340609	1	Decal, Daily Service

♦ - Included in engine assembly. See Illustration 2.

* - Included in 503663 Service Kit. See Parts List 7.

ILLUSTRATION 5

RADIATOR AND AIR CLEANER MOUNTING

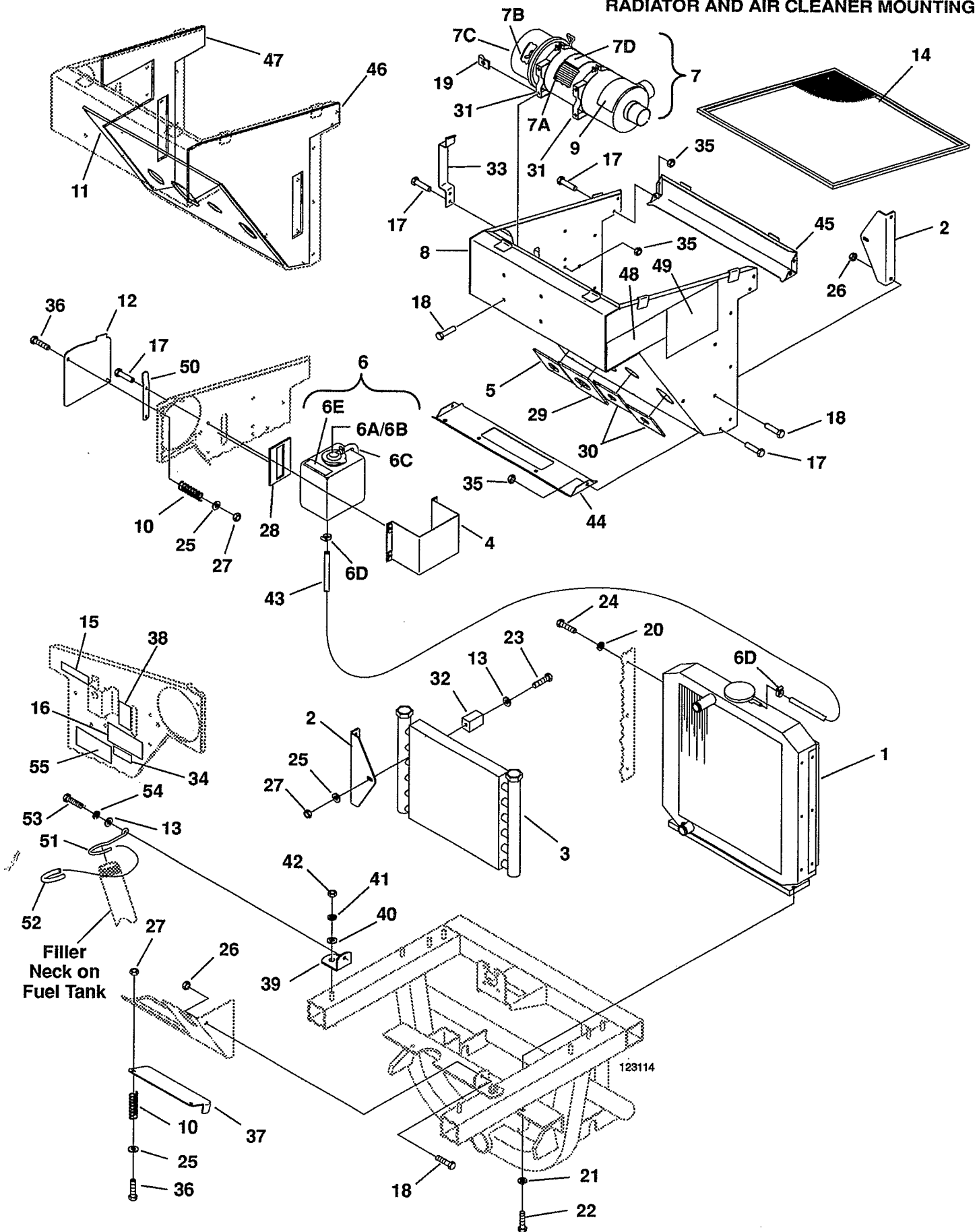


ILLUSTRATION 6

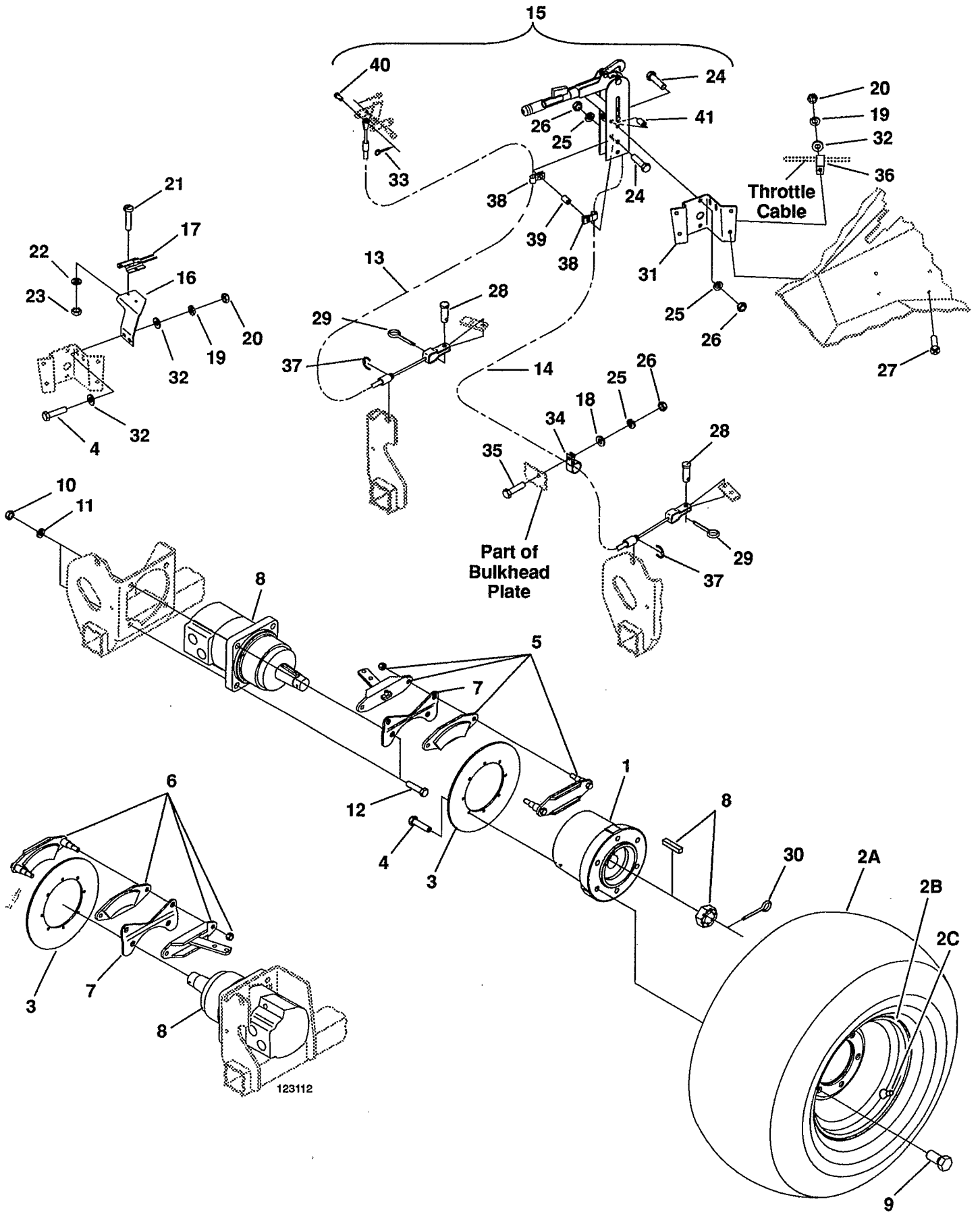
Item	Part No.	Qty.	Description	Item	Part No.	Qty.	Description
1	207495	2	Hub, Wheel	19	446130	6	Lockwasher, 1/4 Hvy.
2A	366988	2	Tire 26 x 12-12, 4 Ply	20	443102	6	Nut, 1/4-20
2B	554864	2	Rim	21	403910	2	Screw, #10-24 x 1/2" Truss Hd.
2C	360111	2	Valve Stem	22	446118	2	Lockwasher, #10 Hvy.
3	340486	2	Disc, Brake	23	444310	2	Nut, #10-24
4	400108	18	Screw, 1/4-20 x 3/4"	24	400194	3	Screw, 5/16-18 x 1-3/4"
5◇	503309	1	Brake Assembly, L.H.	25	446136	4	Lockwasher, 5/16 Hvy.
6◇	503308	1	Brake Assembly, R.H.	26	443106	4	Nut, 5/16-18
7	340603	2	Mounting Bracket, Brake	27	404018	4	Screw, 1/4-20 x 3/4" Truss Hd.
8⊕	123297	2	Motor, Wheel	28	461493	2	Clevis Pin, 5/16 x 3/4"
9	353914	12	Bolt, Wheel	29	460014	2	Cotter Pin, 3/32 x 3/4"
10	443118	8	Nut, 1/2-13	30	460093	2	Cotter Pin, 1/8 x 2-1/2"
11	446154	8	Lockwasher, 1/2 Hvy.	31	391098	1	Mounting Bracket, Brake Lever
12	400412	8	Screw 1/2-13 x 2"	32	453023	6	Flat Washer, 1/4
13	164096	1	Cable Assembly, R. H. Brake (Includes Item 37)	33	460004	2	Cotter Pin
14	164097	1	Cable Assembly, L.H. Brake (Includes Item 37)	34	367028	1	Clamp, Hose
15	164084	1	Lever Assembly, Park Brake (Includes Items 33 and 38 ~ 41)	35	400184	1	Screw, 5/16-18 x 3/4"
16	340559	1	Mounting Bracket, Switch Bracket	36	360343	1	Clamp, Hose
17	1000649	1	Switch Assembly	37	557771	2	"E" Ring
18	453009	1	Flat Washer, 5/16	38	545233	2	Clamp
				39	545275	1	Spacer
				40	545234	2	Clevis Pin
				41	545237	2	Spacer

◇ - See Illustration 30 for Service Parts.

⊕ - See Illustration 29 for Service Parts.

ILLUSTRATION 6

FRONT TIRE AND BRAKES



123112

ILLUSTRATION 7

Item	Part No.	Qty.	Description	Item	Part No.	Qty.	Description
10	117149	1	Lift Valve	27	123015	1	Oil Filter, Charge (Includes Items 27A ~C)
2	132718	1	Lift Lever Assembly, Center (Includes Item 2A)	27A	556418*	1	Cartridge, Replacement Filter
2A	364143	2	Bushing	27B	556417	1	Head, Filter
3	132722	1	Lift Lever Assembly, R.H. (Includes Item 3A)	27C	556419	1	Switch, In-Oil Single Post
3A	364143	2	Bushing	28	132704	1	Oil Filter, Return (Includes Item 28A)
4V	117150	1	Manifold Valve	28A	557772*	1	Element, Oil Filter
5	361439	2	Circuit Breaker, 50 Amp.	29	403763	2	Screw, #4-40 x 1-1/4" Sl. Pn. Hd.
6	400476	1	Screw, 3/8-16 x 6"	30⊕	123111	3	Reel Control Valve
7	366522	3	Knob	31	400278	6	Screw, 3/8-16 x 3-1/2"
8	367037	2	Actuator, Magnet	32	446142	10	Lockwasher, 3/8 Hvy.
9	366989	2	Switch	33	443110	6	Nut, 3/8-16
10	367087	1	Spacer, Switch	34	400260	4	Screw, 3/8-16 x 7/8"
11	403512	6	Screw, #4-40 x 3/4" Sl. Rd. Hd.	35	444762	2	Locknut, 3/8-16 Center
12	453005	8	Flat Washer, #6	36	402118	4	Screw, #10-24 x 1/2" Sl. Rd. Hd.
13	446102	8	Lockwasher, #4	37	446118	4	Lockwasher, #10 Hvy.
14	444302	8	Nut, #4-40	38	444310	4	Nut, #10-24
15	400198	2	Screw, 5/16-18 x 2-1/4"	39	132721	1	Lift Lever Assembly, L.H. (Includes Item 39A)
16	446136	4	Lockwasher, 5/16 Hvy.	39A	364143	2	Bushing
17	443106	4	Nut, 5/16-18	40	5000006	1	Bracket, Lift Levers (Includes Items 42, 43 and NO TAG)
18	366133	3	Lift Lever Link	41	455043	1	Special Washer
19	443102	6	Nut, 1/4-20	42	3002345	1	Decal, Lift Lever I. D.
20	446130	8	Lockwasher, 1/4 Hvy.	43	3002375	1	Decal, Lower/Raise
21	400132	2	Screw, 1/4-20 x 2-3/4"	44	366884	2	Bolt, M10-1.25 x 20mm
22	363047	1	Spring, Compression	45	363485	2	Lockwasher #10
23	452004	4	Flat Washer, 1/4	46	164103	1	Bracket, Fuel Filter Mounting
24	400188	2	Screw, 5/16-18 x 1"	47	3000075	2	Decal, Lift Caution
25	400106	6	Screw, 1/4-20 x 5/8"	48	367112	2	Washer, Nylon
26♦	550553	1	Fuel Filter (Includes Items 26A ~ E)	49	367111	2	Plate, Lift Levers
26A	555405*	1	Element, Filter	50	400288	1	Screw, 3/8-16 x 5-1/2"
26B	555645	1	Assembly, Filter Cover	51	367225	4	Cover, Circuit Breaker Stud
26C	555646	1	Plug, Filter Breather				
26D	555647	1	O-Ring				
26E	555648	1	Mark, Form				

♦ - Included in engine assembly. See Illustration 2.

◇ - See Illustration 22 for Service Parts.

∇ - See Illustration 31 for Service Parts.

⊕ - For service of Coil order Part No. 554892.

For Seal Repair Kit order Part No. 554255.

* - Included in Service Kit #503663.

SERVICE KIT 503663

Part No.	Qty.	Description
549593	1	Filter - Air
557759	1	Filter - Engine Oil
555405	1	Filter - Fuel
557772	1	Filter - Hydraulic Ret.
556418	1	Filter - Hydraulic Charge
366881	1	Belt - Reel
340585	1	Belt - Pump Drive

ILLUSTRATION 7

LIFT LEVERS AND VALVES AND FILTERS

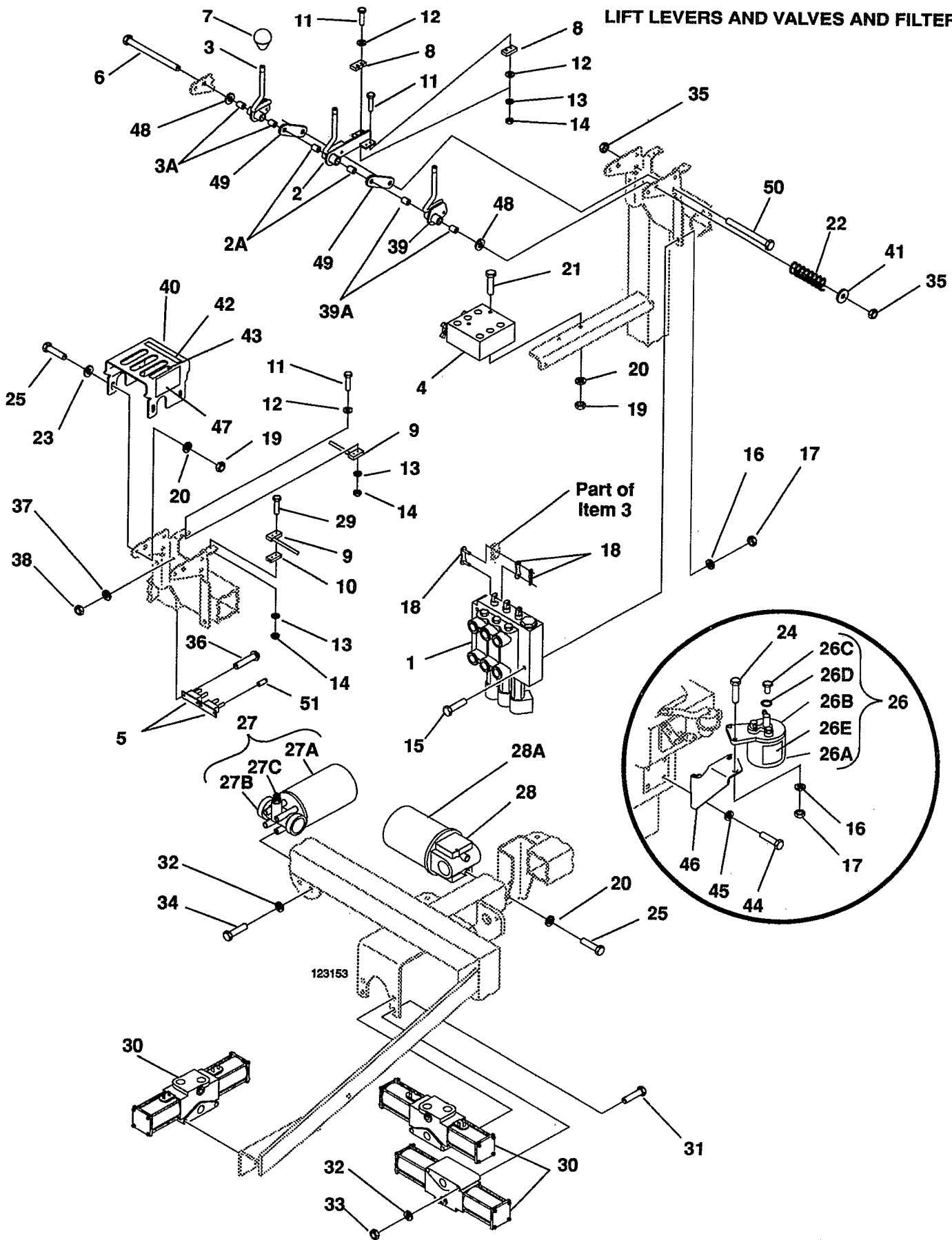


ILLUSTRATION 8

Item	Part No.	Qty.	Description	Item	Part No.	Qty.	Description
1	132689	1	Pedal Assembly, Hydro	19	340547	1	Bracket, Mount
2	400138	1	Screw, 1/4-20 x 5-1/2"	20	452008	2	Flat Washer, 3/8
3	123116	1	Mount Assembly, Hydro Pedal	21	443104	4	Nut, 1/4-28
3A	364154	2	Bushing	22	123117	1	Pedal Assembly, Reverse (Includes Item 22A)
4	360462	1	Stud, Hydro Pedal Stop	22A	361108	2	Bushing
5	443106	1	Nut, 5/16-18	23	353962	1	Pad, Reverse Pedal
6	444708	3	Locknut, 1/4-20 Center	24	340557	1	Stop, Mow Speed
7	366934	1	Tube, Reverse Pedal Pivot	25	440042	2	Carriage Bolt, 1/4-20 x 3/4"
8	446130	6	Lockwasher, 1/4 Hvy.	26	452004	4	Flat Washer, 1/4
9	443102	6	Nut, 1/4-20	27	366963	1	Pad, Pedal
10	364235	5	Ball Joint	28	454026	3	Spring Washer
11	400112	5	Screw, 1/4-20 x 1"	29	1001210	1	Wire Harness, Body <i>Service Parts Not Shown:</i>
12	132693	1	Pivot Assembly (Includes Item 12A)		558018	1	Rectifier Diode
12A	351634	2	Bushing	30	473164	2	Tie, Nylon
13	471214	2	Grease Fitting	31	366424	2	Clamp, Hose
14	366942	2	Rod	32	404018	1	Screw, 1/4-20 x 3/4" Truss Hd.
15	302405	1	Flat Washer	33	404118	1	Screw, 3/8-16 x 7/8" Truss Hd.
16	458440	1	Retaining Ring, External	34	473144	4	Tie, Nylon
17	443110	5	Nut, 3/8-16	35	473142	4	Tie, Nylon
18	446142	5	Lockwasher, 3/8 Hvy.				

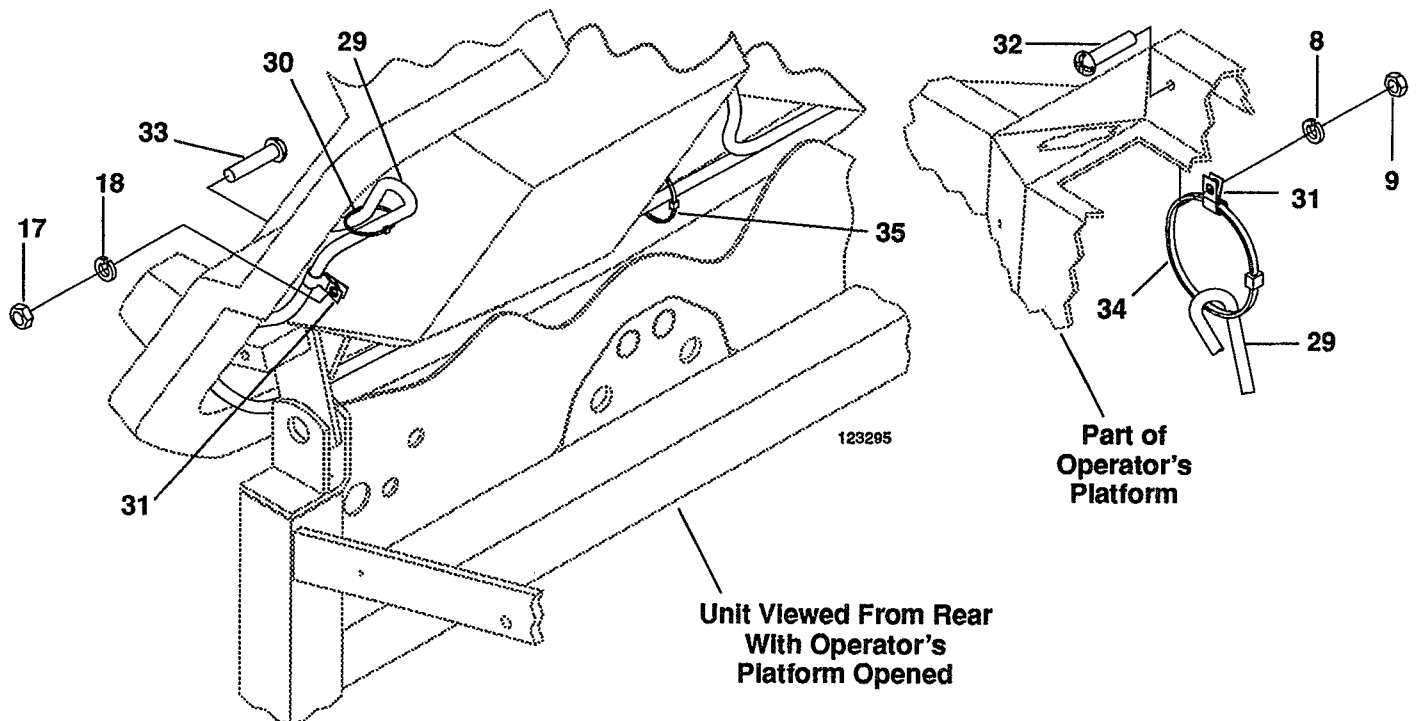


ILLUSTRATION 8

HYDRO PEDAL

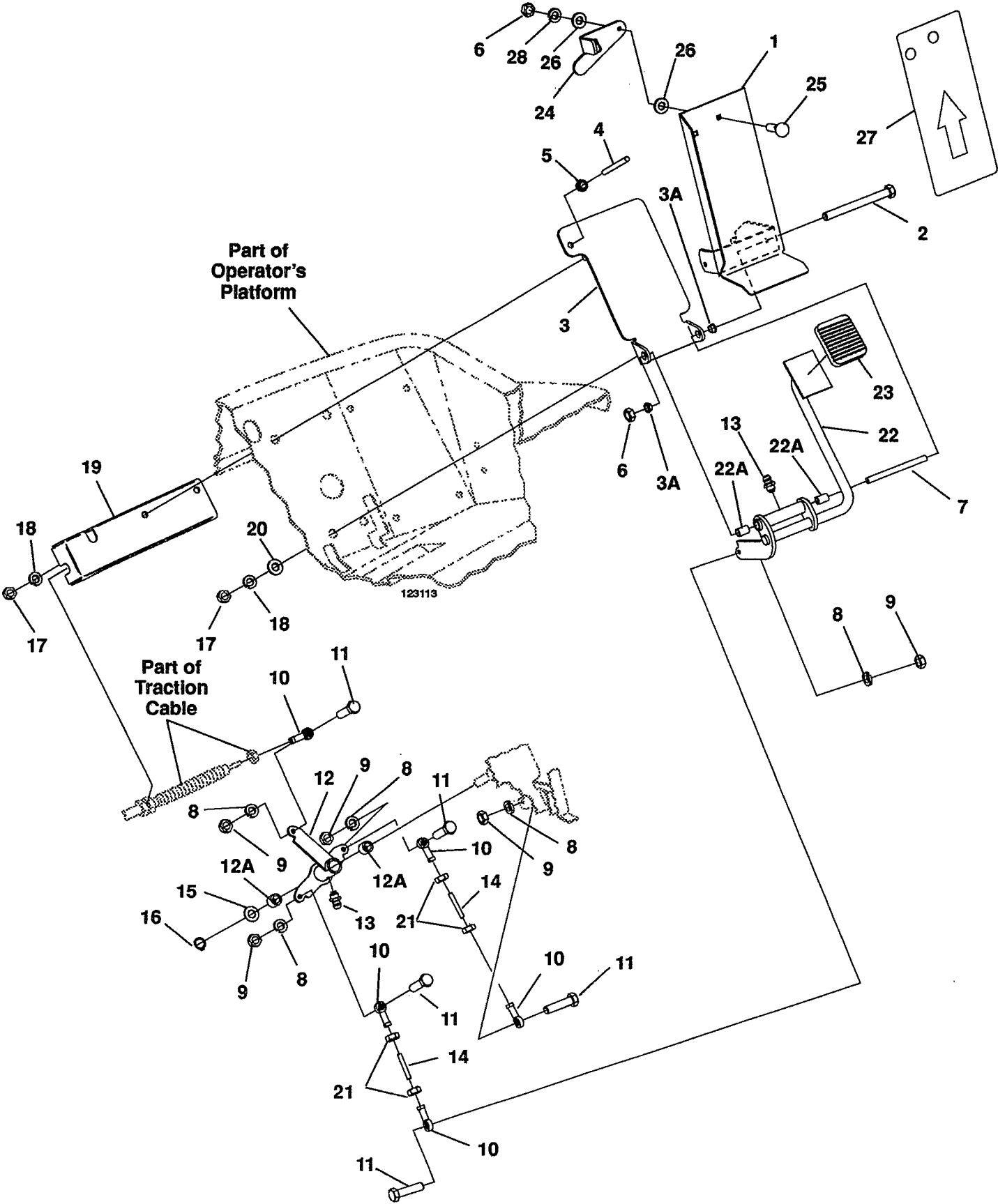


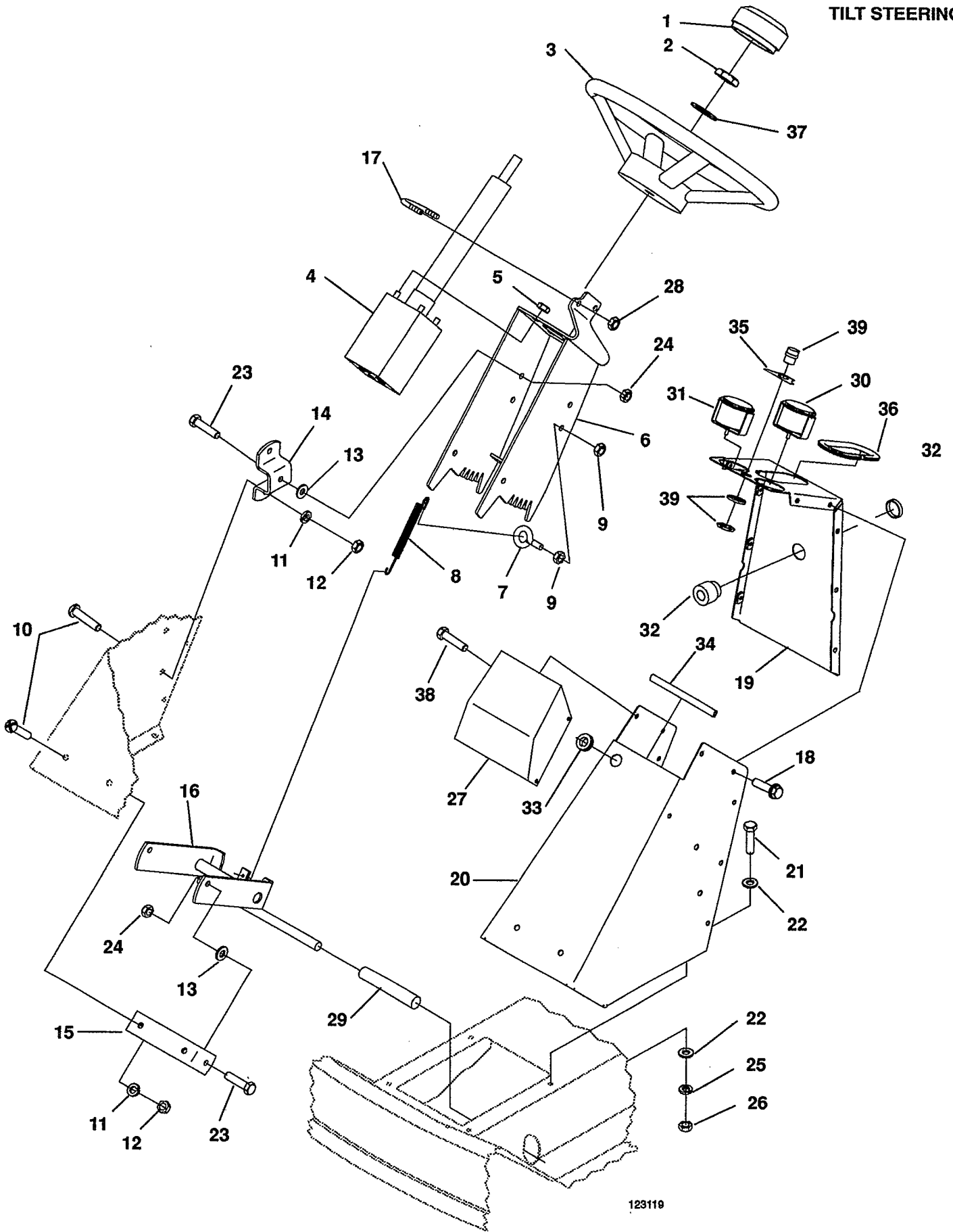
ILLUSTRATION 9

Item	Part No.	Qty.	Description	Item	Part No.	Qty.	Description
1	366822	1	Steering Wheel, Cap	23	400294	4	Screw, 3/8-24 x 3/4"
2♦	Ref.	1	Nut, 5/8-18 Jam	24	444744	4	Locknut, 3/8-24 Center
3	123096	1	Steering, Wheel	25	446130	8	Lockwasher, 1/4 Hvy.
4♦	117148	1	Steering Unit (Includes Item 2)	26	443102	8	Nut, 1/4-20
5	444754	4	Locknut, 5/16-24 Center	27	391101	1	Cover, Gauge
6	123120	1	Bracket Assembly, Tilt Steering	28	444718	2	Locknut, 5/16-18 Center
7	366978	1	Eyebolt	29	365818	1	Cover, Tilt Rod
8	344716	1	Spring	30	164082		Water Temperature Gauge <i>Service Parts Not Shown:</i>
9	444762	2	Locknut, 3/8-16 Center	30A	447002	3	Lockwasher, #6 Ext. Tooth
10	404118	6	Screw, 3/8-16 x 7/8" Truss Hd.	30B	444304	3	Nut, #6-32
11	446142	6	Lockwasher, 3/8 Hvy	30C	447206	2	Lockwasher, #8 Int. Tooth
12	443110	6	Nut, 3/8-16	30D	444306	2	Nut, #8-32
13	453011	4	Flat Washer, 3/8	31	164081		Oil Pressure Gauge <i>Service Parts Same as Item 30</i>
14	340564	2	Bracket, Pivot	32	366670	1	Leak Detection, Horn
15	340565	1	Bracket, Support	33	366984	1	Grommet
16	132697	1	Stop Assembly, Tilt Steering	34	366985	1	Moulding
17	362469	1	Clamp, Steering Tower	35	3002380	1	Decal, GreenSentry Caution
18	403753	8	Screw, 1/4-20 x 1/2" Serr Wash	36	359927	1	Moulding
19	132698	1	Panel Assembly	37	447224	1	Lockwasher, 5/8 Int. Tooth
20	132699	1	Steering Tower Assembly	38	404016	4	Screw, 1/4-20 x 5/8" Truss Hd.
21	400112	8	Screw, 1/4-20 x 1"	39	366751	1	Lamp, Yellow
22	452004	16	Flat Washer, 1/4				

♦ - See Illustration 23 for Service Parts.

ILLUSTRATION 9

TILT STEERING



123119

ILLUSTRATION 10

Item	Part No.	Qty.	Description	Item	Part No.	Qty.	Description
1	5000053	1	Instrument Panel (Includes Items 45 ~ 47)	23	391107	1	Bracket, Throttle Cable Anchor
2	164185	1	Bracket Assembly, Throttle Mtg.	24	554988	1	Pivot, Throttle Cable
3	132695	1	Throttle Lever Assembly	25	444708	1	Locknut, 1/4-20 Center
4	326731	1	Knob	26	366932	1	Plug, Instrument Panel
5	360885	2	Friction Disc	27	365963	5	Relay, Normally Opened
6	366960	1	Plate, Back-Up	28	400106	4	Screw, 1/4-20 x 5/8"
7	400272	1	Screw, 3/8-16 x 2-1/4"	29	453023	7	Flat Washer, 1/4
8	351956	1	Spring, Throttle Pivot	30	446130	7	Lockwasher, 1/4 Hvy.
9	453011	1	Flat Washer, 3/8	31	443102	8	Nut, 1/4-20
10	444762	1	Locknut, 3/8-16 Center	32	400110	3	Screw, 1/4-20 x 7/8"
11	164102	1	Cable Assembly, Throttle (Includes Items 38 ~ 40)	33	416909	11	Screw, #10 x 1/2" C/R Pan Hd.
12	162721	1	Voltmeter	34	403910	13	Screw, #10-24 x 1/2" Truss Hd.
			<i>Service Parts Not Shown:</i>	35	446118	13	Lockwasher, #10 Hvy.
12A	447002	2	Lockwasher, #6 Ext. Tooth	36	444310	13	Nut, #10-24
12B	444304	2	Nut, #6-32	37	404018	3	Screw, 1/4-20 x 3/4"
12C	447206	2	Lockwasher, #8 Int. Tooth	38	558020	1	Swivel Assembly
12D	444306	2	Nut, #8-32	39	558021	2	Conduit Clip
13	162723	1	Hourmeter	40	303962	1	Wire Stop
			<i>Service Parts Not Shown:</i>	41	361406	1	Switch, Toggle
13A	447006	1	Lockwasher, #10 Ext. Tooth	42	3000367	1	Timer, Lift
13B	444310	1	Nut, #10-24	43	164194	2	Light, Indicator (Includes Items 43A and 43B)
14	365943	1	Fuel Gauge	43A	557761	1	Red Lens
			<i>Service Parts Not Shown:</i>	43B	558195	1	Light Bulb
14A	447006	1	Lockwasher, #10 Ext. Tooth	44	366759	1	Module, GreenSentry
14B	444310	1	Nut, #10-24	45	3000361	1	Shim, Instrument Panel
15	1000348	1	Switch, Ignition (Includes Items 15A ~ C)	46∇	3002378	1	Decal, Instrument Panel
15A	447222	1	Lockwasher, 9/16 Int. Tooth	46•	3002057	1	Decal, Instrument Panel
15B	358968	1	Nut	47	367146	1	Decal, Ignition Switch
15C	343060	1	Ignition Key (Set of Two)	48	338601	1	Circuit Breaker, 10 amp
16	363961	2	Switch, Glow Plug	49	338558	1	Circuit Breaker, 30 amp
17	363962	2	Boot, Glow Plug Switch	50	364774	2	Boot, Circuit Breaker
18	3001372	2	Switch, Toggle	51	403740	2	Screw, #8-32 x 1/2"
19	3001374	3	Switch, Rocker	52	3001386	1	Plate, Plug
20	3002405	1	Plate, Relay Mtg.	53	1000588	1	Plug
21	3001306	2	Relay, Normally Closed	54	3001391	1	Decal, PTO
22	365020	1	Relay, Seat Delay	55•	3001375	1	Switch, SPDT
				56	1000236	1	Wire Harness, Body
				57	3002363	1	Decal, Backlap

∇ - Used on Product No. 67760 only.

• - Used on Product No. 67769 only.

ILLUSTRATION 10

INSTRUMENT PANEL AND THROTTLE CONTROL

123180/1000220

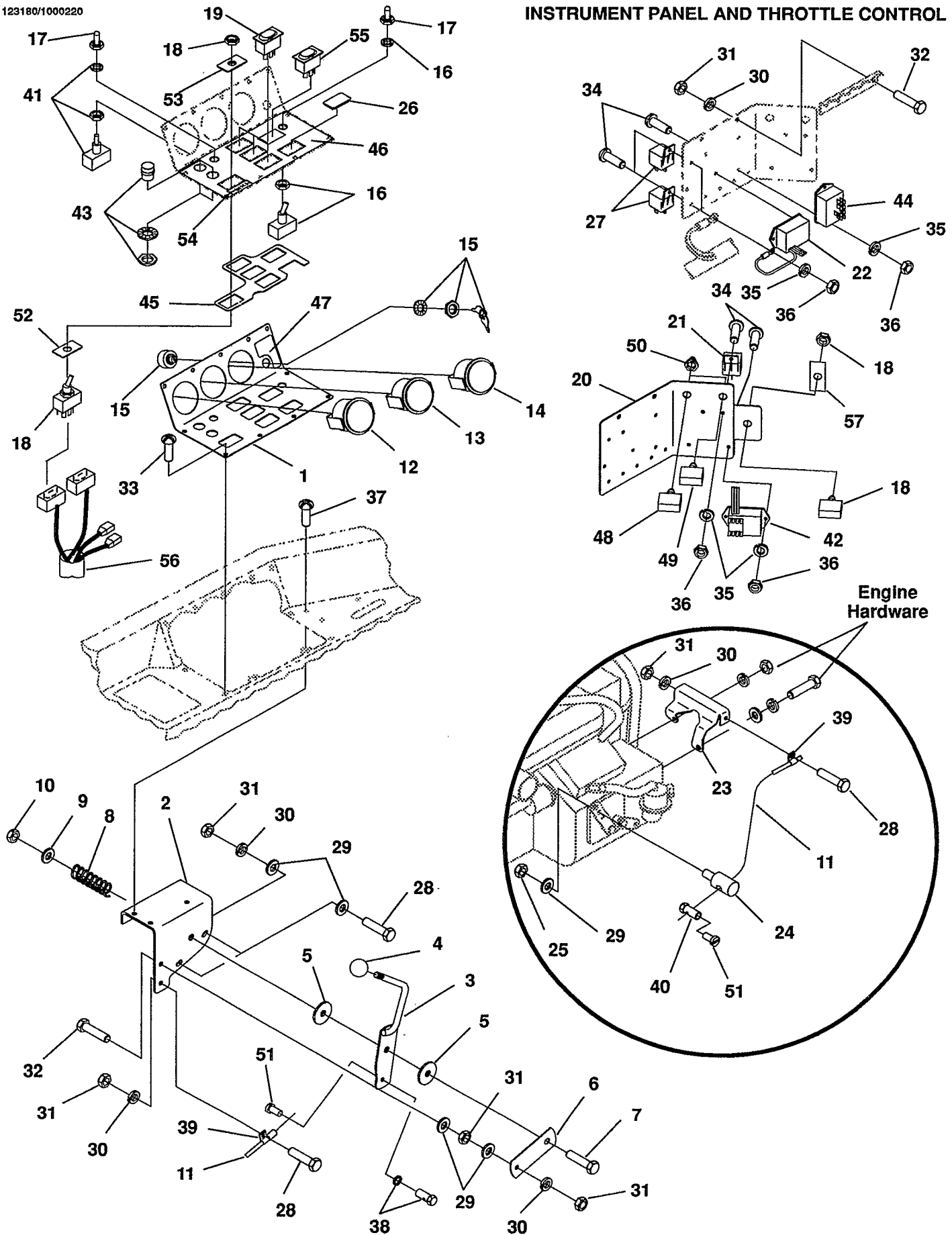


ILLUSTRATION 11

Item	Part No.	Qty.	Description	Item	Part No.	Qty.	Description
1	5000014	1	Operator's Platform (Incl. Items 15, 25 ~ 28, 30 ~34 & 39 ~ 48)	29	391076	1	Cup Holder
2	452008	4	Flat Washer, 3/8	30	3002346	1	Decal, Traction
3	446142	13	Lockwasher, 3/8 Hvy.	31	3002054	1	Decal, Parking Brake
4	444762	15	Locknut, 3/8-16 Center	32	3002051	1	Decal, Throttle/Fast-Slow
5	164100	1	Pivot Assembly	33	361854	1	Decal, Caution (English)
6	340587	1	Lever	34	365339	1	Decal, Seat Switch Warning
7	443810	4	Nut, 3/8-16 Jam	35	367028	3	Clamp, Hose
8	367064	1	Spring, Compression	36	361723	4	Bumper
9	404122	13	Screw, 3/8-16 x 1-1/4" Truss Hd.	37	339063	1	Decal, Jacobsen
10	400408	1	Screw, 1/2-13 x 1-1/2"	38	66156	1	Arm Rest Kit
11	452012	4	Flat Washer, 1/2	39	443102	4	Nut, 1/4-20
12	123181	1	Pivot Assembly, Platform	40	123170	1	Compartment Cover Assembly
13	123182	1	Pivot Assembly, Platform	41	340641	1	Hinge Assembly, Cover
14	1000012	2	Rod Assembly, Pivot	42	367068	1	Bushing, Spring
15	446130	6	Lockwasher, 1/4 Hvy.	43	367067	1	Spring, Hinge
16	400106	2	Screw, 1/4-20 x 5/8"	44	164110	1	Magnetic Catch Assembly
17♦	117080	1	Seat Assembly, Suspension (Includes Items 20 ~ 22)	45	403806	2	Screw, #6-32 x 1/2" Truss Hd.
18	340590	2	Gas Spring	46	455053	2	Flat Washer, #5
19	455004	4	Flat Washer	47	446106	2	Lockwasher, #6
20	Ref.	4	Nut, 5/16-18	48	444304	2	Nut, #6-32
21	Ref.	4	Flat Washer, 5/16	49•	555892	1	Seat Belt Assembly
22	Ref.	4	Lockwasher, 5/16 Hvy.	50•	400336	2	Screw, 7/16-14 x 1-1/4"
23	444758	1	Locknut, 1/2-13 Center	51•	452010	4	Flat Washer, 7/16
24	367063	1	Plate, Latch	52•	446148	4	Lockwasher, 7/16 Hvy.
25	340629	1	Decal, R.H. Front Stripe	53•	444753	2	Nut, 7/16-14
26	340628	1	Decal, L.H. Front Stripe	54	444780	1	Nut, 1/2-20 Center Lock
27	3002381	1	Decal, Operating Instructions	55	400444	1	Screw, 1/2-20 x 1-3/4" Hex Hd
28	340623	1	Decal, Caution (Spanish)	56	3002464	2	Bar, Latch
				57	3002463	1	Bar, Latch
				58	3002466	3	Pin, Pivot

♦ - See Illustration 25 for Service Parts.

• - Used on Product No. 67769 only.

ILLUSTRATION 11

HOOD AND SEAT ASSEMBLY

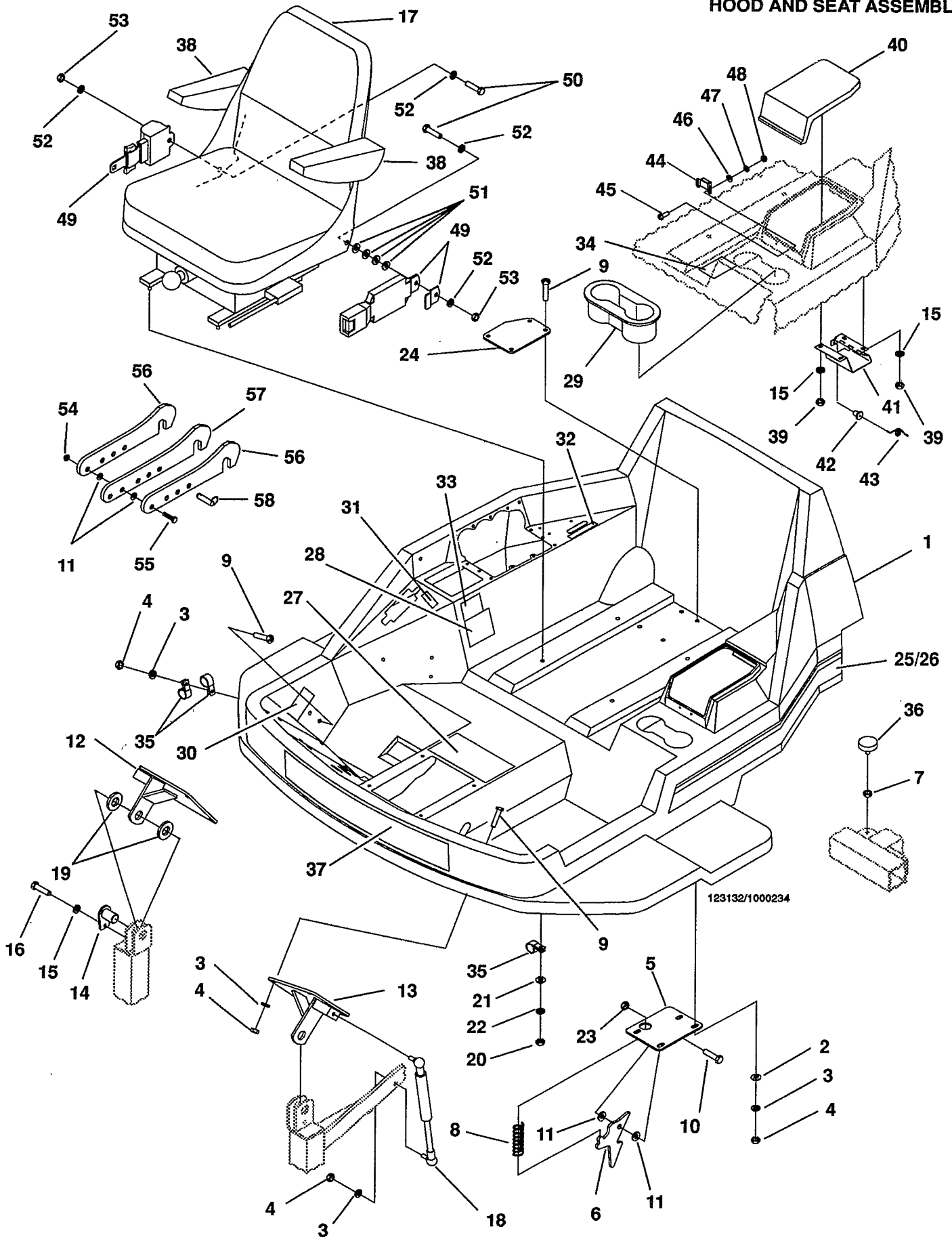


ILLUSTRATION 12

Item	Part No.	Qty.	Description	Item	Part No.	Qty.	Description
1	123138	1	Hood Assembly (Includes Item 17)	21•	1000153	1	Body Panel Assembly, R.H.
2	132792	1	Rear Body Panel Assembly	22	443102	4	Nut, 1/4-20
3	366919	2	Plate, Lever Guide	23	164101	1	Bracket Assembly, Latch Rod
4	340552	1	Bracket, L.H. Pivot	24	340592	1	Lever, Latch Disengage
5	340553	1	Bracket, R.H. Pivot	25	461359	2	Roll Pin, 1/8 x 3/4"
6	366952	2	Plate	26	446130	4	Lockwasher, 1/4 Hvy.
7	366951	2	Link	27	400106	4	Screw, 1/4-20 x 5/8" Hex Hd
8	366950	2	Link	28	367061	1	Seal
9	400262	8	Screw, 3/8-16 x 1" Hex Hd	29∇	132714	1	Body Panel Assembly, L.H.
10	452008	24	Flat Washer, 3/8	29•	1000154	1	Body Panel Assembly, L.H.
11	444762	12	Locknut, 3/8-16 Center	30	452006	4	Flat Washer, 5/16
12	366949	8	Spacer	31	446136	4	Lockwasher, 5/16 Hvy.
13	366877	8	Bushing	32	443106	4	Nut, 5/16-18
14	366878	8	Washer, Plastic	33	339062	2	Decal, Jacobsen (18" Long)
15	446142	10	Lockwasher, 3/8 Hvy.	34	340626	1	Decal, R.H. Stripe and Name
16	443110	10	Nut, 3/8-16	35	340627	1	Decal, L.H. Stripe and Name
17	5000082	4	Seal	36•	3000508	1	Decal, 4WD
18	366883	2	Latch, Soft	37•	164098	1	ROPS Assembly
19	416910	8	Screw, #8-18 x 3/8" Thread Cut.	38•	5000465	8	Screw, 1/2-13 x 1-1/4" GR8
20	400262	2	Screw, 3/8-16 x 1" Hex Hd	39•	5000466	8	Locknut, 1/2-13 Hex Jam GR8
21∇	132713	1	Body Panel Assembly, R.H.	40•	557843	1	Decal, Warning (Seat Belt)
				41•	557844	1	Decal, Warning

∇ - Used on Product No. 67760 only.

• - Used on Product No. 67769 only.

ILLUSTRATION 12

HOOD, HINGE AND PLATFORM LATCH

123133/1000234

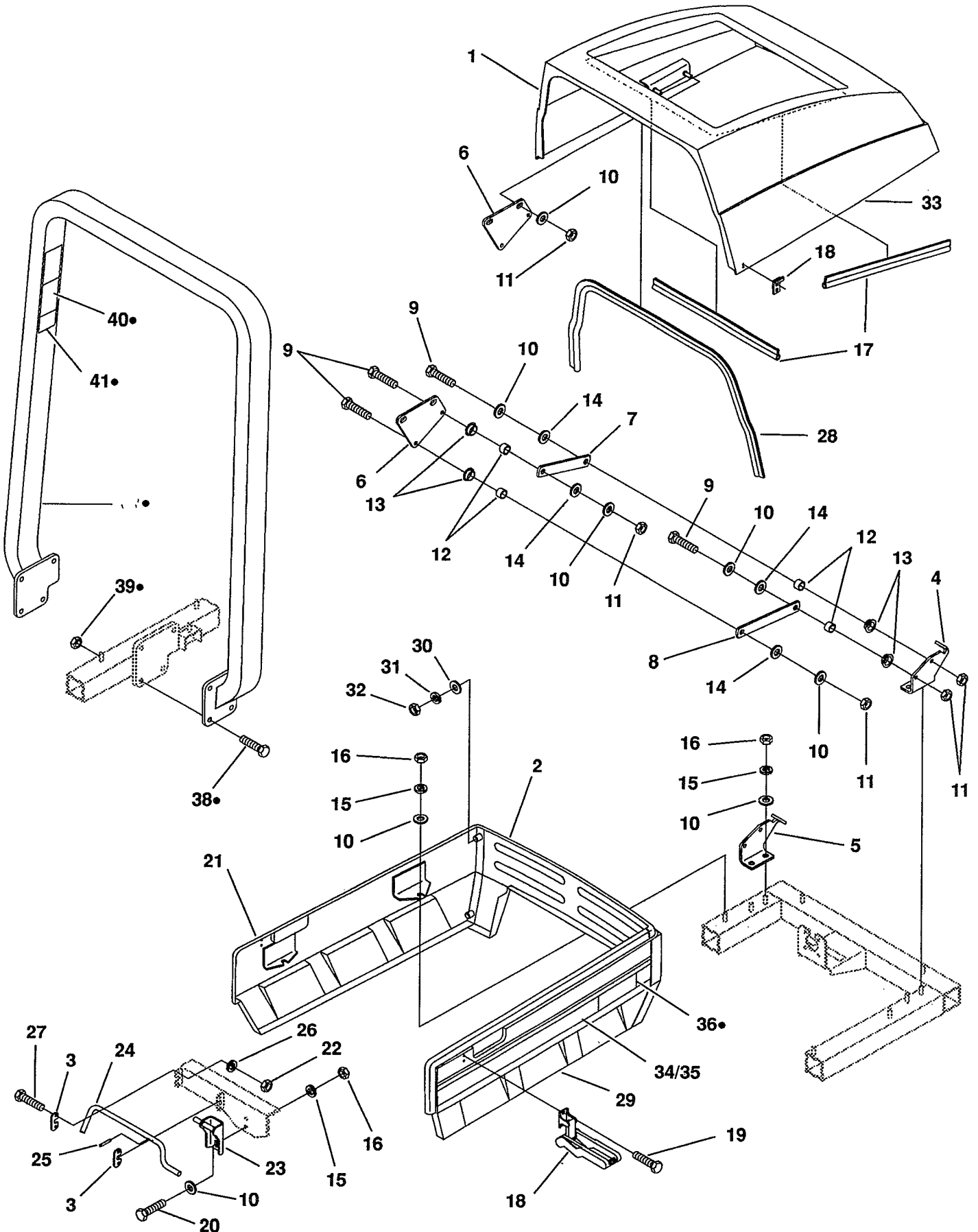


ILLUSTRATION 13

Note: Unless otherwise noted, parts are used on all lift arms and quantities listed are for each lift arm.

Item	Part No.	Qty.	Description	Item	Part No.	Qty.	Description
1	5000933	1	Lift Arm, L.H. Front (Shown) (Includes Item 1A and 18)	25∇	340523	1	Cylinder, Lift <i>Service Parts Not Shown:</i>
1A	360460	2	Bushing		557766	1	Seal Repair Kit
2	5000934	1	Lift Arm, R.H. Front (Not Shown) (Includes Item 2A and 18)	26∇	164094	1	Pin Assembly, Cylinder
2A	360460	2	Bushing	27	1001188	1	Lift Arm, L.H. Wing (Shown) (Includes Item 27A)
3♦	455004	2	Flat Washer	27A	360460	2	Bushing
4♦	460052	2	Cotter Pin, 3/16 x 1-1/2"	28	1001189	1	Lift Arm, R.H. Wing (Not Shown) (Includes Item 28A)
5♦	367008	1	Pin, Cylinder	28A	360460	2	Bushing
6♦	400258	2	Screw, 3/8-16 x 3/4"	29◊	164088	1	Bracket Assembly, Lift
◊	400258	1	Screw, 3/8-16 x 3/4"	30◊	366875	1	Bushing
7⊕	164087	1	Pin, Arm	31◊	367001	1	Spacer, Spring Pivot
8	366930	1	Bolt, Spring	32◊	340522	1	Cylinder, Lift <i>Service Parts Not Shown:</i>
9⊕	164091	1	Pin, Cylinder		557766	1	Seal Repair Kit
10⊕	340566	1	Cylinder, Lift <i>Service Parts Not Shown:</i>	33◊	340574	1	Plug, Spring
	557766	1	Seal Repair Kit	34◊	366991	1	Spring, Lift
11⊕	164090	1	Plug Assembly, Spring	35◊	164092	1	Plug Assembly, Spring
12⊕	366992	1	Spring, Lift	36◊	164093	1	Pin Assembly, Cylinder
13	458039	1	Retaining Ring, External	37◊	366989	1	Switch
14⊕	340567	1	Plug, Spring	38◊	403766	4	Screw, #4-40 x 3/4" Sl. Pn. Brass
15	443814	1	Nut, 7/16-14 Jam	39◊	367149	2	Actuator, Wing
16	471214	2	Grease Fitting	40◊	402118	4	Screw, #10-24 x 1/2" Sl. Rd. Hd.
17♦	446142	2	Lockwasher, 3/8 Hvy.	41◊	453023	4	Flat Washer, 1/4
◊	446142	1	Lockwasher, 3/8 Hvy.	42◊	364826	1	Wheel
18♦	361947	1	Decal, Mower Removal Warning	43◊	400122	1	Screw, 1/4-20 x 2-1/4"
19	5000009	1	Lift Arm, Center (Includes Item 18)	44◊	444302	4	Nut, #4-40
20•	164089	1	Pin Assembly	45◊	444708	1	Nut, 1/4-20 Center Lock
21∇	347985	2	Flat Washer	46◊	452002	4	Flat Washer, #10
22∇	340575	1	Plug, Spring	47◊	446102	4	Lockwasher #4
23∇	366993	1	Spring, Lift	48◊	367024	2	Spacer, Wing
24∇	123125	1	Plug Assembly, Spring (Includes Item 24A)	49◊	443832	1	Nut, 3/4-16 Jam
24A	365001	2	Bushing	50◊	446118	4	Lockwasher #10 Hvy.
				51◊	557620	2	Moulding (10 Ft. Length)
				52◊	473164	4	Tie, Nylon

♦ - Used on Front and Center Lift Arms only.

• - Used on Wing and Center Lift Arms only.

⊕ - Used on Front Lift Arms only.

∇ - Used on Center Lift Arm only.

◊ - Used on Wing Lift Arms only.

ILLUSTRATION 14

Item	Part No.	Qty.	Description	Item	Part No.	Qty.	Description
1	Ref.	2	Mower Assembly, L.H. (Reel Listed on Illustration 15)	34	443810	5	Nut, 3/8-16 Jam
2	Ref.	3	Mower Assembly, R.H. (Reel Listed on Illustration 15)	35	366978	5	Eyebolt
3	123097	5	Top Shield Assembly	36	366975	5	Tube, Down Pressure
4	366836	5	Deflector, Grass	37	443812	5	Nut, 3/8-24
5	5000018	1	L.H. Front Lift Yoke (Includes Item 5A and (1) 28)	38	366974	5	Rod End
5A	366870	2	Bushing	39	453017	13	Flat Washer, 1/2
6	5000017	1	Center Lift Yoke (Includes Item 6A and (2) 28)	40	366976	5	Spring
7	132682	2	Bracket Mower Pivot L.H.	41	460312	5	Hair Pin
8	132681	3	Bracket Mower Pivot R.H.	41•	460312	1	Hair Pin
9	220321	2	Counterweight L.H.	42	364328	5	Spacer
10	220322	3	Counterweight R.H.	43	400262	5	Screw, 3/8-16 x 1" Hex Hd
11	400408	5	Screw, 1/2 x 1-1/2" Hex Hd	44	347935	5	Washer, Special
12	364441	10	Spacer	45	400264	5	Screw, 3/8-16 x 1-1/4" Hex Hd
13	366837	5	Spacer, Mower Pivot Bracket	46	366653	5	Washer, Special
14	401229	5	Screw, 3/8-16 x 4-1/4" Hex Hd	47	443110	5	Nut, 3/8-16
15	446142	25	Lockwasher, 3/8 Hvy.	48	5000015	1	L.H. Wing Lift Yoke (Includes Item 48A and (1) 28)
16	400272	10	Screw, 3/8-16 x 2-1/4" Hex Hd	48A	366870	2	Bushing
17	366827	10	Spacer, Lift Yoke Pivot	49	5000016	1	R.H. Wing Lift Yoke (Includes Item 49A and (1) 28)
18	452012	18	Flat Washer, 1/2	49A	366870	2	Bushing
19	446154	10	Lockwasher, 1/2 Hvy.	50	453011	20	Flat Washer, 3/8
20	400410	10	Screw, 1/2-13 x 1-3/4" Hex Hd	51	471214	5	Grease Fitting, 1/2-28 Straight
21	444514	10	Nut, 1/2-13 Square	52⊕	164074	5	Adjuster Assembly, L.H. Height
22	400266	5	Screw, 3/8-16 x 1-1/2" Hex Hd	53⊕	164075	5	Adjuster Assembly, R.H. Height
23	400408	5	Screw, 1/2-13 x 1-1/2" Hex Hd	54⊕	400262	12	Screw, 3/8-16 x 1" Hex Hd
24	307707	10	Washer, Special	55⊕	446142	20	Lockwasher, 3/8 Hvy.
25	446130	30	Lockwasher, 1/4 Hvy.	56⊕	443110	20	Nut, 3/8-16
26	445612	10	Wing Nut, 1/4-20	57⊕	366653	10	Washer, Special
27	5000019	1	R.H. Front Lift Yoke (Includes Item 27A and (1) 28)	58∇	364248	6	Collar
27A	366870	2	Bushing	59	400272	5	Screw, 3/8-16 x 2-1/4" (Used to hold shipping bracket to Lift Arm)
28	361877	6	Decal, Danger	60∇	444762	5	Locknut, 3/8-16 Center
29	3002379	10	Decal, Tight	61•	325390	1	Pin, Clevis
30	453009	10	Flat Washer, 5/16	62	364441	10	Spacer
31	408870	10	Screw, 5/16-18 x 7/8" Thd. Form	63♦	3001330	3	Cover, Drive Housing R.H.
32	446136	10	Lockwasher, 5/16 Hvy.	64	400266	5	Screw, 3/8-16 x 1-1/2" Hex Hd
33	400182	10	Screw, 5/16-18 x 5/8" Hex Hd	65	400408	5	Screw, 1/2-13 x 1-1/2" Hex Hd

Note: Quantities listed are for 5 mowers unless otherwise specified.

⊕ - Parts shipped in separate bag.

∇ - Parts shipped in tractor hardware bag.

• - Parts shipped in tractor hardware bag and used on Center Lift Arm only.

* - Included in Service Kit #503663. See Parts List Illustration 7.

ILLUSTRATION 14

PRODUCT NO. 67761
COMPLETE REEL

123276

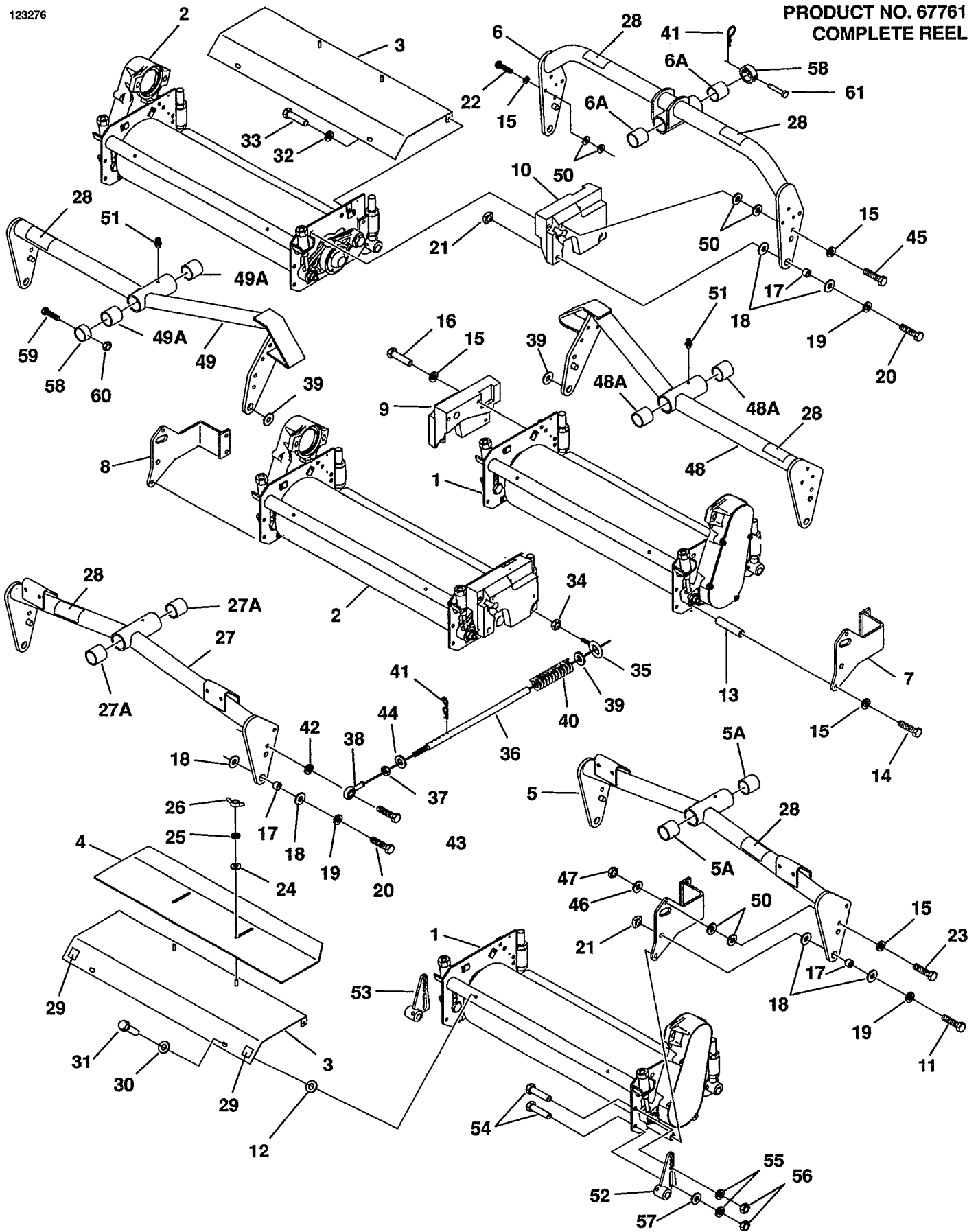


ILLUSTRATION 15

Item	Part No.	Qty.	Description	Item	Part No.	Qty.	Description
1	117141	1	Frame Assembly	18A	500596	1	Bearing Set, Cup and Cone
2	503635	Ref.	Reel Assembly, L.H. Ten Blade (Use with Item 1 on Illust. 14)	18B	3000983	1	Seal
3	503634	Ref.	Reel Assembly, R.H. Ten Blade (Use with Item 2 on Illust. 14)	19	366841	1	Spring, Compression
4A	503653	1	Bedknife Backing	20	366826	1	Retainer, Spring
4B	503654	1	Bedknife	21	400270	1	Screw, 3/8-16 x 2"
4C	402578	11	Screw, 1/4-20 x 1/2" Sl. Fl. Hd.	22	364147	1	Gasket, Bearing Housing
5	365655	4	Bolt, Wheel	23	366840	1	Cover, Bearing Housing
6	366881	5	Belt, Mower Drive	24	403744	4	Screw, #10-24 x 1/2"
7	5000395	1	◆ Drive Housing Assembly L.H. (Includes Cup Portion of 7B and Items 7A, 7C and 7D)	25	446116	4	Lockwasher, #10
7A	3000983	1	Seal	26	471223	1	Grease Fitting (Vented)
7B	500596	1	Bearing Set, Cup and Cone	27	364273	2	Shoulder Bolt, Pivot
7C	471219	1	Grease Fitting	28	364151	2	Washer, Wave
7D	3000152	1	Washer	29	443110	6	Nut, 3/8-16
8	5000396	1	◇ Drive Housing Assembly R.H. (Includes Cup Portion of Bearing 8B and Items 8A, 8C and 8D) <i>Service Parts Not Shown:</i>	30	340489	2	Shoulder Bolt, Pivot
8A	337593	1	Seal	31	445792	2	Nut, 3/4-16 Thin
8B	500596	1	Bearing Set, Cup and Cone	32	366839	2	Cup, Spring
8C	471219	1	Grease Fitting	33	366973	2	Spring, Compression
8D	3000152	1	Washer	34	365995	2	Washer, Special
9	360680	1	Ring, Nilos	35	364265	2	Screw, Adjusting
10	366825	1	Spacer	36	434031	2	Set Screw, 1/4-20 x 3/4" Nyloc
11	340511	1	Sprocket, Driven	37	365994	2	Nut, Adjusting
12	358794	1	Washer, Sprocket Mounting	38	472519	2	Plug, Adjusting Nut
13	446142	7	Lockwasher, 3/8 Hvy.	39	447216	3	Lockwasher, 3/8 Int. Tooth
14	400264	5	Screw, 3/8-16 x 1-1/4"	40	164076	2	Rear Roller Bracket Assembly
15	471216	2	Grease Fitting	41V	132639	1	Rear Roller Assembly
16	400266	2	Screw, 3/8-16 x 1-1/2"	42	132680	2	Rear Roller Adjustment Assy.
17	444520	2	Nut, 3/8-16 Square	43	3000313	4	Adjustment Nut, Rear Roller
18	503632	1	Bearing Housing Assembly (Includes Cup Portion of 18A and Items 18B and C)	44	412015	2	Set Screw, 5/16-18 x 5/8" Sq Hd
				45	444820	2	Nut, 5/8-18 Flex Loc Jam
				46	3000915	1	Decal, Grease
				47	453023	4	◇◆ Washer, 1/4
				48	408851	4	◇◆ Screw, 1/4-20 x 7/8" Thd Form
				49	3001330	1	◇ Cover, Drive Housing R.H.
				50	3001329	1	◆ Cover, Drive Housing L.H.

Note: Quantities listed are for 1 mower.
 ▽ - See Illustration 20 for Service Parts.
 ◆ - Included in Service Kit #5000395.
 ◇ - Included in Service Kit #5000396.

ILLUSTRATION 15

PRODUCT NO. 67761
REEL BREAKDOWN

117142/143

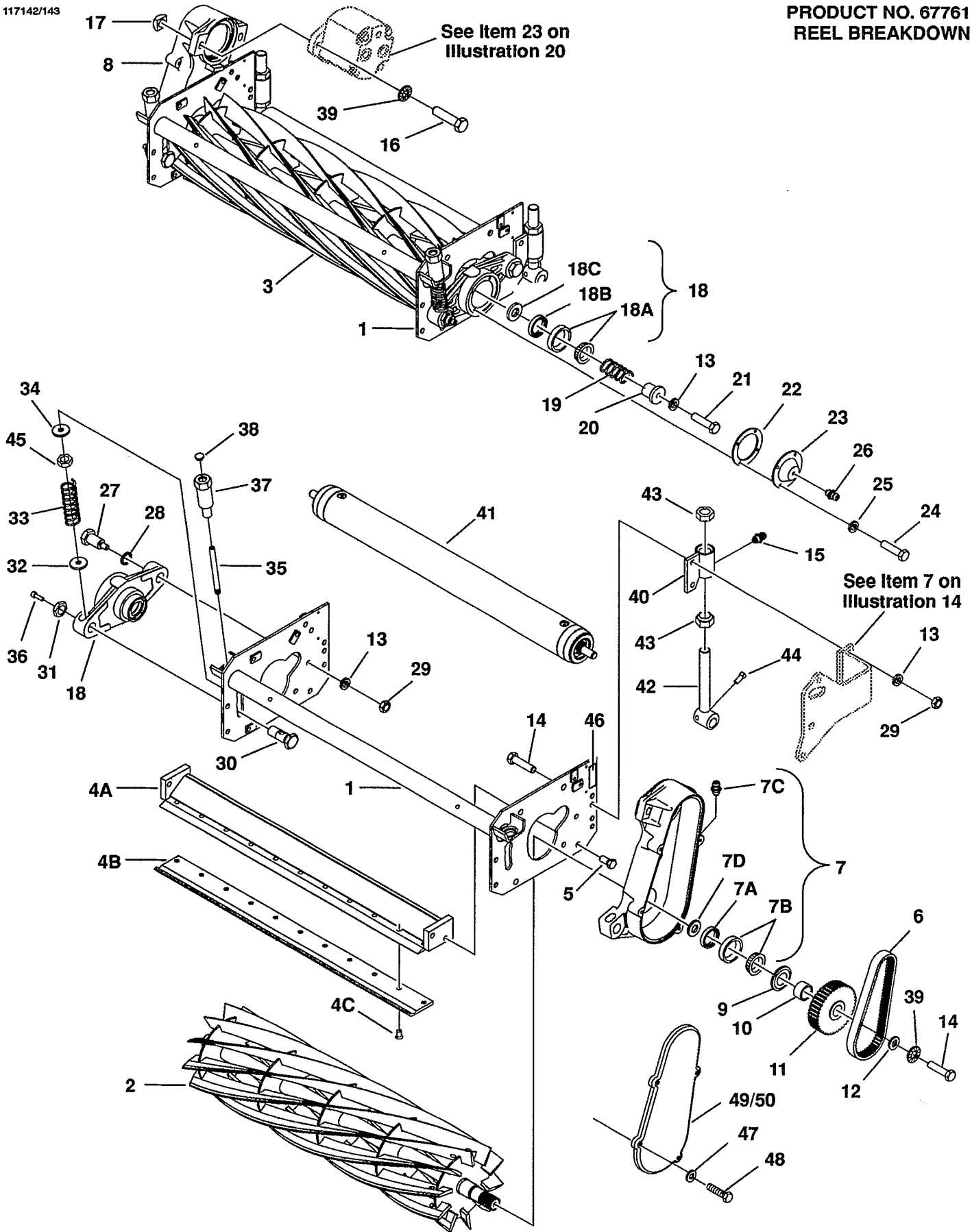


ILLUSTRATION 16

Item	Part No.	Qty.	Description	Item	Part No.	Qty.	Description
1	1000190	1	Tube Assembly	43	340061	4	Adapter, 90°
2	340077	2	Adapter, 90°	44	162561	2	Valve, Backlap
3	319914	6	Clamp, Hose	45	132770	1	Tube Assembly
4	353954	1	Hose	46	123166	1	Tube Assembly
5	367107	1	Fitting, Male Beaded Insert	47	1000157	1	Tube Assembly
6	340055	1	Adapter, 90°	48	123161	1	Tube Assembly
7	132762	1	Hose Assembly	49	1000156	1	Tube Assembly
8	1000189	1	Tube Assembly	50	1000149	1	Tube Assembly
9	473164	1	Tie, Nylon	51	1000239	1	Hose Assembly
10	340057	1	Adapter, 90°	52	340096	1	Tee, Branch
11	339999	1	Adapter, Straight	53	132710	1	Valve, Easy Ride
12	340270	1	Tee, Run	54	132772	1	Tube Assembly
13	339993	2	Adapter, Straight	55	132771	1	Tee, Special
14	340074	1	Adapter, 90°	56	123164	1	Tube, Assembly
15	132742	1	Hose Assembly	57	3000647	1	Flow Switch
16	367120	1	Stem, Female Straight	58	366753	1	Temperature Sender
17	340103	3	Tee, Branch	59	367122	1	Fitting, Adjustable
18♦	340521	1	Relief Valve	60	366672	1	Fitting, Male Push Hose
19	367130	1	Adapter, Female	61	1000155	1	Tube Assembly
20▽	367129	1	Tee, Run	62	340072	2	Adapter, 90°
20•	3000472	1	Tee, Run	63	3001276	1	Hose
21	367132	1	Charge Switch	64	367123	1	Adapter
22	340082	1	Adapter, 90°	65	3001275	1	Spud Assembly
23	132761	1	Hose Assembly	66	465006	1	Ball, Check
24	340120	1	Tee, Swivel Nut Run	67	367320	1	Stop, Check Ball
25	339984	1	Adapter, Straight	68	3001279	1	Switch, Float
26	365959	1	Strainer, Tank	69	359611	4	Clamp, Hose
27	366935	1	Beaded Insert	70	3001277	1	Hose
28	326112	2	Clamp, Hose	71	364945	2	Fitting, Diagnostic
29	367109	1	Hose, Pump Suction	72	363030	2	Cap, Dust
30	117206	1	Tube Assembly, Manifold	73	339908	5	O-Ring
31	400108	1	Screw, 1/4-20 x 3/4"	74	339910	4	O-Ring
32	446130	1	Lockwasher, 1/4 Hvy	75	339912	3	O-Ring
33	443102	1	Nut, 1/4-20	76	367092	1	Resistor, 220 Ohm, 25 Watt
34	367148	3	Elbow, Beaded	77	367186	1	Clamp, Pipe
35	132729	1	Hose Assembly	78	400118	1	Screw, 1/4-20 x 1-3/4" Hex Hd
36	132730	1	Hose Assembly	79	444708	1	Locknut, 1/4-20 Center
37	132731	1	Hose Assembly	80	339908	1	O-Ring
38	132740	2	Hose Assembly	81•	340118	1	Tee, Swivel Nut Run
39	340067	2	Adapter, 90°	82•	1000194	1	Hose Assembly
40	340271	2	Tee, Run	83	360651	1	Plug 7/8-14
41	132769	1	Tube Assembly	84	3001278	1	Fitting, Male Barbed
42	123165	1	Tube Assembly	85	154962	1	Plug, 7/16-20 O-Ring Boss

♦ - For Service of Relief Valve Order Part No. 557756.

For Service of Body Order Part No. 557757.

For Seal Kit Order Part No. 557758.

▽ - Used on Product No. 67760 only.

• - Used on Product No. 67769 only.

ILLUSTRATION 16

MAIN HYDRAULICS

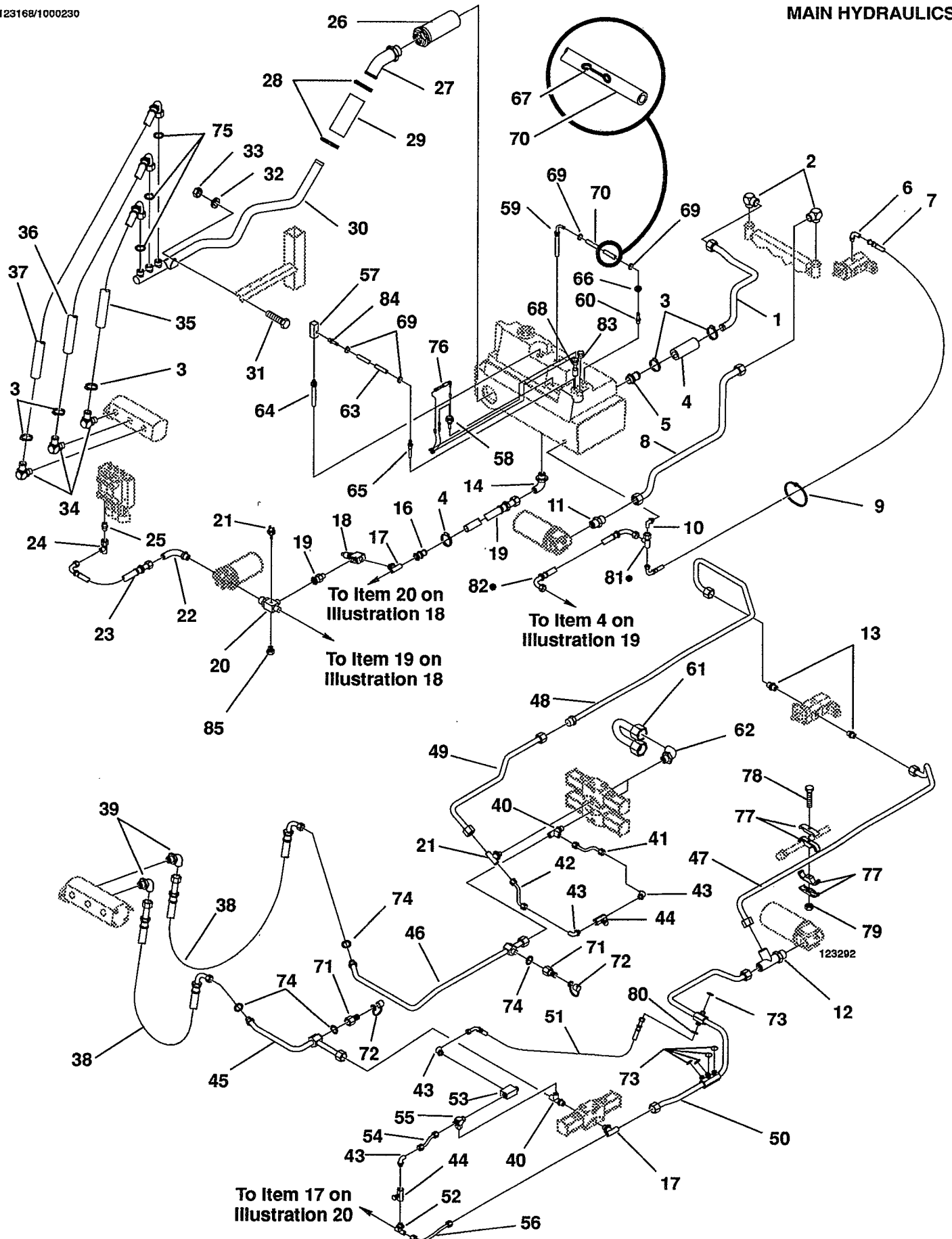
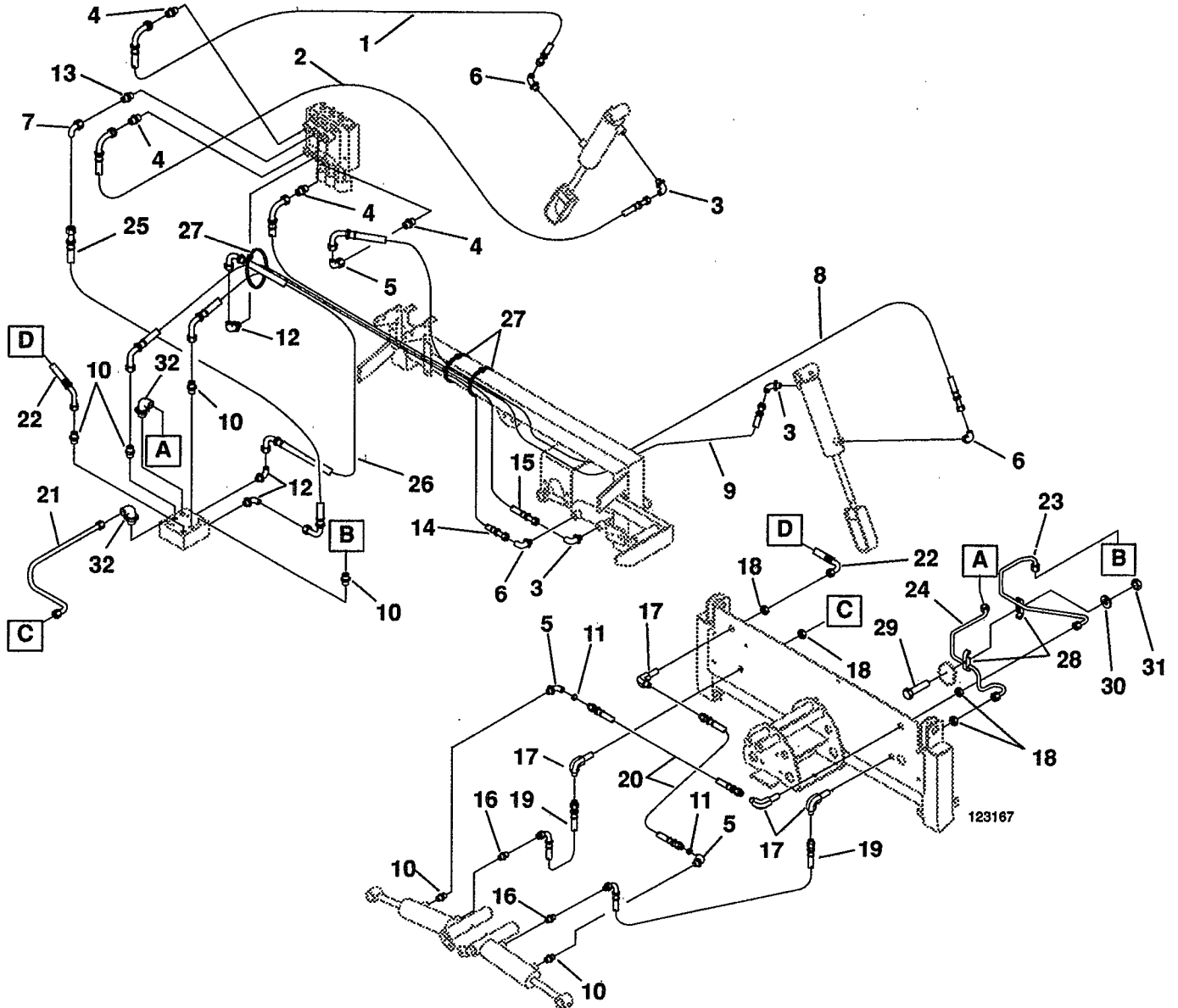


ILLUSTRATION 17

LIFT VALVE AND CYLINDER HYDRAULICS

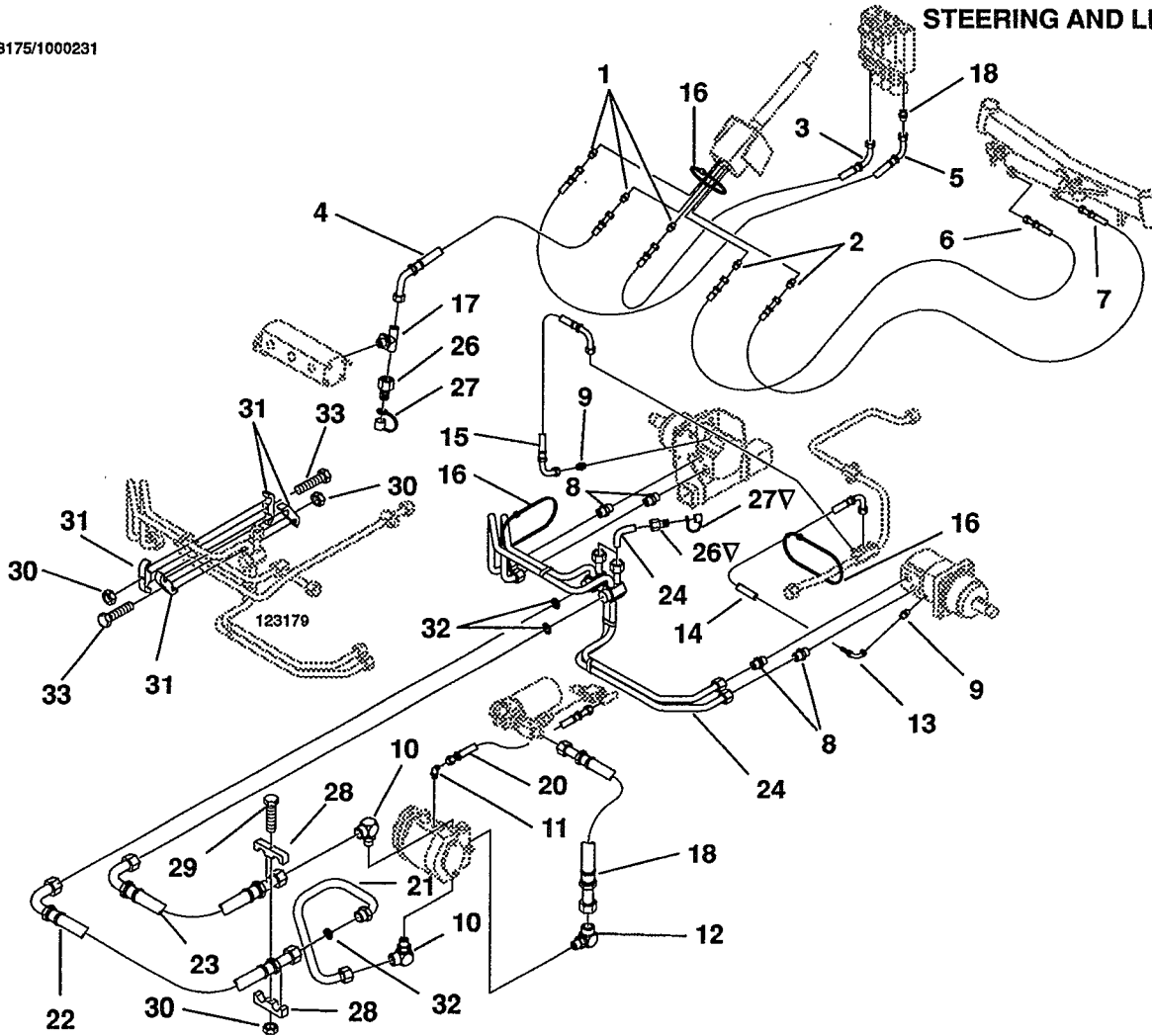


Item	Part No.	Qty.	Description	Item	Part No.	Qty.	Description
1	132744	1	Hose Assembly	17	340167	4	Elbow, Bulkhead Union
2	132765	1	Hose Assembly	18	339961	4	Locknut, Bulkhead
3	340078	3	Adapter, 90°	19	132727	2	Hose Assembly
4	339980	4	Adapter, Straight	20	132728	2	Hose Assembly
5	340375	3	Elbow, 90° Swivel Nut	21	123157	1	Tube Assembly
6	340081	3	Adapter, 90°	22	1000443	1	Hose Assembly
7	340376	1	Adapter, Swivel Nut	23	123159	1	Tube Assembly
8	132746	1	Hose Assembly	24	123158	1	Tube Assembly
9	132745	1	Hose Assembly	25	132791	1	Hose Assembly
10	339979	6	Adapter, Straight	26	132768	1	Hose Assembly
11	3000953	2	Disk, Orifice	27	473144	3	Tie, Nylon
12	340066	3	Adapter, 90°	28	364221	1	Clamp, Double Tube
13	339984	1	Adapter, Straight	29	400114	1	Screw, 1/4-20 x 1-1/4"
14	132759	1	Hose Assembly	30	453023	1	Flat Washer, 1/4
15	132760	1	Hose Assembly	31	444708	1	Locknut, 1/4-20 Center
16	340003	2	Adapter, Straight	32	340061	2	Adapter, 90°

ILLUSTRATION 18

STEERING AND LIFT HYDRAULICS

123175/1000231



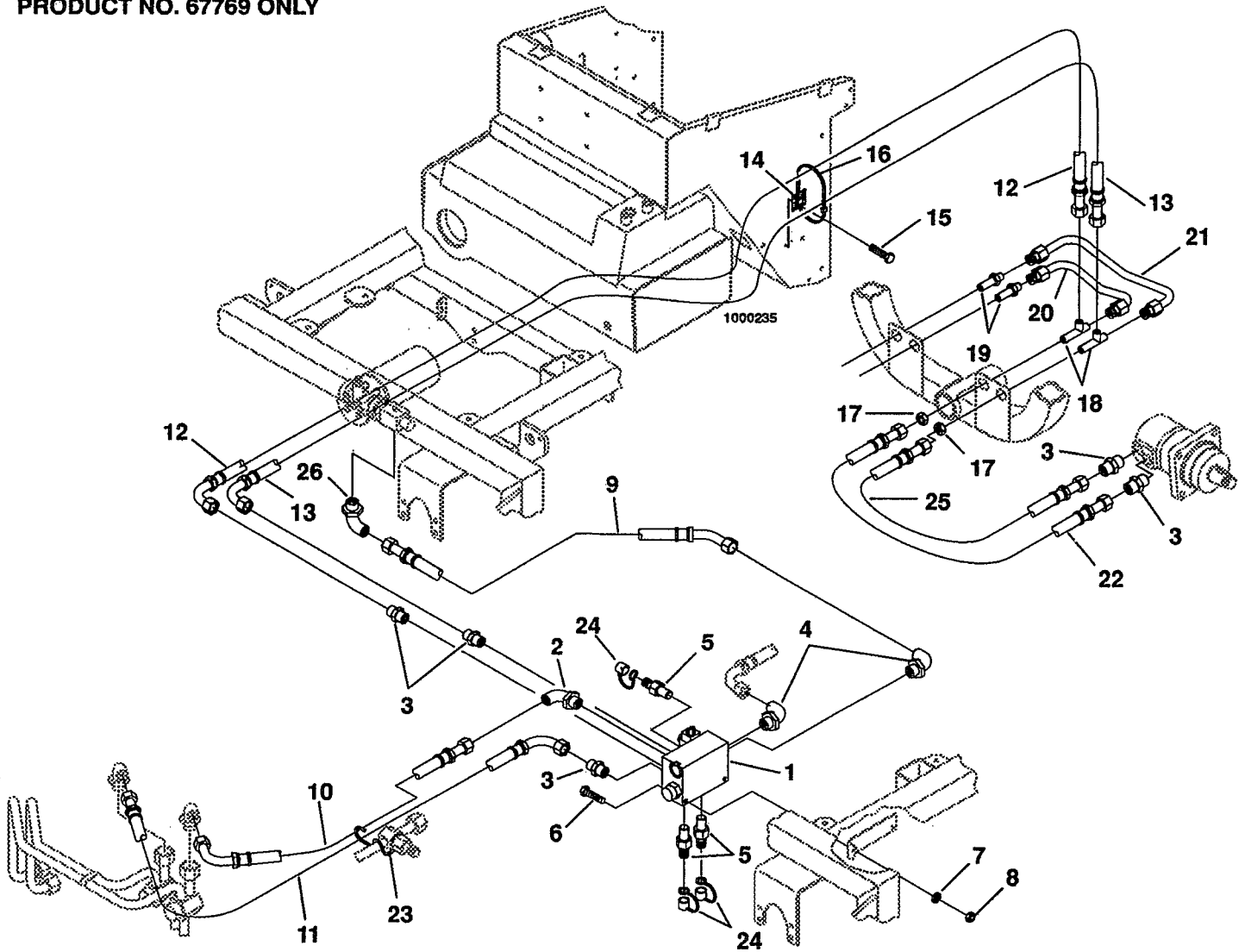
Item	Part No.	Qty.	Description	Item	Part No.	Qty.	Description
1	339979	3	Adapter, Straight	19	132739	1	Hose Assembly
2	339974	2	Adapter, Straight	20	132743	1	Hose Assembly
3	132754	1	Hose Assembly	21	123148	1	Tube Assembly
4	132755	1	Hose Assembly	22	132733	1	Hose Assembly
5	132756	1	Hose Assembly	23	132732	1	Hose Assembly
6	132757	1	Hose Assembly	24	123154	1	Tube Assembly
7	132758	1	Hose Assembly	25∇	340317	2	Elbow, 90°
8	339994	4	Adapter, Straight	25•	340320	2	Elbow, 90°
9	3002567	2	Adapter, Straight	26	364945	1	Fitting, Diagnostic
10	340076	2	Adapter, 90°	26∇	364945	2	Fitting, Diagnostic
11	340026	1	Adapter, 45°	27	363030	1	Cover, Dust
12	340066	1	Adapter, 90°	27∇	363030	2	Cover, Dust
13	3001985	1	Adapter 90° 37° JIC	28	367244	1	Clamp, Tube
14	1000987	1	Hose Assembly	29	400122	1	Screw, 1/4-20 x 2-1/4"
15	132734	1	Hose Assembly	30	444708	3	Nut, 1/4-20 Center Lock
16	473144	6	Tie, Nylon	31	367186	2	Clamp, Tube
17	340104	1	Tee, Branch	32	339913	3	O-Ring, Face Seal
18	339980	1	Adapter, Straight	33	400118	2	Screw, 1/4-20 x 1-3/4"

∇ - Used on Product No. 67760 only.

• - Used on Product No. 67769 only.

ILLUSTRATION 19

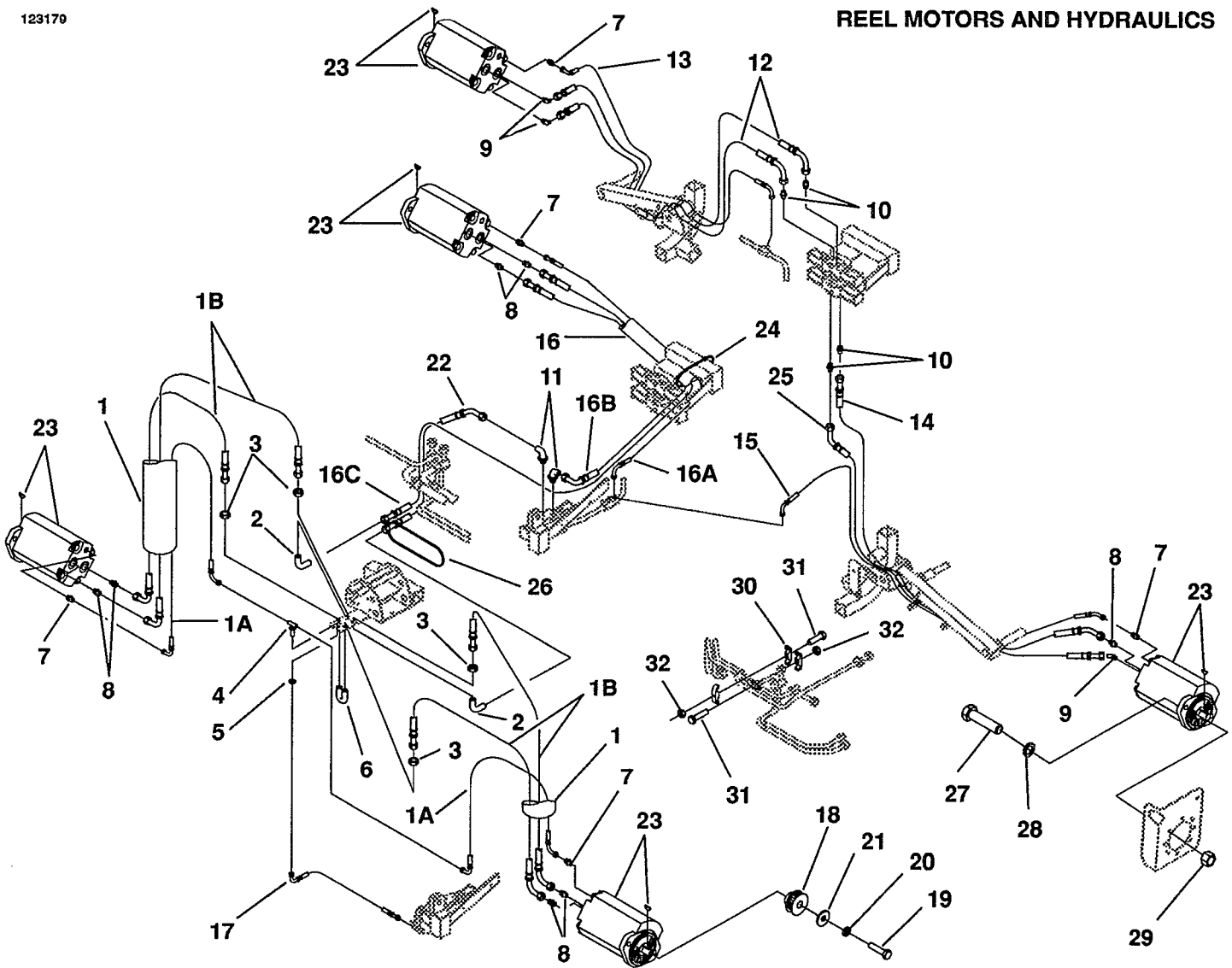
4 WD HYDRAULICS
 PRODUCT NO. 67769 ONLY



Item	Part No.	Qty.	Description	Item	Part No.	Qty.	Description
1	3000336	1	Valve, 4WD	14	1000228	1	Mount, Hose
2	340070	1	Adapter, 90°	15	409623	2	Screw, #6 x 1/2" Sl. Pan Hd.
3	339989	7	Adapter, Straight	16	473142	1	Nylon Tie
4	340057	2	Adapter, 90°	17	339963	4	Locknut, Bulkhead
5	365466	3	Fitting, Diagnostic	18	340217	2	Tee, Bulkhead
6	400202	2	Screw, 5/16-18 x 3"	19	340241	2	Union, Bulkhead
7	446136	2	Lockwasher, 5/16 Hvy.	20	1000144	1	Tube Assembly
8	443106	2	Nut, 5/16-18	21	1000145	1	Tube Assembly
9	1000195	1	Hose Assembly	22	1000187	2	Hose Bundle Assembly
10	1000199	1	Hose Bundle Assembly	23	3000470	1	Support, Hose
11	1000198	1	Hose Bundle Assembly	24	363030	3	Cover, Dust
12	1000196	1	Hose Assembly	25	1000186	2	Hose Assembly
13	1000197	1	Hose Assembly	26	340055	1	Adapter, 90°

ILLUSTRATION 20

REEL MOTORS AND HYDRAULICS



Item	Part No.	Qty.	Description	Item	Part No.	Qty.	Description
1	123139	2	Front Reel Hose Assembly (Includes Items 1A & 1B)	16A	132724	1	Hose, Motor Drain
1A	132716	1	Hose, Motor Drain to Bulkhead	16B	132726	1	Hose, Motor to Solenoid Valve
1B	132717	2	Hose, Front Motor to Bulkhead	16C	132725	1	Hose, Motor to Bulkhead
2	340168	2	Elbow, Bulkhead Union	17	132741	1	Hose Assembly
3	339962	4	Locknut, Bulkhead	18	340510	5	Sprocket, Mower (Driver)
4	367126	1	Tee, Bulkhead	19	400108	5	Screw, 1/4-20 x 3/4"
5	339960	1	Locknut, Bulkhead	20	446130	5	Lockwasher, 1/4 Hvy
6	367093	1	Fitting, Bulkhead Union	21	350532	5	Washer, Special 1/4
7	339974	5	Adapter, ORS O-Ring Boss Strt	22	132789	1	Hose Assembly
8	339985	7	Adapter, ORS O-Ring Boss Strt	23	123091	5	Motor, Reel (See Illus 22)
9	340030	3	Adapter, 45° ORS O-Ring Boss	24	473196	1	Tie, Nylon
10	339984	4	Adapter, ORS O-Ring Boss Strt	25	132863	1	Hose Assembly
11	340066	2	Adapter, 90° ORS O-Ring Boss	26	473142	1	Tie, Nylon
12	132735	2	Hose Assembly	27	400266	10	Screw, 3/8-16 x 1-1/2" Hex Hd
13	132736	1	Hose Assembly	28	447216	10	Lockwasher, 3/8 Int Tooth
14	132737	1	Hose Assembly	29	444520	10	Nut 3/8-16 Square (Reg)
15	1000986	1	Hose Assembly	30	367186	2	Clamp, Pipe
16	132723	1	Center Reel Hose Assembly (Includes Items 16A ~ C)	31	4000118	2	Screw, 1/4-20 x 1-3/4" Hex Hd
				32	444708	2	Nut, 1/4-20 Center Lock

ILLUSTRATION 21

ROLLER ASSEMBLY
Part No. 132639

Item	Part No.	Qty.	Description
1	132641	1	Tube Assembly
2	366588	1	Roller Shaft
3	366168	2	Wear Sleeve
4	338646	2	Grease Seal
5	338647	2	Grease Seal
6	500534	2	Cup and Cone Bearing Assembly
7	445748	2	Locknut, Light Thin
8	471214	2	Grease Fitting
9	338645	2	Deflector Cup

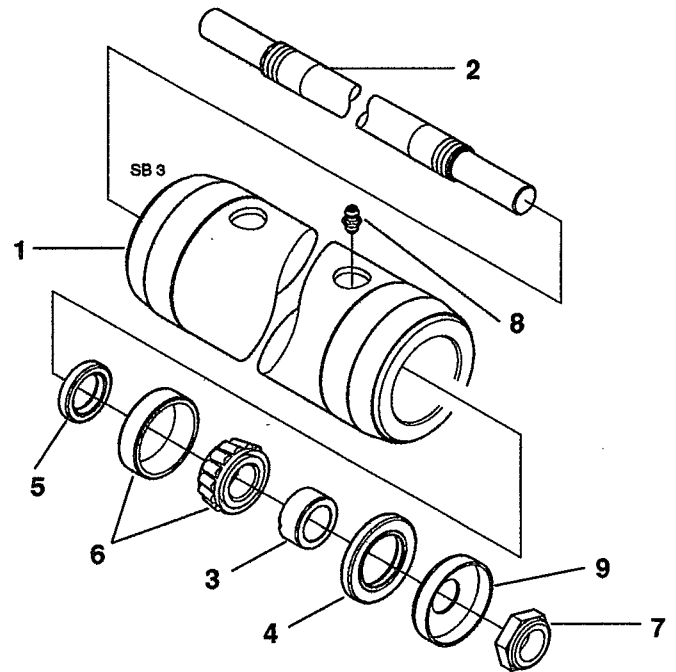
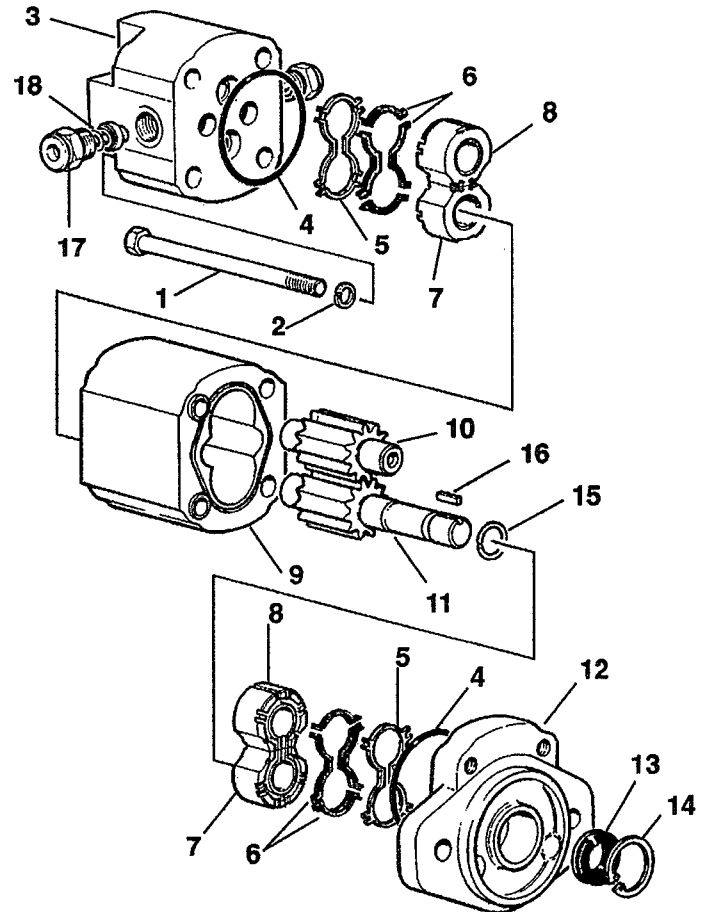


ILLUSTRATION 22

REEL MOTOR
Part No. 123091

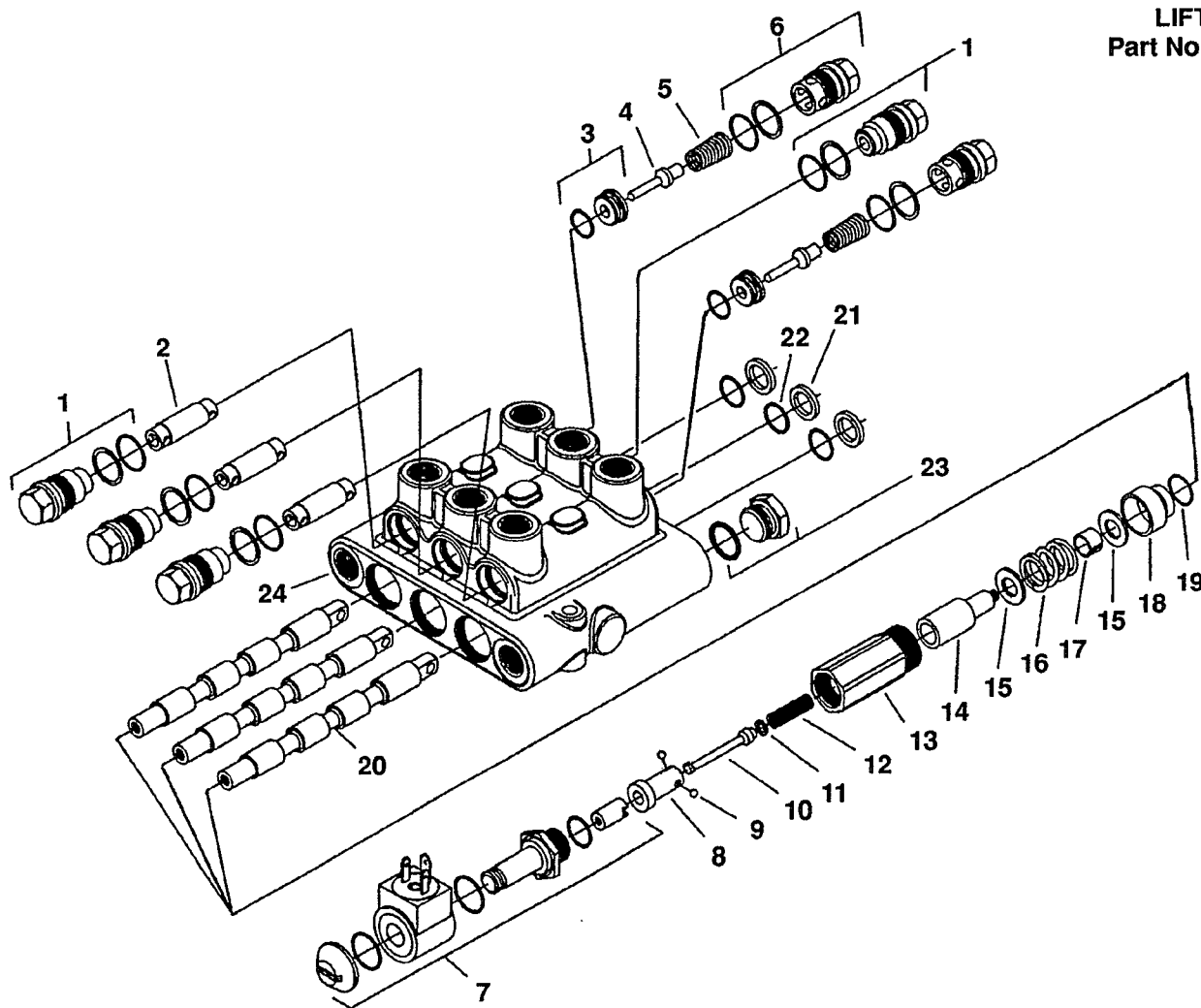
Item	Part No.	Qty.	Description
1	557778	4	Zinc Plated Bolt
2	446142	4	Spring Washer
3	557780	1	End Cover
4	◆	2	Body O-Ring
5	◆	2	Back Up Seal
6	◆	2	Bush Seals
7		2	Bush
8	557781	2	Bush
9	NS	1	Body and Dowel Assembly
10		1	Driven Gear
11	NS	2	Driveshaft Gear
12	557752	1	Flange
13	◆	1	Shaft Seal
14	◆	1	Circlip
15	◆	1	Circlip
16	◆	2	Square Key
17	557784	2	Relief Valve
18	557785	2	O-Ring



◆ - Included in seal kit. For service order Part No. 557786.
NS - Not Serviced.

ILLUSTRATION 23

LIFT VALVE
Part No. 117149



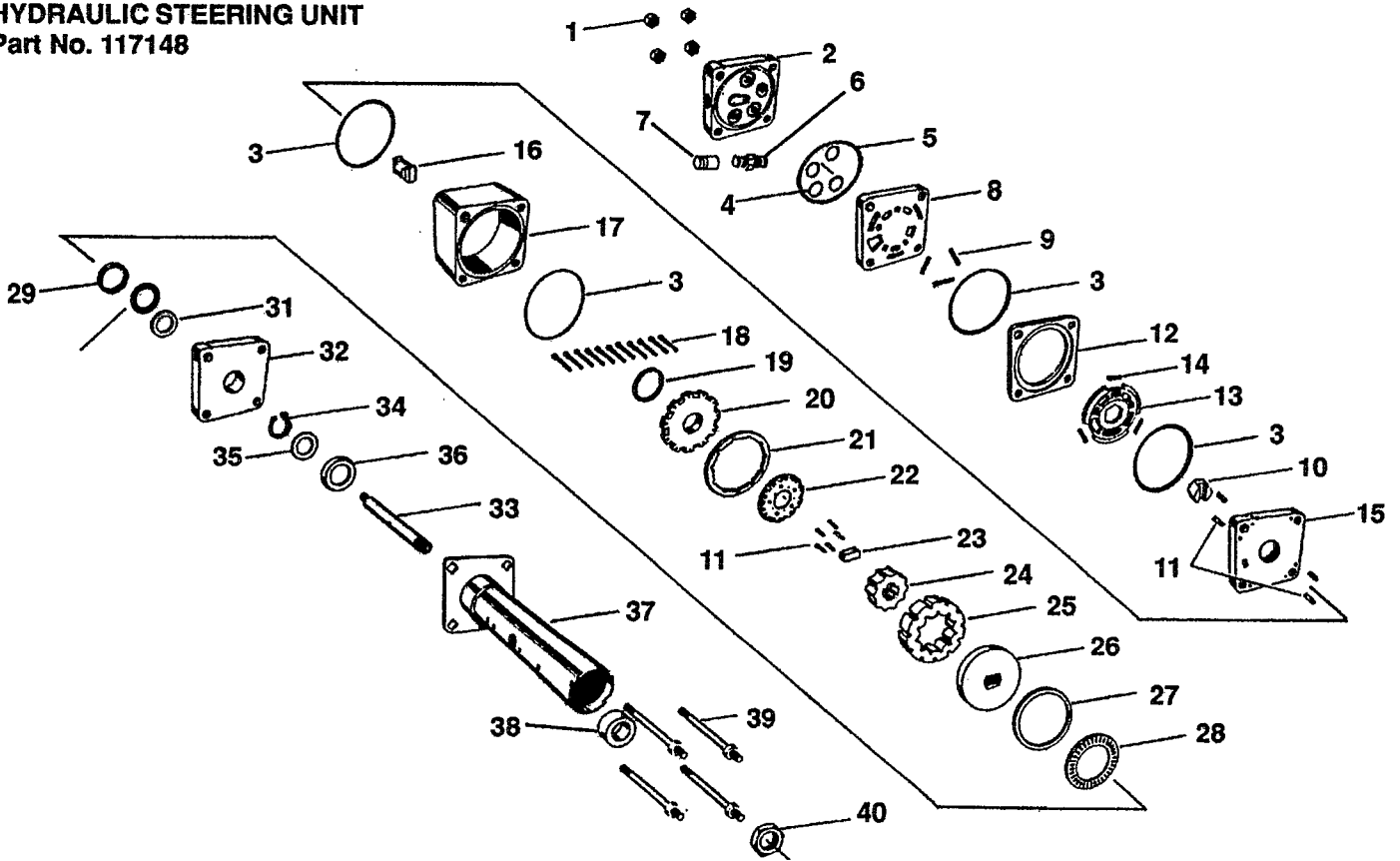
Item	Part No.	Qty.	Description	Item	Part No.	Qty.	Description
1	557697	4	Plug Assembly	10	557716	3	Detent Cone
◇	NS	4	Backup Ring	11	NS	3	Washer
◇	NS	4	O-Ring	12	NS	3	Spring
2	557701	3	Plunger	13	557719	3	End Cap
3	557702	2	Seat Assembly	14	557720	3	Spool Screw
◇	NS	2	O-Ring	15	557721	6	Washer
4◇	NS	2	Poppet	16	557722	3	Spring
5	557706	2	Spring	17	557723	3	Spool Spacer
6	557707	2	Plug Assembly	18	557724	3	Bushing
◇	NS	2	Backup Ring	19◇	NS	3	O-Ring
◇	NS	2	O-Ring	20	NS	3	Spool
7	557711	3	Solenoid Actuator, Pull Type	21◇	NS	3	Wiper Seal
◇	NS	6	O-Ring	22◇	NS	3	O-Ring
◇	NS	3	O-Ring	23	557728	1	Plug Assembly
8	557714	3	Adapter	◇	NS	1	O-Ring
9	557715	9	Ball	24	NS	1	Body

◇ - Included in seal kit. For service order Part No. 557731.

NS - Not Serviced.

ILLUSTRATION 24

HYDRAULIC STEERING UNIT
Part No. 117148



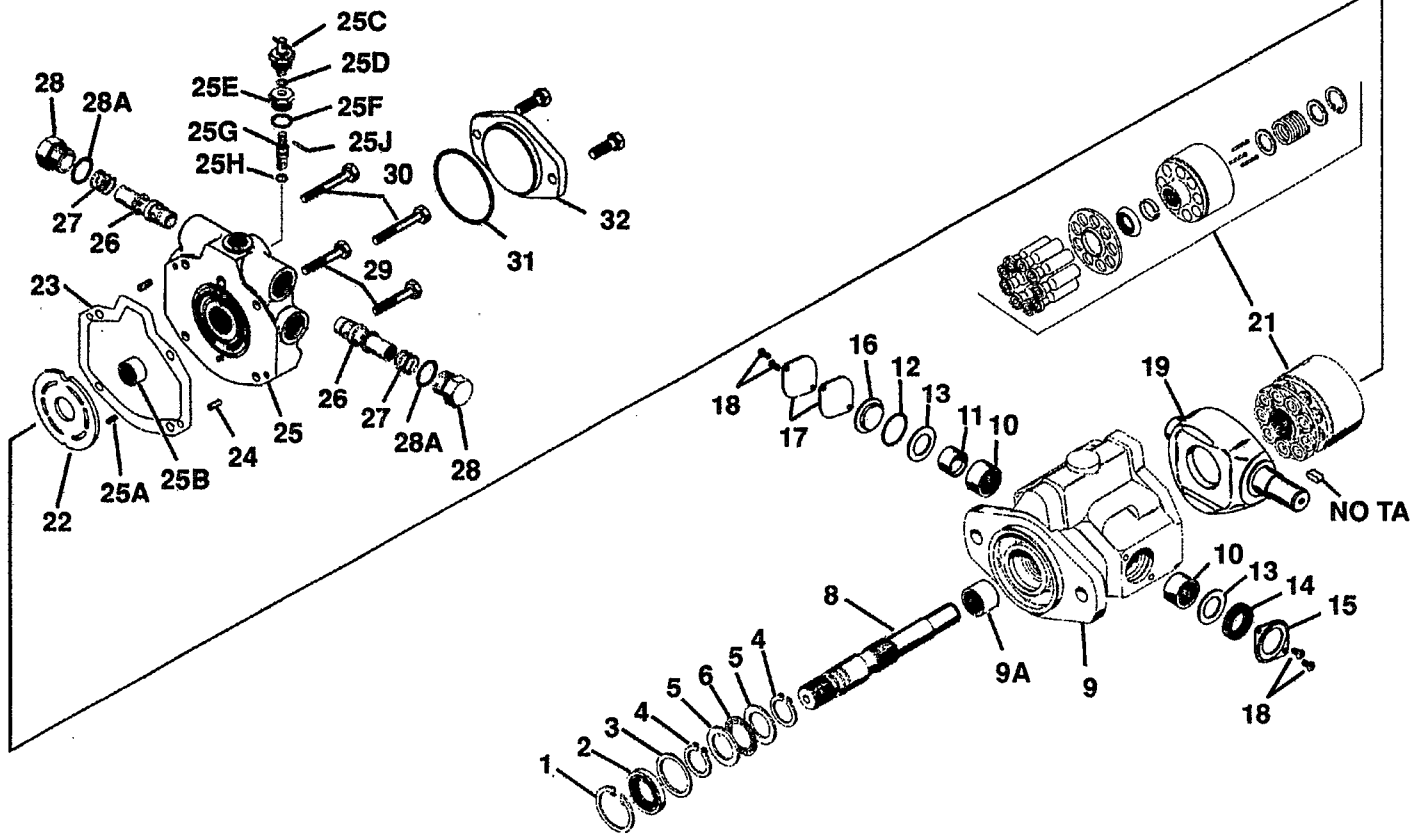
Item	Part No.	Qty.	Description	Item	Part No.	Qty.	Description
1	443108	4	Nut, 5/16-24 Center Lock	21	A	1	Commutator Ring } Matched Set
2	557732	1	Port Cover	22	A	1	Commutator } Matched Set
3	C	1	Seal Ring	23	A	1	Spacer - Drive Link
4	C	4	Seal Ring	24	A	1	Rotor } Matched Set
5	C	4	O-Ring	25	A	1	Stator } Matched Set
6	557733	1	Relief Valve Assembly	26	A	1	Drive Plate
7	557734	1	Dampening Cap	27	554855	1	Spacer
8	557735	1	Port Manifold	28	554856	1	Thrust Bearing
9	B	3	Spring	29	C	1	Face Seal
10	503387	1	Hex Drive Assembly	30	C	1	Back-Up Ring
11	A & E	9	Needle Roller	31	554857	1	Seal Spacer
12		1	Valve Ring } Matched Set	32	555694	1	Upper Cover Plate
13	503398	1	Valve Plate } Matched Set	33	557736	1	Shaft
14	B	3	Spring	34	D	1	Retaining Ring
15	554854	1	Isolation Manifold	35	D	1	Washer, Retaining Plate
16	551105	1	Drive Link	36	D	1	Retaining Plate
17	551106	1	Metering Ring	37	D	1	Upper Cover & Jacket Assembly
18	A	11	Screw, Hex Socket Hd.	38	D	1	Bushing
19	C	1	Seal, Commutator	39	557737	4	Stud
20	A	1	Commutator Cover	40	443828	1	Nut, 5/8-18 Jam

SERVICE KITS

Item	Part No.	Qty.	Description	Item	Part No.	Qty.	Description
A	502922	1	Metering Assembly	D	557739	1	Jacket Tube Assembly
B	502924	1	Spring	E	502925	1	Needle Roller
C	557738	1	Seal				

ILLUSTRATION 25

TRACTION PUMP
Part No. 117140



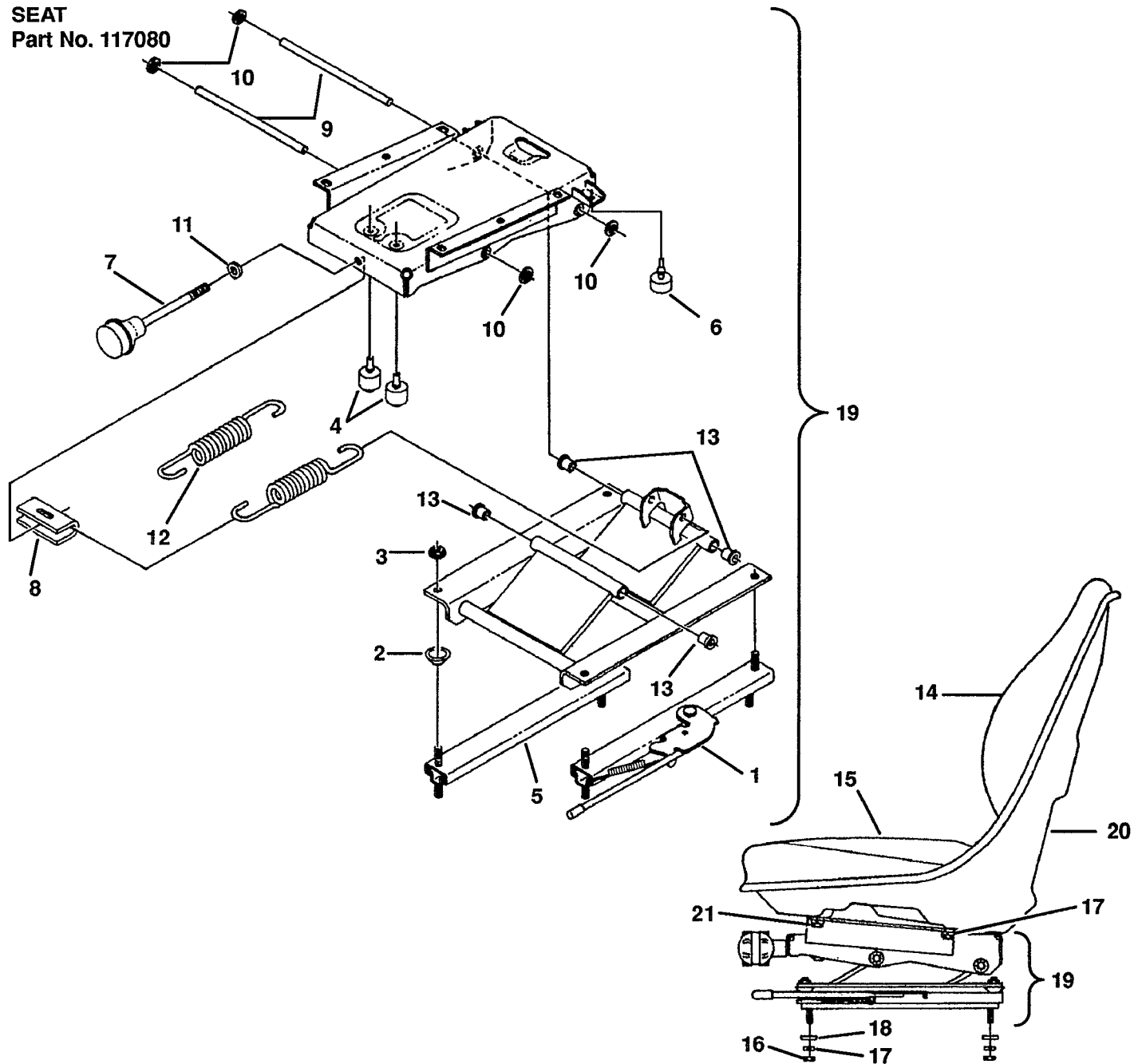
Item	Part No.	Qty.	Description	Item	Part No.	Qty.	Description
1	◆	1	Retaining Ring	22	557441	1	Valve Plate
2	◆	1	Shaft Seal	23	◆	1	Housing Gasket
3	557430	1	Washer	24	557454	2	Dowel Pin
4	◆	2	Retaining Ring	25	557663	1	Backplate Assembly (Includes Items 25A ~ 25C)
5	557426	2	Bearing Race	25A	NS	1	Roll Pin
6	557425	1	Bearing	25B	557665	1	Bearing
7				25C	557666	1	Dump Valve Assembly (Includes Items 25D ~ 25J)
8	557658	1	Drive Shaft	25D	NS	1	Retaining Ring
9	NS	1	Housing Assembly	25E	NS	1	Separator Plug
9A	557660	1	Bearing	25F	NS	1	O-Ring
10	557434	2	Bearing	25G	557670	1	Spreader
11	557435	1	Inner Race	25H	NS	1	O-Ring
12	◆	1	O-Ring	25J	NS	1	Roll Pin
13	557451	2	Washer	26	557445	2	Relief Valve Assembly
14	◆	1	Shaft Seal	27	557448	2	Spring
15	557439	1	Seal Cover	28	557444	2	Plug Assembly
16	557436	1	O-Ring Cover	28A	557673	2	O-Ring
17	557438	2	Trunnion Cover	29	557675	2	Cap Screw
18	557449	4	Screws	30	557676	2	Cap Screw
19	557437	1	Camplate, Keyed Trunnion	31	557675	1	O-Ring
20				32	557676	1	Cover Plate
21	557442	1	Rotating Kit Assembly				

◆ - Included in seal kit. For service order Part No. 557446.

NS - Not Serviced

ILLUSTRATION 26

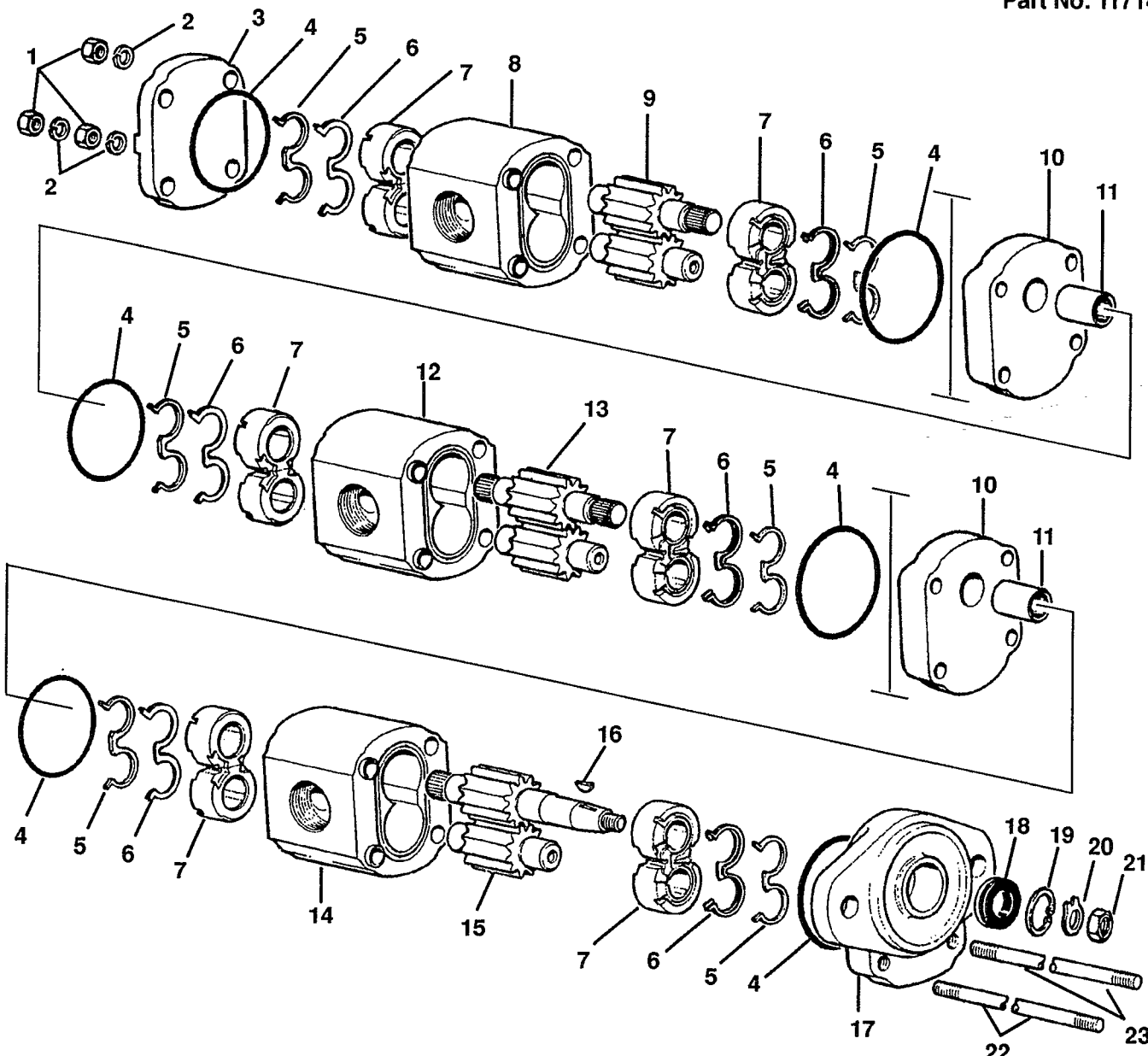
SEAT
Part No. 117080



Item	Part No.	Qty.	Description	Item	Part No.	Qty.	Description
1	553713	1	Adjuster with Handle	13	554720	4	Flange Bearing
2	554712	4	Spacer	14	553715	1	Backrest Pad
3	445781	4	Nut, 5/16-18 Whizlock	15	554391	1	Cushion Pad Seat
4	554713	2	Downstop Bumper	16	443106	4	Nut, 5/16-18
5	553712	1	Adjuster	17	446136	8	Lockwasher, 5/16 Hvy.
6	554714	2	Rear Downstop Bumper	18	452006	4	Flat Washer, 5/16
7	554715	1	Tension Adjustment Knob	19	554710	1	Mini Suspension (Includes Items 1 ~ 13)
8	554716	1	Spring Hanger	20	554711	1	Seat Assembly (Includes Items 14 and 15)
9	554717	2	Pivot Shaft	21	400182	4	Screw, 5/16-18 x 5/8"
10	554718	4	Push Nut	22	554390	1	Switch, Delta (Not Shown)
11	343117	1	Flat Washer	23	163583	1	Wire Harness (Not Shown)
12	554719	2	Extension Spring				

ILLUSTRATION 27

GEAR PUMP
Part No. 117147

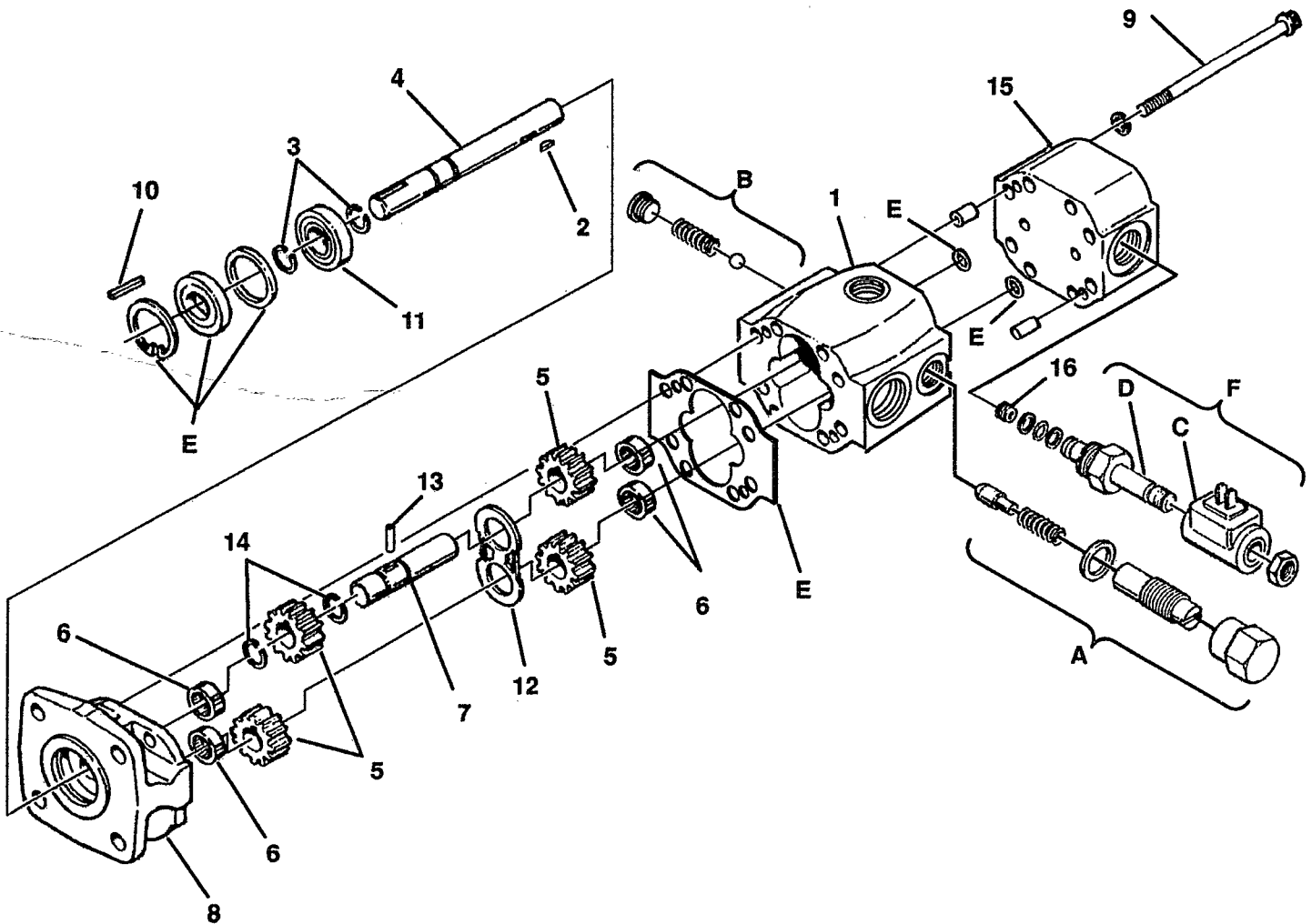


Item	Part No.	Qty.	Description	Item	Part No.	Qty.	Description
1	443110	5	Nut	13	NS	1	Drive Gear Set, Center
2	446142	5	Lockwasher	14	NS	1	Front Body Assembly
3	557742	1	End Cover	15	NS	1	Driveshaft & Gear Set, Front
4	◆	6	O-Ring, Body	16◆	463005	1	Woodruff Key
5	◆	6	Seal, Back Up	17	557752	1	Mounting Flange
6	◆	6	Seal Element	18	◆	1	Shaft Seal
7	557743	6	Bushing Set	19	◆	1	Circlip
8	NS	1	Rear Body Assembly	20	◆	1	Tab Washer
9	NS	1	Drive Gear Set, Rear	21	◆	1	Locknut
10	NS	2	Spacer Plate	22	557753	3	Stud
11	NS	2	Splined Coupling	23	557754	1	Extended Stud
12	NS	1	Center Body Assembly				

◆ - Included in seal kit. For service order Part No. 557755.
NS - Not Serviced

ILLUSTRATION 28

FAN MOTOR
Part No. 117158



Item	Part No.	Qty.	Description	Item	Part No.	Qty.	Description
1	NS	1	End Gear Housing	9	557800	8	Bolt
2	557793	2	Key, Woodruff	10	557801	1	Key
3	555826	2	Cresnet Ring - External	11	557803	1	Ball Bearing
4	557794	1	Drive Shaft	12	557804	1	Gear, Spacer Plate
5	557795	4	Gear, GC	13	555825	1	Pin, Drive
6	557797	4	Needle Bearing	14	555826	2	Cresnet Ring
7	557798	1	Idler	15	557805	1	Valve Block
8	NS	1	Stator	16	557806	1	Pipe Plug

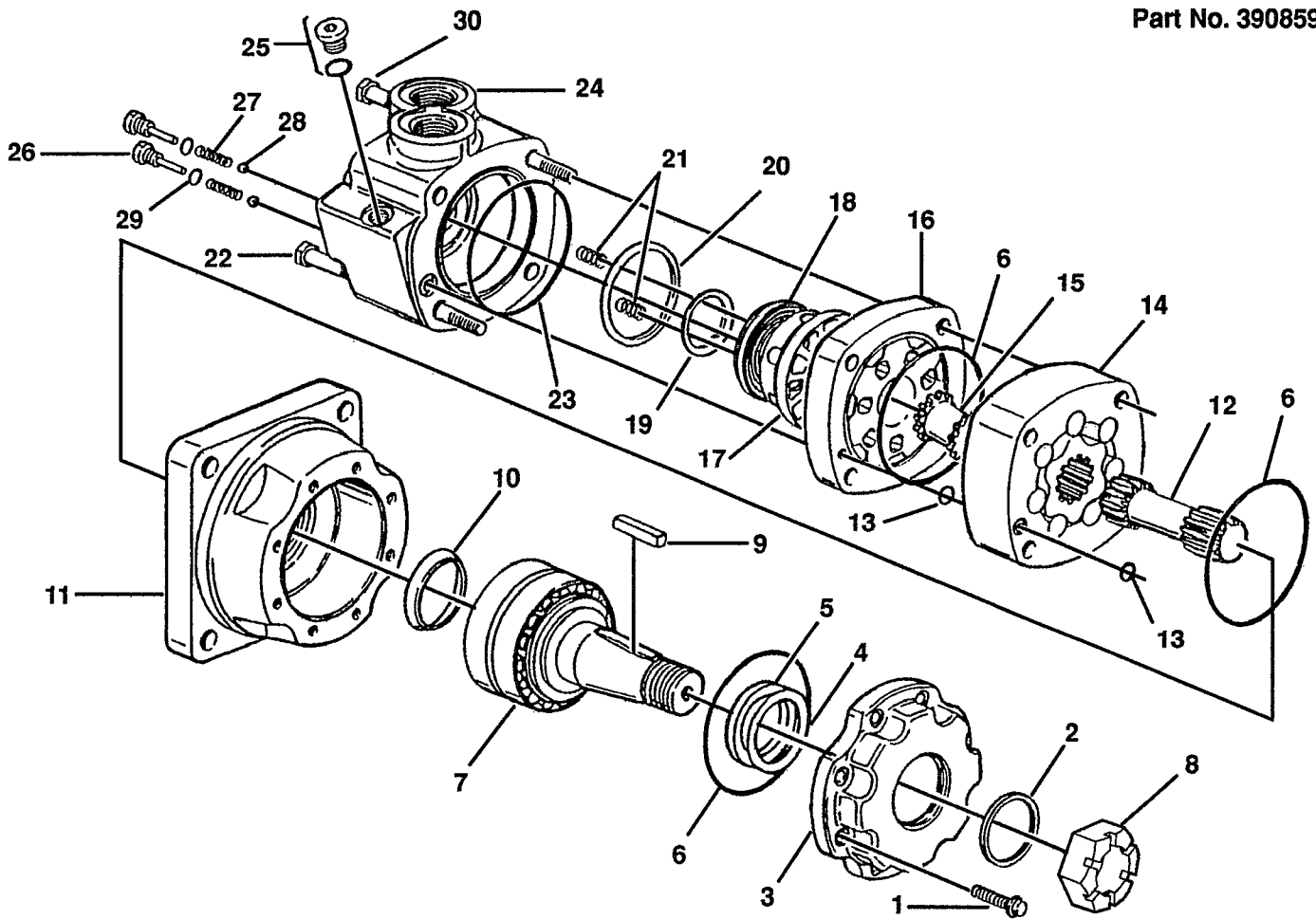
SERVICE KITS

Item	Part No.	Qty.	Description	Item	Part No.	Qty.	Description
A	557807	1	Relief Valve Kit	D	557810	1	Solenoid Valve Kit
B	557808	1	Check Valve Kit	E	557811	1	Seal Kit
C	557809	1	Solenoid Coil Replacement Kit	F	557812	1	Solenoid Valve Seal Kit

NS - Not Serviced

ILLUSTRATION 29

WHEEL MOTOR
Part No. 123297
Part No. 390859



Item	Part No.	Qty.	Description	Item	Part No.	Qty.	Description
1	558066	8	Screw, Torx	15	557632	1	Drive, Valve
2	◆	1	Seal, Dust	16	577631	1	Plate, Valve
3	558065	1	Retainer, Front	17	557633	1	Valve
4	◆	1	Ring, Back-Up	18	557637	1	Balance Ring & Pins
5	◆	1	Seal, Shaft	19◇	557635	1	Seal, Inner Face
6	◆◇	3	Seal, 3 -1/2 I.D.	20◇	557634	1	Seal, Outer Face
7	558063	1	Shaft, Tapered & Bearing Kit	21	557636	2	Spring
7V	554781	1	Shaft & Bearing Kit	22	557650	2	Bolt, 5-3/4"
8	557624	1	Nut, Hex	22V	554782	3	Bolt
8V	554779	1	Nut	23	◇	1	Seal, 3 -1/4 I.D.
9	557623	1	Key	24	557638	1	Housing, Valve (Includes Items 25 ~ 29)
9V	554780	1	Key	25	557641	1	Plug Assembly, 7/16-20
10	◆	1	Seal, Shaft Face	26	557639	2	Check Plug Assembly
11	558064	1	Housing, Bearing	27	◇	2	O-Ring
12	557629	1	Drive	28	557642	2	Spring
13	◇	2	Seal, 1/4 I.D.	29	557640	2	Ball, Steel
14	557630	1	Geroler	30	5000318	2	Bolt

◇ - Included in Shaft Seal Kit. For service order Part No. 558067.

◆ - Included in Rear Motor Seal Kit. For service order Part No. 557651.

V - Used for Part No. 390859 only. For service of Seal Kit order Part No. 554783.

ILLUSTRATION 30

DISC BRAKE

R.H. - Part No. 503308 / L.H. - Part No. 503309

Item	Part No.	Qty.	Description
1	554579	2	Spacer, Brake
2	503296	1	Stud Plate With Lining
3	503295	1	Rib Plate With Lining
4	549441	1	V-Plate
5♦	502517	1	Cam Lever
5∇	503306	1	Cam Lever
6	590259	2	Nut, 3/8-24 CenterLock
7	546131	2	Spring, Brake Return
8	590260	2	Screw, 3/8-24 x 2-1/4"

♦ - Used on Part No. 503308 only.

∇ - Used on Part No. 503309 only.

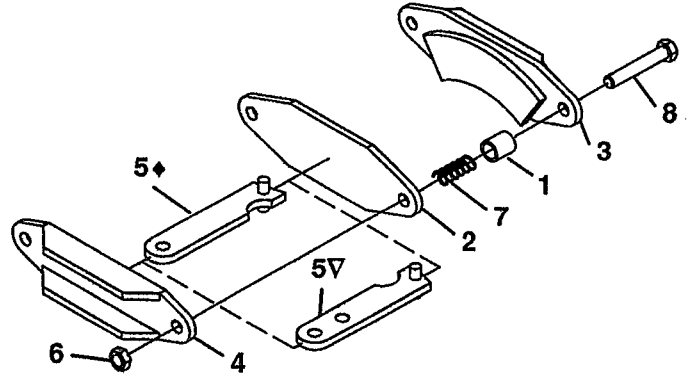


ILLUSTRATION 31

HYDRO CENTERING ASSEMBLY

Part No. 132517

Item	Part No.	Qty.	Description
1	400274	1	Screw, 3/8-16 x 2-1/2"
2	444762	1	Locknut, 3/8-16
3	358796	1	Stop, Rear Pivot
4	358795	1	Screw, 3/8-24 x 5-1/2"
5	364970	1	Spring, Compression
6	446142	2	Lockwasher, 3/8 Hvy.
7	360893	1	Rod End, 3/8-24
8	443812	3	Nut, 3/8-24
9	358794	4	Washer
10	161790	1	Tube Assembly

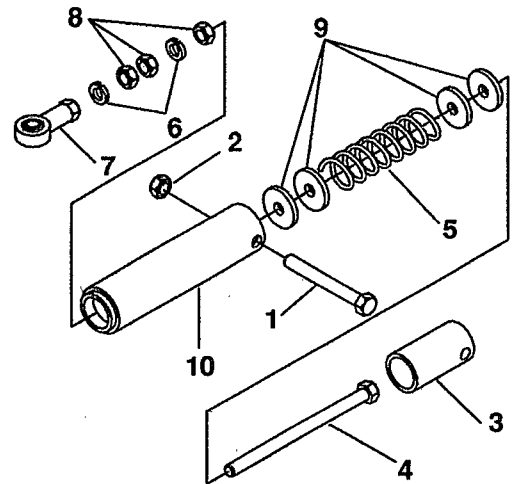


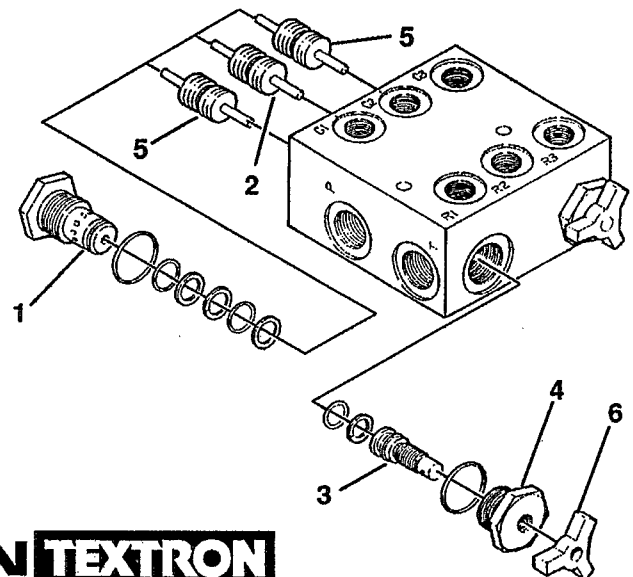
ILLUSTRATION 32

MANIFOLD VALVE

Part No. 117150

Item	Part No.	Qty.	Description
1	557688	3	Check Valve
2	557689	1	Piston Assembly
3	557691	2	Spool Assembly
4	557692	2	Retainer Assembly
5	557693	2	Piston Assembly
6	557694	2	Knob Assembly

Use Part No. 5000319 for Seal Kit.



JACOBSEN **TEXTRON**

Jacobsen Division of Textron Inc.