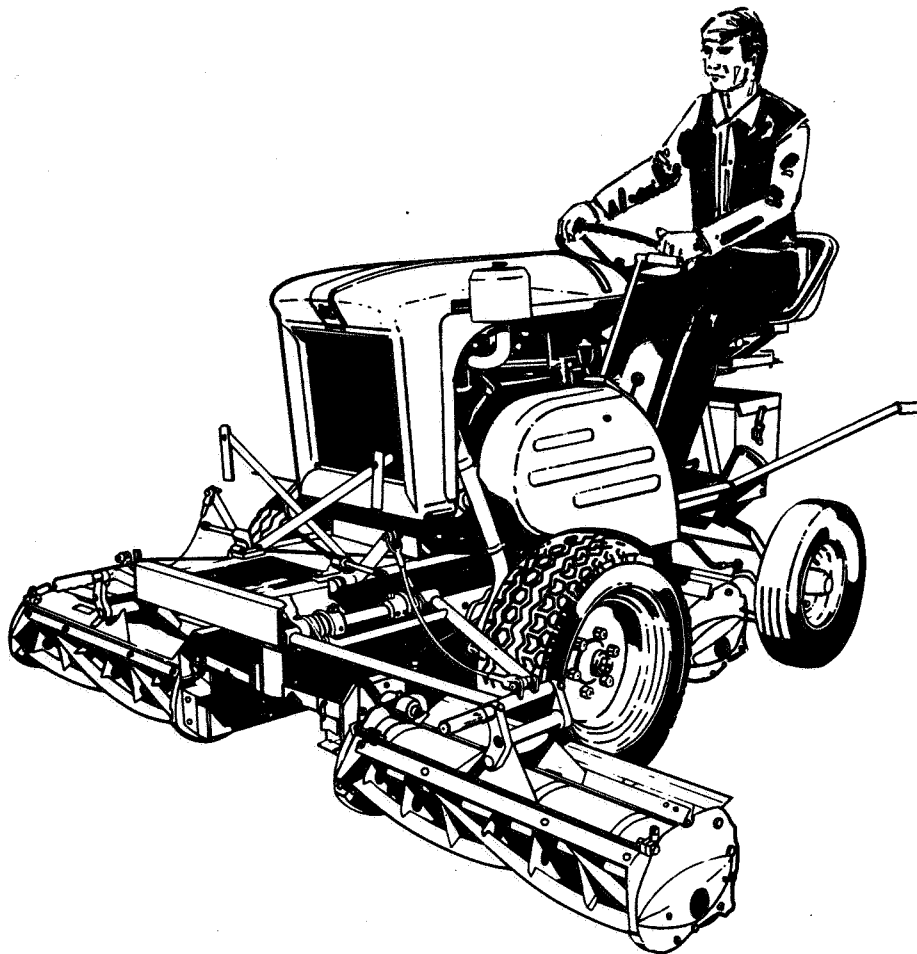


RANSOMES

MOTOR TRIPLE

PARTS LIST



Ransomes Sims & Jefferies, PLC, Nacton Works, Ipswich, England, IP3 9QG
Tel (0473) 270000 Telex 98174 Fax (0473) 270032

Publication No. 23531H

PP 1M 389

INTRODUCTION

REFERENCE NUMBER

Each part which is identified in the illustrations has a reference number. Parts which do not have a reference number may not be readily identified in the illustration but are usually closely associated with the immediately adjacent part.

ASSEMBLIES

Assemblies are described with their component parts. These latter are then enumerated separately and the description off-set on the right. If the list of components includes a further sub-assembly then individual parts of the assembly which are supplied have their description off-set one stage further, e.g.

REF.	PART NO.	COMPUTER PART No.	NAME OF PART	QTY
1	H930001	001990486	Wheel and Tyre Assy.	2
2	H931051	001990721	Tyre 7 x 9 x 10 ply	1
3	H932042	001996427	Tube 7 x 9	1
4	H270014	001628754	Cap-Valve	1
*	Z555225	046271886	Core-Valve	1
*	H930002	001990487	Wheel Assy.	1
5	H270011	469001872	Ring-Lock	1
6	H270010	469001871	Flange	1

QUANTITIES

Quantities shown are for one assembly or sub-assembly.

USING THE PARTS LIST

Determine the function and application of the part required. Turn to the main index page and select the appropriate section. Locate the part on the illustration and parts list and read off the quantity from the appropriate MODEL column.

NUMERICAL INDEX

This is a summary of all part numbers used in the manual arranged in numerical sequence and showing the page and reference under which the parts appear.

ORDERING OF SPARE PARTS

When ordering replacement parts, it is most important to quote the SERIAL NUMBER of the machine, PART NUMBER, NAME OF PART and QUANTITY required.

The COMPUTER PART No. is for R.S & 'J use only.

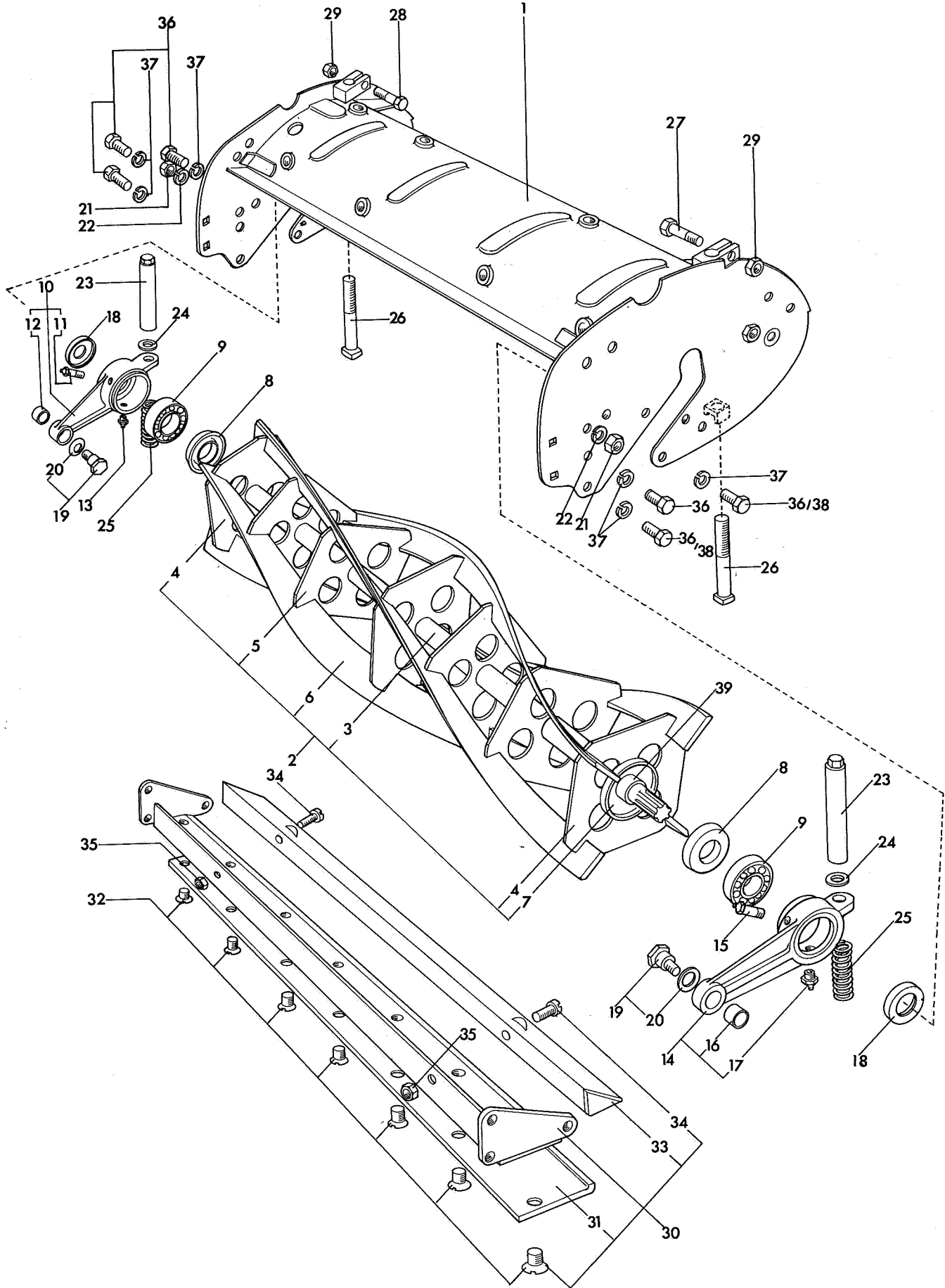
ABBREVIATIONS

AR	As Required	FWD	Forward	MTR	Motor
ASSY	Assembly	HYD	Hydraulic	RH	Right Hand
CTRL	Control	LH	Left Hand	REV	Reverse
CYL	Cylinder	M	Metric	SL	Spring Lock
DEG	Degree(s)	m.m.	Millimetre(s)	SP	Shake Proof

INDEX TO SECTIONS

	PAGE
Ballast Weight Assy. & Decals	81
Battery Box & Seat	47
Covers & Guards	79
Cutting Frames & Cylinders	5
Cutting Unit Skids & Guards	7
Cylinder Drive Clutch	23
Electrical System (MAG/Deutz Diesel Engine)	43
Electrical System (MAG Petrol Engine)	43
Engine Drive Clutch	45
Footbrake & Accelerator Controls	63
Front Axle & Service Brakes	77
Front Unit Mounting & Final Drive	11
Front Wheels & Hubs	75
Fuel Tank & Engine Fittings (Diesel)	55
Fuel Tank & Engine Fittings (Petrol)	53
Gearbox	69
Hand Brake Assy.	65
Input Drive to Gearbox	61
Kubota Engine & Fittings	25
Main Frame & Lift	15
Primary Drive (Diesel Engine)	33
Primary Drive (Petrol Engine)	39
Primary Drive to Cutting Units	19
Rear Unit Mounting & Final Drive	9
Seat & Rear Wheels	49
Secondary Drive Front Units	73
Steering Gear	57

MOTOR TRIPLE MK4M



CUTTING FRAMES & CYLINDERS

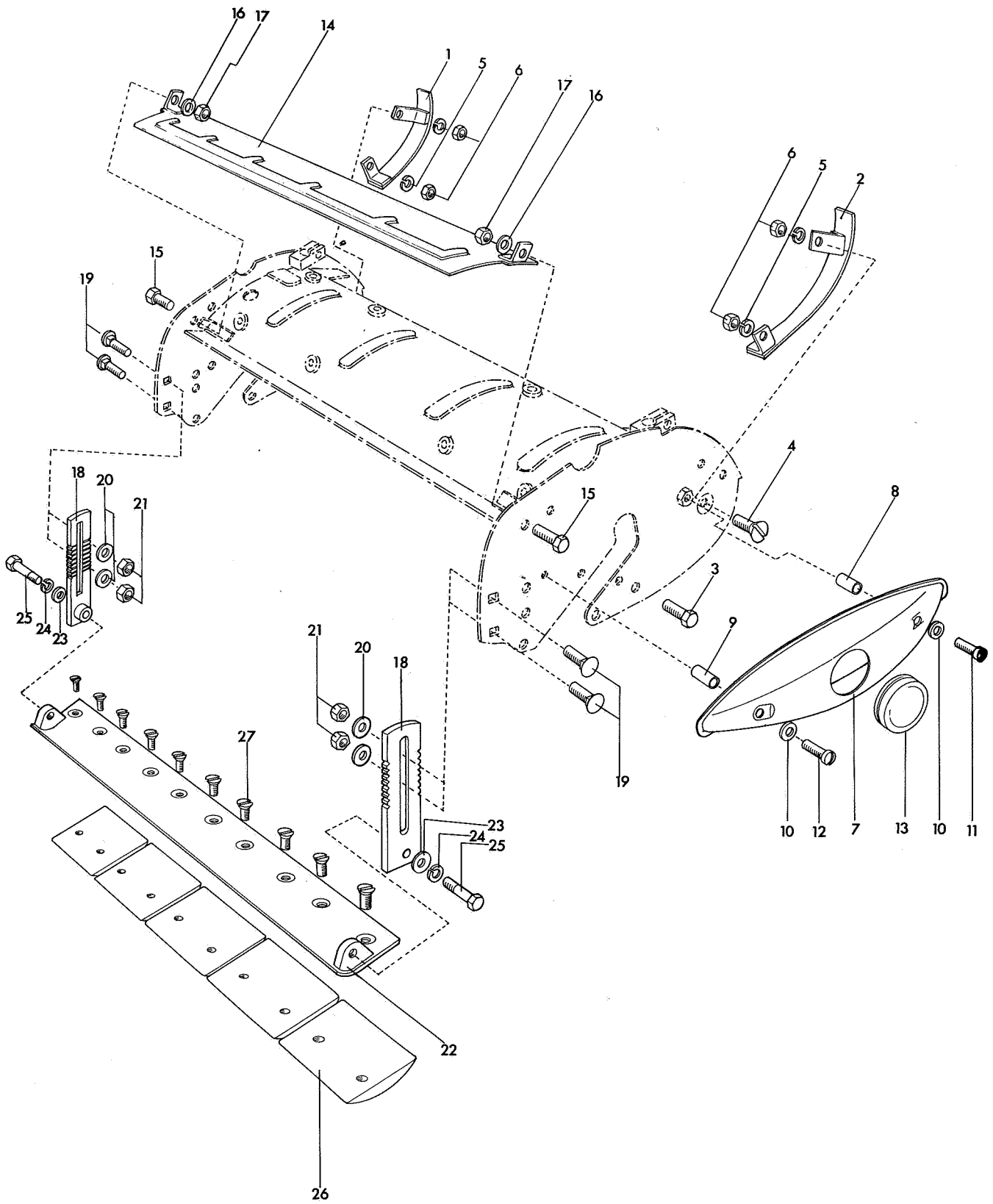
LIST OF PARTS

Note: Quantities are for one cutting unit, for complete machine requirements multiply by 3.

REF	RANSOMES PART NO	COMPUTER PART NO	DESCRIPTION	QTY
1	MBA6760A	MBA6760A	Cutting Frame	1
2	MBC2765A	MBC2765A	Cutting Cylinder 4 knife Assy.	1
3	MBB2732A	MBB2732A	Spindle	1
4	MBB2751	442003008	Collar	2
5	MBB2751	442003008	Collar	5
6	MBA7221	467003530	Spiral Cutter	4
7	MBC2766	MBC2766	Dust Cap	2
8	A220400	002204000	Oil Seal	2
9	H001204	820000052	Ball Bearing	2
10	LMSD473A	LMSD473A	Housing LH Assy. (MBB2735)	1
11	GSF2540BC	842000078	Lubricator	1
12	GSF3002DE	590001730	Bush	1
13	GSF2540AC	842000044	Lubricator	1
14	LMSD474A	LMSD474A	Housing RH Assy. (MBB2736)	1
15	GSF2540BC	842000078	Lubricator	1
16	GSF3002DE	590001730	Bush	1
17	GSF2540AC	842000044	Lubricator	1
18	A220250	002202503	Oil Seal	2
19	MBB1235	MBB1235	Pivot Pin	2
20	H083023	461901564	Disc Spring	2
21	GSF2051AC	450020087	Nut	2
22	GSF2164J	452200087	S.L.Washer	2
23	MBB2850B	MBB2850B	Adjusting Screw	2
24	GSF2150F	452000384	Washer	2
25	A291017	002910176	Adjusting Spring	2
26	MBB2559	451810510	Adjusting Bolt	2
27	MBA2968	MBA2968	Clamp Bolt - Inner End of Frame	1
28	GSF2001EF	451030332	Clamp Bolt - Outer End of Frame	1
29	GSF2051AC	450020087	Nut	2
30	LMSC730	LMSC730	Bottom Block & Blade Assy.	1
	MBA1329C	MBA1329C	Bottom Block (LMAY637A)	1
31	MBA7024A	MBA7024A	Bottom Blade	1
32	A119000	001190000	Screws	7
33	MBA1332	600003200	Wood Fillet	1
34	GSF2012CL	456040055	Screw	2
35	GSF2051AA	450020037	Nut	2
36	GSF2002EC	456010323	Screws (4 only for Rear Unit)	6
37	GSF2164J	452200087	S.L.Washers	6
38	GSF2002ED	456010331	Screw (For Rear Unit only)	2
39	MBB2737	MBB2737	Sleeve	2

* Not Illustrated

MOTOR TRIPLE MK4M

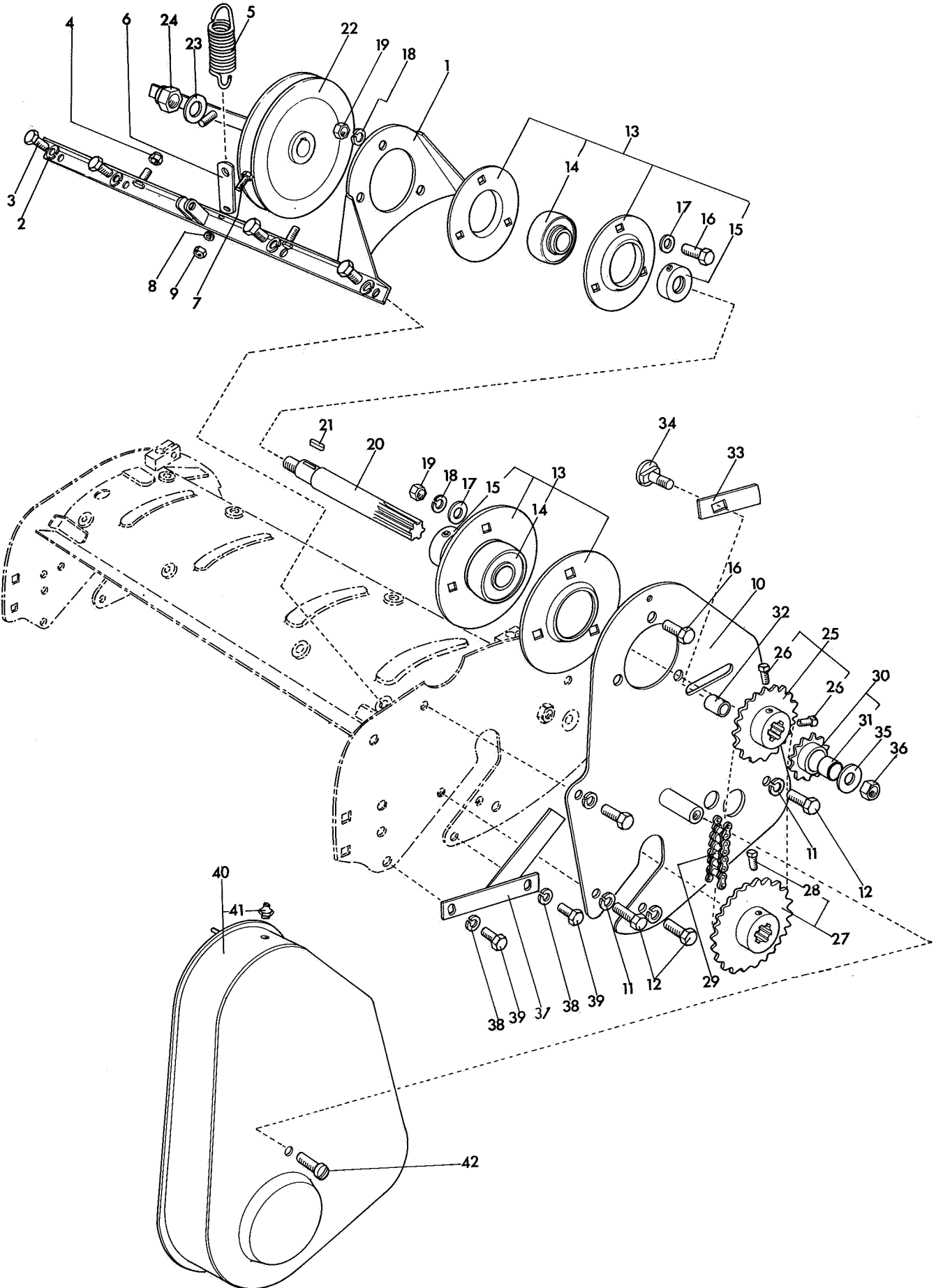


For Front Units use quantity column A
 For Rear Unit use quantity column B

REF	RANSOMES PART NO	COMPUTER PART NO	DESCRIPTION	QTY	
				A	B
1	MBB9983	MBB9983	Skid LH	1	1
2	MBB9999	MBB9999	Skid RH	1	1
3	GSF2002ED	456010331	Screw	2	2
4	GSF2007CE	456050082	Screw	1	2
5	GSF2164J	452200087	S.L.Washer	3	4
6	GSF2051AC	450020087	Nut	3	4
7	MBA3007	MBA3007	Spline Cover	1	1
8	MBA3008	MBA3008	Distance Piece	1	1
9	MBA6103	MBA6103	Distance Piece	1	1
10	GSF2150C	452000211	Washer	2	2
11	GSF2012CH	456040186	Screw	1	1
12	GSF2012CQ	456040160	Screw	1	1
13	MBA2337	649002259	Grommet	1	1
14	MBB0050A	MBB0050A	Deflector	1	1
15	GSF2002ED	456010331	Screw	2	2
16	GSF2150E	452000326	Washer	2	2
17	GSF2051AC	450020087	Nut	2	2
18	MBB6286A	MBB6286A	Adjuster	2	2
19	A102405	001024051	Bolt	4	4
20	A150010	001500108	Washer	4	4
21	A130010	001300104	Nut	4	4
22	MBA3022	MBA3022	Skid Carriage	1	1
23	GSF2150E	452000326	Washer	2	2
24	GSF2164J	452200087	S.L.Washer	2	2
25	GSF2001EF	451030332	Bolt	2	2
26	MBA3025	MBA3025	Skid	5	5
27	A119001	001190018	Screw	10	10

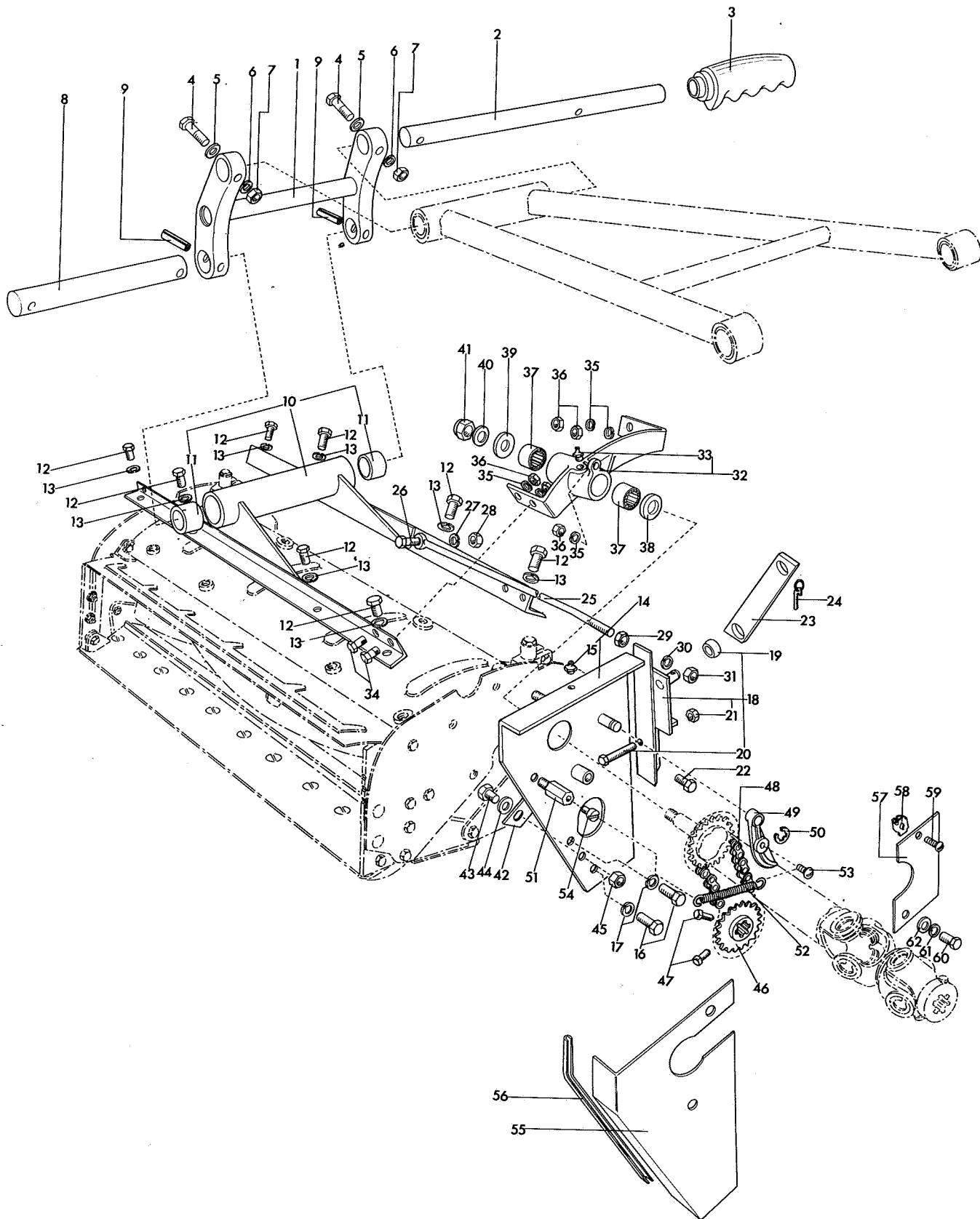
* Not Illustrated

MOTOR TRIPLE MK4M



REF	RANSOMES PART NO	COMPUTER PART NO	DESCRIPTION	QTY
1	MBB2819	MBB2819	Mounting Angle	1
2	GSF2164J	452200087	S.L.Washer	8
3	GSF2002EC	456010323	Screw	8
4	A139910	001399104	Stiffnut	4
5	LTC0136	461001786	Spring for Lift	1
6	MBB0137	MBB0137	Spring Extension	1
7	GSF2002AC	456010072	Screw	1
8	GSF2163G	452200029	S.L.Washer	1
9	GSF2051AA	450020037	Nut	1
10	MBA6784	MBA6784	End Plate	1
11	GSF2163G	452200029	S.L.Washer	4
12	GSF2002AC	456010072	Screw	4
13	H003142	829000491	Flangette Bearing	2
14	H003155		Ball Bearing	2
15	H009053	829000904	Locking Collar	2
16	GSF2002CF	456010226	Screw	6
17	GSF2150D	452000261	Washer	6
18	A151008	001510088	S.L.Washer 8mm	6
19	GSF2051AB	450020053	Nut	6
20	MBA3063	MBA3063	Layshaft	1
21	GSF2201CF	453004907	Key	1
22	MBA3064	MBA3064	Pulley	1
23	GSF2150G	452000449	Washer	1
24	A139903	001399032	Stiffnut	1
25	MBA3065	MBA3065	Chain Wheel	1
26	GSF2017NC	456060132	Setscrew	2
27	MBA1353	MBA1353	Cylinder Sprocket	1
28	GSF2017NC	456060132	Setscrew	1
29	A393155	003931551	Chain	1
*	H042003	869000772	Chain Connector	1
*	H042137	869003526	Cranked Link	1
30	MBA1365	MBA1365	Tensioner Sprocket	1
31	GSF3002DH	590002427	Bush	1
32	MBA3122	MBA3122	Distance Piece	1
33	MBA3167	MBA3167	Protecting Strip	1
34	MBA3121A	MBA3121A	Bolt	1
35	MBA3123	MBA3123	Washer	1
36	GSF2051AC	450020087	Nut	1
37	MBA1380	MBA1380	Chain Case Seal	1
38	GSF2164J	452200087	S.L.Washer	2
39	GSF2002ED	456010331	Screw	2
40	MBA3140A	MBA3140A	Chain Cover	1
41	GSF2540AC	842000044	Lubricator	1
42	GSF2013EK	456040398	Screw	1

* Not Illustrated

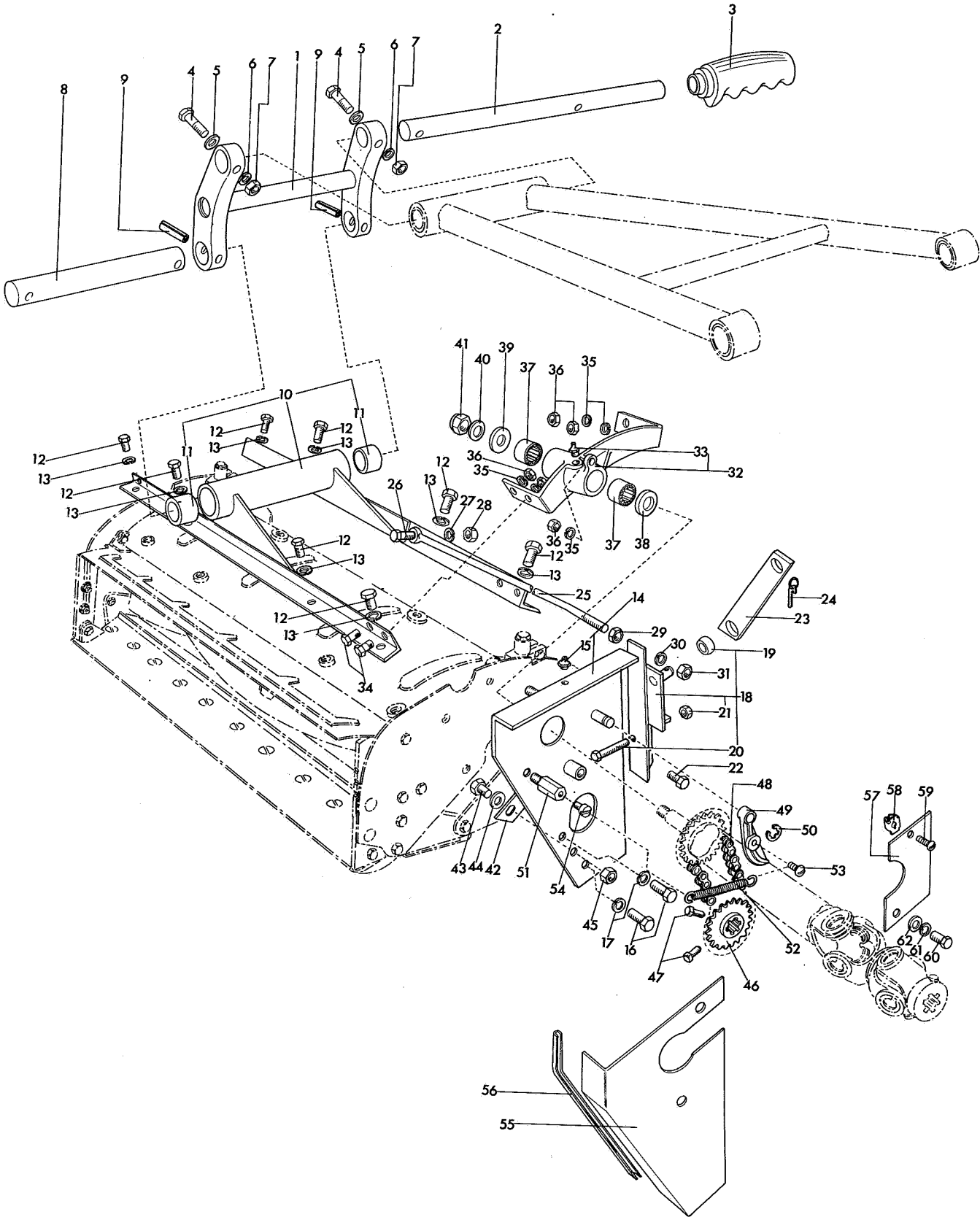


For LH Units use quantity column A
For RH Units use quantity column B

REF	RANSOMES PART NO	COMPUTER PART NO	DESCRIPTION	QTY	
				A	B
1	MBA2877	MBA2877	Connecting Link	1	1
2	MBA2876	483142710	Top Pivot Shaft	1	1
3	H990002	680000791	Handle Grip	1	1
4	GSF2001EK	451030358	Bolt	2	2
5	GSF2150E	452000326	Washer	2	2
6	GSF2164J	452200087	S.L.Washer	2	2
7	GSF2051AC	450020087	Nut	2	2
8	MBA2885	483142728	Lower Pivot Shaft	1	1
9	GSF1042NE	455000557	Spirol Pins	2	2
10	MBA6743	MBA6743	Mounting Bracket	1	1
11	GSF3002UR	590002655	Bush	2	2
12	GSF2002EH	456010420	Screw	8	8
13	GSF2164J	452200087	S.L.Washer	8	8
14	MBA6778A	MBA6778A	Cover Plate LH	1	
*	MBA6779A	MBA6779A	Cover Plate RH		1
15	GSF2540AC	842000044	Lubricator	2	2
16	GSF2002AC	456010072	Screw	2	2
17	GSF2163G	452200029	S.L.Washer	2	2
18	LMSD596	LMSD596	Pivot Bracket LH		
			(MBBB6763B)	1	
*	LMSD597	LMSD597	Pivot Bracket RH		
			(MBB6764B)		1
19	MBB0161	MBB0161	Bush	1	1
20	MBB0141	MBB0141	Adjusting Stop Screw	1	1
21	GSF2051AC	450020087	Nut	1	1
22	GSF2002EE	456010365	Screw	2	2
*	GSF2164J	452200087	S.L.Washer	2	2
*	GSF2051AC	450020087	Nut	2	2
23	MBB0160	MBB0160	Link	1	1
24	PSF3052	469009279	Cotter Pin & Ring	1	1
25	MBB0165	MBB0165	Tension Rod LH	1	
*	MBB0166	MBB0166	Tension Rod RH		1
26	GSF2001EE	451030324	Bolt	1	1
27	GSF2164J	452200087	S.L.Washer	1	1
28	GSF2051AC	450020087	Nut	1	1
29	GSF2052AE	450020281	Locknut	1	1
30	GSF2164L	452200168	S.L.Washer	1	1
31	GSF2051AE	450020142	Nut	1	1

Contd.

* Not Illustrated

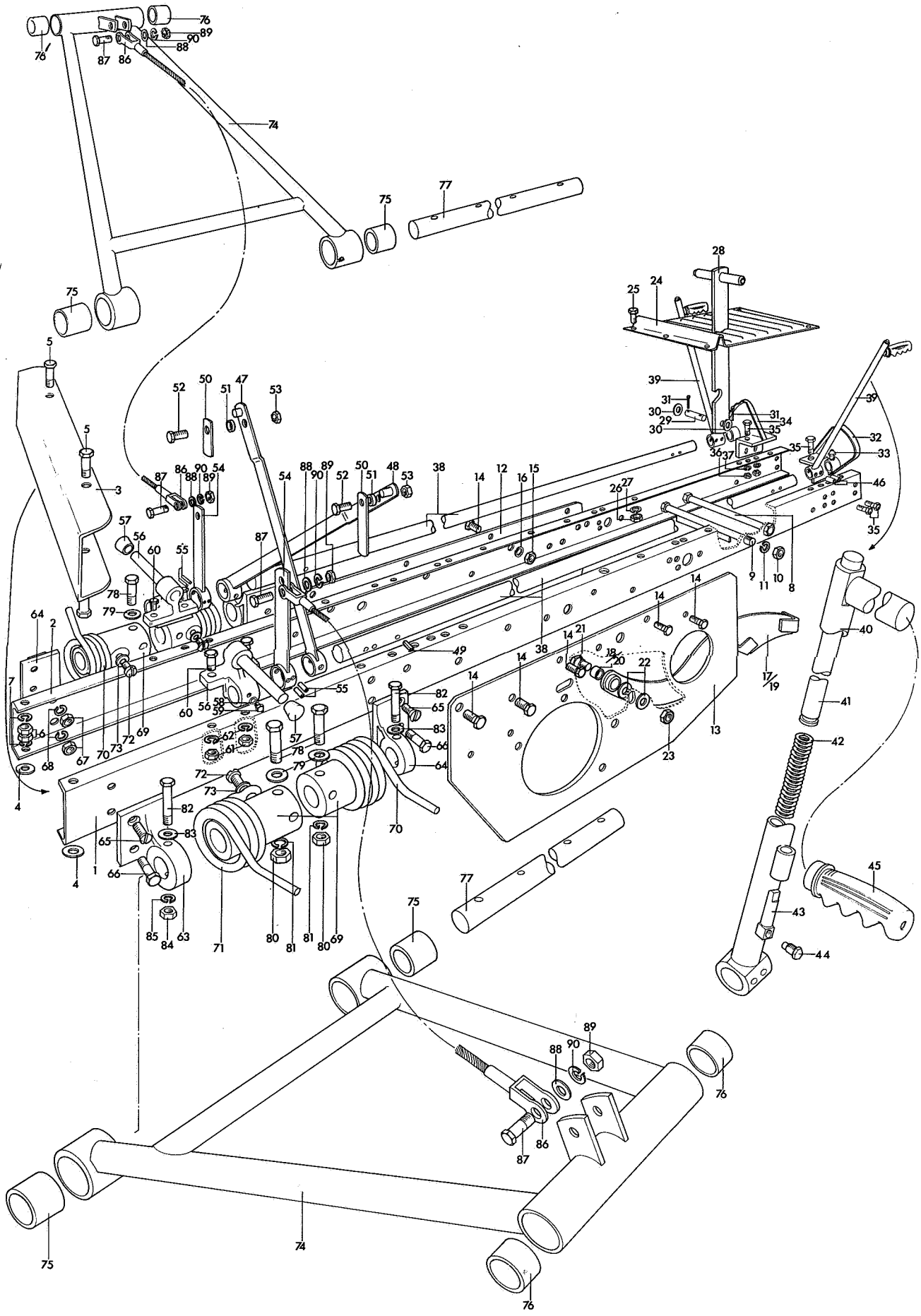


For LH Units use quantity column A
For RH Units use quantity column B

REF	RANSOMES PART NO	COMPUTER PART NO	DESCRIPTION	QTY	
				A	B
32	MBA6774A	MBA6774A	Bearing Bracket LH	1	
*	MBA6775A	MBA6775A	Bearing Bracket RH		1
33	GSF2540AC	842000044	Lubricator	2	2
34	GSF2002EF	456010381	Screw	4	4
35	GSF2164J	452220087	S.L.Washer	6	6
36	GSF2051AC	450020087	Nut	6	6
37	H002303	832000100	Needle Roller Bearing	2	2
38	MBA6777	539000967	Thrust Washer	1	1
39	MBA6776	539000959	Thrust Washer	1	1
40	GSF2150G	452000449	Washer	1	1
41	A139903	001399032	Stiffnut	1	1
42	MBA5954	MBA5954	Grass Guard	1	1
43	GSF2002AD	456010098	Screw	1	1
44	GSF2150C	452000211	Washer	1	1
45	GSF2051AA	450020037	Nut	1	1
46	MBA6772	MBA6772	Cylinder Sprocket	1	1
47	GSF2017NC	456060132	Setscrew	2	2
48	H041156	860002377	Chain	1	1
*	H042003	869000772	Connecting Link	1	1
*	H042137	869003526	Cranked Link	1	1
49	MBA5959	690040378	Chain Guide	1	1
50	GSF1057BE	461401255	Circlip	1	1
51	MBA6786A	MBA6286A	Post	1	1
52	GSF2247AA	461006786	Spring	1	1
*	MBB0174	MBB0174	Spacer	1	1
53	GSF1094CD	456993331	Self Tap Screw	1	1
54	GSF1971CK	456430092	Screw	1	1
55	MBA6787A	MBA6787A	Chain Cover LH	1	
*	MBA6788A	MBA6788A	Chain Cover RH		1
56	H060053	H060053	Beading (9" Length)	1	1
57	MBA6795	MBA6795	Cover Plate	1	1
58	H980019	450590046	Speed Nut	1	1
59	A128043	001280431	Screw	1	1
60	GSF2002ED	456010331	Screw	1	1
61	GSF2164J	452200087	S.L.Washer	1	1
62	GSF2150E	452000326	Washer	1	1

* Not Illustrated

MOTOR TRIPLE MK4M

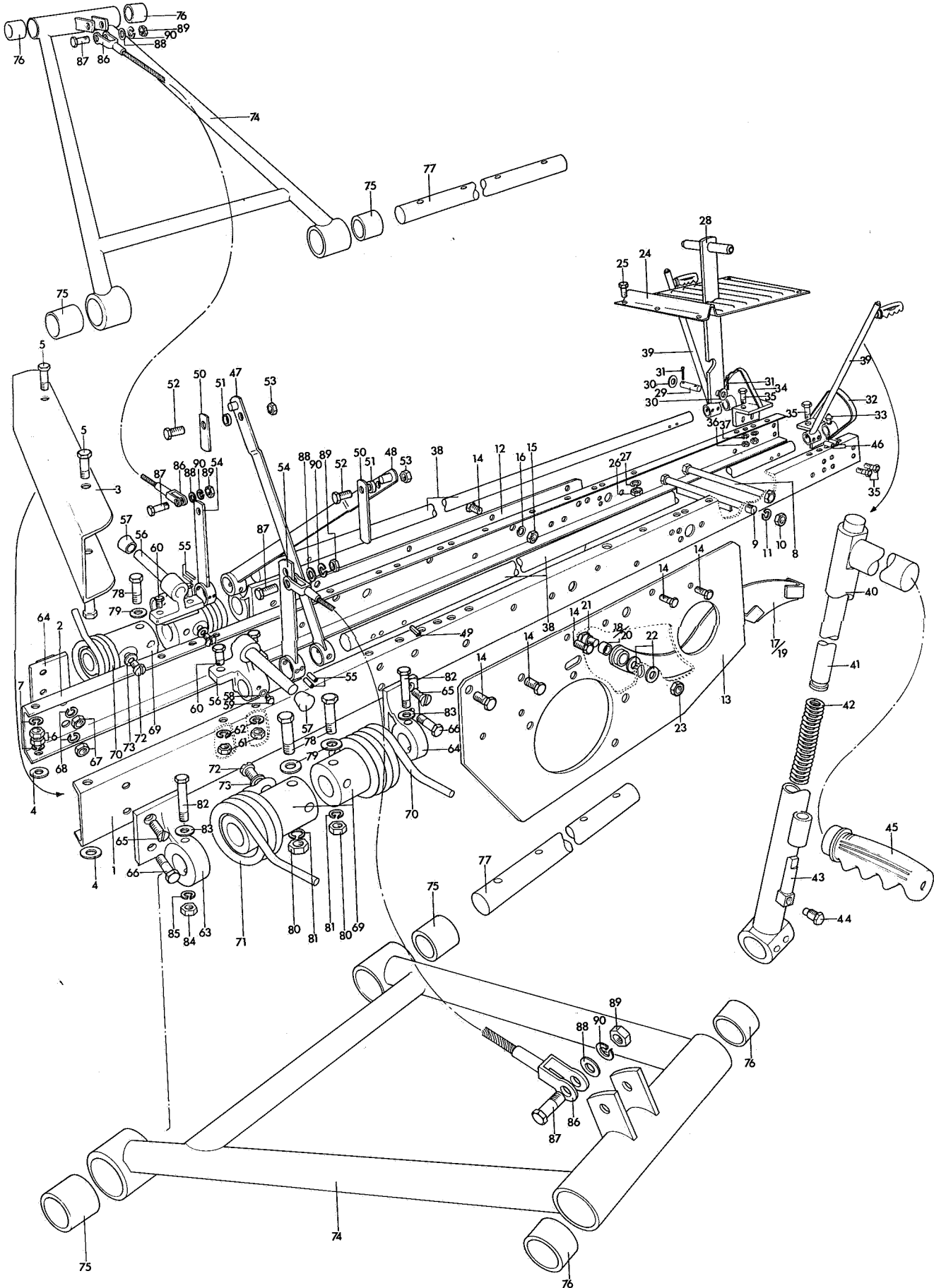


REF	RANSOMES PART NO	COMPUTER PART NO	DESCRIPTION	QTY
1	MBA6712	MBA6712	Chassis Girder LH	1
2	MBA6713	MBA6713	Chassis Girder RH	1
3	MBA6714A	MBA6714A	Bumper Bar	1
4	GSF2150E	452000326	Washer	2
5	GSF2002EE	456010365	Screw	4
6	GSF2051AC	450020087	Nut	4
7	GSF2164J	452200087	S.L.Washer	4
8	MBA3162	MBA3162	Anchor Bar	1
9	MBA6267	MBA6267	Rear Unit Support	1
10	GSF2051AE	450020142	Nut	6
11	GSF2164L	452200168	S.L.Washer	6
12	MBB0106	MBB0106	Side Plate RH	1
13	MBB0105	MBB0105	Side Plate LH	1
14	GSF2002EE	456010365	Screw	11
15	GSF2051AC	450020087	Nut	11
16	GSF2164J	452200087	S.L.Washer	11
17	LMSD487A	LMSD487A	Rear Lifting Arm Assy. (MBA6737B)	1
18	GSF3002LK	59002419	Bush	1
19	LMSD487A	LMSD487A	Rear Lifting Arm Assy. (MBA6737B)	1
20	GSF3002LK	590002419	Bush	1
21	MBB6409	MBB6409	Shoulder Bolt	2
22	GSF2154PE	452100132	Washer	4
23	GSF2051AE	450020142	Nut	2
24	MBB2818	MBB2818	Foot Plate	1
25	GSF2002CD	456010200	Screw	4
26	GSF2051AB	450020053	Nut	4
27	A151008	001510088	S.L.Washer 8mm	4
28	MBB2822	MBB2822	Lifting Lever	1
29	MBB2817	MBB2817	Pin	1
30	GSF2150E	452000326	Washer	2
31	GSF1030CH	454000093	Split Pin	2
32	MBA2894	MBA2894	Quadrant LH	1
33	GSF2540AC	842000044	Lubricator	1
*	GSF3600AN	640000737	O Ring	1
34	MBA2898	MBA2898	Quadrant RH	1
*	GSF2540AC	842000044	Lubricator	1
*	GSF3600AN	640000737	O Ring	1
35	GSF2002EE	456010365	Screw	8
36	GSF2051AC	450020087	Nut	8
37	GSF2164J	452200087	S.L.Washer	8
38	MBA6722	MBA6722	Torsion Shaft	2
39			Lever Assembly	2
40	MBA4440	MBA4440	Lever	1
41	MBA4443	482162422	Operating Rod	1
42	GSF2240MG	461101762	Spring	1
43	MBA2905	482200709	Pawl	1
44	MBA2906Z	MBA2906Z	Pin	1
45	H990002	680000791	Handle Grip	1
46	GSF1042HR	455000573	Spirol Pin	1
47	MBA6723	MBA6723	Transport Link LH	1

* Not Illustrated

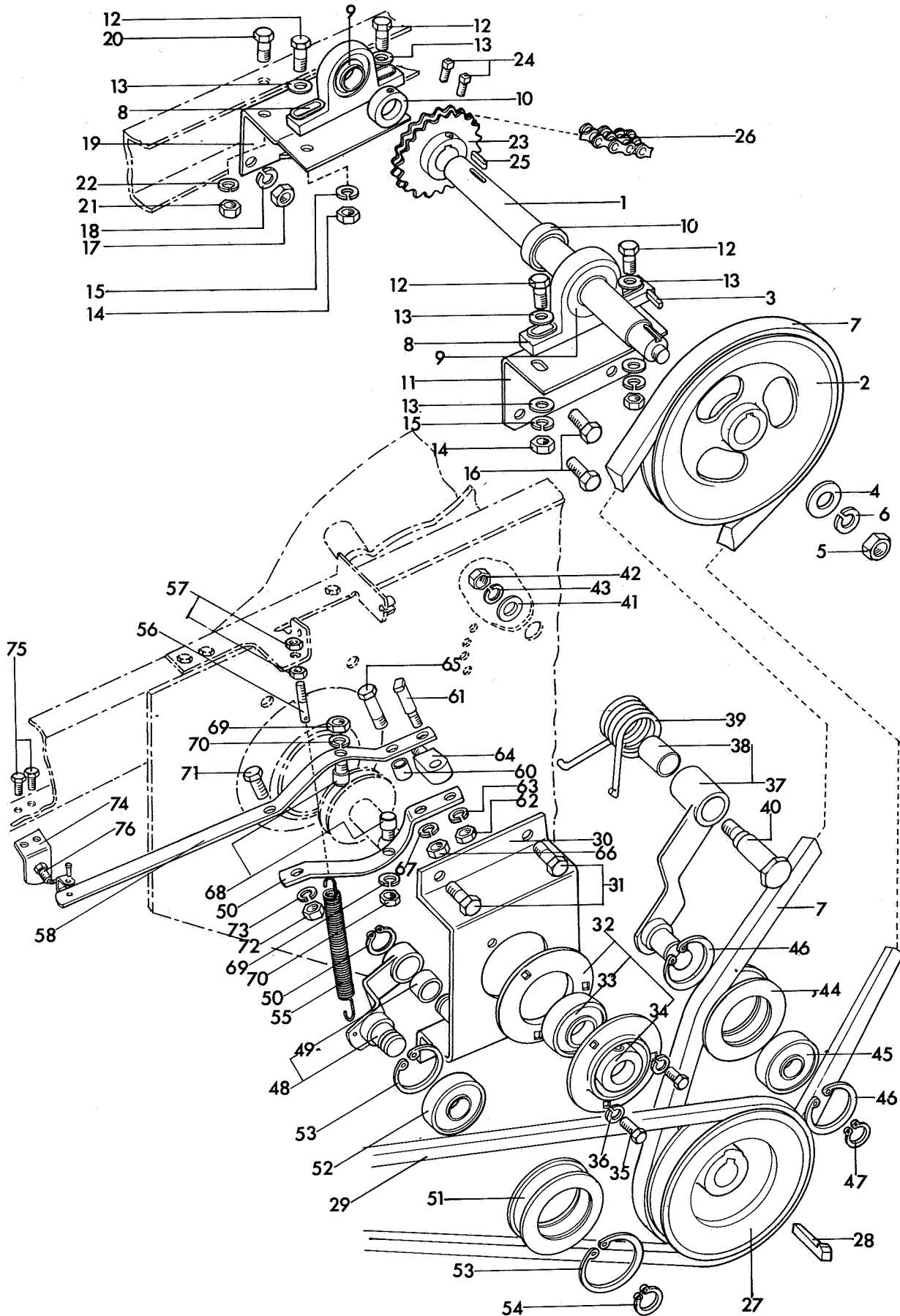
Contd.

MOTOR TRIPLE MK4M



REF	RANSOMES PART NO	COMPUTER PART NO	DESCRIPTION	QTY
48	MBA6724	MBA6724	Transport Link RH	1
49	GSF1042HR	455000573	Spirol Pin	2
50	MBA2913	MBA2913	Locking Plate	2
51	MBA2784	MBA2784	Distance Piece	2
52	GSF2002CF	456010226	Screw	2
53	GSF2051AB	450020053	Nut	2
54	MBA2889	MBA2889	Lifting Arm	2
55	GSF1042HR	455000573	Spirol Pin	4
56	LMSD492	LMSD492	Front Lifting Brkt Assy.	2
57	H990044	680001056	Foot	1
58	GSF3600AN	640000737	O Ring	2
59	GSF2540AC	842000044	Lubricator	2
60	GSF2002EH	456010420	Bolt	4
61	GSF2051AC	450020087	Nut	4
62	GSF2164J	452200087	S.L.Washer	4
63	MBA6716	MBA6716	Mounting Brkt RH	2
64	MBA6715	MBA6715	Mounting Brkt LH	2
65	GSF2007CK	456050113	Screw	4
66	GSF2002EH	456010420	Screw	4
67	GSF2051AC	450020087	Nut	8
68	GSF2164J	452200087	S.L.Washer	8
69	MBB0215	MBB0215	Torsion Spring Collar	4
70	MBB0248A	MBB0248A	Torsion Spring RH	2
71	MBB0249A	MBB0249A	Torsion Spring LH	2
72	GSF2002JE	456010789	Screw	4
73	GSF2150G	452000449	Washer	4
74	MBA6741B	MBA6741B	Lifting Frame	2
75	GSF3002ZR	590001065	Bush	4
76	GSF3002UR	590002655	Bush	4
77	MBA2872	483183700	Torsion Shaft	2
78	GSF2001GT	451030497	Bolt	4
79	GSF2150F	452000384	Washer	4
80	GSF2051AD	450020118	Nut	4
81	GSF2164K	452200142	S.L.Washer	4
82	GSF2001ER	451030382	Bolt	4
83	GSF2150E	452000326	Washer	4
84	GSF2051AC	450020087	Nut	4
85	GSF2164J	452200087	S.L.Washer	4
86	MBA2892	890011826	Lifting Cable	2
87	GSF2001EG	451031215	Bolt	4
88	GSF2150E	452000326	Washer	4
89	GSF2051AC	450020087	Nut	4
90	GSF2164J	452200087	S.L.Washer	4

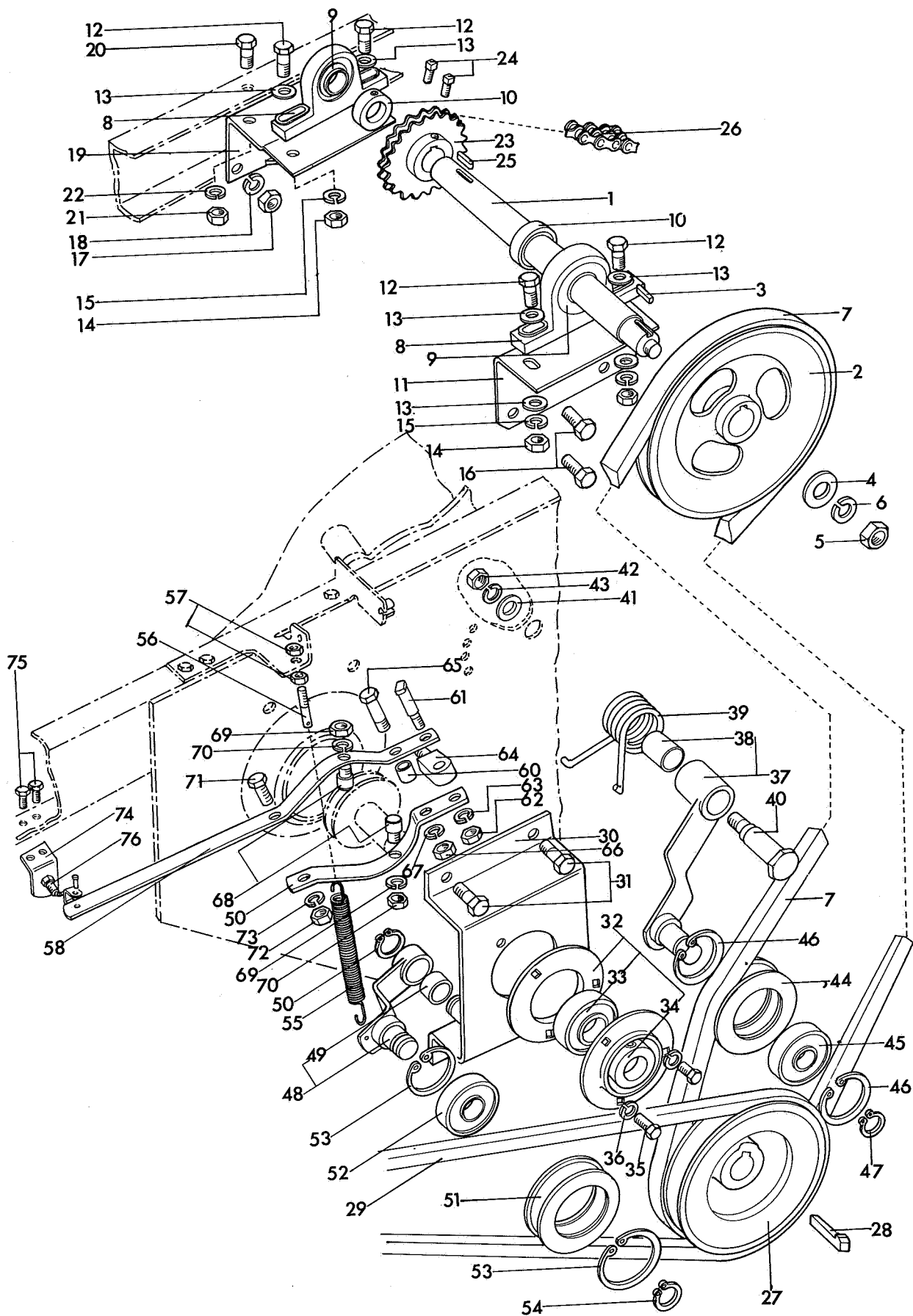
* Not Illustrated



REF	RANSOMES PART NO	COMPUTER PART NO	DESCRIPTION	QTY
1	MBA2984	MBA2984	Front Layshaft	1
2	MBA2986	MBA2986	Pulley	1
3	GSF2201DH	453001323	Key	1
4	GSF2150G	452000449	Washer	1
5	GSF2051AE	450020142	Nut	1
6	GSF2164L	452200168	S.L.Washer	1
7	GSF3506QH'	644001428	Vee Belt	1
8	H003183	829001706	Pillow Block Bearing	2
9	H003147	829000996	Bearing	1
10	H009054	829000912	Lock Collar	1
11	MBB3873	MBB3873	Bearing Bracket RH	1
12	GSF2001EF	451030332	Bolt	4
13	GSF2150E	452000326	Washer	6
14	GSF2051AC	450020087	Nut	4
15	GSF2164J	452200087	S.L.Washer	4
16	GSF2002EE	456010365	Screw	3
*	GSF2002EG	456010420	Screw (Bearing Brkt) RH	1
17	GSF2051AC	450020087	Nut	4
18	GSF2164J	452200087	S.L.Washer	4
19	MBB3874	MBB3874	Bearing Bracket LH	1
20	GSF2002EE	456010365	Screw	4
21	GSF2051AC	450020087	Nut	4
22	GSF2164J	452200087	S.L.Washer	4
23	MBA2985	MBA2985	Chain Wheel	1
24	GSF2017NC	456060132	Screw	2
25	GSF2202EX	453003341	Key	1
26	A311082	003110820	Chain	1
*	A381102	003811024	Connecting Link	1
27	MBA2797	MBA2797	Double Pulley	1
28	GSF2229FF	453201432	Key	1
29	GSF3506NG	644001410	Vee Belt	1
30	MBA3177Z	MBA3711Z	Extension Housing	1
31	GSF2002EE	456010365	Screw	4
*	GSF2051AC	450020087	Nut	4
*	GSF2164J	452200087	S.L.Washer	4
32	H003142	829000491	Flangette Bearing	1
33	H003155	829000988	Bearing	1
34	H009053	829000904	Locking Collar	1
35	GSF2002CB	456010161	Screw	3
36	A151008	001510088	S.L.Washer 8mm	3
*	GSF2051AB	450020053	Nut	3
*	GSF2150D	452000261	Washer	3
37	MBB2746	MBB2746	Jockey Arm	1

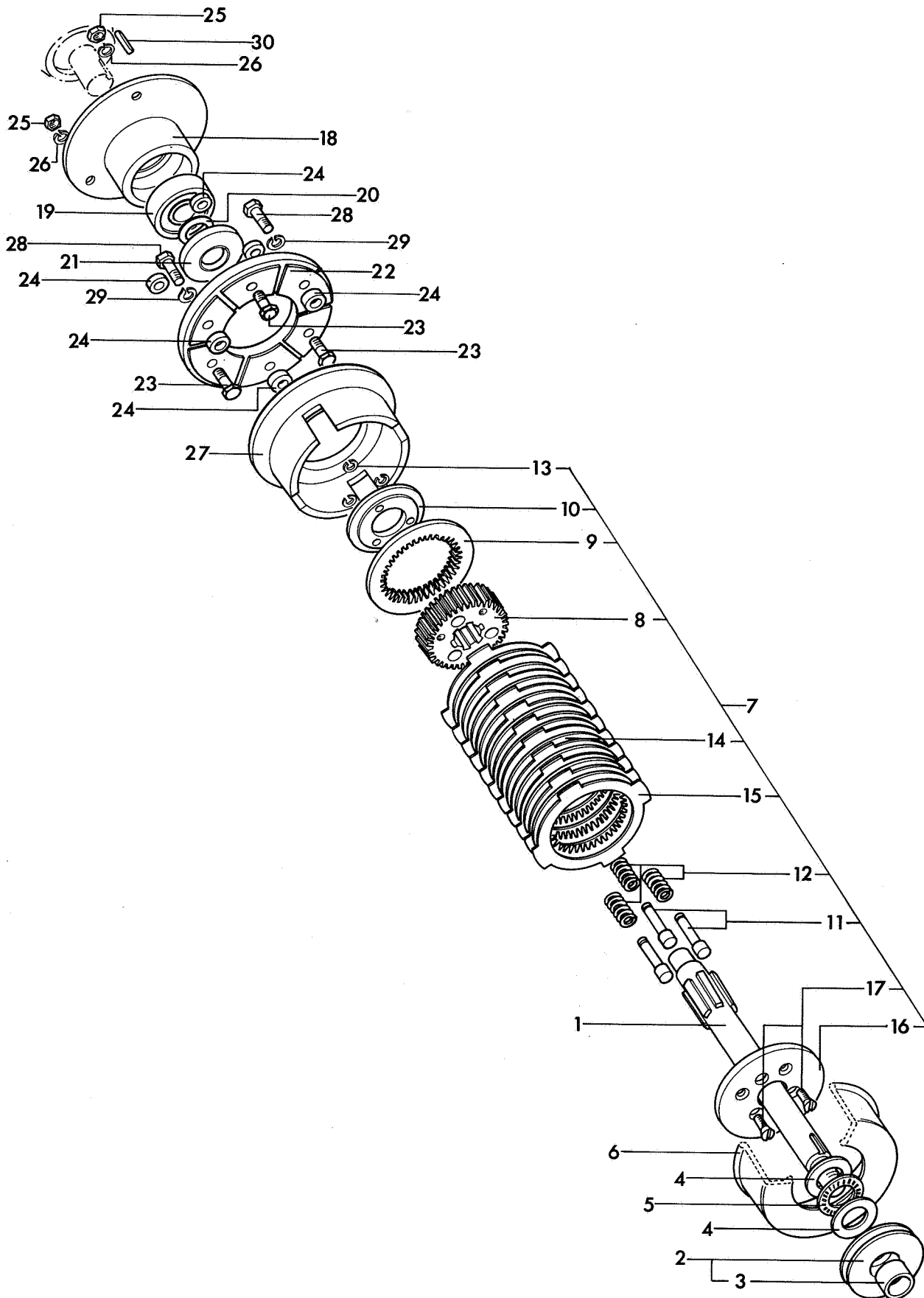
contd.

* Not Illustrated



REF	RANSOMES PART NO	COMPUTER PART NO	DESCRIPTION	QTY
38	GSF3002LH	590002451	Bush	2
39	MBA2995	461500057	Torsion Spring	1
40	MBA2994	MBA2994	Pivot Pin	1
41	GSF2150F	452000384	Washer	1
42	GSF2051AD	450020118	Nut	1
43	GSF2164K	452200142	S.L.Washer	1
44	MBB2748	MBB2748	Jockey Pulley	1
45	A203604	002036049	Bearing	1
46	A170047	001700479	Circlip	2
47	A171020	001710202	Circlip	1
48	MBB2749	MBB2749	Jockey Arm	1
49	GSF3002DH	590002427	Bush	1
50	A171016	001710163	Circlip	1
51	MBB2748	MBB2748	Jockey Pulley	1
52	A203604	002036049	Bearing	1
53	A170047	001700479	Circlip	2
54	A171020	001710202	Circlip	1
55	MBC8450	461006469	Spring	1
56	MBB0149	MBB0149	Eyebolt	1
57	GSF2051AA	450020037	Nut	2
58	MBA4451	MBA4451	Clutch Arm Top Half	1
59	MBA4185	MBA4185	Clutch Arm Bottom Half	1
60	MBA2829	MBA2829	Distance Piece	1
*	GSF2052AE	450020281	Nut	1
*	GSF2164L	452200168	S.L.Washer	1
61	MBA4452	MBA4452	Pivot Pin	1
62	GSF2051AB	450020053	Nut	1
63	A151008	001510088	S.L.Washer 8mm	1
64	MBA2826	MBA2826	Pivot	1
65	GSF2001CG	451031697	Bolt	1
66	GSF2051AB	450020053	Nut	1
67	A151008	001510088	S.L.Washer	1
68	MBA2831	MBA2831	Clutch Pin	2
69	GSF2051AB	450020053	Nut	2
70	A151008	001510088	S.L.Washer 8mm	2
71	GSF2002CE	456010218	Screw	1
72	GSF2051AB	450020053	Nut	1
73	A151008	001510088	S.L.Washer 8mm	1
74	MBB6178	MBB6178	Stop	1
75	GSF2002AD	456010098	Screw	2
*	GSF2051AA	450020037	Nut	2
*	GSF2163G	452200029	S.L.Washer	2
76	MBA2834	MBA2834	Clutch Cable	1

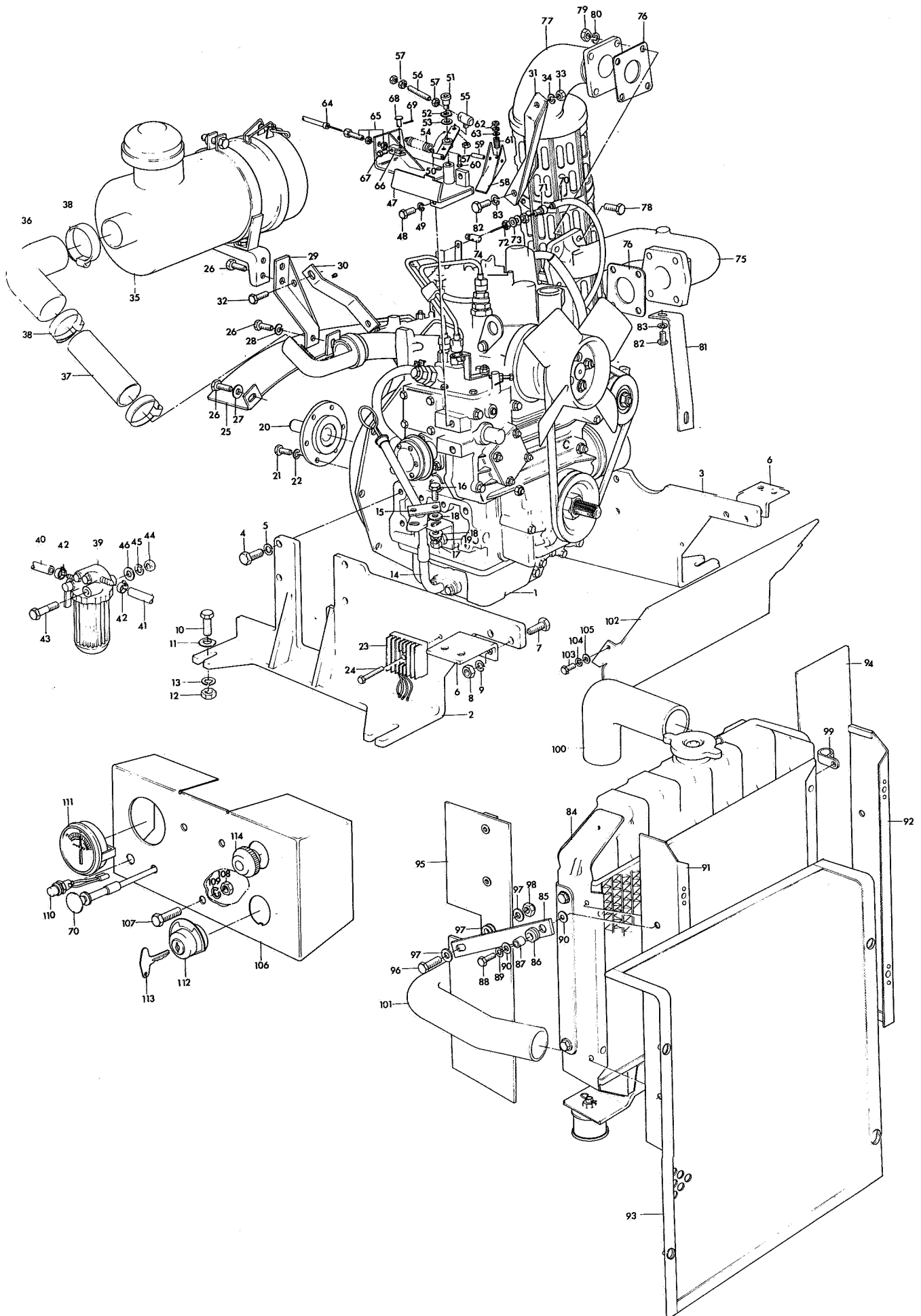
* Not Illustrated



REF	RANSOMES PART NO	COMPUTER PART NO	DESCRIPTION	QTY
1	MBA2785A	MBA2785A	Input Shaft	1
2	MBA2795	MBA2795	Operating Sleeve	1
3	GSF3002SJ	590002891	Bush	1
4	H002500	833000313	Thrust Race	2
5	H002501	832000338	Needle Thrust Bearing	1
6	MBA3059	MBA3059	Sealing Gaiter	1
7	LMSD019	LMSD019	Drive Clutch Assy.	1
8	MBA2788	MBA2788	Hub	1
9	MBA2789	MBA2789	Pressure Plate	1
10	MBA2787	MBA2787	Retaining Plate	1
11	MBA2793	MBA2793	Plunger	3
12	GSF2240EF	461101746	Spring	3
13	H087003	461400801	Circlip	3
14	MBA2791	690010133	Counter Face Plate	10
15	MBA2790	690010141	Friction Plate	11
16	MBA2792	MBA2792	Hub Plate	1
17	LSO2521D	456050202	Screw C'sk Hd.	3
18	MBA2780	MBA2780	Coupling	1
19	A203304	002033041	Bearing	1
20	MBA2798	MBA2798	Thrust Washer	1
21	H011073	870002554	Oil Seal	1
22	MBA2783	MBA2783	Flexible Coupling	1
23	GSF2001CF	451021029	Bolt	3
24	MBA2784	MBA2784	Distance Piece	6
25	GSF2051AB	450020053	Nut	3
26	A151008	001510088	S.L.Washer 8mm	3
27	MBA2786	MBA2786	Barrel	1
28	GSF2001CF	451031029	Bolt	3
29	A151008	001510088	S.L.Washer 8mm	3
30	GSF2218DF	453005165	Key	1

* Not Illustrated

MOTOR TRIPLE MK4M

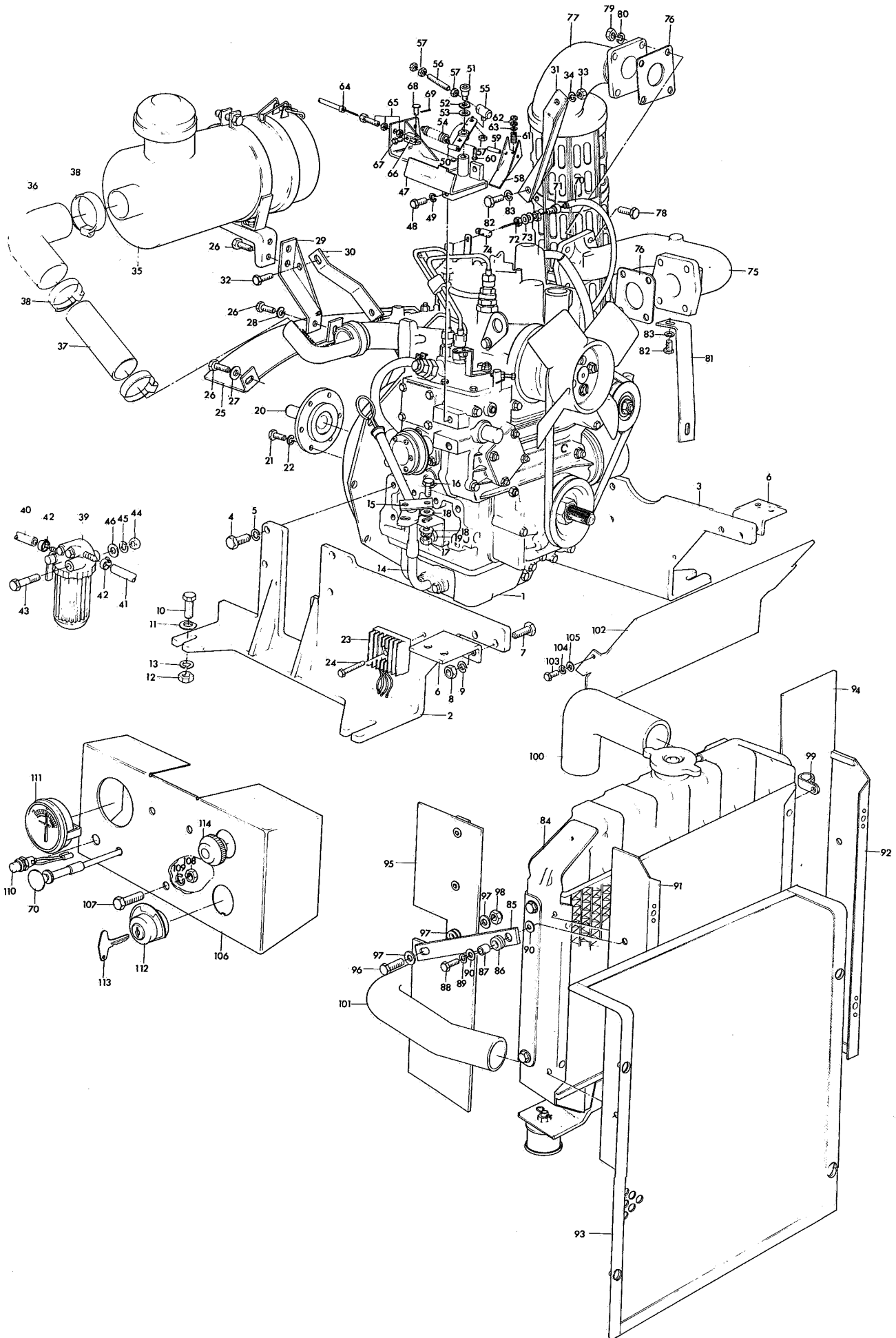


REF	RANSOMES PART NO	COMPUTER PART NO	DESCRIPTION	QTY
1	A682002	006820024	Engine (Kubota Z600-B)	1
2	MBB9504	MBB9504	Engine Bearer Rear	1
3	MBB9508	MBB9508	Engine Bearer Front	1
4	A119021	001190212	Screw M10 x 25	8
5	A151010	001510101	S.L.Washer 10mm	8
6	MBB9732	MBB9732	Bracket (Radiator)	2
7	A110305	001103051	Screw M8 x 25	4
8	A130008	001300081	Nut M8	4
9	A150008	001500085	Washer 8mm	4
10	GSF2001JE	456010705	Screw	4
11	GSF2154PE	452100132	Washer	4
12	GSF2051AE	450020142	Nut	4
13	GSF2164L	452200168	S.L.Washer	4
14	MBB9530	MBB9530	Dip Stick Guide	1
*	A682003	006820032	Gasket	1
15	MBB9515	MBB9515	Link Plate	1
16	A110305	001103051	Screw M8 x 25	1
17	A130008	001300081	Nut M8	1
18	A150008	001500085	Washer 8mm	2
19	A151008	001510088	S.L.Washer 8mm	1
20	MBC9117	MBC9117	Engine Shaft	1
*	GSF2218DL	453005246	Key	1
*	A133316	001333169	Stiffnut M16	1
*	MBC9133	MBC9133	Washer	1
21	A110304	001103043	Screw M8 x 20	6
22	A151008	001510088	S.L.Washer 8mm	6
23	Ex Kubota		Rectifier	1
24	A110208	001102089	Screw M6 x 40	1
*	A130006	001300065	Nut M6	2
*	A150006	001500069	Washer 6mm	2
*	A151006	001510062	S.L.Washer 6mm	2
25	MBB9522	MBB9522	Guard Flywheel	1
26	A110304	001103043	Screw M8 x 20	5
*	A130008	001300081	Nut M8	3
27	A150008	001500085	Washer 8mm	5
28	A151008	001510088	S.L.Washer	5
29	MBB9586	MBB9586	Bracket	1
30	MBB9529	MBB9529	Stay	1
31	MBB9862	MBB9862	Exhaust Stay	1
32	A110305	001103051	Screw M8 x 25	1
33	A130008	001300081	Nut M8	1
34	A151008	001510088	S.L.Washer 8mm	1
35	Ex Kubota		Air Cleaner with Clamp and bracket	1
*	A819022	008190227	Element	1
36	MBB9598	MBB9598	Elbow	1
37	MBB9591	MBB9591	Tube	1
38	A192260	001922609	Hose Clip	2
39	Ex Kubota		Fuel Filter	1
40	H030085BK	H030085BK	Fuel Pipe (Tank to Filter)	1

Contd.

* Not Illustrated

MOTOR TRIPLE MK4M

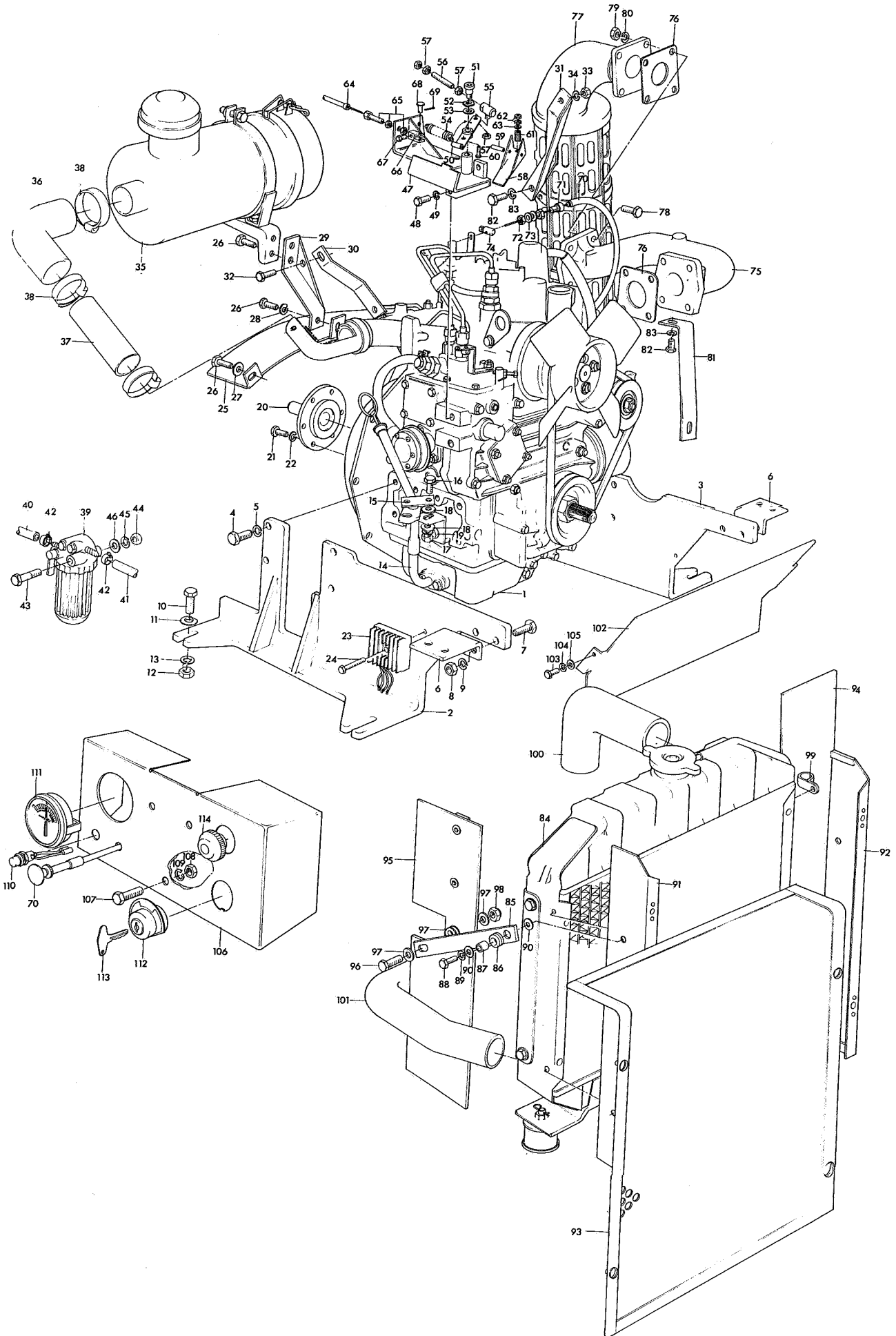


REF	RANSOMES PART NO	COMPUTER PART NO	DESCRIPTION	QTY
41	H030085CM	H030085CM	Fuel Pipe (Filter to Engine)	1
42	A192212	001922120	Hose Clip	4
*	H980054	469016915	Clip (for Ref.41)	1
*	A110294	001102940	Screw M6 x 12	1
*	A130006	001300065	Nut M6	1
*	A151006	001510062	S.L.Washer 6mm	1
*	A150006	001500069	Washer 6mm	2
43	GSF2001CP	451030269	Bolt	1
44	GSF2051AB	450020053	Nut	1
45	A151008	001510088	S.L.Washer 8mm	1
46	A150008	001500085	Washer 8mm	1
47	MBB9719	MBB9719	Control Bracket	1
48	A110396	001103962	Screw M8 x 16	1
49	A151008	001510088	S.L.Washer 8mm	1
50	MBB9329	MB9329	Lever	1
51	A119034	001190343	Shoulder Screw M8	1
52	A159914	001599141	S.P.Washer 10mm	1
53	A150010	001500108	Washer 10mm	1
54	A290068	002900686	Spring	1
55	A814501	008145010	Ball Joint	1
56	MBB9714	482062420	Rod	1
57	A130006	001300065	Nut M6	4
58	MBB9327	MBB9327	Lever	1
59	A141072	001410727	Tension Pin	1
60	GSF1975EP	456400190	Bolt	1
61	GSF2240CP	461000196	Spring	1
62	GSF1980AB	450420077	Nut	2
63	GSF2160E	452000928	Washer	1
64	MBA6262	890013705	Speed Control Cable	1
65	A811014	008110142	Adjuster	1
66	MBB9820	MBB9820	Clevis	1
67	GSF1971CF	456430034	Screw	1
68	GSF1045CC	454400300	Pin	1
69	GSF1030CE	454000069	Split Pin	1
70	A906011	009060112	Decompressor Cable	1
*	GSF2051AC	450020087	Nut	1
71	H300090	804103074	Cable Adjuster	1
72	GSF1980BA	450420043	Nut	2
73	GSF2160R	452000164	Washer	2
74	H300403	804100288	Solderless Nipple	1
75	MBB9587	MBB9587	Exhaust Manifold	1
76	A682004	006820040	Gasket	2
77			Exhaust & Guards	1
78	A110306	001103069	Screw M8 x 30	4
79	A130008	001300081	Nut M8	4
80	A151008	001510088	S.L.Washer 8mm	4

Contd.

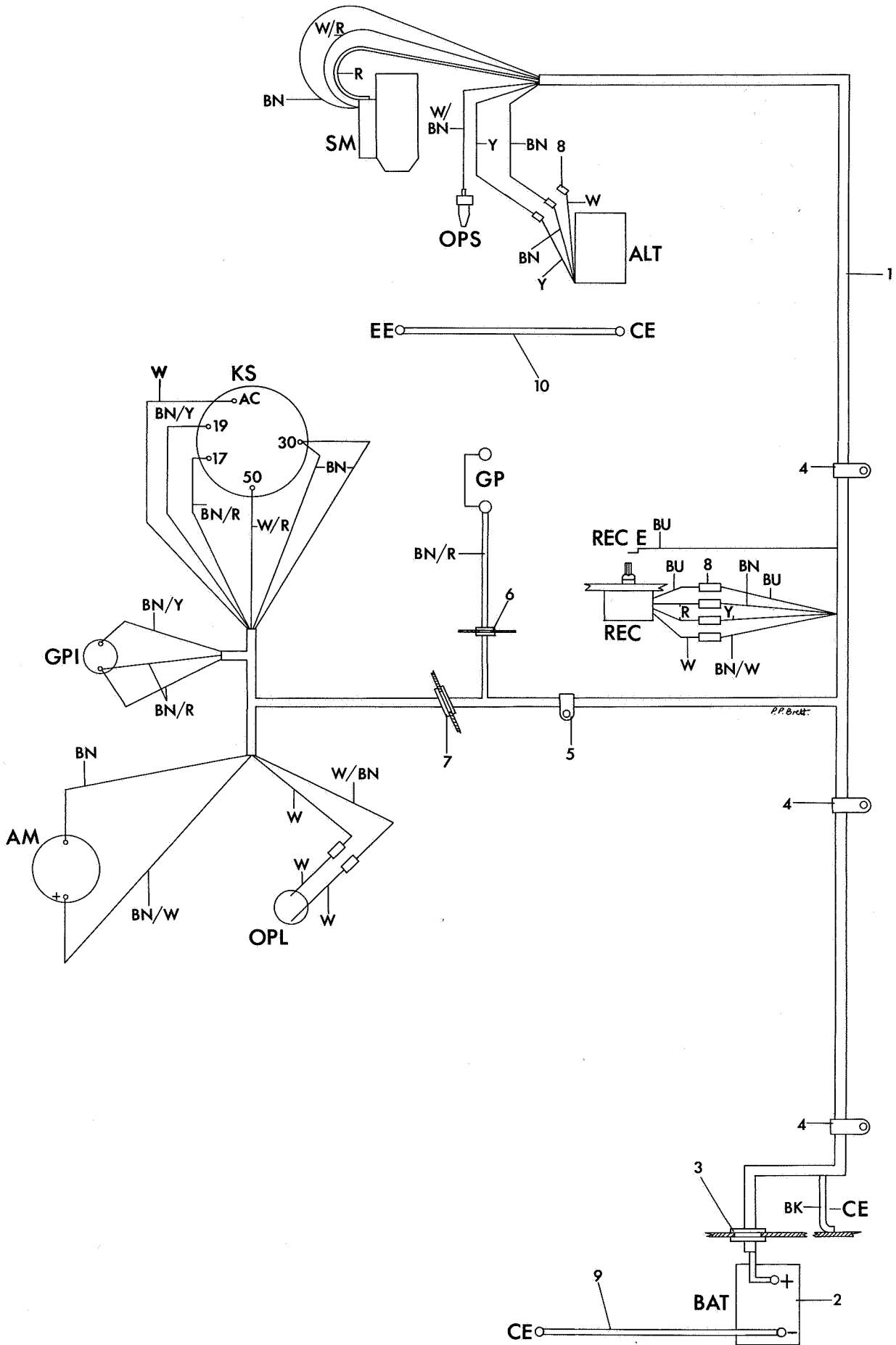
* Not Illustrated

MOTOR TRIPLE MK4M



REF	RANSOMES PART NO	COMPUTER PART NO	DESCRIPTION	QTY
81	MBB9863A	MBB9836A	Exhaust Stay	1
82	A110396	001103962	Screw M8 x 16	2
83	A151008	001510088	S.L.Washer 8mm	2
*	A150008	001500085	Washer 8mm	2
84	EX KUBOTA		Radiator & Mounting	1
*	MBB9827	MBB9827	Drain Tube	1
85	MBB9578	MBB9578	Stay	1
86	H091026	649003140	Grommet	1
87	MBB9579	483062015	Bush	1
88	A110205	001102055	Screw M6 x 25	1
89	A151006	001510062	S.L.Washer 6mm	1
90	A150006	001500069	Washer 6mm	2
	LMSD921	LMSD921	Radiator Guard Assy.	1
91	MBB9859	MBB9859	Side Panel RH	1
92	MBB9858	MBB9858	Side Panel LH	1
93	MBB9335	MBB9335	Radiator Mesh Guard	1
94	MBB9988	MBB9988	Guard	1
95	MBB9990	MBB9990	Guard	1
96	A110306	001103069	Screw M8 x 30	1
*	A151008	001510088	S.L.Washer	1
97	A150008	001500085	Washer 8mm	4
98	A133208	001332082	Stiffnut M8	1
99	H980031	469016517	Clip	1
100	EX KUBOTA		Top Hose	1
101	EX KUBOTA		Bottom Hose	1
102	MBB9636A	MBB9636A	Engine Guard	1
103	A110194	001101944	Screw M5 x 12	2
104	A151005	001510054	S.L.Washer 5mm	2
105	A150005	001500051	Washer 5mm	2
106	MBB9593	MBB9593	Instrument Panel (Before KDO8840)	1
107	GSF2002CF	456010226	Screw	3
108	GSF2051AB	450020053	Nut	6
109	A151008	001510088	S.L.Washer 8mm	3
110	A905286	009052860	Lamp Holder Assy.	1
*	A823202	008232029	Bulb	1
111	MBA2508	720000339	Ammeter	1
112	EX KUBOTA		Key Switch	1
113	EX KUBOTA		Key	1
114	EX KUBOTA		Glow Plug Indicator	1
*	A909062	009090624	Connecting Link (in place of Ref.70)	1
LATER MODELS				
*	MBC1732A	MBC1732A	Instrument Panel (After Machine KDO8840)	1
*	A295212	002952120	Grommet	1
*	A295208	002952081	Grommet	2
*	H091039	642000268	Grommet	1

* Not Illustrated



REF	RANSOMES PART NO	COMPUTER PART NO	DESCRIPTION	QTY
1	A905215	009052153	Wiring Harness	1
2	H499601	740001066	Battery	1
*	GSF3100DC	513310093	Screw	2
*	GSF3121AB	511120040	Nut	2
*	GSF3221D	512000085	Washer	2
3	H091049	642000315	Grommet	1
4	H980031	469016517	Clip	3
*	A110396	001103962	Screw M8 x 16	1
*	A150008	001500085	Washer 8mm	1
*	A151008	001510088	S.L.Washer 8mm	1
*	A130008	001300081	Nut M8	1
5	H410008	680000660	Clip	1
*	A112096	001120960	Screw M4 x 16	1
*	A130004	001300049	Nut M4	1
*	A151004	001510046	Washer 4mm	1
6	A295000	002950005	Grommet	1
7	H091024	642000234	Grommet	1
8	H410002	790001443	Connector	7
9	MBA4170A	MBA4170A	Battery Lead	1
*	A110208	001102089	Screw	2
*	A130006	001300065	Nut	2
*	A151006	001510062	S.L.Washer	2
*	A150006	001500069	Washer	2
10	A905261	009052616	Earth Cable	1
*	H499802	680001941	Cable Tie	3

e

WIRING DETAILS

DESTINATION

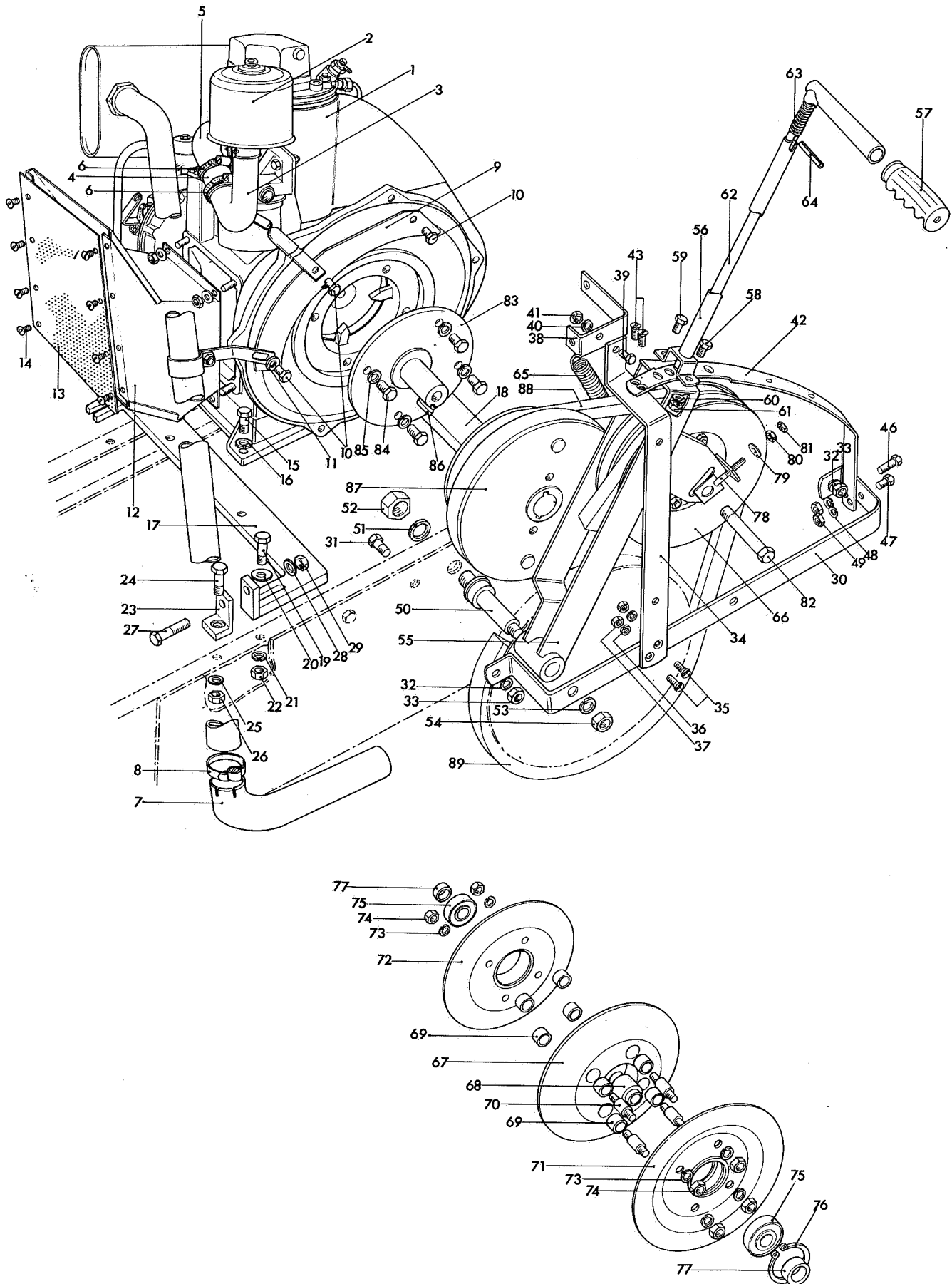
AM Ammeter
 ALT Alternator
 BAT Battery
 CE Chassis Earth
 GP Glow Plugs
 GPI Glow Plug Indicator
 KS Key Switch
 OPL Oil Pressure Light
 OPS Oil Pressure Switch
 REC Rectifier
 REC.E Rectifier Earth
 SM Starter Motor

COLOUR CODE

BK Black
 BN Brown
 BU Blue
 R Red
 W White
 Y Yellow

* Not Illustrated

MOTOR TRIPLE MK4M



PRIMARY DRIVE (DIESEL ENGINE)

LIST OF PARTS

For Motasacoche and Deutz use collumn A

For Kubota use column B

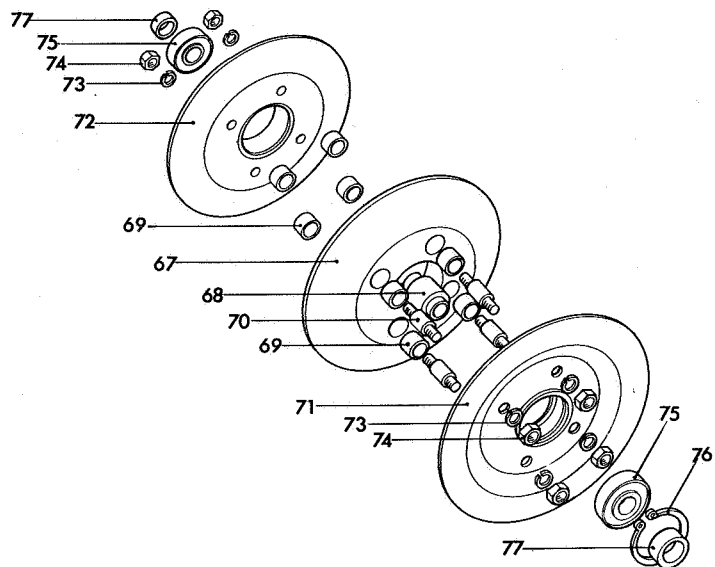
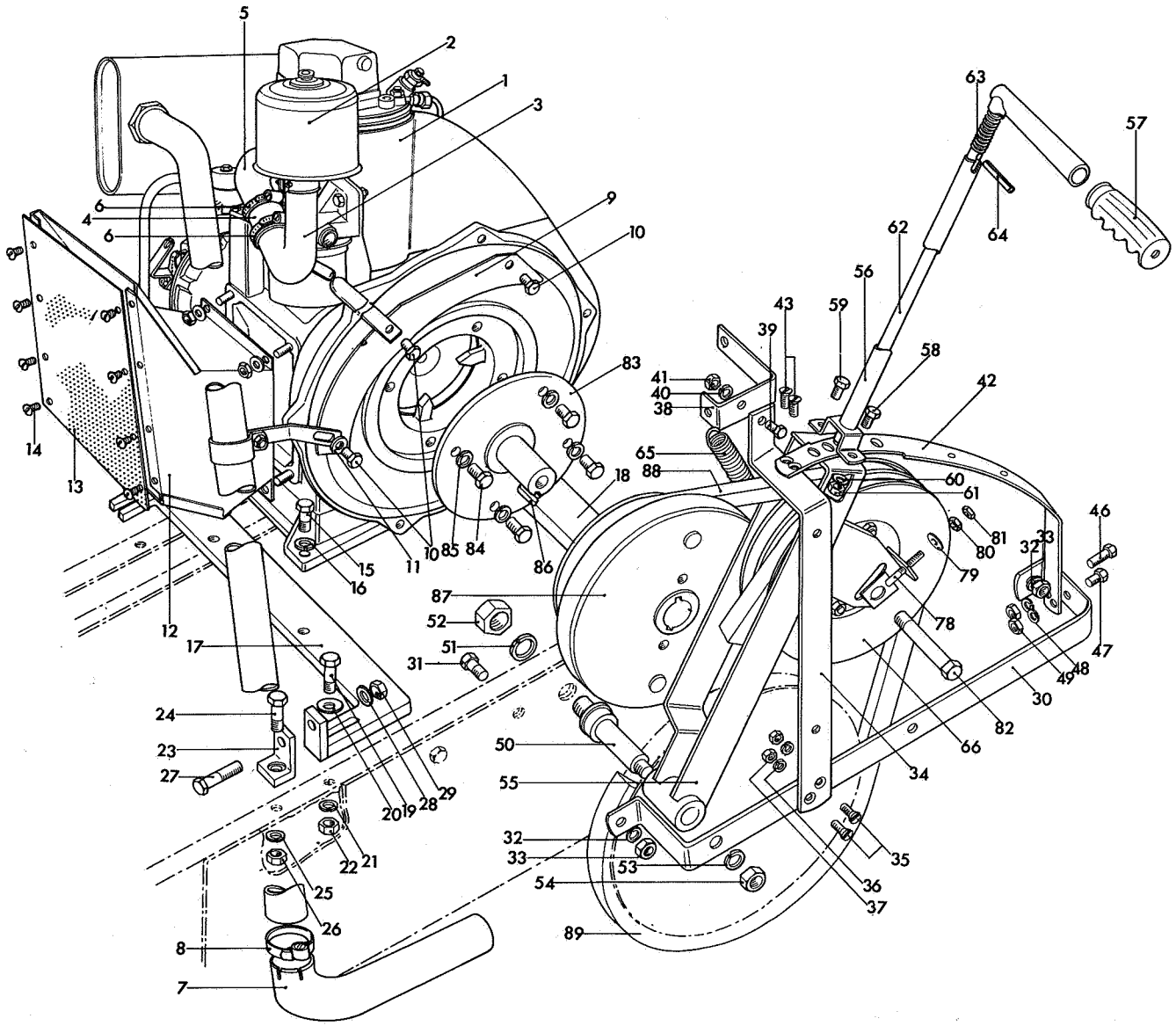
+ For Engine spares see Manufacturers parts list

(Motosacoche Type 1057 DRT) (Deutz FIL 210 D)

REF	RANSOMES PART NO	COMPUTER PART NO	DESCRIPTION	QTY	
				A	B
1	H111156 +	801000380	Eng.Complete (MAG1057 DRT)	1	
*	A660000 +	006600008	Eng.Complete (Duetz FIL 210 D)	1	
2	H190024	802000810	Air Cleaner	1	
3	MBB0139	MBB0139	Air Cleaner Pipe	1	
4	MBB0138	362000709	Connection	1	
5	H111382	809314195	Air Intake	1	
6	A192054	001920542	Hose Clip	2	
7	MBA6119	809001473	Exhaust Extension	1	
8	GSF2531AK	890009449	Hose Clip	1	
9	MBA4174A	MBA4174A	Flywheel Cover	1	
10	A110405	001104057	Screw M10 x 25	3	
11	A150010	001500108	Washer 10mm	1	
12	MBA6253	MBA6253	Air Intake (MAG 1057 DRT)	1	
*	MBA6253A	MBA6253A	Air Intake (Deutz FIL 210 D)	1	
13	MBA6261A	MBA6261A	End Screen	1	
14	GSF1092EC		Self Tap Screw	8	
15	GSF2002GJ	456011303	Screw Engine Feet	4	
16	GSF2164K	452200142	S.L.Washer	4	
17	MBA6241	MBA6241	Eng.Bearer - Front (MAG 1057 DRT)	1	
*	MBB6695	MBB6695	Eng.Bearer - Front (Duetz FIL 210 D)	1	
18	MBA6242	MBA6242	Eng.Bearer - Rear (MAG 1057 DRT)	1	
*	MBB6694	MBB6694	Eng.Bearer - Rear (Deutz FIL 210 D)	1	
19	GSF2001JH	451030609	Bolt	4	
20	MBA4469	MBA4469	Washer	4	
21	GSF2164L	452200168	S.L.Washer	4	
22	GSF2051AE	450020142	Nut	4	
23	MBA6250	MBA6250	Adjusting Bolt Stop	1	
24	GSF2002EF	456010381	Screw	1	
25	GSF2164J	452200087	S.L.Washer	1	
26	GSF2051AC	450020087	Nut	1	
27	GSF2002EX	456010828	Adjusting Bolt	1	
28	GSF2150E	452000326	Washer	1	
29	GSF2051AC	450020081	Nut	1	
30	MBA2949	MBA2949	Horizontal Bracket	1	1
31	GSF2002EE	456010365	Screw	2	2
32	GSF2164J	452200087	S.L.Washer	2	2
33	GSF2051AC	450020087	Nut	2	2
34	MBA6265	MBA6265	Vertical Bracket	1	1
35	GSF2007BH	456050155	Screw	2	2

Contd.

* Not Illustrated

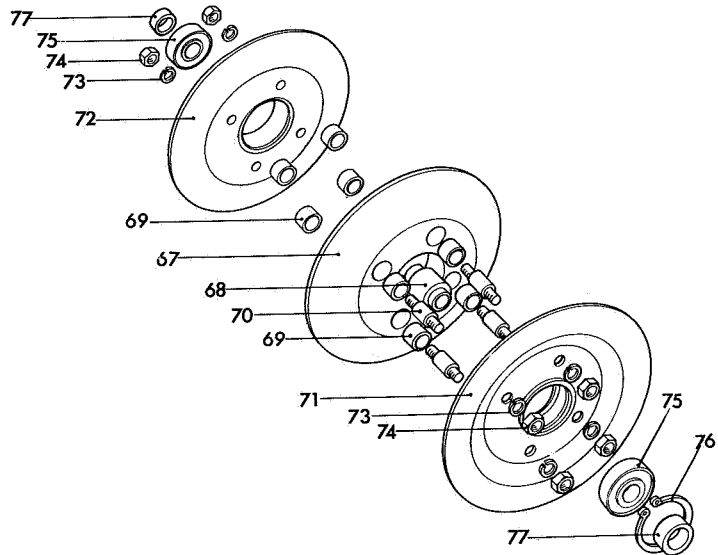
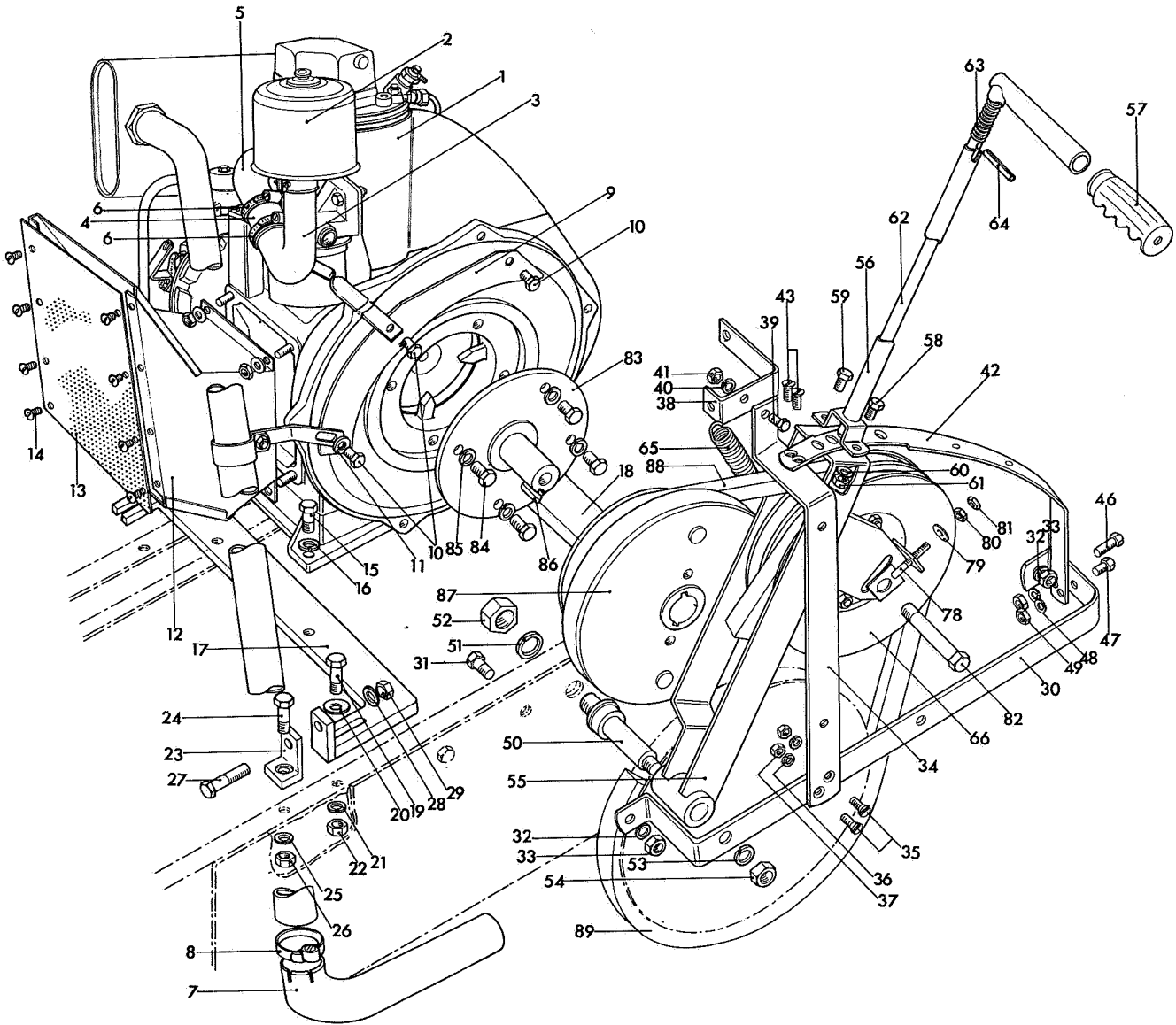


For Motosacoche and Deutz use column A
For Kubota use column B

REF	RANSOMES PART NO	COMPUTER PART NO	DESCRIPTION	QTY	
				A	B
36	A151008	001510088	S.L.Washer 8mm	2	2
37	GSF2051AB	450020053	Nut	2	2
38	MBA6266	MBA6266	Tie Bar	1	1
39	GSF2002CE	456010218	Screw	1	1
40	A151008	001510088	S.L.Washer 8mm	1	1
41	GSF2051AB	450020053	Nut	1	1
42	MBA2951	MBA2951	Quadrant	1	1
43	GSF2007BH	456050155	Screw	2	2
*	A151008	001510088	S.L.Washer 8mm	2	2
*	GSF2051AB	450020053	Nut	2	2
46	GSF2002CK	456010268	Screw	1	1
47	GSF2002CF	456010226	Screw	1	1
48	A151008	001510088	S.L.Washer 8mm	2	2
49	GSF2051AB	450020053	Nut	2	2
50	MBA2958	MBA2958	Pivot Bar	1	1
51	GSF2164P	452200231	S.L.Washer	1	1
52	GSF2051AH	450020207	Nut	1	1
53	GSF2164L	452200168	S.L.Washer	1	1
54	GSF2051AE	450020142	Nut	1	1
55	MBA2953A	MBA2953A	Variator Frame	1	1
56	MBA2960	MBA2960	Handle	1	1
57	H990002	680000791	Handle Grip	1	1
58	GSF2002EF	456010381	Screw	1	1
59	GSF2002EH	456010420	Screw	1	1
60	GSF2164J	452200087	S.L.Washer	2	1
61	GSF2051AC	450020087	Nut	2	2
62	MBA2964	483083708	Plunger	1	1
63	GSF2240GZ	461101770	Spring	1	1
64	GSF1040KQ	455000060	Tension Pin	1	1
65	MBA4470	461006760	Variator Spring	1	1
67	MBA2967A	MBA2967A	Centre Pulley	1	1
68	MBA2970	MBA2970	Spindle	1	1
69	H004028	593000208	Bush	8	8
70	MBA2977Z	MBA2977Z	Pin	4	4
71	MBA4460	MBA4460	Outer Pulley Plate LH	1	1
72	MBA4461	MBA4461	Outer Pulley Plate RH	1	1
73	GSF2164J	452200087	S.L.Washer	8	8
74	GSF2051AC	450020087	Nut	8	8
75	A203604	002036049	Ball Bearing	2	2
76	A170047	001700479	Circlip	1	1
77	MBA2976	MBA2976	Distance Tube	2	2
78	MBA2971A	MBA2971A	Eyebolt	2	2
79	GSF2150C	452000211	Washer	2	2

Contd.

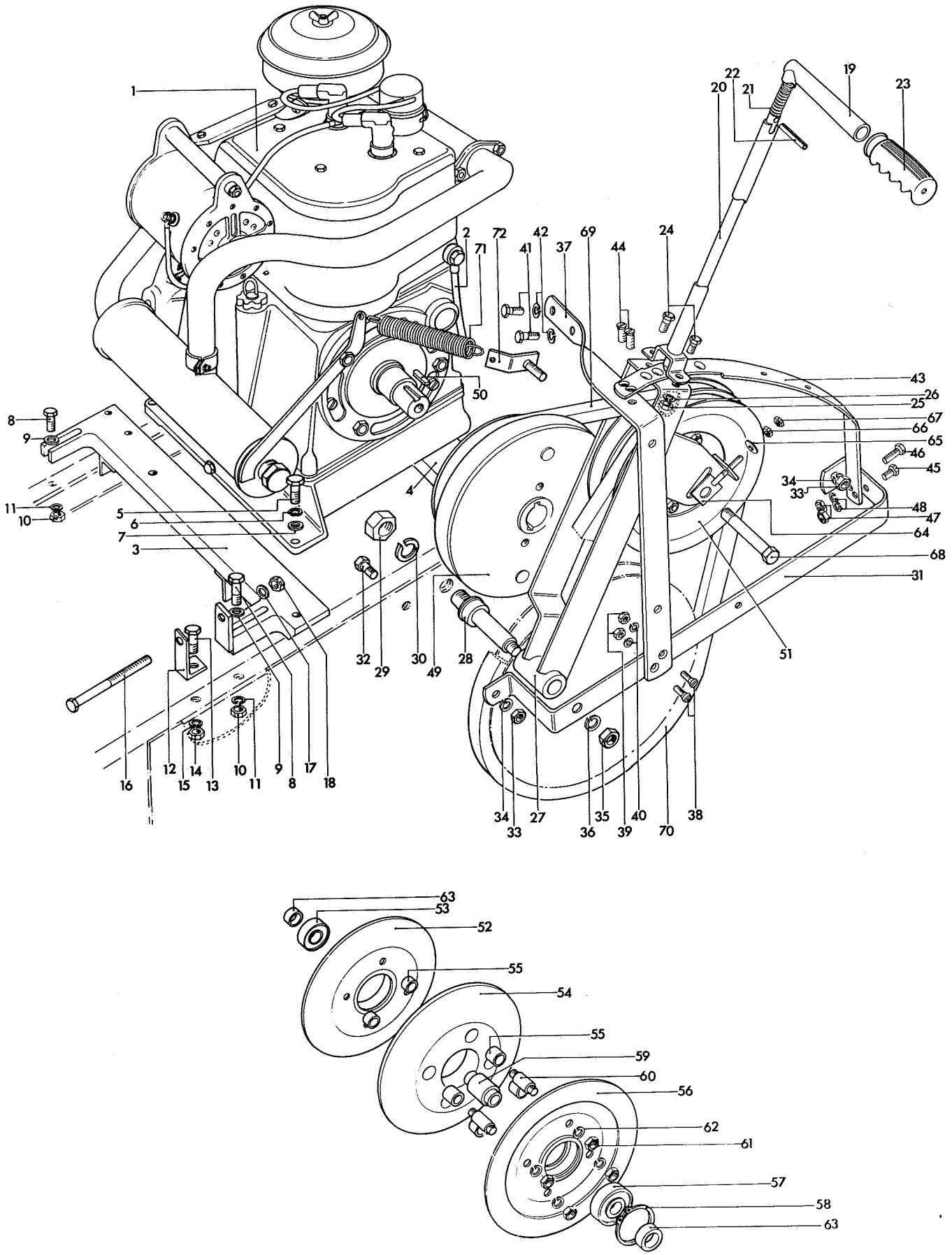
* Not Illustrated



For Motosacoche and Deutz use column A
For Kubota use column B

REF	RANSOMES PART NO	COMPUTER PART NO	DESCRIPTION	QTY	
				A	B
80	GSF2051AA	450020037	Nut	2	2
81	GSF2052AA	450020231	Locknut	2	2
82	GSF2001KM	451030772	Bolt	1	1
*	GSF2164L	452200168	S.L.Washer	1	1
*	GSF2051AE	450020142	Nut	1	1
83	MBA4112	MBA4112	Eng.Shaft (MAG 1057 DRT)	1	
*	MBB6693	MBB6693	Eng.Shaft (Deutz FIL 210 D)	1	
84	A110405	001104057	Screw M10 x 25	4	
85	A151010	001510101	S.L.Washer 10mm	4	
86	GSF2218DF	453005165	Key	1	
87			Eng.Drive Clutch (See Page 43)	1	1
88	MBA4471	MBA4471	Vee Belt - Engine Drive	1	1
89	MBA4472	MBA4472	Vee Belt - Gearbox Drive	1	1

* Not Illustrated

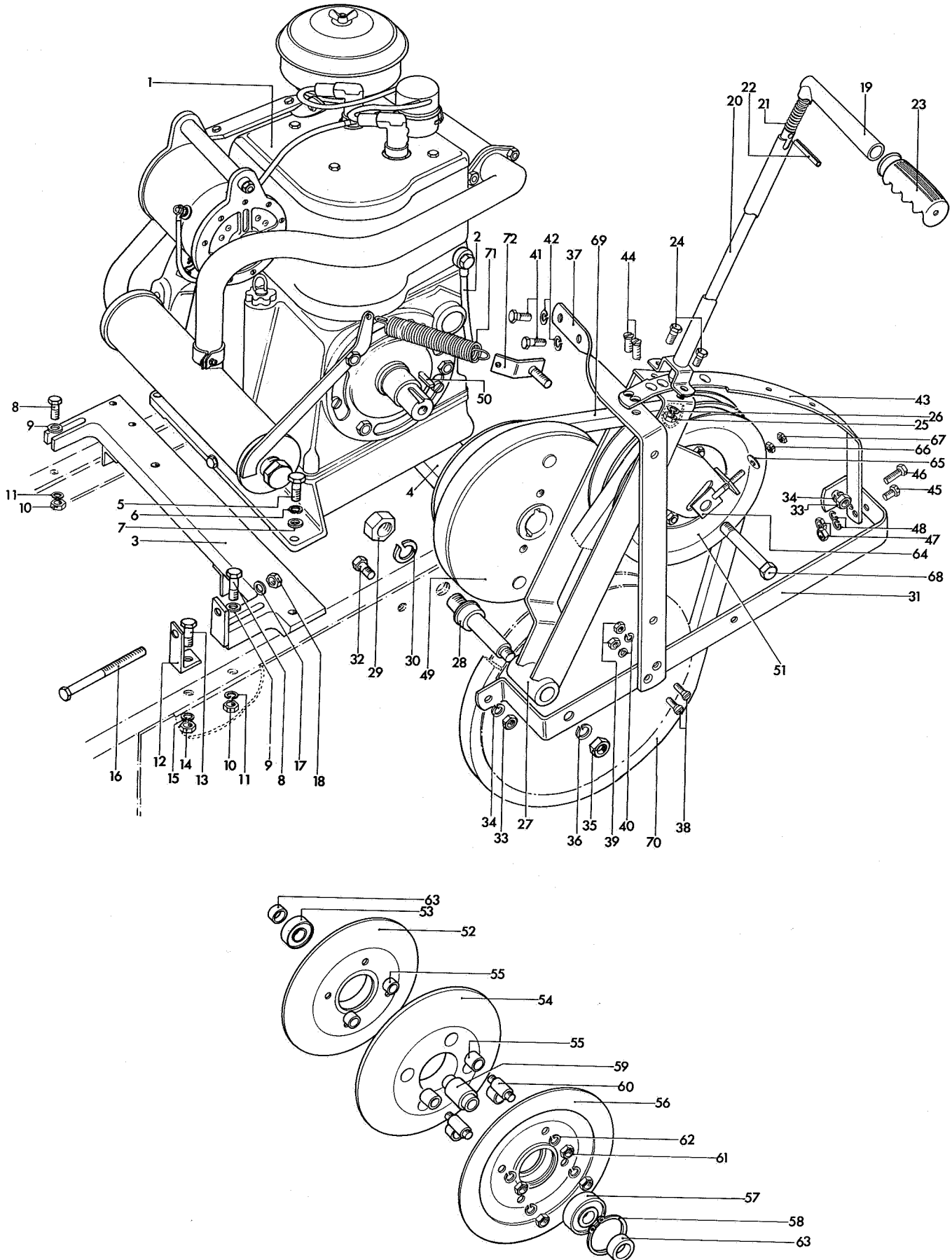


+ For Engine spares see Manufacturers parts list
(Motosacoche Type 2055 SLR)

REF	RANSOMES PART NO	COMPUTER PART NO	DESCRIPTION	QTY
1	H111712 +	801000429	Engine	1
2	H030048	H030048	Hose (Breather Extension)	1
3	MBA4380	MBA4380	Engine Bearer Front	1
4	MBA4383	MBA4383	Engine Bearer Rear	1
5	GSF2001EF	451030332	Bolt	4
6	GSF2164J	452200087	S.L.Washer	4
7	GSF2150E	452000326	Washer	4
8	GSF2001JG	451030609	Bolt	4
9	GSF2154NU	452100548	Washer	4
10	GSF2051AE	450020142	Nut	4
11	GSF2164L	452200168	S.L.Washer	4
12	MBA4384	MBA4384	Adjusting Bolt Stop	1
13	GSF2002EE	456010365	Screw	1
14	GSF2051AC	450020087	Nut	1
15	GSF2164J	452200087	S.L.Washer	1
16	GSF2002ET	456011272	Adjusting Screw	1
17	GSF2150E	452000326	Washer	1
18	GSF2051AC	450020087	Nut	1
19	MBA2960	MBA2960	Handle	1
20	MBA2964	483083708	Plunger	1
21	GSF2240GZ	461101770	Spring	1
22	GSF1040KQ	455000060	Tension Pin	1
23	H990002	680000791	Handle Grip	1
24	GSF2002EF	456010381	Screw	2
25	GSF2051AC	450020087	Nut	2
26	GSF2164J	452200087	S.L.Washer	2
27	MBA2953A	MBA2953A	Frame	1
28	MBA2958	MBA2958	Pivot Bar	1
29	GSF2051AH	450020207	Nut	1
30	GSF2164P	452200231	S.L.Washer	1
31	MBA2949	MBA2949	Horizontal Bracket	1
32	GSF2002EE	456010365	Screw	2
33	GSF2051AC	450020087	Nut	2
34	GSF2164J	452200087	S.L.Washer	2
35	GSF2051AE	450020142	Nut	1
36	GSF2164L	452200168	S.L.Washer	1
37	MBA4110	MBA4110	Vertical Bracket	1
38	GSF2007BH	456050155	Screw	2

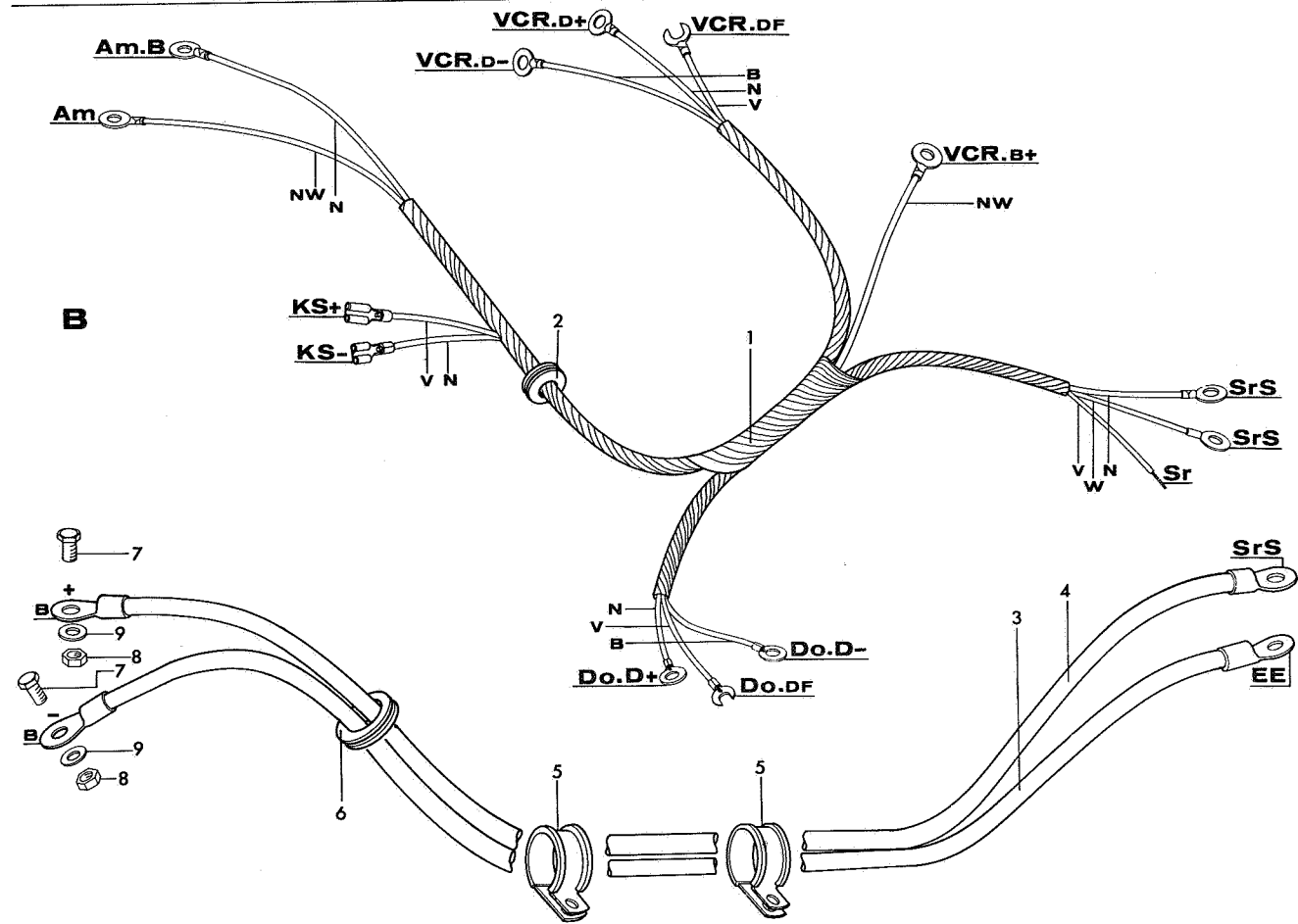
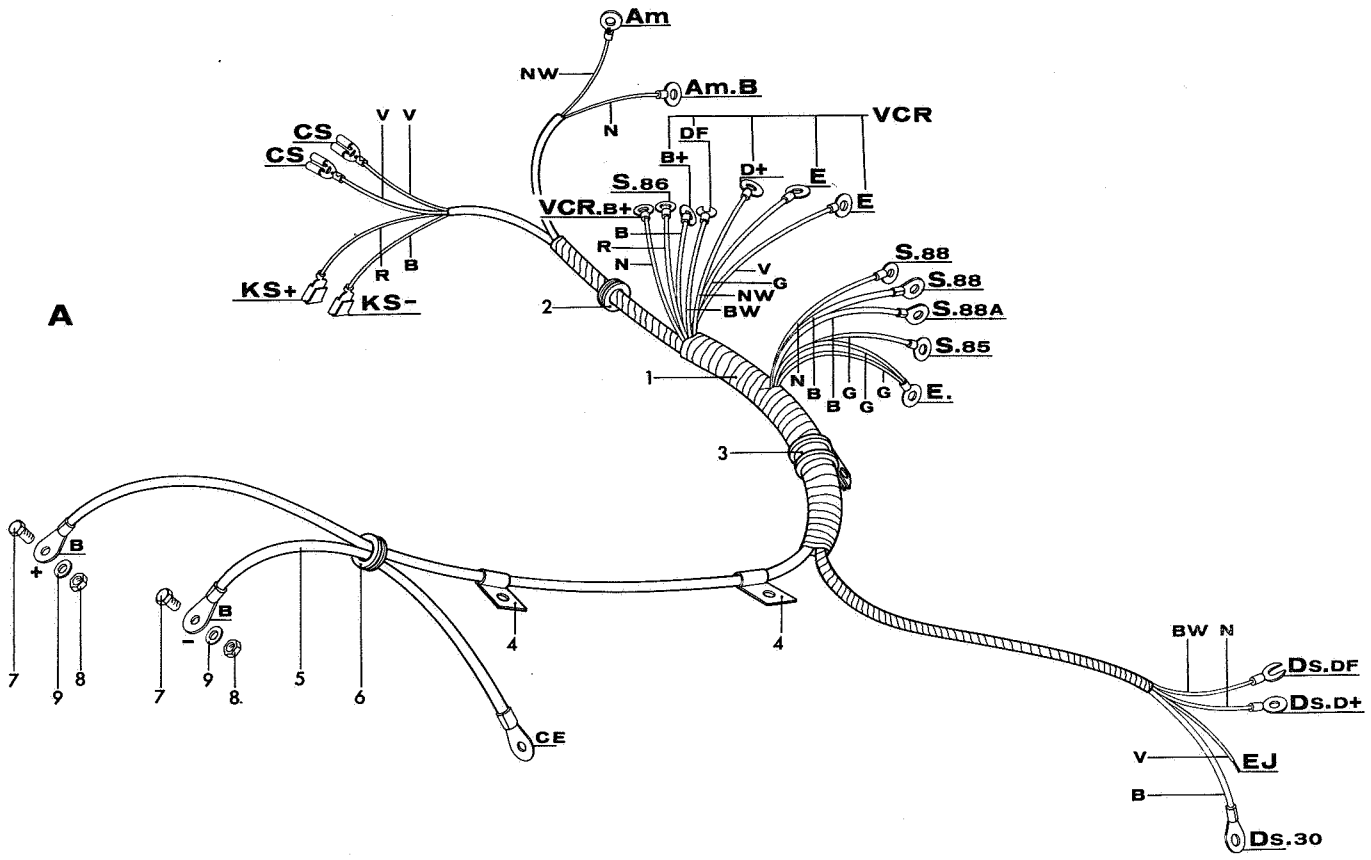
Contd.

* Not Illustrated



REF	RANSOMES PART NO	COMPUTER PART NO	DESCRIPTION	QTY
39	GSF2051AB	450020053	Nut	2
40	A151008	001510088	S.L.Washer 8mm	2
41	GSF2002CE	456010218	Screw	2
42	A151008	001510088	S.L.Washer 8mm	2
43	MBA2951	MBA2951	Quadrant	1
44	GSF2007BH	456050155	Screw	2
*	GSF2051AB	450020053	Nut	2
*	A151008	001510088	S.L.Washer 8mm	2
45	GSF2002CF	456010226	Screw	1
46	GSF2002CK	456010268	Screw	1
47	GSF2051AB	450020053	Nut	2
48	A151008	001510088	S.L.Washer 8mm	2
49			Engine Drive Clutch (See Page 43)	1
50	GSF2218DF	453005165	Key	1
52	MBA4461	MBA4461	Outer Pulley Plate RH	1
53	A203604	002036049	Bearing	1
54	MBA2967A	MBA2967A	Centre Pulley Plate	1
55	H004028	593000208	Bush	8
56	MBA4460	MBA4460	Outer Pulley Plate LH	1
57	A203604	002036049	Bearing	1
58	A170047	001700479	Circlip	1
59	MBA2970	MBA2970	Spindle	1
60	MBA2977Z	MBA2977Z	Pin	4
61	GSF2051AC	450020087	Nut	8
62	GSF2164J	452200087	S.L.Washer	8
63	MBA2976	MBA2976	Distance Tube	2
64	MBA2971A	MBA2971A	Eyebolt	2
65	GSF2150C	452000211	Washer	2
66	GSF2051AA	450020037	Nut	2
67	GSF2052AA	450020231	Locknut	2
68	GSF2001KM	451030772	Bolt	1
*	GSF2051AE	450020142	Nut	1
*	GSF2164L	452200168	S.L.Washer	1
69	MBA4471	MBA4471	Vee Belt - Engine Drive	1
70	MBA4472	645000350	Vee Belt - Gearbox Drive	1
71	MBA4470	461006760	Spring	1
72	MBB1243	MBB1243	Bracket	1
*	GSF2051AB	450020053	Nut	1
*	A151008	001510088	S.L.Washer 8mm	1

* Not Illustrated



ELECTRICAL SYSTEM (MAG/DEUTZ DIESEL ENGINE)

LIST OF PARTS

REF	RANSOMES PART NO	COMPUTER PART NO	DESCRIPTION	QTY
1	MBA4478	790004491	Harness (MAG 1057 DRT)	1
*	A905202	009052022	Harness (Deutz FIL210D)	1
2	H091015	649003433	Rubber Grommet	1
3	MBA4477	790004514	Battery Lead - Negative	1
4	MBA4476	790004506	Battery Lead - Positive	1
5	H980031	469016517	Cable Clip	2
*	GSF2002AF	456010111	Screw	2
*	GSF2051AA	450020037	Nut	2
*	GSF2164G	452200029	S.L.Washer (MAG 1057 DRT)	2
*	GSF2150C	452000211	Washer	2
6	H091015	649003433	Grommet (MAG 1057DRT)	1
*	H091049	642000315	Gommet (Deutz FIL210D)	1
7	GSF2002AD	456010098	Screw (MAG 1057 DRT)	2
8	GSF2051AA	450020037	Nut (MAG 1057 DRT)	2
9	GSF2150C	452200029	Washer (MAG 1057 DRT)	2
*	A905261	009052616	Earth Cable	1
*	H499802	680001941	Cable Tie	3

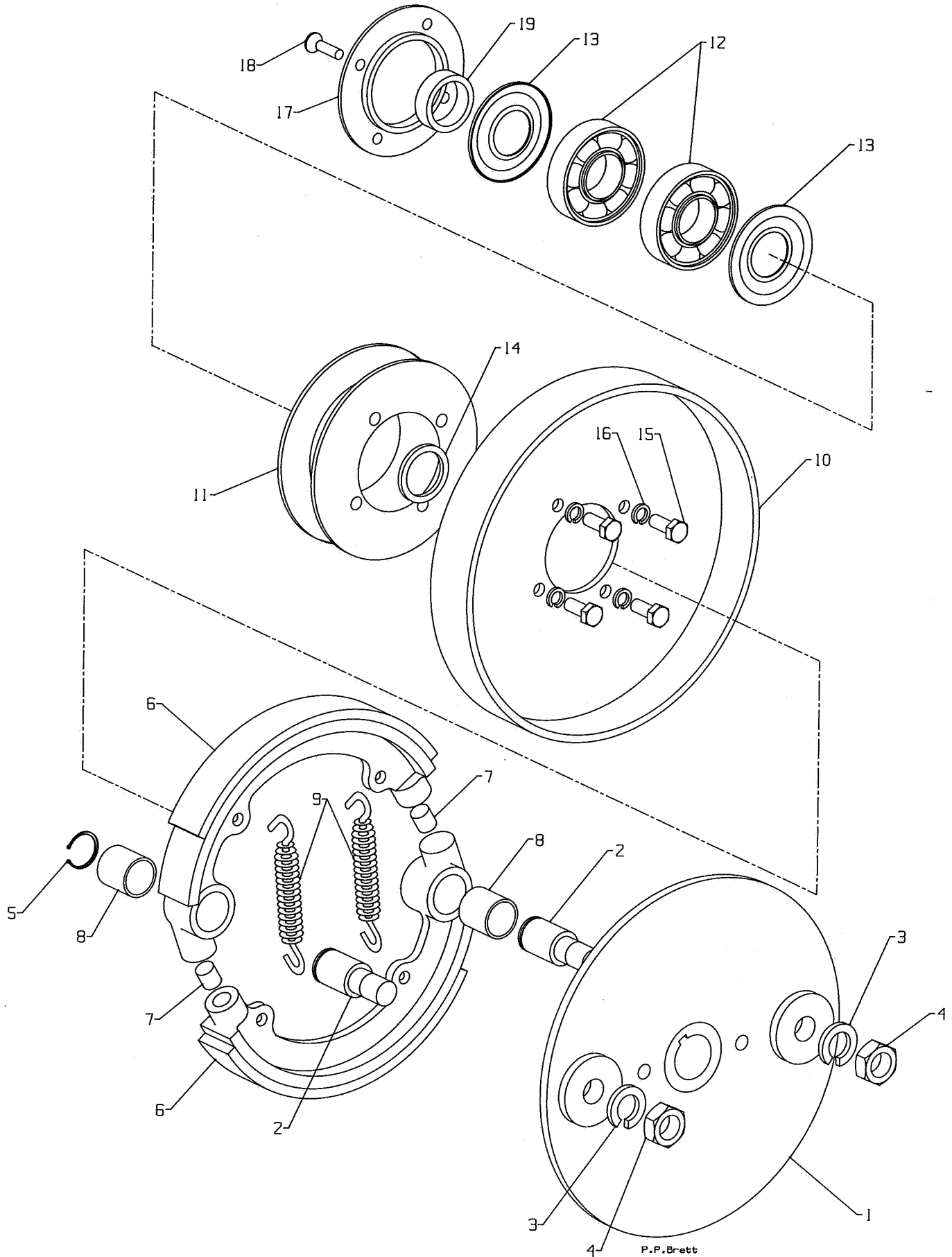
ELECTRICAL SYSTEM (MAG PETROL ENGINE)

LIST OF PARTS

REF	RANSOMES PART NO	COMPUTER PART NO	DESCRIPTION	QTY
1	A905233	009052331	Cable Harness	1
2	H091024	642000234	Rubber Grommet	1
3	H980031	469016517	Clip	1
4	MBA4176	MBA4176	Cable Clip	2
5	MBA4170	MBA4170	Battery Lead - Negative	1
6	H091015	649003433	Rubber Grommet	1
7	GSF2002AD	456010098	Screw	2
8	GSF2051AA	450020037	Nut	2
9	A150006	001500069	Washer	2
*	A905262	009052624	Earth Cable	1
*	H499802	680001941	Cable Tie	3

	DESTINATION	COLOUR CODE
AM	Ammeter	B Black
AM.B	Ammeter 'Bat'	G Green
B	Battery	N Brown
CE	Chassis Earth	R Red
CS	Cut out Switch	V Violet
DO	Dynamo	W White
DS	Dynastart	
E	Earth	
EE	Engine Earth	
EJ	Engine Junction Box	
KS	Key Switch	
ST	Starter	
SRS	Starter Solenoid	
VCR	Voltage Control Regulator	
VCR E	Voltage Control Regulator Earth	

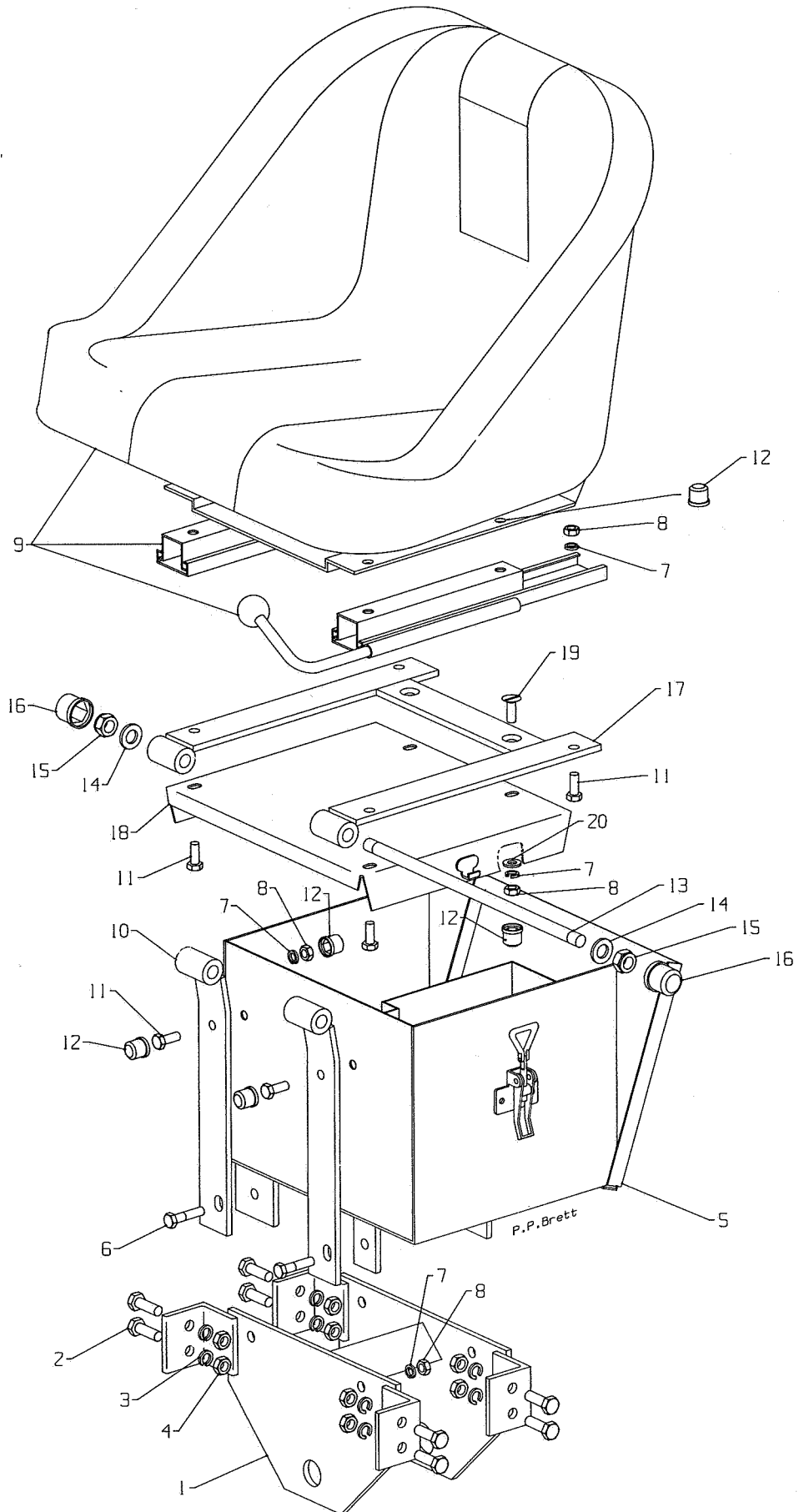
* Not Illustrated



For MAG Petrol/Diesel & Duetz Diesel use quantity column A
 For Kubota Diesel use quantity column B

REF	RANSOMES PART NO	COMPUTER PART NO	DESCRIPTION	QTY	
				A	B
	LMSD935	LMSD935	Clutch Plate	1	1
1	MBA2944B	MBA2944B	Clutch Plate	1	1
2	MAA0320	MAA0320	Stud	2	2
3	GSF2164N	452200215	S.L.Washer	2	2
4	GSF2052AG	450020338	Nut	2	2
*	A110506	001105061	Screw (Petrol Engine) M12 x 30	1	
*	GSF2002JF	456010543	Screw (Diesel Engine)	1	
*	GSF2154PG	452100807	Washer	1	
*	LMAA780	LMAA780	Clutch Shoe	1	
*	GSF3002SG	590002265	Bush	2	
*	LAJ0038	649000053	Rubber Buffer	2	
*	MBA3474	461006647	Spring	2	
5	GSF1056BA	461004205	Circlip	2	2
*			Clutch Shoe Assy.		1
6	MBC7789A	850000889	Clutch Shoe & Lining		2
*	LMSD981	LMSD981	Clutch Lining Assembly		1
*	A904703	009047037	Lining		2
*	A149905	001499050	Rivet		20
7	LAJ0038	649000053	Buffer		2
8	GSF3002SG	590002265	Bush		2
9	LSD5244	461001875	Spring		2
10	MBB0152	MBB0152	Clutch Ring	1	1
11	MBB1274A	MBB1274A	Engine Pulley	1	1
12	H001506	824000195	Bearing	2	2
13	H009129	463900316	Nilos Ring	2	2
14	MBB0155	MBB0155	Distance Piece	1	1
15	GSF2002CD	45610200	Screw	4	4
16	A151008	001510088	S.L.Washer 8mm	4	4
17	MBB3747	MBB3747	Clamp	1	1
18	GSF2022AC	456091080	Screw	4	4
19	MBB0154	MBB0154	Distance Piece	1	1

* Not Illustrated



BATTERY BOX AND SEAT

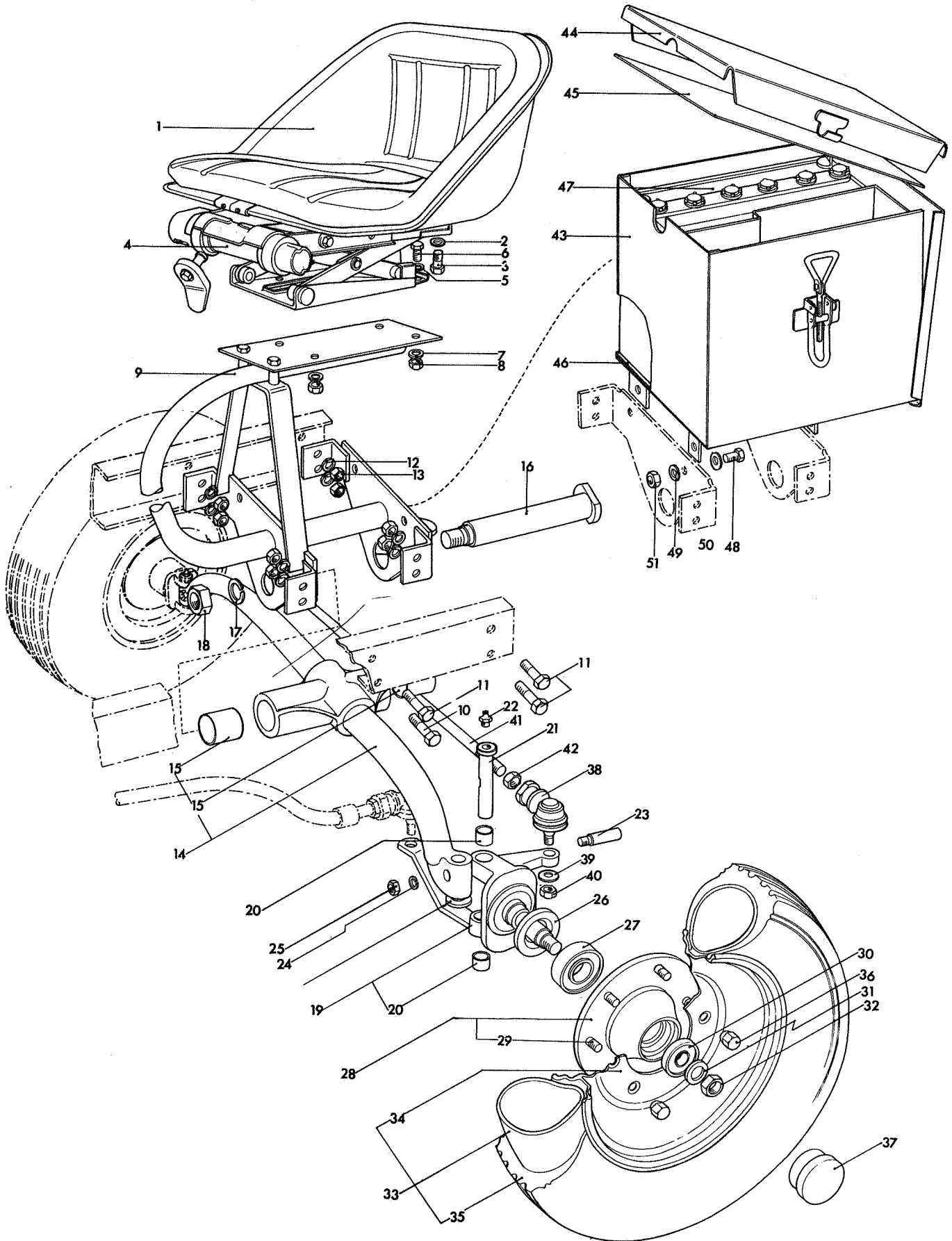
LIST OF PARTS

For machines after serial No. KDO 8871 and 8876 (Diesel)
KDO 8925 (Petrol)

REF	RANSOMES PART NO	COMPUTER PART NO	DESCRIPTION	QTY
1	MBC1720	MBC1720	Rear Axle Support	1
2	GSF2002EG	456010420	Screw	8
3	GSF2164J	452200087	S.L.Washer	8
4	GSF2051AC	450020087	Nut	8
5	MBC1714	MBC1714	Battery / Tool Box	1
6	A100307	001003075	Bolt M8 x 35	4
7	A151008	001510088	S.L.Washer 8mm	12
8	A130008	001300081	Nut M8	12
9	A819921	008199213	Seat Assy	1
10	MBC1707	MBC1707	Seat Hinge	2
11	A110304	001103043	Screw M8 x 20	6
12	A295402	002954025	Nut Cap	10
13	MBC1709	MBC1709	Hinge Rod	1
14	A150012	001500124	Washer 12mm	2
15	A133212	001332121	Stiffnut M12	2
16	A295404	002954041	Nut Cap	2
17	MBC1702	MBC1702	Seat Support	1
18	MBC1711	MBC1711	Top Cover	1
19	A121304	001213048	Screw M8 x 20	2
20	A150008	001500085	Washer 8mm	2
*	MBB3495A	690405641	Battery Lid (Plastic)	1
*	MBB5923	649005223	Rubber Pad	1

* Not Illustrated

MOTOR TRIPLE MK4M



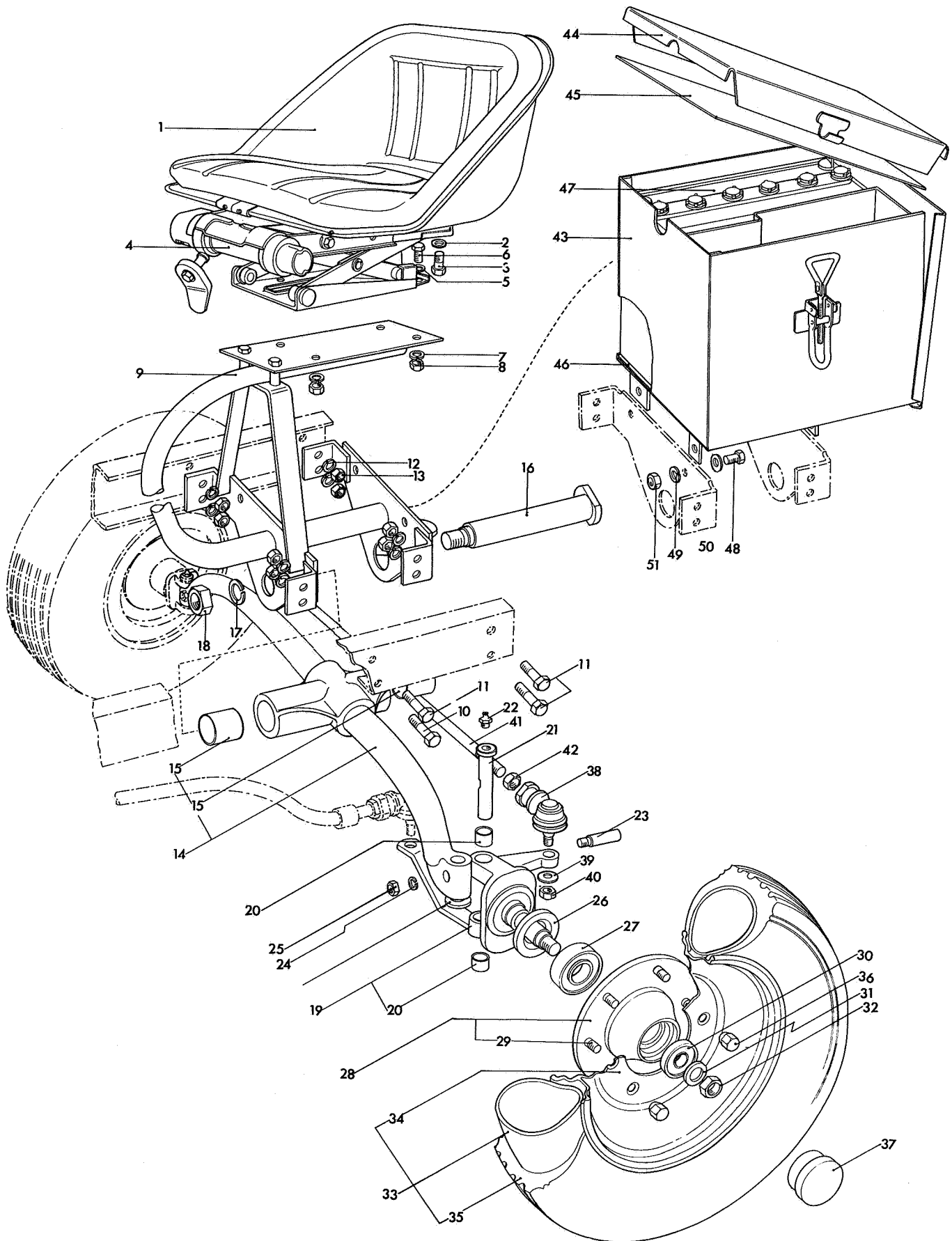
SEAT AND REAR WHEELS

LIST OF PARTS

For m/c before serial No. KDO8872 & KDO8877 (diesel) and KDO8926 (petrol) use quantity column A
 For m/c after serial No. KDO8871 & KDO8876 (diesel) and KDO8925 (petrol) use quantity column B

REF	RANSOMES PART NO	COMPUTER PART NO	DESCRIPTION	QTY	
				A	B
1	H980357	890015189	Seat	1	
*	H980403	469023538	Lever for Seat Suspension	1	
2	GSF2150C	452000211	Washer	4	
3	GSF2093AD	456110016	Screw	4	
4	H980387	890015618	Seat Suspension	1	
*	H980358	890015197	Assembly Kit for 1 & 4	1	
5	GSF2150D	452000261	Washer	4	
6	GSF2002CF	456010226	Screw	4	
7	A151008	001510088	S.L.Washer 8mm	4	
8	GSF2051AB	450020053	Nut	4	
9	MBB0143	MBB0143	Seat Support	1	
10	GSF2002EE	456010365	Screw	6	
11	GSF2002EH	456010420	Screw	2	
12	GSF2164J	452200087	S.L.Washer	8	
13	GSF2051AC	450020087	Nut	8	
14	MBA2846	MBA2846	Rear Axle	1	1
15	H004027	59001120	Bush	2	2
16	MBA2850	MBA2850	Pivot Pin	1	1
17	GSF2164P	452200231	S.L.Washer	1	1
18	GSF2051AH	450020207	Nut	1	1
19	MBA2852	MBA2852	Spindle Assy.LH	1	1
20	H004026	593000240	Bush	2	2
*	MBA2851	MBA2851	Spindle Assy. RH	1	1
*	H004026	593000240	Bush	2	2
21	MBA4453	MBA4453	King Pin	2	2
22	GSF2540AC	842000044	Lubricator	2	2
23	MBB1221	MBB1221	Cotter Pin	2	2
24	GSF2164J	452200087	S.L.Washer	2	2
25	GSF2051AC	450020087	Nut	2	2
26	H011141	870002588	Oil Seal	2	2
27	H001773	824100040	Ball Bearing	2	2
28	MBA2857	MBA2857	Wheel Hub	2	2
29	GSF1192AG	456800203	Stud	12	12
30	H001770	829000310	Ball Bearing	2	2
31	GSF2150J	452000512	Washer	2	2
32	A139904	001399040	Stiffnut	2	2
33	A816024	008160244	Wheel	2	2
34	MBA2859	MBA2859	Wheel Flange	1	1
35	A817014	008170140	Tyre	1	1
*	H932026	646000466	Tube	1	1
36	LTC4858	450090800	Dome Nut	12	12
37	H990043	680001048	Hub Cover	2	2
38	H980027	890011850	Ball Joint	2	2
39	GSF2150E	452000326	Washer	2	2

Contd.



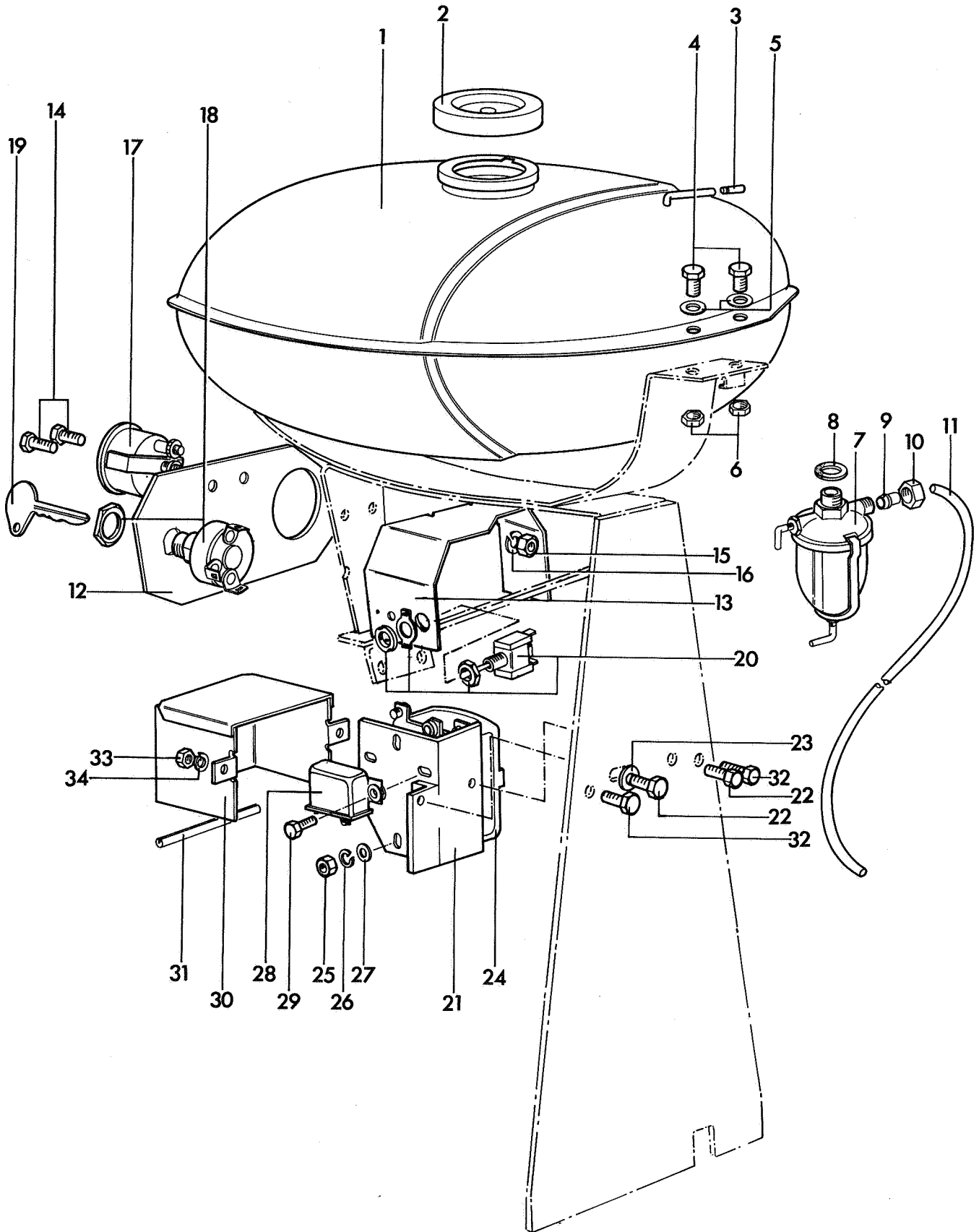
SEAT AND REAR WHEELS (Contd.)

LIST OF PARTS

For m/c before Serial No. KD08872 & KD08877 (diesel) and KD08926
(petrol) use quantity column A
For m/c before Serial No. KD08871 & KD08876 (diesel) and KD08925
(petrol) use quantity column B

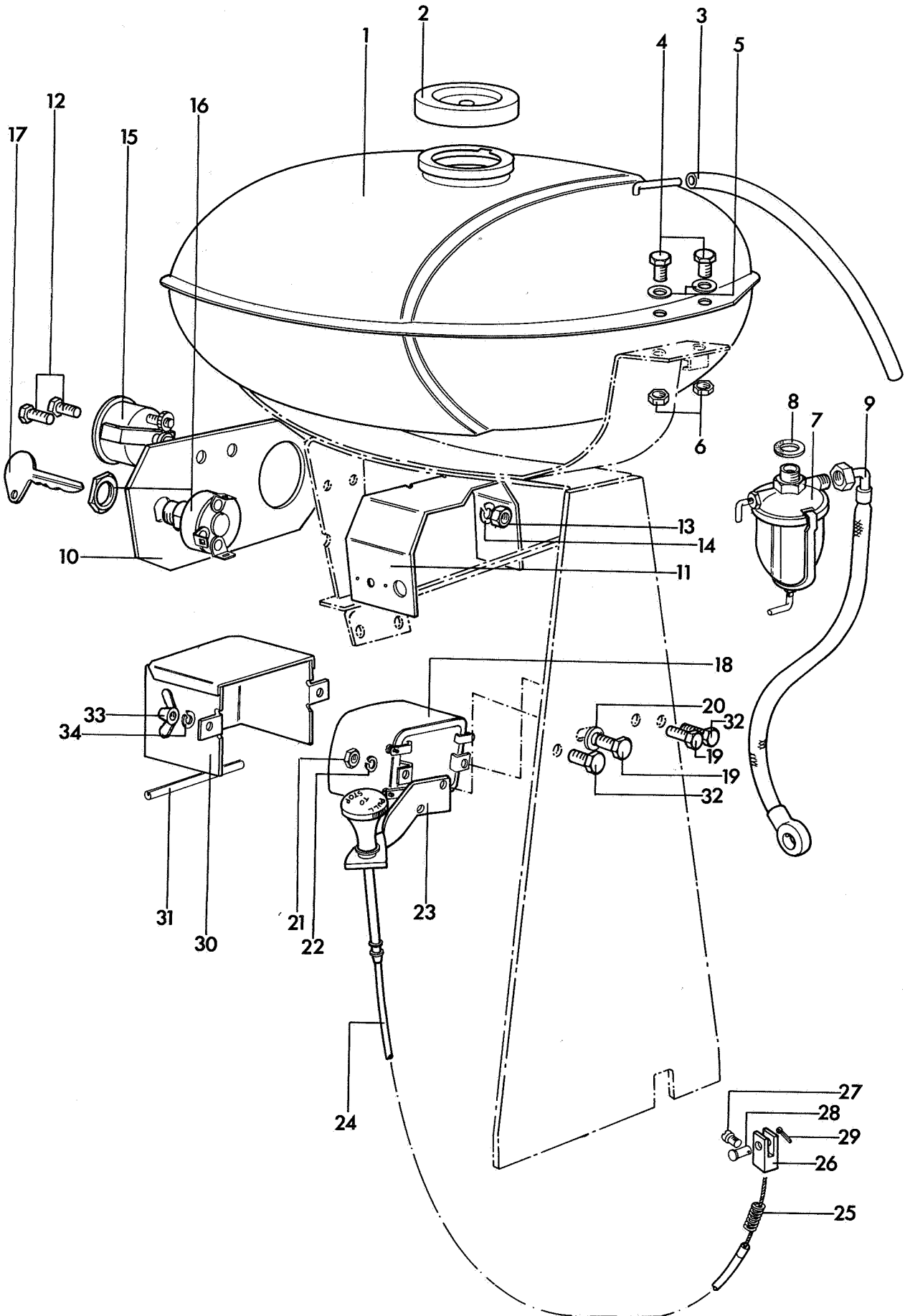
REF	RANSOMES PART NO	COMPUTER PART NO	DESCRIPTION	QTY	
				A	B
40	GSF2051AC	450020087	Nut	2	2
41	MBB1280	MBB1280	Track Rod	1	1
42	GSF2051AE	450020142	Nut	2	2
43	MBA6277	MBA6277	Toolbox & Battery Container	1	
44	MBA4154	MBA4154	Lid	1	
45	MBA4157	MBA4157	Insulating Cover	1	
46	MBA5923	MBA5923	Rubber Pad	1	
47	H499609	740001260	Battery (MAG/DEUTZ)	1	
*	H499601	740001066	Battery (Kubota)		1
48	GSF2002EE	456010365	Screw	4	
49	GSF2164J	452200087	S.L.Washer	4	
50	GSF2150E	452000326	Washer	4	
51	GSF2051AC	450020087	Nut	4	
52	MBB4825	MBB4825	Thrust Washer	2	2

* Not Illustrated



REF	RANSOMES PART NO	COMPUTER PART NO	DESCRIPTION	QTY
1	MBA4119A	MBA4119A	Fuel Tank	1
2	H460004	890007900	Filler Cap	1
3	H990021	680000759	Bung	1
4	GSF2002CD	456010200	Screw	4
5	GSF2150D	452000261	Washer	4
6	GSF2051AB	450020053	Nut	4
7	H440001	802000488	Filter & Tap	1
8	GSF3551KL	670000360	Fibre Washer	AR
*	GSF3551KR	670000360	Fibre Washer	AR
9	H390004	809001075	Tail	1
10	H390005	809001091	Nut	1
11	H030031CF	H030031CF	Fuel Pipe 18"	1
12	MBA4111	MBA4111	Instrument Panel	1
13	MBA4159	MBA4159	Instrument Cover	1
14	GSF2002CF	456010226	Screw	3
15	GSF2051AB	450020053	Nut	6
16	A151008	001510088	S.L.Washer 8mm	3
17	MBA2508	720000339	Ammeter	1
18	H400007	713000799	Starter Switch	1
19	H400038	519005359	Key	1
20	H499066	713000943	Cut Out Switch	1
21	MBB5943	MBB5943	Bracket	1
22	GSF2012CL	456040055	Screw	2
23	GSF2150C	452000211	Washer	1
*	GSF2051AA	450020037	Nut	2
*	GSF2150C	452000211	Washer	2
*	GSF2164G	452200029	S.L.Washer	2
24	H111650	809312509	Voltage Control Regulator	1
*	GSF2012CL	456040055	Screw	2
25	GSF2051AA	450020037	Nut	2
26	GSF2164G	452200029	S.L.Washer	2
27	GSF2150C	452000211	Washer	2
28	H111651	809312517	Solenoid	1
29	GSF2012CL	456040055	Screw	2
*	GSF2051AA	450020037	Nut	2
*	GSF2164G	452200029	S.L.Washer	2
*	GSF2150C	452000211	Washer	2
30	MBA4162	MBA4162	Cover	1
31	H060053	H060053	Edging Strip (5")	1
32	GSF2002CC	456010179	Screw	2
33	GSF2051AB	450020053	Nut	2
34	A151008	001510088	S.L.Washer 8mm	2

* Not Illustrated



FUEL TANK & ENGINE FITTINGS (DIESEL)

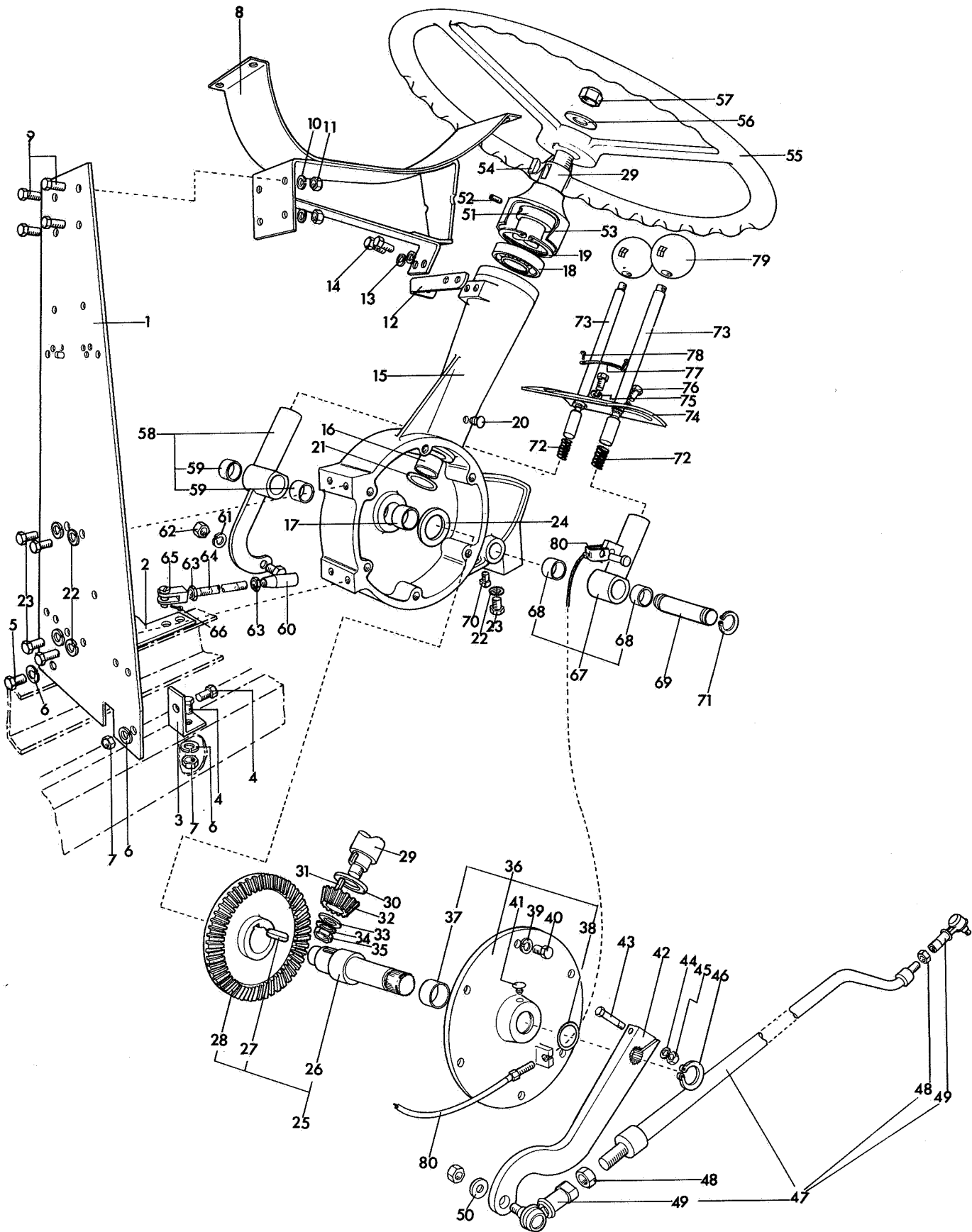
LIST OF PARTS

For Motosacoche and Deutz use column A

For Kubota use column B

REF	RANSOMES PART NO	COMPUTER PART NO	DESCRIPTION	QTY	
				A	B
1	MBA4119A	MBA4119A	Fuel Tank	1	1
2	H460004	890007900	Filler Cap	1	1
3	MBA4140	MBA4140	Overspill Pipe	1	1
4	GSF2002CD	456010200	Screw	4	4
5	GSF2150D	452000261	Washer	4	4
6	GSF2051AB	450020053	Nut	4	4
7	H440001	802000488	Filter and Tap	1	
*	A249360	002493607	Adaptor		1
8	GSF3551KL	670000360	Fibre Washer	AR	AR
*	GSF3551KR	670000360	Fibre Washer	AR	AR
9	MBA6264	809001465	Fuel Pipe	1	
10	MBA4111	MBA4111	Instrument Panel	1	
11	MBA4159	MBA4159	Instrument Cover	1	
12	GSF2002CD	456010200	Screw	3	
13	GSF2051AB	450020053	Nut	3	
14	A151008	001510088	S.L.Washer 8mm	3	
15	H461000	720000444	Ammeter (Deutz)	1	
*	MBA2508	720000339	Ammeter (MAG type)	1	
16	H400007	713000799	Starter Switch	1	
17	H400038	519005359	Key	1	
*	H400066	459005276	Key (New Type)	1	
18	H110951	509309516	Voltage Control Regulator	1	
19	GSF2001AD	451030099	Screw	2	
20	GSF2150C	452000211	Washer	1	
21	GSF2051AA	450020037	Nut	2	
22	GSF2164G	452200029	S.L.Washer	2	
23	MBA6251	MBA6251	Bracket	1	
24	LMSD831	LMSD831	Stop Control Cable	1	
25	H980115	461901019	Spring	1	
26	MBA6252	MBA6252	Clevis	1	
27	GSF1971CF	456530034	Screw	1	
28	GSF1045CC	454400300	Pin	1	
29	GSF1030CE	454000069	Split Pin	1	
30	MBA4162	MBA4162	Cover	1	
31	H060053	379050310	Edging Strip (5")	1	
32	GSF2002CE	456010218	Screw	2	
33	GSF2048AE	450080027	Nut	2	
34	A151008	001510088	S.L.Washer 8mm	2	

* Not Illustrated

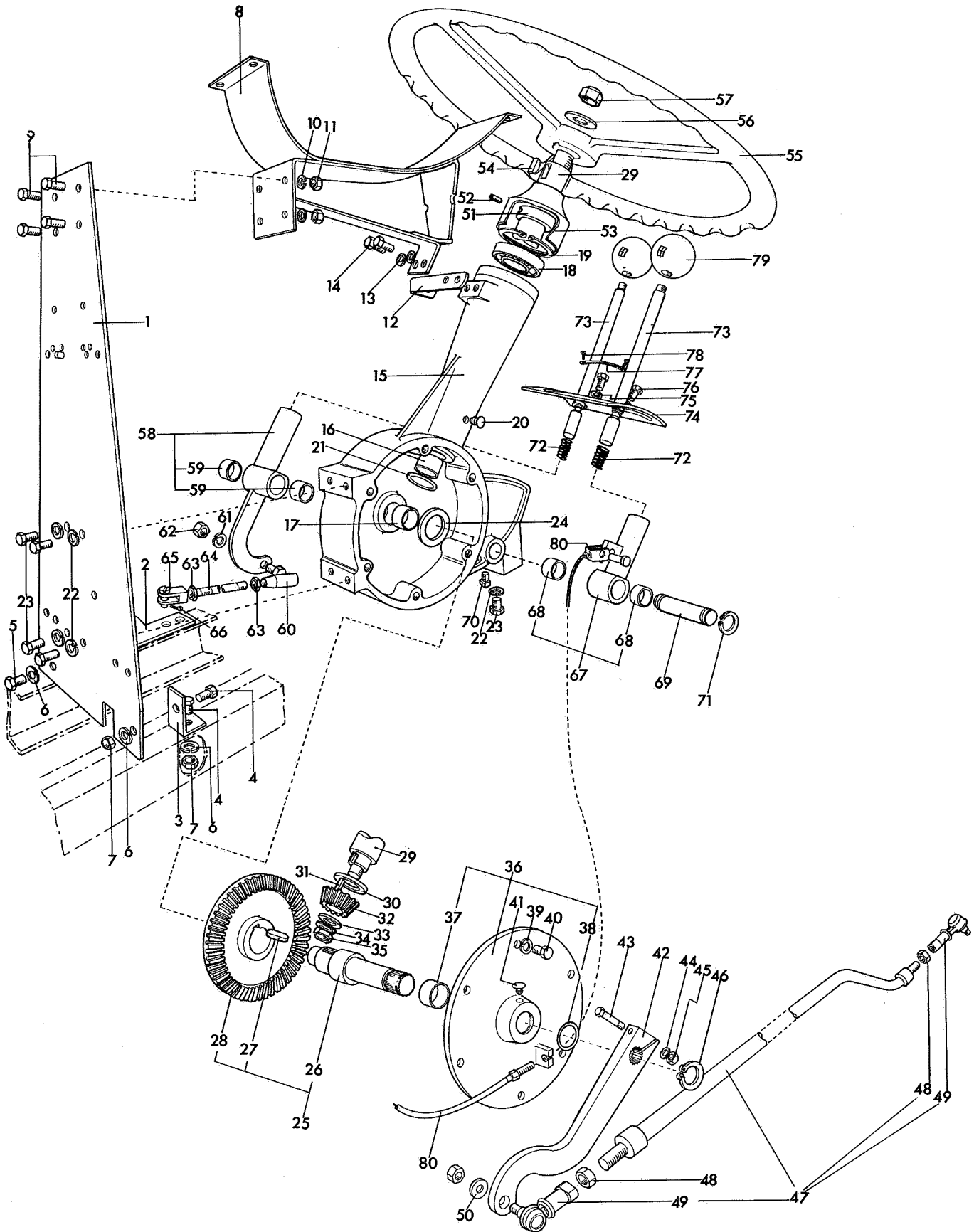


REF	RANSOMES PART NO	COMPUTER PART NO	DESCRIPTION	QTY
1	MBA4108	MBA4108	Support Plate	1
2	MBA3351	MBA3351	Bracket RH	1
3	MBA2836	MBA2836	Bracket LH	1
4	GSF2002EE	456010365	Screw	4
5	GSF2002EC	456010323	Screw	1
6	GSF2164J	452200087	S.L.Washer	5
7	GSF2051AC	450020087	Nut	4
8	MBB0168	MBB0168	Fuel Tank Cradle	1
9	GSF2002CF	456010226	Screw	4
10	A151008	001510088	S.L.Washer 8mm	4
11	GSF2051AB	450020053	Nut	4
12	MBB0177	MBB0177	Brake Lever Support	1
13	A151008	001510088	S.L.Washer 8mm	2
14	GSF2002CD	4560102004	Screw	2
15	LMSD611	LMSD611	Steering Box Assembly (MBB0169A)	1
16	GSF3002LK	590002419	Bush	1
17	GSF3002LE	590001714	Bush	1
18	A203604	002036049	Ball Bearing	1
19	A170047	001700479	Circlip	1
20	H990105	680001771	Plug	1
21	GSF3600BX	640002137	O Ring	1
22	A151008	001510088	S.L.Washer 8mm	5
23	GSF2002CC	456010179	Screw	5
24	MBA2808	MBA2808	Thrust Washer	1
25	MBB5926A	MBB5926A	Shaft Assembly	1
26			Shaft	1
27	GSF2202EJ	453004397	Key	1
28			Bevel Gear	1
29	MBB0157	MBB0157	Steering Shaft	1
30	MBB0158	MBB0158	Thrust Washer	1
31	GSF2201CB	453005173	Key	1
32	MBA2804	MBA2804	Bevel Pinion	1
33	GSF2150E	452000326	Washer	1
34	GSF2164J	452200087	S.L.Washer	1
35	GSF2051AC	450020087	Nut	1
36	LMSD612	LMSD612	Cover Assembly (MBB0175A)	1
37	GSF3002LH	590002451	Bush	1
38	GSF3600BX	640002131	O Ring	1
39	A151008	001510088	S.L.Washer 8mm	6
40	GSF2002CE	456010218	Screw	6

Contd.

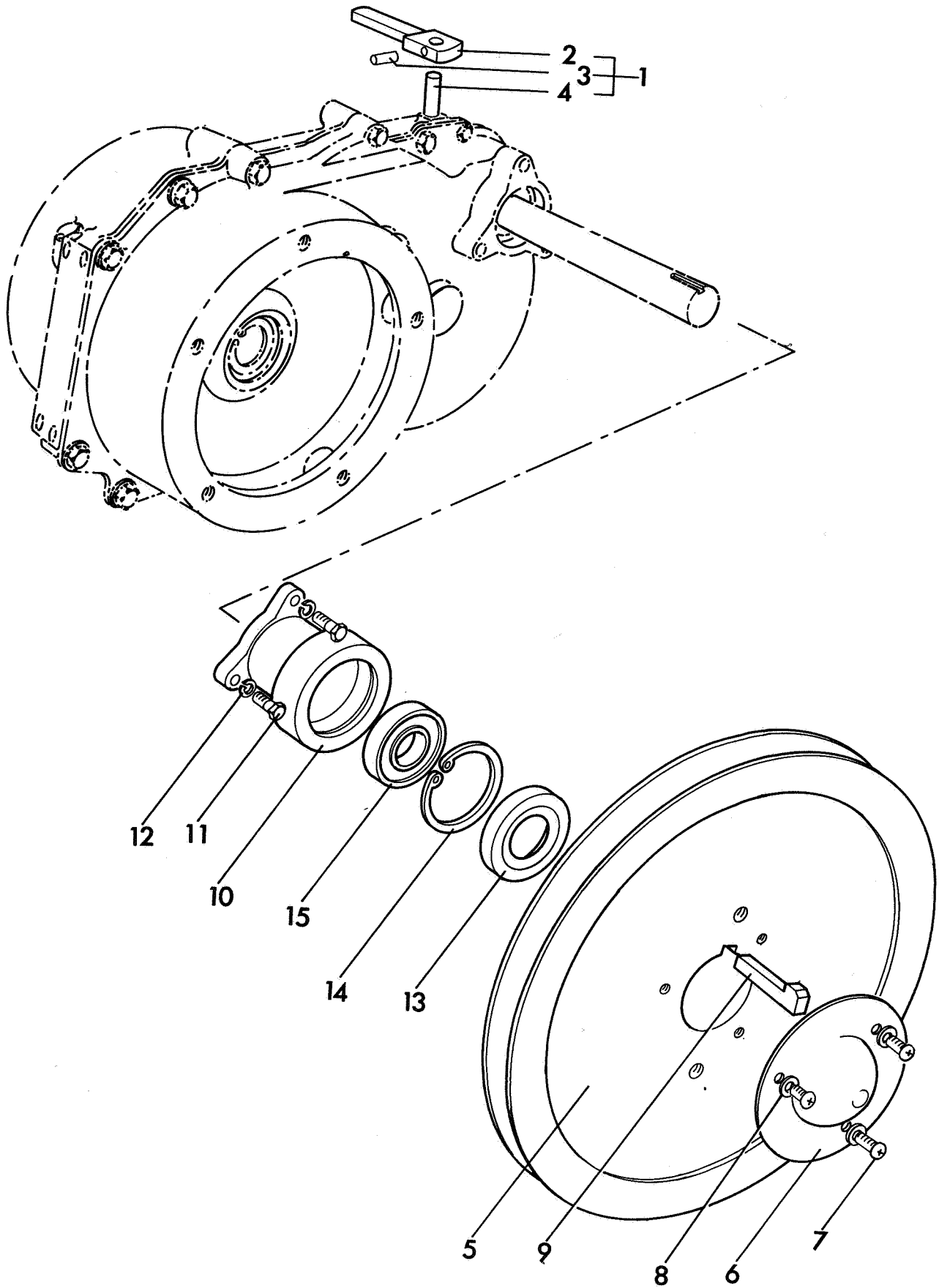
* Not Illustrated

MOTOR TRIPLE MK4M



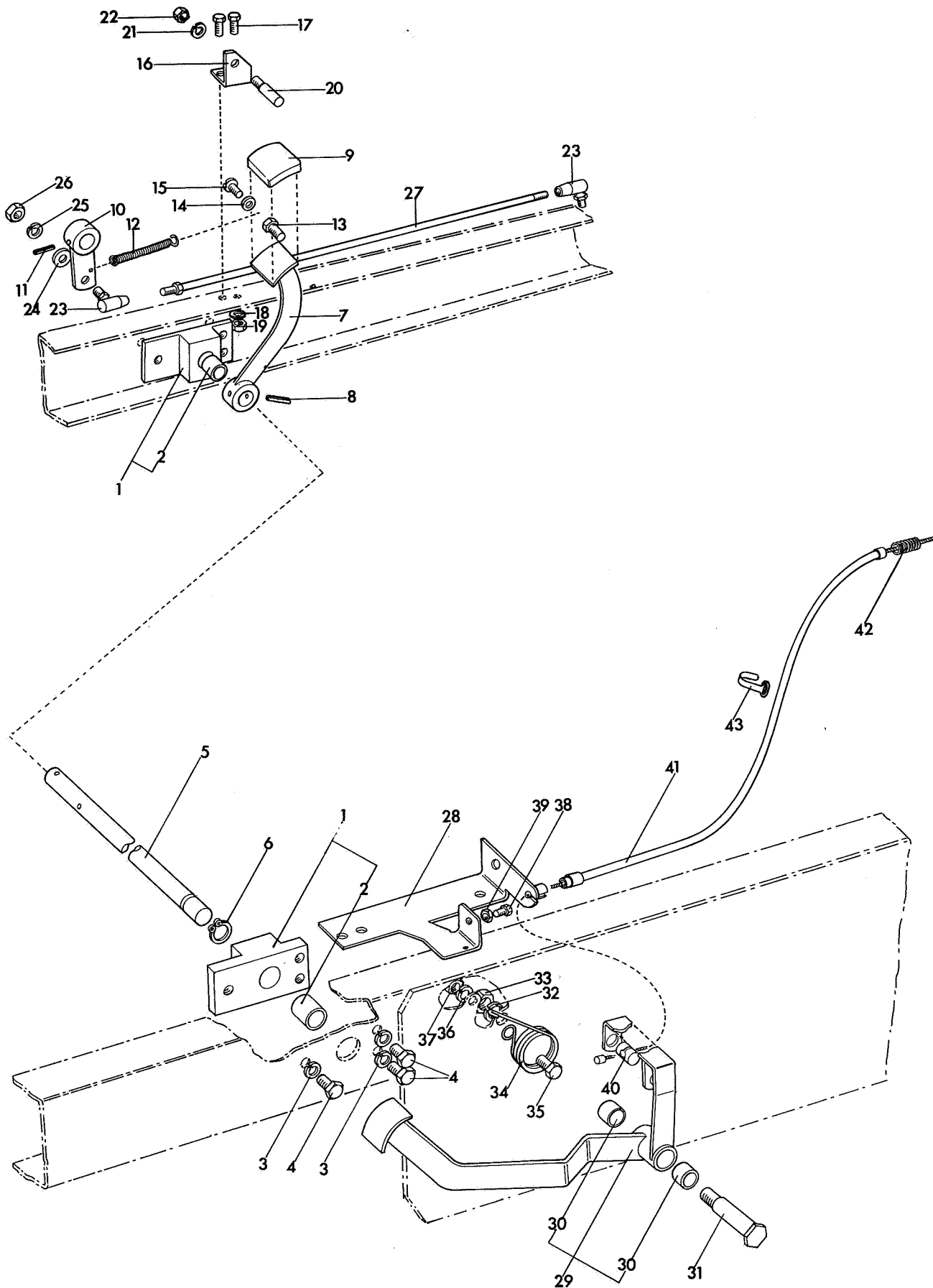
REF	RANSOMES PART NO	COMPUTER PART NO	DESCRIPTION	QTY
41	H980105		Plug	1
42	MBB5925	MBB5925	Drop Arm	1
43	A100310	001003106	Bolt M8 x 50	1
44	A150008	001500085	Washer 8mm	1
45	A130008	001300081	Nut M8	1
46	GSF1058AU	461400259	Circlip	1
47	MBB1279	MBB1279	Steering Tube	1
48	GSF2051AE	450020142	Nut	2
49	H980027	890011850	Ball Joint	2
50	GSF2150E	452000326	Washer	2
51	MBB0246	MBB0246	Collar	1
52	GSF2020JF	456090458	Grub Screw	2
53	MBB0176	649004544	Gaiter	1
54	GSF2230AH	453100086	Key	1
55	H980025	890011842	Steering Wheel	1
56	GSF2150G	452000449	Washer	1
57	Z566817	Z566817	Dome Nut	1
58	MBA4160	MBA4160	Gear Change Lever	1
59	GSF3002DC	590002338	Bush	2
60	H980028	890011884	Plug & Socket Joint	1
61	A151008	001510088	S.L.Washer 8mm	1
62	GSF2051AB	450020053	Nut	1
63	GSF2052AB	450020257	Locknut	2
64	MBA2820	483052745	Gear Change Rod	1
65	H980034	890007926	Clevis Joint	1
66	GSF1030CF	454000077	Split Pin	1
67	MBA2821	MBA2821	Clutch Lever Tube	1
68	GSF3002DC	590002338	Bush	2
69	MBA2814	MBA2814	Pivot Pin	1
70	GSF2020KH	456090759	Setscrew	1
71	A171016	001710163	Circlip 16mm External	2
72	GSF2240MF	461101754	Spring	2
73	MBA2824Z	MBA2824Z	Operating Rods	2
74	MBA4161	MBA4161	Quadrant Plate	1
75	A151008	001510088	S.L.Washer 8mm	2
76	GSF2002CB	456010161	Screw	2
77	MBA2812	MBA2812	Indicator Plate	1
78	GSF1090ED	456990854	Self Tapping screw	2
79	H990012	660000298	Knob	2
80	MBA2834	890011818	Clutch Cable	1

* Not Illustrated



REF	RANSOMES PART NO	COMPUTER PART NO	DESCRIPTION	QTY
1	MBA3468	MBA3468	Gear Change Rod & Lever Assy.	1
2			Gear Change Lever	1
3	GSF1042KP	455000581	Spirol Pin	1
4			Gear Change Rod	1
5	MBB1257	MBB1257	Input Pulley	1
6	LTC0690A	LTC0690A	Hub Cap	1
7	A112294	001122946	Screw M6 x 12	3
8	GSF2150E	452000326	Washer	3
9	GSF2229FH	453201424	Key	1
10	MBB1255	MBB1255	Bearing Housing	1
11	GSF2002CF	456010226	Bolt	3
12	A151008	001510088	S.L.Washer 8mm	3
13	A220251	002202511	Oil Seal	1
14	A170052	001700526	Circlip	1
15	A203205	002032053	Bearing	1

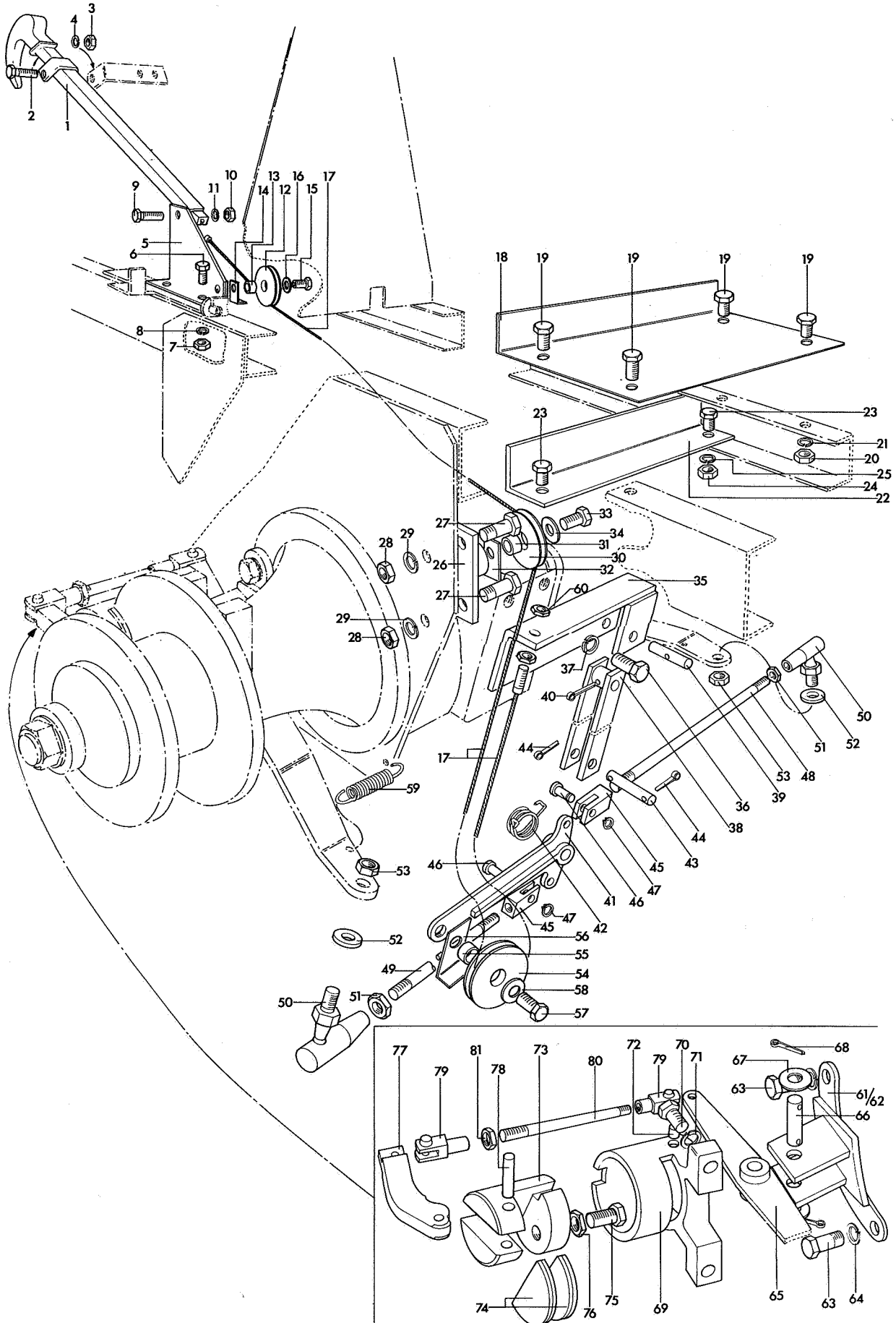
* Not Illustrated



REF	RANSOMES PART NO	COMPUTER PART NO	DESCRIPTION	QTY
1	MBA2915	MBA2915	Brake Shaft Housing Assy.	2
2	GSF3002LK	590002419	Bush	1
3	GSF2164J	452200087	S.L.Washer	5
4	GSF2002ED	456010331	Screw	5
5	MBA6726A	MBA6726A	Brake Shaft	1
6	GSF1056AX	461004190	Circlip	1
7	MBB1211	MBB1211	Brake Pedal	1
8	GSF1042KP	455000581	Spirol Pin	1
9	MBC0997	MBC0997	Anti-slip Pad	1
10	MBB3877	MBB3877	Brake Lever	1
11	GSF1042KP	455000581	Spirol Pin	1
12	GSF2242AG	461006825	Return Spring	1
13	MBB0104	MBB0104	Screw	1
14	GSF2160C	452000180	Washer	1
15	GSF1970AF	456440079	Screw	1
16	MBA2858	MBA2858	Stop Bracket	1
17	GSF2002EE	456010365	Screw	2
18	GSF2164J	452200087	S.L.Washer	2
19	GSF2051AC	450020087	Nut	2
20	MBA2831	MBA2831	Stop Pin	1
21	A151008	001510088	S.L.Washer 8mm	1
22	GSF2051AB	450020053	Nut	1
23	H980381	890090086	Ball Joint	2
24	GSF2150D	45000261	Washer	2
25	A151008	001510088	S.L.Washer 8mm	2
26	GSF2051AB	450020053	Nut	2
27	MBB3897	MBB3897	Brake Rod	1
28	MBA3351	MBA3351	Bracket	1
29	MBA3080	MBA3080	Accelerator Pedal	1
30	GSF3002DH	590002427	Bush	2
31	MBA3086	MBA3086	Pivot Pin	1
32	GSF2164L	452200168	S.L.Washer	1
33	GSF2051AE	450020142	Nut	1
34	MBA3087	MBA3087	Spring	1
35	GSF2002EF	456010381	Screw	1
36	GSF2164J	452200087	S.L.Washer	1
37	GSF2051AC	450020087	Nut	1
38	GSF2002AK	456100144	Pedal Stop Screw	1
39	GSF2051AA	450020037	Locknut	1
40	MBA3088	MBA3088	Barrel Nipple	1
41	MBA6262	890013705	Throttle Cable - Diesel	
			Engine - MAG & Deutz	1
*	MBA4407A	890012911	Throttle cable - Petrol	
			Engine - Motosacoche	1
42	MBA3306	461101885	Throttle Spring - Diesel	
			Engine - MAG & Deutz	1
43	Z503863	529000057	Cable Clip	1

* Not Illustrated

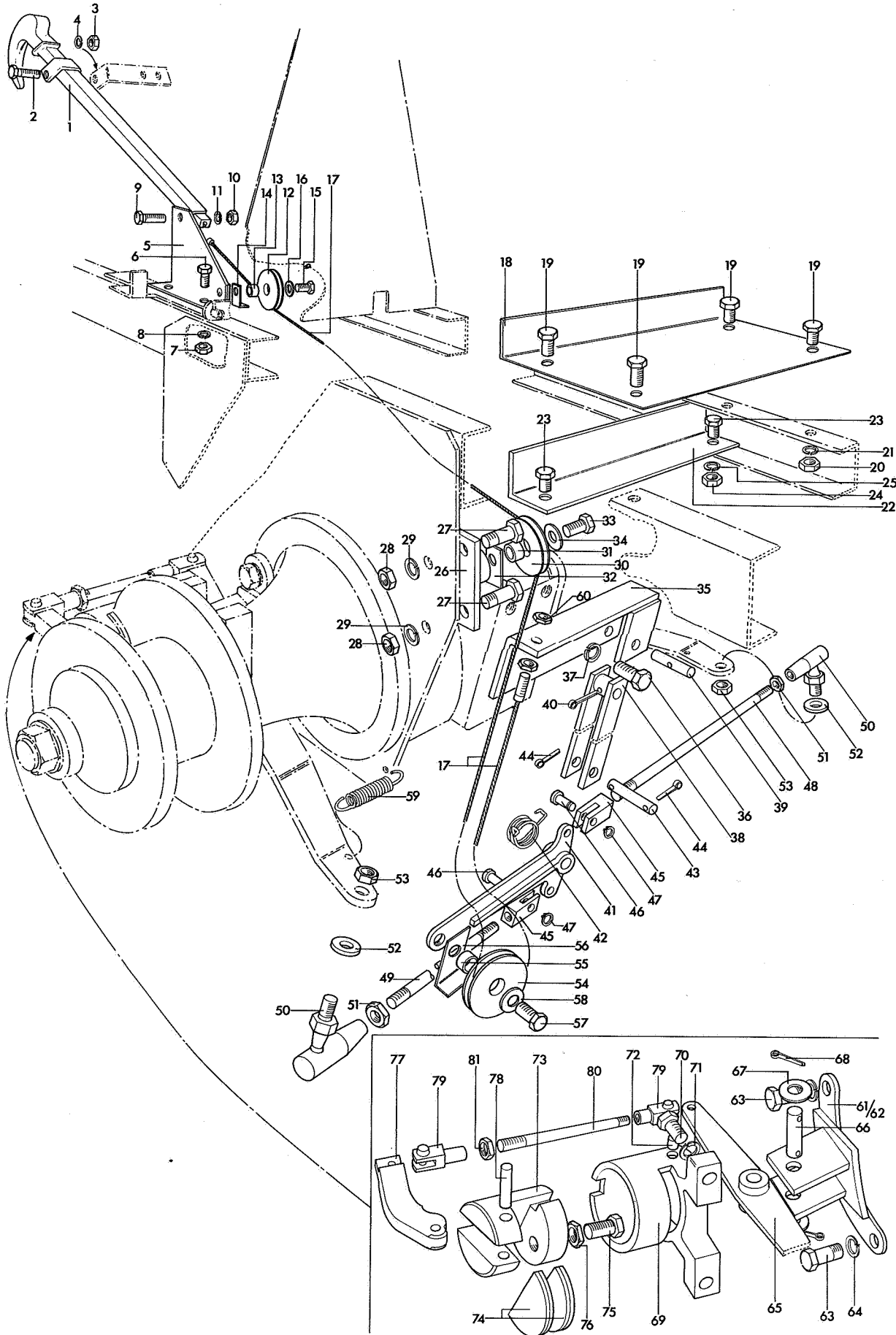
MOTOR TRIPLE MK4M



REF	RANSOMES PART NO	COMPUTER PART NO	DESCRIPTION	QTY
1	H220003	850010476	Hand Brake Lever	1
2	GSF2002CK	456010268	Screw	1
3	GSF2051AB	450020053	Nut	1
4	A151008	001510088	S.L.Washer 8mm	1
5	MBB1207	MBB1207	Bottom Bracket	1
6	GSF2002EF	456010381	Screw	2
7	GSF2051AC	450020087	Nut	2
8	GSF2164J	452200087	S.L.Washer	2
9	GSF2002AK	456100144	Screw	1
10	GSF2051AA	450020037	Nut	1
11	GSF2164G	452200029	S.L.Washer	1
12	MBB1190	MBB1190	Pulley	1
13	MBB1191	MBB1191	Distance Piece	1
14	MBB1189	MBB1189	Keep	1
15	GSF2002EE	456010365	Screw	1
16	GSF2150E	452000326	Washer	1
17	MBB1210	MBB1210	Brake Cable	1
18	MBA6799A	MBA6799A	Cover	1
19	GSF2002ED	456010331	Screw	4
20	GSF2051AC	450020087	Nut	4
21	GSF2164J	452200087	S.L.Washer	4
22	MBB0142	MBB0142	Front Bracket	1
23	GSF2002CF	456010226	Screw	2
24	GSF2051AB	450020053	Nut	2
25	A151008	001510088	S.L.Washer 8mm	2
26	MBB1204	MBB1204	Pulley Block	1
27	GSF2002EH	456010420	Screw	2
28	GSF2051AC	450020087	Nut	2
29	GSF2164J	452200087	S.L.Washer	2
30	MBB1190	MBB1190	Pulley	1
31	MBB1191	MBB1191	Distance Piece	1
32	MBB1189	MBB1189	Keep	1
33	GSF2002EF	456010381	Screw	1
34	GSF2150E	452000326	Washer	1
35	MBB1179	MBB1179	Bracket	1
36	GSF2002GF	456010967	Screw	2
37	GSF2164K	45200142	S.L.Washer	2
38	MBB1180	MBB1180	Compensative Link	1
39	MBB1184	483082427	Pivot Pin	1
40	GSF1030GL	454000328	Split Pin	1
41	MBB1185	MBB1185	Brake Lever	1

Contd.

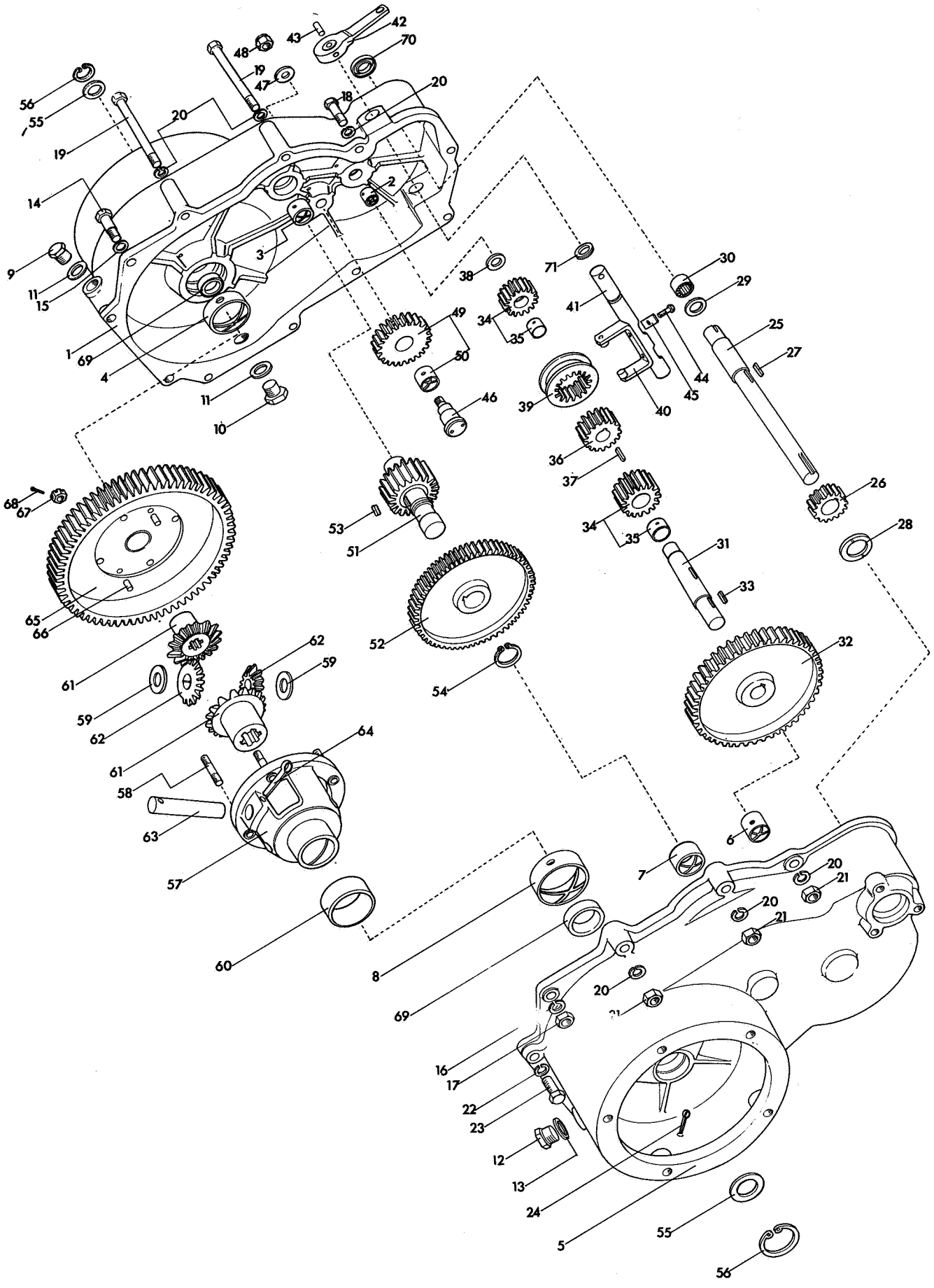
* Not Illustrated



REF	RANSOMES PART NO	COMPUTER PART NO	DESCRIPTION	QTY
42	MBA5209	461500146	Spring	1
43	MBB1188	MBB1188	Pin	1
44	GSF1030GF	454000271	Split Pin	2
45	MBC8455	MBC8455	Fork	2
46	Z569983	Z569983	Pin	2
47	GSF1056AM	461400411	Circlip	2
48	MBB1193	MBB1193	Tie Rod LH	1
49	MBB1192	MBB1192	Tie Rod RH	1
50	BAM8078	890090086	Ball Joint	2
51	GSF2052AC	450020265	Locknut	2
52	MBB4086	MBB4086	Spacer	2
53	GSF2051AC	450020087	Nut	2
54	MBB1190	MBB1190	Pulley	1
55	MBB1191	MBB1191	Distance Piece	1
56	MBB1189	MBB1189	Keep	1
57	GSF2002EE	456010365	Screw	1
58	GSF2150E	452000326	Washer	1
59	MBB1197	461006841	Spring	2
60	GSF2051AB	450020053	Nut	2
61	MBB1198	MBB1198	Lever Bracket RH	1
62	MBB1199	MBB1199	Lever Bracket LH	1
63	GSF2001GF	451030471	Bolt	4
64	GSF2164K	452200142	S.L.Washer	4
65	MBB1194	MBB1194	Lever	2
66	MBB1188	MBB1188	Pin	2
67	GSF2150G	452000449	Washer	4
68	GSF1030GF	454000271	Split Pin	4
69	MBB6704A	MBB6704A	Brake Housing	2
70	GSF2001JJ	451030625	Bolt	4
71	GSF2164L	452200168	S.L.Washer	4
72	GSF1033FD	049006108	Dowel	2
73	MBA6705B	MBA6705B	Brake Clamp	2
74	MBA6805	MBA6805	Brake Pad	4
75	GSF2002JK	456010577	Screw	2
76	GSF2052AE	450020281	Locknut	2
77	MBA6709A	MBA6709A	Brake Lever	2
78	GSF1033GN	049008281	Dowel Pin	2
79	H980034	890007926	Clevis	4
*	GSF1030CF	454000077	Split Pin	3
80	MBB1203A	MBB1203A	Brake Rod	2
81	GSF2052AB	450020257	Locknut	2

* Not Illustrated

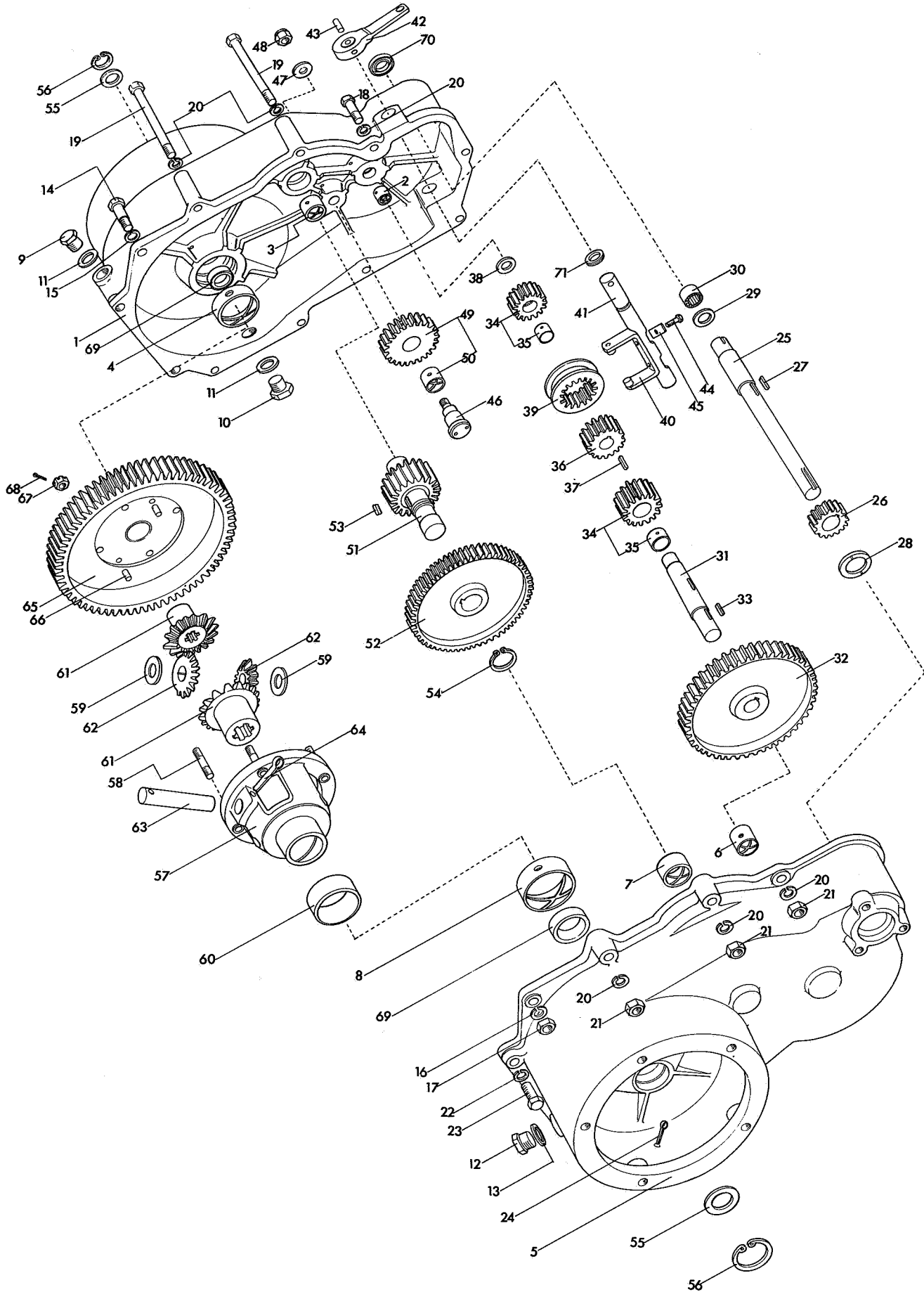
MOTOR TRIPLE MK4M



REF	RANSOMES PART NO	COMPUTER PART NO	DESCRIPTION	QTY
	L MAY515B	L MAY515B	Gearbox Assembly	1
1	L MAA037	L MAA036	Gearbox RH half (MBA2701A)	1
2	GSF3014LF	593000232	Bush	1
3	GSF3014NF	593000224	Bush	1
4	GSF3014WB	593000622	Bush	1
5	L MAA036	L MAA037	Gearbox LH half (MBA2700)	1
6	GSF3014LF	593000232	Bush	1
7	GSF3014NF	593000224	Bush	1
8	GSF3014WB	593000622	Bush	1
9	MBA2703	MBA2703	Filler Plug	1
10	MBA2745	MBA2745	Drain Plug	1
11	GSF3551RL	670000548	Fibre Washer	2
12	MBA2704	MBA2704	Oil Level Plug	1
13	GSF3551GJ	670000205	Fibre Washer	1
14	MBA2702Z	MBA2702Z	Dowel Bolt	2
15	GSF2164K	452200142	S.L.Washer	2
16	GSF2164J	452200087	S.L.Washer	2
17	GSF2051AC	450020087	Nut	2
18	GSF2001EH	451030340	Bolt	5
19	GSF2001FK	451032392	Bolt	2
20	GSF2164J	452200087	S.L.Washer	14
21	GSF2051AC	450020087	Nut	7
22	GSF2164K	452200142	S.L.Washer	2
23	GSF2001GF	451030471	Bolt	2
24	GSF1030JH	454000548	Split Pin	2
25	MBB1256	MBB1256	Input Shaft	1
26	MBA2706	MBA2706	Input Pinion	1
27	GSF2219EK	453005123	Key	1
28	H009005	452901582	Thrust Washer	1
29	MBA2708	MBA2708	Distance Washer	1
30	H002307	832000312	Needle Roller Bearing	1
31	MBA2710	MBA2710	Second Shaft	1
32	MBA2711B	460040294	Gear Wheel 51 Teeth	1
33	GSF2202EM	453005131	Key	1
34	LMSD552	LMSD552	Free Pinion Assy.16 Teeth (MBA2712)	2
35	GSF3014MF	593000185	Bush	1
36	MBA2713	MBA2713	Fixed Pinion 16 Teeth	1

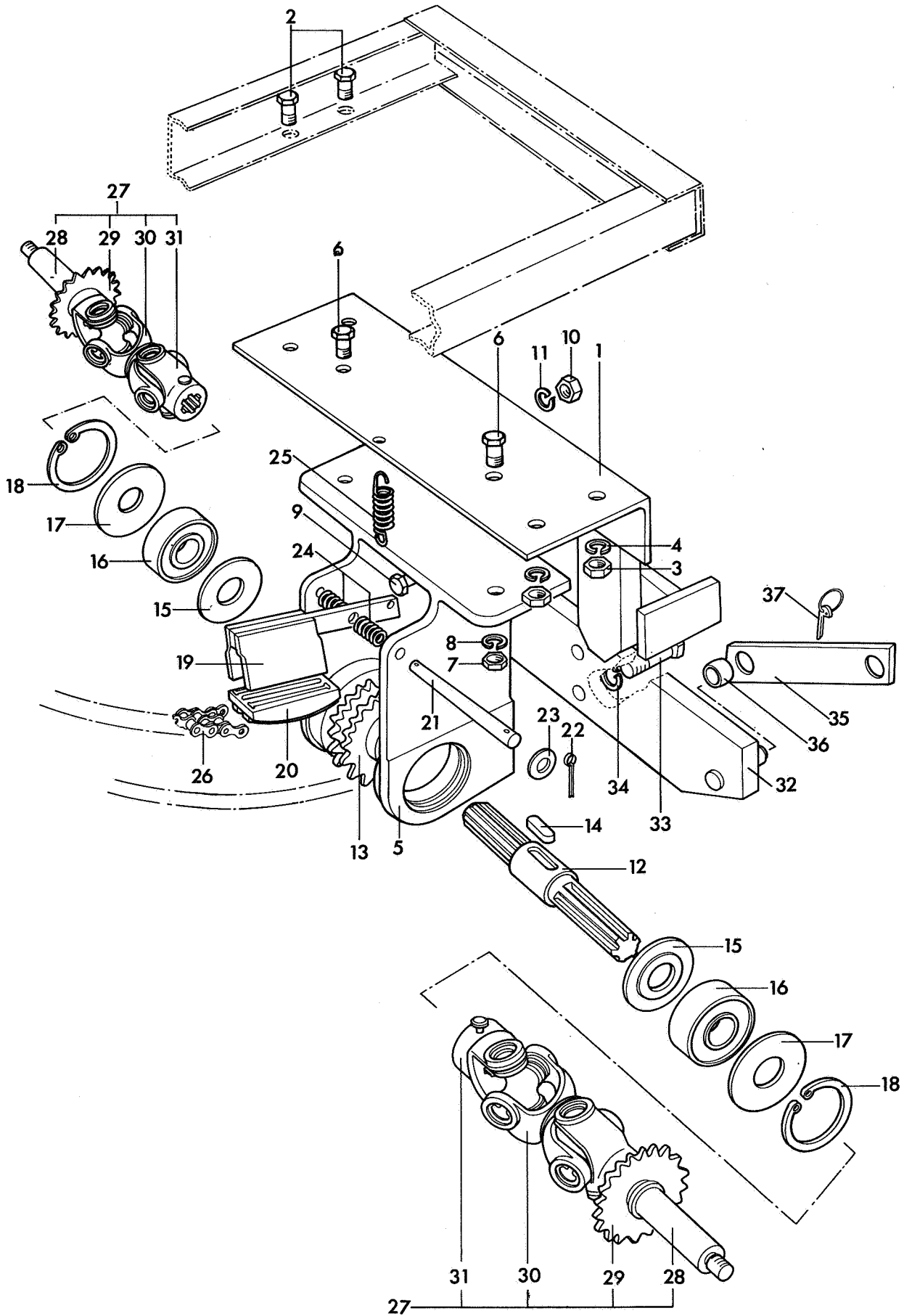
Contd.

* Not Illustrated



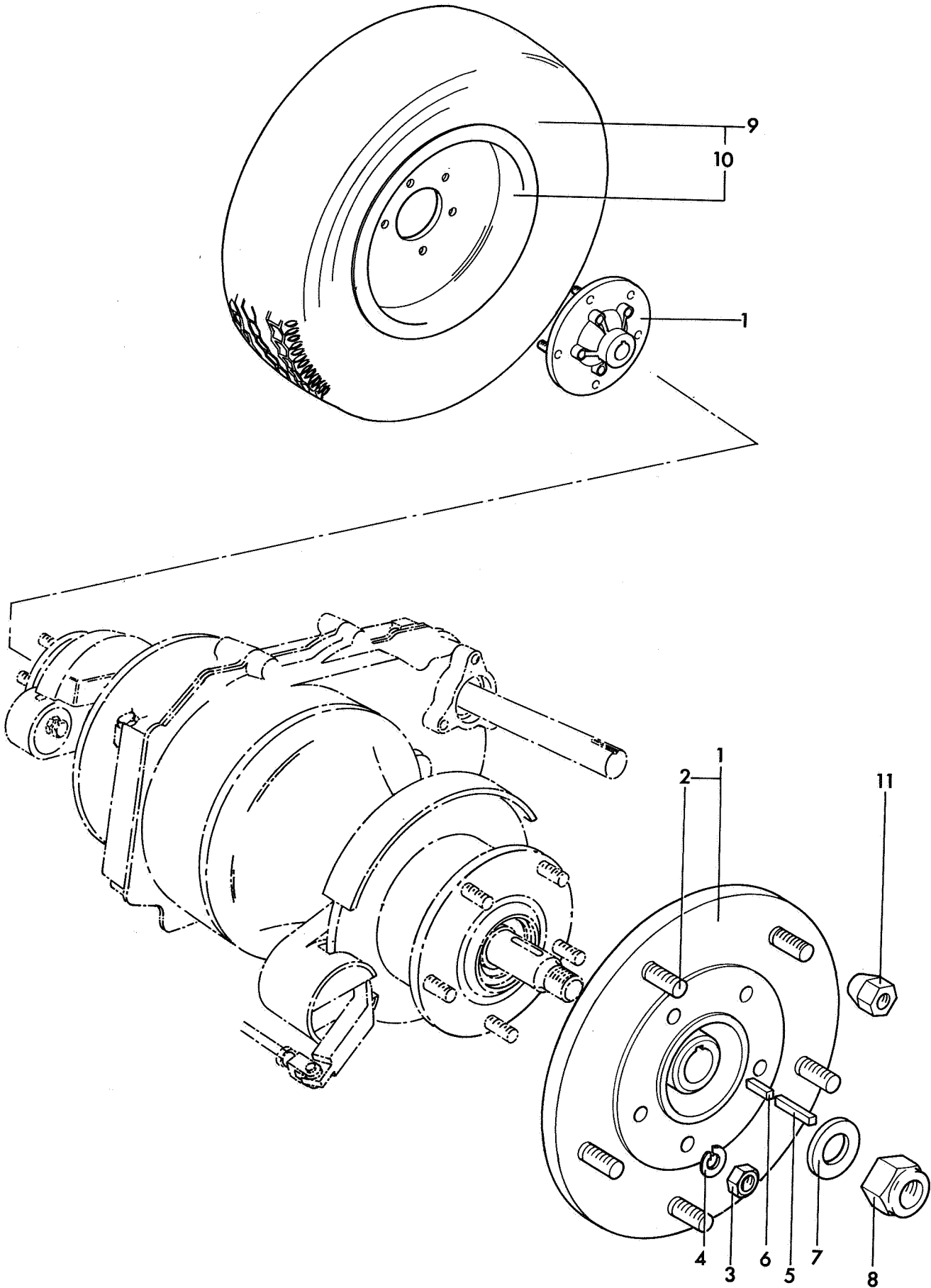
REF	RANSOMES PART NO	COMPUTER PART NO	DESCRIPTION	QTY
37	GSF2202EM	453005131	Key	1
38	MBA2708	MBA2708	Distance Washer	1
39	MBA2714	MBA2714	Sliding Gear 16 Teeth	1
40	MBA2715	MBA2715	Gear Change Fork	1
41	MBA3468	MBA3468	Gear Change Lever Assy.	1
42			Lever	1
43	GSF1042KP	455000581	Spirol Pin	1
44	GSF2002CE	456010218	Screw	2
45	MBA4188	MBA4188	Tab Washer	2
46	MBA2722	MBA2722	Reverse Shaft	1
47	GSF2150G	452000449	Washer	1
48	A139903	001399032	Stiffnut	1
49	LMSD553	LMSD553	Reverse Gear 22 Teeth Assy. (MBA2721)	1
50	GSF3014NF	593000224	Bush	1
51	MBA2723	MBA2723	Third Shaft and Pinion	1
52	MBA2725B	460040317	Gear Wheel 49 Teeth	1
53	GSF2219JE	453005157	Key	1
54	A171035	001710359	Circlip	1
55	MBA2744	MBA2744	Pilot Collar	2
56	GSF1055BT	461004491	Circlip	2
57	LMSD704	LMSD704	Differential Housing (MBA2726)	1
58	MBB1222	MBB1222	Stud	4
59	H009037	822000347	Thrust Washer	2
60	MBA2727	MBA2727	Bearing Sleeve	1
*	A917050	009170507	Gear and Pinion Set	1
61			Bevel Gear	2
62			Bevel Pinion	2
63	MBA2728	MBA2728	Pin	1
64	GSF1030JP	454001081	Split Pin	1
65	MBA2729	MBA2729	Differential Gear	1
66	GSF1033FD	049006108	Dowel Pin	2
67	GSF2057AC	450020477	Slotted Nut	4
68	A140045	001400457	Split Pin	4
69	H011127	870002562	Oil Seal	2
70	H011091	870002570	Oil Seal	1
71	A221115	002211152	O Ring	1

* Not Illustrated



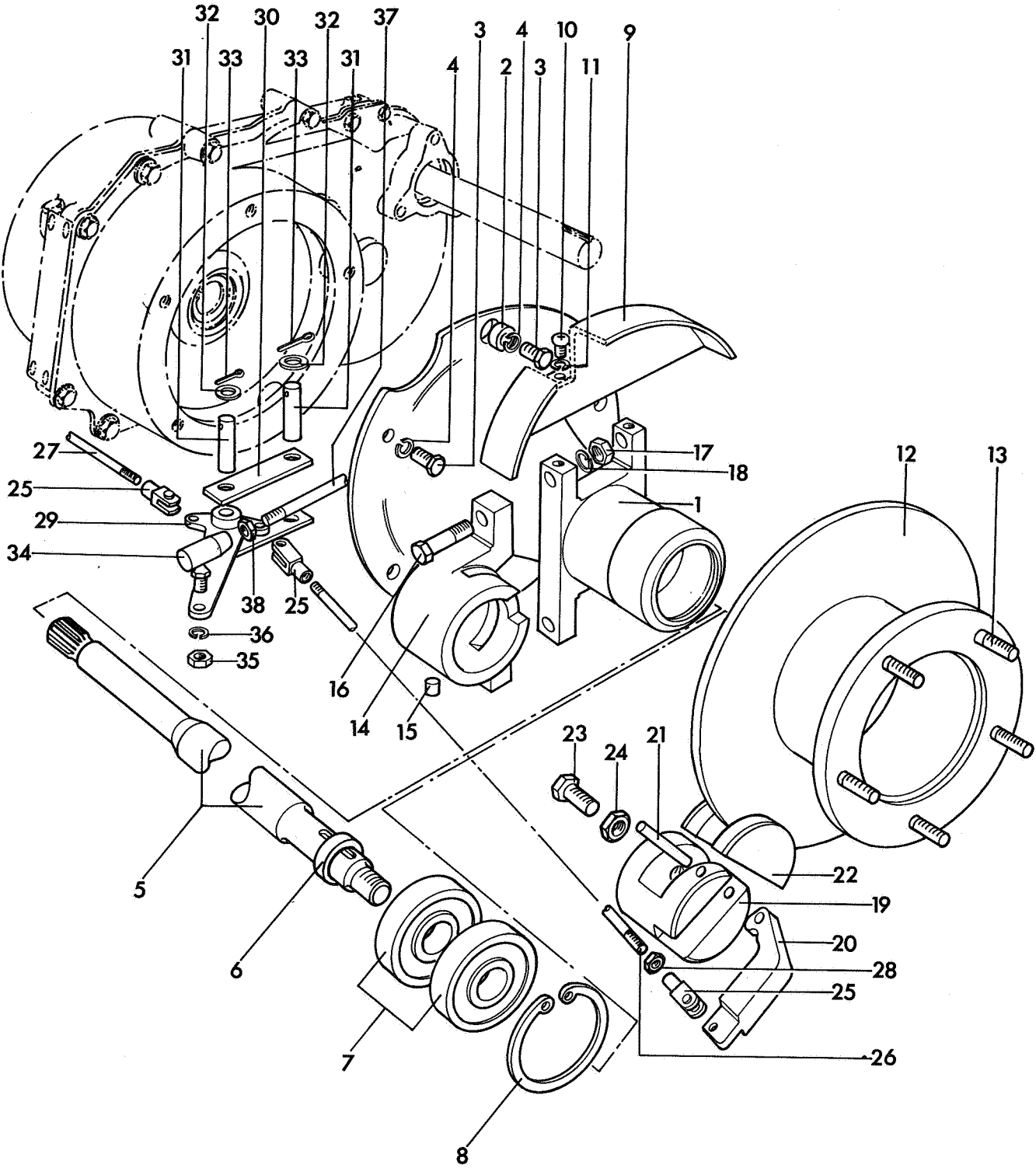
REF	RANSOMES PART NO	COMPUTER PART NO	DESCRIPTION	QTY
1	MBA6745B	MBA6745B	Cross Angle	1
2	GSF2002JH	456010569	Screw	4
3	GSF2051AE	450020142	Nut	4
4	GSF2164L	452200168	S.L.Washer	4
5	MBB1268	MBB1268	Support Bracket	1
6	GSF2001JE	456010705	Bolt	2
7	GSF2051AE	450020142	Nut	2
8	GSF2164L	452200168	S.L.Washer	2
9	GSF2001JG	451030609	Bolt	1
10	GSF2051AE	450020142	Nut	1
11	GSF2164L	452200168	S.L.Washer	1
12	MBB1269	MBB1269	Drive Shaft	1
13	MBB1270	MBB1270	Chain Wheel	1
14	A160324	001603247	Key	1
15	MBB1272	442002581	Sealing Washer	2
16	A203606	002036065	Bearing	2
17	MBB1271	MBB1271	Washer	2
18	A170062	001700623	Circlip	2
19	MBA6752	MBA6752	Chain Tightener	1
20	MBA3031	690404310	Chain Skid	1
21	MBA6755	483052410	Pivot Pin	1
22	GSF1030CF	454000077	Split Pin	2
23	GSF2150D	452000261	Washer	2
24	GSF2240JR	461101364	Spring	1
25	MBB0134	461006809	Spring	1
26	A311082	003110820	Chain	1
*	A381102	003811024	Connecting Link	1
27	LMAY686	LMAY686	Universal Joint Assy.	2
28	MBA6729	MBA6729	Yoke Assy.	1
29	MBA6773	MBA6773	Chainwheel	1
30	MBA3179A	MBA3179A	Centre Yoke	1
31	MBB6399	MBB6399	Long Yoke	1
*	A139903	001399032	Nut	1
*	GSF2150G	452000449	Washer	1
*	H920155	870011446	Lubricator Assy.	4
*	H920153	870011399	Unit Package	AR
32	MBB1266	MBB1266	Front Plate	1
33	A100407	001005071	Bolt M10 x 35	4
34	A151010	001510101	S.L.Washer 10mm	4
35	MBB0160	MBB0160	Connecting Link	2
36	MBB0161	MBB0161	Bush	2
37	PSF3052	469009279	Cotter Pin & Ring	2

* Not Illustrated



REF	RANSOMES PART NO	COMPUTER PART NO	DESCRIPTION	QTY
1	LMSD717	LMSD717	Wheel Hub	2
2	GSF1195AM	456800619	Stud	5
3	A130012	001300120	Nut M12	10
4	A151012	001510127	S.L.Washer 12mm	10
5	A160304	001603043	Key	2
6	A160305	001603051	Key	2
7	MBB1263	MBB1263	Washer	2
8	A133224	001332244	Stiffnut M24	2
*	A816058	008160587	Wheel Assembly	2
9	H931027	646000377	Tyre	1
*	H932021	646000369	Inner Tube	1
10	A816060	008160600	Wheel Rim	1
11	TBA9045	450990913	Wheel Nut	10

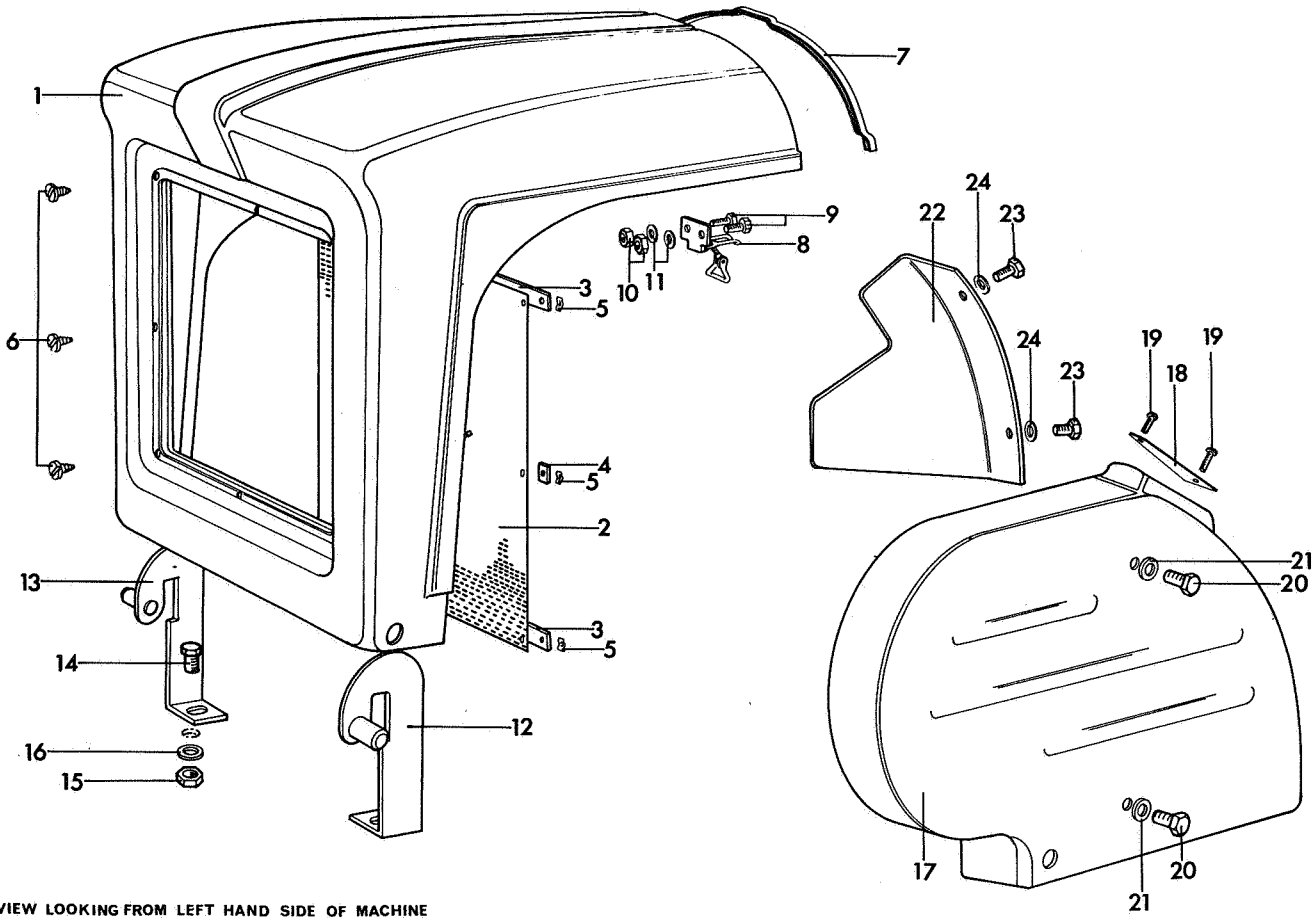
* Not Illustrated



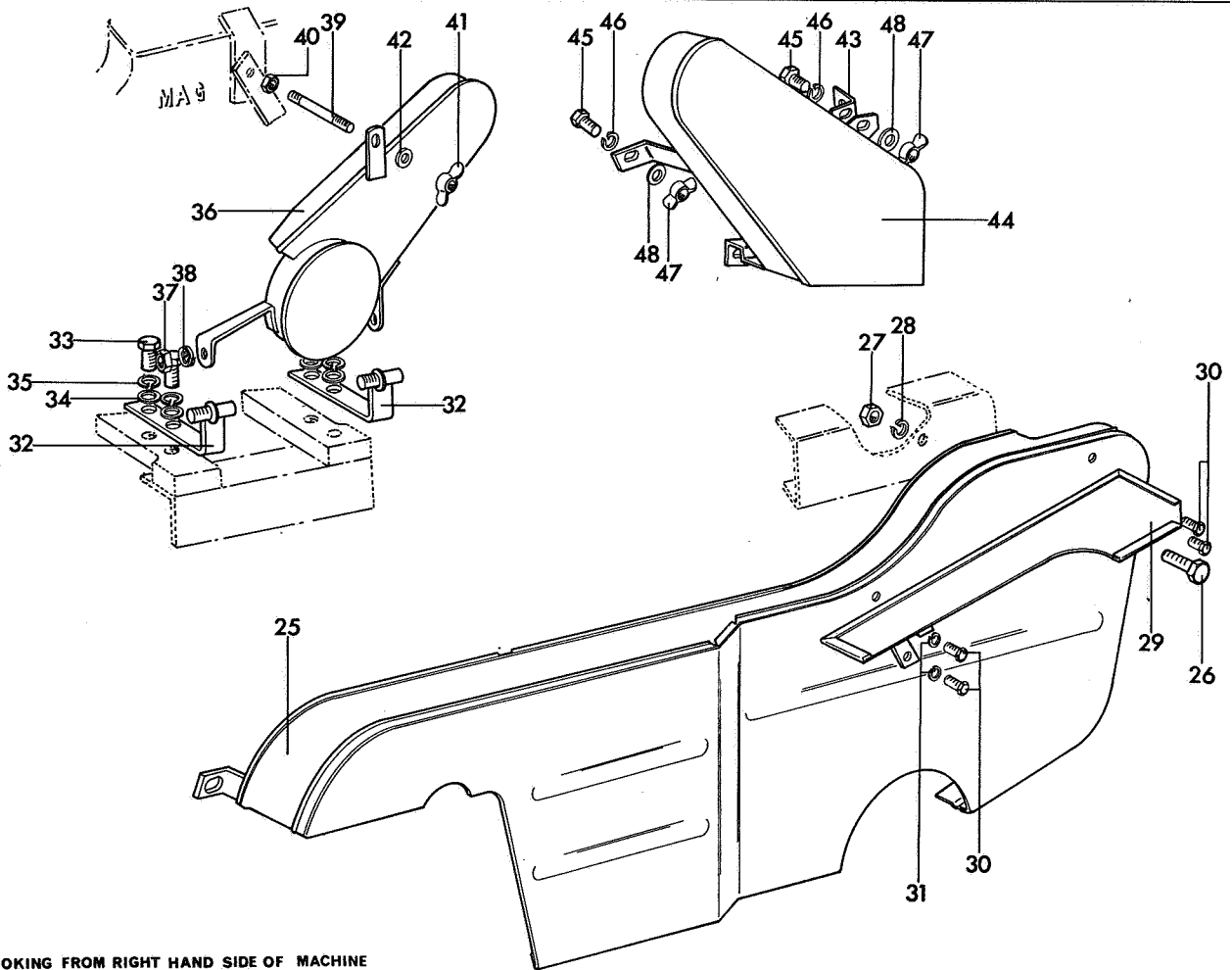
REF	RANSOMES PART NO	COMPUTER PART NO	DESCRIPTION	QTY
1	MBB1258	MBB1258	Axle Housing	2
2	MBA2739	MBA2739	Distance Collar	2
3	GSF2001GF	451030471	Bolt	10
4	GSF2164K	452200142	S.L.Washer	10
5	MBB1261A	MBB1261A	Axle Shaft	2
*	A133024	001330242	Nut	1
6	MBB1262	MBB1262	Spacer	2
7	A203606	002036065	Bearing	4
8	A170062	001700623	Circlip	2
9	MBA6711	MBA6711	Guard	2
10	A112396	001123968	Screw M8 x 16	4
11	A151008	001510088	S.L.Washer 8mm	4
12	LMSD716	LMSD716	Disc Assy. (MBB1259)	2
13	A107510	001075109	Stud	5
14	MBA6704A	MBA6704A	Brake Housing	2
15	GSF1033FD	049006108	Dowel	2
16	GSF2001JK	451030625	Bolt	4
17	GSF2051AE	450020142	Nut	4
18	GSF2164L	452200168	S.L.Washer	4
19	MBA6705A	MBA6705A	Clamp	2
20	MBA6709B	MBA6709B	Lever	2
21	GSF1033GN	049008281	Dowel Pin	2
22	MBA6805	MBA6805	Brake Pad	4
23	GSF2002JK	456010577	Adjusting Screw	2
24	GSF2052AE	450020281	Locknut	2
25	H980034	890007926	Clevis	4
*	GSF1030CF	454000077	Split Pin	1
26	MBB0099	483052711	Brake Rod LH	1
27	MBB0100	MBB0100	Brake Rod RH	1
28	GSF2052AB	450020257	Locknut	2
29	MBB0096	MBB0096	Brake Lever	1
30	MBB0094	MBB0094	Link	2
31	MBB0095	MBB0095	Pivot Pin	2
32	GSF2150G	452000449	Washer	4
33	A140067	001400677	Split Pin	4
34	BAM8078	890090086	Ball Joint	1
35	GSF2051AC	450020087	Nut	1
36	GSF2164J	452200087	S.L.Washer	1
37	MBB3897	MBB3897	Brake Rod	1
38	GSF2052AC	450020257	Locknut	1

* Not Illustrated

MOTOR TRIPLE MK4M



VIEW LOOKING FROM LEFT HAND SIDE OF MACHINE

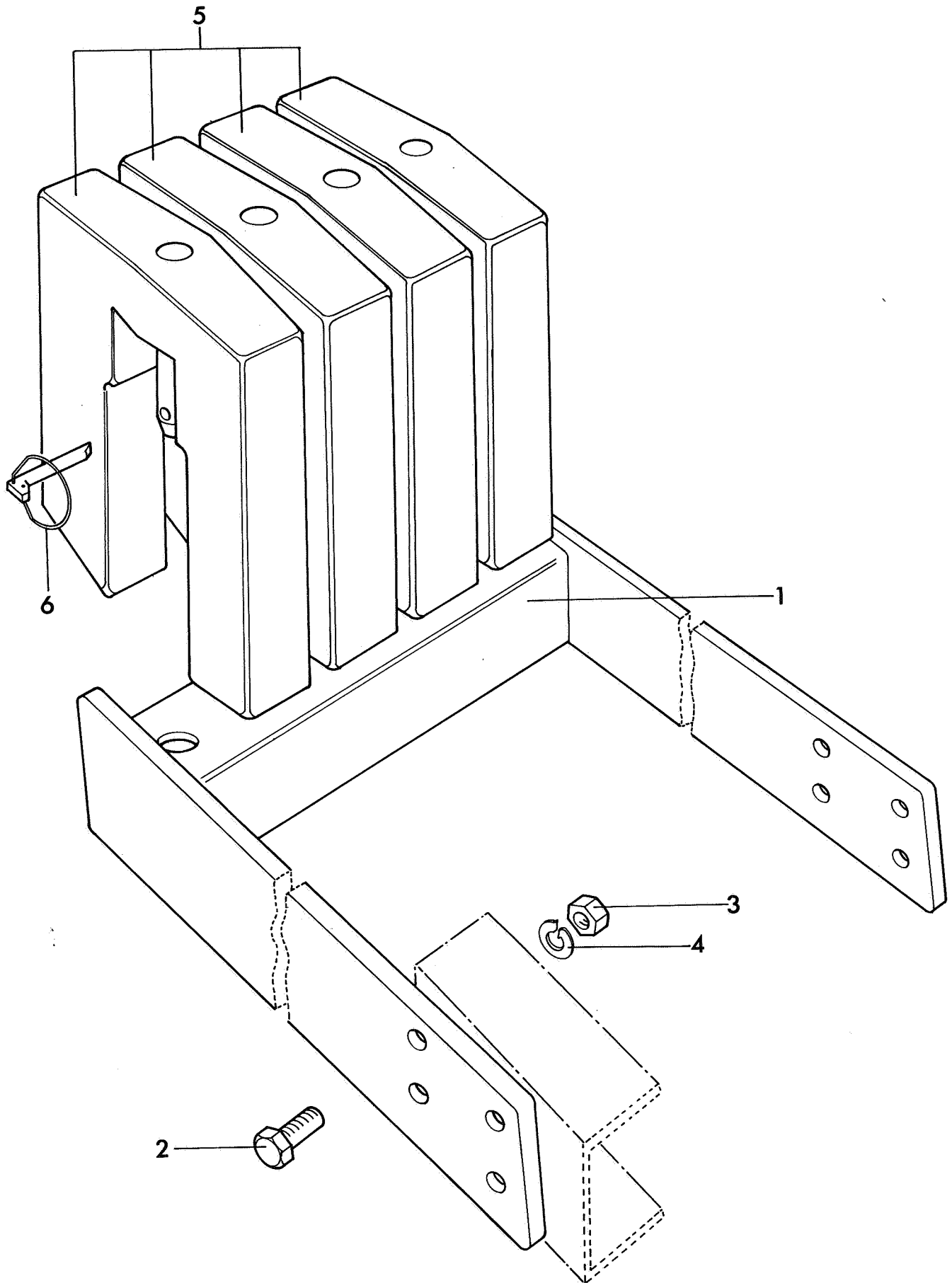


VIEW LOOKING FROM RIGHT HAND SIDE OF MACHINE

For Petrol Engined Machines use quantity column A
 For Diesel Engined Machines use quantity column B

REF	RANSOMES PART NO	COMPUTER PART NO	DESCRIPTION	QTY	
				A	B
1	MBA4109	690404140	Bonnet	1	1
2	MBA3106	MBA3106	Bonnet Grill	1	1
3	MBA2933	MBA2933	Support Strip	2	2
4	MBA2934	MBA2934	Support Plate	2	2
5	H980039	450700027	Spiral Nut	8	8
6	A128044	001280449	Screw	8	8
7	MBA3108	MBA3108	Anti-vibration Strip	1	1
8	MBA3107	MBA3107	Bonnet Clasp	1	1
9	GSF2002AD	456010098	Screw	2	2
10	GSF2051AB	450020053	Nut	2	2
11	GSF2150C	452000211	Washer	2	2
12	MBA4100B	MBA4100B	Bonnet Pivot LH	1	1
13	MBA4101B	MBA4101B	Bonnet Pivot RH	1	1
14	GSF2002EE	456010365	Screw	2	2
15	GSF2051AC	450020087	Nut	2	2
16	GSF2150E	452000326	Washer	2	2
17	MBA2952B	690404938	Variable Drive Cover	1	1
18	MBA2959	MBA2959	Speed Indicator Plate	1	1
19	GSF1970ED	456440370	Screw	2	2
*	GSF1980AC	450420093	Nut	2	2
20	GSF2002CC	456010179	Screw	2	2
21	GSF2150D	452000261	Washer	2	2
22	MBA3459	MBA3459	Inner Belt Guard	1	1
23	GSF2002AB	456010030	Screw	2	2
24	GSF2150C	452000211	Washer	2	2
25	MBA6756	MBA6756	Layshaft Belt Cover	1	1
26	GSF2002EH	456010420	Screw	2	2
27	GSF2051AC	450020087	Nut	2	2
28	GSF2164J	452200087	S.L.washer	2	2
29	MBA6802	MBA6802	Air Cleaner Guard	1	
30	GSF2002AB	456010030	Screw	4	
31	GSF2163G	452200029	S.L.Washer	4	
32	MBA4444	MBA4444	Pivot Bracket	2	
33	GSF2002CD	456010200	Screw	4	
34	GSF2150D	452000261	Washer	4	
35	A151008	001510088	S.L.Washer 8mm	4	
36	MBA4386	MBA4386	Belt Guard	1	
37	GSF2051AA	450020087	Nut	2	
38	GSF2165J	452400065	S.L.Washer	2	
39	MBA4428	MBA4428	Stud	1	
40	A130008	001300081	Nut M8	1	
41	GSF2048AE	450080027	Wing Nut	1	
42	A151008	001510088	Washer	1	
43	MBA6249	MBA6249	Bracket (MAG 1057 DRT)		1
44	MBA6243	MBA6243	Guard (MAG 1057 DRT)		1
45	GSF2002CE	456010218	Screw (MAG 1057 DRT)		2
46	A151008C	001510088	S.L.Washer 8mm (MAG 1057 DRT)		2
47	GSF2048AE	450080027	Wing Nut (MAG 1057 DRT)		2
48	GSF2150D	452000261	Washer (MAG 1057 DRT)		2

* Not Illustrated



REF	RANSOMES PART NO	COMPUTER PART NO	DESCRIPTION	QTY
BALLAST WEIGHT ASSY.				
1	MBB6395	MBB6395	Bracket	1
2	GSF2002EJ	456010438	Screw	8
3	GSF2051AC	450020087	Nut	8
4	GSF2164J	452200087	S.L.Washer	8
5	MBB6394	MBB6394	Weight	4
*	A100424	001004241	Bolt	4
*	A133210	001332105	Nut	4

A B C

@

DECALS

For early Diesel Engined machines use quantity column A
 For Kubota Diesel Engined machines use quantity column B
 For Petrol Engined machines use quantity column C

@

*	A903101	009031012	Label (Inst.Panel)	1		
*	GSF3702SJ	019003569	Label (Stop-run)		1	
*	GSF3702VA	019004094	Label (Battery Neg to Chassis)			1
*	GSF3701RM	019004109	Label (Ransomes Royal Cipher)	1	1	1
*	GSF3702DZ	019004298	Transfer (Ransomes Motor Triple)	2	2	2
*	GSF3702RM	019003577	Label (Diesel Fuel Only)	1		
*	A903063	009030634	Transfer (Start-Stop) (Kubota Eng. only)			1
*	MBB5919	527000908	Instruction Plate (Diesel Stop Control)	1		

* Not Illustrated

MOTOR TRIPLE MK4M

NUMERICAL INDEX

PART No.	PAGE No.	REF No.	PART No.	PAGE No.	REF No.
A100307	47	6	A150006	43	9
A100310	59	43	A150008	25	9
A100407	73	33	A150008	25	18
A100424	81		A150008	25	27
A102405	07	19	A150008	27	46
A107510	77	13	A150008	29	
A110194	29	103	A150008	29	97
A110205	29	88	A150008	31	
A110208	25	24	A150008	47	20
A110208	31		A150008	59	44
A110294	27		A150010	07	20
A110304	25	21	A150010	27	53
A110304	25	26	A150010	33	11
A110304	47	11	A150012	47	14
A110305	25	7	A151004	31	
A110305	25	16	A151005	29	104
A110305	25	32	A151006	25	
A110306	27	78	A151006	27	
A110306	29	96	A151006	29	89
A110396	27	48	A151006	31	
A110396	29	82	A151008	09	18
A110396	31		A151008	15	27
A110405	33	10	A151008	19	36
A110405	37	84	A151008	21	63
A110506	45		A151008	21	67
A112096	31		A151008	21	70
A112294	61	7	A151008	21	73
A112396	77	10	A151008	23	26
A119000	05	32	A151008	23	29
A119001	07	27	A151008	25	19
A119021	25	4	A151008	25	22
A119034	27	51	A151008	25	28
A121304	47	19	A151008	25	34
A128043	13	59	A151008	27	45
A128044	79	6	A151008	27	49
A130004	31		A151008	27	80
A130006	25		A151008	29	
A130006	27		A151008	29	83
A130006	27	57	A151008	29	109
A130006	31		A151008	31	
A130008	25		A151008	35	
A130008	25	8	A151008	35	36
A130008	25	17	A151008	35	40
A130008	25	33	A151008	35	48
A130008	27	79	A151008	41	
A130008	31		A151008	41	
A130008	47	8	A151008	41	40
A130008	59	45	A151008	41	42
A130008	79	40	A151008	41	48
A130010	07	21	A151008	45	16
A130012	75	3	A151008	47	7
A133024	77		A151008	49	7
A133208	29	98	A151008	53	16
A133210	81		A151008	53	34
A133212	47	15	A151008	55	14
A133224	75	8	A151008	55	34
A133316	25		A151008	57	10
A139903	09	24	A151008	57	13
A139903	13	41	A151008	57	22
A139903	71	48	A151008	57	39
A139903	73		A151008	59	61
A139904	49	32	A151008	59	75
A139910	09	4	A151008	61	12
A140045	71	68	A151008	63	21
A140067	77	33	A151008	63	25
A141072	27	59	A151008	65	4
A149905	45		A151008	65	25
A150005	29	105	A151008	77	11
A150006	25		A151008	79	35
A150006	27		A151008	79	42
A150006	29	90	A151008	79	46
A150006	31		A151010	25	5

MOTOR TRIPLE MK4M

NUMERICAL INDEX

PART No.	PAGE No.	REF No.	PART No.	PAGE No.	REF No.
A151010	37	85	A905286	29	110
A151010	73	34	A906011	27	70
A151012	75	4	A909062	29	
A159914	27	52	A917050	71	
A160304	75	5			
A160305	75	6	BAM8078	67	50
A160324	73	14	BAM8078	77	34
A170047	21	46			
A170047	21	53	GSF1030CE	27	69
A170047	35	76	GSF1030CE	55	29
A170047	41	58	GSF1030CF	59	66
A170047	57	19	GSF1030CF	67	
A170052	61	14	GSF1030CF	73	22
A170062	73	18	GSF1030CF	77	
A170062	77	8	GSF1030CH	15	31
A171016	21	50	GSF1030GF	67	44
A171016	59	71	GSF1030GF	67	68
A171020	21	47	GSF1030GL	65	40
A171020	21	54	GSF1030JH	69	24
A171035	71	54	GSF1030JP	71	64
A192054	33	6	GSF1033FD	67	72
A192212	27	42	GSF1033FD	71	66
A192260	25	38	GSF1033FD	77	15
A203205	61	15	GSF1033GN	67	78
A203304	23	19	GSF1033GN	77	21
A203604	21	45	GSF1040KQ	35	64
A203604	21	52	GSF1040KQ	39	22
A203604	35	75	GSF1042HR	15	46
A203604	41	53	GSF1042HR	17	49
A203604	41	57	GSF1042HR	17	55
A203604	57	18	GSF1042KP	61	3
A203606	73	16	GSF1042KP	63	8
A203606	77	7	GSF1042KP	63	11
A220250	05	18	GSF1042KP	71	43
A220251	61	13	GSF1042NE	11	9
A220400	05	8	GSF1045CC	27	68
A221115	71	71	GSF1045CC	55	28
A249360	55		GSF1055BT	71	56
A290068	27	54	GSF1056AM	67	47
A291017	05	25	GSF1056AX	63	6
A295000	31	6	GSF1056BA	45	5
A295208	29		GSF1057BE	13	50
A295212	29		GSF1058AU	59	46
A295402	47	12	GSF1090ED	59	78
A295404	47	16	GSF1092EC	33	14
A311082	19	26	GSF1094CD	13	53
A311082	73	26	GSF1192AG	49	29
A381102	19		GSF1195AM	75	2
A381102	73		GSF1970AF	63	15
A393155	09	29	GSF1970ED	79	19
A660000	33		GSF1971CF	27	67
A682002	25	1	GSF1971CF	55	27
A682003	25		GSF1971CK	13	54
A682004	27	76	GSF1975EP	27	60
A811014	27	65	GSF1980AB	27	62
A814501	27	55	GSF1980AC	79	
A816024	49	33	GSF1980BA	27	72
A816058	75		GSF2001AD	55	19
A816060	75	10	GSF2001CF	23	23
A817014	49	35	GSF2001CF	23	28
A819022	25		GSF2001CG	21	65
A819921	47	9	GSF2001CP	27	43
A823202	29		GSF2001EE	11	26
A903063	81		GSF2001EF	05	28
A903101	81		GSF2001EF	07	25
A904703	45		GSF2001EF	19	12
A905202	43		GSF2001EF	39	5
A905215	31	1	GSF2001EG	17	87
A905233	43	1	GSF2001EH	69	18
A905261	31	10	GSF2001EK	11	4
A905261	43		GSF2001ER	17	82
A905262	43		GSF2001FK	69	19

MOTOR TRIPLE MK4M

NUMERICAL INDEX

PART No.	PAGE No.	REF No.	PART No.	PAGE No.	REF No.
GSF2001GF	67	63	GSF2002EE	19	16
GSF2001GF	69	23	GSF2002EE	19	20
GSF2001GF	77	3	GSF2002EE	19	31
GSF2001GT	17	78	GSF2002EE	33	31
GSF2001JE	25	10	GSF2002EE	39	13
GSF2001JE	73	6	GSF2002EE	39	32
GSF2001JG	39	8	GSF2002EE	49	10
GSF2001JG	73	9	GSF2002EE	51	48
GSF2001JH	33	19	GSF2002EE	57	4
GSF2001JJ	67	70	GSF2002EE	63	17
GSF2001JK	77	16	GSF2002EE	65	15
GSF2001KM	37	82	GSF2002EE	67	57
GSF2001KM	41	68	GSF2002EE	79	14
GSF2002AB	79	23	GSF2002EF	13	34
GSF2002AB	79	30	GSF2002EF	33	24
GSF2002AC	09	7	GSF2002EF	35	58
GSF2002AC	09	12	GSF2002EF	39	24
GSF2002AC	11	16	GSF2002EF	63	35
GSF2002AD	13	43	GSF2002EF	65	6
GSF2002AD	21	75	GSF2002EF	65	33
GSF2002AD	43	7	GSF2002EG	19	
GSF2002AD	43	7	GSF2002EG	47	2
GSF2002AD	79	9	GSF2002EH	11	12
GSF2002AF	43		GSF2002EH	17	60
GSF2002AK	63	38	GSF2002EH	17	66
GSF2002AK	65	9	GSF2002EH	35	59
GSF2002CB	19	35	GSF2002EH	49	11
GSF2002CB	59	76	GSF2002EH	65	27
GSF2002CC	53	32	GSF2002EH	79	26
GSF2002CC	57	23	GSF2002EJ	81	2
GSF2002CC	79	20	GSF2002ET	39	16
GSF2002CD	15	25	GSF2002EX	33	27
GSF2002CD	45	15	GSF2002GF	65	36
GSF2002CD	53	4	GSF2002GJ	33	15
GSF2002CD	55	4	GSF2002JE	17	72
GSF2002CD	55	12	GSF2002JF	45	
GSF2002CD	57	14	GSF2002JH	73	2
GSF2002CD	79	33	GSF2002JK	67	75
GSF2002CE	21	71	GSF2002JK	77	23
GSF2002CE	35	39	GSF2007BH	33	35
GSF2002CE	41	41	GSF2007BH	35	43
GSF2002CE	55	32	GSF2007BH	39	38
GSF2002CE	57	40	GSF2007BH	41	44
GSF2002CE	71	44	GSF2007CE	07	4
GSF2002CE	79	45	GSF2007CK	17	65
GSF2002CF	09	16	GSF2012CH	07	11
GSF2002CF	17	52	GSF2012CL	05	34
GSF2002CF	29	107	GSF2012CL	53	
GSF2002CF	35	47	GSF2012CL	53	22
GSF2002CF	41	45	GSF2012CL	53	29
GSF2002CF	49	6	GSF2012CQ	07	12
GSF2002CF	53	14	GSF2013EK	09	42
GSF2002CF	57	9	GSF2017NC	09	26
GSF2002CF	61	11	GSF2017NC	09	28
GSF2002CF	65	23	GSF2017NC	13	47
GSF2002CK	35	46	GSF2017NC	19	24
GSF2002CK	41	46	GSF2020JF	59	52
GSF2002CK	65	2	GSF2020KH	59	70
GSF2002EC	05	36	GSF2022AC	45	18
GSF2002EC	09	3	GSF2048AE	55	33
GSF2002EC	57	5	GSF2048AE	79	41
GSF2002ED	05	38	GSF2048AE	79	47
GSF2002ED	07	3	GSF2051AA	05	35
GSF2002ED	07	15	GSF2051AA	09	9
GSF2002ED	09	39	GSF2051AA	13	45
GSF2002ED	13	60	GSF2051AA	21	
GSF2002ED	63	4	GSF2051AA	21	57
GSF2002ED	65	19	GSF2051AA	37	80
GSF2002EE	11	22	GSF2051AA	41	66
GSF2002EE	15	5	GSF2051AA	43	
GSF2002EE	15	14	GSF2051AA	43	8
GSF2002EE	15	35	GSF2051AA	43	8

MOTOR TRIPLE MK4M

NUMERICAL INDEX

PART No.	PAGE No.	REF No.	PART No.	PAGE No.	REF No.
GSF2051AA	53		GSF2051AC	47	4
GSF2051AA	53		GSF2051AC	49	13
GSF2051AA	53	25	GSF2051AC	49	25
GSF2051AA	55	21	GSF2051AC	51	40
GSF2051AA	63	39	GSF2051AC	51	51
GSF2051AA	65	10	GSF2051AC	57	7
GSF2051AA	79	37	GSF2051AC	57	35
GSF2051AB	09	19	GSF2051AC	63	19
GSF2051AB	15	26	GSF2051AC	63	37
GSF2051AB	17	53	GSF2051AC	65	7
GSF2051AB	19		GSF2051AC	65	20
GSF2051AB	21	62	GSF2051AC	65	28
GSF2051AB	21	66	GSF2051AC	67	53
GSF2051AB	21	69	GSF2051AC	69	17
GSF2051AB	21	72	GSF2051AC	69	21
GSF2051AB	23	25	GSF2051AC	77	35
GSF2051AB	27	44	GSF2051AC	79	15
GSF2051AB	29	108	GSF2051AC	79	27
GSF2051AB	35		GSF2051AC	81	3
GSF2051AB	35	37	GSF2051AD	17	80
GSF2051AB	35	41	GSF2051AD	21	42
GSF2051AB	35	49	GSF2051AE	11	31
GSF2051AB	41		GSF2051AE	15	10
GSF2051AB	41		GSF2051AE	15	23
GSF2051AB	41	39	GSF2051AE	19	5
GSF2051AB	41	47	GSF2051AE	25	12
GSF2051AB	49	8	GSF2051AE	33	22
GSF2051AB	53	6	GSF2051AE	35	54
GSF2051AB	53	15	GSF2051AE	37	
GSF2051AB	53	33	GSF2051AE	39	10
GSF2051AB	55	6	GSF2051AE	39	35
GSF2051AB	55	13	GSF2051AE	41	
GSF2051AB	57	11	GSF2051AE	51	42
GSF2051AB	59	62	GSF2051AE	59	48
GSF2051AB	63	22	GSF2051AE	63	33
GSF2051AB	63	26	GSF2051AE	73	3
GSF2051AB	65	3	GSF2051AE	73	7
GSF2051AB	65	24	GSF2051AE	73	10
GSF2051AB	67	60	GSF2051AE	77	17
GSF2051AB	79	10	GSF2051AH	35	52
GSF2051AC	05	21	GSF2051AH	39	29
GSF2051AC	05	29	GSF2051AH	49	18
GSF2051AC	07	6	GSF2052AA	37	81
GSF2051AC	07	17	GSF2052AA	41	67
GSF2051AC	09	36	GSF2052AB	59	63
GSF2051AC	11		GSF2052AB	67	81
GSF2051AC	11	7	GSF2052AB	77	28
GSF2051AC	11	21	GSF2052AC	67	51
GSF2051AC	11	28	GSF2052AC	77	38
GSF2051AC	13	36	GSF2052AE	11	29
GSF2051AC	15	6	GSF2052AE	21	
GSF2051AC	15	15	GSF2052AE	67	76
GSF2051AC	15	36	GSF2052AE	77	24
GSF2051AC	17	61	GSF2052AG	45	4
GSF2051AC	17	67	GSF2057AC	71	67
GSF2051AC	17	84	GSF2093AD	49	3
GSF2051AC	17	89	GSF2150C	07	10
GSF2051AC	19		GSF2150C	13	44
GSF2051AC	19	14	GSF2150C	35	79
GSF2051AC	19	17	GSF2150C	41	65
GSF2051AC	19	21	GSF2150C	43	
GSF2051AC	27		GSF2150C	43	9
GSF2051AC	33	26	GSF2150C	49	2
GSF2051AC	33	29	GSF2150C	53	
GSF2051AC	33	33	GSF2150C	53	
GSF2051AC	35	61	GSF2150C	53	23
GSF2051AC	35	74	GSF2150C	53	27
GSF2051AC	39	14	GSF2150C	55	20
GSF2051AC	39	18	GSF2150C	79	11
GSF2051AC	39	25	GSF2150C	79	24
GSF2051AC	39	33	GSF2150D	09	17
GSF2051AC	41	61	GSF2150D	19	

MOTOR TRIPLE MK4M

NUMERICAL INDEX

PART No.	PAGE No.	REF No.	PART No.	PAGE No.	REF No.
GSF2150D	49	5	GSF2164J	15	7
GSF2150D	53	5	GSF2164J	15	16
GSF2150D	55	5	GSF2164J	15	37
GSF2150D	63	24	GSF2164J	17	62
GSF2150D	73	23	GSF2164J	17	68
GSF2150D	79	21	GSF2164J	17	85
GSF2150D	79	34	GSF2164J	17	90
GSF2150D	79	48	GSF2164J	19	
GSF2150E	07	16	GSF2164J	19	15
GSF2150E	07	23	GSF2164J	19	18
GSF2150E	11	5	GSF2164J	19	22
GSF2150E	13	62	GSF2164J	33	25
GSF2150E	15	4	GSF2164J	33	32
GSF2150E	15	30	GSF2164J	35	60
GSF2150E	17	83	GSF2164J	35	73
GSF2150E	17	88	GSF2164J	39	6
GSF2150E	19	13	GSF2164J	39	15
GSF2150E	33	28	GSF2164J	39	26
GSF2150E	39	7	GSF2164J	39	34
GSF2150E	39	17	GSF2164J	41	62
GSF2150E	49	39	GSF2164J	47	3
GSF2150E	51	50	GSF2164J	49	12
GSF2150E	57	33	GSF2164J	49	24
GSF2150E	59	50	GSF2164J	51	49
GSF2150E	61	8	GSF2164J	57	6
GSF2150E	65	16	GSF2164J	57	34
GSF2150E	65	34	GSF2164J	63	3
GSF2150E	67	58	GSF2164J	63	18
GSF2150E	79	16	GSF2164J	63	36
GSF2150F	05	24	GSF2164J	65	8
GSF2150F	17	79	GSF2164J	65	21
GSF2150F	21	41	GSF2164J	65	29
GSF2150G	09	23	GSF2164J	69	16
GSF2150G	13	40	GSF2164J	69	20
GSF2150G	17	73	GSF2164J	77	36
GSF2150G	19	4	GSF2164J	79	28
GSF2150G	59	56	GSF2164J	81	4
GSF2150G	67	67	GSF2164K	17	81
GSF2150G	71	47	GSF2164K	21	43
GSF2150G	73		GSF2164K	33	16
GSF2150G	77	32	GSF2164K	65	37
GSF2150J	49	31	GSF2164K	67	64
GSF2154NU	39	9	GSF2164K	69	15
GSF2154PE	15	22	GSF2164K	69	22
GSF2154PE	25	11	GSF2164K	77	4
GSF2154PG	45		GSF2164L	11	30
GSF2160C	63	14	GSF2164L	15	11
GSF2160E	27	63	GSF2164L	19	6
GSF2160R	27	73	GSF2164L	21	
GSF2163G	09	8	GSF2164L	25	13
GSF2163G	09	11	GSF2164L	33	21
GSF2163G	11	17	GSF2164L	35	53
GSF2163G	21		GSF2164L	37	
GSF2163G	79	31	GSF2164L	39	11
GSF2164G	43		GSF2164L	39	36
GSF2164G	53		GSF2164L	41	
GSF2164G	53		GSF2164L	63	32
GSF2164G	53	26	GSF2164L	67	71
GSF2164G	55	22	GSF2164L	73	4
GSF2164G	65	11	GSF2164L	73	8
GSF2164J	05	22	GSF2164L	73	11
GSF2164J	05	37	GSF2164L	77	18
GSF2164J	07	5	GSF2164N	45	3
GSF2164J	07	24	GSF2164P	35	51
GSF2164J	09	2	GSF2164P	39	30
GSF2164J	09	38	GSF2164P	49	17
GSF2164J	11		GSF2165J	79	38
GSF2164J	11	6	GSF2201CB	57	31
GSF2164J	11	13	GSF2201CF	09	21
GSF2164J	11	27	GSF2201DH	19	3
GSF2164J	13	35	GSF2202EJ	57	27
GSF2164J	13	61	GSF2202EM	69	33

MOTOR TRIPLE MK4M

NUMERICAL INDEX

PART No.	PAGE No.	REF No.	PART No.	PAGE No.	REF No.
GSF2202EM	71	37	GSF3600AN	15	
GSF2202EX	19	25	GSF3600AN	17	58
GSF2218DF	23	30	GSF3600BX	57	21
GSF2218DF	37	86	GSF3600BX	57	38
GSF2218DF	41	50	GSF3701RM	81	
GSF2218DL	25		GSF3702DZ	81	
GSF2219EK	69	27	GSF3702RM	81	
GSF2219JE	71	53	GSF3702SJ	81	
GSF2229FF	19	28	GSF3702VA	81	
GSF2229FH	61	9			
GSF2230AH	59	54	H001204	05	9
GSF2240CP	27	61	H001506	45	12
GSF2240EF	23	12	H001770	49	30
GSF2240GZ	35	63	H001773	49	27
GSF2240GZ	39	21	H002303	13	37
GSF2240JR	73	24	H002307	69	30
GSF2240MF	59	72	H002500	23	4
GSF2240MG	15	42	H002501	23	5
GSF2242AG	63	12	H003142	09	13
GSF2247AA	13	52	H003142	19	32
GSF2531AK	33	8	H003147	19	9
GSF2540AC	05	13	H003155	09	14
GSF2540AC	05	17	H003155	19	33
GSF2540AC	09	41	H003183	19	8
GSF2540AC	11	15	H004026	49	
GSF2540AC	13	33	H004026	49	20
GSF2540AC	15		H004027	49	15
GSF2540AC	15	33	H004028	35	69
GSF2540AC	17	59	H004028	41	55
GSF2540AC	49	22	H009005	69	28
GSF2540BC	05	11	H009037	71	59
GSF2540BC	05	15	H009053	09	15
GSF3002DC	59	59	H009053	19	34
GSF3002DC	59	68	H009054	19	10
GSF3002DE	05	12	H009129	45	13
GSF3002DE	05	16	H011073	23	21
GSF3002DH	09	31	H011091	71	70
GSF3002DH	21	49	H011127	71	69
GSF3002DH	63	30	H011141	49	26
GSF3002LE	57	17	H030031CF	53	11
GSF3002LH	21	38	H030048	39	2
GSF3002LH	57	37	H030085BK	25	40
GSF3002LK	15	18	H030085CM	27	41
GSF3002LK	15	20	H041156	13	48
GSF3002LK	57	16	H042003	09	
GSF3002LK	63	2	H042003	13	
GSF3002SG	45		H042137	09	
GSF3002SG	45	8	H042137	13	
GSF3002SJ	23	3	H060053	13	56
GSF3002UR	11	11	H060053	53	31
GSF3002UR	17	76	H060053	55	31
GSF3002ZR	17	75	H083023	05	20
GSF3014LF	69	2	H087003	23	13
GSF3014LF	69	6	H091015	43	2
GSF3014MF	69	35	H091015	43	6
GSF3014NF	69	3	H091015	43	6
GSF3014NF	69	7	H091024	31	7
GSF3014NF	71	50	H091024	43	2
GSF3014WB	69	4	H091026	29	86
GSF3014WB	69	8	H091039	29	
GSF3100DC	31		H091049	31	3
GSF3121AB	31		H091049	43	
GSF3221D	31		H110951	55	18
GSF3506NG	19	29	H111156	33	1
GSF3506QH	19	7	H111382	33	5
GSF3551GJ	69	13	H111650	53	24
GSF3551KL	53	8	H111651	53	28
GSF3551KL	55	8	H111712	39	1
GSF3551KR	53		H190024	33	2
GSF3551KR	55		H220003	65	1
GSF3551RL	69	11	H300090	27	71
GSF3600AN	15		H300403	27	74

MOTOR TRIPLE MK4M

NUMERICAL INDEX

PART No.	PAGE No.	REF No.	PART No.	PAGE No.	REF No.
H390004	53	9	LMSD553	71	49
H390005	53	10	LMSD596	11	18
H400007	53	18	LMSD597	11	
H400007	55	16	LMSD611	57	15
H400038	53	19	LMSD612	57	36
H400038	55	17	LMSD704	71	57
H400066	55		LMSD716	77	12
H410002	31	8	LMSD717	75	1
H410008	31	5	LMSD831	55	24
H440001	53	7	LMSD921	29	
H440001	55	7	LMSD935	45	
H460004	53	2	LMSD981	45	
H460004	55	2	LSD5244	45	9
H461000	55	15	LS02521D	23	17
H499066	53	20	LTC0136	09	5
H499601	31	2	LTC0690A	61	6
H499601	51		LTC4858	49	36
H499609	51	47			
H499802	31		MAA0320	45	2
H499802	43		MBA1329C	05	
H499802	43		MBA1332	05	33
H920153	73		MBA1353	09	27
H920155	73		MBA1365	09	30
H931027	75	9	MBA1380	09	37
H932021	75		MBA2337	07	13
H932026	49		MBA2508	29	111
H980019	13	58	MBA2508	53	17
H980025	59	55	MBA2508	55	
H980027	49	38	MBA2702Z	69	14
H980027	59	49	MBA2703	69	9
H980028	59	60	MBA2704	69	12
H980031	29	99	MBA2706	69	26
H980031	31	4	MBA2708	69	29
H980031	43	3	MBA2708	71	38
H980031	43	5	MBA2710	69	31
H980034	59	65	MBA2711B	69	32
H980034	67	79	MBA2713	69	36
H980034	77	25	MBA2714	71	39
H980039	79	5	MBA2715	71	40
H980054	27		MBA2722	71	46
H980105	59	41	MBA2723	71	51
H980115	55	25	MBA2725B	71	52
H980357	49	1	MBA2727	71	60
H980358	49		MBA2728	71	63
H980381	63	23	MBA2729	71	65
H980387	49	4	MBA2739	77	2
H980403	49		MBA2744	71	55
H990002	11	3	MBA2745	69	10
H990002	15	45	MBA2780	23	18
H990002	35	57	MBA2783	23	22
H990002	39	23	MBA2784	17	51
H990012	59	79	MBA2784	23	24
H990021	53	3	MBA2785A	23	1
H990043	49	37	MBA2786	23	27
H990044	17	57	MBA2787	23	10
H990105	57	20	MBA2788	23	8
			MBA2789	23	9
LAJ0038	45		MBA2790	23	15
LAJ0038	45	7	MBA2791	23	14
LMAA036	69	5	MBA2792	23	16
LMAA037	69	1	MBA2793	23	11
LMAA780	45		MBA2795	23	2
LMAY515B	69		MBA2797	19	27
LMAY686	73	27	MBA2798	23	20
LMSC730	05	30	MBA2804	57	32
LMSD019	23	7	MBA2808	57	24
LMSD473A	05	10	MBA2812	59	77
LMSD474A	05	14	MBA2814	59	69
LMSD487A	15	17	MBA2820	59	64
LMSD487A	15	19	MBA2821	59	67
LMSD492	17	56	MBA2824Z	59	73
LMSD552	69	34	MBA2826	21	64

MOTOR TRIPLE MK4M

NUMERICAL INDEX

PART No.	PAGE No.	REF No.	PART No.	PAGE No.	REF No.
MBA2829	21	60	MBA3107	79	8
MBA2831	21	68	MBA3108	79	7
MBA2831	63	20	MBA3121A	09	34
MBA2834	21	76	MBA3122	09	32
MBA2834	59	80	MBA3123	09	35
MBA2836	57	3	MBA3140A	09	40
MBA2846	49	14	MBA3162	15	8
MBA2850	49	16	MBA3167	09	33
MBA2851	49		MBA3177Z	19	30
MBA2852	49	19	MBA3179A	73	30
MBA2857	49	28	MBA3306	63	42
MBA2858	63	16	MBA3351	57	2
MBA2859	49	34	MBA3351	63	28
MBA2872	17	77	MBA3459	79	22
MBA2876	11	2	MBA3468	61	1
MBA2877	11	1	MBA3468	71	41
MBA2885	11	8	MBA3474	45	
MBA2889	17	54	MBA4100B	79	12
MBA2892	17	86	MBA4101B	79	13
MBA2894	15	32	MBA4108	57	1
MBA2898	15	34	MBA4109	79	1
MBA2905	15	43	MBA4110	39	37
MBA2906Z	15	44	MBA4111	53	12
MBA2913	17	50	MBA4111	55	10
MBA2915	63	1	MBA4112	37	83
MBA2933	79	3	MBA4119A	53	1
MBA2934	79	4	MBA4119A	55	1
MBA2944B	45	1	MBA4140	55	3
MBA2949	33	30	MBA4154	51	44
MBA2949	39	31	MBA4157	51	45
MBA2951	35	42	MBA4159	53	13
MBA2951	41	43	MBA4159	55	11
MBA2952B	79	17	MBA4160	59	58
MBA2953A	35	55	MBA4161	59	74
MBA2953A	39	27	MBA4162	53	30
MBA2958	35	50	MBA4162	55	30
MBA2958	39	28	MBA4170	43	5
MBA2959	79	18	MBA4170A	31	9
MBA2960	35	56	MBA4174A	33	9
MBA2960	39	19	MBA4176	43	4
MBA2964	35	62	MBA4185	21	59
MBA2964	39	20	MBA4188	71	45
MBA2967A	35	67	MBA4380	39	3
MBA2967A	41	54	MBA4383	39	4
MBA2968	05	27	MBA4384	39	12
MBA2970	35	68	MBA4386	79	36
MBA2970	41	59	MBA4407A	63	
MBA2971A	35	78	MBA4428	79	39
MBA2971A	41	64	MBA4440	15	40
MBA2976	35	77	MBA4443	15	41
MBA2976	41	63	MBA4444	79	32
MBA2977Z	35	70	MBA4451	21	58
MBA2977Z	41	60	MBA4452	21	61
MBA2984	19	1	MBA4453	49	21
MBA2985	19	23	MBA4460	35	71
MBA2986	19	2	MBA4460	41	56
MBA2994	21	40	MBA4461	35	72
MBA2995	21	39	MBA4461	41	52
MBA3007	07	7	MBA4469	33	20
MBA3008	07	8	MBA4470	35	65
MBA3022	07	22	MBA4470	41	71
MBA3025	07	26	MBA4471	37	88
MBA3031	73	20	MBA4471	41	69
MBA3059	23	6	MBA4472	37	89
MBA3063	09	20	MBA4472	41	70
MBA3064	09	22	MBA4476	43	4
MBA3065	09	25	MBA4477	43	3
MBA3080	63	29	MBA4478	43	1
MBA3086	63	31	MBA5209	67	42
MBA3087	63	34	MBA5923	51	46
MBA3088	63	40	MBA5954	13	42
MBA3106	79	2	MBA5959	13	49

MOTOR TRIPLE MK4M

NUMERICAL INDEX

PART No.	PAGE No.	REF No.	PART No.	PAGE No.	REF No.
MBA6103	07	9	MBB0138	33	4
MBA6119	33	7	MBB0139	33	3
MBA6241	33	17	MBB0141	11	20
MBA6242	33	18	MBB0142	65	22
MBA6243	79	44	MBB0143	49	9
MBA6249	79	43	MBB0149	21	56
MBA6250	33	23	MBB0152	45	10
MBA6251	55	23	MBB0154	45	19
MBA6252	55	26	MBB0155	45	14
MBA6253	33	12	MBB0157	57	29
MBA6253A	33		MBB0158	57	30
MBA6261A	33	13	MBB0160	11	23
MBA6262	27	64	MBB0160	73	35
MBA6262	63	41	MBB0161	11	19
MBA6264	55	9	MBB0161	73	36
MBA6265	33	34	MBB0165	11	25
MBA6266	35	38	MBB0166	11	
MBA6267	15	9	MBB0168	57	8
MBA6277	51	43	MBB0174	13	
MBA6704A	77	14	MBB0176	59	53
MBA6705A	77	19	MBB0177	57	12
MBA6705B	67	73	MBB0215	17	69
MBA6709A	67	77	MBB0246	59	51
MBA6709B	77	20	MBB0248A	17	70
MBA6711	77	9	MBB0249A	17	71
MBA6712	15	1	MBB1179	65	35
MBA6713	15	2	MBB1180	65	38
MBA6714A	15	3	MBB1184	65	39
MBA6715	17	64	MBB1185	65	41
MBA6716	17	63	MBB1188	67	43
MBA6722	15	38	MBB1188	67	66
MBA6723	15	47	MBB1189	65	14
MBA6724	17	48	MBB1189	65	32
MBA6726A	63	5	MBB1189	67	56
MBA6729	73	28	MBB1190	65	12
MBA6741B	17	74	MBB1190	65	30
MBA6743	11	10	MBB1190	67	54
MBA6745B	73	1	MBB1191	65	13
MBA6752	73	19	MBB1191	65	31
MBA6755	73	21	MBB1191	67	55
MBA6756	79	25	MBB1192	67	49
MBA6760A	05	1	MBB1193	67	48
MBA6772	13	46	MBB1194	67	65
MBA6773	73	29	MBB1197	67	59
MBA6774A	13	32	MBB1198	67	61
MBA6775A	13		MBB1199	67	62
MBA6776	13	39	MBB1203A	67	80
MBA6777	13	38	MBB1204	65	26
MBA6778A	11	14	MBB1207	65	5
MBA6779A	11		MBB1210	65	17
MBA6784	09	10	MBB1211	63	7
MBA6786A	13	51	MBB1221	49	23
MBA6787A	13	55	MBB1222	71	58
MBA6788A	13		MBB1235	05	19
MBA6795	13	57	MBB1243	41	72
MBA6799A	65	18	MBB1255	61	10
MBA6802	79	29	MBB1256	69	25
MBA6805	67	74	MBB1257	61	5
MBA6805	77	22	MBB1258	77	1
MBA7024A	05	31	MBB1261A	77	5
MBA7221	05	6	MBB1262	77	6
MBB0050A	07	14	MBB1263	75	7
MBB0094	77	30	MBB1266	73	32
MBB0095	77	31	MBB1268	73	5
MBB0096	77	29	MBB1269	73	12
MBB0099	77	26	MBB1270	73	13
MBB0100	77	27	MBB1271	73	17
MBB0104	63	13	MBB1272	73	15
MBB0105	15	13	MBB1274A	45	11
MBB0106	15	12	MBB1279	59	47
MBB0134	73	25	MBB1280	51	41
MBB0137	09	6	MBB2559	05	26

MOTOR TRIPLE MK4M

NUMERICAL INDEX

PART No.	PAGE No.	REF No.	PART No.	PAGE No.	REF No.
MBB2732A	05	3	MBC1714	47	5
MBB2737	05	39	MBC1720	47	1
MBB2746	19	37	MBC1732A	29	
MBB2748	21	44	MBC2765A	05	2
MBB2748	21	51	MBC2766	05	7
MBB2749	21	48	MBC7789A	45	6
MBB2751	05	4	MBC8450	21	55
MBB2751	05	5	MBC8455	67	45
MBB2817	15	29	MBC9117	25	20
MBB2818	15	24	MBC9133	25	
MBB2819	09	1			
MBB2822	15	28	PSF3052	11	24
MBB2850B	05	23	PSF3052	73	37
MBB3495A	47				
MBB3747	45	17	TBA9045	75	11
MBB3873	19	11			
MBB3874	19	19	Z503863	63	43
MBB3877	63	10	Z566817	59	57
MBB3897	63	27	Z569983	67	46
MBB3897	77	37			
MBB4086	67	52			
MBB4825	51	52			
MBB5919	81				
MBB5923	47				
MBB5925	59	42			
MBB5926A	57	25			
MBB5943	53	21			
MBB6178	21	74			
MBB6286A	07	18			
MBB6394	81	5			
MBB6395	81	1			
MBB6399	73	31			
MBB6409	15	21			
MBB6693	37				
MBB6694	33				
MBB6695	33				
MBB6704A	67	69			
MBB9327	27	58			
MBB9329	27	50			
MBB9335	29	93			
MBB9504	25	2			
MBB9508	25	3			
MBB9515	25	15			
MBB9522	25	25			
MBB9529	25	30			
MBB9530	25	14			
MBB9578	29	85			
MBB9579	29	87			
MBB9586	25	29			
MBB9587	27	75			
MBB9591	25	37			
MBB9593	29	106			
MBB9598	25	36			
MBB9636A	29	102			
MBB9714	27	56			
MBB9719	27	47			
MBB9732	25	6			
MBB9820	27	66			
MBB9827	29				
MBB9858	29	92			
MBB9859	29	91			
MBB9862	25	31			
MBB9863A	29	81			
MBB9983	07	1			
MBB9988	29	94			
MBB9990	29	95			
MBB9999	07	2			
MBC0997	63	9			
MBC1702	47	17			
MBC1707	47	10			
MBC1709	47	13			
MBC1711	47	18			

