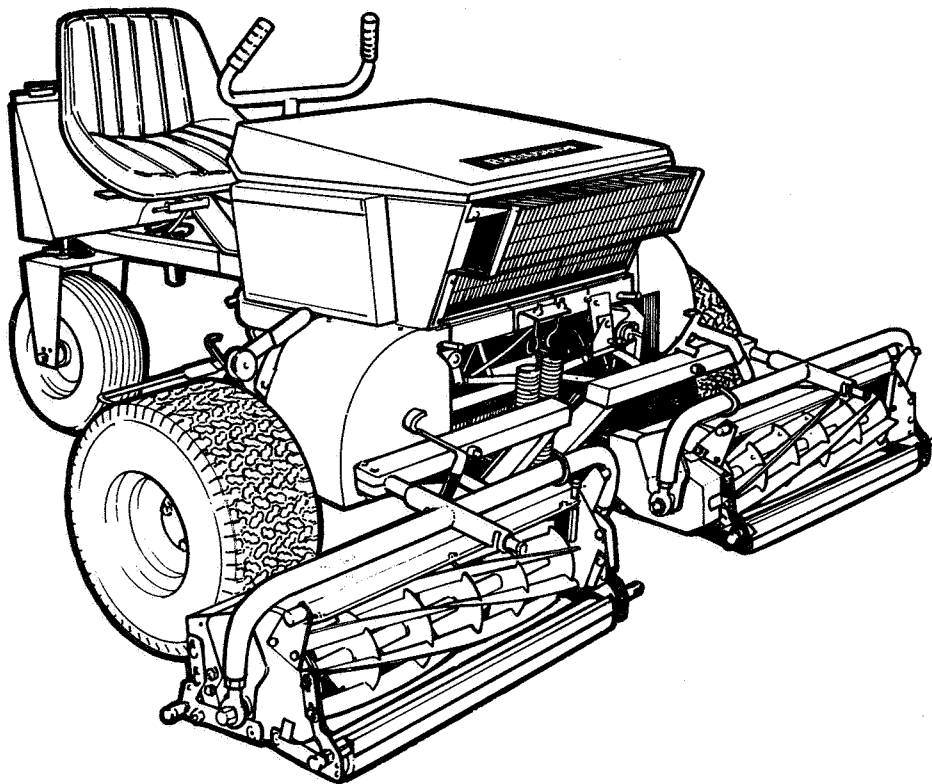


RANSOMES

MOTOR 180D

LIST OF PARTS



Ransomes Sims & Jefferies, Ltd. Ransomes Way, Ipswich, England, IP3 9QG
Tel (0473) 270000 Telex 98174 Fax (0473) 270032

Publication No. 23580H

PP 1M 290

INTRODUCTION

REFERENCE NUMBER

Each part which is identified in the illustrations has a reference number. Parts which do not have a reference number may not be readily identified in the illustration but are usually closely associated with the immediately adjacent part.

ASSEMBLIES

Assemblies are described with their component parts. These latter are then enumerated separately and the description off-set on the right. If the list of components includes a further sub-assembly then individual parts of the assembly which are supplied have their description off-set one stage further, e.g.

REF.	PART NO.	COMPUTER PART NO.	NAME OF PART	QTY
1	H930001	001990486	Wheel and Tyre Assy.	2
2	H931051	001990721	Tyre 7 x 9 x 10 ply	1
3	H932042	001996427	Tube 7 x 9	1
4	H270014	001628754	Cap-Valve	1
*	Z555225	046271886	Core-Valve	1
*	H930002	001990487	Wheel Assy.	1
5	H270011	469001872	Ring-Lock	1
6	H270010	469001871	Flange	1

QUANTITIES

Quantities shown are for one assembly or sub-assembly.

USING THE PARTS LIST

Determine the function and application of the part required. Turn to the main index page and select the appropriate section. Locate the part on the illustration and parts list and read off the quantity from the appropriate MODEL column.

NUMERICAL INDEX

This is a summary of all part numbers used in the manual arranged in numerical sequence and showing the page and reference under which the parts appear.

ORDERING OF SPARE PARTS

When ordering replacement parts, it is most important to quote the SERIAL NUMBER of the machine, PART NUMBER, NAME OF PART and QUANTITY required.

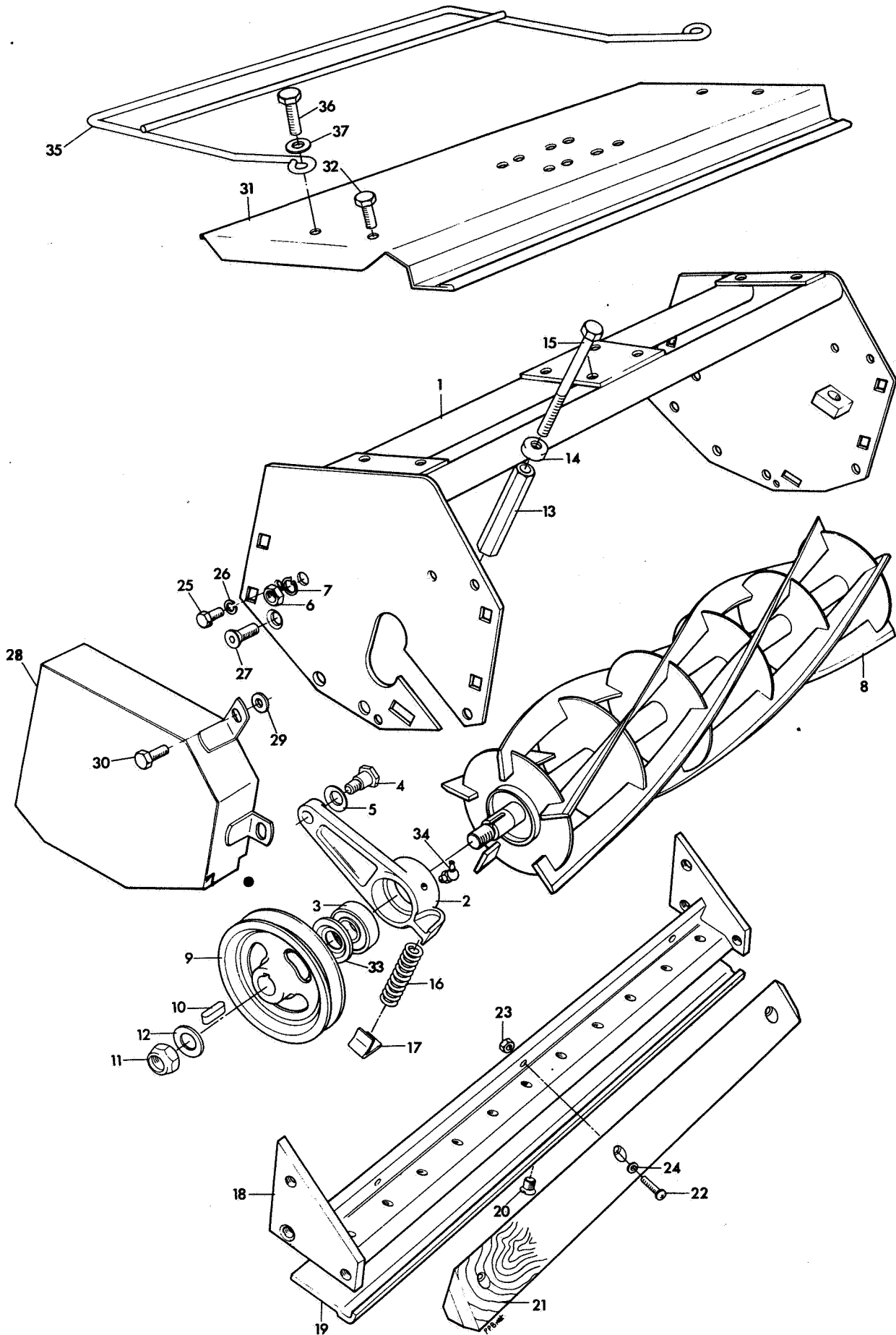
The COMPUTER PART NO. is for RS&J use only.

ABBREVIATIONS

AR	As Required	FWD	Forward	MTR	Motor
ASSY	Assembly	HYD	Hydraulic	RH	Right Hand
CTRL	Control	LH	Left Hand	REV	Reverse
CYL	Cylinder	M	Metric	SL	Spring Lock
DEG	Degree(s)	m.m.	Millimetre(s)	SP	Shake Proof

INDEX TO SECTIONS

	PAGE
Cutting Unit (Fixed Head rear skid).....	9
Cutting Unit (Fixed and Floating Head with rolls).....	5
Cutting Unit Drive.....	21
Cutting Unit Lifting Arms.....	25
Decals.....	58
Drive Wheels.....	33
Electrical System.....	51
Fixed Unit Pivot and Skids.....	13
Fixed Unit Pivot, Skids and Roll.....	15
Floating Unit Mounting and Rolls.....	17
Foot Pedal Forward/Reverse.....	35
Grass Boxes.....	57
Hydraulic Layout.....	47
Hydraulic Pump (Sundstrand).....	43
Hydraulic Pump, Tank, Filter and Wheel Motor.....	37
Hydraulic Wheel Motor (Ross Gear).....	41
Instrument Panel, Covers and Seat.....	53
Main Frame, Engine and Fuel System.....	27
Steering System.....	31



CUTTING UNIT (Fixed and Floating Head with Rolls)

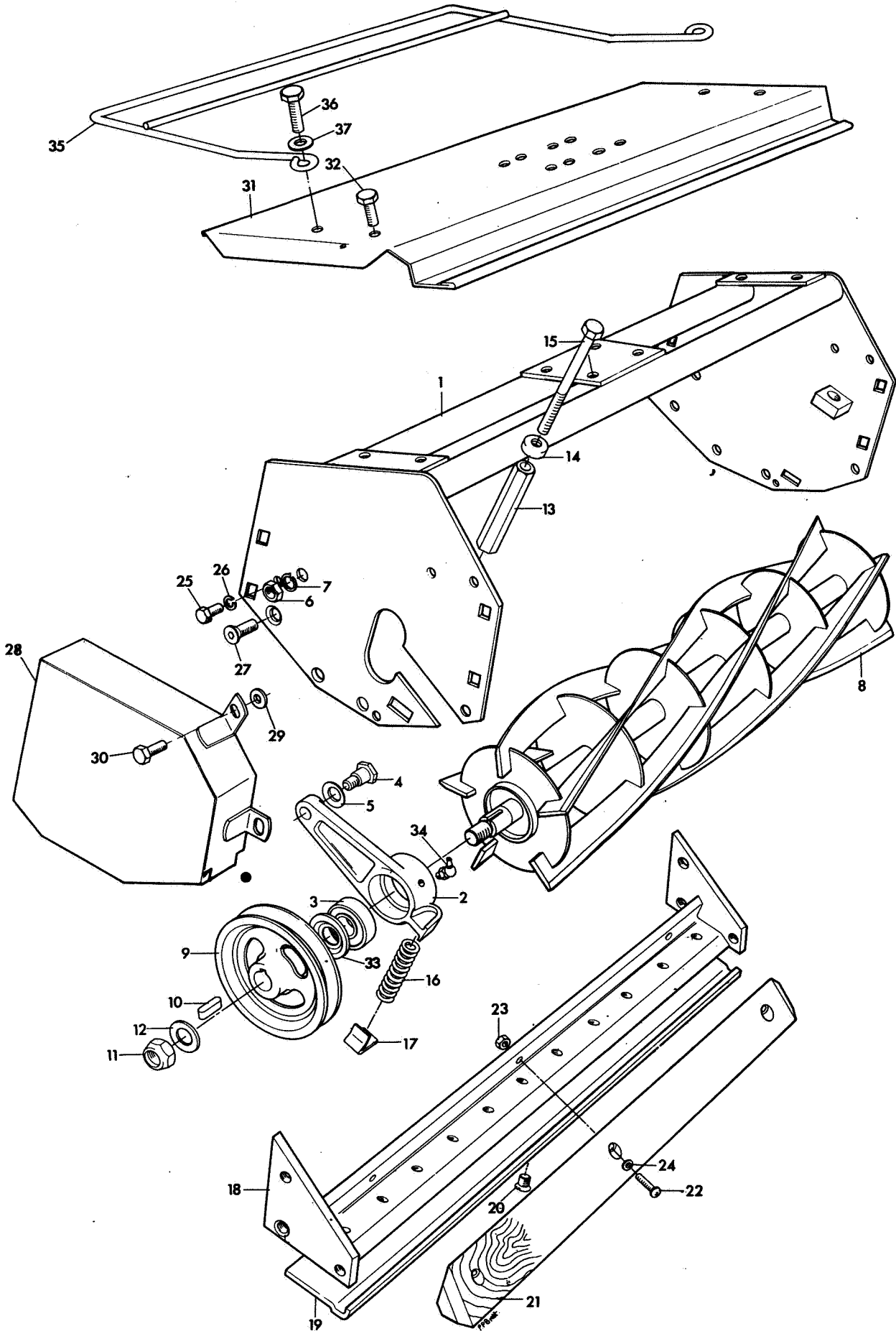
LIST OF PARTS

For Front RH Drive Fixed Unit use quantity column A
 For Rear RH Drive Fixed Drive Unit use quantity column B
 For Front LH Drive Fixed Unit use quantity column C
 For Front RH Drive Floating Unit use quantity column D
 For Rear RH Drive Floating Unit use quantity column E
 For Front LH Drive Floating Unit use quantity column F

REF	RANSOMES PART NO	DESCRIPTION	QTY						
			A	B	C	D	E	F	
1	MBC7673A	Main Frame RHD	1	1		1	1		
*	MBC7674A	Main Frame LHD			1				1
2	MBB9868C	Bearing Housing	2	2	2	2	2	2	2
3	A203604	Bearing	2	2	2	2	2	2	2
4	MBC7671	Shoulder Pin	2	2	2	2	2	2	2
5	H083023	Disc Spring	2	2	2	2	2	2	2
6	A130010	Nut M10	2	2	2	2	2	2	2
7	A151010	S.L.Washer	2	2	2	2	2	2	2
8	MBB9691	Cutting Cylinder 5k	1	1					
*	MBB9690	Cutting Cylinder 5k			1				
*	MBC1503	Cutting Cylinder 7k				1	1		
*	MBC1502	Cutting Cylinder 7k							1
	MBB9696A	Spindle	1	1	1	1	1	1	1
	MBC5836	Collar	4	4	4				
	MBC5837	Collar				4	4	4	
	MBC1509A	Collar with Dust Cover	2	2	2				
	MBC1516A	Collar with Dust Cover				2	2	2	
	MBA7218	Spiral Cutter LH	5	5		7	7		
	MBA7217	Spiral Cutter RH			5				7
9	MBB9697A	Drive Pulley	1	1	1				
*	MBC4860A	Pulley				1	1	1	
10	A160088	Key	1	1	1	1	1	1	1
11	A133212	Stiffnut M12	1	1	1	1	1	1	1
12	A150012	Washer 12mm	1	1	1	1	1	1	1
13	MBC4728	Locknut	2	2	2	2	2	2	2
14	A229935	Seal	2	2	2	2	2	2	2
15	A109073	Bolt M10 x 140	2	2	2	2	2	2	2
16	A291017	Spring	2	2	2	2	2	2	2
17	MBC7740	Anchor	2	2	2	2	2	2	2
18	LMAA504B	Bottom Blk.Assembly	1	1	1				
*	LMAA512B	Bottom Blk.Assembly				1	1	1	
19	MBA7087	Bottom Blade	1	1	1				
*	MBA7088	Bottom Blade				1	1	1	
20	A119001	Screw	11	11	11	11	11	11	11
21	MBB9797	Wood Fillet	1	1	1	1	1	1	1
22	A112107	Screw M5 x 35	3	3	3	3	3	3	3
23	A130005	Nut M5	3	3	3	3	3	3	3
24	A150005	Washer 5mm	3	3	3	3	3	3	3
25	A110304	Screw M8 x 20	2	2	2	2	2	2	2
26	A151008	S.L.Washer 8mm	2	2	2	2	2	2	2
27	A121404	Screw M10 x 20	2	2	2	2	2	2	2

Contd.

* Not Illustrated

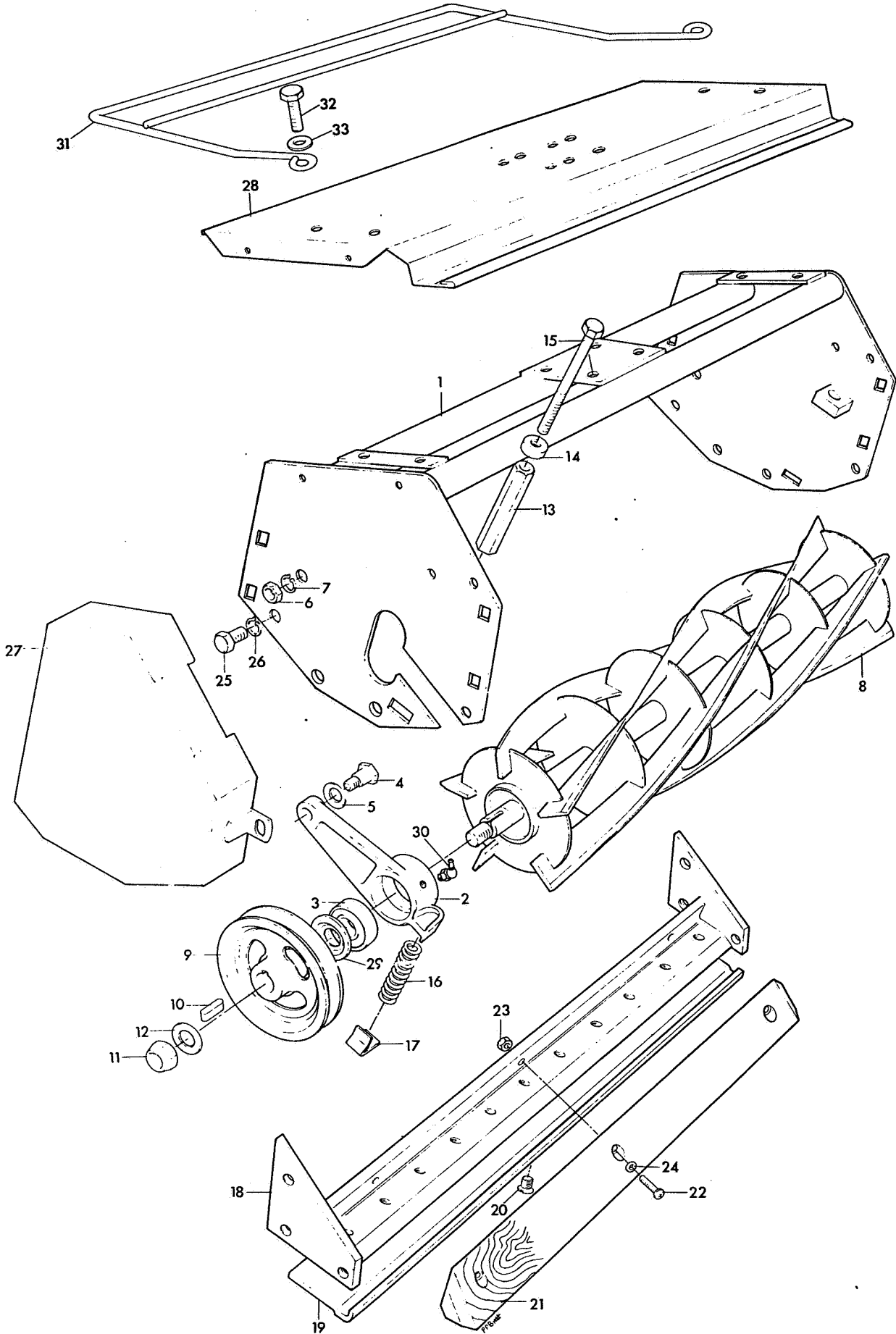


CUTTING UNIT (Fixed & Floating Head with Rolls) Contd. LIST OF PARTS

For Front RH Drive Fixed Unit use quantity column A
 For Rear RH Drive Fixed Unit use quantity column B
 For Front LH Drive Fixed Unit use quantity column C
 For Front RH Drive Floating Unit use quantity column D
 For Rear RH Drive Floating Unit use quantity column E
 For Front LH Drive Floating Unit use quantity column F

REF	RANSOMES PART NO	DESCRIPTION	QTY						
			A	B	C	D	E	F	
28	MBC1653	Pulley Guard	1			1			
*	MBC1654	Pulley Guard			1				1
*	MBC1655	Pulley Guard		1				1	
29	A907206	Spacer (For Guards)	2	2	2	1	2	1	
30	A110305	Screw	2	1	2	1	1	1	
*	A151008	S.L.Washer 8mm	2	1	2	1	1	1	
*	A130008	Nut M8	2	1	2	1	1	1	
*	A100315	Bolt M8 x 75 (Guard Rear only)						1	
*	A150008	Washer 8mm		1				1	
*	MBC1570A	Spacer, Scraper		1					
*	BAN6203	Scraper (not with rolls)						1	
*	A133408	Nut M8		1				1	
*	A151008	S.L.Washer 8mm		1				1	
31	MBC7675B	Top Cover	1	1	1	1	1	1	1
32	A110406	Screw M10 x 30	4	4	4				
*	A133310	Stiffnut	4	4	4				
33	A228204	Nilos Ring	1	1	1	1	1	1	1
34	A299306	Lubricator 45 deg.	2	2	2	2	2	2	2
*	A189000	Screw (Plug for Ref.2)	2	2	2	2	2	2	2
*	A491020	Belt					1		1
*	A491019	Belt						1	
*	A491009	Belt	1		1				
*	A491010	Belt		1					
35	MBC1666	Foot Guard		1				1	
36	A110407	Screw M10 x 35		2				2	
37	A150010	Washer 10mm		2				2	

* Not Illustrated



CUTTING UNIT (Fixed Head - Rear Skids)

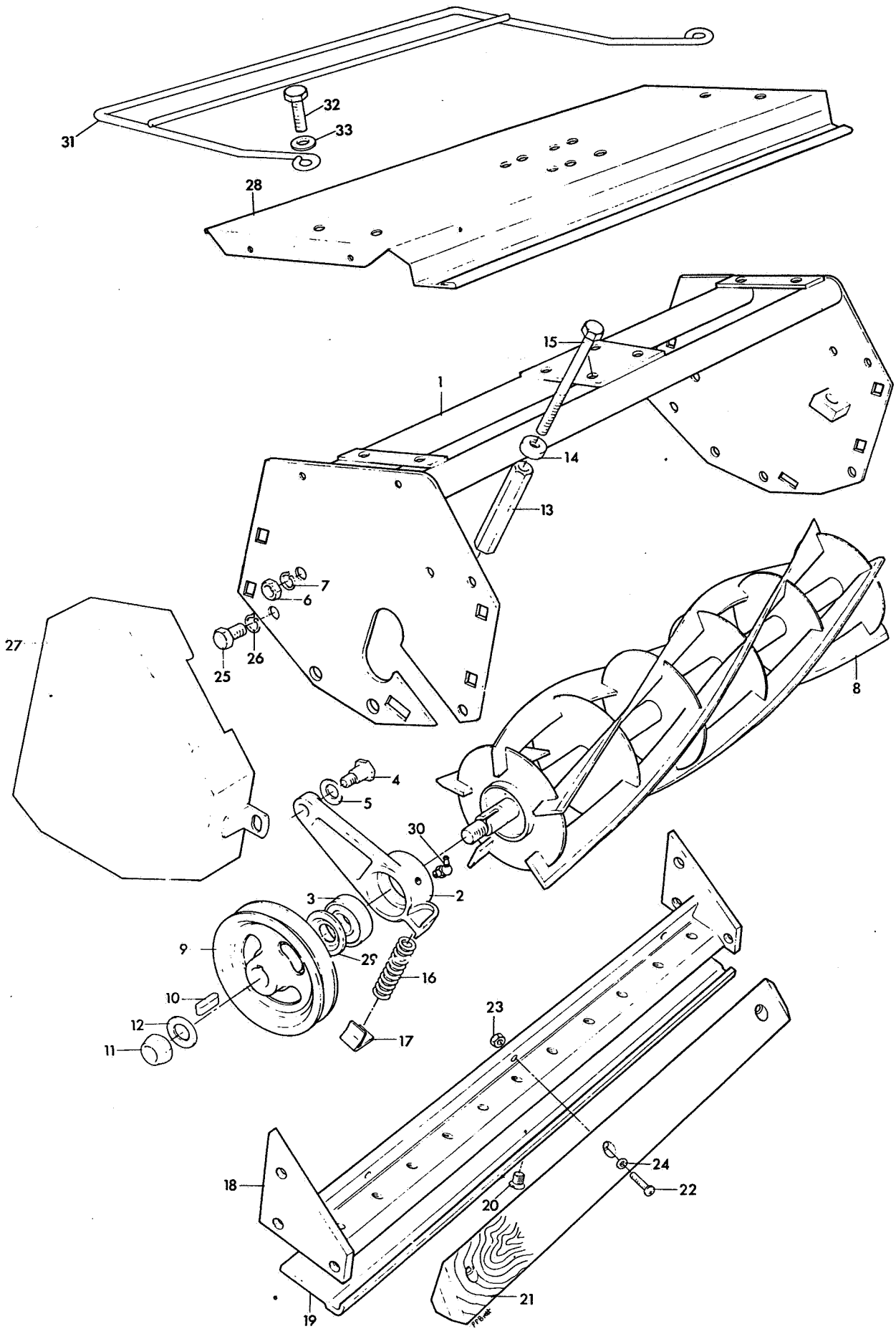
LIST OF PARTS

For Front RH Drive Fixed Unit use quantity column A
 For Rear RH Drive Fixed Unit use quantity column B
 For Front LH Drive Fixed Unit use quantity column C

REF	RANSOMES PART No.	DESCRIPTION	QTY		
			A	B	C
	LMAA490A	Cutting Unit RH Drive Front	1		
	LMAA490B	Cutting Unit LH Drive Front			1
	LMAA490C	Cutting Unit RH Drive Rear		1	
1	MBB9798A	Main Frame RHD	1	1	
*	MBB9979A	Main Frame LHD			1
2	MBB9868C	Bearing Housing	2	2	2
3	A203604	Bearing	2	2	2
4	MBB9832	Shoulder Pin	2	2	2
5	H083023	Disc Spring	2	2	2
6	A130010	Nut M10	2	2	2
7	GSF2164J	S.L.Washer	2	2	2
8	MBB9691	Cutting Cylinder 5k	1	1	
*	MBB9690	Cutting Cylinder 5k			1
	MBB9696A	Spindle	1	1	1
	MBC5836	Collar	4	4	4
	MBC1509A	Dust Cover	2	2	2
	MBA7218	Spiral Cutter LH	5	5	
	MBA7217	Spiral Cutter RH			5
9	MBB9697A	Drive Pulley	1	1	1
10	A160088	Key	1	1	1
11	A133212	Stiffnut M12	1	1	1
12	A150012	Washer 12mm	1	1	1
13	MBC4728	Locknut	2	2	2
14	A229935	Seal	2	2	2
15	A109073	Bolt M10 x 140	2	2	2
16	A291017	Spring	2	2	2
17	MBC1633	Anchor	2	2	2
18	LMAA504B	Bottom Blk Assembly	1	1	1
19	MBA7087	Bottom Blade	1	1	1
20	A119001	Screw	11	11	11
21	MBB9797	Wood Fillet	1	1	1
22	A112107	Screw M5 x 35	3	3	3
23	A130005	Nut M5	3	3	3
24	A150005	Washer 5mm	3	3	3
25	A110396	Screw M8 x 16	2	2	2
26	A151008	S.L.Washer 8mm	2	2	2
27	MBC1653	Pulley Guard	1		
*	MBC1654	Pulley Guard			1
*	MBC1655	Pulley Guard		1	

Contd.

* Not Illustrated



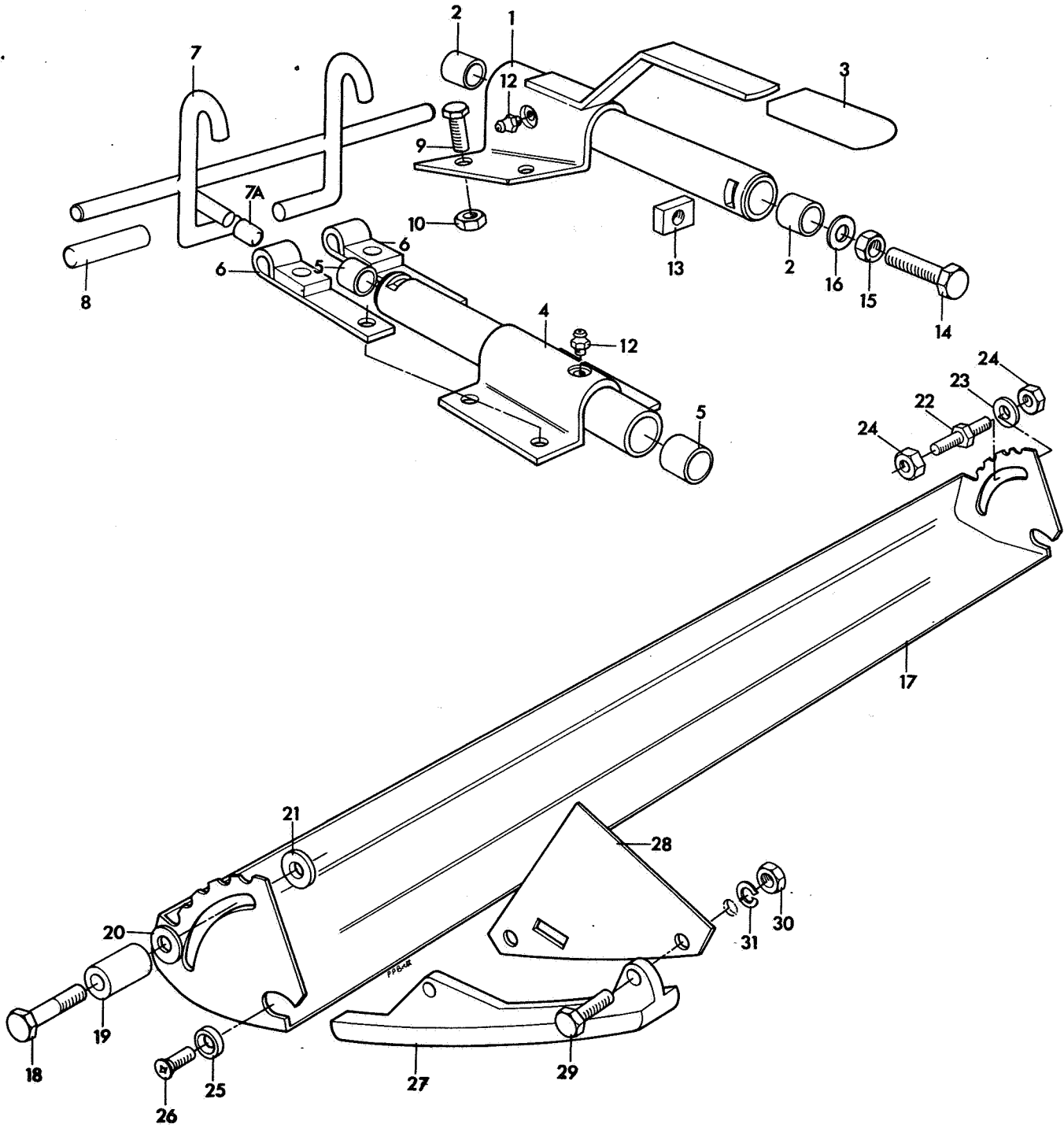
CUTTING UNIT. (Fixed Head - Rear Skids) Contd.

LIST OF PARTS

For Front RH Drive Fixed Unit use quantity column A
 For Rear RH Drive Fixed Unit use quantity column B
 For Front LH Drive Fixed Unit use quantity column C

REF	RANSOMES PART NO	DESCRIPTION	QTY		
			A	B	C
*	A907206	Spacer (For Guards)	2	3	2
*	A100315	Bolt M8 x 75 (Guard Rear only)		1	
*	A150008	Washer 8mm		1	
*	MBC1570A	Spacer - Scraper		1	
*	A130008	Nut M8		1	
*	A151008	S.L.Washer 8mm		1	
28	MBB9801	Top Cover	1	1	1
*	A149604	Pop Rivet	4	4	4
*	A110304	Screw)For	2	1	2
*	A151008	S.L.Washer 8mm)Pulley	2	1	2
*	A130008	Nut M8)Guard	2	1	2
29	A228204	Nilos Ring	1	1	1
30	A299306	Lubricator 45 deg.	2	2	2
*	A189000	Screw (Plug for Rf 2)	2	2	2
*	A491009	Belt	1		1
*	A491010	Belt		1	
31	MBC1666	Foot Guard		1	
32	A110407	Screw M10 x 35		2	
33	A150010	Washer 10mm		2	

* Not Illustrated



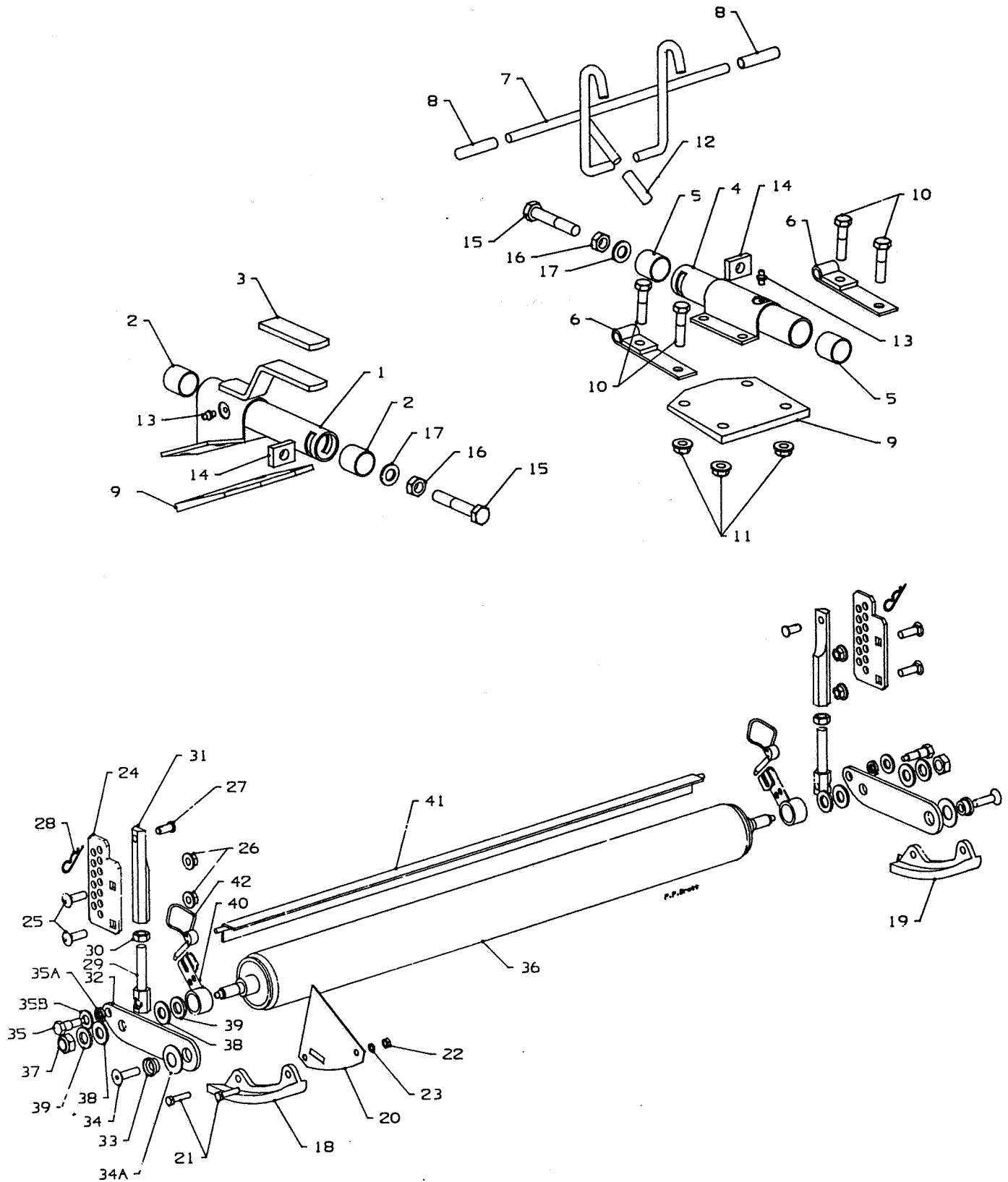
FIXED UNIT PIVOT SKIDS

LIST OF PARTS

For Front Unit RH Drive use quantity column A
 For Front Unit LH Drive use quantity column B
 For Rear Unit RH Drive use quantity column C

REF	RANSOMES PART NO	DESCRIPTION	QTY		
			A	B	C
	LMAA490A	Cutting Unit RH Drive Front	1		
	LMAA490B	Cutting Unit LH Drive Front		1	
	LMAA490C	Cutting Unit RH Drive Rear			1
1	MBC1574	Front Pivot Assembly	1	1	
2	GSF3014LF	Bush	2	2	
3	A914200	Sleeve	1	1	
4	MBC1573	Rear Pivot Assembly			1
5	GSF3014LF	Bush			2
*	MBC4721	Spacer	1	1	1
6	MBC8105	Hinge			2
7	MBC5423	Lift Handle			1
7A	MBA5367A	Sleeve			1
8	A914206	Sleeve			2
*	A100408	Bolt M10 x 40			2
9	A110407	Screw M10 x 35	4	4	2
*	A151010	S.L.Washer 10mm			1
10	A130010	Nut M10	4	4	4
12	A299301	Lubricator	1	1	1
13	MBC1628	End Plug	1	1	1
14	A110514	Screw M12 x 70	1	1	1
15	A130012	Nut M12	1	1	1
16	A150012	Washer 12mm	1	1	1
17	MBB9669	Skid Plate	1	1	1
18	A100410	Bolt M10 x 50	1	1	1
19	MBB9804	Spacer	1	1	1
20	GSF2151AR	Washer	1	1	1
21	MBC1634	Washer	1	1	1
22	A907400	Stud	1	1	1
23	GSF2151AR	Washer	1	1	1
24	A130010	Nut M10	2	2	2
25	MBB9828	Spacer (Drive Side)	1	1	1
*	MBB9830	Spacer (Non Drive Side)	1	1	1
26	A121305	Screw M8 x 25	2	2	2
27	MBB9799	Skid RH	1	1	1
*	MBB9800	Skid LH	1	1	1
28	MBB9821	Cover Plate	1	1	1
29	A110204	Screw M6 x 20	4	4	4
30	A130006	Nut M6	4	4	4
31	A151006	S.L.Washer 6mm	4	4	4

* Not Illustrated



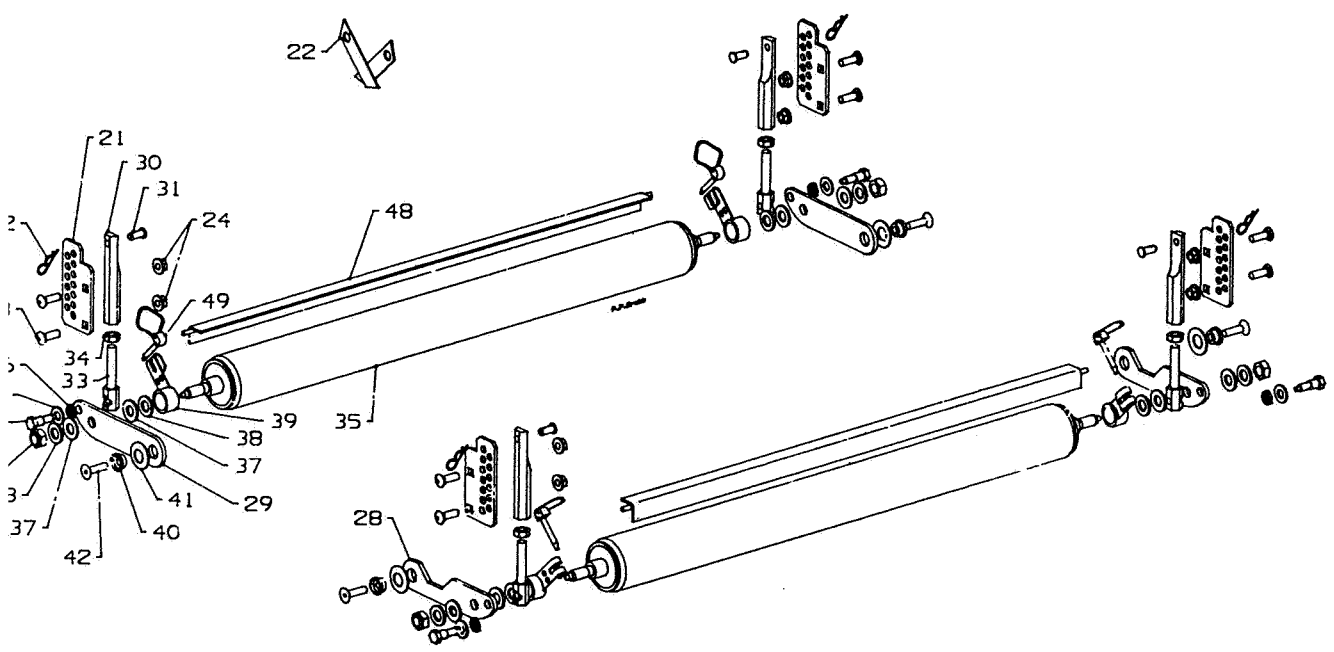
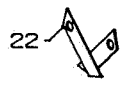
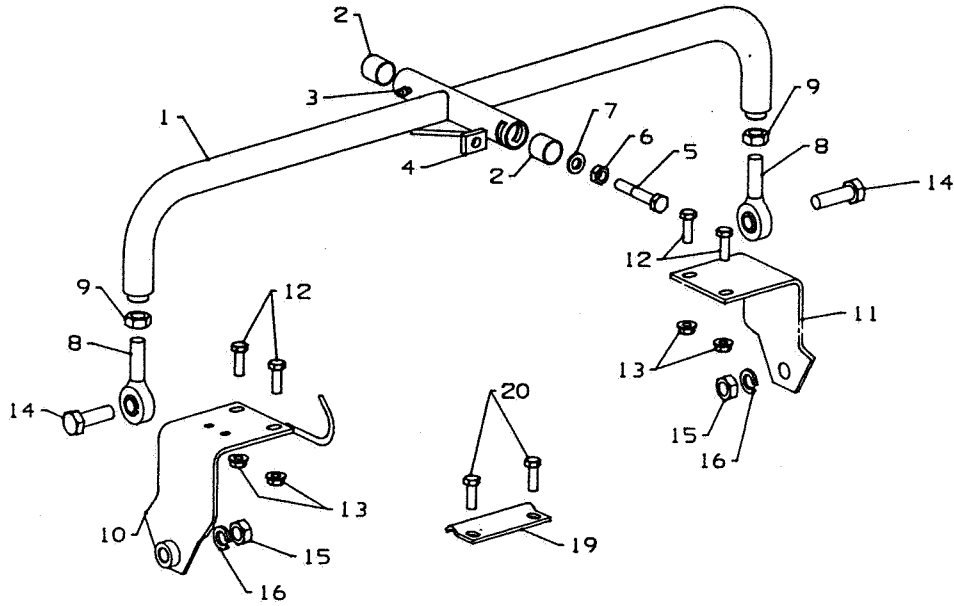
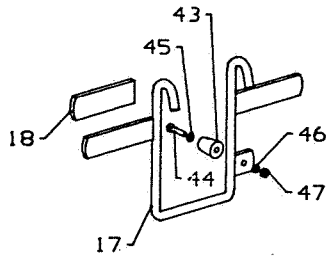
FIXED UNIT PIVOT, SKIDS AND ROLL

LIST OF PARTS

For Front RH Drive Unit use quantity column A
 For Front LH Drive Unit use quantity column B
 For Rear RH Drive Unit use quantity column C

REF	RANSOMES PART NO	DESCRIPTION	QTY		
			A	B	C
1	MBC1574	Front Pivot Assembly	1	1	
2	GSF3014LF	Bush	2	2	
3	A914200	Sleeve	1	1	
4	MBC1573	Rear Pivot Assembly			1
5	GSF3014LF	Bush			2
6	MBC8105	Hinge			2
7	MBC5423	Lift Handle			1
8	A914206	Sleeve			2
9	MBC4721	Spacer	1	1	1
10	A110407	Screw M10 x 35	4	4	4
11	A133310	Stiffnut M10	4	4	4
12	MBA5367A	Sleeve	2	2	2
13	A299301	Lubricator	1	1	1
14	MBC1628	End Plug	1	1	1
15	A110514	Screw M12 x 70	1	1	1
16	A130012	Nut M12	1	1	1
17	A150012	Washer 12mm	1	1	1
18	MBB9799A	Front Skid RH	1	1	1
19	MBB9800A	Front Skid LH	1	1	1
20	MBB9821	Cover Plate	1	1	1
21	A110204	Screw M6 x 20	4	4	4
22	A130006	Nut M6	4	4	4
23	A151006	S.L.Washer 6mm	4	4	4
24	MBC7155	Carriage Plate	2	2	
*	MBC7664	Carriage Plate			2
25	A102900	Bolt M8 x 20	4	4	4
26	A133408	Nut M8	4	4	4
27	MBC7198B	Pin	2	2	2
28	A149022	R Clip	2	2	2
29	MBC7156	Rod	2	2	2
30	A130010	Nut	2	2	2
31	MBC7157B	Barrell	2	2	2
32	A920298	Roll Arm rear	2	2	2
33	MBC8910	Collar	2	2	2
34	A121305	Screw M8 x 25	2	2	2
34A	H083023	Disc Spring	2	2	2
35	MBC8000A	Shoulder Pin	2	2	2
35A	GSF2165J	S.L.Washer (Double Coil)	2	2	2
35B	A150010	Washer	2	2	2
36	A896305	Roll Assembly	1	1	1
*	A896350	Service Kit	1	1	1
*	GSF2542AC	Lubricator	1	1	1
37	A133212	Stiffnut M12	2	2	2
38	MBA5889	Rubber Washer	4	4	4
39	A150012	Washer 12mm	4	4	4
40	MBC8486A	Bracket	2	2	2
41	MBC9147	Scraper	1	1	1
42	A149002	Cotter Pin and Ring	2	2	2

Not Illustrated



FLOATING UNIT MOUNTING AND ROLLS

LIST OF PARTS

For Front RH Drive Unit use quantity column A

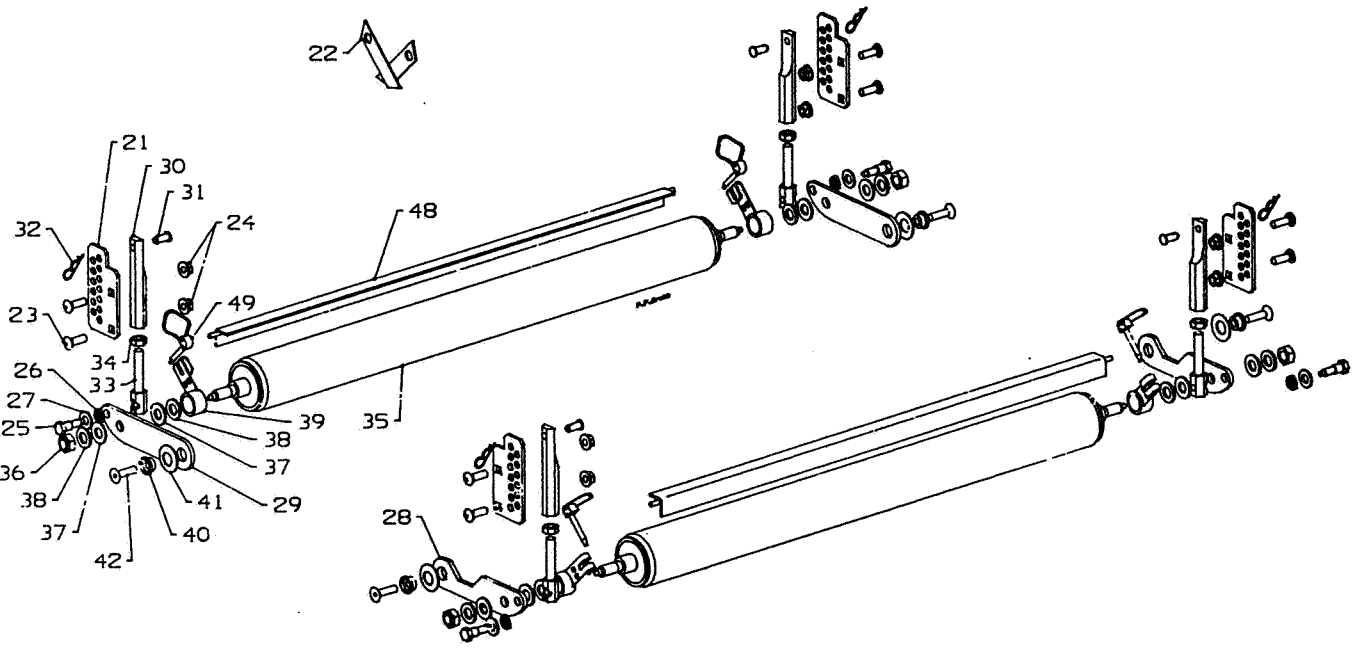
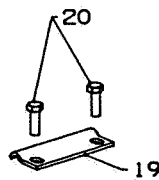
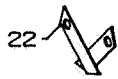
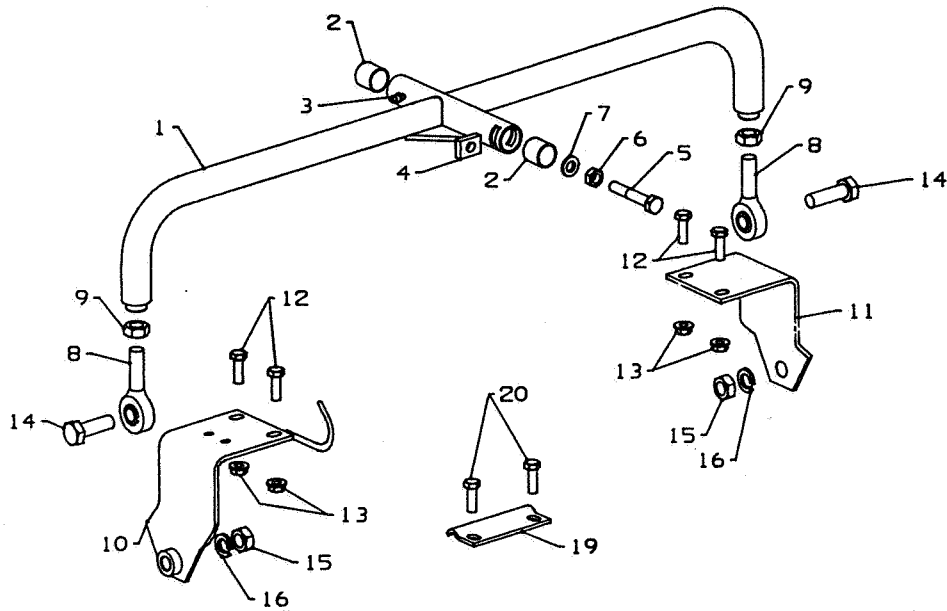
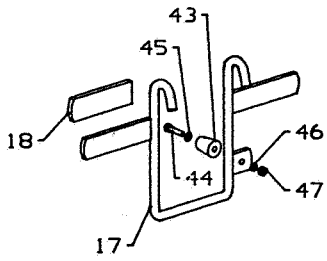
For Front LH Drive Unit use quantity column B

For Rear RH Drive Unit use quantity column C

REF	RANSOMES PART NO	DESCRIPTION	QTY		
			A	B	C
1	MBC1664A	Yoke Assembly	1	1	1
2	GSF3014LF	Bush	2	2	2
3	A299301	Lubricator	1	1	1
4	MBC1628	End Plug	1	1	1
5	A110514	Screw M12 x 70	1	1	1
6	A130012	Nut M12	1	1	1
7	A150012	Washer 12mm	1	1	1
8	A814521	Ball Joint	2	2	2
9	A130016	Nut	2	2	2
10	MBC1528A	Bracket	1		
*	MBC1550A	Bracket		1	
*	MBC1529	Bracket			1
11	MBC1549	Bracket (Non Drive End)	1	1	1
12	A110406	Screw M10 x 30	4	4	4
13	A133310	Stiffnut M10	4	4	4
14	GSF2001LD	Bolt	2	2	2
15	GSF2051AG	Nut	2	2	2
16	A151116	S.L.Washer 16mm	2	2	2
17	MBC5413	Handle			1
18	A914200	Sleeve			2
19	MBC1566	Hinge Plate			1
20	A110407	Screw M10 x 35			
21	MBC7155	Carriage Plate	4	4	4
22	MBC1578	Cover Strip RH	1		1
*	MBC1579	Cover Strip LH		1	
23	A102900	Screw M8 x 20	8	8	8
24	A133408	Nut M8	8	8	8
25	MBC8000A	Shoulder Pin	4	4	4
26	GSF2165J	S.L.Washer (Double Coil)	4	4	4
27	A150010	Washer	4	4	4
28	A920297	Roll Arm Front	2	2	2
29	A920298	Roll Arm Rear	2	2	2
30	MBC7157B	Barrell	4	4	4
31	MBC7198B	Pin	4	4	4
32	A149022	R Clip	4	4	4
33	MBC7156	Rod	4	4	4
34	A130010	Nut	4	4	4
35	A896305	Roll Assembly	2	2	2
*	A896350	Service Kit	1	1	1
*	GSF2542AC	Lubricator	1	1	1
36	A133212	Stiffnut M12	4	4	4
37	MBA5889	Rubber Washer	8	8	8
38	A150012	Washer 12mm	8	8	8
39	MBC8486A	Scraper Bracket	4	4	4
40	MBC8910	Collar	4	4	4
41	H083023	Disc Spring	4	4	4

Contd.

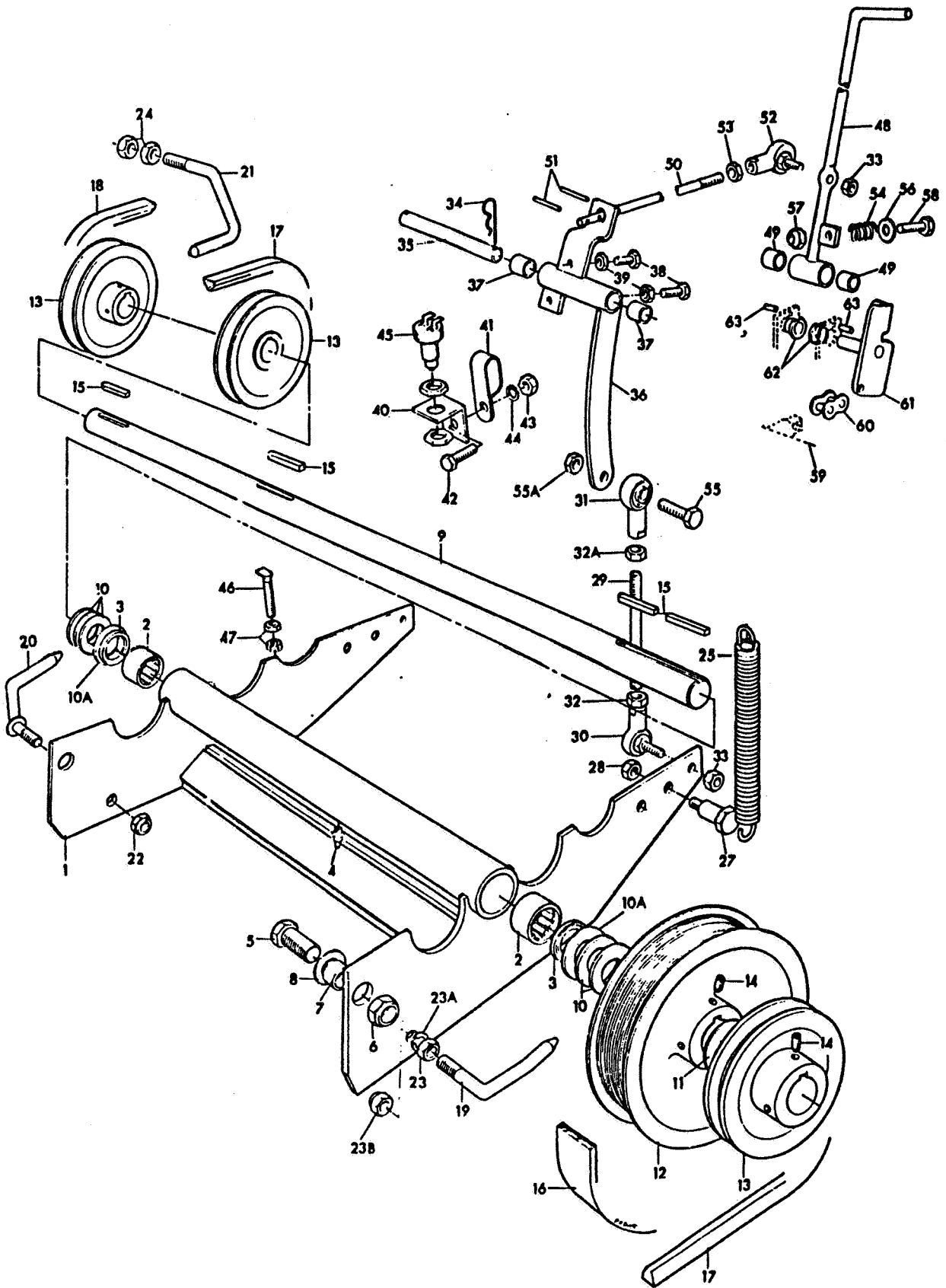
* Not Illustrated



 For Front RH Drive Front Unit use quantity column A
 For Front LH Drive Front Unit use quantity column
 For Rear RH Drive Unit use quantity column C

REF	RANSOMES PART NO	DESCRIPTION	QTY		
			A	B	C
42	A121305	Screw M8 x 25	4	4	4
43	H990117	Rubber Buffer			1
44	A112105	Screw M5 x 25			1
45	A151005	Washer 5mm			1
46	A150005	Washer 5mm			1
47	A130005	Nut M5			1
48	MBC9147	Scraper	2	2	2
49	A149002	Cotter Pin and Ring	4	4	4
*	LMSD933	Height of Cut Gauge			

* Not Illustrated



CUTTING UNIT DRIVE

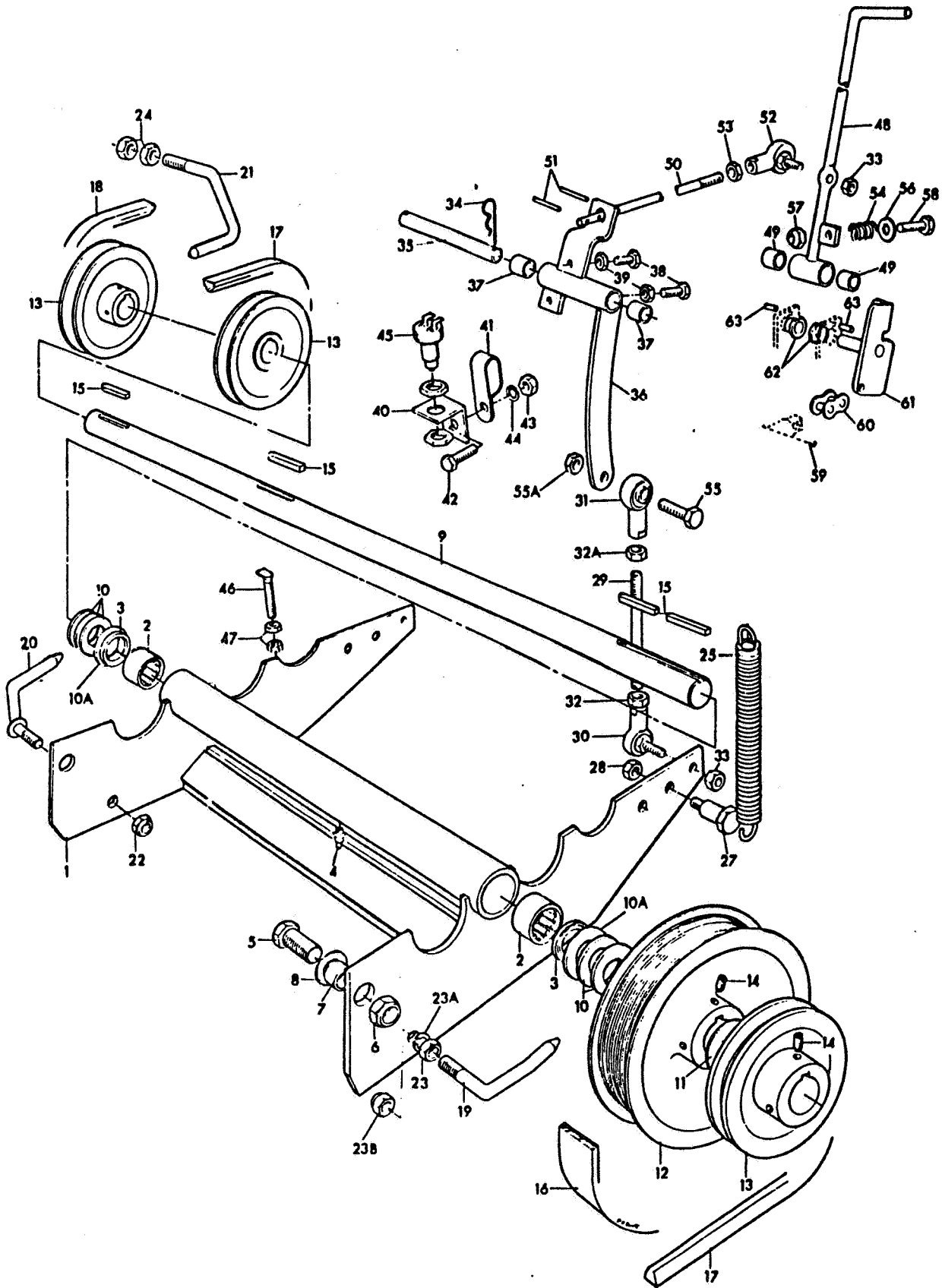
LIST OF PARTS

For Fixed Head use quantity column A
 For Floating Head use quantity column B

REF	RANSOMES PART NO	DESCRIPTION	QTY	
			A	B
1	MBC8943	Bearing Housing (MBC8750)	1	1
2	A207527	Needle Bearing	2	2
3	BAM8059	Seal	2	2
4	GSF2540AG	Lubricator	1	1
5	GSF2002JH	Screw	2	2
6	AA139903	Stiffnut	2	2
7	BAM3056	Spacer	2	2
8	A159905	Washer	2	2
9	BAM3019	Shaft	1	1
10	BAA0386	Thrust Washer	6	6
10A	H009005	Thrust Washer	2	2
11	MBC1701	Washer	1	1
12	BAM1003	Pulley	1	1
13	BAM1002	Pulley	3	3
14	GSF2101HD	Grub Screw	8	8
15	GSF2201DF	Key	4	4
16	A491028	Poly-V-Belt	1	1
17	A491009	Belt	2	
*	A491020	Belt		2
18	A491010	Belt	1	
*	A491019	Belt		1
19	BAM2174	Scraper LH Front	1	1
20	BAM6083	Scraper RH Front	1	1
21	BAM2173	Scraper Rear	1	1
22	GSF2080BC	Stiffnut	1	1
*	GSF2154GL	Washer	1	1
23	A139910	Stiffnut	1	1
23A	GSF2052AC	Nut	1	1
23B	GSF2164J	S.L.Washer	1	1
24	A139902	Stiffnut	2	2
25	A290089	Spring	1	1
*	A150012	Washer (use with ref 25)	1	1
27	A129100	Shoulder Bolt	1	1
28	GSF2073AC	Nut	1	1
29	MBC9281	Link	1	1
30	BAA0846	Ball Joint	1	1
31	A814513	Rod End	1	1
32	GSF2052AB	Nut (For Rod)	1	1
32A	GSF2052BB	Nut LH	1	1
33	GSF2052AB	Nut	1	1
34	A149000	Hair Pin (For Ref.40)	2	2
35	BAM3079	Pin	1	1
36	MBC8752A	Crank Assembly	1	1
37	GSF3001VH	Bush	2	2
38	GSF2093EF	Screw	2	2
39	GSF2072AC	Nut	2	2
40	BAM2201	Support	1	1
41	BAM8138PA	Tube Clamp	1	1

Contd.

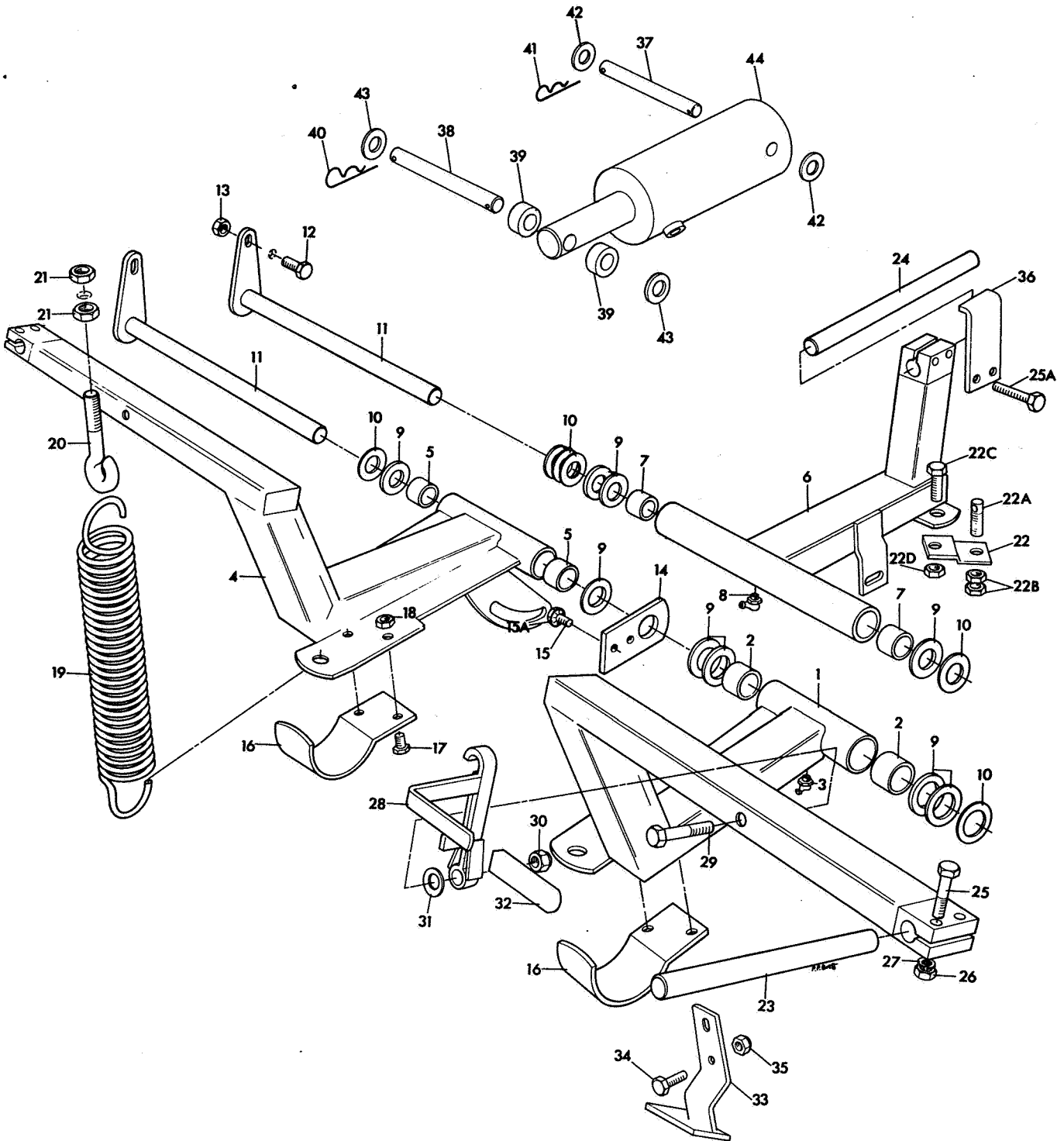
* Not Illustrated



For Fixed Head use quantity column A
 For Floating Head use quantity column B

REF	RANSOMES PART NO	DESCRIPTION	QTY	
			A	B
42	GSF2091CD	Screw	1	1
43	GSF2072AB	Nut	1	1
44	A151008	S.L.Washer	1	1
45	BAF8546	Momentary Switch	1	1
46	BAM8156	Stud	1	1
47	GSF2072AB	Nut	2	2
48	MBC8753	Valve Lever Assembly (BAM6229)	1	1
49	GSF3001VH	Bush	2	2
50	BAM3082	Rod (Valve Lever to Crank)	1	1
51	GSF1040FK	Roll Pin	2	2
52	BAA0846	Ball Joint (c/w Nut)	1	1
53	GSF2051AB	Nut	1	1
54	BAA0032	Spring	1	1
55	GSF2093CF	Screw	1	1
55A	GSF2051AB	Nut	1	1
56	GSF2152B	Washer	1	1
57	A139303	Stiffnut	2	2
58	A109018	Screw	1	1
59	BAA0464	Valve	1	1
60	A383102	Connecting Link	1	1
61	BAM6230	Crank	1	1
62	BAM8031	Flange Bush	2	2
63	GSF1040DD	Tension Pin	2	2

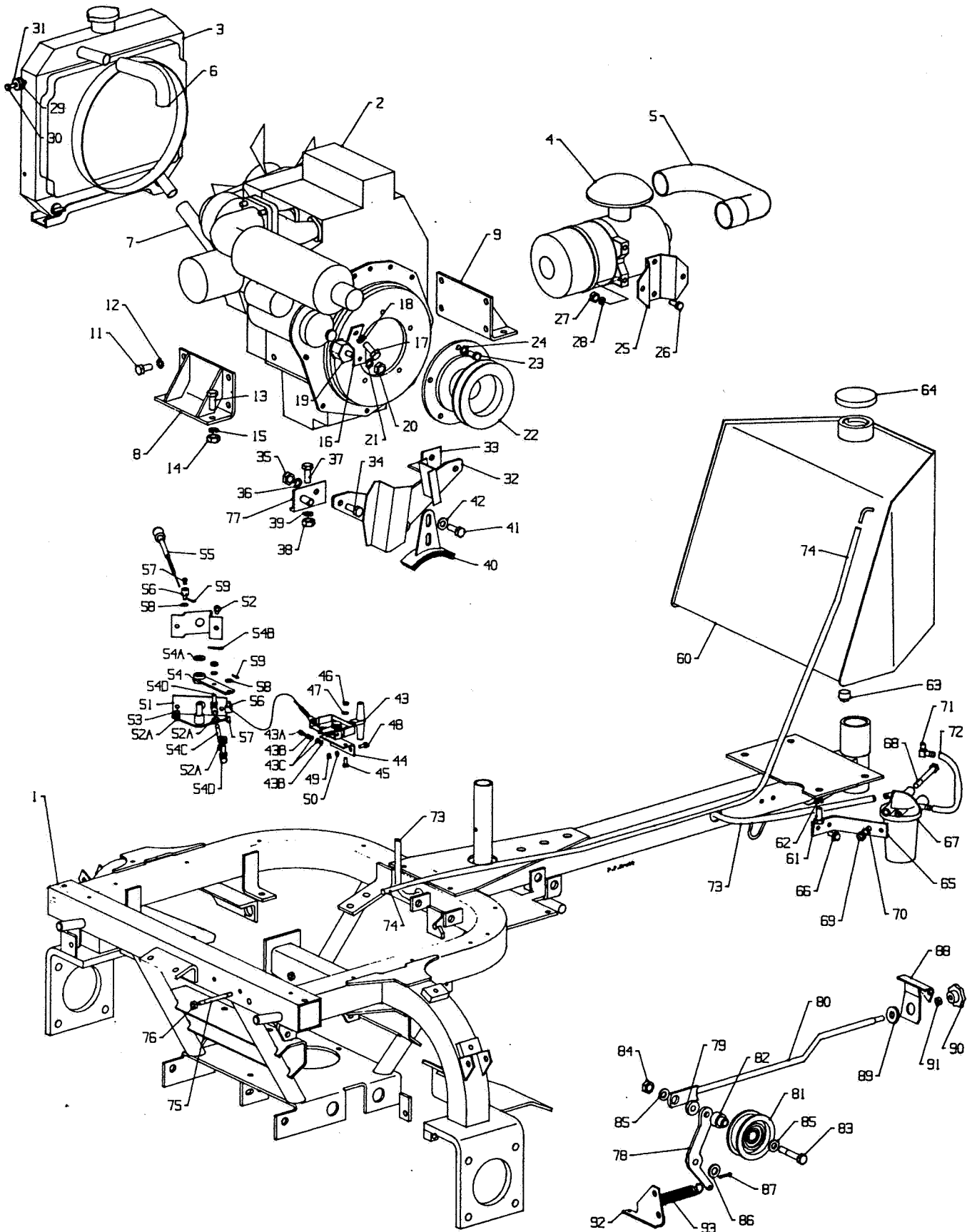
* Not Illustrated



REF	RANSOMES PART NO	DESCRIPTION	QTY
1	MBC8747	Support Arm LH Assembly	1
2	GSF3002UK	Bush	2
3	BAM8102	Lubricator	1
4	MBC8745	Support Arm RH Assembly	1
5	GSF3002UK	Bush	2
*	BAM8102	Lubricator	1
6	MBC8743	Support Arm Rear Assembly	1
7	GSF3002UK	Bush	2
8	BAM8102	Lubricator	1
9	BAA0386	Thrust Washer	AR
10	H009005	Thrust Washer	AR
11	BAM6036	Pivot Shaft	2
12	GSF2093EF	Screw	2
13	GSF2080AC	Stiffnut	2
14	BAM2057	Pivot	1
15	GSF2093CC	Screw	2
15A	GSF2168AP	S.P.Washer	2
16	BAM2172	Skid	2
17	GSF2093EF	Screw	4
18	GSF2080AC	Nut	4
19	BAM8006	Spring	3
20	A190001	Eye Bolt	2
21	GSF2080AC	Nut	4
22	BAM2239	Anchor	1
22A	BAM3073	Rod	1
22B	GSF2052AG	Nut	2
22C	GSF2002LG	Bolt	1
22D	A139904	Nut	1
23	BAM3031	Shaft	2
24	BAM3054	Shaft	1
25	A109001	Bolt	6
25A	GSF2091EM	Bolt	2
26	GSF2072AC	Nut	6
27	GSF2164J	S.L.Washer	6
28	MBC9027	Hook Assembly LH	1
*	MBC9026	Hook Assembly RH	1
29	GSF2093KB	Screw	2
30	GSF2080AE	Stiffnut	2
31	H083031	Disc Spring	2
32	MBB1663	Hand Grip	2
33	BAM6143	Lift Stop	1
34	GSF2002EG	Screw	2
35	A139910	Stiffnut	2
36	MBC9006	Stop (Rear)	1
37	BAM3080	Pin	1
38	BAM3081	Pin	1
39	BAM3083	Spacer	2
40	A149003	R.Clip	2
41	GSF1029AW	R Clip	2
42	GSF2150J	Washer	2
43	A159905	Washer	2
44	A902748	Ram	1

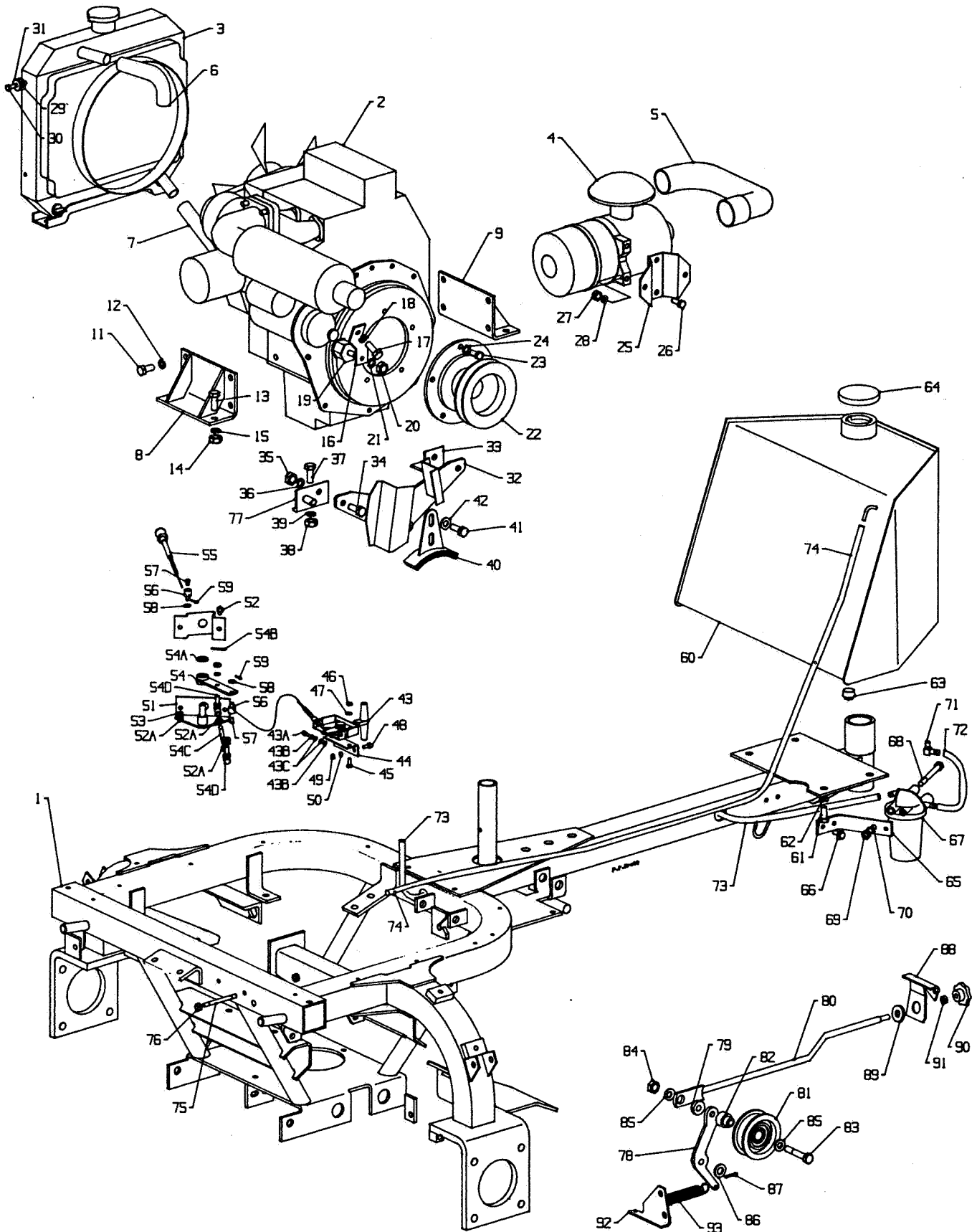
* Not Illustrated

MOTOR 180D

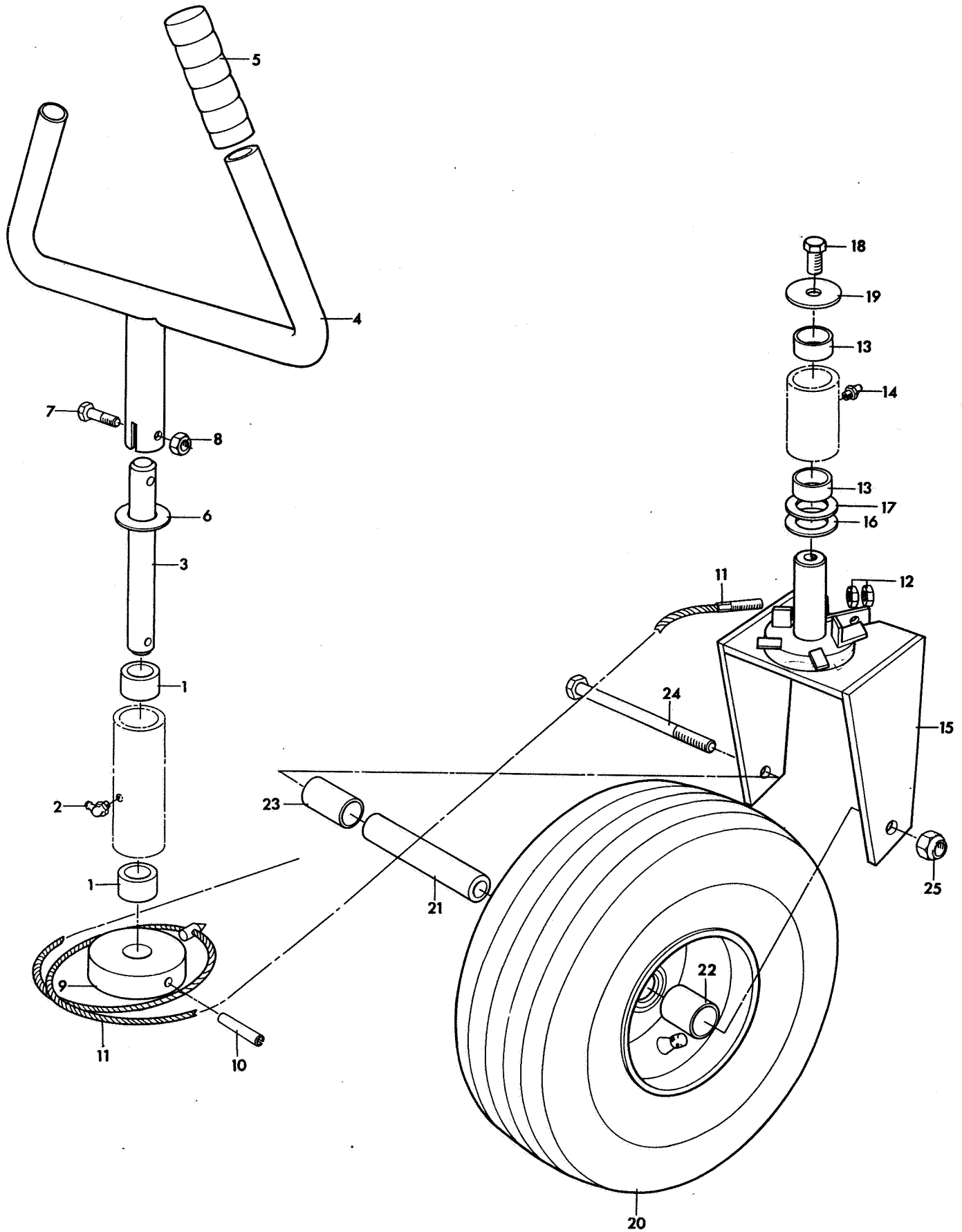


REF	RANSOMES PART NO	DESCRIPTION	QTY
1	MBC8522	Main Frame	1
2	A682032	Engine (Kubota Z400)	1
3	Ex Kubota	Radiator	1
4	Ex Kubota	Air Cleaner	1
*	A819022	Element	1
5	A912117	Inlet Hose	1
6	Ex Kubota	Top Hose	1
7	Ex Kubota	Bottom Hose	1
8	MBC8431	Bracket	1
9	MBC8431	Bracket	1
11	A119032	Screw	8
12	A151010	S.L.Washer 10mm	8
13	A110405	Screw M10 x 25	4
14	A130010	Nut M10	4
15	A151010	S.L.Washer 10mm	4
16	MBC8864	Stay	1
17	A110294	Screw M6 x 12	1
18	A151006	S.L.Washer 6mm	1
19	A895004	Flexible Mount	1
20	A130008	Nut M8	2
21	A151008	S.L.Washer 8mm	2
22	MBC8703	Engine Pulley	1
23	A110396	Screw M8 X 16	5
24	A151008	S.L.Washer 8mm	5
25	MBC8858	Bracket	1
26	GSF2093CC	Screw	2
27	GSF2072AB	Nut	2
28	A151008	S.L.Washer 8mm	2
29	H091013	Grommet (Rad.Stay to Rad)	2
30	A110296	Screw M6 x 16	2
31	GSF2154CE	Washer	2
32	MBC8799	Belt Keep	1
33	MBC8804	Angle	1
34	GSF2093EE	Screw	2
35	GSF2072AC	Nut	2
36	GSF2163J	s.l.Washer	2
37	GSF2093EE	Screw	2
38	GSF2072AC	Nut	2
39	GSF2163J	S.L.washer	2
40	BAM6150	Brake Shoe	1
41	GSF2093EC	Screw	2
42	A150010	Washer 10mm	2
43	A811039	Throttle Assembly	1
43A	A113005	Screw M4 x 25	1
43B	A130004	Nut M4	2
43C	A150004	Washer 4mm	2
44	MBC9047	Bracket	1
45	A110194	Screw M5 x 12	2
46	A133205	Stiffnut M5	2
47	A150005	Washer 5mm	2
48	GSF2093AC	Screw	2
49	GSF2072AA	Nut	2
50	GSF2164G	S.L.Washer	2
Not Illustrated			

Contd.

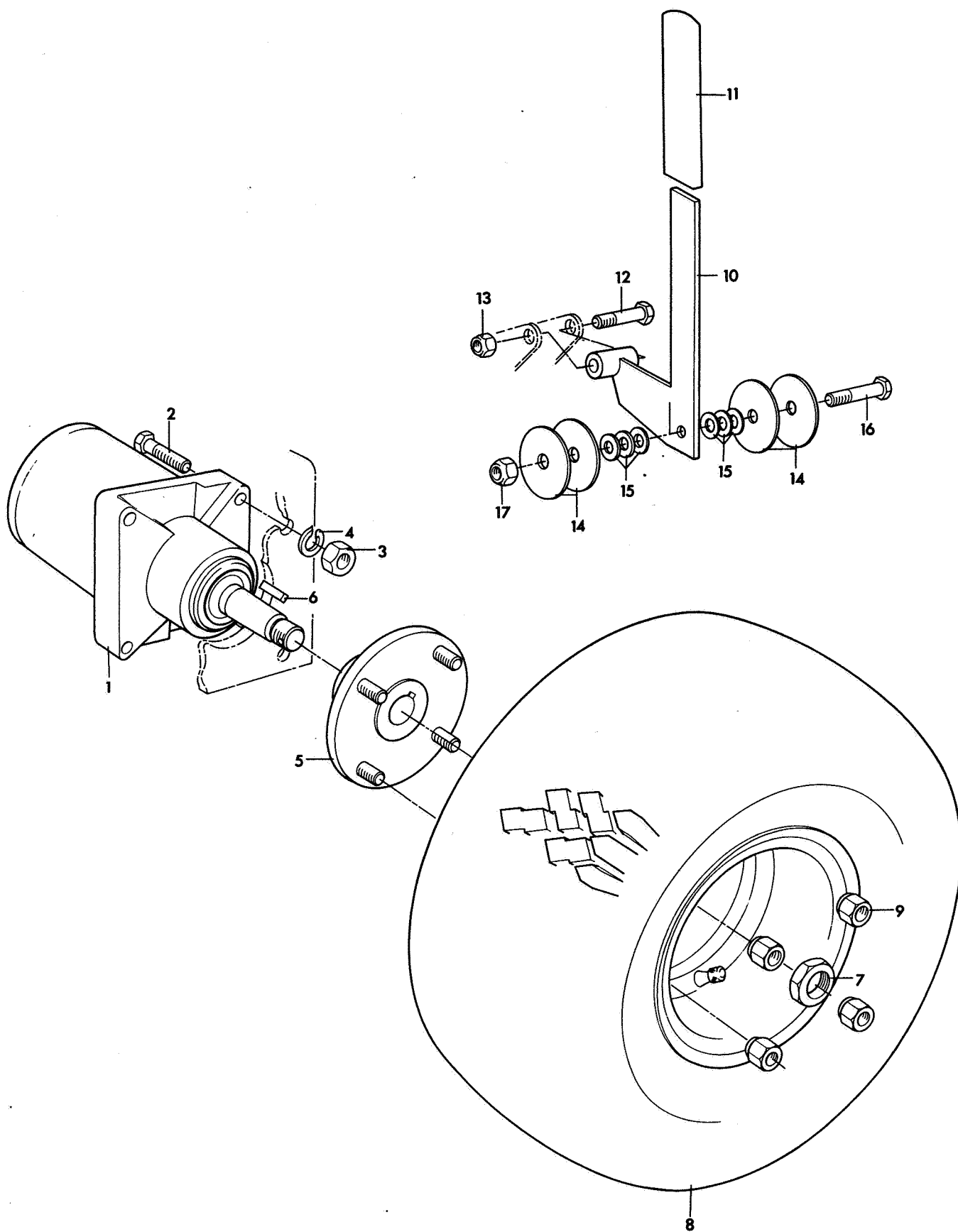


REF	RANSOMES PART NO	DESCRIPTION	QTY
51	MBC9511	Bracket	1
52	GSF2002AC	Screw	2
52A	GSF2051AA	Nut	4
53	GSF2164G	S.L.Washer	2
54	MBC9514	Lever	1
54A	A150010	Washer 10mm	1
54B	A140045	Split Pin	1
54C	MBC9517	Link	1
54D	H980360	Ball Joint	2
55	A811037	Stop Cable	1
55A	MBC9501	Bracket	1
*	A903224	Instruction Plate	1
56	MBC9001	Pin	2
57	A112093	Screw M4 x 8	2
58	A150006	Washer 6mm	2
59	A140012	Split Pin	2
60	MBC8767	Fuel Tank	1
61	GSF2093ED	Screw	4
62	GSF2164J	S.L.Washer	4
63	A247943	Taper Plug	1
64	BAM8141	Filler Cap	1
65	MBC9008	Filter Bracket	1
66	A119102	Screw	2
67	Ex Kubota	Filter Bowl	1
68	A109043	Bolt	1
69	GSF2072AB	Nut	1
70	A151008	S.L.Washer 8mm	1
71	A249469	Elbow	1
72	H030085	Hose (Tank to Filter)	1
73	H030085	Hose (Filter to engine)	1
74	A298382JH	Hose (Return)	1
	A192212	Hose Clip	6
75	MBC5306	Stud (Eng.Regulator)	2
76	A130006	Nut M6	4
77	MBC9311	Bracket	1
78	MBC9315	Jockey Arm	1
79	MBC9324	Boss	1
80	MBC9319	Rod	1
81	A896503	Jockey Pulley	1
82	MBC9318	Distance Piece	1
83	A100412	Bolt M10 x 60	1
84	A133210	Stiffnut M10	1
85	A150010	Washer 10mm	2
86	A150012	Washer 12mm	1
87	A140067	Split Pin	1
88	MBC9326	Bracket	1
89	A295326	Grommet	1
90	A299029	Knob	1
91	A130008	Nut M8	1
92	MBC9323	Plate	1
93	BAAA0431	Spring	1
*	MBC9242	Drain Plug (For engine Sump)	1
* Not Illustrated			



REF	RANSOMES PART NO	DESCRIPTION	QTY
1	GSF3002SG	Bush	2
2	GSF2540AT	Lubricator	1
3	BAM3022	Shaft	1
4	BAM6032	Buckhorn	1
5	BAA0093	Handle Grip	2
6	GSF2150L	Washer	1
7	GSF2001EH	Bolt	1
8	A139910	Stiffnut	1
9	BAM1000	Pulley	1
10	GSF1042NK	Roll Pin	1
11	BAM6011	Cable Assembly	1
12	GSF2072AB	Nut	4
13	GSF3003BH	Bush	2
14	GSF2540AC	Lubricator	1
15	BAM6009	Wheel Yoke	1
16	A219007	Thrust Washer	2
17	A159304	Thrust Washer	2
18	GSF2093ED	Screw	1
*	GSF2164J	S.L.Washer	1
19	MBA1553	Washer	1
20	BAA1280	Wheel Assembly	1
	A817039	Tyre 16 x 6.5 x 8-4ply	1
	A816070	Rim	1
*	H012093	Seal	1
21	BAM2203	Bush	1
22	BAM2204	Spacer	1
23	BAM2205	Spacer	1
24	GSF2001KY	Bolt	1
25	GSF2052AE	Nut	1
*	MBC9168	Tab Washer	1

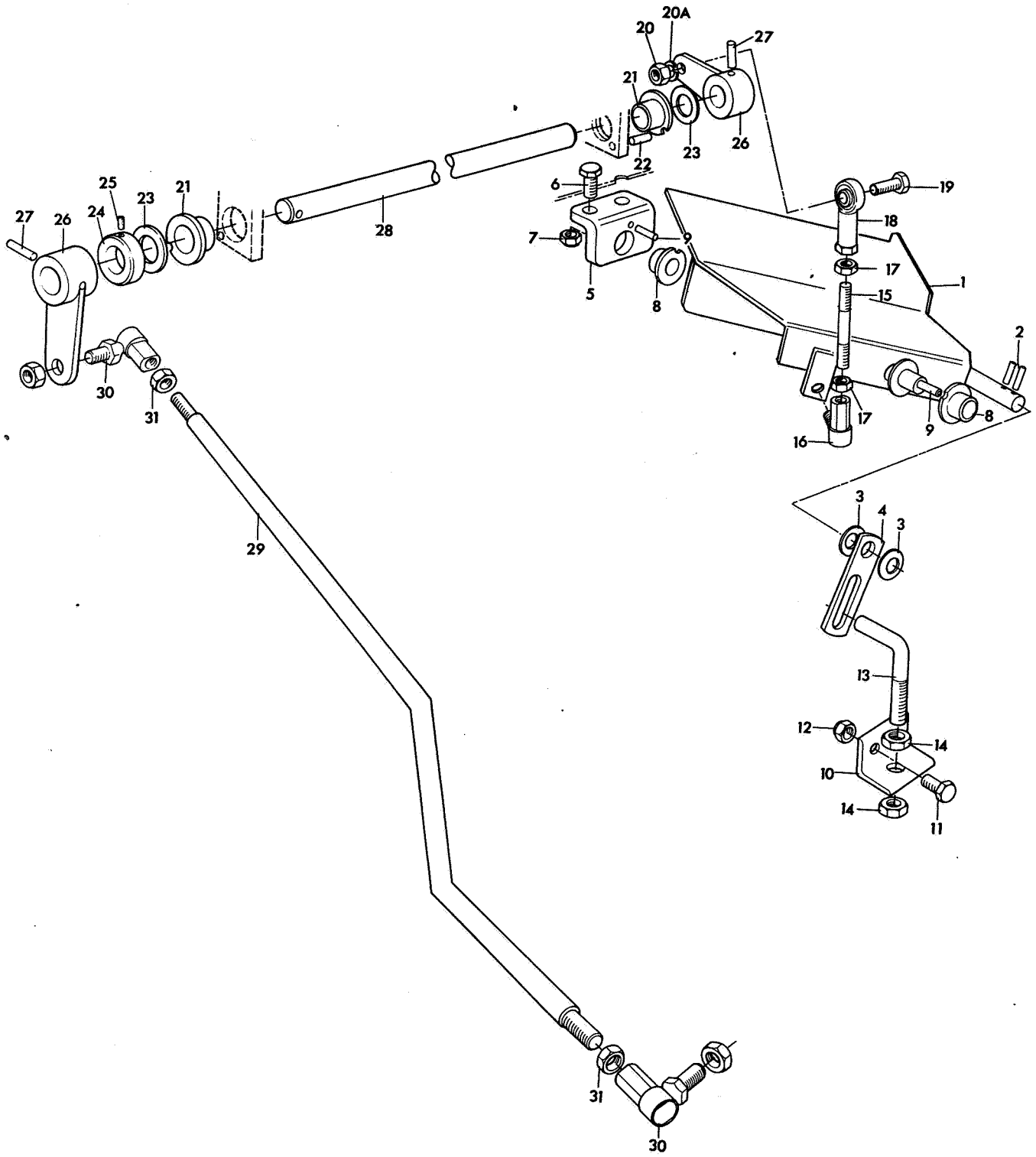
* Not Illustrated



REF	RANSOMES PART NO	DESCRIPTION	QTY
1	A820026	Wheel Motor (See Page 41)	2
2	GSF2091JR	Bolt	8
3	GSF2072AE	Nut	8
4	GSF2163L	S.L.Washer	8
5	BAM6152	Hub	2
6	A169009	+ Key	2
7	A139323	Nut	2
8	A816126	Wheel Assembly 18"	2
*	A817053	Tyre 18 x 8.5-8	1
*	A816125	Rim	1
9	A134111	Wheel Nut	8
10	BAM6087	Lever Parking Lock	2
11	A914210	Sleeve	2
12	GSF2091EM	Bolt	2
13	GSF2080BC	Stiffnut	2
14	MBC1697	Washer	8
15	GSF2150D	Washer	12
16	A109000	Bolt	2
17	A139322	Stiffnut	2

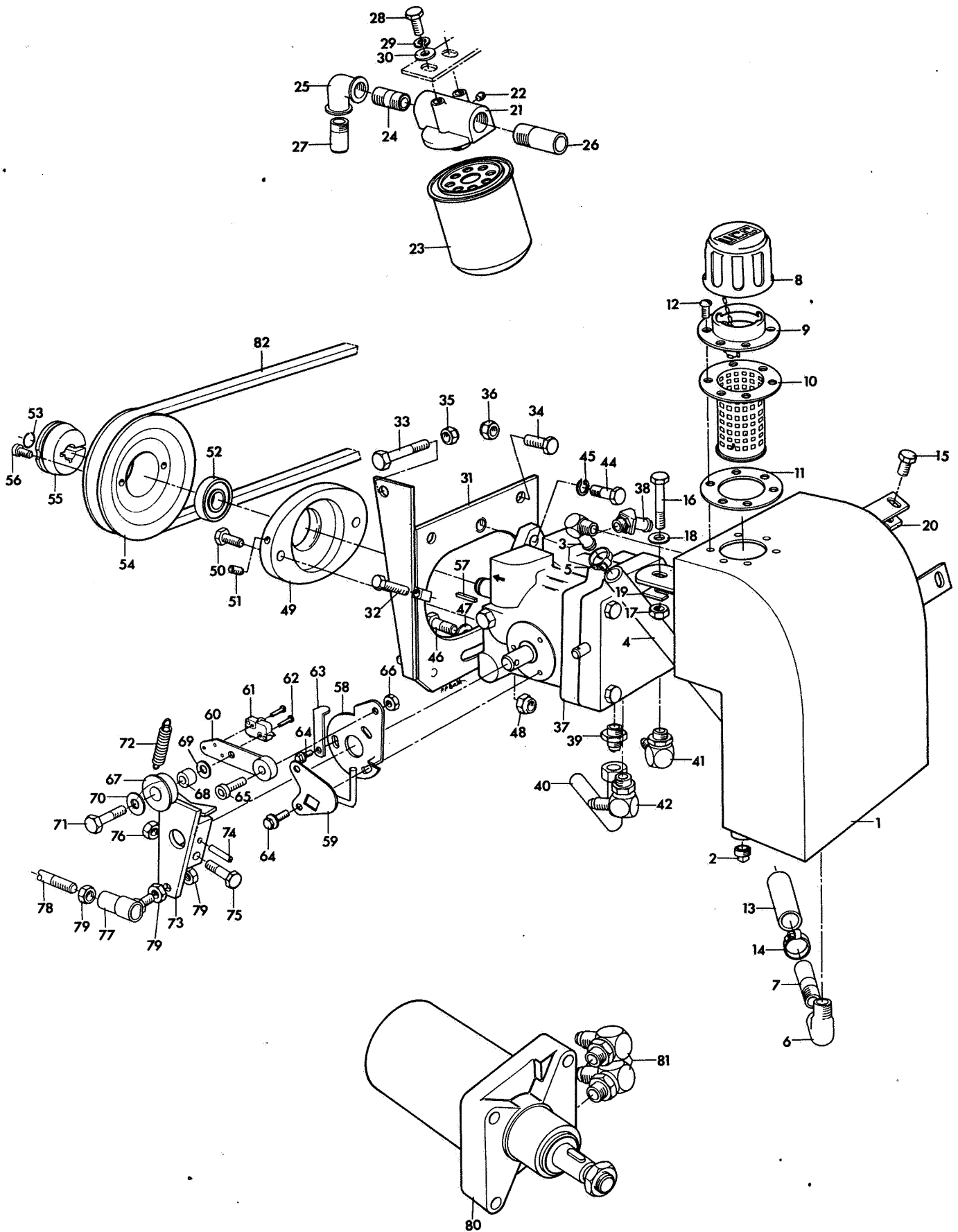
Note: + on certain wheel motors the parallel key is replaced by a woodruff key. Part No.A169023

* Not Illustrated



REF	RANSOMES PART NO	DESCRIPTION	QTY
1	MBC9524	Pedal	1
2	GSF1040FK	Roll Pin	2
3	A292292	Disc Spring	2
*	GSF2150C	Washer	4
*	GSF2168AP	S.P.Washer	2
4	BAM2161	Link	1
*	A159971	Thrust Washer	4
5	BAM2120	Bearing Housing	1
6	GSF2093CC	Screw	2
7	A139322	Stiffnut	2
8	BAM8031	Flanged Bearing	2
9	GSF1040DD	Tension Pin	2
10	BAM2162	Adjuster Angle	1
11	GSF2002EF	Screw	2
12	A139910	Stiffnut	2
13	BAM3049	Speed Adjuster	1
14	GSF2052AE	Nut	2
15	MBC9105	Pull Rod	1
16	BAM8078	Ball Joint	1
17	GSF2052AC	Nut	2
18	A814509	Rod End	1
19	PSF0888G	Screw	1
20	GSF2072AC	Nut	1
20A	GSF2163J	S.L.Washer	1
21	BAM8105	Flanged Bearing	2
22	GSF1040DD	Tension Pin	2
23	A159302	Thrust Washer	2
24	BAM8108	Collar Assembly	1
25	GSF2101HD	Screw	1
26	BAM1004	Lever	2
27	GSF1040HE	Tension Pin	2
28	BAM3027	Shaft	1
29	BAM3042	Push Rod	1
30	BAM8078	Ball Joint	2
31	GSF2052AC	Nut	2

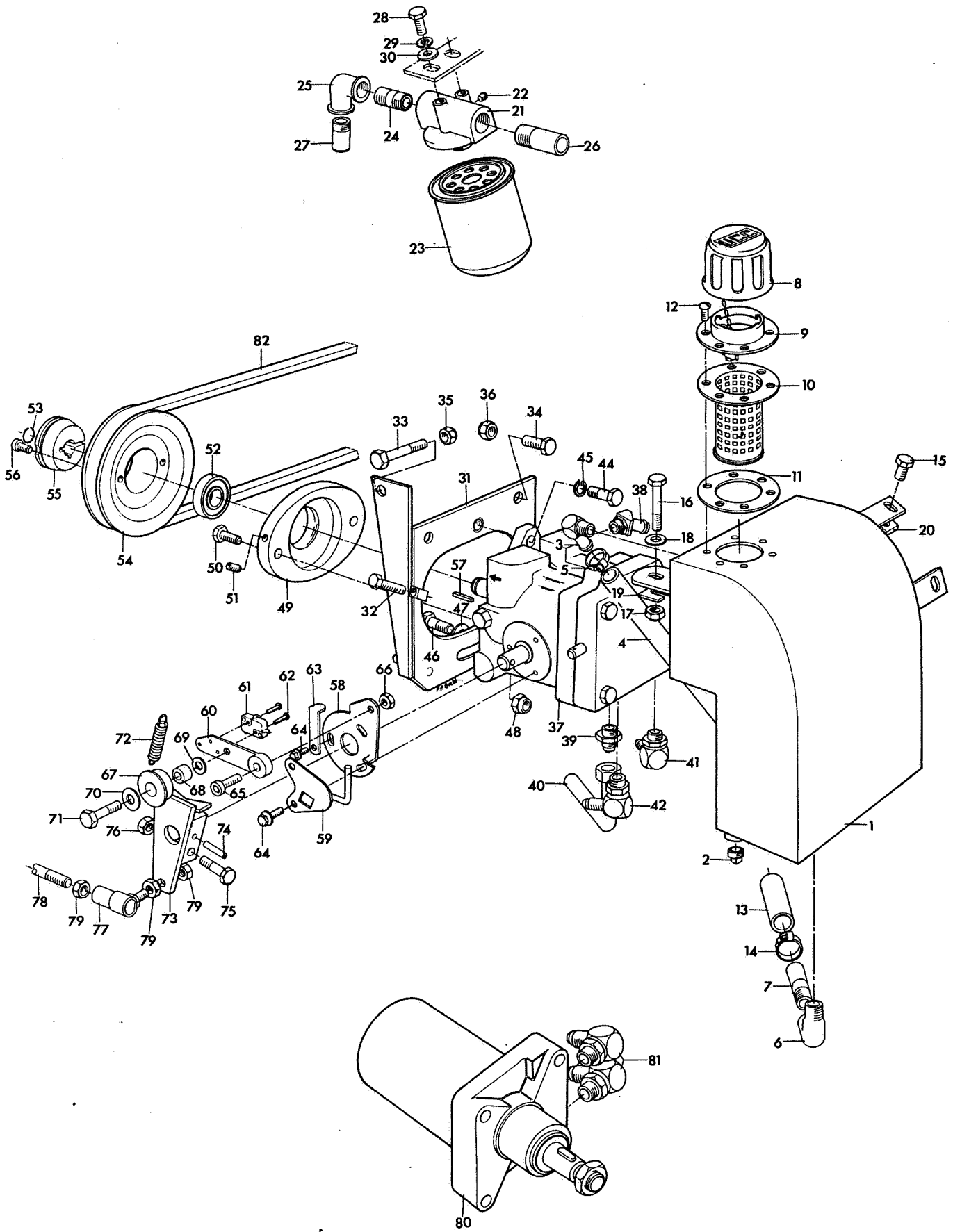
* Not Illustrated



REF	RANSOMES PART NO	DESCRIPTION	QTY
	MBC8761	Hydraulic Tank Assembly	1
1	MBC8646A	Tank	1
2	A247947	Magnetic Plug	1
3	A249348	Hose Elbow	1
*	H014016	Seal	1
4	H032610BH	Hose	1
5	A192230	Hose Clip	1
6	A246104	Elbow	1
7	BAM3043	Hose Stem	1
	H290006	Filler/Breather Assembly	1
8	H290544	Cap	1
*	H290734	Gasket	1
9	H290542	Bayonet Plate	1
10	H290124	Strainer	1
11	H290543	Gasket	1
12	A119112	Screw	6
13	H032316BL	Hose	1
14	H192240	Hose Clip	2
15	GSF2093ED	Screw	2
16	GSF2001ER	Bolt	1
17	GSF2080AC	Stiffnut	2
*	A139910	Nut	1
18	A150008	Washer 8mm	1
19	A159903	U Washer	1
20	A159904	U Washer	4
	MBC8762	Filter Assembly	1
21	BAM8047	Filter Head	1
22	A244602	Plug	1
23	A819154	Filter Element	1
24	A246804	Nipple	1
25	A246004	Elbow	1
26	A249344	Adaptor	1
27	BAM3043	Hose Stem	1
28	GSF2093AE	Screw)Filter	2
29	GSF2164G	S.L.Washer)Bracket to Chassis	2
31	BAM6040	Pump Plate	1
32	GSF2002ET	Screw	2
33	A109043	Bolt	1
34	GSF2093EF	Screw	2
35	A139322	Stiffnut	1
36	A139912	Stiffnut	2
37	A809655	Pump (See Page 43)	1
38	A249343	Hose Elbow	1
39	A240053	Connector	1
40	A902468	Pipe	1
41	A241006	Elbow	1
42	A241006	Elbow	1
44	A129024	Bolt	1

Contd.

* Not Illustrated

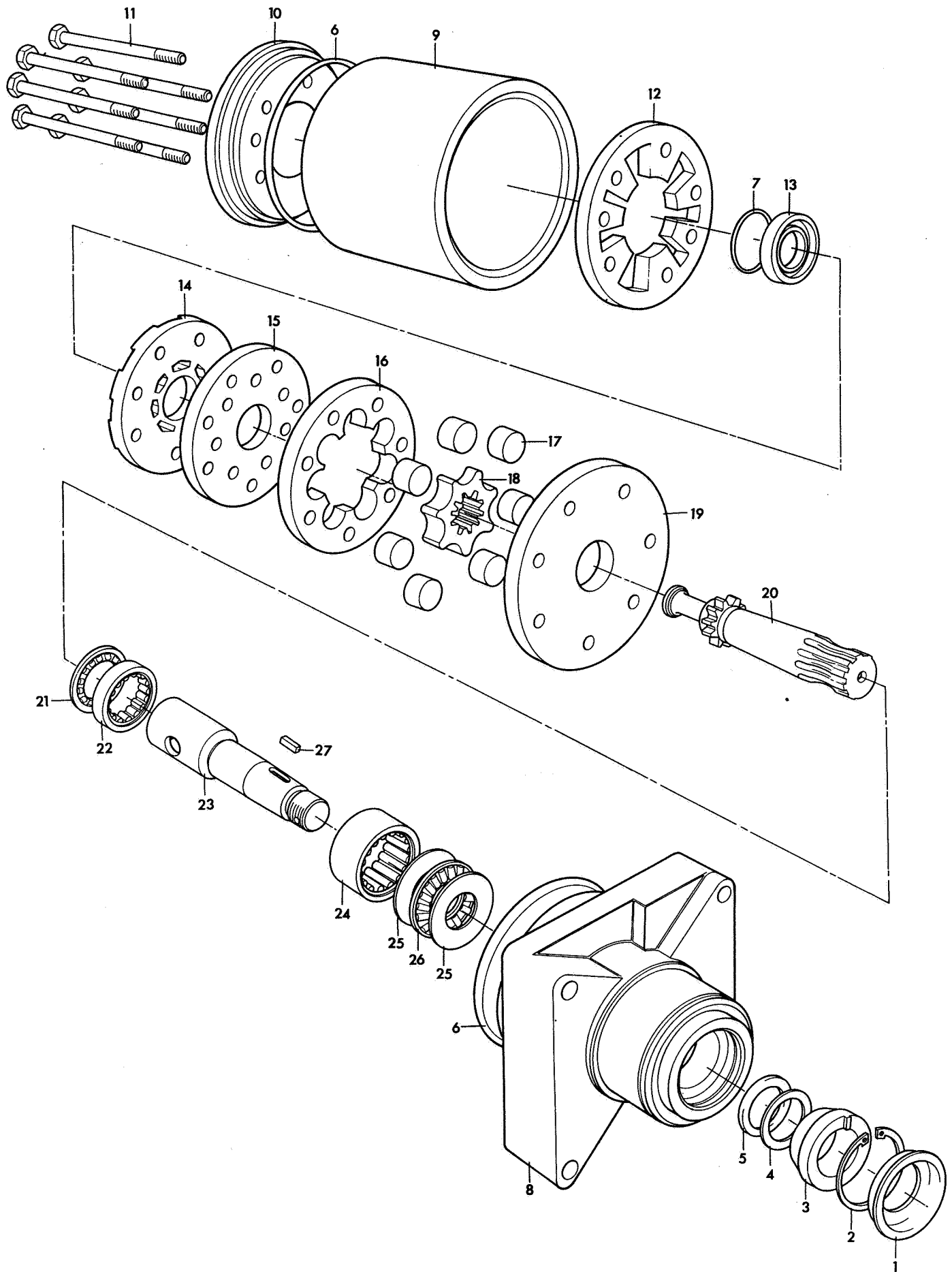


HYDRAULIC PUMP, TANK, FILTER AND WHEEL MOTOR (Contd.) LIST OF PARTS

REF	RANSOMES PART NO	DESCRIPTION	QTY
45	GSF2164K	S.L.Washer	1
46	GSF2002JK	Bolt	1
47	GSF2150G	Washer	1
48	A139903	Stiffnut	1
49	BAM1006	Bearing Housing	1
50	A109047	Bolt	2
51	A129020	Grub Screw	1
52	A209026	Bearing	1
53	H087063	Sna; Ring	1
54	BAM1010	Pulley	1
55	BAM8120	Taper Bush	1
56	A129034	Screw	2
*	MBC5227	Collar	2
57	A169008	Key	1
58	BAM6202	Plate (Neutral)	1
59	BAM2035	Plate (Adjusting)	1
60	BAM6007	Lever (Control)	1
61	BAM8145	Switch	1
62	A119041	Screw	2
63	BAM2200	Bracket (Fixed to Ref.58)	1
64	A119110	Screw	3
65	A119035	Shoulder Bolt	1
66	A139322	Stiffnut	1
67	BAJ5085	Flanged Bearing	1
68	BAM3044	Spacer	1
69	GSF2150G	Washer 8mm	1
70	MBA5289	Washer	1
71	GSF2093CE	Bolt	1
72	A290085	Spring	1
73	BAM6006	Control Arm	1
74	GSF1040KE	Roll Pin	1
75	GSF2091CD	Bolt	1
76	A139322	Stiffnut	1
77	BAM8078	Ball Joint	1
78	BAM3042	Push Rod	1
79	GSF2052AC	Nut	3
80	A820026	Wheel Motor (See Page 41)	2
81	A241048	Elbow	4
82	A491029	Belt 27.18EL 5L Kevlar	1
*	BAA1043	Rod (Pump Plate to Chassis)	1
*	GSF2052AC	Nut	2

* Not Illustrated

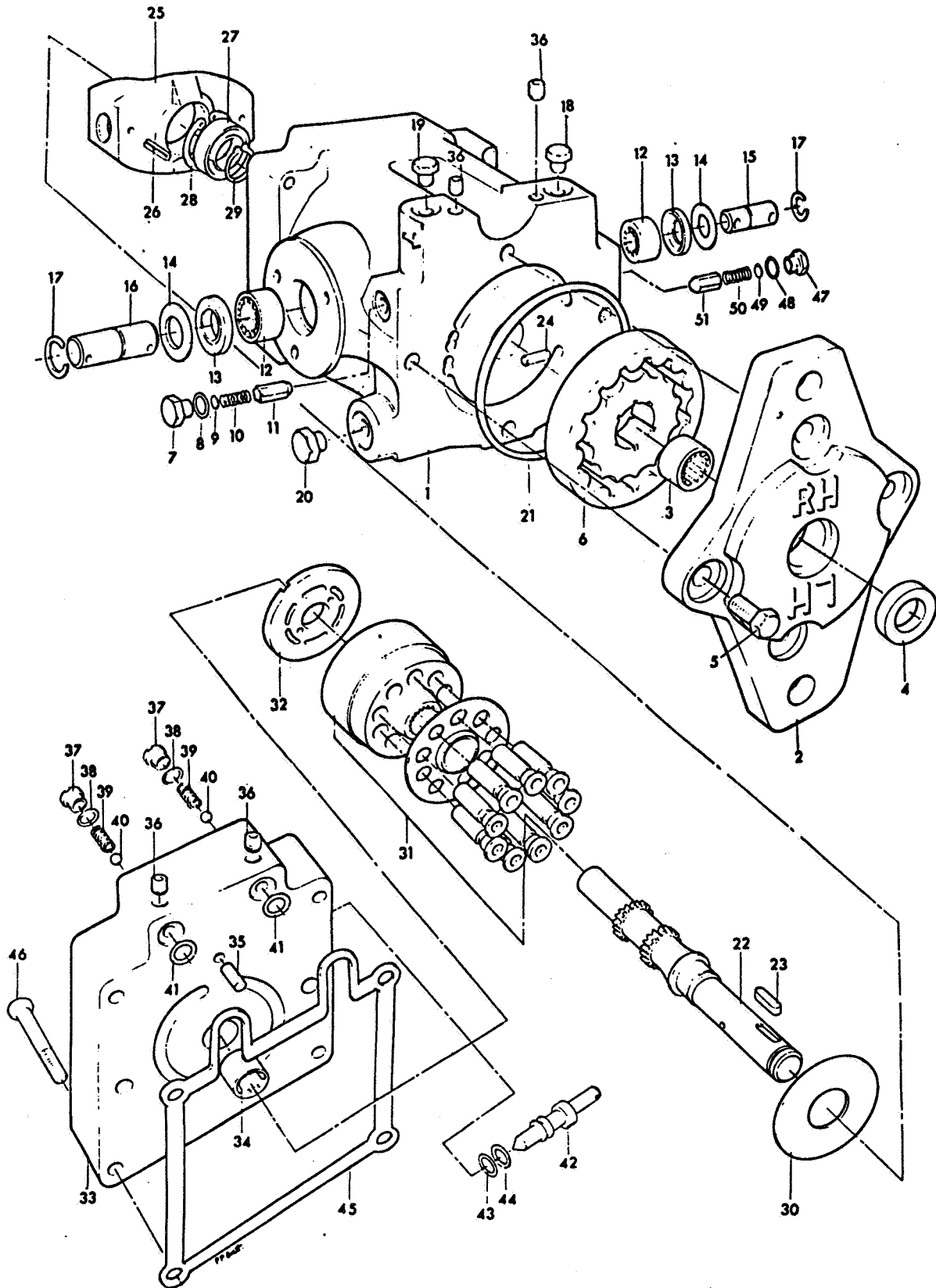
MOTOR 180D



REF	RANSOMES PART NO	DESCRIPTION	QTY
	A820026	Wheel Motor (10.3 Cubic in)	1
	A820012	Seal Kit	1
1		Dirt Seal	1
2		Circlip	1
3		Spacer	1
4		Shim	1
5		Seal	1
6		Seal Ring	2
7		Bonded Ring	1
8	A820016	Housing Assembly (Comp:Ref.22,24,25,26)	1
9		Sleeve Protector	1
10	A820021	End Cover Assembly	1
11	A820030	Bolt	7
12)	A820029	Commutator Ring) Matched	1
13)		Commutator) set	
	A820019	Manifold Service Kit	1
14		Manifold	1
15		Manifold Plate	1
	A820027	Rotor Set	1
16		Stator and Ring Assembly	1
17		Vans	7
18		Rotor	1
19	A820015	Wear Plate	1
20	A820028	Drive Link	1
21	A820014	Thrust Bearing	1
22	A207520	Needle Bearing	1
23	A820017	Coupling Shaft	1
24	A207521	Needle Bearing	1
25	A159303	Thrust Washer	2
26	A202900	Thrust Bearing	1
27	A169009	+ Key	1

Note:+ On certain wheel motors the parallel key is replaced with a woodruff key. Part No. A169023

* Not Illustrated

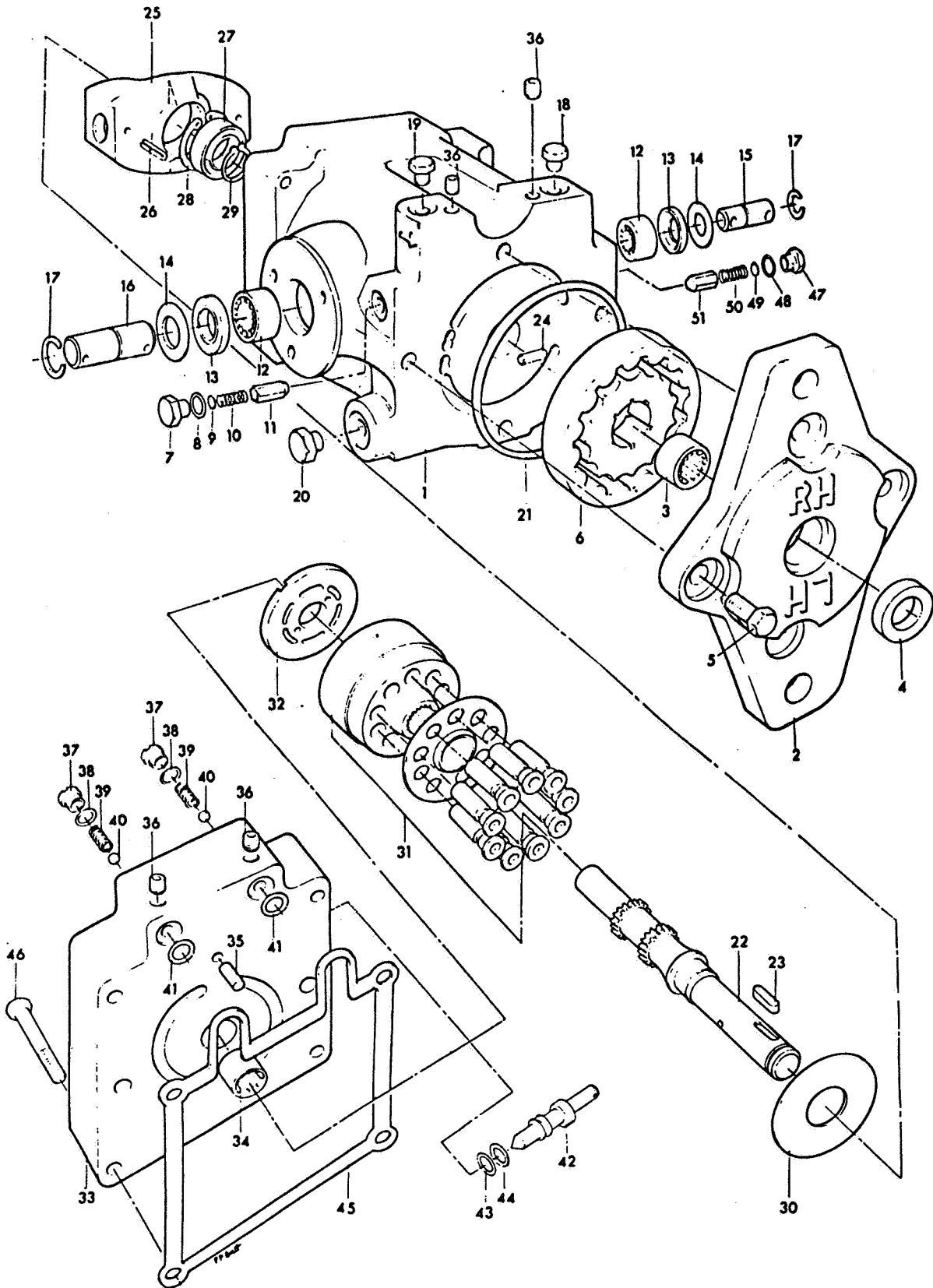


Sundstrand Series 15 (Model 2179)

REF	RANSOMES PART NO	DESCRIPTION	QTY
	A809655	Hydraulic Pump Assembly (2179)	1
1		Housing (Pump)	1
2	A809390	Housing (Charge Pump)	1
3	A209009	Bearing	1
4	A229916	Seal	1
5	GSF2093CF	Screw	4
6	A809372	Charge Pump (Gerotor)	1
7	A809373	Plug	1
8	A221805	O Ring	1
9	A809374	Shim - Pack	1
10	A809376	Spring	1
11	A809377	Cone	1
12	A209008	Bearing	2
13	A809308	Seal	2
14	H290702	Washer	2
15	A809302	Shaft	1
16	A809302	Shaft	1
17	H290701	Retaining ring	2
18	A809378	Plug	1
19	A809378	Plug	1
20	A244406	Plug	1
*	A221808	O Ring	1
21	A221153	O Ring	1
22	A809380	Shaft	1
23	A169008	Key	1
24	A809382	Pin	1
25	A809313	Swash Plate (variable)	1
26	GSF1040HZ	Spring Pin	3
27	A203204	Bearing	1
28	A179106	Circlip	1
29	A179000	Circlip	1
30	A809305	Thrust Plate	1
31	A809306	Cylinder Block Kit	1
32	A809381	Valve Plate	1
33		End Cap	1
34	A809300	Bearing	1
35	A809354	Pin	1
36	A809383	Plug	4
37	H290704	Plug	2
38	A221805	O Ring	2
39	H290699	Spring	2
40	H290703	Ball	2
41	A221805	O Ring	2
42	A809384	Valve (By Pass)	1
43	A221012	O Ring	1
44	A222012	B.U.Ring	1
45	A809301	Gasket	1
46	A109009	Bolt	4

Contd.

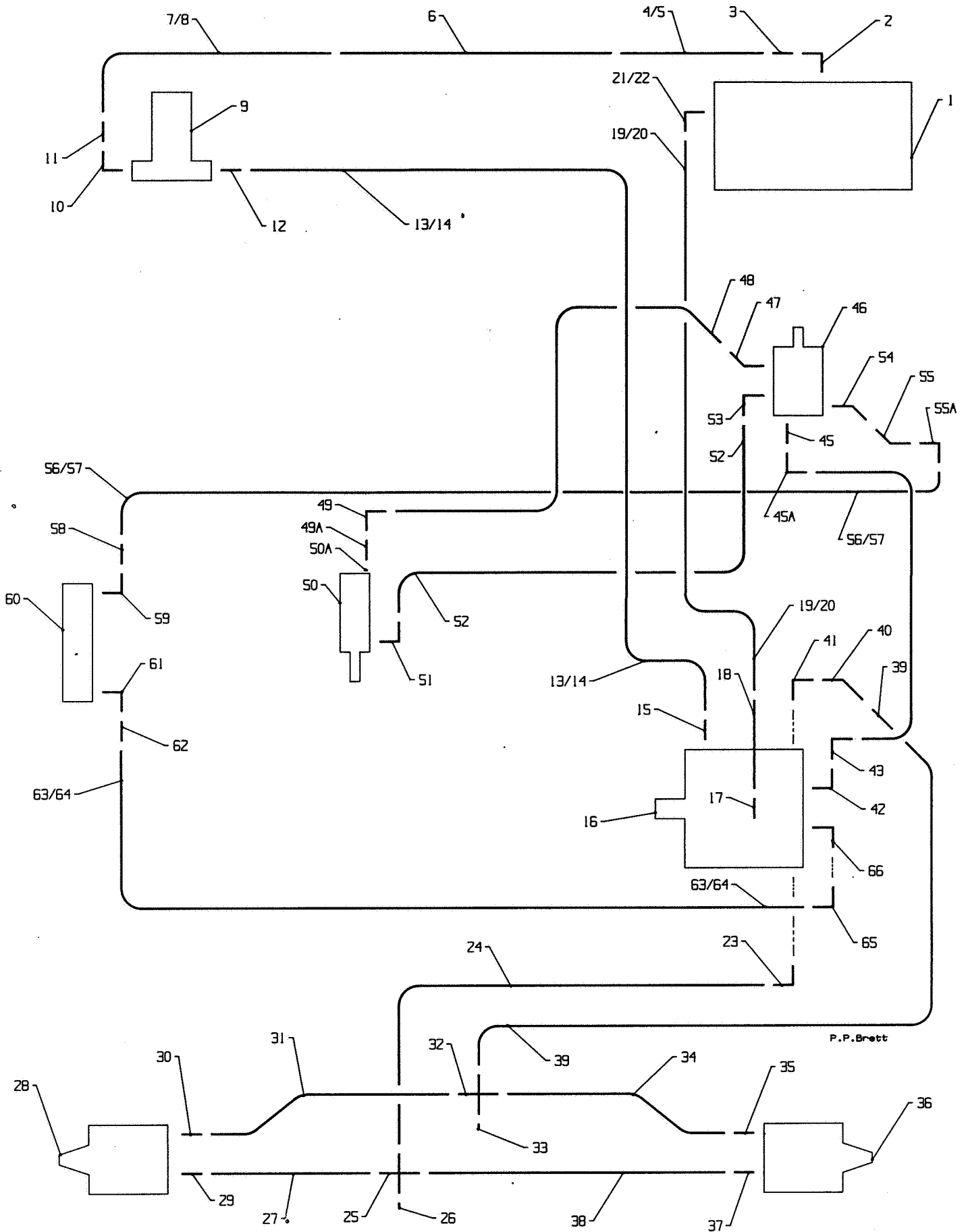
* Not Illustrated



Sundstrand Series 15 (Model 2179)

REF	RANSOMES PART NO	DESCRIPTION	QTY
47	A806546	Plug	1
48	A806547	O Ring	1
49	A806545	Shim Pack	1
50	A806543	Spring	1
51	A806544	Cone	1
		REPAIR KITS	
	A809385	Check Valve Kit Comp: 37, 38, 39, 40 (1 off each)	2

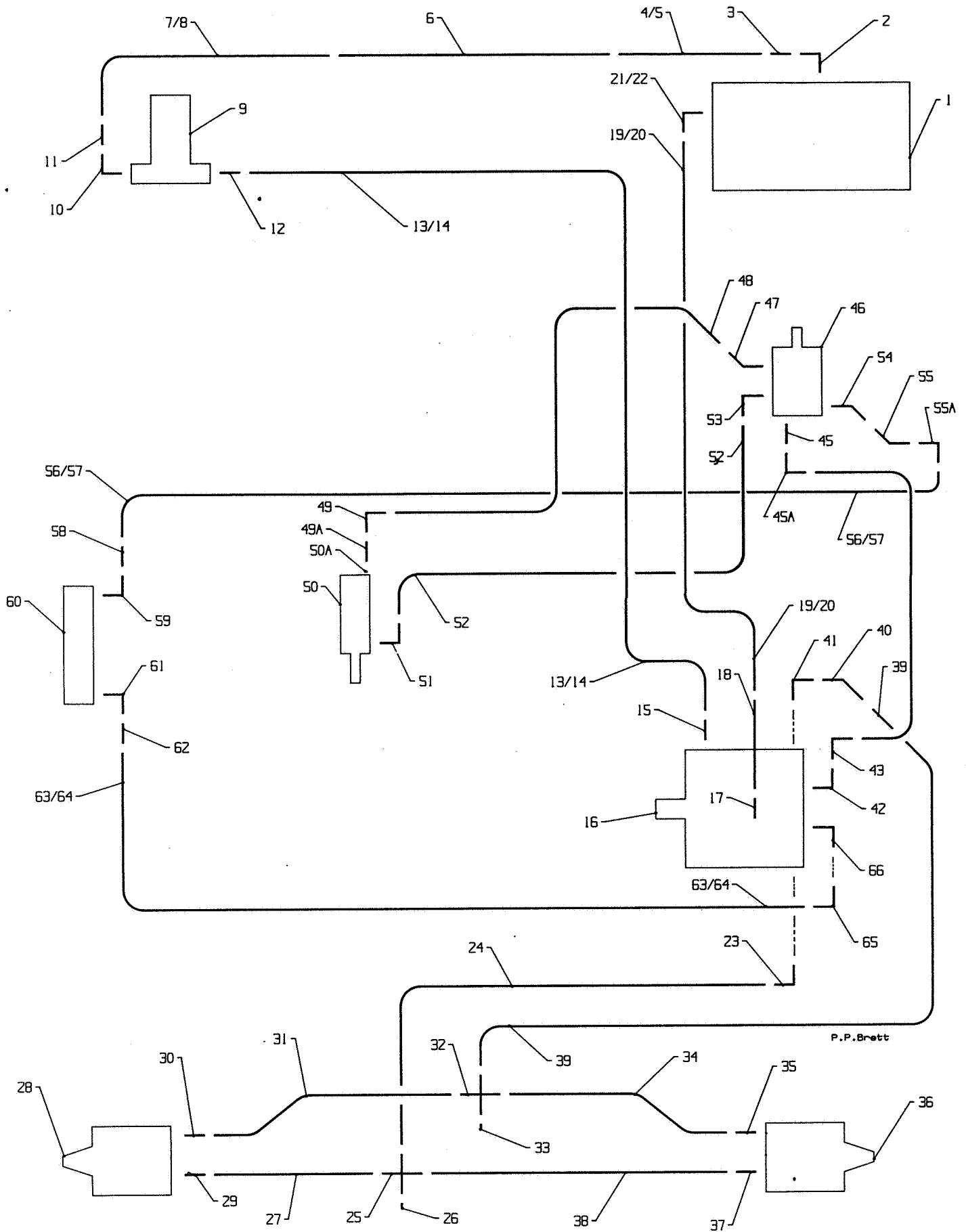
* Not Illustrated



REF	RANSOMES PART NO	DESCRIPTION	QTY
1	MBC8761	Tank Assembly (See Page 37)	1
2	A246104	Elbow 90 degrees	1
3	BAM3043	Hose Stem	1
4	H032316BL	Hose	1
5	A192240	Hose Clip	2
6	BAM8064	Tube	1
7	H032316AH	Hose	1
8	A192240	Hose Clip	2
9	MBC8762	Filter Assembly (See Page 37)	1
10	A246004	Elbow 90 degrees	1
11	BAM3043	Hose Stem	1
12	A249344	Adaptor	1
13	H032312CQ	Hose	1
14	A192240	Hose Clip	2
15	A249343	Adaptor	1
16	A809655	Pump (See Page 43)	1
17	A240052	Adaptor	1
18	A902468	Pipe	1
19	H032610BH	Hose	1
20	A192230	Hose Clip	2
21	A249348	Hose Elbow	1
22	H014016	Seal	1
23	A241006	Elbow 90 degrees	1
24	A714060	Hose	1
25	A244006	Hose	1
26	A244806	Cap	1
27	BAM8051	Tube - RH Lower	1
28	A820026	Wheel Motor (See Page 41)	1
29	A241048	Adaptor	1
30	A241048	Adaptor	1
31	BAM8054	Tube - RH Upper	1
32	A244006	Cross	1
33	A244806	Cap	1
34	BAM8041	Tube - LH Upper	1
35	A241048	Adaptor	1
36	A820026	Wheel Motor (See Page 41)	1
37	A241048	Adaptor	1
38	BAM8040	Tube - LH Lower	1
39	A714030	Hose	1
40	A242406	Elbow 45 degrees	1
41	A241006	Elbow 90 degrees	1
42	A241005	Elbow 90 degrees	1
43	A241405	Elbow 90 degrees	1
44	A723060	Hose	1
45	A240005	Adaptor	1
45A	A241405	Elbow 90 degrees	1

Contd.

Not Illustrated

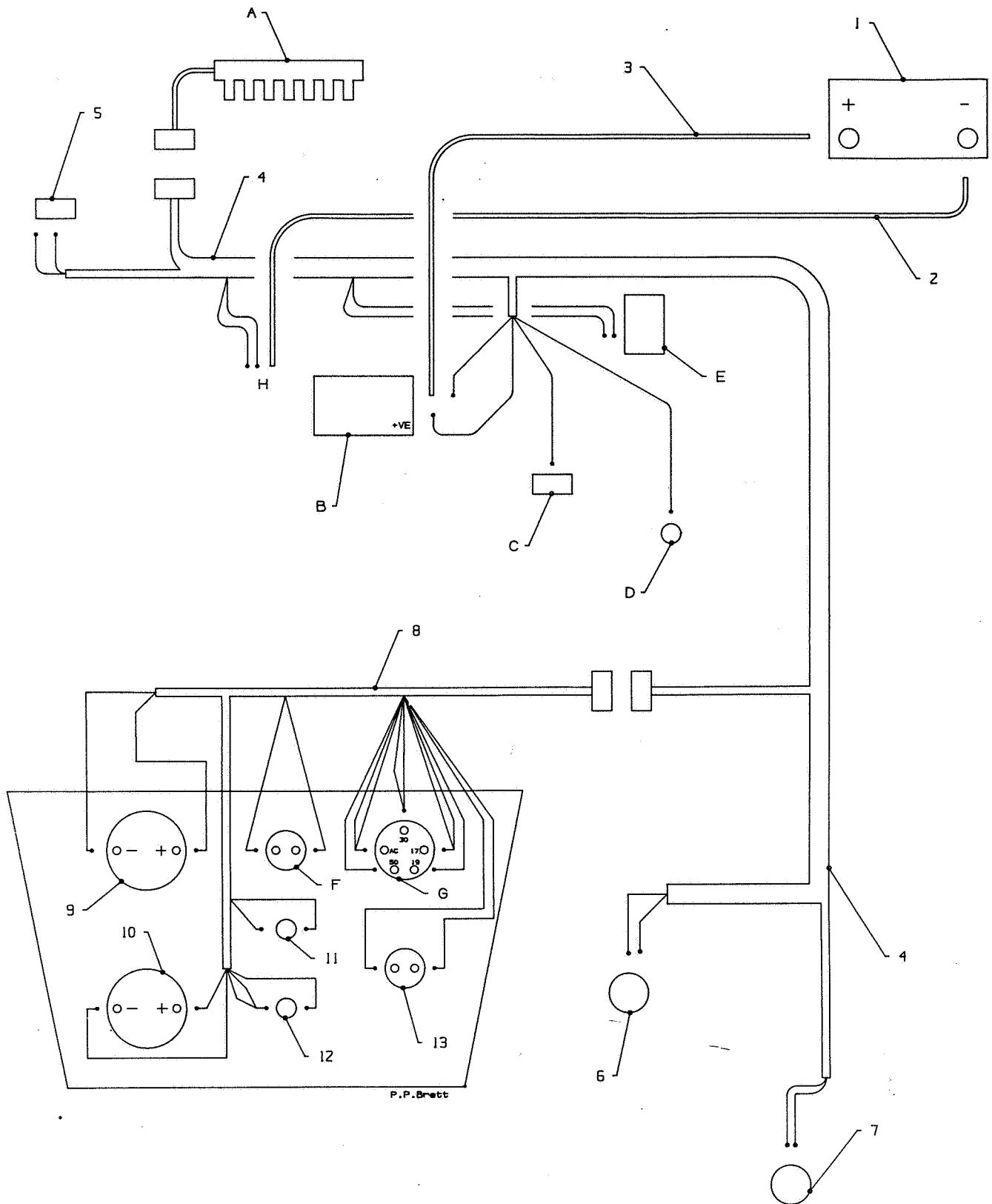


REF	RANSOMES PART NO	DESCRIPTION	QTY
46	BAA0464	Valve	1
*	A802009	Seal Kit (Cessna)	1
*	GSF2091AK	Bolt	2
*	GSF2072AA	Nut	2
*	GSF2150C	Washer	2
*	GSF2164G	S.L.Washer	2
47	A242005	Elbow 45 degrees	1
48	A723055	Hose	1
49	A241405	Elbow 90 degrees	1
49A	A240005	Adaptor	1
50	A902748	Ram	1
*	A230002	Seal Kit	1
*	A902637	Piston Rod	1
50A	A808104	Orifice	1
51	A241005	Elbow 90 Degrees	1
52	A723055	Hose	1
*	A298401CV	Sleeving (For Ref. 48 & 52)	1
53	A241005	Elbow 90 degrees	1
54	A242005	Elbow 45 degrees	1
55	A242405	Elbow 45 degrees	1
55A	A249383	Hose Elbow 90 degrees	1
56	H032608DK	Hose	1
57	A192222	Hose Clip	2
58	See Note Below		
59	A249158	Elbow 90 degrees	1
60	A691011	Cooler	1
*	GSF2093AC	Screw	4
*	GSF2072AA	Nut	4
61	A249158	Elbow 90 degrees	1
62	See Note Below		
63	H032608FV	Hose	2
64	A192222	Hose Clip	2
65	A249383	Elbow 90 degrees	1
66	A241005	Elbow 90 degrees	1
*	A199203	Cable Tie (350 long)	1
*	A199211	Cable Tie (140 long)	3

NOTE: Ref. 58 and 62 are supplied with cooler and if used Ref. 59 and 61 become A 249157.

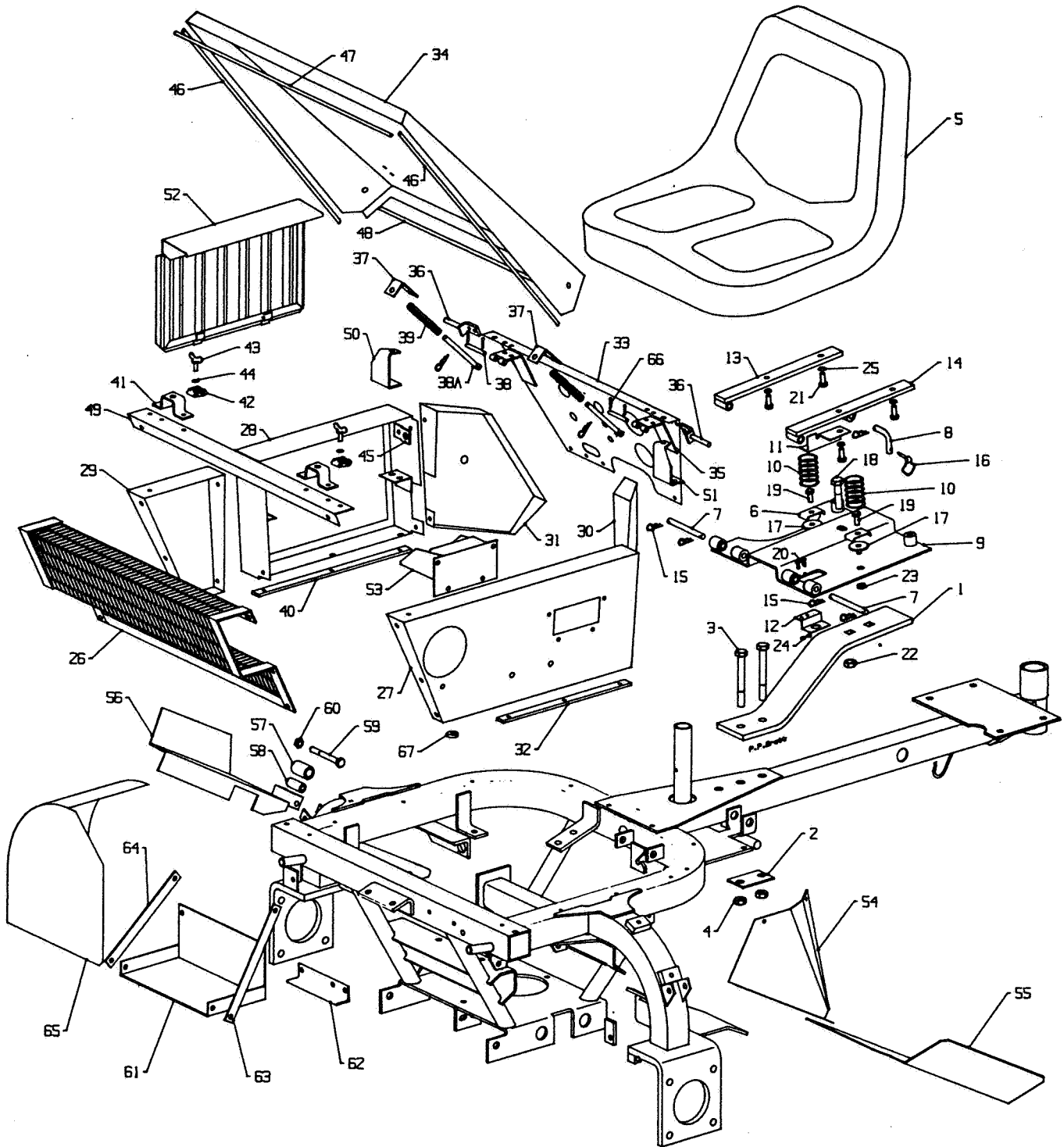
If Refs. 58, 59, 61 and 62 are replaced use A249158 and connect hose directly to it.

* Not Illustrated



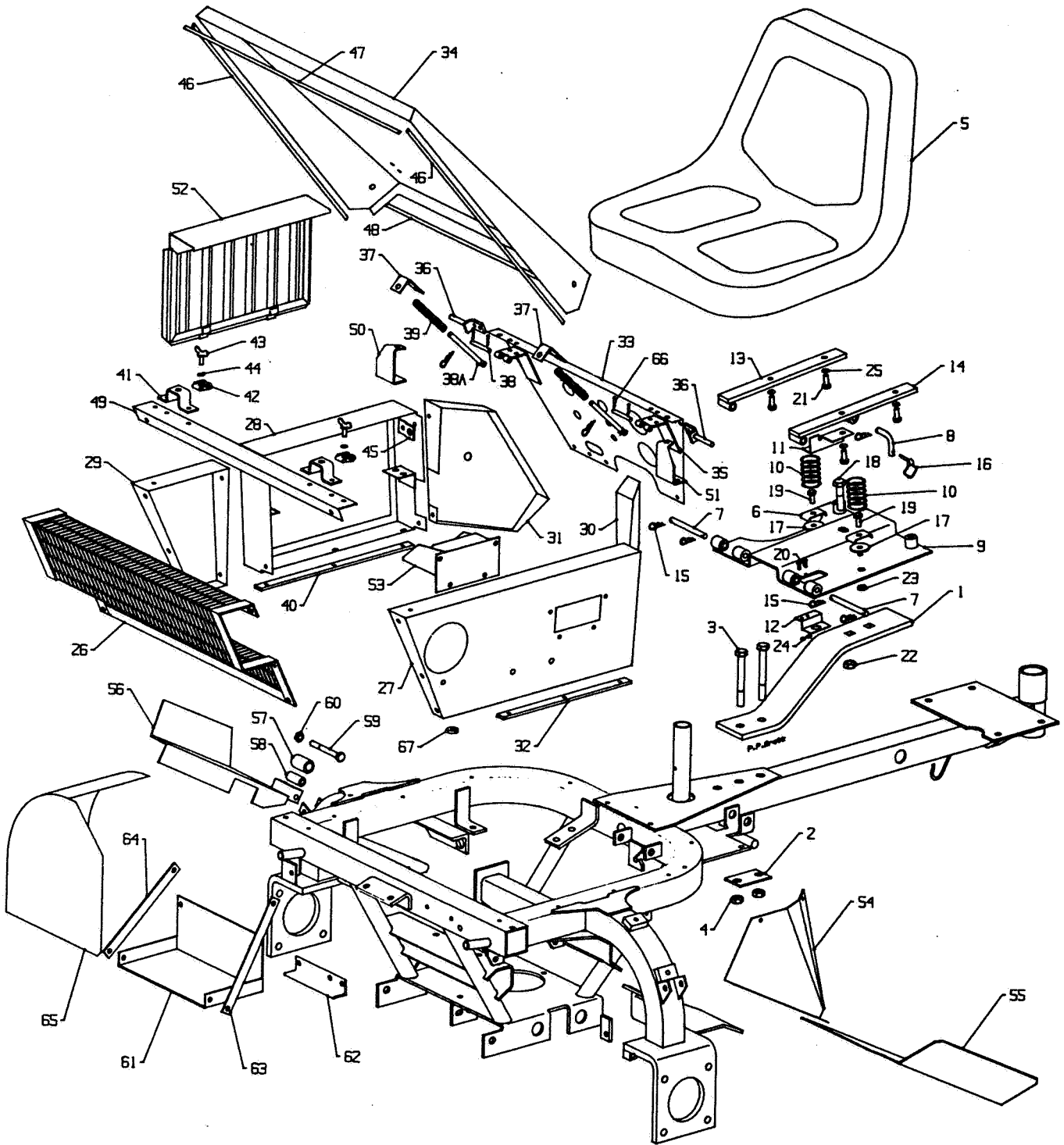
REF	RANSOMES PART NO	DESCRIPTION	QTY
1	A823015	Battery	1
*	MBC5333A	Clamp	2
*	A100309	Bolt M8 x 45	2
2	A905348	Cable - Battery negative	1
3	A905347	Cable - Battery positive	1
*	A110204	Screw M6 x 20)Ref	2
*	A130006	Nut M6)2 & 3	2
*	A150006	Washer 6mm) to	2
*	A151006	S.L.Washer 6mm)Ref.1	2
4	A905350	Main Harness	1
5	BAM8145	Switch - Pump Neutral	1
6	BAF8546	Switch - Clutch Neutral	1
7	BAF8546	Switch - Seat	1
8	A905349	Instrument Harness	1
9	H461000	Ammeter	1
10	BAA0391	Hourmeter	1
11	BAM8060	Fuse Holder	1
*	H499453	Fuse 35 amp	1
12	BAM8060	Fuse Holder	1
*	A823332	Fuse 15 amp	1
13	A823118	Warning Lamp	1
	H499839	Cable Tie	4
A	Ex Kubota	Regulator	
B	Ex Kubota	Starter Motor and Solenoid	
C	Ex Kubota	Oil Pressure Switch	
D	Ex Kubota	Glow Plug	
E	Ex Kubota	Alternator	
F	Ex Kubota	Glow Plug Indicator	
G	Ex Kubota	Ignition Switch	
H		Earth Connection on engine	

* Not Illustrated



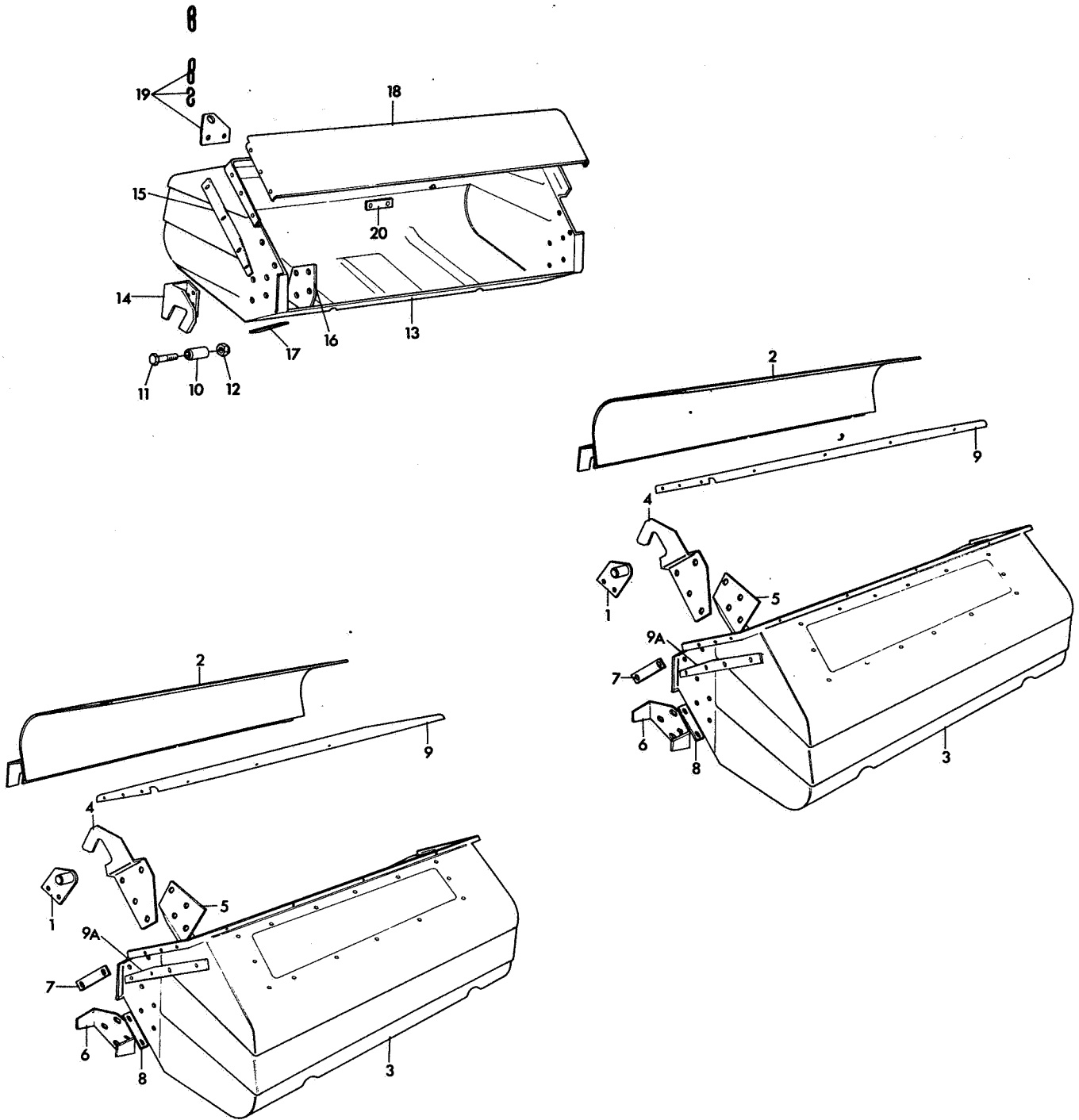
REF	RANSOMES PART NO	DESCRIPTION	QTY
	LMAA887	Seat Assembly	
1	BAM2074	Spring	1
2	BAM2195	Plate	1
3	A109906	Bolt	2
4	GSF2080AE	Stiffnut	2
	MBC8778	Seat Assembly	1
5	BAM8104	Seat	1
6	BAN2134	Clip	2
7	MBC9031	Pin	2
8	BAN3109	Hook	1
9	BAN6070	Mounting plate	1
10	A291099	Spring	2
11	BAP2101	Bracket	1
12	MBC9007	Bracket (Microswitch Mounting)	1
13	BAP6075	Seat Mounting RH	1
14	BAP6076	Seat Mounting LH	1
15	A149000	Spring Clip	5
16	A149002	Cotter Pin and Ring	1
17	MBC9030	Washer	2
18	GSF2093JH	Screw	1
19	GSF2093CD	Screw	2
20	A119004	Screw	2
21	GSF2093CF	Screw	4
22	GSF2080AE	Stiffnut	1
23	A139322	Nut	2
24	A139325	Nut	2
25	A151008	S.L.Washer	4
	LMAA885	Covers	
26	MBC8624	Guard	1
27	MBC8628	Panel LH	1
28	MBC8945	Panel RH	1
29	MBC8629	Panel RH Front	1
30	MBC8631	Panel LH Rear	1
31	MBC8632	Panel RH Rear	1
32	MBC9951	Packer	1
33	MBC9499	Control Panel	1
*	A298907AV	Flexible Trim	1
34	MBC8637	Hood	1
35	BAM6048	Hinge	2
36	BAM6028	Hinge	2
37	BAM2133	Bracket	1
38	BAM3039	Hinge Pin	2
38A	MBC9173	Hinge Rod	2
39	A291080	Spring	2
40	MBC8948	Packer	1
41	BAM2132	Bracket	2
42	BAF8419	Clip	2
43	BAM8071	Stud	2
44	BAF8418	Retainer	2
45	MBC8967	Stay (For Radiator)	2
46	A298907DB	Flexible Trim	2
Not Illustrated			

Contd,



REF	RANSOMES PART NO	DESCRIPTION	QTY
47	A298907DC	Flexible Trim	1
48	A298907DQ	Flexible Trim	1
49	MBC8795	Crossmember	1
50	MBC8983	Stay RH	1
51	MBC8984	Stay LH	1
52	MBC8841	Radiator Inlet	1
53	MBC8852	Air Inlet	1
54	MBC8810	Shield	1
55	MBC8811	Footplate LH	1
56	BAM6097	Floor Plate RH Assembly	1
57	A913233	Roller	2
58	MBC5588	Bush	1
59	A109009	Bolt	1
60	GSF2080AC	Stiffnut	1
61	MBC8579	Battery Tray	1
62	MBC8585	Tie	1
63	MBC8581	Stay	1
64	MBC8896	Stay	1
65	MBC8805	Battery Cover	1
*	A914863	Hood Insulation	1
*	A914864	Battery Insulation Top	1
*	A914865	Battery Insulation Side	1
66	A140045	Split Pin	4
*	A119102	Screw 1/4 x 3/8	21
*	A119103	Screw	7
*	GSF2093AC	Screw 1/4 x 5/8	26
*	GSF2072AA	Nut 1/4	26
*	GSF2164G	S.L.Washer 1/4	26
*	GSF2093CC	Screw 5/16 x 5/8	10
*	GSF2093CD	Screw 5/16 x 3/4	8
*	GSF2072AB	Nut 5/16	18
*	A151008	S.L.Washer 8mm	18
*	A110194	Screw M5 x 12	2
*	A133205	Stiffnut M5	2
*	A150005	Washer 5mm	2
*	GSF2152A	Washer 1/4	42
67	MBC9653	Washer	1

Not Illustrated



REF	RANSOMES PART NO	DESCRIPTION	QTY
FRONT GRASSBOXES			
1	MBC1611	Bracket RH	2
*	MBC1612	Bracket LH	2
*	GSF2093CD	Screw	4
*	A139322	Stiffnut	4
2	MBB9802	Concave	2
*	A130005	Nut M5	6
3	BAM6160	Grassbox	
*	BAM6155	Screen	1
*	A185300	Washer	14
*	A149615	Rivet	14
4	MBC1607A	Hook RH	2
*	MBC1608A	Hook LH	2
5	MBC1617	Corner Plate RH	2
*	MBC1618	Corner Plate LH	2
6	MBC8114A	Stop Plate	4
7	MBC1629	Backing Plate	8
8	MBC1630	Backing Plate	4
*	GSF2093AD	Screw	8
*	A139912	Stiffnut	8
9	BAM6172	Stiffener Plate	2
*	MBC8940	Backing Plate (for ref 9)	20
9A	BAM2288	Brace	4
REAR GRASSBOX			
10	MBC1616	Pin	2
11	GSF2091CK	Bolt	2
12	A139322	Stiffnut	2
13	BAM6160	Grassbox Assembly	1
*	BAM6155	Screen	1
*	A185300	Washer	14
*	A149615	Rivet	14
14	MBC8112	Hook RH	1
*	MBC8113	Hook LH	1
15	BAM2288	Brace	2
16	MBC1617	Corner Plate RH	1
*	MBC1618	Corner Plate LH	1
17	MBC1630	Backing Plate	2
*	GSF2093AD	Screw	4
*	A139912	Stiffnut	4
18	BAM2245	Stiffener Plate	1
*	MBC8940	Backing Plate (for ref 18)	10
19	MBC1626	Chain Anchor Assembly	1
*	MBC1619	Chain Anchor	1
*	H980234	Hook	1
*	H060048AM	Chain	1
20	MBC1630	Backing Plate	1
*	GSF2093AD	Screw	2
*	A139912	Stiffnut	2

* Not Illustrated

REF	RANSOMES PART NO	DESCRIPTION	QTY
*	A903155	Label (Forward-Reverse	1
*	A903312	Label (Hydraulic Reservoir)	1
*	A903313	Label (Fuel Tank)	1
*	A903411	Label (Warning - Reel Support Springs)	2
*	A903188	Label (Tyre Pressure)	3
*	A298904BH	Non Skid Mat (F-R Pedal)	1
*	A298914BM	Non Skid Mat (LH Floor)	1
*	BAM8109	Non Skid Mat (RH Plate)	1
*	GSF3001BE	Ransomes Logo	1
*	A903400	Label (Danger-Hands and Feet)	3
*	A903460	Label (Lift/PTO)	1
*	A903722	Label (Ransomes Motor 180) Bonnet	1
*	A903266	Label (Throttle)	1
FRENCH LANGUAGE OVERLAYS			
*	A903304	Label (Hydraulic Reservoir)	1
*	A903416	Label (Fuel Tank)	1
*	A903418	Label (Warning-Reel Support Springs)	1
*	A903237	Label (Forward - Reverse)	1
*	A903438	Label (Danger-Hands and Feet)	1
*		Label (Lift/PTO)	1

* Not Illustrated

MOTOR 180 D

NUMERICAL INDEX

PART No.	PAGE No.	REF No.	PART No.	PAGE No.	REF No.
A100309	51		A130006	15	22
A100315	07		A130006	29	76
A100315	11		A130006	51	
A100408	13		A130008	07	
A100410	13	18	A130008	11	
A100412	29	83	A130008	11	
A102900	15	25	A130008	27	20
A102900	17	23	A130008	29	91
A109000	33	16	A130010	05	6
A109001	25	25	A130010	09	6
A109009.	43	46	A130010	13	10
A109009	55	59	A130010	13	24
A109018	23	58	A130010	15	30
A109043	29	68	A130010	17	34
A109043	37	33	A130010	27	14
A109047	39	50	A130012	13	15
A109073	05	15	A130012	15	16
A109073	09	15	A130012	17	6
A109906	53	3	A130016	17	9
A110194	27	45	A133205	27	46
A110194	55		A133205	55	
A110204	13	29	A133210	29	84
A110204	15	21	A133212	05	11
A110204	51		A133212	09	11
A110294	27	17	A133212	15	37
A110296	27	30	A133212	17	36
A110304	05	25	A133310	07	
A110304	11		A133310	15	11
A110305	07	30	A133310	17	13
A110396	09	25	A133408	07	
A110396	27	23	A133408	15	26
A110405	27	13	A133408	17	24
A110406	07	32	A134111	33	9
A110406	17	12	A139303	23	57
A110407	07	36	A139322	33	17
A110407	11	32	A139322	35	7
A110407	13	9	A139322	37	35
A110407	15	10	A139322	39	66
A110407	17	20	A139322	39	76
A110514	13	14	A139322	53	23
A110514	15	15	A139322	57	
A110514	17	5	A139322	57	12
A112093	29	57	A139323	33	7
A112105	19	44	A139325	53	24
A112107	05	22	A139902	21	24
A112107	09	22	A139903	21	6
A113005	27	43A	A139903	39	48
A119001	05	20	A139904	25	22D
A119001	09	20	A139910	21	23
A119004	53	20	A139910	25	35
A119032	27	11	A139910	31	8
A119035	39	65	A139910	35	12
A119041	39	62	A139910	37	
A119102	29	66	A139912	37	36
A119102	55		A139912	57	
A119103	55		A139912	57	
A119110	39	64	A139912	57	
A119112	37	12	A140012	29	59
A121305	13	26	A140045	29	54B
A121305	15	34	A140045	55	66
A121305	19	42	A140067	29	87
A121404	05	27	A149000	21	34
A129020	39	51	A149000	53	15
A129024	37	44	A149002	15	42
A129034	39	56	A149002	19	49
A129100	21	27	A149002	53	16
A130004	27	43B	A149003	25	40
A130005	05	23	A149022	15	28
A130005	09	23	A149022	17	32
A130005	19	47	A149604	11	
A130005	57		A149615	57	
A130006	13	30	A149615	57	

PART No.	PAGE No.	REF No.	PART No.	PAGE No.	REF No.
A150004	27	43C	A192222	49	57
A150005	05	24	A192222	49	64
A150005	09	24	A192230	37	5
A150005	19	46	A192230	47	20
A150005	27	47	A192240	47	5
A150005	55		A192240	47	8
A150006	29	58	A192240	47	14
A150006	51		A199203	49	
A150008	07		A199211	49	
A150008	11		A202900	41	26
A150008	37	18	A203204	43	27
A150010	07	37	A203604	05	3
A150010	11	33	A203604	09	3
A150010	15	35B	A207520	41	22
A150010	17	27	A207521	41	24
A150010	27	42	A207527	21	2
A150010	29	85	A209008	43	12
A150010	29	54A	A209009	43	3
A150012	05	12	A209026	39	52
A150012	09	12	A219007	31	16
A150012	13	16	A221012	43	43
A150012	15	17	A221153	43	21
A150012	15	39	A221805	43	8
A150012	17	7	A221805	43	38
A150012	17	38	A221805	43	41
A150012	21		A221808	43	
A150012	29	86	A222012	43	44
A151005	19	45	A228204	07	33
A151006	13	31	A228204	11	29
A151006	15	23	A229916	43	4
A151006	27	18	A229935	05	14
A151006	51		A229935	09	14
A151008	05	26	A230002	49	
A151008	07		A240005	47	45
A151008	07		A240005	49	49A
A151008	09	26	A240052	47	17
A151008	11		A240053	37	39
A151008	11		A241005	47	42
A151008	23	44	A241005	49	51
A151008	27	21	A241005	49	53
A151008	27	24	A241005	49	66
A151008	27	28	A241006	37	41
A151008	29	70	A241006	37	42
A151008	53	25	A241006	47	23
A151008	55		A241006	47	41
A151010	05	7	A241048	39	81
A151010	13		A241048	47	29
A151010	27	12	A241048	47	30
A151010	27	15	A241048	47	35
A151116	17	16	A241048	47	37
A159302	35	23	A241405	47	43
A159303	41	25	A241405	47	45A
A159304	31	17	A241405	49	49
A159903	37	19	A242005	49	47
A159904	37	20	A242005	49	54
A159905	21	8	A242405	49	55
A159905	25	43	A242406	47	40
A159971	35		A244006	47	25
A160088	05	10	A244006	47	32
A160088	09	10	A244406	43	20
A169008	39	57	A244602	37	22
A169008	43	23	A244806	47	26
A169009	33	6	A244806	47	33
A169009	41	27	A246004	37	25
A179000	43	29	A246004	47	10
A179106	43	28	A246104	37	6
A185300	57		A246104	47	2
A185300	57		A246804	37	24
A189000	07		A247943	29	63
A189000	11		A247947	37	2
A190001	25	20	A249158	49	59
A192212	29		A249158	49	61

MOTOR 180 D

NUMERICAL INDEX

PART No.	PAGE No.	REF No.	PART No.	PAGE No.	REF No.
A249343	37	38	A809378	43	18
A249343	47	15	A809378	43	19
A249344	37	26	A809380	43	22
A249344	47	12	A809381	43	32
A249348	37	3	A809382	43	24
A249348	47	21	A809383	43	36
A249383	49	65	A809384	43	42
A249383	49	55A	A809385	45	
A249469	29	71	A809390	43	2
A290085	39	72	A809655	37	37
A290089	21	25	A809655	43	
A291017	05	16	A809655	47	16
A291017	09	16	A811037	29	55
A291080	53	39	A811039	27	43
A291099	53	10	A814509	35	18
A292292	35	3	A814513	21	31
A295326	29	89	A814521	17	8
A298382JH	29	74	A816070	31	
A298401CV	49		A816125	33	
A298904BH	58		A816126	33	8
A298907AV	53		A817039	31	
A298907DB	53	46	A817053	33	
A298907DC	55	47	A819022	27	
A298907DQ	55	48	A819154	37	23
A298914BM	58		A820012	41	
A299029	29	90	A820014	41	21
A299301	13	12	A820015	41	19
A299301	15	13	A820016	41	8
A299301	17	3	A820017	41	23
A299306	07	34	A820019	41	
A299306	11	30	A820021	41	10
A383102	23	60	A820026	33	1
A491009	07		A820026	39	80
A491009	11		A820026	41	
A491009	21	17	A820026	47	28
A491010	07		A820026	47	36
A491010	11		A820027	41	
A491010	21	18	A820028	41	20
A491019	07		A820029	41	12
A491019	21		A820030	41	11
A491020	07		A823015	51	1
A491020	21		A823118	51	13
A491028	21	16	A823332	51	
A491029	39	82	A895004	27	19
A682032	27	2	A896305	15	36
A691011	49	60	A896305	17	35
A714030	47	39	A896350	15	
A714060	47	24	A896350	17	
A723055	49	48	A896503	29	81
A723055	49	52	A902468	37	40
A723060	47	44	A902468	47	18
A802009	49		A902637	49	
A806543	45	50	A902748	25	44
A806544	45	51	A902748	49	50
A806545	45	49	A903155	58	
A806546	45	47	A903188	58	
A806547	45	48	A903224	29	
A808104	49	50A	A903237	58	
A809300	43	34	A903266	58	
A809301	43	45	A903304	58	
A809302	43	15	A903312	58	
A809302	43	16	A903313	58	
A809305	43	30	A903400	58	
A809306	43	31	A903411	58	
A809308	43	13	A903416	58	
A809313	43	25	A903418	58	
A809354	43	35	A903438	58	
A809372	43	6	A903460	58	
A809373	43	7	A903722	58	
A809374	43	9	A905347	51	3
A809376	43	10	A905348	51	2
A809377	43	11	A905349	51	8

PART No.	PAGE No.	REF No.	PART No.	PAGE No.	REF No.
A905350	51	4	BAM3043	37	27
A907206	07	29	BAM3043	47	3
A907206	11		BAM3043	47	11
A907400	13	22	BAM3044	39	68
A912117	27	5	BAM3049	35	13
A913233	55	57	BAM3054	25	24
A914200	13	3	BAM3056	21	7
A914200	15	3	BAM3073	25	22A
A914200	17	18	BAM3079	21	35
A914206	13	8	BAM3080	25	37
A914206	15	8	BAM3081	25	38
A914210	33	11	BAM3082	23	50
A914863	55		BAM3083	25	39
A914864	55		BAM6006	39	73
A914865	55		BAM6007	39	60
A920297	17	28	BAM6009	31	15
A920298	15	32	BAM6011	31	11
A920298	17	29	BAM6028	53	36
			BAM6032	31	4
BAA0032	23	54	BAM6036	25	11
BAA0093	31	5	BAM6040	37	31
BAA0386	21	10	BAM6048	53	35
BAA0386	25	9	BAM6083	21	20
BAA0391	51	10	BAM6087	33	10
BAA0431	29	93	BAM6097	55	56
BAA0464	23	59	BAM6143	25	33
BAA0464	49	46	BAM6150	27	40
BAA0846	21	30	BAM6152	33	5
BAA0846	23	52	BAM6155	57	
BAA1043	39		BAM6155	57	
BAA1280	31	20	BAM6160	57	3
BAF8418	53	44	BAM6160	57	13
BAF8419	53	42	BAM6172	57	9
BAF8546	23	45	BAM6202	39	58
BAF8546	51	6	BAM6230	23	61
BAF8546	51	7	BAM8006	25	19
BAJ5085	39	67	BAM8031	23	62
BAM1000	31	9	BAM8031	35	8
BAM1002	21	13	BAM8040	47	38
BAM1003	21	12	BAM8041	47	34
BAM1004	35	26	BAM8047	37	21
BAM1006	39	49	BAM8051	47	27
BAM1010	39	54	BAM8054	47	31
BAM2035	39	59	BAM8059	21	3
BAM2057	25	14	BAM8060	51	11
BAM2074	53	1	BAM8060	51	12
BAM2120	35	5	BAM8064	47	6
BAM2132	53	41	BAM8071	53	43
BAM2133	53	37	BAM8078	35	16
BAM2161	35	4	BAM8078	35	30
BAM2162	35	10	BAM8078	39	77
BAM2172	25	16	BAM8102	25	
BAM2173	21	21	BAM8102	25	3
BAM2174	21	19	BAM8102	25	8
BAM2195	53	2	BAM8104	53	5
BAM2200	39	63	BAM8105	35	21
BAM2201	21	40	BAM8108	35	24
BAM2203	31	21	BAM8109	58	
BAM2204	31	22	BAM8120	39	55
BAM2205	31	23	BAM8138PA	21	41
BAM2239	25	22	BAM8141	29	64
BAM2245	57	18	BAM8145	39	61
BAM2288	57	15	BAM8145	51	5
BAM2288	57	9A	BAM8156	23	46
BAM3019	21	9	BAN2134	53	6
BAM3022	31	3	BAN3109	53	8
BAM3027	35	28	BAN6070	53	9
BAM3031	25	23	BAN6203	07	
BAM3039	53	38	BAP2101	53	11
BAM3042	35	29	BAP6075	53	13
BAM3042	39	78	BAP6076	53	14
BAM3043	37	7			

MOTOR 180 D

NUMERICAL INDEX

PART No.	PAGE No.	REF No.	PART No.	PAGE No.	REF No.
GSF1029AW	25	41	GSF2093AD	57	
GSF1040DD	23	63	GSF2093AD	57	
GSF1040DD	35	9	GSF2093AD	57	
GSF1040DD	35	22	GSF2093AE	37	28
GSF1040FK	23	51	GSF2093CC	25	15
GSF1040FK	35	2	GSF2093CC	27	26
GSF1040HE	35	27	GSF2093CC	35	6
GSF1040HZ	43	26	GSF2093CC	55	
GSF1040KE	39	74	GSF2093CD	53	19
GSF1042NK	31	10	GSF2093CD	55	
GSF2001EH	31	7	GSF2093CD	57	
GSF2001ER	37	16	GSF2093CE	39	71
GSF2001KY	31	24	GSF2093CF	23	55
GSF2001LD	17	14	GSF2093CF	43	5
GSF2002AC	29	52	GSF2093CF	53	21
GSF2002EF	35	11	GSF2093EC	27	41
GSF2002EG	25	34	GSF2093ED	29	61
GSF2002JH	21	5	GSF2093ED	31	18
GSF2002JK	39	46	GSF2093ED	37	15
GSF2002LG	25	22C	GSF2093EE	27	34
GSF2051AA	29	52A	GSF2093EE	27	37
GSF2051AB	23	53	GSF2093EF	21	38
GSF2051AB	23	55A	GSF2093EF	25	12
GSF2051AG	17	15	GSF2093EF	25	17
GSF2052AB	21	32	GSF2093EF	37	34
GSF2052AB	21	33	GSF2093JH	53	18
GSF2052AC	21	23A	GSF2093KB	25	29
GSF2052AC	35	17	GSF2101HD	21	14
GSF2052AC	35	31	GSF2101HD	35	25
GSF2052AC	39		GSF2150C	35	
GSF2052AC	39	79	GSF2150C	49	
GSF2052AE	31	25	GSF2150D	33	15
GSF2052AE	35	14	GSF2150G	39	47
GSF2052AG	25	22B	GSF2150G	39	69
GSF2052BB	21	32A	GSF2150J	25	42
GSF2072AA	27	49	GSF2150L	31	6
GSF2072AA	49		GSF2151AR	13	20
GSF2072AA	49		GSF2151AR	13	23
GSF2072AA	55		GSF2152A	55	
GSF2072AB	23	43	GSF2152B	23	56
GSF2072AB	23	47	GSF2154CE	27	31
GSF2072AB	27	27	GSF2154GL	21	
GSF2072AB	29	69	GSF2163J	27	36
GSF2072AB	31	12	GSF2163J	27	39
GSF2072AB	55		GSF2163J	35	20A
GSF2072AC	21	39	GSF2163L	33	4
GSF2072AC	25	26	GSF2164G	27	50
GSF2072AC	27	35	GSF2164G	29	53
GSF2072AC	27	38	GSF2164G	37	29
GSF2072AC	35	20	GSF2164G	49	
GSF2072AE	33	3	GSF2164G	55	
GSF2073AC	21	28	GSF2164J	09	7
GSF2080AC	25	13	GSF2164J	21	23B
GSF2080AC	25	18	GSF2164J	25	27
GSF2080AC	25	21	GSF2164J	29	62
GSF2080AC	37	17	GSF2164J	31	
GSF2080AC	55	60	GSF2164K	39	45
GSF2080AE	25	30	GSF2165J	15	35A
GSF2080AE	53	4	GSF2165J	17	26
GSF2080AE	53	22	GSF2168AP	25	15A
GSF2080BC	21	22	GSF2168AP	35	
GSF2080BC	33	13	GSF2201DF	21	15
GSF2091AK	49		GSF2540AC	31	14
GSF2091CD	23	42	GSF2540AG	21	4
GSF2091CD	39	75	GSF2540AT	31	2
GSF2091CK	57	11	GSF2542AC	15	
GSF2091EM	25	25A	GSF2542AC	17	
GSF2091EM	33	12	GSF3001BE	58	
GSF2091JR	33	2	GSF3001VH	21	37
GSF2093AC	27	48	GSF3001VH	23	49
GSF2093AC	49		GSF3002ET	37	32
GSF2093AC	55		GSF3002SG	31	1

PART No.	PAGE No.	REF No.	PART No.	PAGE No.	REF No.
GSF3002UK	25	2	MBA7087	09	19
GSF3002UK	25	5	MBA7088	05	
GSF3002UK	25	7	MBA7217	05	
GSF3003BH	31	13	MBA7217	09	
GSF3014LF	13	2	MBA7218	05	
GSF3014LF	13	5	MBA7218	09	
GSF3014LF	15	2	MBB1663	25	32
GSF3014LF	15	5	MBB9669	13	17
GSF3014LF	17	2	MBB9690	05	
			MBB9690	09	
H009005	21	10A	MBB9691	05	8
H009005	25	10	MBB9691	09	8
H012093	31		MBB9696A	05	
H014016	37		MBB9696A	09	
H014016	47	22	MBB9697A	05	9
H030085	29	72	MBB9697A	09	9
H030085	29	73	MBB9797	05	21
H032312CQ	47	13	MBB9797	09	21
H032316AH	47	7	MBB9798A	09	1
H032316BL	37	13	MBB9799	13	27
H032316BL	47	4	MBB9799A	15	18
H032608DK	49	56	MBB9800	13	
H032608FV	49	63	MBB9800A	15	19
H032610BH	37	4	MBB9801	11	28
H032610BH	47	19	MBB9802	57	2
H060048AM	57		MBB9804	13	19
H083023	05	5	MBB9821	13	28
H083023	09	5	MBB9821	15	20
H083023	15	34A	MBB9828	13	25
H083023	17	41	MBB9830	13	
H083031	25	31	MBB9832	09	4
H087063	39	53	MBB9868C	05	2
H091013	27	29	MBB9868C	09	2
H192240	37	14	MBB9979A	09	
H290006	37		MBC1502	05	
H290124	37	10	MBC1503	05	
H290542	37	9	MBC1509A	05	
H290543	37	11	MBC1509A	09	
H290544	37	8	MBC1516A	05	
H290699	43	39	MBC1528A	17	10
H290701	43	17	MBC1529	17	
H290702	43	14	MBC1549	17	11
H290703	43	40	MBC1550A	17	
H290704	43	37	MBC1566	17	19
H290734	37		MBC1570A	07	
H461000	51	9	MBC1570A	11	
H499453	51		MBC1573	13	4
H499839	51		MBC1573	15	4
H980234	57		MBC1574	13	1
H980360	29	54D	MBC1574	15	1
H990117	19	43	MBC1578	17	22
			MBC1579	17	
LMAA490A	09		MBC1607A	57	4
LMAA490A	13		MBC1608A	57	
LMAA490B	09		MBC1611	57	1
LMAA490B	13		MBC1612	57	
LMAA490C	09		MBC1616	57	10
LMAA490C	13		MBC1617	57	5
LMAA504B	05	18	MBC1617	57	16
LMAA504B	09	18	MBC1618	57	
LMAA512B	05		MBC1618	57	
LMAA885	53		MBC1619	57	
LMAA887	53		MBC1626	57	19
LMSD933	19		MBC1628	13	13
			MBC1628	15	14
MBA1553	31	19	MBC1628	17	4
MBA5289	39	70	MBC1629	57	7
MBA5367A	13	7A	MBC1630	57	8
MBA5367A	15	12	MBC1630	57	17
MBA5889	15	38	MBC1630	57	20
MBA5889	17	37	MBC1633	09	17
MBA7087	05	19	MBC1634	13	21

MOTOR 180 D

NUMERICAL INDEX

PART No.	PAGE No.	REF No.	PART No.	PAGE No.	REF No.
MBC1653	07	28	MBC8767	29	60
MBC1653	09	27	MBC8778	53	
MBC1654	07		MBC8795	55	49
MBC1654	09		MBC8799	27	32
MBC1655	07		MBC8804	27	33
MBC1655	09		MBC8805	55	65
MBC1664A	17	1	MBC8810	55	54
MBC1666	07	35	MBC8811	55	55
MBC1666	11	31	MBC8841	55	52
MBC1697	33	14	MBC8852	55	53
MBC1701	21	11	MBC8858	27	25
MBC4721	13		MBC8864	27	16
MBC4721	15	9	MBC8896	55	64
MBC4728	05	13	MBC8910	15	33
MBC4728	09	13	MBC8910	17	40
MBC4860A	05		MBC8940	57	
MBC5227	39		MBC8940	57	
MBC5306	29	75	MBC8943	21	1
MBC5333A	51		MBC8945	53	28
MBC5413	17	17	MBC8948	53	40
MBC5423	13	7	MBC8967	53	45
MBC5423	15	7	MBC8983	55	50
MBC5588	55	58	MBC8984	55	51
MBC5836	05		MBC9001	29	56
MBC5836	09		MBC9006	25	36
MBC5837	05		MBC9007	53	12
MBC7155	15	24	MBC9008	29	65
MBC7155	17	21	MBC9026	25	
MBC7156	15	29	MBC9027	25	28
MBC7156	17	33	MBC9030	53	17
MBC7157B	15	31	MBC9031	53	7
MBC7157B	17	30	MBC9047	27	44
MBC7198B	15	27	MBC9105	35	15
MBC7198B	17	31	MBC9147	15	41
MBC7664	15		MBC9147	19	48
MBC7671	05	4	MBC9168	31	
MBC7673A	05	1	MBC9173	53	38A
MBC7674A	05		MBC9242	29	
MBC7675B	07	31	MBC9281	21	29
MBC7740	05	17	MBC9311	29	77
MBC8000A	15	35	MBC9315	29	78
MBC8000A	17	25	MBC9318	29	82
MBC8105	13	6	MBC9319	29	80
MBC8105	15	6	MBC9323	29	92
MBC8112	57	14	MBC9324	29	79
MBC8113	57		MBC9326	29	88
MBC8114A	57	6	MBC9499	53	33
MBC8431	27	8	MBC9501	29	55A
MBC8431	27	9	MBC9511	29	51
MBC8486A	15	40	MBC9514	29	54
MBC8486A	17	39	MBC9517	29	54C
MBC8522	27	1	MBC9524	35	1
MBC8579	55	61	MBC9653	55	67
MBC8581	55	63	MBC9951	53	32
MBC8585	55	62			
MBC8624	53	26	PSF0888G	35	19
MBC8628	53	27			
MBC8629	53	29			
MBC8631	53	30			
MBC8632	53	31			
MBC8637	53	34			
MBC8646A	37	1			
MBC8703	27	22			
MBC8743	25	6			
MBC8745	25	4			
MBC8747	25	1			
MBC8752A	21	36			
MBC8753	23	48			
MBC8761	37				
MBC8761	47	1			
MBC8762	37				
MBC8762	47				

