

**RANSOMES**

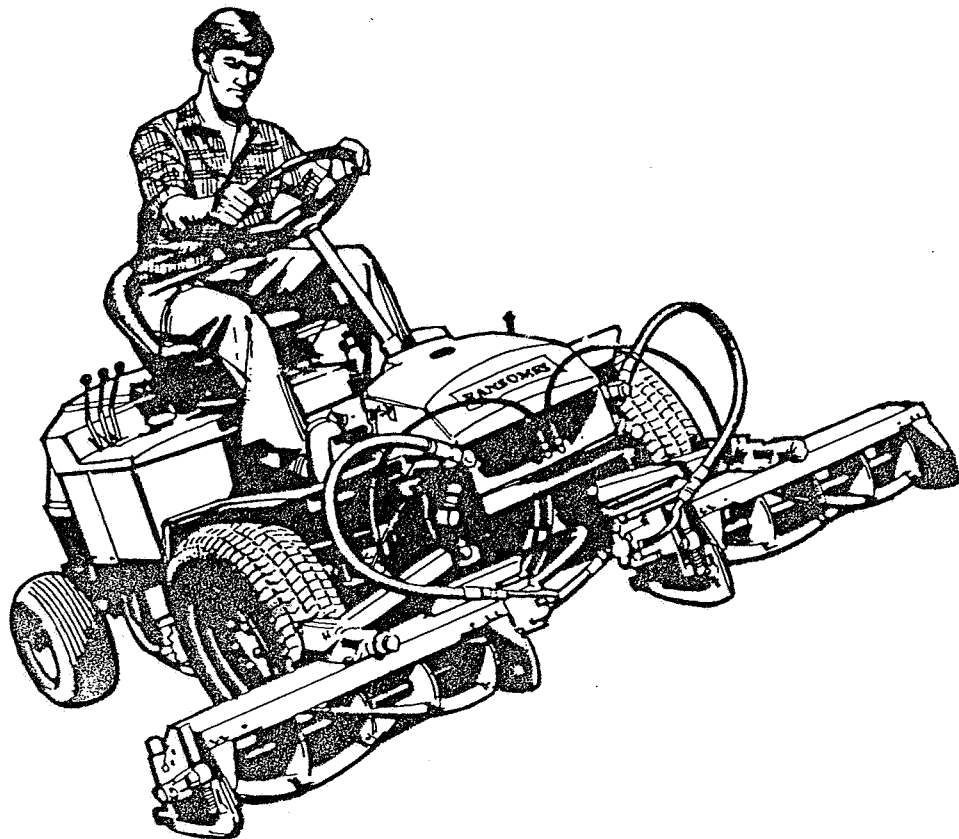
LIST OF PARTS

---

# Motor 213

Petrol and Diesel Engine

2.13m (7ft 0in)



RANSOMES SIMS & JEFFERIES PLC

IPSWICH

ENGLAND

Publication No. 23074 H.

834

## INTRODUCTION

### REFERENCE NUMBER

Each part which is identified in the illustrations has a reference number. Parts which do not have a reference number may not be readily identified in the illustration but are usually closely associated with the immediately adjacent part.

### ASSEMBLIES

Assemblies are described with their component parts. These latter are then enumerated separately and off-set to the right. If the list of components includes a further sub-assembly then individual parts of the assembly which are supplied, are off-set one stage further, e.g.

REF	PART No.	NAME OF PART	QTY
1	H930001	Wheel & Tyre Assy	2
2	H931051	Tyre 7 x 9 x 10 Ply	1
3	H932042	Tube 7 x 9	1
4	H270014	Cap - Valve	1
	Z555225	Core - Valve	1
	H930002	Wheel Assy	1
5	H270011	Ring - Lock	1
6	H270010	Flange	1

### QUANTITIES

Quantities shown are for one assembly or sub-assembly.

### USING THE PARTS LIST

Determine the function and application of the part required.  
Turn to the main index page and select the appropriate section.  
Locate the part on the illustration and parts list and read off the quantity from the appropriate MODEL column.

### NUMERICAL INDEX

This is a summary of all part numbers used in the manual arranged in numerical sequence and showing the page and reference numbers under which the parts appear.

### ORDERING OF SPARE PARTS

When ordering replacement parts, it is most important to quote the SERIAL NUMBER of the machine PART NUMBER, NAME OF PART and QUANTITY required.

### ABBREVIATIONS

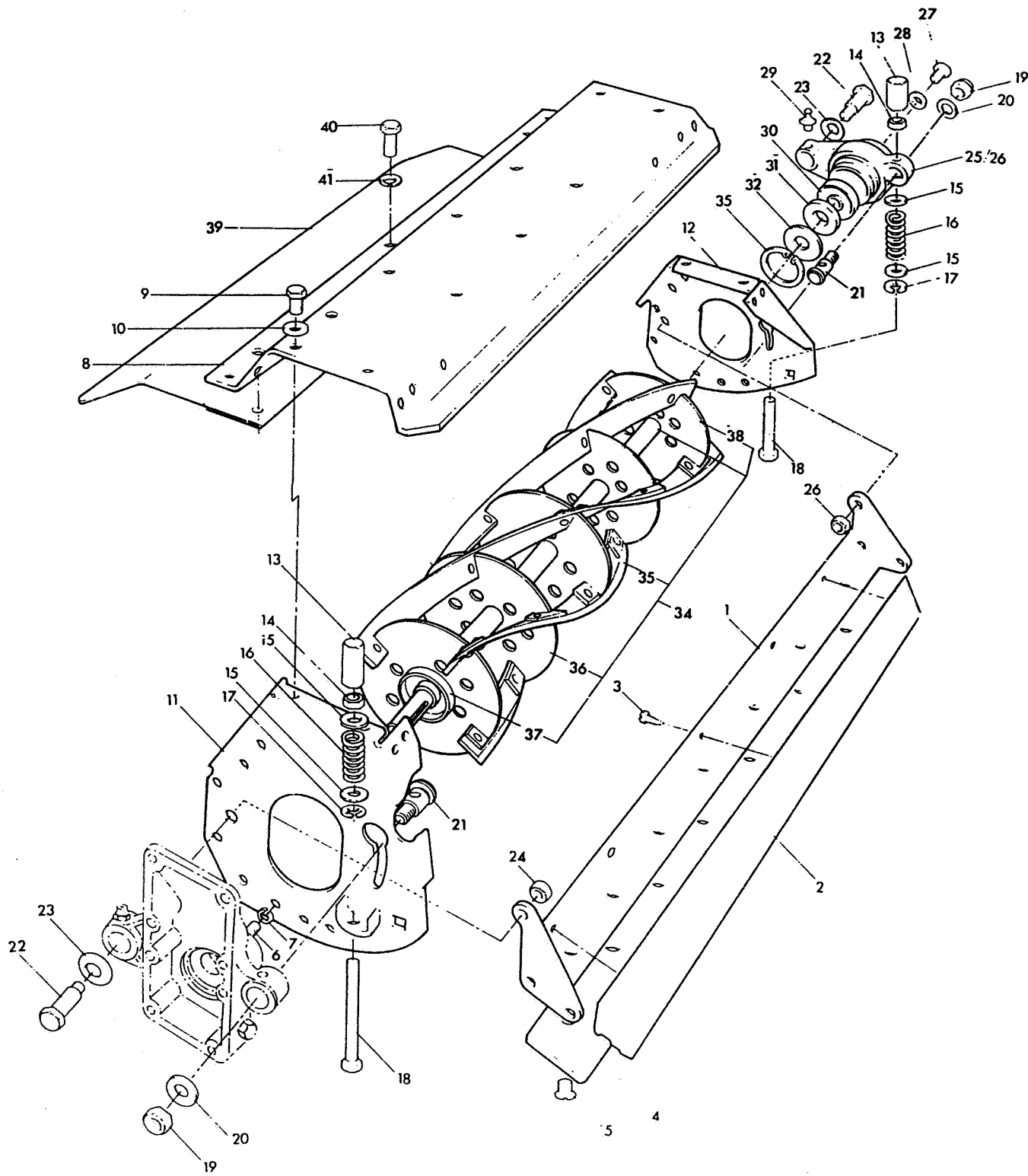
AR	As Required	INT	Internal
ASSY	Assembly	LH	Left Hand
BA	British Association	M	Metric
BSW	British Standard Whitworth	mm	Millimetre(s)
CH	Cheese	PT	Point
CSK	Countersunk	RD	Round
DEG	Degree(s)	REV	Reverse
EXT	External	RH	Right Hand
FWD	Forward	SL	Spring Lock
HD	Head	SP	Shake Proof
HEX	Hexagon	UNC	Unified Course
HS	Hexagon Socket	UNF	Unified Fine

## INDEX TO SECTIONS

---

	PAGE
Control Valve & Flow Divider Mounting .....	60, 61
Cutting Unit Drive .....	10, 11
Cutting Unit Drive Motor (Dowty) .....	12, 13
Cutting Unit Drive Motor (H.P.I) .....	14, 15
Cutting Unit Frame & Cylinder .....	4, 5
Cutting Unit Rolls & Skids (Current M/C's) .....	6, 7
Cutting Unit Rolls & Skids (Early M/C's) .....	8, 9
Decals .....	108
Differential Axle & Brake .....	42, 43
Electrical System (Diesel Engine) .....	92, 93
Electrical System (Petrol Engine) .....	94, 95
Engine Guards (Diesel) .....	100, 101
Flow Divider .....	66, 67
Front Unit Suspension .....	16, 17
Fuel System .....	30, 31, 32, 33
Hydraulic Layout (Diesel Engine) .....	74, 75, 76, 77, 78, 79
Hydraulic Layout (Petrol Engine Current M/C's) .....	80, 81, 82, 83, 84, 85
Hydraulic Layout (Petrol Engine Early M/C's) .....	86, 87, 88, 89, 90, 91
Hydraulic Lift Ram .....	72, 73
Hydraulic Tank & Filter .....	52, 53
Hydraulic Pump .....	58, 59
Hydrostat Unit .....	40, 41
Lift Control Valve .....	64, 65
Main Frame & Engine (Diesel Engine) .....	20, 21, 22, 23
Main Frame & Engine (Petrol Engine) .....	26, 27, 28, 29
Motor Control Valve .....	62, 63
Parking Brake .....	44, 45
Pump & Fan Drive (Diesel Engine) .....	54, 55
Pump Mounting & Drive (Petrol Engine) .....	56, 57
Radiator Mounting & Cowling .....	24, 25
Rear Axle, Wheels & Steering Linkage (Current M/C's) .....	48, 49
Rear Axle, Wheels & Steering Linkage (Early M/C's) .....	50, 51
Rear Unit Suspension .....	18, 19
Seat, Covers & Guards (Diesel Engine) .....	96, 97, 98, 99
Seat, Covers & Guards (Petrol Engine).....	102, 103, 104, 105, 106, 107
Selector Valve .....	70, 71
Selector Valve Mounting & Operating Mechanism .....	68, 69
Steering Wheel & Rack & Pinion Assembly .....	46, 47
Transmission & Controls .....	34, 35, 36, 37, 38, 39
Numerical Index .....	109, 110, 111, 112, 113 114, 115, 116, 117

---



## CUTTING UNIT FRAME AND CYLINDER

## LIST OF PARTS

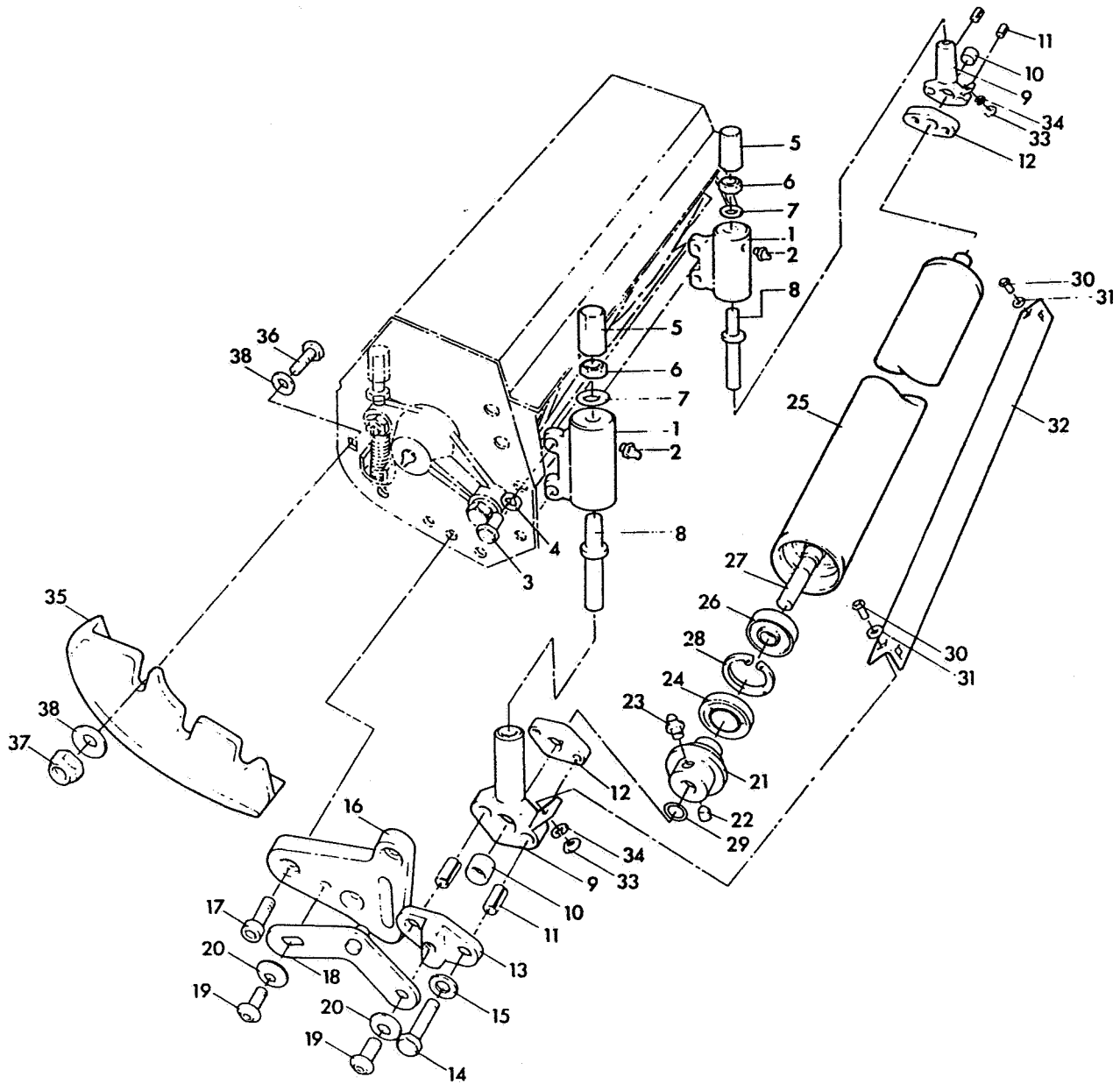
For LH Drive Units use Quantity Column A

For RH Drive Units use Quantity Column B

REF. No.	PART No.	NAME OF PART	QTY	
			A	B
		Cutting Frame LH Drive	1	
		Cutting Frame RH Drive		2
1	LMAA263A	Bottom Block Assy	1	1
2	A904332	Fillet	1	1
3	GSF1070JJ	Wood Screw No. 8 x 1.1/4" Round Hd	3	3
4	MBA7024	Bottom Blade	1	1
5	A119000	Screw Csk Hd	7	7
6	GSF2002ED	Screw 3/8" UNF x 3/4" Hex Hd	4	4
7	GSF2164J	S.L. Washer 3/8" dia	4	4
8	MBB9785	Top Deck	1	1
9	A110404	Screw M10 x 20 Hex Hd	7	7
10	A150010	Washer 10mm	7	7
11	MBB2543B	Frame Side Plate	1	1
12	MBB2540B	Frame Side Plate	1	1
13	MBB2563	Adjuster	2	2
14	A130010	Nut M10	2	2
15	A150010	Washer 10mm	4	4
16	A291006	Spring	2	2
17	GSF1057BH	Circlip	2	2
18	MBB2559	Adjusting Screw	2	2
19	A133212	Stiffnut M12	2	2
20	A150012	Washer 12mm	2	2
21	MBB6838	Clamp Pivot	2	2
22	MBB2562A	Pivot Bolt	2	2
23	H083025	Disc Spring	2	2
24	GSF2052AE	Locknut 1/2" UNF	2	2
25	LMSD672	Cylinder Housing (LH Drive) Assy	1	
26	LMSD671	Cylinder Housing (RH Drive) Assy		1
27	GSF2002CB	Screw 5/16" UNF x 3/8" Hex Hd	1	1
28	A151008	Washer 8mm	1	1
29	A299301	Lubricator	1	1
30	A203605	Ball Bearing	1	1
31	A229401	Felt Seal	1	1
32	MBB2571	Seal Washer	1	1
33	A170052	Circlip int. Type	1	1
34	MBB6150	Cutting Cylinder 4 knife Assy	1	1
35	MBA7212	Spiral Cutter with Pads	4	4
36	MBB5961	Collar	3	3
37	MBB6151	Dust Cover	1	1
38	MBB6152	Dust Cover LH	1	1
39	MBB3567	Deflector (Front & Wing Units Only)	1	1
40	GSF2002CD	Screw	3	3
41	GSF2164H	S.L. Washer 5/16" Dia	3	3
		<b>ADDITIONAL FITTINGS</b>	<b>QTY</b>	
		<b>For Centre Unit:</b>		
*	MBB8133	Diverter Operating Unit	1	
*	MBB8132	Guide	1	
*	A110306	Screw M8 x 30 Hex Hd	1	
*	A130008	Nut M8	1	
*	A171010	Circlip	1	
		<b>For Front Units:</b>		
*	MBB8029	Lever	1	
*	A110405	Screw M10 x 20 Hex Hd	2	
*	A133210	Stiffnut M10	2	
*	AE22003	Washer	2	
		<b>ALTERNATIVE FITTINGS:</b>		
	MBB5951	Cutting Cylinder 6 knife Assy	1	1
	MBA7212	Spiral Cutter with Pads	6	6
	MBB5962	Collar	3	3
	MBB5971	Dust Cover RH	1	1
	MBB5972	Dust Cover LH	1	1

\*Not illustrated

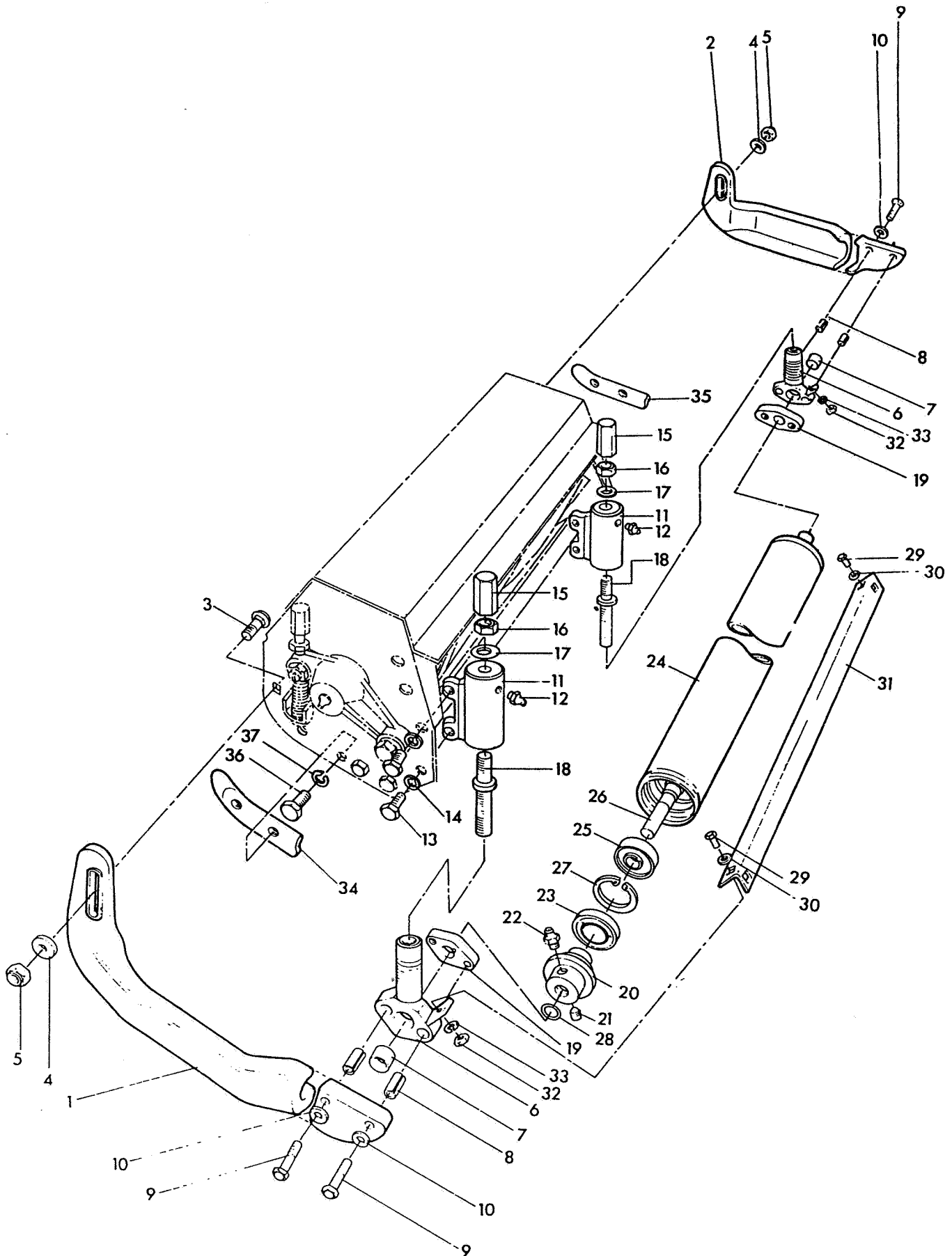
MOTOR 213



REF. No.	PART No.	NAME OF PART	QTY
1	LMSD668	Sleeve Assy	2
2	GSF2540AC	Lubricator	1
3	GSF2002ED	Screw 5/16" UNF x 7/8" Hex Hd	2
4	A151008	S.L. Washer 8mm	2
5	MBB2580	Adjuster	2
6	A130010	Nut M10	2
7	H083026	Disc Spring	2
8	MBB2579	Adjusting Screw	2
9	MBB2363A	Skid Mounting	2
10	MBB2587	Bush	2
11	A141544	Dowel	4
12	MBB2365	Plate	2
13	MBB9663	Plate	2
14	A100200	Bolt M6 x 40 Hex Hd	4
15	GSF2154CE	Washer 3/4" OD x 9/32" ID	4
16	MBB9657	Plate LH	1
*	MBB9658	Plate RH	1
17	GSF2015CF	Screw 3/8" UNF x 7/8" Hex Socket Hd	6
18	MBB9664	Lever LH	1
*	MBB9667	Lever RH	1
19	A129006	Screw M10 x 20 Button Hd	4
20	A292080	Disc Spring	4
	LMAA356	Rear Roll Assy	1
21	MBB6762	Boss	2
22	A122293	Grub Screw	2
23	A299301	Lubricator	2
24	A220250	Oil Seal	2
25	MBB6764	Rear Roll Tube	1
26	A203603	Bearing	2
27	MBB6766	Spindle	1
28	A170040	Circlip	2
29	A221114	'O' Ring	2
30	A110205	Bolt M6 x 25 Hex Hd	2
31	A150006	Washer 6mm	2
32	MBB2367	Scraper	1
33	A130006	Nut M6	2
34	A151006	S.L. Washer	2
35	MBB9659	Skid	2
36	A110306	Screw M8 x 30 Hex Hd	2
*	A110305	Screw M8 x 25 Hex Hd	4
37	A133208	Stiffnut M8	6
38	AE22003	Clamping Collar	8

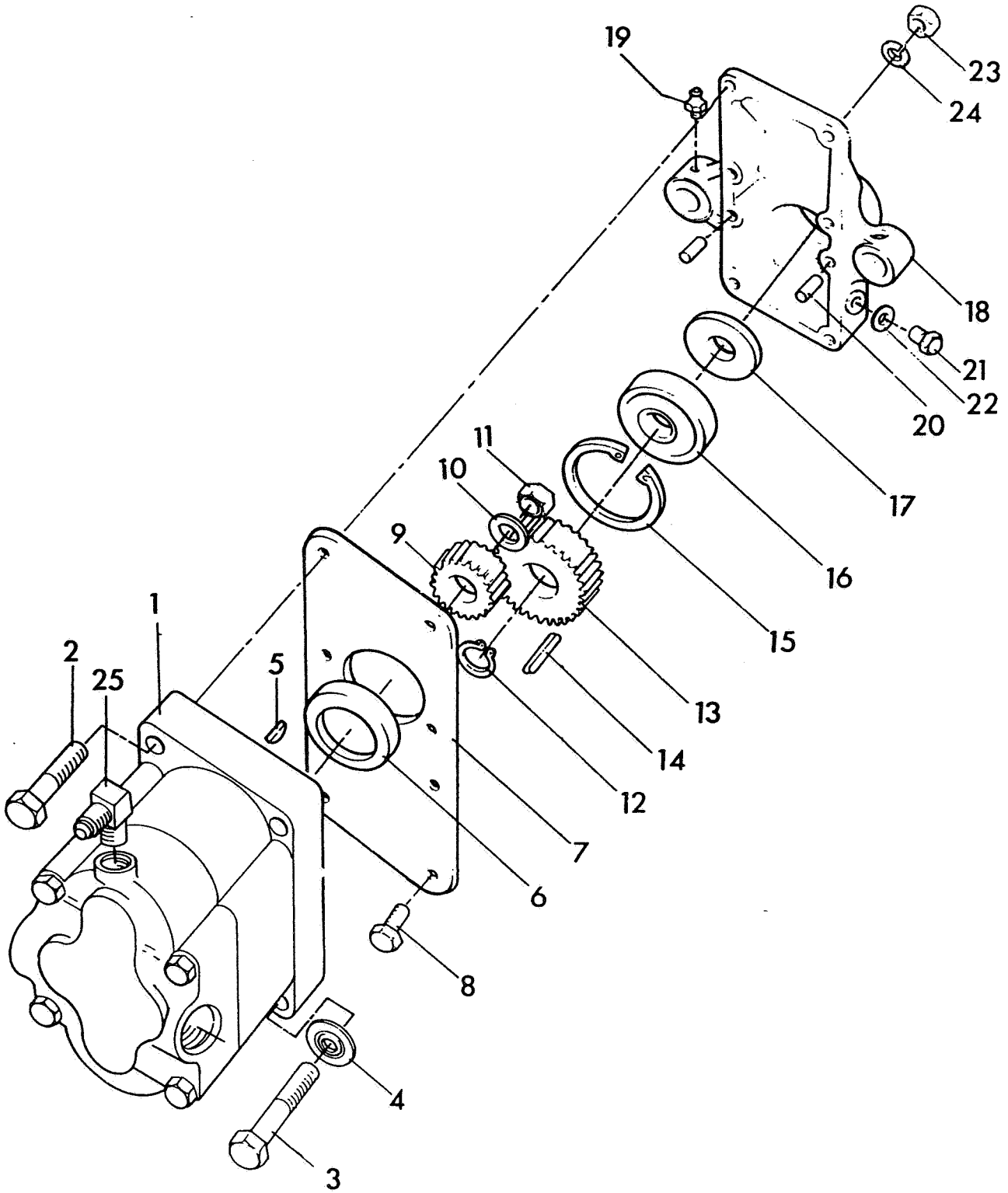
\*Not illustrated

MOTOR 213





REF. No.	PART No.	NAME OF PART	QTY
1	MBB6402	Skid LH	1
2	MBB6403	Skid RH	1
3	A102508	Bolt M12 x 40 Cup Hd Sqr Neck	2
4	MBB2625	Spacer Washer	2
5	A133012	Stiffnut M12	2
6	MBB2363A	Skid Mounting	2
7	MBB2587	Bush	2
8	A141547	Dowel	4
9	A100209	Bolt M6 x 50 Hex Hd	4
10	GSF2154CE	Washer 3/4" OD x 9/32" 10	4
11	LMSD668	Sleeve Assy	2
12	GSF2540AC	Lubricator	1
13	GSF2002ED	Screw 5/16" UNF x 7/8" Hex Hd	4
14	A151008	S.L. Washer 8mm	4
15	MBB2580	Adjuster	2
16	A130010	Nut M10	2
17	H083026	Disc Washer	2
18	MBB2579	Adjusting Screw	2
19	MBB2365	Plate	2
	LMAA356	Rear Roll Assy	1
20	MBB6762	Boss	2
21	A122293	Grub Screw	2
22	A299301	Lubricator	2
23	A220250	Oil Seal	2
24	MBB6764	Rear Roll Tube	1
25	A203603	Bearing	2
26	MBB6766	Spindle	1
27	A170040	Circlip	2
28	A221114	'O' Ring	2
29	A110205	Bolt M6 x 25 Hex Hd	2
30	A150006	Washer 6mm	2
31	MBB2367	Scraper	1
32	A130006	Nut M6	2
33	A151006	S.L. Washer 6mm	2
34	MBB6445B	Pad LH	1
35	MBB6446B	Pad RH	1
36	GSF2002ED	Screw 5/16" UNF x 7/8" Hex Hd	4
37	A151008	S.L. Washer 8mm	4



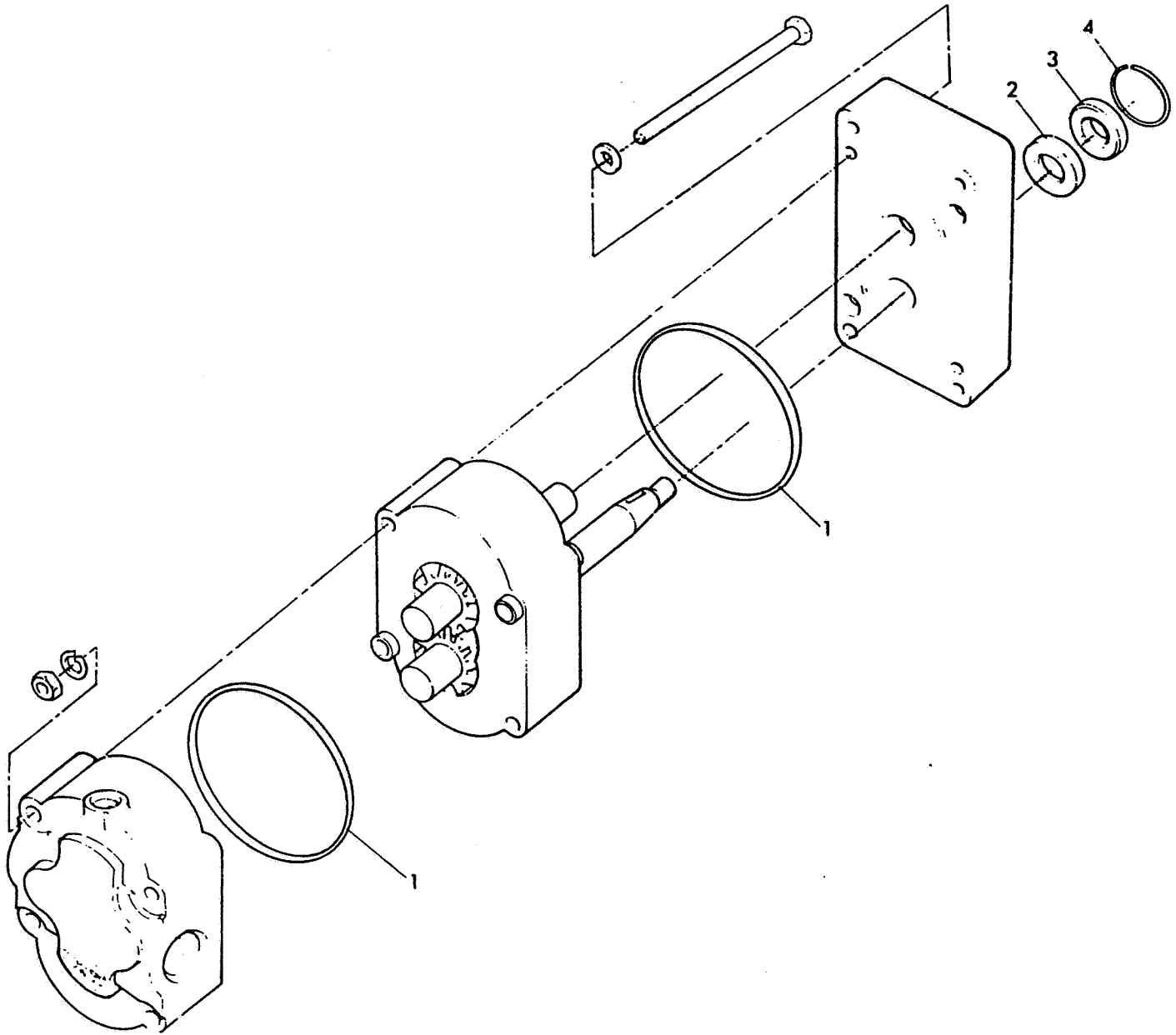
For LH Drive Unit use Quantity Column A

For RH Drive Unit use Quantity Column B

REF. No.	PART No.	NAME OF PART	QTY
		Cutting Unit Drive (LH Drive)	1
		Cutting Unit Drive (RH Drive)	1
1	A809204	Drive Motor (see pages 13 & 15)	1
*	A809203	Drive Motor (see pages 13 & 15)	1
2	GSF2001AP	Bolt 1/4" UNF x 2.1/2" Hex Hd (HP1 Motor)	2 2
*	GSF2001AR	Bolt 1/4" UNF x 2.3/4" Hex Hd (Dowty Motor)	2 2
3	GSF2001AH	Bolt 1/4" UNF x 1.3/4" Hex Hd (HP1 Motor)	2 2
*	GSF2001AV	Bolt 1/4" UNF x 3.1/4" Hex Hd (Dowty Motor)	2 2
4	H014004	Seal Washer	2 2
5	GSF2230AE	Key Woodruff No. 405	1 1
6	MBB2558	Motor Adaptor	1 1
7	MBB2557	Motor Mounting Plate	1 1
8	GSF2002AD	Screw 1/4" UNF x 1.1/4" Hex Hd	2 2
9	MBB2616	Drive Pinion	1 1
10	H200038	Washer	1 1
11	GSF2051AD	Nut 7/16" UNF	1 1
12	GSF1056BA	Circlip Ext Type	1 1
13	MBB2615	Gear for Cutting Cylinder Shaft	1 1
14	GSF2202ER	Key	1 1
15	A170052	Circlip Int. Type	1 1
16	A203605	Ball Bearing for Cutting Cylinder Shaft	1 1
17	A229401	Felt Washer	1 1
18	MBB2554E	Gearbox Housing (RH Drive)	1 1
*	MBB2553E	Gearbox Housing (LH Drive)	1
19	A299301	Lubricator	1 1
20	GSF1033ED	Dowel	2 2
21	GSF2002CA	Screw 5/16" UNF x 3/8" Hex Hd	1 1
22	GSF3551CJ	Fibre Washer	1 1
23	GSF2051AA	Nut 1/4" UNF	4 4
24	GSF2164G	S.L. Washer 1/4"	4 4
25	A241003	Elbow	1 1

NOTE: RH Drive only illustrated

\*Not illustrated



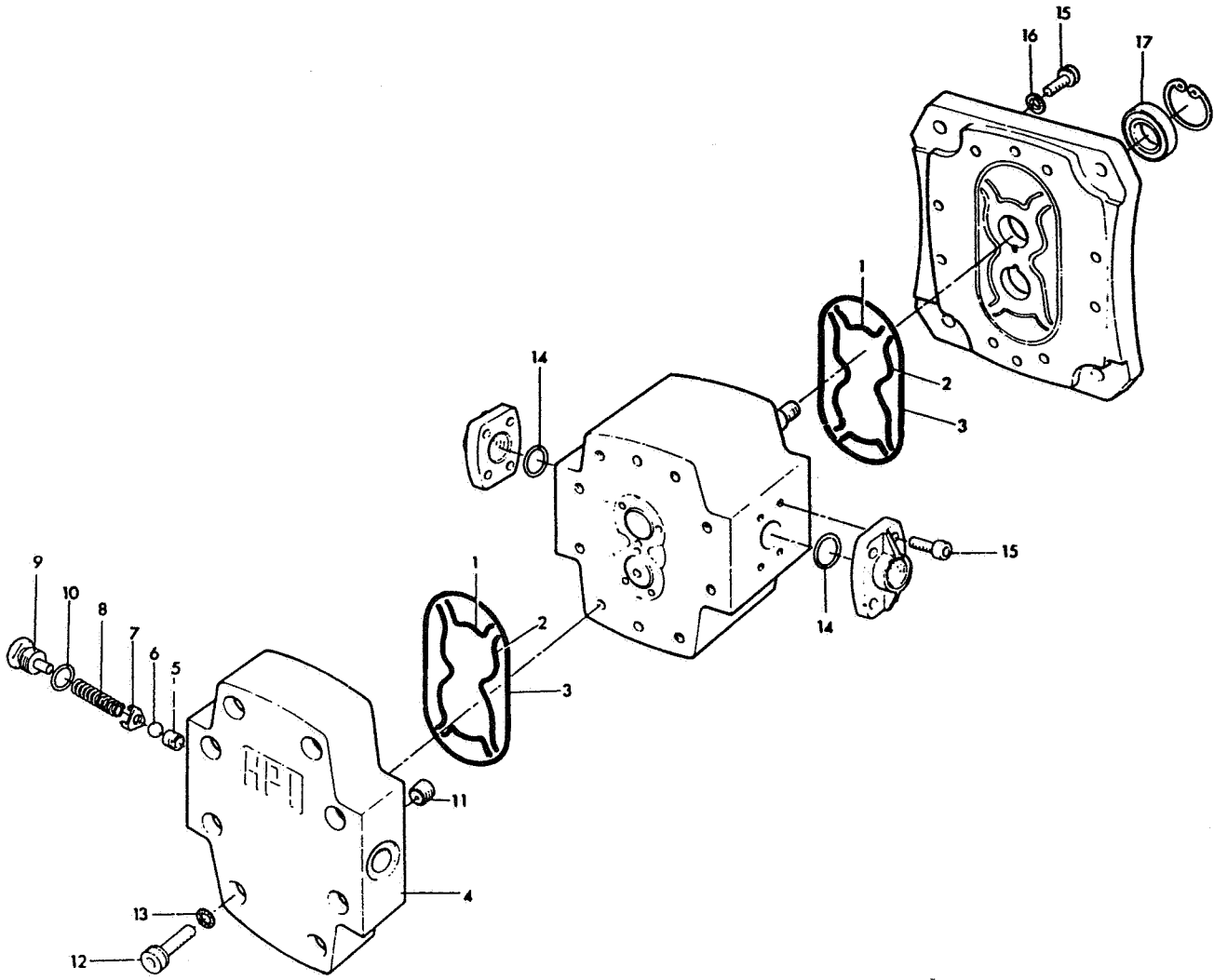
**CUTTING UNIT DRIVE MOTOR (Types A809203 & A809204 Dowty)****LIST OF PARTS**

---

<b>REF. No.</b>	<b>PART No.</b>	<b>NAME OF PART</b>	<b>QTY</b>
1	A809601	Seal Kit	1
2	A229915	'O' Ring Seal	2
3		Shaft Seal	1
4		Back Up Washer	1
		Circlip	1

---

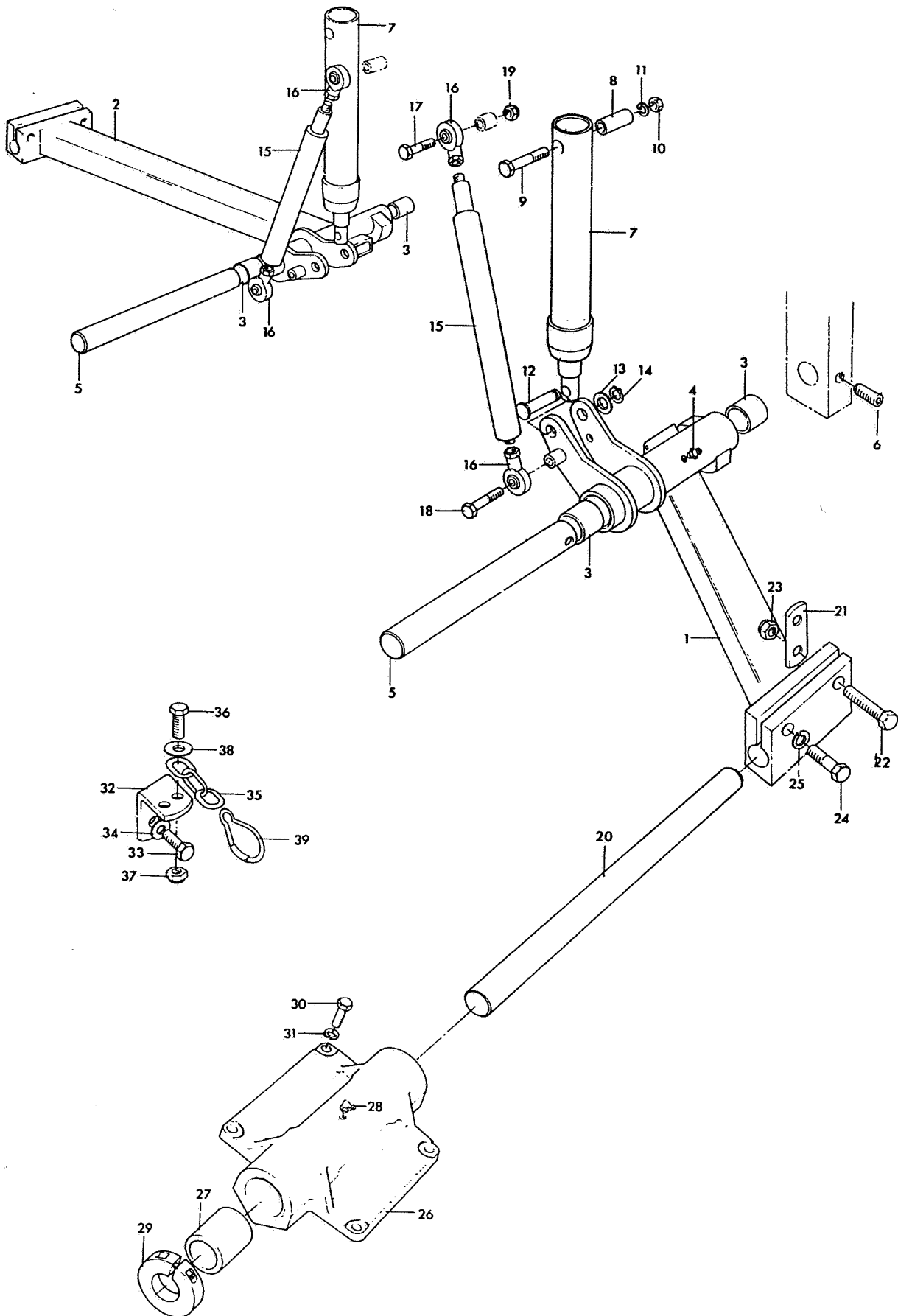
MOTOR 213



---

REF. No.	PART No.	NAME OF PART	QTY
	A809208	Seal Kit	1
1		Seal	4
2		Seal	4
3		Seal	2
4	A809209	End Plate with Integral Relief Valve	1
5		Valve Seat	1
6		Ball	1
7		Check Plate	1
8		Spring	1
9		Plug	1
10	GSF3600BK	'O' Ring	1
11		Restrictor	1
12	A120206	Cap Screw	8
13		S.P. Washer	8
14	GSF3599CY	'O' Ring	2
15	A120204	Cap Screw	18
16		S.P. Washer	18
17	A229903	Shaft Seal	1

---





## FRONT UNIT SUSPENSION

## LIST OF PARTS

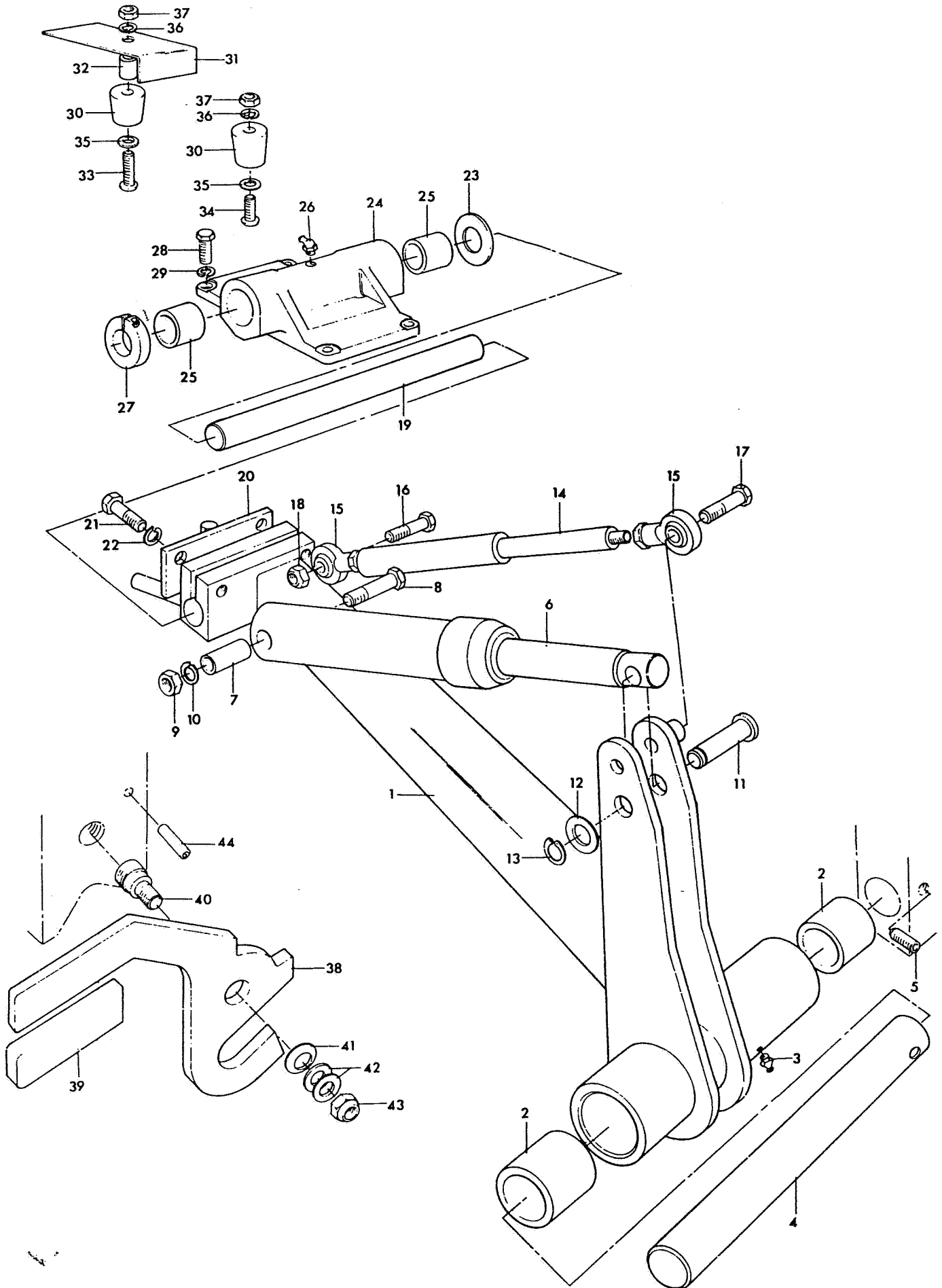
For LH Unit use Quantity Column A

For RH Unit use Quantity Column B

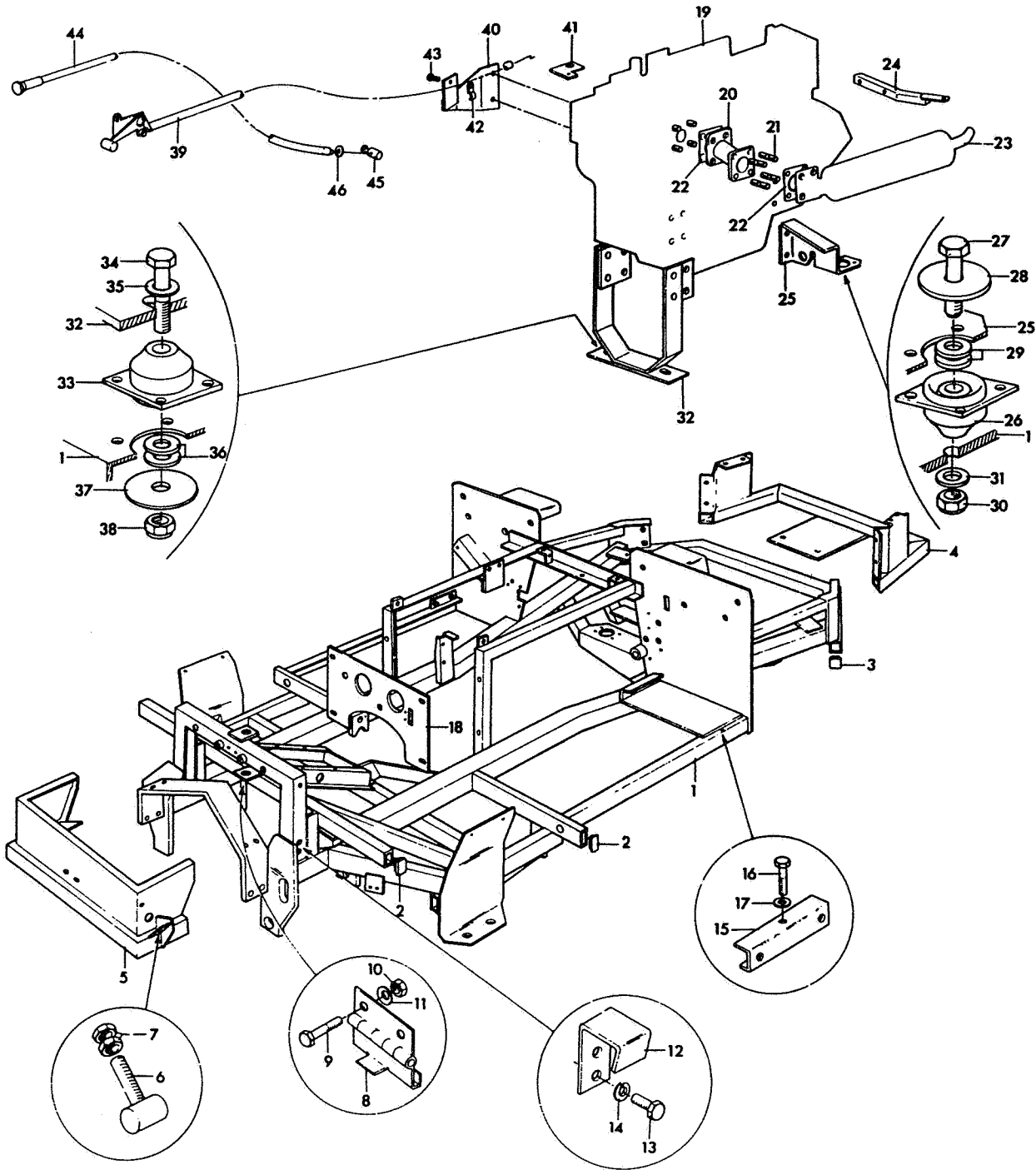
REF. No.	PART No.	NAME OF PART	QTY
1	LMSD910	Lift Arm Assembly LH	1
2	LMSD909	Lift Arm Assembly RH	1
3	A210175	Bush	2 2
4	A299301	Lubricator	1 1
5	MBB7696	Shaft	1 1
6	A122405	Screw M10 x 20 Hex Socket Hd	1 1
7	LMAA120	Ram (see page 73)	1 1
8	TBA7975	Distance Piece	1 1
9	A100514	Bolt M 12 x 70 Hex Hd	1 1
10	A130012	Nut M12	1 1
11	A151012	S.L. Washer 12mm	1 1
12	MBB7503	Pin	1 1
13	A150012	Washer 12mm	1 1
14	GSF1056AP	Circlip	1 1
15	A896009	Gas Strut	1 1
16	A814511	Rod End	2 2
17	A100309	Bolt M8 x 45 Hex Hd	1 1
18	A100310	Bolt M8 x 50 Hex Hd	1 1
19	A133208	Stiffnut M8	2 2
20	MBB7712	Pivot Shaft	1 1
21	MBB8031	Bracket	1 1
22	A110412	Screw M10 x 60 Hex Hd	1 1
23	A133210	Stiffnut M10	1 1
24	A100409	Bolt M10 x 45 Hex Hd	1 1
25	A151010	S.L. Washer 10mm	1 1
*	A150030	Washer 30mm	1 1
26	LMSD908	Pivot Casting Assembly	1 1
27	A210175	Bush	2 2
28	A299316	Lubricator	1 1
29	A195030	Clamping Collar	1 1
30	A110405	Screw M10 x 20 Hex Hd	4 4
31	A151010	S.L. Washer 10mm	4 4
		Transport Hook	
32	MBB8025	Bracket	1 1
33	A110305	Screw M8 x 25 Hex Hd	1 1
34	A150008	Washer 8mm	1 1
35	H060048AC	Chain	1 1
36	A110305	Screw M8 x 25 Hex Hd	1 1
37	A133208	Stiffnut M8	1 1
38	GSF2152B	Washer	1 1
39	A199005	Carbine Hook	1 1

\*Not illustrated

MOTOR 213

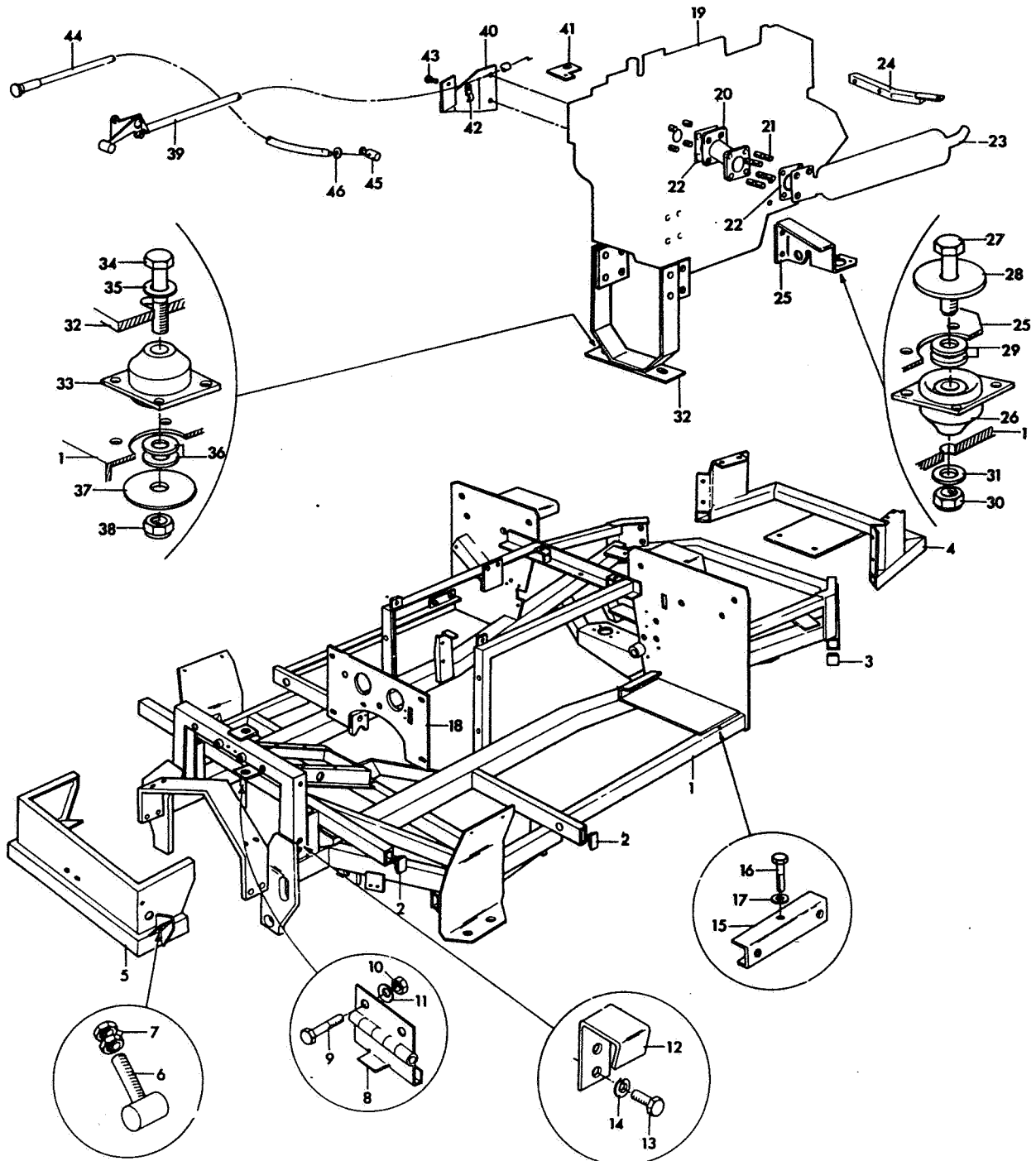


REF. No.	PART No.	NAME OF PART	QTY
1	LMSD907	Lift Arm Assy	1
2	A210175	Bush	2
3	A299301	Lubricator	1
4	MBB7206	Shaft	1
5	A122405	Screw M10 x 20 Hex Socket Hd	1
6	LMAY645D	Ram Assy (see page 73)	1
7	TBA7975	Distance Piece	1
8	A100514	Bolt M12 x 70 Hex Hd	1
9	A130012	Nut M12	1
10	A151012	S.L. Washer 12mm	1
11	MBB7503	Pin	1
12	A150012	Washer 12mm	1
13	GSF1056AP	Circlip	1
14	A896010	Gas Strut	1
15	A814511	Rod End	2
16	A100309	Bolt M8 x 45 Hex Hd	1
17	A100310	Bolt M8 x 50 Hex Hd	1
18	A133208	Stiffnut M8	2
19	MBB7712	Pivot Shaft	1
20	MBB7995	Rod	1
21	A100410	Bolt M10 x 50 Hex Hd	2
22	A151010	S.L. Washer 10mm	2
23	A150030	Washer 30mm	1
24	LMSD908	Pivot Casting Assy	1
25	A210175	Bush	2
26	A299316	Lubricator	1
27	A195030	Clamping Collar	1
28	A110405	Screw M10 x 25 Hex Hd	4
29	A151010	S.L. Washer 10mm	4
30	MBB8250	Rubber Buffer	2
31	MBB8032	Bracket (RH side stop only)	1
32	MBB4967	Spacer (RH side stop only)	1
33	A112108	Screw M5 x 40 Pan Hd	1
34	A119028	Screw M6 x 20 Pan Hd (Taptite)	2
35	A150005	Washer 5mm	2
36	A151005	S.L. Washer 5mm	2
37	A130005	Nut M5	2
		<b>Lift Lock</b>	
38	MBB7823	Lever	1
39	A914200	Sleeve	1
40	MBB7837	Stud	1
41	H083031	Disc Spring	1
42	A150012	Washer 12mm	2
43	A133212	Stiffnut M12	1
44	A141148	Pin	1



REF. No.	PART No.	NAME OF PART	QTY
1	MBB7750	Main Frame	1
2	A295251	Plug	6
3	A295253	Plug	2
4	MBC2080	Rear Frame	1
*	A112304	Screw M8 x 20 Recess Pan Hd	4
*	A150008	Washer 8mm	4
*	A100412	Bolt M10 x 60 Hex Hd	2
*	A133210	Stiffnut M10	2
*	A150010	Washer 10mm	4
5	MBB7857	Front Frame	1
*	A110405	Screw M10 x 30 Hex Hd	8
*	A130010	Nut M10	8
*	A151010	S.L. Washer 10mm	8
6	MBB3163	Adjuster	2
7	GSF2052AB	Nut 5/16" UNF	4
8	MBB8014	Hinge	1
9	A100209	Bolt M6 x 45 Hex Hd	2
10	A130006	Nut M6	2
11	A292070	Disc Spring	2
12	MBB7929	Stop Bracket	2
13	A110305	Screw M8 x 25 Hex Hd	4
14	A151008	S.L. Washer 8mm	4
15	MBB8243	Clamp (Battery)	1
16	A100209	Bolt M6 x 45 Hex Hd	1
17	A150006	Washer 6mm	1
18	MBC2052	Instrument Panel	1
*	A119028	Screw M6 x 20 Pan Hd (Taptite)	4
*	A150006	Washer	4
19	A682010	Engine	1
20	MBC2157	Exhaust Manifold	1
21	A107303	Stud	4
*	A182008	Nut M8 (Brass)	4
*	A183008	Washer 8mm (Brass)	4
22	Ex Kubota	Gasket	2
23	Ex Kubota	Muffler	1
24	MBC2054	Exhaust Support	1
*	A102210	Bolt M6 x 50 Cup Hd Sq Neck (Fan Drive Brkt)	2
*	A133206	Stiffnut M6	1
*	GSF2154CE	Washer	1
*	A110396	Screw M6 x 16 Hex Hd (To Muffler)	1
*	A292080	Disc Spring	2
*	A119032	Screw M10 x 20	4
*	A151010	S.L. Washer 10mm	4
25	MBC2171	Rear Foot LH Assy	1
*	MBC2172	Rear Foot RH Assy	1
26	A895008	Rubber Mount	1
*	A149604	Pop Rivet	4
27	A100411	Bolt M10 x 55 Hex Hd	2
28	MBB8110	Disc	2
29	AE22003	Clamping Washer	4
30	A133210	Stiffnut M10	2
31	A150010	Washer 10mm	2
32	MBC2100	Front Mounting Bracket	1
*	A119032	Screw M10 x 20 Hex Hd	4
*	A119031	Screw M10 x 25 Hex Hd	4
*	A151010	S.L. Washer 10mm	8
33	A895008	Rubber Mount	2
*	A149604	Pop Rivet	8
34	A100411	Bolt M10 x 55 Hex Hd	2
35	A150010	Washer 10mm	2
36	AE22003	Clamping Washer	4

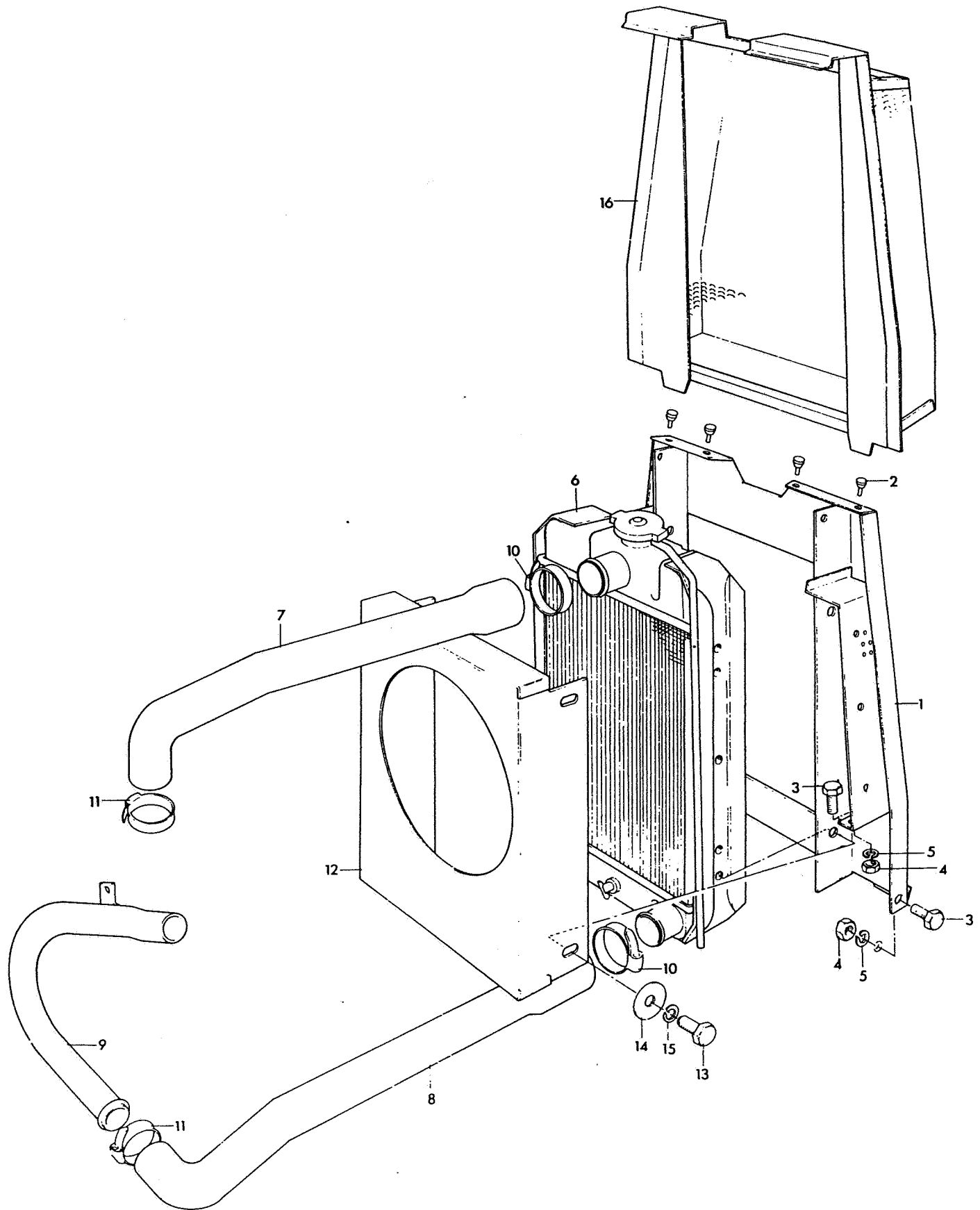
MOTOR 213



REF. No.	PART No.	NAME OF PART	QTY
37	MBB8110	Disc	2
38	A133210	Stiffnut M10	2
39	A811009	Throttle Control	1
*	A112196	Screw M5 x 16 Recess Pan Hd	2
*	A130005	Nut M5	2
*	A151005	S.L. Washer 5mm	2
40	MBC2065	Speed Control Bracket	1
41	MBC2214	Plate	1
*	A110306	Screw M8 x 30 Hex Hd	1
*	A133208	Stiffnut M8	1
*	A150008	Washer 8mm	2
42	A199212	Cable Clip	1
43	A125000	Screw (Spire Speed)	1
44	A811015	Stop Cable Assy	1
*	MBB5919	Instruction Disc	1
45	H300403	Solderless Nipple	1
46	A150003	Washer 3mm	1
		<b>Roll over Guard Assy</b>	
*	MBB8191	Upright	2
*	MBB8195	Tube	1
*	A100514	Bolt M12 x 70 Hex Hd	4
*	A130012	Nut M12	8
*	A151112	S.L. Washer 12mm	4
*	A110509	Screw M12 x 45 Hex Hd	4
*	A295258	Plug	4
*	A295263	Plug	2

\*Not illustrated

MOTOR 213

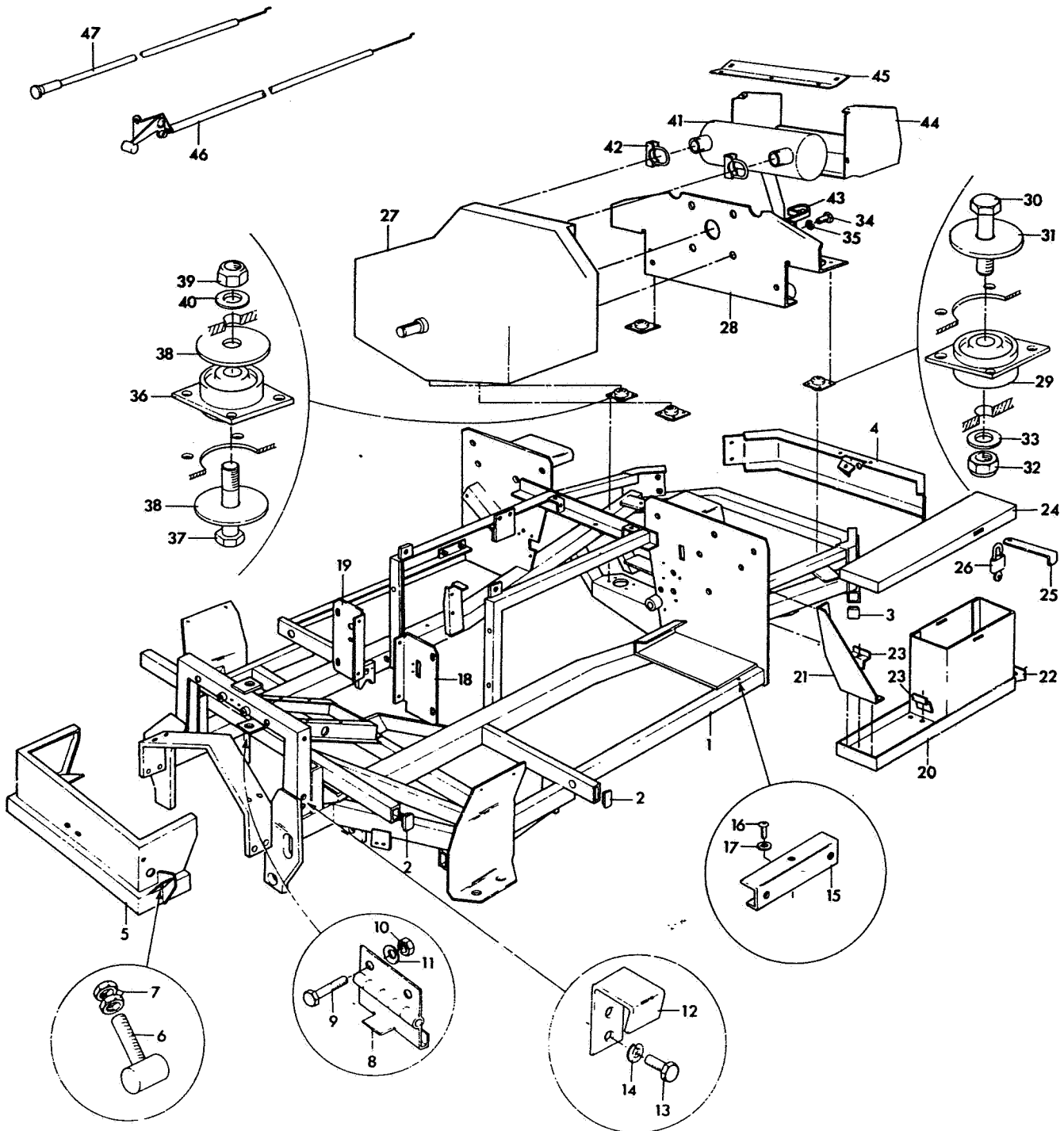




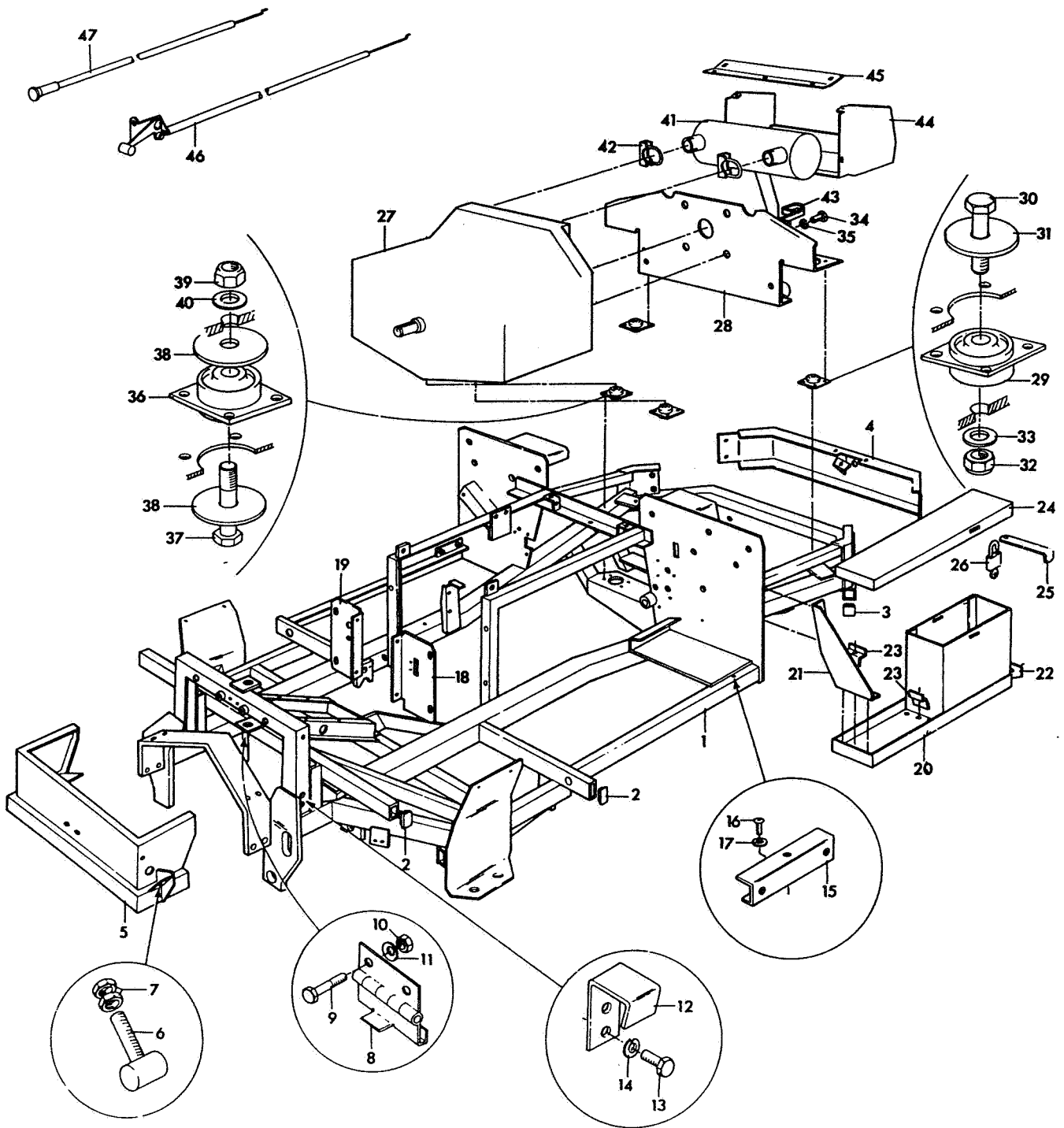
---

REF. No.	PART No.	NAME OF PART	QTY
1	MBC2095	Radiator Support	1
2	A295315	Grommet	4
3	A110304	Screw M8 x 20 Hex Hd	6
4	A130008	Nut M8	6
5	A151008	S.L. Washer 8mm	6
6	A691007	Radiator	1
*	H980031	Hose Clip (for overflow)	2
7	A912104	Top Hose	1
8	A912105	Bottom Hose	1
9	A909051	Steel Pipe	1
10	A192260	Hose Clip	2
11	A192240	Hose Clip	2
12	MBC2064	Fan Housing	1
13	GSF2002ED	Screw 3/8" UNF x 3/4" Hex Hd	4
14	GSF2154GP	Washer	4
15	A151010	S.L. Washer 10mm	4
16	MBC2090	Grass Shield	1
	A691008	Radiator Cap	1

\*Not illustrated



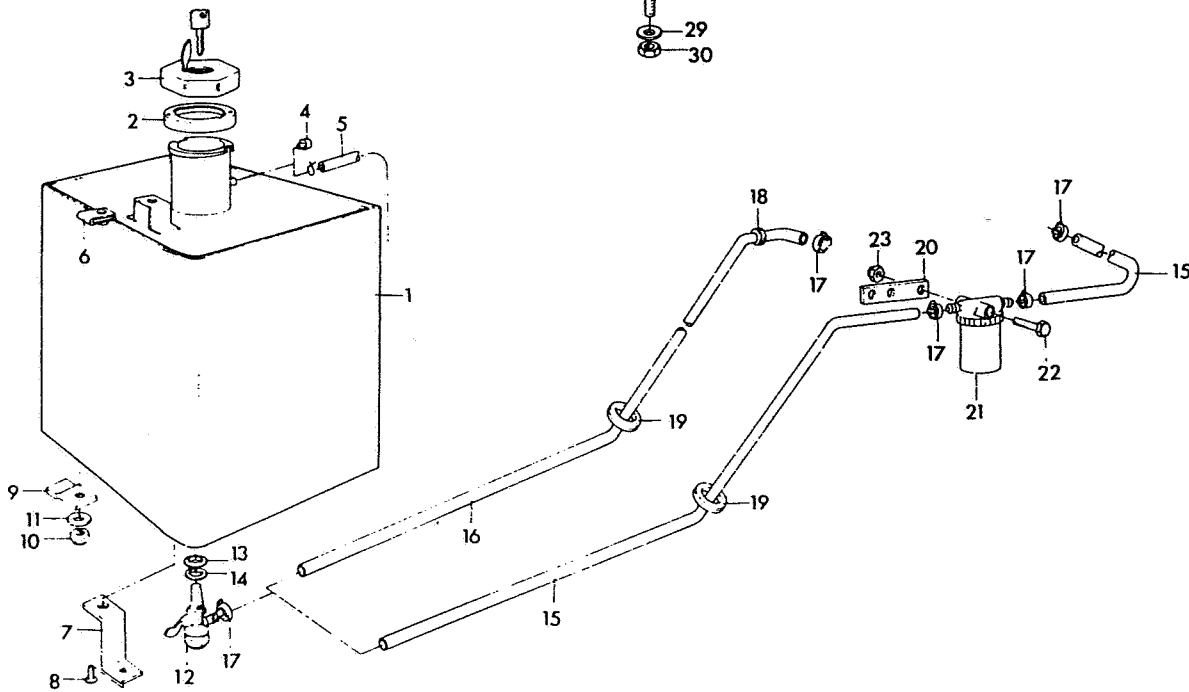
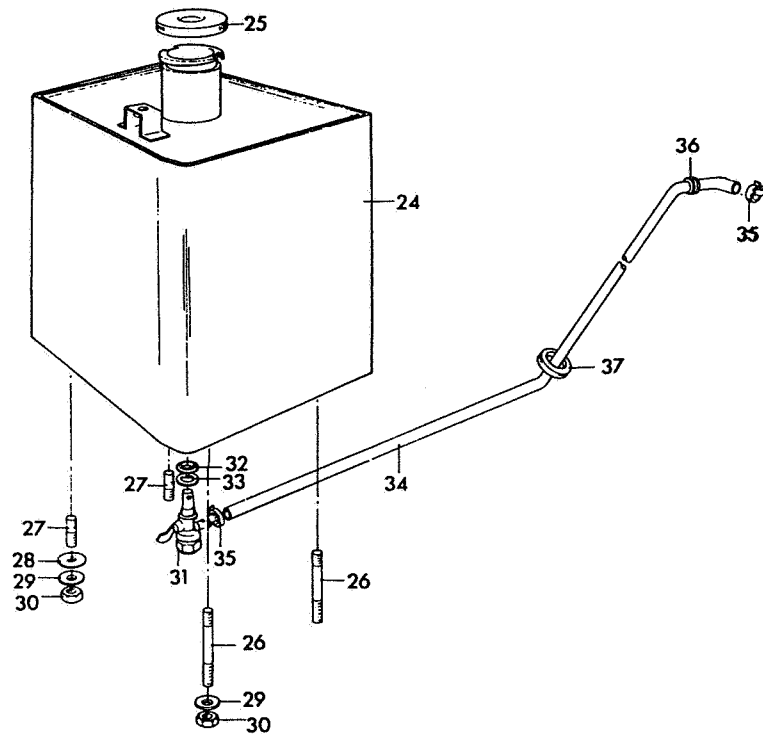
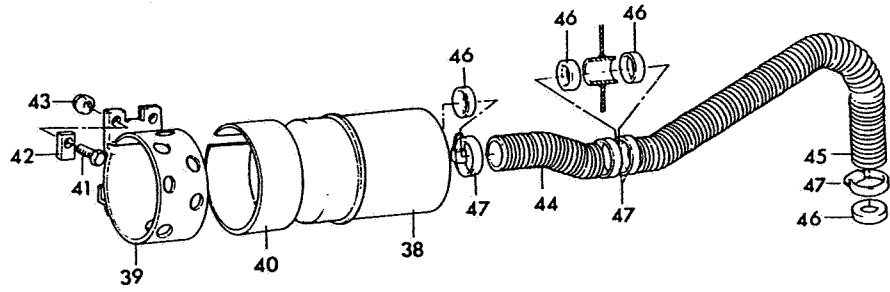
REF. No.	PART No.	NAME OF PART	QTY
1	MBB7750	Main Frame	1
2	A295251	Plug	6
3	A295253	Plug	2
4	MBB7931	Rear Plate	1
*	A112304	Screw M8 x 20 Recess Pan Hd	4
*	A150008	Washer 8mm	4
5	MBB7857	Front Frame	1
*	A110406	Screw M10 x 30 Hex Hd	8
*	A130010	Nut M10	8
*	A151010	S.L. Washer 10mm	8
6	MBB3163	Adjuster	2
7	GSF2052AB	Nut 5/16" UNF	4
8	MBB8014	Hinge (for hydrostat free wheel)	1
9	A100209	Bolt M6 x 45 Hex Hd	2
10	A130006	Nut M6	2
11	A292070	Disc Spring	2
12	MBB7929	Stop Bracket	2
13	A110305	Screw M8 x 25 Hex Hd	4
14	A151008	S.L. Washer 8mm	4
15	MBB8243	Clamp	1
16	A112296	Screw M6 x 16 Recess Pan Hd	1
17	A150006	Washer 6mm	1
18	MBB8264	Cover LH	1
19	MBB8265	Cover RH	1
*	A119028	Screw M6 x 20 Pan Hd (Taptite)	4
*	H060104BU	Beading	2
20	MBB8254	Tool Box and Battery Support	1
21	MBB8259	Support	1
22	MBB8262	Support	1
*	A112305	Screw M8 x 25 Recess Pan Hd	4
*	A112396	Screw M8 x 16 Recess Pan Hd	4
*	A133208	Stiffnut M8	8
*	A150008	Washer 8mm	8
23	MBB7924	Battery Clamp	2
*	A100310	Bolt M8 x 50 Hex Hd	2
*	A133208	Stiffnut M8	2
*	A150008	Washer 8mm	2
24	MBB8272	Cover	1
25	MBB8279	Strap	1
26	H090017	Padlock	1
*	H060053BC	Beading (for Ref 19)	2
27	A630003	Engine	2
*	H290721	Elbow	1
*	MBB8228	Pipe Nipple	1
*	GSF2503MB	Plug	1
28	MBB7787	Bracket Assy	1
29	A895000	Rubber Mount	2
*	A149604	Pop Rivet	8
30	GSF2001EK	Bolt 3/8" UNF x 2" Hex Hd	2
31	MBB8110	Buffer Disc	2
32	A139910	Stiffnut	2
33	A150010	Washer 10mm	2
34	GSF2093EC	Screw 3/8" UNC x 5/8" Hex Hd	4
35	GSF2164J	S.L. Washer 3/8"	4
36	A895000	Rubber Mount	2
37	GSF2001EM	Bolt 3/8" UNF x 2.1/4" Hex Hd	2
38	MBB8110	Buffer Disc	4
39	A139910	Stiffnut	2
40	A150010	Washer 10mm	2
41	A691021	Silencer	1
42	A199007	Exhaust Clamp	2



REF. No.	PART No.	NAME OF PART	QTY
43	MBB8320	Clamp	1
*	A102210	Bolt	1
*	A133206	Stiffnut M6	1
*	A150006	Washer 6mm	1
*	A110304	Screw M8 x 20 Hex Hd	1
*	A150008	Washer 7mm	1
*	A133208	Stiffnut M8	1
44	MBB8125	Silencer Cowl	1
45	MBB8058	Top Panel	1
*	H980049	Captive Nut	2
*	A128022	Screw No. 5 x 9.5 Recessed Pan Hd	2
*	A151004	S.L. Washer 4mm	2
*	GSF2093AB	Screw 1/4" UNC x 1/2" Hex Hd (Cowl to Eng)	7
*	GSF2150C	Washer 1/4"	7
46	A811009	Throttle control	1
*	A112196	Screw M5 x 16 Recess Pan Hd	2
*	A130005	Nut M5	2
*	A151005	S.L. Washer 5mm	2
47	A811010	Choke Control	1
*	A199018	Latch (for bonnet)	1
*	A112205	Screw M6 x 25 Pan Hd	3
*	A133206	Stiffnut M6	3
*	A150006	Washer 6mm	6
		<b>Roll Over Guard Assy</b>	
*	MBB8191	Upright	2
*	MBB8195	Tube	1
*	A100514	Bolt M12 x 70 Hex Hd	4
*	A151112	S.L. Washer 12mm	8
*	A130012	Nut M12	4
*	A110509	Screw M12 x 45 Hex Hd	4
*	A295258	Plug	4
*	A295263	Plug	2

\*Not illustrated

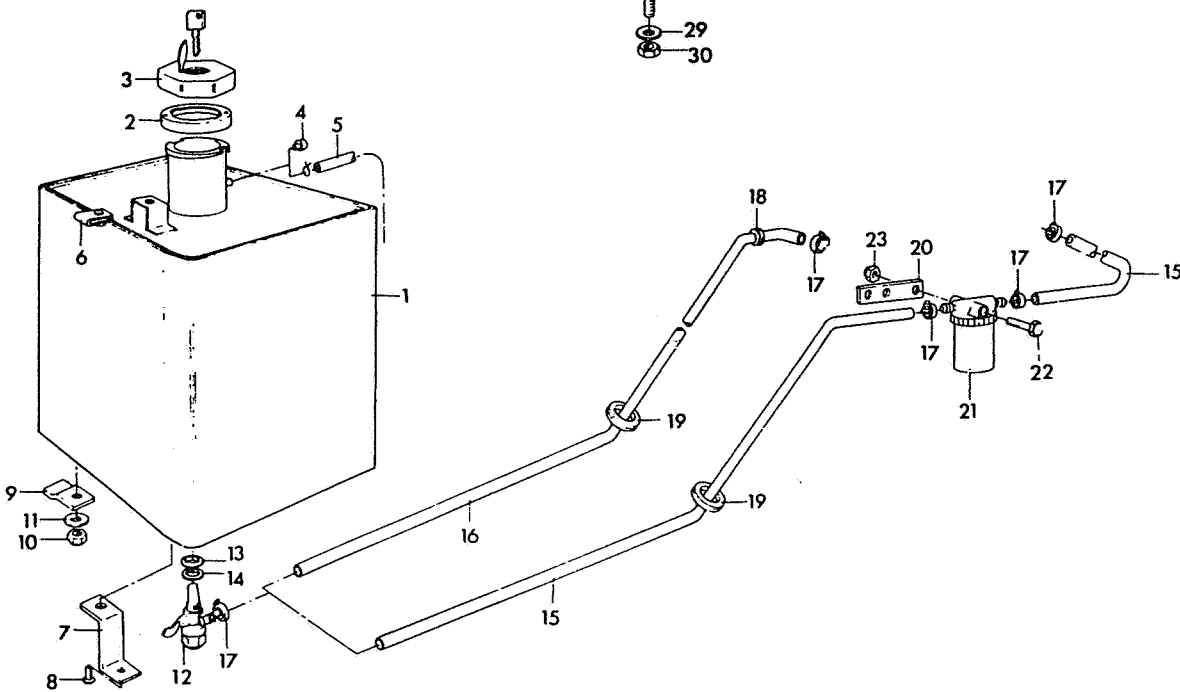
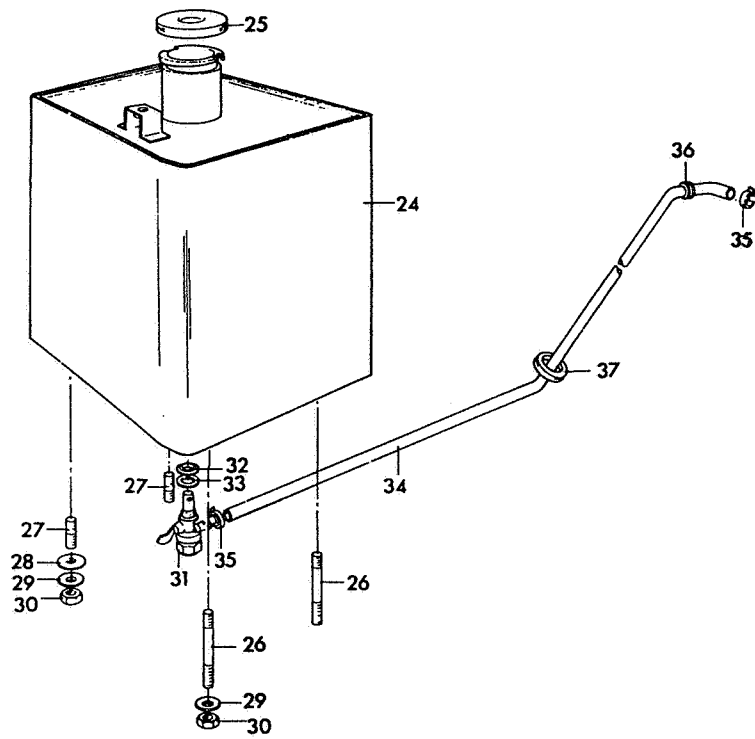
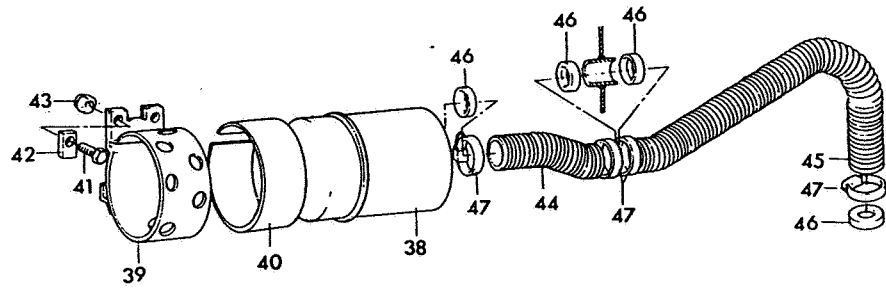
MOTOR 213



For Current Petrol Engine Machine use Quantity Column A

For Diesel Engine Machine use Quantity Column B

REF. No.	PART No.	NAME OF PART	QTY	
			A	B
<b>Current Machines</b>				
1	MBB8223	Fuel Tank Assy	1	1
2	A810003	Adaptor	1	1
3	H450057	Filler Cap (with Lock)	1	1
4	H990021	Bung	1	
5		Return Hose (Ex Kubota)		1
6	A139400	Captive Nut	1	1
7	MBB8238	Clamp	2	2
8	A119028	Screw	2	2
9	MBB8239	Clamp	2	2
10	A133208	Stiffnut M8	4	4
11	A150008	Washer 8mm	4	4
12	A890064	Fuel Tap	1	1
13	H014008	Dowty Seal	1	1
14	GSF3551EJ	Fibre Washer		AR
15		Hoses (850mm) (550mm) (Ex Kubota)		AR
16	A298330	Hose 750mm	1	
17	A192900	Hose Clip	2	4
18	H980031	Clip	1	
19	H091018	Grommet	1	1
20	MBC2068	Bracket		1
21		Fuel Filter (Ex Kubota)		1
22	A100314	Bolt M8 x 70 Hex Hd		1
*	A110304	Bolt M8 x 20 Hex Hd		2
23	A130008	Nut M8		1
*	A150008	Washer 8mm		3
*	A151008	S.L. Washer 8mm		3
<b>Early Petrol Machines</b>				
24	MBB7854	Fuel Tank Assy		1
25	H460004	Filler Cap		1
26	A109204	Stud 75 Long		2
27	A109205	Stud 28 Long		2
28	AE22003	Clamp Washer		4
29	A292070	Disc Spring		4
30	A130008	Nut M8		4
31	A890064	Fuel Tap		1
32	H014008	Dowty Seal		1
33	GSF3551E.I	Fibre Washer		AR
34	A298330	Hose 75 mm		1
35	A192900	Hose Clip		2
36	H980031	Clip		1
37	H091018	Grommet		1





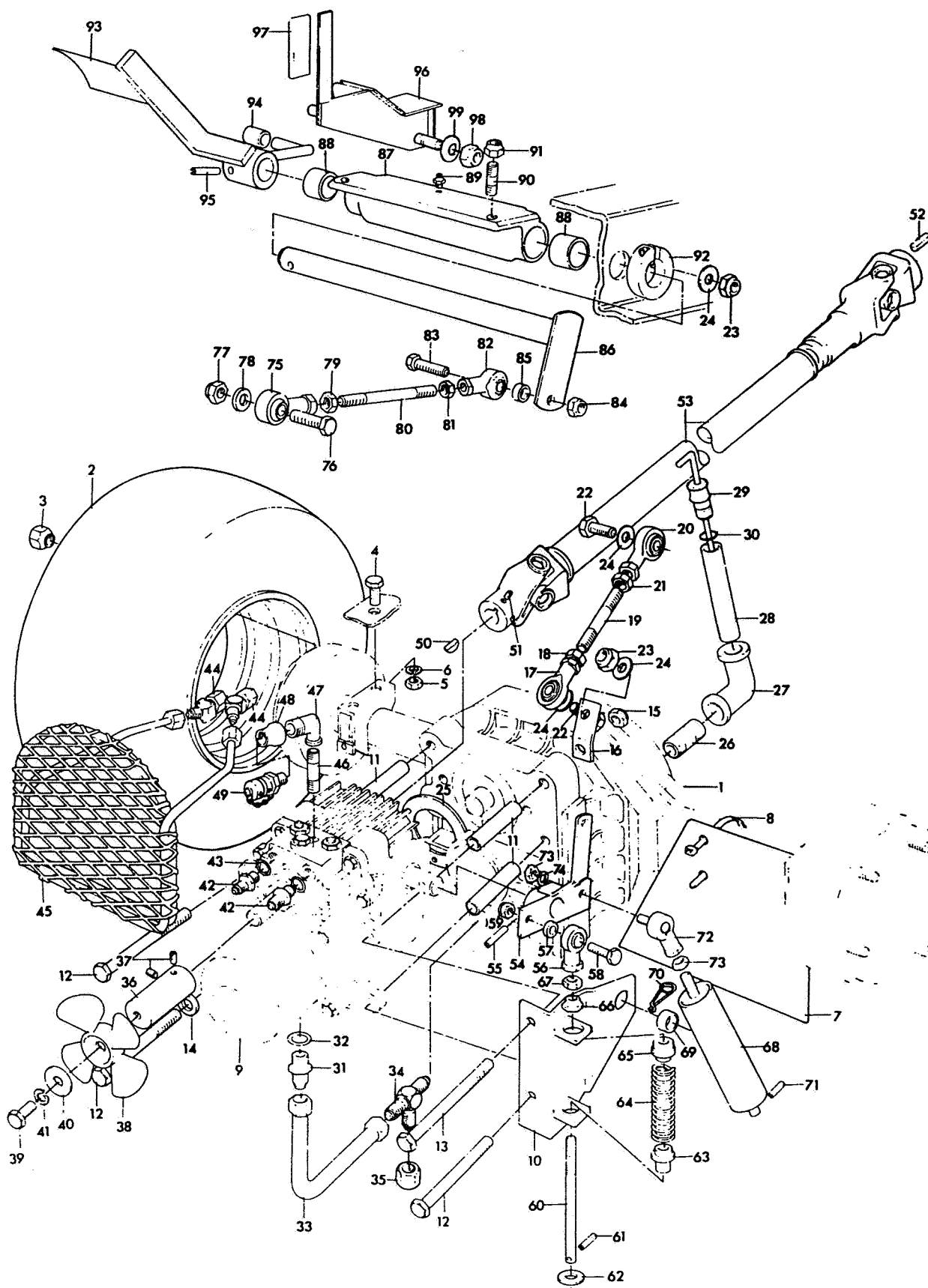
For Current Petrol Engine Machine use Quantity Column A

For Diesel Engine Machine use Quantity Column B

REF. No.	PART No.	NAME OF PART	QTY	
			A	B
<b>All Machines</b>				
38	H190134	Filter Assy	1	1
*	H190135	Element	1	1
*	H990106	Rubber Baffle	1	1
*	H980359	Nut & Washer Assy	1	1
39	MBB8069	Filter Support	1	1
40	MBB8076	Rubber Pad	1	1
41	A110305	Screw M8 x 25 Hex Hd	2	2
42	MBB8119	Clamp	2	2
43	A133208	Stiffnut M8	2	2
44	A895050	Flexible Tubing 150mm	1	
45	A895051	Flexible Tubing 500mm	1	1
46	A904172	Sleeve	4	1
47	A192260	Hose Clip	4	1
*	H499802	Cable tie (Ref 5 to 45)		2
	A199203	Cable tie (Ref 45 to Engine)	1	
	A199214	Cable tie (Ref 45 to Engine)	1	

\*Not illustrated

MOTOR 213



## TRANSMISSION &amp; CONTROLS

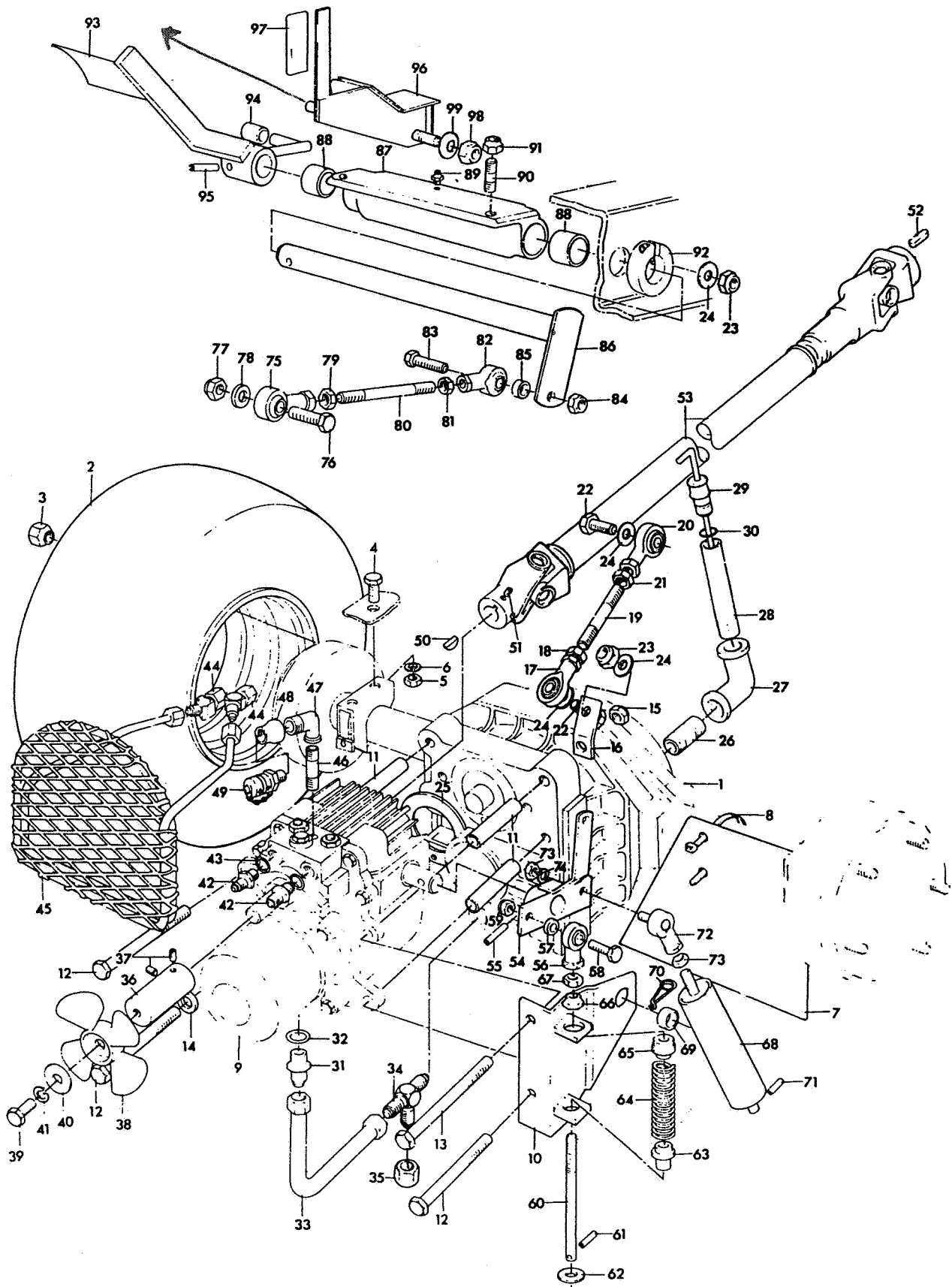
## LIST OF PARTS

For Petrol Engined Machine use Quantity Column A

For Diesel Engined Machine use Quantity Column B

REF. No.	PART No.	NAME OF PART	QTY	
1	MBB7830	Axle Assy (see page 43)	1	1
2	A816039	Wheel Assy	2	2
*	A817316	Tube	1	1
*	A817029	Tyre (Turf King)	1	1
3	PBA0696	Wheel Nut	10	10
4	A110506	Screw M12 x 30 Hex Hd	4	4
5	A130012	Nut M12	4	4
6	A151012	S.L. Washer 12mm	4	4
7	A913038	Flap	2	2
8	A199201	Strap	4	4
9	A809368	Hydrostat Assy (see page 41)	1	1
10	MBB7878	Bracket	1	1
11	MBB7887	Spacing Tube	4	4
12	A109007	Bolt 3/8" UNC x 5" Hex Hd	3	3
13	A109008	Bolt 3/8" UNC x 6" Hex Hd	1	1
14	MBB6867	Washer	1	1
15	GSF2080BC	Stiffnut 3/8" UNC	1	1
	LMSD936	Torque Reaction Brkt Assy	1	1
16	MBC7050	Bracket	1	1
17	A814513	Rod End LH	1	1
18	GSF2052BB	Nut 5/16" UNF LH	1	1
19	MBC2051	Stud	1	1
20	A814514	Rod End RH	1	1
21	GSF2052AB	Nut 5/16" UNF	1	1
22	A110306	Screw M8 x 30 Hex Hd	2	2
23	A133208	Stiffnut M8	2	2
24	A150008	Washer 8mm	4	4
25	BAA0482	Gasket	1	1
26	MBB8010	Pipe Nipple	1	1
27	A246917	Elbow	1	1
28	MBB9461	Pipe Nipple	1	1
29	MBB9458A	Dipstick	1	1
30	A221111	'O' Ring	1	1
31	A240007	Connector	1	1
32	A221810	'O' Ring	1	1
33	A902177	Tube Assy	1	1
34	A243753	Tee	1	1
35	A244807	Plug	1	1
*	MBB8248	Fan Guard	1	1
36	MBB7866	Fan Hub	1	1
37	A122302	Grub Screw M8 x 10 Hex Socket Hd	2	2
38	BAA0412	Fan	1	1
39	A110304	Screw M8 x 20 Hex Hd	1	1
40	GSF2154FK	Washer	1	1
41	A151008	S.L. Washer 8mm	1	1
42	A240005	Connector	2	2
43	A211806	'O' Ring	1	1
44	A242405	Elbow	2	2
45	A902145	Cooling Coil Assy	1	1
46	MBB8105	Tube	1	1
47	A246100	Elbow	1	1
48	A246420	Reducing Bush	1	1
49	A244900	Test Point	1	1
50	GSF2230AJ	Key (606 Woodruff)	1	1
51	A122302	Grub Screw M8 x 10 Hex Socket Hd	4	4
52	GSF2202EX	Key	1	1
53	A814056	Prop Shaft (Hardy Spicer Walterscheid)	1	
*	A814081	Prop Shaft (Hardy Spicer Walterscheid)		1
*	H920058	Unit Package	1	1
54	MBB7875	Lever	1	1
55	GSF1040KG	Pin	1	1

MOTOR 213



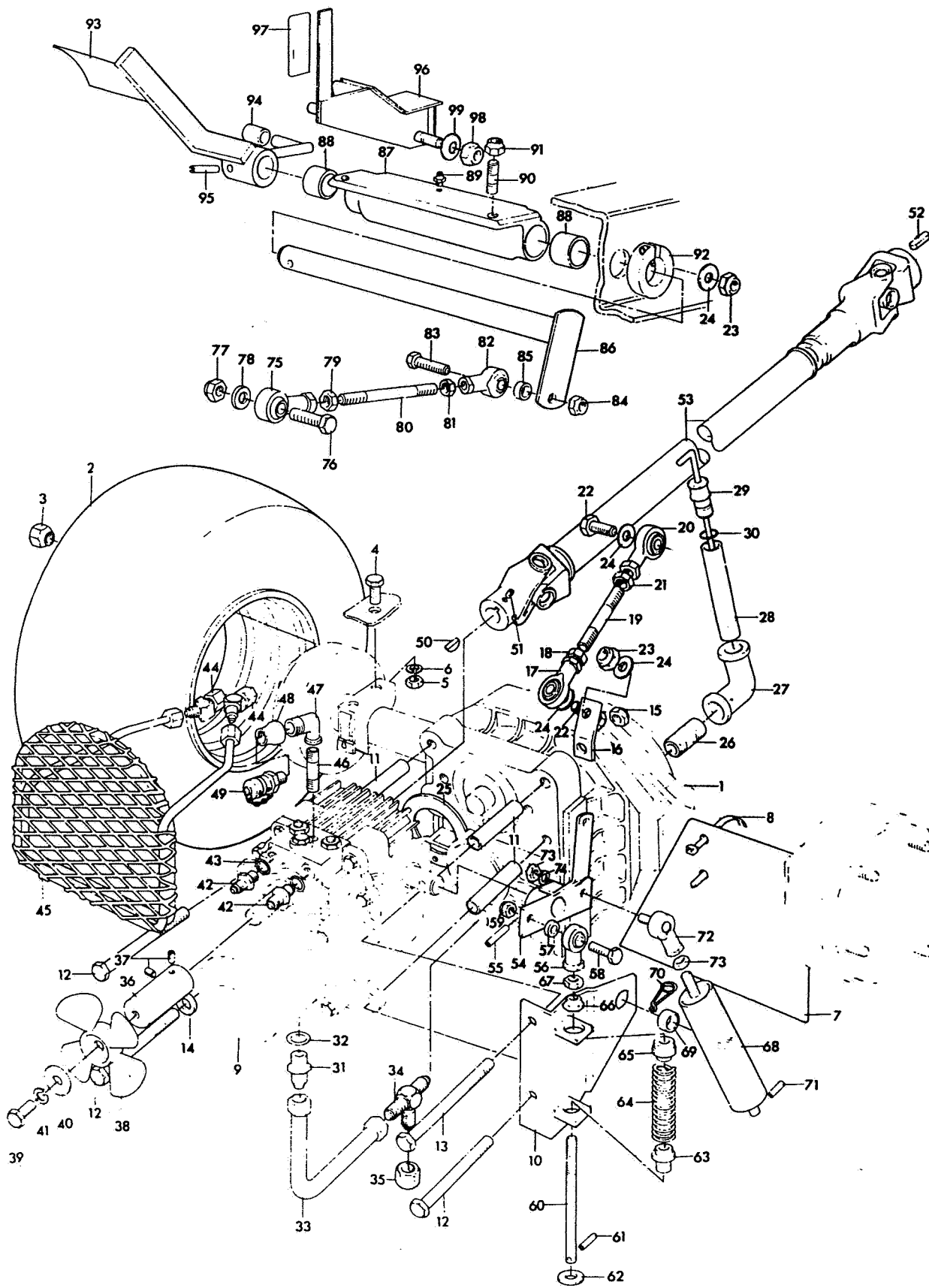
## TRANSMISSION &amp; CONTROLS (Continued)

## LIST OF PARTS

For Petrol Engine Machine use Quantity Column A

For Diesel Engine Machine, use Quantity Column B

REF. No.	PART No.	NAME OF PART	QTY	
56	A814511	Rod End	1	1
57	AF09006	Spacer	1	1
58	A100307	Screw M8 x 35 Hex Hd	1	1
59	A133208	Stiffnut M8	1	1
60	MBB7891	Rod	1	1
61	A141448	Pin	1	1
62	GSF2154FK	Washer	1	1
63	MBB7885	Guide	1	1
64	A291057	Spring	1	1
65	MBB7886	Guide	1	1
66	A133208	Stiffnut M8	2	2
67	A130008	Nut M8	1	1
68	BAA0773	Damper Assemblies	1	1
*	BAA1010	Damper	1	1
*	BAA0774	Damper Cylinder	1	1
*	BAA0730	Piston	1	1
*	BAA0729	Head	2	2
*	A221012	'O' Ring	2	2
*	A221210	'O' Ring	2	2
*	A179002	Circlip	4	4
*	BAA0764	Piston Rod	1	1
69	BAA0858	Bearing	1	1
70	A149024	Safety Pin	1	1
71	GSF1040DF	Pin	1	1
72	BAA0846	Ball Joint	1	1
73	GSF2051AB	Nut	2	2
74	A151008	S.L. Washer 8mm	1	1
75	A814514	Rod End RH	1	1
76	A100307	Bolt M8 x 35 Hex Hd	1	1
77	A133208	Stiffnut M8	1	1
78	GSF2152B	Washer	1	1
79	GSF2052AB	Locknut RH	1	1
80	MBB8045	Rod	1	1
81	GSF2052BB	Locknut LH	1	1
82	A814513	Rod End LH	1	1
83	A100307	Bolt M8 x 35 Hex Hd	1	1
84	A133208	Stiffnut M8	1	1
85	AF09006	Spacer	1	1
86	MBB8042	Pedal Spindle	1	1
87	MBB8009	Housing Assy	1	1
88	A214372	Bearing	2	2
89	A299301	Lubricator	1	1
90	A107303	Stud	2	2
91	A133208	Stiffnut M8	2	2
92	A195214	Clamping Collar	1	1
93	MBB8236	Pedal	1	1
94	A295900	Ferrule (for pedal)	1	1
95	A141514	Pin	1	1
96	MBB8230	Lever	1	1
97	A904381	Sleeve	1	1
98	A133212	Stiffnut M12	1	1
99	H083031	Disc Spring	1	1



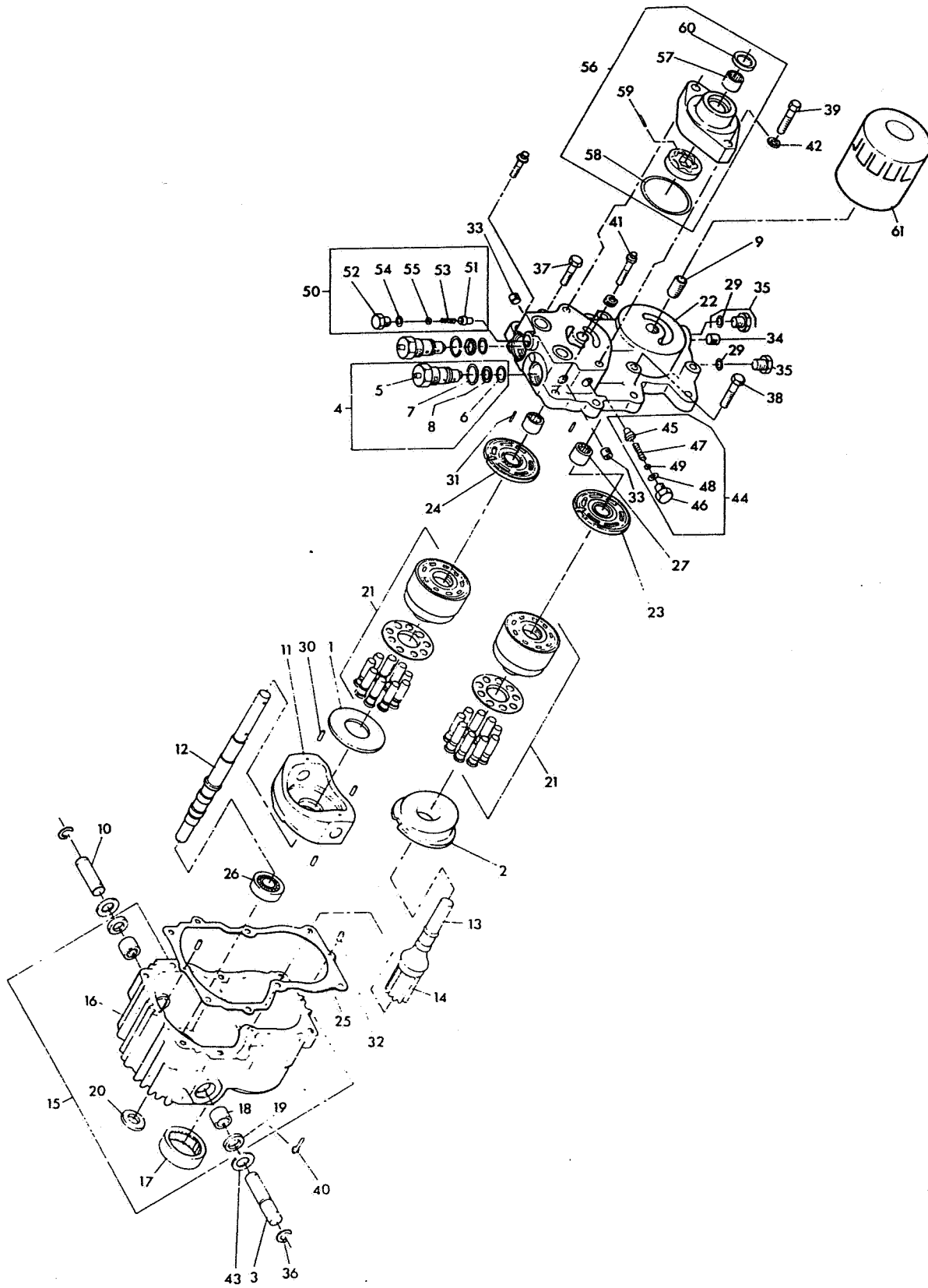
For Petrol Engine Machine use Quantity Column A

For Diesel Engine Machine use Quantity Column B

REF. No.	PART No.	NAME OF PART	QTY
<b>ALTERNATIVE FITTINGS</b>			
	A814056	Prop Shaft (Centa Transmissions Ltd)	1
	A814081	Prop Shaft (Centa Transmissions Ltd)	1
	A814979	Elements C/W Bolts	AR AR
	MBB7855	Prop Shaft (Early Machines)	1
	MBB7847	Coupling	1
	GSF2230AJ	Key (606 Woodruff)	1
	A122302	Grub Screw M8 x 10 Hex Socket Hd	4
	MBB7842	Coupling	1
	GSF2202EX	Key	1
	BAA0409	Disc	2
	GSF2093ED	Screw 3/8" UNC x 3/4" Hex Hd	8
	GSF2080BC	Stiffnut 3/8" UNC	8
	GSF2151AR	Washer	8

\*Not illustrated

MOTOR 213

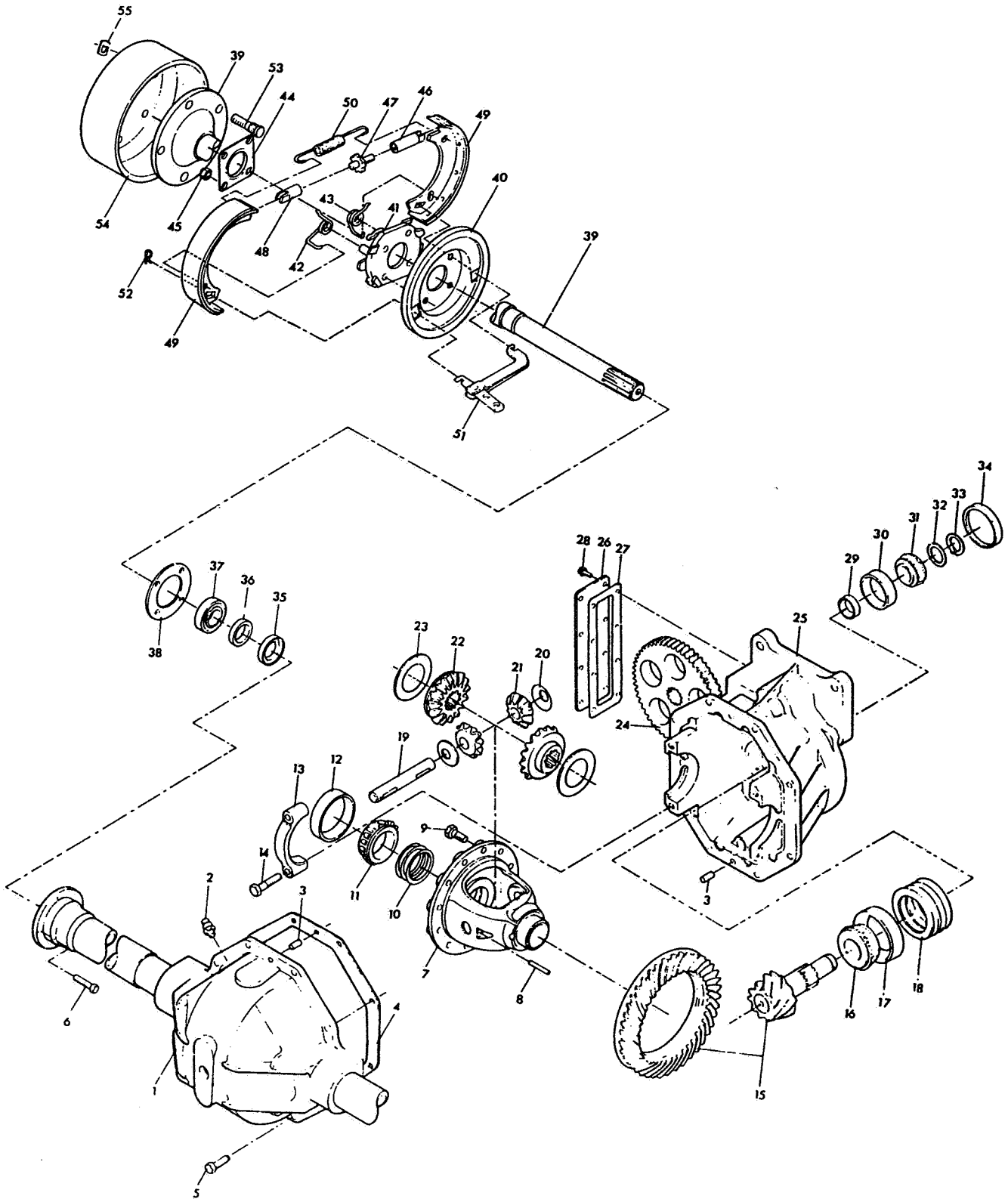




REF. No.	PART No.	NAME OF PART	QTY
	A809368	Hydro-Transmission Unit-Sundstrand 15 series	1
1	A809314	Thrust Plate	1
2	A809315	Fixed Swash Plate	1
3	A809302	Trunnion Shaft	1
4	A809312	Check Valve Kit	2
5		Check Valve	2
*	ASKA030	Seal Kit	1
6		'O' Ring	2
7		'O' Ring	2
8		Back-up Ring	2
9	A809316	Pipe	1
10	A809303	Trunnion Shaft	1
11		Variable Swashplate	1
12	A809317	Pump Shaft	1
13	A809318	Motor Shaft	1
14	BAA0490	Gear	1
*	H087063	Circlip	1
15		Housing Assy	1
16		Transmission Housing	1
17	A209012	Roller Bearing	1
18	A209008	Needle Bearing	2
19	A809308	Lip Seal	2
20	A229916	Lip Seal	1
21	A809306	Cylinder Block Kit	2
22		Centre Section	1
23	A809352	Valve Plate	1
24	A809352	Valve Plate	1
25	A809353	Gasket	1
26	A203204	Ball Bearing	1
27	A809300	Roller Bearing	2
28	GSF2230AJ	Key	2
29	A221808	'O' Ring	2
30	GSF1040HZ	Spring Pin	3
31		Pin	2
32	A809354	Pin	2
33		Pipe Plug	2
34		Pipe Plug	1
35	A244406	Plug	2
36	H290701	Retaining Ring	2
37		Screw	2
38		Screw	4
39		Screw	2
40		Screw	2
41		Screw	2
42		Plain Washer	2
43	H290702	Washer	2
44	A809309	Relief Valve Kit	1
45		Cone	1
46		Plug	1
47		Spring	1
48	A221805	'O' Ring	1
49		Shim Pack	2
50	A809310	Relief Valve Kit	1
51		Cone	1
52		Plug	1
53		Spring	1
54	A221805	'O' Ring	1
55		Shim Pack	2
56	A809311	Charging Pump Kit	1
57		Needle Bearing	1
58	A221153	'O' Ring	1
59	A809388	Pin	1
60	A229907	Lip Seal	1
61	A819106	Filter	1

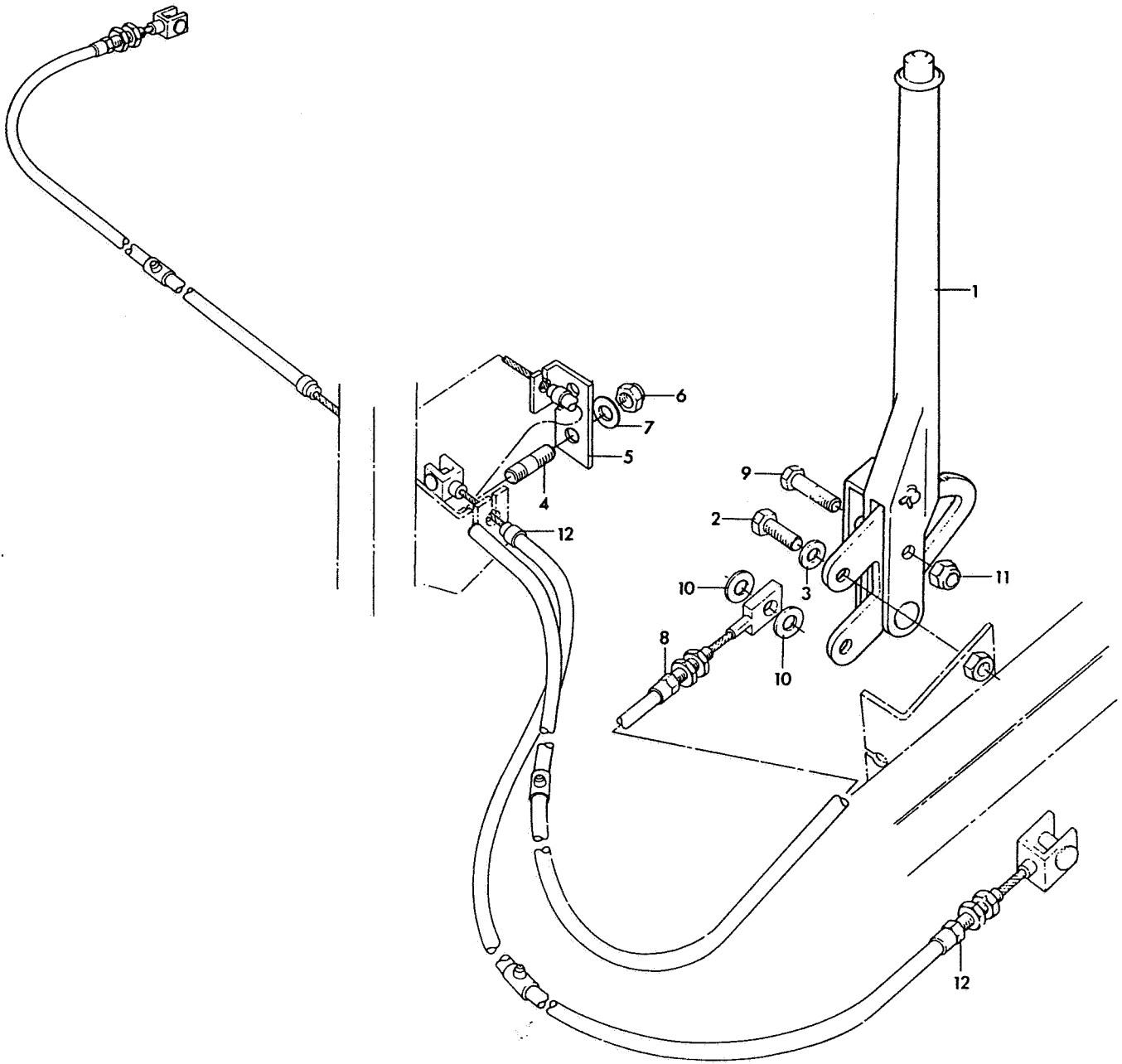
\*Not illustrated

MOTOR 213



REF. No.	PART No.	NAME OF PART	QTY
	MBB7830	Axle Complete	1
1		Axle Housing Front	1
2	A815500	Vent Assy	1
3		Dowel	2
4	A815521	Housing Gasket	1
5		Housing Bolt	8
6	A815501	Bolt-Brake Back Plate	8
7		Differential Case	1
8	A815502	Pinion Lock Pin	1
9	A815503	Screw	14
10	A815504	Shim 0.003"	AR
*	A815505	Shim 0.005"	AR
*	A815506	Shim 0.010"	AR
11/12	A205906	Taper Roller Bearing	2
13		Bearing Cap	2
14	A815507	Bolt	4
15	A815508	Matched Gear & Pinion (Set)	1
16/17	A205904	Taper Roller Bearing	1
18	A815509	Shim 0.003"	AR
*	A815510	Shim 0.005"	AR
*	A815511	Shim 0.010"	AR
*	A815512	Shim 0.030"	AR
19	A815522	Pinion Shaft	1
20	A815523	Thrust Washer	2
21	A815524	Bevel Pinion	2
22	A815525	Bevel Gear	2
23	A815526	Thrust Washer	2
24	A815527	Spur Gear	1
25		Axle Housing Rear	1
26		Spur Gear Cover	1
27	A815528	Gasket	1
28	A815513	Screw	8
29	A815529	Bearing Spacer	1
30/31	A205905	Taper Bearing	1
32	A815514	Shim	1
33	A179900	Snap Ring	1
34	A815530	Expansion Ring	1
35	A229913	Oil Seal	2
36	A815515	Bearing Retainer Ring	2
37	A205912	Bearing	2
38	A815531	Gasket	2
39	A815533	Wheel Axle	2
<b>Brake Assembly</b>			
40	A812037	Brake Back Plate	2
41	A812038	Torque Spider	2
42	A812039	Return Spring LH	2
43	A812040	Return Spring RH	2
44	A229914	Gasket	2
45	A139312	Stiffnut	8
	A812049	Adjusting Screw Assy	2
46	A812041	Socket	1
47	A812042	Adjusting Screw	1
48	A812043	Pivot Nut	1
49	A812044	Shoe & Lining Assy (Pair)	1
50	A812045	Adjusting Screw Spring	2
51	A812046	Strut & Lever, Parking Brake	2
52	A812047	Retainer	2
53	A815516	Axle Flange Stud	10
	A815534	Brake Drum Kit	2
54	A812048	Brake Drum	1
55	A815535	Retainer	1

\*Not illustrated



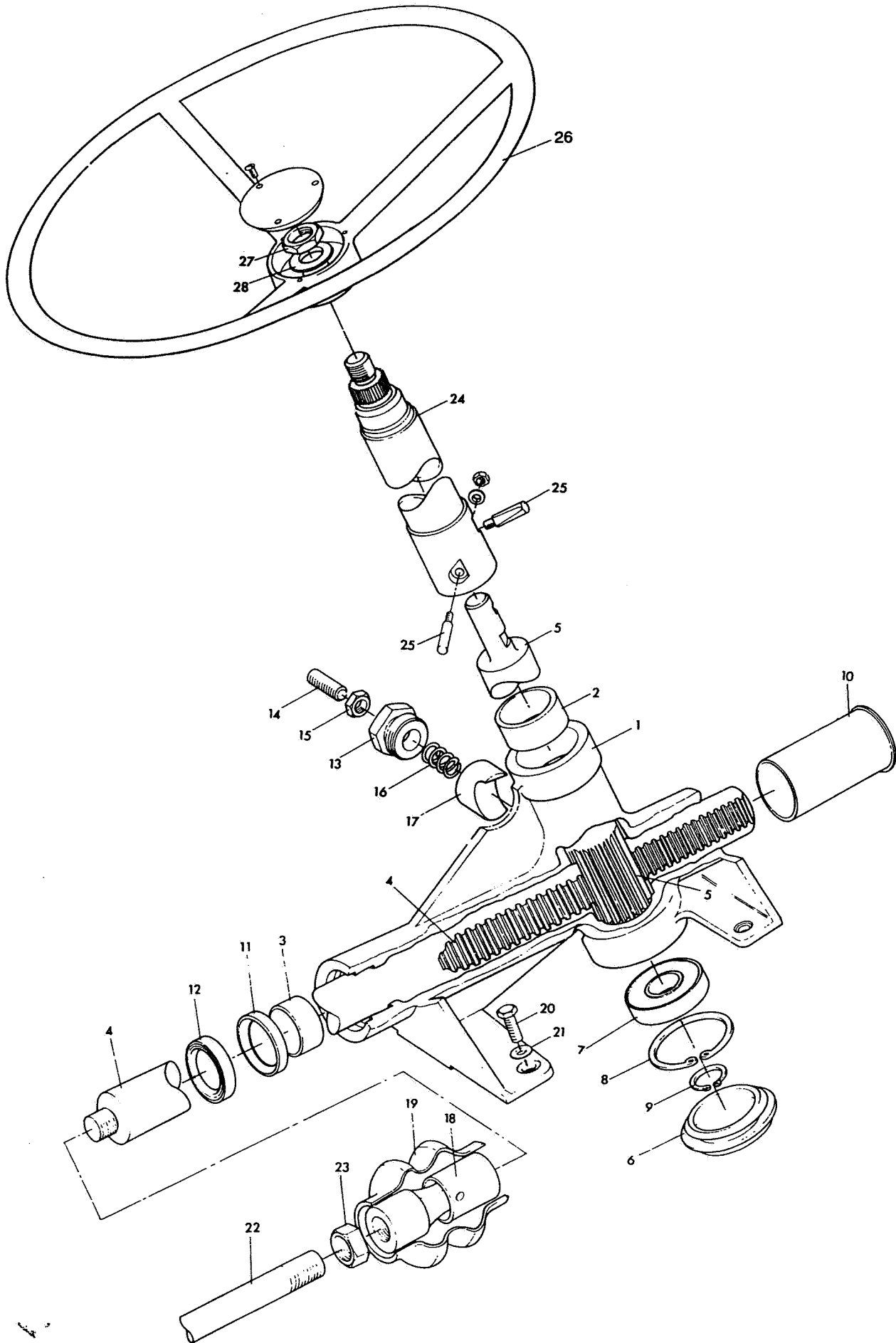
---

---

REF. No.	PART No.	NAME OF PART	QTY
1	A812036	Handbrake	1
2	A110304	Screw M8 x 20 Hex Hd	2
3	A150008	Washer 8mm	2
4	A107405	Stud	1
5	MBB7963	Lever	1
6	A133210	Stiffnut M10	1
7	A150010	Washer 10mm	1
8	A906010	Brake Cable	1
9	A100309	Bolt M8 x 45 Hex Hd	1
10	A150008	Washer 8mm	2
11	A133208	Stiffnut M8	1
12	A906009	Brake Cable	1
*	A199203	Hose Strap	1

\*Not illustrated

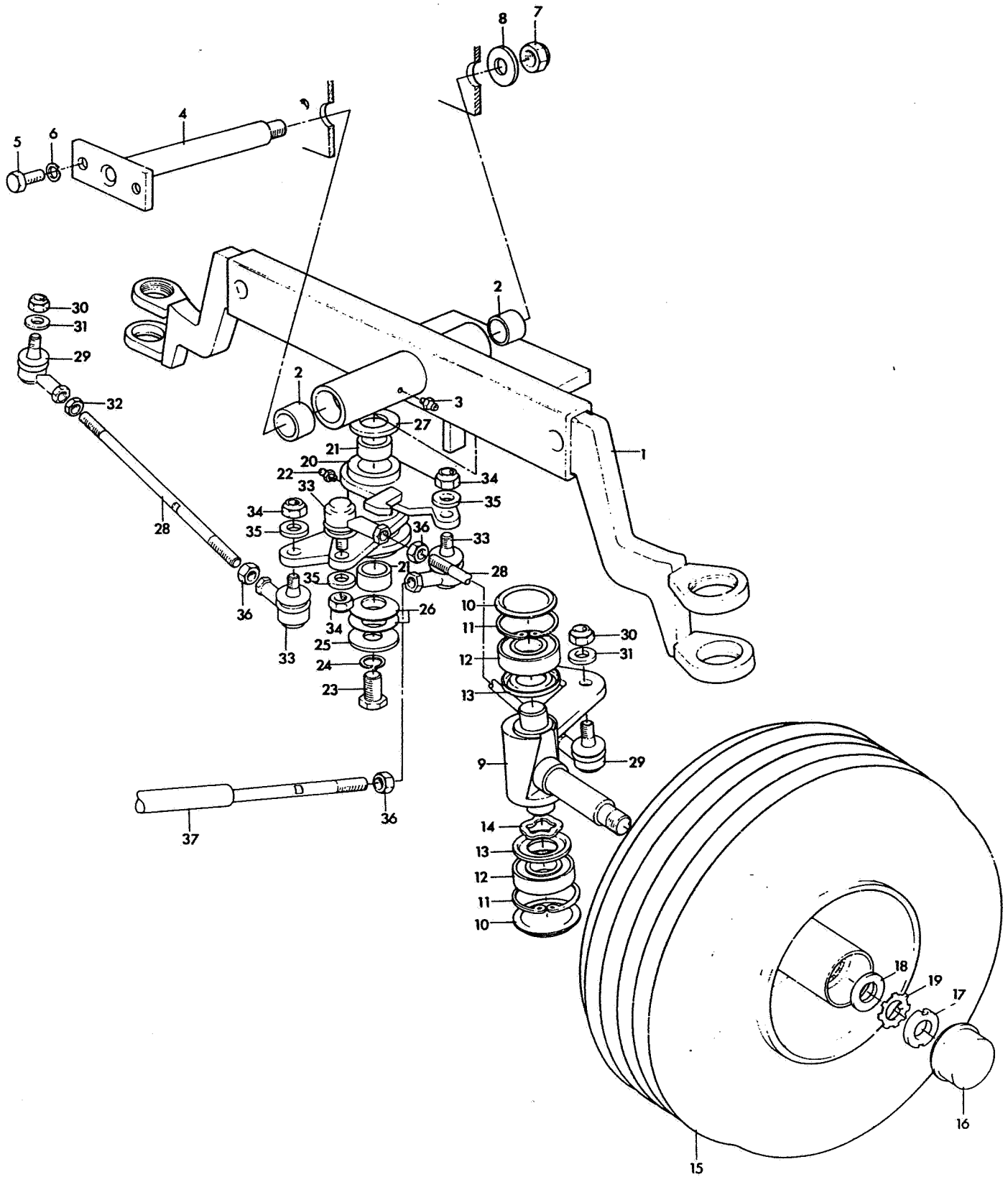
MOTOR 213



REF. No.	PART No.	NAME OF PART	QTY
1	LMSD912	Steering Gearbox Assy	1
2	A210194	Bush	1
3	A210151	Bush	1
	LMSD939	Rack & Pinion Assy	1
4		Rack	1
5		Pinion Shaft	1
6	MBA2337	Grommet	1
7	A203604	Bearing	1
8	A170047	Circlip	1
9	A171020	Circlip	1
10	H990116	Plastic Cap	1
11	H012102	Oil Seal	1
12	A224025	Wiper Seal	1
13	MBB3236Z	Plug	1
14	A122408	Screw M10 x 40 Csk Hex Hd	1
15	A130010	Nut M10	1
16	H980397	Spring	1
17	MBB3238	Pressure Pad	1
18	MBB3235	Universal Joint	1
19	H540131	Gaiter	1
*	H060009	Soft Wire	1
20	A110305	Screw M8 x 25 Hex Hd	4
21	A150008	Washer 8mm	4
22	MBB8292	Drag Link (see also page 49)	1
23	GSF2052AE	Nut 1/2" UNF	1
24	MBB2512	Steering Tube	1
25	H084001	Cotter Pin (with nut and washer)	2
26	H980452	Steering Wheel (with cap and screws)	1
27	GSF2052AH	Locknut 3/4" UNF	1
28	GSF2150K	Washer 3/4"	1
<b>ALTERNATIVE FITTINGS (for early machines)</b>			
	MBB7675	Steering Tube	1
	MBB7638	Hub	1
	A160088	Key	1
	A133212	Stiffnut M12	1
	AE30003	Clamping Washer	1
	MBB7639	Steering Wheel	1
	A100406	Bolt M10 x 30 Hex Hd	2
	A133210	Stiffnut M10	2
	A150010	Washer 10mm	4
	MBB8120	Drag Link (Long) (see also page 51)	1

\*Not illustrated

MOTOR 213

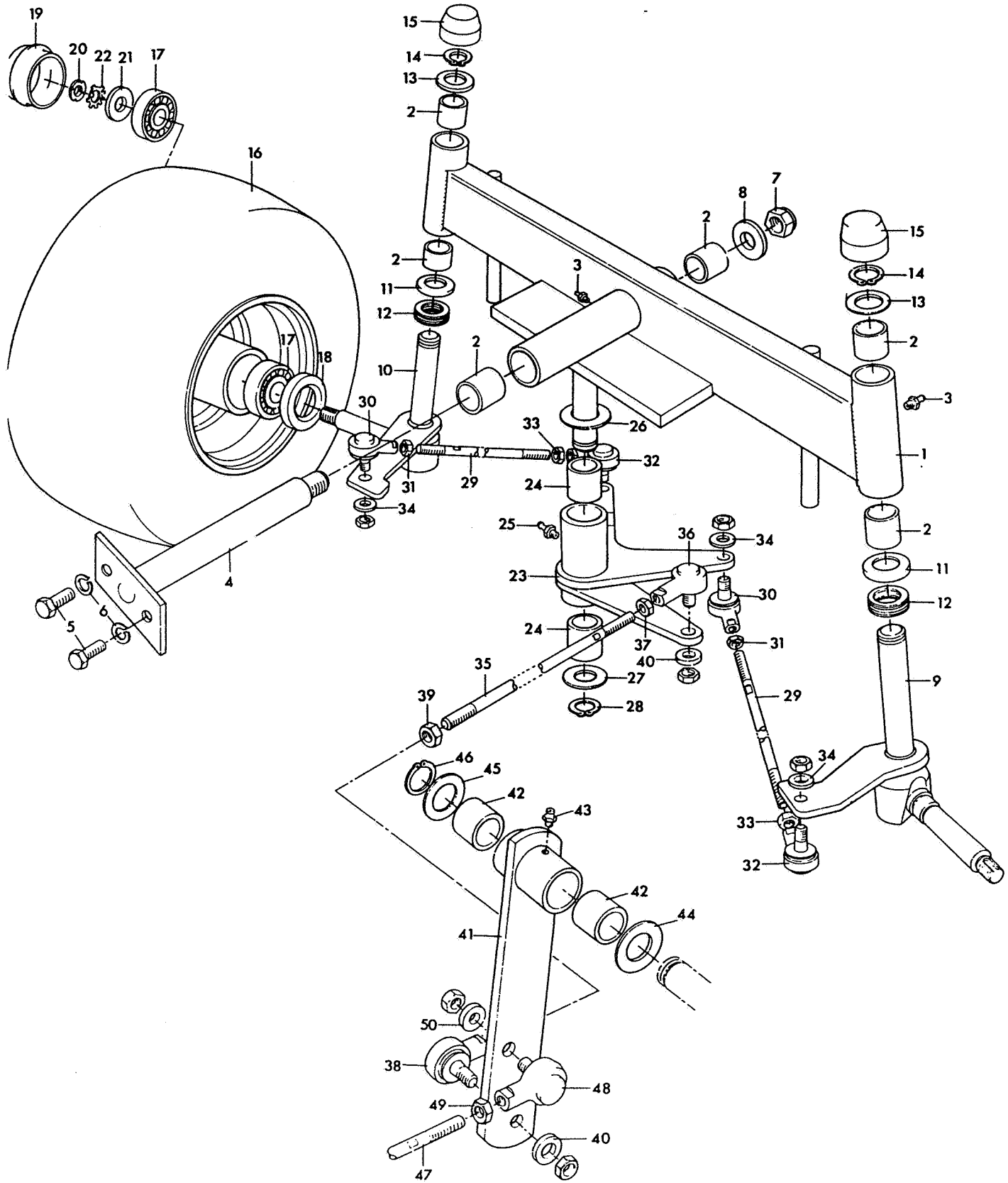




REF. No.	PART No.	NAME OF PART	QTY
1	MBB8290	Rear Axle	1
2	A210154	Bush	2
3	A299301	Lubricator	1
4	MBB7034	Rear Shaft	1
5	A110305	Screw M8 x 25 Hex Hd	2
6	A151008	S.L. Washer 8mm	2
7	A133216	Stiffnut M16	1
8	AE30104	Clamp Washer	1
9	MBB8285	Stub Axle LH	1
*	MBB8284	Stub Axle RH	1
10	A906500	Plug	4
11	A170052	Circlip	4
12	A203605	Bearing	4
13	A228205	Nilos Ring	4
14	A159946	Washer (wavy)	2
15	A816109	Wheel Assy	2
*	A205908	Bearing	2
*	H012093	Seal	1
16	BAA0833	Hub Cap	1
*	A817039	Tyre	1
*	A817317	Tube	1
17	A139900	Notch Nut	2
18	AE45106	Clamp Washer	2
19	A159908	Tab Washer	2
20	MBB8296	Bell Crank	1
21	A210154	Bush	2
22	A299301	Lubricator	1
23	A110506	Screw M12 x 50 Hex Hd	1
24	A151012	S.L. Washer 12mm	1
25	MBC1644	Washer	1
26	H083036	Disc Spring	2
27	A150024	Washer	1
28	MBB8310	Track Rod	2
29	H980027	Ball Joint RH	2
30		Stiffnut 3/8" UNF	1
31	AE22003	Clamp Washer	2
32	GSF2052AE	Nut 1/2" UNF	2
33	H980026	Ball Joint LH	3
34		Stiffnut	1
35	AE22003	Clamp Washer	3
36	GSF2052BE	Nut 1/2" UNF LH	3
37	MBB8292	Drag Link (see also page 47)	1

\*Not illustrated

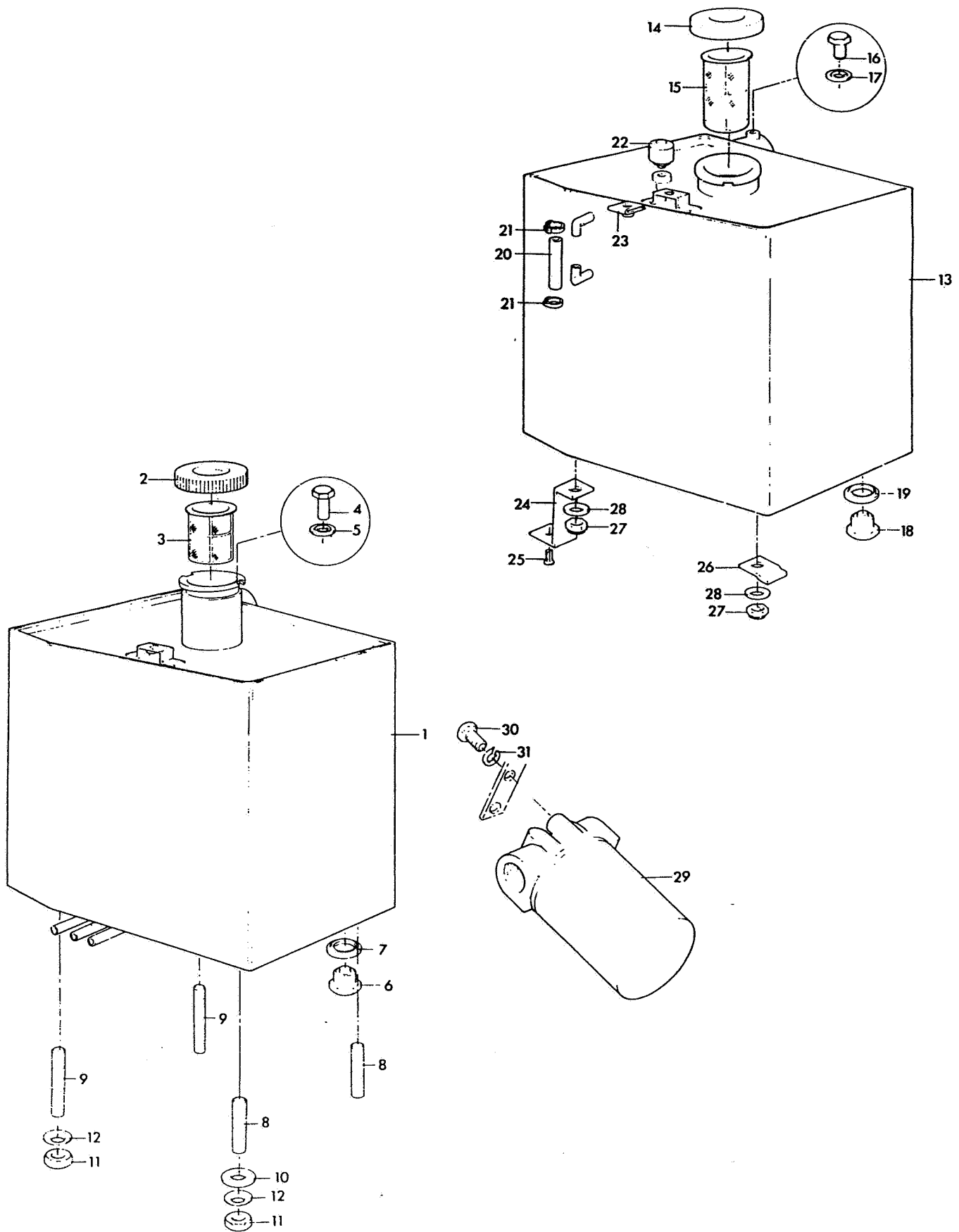
MOTOR 213



REF. No.	PART No.	NAME OF PART	QTY
1	MBB7559A	Rear Axle Assy	1
2	A210154	Bush	6
3	A299301	Lubricator	3
4	MBB7034	Rear Shaft	1
5	A110305	Screw M8 x 25 Hex Hd	2
6	A151008	S.L. Washer 8mm	2
7	A133216	Stiffnut M16	1
8	AE30104	Clamp Washer	1
9	MBB7418	Axle LH	1
10	MBB7421	Axle RH	1
11	MBB7422	Cap	2
12	H002610	Thrust Bearing	2
13	A150024	Washer 24mm	2
14	A171025	Circlip	2
15	A904356	Cover	2
16	A816038	Wheel Assy	2
17	A205908	Bearing	2
18	H012093	Seal	1
19	BAA0833	Hub Cap	1
*	A817039	Tyre 16 x 6.5-8 4 ply ribbed	1
*	A817317	Tube	1
20	A139900	Notch Nut	2
21	AE45106	Clamp Washer	2
22	A159908	Tab Washer	2
23	MBB7709	Bellcrank Assy	1
24	A210154	Bush	2
25	A299301	Lubricator	1
26	A150030	Washer 30mm	1
27	A150024	Washer 24mm	1
28	A171025	Circlip	1
29	MBB8310	Track Rod	2
30	H980026	Balljoint LH	2
31	GSF2052BE	Nut 1/2" UNF LH	2
32	H980027	Balljoint RH	2
33	GSF2052AE	Nut 1/2" UNF	2
34	AE22003	Clamping Washer	4
35	MBB7700	Drag Link (Short)	1
36	H980026	Balljoint LH	1
37	GSF2052BE	Nut 1/2" UNF LH	1
38	H980027	Balljoint RH	1
39	GSF2052AE	Nut 1/2" UNF	1
40	AE22003	Clamping Washer	2
41	MBB7708	Intermediate Lever	1
42	A210154	Bush	2
43	A299301	Lubricator	1
44	A150030	Washer 30mm	1
45	A150024	Washer 24mm	1
46	A171025	Circlip	1
47	MBB8120	Drag Link (Long) (see also page 47)	1
48	H980026	Balljoint LH	1
49	GSF2052BE	Nut 1/2" UNF LH	1
50	AE22003	Clamping Washer	1

\*Not illustrated

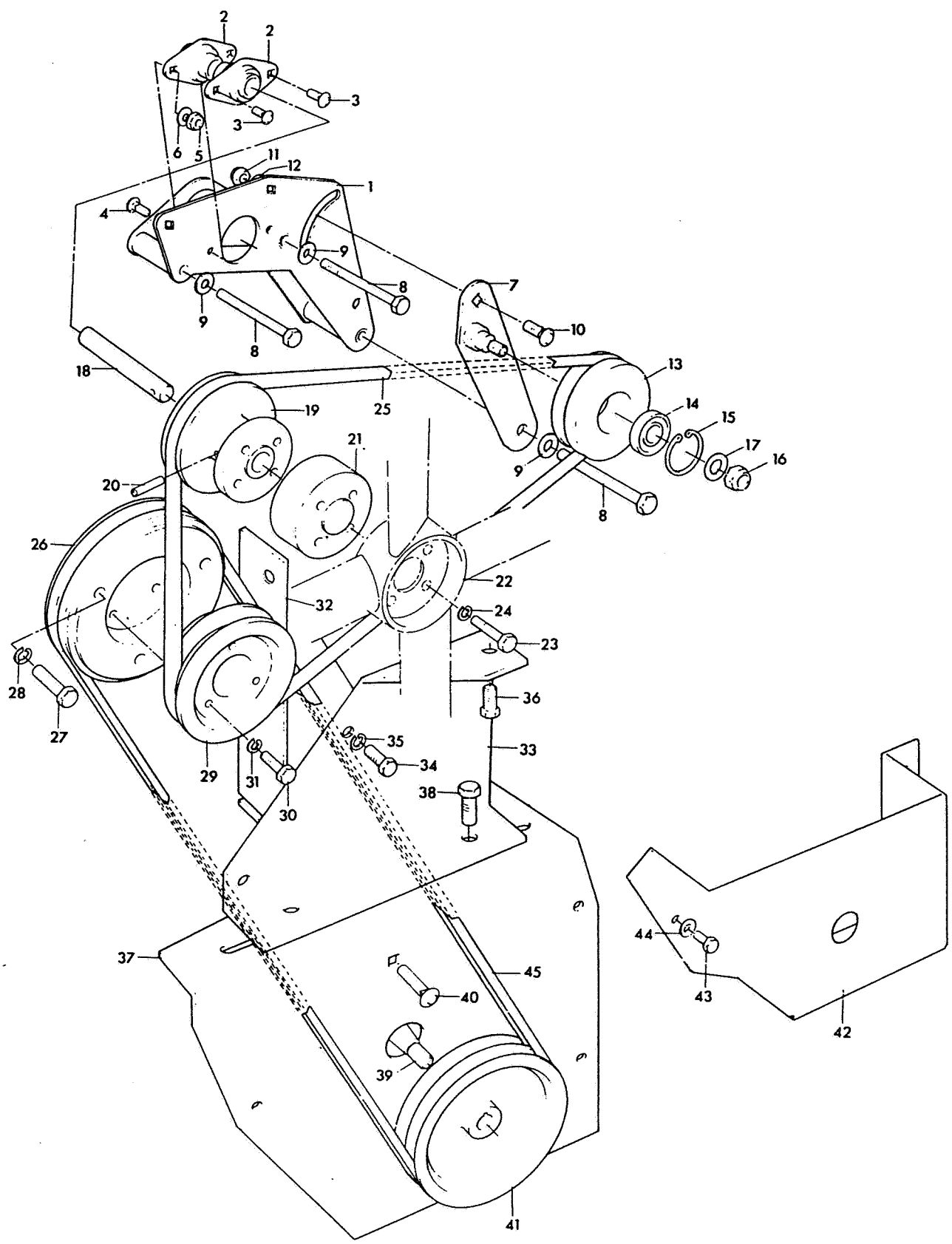
MOTOR 213



REF. No.	PART No.	NAME OF PART	QTY
<b>For Machines before Serial No. FP529</b>			
1	MBB7909	Tank Assy	1
2	H460004	Filler Cap	1
3	MBB2629	Filter	1
4	A110194	Screw M5 x 12 Hex Hd	1
5	A229552	Dowty Seal	1
6	H291025	Magnetic Plug	1
7	H014017	Dowty Seal	1
8	A109204	Stud	2
9	A109205	Stud	2
10	AE22003	Clamping Washer	2
11	A130008	Nut M8	4
12	A292070	Disc Spring	4
<b>For Machines after Serial No. FP528</b>			
13	MBB8216	Tank Assy	1
14	H460004	Filler Cap	1
15	MBB2629	Filter	1
16	A110194	Screw M5 x 12 Hex Hd	1
17	A229552	Dowty Seal	1
18	H291025	Magnetic Plug	1
19	H014017	Dowty Seal	1
20	H030032	Sight Tube	1
21	A199206	Hose Clip	2
22	A819160	Air Breather	1
23	A139400	Captive Nut	1
24	MBB8238	Clamp	2
25	A119028	Screw (Tapite)	2
26	MBB8239	Clamp	1
27	A133208	Stiffnut M8	4
28	A150008	Washer 8mm	4
<b>For All Machines</b>			
29	H290716	Filter Assy	1
*	H290733	Element	1
30	A110304	Screw M8 x 20 Hex Hd	2
31	A151008	S.L. Washer 9mm	2

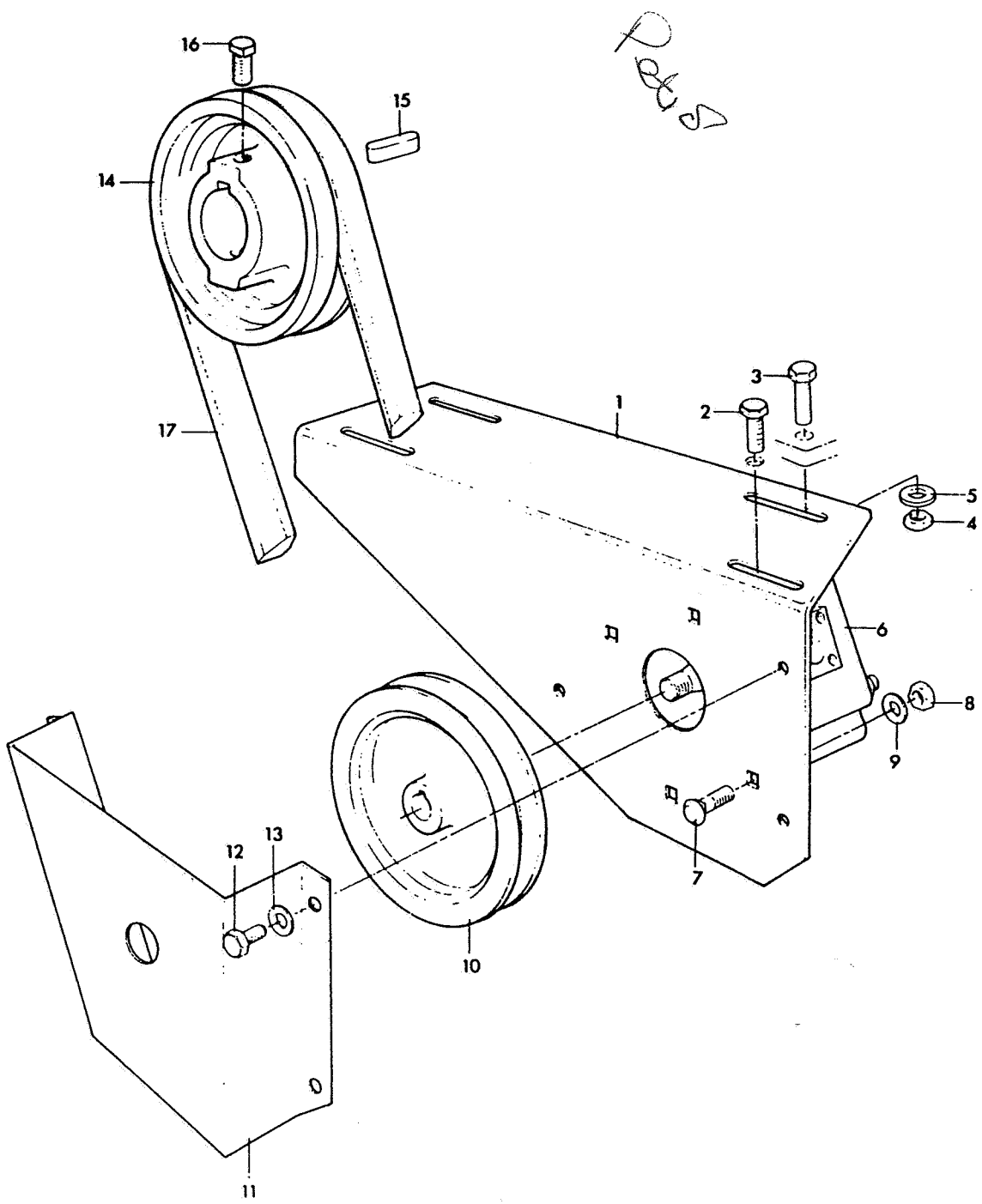
\*Not illustrated

MOTOR 213



REF. No.	PART No.	NAME OF PART	QTY
1	MBC2121	Fan Drive Bracket	1
2	A209180	Bearing	2
3	A102305	Bolt M8 x 25 Sq Neck	2
4	A102304	Bolt M8 x 20 Sq Neck	2
5	A133208	Stiffnut M8	4
6	A150008	Washer 8mm	4
7	MBC2125	Pulley Bracket	1
8	A100318	Bolt M8 x 90	3
9	A150008	Washer 8mm	3
*	A133208	Stiffnut M8	1
*	A110305	Screw M8 x 25	1
10	A102406	Bolt M10 x 30 Sq Neck	1
11	A133210	Stiffnut M10	1
12	A150010	Washer 10mm	1
13	MBC2128	Pulley	1
14	A203602	Bearing	1
15	A170035	Circlip	1
16	A133210	Stiffnut M10	1
17	A150010	Washer 10mm	1
18	MBC2131	Shaft	1
19	MBC2129	Fan Pulley	1
20	A141156	Spirol Pin	1
21	MBC2161	Fan Adaptor	1
22		Fan (Ex Kubota)	
23	A100208	Bolt M6 x 40 Hex Hd	4
24	A150006	Washer 6mm	4
25	A460722	Vee Belt	1
26	MBC2106	Pulley	1
27	A109051	Bolt M10 (1.25) x 50	3
28	A151010	S.L. Washer 10mm	3
29	MBC2107	Pulley	1
30	A100306	Bolt M8 x 30	3
31	A151008	S.L. Washer 8mm	3
32	MBC2110	Bracket	1
*	A119032	Screw	2
*	A151010	S.L. Washer 10mm	2
33	MBC2108	Plate	1
34	A110396	Screw M8 x 16 Hex Hd	2
35	A151008	S.L. Washer 8mm	2
36	A110304	Screw M8 x 20 Hex Hd	1
*	A150008	Washer 8mm	1
*	A133208	Stiffnut M8	1
37	MBC2109	Pump Plate	1
38	A110405	Screw M10 x 25 Hex Hd	3
*	MBB7982	Washer	3
*	A151010	S.L. Washer 10mm	3
*	A130010	Nut M10	3
39	A809604	Pump (see page 59)	1
40	A102208	Bolt M6 x 40 Sq Neck	4
*	A130006	Nut M6	4
*	A150006	Washer 6mm	4
41	MBC2117	Pulley	1
42	MBB8017	Guard	1
43	A110294	Screw M6 x 12 Hex Hd	3
44	A150006	Washer 6mm	3
45	A460937	Vee Belt Set (Matched Pair)	1

\*Not illustrated



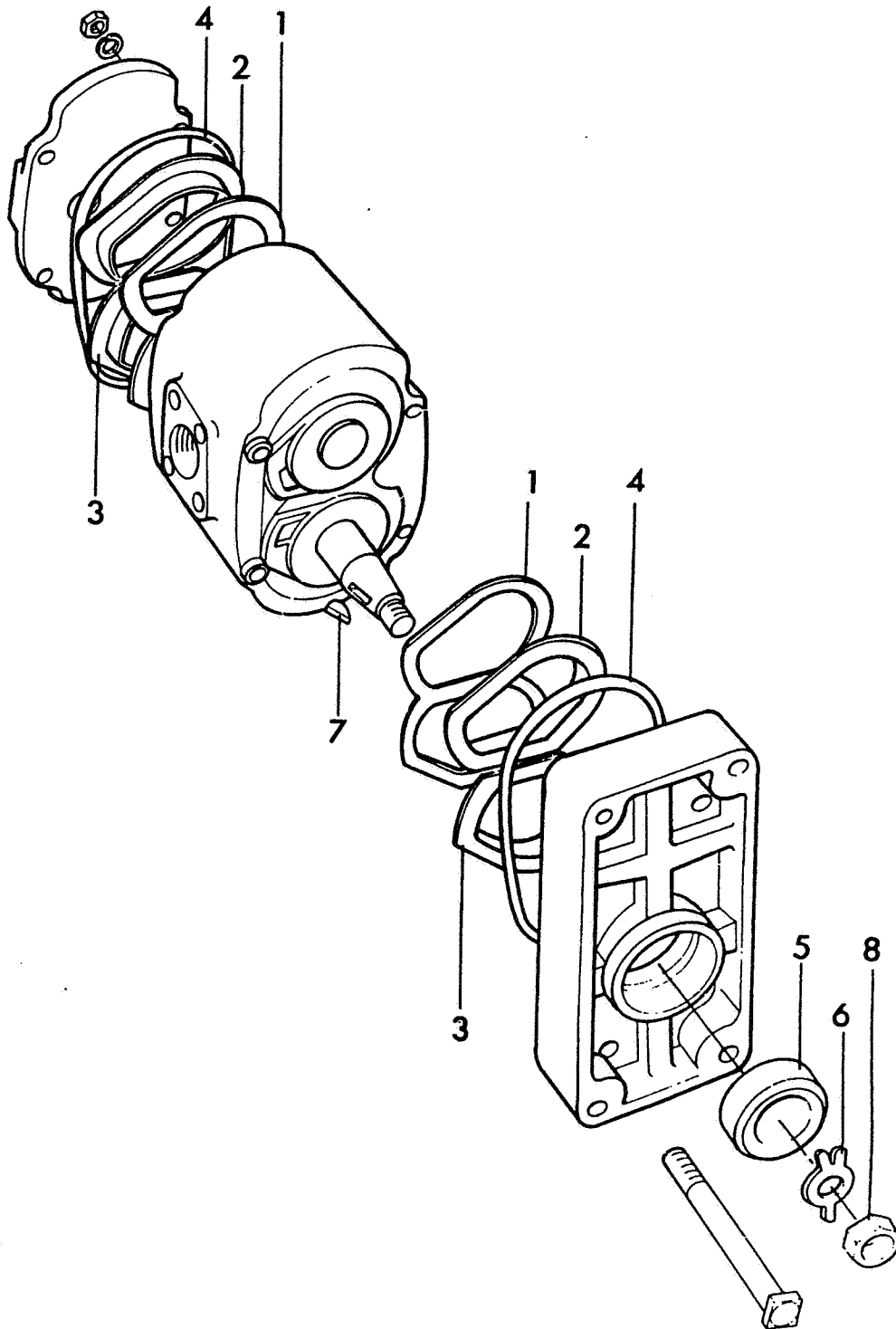


---

---

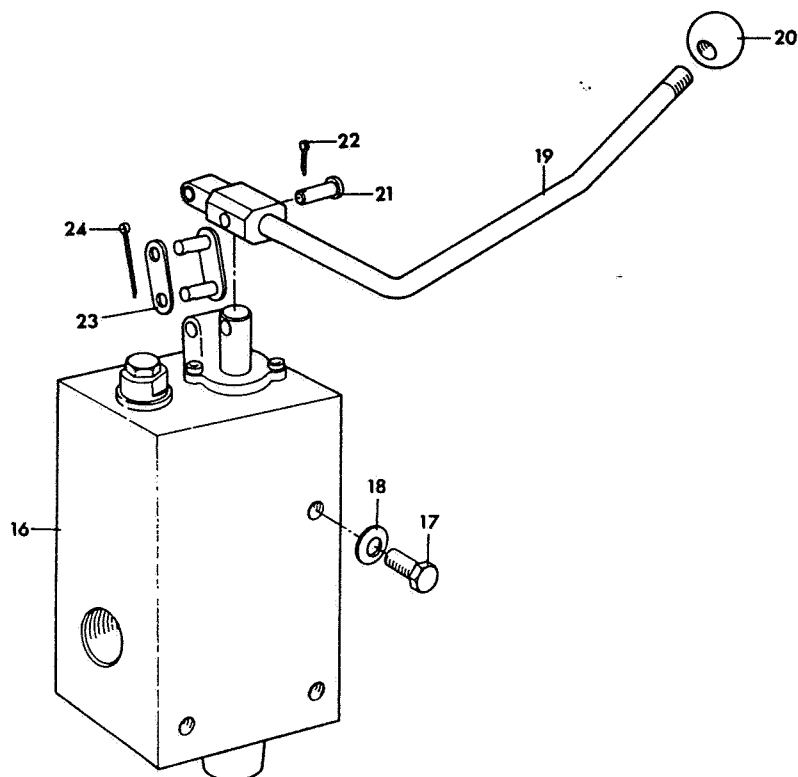
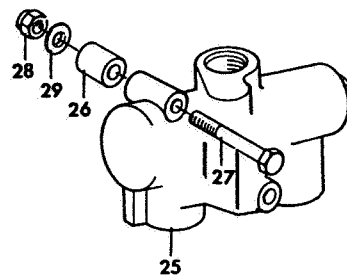
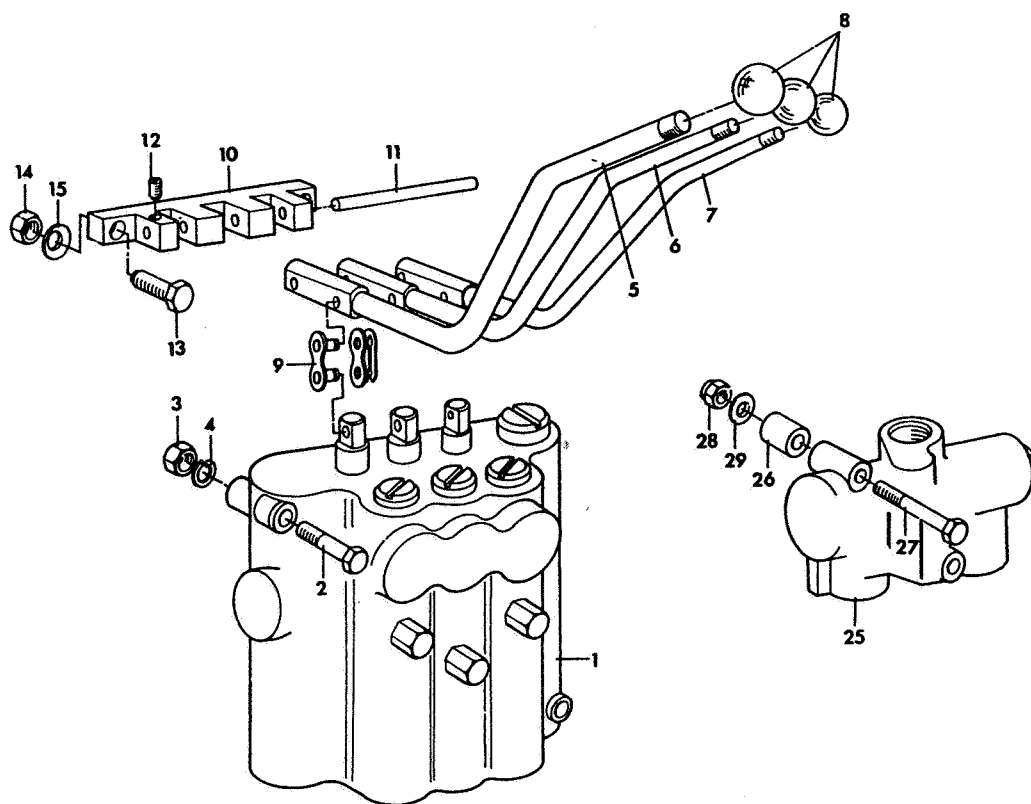
REF. No.	PART No.	NAME OF PART	QTY
1	MBB7790	Bracket	1
2	A110405	Screw M10 x 25 Hex Hd	2
3	A110407	Screw M10 x 35 Hex Hd	2
4	A130010	Nut M10	4
5	MBB7982	Washer	4
6	A809604	Pump (see page 59)	1
7	A102208	Bolt M6 x 40 Cup Hd Sq Neck	4
8	A130006	Nut M6	4
9	A150006	Washer 6mm	4
10	MBB7978	Pump Pulley	1
11	MBB8017	Guard	1
12	A110294	Screw M6 x 12 Hex Hd	3
13	A150006	Washer 6mm	3
14	MBB7979	Engine Pulley	1
15	GSF2202JN	Key	1
16	A114395	Screw M8 x 16 Sq Hd	2
17	A470875	Vee Belt	1
*	MBB8227	Tab Washer (for Ref 3)	2

\*Not illustrated

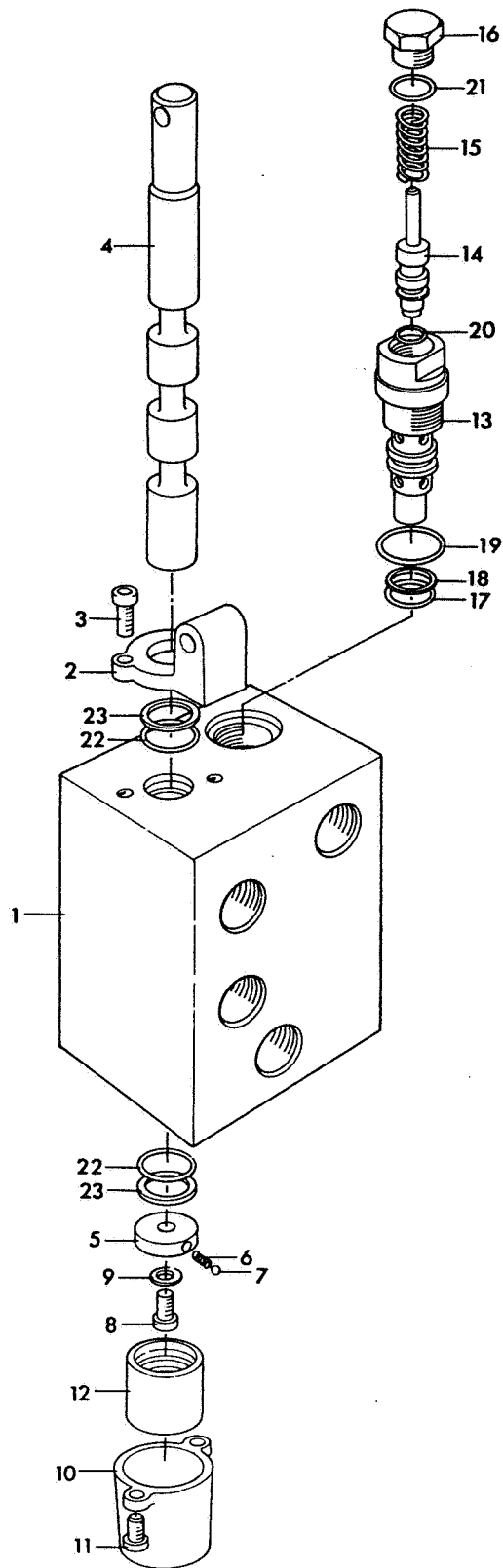


REF. No.	PART No.	NAME OF PART	QTY
	H200492	Seal Kit (Used on more than one Pump Discard Unwanted items)	1
1		Lobe Seal	2
2		Backing Ring	2
3		Backing Ring	2
4		Body Seal	2
5	H200339	Shaft Seal	1
6		Tab Washer	1
7	GSF2230AE	Woodruff Key	1
8	GSF2052AD	Locknut 7/16" UNF	1

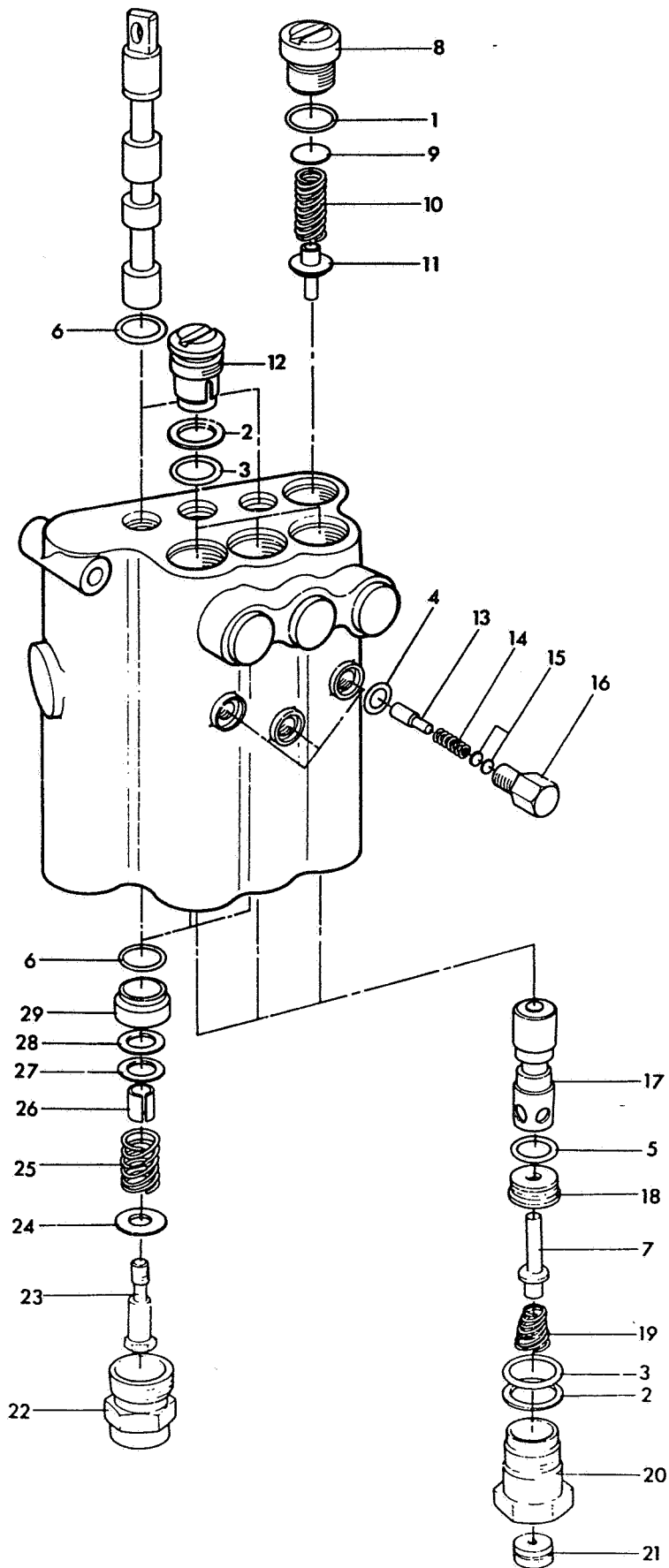
MOTOR 213



REF. No.	PART No.	NAME OF PART	QTY
<b>LIFT CONTROL VALVE</b>			
1	H240146	Valve (see page 65)	1
2	A100210	Bolt M6 x 50 Hex Hd	2
3	A130006	Nut M6	2
4	A151006	S.L. Washer 6mm	2
5	MBB6196	Lever RH	1
6	MBB6198	Lever Centre	1
7	MBB6195	Lever LH	1
8	GSF3650C	Ball Knob	3
9	H042010	Link	3
10	MBB3499	Pivot Block	1
11	MBB3500	Rod	1
12	GSF2020JF	Screw 1/4" UNF x 3/8"	1
13	A110305	Screw M8 x 25 Hex Hd	2
14	A130008	Nut M8	2
15	A292070	Disc Spring	2
<b>MOTOR CONTROL VALVE</b>			
16	A802817	Valve (see page 63)	1
17	A110304	Screw M8 x 20 Hex Hd	3
18	A292070	Disc Spring	3
19	A802823	Handle	1
20	A299030	Ball Knob	1
	A802824	Handle Link Set	1
21		Pin	1
22	A140024	Split Pin	1
23		Link	1
24	A140032	Split Pin	1
<b>FLOW DIVIDER</b>			
25	A802871	Flow Divider (see page 67)	1
26	MBA3008	Spacer	2
27	GSF2001AP	Bolt 1/4" UNF x 2.1/2" Hex Hd	2
28	A139908	Stiffnut 1/4" UNF	2
29	GSF2150C	Washer 1/4"	2

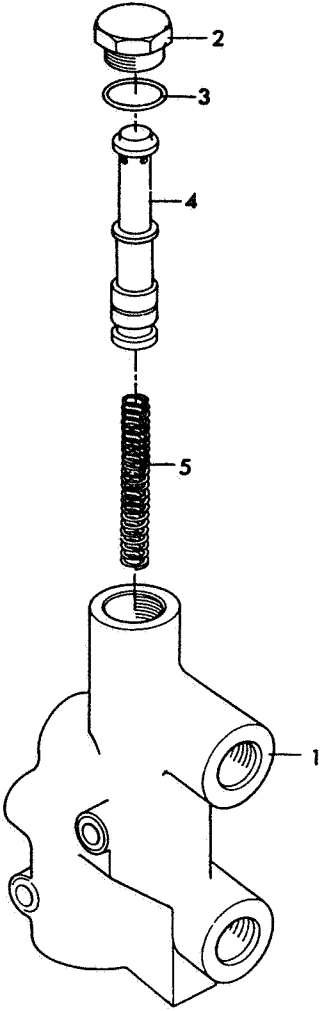


REF. No.	PART No.	NAME OF PART	QTY
1		Body	1
2	A802825	Pivot Mounting	1
3	A120194	Screw M5 x 12 Socket Hd Cap	2
4		Spool	1
5		Carrier	1
6	A802826	Spring	1
7	A802827	Ball	1
8	H111426	Screw M5 x 16 Socket Hd Cap	1
9	A150005	Washer 5mm	1
10	A802829	End Cover	1
11	A120194	Screw M5 x 12 Socket Hd Cap	2
12	A802828	Insert (3 Position Detent)	1
	A802822	Relief Valve	1
13		Valve Body	1
14		Valve	1
15		Spring	1
16		Spring Cap	1
	A802811	Seal Kit	1
17		'O' Ring	1
18		Back-up Washer	1
19		'O' Ring	1
20		Seal	1
21		'O' Ring	1
	A802821	Seal Kit Spool	1
22		'O' Ring	2
23		Back-up Washer	2
	A802820	Seal Kit Complete (cont. A802811 & A802821)	1





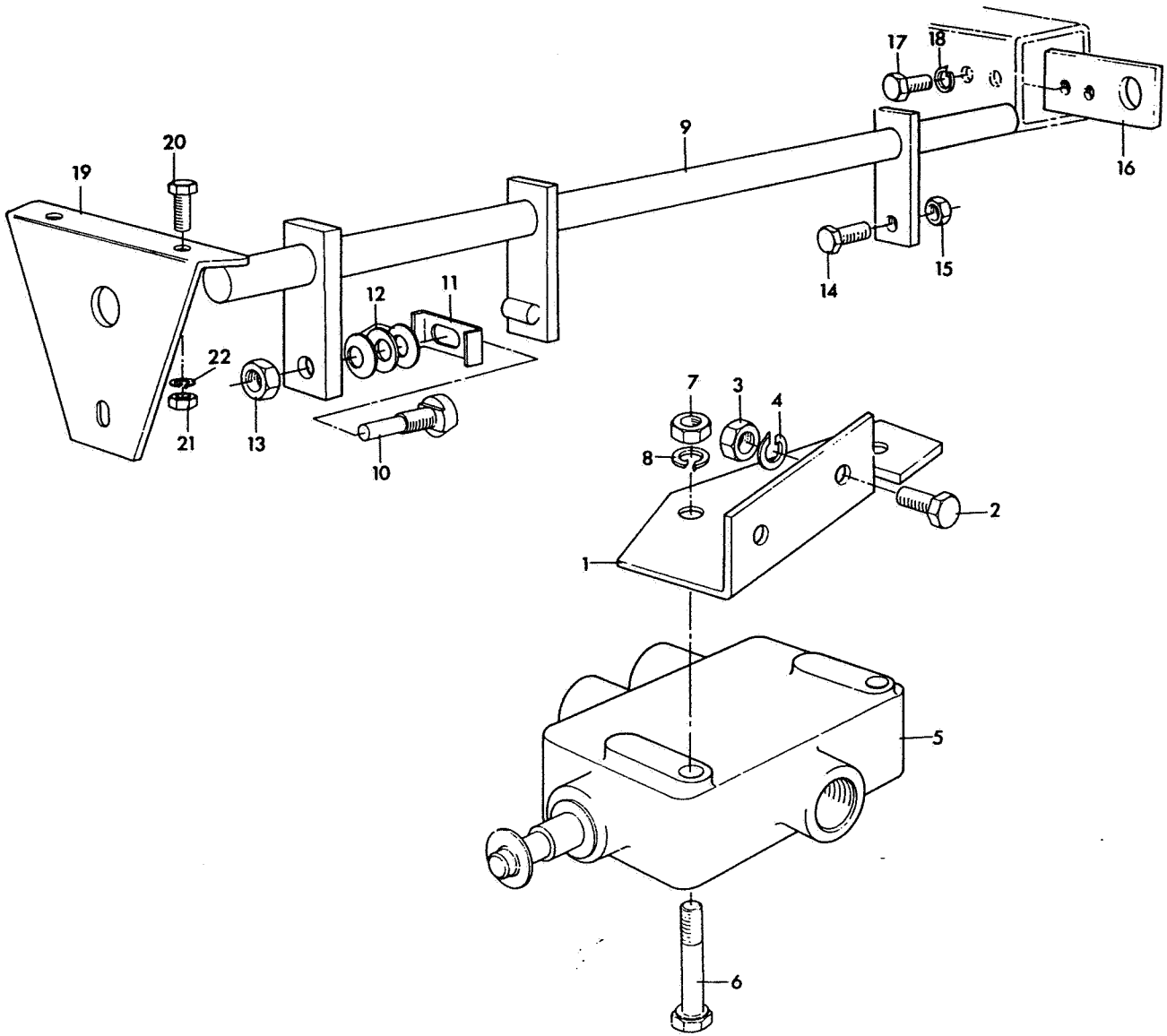
REF. No.	PART No.	NAME OF PART	QTY
	ASKA040	Seal Kit	1
1	GSF3600BN	'O' Ring	1
2	H240016	Back-up Washer	6
3	A221114	'O' Ring	6
4	A221011	'O' Ring	3
5	A221014	'O' Ring	3
6	GSF3600BK	'O' Ring	6
7	H240117	Poppet	3
8	H240137	Slotted Plug	1
9	H240107	Shim .065"	AR
9	H240108	Shim .022"	AR
9	H240109	Shim .035"	AR
10	H240110	Spring - Relief Valve	1
11	H240111	Poppet - Relief Valve	1
12	H240143	Plug	3
13	H240112	Plunger - Detent	3
14	H240113	Spring - Detent	3
15	H240139	Disc	6
16	H240114	Plug - Detent	3
17	H240115	Plunger - Locknut (outer)	2
17	H240123	Plunger - Locknut (centre)	1
18	H240116	Seat	3
19	H240118	Spring Locknut	3
20	H240144	Plug - Port Adaptor	3
21	H240119	Orifice Plate	3
22	H240120	Cap Assy	3
23	H240134	Screw	3
24	H240140	Washer	3
25	H240121	Spring	3
26	H240133	Spacer	3
27	H240138	Washer	3
28	H240141	Washer	3
29	H240122	Bush	3



---

REF. No.	PART No.	NAME OF PART	QTY
1		Body	1
2		Plug	1
3	A221808	'O' Ring	1
4		Piston	1
5		Spring	1

---



**SELECTOR VALVE MOUNTING & OPERATING MECHANISM**

**LIST OF PARTS**

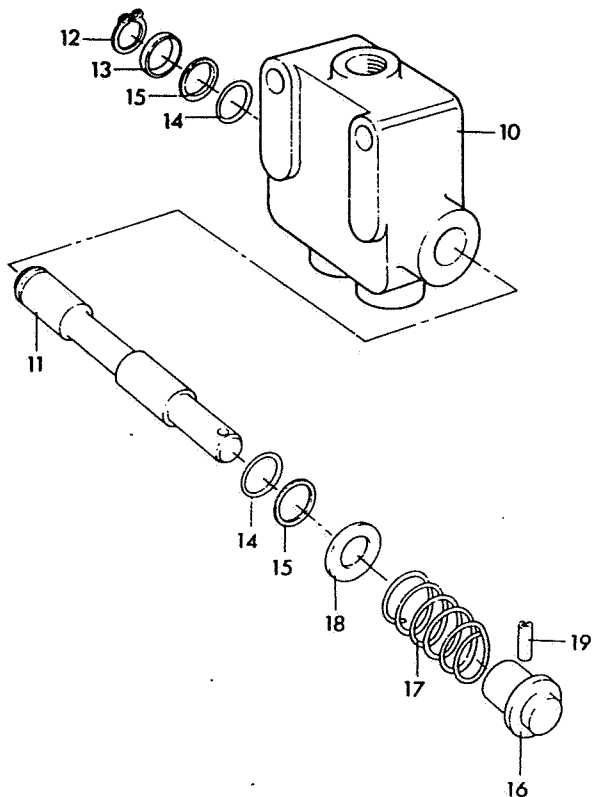
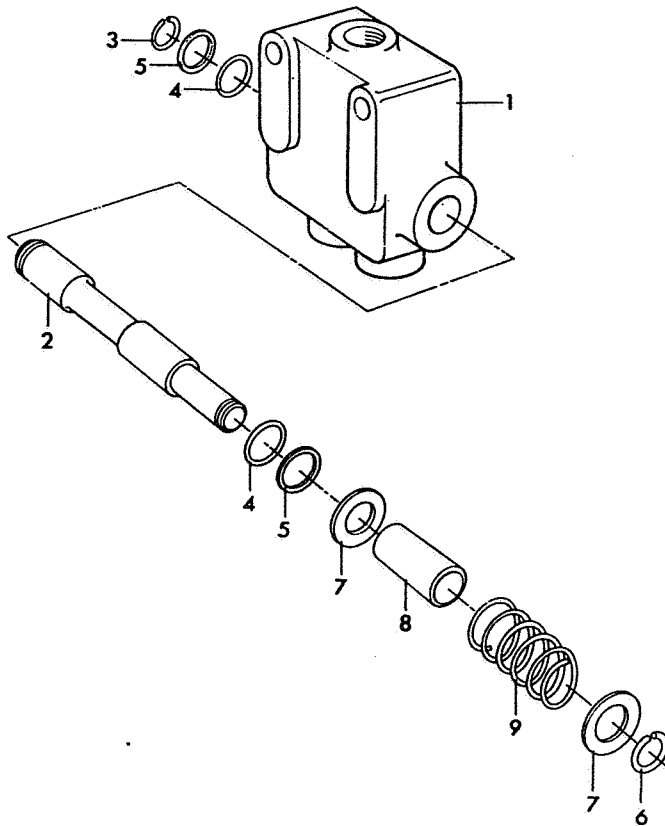
For RH Unit use Quantity Column A

For LH Unit use Quantity Column B

REF. No.	PART No.	NAME OF PART	QTY	
			A	B
1	MBB7970	Bracket RH	1	
*	MBB7984	Bracket LH		1
2	A110305	Screw M8 x 25 Hex Hd	2	2
3	A130008	Nut M8	2	2
4	A151008	S.L. Washer 8mm	2	2
5	MBB7826	Selector Valve (see page 71)	1	1
6	A100312	Bolt M8 x 60 Hex Hd	2	2
7	A130008	Nut M8	2	2
8	A151008	S.L. Washer 8mm	2	2
9	MBB7724	Push Rod Assy	1	1
10	MBB7722	Cam Follower	1	1
11	MBB7723	Retainer	1	1
12	A292070	Disc Spring	3	3
13	A130008	Nut M8	1	1
14	A110305	Screw M8 x 25 Hex Hd	1	1
15	A130008	Nut M8	1	1
16	MBB7827	Bracket (outer)	1	1
17	A110396	Screw M8 x 16 Hex Hd	2	2
18	A151008	S.L. Washer 8mm	2	2
19	MBB7829	Bracket (inner)	1	1
20	A110305	Screw M8 x 25 Hex Hd	2	2
21	A130008	Nut M8	2	2
22	A151008	S.L. Washer 8mm	2	2
<b>CENTRE UNIT SELECTOR VALVE MOUNTING</b>				
*	A802045	Selector Valve (see page 71)		1
*	A100312	Bolt M8 x 60 Hex Hd		2
*	A151008	S.L. Washer 8mm		2

\*Not illustrated

MOTOR 213

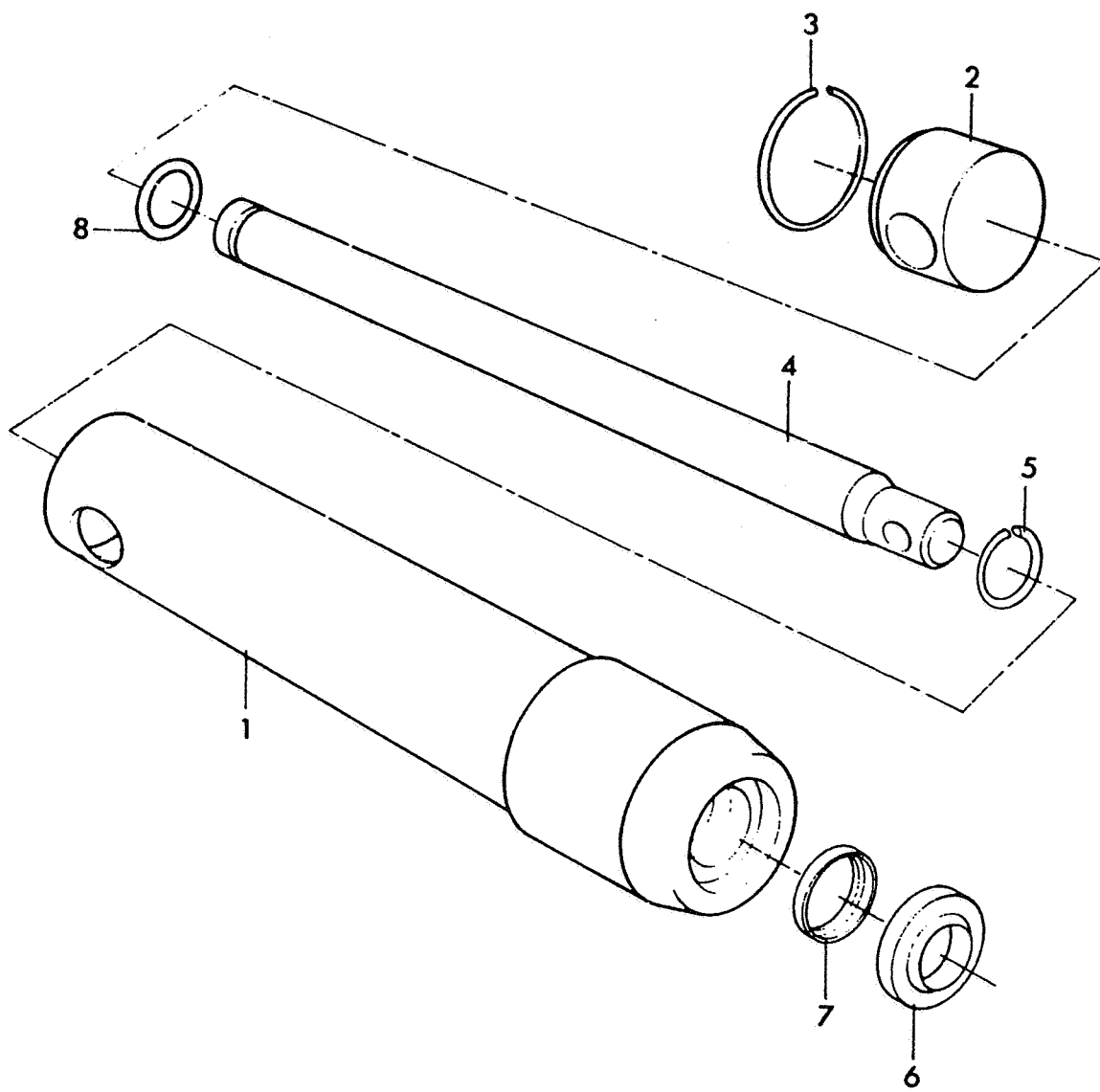


**SELECTOR VALVE (Type A802045 Cessna)**

**LIST OF PARTS**

REF. No.	PART No.	NAME OF PART	QTY
1		Body	1
2		Spindle	1
3	H240089	Snap Ring	1
4	GSF3600BR	'O' Ring	2
5	H240016	Back Up Washer	2
6	H240088	Snap Ring	1
7	H240087	Washer	2
8	H240086	Sleeve	1
9	H240085	Spring	1
		<b>(Type A802045 Webtec)</b>	
10		Body	1
11		Spindle	1
12		Circlip	1
13	H224902	Wiper Seal	1
14	GSF3600BR	'O' Ring	2
15	H240016	Back-up Washer	2
16	A802046	End Cap	1
17	A802047	Spring	1
18		Washer	1
19		Roll Pin	1
		<b>(Type MBB7826 Cessna/Webtec)</b>	
*	MBB7826	Selector Valve (as A802045 Cessna or Webtec but less spring)	

\*Not illustrated





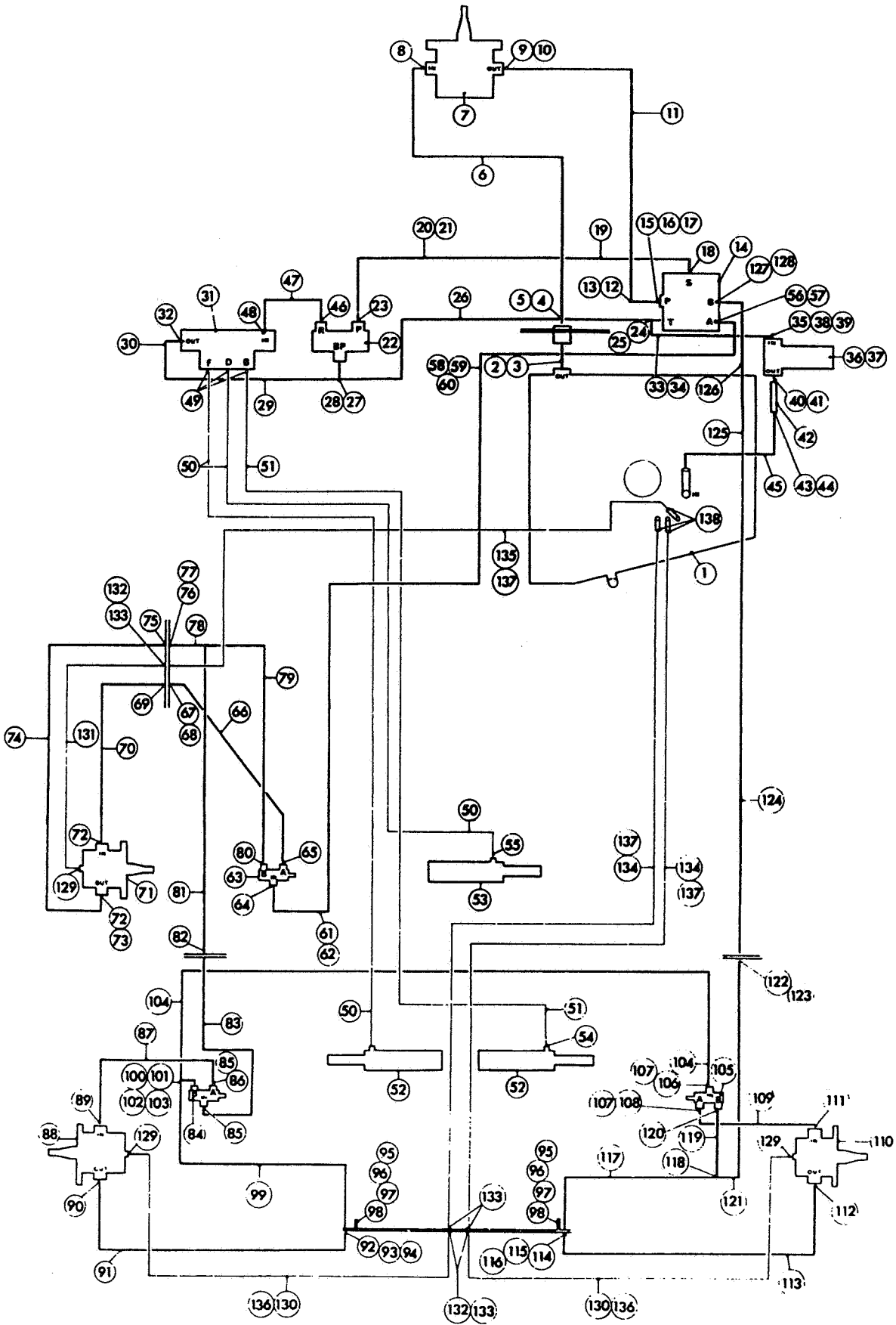
For Front Unit Lift Ram use Quantity Column A

For Rear Unit Lift Ram use Quantity Column B

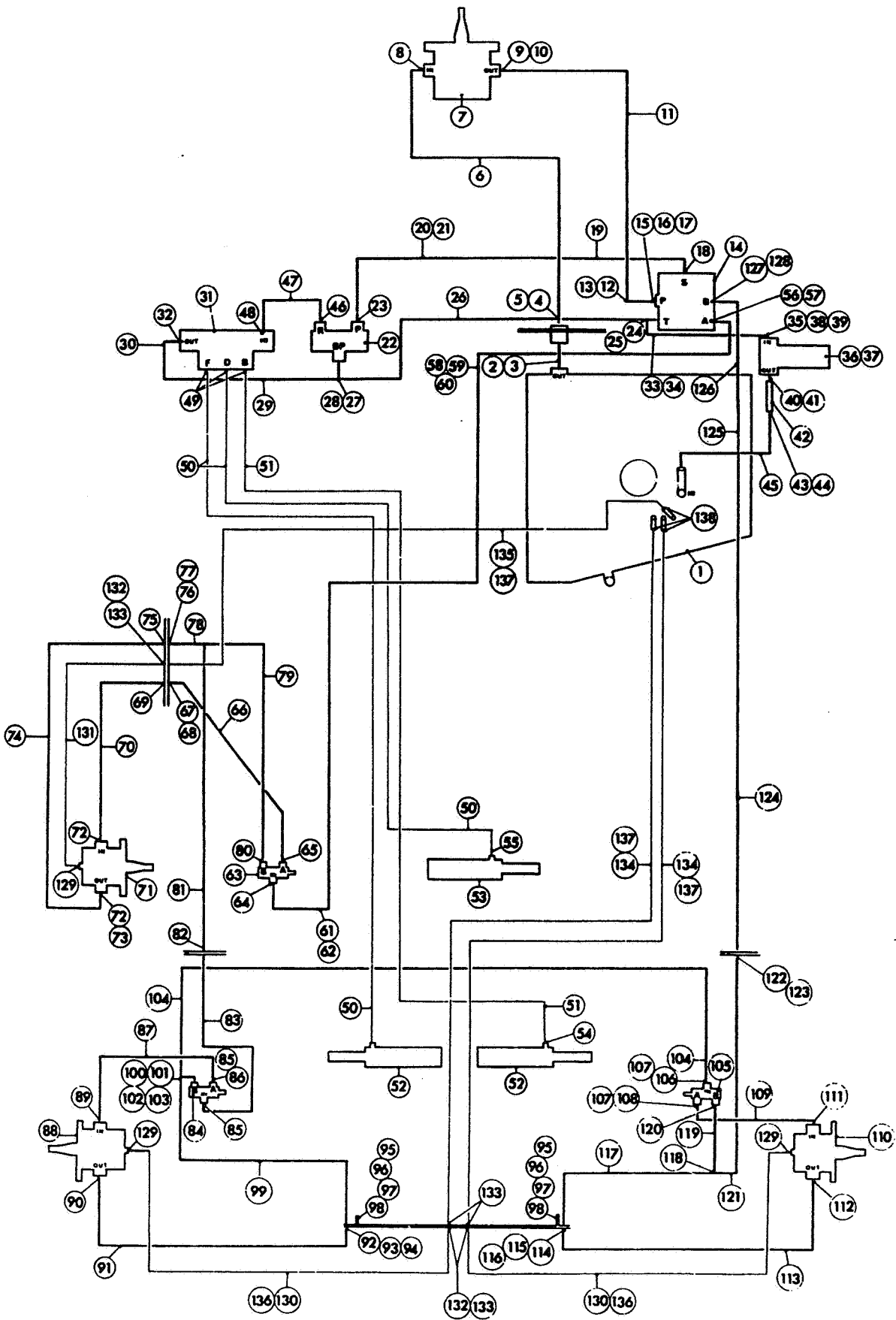
REF. No.	PART No.	NAME OF PART	QTY	
			A	B
	LMAA120	Ram Assembly	2	
	LMAY645D	Ram Assembly		1
1	MBB3137A	Cylinder	1	
*	MBB2592A	Cylinder		1
2	TBA7970	End Plug	1	1
3	TBA7972	Snap Ring	1	1
4	MBB3139	Piston	1	
*	MBA5912	Piston		1
5	TBA7971	Snap Ring	1	1
6	H015100	Wiper Seal	1	1
7	H019055	Seal	1	1
8	GSF3600CN	'O' Ring	1	1
*	A241403	Elbow 90°	1	1

\*Not illustrated

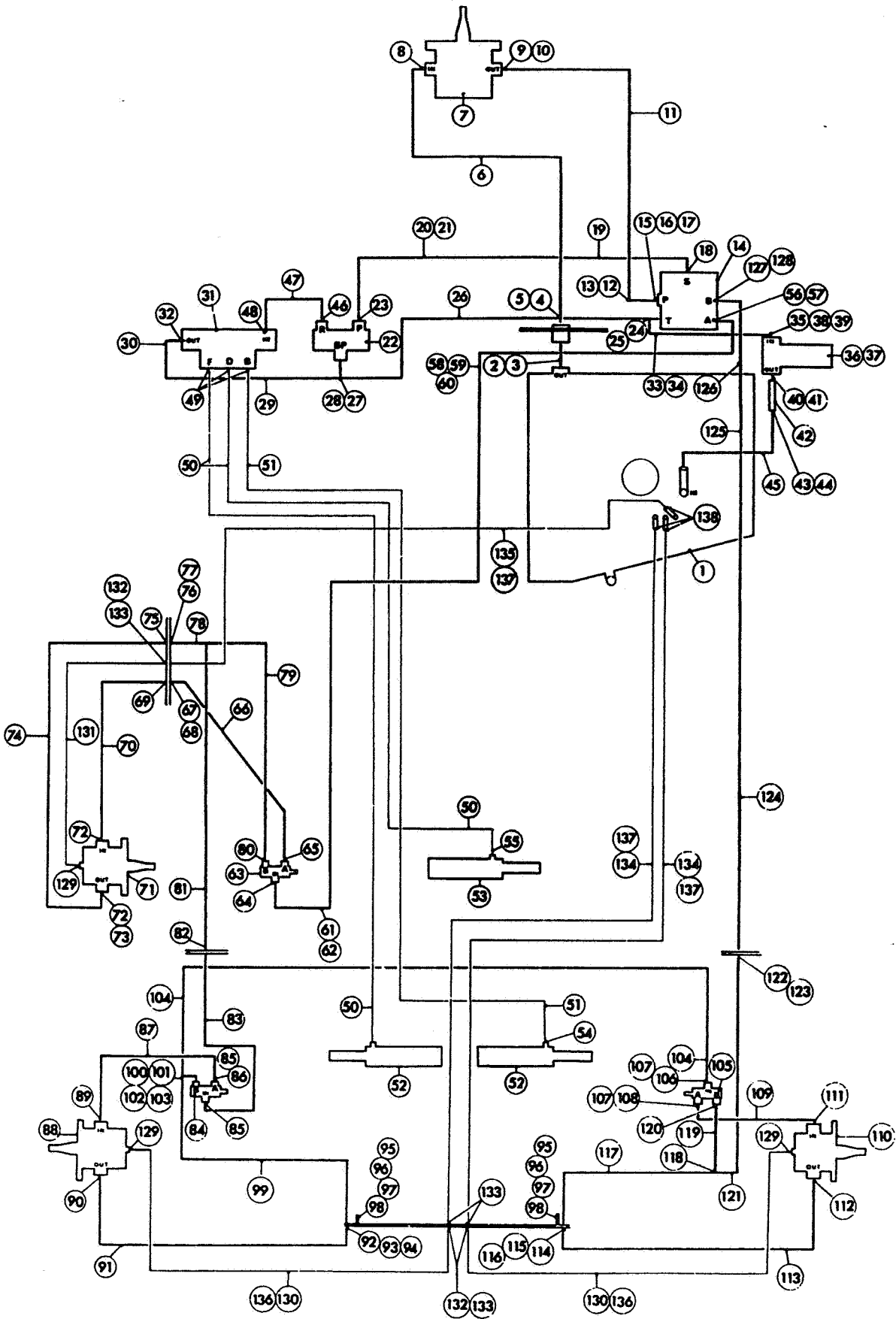
MOTOR 213



REF. No.	PART No.	NAME OF PART	QTY
1	MBB8219	Tank Assy	1
2	A902504 (-7)	Hose (Tank Suction to bulkhead)	1
3	A192255	Hose Clip	2
4	A240010	Adaptor Bulkhead	1
5	A242410	Elbow 135°	1
6	A791802	Hose Assy	1
7	A809604	Pump (see page 59)	1
8	A240900	Adaptor	1
9	A240007	Adaptor	1
10	A242407	Elbow 135°	1
11	MBA6074A	Hose Assy	1
12	A241207	Elbow 90°	1
13	A902140	Tube Assy	1
14	A802817	Motor Control Valve (see page 63)	1
15	A241090	Elbow 90°	1
16	A244900	Test Point	1
17	H014011	Seal	1
18	A240007	Adaptor	1
19	A902159	Tube Assy	1
20	A240207	Connector	1
21	A725129	Hose Assy	1
22	A802871	Flow Divider (see page 67)	1
23	A241052	Elbow 90°	1
24	A241007	Elbow 90°	1
25	A243507	Tee	1
26	A765036	Hose Assy	1
*	A242407	Elbow 135°	1
27	A243152	Tee	1
28	A241448	Elbow 90°	1
29	A902164	Tube Assy	1
30	A241406	Elbow 90°	1
31	H240146	Lift Control Valve (see page 65)	1
32	A240006	Adaptor	1
33	A796501	Hose Assy	1
34	A192220	Hose Clip	1
35	A249365	Elbow 90°	1
36	H290716	Filter Assy (see page 53)	1
37	H290733	Element	1
38	GSF2571AW	Adaptor	1
39	H014019	Seal	1
40	GSF2560AF	Adaptor	1
41	H014019	Seal	2
42	A802948	Non-return Valve	1
43	A249379	Adaptor	1
44	H014019	Seal	1
45	H032112LV	Hose	1
46	A240006	Adaptor	1
47	A902163	Tube Assy	1
48	A240006	Adaptor	1
49	A240032	Adaptor	3
50	A712140	Hose Assy	2
51	A712160	Hose Assy	1
52	LMAA120	Hydraulic Lift Ram (see page 73)	2
53	LMAY645D	Hydraulic Lift Ram (see page 73)	1
54	A241403	Elbow 90°	2
55	A241403	Elbow 90°	1
56	A240007	Adaptor	1
57	A902159	Tube Assy	1
58	A240207	Adaptor	1
59	A725180	Hose	1
60	A295309	Grommet	1



REF. No.	PART No.	NAME OF PART	QTY
61	A240207	Adaptor	1
62	A902129	Tube Assy	1
63	A802045	Selector Valve (see page 71)	1
64	A241007	Elbow 90°	1
65	A240007	Adaptor	1
66	A725057	Tube Assy	1
67	A240307	Adaptor bulkhead	1
68	A242407	Elbow 135°	1
69	A241407	Elbow 90°	1
70	A725062	Hose Assy	1
71	A809204	Hydraulic Motor (see pages 13 & 15)	1
72	A241007	Elbow 90°	2
73	A242407	Elbow 135°	1
74	A725074	Hose Assy	1
75	A241407	Elbow 90°	1
76	A240307	Adaptor bulkhead	1
77	A240507	Connector	1
78	A243207	Tee	1
79	A902172	Tube Assy	1
80	A240007	Adaptor	1
81	A725050	Hose Assy	1
82	A249231	Adaptor bulkhead	1
*	GSF2052AJ	Nut	2
83	A902135	Tube Assy	1
84	MBB7826	Selector Valve (see page 71)	1
85	A241007	Elbow 90°	2
86	A242407	Elbow 135°	1
87	A792513	Hose Assy	1
88	A809203	Hydraulic Motor (see pages 13 & 15)	1
89	A249393	Swivel Joint	1
90	A241007	Elbow 90°	1
91	MBB3024	Hose Assy	1
*	ASKA041	Seal Kit	1
93	A249241	Adaptor Bulkhead	1
94	GSF2052AJ	Nut	2
95	MBB8005	Bracket	2
96	A110305	Screw M8 x 20 Hex Hd	4
97	A130008	Nut M8	4
98	A151008	S.L. Washer 8mm	4
99	A902136	Tube Assy	1
100	A243407	Tee	1
101	A242407	Elbow 135°	1
102	A241407	Elbow 90°	1
103	A240007	Adaptor	1
104	A725074	Hose Assy	1
105	MBB7826	Selector Valve (see page 71)	1
106	A242407	Elbow 135°	1
107	A240007	Adaptor	2
108	A241407	Elbow 90°	1
109	A792513	Hose Assy	1
110	A809204	Hydraulic Motor (see pages 13 & 15)	1
111	A249393	Swivel Joint	1
112	A241007	Elbow 90°	1
113	MBB3024	Hose Assy	1
114	A249393	Swivel Joint	1
*	ASKA041	Seal Kit	1
115	A249243	Adaptor Bulkhead	1
116	GSF2052AJ	Nut	2
117	A902161	Tube Assy	1
118	A243207	Tee	1
119	A902160	Tube Assy	1

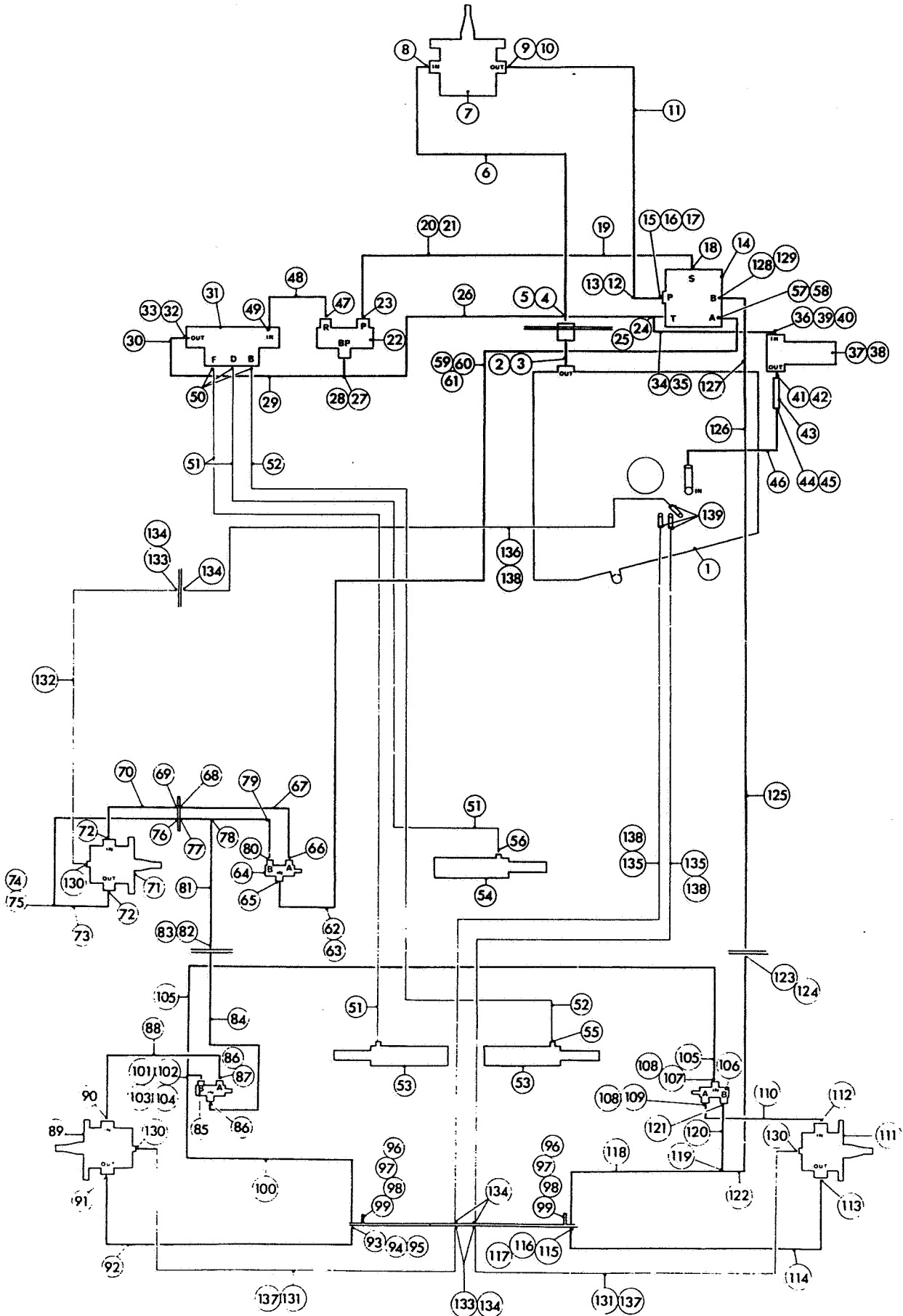


---

REF. No.	PART No.	NAME OF PART	QTY
120	A242007	Elbow 135°	1
121	A902162	Tube Assy	1
122	A249231	Adaptor Bulkhead	1
123	GSF2052AJ	Nut	2
124	A725078	Hose Assy	1
125	A240207	Adaptor	1
126	A902167	Tube Assy	1
127	A240307	Adaptor Bulkhead	1
128	A221810	'O' Ring	1
129	A240003	Adaptor	3
130	A712120	Hose Assy	2
131	A712060	Hose Assy	1
132	A240303	Adaptor Bulkhead	3
133	A241403	Elbow 90°	5
134	A796204	Hose Assy	2
135	A796203	Hose Assy	1
136	H980407	Pipe Clip	2
137	A199203	Cable tie	AR
138	A192212	Hose Clip	3

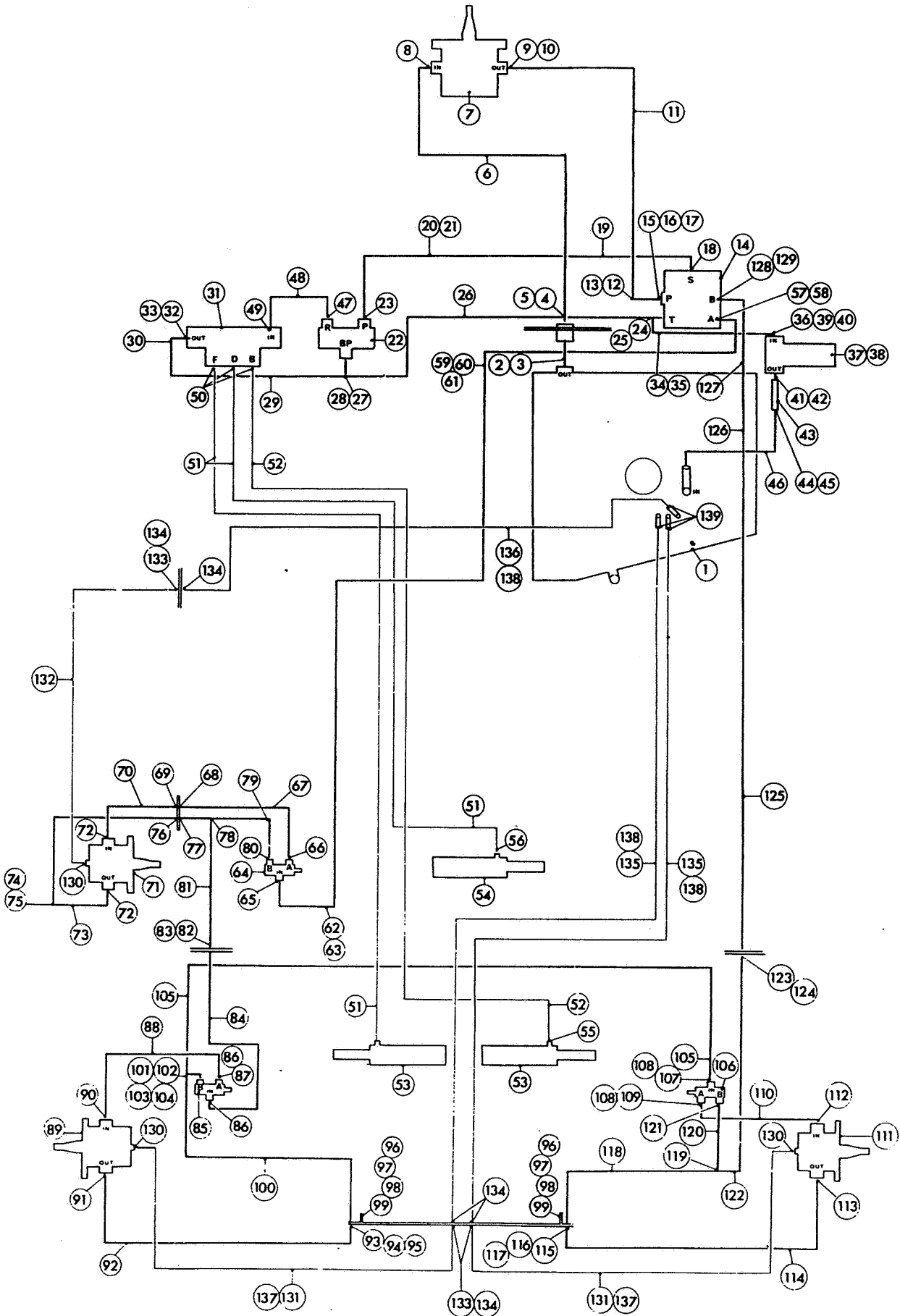
\*Not illustrated

MOTOR 213

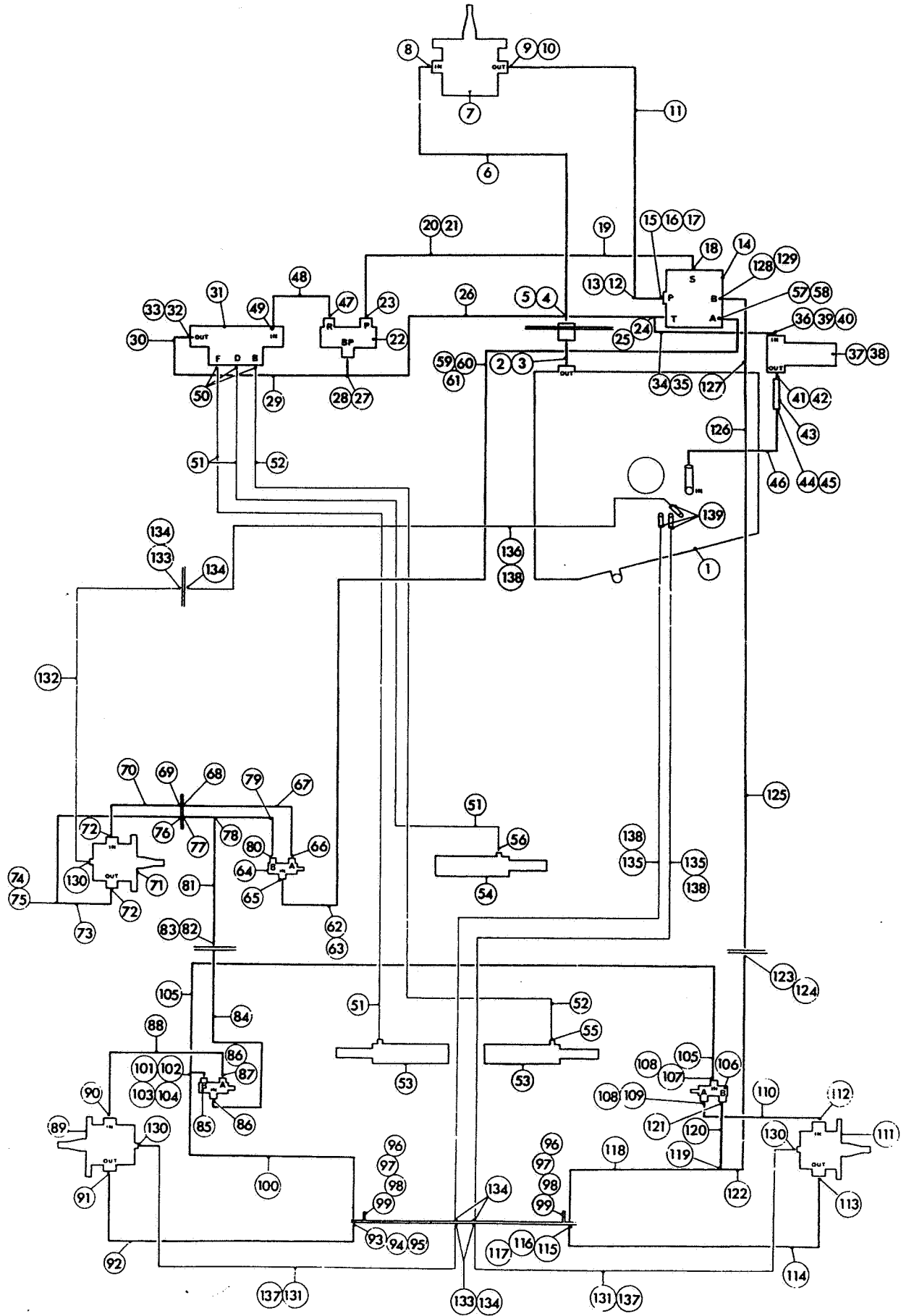




REF. No.	PART No.	NAME OF PART	QTY
1	MBB8216	Tank Assy	1
2	A902504	Hose (Tank Suction to Bulkhead)	1
3	A192255	Hose Clip	2
4	A240010	Adaptor bulkhead	1
5	A242410	Elbow 135°	1
6	A791801	Hose Assy	1
7	A809604	Pump (see page 59)	1
8	A240900	Adaptor	1
9	A240007	Adaptor	1
10	A242407	Elbow 135°	1
11	MBA6074A	Hose Assy	1
12	A241207	Elbow 90°	1
13	A902140	Tube Assy	1
14	A802817	Motor control valve (see page 63)	1
15	A241090	Elbow 90°	1
16	A244900	Test Point	1
17	H014011	Seal	1
18	A240007	Adaptor	1
19	A902159	Tube Assy	1
20	A240207	Connector	1
21	A725129	Hose Assy	1
22	A802871	Flow Divider (see page 67)	1
23	A241052	Elbow 90°	1
24	A241007	Elbow 90°	1
25	A243407	Tee	1
26	A765038	Hose Assy	1
27	A243152	Tee	1
28	A241448	Elbow 90°	1
29	A902164	Tube Assy	1
30	A241406	Elbow 90°	1
31	H240146	Lift control valve (see page 65)	1
32	A240006	Adaptor	1
33	A242006	Elbow 135°	1
34	A796501	Hose Assy	1
35	A192220	Hose Clip	1
36	A249365	Elbow 90°	1
37	H290716	Filter Assy (see page 53)	1
38	H290733	Element	1
39	GSF2571AW	Adaptor	1
40	H014019	Seal	1
41	GSF2560AF	Adaptor	1
42	H014019	Seal	2
43	A802948	Non-return valve	1
44	A249379	Adaptor	1
45	H014019	Seal	1
46	H032112LV	Hose	1
47	A240006	Adaptor	1
48	A902163	Tube Assy	1
49	A240006	Adaptor	1
50	A240032	Adaptor	3
51	A712140	Hose Assy	2
52	A712160	Hose Assy	1
53	LMAA120	Hydraulic Lift Ram (see page 73)	2
54	LMAY645D	Hydraulic Lift Ram (see page 73)	1
55	A241403	Elbow 90°	2
56	A241403	Elbow 90°	1
57	A240007	Adaptor	1
58	A902159	Tube Assy	1
59	A240207	Adaptor	1
60	A725180	Hose	1
61	A295309	Grommet	1



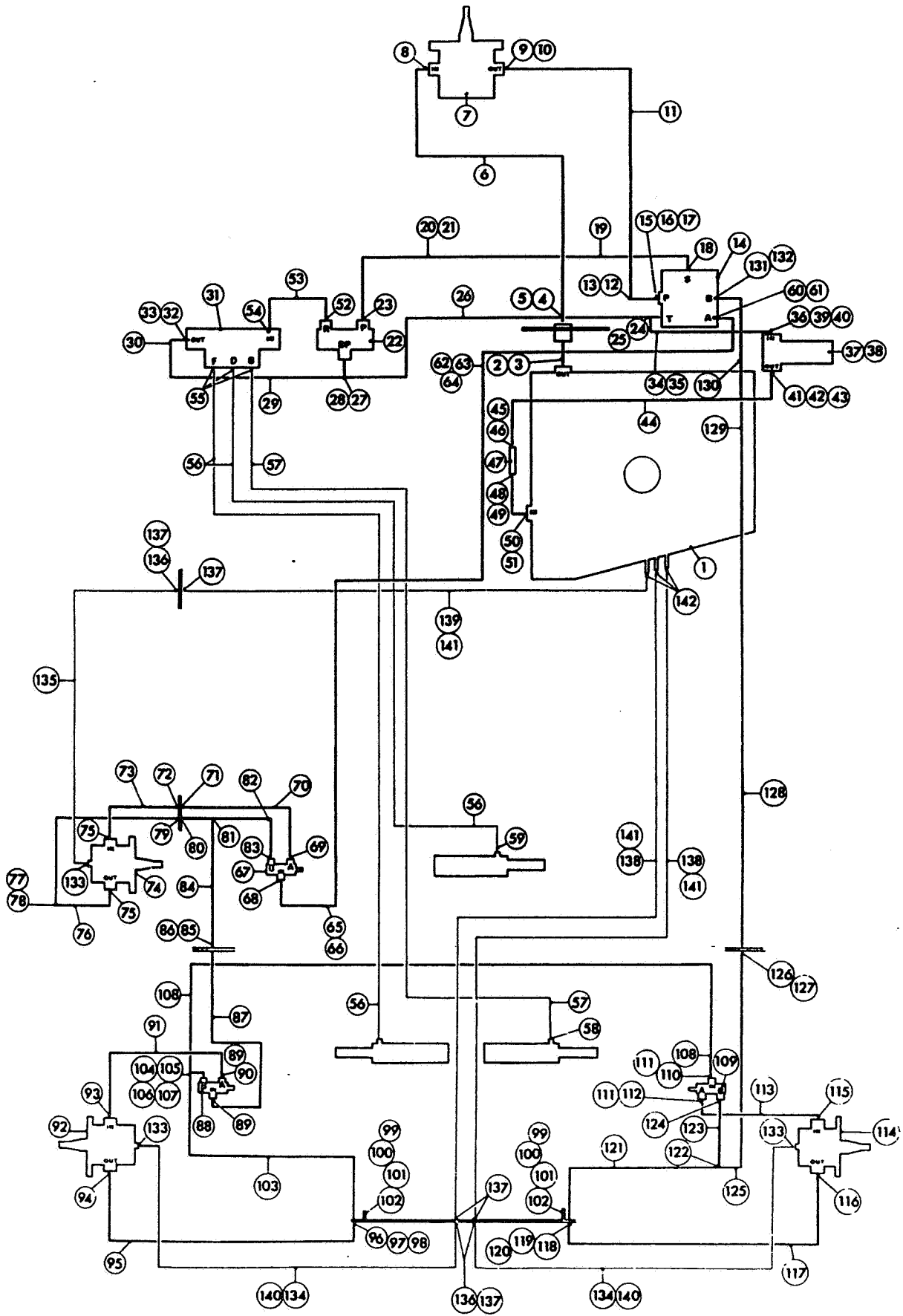
REF. No.	PART No.	NAME OF PART	QTY
62	A240207	Adaptor	1
63	A902129	Tube Assy	1
64	A802045	Selector Valve (see page 71)	1
65	A241007	Elbow 90°	1
66	A240007	Adaptor	1
67	A902165	Tube Assy	1
68	A240307	Adaptor Bulkhead	1
69	A241407	Elbow 90°	1
70	A725062	Hose Assy	1
71	A809204	Hydraulic Motor (see pages 13 & 15)	1
72	A240007	Adaptor	2
73	MBB3651	Tube Assy	1
74	A240207	Adaptor	1
75	A725074	Hose Assy	1
76	A241407	Elbow 90°	1
77	A240307	Adaptor Bulkhead	1
78	A243507	Tee	1
79	A902166	Tube Assy	1
80	A240007	Adaptor	1
81	A725050	Hose Assy	1
82	A249231	Adaptor Bulkhead	1
83	GSF2052AJ	Nut	2
84	A902135	Tube Assy	1
85	MBB7826	Selector Valve (see page 71)	1
86	A241007	Elbow 90°	2
87	A242407	Elbow 135°	1
88	A792513	Hose Assy	1
89	A809203	Hydraulic Motor (see pages 13 & 15)	1
90	A249393	Swivel Joint	1
91	A241007	Elbow 90°	1
92	MBB3024	Hose Assy	1
93	A249393	Swivel Joint	1
*	ASKA041	Seal Kit	1
94	A249241	Adaptor Bulkhead	1
95	GSF2052AJ	Nut	2
96	MBB8005	Bracket	2
97	A110305	Screw M8 x 20 Hex Hd	4
98	A130008	Nut M8	4
99	A151008	S.L. Washer 8mm	4
100	A902136	Tube Assy	1
101	A243407	Tee	1
102	A242407	Elbow 135°	1
103	A241407	Elbow 90°	1
104	A240007	Adaptor	1
105	A725074	Hose Assy	1
106	MBB7826	Selector Valve (see page 71)	1
107	A242407	Elbow 135°	1
108	A240007	Adaptor	2
109	A241407	Elbow 90°	1
110	A792513	Hose Assy	1
111	A809204	Hydraulic Motor (see pages 13 & 15)	1
112	A249393	Swivel Joint	1
113	A241007	Elbow 90°	1
114	MBB3024	Hose Assy	1
115	A249393	Swivel Joint	1
*	ASKA041	Seal Kit	1
116	A249243	Adaptor Bulkhead	1
117	GSF2052AJ	Nut	2
118	A902161	Tube Assy	1
119	A243207	Tee	1
120	A902160	Tube Assy	1



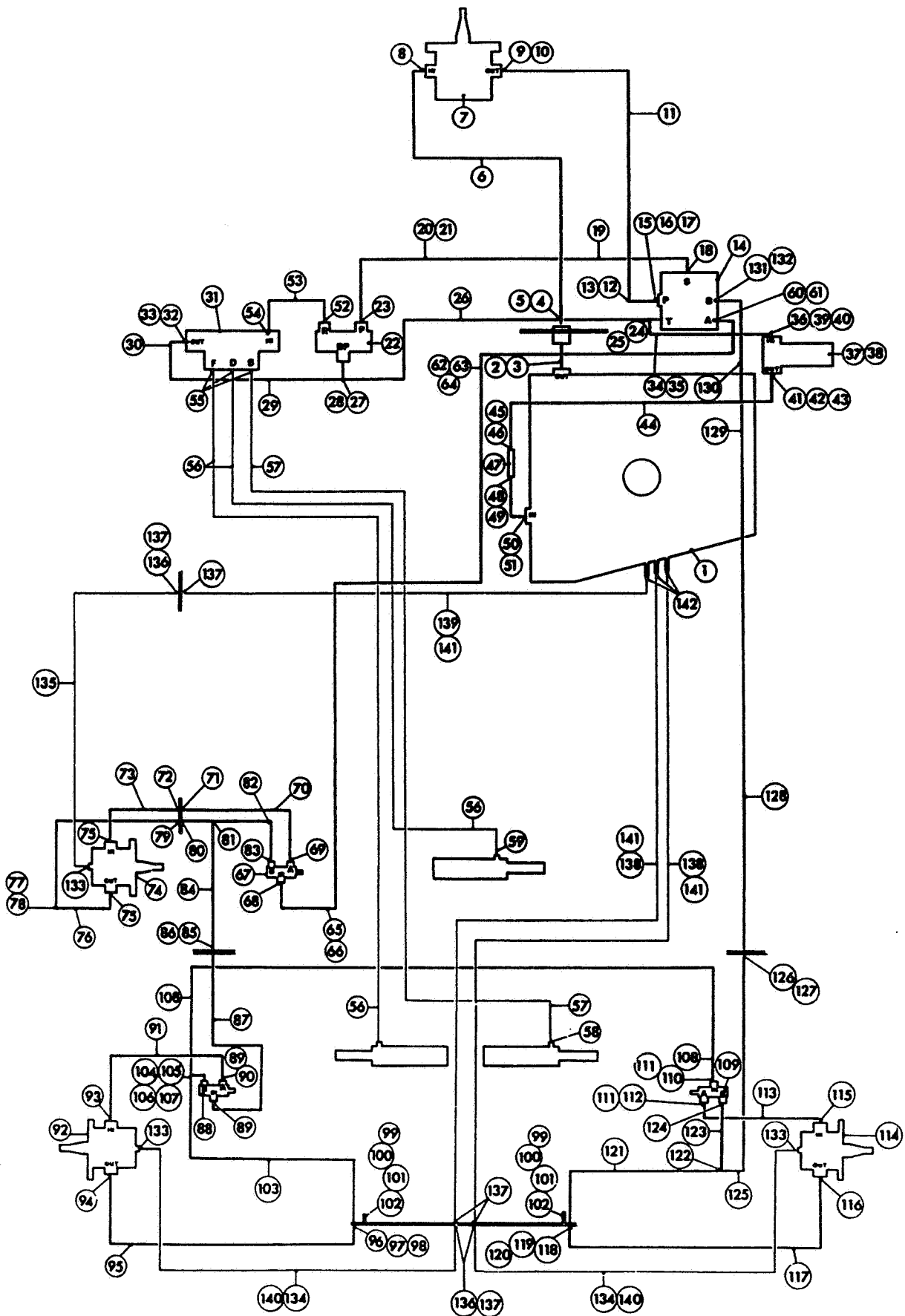
---

REF. No.	PART No.	NAME OF PART	QTY
121	A242007	Elbow 135°	1
122	A902162	Tube Assy	1
123	A249231	Adaptor Bulkhead	1
124	GSF2052AJ	Nut	2
125	A725078	Hose Assy	1
126	A240207	Adaptor	1
127	A902167	Tube Assy	1
128	A240307	Adaptor Bulkhead	1
129	A221810	'O' Ring	1
130	A241003	Elbow 90°	3
131	A712120	Hose Assy	2
132	A712060	Hose Assy	1
133	A240303	Adaptor Bulkhead	3
134	A241403	Elbow 90°	6
135	A796204	Hose Assy	2
136	A796203	Hose Assy	1
137	H980407	Pipe Clip	2
138	A199203	Cable tie	AR
139	A192212	Hose Clip	3

\*Not illustrated

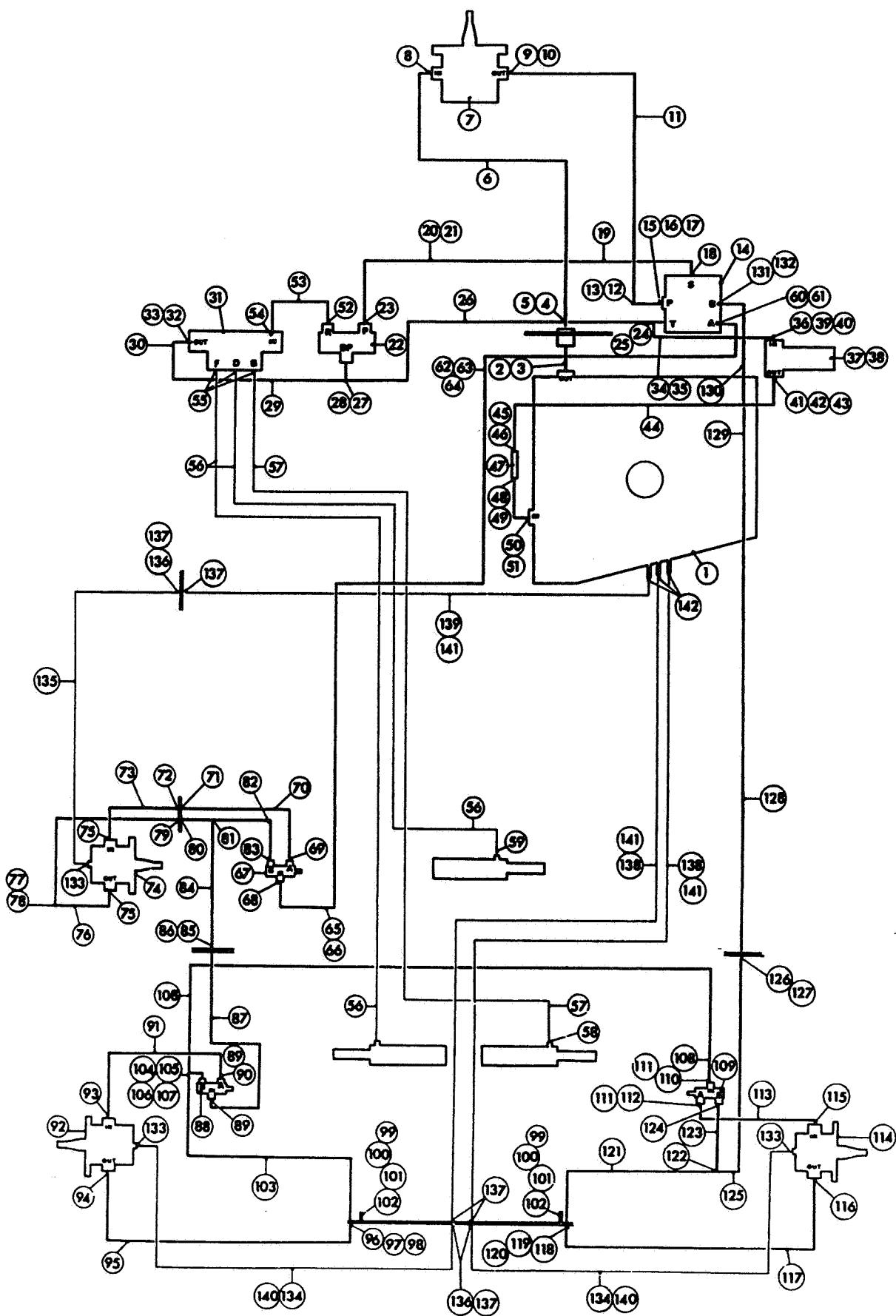


REF. No.	PART No.	NAME OF PART	QTY
1	MBB7909	Tank Assy	1
2	A902504	Hose (Tank Suction to Bulkhead)	1
3	A192255	Hose Clip	2
4	A240010	Adaptor Bulkhead	1
5	A242410	Elbow 135°	1
6	A791801	Hose Assy	1
7	A809604	Pump (see page 59)	1
8	A240900	Adaptor	1
9	A240007	Adaptor	1
10	A242407	Elbow 135°	1
11	MBA6074A	Hose Assy	1
12	A241207	Elbow 90°	1
13	A902140	Tube Assy	1
14	A802817	Motor Control Valve (see page 63)	1
15	A241090	Elbow 90°	1
16	A244900	Test Point	1
17	H014011	Seal	1
18	A240007	Adaptor	1
19	A902159	Tube Assy	1
20	A240207	Connector	1
21	A725129	Hose Assy	1
22	A802871	Flow Divider (see page 67)	1
23	A241052	Elbow 90°	1
24	A241007	Elbow 90°	1
25	A243507	Tee	1
26	A765038	Hose Assy	1
27	A243152	Tee	1
28	A241448	Elbow 90°	1
29	A902164	Tube Assy	1
30	A241406	Elbow 90°	1
31	H240146	Lift Control Valve (see page 65)	1
32	A240006	Adaptor	1
33	A242006	Elbow 135°	1
34	A796501	Hose Assy	1
35	A192230	Hose Clip	1
36	A249365	Elbow 90°	1
37	H290716	Filter Assy	1
38	H290733	Element	1
39	GSF2571AW	Adaptor	1
40	H014019	Seal	1
41	A249388	Elbow 90°	1
42	GSF2570AF	Adaptor	1
43	H014019	Seal	1
44	A902158	Tube Assy	1
45	A249394	Adaptor	2
46	H014019	Seal	2
47	A802948	Non-return valve	1
48	MBB8157	Adaptor	1
49	H014019	Seal	1
50	A249395	Elbow 90°	1
51	H014019	Seal	1
52	A240006	Adaptor	1
53	A902163	Tube Assy	1
54	A240006	Adaptor	1
55	A240032	Adaptor	3
56	A712140	Hose Assy	2
57	A712160	Hose Assy	1
58	A241403	Elbow 90°	2
59	A241403	Elbow 90°	1
60	A240007	Adaptor	1
61	A902159	Tube Assy	1



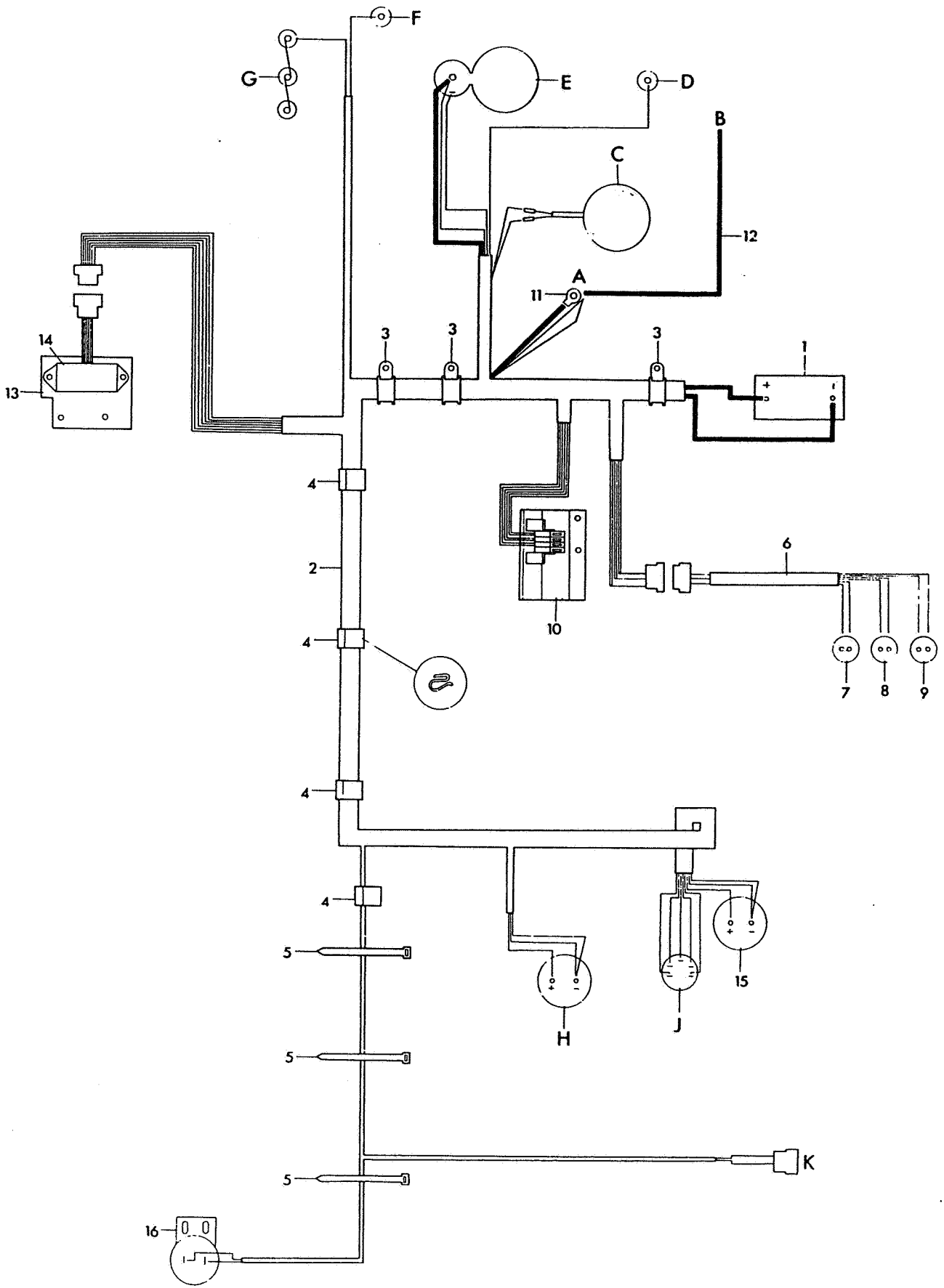


REF. No.	PART No.	NAME OF PART	QTY
62	A240207	Adaptor	1
63	A725180	Hose	1
64	A295309	Grommet	1
65	A240207	Adaptor	1
66	A902129	Tube Assy	1
67	A802045	Selector Valve (see page 71)	1
68	A241007	Elbow 90°	1
69	A240007	Adaptor	1
70	A902165	Tube Assy	1
71	A240307	Adaptor Bulkhead	1
72	A241407	Elbow 90°	1
73	A725062	Hose Assy	1
74	A809204	Hydraulic Motor (see pages 13 & 15)	1
75	A240007	Adaptor	2
76	MBB3651	Tube Assy	1
77	A240207	Adaptor	1
78	A725071	Hose Assy	1
79	A241407	Elbow 90°	1
80	A240307	Adaptor Bulkhead	1
81	A243507	Tee	1
82	A902166	Tube Assy	1
83	A240007	Adaptor	1
84	A725050	Hose Assy	1
85	A249231	Adaptor Bulkhead	1
86	GSF2052AJ	Nut	2
87	A902135	Tube Assy	1
88	MBB7826	Selector Valve (see page 71)	1
89	A241007	Elbow 90°	2
90	A242407	Elbow 135°	1
91	A792513	Hose Assy	1
92	A809203	Hydraulic Motor (see pages 13 & 15)	1
93	A249393	Swivel Joint	1
94	A241007	Elbow 90°	1
95	MBB3024	Hose Assy	1
96	A249393	Swivel Joint	1
*	ASKA041	Seal Kit	1
97	A249241	Adaptor Bulkhead	1
98	GSF2052AJ	Nut	2
99	MBB8005	Bracket	2
100	A110305	Screw M8 x 20 Hex Hd	4
101	A130008	Nut M8	4
102	A151008	S.L. Washer 8mm	4
103	A902136	Tube Assy	1
104	A243407	Tee	1
105	A242407	Elbow 135°	1
106	A241407	Elbow 90°	1
107	A240007	Adaptor	1
108	A725074	Hose Assy	1
109	MBB7826	Selector Valve (see page 71)	1
110	A242407	Elbow 135°	1
111	A240007	Adaptor	2
112	A241407	Elbow 90°	1
113	A792513	Hose Assy	1
114	A809204	Hydraulic Motor (see pages 13 & 15)	1
115	A249393	Swivel Joint	1
116	A241007	Elbow 90°	1
117	MBB3024	Hose Assy	1
118	A249393	Swivel Joint	1
*	ASKA041	Seal Kit	1
119	A249243	Adaptor Bulkhead	1
120	GSF2052AJ	Nut	2



REF. No.	PART No.	NAME OF PART	QTY
121	A902161	Tube Assy	1
122	A243207	Tee	1
123	A902160	Tube Assy	1
124	A242007	Elbow 135°	1
125	A902162	Tube Assy	1
126	A249231	Adaptor Bulkhead	1
127	GSF2052AJ	Nut	2
128	A725078	Hose Assy	1
129	A240207	Adaptor	1
130	A902167	Tube Assy	1
131	A240307	Adaptor Bulkhead	1
132	A221810	'O' Ring	1
133	A241003	Elbow 90°	3
134	A712120	Hose Assy	2
135	A712060	Hose Assy	1
136	A240303	Adaptor Bulkhead	3
137	A241403	Elbow 90°	6
138	A796204	Hose Assy	2
139	A796203	Hose Assy	1
140	H980407	Pipe Clip	2
141	A199203	Cable tie	AR
142	A192212	Hose Clip	3

\*Not illustrated

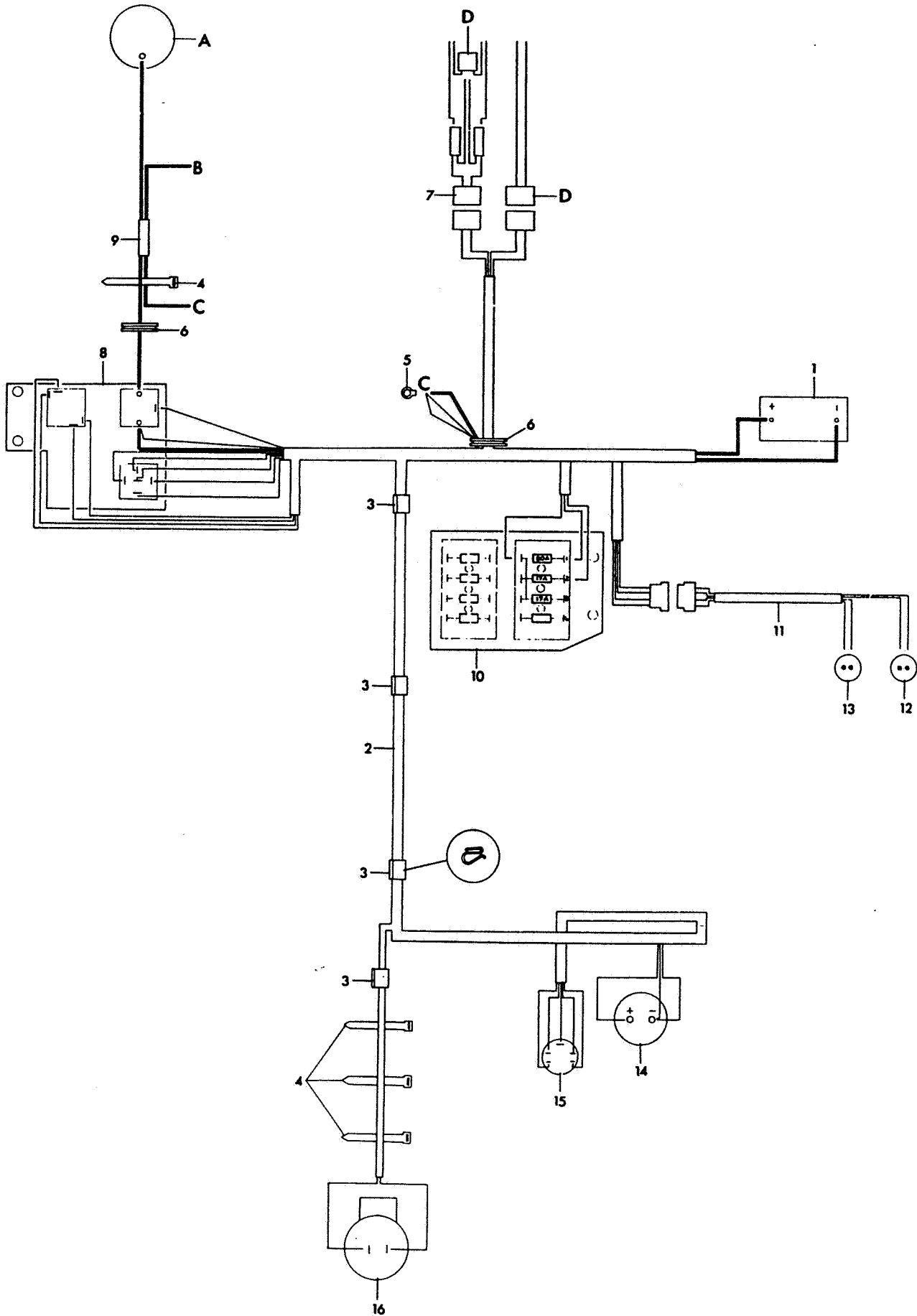


REF. No.	PART No.	NAME OF PART	QTY
1	A823004	Battery	1
2	A905217	Wiring Harness	1
3	H980031	Clip	3
*	A112396	Screw M8 x 16	3
*	A130008	Nut M8	3
*	A151008	S.L. Washer 8mm	3
4	H499006	Pipe Clip	4
5	A199201	Cable tie	6
6	MBC2198	Aux Harness	1
7	A823119	Oil Warning Light	1
8	A829851	Horn Push Button	1
9	A823118	Ign Warning Light	1
10	MBC2202	Fuse Bracket	1
	MBC2201	Fuse Block Assy	1
*	A823315	Fuse 5 Amp	2
*	A181423	Screw M3 x 10	2
*	A182003	Nut M3	2
*	A186303	Washer 3mm	2
*	A110296	Screw M6 x 16	2
*	A130006	Nut M6	2
*	A151006	S.L. Washer 6mm	2
11	H400010	Tab	2
12	MBC2199	Engine Earth Cable	1
13	MBC2200	Regulator Bracket	1
14		Regulator (Ex Kubota)	1
*	A110208	Screw M6 x 40	2
*	A110296	Screw M6 x 16	2
*	A130006	Nut M6	4
*	A151006	S.L. Washer 6mm	4
15	H499451	Hour Meter	1
16	H400004	Horn	1
*	A112194	Screw M5 x 12	2
*	A130005	Nut M5	2
*	A151005	S.L. Washer 5mm	2

**Destinations**

A – Chassis Earth  
 B – Engine Earth  
 C – Alternator  
 D – Oil Pressure Sender  
 E – Starter and Solenoid  
 F – Water Temperature Gauge  
 G – Glow Plugs  
 H – Water Temperature Gauge  
 J – Key Switch  
 K – Pre-set Connector – Wash/Wipe

\*Not illustrated

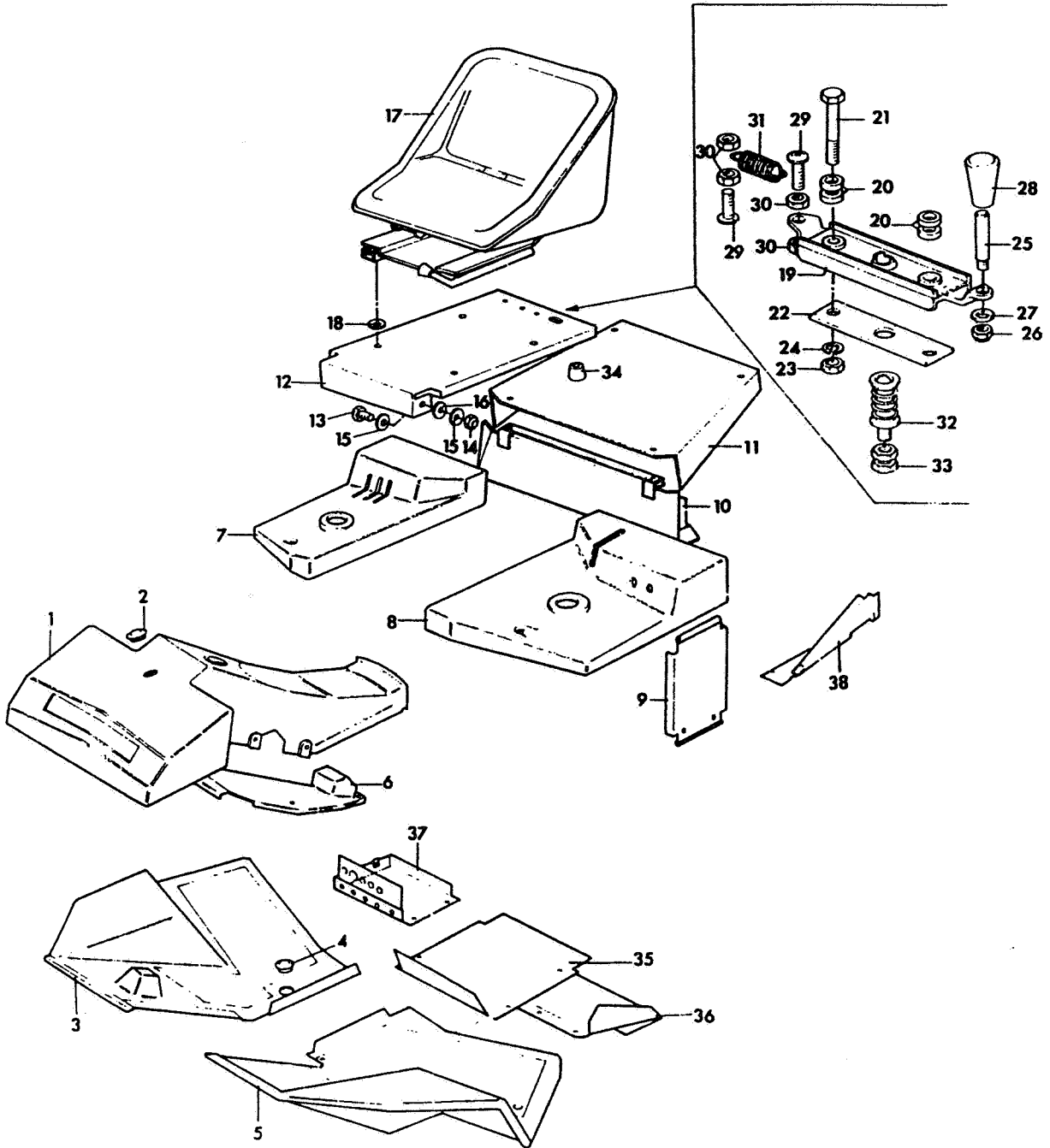


REF. No.	PART No.	NAME OF PART	QTY
1	A823004	Battery	1
*	MBB3495A	Battery Cover	1
2	A905214	Main Harness	1
*	H980031	Clip	1
*	A130008	Nut	1
*	A151008	S.L. Washer	1
*	A112396	Screw	1
*	H980016	Clip	1
*	A112194	Screw	2
*	A130005	Nut	2
*	A151005	S.L. Washer	2
3	H499006	Clip	4
4	A199201	Cable Clip	4
5	H400010	Tab	1
6	A295314	Grommet	2
7	MBB8021	Aux Engine Harness	1
8		Relay Solenoid Assy	1
	MBB8137	Mounting Plate	1
	H400064	Starter Solenoid	1
	A824453	Relay	1
	A824508	Rectifier	1
	A112196	Screw M5 x 16 Pan Hd (For Solenoids & Relay)	3
	A112104	Screw M5 x 20 Pan Hd (For Rectifier)	1
	A150005	Washer 5mm	4
	A151005	S.L. Washer 5mm	4
	A130005	Nut M5	4
	A151008	S.L. Washer 8mm	2
	A139317	Nut M8 (For Solenoid Studs)	2
*	A110296	Screw M6 x 16 Hex Hd	2
*	A130006	Nut M6	2
*	A151006	S.L. Washer 6mm	2
9	MBB8052	Starter Motor Harness	1
*	H980031	Clip	1
*	A130008	Nut	1
*	A151008	S.L. Washer	1
*	A110196	Screw M5 x 16 Hex Hd	2
*	A130005	Nut M5	2
*	A150005	Washer 5mm	2
*	A151005	S.L. Washer 5mm	2
10		Fuse box Assy	1
	MBB8138	Mounting Plate	1
	H410001	Fuse Holder	1
	A112094	Screw M4 x 12 Pan Hd	2
	A130004	Nut M4	2
	A150004	Washer 4mm	2
	A151004	S.L. Washer 4mm	2
	H499146	Fuse 17A	2
	H499857	Fuse 50A	1
*	A110296	Screw M6 x 16 Hex Hd	2
*	A130006	Nut M6	2
*	A151006	S.L. Washer 6mm	2
11	MBB8146	Horn Button/ign warning light harness	1
12	A829854	Horn Push Button	1
13	H499700	Ignition Warning Light	1
14	H499451	Hour Meter	1
15	H461007	Ignition Switch	1
16	H400004	Horn	1

**Destinations**

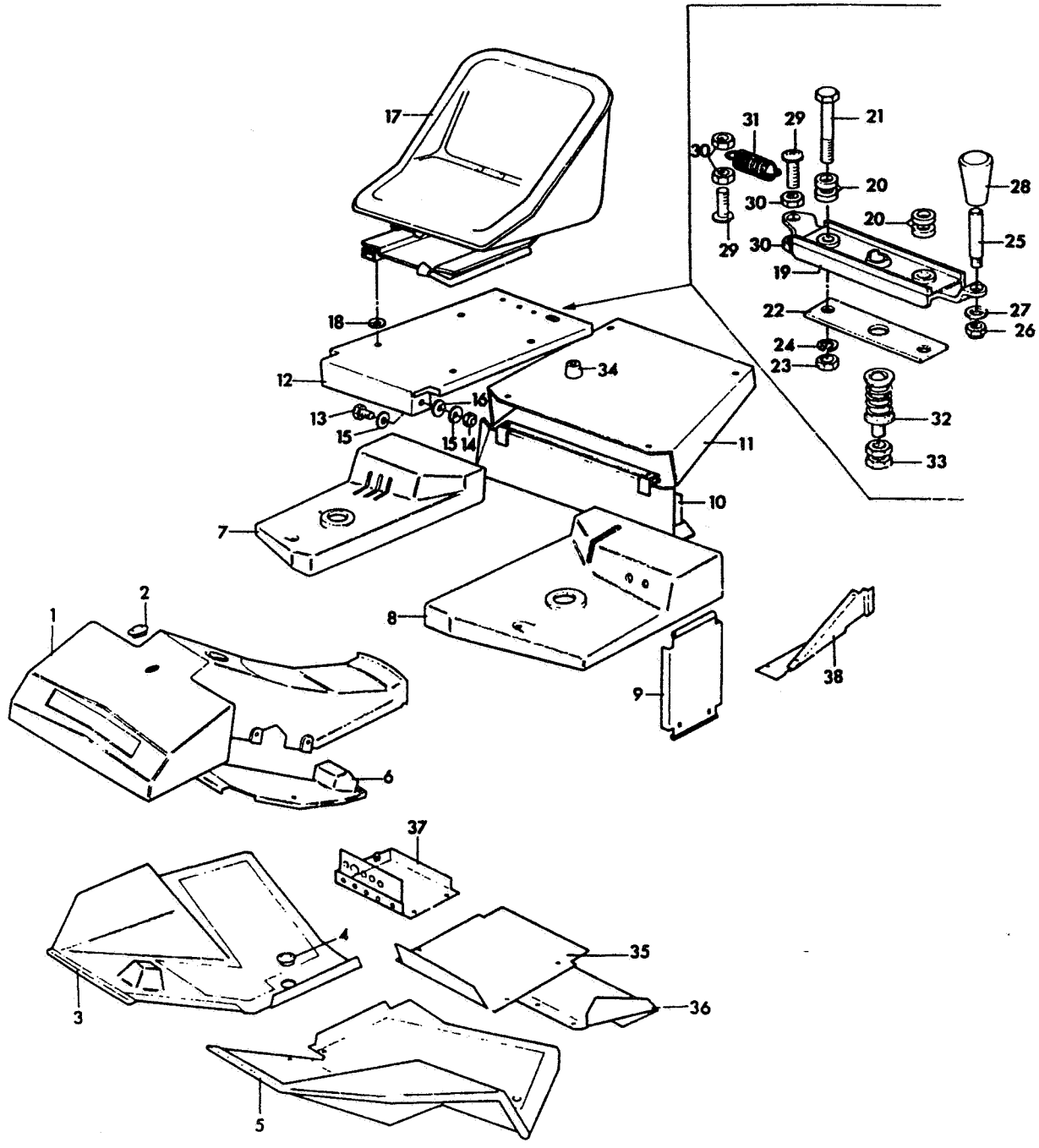
- A – Starter Motor
- B – Engine Earth
- C – Chassis Earth
- D – Engine Connectors

\*Not illustrated



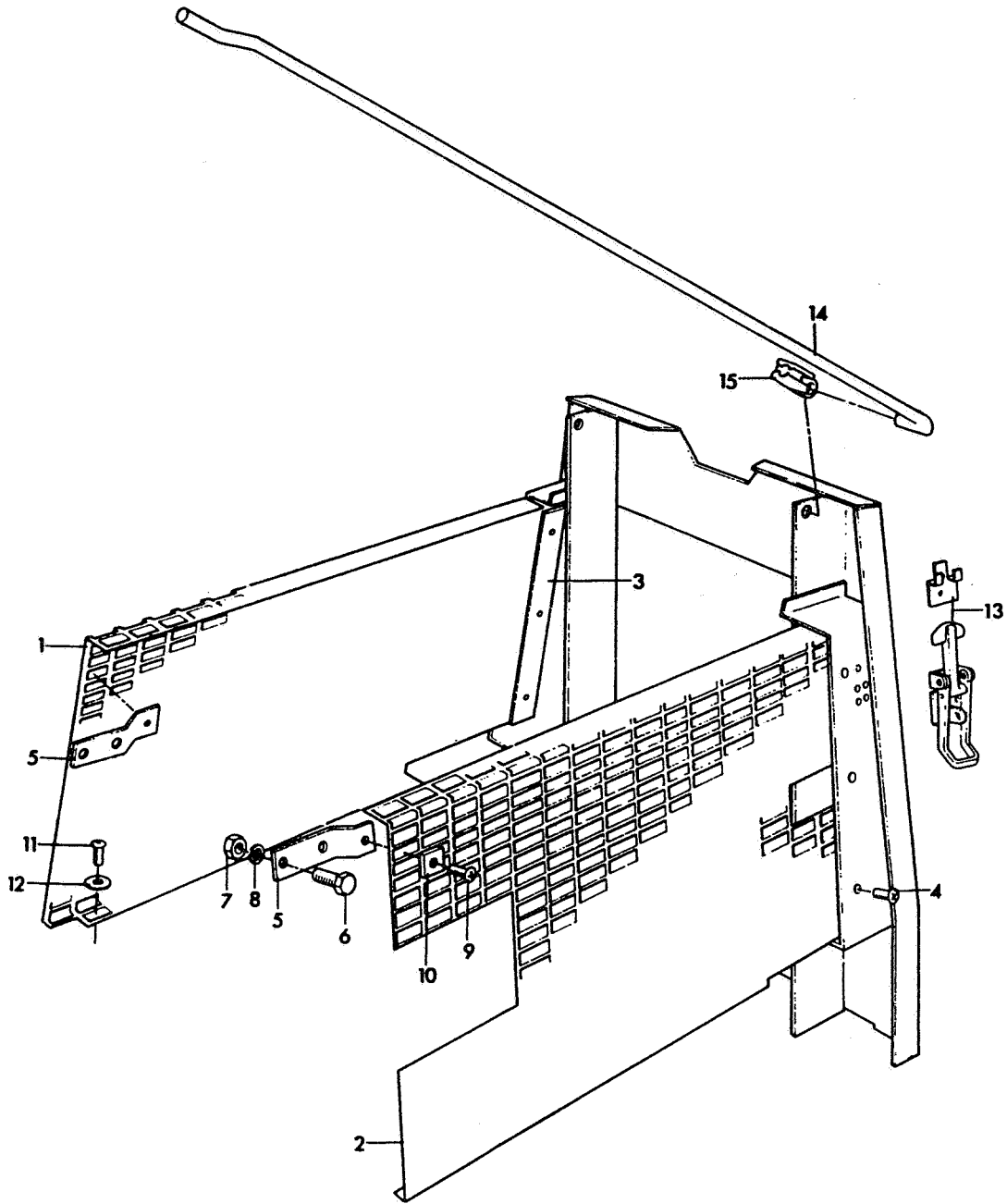


REF. No.	PART No.	NAME OF PART	QTY
1	A913009	Front Cover	1
*	A112304	Screw M8 x 20 Pan Hd	6
*	A150008	Washer 8mm	8
2	A295304	Grommet	1
3	A913006	Footplate – Mudguard	1
4	A295304	Grommet	1
*	MBB7893	Pad (Foot Pedal Stop Front)	2
*	MBB8047	Pad (Foot Pedal Stop Rear)	2
*	A119028	Screw M6 x 20 Pan Hd Taptite	4
*	A150006	Washer 6mm	8
5	A913005	Footplate – Mudguard LH	1
*	A119028	Screw M6 x 20 Pan Hd Taptite	8
*	A150006	Washer 6mm	8
6	A913087	Cover	1
*	A112305	Screw M8 x 25 Pan Hd	2
*	A150008	Washer 8mm	2
7	A913007	Fuel Tank Cover	1
8	A913008	Oil Tank Cover	1
*	A913124	Cover (for ref. 8)	1
*	A112304	Screw M8 x 20 Pan Hd	4
*	A913110	Disc (for fuel tank)	1
*	A112304	Screw M8 x 20 Pan Hd	5
*	A150008	Washer 8mm	6
9	MBB7964	Panel	2
*	A112304	Screw M8 x 20 Pan Hd	4
*	GSF2154FK	Washer	4
*	H060104	Beading (6")	2
*	H060053	Beading (7")	2
*	H089014	Clip	6
10	MBC2074	Tool Box	1
*	A110304	Screw M8 x 20 Hex Hd	4
*	A130008	Nut M8	4
*	A151008	S.L. Washer 8mm	4
*	A150008	Washer 8mm	4
11	MBC2060	Engine Cover Assy	1
*	A110304	Screw M8 x 20 Hex Hd	2
*	A130008	Nut M8	2
*	A151008	S.L. Washer 8mm	2
*	A150008	Washer 8mm	2
*	A295316	Grommet (for Ref 11)	2
<b>Seat Assy</b>			
12	MBB8302	Seat Base	1
13	A110506	Screw M12 x 30	2
14	A133212	Stiffnut M12	2
15	A150012	Washer 12mm	4
16	AE30003	Clamp Washer	2
17	A819921	Seat Assy	1
18	MBB7982	Washer	4
*	A110305	Screw M8 x 25	4
*	A133208	Stiffnut M8	4
*	A150008	Washer 8mm	4
19	MBB7896	Slider Catch Assy	1
20	PPW0292B	Collar	4
21	GSF2002AP	Screw 1/4" UNF x 2" Hex Hd	2
22	MBB8229	Plate	1
23	GSF2051AA	Nut 1/4" UNF	2
*	MBB8221	Stay	1
*	A139913	Star Ring	1
*	A904184	Pad	2
*	A150006	Washer 6mm	1



REF. No.	PART No.	NAME OF PART	QTY
24	GSF2164G	S.L. Washer 1/4"	2
25	MBB7899	Lever	1
26	A133208	Stiffnut M8	1
27	A150008	Washer 8mm	1
28	A299022	Knob	1
29	A112104	Screw M5 x 20 Pan Hd	2
30	A130005	Nut M5	4
31	H980424	Tension Spring	1
32	A199014	Striker Pin Assy	1
33	GSF2052AC	Nut 3/8" UNF	1
34	H990117	Rubber Buffer	2
*	A112004	Screw M4 x 20 Hex Hd	2
*	A130004	Nut M4	2
*	A151004	S.L. Washer 4mm	2
35	MBB8346	Floor Plate Assy	1
*	A119028	Screw M6 x 20 Pan Hd Taptite	4
*	A904159	Flap	1
*	MBB7927	Bar	1
*	A100306	Bolt M8 x 30 Hex Hd	2
36	MBB8090	Cover	1
37	MBB8341	Plate	1
38	MBB7975	Plate LH	1
*	MBB7974	Plate RH	1
*	A128053	Screw No. 12 x 13 Self Tapping	8
*	A150006	Washer 6mm	8
*	A914818	Acoustic Pad Set	1
*	A112294	Screw (Ref 37)	2
*	A119028	Screw (Ref 37)	4
<b>Front Screen Assy</b>			
*	A913086	Screen	1
*	MBB8111	Support RH	1
*	MBB8112	Support LH	1
*	A110306	Screw M8 x 30 Hex Hd	4
*	A150008	S.L. Washer 8mm	4
*	A112305	Screw M8 x Recess Pan Hd	8
*	A151008	S.L. Washer 8mm	8
*	MBB8116	Plate	2
*	A904191	Pad	4
*	MBC2300	Backing Plate	2
*	A128043	Screw No. 10 x 13	2
*	A112305	Screw M8 x 25 Pan Hd	4
*	A904190	Pad	2
*	MBC2302	Plate	2
<b>Flap Assy</b>			
*	MBC2047	Flap LH	1
*	MBC2048	Flap RH	1
*	MBC2045	Angle Support	1
*	MBC2046	Strip	1
*	A102205	Bolt M6 x 25 cup hd Sq Neck	7
*	A130006	Nut M6	7
*	A151006	S.L. Washer 6mm	7
*	MBC2044	Bracket	2
*	A110304	Screw M8 x 20 Hex Hd	2
*	A110305	Screw M8 x 25 Hex Hd	2
*	A130008	Nut M8	4
*	A151008	S.L. Washer 8mm	4
*	A150008	Washer 8mm (for A110305)	2

\*Not illustrated



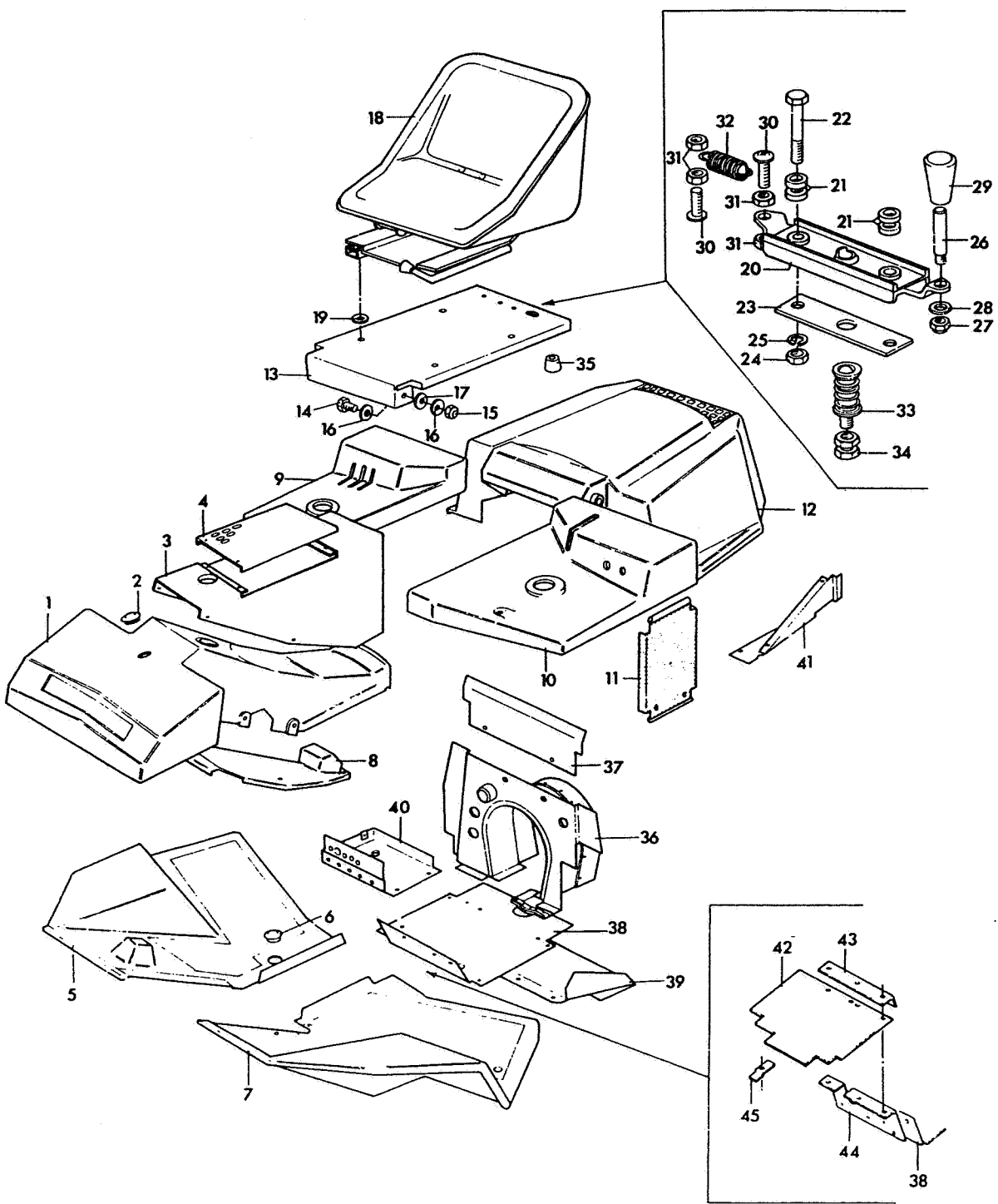
---

---

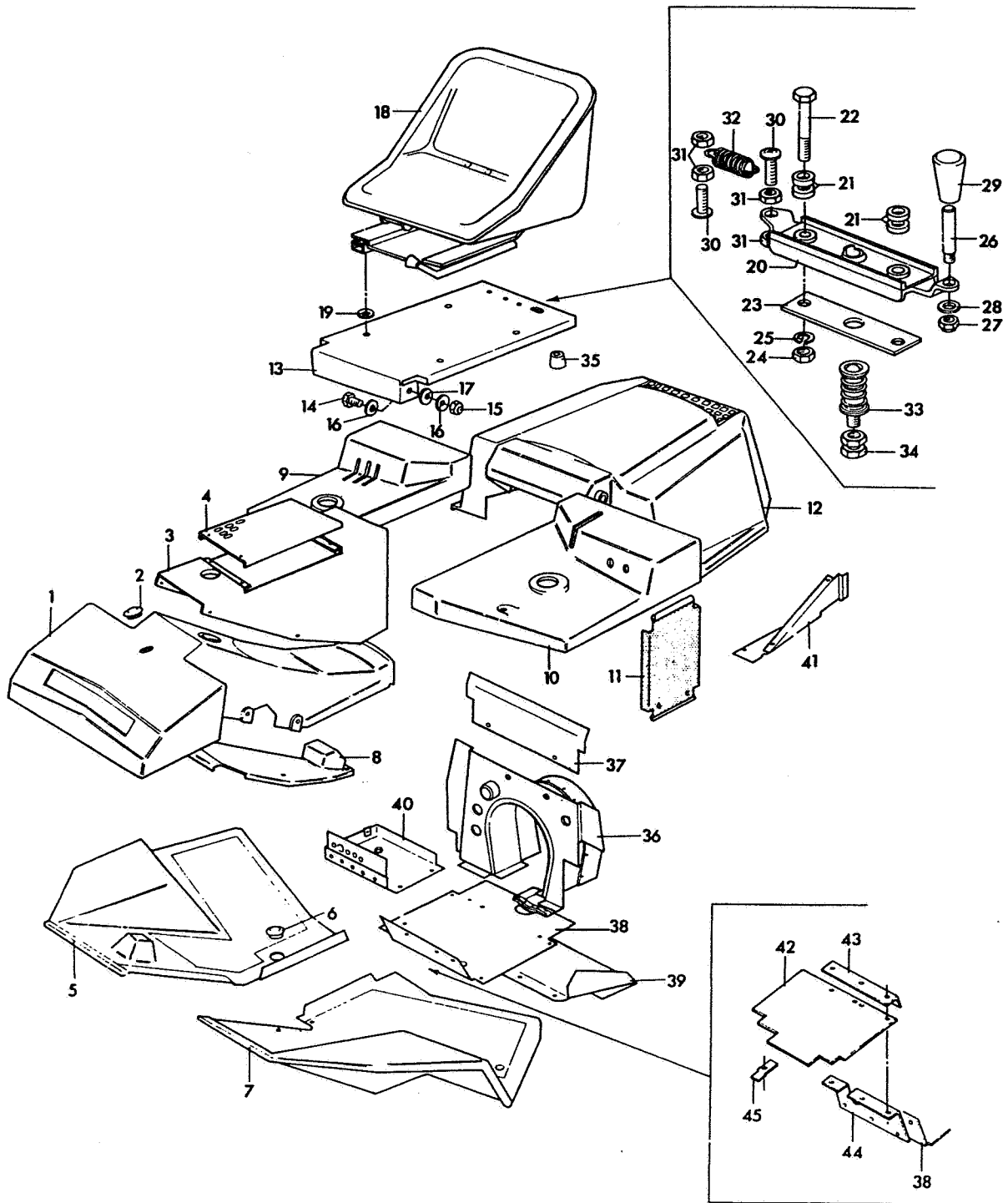
REF. No.	PART No.	NAME OF PART	QTY
1	MBC2063	Grill RH	1
2	MBC2062	Grill LH	1
3	MBC2071	Strip	2
4	A119028	Screw M6 x 20 Pan Hd (Taptite)	6
5	MBC2215	Grill Bracket	2
6	A110304	Screw M8 x 20 Hex Hd	4
7	A130008	Nut M8	4
8	A151008	S.L. Washer 8mm	4
9	A119028	Screw M6 x 20 Pan Hd (Taptite)	2
10	MBC2070	Square Washer	2
11	A119028	Screw M6 x 20 Pan Hd (Taptite)	6
12	GSF2154CE	Washer	6
13	A199034	Toggle Fastening & Hook	2
14	MBC2061	Bonnet Stay	1
15	H980117	Linkage Clip	1

---

MOTOR 213

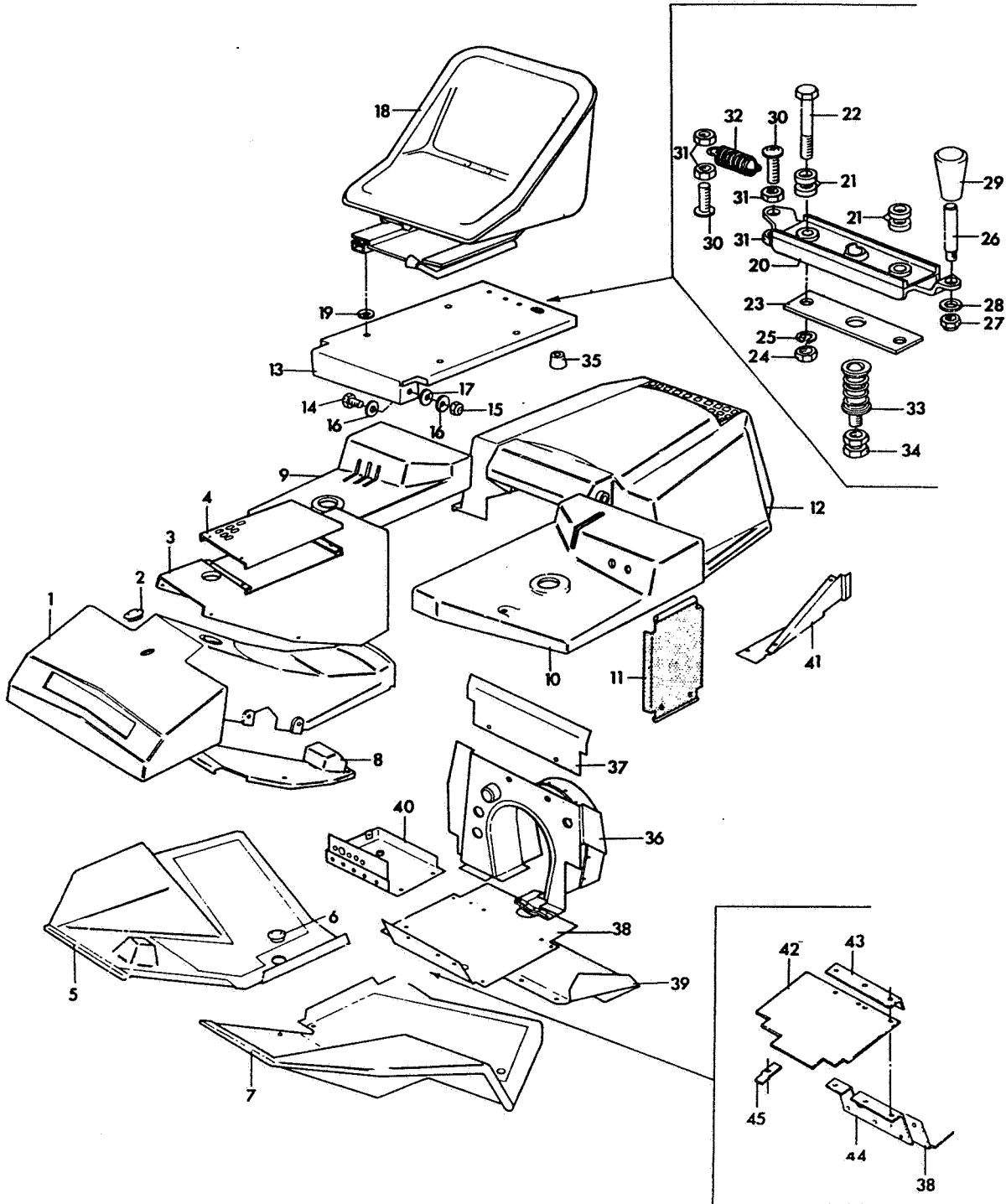


REF. No.	PART No.	NAME OF PART	QTY
1	A913009	Front Cover	1
*	A112304	Screw M8 x 20 Pan Hd	6
*	A150008	Washer 8mm	8
2	A295304	Grommet	1
3	A913130	Cover	1
*	A119028	Screw M6 x 20 Pan Hd	8
4	MBB8271	Cover	1
*	A128022	Screw M6 x 9.5 Pan Hd	4
5	A913006	Footplate – Mudguard RH	1
6	A295304	Grommet	1
*	MBB7893	Pad (Foot Pedal Stop Front)	2
*	MBB8047	Pad (Foot Pedal Stop Rear)	2
*	A119028	Screw M6 x 20 Pan Hd Taptite	4
*	A150006	Washer 6mm	8
7	A913005	Footplate – Mudguard LH	1
*	A119028	Screw M6 x 20 Pan Hd Taptite	8
*	A150006	Washer 6mm	8
8	A913087	Cover	1
*	A112305	Screw M8 x 25 Pan Hd	2
*	A150008	Washer 8mm	2
9	A913007	Fuel Tank Cover	1
10	A913008	Oil Tank Cover	1
*	A913124	Cover	1
*	A112304	Screw M8 x 20 Pan Hd	5
*	A913110	Disc (for fuel tank)	1
*	A112304	Screw M8 x 20 Pan Hd	5
*	A150008	Washer 8mm	6
11	MBB8277	Panel	2
*	A112304	Screw M8 x 20 Pan Hd	4
*	GSF2154FK	Washer	4
*	H060104	Beading (6")	2
*	H060053	Beading (7")	2
*	H089014	Clip	6
12	MBB7956	Engine Bonnet Assy	1
*	MBB7938	Plate	1
*	A133206	Stiffnut M6	2
*	A150006	Washer 6mm	2
*	MBB7937	Plate	2
*	A102410	Bolt M10 x 50 Sq Neck Rd Hd	2
*	A133210	Stiffnut M10	2
*	A150010	Washer 10mm	2
*	A102306	Bolt M8 x 30 Sq Neck Rd Hd	4
*	A130008	Nut M8	4
*	A151008	S.L. Washer 8mm	4
<b>Seat Assy</b>			
13	MBB8302	Seat Base	1
14	A110506	Screw M12 x 30 Hex Hd	2
15	A133212	Stiffnut M12	2
16	A150012	Washer 12mm	4
17	AE30003	Clamp Washer	2
18	A819921	Seat Assy	1
19	MBB7982	Washer	4
*	A110305	Screw M8 x 25	4
*	A133208	Stiffnut M8	4
*	A150008	Washer 8mm	4
20	MBB7896	Slider Catch Assy	1
21	PPW0292B	Collar	4
22	GSF2002AP	Screw 1/4" UNF x 2" Hex Hd	2
23	MBB8229	Plate	1





REF. No.	PART No.	NAME OF PART	QTY
24	GSF2051AA	Nut 1/4" UNF	2
*	MBB8221	Stay	1
*	A139913	Star Ring	1
*	A904184	Pad	2
*	A150006	Washer 6mm	1
25	GSF2164G	S.L. Washer 1/4"	2
26	MBB7899	Lever	1
27	A133208	Stiffnut M8	1
28	A150008	Washer 8mm	1
29	A299022	Knob	1
30	A112104	Screw M5 x 20 Pan Hd	2
31	A130005	Nut M5	4
32	H980424	Tension Spring	1
33	A199014	Striker Pin Assy	1
34	GSF2052AC	Nut 3/8" UNF	1
35	H990117	Rubber Buffer	2
*	A112004	Screw M4 x 20 Hex Hd	2
*	A130004	Nut M4	2
*	A151004	S.L. Washer 4mm	2
36	MBB8086	Baffle Assy	1
*	A149604	Rivet	5
*	A295309	Grommet	2
*	A295311	Grommet	1
37	MBB8006	Plate	1
*	H060104	Beading 13"	1
38	MBB8344	Floor Plate Assy	1
*	A119028	Screw M6 x 20 Pan Hd Tapdite	4
*	A904159	Flap	1
*	MBB7927	Bar	1
*	A100306	Bolt M8 x 30 Hex Hd	2
39	MBB8090	Cover	1
40	MBB8341	Plate	1
41	MBB7975	Plate LH	1
*	MBB7974	Plate RH	1
*	A128053	Screw No. 12 x 13 Self Tapping	8
*	A150006	Washer 6mm	8
*	A814818	Acoustic Pad Set	1
*	A112294	Screw (Ref 40)	2
*	A119028	Screw (Ref 40)	4
42	A904186	Rubber Cover	1
43	MBB8318	Clamp	1
44	MBB8319	Cover	1
*	A112204	Screw M6 x 20 Pan Hd	6
*	A133206	Stiffnut M6	6
*	A150006	Washer 6mm	6
45	MBB8278	Clip	1
*	A112204	Screw M6 x 20 Pan Hd	1
*	A133206	Stiffnut M6	1
*	A150006	Washer 6mm	1
		<b>Flap Assy</b>	
*	MBC2047	Flap LH	1
*	MBC2048	Flap RH	1
*	MBC2045	Angle Support	1
*	MBC2046	Strip	1
*	A102205	Bolt M6 x 25 Cup Hd Sq Neck	7
*	A130006	Nut M6	7
*	A151006	S.L. Washer 6mm	7
*	MBC2044	Bracket	2
*	A110304	Screw M8 x 20 Hex Hd	2



REF. No.	PART No.	NAME OF PART	QTY
*	A110305	Screw M8 x 25 Hex Hd	2
*	A130008	Nut M8	4
*	A151008	S.L. Washer 8mm	4
*	A150008	Washer 8mm (for A110305)	2
		<b>Front Screen Assy</b>	
*	A913086	Screen	1
*	MBB8111	Support RH	1
*	MBB8112	Support LH	1
*	A110306	Screw M8 x 30 Hex Hd	4
*	A150008	S.L. Washer 8mm	4
*	A112305	Screw M8 x 25 Recess Pan Hd	8
*	A151008	S.L. Washer 8mm	8
*	MBB8116	Plate	2
*	A904191	Pad	4
*	MBC2300	Backing Plate	2
*	A128043	Screw No. 10 x 13	2
*	A112305	Screw M8 x 25 Pan Hd	4
*	A904190	Pad	2
*	MBC2302	Plate	2

\*Not illustrated

For Petrol Engine Machine use Quantity Column A

For Diesel Engine Machine use Quantity Column B

REF. No.	PART No.	NAME OF PART	QTY	
			A	B
*	GSF3701BC	Label (Ransomes) for Engine Cover	2	2
*	A903525	Label (Motor 213)	2	2
*	MBB7976	Model Plate	1	1
*	GSF1090ED	Drive Screw	2	2
*	A903406	Label (Instruction)	1	1
*	A903099	Label (Speed)		1
*	A903217	Label (Lift Valve)	1	1
*	A903218	Label (Cylinder Drive)	1	1
*	A903202	Label (Ignition Switch)	1	1
*	A903407	Label (Safety)	1	1
*	A903600	Label (Ransomes) Front Cover	1	1
*	A903012	Label (Lift Hooks)	4	4
*	GSF3701BE	Label (Ransomes) Seat Back	2	1
*	A903060	Label (Transmission Oil)	2	2
*	A903061	Label (Fuel)	1	1
*	MBB4276	Transfer (Caution oil res.)	1	1
*	A903062	Label (Tyre Pressure)	4	
*	A903621	Transfer (Royal Coat of Arms)	1	1
*	A903077	Label (Choke)	1	
*	A903079	Label (Throttle)	1	
*	GSF3702SZ	Label (Cutting Unit Adj.) (4 per unit)	12	12
*	A903301	Label (Oil level)	1	1
*	MBB5919	Label (Lock)		1
*	A903553	Label (Motor 213D)		2
*	A903098	Label (Tyre pressure)		4
*	A903097	Label (Switches)	1	1
*	A903302	Label (Oil pressure)	1	1

\*Not illustrated

PART No.	PAGE No.	REF No.	PART No.	PAGE No.	REF No.	PART No.	PAGE No.	REF No.	PART No.	PAGE No.	REF No.
A100200	07	14	A110194	53	4	A110404	05	9	A119000	05	5
A100208	55	23	A110194	53	16	A110405	05	30	A119028	19	34
A100209	09	9	A110196	95	30	A110405	17	28	A119028	21	
A100209	21	16	A110205	07	29	A110405	19	38	A119028	27	8
A100209	21	16	A110205	09	29	A110405	21	2	A119028	31	25
A100209	27	9	A110208	93	43	A110405	55	3	A119028	53	
A100210	61	2	A110294	55	12	A110405	57	22	A119028	97	
A100306	55	30	A110294	57		A110406	27	4	A119028	97	
A100306	99		A110296	93		A110407	57	3	A119028	99	
A100306	105		A110296	93		A110412	17	22	A119028	99	
A100307	37	58	A110296	95	4	A110506	35	4	A119028	101	4
A100307	37	76	A110296	95		A110506	49	23	A119028	101	9
A100307	37	83	A110304	25	3	A110506	97	13	A119028	101	11
A100309	17	17	A110304	29		A110506	103	14	A119028	103	
A100309	19	16	A110304	31		A110509	23		A119028	103	
A100309	45	9	A110304	35	39	A110509	29		A119028	103	
A100310	17	18	A110304	45	2	A112004	99		A119028	105	
A100310	19	17	A110304	53	30	A112004	99		A119028	105	
A100310	27	6	A110304	55	36	A112094	105		A119028	105	
A100312	69	6	A110304	61	17	A112094	95		A119031	21	
A100314	31	22	A110304	97		A112104	95		A119032	21	
A100318	55	8	A110304	97		A112104	99	29	A119032	21	
A100406	47		A110304	99		A112104	105	30	A119032	55	
A100409	17	24	A110304	101	6	A112108	19	33	A119032	63	3
A100410	19	21	A110305	105		A112194	93		A120194	63	11
A100411	21	27	A110305	07		A112194	95		A120204	15	15
A100412	21	34	A110305	17	33	A112196	23		A120206	15	12
A100514	19	9	A110305	17	36	A112196	29		A122293	07	22
A100514	23	8	A110305	21	13	A112196	29		A122293	09	21
A100514	29		A110305	27	13	A112204	95		A122302	35	37
A100514	99		A110305	47	20	A112204	105		A122302	35	51
A102205	105		A110305	49	5	A112294	105	16	A122302	39	6
A102208	55	40	A110305	51	5	A112296	27		A122405	17	5
A102208	57	7	A110305	55		A112304	21		A122408	19	14
A102210	21		A110305	61	13	A112304	27		A125000	23	43
A102210	29		A110305	69	2	A112304	27		A128022	29	
A102304	55	4	A110305	69	14	A112304	97		A128022	103	
A102305	55	3	A110305	69	20	A112304	97		A128043	99	
A102306	103		A110305	77	96	A112304	97		A128043	107	
A102406	55	10	A110305	83	97	A112304	103		A128053	99	
A102410	103		A110305	89	100	A112304	103		A128053	105	19
A102508	09	3	A110305	97		A112304	103		A129006	07	
A107303	37	90	A110306	99		A112304	103		A130004	95	
A107405	45	4	A110306	103		A112305	27		A130004	99	
A109007	35	12	A110306	107		A112305	27		A130004	105	
A109008	55	13	A110306	107		A112305	99		A130005	19	37
A109051	31	27	A110306	05	36	A112305	99		A130005	23	
A109204	53	26	A110306	07	22	A112305	99		A130005	29	
A109205	31	8	A110396	107		A112305	103		A130005	93	
A109205	53	27	A110396	21		A112305	107		A130005	95	
A109205	53	9	A110396	25	34	A112396	27		A130005	95	
			A110396	69	17	A114395	57		A130006	07	

PART No.	PAGE No.	REF No.	PART No.	PAGE No.	REF No.	PART No.	PAGE No.	REF No.	PART No.	PAGE No.	REF No.
A130006	09	32	A133206	105	37	A140024	61	22	A150008	53	28
A130006	21	10	A133208	07	19	A140032	61	24	A150008	55	6
A130006	27	10	A133208	17	37	A141148	19	44	A150008	55	9
A130006	55	8	A133208	17	19	A141156	55	20	A150008	55	
A130006	57	8	A133208	19	18	A141448	37	61	A150008	97	
A130006	61	3	A133208	23		A141514	37	95	A150008	97	
A130006	93		A133208	27		A141544	07	11	A150008	97	
A130006	93		A133208	27		A141547	09	8	A150008	97	
A130006	95		A133208	29		A149024	37	70	A150008	97	
A130006	95		A133208	31	10	A149604	21		A150008	97	27
A130006	99		A133208	33	43	A149604	21		A150008	99	
A130006	105		A133208	35	23	A149604	27		A150008	99	
A130008	05		A133208	37	59	A149604	105		A150008	99	
A130008	25	4	A133208	37	66	A150003	23	46	A150008	103	
A130008	31	23	A133208	37	77	A150004	95		A150008	103	
A130008	31	30	A133208	37	84	A150005	19	35	A150008	103	
A130008	37	67	A133208	37	91	A150005	63	9	A150008	103	
A130008	53	11	A133208	45	11	A150005	95		A150008	105	28
A130008	61	14	A133208	53	27	A150005	95		A150008	107	
A130008	69	3	A133208	55	5	A150006	07	31	A150008	107	
A130008	69	7	A133208	55		A150006	09	30	A150010	05	10
A130008	69	13	A133208	55		A150006	21	17	A150010	05	15
A130008	69	15	A133208	97		A150006	21		A150010	21	31
A130008	69	21	A133208	99	26	A150006	27	17	A150010	21	35
A130008	77	97	A133208	103	27	A150006	29		A150010	27	33
A130008	83	98	A133208	105	27	A150006	29	24	A150010	27	40
A130008	89	101	A133210	05		A150006	55		A150010	27	7
A130008	93		A133210	17	23	A150006	55		A150010	45	
A130008	95		A133210	21	30	A150006	57	44	A150010	47	
A130008	95		A133210	21	38	A150006	57	9	A150010	55	12
A130008	97		A133210	23	38	A150006	57	13	A150010	55	17
A130008	97		A133210	45	6	A150006	97		A150010	103	
A130008	99		A133210	47		A150006	97		A150012	05	20
A130008	101	7	A133210	55	11	A150006	97		A150012	05	13
A130008	103		A133210	55	16	A150006	99		A150012	19	12
A130008	107		A133210	103		A150006	103		A150012	19	42
A130010	05	14	A133212	05	19	A150006	103		A150012	19	42
A130010	07	6	A133212	19	43	A150006	103		A150012	97	15
A130010	09	16	A133212	37	98	A150006	105		A150012	103	16
A130010	21		A133212	47		A150006	105		A150024	49	27
A130010	27		A133212	97	14	A150006	105		A150024	51	13
A130010	47	15	A133212	103	15	A150006	105		A150024	51	27
A130010	55		A133216	49	7	A150008	17	34	A150024	51	45
A130010	57	4	A133216	51	7	A150008	21		A150030	17	
A130012	17	10	A139312	43	45	A150008	23		A150030	19	23
A130012	19	9	A139317	95		A150008	27		A150030	51	26
A130012	23		A139400	31	6	A150008	27		A150030	51	44
A130012	29		A139400	53	23	A150008	27		A151004	29	
A130012	35	5	A139900	49	17	A150008	27		A151004	99	
A130012	09	5	A139900	51	20	A150008	29		A151004	99	
A133012	21		A139908	61	28	A150008	31	11	A151004	105	
A133206	29		A139910	27	32	A150008	31		A151005	19	36
A133206	29		A139910	27	39	A150008	35	24	A151005	23	
A133206	103		A139913	97		A150008	45	3	A151005	29	
A133206	105		A139913	105		A150008	47	10	A151005	93	

PART No.	PAGE No.	REF No.	PART No.	PAGE No.	REF No.	PART No.	PAGE No.	REF No.	PART No.	PAGE No.	REF No.	PART No.	PAGE No.	REF No.
A151005	95		A151010	55	28	A19201	35	8	A221805	41	48	A221805	41	48
A151006	95		A151010	55		A19201	93	5	A221805	41	54	A221805	41	54
A151006	07	34	A151010	55		A19201	95	4	A221808	41	29	A221808	41	29
A151006	09	33	A151012	17	11	A19203	33		A221810	67	3	A221810	67	3
A151006	61	4	A151012	19	10	A19203	45		A221810	35	32	A221810	35	32
A151006	93		A151012	35	6	A19203	79	137	A221810	79	128	A221810	79	128
A151006	93		A151012	49	24	A19203	85	138	A221810	85	129	A221810	85	129
A151006	95		A151112	23		A19206	91	141	A221810	91	132	A221810	91	132
A151006	99		A151112	29		A19206	53	21	A224025	47	12	A224025	47	12
A151006	105		A159908	49	19	A19212	23	42	A228205	49	13	A228205	49	13
A151008	05		A159908	51	22	A19214	33		A229401	05	31	A229401	05	31
A151008	07	28	A159946	49	14	A203204	41	26	A229401	11	17	A229401	11	17
A151008	09	4	A160088	47	15	A203602	55	14	A229552	53	5	A229552	53	5
A151008	09	14	A170035	55	15	A203603	07	26	A229552	53	17	A229552	53	17
A151008	09	37	A170040	07	28	A203603	09	25	A229903	15	17	A229903	15	17
A151008	21	14	A170040	09	27	A203604	47	7	A229907	41	60	A229907	41	60
A151008	25	5	A170047	47	8	A203605	05	30	A229913	43	35	A229913	43	35
A151008	27	14	A170052	05	33	A203605	11	16	A229914	43	44	A229914	43	44
A151008	31		A170052	11	15	A203605	49	12	A229915	13	2	A229915	13	2
A151008	35	41	A170052	49	11	A205904	43	17	A229916	41	20	A229916	41	20
A151008	37	74	A171010	05	11	A205904	43	17	A240003	79	129	A240003	79	129
A151008	49	6	A171020	47	9	A205905	43	30	A240005	35	42	A240005	35	42
A151008	51	6	A171025	51	14	A205905	43	31	A240006	75	46	A240006	75	46
A151008	53	31	A171025	51	28	A205906	43	11	A240006	75	48	A240006	75	48
A151008	55	31	A171025	51	46	A205906	43	12	A240006	75	48	A240006	75	48
A151008	55	35	A179002	37		A205908	49	49	A240006	81	32	A240006	81	32
A151008	69	4	A179900	43	33	A205908	51	17	A240006	81	47	A240006	81	47
A151008	69	8	A181423	93		A205912	43	37	A240006	81	49	A240006	81	49
A151008	69	18	A182003	93		A209008	41	18	A240006	87	32	A240006	87	32
A151008	69	22	A182008	21		A209012	41	17	A240006	87	52	A240006	87	52
A151008	69	22	A183008	21		A209180	55	2	A240006	87	54	A240006	87	54
A151008	77	98	A186303	93		A20151	47	3	A240007	35	31	A240007	35	31
A151008	83	99	A192212	79	138	A210154	47	3	A240007	75	9	A240007	75	9
A151008	88	102	A192212	85	139	A210154	49	21	A240007	75	18	A240007	75	18
A151008	93		A192212	91	142	A210154	51	2	A240007	77	56	A240007	77	56
A151008	95		A192220	75	34	A210154	51	24	A240007	77	65	A240007	77	65
A151008	95		A192230	81	35	A210154	51	42	A240007	77	80	A240007	77	80
A151008	95		A192240	87	35	A210175	17	3	A240007	77	103	A240007	77	103
A151008	97		A192255	25	11	A210175	17	27	A240007	77	107	A240007	77	107
A151008	99		A192255	75	3	A210175	19	2	A240007	81	9	A240007	81	9
A151008	99		A192255	81	3	A210175	19	2	A240007	81	18	A240007	81	18
A151008	99		A192255	87	3	A210194	47	2	A240007	81	57	A240007	81	57
A151008	101	8	A192260	25	10	A211806	35	43	A240007	83	66	A240007	83	66
A151008	103		A192260	33	17	A214372	37	88	A240007	83	72	A240007	83	72
A151008	107		A192900	31	35	A220250	07	24	A240007	83	80	A240007	83	80
A151008	107		A195030	17	29	A220250	09	23	A240007	83	104	A240007	83	104
A151010	17	25	A195030	17	29	A221011	65	4	A240007	83	108	A240007	83	108
A151010	17	31	A195030	19	27	A221012	37	5	A240007	87	9	A240007	87	9
A151010	19	22	A195214	37	92	A221014	65	5	A240007	87	18	A240007	87	18
A151010	19	29	A199005	17	39	A221111	35	30	A240007	87	60	A240007	87	60
A151010	21	21	A199007	27	42	A221114	07	29	A240007	89	69	A240007	89	69
A151010	21	29	A199014	99	32	A221114	09	28	A240007	89	75	A240007	89	75
A151010	21		A199014	105	33	A221114	65	3	A240007	89	83	A240007	89	83
A151010	25	15	A199018	29	33	A221153	41	58	A240007	89	107	A240007	89	107
A151010	27		A199034	101	13	A221210	37		A240007	89	111	A240007	89	111

PART No.	PAGE No.	REF No.	PART No.	PAGE No.	REF No.	PART No.	PAGE No.	REF No.	PART No.	PAGE No.	REF No.
A240010	75	4	A241052	75	23	A242407	89	90	A249393	83	115
A240010	81	4	A241052	81	23	A242407	89	105	A249393	89	93
A240010	87	4	A241052	87	23	A242407	89	110	A249393	89	96
A240032	75	49	A241090	75	15	A242410	75	5	A249393	89	115
A240032	81	50	A241090	81	15	A242410	87	5	A249393	89	118
A240032	87	55	A241090	87	15	A242410	87	5	A249394	87	45
A240207	75	20	A241207	75	12	A243152	75	27	A249395	87	50
A240207	75	58	A241207	81	12	A243152	81	27	A291006	05	16
A240207	77	61	A241207	87	12	A243152	87	27	A291057	37	64
A240207	79	125	A241403	73	12	A243207	77	118	A292070	21	11
A240207	81	20	A241403	75	54	A243207	83	119	A292070	27	11
A240207	81	59	A241403	75	55	A243207	91	122	A292070	31	29
A240207	83	62	A241403	79	133	A243207	77	100	A292070	53	12
A240207	83	74	A241403	81	55	A243407	81	25	A292070	61	15
A240207	85	126	A241403	81	56	A243407	83	101	A292070	61	18
A240207	87	20	A241403	85	134	A243407	89	104	A292070	69	12
A240207	89	62	A241403	87	58	A243507	75	25	A292080	07	20
A240207	89	65	A241403	87	59	A243507	83	78	A292080	21	2
A240207	89	77	A241403	91	137	A243507	87	25	A295251	21	2
A240207	91	129	A241406	75	30	A243507	89	81	A295251	27	2
A240303	79	132	A241406	81	30	A243753	35	34	A295253	21	3
A240303	85	133	A241406	87	30	A244406	41	35	A295253	27	3
A240303	91	136	A241407	77	69	A244807	35	35	A295258	23	3
A240307	77	67	A241407	77	75	A244900	35	49	A295258	29	29
A240307	77	76	A241407	77	102	A244900	75	16	A295263	23	23
A240307	79	127	A241407	77	108	A244900	81	16	A295263	29	29
A240307	83	68	A241407	83	69	A244900	87	16	A295304	97	2
A240307	83	77	A241407	83	76	A246100	35	47	A295304	97	4
A240307	85	128	A241407	83	103	A246420	35	48	A295304	103	2
A240307	89	71	A241407	83	109	A246917	35	27	A295304	103	6
A240307	89	80	A241407	89	72	A248207	77	78	A295309	75	60
A240307	91	131	A241407	89	79	A249231	77	82	A295309	81	61
A240507	77	77	A241407	89	106	A249231	79	122	A295309	89	64
A240900	75	8	A241407	89	112	A249231	83	82	A295309	105	89
A240900	81	8	A241448	75	28	A249231	85	123	A295311	105	105
A240900	87	8	A241448	81	28	A249231	89	85	A295314	95	6
A241003	11	25	A241448	87	28	A249231	91	85	A295314	25	2
A241003	85	130	A242006	81	33	A249231	77	126	A295316	25	2
A241003	91	133	A242006	87	33	A249241	83	93	A295316	97	94
A241007	75	24	A242007	79	120	A249241	89	94	A295900	37	16
A241007	77	64	A242007	85	121	A249243	77	115	A298330	31	34
A241007	77	72	A242007	81	124	A249243	83	116	A299022	99	28
A241007	77	85	A242405	35	44	A249243	89	119	A299022	105	29
A241007	77	90	A242407	75	10	A249365	75	35	A299030	61	20
A241007	77	112	A242407	75	68	A249365	81	36	A299030	05	20
A241007	81	24	A242407	77	73	A249365	87	36	A299301	07	29
A241007	83	65	A242407	77	73	A249379	75	43	A299301	09	23
A241007	83	86	A242407	77	86	A249379	81	44	A299301	11	19
A241007	83	91	A242407	77	101	A249388	87	41	A299301	17	4
A241007	83	113	A242407	77	106	A249388	87	41	A299301	19	3
A241007	87	24	A242407	81	106	A249393	77	89	A299301	37	89
A241007	89	68	A242407	83	87	A249393	77	111	A299301	49	3
A241007	89	89	A242407	83	102	A249393	77	114	A299301	49	22
A241007	89	89	A242407	83	107	A249393	83	90	A299301	51	3
A241007	89	94	A242407	83	107	A249393	83	93	A299301	51	3
A241007	89	116	A242407	87	10	A249393	83	112	A299301	51	25



PART No.	PAGE No.	REF No.	PART No.	PAGE No.	REF No.	PART No.	PAGE No.	REF No.	PART No.	PAGE No.	REF No.
A299301	51	43	A792513	89	91	A809306	41	21	A814818	105	
A299316	17	28	A792513	89	113	A809308	41	19	A814979	39	
A299316	19	26	A796203	79	135	A809309	41	44	A815500	43	2
A460722	55	25	A796203	85	136	A809310	41	50	A815501	43	6
A460937	55	45	A796203	91	139	A809311	41	56	A815502	43	8
A470875	57	17	A796204	79	134	A809312	41	4	A815503	43	9
A630003	27	27	A796204	85	135	A809314	41	1	A815504	43	10
A682010	21	19	A796204	85	138	A809315	41	2	A815505	43	
A691007	25	6	A796501	75	33	A809316	41	9	A815506	43	
A691008	25		A796501	81	34	A809317	41	12	A815507	43	14
A691021	27	41	A802045	87	34	A809318	41	13	A815508	43	15
A712060	79	131	A802045	69		A809352	41	23	A815509	43	18
A712060	85	132	A802045	77	63	A809352	41	24	A815510	43	
A712060	91	135	A802045	83	64	A809353	41	25	A815511	43	
A712120	79	130	A802045	89	67	A809354	41	32	A815512	43	
A712120	85	131	A802046	71	16	A809368	35	9	A815513	43	28
A712120	91	134	A802047	71	17	A809368	41		A815514	43	32
A712140	75	50	A802811	63		A809388	41	59	A815515	43	36
A712140	81	51	A802817	61	16	A809601	13		A815516	43	53
A712140	87	56	A802817	75	14	A809604	55	39	A815521	43	4
A712160	75	51	A802817	87	14	A809604	57	6	A815522	43	19
A712160	81	52	A802817	87		A809604	75	7	A815523	43	20
A712160	87	57	A802820	63		A809604	81	7	A815524	43	21
A725050	77	81	A802822	63		A809604	87	7	A815525	43	22
A725050	83	81	A802822	63	19	A809604	87	7	A815526	43	23
A725050	89	84	A802823	61		A810003	31	2	A815527	43	24
A725057	77	66	A802824	61		A811009	23	39	A815528	43	27
A725062	77	70	A802825	63	2	A811009	29	46	A815529	43	29
A725062	83	70	A802826	63	6	A811010	29	47	A815530	43	34
A725062	89	73	A802827	63	7	A811015	23	44	A815531	43	38
A725071	89	78	A802828	63	12	A812036	45	1	A815533	43	39
A725074	77	74	A802829	63	10	A812037	43	40	A815534	43	
A725074	77	104	A802871	61	25	A812038	43	41	A815535	43	55
A725074	83	75	A802871	75	22	A812040	43	42	A816038	43	16
A725074	83	105	A802871	81	22	A812041	43	46	A816039	35	2
A725074	89	108	A802871	87	22	A812042	43	47	A816109	49	15
A725078	79	124	A802948	75	42	A812043	43	48	A817029	35	
A725078	85	125	A802948	81	43	A812044	43	49	A817039	49	
A725078	91	128	A802948	87	47	A812045	43	50	A817039	51	
A725129	21	21	A809203	11	88	A812046	43	51	A817316	35	
A725129	81	21	A809203	77	88	A812047	43	52	A817317	49	
A725129	87	21	A809203	77	89	A812048	43	54	A817317	51	
A725180	75	59	A809203	83	92	A812049	43	7	A819106	41	61
A725180	81	60	A809204	11	1	A813005	103		A819160	53	22
A725180	89	63	A809204	77	71	A814056	35	53	A819921	97	17
A765036	75	26	A809204	77	110	A814056	37		A819921	103	18
A765038	81	26	A809204	83	71	A814081	35		A823004	93	1
A765038	87	26	A809204	83	111	A814081	37		A823004	95	1
A791801	81	6	A809204	89	74	A814511	17	16	A823118	93	9
A791802	87	6	A809208	89	114	A814511	19	15	A823119	93	7
A792513	75	6	A809209	15	4	A814513	35	56	A823315	93	
A792513	77	87	A809300	15	27	A814513	35	17	A824453	95	
A792513	77	109	A809302	41	3	A814514	37	82	A824508	95	
A792513	83	88	A809303	41	10	A814514	35	20	A829851	93	8
A792513	83	110	A809303	41		A814514	37	25	A829854	95	12

PART No.	PAGE No.	REF No.	PART No.	PAGE No.	REF No.	PART No.	PAGE No.	REF No.	PART No.	PAGE No.	REF No.
A890064	31	12	A902504	81	2	A913087	97	6	GSF1040DF	37	71
A890064	31	31	A902504	87	2	A913087	103	8	GSF1040HZ	41	30
A895000	27	29	A903012	108		A913110	97		GSF1040KG	35	55
A895008	21	26	A903060	108		A913124	103		GSF1056AP	17	14
A895008	21	33	A903062	108		A913124	103		GSF1056AP	19	13
A895050	33	44	A903077	108		A913130	103	3	GSF1057BH	11	12
A895051	33	45	A903079	108		A914200	19	39	GSF1057BH	05	17
A896009	17	15	A903097	108		A914818	99		GSF1070JJ	05	3
A896010	19	14	A903098	108		A914818	99		GSF1090ED	108	
A902129	77	62	A903099	108		AE22003	05		GSF2001AH	11	3
A902129	83	63	A903202	108		AE22003	07	38	GSF2001AP	11	2
A902129	89	66	A903217	108		AE22003	21		GSF2001AP	61	27
A902135	77	83	A903218	108		AE22003	21		GSF2001AR	11	
A902135	83	84	A903301	108		AE22003	31		GSF2001AV	11	
A902135	89	87	A903302	108		AE22003	49		GSF2001EK	27	30
A902136	77	99	A903306	108		AE22003	49		GSF2001EM	27	37
A902136	83	100	A903407	108		AE22003	51		GSF2002AD	11	8
A902136	89	103	A903525	108		AE22003	51		GSF2002AP	97	22
A902140	75	13	A903553	108		AE22003	53	10	GSF2002CA	11	21
A902140	81	13	A903600	108		AE22003	47	16	GSF2002CB	05	27
A902145	87	13	A903621	108		AE30003	103	17	GSF2002CD	05	6
A902158	35	45	A904159	99		AE30003	103		GSF2002ED	05	40
A902159	87	44	A904159	105		AE30003	49	8	GSF2002ED	07	3
A902159	75	19	A904172	33	46	AE30104	51	8	GSF2002ED	09	13
A902159	75	57	A904184	97		AE45106	49	18	GSF2002ED	09	36
A902159	81	19	A904184	105		AE45106	51	21	GSF2002ED	25	13
A902159	81	58	A904186	105	42	AF09006	37	57	GSF2015CF	07	17
A902159	87	19	A904190	99		AF09006	37	85	GSF2020JF	61	12
A902159	87	61	A904190	107		ASKA030	41		GSF2051AA	11	23
A902160	77	119	A904191	99		ASKA040	65		GSF2051AA	11	23
A902160	83	120	A904191	107		ASKA040	77		GSF2051AA	105	24
A902160	91	123	A904332	05		ASKA041	77		GSF2051AB	37	73
A902161	77	117	A904356	51		ASKA041	83		GSF2051AD	11	11
A902161	83	118	A904381	37		ASKA041	83		GSF2052AB	21	7
A902161	91	121	A905214	95		ASKA041	89		GSF2052AB	27	7
A902162	79	121	A905217	93		ASKA041	89		GSF2052AB	35	21
A902162	85	122	A906009	45		ASKA041	89		GSF2052AB	37	79
A902162	91	125	A906010	45		BAA0409	39		GSF2052AC	99	33
A902163	75	47	A906500	49		BAA0412	35	38	GSF2052AC	105	34
A902163	81	48	A909051	25		BAA0482	35	25	GSF2052AD	59	8
A902163	87	53	A912104	25		BAA0490	41	14	GSF2052AE	05	24
A902164	75	29	A912105	25		BAA0729	37		GSF2052AE	47	23
A902164	81	29	A913005	97		BAA0730	37		GSF2052AE	49	32
A902165	87	29	A913006	97		BAA0764	37		GSF2052AE	51	33
A902165	83	67	A913007	103		BAA0773	37	68	GSF2052AE	51	39
A902165	89	70	A913007	97		BAA0774	37		GSF2052AH	47	27
A902166	83	79	A913007	103		BAA0833	49		GSF2052AJ	77	77
A902166	89	82	A913008	97		BAA0833	51	16	GSF2052AJ	77	94
A902167	79	126	A913008	103		BAA0833	37	19	GSF2052AJ	77	116
A902167	85	127	A913009	97		BAA0846	37	72	GSF2052AJ	79	123
A902167	91	130	A913009	103		BAA0858	37	69	GSF2052AJ	83	83
A902172	77	79	A913038	35		BAA1010	37		GSF2052AJ	83	95
A902177	35	33	A913086	99		GSF1033ED	11	20	GSF2052AJ	83	117
A902504	75	2	A913086	107					GSF2052AJ	85	124

PART No.	PAGE No.	REF No.	PART No.	PAGE No.	REF No.	PART No.	PAGE No.	REF No.	PART No.	PAGE No.	REF No.
GSF2052AJ	89	86	GSF3551EJ	31	14	H083031	19	41	H290701	41	36
GSF2052AJ	89	98	GSF3551EJ	31	33	H083031	37	99	H290702	41	43
GSF2052AJ	89	120	GSF3599CY	15	14	H083036	49	26	H290716	53	29
GSF2052AJ	91	127	GSF3600BK	15	10	H084001	47	25	H290716	75	36
GSF2052BB	35	18	GSF3600BK	65	6	H087063	41		H290716	81	37
GSF2052BB	37	81	GSF3600BN	65	1	H089014	97		H290716	87	37
GSF2052BE	49	36	GSF3600BR	71	4	H089014	103		H290721	27	
GSF2052BE	51	31	GSF3600BR	71	14	H090017	27	26	H290733	53	37
GSF2052BE	51	37	GSF3600CN	73	8	H091018	31	19	H290733	75	
GSF2052BE	49	49	GSF3650C	61	8	H091018	31	37	H290733	81	38
GSF2080BC	35	15	GSF3701BC	109		H111426	63	8	H290733	87	38
GSF2080BC	39		GSF3701BE	109		H190134	33	38	H291025	53	6
GSF2093AB	27		GSF3702SZ	109		H190135	33		H291025	53	18
GSF2093EC	29	34				H200038	11	10	H300403	23	45
GSF2093ED	39		H002610	51	12	H200339	59	5	H400004	93	16
GSF2150C	29		H012093	49		H200492	59		H400004	93	16
GSF2150C	61	29	H012093	51	18	H224902	71	13	H400010	95	11
GSF2150K	47	28	H012102	11	11	H240016	65	2	H400010	95	11
GSF2151AR	39		H014004	11	4	H240016	71	5	H400064	95	5
GSF2152B	17	38	H014008	31	13	H240016	71	15	H400064	95	5
GSF2152B	37	78	H014008	31	32	H240016	71	9	H410001	95	31
GSF2154CE	07	15	H014011	75	17	H240085	71	8	H450057	31	3
GSF2154CE	09	10	H014011	81	17	H240085	71	9	H460004	53	25
GSF2154CE	21	12	H014011	87	17	H240087	71	7	H460004	53	2
GSF2154CE	101	12	H014017	53	7	H240088	71	6	H460004	53	14
GSF2154FK	35	40	H014017	53	19	H240088	71	3	H461007	95	15
GSF2154FK	37	62	H014019	75	39	H240089	65	9	H499006	93	4
GSF2154FK	97		H014019	75	41	H240107	65	9	H499006	95	3
GSF2154FK	103		H014019	75	44	H240108	65	9	H499146	95	15
GSF2154GP	25	14	H014019	81	40	H240109	65	9	H499451	93	14
GSF2164G	11	24	H014019	81	44	H240110	65	10	H499451	95	14
GSF2164G	24	24	H014019	81	42	H240111	65	11	H499700	95	13
GSF2164G	25	25	H014019	81	45	H240112	65	13	H499802	33	
GSF2164H	05	41	H014019	87	40	H240113	65	14	H499857	33	
GSF2164J	05	7	H014019	87	43	H240114	65	16	H540131	47	19
GSF2164J	05	7	H014019	87	46	H240115	65	17	H920058	35	
GSF2202ER	27	35	H014019	87	49	H240116	65	18	H980016	95	33
GSF2202EX	11	14	H014019	87	49	H240117	65	7	H980016	95	33
GSF2202EX	35	52	H015100	73	51	H240117	65	19	H980026	49	
GSF2202JN	57	15	H019055	73	6	H240118	65	19	H980026	51	30
GSF2230AE	11	5	H030032	53	20	H240119	65	21	H980026	51	36
GSF2230AE	59	7	H032112LV	75	45	H240120	65	22	H980026	51	48
GSF2230AJ	35	50	H032112LV	81	46	H240121	65	25	H980026	49	29
GSF2230AJ	39		H042010	61	46	H240122	65	17	H980027	51	32
GSF2230AJ	39		H060009	47	9	H240123	65	26	H980027	51	38
GSF2230AJ	41	28	H060048AC	17	35	H240133	65	23	H980031	25	18
GSF2503MB	07	2	H060053	103		H240134	65	8	H980031	25	18
GSF2540AC	09	12	H060053	97		H240137	65	27	H980031	31	36
GSF2560AF	75	40	H060053BC	103		H240138	65	15	H980031	93	3
GSF2560AF	81	41	H060104	27		H240138	65	15	H980031	95	95
GSF2570AF	87	42	H060104	103		H240140	65	24	H980031	95	95
GSF2571AW	75	38	H060104	105		H240141	65	28	H980031	29	
GSF2571AW	81	39	H060104BU	27		H240143	65	12	H980031	101	15
GSF2571AW	87	39	H083025	05	23	H240146	61	1	H980049	29	
GSF3551CJ	11	22	H083026	07	7	H240146	75	31	H980117	101	
			H083026	09	17	H240146	81	31	H980397	33	16
						H240146	87	31	H980407	79	136

PART No.	PAGE No.	REF No.	PART No.	PAGE No.	REF No.	PART No.	PAGE No.	REF No.	PART No.	PAGE No.	REF No.
H980407	85	137	MBB2557	11	7	MBB6446B	09	35	MBB7875	35	54
H980407	91	140	MBB2558	11	6	MBB6762	07	21	MBB7878	35	10
H980424	99	31	MBB2559	05	18	MBB6762	09	20	MBB7885	37	63
H980424	105	32	MBB2562A	05	22	MBB6764	07	25	MBB7886	37	65
H980452	47	26	MBB2563	05	13	MBB6764	09	24	MBB7887	35	11
H990021	31	4	MBB2571	05	32	MBB6766	07	27	MBB7891	37	60
H990106	33	10	MBB2579	07	8	MBB6766	09	26	MBB7893	97	19
H990116	47	34	MBB2579	09	18	MBB6838	05	21	MBB7893	103	25
H990117	99	35	MBB2580	07	5	MBB6867	35	14	MBB7896	103	26
H990117	105	35	MBB2580	09	15	MBB7034	49	4	MBB7896	103	20
LMAA120	17	7	MBB2587	07	10	MBB7034	51	4	MBB7899	97	19
LMAA120	73	52	MBB2592A	09	7	MBB7206	19	4	MBB7899	99	25
LMAA120	75	53	MBB2615	73	13	MBB7418	51	9	MBB7899	105	26
LMAA120	81	53	MBB2616	11	9	MBB7421	51	10	MBB7909	53	1
LMAA263A	05	1	MBB2625	11	11	MBB7422	51	11	MBB7909	27	1
LMAA356	07	1	MBB2625	09	4	MBB7503	17	12	MBB7924	27	23
LMAA356	09	6	MBB2629	53	3	MBB7503	19	11	MBB7927	99	1
LMAY645D	19	6	MBB2629	53	15	MBB7559A	51	1	MBB7927	105	12
LMAY645D	73	53	MBB3024	77	91	MBB7638	47	21	MBB7929	21	12
LMAY645D	75	54	MBB3024	83	113	MBB7639	47	27	MBB7929	27	12
LMAY645D	81	54	MBB3024	83	92	MBB7675	47	4	MBB7931	27	4
LMSD668	07	1	MBB3024	89	114	MBB7696	17	5	MBB7937	103	103
LMSD668	09	11	MBB3024	89	95	MBB7700	51	35	MBB7938	103	103
LMSD672	05	26	MBB3024	89	117	MBB7708	51	41	MBB7956	103	12
LMSD672	05	25	MBB3137A	73	1	MBB7708	51	23	MBB7963	45	5
LMSD907	19	1	MBB3139	73	4	MBB7712	17	20	MBB7964	97	9
LMSD908	17	26	MBB3163	21	6	MBB7712	19	19	MBB7970	69	1
LMSD908	19	24	MBB3235	27	6	MBB7722	69	10	MBB7974	99	9
LMSD909	17	2	MBB3235Z	47	18	MBB7722	69	11	MBB7974	105	38
LMSD910	17	1	MBB3238	47	13	MBB7724	69	9	MBB7975	99	41
LMSD912	47	1	MBB3495A	47	17	MBB7750	21	1	MBB7976	105	10
LMSD936	35	1	MBB3499	95	10	MBB7750	27	1	MBB7978	109	14
LMSD939	47	6	MBB3500	61	11	MBB7787	27	28	MBB7979	57	5
MBA2337	47	26	MBB3567	05	39	MBB7790	57	1	MBB7982	55	18
MBA3008	61	26	MBB3651	83	73	MBB7823	19	38	MBB7982	97	19
MBA5912	73	11	MBB3651	89	76	MBB7826	69	5	MBB7982	103	19
MBA6074A	75	11	MBB4276	109	109	MBB7826	77	84	MBB7984	69	20
MBA6074A	81	11	MBB4967	19	32	MBB7826	77	105	MBB7995	19	95
MBA6074A	87	11	MBB5919	23	85	MBB7826	83	85	MBB8005	77	96
MBA7024	05	4	MBB5919	109	36	MBB7826	89	106	MBB8005	83	99
MBA7212	05	35	MBB5951	05	36	MBB7826	89	88	MBB8006	89	99
MBA7212	05	9	MBB5961	05	36	MBB7826	89	109	MBB8006	105	37
MBB2363A	07	9	MBB5962	05	36	MBB7827	69	16	MBB8009	37	87
MBB2363A	09	6	MBB5971	05	34	MBB7829	69	19	MBB8010	35	26
MBB2365	07	12	MBB5972	05	37	MBB7830	35	1	MBB8014	27	8
MBB2365	09	19	MBB6150	05	37	MBB7830	43	40	MBB8014	21	8
MBB2367	07	32	MBB6151	05	38	MBB7837	19	40	MBB8017	55	42
MBB2367	09	31	MBB6195	05	7	MBB7842	39	39	MBB8017	57	11
MBB2512	47	24	MBB6196	61	7	MBB7842	39	39	MBB8021	17	7
MBB2540B	05	12	MBB6198	61	5	MBB7854	31	24	MBB8025	15	32
MBB2543B	05	11	MBB6402	09	1	MBB7854	39	39	MBB8029	05	31
MBB2553E	11	11	MBB6403	09	2	MBB7857	21	5	MBB8031	17	21
MBB2554E	11	18	MBB6445B	09	34	MBB7857	27	5	MBB8032	19	31
						MBB7866	35	36	MBB8042	37	86

PART No.	PAGE No.	REF No.	PART No.	PAGE No.	REF No.	PART No.	PAGE No.	REF No.
MBB8045	37	80	MBB8254	27	20	MBC2065	23	40
MBB8047	97		MBB8259	27	21	MBC2068	31	20
MBB8047	103		MBB8262	27	22	MBC2070	101	10
MBB8052	95	9	MBB8264	27	18	MBC2071	101	3
MBB8058	29	45	MBB8265	27	19	MBC2074	97	10
MBB8069	33	39	MBB8271	103	4	MBC2080	21	4
MBB8076	33	40	MBB8272	27	24	MBC2090	25	16
MBB8086	105	36	MBB8277	103	11	MBC2095	25	1
MBB8090	99	36	MBB8278	105	45	MBC2100	21	32
MBB8090	105	39	MBB8279	27	25	MBC2106	55	26
MBB8105	35	46	MBB8284	49	9	MBC2107	55	29
MBB8110	21	28	MBB8285	49	1	MBC2108	55	33
MBB8110	23	37	MBB8290	49	9	MBC2109	55	37
MBB8110	27	31	MBB8292	47	22	MBC2110	55	32
MBB8110	27	38	MBB8292	49	37	MBC2117	55	41
MBB8111	99		MBB8296	49	20	MBC2121	55	1
MBB8111	107		MBB8302	97	12	MBC2125	55	7
MBB8112	99		MBB8302	103	13	MBC2128	55	13
MBB8112	107		MBB8310	49	28	MBC2129	55	19
MBB8116	99		MBB8310	51	29	MBC2131	55	18
MBB8116	107		MBB8318	105	43	MBC2157	21	20
MBB8119	33	42	MBB8319	105	44	MBC2161	55	21
MBB8120	47		MBB8320	29	43	MBC2171	21	25
MBB8125	51	47	MBB8341	99	37	MBC2172	21	6
MBB8125	29	44	MBB8341	105	40	MBC2198	93	12
MBB8132	05		MBB8344	105	38	MBC2199	93	13
MBB8133	05		MBB8346	99	35	MBC2200	93	13
MBB8137	95		MBB9458A	35	29	MBC2201	93	10
MBB8138	95	11	MBB9461	35	28	MBC2202	93	10
MBB8146	95	48	MBB9657	07	16	MBC2214	23	41
MBB8157	87		MBB9658	07	16	MBC2215	101	5
MBB8191	23		MBB9659	07	35	MBC2300	99	5
MBB8191	29		MBB9663	07	13	MBC2300	107	99
MBB8195	23		MBB9664	07	18	MBC2302	99	16
MBB8195	29		MBB9667	07	8	MBC2302	107	16
MBB8216	53	13	MBB9785	05	8	MBC7050	35	16
MBB8216	81	1	MBB9785	05	25			
MBB8219	75	1	MBC1644	49	25	PBA0696	35	3
MBB8221	97		MBC2044	99		PPW0292B	97	20
MBB8221	105		MBC2044	105		PPW0292B	103	21
MBB8223	31	1	MBC2045	99				
MBB8223	57		MBC2045	105				
MBB8228	27		MBC2046	99		TBA7970	73	2
MBB8229	97		MBC2046	105		TBA7971	73	5
MBB8229	103	22	MBC2047	99		TBA7972	73	3
MBB8230	37	23	MBC2047	105		TBA7975	17	8
MBB8230	96	96	MBC2048	99		TBA7975	19	7
MBB8236	37	93	MBC2048	105				
MBB8238	31	7	MBC2051	35	19			
MBB8238	53	24	MBC2052	21	18			
MBB8239	31	9	MBC2054	21	24			
MBB8239	53	26	MBC2060	97	11			
MBB8243	21	15	MBC2061	101	14			
MBB8243	27	15	MBC2062	101	2			
MBB8248	35	15	MBC2062	101	1			
MBB8250	19	30	MBC2063	25	12			
MBB8250			MBC2064					

# RANSOMES

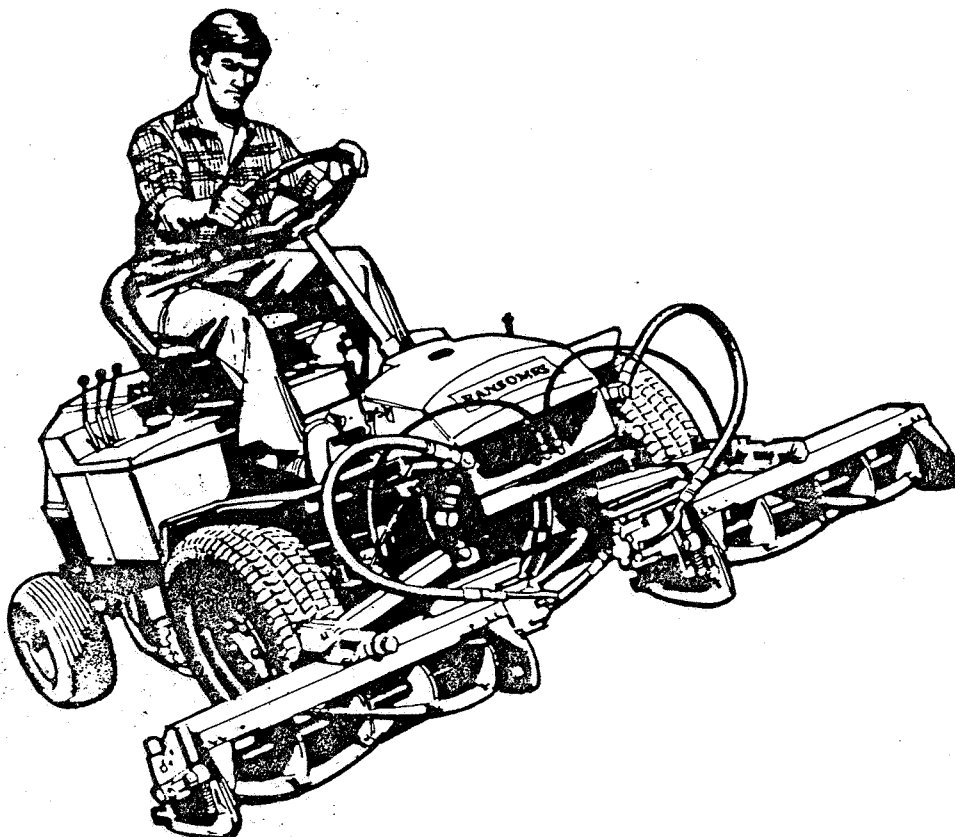
LIST OF PARTS

---

## Motor 213

Petrol and Diesel Engine

2.13m (7ft 0in)



RANSOMES SIMS & JEFFERIES PLC

IPSWICH

ENGLAND

Publication No. 23074 H.

834

## INTRODUCTION

### REFERENCE NUMBER

Each part which is identified in the illustrations has a reference number. Parts which do not have a reference number may not be readily identified in the illustration but are usually closely associated with the immediately adjacent part.

### ASSEMBLIES

Assemblies are described with their component parts. These latter are then enumerated separately and off-set to the right. If the list of components includes a further sub-assembly then individual parts of the assembly which are supplied, are off-set one stage further, e.g.

REF	PART No.	NAME OF PART	QTY
1	H930001	Wheel & Tyre Assy	2
2	H931051	Tyre 7 x 9 x 10 Ply	1
3	H932042	Tube 7 x 9	1
4	H270014	Cap - Valve	1
	Z555225	Core - Valve	1
	H930002	Wheel Assy	1
5	H270011	Ring - Lock	1
6	H270010	Flange	1

### QUANTITIES

Quantities shown are for one assembly or sub-assembly.

### USING THE PARTS LIST

Determine the function and application of the part required.  
Turn to the main index page and select the appropriate section.  
Locate the part on the illustration and parts list and read off the quantity from the appropriate MODEL column.

### NUMERICAL INDEX

This is a summary of all part numbers used in the manual arranged in numerical sequence and showing the page and reference numbers under which the parts appear.

### ORDERING OF SPARE PARTS

When ordering replacement parts, it is most important to quote the SERIAL NUMBER of the machine PART NUMBER, NAME OF PART and QUANTITY required.

### ABBREVIATIONS

AR	As Required	INT	Internal
ASSY	Assembly	LH	Left Hand
BA	British Association	M	Metric
BSW	British Standard Whitworth	mm	Millimetre(s)
CH	Cheese	PT	Point
CSK	Countersunk	RD	Round
DEG	Degree(s)	REV	Reverse
EXT	External	RH	Right Hand
FWD	Forward	SL	Spring Lock
HD	Head	SP	Shake Proof
HEX	Hexagon	UNC	Unified Course
HS	Hexagon Socket	UNF	Unified Fine

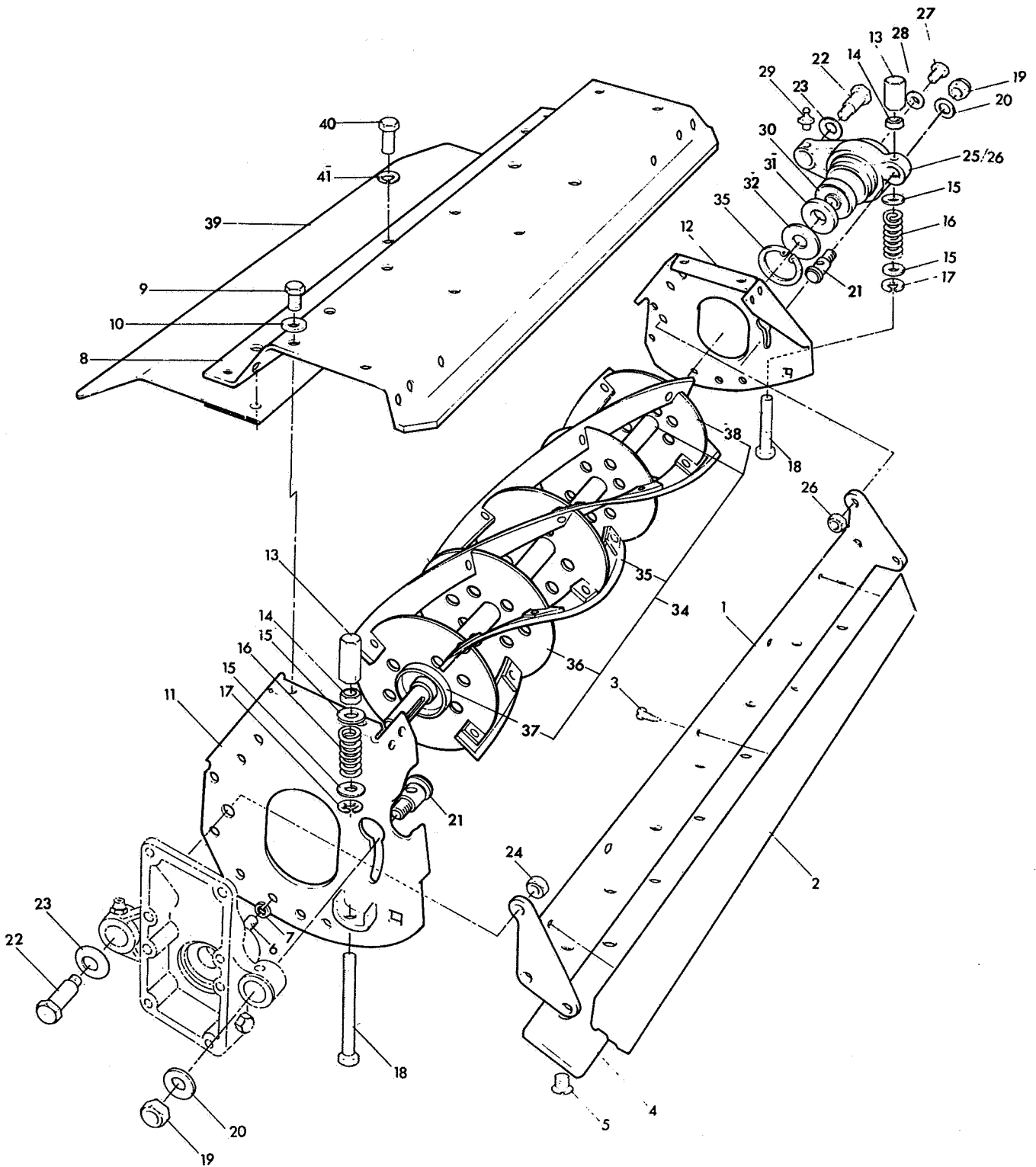
## INDEX TO SECTIONS

---

	PAGE
Control Valve & Flow Divider Mounting .....	60, 61
Cutting Unit Drive .....	10, 11
Cutting Unit Drive Motor (Dowty) .....	12, 13
Cutting Unit Drive Motor (H.P.I) .....	14, 15
Cutting Unit Frame & Cylinder .....	4, 5
Cutting Unit Rolls & Skids (Current M/C's) .....	6, 7
Cutting Unit Rolls & Skids (Early M/C's) .....	8, 9
Decals .....	108
Differential Axle & Brake .....	42, 43
Electrical System (Diesel Engine) .....	92, 93
Electrical System (Petrol Engine) .....	94, 95
Engine Guards (Diesel) .....	100, 101
Flow Divider .....	66, 67
Front Unit Suspension .....	16, 17
Fuel System .....	30, 31, 32, 33
Hydraulic Layout (Diesel Engine) .....	74, 75, 76, 77, 78, 79
Hydraulic Layout (Petrol Engine Current M/C's) .....	80, 81, 82, 83, 84, 85
Hydraulic Layout (Petrol Engine Early M/C's) .....	86, 87, 88, 89, 90, 91
Hydraulic Lift Ram .....	72, 73
Hydraulic Tank & Filter .....	52, 53
Hydraulic Pump .....	58, 59
Hydrostat Unit .....	40, 41
Lift Control Valve .....	64, 65
Main Frame & Engine (Diesel Engine) .....	20, 21, 22, 23
Main Frame & Engine (Petrol Engine) .....	26, 27, 28, 29
Motor Control Valve .....	62, 63
Parking Brake .....	44, 45
Pump & Fan Drive (Diesel Engine) .....	54, 55
Pump Mounting & Drive (Petrol Engine) .....	56, 57
Radiator Mounting & Cowling .....	24, 25
Rear Axle, Wheels & Steering Linkage (Current M/C's) .....	48, 49
Rear Axle, Wheels & Steering Linkage (Early M/C's) .....	50, 51
Rear Unit Suspension .....	18, 19
Seat, Covers & Guards (Diesel Engine) .....	96, 97, 98, 99
Seat, Covers & Guards (Petrol Engine).....	102, 103, 104, 105, 106, 107
Selector Valve .....	70, 71
Selector Valve Mounting & Operating Mechanism .....	68, 69
Steering Wheel & Rack & Pinion Assembly .....	46, 47
Transmission & Controls .....	34, 35, 36, 37, 38, 39
Numerical Index .....	109, 110, 111, 112, 113 114, 115, 116, 117



MOTOR 213



**CUTTING UNIT FRAME AND CYLINDER**

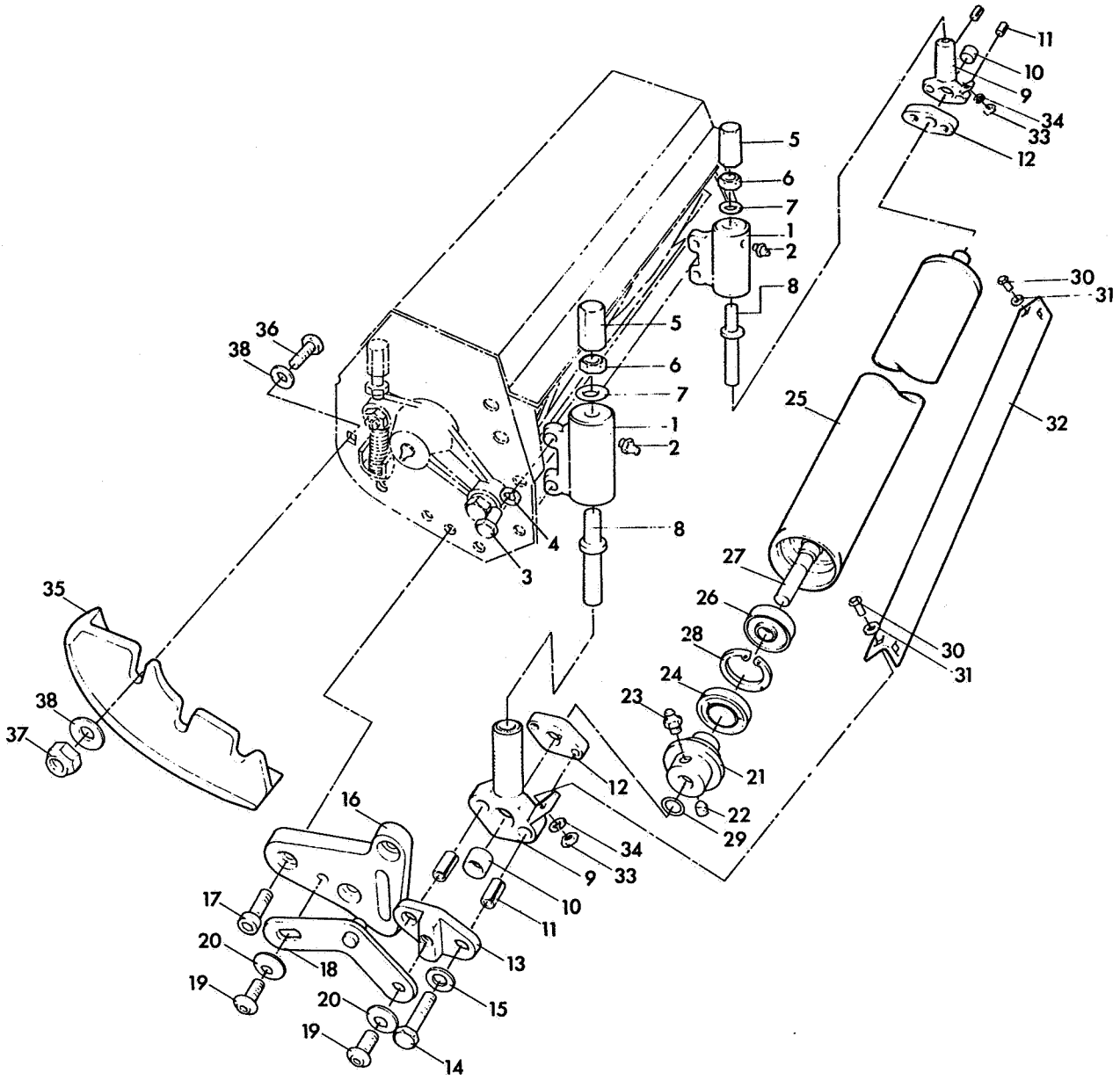
**LIST OF PARTS**

For LH Drive Units use Quantity Column A

For RH Drive Units use Quantity Column B

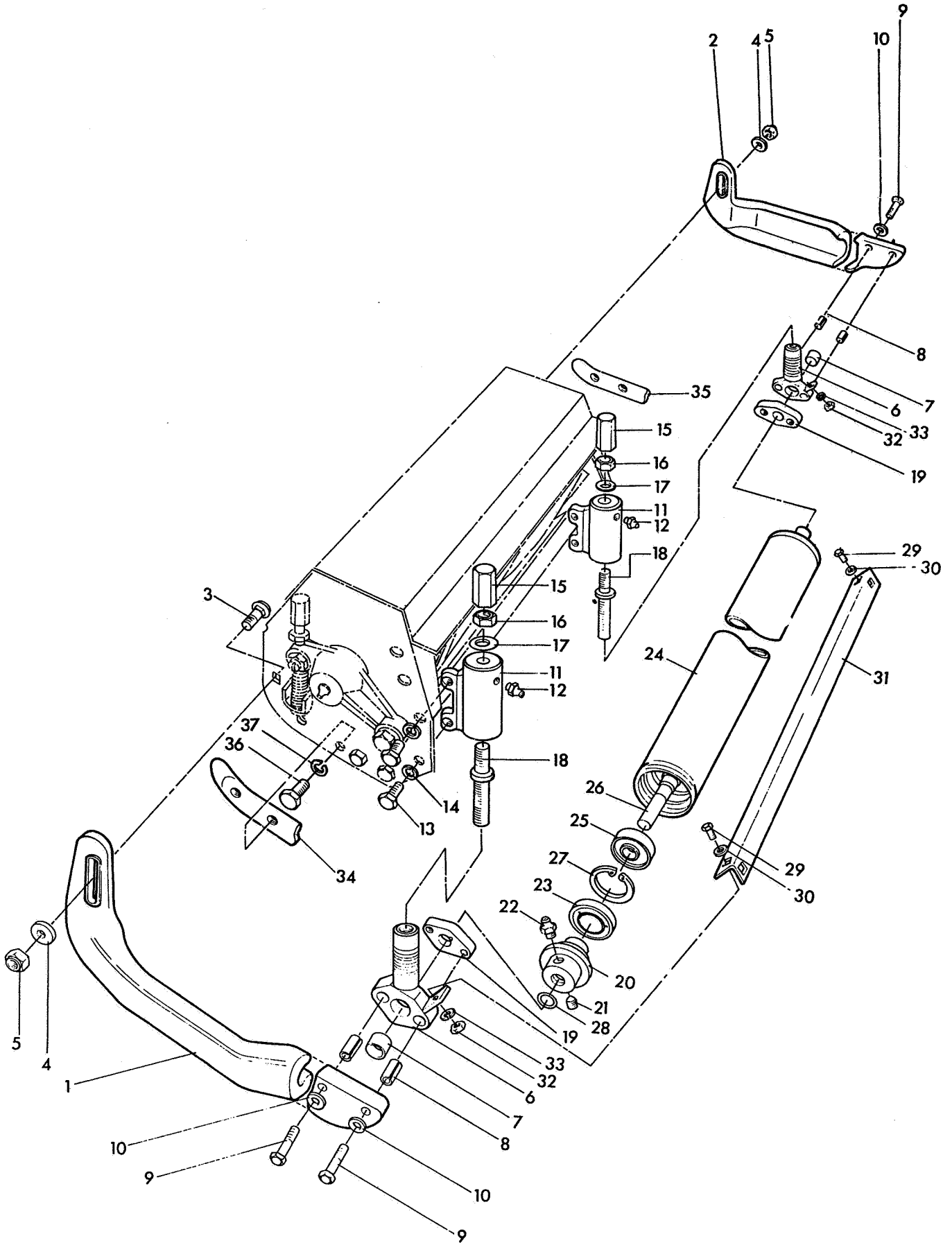
REF. No.	PART No.	NAME OF PART	QTY	
			A	B
		Cutting Frame LH Drive	1	
		Cutting Frame RH Drive		2
1	LMAA263A	Bottom Block Assy	1	1
2	A904332	Fillet	1	1
3	GSF1070JJ	Wood Screw No. 8 x 1.1/4" Round Hd	3	3
4	MBA7024	Bottom Blade	1	1
5	A119000	Screw Csk Hd	7	7
6	GSF2002ED	Screw 3/8" UNF x 3/4" Hex Hd	4	4
7	GSF2164J	S.L. Washer 3/8" dia	4	4
8	MBB9785	Top Deck	1	1
9	A110404	Screw M10 x 20 Hex Hd	7	7
10	A150010	Washer 10mm	7	7
11	MBB2543B	Frame Side Plate	1	1
12	MBB2540B	Frame Side Plate	1	1
13	MBB2563	Adjuster	2	2
14	A130010	Nut M10	2	2
15	A150010	Washer 10mm	4	4
16	A291006	Spring	2	2
17	GSF1057BH	Circlip	2	2
18	MBB2559	Adjusting Screw	2	2
19	A133212	Stiffnut M12	2	2
20	A150012	Washer 12mm	2	2
21	MBB6838	Clamp Pivot	2	2
22	MBB2562A	Pivot Bolt	2	2
23	H083025	Disc Spring	2	2
24	GSF2052AE	Locknut 1/2" UNF	2	2
25	LMSD672	Cylinder Housing (LH Drive) Assy	1	
26	LMSD671	Cylinder Housing (RH Drive) Assy		1
27	GSF2002CB	Screw 5/16" UNF x 3/8" Hex Hd	1	1
28	A151008	Washer 8mm	1	1
29	A299301	Lubricator	1	1
30	A203605	Ball Bearing	1	1
31	A229401	Felt Seal	1	1
32	MBB2571	Seal Washer	1	1
33	A170052	Circlip int. Type	1	1
34	MBB6150	Cutting Cylinder 4 knife Assy	1	1
35	MBA7212	Spiral Cutter with Pads	4	4
36	MBB5961	Collar	3	3
37	MBB6151	Dust Cover	1	1
38	MBB6152	Dust Cover LH	1	1
39	MBB3567	Deflector (Front & Wing Units Only)	1	1
40	GSF2002CD	Screw	3	3
41	GSF2164H	S.L. Washer 5/16" Dia	3	3
<b>ADDITIONAL FITTINGS</b>			<b>QTY</b>	
<b>For Centre Unit:</b>				
*	MBB8133	Diverter Operating Unit	1	
*	MBB8132	Guide	1	
*	A110306	Screw M8 x 30 Hex Hd	1	
*	A130008	Nut M8	1	
*	A171010	Circlip	1	
<b>For Front Units:</b>				
*	MBB8029	Lever	1	
*	A110405	Screw M10 x 20 Hex Hd	2	
*	A133210	Stiffnut M10	2	
*	AE22003	Washer	2	
<b>ALTERNATIVE FITTINGS:</b>				
	MBB5951	Cutting Cylinder 6 knife Assy	1	1
	MBA7212	Spiral Cutter with Pads	6	6
	MBB5962	Collar	3	3
	MBB5971	Dust Cover RH	1	1
	MBB5972	Dust Cover LH	1	1

\*Not illustrated

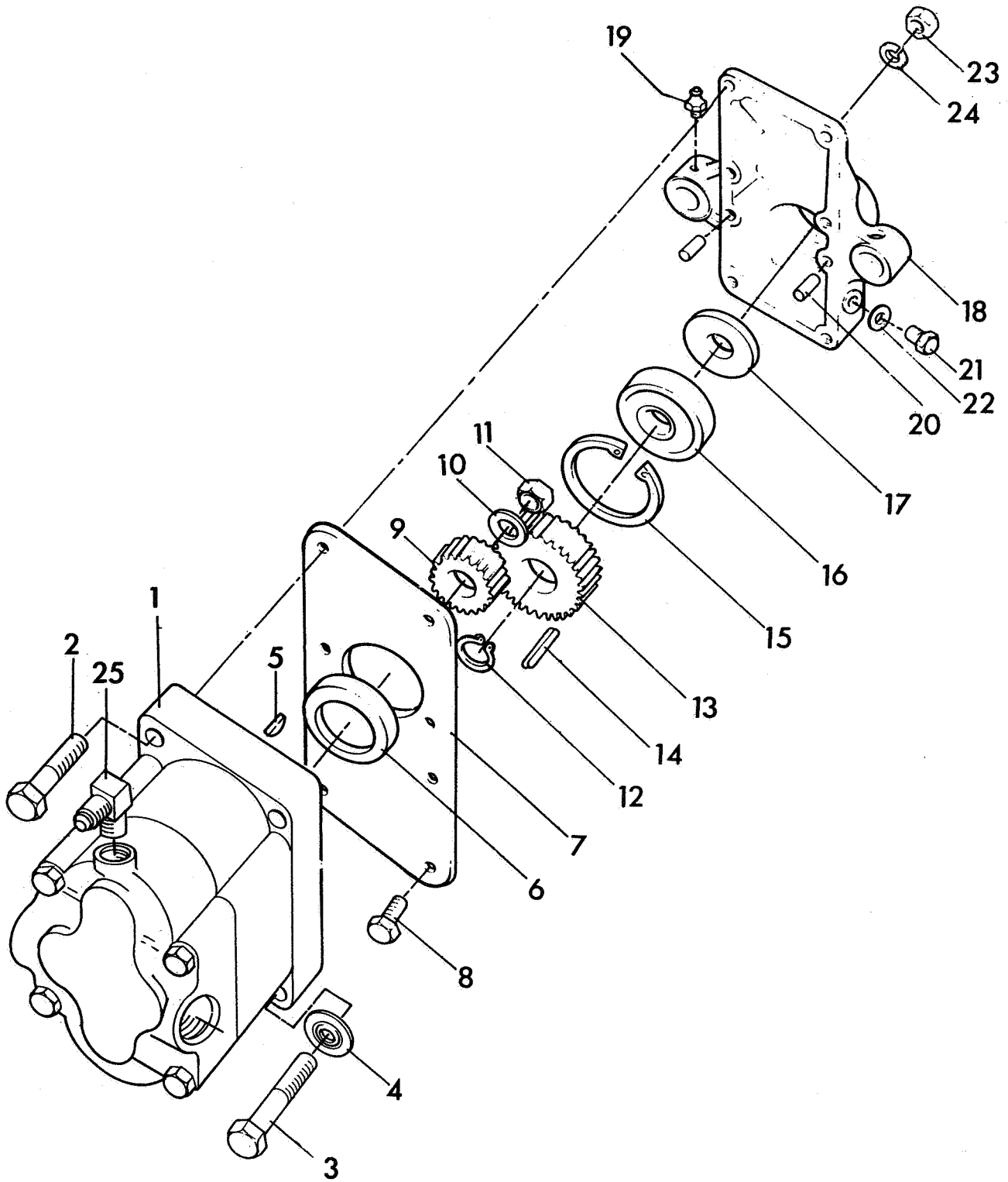


REF. No.	PART No.	NAME OF PART	QTY
1	LMSD668	Sleeve Assy	2
2	GSF2540AC	Lubricator	1
3	GSF2002ED	Screw 5/16" UNF x 7/8" Hex Hd	2
4	A151008	S.L. Washer 8mm	2
5	MBB2580	Adjuster	2
6	A130010	Nut M10	2
7	H083026	Disc Spring	2
8	MBB2579	Adjusting Screw	2
9	MBB2363A	Skid Mounting	2
10	MBB2587	Bush	2
11	A141544	Dowel	4
12	MBB2365	Plate	2
13	MBB9663	Plate	2
14	A100200	Bolt M6 x 40 Hex Hd	4
15	GSF2154CE	Washer 3/4" OD x 9/32" ID	4
16	MBB9657	Plate LH	1
*	MBB9658	Plate RH	1
17	GSF2015CF	Screw 3/8" UNF x 7/8" Hex Socket Hd	6
18	MBB9664	Lever LH	1
*	MBB9667	Lever RH	1
19	A129006	Screw M10 x 20 Button Hd	4
20	A292080	Disc Spring	4
	LMAA356	Rear Roll Assy	1
21	MBB6762	Boss	2
22	A122293	Grub Screw	2
23	A299301	Lubricator	2
24	A220250	Oil Seal	2
25	MBB6764	Rear Roll Tube	1
26	A203603	Bearing	2
27	MBB6766	Spindle	1
28	A170040	Circlip	2
29	A221114	'O' Ring	2
30	A110205	Bolt M6 x 25 Hex Hd	2
31	A150006	Washer 6mm	2
32	MBB2367	Scraper	1
33	A130006	Nut M6	2
34	A151006	S.L. Washer	2
35	MBB9659	Skid	2
36	A110306	Screw M8 x 30 Hex Hd	2
*	A110305	Screw M8 x 25 Hex Hd	4
37	A133208	Stiffnut M8	6
38	AE22003	Clamping Collar	8

\*Not illustrated



REF. No.	PART No.	NAME OF PART	QTY
1	MBB6402	Skid LH	1
2	MBB6403	Skid RH	1
3	A102508	Bolt M12 x 40 Cup Hd Sqr Neck	2
4	MBB2625	Spacer Washer	2
5	A133012	Stiffnut M12	2
6	MBB2363A	Skid Mounting	2
7	MBB2587	Bush	2
8	A141547	Dowel	4
9	A100209	Bolt M6 x 50 Hex Hd	4
10	GSF2154CE	Washer 3/4" OD x 9/32" 10	4
11	LMSD668	Sleeve Assy	2
12	GSF2540AC	Lubricator	1
13	GSF2002ED	Screw 5/16" UNF x 7/8" Hex Hd	4
14	A151008	S.L. Washer 8mm	4
15	MBB2580	Adjuster	2
16	A130010	Nut M10	2
17	H083026	Disc Washer	2
18	MBB2579	Adjusting Screw	2
19	MBB2365	Plate	2
	LMAA356	Rear Roll Assy	1
20	MBB6762	Boss	2
21	A122293	Grub Screw	2
22	A299301	Lubricator	2
23	A220250	Oil Seal	2
24	MBB6764	Rear Roll Tube	1
25	A203603	Bearing	2
26	MBB6766	Spindle	1
27	A170040	Circlip	2
28	A221114	'O' Ring	2
29	A110205	Bolt M6 x 25 Hex Hd	2
30	A150006	Washer 6mm	2
31	MBB2367	Scraper	1
32	A130006	Nut M6	2
33	A151006	S.L. Washer 6mm	2
34	MBB6445B	Pad LH	1
35	MBB6446B	Pad RH	1
36	GSF2002ED	Screw 5/16" UNF x 7/8" Hex Hd	4
37	A151008	S.L. Washer 8mm	4



For LH Drive Unit use Quantity Column A

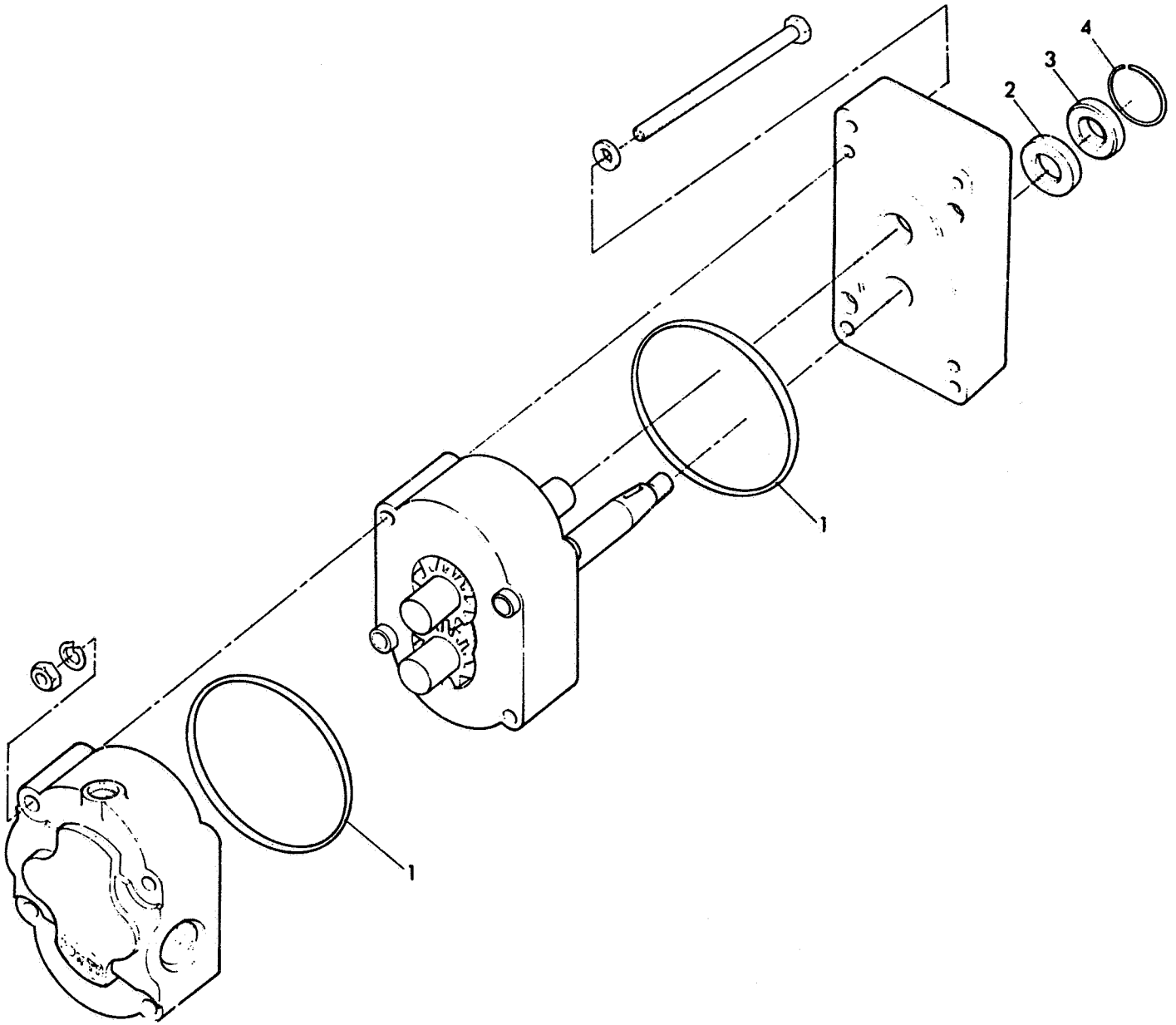
For RH Drive Unit use Quantity Column B

REF. No.	PART No.	NAME OF PART	QTY	
		Cutting Unit Drive (LH Drive)	1	
		Cutting Unit Drive (RH Drive)		1
1	A809204	Drive Motor (see pages 13 & 15)		1
*	A809203	Drive Motor (see pages 13 & 15)	1	
2	GSF2001AP	Bolt 1/4" UNF x 2.1/2" Hex Hd (HP1 Motor)	2	2
*	GSF2001AR	Bolt 1/4" UNF x 2.3/4" Hex Hd (Dowty Motor)	2	2
3	GSF2001AH	Bolt 1/4" UNF x 1.3/4" Hex Hd (HP1 Motor)	2	2
*	GSF2001AV	Bolt 1/4" UNF x 3.1/4" Hex Hd (Dowty Motor)	2	2
4	H014004	Seal Washer	2	2
5	GSF2230AE	Key Woodruff No. 405	1	1
6	MBB2558	Motor Adaptor	1	1
7	MBB2557	Motor Mounting Plate	1	1
8	GSF2002AD	Screw 1/4" UNF x 1.1/4" Hex Hd	2	2
9	MBB2616	Drive Pinion	1	1
10	H200038	Washer	1	1
11	GSF2051AD	Nut 7/16" UNF	1	1
12	GSF1056BA	Circlip Ext Type	1	1
13	MBB2615	Gear for Cutting Cylinder Shaft	1	1
14	GSF2202ER	Key	1	1
15	A170052	Circlip Int. Type	1	1
16	A203605	Ball Bearing for Cutting Cylinder Shaft	1	1
17	A229401	Felt Washer	1	1
18	MBB2554E	Gearbox Housing (RH Drive)		1
*	MBB2553E	Gearbox Housing (LH Drive)	1	
19	A299301	Lubricator	1	1
20	GSF1033ED	Dowel	2	2
21	GSF2002CA	Screw 5/16" UNF x 3/8" Hex Hd	1	1
22	GSF3551CJ	Fibre Washer	1	1
23	GSF2051AA	Nut 1/4" UNF	4	4
24	GSF2164G	S.L. Washer 1/4"	4	4
25	A241003	Elbow	1	1

NOTE: RH Drive only illustrated

\*Not illustrated

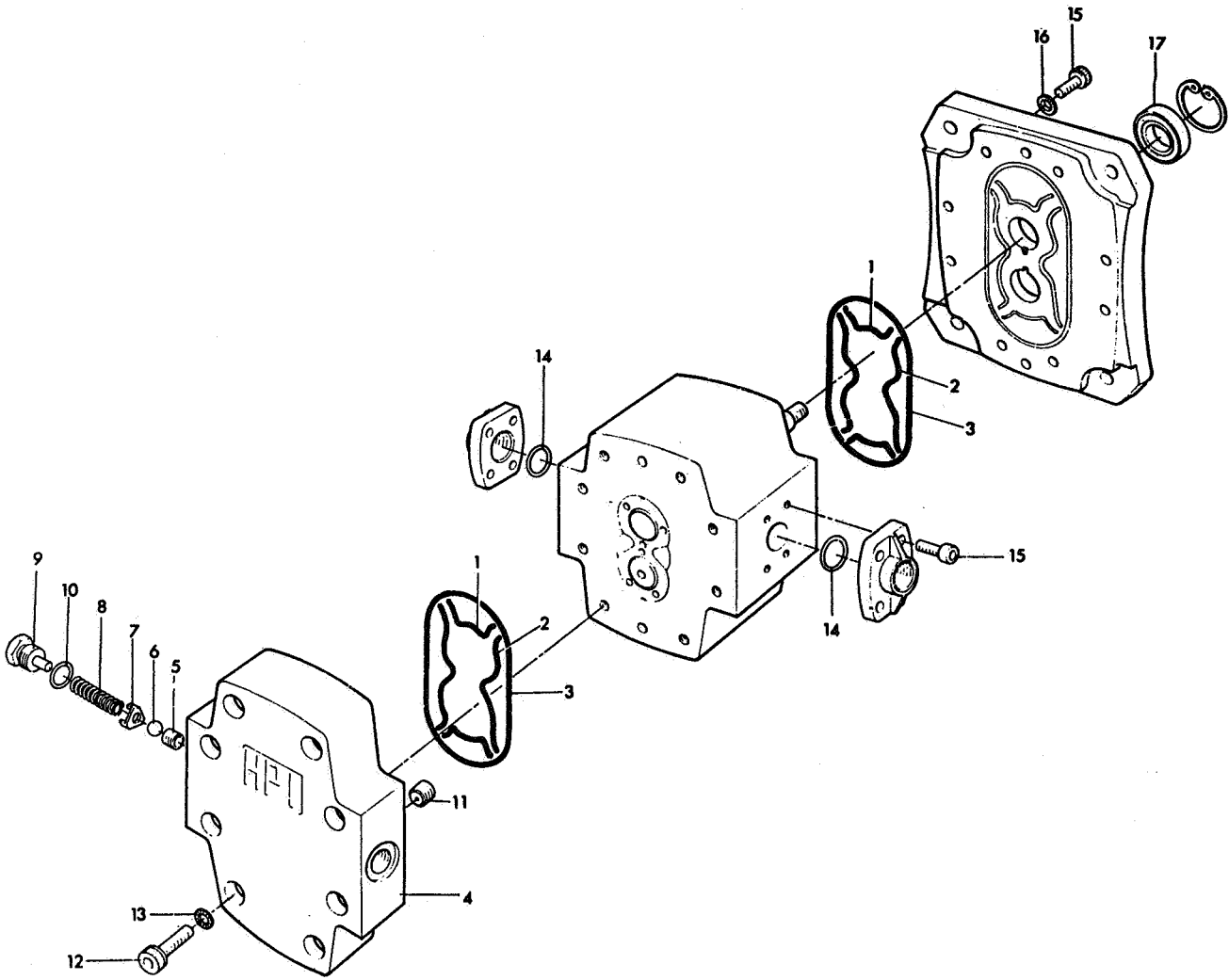




---

REF. No.	PART No.	NAME OF PART	QTY
1	A809601	Seal Kit	1
2	A229915	'O' Ring Seal	2
3		Shaft Seal	1
4		Back Up Washer	1
		Circlip	1

---

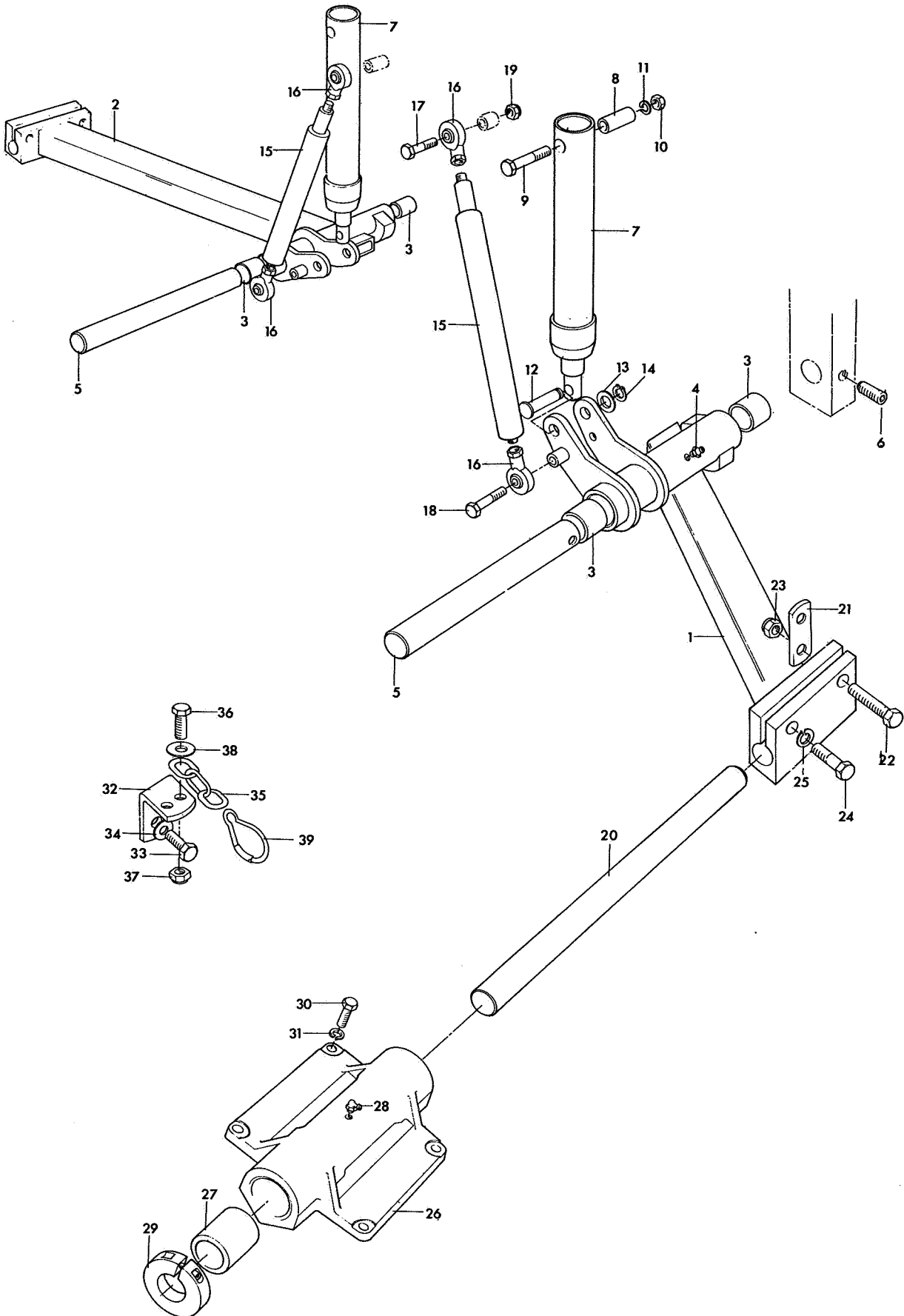


---

REF. No.	PART No.	NAME OF PART	QTY
	A809208	Seal Kit	1
1		Seal	4
2		Seal	4
3		Seal	2
4	A809209	End Plate with Integral Relief Valve	1
5		Valve Seat	1
6		Ball	1
7		Check Plate	1
8		Spring	1
9		Plug	1
10	GSF3600BK	'O' Ring	1
11		Restrictor	1
12	A120206	Cap Screw	8
13		S.P. Washer	8
14	GSF3599CY	'O' Ring	2
15	A120204	Cap Screw	18
16		S.P. Washer	18
17	A229903	Shaft Seal	1

---

MOTOR 213



## FRONT UNIT SUSPENSION

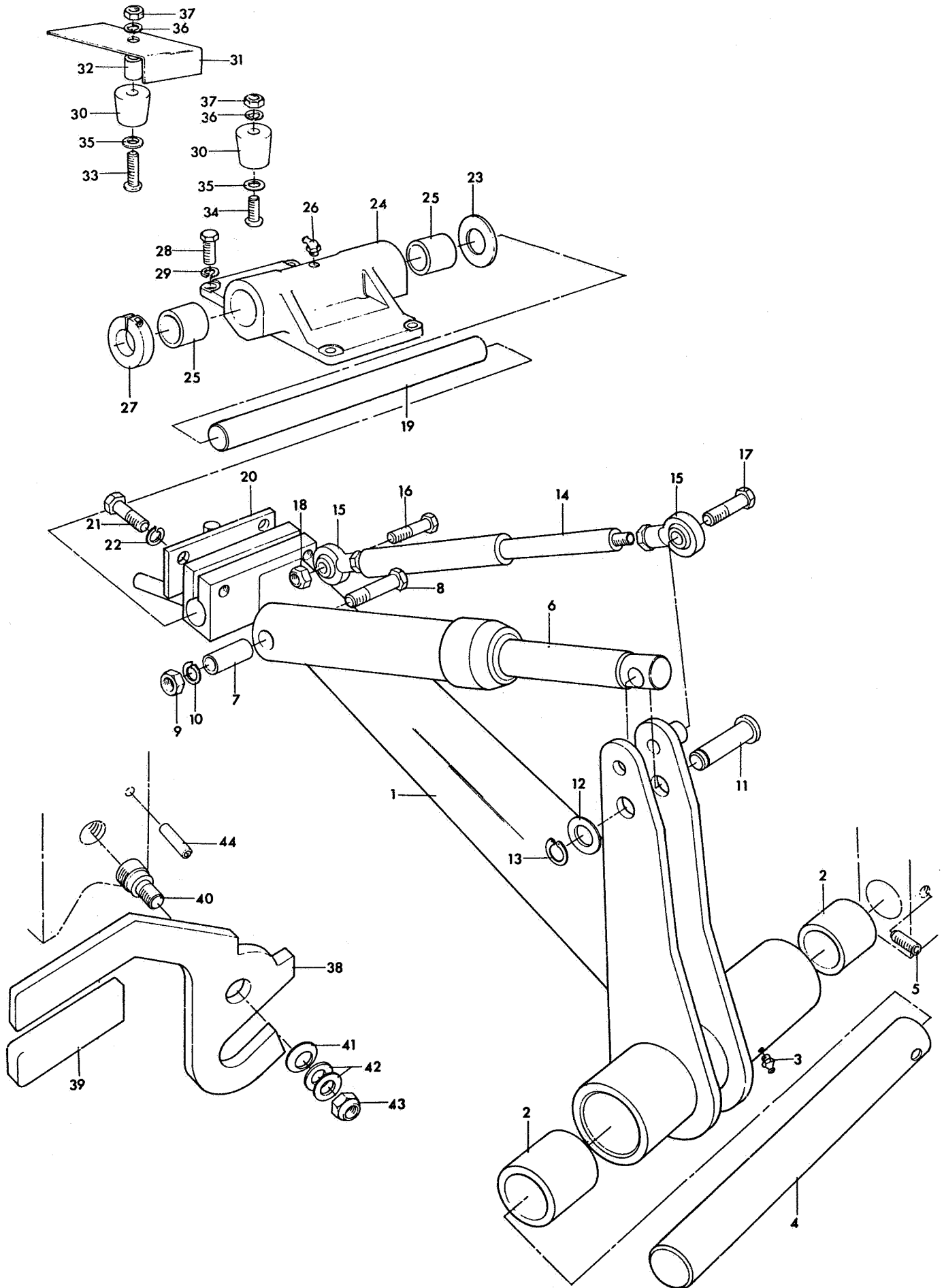
## LIST OF PARTS

For LH Unit use Quantity Column A

For RH Unit use Quantity Column B

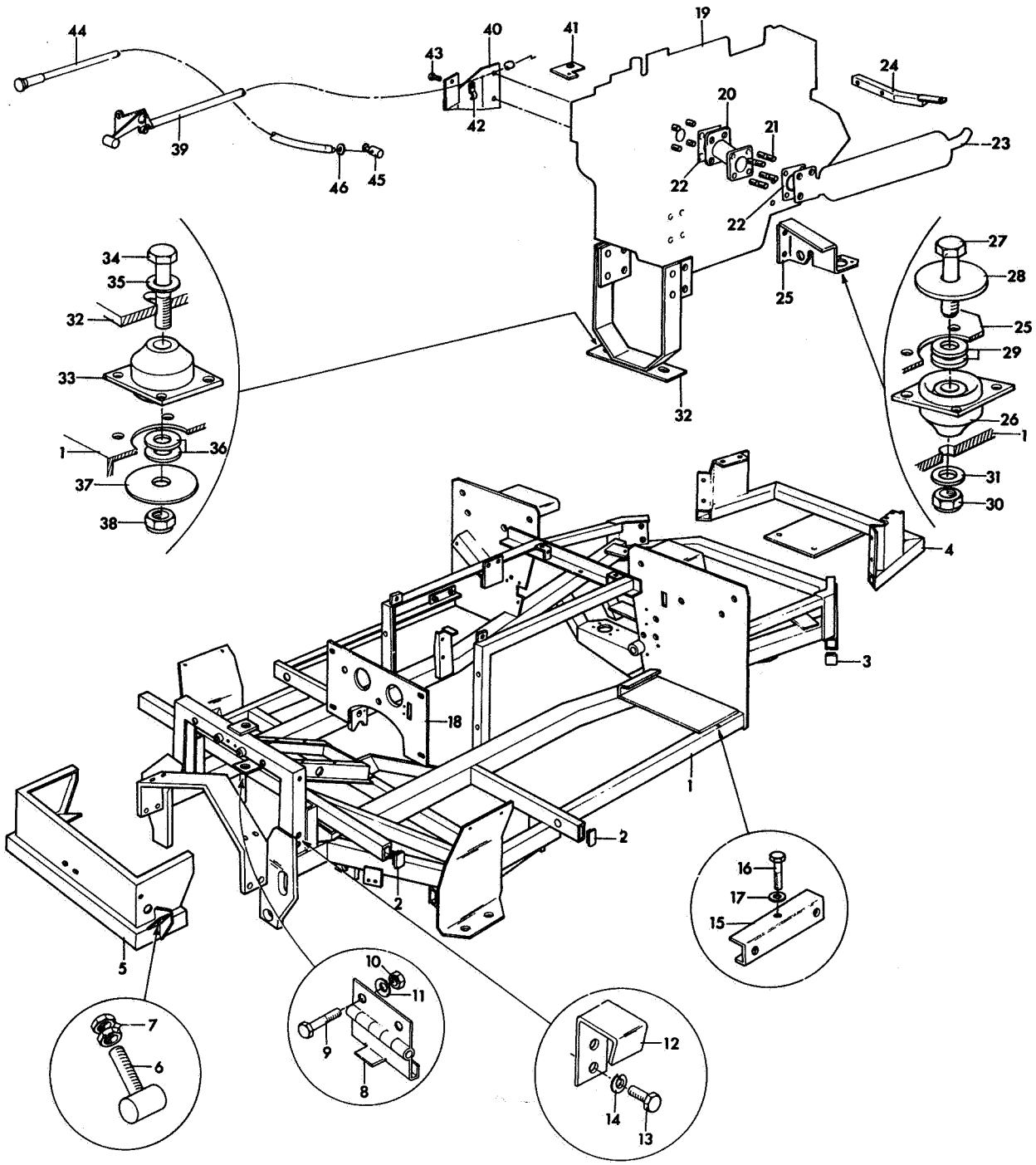
REF. No.	PART No.	NAME OF PART	QTY	
1	LMSD910	Lift Arm Assembly LH	1	
2	LMSD909	Lift Arm Assembly RH		1
3	A210175	Bush	2	2
4	A299301	Lubricator	1	1
5	MBB7696	Shaft	1	1
6	A122405	Screw M10 x 20 Hex Socket Hd	1	1
7	LMAA120	Ram (see page 73)	1	1
8	TBA7975	Distance Piece	1	1
9	A100514	Bolt M 12 x 70 Hex Hd	1	1
10	A130012	Nut M12	1	1
11	A151012	S.L. Washer 12mm	1	1
12	MBB7503	Pin	1	1
13	A150012	Washer 12mm	1	1
14	GSF1056AP	Circlip	1	1
15	A896009	Gas Strut	1	1
16	A814511	Rod End	2	2
17	A100309	Bolt M8 x 45 Hex Hd	1	1
18	A100310	Bolt M8 x 50 Hex Hd	1	1
19	A133208	Stiffnut M8	2	2
20	MBB7712	Pivot Shaft	1	1
21	MBB8031	Bracket	1	1
22	A110412	Screw M10 x 60 Hex Hd	1	1
23	A133210	Stiffnut M10	1	1
24	A100409	Bolt M10 x 45 Hex Hd	1	1
25	A151010	S.L. Washer 10mm	1	1
*	A150030	Washer 30mm	1	1
26	LMSD908	Pivot Casting Assembly	1	1
27	A210175	Bush	2	2
28	A299316	Lubricator	1	1
29	A195030	Clamping Collar	1	1
30	A110405	Screw M10 x 20 Hex Hd	4	4
31	A151010	S.L. Washer 10mm	4	4
		Transport Hook		
32	MBB8025	Bracket	1	1
33	A110305	Screw M8 x 25 Hex Hd	1	1
34	A150008	Washer 8mm	1	1
35	H060048AC	Chain	1	1
36	A110305	Screw M8 x 25 Hex Hd	1	1
37	A133208	Stiffnut M8	1	1
38	GSF2152B	Washer	1	1
39	A199005	Carbine Hook	1	1

\*Not illustrated

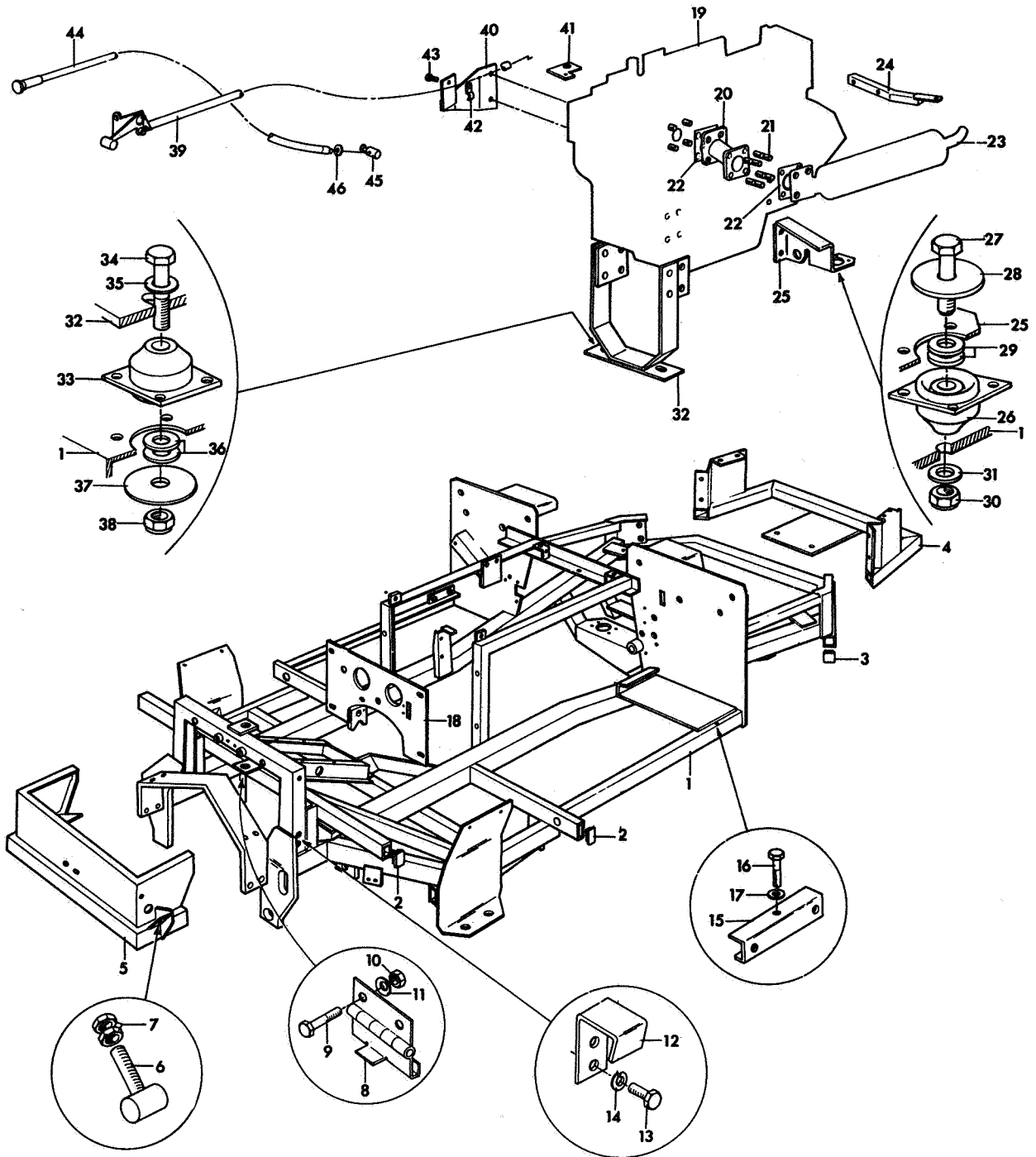


REF. No.	PART No.	NAME OF PART	QTY
1	LMSD907	Lift Arm Assy	1
2	A210175	Bush	2
3	A299301	Lubricator	1
4	MBB7206	Shaft	1
5	A122405	Screw M10 x 20 Hex Socket Hd	1
6	LMAY645D	Ram Assy (see page 73)	1
7	TBA7975	Distance Piece	1
8	A100514	Bolt M12 x 70 Hex Hd	1
9	A130012	Nut M12	1
10	A151012	S.L. Washer 12mm	1
11	MBB7503	Pin	1
12	A150012	Washer 12mm	1
13	GSF1056AP	Circlip	1
14	A896010	Gas Strut	1
15	A814511	Rod End	2
16	A100309	Bolt M8 x 45 Hex Hd	1
17	A100310	Bolt M8 x 50 Hex Hd	1
18	A133208	Stiffnut M8	2
19	MBB7712	Pivot Shaft	1
20	MBB7995	Rod	1
21	A100410	Bolt M10 x 50 Hex Hd	2
22	A151010	S.L. Washer 10mm	2
23	A150030	Washer 30mm	1
24	LMSD908	Pivot Casting Assy	1
25	A210175	Bush	2
26	A299316	Lubricator	1
27	A195030	Clamping Collar	1
28	A110405	Screw M10 x 25 Hex Hd	4
29	A151010	S.L. Washer 10mm	4
30	MBB8250	Rubber Buffer	2
31	MBB8032	Bracket (RH side stop only)	1
32	MBB4967	Spacer (RH side stop only)	1
33	A112108	Screw M5 x 40 Pan Hd	1
34	A119028	Screw M6 x 20 Pan Hd (Taptite)	2
35	A150005	Washer 5mm	2
36	A151005	S.L. Washer 5mm	2
37	A130005	Nut M5	2
		<b>Lift Lock</b>	
38	MBB7823	Lever	1
39	A914200	Sleeve	1
40	MBB7837	Stud	1
41	H083031	Disc Spring	1
42	A150012	Washer 12mm	2
43	A133212	Stiffnut M12	1
44	A141148	Pin	1



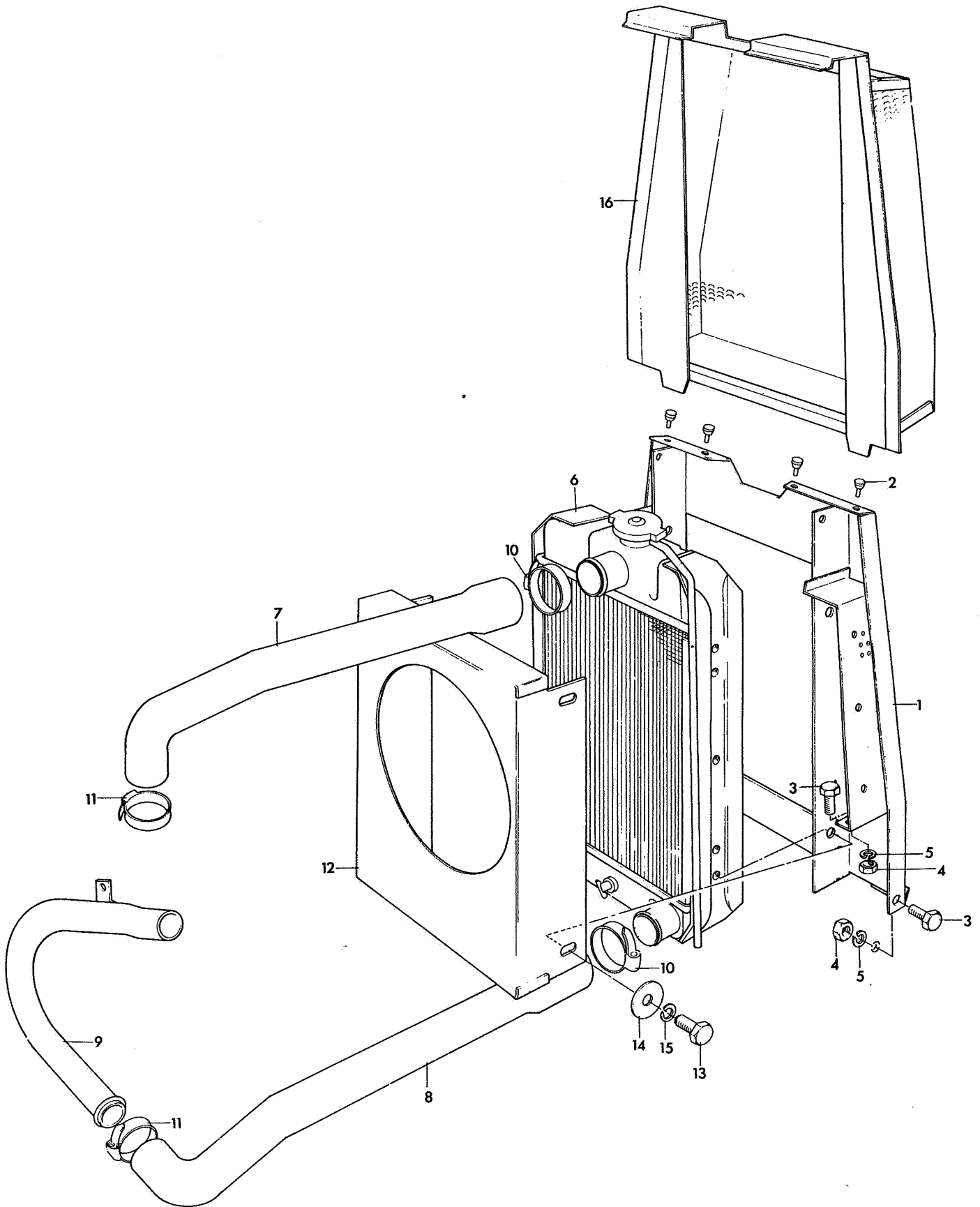


REF. No.	PART No.	NAME OF PART	QTY
1	MBB7750	Main Frame	1
2	A295251	Plug	6
3	A295253	Plug	2
4	MBC2080	Rear Frame	1
*	A112304	Screw M8 x 20 Recess Pan Hd	4
*	A150008	Washer 8mm	4
*	A100412	Bolt M10 x 60 Hex Hd	2
*	A133210	Stiffnut M10	2
*	A150010	Washer 10mm	4
5	MBB7857	Front Frame	1
*	A110405	Screw M10 x 30 Hex Hd	8
*	A130010	Nut M10	8
*	A151010	S.L. Washer 10mm	8
6	MBB3163	Adjuster	2
7	GSF2052AB	Nut 5/16" UNF	4
8	MBB8014	Hinge	1
9	A100209	Bolt M6 x 45 Hex Hd	2
10	A130006	Nut M6	2
11	A292070	Disc Spring	2
12	MBB7929	Stop Bracket	2
13	A110305	Screw M8 x 25 Hex Hd	4
14	A151008	S.L. Washer 8mm	4
15	MBB8243	Clamp (Battery)	1
16	A100209	Bolt M6 x 45 Hex Hd	1
17	A150006	Washer 6mm	1
18	MBC2052	Instrument Panel	1
*	A119028	Screw M6 x 20 Pan Hd (Taptite)	4
*	A150006	Washer	4
19	A682010	Engine	1
20	MBC2157	Exhaust Manifold	1
21	A107303	Stud	4
*	A182008	Nut M8 (Brass)	4
*	A183008	Washer 8mm (Brass)	4
22	Ex Kubota	Gasket	2
23	Ex Kubota	Muffler	1
24	MBC2054	Exhaust Support	1
*	A102210	Bolt M6 x 50 Cup Hd Sq Neck (Fan Drive Brkt)	2
*	A133206	Stiffnut M6	1
*	GSF2154CE	Washer	1
*	A110396	Screw M6 x 16 Hex Hd (To Muffler)	1
*	A292080	Disc Spring	2
*	A119032	Screw M10 x 20	4
*	A151010	S.L. Washer 10mm	4
25	MBC2171	Rear Foot LH Assy	1
*	MBC2172	Rear Foot RH Assy	1
26	A895008	Rubber Mount	1
*	A149604	Pop Rivet	4
27	A100411	Bolt M10 x 55 Hex Hd	2
28	MBB8110	Disc	2
29	AE22003	Clamping Washer	4
30	A133210	Stiffnut M10	2
31	A150010	Washer 10mm	2
32	MBC2100	Front Mounting Bracket	1
*	A119032	Screw M10 x 20 Hex Hd	4
*	A119031	Screw M10 x 25 Hex Hd	4
*	A151010	S.L. Washer 10mm	8
33	A895008	Rubber Mount	2
*	A149604	Pop Rivet	8
34	A100411	Bolt M10 x 55 Hex Hd	2
35	A150010	Washer 10mm	2
36	AE22003	Clamping Washer	4



REF. No.	PART No.	NAME OF PART	QTY
37	MBB8110	Disc	2
38	A133210	Stiffnut M10	2
39	A811009	Throttle Control	1
*	A112196	Screw M5 x 16 Recess Pan Hd	2
*	A130005	Nut M5	2
*	A151005	S.L. Washer 5mm	2
40	MBC2065	Speed Control Bracket	1
41	MBC2214	Plate	1
*	A110306	Screw M8 x 30 Hex Hd	1
*	A133208	Stiffnut M8	1
*	A150008	Washer 8mm	2
42	A199212	Cable Clip	1
43	A125000	Screw (Spire Speed)	1
44	A811015	Stop Cable Assy	1
*	MBB5919	Instruction Disc	1
45	H300403	Solderless Nipple	1
46	A150003	Washer 3mm	1
		<b>Roll over Guard Assy</b>	
*	MBB8191	Upright	2
*	MBB8195	Tube	1
*	A100514	Bolt M12 x 70 Hex Hd	4
*	A130012	Nut M12	8
*	A151112	S.L. Washer 12mm	4
*	A110509	Screw M12 x 45 Hex Hd	4
*	A295258	Plug	4
*	A295263	Plug	2

\*Not illustrated

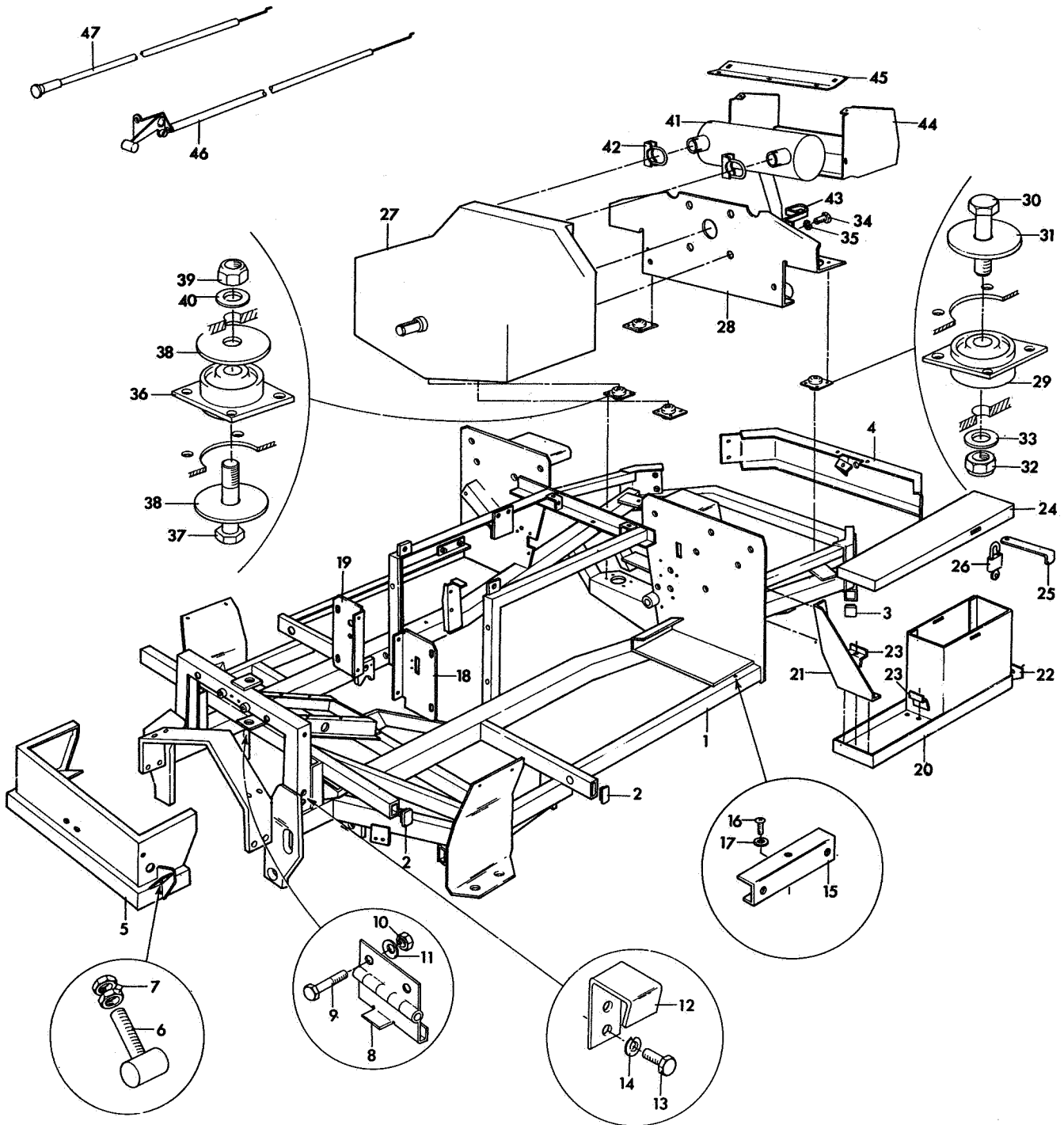


---

REF. No.	PART No.	NAME OF PART	QTY
1	MBC2095	Radiator Support	1
2	A295315	Grommet	4
3	A110304	Screw M8 x 20 Hex Hd	6
4	A130008	Nut M8	6
5	A151008	S.L. Washer 8mm	6
6	A691007	Radiator	1
*	H980031	Hose Clip (for overflow)	2
7	A912104	Top Hose	1
8	A912105	Bottom Hose	1
9	A909051	Steel Pipe	1
10	A192260	Hose Clip	2
11	A192240	Hose Clip	2
12	MBC2064	Fan Housing	1
13	GSF2002ED	Screw 3/8" UNF x 3/4" Hex Hd	4
14	GSF2154GP	Washer	4
15	A151010	S.L. Washer 10mm	4
16	MBC2090	Grass Shield	1
	A691008	Radiator Cap	1

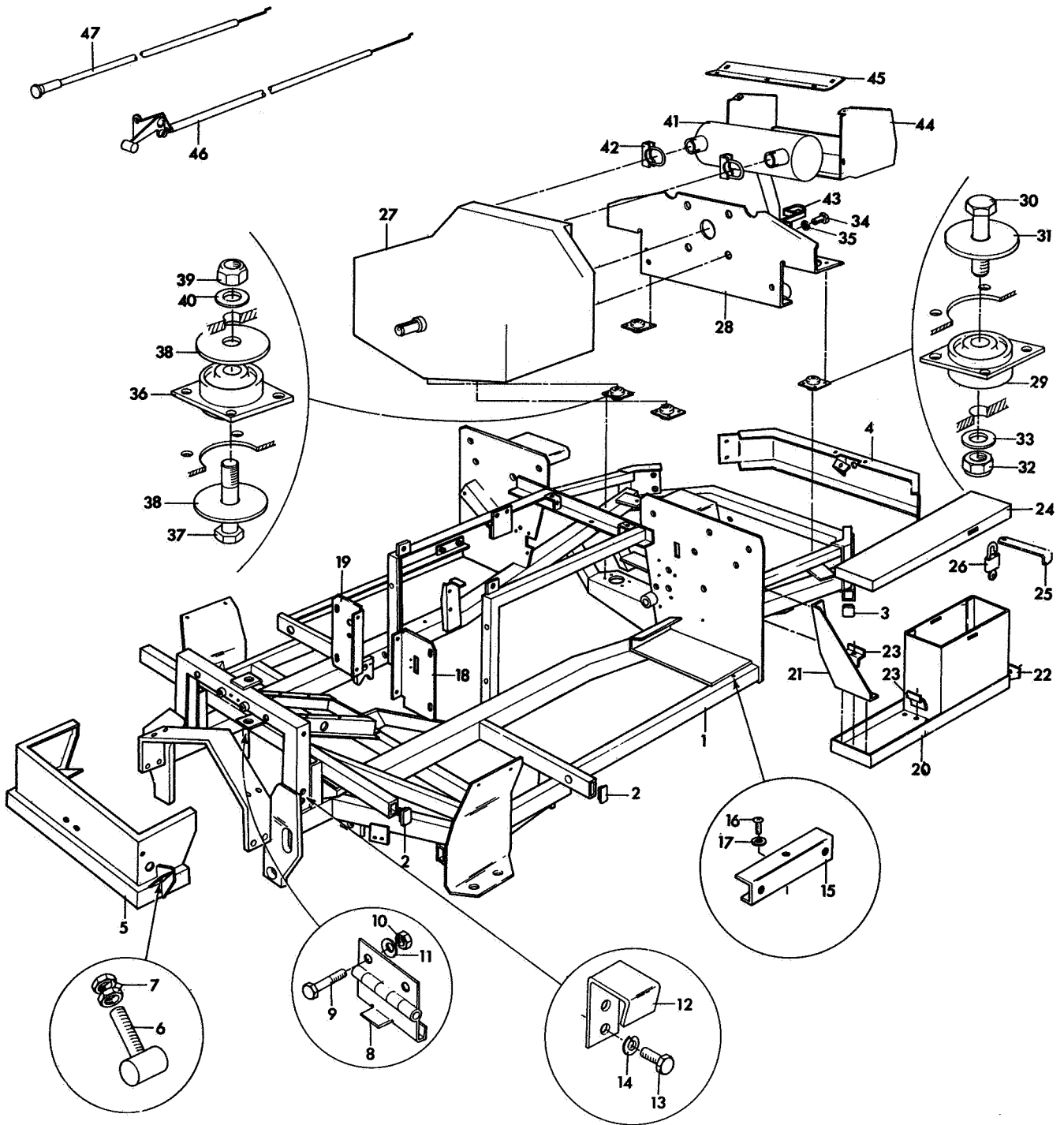
---

\*Not illustrated



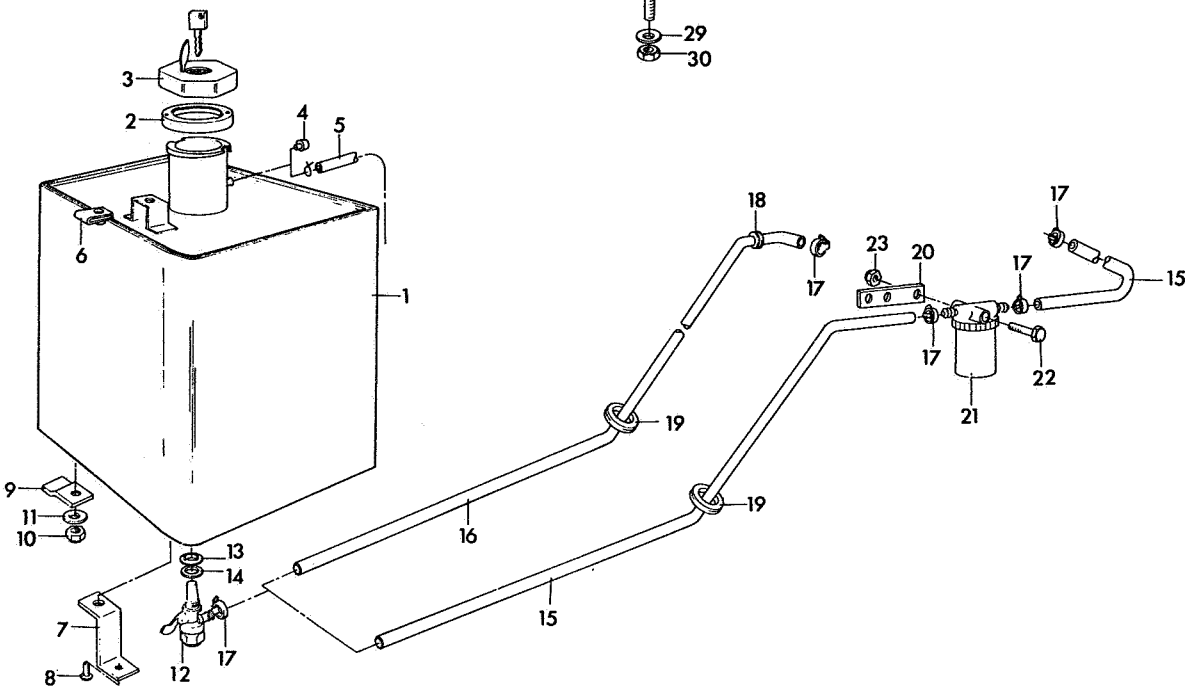
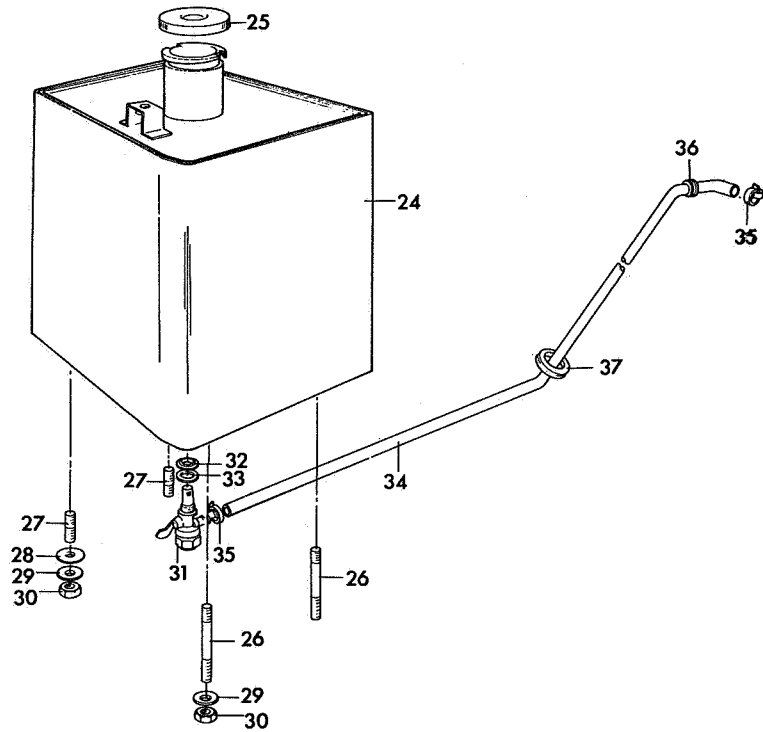
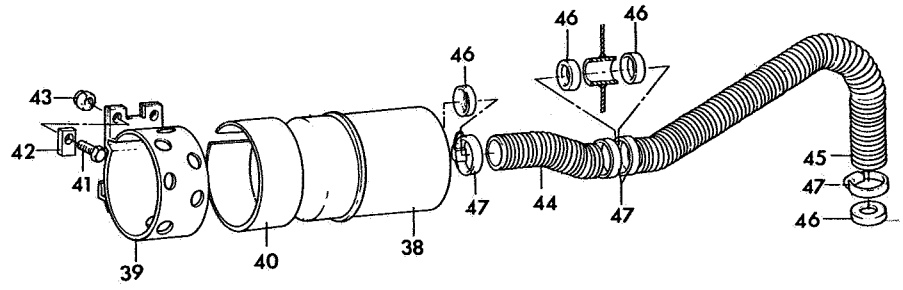
REF. No.	PART No.	NAME OF PART	QTY
1	MBB7750	Main Frame	1
2	A295251	Plug	6
3	A295253	Plug	2
4	MBB7931	Rear Plate	1
*	A112304	Screw M8 x 20 Recess Pan Hd	4
*	A150008	Washer 8mm	4
5	MBB7857	Front Frame	1
*	A110406	Screw M10 x 30 Hex Hd	8
*	A130010	Nut M10	8
*	A151010	S.L. Washer 10mm	8
6	MBB3163	Adjuster	2
7	GSF2052AB	Nut 5/16" UNF	4
8	MBB8014	Hinge (for hydrostat free wheel)	1
9	A100209	Bolt M6 x 45 Hex Hd	2
10	A130006	Nut M6	2
11	A292070	Disc Spring	2
12	MBB7929	Stop Bracket	2
13	A110305	Screw M8 x 25 Hex Hd	4
14	A151008	S.L. Washer 8mm	4
15	MBB8243	Clamp	1
16	A112296	Screw M6 x 16 Recess Pan Hd	1
17	A150006	Washer 6mm	1
18	MBB8264	Cover LH	1
19	MBB8265	Cover RH	1
*	A119028	Screw M6 x 20 Pan Hd (Taptite)	4
*	H060104BU	Beading	2
20	MBB8254	Tool Box and Battery Support	1
21	MBB8259	Support	1
22	MBB8262	Support	1
*	A112305	Screw M8 x 25 Recess Pan Hd	4
*	A112396	Screw M8 x 16 Recess Pan Hd	4
*	A133208	Stiffnut M8	8
*	A150008	Washer 8mm	8
23	MBB7924	Battery Clamp	2
*	A100310	Bolt M8 x 50 Hex Hd	2
*	A133208	Stiffnut M8	2
*	A150008	Washer 8mm	2
24	MBB8272	Cover	1
25	MBB8279	Strap	1
26	H090017	Padlock	1
*	H060053BC	Beading (for Ref 19)	2
27	A630003	Engine	2
*	H290721	Elbow	1
*	MBB8228	Pipe Nipple	1
*	GSF2503MB	Plug	1
28	MBB7787	Bracket Assy	1
29	A895000	Rubber Mount	2
*	A149604	Pop Rivet	8
30	GSF2001EK	Bolt 3/8" UNF x 2" Hex Hd	2
31	MBB8110	Buffer Disc	2
32	A139910	Stiffnut	2
33	A150010	Washer 10mm	2
34	GSF2093EC	Screw 3/8" UNC x 5/8" Hex Hd	4
35	GSF2164J	S.L. Washer 3/8"	4
36	A895000	Rubber Mount	2
37	GSF2001EM	Bolt 3/8" UNF x 2.1/4" Hex Hd	2
38	MBB8110	Buffer Disc	4
39	A139910	Stiffnut	2
40	A150010	Washer 10mm	2
41	A691021	Silencer	1
42	A199007	Exhaust Clamp	2





REF. No.	PART No.	NAME OF PART	QTY
43	MBB8320	Clamp	1
*	A102210	Bolt	1
*	A133206	Stiffnut M6	1
*	A150006	Washer 6mm	1
*	A110304	Screw M8 x 20 Hex Hd	1
*	A150008	Washer 7mm	1
*	A133208	Stiffnut M8	1
44	MBB8125	Silencer Cowl	1
45	MBB8058	Top Panel	1
*	H980049	Captive Nut	2
*	A128022	Screw No. 5 x 9.5 Recessed Pan Hd	2
*	A151004	S.L. Washer 4mm	2
*	GSF2093AB	Screw 1/4" UNC x 1/2" Hex Hd (Cowl to Eng)	7
*	GSF2150C	Washer 1/4"	7
46	A811009	Throttle control	1
*	A112196	Screw M5 x 16 Recess Pan Hd	2
*	A130005	Nut M5	2
*	A151005	S.L. Washer 5mm	2
47	A811010	Choke Control	1
*	A199018	Latch (for bonnet)	1
*	A112205	Screw M6 x 25 Pan Hd	3
*	A133206	Stiffnut M6	3
*	A150006	Washer 6mm	6
		<b>Roll Over Guard Assy</b>	
*	MBB8191	Upright	2
*	MBB8195	Tube	1
*	A100514	Bolt M12 x 70 Hex Hd	4
*	A151112	S.L. Washer 12mm	8
*	A130012	Nut M12	4
*	A110509	Screw M12 x 45 Hex Hd	4
*	A295258	Plug	4
*	A295263	Plug	2

\*Not illustrated

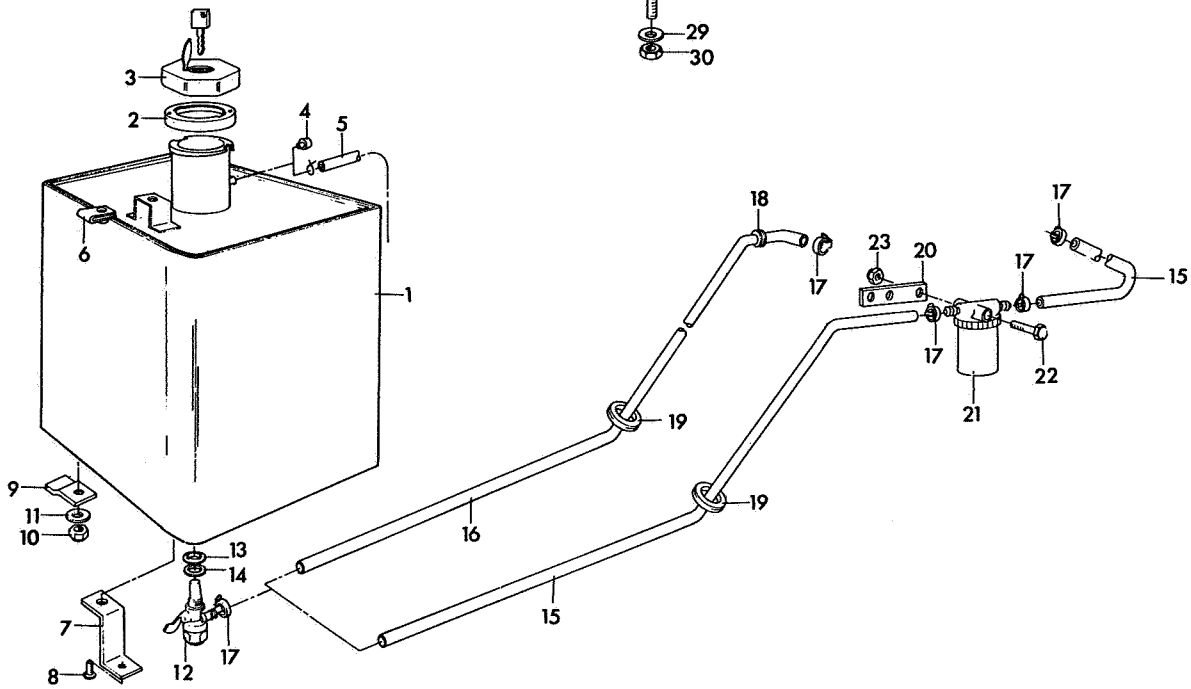
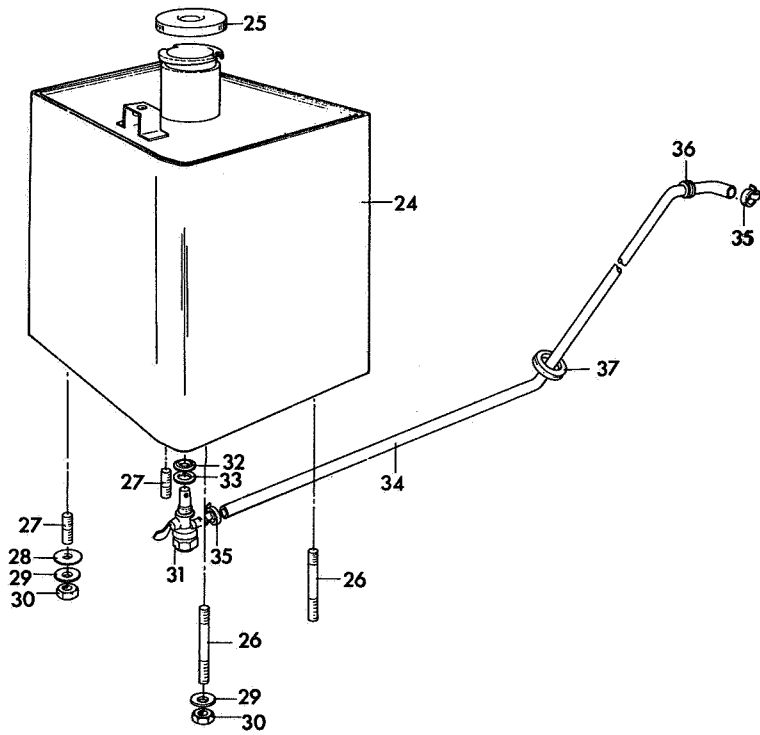
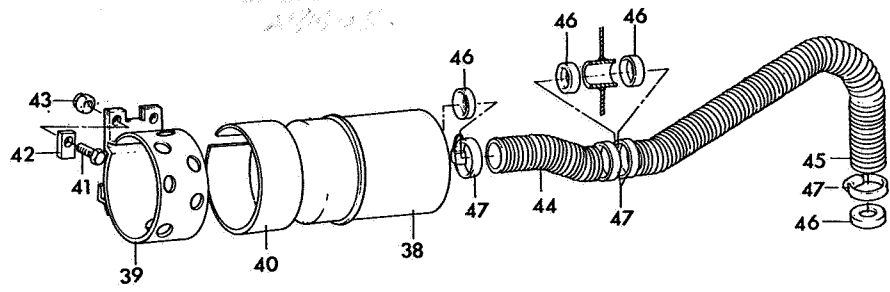


For Current Petrol Engine Machine use Quantity Column A

For Diesel Engine Machine use Quantity Column B

REF. No.	PART No.	NAME OF PART	QTY	
			A	B
<b>Current Machines</b>				
1	MBB8223	Fuel Tank Assy	1	1
2	A810003	Adaptor	1	1
3	H450057	Filler Cap (with Lock)	1	1
4	H990021	Bung	1	
5		Return Hose (Ex Kubota)		1
6	A139400	Captive Nut	1	1
7	MBB8238	Clamp	2	2
8	A119028	Screw	2	2
9	MBB8239	Clamp	2	2
10	A133208	Stiffnut M8	4	4
11	A150008	Washer 8mm	4	4
12	A890064	Fuel Tap	1	1
13	H014008	Dowty Seal	1	1
14	GSF3551EJ	Fibre Washer		AR AR
15		Hoses (850mm) (550mm) (Ex Kubota)		AR
16	A298330	Hose 750mm	1	
17	A192900	Hose Clip	2	4
18	H980031	Clip	1	
19	H091018	Grommet	1	1
20	MBC2068	Bracket		1
21		Fuel Filter (Ex Kubota)		1
22	A100314	Bolt M8 x 70 Hex Hd		1
*	A110304	Bolt M8 x 20 Hex Hd		2
23	A130008	Nut M8		1
*	A150008	Washer 8mm		3
*	A151008	S.L. Washer 8mm		3
<b>Early Petrol Machines</b>				
24	MBB7854	Fuel Tank Assy		1
25	H460004	Filler Cap		1
26	A109204	Stud 75 Long		2
27	A109205	Stud 28 Long		2
28	AE22003	Clamp Washer		4
29	A292070	Disc Spring		4
30	A130008	Nut M8		4
31	A890064	Fuel Tap		1
32	H014008	Dowty Seal		1
33	GSF3551E.I	Fibre Washer		AR
34	A298330	Hose 75 mm		1
35	A192900	Hose Clip		2
36	H980031	Clip		1
37	H091018	Grommet		1

*Revised  
2/19/54.*

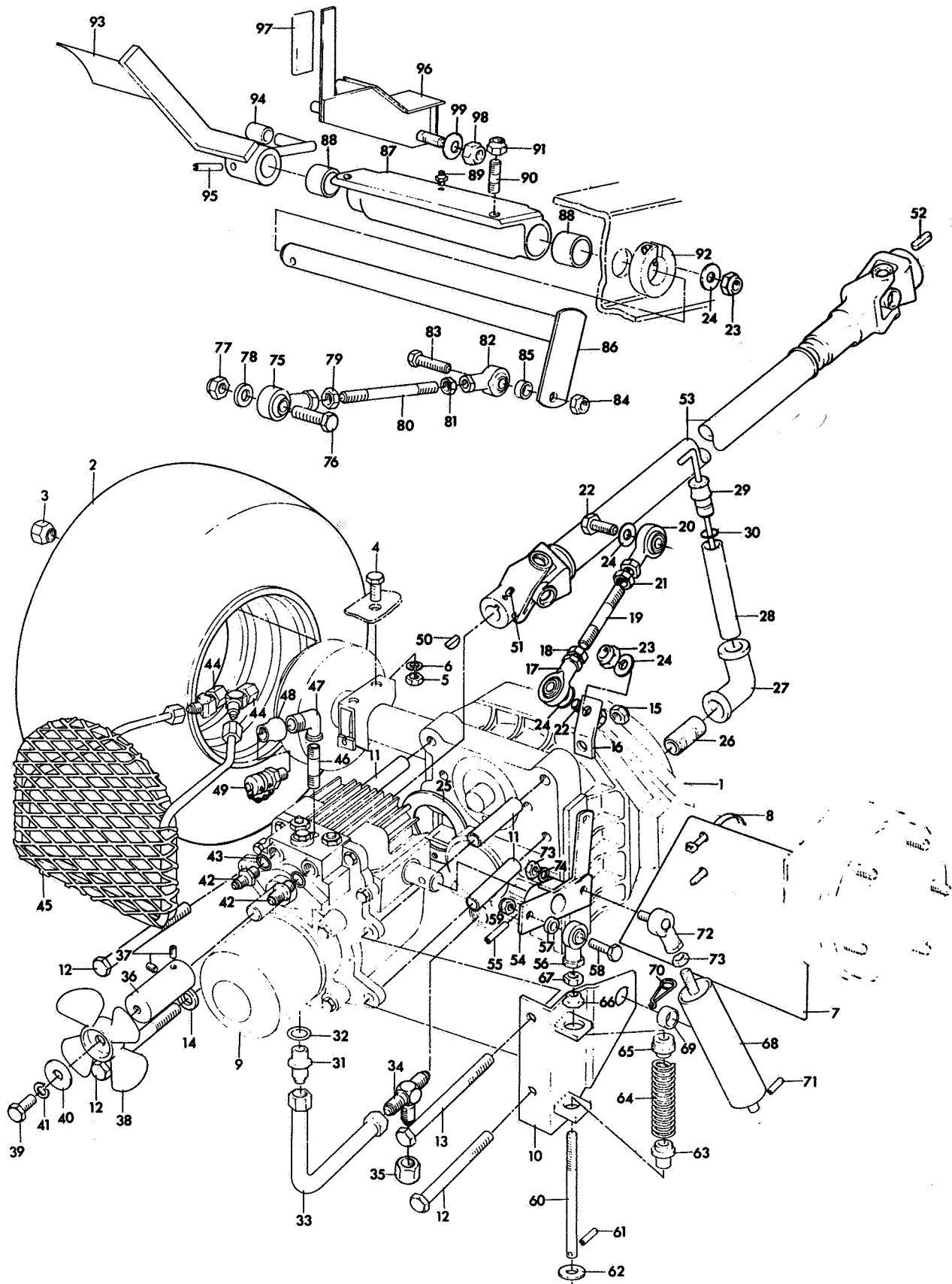


For Current Petrol Engine Machine use Quantity Column A

For Diesel Engine Machine use Quantity Column B

REF. No.	PART No.	NAME OF PART	QTY	
			A	B
<b>All Machines</b>				
38	H190134	Filter Assy	1	1
*	H190135	Element	1	1
*	H990106	Rubber Baffle	1	1
*	H980359	Nut & Washer Assy	1	1
39	MBB8069	Filter Support	1	1
40	MBB8076	Rubber Pad	1	1
41	A110305	Screw M8 x 25 Hex Hd	2	2
42	MBB8119	Clamp	2	2
43	A133208	Stiffnut M8	2	2
44	A895050	Flexible Tubing 150mm	1	
45	A895051	Flexible Tubing 500mm	1	1
46	A904172	Sleeve	4	1
47	A192260	Hose Clip	4	1
*	H499802	Cable tie (Ref 5 to 45)		2
	A199203	Cable tie (Ref 45 to Engine)	1	
	A199214	Cable tie (Ref 45 to Engine)	1	

\*Not illustrated

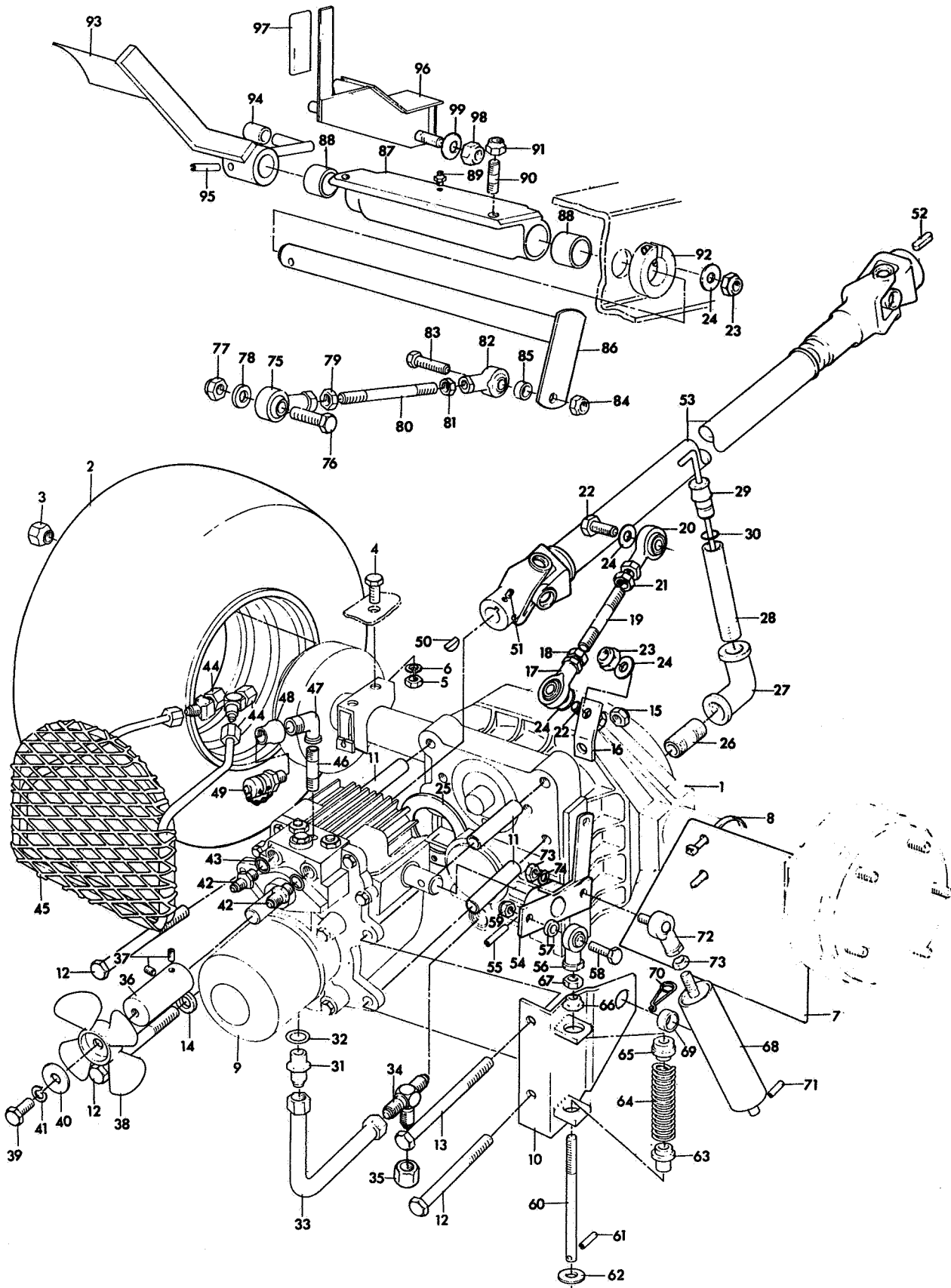


For Petrol Engined Machine use Quantity Column A

For Diesel Engined Machine use Quantity Column B

REF. No.	PART No.	NAME OF PART	QTY	
1	MBB7830	Axle Assy (see page 43)	1	1
2	A816039	Wheel Assy	2	2
*	A817316	Tube	1	1
*	A817029	Tyre (Turf King)	1	1
3	PBA0696	Wheel Nut	10	10
4	A110506	Screw M12 x 30 Hex Hd	4	4
5	A130012	Nut M12	4	4
6	A151012	S.L. Washer 12mm	4	4
7	A913038	Flap	2	2
8	A199201	Strap	4	4
9	A809368	Hydrostat Assy (see page 41)	1	1
10	MBB7878	Bracket	1	1
11	MBB7887	Spacing Tube	4	4
12	A109007	Bolt 3/8" UNC x 5" Hex Hd	3	3
13	A109008	Bolt 3/8" UNC x 6" Hex Hd	1	1
14	MBB6867	Washer	1	1
15	GSF2080BC	Stiffnut 3/8" UNC	1	1
	LMSD936	Torque Reaction Brkt Assy	1	1
16	MBC7050	Bracket	1	1
17	A814513	Rod End LH	1	1
18	GSF2052BB	Nut 5/16" UNF LH	1	1
19	MBC2051	Stud	1	1
20	A814514	Rod End RH	1	1
21	GSF2052AB	Nut 5/16" UNF	1	1
22	A110306	Screw M8 x 30 Hex Hd	2	2
23	A133208	Stiffnut M8	2	2
24	A150008	Washer 8mm	4	4
25	BAA0482	Gasket	1	1
26	MBB8010	Pipe Nipple	1	1
27	A246917	Elbow	1	1
28	MBB9461	Pipe Nipple	1	1
29	MBB9458A	Dipstick	1	1
30	A221111	'O' Ring	1	1
31	A240007	Connector	1	1
32	A221810	'O' Ring	1	1
33	A902177	Tube Assy	1	1
34	A243753	Tee	1	1
35	A244807	Plug	1	1
*	MBB8248	Fan Guard	1	1
36	MBB7866	Fan Hub	1	1
37	A122302	Grub Screw M8 x 10 Hex Socket Hd	2	2
38	BAA0412	Fan	1	1
39	A110304	Screw M8 x 20 Hex Hd	1	1
40	GSF2154FK	Washer	1	1
41	A151008	S.L. Washer 8mm	1	1
42	A240005	Connector	2	2
43	A211806	'O' Ring	1	1
44	A242405	Elbow	2	2
45	A902145	Cooling Coil Assy	1	1
46	MBB8105	Tube	1	1
47	A246100	Elbow	1	1
48	A246420	Reducing Bush	1	1
49	A244900	Test Point	1	1
50	GSF2230AJ	Key (606 Woodruff)	1	1
51	A122302	Grub Screw M8 x 10 Hex Socket Hd	4	4
52	GSF2202EX	Key	1	1
53	A814056	Prop Shaft (Hardy Spicer Walterscheid)	1	
*	A814081	Prop Shaft (Hardy Spicer Walterscheid)		1
*	H920058	Unit Package	1	1
54	MBB7875	Lever	1	1
55	GSF1040KG	Pin	1	1





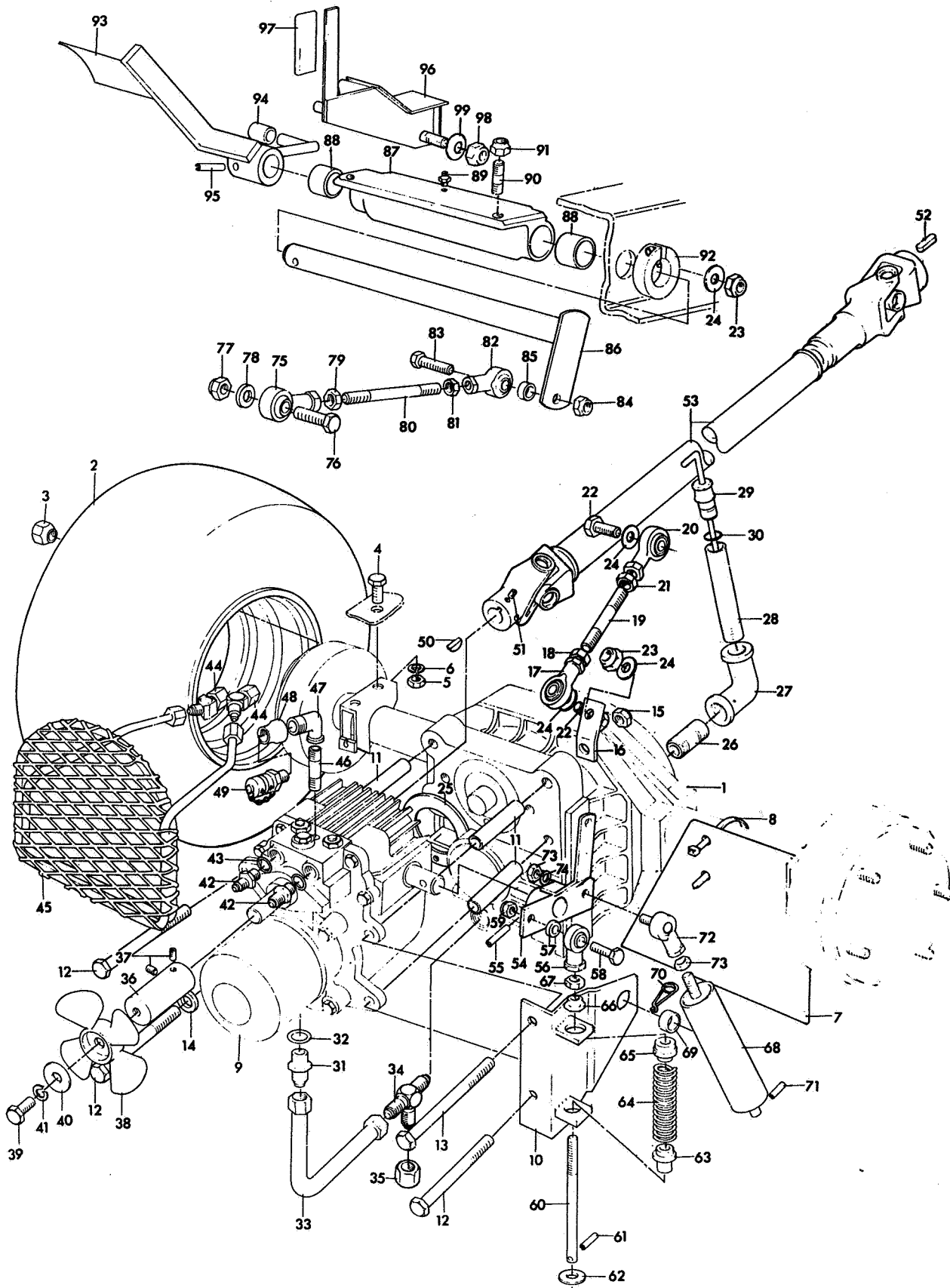
## TRANSMISSION &amp; CONTROLS (Continued)

## LIST OF PARTS

For Petrol Engine Machine use Quantity Column A

For Diesel Engine Machine use Quantity Column B

REF. No.	PART No.	NAME OF PART	QTY	
56	A814511	Rod End	1	1
57	AF09006	Spacer	1	1
58	A100307	Screw M8 x 35 Hex Hd	1	1
59	A133208	Stiffnut M8	1	1
60	MBB7891	Rod	1	1
61	A141448	Pin	1	1
62	GSF2154FK	Washer	1	1
63	MBB7885	Guide	1	1
64	A291057	Spring	1	1
65	MBB7886	Guide	1	1
66	A133208	Stiffnut M8	2	2
67	A130008	Nut M8	1	1
68	BAA0773	Damper Assemblies	1	1
*	BAA1010	Damper	1	1
*	BAA0774	Damper Cylinder	1	1
*	BAA0730	Piston	1	1
*	BAA0729	Head	2	2
*	A221012	'O' Ring	2	2
*	A221210	'O' Ring	2	2
*	A179002	Circlip	4	4
*	BAA0764	Piston Rod	1	1
69	BAA0858	Bearing	1	1
70	A149024	Safety Pin	1	1
71	GSF1040DF	Pin	1	1
72	BAA0846	Ball Joint	1	1
73	GSF2051AB	Nut	2	2
74	A151008	S.L. Washer 8mm	1	1
75	A814514	Rod End RH	1	1
76	A100307	Bolt M8 x 35 Hex Hd	1	1
77	A133208	Stiffnut M8	1	1
78	GSF2152B	Washer	1	1
79	GSF2052AB	Locknut RH	1	1
80	MBB8045	Rod	1	1
81	GSF2052BB	Locknut LH	1	1
82	A814513	Rod End LH	1	1
83	A100307	Bolt M8 x 35 Hex Hd	1	1
84	A133208	Stiffnut M8	1	1
85	AF09006	Spacer	1	1
86	MBB8042	Pedal Spindle	1	1
87	MBB8009	Housing Assy	1	1
88	A214372	Bearing	2	2
89	A299301	Lubricator	1	1
90	A107303	Stud	2	2
91	A133208	Stiffnut M8	2	2
92	A195214	Clamping Collar	1	1
93	MBB8236	Pedal	1	1
94	A295900	Ferrule (for pedal)	1	1
95	A141514	Pin	1	1
96	MBB8230	Lever	1	1
97	A904381	Sleeve	1	1
98	A133212	Stiffnut M12	1	1
99	H083031	Disc Spring	1	1

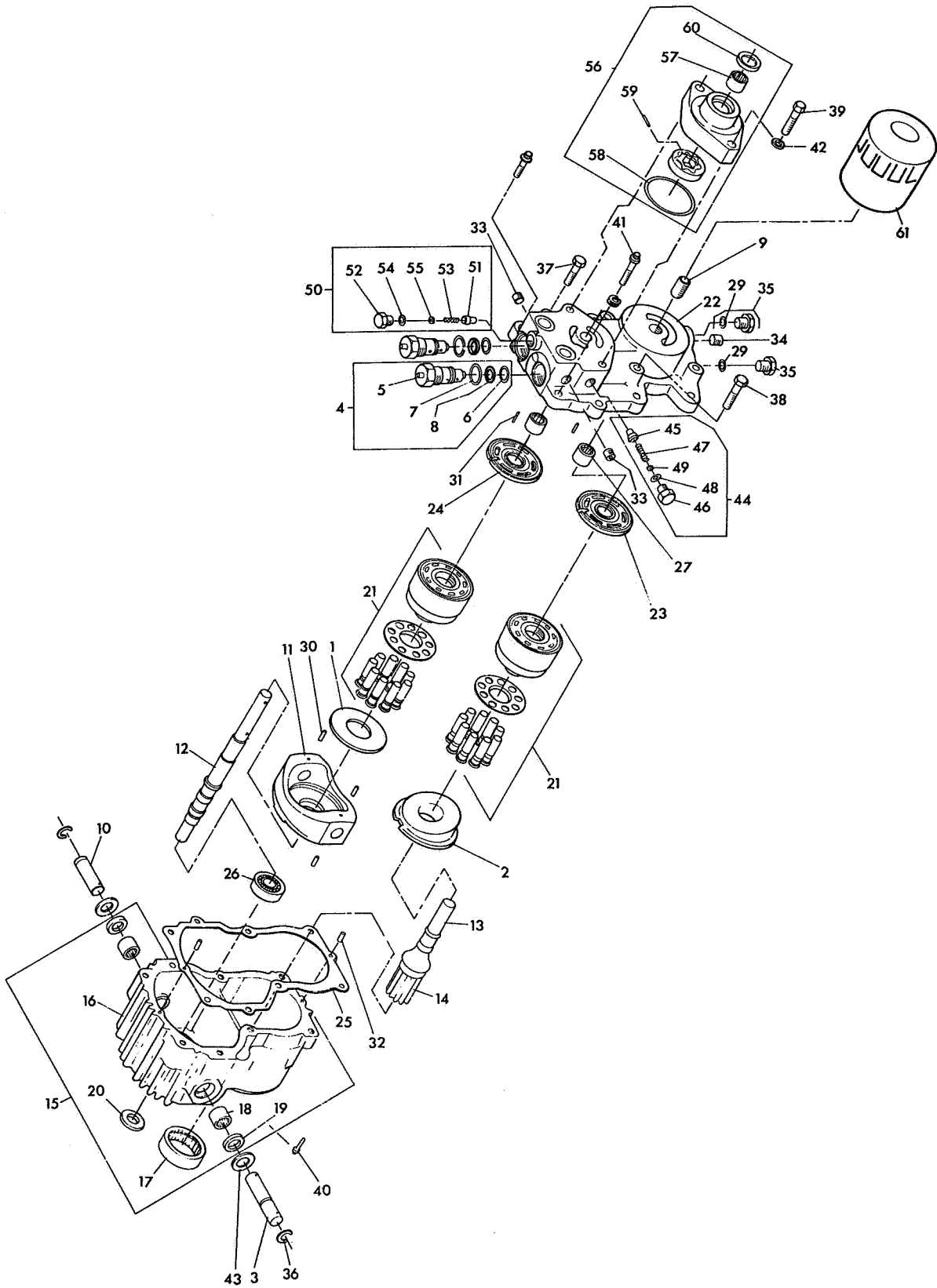


For Petrol Engine Machine use Quantity Column A

For Diesel Engine Machine use Quantity Column B

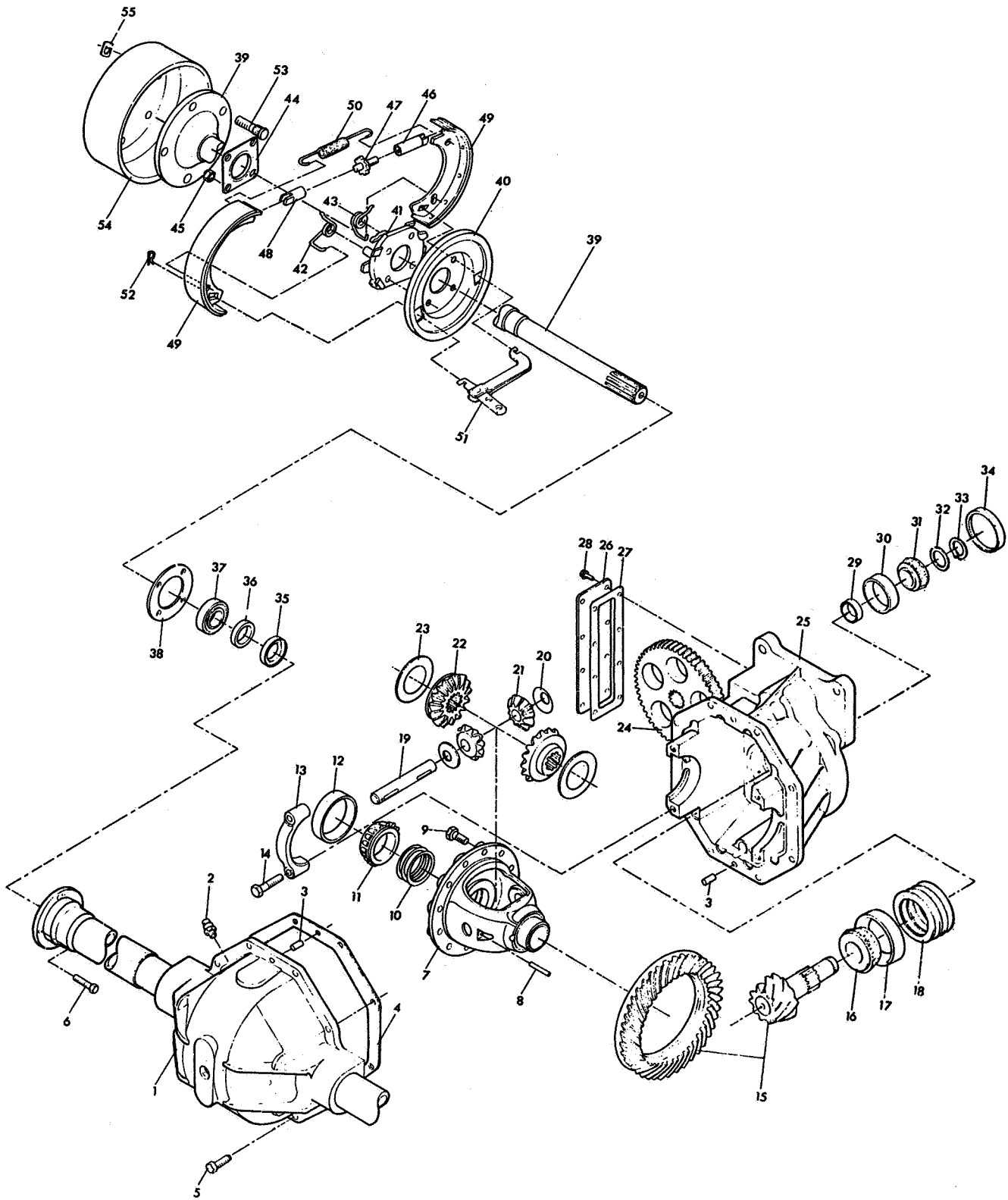
REF. No.	PART No.	NAME OF PART	QTY	
<b>ALTERNATIVE FITTINGS</b>				
	A814056	Prop Shaft (Centa Transmissions Ltd)	1	
	A814081	Prop Shaft (Centa Transmissions Ltd)		1
	A814979	Elements C/W Bolts	AR	AR
	MBB7855	Prop Shaft (Early Machines)	1	
	MBB7847	Coupling	1	
	GSF2230AJ	Key (606 Woodruff)	1	
	A122302	Grub Screw M8 x 10 Hex Socket Hd	4	
	MBB7842	Coupling	1	
	GSF2202EX	Key	1	
	BAA0409	Disc	2	
	GSF2093ED	Screw 3/8" UNC x 3/4" Hex Hd	8	
	GSF2080BC	Stiffnut 3/8" UNC	8	
	GSF2151AR	Washer	8	

\*Not illustrated



REF. No.	PART No.	NAME OF PART	QTY
	A809368	Hydro-Transmission Unit-Sundstrand 15 series	1
1	A809314	Thrust Plate	1
2	A809315	Fixed Swash Plate	1
3	A809302	Trunnion Shaft	1
4	A809312	Check Valve Kit	2
5		Check Valve	2
*	ASKA030	Seal Kit	1
6		'O' Ring	2
7		'O' Ring	2
8		Back-up Ring	2
9	A809316	Pipe	1
10	A809303	Trunnion Shaft	1
11		Variable Swashplate	1
12	A809317	Pump Shaft	1
13	A809318	Motor Shaft	1
14	BAA0490	Gear	1
*	H087063	Circlip	1
15		Housing Assy	1
16		Transmission Housing	1
17	A209012	Roller Bearing	1
18	A209008	Needle Bearing	2
19	A809308	Lip Seal	2
20	A229916	Lip Seal	1
21	A809306	Cylinder Block Kit	2
22		Centre Section	1
23	A809352	Valve Plate	1
24	A809352	Valve Plate	1
25	A809353	Gasket	1
26	A203204	Ball Bearing	1
27	A809300	Roller Bearing	2
28	GSF2230AJ	Key	2
29	A221808	'O' Ring	2
30	GSF1040HZ	Spring Pin	3
31		Pin	2
32	A809354	Pin	2
33		Pipe Plug	2
34		Pipe Plug	1
35	A244406	Plug	2
36	H290701	Retaining Ring	2
37		Screw	2
38		Screw	4
39		Screw	2
40		Screw	2
41		Screw	2
42		Plain Washer	2
43	H290702	Washer	2
44	A809309	Relief Valve Kit	1
45		Cone	1
46		Plug	1
47		Spring	1
48	A221805	'O' Ring	1
49		Shim Pack	2
50	A809310	Relief Valve Kit	1
51		Cone	1
52		Plug	1
53		Spring	1
54	A221805	'O' Ring	1
55		Shim Pack	2
56	A809311	Charging Pump Kit	1
57		Needle Bearing	1
58	A221153	'O' Ring	1
59	A809388	Pin	1
60	A229907	Lip Seal	1
61	A819106	Filter	1

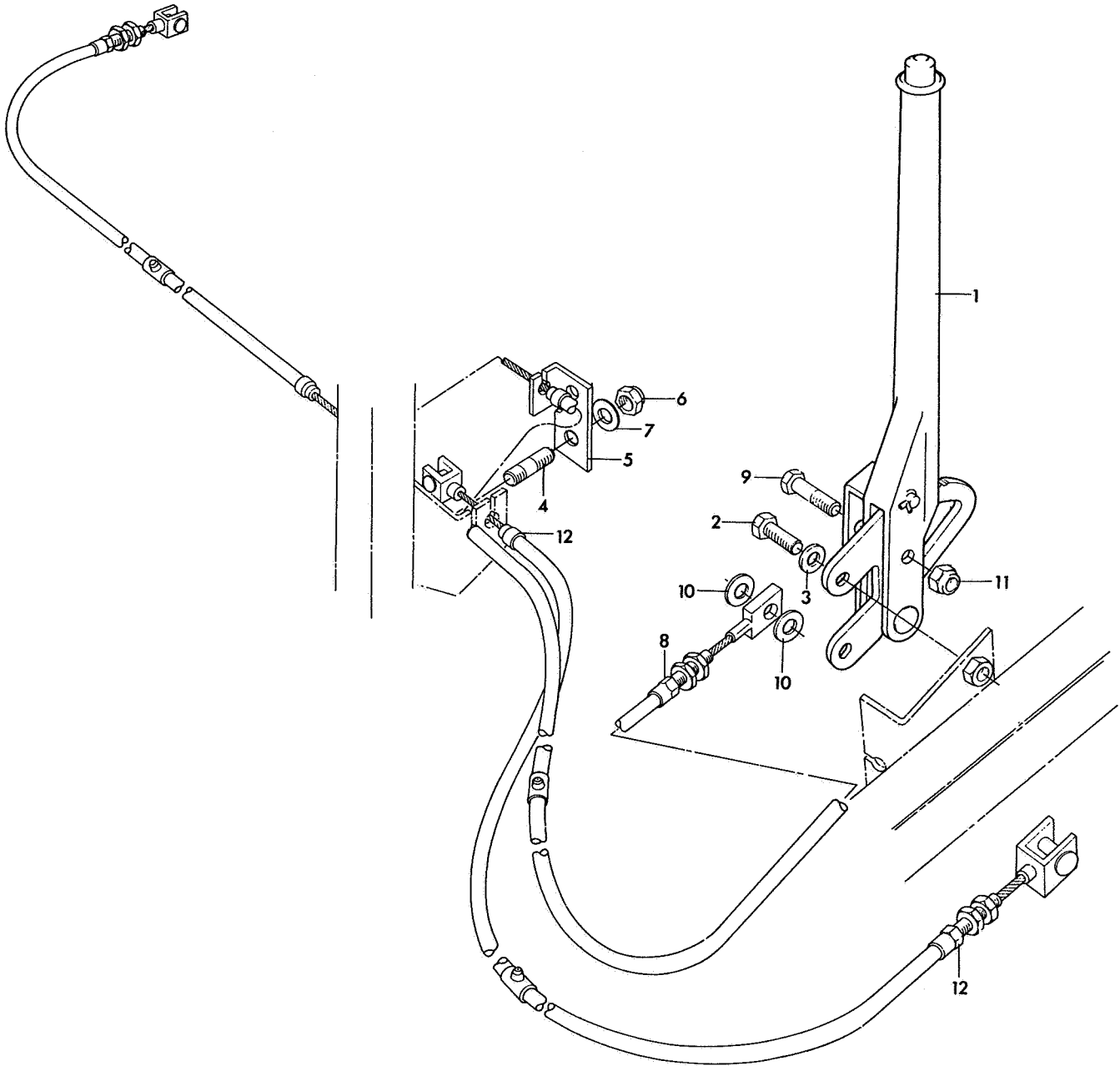
\*Not illustrated



REF. No.	PART No.	NAME OF PART	QTY
	MBB7830	Axle Complete	1
1		Axle Housing Front	1
2	A815500	Vent Assy	1
3		Dowel	2
4	A815521	Housing Gasket	1
5		Housing Bolt	8
6	A815501	Bolt-Brake Back Plate	8
7		Differential Case	1
8	A815502	Pinion Lock Pin	1
9	A815503	Screw	14
10	A815504	Shim 0.003"	AR
*	A815505	Shim 0.005"	AR
*	A815506	Shim 0.010"	AR
11/12	A205906	Taper Roller Bearing	2
13		Bearing Cap	2
14	A815507	Bolt	4
15	A815508	Matched Gear & Pinion (Set)	1
16/17	A205904	Taper Roller Bearing	1
18	A815509	Shim 0.003"	AR
*	A815510	Shim 0.005"	AR
*	A815511	Shim 0.010"	AR
*	A815512	Shim 0.030"	AR
19	A815522	Pinion Shaft	1
20	A815523	Thrust Washer	2
21	A815524	Bevel Pinion	2
22	A815525	Bevel Gear	2
23	A815526	Thrust Washer	2
24	A815527	Spur Gear	1
25		Axle Housing Rear	1
26		Spur Gear Cover	1
27	A815528	Gasket	1
28	A815513	Screw	8
29	A815529	Bearing Spacer	1
30/31	A205905	Taper Bearing	1
32	A815514	Shim	1
33	A179900	Snap Ring	1
34	A815530	Expansion Ring	1
35	A229913	Oil Seal	2
36	A815515	Bearing Retainer Ring	2
37	A205912	Bearing	2
38	A815531	Gasket	2
39	A815533	Wheel Axle	2
<b>Brake Assembly</b>			
40	A812037	Brake Back Plate	2
41	A812038	Torque Spider	2
42	A812039	Return Spring LH	2
43	A812040	Return Spring RH	2
44	A229914	Gasket	2
45	A139312	Stiffnut	8
	A812049	Adjusting Screw Assy	2
46	A812041	Socket	1
47	A812042	Adjusting Screw	1
48	A812043	Pivot Nut	1
49	A812044	Shoe & Lining Assy (Pair)	1
50	A812045	Adjusting Screw Spring	2
51	A812046	Strut & Lever, Parking Brake	2
52	A812047	Retainer	2
53	A815516	Axle Flange Stud	10
	A815534	Brake Drum Kit	2
54	A812048	Brake Drum	1
55	A815535	Retainer	1

\*Not illustrated

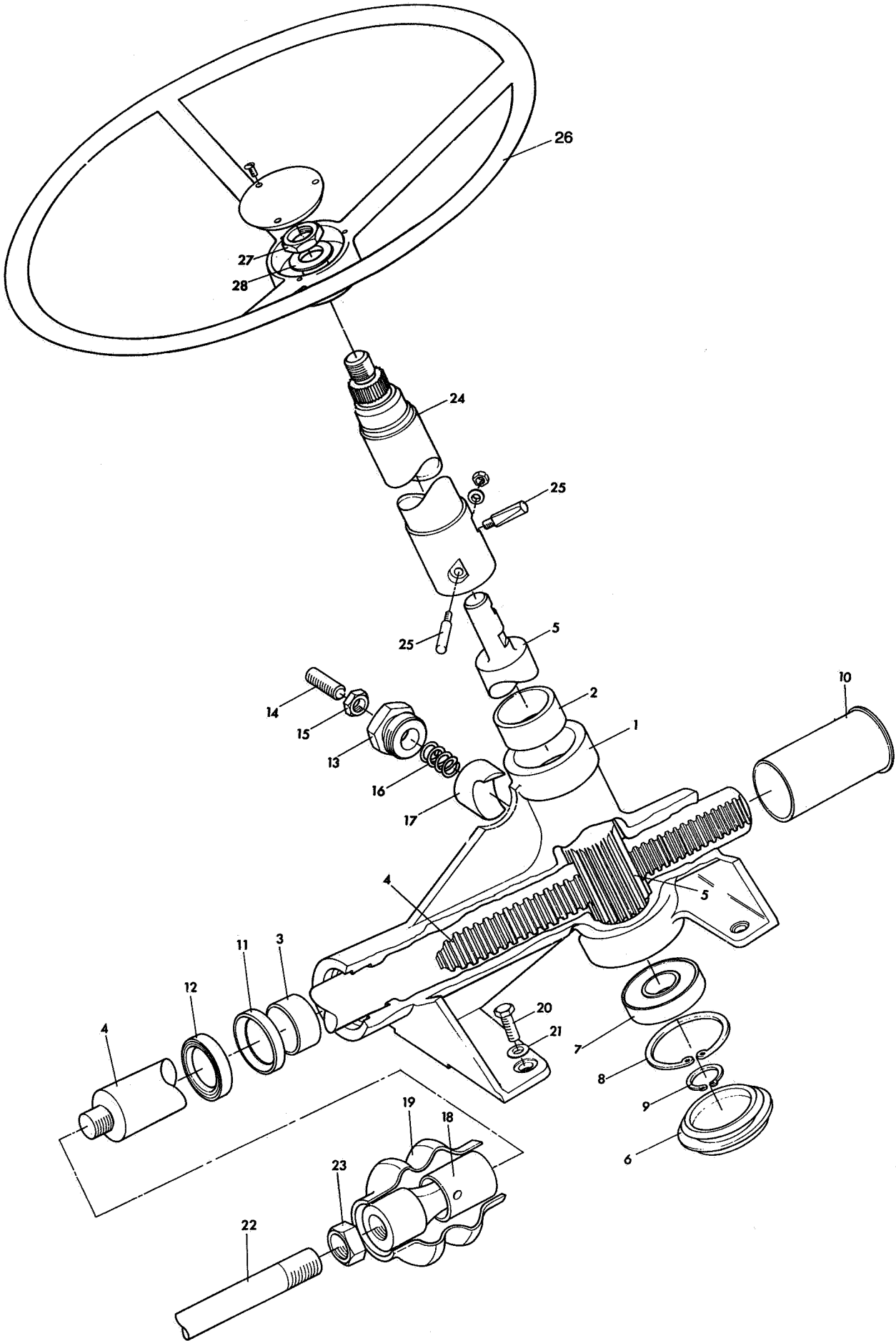




---

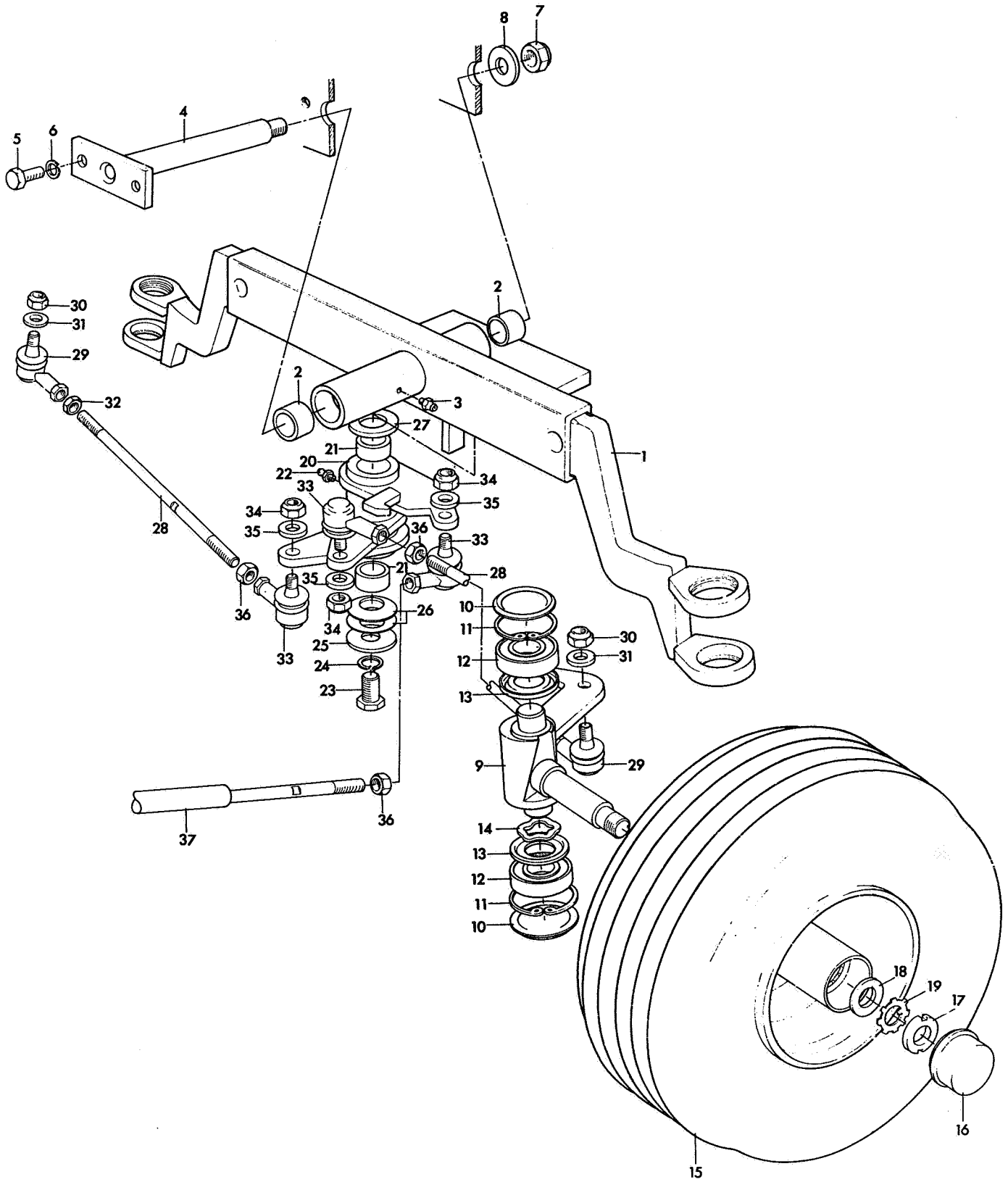
REF. No.	PART No.	NAME OF PART	QTY
1	A812036	Handbrake	1
2	A110304	Screw M8 x 20 Hex Hd	2
3	A150008	Washer 8mm	2
4	A107405	Stud	1
5	MBB7963	Lever	1
6	A133210	Stiffnut M10	1
7	A150010	Washer 10mm	1
8	A906010	Brake Cable	1
9	A100309	Bolt M8 x 45 Hex Hd	1
10	A150008	Washer 8mm	2
11	A133208	Stiffnut M8	1
12	A906009	Brake Cable	1
*	A199203	Hose Strap	1

\*Not illustrated



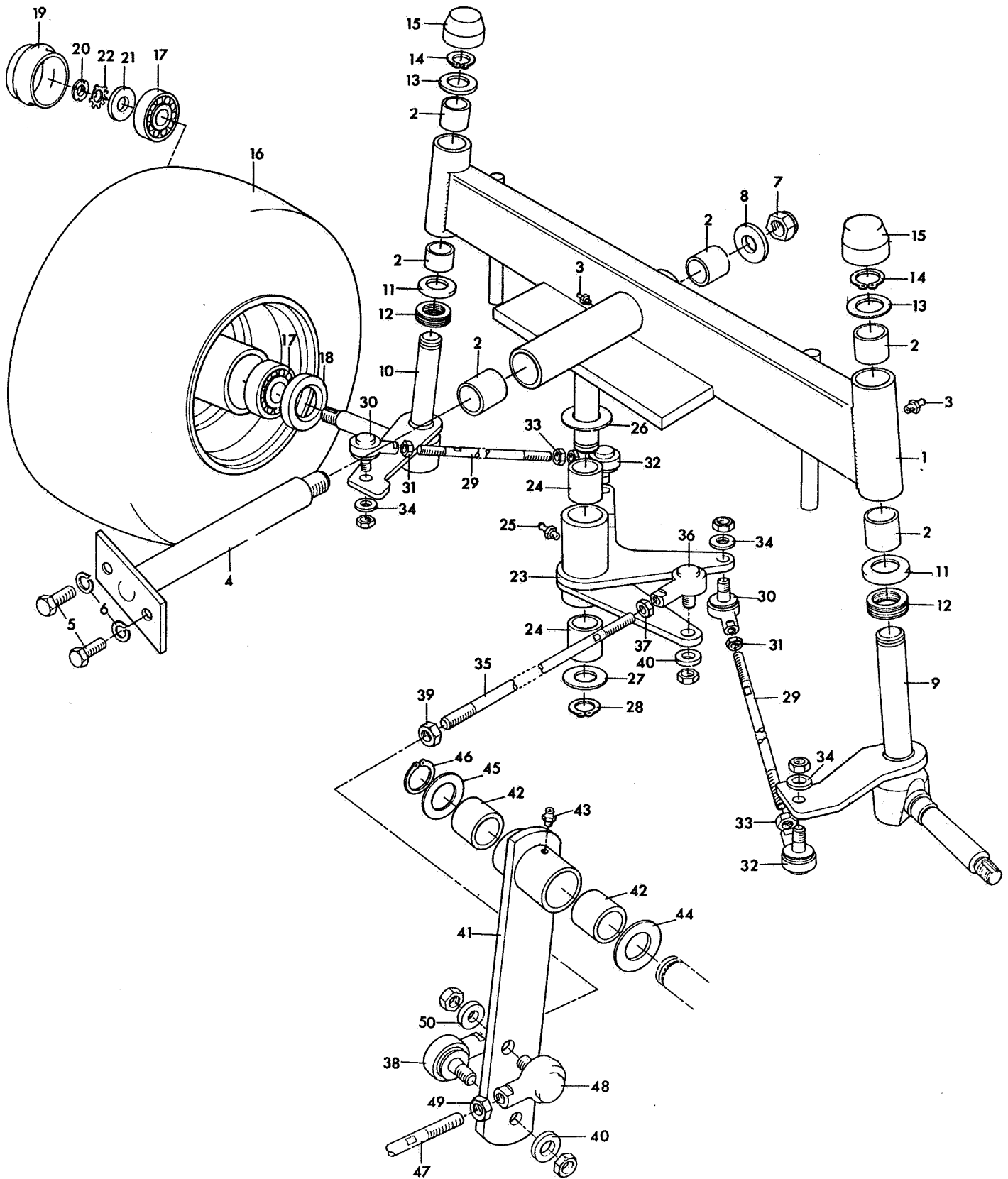
REF. No.	PART No.	NAME OF PART	QTY
1	LMSD912	Steering Gearbox Assy	1
2	A210194	Bush	1
3	A210151	Bush	1
	LMSD939	Rack & Pinion Assy	1
4		Rack	1
5		Pinion Shaft	1
6	MBA2337	Grommet	1
7	A203604	Bearing	1
8	A170047	Circlip	1
9	A171020	Circlip	1
10	H990116	Plastic Cap	1
11	H012102	Oil Seal	1
12	A224025	Wiper Seal	1
13	MBB3236Z	Plug	1
14	A122408	Screw M10 x 40 Csk Hex Hd	1
15	A130010	Nut M10	1
16	H980397	Spring	1
17	MBB3238	Pressure Pad	1
18	MBB3235	Universal Joint	1
19	H540131	Gaiter	1
*	H060009	Soft Wire	1
20	A110305	Screw M8 x 25 Hex Hd	4
21	A150008	Washer 8mm	4
22	MBB8292	Drag Link (see also page 49)	1
23	GSF2052AE	Nut 1/2" UNF	1
24	MBB2512	Steering Tube	1
25	H084001	Cotter Pin (with nut and washer)	2
26	H980452	Steering Wheel (with cap and screws)	1
27	GSF2052AH	Locknut 3/4" UNF	1
28	GSF2150K	Washer 3/4"	1
<b>ALTERNATIVE FITTINGS (for early machines)</b>			
	MBB7675	Steering Tube	1
	MBB7638	Hub	1
	A160088	Key	1
	A133212	Stiffnut M12	1
	AE30003	Clamping Washer	1
	MBB7639	Steering Wheel	1
	A100406	Bolt M10 x 30 Hex Hd	2
	A133210	Stiffnut M10	2
	A150010	Washer 10mm	4
	MBB8120	Drag Link (Long) (see also page 51)	1

\*Not illustrated.



REF. No.	PART No.	NAME OF PART	QTY
1	MBB8290	Rear Axle	1
2	A210154	Bush	2
3	A299301	Lubricator	1
4	MBB7034	Rear Shaft	1
5	A110305	Screw M8 x 25 Hex Hd	2
6	A151008	S.L. Washer 8mm	2
7	A133216	Stiffnut M16	1
8	AE30104	Clamp Washer	1
9	MBB8285	Stub Axle LH	1
*	MBB8284	Stub Axle RH	1
10	A906500	Plug	4
11	A170052	Circlip	4
12	A203605	Bearing	4
13	A228205	Nilos Ring	4
14	A159946	Washer (wavy)	2
15	A816109	Wheel Assy	2
*	A205908	Bearing	2
*	H012093	Seal	1
16	BAA0833	Hub Cap	1
*	A817039	Tyre	1
*	A817317	Tube	1
17	A139900	Notch Nut	2
18	AE45106	Clamp Washer	2
19	A159908	Tab Washer	2
20	MBB8296	Bell Crank	1
21	A210154	Bush	2
22	A299301	Lubricator	1
23	A110506	Screw M12 x 50 Hex Hd	1
24	A151012	S.L. Washer 12mm	1
25	MBC1644	Washer	1
26	H083036	Disc Spring	2
27	A150024	Washer	1
28	MBB8310	Track Rod	2
29	H980027	Ball Joint RH	2
30		Stiffnut 3/8" UNF	1
31	AE22003	Clamp Washer	2
32	GSF2052AE	Nut 1/2" UNF	2
33	H980026	Ball Joint LH	3
34		Stiffnut	1
35	AE22003	Clamp Washer	3
36	GSF2052BE	Nut 1/2" UNF LH	3
37	MBB8292	Drag Link (see also page 47)	1

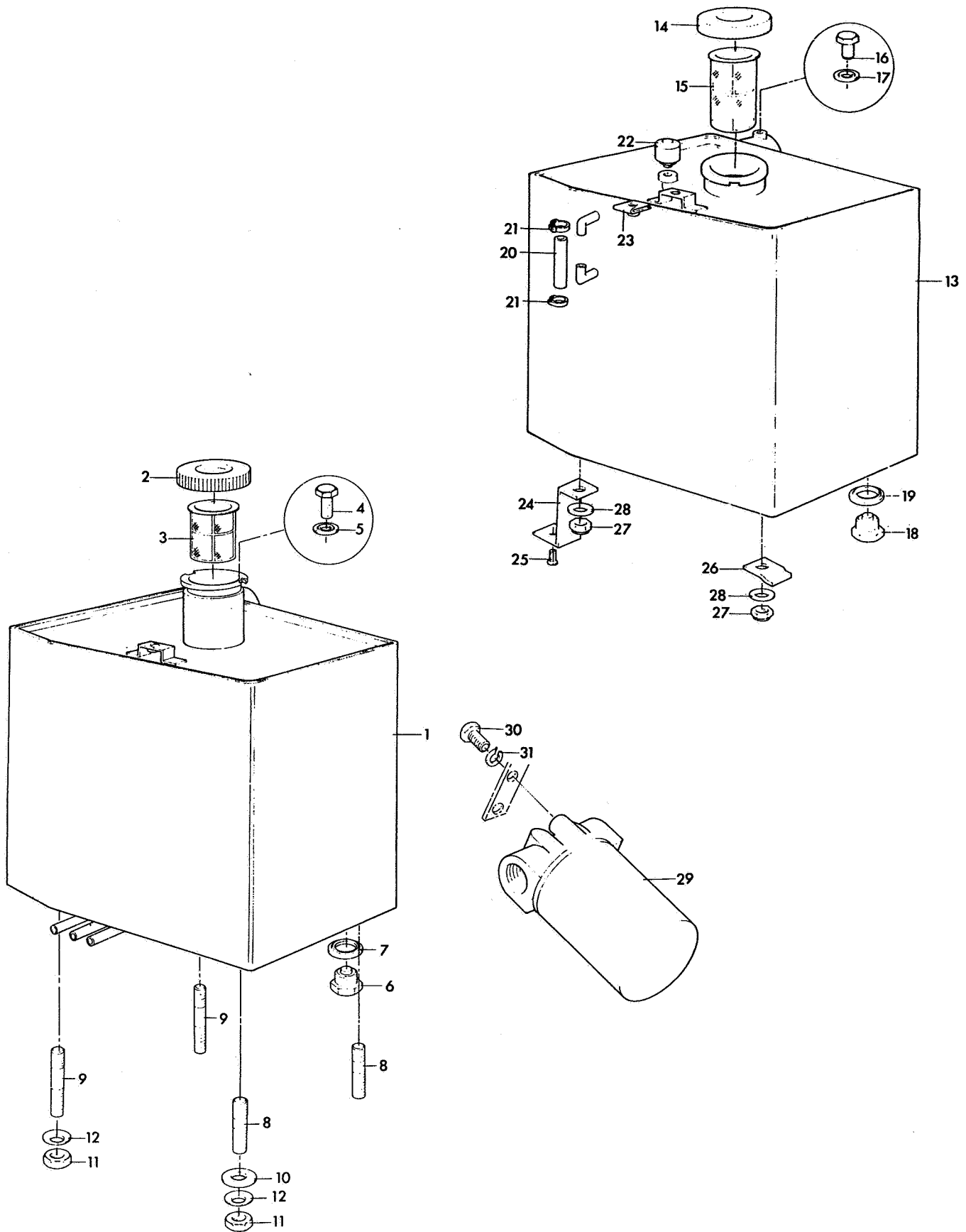
\*Not illustrated



REF. No.	PART No.	NAME OF PART	QTY
1	MBB7559A	Rear Axle Assy	1
2	A210154	Bush	6
3	A299301	Lubricator	3
4	MBB7034	Rear Shaft	1
5	A110305	Screw M8 x 25 Hex Hd	2
6	A151008	S.L. Washer 8mm	2
7	A133216	Stiffnut M16	1
8	AE30104	Clamp Washer	1
9	MBB7418	Axle LH	1
10	MBB7421	Axle RH	1
11	MBB7422	Cap	2
12	H002610	Thrust Bearing	2
13	A150024	Washer 24mm	2
14	A171025	Circlip	2
15	A904356	Cover	2
16	A816038	Wheel Assy	2
17	A205908	Bearing	2
18	H012093	Seal	1
19	BAA0833	Hub Cap	1
*	A817039	Tyre 16 x 6.5-8 4 ply ribbed	1
*	A817317	Tube	1
20	A139900	Notch Nut	2
21	AE45106	Clamp Washer	2
22	A159908	Tab Washer	2
23	MBB7709	Bellcrank Assy	1
24	A210154	Bush	2
25	A299301	Lubricator	1
26	A150030	Washer 30mm	1
27	A150024	Washer 24mm	1
28	A171025	Circlip	1
29	MBB8310	Track Rod	2
30	H980026	Balljoint LH	2
31	GSF2052BE	Nut 1/2" UNF LH	2
32	H980027	Balljoint RH	2
33	GSF2052AE	Nut 1/2" UNF	2
34	AE22003	Clamping Washer	4
35	MBB7700	Drag Link (Short)	1
36	H980026	Balljoint LH	1
37	GSF2052BE	Nut 1/2" UNF LH	1
38	H980027	Balljoint RH	1
39	GSF2052AE	Nut 1/2" UNF	1
40	AE22003	Clamping Washer	2
41	MBB7708	Intermediate Lever	1
42	A210154	Bush	2
43	A299301	Lubricator	1
44	A150030	Washer 30mm	1
45	A150024	Washer 24mm	1
46	A171025	Circlip	1
47	MBB8120	Drag Link (Long) (see also page 47)	1
48	H980026	Balljoint LH	1
49	GSF2052BE	Nut 1/2" UNF LH	1
50	AE22003	Clamping Washer	1

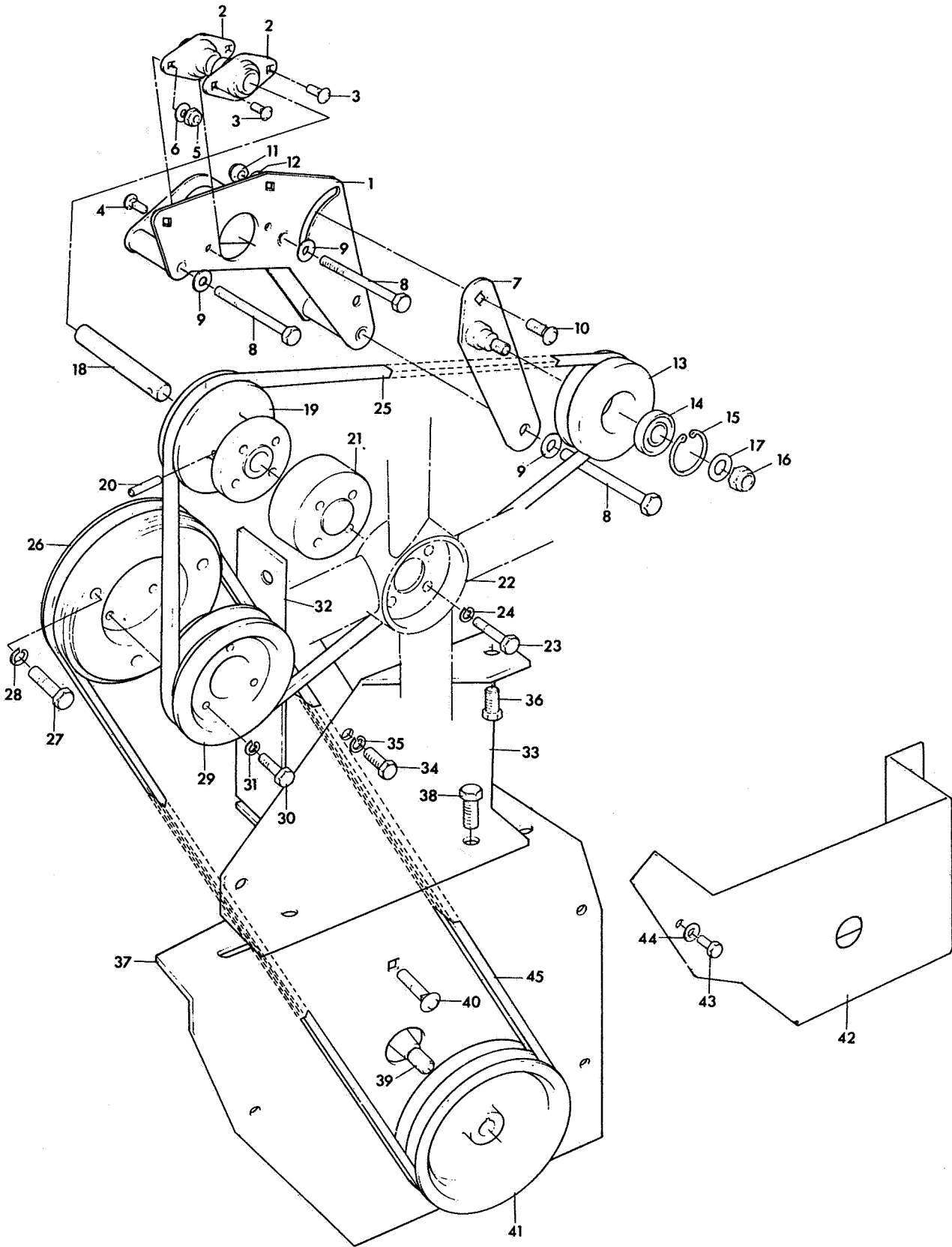
\*Not illustrated





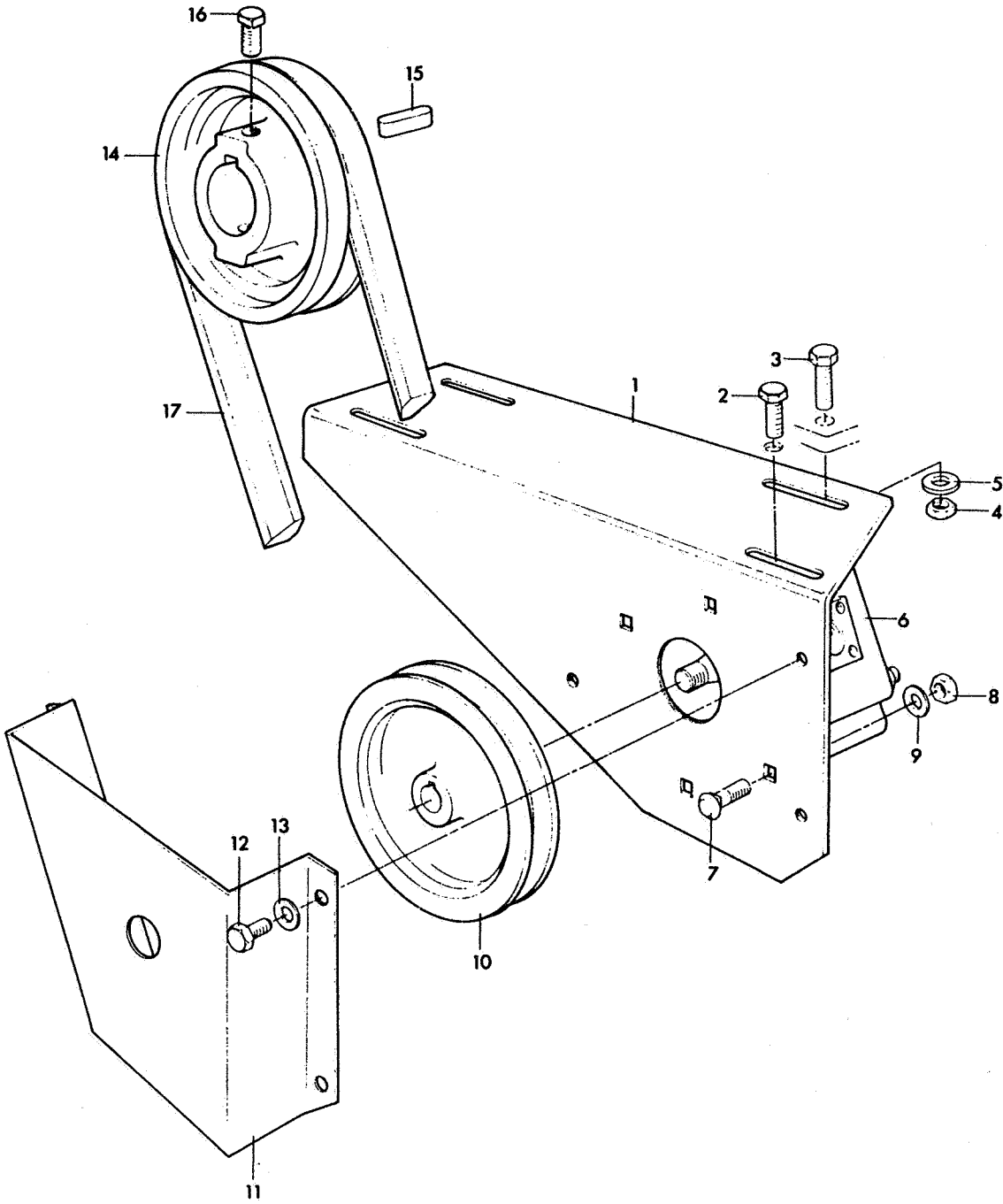
REF. No.	PART No.	NAME OF PART	QTY
<b>For Machines before Serial No. FP529</b>			
1	MBB7909	Tank Assy	1
2	H460004	Filler Cap	1
3	MBB2629	Filter	1
4	A110194	Screw M5 x 12 Hex Hd	1
5	A229552	Dowty Seal	1
6	H291025	Magnetic Plug	1
7	H014017	Dowty Seal	1
8	A109204	Stud	2
9	A109205	Stud	2
10	AE22003	Clamping Washer	2
11	A130008	Nut M8	4
12	A292070	Disc Spring	4
<b>For Machines after Serial No. FP528</b>			
13	MBB8216	Tank Assy	1
14	H460004	Filler Cap	1
15	MBB2629	Filter	1
16	A110194	Screw M5 x 12 Hex Hd	1
17	A229552	Dowty Seal	1
18	H291025	Magnetic Plug	1
19	H014017	Dowty Seal	1
20	H030032	Sight Tube	1
21	A199206	Hose Clip	2
22	A819160	Air Breather	1
23	A139400	Captive Nut	1
24	MBB8238	Clamp	2
25	A119028	Screw (Taptite)	2
26	MBB8239	Clamp	1
27	A133208	Stiffnut M8	4
28	A150008	Washer 8mm	4
<b>For All Machines</b>			
29	H290716	Filter Assy	1
*	H290733	Element	1
30	A110304	Screw M8 x 20 Hex Hd	2
31	A151008	S.L. Washer 9mm	2

\*Not illustrated

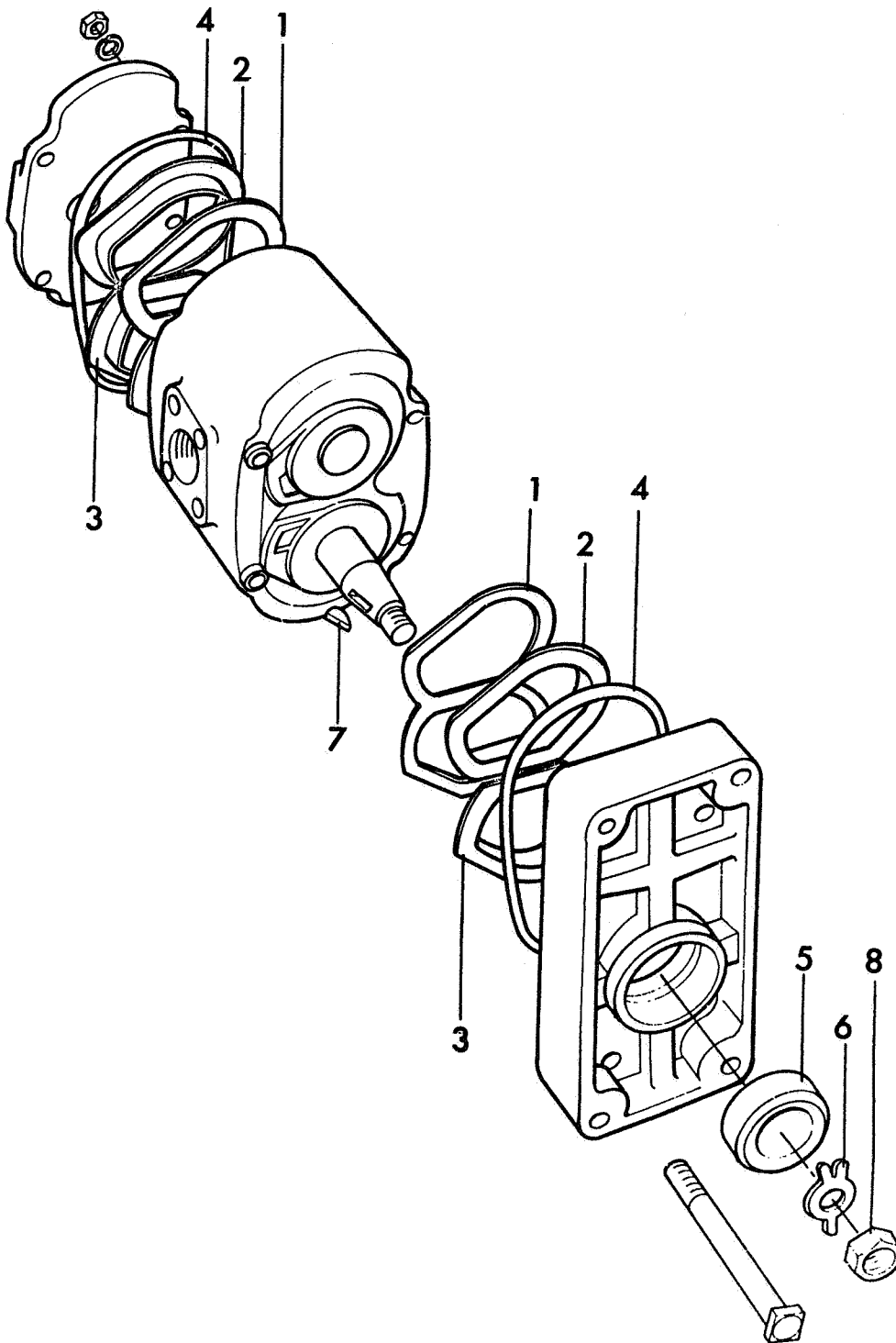


REF. No.	PART No.	NAME OF PART	QTY
1	MBC2121	Fan Drive Bracket	1
2	A209180	Bearing	2
3	A102305	Bolt M8 x 25 Sq Neck	2
4	A102304	Bolt M8 x 20 Sq Neck	2
5	A133208	Stiffnut M8	4
6	A150008	Washer 8mm	4
7	MBC2125	Pulley Bracket	1
8	A100318	Bolt M8 x 90	3
9	A150008	Washer 8mm	3
*	A133208	Stiffnut M8	1
*	A110305	Screw M8 x 25	1
10	A102406	Bolt M10 x 30 Sq Neck	1
11	A133210	Stiffnut M10	1
12	A150010	Washer 10mm	1
13	MBC2128	Pulley	1
14	A203602	Bearing	1
15	A170035	Circlip	1
16	A133210	Stiffnut M10	1
17	A150010	Washer 10mm	1
18	MBC2131	Shaft	1
19	MBC2129	Fan Pulley	1
20	A141156	Spirol Pin	1
21	MBC2161	Fan Adaptor	1
22		Fan (Ex Kubota)	
23	A100208	Bolt M6 x 40 Hex Hd	4
24	A150006	Washer 6mm	4
25	A460722	Vee Belt	1
26	MBC2106	Pulley	1
27	A109051	Bolt M10 (1.25) x 50	3
28	A151010	S.L. Washer 10mm	3
29	MBC2107	Pulley	1
30	A100306	Bolt M8 x 30	3
31	A151008	S.L. Washer 8mm	3
32	MBC2110	Bracket	1
*	A119032	Screw	2
*	A151010	S.L. Washer 10mm	2
33	MBC2108	Plate	1
34	A110396	Screw M8 x 16 Hex Hd	2
35	A151008	S.L. Washer 8mm	2
36	A110304	Screw M8 x 20 Hex Hd	1
*	A150008	Washer 8mm	1
*	A133208	Stiffnut M8	1
37	MBC2109	Pump Plate	1
38	A110405	Screw M10 x 25 Hex Hd	3
*	MBB7982	Washer	3
*	A151010	S.L. Washer 10mm	3
*	A130010	Nut M10	3
39	A809604	Pump (see page 59)	1
40	A102208	Bolt M6 x 40 Sq Neck	4
*	A130006	Nut M6	4
*	A150006	Washer 6mm	4
41	MBC2117	Pulley	1
42	MBB8017	Guard	1
43	A110294	Screw M6 x 12 Hex Hd	3
44	A150006	Washer 6mm	3
45	A460937	Vee Belt Set (Matched Pair)	1

\*Not illustrated



REF. No.	PART No.	NAME OF PART	QTY
1	MBB7790	Bracket	1
2	A110405	Screw M10 x 25 Hex Hd	2
3	A110407	Screw M10 x 35 Hex Hd	2
4	A130010	Nut M10	4
5	MBB7982	Washer	4
6	A809604	Pump (see page 59)	1
7	A102208	Bolt M6 x 40 Cup Hd Sq Neck	4
8	A130006	Nut M6	4
9	A150006	Washer 6mm	4
10	MBB7978	Pump Pulley	1
11	MBB8017	Guard	1
12	A110294	Screw M6 x 12 Hex Hd	3
13	A150006	Washer 6mm	3
14	MBB7979	Engine Pulley	1
15	GSF2202JN	Key	1
16	A114395	Screw M8 x 16 Sq Hd	2
17	A470875	Vee Belt	1
*	MBB8227	Tab Washer (for Ref 3)	2
	*Not illustrated		



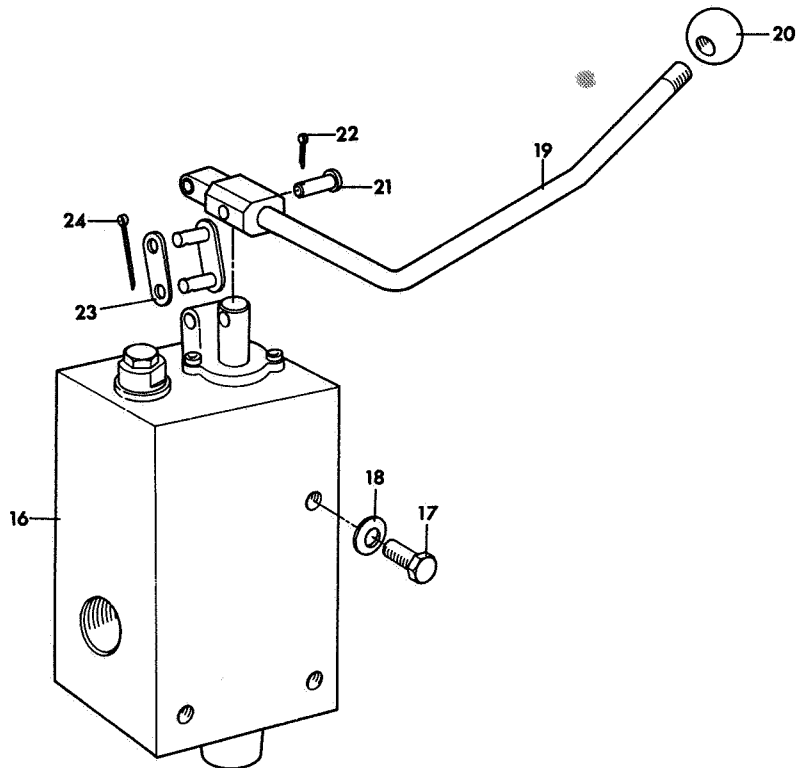
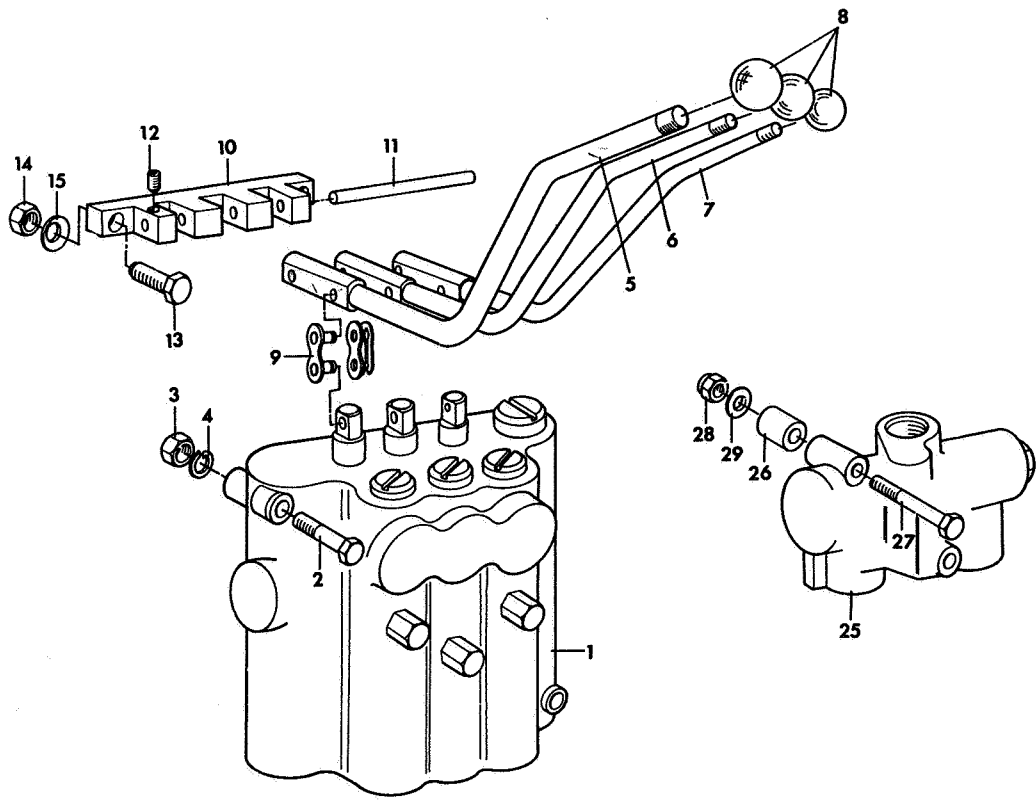
---

---

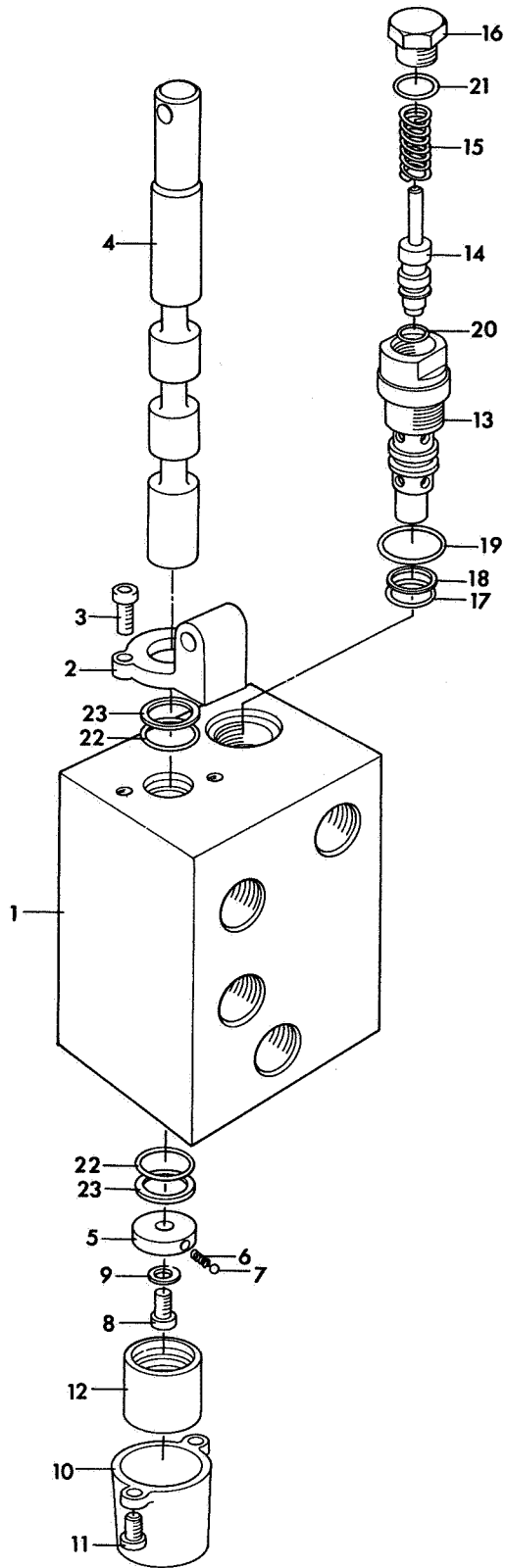
REF. No.	PART No.	NAME OF PART	QTY
	H200492	Seal Kit (Used on more than one Pump Discard Unwanted items)	1
1		Lobe Seal	2
2		Backing Ring	2
3		Backing Ring	2
4		Body Seal	2
5	H200339	Shaft Seal	1
6		Tab Washer	1
7	GSF2230AE	Woodruff Key	1
8	GSF2052AD	Locknut 7/16" UNF	1

---

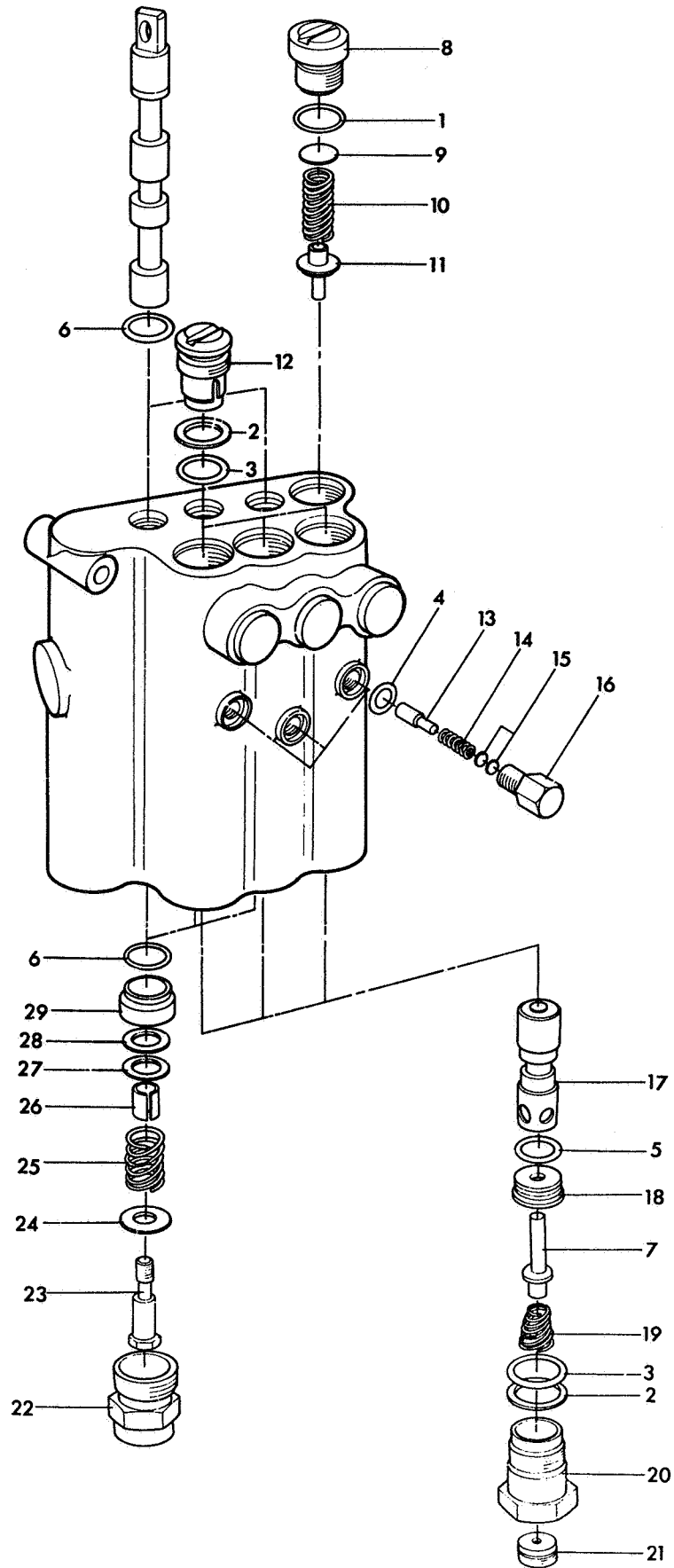




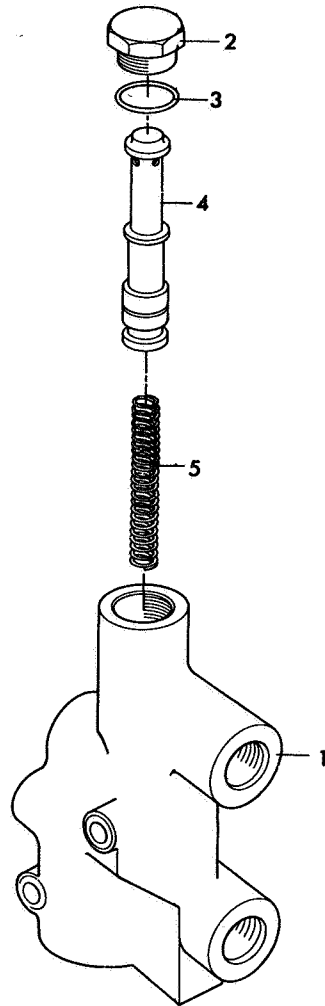
REF. No.	PART No.	NAME OF PART	QTY
<b>LIFT CONTROL VALVE</b>			
1	H240146	Valve (see page 65)	1
2	A100210	Bolt M6 x 50 Hex Hd	2
3	A130006	Nut M6	2
4	A151006	S.L. Washer 6mm	2
5	MBB6196	Lever RH	1
6	MBB6198	Lever Centre	1
7	MBB6195	Lever LH	1
8	GSF3650C	Ball Knob	3
9	H042010	Link	3
10	MBB3499	Pivot Block	1
11	MBB3500	Rod	1
12	GSF2020JF	Screw 1/4" UNF x 3/8"	1
13	A110305	Screw M8 x 25 Hex Hd	2
14	A130008	Nut M8	2
15	A292070	Disc Spring	2
<b>MOTOR CONTROL VALVE</b>			
16	A802817	Valve (see page 63)	1
17	A110304	Screw M8 x 20 Hex Hd	3
18	A292070	Disc Spring	3
19	A802823	Handle	1
20	A299030	Ball Knob	1
	A802824	Handle Link Set	1
21		Pin	1
22	A140024	Split Pin	1
23		Link	1
24	A140032	Split Pin	1
<b>FLOW DIVIDER</b>			
25	A802871	Flow Divider (see page 67)	1
26	MBA3008	Spacer	2
27	GSF2001AP	Bolt 1/4" UNF x 2.1/2" Hex Hd	2
28	A139908	Stiffnut 1/4" UNF	2
29	GSF2150C	Washer 1/4"	2



REF. No.	PART No.	NAME OF PART	QTY
1		Body	1
2	A802825	Pivot Mounting	1
3	A120194	Screw M5 x 12 Socket Hd Cap	2
4		Spool	1
5		Carrier	1
6	A802826	Spring	1
7	A802827	Ball	1
8	H111426	Screw M5 x 16 Socket Hd Cap	1
9	A150005	Washer 5mm	1
10	A802829	End Cover	1
11	A120194	Screw M5 x 12 Socket Hd Cap	2
12	A802828	Insert (3 Position Detent)	1
	A802822	Relief Valve	1
13		Valve Body	1
14		Valve	1
15		Spring	1
16		Spring Cap	1
	A802811	Seal Kit	1
17		'O' Ring	1
18		Back-up Washer	1
19		'O' Ring	1
20		Seal	1
21		'O' Ring	1
	A802821	Seal Kit Spool	1
22		'O' Ring	2
23		Back-up Washer	2
	A802820	Seal Kit Complete (cont. A802811 & A802821)	1



REF. No.	PART No.	NAME OF PART	QTY
	ASKA040	Seal Kit	1
1	GSF3600BN	'O' Ring	1
2	H240016	Back-up Washer	6
3	A221114	'O' Ring	6
4	A221011	'O' Ring	3
5	A221014	'O' Ring	3
6	GSF3600BK	'O' Ring	6
7	H240117	Poppet	3
8	H240137	Slotted Plug	1
9	H240107	Shim .065"	AR
9	H240108	Shim .022"	AR
9	H240109	Shim .035"	AR
10	H240110	Spring – Relief Valve	1
11	H240111	Poppet – Relief Valve	1
12	H240143	Plug	3
13	H240112	Plunger – Detent	3
14	H240113	Spring – Detent	3
15	H240139	Disc	6
16	H240114	Plug – Detent	3
17	H240115	Plunger – Locknut (outer)	2
17	H240123	Plunger – Locknut (centre)	1
18	H240116	Seat	3
19	H240118	Spring Locknut	3
20	H240144	Plug – Port Adaptor	3
21	H240119	Orifice Plate	3
22	H240120	Cap Assy	3
23	H240134	Screw	3
24	H240140	Washer	3
25	H240121	Spring	3
26	H240133	Spacer	3
27	H240138	Washer	3
28	H240141	Washer	3
29	H240122	Bush	3



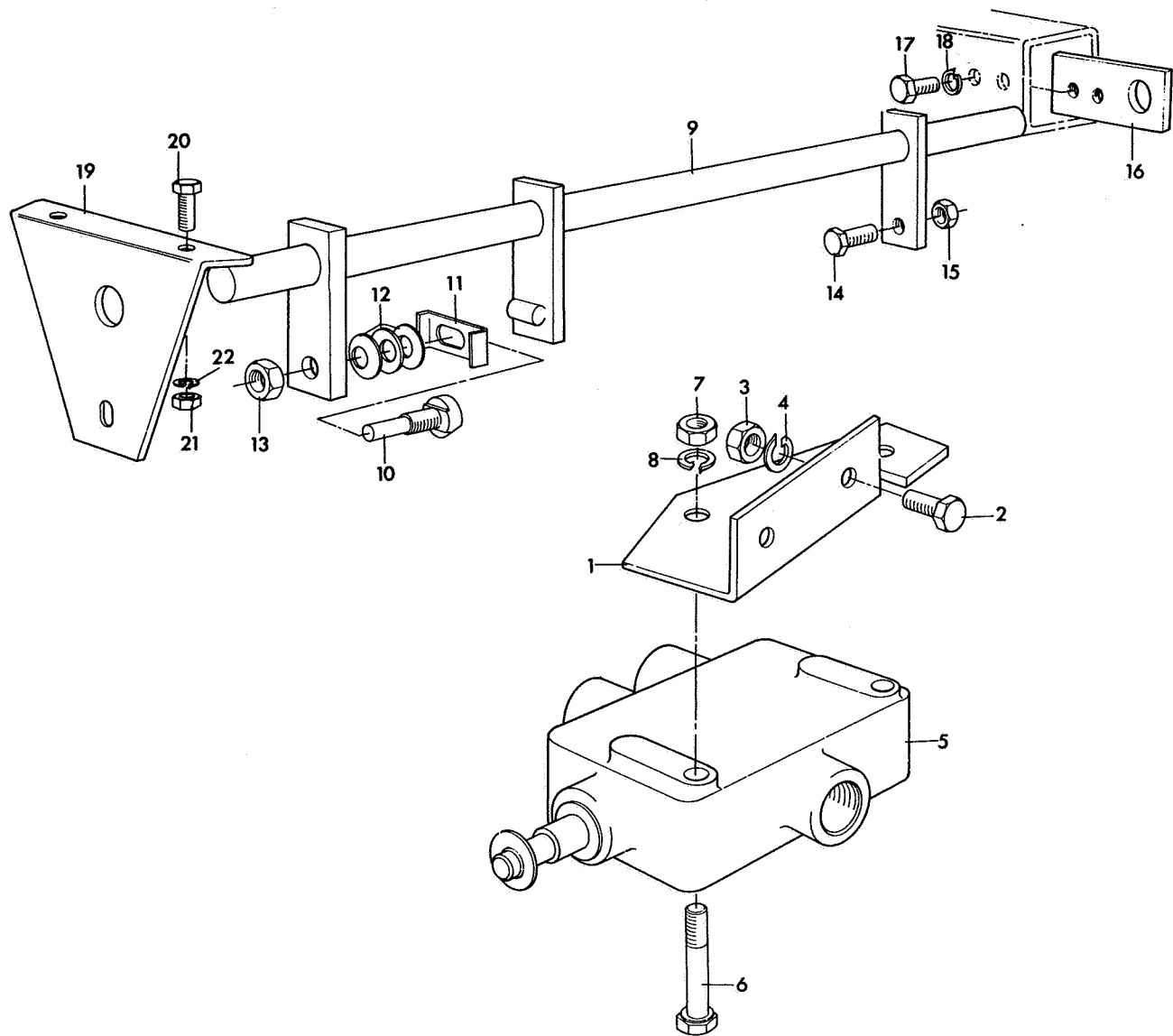
---

---

REF. No.	PART No.	NAME OF PART	QTY
1		Body	1
2		Plug	1
3	A221808	'O' Ring	1
4		Piston	1
5		Spring	1

---



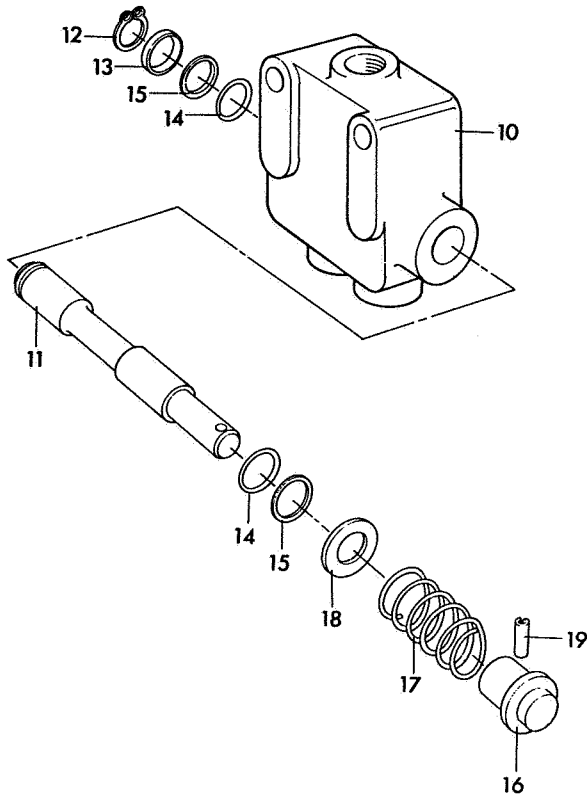
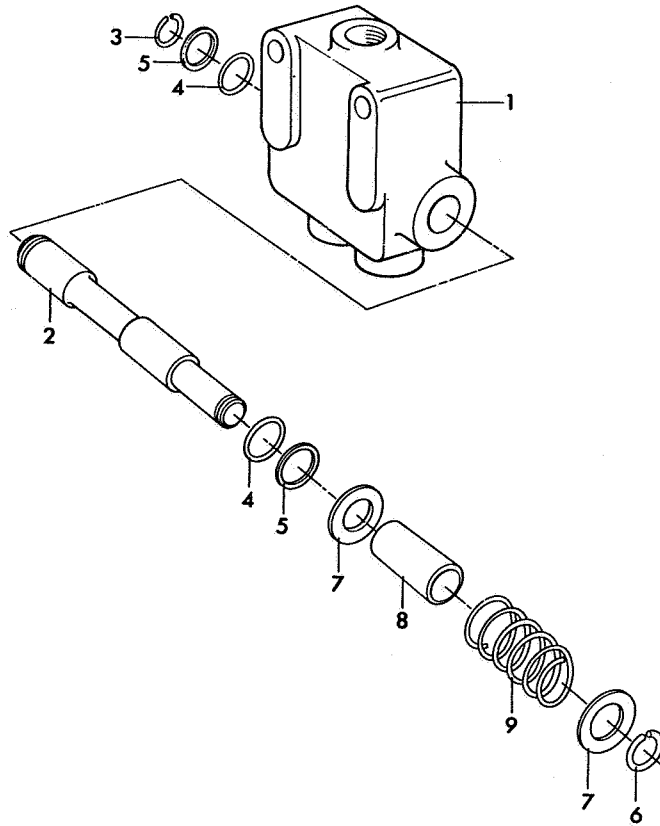


For RH Unit use Quantity Column A

For LH Unit use Quantity Column B

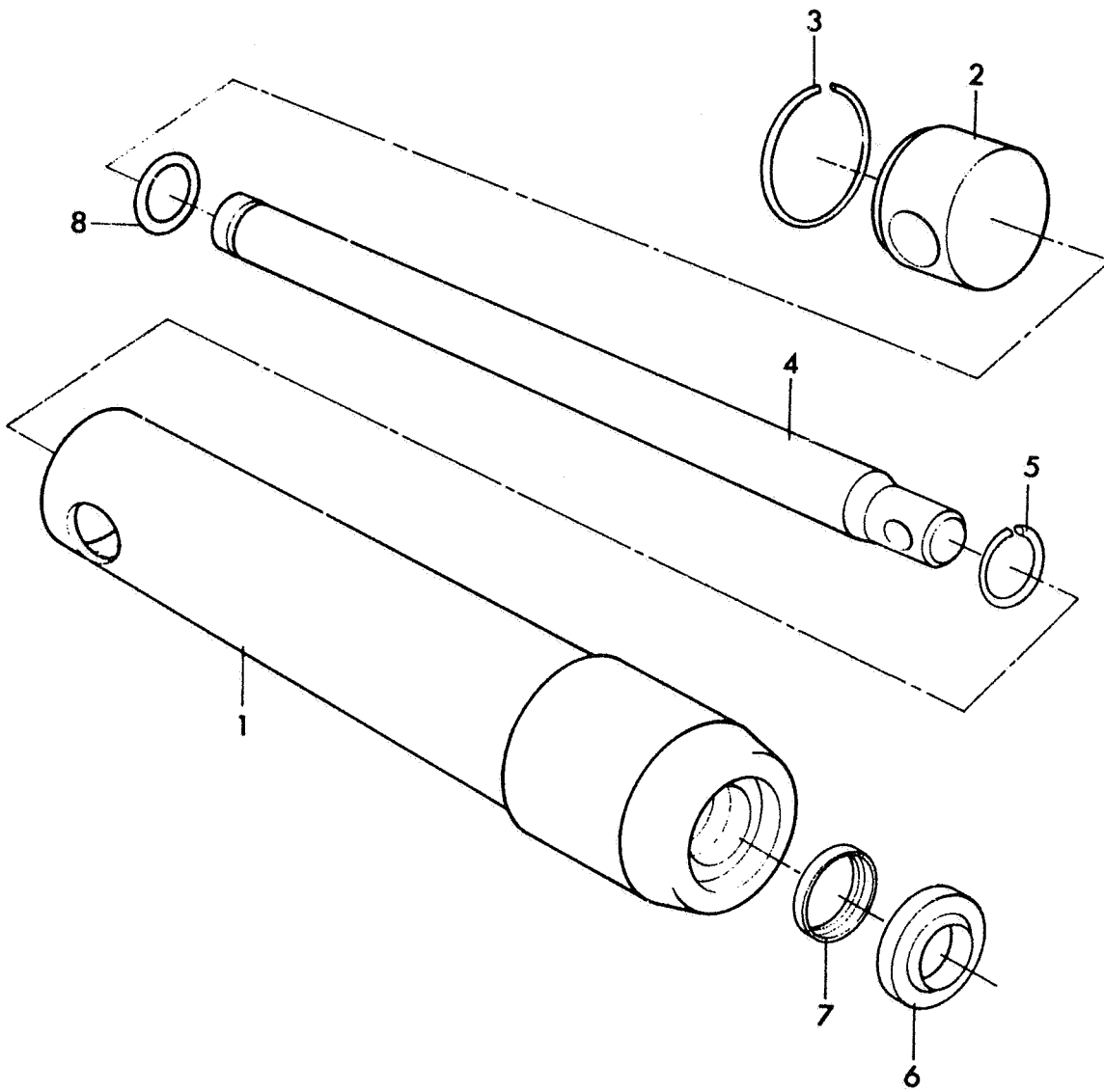
REF. No.	PART No.	NAME OF PART	QTY	
			A	B
1	MBB7970	Bracket RH	1	
*	MBB7984	Bracket LH		1
2	A110305	Screw M8 x 25 Hex Hd	2	2
3	A130008	Nut M8	2	2
4	A151008	S.L. Washer 8mm	2	2
5	MBB7826	Selector Valve (see page 71)	1	1
6	A100312	Bolt M8 x 60 Hex Hd	2	2
7	A130008	Nut M8	2	2
8	A151008	S.L. Washer 8mm	2	2
9	MBB7724	Push Rod Assy	1	1
10	MBB7722	Cam Follower	1	1
11	MBB7723	Retainer	1	1
12	A292070	Disc Spring	3	3
13	A130008	Nut M8	1	1
14	A110305	Screw M8 x 25 Hex Hd	1	1
15	A130008	Nut M8	1	1
16	MBB7827	Bracket (outer)	1	1
17	A110396	Screw M8 x 16 Hex Hd	2	2
18	A151008	S.L. Washer 8mm	2	2
19	MBB7829	Bracket (inner)	1	1
20	A110305	Screw M8 x 25 Hex Hd	2	2
21	A130008	Nut M8	2	2
22	A151008	S.L. Washer 8mm	2	2
<b>CENTRE UNIT SELECTOR VALVE MOUNTING</b>				
*	A802045	Selector Valve (see page 71)	1	
*	A100312	Bolt M8 x 60 Hex Hd	2	
*	A151008	S.L. Washer 8mm	2	

\*Not illustrated



REF. No.	PART No.	NAME OF PART	QTY
1		Body	1
2		Spindle	1
3	H240089	Snap Ring	1
4	GSF3600BR	'O' Ring	2
5	H240016	Back Up Washer	2
6	H240088	Snap Ring	1
7	H240087	Washer	2
8	H240086	Sleeve	1
9	H240085	Spring	1
		<b>(Type A802045 Webtec)</b>	
10		Body	1
11		Spindle	1
12		Circlip	1
13	H224902	Wiper Seal	1
14	GSF3600BR	'O' Ring	2
15	H240016	Back-up Washer	2
16	A802046	End Cap	1
17	A802047	Spring	1
18		Washer	1
19		Roll Pin	1
		<b>(Type MBB7826 Cessna/Webtec)</b>	
*	MBB7826	Selector Valve (as A802045 Cessna or Webtec but less spring)	

\*Not illustrated



**HYDRAULIC LIFT RAM**

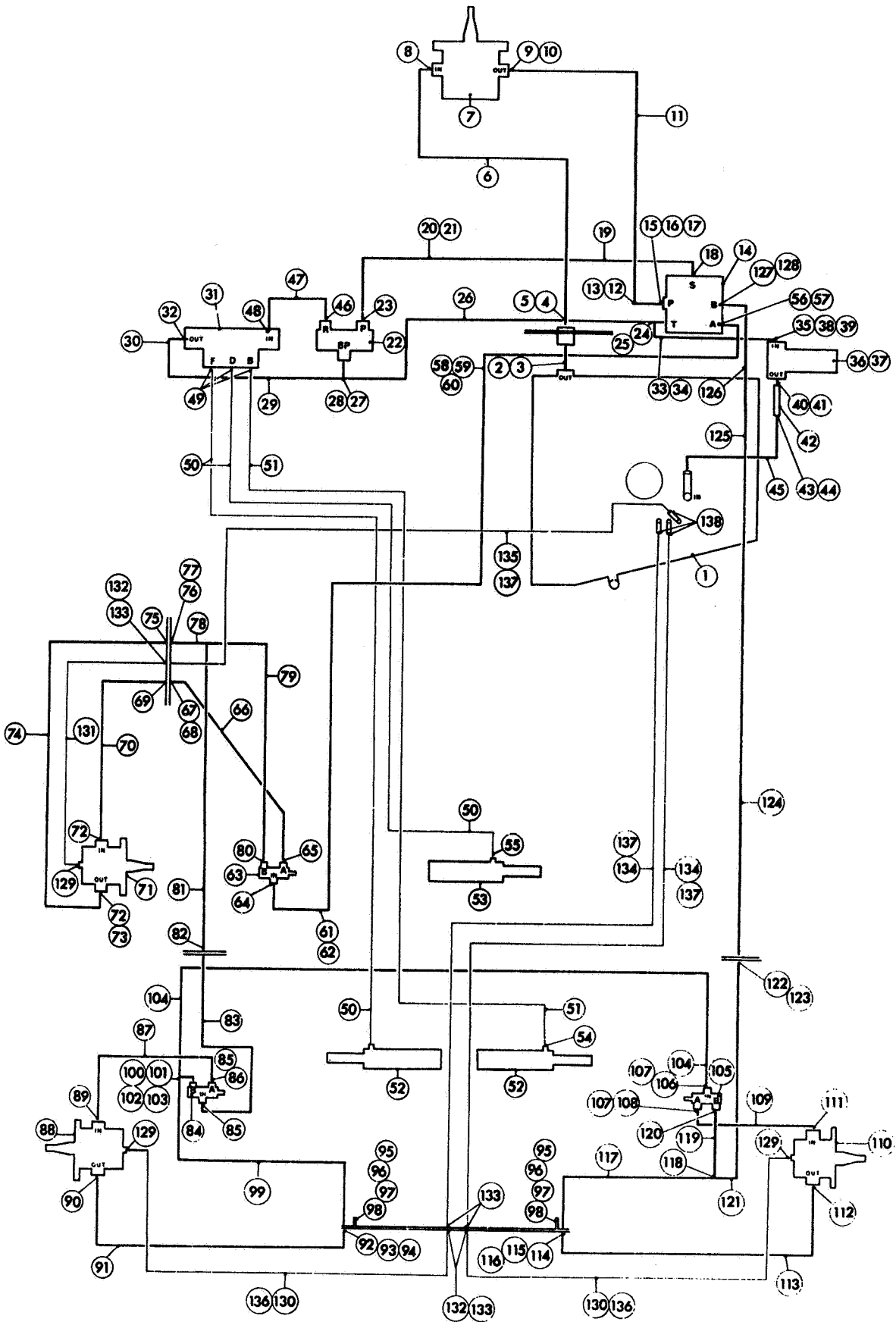
**LIST OF PARTS**

**For Front Unit Lift Ram use Quantity Column A**

**For Rear Unit Lift Ram use Quantity Column B**

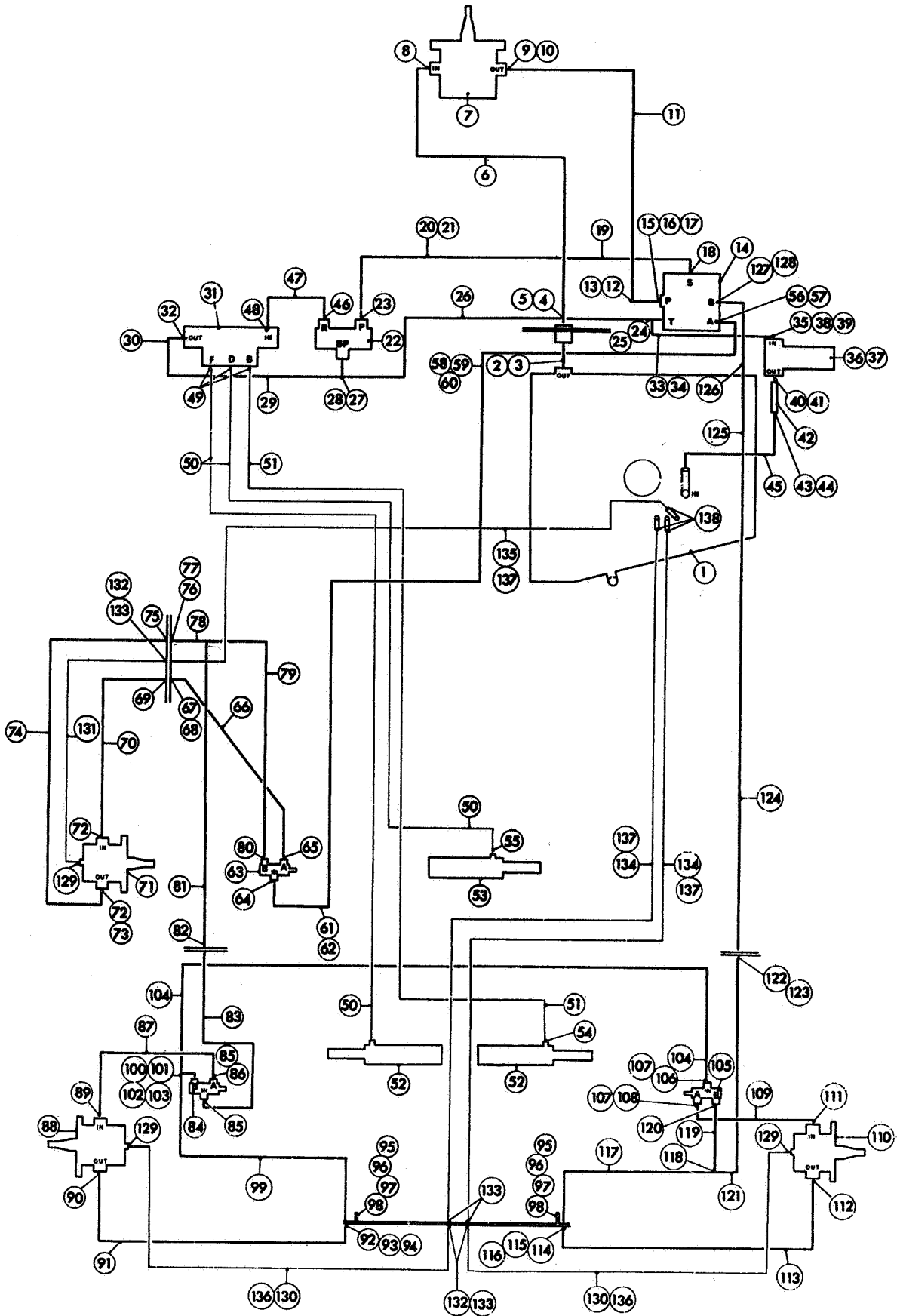
REF. No.	PART No.	NAME OF PART	QTY	
			A	B
	LMAA120	Ram Assembly	2	
	LMAY645D	Ram Assembly		1
1	MBB3137A	Cylinder	1	
*	MBB2592A	Cylinder		1
2	TBA7970	End Plug	1	1
3	TBA7972	Snap Ring	1	1
4	MBB3139	Piston	1	
*	MBA5912	Piston		1
5	TBA7971	Snap Ring	1	1
6	H015100	Wiper Seal	1	1
7	H019055	Seal	1	1
8	GSF3600CN	'O' Ring	1	1
*	A241403	Elbow 90°	1	1

\*Not illustrated

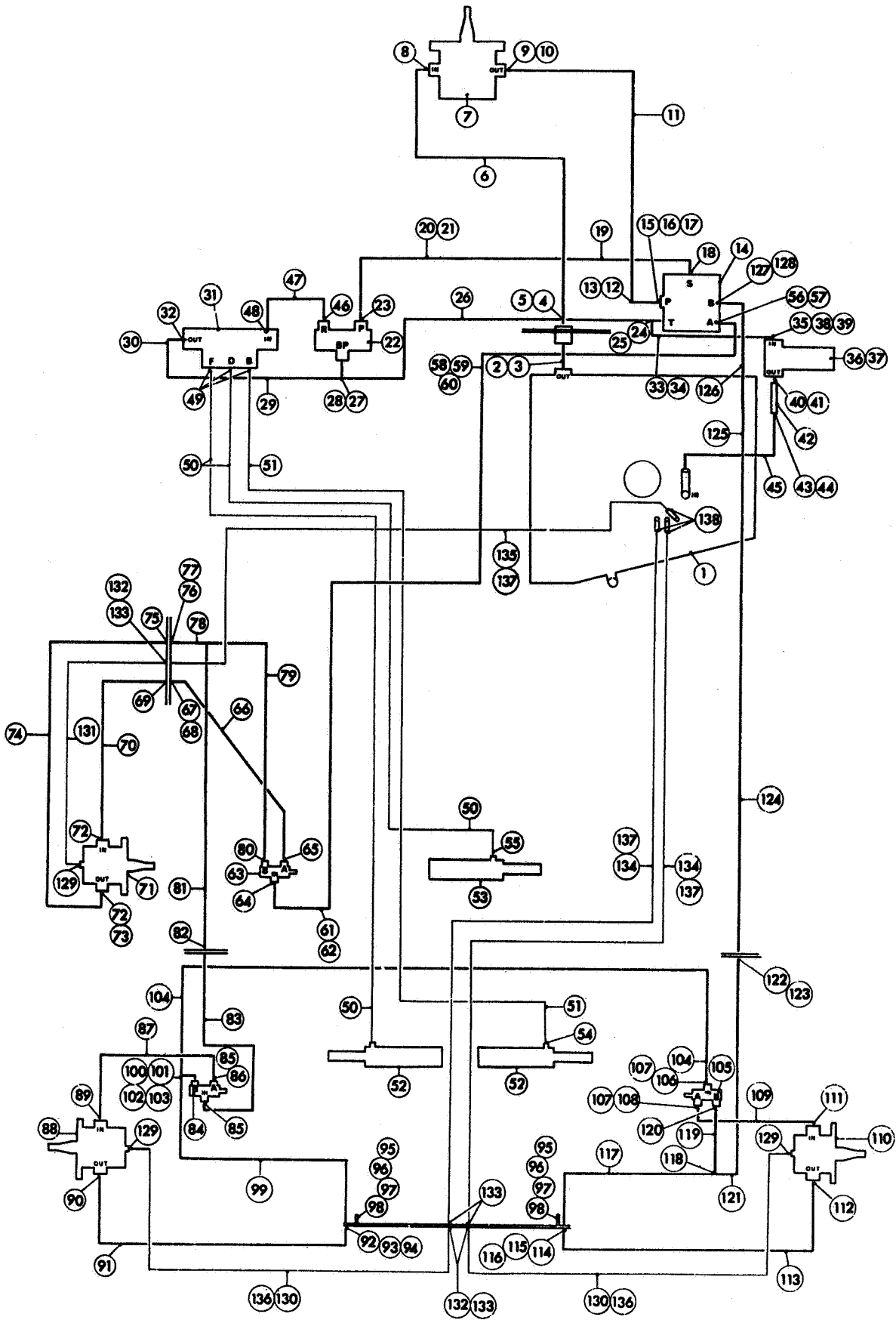


REF. No.	PART No.	NAME OF PART	QTY
1	MBB8219	Tank Assy	1
2	A902504	Hose (Tank Suction to bulkhead)	1
3	A192255	Hose Clip	2
4	A240010	Adaptor Bulkhead	1
5	A242410	Elbow 135°	1
6	A791802	Hose Assy	1
7	A809604	Pump (see page 59)	1
8	A240900	Adaptor	1
9	A240007	Adaptor	1
10	A242407	Elbow 135°	1
11	MBA6074A	Hose Assy	1
12	A241207	Elbow 90°	1
13	A902140	Tube Assy	1
14	A802817	Motor Control Valve (see page 63)	1
15	A241090	Elbow 90°	1
16	A244900	Test Point	1
17	H014011	Seal	1
18	A240007	Adaptor	1
19	A902159	Tube Assy	1
20	A240207	Connector	1
21	A725129	Hose Assy	1
22	A802871	Flow Divider (see page 67)	1
23	A241052	Elbow 90°	1
24	A241007	Elbow 90°	1
25	A243507	Tee	1
26	A765036	Hose Assy	1
*	A242407	Elbow 135°	1
27	A243152	Tee	1
28	A241448	Elbow 90°	1
29	A902164	Tube Assy	1
30	A241406	Elbow 90°	1
31	H240146	Lift Control Valve (see page 65)	1
32	A240006	Adaptor	1
33	A796501	Hose Assy	1
34	A192220	Hose Clip	1
35	A249365	Elbow 90°	1
36	H290716	Filter Assy (see page 53)	1
37	H290733	Element	1
38	GSF2571AW	Adaptor	1
39	H014019	Seal	1
40	GSF2560AF	Adaptor	1
41	H014019	Seal	2
42	A802948	Non-return Valve	1
43	A249379	Adaptor	1
44	H014019	Seal	1
45	H032112LV	Hose	1
46	A240006	Adaptor	1
47	A902163	Tube Assy	1
48	A240006	Adaptor	1
49	A240032	Adaptor	3
50	A712140	Hose Assy	2
51	A712160	Hose Assy	1
52	LMAA120	Hydraulic Lift Ram (see page 73)	2
53	LMAY645D	Hydraulic Lift Ram (see page 73)	1
54	A241403	Elbow 90°	2
55	A241403	Elbow 90°	1
56	A240007	Adaptor	1
57	A902159	Tube Assy	1
58	A240207	Adaptor	1
59	A725180	Hose	1
60	A295309	Grommet	1





REF. No.	PART No.	NAME OF PART	QTY
61	A240207	Adaptor	1
62	A902129	Tube Assy	1
63	A802045	Selector Valve (see page 71)	1
64	A241007	Elbow 90°	1
65	A240007	Adaptor	1
66	A725057	Tube Assy	1
67	A240307	Adaptor bulkhead	1
68	A242407	Elbow 135°	1
69	A241407	Elbow 90°	1
70	A725062	Hose Assy	1
71	A809204	Hydraulic Motor (see pages 13 & 15)	1
72	A241007	Elbow 90°	2
73	A242407	Elbow 135°	1
74	A725074	Hose Assy	1
75	A241407	Elbow 90°	1
76	A240307	Adaptor bulkhead	1
77	A240507	Connector	1
78	A243207	Tee	1
79	A902172	Tube Assy	1
80	A240007	Adaptor	1
81	A725050	Hose Assy	1
82	A249231	Adaptor bulkhead	1
*	GSF2052AJ	Nut	2
83	A902135	Tube Assy	1
84	MBB7826	Selector Valve (see page 71)	1
85	A241007	Elbow 90°	2
86	A242407	Elbow 135°	1
87	A792513	Hose Assy	1
88	A809203	Hydraulic Motor (see pages 13 & 15)	1
89	A249393	Swivel Joint	1
90	A241007	Elbow 90°	1
91	MBB3024	Hose Assy	1
*	ASKA041	Seal Kit	1
93	A249241	Adaptor Bulkhead	1
94	GSF2052AJ	Nut	2
95	MBB8005	Bracket	2
96	A110305	Screw M8 x 20 Hex Hd	4
97	A130008	Nut M8	4
98	A151008	S.L. Washer 8mm	4
99	A902136	Tube Assy	1
100	A243407	Tee	1
101	A242407	Elbow 135°	1
102	A241407	Elbow 90°	1
103	A240007	Adaptor	1
104	A725074	Hose Assy	1
105	MBB7826	Selector Valve (see page 71)	1
106	A242407	Elbow 135°	1
107	A240007	Adaptor	2
108	A241407	Elbow 90°	1
109	A792513	Hose Assy	1
110	A809204	Hydraulic Motor (see pages 13 & 15)	1
111	A249393	Swivel Joint	1
112	A241007	Elbow 90°	1
113	MBB3024	Hose Assy	1
114	A249393	Swivel Joint	1
*	ASKA041	Seal Kit	1
115	A249243	Adaptor Bulkhead	1
116	GSF2052AJ	Nut	2
117	A902161	Tube Assy	1
118	A243207	Tee	1
119	A902160	Tube Assy	1

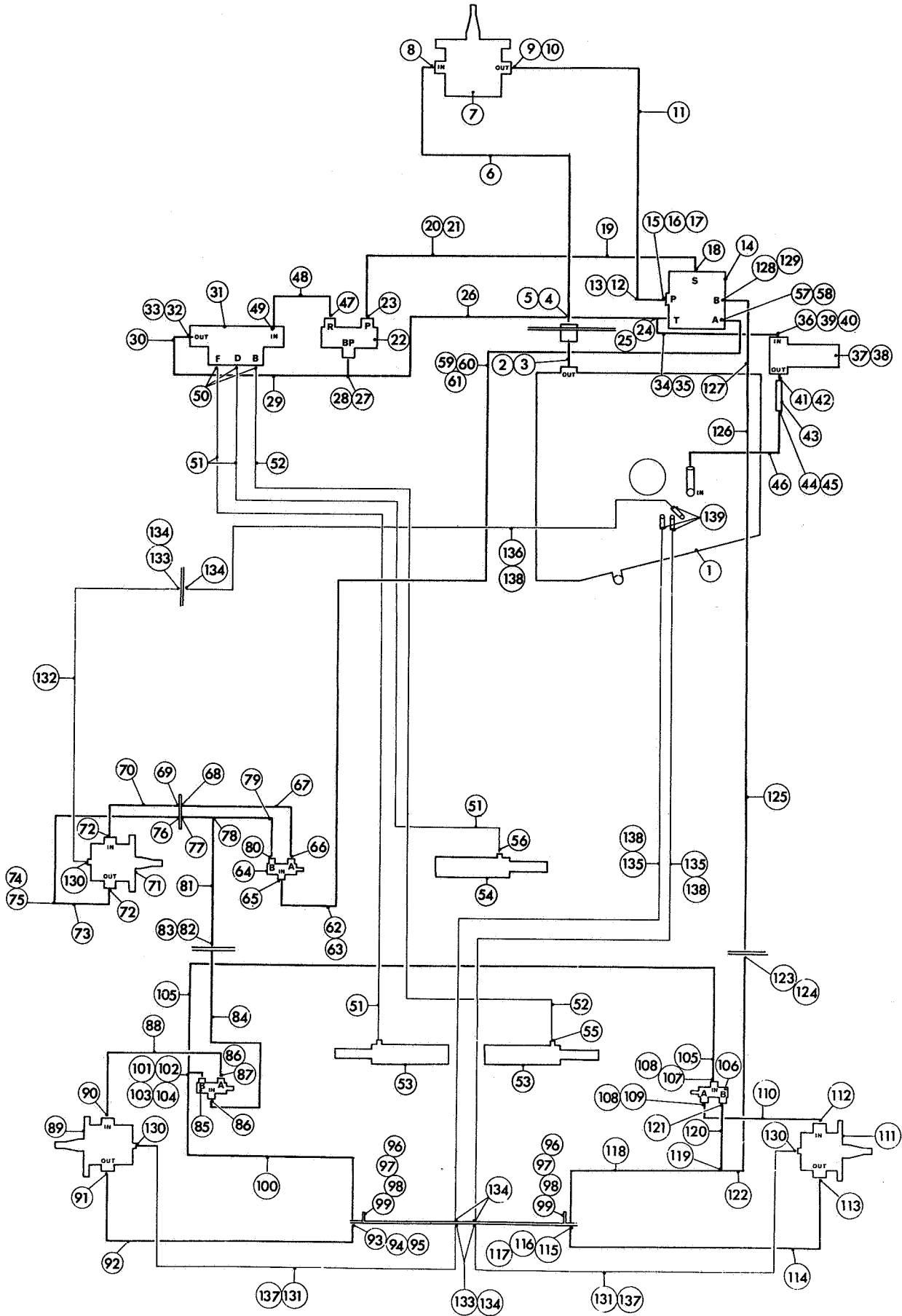


---

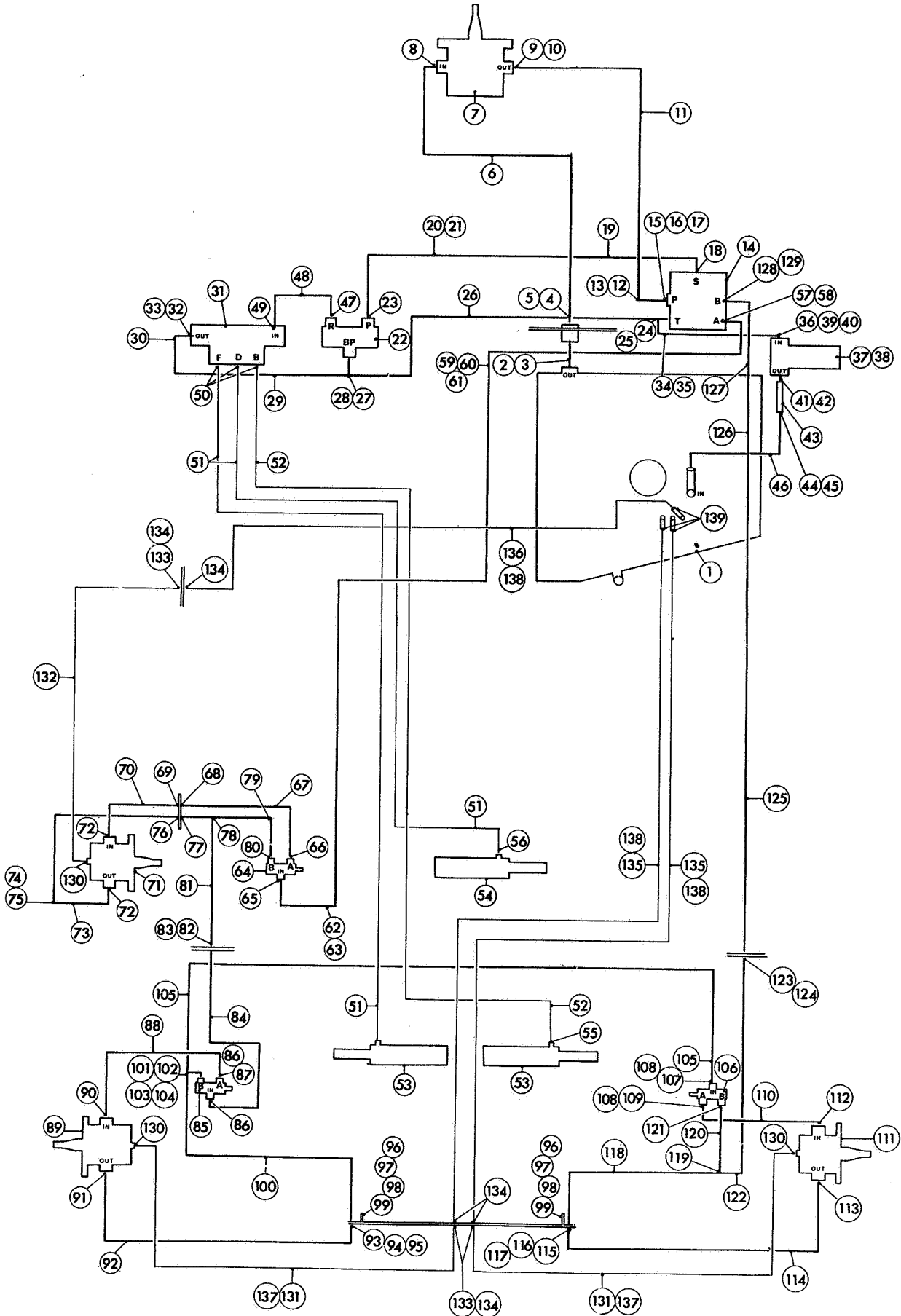
---

REF. No.	PART No.	NAME OF PART	QTY
120	A242007	Elbow 135°	1
121	A902162	Tube Assy	1
122	A249231	Adaptor Bulkhead	1
123	GSF2052AJ	Nut	2
124	A725078	Hose Assy	1
125	A240207	Adaptor	1
126	A902167	Tube Assy	1
127	A240307	Adaptor Bulkhead	1
128	A221810	'O' Ring	1
129	A240003	Adaptor	3
130	A712120	Hose Assy	2
131	A712060	Hose Assy	1
132	A240303	Adaptor Bulkhead	3
133	A241403	Elbow 90°	5
134	A796204	Hose Assy	2
135	A796203	Hose Assy	1
136	H980407	Pipe Clip	2
137	A199203	Cable tie	AR
138	A192212	Hose Clip	3

\*Not illustrated

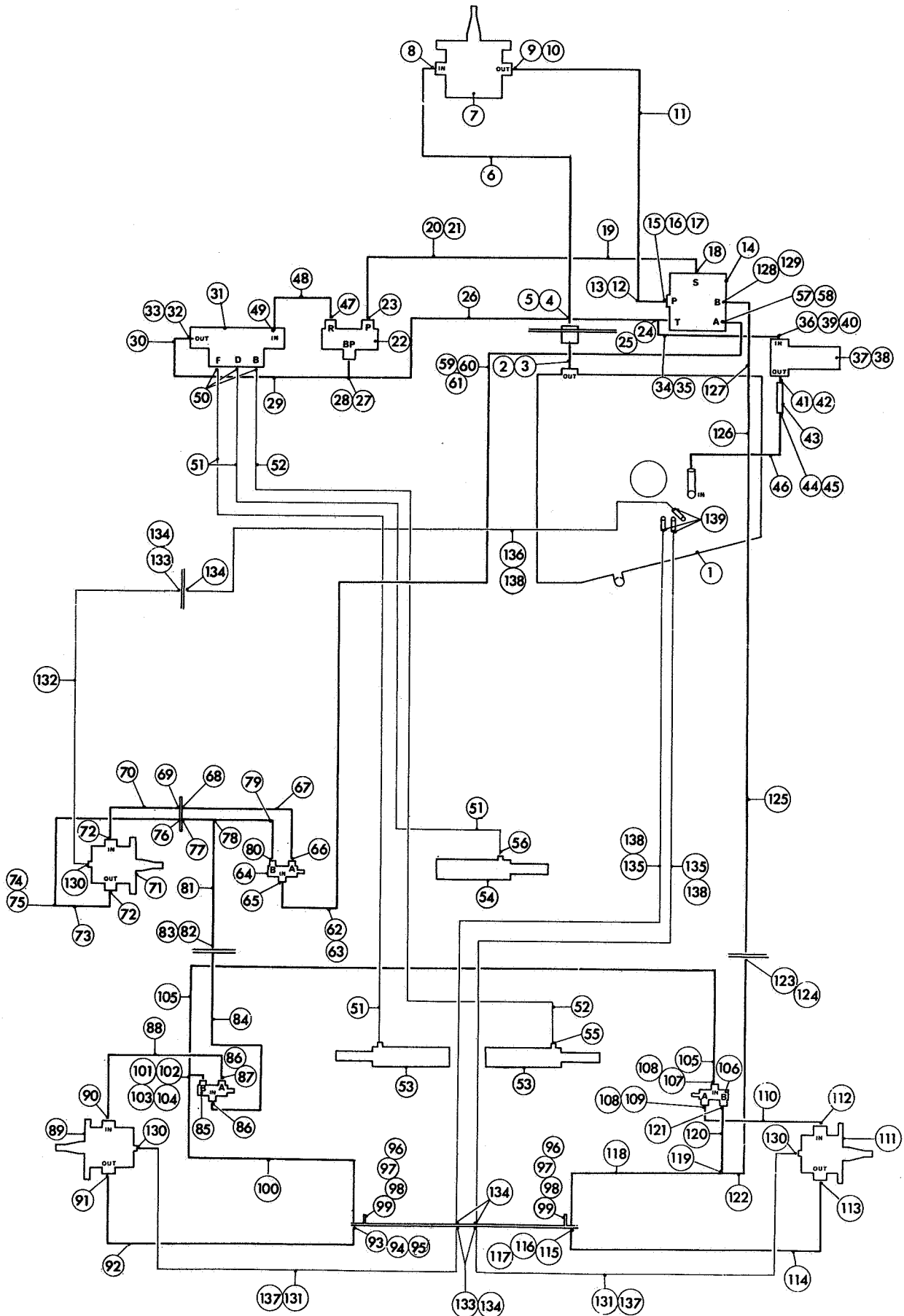


REF. No.	PART No.	NAME OF PART	QTY
1	MBB8216	Tank Assy	1
2	A902504	Hose (Tank Suction to Bulkhead)	1
3	A192255	Hose Clip	2
4	A240010	Adaptor bulkhead	1
5	A242410	Elbow 135°	1
6	A791801	Hose Assy	1
7	A809604	Pump (see page 59)	1
8	A240900	Adaptor	1
9	A240007	Adaptor	1
10	A242407	Elbow 135°	1
11	MBA6074A	Hose Assy	1
12	A241207	Elbow 90°	1
13	A902140	Tube Assy	1
14	A802817	Motor control valve (see page 63)	1
15	A241090	Elbow 90°	1
16	A244900	Test Point	1
17	H014011	Seal	1
18	A240007	Adaptor	1
19	A902159	Tube Assy	1
20	A240207	Connector	1
21	A725129	Hose Assy	1
22	A802871	Flow Divider (see page 67)	1
23	A241052	Elbow 90°	1
24	A241007	Elbow 90°	1
25	A243407	Tee	1
26	A765038	Hose Assy	1
27	A243152	Tee	1
28	A241448	Elbow 90°	1
29	A902164	Tube Assy	1
30	A241406	Elbow 90°	1
31	H240146	Lift control valve (see page 65)	1
32	A240006	Adaptor	1
33	A242006	Elbow 135°	1
34	A796501	Hose Assy	1
35	A192220	Hose Clip	1
36	A249365	Elbow 90°	1
37	H290716	Filter Assy (see page 53)	1
38	H290733	Element	1
39	GSF2571AW	Adaptor	1
40	H014019	Seal	1
41	GSF2560AF	Adaptor	1
42	H014019	Seal	2
43	A802948	Non-return valve	1
44	A249379	Adaptor	1
45	H014019	Seal	1
46	H032112LV	Hose	1
47	A240006	Adaptor	1
48	A902163	Tube Assy	1
49	A240006	Adaptor	1
50	A240032	Adaptor	3
51	A712140	Hose Assy	2
52	A712160	Hose Assy	1
53	LMAA120	Hydraulic Lift Ram (see page 73)	2
54	LMAY645D	Hydraulic Lift Ram (see page 73)	1
55	A241403	Elbow 90°	2
56	A241403	Elbow 90°	1
57	A240007	Adaptor	1
58	A902159	Tube Assy	1
59	A240207	Adaptor	1
60	A725180	Hose	1
61	A295309	Grommet	1



REF. No.	PART No.	NAME OF PART	QTY
62	A240207	Adaptor	1
63	A902129	Tube Assy	1
64	A802045	Selector Valve (see page 71)	1
65	A241007	Elbow 90°	1
66	A240007	Adaptor	1
67	A902165	Tube Assy	1
68	A240307	Adaptor Bulkhead	1
69	A241407	Elbow 90°	1
70	A725062	Hose Assy	1
71	A809204	Hydraulic Motor (see pages 13 & 15)	1
72	A240007	Adaptor	2
73	MBB3651	Tube Assy	1
74	A240207	Adaptor	1
75	A725074	Hose Assy	1
76	A241407	Elbow 90°	1
77	A240307	Adaptor Bulkhead	1
78	A243507	Tee	1
79	A902166	Tube Assy	1
80	A240007	Adaptor	1
81	A725050	Hose Assy	1
82	A249231	Adaptor Bulkhead	1
83	GSF2052AJ	Nut	2
84	A902135	Tube Assy	1
85	MBB7826	Selector Valve (see page 71)	1
86	A241007	Elbow 90°	2
87	A242407	Elbow 135°	1
88	A792513	Hose Assy	1
89	A809203	Hydraulic Motor (see pages 13 & 15)	1
90	A249393	Swivel Joint	1
91	A241007	Elbow 90°	1
92	MBB3024	Hose Assy	1
93	A249393	Swivel Joint	1
*	ASKA041	Seal Kit	1
94	A249241	Adaptor Bulkhead	1
95	GSF2052AJ	Nut	2
96	MBB8005	Bracket	2
97	A110305	Screw M8 x 20 Hex Hd	4
98	A130008	Nut M8	4
99	A151008	S.L. Washer 8mm	4
100	A902136	Tube Assy	1
101	A243407	Tee	1
102	A242407	Elbow 135°	1
103	A241407	Elbow 90°	1
104	A240007	Adaptor	1
105	A725074	Hose Assy	1
106	MBB7826	Selector Valve (see page 71)	1
107	A242407	Elbow 135°	1
108	A240007	Adaptor	2
109	A241407	Elbow 90°	1
110	A792513	Hose Assy	1
111	A809204	Hydraulic Motor (see pages 13 & 15)	1
112	A249393	Swivel Joint	1
113	A241007	Elbow 90°	1
114	MBB3024	Hose Assy	1
115	A249393	Swivel Joint	1
*	ASKA041	Seal Kit	1
116	A249243	Adaptor Bulkhead	1
117	GSF2052AJ	Nut	2
118	A902161	Tube Assy	1
119	A243207	Tee	1
120	A902160	Tube Assy	1

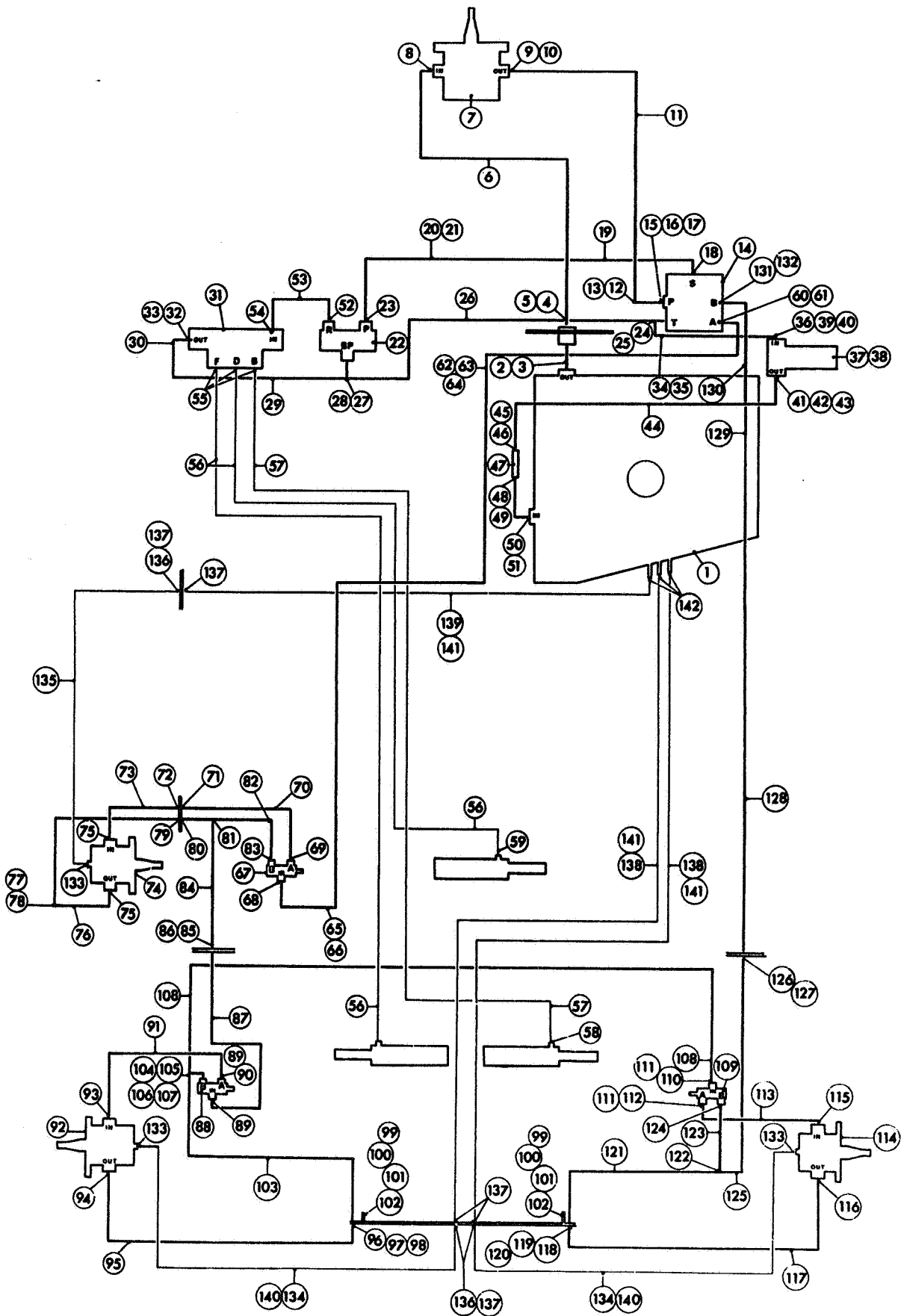




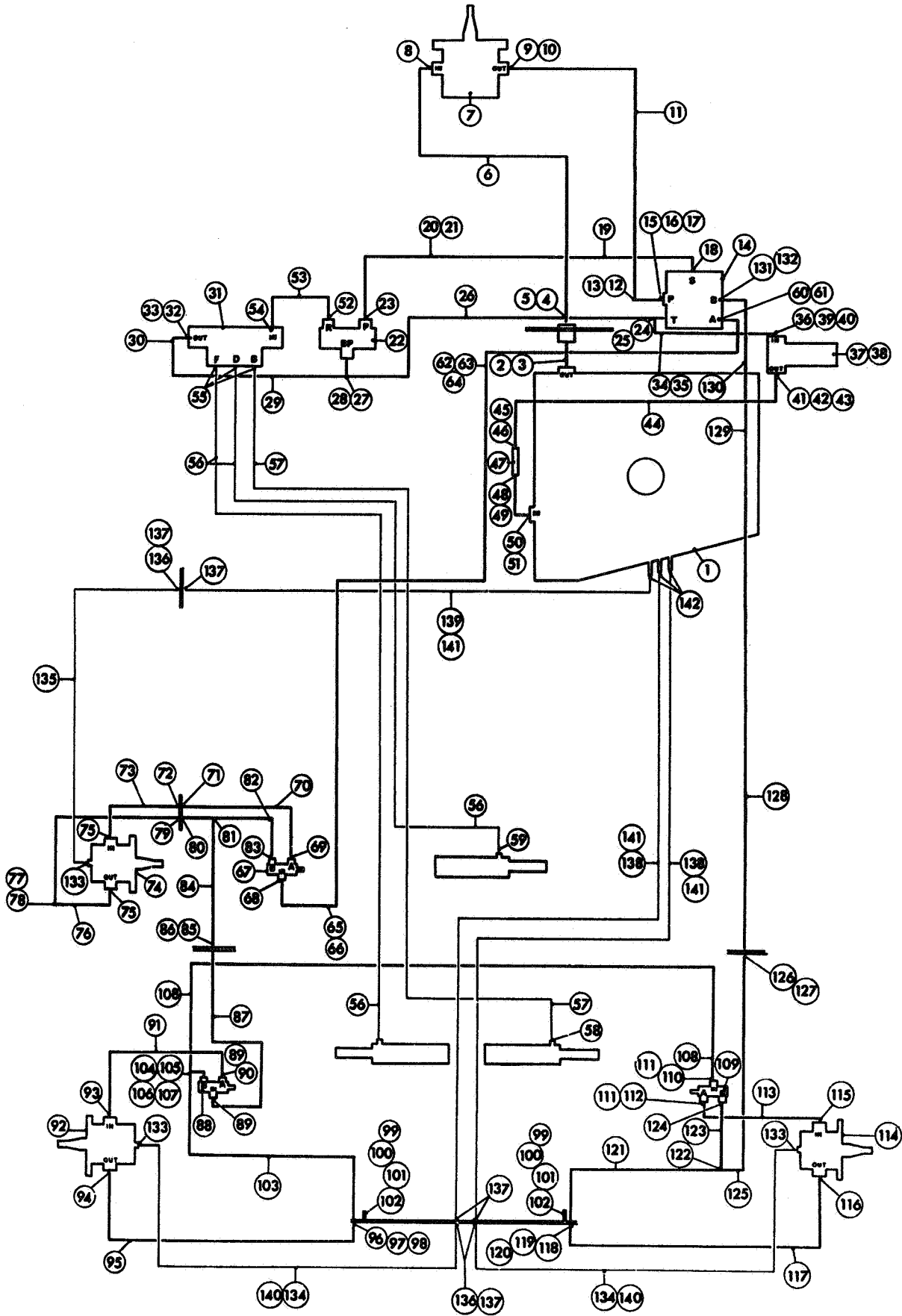
---

REF. No.	PART No.	NAME OF PART	QTY
121	A242007	Elbow 135°	1
122	A902162	Tube Assy	1
123	A249231	Adaptor Bulkhead	1
124	GSF2052AJ	Nut	2
125	A725078	Hose Assy	1
126	A240207	Adaptor	1
127	A902167	Tube Assy	1
128	A240307	Adaptor Bulkhead	1
129	A221810	'O' Ring	1
130	A241003	Elbow 90°	3
131	A712120	Hose Assy	2
132	A712060	Hose Assy	1
133	A240303	Adaptor Bulkhead	3
134	A241403	Elbow 90°	6
135	A796204	Hose Assy	2
136	A796203	Hose Assy	1
137	H980407	Pipe Clip	2
138	A199203	Cable tie	AR
139	A192212	Hose Clip	3

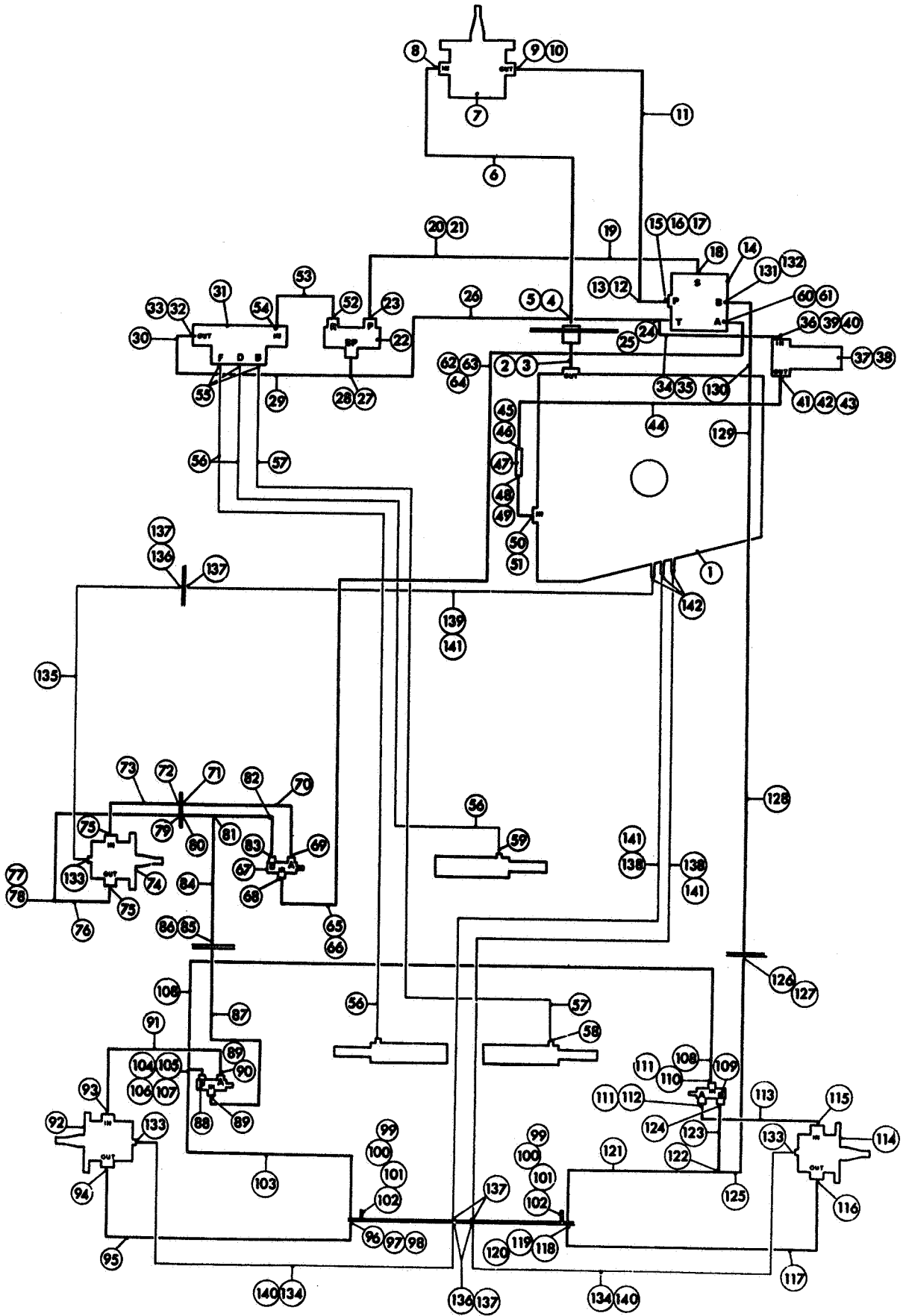
\*Not illustrated



REF. No.	PART No.	NAME OF PART	QTY
1	MBB7909	Tank Assy	1
2	A902504	Hose (Tank Suction to Bulkhead)	1
3	A192255	Hose Clip	2
4	A240010	Adaptor Bulkhead	1
5	A242410	Elbow 135°	1
6	A791801	Hose Assy	1
7	A809604	Pump (see page 59)	1
8	A240900	Adaptor	1
9	A240007	Adaptor	1
10	A242407	Elbow 135°	1
11	MBA6074A	Hose Assy	1
12	A241207	Elbow 90°	1
13	A902140	Tube Assy	1
14	A802817	Motor Control Valve (see page 63)	1
15	A241090	Elbow 90°	1
16	A244900	Test Point	1
17	H014011	Seal	1
18	A240007	Adaptor	1
19	A902159	Tube Assy	1
20	A240207	Connector	1
21	A725129	Hose Assy	1
22	A802871	Flow Divider (see page 67)	1
23	A241052	Elbow 90°	1
24	A241007	Elbow 90°	1
25	A243507	Tee	1
26	A765038	Hose Assy	1
27	A243152	Tee	1
28	A241448	Elbow 90°	1
29	A902164	Tube Assy	1
30	A241406	Elbow 90°	1
31	H240146	Lift Control Valve (see page 65)	1
32	A240006	Adaptor	1
33	A242006	Elbow 135°	1
34	A796501	Hose Assy	1
35	A192230	Hose Clip	1
36	A249365	Elbow 90°	1
37	H290716	Filter Assy	1
38	H290733	Element	1
39	GSF2571AW	Adaptor	1
40	H014019	Seal	1
41	A249388	Elbow 90°	1
42	GSF2570AF	Adaptor	1
43	H014019	Seal	1
44	A902158	Tube Assy	1
45	A249394	Adaptor	2
46	H014019	Seal	2
47	A802948	Non-return valve	1
48	MBB8157	Adaptor	1
49	H014019	Seal	1
50	A249395	Elbow 90°	1
51	H014019	Seal	1
52	A240006	Adaptor	1
53	A902163	Tube Assy	1
54	A240006	Adaptor	1
55	A240032	Adaptor	3
56	A712140	Hose Assy	2
57	A712160	Hose Assy	1
58	A241403	Elbow 90°	2
59	A241403	Elbow 90°	1
60	A240007	Adaptor	1
61	A902159	Tube Assy	1



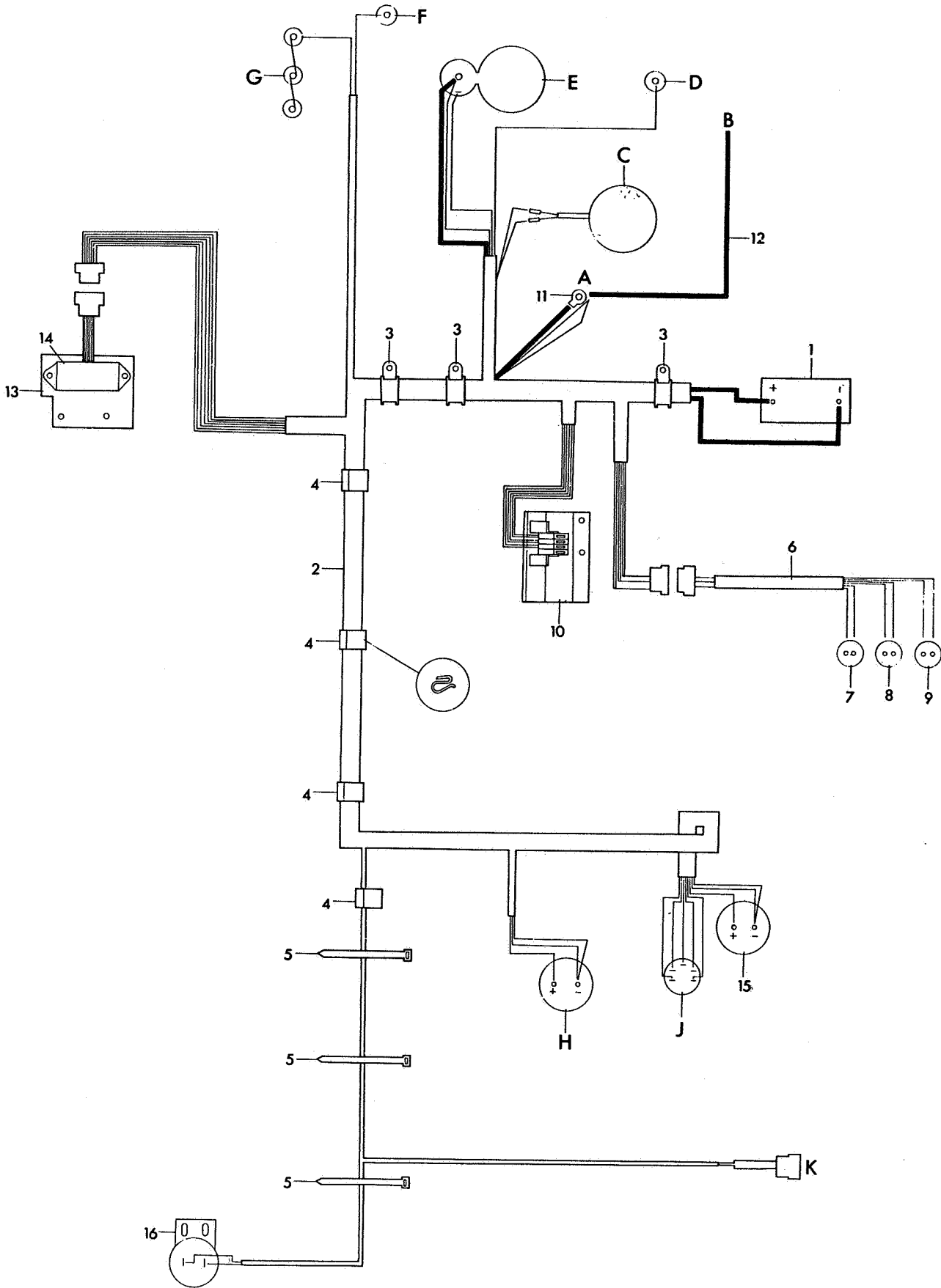
REF. No.	PART No.	NAME OF PART	QTY
62	A240207	Adaptor	1
63	A725180	Hose	1
64	A295309	Grommet	1
65	A240207	Adaptor	1
66	A902129	Tube Assy	1
67	A802045	Selector Valve (see page 71)	1
68	A241007	Elbow 90°	1
69	A240007	Adaptor	1
70	A902165	Tube Assy	1
71	A240307	Adaptor Bulkhead	1
72	A241407	Elbow 90°	1
73	A725062	Hose Assy	1
74	A809204	Hydraulic Motor (see pages 13 & 15)	1
75	A240007	Adaptor	2
76	MBB3651	Tube Assy	1
77	A240207	Adaptor	1
78	A725071	Hose Assy	1
79	A241407	Elbow 90°	1
80	A240307	Adaptor Bulkhead	1
81	A243507	Tee	1
82	A902166	Tube Assy	1
83	A240007	Adaptor	1
84	A725050	Hose Assy	1
85	A249231	Adaptor Bulkhead	1
86	GSF2052AJ	Nut	2
87	A902135	Tube Assy	1
88	MBB7826	Selector Valve (see page 71)	1
89	A241007	Elbow 90°	2
90	A242407	Elbow 135°	1
91	A792513	Hose Assy	1
92	A809203	Hydraulic Motor (see pages 13 & 15)	1
93	A249393	Swivel Joint	1
94	A241007	Elbow 90°	1
95	MBB3024	Hose Assy	1
96	A249393	Swivel Joint	1
*	ASKA041	Seal Kit	1
97	A249241	Adaptor Bulkhead	1
98	GSF2052AJ	Nut	2
99	MBB8005	Bracket	2
100	A110305	Screw M8 x 20 Hex Hd	4
101	A130008	Nut M8	4
102	A151008	S.L. Washer 8mm	4
103	A902136	Tube Assy	1
104	A243407	Tee	1
105	A242407	Elbow 135°	1
106	A241407	Elbow 90°	1
107	A240007	Adaptor	1
108	A725074	Hose Assy	1
109	MBB7826	Selector Valve (see page 71)	1
110	A242407	Elbow 135°	1
111	A240007	Adaptor	2
112	A241407	Elbow 90°	1
113	A792513	Hose Assy	1
114	A809204	Hydraulic Motor (see pages 13 & 15)	1
115	A249393	Swivel Joint	1
116	A241007	Elbow 90°	1
117	MBB3024	Hose Assy	1
118	A249393	Swivel Joint	1
*	ASKA041	Seal Kit	1
119	A249243	Adaptor Bulkhead	1
120	GSF2052AJ	Nut	2



REF. No.	PART No.	NAME OF PART	QTY
121	A902161	Tube Assy	1
122	A243207	Tee	1
123	A902160	Tube Assy	1
124	A242007	Elbow 135°	1
125	A902162	Tube Assy	1
126	A249231	Adaptor Bulkhead	1
127	GSF2052AJ	Nut	2
128	A725078	Hose Assy	1
129	A240207	Adaptor	1
130	A902167	Tube Assy	1
131	A240307	Adaptor Bulkhead	1
132	A221810	'O' Ring	1
133	A241003	Elbow 90°	3
134	A712120	Hose Assy	2
135	A712060	Hose Assy	1
136	A240303	Adaptor Bulkhead	3
137	A241403	Elbow 90°	6
138	A796204	Hose Assy	2
139	A796203	Hose Assy	1
140	H980407	Pipe Clip	2
141	A199203	Cable tie	AR
142	A192212	Hose Clip	3

\*Not illustrated



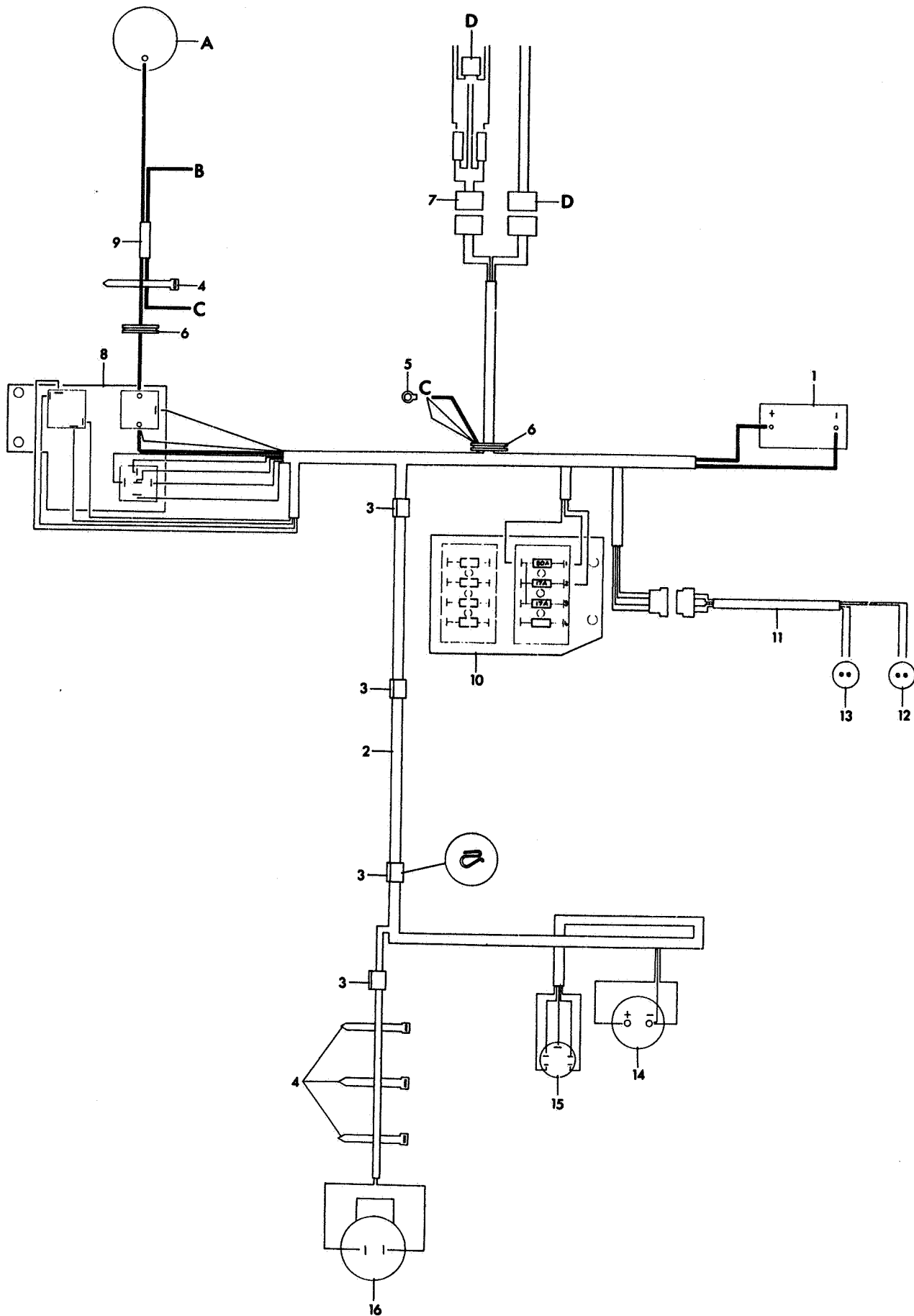


REF. No.	PART No.	NAME OF PART	QTY
1	A823004	Battery	1
2	A905217	Wiring Harness	1
3	H980031	Clip	3
*	A112396	Screw M8 x 16	3
*	A130008	Nut M8	3
*	A151008	S.L. Washer 8mm	3
4	H499006	Pipe Clip	4
5	A199201	Cable tie	6
6	MBC2198	Aux Harness	1
7	A823119	Oil Warning Light	1
8	A829851	Horn Push Button	1
9	A823118	Ign Warning Light	1
10	MBC2202	Fuse Bracket	1
	MBC2201	Fuse Block Assy	1
*	A823315	Fuse 5 Amp	2
*	A181423	Screw M3 x 10	2
*	A182003	Nut M3	2
*	A186303	Washer 3mm	2
*	A110296	Screw M6 x 16	2
*	A130006	Nut M6	2
*	A151006	S.L. Washer 6mm	2
11	H400010	Tab	2
12	MBC2199	Engine Earth Cable	1
13	MBC2200	Regulator Bracket	1
14		Regulator (Ex Kubota)	1
*	A110208	Screw M6 x 40	2
*	A110296	Screw M6 x 16	2
*	A130006	Nut M6	4
*	A151006	S.L. Washer 6mm	4
15	H499451	Hour Meter	1
16	H400004	Horn	1
*	A112194	Screw M5 x 12	2
*	A130005	Nut M5	2
*	A151005	S.L. Washer 5mm	2

**Destinations**

A – Chassis Earth  
 B – Engine Earth  
 C – Alternator  
 D – Oil Pressure Sender  
 E – Starter and Solenoid  
 F – Water Temperature Gauge  
 G – Glow Plugs  
 H – Water Temperature Gauge  
 J – Key Switch  
 K – Pre-set Connector – Wash/Wipe

\*Not illustrated

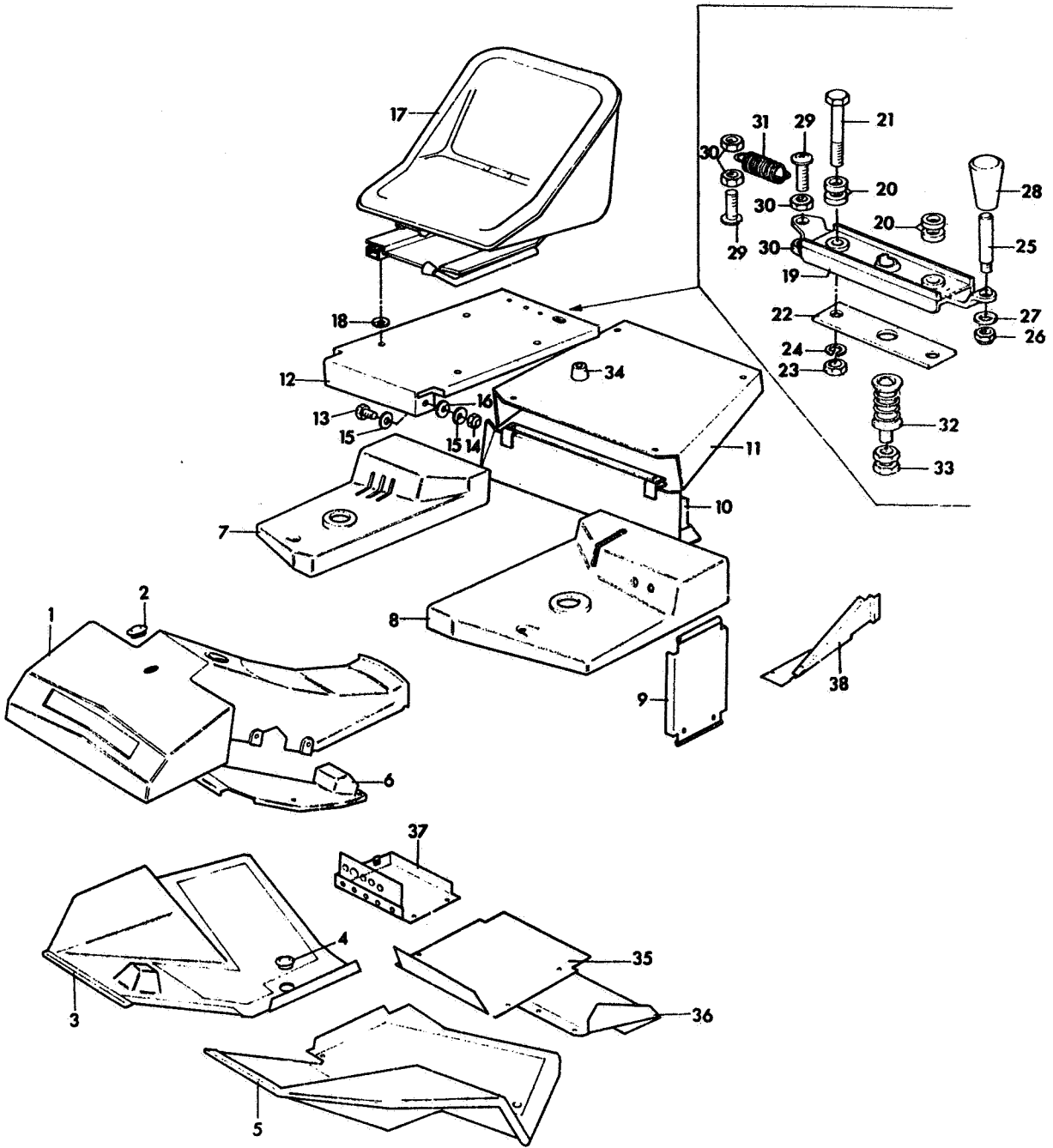


REF. No.	PART No.	NAME OF PART	QTY
1	A823004	Battery	1
*	MBB3495A	Battery Cover	1
2	A905214	Main Harness	1
*	H980031	Clip	1
*	A130008	Nut	1
*	A151008	S.L. Washer	1
*	A112396	Screw	1
*	H980016	Clip	1
*	A112194	Screw	2
*	A130005	Nut	2
*	A151005	S.L. Washer	2
3	H499006	Clip	4
4	A199201	Cable Clip	4
5	H400010	Tab	1
6	A295314	Grommet	2
7	MBB8021	Aux Engine Harness	1
8		Relay Solenoid Assy	1
	MBB8137	Mounting Plate	1
	H400064	Starter Solenoid	1
	A824453	Relay	1
	A824508	Rectifier	1
	A112196	Screw M5 x 16 Pan Hd (For Solenoids & Relay)	3
	A112104	Screw M5 x 20 Pan Hd (For Rectifier)	1
	A150005	Washer 5mm	4
	A151005	S.L. Washer 5mm	4
	A130005	Nut M5	4
	A151008	S.L. Washer 8mm	2
	A139317	Nut M8 (For Solenoid Studs)	2
*	A110296	Screw M6 x 16 Hex Hd	2
*	A130006	Nut M6	2
*	A151006	S.L. Washer 6mm	2
9	MBB8052	Starter Motor Harness	1
*	H980031	Clip	1
*	A130008	Nut	1
*	A151008	S.L. Washer	1
*	A110196	Screw M5 x 16 Hex Hd	2
*	A130005	Nut M5	2
*	A150005	Washer 5mm	2
*	A151005	S.L. Washer 5mm	2
10		Fuse box Assy	1
	MBB8138	Mounting Plate	1
	H410001	Fuse Holder	1
	A112094	Screw M4 x 12 Pan Hd	2
	A130004	Nut M4	2
	A150004	Washer 4mm	2
	A151004	S.L. Washer 4mm	2
	H499146	Fuse 17A	2
	H499857	Fuse 50A	1
*	A110296	Screw M6 x 16 Hex Hd	2
*	A130006	Nut M6	2
*	A151006	S.L. Washer 6mm	2
11	MBB8146	Horn Button/ign warning light harness	1
12	A829854	Horn Push Button	1
13	H499700	Ignition Warning Light	1
14	H499451	Hour Meter	1
15	H461007	Ignition Switch	1
16	H400004	Horn	1

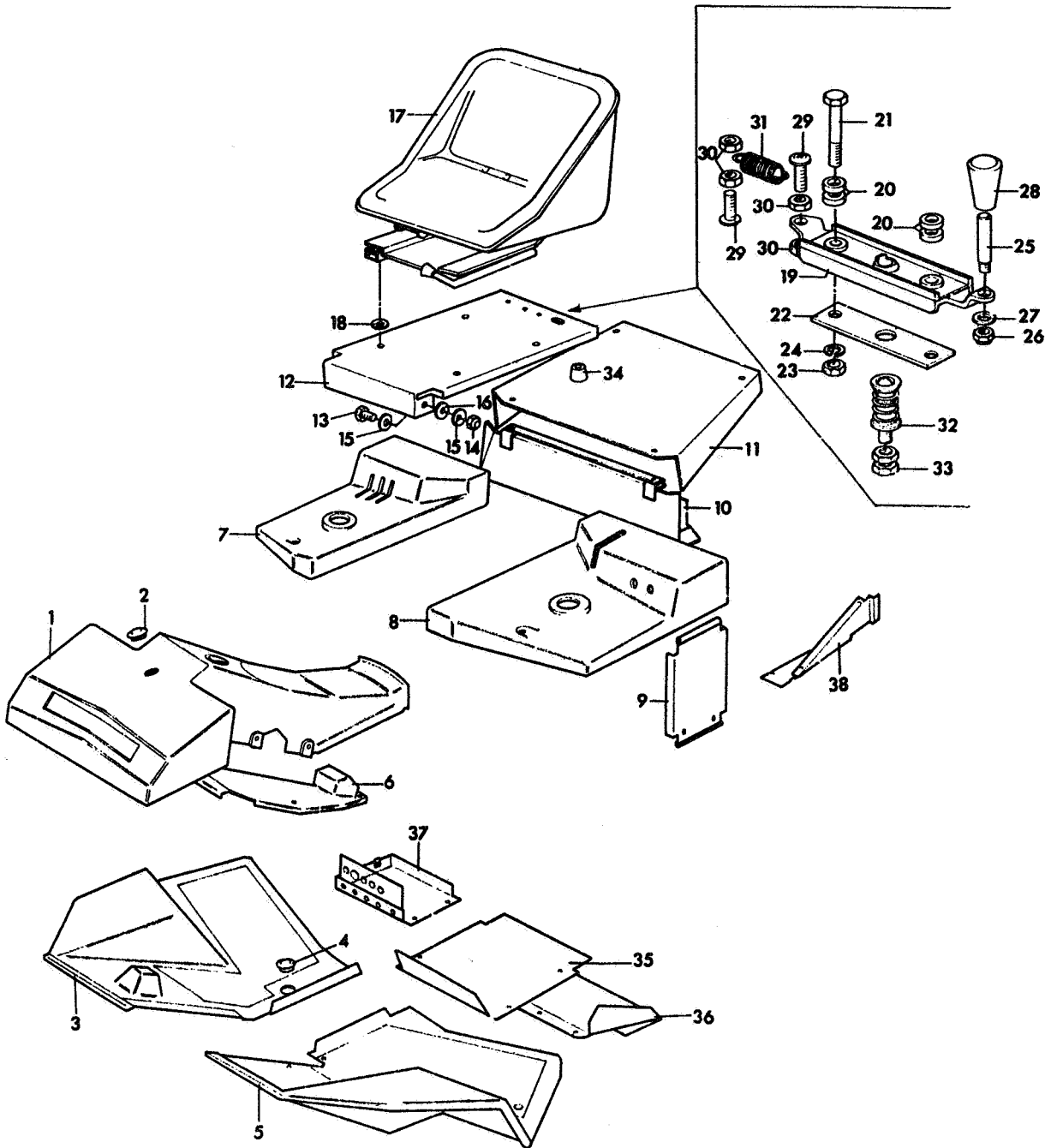
**Destinations**

- A – Starter Motor
- B – Engine Earth
- C – Chassis Earth
- D – Engine Connectors

\*Not illustrated



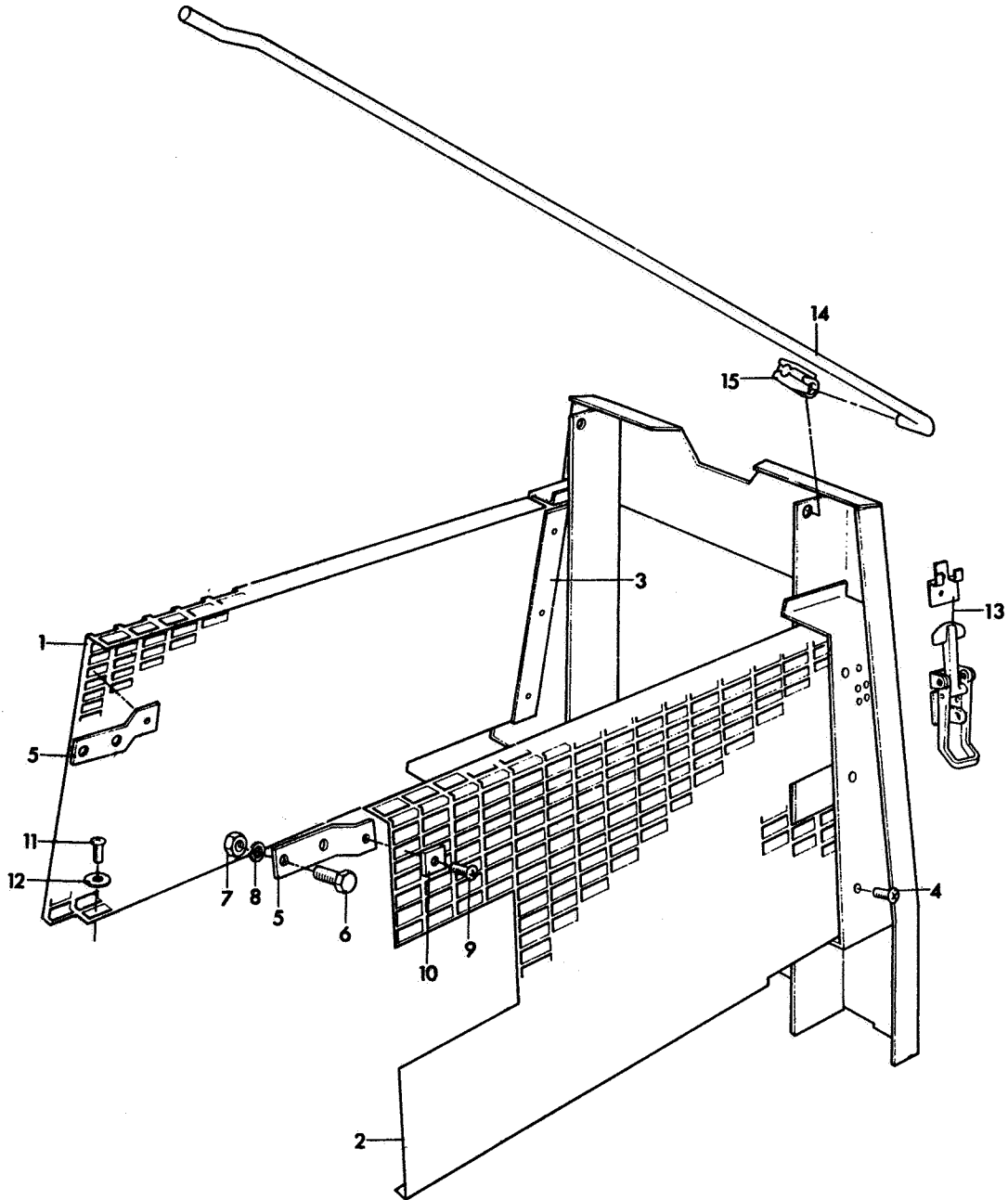
REF. No.	PART No.	NAME OF PART	QTY
1	A913009	Front Cover	1
*	A112304	Screw M8 x 20 Pan Hd	6
*	A150008	Washer 8mm	8
2	A295304	Grommet	1
3	A913006	Footplate – Mudguard	1
4	A295304	Grommet	1
*	MBB7893	Pad (Foot Pedal Stop Front)	2
*	MBB8047	Pad (Foot Pedal Stop Rear)	2
*	A119028	Screw M6 x 20 Pan Hd Taptite	4
*	A150006	Washer 6mm	8
5	A913005	Footplate – Mudguard LH	1
*	A119028	Screw M6 x 20 Pan Hd Taptite	8
*	A150006	Washer 6mm	8
6	A913087	Cover	1
*	A112305	Screw M8 x 25 Pan Hd	2
*	A150008	Washer 8mm	2
7	A913007	Fuel Tank Cover	1
8	A913008	Oil Tank Cover	1
*	A913124	Cover (for ref. 8)	1
*	A112304	Screw M8 x 20 Pan Hd	4
*	A913110	Disc (for fuel tank)	1
*	A112304	Screw M8 x 20 Pan Hd	5
*	A150008	Washer 8mm	6
9	MBB7964	Panel	2
*	A112304	Screw M8 x 20 Pan Hd	4
*	GSF2154FK	Washer	4
*	H060104	Beading (6")	2
*	H060053	Beading (7")	2
*	H089014	Clip	6
10	MBC2074	Tool Box	1
*	A110304	Screw M8 x 20 Hex Hd	4
*	A130008	Nut M8	4
*	A151008	S.L. Washer 8mm	4
*	A150008	Washer 8mm	4
11	MBC2060	Engine Cover Assy	1
*	A110304	Screw M8 x 20 Hex Hd	2
*	A130008	Nut M8	2
*	A151008	S.L. Washer 8mm	2
*	A150008	Washer 8mm	2
*	A295316	Grommet (for Ref 11)	2
<b>Seat Assy</b>			
12	MBB8302	Seat Base	1
13	A110506	Screw M12 x 30	2
14	A133212	Stiffnut M12	2
15	A150012	Washer 12mm	4
16	AE30003	Clamp Washer	2
17	A819921	Seat Assy	1
18	MBB7982	Washer	4
*	A110305	Screw M8 x 25	4
*	A133208	Stiffnut M8	4
*	A150008	Washer 8mm	4
19	MBB7896	Slider Catch Assy	1
20	PPW0292B	Collar	4
21	GSF2002AP	Screw 1/4" UNF x 2" Hex Hd	2
22	MBB8229	Plate	1
23	GSF2051AA	Nut 1/4" UNF	2
*	MBB8221	Stay	1
*	A139913	Star Ring	1
*	A904184	Pad	2
*	A150006	Washer 6mm	1



REF. No.	PART No.	NAME OF PART	QTY
24	GSF2164G	S.L. Washer 1/4"	2
25	MBB7899	Lever	1
26	A133208	Stiffnut M8	1
27	A150008	Washer 8mm	1
28	A299022	Knob	1
29	A112104	Screw M5 x 20 Pan Hd	2
30	A130005	Nut M5	4
31	H980424	Tension Spring	1
32	A199014	Striker Pin Assy	1
33	GSF2052AC	Nut 3/8" UNF	1
34	H990117	Rubber Buffer	2
*	A112004	Screw M4 x 20 Hex Hd	2
*	A130004	Nut M4	2
*	A151004	S.L. Washer 4mm	2
35	MBB8346	Floor Plate Assy	1
*	A119028	Screw M6 x 20 Pan Hd Taptite	4
*	A904159	Flap	1
*	MBB7927	Bar	1
*	A100306	Bolt M8 x 30 Hex Hd	2
36	MBB8090	Cover	1
37	MBB8341	Plate	1
38	MBB7975	Plate LH	1
*	MBB7974	Plate RH	1
*	A128053	Screw No. 12 x 13 Self Tapping	8
*	A150006	Washer 6mm	8
*	A914818	Acoustic Pad Set	1
	A112294	Screw (Ref 37)	2
	A119028	Screw (Ref 37)	4
<b>Front Screen Assy</b>			
*	A913086	Screen	1
*	MBB8111	Support RH	1
*	MBB8112	Support LH	1
*	A110306	Screw M8 x 30 Hex Hd	4
*	A150008	S.L. Washer 8mm	4
*	A112305	Screw M8 x Recess Pan Hd	8
*	A151008	S.L. Washer 8mm	8
*	MBB8116	Plate	2
*	A904191	Pad	4
*	MBC2300	Backing Plate	2
*	A128043	Screw No. 10 x 13	2
*	A112305	Screw M8 x 25 Pan Hd	4
*	A904190	Pad	2
*	MBC2302	Plate	2
<b>Flap Assy</b>			
*	MBC2047	Flap LH	1
*	MBC2048	Flap RH	1
*	MBC2045	Angle Support	1
*	MBC2046	Strip	1
*	A102205	Bolt M6 x 25 cup hd Sq Neck	7
*	A130006	Nut M6	7
*	A151006	S.L. Washer 6mm	7
*	MBC2044	Bracket	2
*	A110304	Screw M8 x 20 Hex Hd	2
*	A110305	Screw M8 x 25 Hex Hd	2
*	A130008	Nut M8	4
*	A151008	S.L. Washer 8mm	4
*	A150008	Washer 8mm (for A110305)	2

\*Not illustrated

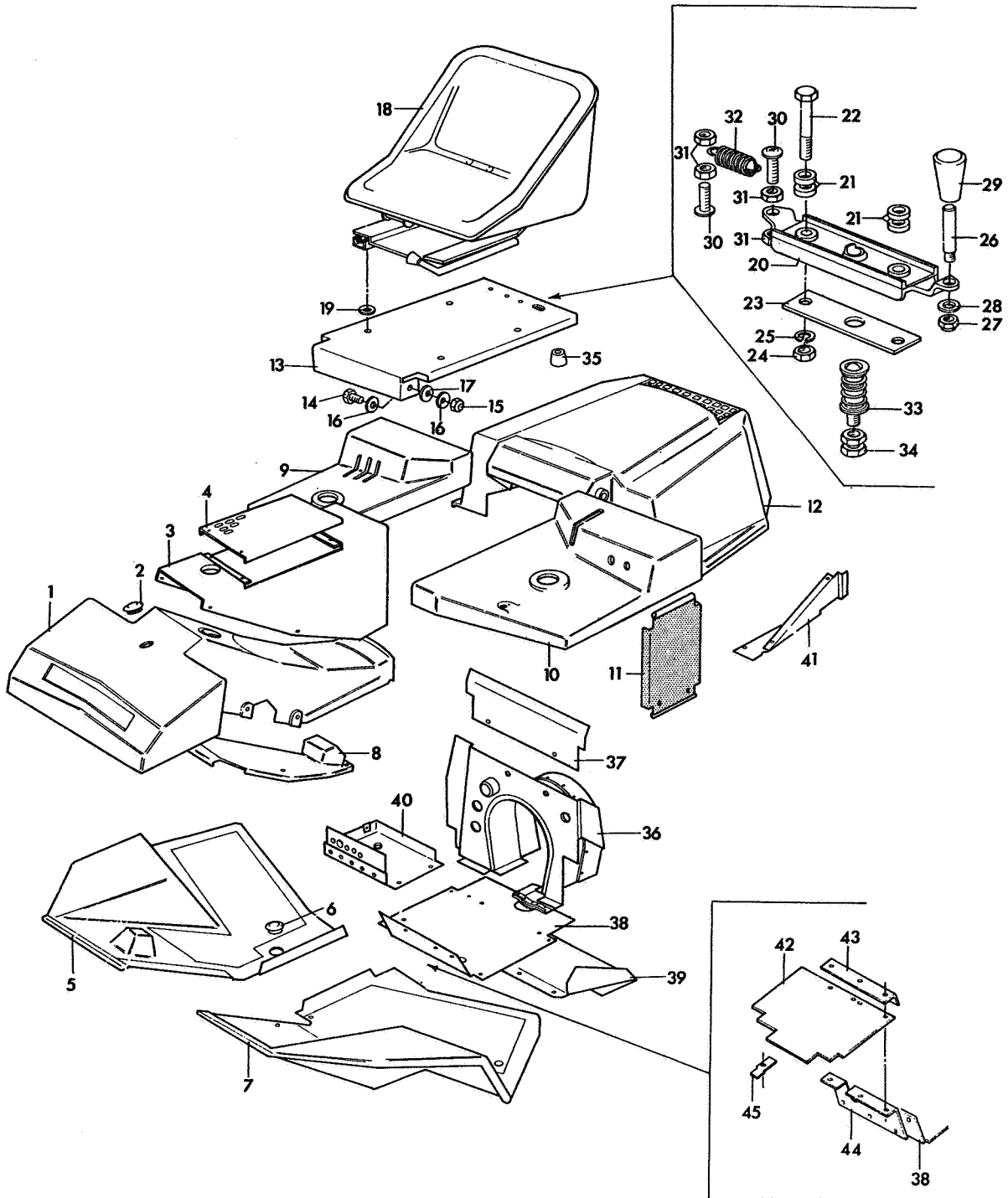




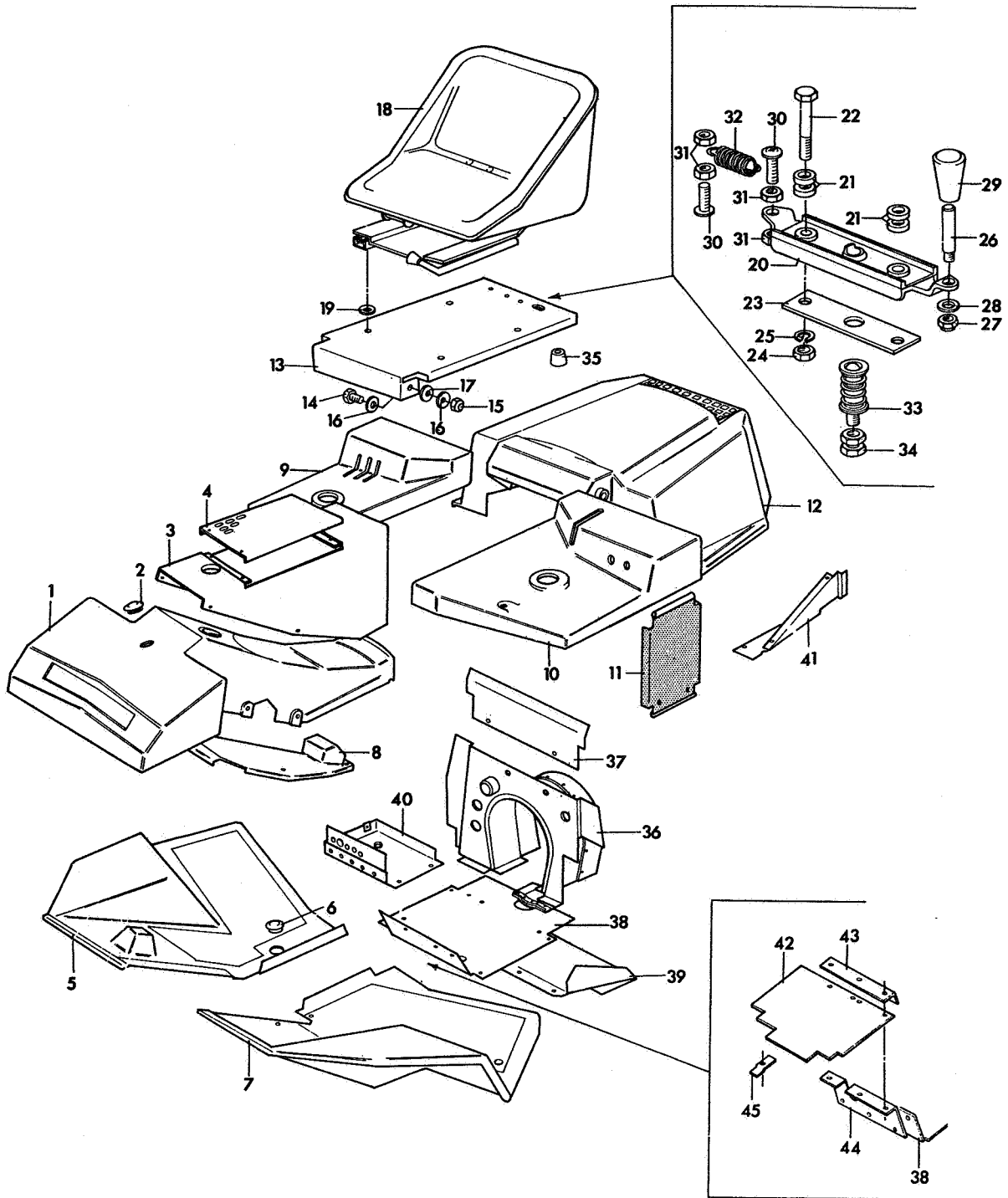
---

REF. No.	PART No.	NAME OF PART	QTY
1	MBC2063	Grill RH	1
2	MBC2062	Grill LH	1
3	MBC2071	Strip	2
4	A119028	Screw M6 x 20 Pan Hd (Taptite)	6
5	MBC2215	Grill Bracket	2
6	A110304	Screw M8 x 20 Hex Hd	4
7	A130008	Nut M8	4
8	A151008	S.L. Washer 8mm	4
9	A119028	Screw M6 x 20 Pan Hd (Taptite)	2
10	MBC2070	Square Washer	2
11	A119028	Screw M6 x 20 Pan Hd (Taptite)	6
12	GSF2154CE	Washer	6
13	A199034	Toggle Fastening & Hook	2
14	MBC2061	Bonnet Stay	1
15	H980117	Linkage Clip	1

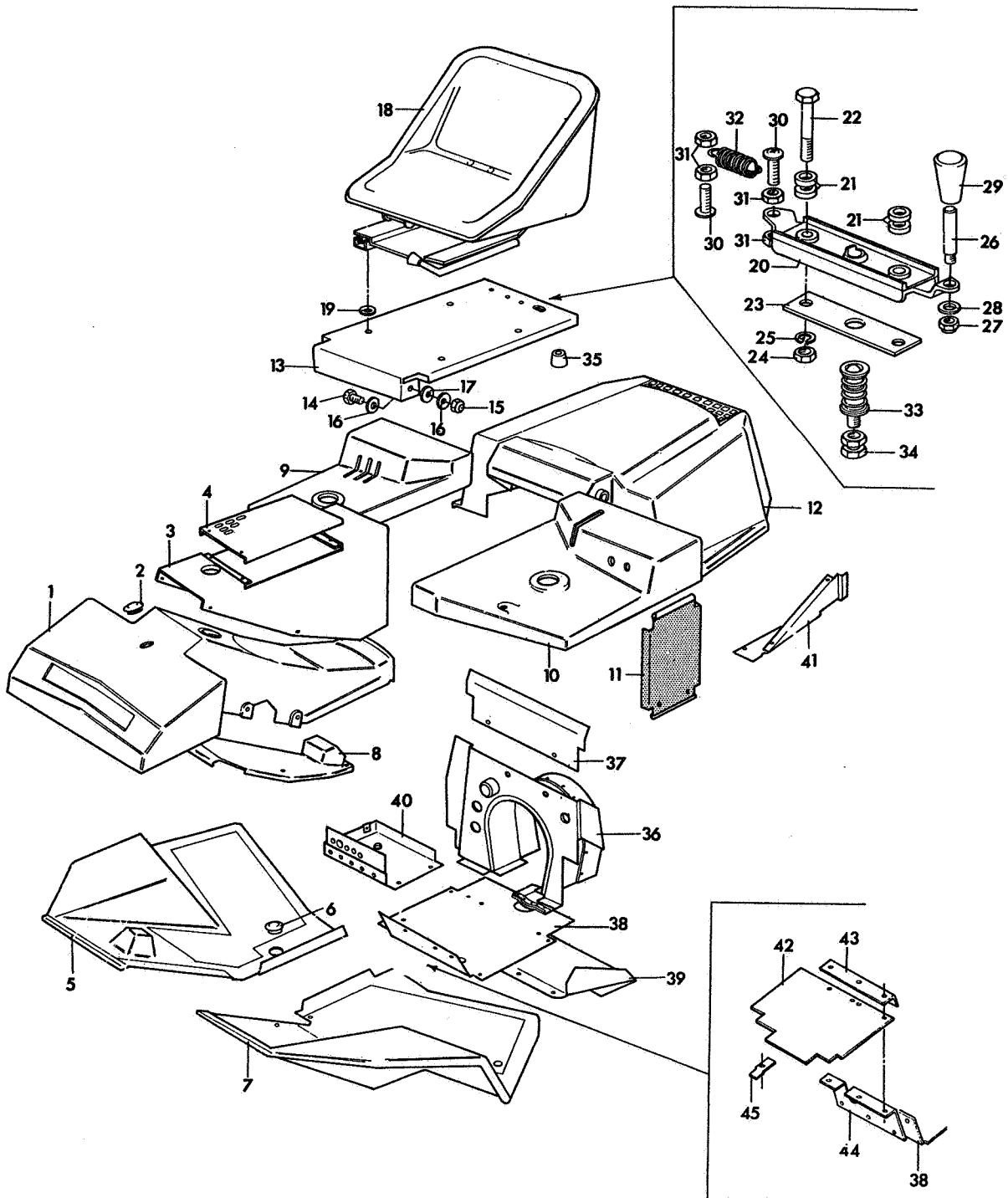
---



REF. No.	PART No.	NAME OF PART	QTY
1	A913009	Front Cover	1
*	A112304	Screw M8 x 20 Pan Hd	6
*	A150008	Washer 8mm	8
2	A295304	Grommet	1
3	A913130	Cover	1
*	A119028	Screw M6 x 20 Pan Hd	8
4	MBB8271	Cover	1
*	A128022	Screw M6 x 9.5 Pan Hd	4
5	A913006	Footplate – Mudguard RH	1
6	A295304	Grommet	1
*	MBB7893	Pad (Foot Pedal Stop Front)	2
*	MBB8047	Pad (Foot Pedal Stop Rear)	2
*	A119028	Screw M6 x 20 Pan Hd Taptite	4
*	A150006	Washer 6mm	8
7	A913005	Footplate – Mudguard LH	1
*	A119028	Screw M6 x 20 Pan Hd Taptite	8
*	A150006	Washer 6mm	8
8	A913087	Cover	1
*	A112305	Screw M8 x 25 Pan Hd	2
*	A150008	Washer 8mm	2
9	A913007	Fuel Tank Cover	1
10	A913008	Oil Tank Cover	1
*	A913124	Cover	1
*	A112304	Screw M8 x 20 Pan Hd	5
*	A913110	Disc (for fuel tank)	1
*	A112304	Screw M8 x 20 Pan Hd	5
*	A150008	Washer 8mm	6
11	MBB8277	Panel	2
*	A112304	Screw M8 x 20 Pan Hd	4
*	GSF2154FK	Washer	4
*	H060104	Beading (6")	2
*	H060053	Beading (7")	2
*	H089014	Clip	6
12	MBB7956	Engine Bonnet Assy	1
*	MBB7938	Plate	1
*	A133206	Stiffnut M6	2
*	A150006	Washer 6mm	2
*	MBB7937	Plate	2
*	A102410	Bolt M10 x 50 Sq Neck Rd Hd	2
*	A133210	Stiffnut M10	2
*	A150010	Washer 10mm	2
*	A102306	Bolt M8 x 30 Sq Neck Rd Hd	4
*	A130008	Nut M8	4
*	A151008	S.L. Washer 8mm	4
<b>Seat Assy</b>			
13	MBB8302	Seat Base	1
14	A110506	Screw M12 x 30 Hex Hd	2
15	A133212	Stiffnut M12	2
16	A150012	Washer 12mm	4
17	AE30003	Clamp Washer	2
18	A819921	Seat Assy	1
19	MBB7982	Washer	4
*	A110305	Screw M8 x 25	4
*	A133208	Stiffnut M8	4
*	A150008	Washer 8mm	4
20	MBB7896	Slider Catch Assy	1
21	PPW0292B	Collar	4
22	GSF2002AP	Screw 1/4" UNF x 2" Hex Hd	2
23	MBB8229	Plate	1



REF. No.	PART No.	NAME OF PART	QTY
24	GSF2051AA	Nut 1/4" UNF	2
*	MBB8221	Stay	1
*	A139913	Star Ring	1
*	A904184	Pad	2
*	A150006	Washer 6mm	1
25	GSF2164G	S.L. Washer 1/4"	2
26	MBB7899	Lever	1
27	A133208	Stiffnut M8	1
28	A150008	Washer 8mm	1
29	A299022	Knob	1
30	A112104	Screw M5 x 20 Pan Hd	2
31	A130005	Nut M5	4
32	H980424	Tension Spring	1
33	A199014	Striker Pin Assy	1
34	GSF2052AC	Nut 3/8" UNF	1
35	H990117	Rubber Buffer	2
*	A112004	Screw M4 x 20 Hex Hd	2
*	A130004	Nut M4	2
*	A151004	S.L. Washer 4mm	2
36	MBB8086	Baffle Assy	1
*	A149604	Rivet	5
*	A295309	Grommet	2
*	A295311	Grommet	1
37	MBB8006	Plate	1
*	H060104	Beading 13"	1
38	MBB8344	Floor Plate Assy	1
*	A119028	Screw M6 x 20 Pan Hd Taptite	4
*	A904159	Flap	1
*	MBB7927	Bar	1
*	A100306	Bolt M8 x 30 Hex Hd	2
39	MBB8090	Cover	1
40	MBB8341	Plate	1
41	MBB7975	Plate LH	1
*	MBB7974	Plate RH	1
*	A128053	Screw No. 12 x 13 Self Tapping	8
*	A150006	Washer 6mm	8
*	A814818	Acoustic Pad Set	1
*	A112294	Screw (Ref 40)	2
*	A119028	Screw (Ref 40)	4
42	A904186	Rubber Cover	1
43	MBB8318	Clamp	1
44	MBB8319	Cover	1
*	A112204	Screw M6 x 20 Pan Hd	6
*	A133206	Stiffnut M6	6
*	A150006	Washer 6mm	6
45	MBB8278	Clip	1
*	A112204	Screw M6 x 20 Pan Hd	1
*	A133206	Stiffnut M6	1
*	A150006	Washer 6mm	1
		<b>Flap Assy</b>	
*	MBC2047	Flap LH	1
*	MBC2048	Flap RH	1
*	MBC2045	Angle Support	1
*	MBC2046	Strip	1
*	A102205	Bolt M6 x 25 Cup Hd Sq Neck	7
*	A130006	Nut M6	7
*	A151006	S.L. Washer 6mm	7
*	MBC2044	Bracket	2
*	A110304	Screw M8 x 20 Hex Hd	2



REF. No.	PART No.	NAME OF PART	QTY
*	A110305	Screw M8 x 25 Hex Hd	2
*	A130008	Nut M8	4
*	A151008	S.L. Washer 8mm	4
*	A150008	Washer 8mm (for A110305)	2
<b>Front Screen Assy</b>			
*	A913086	Screen	1
*	MBB8111	Support RH	1
*	MBB8112	Support LH	1
*	A110306	Screw M8 x 30 Hex Hd	4
*	A150008	S.L. Washer 8mm	4
*	A112305	Screw M8 x 25 Recess Pan Hd	8
*	A151008	S.L. Washer 8mm	8
*	MBB8116	Plate	2
*	A904191	Pad	4
*	MBC2300	Backing Plate	2
*	A128043	Screw No. 10 x 13	2
*	A112305	Screw M8 x 25 Pan Hd	4
*	A904190	Pad	2
*	MBC2302	Plate	2

\*Not illustrated



For Petrol Engine Machine use Quantity Column A

For Diesel Engine Machine use Quantity Column B

REF. No.	PART No.	NAME OF PART	QTY	
			A	B
*	GSF3701BC	Label (Ransomes) for Engine Cover	2	2
*	A903525	Label (Motor 213)	2	2
*	MBB7976	Model Plate	1	1
*	GSF1090ED	Drive Screw	2	2
*	A903406	Label (Instruction)	1	1
*	A903099	Label (Speed)		1
*	A903217	Label (Lift Valve)	1	1
*	A903218	Label (Cylinder Drive)	1	1
*	A903202	Label (Ignition Switch)	1	1
*	A903407	Label (Safety)	1	1
*	A903600	Label (Ransomes) Front Cover	1	1
*	A903012	Label (Lift Hooks)	4	4
*	GSF3701BE	Label (Ransomes) Seat Back	2	1
*	A903060	Label (Transmission Oil)	2	2
*	A903061	Label (Fuel)	1	1
*	MBB4276	Transfer (Caution oil res.)	1	1
*	A903062	Label (Tyre Pressure)	4	
*	A903621	Transfer (Royal Coat of Arms)	1	1
*	A903077	Label (Choke)	1	
*	A903079	Label (Throttle)	1	
*	GSF3702SZ	Label (Cutting Unit Adj.) (4 per unit)	12	12
*	A903301	Label (Oil level)	1	1
*	MBB5919	Label (Lock)		1
*	A903553	Label (Motor 213D)		2
*	A903098	Label (Tyre pressure)		4
*	A903097	Label (Switches)	1	1
*	A903302	Label (Oil pressure)	1	1

\*Not illustrated

PART No.	PAGE No.	REF No.	PART No.	PAGE No.	REF No.	PART No.	PAGE No.	REF No.	PART No.	PAGE No.	REF No.	PART No.	PAGE No.	REF No.
A100200	07	14	A110194	53	4	A110404	05	9	A119000	05	5	A119000	05	5
A100208	55	23	A110194	53	16	A110405	05	30	A119028	19	34	A119028	19	34
A100209	09	9	A110196	95	30	A110405	17	28	A119028	21	8	A119028	21	8
A100209	21	9	A110205	07	29	A110405	19	38	A119028	27	25	A119028	27	25
A100209	21	16	A110205	09	29	A110405	21	2	A119028	31	8	A119028	31	8
A100209	27	9	A110208	93	43	A110405	55	3	A119028	53	25	A119028	53	25
A100210	61	2	A110294	55	12	A110406	57	22	A119028	97	11	A119028	97	11
A100306	55	30	A110294	57	12	A110407	27	3	A119028	97	11	A119028	97	11
A100306	99		A110296	93		A110412	57	22	A119028	99		A119028	99	
A100307	105		A110296	93		A110506	17	4	A119028	99		A119028	99	
A100307	37	58	A110296	95		A110506	35	4	A119028	101	4	A119028	101	4
A100307	37	76	A110296	95		A110506	49	23	A119028	101	9	A119028	101	9
A100307	37	83	A110304	25	3	A110506	97	13	A119028	101	11	A119028	101	11
A100309	17	17	A110304	29		A110506	103	14	A119028	103		A119028	103	
A100309	19	16	A110304	31	39	A110509	23		A119028	103		A119028	103	
A100309	45	9	A110304	35	2	A112004	29		A119028	103		A119028	103	
A100310	17	18	A110304	45	30	A112004	99		A119028	105		A119028	105	
A100310	19	17	A110304	53	36	A112004	105		A119028	105		A119028	105	
A100310	27	6	A110304	55	17	A112094	95		A119031	21		A119031	21	
A100312	69	6	A110304	61		A112104	99	29	A119032	21		A119032	21	
A100312	69	22	A110304	97		A112104	99	30	A119032	21		A119032	21	
A100314	31	8	A110304	99	6	A112108	105	33	A119032	21		A119032	21	
A100318	55		A110304	99		A112194	19		A119032	21		A119032	21	
A100406	47	24	A110304	101		A112194	93		A119032	21		A119032	21	
A100409	17	24	A110304	105		A112194	95		A119032	21		A119032	21	
A100410	19	21	A110305	07	33	A112196	23		A119032	21		A119032	21	
A100411	21	27	A110305	17	36	A112196	29		A119032	21		A119032	21	
A100412	21	34	A110305	17	36	A112196	95		A119032	21		A119032	21	
A100514	21	9	A110305	21	13	A112204	105		A119032	21		A119032	21	
A100514	19	8	A110305	27	13	A112204	105		A119032	21		A119032	21	
A100514	23		A110305	33	41	A112204	105		A119032	21		A119032	21	
A100514	29		A110305	47	20	A112294	99		A119032	21		A119032	21	
A102205	99		A110305	49	5	A112294	105		A119032	21		A119032	21	
A102205	105		A110305	51	5	A112296	27	16	A119032	21		A119032	21	
A102208	55	40	A110305	55		A112304	21		A119032	21		A119032	21	
A102208	57	7	A110305	61	13	A112304	27		A119032	21		A119032	21	
A102210	21		A110305	69	2	A112304	97		A119032	21		A119032	21	
A102210	29		A110305	69	14	A112304	97		A119032	21		A119032	21	
A102304	55	4	A110305	69	20	A112304	97		A119032	21		A119032	21	
A102305	55	3	A110305	77	96	A112304	97		A119032	21		A119032	21	
A102306	103	3	A110305	83	97	A112304	103		A119032	21		A119032	21	
A102406	55	10	A110305	89	100	A112304	103		A119032	21		A119032	21	
A102410	103		A110305	97		A112304	103		A119032	21		A119032	21	
A102508	09	3	A110305	99		A112305	103		A119032	21		A119032	21	
A107303	21	21	A110305	103		A112305	27		A119032	21		A119032	21	
A107405	37	90	A110306	107		A112305	97		A119032	21		A119032	21	
A109007	45	4	A110306	05	36	A112305	99		A119032	21		A119032	21	
A109008	35	12	A110306	07	22	A112305	99		A119032	21		A119032	21	
A109051	55	13	A110306	23		A112305	103		A119032	21		A119032	21	
A109204	31	26	A110306	35	22	A112305	107		A119032	21		A119032	21	
A109204	53	8	A110306	99		A112305	107		A119032	21		A119032	21	
A109205	31	27	A110306	107		A112305	27		A119032	21		A119032	21	
A109205	53	9	A110306	21	34	A112396	93		A119032	21		A119032	21	
A109205	53		A110306	55	17	A112396	95		A119032	21		A119032	21	
A109205	53		A110306	69		A114395	57		A119032	21		A119032	21	
A109205	53		A110306	69		A114395	57		A119032	21		A119032	21	

PART No.	PAGE No.	REF No.	PART No.	PAGE No.	REF No.	PART No.	PAGE No.	REF No.	PART No.	PAGE No.	REF No.
A130006	09	32	A133206	105	37	A140024	61	22	A150008	53	28
A130006	21	10	A133208	07	19	A140032	61	24	A150008	55	6
A130006	27	10	A133208	17	37	A141148	19	44	A150008	55	9
A130006	55	8	A133208	17	18	A141156	55	20	A150008	55	
A130006	57	3	A133208	19		A141448	37	61	A150008	97	
A130006	61		A133208	23		A141514	37	95	A150008	97	
A130006	93		A133208	27		A141544	07	11	A150008	97	
A130006	93		A133208	27		A141547	09	8	A150008	97	
A130006	95		A133208	29		A149024	37	70	A150008	97	
A130006	95		A133208	31	10	A149604	21		A150008	97	
A130006	99		A133208	33	43	A149604	21		A150008	99	27
A130006	105		A133208	35	23	A149604	27		A150008	99	
A130008	05		A133208	37	59	A149604	105		A150008	99	
A130008	25	4	A133208	37	66	A150003	23	46	A150008	103	
A130008	31	23	A133208	37	77	A150004	95		A150008	103	
A130008	31	30	A133208	37	84	A150005	19	35	A150008	103	
A130008	37	67	A133208	37	91	A150005	63	9	A150008	103	
A130008	53	11	A133208	45	11	A150005	95		A150008	105	28
A130008	61	14	A133208	53	27	A150005	95		A150008	107	
A130008	69	3	A133208	55	5	A150006	07	31	A150008	107	
A130008	69	7	A133208	55		A150006	09	30	A150010	05	10
A130008	69	13	A133208	55		A150006	21	17	A150010	05	15
A130008	69	15	A133208	97		A150006	21		A150010	21	
A130008	69	21	A133208	99	26	A150006	27	17	A150010	21	31
A130008	77	97	A133208	103		A150006	29		A150010	21	35
A130008	83	101	A133208	105	27	A150006	29		A150010	27	33
A130008	89		A133210	05		A150006	55	24	A150010	27	40
A130008	93		A133210	17	23	A150006	55		A150010	45	7
A130008	95		A133210	21	30	A150006	55	44	A150010	47	
A130008	95		A133210	21	38	A150006	57	9	A150010	55	
A130008	97		A133210	23	6	A150006	97	13	A150010	55	
A130008	97		A133210	45		A150006	97		A150010	103	
A130008	99		A133210	47	11	A150006	97		A150012	05	20
A130008	101	7	A133210	55	16	A150006	99		A150012	17	13
A130008	103		A133210	55		A150006	99		A150012	19	12
A130008	107		A133210	103		A150006	103		A150012	19	42
A130010	05	14	A133212	05	19	A150006	103		A150012	97	15
A130010	07	6	A133212	19	43	A150006	103		A150012	103	16
A130010	09	16	A133212	37	98	A150006	105		A150024	49	27
A130010	21		A133212	47		A150006	105		A150024	27	27
A130010	27	15	A133212	97	14	A150006	105		A150024	51	13
A130010	47		A133212	103	15	A150006	105		A150024	51	27
A130010	55		A133216	49	7	A150006	105	34	A150030	17	45
A130010	57	4	A133216	51	7	A150008	17		A150030	19	23
A130012	17	10	A139312	43	45	A150008	21		A150030	19	26
A130012	19	9	A139317	95		A150008	23		A150030	51	44
A130012	23		A139400	31	6	A150008	27		A151004	51	
A130012	29		A139400	53	23	A150008	27		A151004	95	
A130012	35	5	A139900	49	17	A150008	29		A151004	99	
A130012	09	5	A139900	51	20	A150008	31	11	A151004	105	
A133206	21		A139908	61	28	A150008	31		A151005	19	36
A133206	29		A139910	27	32	A150008	35	24	A151005	23	
A133206	29		A139910	27	39	A150008	45	3	A151005	29	
A133206	103		A139913	97		A150008	45	10	A151005	93	
A133206	105		A139913	105		A150008	47	21	A151005	95	

PART No.	PAGE No.	REF No.	PART No.	PAGE No.	REF No.	PART No.	PAGE No.	REF No.	PART No.	PAGE No.	REF No.	PART No.	PAGE No.	REF No.
A151005	95		A151010	55	28	A199201	35	8	A221805	41	48			
A151006	95	34	A151010	55		A199201	93	5	A221805	41	54			
A151006	07		A151010	55		A199201	95	4	A221808	41	29			
A151006	09	33	A151012	17	11	A199203	33		A221808	67	3			
A151006	61	4	A151012	19	10	A199203	45		A221810	35	32			
A151006	93		A151012	35	6	A199203	79	137	A221810	79	128			
A151006	93		A151012	49	24	A199203	85	138	A221810	85	129			
A151006	95		A151112	23		A199203	91	141	A221810	91	132			
A151006	95		A151112	29		A199206	53	21	A224025	47	12			
A151006	99		A159908	49	19	A199212	23	42	A228205	49	13			
A151006	105		A159908	51	22	A199214	33		A229401	05	31			
A151008	05	28	A159946	49	14	A203204	41	26	A229401	11	17			
A151008	07	4	A160088	47		A203602	55	14	A229552	53	5			
A151008	09	14	A170035	55	15	A203603	07	26	A229552	53	17			
A151008	09	37	A170040	07	28	A203603	09	25	A229903	15	17			
A151008	21	14	A170040	09	27	A203604	47	7	A229907	41	60			
A151008	25	5	A170047	47	8	A203605	05	30	A229913	43	35			
A151008	27	14	A170052	05	33	A203605	11	16	A229913	43	44			
A151008	31		A170052	11	15	A203605	49	12	A229915	13	2			
A151008	35	41	A170052	49	11	A205904	43	16	A229916	41	20			
A151008	37	74	A171010	05	11	A205904	43	17	A240003	79	129			
A151008	49	6	A171020	47	9	A205905	43	30	A240005	35	42			
A151008	51	6	A171025	51	14	A205905	43	31	A240006	75	32			
A151008	53	31	A171025	51	28	A205906	43	11	A240006	75	46			
A151008	55	31	A171025	51	46	A205906	43	12	A240006	75	48			
A151008	55	35	A179002	37		A205908	49		A240006	81	32			
A151008	69	4	A179900	43	33	A205908	51	17	A240006	81	47			
A151008	69	8	A181423	93		A205912	43	37	A240006	81	49			
A151008	69	18	A182003	93		A209008	41	18	A240006	87	32			
A151008	69	22	A182008	21		A209012	41	17	A240006	87	52			
A151008	69		A183008	21		A209180	55	2	A240006	87	54			
A151008	77	98	A186303	93		A210151	47	3	A240007	35	31			
A151008	83	99	A192212	79	138	A210154	49	2	A240007	75	9			
A151008	89	102	A192212	85	139	A210154	49	21	A240007	75	18			
A151008	89		A192212	91	142	A210154	51	2	A240007	75	56			
A151008	93		A192220	75	34	A210154	51	24	A240007	77	65			
A151008	95		A192220	81	35	A210154	51	42	A240007	77	77			
A151008	95		A192220	87	35	A210175	17	3	A240007	77	103			
A151008	95		A192230	25	11	A210175	17	27	A240007	77	107			
A151008	97		A192255	75	3	A210175	19	2	A240007	81	9			
A151008	99		A192255	81	3	A210175	19	25	A240007	81	18			
A151008	99		A192255	87	3	A210194	47	43	A240007	81	57			
A151008	101	8	A192260	25	10	A211806	35	43	A240007	83	66			
A151008	103		A192260	33	47	A214372	37	88	A240007	83	72			
A151008	107		A192900	31	17	A220250	07	24	A240007	83	80			
A151008	107		A192900	31	35	A220250	09	23	A240007	83	104			
A151010	17	25	A195030	17	29	A221011	65	4	A240007	83	108			
A151010	17	31	A195030	19	27	A221012	37	5	A240007	87	9			
A151010	19	22	A195214	37	92	A221014	65	5	A240007	87	18			
A151010	19	29	A199005	17	39	A221111	35	30	A240007	87	18			
A151010	21		A199007	27	42	A221114	07	29	A240007	89	60			
A151010	21		A199014	99	32	A221114	09	28	A240007	89	75			
A151010	21		A199014	105	33	A221114	65	3	A240007	89	83			
A151010	25	15	A199018	29		A221153	41	58	A240007	89	107			
A151010	27		A199034	101	13	A221210	37		A240007	89	111			

PART No.	PAGE No.	REF No.	PART No.	PAGE No.	REF No.	PART No.	PAGE No.	REF No.	PART No.	PAGE No.	REF No.
A240010	75	4	A241052	75	23	A242407	89	90	A249393	83	115
A240010	81	4	A241052	81	23	A242407	89	105	A249393	89	93
A240010	87	4	A241052	87	23	A242407	89	110	A249393	89	96
A240032	75	49	A241090	75	15	A242410	75	5	A249393	89	115
A240032	81	50	A241090	81	15	A242410	81	5	A249393	89	118
A240032	87	55	A241090	87	15	A242410	87	5	A249394	87	45
A240207	75	20	A241207	75	12	A243152	75	27	A249395	87	50
A240207	75	58	A241207	81	12	A243152	81	27	A291006	05	16
A240207	77	61	A241207	87	12	A243152	87	27	A291057	37	64
A240207	79	125	A241403	73	54	A243207	77	118	A292070	21	11
A240207	81	20	A241403	75	55	A243207	83	119	A292070	27	11
A240207	81	59	A241403	75	55	A243207	91	122	A292070	31	29
A240207	83	62	A241403	79	133	A243407	77	100	A292070	53	12
A240207	83	74	A241403	81	55	A243407	81	25	A292070	61	15
A240207	85	126	A241403	81	56	A243407	83	101	A292070	61	18
A240207	87	20	A241403	85	134	A243407	89	104	A292070	69	12
A240207	89	62	A241403	87	58	A243507	75	25	A292080	07	20
A240207	89	65	A241403	87	59	A243507	83	78	A292080	21	21
A240207	89	77	A241403	91	137	A243507	87	25	A295251	21	2
A240207	91	129	A241406	75	30	A243507	89	25	A295251	21	2
A240303	79	132	A241406	81	30	A243753	35	34	A295253	27	3
A240303	85	133	A241406	87	30	A244406	41	35	A295253	27	3
A240303	91	136	A241407	77	69	A244807	35	35	A295258	23	3
A240307	77	67	A241407	77	75	A244900	35	49	A295258	29	23
A240307	77	76	A241407	77	102	A244900	35	16	A295263	23	23
A240307	79	127	A241407	77	108	A244900	81	16	A295263	29	29
A240307	83	68	A241407	83	69	A244900	87	16	A295304	97	97
A240307	83	77	A241407	83	76	A244900	87	16	A295304	97	97
A240307	85	128	A241407	83	76	A246100	35	47	A295304	103	60
A240307	89	71	A241407	83	103	A246420	35	48	A295304	103	64
A240307	89	80	A241407	83	109	A246917	35	27	A295309	81	61
A240307	91	131	A241407	83	72	A248207	77	78	A295309	89	64
A240507	77	77	A241407	89	79	A249231	77	82	A295309	89	64
A240900	75	8	A241407	89	106	A249231	79	122	A295309	105	105
A240900	81	8	A241448	89	112	A249231	83	82	A295311	105	105
A240900	87	8	A241448	75	28	A249231	85	123	A295314	95	6
A241003	11	25	A241448	87	28	A249231	89	85	A295314	95	2
A241003	85	130	A242006	81	33	A249231	91	126	A295316	97	97
A241003	91	133	A242006	81	33	A249241	77	93	A295900	37	94
A241007	75	24	A242007	87	33	A249241	83	94	A298330	31	16
A241007	77	64	A242007	85	120	A249241	89	97	A298330	31	34
A241007	77	72	A242007	85	121	A249243	77	115	A299022	99	28
A241007	77	85	A242007	91	124	A249243	83	116	A299022	99	28
A241007	77	85	A242405	35	44	A249243	89	119	A299022	105	29
A241007	77	85	A242407	75	10	A249365	75	35	A299030	61	20
A241007	77	112	A242407	77	68	A249365	81	36	A299030	05	20
A241007	81	24	A242407	77	73	A249365	87	36	A299301	07	23
A241007	83	65	A242407	77	73	A249379	75	43	A299301	09	22
A241007	83	86	A242407	77	86	A249379	81	44	A299301	11	19
A241007	83	91	A242407	77	101	A249388	87	41	A299301	17	4
A241007	83	113	A242407	77	106	A249388	77	89	A299301	19	3
A241007	87	24	A242407	81	10	A249393	77	111	A299301	37	89
A241007	87	28	A242407	83	87	A249393	77	114	A299301	49	49
A241007	89	89	A242407	83	102	A249393	83	90	A299301	49	49
A241007	89	89	A242407	83	107	A249393	83	93	A299301	51	51
A241007	89	116	A242407	87	10	A249393	83	112	A299301	51	25

PART No.	PAGE No.	REF No.	PART No.	PAGE No.	REF No.	PART No.	PAGE No.	REF No.	PART No.	PAGE No.	REF No.
A299301	51	43	A792513	89	91	A809306	41	21	A814818	105	
A299316	17	28	A792513	89	113	A809308	41	19	A814979	39	
A299316	19	26	A796203	79	135	A809309	41	44	A815500	43	
A460722	55	25	A796203	85	136	A809310	41	50	A815501	43	6
A460937	55	45	A796203	91	139	A809311	41	56	A815502	43	8
A470875	57	17	A796204	79	134	A809312	41	4	A815503	43	9
A630003	27	27	A796204	85	135	A809314	41	1	A815504	43	10
A682010	21	19	A796204	91	138	A809315	41	2	A815505	43	
A691007	25	6	A796501	75	33	A809316	41	9	A815506	43	
A691008	25		A796501	81	34	A809317	41	12	A815507	43	14
A691021	27	41	A796501	87	34	A809318	41	13	A815508	43	15
A712060	79	131	A802045	69		A809332	41	23	A815509	43	18
A712060	85	132	A802045	77	63	A809352	41	24	A815510	43	
A712060	91	135	A802045	83	64	A809353	41	25	A815511	43	
A712060	79	130	A802045	89	67	A809354	41	32	A815512	43	
A712120	85	131	A802046	71	16	A809368	35	9	A815513	43	
A712120	91	134	A802047	71	17	A809368	41	59	A815514	43	
A712140	75	50	A802811	63		A809388	41	39	A815515	43	28
A712140	81	51	A802817	61	16	A809601	13	6	A815516	43	32
A712140	87	56	A802817	75	14	A809604	55	7	A815521	43	36
A712160	75	51	A802817	81	14	A809604	57	4	A815522	43	53
A712160	81	52	A802817	87	14	A809604	75	6	A815523	43	19
A712160	87	57	A802820	63		A809604	81	7	A815524	43	20
A725050	77	81	A802821	63		A809604	87	7	A815525	43	21
A725050	83	81	A802822	63		A810003	31	2	A815526	43	22
A725050	89	84	A802822	61	19	A811009	23	39	A815527	43	23
A725057	77	66	A802824	61	2	A811009	29	46	A815528	43	27
A725062	77	70	A802825	63	6	A811010	29	47	A815529	43	29
A725062	83	70	A802826	63	6	A811015	23	44	A815530	43	34
A725071	89	78	A802827	63	7	A812036	45	1	A815531	43	38
A725074	77	74	A802828	63	12	A812037	43	40	A815533	43	39
A725074	83	104	A802829	63	10	A812038	43	41	A815534	43	
A725074	83	105	A802871	61	25	A812039	43	42	A815535	43	55
A725074	89	108	A802871	81	22	A812040	43	43	A816038	43	16
A725078	79	124	A802948	75	22	A812041	43	46	A816039	35	2
A725078	85	125	A802948	81	43	A812042	43	47	A816109	49	15
A725129	91	128	A802948	87	47	A812043	43	48	A817029	35	
A725129	81	21	A809203	77	88	A812044	43	49	A817039	49	
A725129	87	21	A809203	83	89	A812045	43	50	A817039	51	
A725180	75	59	A809203	89	92	A812046	43	51	A817316	35	
A725180	89	60	A809204	77	71	A812047	43	52	A817317	49	
A725180	89	63	A809204	83	89	A812048	43	54	A817317	51	
A765036	75	26	A809204	83	110	A812049	43	7	A819106	41	61
A765038	81	26	A809204	83	71	A813005	103	53	A819160	53	22
A791801	81	6	A809204	89	71	A814056	35	53	A819160	97	17
A791801	87	6	A809204	89	114	A814081	37	103	A819921	103	18
A791802	75	6	A809208	15	111	A814081	35	93	A823004	93	1
A792513	77	87	A809209	41	74	A814511	17	16	A823118	93	9
A792513	77	109	A809300	41	74	A814511	19	15	A823119	93	7
A792513	83	88	A809302	41	114	A814511	37	56	A824453	93	
A792513	83	110	A809303	41	4	A814513	35	82	A824508	95	
					27	A814513	37	82	A829851	93	8
					3	A814514	35	20	A829854	95	12
					10	A814514	37	75			

PART No.	PAGE No.	REF No.	PART No.	PAGE No.	REF No.	PART No.	PAGE No.	REF No.	PART No.	PAGE No.	REF No.
A890064	31	12	A902504	81	2	A913087	97	6	GSF1040DF	37	71
A890064	31	31	A902504	87	2	A913087	103	8	GSF1040HZ	41	30
A895000	27	29	A903012	108		A913110	97		GSF1040KG	35	55
A895000	27	36	A903060	108		A913124	103		GSF1056AP	17	14
A895008	21	26	A903061	108		A913124	97		GSF1056AP	19	13
A895008	21	33	A903062	108		A913124	103		GSF1056BA	11	12
A895050	33	44	A903077	108		A913130	103	3	GSF1057BH	05	17
A895051	33	45	A903079	108		A914200	19	39	GSF1070JJ	05	3
A896009	17	15	A903097	108		A914818	99		GSF1090ED	108	
A896010	19	14	A903098	108		AE22003	05	38	GSF2001AH	11	3
A902129	77	62	A903099	108		AE22003	07	29	GSF2001AP	11	2
A902129	83	63	A903202	108		AE22003	21	36	GSF2001AR	61	27
A902129	89	66	A903217	108		AE22003	21	36	GSF2001AV	11	
A902135	77	83	A903218	108		AE22003	31	31	GSF2001EK	27	37
A902135	83	84	A903301	108		AE22003	49	35	GSF2001EM	11	8
A902135	89	87	A903302	108		AE22003	51	40	GSF2002AD	11	
A902136	77	99	A903406	108		AE22003	49	34	GSF2002AP	97	21
A902136	83	100	A903407	108		AE22003	51	50	GSF2002CA	11	22
A902136	89	103	A903525	108		AE22003	51	10	GSF2002CB	05	27
A902140	75	13	A903553	108		AE30003	47	16	GSF2002CD	05	40
A902140	81	13	A903600	108		AE30003	97	17	GSF2002ED	05	6
A902145	35	45	A903621	108		AE30003	103	8	GSF2002ED	07	3
A902158	87	44	A904159	99		AE30104	49	8	GSF2002ED	09	13
A902159	75	19	A904172	33	46	AE30104	51	8	GSF2002ED	09	36
A902159	75	57	A904184	97		AE45106	49	18	GSF2002ED	25	13
A902159	81	19	A904184	105		AF09006	37	57	GSF2015CF	07	17
A902159	81	58	A904186	105	42	AF09006	37	85	GSF2020JF	61	12
A902159	87	19	A904190	99		ASKA030	41		GSF2051AA	11	23
A902159	87	61	A904190	107		ASKA040	65		GSF2051AA	97	23
A902160	77	119	A904191	99		ASKA041	77		GSF2051AB	37	73
A902160	83	120	A904191	107		ASKA041	83		GSF2051AD	11	11
A902160	91	123	A904332	05		ASKA041	83		GSF2052AB	27	7
A902161	77	117	A904356	51	2	ASKA041	89		GSF2052AB	35	21
A902161	83	118	A904381	37	15	ASKA041	89		GSF2052AC	37	79
A902161	91	121	A905214	95	97	ASKA041	89		GSF2052AD	105	33
A902162	79	121	A905217	93	2	BAA0409	39	38	GSF2052AE	59	8
A902162	85	122	A906009	45	2	BAA0412	35	25	GSF2052AE	05	24
A902162	91	125	A906010	45	12	BAA0482	41	14	GSF2052AE	47	28
A902163	75	47	A906500	49	8	BAA0490	37		GSF2052AE	49	32
A902163	81	48	A909051	25	10	BAA0729	37		GSF2052AE	51	33
A902163	87	53	A912104	25	9	BAA0764	37		GSF2052AE	51	39
A902164	75	29	A912105	25	7	BAA0773	37	68	GSF2052AH	47	27
A902164	81	29	A913005	97	8	BAA0833	37		GSF2052AJ	77	94
A902165	87	29	A913006	103	5	BAA0833	37		GSF2052AJ	77	116
A902165	83	67	A913007	97	3	BAA0846	37		GSF2052AJ	79	123
A902165	89	70	A913007	103	5	BAA0858	37	69	GSF2052AJ	83	83
A902166	83	79	A913007	103	7	BAA1010	37		GSF2052AJ	83	95
A902166	89	82	A913008	97	8	GSF1033ED	11	20	GSF2052AJ	85	117
A902167	79	126	A913008	103	10						124
A902167	85	127	A913009	97	8						
A902167	91	130	A913009	103	1						
A902172	77	79	A913038	35	1						
A902177	35	33	A913086	99	7						
A902504	75	2	A913086	107							

PART No.	PAGE No.	REF No.	PART No.	PAGE No.	REF No.	PART No.	PAGE No.	REF No.	PART No.	PAGE No.	REF No.
GSF2052AJ	89	86	GSF3551EJ	31	14	H083031	19	41	H290701	41	36
GSF2052AJ	89	98	GSF3551EJ	31	33	H083031	37	99	H290702	41	43
GSF2052AJ	89	120	GSF3599CY	15	14	H083036	49	26	H290716	53	29
GSF2052AJ	91	127	GSF3600BK	15	10	H084001	47	25	H290716	75	36
GSF2052BB	35	18	GSF3600BK	65	6	H087063	41		H290716	81	37
GSF2052BB	37	81	GSF3600BN	65	1	H089014	41		H290716	87	37
GSF2052BE	49	36	GSF3600BR	71	4	H089014	103		H290721	27	
GSF2052BE	51	31	GSF3600BR	71	14	H090017	97	26	H290733	53	37
GSF2052BE	51	49	GSF3600CN	73	8	H091018	31	19	H290733	75	
GSF2052BE	51	15	GSF3650C	61	8	H091018	31	37	H290733	81	38
GSF2080BC	39		GSF3701BC	109		H111426	63	8	H290733	87	38
GSF2093AB	29		GSF3701BE	109		H190134	33	38	H291025	53	6
GSF2093EC	27	34	GSF3702SZ	109		H190135	33	8	H291025	53	18
GSF2093ED	39		H002610	51	12	H200038	11	10	H300403	23	45
GSF2150C	29		H012093	49		H200339	59	5	H400004	93	16
GSF2150C	61	29	H012093	51	18	H200492	59		H400004	95	16
GSF2150K	47	28	H012102	47	11	H224902	71	13	H400010	93	11
GSF2151AR	39		H014004	11	4	H240016	65	2	H400010	95	5
GSF2152B	17	38	H014008	31	13	H240016	71	5	H400064	95	
GSF2152B	37	78	H014008	31	32	H240016	71	15	H400064	95	
GSF2154CE	07	15	H014011	75	17	H240085	71	9	H450057	31	3
GSF2154CE	09	10	H014011	81	17	H240086	71	8	H460004	31	25
GSF2154CE	21		H014011	87	17	H240087	71	7	H460004	53	2
GSF2154CE	101	12	H014017	53	7	H240088	71	6	H460004	53	14
GSF2154FK	35	40	H014017	53	19	H240089	65	3	H461007	95	15
GSF2154FK	37	62	H014019	75	39	H240107	65	9	H499006	93	4
GSF2154FK	97		H014019	75	41	H240108	65	9	H499006	95	3
GSF2154FK	103		H014019	75	44	H240109	65	9	H499146	95	9
GSF2154GP	25	14	H014019	81	40	H240110	65	10	H499451	93	15
GSF2164G	11	24	H014019	81	40	H240111	65	11	H499451	95	14
GSF2164G	99	24	H014019	81	42	H240112	65	13	H499700	95	13
GSF2164G	105	25	H014019	87	45	H240113	65	14	H499802	33	
GSF2164H	05	41	H014019	87	40	H240114	65	16	H499857	95	
GSF2164J	05	7	H014019	87	43	H240115	65	17	H540131	47	19
GSF2164J	27	35	H014019	87	46	H240116	65	17	H200058	35	
GSF2202ER	11	14	H014019	87	49	H240117	65	7	H980016	95	
GSF2202EX	35	52	H015100	73	51	H240118	65	19	H980026	49	33
GSF2202EX	39	15	H019055	73	6	H240118	65	19	H980026	51	30
GSF2202JN	57	15	H030032	53	7	H240120	65	21	H980026	51	36
GSF2230AE	59	5	H032112LV	75	20	H240121	65	22	H980026	51	48
GSF2230AE	7	7	H032112LV	81	45	H240122	65	25	H980027	49	29
GSF2230AJ	35	50	H042010	61	46	H240123	65	17	H980027	51	32
GSF2230AJ	39		H060009	47	9	H240133	65	26	H980027	51	38
GSF2230AJ	27	28	H060048AC	47	35	H240134	65	23	H980031	25	
GSF2503MB	07	2	H060053	97		H240137	65	8	H980031	31	18
GSF2540AC	09	12	H060053	103		H240138	65	27	H980031	31	36
GSF2540AC	09	40	H060053BC	27		H240139	65	15	H980031	93	3
GSF2560AF	81	41	H060104	97		H240140	65	15	H980031	95	
GSF2560AF	87	42	H060104	103		H240140	65	24	H980031	95	
GSF2570AF	75	41	H060104	105		H240143	65	28	H980031	95	
GSF2571AW	75	38	H060104BU	27		H240144	65	12	H980031	29	
GSF2571AW	81	39	H083025	05	23	H240146	61	1	H980049	101	15
GSF2571AW	87	39	H083026	07	7	H240146	75	31	H980359	33	
GSF3551CJ	11	22	H083026	09	17	H240146	81	31	H980397	47	16
			H083026			H240146	87	31	H980407	79	136



PART No.	PAGE No.	REF No.	PART No.	PAGE No.	REF No.	PART No.	PAGE No.	REF No.	PART No.	PAGE No.	REF No.
H980407	85	137	MB52557	11	7	MBB6446B	09	35	MBB7875	35	54
H980407	91	140	MBB2558	11	6	MBB6762	07	21	MBB7878	35	10
H980424	99	31	MBB2559	05	18	MBB6762	09	20	MBB7885	37	63
H980424	105	32	MBB2562A	05	22	MBB6764	07	25	MBB7886	37	65
H980452	47	26	MBB2563	05	13	MBB6764	09	24	MBB7887	35	11
H990021	31	4	MBB2571	05	32	MBB6766	07	27	MBB7891	37	60
H990106	33	10	MBB2579	07	8	MBB6766	09	26	MBB7893	103	19
H990116	47	34	MBB2580	09	18	MBB6838	05	21	MBB7893	103	20
H990117	99	35	MBB2580	07	5	MBB6867	35	14	MBB7896	105	25
H990117	105	35	MBB2587	09	15	MBB7034	49	4	MBB7896	103	26
LMAA120	17	7	MBB2587	09	10	MBB7034	51	4	MBB7899	99	19
LMAA120	73	52	MBB2592A	73	7	MBB7206	19	4	MBB7899	105	20
LMAA120	75	53	MBB2615	11	13	MBB7418	51	9	MBB7909	53	25
LMAA120	81	1	MBB2616	11	9	MBB7421	51	10	MBB7909	87	1
LMAA263A	05	1	MBB2625	09	4	MBB7422	51	11	MBB7924	27	23
LMAA356	07	6	MBB2629	53	3	MBB7503	17	12	MBB7927	99	1
LMAY645D	19	53	MBB2629	53	15	MBB7503	19	11	MBB7927	105	53
LMAY645D	73	54	MBB3024	77	91	MBB7599A	51	1	MBB7929	21	12
LMAY645D	75	54	MBB3024	77	113	MBB7638	47	47	MBB7929	27	12
LMSD668	07	1	MBB3024	83	92	MBB7639	47	47	MBB7931	27	4
LMSD668	09	11	MBB3024	83	114	MBB7675	47	47	MBB7931	103	103
LMSD671	05	26	MBB3024	89	95	MBB7696	17	5	MBB7938	103	12
LMSD672	19	25	MBB3137A	89	117	MBB7700	51	35	MBB7956	103	5
LMSD907	17	26	MBB3139	73	1	MBB7708	51	41	MBB7963	45	9
LMSD908	17	26	MBB3163	21	6	MBB7708	51	23	MBB7970	97	5
LMSD908	19	24	MBB3163	27	6	MBB7712	17	20	MBB7970	69	1
LMSD909	17	2	MBB3235	47	18	MBB7722	69	19	MBB7974	99	38
LMSD910	17	2	MBB3236Z	47	13	MBB7723	69	11	MBB7975	105	41
LMSD912	47	1	MBB3238	47	17	MBB7724	69	9	MBB7976	105	10
LMSD936	35	6	MBB3495A	95	10	MBB7750	21	1	MBB7978	57	14
LMSD939	47	6	MBB3499	61	11	MBB7750	27	28	MBB7979	57	14
MBA2337	47	26	MBB3500	61	11	MBB7823	57	1	MBB7982	55	5
MBA3008	61	26	MBB3567	05	39	MBB7823	19	38	MBB7982	57	18
MBA5912	73	11	MBB3651	83	73	MBB7826	69	5	MBB7982	103	19
MBA6074A	75	11	MBB3651	89	76	MBB7826	71	84	MBB7984	69	20
MBA6074A	81	11	MBB4276	109	32	MBB7826	77	105	MBB7995	19	95
MBA6074A	87	11	MBB4967	19	36	MBB7826	83	85	MBB8005	77	96
MBA7024	05	4	MBB5919	109	36	MBB7826	83	106	MBB8005	89	99
MBA7212	05	35	MBB5951	05	36	MBB7826	89	88	MBB8005	89	37
MBA7212	05	9	MBB5961	05	36	MBB7827	89	109	MBB8006	105	37
MBB2363A	07	9	MBB5962	05	36	MBB7827	69	16	MBB8009	37	87
MBB2365	07	6	MBB5971	05	34	MBB7829	69	19	MBB8010	35	26
MBB2365	09	19	MBB5972	05	37	MBB7830	35	1	MBB8014	21	8
MBB2367	07	32	MBB6150	05	34	MBB7830	43	40	MBB8014	27	8
MBB2367	09	31	MBB6151	05	38	MBB7837	19	40	MBB8017	55	42
MBB2512	09	24	MBB6152	61	7	MBB7842	39	11	MBB8017	57	11
MBB2540B	05	12	MBB6195	61	5	MBB7847	39	24	MBB8021	95	7
MBB2543B	05	11	MBB6196	61	6	MBB7854	31	31	MBB8025	17	32
MBB2553E	11	18	MBB6402	09	1	MBB7854	39	5	MBB8029	05	21
MBB2554E	11	18	MBB6403	09	2	MBB7857	21	5	MBB8031	17	31
			MBB6445B	09	34	MBB7857	27	5	MBB8032	19	31
						MBB7866	35	36	MBB8042	37	86

PART No.	PAGE No.	REF No.	PART No.	PAGE No.	REF No.	PART No.	PAGE No.	REF No.
MBB8045	37	80	MBB8254	27	20	MBC2065	23	40
MBB8047	97		MBB8259	27	22	MBC2068	31	20
MBB8052	103	9	MBB8262	27	22	MBC2070	101	10
MBB8058	95	45	MBB8264	27	18	MBC2071	101	3
MBB8069	29	39	MBB8265	27	19	MBC2074	97	10
MBB8076	33	40	MBB8271	103	4	MBC2080	21	4
MBB8086	33	36	MBB8272	27	24	MBC2090	25	16
MBB8090	105	36	MBB8277	103	11	MBC2095	25	1
MBB8090	99	36	MBB8278	105	45	MBC2100	21	32
MBB8105	105	39	MBB8279	27	25	MBC2106	55	26
MBB8110	35	46	MBB8284	49	9	MBC2107	55	29
MBB8110	21	28	MBB8285	49	1	MBC2108	55	33
MBB8110	23	37	MBB8290	49	1	MBC2109	55	37
MBB8110	27	31	MBB8292	47	22	MBC2110	55	32
MBB8110	27	38	MBB8296	49	37	MBC2117	55	41
MBB8111	99		MBB8299	49	20	MBC2121	55	1
MBB8111	107		MBB8302	97	12	MBC2125	55	7
MBB8112	99		MBB8302	103	13	MBC2128	55	13
MBB8116	107		MBB8310	49	28	MBC2129	55	19
MBB8116	99		MBB8310	51	29	MBC2131	55	18
MBB8116	107		MBB8318	105	43	MBC2157	21	20
MBB8119	33	42	MBB8319	105	44	MBC2161	55	21
MBB8120	47	47	MBB8320	29	43	MBC2171	21	25
MBB8120	51	44	MBB8341	99	37	MBC2172	21	6
MBB8125	29		MBB8341	105	40	MBC2198	93	12
MBB8132	05		MBB8344	105	38	MBC2199	93	13
MBB8133	05		MBB8346	99	35	MBC2200	93	13
MBB8137	95		MBB9458A	35	29	MBC2201	93	10
MBB8138	95		MBB9461	35	28	MBC2202	93	10
MBB8146	95	11	MBB9657	07	16	MBC2214	23	41
MBB8157	87	48	MBB9658	07	35	MBC2215	101	5
MBB8191	23		MBB9659	07	35	MBC2300	99	
MBB8191	29		MBB9663	07	13	MBC2300	107	
MBB8195	23		MBB9664	07	18	MBC2302	99	
MBB8195	29		MBB9667	07	8	MBC2302	107	
MBB8216	53	13	MBB9785	05	8	MBC7050	35	16
MBB8216	81	1	MBC1644	49	25			
MBB8219	75	1	MBC2044	99		PBA0696	35	3
MBB8221	97		MBC2044	105		PPW0292B	97	20
MBB8221	105		MBC2045	99		PPW0292B	103	21
MBB8223	31	1	MBC2045	105				
MBB8227	57		MBC2046	99				
MBB8228	27		MBC2046	105		TBA7970	73	2
MBB8229	97	22	MBC2047	99		TBA7971	73	5
MBB8229	103	23	MBC2047	105		TBA7972	73	3
MBB8230	37	96	MBC2048	99		TBA7975	17	8
MBB8236	37	93	MBC2048	105		TBA7975	19	7
MBB8238	31	7	MBC2051	35	19			
MBB8238	53	24	MBC2052	21	18			
MBB8239	31	9	MBC2054	21	24			
MBB8239	53	26	MBC2060	97	11			
MBB8243	21	15	MBC2061	101	14			
MBB8243	27	15	MBC2062	101	2			
MBB8248	35		MBC2063	101	1			
MBB8250	19	30	MBC2064	25	12			

