

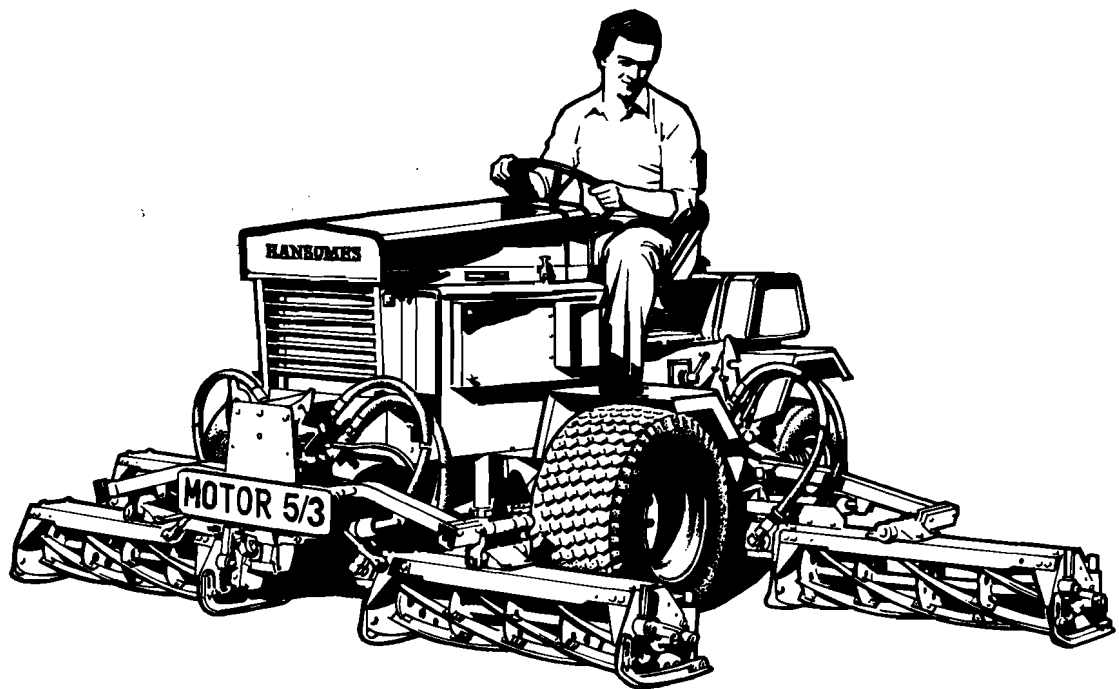
RANSOMES

LIST OF PARTS

Motor 5/3

HYDRAULIC DRIVE MOWER

5-Unit 3.5m (11ft 6in) 3-Unit 2.2m (7ft 2in)



RANSOMES SIMS & JEFFERIES PLC

IPSWICH

ENGLAND

Publication No: 22756H (REPRINT)

JCA 500 832



INTRODUCTION

REFERENCE NUMBER

Each part which is identified in the illustrations has a reference number. Parts which do not have a reference number may not be readily identified in the illustration but are usually closely associated with the immediately adjacent part.

ASSEMBLIES

Assemblies are described with their component parts. These latter are then enumerated separately and off-set to the right. If the list of components includes a further sub-assembly then individual parts of the assembly which are supplied, are off-set one stage further, e.g.

| REF | PART No. | NAME OF PART | QTY |
|-----|----------|---------------------|-----|
| 1 | H930001 | Wheel & Tyre Assy. | 2 |
| 2 | H931051 | Tyre 7 x 9 x 10 Ply | 1 |
| 3 | H932042 | Tube 7 x 9 | 1 |
| 4 | H270014 | Cap - Valve | 1 |
| | Z555225 | Core - Valve | 1 |
| | H930002 | Wheel Assy. | 1 |
| 5 | H270011 | Ring - Lock | 1 |
| 6 | H270010 | Flange | 1 |

QUANTITIES

Quantities shown are for one assembly or sub-assembly.

USING THE PARTS LIST

Determine the function and application of the part required.

Turn to the main index page and select the appropriate section.

Locate the part on the illustration and parts list and read off the quantity from the appropriate MODEL column.

NUMERICAL INDEX

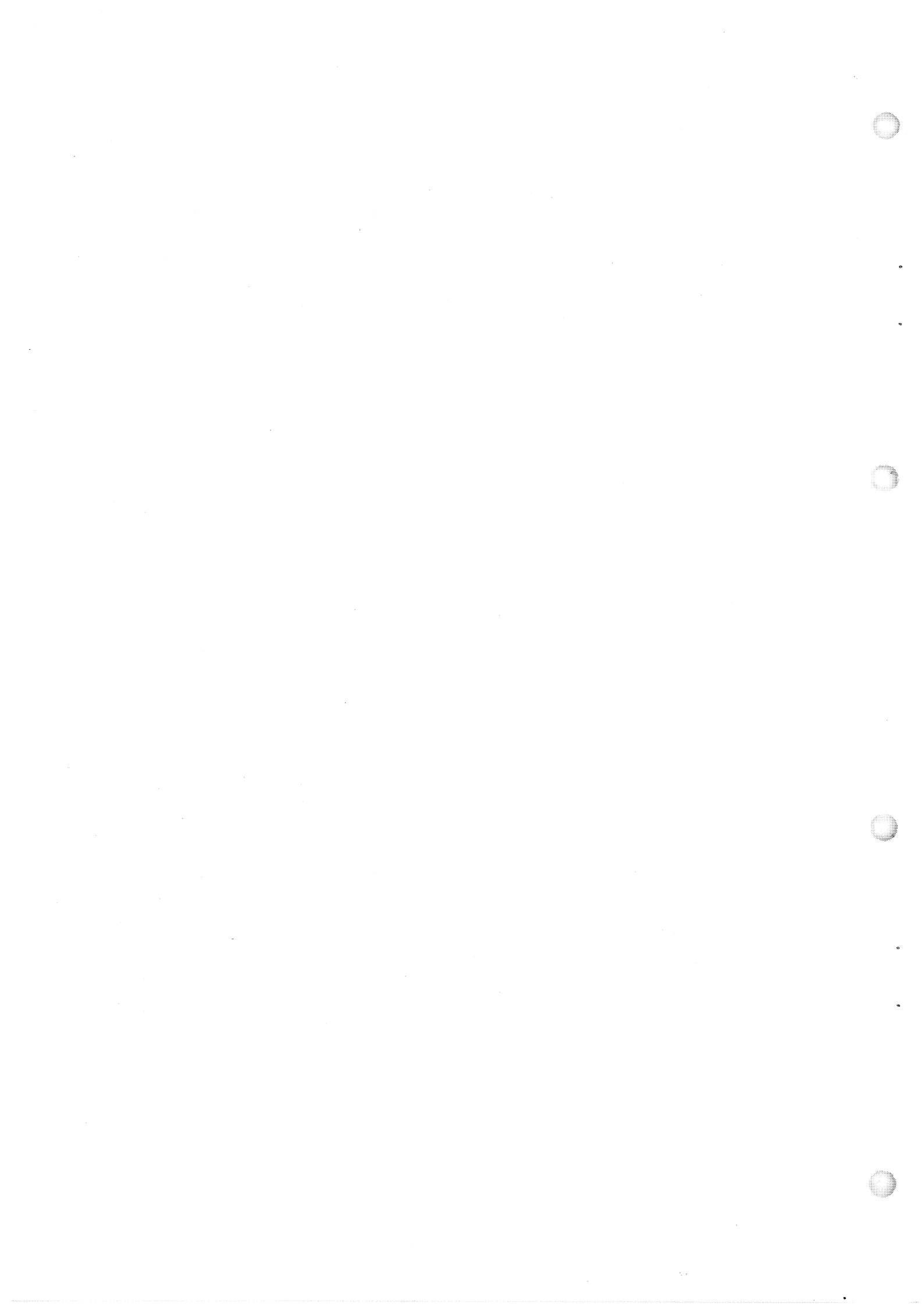
This is a summary of all part numbers used in the manual arranged in numerical sequence and showing the page and reference numbers under which the parts appear.

ORDERING OF SPARE PARTS

When ordering replacement parts, it is most important to quote the SERIAL NUMBER of the machine PART NUMBER, NAME OF PART and QUANTITY required.

ABBREVIATIONS

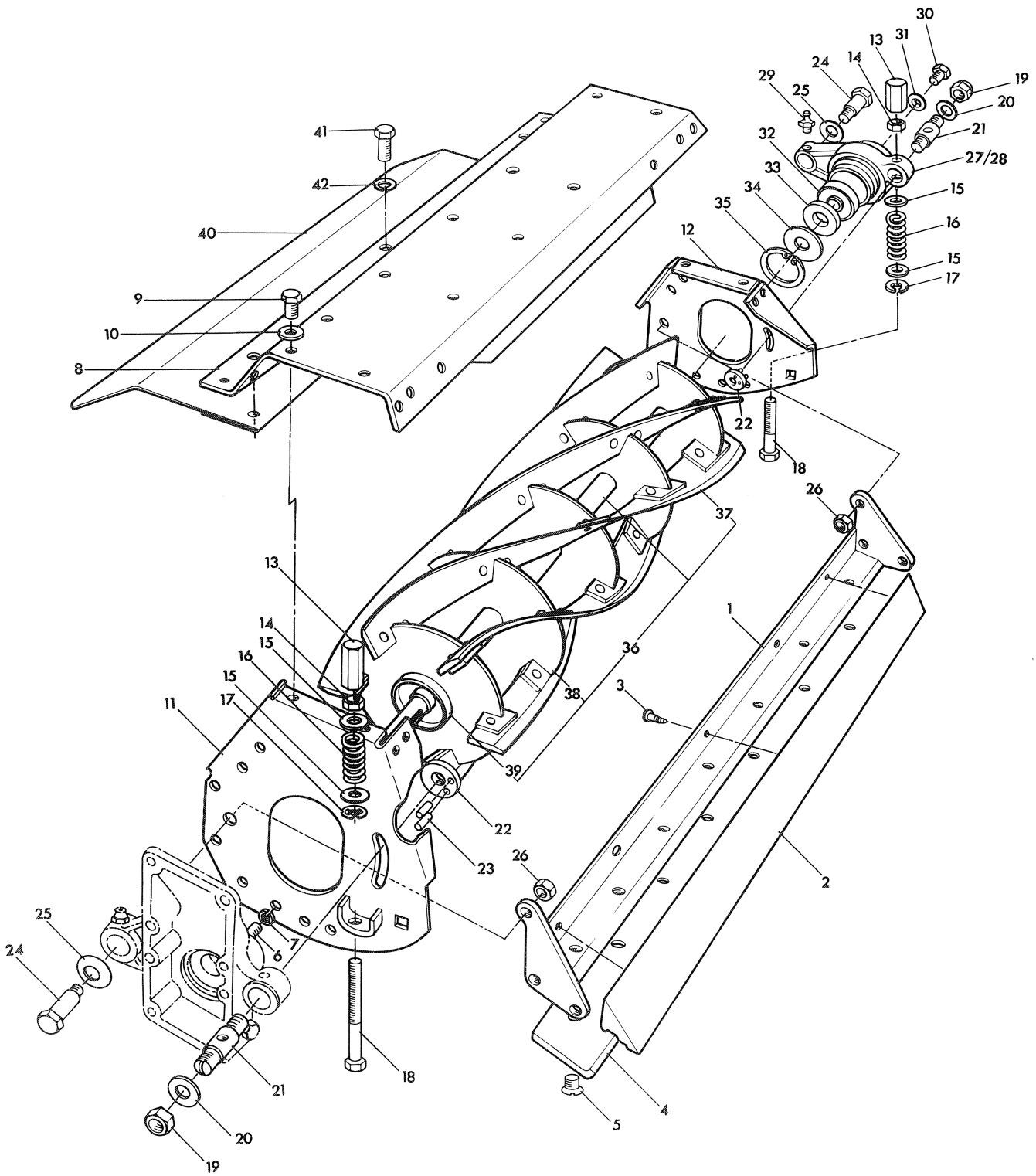
| | | | |
|------|----------------------------|------|----------------|
| AR | As Required | INT | Internal |
| ASSY | Assembly | LH | Left Hand |
| BA | British Association | M | Metric |
| BSW | British Standard Whitworth | m.m. | Millimetre(s) |
| CH | Cheese | PT | Point |
| CSK | Countersunk | RH | Right Hand |
| DEG | Degree(s) | RD | Round |
| EXT | External | REV | Reverse |
| FWD | Forward | SL | Spring Lock |
| HD | Head | SP | Shake Proof |
| HEX | Hexagon | UNC | Unified Course |
| HS | Hexagon Socket | UNF | Unified Fine |



INDEX TO SECTIONS

| | PAGE |
|--|----------------|
| Bonnet and Engine Covers | 31, 32, 33, 34 |
| Cutting Unit Drive. | 9, 10 |
| Cutting Unit Drive Motor (Airpel). | 11, 12 |
| Cutting Unit Drive Motor (Dowty) | 13, 14 |
| Cutting Unit Frame and Cylinder | 3, 4 |
| Cutting Unit Hydraulic Drive Circuit. | 77, 78 |
| Cutting Unit Mountings. | 15, 16 |
| Cutting Unit Roll and Skids | 5, 6, 7, 8 |
| Electric Fittings and Wiring. | 45, 46 |
| Engine Fittings — Exhaust Side. | 35, 36 |
| Engine Fittings — Governor Side. | 37, 38, 39, 40 |
| Engine Governor — Weyburn. | 41, 42 |
| Engine Governor — Heinzman. | 43, 44 |
| Front Axle and Brakes | 47, 48, 49, 50 |
| Front Unit Lift and Mounting. | 17, 18, 19, 20 |
| Gear Pump | 83, 84 |
| Hydraulic Boost and Lift Circuit. | 79, 80 |
| Hydraulic Traction Circuit | 81, 82 |
| Instrument Panel and Steering Support. | 61, 62 |
| Lift Control Valve. | 71, 72 |
| Light Fittings — Front. | 85, 86 |
| Light Fittings — Rear | 87, 88 |
| Main Frame and Rear Unit Lift. | 23, 24, 25, 26 |
| Pump Gear Box. | 73, 74 |
| Pump (Sundstrand) | 75, 76 |
| Rear Axle Assembly | 53, 54, 55, 56 |
| Selector Valve | 83, 84 |
| Seat, Fuel Tank and Chassis Covers. | 27, 28, 29, 30 |
| Speed Controls | 57, 58, 59, 60 |
| Steering Gear. | 63, 64 |
| Tool Kit | 84 |
| Transfers | 89 |
| Transmission Controls. | 65, 66 |
| Transmission Control Valve. | 67, 68 |
| Unit Lift Control. | 69, 70 |
| Wheel Motor | 51, 52 |
| Wing Unit Lift. | 21, 22 |
| NUMERICAL INDEX | 90 - 97 |

MOTOR 5/3 HYDRAULIC DRIVE MOWER



CUTTING UNIT FRAME AND CYLINDER

LIST OF PARTS

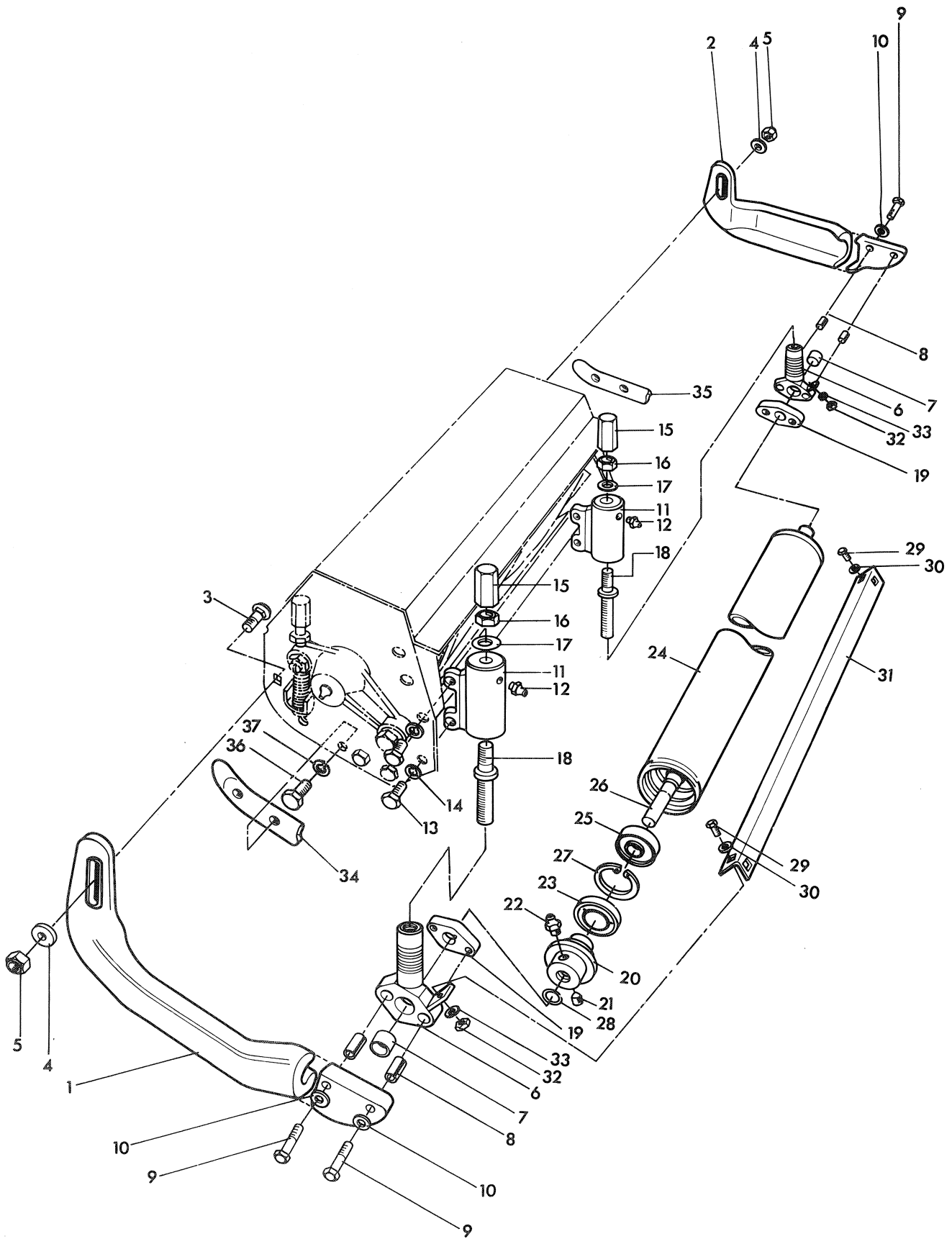
For Cutting Unit Rolls see Pages 5 & 6
For Cutting Unit Drives see Pages 9 & 10

For LH Drive Units use Qty Column A
For RH Drive Units use Qty Column B

| REF. No. | PART No. | NAME OF PART | QTY | |
|-------------------------------------|-----------|--|-----|----|
| | | | A | B |
| | | Cutting Frame LH Drive | 3 | |
| | | Cutting Frame RH Drive | | 2 |
| | LMAA263A | Bottom Block Assy | 1 | 1 |
| 1 | MBB2465B | Bottom Block | 1 | 1 |
| 2 | A904332 | Fillet | 1 | 1 |
| 3 | GSF1070JJ | Wood Screw No. 8 x 1.1/4" Round Hd | 3 | 3 |
| 4 | MBA7024 | Bottom Blade | 1 | 1 |
| 5 | A119000 | Screw, Csk Hd | 7 | 7 |
| 6 | GSF2002ED | Screw 3/8" UNF x 3/4" Hex Hd | 4 | 4 |
| 7 | GSF2164J | S.L. Washer 3/8" Dia | 4 | 4 |
| 8 | MBB9785 | Top Deck | 1 | 1 |
| 9 | A110404 | Screw M10 x 20 Hex Hd | 10 | 10 |
| 10 | A150010 | Washer 10mm | 10 | 10 |
| 11 | MBB2543B | Frame Side Plate | 1 | 1 |
| 12 | MBB2540B | Frame Side Plate | 1 | 1 |
| 13 | MBB2563 | Adjuster | 2 | 2 |
| 14 | A130010 | Nut M10 | 2 | 2 |
| 15 | A150010 | Washer 10mm | 4 | 4 |
| 16 | A291017 | Spring | 2 | 2 |
| 17 | GSF1057BH | Circlip | 2 | 2 |
| 18 | MBB2559 | Adjusting Screw | 2 | 2 |
| 19 | A133012 | Stiffnut M12 | 2 | 2 |
| 20 | MBB2625 | Washer 12mm | 2 | 2 |
| 21 | MBB2560 | Clamp Pivot | 2 | 2 |
| 22 | MBB2561 | Clamp Pivot Washer Nut | 2 | 2 |
| 23 | GSF1040DD | Dowel | 4 | 4 |
| 24 | MBB2562A | Pivot Bolt | 2 | 2 |
| 25 | H083025 | Disc Spring | 2 | 2 |
| 26 | GSF2052AE | Locknut 1/2" UNF | 2 | 2 |
| 27 | LMSD672 | Cylinder Housing (LH Drive) Assy | 1 | |
| 28 | LMSD671 | Cylinder Housing (RH Drive) Assy | | 1 |
| 29 | A299306 | Lubricator | 1 | 1 |
| 30 | GSF2002CB | Oil Plug Screw 5/16" UNF x 1/2" Hex Hd | 1 | 1 |
| 31 | A151008 | Washer | 1 | 1 |
| 32 | A203605 | Ball Bearing | 1 | 1 |
| 33 | A229401 | Felt Seal | 1 | 1 |
| 34 | MBB2571 | Seal Washer | 1 | 1 |
| 35 | A170052 | Circlip Int. Type | 1 | 1 |
| 36 | MBB5951 | Cutting Cylinder 6 Knife Assy | 1 | 1 |
| | MBB5999 | Spindle | 1 | 1 |
| 37 | MBA7212 | Spiral Cutter with Pads | 6 | 6 |
| 38 | MBB5962 | Collar | 5 | 5 |
| 39 | MBB5966 | Dust Cover | 2 | 2 |
| 40 | MBB3567 | Deflector (Front & Wing Units Only) | 1 | 1 |
| * | MBB3565 | Deflector (Rear Unit Only) | 1 | |
| 41 | GSF2002CD | Screw | 3 | 3 |
| 42 | GSF2164H | S.L. Washer 5/16" Dia | 3 | 3 |
| ALTERNATIVE FITTINGS* | | | | |
| 36 | MBB6150 | Cutting Cylinder 4 Knife Assy | 1 | 1 |
| 37 | MBA7212 | Spiral Cutter with Pads | 4 | 4 |
| 38 | MBB5961 | Collar | 5 | 5 |
| 39 | MBB5966 | Dust Cover | 2 | 2 |
| FITTINGS FOR EARLY MACHINES* | | | | |
| 2 | MBB2469 | Wood Fillet | 1 | 1 |
| 3 | A112205 | Screw M6 x 25 Pan Hd | 2 | 2 |
| * | A130006 | Nut M6 | 2 | 2 |
| 37 | MBA7167 | Spiral Cutter (welded type) | 6 | 6 |
| 38 | MBB2569 | Collar (welded type) | 5 | 5 |
| 39 | MBB2570 | Dust Cover | 2 | 2 |

*Not illustrated

MOTOR 5/3 HYDRAULIC DRIVE MOWER

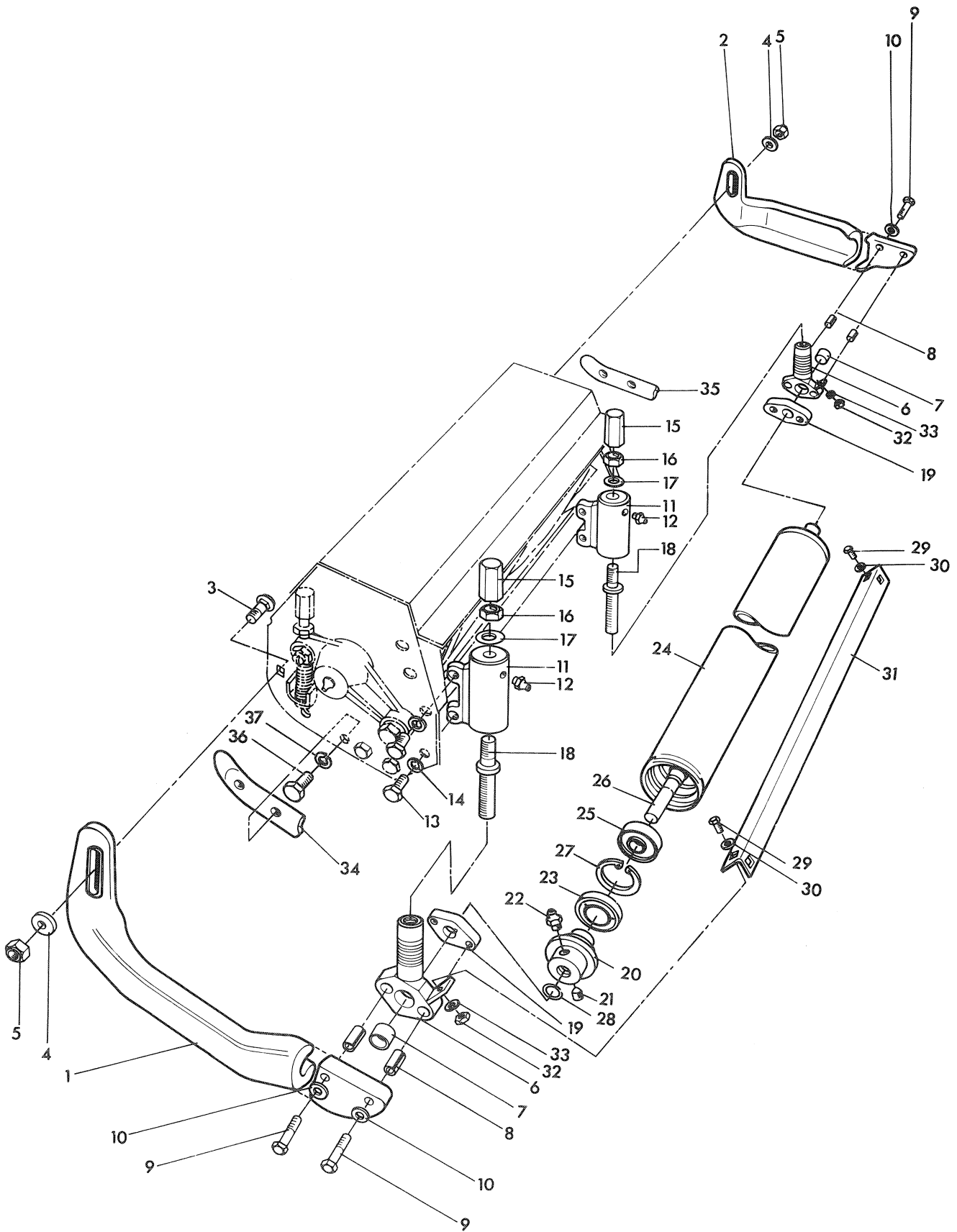


Common to all Cutting Units.

| REF. No. | PART No. | NAME OF PARTS | QTY |
|---|-----------|--|-----|
| 1 | MBB6402 | Skid LH | 1 |
| 2 | MBB6403 | Skid RH | 1 |
| 3 | A102508 | Bolt M12 x 40 Cup Hd Sqr Neck | 2 |
| 4 | MBB2625 | Spacer Washer | 2 |
| 5 | A133012 | Stiffnut M12 | 2 |
| 6 | MBB2363A | Skid Mounting | 2 |
| 7 | MBB2587 | Bush | 2 |
| 8 | A141547 | Dowel | 4 |
| 9 | A100210 | Bolt M6 x 50 Hex Hd | 4 |
| 10 | GSF2154CE | Washer 3/4" OD x 9/32" 10 | 4 |
| 11 | LMSD668 | Sleeve Assy | 2 |
| 12 | GSF2540AC | Lubricator | 1 |
| 13 | GSF2002ED | Screw 5/16" UNF x 7/8" Hex Hd | 4 |
| 14 | A151008 | S.L. Washer 8mm | 4 |
| 15 | MBB2580 | Adjuster | 2 |
| 16 | A130010 | Nut M10 | 2 |
| 17 | H083026 | Disc Washer | 2 |
| 18 | MBB2579 | Adjusting Screw | 2 |
| 19 | MBB2365 | Plate | 2 |
| * | LMAA356 | Rear Roll Assy | 1 |
| 20 | MBB6762 | Boss | 2 |
| 21 | A122293 | Grub Screw | 2 |
| 22 | A299301 | Lubricator | 2 |
| 23 | A220250 | Oil Seal | 2 |
| 24 | MBB6764 | Rear Roll Tube | 1 |
| 25 | A203603 | Bearing | 2 |
| 26 | MBB6766 | Spindle | 1 |
| 27 | A170040 | Circlip | 2 |
| 28 | A221114 | O Ring | 2 |
| 29 | A110205 | Bolt M6 x 25 Hex Hd | 2 |
| 30 | A150006 | Washer 6mm | 2 |
| 31 | MBB2367 | Scraper | 1 |
| 32 | A130006 | Nut M6 | 2 |
| 33 | A151006 | S.L. Washer 6mm | 2 |
| 34 | MBB6445B | Pad LH | 1 |
| 35 | MBB6446B | Pad RH | 1 |
| 36 | GSF2002ED | Screw 5/16" UNF x 7/8" Hex Hd | 4 |
| 37 | A151008 | S.L. Washer 8mm | 4 |
| FITTINGS FOR EARLY MACHINES* | | | |
| | | For Early Rear Roll with Stub Spindle bearings | |
| 1 | MBB2362 | Skid LH | 1 |
| 2 | MBB2361 | Skid RH | 1 |
| * | A224016 | Cover Seal for Roll | 2 |
| | MBB6444 | Shim for 34 & 35 | AR |
| FOR EARLY TYPE ROLL WITH THROUGH SPINDLE | | | |
| 1 | MBB2573 | Skid LH | 1 |
| 2 | MBB2572 | Skid RH | 1 |
| * | MBB2507 | Skid Pad | 2 |
| * | MBB2585 | Roll Spindle | 1 |
| * | A203603 | Roll Bearing | 2 |
| * | MBB2586 | End Cap for Roll | 2 |
| * | GSF2007AE | End Cap Screws | 6 |
| * | H011035 | Oil Seal-Roll Spindle | 2 |
| * | MBB2588 | Plate for Skid Mounting | 2 |
| * | MBB2575 | Skid Mounting | 2 |
| * | A171017 | Circlip | 2 |

Continued

MOTOR 5/3 HYDRAULIC DRIVE MOWER

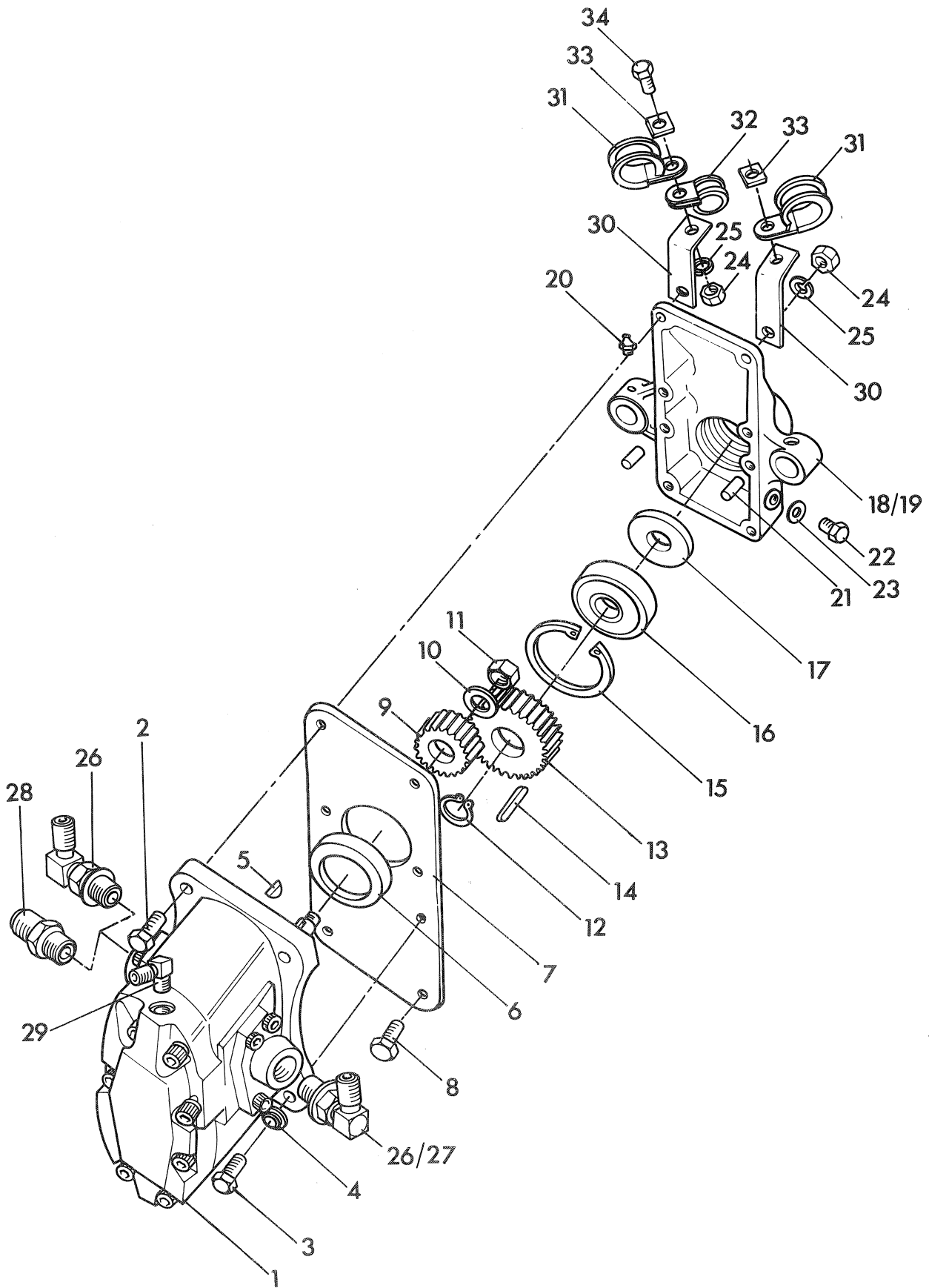


Common to all Cutting Units

| REF. No. | PART No. | NAME OF PART | QTY |
|---|----------|----------------------|-----|
| 31 | MBB2632 | Scraper | 1 |
| * | MBB2631 | Scraper Bracket LH | 1 |
| * | MBB2633 | Scraper Bracket RH | 1 |
| * | A110204 | Screw for Scraper | 2 |
| * | A150006 | Washer for Scraper | 4 |
| * | A133006 | Stiffnut for Scraper | 2 |
| FOR LATER TYPE ROLL WITH STUB SPINDLE BEARINGS | | | |
| 1 | MBB2362 | Skid LH | 1 |
| 2 | MBB2361 | Skid RH | 1 |
| * | MBB2507 | Skid Pad | 2 |
| * | MBB6181 | Boss LH | 1 |
| * | MBB6182 | Boss RH | 1 |
| * | A221217 | O Ring | 2 |
| * | MBB6183 | Washer | 2 |
| * | A209001 | Bearing | 2 |
| * | A229016 | Inner Seal | 2 |

*Not illustrated

MOTOR 5/3 HYDRAULIC DRIVE MOWER



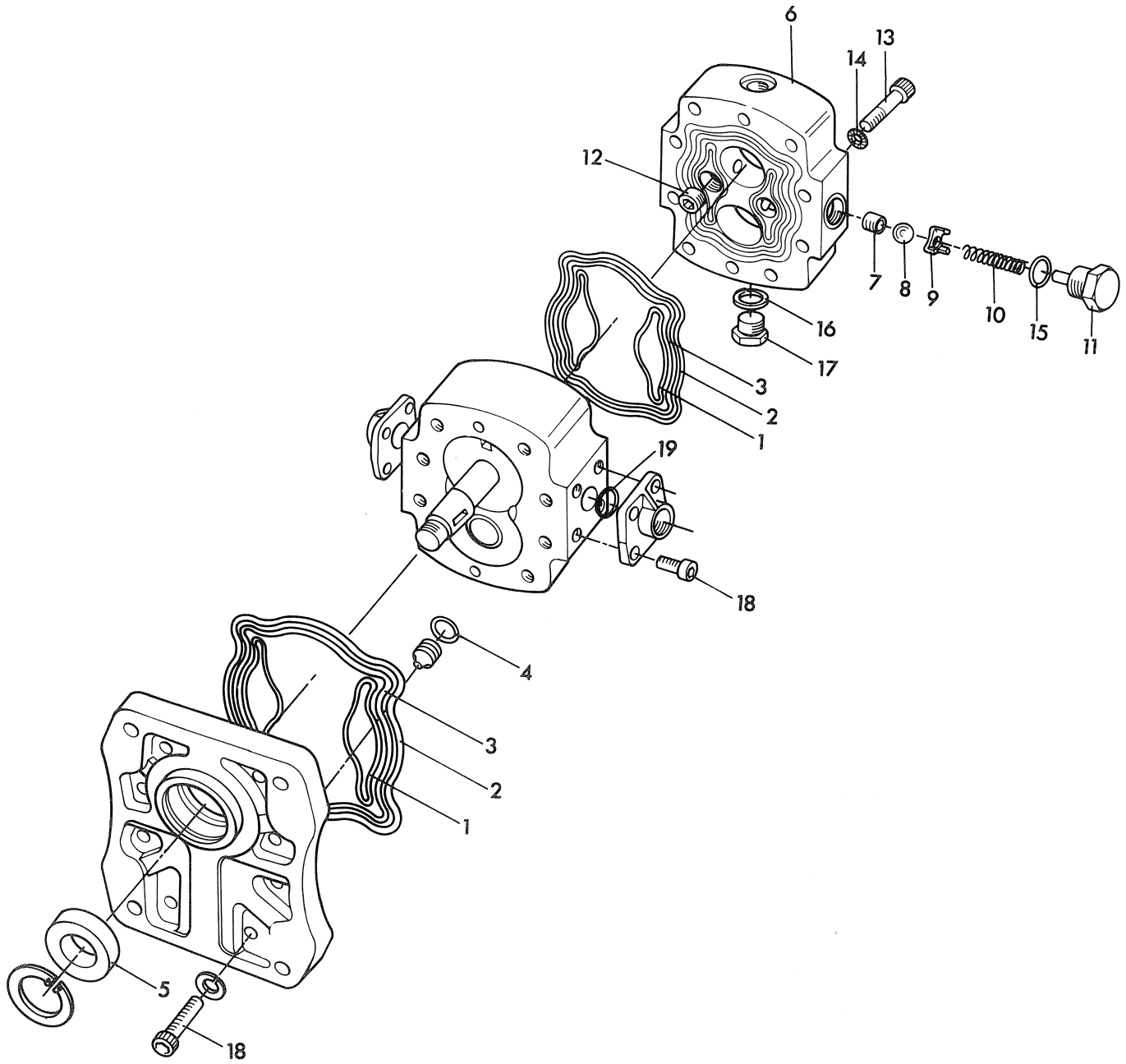
CUTTING UNIT DRIVE

LIST OF PARTS

For LH Drive Unit use Qty Column A
For RH Drive Units use Qty Column B

| REF. No. | PART No. | NAME OF PART | QTY | |
|----------|-----------|--|-----|---|
| | | | A | B |
| | | Cutting Unit Drive (LH Drive) | 3 | |
| | | Cutting Unit Drive (RH Drive) | | 2 |
| 1 | A809203 | Drive Motor L.H. Drive | 1 | |
| 1 | A809204 | Drive Motor R.H. Drive | | 1 |
| 2 | GSF2001AP | Bolt 1/4" UNF x 2.1/2" Hex Hd (Airpel Motor) | 2 | 2 |
| 2 | GSF2001AV | Bolt 1/4" UNF x 3.1/4" Hex Hd (Dowty Motor) | 2 | 2 |
| 3 | GSF2001AH | Bolt 1/4" UNF x 1.3/4" Hex Hd (Airpel Motor) | 2 | 2 |
| 3 | GSF2001AR | Bolt 1/4" UNF x 2.3/4" Hex Hd (Dowty Motor) | 2 | 2 |
| 4 | H014004 | Seal Washer | 2 | 2 |
| 5 | GSF2230AE | Key Woodruff No. 405 | 1 | 1 |
| 6 | MBB2558 | Motor Adaptor | 1 | 1 |
| 7 | MBB2557 | Motor Mounting Plate | 1 | 1 |
| 8 | GSF2002AH | Screw 1/4" UNF x 1.1/4" Hex Hd | 2 | 2 |
| 9 | MBB2616 | Drive Pinion | 1 | 1 |
| 10 | H200038 | Washer | 1 | 1 |
| 11 | GSF2051AD | Nut 7/16" UNF | 1 | 1 |
| 12 | GSF1056BA | Circlip Ext Type | 1 | 1 |
| 13 | MBB2615 | Gear for Cutting Cylinder Shaft | 1 | 1 |
| 14 | GSF2202ER | Key | 1 | 1 |
| 15 | A170052 | Circlip Int. Type | 1 | 1 |
| 16 | A203605 | Ball Bearing for Cutting Cylinder Shaft | 1 | 1 |
| 17 | A229401 | Felt Washer | 1 | 1 |
| 18 | MBB2554E | Gearbox Assy (RH Drive) | | 1 |
| 19 | MBB2553E | Gearbox Assy (LH Drive) | 1 | |
| 20 | GSF2540AD | Lubricator | 1 | 1 |
| 21 | GSF1033ED | Dowel | 2 | 2 |
| 22 | GSF2002CA | Screw 5/16" UNF x 3/8" Hex Hd | 1 | 1 |
| 23 | GSF3551CJ | Fibre Washer | 1 | 1 |
| 24 | GSF2051AA | Nut 1/4" UNF | 4 | 4 |
| 25 | GSF2164G | S.L. Washer 1/4" | 4 | 4 |
| 26 | A241007 | Elbow Adaptor (Not required for Rear Unit) | 2 | 2 |
| 27 | A242007 | Elbow (Rear Unit Front Connection only) | 1 | |
| 28 | A240007 | Connector (Rear Unit Rear Connection only) | 1 | |
| 29 | A241003 | Elbow (Airpel) | 1 | 1 |
| 29 | A242003 | Elbow (Dowty) | 1 | 1 |
| 30 | MBB2566 | Hose Support | 2 | 2 |
| 31 | H980407 | Hose Clip Large | 2 | 2 |
| 32 | H980031 | Hose Clip Small | 2 | 2 |
| 33 | MBB2574 | Washer | 2 | 2 |
| 34 | GSF2002AD | Screw 1/4" UNF x 3/4" Hex Hd | 2 | 2 |

MOTOR 5/3 HYDRAULIC DRIVE MOWER



(Airpel Types A809203 and A809204)

| REF. No. | PART No. | NAME OF PART | QTY |
|----------|-----------|--------------------------------------|-----|
| | ASKA020 | Seal Kit | 1 |
| 1 | | Compensatory Seal | 4 |
| 2 | | Secondary Seal | 2 |
| 3 | | Primary Seal | 1 |
| 4 | | O Ring | 1 |
| 5 | A229903 | Shaft Seal | 1 |
| 6 | A809202 | End Plate with Integral Relief Valve | 1 |
| 7 | | Valve Seat | 1 |
| 8 | | Ball | 1 |
| 9 | | Check Plate | 1 |
| 10 | | Spring | 1 |
| 11 | | Plug | 1 |
| 12 | | Restrictor | 1 |
| 13 | A120206 | Cap Screw | 10 |
| 14 | A151006 | S.P. Washer | 10 |
| | A809205 | Seal Kit for End Plate | 1 |
| 15 | | O Ring | 1 |
| 16 | | Seal Washer | 1 |
| 17 | | Drain Plug | 1 |
| 18 | A120204 | Cap Screws | 18 |
| 19 | GSF3599CY | O Ring | 2 |

FITTINGS FOR EARLY MACHINES*
Airpel Motor Type A809200

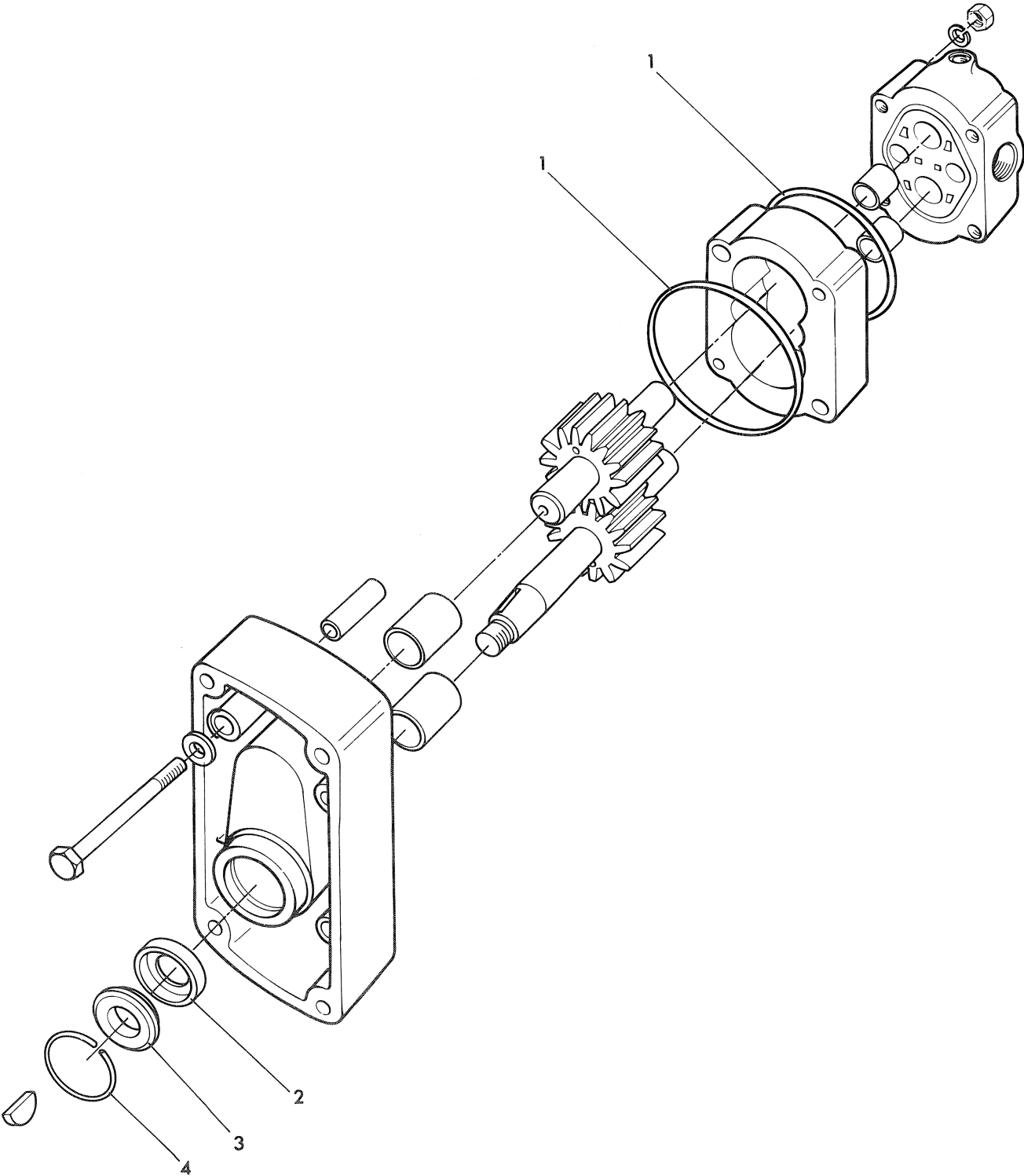
| | | | |
|---|---------|---------------------|----|
| * | A809201 | Seal Kit | 1 |
| * | A249200 | Drain Elbow, Bottom | 1 |
| * | A120204 | Cap Screw | 10 |
| | A241403 | Drain Elbow, Top | 1 |

Plessey Motor Type H200488

| | | | |
|---|-----------|---------------------------|---|
| * | H200488 | Hydraulic Motor (Plessey) | 1 |
| * | A241003 | Drain Elbow - Bottom | 1 |
| * | H200490 | Casing Bolt | 4 |
| * | H200369 | Seal Kit | 1 |
| * | H200028 | Dowel | 1 |
| * | H200030 | Sealing Dowel | 1 |
| * | GSF3600BA | O Ring | 1 |
| * | H200031 | Plug | 1 |
| * | H200032 | Snap Ring | 1 |
| * | GSF2051AC | Nut | 4 |
| * | A151008 | Lockwasher | 4 |
| * | H087042 | Circlip | 1 |
| * | H083001 | Backing Washer | 1 |
| * | H011040 | Shaft Seal | 1 |
| * | GSF2001AR | Mounting Bolts, Top | 2 |
| * | GSF2002AD | Mounting Bolts, Bottom | 2 |
| * | H014004 | Seal Washer | 2 |
| | A241007 | Elbow, Top | 1 |
| | GSF1040DD | Dowel Pin | 1 |

*Not illustrated

MOTOR 5/3 HYDRAULIC DRIVE MOWER

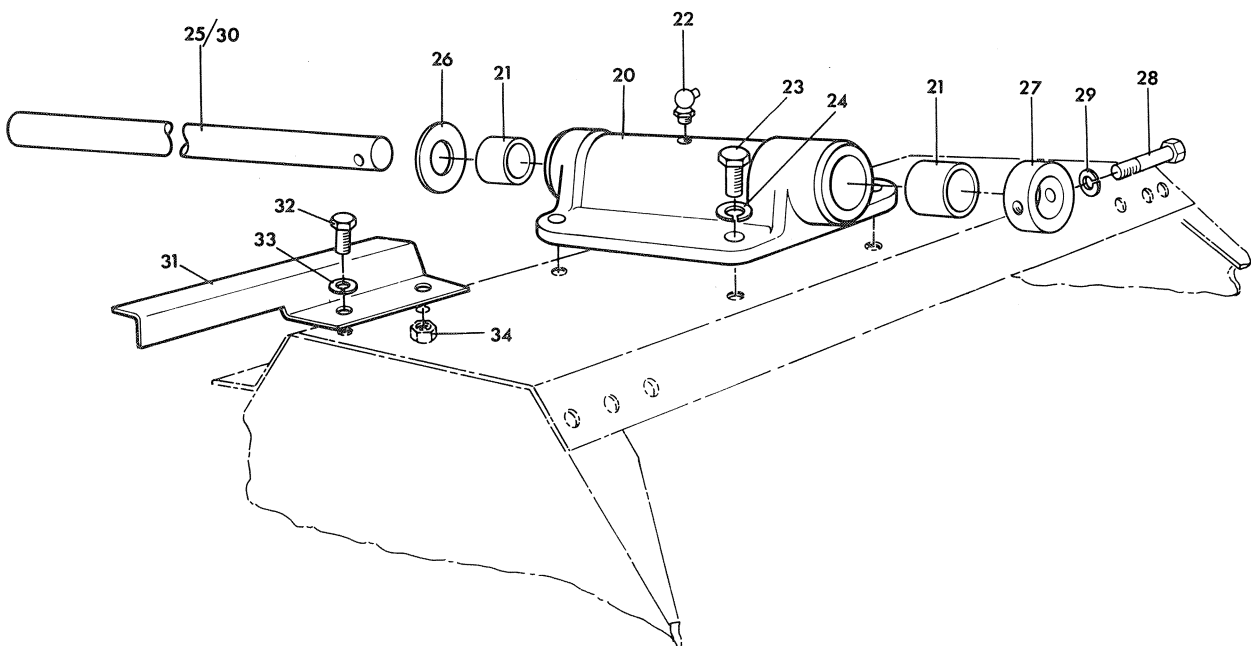
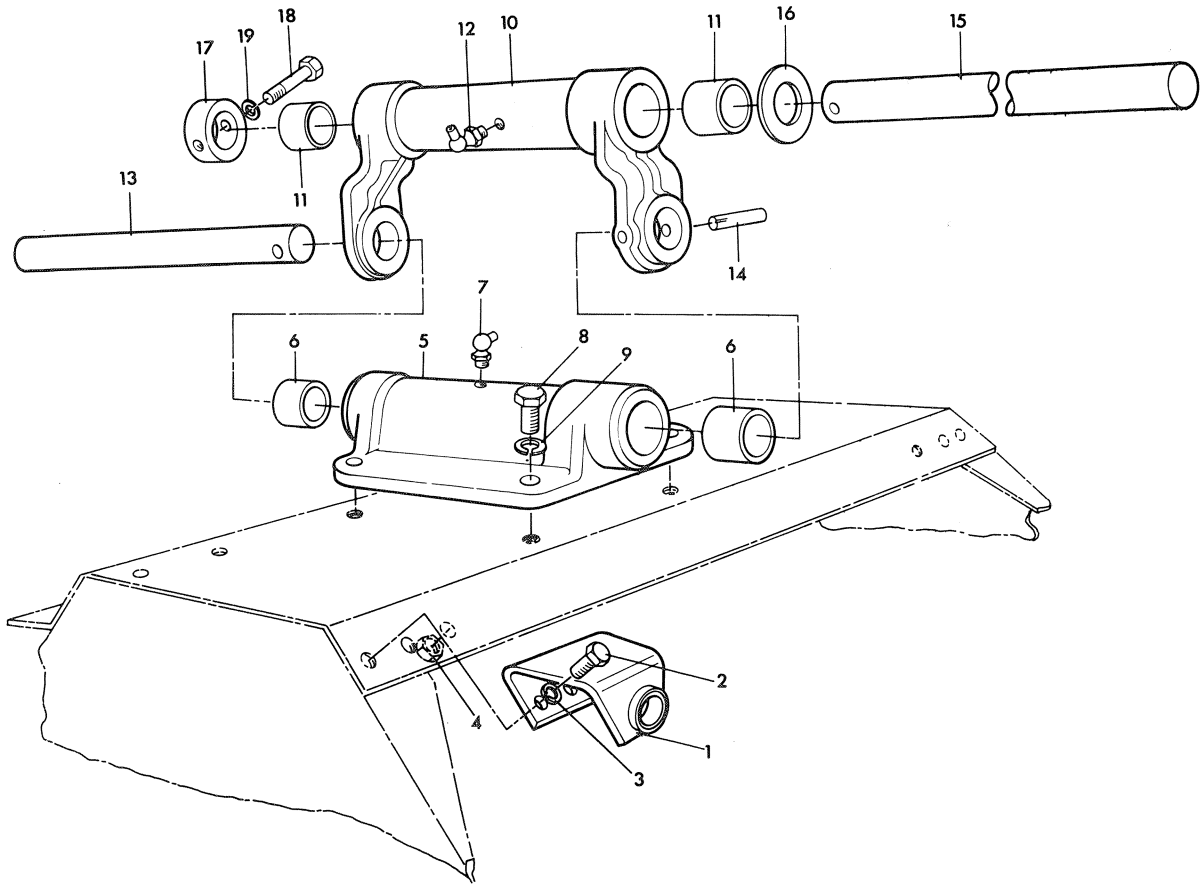


CUTTING UNIT DRIVE MOTOR**LIST OF PARTS**

(Dowty Types A809203 & A809204)

| REF. No. | PART No. | NAME OF PART | QTY |
|----------|----------|----------------|-----|
| 1 | A809601 | Seal Kit | 1 |
| 2 | | O Ring Seal | 2 |
| 3 | A229915 | Shaft Seal | 1 |
| 4 | | Back Up Washer | 1 |
| | | Circlip | 1 |

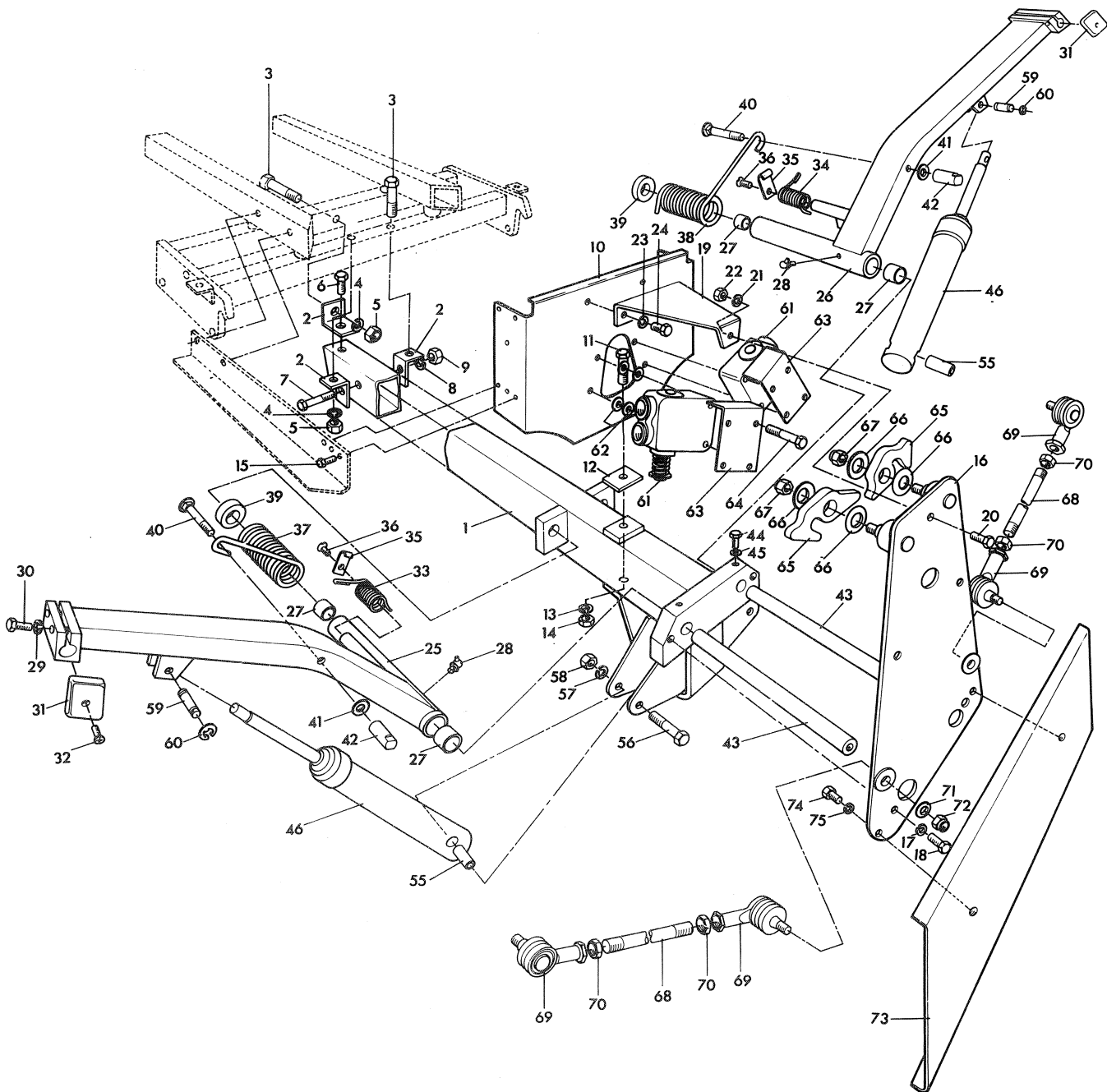
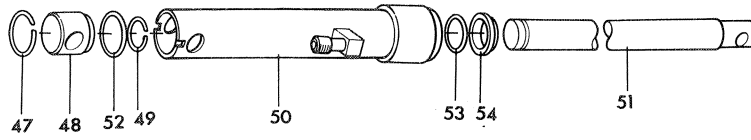
MOTOR 5/3 HYDRAULIC DRIVE MOWER



| REF. No. | PART No. | NAME OF PART | QTY |
|----------|-----------|--------------------------------|----------|
| | | FRONT UNIT MOUNTINGS | 2 |
| 1 | MBB3400 | Tie Rod Bracket (LH Unit Only) | 1 |
| * | MBB3396 | Tie Rod Bracket (RH Unit Only) | 1 |
| 2 | GSF2002EE | Screw 3/8" UNF x 7/8" Hex Hd | 3 |
| 3 | GSF2164J | S.L. Washer 3/8" | 3 |
| 4 | GSF2051AC | Nut 3/8" UNF | 1 |
| 5 | LMSD681A | Anchor Bracket | 1 |
| 6 | GSF3002WM | Bush | 2 |
| 7 | GSF2540AT | Lubricator | 1 |
| 8 | A110405 | Screw M10 x 25 Hex Hd | 4 |
| 9 | A151010 | S.L. Washer 10mm | 4 |
| 10 | LMSD691 | Hinge Assy | 1 |
| 11 | GSF3002WM | Bush | 2 |
| 12 | GSF2540AT | Lubricator | 1 |
| 13 | MBB3213 | Hinge Pin | 1 |
| 14 | GSF1040KL | Tension Pin | 1 |
| 15 | MBB3132A | Pivot Bar | 1 |
| 16 | GSF2150M | Washer | 1 |
| 17 | MBB3133 | Collar | 1 |
| 18 | GSF2001CJ | Bolt | 1 |
| 19 | A151008 | S.L. Washer | 1 |
| | | REAR UNIT MOUNTINGS | 1 |
| 20 | LMSD681A | Anchor Bracket | 1 |
| 21 | GSF3002WM | Bush | 2 |
| 22 | GSF2540AT | Lubricator | 1 |
| 23 | A110405 | Screw | 4 |
| 24 | A151010 | S.L. Washer 10mm | 4 |
| 25 | MBB3132A | Pivot Bar | 1 |
| 26 | GSF2150M | Washer | 1 |
| 27 | MBB3133 | Collar | 1 |
| 28 | GSF2001CJ | Bolt | 1 |
| 29 | A151008 | S.L. Washer | 1 |
| | | WING UNIT MOUNTINGS | 2 |
| 20 | LMSD681A | Anchor Bracket | 1 |
| 21 | GSF3002WM | Bush | 2 |
| 22 | GSF2540AT | Lubricator | 1 |
| 23 | A110405 | Screw | 4 |
| 24 | A151010 | S.L. Washer 10mm | 4 |
| 26 | GSF2150M | Washer | 1 |
| 27 | MBB3133 | Collar | 1 |
| 28 | GSF2001CJ | Bolt | 1 |
| 29 | A151008 | S.L. Washer | 1 |
| 30 | MBB3157A | Pivot Bar | 1 |
| 31 | MBB3171 | Lever (LH Unit Only) | 1 |
| * | MBB3166 | Lever (RH Unit Only) | 1 |
| 32 | GSF2002EF | Screw | 2 |
| 33 | GSF2164J | S.L. Washer 3/8" | 2 |
| 34 | GSF2051AC | Nut 3/8" UNF | 1 |

*Not illustrated

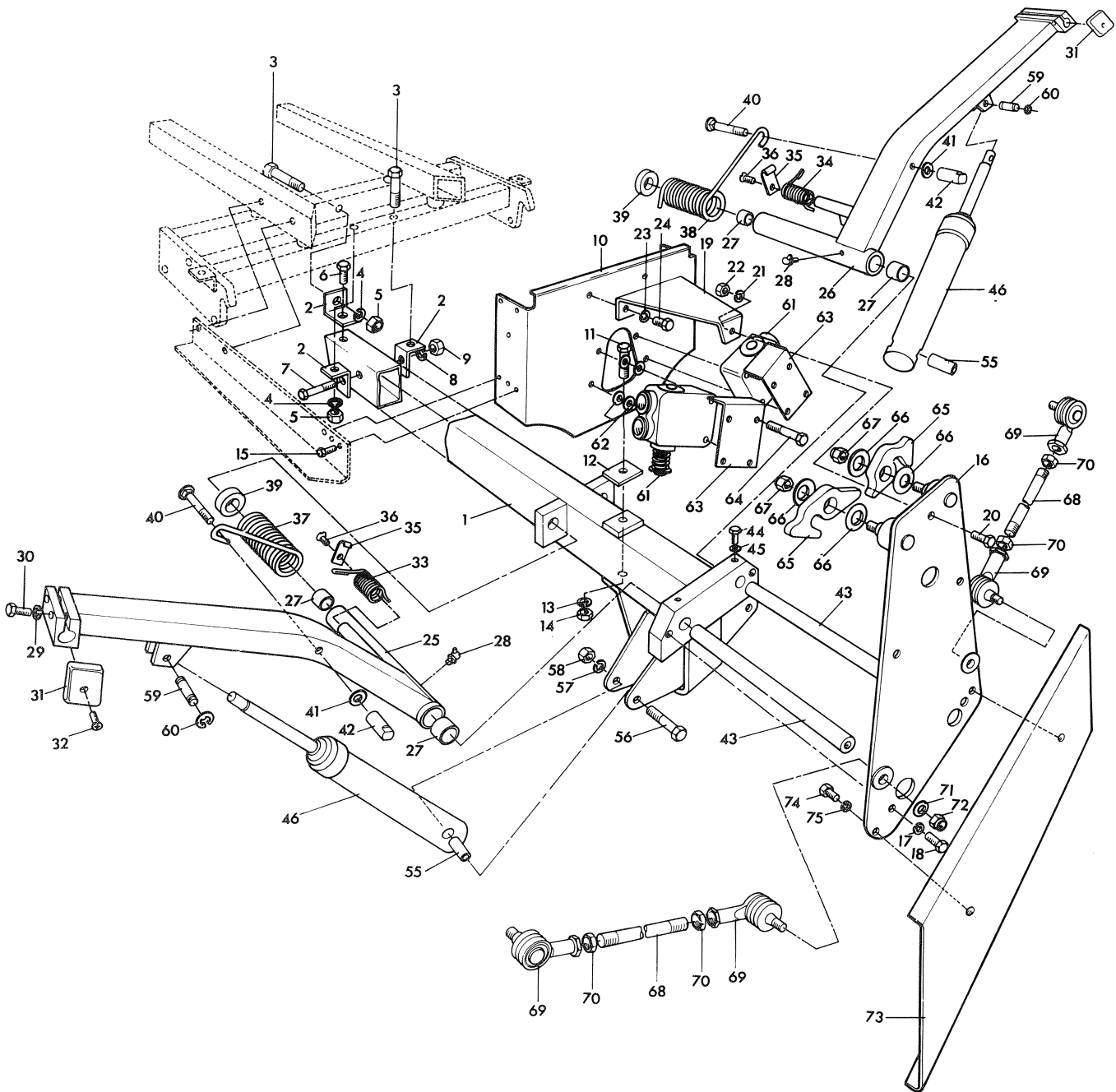
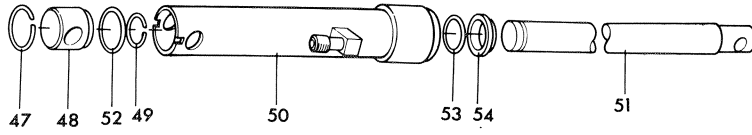
MOTOR 5/3 HYDRAULIC DRIVE MOWER



| REF. No. | PART No. | NAME OF PART | QTY |
|----------|-----------|--------------------------------|-----|
| 1 | MBB3351A | Front Frame | 1 |
| 2 | MBB3350 | Angle Bracket | 3 |
| 3 | GSF2001JT | Bolt 1/2" UNF x 3" Hex Hd | 3 |
| 4 | GSF2164L | S.L. Washer 1/2" | 3 |
| 5 | GSF2051AE | Nut 1/2" UNF | 3 |
| 6 | GSF2002EF | Screw 3/8" UNF x 1" Hex Hd | 1 |
| 7 | GSF2001ET | Bolt 3/8" UNF x 3" Hex Hd | 1 |
| 8 | GSF2164J | S.L. Washer 3/8" | 2 |
| 9 | GSF2051AC | Nut 3/8" UNF | 2 |
| 10 | MBB3378 | Valve Plate | 1 |
| 11 | GSF2001KM | Bolt 1/2" UNF x 5.1/2" Hex Hd | 1 |
| 12 | MBB3380 | Spacer | 1 |
| 13 | GSF2164L | S.L. Washer 1/2" | 1 |
| 14 | GSF2051AE | Nut 1/2" UNF | 1 |
| 15 | GSF2002EF | Screw 3/8" UNF x 1" Hex Hd | 4 |
| * | GSF2164J | S.L. Washer 3/8" | 4 |
| * | GSF2051AC | Nut 3/8" UNF | 4 |
| 16 | MBB3357 | Stowage Plate | 1 |
| 17 | GSF2164L | S.L. Washer 1/2" | 2 |
| 18 | GSF2002JH | Screw 1/2" UNF x 1.1/4" Hex Hd | 2 |
| 19 | MBB3375 | Top Plate | 1 |
| 20 | GSF2002JF | Screw 1/2" UNF x 1" Hex Hd | 1 |
| 21 | GSF2164L | S.L. Washer 1/2" | 1 |
| 22 | GSF2051AE | Nut 1/2" UNF | 1 |
| 23 | A151008 | S.L. Washer 5/16" | 2 |
| 24 | GSF2002CD | Screw 5/16" UNF x 3/4" Hex Hd | 2 |
| 25 | LMSD684 | Lifting Arm RH Assy | 1 |
| 26 | LMSD683 | Lifting Arm LH Assy | 1 |
| 27 | GSF3002WR | Bush | 2 |
| 28 | GSF2540AT | Lubricator | 1 |
| 29 | GSF2164J | S.L. Washer 3/8" | 2 |
| 30 | GSF2002EK | Screw 3/8" UNF x 1.1/2" Hex Hd | 2 |
| 31 | MBB3785 | Cap | 2 |
| 32 | A113204 | Screw M6 x 20 Csk Hd | 2 |
| 33 | MBB3604 | Diverter Spring RH | 1 |
| 34 | MBB3603 | Diverter Spring LH | 1 |
| 35 | MBB3161 | Retainer | 2 |
| 36 | GSF2007BE | Screw 5/16" UNF x 3/4" Csk Hd | 2 |
| 37 | MBB3170 | Spring RH | 1 |
| 38 | MBB3169 | Spring LH | 1 |
| 39 | MBB3135 | Collar | 2 |
| 40 | A102520 | Bolt M12 x 100 Cup Hd Sqr Neck | 2 |
| 41 | A150012 | Washer 12mm | 2 |
| 42 | MBB3638 | Stowage Boss | 2 |
| 43 | MBB3134 | Pivot Bar | 2 |
| 44 | GSF2002CC | Screw 5/16" UNF x 5/8" Hex Hd | 2 |
| 45 | A151008 | S.L. Washer 5/16" | 2 |
| 46 | LMAA120 | Lift Ram Assy | 2 |
| 47 | TBA7972 | Snap Ring | 1 |
| 48 | TBA7970 | End Plug | 1 |
| 49 | TBA7971 | Snap Ring | 1 |
| 50 | MBB3137A | Cylinder | 1 |
| 51 | MBB3139 | Piston | 1 |
| | ASKA022 | Seal Kit | 1 |
| 52 | GSF3600CN | O Ring | 1 |
| 53 | H019055 | Fluid Seal | 1 |
| 54 | H015100 | Wiper Seal | 1 |
| 55 | TBA7975 | Distance Piece | 2 |
| 56 | GSF2001JT | Bolt 1/2" UNF x 3" Hex Hd | 2 |
| 57 | GSF2164L | S.L. Washer 1/2" | 2 |
| * | A241403 | Elbow (For Cylinder) | 1 |

Continued

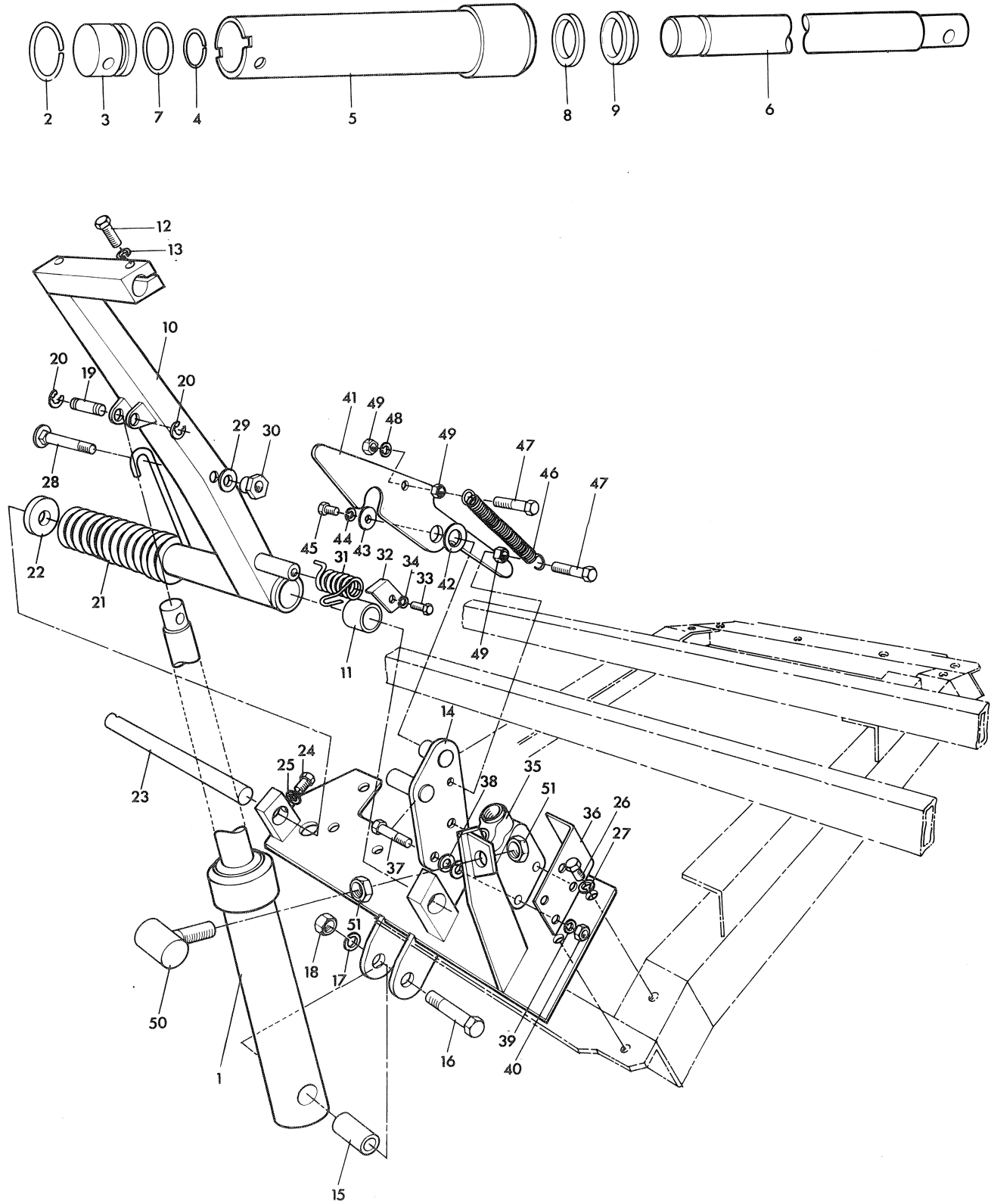
MOTOR 5/3 HYDRAULIC DRIVE MOWER



| REF. No. | PART No. | NAME OF PART | QTY |
|----------|-----------|--------------------------------|-----|
| 58 | GSF2051AE | Nut 1/2" UNF | 2 |
| 59 | MBB3162 | Piston Pin | 2 |
| 60 | GSF1057BK | Circlip | 4 |
| 61 | H240005 | Selector Valve | 2 |
| 62 | GSF2150D | Washer 5/16" | 4 |
| 63 | MBB6470 | Stop | 2 |
| 64 | GSF2001CP | Bolt 5/16" UNF x 2.1/2" Hex Hd | 4 |
| * | A151008 | S.L. Washer 5/16" | 4 |
| * | GSF2051AB | Nut 5/16" UNF | 4 |
| 65 | MBB3381 | Hook | 2 |
| 66 | H083025 | Disc Spring | 4 |
| 67 | GSF2060AE | Stiffnut 1/2" UNF | 2 |
| 68 | MBB3445 | Tie Rod | 2 |
| 69 | H980027 | Ball Joint | 4 |
| 70 | GSF2051AE | Nut 1/2" UNF | 4 |
| 71 | GSF2150E | Washer 3/8" | 2 |
| 72 | GSF2051AB | Nut 5/16" UNF | 2 |
| 73 | MBB3393 | Bumper Bar | 1 |
| 74 | GSF2002EF | Screw 3/8" UNF x 1" Hex Hd | 2 |
| 75 | GSF2164J | S.L. Washer 3/8" | 2 |

*Not illustrated

MOTOR 5/3 HYDRAULIC DRIVE MOWER



(R.H. ASSEMBLY ILLUSTRATED ONLY)

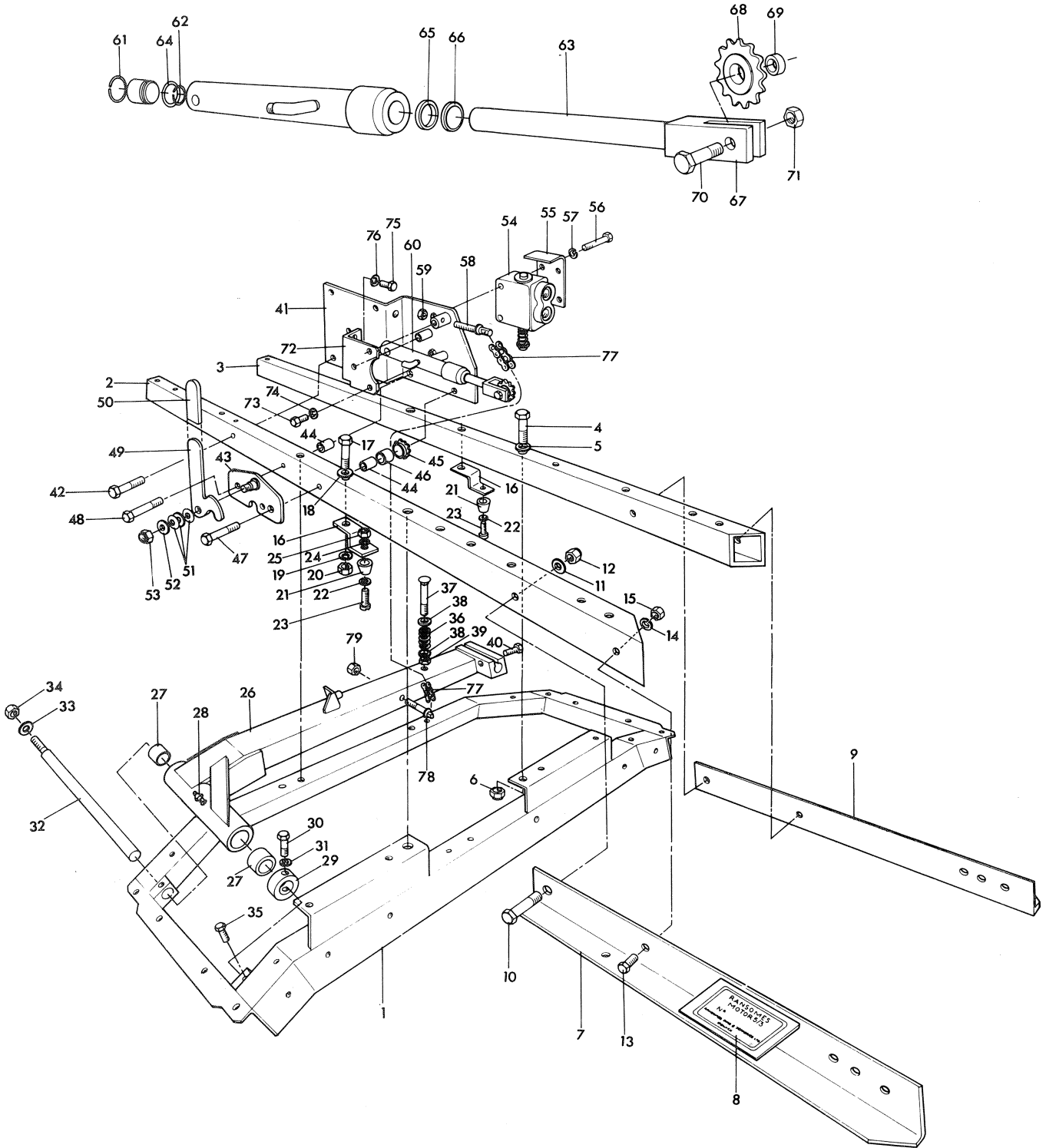
For RH Unit use Qty Column A

For LH Unit use Qty Column B

| REF. No. | PART No. | NAME OF PART | QTY | |
|---------------------------------|-----------|----------------------------------|-----|---|
| | | | A | B |
| 1 | LMAA120 | Lift Ram Assy | 1 | 1 |
| 2 | TBA7971 | Snap Ring | 1 | 1 |
| 3 | TBA 7970 | Eng Plug | 1 | 1 |
| 4 | TBA7972 | Snap Ring | 1 | 1 |
| 5 | MBB3137A | Cylinder (A241403 Elbow) | 1 | 1 |
| 6 | MBB3139 | Piston | 1 | 1 |
| | ASKA022 | Seal Kit | 1 | 1 |
| 7 | GSF3600CN | O Ring | 1 | 1 |
| 8 | H019055 | Fluid Seal | 1 | 1 |
| 9 | H015100 | Wiper Seal | 1 | 1 |
| 10 | LMSD682 | Lift Arm RH | 1 | |
| * | LMSD680 | Lift Arm LH | | 1 |
| 11 | GSF3002WR | Bush | 2 | 2 |
| 12 | GSF2002EK | Screw 3/8" UNF x 1.1/2" Hex Hd | 2 | 2 |
| 13 | GSF2164J | S.L. Washer 3/8" | 2 | 2 |
| 14 | MBB6463 | Support Assy RH | 1 | |
| * | MBB6464 | Support Assy LH | | 1 |
| 15 | TBA7975 | Distance Piece | 1 | 1 |
| 16 | GSF2001JT | Bolt 1/2" UNF x 3" Hex Hd | 1 | 1 |
| 17 | GSF2164L | S.L. Washer 1/2" | 1 | 1 |
| 18 | GSF2051AE | Nut 1/2" UNF | 1 | 1 |
| 19 | MBB3162 | Piston Pin | 1 | 1 |
| 20 | GSF1057BK | Circlip | 2 | 2 |
| 21 | MBB3170 | Spring RH | 1 | |
| * | MBB3169 | Spring LH | | 1 |
| 22 | MBB3135 | Collar | 1 | 1 |
| 23 | MBB3134 | Pivot Bar | 1 | 1 |
| 24 | GSF2002CC | Screw 5/16" UNF x 5/8" Hex Hd | 1 | 1 |
| 25 | GSF2164H | S.L. Washer 5/16" | 1 | 1 |
| 26 | GSF2001JF | Bolt 1/2" UNF x 1.1/2" Hex Hd | 6 | 6 |
| 27 | GSF2164L | S.L. Washer 1/2" | 6 | 6 |
| 28 | A102520 | Bolt M12 x 100 Cup Hd Sqr Neck | 1 | 1 |
| 29 | A150012 | Washer 12mm | 1 | 1 |
| 30 | MBB3639 | Stowage Boss | 1 | 1 |
| 31 | MBB3603 | Diverter Spring RH | 1 | |
| * | MBB3604 | Diverter Spring LH | | 1 |
| 32 | MBB3161 | Spring Retainer | 1 | 1 |
| 33 | GSF2002CC | Screw 5/16" UNF x 5/8" Hex Hd | 1 | 1 |
| 34 | GSF2164H | S.L. Washer 5/16" | 1 | 1 |
| 35 | H240005 | Selector Valve | 1 | 1 |
| 36 | MBB6470 | Valve Stop | 1 | 1 |
| 37 | GSF2001CP | Bolt 5/16" UNF x 2.1/2" Hex Hd | 1 | 1 |
| 38 | GSF2150D | Washer 5/16" | 4 | |
| 39 | GSF2164H | S.L. Washer 5/16" | 2 | 2 |
| 40 | GSF2051AB | Nut 5/16" UNF | 2 | 2 |
| 41 | MBB3150 | Wing Unit Lock | 1 | 1 |
| 42 | A150020 | Washer 3/4" | 1 | 1 |
| 43 | GSF2154FK | Washer | 1 | 1 |
| 44 | GSF2164H | S.L. Washer 5/16" | 1 | 1 |
| 45 | GSF2002CB | Screw 5/16" UNF x 1/2" Hex Hd | 1 | 1 |
| 46 | H980393 | Spring | 1 | 1 |
| 47 | GSF2001CF | Bolt 5/16" UNF x 1.1/2" Hex Hd | 1 | 1 |
| 48 | GSF2164H | S.L. Washer 5/16" | 1 | 1 |
| 49 | GSF2052AB | Locknut 5/16" UNF | 4 | 4 |
| 50 | MBB3163 | Adjuster | 1 | 1 |
| 51 | GSF2052AH | Locknut | 2 | 2 |
| NEW SILENCER SYSTEM ONLY | | | | |
| 26 | GSF2001JH | Bolt 1/2" UNF x 1.3/4" (5 UNIT) | | 1 |
| * | GSF2002JH | Screw 1/2" UNF x 1.1/4" (3 UNIT) | | 1 |
| | GSF2051AE | Nut 1/2" UNF (3 UNIT) | | 1 |
| | GSF2164L | Lockwasher 1/2" Dia. (3 UNIT) | | 1 |

*Not illustrated

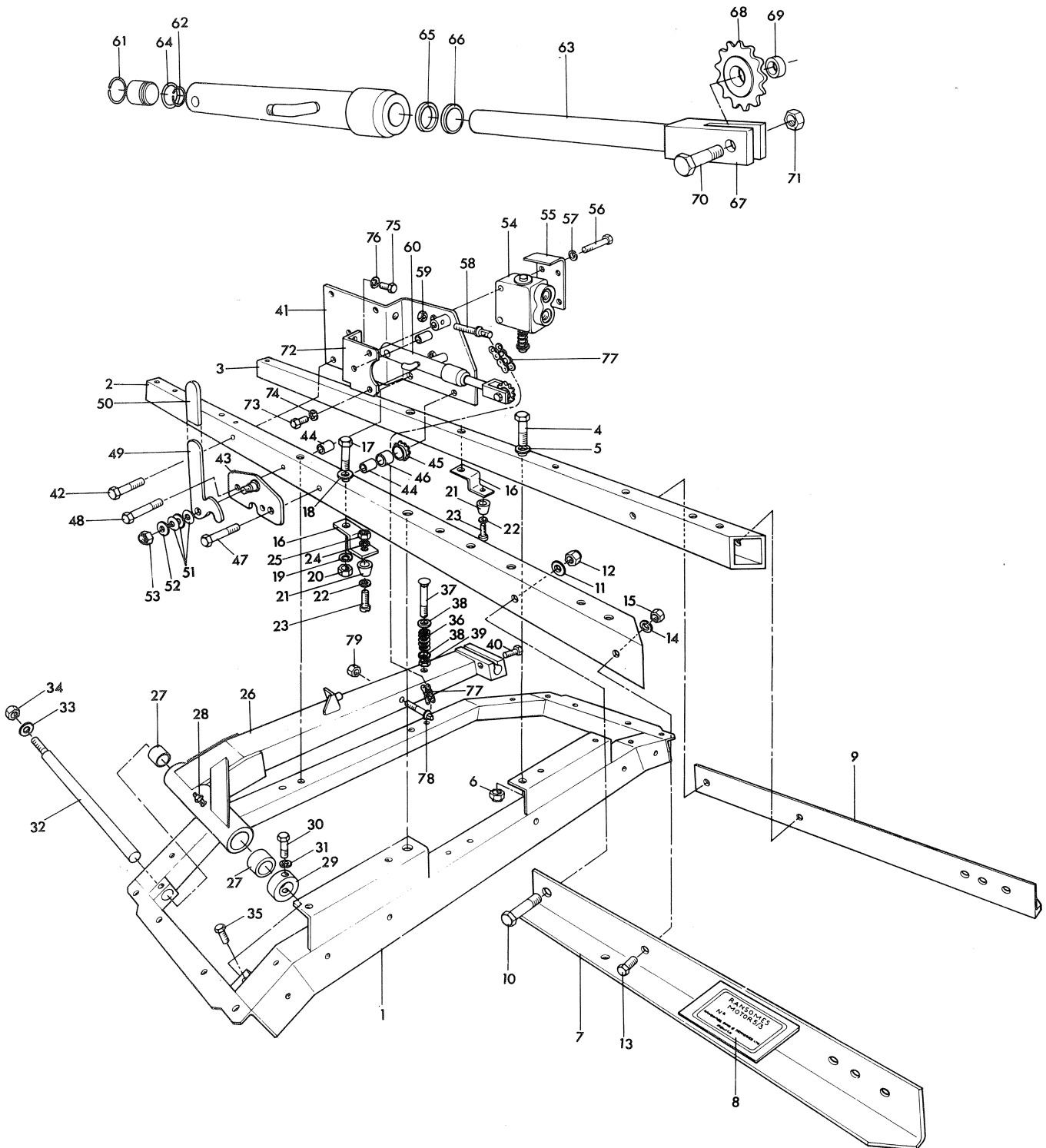
MOTOR 5/3 HYDRAULIC DRIVE MOWER



| REF. No. | PART No. | NAME OF PART | QTY |
|----------|-----------|--------------------------------|-----|
| 1 | MBB3116 | Rear Frame | 1 |
| 2 | MBB3107 | Upper Member RH | 1 |
| 3 | MBB3108 | Upper Member LH | 1 |
| 4 | GSF2001JT | Bolt 1/2" UNF x 3" Hex Hd | 4 |
| 5 | GSF2152E | Washer | 4 |
| 6 | GSF2060AE | Stiffnut 1/2" UNF | 4 |
| 7 | MBB6605 | Front Angle RH | 1 |
| 8 | MBB3670 | Nameplate | 1 |
| * | H060074 | Adhesive Tape (4 ins) | 1 |
| 9 | MBB3110 | Front Angle LH | 1 |
| 10 | MBB6606 | Bolt 3/8" UNF x 3" Hex Hd | 2 |
| 11 | GSF2152C | Washer | 2 |
| 12 | GSF2060AC | Stiffnut 3/8" UNF | 2 |
| 13 | GSF2002JF | Screw 1/2" UNF x 1" Hex Hd | 2 |
| 14 | GSF2164L | S.L. Washer 1/2" | 2 |
| 15 | GSF2051AE | Nut 1/2" UNF | 2 |
| 16 | MBB3111 | Bracket | 2 |
| 17 | GSF2001ET | Bolt 3/8" UNF x 3" Hex Hd | 2 |
| 18 | GSF2152C | Washer | 2 |
| 19 | GSF2164J | S.L. Washer 3/8" | 2 |
| 20 | GSF2051AC | Nut 3/8" UNF | 2 |
| 21 | H990117 | Rubber Buffer | 2 |
| 22 | GSF2160C | Washer 2BA | 2 |
| 23 | GSF1971CN | Screw 2BA x 1" Cheese Hd | 2 |
| 24 | GSF2164F | S.L. Washer 2BA | 2 |
| 25 | GSF1980AA | Nut 2BA | 2 |
| 26 | LMSD685 | Lifting Arm | 1 |
| 27 | GSF3002WR | Bush | 2 |
| 28 | GSF2540AC | Lubricator | 1 |
| 29 | MBB3133 | Collar | 1 |
| 30 | GSF2001CJ | Bolt 5/16" UNF x 1.7/8" Hex Hd | 1 |
| 31 | GSF2164H | S.L. Washer 5/16" | 1 |
| 32 | MBB3390 | Pivot Bar | 1 |
| 33 | MBB3389 | Washer | 1 |
| 34 | GSF2060AG | Stiffnut 5/8" UNF | 1 |
| 35 | GSF2002CB | Screw 5/16" UNF x 1/2" Hex Hd | 2 |
| 36 | H980410 | Spring | 1 |
| 37 | A102520 | Bolt M12 x 100 Cup Hd Sqr Neck | 1 |
| 38 | A150012 | Washer 12mm | 2 |
| 39 | A130012 | Nut M12 | 2 |
| 40 | GSF2002EK | Screw 3/8" UNF x 1.1/2" Hex Hd | 2 |
| * | GSF2164J | S.L. Washer 3/8" | 2 |
| 41 | MBB3417 | Valve Plate | 1 |
| 42 | GSF2001ER | Bolt 3/8" UNF x 2.3/4" Hex Hd | 1 |
| * | GSF2164J | S.L. Washer 3/8" | 1 |
| * | GSF2051AC | Nut 3/8" UNF | 1 |
| 43 | MBB3437 | Back Plate | 1 |
| 44 | MBB3716 | Distance Piece | 2 |
| 45 | LMSD687 | Sprocket | 1 |
| 46 | A210138 | Bush | 1 |
| 47 | GSF2001KF | Bolt 1/2" UNF x 4.1/2" Hex Hd | 2 |
| * | GSF2164L | S.L. Washer 1/2" | 2 |
| * | GSF2051AE | Nut 1/2" UNF | 2 |
| 48 | GSF2001FB | Bolt 3/8" UNF x 4" Hex Hd | 1 |
| * | GSF2164J | S.L. Washer 3/8" | 1 |
| * | GSF2051AC | Nut 3/8" UNF | 1 |
| 49 | MBB3441 | Rear Unit Lock | 1 |
| 50 | MBB3444 | Plastic Sleeve | 1 |
| 51 | H083023 | Disc Spring | 3 |
| 52 | A150016 | Washer | 1 |

Continued

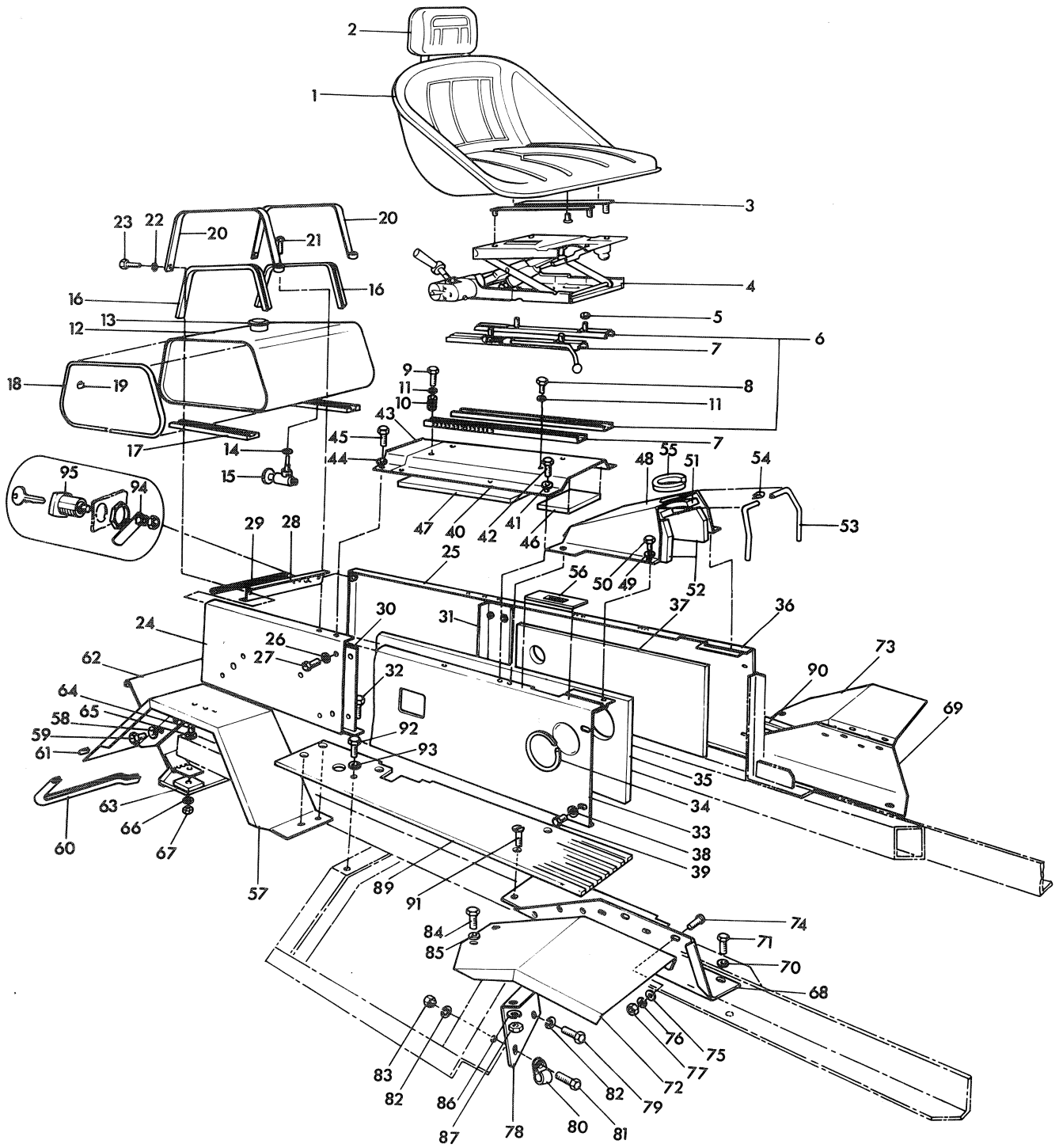
MOTOR 5/3 HYDRAULIC DRIVE MOWER



| REF. No. | PART No. | NAME OF PART | QTY |
|----------|-----------|---|-----|
| 53 | GSF2060AC | Stiffnut 3/8" UNF | 1 |
| 54 | H240005 | Selector Valve | 1 |
| 55 | MBB6470A | Stop | 1 |
| 56 | GSF2001CM | Bolt 5/16" UNF x 2.1/4" Hex Hd | 2 |
| 57 | GSF2164H | S.L. Washer 5/16" | 2 |
| 58 | MBB3816 | Bolt | 1 |
| 59 | A133010 | Stiffnut M10 | 1 |
| 60 | LMAA126 | Lifting Ram | 1 |
| 61 | TBA7972 | Snap Ring | 1 |
| 62 | TBA7971 | Snap Ring | 1 |
| 63 | MBB3426 | Piston | 1 |
| | ASKA022 | Seal Kit | 1 |
| 64 | GSF3600CN | O Ring | 1 |
| 65 | H019055 | Seal | 1 |
| 66 | H015100 | Wiper Seal | 1 |
| 67 | MBB3429 | Fork | 1 |
| 68 | LMSD686 | Sprocket | 1 |
| 69 | A210083 | Bush | 1 |
| 70 | MBB3714 | Bolt | 1 |
| 71 | A130012 | Nut M12 | 1 |
| 72 | MBB3433 | Bracket | 1 |
| 73 | GSF2002EC | Screw 3/8" UNF x 5/8" Hex Hd | 3 |
| 74 | GSF2164J | S.L. Washer 3/8" | 3 |
| 75 | GSF2002CD | Screw 5/16" UNF x 3/4" Hex Hd | 1 |
| 76 | GSF2164H | S.L. Washer 5/16" | 1 |
| 77 | A301046 | Chain | 1 |
| * | A380102 | Chain Connector | 2 |
| 78 | MBB3816 | Bolt | 1 |
| 79 | A133010 | Stiffnut M10 | 1 |
| * | GSF2001CP | Bolt 5/16" UNF x 2.1/2" Long Hex Hd for Item 55 | 2 |
| * | GSF2150D | Washer | 2 |

*Not illustrated

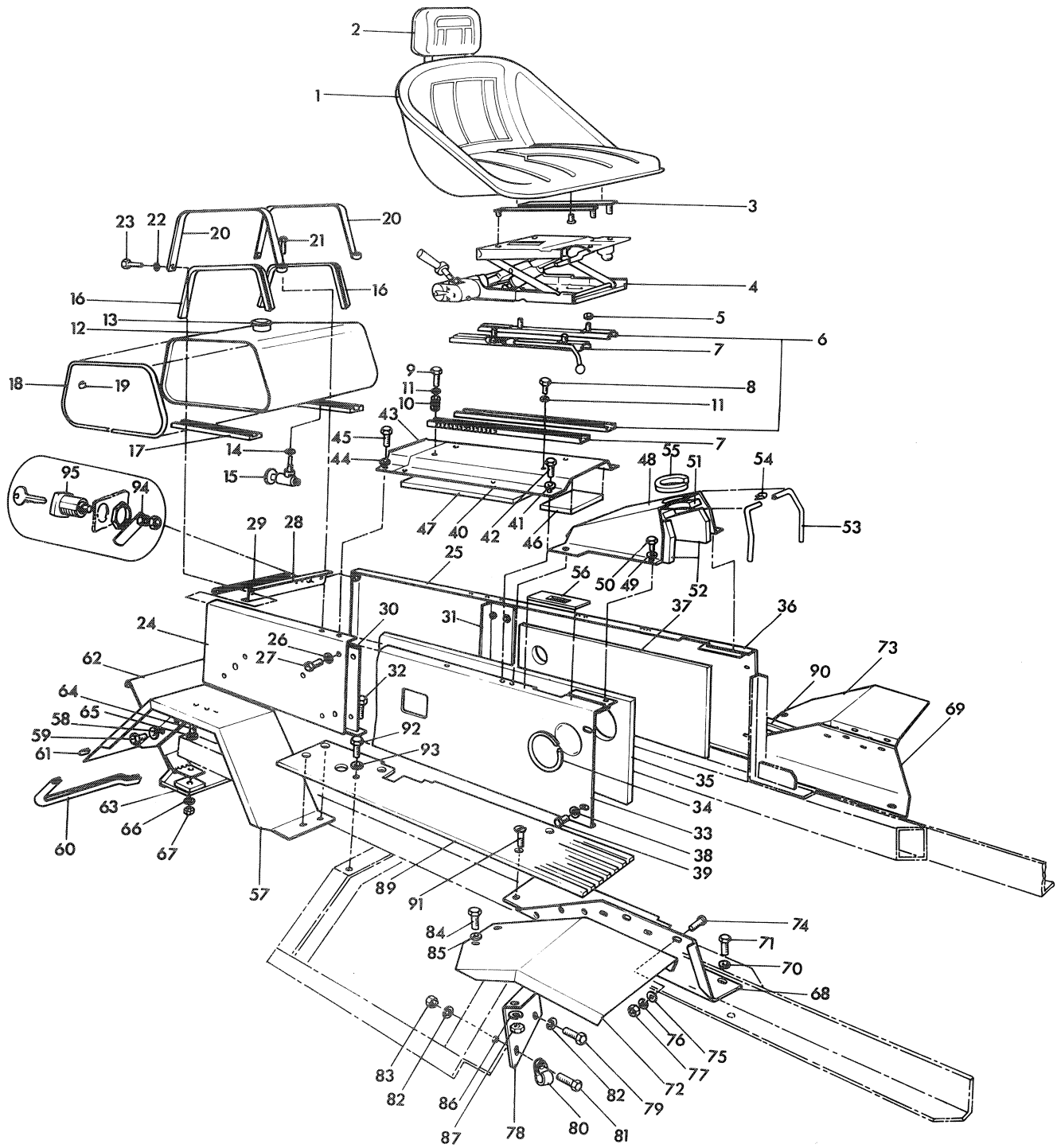
MOTOR 5/3 HYDRAULIC DRIVE MOWER



| REF. No. | PART No. | NAME OF PART | QTY |
|----------|-----------|-------------------------|-----|
| 1 | H980386 | Seat | 1 |
| 2 | H980389 | Back Rest | 1 |
| 3 | H980358 | Assembly Kit | 1 |
| 4 | H980387 | Suspension Unit | 1 |
| 5 | GSF2150D | Washer 5/16" | 4 |
| 6 | H980390 | Slide Rail (Fixed) | 2 |
| 7 | H980420 | Slide Rail (Adjustable) | 2 |
| 8 | GSF2002CD | Screw | 2 |
| 9 | GSF2002CF | Screw | 2 |
| 10 | GSF2150D | Washer 5/16" | 6 |
| 11 | GSF2164H | S.L. Washer 5/16" | 4 |
| 12 | MBB3181 | Fuel Tank | 1 |
| 13 | H460057 | Filler Cap & Key | 2 |
| 14 | GSF3551EC | Fibre Washer | 1 |
| 15 | A890064 | Fuel Tap | 1 |
| 16 | H060103 | Rubber Strip (26") | 2 |
| 17 | H060103 | Rubber Strip (14ins) | 2 |
| 18 | H060104 | Beading (45ins) | 2 |
| 19 | H089014 | Beading Clip | 26 |
| 20 | MBB3185 | Tank Strap | 2 |
| 21 | GSF2002CD | Screw | 2 |
| 22 | GSF2164H | S.L. Washer 5/16" | 2 |
| 23 | GSF2002CC | Screw | 2 |
| 24 | MBB3058 | Rear Panel RH | 1 |
| 25 | MBB3062 | Rear Panel LH | 1 |
| 26 | GSF2150D | Washer | 4 |
| 27 | GSF2002CD | Screw | 4 |
| 28 | MBB3412 | Stay | 1 |
| 29 | H060053 | Beading (17ins) | 1 |
| 30 | MBB3066 | Bracket RH | 1 |
| 31 | MBB3068 | Bracket LH | 1 |
| 32 | GSF2001ER | Bolt | 2 |
| * | GSF2152C | Washer | 2 |
| * | GSF2164J | S.L. Washer 3/8" | 2 |
| * | GSF2051AC | Nut 3/8" UNF | 2 |
| 33 | MBB3056 | Front Panel RH | 1 |
| 34 | H060053 | Beading (8 ins) | 1 |
| 35+ | MBB6339 | Felt Pad | 1 |
| 36 | MBB3060 | Front Panel LH | 1 |
| 37+ | MBB6338 | Felt Pad | 1 |
| 38 | GSF2150D | Washer 5/16" | 8 |
| 39 | GSF2002CD | Screw | 8 |
| 40 | MBB3051 | Seat Plate | 1 |
| 41 | GSF2150D | Washer 5/16" | 6 |
| 42 | GSF2002CD | Screw | 6 |
| 43 | MBB3055 | Rear Cover | 1 |
| 44 | GSF2150D | Washer 5/16" | 2 |
| 45 | GSF2002CD | Screw | 2 |
| 46+ | MBB6336 | Felt Pad | 1 |
| 47+ | MBB6337 | Felt Pad | 1 |
| 48 | MBB6602 | Pump Cover | 1 |
| 49 | GSF2150D | Washer 5/16" | 4 |
| 50 | GSF2002CD | Screw | 4 |
| 51+ | MBB6331 | Felt Pad | 1 |
| 52+ | MBB6341 | Felt Pad | 2 |
| 53 | H060104 | Beading (325mm) | 2 |
| 54 | H089014 | Beading Clip | 10 |
| 55 | A904128 | Sealing Strip | 1 |
| 56 | A904127 | Rubber Cover | 2 |
| 57 | MBB3064 | Rear Mudguard RH | 1 |
| * | MBB3065 | Rear Mudguard LH | 1 |

Continued

MOTOR 5/3 HYDRAULIC DRIVE MOWER



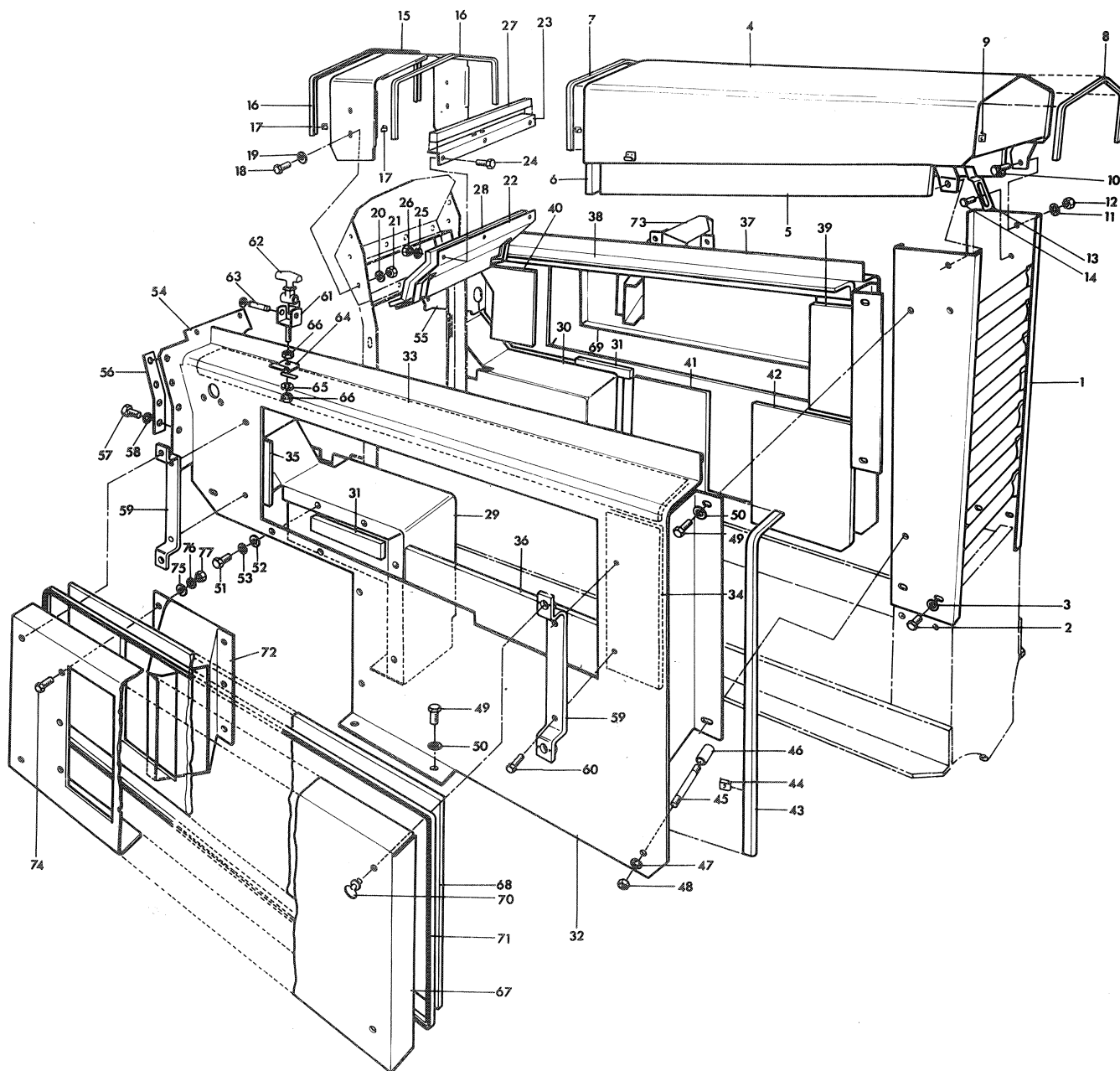
| REF. No. | PART No. | NAME OF PART | QTY |
|-----------------------------------|-----------|--------------------------|-----|
| 58 | GSF2150D | Washer | 8 |
| 59 | GSF2002CD | Screw | 8 |
| 60 | H060104 | Beading (17.1/2") | 2 |
| 61 | H089014 | Beading Clip | 16 |
| 62 | MBB3405 | Toolbox | 1 |
| 63 | MBB3413 | Drawbar | 1 |
| 64 | GSF2001JX | Bolt | 2 |
| 65 | GSF2152E | Washer | 2 |
| 66 | GSF2164L | S.L. Washer 1/2" | 2 |
| 67 | GSF2051AE | Nut 1/2" UNF | 2 |
| 68 | MBB6677 | Floor Plate RH | 1 |
| 69 | MBB6675 | Floor Plate LH | 1 |
| 70 | GSF2150D | Washer 5/16" | 2 |
| 71 | GSF2002CB | Screw to Front Axle | 2 |
| 72 | MBB6671 | Front Mudguard RH | 1 |
| 73 | MBB6673 | Front Mudguard LH | 1 |
| 74 | A112296 | Screw | 14 |
| 75 | A150006 | Washer | 14 |
| 76 | A151006 | S.L. Washer | 14 |
| 77 | A130006 | Nut | 14 |
| 78 | MBB6682 | Stay RH | 1 |
| * | MBB6681 | Stay LH | 1 |
| 79 | GSF2002CB | Screw | 2 |
| 80 | H980031 | Hose Clip | 2 |
| 81 | GSF2002CF | Screw | 2 |
| 82 | GSF2164H | S.L. Washer 5/16" | 4 |
| 83 | GSF2051AB | Nut 5/16" UNF | 2 |
| 84 | A110204 | Screw M6 x 20 Hex Hd | 4 |
| 85 | A150006 | Washer 6mm | 4 |
| 86 | A151006 | S.L. Washer 6mm | 4 |
| 87 | A130006 | Nut M6 | 4 |
| 89 | A904808 | Footplate RH | 1 |
| 90 | A904809 | Footplate LH | 1 |
| 91 | A113305 | Screw | 11 |
| 92 | GSF2002CB | Screw to Battery Box | 1 |
| 93 | A150008 | Washer 8mm | 1 |
| * | A298330 | Rear Petrol Pipe (61ins) | 1 |
| * | MBB6185 | Battery Box | 1 |
| * | MBB6687 | Lid for Battery Box | 1 |
| * | A904143 | Battery Pad | 1 |
| * | H091022 | Grommet | 1 |
| * | MBB3495 | Battery Cover | 1 |
| * | A133008 | Nyloc Nut (for 91) | 11 |
| FITTINGS FOR EARLY MODELS* | | | |
| 15 | H390048 | Fuel Tap | 1 |
| 48 | MBB3050 | Pump Cover | 1 |
| 72 | MBB3470 | Wheel Guard RH | 1 |
| 73 | MBB3482 | Wheel Guard LH | 1 |
| 78 | MBB3475 | Support RH | 1 |
| * | MBB3486 | Support LH | 1 |
| 68† | MBB6678 | Floorplate RH | 1 |
| 69† | MBB6676 | Floorplate LH | 1 |
| * | MBB3491 | Battery Box | 1 |

*Not illustrated

+Supplied only as part of Acoustic Kit A904308

†For later models not fitted with noise suppression

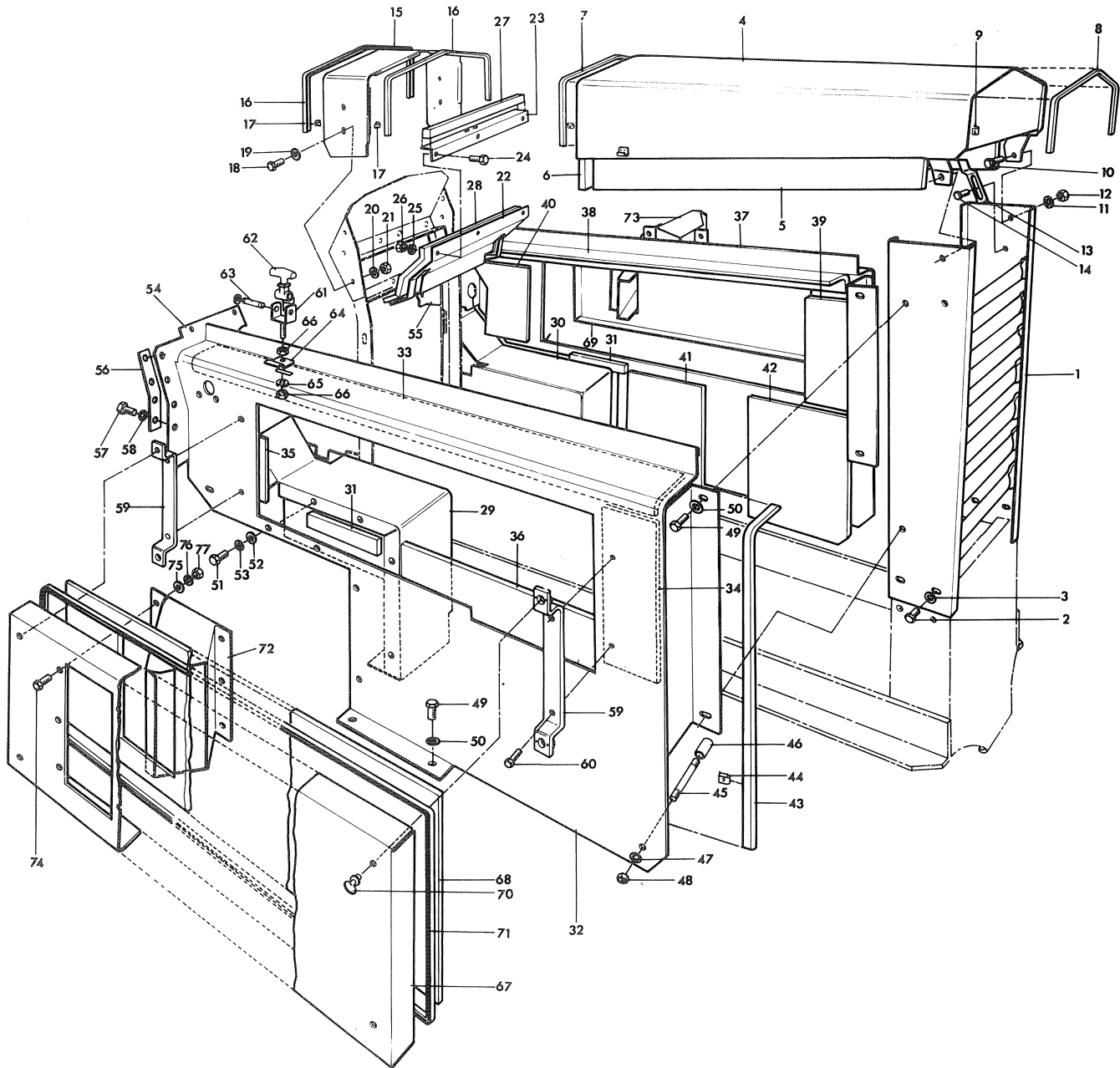
MOTOR 5/3 HYDRAULIC DRIVE MOWER



| REF. No. | PART No. | NAME OF PART | QTY |
|----------|-----------|--|-----|
| 1 | MBB3287 | Grill | 1 |
| 2 | GSF2002CC | Screw 5/16" UNF x 5/8" Hex Hd | 4 |
| 3 | GSF2150D | Washer 5/16" Dia | 4 |
| 4 | MBB6645 | Bonnet | 1 |
| 5+ | MBB6346 | Acoustic Pad | 1 |
| 6+ | MBB6347 | Acoustic Pad | 1 |
| 7 | H060104 | Beading (36 ins) | 1 |
| 8 | H060104 | Beading (29 ins) | 1 |
| 9 | H089014 | Beading Clip | 18 |
| 10 | MBB3291 | Pivot Screw | 2 |
| 11 | GSF2164G | S.L. Washer 1/4" Dia | 2 |
| 12 | GSF2051AA | Nut 1/4" UNF | 2 |
| 13 | MBB3292 | Stay | 1 |
| 14 | MBB3291 | Pivot Screw | 2 |
| * | GSF2164G | S.L. Washer 1/4" Dia | 2 |
| * | GSF2051AA | Nut 1/4" UNF | 2 |
| 15 | MBB6644 | Cowl | 1 |
| 16 | H060104 | Beading (36 ins) | 2 |
| 17 | H089014 | Beading Clip | 16 |
| 18 | A110296 | Screw M6 x 16 Hex Hd | 4 |
| 19 | A150006 | Washer 6mm | 4 |
| 20 | A151006 | S.L. Washer 6mm | 4 |
| 21 | A130006 | Nut M6 | 4 |
| 22 | MBB6642 | Baffle | 1 |
| 23 | MBB6643 | Angle | 1 |
| 24 | A110296 | Screw M6 x 16 Hex Hd | 3 |
| 25 | A151006 | S.L. Washer 6mm | 3 |
| 26 | A130006 | Nut M6 | 3 |
| 27 | A904126 | Sealing Strip | 1 |
| 28+ | MBB6340 | Acoustic Pad | 1 |
| 29 | MBB6619C | Pedal Cover RH | 1 |
| 30 | MBB6622D | Pedal Cover LH | 1 |
| * | A110296 | Screw for 29, 30 & Front Axle M6 x 16 Hex Hd | 2 |
| * | A150006 | Washer 6mm | 2 |
| * | A151006 | S.L. Washer 6mm | 2 |
| * | A130006 | Nut M6 | 2 |
| * | A110294 | Screw M6 x 12 Hex Hd (Pedal Cover to Steering Support) | 4 |
| * | A151006 | S.L. Washer 6mm | 4 |
| * | A150006 | Washer 6mm | 4 |
| 31 | MBB6333 | Acoustic Pad | 2 |
| 32 | MBB6610C | Panel RH | 1 |
| 33+ | MBB6343 | Acoustic Pad | 1 |
| 34+ | MBB6345 | Acoustic Pad | 1 |
| 35+ | MBB6332 | Acoustic Pad | 1 |
| 36+ | MBB6344 | Acoustic Pad | 1 |
| 37 | MBB6613B | Panel LH | 1 |
| 38+ | MBB6343 | Acoustic Pad | 1 |
| 39+ | MBB6345 | Acoustic Pad | 1 |
| 40+ | MBB6330 | Acoustic Pad | 1 |
| 41+ | MBB6334 | Acoustic Pad | 1 |
| 42+ | MBB6335 | Acoustic Pad | 1 |
| 43 | H060104 | Beading (36") | 2 |
| 44 | H089014 | Beading Clip | 16 |
| 45 | MBB6616 | Stud | 2 |
| 46 | AF09095 | Spacer | 2 |
| 47 | A151008 | S.L. Washer 8mm | 4 |
| 48 | A130008 | Nut M8 | 4 |
| 49 | A110304 | Screw M8 x 20 Hex Hd | 8 |
| 50 | A150008 | Washer 8mm | 8 |
| * | A151008 | S.L. Washer | 8 |
| * | A130008 | Nut M8 | 8 |

Continued

MOTOR 5/3 HYDRAULIC DRIVE MOWER

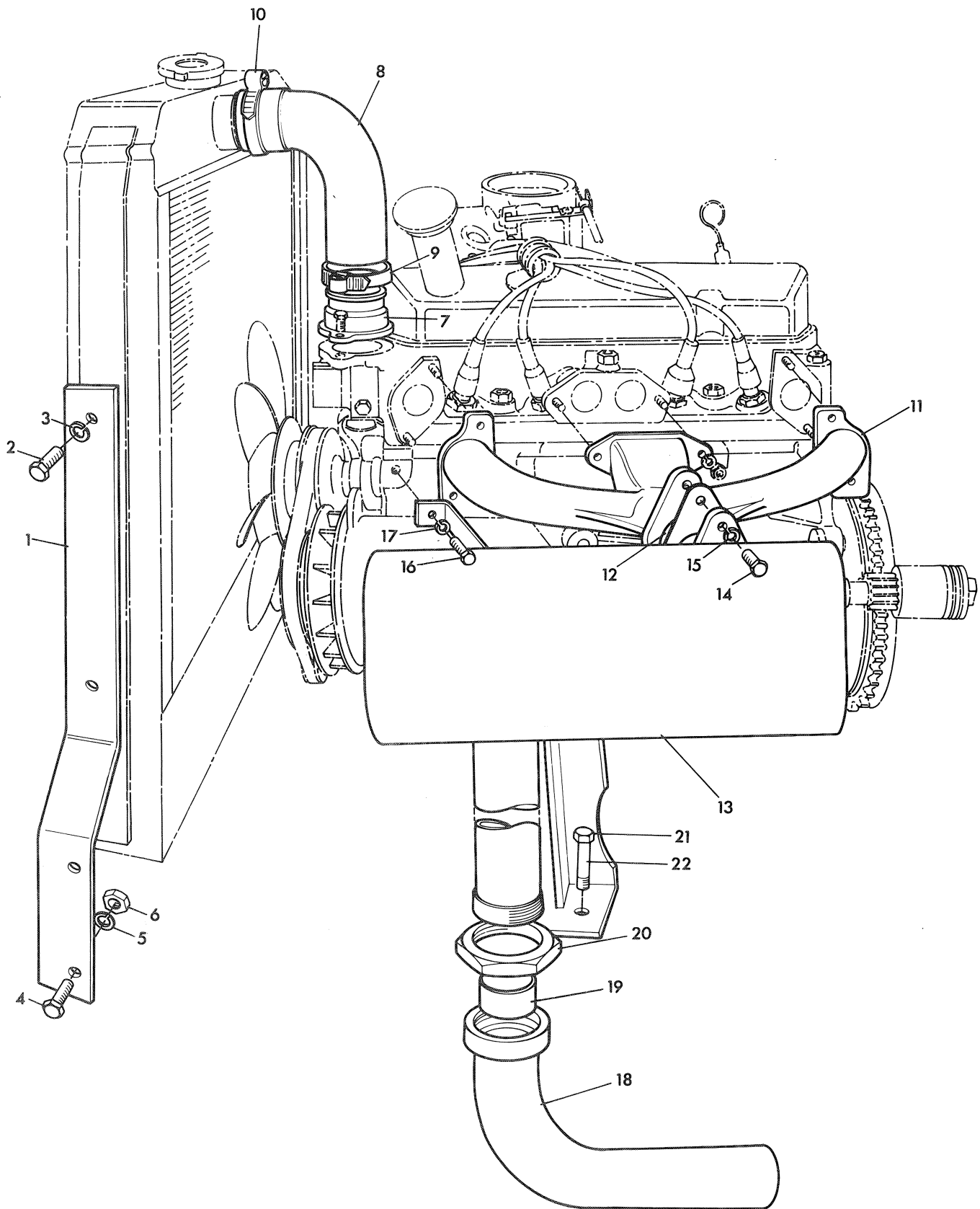


| REF. No. | PART No. | NAME OF PART | QTY |
|-----------------------------------|-----------|-----------------------------|-----|
| 51 | A110296 | Screw M6 x 16 Hex Hd | 10 |
| 52 | A150006 | Washer 6mm | 10 |
| 53 | A151006 | S.L. Washer 6mm | 10 |
| 54 | A904136 | Rubber Cover RH | 1 |
| 55 | A904129 | Rubber Cover LH | 1 |
| 56 | MBB6615 | Clamp Strip | 2 |
| 57 | A110204 | Screw M6 x 20 Hex Hd | 8 |
| 58 | A151006 | S.L. Washer 6mm | 8 |
| 59 | MBB6617 | Support | 4 |
| 60 | A110296 | Screw M6 x 16 Hex Hd | 8 |
| * | A151006 | S.L. Washer 6mm | 8 |
| * | A130006 | Nut M6 | 8 |
| 61 | MBB6650A | Anchor | 2 |
| 62 | H990086 | Toggle | 2 |
| 63 | GSF1030JK | Pin Assy | 2 |
| 64 | MBB6656 | Stop | 2 |
| 65 | A150008 | Washer 8mm | 4 |
| 66 | A130008 | Nut M8 | 4 |
| 67 | MBB6633 | Cover RH | 1 |
| 68+ | MBB6342 | Acoustic Pad | 1 |
| 69 | MBB6634 | Cover LH | 1 |
| 70 | H089012 | Camloc Stud | 4 |
| 71 | H060053 | Beading (67.1/2") | 2 |
| 72 | MBB6635 | Vent RH | 1 |
| 73 | MBB6640 | Vent LH | 1 |
| 74 | A110296 | Screw M6 x 16 Hex Hd | 12 |
| 75 | A150006 | Washer 6mm | 12 |
| 76 | A151006 | S.L. Washer 6mm | 12 |
| 77 | A130006 | Nut M6 | 12 |
| * | MBB3731 | Fan Guard (Radiator Screen) | 1 |
| FITTINGS FOR EARLY MODELS* | | | |
| 4 | MBB3280 | Bonnet | 1 |

*Not illustrated

+Only supplied in complete kit form to part no. A904308

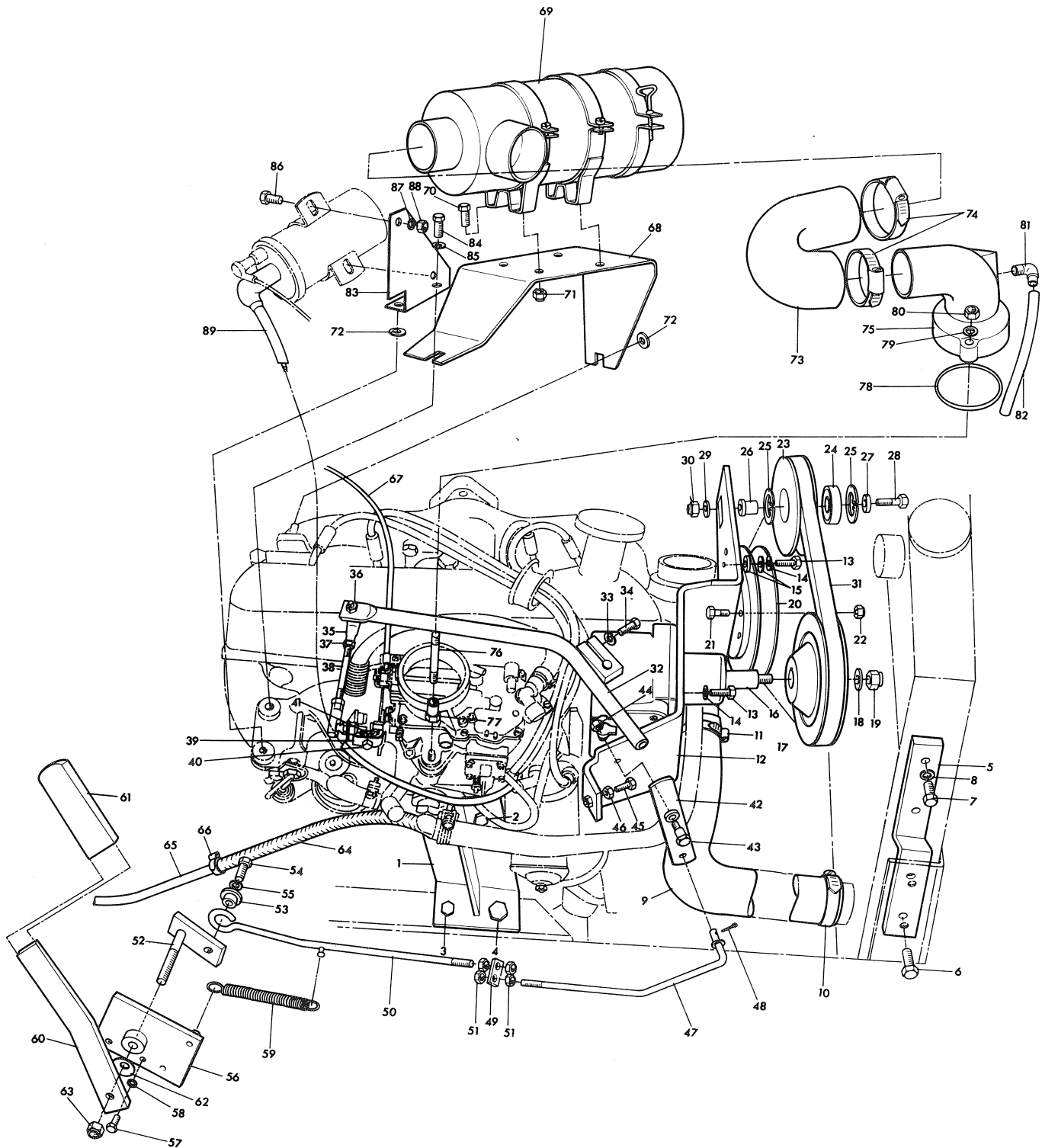
MOTOR 5/3 HYDRAULIC DRIVE MOWER



| REF. No. | PART No. | NAME OF PART | QTY |
|-----------------------------------|-----------|--------------------------------|-----|
| 1 | MBB3512 | Radiator Bracket LH | 1 |
| 2 | GSF2002EC | Screw 3/8" UNF x 5/8" Hex Hd | 2 |
| 3 | GSF2164J | S.L. Washer 3/8" | 2 |
| 4 | GSF2002EG | Screw 3/8" UNF x 1.1/8" Hex Hd | 2 |
| 5 | GSF2164J | S.L. Washer 3/8" | 2 |
| 6 | GSF2051AC | Nut 3/8" UNF | 2 |
| 7 | MBB3503 | Thermostat Cover | 1 |
| 8 | MBB3514 | Top Radiator Hose | 1 |
| 9 | A192054 | Hose Clip | 1 |
| 10 | GSF2531AM | Hose Clip | 1 |
| 11 | MBB3467 | Exhaust Manifold | 1 |
| 12 | MBB3223 | Gasket | 1 |
| 13 | MBB3218 | Silencer | 1 |
| 14 | A110405 | Screw M10 x 25 Hex Hd | 2 |
| 15 | A151010 | S.L. Washer 10mm | 2 |
| 16 | GSF2093ED | Screw 3/8" UNC x 3/4" Hex Hd | 1 |
| 17 | GSF2164J | S.L. Washer 3/8" | 1 |
| 18 | MBB3224 | Exhaust Outlet | 1 |
| 19 | H110773 | Sealing Ring | 1 |
| 20 | H110562 | Nut | 1 |
| 21 | MBB3507 | Front Engine Bearer LH | 1 |
| 22 | GSF2001ER | Bolt 3/8" UNF x 2.3/4" Hex Hd | 1 |
| * | GSF2164J | S.L. Washer 3/8" | 1 |
| * | GSF2051AC | Nut 3/8" UNF | 1 |
| * | GSF2001JS | Bolt 1/2" UNF x 2.7/8" Hex Hd | 1 |
| * | GSF2164L | S.L. Washer 1/2" | 1 |
| * | GSF2051AE | Nut 1/2" UNF | 1 |
| * | GSF2093CD | Screw Bearer to Engine | 4 |
| * | GSF2164H | S.L. Washer | 4 |
| * | LMAA422 | Exhaust System | 1 |
| * | A909015 | Top Pipe | 1 |
| * | A909014 | Centre Pipe | 1 |
| * | A909016 | Silencer Assy | 1 |
| * | A909043 | Tail Pipe | 1 |
| * | A110305 | Screw | 2 |
| * | A151008 | Lockwasher | 2 |
| * | A199008 | Clamp | 3 |
| * | A150008 | Washer | 2 |
| * | A691000 | Radiator | 1 |
| * | A295252 | Blanking Cap | 1 |
| FITTINGS FOR EARLY MODELS* | | | |
| | MBB3601 | Heat Shield | 1 |

*Not illustrated.

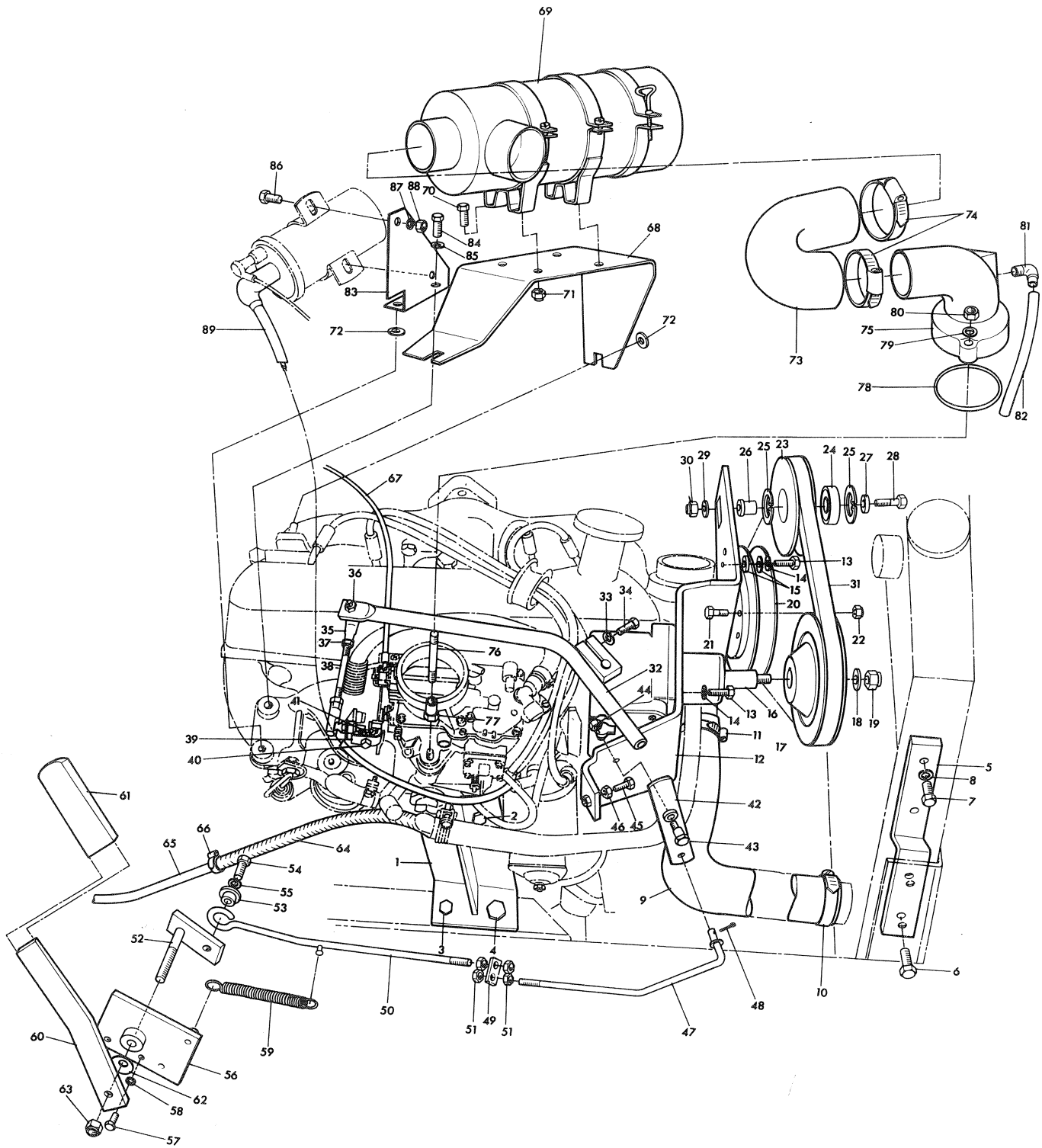
MOTOR 5/3 HYDRAULIC DRIVE MOWER



| REF. No. | PART No. | NAME OF PART | QTY |
|----------|-----------|---------------------------------------|-----|
| 1 | MBB3504 | Engine Bearer Front RH | 1 |
| 2 | GSF2093CD | Screw 5/16" x 3/4" Hex Hd | 4 |
| * | GSF2164H | S.L. Washer 5/16" | 4 |
| 3 | GSF2001ER | Bolt 3/8" UNF x 2.3/4" Hex Hd | 1 |
| * | GSF2164J | S.L. Washer 3/8" | 1 |
| * | GSF2051AC | Nut 3/8" UNF | 1 |
| 4 | GSF2001KP | Bolt 1/2" UNF x 6" Hex Hd | 1 |
| * | GSF2164L | S.L. Washer 1/2" | 1 |
| * | GSF2051AE | Nut 1/2" UNF | 1 |
| 5 | MBB3669 | Radiator Bracket RH | 1 |
| 6 | GSF2002EG | Screw 3/8" UNF x 1.1/8" Hex Hd | 1 |
| * | GSF2164J | S.L. Washer 3/8" | 1 |
| * | GSF2051AC | Nut 3/8" UNF | 1 |
| 7 | GSF2002EC | Screw 3/8" UNF x 5/8" Hex Hd | 2 |
| 8 | GSF2164J | S.L. Washer 3/8" | 2 |
| 9 | MBB3515 | Bottom Radiator Hose | 1 |
| 10 | GSF2531AM | Hose Clip | 1 |
| 11 | A192054 | Hose Clip | 1 |
| 12 | MBB6472 | Governor Bracket | 1 |
| 13 | GSF2093EF | Screw 3/8" UNC x 3/4" Hex Hd | 3 |
| 14 | GSF2164J | S.L. Washer 3/8" | 3 |
| 15 | A150010 | Washer 10mm | 4 |
| 16 | A690000 | Governor (Heinzmann) | 1 |
| 17 | MBB6475 | Governor Pulley | 1 |
| 18 | A150008 | Washer 8mm | 1 |
| 19 | A133008 | Nut M8 | 1 |
| 20 | MBB9229A | Crankshaft Pulley | 1 |
| 21 | A100408 | Bolt for Pulley & Fan M10 x 40 Hex Hd | 5 |
| 22 | A133210 | Stiffnut 5/16" UNF | 5 |
| 23 | MBB6474 | Idler Pulley | 1 |
| 24 | A203603 | Bearing | 1 |
| 25 | A110040 | Circlip | 2 |
| 26 | MBB6471 | Spacer | 1 |
| 27 | MBB6489 | Washer | 1 |
| 28 | A100408 | Bolt M10 x 40 Hex Hd | 1 |
| 29 | A150010 | Washer 10mm | 1 |
| 30 | A133010 | Stiffnut M10 | 1 |
| 31 | A461190 | Belt | 1 |
| 32 | MBB6476 | Governor Arm | 1 |
| 33 | A151006 | S.L. Washer 6mm | 1 |
| 34 | A110204 | Screw M6 x 20 Hex Hd | 1 |
| 35 | A814501 | Ball Joint | 1 |
| 36 | A133006 | Stiffnut M6 | 2 |
| 37 | A130006 | Nut M6 | 1 |
| 38 | MBB6495 | Adjusting Rod | 1 |
| 39 | MBB6480 | Throttle Lever | 1 |
| 40 | A110294 | Screw M6 x 12 Hex Hd | 2 |
| 41 | A133006 | Stiffnut M6 | 2 |
| 42 | MBB6482A | Lever | 1 |
| 43 | MBB6481 | Pivot Pin | 1 |
| 44 | A133006 | Stiffnut M6 | 1 |
| 45 | A110208 | Stop Screw M6 x 40 Hex Hd | 1 |
| 46 | A130006 | Nut M6 | 1 |
| 47 | MBB6664 | Front Throttle Rod | 1 |
| 48 | A140012 | Split Pin | 1 |
| 49 | MBB6668 | Plate | 1 |
| 50 | MBB6666 | Rear Throttle Rod | 1 |
| 51 | A130006 | Nut M6 | 4 |
| 52 | MBB6657 | Crank | 1 |
| 53 | MBB3717 | Bush | 1 |
| 54 | A110404 | Screw M10 x 20 Hex Hd | 1 |
| 55 | A151010 | S.L. Washer 10mm | 1 |
| * | A814510 | Ball Joint L.H. | 1 |
| * | A139314 | Locknut L.H. | 1 |

Continued

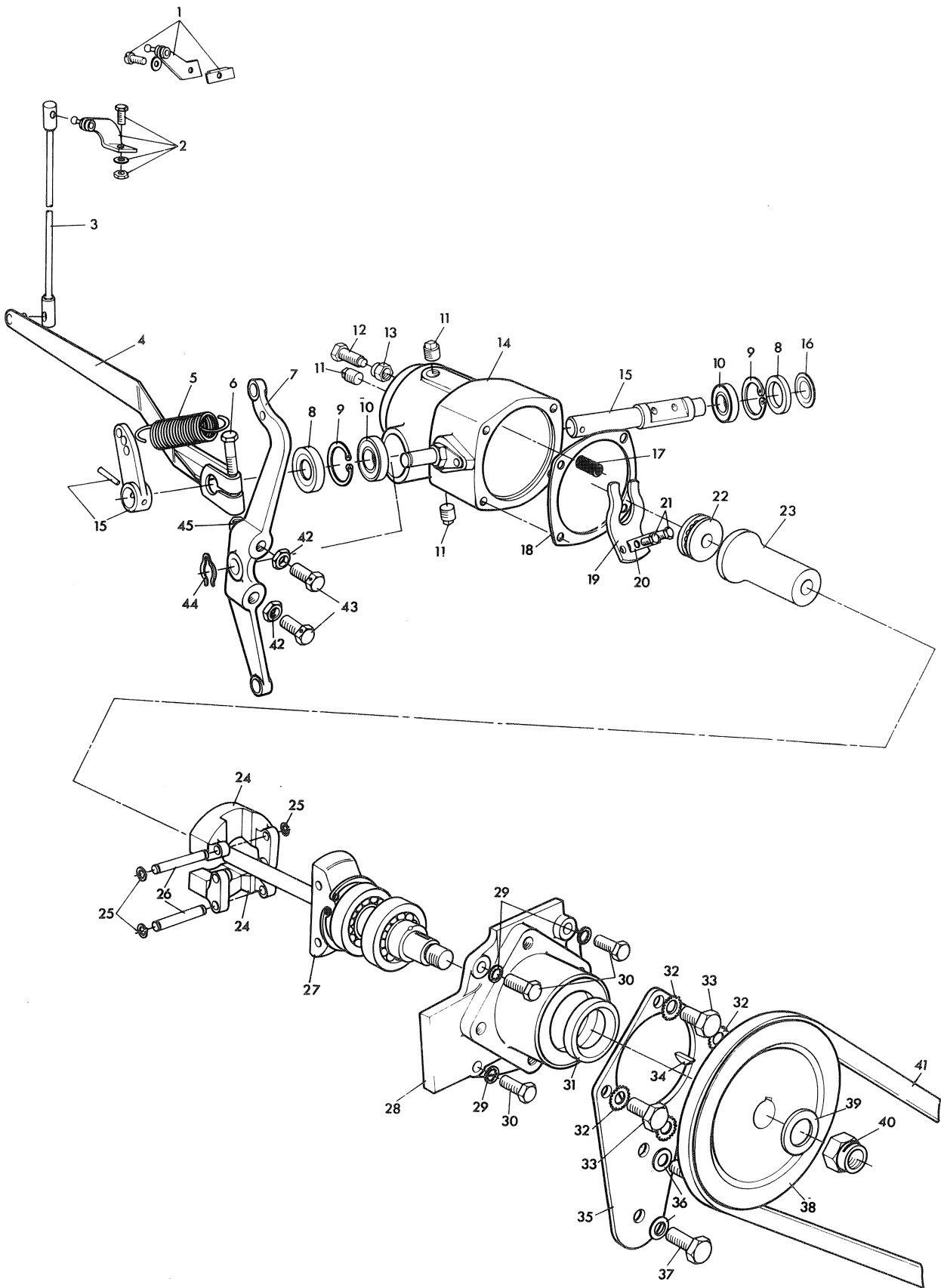
MOTOR 5/3 HYDRAULIC DRIVE MOWER



| REF. No. | PART No. | NAME OF PART | QTY |
|---|-----------|---|-----|
| 56 | MBB6660 | Base Plate | 1 |
| 57 | A110294 | Screw | 2 |
| 58 | A151006 | S.L. Washer 6mm | 2 |
| 59 | Z569565 | Spring | 1 |
| 60 | MBB6623 | Throttle Control Lever | 1 |
| 61 | MBB3444 | Sleeve | 1 |
| 62 | H083017 | Disc Spring | 1 |
| 63 | A133010 | Stiffnut M10 | 1 |
| 64 | A298330 | Petrol Pipe (Front Flexible - 38 ins) | 1 |
| 65 | A902058 | Petrol Pipe | 1 |
| 66 | H980031 | Hose Clip | 2 |
| 67 | H130118 | Choke Cable | 1 |
| * | LMSD845 | Cyclopac Air Cleaner Kit | 1 |
| 68 | MBB3881B | Mounting Bracket | 1 |
| 69 | A819015 | Air Cleaner | 1 |
| * | A819016 | Filter Element | 1 |
| 70 | A110304 | Screw M8 x 20 Hex Hd | 4 |
| 71 | A133008 | Stiffnut M8 | 4 |
| 72 | A150010 | Washer | 2 |
| 73 | A904132 | Hose | 1 |
| 74 | A192070 | Hose Clip | 2 |
| 75 | MBB3884 | Elbow | 1 |
| 76 | MBB3885 | Stud | 2 |
| 77 | MBB3886 | Nut | 2 |
| 78 | A221138 | O Ring | 1 |
| 79 | A151006 | S.L. Washer 6mm | 2 |
| 80 | A130006 | Nut M6 | 2 |
| 81 | A600001 | Plastic Elbow | 1 |
| 82 | H030031 | Tube (4 ins) | 1 |
| 83 | MBB6648A | Coil Bracket | 1 |
| 84 | GSF2093CD | Screw 5/16" UNF x 3/4" Hex Hd | 2 |
| 85 | GSF2164H | S.L. Washer 5/16" | 2 |
| 86 | GSF2002CC | Screw 5/16" UNF x 5/8" Hex Hd | 2 |
| 87 | GSF2164H | S.L. Washer 5/16" | 2 |
| 88 | GSF2051AB | Nut 5/16" UNF | 2 |
| 89 | A600002 | H.T. Cable | 1 |
| * | A819014 | Clamp (For Air Cleaner) | 1 |
| * | A819109 | Fuel Filter | 1 |
| * | A192900 | Hose Clip | 1 |
| FITTINGS FOR EARLY MODELS* | | | |
| 83 | MBB3516 | Coil Bracket | 1 |
| 64/65 | H030085 | Petrol Pipe (74 ins) | 1 |
| Throttle Parts for use with Weyburn Governor without Noise Suppression | | | |
| 60 | MBB3719 | Throttle Lever | 1 |
| 47-51 | MBB3718 | Throttle Rod | 1 |
| 56 | MBB3720 | Mounting Bracket | 1 |
| | MBB3337 | Swivel Screw for Governor Lever | 1 |
| | H980400 | Throttle Parts for use with Weyburn Governor with Noise Suppression | 1 |
| 47-51 | MBB3718 | Throttle Rod | 1 |
| 52 | MBB6625 | Crank | 1 |
| 56 | MBB6628 | Base Plate | 1 |
| Throttle Parts for use with Heinzmann Governor without Noise Suppression | | | |
| 47-51 | MBB6488 | Throttle Rod | 1 |
| 60 | MBB6487 | Throttle Lever | 1 |
| 56 | MBB6486 | Mounting Bracket | 1 |
| * | A113405 | Screw for Throttle Lever M10 x 25 Csk Hd | 1 |
| * | A113406 | Screw for Throttle Lever | 1 |

*Not illustrated

MOTOR 5/3 HYDRAULIC DRIVE MOWER

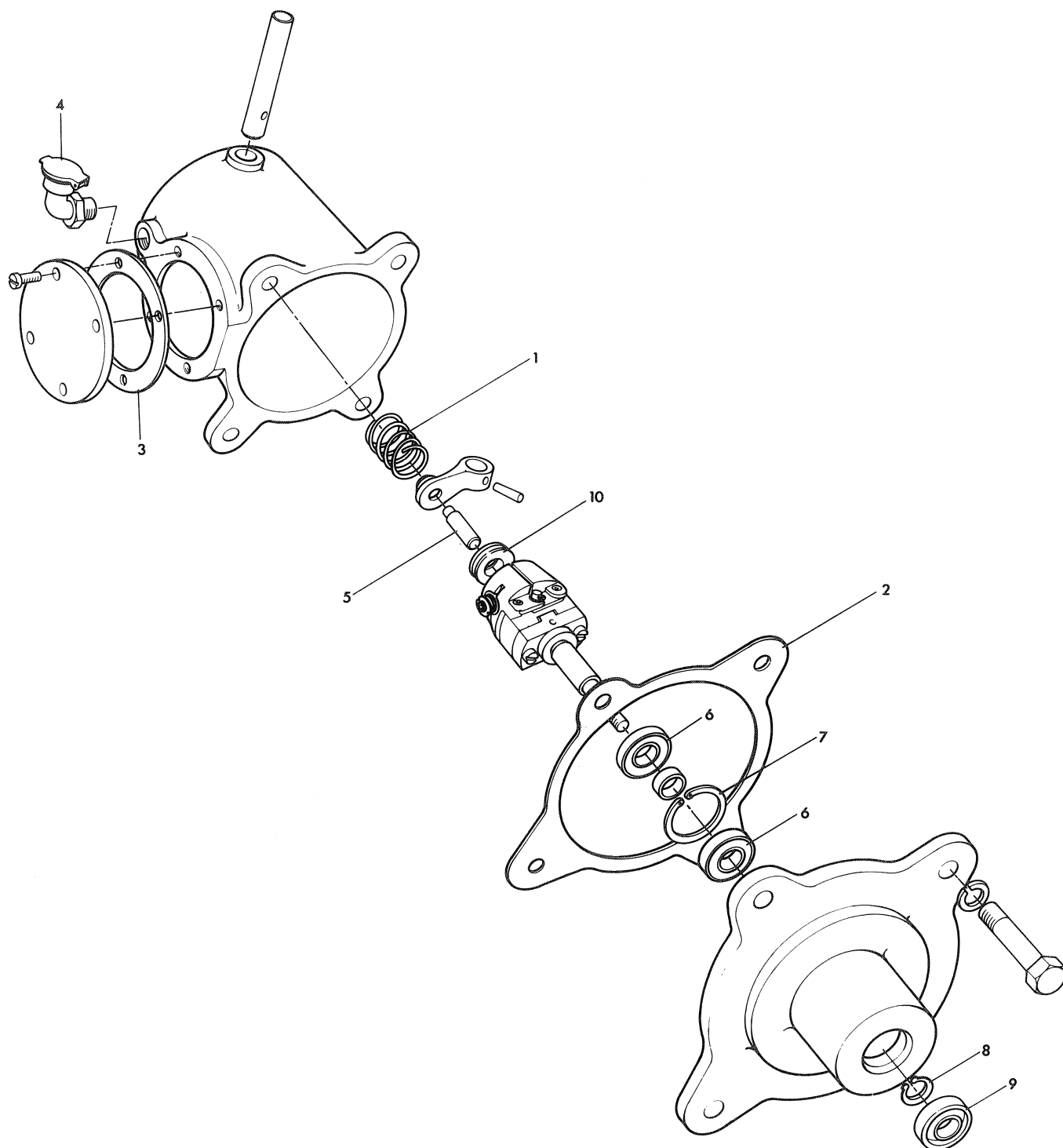


For Models Prior to Machine No. EY00769

| REF. No. | PART No. | NAME OF PART | QTY |
|----------|-----------|-------------------------------------|-----|
| 1 | H190143 | Carburettor Lever Assy (Early Type) | 1 |
| 2 | H190144 | Carburettor Lever Assy (Later Type) | 1 |
| 3 | H190150 | Coupling Rod | 1 |
| 4 | H190151 | Governor Lever Assy | 1 |
| 5 | H190141 | Governor Spring | 1 |
| 6 | GSF2001AD | Bolt 1/4" UNF x 1.1/4" Hex Hd | 1 |
| 7 | H190166 | Tension Lever | 1 |
| 8 | A220120 | Oil Seal | 2 |
| 9 | GSF1050BA | Circlip | 2 |
| 10 | H190147 | Ball Journal | 2 |
| 11 | GSF2503MA | Filler, Level and Drain Plug | 3 |
| 12 | H190152 | Buffer Screw | 1 |
| 13 | GSF2060AB | Stiffnut 5/16" UNF | 1 |
| 14 | H190153 | Governor Body | 1 |
| 15 | H190154 | Spring Lever & Cross Shaft | 1 |
| 16 | H190155 | Sealing Disc | 1 |
| 17 | H190156 | Buffer Spring | 1 |
| 18 | H190157 | Joint | 1 |
| 19 | H190158 | Fork | 1 |
| 20 | H190159 | Tab Washer | 1 |
| 21 | GSF2002AB | Screw 1/4" UNF x 1/2" Hex Hd | 2 |
| 22 | H001801 | Ball Thrust | 1 |
| 24 | H190162 | Governor Weight | 2 |
| 25 | H190145 | Circlip | 1 |
| 26 | H190161 | Weight Pin | 1 |
| 27 | H190142 | Weight Carrier Assy | 1 |
| 28 | H190167 | Bearing Housing (Later Type) | 1 |
| * | H190149 | Bearing Housing (Early Type) | 1 |
| 29 | GSF2168AM | Shakeproof Washer | 4 |
| 30 | GSF2093AE | Screw 1/4" UNC x 7/8" Hex Hd | 4 |
| 31 | H011067 | Oil Seal | 1 |
| 32 | GSF2169AB | Shakeproof Washer | 4 |
| 33 | GSF2093CC | Screw 5/16" UNC x 5/8" Hex Hd | 4 |
| 34 | GSF2230AC | Key | 1 |
| 35 | H190163 | Bracket | 1 |
| 36 | GSF2150D | Washer 5/16" | 2 |
| 37 | GSF2002CG | Screw 5/16" UNF x 1.1/8" Hex Hd | 2 |
| 38 | H190148 | Governor Pulley (Later Type) | 1 |
| * | H190165 | Governor Pulley (Early Type) | 1 |
| 39 | GSF2150G | Washer | 1 |
| 40 | GSF2061AF | Stiffnut 1/2" UNF | 1 |
| 41 | A460880 | Vee Belt | 1 |
| 42 | GSF2052AA | Locknut 1/4" UNF | 2 |
| 43 | H190164 | Tension Screw | 2 |
| 44 | H190146 | Circlip | 1 |
| 45 | GSF2051AA | Nut 1/4" UNF | 1 |

*Not illustrated

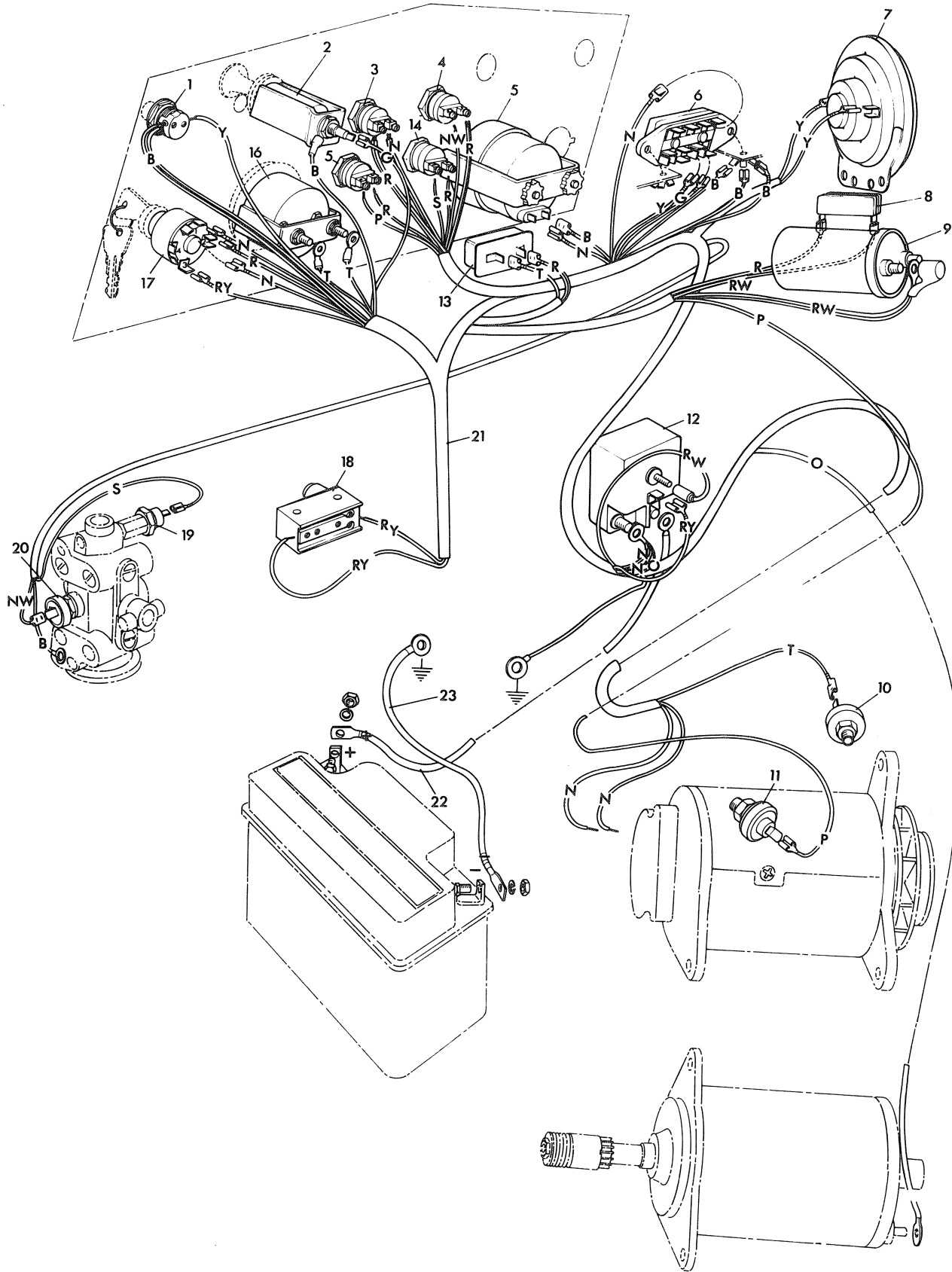
MOTOR 5/3 HYDRAULIC DRIVE MOWER



For Models After Machine No. EY00769

| REF. No | PART No. | NAME OF PART | QTY |
|---------|----------|----------------|-----|
| 1 | A690001 | Axial Spring | 1 |
| 2 | A690002 | Joint | 1 |
| 3 | A690003 | Joint | 1 |
| 4 | A690004 | Oiler | 1 |
| 5 | A690005 | Push Rod | 1 |
| 6 | H001605 | Bearing | 2 |
| 7 | H170035 | Circlip | 1 |
| 8 | A171015 | Circlip | 1 |
| 9 | A220151 | Oil Seal | 1 |
| 10 | A202000 | Thrust Bearing | 1 |

MOTOR 5/3 HYDRAULIC DRIVE MOWER



| REF. No. | PART No. | NAME OF PART | QTY |
|----------|-------------|--|-----|
| 1 | H480007 | Horn Button | 1 |
| 2 | H499472 | Cigar Lighter | 1 |
| 3 | H499700 | Warning Light - Ignition | 1 |
| 4 | H499700 | Warning Light - Hydraulic Oil Pressure | 1 |
| 5 | H499451 | Hour Meter | 1 |
| 6 | H410028 | Fuse Holder | 1 |
| 7 | H400004 | Horn | 1 |
| 8 | | Ballast Resistance (Ex Ford Motor) | 1 |
| 9 | | Engine Coil (Ex Ford Motors) | 1 |
| 10 | | Engine Temperature Sender (Ex Ford Motors) | 1 |
| 11 | | Engine Pressure Sender (Ex Ford Motors) | 1 |
| 12 | | Starting Solenoid (Ex Ford Motors) | 1 |
| 13 | H130110 | Voltage Stabiliser | 1 |
| 14 | H499700 | Warning Light - Hydraulic Oil Temperature | 1 |
| 15 | H499700 | Warning Light - Engine Pressure | 1 |
| 16 | H130109 | Engine Temperature Gauge | 1 |
| 17 | H130106/7/8 | Ignition Switch | 1 |
| 18 | H499024 | Control Switch | 1 |
| 19 | A829510 | Temperature Sender - Hydraulic Oil | 1 |
| 20 | H460059 | Pressure Sender - Hydraulic Oil | 1 |
| 21 | A905200 | Cable Harness | 1 |
| 21 | A905206 | Cable Harness (pre-engaged Starter) | 1 |
| 22 | MBB6290 | Battery Cable - Positive | 1 |
| 23 | MBB6291 | Battery Cable - Negative | 1 |
| * | A600004 | Solenoid Valve Kit (ex Ford) | 1 |

FITTINGS FOR EARLY MODELS WITH GENERATOR*

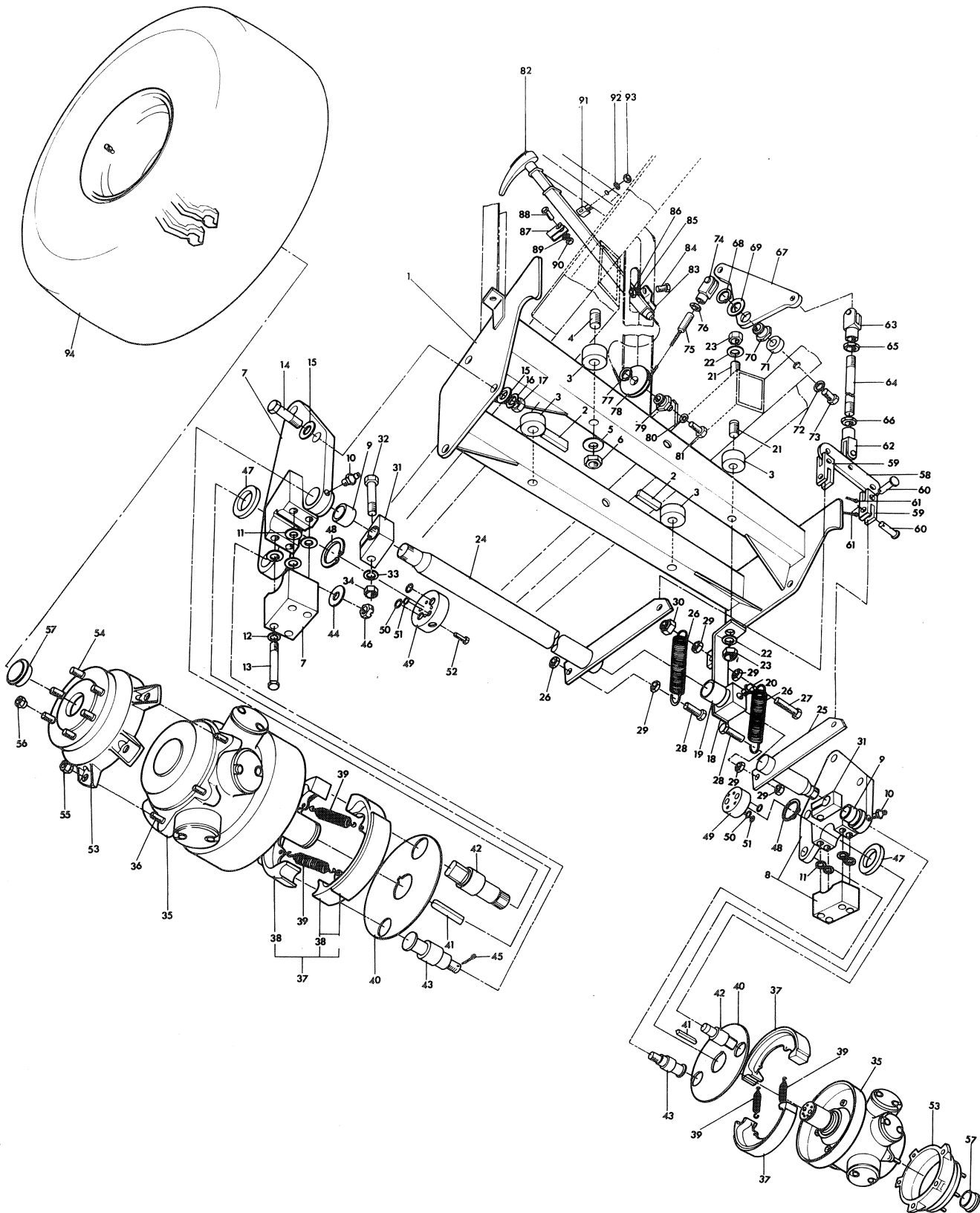
| | | | |
|----|---------|-------------------------|---|
| 21 | MBB3520 | Control Unit (Ex Fords) | 1 |
| | | Cable Harness | 1 |

COLOUR CODE FOR HARNESS LEADS

| | | |
|----------|----------|----------|
| B Black | P Purple | U Blue |
| G Green | R Red | W White |
| N Brown | S Pink | Y Yellow |
| O Orange | T Grey | |

*Not illustrated

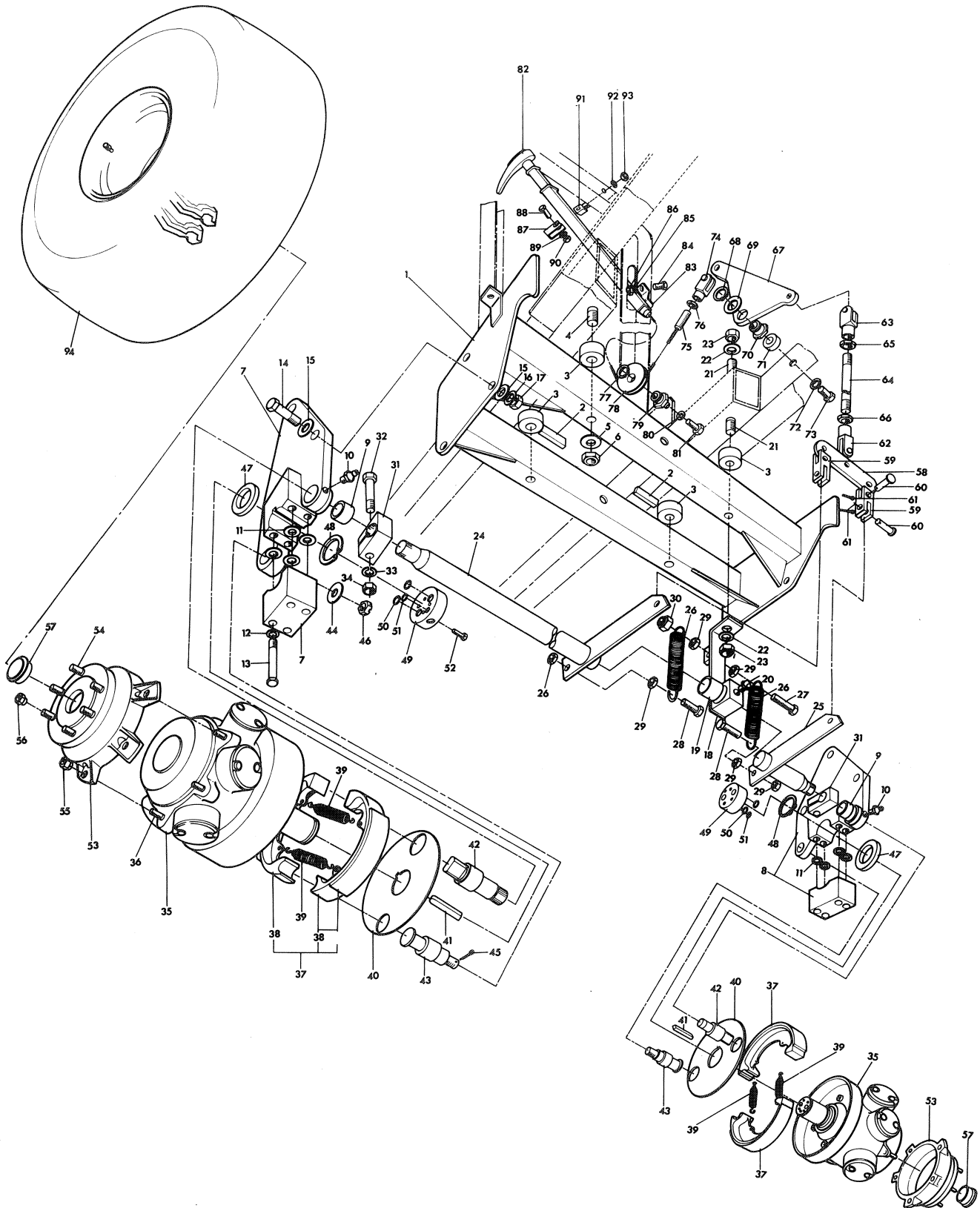
MOTOR 5/3 HYDRAULIC DRIVE MOWER



| REF. No. | PART No. | NAME OF PART | QTY |
|----------|-----------|---------------------------------|-----|
| 1 | MBB6450A | Front Axle | 1 |
| 2 | A904125 | Rubber Pad | 2 |
| 3 | MBB3106 | Spacer Boss | 4 |
| 4 | GSF2001KP | Bolt 1/2" UNF x 6" Hex Hd | 3 |
| 5 | GSF2152E | Washer 1/2" | 3 |
| 6 | GSF2060AE | Stiffnut 1/2" UNF | 3 |
| 7 | LMSD850 | Wheel Support RH | 1 |
| 8 | LMSD849 | Wheel Support LH | 1 |
| 9 | MBB6455 | Bush | 1 |
| 10 | GSF2540AC | Lubricator | 1 |
| 11 | GSF2150G | Washer 1/2" | 8 |
| 12 | GSF2164L | S.L. Washer 1/2" | 8 |
| 13 | GSF2001JR | Bolt 1/2" UNF x 2.3/4" Hex Hd | 8 |
| 14 | A100612 | Bolt M16 x 60 Hex Hd | 6 |
| 15 | A150016 | Washer 16mm | 12 |
| 16 | A151016 | S.L. Washer 16mm | 6 |
| 17 | A130016 | Nut M16 | 6 |
| 18 | LMSD679 | Bearing Bracket | 1 |
| 19 | MBB6456 | Bush | 1 |
| 20 | GSF2540AG | Lubricator | 1 |
| 21 | MBB3673 | Stud | 1 |
| 22 | GSF2152E | Washer | 2 |
| 23 | A133012 | Stiffnut M12 | 2 |
| 24 | MBB6452 | Lever RH | 1 |
| 25 | MBB6451 | Lever LH | 1 |
| 26 | H980393 | Spring | 2 |
| 27 | GSF2002CP | Screw 5/16" UNF x 2" Hex Hd | 1 |
| 28 | GSF2002CH | Screw 5/16" UNF x 1.1/4" Hex Hd | 2 |
| 29 | GSF2052AB | Locknut 5/16" UNF | 6 |
| 30 | GSF2060AB | Stiffnut 5/16" UNF | 1 |
| 31 | MBB3311 | Clamp | 2 |
| 32 | GSF2001EK | Bolt 3/8" UNF x 2" Hex Hd | 2 |
| 33 | GSF2164J | S.L. Washer 3/8" | 2 |
| 34 | GSF2051AC | Nut 3/8" UNF | 2 |
| 35 | LMSD689A | Wheel Motor | 2 |
| 36 | GSF1144MR | Stud | 5 |
| 37 | MBB3326 | Brake Shoe Assy | 2 |
| 38 | MBB3346 | Brake Shoe with Lining | 2 |
| 39 | GSF2242AH | Brake Spring | 4 |
| 40 | MBB3299 | Cover Plate | 2 |
| 41 | GSF2204BP | Key | 2 |
| 42 | MBB6453 | Brake Cam | 2 |
| 43 | MBB3324 | Pivot Pin | 2 |
| 44 | GSF2151AR | Washer | 2 |
| 45 | A140045 | Split Pin | 2 |
| 46 | GSF2057AC | Slotted Nut 3/8" UNF | 2 |
| 47 | A229402 | Felt Spacer | 2 |
| 48 | GSF1056BT | Circlip | 2 |
| 49 | LMSD701 | Port Adaptor | 2 |
| 50 | GSF3599AZ | 'O' Ring | 4 |
| 51 | GSF3600AL | 'O' Ring | 2 |
| 52 | GSF2103AM | Screw 1/4" UNC x 1.3/4" Cap Hd | 8 |
| 53 | MBB6866 | Wheel Adaptor | 2 |
| 54 | GSF1194AH | Stud | 6 |
| 55 | A139310 | Stiffnut | 10 |
| 56 | A139310 | Wheel Nut | 12 |
| 57 | H990043 | Hub Cap | 2 |
| 58 | MBB3303 | Link | 1 |
| 59 | MBB3304 | Clevis | 2 |
| 60 | MBB3305 | Pin | 4 |
| 61 | GSF1030CH | Split Pin | 7 |

Continued

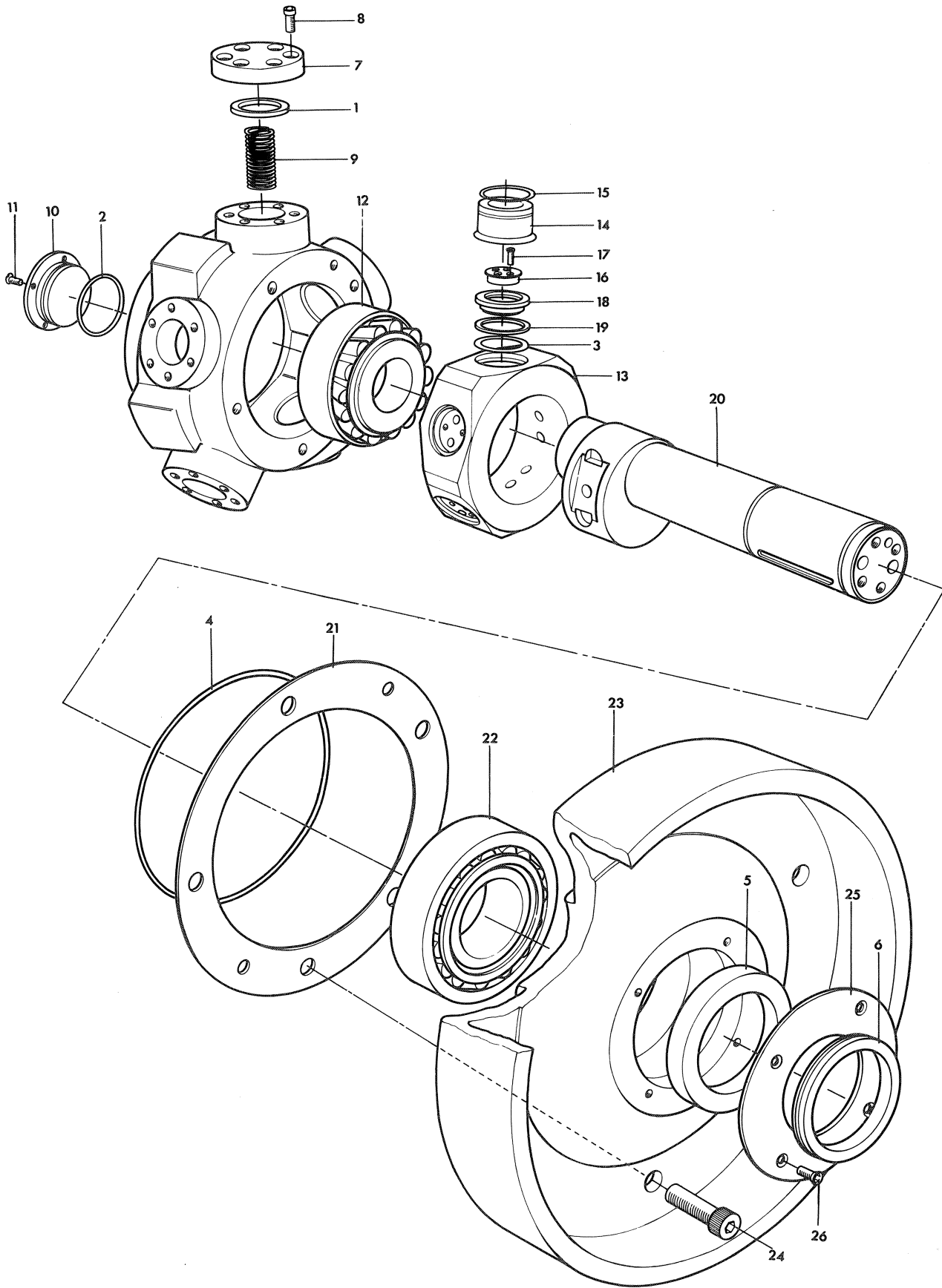
MOTOR 5/3 HYDRAULIC DRIVE MOWER



| REF. No. | PART No. | NAME OF PART | QTY |
|------------------------------------|-----------|----------------------------------|-----|
| 62 | H980035 | Clevis | 1 |
| 63 | H980034 | Clevis | 1 |
| 64 | MBB3254 | Link Rod | 1 |
| 65 | GSF2052AB | Locknut 5/16" UNF | 1 |
| 66 | GSF2052BB | Locknut 5/16" UNF LH | 1 |
| 67 | MBB3256 | Crank | 1 |
| 68 | GSF1056AX | Circlip | 1 |
| 69 | GSF2150K | Washer 3/4" | 1 |
| 70 | MBB3296 | Distance Piece | 1 |
| 71 | MBB3297 | Collar | 1 |
| 72 | GSF2164J | S.L. Washer 3/8" | 1 |
| 73 | GSF2002EM | Screw 3/8" UNF x 1.3/4" Hex Hd | 1 |
| 74 | H980034 | Clevis | 1 |
| 75 | A906004 | Brake Cable | 1 |
| 76 | GSF2052AB | Locknut 5/16" UNF | 1 |
| 77 | GSF1056AX | Circlip | 1 |
| 78 | MBB3112 | Pulley | 1 |
| 79 | MBB3296 | Distance Piece | 1 |
| 80 | GSF2164J | S.L. Washer 3/8" | 1 |
| 81 | GSF2002EG | Screw 3/8" UNF x 1.1/8" Hex Hd | 1 |
| 82 | H220003 | Hand Brake | 1 |
| 83 | MBB3325 | Strap | 1 |
| 84 | GSF2002CD | Screw 5/16" UNF x 3/4" Hex Hd | 1 |
| 85 | GSF2164H | S.L. Washer 5/16" | 1 |
| 86 | GSF2051AB | Nut 5/16" UNF | 1 |
| 87 | MBB3300 | Mounting Strap | 2 |
| 88 | GSF2002AF | Screw 1/4" UNF x 1" Hex Hd | 2 |
| 89 | GSF2164G | S.L. Washer 1/4" | 2 |
| 90 | GSF2051AA | Nut 1/4" UNF | 2 |
| 91 | MBB3301 | Eyebolt | 1 |
| 92 | GSF2164G | S.L. Washer 1/4" | 1 |
| 93 | GSF2051AA | Nut 1/4" UNF | 1 |
| 94 | A816069 | Wheel Complete | 2 |
| * | A816083 | Rim | 2 |
| | A817312 | Tube | 2 |
| FITTINGS FOR EARLY MACHINES | | | |
| 94 | A816058 | Trelleborg Wheel x Tyre Complete | 2 |
| * | H931027 | Trelleborg Tyre | 1 |
| * | H932021 | Inner Tube | 1 |
| * | A816060 | Wheel Rim | 1 |
| | A816027 | Wheel Complete ('Softrac') | 2 |
| | A817016 | Goodyear 'Softrac' Tyre | 1 |

*Not illustrated

MOTOR 5/3 HYDRAULIC DRIVE MOWER

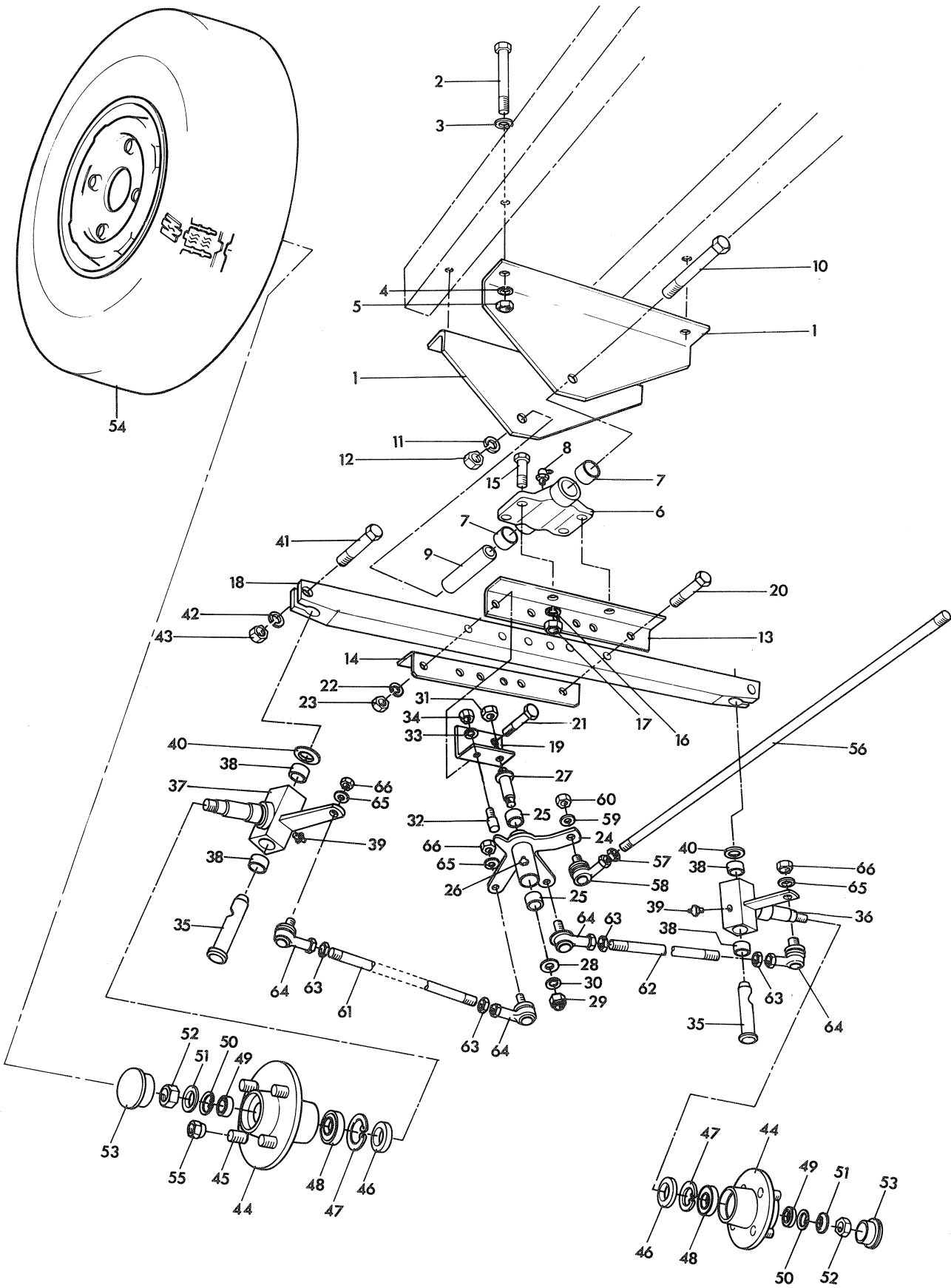


| REF. No. | PART No. | NAME OF PART | QTY |
|---|-----------|---|-----|
| | LMSD689A | Motor Complete (From M/C EYO1063) (S10) | 2 |
| | ASKA029 | Seal Kit | 5 |
| 1 | H290726+ | Seal - Cylinder Head | 5 |
| 2 | A809501 | Seal - Crankcase Plug | 1 |
| 3 | A809510+ | Seal - Pressure Ring | 5 |
| 4 | GSF3599KA | Seal - End Cover | 1 |
| 5 | A229912 | Seal - Crankshaft | 1 |
| 6 | A229045 | Seal - 'V' Ring | 1 |
| 7 | A809504 | Cylinder Head | 5 |
| 8 | GSF2115BF | Screw | 30 |
| 9 | A809502 | Piston Spring | 5 |
| 10 | | Crankcase Plug | 1 |
| 11 | H080027 | Screw | 4 |
| 12 | A809518 | Main Bearing - Crankcase | 1 |
| 13 | A809515 | Eccentric Bearing | 1 |
| 14 | A809507 | Piston | 5 |
| 15 | A809516 | Piston Ring | 5 |
| 16 | A809514 | Plug | 5 |
| 17 | A809513 | Screw | 10 |
| 18 | A809512 | Pressure Ring | 5 |
| 19 | A222131+ | Anti-extrusion Ring | 5 |
| 20 | A809517 | Crankshaft | 1 |
| 21 | H290711 | Joint Shim | 1 |
| 22 | A809519 | Main Bearing - End Cover | 1 |
| 23 | H290713 | End Cover | 1 |
| 24 | H080028 | Screw | 5 |
| 25 | H290712 | Seal Cover | 1 |
| 26 | H080027 | Screw | 4 |
| ALTERNATIVE FITTINGS (For Early M/C) | | | |
| * | LMSD689 | Motor Complete - Model S6 | 2 |
| 16 | A809509 | Plug | 5 |
| 17 | A809508 | Screw | 10 |
| 18 | A809506 | Pressure Ring | 5 |
| 13 | A809505 | Eccentric Bearing | 1 |

*Not illustrated

+Part of ASKA029

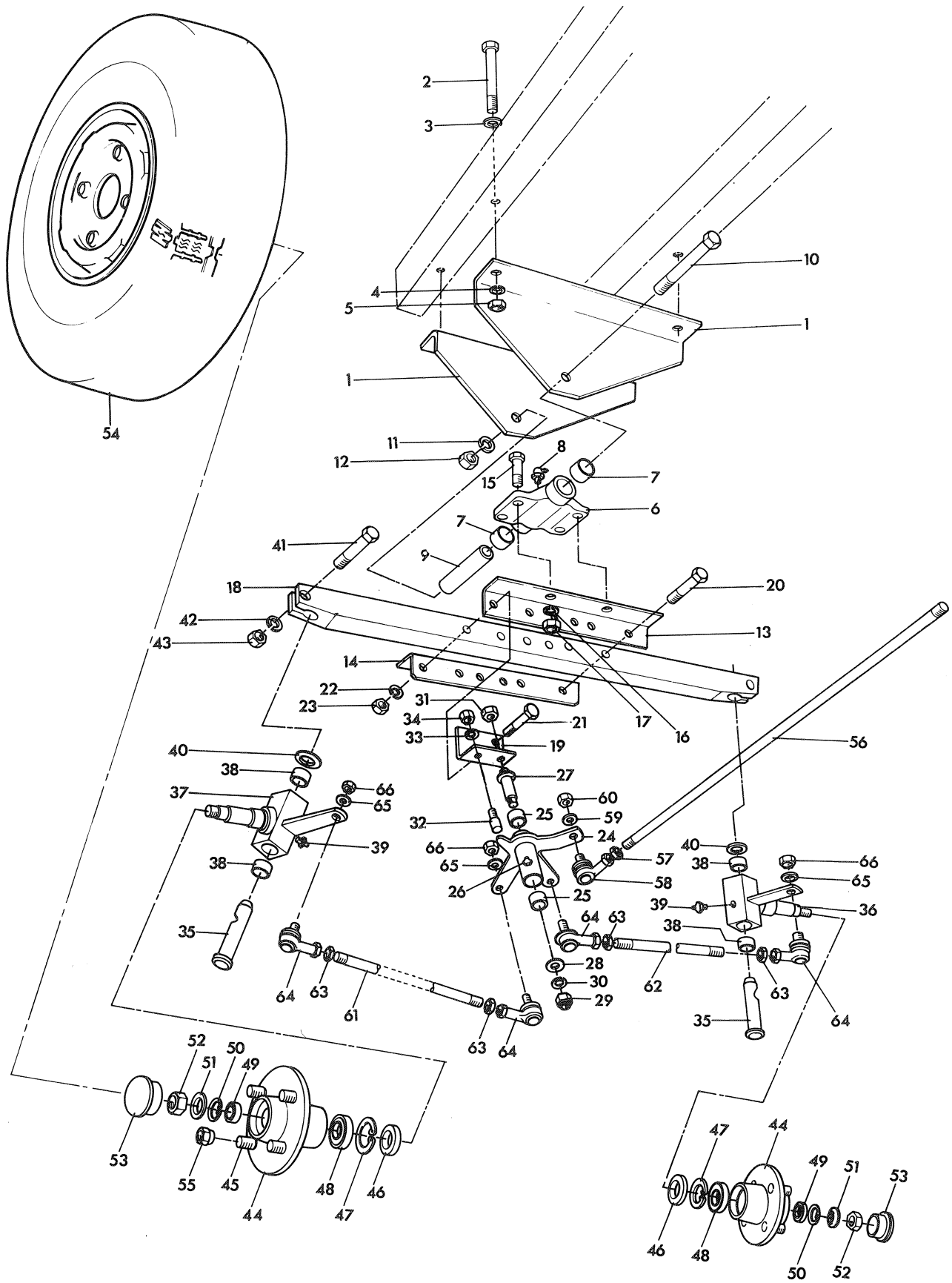
MOTOR 5/3 HYDRAULIC DRIVE MOWER



| REF. No. | PART No. | NAME OF PART | QTY |
|----------|-----------|--------------------------------|-----|
| 1 | MBB3450A | Axle Support | 2 |
| 2 | GSF2001JT | Bolt 1/2" UNF x 3" Hex Hd | 4 |
| 3 | GSF2150E | Washer 1/2" Dia | 4 |
| 4 | GSF2164L | S.L. Washer 1/2" Dia | 4 |
| 5 | GSF2051AE | Nut 1/2" UNF | 1 |
| 6 | LMSD695A | Anchor Bracket Assy | 1 |
| 7 | GSF3002WM | Bush | 2 |
| 8 | GSF2540AT | Lubricator | 1 |
| 9 | MBB3451 | Distance Piece | 1 |
| 10 | GSF2001MM | Bolt 5/8" UNF x 8.1/2" Hex Hd | 1 |
| 11 | GSF2164N | S.L. Washer 5/8" Dia | 1 |
| 12 | GSF2051AG | Nut 5/8" UNF | 1 |
| 13 | MBB6757 | Front Angle | 1 |
| 14 | MBB6756 | Rear Angle | 1 |
| 15 | GSF2002JK | Screw 1/2" UNF x 1.1/2" Hex Hd | 4 |
| 16 | GSF2164L | S.L. Washer 1/2" Dia | 4 |
| 17 | GSF2051AE | Nut 1/2" UNF | 4 |
| 18 | MBB3454Z | Axle Beam | 1 |
| 19 | MBB3455 | Bracket | 1 |
| 20 | GSF2001EP | Bolt 3/8" UNF x 2.1/2" Hex Hd | 4 |
| 21 | GSF2001ER | Bolt 3/8" UNF x 2.3/4" Hex Hd | 2 |
| 22 | GSF2164J | S.L. Washer 3/8" Dia | 6 |
| 23 | GSF2051AC | Nut 3/8" UNF | 6 |
| 24 | LMSD696 | Centre Lever Assy | 1 |
| 25 | GSF3002TG | Bush | 2 |
| 26 | GSF2540AC | Lubricator | 1 |
| 27 | MBB6755 | Shaft | 1 |
| 28 | MBB6469 | Washer | 1 |
| 29 | A133012 | Stiffnut M12 | 1 |
| 30 | A150012 | Washer 12mm | 1 |
| 31 | A130016 | Nut M16 | 1 |
| * | A151016 | S.L. Washer 16mm | 1 |
| * | GSF2150L | Washer | 1 |
| 32 | MBB6468 | Stop | 1 |
| 33 | GSF2164L | S.L. Washer 1/2" Dia | 1 |
| 34 | GSF2051AE | Nut 1/2" UNF | 1 |
| 35 | MBB3462B | King Pin | 2 |
| 36 | LMSD697 | Stub Axle LH Assy | 1 |
| 37 | LMSD698 | Stub Axle RH Assy | 1 |
| 38 | GSF3002TG | Bush | 2 |
| 39 | GSF2540AC | Lubricator | 1 |
| 40 | H015102 | Thrustwasher | 2 |
| 41 | GSF2001JM | Bolt 1/2" UNF x 2.1/4" Hex Hd | 2 |
| 42 | GSF2164L | S.L. Washer 1/2" Dia | 2 |
| 43 | GSF2051AE | Nut 1/2" UNF | 2 |
| 44 | LMSD699 | Rear Wheel Hub Assy | 2 |
| 45 | GSF1142AF | Stud | 4 |
| 46 | MBB3447 | Seal Washer | 2 |
| 47 | A170052 | Circlip | 2 |
| 48 | A203603 | Bearing | 2 |
| 49 | A203605 | Bearing | 2 |
| 50 | A170040 | Circlip | 2 |
| 51 | MBB5922 | Washer | 2 |
| 52 | GSF2060AG | Stiffnut 5/8" UNF | 2 |
| 53 | H990043 | Hub Cap | 2 |
| 54 | A816030 | Wheel Complete (Radial) | 2 |
| * | A817014 | Tyre | 2 |
| 55 | H082024 | Wheel Nut | 8 |
| 56 | MBB3232 | Tie Rod | 1 |
| 57 | GSF2052AE | Locknut 1/2" UNF | 1 |

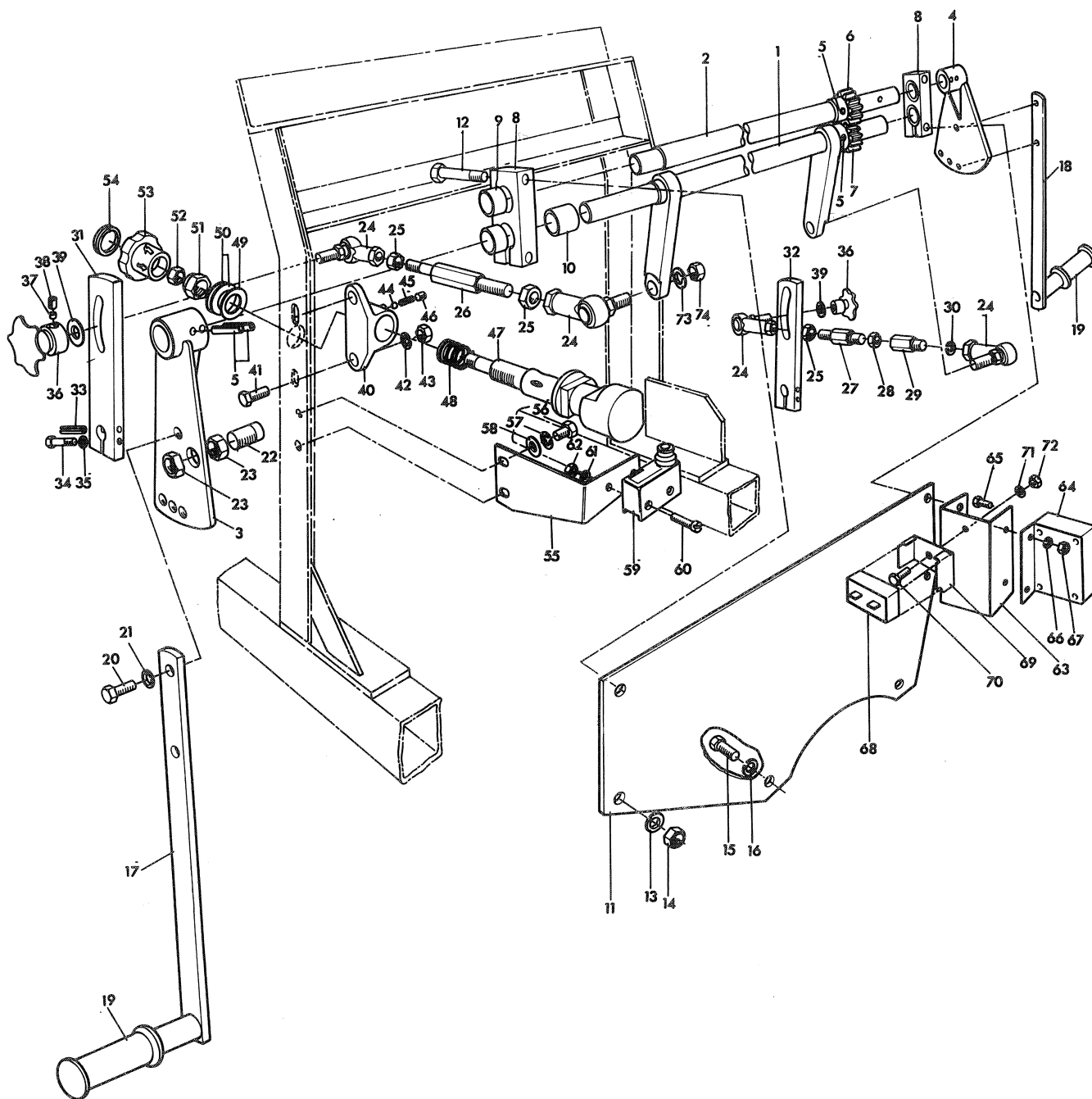
Continued

MOTOR 5/3 HYDRAULIC DRIVE MOWER



| REF. No. | PART No. | NAME OF PART | QTY |
|-----------------------------|------------------|-------------------|-----|
| 58 | H980027 | Ball Joint | 1 |
| 59 | GSF2150E | Washer 1/2" Dia | 1 |
| 60 | GSF2060AC | Stiffnut 3/8" UNF | 1 |
| 61 | MBB3443 | Tie Rod RH | 1 |
| 62 | MBB3404 | Tie Rod LH | 1 |
| 63 | GSF2052AE | Locknut 1/2" UNF | 4 |
| 64 | H980027 | Ball Joint | 4 |
| 65 | GSF2150E | Washer 1/2" Dia | 4 |
| 66 | GSF2060AC | Stiffnut 3/8" UNF | 4 |
| REAR END RAISING KIT | | | |
| * | LMAA406 | Raising Kit | 1 |
| | *Not illustrated | | |

MOTOR 5/3 HYDRAULIC DRIVE MOWER



| REF. No. | PART No. | NAME OF PART | QTY |
|----------|-----------|--|-----|
| | LMAA174 | Lower Shaft & Lever Assy | 1 |
| 1+ | MBB6860 | Lower Shaft | 1 |
| 2+ | MBB3074 | Upper Shaft | 1 |
| 3+ | MBB3683 | Quadrant RH | 1 |
| 4+ | MBB3682 | Quadrant LH | 1 |
| 5 | GSF1042KM | Spirol Pin | 6 |
| 6 | MBB3727 | Gear (Hole in line with top of tooth) | 1 |
| 7 | MBB3073 | Gear (Hole in line with top of tooth) | 1 |
| 8 | LMSD675 | Bearing Block Assy | 2 |
| 9 | GSF3002KK | Bush | 2 |
| 10 | AG20040 | Spacer | 1 |
| 11 | MBB3686 | Mounting Plate | 1 |
| 12 | GSF2001EM | Bolt 3/8" UNF x 2.1/4" Hex Hd | 4 |
| 13 | GSF2164J | S.L. Washer 3/8" | 4 |
| 14 | GSF2051AC | Nut 3/8" UNF | 4 |
| 15 | GSF2091EK | Bolt-Plate to Gearbox 3/8" UNC x 2" Hex Hd | 2 |
| 16 | GSF2614J | S.L. Washer 3/8" Dia | 2 |
| 17 | MBB3692 | Pedal RH | 1 |
| 18 | MBB3691A | Pedal LH | 1 |
| 19 | H990011 | Foot Rubber | 2 |
| 20 | A110404 | Screw | 4 |
| 21 | A151010 | S.L. Washer 10mm | 4 |
| 22 | MBB3681 | Stop | 1 |
| 23 | GSF2052AG | Locknut 5/8" UNF | 2 |
| 24 | H980399 | Ball Joint | 4 |
| 25 | GSF2052AE | Locknut 1/2" UNF | 3 |
| 26 | MBB3668 | Stud | 1 |
| 27 | MBB3695 | Adjuster | 1 |
| 28 | GSF2052BE | Locknut 1/2" UNF LH | 1 |
| 29 | MBB3696 | Adaptor | 1 |
| 30 | GSF2164L | S.L. Washer | 1 |
| 31 | MBB3678 | Lever RH | 1 |
| 32 | MBB3679 | Lever LH | 1 |
| 33 | GSF1042KP | Pin | 2 |
| 34 | A110308 | Screw M8 x 40 Hex Hd | 2 |
| 35 | A151008 | S.L. Washer 8mm | 2 |
| 36 | MBB3699 | Handle | 2 |
| 37 | MBB3690 | Pad | 2 |
| 38 | A122302 | Grub Screw M8 x 10 Socket Hd | 2 |
| 39 | MBB3674 | Washer | 2 |
| 40 | MBB3105 | Housing | 1 |
| 41 | GSF2002CF | Screw 5/16" UNF x 1" Hex Hd | 2 |
| 42 | GSF2164H | S.L. Washer 5/16" | 2 |
| 43 | GSF2051AB | Nut 5/16" UNF | 2 |
| 44 | GSF1200AH | Ball | 1 |
| 45 | GSF2240BN | Spring | 1 |
| 46 | GSF2101BF | Grub Screw 5/16" UNC x 3/8" Socket Hd | 1 |
| 47 | MBB3680A | Selector | 1 |
| 48 | MBB3530 | Spring | 1 |
| 49 | A150016 | Washer 16mm | 1 |
| 50 | H083023 | Disc Spring | 2 |
| 51 | A133016 | Stiffnut M16 | 1 |
| 52 | A130010 | Nut M10 | 1 |
| 53 | MBB6499 | Selector Knob | 1 |
| 54 | H091058 | Cap | 1 |
| 55 | MBB3094A | Bracket | 1 |
| 56 | GSF2002AC | Screw 1/4" UNF x 5/8" Hex Hd | 2 |
| 57 | GSF2164H | S.L. Washer 1/4" | 2 |
| 58 | GSF2150C | Washer 1/4" | 2 |
| 59 | H499024 | Switch | 1 |

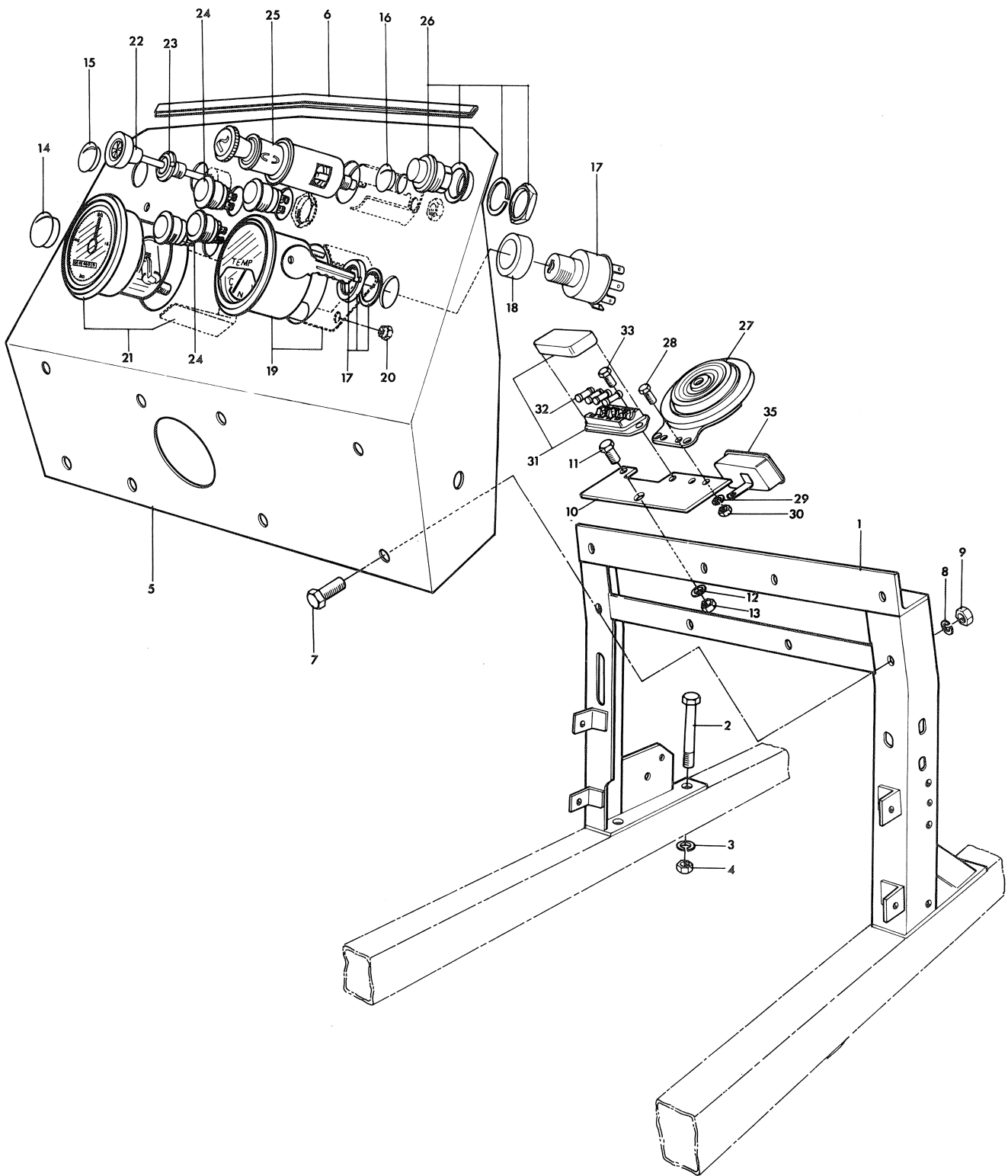
Continued

| REF. No. | PART No. | NAME OF PART | QTY |
|-----------------------------------|-----------|--------------------------------|-----|
| 60 | GSF1971ER | Screw 4BA x 1.1/4" Cheese Hd | 2 |
| 61 | GSF2168AF | S.L. Washer 4BA | 2 |
| 62 | GSF1980A | Nut 4BA | 2 |
| 63 | MBB3249 | Bracket | 1 |
| 64 | | Starter Solenoid (Ex Ford) | 1 |
| 65 | GSF1975CC | Screw 2BA x 5/16" Hex Hd | 2 |
| 66 | GSF2164F | S.L. Washer 2BA | 2 |
| 67 | GSF1980AA | Nut 2BA | 2 |
| 68 | H400060 | Flasher Unit | 1 |
| 69 | H400061 | Clip | 1 |
| 70 | GSF1975CC | Screw 2BA x 5/16" Hex Hd | 1 |
| 71 | GSF2164F | S.L. Washer 2BA | 1 |
| 72 | GSF1980AA | Nut 2BA | 1 |
| 73 | GSF2164L | S.L. Washer 1/2" | 2 |
| 74 | GSF2051AE | Nut 1/2" UNF | 2 |
| FITTINGS FOR EARLY MODELS* | | | |
| 1+ | MBB3080 | Lower Shaft | 1 |
| | MBB3677 | Lever RH | 1 |
| | MBB3726 | Lever LH | 1 |
| | GSF1042KM | Spirol Pin | 2 |
| 10 | MBB3343 | Distance Tube | 1 |
| 12 | GSF2001CM | Bolt 5/16" UNF x 2.1/4" Hex Hd | 4 |
| 13 | GSF2164J | S.L. Washer 5/16" | 4 |
| 14 | GSF2051AB | Nut 5/16" UNF | 4 |
| 47 | MBB3697 | Selector | 1 |
| 53 | MBB3792 | Handle | 1 |
| 55 | MBB3094 | Bracket | 1 |
| 59 | H499011 | Switch | 1 |
| | H499014 | Actuator for Switch | 2 |
| 60 | GSF1971GR | Screw 6BA x 1.1/4" Cheese | 2 |
| 61 | GSF2160V | Washer 6BA | 2 |
| 62 | GSF1980AC | Nut 6BA | 2 |
| | MBB3720 | Throttle Control Mounting | 1 |

*Not illustrated

+It is essential that the two hydraulic pumps are completely integrated in their operation, i.e. that the swash plates are operating in absolute parallel. The relative positions of the levers and quadrants on the shafts are therefore critical. Because of this, no new quadrants and levers will be supplied for use with old shafts, and where the need arises for replacements of these parts, the complete assembly to LMAA174 or MBB6860 Lower shaft and lever assy., will be supplied. Old quadrants and levers can, however be fitted to new shafts (which will be supplied undrilled), drilling to be done by the customer in situ. after assembly. We can accept no responsibility if this method is adopted.

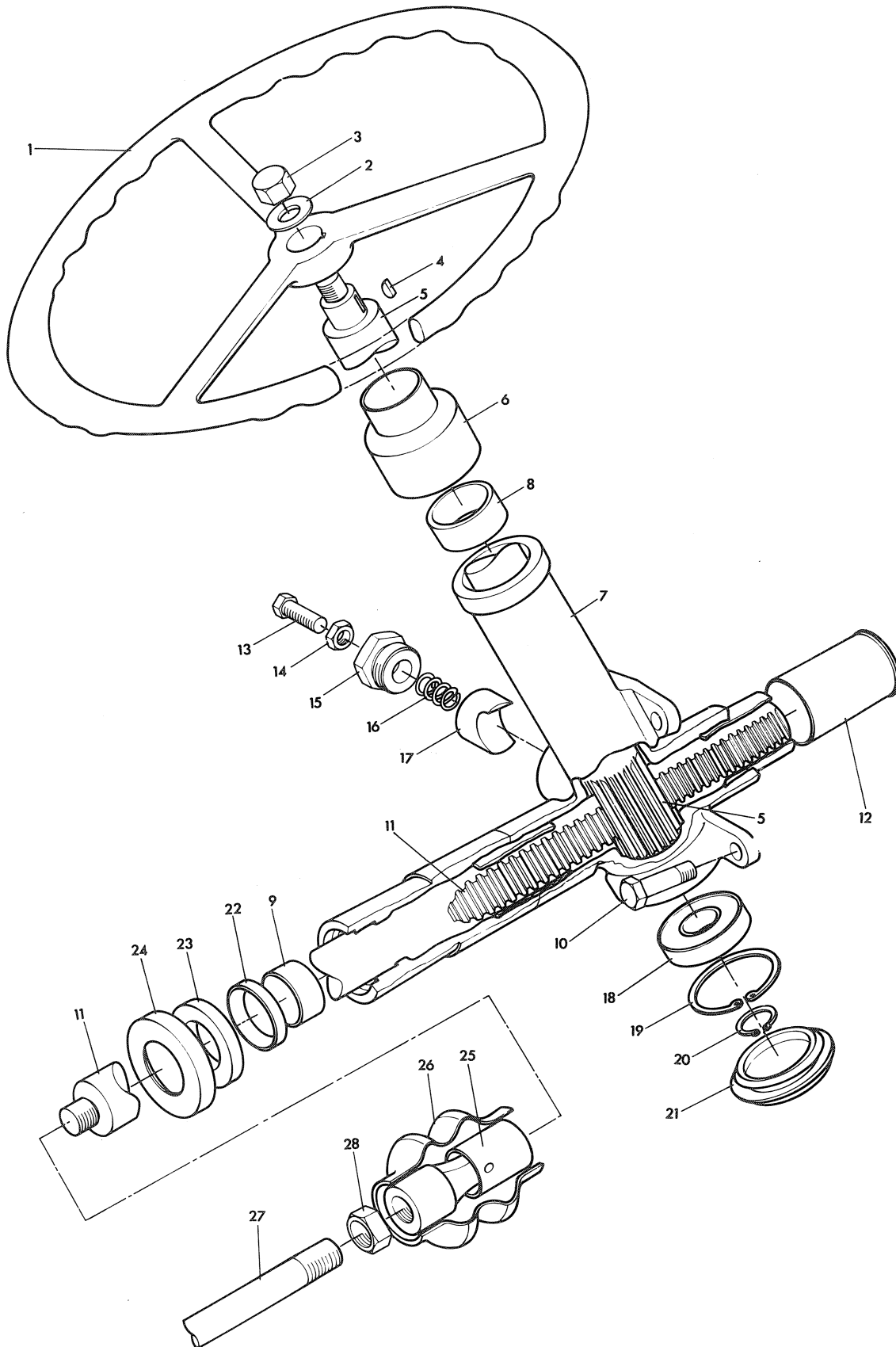
MOTOR 5/3 HYDRAULIC DRIVE MOWER



| REF. No. | PART No. | NAME OF PART | QTY |
|-----------------------------------|-------------|---------------------------------|-----|
| 1 | MBB3240E | Steering Support | 1 |
| 2 | GSF2001ET | Bolt 3/8" UNF x 3" Hex Hd | 2 |
| 3 | GSF2164J | S.L. Washer 3/8" Dia | 2 |
| 4 | GSF2051AC | Nut 3/8" UNF | 2 |
| * | GSF2002CG | Screw 5/16" UNF x 1.1/8" Hex Hd | 1 |
| * | GSF2164H | S.L. Washer 5/16" Dia | 1 |
| 5 | MBB6466 | Instrument Panel | 1 |
| 6 | H060102 | Beading (18 ins) | 1 |
| 7 | GSF2002EF | Screw 3/8" UNF x 1" Hex Hd | 4 |
| 8 | GSF2164J | S.L. Washer 3/8" Dia | 4 |
| 9 | GSF2051AC | Nut 3/8" UNF | 4 |
| 10 | MBB3250 | Bracket | 1 |
| 11 | GSF2002CF | Screw 5/16" UNF x 1" Hex Hd | 1 |
| 12 | GSF2164H | S.L. Washer 5/16" Dia | 1 |
| 13 | GSF2051AB | Nut 5/16" UNF | 1 |
| 14 | H091052 | Grommet | 1 |
| 15 | H091053 | Grommet | 1 |
| 16 | H091054 | Grommet | 1 |
| 17 | H130106/7/8 | Ignition Switch | 1 |
| 18 | MBB3279 | Distance Piece | 1 |
| 19 | H130109 | Temperature Gauge | 1 |
| 20 | H130120 | Nut | 4 |
| 21 | H499451 | Hour Meter | 1 |
| 22 | H130118 | Choke Control | 1 |
| 23 | H130119 | Bezel | 1 |
| 24 | H499700 | Warning Light | 4 |
| 25 | H499472 | Cigar Lighter | 1 |
| 26 | H480007 | Horn Button | 1 |
| 27 | H400004 | Horn | 1 |
| 28 | GSF1975CH | Screw 2BA x 5/8" Hex Hd | 2 |
| 29 | GSF2164F | S.L. Washer 2BA | 2 |
| 30 | GSF1980AA | Nut 2BA | 2 |
| 31 | H410028 | Fuse Holder | 1 |
| 32 | H499218 | Fuse (15 amp) | 4 |
| 33 | GSF1975CP | Screw 2BA x 1" Hex Hd | 2 |
| * | GSF2164F | S.L. Washer 2BA | 2 |
| * | GSF1980AA | Nut 2BA | 2 |
| 35 | H130110 | Voltage Stabiliser | 1 |
| * | A810908 | Pressure Gauge | 1 |
| * | A909020 | Connection | 1 |
| FITTINGS FOR EARLY MODELS* | | | |
| | MBB3251 | Bracket for Voltage Regulator | 1 |
| | GSF2002AE | Screw 1/4" UNF x 7/8" Hex Hd | 2 |
| | GSF2164G | S.L. Washer 1/4" Dia | 2 |
| | GSF2051AA | Nut 1/4" UNF | 2 |
| | MBB3248 | Instrument Panel | 1 |

*Not illustrated

MOTOR 5/3 HYDRAULIC DRIVE MOWER



| REF. No. | PART No. | NAME OF PART | QTY |
|----------|-----------|--------------------------------------|-----|
| 1 | H980025 | Steering Wheel | 1 |
| 2 | GSF2150G | Washer 1/2" Dia | 1 |
| 3 | Z566817 | Dome Nut | 1 |
| 4 | GSF2230AH | Key | 1 |
| 5+ | MBB3225 | Steering Column | 1 |
| 6 | MBB3226 | Gaiter | 1 |
| 7 | LMSD688 | Steering Gearbox | 1 |
| 8 | GSF3003BE | Bush | 1 |
| 9 | A210151 | Bush | 1 |
| 10 | GSF2001EH | Fixing Bolt 3/8" UNF x 1.3/4" Hex HD | 4 |
| * | GSF2164J | S.L. Washer 3/8" Dia | 4 |
| * | GSF2051AC | Nut 3/8" UNF | 4 |
| * | MBB6867 | Spacer | 4 |
| 11+ | MBB3234 | Rack | 1 |
| 12 | H990116 | Cap | 1 |
| 13 | MBB3237 | Adjusting Screw | 1 |
| 14 | GSF2052AC | Locknut 3/8" UNF | 1 |
| 15 | MBB3236 | Plug | 1 |
| 16 | H980397 | Spring | 1 |
| 17 | MBB3238 | Pressure Pad | 1 |
| 18 | A203604 | Bearing | 1 |
| 19 | A170047 | Circlip | 1 |
| 20 | A171020 | Circlip | 1 |
| 21 | MBA2337 | Grommet | 1 |
| 22 | H012102 | Oil Seal | 1 |
| 23 | MBB3233 | Felt Seal | 1 |
| 24 | POP1132A | Flange Collar | 1 |
| 25 | MBB3235 | Universal Joint | 1 |
| 26 | H540131 | Cover | 1 |
| 27 | MBB3232 | Tie Rod | 1 |
| 28 | GSF2051AE | Nut 1/2" UNF | 1 |

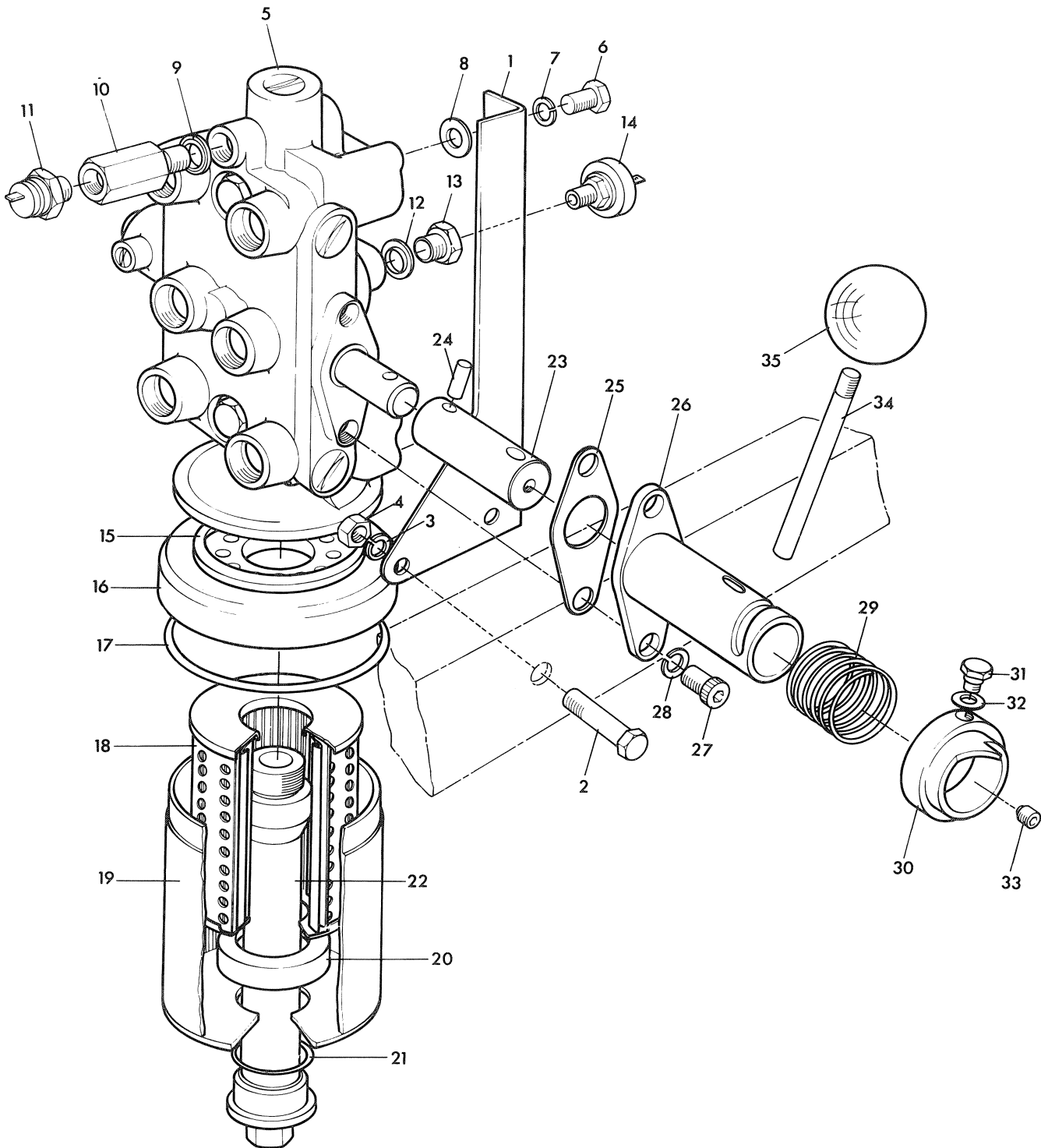
FITTINGS FOR EARLY MODELS*

| | | | |
|----|-----------|--|---|
| 10 | GSF2001EE | Fixing Bolt for Machines Without Noise Suppression 3/8" UNF x 1.3/8" Hex Hd | 4 |
|----|-----------|--|---|

*Not illustrated

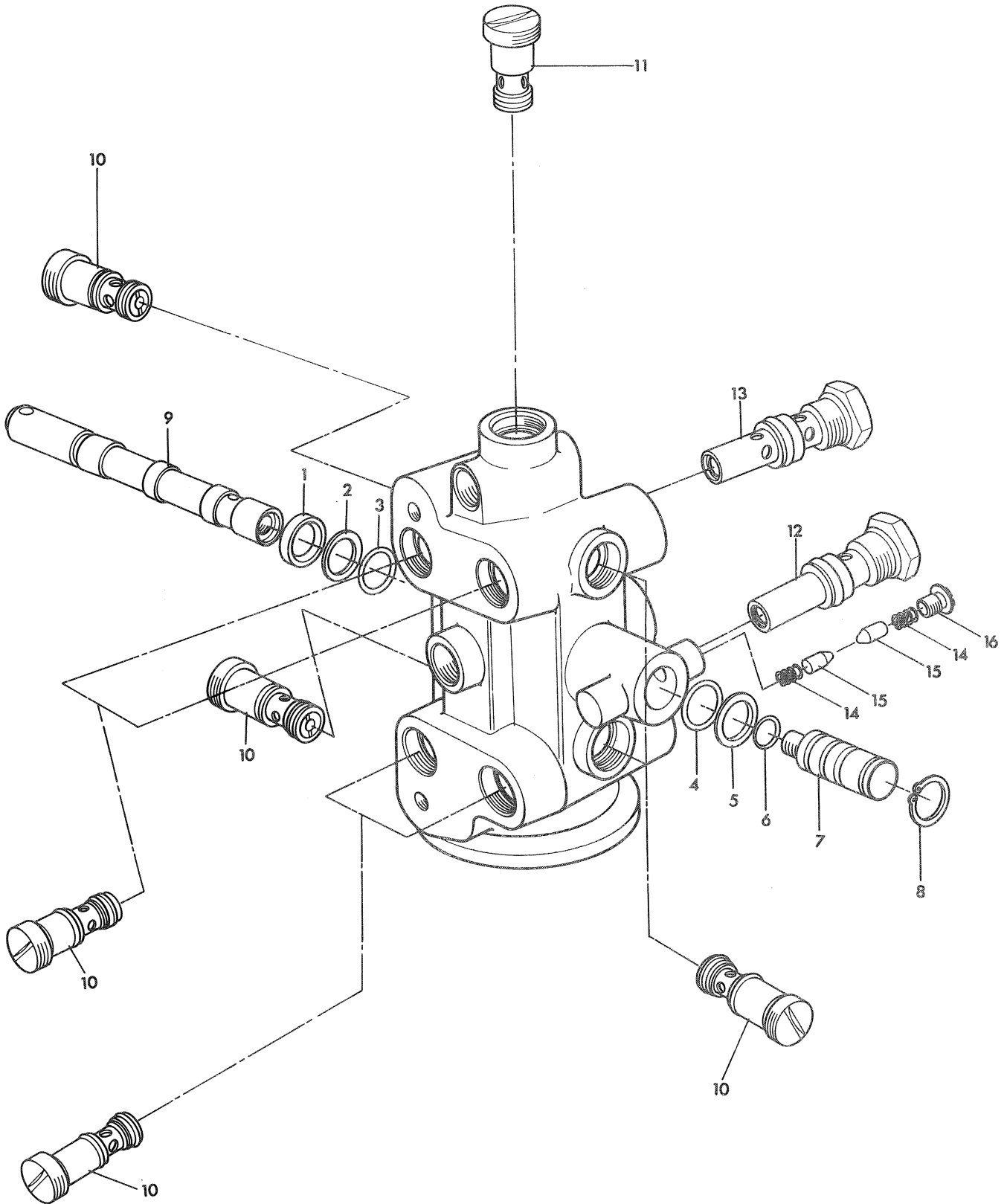
+Supplied only as mated parts to LMSD833

MOTOR 5/3 HYDRAULIC DRIVE MOWER



| REF. No. | PART No. | NAME OF PART | QTY |
|------------------------------------|-----------|--------------------------------------|----------------|
| 1 | MBB3523 | Valve Bracket | 1 |
| 2 | GSF2001ER | Bolt 3/8" UNF x 2.3/4" Hex Hd | 2 |
| 3 | GSF2164J | S.L. Washer 3/8" | 2 |
| 4 | GSF2051AC | Nut 3/8" UNF | 2 |
| 5 | H240145 | Control Valve | 1 |
| 6 | GSF2002EE | Screw 3/8" UNF x 7/8" Hex Hd | 2 |
| 7 | GSF2164J | S.L. Washer 3/8" | 2 |
| 8 | GSF2150E | Washer 3/8" | 2 |
| 9 | H014011 | Dowty Seal | 1 |
| 10 | A249225 | Adaptor | 1 |
| 11 | A829510 | Temperature Switch | 1 |
| 12 | H014013 | Dowty Seal | 1 |
| 13 | MBB3527 | Adaptor | 1 |
| 14 | A829512 | Pressure Switch | 1 |
| 15 | A221333 | O Ring | 1 |
| 16 | MBB3569 | Top Plate | 1 |
| 17 | GSF3600ET | O Ring | 1 |
| 18 | A809650 | Filter | 1 |
| 19 | MBB3570 | Filter Bowl | 1 |
| 20 | MBB3568B | Filter Ring | 1 (40mm thick) |
| 21 | A221220 | O Ring | 1 |
| 22 | MBB3573 | Centre Bolt | 1 |
| 23 | MBB3559 | Extension | 1 |
| 24 | MBB3563 | Pin | 1 |
| 25 | MBB3557 | Shim .044 ins | As reqd |
| 25 | MBB3558 | Shim .020 ins | As reqd |
| 26 | MBB3524 | Cam | 1 |
| 27 | GSF2015AD | Screw 1/4" UNF x 5/8" Cap Hd | 2 |
| 28 | GSF2164G | S.L. Washer 1/4" | 2 |
| 29 | MBB3561 | Spring | 1 |
| 30 | MBB3560 | Sleeve | 1 |
| 31 | MBB3562 | Screw | 1 |
| 32 | GSF2150D | Washer 5/16" | 1 |
| 33 | GSF2020JD | Grub Screw 1/4" UNF x 1/4" Socket Hd | 1 |
| 34 | MBB3529 | Lever | 1 |
| 35 | GSF3650C | Ball Knob | 1 |
| FITTINGS FOR EARLIER MODELS | | | |
| 10 | MBB3540 | Adaptor | 1 |

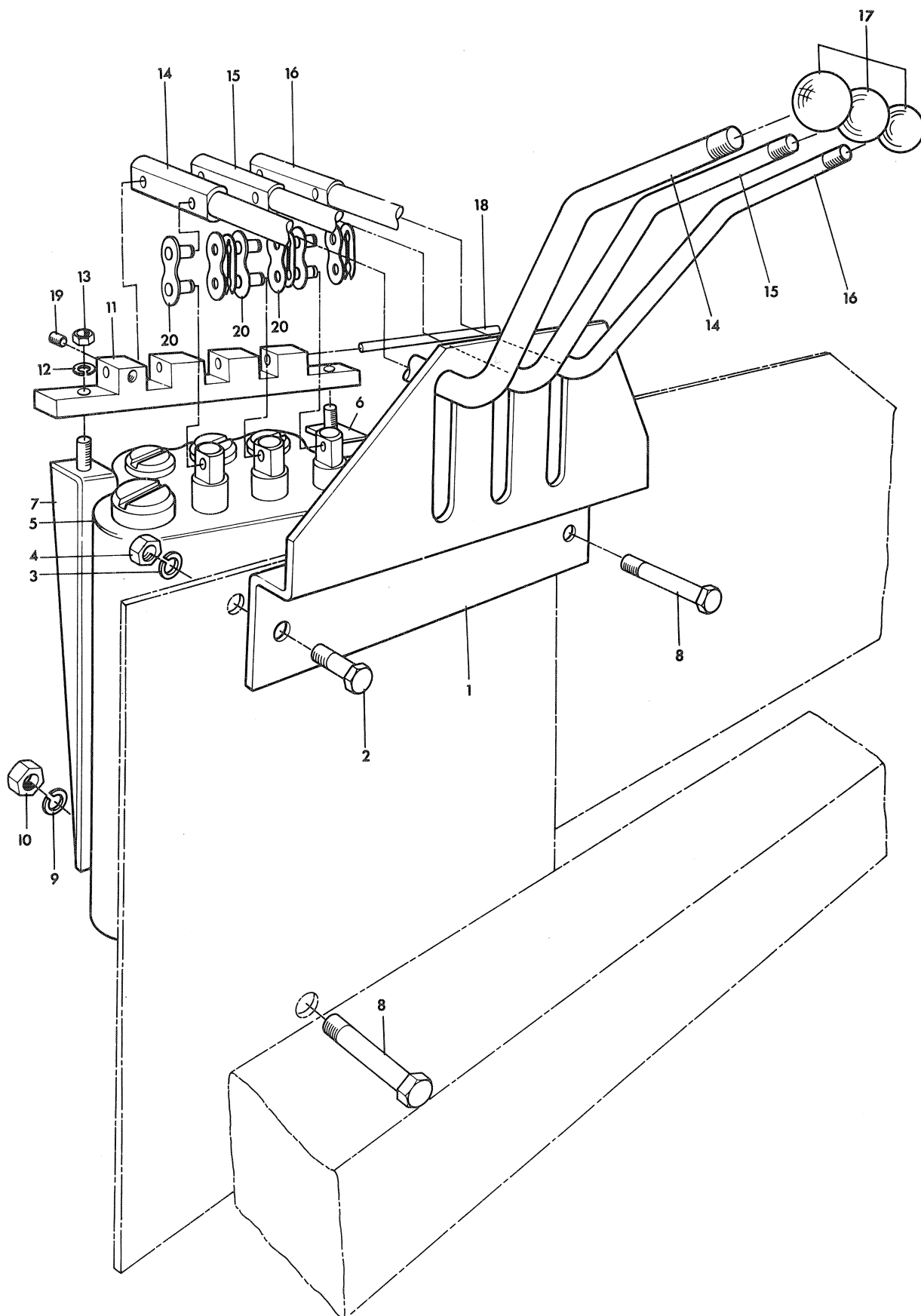
MOTOR 5/3 HYDRAULIC DRIVE MOWER



| REF. No. | PART No. | NAME OF PART | QTY |
|-----------------------------------|----------|--------------------------------|-----|
| | A802037 | Seal Kit for Spool | 1 |
| 1 | | Oil Seal | 1 |
| 2 | | O Ring | 1 |
| 3 | | Back-Up Washer | 1 |
| 4 | | O Ring | 1 |
| 5 | | Back-Up Washer | 1 |
| 6 | | O Ring | 1 |
| 7 | H240135 | Spool Extension | 1 |
| 8 | H087063 | Circlip | 1 |
| 9 | | Spool | 1 |
| 10 | A802023 | Check Valve | 8 |
| * | A802038 | Seal Kit | 1 |
| * | | O Ring | 1 |
| * | | Back-Up Washer | 1 |
| * | | O Ring | 1 |
| * | | Back-Up Washer | 1 |
| 11 | A802024 | Boost Valve | 1 |
| * | A802038 | Seal Kit | 1 |
| * | | O Ring | 1 |
| * | | Back-Up Washer | 1 |
| * | | O Ring | 1 |
| * | | Back-Up Washer | 1 |
| 12 | H240128 | Relief Valve (276 Bar) | 1 |
| 13 | H240129 | Relief Valve (207 Bar) | 1 |
| * | H240160 | Seal Kit for Relief Valves | 2 |
| 14 | H240036 | Spring | 2 |
| 15 | H240126 | Detent Pawl | 2 |
| 16 | H240136 | Detent Plug | 1 |
| FITTINGS FOR EARLY MODELS* | | | |
| * | | Non Cartridge Check Valve Assy | 1 |
| * | H240132 | Plug | 1 |
| * | H240131 | Spring | 1 |
| * | H240142 | Ball | 1 |
| * | H240130 | Valve Seat | 1 |
| * | A802039 | Seal Kit | 1 |
| * | H240161 | Shim 0.25 ins | AR |
| * | H240162 | Shim 0.079 ins | AR |

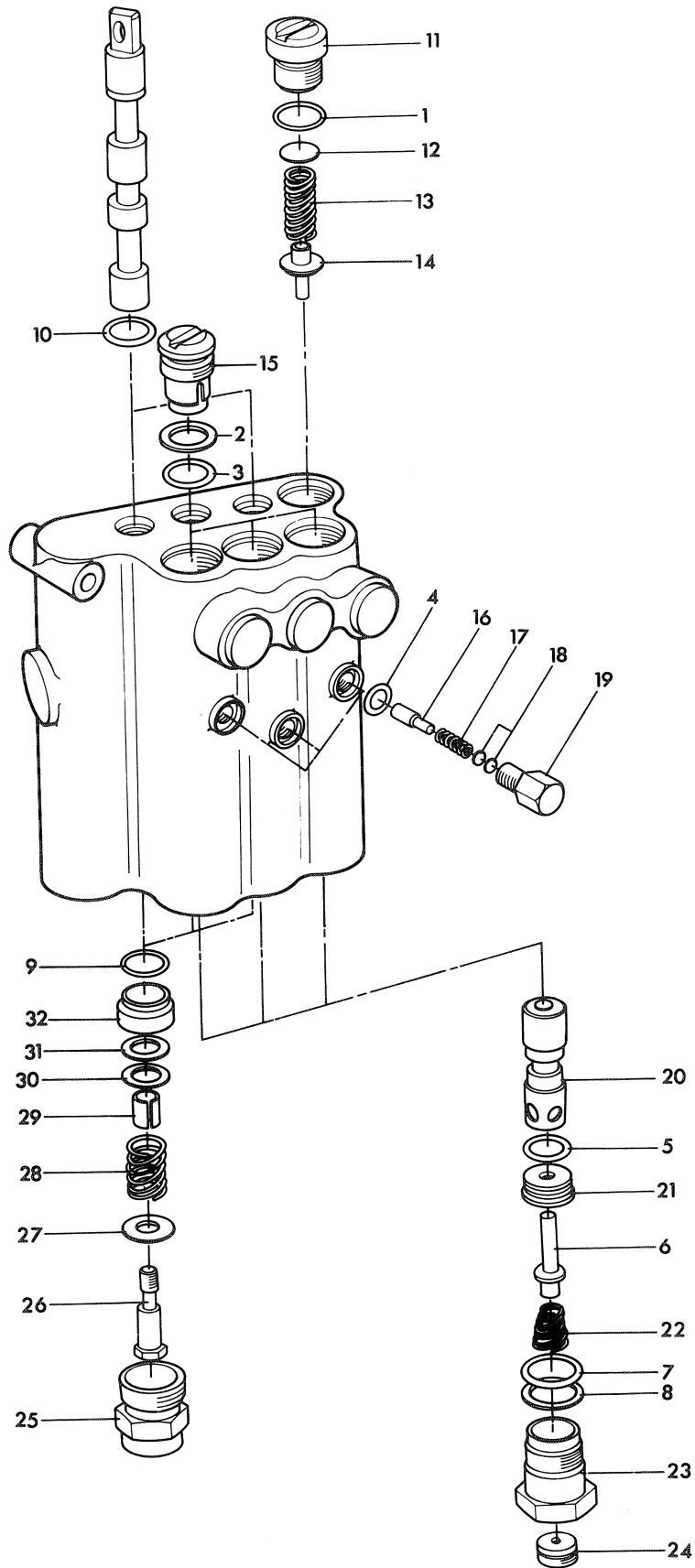
*Not illustrated

MOTOR 5/3 HYDRAULIC DRIVE MOWER



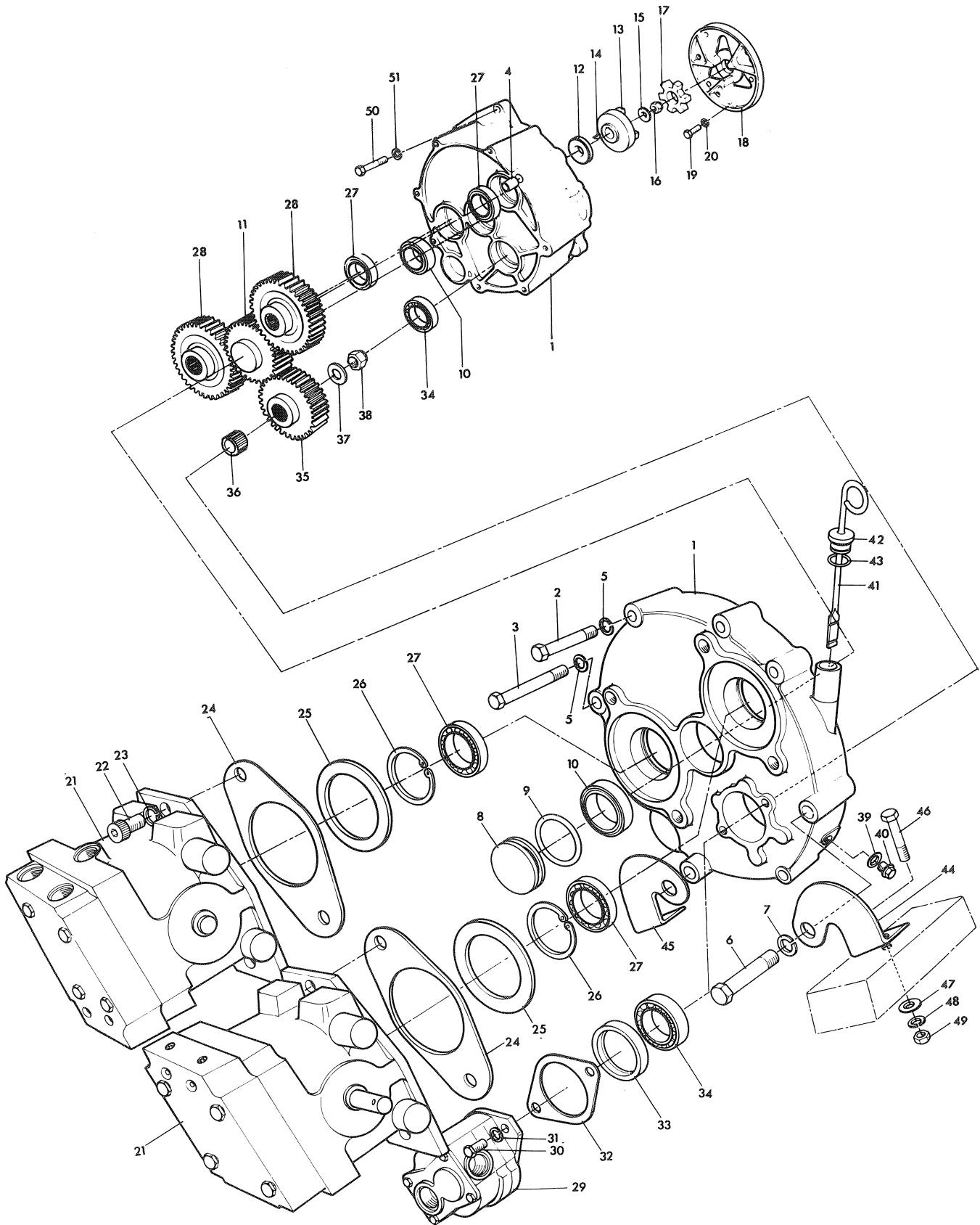
| REF. No. | PART No. | NAME OF PART | QTY |
|----------|-----------|---------------------------------|-----|
| 1 | MBB3614 | Guide Plate | 1 |
| 2 | GSF2002AD | Screw 1/4" UNF x 3/4" Hex Hd | 1 |
| 3 | GSF2164G | S.L. Washer 1/4" | 1 |
| 4 | GSF2051AA | Nut 1/4" UNF | 1 |
| 5 | H240146 | Valve Pack | 1 |
| 6 | MBB3610 | Angle | 1 |
| 6 | MBB3611 | Bracket | 1 |
| 7 | MBB3613 | Stay | 1 |
| 7 | MBB3612 | Bracket | 1 |
| 8 | GSF2001AM | Bolt 1/4" UNF x 2.1/4" Hex Hd | 2 |
| 9 | GSF2164G | S.L. Washer 1/4" | 2 |
| 10 | GSF2051AA | Nut 1/4" UNF | 2 |
| 11 | MBB3499 | Pivot Block | 1 |
| 12 | GSF2164H | S.L. Washer 5/16" | 2 |
| 13 | GSF2051AB | Nut 5/16" UNF | 2 |
| 14 | MBB6195 | Rear Lever | 1 |
| 15 | MBB6198 | Centre Lever | 1 |
| 16 | MBB6196 | Front Lever | 1 |
| 17 | GSF3650C | Ball Knob | 3 |
| 18 | MBB3500 | Rod | 1 |
| 19 | GSF2020JF | Screw 1/4" UNF x 3/8" Socket Hd | 1 |
| 20 | H042010 | Chain Link | 3 |
| * | GSF2002CF | Screw | 2 |

MOTOR 5/3 HYDRAULIC DRIVE MOWER



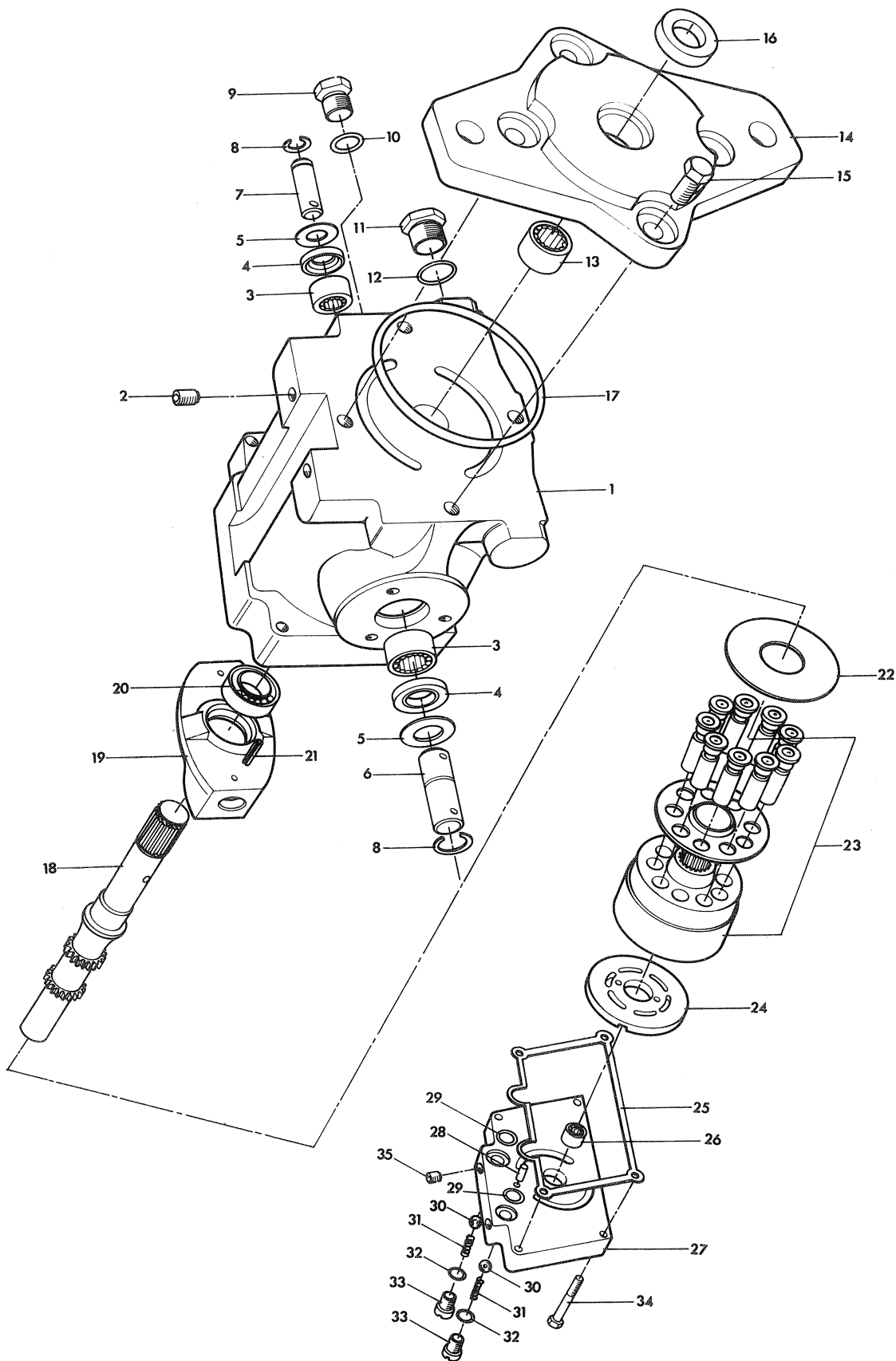
| REF. No. | PART No. | NAME OF PART | QTY |
|----------|----------|----------------------------|---------|
| | H240146 | Valve Complete | 1 |
| | H240124 | Seal Kit | 1 |
| 1 | | O Ring | 1 |
| 2 | | Back-Up Washer | 3 |
| 3 | | O Ring | 3 |
| 4 | | O Ring | 3 |
| 5 | | O Ring | 3 |
| 6 | H240117 | Poppet | 3 |
| 7 | | O Ring | 3 |
| 8 | | Back-Up Washer | 3 |
| 9 | | O Ring | 3 |
| 10 | | O Ring | 3 |
| 11 | H240137 | Slotted Plug | 1 |
| 12 | H240107 | Shim .065 in | As reqd |
| 12 | H240108 | Shim .022 in | As reqd |
| 12 | H240109 | Shim .035 in | As reqd |
| 13 | H240110 | Spring - Relief Valve | 1 |
| 14 | H240111 | Poppet - Relief Valve | 1 |
| 15 | H240143 | Plug | 3 |
| 16 | H240112 | Plunger - Detent | 3 |
| 17 | H240113 | Spring - Detent | 3 |
| 18 | H240139 | Disc | 6 |
| 19 | H240114 | Plug - Detent | 3 |
| 20 | H240115 | Plunger - Lockout (Outer) | 2 |
| 20 | H240123 | Plunger - Lockout (Centre) | 1 |
| 21 | H240116 | Seat | 3 |
| 22 | H240118 | Spring Lockout | 3 |
| 23 | H240144 | Plug-Port Adaptor | 3 |
| 24 | H240119 | Orifice Plate | 3 |
| 25 | H240120 | Cap Assy | 3 |
| 26 | H240134 | Screw | 3 |
| 27 | H240140 | Washer | 3 |
| 28 | H240121 | Spring | 3 |
| 29 | H240133 | Spacer | 3 |
| 30 | H240138 | Washer | 3 |
| 31 | H240141 | Washer | 3 |
| 32 | H240122 | Bush | 3 |

MOTOR 5/3 HYDRAULIC DRIVE MOWER



| REF. No. | PART No. | NAME OF PART | QTY |
|----------|-----------|--------------------------------------|-----|
| 1 | MBB6274 | Gearbox Shell | 1 |
| 2 | GSF2001ED | Bolt 3/8" UNF x 1.1/4" Hex Hd | 4 |
| 3 | GSF2001ET | Bolt 3/8" UNF x 3" Hex Hd | 2 |
| 4 | H132067 | Dowel | 2 |
| 5 | GSF2164J | S.L. Washer 3/8" | 6 |
| 6 | GSF2001JX | Bolt 1/2" UNF x 3.1/2" Hex Hd | 2 |
| 7 | GSF2164L | S.L. Washer 1/2" | 2 |
| 8 | MBB3519 | Plug | 1 |
| 9 | A221329 | O Ring | 1 |
| 10 | H001741 | Bearing | 2 |
| 11 | MBB6271 | Centre Gear | 1 |
| 12 | A220350 | Oil Seal | 1 |
| 13 | MBB3382J | Taper Coupling | 1 |
| 14 | GSF2230AM | Key | 1 |
| 15 | MBB3366 | Washer | 1 |
| 16 | A133016 | Stiffnut M16 | 1 |
| 17 | H540120 | Cushion Spider | 1 |
| 18 | LMSD867A | Flywheel Coupling (Flanged MBB6154E) | 1 |
| 19 | GSF2093CF | Screw 5/16" UNC x 1" Hex Hd | 6 |
| 20 | GSF2164H | S.L. Washer 5/16" | 6 |
| 21 | MBB3370 | Pump (Sundstrand) | 2 |
| 22 | GSF2015EJ | Screw 1/2" UNF x 1.1/4" Cap Hd | 4 |
| 23 | GSF2164L | S.L. Washer 1/2" | 4 |
| 24 | MBB3663 | Gasket | 2 |
| 25 | MBB3517 | Washer - Seal | 2 |
| 26 | GSF1050CJ | Circlip | 2 |
| 27 | H001676 | Bearing | 4 |
| 28 | MBB3367 | Gear | 2 |
| 29 | MBB3371 | Pump (Cessna) | 1 |
| 30 | GSF2002EF | Screw 3/8" UNF x 1" Hex Hd | 2 |
| 31 | GSF2164J | S.L. Washer 3/8" | 2 |
| 32 | MBB3188 | Gasket | 1 |
| 33 | MBB3376 | Collar | 1 |
| 34 | H001676 | Bearing | 2 |
| 35 | MBB3369 | Gear | 1 |
| 36 | MBB3377 | Splined Bush | 1 |
| 37 | GSF2150E | Washer 3/8" | 1 |
| 38 | GSF2061AD | Stiffnut 3/8" UNF | 1 |
| 39 | GSF3551EJ | Fibre Washer | 1 |
| 40 | GSF3260AA | Drain Plug | 1 |
| 41 | MBB3372 | Dip Stick | 1 |
| 42 | MBB3729 | Washer | 1 |
| 43 | GSF3599BE | O Ring | 1 |
| 44 | MBB3510 | Engine Bearer RH Rear | 1 |
| 45 | MBB3511 | Engine Bearer LH Rear | 1 |
| 46 | GSF2001ER | Bolt 3/8" UNF x 2.3/4" Hex Hd | 2 |
| 47 | GSF2150E | Washer 3/8" | 2 |
| 48 | GSF2164J | S.L. Washer 3/8" | 2 |
| 49 | GSF2051AC | Nut 3/8" UNF | 2 |
| 50 | GSF2091EF | Bolt 3/8" UNC x 1.1/2" Hex Hd | 2 |
| 51 | GSF2164J | S.L. Washer | 2 |
| * | MBB6159 | Shim 2mm thick | 1 |
| * | A904006 | Gasket for Item 1 | 1 |

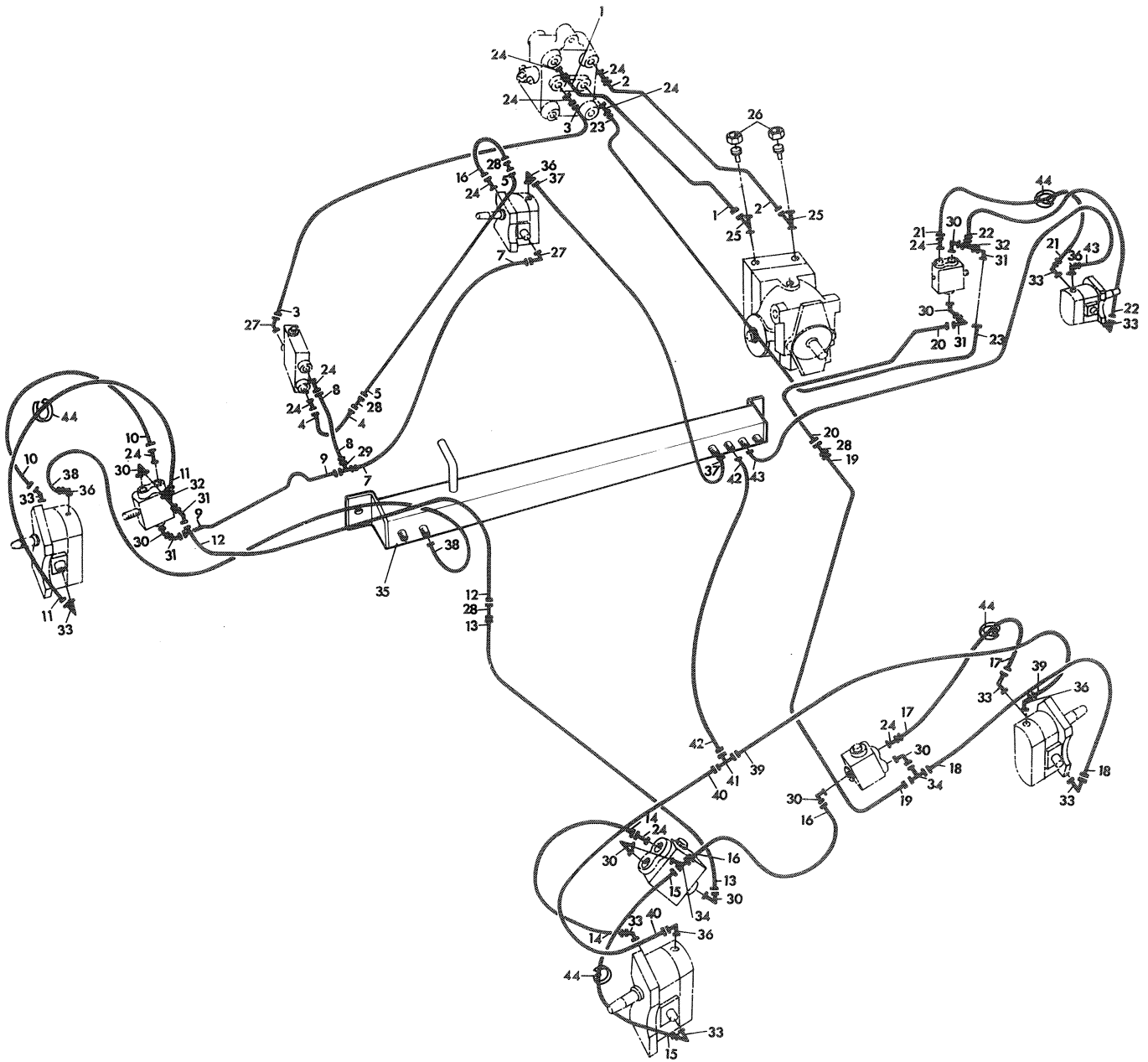
MOTOR 5/3 HYDRAULIC DRIVE MOWER



| REF. No. | PART No. | NAME OF PART | QTY |
|----------|-----------|---|-----|
| | MBB3370 | Pump Complete | 2 |
| 1 | | Main Housing | 1 |
| 2 | | Pipe Plug | 2 |
| 3 | A209008 | Needle Bearing | 2 |
| 4 | A809308 | Lip Seal | 2 |
| 5 | H290702 | Washer | 2 |
| 6 | A809302 | Trunnion Shaft | 1 |
| 7 | A809303 | Trunnion Shaft | 1 |
| 8 | H290701 | Retaining Ring | 2 |
| 9 | H290700 | Hex Plug | 1 |
| 10 | A221805 | O Ring | 1 |
| 11 | A244406 | Hex Plug | 1 |
| 12 | A221808 | O Ring | 1 |
| 13 | A209009 | Needle Bearing | 1 |
| 14 | | Charge Pump Housing | 1 |
| 15 | | Cap Screw | 4 |
| 16 | A229916 | Lip Seal | 1 |
| 17 | A221153 | O Ring | 1 |
| 18 | A809304 | Pump Shaft (15-2016 & 15-2028) | 1 |
| 18 | A809367 | Pump Shaft (with Circlip) (15-2089 & 15-2107) | 1 |
| 19 | A809313 | Swash Plate | 1 |
| 20 | A203204 | Ball Bearing | 1 |
| 19 | A809313 | Swash Plate | 1 |
| 20 | A201902 | Ball Bearing | 1 |
| 21 | GSF1040HZ | Spring Pin | 3 |
| 22 | A809305 | Thrust Plate | 1 |
| 23 | A809306 | Cylinder Block Kit | 1 |
| 24 | A809307 | Valve Plate | 1 |
| 25 | A809301 | Gasket | 1 |
| 26 | A809300 | Roller Bearing | 1 |
| 27 | | End Cap | 1 |
| 28 | | Dowel Pin | 1 |
| 29 | GSF3599BA | O Ring | 2 |
| 30 | H290703 | Ball | 2 |
| 31 | H290699 | Spring | 2 |
| 32 | A221805 | O Ring | 2 |
| 33 | H290704 | Check Valve Plug | 2 |
| 34 | GSF2091EP | Screw 3/8" UNC x 2.1/2" Hex Hd | 4 |
| 35 | | Pipe Plug | 2 |
| * | LMAA340 | Flushing Kit | 1 |

*Not illustrated

MOTOR 5/3 HYDRAULIC DRIVE MOWER



CUTTING UNIT HYDRAULIC DRIVE CIRCUIT

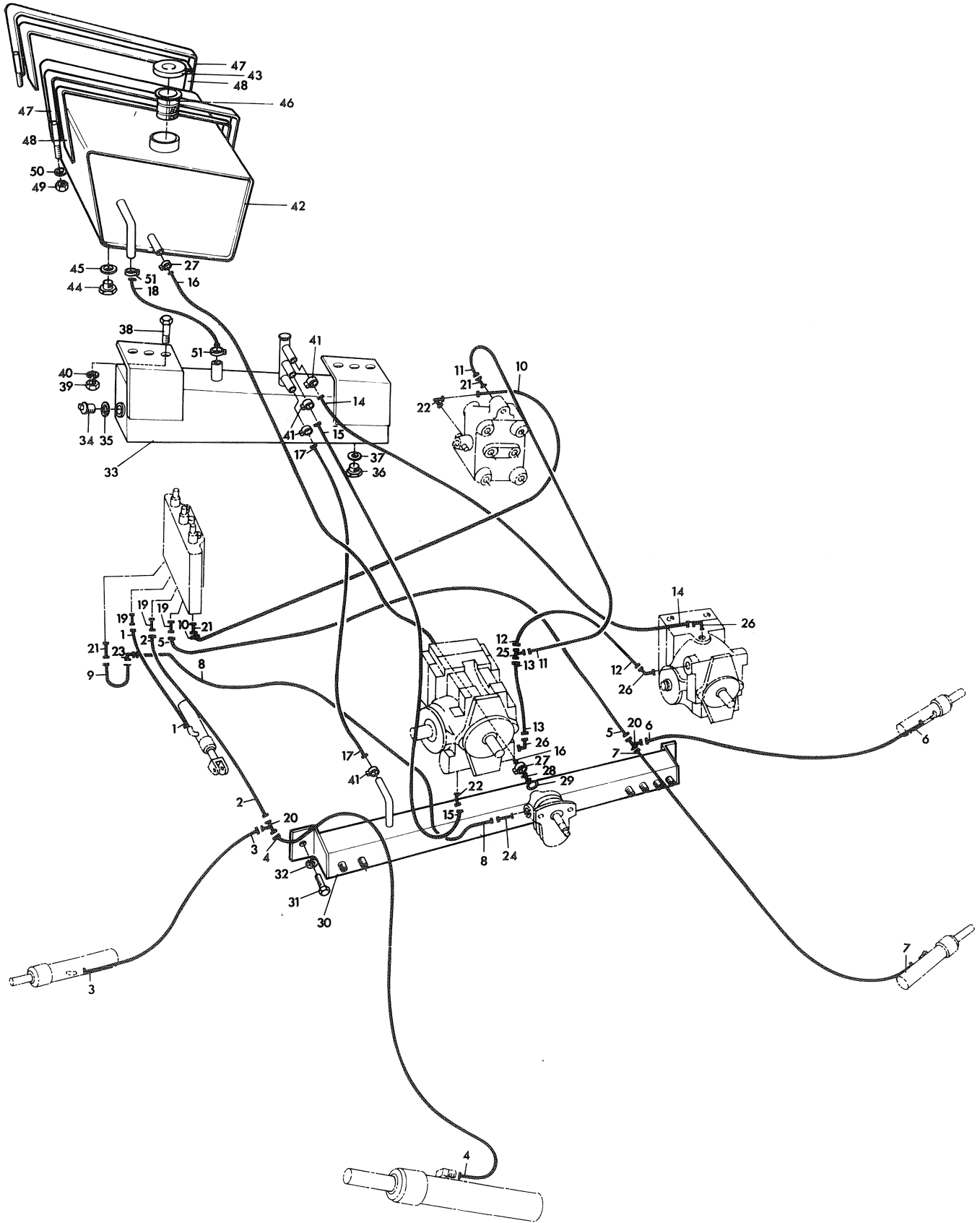
LIST OF PARTS

For 3 Unit Machine use Quantity Column A
 For 5 Unit Machine use Quantity Column B

| REF. No. | PART No. | NAME OF PART | QTY | |
|----------|-----------|--------------------|-----|----|
| | | | A | B |
| 1 | MBB3647 | Pipe No. 11 | 1 | 1 |
| 2 | MBB3648 | Pipe No. 12 | 1 | 1 |
| 3 | MBB3649 | Pipe No. 13 | 1 | 1 |
| 4 | MBB3650 | Pipe No. 14 | 1 | 1 |
| 5 | A725065 | Hose No. 15 | 1 | 1 |
| 6 | MBB3651 | Pipe No. 16 | 1 | 1 |
| 7 | A725065 | Hose No. 17 | 1 | 1 |
| 8 | MBB3652 | Pipe No. 18 | 1 | 1 |
| 9 | MBB3653 | Pipe No. 19 | | 1 |
| * | MBB3661 | Pipe | 1 | |
| 10 | A725080 | Hose No. 20 | | 1 |
| 11 | A725080 | Hose No. 21 | | 1 |
| 12 | MBB3654 | Pipe No. 22 | | 1 |
| 13 | MBB3655 | Pipe No. 23 | 1 | 1 |
| 14 | A725080 | Hose No. 24 | 1 | 1 |
| 15 | A725080 | Hose No. 25 | 1 | 1 |
| 16 | MBB3031 | Pipe No. 26 | 1 | 1 |
| 17 | A725080 | Hose No. 27 | 1 | 1 |
| 18 | A725080 | Hose No. 28 | 1 | 1 |
| 19 | MBB3656 | Pipe No. 29 | 1 | 1 |
| 20 | MBB3657 | Pipe No. 30 | | 1 |
| * | MBB3662 | Pipe | 1 | |
| 21 | A725080 | Hose No. 31 | | 1 |
| 22 | A725080 | Hose No. 32 | | 1 |
| 23 | MBB3658 | Pipe No. 33 | | 1 |
| 24 | A240007 | Connector | 9 | 11 |
| * | A221810 | O Ring | 1 | 1 |
| 25 | A243152 | Tee Connector | 2 | 2 |
| * | A221808 | O Ring | 1 | 1 |
| 26 | LMAA192 | Magnetic Plug | 2 | 2 |
| 27 | A242007 | Elbow | 2 | 2 |
| * | A221810 | O Ring | 1 | 1 |
| 28 | GSF2550KG | Connector | 4 | 4 |
| 29 | A243207 | Tee Junction | 1 | 1 |
| 30 | A241007 | Elbow | 4 | 8 |
| * | A221810 | O Ring | 1 | 1 |
| 31 | A241407 | Elbow | | 4 |
| 32 | A243507 | Tee Junction | | 2 |
| 33 | GSF2550GH | Elbow | 4 | 8 |
| 34 | A243407 | Female Swivel Tee | 2 | 2 |
| 35 | LMSD694 | Hydraulic Junction | 1 | 1 |
| 36 | A241003 | Elbow | 3 | 5 |
| * | A221804 | O Ring | 1 | 1 |
| 37 | MBB5044 | Hose No. 53 | 1 | 1 |
| 38 | MBB3044 | Hose No. 54 | | 1 |
| * | A244803 | Blank Off Cap | 1 | |
| 39 | MBB5044 | Hose No. 51 | 1 | 1 |
| 40 | MBB5044 | Hose No. 52 | 1 | 1 |
| 41 | A243203 | Tee Junction | 1 | 1 |
| * | A221804 | O Ring | 1 | 1 |
| 42 | MBB3042 | Hose No. 50 | 1 | 1 |
| 43 | MBB3045 | Hose No. 55 | | 1 |
| * | A244803 | Blank Off Cap | 1 | |
| 44 | H060051 | Tape (23 ins) | 2 | 4 |

*Not illustrated

MOTOR 5/3 HYDRAULIC DRIVE MOWER



HYDRAULIC BOOST AND LIFT CIRCUIT

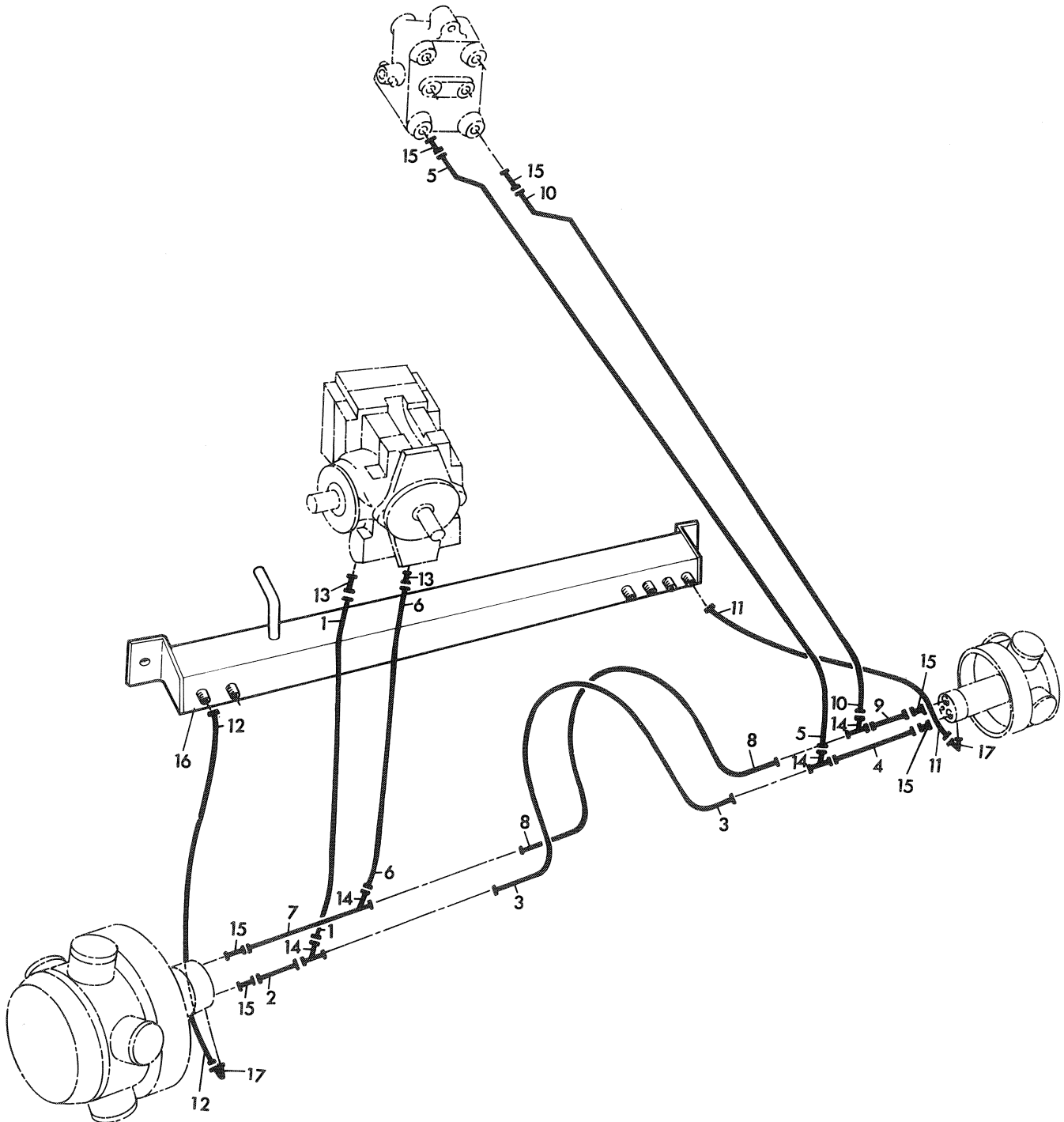
LIST OF PARTS

For 3 Unit Machine use Quantity Column A
 For 5 Unit Machine use Quantity Column B

| REF No. | PART No. | NAME OF PART | QTY | |
|--|-----------|-------------------------------|------|------|
| | | | A | B |
| 1 | MBB3260 | Hose No. 36 | 1 | 1 |
| 2 | MBB3260 | Hose No. 40 | 1 | 1 |
| 3 | MBB3261 | Hose No. 41 | | 1 |
| 4 | MBB3262 | Hose No. 42 | 1 | 1 |
| 5 | MBB3260 | Hose No. 37 | 1 | 1 |
| 6 | MBB3261 | Hose No. 38 | | 1 |
| 7 | MBB3262 | Hose No. 39 | 1 | 1 |
| 8 | A791405 | Hose No. 35 | 1 | 1 |
| 9 | A902068 | Pipe 180° Bend | 1 | 1 |
| 10 | MBB3030 | Pipe No. 43 | 1 | 1 |
| 11 | MBB3035 | Hose No. 46 | 1 | 1 |
| 12 | MBB3036 | Hose No. 45 | 1 | 1 |
| 13 | MBB3036 | Hose No. 44 | 1 | 1 |
| 14 | MBB3040 | Hose No. 47 | 1 | 1 |
| 15 | MBB3041 | Hose No. 48 | 1 | 1 |
| 16 | H032312 | Hose No. 34 | 68cm | 68cm |
| 17 | MBB3018 | Hose No. 49 | 1 | 1 |
| 18 | H032312 | Suction Hose | 12cm | 12cm |
| 19 | A240032 | Connector | 3 | 3 |
| * | A221806 | O Ring | 1 | 1 |
| 20 | A243203 | Tee Junction | 2 | 2 |
| * | A221804 | O Ring | 1 | 1 |
| * | A244803 | Blank Off Cap | 2 | |
| 21 | A240006 | Connector | 3 | 3 |
| * | A221808 | O Ring | 1 | 1 |
| 22 | A241006 | Elbow | 2 | 2 |
| * | A221808 | O Ring | 1 | 1 |
| 24 | A240047 | Connector | 1 | 1 |
| * | A221806 | O Ring | 1 | 1 |
| 25 | A243225 | Tee Junction | 1 | 1 |
| 26 | A241042 | Elbow | 3 | 3 |
| * | A221808 | O Ring | 1 | 1 |
| 27 | A192029 | Hose Clip | 2 | 2 |
| 28 | TBA8543 | Adaptor | 1 | 1 |
| 29 | GSF3598AJ | O Ring | 1 | 1 |
| 30 | LMSD694 | Hydraulic Junction | 1 | 1 |
| 31 | GSF2002CD | Screw 5/16" UNF x 3/4" | 2 | 2 |
| 32 | GSF2164H | S.J. Washer | 2 | 2 |
| 33 | LMSD693A | Cooling Tank | 1 | 1 |
| 34 | GSF3260AB | Plug | 1 | 1 |
| 35 | GSF3551KR | Fibre Washer | 1 | 1 |
| 36 | H291025 | Drain Plug | 1 | 1 |
| 37 | H014017 | Dowty Seal | 1 | 1 |
| 38 | GSF2001ER | Bolt 3/8" UNF x 2.3/4" Hex Hd | 2 | 2 |
| 39 | GSF2051AG | Nut 3/8" UNF | 2 | 2 |
| 40 | GSF2164J | S.L. Washer 3/8" | 2 | 2 |
| 41 | A192022 | Hose Clip | 4 | 4 |
| 42 | LMSD692 | Hydraulic Tank | 1 | 1 |
| 43 | H460004 | Filler Cap | 1 | 1 |
| 44 | H291025 | Magnetic Plug | 1 | 1 |
| 45 | H014017 | Dowty Seal | 1 | 1 |
| 46 | MBB2629 | Filter | 1 | 1 |
| 47 | MBB3198 | Tank Strap | 2 | 2 |
| 48 | H060103 | Rubber Strip (26 ins) | 2 | 2 |
| 49 | GSF2060AB | Stiffnut 5/16" UNF | 4 | 4 |
| 50 | GSF2150D | Washer 5/16" | 4 | 4 |
| 51 | A192029 | Hose Clip | 2 | 2 |
| CONVERSION KIT 5 UNIT TO 3 UNIT | | | | |
| * | LMAA190 | Conversion Kit | | 1 |
| * | MBB3661 | Pipe | | 1 |
| * | MBB3662 | Pipe | | 1 |
| * | A244803 | Blank Off Cap | | 4 |

*Not illustrated

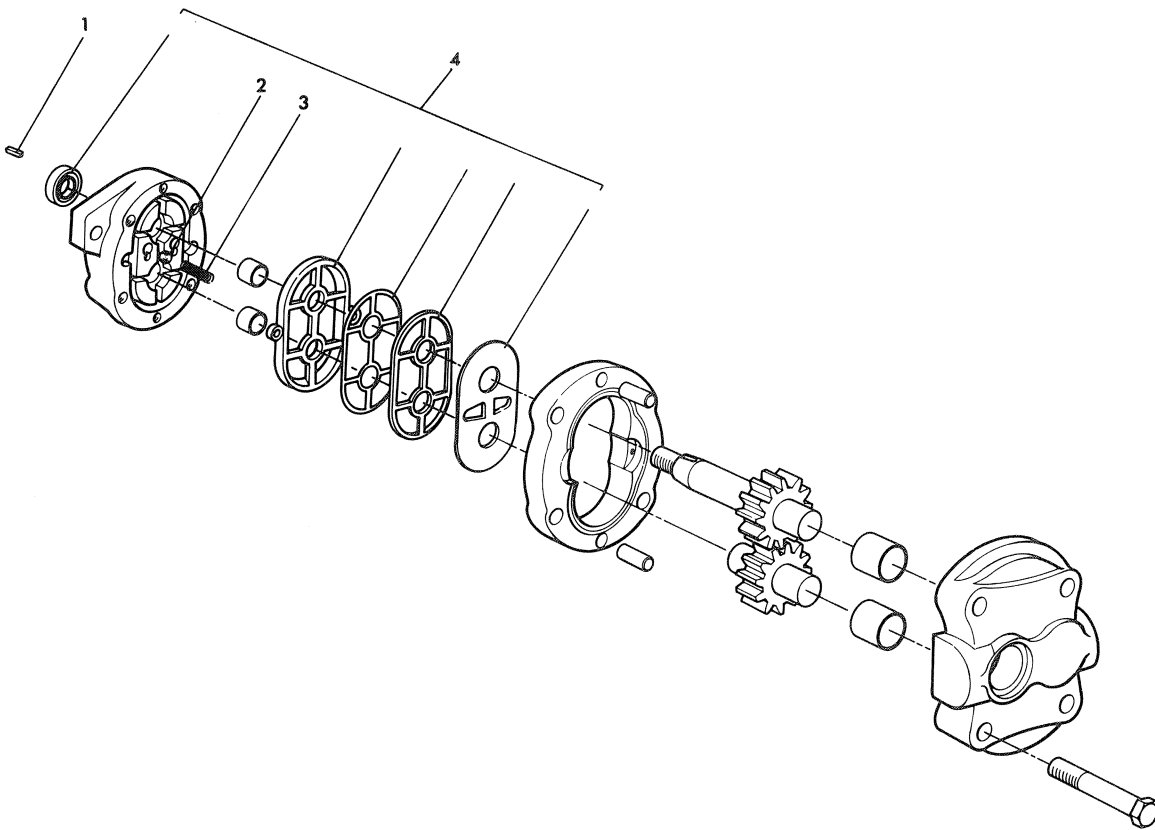
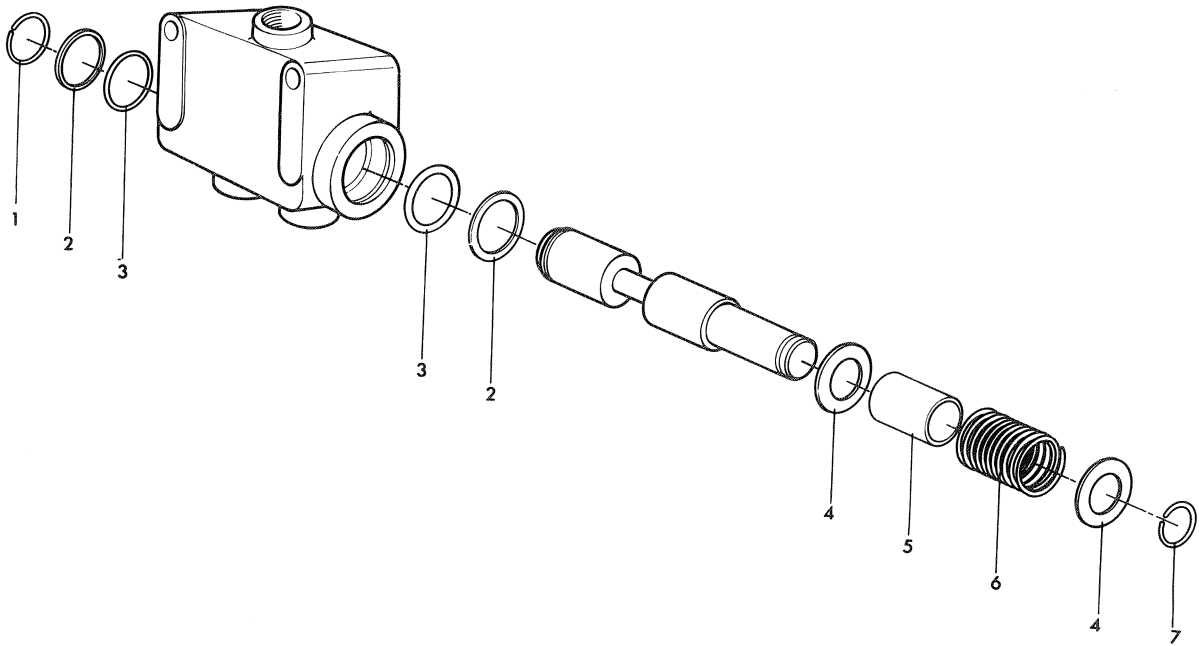
MOTOR 5/3 HYDRAULIC DRIVE MOWER



| REF. No. | PART No. | NAME OF PART | QTY |
|----------|----------|--------------------|-----|
| 1 | MBB3640 | Pipe No. 1 | 1 |
| 2 | MBB3641 | Pipe No. 2 | 1 |
| 3 | MBB3642 | Pipe No. 3 | 1 |
| 4 | MBB3643 | Pipe No. 4 | 1 |
| 5 | MBB3644 | Pipe No. 5 | 1 |
| 6 | MBB3645 | Pipe No. 6 | 1 |
| 7 | MBB3643 | Pipe No. 7 | 1 |
| 8 | MBB3642 | Pipe No. 8 | 1 |
| 9 | MBB3641 | Pipe No. 9 | 1 |
| 10 | MBB3646 | Pipe No. 10 | 1 |
| 11 | MBB5044 | Hose No. 56 | 1 |
| 12 | MBB5044 | Hose No. 57 | 1 |
| 13 | A240052 | Connector | 2 |
| * | A221808 | O Ring | 1 |
| 14 | A243207 | Tee Junction | 4 |
| * | A221810 | O Ring | 1 |
| 15 | A240007 | Connector | 6 |
| * | A221810 | O Ring | 1 |
| 16 | LMSD694 | Hydraulic Junction | 1 |
| 17 | A241003 | Elbow | 2 |
| * | A221804 | O Ring | 1 |

*Not illustrated

MOTOR 5/3 HYDRAULIC DRIVE MOWER



| REF. No. | PART No. | NAME OF PART | QTY |
|----------|-----------|----------------|-----|
| 1 | A171016 | Circlip | 1 |
| 2 | H240016 | Back-Up Washer | 2 |
| 3 | GSF3600BR | O Ring | 2 |
| 4 | H240087 | Washer | 2 |
| 5 | H240086 | Sleeve | 1 |
| 6 | H240085 | Spring | 1 |
| 7 | H087026 | Circlip | 1 |

GEAR PUMP

| | | | |
|---|-----------|----------|---|
| 1 | GSF2200AB | Key | 1 |
| 2 | GSF1200AG | Ball | 1 |
| 3 | H240157 | Spring | 1 |
| 4 | H240158 | Seal Kit | 1 |

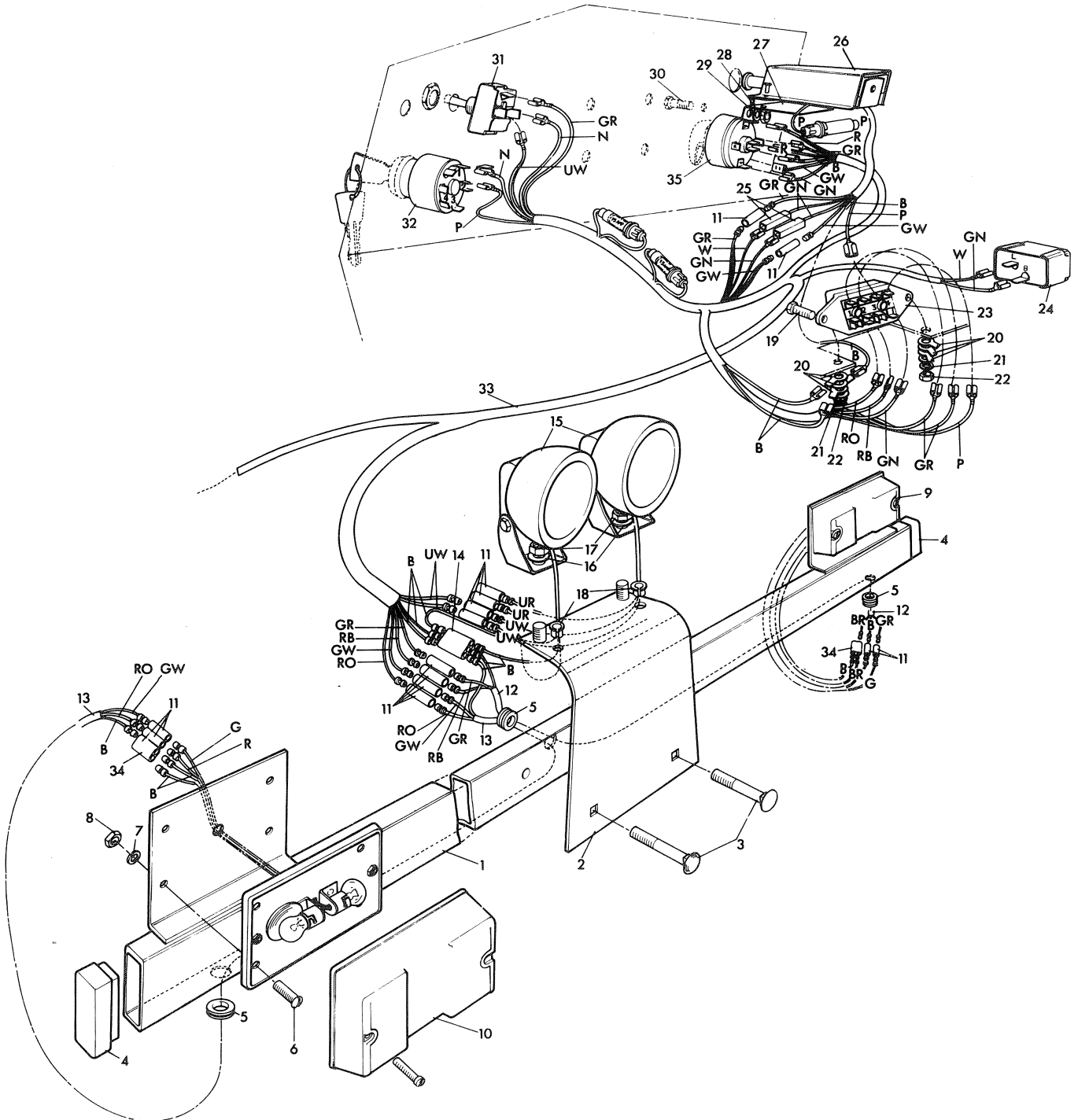
TOOL KIT*

The Tool Kit is not supplied with the machine but is available as an optional extra.

| | | |
|-----------|-------------------|---|
| LMAA161 | Tool Kit Complete | 1 |
| GSF5051BA | Oil Gun | 1 |
| GSF5001AH | Spanner | 1 |
| GSF5001AK | Spanner | 1 |
| GSF5001AP | Spanner | 1 |
| GSF5001AZ | Spanner | 1 |
| A293901 | Ring Spanner | 1 |
| MBA1597 | Box Spanner | 1 |
| GSF5040AM | Hex Wrench | 1 |
| H090002 | Tool Holder | 1 |

*Not illustrated

MOTOR 5/3 HYDRAULIC DRIVE MOWER



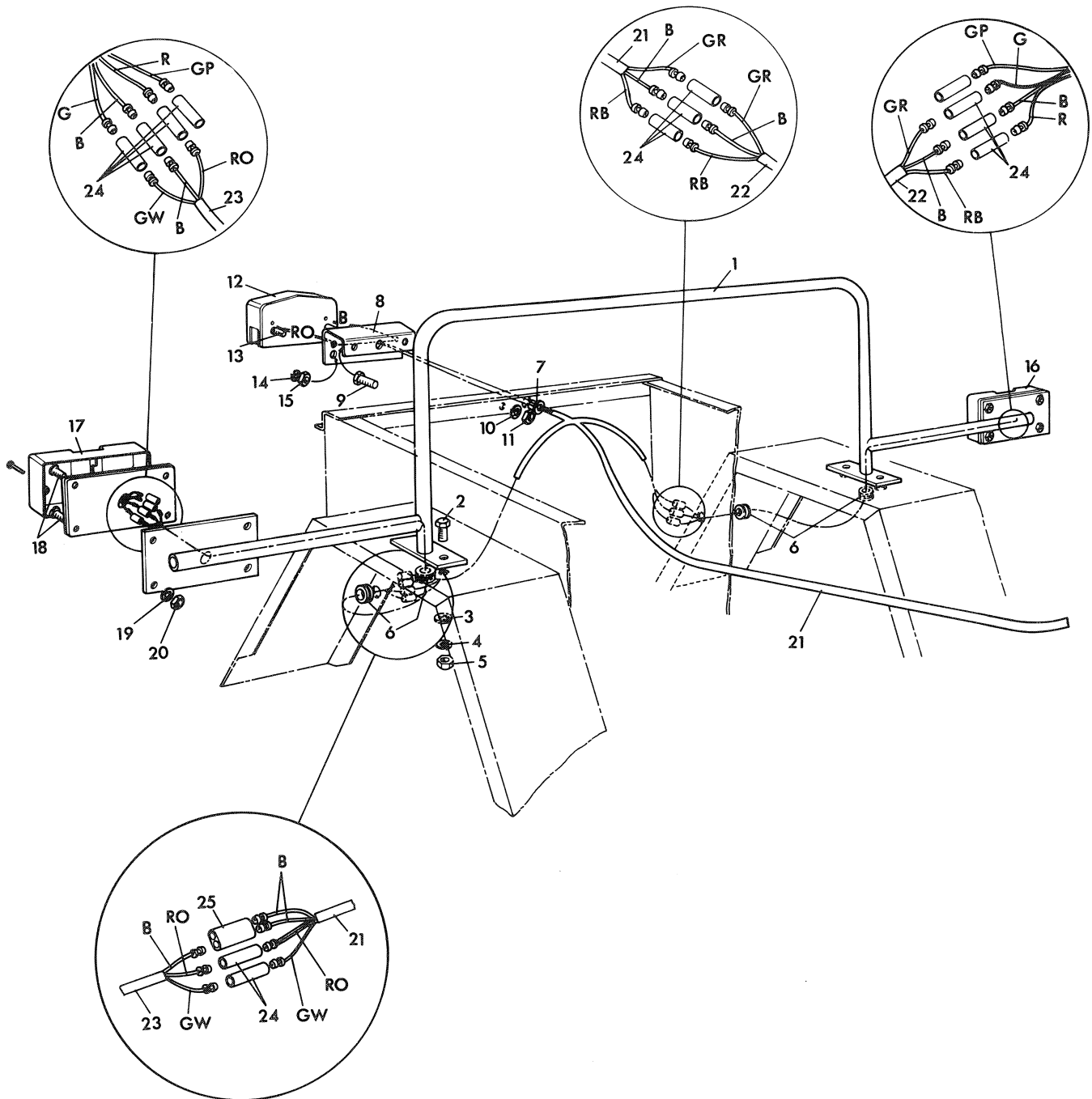
| REF. No. | PART No. | NAME OF PART | QTY |
|----------|-------------|--|-----|
| 1 | MBB3542 | Front Mounting (5 Unit Machine) | 1 |
| 1 | MBB3538 | Front Mounting (3 Unit Machine) | 1 |
| 2 | MBB3535 | Mounting Bracket | 1 |
| 3 | GSF2014EP | Bolt 3/8" UNF x 2.1/4" Cup Hd Sqr Neck | 2 |
| * | GSF2164J | S.J. Washer 3/8" | 2 |
| * | GSF2051AC | Nut 3/8" UNF | 2 |
| 4 | H091027 | Plastic Insert | 2 |
| 5 | H091026 | Grommet | 3 |
| 6 | GSF1970AH | Screw 2BA x 5/8" Round Hd | 8 |
| 7 | GSF2164F | S.L. Washer 2BA | 8 |
| 8 | GSF1980AA | Nut 2BA | 8 |
| 9 | H499703 | Combination Lamp | 2 |
| 10 | H499708 | Lamp Glass | 1 |
| 11 | H410002 | Connector | 14 |
| 12 | MBB3635 | Sub-Harness LH | 1 |
| 13 | MBB3636 | Sub-Harness RH | 1 |
| 14 | H410023 | Connector | 1 |
| 15 | H499701 | Headlamp | 2 |
| * | H499596 | Seal Beam Unit | 1 |
| 16 | GSF2151AR | Washer | 2 |
| 17 | GSF2051AC | Nut 3/8" UNF | 2 |
| 18 | A295104 | Grommet | 2 |
| 19 | GSF1975CP | Screw 2BA x 1" Hex Hd | 2 |
| 20 | H400014 | Blade Connector for Earth | 6 |
| 21 | GSF2164F | S.L. Washer 2BA | 2 |
| 22 | GSF1980AA | Nut 2BA | 2 |
| 23 | H410028 | Fusebox (See Electrical Fittings for Engine) | 1 |
| 24 | H400060 | Flasher Unit | 1 |
| 25 | H420027 | Blade in-line Connector | 2 |
| 26 | Z526500 | Hazard Switch | 1 |
| 27 | MBB3424 | Bracket | 1 |
| 28 | GSF1080AA | Nut 2BA | 2 |
| 29 | GSF2164F | S.L. Washer 2BA | 2 |
| 30 | GSF1970AD | Screw 2BA x 3/8" Round Hd | 2 |
| 31 | H499478 | 3-Way Switch | 1 |
| 32 | H130106/7/8 | Ignition Switch | 1 |
| 33 | MBB3548 | Main Harness | 1 |
| 34 | H410003 | Connector | 2 |
| 35 | H499801 | Indicator Switch | 1 |

COLOUR CODE FOR HARNESS LEADS

| | | |
|----------|----------|----------|
| B Black | P Purple | U Blue |
| G Green | R Red | W White |
| N Brown | S Pink | Y Yellow |
| O Orange | T Grey | |

*Not illustrated

MOTOR 5/3 HYDRAULIC DRIVE MOWER



| REF. No. | PART No. | NAME OF PART | QTY |
|----------|-----------|---------------------------------|-----|
| 1 | MBB3624 | Arm (5 Unit Machine) | 1 |
| 1 | MBB3616 | Arm (3 Unit Machine) | 1 |
| 2 | GSF2002AD | Screw 1/4" UNF x 3/4" Hex Hd | 4 |
| 3 | GSF2150C | Washer 1/4" | 4 |
| 4 | GSF2164G | S.L. Washer 1/4" | 4 |
| 5 | GSF2051AA | Nut 1/4" UNF | 4 |
| 6 | H091026 | Grommet | 4 |
| 7 | A295104 | Grommet | 1 |
| 8 | MBB3622 | Bracket | 1 |
| 9 | GSF2002AB | Screw 1/4" UNF x 1/2" Hex Hd | 2 |
| 10 | GSF2164G | S.L. Washer 1/4" | 2 |
| 11 | GSF2051AA | Nut 1/4" UNF | 2 |
| 12 | H499704 | Number Plate Light | 1 |
| 13 | GSF1970AH | Screw 2BA x 5/8" Round Hd | 2 |
| 14 | GSF2164F | S.L. Washer 2BA | 2 |
| 15 | GSF1980AA | Nut 2BA | 2 |
| 16 | H499702 | Combination Rear & Flasher Lamp | 2 |
| 17 | H499707 | Lamp Glass (Amber/Red) | 1 |
| 18 | GSF1970AH | Screw 2BA x 5/8" Round Hd | 8 |
| 19 | GSF2164F | S.L. Washer 2BA | 8 |
| 20 | GSF1980AA | Nut 2BA | 8 |
| 21 | MBB3548 | Main Harness | 1 |
| 22 | MBB3633 | Sub-Harness LH | 1 |
| 23 | MBB3634 | Sub-Harness RH | 1 |
| 24 | H410002 | Connector | 13 |
| 25 | H410003 | Connector | 1 |

COLOUR CODE FOR HARNESS LEADS

| | | |
|----------|----------|----------|
| B Black | P Purple | U Blue |
| G Green | R Red | W White |
| N Brown | S Pink | Y Yellow |
| O Orange | T Grey | |

| PART No. | NAME OF PART | QTY |
|-----------|--------------------------------------|-----|
| LMAA164A | Transfer Kit | 1 |
| A903005 | Facia - Instrument Panel | 1 |
| A903006 | Label - Drive Control | 1 |
| A903007 | Label - Lifting | 1 |
| A903008 | Label - Hydraulic Drives | 1 |
| GSF3701RP | Transfer - Royal Cipher | 1 |
| MBB3608 | Transfer - Bonnet Side Flash | 2 |
| GSF3701MZ | Transfer - Patent | 1 |
| MBB3791 | Transfer - Arrow - Forward | 1 |
| MBB3788 | Transfer - Arrow - Reverse | 1 |
| MBB3790 | Transfer - Arrow - Forward - Reverse | 1 |
| MBB3789 | Transfer - Arrow - Ignition | 1 |
| A903009 | Label - Lifting Arms | 1 |
| A903505 | Bonnet - Insignia | 1 |
| A903029 | Label Pressure Gauge | 1 |

*Not illustrated

| PART No. | PAGE No. | REF No. | PART No. | PAGE No. | REF No. | PART No. | PAGE No. | REF No. | PART No. | PAGE No. | REF No. |
|----------|----------|---------|----------|----------|---------|----------|----------|---------|----------|----------|---------|
| A100210 | 06 | 09 | A130006 | 34 | 77 | A150010 | 38 | 15 | A171016 | 84 | 01 |
| A100408 | 38 | 21 | A130006 | 38 | 37 | A150010 | 40 | 29 | A171017 | 06 | |
| A100408 | 38 | 28 | A130006 | 38 | 46 | A150010 | 40 | 72 | A171020 | 64 | 20 |
| A100612 | 48 | 14 | A130006 | 38 | 51 | A150012 | 18 | 41 | A192022 | 80 | 41 |
| A102508 | 06 | 03 | A130006 | 40 | 80 | A150012 | 22 | 29 | A192029 | 80 | 27 |
| A102520 | 18 | 40 | A130008 | 32 | 48 | A150012 | 24 | 38 | A192029 | 80 | 51 |
| A102520 | 22 | 28 | A130008 | 32 | | A150016 | 54 | 30 | A192054 | 36 | 09 |
| A102520 | 37 | 37 | A130008 | 34 | 66 | A150016 | 24 | 52 | A192054 | 38 | 11 |
| A110040 | 38 | 25 | A130010 | 04 | 14 | A150016 | 48 | 15 | A192070 | 40 | 74 |
| A110204 | 08 | | A130010 | 06 | 16 | A150016 | 58 | 49 | A192900 | 40 | |
| A110204 | 30 | 84 | A130010 | 58 | | A150020 | 22 | 42 | A199008 | 36 | |
| A110204 | 34 | 57 | A130012 | 24 | 39 | A151006 | 06 | 33 | A201902 | 76 | 20 |
| A110204 | 38 | 34 | A130012 | 26 | 71 | A151006 | 12 | 14 | A202000 | 44 | 10 |
| A110205 | 06 | 29 | A130016 | 48 | 17 | A151006 | 30 | 76 | A203204 | 76 | 20 |
| A110208 | 38 | 45 | A130016 | 54 | 31 | A151006 | 30 | 86 | A203603 | 06 | 25 |
| A110294 | 32 | | A133006 | 08 | | A151006 | 32 | 20 | A203603 | 06 | |
| A110294 | 38 | 40 | A133006 | 38 | 36 | A151006 | 32 | 25 | A203603 | 38 | 24 |
| A110294 | 40 | 57 | A133006 | 38 | 41 | A151006 | 32 | | A203603 | 54 | 48 |
| A110296 | 32 | 18 | A133006 | 38 | 44 | A151006 | 32 | | A203604 | 64 | 18 |
| A110296 | 32 | 24 | A133008 | 30 | | A151006 | 34 | 53 | A203605 | 04 | 32 |
| A110296 | 32 | | A133008 | 38 | 19 | A151006 | 34 | 58 | A203605 | 10 | 16 |
| A110296 | 34 | 51 | A133008 | 40 | 71 | A151006 | 34 | | A203605 | 54 | 49 |
| A110296 | 34 | 60 | A133010 | 26 | | A151006 | 34 | 76 | A209001 | 08 | |
| A110296 | 34 | 74 | A133010 | 26 | 59 | A151006 | 38 | 33 | A209008 | 76 | 03 |
| A110304 | 32 | 49 | A133010 | 38 | 79 | A151006 | 40 | 58 | A209009 | 76 | 13 |
| A110304 | 40 | 70 | A133010 | 40 | 30 | A151006 | 40 | 79 | A210083 | 26 | 69 |
| A110305 | 36 | | A133012 | 04 | 63 | A151008 | 04 | 31 | A210138 | 24 | 46 |
| A110308 | 58 | 34 | A133012 | 06 | 05 | A151008 | 06 | 14 | A210151 | 64 | 09 |
| A110404 | 04 | 09 | A133012 | 48 | 23 | A151008 | 06 | 37 | A220120 | 42 | 08 |
| A110404 | 38 | 54 | A133012 | 54 | 29 | A151008 | 12 | | A220151 | 44 | 09 |
| A110404 | 58 | 20 | A133016 | 58 | 51 | A151008 | 16 | 19 | A220250 | 06 | 23 |
| A110405 | 16 | 08 | A133016 | 74 | 16 | A151008 | 16 | 29 | A220350 | 74 | 12 |
| A110405 | 16 | 23 | A133210 | 38 | 22 | A151008 | 16 | 29 | A221114 | 06 | 28 |
| A110405 | 16 | 23 | A139310 | 48 | 55 | A151008 | 18 | 23 | A221138 | 40 | 78 |
| A110405 | 36 | 14 | A139310 | 48 | 56 | A151008 | 18 | 45 | A221153 | 76 | 17 |
| A112205 | 04 | 03 | A139314 | 38 | | A151008 | 20 | | A221217 | 08 | |
| A112296 | 30 | 74 | A140012 | 38 | 48 | A151008 | 32 | 47 | A221220 | 66 | 21 |
| A113204 | 18 | 32 | A140045 | 48 | 45 | A151008 | 32 | | A221329 | 74 | 09 |
| A113305 | 30 | 91 | A141547 | 06 | 08 | A151008 | 36 | | A221333 | 66 | 15 |
| A113405 | 40 | | A150006 | 06 | 30 | A151008 | 58 | 35 | A221804 | 78 | |
| A113406 | 40 | | A150006 | 08 | | A151010 | 16 | 09 | A221804 | 78 | |
| A119000 | 04 | 05 | A150006 | 30 | 75 | A151010 | 16 | 24 | A221804 | 80 | |
| A120204 | 12 | 18 | A150006 | 30 | 85 | A151010 | 16 | 24 | A221804 | 82 | |
| A120204 | 12 | | A150006 | 32 | 19 | A151010 | 36 | 15 | A221805 | 76 | 10 |
| A120206 | 12 | 13 | A150006 | 32 | | A151010 | 38 | 55 | A221805 | 76 | 32 |
| A122293 | 06 | 21 | A150006 | 32 | | A151010 | 58 | 21 | A221806 | 80 | |
| A122302 | 58 | 38 | A150006 | 34 | 52 | A151016 | 48 | 16 | A221806 | 80 | |
| A130006 | 04 | | A150006 | 34 | 75 | A151016 | 54 | | A221808 | 76 | 12 |
| A130006 | 06 | 32 | A150008 | 30 | 93 | A170040 | 06 | 27 | A221808 | 78 | |
| A130006 | 30 | 77 | A150008 | 32 | 50 | A170040 | 54 | 50 | A221808 | 80 | |
| A130006 | 30 | 87 | A150008 | 34 | 65 | A170047 | 64 | 19 | A221808 | 80 | |
| A130006 | 32 | 21 | A150008 | 36 | | A170052 | 04 | 35 | A221808 | 80 | |
| A130006 | 32 | 26 | A150008 | 38 | 18 | A170052 | 10 | 15 | A221808 | 82 | |
| A130006 | 32 | | A150010 | 04 | 10 | A170052 | 54 | 47 | A221810 | 78 | |
| A130006 | 34 | | A150010 | 04 | 15 | A171015 | 44 | 08 | A221810 | 78 | |

| PART No. | PAGE No. | REF No. | PART No. | PAGE No. | REF No. | PART No. | PAGE No. | REF No. | PART No. | PAGE No. | REF No. | PART No. | PAGE No. | REF No. |
|----------|----------|---------|----------|----------|---------|----------|----------|---------|----------|----------|---------|-----------|----------|---------|
| A221810 | 78 | | A295104 | 88 | 07 | A809502 | 52 | 09 | A904136 | 34 | 54 | GSF1030CH | 48 | 61 |
| A221810 | 82 | | A295252 | 36 | | A809504 | 52 | 07 | A904143 | 30 | | GSF1030JK | 34 | 63 |
| A221810 | 82 | | A298330 | 30 | | A809505 | 52 | 13 | A904332 | 04 | 02 | GSF1033ED | 10 | 21 |
| A222131 | 52 | 19 | A298330 | 40 | 64 | A809506 | 52 | 18 | A904808 | 30 | 89 | GSF1040DD | 04 | 23 |
| A224016 | 06 | | A299301 | 06 | 22 | A809507 | 52 | 14 | A904809 | 30 | 90 | GSF1040DD | 12 | |
| A229016 | 08 | | A299306 | 04 | 29 | A809508 | 52 | 17 | A905200 | 46 | 21 | GSF1040HZ | 76 | 21 |
| A229045 | 52 | 06 | A301046 | 26 | 77 | A809509 | 52 | 16 | A905206 | 46 | 21 | GSF1040KL | 16 | 14 |
| A229401 | 04 | 33 | A380102 | 26 | | A809510 | 52 | 03 | A906004 | 50 | 75 | GSF1042KM | 58 | 05 |
| A229401 | 10 | 17 | A460880 | 42 | 41 | A809512 | 52 | 18 | A909014 | 36 | | GSF1042KP | 58 | 33 |
| A229402 | 48 | 47 | A461190 | 38 | 31 | A809513 | 52 | 17 | A909015 | 36 | | GSF1050BA | 42 | 09 |
| A229903 | 12 | 05 | A600001 | 40 | 81 | A809514 | 52 | 16 | A909016 | 36 | | GSF1050CJ | 74 | 26 |
| A229912 | 52 | 05 | A600002 | 40 | 89 | A809515 | 52 | 13 | A909020 | 62 | | GSF1056AX | 50 | 68 |
| A229915 | 14 | 02 | A600004 | 46 | | A809516 | 52 | 15 | A909043 | 36 | | GSF1056AX | 50 | 77 |
| A229916 | 76 | 16 | A690000 | 38 | 16 | A809517 | 52 | 20 | AF09095 | 32 | 46 | GSF1056BT | 48 | 48 |
| A240006 | 80 | 21 | A690001 | 44 | 01 | A809518 | 52 | 12 | AG20040 | 58 | 10 | GSF1057BK | 20 | 60 |
| A240007 | 10 | 28 | A690002 | 44 | 02 | A809519 | 52 | 22 | | | | GSF1057BK | 22 | 20 |
| A240007 | 78 | 24 | A690003 | 44 | 03 | S809601 | 14 | | | | | GSF1070JJ | 04 | 03 |
| A240007 | 82 | 15 | A690004 | 44 | 04 | A809650 | 66 | 18 | | | | GSF1080AA | 86 | 28 |
| A240032 | 80 | 19 | A690005 | 44 | 05 | A810908 | 62 | | | | | GSF1142AF | 54 | 45 |
| A240047 | 80 | 24 | A690005 | 36 | | A814501 | 38 | 35 | | | | GSF1144MR | 48 | 36 |
| A240052 | 82 | 13 | A725065 | 78 | 05 | A814510 | 38 | | | | | GSF1194AH | 48 | 54 |
| A241003 | 10 | 29 | A725065 | 78 | 07 | A816027 | 50 | | | | | GSF1200AG | 84 | 02 |
| A241003 | 12 | 36 | A725080 | 78 | 10 | A816030 | 54 | 54 | | | | GSF1200AH | 58 | 44 |
| A241003 | 78 | 17 | A725080 | 78 | 11 | A816058 | 50 | 94 | | | | GSF1200AH | 86 | 30 |
| A241006 | 80 | 22 | A725080 | 78 | 14 | A816060 | 50 | | | | | GSF1200AH | 86 | 06 |
| A241007 | 10 | 26 | A725080 | 78 | 17 | A816069 | 50 | 94 | | | | GSF1200AH | 86 | 30 |
| A241007 | 12 | 30 | A725080 | 78 | 18 | A816083 | 50 | | | | | GSF1200AH | 86 | 06 |
| A241007 | 78 | 26 | A725080 | 78 | 21 | A817014 | 54 | | | | | GSF1200AH | 86 | 06 |
| A241042 | 80 | 26 | A725080 | 78 | 22 | A817016 | 50 | | | | | GSF1200AH | 86 | 06 |
| A241403 | 12 | | A791405 | 80 | 08 | A817312 | 50 | | | | | GSF1200AH | 86 | 06 |
| A241403 | 18 | | A802023 | 68 | 10 | A819014 | 40 | | | | | GSF1200AH | 86 | 06 |
| A241407 | 78 | 31 | A802024 | 68 | 11 | A819015 | 40 | 69 | | | | GSF1200AH | 86 | 06 |
| A242003 | 10 | 29 | A802037 | 68 | | A819016 | 40 | | | | | GSF1200AH | 86 | 06 |
| A242007 | 10 | 27 | A802038 | 68 | | A819109 | 40 | | | | | GSF1200AH | 86 | 06 |
| A242007 | 78 | 27 | A802038 | 68 | | A829510 | 46 | 19 | | | | GSF1200AH | 86 | 06 |
| A243152 | 78 | 25 | A802039 | 68 | | A829512 | 66 | 11 | | | | GSF1200AH | 86 | 06 |
| A243203 | 78 | 41 | A809201 | 12 | 06 | A829512 | 66 | 14 | | | | GSF1200AH | 86 | 06 |
| A243203 | 80 | 20 | A809202 | 10 | 01 | A890064 | 28 | 15 | | | | GSF1200AH | 86 | 06 |
| A243207 | 78 | 29 | A809203 | 10 | 01 | A902058 | 40 | 65 | | | | GSF1200AH | 86 | 06 |
| A243207 | 82 | 14 | A809205 | 12 | | A902068 | 80 | 09 | | | | GSF1200AH | 86 | 06 |
| A243225 | 80 | 25 | A809300 | 76 | 26 | A903006 | 89 | | | | | GSF1200AH | 86 | 06 |
| A243407 | 78 | 34 | A809301 | 76 | 25 | A903007 | 89 | | | | | GSF1200AH | 86 | 06 |
| A244406 | 78 | 32 | A809302 | 76 | 06 | A903008 | 89 | | | | | GSF1200AH | 86 | 06 |
| A244803 | 78 | 11 | A809303 | 76 | 07 | A903008 | 89 | | | | | GSF1200AH | 86 | 06 |
| A244803 | 80 | | A809304 | 76 | 18 | A903029 | 89 | | | | | GSF1200AH | 86 | 06 |
| A244803 | 80 | | A809305 | 76 | 22 | A903505 | 89 | | | | | GSF1200AH | 86 | 06 |
| A244803 | 80 | | A809306 | 76 | 23 | A904006 | 89 | | | | | GSF1200AH | 86 | 06 |
| A244803 | 80 | | A809307 | 76 | 24 | A904125 | 74 | | | | | GSF1200AH | 86 | 06 |
| A249200 | 12 | | A809308 | 76 | 04 | A904126 | 48 | 02 | | | | GSF1200AH | 86 | 06 |
| A291017 | 04 | 10 | A809313 | 76 | 19 | A904127 | 32 | 27 | | | | GSF1200AH | 86 | 06 |
| A293901 | 84 | 16 | A809313 | 76 | 19 | A904128 | 28 | 56 | | | | GSF1200AH | 86 | 06 |
| A295104 | 86 | 18 | A809367 | 76 | 18 | A904129 | 34 | 55 | | | | GSF1200AH | 86 | 06 |
| | | | A809501 | 52 | 02 | A904132 | 40 | 73 | | | | GSF1200AH | 86 | 06 |

| PART No. | PAGE No. | REF No. | PART No. | PAGE No. | REF No. | PART No. | PAGE No. | REF No. | PART No. | PAGE No. | REF No. |
|-----------|----------|---------|-----------|----------|---------|-----------|----------|---------|-----------|----------|---------|
| GSF1971CN | 24 | 23 | GSF2001JF | 22 | 26 | GSF2002CF | 58 | 41 | GSF2051AB | 40 | 88 |
| GSF1971ER | 60 | 60 | GSF2001JH | 22 | 26 | GSF2002CF | 62 | 11 | GSF2051AB | 50 | 86 |
| GSF1971GR | 60 | 60 | GSF2001JM | 54 | 41 | GSF2002CF | 70 | 70 | GSF2051AB | 58 | 43 |
| GSF1975CC | 60 | 65 | GSF2001JR | 48 | 13 | GSF2002CG | 42 | 37 | GSF2051AB | 60 | 14 |
| GSF1975CC | 60 | 70 | GSF2001JS | 36 | 03 | GSF2002CG | 62 | 28 | GSF2051AB | 62 | 13 |
| GSF1975CH | 62 | 28 | GSF2001JT | 18 | 56 | GSF2002CH | 48 | 48 | GSF2051AB | 70 | 13 |
| GSF1975CP | 62 | 33 | GSF2001JT | 18 | 16 | GSF2002CP | 48 | 27 | GSF2051AC | 12 | 04 |
| GSF1975CP | 86 | 19 | GSF2001JT | 22 | 04 | GSF2002EC | 26 | 73 | GSF2051AC | 16 | 34 |
| GSF1980A | 60 | 62 | GSF2001JT | 24 | 04 | GSF2002EC | 36 | 02 | GSF2051AC | 16 | 09 |
| GSF1980AA | 24 | 25 | GSF2001JT | 54 | 02 | GSF2002EC | 38 | 07 | GSF2051AC | 18 | 09 |
| GSF1980AA | 60 | 67 | GSF2001JX | 30 | 64 | GSF2002ED | 04 | 06 | GSF2051AC | 18 | 20 |
| GSF1980AA | 60 | 72 | GSF2001JX | 74 | 06 | GSF2002ED | 06 | 13 | GSF2051AC | 24 | 20 |
| GSF1980AA | 62 | 30 | GSF2001KF | 24 | 47 | GSF2002ED | 06 | 36 | GSF2051AC | 24 | 20 |
| GSF1980AA | 62 | 08 | GSF2001KM | 18 | 11 | GSF2002EE | 16 | 02 | GSF2051AC | 24 | 20 |
| GSF1980AA | 86 | 08 | GSF2001KP | 38 | 04 | GSF2002EE | 66 | 06 | GSF2051AC | 28 | 06 |
| GSF1980AA | 86 | 22 | GSF2001KP | 48 | 04 | GSF2002EF | 16 | 32 | GSF2051AC | 36 | 06 |
| GSF1980AA | 88 | 15 | GSF2001MM | 54 | 10 | GSF2002EF | 18 | 06 | GSF2051AC | 36 | 06 |
| GSF1980AA | 88 | 20 | GSF2002AB | 42 | 21 | GSF2002EF | 18 | 15 | GSF2051AC | 38 | 09 |
| GSF1980AA | 60 | 62 | GSF2002AB | 88 | 09 | GSF2002EF | 20 | 74 | GSF2051AC | 38 | 34 |
| GSF1980AC | 60 | 06 | GSF2002AC | 58 | 56 | GSF2002EF | 62 | 07 | GSF2051AC | 38 | 23 |
| GSF2001AD | 42 | 03 | GSF2002AD | 10 | 34 | GSF2002EF | 74 | 30 | GSF2051AC | 54 | 23 |
| GSF2001AH | 10 | 08 | GSF2002AD | 12 | 02 | GSF2002EG | 36 | 04 | GSF2051AC | 58 | 14 |
| GSF2001AM | 70 | 02 | GSF2002AD | 70 | 02 | GSF2002EG | 38 | 06 | GSF2051AC | 58 | 04 |
| GSF2001AP | 10 | 03 | GSF2002AD | 88 | 02 | GSF2002EG | 50 | 81 | GSF2051AC | 62 | 09 |
| GSF2001AR | 10 | 03 | GSF2002AE | 62 | 88 | GSF2002EK | 18 | 30 | GSF2051AC | 64 | 04 |
| GSF2001AR | 12 | 02 | GSF2002AF | 50 | 08 | GSF2002EK | 22 | 12 | GSF2051AC | 66 | 04 |
| GSF2001AV | 10 | 47 | GSF2002AH | 10 | 08 | GSF2002EK | 24 | 40 | GSF2051AC | 66 | 49 |
| GSF2001CF | 22 | 18 | GSF2002AH | 10 | 22 | GSF2002EM | 50 | 73 | GSF2051AC | 86 | 17 |
| GSF2001CJ | 16 | 28 | GSF2002CA | 10 | 30 | GSF2002EM | 18 | 20 | GSF2051AC | 86 | 17 |
| GSF2001CJ | 16 | 28 | GSF2002CB | 04 | 30 | GSF2002JF | 18 | 20 | GSF2051AD | 10 | 11 |
| GSF2001CJ | 16 | 30 | GSF2002CB | 22 | 45 | GSF2002JF | 24 | 13 | GSF2051AE | 18 | 05 |
| GSF2001CJ | 24 | 30 | GSF2002CB | 24 | 35 | GSF2002JH | 18 | 18 | GSF2051AE | 18 | 14 |
| GSF2001CM | 26 | 56 | GSF2002CB | 30 | 71 | GSF2002JH | 22 | 15 | GSF2051AE | 18 | 22 |
| GSF2001CM | 60 | 12 | GSF2002CB | 30 | 79 | GSF2002JK | 54 | 15 | GSF2051AE | 18 | 58 |
| GSF2001CP | 20 | 64 | GSF2002CB | 30 | 92 | GSF2007AE | 06 | 36 | GSF2051AE | 20 | 70 |
| GSF2001CP | 22 | 37 | GSF2002CB | 18 | 44 | GSF2007BE | 18 | 36 | GSF2051AE | 20 | 18 |
| GSF2001CP | 26 | 02 | GSF2002CC | 22 | 24 | GSF2014EP | 86 | 03 | GSF2051AE | 22 | 18 |
| GSF2001ED | 74 | 02 | GSF2002CC | 22 | 33 | GSF2015AD | 66 | 27 | GSF2051AE | 22 | 15 |
| GSF2001EE | 64 | 10 | GSF2002CC | 28 | 23 | GSF2015EJ | 74 | 22 | GSF2051AE | 24 | 30 |
| GSF2001EH | 64 | 10 | GSF2002CC | 32 | 02 | GSF2020JD | 66 | 33 | GSF2051AE | 24 | 67 |
| GSF2001EK | 48 | 32 | GSF2002CC | 40 | 86 | GSF2020JF | 70 | 19 | GSF2051AE | 30 | 67 |
| GSF2001EM | 58 | 12 | GSF2002CC | 04 | 41 | GSF2051AA | 10 | 24 | GSF2051AE | 36 | 05 |
| GSF2001EP | 54 | 20 | GSF2002CD | 18 | 24 | GSF2051AA | 32 | 12 | GSF2051AE | 38 | 05 |
| GSF2001ER | 24 | 42 | GSF2002CD | 26 | 75 | GSF2051AA | 42 | 45 | GSF2051AE | 54 | 17 |
| GSF2001ER | 28 | 32 | GSF2002CD | 28 | 08 | GSF2051AA | 42 | 45 | GSF2051AE | 54 | 17 |
| GSF2001ER | 36 | 22 | GSF2002CD | 28 | 21 | GSF2051AA | 50 | 90 | GSF2051AE | 54 | 34 |
| GSF2001ER | 38 | 03 | GSF2002CD | 28 | 27 | GSF2051AA | 50 | 93 | GSF2051AE | 54 | 43 |
| GSF2001ET | 54 | 21 | GSF2002CD | 28 | 39 | GSF2051AA | 62 | 04 | GSF2051AE | 60 | 74 |
| GSF2001ER | 66 | 02 | GSF2002CD | 28 | 42 | GSF2051AA | 70 | 04 | GSF2051AE | 64 | 28 |
| GSF2001ER | 74 | 46 | GSF2002CD | 28 | 45 | GSF2051AA | 70 | 10 | GSF2051AG | 54 | 12 |
| GSF2001ER | 80 | 38 | GSF2002CD | 28 | 50 | GSF2051AA | 88 | 05 | GSF2051AG | 80 | 39 |
| GSF2001ET | 18 | 07 | GSF2002CD | 30 | 59 | GSF2051AA | 88 | 11 | GSF2052AA | 42 | 42 |
| GSF2001ET | 24 | 17 | GSF2002CD | 50 | 84 | GSF2051AB | 20 | 20 | GSF2052AB | 42 | 49 |
| GSF2001ET | 62 | 02 | GSF2002CF | 28 | 09 | GSF2051AB | 22 | 72 | GSF2052AB | 48 | 29 |
| GSF2001ET | 74 | 03 | GSF2002CF | 28 | 09 | GSF2051AB | 22 | 40 | GSF2052AB | 50 | 65 |
| GSF2001FB | 24 | 48 | GSF2002CF | 30 | 81 | GSF2051AB | 30 | 83 | GSF2052AB | 50 | 76 |

| PART No. | PAGE No. | REF No. | PART No. | PAGE No. | REF No. | PART No. | PAGE No. | REF No. | PART No. | PAGE No. | REF No. | PART No. | PAGE No. | REF No. |
|-----------|----------|---------|-----------|----------|---------|----------|----------|---------|-----------|----------|---------|----------|----------|---------|
| GSF2052AC | 64 | 14 | GSF2150D | 66 | 32 | GSF2164H | 22 | 44 | GSF2164J | 74 | 31 | | | |
| GSF2052AE | 04 | 26 | GSF2150D | 80 | 50 | GSF2164H | 22 | 48 | GSF2164J | 74 | 48 | | | |
| GSF2052AE | 54 | 57 | GSF2150E | 20 | 71 | GSF2164H | 24 | 31 | GSF2164J | 74 | 51 | | | |
| GSF2052AE | 56 | 63 | GSF2150E | 54 | 03 | GSF2164H | 26 | 57 | GSF2164J | 80 | 40 | | | |
| GSF2052AE | 58 | 25 | GSF2150E | 56 | 59 | GSF2164H | 26 | 76 | GSF2164J | 86 | 04 | | | |
| GSF2052AG | 58 | 23 | GSF2150E | 65 | 65 | GSF2164H | 28 | 11 | GSF2164L | 18 | 04 | | | |
| GSF2052AH | 22 | 51 | GSF2150E | 66 | 08 | GSF2164H | 28 | 22 | GSF2164L | 18 | 13 | | | |
| GSF2052BB | 50 | 66 | GSF2150E | 74 | 37 | GSF2164H | 30 | 82 | GSF2164L | 18 | 17 | | | |
| GSF2052BE | 58 | 28 | GSF2150E | 74 | 47 | GSF2164H | 36 | 30 | GSF2164L | 18 | 21 | | | |
| GSF2057AC | 48 | 46 | GSF2150G | 42 | 39 | GSF2164H | 38 | 85 | GSF2164L | 18 | 57 | | | |
| GSF2060AB | 42 | 13 | GSF2150G | 48 | 11 | GSF2164H | 40 | 87 | GSF2164L | 22 | 17 | | | |
| GSF2060AB | 48 | 30 | GSF2150G | 64 | 02 | GSF2164H | 40 | 87 | GSF2164L | 22 | 27 | | | |
| GSF2060AB | 80 | 49 | GSF2150K | 50 | 69 | GSF2164H | 50 | 85 | GSF2164L | 22 | 14 | | | |
| GSF2060AC | 24 | 12 | GSF2150L | 54 | 42 | GSF2164H | 58 | 42 | GSF2164L | 24 | 14 | | | |
| GSF2060AC | 26 | 53 | GSF2150M | 16 | 16 | GSF2164H | 58 | 57 | GSF2164L | 24 | 66 | | | |
| GSF2060AC | 56 | 60 | GSF2150M | 16 | 26 | GSF2164H | 62 | 12 | GSF2164L | 30 | 66 | | | |
| GSF2060AC | 56 | 66 | GSF2151AR | 48 | 44 | GSF2164H | 62 | 12 | GSF2164L | 36 | 33 | | | |
| GSF2060AE | 20 | 67 | GSF2151AR | 86 | 16 | GSF2164H | 70 | 12 | GSF2164L | 38 | 12 | | | |
| GSF2060AE | 24 | 06 | GSF2152C | 24 | 11 | GSF2164H | 74 | 20 | GSF2164L | 48 | 04 | | | |
| GSF2060AE | 48 | 06 | GSF2152C | 24 | 18 | GSF2164H | 80 | 32 | GSF2164L | 54 | 04 | | | |
| GSF2060AG | 24 | 34 | GSF2152C | 28 | 07 | GSF2164J | 04 | 07 | GSF2164L | 54 | 16 | | | |
| GSF2060AG | 54 | 52 | GSF2152E | 24 | 05 | GSF2164J | 16 | 03 | GSF2164L | 54 | 33 | | | |
| GSF2061AD | 74 | 38 | GSF2152E | 30 | 65 | GSF2164J | 16 | 33 | GSF2164L | 54 | 42 | | | |
| GSF2061AF | 42 | 40 | GSF2152E | 48 | 05 | GSF2164J | 18 | 08 | GSF2164L | 58 | 30 | | | |
| GSF2091EF | 74 | 50 | GSF2152E | 48 | 22 | GSF2164J | 18 | 29 | GSF2164L | 60 | 73 | | | |
| GSF2091EK | 58 | 15 | GSF2154CE | 06 | 10 | GSF2164J | 18 | 29 | GSF2164L | 74 | 07 | | | |
| GSF2091EP | 76 | 34 | GSF2154EK | 22 | 43 | GSF2164J | 20 | 75 | GSF2164L | 74 | 23 | | | |
| GSF2093AE | 42 | 30 | GSF2160C | 24 | 22 | GSF2164J | 22 | 13 | GSF2164N | 54 | 11 | | | |
| GSF2093CC | 42 | 33 | GSF2160V | 60 | 61 | GSF2164J | 24 | 19 | GSF2168AF | 60 | 61 | | | |
| GSF2093CD | 36 | 02 | GSF2164F | 24 | 24 | GSF2164J | 24 | 24 | GSF2168AM | 42 | 29 | | | |
| GSF2093CD | 38 | 02 | GSF2164F | 60 | 66 | GSF2164J | 24 | 32 | GSF2169AB | 42 | 32 | | | |
| GSF2093CD | 40 | 84 | GSF2164F | 60 | 71 | GSF2164J | 24 | 01 | GSF2200AB | 84 | 01 | | | |
| GSF2093CF | 74 | 19 | GSF2164F | 62 | 29 | GSF2164J | 26 | 74 | GSF2202ER | 10 | 14 | | | |
| GSF2093ED | 36 | 16 | GSF2164F | 62 | 29 | GSF2164J | 28 | 41 | GSF2204BP | 48 | 41 | | | |
| GSF2101BF | 58 | 46 | GSF2164F | 86 | 07 | GSF2164J | 36 | 03 | GSF2230AC | 42 | 34 | | | |
| GSF2103AM | 48 | 52 | GSF2164F | 86 | 21 | GSF2164J | 36 | 05 | GSF2230AE | 10 | 05 | | | |
| GSF2115BF | 52 | 08 | GSF2164F | 88 | 29 | GSF2164J | 36 | 17 | GSF2230AH | 64 | 04 | | | |
| GSF2150C | 58 | 58 | GSF2164F | 88 | 14 | GSF2164J | 36 | 17 | GSF2230AM | 74 | 14 | | | |
| GSF2150D | 88 | 03 | GSF2164G | 10 | 25 | GSF2164J | 38 | 45 | GSF2240BN | 58 | 45 | | | |
| GSF2150D | 20 | 62 | GSF2164G | 32 | 11 | GSF2164J | 38 | 08 | GSF2242AH | 48 | 39 | | | |
| GSF2150D | 22 | 38 | GSF2164G | 32 | 11 | GSF2164J | 38 | 14 | GSF2503MA | 42 | 11 | | | |
| GSF2150D | 26 | 05 | GSF2164G | 50 | 89 | GSF2164J | 38 | 14 | GSF2531AM | 36 | 10 | | | |
| GSF2150D | 28 | 10 | GSF2164G | 50 | 92 | GSF2164J | 48 | 33 | GSF2531AM | 38 | 10 | | | |
| GSF2150D | 28 | 26 | GSF2164G | 62 | 28 | GSF2164J | 50 | 72 | GSF2540AC | 06 | 12 | | | |
| GSF2150D | 28 | 38 | GSF2164G | 66 | 03 | GSF2164J | 50 | 80 | GSF2540AC | 24 | 28 | | | |
| GSF2150D | 28 | 41 | GSF2164G | 70 | 09 | GSF2164J | 54 | 22 | GSF2540AC | 48 | 10 | | | |
| GSF2150D | 28 | 44 | GSF2164G | 70 | 09 | GSF2164J | 58 | 13 | GSF2540AC | 54 | 26 | | | |
| GSF2150D | 28 | 49 | GSF2164G | 88 | 04 | GSF2164J | 60 | 13 | GSF2540AC | 54 | 39 | | | |
| GSF2150D | 30 | 58 | GSF2164G | 88 | 04 | GSF2164J | 62 | 08 | GSF2540AD | 10 | 20 | | | |
| GSF2150D | 30 | 70 | GSF2164H | 04 | 42 | GSF2164J | 64 | 08 | GSF2540AG | 48 | 20 | | | |
| GSF2150D | 32 | 03 | GSF2164H | 22 | 25 | GSF2164J | 66 | 03 | GSF2540AT | 16 | 07 | | | |
| GSF2150D | 42 | 36 | GSF2164H | 22 | 34 | GSF2164J | 66 | 07 | GSF2540AT | 16 | 12 | | | |
| GSF2150D | 42 | 36 | GSF2164H | 22 | 39 | GSF2164J | 74 | 05 | GSF2540AT | 16 | 22 | | | |
| | | | | | | | | | | | | | | |

MOTOR 5/3 HYDRAULIC DRIVE MOWER

NUMERICAL INDEX

| PART No. | PAGE No. | REF No. | PART No. | PAGE No. | REF No. | PART No. | PAGE No. | REF No. | PART No. | PAGE No. | REF No. | PART No. | PAGE No. | REF No. |
|-----------|----------|---------|----------|----------|---------|----------|----------|---------|----------|----------|---------|----------|----------|---------|
| GSF2540AT | 18 | 28 | H012102 | 64 | 22 | H089014 | 32 | 17 | H190165 | 42 | 07 | H089014 | 32 | 17 |
| GSF2540AT | 54 | 08 | H014005 | 10 | 04 | H089014 | 32 | 44 | H190166 | 42 | 28 | H089014 | 32 | 44 |
| GSF2550GH | 78 | 33 | H014004 | 12 | | H090002 | 84 | | H190167 | 42 | | H090002 | 84 | |
| GSF2550KG | 78 | 28 | H014011 | 66 | 09 | H091022 | 30 | 05 | H200028 | 12 | | H091022 | 30 | 05 |
| GSF2614J | 58 | 16 | H014013 | 66 | 12 | H091026 | 86 | 06 | H200030 | 12 | | H091026 | 86 | 06 |
| GSF3002KK | 58 | 09 | H014017 | 80 | 37 | H091026 | 88 | 04 | H200031 | 12 | 10 | H091026 | 88 | 04 |
| GSF3002TG | 54 | 25 | H014017 | 80 | 45 | H091027 | 86 | 14 | H200032 | 12 | | H091027 | 86 | 14 |
| GSF3002TG | 54 | 38 | H015100 | 18 | 54 | H091052 | 62 | 15 | H200038 | 10 | | H091052 | 62 | 15 |
| GSF3002WM | 16 | 06 | H015100 | 22 | 09 | H091053 | 62 | 16 | H200369 | 12 | | H091053 | 62 | 16 |
| GSF3002WM | 16 | 11 | H015100 | 26 | 66 | H091054 | 62 | 54 | H200488 | 12 | | H091054 | 62 | 54 |
| GSF3002WM | 16 | 21 | H015102 | 54 | 40 | H091058 | 58 | 20 | H200490 | 12 | | H091058 | 58 | 20 |
| GSF3002WM | 16 | 21 | H019055 | 18 | 53 | H110562 | 36 | 19 | H220003 | 50 | 82 | H110562 | 36 | 19 |
| GSF3002WR | 18 | 07 | H019055 | 22 | 08 | H110773 | 36 | 17 | H240005 | 20 | 61 | H110773 | 36 | 17 |
| GSF3002WR | 22 | 11 | H030031 | 26 | 65 | H130106 | 46 | 32 | H240005 | 22 | 35 | H130106 | 46 | 32 |
| GSF3002WR | 24 | 27 | H030085 | 40 | 82 | H130106 | 62 | 17 | H240005 | 26 | 54 | H130106 | 62 | 17 |
| GSF3003BE | 64 | 08 | H030085 | 40 | 64 | H130106 | 86 | 32 | H240016 | 84 | 02 | H130106 | 86 | 32 |
| GSF3260AA | 74 | 40 | H032312 | 80 | 16 | H130107 | 62 | 17 | H240036 | 68 | 14 | H130107 | 62 | 17 |
| GSF3260AB | 80 | 34 | H032312 | 80 | 18 | H130107 | 86 | 32 | H240085 | 84 | 06 | H130107 | 86 | 32 |
| GSF3551CJ | 10 | 23 | H042010 | 70 | 20 | H130107 | 46 | 17 | H240086 | 84 | 05 | H130107 | 46 | 17 |
| GSF3551EC | 28 | 14 | H060051 | 78 | 44 | H130108 | 62 | 17 | H240087 | 84 | 04 | H130108 | 62 | 17 |
| GSF3551EJ | 74 | 39 | H060053 | 28 | 29 | H130108 | 86 | 32 | H240107 | 72 | 12 | H130108 | 86 | 32 |
| GSF3551KR | 80 | 35 | H060053 | 28 | 34 | H130108 | 46 | 16 | H240108 | 72 | 12 | H130108 | 46 | 16 |
| GSF3598AJ | 80 | 29 | H060053 | 34 | 71 | H130109 | 62 | 19 | H240109 | 72 | 12 | H130109 | 62 | 19 |
| GSF3599AZ | 48 | 50 | H060074 | 24 | | H130110 | 46 | 13 | H240110 | 72 | 13 | H130110 | 46 | 13 |
| GSF3599BA | 76 | 29 | H060102 | 62 | 06 | H130110 | 62 | 35 | H240112 | 72 | 16 | H130110 | 62 | 35 |
| GSF3599BE | 74 | 43 | H060103 | 28 | 16 | H130118 | 40 | 67 | H240113 | 72 | 17 | H130118 | 40 | 67 |
| GSF3599CY | 12 | 19 | H060103 | 28 | 17 | H130118 | 62 | 22 | H240114 | 72 | 19 | H130118 | 62 | 22 |
| GSF3599KA | 52 | 04 | H060103 | 80 | 48 | H130119 | 62 | 23 | H240115 | 72 | 20 | H130119 | 62 | 23 |
| GSF3600AL | 48 | 51 | H060104 | 28 | 18 | H130120 | 62 | 20 | H240116 | 72 | 21 | H130120 | 62 | 20 |
| GSF3600BA | 12 | | H060104 | 28 | 53 | H132067 | 74 | 04 | H240117 | 72 | 06 | H132067 | 74 | 04 |
| GSF3600BR | 84 | 03 | H060104 | 30 | 60 | H170035 | 44 | 07 | H240118 | 72 | 22 | H170035 | 44 | 07 |
| GSF3600CN | 18 | 52 | H060104 | 32 | 07 | H190141 | 42 | 05 | H240119 | 72 | 24 | H190141 | 42 | 05 |
| GSF3600CN | 22 | 07 | H060104 | 32 | 08 | H190142 | 42 | 27 | H240120 | 72 | 25 | H190142 | 42 | 27 |
| GSF3600ET | 66 | 64 | H060104 | 32 | 16 | H190143 | 42 | 01 | H240121 | 72 | 28 | H190143 | 42 | 01 |
| GSF3650C | 66 | 17 | H060104 | 32 | 43 | H190144 | 42 | 02 | H240122 | 72 | 32 | H190144 | 42 | 02 |
| GSF3650C | 70 | 17 | H080027 | 52 | 11 | H190145 | 42 | 25 | H240123 | 72 | 20 | H190145 | 42 | 25 |
| GSF3701MZ | 89 | | H080027 | 52 | 26 | H190146 | 42 | 44 | H240124 | 72 | 15 | H190146 | 42 | 44 |
| GSF3701RP | 89 | | H080028 | 52 | 24 | H190147 | 42 | 38 | H240126 | 68 | 12 | H190147 | 42 | 38 |
| GSF5001AH | 84 | | H082024 | 54 | 55 | H190148 | 42 | 03 | H240128 | 68 | 13 | H190148 | 42 | 03 |
| GSF5001AK | 84 | | H083017 | 40 | 62 | H190149 | 42 | 04 | H240129 | 68 | | H190149 | 42 | 04 |
| GSF5001AP | 84 | | H083023 | 24 | 51 | H190150 | 42 | 04 | H240130 | 68 | | H190150 | 42 | 04 |
| GSF5001AZ | 84 | | H083023 | 58 | 50 | H190151 | 42 | 04 | H240131 | 68 | | H190151 | 42 | 04 |
| GSF5040AM | 84 | | H083025 | 04 | 25 | H190152 | 42 | 12 | H240132 | 68 | | H190152 | 42 | 12 |
| GSF5051BA | 84 | | H083025 | 20 | 66 | H190153 | 42 | 14 | H240133 | 72 | 29 | H190153 | 42 | 14 |
| | | | H083026 | 06 | 17 | H190154 | 42 | 15 | H240134 | 72 | 26 | H190154 | 42 | 15 |
| | | | H087026 | 84 | 07 | H190155 | 42 | 16 | H240135 | 68 | 07 | H190155 | 42 | 16 |
| H001605 | 44 | 06 | H087026 | 84 | 07 | H190156 | 42 | 18 | H240136 | 68 | 16 | H190156 | 42 | 18 |
| H001676 | 74 | 27 | H087042 | 12 | | H190157 | 42 | 17 | H240137 | 72 | 11 | H190157 | 42 | 17 |
| H001676 | 74 | 34 | H087063 | 68 | 08 | H190158 | 42 | 19 | H240138 | 72 | 30 | H190158 | 42 | 19 |
| H001741 | 74 | 10 | H089012 | 34 | 70 | H190159 | 42 | 20 | H240139 | 72 | 18 | H190159 | 42 | 20 |
| H001801 | 42 | 22 | H089014 | 28 | 19 | H190161 | 42 | 26 | H240140 | 72 | 27 | H190161 | 42 | 26 |
| H011035 | 06 | | H089014 | 28 | 54 | H190162 | 42 | 24 | H240141 | 72 | 31 | H190162 | 42 | 24 |
| H011040 | 12 | | H089014 | 30 | 61 | H190163 | 42 | 35 | H240142 | 68 | | H190163 | 42 | 35 |
| H011067 | 42 | 31 | H089014 | 32 | 09 | H190164 | 42 | 43 | H240143 | 72 | 15 | H190164 | 42 | 43 |

| PART No. | PAGE No. | REF No. | PART No. | PAGE No. | REF No. | PART No. | PAGE No. | REF No. | PART No. | PAGE No. | REF No. |
|----------|----------|---------|----------|----------|---------|----------|----------|---------|----------|----------|---------|
| H240144 | 72 | 23 | H499700 | 46 | 04 | LMAA340 | 76 | 11 | LMAA340 | 06 | 31 |
| H240145 | 66 | 05 | H499700 | 46 | 14 | LMAA356 | 06 | 28 | LMAA356 | 04 | 01 |
| H240146 | 70 | 05 | H499700 | 6 | 15 | LMAA406 | 56 | 27 | LMAA406 | 04 | 02 |
| H240146 | 72 | | H499700 | 62 | 24 | LMAA422 | 36 | 08 | LMAA422 | 06 | |
| H240157 | 84 | 03 | H499701 | 86 | 15 | LMSD668 | 06 | 18 | LMSD668 | 08 | 12 |
| H240158 | 84 | 04 | H499702 | 88 | 16 | LMSD671 | 04 | 05 | LMSD671 | 04 | 11 |
| H240160 | 68 | | H499703 | 86 | 09 | LMSD672 | 04 | 27 | LMSD672 | 04 | 11 |
| H240161 | 68 | | H499704 | 88 | 12 | LMSD675 | 58 | 08 | LMSD675 | 10 | 19 |
| H240162 | 68 | | H499707 | 88 | 17 | LMSD679 | 48 | 18 | LMSD679 | 10 | 18 |
| H290699 | 76 | 31 | H499708 | 86 | 10 | LMSD680 | 22 | 07 | LMSD680 | 10 | 07 |
| H290700 | 76 | 09 | H499801 | 86 | 35 | LMSD681A | 16 | 05 | LMSD681A | 10 | 06 |
| H290701 | 76 | 08 | H540120 | 74 | 17 | LMSD681A | 16 | 20 | LMSD681A | 04 | 18 |
| H290702 | 76 | 05 | H540131 | 64 | 26 | LMSD682 | 22 | 20 | LMSD682 | 04 | 21 |
| H290703 | 76 | 30 | H931027 | 50 | | LMSD683 | 18 | 26 | LMSD683 | 04 | 22 |
| H290704 | 76 | 33 | H932021 | 50 | 01 | LMSD685 | 18 | 26 | LMSD685 | 10 | 13 |
| H290711 | 52 | 21 | H980025 | 64 | 69 | LMSD686 | 24 | 26 | LMSD686 | 04 | 30 |
| H290712 | 52 | 25 | H980027 | 20 | 58 | LMSD687 | 24 | 68 | LMSD687 | 04 | 38 |
| H290713 | 52 | 23 | H980027 | 56 | 32 | LMSD688 | 24 | 45 | LMSD688 | 04 | 39 |
| H290726 | 52 | 01 | H980027 | 56 | 64 | LMSD688 | 64 | 07 | LMSD688 | 06 | 02 |
| H291025 | 80 | 36 | H980031 | 10 | 80 | LMSD689A | 52 | 35 | LMSD689A | 06 | 01 |
| H291025 | 80 | 44 | H980031 | 30 | 80 | LMSD689A | 48 | 35 | LMSD689A | 10 | 33 |
| H390048 | 30 | 15 | H980031 | 40 | 66 | LMSD692 | 80 | 42 | LMSD692 | 06 | 18 |
| H400004 | 46 | 07 | H980034 | 50 | 63 | LMSD693A | 80 | 33 | LMSD693A | 06 | 15 |
| H400004 | 62 | 27 | H980034 | 50 | 74 | LMSD694 | 78 | 35 | LMSD694 | 06 | 07 |
| H400014 | 86 | 20 | H980035 | 50 | 62 | LMSD694 | 80 | 16 | LMSD694 | 06 | 13 |
| H400060 | 60 | 68 | H980358 | 28 | 03 | LMSD694 | 82 | 16 | LMSD694 | 10 | 09 |
| H400060 | 86 | 24 | H980386 | 28 | 01 | LMSD695A | 54 | 24 | LMSD695A | 10 | 13 |
| H400061 | 60 | 69 | H980387 | 28 | 04 | LMSD696 | 54 | 36 | LMSD696 | 04 | 20 |
| H410002 | 86 | 11 | H980389 | 28 | 02 | LMSD697 | 54 | 37 | LMSD697 | 06 | 04 |
| H410002 | 88 | 24 | H980390 | 28 | 06 | LMSD698 | 54 | 44 | LMSD698 | 80 | 46 |
| H410003 | 86 | 34 | H980393 | 22 | 46 | LMSD699 | 54 | 49 | LMSD699 | 08 | 31 |
| H410003 | 88 | 25 | H980393 | 48 | 26 | LMSD701 | 48 | 08 | LMSD701 | 08 | 17 |
| H410023 | 86 | 14 | H980399 | 64 | 16 | LMSD701 | 48 | 18 | LMSD701 | 80 | 10 |
| H410028 | 86 | 06 | H980400 | 58 | 24 | LMSD845 | 48 | 08 | LMSD845 | 80 | 16 |
| H410028 | 62 | 31 | H980400 | 40 | 31 | LMSD850 | 74 | 18 | LMSD850 | 80 | 11 |
| H420027 | 86 | 25 | H980407 | 10 | 36 | LMSD867A | 84 | 21 | LMSD867A | 80 | 12 |
| H420027 | 86 | 25 | H980410 | 24 | 07 | MBA1597 | 84 | 04 | MBA1597 | 80 | 11 |
| H460004 | 80 | 43 | H980420 | 28 | 07 | MBA2337 | 64 | 21 | MBA2337 | 80 | 12 |
| H460057 | 28 | 13 | H990011 | 58 | 19 | MBA7024 | 04 | 04 | MBA7024 | 80 | 13 |
| H460059 | 46 | 20 | H990043 | 48 | 57 | MBA7167 | 04 | 37 | MBA7167 | 80 | 14 |
| H480007 | 46 | 01 | H990043 | 54 | 53 | MBA7212 | 04 | 37 | MBA7212 | 80 | 15 |
| H480007 | 62 | 26 | H990086 | 34 | 62 | MBA7212 | 04 | 37 | MBA7212 | 78 | 42 |
| H499011 | 60 | 59 | H990116 | 64 | 12 | MBA2361 | 06 | 02 | MBA2361 | 78 | 38 |
| H499014 | 60 | | H990117 | 24 | 21 | MBA2361 | 08 | 02 | MBA2361 | 78 | 43 |
| H499024 | 46 | 18 | LMAA120 | 18 | 46 | MBA2362 | 06 | 01 | MBA2362 | 30 | 48 |
| H499024 | 58 | 59 | LMAA120 | 22 | 01 | MBA2362 | 08 | 01 | MBA2362 | 28 | 40 |
| H499218 | 62 | 32 | LMAA126 | 26 | 60 | MBA2362 | 06 | 01 | MBA2362 | 28 | 43 |
| H499451 | 46 | 05 | LMAA161 | 84 | | MBA2363A | 06 | 06 | MBA2363A | 28 | 33 |
| H499451 | 62 | 21 | LMAA161 | 84 | | MBA2365 | 06 | 19 | MBA2365 | 28 | 24 |
| H499472 | 46 | 02 | LMAA164A | 89 | | | | | | | |
| H499472 | 62 | 25 | LMAA174 | 58 | | | | | | | |
| H499478 | 86 | 31 | LMAA190 | 80 | | | | | | | |
| H499596 | 86 | | LMAA192 | 78 | | | | | | | |
| H499700 | 46 | 03 | LMAA263A | 04 | | | | | | | |

| PART No. | PAGE No. | REF No. | PART No. | PAGE No. | REF No. | PART No. | PAGE No. | REF No. | PART No. | PAGE No. | REF No. |
|----------|----------|---------|----------|----------|---------|----------|----------|---------|----------|----------|---------|
| MBB3060 | 28 | 36 | MBB3226 | 64 | 06 | MBB3375 | 18 | 19 | MBB3524 | 66 | 26 |
| MBB3062 | 28 | 25 | MBB3232 | 54 | 56 | MBB3376 | 74 | 33 | MBB3527 | 66 | 13 |
| MBB3064 | 28 | 57 | MBB3232 | 64 | 27 | MBB3377 | 74 | 36 | MBB3529 | 66 | 34 |
| MBB3065 | 28 | 28 | MBB3233 | 64 | 23 | MBB3378 | 18 | 10 | MBB3530 | 58 | 48 |
| MBB3066 | 28 | 30 | MBB3234 | 64 | 11 | MBB3380 | 18 | 12 | MBB3535 | 86 | 02 |
| MBB3068 | 28 | 31 | MBB3235 | 64 | 25 | MBB3381 | 20 | 65 | MBB3538 | 86 | 01 |
| MBB3073 | 58 | 07 | MBB3236 | 64 | 15 | MBB3382J | 74 | 13 | MBB3540 | 66 | 10 |
| MBB3074 | 58 | 02 | MBB3237 | 64 | 13 | MBB3389 | 24 | 33 | MBB3542 | 86 | 01 |
| MBB3080 | 60 | 01 | MBB3238 | 64 | 17 | MBB3390 | 24 | 32 | MBB3548 | 86 | 33 |
| MBB3094 | 60 | 55 | MBB3240E | 62 | 01 | MBB3393 | 20 | 73 | MBB3548 | 88 | 21 |
| MBB3094A | 58 | 55 | MBB3248 | 62 | 62 | MBB3396 | 16 | 16 | MBB3557 | 66 | 25 |
| MBB3105 | 58 | 40 | MBB3249 | 60 | 63 | MBB3400 | 16 | 01 | MBB3558 | 66 | 25 |
| MBB3106 | 48 | 03 | MBB3250 | 62 | 10 | MBB3404 | 56 | 62 | MBB3559 | 66 | 23 |
| MBB3107 | 24 | 02 | MBB3251 | 62 | 64 | MBB3405 | 30 | 62 | MBB3560 | 66 | 30 |
| MBB3108 | 24 | 03 | MBB3254 | 50 | 67 | MBB3412 | 28 | 28 | MBB3561 | 66 | 29 |
| MBB3110 | 24 | 09 | MBB3256 | 50 | 67 | MBB3413 | 30 | 63 | MBB3562 | 66 | 31 |
| MBB3111 | 24 | 16 | MBB3260 | 80 | 01 | MBB3417 | 24 | 41 | MBB3563 | 66 | 24 |
| MBB3112 | 50 | 78 | MBB3260 | 80 | 02 | MBB3424 | 86 | 27 | MBB3565 | 04 | 04 |
| MBB3116 | 24 | 01 | MBB3260 | 80 | 05 | MBB3426 | 26 | 63 | MBB3567 | 04 | 40 |
| MBB3132A | 16 | 15 | MBB3261 | 80 | 03 | MBB3429 | 26 | 67 | MBB3568B | 66 | 20 |
| MBB3132A | 16 | 25 | MBB3262 | 80 | 06 | MBB3433 | 26 | 72 | MBB3569 | 66 | 16 |
| MBB3133 | 16 | 17 | MBB3262 | 80 | 04 | MBB3437 | 24 | 43 | MBB3570 | 66 | 19 |
| MBB3133 | 16 | 27 | MBB3262 | 80 | 07 | MBB3441 | 24 | 49 | MBB3573 | 66 | 22 |
| MBB3133 | 16 | 27 | MBB3279 | 62 | 18 | MBB3443 | 56 | 61 | MBB3601 | 36 | 34 |
| MBB3133 | 24 | 29 | MBB3280 | 34 | 04 | MBB3444 | 24 | 50 | MBB3603 | 18 | 18 |
| MBB3134 | 18 | 43 | MBB3287 | 32 | 01 | MBB3444 | 40 | 61 | MBB3603 | 22 | 31 |
| MBB3134 | 22 | 23 | MBB3291 | 32 | 10 | MBB3445 | 20 | 68 | MBB3604 | 18 | 33 |
| MBB3135 | 18 | 39 | MBB3291 | 32 | 14 | MBB3447 | 54 | 46 | MBB3608 | 22 | 22 |
| MBB3135 | 22 | 22 | MBB3292 | 32 | 13 | MBB3450A | 54 | 01 | MBB3608 | 89 | 06 |
| MBB3137A | 18 | 50 | MBB3296 | 50 | 70 | MBB3451 | 54 | 09 | MBB3610 | 70 | 06 |
| MBB3137A | 22 | 05 | MBB3296 | 50 | 79 | MBB3451Z | 54 | 18 | MBB3611 | 70 | 06 |
| MBB3139 | 18 | 51 | MBB3297 | 50 | 71 | MBB3455 | 54 | 19 | MBB3612 | 70 | 07 |
| MBB3139 | 22 | 06 | MBB3299 | 48 | 40 | MBB3462B | 54 | 35 | MBB3613 | 70 | 07 |
| MBB3150 | 22 | 41 | MBB3300 | 50 | 87 | MBB3467 | 36 | 11 | MBB3614 | 70 | 01 |
| MBB3157A | 16 | 30 | MBB3301 | 50 | 91 | MBB3470 | 30 | 72 | MBB3616 | 88 | 01 |
| MBB3161 | 18 | 35 | MBB3303 | 48 | 58 | MBB3475 | 30 | 78 | MBB3622 | 88 | 08 |
| MBB3162 | 22 | 32 | MBB3304 | 48 | 59 | MBB3482 | 30 | 73 | MBB3624 | 88 | 01 |
| MBB3162 | 20 | 59 | MBB3305 | 48 | 60 | MBB3486 | 30 | 30 | MBB3633 | 88 | 22 |
| MBB3162 | 22 | 19 | MBB3311 | 48 | 31 | MBB3491 | 30 | 30 | MBB3634 | 88 | 23 |
| MBB3163 | 22 | 50 | MBB3324 | 48 | 43 | MBB3495 | 30 | 11 | MBB3635 | 86 | 12 |
| MBB3166 | 16 | 38 | MBB3325 | 50 | 83 | MBB3499 | 30 | 18 | MBB3636 | 86 | 13 |
| MBB3169 | 18 | 38 | MBB3326 | 48 | 37 | MBB3500 | 70 | 18 | MBB3638 | 86 | 42 |
| MBB3169 | 22 | 37 | MBB3337 | 40 | 10 | MBB3503 | 36 | 07 | MBB3639 | 18 | 30 |
| MBB3170 | 18 | 21 | MBB3343 | 60 | 38 | MBB3504 | 38 | 01 | MBB3640 | 22 | 30 |
| MBB3170 | 22 | 31 | MBB3346 | 48 | 38 | MBB3507 | 36 | 21 | MBB3641 | 82 | 01 |
| MBB3171 | 16 | 31 | MBB3350 | 18 | 02 | MBB3510 | 74 | 44 | MBB3642 | 82 | 02 |
| MBB3181 | 28 | 12 | MBB3351A | 18 | 01 | MBB3511 | 74 | 45 | MBB3642 | 82 | 03 |
| MBB3185 | 28 | 20 | MBB3357 | 18 | 16 | MBB3512 | 36 | 01 | MBB3642 | 82 | 08 |
| MBB3188 | 74 | 32 | MBB3366 | 74 | 15 | MBB3514 | 36 | 08 | MBB3643 | 82 | 04 |
| MBB3198 | 80 | 47 | MBB3367 | 74 | 28 | MBB3515 | 38 | 09 | MBB3643 | 82 | 07 |
| MBB3213 | 16 | 13 | MBB3369 | 74 | 35 | MBB3516 | 40 | 83 | MBB3644 | 82 | 05 |
| MBB3218 | 36 | 13 | MBB3370 | 74 | 21 | MBB3517 | 74 | 25 | MBB3645 | 82 | 06 |
| MBB3223 | 36 | 12 | MBB3370 | 76 | 29 | MBB3519 | 74 | 08 | MBB3646 | 82 | 10 |
| MBB3224 | 36 | 18 | MBB3371 | 74 | 29 | MBB3520 | 46 | 21 | MBB3647 | 78 | 01 |
| MBB3225 | 64 | 05 | MBB3372 | 74 | 41 | MBB3523 | 66 | 01 | MBB3648 | 78 | 02 |

| PART No. | PAGE No. | REF No. | PART No. | PAGE No. | REF No. | PART No. | PAGE No. | REF No. | PART No. | PAGE No. | REF No. |
|----------|----------|---------|----------|----------|---------|----------|----------|---------|----------|----------|---------|
| MBB3649 | 78 | 03 | MBB3816 | 26 | 58 | MBB445B | 06 | 34 | MBB6656 | 34 | 64 |
| MBB3650 | 78 | 04 | MBB3816 | 26 | 78 | MBB6446B | 06 | 35 | MBB6657 | 38 | 52 |
| MBB3651 | 78 | 06 | MBB3881B | 40 | 68 | MBB6450A | 48 | 01 | MBB6660 | 40 | 56 |
| MBB3652 | 78 | 08 | MBB3884 | 40 | 75 | MBB6451 | 48 | 25 | MBB6664 | 38 | 47 |
| MBB3653 | 78 | 09 | MBB3885 | 40 | 76 | MBB6452 | 48 | 24 | MBB6666 | 38 | 50 |
| MBB3654 | 78 | 12 | MBB3886 | 40 | 77 | MBB6453 | 48 | 42 | MBB6668 | 38 | 49 |
| MBB3655 | 78 | 13 | MBB5044 | 78 | 37 | MBB6455 | 48 | 09 | MBB6671 | 30 | 72 |
| MBB3656 | 78 | 19 | MBB5044 | 78 | 39 | MBB6456 | 48 | 19 | MBB6673 | 30 | 73 |
| MBB3657 | 78 | 20 | MBB5044 | 78 | 40 | MBB6463 | 22 | 14 | MBB6675 | 30 | 69 |
| MBB3658 | 78 | 23 | MBB5044 | 82 | 11 | MBB6464 | 22 | 05 | MBB6676 | 30 | 69 |
| MBB3661 | 78 | | MBB5044 | 82 | 12 | MBB6466 | 62 | 05 | MBB6677 | 30 | 68 |
| MBB3662 | 80 | | MBB5922 | 54 | 51 | MBB6468 | 54 | 32 | MBB6678 | 30 | 68 |
| MBB3662 | 78 | | MBB5951 | 04 | 36 | MBB6469 | 54 | 28 | MBB6681 | 30 | |
| MBB3662 | 80 | | MBB4961 | 04 | 38 | MBB6470 | 20 | 63 | MBB6682 | 30 | 78 |
| MBB3663 | 74 | 24 | MBB5962 | 04 | 38 | MBB6470A | 22 | 36 | MBB6687 | 30 | |
| MBB3668 | 58 | 26 | MBB5966 | 04 | 39 | MBB6471 | 26 | 55 | MBB6755 | 54 | 27 |
| MBB3669 | 38 | 05 | MBB5966 | 04 | 39 | MBB6472 | 38 | 12 | MBB6756 | 54 | 14 |
| MBB3670 | 24 | 08 | MBB5999 | 04 | 39 | MBB6474 | 38 | 26 | MBB6757 | 54 | 13 |
| MBB3673 | 48 | 21 | MBB6150 | 04 | 36 | MBB6475 | 38 | 17 | MBB6762 | 06 | 20 |
| MBB3674 | 58 | 39 | MBB6159 | 74 | | MBB6476 | 38 | 32 | MBB6764 | 06 | 26 |
| MBB3677 | 60 | | MBB6181 | 08 | | MBB6480 | 38 | 32 | MBB6766 | 06 | 26 |
| MBB3678 | 58 | 31 | MBB6182 | 08 | | MBB6481 | 38 | 39 | MBB6860 | 58 | 01 |
| MBB3679 | 58 | 32 | MBB6183 | 08 | | MBB6482A | 38 | 43 | MBB6866 | 48 | 53 |
| MBB3680A | 58 | 47 | MBB6185 | 30 | | MBB6486 | 40 | 42 | MBB6867 | 64 | |
| MBB3681 | 58 | 22 | MBB6195 | 70 | 14 | MBB6487 | 40 | 56 | MBB9229A | 38 | 20 |
| MBB3682 | 58 | 04 | MBB6196 | 70 | 16 | MBB6488 | 40 | 60 | MBB9785 | 04 | 08 |
| MBB3683 | 58 | 03 | MBB6198 | 70 | 15 | MBB6488 | 40 | 47 | POP1132A | 64 | 24 |
| MBB3686 | 58 | 11 | MBB6271 | 74 | 11 | MBB6489 | 38 | 51 | TBA7970 | 18 | 48 |
| MBB3690 | 58 | 37 | MBB6274 | 74 | 01 | MBB6495 | 38 | 27 | TBA7970 | 22 | 03 |
| MBB3691A | 58 | 18 | MBB6290 | 46 | 22 | MBB6499 | 58 | 38 | TBA7971 | 18 | 49 |
| MBB3692 | 58 | 17 | MBB6291 | 46 | 23 | MBB6602 | 28 | 48 | TBA7971 | 22 | 02 |
| MBB3695 | 58 | 27 | MBB6330 | 32 | 40 | MBB6605 | 24 | 07 | TBA7971 | 26 | 62 |
| MBB3696 | 58 | 29 | MBB6331 | 28 | 51 | MBB6606 | 24 | 10 | TBA7972 | 18 | 47 |
| MBB3697 | 60 | 47 | MBB6332 | 32 | 35 | MBB6610C | 32 | 32 | TBA7972 | 22 | 04 |
| MBB3699 | 58 | 36 | MBB6333 | 32 | 31 | MBB6613B | 32 | 37 | TBA7972 | 26 | 61 |
| MBB3714 | 26 | 70 | MBB6334 | 32 | 41 | MBB6615 | 34 | 56 | TBA7975 | 18 | 55 |
| MBB3716 | 24 | 44 | MBB6335 | 32 | 42 | MBB6616 | 32 | 45 | TBA7975 | 22 | 15 |
| MBB3717 | 38 | 53 | MBB6336 | 28 | 46 | MBB6617 | 34 | 59 | TBA8543 | 80 | 28 |
| MBB3718 | 40 | 47 | MBB6337 | 28 | 47 | MBB6619C | 32 | 29 | Z526500 | 86 | 26 |
| MBB3718 | 40 | 51 | MBB6338 | 28 | 37 | MBB6622D | 32 | 30 | Z566817 | 64 | 03 |
| MBB3718 | 40 | 51 | MBB6338 | 28 | 35 | MBB6623 | 40 | 60 | Z569565 | 40 | 59 |
| MBB3719 | 40 | 60 | MBB6339 | 32 | 28 | MBB6625 | 40 | 56 | | | |
| MBB3720 | 40 | 56 | MBB6341 | 28 | 52 | MBB6628 | 40 | 67 | | | |
| MBB3720 | 60 | | MBB6342 | 34 | 68 | MBB6633 | 34 | 67 | | | |
| MBB3726 | 60 | 06 | MBB6343 | 32 | 33 | MBB6633 | 34 | 69 | | | |
| MBB3727 | 58 | | MBB6343 | 32 | 38 | MBB6635 | 34 | 72 | | | |
| MBB3729 | 74 | 42 | MBB6344 | 32 | 36 | MBB6640 | 34 | 72 | | | |
| MBB3731 | 34 | | MBB6345 | 32 | 34 | MBB6642 | 34 | 22 | | | |
| MBB3785 | 18 | 31 | MBB6345 | 32 | 39 | MBB6643 | 32 | 23 | | | |
| MBB3788 | 89 | | MBB6346 | 32 | 05 | MBB6644 | 32 | 15 | | | |
| MBB3789 | 89 | | MBB6347 | 32 | 06 | MBB6645 | 32 | 04 | | | |
| MBB3790 | 89 | | MBB6402 | 06 | 01 | MBB6648A | 32 | 83 | | | |
| MBB3791 | 89 | | MBB6403 | 06 | 02 | MBB6650A | 34 | 61 | | | |
| MBB3792 | 60 | 53 | MBB6444 | 06 | | | | | | | |

