



CUSHMAN™

Electric Service Parts Manual



624951

ISSUED: AUGUST 2011

REVISED JANUARY 2012

SERVICE PARTS MANUAL

ELECTRIC UTILITY VEHICLE

HAULER 800

HAULER 1000

STARTING MODEL YEAR 2012

DISCLAIMER: The E-Z-GO Division of Textron Inc. (E-Z-GO) reserves the right to incorporate engineering and design changes to products in this Manual, without obligation to include these changes on units leased/sold previously.

The information contained in this Manual may be revised periodically E-Z-GO, and therefore is subject to change without notice.

E-Z-GO DISCLAIMS LIABILITY FOR ERRORS IN THIS MANUAL, and E-Z-GO SPECIFICALLY DISCLAIMS LIABILITY FOR INCIDENTAL AND CONSEQUENTIAL DAMAGES RESULTING FROM THE USE OF THE INFORMATION AND MATERIALS IN THIS MANUAL.

TO CONTACT US

NORTH AMERICA:

TECHNICAL ASSISTANCE & WARRANTY PHONE: 1-800-774-3946, FAX: 1-800-448-8124

SERVICE PARTS PHONE: 1-888-GET-EZGO (1-888-438-3946), FAX: 1-800-752-6175

INTERNATIONAL: PHONE: 001-706-798-4311, FAX: 001-706-771-4609

E-Z-GO DIVISION OF TEXTRON INC., 1451 MARVIN GRIFFIN RD., AUGUSTA, GEORGIA USA 30906-3852

GENERAL INFORMATION

To obtain a copy of the limited warranty applicable to the vehicle, call or write a local Distributor, authorized Branch or the Warranty Department with vehicle serial number and manufacturer code.

The use of non Original Equipment Manufacturer (OEM) parts may void the warranty.

Overfilling of batteries may void the warranty.

BATTERY PROLONGED STORAGE

All batteries will self discharge over time. The rate of self discharge varies depending on the ambient temperature and the age and condition of the batteries.

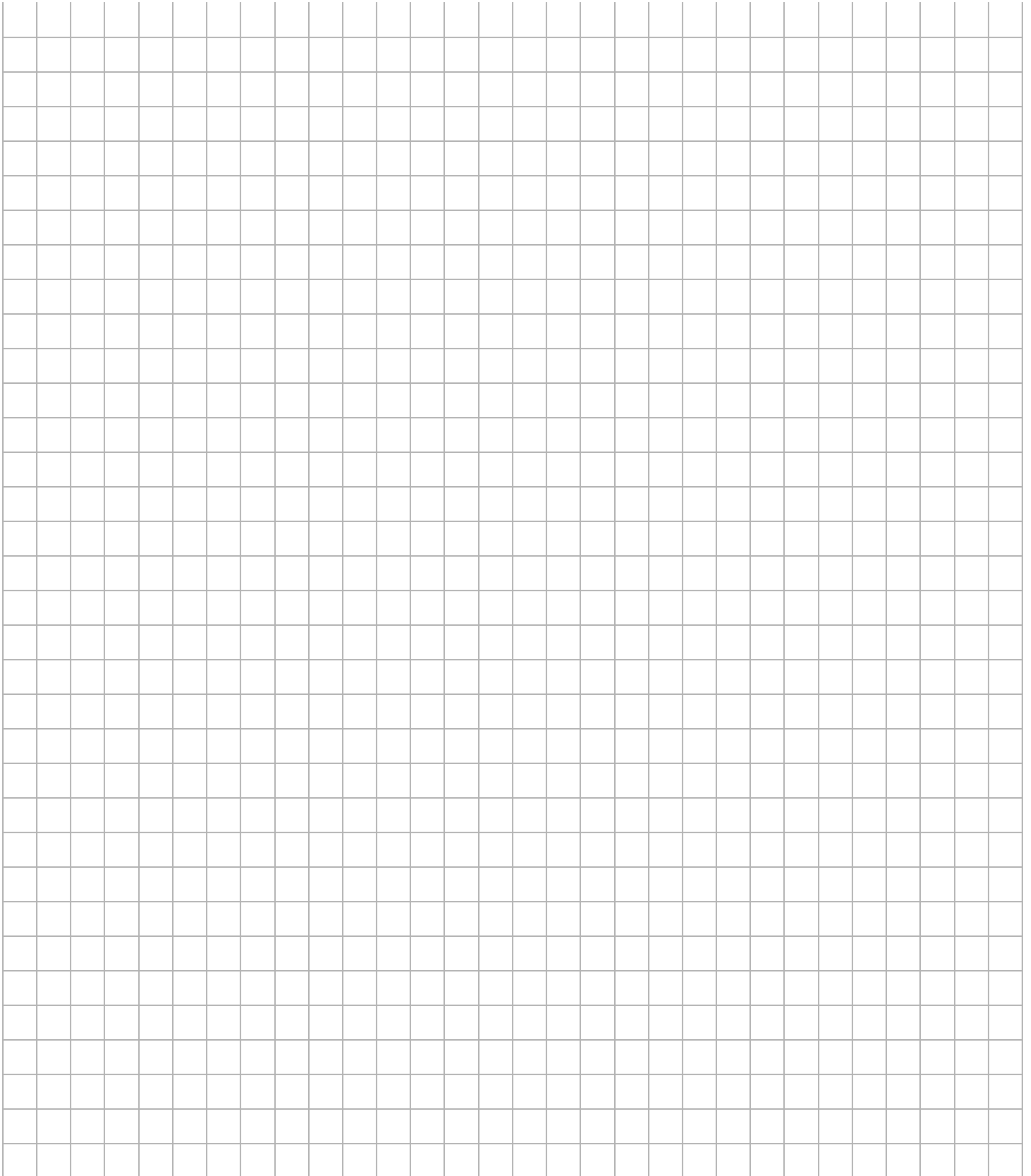
A fully charged battery will not freeze in winter temperatures unless the temperature falls below -75° F (-60° C).

As with all electric vehicles, the batteries must be checked and recharged as required or at a minimum of 30 day intervals.

TABLE OF CONTENTS

SECTION	Page No.
HOW TO USE THE SERVICE PARTS MANUAL	Vii
ACCELERATOR	A - 1
BATTERY CHARGER	B - 1
BODY	C - 1
BRAKES - MECHANICAL AND FRONT DISC BRAKES	D - 1
CAB	F - 1
ELECTRICAL SYSTEM	H - 1
ELECTRONIC SPEED CONTROL	J - 1
FRONT SUSPENSION & STEERING	K - 5
MOTOR	L - 1
REAR AXLE	M - 1
REAR SUSPENSION	N - 1
SEATING	S - 1
TRUCK BED	T - 1
WEATHER PROTECTION	U - 1
WHEELS AND TIRES	V - 1

NOTES



HOW TO USE THE SERVICE PARTS MANUAL

This manual is divided into several sections:

- GENERAL INFORMATION
- ILLUSTRATED PARTS BREAKDOWN
- APPENDIX

The first section, GENERAL INFORMATION, contains the following information:

- WARRANTY INFORMATION
- GENERAL INDEX
- HOW TO USE THE SERVICE PARTS MANUAL

The second section, ILLUSTRATED PARTS BREAKDOWN, contains illustrations and parts lists for all systems of your vehicle.

The third section, APPENDIX, contains a listing of specialty products and accessories.

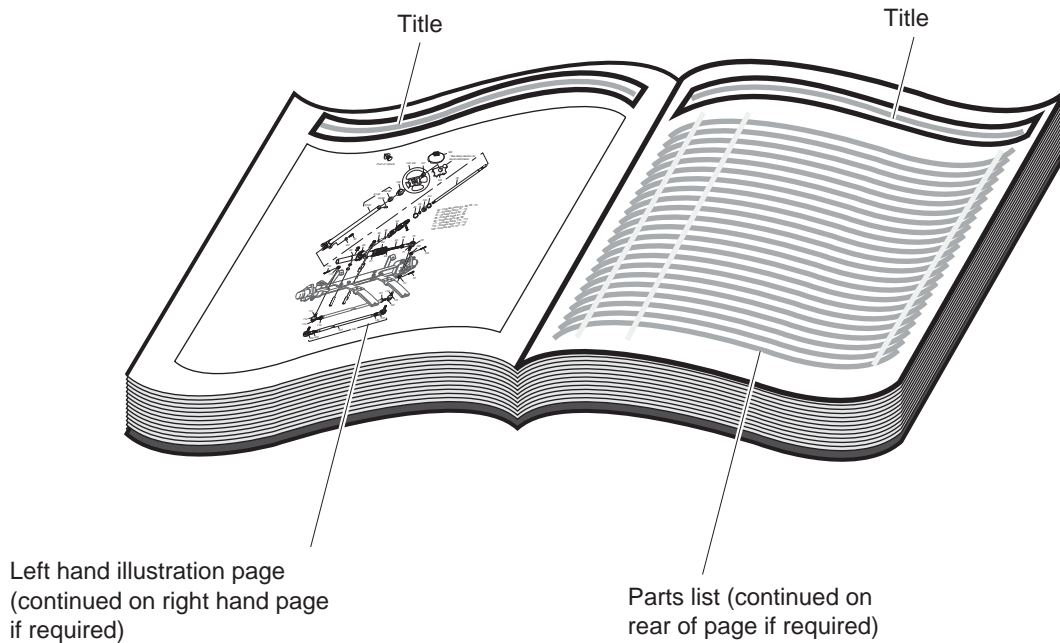
USE OF THE MANUAL

To use this manual, consult the GENERAL INDEX to locate the information or illustration required.

Introduction of some revisions varies due to supply of components; therefore, it is possible that various combinations of components may be found that are not directly reflected by each illustration. Consult the illustration that best suits your situation and then contact the Service Parts Department. It is important that the serial number of your vehicle and its model number be supplied to Service Parts when ordering any replacement components.

Locate the serial number plate (see BODY located in the Illustrated Parts Breakdown section of this manual for its location) and note the complete number shown on the plate.

HOW TO USE THE SERVICE PARTS MANUAL



1. WHEN THE PART NUMBER IS NOT KNOWN

- Determine the function and application of the part required. Turn to the General Index and select the most appropriate title.
- Turn to the page number indicated and locate the desired part on the illustration.
- From the illustration, obtain the item number assigned to the desired part. Refer to the accompanying description for specific information regarding the part.

2. IF YOU KNOW THE PART NUMBER

- Locate the part number or description in the appropriate column on the parts list page.

NOTE: It is suggested that you confirm that the part selected is correct by verifying it with the pictorial representation on the illustrated page.

Should an asterisk (*) appear in the part number column on the parts list page, read upwards until a part number is found. The part number is the lowest assembly sold by Service Parts and the asterisk (*) indicates that the part depicted is not available for purchase.

NOTE: Descriptions are indented under the assembly that they are used on. That assembly is, in turn listed under the assembly that it is used on. This process is repeated until the highest final assembly is reached.

To facilitate the maintenance and repair of the vehicle, a Technician's Repair and Service Manual is available from the Service Parts Department.

HOW TO USE THE SERVICE PARTS MANUAL

3. COLOR CODE FOR BODY COMPONENTS

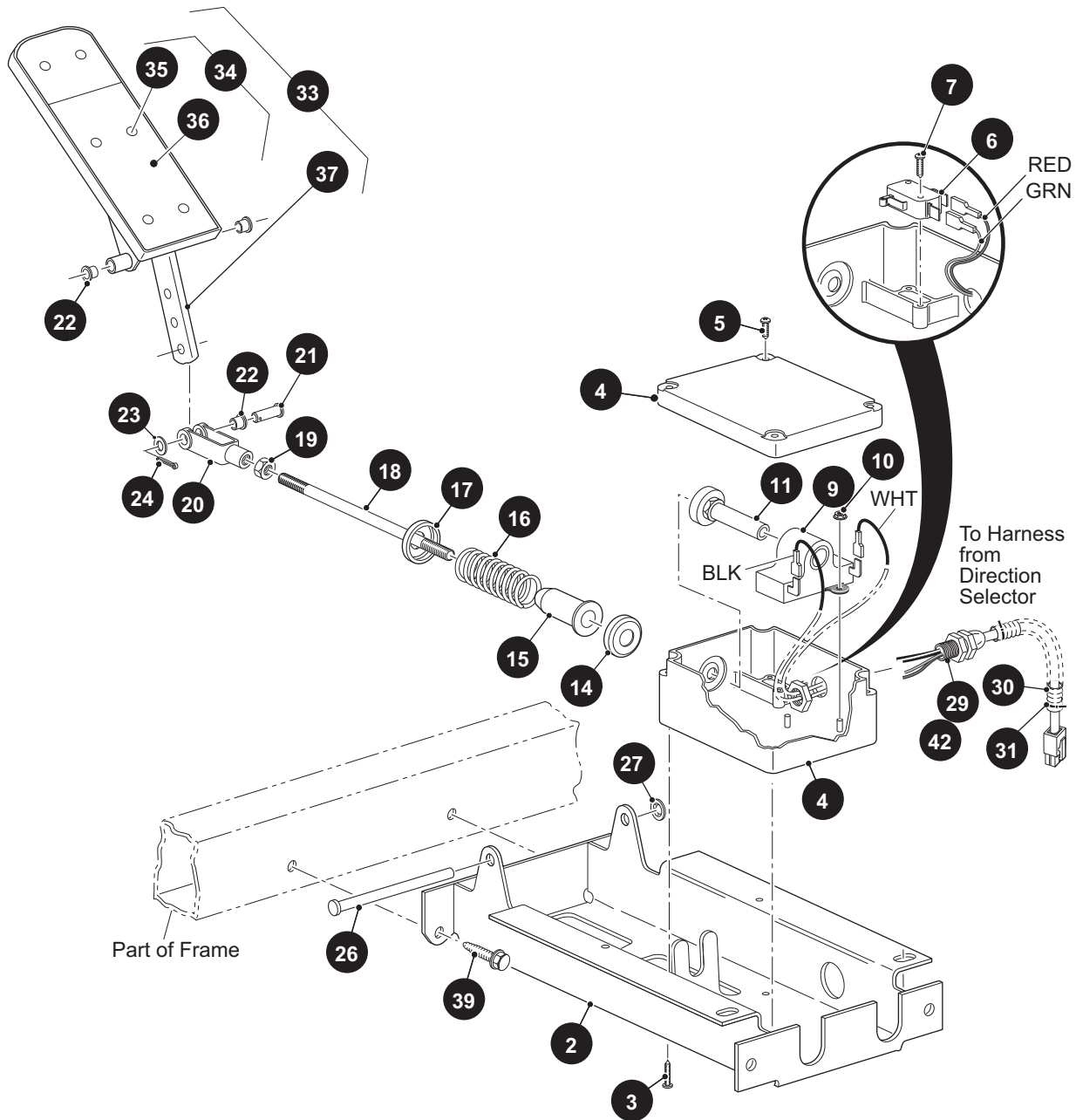
The last two digits of the part number for the body part will denote the color code, locate the part number for the cowl, rear body, seat pod, side panel or seat wrap then locate your color in the list below, replace the last ** or XX with the two digit color code.

<u>CODE #</u>	<u>DESCRIPTION</u>	<u>CODE #</u>	<u>DESCRIPTION</u>
01	NO PAINT	53	MOSSY OAK NEW BREAK UP - DIPPED
02	SPECIAL COLOR	54	MOSSY OAK OBSESSION - DIPPED
05	JACOBSEN ORANGE	55	REALTREE ADVANTAGE MAX 4 - DIPPED
06	LIGHT GOLD PEARL	56	REALTREE HARDWOOD BROWN - DIPPED
07	SILVER PEARL METALIC	57	REALTREE AP HOT PINK - DIPPED
11	BLACK	58	BLACK / SILVER MARBLE - DIPPED
12	EMERALD GREEN PEARL	59	RED / SILVER MARBLE - DIPPED
13	CLOUD GREY	60	HOT PINK / SILVER MARBLE - DIPPED
14	VIPER BLUE METALLIC	61	REALTREE AP
19	PATRIOT BLUE PEARL	62	REALTREE MAX 4
20	INFERNO RED METALLIC	63	MOSSY OAK BREAKUP
23	ADVANTAGE CLASSIC CAMO	64	MOSSY OAK TREESTAND
24	NATURAL	65	REALTREE APG
25	VIVID NEW HOLLAND BLUE	66	REALTREE MAX 1
26	STEEL BLUE PEARL	67	REALTREE AP PINK
27	BRIGHT SILVER METALLIC	68	REALTREE AP - DIPPED
29	PRIMER ONLY		
30	HD ADVANTAGE CAMO		
31	METALLIC CHARCOAL		
32	LIGHT ALMOND PEARL		
33	TIMBERLINE GREEN		
34	DEEP MOLTEN RED		
35	SAFETY YELLOW		
36	CHAMPAGNE BEIGE		
37	HUNTER GREEN		
38	BRIGHT WHITE		
39	FLAME RED		
40	BLACK		
41	ELECTRIC BLUE		
42	PLATINUM		
43	BURGUNDY		
44	ALMOND		
45	BLACK		
46	FLAME RED		
47	BURLINGTON GREEN		
48	BLACK		
49	FLAME RED		
50	RECON GREEN		
51	SUNBURST ORANGE		
52	BRITISH RACING GREEN		

ACCELERATOR

1 HAULER 1000 PEDAL BOX ASSEMBLY Includes Items, 2 - 37

41 HAULER 800 PEDAL BOX ASSEMBLY Includes Items, 2 - 27, 30 - 37, 42



ACCELERATOR

When ordering parts, please specify the model and serial number of the product.

* Indicates a component that is not available as an individual part.

*** Indicates consult Customer Service Department for additional information.

ITEM	PART NO.	1 2 3 4 5	DESCRIPTION	QTY.
1	73333G11		PEDAL BOX ASSEMBLY (HAULER 1000 ONLY) (INCLUDES ITEMS 2 - 37)	1
2	70116G02		ACCELERATOR PEDAL BRACKET	1
3	01051G01		SCREW, #8 - 10 X 1/2" LG.	4
4	25853G01		PEDAL BOX AND COVER.....	1
5	00684G6		SCREW, #8 - 32 X 3/4" LG (STAINLESS STEEL)	2
6	25861G02		MICRO SWITCH	1
7	01050G01		SCREW, #4 - 20 X 5/8" LG.....	2
8				
9	25854G01		INDUCTIVE THROTTLE SENSOR	1
10	00983G01		SELF THREADING NUT	2
11	602484		PLUNGER	1
12				
13				
14	17677G1		SPRING RETAINER.....	1
15	17979G1		BUSHING	1
16	73046G01		COMPRESSION SPRING	1
17	17677G2		SPRING RETAINER, 3/8".....	1
18	73332G01		ACCELERATOR ROD	1
19	00532G4		NUT, 5/16 - 24	1
20	10385G4		CLEVIS YOKE (ADJUSTABLE).....	1
21	10386G3		CLEVIS PIN, 5/16" X 13/16" LG	1
22	17838G1		NYLON BUSHING.....	3
23	17255G1		TEFLON WASHER, 5/16"	1
24	10387G3		COTTER PIN, 3/32" X 3/4" LG	1
25				
26	74432G01		PEDAL PIVOT PIN	1
27	12064G6		PUSH NUT, 5/16"	1
28				
29	25879G08		PEDAL HARNESS	1
30	17313G1		LOOM FLEX, 3/8" X 6" LG (BULK)	1

ACCELERATOR

When ordering parts, please specify the model and serial number of the product.

* Indicates a component that is not available as an individual part.

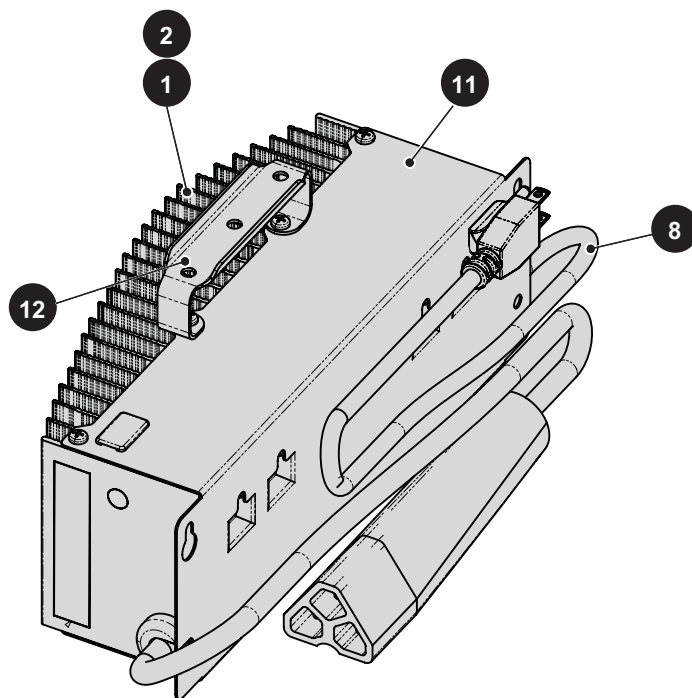
*** Indicates consult Customer Service Department for additional information.

ITEM	PART NO.	1	2	3	4	5	DESCRIPTION	QTY.
31	17618G1						WIRE TIE	2
32								
33	25799G03						ACCELERATOR PEDAL ASSEMBLY (INCLUDES ITEMS 34 - 37).....	1
34	27844G01						ACCELERATOR PEDAL PAD KIT (INCLUDES ITEMS 35 - 36).....	1
35	15766G1						OVAL RIVET, 3/16" X 7/16" LG	6
36	27512G01						ACCELERATOR PEDAL PAD.....	1
37	*						ACCELERATOR PEDAL	1
38								
39	00715G2						BOLT, 5/16 - 18 X 4/5" LG	4
40								
41	613163						PEDAL BOX ASSEMBLY (HAULER 800 ONLY) (INCLUDES ITEMS 2 - 27, 30 - 37, 42).....	1
42	620418						PEDAL HARNESS, 48V	1

BATTERY CHARGER

- 1 48V BATTERY CHARGER WITH 3 METER CORD includes items 8, 11 & 12
- 2 48V BATTERY CHARGER WITH 5.5 METER CORD includes items 8, 11 & 12

FOR HAULER 800 ONLY



BATTERY CHARGER

When ordering parts, please specify the model and serial number of the product.

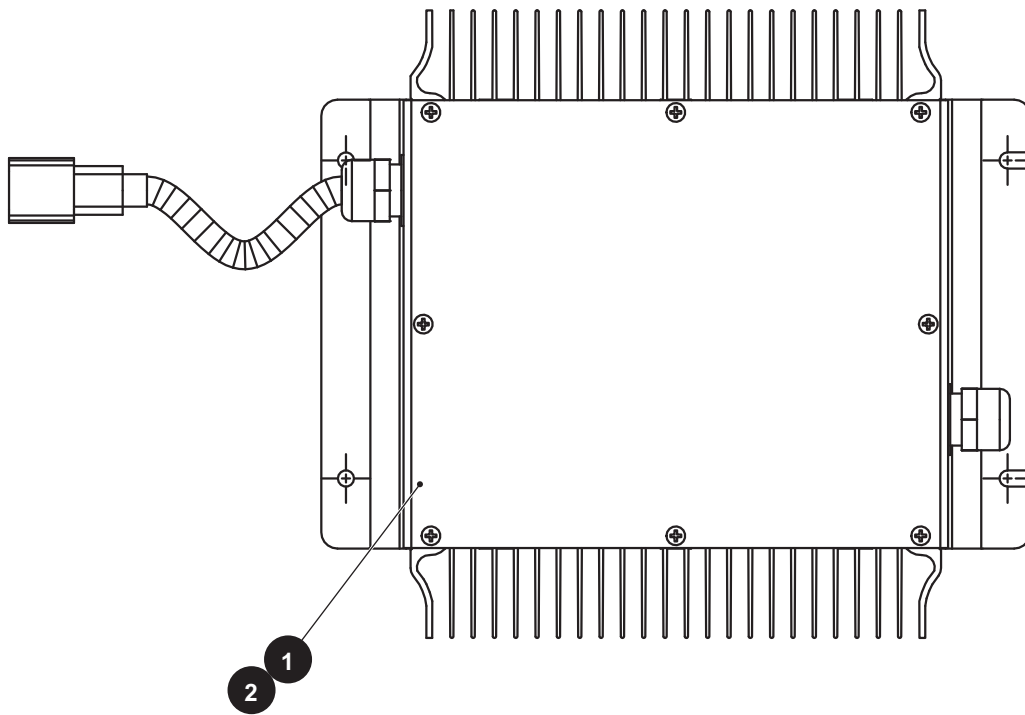
* Indicates a component that is not available as an individual part.

*** Indicates consult Customer Service Department for additional information.

ITEM	PART NO.	1 2 3 4 5	DESCRIPTION	QTY.
1	611198		48V BATTERY CHARGER , 3 meter CORD (includes items 8,11, & 12)	1
2	611199		48V BATTERY CHARGER, 5.5 meter CORD (includes items 8, 11, & 12)	1
3	605834		NYLON CLAMP 36" (NOT SHOWN IN ILLUSTRATION)	1
4				
5				
6				
7				
8	611212		AC CORD, DOMESTIC	1
9				
10				
11	611220		48V CHARGER COVER KIT (Includes item 12).....	1
12	611216		CHARGER HANDLE	1
13				

BATTERY CHARGER

FOR HAULER 800 ONLY



BATTERY CHARGER

When ordering parts, please specify the model and serial number of the product.

* Indicates a component that is not available as an individual part.

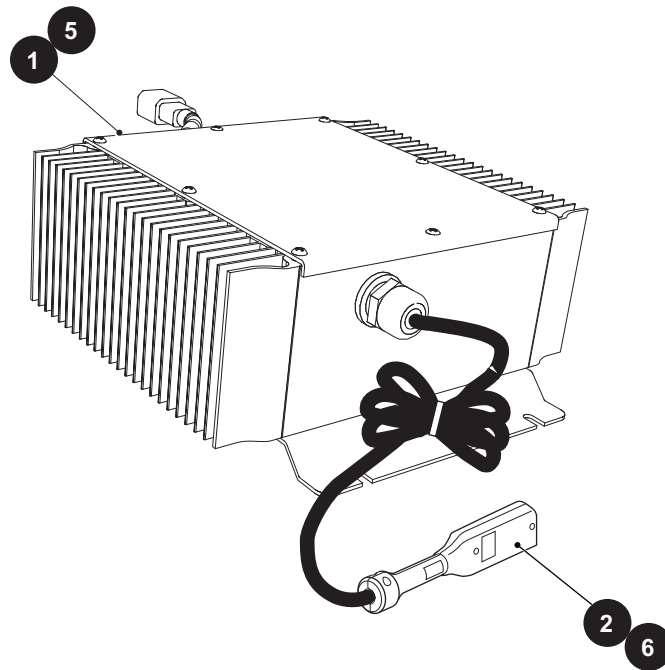
*** Indicates consult Customer Service Department for additional information.

ITEM	PART NO.	1 2 3 4 5	DESCRIPTION	QTY.
1	609150		WORLD CHARGER, 48V, 3M CORD	1
2	609167		WORLD CHARGER, 48V, 5.5M CORD	1

BATTERY CHARGER

- 1 48 VOLT PORTABLE CHARGER Includes Items 2 & 3
- 5 48 VOLT BATTERY CHARGER Includes Items 6 & 7

FOR HAULER 1000 ONLY



BATTERY CHARGER

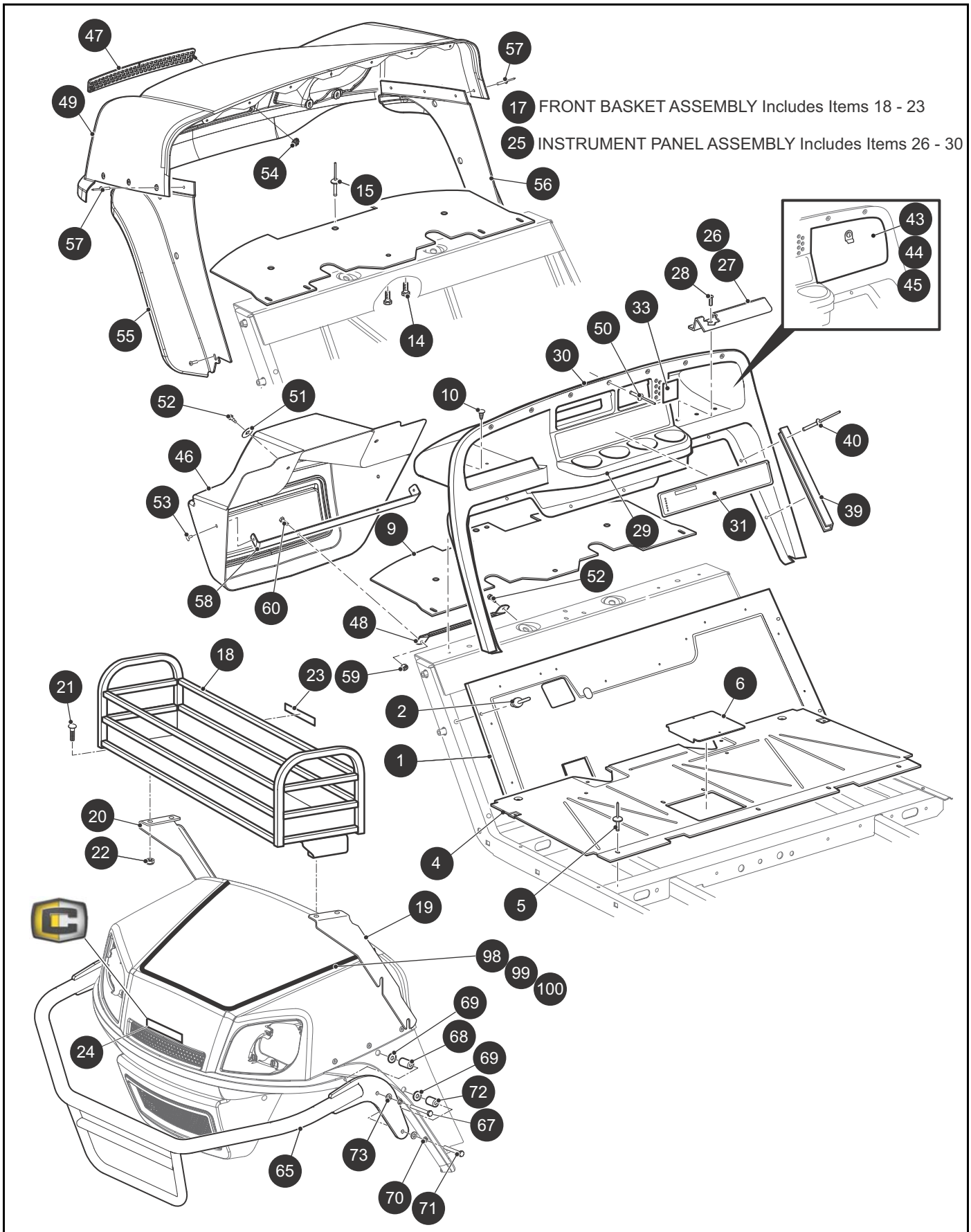
When ordering parts, please specify the model and serial number of the product.

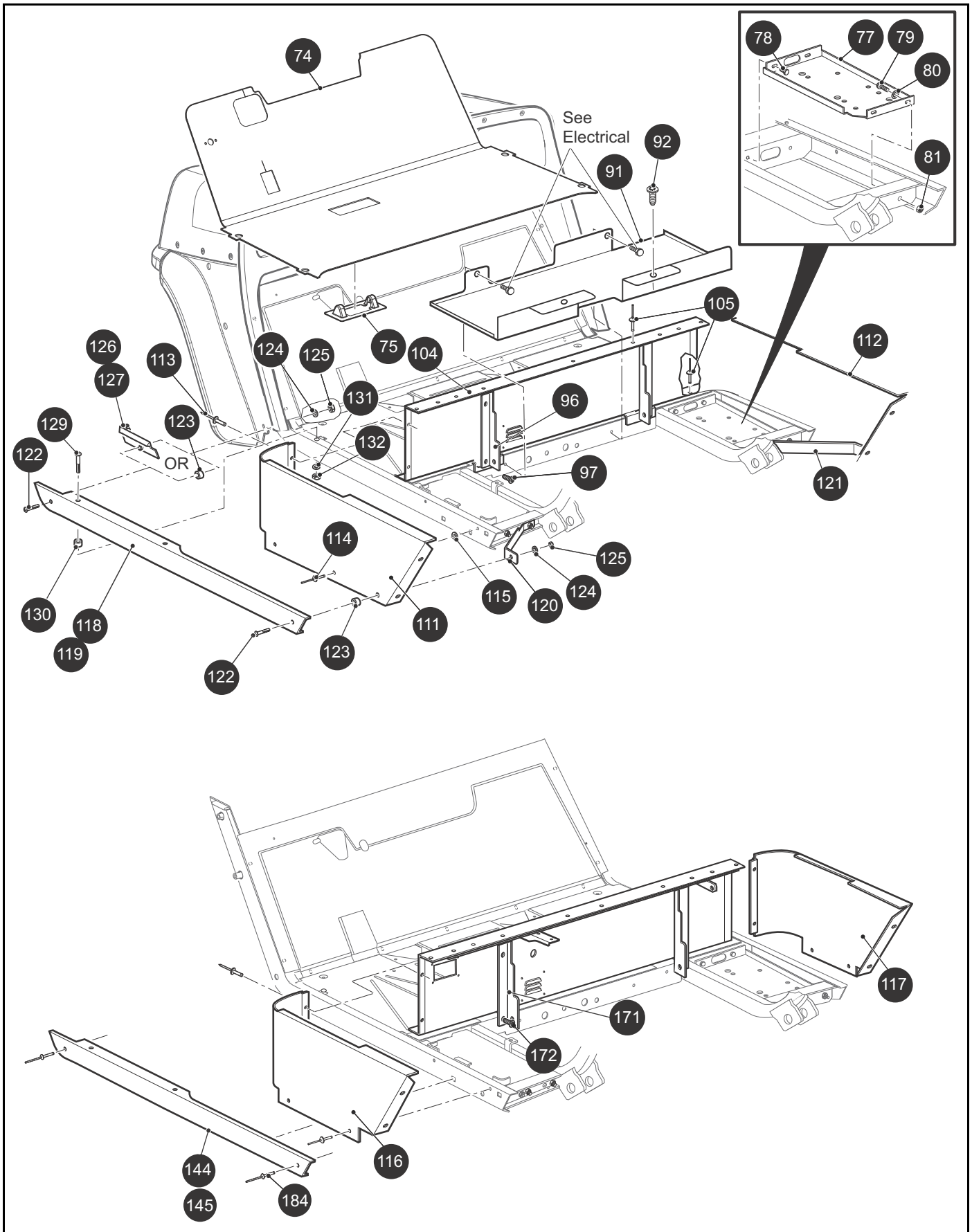
* Indicates a component that is not available as an individual part.

*** Indicates consult Customer Service Department for additional information.

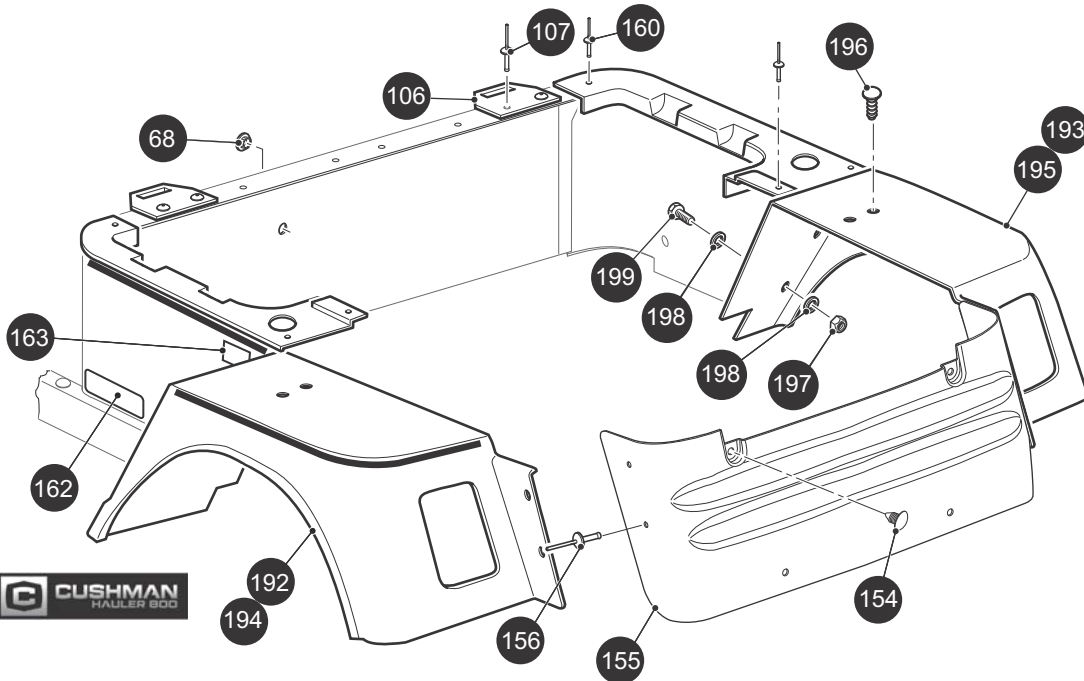
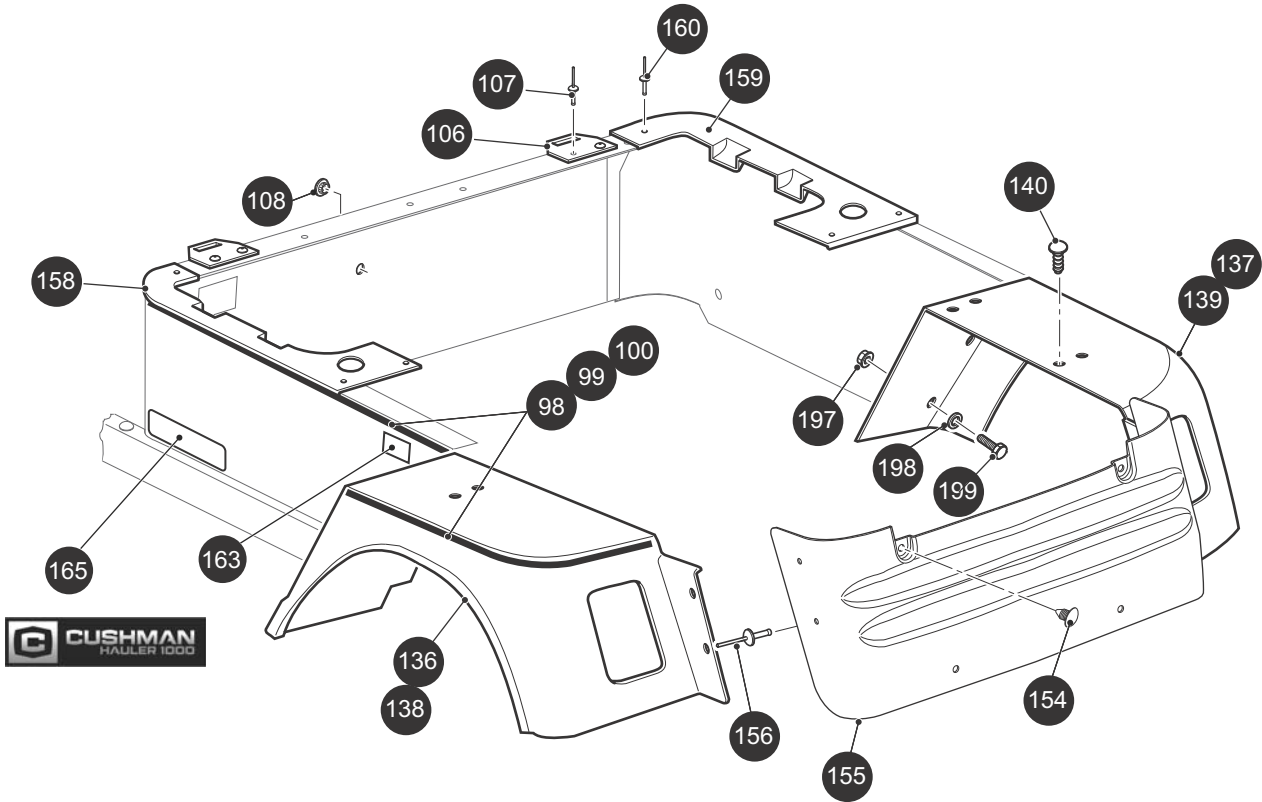
ITEM	PART NO.	1 2 3 4 5	DESCRIPTION	QTY.
1	603689		48V DELTA-Q PORTABLE CHARGER WITH 10' DC CORD (INCLUDES ITEMS 2 - 3)	1
2	600463G02		48V DC CABLE ASSEMBLY 10'	1
3	600462G01		AC POWER CORD (NOT SHOWN).....	1
4				
5	603690		48V DELTA-Q BATTERY CHARGER WITH 18' DC CORD (INCLUDES ITEMS 6 - 7)	1
6	600463G03		48V DC CABLE ASSEMBLY 18'	1
7	600462G01		AC POWER CORD (NOT SHOWN).....	1

BODY



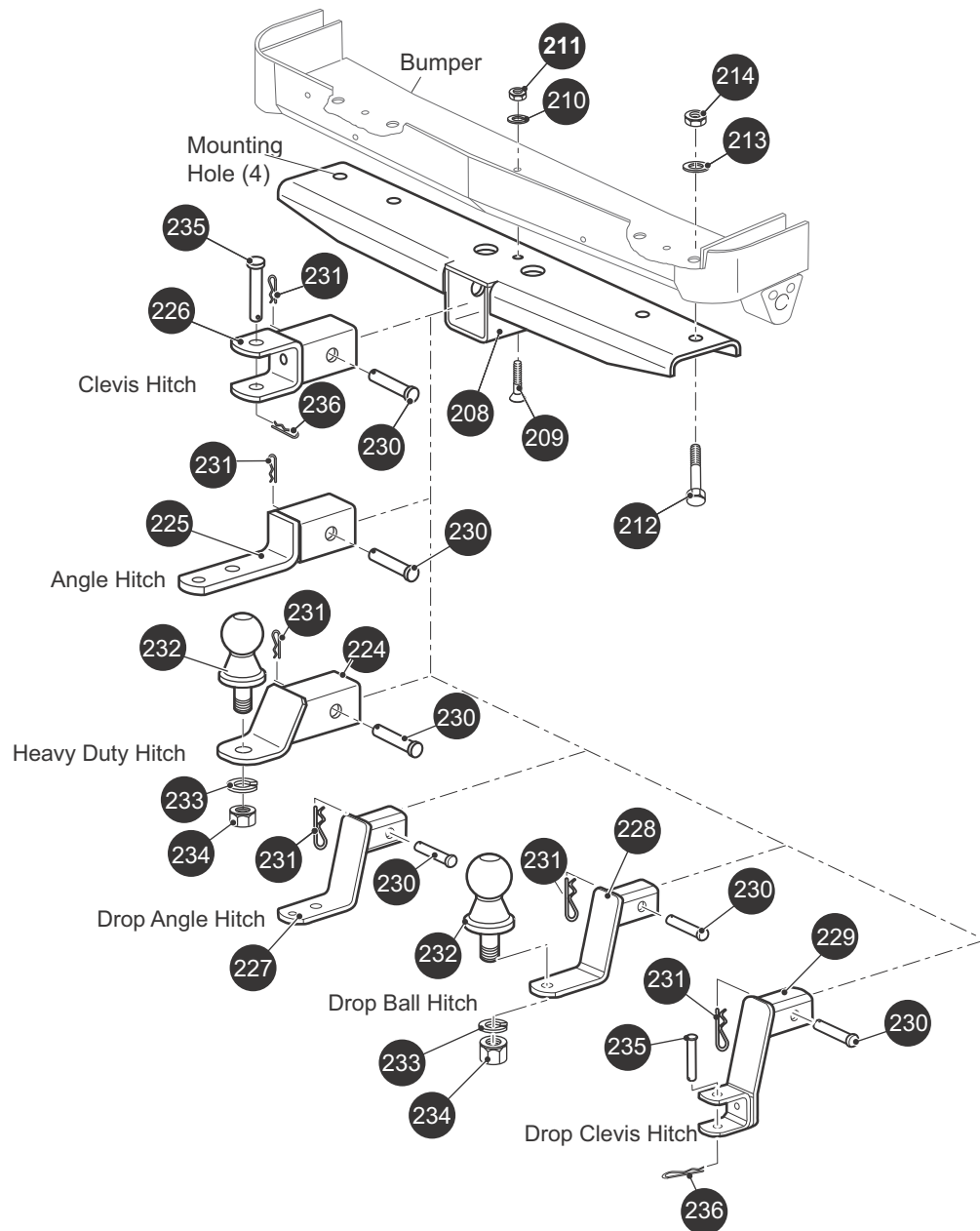


BODY

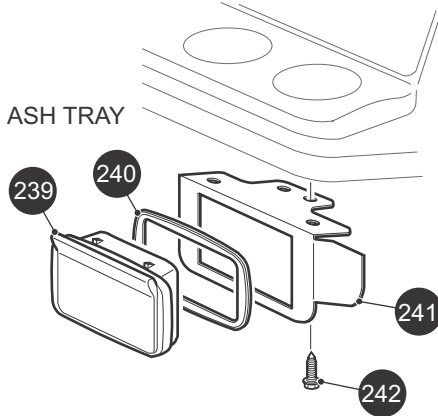


HITCHES

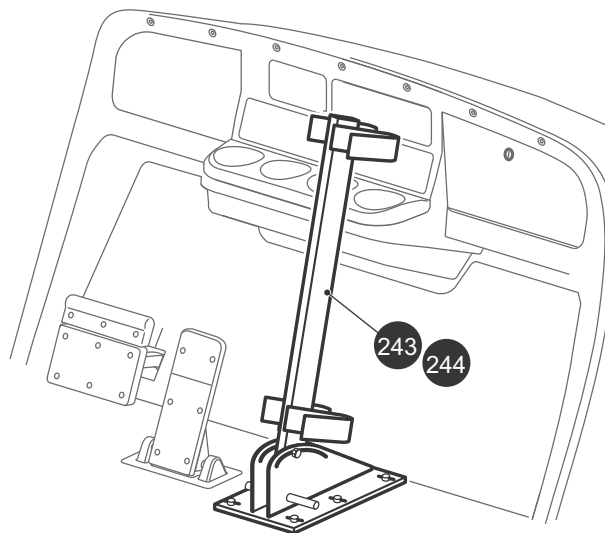
- 218 HEAVY DUTY HITCH KIT Includes Items 224, 230 - 234
- 219 ANGLE HITCH KIT Includes Items 225, 230, 231
- 220 CLEVIS HITCH KIT Includes Items 226, 230, 231, 235, 236
- 221 DROP ANGLE HITCH KIT Includes Items 227, 230, 231
- 222 DROP BALL HITCH KIT Includes Items 228, 230 - 234
- 223 DROP CLEVIS HITCH KIT Includes Items 229, 230, 231, 235, 236



ASH TRAY



FLOOR MOUNT
GUN HOLDER



When ordering parts, please specify the model and serial number of the product.

* Indicates a component that is not available as an individual part.

*** Indicates consult Customer Service Department for additional information.

ITEM	PART NO.	1 2 3 4 5	DESCRIPTION	QTY.
1	70662G01		UPPER FLOORPAN	1
2	14601G11		RIVET, 3/16" X 9/16" LG (ALUMINUM).....	9
3				
4	70451G01		LOWER FLOORPAN	1
5	14601G11		RIVET, 3/16" X 9/16" LG (ALUMINUM).....	7
6	70452G01		ACCESS COVER.....	1
7				
8				
9	71413G01		SPLASH PANEL	1
10	16816G2		RATCHET FASTENER, 1/4" X 3/4" LG.....	4
11				
12				
13				
14	71102G02		SELF TAPPING SCREW, 1/4 - 20 X 1/2" LG.....	3
15	71055G01		RIVET, 3/16" X 1 1/8" LG (ALUMINUM).....	1
16				
17	74521G02		FRONT BASKET ASSEMBLY (Includes Items 18 - 23).....	1
18	74523G01		FRONT BASKET	1
19	74522G01		BASKET MOUNTING BRACKET (DRIVER SIDE)	1
20	74522G02		BASKET MOUNTING BRACKET (PASSENGER SIDE)	1
21	00725G1		CARRIAGE BOLT, 3/8 - 16 X 1" LG (STAINLESS STEEL)	4
22	00891G1		LOCK NUT, 3/8 - 16.....	4
23	71931G01		LABEL, FRONT BASKET (WARNING)	1
24	619135		DECAL,CUSHMAN COWL	1
25	71151G01		INSTRUMENT PANEL ASSEMBLY (Includes Items 26 - 30)	1
26	71153G01		DEFLECTOR (PASSENGER SIDE)	1
27	71154G01		DEFLECTOR (DRIVER SIDE).....	1
28	00614G5		SCREW, #8 - 18 X 5/8" LG.....	4
29	71158G01		INSTRUMENT PANEL INSERT (FOUR CUP)	1
30	71152G01		INSTRUMENT PANEL.....	1
31	601781		LABEL (SAFETY).....	1

BODY

When ordering parts, please specify the model and serial number of the product.

* Indicates a component that is not available as an individual part.

*** Indicates consult Customer Service Department for additional information.

ITEM	PART NO.	1 2 3 4 5	DESCRIPTION	QTY.
32				
33	35968G01		LABEL (T-HOLDER COVER)	1
34				
35				
36				
37				
38				
39	71115G01		VINYL TRIM	2
40	71055G01		RIVET, 3/16" X 1" LG (ALUMINUM)	10
41				
42				
43	75459G01		GLOVE BOX DOORS (BOTH SIDES)	1
44	75459G02		GLOVE BOX DOOR (DRIVER SIDE)	1
45	75459G03		GLOVE BOX DOOR (PASSENGER SIDE)	1
46	613273		FRONT FASCIA	1
47	617643		COWL GRILL COVER.....	1
48	70725G02		FRONT SHIELD BRACE.....	2
49	613036GXXX		COWL (See COLOR CODE in HOW TO USE Section of Manual)	1
50	71055G01		ALUMINUM RIVET, 3/16" X 1" LG	7
51	16469G1		FENDER WASHER, 9/32"	2
52	01038G01		SCREW, 1/4" - 20".....	4
53	15058G1		ALUMINUM RIVET, 0.87"	2
54	71597G01		SELF THREADING NUT, 5 X 10 X 15MM.....	2
55	614378		FENDER FLARE (DRIVER SIDE).....	1
56	613274		FENDER FLARE (PASSENGER SIDE)	1
57	71055G01		RIVET, 3/16" X 1" LG (ALUMINUM)	6
58	618653		FASCIA BRACKET.....	1
59	14390G4		LOCK NUT, 1/4 - 20.....	2
60	300646		SCREW, 1/4 - 20 X 3/4".....	2
61				
62				

When ordering parts, please specify the model and serial number of the product.

* Indicates a component that is not available as an individual part.

*** Indicates consult Customer Service Department for additional information.

ITEM	PART NO.	1 2 3 4 5	DESCRIPTION	QTY.
63				
64				
65	617620		BRUSHGUARD.....	1
66				
67	00440G6		CAP HEAD SCREW, 5/16 - 18 X 2 - 3/4"	2
68	75048G02		SPACER, 0.328" X 1.31".....	2
69	00570G2		FLAT WASHER, 5/16".....	2
70	00905G8		LOCK WASHER, 5/16"	4
71	00440G2		SCREW, 5/16 - 18 X 2 - 3/4".....	4
72	75048G04		SPACER.....	2
73	00559G8		FLAT WASHER, 5/16".....	4
74	70663G04		FLOOR MAT W/HORN HOLES	1
75	70135G01		PEDAL PIVOT COVER.....	1
76				
77	70244G03		SPLASH PANEL	1
78	00715G2		HEX BOLT, 5/16 - 18 X 4/5" LG	4
79	00438G8		HEX BOLT, 5/16 - 18 X 1" LG	2
80	00559G8		FLAT WASHER, 5/16".....	2
81	11098G6		LOCK NUT, 5/16 - 18 (STAINLESS STEEL).....	2
82				
83				
84				
85				
86				
87				
88				
89				
90				
91	70629G01		SPLASH PANEL	1
92	00106G6		SELF THREADING SCREW, #12 - 24 X 3/4" LG	2
93				

BODY

When ordering parts, please specify the model and serial number of the product.

* Indicates a component that is not available as an individual part.

*** Indicates consult Customer Service Department for additional information.

ITEM	PART NO.	1	2	3	4	5	DESCRIPTION	QTY.
94								
95								
96	605763						SEAT FRAME	1
97	00715G2						HEX BOLT, 5/16 - 18 X 4/5" LG	2
98	603728						PEWTER PINSTRIPING TAPE, 6.4mm X 45.7M LG	1
99	75372G04						BLACK PINSTRIPING TAPE, 5/16 X 150' LG	1
100	75372G08						SILVER PINSTRIPING TAPE, 5/15 X 150' LG	1
101								
102								
103								
104	609143GXX						SEAT WRAP W/LOUVERS (HAULER 800 Only) (See COLOR CODE in HOW TO USE Section)	1
105	10570G10						RIVET, 5/32" X 9/16" LG (STAINLESS STEEL)	8
106	71609G01						SEAT HINGE PLATE	2
107	10570G11						RIVET, 3/16" X 3/4" LG (STAINLESS STEEL)	4
108	20271G02						HOLE PLUG (HAULER 1000 Only)	1
109								
110								
111	609168G1XX						SIDE PANEL (DRIVER SIDE) (HAULER 1000 Only) (See COLOR CODE in HOW TO USE Section)	1
112	609168G2XX						SIDE PANEL (PASSENGER SIDE) (HAULER 1000 Only) (See COLOR CODE in HOW TO USE Section)	1
113	10570G10						RIVET, 5/32" X 9/16" LG (STAINLESS STEEL)	4
114	10570G12						RIVET, 1/4" X 9/16" LG (ALUMINUM)	4
115	16469G1						FENDER WASHER, 1/4"	4
116	609047G1XX						SIDE PANEL (DRIVER) (HAULER 800 Only) (See COLOR CODE in HOW TO USE Section)	1
117	609047G2XX						SIDE PANEL (PASSENGER) (HAULER 800 Only) (See COLOR CODE HOW TO USE Section)	in 1
118	618886						ROCKER PANEL (DRIVER SIDE) (HAULER 1000 Only)	1
119	618885						ROCKER PANEL (PASSENGER SIDE) (HAULER 1000 Only)	1
120	71440G03						BRACE (DRIVER SIDE)	1
121	71440G04						BRACE (PASSENGER SIDE)	1

When ordering parts, please specify the model and serial number of the product.

* Indicates a component that is not available as an individual part.

*** Indicates consult Customer Service Department for additional information.

ITEM	PART NO.	1 2 3 4 5	DESCRIPTION	QTY.
122	00789G2		SCREW, #10 - 24 X 1 1/4" LG	4
123	23726G2		SPACER, 1/4"	4
124	00660G5		FLAT WASHER, #10 (STAINLESS STEEL).....	4
125	14390G10		LOCK NUT, #10 - 24	4
126	71424G01		SPACER (DRIVER SIDE)	1
127	71424G02		SPACER (PASSENGER SIDE).....	1
128				
129	16705G1		SCREW, 1/4 - 20 X 1" LG (STAINLESS STEEL).....	4
130	23726G2		SPACER, 1/4"	4
131	00559G7		FLAT WASHER, 1/4"	4
132	14390G4		LOCK NUT, 1/4 - 20	4
133				
134				
135				
136	74893G01		FENDER (DRIVER SIDE) (HAULER 1000 Only).....	1
137	74893G02		FENDER (PASSENGER SIDE) (HAULER 1000 Only)	1
138	74893G03		FENDER W/TAIL LIGHT OPENING (DRIVER SIDE) (HAULER 1000 Only)..	1
139	74893G04		FENDER W/TAIL LIGHT OPENING (PASSENGER SIDE) (HAULER 1000 Only).....	1
140	16816G2		RATCHET FASTENER, 1/4" X 3/4" LG.....	10
141				
142				
143				
144	618358		ROCKER PANEL, DRIVER SIDE (HAULER 800 Only).....	1
145	618359		ROCKER PANEL, PASSENGER SIDE (HAULER 800 Only)	1
146				
147				
148				
149				
150				
151				

BODY

When ordering parts, please specify the model and serial number of the product.

* Indicates a component that is not available as an individual part.

*** Indicates consult Customer Service Department for additional information.

ITEM	PART NO.	1	2	3	4	5	DESCRIPTION	QTY.
152								
153								
154	16816G2						RATCHET FASTENER, 1/4" X 3/4" LG	8
155	74890G01						REAR PANEL	1
156	71055G01						RIVET, 3/16" X 1" LG (ALUMINUM)	4
157								
158	74891G01						SEAT FILLER PANEL (DRIVER SIDE) (HAULER 1000 Only)	1
159	74891G02						SEAT FILLER PANEL (PASSENGER SIDE) (HAULER 1000 Only)	1
160	10570G10						RIVET, 5/32" X 9/16" LG (STAINLESS STEEL)	6
161								
162	619136						DECAL, CUSHMAN LOGO, (HAULER 800)	2
163	74099G01						LABEL (TILT WARNING).....	2
164								
165	619138						DECAL, CUSHMAN LOGO, (HAULER 1000)	2
166								
167								
168								
169								
170								
171	605694						SEAT FRAME	1
172	00715G2						HEX BOLT, 5/16 - 18 X 4/5" LG	2
173								
174								
175								
176								
177								
178								
179								
180								
181								
182								

When ordering parts, please specify the model and serial number of the product.

* Indicates a component that is not available as an individual part.

*** Indicates consult Customer Service Department for additional information.

ITEM	PART NO.	1 2 3 4 5	DESCRIPTION	QTY.
183				
184	15058G6		RIVET, 3/16" X 15/16" LG (ALUMINUM).....	4
185				
186				
187				
188				
189				
190				
191				
192	74892G01		FENDER (DRIVER SIDE) (HAULER 800 ONLY)	1
193	74892G02		FENDER (PASSENGER SIDE) (HAULER 800 ONLY)	1
194	74892G03		FENDER W/ TAILLIGHT (DRIVER SIDE) (HAULER 800 ONLY)	1
195	74892G04		FENDER W/ TAILLIGHT (PASSENGER SIDE) (HAULER 800 ONLY).....	1
196	16816G2		RATCHET FASTENER, 1/4" X 3/4" LG.....	10
197	14390G4		LOCK NUT, 1/4 - 20	4
198	00642G7		FLAT WASHER, 1/4".....	8
199	00414G6		HEX BOLT, 1/4 - 20 X 3/4" LG	4
200				
201				
202				
203				
204				
205				
206				
207				
208	74348G02		HITCH RECEIVER.....	1
209	00198G8		HEX BOLT, 5/16 - 18 X 1" LG	1
210	00571-G2		WASHER, 1/4"	1
211	11098G6		LOCK NUT, 5/16 - 18 (STAINLESS STEEL).....	1
212	00463G4		HEX BOLT, 7/16 - 14 X 1-1/2" LG	4
213	00922G3		FLAT WASHER, 7/16".....	4

BODY

When ordering parts, please specify the model and serial number of the product.

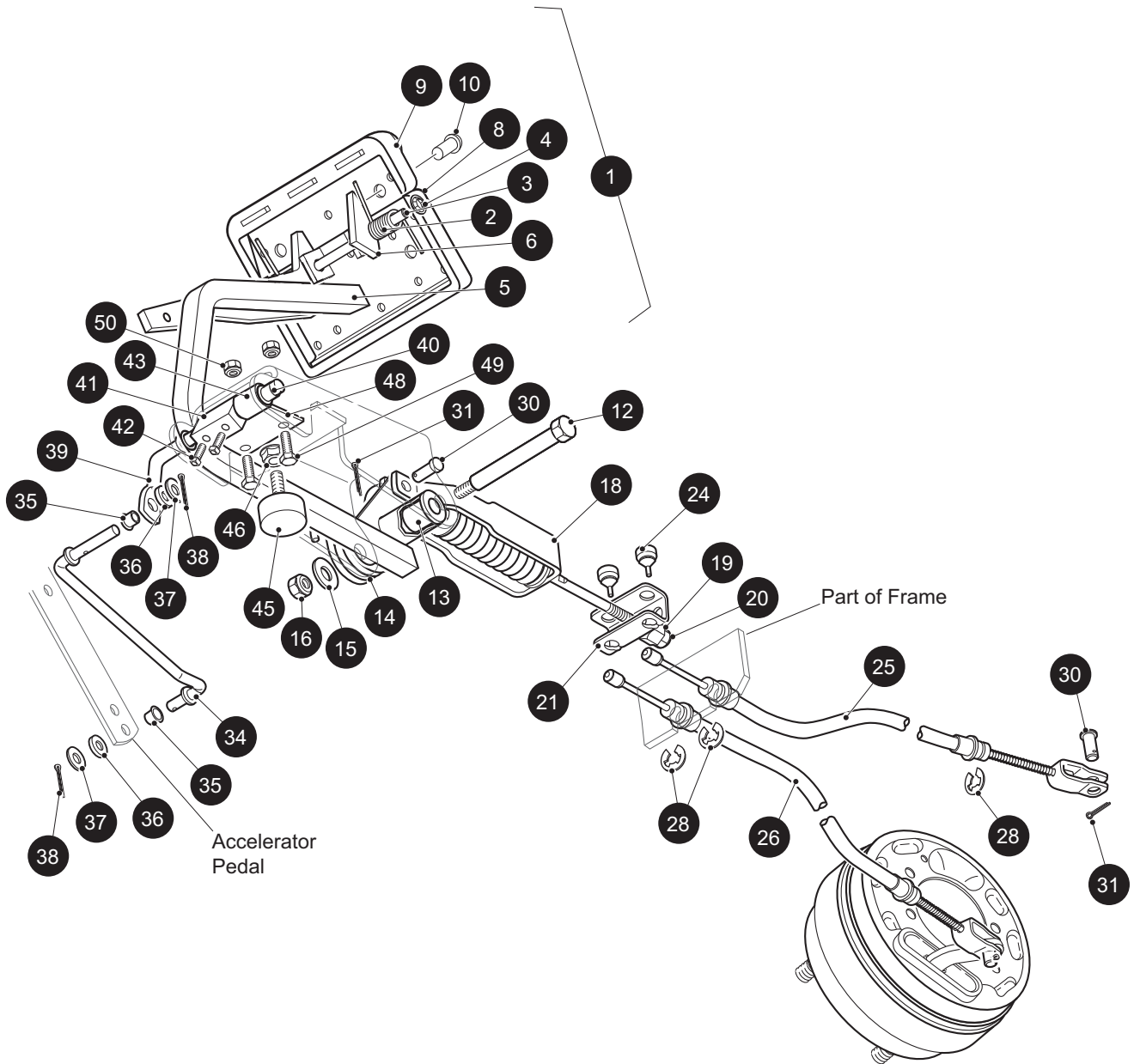
* Indicates a component that is not available as an individual part.

*** Indicates consult Customer Service Department for additional information.

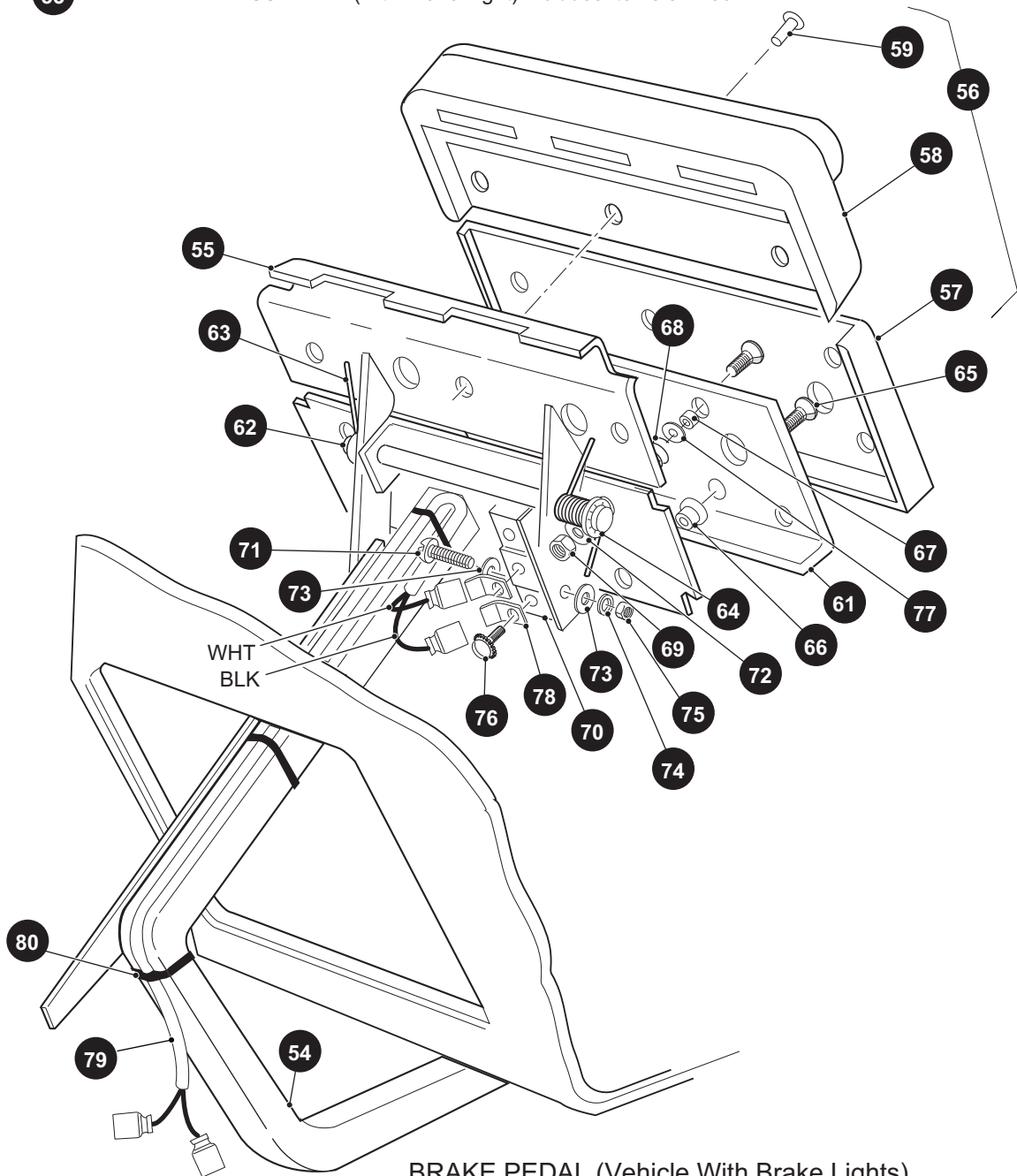
ITEM	PART NO.	1	2	3	4	5	DESCRIPTION	QTY.
214	00734G1						LOCK NUT, 7/16 - 14.....	4
215								
216								
217								
218	74492G02						HEAVY DUTY BALL HITCH KIT (Includes Items 224, 230-234)	1
219	74492G04						ANGLE HITCH KIT (Includes Items 225, 230, 231)	1
220	74492G06						CLEVIS HITCH KIT (Includes Items 226, 230, 231, 235, 236).....	1
221	74492G08						DROP ANGLE HITCH KIT (Includes Items 227, 230, 231)	1
222	74492G10						DROP BALL HITCH KIT (Includes Items 228, 230-234)	1
223	74492G12						DROP CLEVIS HITCH KIT (Includes Items 229, 230, 231, 235, 236)	1
224	74351G02						HEAVY DUTY HITCH	1
225	74339G02						ANGLE HITCH.....	1
226	74338G02						CLEVIS HITCH	1
227	74489G02						DROP ANGLE HITCH.....	1
228	74491G02						DROP BALL HITCH.....	1
229	74495G02						DROP CLEVIS HITCH.....	1
230	21317G1						CLEVIS PIN, 5/8" X 3" LG.....	1
231	21683G1						COTTER PIN, 15/32" X 2 -1/16" LG	1
232	31757G1						HITCH BALL, 1 7/8"	1
233	00566G6						LOCK WASHER, 3/4"	1
234	00702G11						NUT, 3/4 - 16.....	1
235	14443G7						CLEVIS PIN, 1/2" X 5/2" LG.....	1
236	19314G1						COTTER PIN, 5/2" LG	1
237								
238								
239	27731G01						ASH TRAY.....	1
240	27736G01						GASKET	1
241	75108G02						BRACKET.....	1
242	00100G4						SCREW, #10 - 16 X 1/2" LG.....	4
243	74533G01						SWIVEL GUN HOLDER W/BASE PLATE (HAULER 1000 ONLY)	1
244	74365G01						GUN HOLDER REMOVABLE FLOOR MOUNT (HAULER 1000 ONLY)	1

BRAKES

- 1 BRAKE PEDAL ASSEMBLY Includes Items 2 - 10
- 18 COMPENSATOR ASSEMBLY Includes Items 19, 21

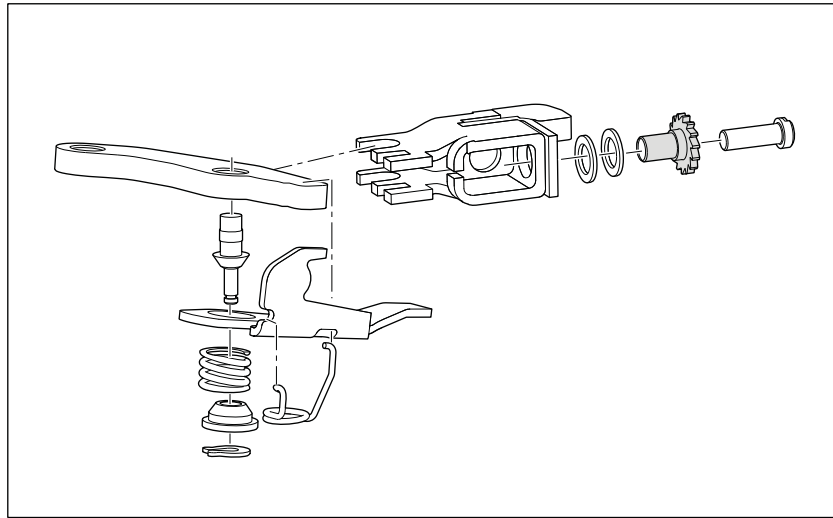
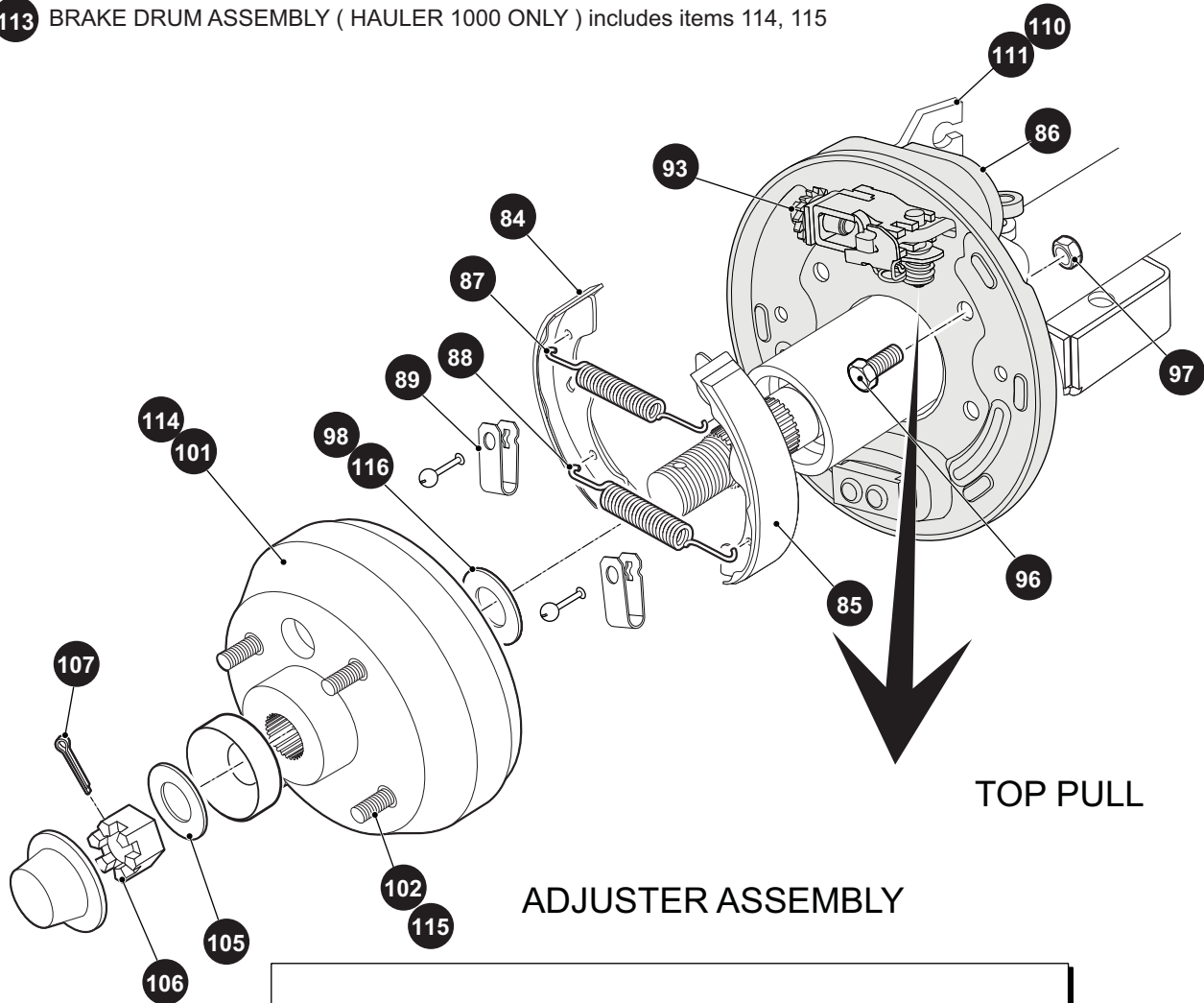


53 BRAKE PEDAL ASSEMBLY (with Brake Light) Includes Items 54 - 80

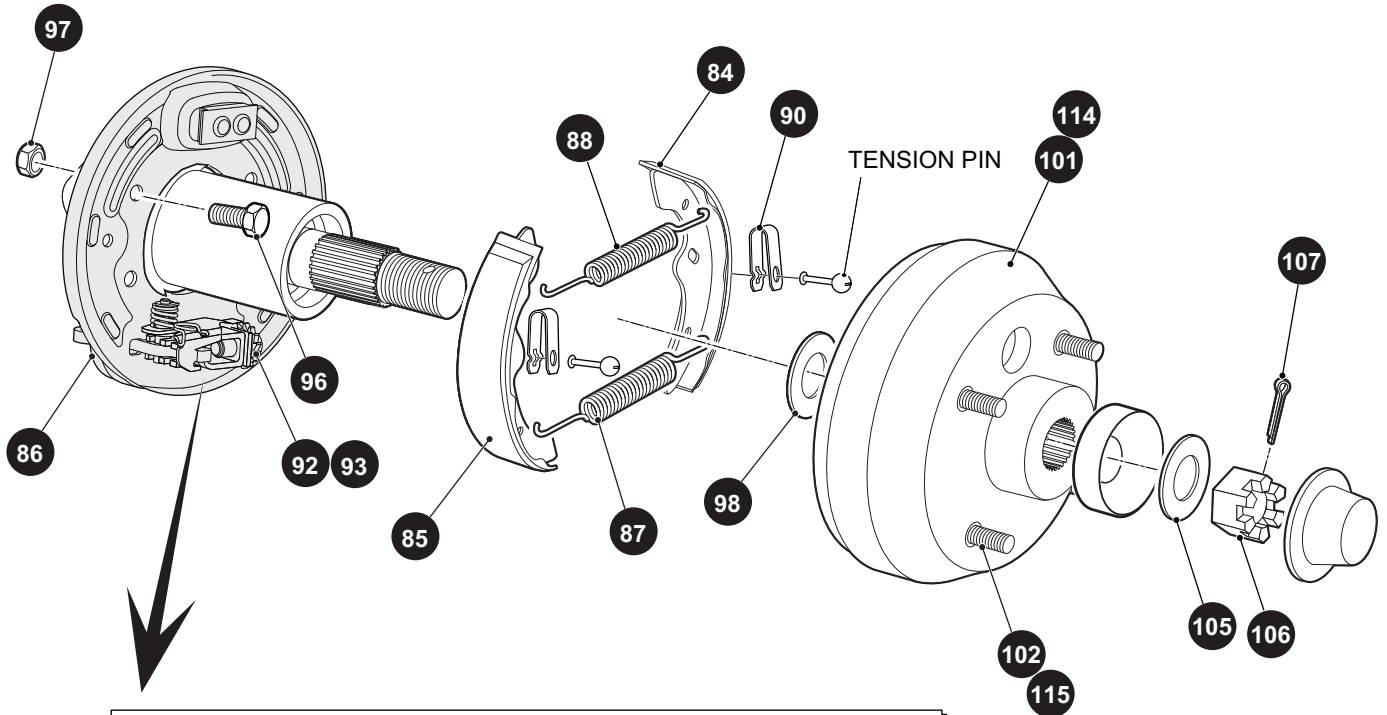


BRAKES

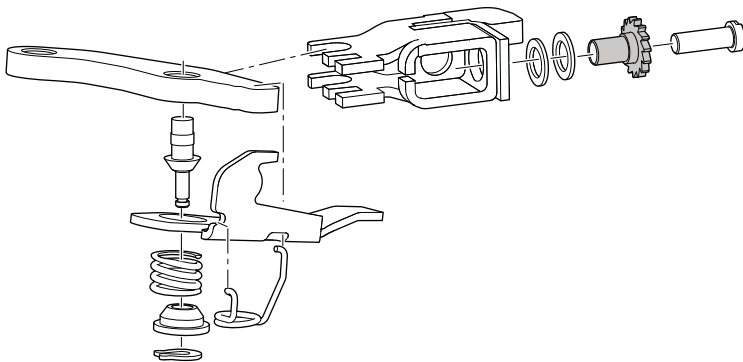
- 82 BRAKE ASSEMBLY (Driver Side) includes items 84 - 92
- 83 BRAKE ASSEMBLY (Passenger Side) includes items 84 - 89, 93
- 100 BRAKE DRUM ASSEMBLY (HAULER 800 ONLY) includes items 101, 102
- 113 BRAKE DRUM ASSEMBLY (HAULER 1000 ONLY) includes items 114, 115



BOTTOM PULL



ADJUSTER ASSEMBLY



- 82** BRAKE ASSEMBLY (Driver Side) includes items 84 - 92
- 83** BRAKE ASSEMBLY (Passenger Side) includes items 84 - 89, 93
- 100** BRAKE DRUM ASSEMBLY (HAULER 800 ONLY) includes items 101, 102
- 113** BRAKE DRUM ASSEMBLY (HAULER 1000 ONLY) includes items 114, 115

BRAKES

When ordering parts, please specify the model and serial number of the product.

* Indicates a component that is not available as an individual part.

*** Indicates consult Customer Service Department for additional information.

ITEM	PART NO.	1 2 3 4 5	DESCRIPTION	QTY.
1	70612G02		BRAKE PEDAL ASSEMBLY (WITHOUT BRAKE LIGHTS) (INCLUDES ITEMS 2 - 10).....	1
2	70681G01		TORSION SPRING	2
3	70682G01		PIVOT PIN	1
4	01071G01		PUSHNUT, 5/16 - 24.....	2
5	70259G02		BRAKE PEDAL	1
6	70611G02		PARK BRAKE PEDAL.....	1
7				
8	70257G01		SERVICE BRAKE PAD	1
9	70256G01		PARK BRAKE PEDAL PAD	1
10	16409-G1		OVAL RIVET, 3/16" X 7/16" LG.....	9
11				
12	70582G01		SHOULDER BOLT, 3/8 - 16 X 4" LG (STAINLESS STEEL).....	1
13	70581G01		FLANGED BUSHING	2
14	70676G01		TORSION SPRING	1
15	00643G1		LOCK WASHER, 3/8"	1
16	11098G5		LOCK NUT, 3/8 - 16.....	1
17				
18	612558		COMPENSATOR ASSEMBLY (INCLUDES ITEMS 19, 21).....	1
19	00963G01		SPHERICAL NUT, 5/16 - 24.....	1
20	11098G9		LOCK NUT, 5/16 - 24	1
21	28082G01		EQUALIZER BRACKET.....	1
22				
23				
24	28083G01		BRAKE COMPENSATOR BUMPER	2
25	70968G03		BRAKE CABLE (DRIVER SIDE)	1
26	70968G04		BRAKE CABLE (PASSENGER SIDE).....	1
27				
28	01111G01		RETAINING RING, 13/32" (STAINLESS STEEL)	4
29				

BRAKES

When ordering parts, please specify the model and serial number of the product.

* Indicates a component that is not available as an individual part.

*** Indicates consult Customer Service Department for additional information.

ITEM	PART NO.	1 2 3 4 5	DESCRIPTION	QTY.
30	10386G3		CLEVIS PIN, 5/16" X 13/16" LG.....	3
31	10387G3		COTTER PIN, 3/32" X 3/4" LG.....	3
32	14443G2		CLEVIS PIN, 5/16" X 5/8" LG.....	2
33				
34	70601G01		KICK-OFF LINK	1
35	17838G1		NYLON BUSHING	2
36	20835G1		TEFLON WASHER, 3/8"	2
37	00559G8		FLAT WASHER, 5/16"	2
38	10387G3		COTTER PIN, 3/32" X 3/4" LG.....	2
39	70098G01		KICK-OFF CAM PIVOT.....	1
40	10097G6		FLANGED BEARING	2
41	70587G01		KICK-OFF CAM	1
42	71215G01		SETSCREW, 1/4 - 20 X 1/2" LG	2
43	14134G4		SPACER.....	1
44				
45	70113G01		ADJUSTABLE BUMPER.....	1
46	11027G1		LOCK NUT, 5/16 - 18".....	1
47				
48	70080G02		CATCH BRACKET	1
49	00414G6		BOLT, 1/4 - 20 X 3/4" LG.....	2
50	14390G4		LOCK NUT, 1/4 - 20 (STAINLESS STEEL).....	2
51				
52				
53	70690G02		BRAKE PEDAL ASSEMBLY (WITH BRAKE LIGHTS) (INCLUDES ITEMS 54 - 80)	1
54	70259G02		BRAKE PEDAL.....	1
55	70611G02		PARK BRAKE PEDAL	1
56				
57	70257G01		SERVICE BRAKE PAD.....	1
58	70256G01		PARK BRAKE PAD.....	1

BRAKES

When ordering parts, please specify the model and serial number of the product.

* Indicates a component that is not available as an individual part.

*** Indicates consult Customer Service Department for additional information.

ITEM	PART NO.	1	2	3	4	5	DESCRIPTION	QTY.
59	16409G1						OVAL RIVET, 3/16" x 7/16" LG	9
60								
61	70258G03						SERVICE BRAKE PEDAL PLATE	1
62	70682G01						PIVOT PIN	1
63	70681G01						TORSION SPRING	2
64	01071G01						PUSHNUT, 5/16"	1
65	00737G8						SCREW, #10 - 24 X 7/8" LG	4
66	00739G1						RUBBER NUT, #10 - 24	2
67	74535G01						BRAKE PEDAL STANDOFF	2
68	27137G01						CONICAL SPRING	2
69	14390G10						LOCK NUT, #10 - 24	2
70	10606G8						MICRO SWITCH	1
71	00645G2						HEX BOLT, #6 - 32 X 1 1/4" LG	2
72	00559G5						FLAT WASHER, #10	2
73	00559G3						FLAT WASHER, #6	4
74	00565G3						LOCK WASHER, #6	2
75	00525G5						NUT, #6 - 32	2
76	13514G1						SCREW AND LOCK WASHER, #6	2
77	00642G8						FLAT WASHER, 4 - 5/16	2
78	14628G1						FASTON TAB	2
79	24605G1						WIRE HARNESS (BRAKE LIGHT)	1
80	17618G1						WIRE TIE	3
81								
82	612211						BRAKE ASSEMBLY (DRIVER SIDE) (INCLUDES ITEMS 84 - 92)	1
83	612189						BRAKE ASSEMBLY (PASSENGER SIDE) (INCLUDES ITEMS 84 - 91, 93)	1
84	612411						BRAKE SHOE, L	2
85	612412						BRAKE SHOE, T	2
86	612413						DUST COVER	1
87	612415						BRAKE SPRING	1
88	612414						BRAKE SPRING	1

BRAKES

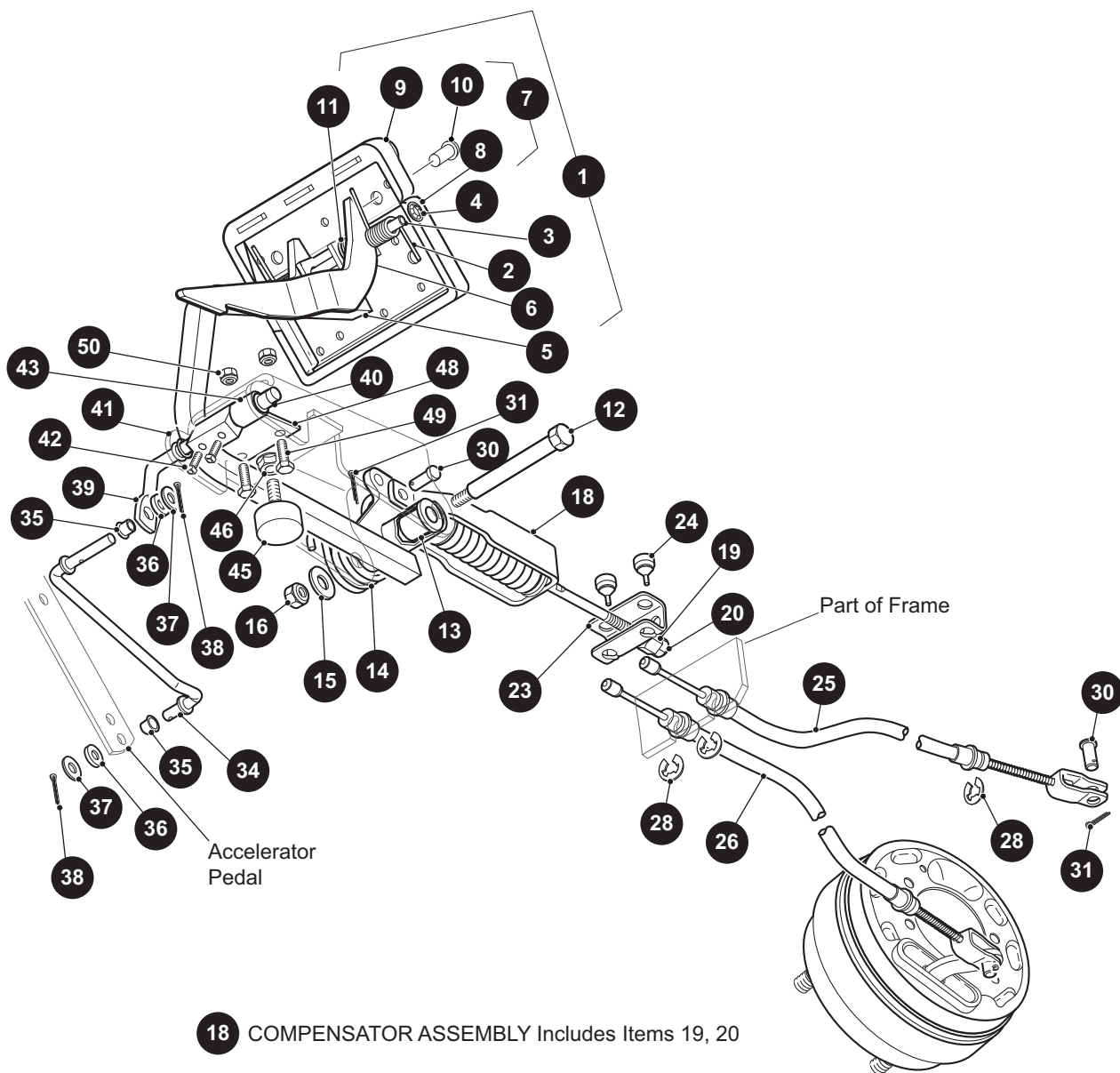
When ordering parts, please specify the model and serial number of the product.

* Indicates a component that is not available as an individual part.

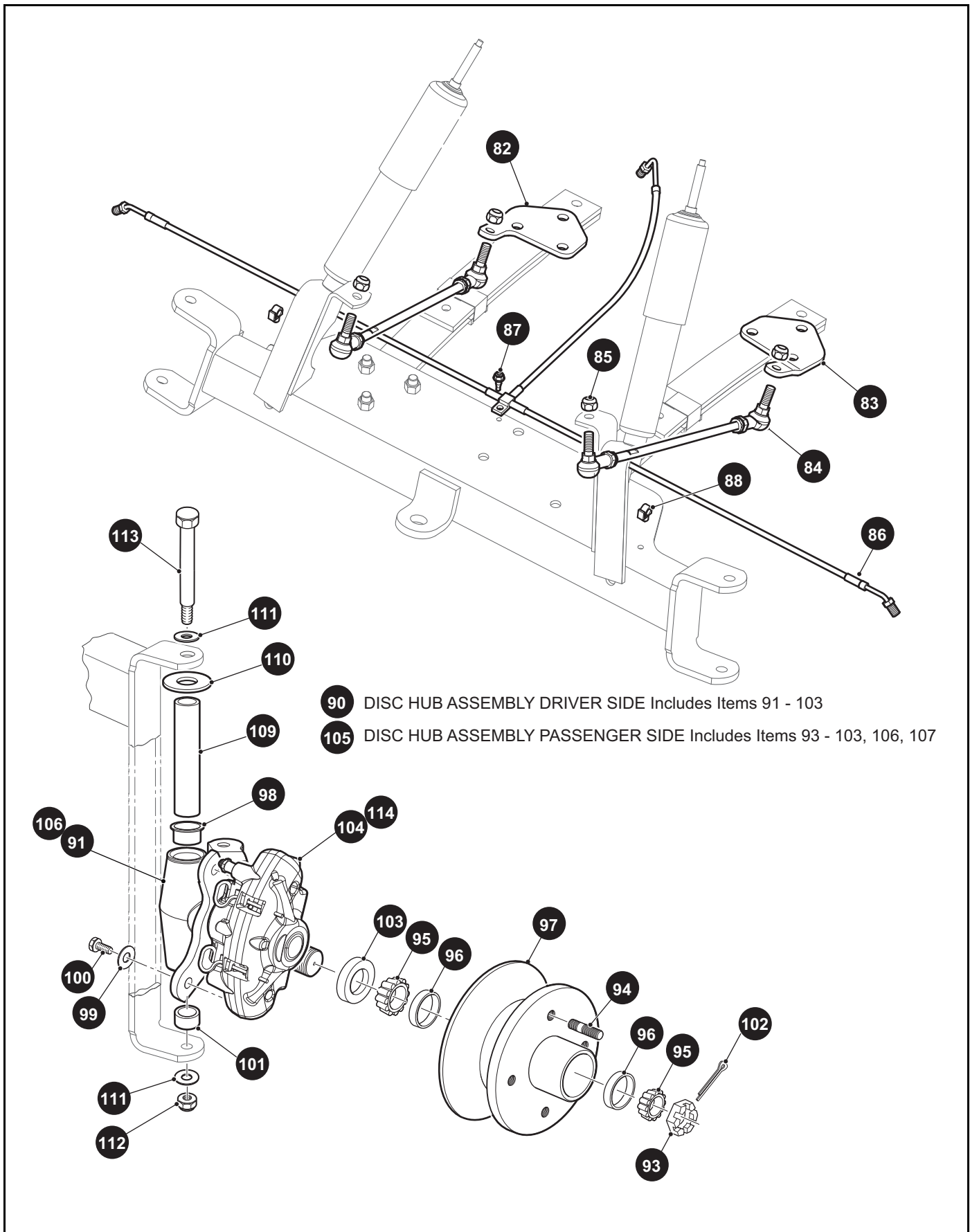
*** Indicates consult Customer Service Department for additional information.

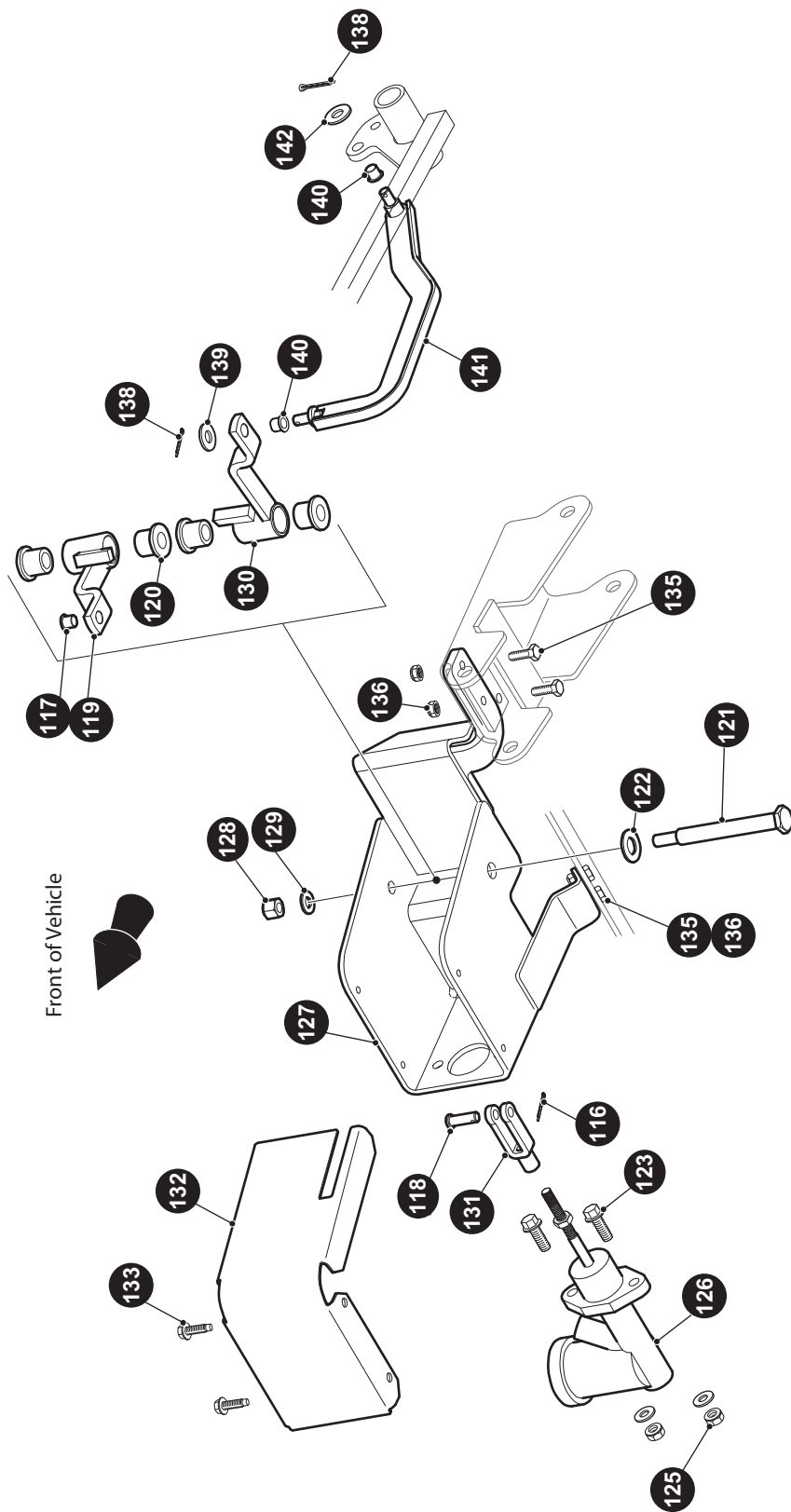
ITEM	PART NO.	1 2 3 4 5	DESCRIPTION	QTY.
89	612416		SHOE CLAMP	2
90				
91				
92	612418		GEAR ADJUSTER	1
93	612417		GEAR ADJUSTER	1
94				
95				
96	17083G2		BOLT, 5/16 - 24 X 1" LG.....	8
97	15126G1		LOCK NUT, 5/16 - 24	8
98	15485G1		LOCK WASHER, 13/16" (HAULER 800)	2
99				
100	19186G1		BRAKE DRUM ASSEMBLY (INCLUDES ITEMS 101 - 102) (HAULER 800 ONLY).....	2
101	18500G2		BRAKE DRUM.....	1
102	19862G1		LUG BOLT, 1/2 - 20 X 1 3/16" LG.....	4
103				
104				
105	15487G1		FLAT WASHER, 1 3/8" O.D. X 21/32" (HAULER 800).....	2
106	612928		CASTELLATED NUT, 5/8 - 18 (HAULER 800).....	2
107	10387G1		COTTER PIN, 1/8" X 1 1/2" LG.....	2
108				
109				
110	608200		BRAKE CABLE BRACKET (PASSENGER SIDE)	1
111	608201		BRAKE CABLE BRACKET (DRIVER SIDE).....	1
112				
113	21807G2		BRAKE DRUM ASSEMBLY (INCLUDES ITEMS 114 - 115) (HAULER1000 ONLY).....	1
114	20947G1		BRAKE DRUM.....	1
115	19862G2		LUG BOLT	4
116	21809G1		FLAT WASHER, INNER WHEEL RIM (HAULER 1000)	2
117	21830G1		FLAT WASHER - BRAKE DRUM (HAULER 1000).....	2
118	00518G8		SLOTTED HEX NUT, 3/4 - 16 (HAULER 1000)	2

BRAKES - FRONT DISC



BRAKES - FRONT DISC





BRAKES - FRONT DISC

When ordering parts, please specify the model and serial number of the product.

* Indicates a component that is not available as an individual part.

*** Indicates consult Customer Service Department for additional information.

ITEM	PART NO.	1 2 3 4 5	DESCRIPTION	QTY.
1	74723G01		BRAKE PEDAL ASSEMBLY (WITHOUT BRAKE LIGHTS) (INCLUDES ITEMS 2 -11)	1
2	70681G01		TORSION SPRING	2
3	70682G01		PIVOT PIN	1
4	01071G01		PUSHNUT, 5/16"	1
5	70259G02		BRAKE PEDAL	1
6	74724G01		PARK BRAKE PEDAL.....	1
7	70274G01		BRAKE/PARK BRAKE PEDAL PAD KIT (INCLUDES ITEMS 8 - 10)	1
8	70257G01		SERVICE BRAKE PAD.....	1
9	70256G01		PARK BRAKE PEDAL PAD	1
10	15766G1		OVAL RIVET, 3/16" X 15/32" LG	9
11	20835G1		FLAT WASHER, TEFLON, 3/8"	2
12	70582G01		SHOULDER BOLT, 3/8 - 16 X 4" LG	1
13	70581G01		FLANGED BUSHING	2
14	70676G01		TORSION SPRING	1
15	00643G1		LOCK WASHER, 3/8"	1
16	11098G5		LOCK NUT, 3/8 - 16.....	1
17				
18	612558		COMPENSATOR ASSEMBLY (INCLUDES ITEMS 19 - 23).....	1
19	00963G01		SPHERICAL NUT, 5/16 - 24.....	1
20	11098G9		LOCK NUT, 5/16 - 24	1
21				
22				
23	28082G01		EQUALIZER BRACKET	1
24	28083G01		BRAKE COMPENSATOR BUMPER	2
25	70968G08		BRAKE CABLE (DRIVER SIDE)	1
26	70968G09		BRAKE CABLE (PASSENGER SIDE).....	1
27				
28	01111G01		RETAINING RING, S.S.....	4
29				

BRAKES - FRONT DISC

When ordering parts, please specify the model and serial number of the product.

* Indicates a component that is not available as an individual part.

*** Indicates consult Customer Service Department for additional information.

ITEM	PART NO.	1 2 3 4 5	DESCRIPTION	QTY.
30	10386G3		CLEVIS PIN, 5/16" X 1" LG.....	4
31	10387G3		COTTER PIN, 3/32" X 3/4" LG.....	2
32				
33				
34	70601G01		KICK-OFF LINK	1
35	17838G1		NYLON BUSHING	2
36	20835G1		NYLON WASHER, 3/8"	2
37	00559G8		FLAT WASHER, 5/16"	2
38	10387G3		COTTER PIN, 3/32" X 3/4" LG.....	2
39	70098G01		KICK-OFF CAM PIVOT.....	1
40	10097G6		FLANGED BEARING	2
41	70587G01		KICK-OFF CAM	1
42	71215G01		SETSCREW, 1/4 - 20 X 1/2" LG	2
43	14134G4		SPACER.....	1
44				
45	70113G01		ADJUSTABLE BUMPER.....	1
46	11027G1		LOCK NUT, 5/16 - 18".....	1
47				
48	70080G02		CATCH BRACKET	1
49	00414G8		BOLT, 1/4 - 20 X 3/4" LG.....	2
50	00891G2		LOCK NUT, 1/4 - 20"	2
51				
52				
53	74874G01		BRAKE PEDAL ASSEMBLY (WITH BRAKE LIGHTS) (INCLUDES ITEMS 54 - 80)	1
54	74870G01		BRAKE PEDAL.....	1
55	607395		PARK BRAKE PEDAL	1
56	70274G01		BRAKE/PARK BRAKE PEDAL PAD KIT (INCLUDES ITEMS 57 - 59)	1
57	70257G01		SERVICE BRAKE PAD	1
58	70256G01		PARK BRAKE PAD	1

BRAKES - FRONT DISC

When ordering parts, please specify the model and serial number of the product.

* Indicates a component that is not available as an individual part.

*** Indicates consult Customer Service Department for additional information.

ITEM	PART NO.	1	2	3	4	5	DESCRIPTION	QTY.
59	15766G1						OVAL RIVET, 3/16" X 15/32" LG	9
60								
61	70258G03						BRAKE PEDAL PLATE	1
62	70682G01						PIVOT PIN	1
63	70681G01						TORSION SPRING	2
64	01071G01						PUSHNUT, 5/16"	1
65	00737G8						SCREW, #10 - 24 X 1" LG	4
66	00739G1						RUBBER NUT, #10 - 24	2
67	74535G01						BRAKE PEDAL STANDOFF	2
68	27137G01						CONICAL SPRING	2
69	14390G10						LOCK NUT, #10 - 24	2
70	10606G8						MICRO SWITCH	1
71	00957G1						SCREW, #6 - 32 X 1 1/4" LG	2
72	00559G5						FLAT WASHER, #10	2
73	00559G3						FLAT WASHER, #6	4
74	00565G3						LOCK WASHER, #6	2
75	00525G5						NUT, #6 - 32	2
76	13514G1						SCREW AND LOCK WASHER, #6 - 32 X 7/32"	2
77	20835G1						WASHER, TEFLON, 3/8"	2
78	14628G1						FASTON TAB	2
79	24605G1						WIRE HARNESS (BRAKE LIGHT)	1
80	17618G1						WIRE TIE	3
81								
82	74731G02						SPRING PLATE (PASSENGER SIDE)	1
83	74731G01						SPRING PLATE (DRIVER SIDE)	1
84	74730G01						FOUR LINK ROD	2
85	01084G01						LOCK NUT, M10-1.25	4
86	74736G01						BRAKE LINE	1
87	01038G01						SCREW, 1/4 - 20 X 1/2" LG	1
88	74875G01						WIRE RETAINER	2

BRAKES - FRONT DISC

When ordering parts, please specify the model and serial number of the product.

* Indicates a component that is not available as an individual part.

*** Indicates consult Customer Service Department for additional information.

ITEM	PART NO.	1 2 3 4 5	DESCRIPTION	QTY.
89				
90	602281		SPINDLE, CALIPER AND DISC HUB ASSEMBLY (DRIVER SIDE) (INCLUDES ITEMS 91 - 103)	1
91	602176		DISC BRAKE SPINDLE (DRIVER SIDE)	1
92				
93	12093G1		SLOTTED NUT.....	1
94	74864G01		DRIVE FLANGE STUD	4
95	11750G2		ROLLER BEARING	2
96	51141G1		BEARING RACE	2
97	74673G01		DISC BRAKE HUB	1
98	70648G01		FLANGED BEARING	1
99	00566G1		FLAT WASHER, 3/8"	2
100	00426G8		BOLT, 3/8 - 16 X 1	2
101	70749G01		BEARING	1
102	00798G8		COTTER PIN.....	1
103	25146G1		GREASE SEAL	1
104	74733G02		CALIPER (DRIVER SIDE)	1
105	602288		SPINDLE, CALIPER AND DISC HUB ASSEMBLY (PASSENGER SIDE) (INCLUDES ITEMS 93 - 103, 106, 107)	1
106	602158		DISC BRAKE SPINDLE (PASSENGER SIDE).....	1
107				
108				
109	70745G01		KINGPIN TUBE.....	2
110	70754G01		THRUST WASHER.....	2
111	00560G3		LOCK WASHER, 1/2"	4
112	14390G6		LOCKNUT, 1/2 - 13	2
113	00407G6		CAPSCREW, 1/2 - 13 X 6" LG	2
114	74733G01		CALIPER (PASSENGER SIDE).....	1
115	608706		FRONT DISC BRAKE BRAKE ACTUATOR ASSEMBLY (INCLUDES ITEMS 116 - 133).....	1
116	10387G3		COTTER PIN, 3/32 X 3/4" LG	1

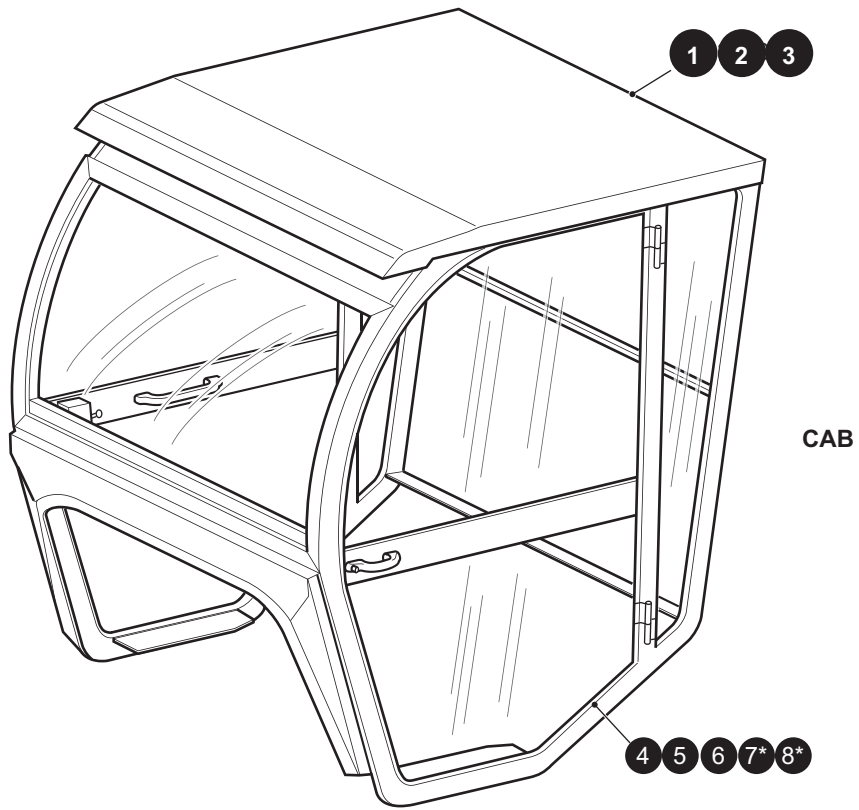
BRAKES - FRONT DISC

When ordering parts, please specify the model and serial number of the product.

* Indicates a component that is not available as an individual part.

*** Indicates consult Customer Service Department for additional information.

ITEM	PART NO.	1	2	3	4	5	DESCRIPTION	QTY.
117								
118	10386G3						CLEVIS PIN, 5/16 X 1" LG.....	1
119	608122						UPPER ACTUATOR PIVOT	1
120	70581G02						ACETAL BUSHING	4
121	74711G01						SHOULDER BOLT, 1/2 x 3.71	1
122								
123	00439G1						BOLT, 1/2 - 13 X 6" LG.....	2
124								
125	11098G06						LOCKNUT, 5/16 - 18	2
126	887364						MASTER CYLINDER	1
127	612706						MASTER CYLINDER WELDMENT MOUNT	1
128	11098G5						LOCKNUT, 3/8 - 16	1
129	00679G1						FLAT WASHER, 3/8" STAINLESS	2
130	608118						LOWER ACTUATOR PIVOT.....	1
131								
132	612704						ACTUATOR ASSEMBLY COVER.....	1
133	01038G01						SCREW, 1/4 -20 SWAGEFORM.....	3
134								
135	00414G8						BOLT, 1/4 - 20 X 1 - 1/4" LG	4
136	00891G2						LOCKNUT, 1/4 - 20"	4



*Steel Doors Shown

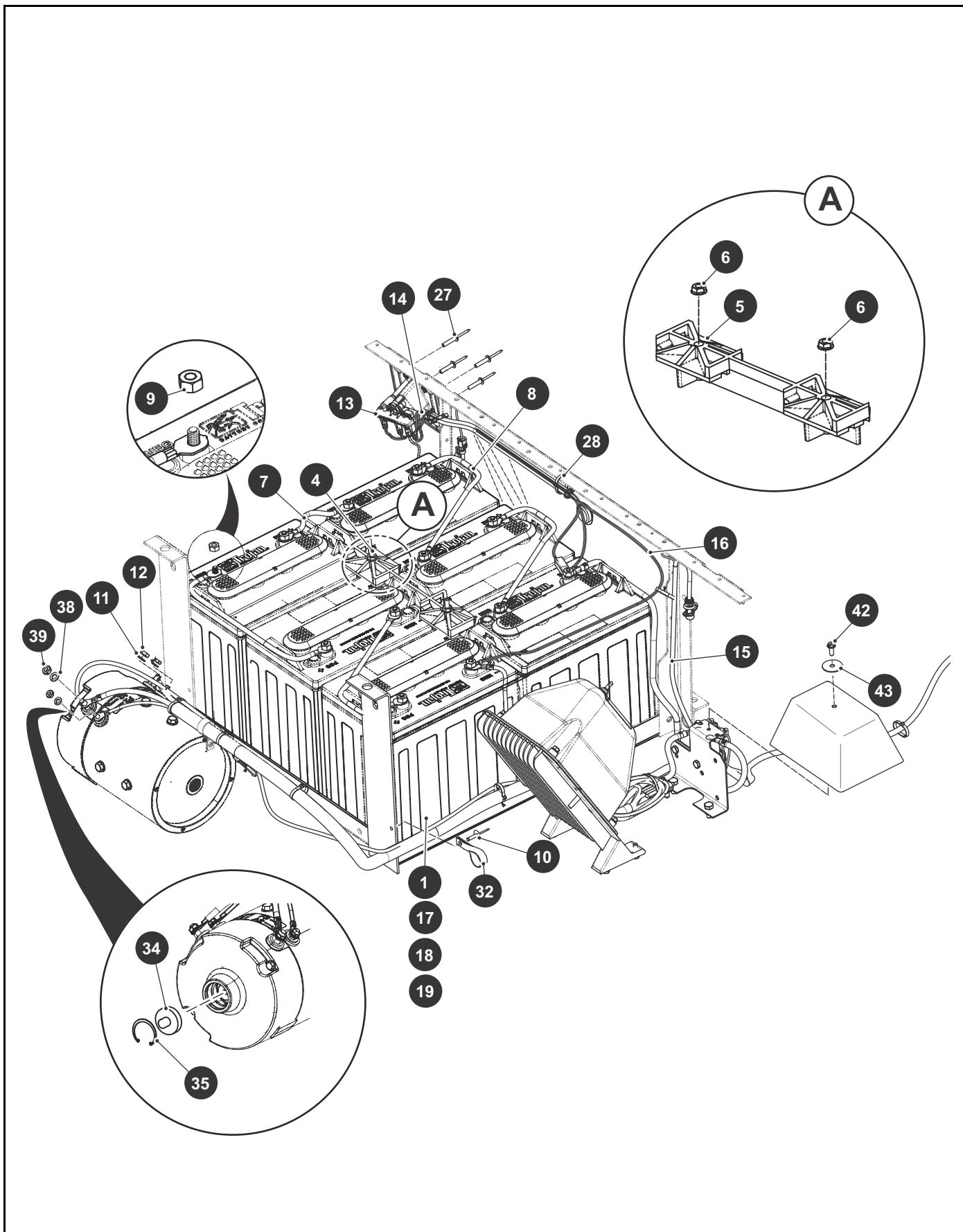
When ordering parts, please specify the model and serial number of the product.

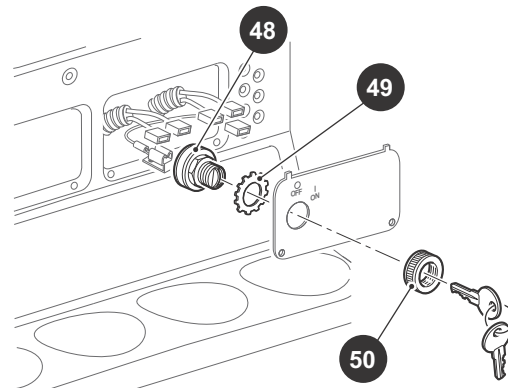
* Indicates a component that is not available as an individual part.

*** Indicates consult Customer Service Department for additional information.

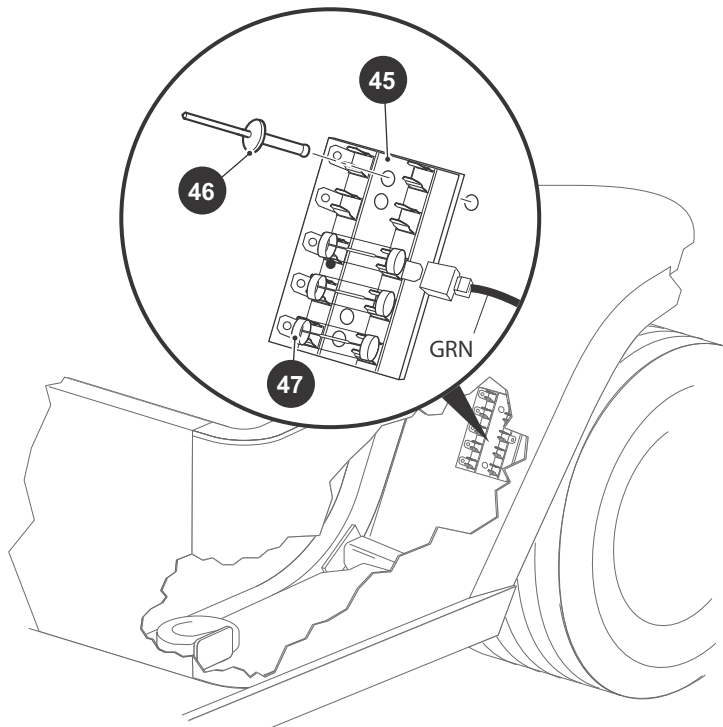
ITEM	PART NO.	1 2 3 4 5	DESCRIPTION	QTY.
1	72684G01		STEEL CAB (WITHOUT DOORS) - TAN.....	1
2	72684G02		STEEL CAB (WITHOUT DOORS) - WHITE	1
3	72684G03		STEEL CAB (WITHOUT DOORS) - OTHER	1
4	75855G01		VINYL DOOR KIT - TAN	1
5	75855G02		VINYL DOOR KIT - WHITE	1
6	75855G03		VINYL DOOR KIT - OTHER.....	1
7	75856G01		STEEL DOOR KIT - TAN	1
8	75856G03		STEEL DOOR KIT - OTHER.....	1
<p>REPLACEMENT PARTS AND ACCESSORIES MAY BE OBTAINED FROM CURTIS CAB, INC</p>				

ELECTRICAL SYSTEM - HAULER 800





KEY SWITCH AND KEY SET



ELECTRICAL SYSTEM - HAULER 800

When ordering parts, please specify the model and serial number of the product.

* Indicates a component that is not available as an individual part.

*** Indicates consult Customer Service Department for additional information.

ITEM	PART NO.	1 2 3 4 5	DESCRIPTION	QTY.
1	***		8 VOLT BATTERY	6
2				
3				
4	01101G01		HOLD DOWN BOLT (STAINLESS STEEL).....	2
5	612867		BATTERY RETAINER	1
6	11027G1		LOCK NUT, 5/16" - 18	2
7	613236		6 AWG WIRE, BLUE 380mm (15").....	4
8	613237		6 AWG WIRE, BLUE 150mm (5.90").....	1
9	00702G2		NUT, 5/16" - 18	12
10	10570G11		RIVET, 3/16" X 0.70"	1
11	00993G02		LOCK WASHER, 1/4 " (SILICON BRONZE)	2
12	28418G02		NUT, 1/4 - 20 (BRASS).....	2
13	613304		CHARGER RECEPTACLE 48V	1
14	*		CHARGER HARNESS.....	1
15	620964		MAIN WIRE HARNESS, VPS 48V	1
16	71316G01		PLUG	1
17				
18				
19				
20				
21				
22				
23				
24				
25				
26				
27	71055G01		RIVET, 3/16" X 1" LG (ALUMINUM)	4
28	17618G1		NYLON CLAMP.....	9
29				
30				
31				

ELECTRICAL SYSTEM - HAULER 800

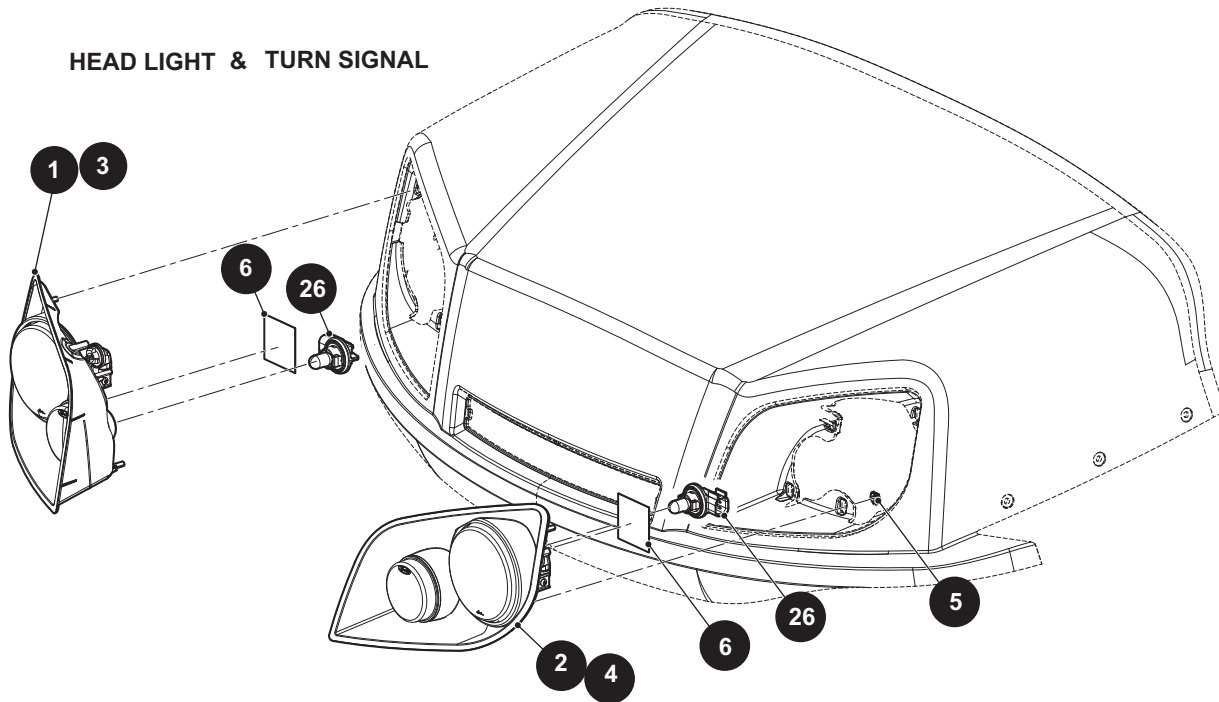
When ordering parts, please specify the model and serial number of the product.

* Indicates a component that is not available as an individual part.

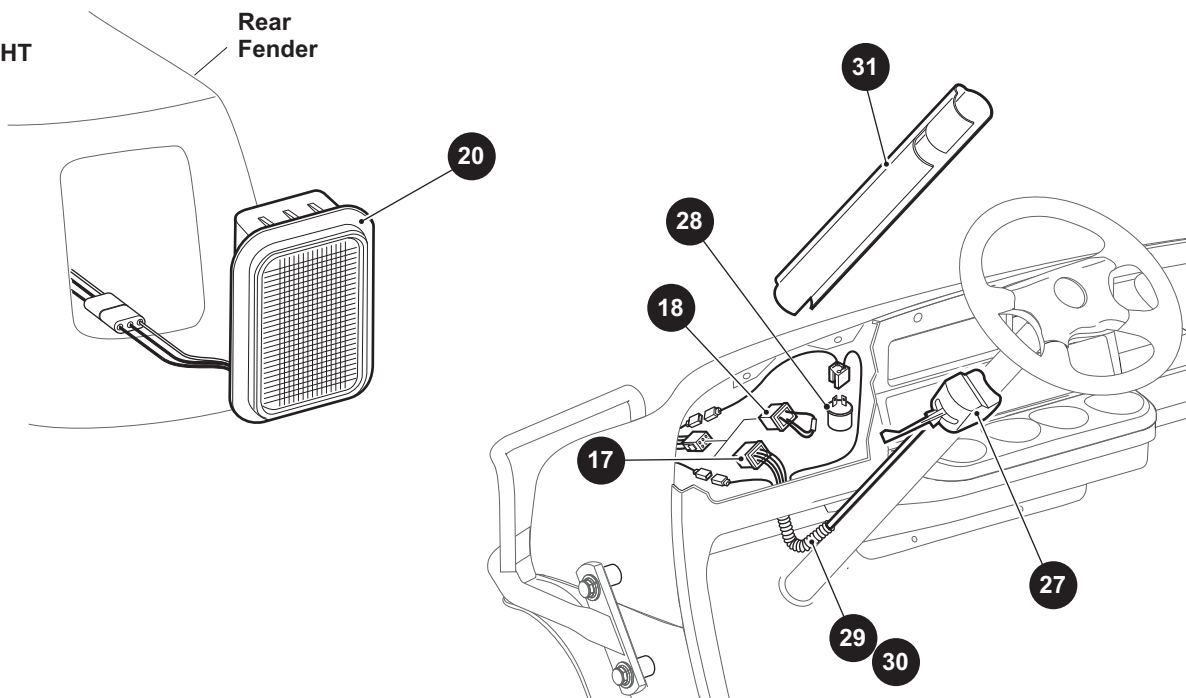
*** Indicates consult Customer Service Department for additional information.

ITEM	PART NO.	1 2 3 4 5	DESCRIPTION	QTY.
32	27327G02		CABLE CLAMP	1
33				
34	620422		SPEED SENSOR.....	1
35	73277G01		RETAINING RING.....	1
36				
37				
38	00993G01		LOCK WASHER, 5/16" (SILICON BRONZE).....	2
39	28418G01		NUT, 5/16" - 18" (BRASS).....	2
40				
41				
42	00114G6		SCREW, 5/16" - 18	1
43	16469G1		FENDER WASHER, 1/4"	1
44				
45	22674G1		FUSE BLOCK	1
46	01041G01		RIVET, 1/8" X 13/16" LG	2
47	18392G1		15 AMP FUSE.....	AR
48	33639G01		KEY SWITCH (WITH LIGHTS)	1
49	00568G6		LOCK WASHER, 3/4"	1
50	17137P1		FACE NUT, 3/4 - 20.....	1

HEAD LIGHT & TURN SIGNAL



TAILLIGHT



ELECTRICAL SYSTEM - HAULER 800

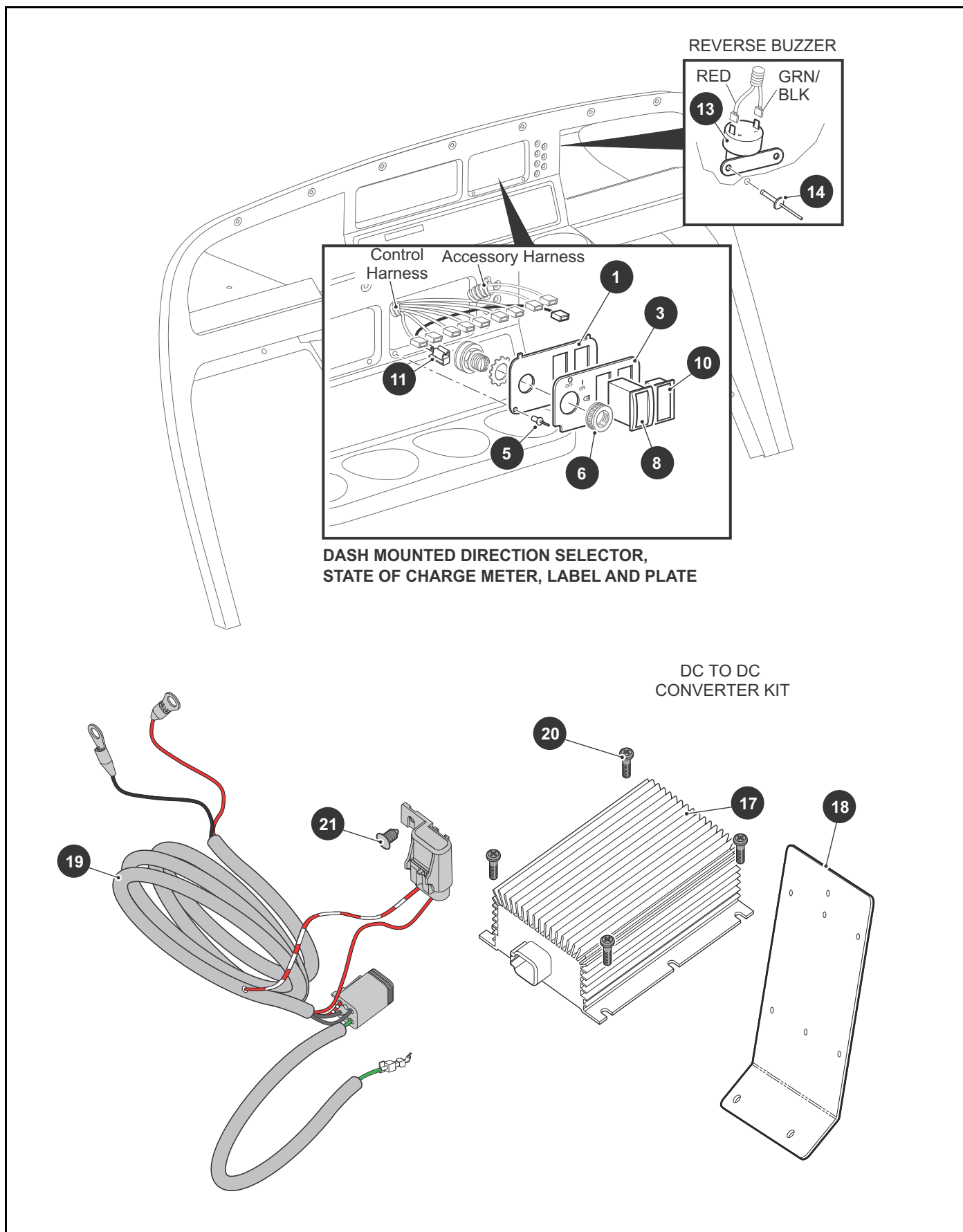
When ordering parts, please specify the model and serial number of the product.

* Indicates a component that is not available as an individual part.

*** Indicates consult Customer Service Department for additional information.

ITEM	PART NO.	1 2 3 4 5	DESCRIPTION	QTY.
1	614497		HEADLIGHT W/O TURN SIGNAL (PASSANGER SIDE)	1
2	614501		HEADLIGHT W/O TURN SIGNAL (DRIVER SIDE).....	1
3	618556		LED HEADLIGHT W/O TURN SIGNAL (PASSANGER SIDE)	1
4	618555		LED HEADLIGHT W/O TURN SIGNAL (DRIVER SIDE).....	1
5	71597G01		SELF THREADING NUT.....	8
6	71781G02		VINYL TAPE.....	2
7				
8				
9				
10				
11				
12				
13				
14				
15				
16				
17	618257		WIRE HARNESS (ACCESSORY), 48V DC,SWB.....	1
18	618260		JUMPER PLUG, TAIL LIGHT.....	1
19				
20	32739G2		TAIL LIGHT	1
21				
22				
23				
24				
25	622712		TURN SIGNAL KIT INCLUDES ITEM 26 - 31	1
26	619102		TURN SIGNAL BULB	1
27	611810		TURN SIGNAL SWITCH ASSEMBLY INCLUDES ITEM 28	1
28	21640G01		TURN SIGNAL FLASHER UNIT	1
29	17618G1		FLEX LOOM, 3/8" X 8" LG	1
30	17618G1		WIRE TIE.....	2
31	20965G3		STEERING COLUMN COVER	1

ELECTRICAL SYSTEM - HAULER 800



**DASH MOUNTED DIRECTION SELECTOR,
STATE OF CHARGE METER, LABEL AND PLATE**

**DC TO DC
CONVERTER KIT**

ELECTRICAL SYSTEM - HAULER 800

When ordering parts, please specify the model and serial number of the product.

* Indicates a component that is not available as an individual part.

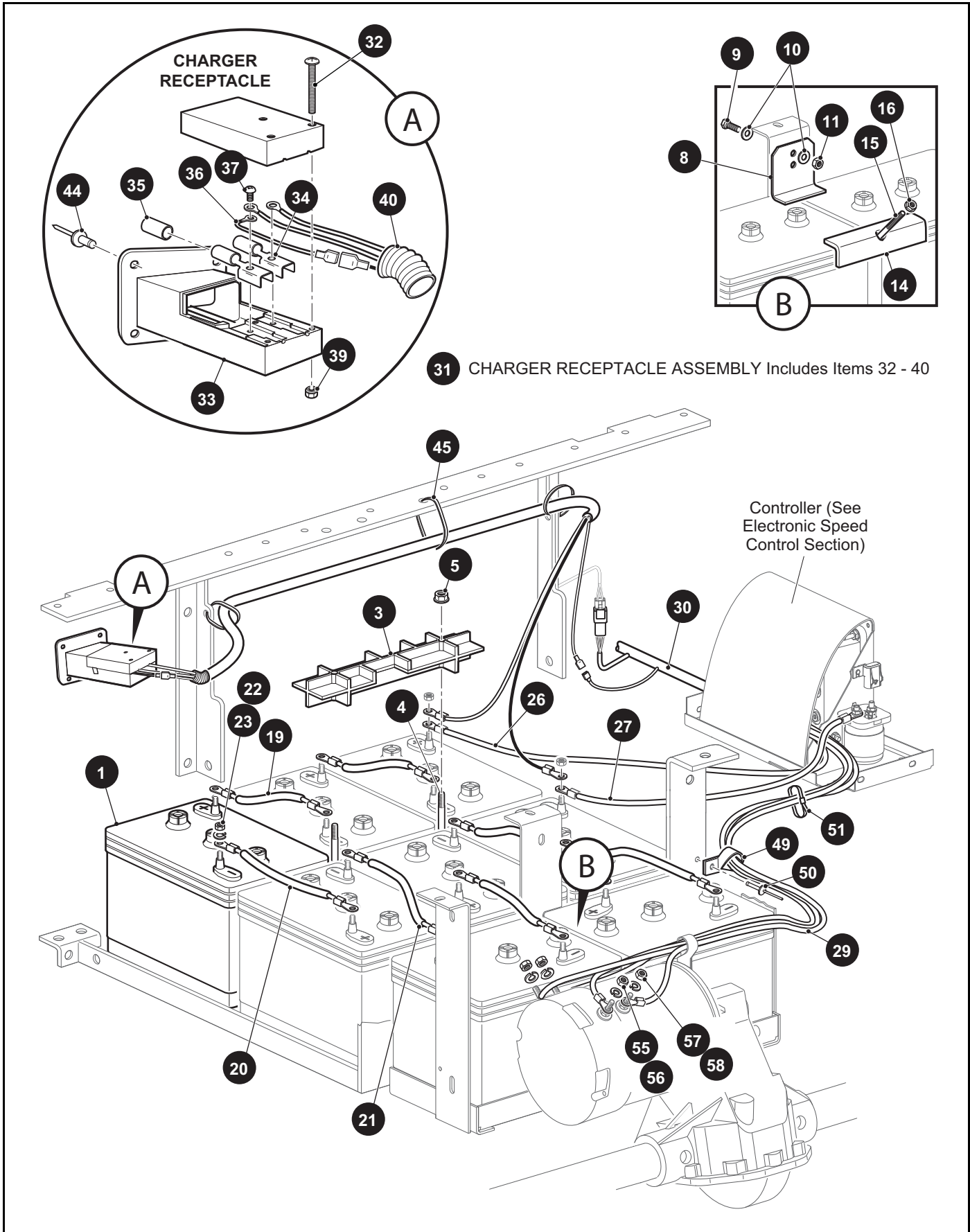
*** Indicates consult Customer Service Department for additional information.

ITEM	PART NO.	1 2 3 4 5	DESCRIPTION	QTY.
1	606523		PLATE CONSOLE	1
2				
3	617186		DECALS.....	1
4				
5	33623G02		DRIVE RIVET, 3/16" X 3/8" LG	3
6	20271G10		PLUG HOLE.....	1
7				
8	74323G01		DIRECTION SELECTOR SWITCH (DASH MOUNTED)	1
9				
10	33636G05		STATE OF CHARGE METER (VERTICAL)	1
11	25978G74		18 GA WIRE (RED 6")	1
12				
13	613271		BUZZER (CONTINUOUS TONE)	1
14	01041G01		RIVET, 1/8" X 13/16" LG	2
15				
16				
17	604884		DC TO DC CONVERTER	1
18	607416		BRACKET	1
19	605888		DC TO DC WIRING HARNESS	1
20	00379G4		PHILIPS PAN HEAD SCREW	6
21	16816G5		CHRISTMAS TREE RIVET, 0.187 X 0.55.....	1

Notes:

Grid area for notes

ELECTRICAL SYSTEM - HAULER 1000



ELECTRICAL SYSTEM - HAULER 1000

When ordering parts, please specify the model and serial number of the product.

* Indicates a component that is not available as an individual part.

*** Indicates consult Customer Service Department for additional information.

ITEM	PART NO.	1 2 3 4 5	DESCRIPTION	QTY.
1	***		6 VOLT BATTERY	8
2				
3	612867		BATTERY RETAINER	1
4	01101G01		HOLD DOWN BOLT (STAINLESS STEEL)	2
5	11027G1		LOCK NUT, 5/16 - 18	2
6				
7				
8	73218G02		BATTERY RETAINER ANGLE	1
9	00438G6		BOLT, 5/16 - 18 X 3/4" LG	1
10	00559G8		WASHER, 5/16"	2
11	11098G6		LOCK NUT, 5/16 - 18	1
12				
13				
14	11841G1		BATTERY RETAINER ANGLE INNER	1
15	01087G01		HOLD DOWN BOLT (STAINLESS STEEL)	1
16	11027G1		LOCK NUT, 5/16 - 18	1
17				
18				
19	25971G18		4 GA WIRE (BATTERY INTERCONNECT, BLACK, 6")	2
20	25971G13		4 GA WIRE (BATTERY INTERCONNECT, BLACK, 10 1/2")	1
21	25971G14		4 GA WIRE (BATTERY INTERCONNECT, BLACK, 15")	4
22	00565G8		LOCK WASHER, 5/16"	16
23	00702G2		NUT, 5/16 - 18	16
24				
25				
26	25971G15		4 GA WIRE (BATTERY +, BLACK, 17")	1
27	25971G16		4 GA WIRE (BATTERY -, BLACK, 19")	16
28				
29	74659G01		POWER HARNESS	1
30	74649G01		CONTROL HARNESS	1

ELECTRICAL SYSTEM - HAULER 1000

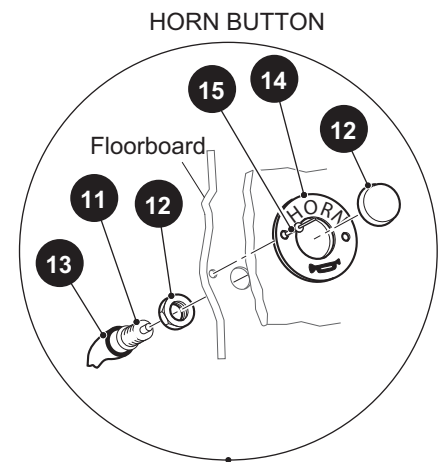
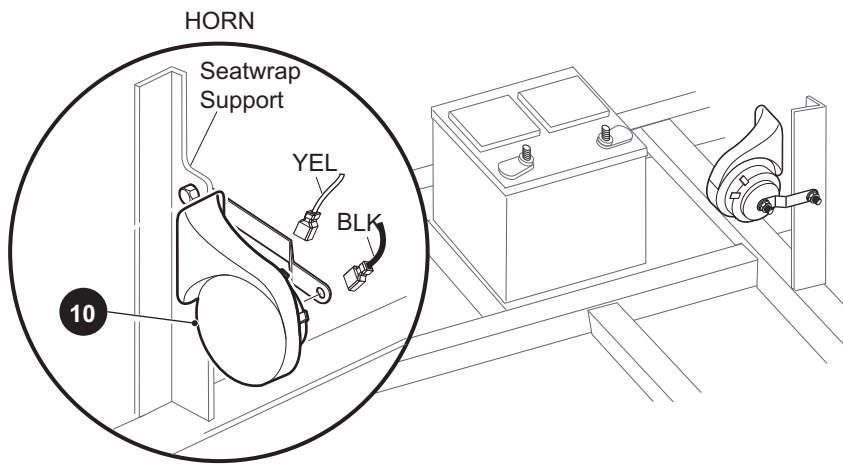
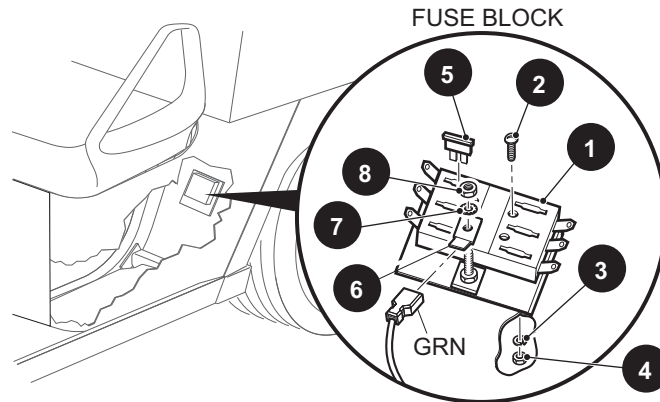
When ordering parts, please specify the model and serial number of the product.

* Indicates a component that is not available as an individual part.

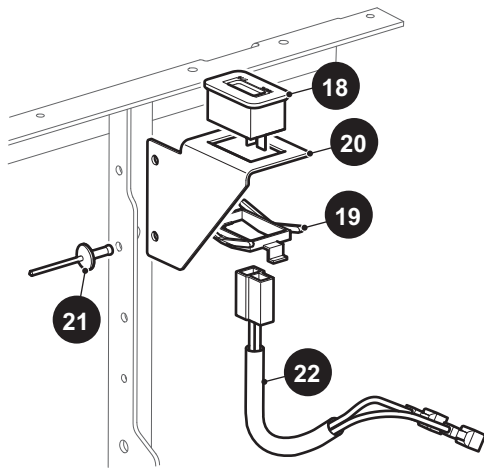
*** Indicates consult Customer Service Department for additional information.

ITEM	PART NO.	1	2	3	4	5	DESCRIPTION	QTY.
31	609670						CHARGER RECEPTACLE ASSEMBLY (INCLUDES ITEMS 32 - 40)	1
32	*						RECEPTACLE COVER.....	1
33	*						RECEPTACLE BOTTOM	1
34	73051G23						FEMALE CONNECTOR.....	2
35	73051G24						INSULATOR SLEEVE	1
36	25978G25						18 GA WIRE (RED 9")	1
37	73051G08						SCREW, #10 - 32 X 1/2" LG (BRASS).....	2
38	73051G09						SCREW, #6 - 32 X 1 3/4" LG (STAINLESS STEEL)	3
39	73051G10						LOCK NUT, #6 - 32	3
40	609654						WIRE HARNESS (CHARGER)	1
41								
42								
43								
44	14601G10						RIVET, 3/16" X 1" LG (ALUMINUM)	4
45	17618G1						WIRE TIE.....	3
46								
47								
48								
49	27327G02						CABLE CLAMP	1
50	10570G11						RIVET, 3/16" X 3/4" LG (STAINLESS STEEL)	1
51	17618G1						WIRE TIE.....	8
52								
53								
54								
55	00993G01						LOCK WASHER, 5/16" (SILICON BRONZE)	5
56	28418G01						NUT, 5/16 - 18 (BRASS).....	2
57	00993G02						LOCK WASHER, 1/4" (SILICON BRONZE)	2
58	28418G02						NUT, 1/4 - 20 (BRASS).....	2

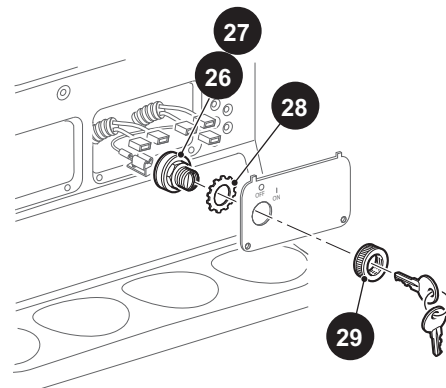
ELECTRICAL SYSTEM - HAULER 1000



17 HOUR METER KIT Includes Items 18 - 22



HOUR METER DETAIL



KEY SWITCH AND KEY SET

ELECTRICAL SYSTEM - HAULER 1000

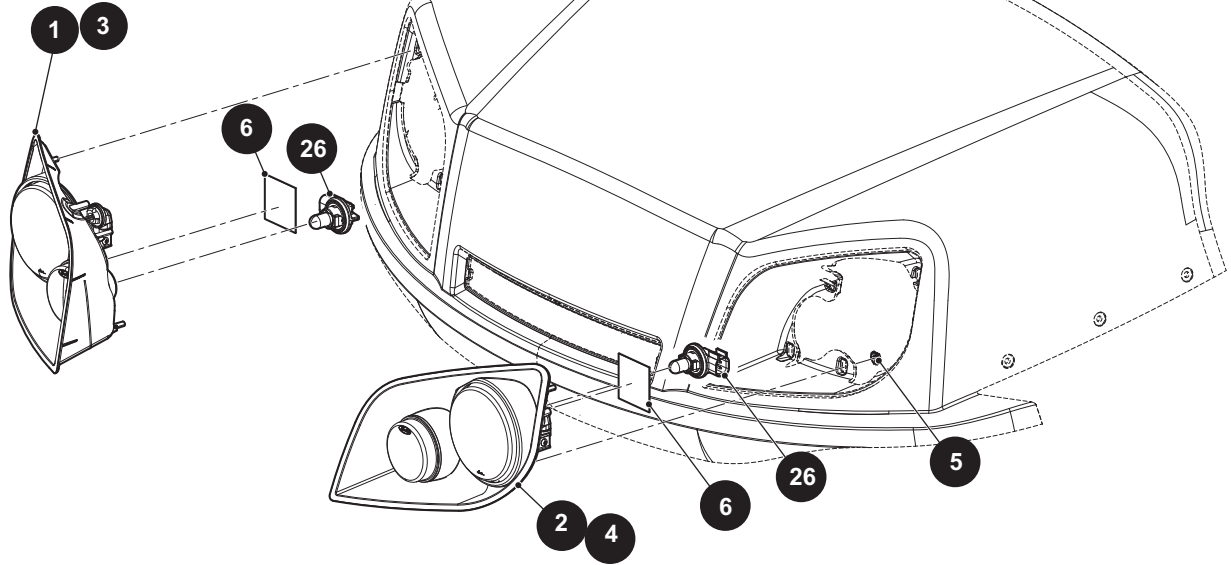
When ordering parts, please specify the model and serial number of the product.

* Indicates a component that is not available as an individual part.

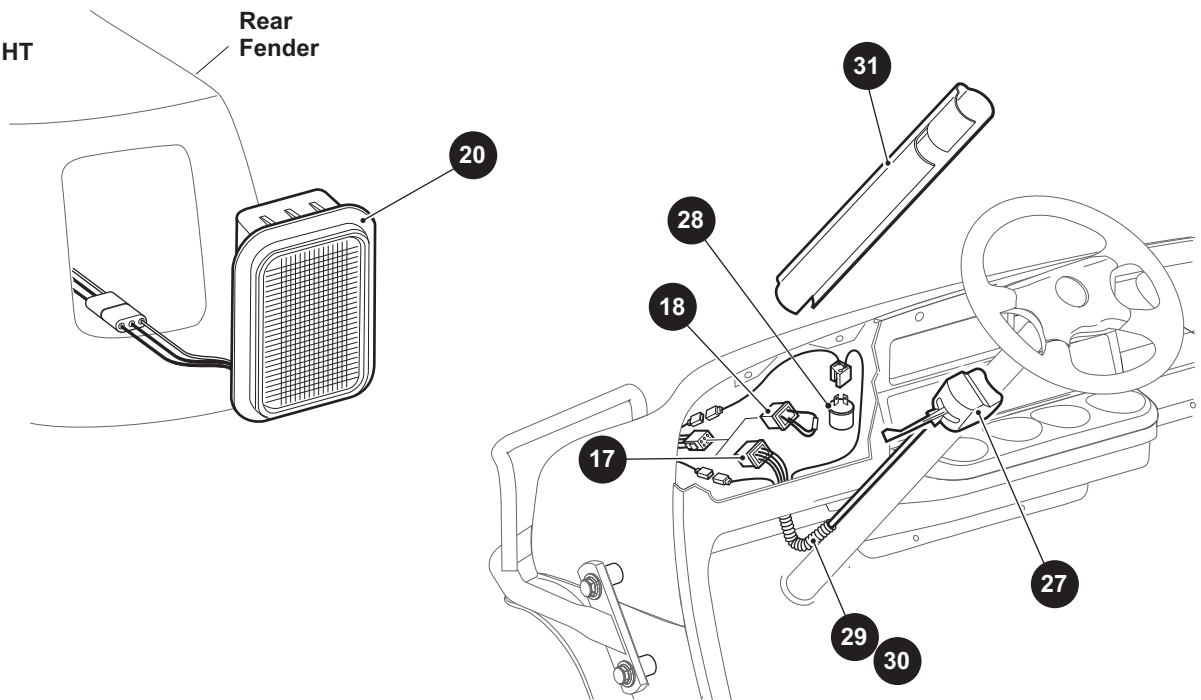
*** Indicates consult Customer Service Department for additional information.

ITEM	PART NO.	1 2 3 4 5	DESCRIPTION	QTY.
1	35211G01		FUSE BLOCK (6 POSITION)	1
2	00379G2		SCREW, #10 - 24 X 1 1/4" LG.....	2
3	00559G5		WASHER, #10.....	2
4	14390G10		LOCK NUT, #10 - 24.....	2
5	35212G01		FUSE, 15 AMP	AR
6	12914G1		PUSH ON MALE TERMINAL	1
7	00567G5		LOCK WASHER, #10	1
8	00526G4		NUT, #10 - 32	1
9				
10	32860G2		HORN	1
11	17318G1		HORN SWITCH.....	1
12	17318G2		HORN SWITCH CAP AND NUT	1
13	27068G01		HORN SWITCH BOOT.....	1
14	19233G1		HORN SWITCH LABEL.....	1
15	71055G01		RIVET, 3/16" X 1" LG (ALUMINUM)	2
16				
17	74914G02		HOUR METER KIT (INCLUDES ITEMS 18 - 22)	1
18	74665G02		HOUR METER.....	1
19	74696G01		HOUR METER RETAINER CLIP	1
20	74716G02		HOUR METER BRACKET	1
21	10570G11		RIVET, 3/16" X 3/4" LG (STAINLESS STEEL).....	2
22	74908G01		WIRE HARNESS (HOUR METER).....	1
23				
24				
25				
26	33639G03		KEY SWITCH (WITH LIGHTS - INDIVIDUALLY KEYED).....	1
27	33639G**		KEY SWITCH (WITH LIGHTS).....	1
28	00568G6		LOCK WASHER, 3/4"	1
29	17137G1		FACE NUT, 3/4 - 20	1
30				

HEAD LIGHT & TURN SIGNAL



TAILLIGHT



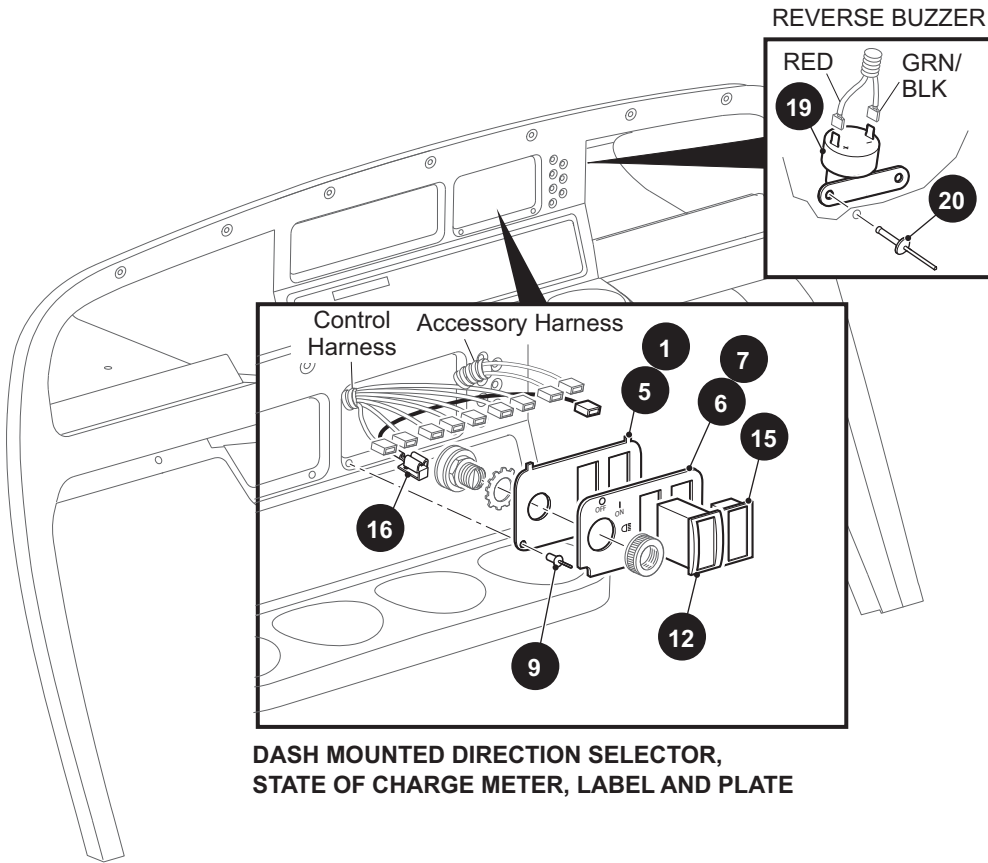
ELECTRICAL SYSTEM - HAULER 1000

When ordering parts, please specify the model and serial number of the product.

* Indicates a component that is not available as an individual part.

*** Indicates consult Customer Service Department for additional information.

ITEM	PART NO.	1 2 3 4 5	DESCRIPTION	QTY.
1	614497		HEADLIGHT W/O TURN SIGNAL (PASSANGER SIDE).....	1
2	614501		HEADLIGHT W/O TURN SIGNAL (DRIVER SIDE)	1
3	618556		LED HEADLIGHT W/O TURN SIGNAL (PASSANGER SIDE).....	1
4	618555		LED HEADLIGHT W/O TURN SIGNAL (DRIVER SIDE)	1
5	71597G01		SELF THREADING NUT	8
6	71781G02		VINYL TAPE	2
7				
8				
9				
10				
11				
12				
13				
14				
15				
16				
17	618257		WIRE HARNESS (ACCESSORY), 48V DC,SWB	1
18	618260		JUMPER PLUG, TAIL LIGHT	1
19				
20	32739G2		TAIL LIGHT	1
21				
22				
23				
24				
25	622712		TURN SIGNAL KIT INCLUDES ITEM 26 - 31	1
26	619102		TURN SIGNAL BULB.....	1
27	611810		TURN SIGNAL SWITCH ASSEMBLY INCLUDES ITEM 28.....	1
28	21640G01		TURN SIGNAL FLASHER UNIT	1
29	17618G1		FLEX LOOM, 3/8" X 8" LG.....	1
30	17618G1		WIRE TIE	2
31	20965G3		STEERING COLUMN COVER	1



**DASH MOUNTED DIRECTION SELECTOR,
STATE OF CHARGE METER, LABEL AND PLATE**

ELECTRICAL SYSTEM - HAULER 1000

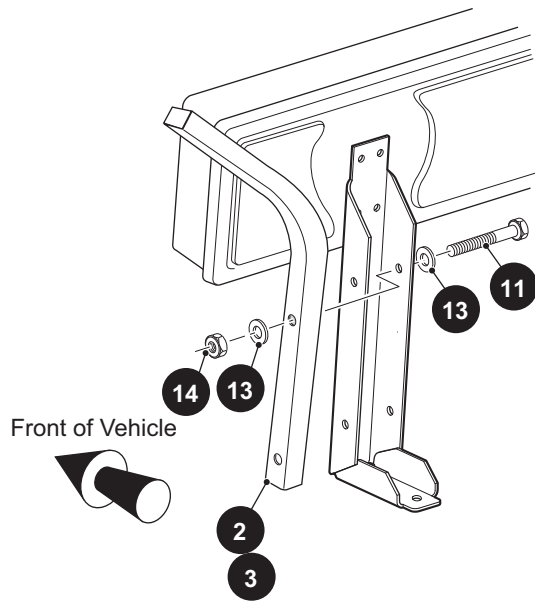
When ordering parts, please specify the model and serial number of the product.

* Indicates a component that is not available as an individual part.

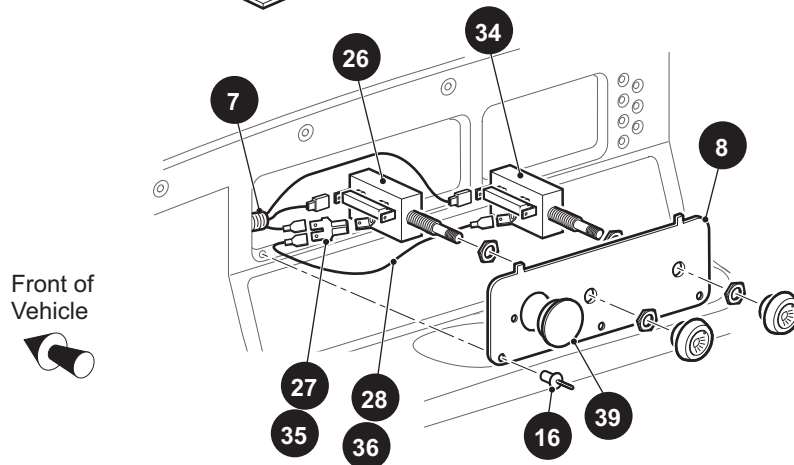
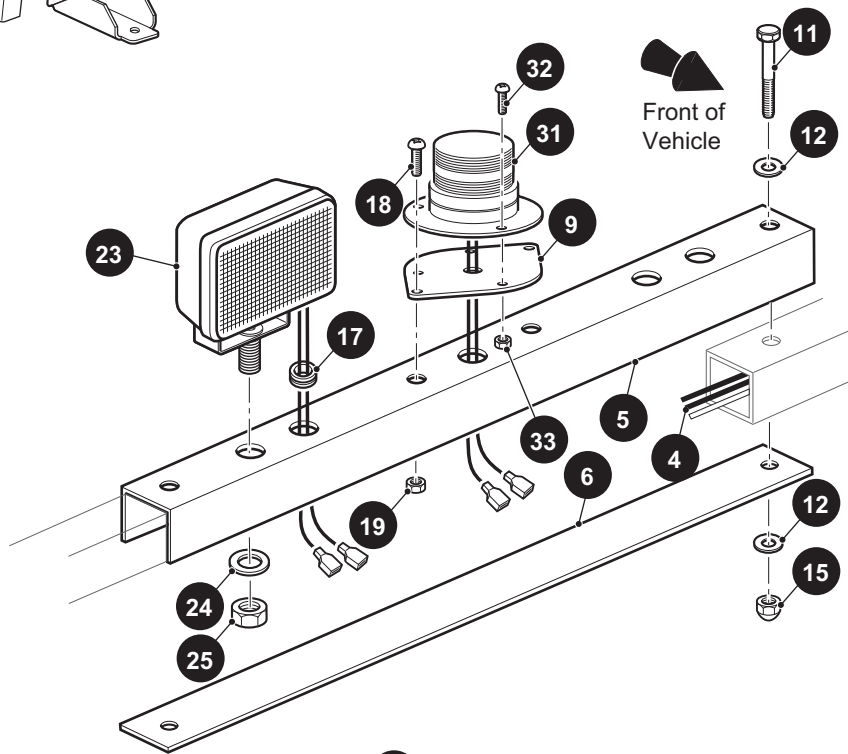
*** Indicates consult Customer Service Department for additional information.

ITEM	PART NO.	1 2 3 4 5	DESCRIPTION	QTY.
1	601016		PLATE (KEY SWITCH, DIRECTION SELECTOR).....	1
2				
3				
4				
5	73030G06		PLATE (KEY SWITCH, DIRECTION SELECTOR, CHARGE METER).....	1
6	604753		LABEL	1
7	74322G01		LABEL (KEY SWITCH WITH LIGHTS, DIRECTION SELECTOR, CHARGE METER)	1
8				
9	33623G02		DRIVE RIVET, 3/16" X 3/8" LG.....	2
10				
11				
12	74323G01		DIRECTION SELECTOR SWITCH (DASH MOUNTED).....	1
13				
14				
15	33636G05		STATE OF CHARGE METER (VERTICAL).....	1
16	25978G74		18 GA WIRE (RED 6").....	1
17				
18				
19	73290G02		REVERSE WARNING BUZZER (CONTINUOUS TONE)	1
20	01041G01		RIVET, 1/8" X 13/16" LG.....	2

WORK AND STROBE LIGHTS



- 1 WORK LIGHT BAR Includes Items 2 - 19, 22 and/or 30
- 10 HARD WARE KIT Includes Items 11 - 19
- 22 WORK LIGHT KIT Includes Items 23 - 28
- 30 STROBE LIGHT Kit Includes Items 31 - 36



ELECTRICAL SYSTEM - HAULER 1000

When ordering parts, please specify the model and serial number of the product.

* Indicates a component that is not available as an individual part.

*** Indicates consult Customer Service Department for additional information.

ITEM	PART NO.	1 2 3 4 5	DESCRIPTION	QTY.
1	71323G**		WORK LIGHT BAR WITH LIGHTS AND/OR STROBE (INCLUDES ITEMS 2 - 19, 22 AND/OR 30).....	1
2	75838G03		STRUT (DRIVER SIDE).....	1
3	75838G04		STRUT (PASSENGER SIDE)	1
4	75346G01		WIRE HARNESS (WORK LIGHT)	1
5	71294G02		BRACE.....	1
6	71293G02		COVER PLATE	1
7	75430G01		SWITCH HARNESS.....	1
8	73522G**		CONSOLE INSERT PLATE	1
9	33201G03		STROBE LIGHT MOUNT (USED ONLY WITH STROBE LIGHT)	1
10	75365G01		HARDWARE KIT (INCLUDES ITEMS 11 - 19)	1
11	00685G7		BOLT, 5/16 - 18 X 1 3/4" LG	6
12	00660G8		FLAT WASHER, 5/16"	12
13	15121G1		FLAT WASHER, 3/8" X 1 1/4"	2
14	01109G01		LOCK NUT, 5/16 - 18.....	4
15	00918G3		ACORN NUT, 5/16 - 18	2
16	33623G02		DRIVE RIVET, 3/16" X 3/8" LG.....	3
17	20367G1		GROMMET	2
18	16705G3		SCREW, 1/4 - 20 X 3/4" LG.....	2
19	14390G4		LOCK NUT, 1/4 - 20.....	2
20				
21				
22	20383G2		WORK LIGHT KIT (INCLUDES ITEMS 23 - 28).....	1
23	20209G2		WORK LIGHT (RECTANGULAR).....	2
24	00566G3		LOCK WASHER, 1/2"	2
25	00533G1		NUT, 1/2 - 13	2
26	17317G1		LIGHT SWITCH.....	1
27	17902G1		TAB ADAPTER.....	1
28	20053G1		16 GA WIRE (RED 5 3/8").....	1
29				

ELECTRICAL SYSTEM - HAULER 1000

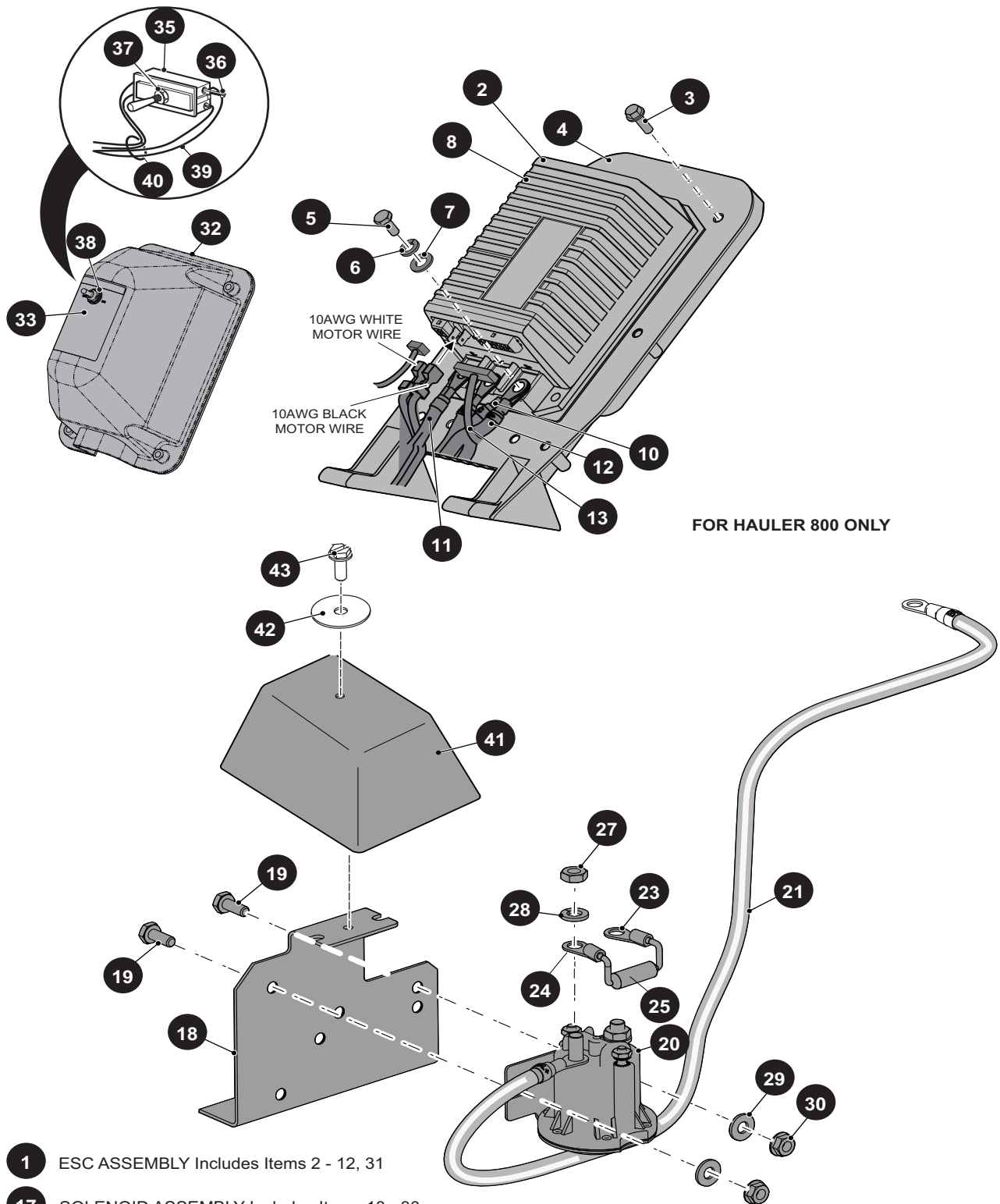
When ordering parts, please specify the model and serial number of the product.

* Indicates a component that is not available as an individual part.

*** Indicates consult Customer Service Department for additional information.

ITEM	PART NO.	1 2 3 4 5	DESCRIPTION	QTY.
30	74245G01		STROBE LIGHT KIT (INCLUDES ITEMS 31 - 36).....	1
31	20394-G4		STROBE LIGHT	1
32	00379-G4		SCREW, #10 - 24 x 1/2" LG	3
33	14390-G10		LOCK NUT, #10 - 24	3
34	17317-G1		LIGHT SWITCH	1
35	17902-G1		TAB ADAPTER	1
36	20053-G1		16 GA WIRE (RED 5 3/8")	1
37				
38				
39	20271-G10		HOLE PLUG.....	1
40				

ELECTRONIC SPEED CONTROL (HAULER 800)



- 1 ESC ASSEMBLY Includes Items 2 - 12, 31
- 17 SOLENOID ASSEMBLY Includes Items 18 - 30
- 22 RESISTOR ASSEMBLY Includes Items 23 - 24
- 31 COVER ASSEMBLY Includes Items 32 - 40

ELECTRONIC SPEED CONTROL (HAULER 800)

When ordering parts, please specify the model and serial number of the product.

* Indicates a component that is not available as an individual part.

*** Indicates consult Customer Service Department for additional information.

ITEM	PART NO.	1 2 3 4 5	DESCRIPTION	QTY.
1	612756		ELECTRONIC SPEED CONTROL ASSEMBLY 48 V (INCLUDES ITEMS 2 - 12, 31)	1
2	612632		CONTROLLER, 48V.....	1
3	71102G01		BOLT, 1/4 - 20 X 3/4" LG	3
4	73471G01		HEATSINK.....	1
5	73296G01		BOLT, 8 X 1.25	3
6	00565G8		LOCK WASHER 5/16"	3
7	00559G8		FLAT WASHER 5/16"	3
8	73190G01		PAD, THERMAL MOUNTING.....	1
9				
10	73106G01		WIRE HARNESS (POWER).....	1
11	620437		6 AWG WIRE, BLUE 6.755MM	1
12	620432		6 AWG WIRE, GREEN 400MM	1
13	620964		MAIN WIRE HARNESS, VPS 48V.....	1
14				
15				
16				
17	613104		SOLENOID ASSEMBLY (INCLUDES ITEMS 18 - 30).....	1
18	73057G01		BRACKET.....	1
19	00414G5		BOLT 1/4 - 20 X 5/8".....	2
20	612711		SOLENOID 48V.....	1
21	607592		WIRE ASSEMBLY, 4AWG, GREEN, 706MM.....	1
22	620430		RESISTER ASSEMBLY 500 OHM (INCLUDES ITEMS 23 - 25)	1
23	23195G1		RING TERMINAL.....	2
24	620429		RESISTER, 500 OHM, 6.5W	1
25	10569G1		VINYL TUBING 3/8	1
26				
27	00544G4		LOCK NUT, 5/16 - 24.....	1
28	00565G8		LOCK WASHER, 5/16"	1
29	01110G01		FLAT WASHER, 1/4"	2

ELECTRONIC SPEED CONTROL (HAULER 800)

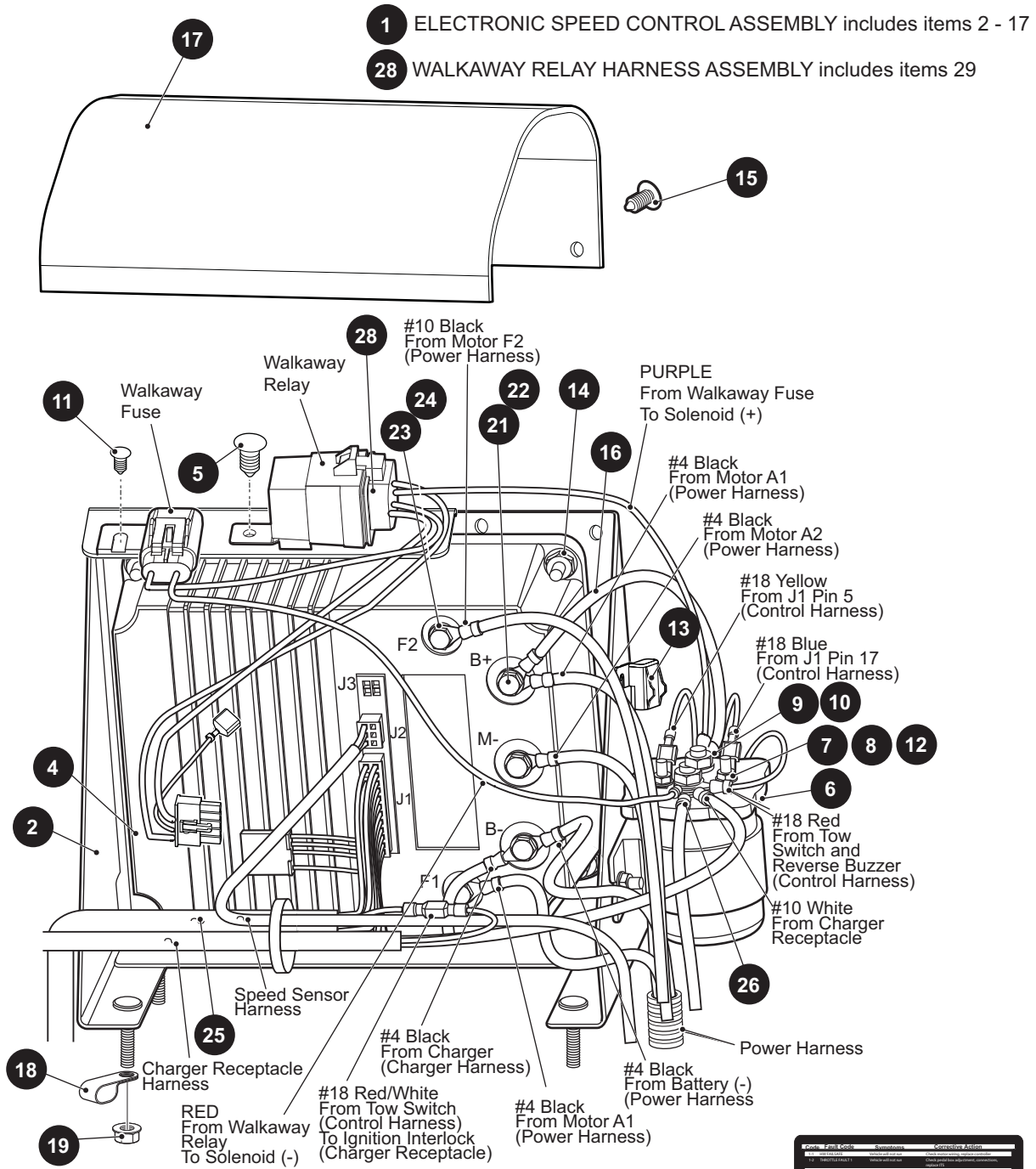
When ordering parts, please specify the model and serial number of the product.

* Indicates a component that is not available as an individual part.

*** Indicates consult Customer Service Department for additional information.

ITEM	PART NO.	1	2	3	4	5	DESCRIPTION	QTY.
30	11027G02						FLANGED NUT, 5/16 - 18"	2
31	612753						COVER ASSEMBLY (INCLUDES ITEMS 32 - 40)	1
32	73482G01						COVER (WITH GASKET).....	1
33	613048						LABEL (TOW SWITCH).....	1
34								
35	73125G01						TOGGLE SWITCH WITH SEAL (INCLUDES ITEMS 36 - 37)	1
36	*						SCREW, #5 - 40.....	4
37	*						NUT, 15/32 - 32	1
38	73139G01						SEALED NUT, 15/32 - 32	1
39	73138G02						WIRE HARNESS (TOW SWITCH)	1
40	17618G1						WIRE TIE.....	1
41	73049G01						COVER.....	1
42	16469G1						FLAT WASHER, 1/4"	1
43	00114G6						SCREW, 1/4 - 10 X 3/4 "	1

ELECTRONIC SPEED CONTROL (HAULER 1000)



Code	Component	System Action
F1	Charger Receptacle	Power Supply Fault
F2	Motor F2	Power Supply Fault
B+	Battery (+)	Power Supply Fault
M-	Motor A1	Power Supply Fault
B-	Battery (-)	Power Supply Fault
J1	Control Harness	Control System Fault
J2	Control Harness	Control System Fault
J3	Control Harness	Control System Fault
LED	Diagnostic LED	Diagnostic Fault Codes

DIAGNOSTIC FAULT CODES

- The LED will flash a diagnostic fault code when a fault is detected.
- Some faults may only be detected by operating the vehicle with the rear of the vehicle raised and supported on safety stands.
- Always turn the TRAIL TOW/MAINTENANCE switch located in the battery compartment to the 'TOW/MAINTENANCE' position before performing any repair or maintenance to the vehicle.
- Select 'BURN' before returning the vehicle to service.

ELECTRONIC SPEED CONTROL (HAULER 1000)

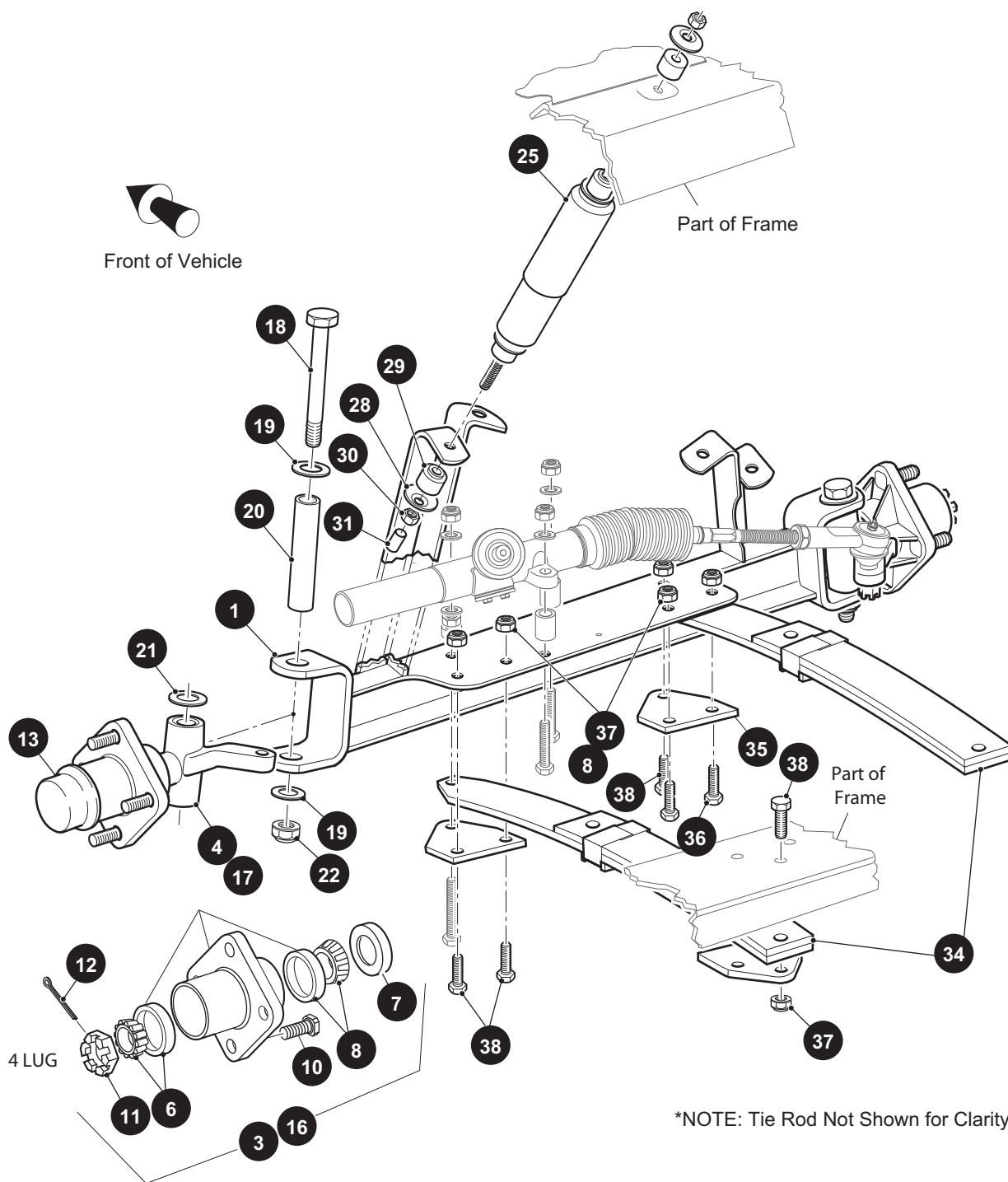
When ordering parts, please specify the model and serial number of the product.

* Indicates a component that is not available as an individual part.

*** Indicates consult Customer Service Department for additional information.

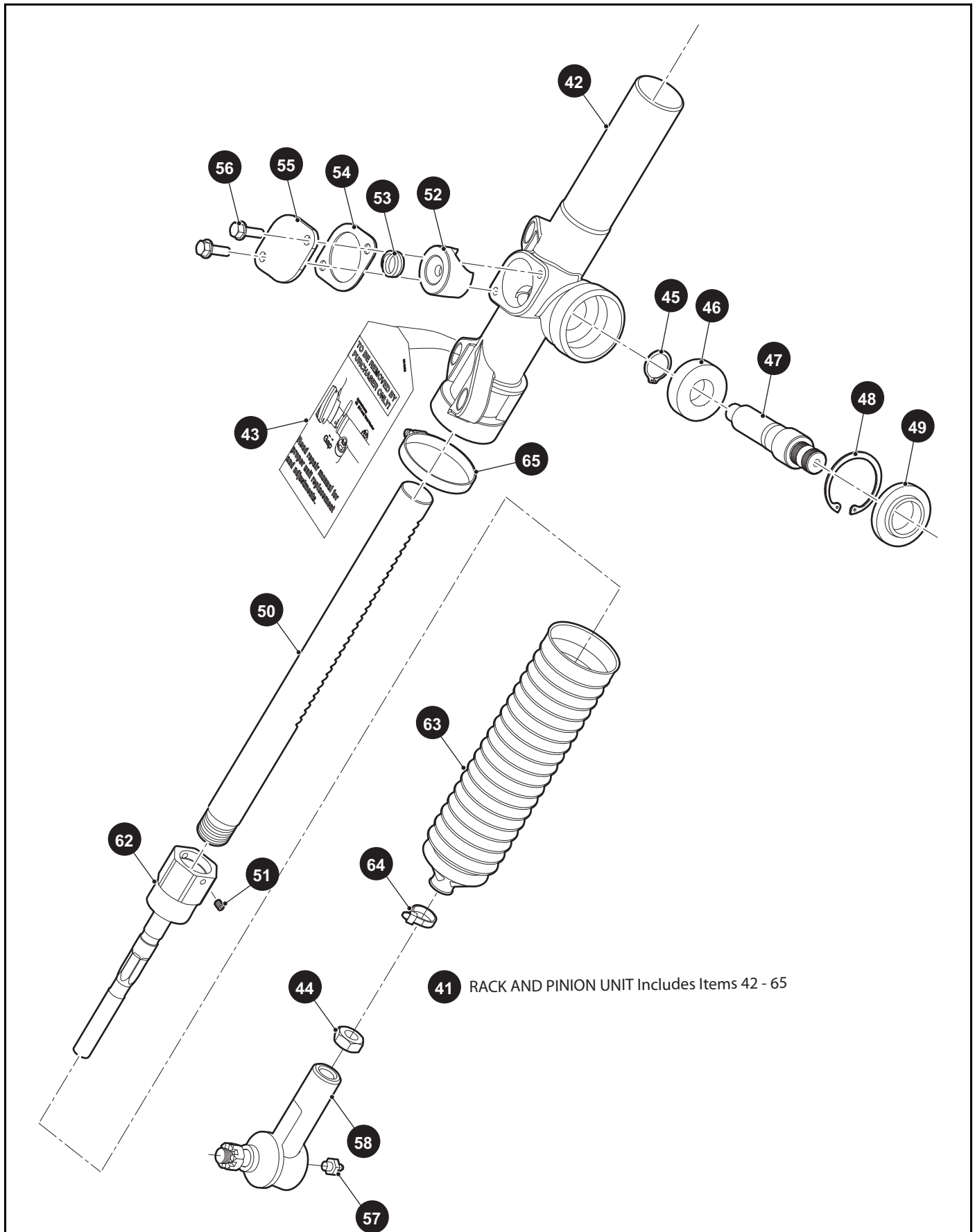
ITEM	PART NO.	1 2 3 4 5	DESCRIPTION	QTY.
1	73348G04		ELECTRONIC SPEED CONTROL ASSEMBLY (INCLUDES ITEMS 2 - 17)	1
2	73351G01		CONTROLLER MOUNT	1
3				
4	611173		ELECTRONIC SPEED CONTROLLER.....	1
5	16816G2		RIVET, 0.25 X 0.88	1
6	73231G01		48 VOLT SOLENOID	1
7	00565G5		LOCK WASHER, #10	2
8	00526G4		HEXAGONAL NUT, #10 - 32	2
9	00565G8		LOCK WASHER, 5/16"	2
10	00544G4		JAM NUT, 5/16 - 24	2
11	16816G5		RIVET, 0.18 X 0.55	1
12	73446G01		FASTON TAB.....	4
13	73499G01		IN-LINE FUSE COVER	1
14	11027G2		LOCK NUT, 1/4 - 20.....	6
15	16816G1		PLASTIC FASTENER.....	4
16	25971G17		4 GA WIRE (BLK 9").....	1
17	73523G01		CONTROLLER COVER	
18	73053G01		DOUBLE TUBE CLAMP	1
19	11027G2		LOCK NUT, 1/4 - 20	4
20				
21	73296G01		BOLT, 8MM X 16MM LG	3
22	00993G01		LOCK WASHER, 5/16"	3
23	73346G01		BOLT, 6MM X 1 X 12MM LG.....	2
24	00993G02		LOCK WASHER, 1/4"	2
25	73334G01		CONTROL HARNESS	1
26				
27	73398G01		DIAGNOSTIC LABEL (FAULT CODE).....	1
28	608931		WALKAWAY RELAY HARNESS ASSEMBLY (INCLUDES ITEMS 29)	1
29	604110		RELAY	1
30				

FRONT SUSPENSION AND STEERING



- 3** SPINDLE & HUB ASSEMBLY (Passenger side) Includes Items 4 - 13
- 9** WHEEL HUB ASSEMBLY Includes Item 10
- 16** SPINDLE & HUB ASSEMBLY (Driver side) Includes Items 7 - 13, 17

FRONT SUSPENSION AND STEERING

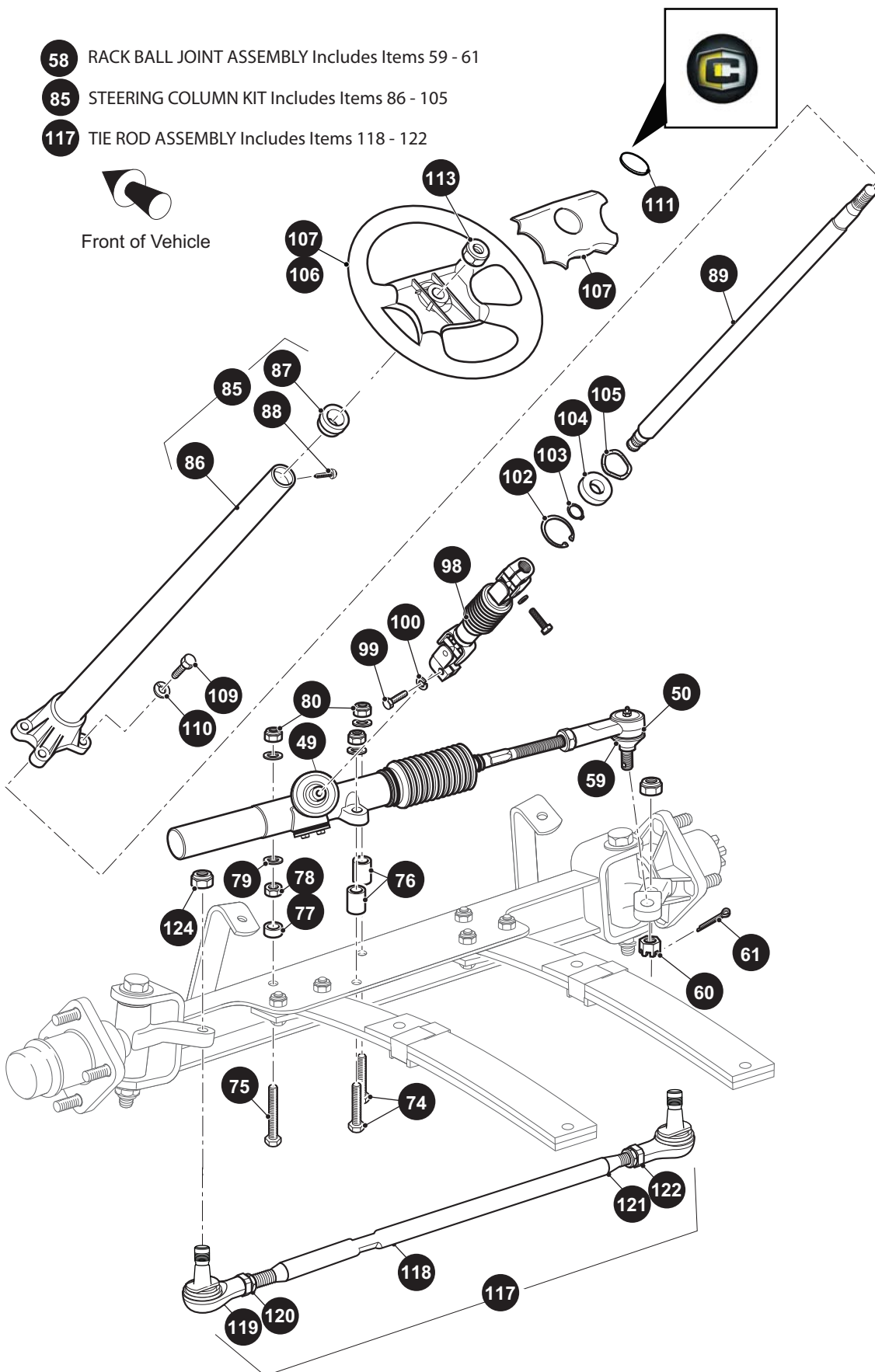


FRONT SUSPENSION AND STEERING

58 RACK BALL JOINT ASSEMBLY Includes Items 59 - 61

85 STEERING COLUMN KIT Includes Items 86 - 105

117 TIE ROD ASSEMBLY Includes Items 118 - 122



FRONT SUSPENSION AND STEERING

When ordering parts, please specify the model and serial number of the product.

* Indicates a component that is not available as an individual part.

*** Indicates consult Customer Service Department for additional information.

ITEM	PART NO.	1 2 3 4 5	DESCRIPTION	QTY.
1	602513		FRONT AXLE.....	1
2				
3	70942G03		SPINDLE AND HUB ASSEMBLY, 4 LUG (PASSENGER SIDE) (INCLUDES ITEMS 4 - 13)	1
4	70940G04		SPINDLE ASSEMBLY (PASSENGER SIDE) (INCLUDES ITEMS 5 - 6)	1
5	70648G01		BEARING	1
6	70749G01		BEARING, DP4	1
7	25146G1		GREASE SEAL	1
8	50892G1		ROLLER BEARING AND RACE ASSEMBLY	2
9	70589G1		WHEEL HUB ASSEMBLY WITH RACES, 4 LUG (INCLUDES ITEM 10)	1
10	19862G1		LUG BOLT, 1/2 - 20 X 1 7/32" LG	4
11	12093G1		SLOTTED NUT, 1 - 14.....	1
12	00798G8		COTTER PIN, 5/32" X 1 3/4" LG	1
13	12091G2		SPINDLE CAP.....	2
14				
15				
16	70673G03		SPINDLE AND HUB ASSEMBLY, 4 LUG (DRIVER SIDE) (INCLUDES ITEMS 7 - 13 & 17)	1
17	70742G02		SPINDLE ASSEMBLY (DRIVER SIDE) (INCLUDES ITEMS 5 - 6)	1
18	00407G6		BOLT, 1/2 - 13 X 6" LG.....	2
19	00560G3		WASHER, 1/2"	4
20	70745G01		KING PIN TUBE.....	2
21	70754G01		THRUST WASHER (STAINLESS STEEL).....	2
22	14390G6		LOCK NUT, 1/2 - 13	2
23				
24				
25	76419G01		SHOCK ABSORBER	2
26				
27				
28	10435G1		SHOCK ABSORBER WASHER.....	8
29	10194G1		RUBBER SHOCK ABSORBER BUSHING	8

FRONT SUSPENSION AND STEERING

When ordering parts, please specify the model and serial number of the product.

* Indicates a component that is not available as an individual part.

*** Indicates consult Customer Service Department for additional information.

ITEM	PART NO.	1	2	3	4	5	DESCRIPTION	QTY.
30	00532G6						NUT, 3/8 - 24	4
31	10044G01						VINYL CAP	2
32								
33								
34	70664G03						LEAF SPRING (HEAVY DUTY) (SEE PART NUMBER ON SPRING)	2
35	70163G03						SPRING PLATE	4
36								
37	00734G1						LOCK NUT, 7/16 - 14.....	11
38	00463G11						BOLT, 7/16 - 14 X 1 3/4" LG	11
39								
40								
41	70964G02						RACK AND PINION UNIT (COMPLETE) (INCLUDES ITEMS 42 - 65)	1
42	70965G01						STEERING RACK COVER & BEARING	1
43	*						STEERING BOX INSTALLATION TAG	1
44	*						JAM NUT, 1/2 - 20.....	1
45	70750G01						RETAINING RING (EXTERNAL)	1
46	15115G1						BALL BEARING	1
47	70603G01						PINION.....	1
48	70751G01						RETAINING RING (INTERNAL).....	1
49	70638G01						SEAL PINION.....	1
50	70604G01						RACK STEERING.....	1
51	01053G01						SCREW, 10- 32.....	1
52	70590G01						RACK LOADER	1
53	70666G01						SPRING COMPRESSION	1
54	70645G01						GASKET RACK LOADER.....	1
55	70591G01						COVER RACK LOADER.....	1
56	71102G01						SCREW, 1/4 - 20 X 0.90	2
57	10389G3						GREASE FITTING, STRAIGHT	1
58	70695G01						RACK BALL JOINT (INCLUDES ITEMS 59 - 61)	1
59	50641G1						RUBBER BOOT	1

FRONT SUSPENSION AND STEERING

When ordering parts, please specify the model and serial number of the product.

* Indicates a component that is not available as an individual part.

*** Indicates consult Customer Service Department for additional information.

ITEM	PART NO.	1 2 3 4 5	DESCRIPTION	QTY.
60	50209G2		SLOTTED NUT, 7/16 - 20	1
61	10387G2		COTTER PIN, 3/32" X 1" LG.....	1
62	74694G01		ROD END (INNER)	1
63	7096-G01		RACK BOOT	1
64	12416G2		WIRE TIE.....	1
65	11391G8		WIRE TIE.....	1
66				
67				
68				
69				
70				
71				
72				
73				
74	00464G6		BOLT, 7/16 - 14 X 2 3/4" LG.....	2
75	01068G01		BOLT, 7/16 - 14 X 3 1/2" LG.....	1
76	70667G02		SPACER.....	2
77	70667G03		SPACER (SHORT).....	1
78	00532G7		NUT, 7/16 - 14.....	1
79	00560G2		FLAT WASHER, 7/16".....	7
80	00734G1		LOCK NUT, 7/16 - 14	3
81				
82				
83				
84				
85	70758G05		STEERING COLUMN KIT (INCLUDES ITEMS 86 - 105).....	1
86	70610G03		STEERING COLUMN.....	1
87	28569G01		STEERING COLUMN BUSHING	1
88	01022G01		SCREW, #6 - 20 X 5/16" LG.....	1
89	70607G01		STEERING SHAFT	1

FRONT SUSPENSION AND STEERING

When ordering parts, please specify the model and serial number of the product.

* Indicates a component that is not available as an individual part.

*** Indicates consult Customer Service Department for additional information.

ITEM	PART NO.	1	2	3	4	5	DESCRIPTION	QTY.
90								
91								
92								
93								
94								
95								
96								
97								
98	70580G01						INTERMEDIATE SHAFT.....	1
99	01055G01						BOLT, M8 X 1 1/4" LG.....	2
100	00565G8						LOCK WASHER, 5/16".....	2
101								
102	70751G01						RETAINING RING (INTERNAL).....	1
103	70888G01						RETAINING RING (EXTERNAL).....	1
104	15112G1						BALL BEARING.....	1
105	70887G01						WAVE WASHER.....	1
106	602980						STEERING WHEEL PREMIUM (OPTIONAL).....	1
107	71147G01						STEERING WHEEL COVER.....	1
108	602979						STEERING WHEEL.....	1
109	01006G01						BOLT, 3/8 - 16 X 1 1/4" LG WITH PATCHLOCK.....	4
110	00879G1						LOCK WASHER, 3/8".....	4
111	618086						STEERING WHEEL DECAL (CUSHMAN).....	1
112								
113	14390G2						LOCK NUT, 5/8 - 18.....	1
114								
115								
116								
117	70876G02						TIE ROD ASSEMBLY (INCLUDES ITEMS 118 - 122).....	1
118	70807G01						THREADED ROD (24" LG).....	1
119	70902G01						TIE ROD END (LEFT HAND THREADS).....	1

FRONT SUSPENSION AND STEERING

When ordering parts, please specify the model and serial number of the product.

* Indicates a component that is not available as an individual part.

*** Indicates consult Customer Service Department for additional information.

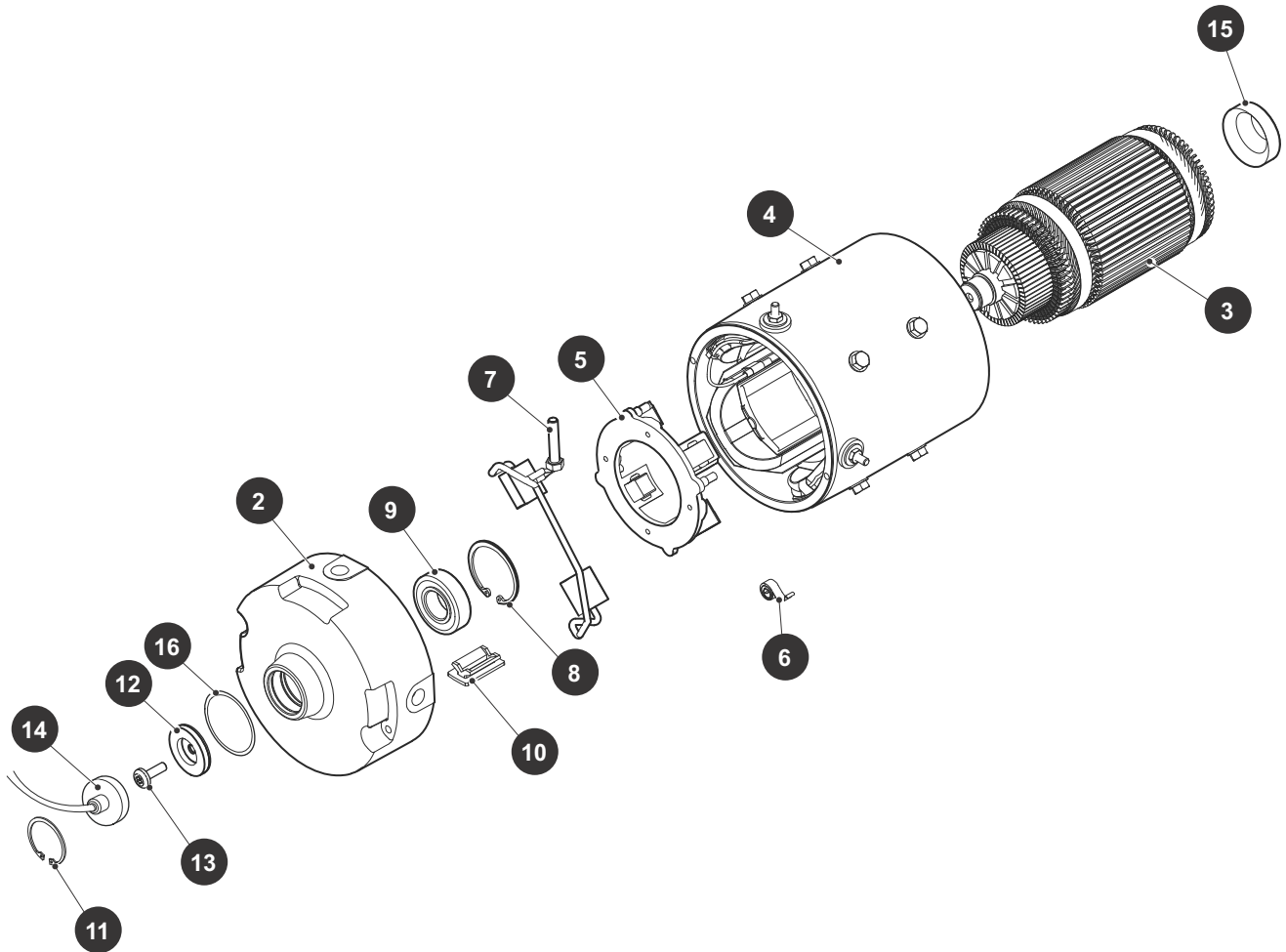
ITEM	PART NO.	1 2 3 4 5	DESCRIPTION	QTY.
120	01069G01		JAM NUT, M12 X 1.25-05 (LEFT HAND THREADS)	1
121	70902G02		TIE ROD END (RIGHT HAND THREADS)	1
122	01069G02		JAM NUT, M12 X 1.25-05 (RIGHT HAND THREADS).....	1
123				
124	00734G1		LOCK NUT, 7/16 - 14	2

Notes:

A large grid of graph paper, consisting of 30 columns and 25 rows of small squares, intended for taking notes.

MOTOR

1 Motor Includes Items 2 - 10



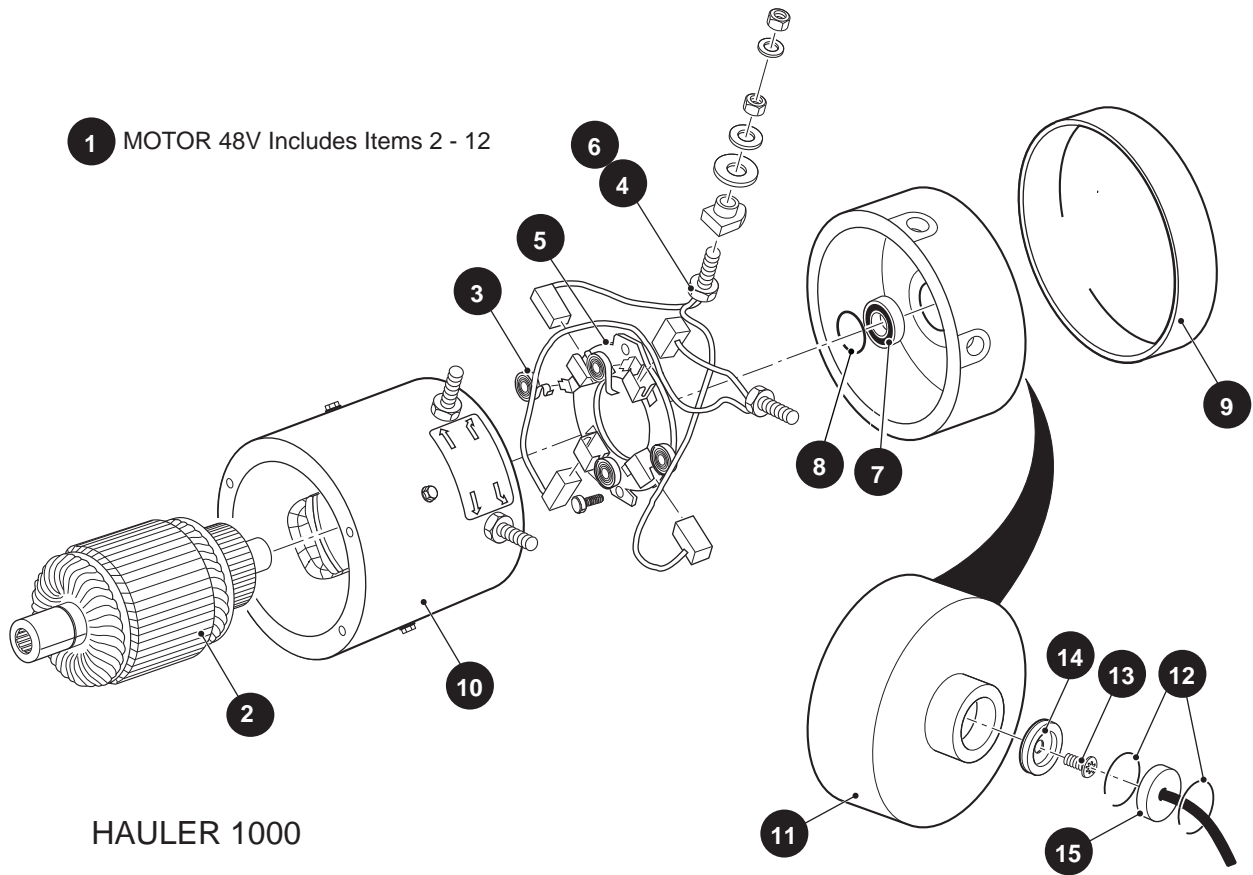
When ordering parts, please specify the model and serial number of the product.

* Indicates a component that is not available as an individual part.

*** Indicates consult Customer Service Department for additional information.

ITEM	PART NO.	1 2 3 4 5	DESCRIPTION	QTY.
1	624105		MOTOR 48V (INCLUDES ITEMS 2 - 10).....	1
2	625886		COMMUNTATOR END HEAD.....	1
3	626171		ARMATURE.....	1
4	626172		FRAME AND FILED ASSEMBLY.....	4
5	625884		BRUSH BOX ASSEMBLY.....	1
6	73120G03		BRUSH SPRING.....	1
7	73120G25		BRUSH AND TERMINAL SERVICE KIT.....	1
8	73120G06		RETAINING RING.....	1
9	73120G07		BEARING.....	1
10	625885		COVER.....	1
11	73277G01		RETAINING RING.....	1
12	73328G01		SPEED SENSOR MAGNET.....	1
13	01037G02		THREADED SCREW.....	1
14	620422		SPEED SENSOR HARNESS.....	1
15	24261G1		BUMPER SPLINE.....	1
16	624109		O-RING.....	1

MOTOR



When ordering parts, please specify the model and serial number of the product.

* Indicates a component that is not available as an individual part.

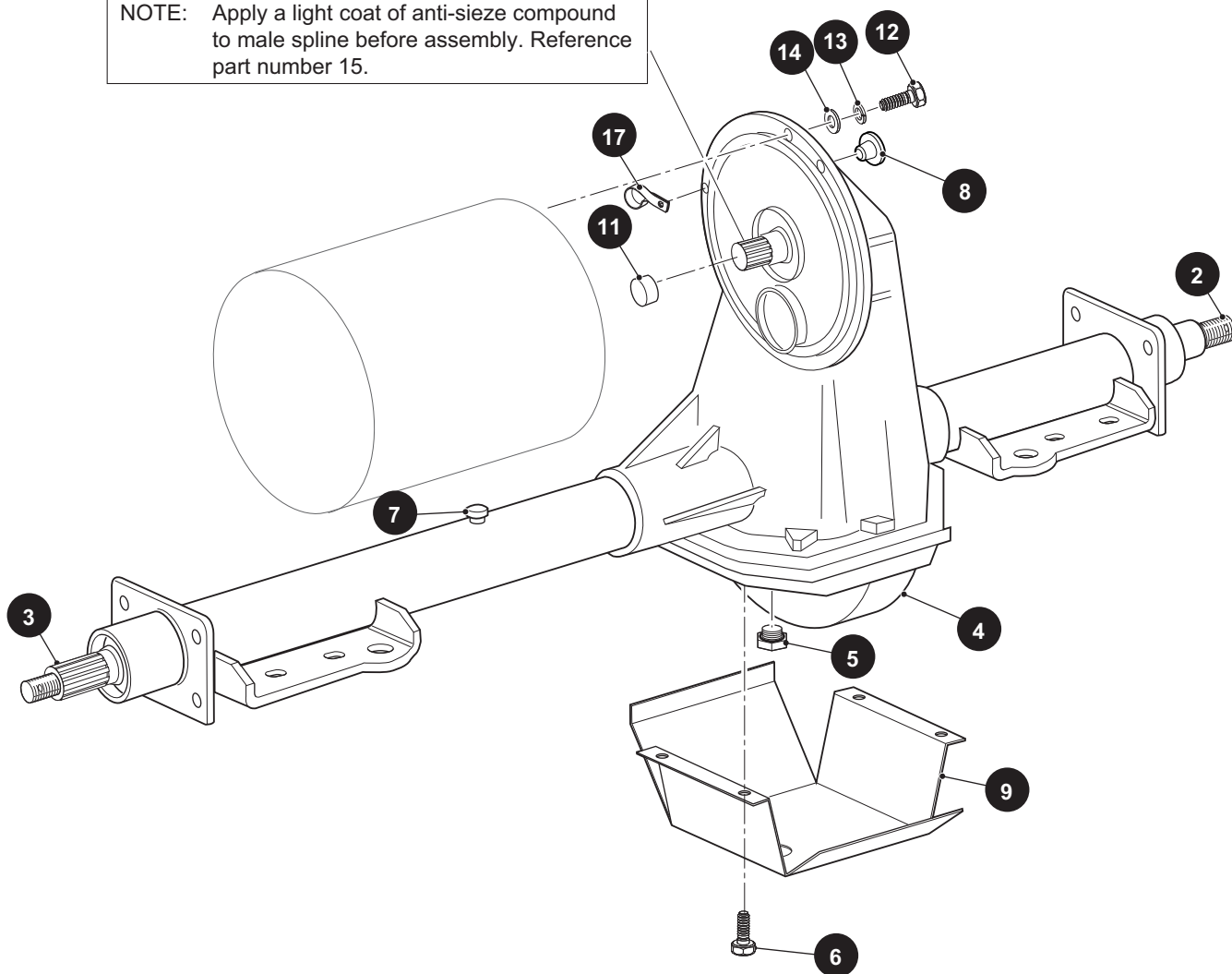
*** Indicates consult Customer Service Department for additional information.

ITEM	PART NO.	1 2 3 4 5	DESCRIPTION	QTY.
1	73291G04		MOTOR, 48V (INCLUDES ITEMS 2-12).....	1
2	73120G36		ARMATURE ASSEMBLY.....	1
3	73120G38		BRUSH SPRING	8
4	73120G39		BRUSH	1
5	73120G40		BRUSH BOX ASSEMBLY	1
6	73120G41		BRUSH REPLACEMENT KIT (INCLUDES HARDWARE)	1
7	73120G07		BEARING	1
8	73120G06		SNAP RING	1
9	73120G43		HEADBAND.....	1
10	73120G37		FRAME AND FIELD COIL (INCLUDES HARDWARE)	1
11	73120G42		COVER COMMUTATOR END.....	1
12	73277G01		RETAINING RING	1
13	01037G02		SCREW, #10 - 32 X 1/2" LG	1
14	73328G01		MAGNET.....	1
15	73327G02		SPEED SENSOR.....	1

REAR AXLE

- 1 REAR ASSEMBLY (Hauler 800) Includes Items 2 - 7
- 19 REAR ASSEMBLY (Hauler 1000) Includes Items 2 - 7

NOTE: Apply a light coat of anti-sieze compound to male spline before assembly. Reference part number 15.



REAR AXLE

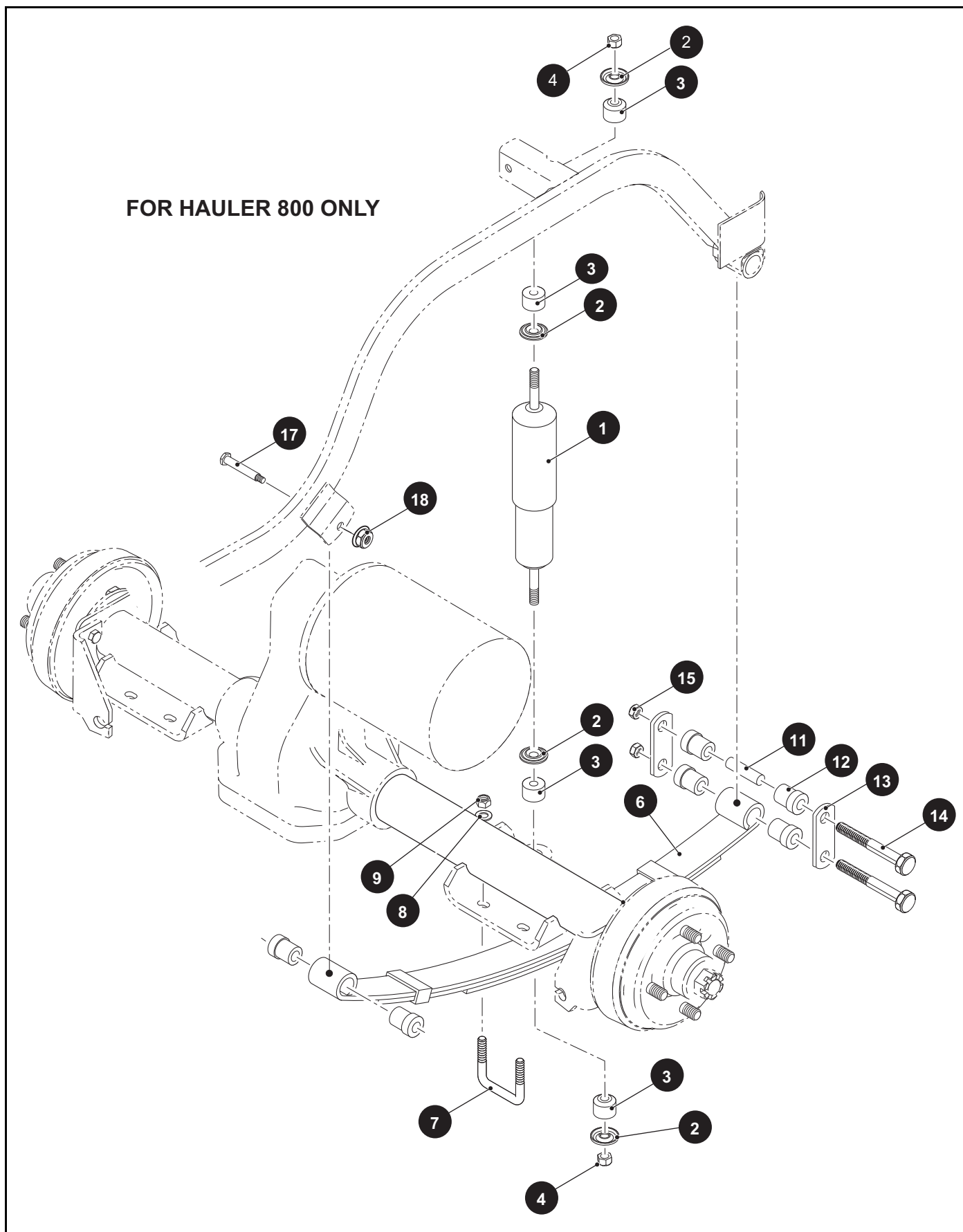
When ordering parts, please specify the model and serial number of the product.

* Indicates a component that is not available as an individual part.

*** Indicates consult Customer Service Department for additional information.

ITEM	PART NO.	1 2 3 4 5	DESCRIPTION	QTY.
1	73500G01		REAR AXLE ASSEMBLY, 12.44:1 (INCLUDES ITEMS 2 - 7) (HAULER 800 ONLY).....	1
2	20377G12		AXLE SHAFT (PASSENGER SIDE).....	1
3	20377G11		AXLE SHAFT (DRIVER SIDE)	1
4	*		DIFFERENTIAL COVER	1
5	73356G01		FILL/CHECK PLUG	1
6	15558G1		SCREW, 5/16 - 18 X 3/4" LG.....	10
7	73050G01		VENT	1
8	624110		PLUG	3
9	72763G02		DIFFERENTIAL GUARD.....	1
10				
11	24261G1		BUMPER SPLINE (HAULER 800 ONLY)	1
12	00797G2		BOLT, 1/4 - 20 X 1 1/4" LG.....	3
13	00664G7		LOCK WASHER, 1/4" (STAINLESS STEEL)	3
14	01110G01		WASHER, 1/4" (STAINLESS STEEL).....	3
15	*		ANTI-SIEZE COMPOUND	AR
16				
17	27327G02		CLAMP TWISTED.....	1
18				
19	74612G01		REAR AXLE ASSEMBLY , 14.76:1 (INCLUDES ITEMS 2 - 7) (HAULER 1000 ONLY).....	1

REAR SUSPENSION



REAR SUSPENSION

When ordering parts, please specify the model and serial number of the product.

* Indicates a component that is not available as an individual part.

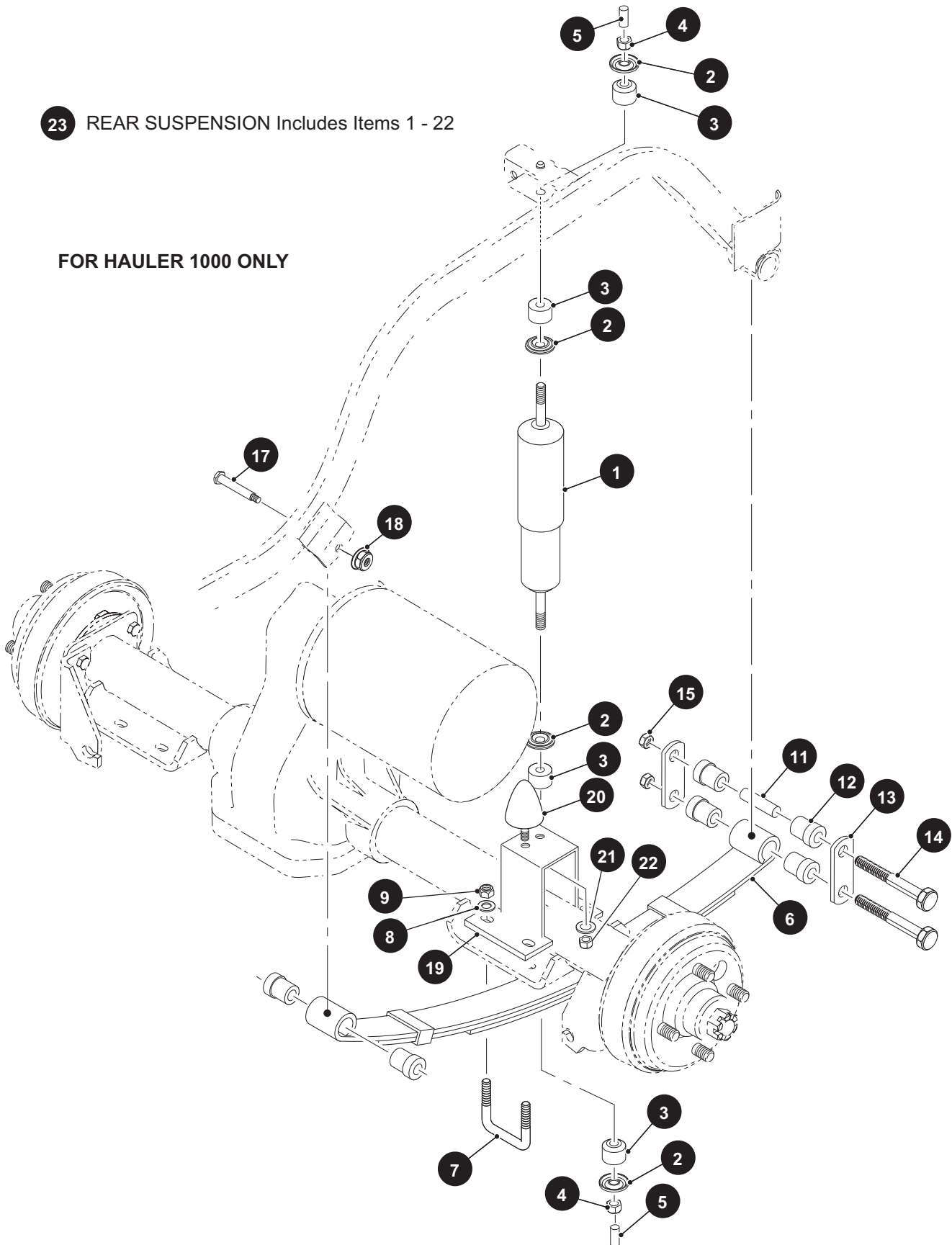
*** Indicates consult Customer Service Department for additional information.

ITEM	PART NO.	1 2 3 4 5	DESCRIPTION	QTY.
1	70248G01		SHOCK ABSORBER.....	2
2	10435G1		SHOCK ABSORBER WASHER	8
3	10194G1		RUBBER SHOCK ABSORBER BUSHING	8
4	00532G6		NUT, 3/8 - 24	4
5	10044G01		CAP, VINYL	2
6	74207G03		LEAF SPRING (HEAVY DUTY).....	2
7	72618G01		"U" BOLT, 3/8 - 16 X 2" X 2 1/2" LG.....	4
8	00560G1		ŠUÔŠAWASHER, 3/8".....	8
9	11098G5		LOCK NUT, 3/8 - 16.....	8
10				
11	70289G02		SPACER	4
12	70291G01		RUBBER BUSHING	12
13	70290G02		SHACKLE PLATE.....	4
14	00665G9		BOLT, 3/8 - 16 X 3 1/2" LG (STAINLESS STEEL).....	4
15	11098G5		LOCK NUT, 3/8 - 16.....	4
16				
17	14158G1		SHOULDER BOLT, 3/8 - 16 X 3 1/4" LG.....	2
18	12262G1		LOCK NUT, 3/8 - 16.....	2

REAR SUSPENSION

23 REAR SUSPENSION Includes Items 1 - 22

FOR HAULER 1000 ONLY



REAR SUSPENSION

When ordering parts, please specify the model and serial number of the product.

* Indicates a component that is not available as an individual part.

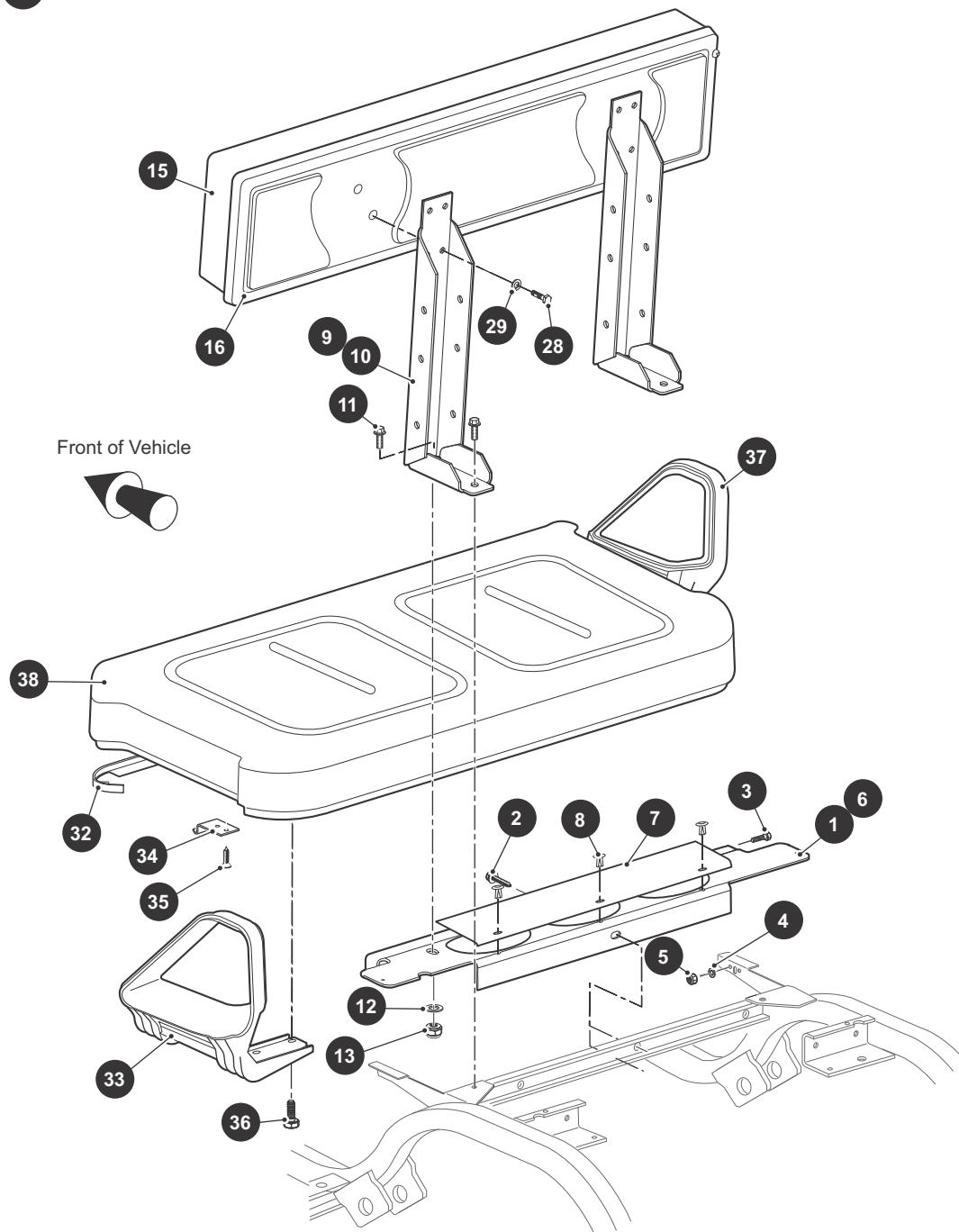
*** Indicates consult Customer Service Department for additional information.

ITEM	PART NO.	1 2 3 4 5	DESCRIPTION	QTY.
1	70248G01		SHOCK ABSORBER	2
2	10435G1		SHOCK ABSORBER WASHER.....	8
3	10194G1		RUBBER SHOCK ABSORBER BUSHING.....	8
4	00532G6		NUT, 3/8 - 24.....	4
5	10044G01		VINYL CAP	4
6	74345G03		LEAF SPRING	2
7	72618G01		"U" BOLT, 3/8 - 16	4
8	00560G1		LOCK WASHER, 3/8"	8
9	11098G5		LOCK NUT, 3/8 - 16.....	8
10				
11	70289G02		SPACER	4
12	70291G01		RUBBER BUSHING.....	12
13	70290G02		SHACKLE PLATE	4
14	00665G9		BOLT, 3/8 - 16 X 3 1/2" LG (STAINLESS STEEL)	4
15	11098G5		LOCK NUT, 3/8 - 16.....	4
16				
17	14158G1		SHOULDER BOLT, 3/8 - 16 X 3 1/4" LG.....	2
18	12262G1		LOCK NUT, 3/8 - 16.....	2
19	71498G01		AXLE BUMPER BRACKET	2
20	70492G01		RUBER BUMPER	2
21	00968G01		LOCK WASHER, M10.....	2
22	00974G01		NUT, M10	2
23	70992G01		REAR SUSPENSION (INCLUDES ITEMS 1 - 22) (For Hauler 1000 ONLY)	1

SEATING

14 SEAT BACK ASSEMBLY Includes Items 15, 16

30 SEAT BOTTOM ASSEMBLY Includes Items 31 - 38



When ordering parts, please specify the model and serial number of the product.

* Indicates a component that is not available as an individual part.

*** Indicates consult Customer Service Department for additional information.

ITEM	PART NO.	1 2 3 4 5	DESCRIPTION	QTY.
1	71262G04		SEAT BACK SUPPORT (HAULER 800 ONLY)	1
2	00715G2		HEX BOLT, 5/16 - 18 X 13/16" LG	1
3	00438G8		HEX BOLT, 5/16 - 18 X 3/4" LG	2
4	00642G8		LOCK WASHER, 5/16"	2
5	11098G6		LOCK NUT, 5/16 - 18	2
6	74971G01		SEAT BACK SUPPORT (HAULER 1000 ONLY)	1
7	71263G01		ACCESS COVER.....	1
8	18436G1		DRIVE RIVET.....	3
9	624486		SEAT BACK SUPPORT BRACKET (HAULER 800 ONLY)	2
10	75900G02		SEAT BACK SUPPORT BRACKET(HAULER 1000 ONLY)	2
11	00427G2		HEX BOLT, 3/8 - 16 X 1- 1/4" LG	4
12	00560G1		LOCK WASHER, 3/8"	2
13	11098G5		LOCK NUT, 3/8 - 16	2
14	***		SEAT BACK ASSEMBLY (INCLUDES ITEMS 15, 16) 71274G04 GRAY 71274G02 BLACK 71274G01 WHITE 71274G03 TAN 71274G07 BROWN 71274G05 OYSTER	
15	***		VINYL COVER 18144G5 GRAY 18144G3 BLACK 18144G2 WHITE 18144G3 TAN 18144G3 BROWN 18144G6 OYSTER	
16	74889G01		PLASTIC SEAT BACK COVER	1
17				
18				
19				
20				
21				
22				
23				

SEATING

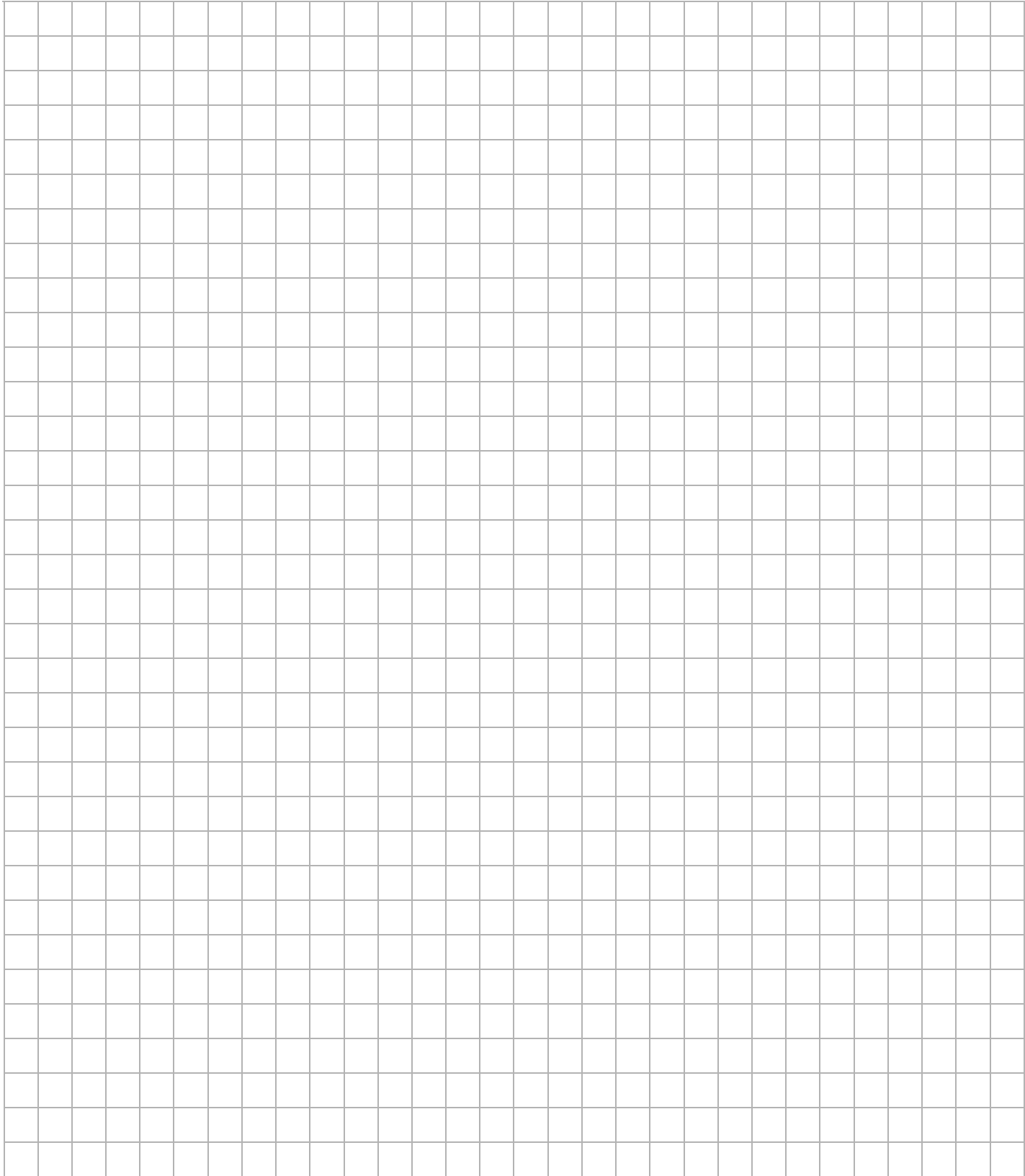
When ordering parts, please specify the model and serial number of the product.

* Indicates a component that is not available as an individual part.

*** Indicates consult Customer Service Department for additional information.

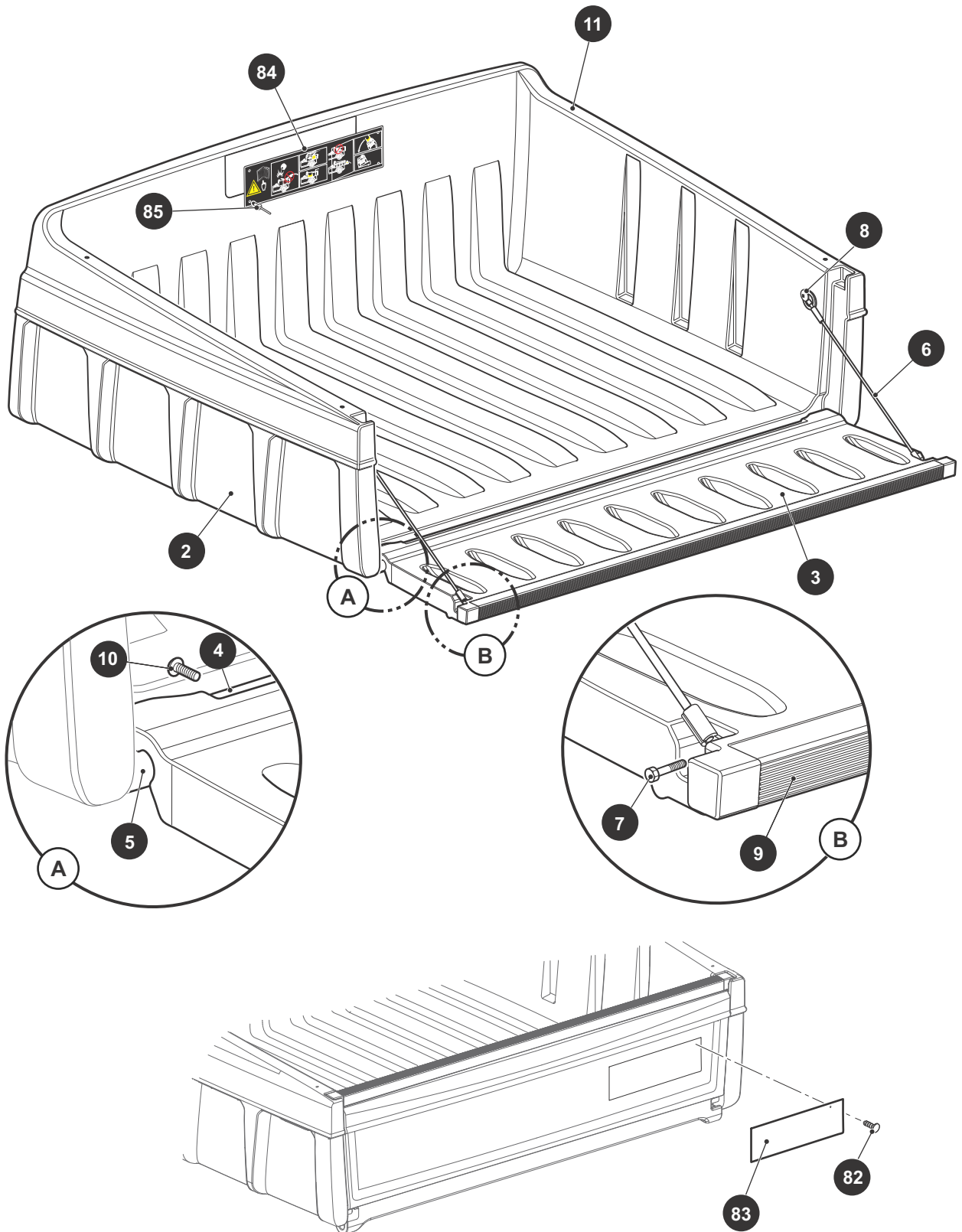
ITEM	PART NO.	1	2	3	4	5	DESCRIPTION	QTY.
24								
25								
26								
27								
28	605056						HEX SCREW, 1/4 - 20 X 1" W/PATCH LOC.....	4
29	00664G7						LOCK WASHER, 1/4" (STAINLESS STEEL).....	4
30	71611G**						SEAT BOTTOM ASSEMBLY (INCLUDES ITEMS 31 - 38) 71611G01 WHITE 71611G17 BLACK 71611G07 TAN 71611G16 BROWN 71611G05 OYSTER 71611G03 GRAY	
31								
32	71012G01						VINYL TRIM (SEAT BOTTOM)	1
33	71702G01						HIP RESTRAINT (DRIVER SIDE)	1
34	71610G01						SEAT HINGE.....	2
35	00720G08						SCREW, #12 - 14 X 1" LG.....	6
36	71204G01						HEX BOLT, 1/4 - 20 X 7/8" LG	1
37	71701G01						HIP RESTRAINT (PASSENGER SIDE).....	1
38	71602G**						SEAT BOTTOM COVER 71602G01 WHITE 71602G06 BLACK 71602G04 TAN 71602G07 BROWN 71602G03 OYSTER 71602G02 GRAY	

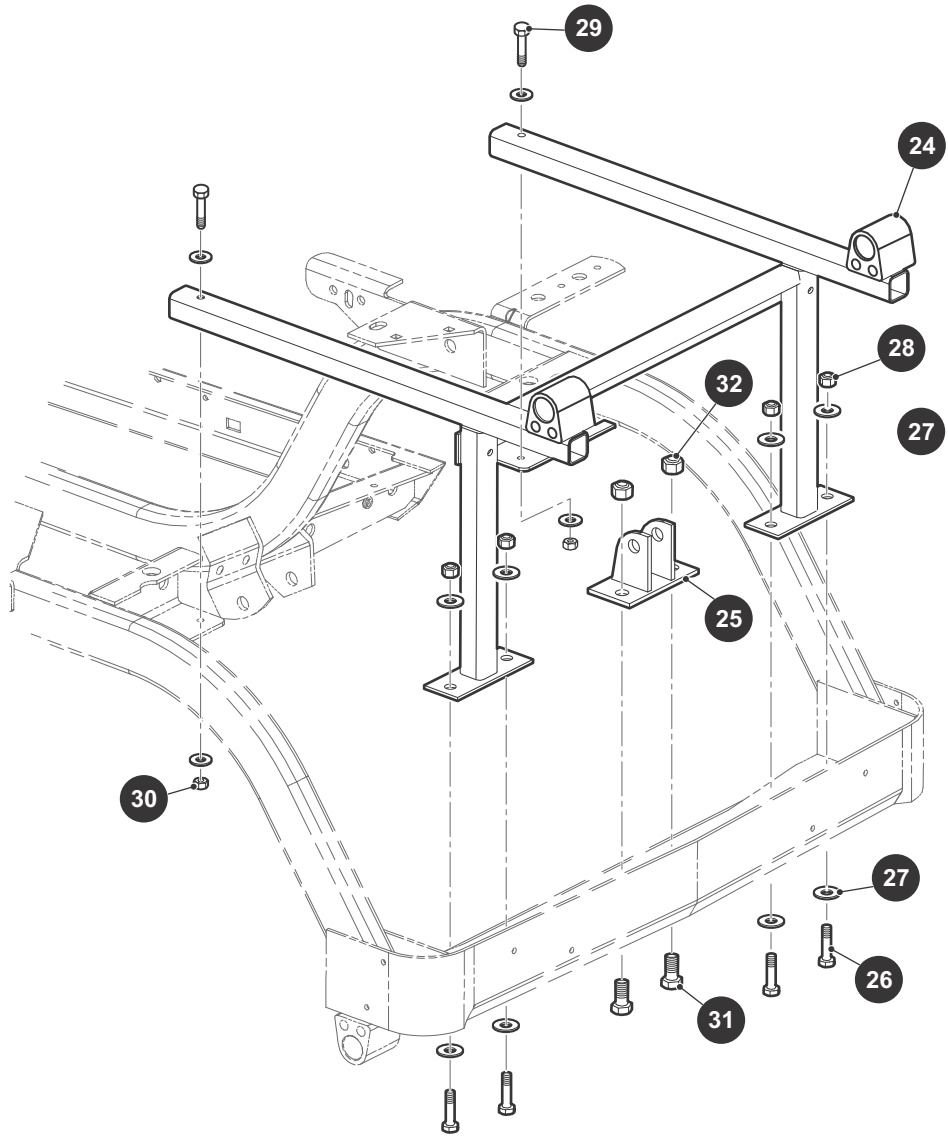
Notes:



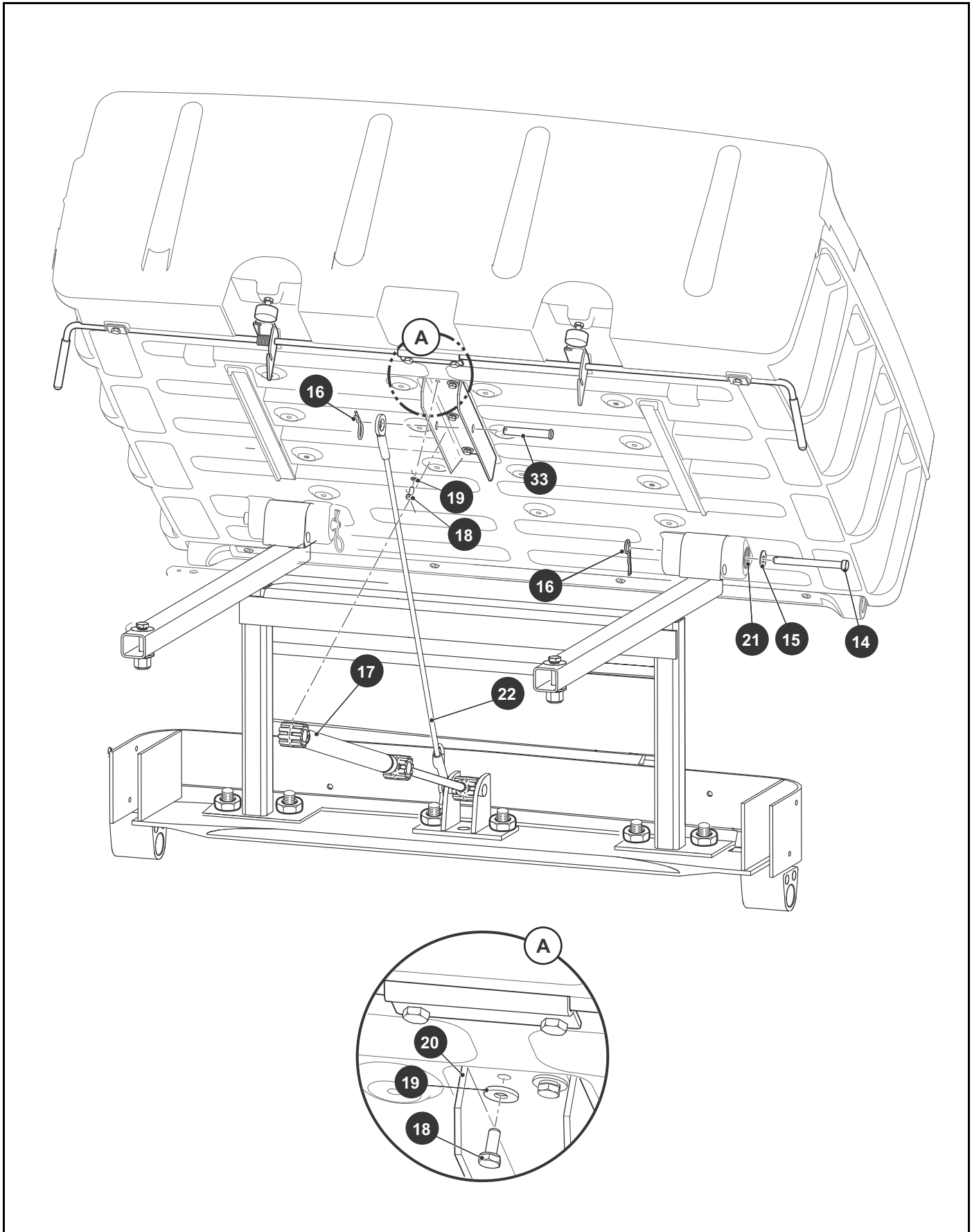
TRUCK BED - PLASTIC

1 36" PLASTIC BED ASSEMBLY INCLUDES ITEMS 2 - 11

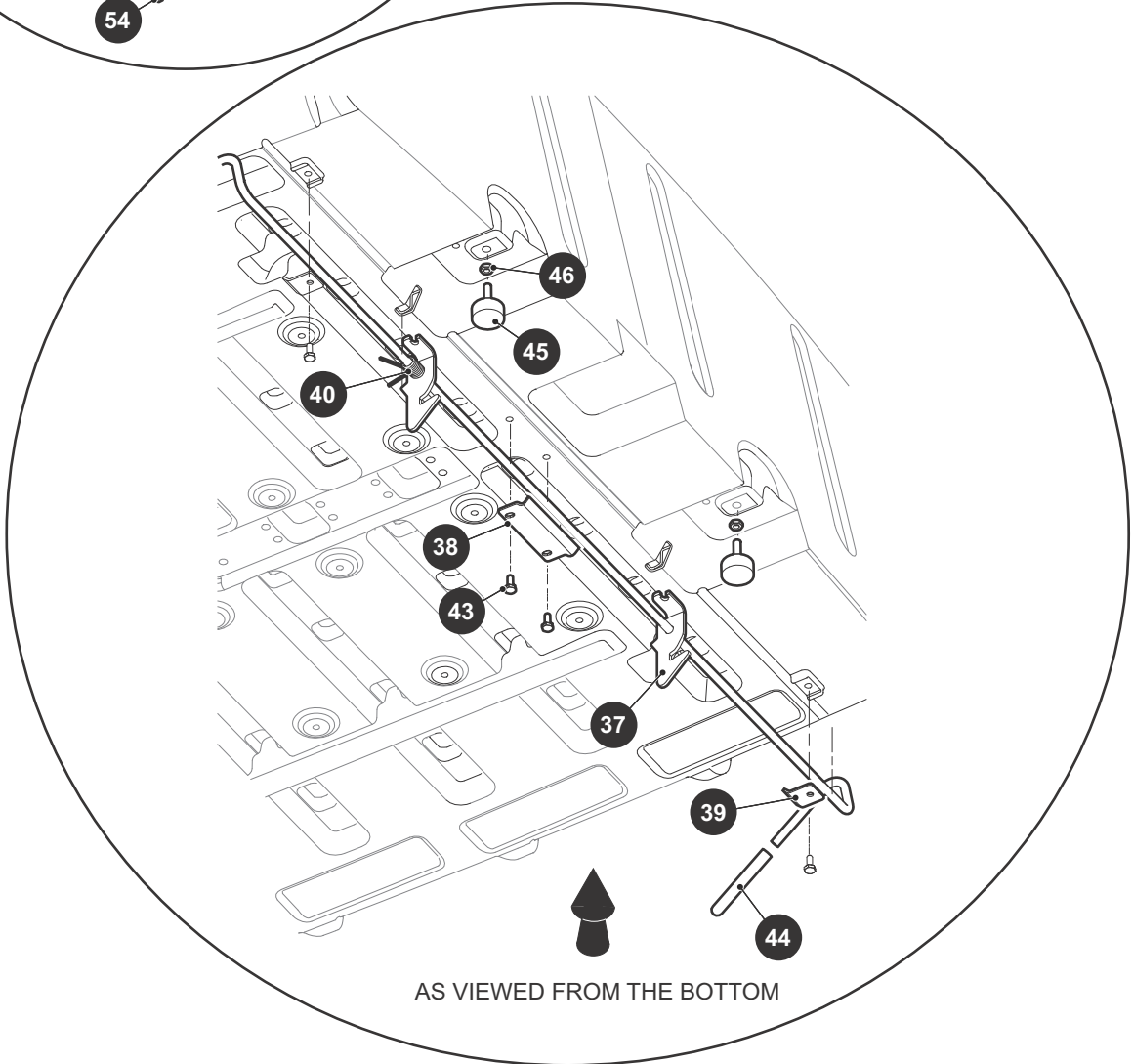
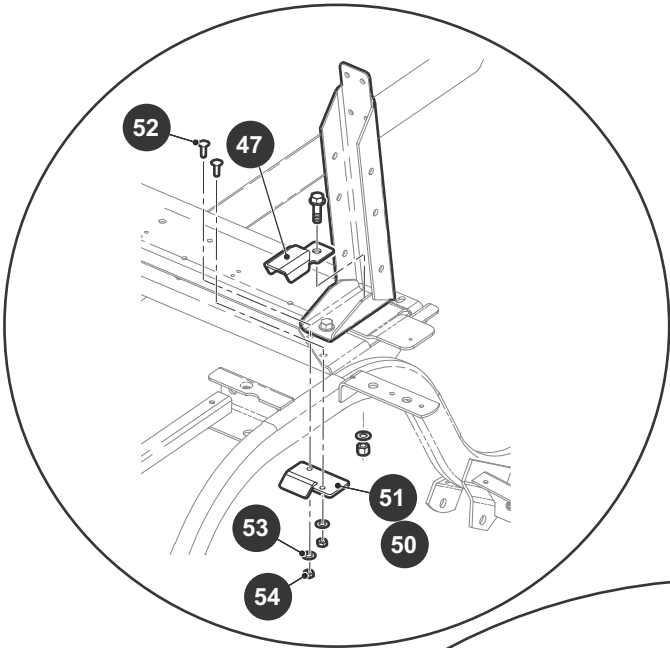




TRUCK BED - PLASTIC

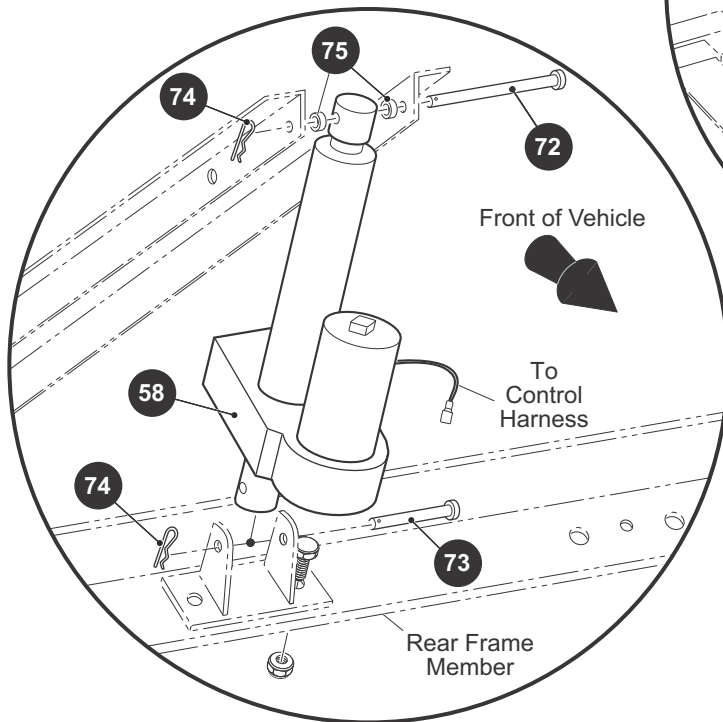
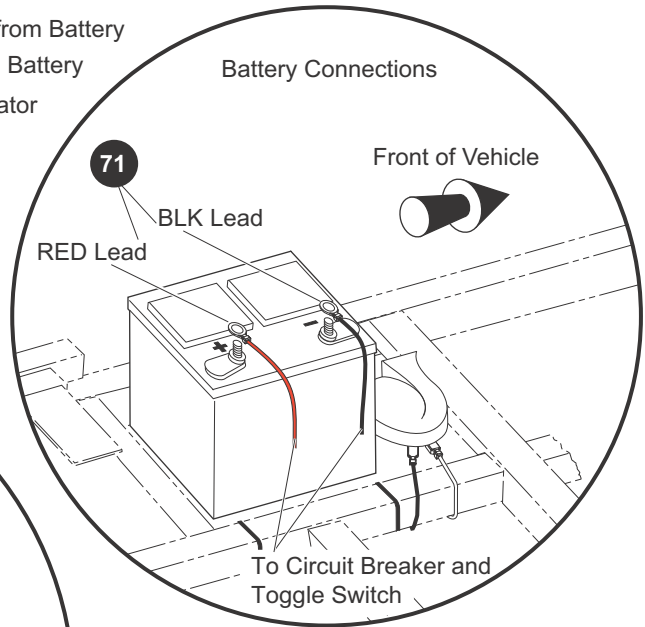
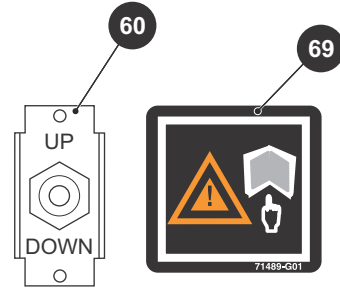
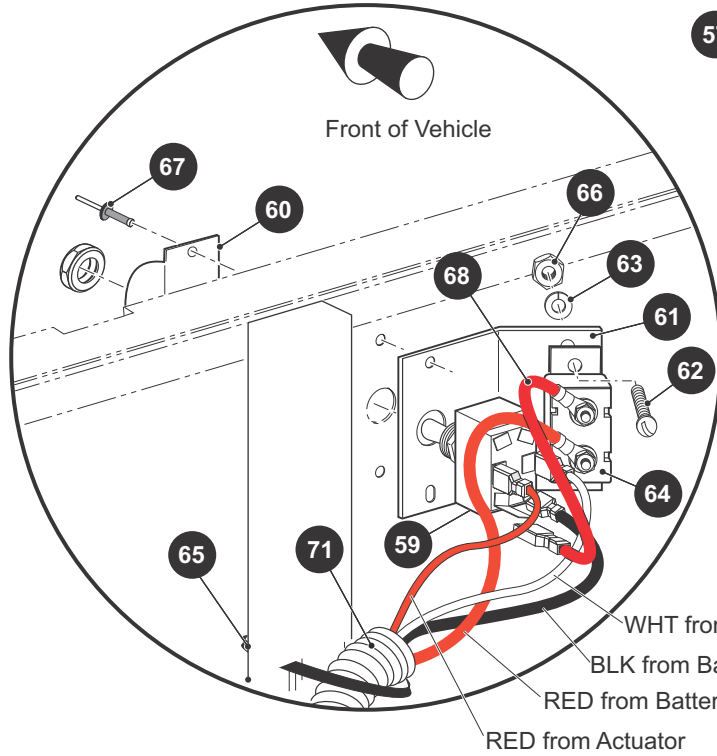


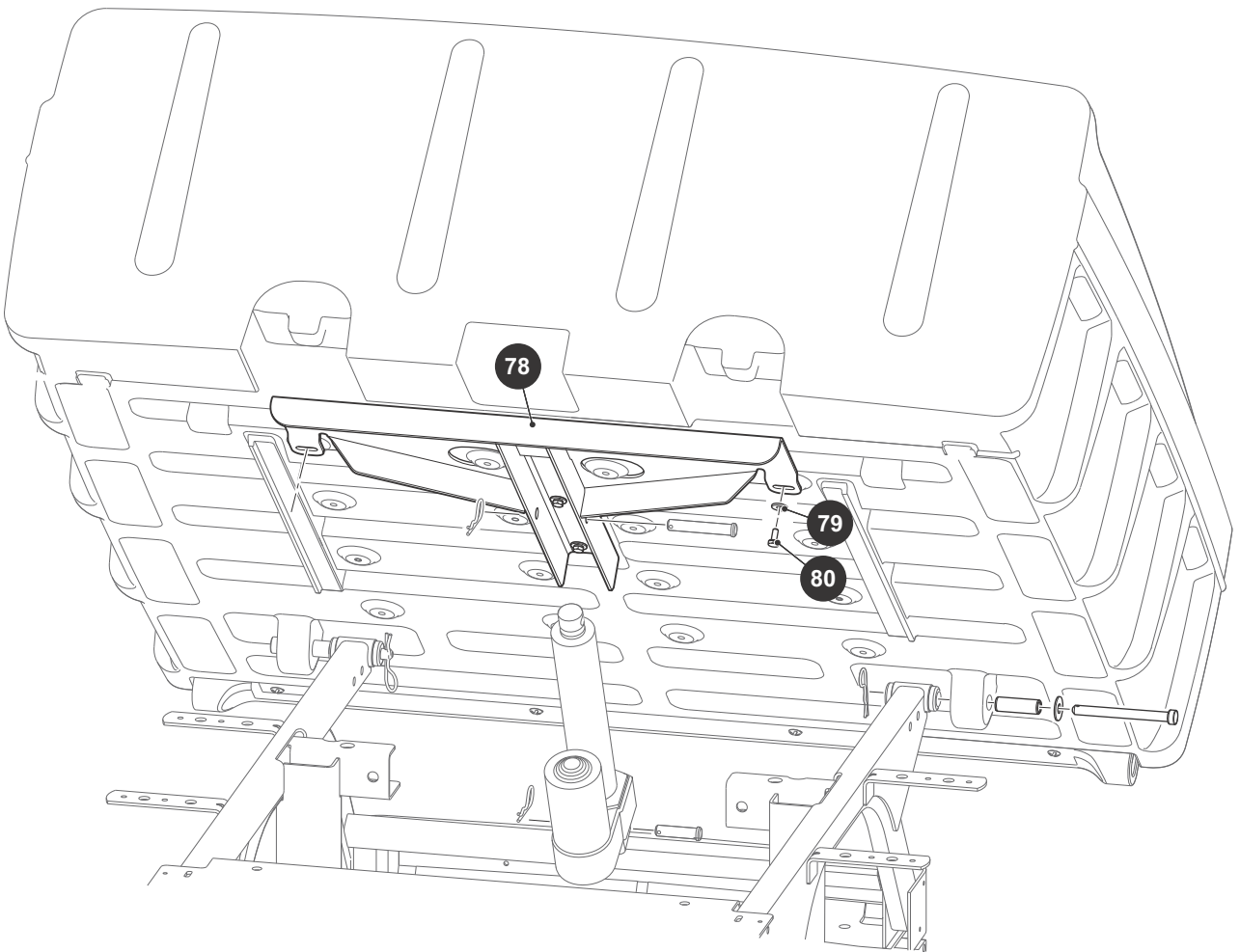
TRUCK BED - PLASTIC



TRUCK BED - PLASTIC

57 ELECTRIC DUMP KIT (Includes Items 58 - 75)





TRUCK BED - PLASTIC

When ordering parts, please specify the model and serial number of the product.

* Indicates a component that is not available as an individual part.

*** Indicates consult Customer Service Department for additional information.

ITEM	PART NO.	1 2 3 4 5	DESCRIPTION	QTY.
1	72647G01		36" PLASTIC TRUCK BED ASSEMBLY (INCLUDES ITEMS 2 - 11).....	1
2	72648G01		36" PLASTIC BED	1
3	72649G01		36" PLASTIC TAILGATE	1
4	73450G01		BOWED ANGLE	1
5	73454G01		PIVOT SHAFT.....	2
6	73455G02		TAILGATE CABLE ASSEMBLY	2
7	00415G2		HEX HEAD BOLT, 1/4 - 20 X 1.25" LG	2
8	73460G01		PHILLIPS SHOULDER SCREW, 1/4 - 20 X .75"	2
9	73449G01		TAILGATE CAP	1
10	16705G2		PAN HEAD PHILLIPS SCREW, 1/4 - 2 X .62" LG	4
11	16816G5		RACHET FASTENER	4
12				
13				
14	71571G01		CLEVIS PIN, .50 DIA X 5.25" LG	2
15	00571G5		WIDE FLAT WASHER, 1/2".....	2
16	21683G1		HAIRPIN COTTER	2
17	71537G02		GAS SPRING	1
18	01118G01		HEX HEAD BOLT W/PATCHLOCK, 1/4 - 20 X .62" LG.....	8
19	00642G7		FLAT WASHER, 1/4"	8
20	71569G02		GAS SPRING CHANNEL	1
21	70291G01		FLANGED URETHANE BUSHING	4
22	602904		CABLE ASSEMBLY	1
23	72339G02		PLASTIC BED HEAT SHIELD.....	1
24	76423G01		TRUCK BED FRAME	1
25	71283G02		ELECTRIC LIFT BRACKET	1
26	00439G2		HEX HEAD BOLT, 5/16 - 18 X 1.25" LG	4
27	00642G8		FLAT WASHER, 5/16"	8
28	11098G6		LOCK NUT, 5/16 - 18.....	2
29	00415G6		HEX HEAD BOLT, 1/4 - 20 X 1.75" LG	2
30	00891G2		LOCK NUT, 1/4 - 20.....	2
31	00462G7		HEX HEAD BOLT, 7/16 - 14 X .875" LG	2

TRUCK BED - PLASTIC

When ordering parts, please specify the model and serial number of the product.

* Indicates a component that is not available as an individual part.

*** Indicates consult Customer Service Department for additional information.

ITEM	PART NO.	1 2 3 4 5	DESCRIPTION	QTY.
32	00734G1		NUT, 7/16 - 14.....	2
33	14443G10		CLEVIS PIN, .50 DIA X 3" LG	1
34	14443G12		CLEVIS PIN, .50 DIA X 2.2" LG	1
35				
36				
37	74962G01		BED LATCH WELDMENT.....	1
38	71477G02		BRACKET	1
39	71099G02		LATCH PLATE	2
40	71538G01		TORSION SPRING	1
41				
42				
43	01118G01		SCREW, 1/4 - 2 X 5/8" LG	4
44	71704G01		HANDLE GRIP.....	2
45	70113G01		ADJUSTABLE BUMPER.....	2
46	11027G1		LOCK NUT, 5/16 - 18	2
47	74947G01		BUMPER BRACKET	2
48				
49				
50	602977		LATCH PLATE (DRIVER SIDE)	1
51	602978		LATCH PLATE (PASSENGER SIDE).....	1
52	01014G03		CARRIAGE BOLT, 1/4 - 20 X .75" LG	4
53	00559G7		FLAT WASHER, 1/4"	4
54	14390G4		LOCK NUT, 1/4 - 20	4
55				
56				
57	74164G04		ELECTRIC DUMP KIT (INCLUDES ITEMS 58 - 75)	1
58	27612G02		ELECTRIC ACTUATOR	1
59	27680G01		TOGGLE SWITCH.....	1
60	27447G01		TOGGLE GUARD.....	1
61	74165G02		CIRCUIT BREAKER MOUNTING BRACKET	1
62	00150G4		SCREW, 10 - 24 X .50" LG.....	2

TRUCK BED - PLASTIC

When ordering parts, please specify the model and serial number of the product.

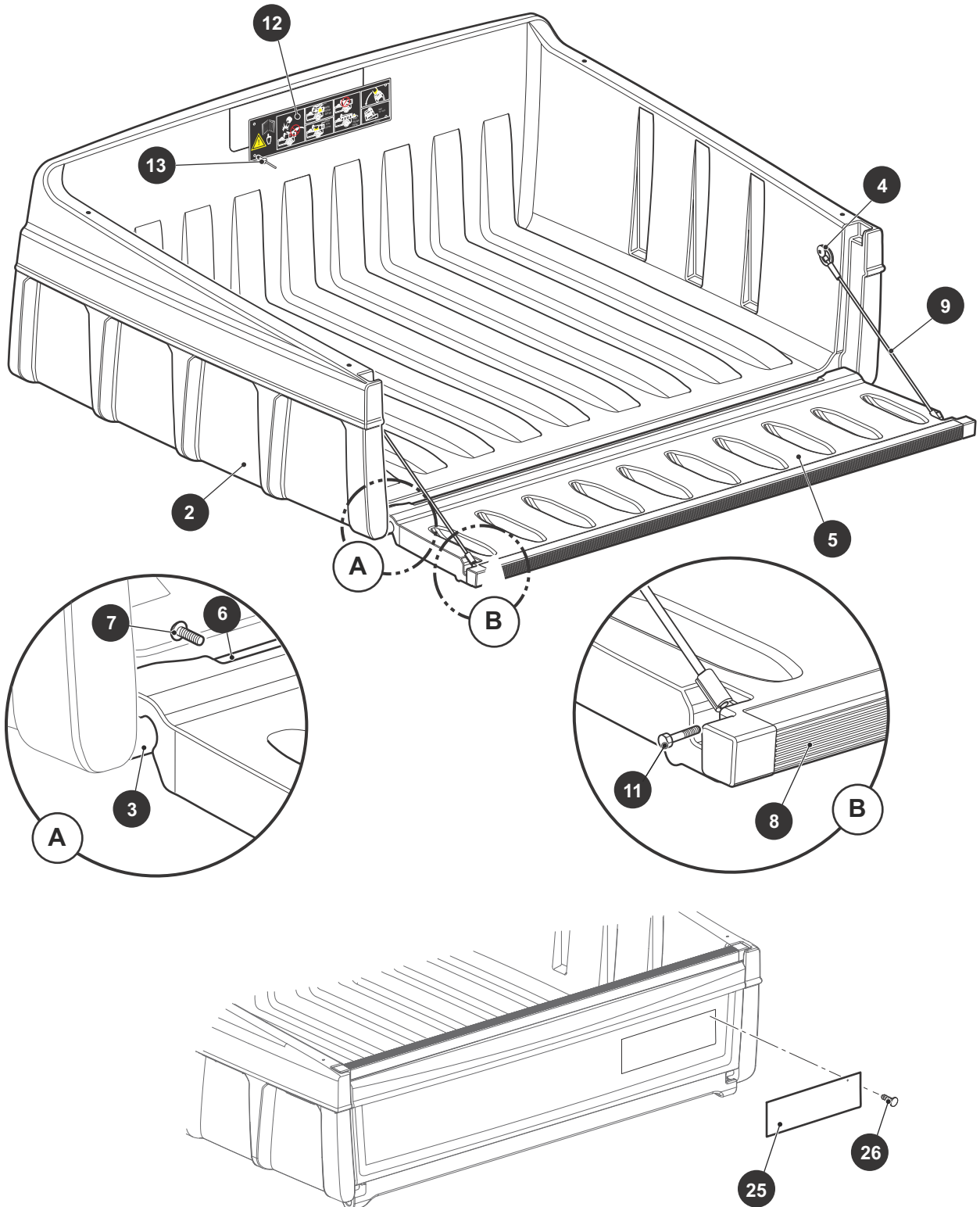
* Indicates a component that is not available as an individual part.

*** Indicates consult Customer Service Department for additional information.

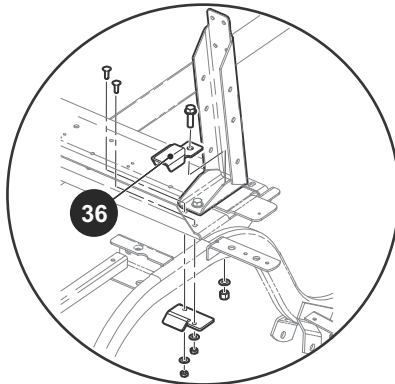
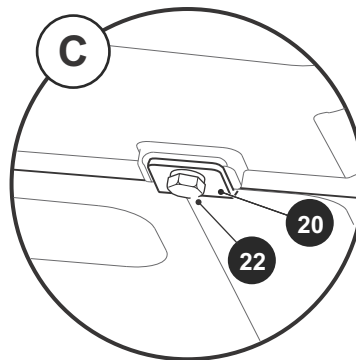
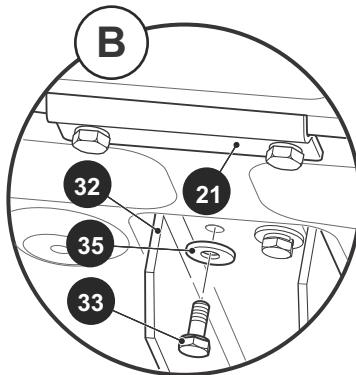
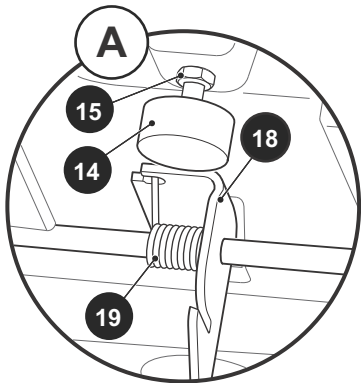
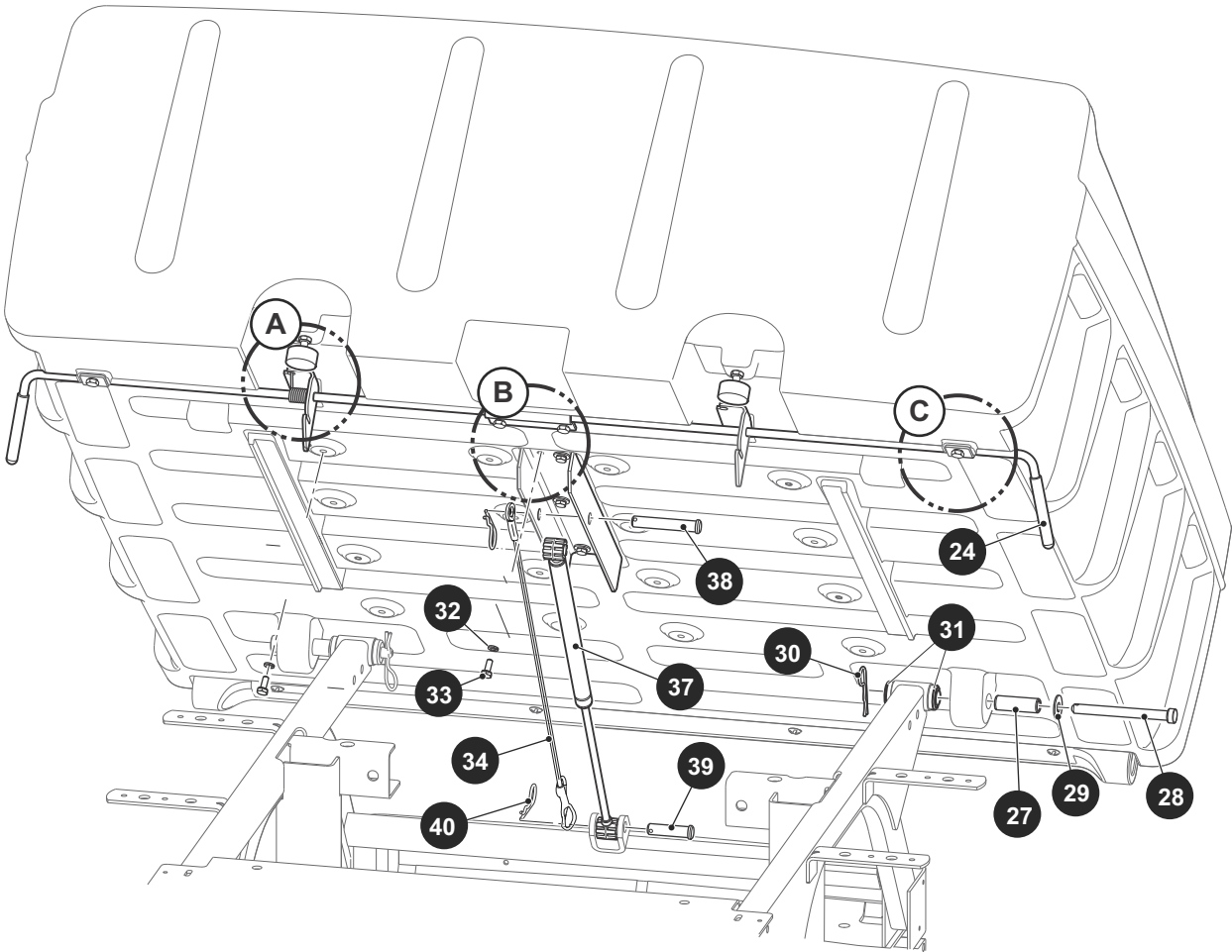
ITEM	PART NO.	1	2	3	4	5	DESCRIPTION	QTY.
63	00565G5						LOCK WASHER, #10.....	2
64	21320G3						CIRCUIT BREAKER 15A 24V.....	1
65	17618G1						WIRE TIE	8
66	00526G3						NUT, #10 - 24.....	2
67	10570G9						RIVET, 5/32 X .55.....	2
68	25976G14						14 GA WIRE ASSEMBLY (RED 5")	1
69	71489G01						READ INSTRUCTIONS DECAL	1
70								
71	74163G01						WIRE HARNESS, ELECTRIC DUMP	1
72	14443G10						CLEVIS PIN, .50" DIA X 2.88" LG.....	1
73	14443G11						CLEVIS PIN, .50" DIA X 1.75" LG.....	1
74	21683G1						COTTER PIN, 15/32" X 2 13/16" LG.....	2
75	27613G01						SPACER.....	2
76								
77								
78	71547G02						OUTRIGGER CHANNEL.....	1
79	00642G7						WASHER, 1/4".....	8
80	01118G01						HEX HEAD BOLT, 1/4 - 20 X .62" LG.....	8
81								
82	16812G2						RATCHET FASTENER.....	2
83	619207						LABEL CUSHMAN HAULER.....	2
84	74821G05						BED CAPACITY LABEL (250 LB)	1
85	71055G01						RIVET, 3/16"	5
86								
87								
88								
89								
90								

TRUCK BED - PLASTIC

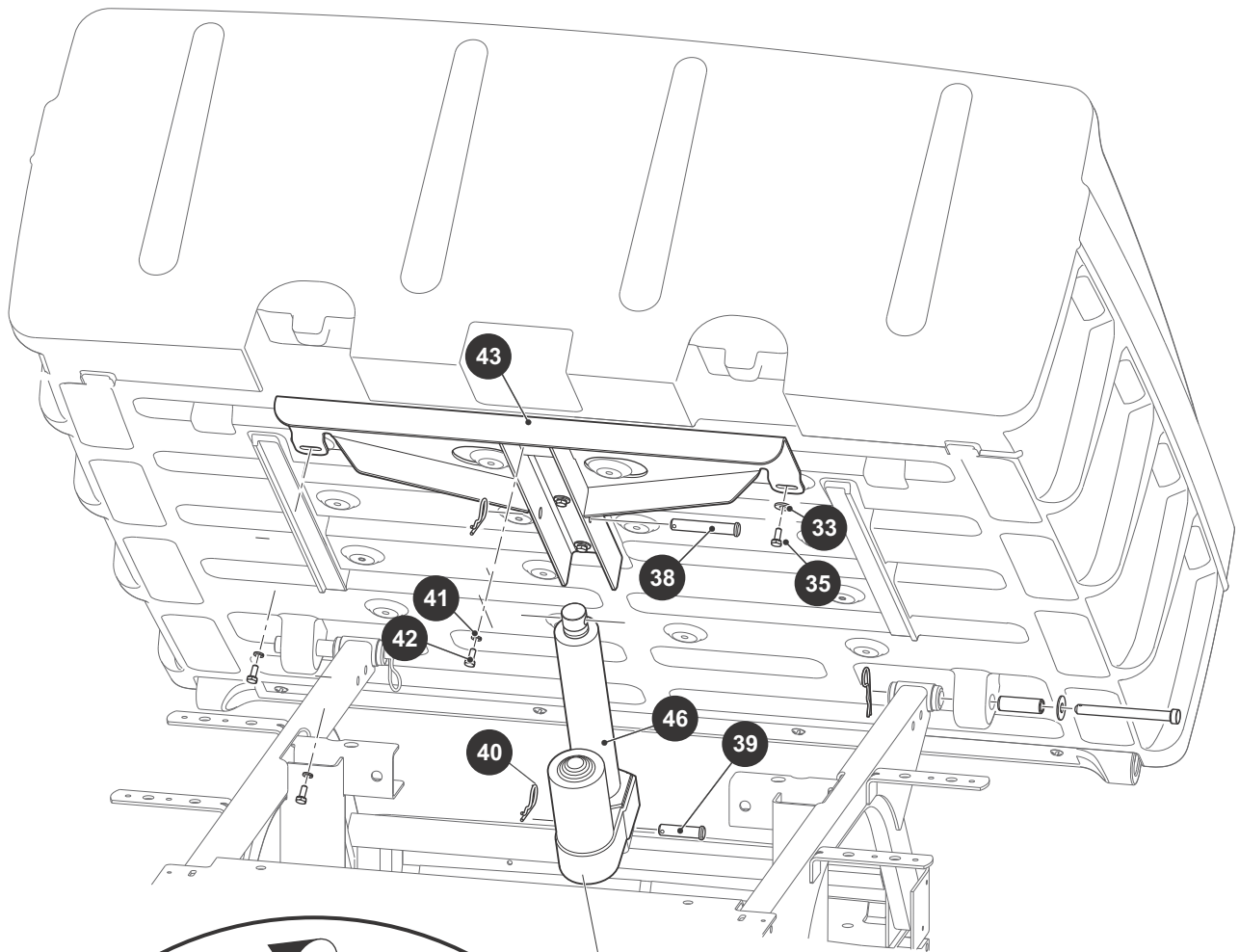
1 40" PLASTIC BED ASSEMBLY (Includes Items 2 - 11)



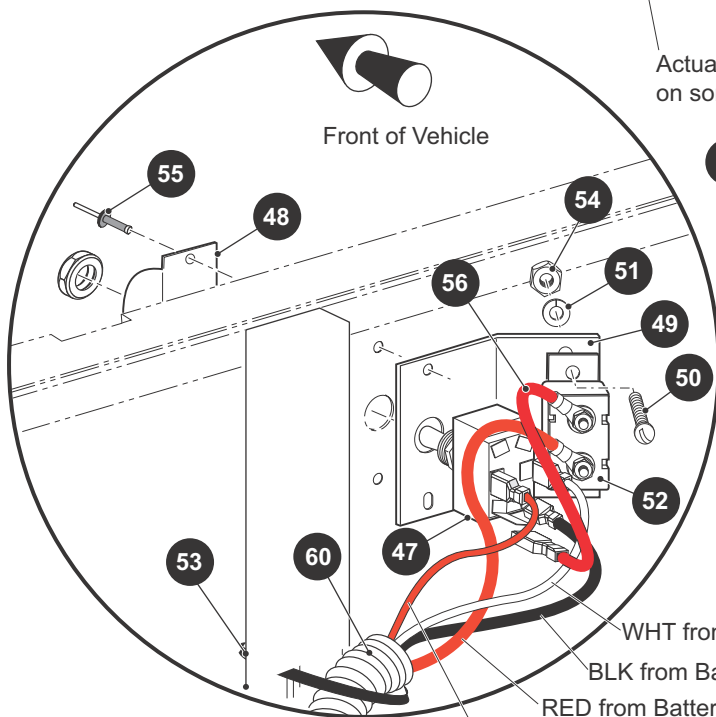
TRUCK BED - PLASTIC



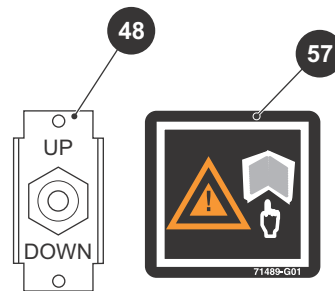
TRUCK BED - PLASTIC



Actuator may be rotated 90° on some models



45 ELECTRIC DUMP KIT (Includes Items 46 - 56)



WHT from Actuator
 BLK from Battery
 RED from Battery
 RED from Actuator

TRUCK BED - PLASTIC

When ordering parts, please specify the model and serial number of the product.

* Indicates a component that is not available as an individual part.

*** Indicates consult Customer Service Department for additional information.

ITEM	PART NO.	1 2 3 4 5	DESCRIPTION	QTY.
1	73451G01		BED ASSEMBLY, 40" (INCLUDES ITEMS 2 -11)	1
2	73447G01		PLASTIC BED, 40"	1
3	73454G01		PIVOT SHAFT	2
4	73460G01		SHOULDER BOLT, 1/4 - 20 X 3/4" LG	2
5	73455G01		TAILGATE CABLE	1
6	73450G01		BOWED ANGLE	1
7	16705G2		HEX SCREW, 1/4 - 20 X 5/8" LG (STAINLESS STEEL)	4
8	73449G01		TAILGATE CAP	1
9	16818G5		RATCHET FASTENER	4
10				
11	00415G2		HEX SCREW, 1/4 - 20 X 5/8" LG	2
12	74821G01		BED CAPACITY LABEL	1
13	71055G01		RIVET, 3/16" X 1" LG (ALUMINUM)	5
14	70113G01		ADJUSTABLE RUBBER BUMPER	2
15	11027G1		LOCK NUT, 5/16 - 18	2
16				
17				
18	74962G01		BED LATCH	1
19	71538G01		LATCH TORSION SPRING	1
20	71099G02		PLATE, LATCH	2
21	71477G02		RETAINER BRACKET	1
22	01118G01		HEX SCREW, 1/4 - 20 X 5/8" LG	4
23				
24	71704G01		HANDLE GRIP	2
25	619207		LABEL CUSHMAN HAULER	1
26	16816G2		RATCHET FASTNER	4
27	71570G01		BUSHING	2
28	71571G01		CLEVIS PIN	2
29	00571G5		FLAT WASHER, 1-1/4 X 7/16"	2
30	21683G1		HAIR CLIP	2
31	70291G01		BUSHING	4

TRUCK BED - PLASTIC

When ordering parts, please specify the model and serial number of the product.

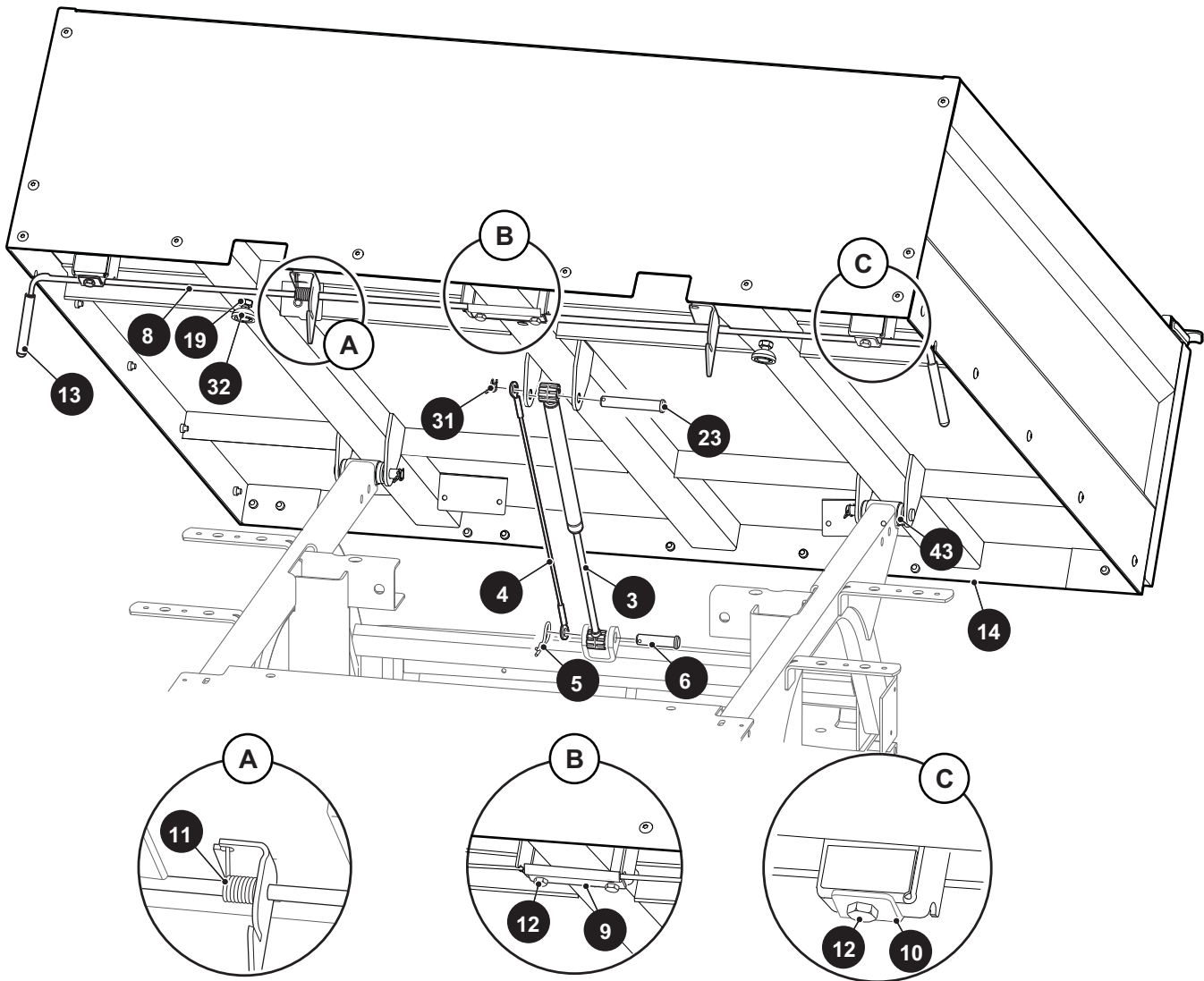
* Indicates a component that is not available as an individual part.

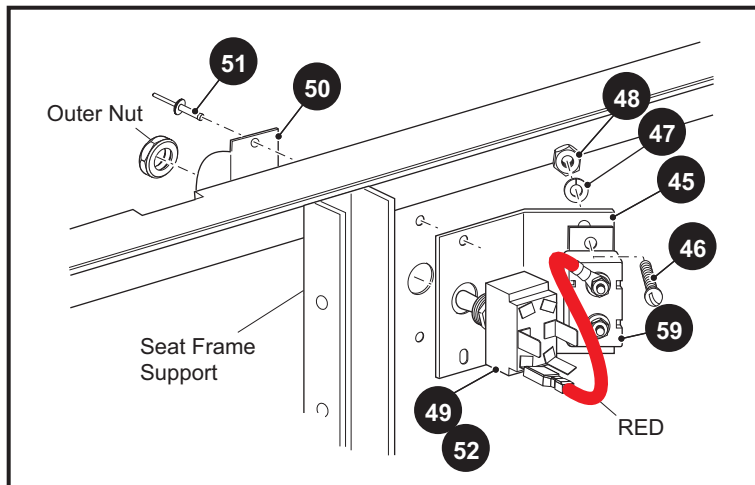
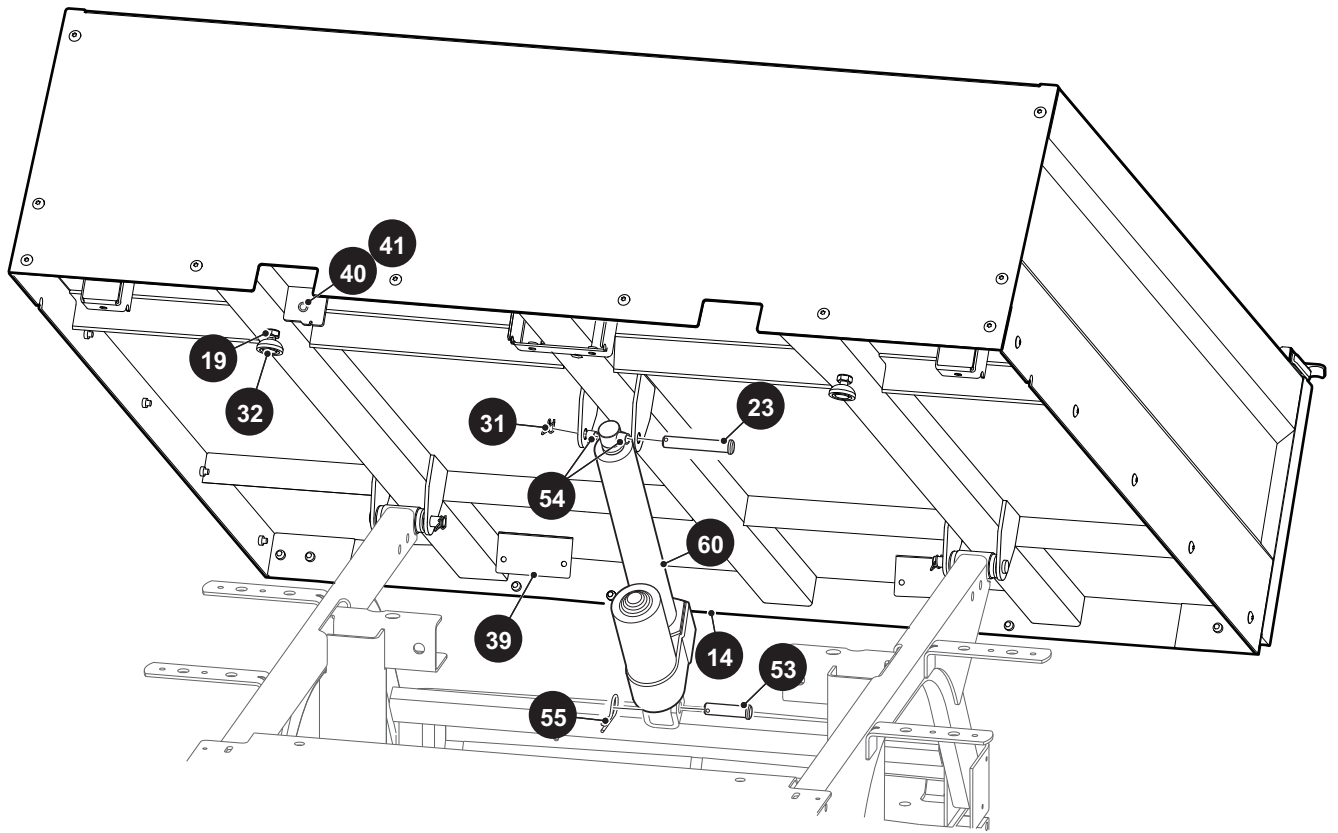
*** Indicates consult Customer Service Department for additional information.

ITEM	PART NO.	1 2 3 4 5	DESCRIPTION	QTY.
32	71569G02		SPRING CHANNEL.....	1
33	01118G01		SCREW, 1/4 - 20 X 5/8" LG.....	8
34	602904		BED TETHER CABLE	1
35	00642G7		FLAT WASHER, 1/4"	8
36	74947G01		BRACKET, BUMPER.....	2
37	71537G02		GAS SPRING	2
38	14443G10		CLEVIS PIN, 1/2" X 2 - 27/32" LG	1
39	14443G12		CLEVIS PIN, 1/2" X 1 3/4" LG	1
40	21683G1		HAIR CLIP	2
41	00642G7		FLAT WASHER, 1/4"	8
42	01118G01		SCREW, 1/4 - 20 X 5/8" LG.....	8
43	71547G02		OUTRIGGER CHANNEL.....	1
44				
45	74164G01		ELECTRIC DUMP KIT (INCLUDES ITEMS 46 - 56).....	1
46	27612G02		ELECTRIC ACTUATOR, 12 VOLT, 1500 LBS	1
47	27680G01		TOGGLE SWITCH.....	1
48	27447G01		TOGGLE GUARD	1
49	74165G02		CIRCUIT BREAKER MOUNTING BRACKET.....	1
50	00150G4		SCREW, 10 - 24 X 1/2" LG	2
51	00565G5		LOCK WASHER, #10.....	2
52	21320G4		CIRCUIT BREAKER, 15 AMP, 24V	1
53	17618G1		WIRE TIE	8
54	00526G3		HEX NUT, #10 - 24.....	2
55	10570G9		RIVET, 5/32 X .55.....	2
56	25976G14		14 GA WIRE (RED 5")	1
57				
58				
59	27613G01		SPACER.....	2
60	74613G01		HARNESS.....	1

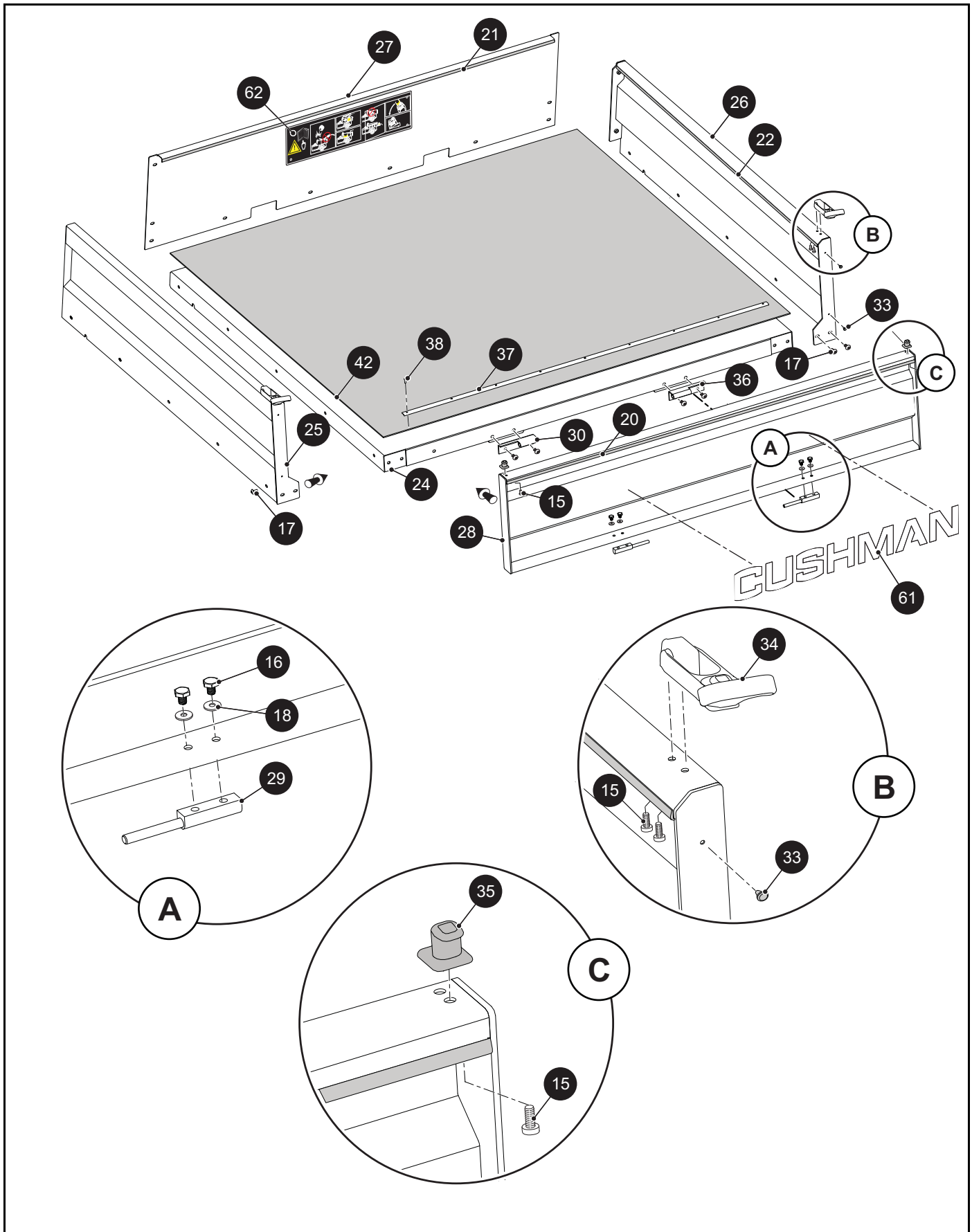
TRUCK BED - METAL

- 1 ALUMINUM BED ELECTRIC LIFT Includes Items 14, 43 - 60
- 2 ALUMINUM BED MANUAL LIFT Includes Items 3 - 6, 14, 43
- 14 ALUMINUM BED LARGE Includes Items 15 - 42





TRUCK BED - METAL



TRUCK BED - METAL

When ordering parts, please specify the model and serial number of the product.

* Indicates a component that is not available as an individual part.

*** Indicates consult Customer Service Department for additional information.

ITEM	PART NO.	1 2 3 4 5	DESCRIPTION	QTY.
1	620482		ALUMINUM BED, ELECTRIC LIFT (Includes Items 14, 43 - 60)	1
2	620481		ALUMINUM BED, MANUAL LIFT (Includes Items 3 - 6, 14, 43)	1
3	71537GO2		GAS SPRING	1
4	602904		TETHER CABLE ASSEMBLY	1
5	21683G1		COTTER PIN, 0.844 X 2.969"	1
6	14443G12		CLEVIS PIN, 1/2" x 2.22"	1
7	620517		LATCH INSTALLTION (includes items 74 - 79)	1
8	74962GO1		LATCH BED WELDMENT	1
9	71477GO2		LATCH RETAINER BRACKET	1
10	71099GO2		LATCH KEEPER PLATE	2
11	71538GO1		LATCH TORSION SPRING	1
12	01118GO1		HEX SCREW, 1/4 - 20 X 8"	4
13	71704GO1		HANDLE GRIP	2
14	612612		ALUMINUM BED, LARGE (Includes Items 15 - 42)	1
15	612957		PAN HEAD SCREW, 10 - 24 X 1/2" LG	6
16	612958		HEX HEAD BOLT, 1/4 -20 X 3/8" LG	4
17	612959		TORX SCREW, 1/4 -20 X.1/2"	28
18	612960		FLAT WASHER, 1/4"	4
19	612961		HEX NUT, 3/8 -16	2
20	612962		EDGE PROTECTOR	1
21	612963		EDGE PROTECTOR	1
22	612964		EDGE PROTECTOR	2
23	612965		CLEVIS PIN, 1/2" X 3" LG	3
24	612966		TRUCK BED FLOOR	1
25	612967		SIDE PANEL WELDMENT (DRIVER SIDE)	1
26	612968		SIDE PANEL WELDMENT(PASSENGER SIDE)	1
27	612969		FRONT PANEL	1
28	612970		TAILGATE	1
29	612971		TAILGATE PIVOT PIN,	2
30	612972		TAILGATE HINGE, (DRIVER SIDE)	1
31	612973		RUE RING PIVOT CLIP	3

TRUCK BED - METAL

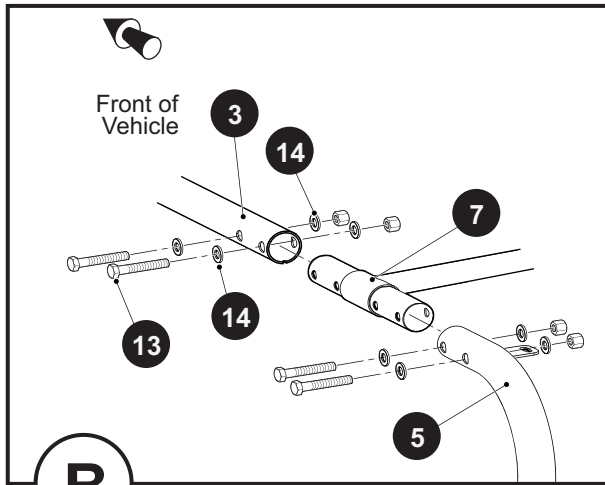
When ordering parts, please specify the model and serial number of the product.

* Indicates a component that is not available as an individual part.

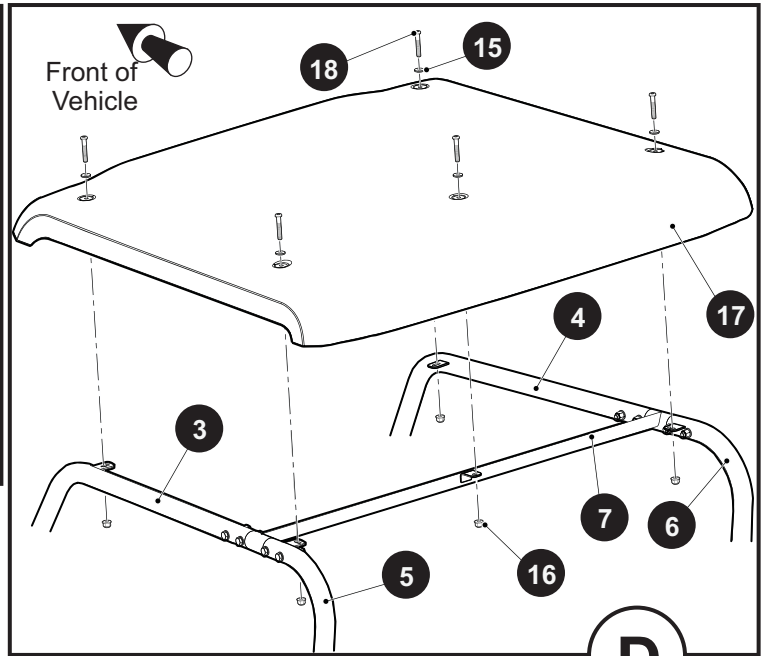
*** Indicates consult Customer Service Department for additional information.

ITEM	PART NO.	1	2	3	4	5	DESCRIPTION	QTY.
32	612974						LEVELING PAD	2
33	612975						BUMPER INSERT,RUBBER	4
34	612976						DRAW LATCH ASSY	2
35	612977						DRAW LATCH KEEPER.....	2
36	612978						TAILGATE HINGE, (PASSENGER SIDE)	1
37	614440						MAT RETAINER	1
38	614445						RIVET, 3/16"	9
39	614444						HINGE SUPPORT	2
40	614565						HEX NUT,#10 - 24	2
41	614564						HEX BOLT, 5/16 -18 X 7/8".....	1
42	620641						RUBBER MAT	1
43	70291GO1						FLANGED BUSHING, URETHANE	4
44	17618G1						NYLON CLAMP (NOT SHOWN).....	8
45	74165G02						CIRCUIT BREAKER MOUNTING BRACKET	1
46	00150G4						SCREW, #10 - 24 X 1/2" LG	2
47	00565G5						LOCK WASHER, #10.....	2
48	00526G3						HEX NUT, #10 - 24.....	2
49	27680G01						TOGGLE SWITCH	1
50	27447G01						TOGGLE GUARD ASSEMBLY	1
51	10570G9						RIVET, 1/8" X 11/32" LG (ALUMINUM)	2
52	25976G14						14 GA WIRE (RED 5")	1
53	14443G11						CLEVIS PIN, 1/2" X 1 3/4" LG.....	1
54	27613G01						SPACER.....	2
55	21683G1						COTTER PIN, 15/32" X 2 X 13/16" LG	1
56	74163G01						DUMP HARNESS (48V) (NOT SHOWN).....	1
57	11845G3						INSULATED CABLE CLAMP, 11/16" (NOT SHOWN).....	2
58	00532G3						HEX NUT, 5/16 - 18 (NOT SHOWN).....	2
59	21320G3						CIRCUIT BREAKER (30 AMP 12V).....	1
60	27612G04						ELECTRIC ACTUATOR, 48V	1
61	618088						CUSHMAN REAR BED DECAL.....	1
62	74821G01						BED CAPACITY LABEL.....	1

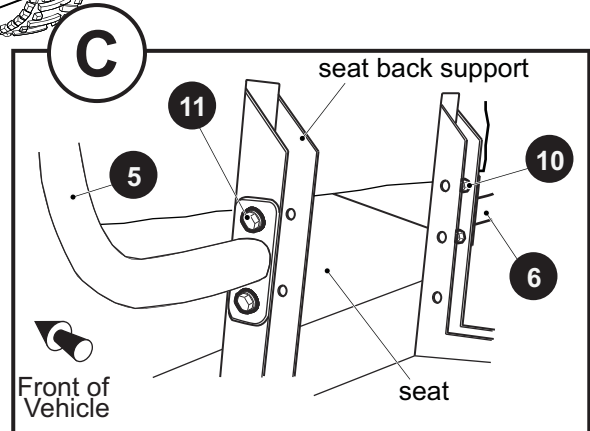
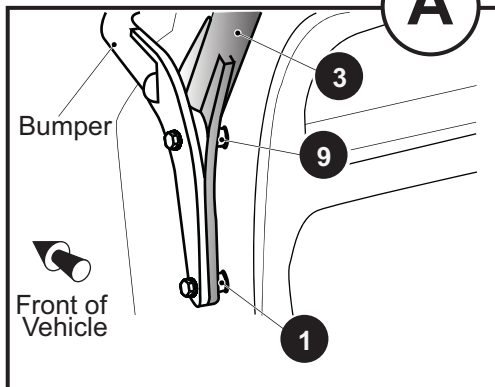
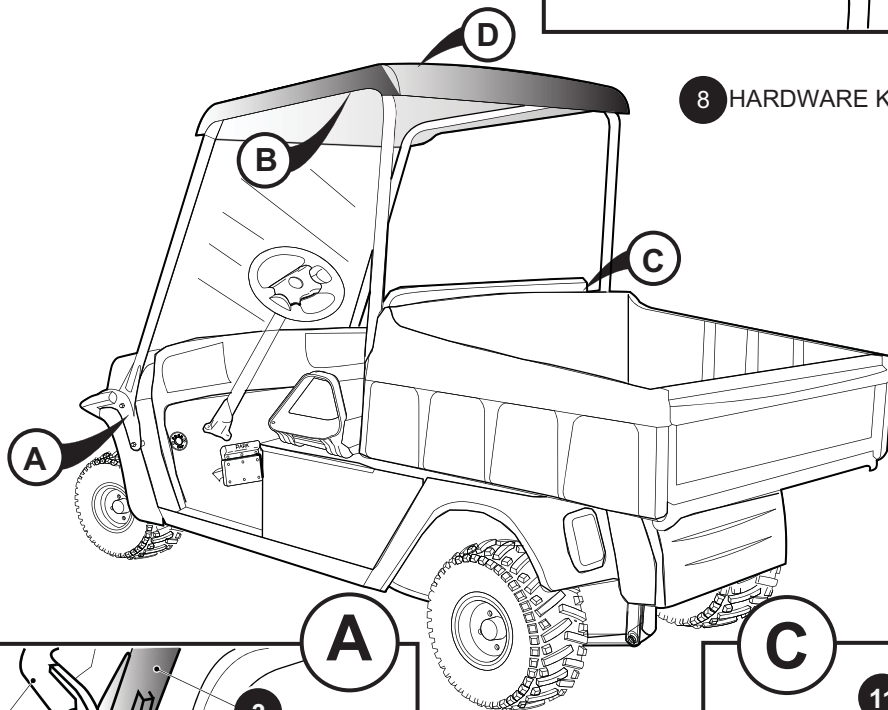
WEATHER PROTECTION



2 CANOPY STRUTS KIT Includes Items 3 - 8



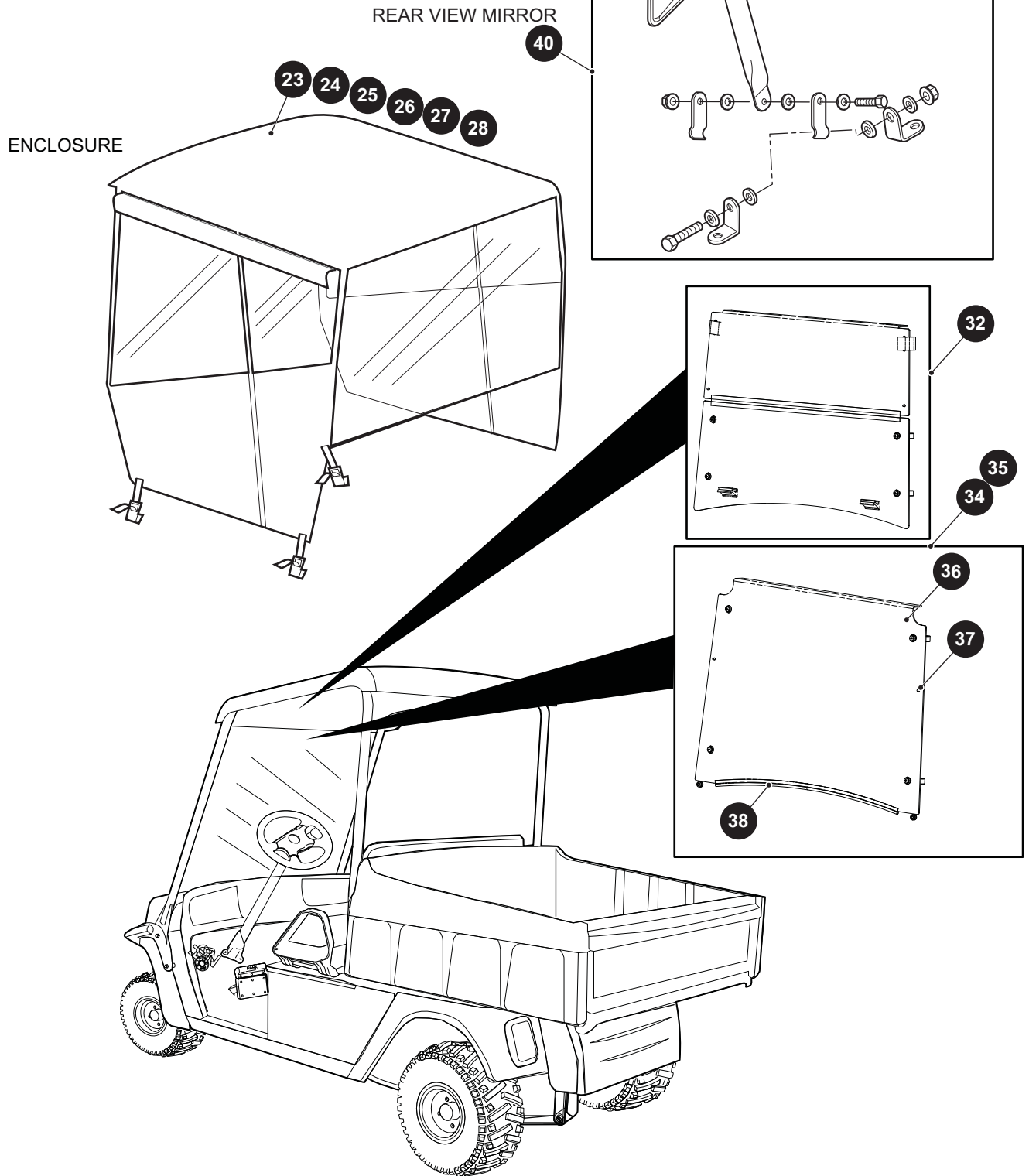
8 HARDWARE KIT Includes Items 9 - 16



WEATHER PROTECTION

33 FULL WIND SHIELD Includes Items 34 - 35

35 FULL WIND SHIELD ASSEMBLY Includes Items 36 - 38



WEATHER PROTECTION

When ordering parts, please specify the model and serial number of the product.

* Indicates a component that is not available as an individual part.

*** Indicates consult Customer Service Department for additional information.

ITEM	PART NO.	1 2 3 4 5	DESCRIPTION	QTY.
1	75048G01		SPACER, 1/2"	2
2	624174		CANOPY STRUTS KIT (Includes Items 3 - 8)	1
3	617755		FRONT CANOPY SUPPORT, DRIVER SIDE	1
4	617756		FRONT CANOPY SUPPORT, PASSENGER SIDE	1
5	617757		REAR CANOPY SUPPORT, DRIVER SIDE	1
6	617758		REAR CANOPY SUPPORT, PASSENGER SIDE	1
7	617641		CANOPY SUPPORT, CROSS TUBE	1
8	624119		HARDWARE KIT (Includes Items 9 - 16).....	1
9	619586		SPACER, 3/4"	2
10	11098G6		LOCK NUT, PLASTIC INSERT, 5/16 - 18"	4
11	00438G7		HEX BOLT, 5/16 - 18 X 7/8"	4
12	11098G5		LOCK NUT, PLASTIC INSERT 3/8 - 16"	8
13	00428G2		BOLT, 3/8-16 X 2 - 1/4"	8
14	00560G1		FLAT WASHER, 3/8"	16
15	00915G1		BONDED SEAL WASHER, 1/4"	5
16	601476		LOCK NUT M6-1	5
17	624829		CANOPY, BLACK	1
18	602063		TORX BOLT, M6 -1 X 40	5
19				
20				
21				
22				
23	624829		BLACK TOP ENCLOSURE	1
24	624830		GRAY TOP ENCLOSURE	1
25	624831		GREEN TOP ENCLOSURE	1
26	624832		WHITE TOP ENCLOSURE	1
27	624833		TAN TOP ENCLOSURE	1
28	*		VELCRO.....	AR
29				
30				
31				

WEATHER PROTECTION

When ordering parts, please specify the model and serial number of the product.

* Indicates a component that is not available as an individual part.

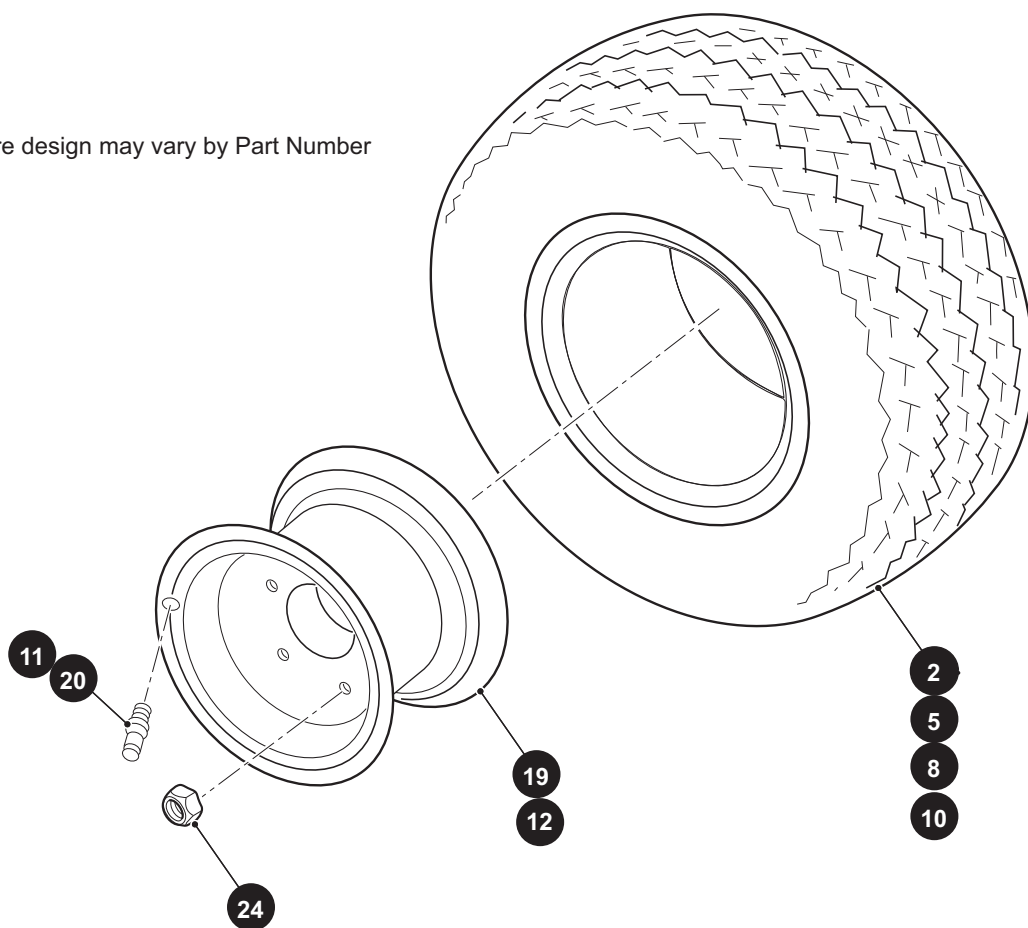
*** Indicates consult Customer Service Department for additional information.

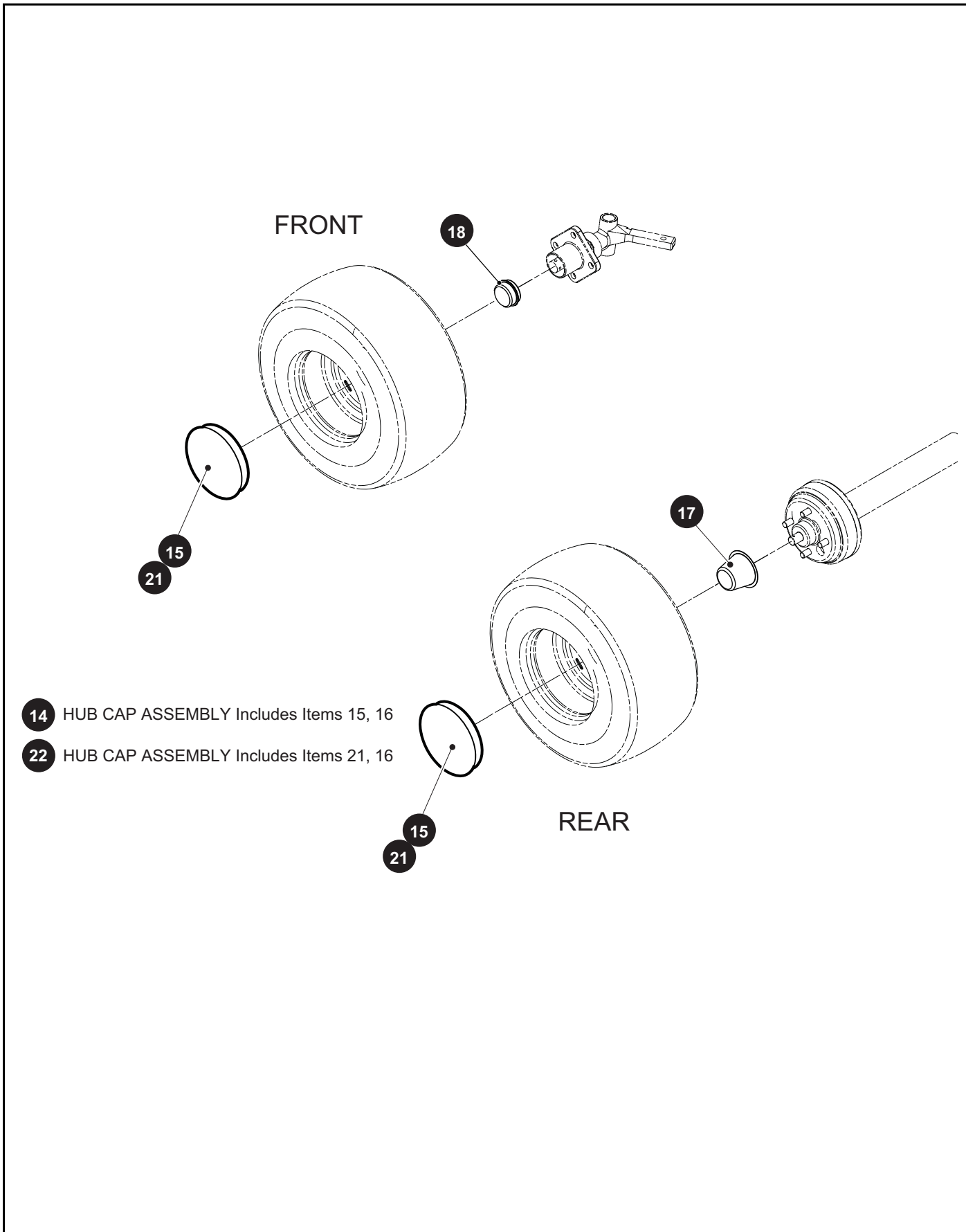
ITEM	PART NO.	1 2 3 4 5	DESCRIPTION	QTY.
32	619075		SPLIT WINDSHIELD.....	1
33	619074		FULL WINDSHIELD (Includes Items 34 - 35).....	1
34	619071		WINDSHIELD HARDWARE KIT.....	2
35	619070		FULL WINDSHIELD ASSEMBLY (Includes Items 36 - 38)	1
36	619072		FULL WINDSHIELD.....	1
37	604115		WINDSHIELD ISOLATOR GROMMET.....	2
38	625100		WINDSHIELD MOLDING.....	1
39				
40	27924G01		MIRROR ASSEMBLY	1

WHEELS AND TIRES

- 1 WHEEL AND TIRE ASSEMBLY (Links) Includes Items 2, 19, 20
- 4 WHEEL AND TIRE ASSEMBLY (Turf saver) Includes Items 5, 19, 20
- 7 WHEEL AND TIRE ASSEMBLY (Sure Trail) Includes Items 8, 19, 20
- 9 WHEEL AND TIRE ASSEMBLY (Turf saver) Includes Items 10, 11, 12

Tire design may vary by Part Number





- 14 HUB CAP ASSEMBLY Includes Items 15, 16
- 22 HUB CAP ASSEMBLY Includes Items 21, 16

WHEELS AND TIRES

When ordering parts, please specify the model and serial number of the product.

* Indicates a component that is not available as an individual part.

*** Indicates consult Customer Service Department for additional information.

ITEM	PART NO.	1 2 3 4 5	DESCRIPTION	QTY.
1	28757G01		WHEEL AND TIRE ASSEMBLY, LINKS (INCLUDES ITEMS 2, 19, 20)	1
2	28764G01		CARLISLE TIRE (LINKS 18 X 8.5 - 8, 4 PLY RATED).....	1
3				
4	28757G03		WHEEL AND TIRE ASSEMBLY, TURF SAVER (INCLUDES ITEMS 5, 19, 20)	1
5	28764G03		CARLISLE TIRE (TURF SAVER 18 X 8.5 - 8, 4 PLY RATED).....	1
6				
7	28842G01		WHEEL AND TIRE ASSEMBLY, SURE TRAIL (INCLUDES ITEMS 8, 19, 20).....	1
8	28764G08		CARLISLE TIRE (USA TRAIL LOAD RANGE C)	1
9				
10				
11				
12				
13				
14	607101		HUB CAP ASSEMBLY (INCLUDES ITEMS 15, 16)	1
15	615229		HUBCAP GOLD	1
16	603783		CLIP (NOT SHOWN)	3
17	74175G01		DUST CAP	2
18	12091G2		SPINDLE CAP	2
19	28759G01		WHEEL RIM (4 LUG).....	1
20	11657 G2		VALVE STEM	1
21				
22				
23				
24	14723G1		LUG NUT 1/2 - 20	A/R



CUSHMAN™

E-Z-GO Division of Textron Inc.,
1451 Marvin Griffin Road, Augusta, Georgia 30906 - 3852 USA

TO CONTACT US...

North America:

Technical Assistance & Warranty
Service Parts

Phone: 1-800-774-3946, FAX: 1-800-448-8124

Phone: 1-888-GET-E-Z-GO (1-888-438-3946), FAX: 1-800-752-6175

International:

Phone: 001-706-798-4311, FAX: 001-706-771-4609

Service Parts Manuals, as well as Repair and Service Manuals
are available from a local Distributor, an authorized Branch,
Genuine E-Z-GO Parts & Accessories Department or at www.shopezgo.com.

ISO 9001
ISO 14001

BUREAU VERITAS
Certification



Copyrighted Material
This manual may not be reproduced in whole or
in part without the express permission of
E-Z-GO Division of Textron Inc.
Technical Communications Department