



CUSHMAN™

Gasoline Service Parts Manual



624953

ISSUED: SEPTEMBER 2011 REVISED DECEMBER 2011

SERVICE PARTS MANUAL

GASOLINE POWERED UTILITY VEHICLE

HAULER 1200

REFRESHER 1200

STARTING MODEL YEAR 2012

DISCLAIMER: The E-Z-GO Division of Textron Inc. (E-Z-GO) reserves the right to incorporate engineering and design changes to products in this Manual, without obligation to include these changes on units leased/sold previously.

The information contained in this Manual may be revised periodically E-Z-GO, and therefore is subject to change without notice.

E-Z-GO DISCLAIMS LIABILITY FOR ERRORS IN THIS MANUAL, and E-Z-GO SPECIFICALLY DISCLAIMS LIABILITY FOR INCIDENTAL AND CONSEQUENTIAL DAMAGES RESULTING FROM THE USE OF THE INFORMATION AND MATERIALS IN THIS MANUAL.

TO CONTACT US

NORTH AMERICA:

TECHNICAL ASSISTANCE & WARRANTY PHONE: 1-800-774-3946, FAX: 1-800-448-8124

SERVICE PARTS PHONE: 1-888-GET-EZGO (1-888-438-3946), FAX: 1-800-752-6175

INTERNATIONAL: PHONE: 001-706-798-4311, FAX: 001-706-771-4609

E-Z-GO DIVISION OF TEXTRON INC., 1451 MARVIN GRIFFIN RD., AUGUSTA, GEORGIA USA 30906-3852

GENERAL INFORMATION

To obtain a copy of the limited warranty applicable to the vehicle, call or write a local Distributor, authorized Branch or the Warranty Department with vehicle serial number and manufacturer code.

The use of non Original Equipment Manufacturer (OEM) parts may void the warranty.

Overfilling of batteries may void the warranty.

BATTERY PROLONGED STORAGE

All batteries will self discharge over time. The rate of self discharge varies depending on the ambient temperature and the age and condition of the batteries.

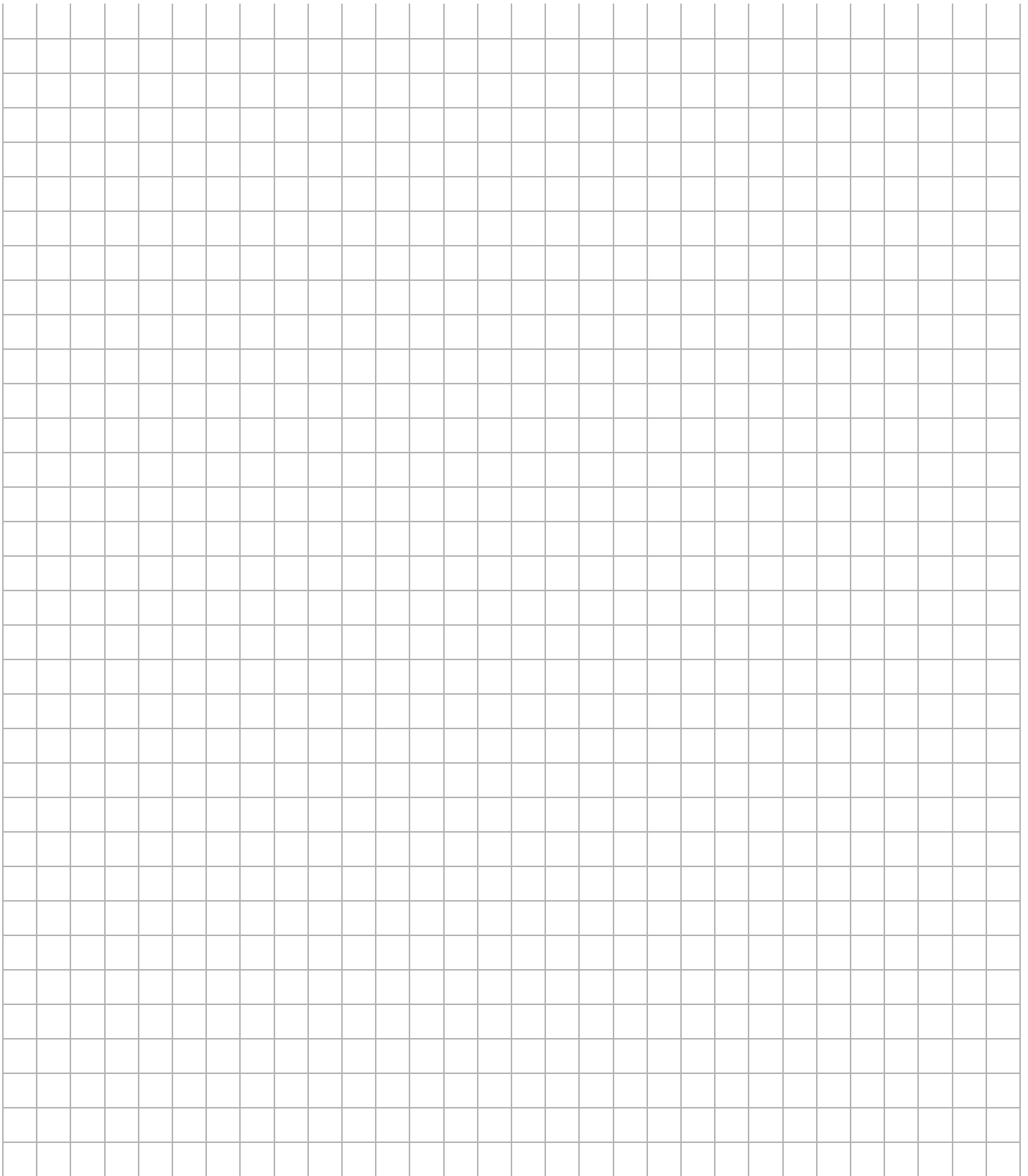
A fully charged battery will not freeze in winter temperatures unless the temperature falls below -75° F (-60° C).

As with all electric vehicles, the batteries must be checked and recharged as required or at a minimum of 30 day intervals.

TABLE OF CONTENTS

SECTION	Page No.
HOW TO USE THE SERVICE PARTS MANUAL.....	V
ACCELERATOR ASSEMBLY.....	A-1
AIR FILTER.....	B-1
BODY.....	C-1
BRAKES - MECHANICAL AND FRONT DISC BRAKES.....	D-1
CAB.....	E-1
CARBURATOR.....	F-1
CLUTCH.....	G-1
DIRECTION SELECTOR.....	H-1
ELECTRICAL SYSTEM.....	J-1
ENGINE MOUNTING.....	K-1
ENGINE AND MUFFLER.....	L-1
FRONT SUSPENSION AND STEERING.....	M-1
FUEL SYSTEM.....	N-1
REAR AXLE.....	P-1
REAR SUSPENSION.....	Q-1
REFRESHER UNIT.....	R-1
SEATING.....	S-1
STARTER / GENERATOR.....	T-1
TRUCK BED - METAL AND PLASTIC.....	U-1
WEATHER PROTECTION.....	V-1
WHEELS AND TIRES.....	W-1

NOTES



HOW TO USE THE SERVICE PARTS MANUAL

This manual is divided into several sections:

- GENERAL INFORMATION
- ILLUSTRATED PARTS BREAKDOWN
- APPENDIX

The first section, GENERAL INFORMATION, contains the following information:

- WARRANTY INFORMATION
- GENERAL INDEX
- HOW TO USE THE SERVICE PARTS MANUAL

The second section, ILLUSTRATED PARTS BREAKDOWN, contains illustrations and parts lists for all systems of your vehicle.

The third section, APPENDIX, contains a listing of specialty products and accessories.

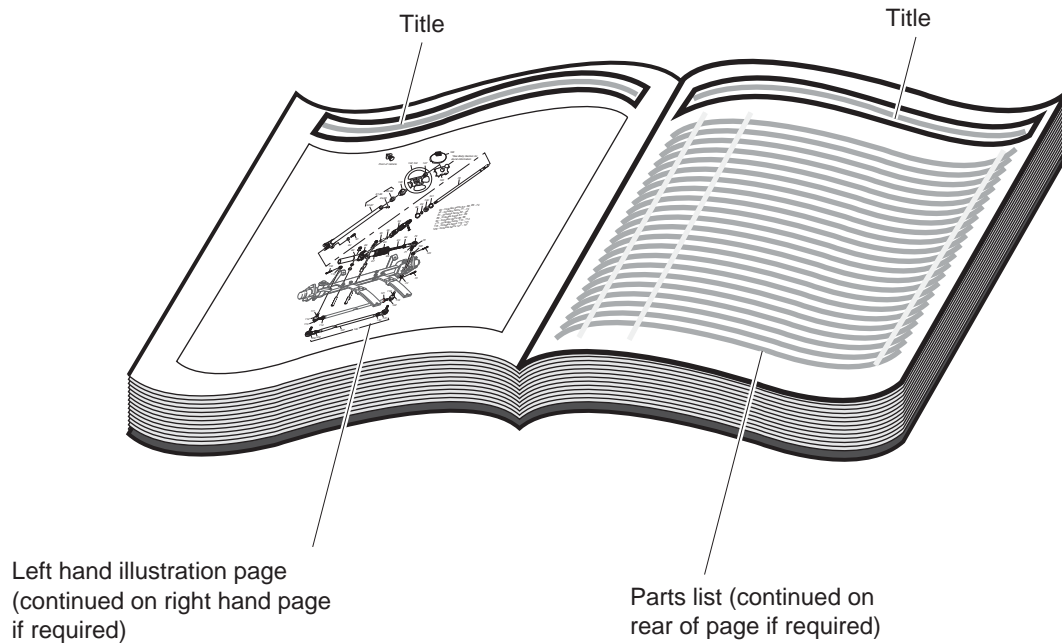
USE OF THE MANUAL

To use this manual, consult the GENERAL INDEX to locate the information or illustration required.

Introduction of some revisions varies due to supply of components; therefore, it is possible that various combinations of components may be found that are not directly reflected by each illustration. Consult the illustration that best suits your situation and then contact the Service Parts Department. It is important that the serial number of your vehicle and its model number be supplied to Service Parts when ordering any replacement components.

Locate the serial number plate (see BODY located in the Illustrated Parts Breakdown section of this manual for its location) and note the complete number shown on the plate.

HOW TO USE THE SERVICE PARTS MANUAL



1. WHEN THE PART NUMBER IS NOT KNOWN

- Determine the function and application of the part required. Turn to the General Index and select the most appropriate title.
- Turn to the page number indicated and locate the desired part on the illustration.
- From the illustration, obtain the item number assigned to the desired part. Refer to the accompanying description for specific information regarding the part.

2. IF YOU KNOW THE PART NUMBER

- Locate the part number or description in the appropriate column on the parts list page.

NOTE: It is suggested that you confirm that the part selected is correct by verifying it with the pictorial representation on the illustrated page.

Should an asterisk (*) appear in the part number column on the parts list page, read upwards until a part number is found. The part number is the lowest assembly sold by Service Parts and the asterisk (*) indicates that the part depicted is not available for purchase.

NOTE: Descriptions are indented under the assembly that they are used on. That assembly is, in turn listed under the assembly that it is used on. This process is repeated until the highest final assembly is reached.

To facilitate the maintenance and repair of the vehicle, a Technician's Repair and Service Manual is available from the Service Parts Department.

HOW TO USE THE SERVICE PARTS MANUAL

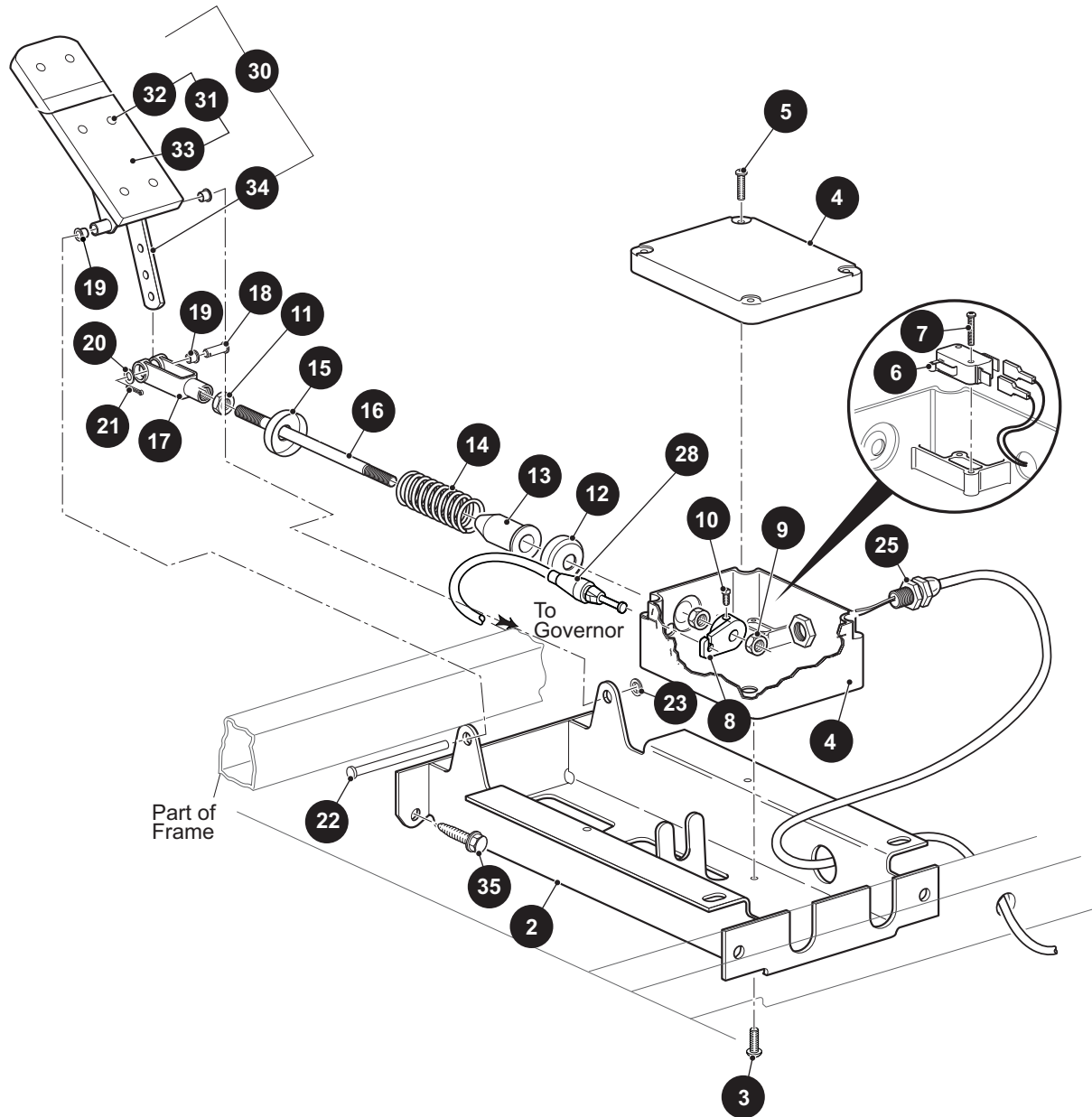
3. COLOR CODE FOR BODY COMPONENTS

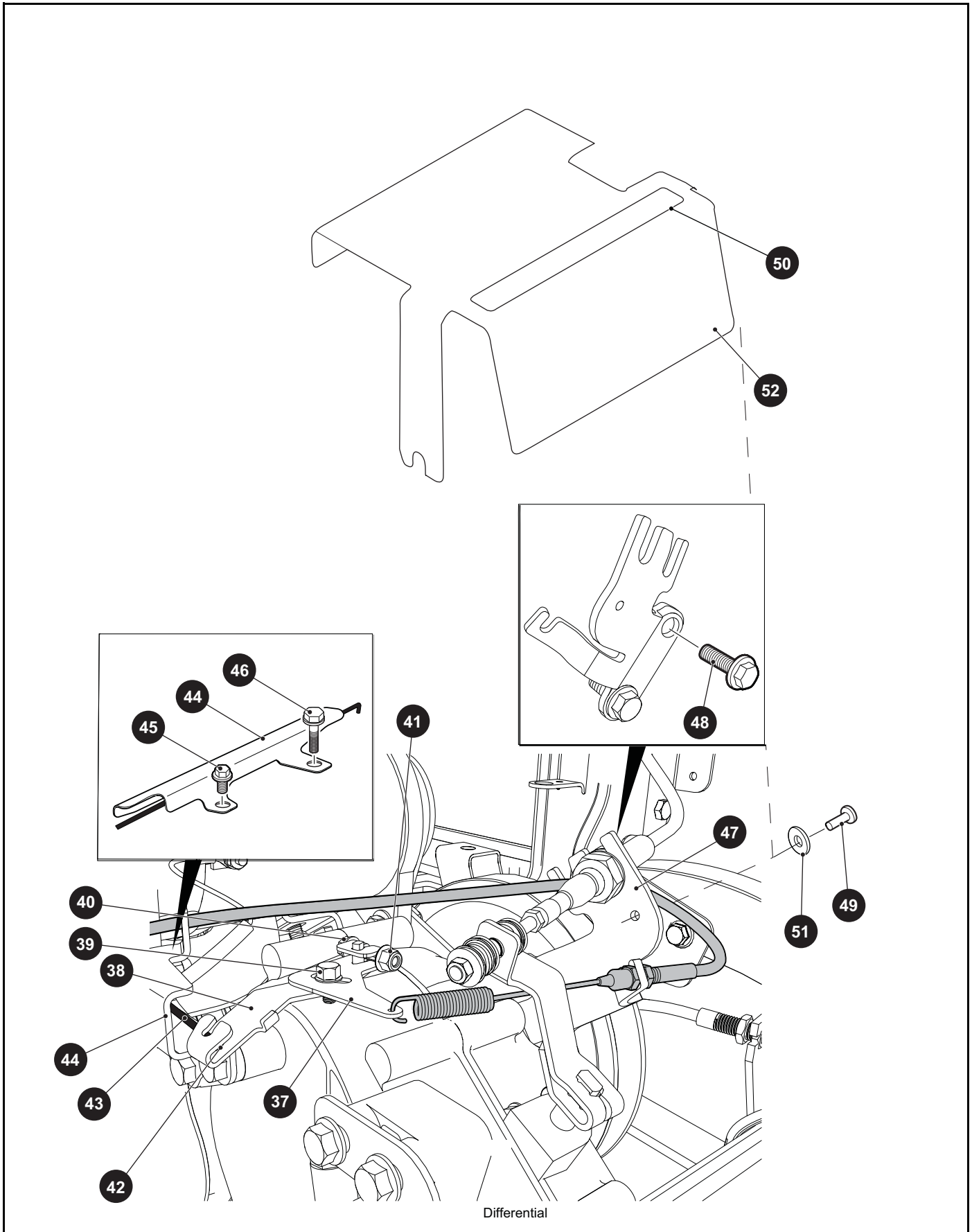
The last two digits of the part number for the body part will denote the color code, locate the part number for the cowl, rear body, seat pod, side panel or seat wrap then locate your color in the list below, replace the last ** or XX with the two digit color code.

<u>CODE #</u>	<u>DESCRIPTION</u>	<u>CODE #</u>	<u>DESCRIPTION</u>
01	NO PAINT	53	MOSSY OAK NEW BREAK UP - DIPPED
02	SPECIAL COLOR	54	MOSSY OAK OBSESSION - DIPPED
05	JACOBSEN ORANGE	55	REALTREE ADVANTAGE MAX 4 - DIPPED
06	LIGHT GOLD PEARL	56	REALTREE HARDWOOD BROWN - DIPPED
07	SILVER PEARL METALIC	57	REALTREE AP HOT PINK - DIPPED
11	BLACK	58	BLACK / SILVER MARBLE - DIPPED
12	EMERALD GREEN PEARL	59	RED / SILVER MARBLE - DIPPED
13	CLOUD GREY	60	HOT PINK / SILVER MARBLE - DIPPED
14	VIPER BLUE METALLIC	61	REALTREE AP
19	PATRIOT BLUE PEARL	62	REALTREE MAX 4
20	INFERNO RED METALLIC	63	MOSSY OAK BREAKUP
23	ADVANTAGE CLASSIC CAMO	64	MOSSY OAK TREESTAND
24	NATURAL	65	REALTREE APG
25	VIVID NEW HOLLAND BLUE	66	REALTREE MAX 1
26	STEEL BLUE PEARL	67	REALTREE AP PINK
27	BRIGHT SILVER METALLIC	68	REALTREE AP - DIPPED
29	PRIMER ONLY		
30	HD ADVANTAGE CAMO		
31	METALLIC CHARCOAL		
32	LIGHT ALMOND PEARL		
33	TIMBERLINE GREEN		
34	DEEP MOLTEN RED		
35	SAFETY YELLOW		
36	CHAMPAGNE BEIGE		
37	HUNTER GREEN		
38	BRIGHT WHITE		
39	FLAME RED		
40	BLACK		
41	ELECTRIC BLUE		
42	PLATINUM		
43	BURGUNDY		
44	ALMOND		
45	BLACK		
46	FLAME RED		
47	BURLINGTON GREEN		
48	BLACK		
49	FLAME RED		
50	RECON GREEN		
51	SUNBURST ORANGE		
52	BRITISH RACING GREEN		

ACCELERATOR

1 PEDAL BOX ASSEMBLY Includes Items 3 - 34





Differential

ACCELERATOR

When ordering parts, please specify the model and serial number of the product.

* Indicates a component that is not available as an individual part.

*** Indicates consult Customer Service Department for additional information.

ITEM	PART NO.	1 2 3 4 5	DESCRIPTION	QTY.
1	606991		PEDAL BOX ASSEMBLY (INCLUDES ITEMS 2 - 34)	1
2	70116G02		ACCELERATOR PEDAL BRACKET	1
3	01051G01		PAN HEAD PHILIPS SCREW, #8 - 16 X 1/2" LG	4
4	25853G03		PEDAL BOX AND COVER	1
5	00684G6		STAINLESS STEEL SCREW, #8 - 32 X 3/4" LG	2
6	25861G01		MICRO SWITCH	1
7	01050G01		PAN HEAD TORX SCREW, #4 - 20 X 5/8" LG	2
8	72716G01		MICRO SWITCH CAM	1
9	15126G1		LOCK NUT, 5/16 - 24	1
10	00487G3		SET SCREW, 1/4 - 20 X 3/8" LG	1
11	00532G4		HEX NUT, 5/16 - 24	2
12	17677G1		SPRING RETAINER	1
13	17979G1		ACCELERATOR ROD BUSHING	1
14	73046G01		COMPRESSION SPRING	1
15	17677G2		SPRING RETAINER	1
16	72072G01		ACCELERATOR ROD	1
17	10385G4		CLEVIS YOKE (ADJUSTABLE)	1
18	10386G3		CLEVIS PIN, 5/16" X 13/16" LG	1
19	17838G1		NYLON BUSHING	3
20	17255G1		TEFLON WASHER, 5/16"	1
21	10387G3		COTTER PIN, 3/32" X 3/4" LG	1
22	74432G01		PEDAL PIVOT PIN	1
23	12064G6		PUSH NUT, 9/32"	1
24				
25	72201G04		WIRE HARNESS (PEDAL BOX)	1
26				
27				
28	608614		ACCELERATOR CABLE	1
29				
30	25799G03		ACCELERATOR PEDAL ASSEMBLY (INCLUDES ITEMS 31- 34)	1
31	27844G01		ACCELERATOR PEDAL PAD KIT (INCLUDES ITEMS 32- 33)	1

ACCELERATOR

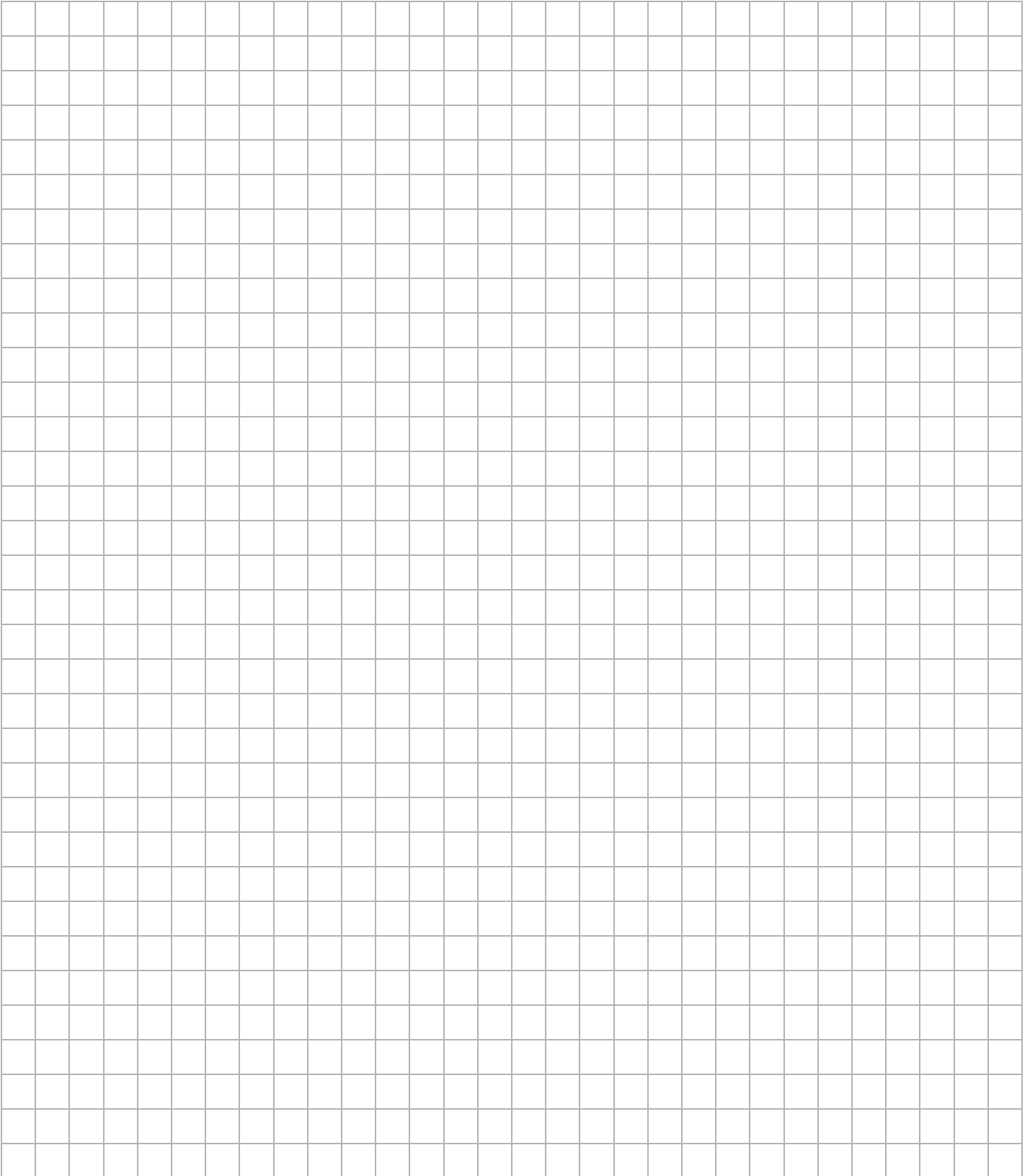
When ordering parts, please specify the model and serial number of the product.

* Indicates a component that is not available as an individual part.

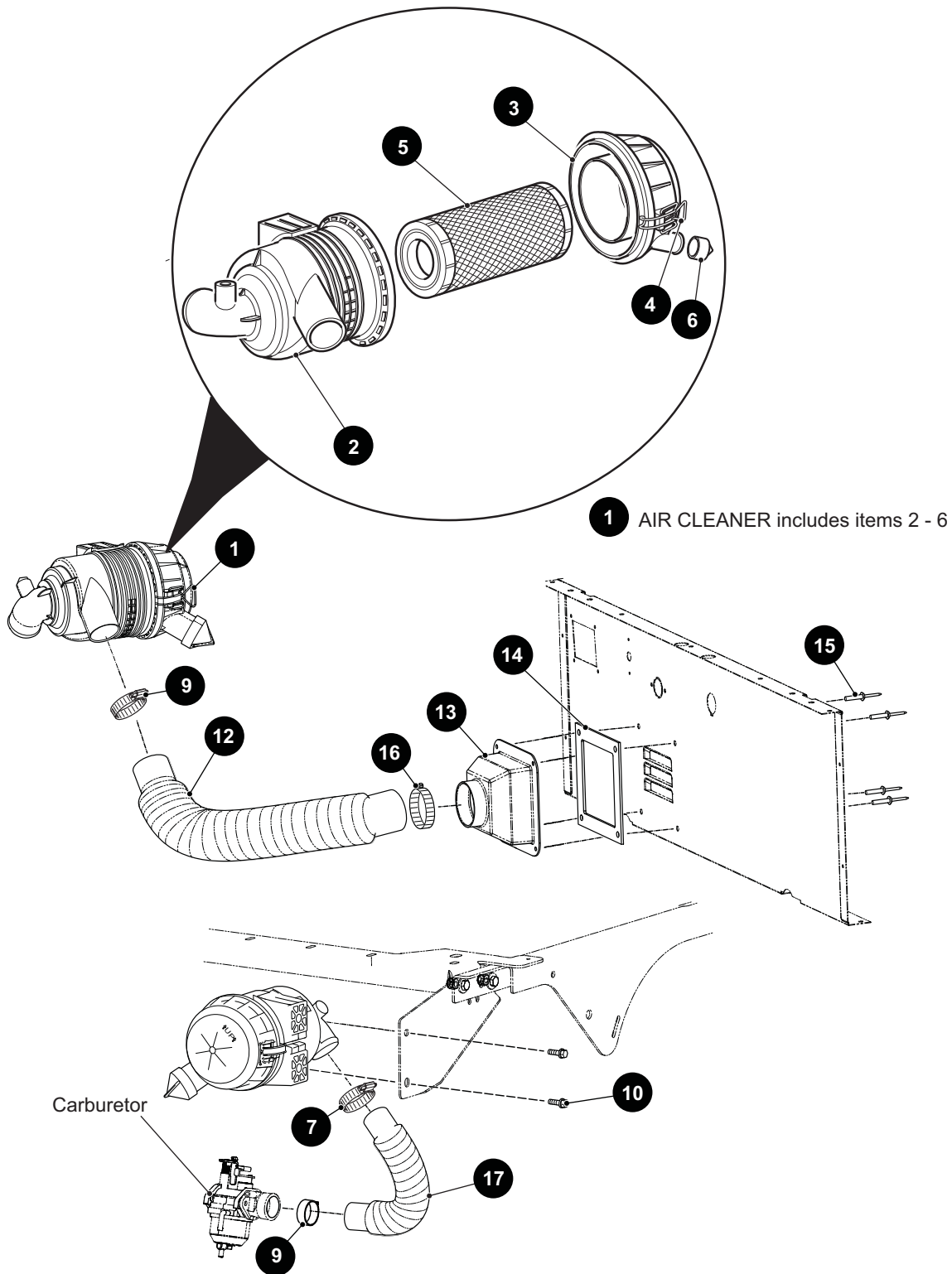
*** Indicates consult Customer Service Department for additional information.

ITEM	PART NO.	1	2	3	4	5	DESCRIPTION	QTY.
32	16409G1						OVAL RIVET, 3/16" X 7/16" LG.....	6
33	27512G01						ACCELERATOR PEDAL PAD	1
34	70125G04						ACCELERATOR PEDAL.....	1
35	00715G2						BOLT, 5/16 -18 X 4/5" LG.....	4
36								
37	606083						UPPER GOVERNOR BRACKET.....	1
38	606005						LOWER GOVERNOR BRACKET	1
39	606265						FLANGED HEX HEAD BOLT, M6 - 1 X 12	1
40	606421						FLANGED HEX HEAD BOLT, M6 - 1 X 30	1
41	450452						NUT, M6 - 1.0.....	1
42	606283						GOVERNOR LEVER BUSHING	1
43	606284						GOVERNOR ROD	1
44	603890						GOVERNOR ROD GUARD	1
45	606264						FLANGED HEX HEAD BOLT, M6 - 1 X 20	1
46	606262						FLANGED HEX HEAD BOLT, M8 - 1.25 X 16	1
47	606074						GOVERNOR CABLE / DIRECTION SELECTOR BRACKET	1
48	606256						FLANGED HEX HEAD BOLT, M10 - 1.25 X 16	2
49	14601G11						RIVET, 3/16 X 9/16 LG.....	1
50	608527						GOVERNOR WARNING DECAL.....	1
51	00915G1						BONDED WASHER, 1/4"	1
52	606199						GOVERNOR COVER	1
53	17618G1						NYLON CLAMP	2

Notes:

A large grid for taking notes, consisting of 30 columns and 30 rows of small squares.

AIR FILTER



AIR FILTER

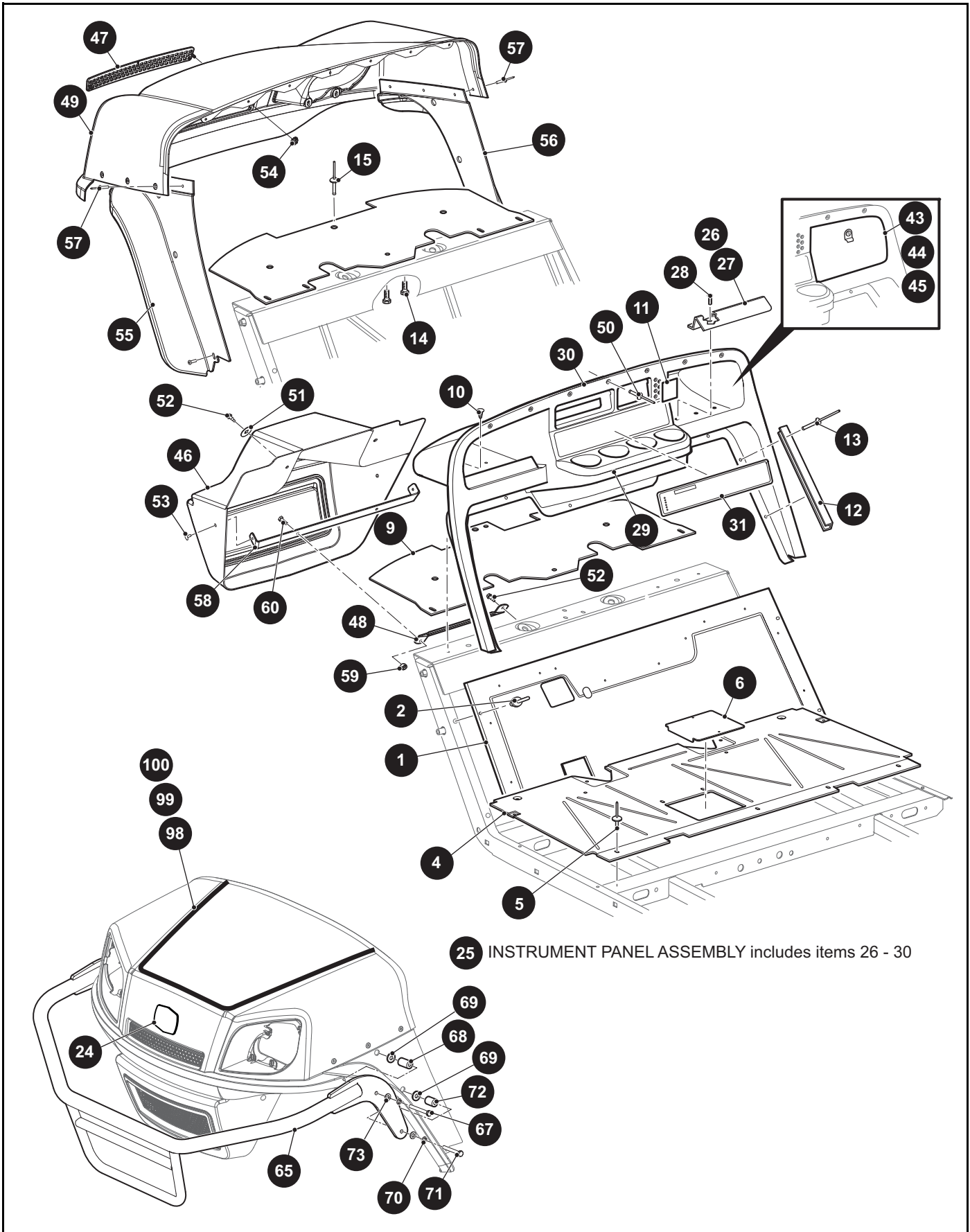
When ordering parts, please specify the model and serial number of the product.

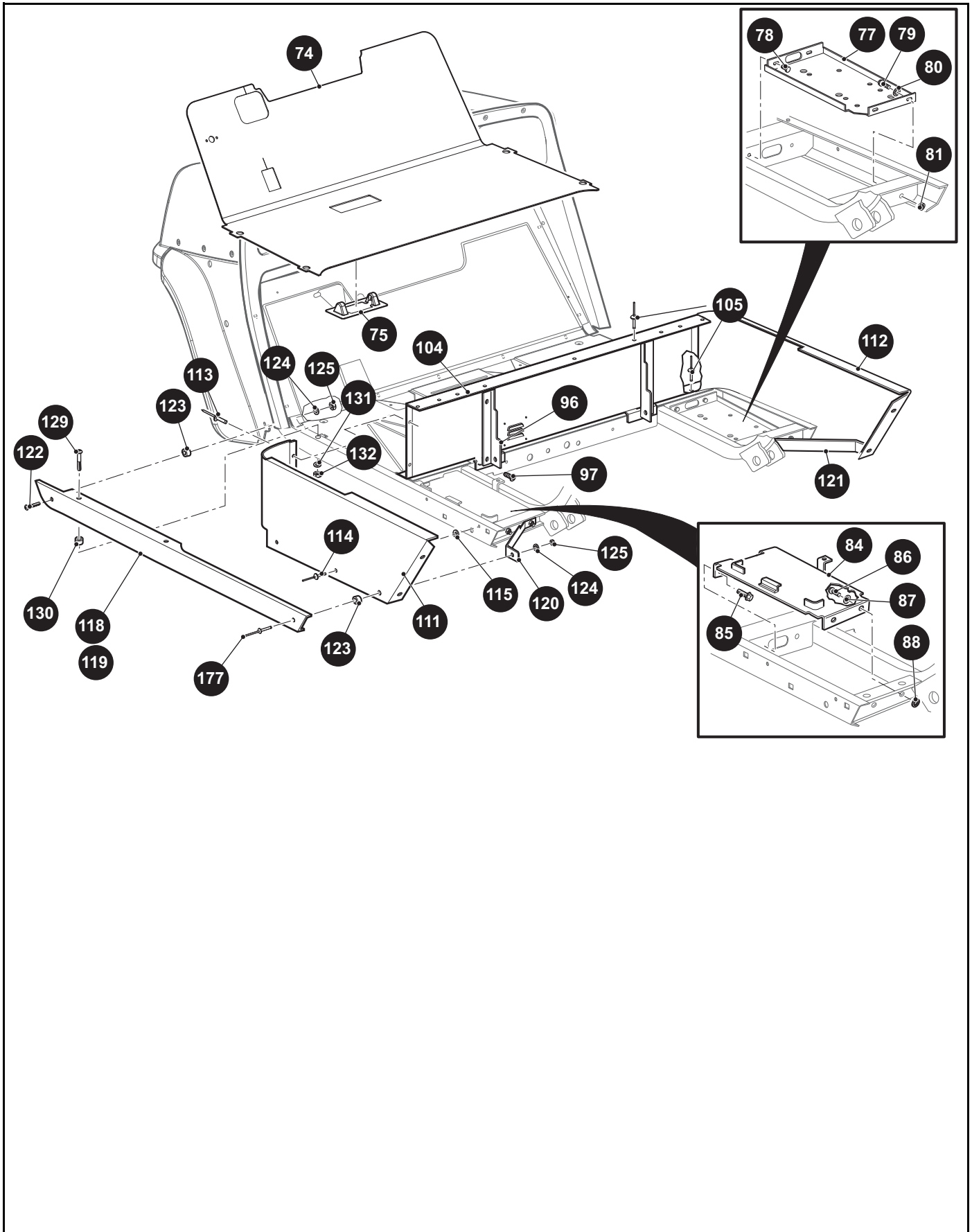
* Indicates a component that is not available as an individual part.

*** Indicates consult Customer Service Department for additional information.

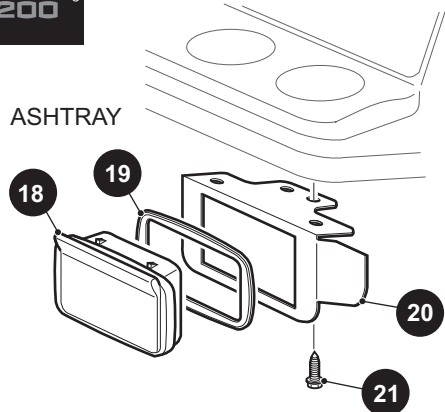
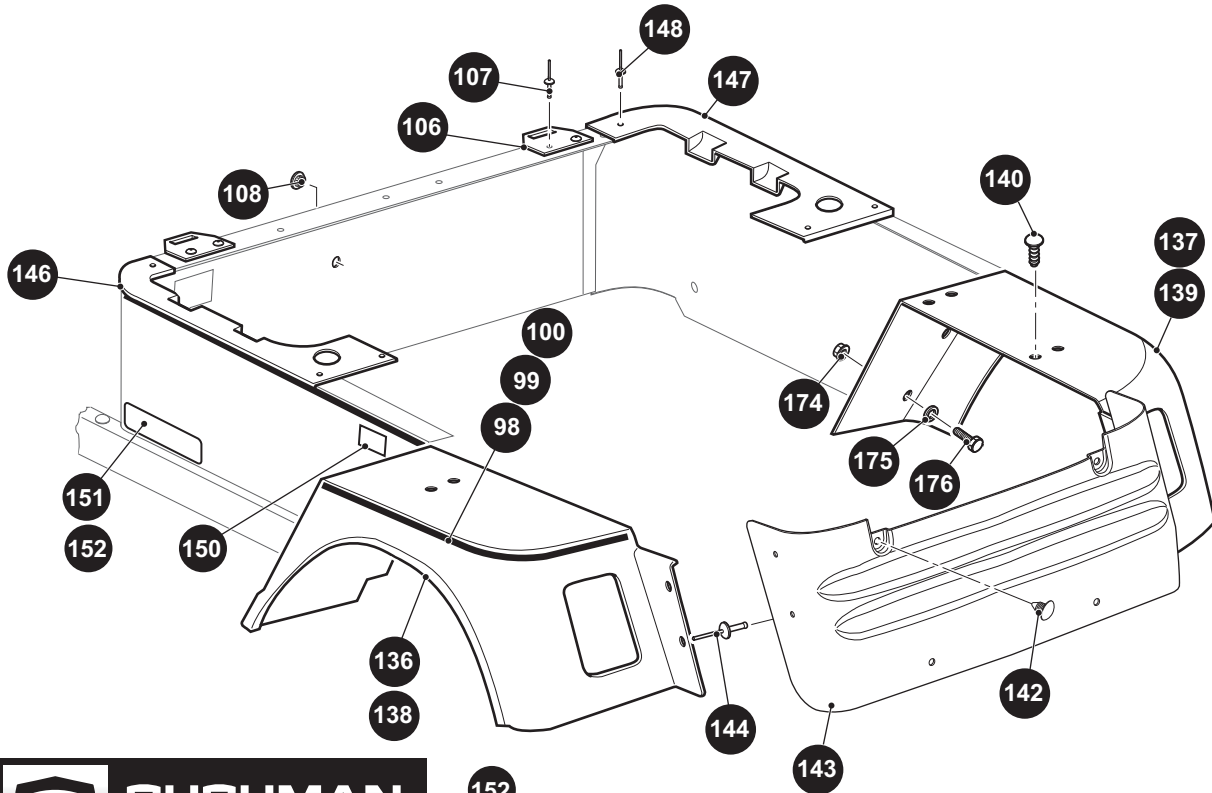
ITEM	PART NO.	1 2 3 4 5	DESCRIPTION	QTY.
1	614852		AIR CLEANER (INCLUDES ITEMS 2 - 6)	1
2	615390		BODY & BRACKET ASSEMBLY	1
3	72599G01		AIR CLEANER COVER	1
4	72604G01		AIR CLEANER CLIP	2
5	28463G01		AIR FILTER	1
6	28462G01		DUST EJECTOR VALVE	1
7	111391G7		HOSE CLAMP, 1.56 - 2.50 DIA	1
8	607950		HOSE, 10" LONG	1
9	11391G1		HOSE CLAMP, 1.31 - 2.25 DIA	3
10	25532G1		BOLT AND WASHER, M8 X 1.25 X 18 MM	4
11				
12	72637G03		AIR INTAKE HOSE, 16" LONG	1
13	72416G01		REMOTE AIR INTAKE ASSEMBLY	1
14	72415G01		REMOTE AIR INTAKE GASKET	1
15	71055G01		RIVET, 3/16 DIA	4
16	11391G2		HOSE CLAMP, 2.06 - 3.00 DIA	1
17	601910		HOSE, 14' LONG	1

BODY



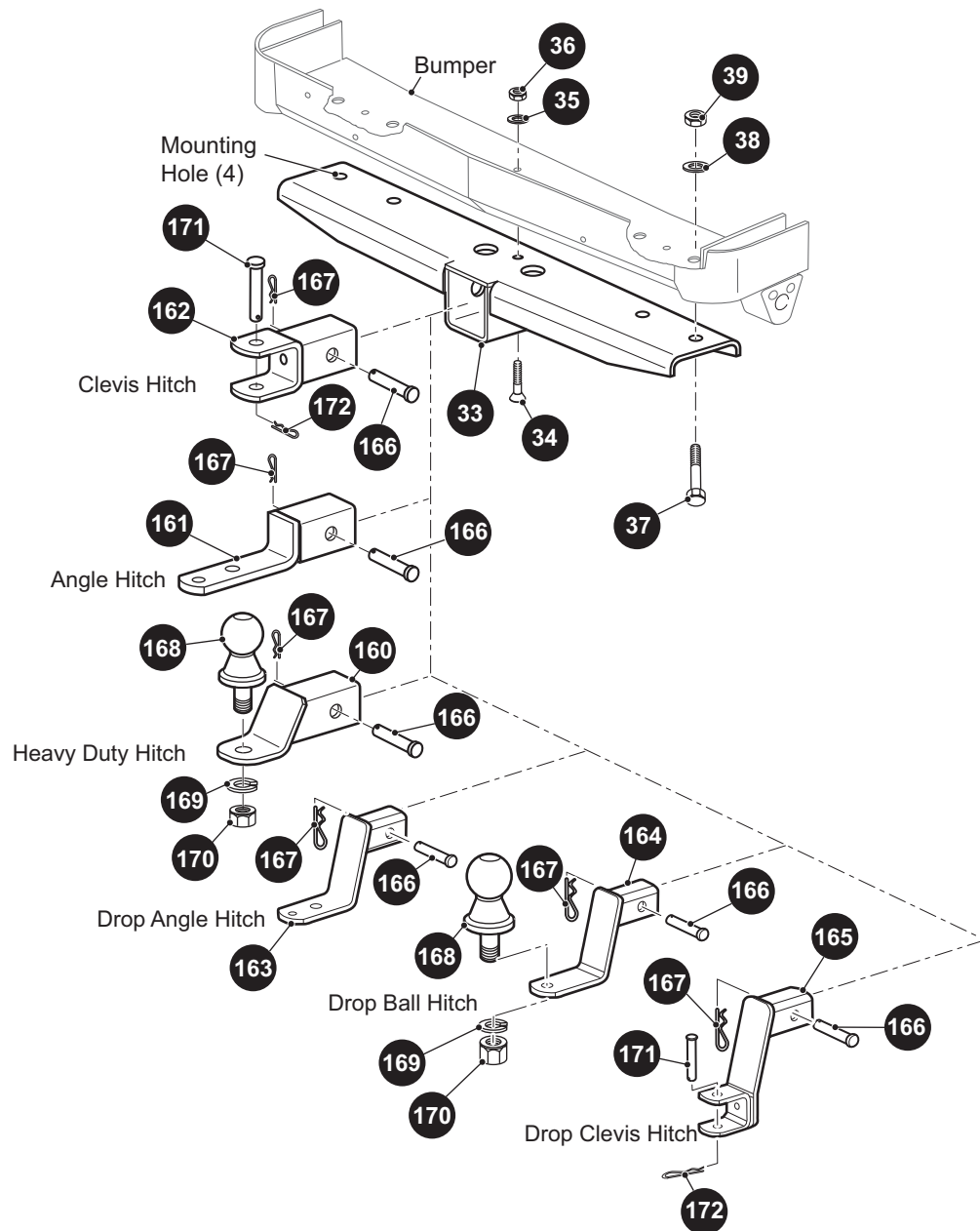


BODY



HITCHES

- 154 HEAVY DUTY HITCH KIT includes items 160, 166 - 170
- 155 ANGLE HITCH KIT includes items 161, 166, 167
- 156 CLEVIS HITCH KIT includes items 162, 166, 167, 171, 172
- 157 DROP ANGLE HITCH KIT includes items 163, 166, 167
- 158 DROP BALL HITCH KIT includes items 164, 160 - 170
- 159 DROP CLEVIS HITCH KIT includes items 165, 166, 167, 171, 172



BODY

When ordering parts, please specify the model and serial number of the product.

* Indicates a component that is not available as an individual part.

*** Indicates consult Customer Service Department for additional information.

ITEM	PART NO.	1 2 3 4 5	DESCRIPTION	QTY.
1	70662G01		UPPER FLOORPAN.....	1
2	14601G11		ALUMINUM RIVET, 3/16" X 9/16" LG	9
3				
4	70451G01		LOWER FLOORPAN.....	1
5	14601G11		ALUMINUM RIVET, 3/16" X 9/16" LG	7
6	70452G01		ACCESS COVER	1
7				
8				
9	71413G01		SPLASH PANEL.....	1
10	16816G2		RATCHET FASTENER, 1/4" X 3/4" LG	4
11	35968G01		T-HOLDER COVER LABEL	1
12	71115G01		VINYL TRIM	2
13	71055G01		ALUMINUM RIVET, 3/16" X 1" LG	10
14	71102G02		SELF TAPPING SCREW, 1/4 - 20 X 1/2" LG	3
15	71055G01		ALUMINUM RIVET, 3/16" X 1 1/8" LG	1
16				
17				
18	27731G01		ASH TRAY.....	1
19	27736G01		GASKET.....	1
20	75108G02		BRACKET.....	1
21	00100G4		SELF TAPPING SCREW, #10 - 16 X 1/2" LG	4
22				
23				
24	619135		DECAL, CUSHMAN COWL.....	1
25	71151G03		INSTRUMENT PANEL ASSEMBLY (INCLUDES ITEMS 26 - 30).....	1
26	71153P01		DEFLECTOR (PASSENGER SIDE)	1
27	71154P01		DEFLECTOR (DRIVER SIDE)	1
28	00614P5		SELF TAPPING SCREW, #8 - 18 X 5/8" LG.....	4
29	71158P01		INSTRUMENT PANEL INSERT (FOUR CUP).....	1
30	71152P01		INSTRUMENT PANEL	1
31	601781		LABEL (SAFETY).....	1

When ordering parts, please specify the model and serial number of the product.

* Indicates a component that is not available as an individual part.

*** Indicates consult Customer Service Department for additional information.

ITEM	PART NO.	1 2 3 4 5	DESCRIPTION	QTY.
32				
33	74348G02		HITCH RECEIVER.....	1
34	00198G8		BOLT, 5/16 - 18 X 1" LG.....	1
35	00571G2		FLAT WASHER, 5/16".....	1
36	11098G6		STAINLESS STEEL LOCK NUT, 5/16 - 18.....	1
37	00463G4		HEX HEAD BOLT, 7/16 - 14 X 1 1/2" LG.....	4
38	00922G3		FLAT WASHER, 7/16".....	4
39	00734G1		LOCK NUT, 7/16 - 14.....	4
40				
41				
42				
43	75459G01		GLOVE BOX DOORS (BOTH SIDES).....	1
44	75459G02		GLOVE BOX DOOR (DRIVER SIDE).....	1
45	75459G03		GLOVE BOX DOOR (PASSENGER SIDE).....	1
46	613273		FRONT FASCIA.....	1
47	617643		COWL GRILL COVER.....	1
48	70725G02		FRONT SHIELD BRACE.....	2
49	613036G**		COWL (See COLOR CODE in HOW TO USE Section of Manual).....	1
50	71055G01		ALUMINUM RIVET, 3/16" X 1" LG.....	7
51	16469G1		FENDER WASHER, 9/32".....	2
52	01038G01		SWAGEFORM SCREW, 1/4" - 20" X .7" LG.....	4
53	15058G1		ALUMINUM RIVET, .87".....	2
54	71597G01		SELF THREADING NUT, 5 X 10 X 15mm.....	2
55	614378		FENDER FLARE (DRIVER SIDE).....	1
56	613274		FENDER FLARE (PASSENGER SIDE).....	1
57	71055G01		ALUMINUM RIVET, 3/16" X 1" LG.....	6
58	618653		FASCIA BRACKET.....	1
59	14390G4		LOCK NUT, 1/4 - 20.....	2
60	300646		HEX SCREW, 1/4 -20 X 3/4 G5.....	2
61				
62				

BODY

When ordering parts, please specify the model and serial number of the product.

* Indicates a component that is not available as an individual part.

*** Indicates consult Customer Service Department for additional information.

ITEM	PART NO.	1	2	3	4	5	DESCRIPTION	QTY.
63								
64								
65	617620						BRUSHGUARD	1
66								
67	00440G6						CAP HEAD SCREW, 5/16-18 X 2-3/4"	2
68	75048G02						SPACER, .328 X 1.31	2
69	00570G2						FLAT WASHER, 5/16"	4
70	00905G8						LOCK WASHER, 5/16"	4
71	00440G2						SCREW, 5/16 - 18 X 2.75"	4
72	75048G04						SPACER	2
73	00559G8						FLAT WASHER, 0339	4
74	70663G04						FLOOR MAT W/HORN HOLE	1
75	70135G01						PEDAL PIVOT COVER	1
76								
77	70244G03						SPLASH PANEL	1
78	00715G2						BOLT, 5/16 - 18 X .80" LG	4
79	00438G8						HEX HEAD BOLT, 5/16 - 18 X 1" LG	2
80	00559G8						FLAT WASHER, 5/16"	2
81	11098G6						STAINLESS STEEL LOCK NUT, 5/16 - 18	2
82								
83								
84	600496						BATTERY TRAY	1
85	00715G2						BOLT, 5/16 - 18 X .80" LG	1
86	00438G8						HEX HEADBOLT, 5/16 - 18 X .75" LG	2
87	00571G2						FLAT WASHER, 5/16"	1
88	00565G8						LOCK WASHER, 5/16"	1
89								
90								
91								
92								
93								

When ordering parts, please specify the model and serial number of the product.

* Indicates a component that is not available as an individual part.

*** Indicates consult Customer Service Department for additional information.

ITEM	PART NO.	1 2 3 4 5	DESCRIPTION	QTY.
94				
95				
96	605763		SEAT FRAME	1
97	00715G2		BOLT, 5/16 - 18 X .80" LG.....	2
98	603728		PEWTERPINSTRIPING TAPE.....	1
99	75372G04		BLACK PINSTRIPING TAPE	1
100	75372G08		SILVER PINSTRIPING TAPE	1
101				
102				
103				
104	609143G**		SEAT WRAP W/LOUVERS (See COLOR CODE in HOW TO USE Section)	1
105	10570G10		STAINLESS STEEL RIVET, 5/32" X 9/16" LG)	8
106	71609G01		SEAT HINGE PLATE	2
107	10570G11		STAINLESS STEEL RIVET, 3/16" X 3/4" LG	4
108	20271G02		HOLE PLUG.....	1
109				
110				
111	609168G1**		SIDE PANEL (DRIVER SIDE) (See COLOR CODE in HOW TO USE Section)	1
112	609168G2**		SIDE PANEL (PASSENGER SIDE) (See COLOR CODE in HOW TO USE Section)	1
113	10570G10		STAINLESS STEEL RIVET, 5/32" X 9/16" LG	4
114	10570G12		ALUMINUM RIVET, 1/4" X 9/16" LG	4
115	16469G1		FLAT WASHER, 1/4"	4
116				
117				
118	618886		ROCKER PANEL (DRIVER SIDE)	1
119	618885		ROCKER PANEL (PASSENGER SIDE)	1
120	71440G03		BRACE (DRIVER SIDE)	1
121	71440G04		BRACE (PASSENGER SIDE).....	1
122	00789G2		SCREW, #10 - 24 X 1 1/4" LG	2
123	23726G2		SPACER, 1/4"	4

BODY

When ordering parts, please specify the model and serial number of the product.

* Indicates a component that is not available as an individual part.

*** Indicates consult Customer Service Department for additional information.

ITEM	PART NO.	1 2 3 4 5	DESCRIPTION	QTY.
124	00660G5		STAINLESS STEEL WASHER, #10	4
125	14390G10		LOCK NUT, #10 - 24.....	4
126				
127				
128				
129	16705G1		STAINLESS STEEL SCREW, 1/4 - 20 X 1" LG	4
130	23726G2		SPACER, 1/4"	4
131				
132	14390G4		LOCK NUT, 1/4 - 20.....	4
133				
134				
135				
136	74893G01		FENDER (DRIVER SIDE)	1
137	74893G02		FENDER (PASSENGER SIDE)	1
138	74893G03		FENDER W/TAIL LIGHT OPENING (DRIVER SIDE)	1
139	74893G04		FENDER W/TAIL LIGHT OPENING (PASSENGER SIDE)	1
140	16816G2		RATCHET FASTENER, 1/4" X 3/4" LG	10
141				
142	16816G2		RATCHET FASTENER, 1/4" X 3/4" LG	8
143	74890G01		REAR PANEL	1
144	71055G01		ALUMINUM RIVET, 3/16" X 1" LG.....	4
145				
146	74891G01		SEAT FILLER PANEL (DRIVER SIDE)	1
147	74891G02		SEAT FILLER PANEL (PASSENGER SIDE).....	1
148	10570G10		STAINLESS STEEL RIVET, 5/32" X 9/16" LG	6
149				
150	74099G01		DECAL WARNING BED LATCH	2
151	619140		DECAL, CUSHMAN LOGO, REFRESHER 1200.....	2
152	619139		DECAL, CUSHMAN LOGO, HAULER 1200	2
153				
154	74492G02		HEAVY DUTY BALL HITCH KIT (INCLUDES ITEMS 160, 166 - 170)	1

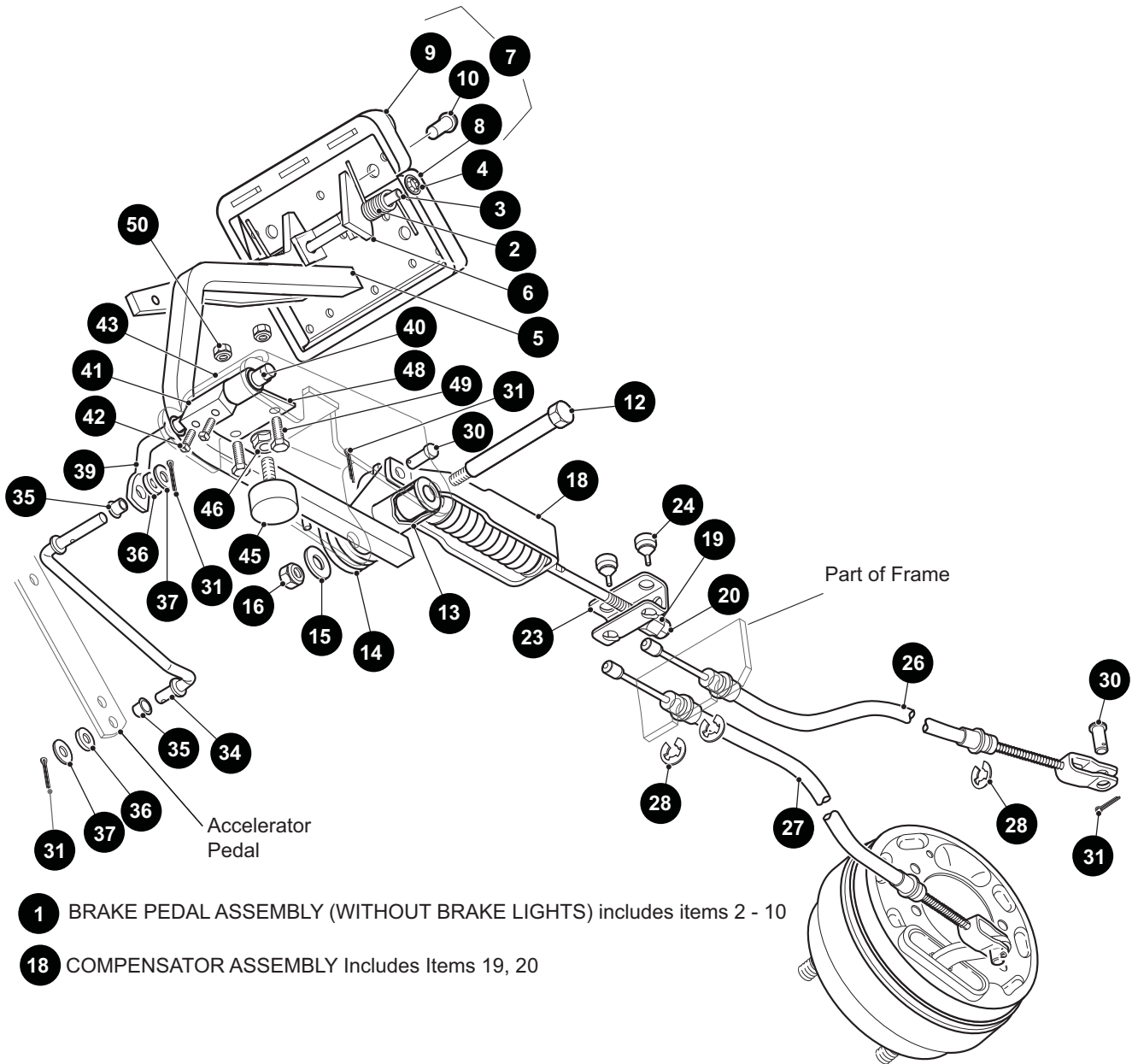
When ordering parts, please specify the model and serial number of the product.

* Indicates a component that is not available as an individual part.

*** Indicates consult Customer Service Department for additional information.

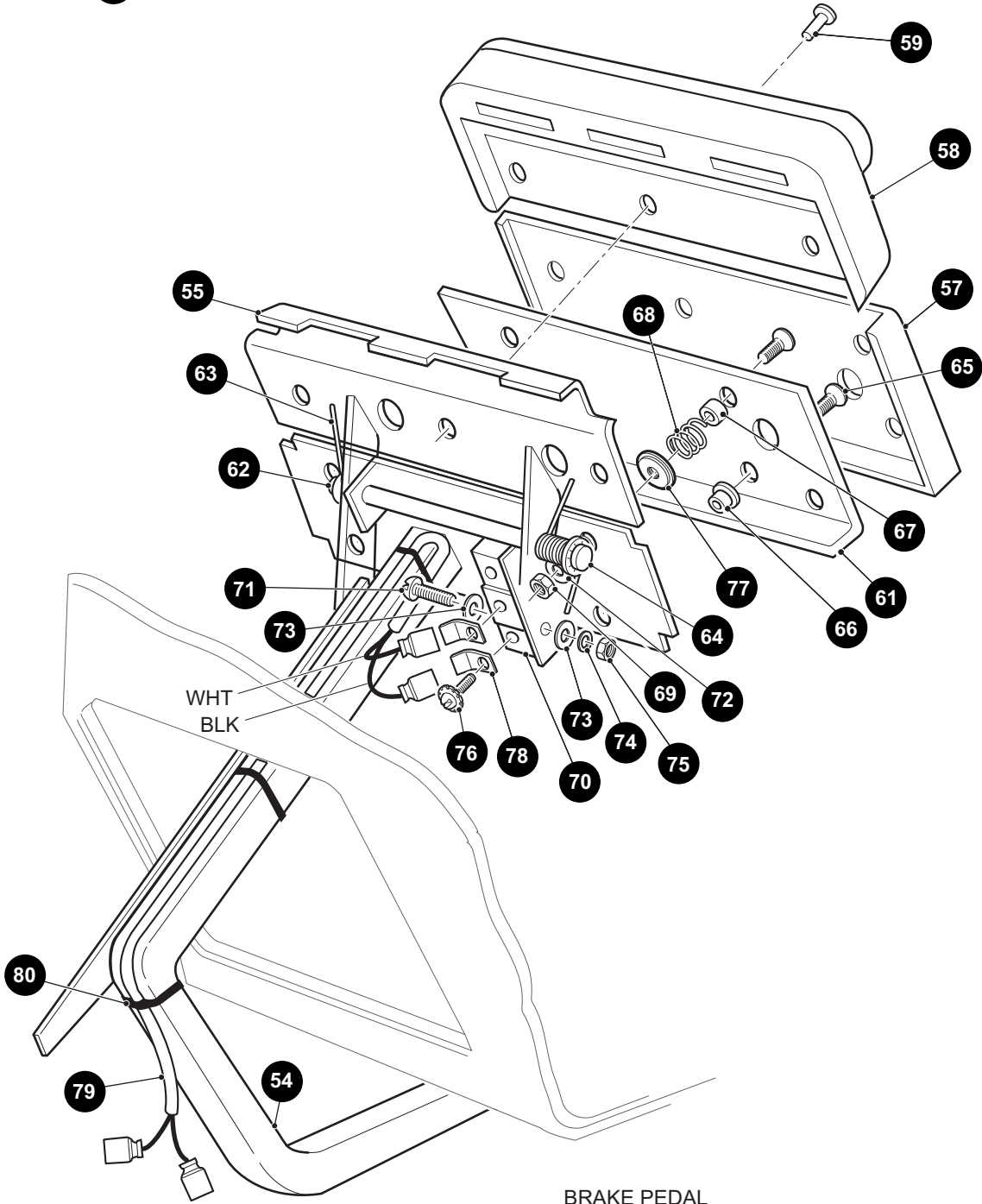
ITEM	PART NO.	1 2 3 4 5	DESCRIPTION	QTY.
155	74492G04		ANGLE HITCH KIT (INCLUDES ITEMS 161, 166, 167).....	1
156	74492G06		CLEVIS HITCH KIT (INCLUDES ITEMS 162, 166, 167, 171, 172)	1
157	74492G08		DROP ANGLE HITCH KIT (INCLUDES ITEMS 163, 166, 167)	1
158	74492G10		DROP BALL HITCH KIT (INCLUDES ITEMS 164, 160 - 170).....	1
159	74492G12		DROP CLEVIS HITCH KIT (INCLUDES ITEMS 165, 166, 167, 171, 172).....	1
160	74351G02		HEAVY DUTY HITCH.....	1
161	74339G02		ANGLE HITCH	1
162	74338G02		CLEVIS HITCH.....	1
163	74489G02		DROP ANGLE HITCH	1
164	74491G02		DROP BALL HITCH	1
165	74495G02		DROP CLEVIS HITCH	1
166	21317G01		CLEVIS PIN, 5/8" X 3" LG	1
167	21683G1		COTTER PIN, 15/32" X 2 11/16" LG	1
168	31757G1		HITCH BALL, 1 7/8".....	1
169	00566G6		LOCK WASHER, 3/4"	1
170	00702G11		HEX NUT, 3/4 - 16	1
171	14443G7		CLEVIS PIN, 1/2" X 2 1/2" LG	1
172	19314G1		COTTER PIN, 2 1/2" LG.....	1
173				
174	14390G4		LOCK NUT, 1/4 - 20	4
175	00642G7		FLAT WASHER, 1/4".....	8
176	00414G6		HEX HEAD BOLT, 1/4 - 20 X 3/4" LG	4
177	15058G6		ALUMINUM RIVET, 3/16" X 15/16" LG	2

BRAKES - MECHANICAL



53 BRAKE PEDAL ASSEMBLY (WITH BRAKE LIGHTS) includes items 54 - 80

56 BRAKE/PARK BRAKE PEDAL PAD KIT includes items 57 - 59



BRAKE PEDAL
(VEHICLE WITH BRAKE LIGHTS)

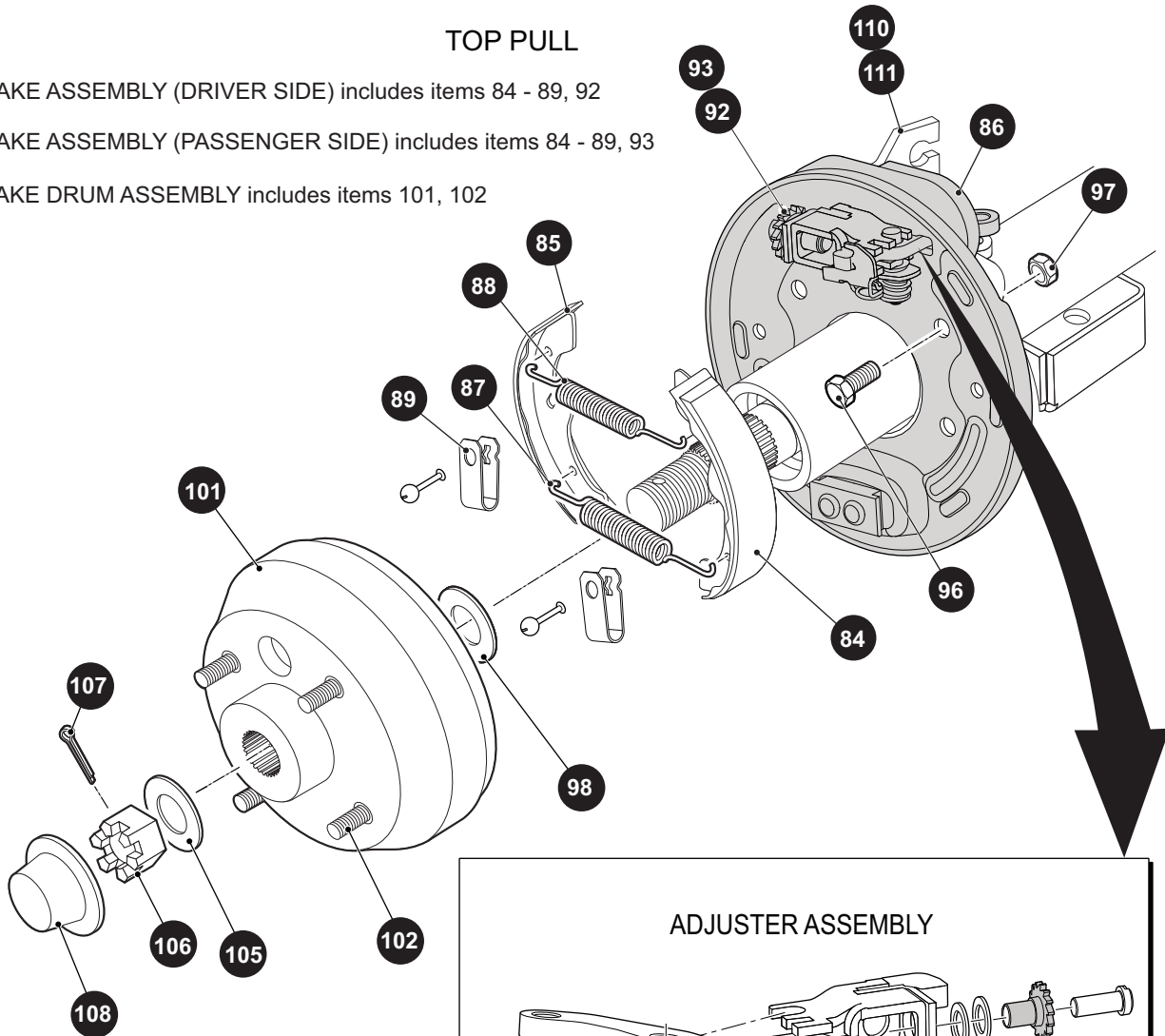
BRAKES - MECHANICAL

TOP PULL

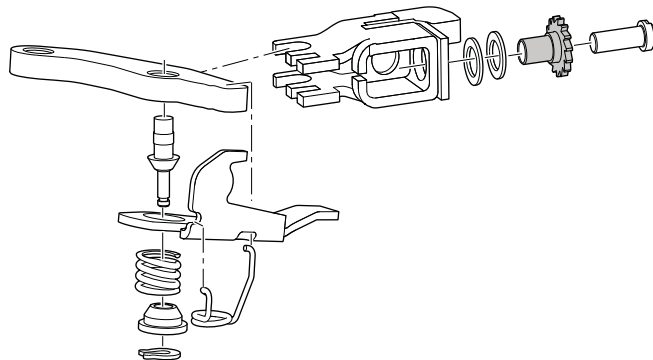
82 BRAKE ASSEMBLY (DRIVER SIDE) includes items 84 - 89, 92

83 BRAKE ASSEMBLY (PASSENGER SIDE) includes items 84 - 89, 93

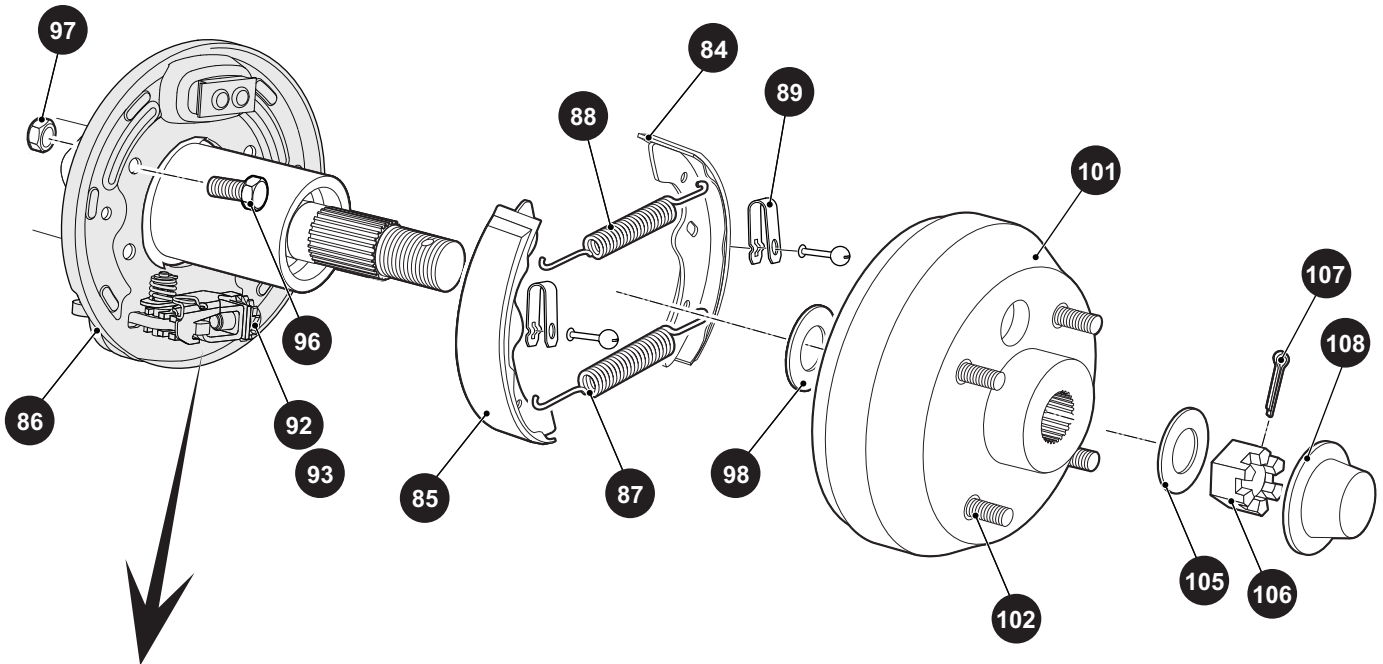
100 BRAKE DRUM ASSEMBLY includes items 101, 102



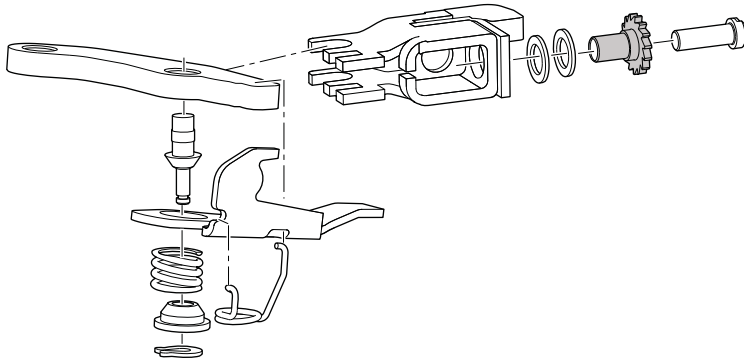
ADJUSTER ASSEMBLY



BOTTOM PULL



ADJUSTER ASSEMBLY



- 82** BRAKE ASSEMBLY (DRIVER SIDE) includes items 84 - 89, 92
- 83** BRAKE ASSEMBLY (PASSENGER SIDE) includes items 84 - 89, 93
- 100** BRAKE DRUM ASSEMBLY includes items 101, 102

BRAKES - MECHANICAL

When ordering parts, please specify the model and serial number of the product.

* Indicates a component that is not available as an individual part.

*** Indicates consult Customer Service Department for additional information.

ITEM	PART NO.	1 2 3 4 5	DESCRIPTION	QTY.
1	70612G02		BRAKE PEDAL ASSEMBLY (WITHOUT BRAKE LIGHTS) (INCLUDES ITEMS 2 - 10).....	1
2	70681G01		TORSION SPRING	2
3	70682G01		PIVOT PIN	1
4	01071G01		PUSH NUT, 5/16"	2
5	70259G02		BRAKE PEDAL	1
6	70611G02		PARK BRAKE PEDAL.....	1
7	70274G01		BRAKE/PARK BRAKE PEDAL PAD KIT (INCLUDES ITEMS 8 - 10)	1
8	70257G01		SERVICE BRAKE PAD.....	1
9	70256G01		PARK BRAKE PAD	1
10	15766G1		OVAL RIVET, 3/16" X 7/16" LG	9
11				
12	70582G01		STAINLESS STEEL SHOULDER BOLT, 3/8 - 16 X 4" LG	1
13	70581G01		FLANGED BUSHING	2
14	70676G01		TORSION SPRING	1
15	00643G1		FLAT WASHER, 3/8"	1
16	11098G5		LOCK NUT, 3/8 - 16.....	1
17				
18	612558		COMPENSATOR ASSEMBLY (INCLUDES ITEMS 19, 20)	1
19	00963G01		SPHERICAL NUT, 5/16 - 24.....	1
20	11098G9		LOCK NUT, 5/16 - 24	1
21				
22				
23	28082-G01		EQUILIZER BRACKET	1
24	28083G01		BRAKE COMPENSATOR BUMPER.....	2
25				
26	70968G10		BRAKE CABLE DRIVER SIDE.....	1
27	70968G11		BRAKE CABLE PASSENGER SIDE	1
28	01111G01		STAINLESS STEEL RETAINING RING, 13/32"	4
29				
30	10386G3		CLEVIS PIN, 5/16" X 13/16" LG	3

BRAKES - MECHANICAL

When ordering parts, please specify the model and serial number of the product.

* Indicates a component that is not available as an individual part.

*** Indicates consult Customer Service Department for additional information.

ITEM	PART NO.	1 2 3 4 5	DESCRIPTION	QTY.
31	10387G3		COTTER PIN, 3/32" X 3/4" LG.....	5
32				
33				
34	70601G01		KICK-OFF LINK	1
35	17838G1		NYLON BUSHING	2
36	20835G1		TEFLON WASHER, 3/8"	2
37	00559G8		FLAT WASHER, 5/16"	2
38				
39	70098G01		KICK-OFF CAM PIVOT.....	1
40	10097G6		FLANGED BEARING	2
41	70587G01		KICK-OFF CAM	1
42	71215G01		SET SCREW, 1/4 - 20 X 1/2" LG	2
43	14134G4		SPACER.....	1
44				
45	70113G01		ADJUSTABLE BUMPER.....	1
46	11027G1		LOCK NUT, 5/16 - 18	1
47				
48	70080G02		CATCH BRACKET	1
49	00414G6		HEX HEAD BOLT, 1/4 - 20 X 3/4" LG	2
50	14390G4		STAINLESS STEEL LOCK NUT, 1/4 - 20	2
51				
52				
53	70690G02		BRAKE PEDAL ASSEMBLY (WITH BRAKE LIGHTS) (INCLUDES ITEMS 54 - 80)	1
54	70686G02		BRAKE PEDAL.....	1
55	70611G02		PARK BRAKE PEDAL	1
56	70274G01		BRAKE/PARK BRAKE PEDAL PAD KIT (INCLUDES ITEMS 57 - 59)	1
57	70257G01		SERVICE BRAKE PAD	1
58	70256G01		PARK BRAKE PAD	1
59	16409G1		OVAL RIVET, 3/16" x 7/16" LG	9
60				

BRAKES - MECHANICAL

When ordering parts, please specify the model and serial number of the product.

* Indicates a component that is not available as an individual part.

*** Indicates consult Customer Service Department for additional information.

ITEM	PART NO.	1	2	3	4	5	DESCRIPTION	QTY.
61	70258G03						BRAKE PEDAL PLATE	1
62	70682G01						PIVOT PIN	1
63	70681G01						TORSION SPRING	2
64	01071G01						PUSH NUT, 5/16"	1
65	00737G8						FLAT HEAD PHILLIPS SCREW, #10 - 24 X 7/8" LG	4
66	00739G1						RUBBER NUT, #10 - 24	2
67	74535G01						BRAKE PEDAL STANDOFF	2
68	27137G01						CONICAL SPRING	2
69	14390G10						LOCK NUT, #10 - 24	2
70	10606G8						MICRO SWITCH	1
71	00645G2						PAN HEAD PHILLIPS SCREW, #6 - 32 X 1 1/4" LG	2
72	00559G5						FLAT WASHER, #10	2
73	00559G3						FLAT WASHER, #6	4
74	00565G3						LOCK WASHER, #6	2
75	00525G5						HEX NUT, #6 - 32	2
76	13514G1						SCREW AND LOCK WASHER, #6	2
77	00642G8						FLAT WASHER, 5/16	2
78	14628G1						FASTON TAB	2
79	24605G1						WIRE HARNESS (BRAKE LIGHT)	1
80	17618G1						WIRE TIE	4
81								
82	612211						BRAKE ASSEMBLY (DRIVER SIDE) (INCLUDES ITEMS 84 - 89, 92)	1
83	612189						BRAKE ASSEMBLY (PASSENGER SIDE) (INCLUDES ITEMS 84 - 89, 93)	1
84	612411						BRAKE SHOE L	2
85	612412						BRAKE SHOE T	2
86	612413						DUST COVER	2
87	612415						BRAKE SPRING	1
88	612414						BRAKE SPRING	1
89	612416						SHOE CLAMP	2
90								
91								

BRAKES - MECHANICAL

When ordering parts, please specify the model and serial number of the product.

* Indicates a component that is not available as an individual part.

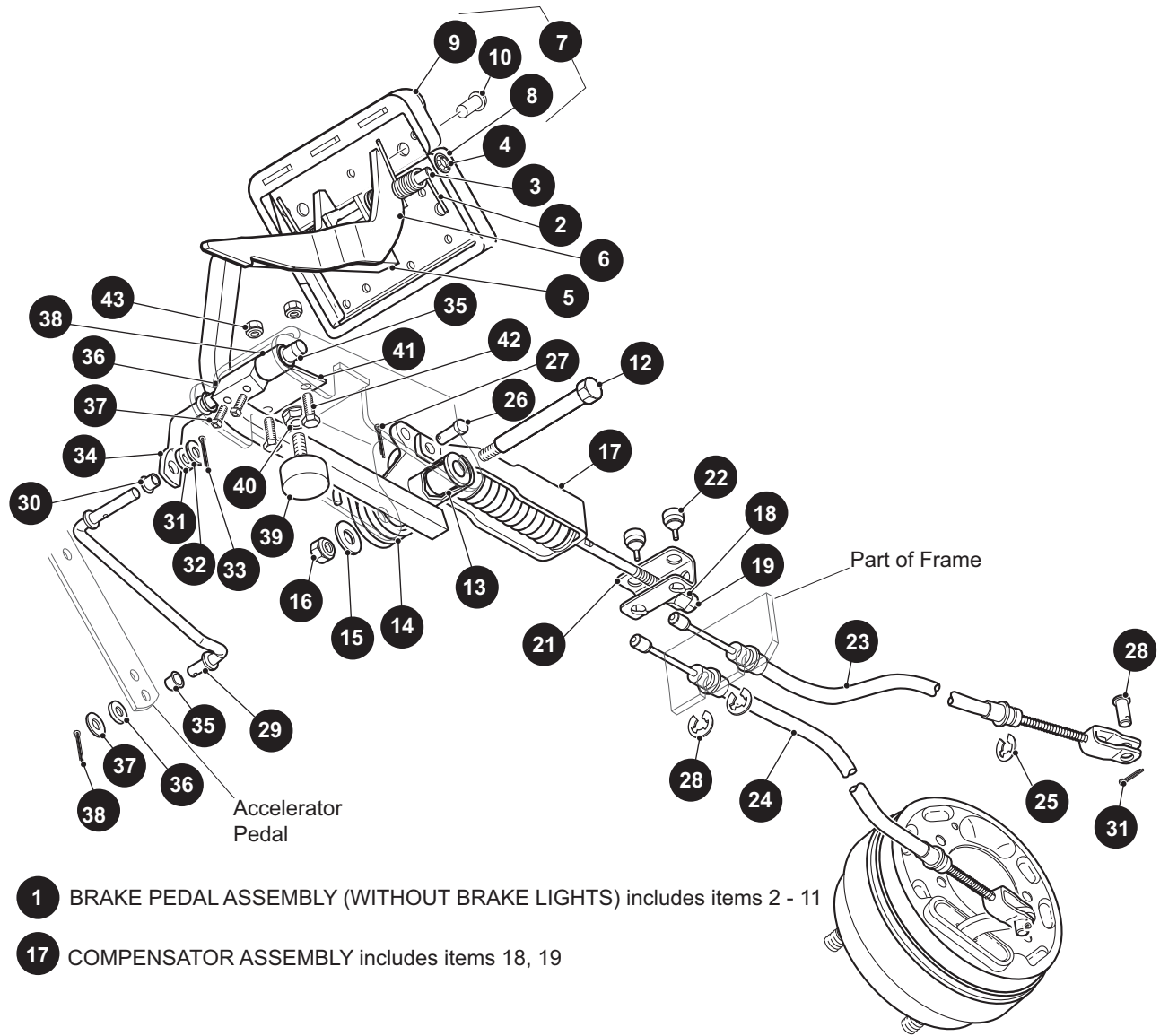
*** Indicates consult Customer Service Department for additional information.

ITEM	PART NO.	1 2 3 4 5	DESCRIPTION	QTY.
92	612418		GEAR ADJUSTER	1
93	612417		GEAR ADJUSTER	1
94				
95				
96	17083G2		HEX HEAD BOLT, 5/16 - 24 X 1" LG	8
97	15126G1		LOCK NUT, 5/16 - 24	8
98	21809G1		INNER BRAKE DRUM WASHER, 1 5/16" OD X 1" ID X 1/32"	2
99				
100	21807G2		BRAKE DRUM ASSEMBLY (INCLUDES ITEMS 101 - 102)	2
101	*		BRAKE DRUM.....	1
102	19862G2		LUG BOLT, 1/2 - 20 X 1 3/16" LG	4
103				
104				
105	606945		OUTER BRAKE DRUM WASHER.....	2
106	606403		SLOTTED NUT, M22 X 1.5	2
107	10387G1		COTTER PIN, 1/8" X 1 1/2" LG.....	2
108	74175G01		SPINDLE CAP	2
109				
110	608200		BRAKE CABLE BRACKET (PASSENGER SIDE)	1
111	608201		BRAKE CABLE BRACKET (DRIVER SIDE).....	1

Notes:

A large grid of graph paper with 28 columns and 30 rows, intended for taking notes.

BRAKES - FRONT DISC

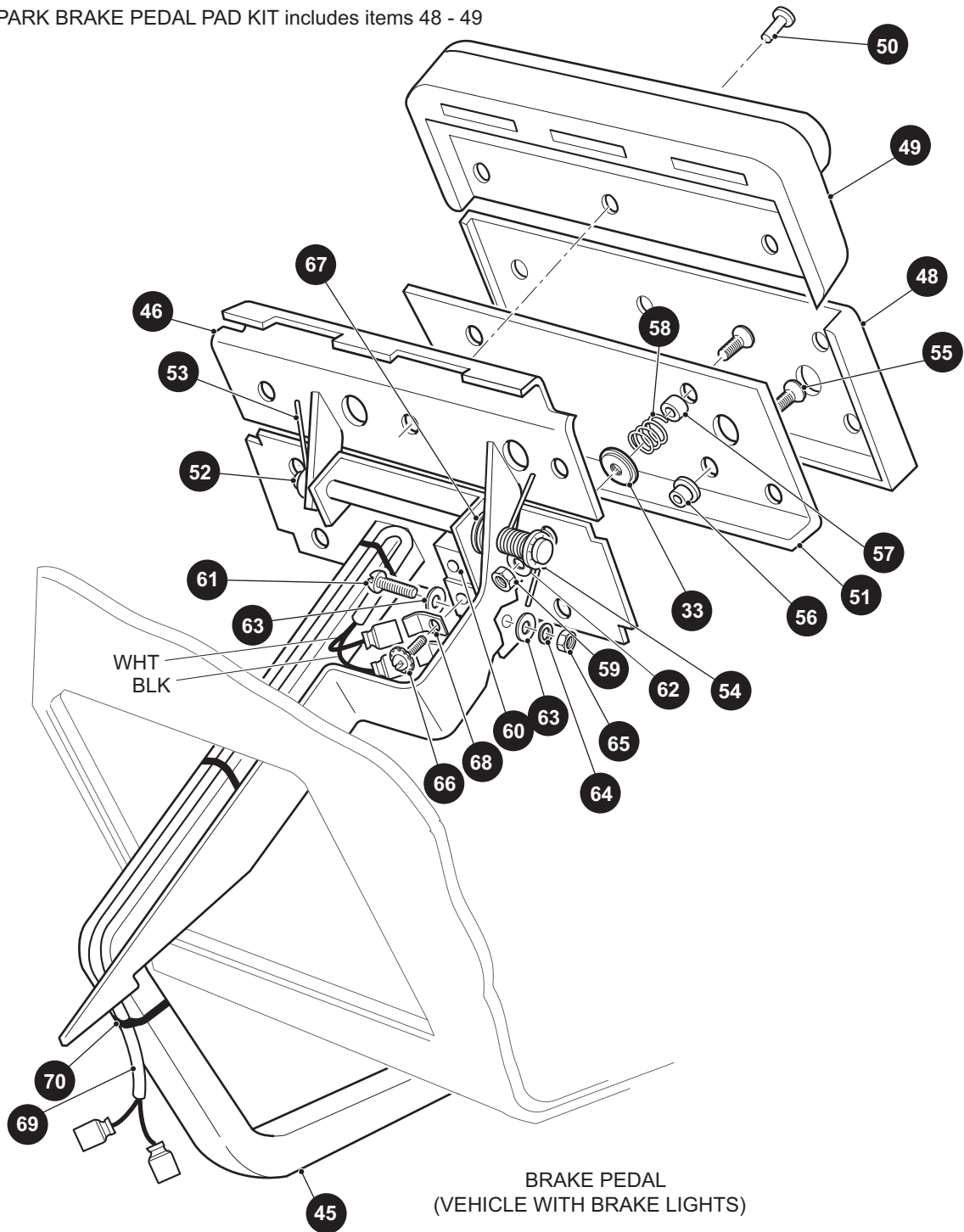


1 BRAKE PEDAL ASSEMBLY (WITHOUT BRAKE LIGHTS) includes items 2 - 11

17 COMPENSATOR ASSEMBLY includes items 18, 19

44 BRAKE PEDAL ASSEMBLY (WITH BRAKE LIGHTS) includes items 45 - 70

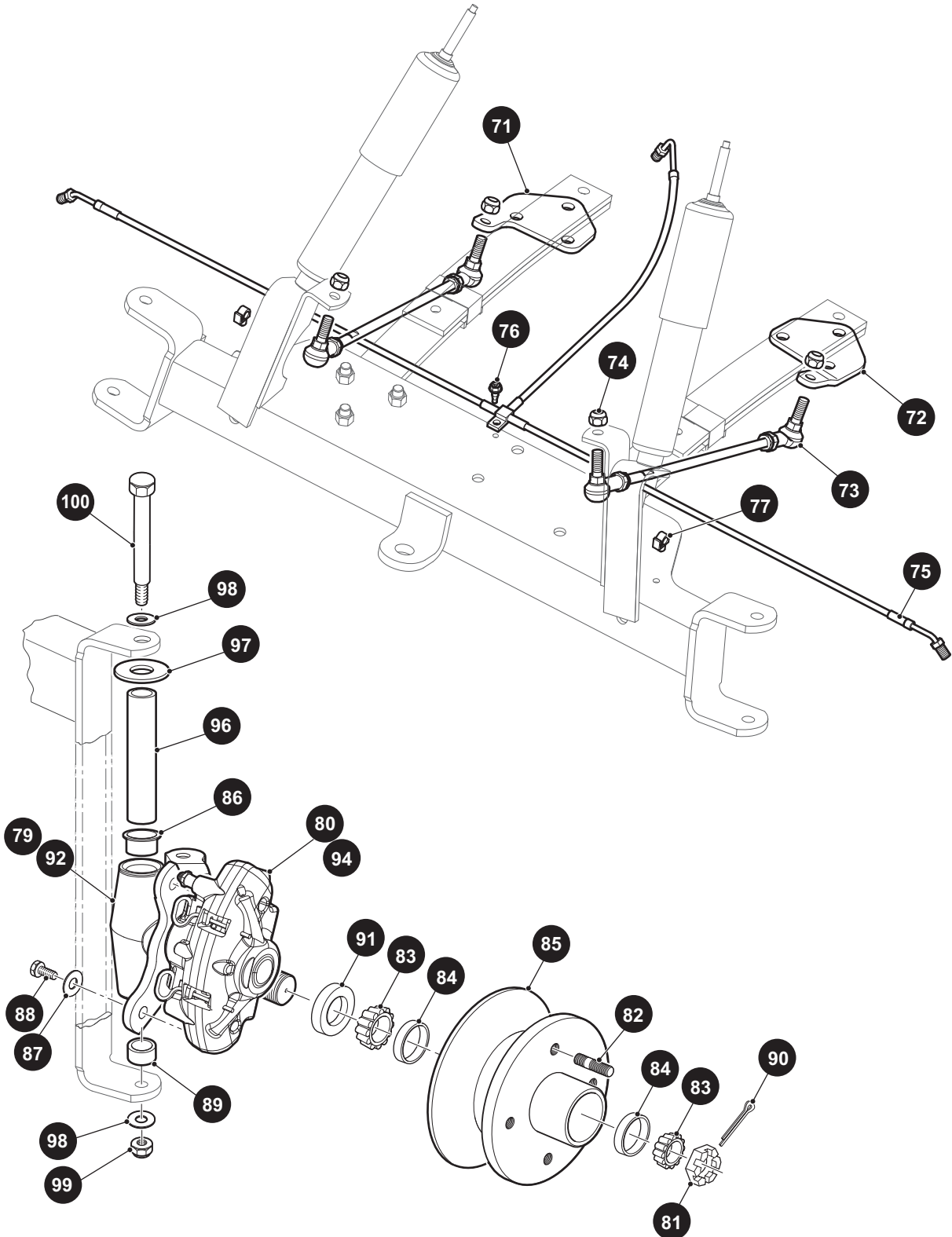
47 BRAKE/PARK BRAKE PEDAL PAD KIT includes items 48 - 49



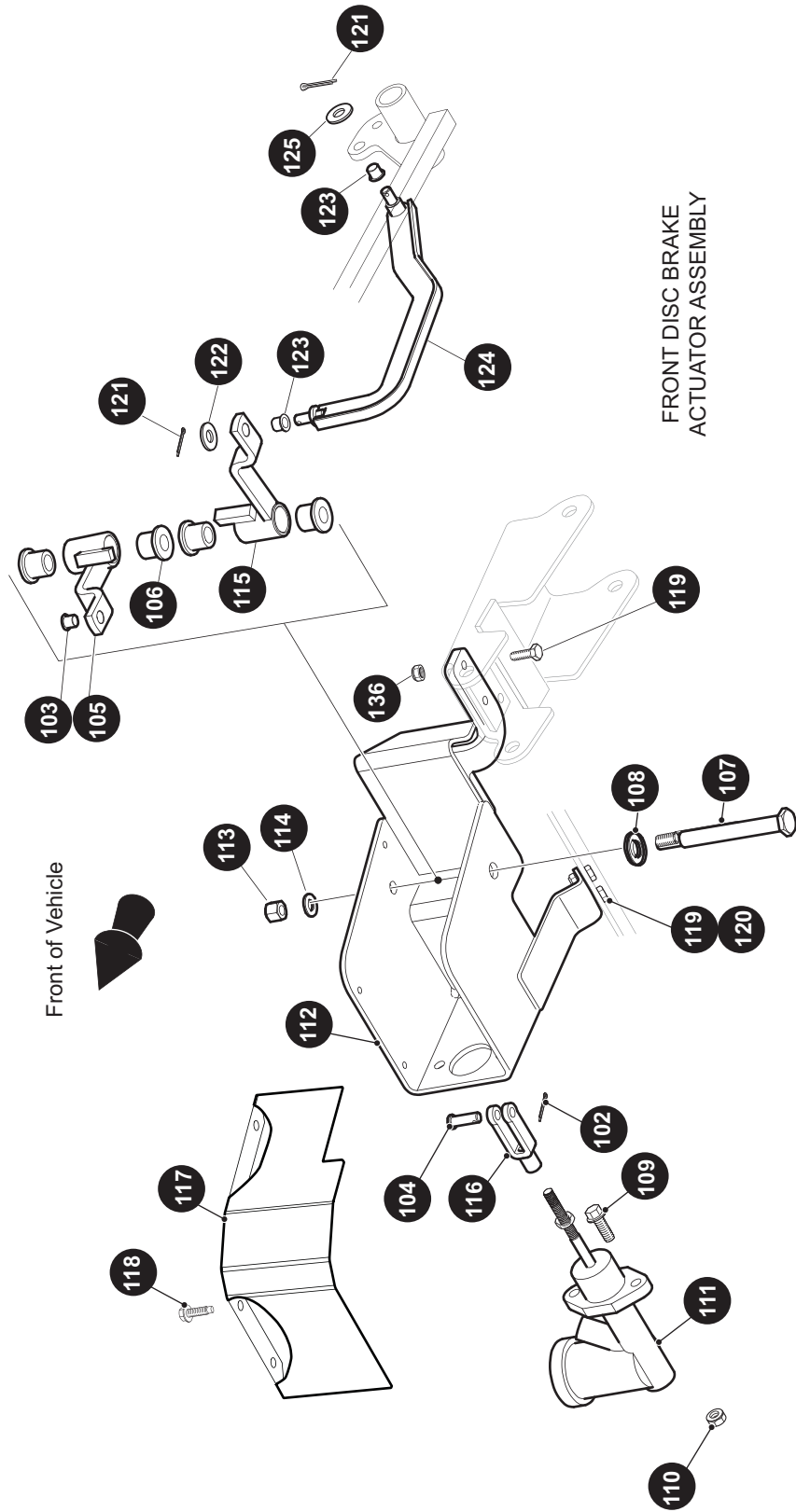
BRAKES - FRONT DISC

79 SPINDLE, CALIPER AND DISC HUB ASSEMBLY (DRIVER SIDE) includes items 79 - 91

93 SPINDLE, CALIPER AND DISC HUB ASSEMBLY (PASSENGER SIDE) includes items 81 - 91, 93, 94



102 FRONT DISC BRAKE ACTUATOR ASSEMBLY Includes Items 102 - 118



BRAKES - FRONT DISC

When ordering parts, please specify the model and serial number of the product.

* Indicates a component that is not available as an individual part.

*** Indicates consult Customer Service Department for additional information.

ITEM	PART NO.	1 2 3 4 5	DESCRIPTION	QTY.
1	74723G01		BRAKE PEDAL ASSEMBLY (WITHOUT BRAKE LIGHTS) (INCLUDES ITEMS 2 - 11)	1
2	70681G01		TORSION SPRING	2
3	70682G01		PIVOT PIN	1
4	01071G01		PUSH NUT, 5/16"	2
5	74721G01		BRAKE PEDAL	1
6	607395		PARK BRAKE PEDAL.....	1
7	70274G01		BRAKE/PARK BRAKE PEDAL PAD KIT (INCLUDES ITEMS 8 - 10)	1
8	70257G01		SERVICE BRAKE PAD.....	1
9	70256G01		PARK BRAKE PAD.....	1
10	16409G1		OVAL RIVET, 3/16" X 15/32" LG	9
11				
12	70582G01		SHOULDER BOLT, 3/8 - 16 X 4" LG	1
13	70581G01		FLANGED BUSHING	2
14	70676G01		TORSION SPRING	1
15	00643G1		FLAT WASHER, 3/8"	1
16	11098G5		LOCK NUT, 3/8 - 16.....	1
17	612558		COMPENSATOR ASSEMBLY (INCLUDES ITEMS 18, 19)	1
18	00963G01		SPHERICAL NUT, 5/16 - 24.....	1
19	11098G9		LOCK NUT, 5/16 - 24	1
20				
21	28082G01		EQUALIZER BRACKET.....	1
22	28083G01		BRAKE COMPENSATOR BUMPER.....	2
23	70968G08		BRAKE CABLE (DRIVER SIDE).....	1
24	70968G09		BRAKE CABLE (PASSENGER SIDE)	1
25	01111G01		RETAINING RING, S.S.	4
26	10386G3		CLEVIS PIN, 5/16" X 1" LG	5
27	10387G3		COTTER PIN, 3/32" X 3/4" LG	3
28				
29	70601G01		KICK-OFF LINK.....	1
30	17838G1		NYLON BUSHING.....	2

BRAKES - FRONT DISC

When ordering parts, please specify the model and serial number of the product.

* Indicates a component that is not available as an individual part.

*** Indicates consult Customer Service Department for additional information.

ITEM	PART NO.	1 2 3 4 5	DESCRIPTION	QTY.
31	20835G1		NYLON WASHER, 3/8"	2
32	00559G8		FLAT WASHER, 5/16"	2
33	00642G8		FLAT WASHER, 5/16"	2
34	70098G01		KICK-OFF CAM PIVOT.....	1
35	10097G6		FLANGED BEARING	2
36	70587G01		KICK-OFF CAM	1
37	71215G01		SET SCREW, 1/4 - 20 X 1/2" LG	2
38	14134G4		SPACER.....	1
39	70113G01		ADJUSTABLE BUMPER.....	1
40	11027G1		LOCK NUT, 5/16 - 18	1
41	70080G02		CATCH BRACKET	1
42	00414G8		HEX HEAD BOLT, 1/4 - 20 X 3/4" LG	2
43	14390G4		LOCK NUT, 1/4 - 20	2
44	74874G01		BRAKE PEDAL ASSEMBLY (WITH BRAKE LIGHTS) (INCLUDES ITEMS 45 - 70)	1
45	74870G01		BRAKE PEDAL.....	1
46	74724G01		PARK BRAKE PEDAL	1
47	70274G01		BRAKE/PARK BRAKE PEDAL PAD KIT (INCLUDES ITEMS 48 - 49)	1
48	70257G01		SERVICE BRAKE PAD	1
49	70256G01		PARK BRAKE PAD	1
50	16409G1		OVAL RIVET, 3/16" X 15/32" LG.....	9
51	70258G03		BRAKE PEDAL PLATE	1
52	70682G01		PIVOT PIN.....	1
53	70681G01		TORSION SPRING.....	2
54	01071G01		PUSH NUT, 5/16"	2
55	00737G8		FLAT HEAD PHILLIPS SCREW, #10 - 24 X 1" LG	4
56	00739G1		RUBBER NUT, #10 - 24	2
57	74535G01		BRAKE PEDAL STANDOFF.....	2
58	27137G01		CONICAL SPRING	2
59	14390G10		LOCK NUT, #10 - 24.....	2
60	10606G8		MICRO SWITCH	1

BRAKES - FRONT DISC

When ordering parts, please specify the model and serial number of the product.

* Indicates a component that is not available as an individual part.

*** Indicates consult Customer Service Department for additional information.

ITEM	PART NO.	1	2	3	4	5	DESCRIPTION	QTY.
61	00645G2						PAN HEAD PHILLIPS SCREW, #6 - 32 X 5/4" LG	2
62	00559G5						FLAT WASHER, #10	2
63	00559G3						FLAT WASHER, #6	4
64	00565G3						LOCK WASHER, #6	2
65	00525G5						HEX NUT, #6 - 32	2
66	13514G1						SCREW AND LOCK WASHER, #6	2
67	20835G1						TEFLON WASHER, 3/8"	2
68	14628G1						FASTON TAB	2
69	24605G1						WIRE HARNESS (BRAKE LIGHT)	1
70	17618G1						WIRE TIE	3
71								
72	74731G02						SPRING PLATE (PASSENGER SIDE)	1
73	74731G01						SPRING PLATE (DRIVER SIDE)	1
74	74730G01						FOUR LINK ROD	2
75	01084G01						LOCK NUT, M10-1.25	4
76	74736G01						BRAKE LINE	1
77	01038G01						SWAGEFORM SCREW, 1/4 - 20 X 11/16" LG	1
78	74875G01						WIRE RETAINER	2
79	602281						SPINDLE, CALIPER AND DISC HUB ASSEMBLY (DRIVER SIDE) (INCLUDES ITEMS 79 - 91)	1
80	602176						DISC BRAKE SPINDLE (DRIVER SIDE)	1
81	74733G02						CALIPER (DRIVER SIDE)	1
82	12093G1						SLOTTED NUT, 17/32	1
83	74864G01						DRIVE FLANGE STUD	4
84	11750G2						ROLLER BEARING	2
85	51141G1						BEARING RACE	2
86	74673G01						DISC BRAKE HUB	1
87	70648G01						FLANGED BEARING	1
88	00566G1						LOCK WASHER, 3/8"	2
89	00426G8						HEX HEAD BOLT, 3/8 - 16 X 1	2
90	70749G01						BEARING	1
91	00798G8						COTTER PIN, 5/32 X 1 3/4	1

BRAKES - FRONT DISC

When ordering parts, please specify the model and serial number of the product.

* Indicates a component that is not available as an individual part.

*** Indicates consult Customer Service Department for additional information.

ITEM	PART NO.	1 2 3 4 5	DESCRIPTION	QTY.
92	25146G1		GREASE SEAL	1
93	602288		SPINDLE, CALIPER AND DISC HUB ASSEMBLY (PASSENGER SIDE) (INCLUDES ITEMS 81 - 91, 93, 94)	1
94	602158		DISC BRAKE SPINDLE (PASSENGER SIDE).....	1
95	74733G01		CALIPER (PASSENGER SIDE)	1
96	74948G01		DISC BRAKE SERVICE HUB (INCLUDES ITEMS 82 - 85, 91)	1
97	70745G01		KINGPIN TUBE.....	2
98	70754G01		THRUST WASHER	2
99	00560G3		FLAT WASHER, 1/2"	4
100	14390G3		LOCK NUT, 1/2 - 13	2
101	00407G6		HEX HEAD BOLT, 1/2 - 13 X 6" LG	2
102	608706		FRONT DISC BRAKE BRAKE ACTUATOR ASSEMBLY (INCLUDES ITEMS 102 - 118).....	1
103	10387G3		COTTER PIN, 3/32 X 3/4" LG	1
104	17838G1		NYLON BUSHING	1
105	10386G3		CLEVIS PIN, 5/16 X 1" LG	1
106	608122		UPPER ACTUATOR PIVOT	1
107	70581G02		ACETAL BUSHING.....	4
108	74711G01		SHOULDER BOLT, .495 X 4.566" LG	1
109	00560G3		FLAT WASHER, 1/2"	1
110	00439G1		HEX HEAD BOLT, 1/2 - 13 X 6" LG	2
111	11098G06		LOCK NUT, 5/16 - 18.....	2
112	887364		MASTER CYLINDER	1
113	608661		MASTER CYLINDER MOUNT WELDMENT.....	1
114	11098G5		LOCK NUT, 3/8 - 16.....	1
115	00679G1		STAINLESS WASHER, 3/8"	1
116	608118		LOWER ACTUATOR PIVOT	1
117	10385G4		CLEVIS YOKE	1
118	606869		ACTUATOR COVER	1
119	01038G01		SWAGEFORM SCREW, 1/4 - 20 X 11/16" LG	3
120	00414G8		HEX HEAD BOLT, 1/4 - 20 X 1 1/4" LG	4
121	00891G2		LOCK NUT, 1/4 - 20	4

BRAKES - FRONT DISC

When ordering parts, please specify the model and serial number of the product.

* Indicates a component that is not available as an individual part.

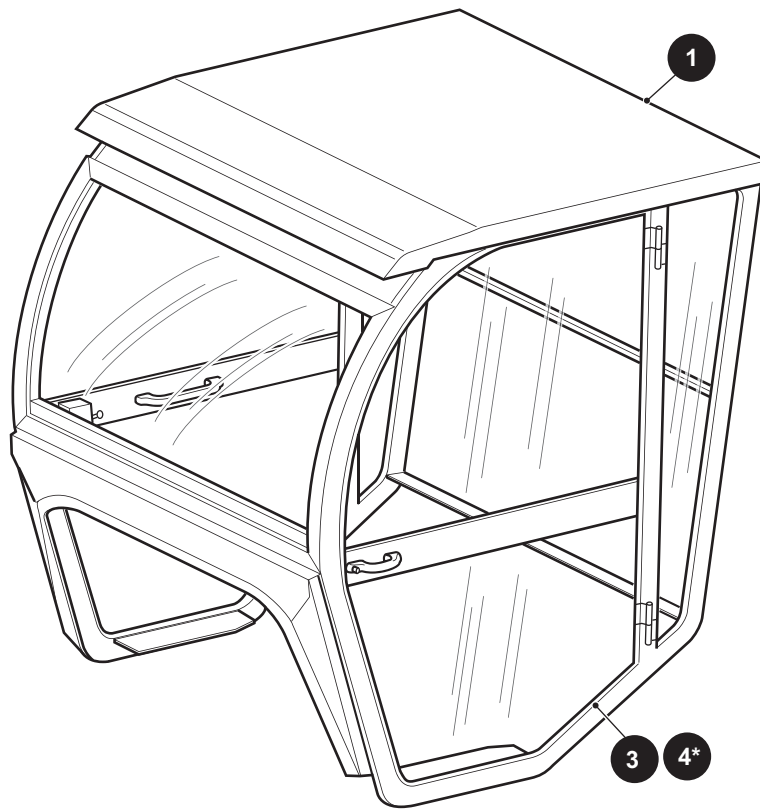
*** Indicates consult Customer Service Department for additional information.

ITEM	PART NO.	1 2 3 4 5	DESCRIPTION	QTY.
122	10387G3		COTTER PIN, 3/32 X 3/4	2
123	20835G1		TEFLON WASHER, 3/8"	1
124	17838G1		NYLON BUSHING	2
125	74865G01		ACTUATOR LINKAGE.....	1
126	00771G5		FLAT WASHER, 3/8"	1
127	74917G01		DISC BRAKE PAD AND PIN KIT (SERVICES ONE CORNER) (INCLUDES ITEMS 127 - 128).....	1
128	*		BRAKE PADS	2
129	*		BRAKE PAD RETAINER PINS	2

BRAKES - FRONT DISC

Notes:

A large grid of graph paper consisting of 20 columns and 30 rows, intended for taking notes.



CAB

*Steel Doors Shown

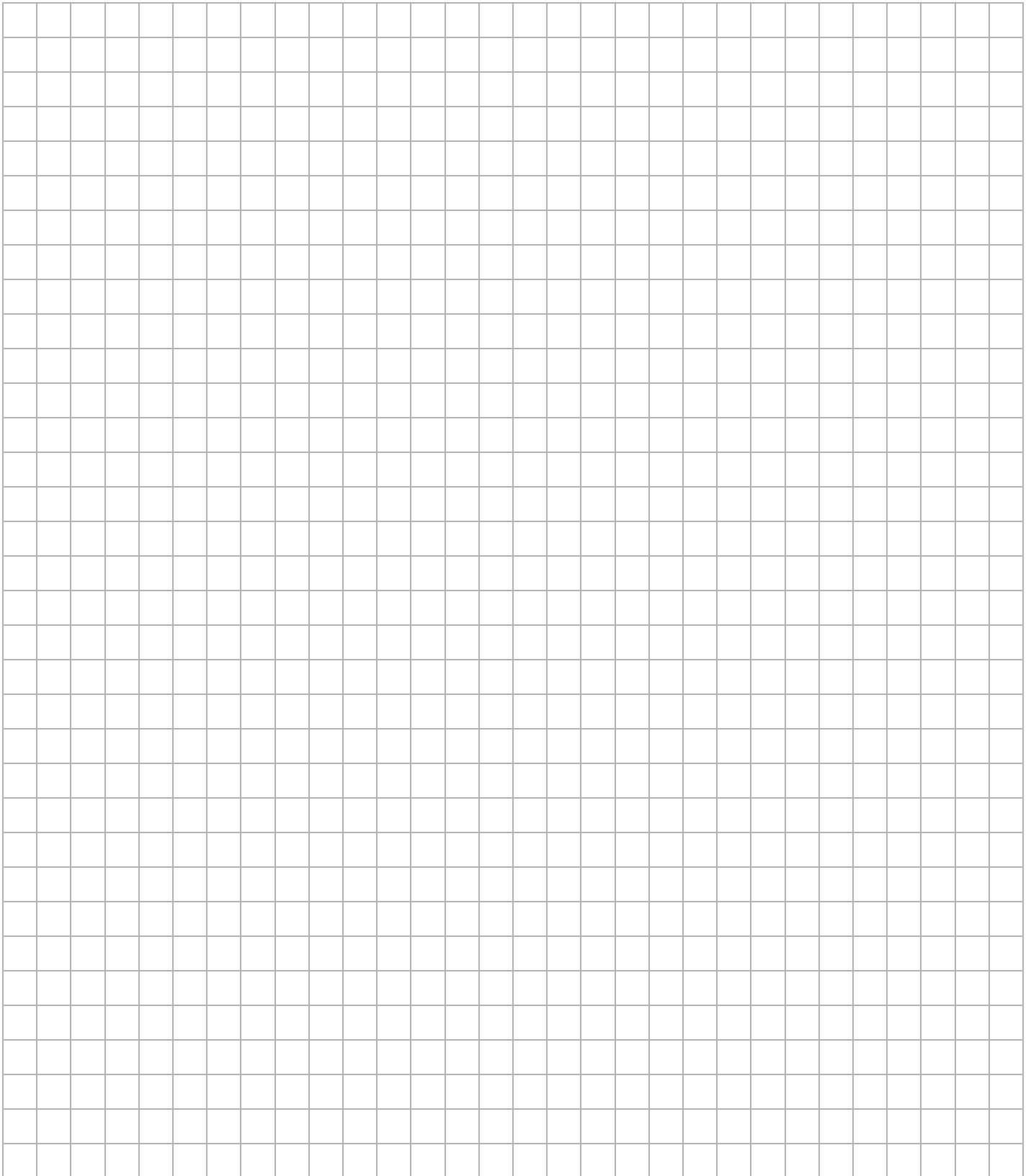
When ordering parts, please specify the model and serial number of the product.

* Indicates a component that is not available as an individual part.

*** Indicates consult Customer Service Department for additional information.

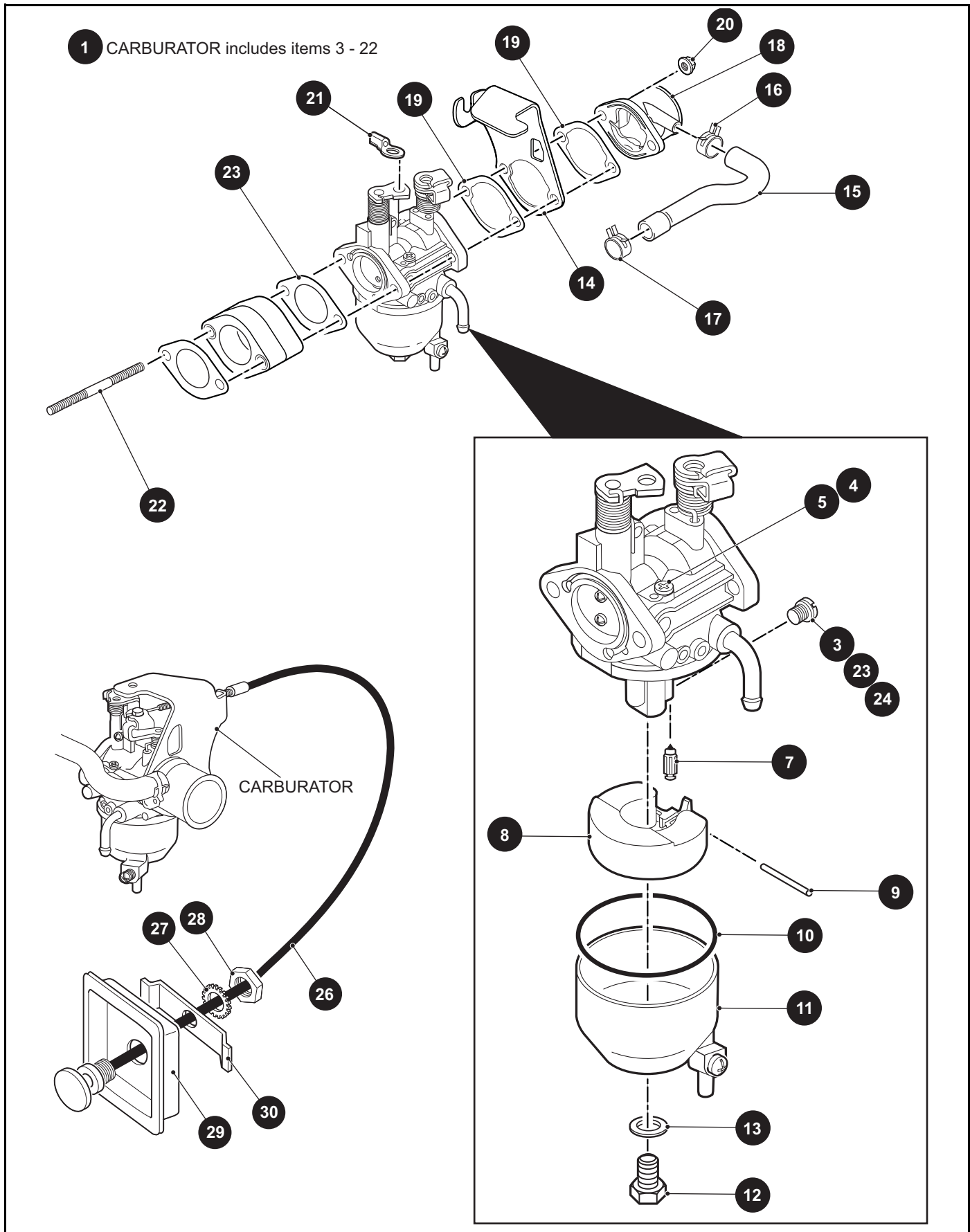
ITEM	PART NO.	1 2 3 4 5	DESCRIPTION	QTY.
1	72684G**		STEEL CAB (WITHOUT DOORS) REPACEMENT PARTS AND ACCESSORIES MAY BE OBTAINED FROM CURTIS CAB, INC.	1
2				
3	75855G01		VINYL DOOR KIT	1
4	75856G**		STEEL DOOR KIT	1
5				
6	74250G01		CAB SWITCH PANEL (NOT SHOWN)	1
7	74248G01		DEFROSTER/COOLING FAN (NOT SHOWN).....	1
8	74245G01		STROBE LIGHT KIT (NOT SHOW)	1
9	74244G01		WIPER COMPLETE KIT (NOT SHOWN)	1
10	74247G01		WORK LIGHT KIT (NOT SHOWN).....	1
<p>For Cab replacement parts and accessories, contact Curtis Cab at: Curtis Cab, Inc. 111 Higgins Street, Worcester, Massachusetts, 01606. Tel.: 508-853-2200. Toll free: 800-343-7676. www.curtiscab.com</p>				

Notes:



A large grid of graph paper for taking notes, consisting of 25 columns and 35 rows of small squares.

CARBURATOR AND CHOKE



CARBURATOR AND CHOKE

When ordering parts, please specify the model and serial number of the product.

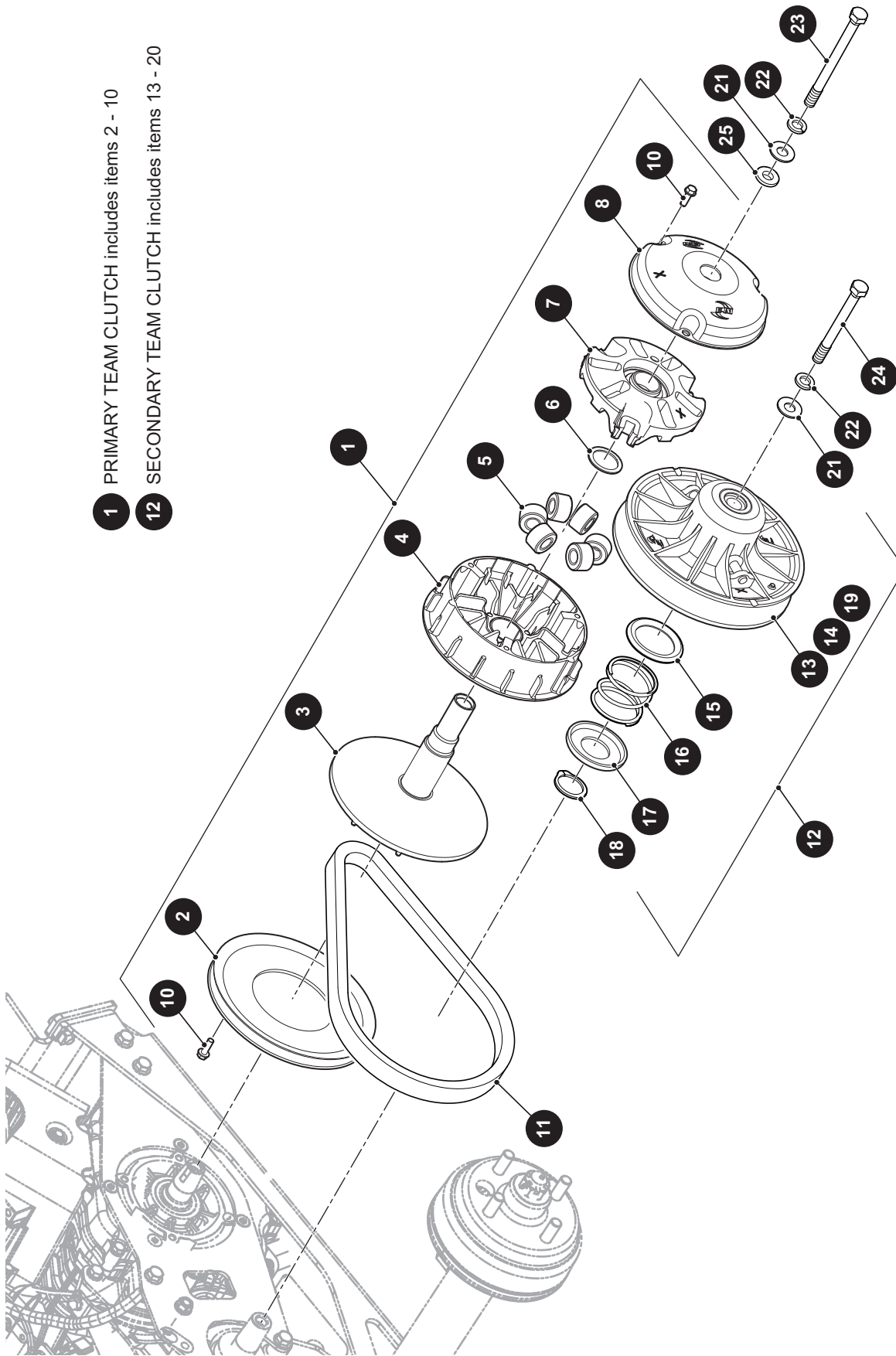
* Indicates a component that is not available as an individual part.

*** Indicates consult Customer Service Department for additional information.

ITEM	PART NO.	1 2 3 4 5	DESCRIPTION	QTY.
1	607955		CARBURETOR (INCLUDES ITEMS 3 - 22)	1
2				
3	607956		MAIN JET (#106).....	1
4	607957		PILOT JET (#52)	1
5	603585		PLUG.....	1
6				
7	603586		NEEDLE VALVE	1
8	603587		FLOAT	1
9	603588		FLOAT PIN	1
10	603589		FLOAT BOWL GASKET	1
11	603590		FLOAT CHAMBER	1
12	603592		BOWL SCREW.....	1
13	603591		BOWL GASKET	1
14	603583		CHOKE BRACKET.....	1
15	603598		BREATHER TUBE.....	1
16	603596		CLAMP, INTAKE TUBE	1
17	603597		CLAMP CYLINDER HEAD TUBE	1
18	603594		INTAKE TUBE	1
19	603593		CHOKE GASKET	2
20	603595		NUT, M6 X 1.0	2
21	608023		THROTTLE ROD ATTACHMENT BUSHING	1
22	603584		STUD BOLT.....	2
23	607684		MAIN JET (#102) (FOR ELEVATIONS OF 6000 FT - 10000 FT)	1
24	607983		MAIN JET (#104) (FOR ELEVATIONS OF 3000 FT - 6000 FT)	1
25				
26	605868		CHOKE CABLE (SWB).....	1
27	00568G4		LOCK WASHER, 9/16"	1
28	00545G4		JAM NUT, 9/16 - 18.....	1
29	72155G01		RETAINER	1
30	72154G01		CHOKE CABLE ADAPTER.....	1

CLUTCH

- 1 PRIMARY TEAM CLUTCH includes items 2 - 10
- 12 SECONDARY TEAM CLUTCH includes items 13 - 20



When ordering parts, please specify the model and serial number of the product.

* Indicates a component that is not available as an individual part.

*** Indicates consult Customer Service Department for additional information.

ITEM	PART NO.	1 2 3 4 5	DESCRIPTION	QTY.
1	623948		PRIMARY TEAM CLUTCH (INCLUDES ITEMS 2 - 10)	1
2	619333		PRIMARY STARTER PULLY, 195 - SVC.....	1
3	619334		STATIONARY ASSEMBLY	1
4	619335		MOVEABLE PRIMARY ASSEMBLY	1
5	624112		SHIFT ROLLER ASSEMBLY.....	6
6	619337		SHIM, 39.5 X 31.75	1
7	619338		PRIMARY SPIDER ASSEMBLY	1
8	619339		PRIMARY DUST COVER ASSEMBLY.....	1
9				
10	619332		HEX BOLT, 1/4 - 20 X.75	7
11	618630		DRIVE BELT	1
12	623949		SECONDARY TEAM CLUTCH (INCLUDES ITEMS 13 - 20)	1
13	*		SECONDARY STATIONARY, 9.5	1
14	*		MOVEABLE SECONDARY, 9.5.....	1
15	619327		INNER RETAINER SPRING.....	1
16	624111		COMPRESSION SPRING, 2.70 OD.....	1
17	619329		OUTER SPRING RETAINER	1
18	619330		RETAINER RING.....	1
19	619331		THRUST WASHER, 1.530 x 1.830 x 1	1
20				
21	606239		CONICAL WASHER, M12	2
22	00566G3		SPRING TYPE LOCK WASHER	2
23	606245		HEX BOLT, M12 - 1.25 X 160	1
24	606243		HEX BOLT, M12 - 1.25 X 120	1
25	606230		CLUTCH WASHER.....	1

Notes:

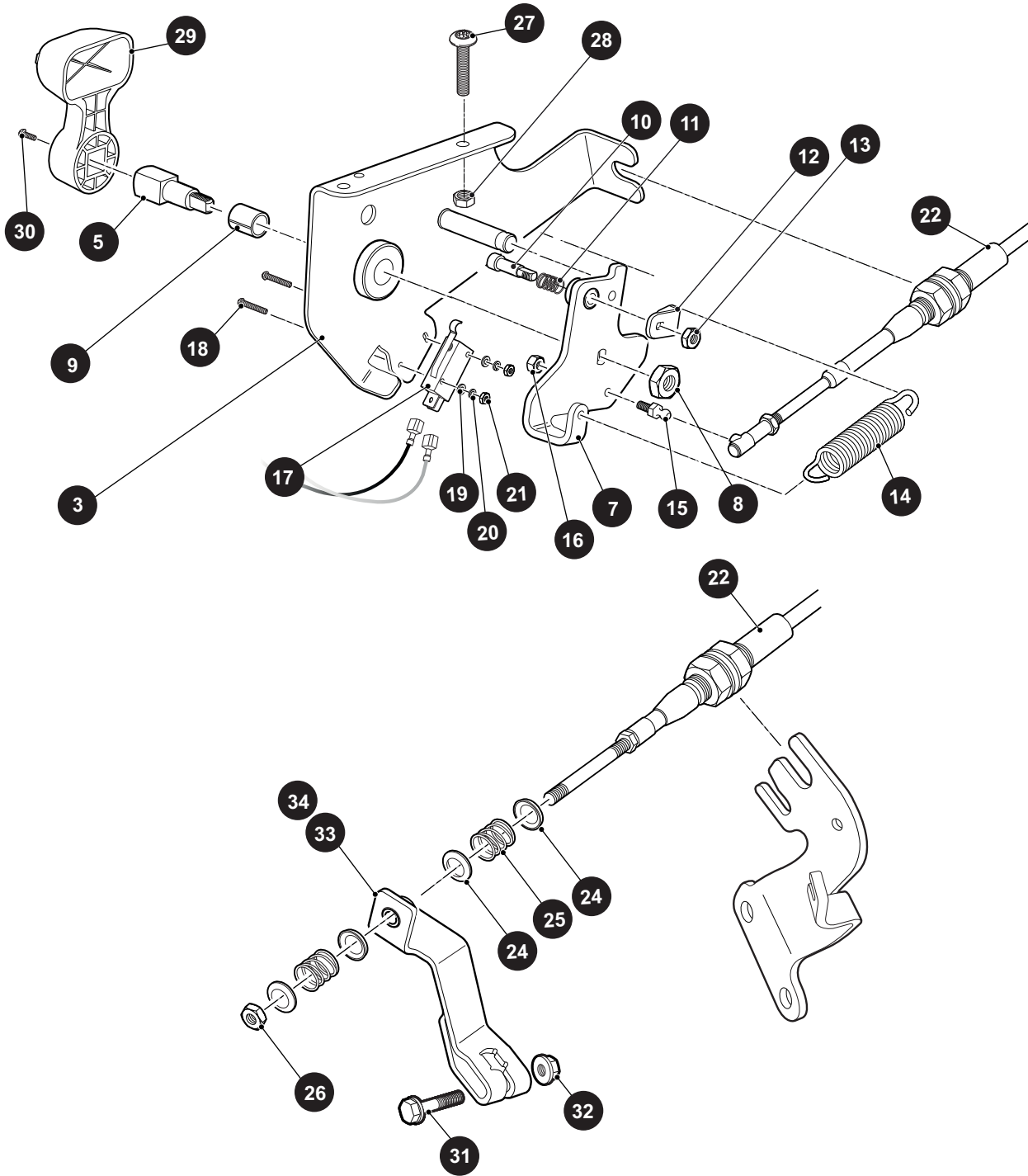
A large rectangular grid of graph paper, consisting of 28 columns and 34 rows of small squares, intended for taking handwritten notes.

Notes:

A large grid area for taking notes, consisting of 25 columns and 25 rows of small squares.

DIRECTION SELECTOR

1 DIRECTION SELECTOR ASSEMBLY includes items 3, 5, 7 - 22, 24 - 33



DIRECTION SELECTOR

When ordering parts, please specify the model and serial number of the product.

* Indicates a component that is not available as an individual part.

*** Indicates consult Customer Service Department for additional information.

ITEM	PART NO.	1 2 3 4 5	DESCRIPTION	QTY.
1	606173		DIRECTION SELECTOR ASSEMBLY (INCLUDES ITEMS 3, 5, 7-22, 24-33)	1
2				
3	608831		DIRECTION SELECTOR BRACKET WITH BUSHING (INCLUDES ITEM 9)	1
4				
5	70233G01		DIRECTION SELECTOR SHAFT.....	1
6				
7	603700		DIRECTION SELECTOR CAM.....	1
8	14390G1		LOCK NUT, 3/8 - 24.....	1
9	*		BUSHING	1
10	72724G01		NEUTRAL LOCK PIN	1
11	72733G01		COMPRESSION SPRING, 3/8" X 5/8" LG	1
12	72729G01		NEUTRAL LOCK BRACKET	1
13	00734G2		LOCK NUT, 1/4 - 28.....	1
14	28574G01		EXTENSION SPRING	1
15	72732G01		BALL STUD, 1/4".....	1
16	00734G5		LOCK NUT, #10 - 32.....	1
17	72736G01		MICRO SWITCH	1
18	01062G01		ROUND HEAD SCREW, #4 - 40 X 1" LG.....	2
19	00559G1		FLAT WASHER, #4	2
20	00565G1		LOCK WASHER, #4	2
21	00526G2		HEX NUT, #4 - 40	2
22	605807		PUSH / PULL SHIFTER CABLE	1
23				
24	25727G01		CUP WASHER, 1/4"	4
25	72735G01		COMPRESSION SPRING, 19/32" X 1" LG	2
26	00734G5		LOCK NUT, #10 - 32.....	1
27	70227G01		SCREW, 1/4 - 20 X 7/8" LG	2
28	11027G2		LOCK NUT, 1/4 - 20	2
29	71205G01		DIRECTION SELECTOR HANDLE	1
30	00740G4		STAINLESS STEEL SCREW, #10 - 32 X 1/2" LG	1
31	606421		FLANGED HEX HEAD BOLT, M6 - 1.00 X 30	1

DIRECTION SELECTOR

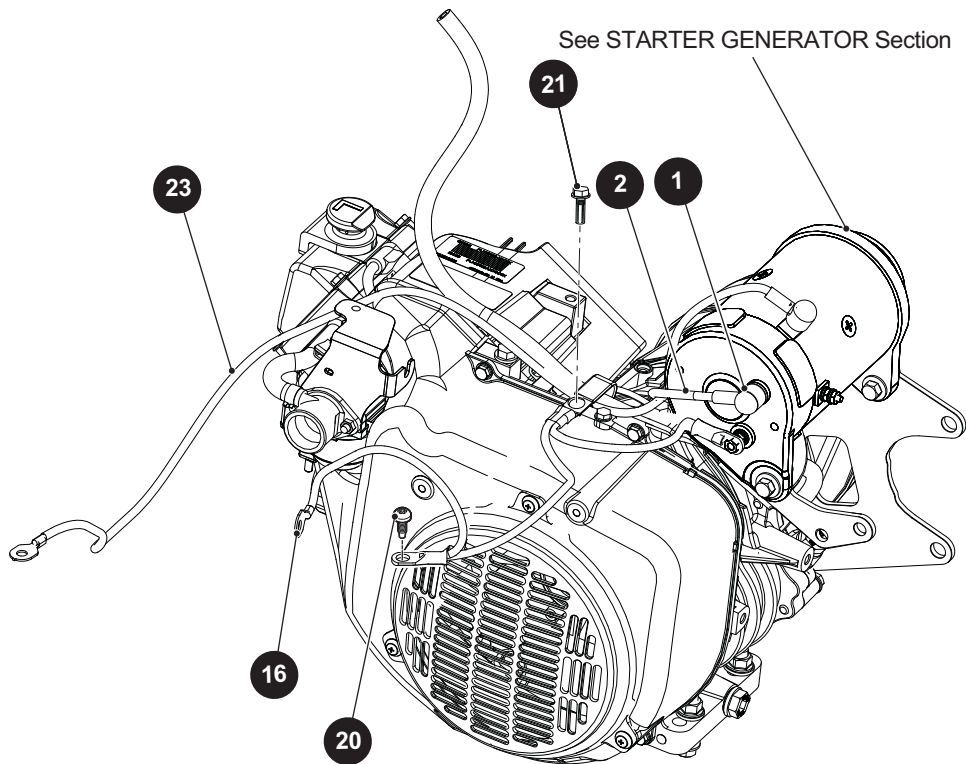
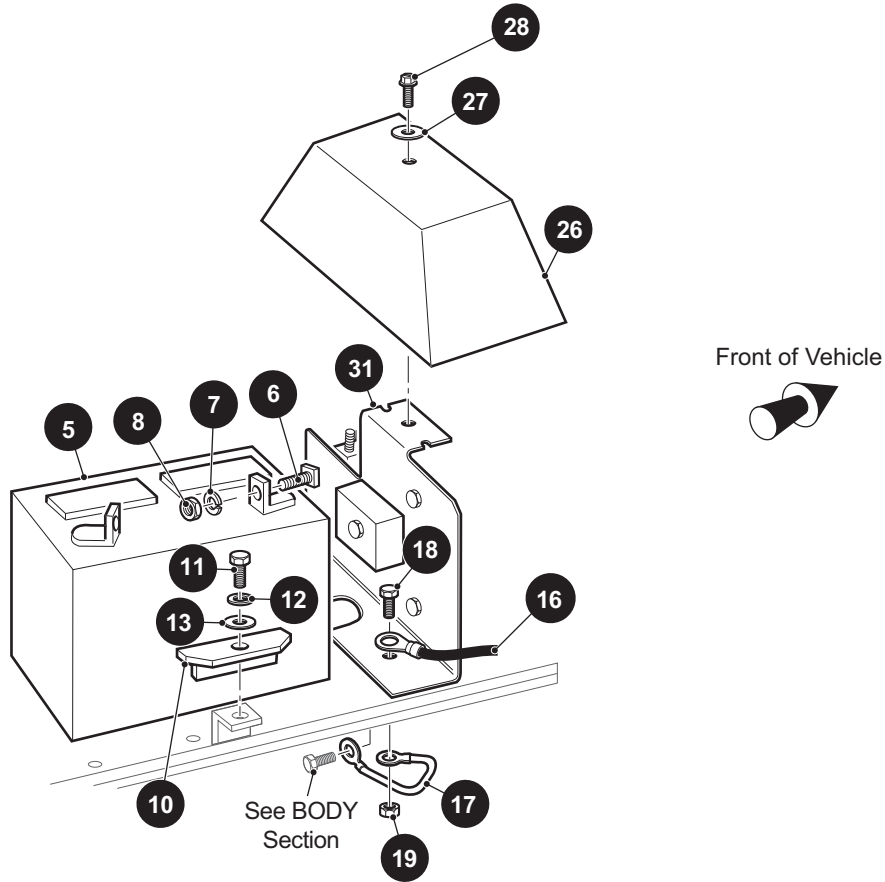
When ordering parts, please specify the model and serial number of the product.

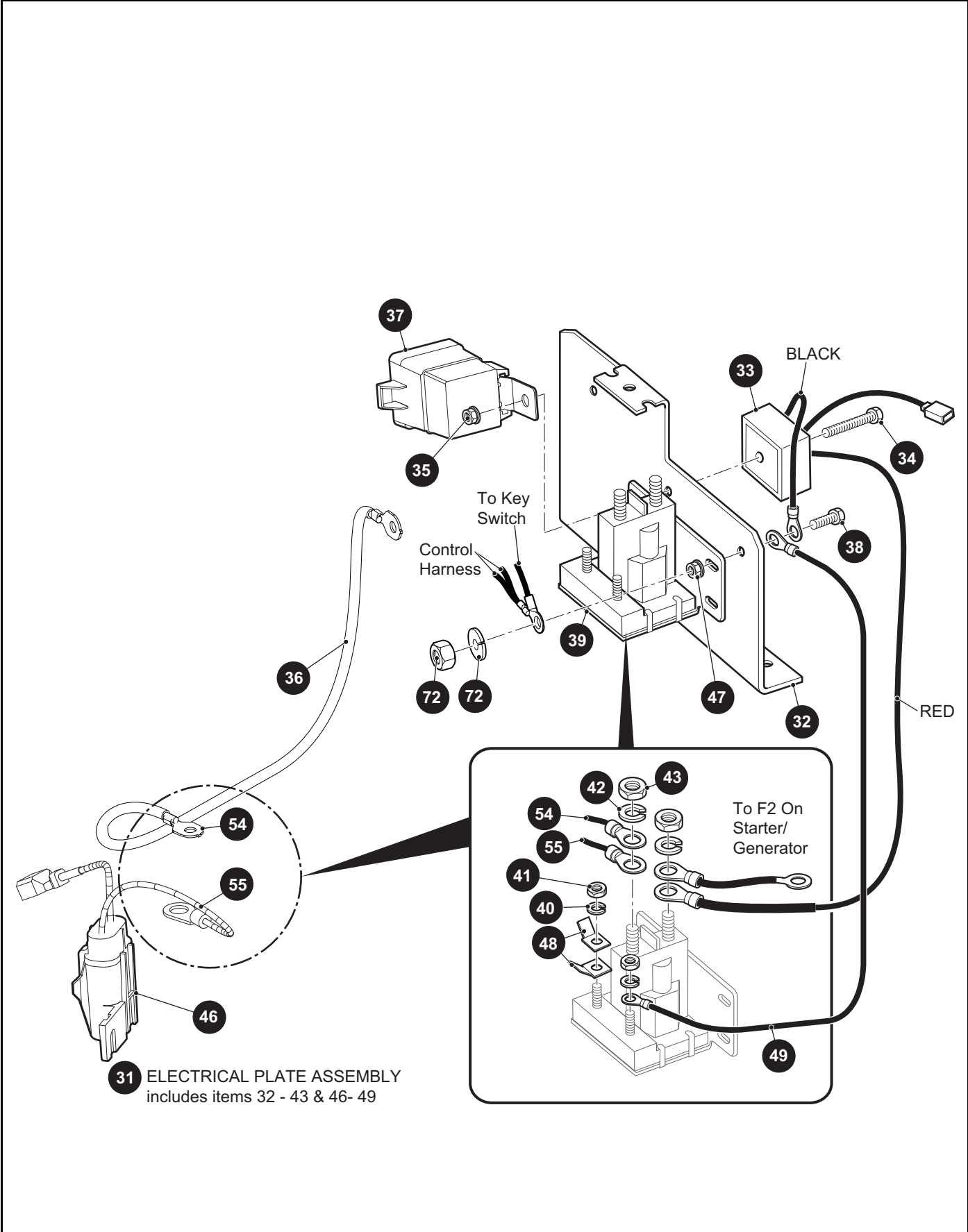
* Indicates a component that is not available as an individual part.

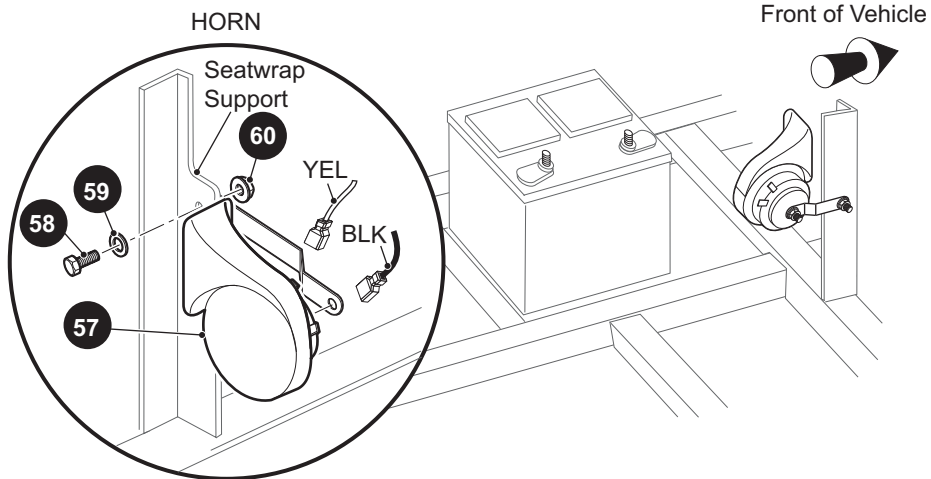
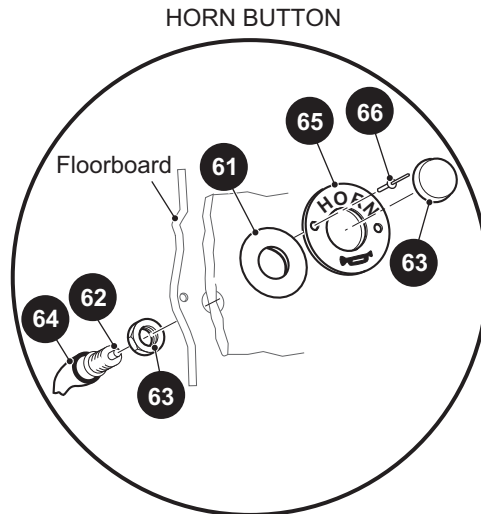
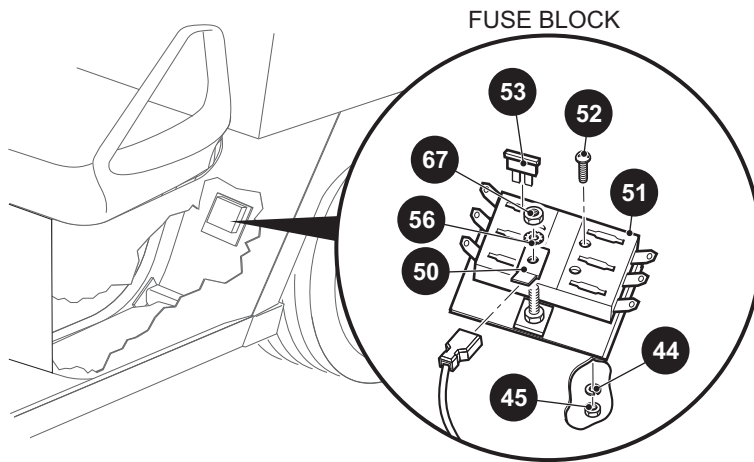
*** Indicates consult Customer Service Department for additional information.

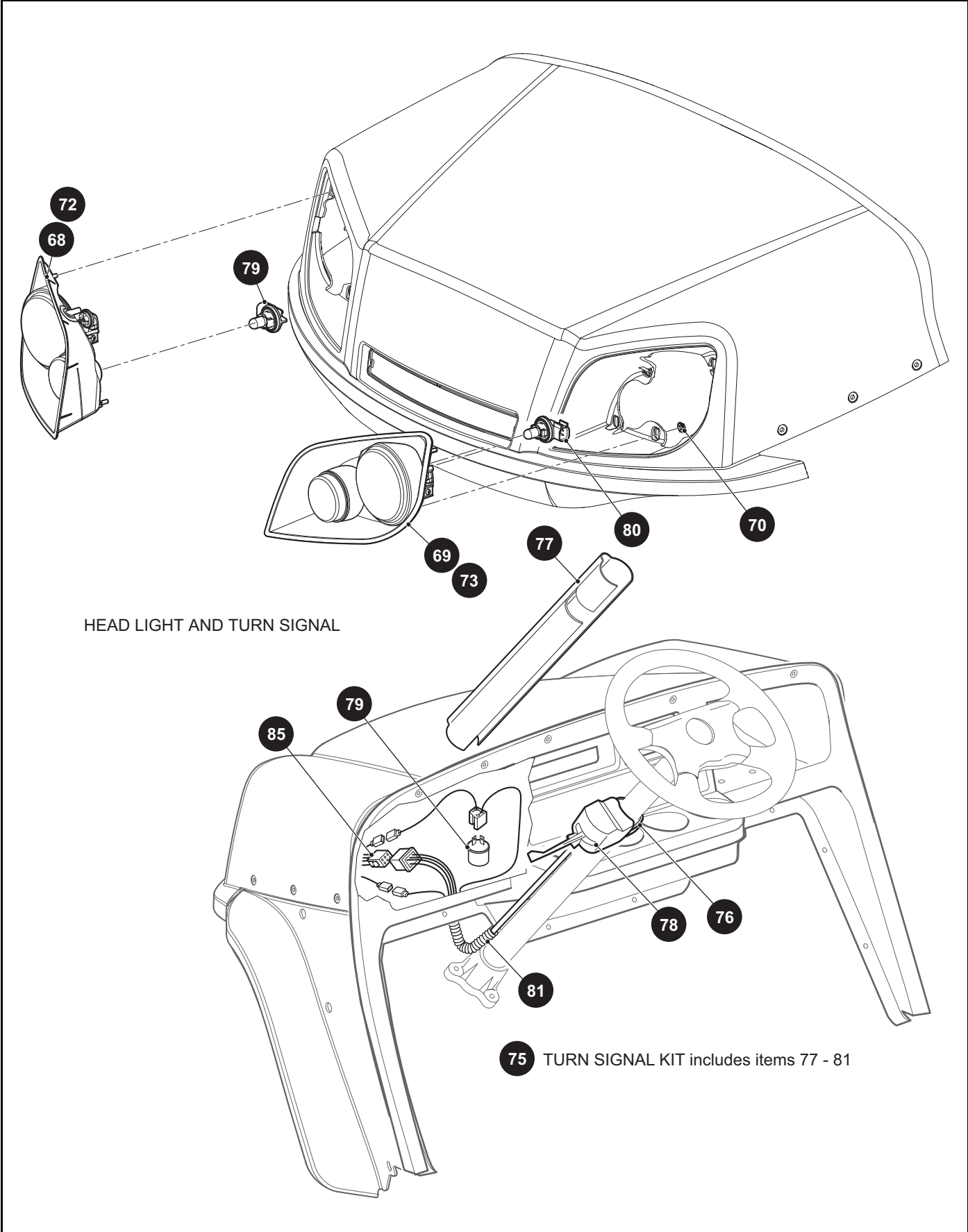
ITEM	PART NO.	1 2 3 4 5	DESCRIPTION	QTY.
32	450452		HEX NUT, M6 - 1.00	1
33	608832		SHIFTER ARM (INCLUDES ITEM 34)	1
34	*		BUSHING, FLIP LOK, 0.25	1
35	31539G1		WIRE TIE (NOT SHOWN IN ILLUSTRATION).....	1
36	01072G01		CABLE CLIP (NOT SHOWN IN ILLUSTRATION).....	1

ELECTRICAL SYSTEM

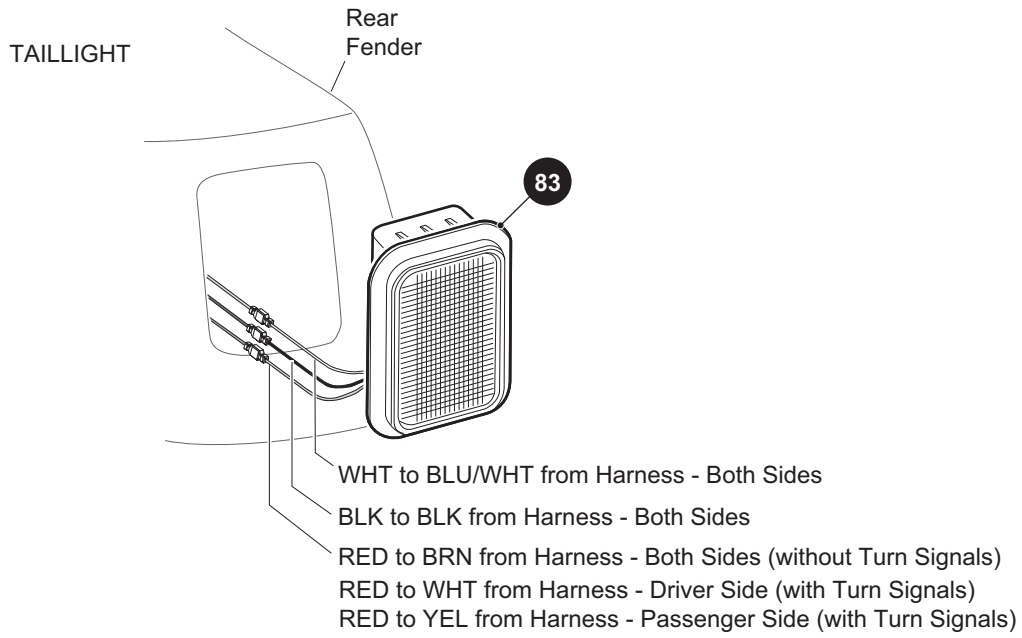




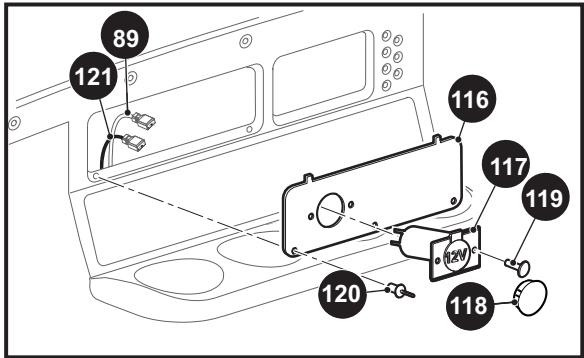




ELECTRICAL SYSTEM

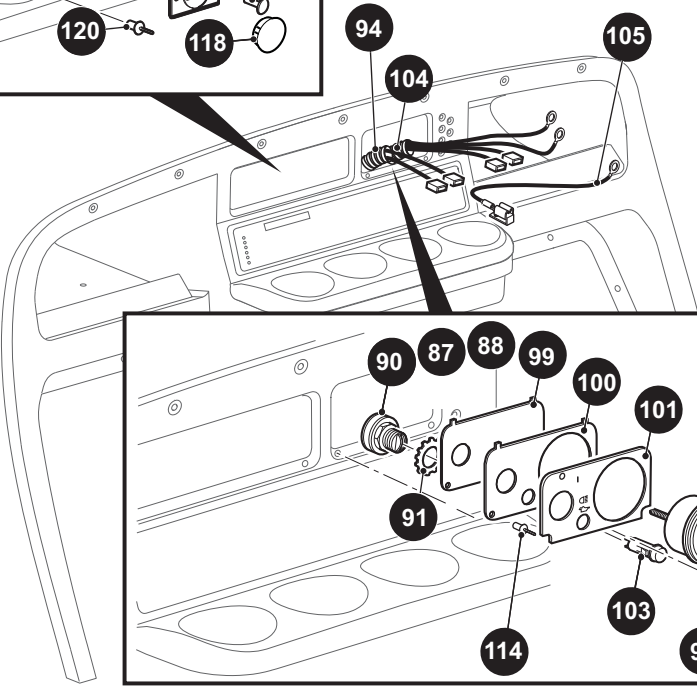


CONSOLE INSERT PLATE



115 CONSOLE INSERT ASSEMBLY includes items 116 - 118

113 CONSOLE INSERT ASSEMBLY includes items 116, 118

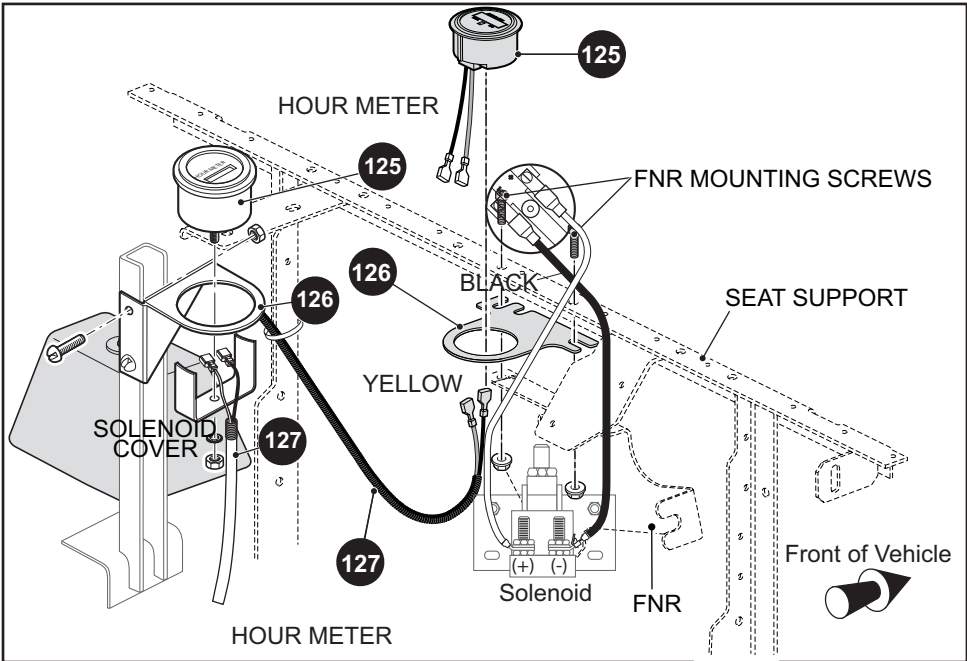


Front of Vehicle



KEY SWITCH, INDICATOR LIGHT(S), AND FUEL GAUGE

124 HOUR METER KIT includes items 125 - 127



ELECTRICAL SYSTEM

When ordering parts, please specify the model and serial number of the product.

* Indicates a component that is not available as an individual part.

*** Indicates consult Customer Service Department for additional information.

ITEM	PART NO.	1 2 3 4 5	DESCRIPTION	QTY.
1	607053		6 GA WIRE (BLACK 6", F1 - A2).....	1
2	25682G1		TERMINAL COVER.....	3
3				
4				
5	24775G*		BATTERY, 12V	1
6	*		BOLT, 5/16 - 18 X 1 1/4" LG.....	2
7	*		LOCK WASHER, 5/16" (SILICON BRONZE).....	2
8	*		HEX NUT, 5/16 - 18 (SILICON BRONZE).....	2
9				
10	72101G02		BATTERY HOLD DOWN	1
11	00438G6		HEX HEAD BOLT, 5/16 - 18 X 3/4" LG	3
12	00565G8		LOCK WASHER, 5/16"	1
13	00571G2		STAINLESS STEEL FLAT WASHER, 5/16"	1
14				
15				
16	27044G03		GROUND CABLE.....	1
17	25976G19		14 GA WIRE (BLACK 6").....	1
18	00438G6		HEX HEAD BOLT, 5/16 - 18 X 3/4" LG	2
19	11027G1		LOCK NUT, 5/16 - 18.....	2
20	26676G01		FLANGED BOLT, M6 X 1.0 X 23 LG	1
21	606264		FLANGED HEX HEAD BOLT, M6-1 X 20.....	1
22				
23	25972G85		6 GA WIRE (BLACK 23", F2 - SOL).....	1
24	605821		WIRE HARNESS (CONTROL).....	1
25	17618G1		WIRE TIE (NOT ILLUSTRATED)	AR
26	73049G01		COVER FNR	1
27	16469G1		FENDER WASHER, 1/4"	1
28	00114G6		HEX HEAD SCREW, 1/4 - 14 X 3/4" LG	1
29				
30				
31	605563		ELECTRICAL PLATE ASSEMBLY (INCLUDES ITEMS 32 - 49)	1

ELECTRICAL SYSTEM

When ordering parts, please specify the model and serial number of the product.

* Indicates a component that is not available as an individual part.

*** Indicates consult Customer Service Department for additional information.

ITEM	PART NO.	1 2 3 4 5	DESCRIPTION	QTY.
32	73057G01		BRACKET.....	1
33	27739G01		VOLTAGE REGULATOR.....	1
34	00415G4		BOLT, 1/4 - 20 X 1 1/4" LG.....	1
35	11027G2		LOCK NUT, 1/4 - 20.....	1
36	25972G33		WIRE ASSEMBLY 6 GA.....	1
37	603282		RELAY.....	1
38	00661G08		HEX HEAD BOLT, 1/4 - 20 X 1" LG.....	1
39	612813		SOLENOID.....	1
40	*		LOCK WASHER, #10.....	2
41	*		NUT, #10 - 32.....	2
42	*		LOCK WASHER, 5/16".....	2
43	*		NUT, 5/16 - 24.....	2
44	00559G5		LOCK WASHER, # 10.....	2
45	14390G10		LOCK NUT, #10-24.....	2
46	600418G01		FUSE HOLDER ASSEMBLY.....	1
47	11027G2		LOCK NUT, 1/4 - 20.....	1
48	73446G01		FASTON TAB, 90°.....	2
49	25978G56		18 GA WIRE (BLACK 5 3/4").....	1
50	12914G01		PUSH ON MALE TERMINAL.....	1
51	35211G01		FUSE BLOCK.....	1
52	00379G2		RIVET, 1/8" X 13/16" LG.....	2
53	35212G01		15 AMP FUSE.....	3
54	25972G33		#6 GA WIRE ASSEMBLY.....	1
55	20216G1		16 GA WIRE (RED).....	1
56	00567G5		LOCK WASHER, #10.....	1
57	32860G1		HORN.....	1
58	00414G5		BOLT, 1/4 - 20 x 5/8" LG.....	1
59	00559G7		STAINLESS STEEL FLAT WASHER, 1/4".....	1
60	14390G4		LOCK NUT, 1/4 - 20.....	1
61	608397		HORN PLATE.....	1
62	17318G1		HORN SWITCH.....	1

ELECTRICAL SYSTEM

When ordering parts, please specify the model and serial number of the product.

* Indicates a component that is not available as an individual part.

*** Indicates consult Customer Service Department for additional information.

ITEM	PART NO.	1 2 3 4 5	DESCRIPTION	QTY.
63	17318G2		HORN SWITCH CAP AND NUT	1
64	27068G01		HORN SWITCH BOOT.....	1
65	19233G1		HORN SWITCH LABEL.....	1
66	71055G01		ALUMINUM RIVET, 3/16" X 1" LG	2
67	00526G4		HEX NUT, #10-32	1
68				
69	614497		RIGHT HEAD LIGHT ASSEMBLY.....	1
70	614501		LEFT HEADLIGHT ASSEMBLY	1
71	71597G01		SELF THREADING NUT, .19 X 1.39 X .59"	8
72				
73	618556		LED HEADLIGHT W/O TURN SIGNAL (RH ASSEMBLY).....	1
74	618555		LED HEADLIGHT W/O TURN SIGNAL (LH ASSEMBLY)	1
75	622712		TURN SIGNAL KIT (INCLUDES ITEMS 77 - 81)	1
76	17618G1		NYLON CLAMP.....	2
77	20965G3		STEERING COLUMN COVER	1
78	611810		TURN SIGNAL SWITCH ASSEMBLY (INDCLUDES ITEM 79).....	1
79	21640G1		TURN SINAL FLASHER.....	1
80	619102		TURN SIGNAL ASSEMBLY BULB	2
81	32307G3		FLEX ZIP LOOVM.....	1
82				
83	32739G2		TAILLIGHT ASSEMBLY (COMPLETE)	2
84				
85				
86				
87	33639G01		IGNITION SWITCH (WITH LIGHTS, FLEET).....	1
88	33639G03		IGNITION SWITCH (WITH LIGHTS, INDIVIDUAL).....	1
89	619153		WIRE HARNESS (ACCESSORY).....	1
90	18602G1		IGNITION SWITCH (WITH LIGHTS, INDIVIDUALLY KEYED)	1
91	00568G6		LOCK WASHER, 3/4"	1
92	17137G1		FACE NUT, 3/4 - 20	1
93	33636G02		IGNITION KEY	1

ELECTRICAL SYSTEM

When ordering parts, please specify the model and serial number of the product.

* Indicates a component that is not available as an individual part.

*** Indicates consult Customer Service Department for additional information.

ITEM	PART NO.	1 2 3 4 5	DESCRIPTION	QTY.
94	605830		WIRE HARNESS (KEY SWITCH).....	1
95				
96				
97				
98				
99	601015		CONSOLE PLATE	1
100	73030G04		PLATE (FUEL GAUGE AND OIL LIGHT)	1
101	71131G01		LABEL (OIL LIGHT AND FUEL GAUGE WITH HEADLIGHTS)	1
102	21553G1		FUEL GAUGE	1
103	23474G1		INDICATOR LIGHT	1
104	74311G01		HARNESS (OIL LIGHT/FUEL GAUGE).....	1
105	25978G122		18 GA WIRE (RED 6")	1
106				
107				
108				
109				
110				
111				
112				
113	74693G02		CONSOLE INSERT ASSEMBLY (INCLUDES ITEMS 116, 118)	
114	33623G02		DRIVE RIVET, 3/16" X 3/8" LG	2
115	74693G01		CONSOLE INSERT ASSEMBLY (INCLUDES ITEMS 116 - 119)	1
116	73522G03		CONSOLE INSERT PLATE.....	1
117	71078G01		POWER OUTLET (12V)	1
118	20271G10		HOLE PLUG	1
119	14601G10		ALUMINUM RIVET, 5/32"	2
120	33623G02		DRIVE RIVET, 3/16" X 3/8" LG	3
121	71081G01		WIRE HARNESS	1
122				
123				
124	607285		HOUR METER KIT (INCLUDES ITEMS 125 - 127).....	1

ELECTRICAL SYSTEM

When ordering parts, please specify the model and serial number of the product.

* Indicates a component that is not available as an individual part.

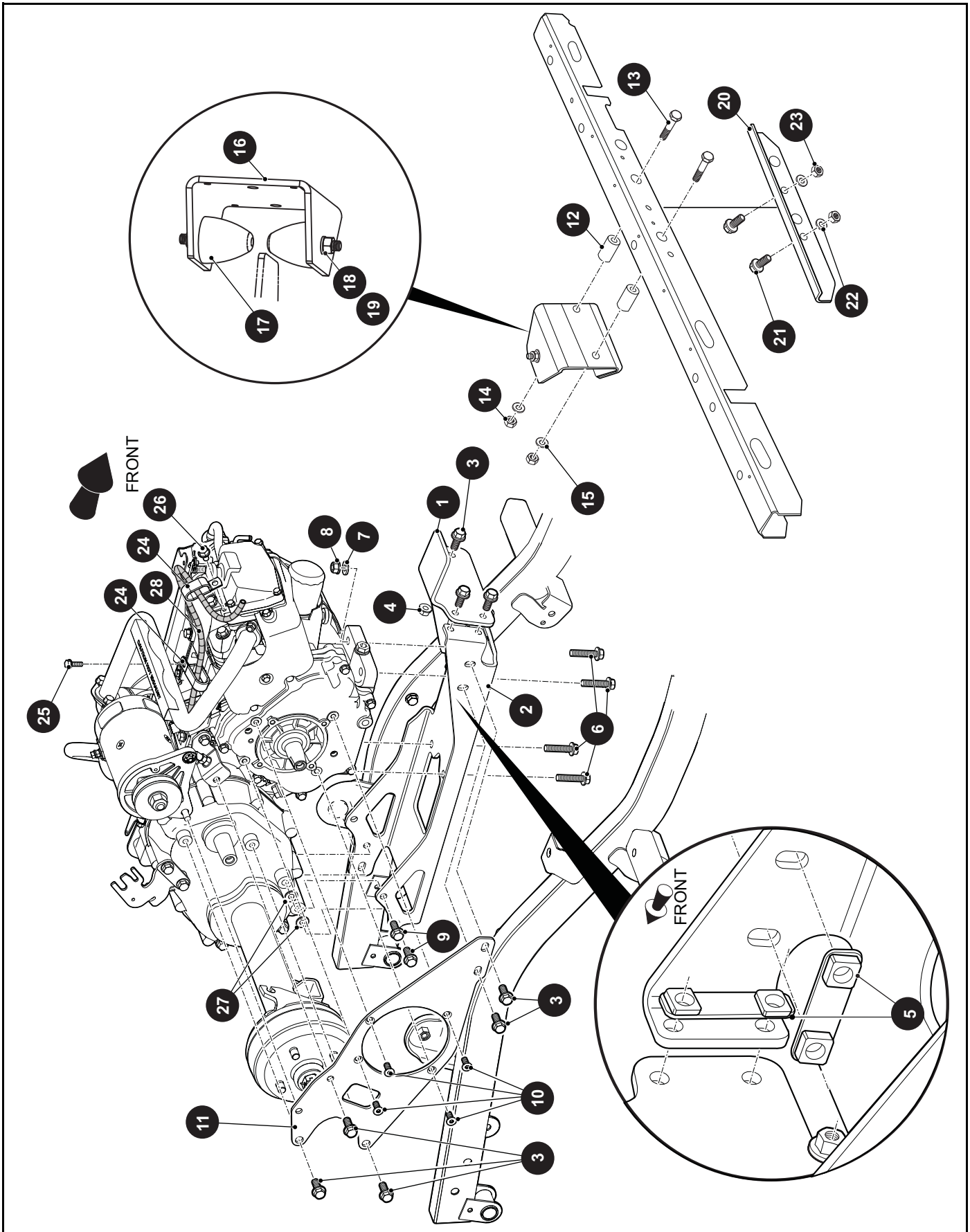
*** Indicates consult Customer Service Department for additional information.

ITEM	PART NO.	1	2	3	4	5	DESCRIPTION	QTY.
125	617074						HOUR METER.....	1
126	603721						HOUR METER BRACKET.....	1
127	606254						WIRE HARNESS (HOUR METER).....	1
128	607284						HOUR METER KIT (INCLUDES ITEMS 125 - 127).....	1
129	31539G1						NYLON CLAMP 15.5" (NOT ILLUSTRATED).....	AR
130	73290G03						CONTINUOUS TONE POTTED BUZZER (NOT SHOWN).....	1

Notes:

A large grid of graph paper, consisting of 30 columns and 30 rows of small squares, intended for taking notes.

ENGINE MOUNTING



ENGINE MOUNTING

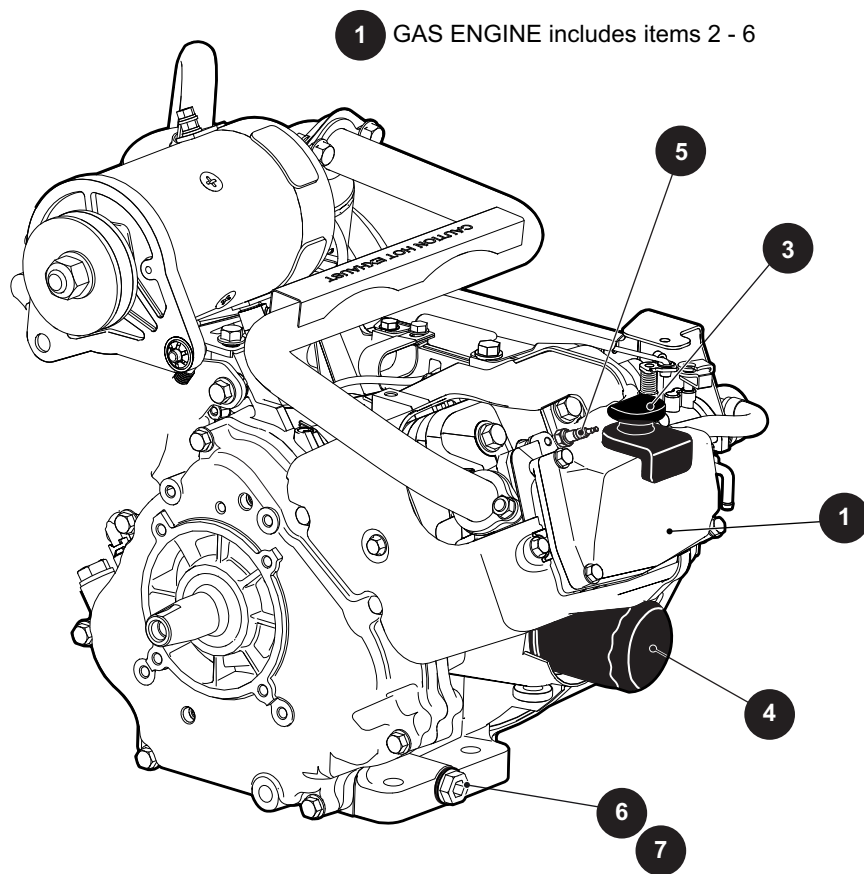
When ordering parts, please specify the model and serial number of the product.

* Indicates a component that is not available as an individual part.

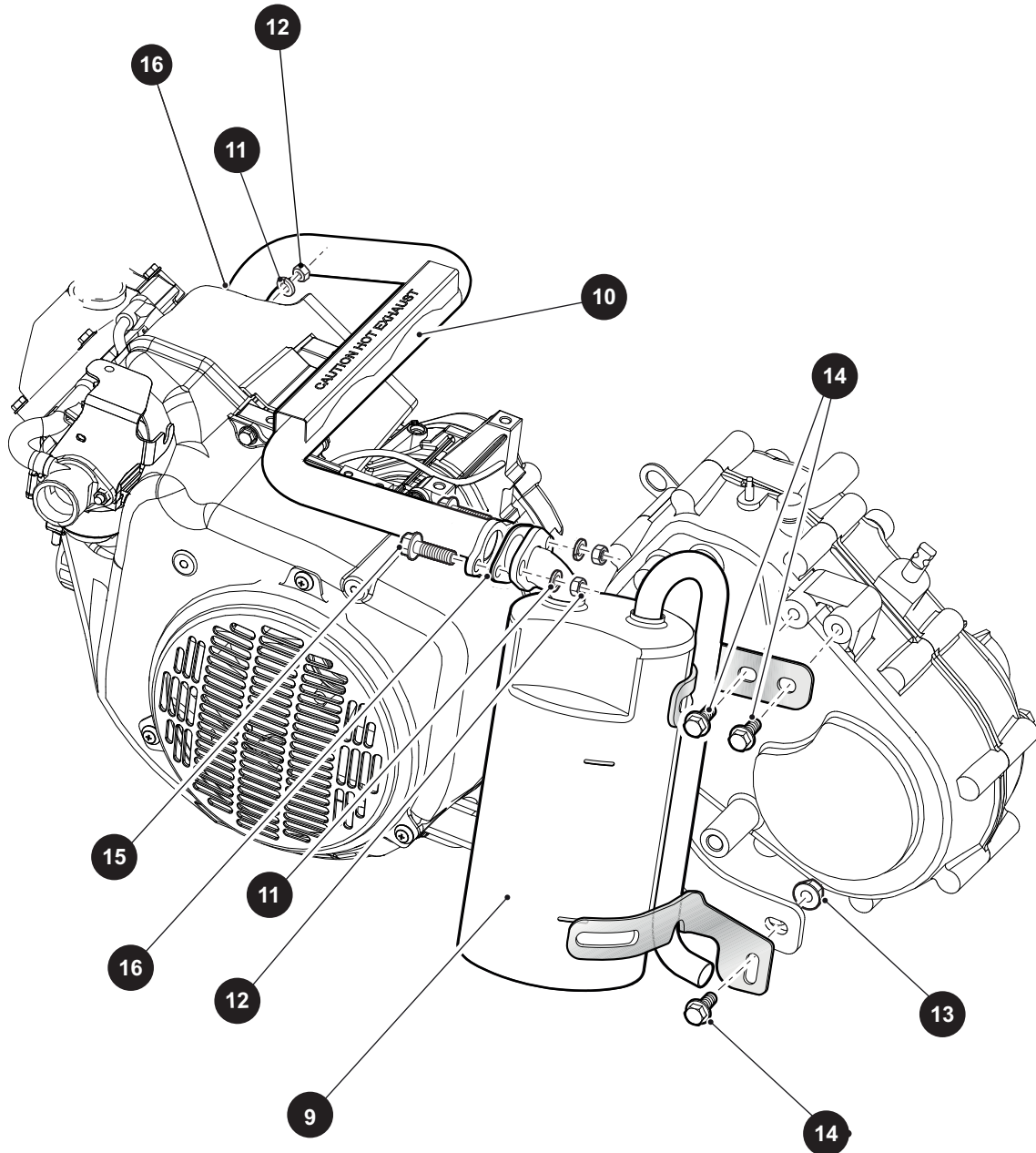
*** Indicates consult Customer Service Department for additional information.

ITEM	PART NO.	1 2 3 4 5	DESCRIPTION	QTY.
1	606007		FRONT ENGINE MOUNT	1
2	603101		ENGINE PAN MOUNT	1
3	606256		FLANGED HEX HEAD BOLT, M10 - 1.25 X 25	8
4	606279		FLANGED HEX NUT, M10 - 1.25.....	1
5	606096		NUT PLATE.....	2
6	606259		FLANGED HEX HEAD BOLT, M10 - 1.25 X 45	4
7	603823		FLAT WASHER, M10 X 22 - 2.5	4
8	606279		FLANGED HEX NUT, M10 - 1.25.....	4
9	608020		FLANGED HEX HEAD BOLT, M10 - 1.25 X 34	4
10	606246		FLAT HEAD SCREW, M8 - 1.25 X 20 mm.....	4
11	602146		DIFFERENTIAL PLATE	1
12	72016G01		TUBE SPACER	2
13	00428G8		HEX HEAD 3/8 - 16, UNC X 2.75"	2
14	11098G5		PLASTIC INSERT LOCK NUT, 3/8-16".....	2
15	00643G1		FLAT WASHER, 3/8 X 1.0 X .63	2
16	605995		TS2 FRONT MOUNT BRACKET	1
17	605757		RUBBER BUMPER.....	2
18	00974G01		HEX NUT, M10 X 1.5	2
19	00968G01		LOCK WASHER, M10.....	2
20	70269G02		CROSSMEMBER BRACE	1
21	00438G7		HEX HEAD SCREW, 5/16 - 18 UNC-2B.....	2
22	01110G3		FLAT WASHER, 5/16".....	2
23	01109G01		PLASTIC INSERT LOCK NUT, 5/16-18 UNC-2B.....	2
24	606962		TUBE CLAMP, DBL - 0.72	2
25	606264		FLANGED HEX HEAD BOLT, M6 - 1 X 20	1
26	606265		FLANGED HEX HEAD BOLT, M6 - 1 X 12	1
27	00560G2		B TYPE NARROW FLAT WASHER, 7/16" X .25	2
28	27184G12		TUBE, (FUEL SYSTEM).....	1

ENGINE AND MUFFLER



ENGINE AND MUFFLER



ENGINE AND MUFFLER

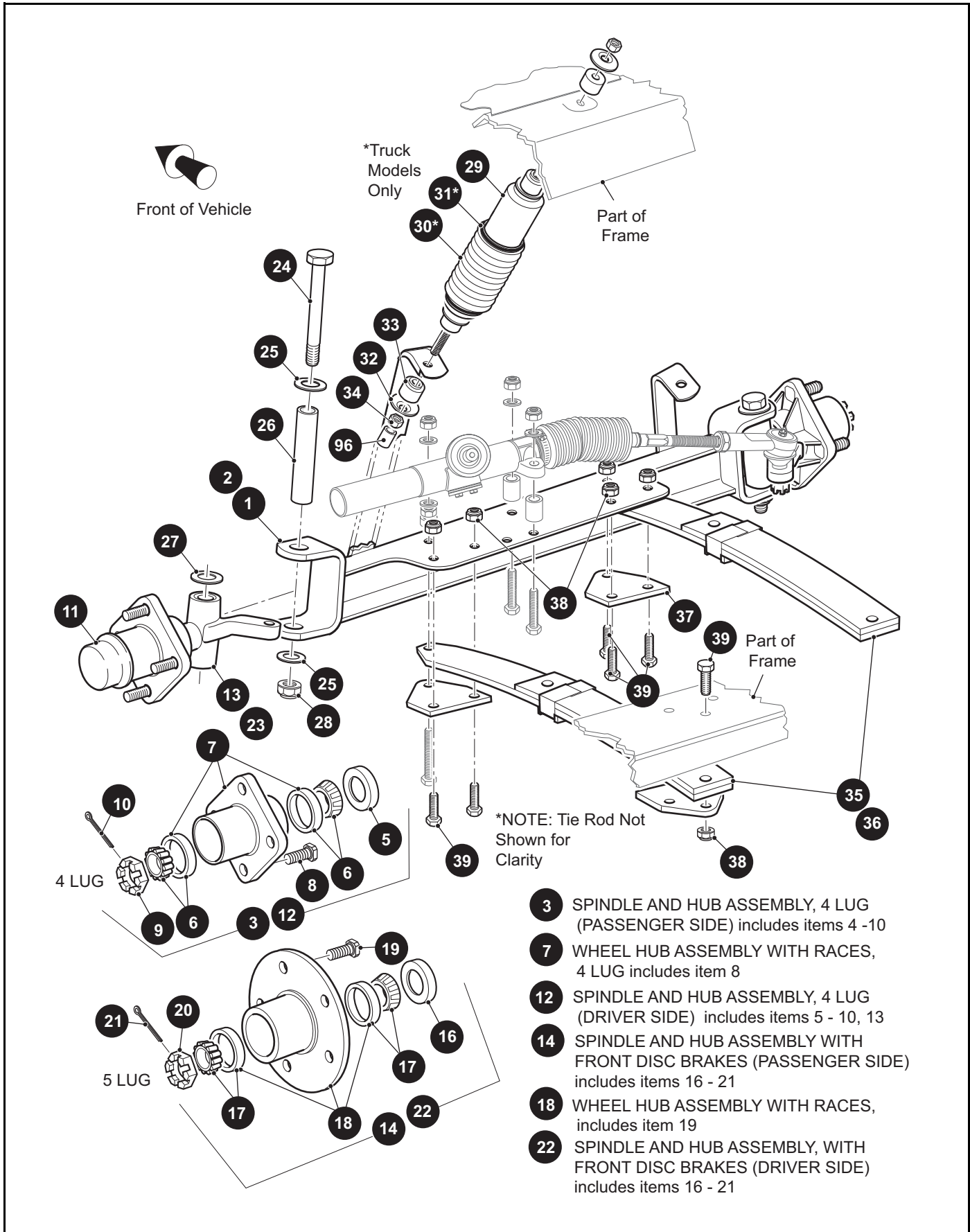
When ordering parts, please specify the model and serial number of the product.

* Indicates a component that is not available as an individual part.

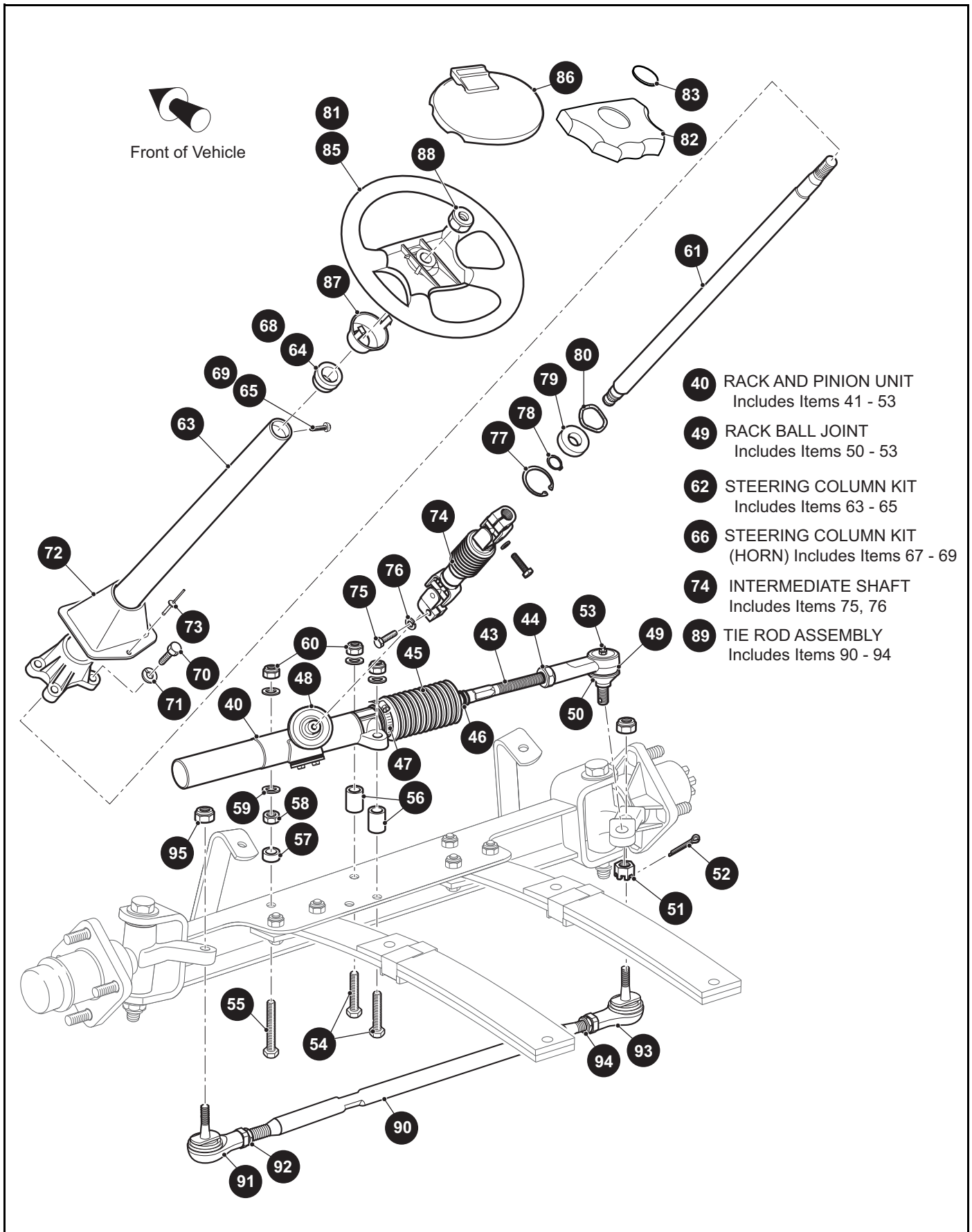
*** Indicates consult Customer Service Department for additional information.

ITEM	PART NO.	1	2	3	4	5	DESCRIPTION	QTY.
1	607154						GAS ENGINE, 13HP, NON-GOLF (INCLUDES ITEMS 2 - 6).....	1
2								
3	606390						DIP STICK.....	1
4	607454						OIL FILTER	1
5	607462						SPARK PLUG (BPR2ES).....	1
6	603557						OIL DRAIN PLUG	1
7	603562						'O' RING, 16MM	1
8								
9	612266						MUFFLER.....	1
10	606982						EXHAUST PIPE	1
11	606272						LOCK WASHER, 8MM	4
12	606267						HEX NUT, M8 X 1.25.....	4
13	606279						FLANGED HEX NUT, M10 - 1.25	1
14	606256						FLANGED HEX HEAD BOLT, M10 - 1.25 X 25.....	3
15	602330						FLANGED HEX HEAD BOLT, M8 - 1.25 X 30.....	2
16	603599						EXHAUST GASKET	2

FRONT SUSPENSION / STEERING



FRONT SUSPENSION / STEERING



FRONT SUSPENSION / STEERING

When ordering parts, please specify the model and serial number of the product.

* Indicates a component that is not available as an individual part.

*** Indicates consult Customer Service Department for additional information.

ITEM	PART NO.	1 2 3 4 5	DESCRIPTION	QTY.
1	602513		FRONT AXLE	1
2	602327		FRONT AXLE WITH FRONT DISC BRAKES	1
3	70942G03		SPINDLE AND HUB ASSEMBLY, 4 LUG (PASSENGER SIDE) (INCLUDES ITEMS 4 - 10).....	1
4	70942G04		SPINDLE ASSEMBLY (PASSENGER SIDE).....	1
5	25146G1		GREASE SEAL.....	1
6	50892G1		ROLLER BEARING AND RACE ASSEMBLY	2
7	70589G01		WHEEL HUB ASSEMBLY WITH RACES, 4 LUG (INCLUDES ITEM 8) ..	1
8	19862G1		LUG BOLT, 1/2 - 20 X 1 3/16" LG.....	4
9	12093G1		CASTELLATED NUT, 1 - 14.....	1
10	00798G8		COTTER PIN, 5/32" X 1 3/4" LG.....	1
11	12091G2		SPINDLE CAP	2
12	70673G03		SPINDLE AND HUB ASSEMBLY, 4 LUG (DRIVER SIDE) (INCLUDES ITEMS 5 - 10, 13).....	1
13	70673G04		SPINDLE ASSEMBLY (DRIVER SIDE)	1
14	602288		SPINDLE AND HUB ASSEMBLY WITH FRONT DISC BRAKES (PASSENGER SIDE)(INCLUDES ITEMS 15 - 20).....	1
15				
16	12092G1		GREASE SEAL.....	1
17	50892G1		ROLLER BEARING AND RACE ASSEMBLY	2
18	74673G01		WHEEL HUB ASSEMBLY WITH RACES, (INCLUDES ITEM 19).....	1
19	30143G1		LUG BOLT, 1/2 - 20 X 1 7/32" LG	5
20	12093G1		CASTELLATED NUT, 1 - 14.....	1
21	00798G8		COTTER PIN, 5/32" X 1 3/4" LG.....	1
22	602281		SPINDLE AND HUB ASSEMBLY, WITH FRONT DISC BRAKES (DRIVER SIDE)(INCLUDES ITEMS 15 - 20)	1
23				
24	00407G6		HEX HEAD BOLT, 1/2 - 13 X 6" LG.....	2
25	00560G3		FLAT WASHER, 1/2"	4
26	70745G01		KING PIN TUBE	2
27	70754G01		STAINLESS STEEL THRUST WASHER, 1"	2
28	14390G6		LOCK NUT, 1/2 - 13.....	2
29	76419G01		SHOCK ABSORBER.....	2

FRONT SUSPENSION / STEERING

When ordering parts, please specify the model and serial number of the product.

* Indicates a component that is not available as an individual part.

*** Indicates consult Customer Service Department for additional information.

ITEM	PART NO.	1 2 3 4 5	DESCRIPTION	QTY.
30	70509G01		SHOCK ABSORBER BOOT	2
31	31539G1		WIRE TIE	4
32	10435G1		SHOCK ABSORBER WASHER.....	8
33	10194G1		RUBBER BUSHING	8
34	00532G6		HEX NUT, 3/8 - 24.....	4
35	70989G03		LEAF SPRING (SEE PART NUMBER ON SPRING).....	2
36	70664G03		LEAF SPRING (HEAVY DUTY) (SEE PART NUMBER ON SPRING).....	2
37	70163G03		SPRING PLATE	4
38	00734G1		LOCK NUT, 7/16 - 14	11
39	00463G11		HEX HEAD BOLT, 7/16 - 14 X 1 3/4" LG	11
40	70964G01		RACK AND PINION UNIT (COMPLETE) (INCLUDES ITEMS 41 - 53).....	1
41	70965G01		STEERING RACK COVER & BEARING	1
42	*		STEERING BOX INSTALLATION TAG	1
43	70694G01		RACK EXTENSION.....	1
44	*		JAM NUT, 1/2 - 20	1
45	70961G01		RACK BOOT	1
46	12416G2		WIRE TIE.....	1
47	11391G8		CLAMP, 1 13/16 - 2 3/8"	1
48	70638G01		PINION SEAL	1
49	70695G01		RACK BALL JOINT (INCLUDES ITEMS 50 - 53).....	1
50	50641G1		RUBBER BOOT	1
51	50209G2		CASTELLATED NUT, 7/16 - 20.....	1
52	10387G2		COTTER PIN, 3/32" X 1" LG.....	1
53	10389G3		GREASE FITTING, STRAIGHT	1
54	00464G6		HEX HEAD BOLT, 7/16 - 14 X 2 3/4" LG	2
55	01068G01		HEX HEAD BOLT, 7/16 - 14 X 3 1/2" LG	1
56	70667G02		SPACER.....	2
57	70667G03		SPACER (SHORT).....	1
58	00532G7		HEX NUT, 7/16 - 14.....	1
59	00560G2		FLAT WASHER, 7/16".....	7
60	00734G1		LOCK NUT, 7/16 - 14	3

FRONT SUSPENSION / STEERING

When ordering parts, please specify the model and serial number of the product.

* Indicates a component that is not available as an individual part.

*** Indicates consult Customer Service Department for additional information.

ITEM	PART NO.	1 2 3 4 5	DESCRIPTION	QTY.
61	70607G01		STEERING SHAFT	1
62	70758G06		STEERING COLUMN KIT (INCLUDES ITEMS 63 - 65)	1
63	70610G03		STEERING COLUMN	1
64	28569G01		STEERING COLUMN BUSHING	1
65	01022G01		HEX HEAD SCREW, #6 - 20 X 5/16" LG	1
66	70758G08		STEERING COLUMN KIT (HORN) (INCLUDES ITEMS 67 - 69)	1
67	70610G04		STEERING COLUMN	1
68	28569G01		STEERING COLUMN BUSHING	1
69	01022G01		HEX HEAD SCREW, #6 - 20 X 5/16" LG	1
70	01006G01		HEX HEAD BOLT, 3/8 - 16 X 1 1/4" LG	4
71	00879G1		LOCK WASHER, 3/8"	4
72	70997G01		COVER	1
73	71055G01		ALUMINUM RIVET, 3/16" X 1" LG	1
74	70580G01		INTERMEDIATE SHAFT (INCLUDES ITEMS 75, 76)	1
75	01055G01		HEX HEAD BOLT, M8 X 1.25 - 05	2
76	00565G8		LOCK WASHER, 5/16"	2
77	70751G01		RETAINING RING (INTERNAL)	1
78	70888G01		RETAINING RING (EXTERNAL)	1
79	15112G1		BALL BEARING	1
80	70887G01		WAVE WASHER	1
81	602980		STEERING WHEEL PRMIUM (FOR VEHICLES HAULER 1200)	1
82	71147G01		STEERING WHEEL COVER (FOR VEHICLES HAULER 1200)	1
83	605435		STEERING WHEEL DECAL	1
84				
85	602979		STEERING WHEEL	1
86	607925		CLIPBOARD (FOR VEHICLE REFRESHER 1200)	1
87				
88	14390G2		LOCK NUT, 5/8 - 18	1
89	70876G02		TIE ROD ASSEMBLY (INCLUDES ITEMS 90 - 94)	1
90	70897G02		THREADED ROD (24" LG)	1
91	70902G01		TIE ROD END (LEFT HAND THREADS)	1

FRONT SUSPENSION / STEERING

When ordering parts, please specify the model and serial number of the product.

* Indicates a component that is not available as an individual part.

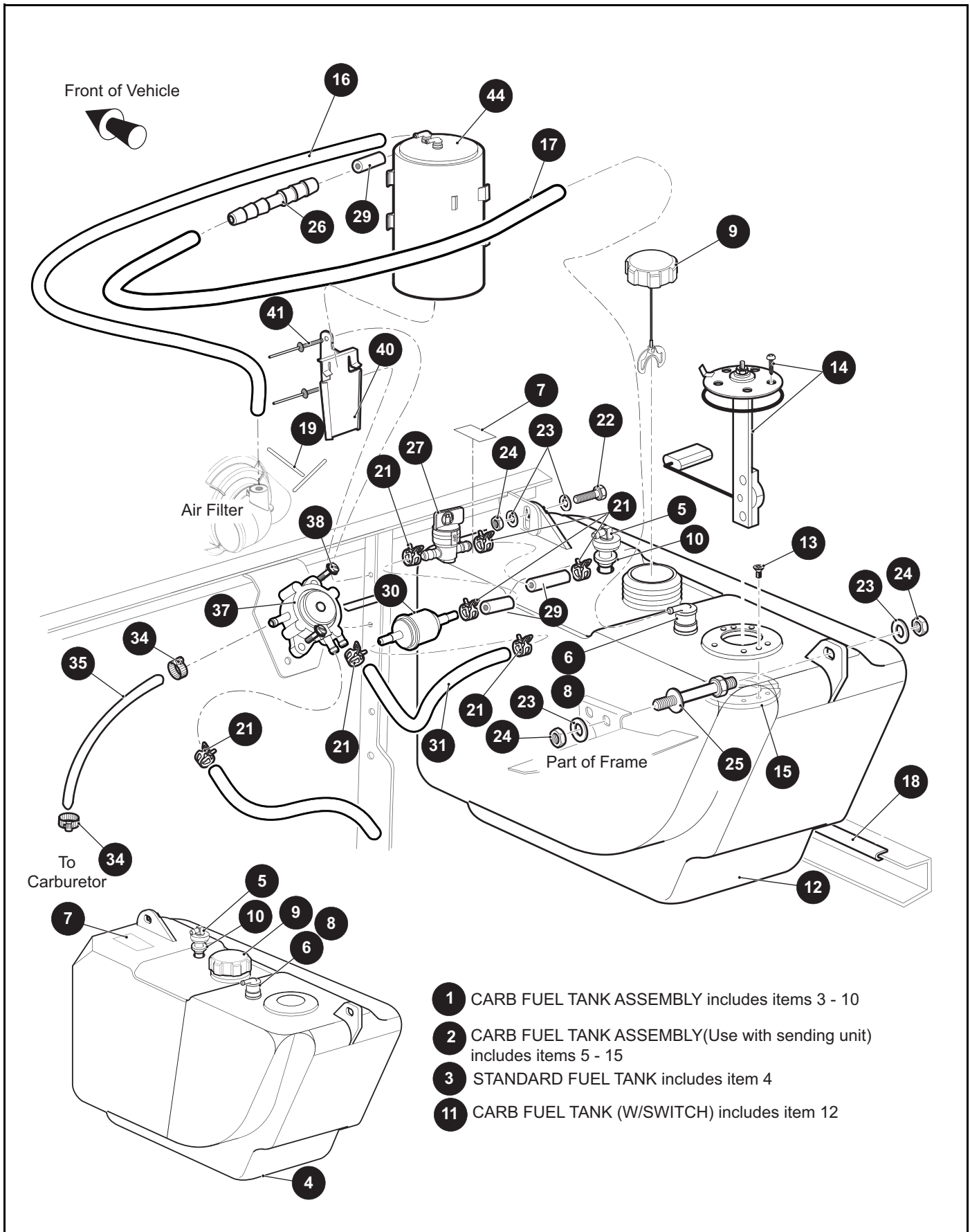
*** Indicates consult Customer Service Department for additional information.

ITEM	PART NO.	1 2 3 4 5	DESCRIPTION	QTY.
92	01069G01		JAM NUT, M12 X 1.25 - 05 (LEFT HAND THREADS)	1
93	70902G02		TIE ROD END (RIGHT HAND THREADS)	1
94	01069G02		JAM NUT, M12 X 1.25 - 05 (RIGHT HAND THREADS).....	1
95	00734G1		LOCK NUT, 7/16 - 14	2
96	10044G01		CAP, VINYL.....	2

Notes:

A large rectangular area filled with a grid of small squares, typical of graph paper, intended for writing notes.

FUEL SYSTEM



FUEL SYSTEM

When ordering parts, please specify the model and serial number of the product.

* Indicates a component that is not available as an individual part.

*** Indicates consult Customer Service Department for additional information.

ITEM	PART NO.	1 2 3 4 5	DESCRIPTION	QTY.
1	620180		CARB FUEL TANK ASSEMBLY (Includes items 3 - 10).....	1
2	620181		CARB FUEL TANK ASSY (Use with sending unit) (Includes items 5 - 15.....	1
3	620179		STANDARD FUEL TANK (CARB III) (Includes item 4).....	1
4	618668		FUEL TANK, W/O SENDER UNIT	1
5	18287G3		SIPHON TUBE ASSEMBLY	1
6	606068		ROLLOVER VALVE GROMMET	1
7	617886		EPA FUEL TANK LABEL	1
8	606067		ROLLOVER VALVE	1
9	617885		FUEL TANK CAP (RATCHET).....	1
10	70988G01		SIPHON TUBE GROMMET	1
11	607479		CARB FUEL TANK, (W/SWITCH) (Includes item 12).....	1
12	618669		FUEL TANK, W/ SENDER UNIT	1
13	72230G01		FLAT HEAD MACHINE SCREW, 6-32 X .5"	2
14	20048G2		FUEL LEVEL SENDER	1
15	72229G01		FUEL TANK ADAPTER	1
16	606966		LOW PRESSURE FUEL HOSE, 3/16 I.D. X 3/8 O.D. X 34.00 LONG (CARB)	1
17	607546		LOW PRESSURE FUEL HOSE, 3/16 I.D. X 3/8 O.D. X 17.00 LONG (CARB)	1
18	32372G6		BLACK TRIM, 6.25 LONG	1
19	17618G1		NYLON CLAMP	2
20				
21	18292G1		HOSE CLAMP,.50 DIAMETER	7
22	00438G8		HEX HEAD BOLT, 5/16 - 18 X 1	1
23	00559G8		FLAT WASHER, 5/16.....	4
24	11098G6		LOCK NUT, 5/16 - 18	3
25	70483G01		SPACER , 5/16 - 18	1
26	615346		HOSE REDUCER-ID 1/4 X 3/16.....	1
27	611181		FUEL SHUT-OFF VALVE	1
28				
29	615350		FUEL SYSTEM HOSE 2.00".....	3
30	72084G01		FUEL LINE FILTER.....	1
31	606969		FUEL SYSTEM HOSE,.25 I.D. X.50 O.D. X 8.00 LONG	1

FUEL SYSTEM

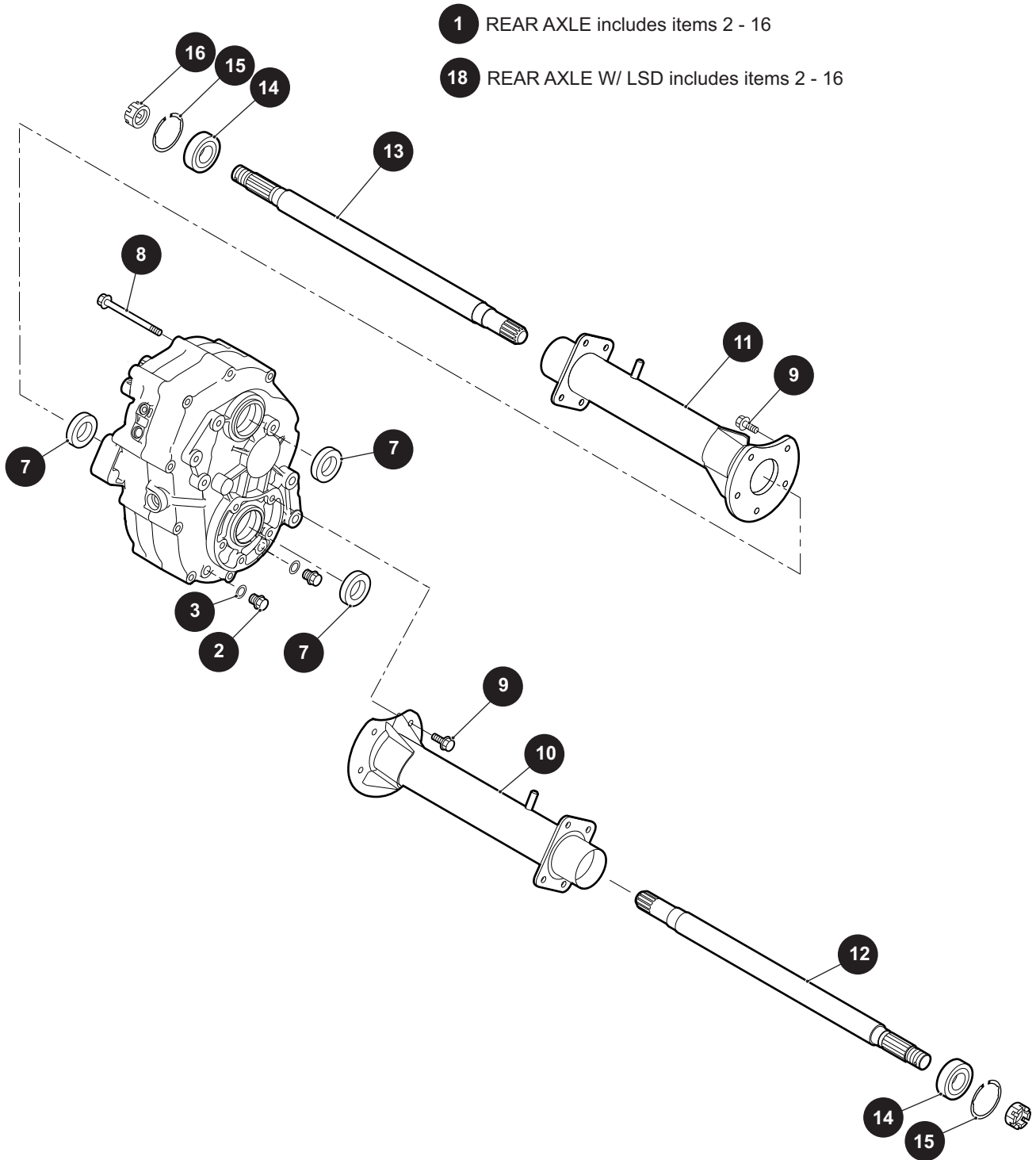
When ordering parts, please specify the model and serial number of the product.

* Indicates a component that is not available as an individual part.

*** Indicates consult Customer Service Department for additional information.

ITEM	PART NO.	1	2	3	4	5	DESCRIPTION	QTY.
32								
33								
34	11391G4						HOSE CLAMP, .25 - .63 DIA	2
35	604597						CARB FUEL SYSTEM HOSE,.25 I.D. X.50 O.D. X 26.00 LONG	1
36								
37	602061						FUEL PUMP	1
38	00114G6						HEX WASHER HEAD SLOTTED TAPPING SCREW, 1/4 - 14 X .75.....	2
39								
40	606310						CARBON CANISTER MOUNTING BRACKET	1
41	10570G11						RIVET, 3/16 DIA X .70	2
42								
43								
44	606071						CARBON CANISTER	1

REAR AXLE



REAR AXLE

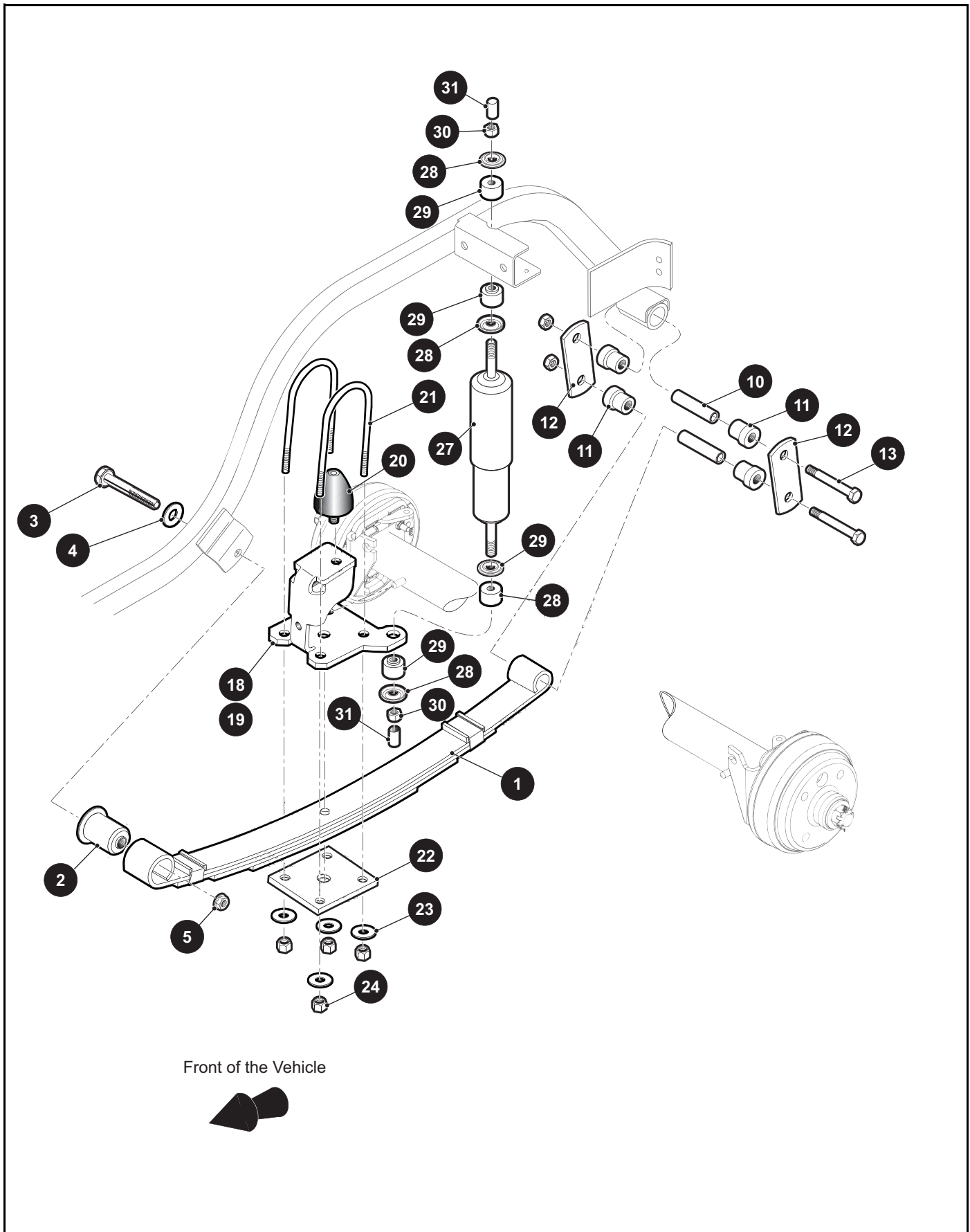
When ordering parts, please specify the model and serial number of the product.

* Indicates a component that is not available as an individual part.

*** Indicates consult Customer Service Department for additional information.

ITEM	PART NO.	1 2 3 4 5	DESCRIPTION	QTY.
1	605891		REAR AXLE (INCLUDES ITEMS 2 - 16)	1
2	26770-G01		OIL DRAIN PLUG	2
3	26771-G01		GASKET	2
4				
5				
6				
7	72259-G01		OIL SEAL 28 X 47 X 9	3
8	26823-G01		FLANGE BOLT M8 X 1.25 X 100	10
9	72260-G01		FLANGE BOLT M10 X 1.5 X 23	10
10	607940		AXLE TUBE (PASSENGER SIDE)	1
11	607939		AXLE TUBE (DRIVER SIDE)	1
12	607988		AXLE SHAFT (PASSENGER SIDE)	1
13	607987		AXLE SHAFT (DRIVER SIDE)	1
14	26811-G01		BALL BEARING	2
15	26814-G01		SNAP RING	2
16	606403		SLOTTED NUT	2
17				
18	617488		REAR AXLE W/ LSD (INCLUDES ITEMS 2 - 16)	1

REAR SUSPENSION



REAR SUSPENSION

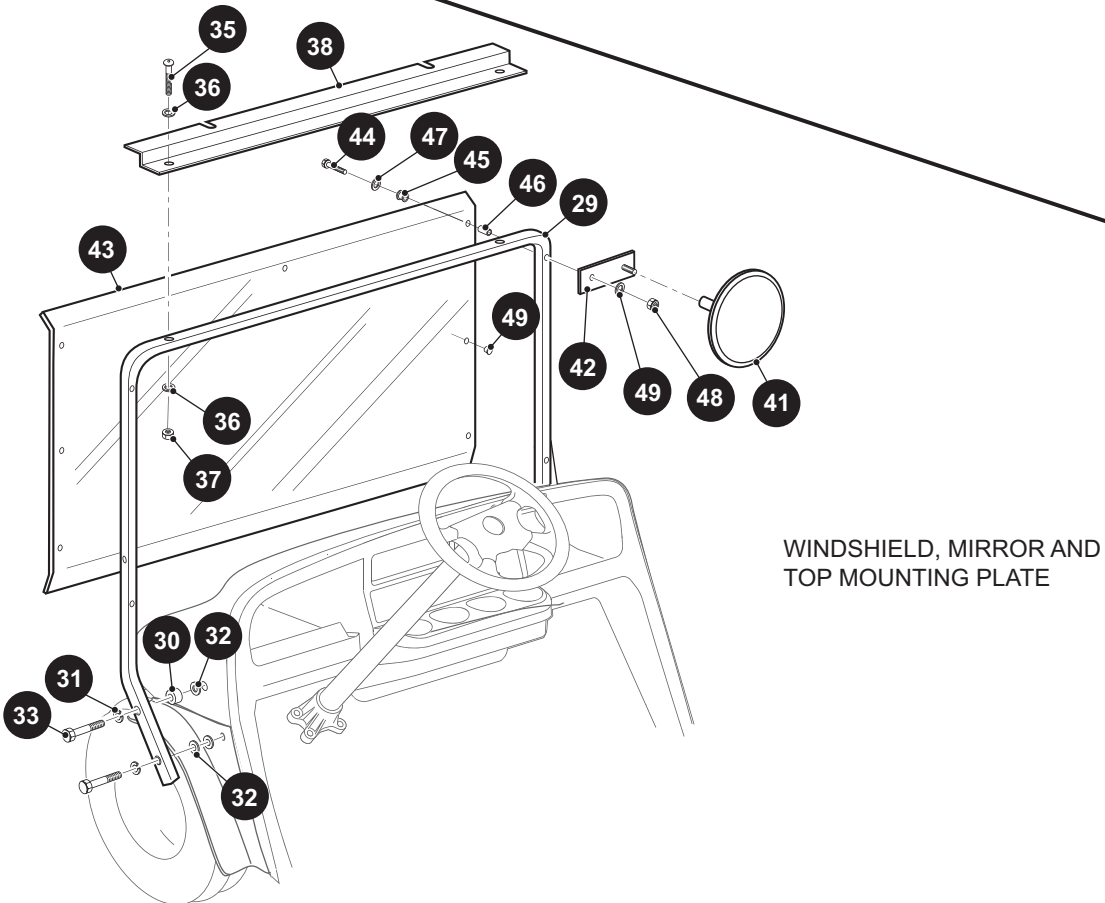
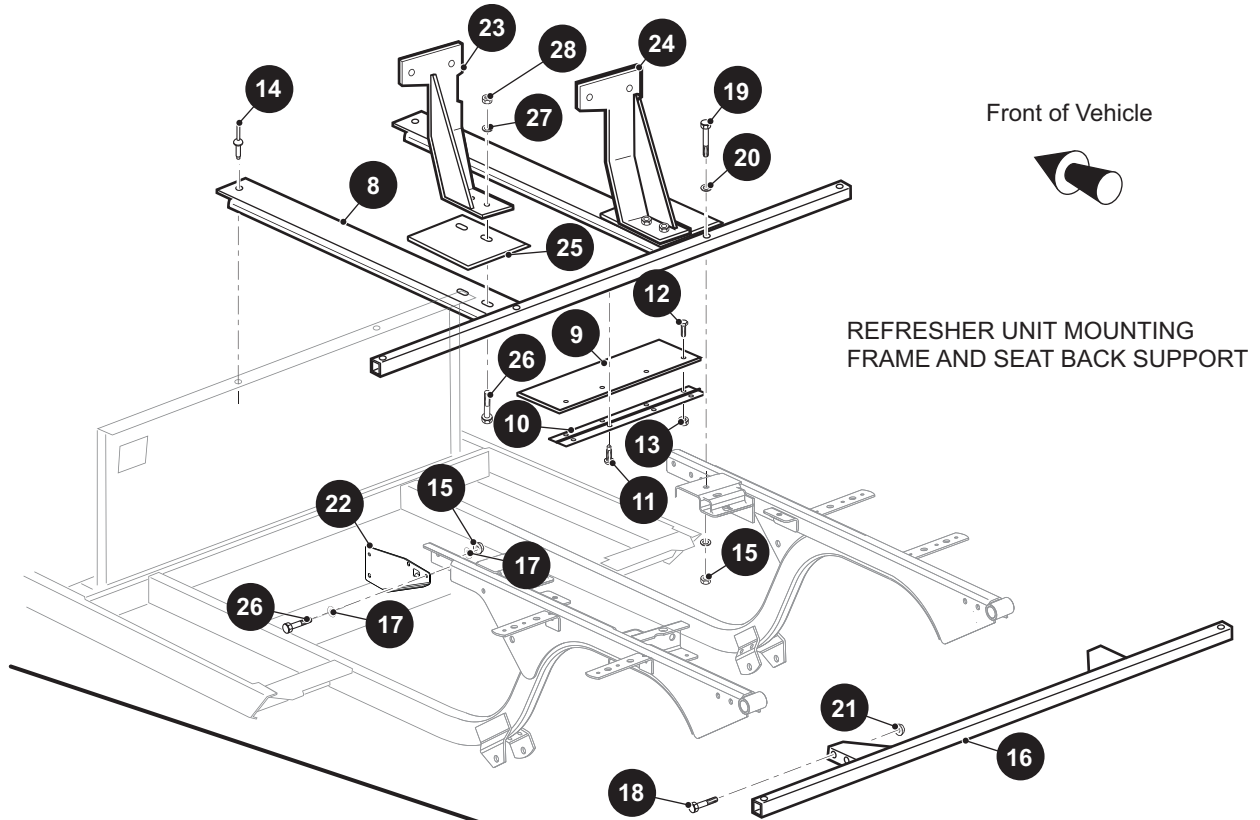
When ordering parts, please specify the model and serial number of the product.

* Indicates a component that is not available as an individual part.

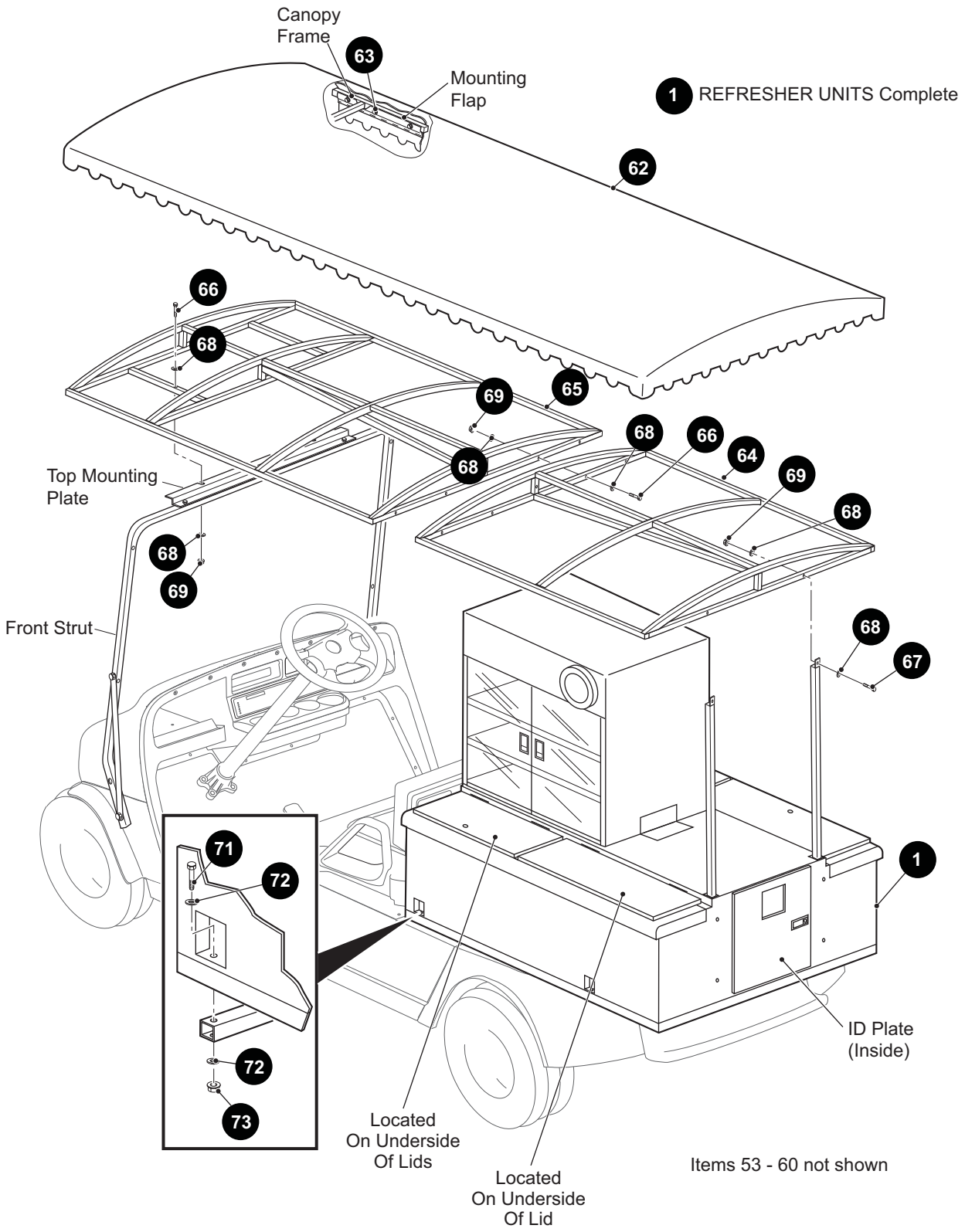
*** Indicates consult Customer Service Department for additional information.

ITEM	PART NO.	1 2 3 4 5	DESCRIPTION	QTY.
1	605722		HEAVY DUTY LEAF SPRING.....	2
2	605445		LEAF SPRING BUSHING, FRONT	2
3	00665G9		HEX HEAD BOLT, SS 3/8 - 16 X 3.5 LG.....	2
4	00643G1		FLAT WASHER, .411 I.D. X 1.00 O.D. X .06	2
5	12262G1		FLANGED LOCK NUT, 3/8 - 16	2
6				
7				
8				
9				
10	70289G02		SPLIT STEEL SPACER	4
11	70291G01		FLANGED URETHANE BUSHING	8
12	70290G02		SHACKLE PLATE	4
13	00665G9		HEX HEAD BOLT, SS 3/8 - 16 X 3.5 LG.....	4
14	11098G5		LOCK NUT, 3/8 - 16	4
15				
16				
17				
18	605952		AXLE BRACKET, DRIVER SIDE	1
19	605959		AXLE BRACKET, PASSTENGER SIDE.....	1
20	70492G01		RUBBER BUMPER.....	2
21	32195G3		U-BOLT	4
22	605956		REAR SUSPENSION PLATE	2
23	00643G1		FLAT WASHER, .411 I.D. X 1.00 O.D. X .06	8
24	11098G5		LOCK NUT, 3/8 - 16	8
25				
26				
27	70248G01		SHOCK ABSORBER	2
28	10435G1		SHOCK ABSORBER WASHER.....	8
29	10194G1		RUBBER SHOCK BUSHING	8
30	00532G6		HEX NUT, 3/8 - 24.....	4
31	10044G01		VINYL CAP	4

REFRESHER UNIT



REFRESHER UNIT



REFRESHER UNIT

When ordering parts, please specify the model and serial number of the product.

* Indicates a component that is not available as an individual part.

*** Indicates consult Customer Service Department for additional information.

ITEM	PART NO.	1 2 3 4 5	DESCRIPTION	QTY.
1	608825		REFRESHER UNIT (COMPLETE) (INCLUDES ITEMS 3 - 49)	1
2				
3				
4				
5				
6				
7				
8	609223		REFRESHER UNIT MOUNTING FRAME (FRONT).....	1
9	74392G02		ENGINE ACCESS DOOR.....	1
10	33121G01		ACCESS DOOR HINGE	1
11	00106G6		PAN HEAD PHILLIPS SCREW, 12 - 24 X 3/4" LG	4
12	00414G5		BOLT, 1/4 - 20 X 1/2" LG.....	4
13	00891G2		LOCK NUT, 1/4 - 20	4
14	10570G10		STAINLESS STEEL RIVET, 5/32"	2
15	11098G6		LOCK NUT, 5/16 - 18	2
16	608827		REFRESHER UNIT MOUNTING FRAME (REAR)	1
17	00571G2		FLAT WASHER	3
18	00427G8		HEX HEAD BOLT, 3/8 - 16 X 2" LG	4
19	00439G8		HEX HEAD BOLT, 5/16 - 18 X 2" LG	2
20	00559G8		WASHER, 5/16"	4
21	11027G5		LOCK NUT, 5/16 - 18	4
22	605776		AIR CLEANER BRACKET	1
23	70008G01		SEAT BACK SUPPORT (DRIVER SIDE)	1
24	70008G02		SEAT BACK SUPPORT (PASSENGER SIDE)	1
25	74855G01		SIDE COVER	2
26	00438G8		HEX HEAD BOLT, 5/16 - 18 X 1" LG.....	4
27	00559G8		FLAT WASHER, 5/16"	4
28	11098G6		LOCK NUT, 5/16 - 18.....	4
29	75045G06		FRONT STRUT.....	1
30	75048G01		SPACER.....	2
31	00905G8		LOCK WASHER, 5/16" (BLACK)	4

REFRESHER UNIT

When ordering parts, please specify the model and serial number of the product.

* Indicates a component that is not available as an individual part.

*** Indicates consult Customer Service Department for additional information.

ITEM	PART NO.	1 2 3 4 5	DESCRIPTION	QTY.
32	00879G1		FLAT WASHER, 3/8" X 1"	6
33	01035G02		HEX HEAD BOLT, 5/16 - 18 X 2 1/2" LG	4
34				
35	16705G6		BOLT, 1/4 - 20 X 1 1/2" LG	2
36	00559G7		FLAT WASHER, 1/4"	4
37	00891G2		LOCK NUT, 1/4 - 20.....	2
38	74191G02		TOP MOUNTING PLATE.....	1
39	36002G01		DECAL (WARNING).....	3
40	35991G01		DECAL (WARNING).....	1
41	74202G01		MIRROR, 6".....	2
42	74203G02		MIRROR MOUNTING BRACKET	2
43	75021G03		WINDSHIELD	1
44	16705G6		BOLT, 1/4 - 20 X 1 3/4" LG	4
45	72147G01		RUBBER GROMMET	4
46	23726G7		SPACER	4
47	00660G7		FLAT WASHER, 1/4"	8
48	00891G2		LOCK NUT, 1/4 - 20.....	4
49	75124G01		BUMPER	2
50				
51				
52			ITEMS 53 - 60 NOT SHOWN	
53	74346G01		SIGN BOARD.....	2
54	75793G01		CONDIMENT TRAY	1
55	75794G01		BOTTLE CADDY.....	1
56	75795G01		CASH DRAWER	1
57	75796G01		MINI BOTTLE CARRIER	1
58	75797G01		HUMIDOR	1
59	75798G01		CREDIT CARD MACHINE MOUNT.....	1
60	75891G01		FOOD WARMER	1
61			THE FOLLOWING SERVICE PARTS AND ACCESORIES ARE AVAILABLE FROM 19TH HOLE MARKETING, INC, 400 E. COMSTOCK DRIVE, CHANDLER, AZ 85225, PHONE: (480) 497 - 8280	

REFRESHER UNIT

When ordering parts, please specify the model and serial number of the product.

* Indicates a component that is not available as an individual part.

*** Indicates consult Customer Service Department for additional information.

ITEM	PART NO.	1	2	3	4	5	DESCRIPTION	QTY.
62	EZRAM10064						CANOPY	1
63	H1092						SELF TAPPING SCREW, 10MM X 1/2" LG	40
64	EZRAM10060						CANOPY FRAME (REAR)	1
65	EZRAM10061						CANOPY FRAME (FRONT)	1
66	H1075						BOLT, 1/4 - 20 X 2"	7
67	H1077						BOLT, 1/4 - 20 X 1 1/4" LG	2
68	H1079						WASHER, 1/4"	18
69	H1078						LOCK NUT, 1/4 - 20.....	9
70								
71	H1083						BOLT, 5/16 - 18 X 1 1/4" LG	4
72	H1019						WASHER, 5/16"	8
73	H1017						LOCK NUT, 5/16 - 18.....	4
74							ITEMS 75 - 106 NOT SHOWN	
75	EZRAM10033						COLD STORAGE DOOR, FRONT	1
76	EZRAM10037						COLD STORAGE DOOR, REAR	1
77	EZRAM10041						CONSUMABLE ICE DOOR.....	1
78	EZRAM10022						CANOPY UPRIGHT	1
79	EZRAM10069						HOSE MOUNTING BRACKET	1
80	H4007						COMPRESSION HINGE	1
81	EZRAM10075						TRASH DOOR HINGE	1
82	B6001						TRASH BIN	1
83	H4008						TRASH DOOR LATCH	1
84	EZRAM10045						TRASH DOOR COMPARTMENT.....	1
85	M6003						DOOR SEAL GASKET	1
86	H2006						LOCK (COLD STORAGE DOOR)	1
87								
88	EZRAM10069						HOSE MOUNTING BRACKET	2
89	H5012						SPIGOT VALVE	2
90	H5000						DRAIN HOSE, 36" LG	1
91	H5007						HOSE ADAPTER, 3/4" X 1/2"	2
92	H5006						COMBINATION ELBOW	3

REFRESHER UNIT

When ordering parts, please specify the model and serial number of the product.

* Indicates a component that is not available as an individual part.

*** Indicates consult Customer Service Department for additional information.

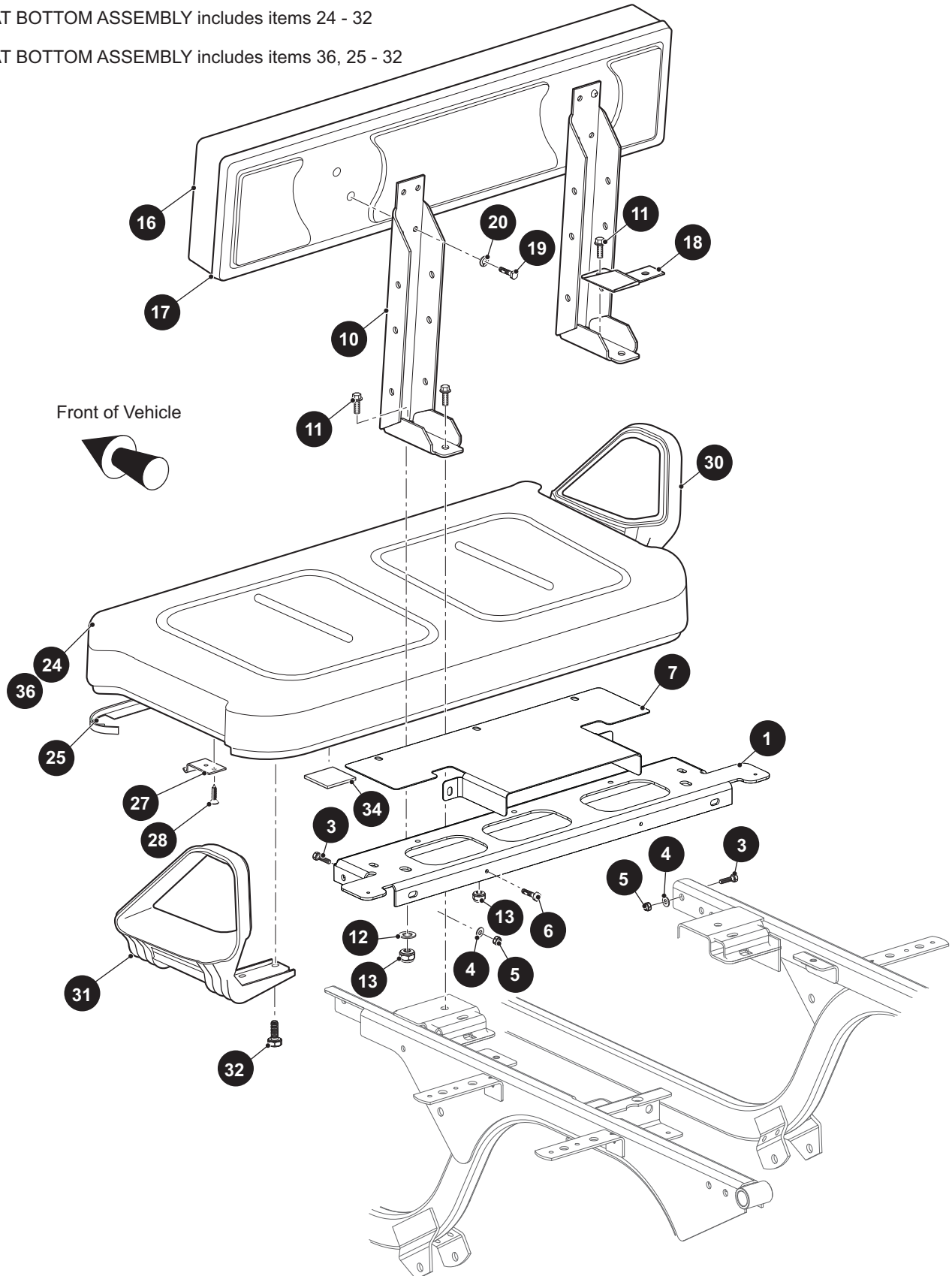
ITEM	PART NO.	1 2 3 4 5	DESCRIPTION	QTY.
93	H5005		COMBINATION TEE	1
94	H1070		HOSE CLAMP.....	1
95				
96	B10000		TOUCH UP PAINT REPAIR KIT	1
97	EZRAM100010		DOOR ACCESSORY MODULE (LEFT)	1
98	EZRAM100012		DOOR ACCESSORY MODULE (RIGHT).....	1
99	H4009		LOCKING LATCH	1
100	B9001		CUP DISPENSER.....	1
101	B9002		CUP DISPENSOR COVER RING.....	1
102	B9003		CUP DISPENSOR COVER SPRING.....	1
103	B6011		AIRPOT, 3.75 LITER (STAINLESS STEEL).....	1
104	EZRAM100020		AIRPOT RACK ASSEMBLY.....	1
105	H600		DOOR HINGE (STAINLESS STEEL).....	1
106	M1002		CUSHIONING ADHESIVE TAPE.....	1

SEATING

15 SEAT BACK ASSEMBLY includes items 16, 17

23 SEAT BOTTOM ASSEMBLY includes items 24 - 32

35 SEAT BOTTOM ASSEMBLY includes items 36, 25 - 32



When ordering parts, please specify the model and serial number of the product.

* Indicates a component that is not available as an individual part.

*** Indicates consult Customer Service Department for additional information.

ITEM	PART NO.	1 2 3 4 5	DESCRIPTION	QTY.
1	609567		SEAT BACK SUPPORT	1
2	00715G2		HEX HEAD BOLT, 5/16 - 18 X 13/16" LG	1
3	00438G8		HEX HEAD BOLT, 5/16 - 18 X 1" LG	4
4	00571G2		LOCK WASHER	4
5	11098G6		LOCK NUT, 5/16 - 18	4
6	00114G6		SCREW TAPPING HEX WASH - HD - SLOTTED	2
7	609575		ACCESS COVER.....	1
8	00414G5		HEX HEAD BOLT, 1/4 - 20 X 1/2" LG	8
9	14382G7		NOISE SUPPRESSOR.....	2
10	624486		SEAT BACK SUPPORT BRACKET	2
11	00427G2		HEX HEAD BOLT, 3/8 - 16 X 1 1/4" LG	4
12	00560G1		FLAT WASHER, 3/8"	4
13	11098G5		LOCK NUT, 3/8 - 16	4
14				
15	71274G**		SEAT BACK ASSEMBLY (INCLUDES ITEMS 16, 17) 71274G01 WHITE 71274G03 TAN 71274G04 GRAY 71274G05 OYSTER	1
16	18144G**		VINYL SEAT BACK COVER..... 18144G2 WHITE 18144G6 OYSTER 18144G4 TAN 18144G5 GRAY	1
17	74889G01		PLASTIC SEAT BACK COVER (BLACK)	1
18	74947G01		BED BUMPER BRACKET	2
19	605056		HEX HEADBOLT, 1/4 - 20 X 1" LG	4
20	00664G7		LOCK WASHER, 1/4"	4
21				
22				
23	71611G**		SEAT BOTTOM ASSEMBLY (INCLUDES ITEMS 24 - 32)..... 71611G05 OYSTER 71611G07 TAN 71611G01 WHITE 71611G03 GRAY	1
24	71602G**		VINYL SEAT BOTTOM COVER.....	1

SEATING

When ordering parts, please specify the model and serial number of the product.

* Indicates a component that is not available as an individual part.

*** Indicates consult Customer Service Department for additional information.

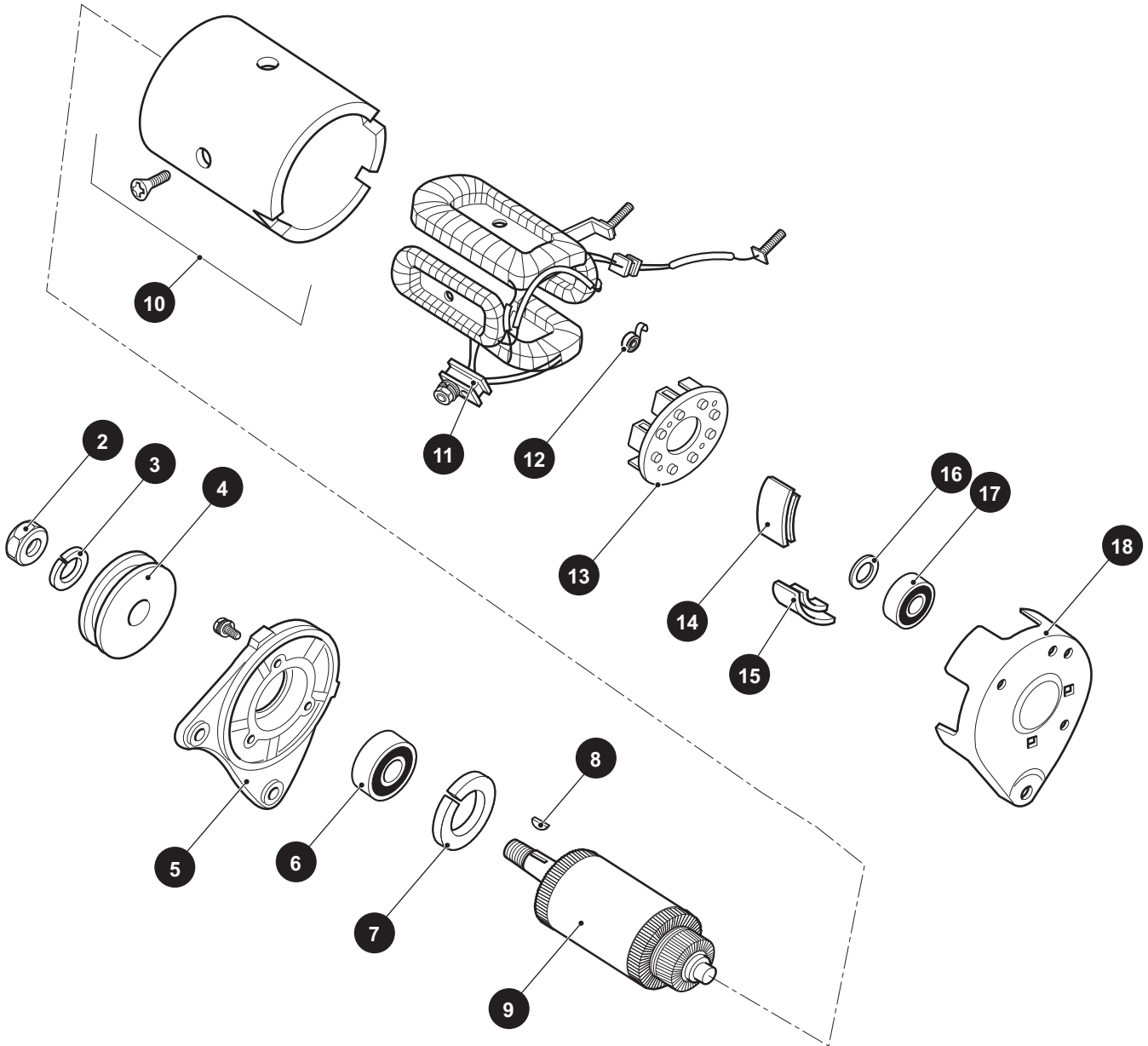
ITEM	PART NO.	1	2	3	4	5	DESCRIPTION	QTY.
							71602G03 OYSTER 71602G04 TAN 71602G01 WHITE 71602G02 GRAY	
25	71012G01						VINYL TRIM (SEAT BOTTOM)	1
26								
27	71610G01						SEAT HINGE.....	2
28	00720G08						FLAT HEAD PHILLIPS SCREW, #12 - 14 X 1" LG.	6
29								
30	71701G01						HIP RESTRAINT (PASSENGER SIDE).....	1
31	71702G01						HIP RESTRAINT (DRIVER SIDE)	1
32	71204G01						HEX HEAD BOLT, 1/4 - 20 X 7/8" LG.....	8
33								
34	17074G1						BUMPER	2
35	71799G**						SEAT BOTTOM ASSEMBLY (INCLUDES ITEMS 36, 25 - 32)	1
							71799G05 OYSTER 71799G07 TAN 71799G01 WHITE 71799G03 GRAY	
36	71624G**						VINYL SEAT BOTTOM COVER	1
							71624G03 OYSTER 71624G04 TAN 71624G01 WHITE 71624G02 GRAY	

Notes:

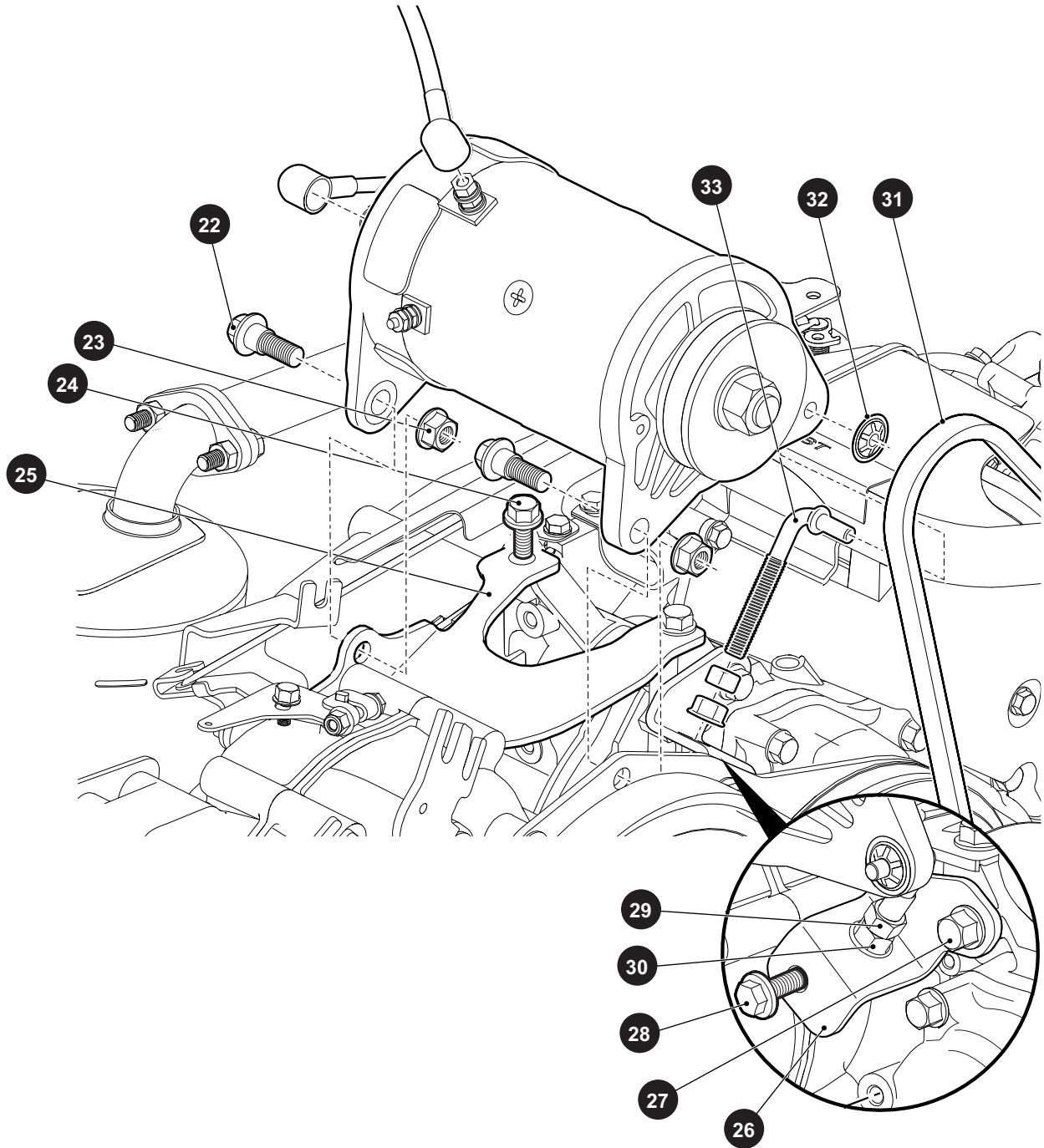
A large grid area for taking notes, consisting of approximately 20 columns and 35 rows of empty cells.

STARTER / GENERATOR

1 STARTER / GENERATOR includes items 2 - 18



STARTER / GENERATOR



STARTER / GENERATOR

When ordering parts, please specify the model and serial number of the product.

* Indicates a component that is not available as an individual part.

*** Indicates consult Customer Service Department for additional information.

ITEM	PART NO.	1 2 3 4 5	DESCRIPTION	QTY.
1	617120		STARTER/GENERATOR (INCLUDES ITEMS 2 - 18).....	1
2	612029		HEX NUT	1
3	612030		LOCK WASHER.....	1
4	617172		PULLEY	1
5	612032		FRONT COVER.....	1
6	612033		BEARING	1
7	612034		RETAINING RING.....	1
8	612035		KEY	1
9	612036		ARMATURE ASSEMBLY	1
10	612037		FRAME & FIELD ASSEMBLY	1
11	612038		BRUSH LEAD & TERMINAL PKG	1
12	612039		BRUSH SPRING.....	1
13	612040		BRUSH BOX ASSEMBLY.....	1
14	612041		BRUSH 1 COVER.....	2
15	612042		BRUSH 2 COVER.....	2
16	612043		WAVY WASHER	1
17	612044		BEARING.....	1
18	612045		REAR COVER	1
19				
20				
21				
22	606235		BOLT, HEX FL AT SHLDR - M10 - 1.25 X 20.....	2
23	606279		HEX FLAT NUT, M10 - 1.25	2
24	606261		BOLT, M8 - 1.25 X 20	3
25	602141		STARTER/GENERATOR BRACKET.....	1
26	602145		TENSIONER BRACKET.....	1
27	606261		BOLT, M8 - 1.25 X 20	1
28	606256		BOLT, M10 - 1.25 X 25	1
29	606255		HEX JAM NUT, M10 - 1.25.....	1
30	606274		HEX FLANGE NUT, M10 - 1.25.....	1
31	16548G1		STARTER/GENERATOR BELT	1

STARTER / GENERATOR

When ordering parts, please specify the model and serial number of the product.

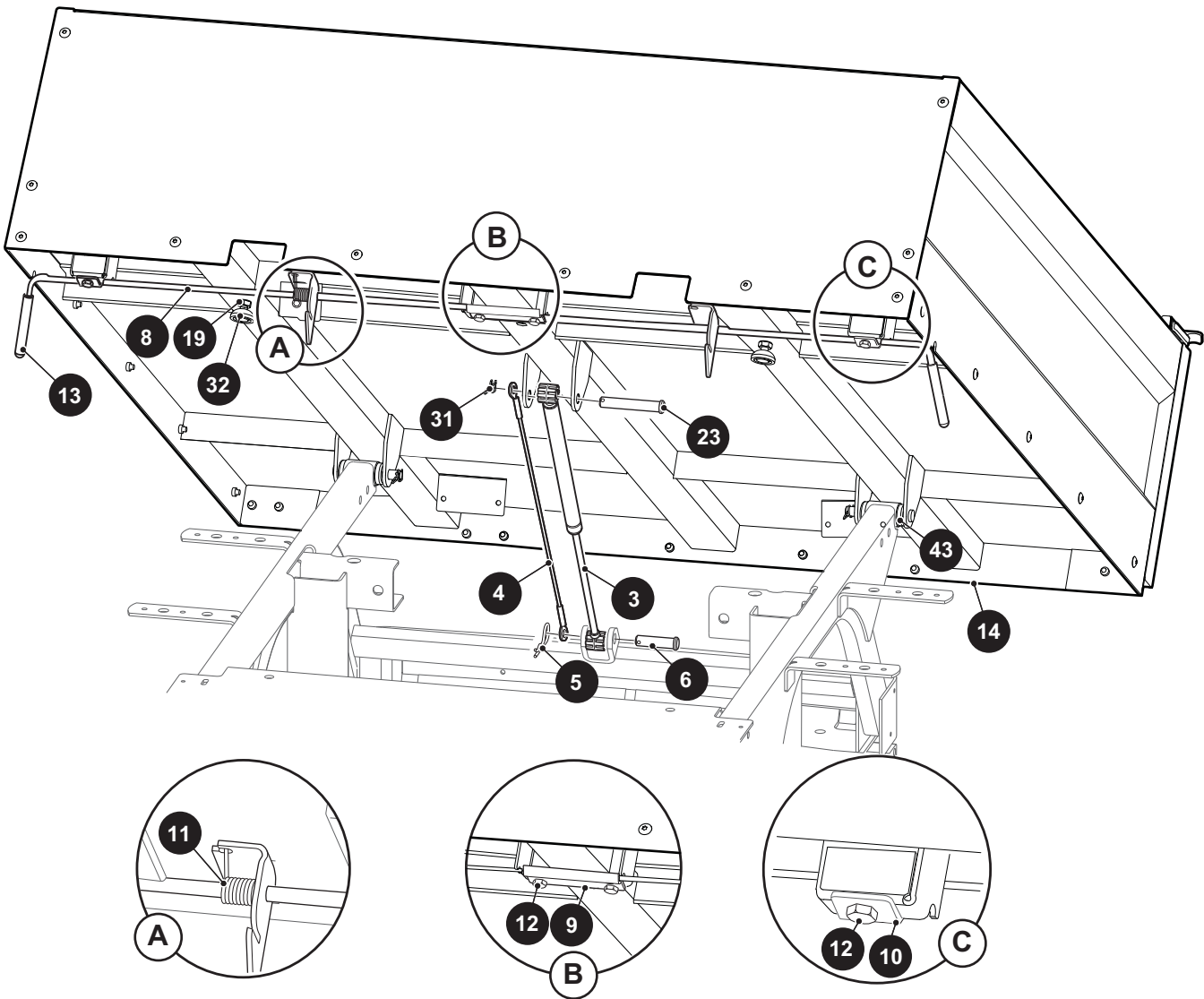
* Indicates a component that is not available as an individual part.

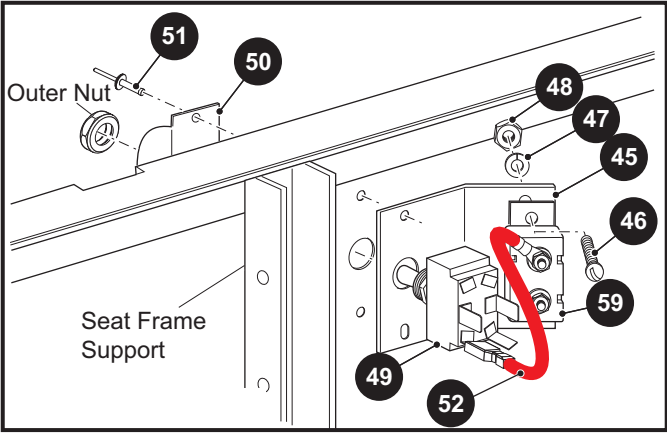
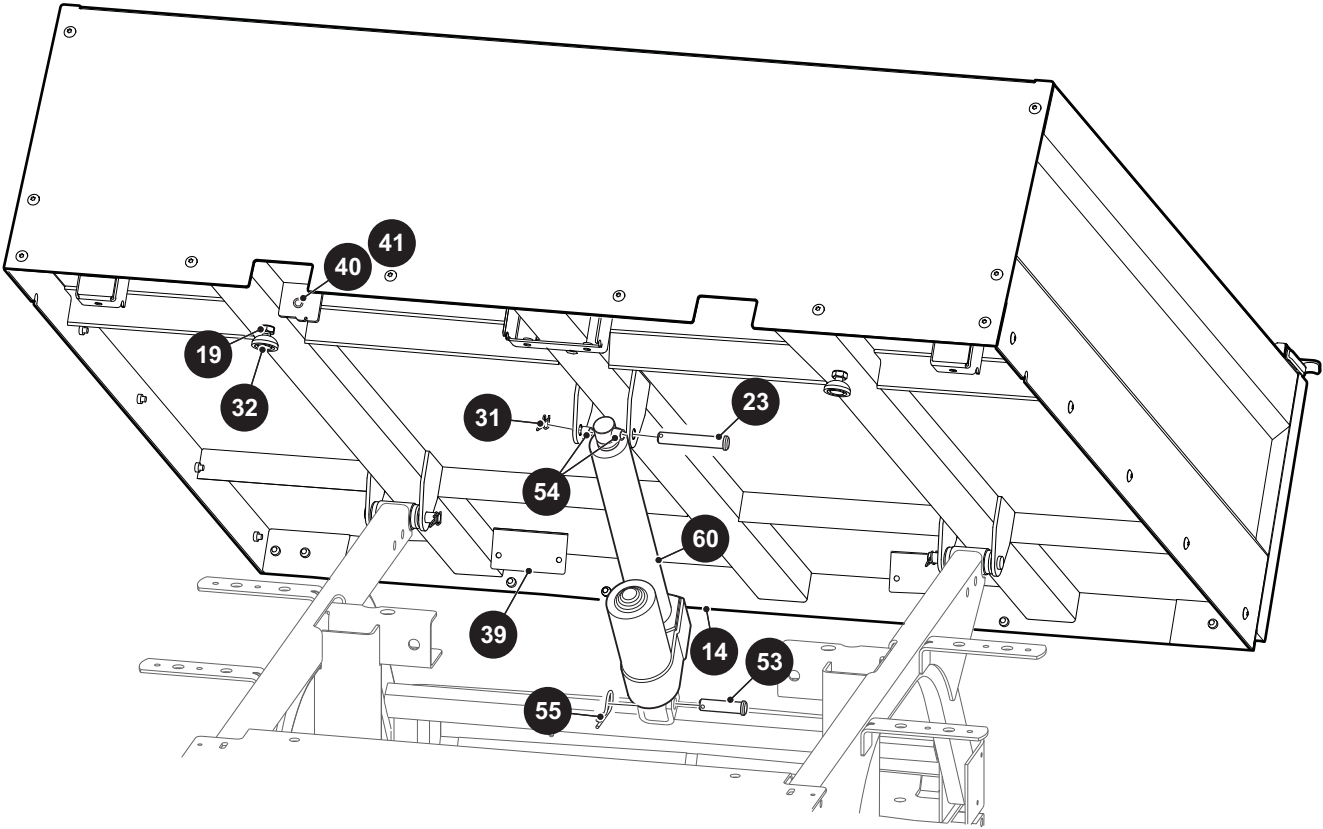
*** Indicates consult Customer Service Department for additional information.

ITEM	PART NO.	1 2 3 4 5	DESCRIPTION	QTY.
32	12064G6		PUSH NUT, 5/16"	1
33	606236		TENSIONER BOLT	1

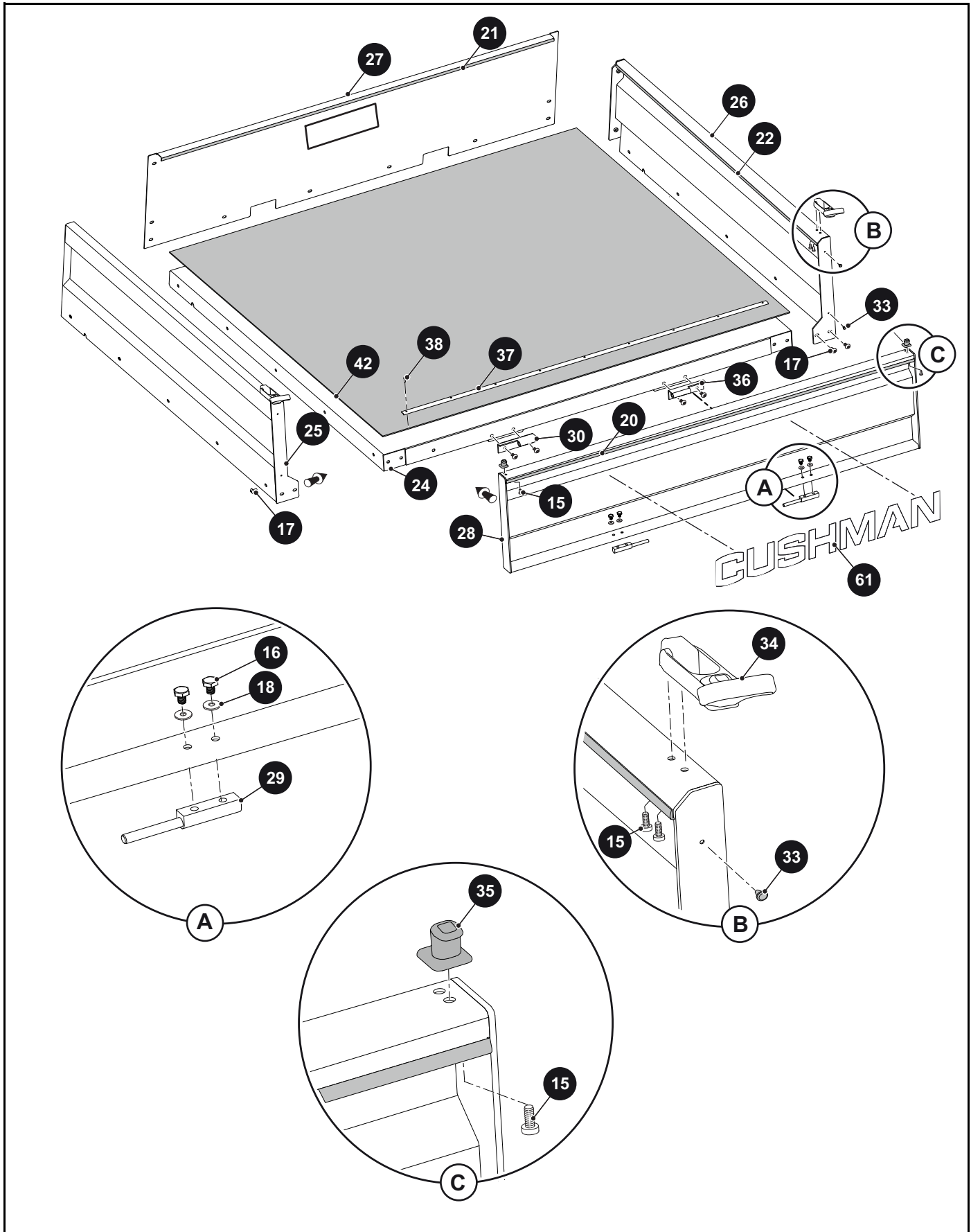
TRUCK BED - METAL

- 1 ALUMINUM BED, ELECTRIC LIFT includes items 14, 43 - 60
- 2 ALUMINUM BED, MANUAL LIFT includes items 3 - 6, 14, 43
- 14 ALUMINUM BED, LARGE includes items 15 - 42





TRUCK BED - METAL



TRUCK BED - METAL

When ordering parts, please specify the model and serial number of the product.

* Indicates a component that is not available as an individual part.

*** Indicates consult Customer Service Department for additional information.

ITEM	PART NO.	1 2 3 4 5	DESCRIPTION	QTY.
1	620482		ALUMINUM BED, ELECTRIC LIFT (INCLUDES ITEMS 14, 43 - 60)	1
2	620481		ALUMINUM BED, MANUAL LIFT (INCLUDES ITEMS 3 - 6, 14, 43)	1
3	71537G02		GAS SPRING	1
4	602904		TETHER CABLE ASSEMBLY	1
5	21683G1		COTTER PIN.....	1
6	14443G12		CLEVIS PIN, 1/2" x 2.22"	1
7				
8	74962G01		BED LATCH.....	1
9	71477G02		LATCH RETAINER BRACKET	1
10	71099G02		LATCH KEEPER PLATE	2
11	71538G01		LATCH TORSION SPRING	1
12	01118G01		HEX SCREW, 1/4-20UNC 2A X 5 X 8".....	4
13	71704G01		HANDLE GRIP	2
14	612612		ALUMINUM BED, LARGE (INCLUDES ITEMS 15 - 42)	1
15	612957		PAN HEAD SCREW 10-24 X.500	6
16	612958		HEX HEAD BOLT, 1/4 - 20 X 3/8	4
17	612959		TORX SCREW, 1/4 - 20 X 56	28
18	612960		FLAT WASHER, .550X.250.....	4
19	612961		HEX NUT, 3/8 -16.....	2
20	612962		EDGE PROTECTOR	1
21	612963		EDGE PROTECTOR	1
22	612964		EDGE PROTECTOR	2
23	612965		CLEVIS PIN	3
24	612966		BED BOTTOM	1
25	612967		SIDE PANEL (DRIVER SIDE).....	1
26	612968		SIDE PANEL (PASSENGER SIDE)	1
27	612969		FRONT PANEL	1
28	612970		TAILGATE	1
29	612971		PIVOT PIN	2
30	612972		TAILGATE HINGE (DRIVER SIDE).....	1
31	612973		PIVOT RING CLIP, RUE	3

TRUCK BED - METAL

When ordering parts, please specify the model and serial number of the product.

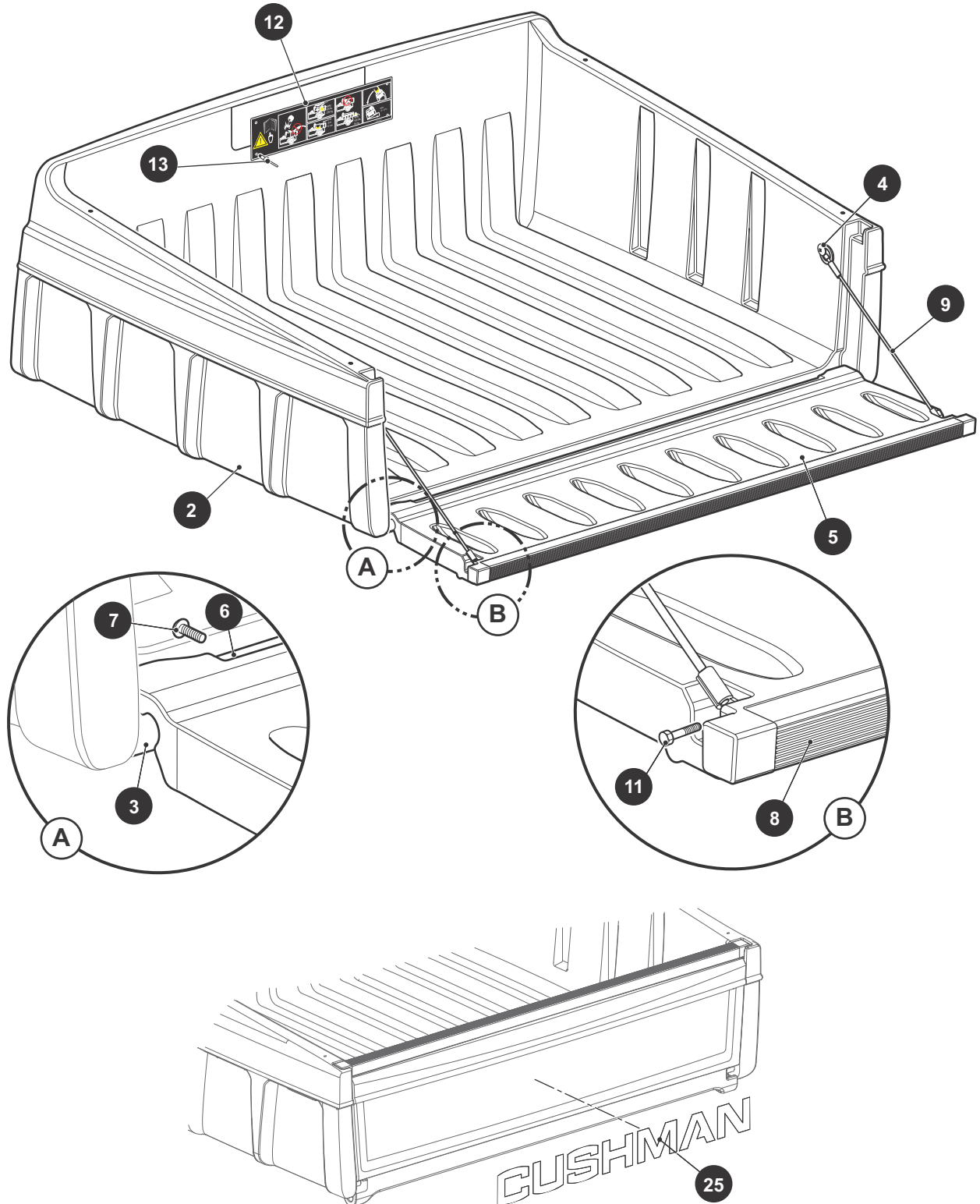
* Indicates a component that is not available as an individual part.

*** Indicates consult Customer Service Department for additional information.

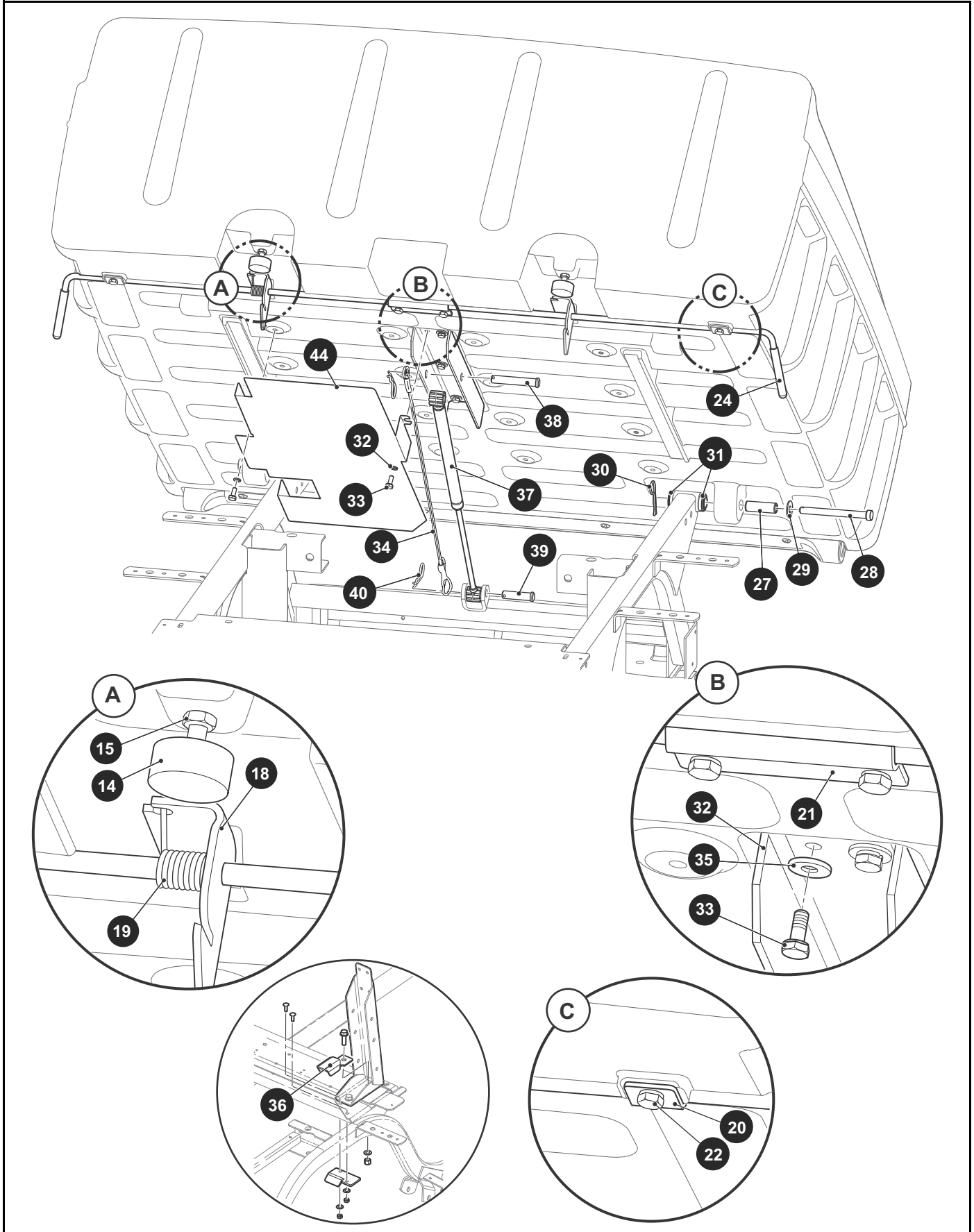
ITEM	PART NO.	1	2	3	4	5	DESCRIPTION	QTY.
32	612974						LEVELING PAD	2
33	612975						BUMPER INSERT,RUBBER	4
34	612976						DRAW LATCH ASSY.....	2
35	612977						DRAW LATCH KEEPER.....	2
36	612978						TAILGATE HINGE, (PASSENGER SIDE)	1
37	614440						MAT RETAINER	1
38	614445						ALUMINUM BED RIVET	9
39	614444						HINGE SUPPORT.....	2
40	614565						NUT	2
41	614564						ALUMINUM BED BOLT	1
42	620641						RUBBER MAT	1
43	70291G01						FLANGED BUSHING, URETHANE	4
44	17618G1						NYLON CLAMP (NOT SHOWN).....	8
45	74165G02						CIRCUIT BREAKER MOUNTING BRACKET	1
46	00150G4						ROUND HEAD SCREW, #10 - 24 X 1/2" LG	2
47	00565G5						LOCK WASHER, #10.....	2
48	00526G3						HEX NUT, #10 - 24.....	2
49	27680G01						TOGGLE SWITCH	1
50	27447G01						TOGGLE GUARD ASSEMBLY	1
51	10570G9						ALUMINUM RIVET, 1/8" X 11/32" LG	2
52	25976G14						14 GA WIRE (RED 5")	1
53	14443G11						CLEVIS PIN, 1/2" X 1 3/4" LG.....	1
54	27613G01						SPACER.....	2
55	21683G1						COTTER PIN, 15/32" X 2 13/16" LG.....	1
56	74163G01						DUMP HARNESS (48V) (NOT SHOWN).....	1
57	11845G3						INSULATED CABLE CLAMP, 11/16" (NOT SHOWN).....	2
58	00532G3						HEX NUT, 5/16 - 18 (NOT SHOWN).....	2
59	21320G3						CIRCUIT BREAKER (30 AMP 12V).....	1
60	27612G02						ELECTRIC ACTUATOR, 12V	1
61	618088						CUSHMAN REAR BED DECAL.....	1

TRUCK BED - PLASTIC

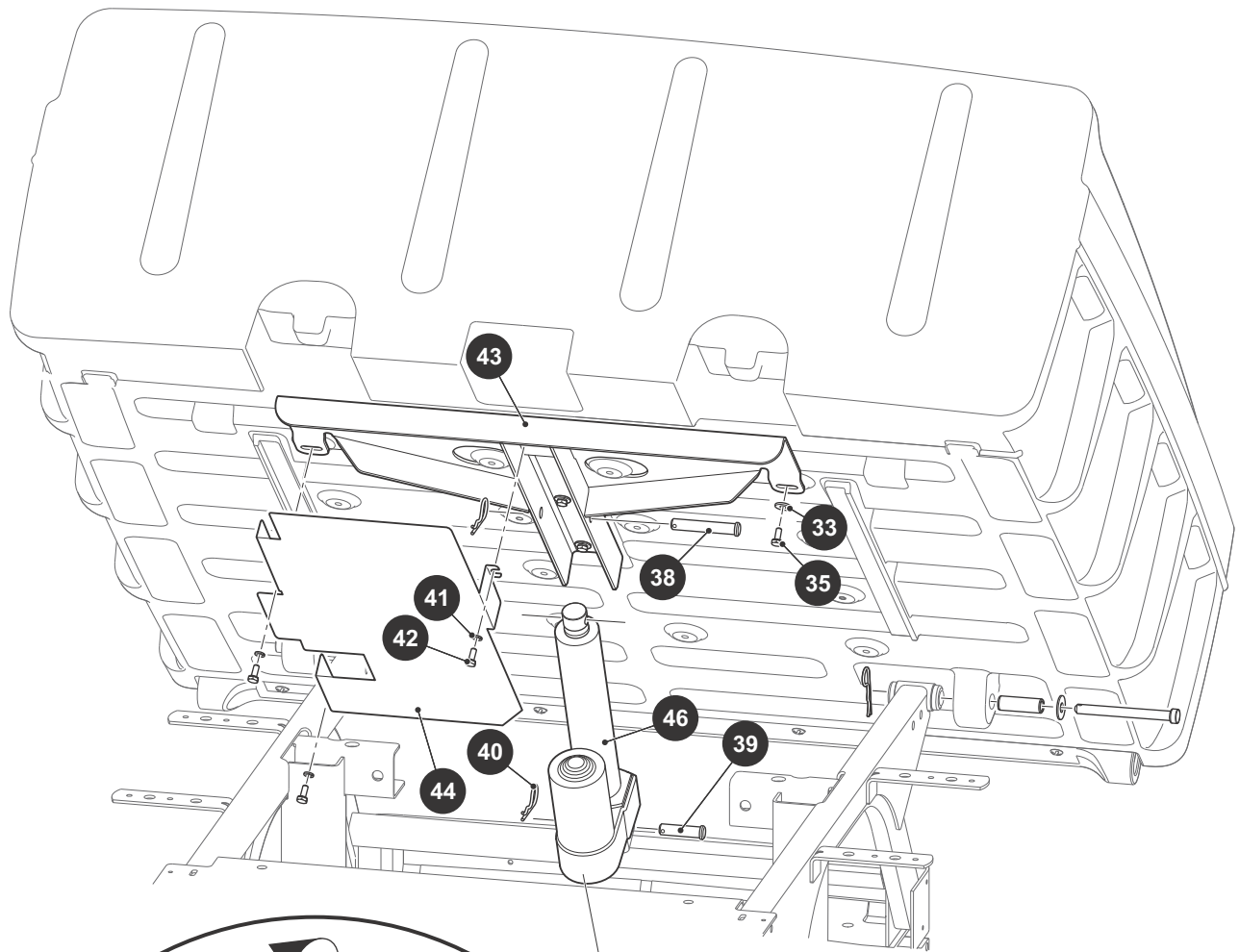
1 40" PLASTIC BED ASSEMBLY includes items 2 - 11



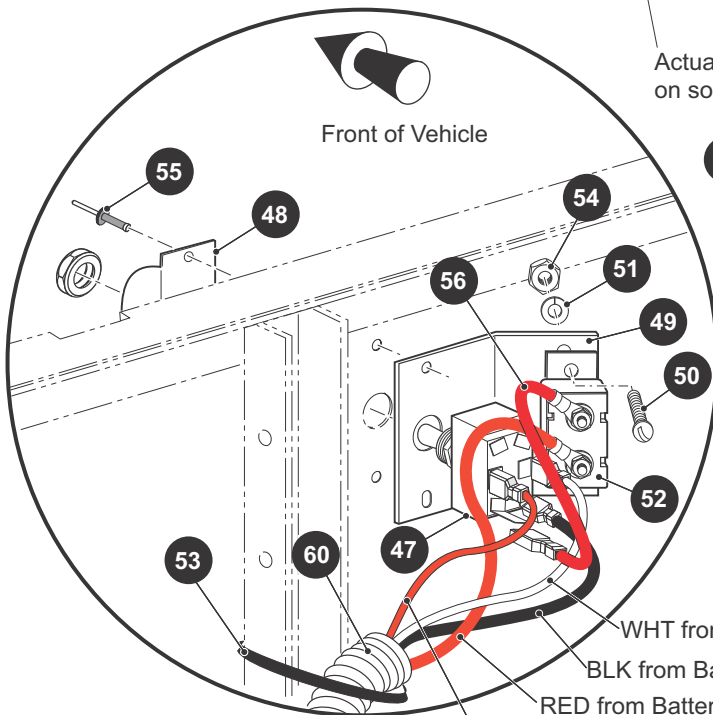
TRUCK BED - PLASTIC



TRUCK BED - PLASTIC

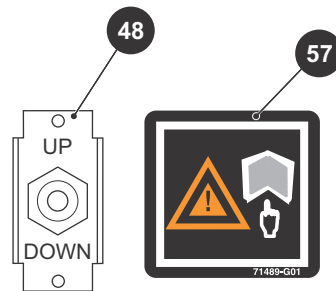


Actuator may be rotated 90° on some models



Front of Vehicle

45 ELECTRIC DUMP KIT includes items 46 - 56



WHT from Actuator

BLK from Battery

RED from Battery

RED from Actuator

TRUCK BED - PLASTIC

When ordering parts, please specify the model and serial number of the product.

* Indicates a component that is not available as an individual part.

*** Indicates consult Customer Service Department for additional information.

ITEM	PART NO.	1 2 3 4 5	DESCRIPTION	QTY.
1	73451G01		BED ASSEMBLY, 40" (INCLUDES ITEMS 2 -11)	1
2	73447G01		PLASTIC BED, 40"	1
3	73454G01		PIVOT SHAFT	2
4	73460G01		SHOULDER BOLT, 1/4 - 20 X 3/4" LG	2
5	73455G01		TAILGATE CABLE	1
6	73450G01		BOWED ANGLE	1
7	16705G2		STAINLESS STEEL SCREW, 1/4 - 20 X 5/8" LG	4
8	73449G01		TAILGATE CAP	1
9	16816G5		RATCHET FASTENER, .187 X .550.....	4
10				
11	00415G2		HEX HEAD BOLT, 1/4 - 20 X 5/8" LG	2
12	74821G03		BED CAPACITY LABEL.....	1
13	71055G01		ALUMINUM RIVET, 3/16" X 1" LG	5
14	70113G01		ADJUSTABLE RUBBER BUMPER.....	2
15	11027G1		LOCK NUT, 5/16 - 18	2
16				
17				
18	74962G01		BED LATCH	1
19	71538G01		LATCH TORSION SPRING	1
20	71099G02		LATCH PLATE	2
21	71477G02		RETAINER BRACKET	1
22	01118G01		HEX HEAD BOLT W/PATCHLOCK, 1/4 - 20 X 5/8" LG	4
23				
24	71704G01		HANDLE GRIP.....	2
25	618088		CUSHMAN REAR BED DECAL.....	1
26				
27	71570G01		BUSHING.....	2
28	71571G01		CLEVIS PIN, .50 DIA X 5.25" LG	2
29	00571G5		FLAT WASHER, 1 1/4 X 7/16.....	2
30	21683G1		HAIR CLIP, 2.9 X .84 X .53	2
31	70291G01		FLANGED URETHANE BUSHING	4

TRUCK BED - PLASTIC

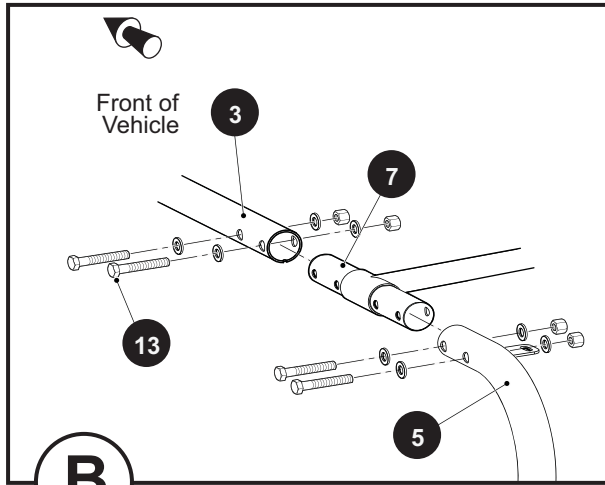
When ordering parts, please specify the model and serial number of the product.

* Indicates a component that is not available as an individual part.

*** Indicates consult Customer Service Department for additional information.

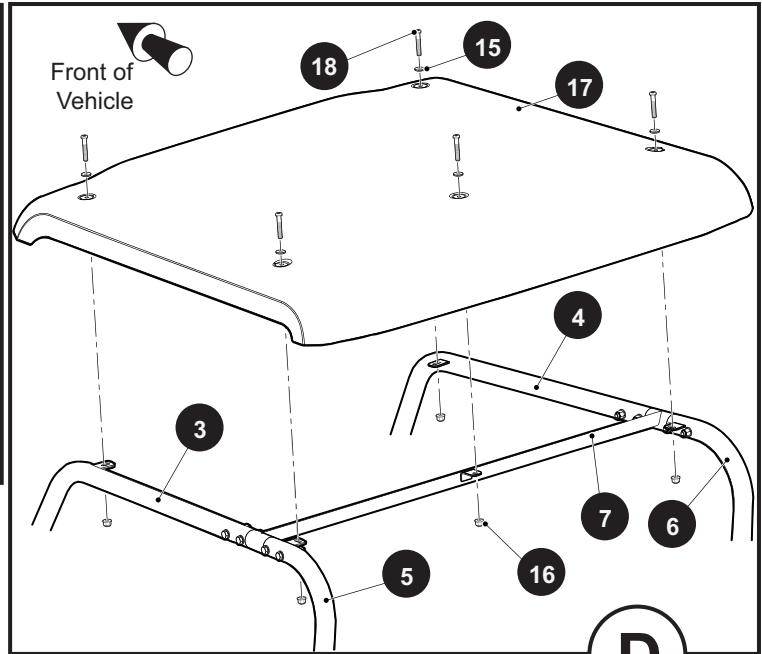
ITEM	PART NO.	1 2 3 4 5	DESCRIPTION	QTY.
32	71569G02		SPRING CHANNEL.....	1
33	01118G01		HEX HEAD BOLT W/PATCHLOCK, 1/4 - 20 X 5/8" LG.....	8
34	602904		BED TETHER CABLE	1
35	00642G7		FLAT WASHER, 1/4"	8
36	74947G01		BRACKET, BUMPER.....	2
37	71537G02		GAS SPRING	2
38	14443G10		CLEVIS PIN, 1/2" X 2 27/32" LG	1
39	14443G12		CLEVIS PIN, 1/2" X 1 3/4" LG	1
40	21683G1		HAIR CLIP, 2.9 X .84 X .53	2
41	00642G7		FLAT WASHER, 1/4"	8
42	01118G01		HEX HEAD BOLT W/PATCHLOCK, 1/4 - 20 X 5/8" LG.....	8
43	71547G02		OUTRIGGER CHANNEL.....	1
44	72339G02		PLASTIC BED HEAT SHIELD (GASLONE VEHICLES ONLY).....	1
45	74164G01		ELECTRIC DUMP KIT (INCLUDES ITEMS 46 - 56).....	1
46	27612G02		ELECTRIC ACTUATOR, 12 VOLT, 1500 LBS	1
47	27680G01		TOGGLE SWITCH.....	1
48	27447G01		TOGGLE GUARD	1
49	74165G02		CIRCUIT BREAKER MOUNTING BRACKET.....	1
50	00150G4		ROUND HEAD SCREW, 10 - 24 X 1/2" LG	2
51	00565G5		LOCK WASHER, #10.....	2
52	21320G3		CIRCUIT BREAKER 30A 12V.....	1
53	17618G1		WIRE TIE	8
54	00526G3		HEX NUT, #10 - 24.....	2
55	10570G9		RIVET, 5/32 X .55.....	2
56	25976G14		14 GA WIRE (RED 5")	1
57	71489G01		READ INSTRUCTION DECAL.....	1
58				
59	27613G01		SPACER.....	2
60	74613G01		HARNESS.....	1

WEATHER PROTECTION



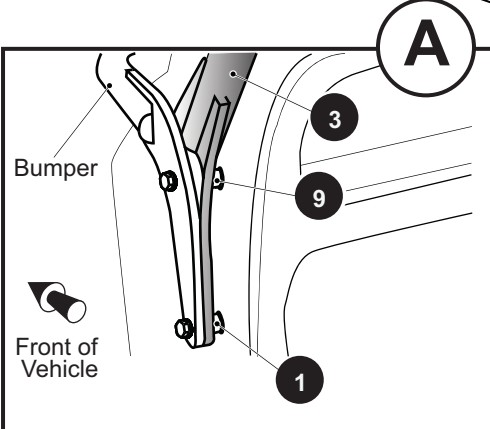
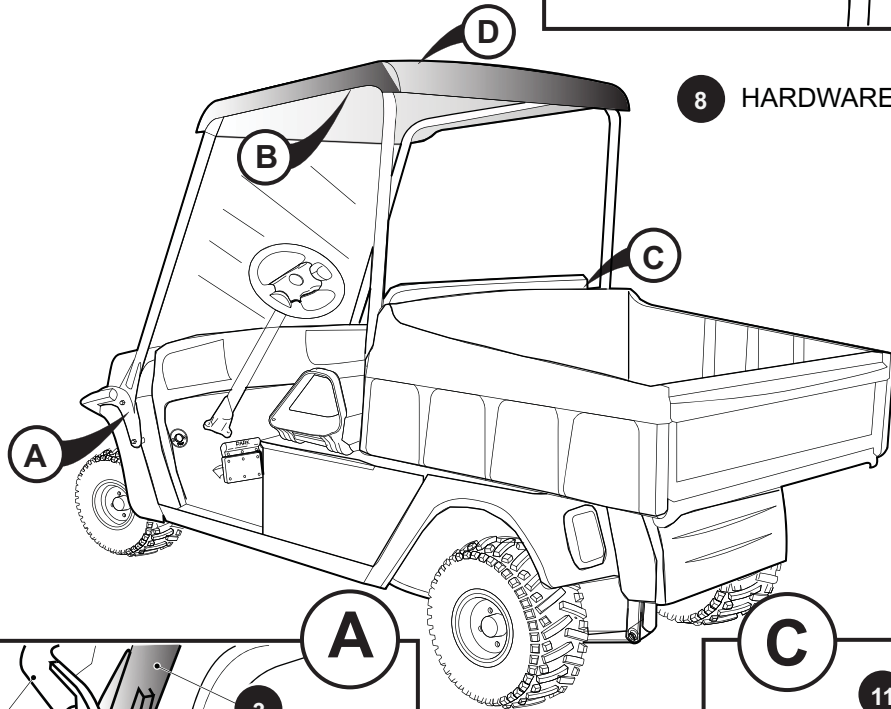
B

2 CANOPY STRUT KIT includes item 3 - 8

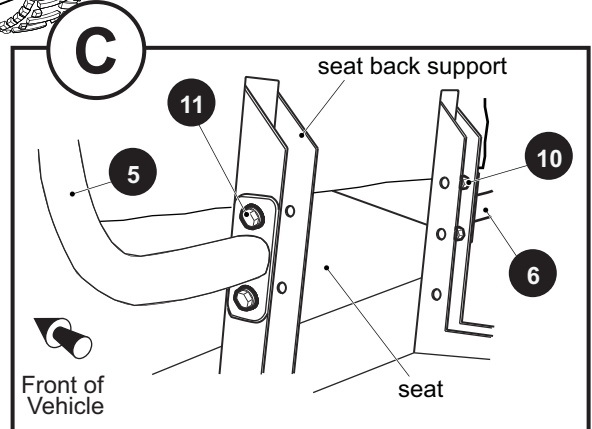


D

8 HARDWARE KIT includes item 9 - 16



A

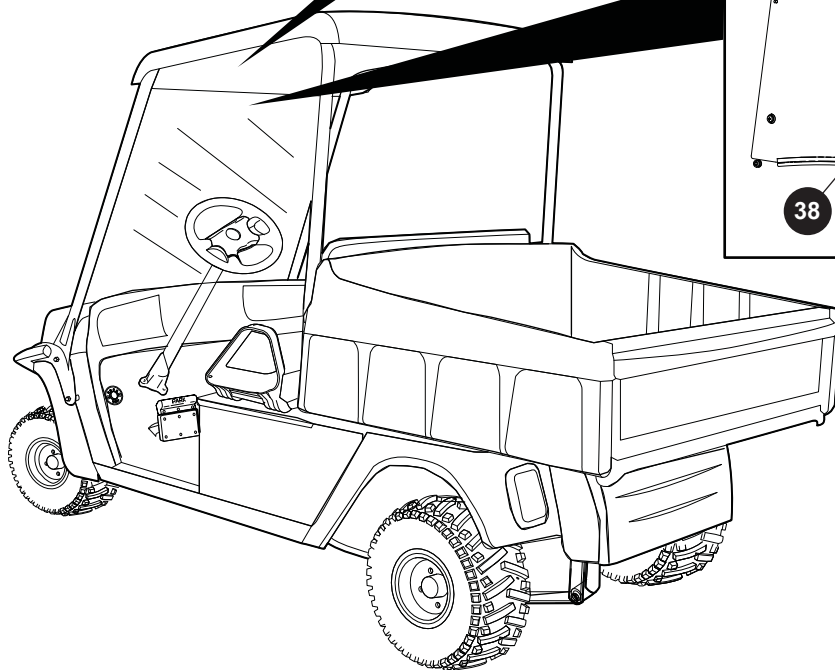
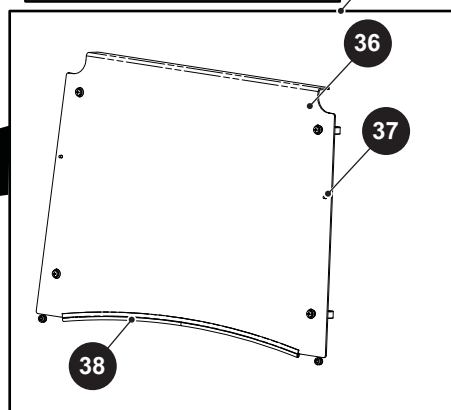
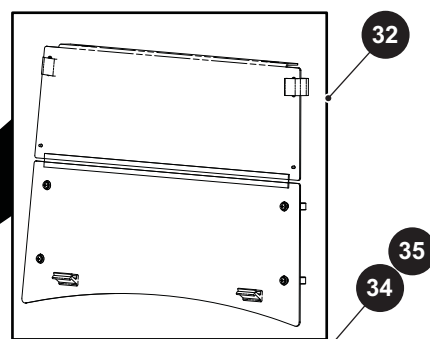
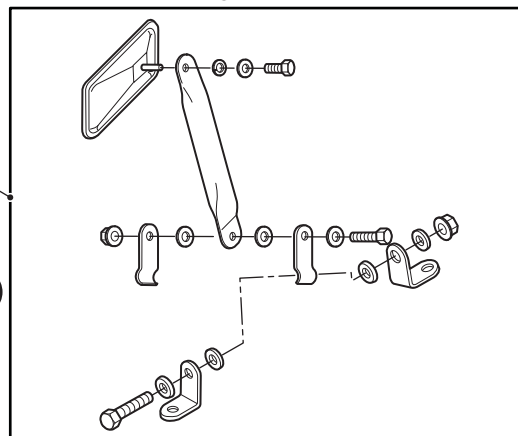
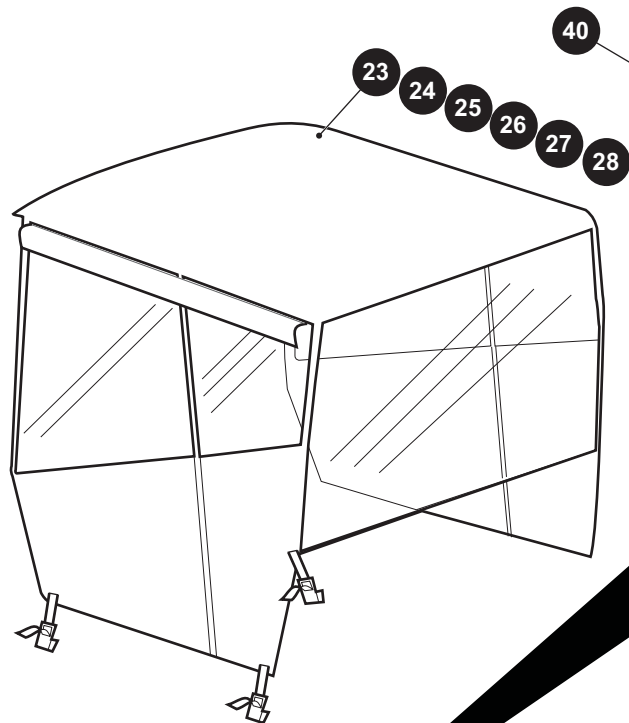


C

WEATHER PROTECTION

- 33 FULL WINDSHIELD includes items 34 - 35
- 35 FULL WINDSHIELD ASSEMBLY includes items 36 - 38

REAR VIEW MIRROR



WEATHER PROTECTION

When ordering parts, please specify the model and serial number of the product.

* Indicates a component that is not available as an individual part.

*** Indicates consult Customer Service Department for additional information.

ITEM	PART NO.	1 2 3 4 5	DESCRIPTION	QTY.
1	75048G01		SPACER, 1/2"	2
2	624174		CANOPY STRUTS KIT (Includes Items 3 - 8)	1
3	617755		CANOPY SUPPORT, (DRIVER SIDE FRONT)	1
4	617756		CANOPY SUPPORT, (PASSENGER SIDE FRONT).....	1
5	617757		CANOPY SUPPORT, (DRIVER SIDE REAR).....	1
6	617758		CANOPY SUPPORT, (PASSENGER SIDE REAR)	1
7	617641		CANOPY SUPPORT, CROSS TUBE	1
8	624119		HARDWARE KIT (Includes Items 9 - 16).....	1
9	619586		SPACER, 3/4"	2
10	11098G6		LOCK NUT, PLASTIC INSERT 8/16.....	4
11	00438G7		BOLT, 5/16-18 X 7/8"	4
12	11098G5		LOCK NUT, PLASTIC INSERT 3/8-16.....	8
13	00428G2		BOLT, 3/8-16 X 2-1/4"	8
14	00560G1		FLAT WASHER, 3/8	16
15	00915G1		FLAT WASHER, 1/4"	5
16	601476		LOCK NUT M6-1	5
17	624829		BLACK CANOPY,	1
18	602063		BOLT, TORX M6-1X40	5
19				
20				
21				
22				
23	624829		TOP ENCLOSURE (BLACK).....	1
24	624830		TOP ENCLOSURE (GRAY).....	1
25	624831		TOP ENCLOSURE (GREEN).....	1
26	624832		TOP ENCLOSURE (WHITE).....	1
27	624833		TOP ENCLOSURE (TAN).....	1
28	*		VELCRO.....	AR
29				
30				
31				

WEATHER PROTECTION

When ordering parts, please specify the model and serial number of the product.

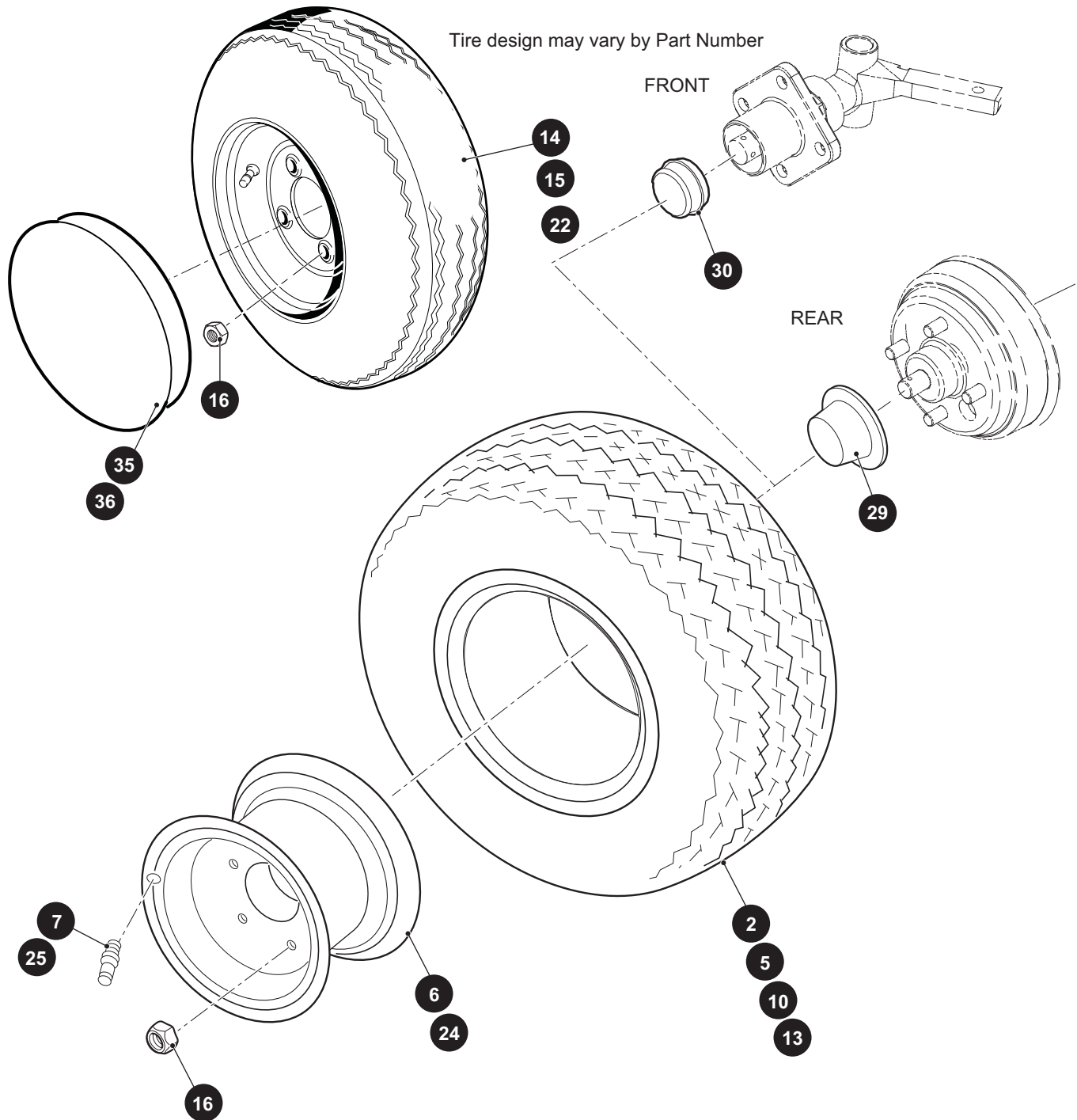
* Indicates a component that is not available as an individual part.

*** Indicates consult Customer Service Department for additional information.

ITEM	PART NO.	1 2 3 4 5	DESCRIPTION	QTY.
32	619075		SPLIT WINDSHIELD.....	1
33	619074		FULL WINDSHIELD (Includes Items 34 - 35).....	1
34	619071		WINDSHIELD HARDWARE KIT.....	2
35	619070		FULL WINDSHIELD ASSEMBLY (Includes Items 36 - 38)	1
36	619072		FULL WINDSHIELD.....	1
37	604115		WINDSHIELD ISOLATER GROMMET	2
38	625100		WINDSHIELD MOLDING.....	1
39				
40	27924G01		MIRROR ASSEMBLY	1

WHEELS AND TIRES

- 1 TIRE AND WHEEL ASSEMBLY (LINKS 18 X 8.5 - 8) includes items 2, 24, 25
- 4 TIRE AND WHEEL ASSEMBLY (TURF SAVER 20 X 10 - 10) includes items 5, 7
- 9 WHEEL & TIRE ASSEMBLY (TURF SAVER 18 X 8.5 - 8) includes items 10, 24, 25
- 12 WHEEL AND TIRE ASSEMBLY) (USA TRAIL 18 X 8.5 - 8) includes items 13, 24, 25
- 33 GOLD HUB CAP ASSEMBLY includes items 35, 37
- 34 SILVER HUB CAP ASSEMBLY, includes items 36, 37



WHEELS AND TIRES

When ordering parts, please specify the model and serial number of the product.

* Indicates a component that is not available as an individual part.

*** Indicates consult Customer Service Department for additional information.

ITEM	PART NO.	1 2 3 4 5	DESCRIPTION	QTY.
1	28757G01		TIRE AND WHEEL ASSEMBLY (LINKS 18 X 8.5 - 8) (INCLUDES ITEMS 2, 24, 25).....	1
2	28764G01		TIRE (LINKS 18 X 8.5 - 8).....	1
3				
4	28442G01		TIRE AND WHEEL ASSEMBLY (TURF SAVER 20 X 10 - 10) (INCLUDES ITEMS 5 - 7)	1
5	28442G02		CARLISLE TIRE (TURF SAVER 20 X 10 - 10).....	1
6	15172G01		WHEEL RIM	1
7	11657G1		VALVE STEM.....	1
8				
9	28757G03		WHEEL & TIRE ASSEMBLY (TURF SAVER 18 X 8.5 - 8) (INCLUDES ITEMS 10, 24, 25).....	1
10	28764G03		TIRE (TURF-SAVER 18 X 8.5 - 8).....	1
11				
12	28842G01		WHEEL AND TIRE ASSEMBLY (USA TRAIL 18 X 8.5 - 8) (INCLUDES ITEMS 13, 24, 25).....	1
13	28764G06		CARLISLE TIRE (18.5 X 8.5 - 8 LOAD RANGE C).....	1
14	623939		TIRE/WHEEL SHIPPING	2
15	614437		LOAD STAR WHEEL AND TIRE ASSEMBLY	2
16	14723G1		LUG NUT, 1/2 X 20	A/R
17				
18				
19				
20				
21				
22	612772		WHEEL AND TIRE ASSEMBLY	2
23				
24	28759G01		WHEEL RIM (4 LUG)	1
25	11657G2		VALVE STEM.....	1
26				
27				
28				

WHEELS AND TIRES

When ordering parts, please specify the model and serial number of the product.

* Indicates a component that is not available as an individual part.

*** Indicates consult Customer Service Department for additional information.

ITEM	PART NO.	1 2 3 4 5	DESCRIPTION	QTY.
29	74175G01		DUST MOLDED	2
30	12091G2		SPINDLE CAP	2
31				
32				
33	615617		GOLD HUB CAP ASSEMBLY (INCLUDES ITEMS 35, 37).....	1
34	615617		SILVER HUB CAP ASSEMBLY (INCLUDES ITEMS 36, 37)	1
35	615229		GOLD HUBCAP	1
36	615228		SILVER HUBCAP.....	1
37	603783		HUB CAP CLIP (NOT SHOWN)	4



CUSHMAN™

E-Z-GO Division of Textron Inc.,
1451 Marvin Griffin Road, Augusta, Georgia 30906 - 3852 USA

TO CONTACT US...

North America:

Technical Assistance & Warranty
Service Parts

Phone: 1-800-774-3946, FAX: 1-800-448-8124

Phone: 1-888-GET-E-Z-GO (1-888-438-3946), FAX: 1-800-752-6175

International:

Phone: 001-706-798-4311, FAX: 001-706-771-4609

Service Parts Manuals, as well as Repair and Service Manuals
are available from a local Distributor, an authorized Branch,
Genuine E-Z-GO Parts & Accessories Department or at www.shopezgo.com.

ISO 9001
ISO 14001

BUREAU VERITAS
Certification



Copyrighted Material
This manual may not be reproduced in whole or
in part without the express permission of
E-Z-GO Division of Textron Inc.
Technical Communications Department