



CUSHMAN™

Electric Service Parts Manual



624956

ISSUED: NOVEMBER 2011

SERVICE PARTS MANUAL

ELECTRIC POWERED UTILITY VEHICLE

SHUTTLE 2

SHUTTLE 4

SHUTTLE 6

STARTING MODEL YEAR 2012

DISCLAIMER: The E-Z-GO Division of Textron Inc. (E-Z-GO) reserves the right to incorporate engineering and design changes to products in this Manual, without obligation to include these changes on units leased/sold previously.

The information contained in this Manual may be revised periodically E-Z-GO, and therefore is subject to change without notice.

E-Z-GO DISCLAIMS LIABILITY FOR ERRORS IN THIS MANUAL, and E-Z-GO SPECIFICALLY DISCLAIMS LIABILITY FOR INCIDENTAL AND CONSEQUENTIAL DAMAGES RESULTING FROM THE USE OF THE INFORMATION AND MATERIALS IN THIS MANUAL.

TO CONTACT US

NORTH AMERICA:

TECHNICAL ASSISTANCE & WARRANTY PHONE: 1-800-774-3946, FAX: 1-800-448-8124

SERVICE PARTS PHONE: 1-888-GET-EZGO (1-888-438-3946), FAX: 1-800-752-6175

INTERNATIONAL: PHONE: 001-706-798-4311, FAX: 001-706-771-4609

E-Z-GO DIVISION OF TEXTRON INC., 1451 MARVIN GRIFFIN RD., AUGUSTA, GEORGIA USA 30906-3852

GENERAL INFORMATION

To obtain a copy of the limited warranty applicable to the vehicle, call or write a local Distributor, authorized Branch or the Warranty Department with vehicle serial number and manufacturer code.

The use of non Original Equipment Manufacturer (OEM) parts may void the warranty.

Overfilling of batteries may void the warranty.

BATTERY PROLONGED STORAGE

All batteries will self discharge over time. The rate of self discharge varies depending on the ambient temperature and the age and condition of the batteries.

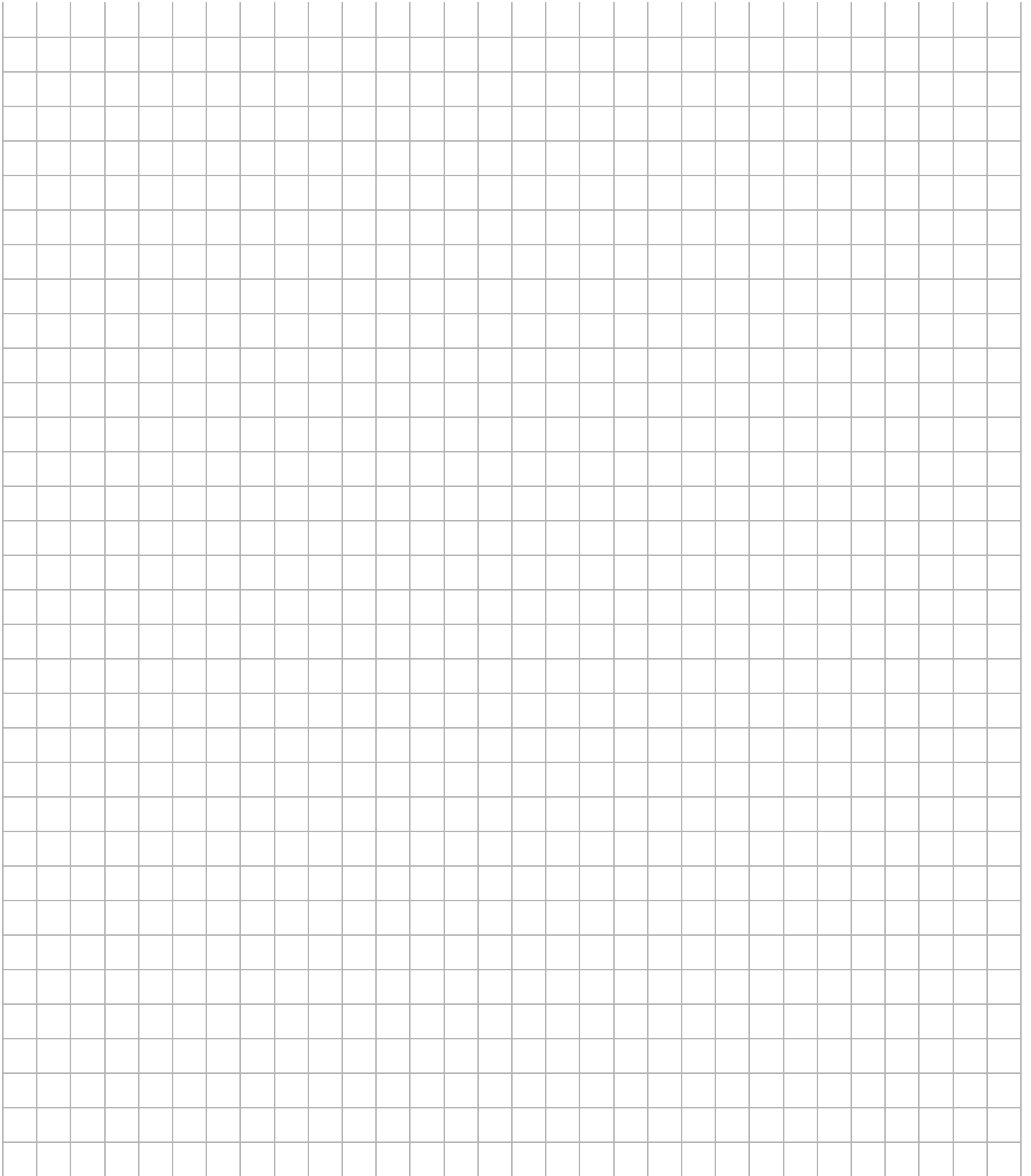
A fully charged battery will not freeze in winter temperatures unless the temperature falls below -75° F (-60° C).

As with all electric vehicles, the batteries must be checked and recharged as required or at a minimum of 30 day intervals.

TABLE OF CONTENTS

SECTION	Page No.
HOW TO USE THE SERVICE PARTS MANUAL	V
ACCELERATOR PEDAL ASSEMBLY	A - 1
BATTERY CHARGER	B - 1
BODY - HAULER	C - 1
BRAKES	D - 1
BRAKES - FRONT DISC	E - 1
ELECTRICAL SYSTEM	F - 1
ELECTRONIC SPEED CONTROL	G - 1
FRONT SUSPENSION - STEERING	H - 5
MOTOR	J - 1
REAR AXLE	K - 1
REAR SUSPENSION	L - 1
SEATING	M - 1
WEATHER PROTECTION	N - 1
WHEELS AND TIRES	P - 1

NOTES



HOW TO USE THE SERVICE PARTS MANUAL

This manual is divided into several sections:

- GENERAL INFORMATION
- ILLUSTRATED PARTS BREAKDOWN
- APPENDIX

The first section, GENERAL INFORMATION, contains the following information:

- WARRANTY INFORMATION
- GENERAL INDEX
- HOW TO USE THE SERVICE PARTS MANUAL

The second section, ILLUSTRATED PARTS BREAKDOWN, contains illustrations and parts lists for all systems of your vehicle.

The third section, APPENDIX, contains a listing of specialty products and accessories.

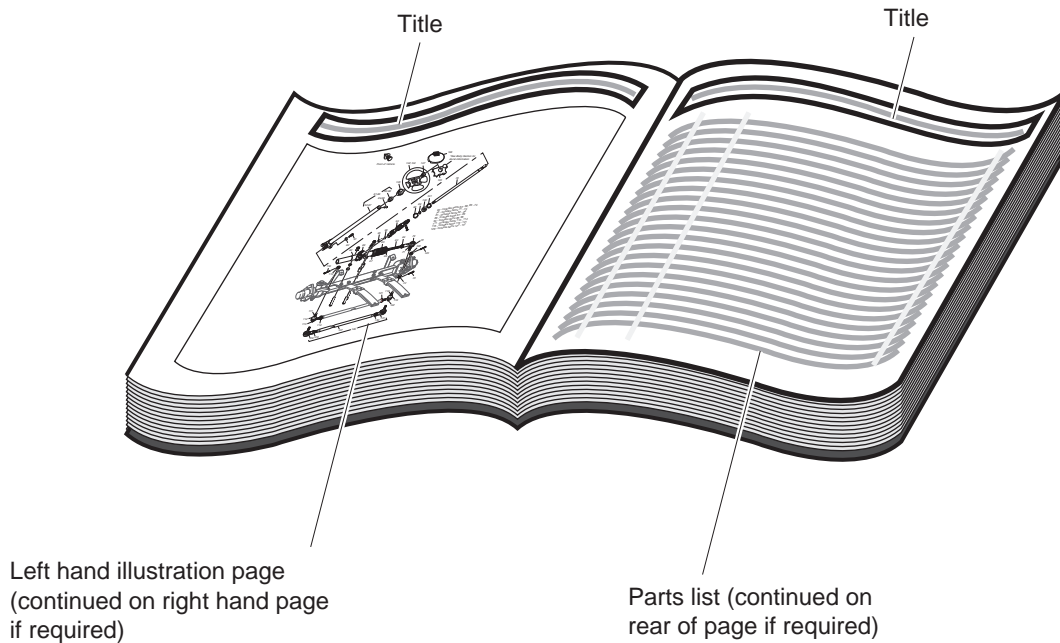
USE OF THE MANUAL

To use this manual, consult the GENERAL INDEX to locate the information or illustration required.

Introduction of some revisions varies due to supply of components; therefore, it is possible that various combinations of components may be found that are not directly reflected by each illustration. Consult the illustration that best suits your situation and then contact the Service Parts Department. It is important that the serial number of your vehicle and its model number be supplied to Service Parts when ordering any replacement components.

Locate the serial number plate (see BODY located in the Illustrated Parts Breakdown section of this manual for its location) and note the complete number shown on the plate.

HOW TO USE THE SERVICE PARTS MANUAL



1. WHEN THE PART NUMBER IS NOT KNOWN

- Determine the function and application of the part required. Turn to the General Index and select the most appropriate title.
- Turn to the page number indicated and locate the desired part on the illustration.
- From the illustration, obtain the item number assigned to the desired part. Refer to the accompanying description for specific information regarding the part.

2. IF YOU KNOW THE PART NUMBER

- Locate the part number or description in the appropriate column on the parts list page.

NOTE: It is suggested that you confirm that the part selected is correct by verifying it with the pictorial representation on the illustrated page.

Should an asterisk (*) appear in the part number column on the parts list page, read upwards until a part number is found. The part number is the lowest assembly sold by Service Parts and the asterisk (*) indicates that the part depicted is not available for purchase.

NOTE: Descriptions are indented under the assembly that they are used on. That assembly is, in turn listed under the assembly that it is used on. This process is repeated until the highest final assembly is reached.

To facilitate the maintenance and repair of the vehicle, a Technician's Repair and Service Manual is available from the Service Parts Department.

HOW TO USE THE SERVICE PARTS MANUAL

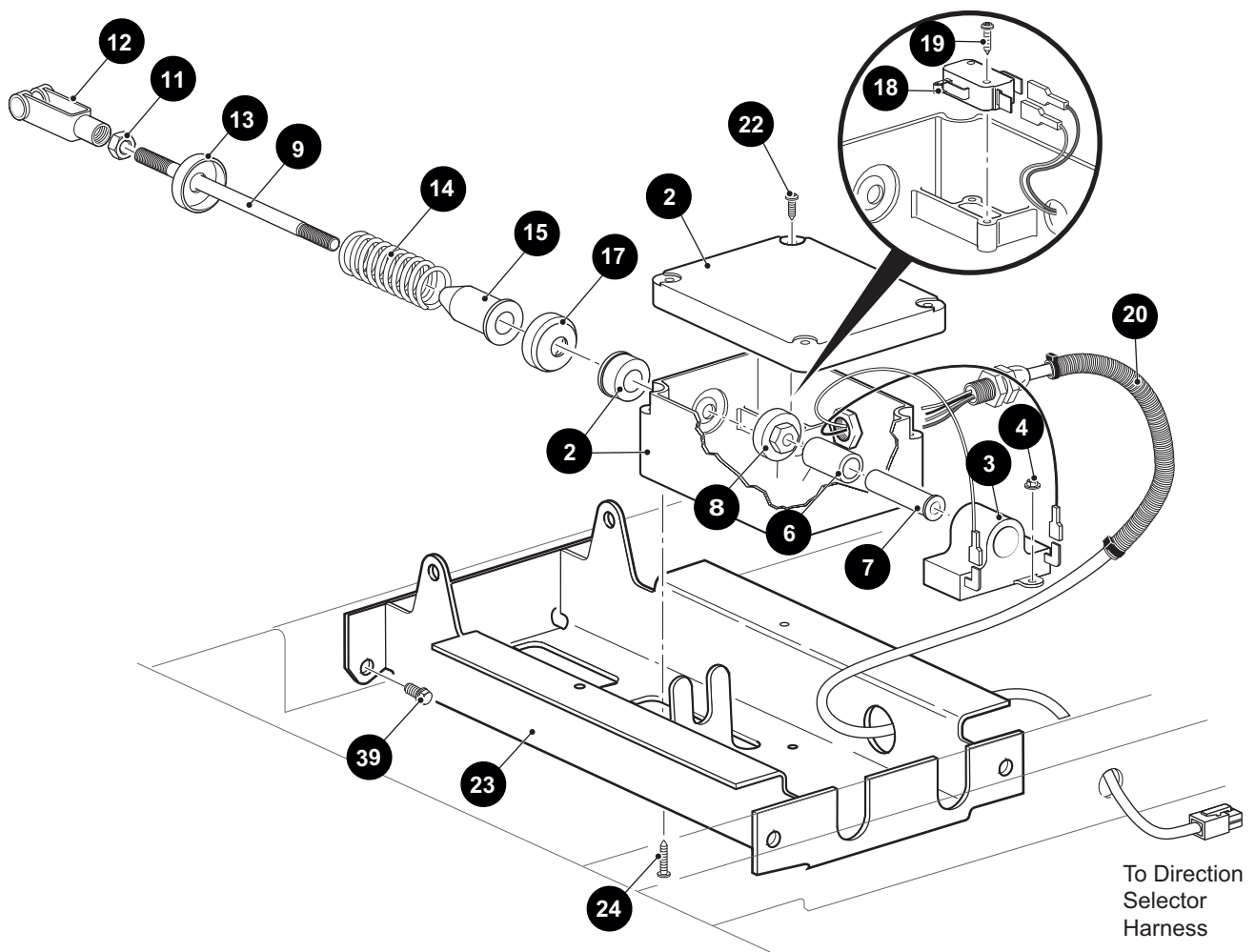
3. COLOR CODE FOR BODY COMPONENTS

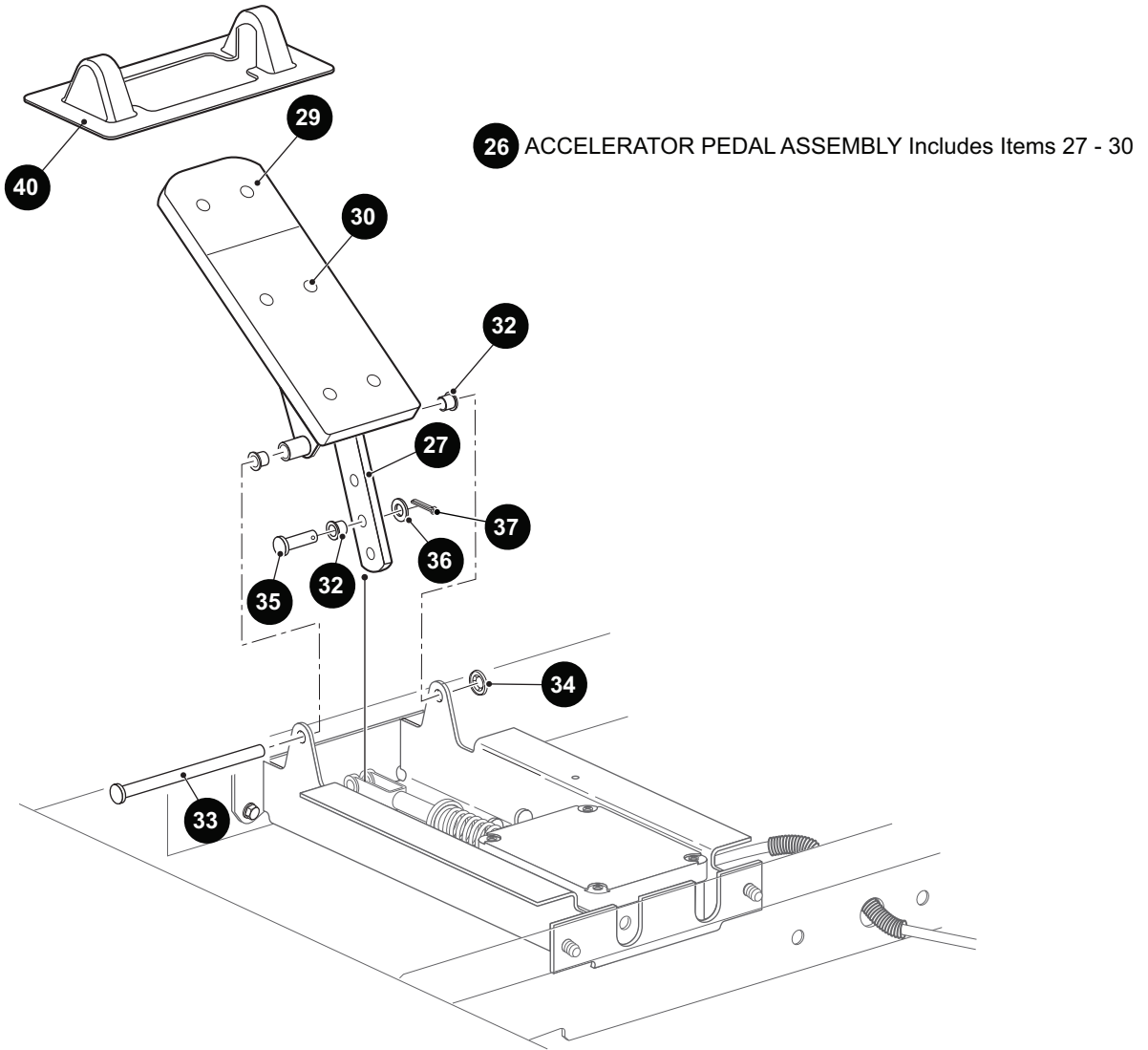
The last two digits of the part number for the body part will denote the color code, locate the part number for the cowl, rear body, seat pod, side panel or seat wrap then locate your color in the list below, replace the last ** or XX with the two digit color code.

<u>CODE #</u>	<u>DESCRIPTION</u>	<u>CODE #</u>	<u>DESCRIPTION</u>
01	NO PAINT	53	MOSSY OAK NEW BREAK UP - DIPPED
02	SPECIAL COLOR	54	MOSSY OAK OBSESSION - DIPPED
05	JACOBSEN ORANGE	55	REALTREE ADVANTAGE MAX 4 - DIPPED
06	LIGHT GOLD PEARL	56	REALTREE HARDWOOD BROWN - DIPPED
07	SILVER PEARL METALIC	57	REALTREE AP HOT PINK - DIPPED
11	BLACK	58	BLACK / SILVER MARBLE - DIPPED
12	EMERALD GREEN PEARL	59	RED / SILVER MARBLE - DIPPED
13	CLOUD GREY	60	HOT PINK / SILVER MARBLE - DIPPED
14	VIPER BLUE METALLIC	61	REALTREE AP
19	PATRIOT BLUE PEARL	62	REALTREE MAX 4
20	INFERNO RED METALLIC	63	MOSSY OAK BREAKUP
23	ADVANTAGE CLASSIC CAMO	64	MOSSY OAK TREESTAND
24	NATURAL	65	REALTREE APG
25	VIVID NEW HOLLAND BLUE	66	REALTREE MAX 1
26	STEEL BLUE PEARL	67	REALTREE AP PINK
27	BRIGHT SILVER METALLIC	68	REALTREE AP - DIPPED
29	PRIMER ONLY		
30	HD ADVANTAGE CAMO		
31	METALLIC CHARCOAL		
32	LIGHT ALMOND PEARL		
33	TIMBERLINE GREEN		
34	DEEP MOLTEN RED		
35	SAFETY YELLOW		
36	CHAMPAGNE BEIGE		
37	HUNTER GREEN		
38	BRIGHT WHITE		
39	FLAME RED		
40	BLACK		
41	ELECTRIC BLUE		
42	PLATINUM		
43	BURGUNDY		
44	ALMOND		
45	BLACK		
46	FLAME RED		
47	BURLINGTON GREEN		
48	BLACK		
49	FLAME RED		
50	RECON GREEN		
51	SUNBURST ORANGE		
52	BRITISH RACING GREEN		

ACCELERATOR

1 PEDAL BOX ASSEMBLY Includes Items 2 - 37





ACCELERATOR

When ordering parts, please specify the model and serial number of the product.

* Indicates a component that is not available as an individual part.

*** Indicates consult Customer Service Department for additional information.

ITEM	PART NO.	1 2 3 4 5	DESCRIPTION	QTY.
1	73333G07		PEDAL BOX ASSEMBLY (INCLUDES ITEMS 2 - 37).....	1
2	25853G01		PEDAL BOX AND COVER (SEAL AND BEARING).....	1
3	25854G01		INDUCTIVE THROTTLE SENSOR.....	1
4	00983G01		SELF THREADING NUT, 3/16".....	2
5				
6	25857G01		PLUNGER SLEEVE.....	1
7	28443G01		PLUNGER.....	1
8	28444G01		PLUNGER CAM.....	1
9	73332G01		ACCELERATOR ROD	1
10				
11	00532G4		LOCK NUT, 5/16 - 24	1
12	10385G4		YOKE (ADJUSTABLE).....	1
13	17677G2		SPRING RETAINER, 3/8"	1
14	73046G01		COMPRESSION SPRING	1
15	17979G1		ACCELERATOR ROD BUSHING	1
16				
17	17677G1		SPRING RETAINER, 1/2"	1
18	25861G02		MICRO SWITCH	1
19	01050G01		SCREW, #4 - 20 X 5/8" LG	2
20	25879G06		WIRING HARNESS (PEDAL BOX ASSEMBLY)	1
21				
22	00684G6		SCREW, #8 - 32 X 3/4" LG	2
23	70116G02		ACCELERATOR PEDAL BRACKET.....	1
24	01051G01		SCREW, #8 - 16 X 1/2" LG	4
25				
26	25799G03		ACCELERATOR PEDAL ASSEMBLY (INCLUDES ITEMS 27 - 30).....	1
27	70125G04		ACCELERATOR PEDAL	1
28				
29	27512G01		ACCELERATOR PEDAL PAD.....	1
30	16409G1		OVAL RIVET 3/16" X 7/16" LG	6
31				

ACCELERATOR

When ordering parts, please specify the model and serial number of the product.

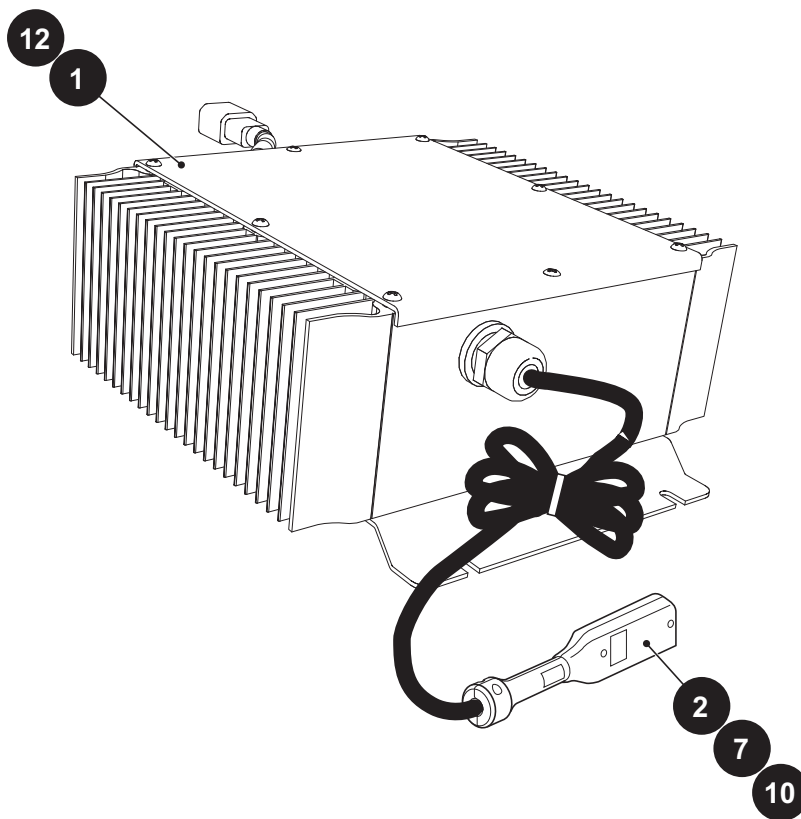
* Indicates a component that is not available as an individual part.

*** Indicates consult Customer Service Department for additional information.

ITEM	PART NO.	1 2 3 4 5	DESCRIPTION	QTY.
32	17838G1		BUSHING	3
33	74432G01		PEDAL PIVOT PIN	1
34	12064G6		PUSHNUT, 9/32" I.D.	1
35	10386G3		CLEVIS PIN, 5/16" X 13/16" LG	1
36	17255G1		TEFLON WASHER, 5/16"	1
37	10387G3		COTTER PIN, 3/32" X 3/4" LG	1
38				
39	00715G2		BOLT, 5/16 - 18 X 13/16" LG.	4
40	70135G01		PEDAL PIVOT COVER.....	1

BATTERY CHARGER

- 1 DELTA-Q BATTERY CHARGER Includes Item 2 - 3
- 6 DELTA-Q BATTERY CHARGER Includes Item 7, 12 -13
- 9 DELTA-Q BATTERY CHARGER Includes Item 10, 12 -13



BATTERY CHARGER

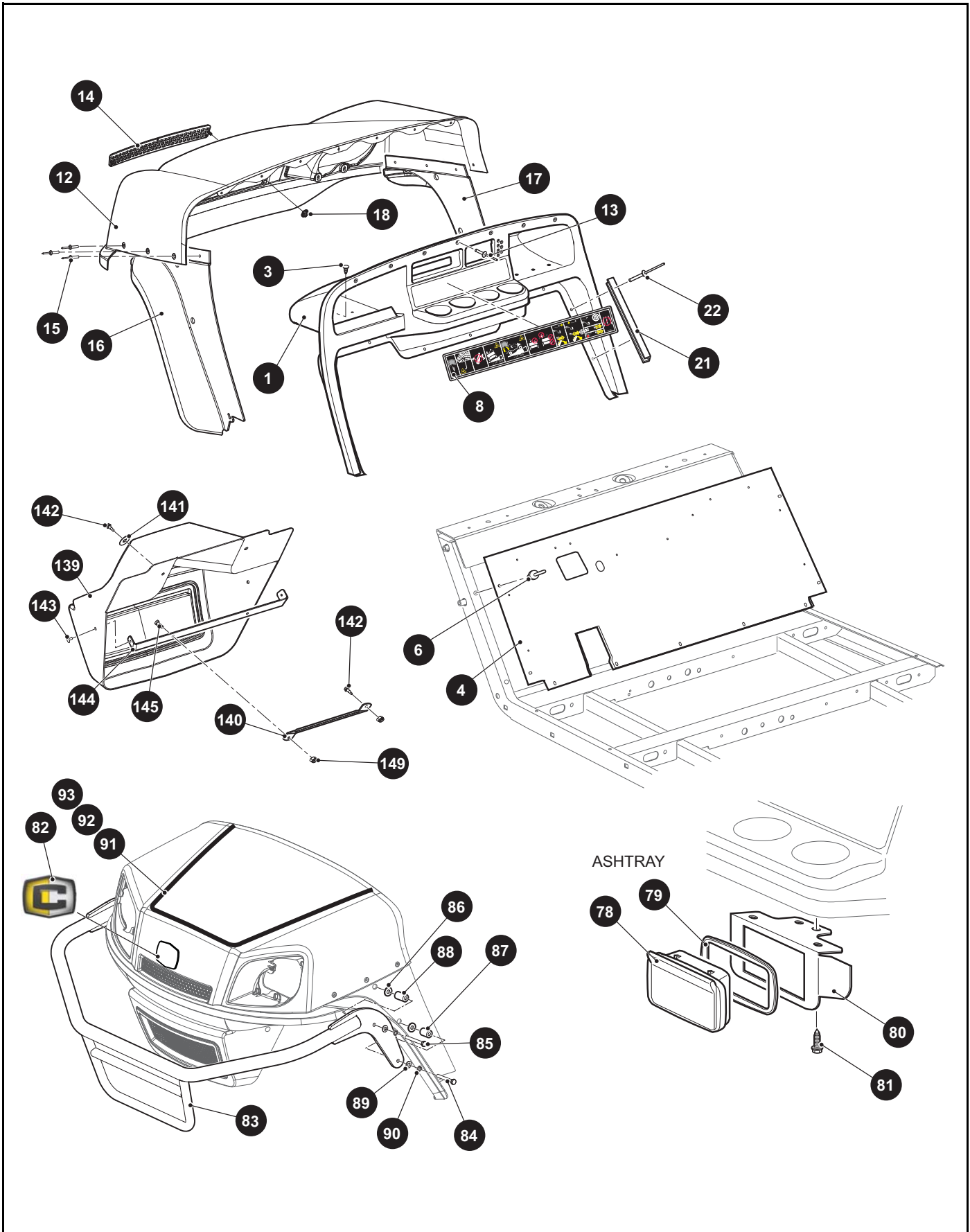
When ordering parts, please specify the model and serial number of the product.

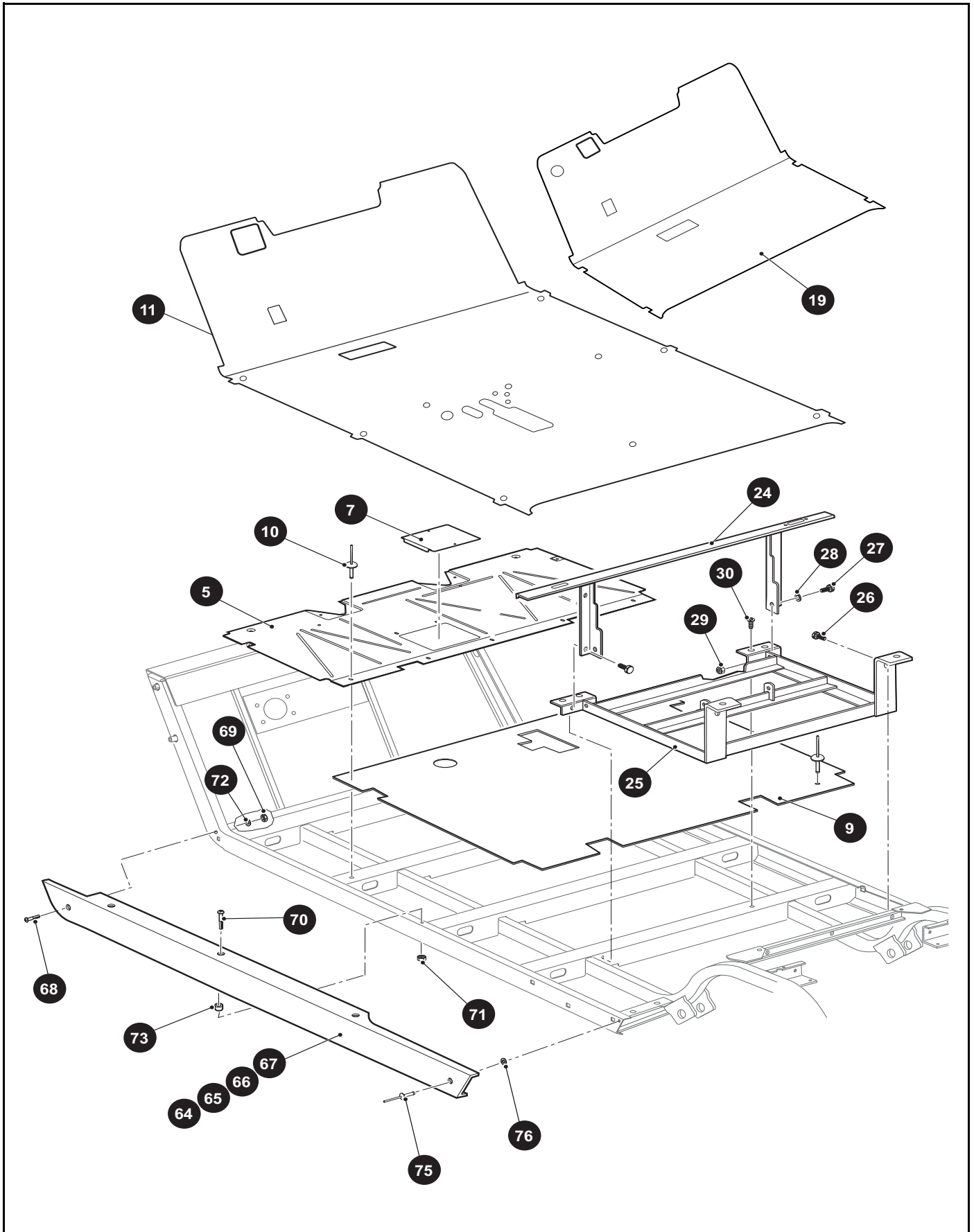
* Indicates a component that is not available as an individual part.

*** Indicates consult Customer Service Department for additional information.

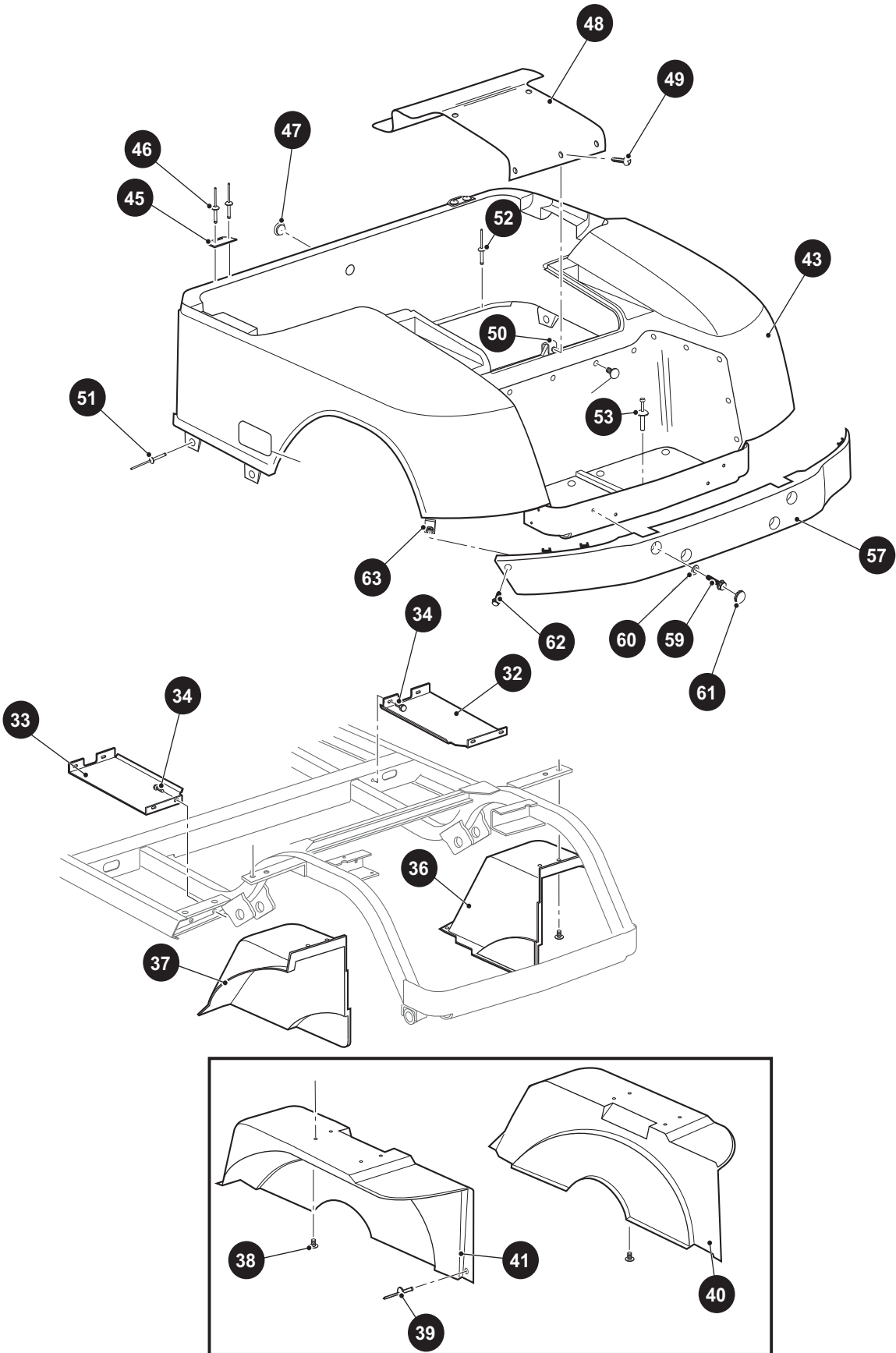
ITEM	PART NO.	1 2 3 4 5	DESCRIPTION	QTY.
1	603869		48V DELTA-Q BATTERY CHARGER WITH 10' DC CORD (INCLUDES ITEMS 2 - 3)	1
2	600463G02		48V DC CABLE ASSEMBLY	1
3	600462G01		AC POWER CORD (NOT SHOWN).....	1
4				
5				
6	600341G03		48V DELTA-Q BATTERY CHARGER WITH 10' DC CORD (INCLUDES ITEMS 7, 12 - 13)	1
7	600463G02		48V DC CABLE ASSEMBLY, 10'	1
8				
9	600341G04		48V DELTA-Q BATTERY CHARGER WITH 18' DC CORD (INCLUDES ITEMS 10, 12 - 13)	1
10	600463G04		48V DC CABLE ASSEMBLY, 18'	1
11				
12	600340G02		48V DELTA-Q BATTERY CHARGER.....	1
13	600462G01		AC CORD (NOT SHOWN)	1

BODY

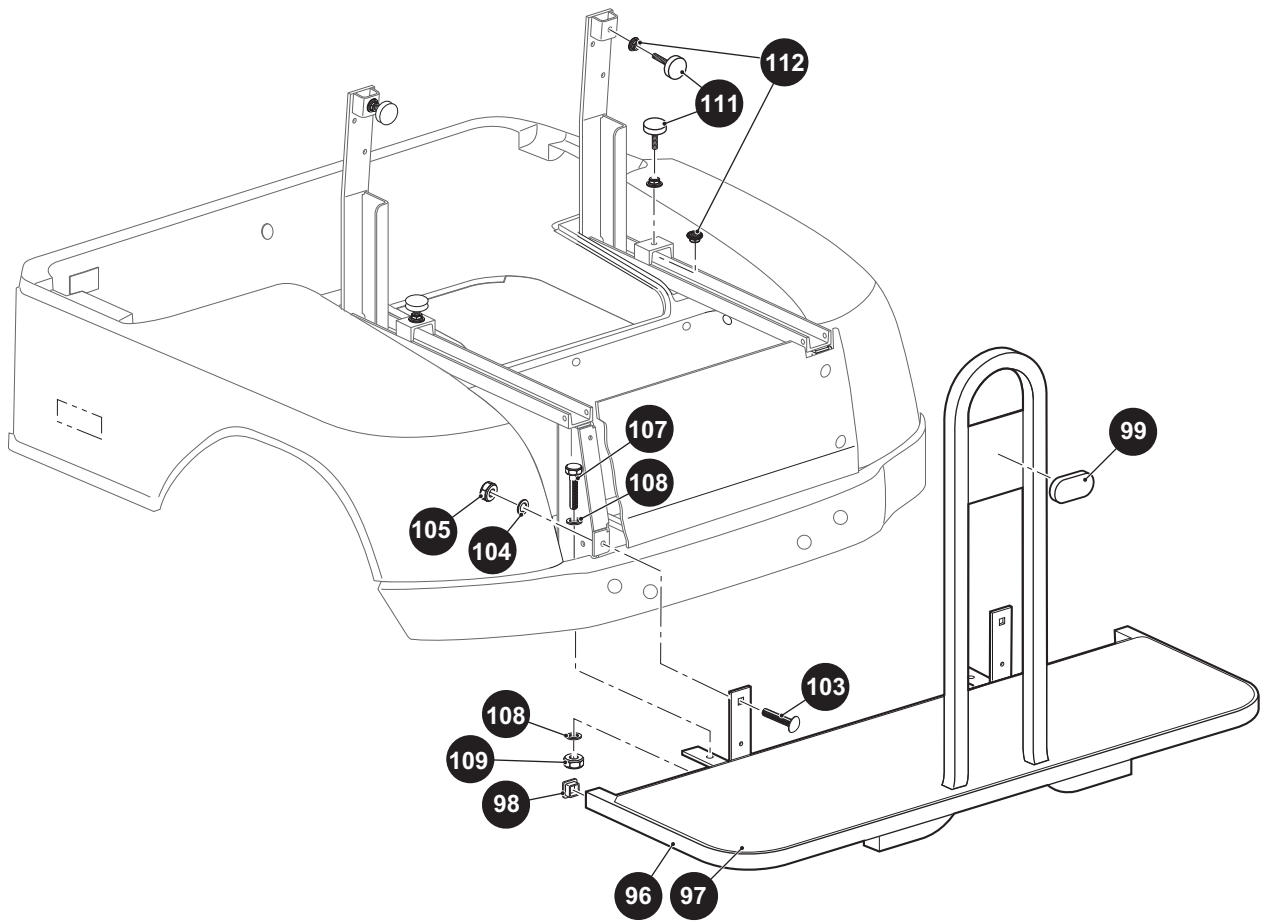




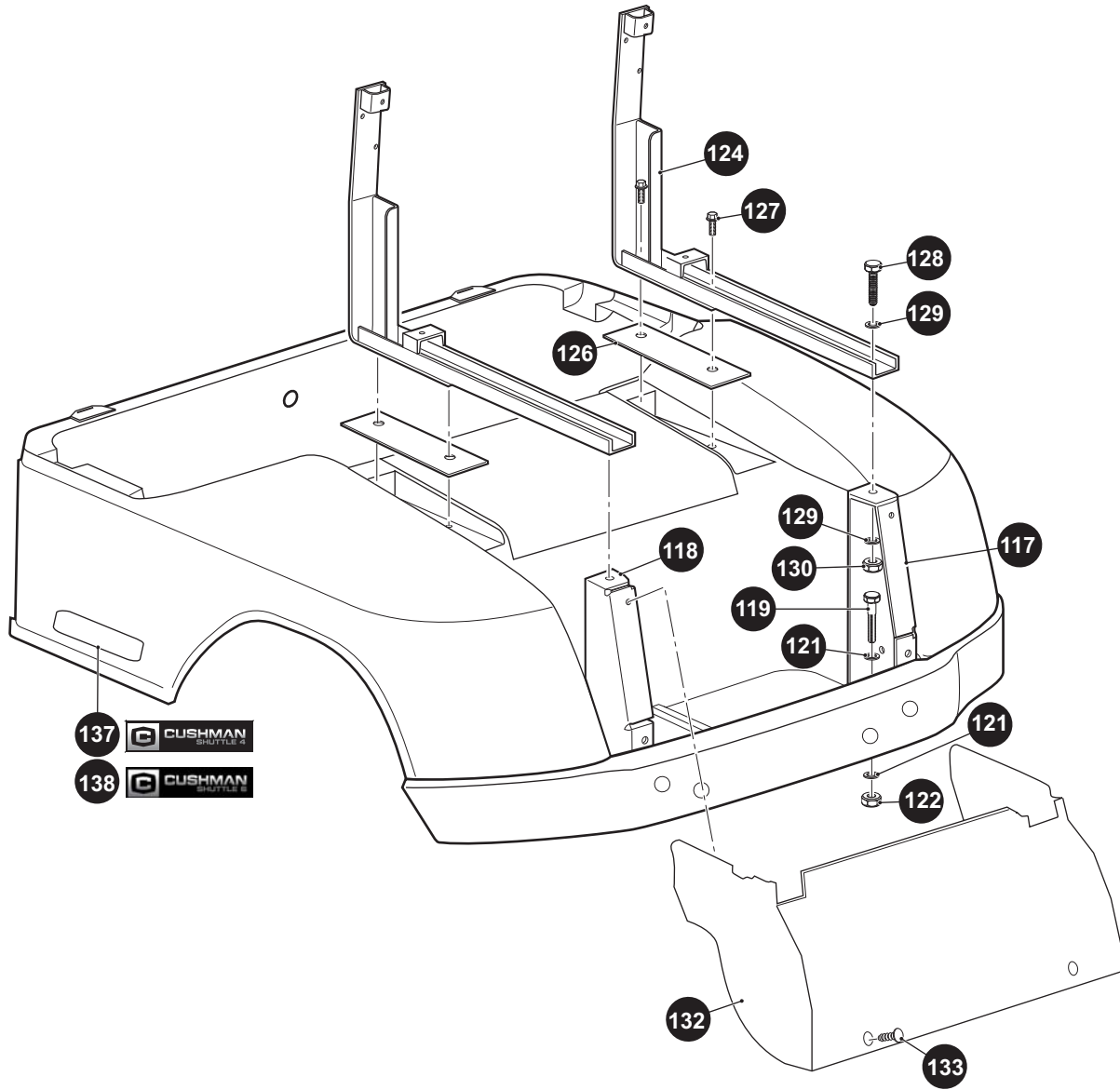
BODY

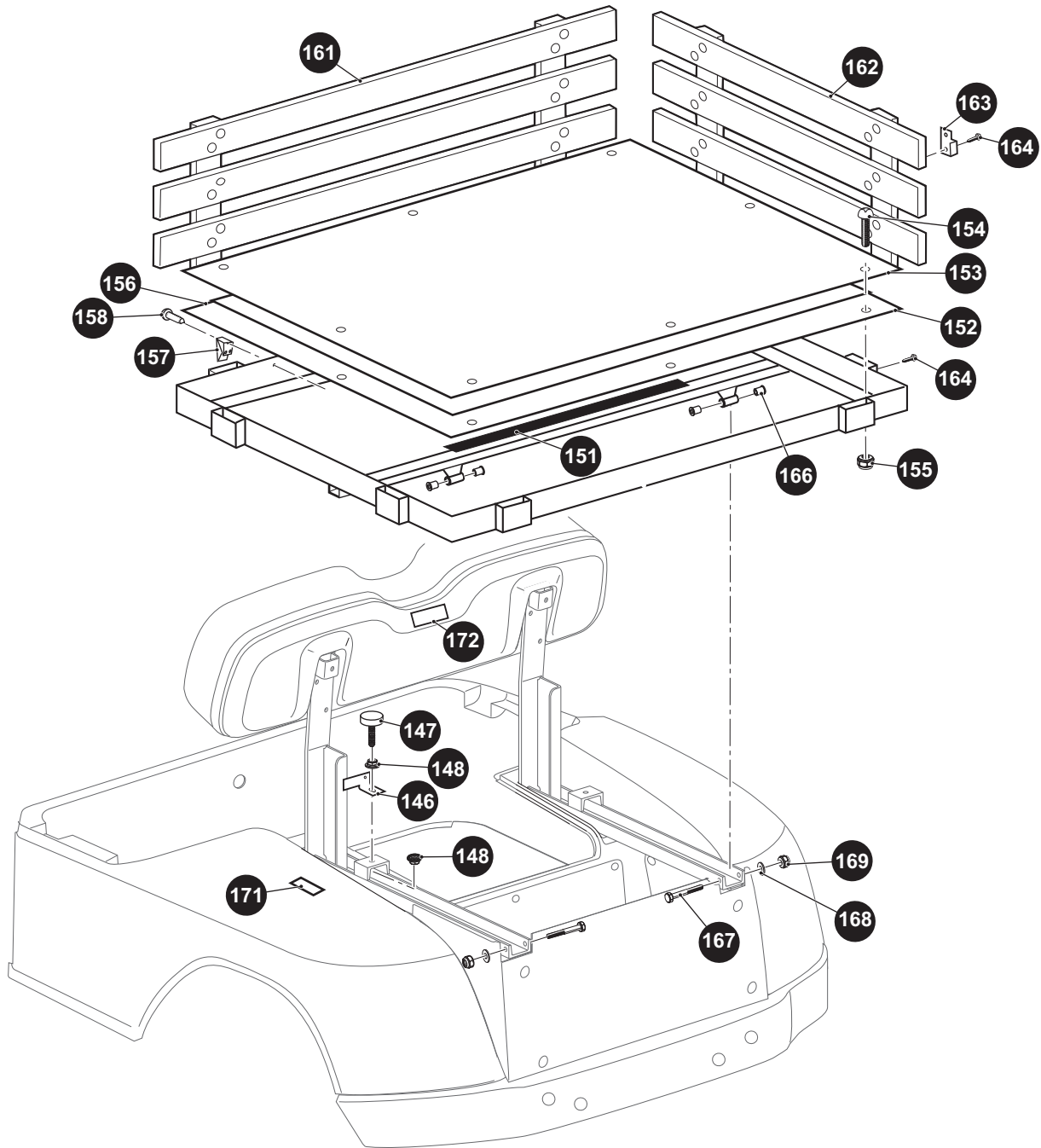


95 FOOT REST ASSEMBLY Includes 96 & 97

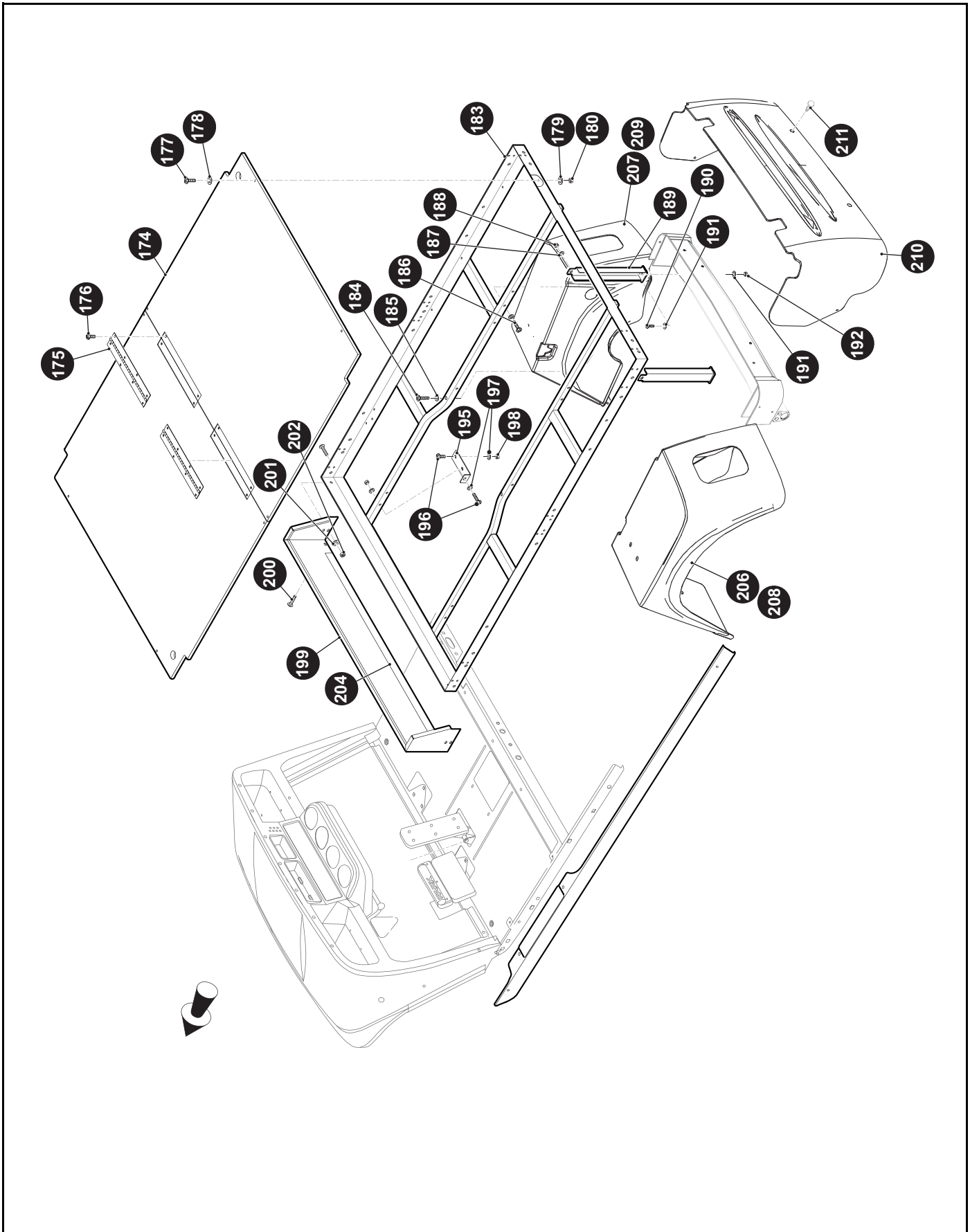


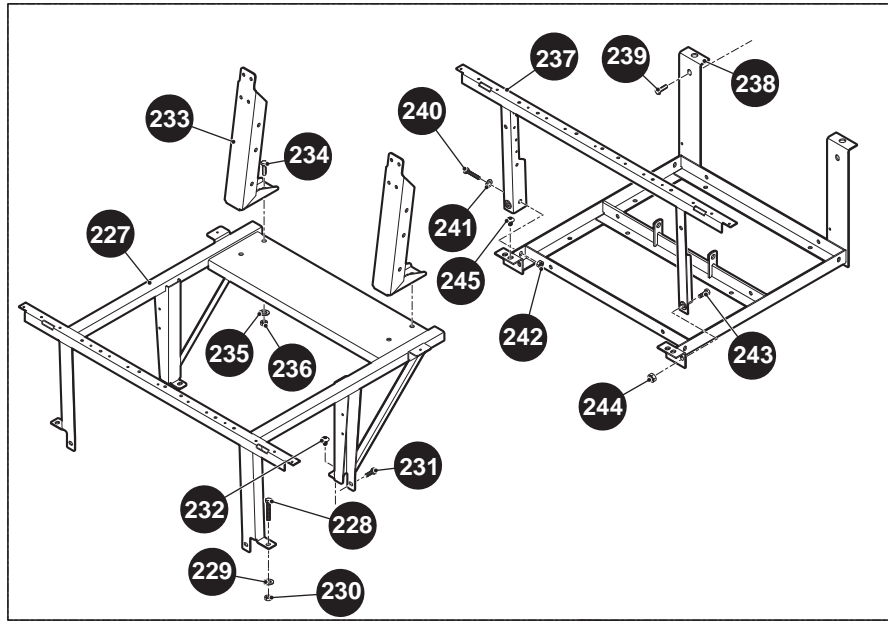
BODY



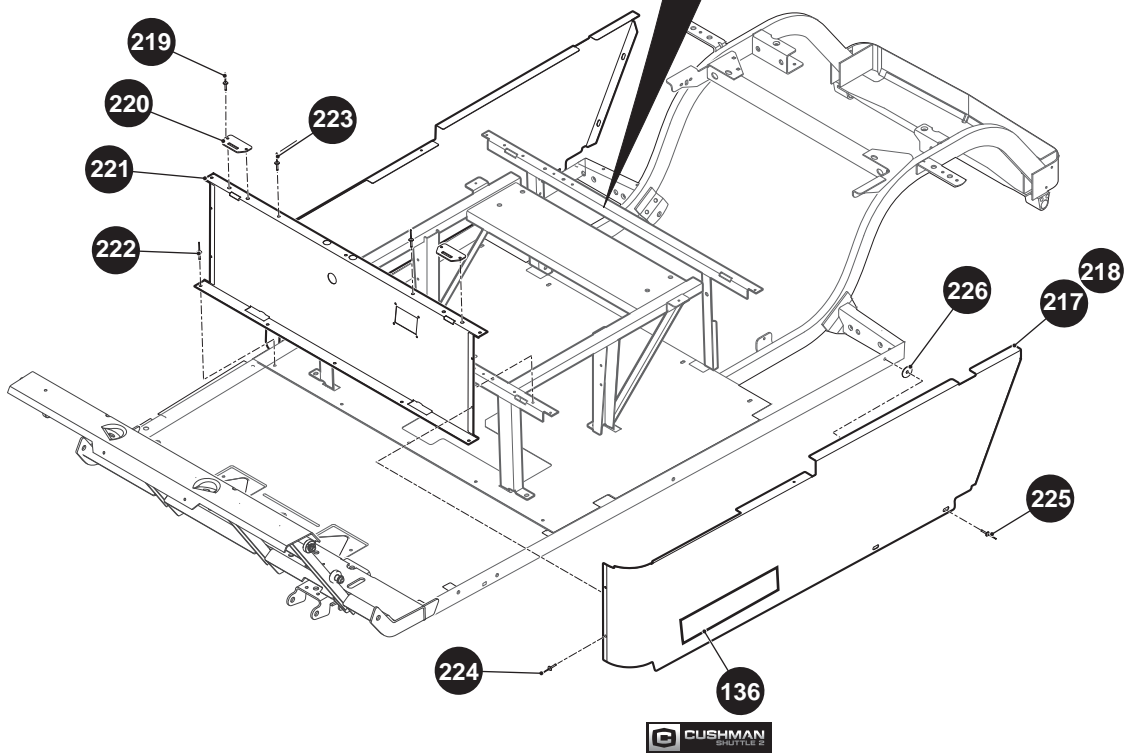


BODY





SHUTTLE 2



BODY

When ordering parts, please specify the model and serial number of the product.

* Indicates a component that is not available as an individual part.

*** Indicates consult Customer Service Department for additional information.

ITEM	PART NO.	1 2 3 4 5	DESCRIPTION	QTY.
1	71151G01		INSTRUMENT PANEL ASSEMBLY	1
2				
3	16816G2		RATCHET FASTENER, 1/4" X 3/4" LG	4
4	70662G01		UPPER FLOORPAN.....	1
5	70451G01		LOWER FLOORPAN.....	1
6	14601G11		RIVET, 3/16" X 9/16" LG (ALUMINUM)	16
7	70452G01		ACCESS COVER.....	1
8				
9	70823G01		REAR FLOORPAN.....	1
10	10570G10		RIVET, 5/32" X 9/16" LG (STAINLESS STEEL)	5
11	70668G02		FLOORMAT (SHUTTLE 4 & 6).....	1
12	613036GXXX		COWL.....	1
13	71055G01		RIVET, 3/16"	7
14	617643		GRILL COVER	1
15	71055G01		RIVET, 3/16" X 1" LG	6
16	614378		FENDER FLARE (DRIVER SIDE).....	1
17	613274		FENDER FLARE (PASSENGER SIDE)	1
18	71597G01		SELF-THREADING NUT 3/16 X .39 X .59.....	2
19	70663G04		FLOOR MAT WITH HORN HOLE (SHUTTLE 2 ONLY).....	1
20				
21	71115G01		VINYL TRIM	2
22	71055G01		RIVET, 3/16" X 1" LG.....	10
23				
24	70441G01		SEAT FRAME.....	1
25	70046G02		BATTERY RACK	1
26	00715G2		BOLT, 5/16 - 18 X 13/16" LG	4
27	00438G6		BOLT, 5/16 - 18 X 3/4" LG	2
28	00559G8		FLAT WASHER, 5/16"	2
29	11098G6		LOCK NUT, 5/16 - 18.....	2
30	70200G01		SCREW, 3/8 - 16 X 3/4" LG.....	2
31				

When ordering parts, please specify the model and serial number of the product.

* Indicates a component that is not available as an individual part.

*** Indicates consult Customer Service Department for additional information.

ITEM	PART NO.	1 2 3 4 5	DESCRIPTION	QTY.
32	70385G01		SPLASH PAN (PASSENGER SIDE)	1
33	70385G02		SPLASH PAN (DRIVER SIDE)	1
34	00715G2		BOLT, 5/16 - 18 X 13/16" LG	8
35				
36	71812G01		FENDER, PASSENGER SIDE	1
37	71812G02		FENDER, DRIVER SIDE	1
38	16816G2		RATCHET FASTENER	8
39	14601G17		RIVET, 3/16" X 9/16" LG	2
40	74892G01		FENDER, PASSENGER SIDE (SHUTTLE 2)	1
41	74892G02		FENDER, PASSENGER SIDE (SHUTTLE 2)	1
42				
43	71333G1XX		REAR BODY WITH LNR and WITH LIGHT (See COLOR CODE in HOW TO USE SECTION)	1
44				
45	71609G01		HINGE PLATE	2
46	10570G11		RIVET, 3/16" X 3/4" LG (STAINLESS STEEL)	4
47	71316G01		PLUG	1
48	71320G01		ACCESS PANEL	1
49	01107G01		SCREW, #8 X 5/8" LG	5
50	71364G02		'J' CLIP	1
51	10570G12		RIVET, 1/4" X 9/16" LG (ALUMINUM)	4
52	10570G10		RIVET, 5/32" X 9/16" LG (STAINLESS STEEL)	6
53	18436G1		PLASTIC DRIVE RIVET, 1/4" X 9/16" LG	2
54				
55				
56				
57	71451G02		REAR BUMPER	1
58				
59	71102G01		BOLT, 1/4 - 20 X 1 1/4" LG	4
60	00571G2		WASHER, 5/16"	4
61	71455G01		BUMPER PLUG	4

BODY

When ordering parts, please specify the model and serial number of the product.

* Indicates a component that is not available as an individual part.

*** Indicates consult Customer Service Department for additional information.

ITEM	PART NO.	1	2	3	4	5	DESCRIPTION	QTY.
62	71102G03						BOLT, 1/4 - 20 x 11/16" LG	2
63	71554G01						J-TYPE NUT RETAINER, 1/4 - 20.....	2
64	619094						ROCKER PANEL, DRIVER SIDE	1
65	619095						ROCKER PANEL, PASSENGER SIDE	1
66	618889						ROCKER PANEL, DRIVER SIDE (SHUTTLE 2).....	1
67	618888						ROCKER PANEL, PASSENGER SIDE (SHUTTLE 2)	1
68	00789G2						SCREW #10 - 24 X 1.25.....	2
69	14390G10						LOCK NUT, 10 - 24.....	2
70	16705G1						SCREW #1/4 - 20 X 1.....	6
71	14390G4						LOCK NUT, 1/4 - 20.....	6
72	00660G5						FLAT WASHER, #10	2
73	23726G4						SPACER, 5/16"	6
74								
75	15058G6						RIVET, 3/16" X 15/16" LG (ALUMINUM)	4
76	19247G3						SPACER, REAR STRUT, .25"	2
77								
78	27731G01						ASH TRAY.....	1
79	27736G01						GASKET	1
80	75108G02						BRACKET.....	1
81	00100G4						SELF-TAPPING SCREW, 10 - 16 X .50	4
82	619135						CUSHMAN COWL DECAL.....	1
83	617620						BRUSHGUARD	1
84	00440G2						SCREW, 5/16 - 18	2
85	00440G6						SCREW, 5/16 - 18	2
86	00570G2						FLAT WASHER, 5/16	4
87	75048G04						SPACER. 1"	2
88	75048G01						SPACER, .5"	2
89	00559G8						FLAT WASHER, 5/16"	4
90	00905G8						LOCK WASHER, 5/16"	4
91	603728						PEWTER PINSTRIPING TAPE	1
92	75372G04						BLACK PINSTRIPING TAPE.....	1

When ordering parts, please specify the model and serial number of the product.

* Indicates a component that is not available as an individual part.

*** Indicates consult Customer Service Department for additional information.

ITEM	PART NO.	1 2 3 4 5	DESCRIPTION	QTY.
93	75372G08		SILVER PINSTRIPING TAPE	1
94				
95	70361G02		FOOT REST ASSEMBLY (INCLUDES ITEMS 96 & 97)	1
96	70633G01		FOOT REST	1
97	70362G01		FLOOR MAT	1
98	19853G1		END CAP	2
99	74129G01		REFLECTOR	1
100				
101	608537		REAR SEAT,WARNING LABEL	1
102				
103	00769G2		CARRIAGE BOLT, 3/8 - 16 X 1 1/4" LG.....	2
104	00560G1		FLAT WASHER, 3/8".....	2
105	11098G5		LOCK NUT, 3/8 - 16	2
106				
107	00427G6		BOLT, 3/8 - 16 X 1 3/4" LG.....	2
108	00560G1		FLAT WASHER, 3/8".....	4
109	11098G5		LOCK NUT, 3/8 - 16	2
110				
111	70113G01		ADJUSTABLE BUMPER.....	4
112	11027G1		LOCK NUT, 5/16 - 18	6
113				
114				
115				
116				
117	4126G01		VERTICAL FRAME SUPPORT (PASSENGER SIDE).....	1
118	74126G02		VERTICAL FRAME SUPPORT (DRIVER SIDE)	1
119	00427G4		BOLT, 3/8 - 16 X 1 1/2" LG (SHUTTLE 4).....	2
120				
121	00560G1		FLAT WASHER, 3/8".....	4
122	11098G5		LOCK NUT, 3/8 - 16	2
123				

BODY

When ordering parts, please specify the model and serial number of the product.

* Indicates a component that is not available as an individual part.

*** Indicates consult Customer Service Department for additional information.

ITEM	PART NO.	1 2 3 4 5	DESCRIPTION	QTY.
124	74111G01		SEAT BACK SUPPORT (SHUTTLE).....	2
125				
126	70364G01		SPACER 8.45" X 2" (SHUTTLE 6)	2
127	00427G02		BOLT, 3/8 - 16 X 1 1/4" LG	4
128	00426G8		BOLT, 3/8 - 16 X 1" LG	2
129	00560G1		FLAT WASHER, 3/8"	4
130	11098G5		LOCK NUT, 3/8 - 16.....	2
131				
132	74890G01		VALANCE PANEL.....	1
133	16816G2		RATCHET FASTENER, 1/4" X 3/4" LG	2
134				
135				
136	619144		CUSHMAN - LABEL (SHUTTLE 2)	1
137	619146		CUSHMAN - LABEL (SHUTTLE 4)	1
138	619148		CUSHMAN - LABEL (SHUTTLE 6)	1
139	613273		FRONT FASCIA	1
140	70725G02		FRONT SHIELD BRACE	2
141	16469G1		FENDER WASHER, 9/32" I.D. X 1 1/4" O.D.	2
142	01038G01		BOLT, 1/4 - 20 X 3/4"	4
143	15058G1		ALUMINUM RIVET, .87"	2
144	618653		FASCIA BRACKET	1
145	300646		BOLT, 1/4 - 20 X 3/4"	2
146	72914G01		HOLD DOWN BRACKET	1
147	70113G01		ADJUSTABLE BUMPER	2
148	11027G1		LOCK NUT, 5/16 - 18.....	4
149	14390G4		NUT 1/4 - 20	2
150	74080G01		CARGO DECK (SHUTTLE 4).....	1
151	23052G1		NOISE SUPPRESSOR	1
152	74082G01		STEEL DECK	1
153	74097G01		CARGO BED MAT	1
154	16705G3		SCREW, 1/4 - 20 X 3/4" LG (STAINLESS STEEL)	8

When ordering parts, please specify the model and serial number of the product.

* Indicates a component that is not available as an individual part.

*** Indicates consult Customer Service Department for additional information.

ITEM	PART NO.	1 2 3 4 5	DESCRIPTION	QTY.
155	14390G4		LOCK NUT, 1/4 - 20	8
156	608984		TAPE, DOUBLE SIDED	40"
157	72913G01		LATCH.....	1
158	00100G6		SCREW - 10 -16 X 3/4	3
159				
160				
161	34280G02		FRONT/REAR CARGO RACK.....	2
162	34280G01		SIDE CARGO RACK.....	2
163	74079G01		TAILGATE RETAINER BRACKET	2
164	00666G6		SCREW, #10 - 12 X 3/4" LG	10
165				
166	17838G1		BUSHING.....	4
167	00440G4		BOLT, 5/16 - 18 X 2 1/2" LG.....	2
168	00559G8		FLAT WASHER, 5/16".....	2
169	11098G6		LOCK NUT, 5/16 - 18	2
170				
171	74099G01		BED LATCH, WARNING LABEL (SHUTTLE 4).....	1
172	74095G01		LOAD BED, WARNING LABEL (SHUTTLE 4).....	1
173				
174	72966G01		CARGO DECK (SHUTTLE 2)	2
175	33121G01		HINGE.....	2
176	16705G3		SCREW, 1/4 - 20 X 3/4" LG (STAINLESS STEEL)	16
177	16705G9		SCREW, 1/4 - 20 X 1 1/4" LG (STAINLESS STEEL).....	4
178	00559G7		FLAT WASHER, 1/4".....	4
179	00559G7		FLAT WASHER, 1/4".....	4
180	00654G2		LOCK NUT, 1/4 - 20	4
181				
182				
183	72956G01		BED FRAME	1
184	01075G01		SCREW, 3/8 - 16 X 2 3/4" LG	2
185	00571G3		FLAT WASHER, 3/8.....	2

BODY

When ordering parts, please specify the model and serial number of the product.

* Indicates a component that is not available as an individual part.

*** Indicates consult Customer Service Department for additional information.

ITEM	PART NO.	1 2 3 4 5	DESCRIPTION	QTY.
186	00439G6		SCREW, 5/16 - 18 X 1 3/4" LG.....	4
187	00559G8		FLAT WASHER, 5/16	8
188	11098G6		LOCK NUT, 5/16 - 18.....	4
189	72982G01		BRACKET.....	2
190	00438G6		BOLT, 5/16 - 18 X 3/4" LG	2
191	00559G8		FLAT WASHER, 5/16	4
192	11098G6		LOCK NUT, 5/16 - 18.....	2
193				
194				
195	72983G01		BED MOUNT BRACKET	2
196	16705G3		SCREW, 1/4 - 20 X 3/4" LG (STAINLESS STEEL)	4
197	00559G7		FLAT WASHER, 1/4"	4
198	00654G2		LOCK NUT, 1/4 - 20.....	4
199	72967G01		BULKHEAD	1
200	16705G3		SCREW, 1/4 - 20 X 3/4" LG (STAINLESS STEEL)	4
201	00559G7		FLAT WASHER, 1/4"	4
202	00654G2		LOCK NUT, 1/4 - 20.....	4
203				
204	22524G1		FOAM TAPE	40"
205				
206	74892G01		FENDER (DRIVER SIDE)	1
207	74892G02		FENDER (PASSENGER SIDE).....	1
208	74892G03		FENDER WITH TAILLIGHT (DRIVER SIDE)	1
209	74892G04		FENDER WITH TAILLIGHT (PASSENGER SIDE).....	1
210	74890G01		REAR PANEL	1
211	16816G2		RATCHET TYPE FASTENER, .25 X .887"	4
212				
213				
214				
215				
216				

When ordering parts, please specify the model and serial number of the product.

* Indicates a component that is not available as an individual part.

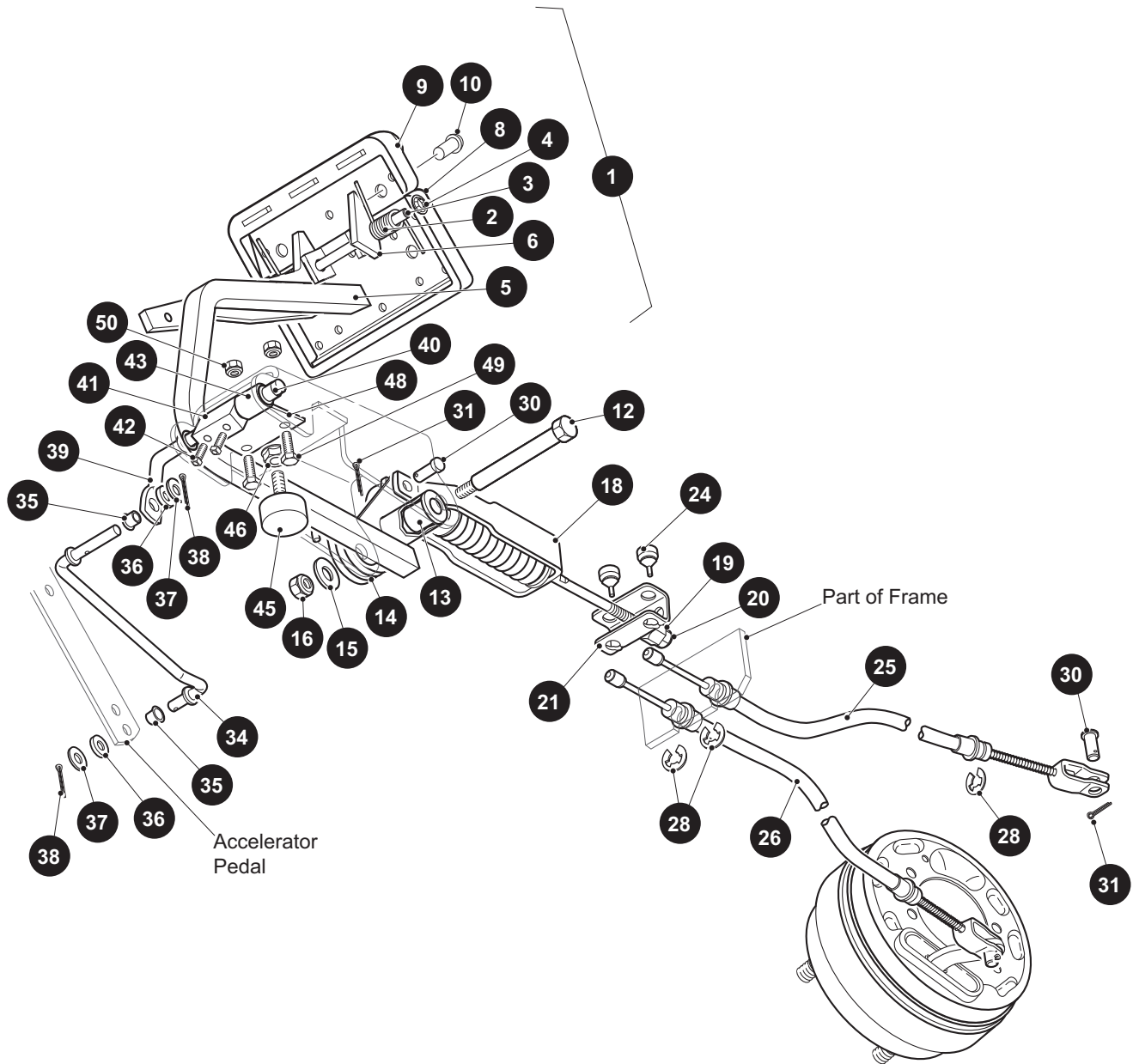
*** Indicates consult Customer Service Department for additional information.

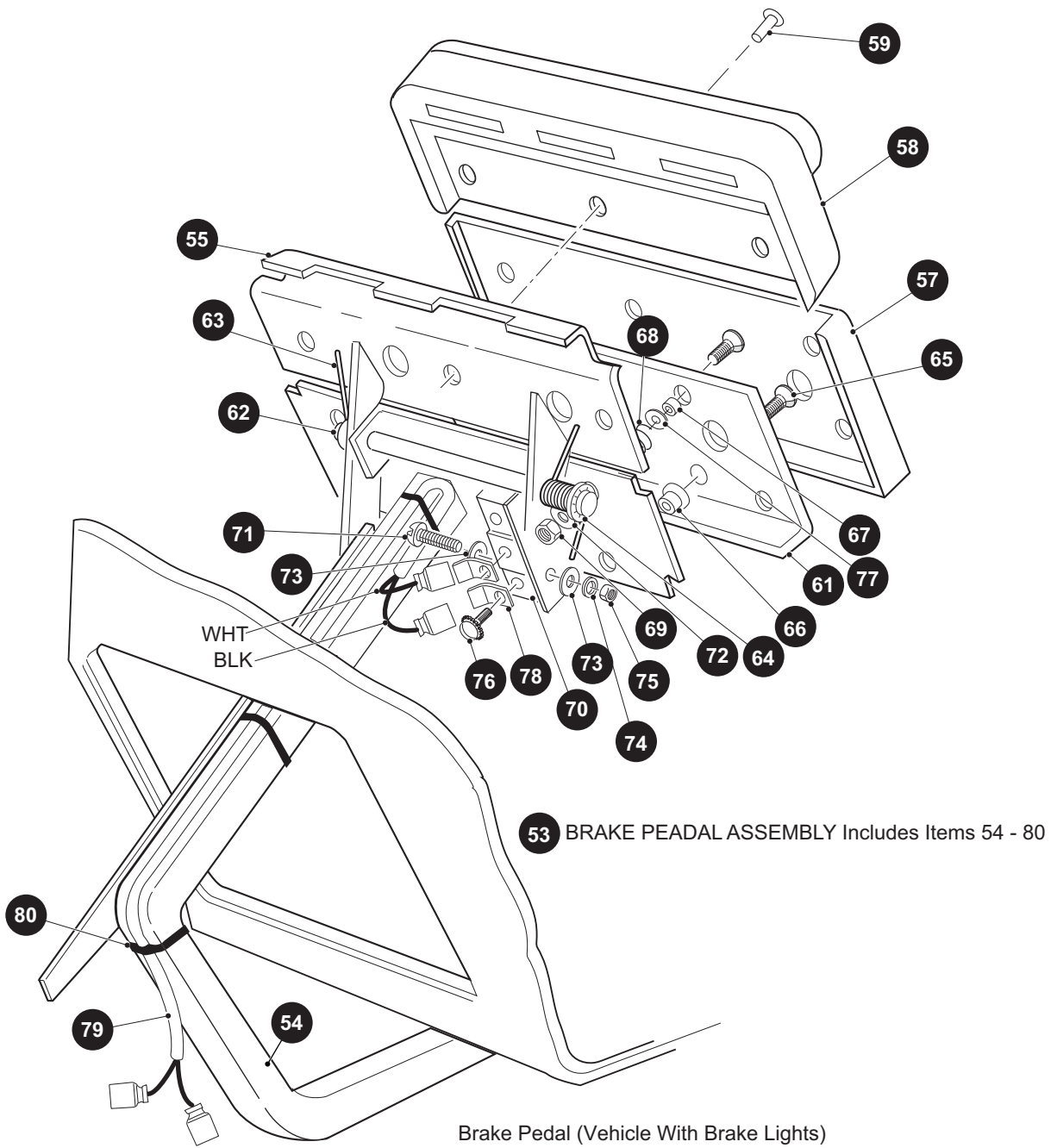
ITEM	PART NO.	1 2 3 4 5	DESCRIPTION	QTY.
217	602037G01		SIDE PANEL, DRIVER SIDE	1
218	602029G02		SIDE PANEL, PASSENGER SIDE.....	1
219	10570G11		RIVET, 3/16" X 3/4" LG (STAINLESS STEEL).....	4
220	71609G01		SEAT HINGE.....	2
221	600034G01		SEAT WRAP PANEL.....	1
222	10570G10		RIVET, 5/32" X 9/16" LG (STAINLESS STEEL).....	5
223	10570G10		RIVET, 5/32" X 9/16" LG (STAINLESS STEEL).....	2
224	10570G10		RIVET, 5/32" X 9/16" LG (STAINLESS STEEL).....	4
225	10570G12		RIVET, 1/4" X 9/16" LG	2
226	16469G01		WASHER, 1/4"	4
227	600038G01		SEAT FRAME WELDMENT	1
228	00438G8		BOLT, 5/16 - 18 x 1"LG	2
229	00559G8		FLAT WASHER, 5/16.....	2
230	11098G6		LOCK NUT, 5/16 - 18	2
231	00715G2		BOLT, 5/16 - 18 X 13/16" LG.....	4
232	70200G01		BOLT, 3/8 - 16 X 3/4" LG.....	2
233	612023G02		SEAT BACK BRACKET	2
234	00427G8		BOLT, 3/8 - 16 X 1" LG.....	4
235	00560G1		FLAT WASHER, 3/8".....	4
236	11098G5		LOCK NUT, 3/8 - 16	4
237	70441G01		SEAT FRAME	1
238	70046G02		BATTERY RACK WELDMENT	1
239	00715G2		BOLT, 5/16 - 18 X 13/16" LG.....	4
240	00438G8		BOLT, 5/16 - 18 x 1"LG	2
241	00559G8		FLAT WASHER, 5/16.....	2
242	11098G6		LOCK NUT, 5/16 - 18	2
243	00715G2		BOLT, 5/16 - 18 X 13/16" LG.....	2
244	11098G6		LOCK NUT, 5/16 - 18	2
245	70200G01		BOLT, 3/8 - 16 X 3/4" LG.....	2

BRAKES

1 BRAKE PEDAL ASSEMBLY Includes Items 2 - 10

18 COMPENSATOR ASSEMBLY Includes Items 19 - 21



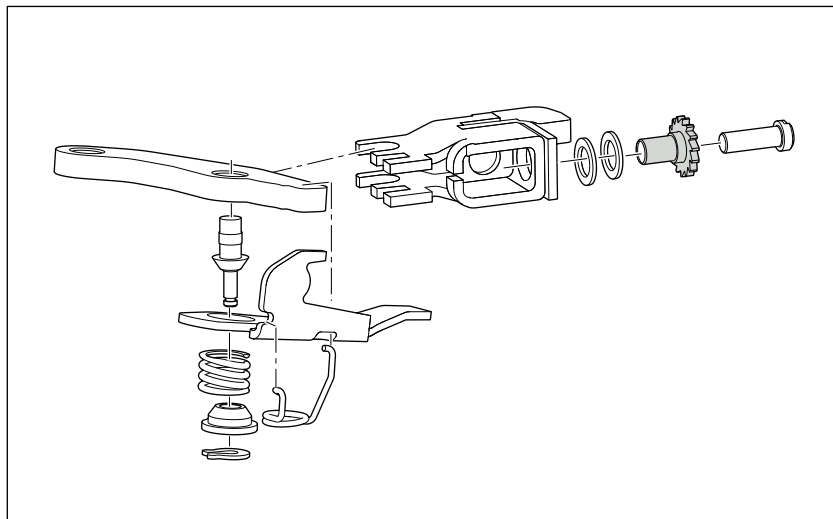
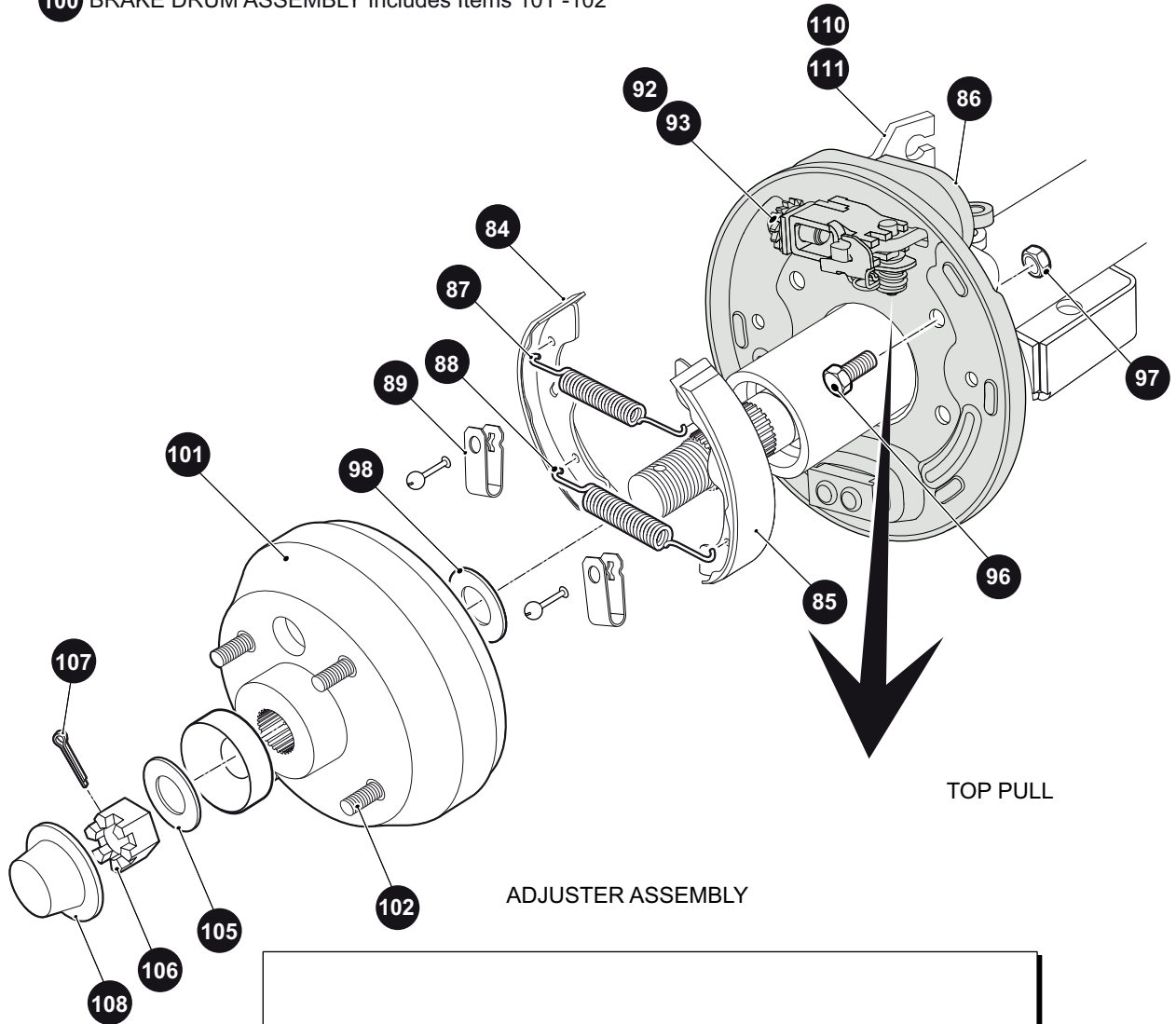


BRAKES

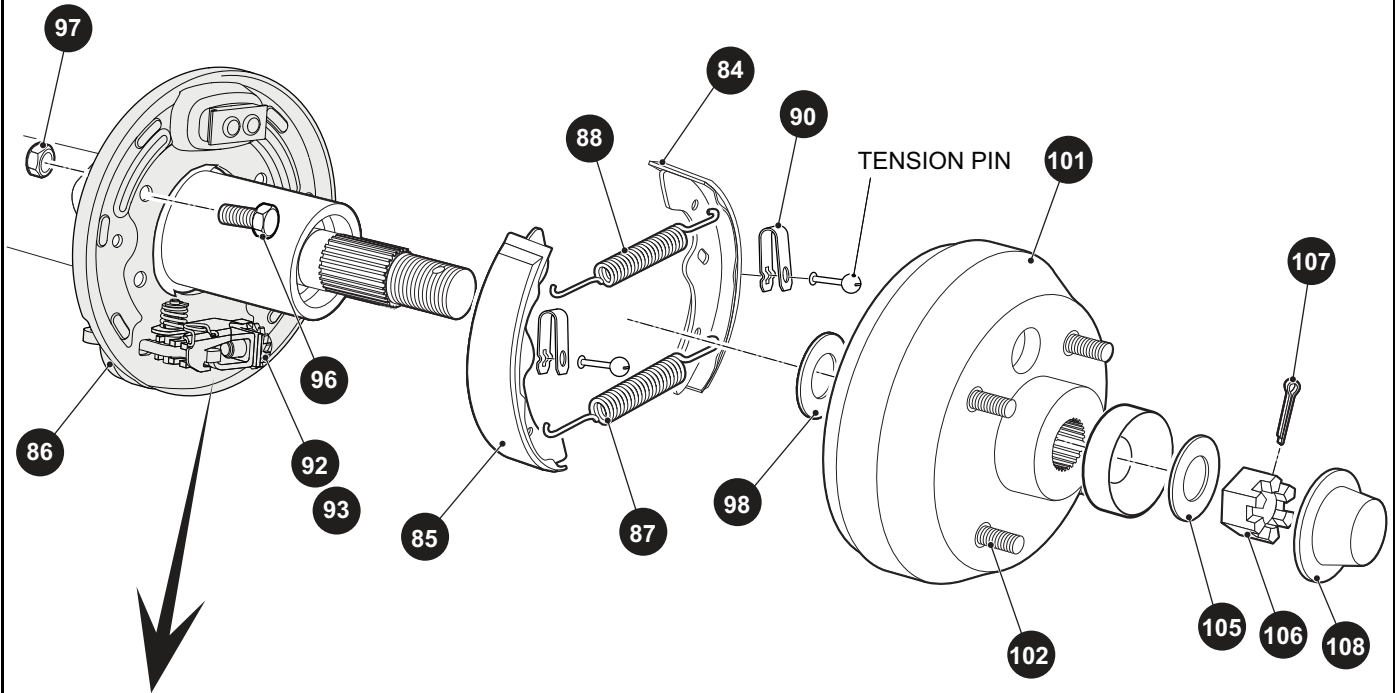
82 BRAKE ASSEMBLY (DRIVER SIDE) Includes Items 84 - 92

83 BRAKE ASSEMBLY (PASSENGER SIDE) Includes Items 84 - 89, 93

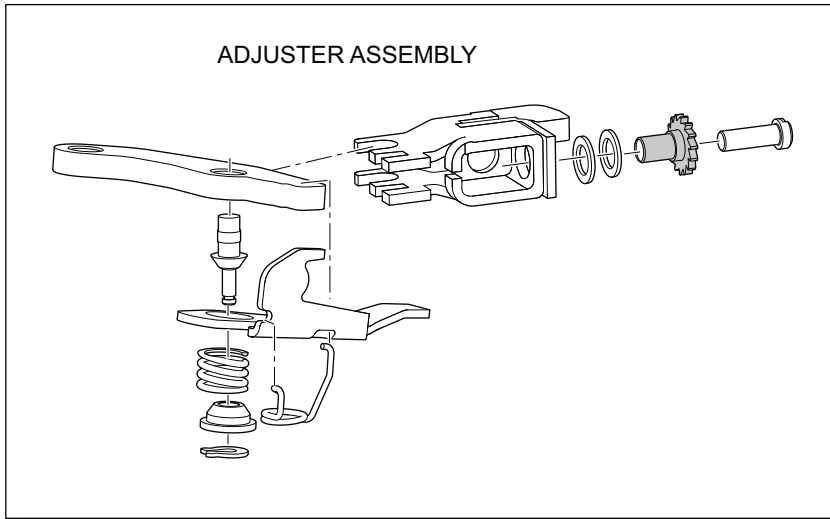
100 BRAKE DRUM ASSEMBLY Includes Items 101 -102



BOTTOM PULL



ADJUSTER ASSEMBLY



- 82** BRAKE ASSEMBLY Includes Items 84 - 92
- 83** BRAKE ASSEMBLY Includes Items 84 - 89, 93
- 100** BRAKE DRUM ASSEMBLY Includes Items 101, 102

BRAKES

When ordering parts, please specify the model and serial number of the product.

* Indicates a component that is not available as an individual part.

*** Indicates consult Customer Service Department for additional information.

ITEM	PART NO.	1 2 3 4 5	DESCRIPTION	QTY.
1	70612G02		BRAKE PEDAL ASSEMBLY (WITHOUT BRAKE LIGHTS) (INCLUDES ITEMS 2 - 10).....	1
2	70681G01		TORSION SPRING	2
3	70682G01		PIVOT PIN	1
4	01071G01		PUSHNUT, 5/16"	2
5	70259G02		BRAKE PEDAL	1
6	70611G01		PARK BRAKE PEDAL.....	1
7				
8	70257G01		SERVICE BRAKE PAD	1
9	70256G01		PARK BRAKE PEDAL PAD	1
10	16409-G1		OVAL RIVET, 3/16" X 7/16" LG.....	9
11				
12	70582G01		SHOULDER BOLT, 3/8 - 16 X 4" LG (STAINLESS STEEL).....	1
13	70581G01		FLANGED BUSHING	2
14	70676G01		TORSION SPRING	1
15	00643G1		FLAT WASHER, 3/8"	1
16	11098G5		LOCK NUT, 3/8 - 16.....	1
17				
18	612558		COMPENSATOR ASSEMBLY (INCLUDES ITEMS 19, 21).....	1
19	00963G01		SPHERICAL NUT, 5/16 - 24.....	1
20	11098G9		LOCK NUT, 5/16 - 24	1
21	28082G01		EQUILIZER BRACKET	1
22				
23				
24	28083G01		BRAKE COMPENSATOR BUMPER	2
25	70968G09		BRAKE CABLE (DRIVER SIDE)	1
26	70968G08		BRAKE CABLE (PASSENGER SIDE).....	1
27				
28	01111G01		RETAINING RING, 13/32" (STAINLESS STEEL).....	4
29				

When ordering parts, please specify the model and serial number of the product.

* Indicates a component that is not available as an individual part.

*** Indicates consult Customer Service Department for additional information.

ITEM	PART NO.	1 2 3 4 5	DESCRIPTION	QTY.
30	10386G3		CLEVIS PIN, 5/16" X 13/16" LG.....	3
31	10387G3		COTTER PIN, 3/32" X 3/4" LG.....	3
32	14443G2		CLEVIS PIN, 5/16" X 5/8" LG.....	2
33				
34	70601G01		KICK-OFF LINK	1
35	17838G1		NYLON BUSHING	2
36	20835G1		TEFLON WASHER, 3/8"	2
37	00559G8		FLAT WASHER, 5/16".....	2
38	10387G3		COTTER PIN, 3/32" X 3/4" LG.....	2
39	70098G01		KICK-OFF CAM PIVOT.....	1
40	10097G6		FLANGED BEARING	2
41	70587G01		KICK-OFF CAM	1
42	71215G01		SETSCREW, 1/4 - 20 X 1/2" LG	2
43	14134G4		SPACER.....	1
44				
45	70113G01		ADJUSTABLE BUMPER.....	1
46	11027G1		LOCK NUT, 5/16 - 18	1
47				
48	70080G02		CATCH BRACKET	1
49	00414G6		BOLT, 1/4 - 20 X 3/4" LG.....	2
50	14390G4		LOCK NUT, 1/4 - 20 (STAINLESS STEEL).....	2
51				
52				
53	70690G02		BRAKE PEDAL ASSEMBLY (WITH BRAKE LIGHTS) (INCLUDES ITEMS 54 - 80)	1
54	70686G02		BRAKE PEDAL.....	1
55	70611G01		PARK BRAKE PEDAL	1
56				
57	70257G01		SERVICE BRAKE PAD.....	1
58	70256G01		PARK BRAKE PAD.....	1

BRAKES

When ordering parts, please specify the model and serial number of the product.

* Indicates a component that is not available as an individual part.

*** Indicates consult Customer Service Department for additional information.

ITEM	PART NO.	1	2	3	4	5	DESCRIPTION	QTY.
59	16409G1						OVAL RIVET, 3/16" x 7/16" LG	9
60								
61	70258G03						SERVICE BRAKE PEDAL PLATE	1
62	70682G01						PIVOT PIN	1
63	70681G01						TORSION SPRING	2
64	01071G01						PUSHNUT, 5/16"	1
65	00737G8						SCREW, #10 - 24 X 7/8" LG	4
66	00739G1						RUBBER NUT, #10 - 24	2
67	74535G01						BRAKE PEDAL STANDOFF	2
68	27137G01						CONICAL SPRING	2
69	14390G10						LOCK NUT, #10 - 24	2
70	10606G8						MICRO SWITCH	1
71	00645G2						BOLT, # 6 - 32 X 1 1/4" LG	2
72	00559G5						FLAT WASHER, #10	2
73	00559G3						FLAT WASHER, # 6	4
74	00565G3						LOCK WASHER, # 6	2
75	00525G5						NUT, # 6 - 32	2
76	13514G1						SCREW AND LOCK WASHER, # 6	2
77	00642G8						FLAT WASHER # 4 - 5/16	2
78	14628G1						FASTON TAB	2
79	24605G1						WIRE HARNESS (BRAKE LIGHT)	1
80	17618G1						WIRE TIE	3
81								
82	612211						BRAKE ASSEMBLY (DRIVER SIDE) (INCLUDES ITEMS 84 - 92)	1
83	612189						BRAKE ASSEMBLY (PASSENGER SIDE) (INCLUDES ITEMS 84 - 91, 93)	1
84	612411						BRAKE SHOE, L	2
85	612412						BRAKE SHOE, T	2
86	612413						DUST COVER	1
87	612415						BRAKE SPRING	1
88	612414						BRAKE SPRING	1

When ordering parts, please specify the model and serial number of the product.

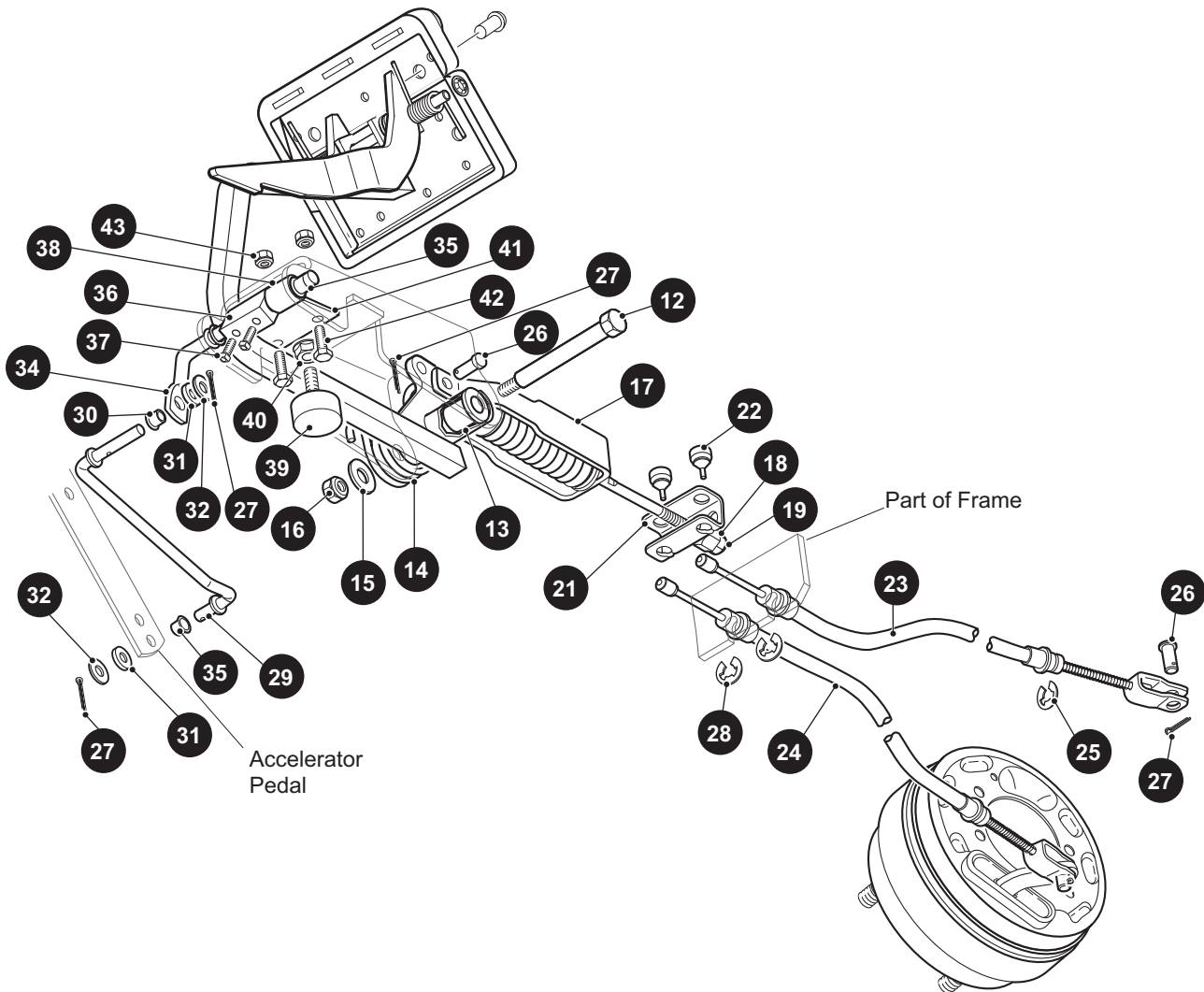
* Indicates a component that is not available as an individual part.

*** Indicates consult Customer Service Department for additional information.

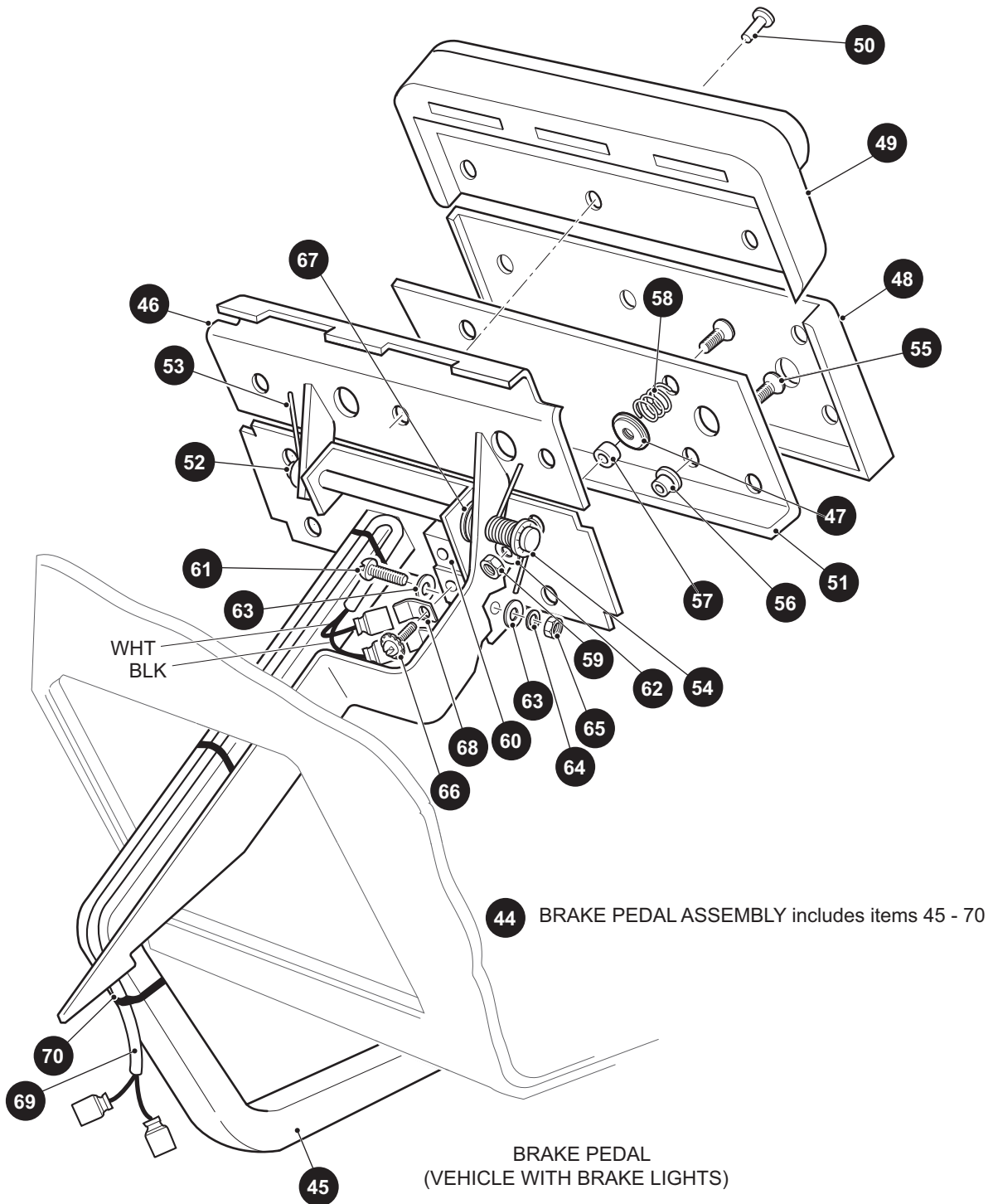
ITEM	PART NO.	1	2	3	4	5	DESCRIPTION	QTY.
89	612416						SHOE CLAMP	2
90								
91								
92	612418						GEAR ADJUSTER	1
93	612417						GEAR ADJUSTER	1
94								
95								
96	17083G2						BOLT, 5/16 - 24 X 1" LG.....	8
97	15126G1						LOCK NUT, 5/16 - 24	8
98	21809G1						FLAT WASHER, 13/16"	2
99								
100	21807G1						BRAKE DRUM ASSEMBLY (INCLUDES ITEMS 101 - 102)	2
101	20947G1						BRAKE DRUM.....	1
102	19862G1						LUG BOLT, 1/2 - 20 X 1 3/16" LG.....	4
103								
104								
105	21830G1						FLAT WASHER, 1 3/8" O.D. X 21/32".....	2
106	613172						CASTELLETED NUT, 5/8 - 18	2
107	10387G1						COTTER PIN, 1/8" X 1 1/2" LG.....	2
108	74175G01						SPINDLE CAP	
109								
110	608200						BRAKE CABLE BRACKET (PASSENGER SIDE)	1
111	608201						BRAKE CABLE BRACKET (DRIVER SIDE).....	1

BRAKES - FRONT DISC

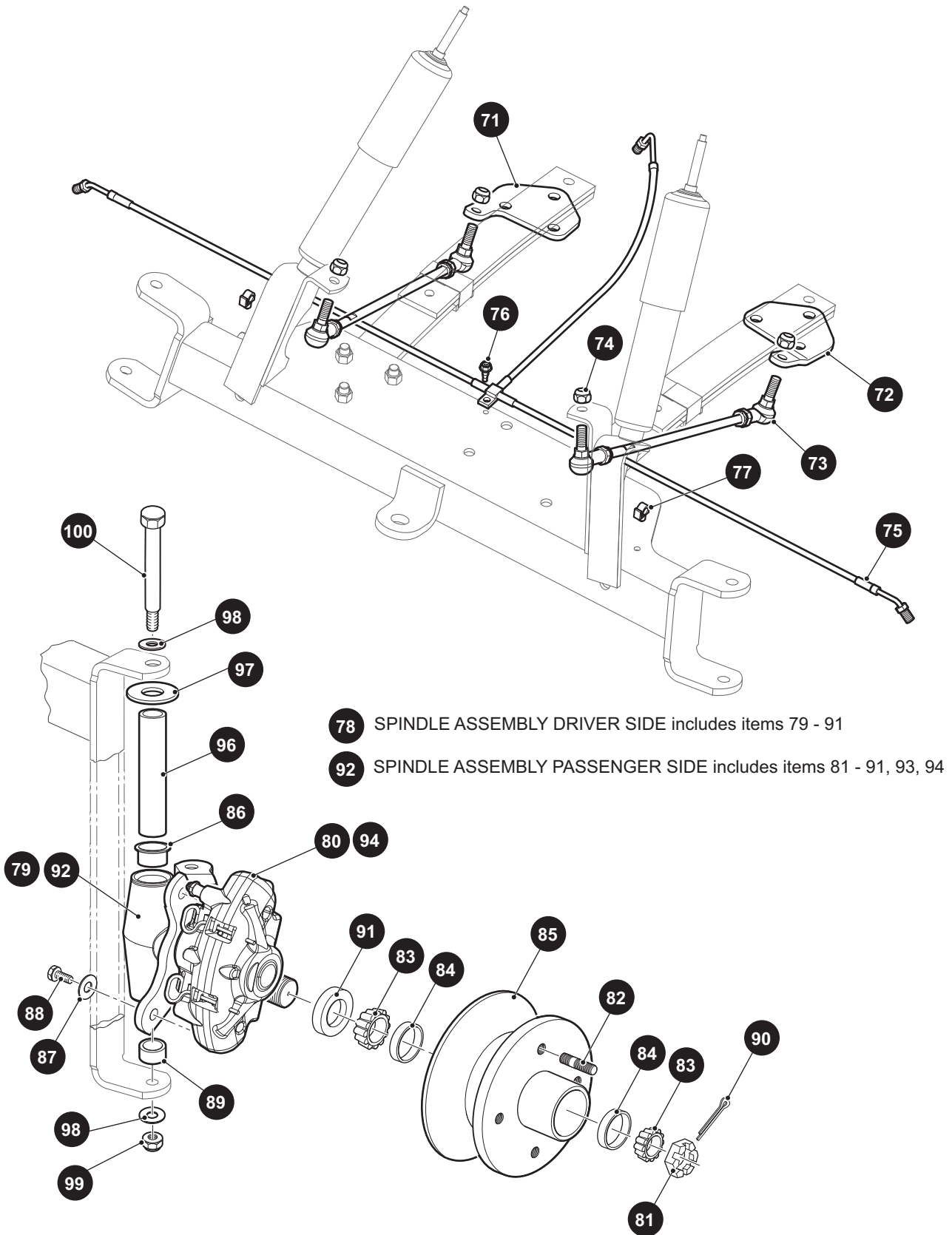
17 COMPENSATOR ASSEMBLY includes items 18 - 22

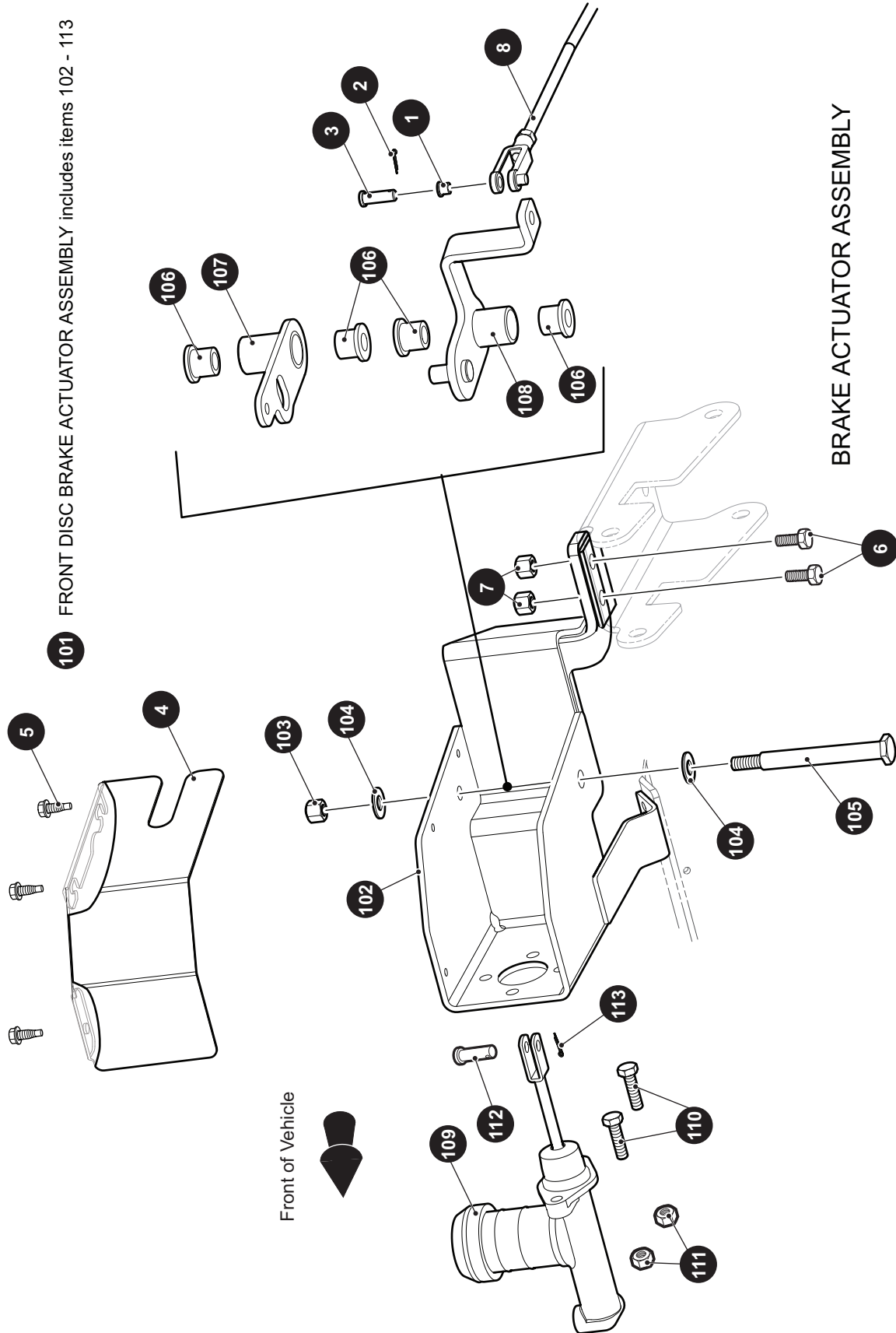


BRAKES - FRONT DISC



BRAKES - FRONT DISC





BRAKES - FRONT DISC

When ordering parts, please specify the model and serial number of the product.

* Indicates a component that is not available as an individual part.

*** Indicates consult Customer Service Department for additional information.

ITEM	PART NO.	1 2 3 4 5	DESCRIPTION	QTY.
1	17838G1		BUSHING	4
2	10387G3		COTTER PIN, 3/32 X 3/4	2
3	10386G3		CLEVIS PIN, 5/16" X 1" LG	4
4	612704		ACTUATOR COVER	1
5	01038G01		BOLT, 1/4 -20 X 3/4" SWAGEFORM	3
6	00414G8		BOLT, 1/4 - 20 X 1 1/4" LG	4
7	00891G2		LOCKNUT, 1/4 - 20.....	4
8	608943		ACTUATOR LINKAGE.....	1
9				
10				
11				
12	70582G01		SHOULDER BOLT, 3/8 - 16 X 4" LG	1
13	70581G01		FLANGED BUSHING	2
14	70676G01		TORSION SPRING	1
15	00643G1		FLAT WASHER, 3/8"	1
16	11098G5		LOCK NUT, 3/8 - 16.....	1
17	612558		COMPENSATOR ASSEMBLY (INCLUDES ITEMS 18 - 22).....	1
18	00963G01		SPHERICAL NUT, 5/16 - 24.....	1
19	11098G9		LOCK NUT, 5/16 - 24	1
20				
21	28082G01		EQUALIZER BRACKET	1
22	28083G01		BRAKE COMPENSATOR BUMPER.....	2
23	70968G08		BRAKE CABLE (DRIVER SIDE)	1
24	70968G09		BRAKE CABLE (PASSENGER SIDE).....	1
25	01111G01		RETAINING RING, S.S.	4
26	10386G3		CLEVIS PIN, 5/16" X 1" LG	5
27	10387G3		COTTER PIN, 3/32" X 3/4" LG	3
28				
29	70601G01		KICK-OFF LINK.....	1
30	17838G1		NYLON BUSHING	2
31	20835G1		NYLON WASHER, 3/8"	2

BRAKES - FRONT DISC

When ordering parts, please specify the model and serial number of the product.

* Indicates a component that is not available as an individual part.

*** Indicates consult Customer Service Department for additional information.

ITEM	PART NO.	1 2 3 4 5	DESCRIPTION	QTY.
32	00559G8		WASHER, 5/16"	2
33				
34	70098G01		KICK-OFF CAM PIVOT.....	1
35	10097G6		FLANGED BEARING	2
36	70587G01		KICK-OFF CAM	1
37	71215G01		SETSCREW, 1/4 - 20 X 1/2" LG	2
38	14134G4		SPACER.....	1
39	70113G01		ADJUSTABLE BUMPER.....	1
40	11027G1		LOCK NUT, 5/16 - 18	1
41	70080G02		CATCH BRACKET	1
42	00414G8		BOLT, 1/4 - 20 X 3/4" LG.....	2
43	14390G4		LOCK NUT, 1/4 - 20	2
44	74874G01		BRAKE PEDAL ASSEMBLY (WITH BRAKE LIGHTS) (INCLUDES ITEMS 45 - 70)	1
45	74870G01		BRAKE PEDAL.....	1
46	607395		PARK BRAKE PEDAL	1
47	00642G8		FLAT WASHER - 5/16"	1
48	70257G01		SERVICE BRAKE PAD.....	1
49	70256G01		PARK BRAKE PAD	1
50	16409G1		OVAL RIVET, 3/16" X 15/32" LG	9
51	70258G03		BRAKE PEDAL PLATE	1
52	70682G01		PIVOT PIN.....	1
53	70681G01		TORSION SPRING.....	2
54	01071G01		PUSHNUT, 5/16"	2
55	00737G8		SCREW, #10 - 24 X 1" LG.....	4
56	00739G1		RUBBER NUT, #10 - 24	2
57	74535G01		BRAKE PEDAL STANDOFF.....	2
58	27137G01		CONICAL SPRING.....	2
59	14390G10		LOCK NUT, #10 - 24.....	2
60	10606G8		MICRO SWITCH	1
61	00645-G2		SCREW, #6 - 32 X 1 1/4" LG.....	2

BRAKES - FRONT DISC

When ordering parts, please specify the model and serial number of the product.

* Indicates a component that is not available as an individual part.

*** Indicates consult Customer Service Department for additional information.

ITEM	PART NO.	1 2 3 4 5	DESCRIPTION	QTY.
62	00559G5		WASHER, #10	2
63	00559G3		WASHER, #6	4
64	00565G3		LOCK WASHER, #6.....	2
65	00525G5		NUT, #6-32.....	2
66	13514G1		SCREW AND LOCK WASHER, #6.....	2
67	20835G1		WASHER, TEFLON, 3/8"	2
68	14628G1		FASTON TAB	2
69	24605G1		WIRE HARNESS (BRAKE LIGHT)	1
70	17618G1		WIRE TIE	3
71	74731G02		SPRING PLATE (PASSENGER SIDE).....	1
72	74731G01		SPRING PLATE (DRIVER SIDE)	1
73	74730G01		FOUR LINK ROD	2
74	01084G01		LOCK NUT, M10-1.25.....	4
75	74736G01		BRAKE LINE	1
76	01038G01		SCREW, 1/4 - 20	1
77	74875G01		WIRE RETAINER	2
78	602281		SPINDLE ASSEMBLY (DRIVER SIDE) (INCLUDES ITEMS 79 - 91).....	1
79	602176		DISC BRAKE SPINDLE (DRIVER SIDE).....	1
80	74733G02		CALIPER (DRIVER SIDE)	1
81	12093G1		SLOTTED NUT	1
82	74864G01		DRIVE FLANGE STUD	4
83	11750G2		ROLLER BEARING.....	2
84	51141G1		BEARING RACE	2
85	74673G01		DISC BRAKE HUB.....	1
86	70648G01		FLANGED BEARING	1
87	00566G1		WASHER, 3/8"	2
88	00426G6		BOLT, 3/8 - 16 X 1	2
89	70749G01		BEARING	1
90	00798G8		COTTER PIN 5/32 X 1-3/4"	1
91	25146G1		GREASE SEAL	1
92	602288		SPINDLE ASSEMBLY (INCLUDES ITEMS 81 - 91, 93, 94)	1

BRAKES - FRONT DISC

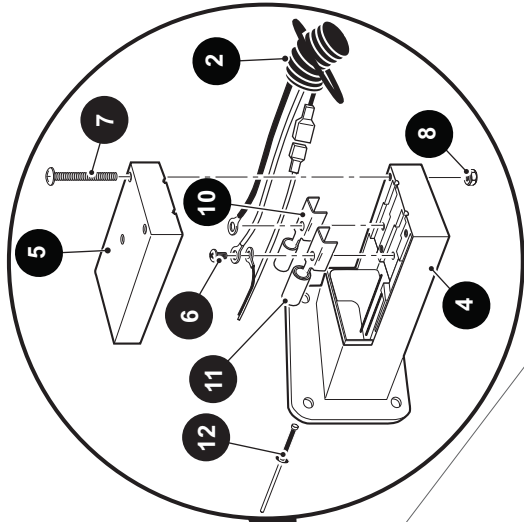
When ordering parts, please specify the model and serial number of the product.

* Indicates a component that is not available as an individual part.

*** Indicates consult Customer Service Department for additional information.

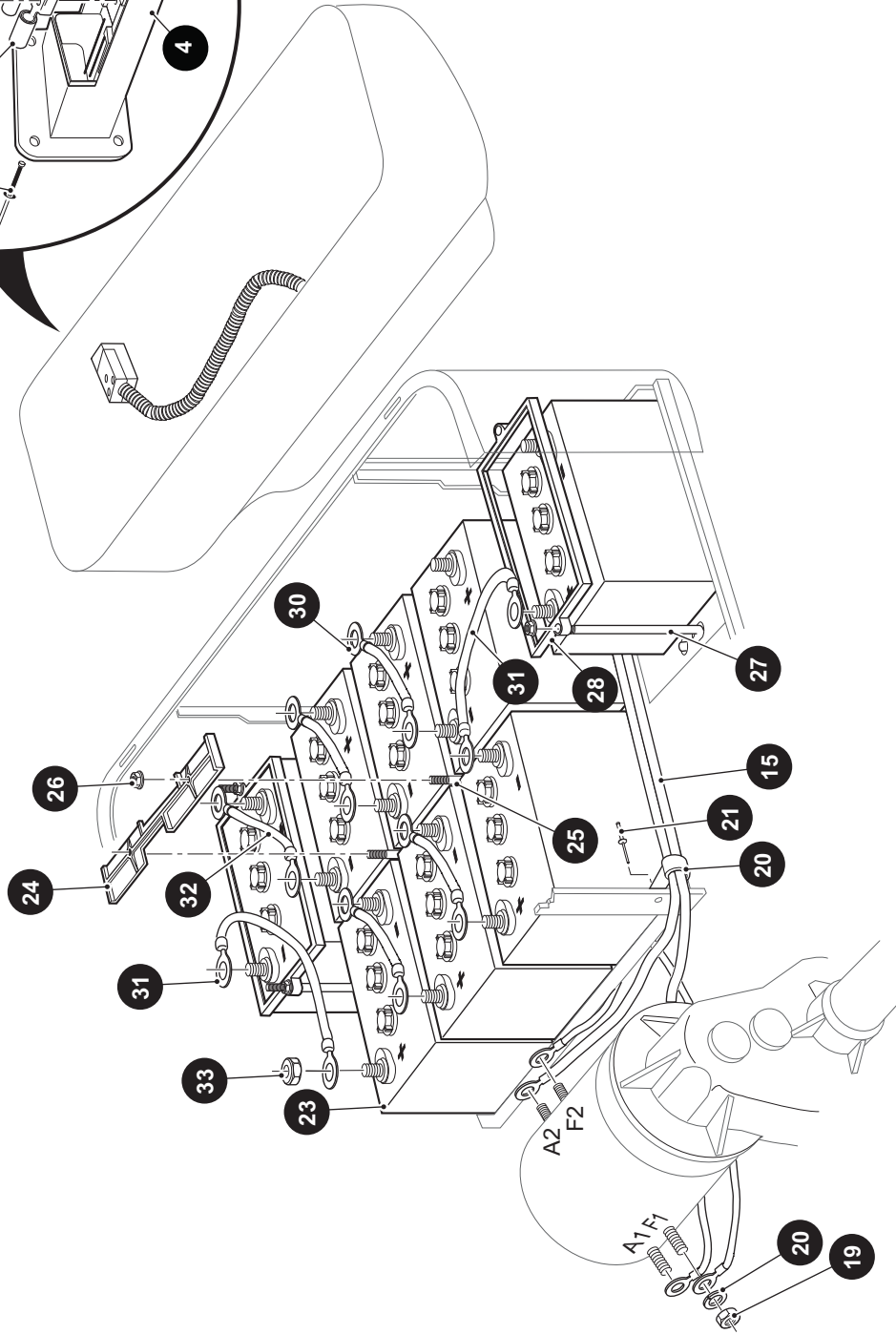
ITEM	PART NO.	1 2 3 4 5	DESCRIPTION	QTY.
93	602158		DISC BRAKE SPINDLE (PASSENGER SIDE).....	1
94	74733G01		CALIPER (PASSENGER SIDE)	1
95				
96	70745G01		KINGPIN TUBE.....	2
97	70754G01		THRUST WASHER.....	2
98	00560G3		FLAT WASHER, 1/2".....	4
99	14390G6		LOCKNUT, 1/2 - 13	2
100	00407G6		CAPSCREW, 1/2 - 13 X 6" LG	2
101	608706		FRONT DISC BRAKE ACTUATOR ASSEMBLY (INCLUDES ITEMS 102 - 113).....	1
102	612706		MASTER CYLINDER WELDMENT	1
103	11098G5		PLASTIC LOCK NUT 3/8 - 16	1
104	00679G1		WASHER, 3/8" STAINLESS	1
105	74711G01		ACTUATOR PIVOT BOLT	1
106	70581G02		ACETAL BUSHING.....	4
107	608122		WELDMENT BRACKET, UPPER BRAKE.....	1
108	608118		WELDMENT BRACKET, LOWER BRAKE	1
109	887364		MASTER CYLINDER	1
110	00439G1		BOLT, 5/16 - 18 x 1 1/8".....	2
111	11098G6		LOCK NUT, 5/16 - 18.....	2
112	10386G3		CLEVIS PIN, 5/16" X 3/4" LG	1
113	10387G3		COTTER PIN, 3/32" X 3/4" LG	1

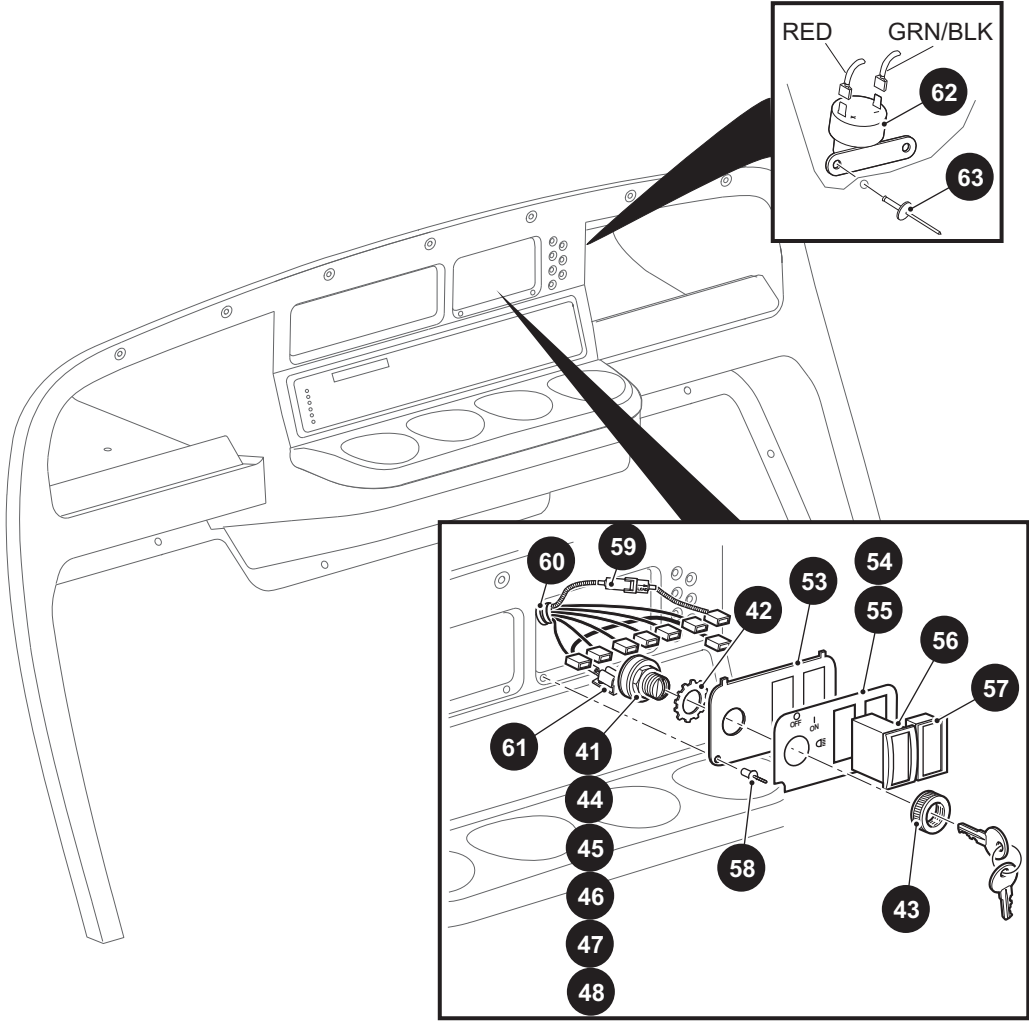
ELECTRICAL SYSTEM



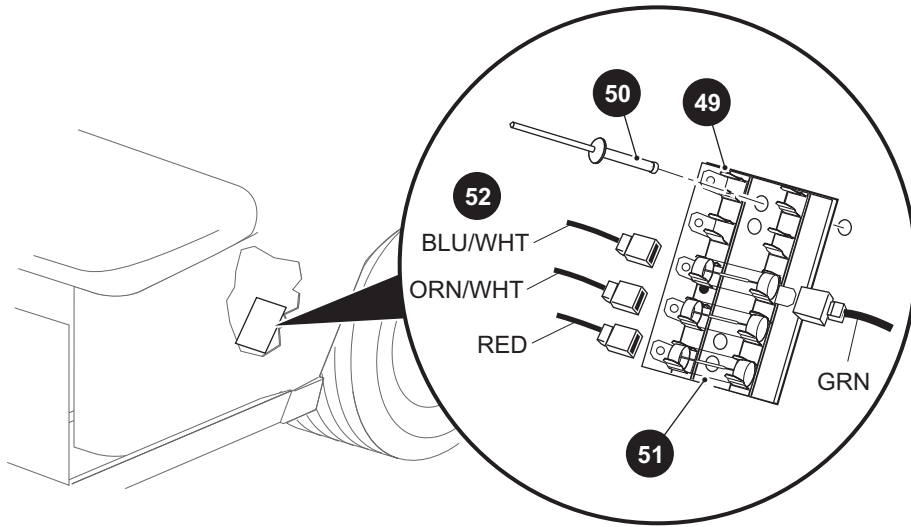
1 CHARGER HARNESS Includes Items 2 - 11

3 CHARGER HARNESS RECEPTACLE Includes Items 4 - 11

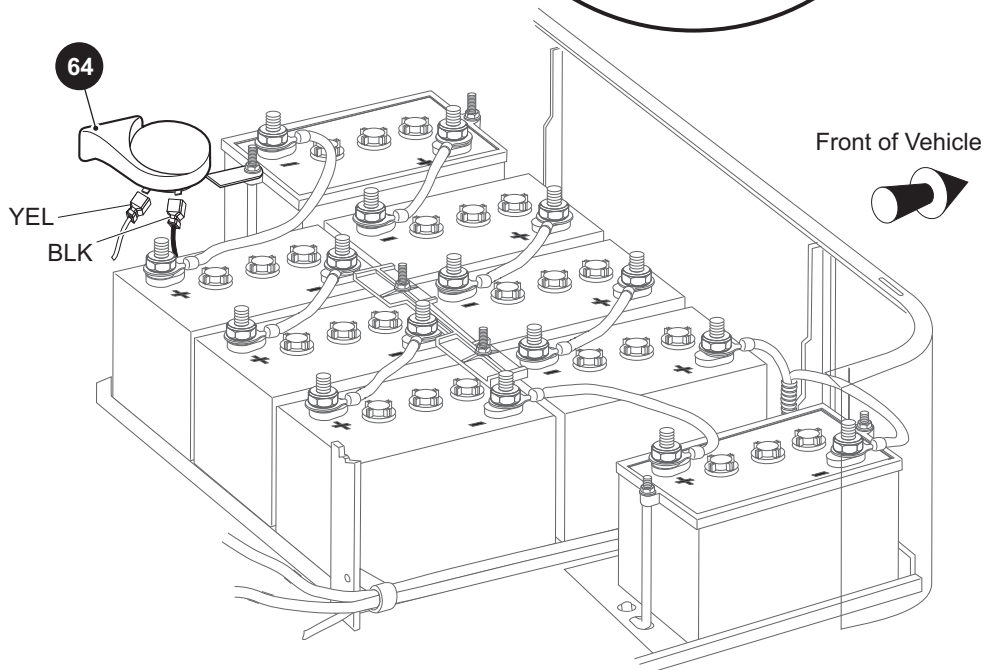
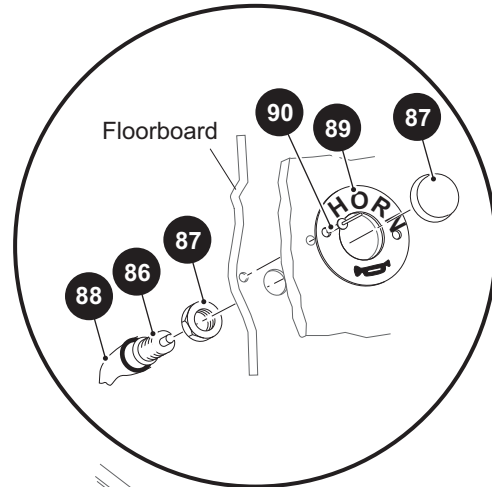




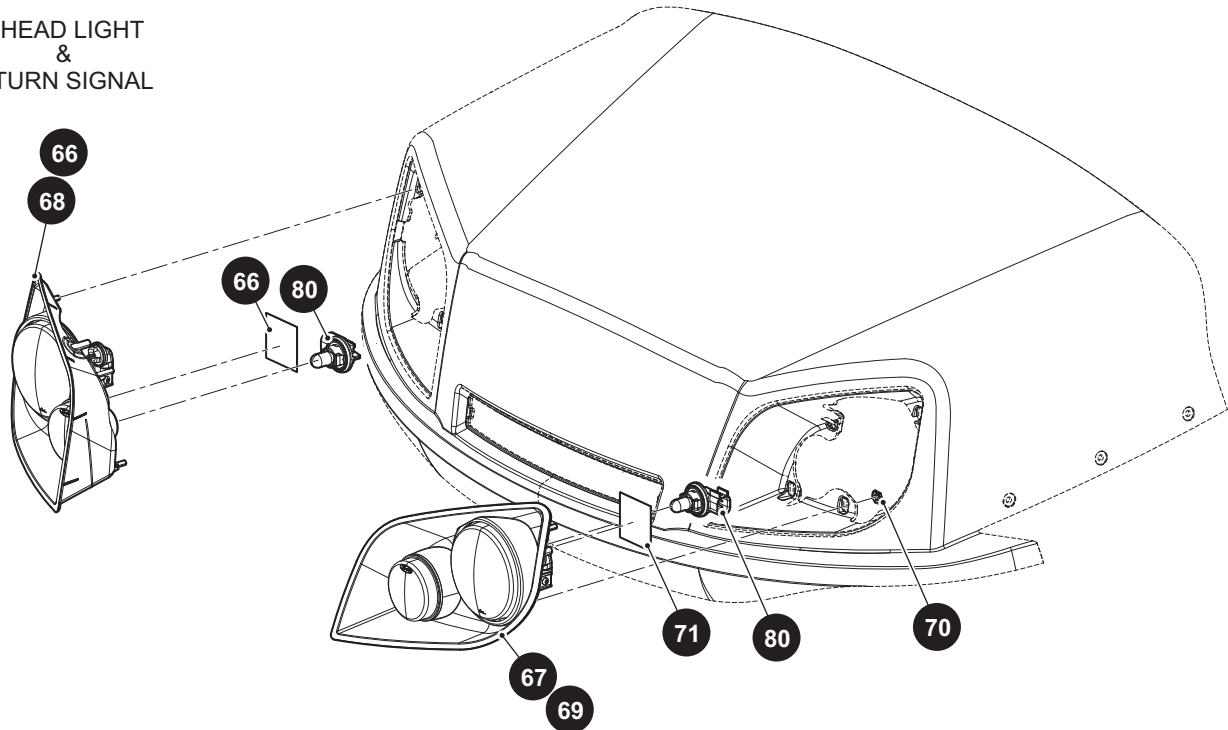
ELECTRICAL SYSTEM



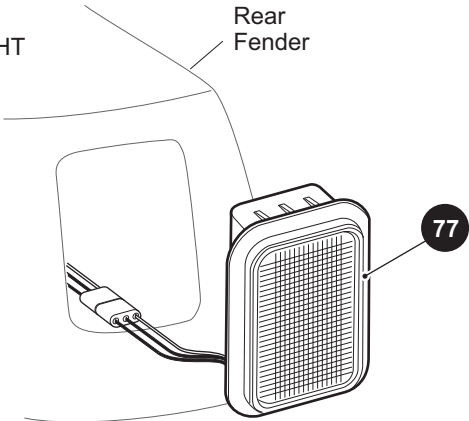
FLOOR MOUNTED HORN BUTTON



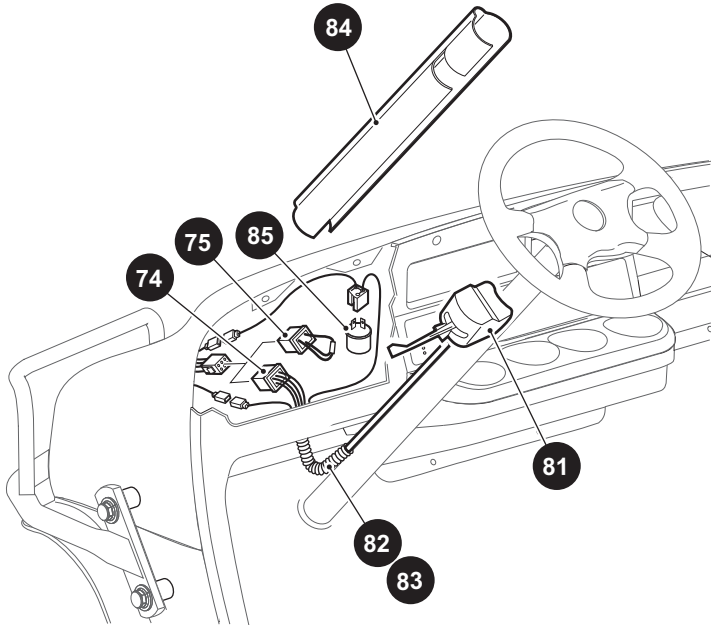
HEAD LIGHT & TURN SIGNAL



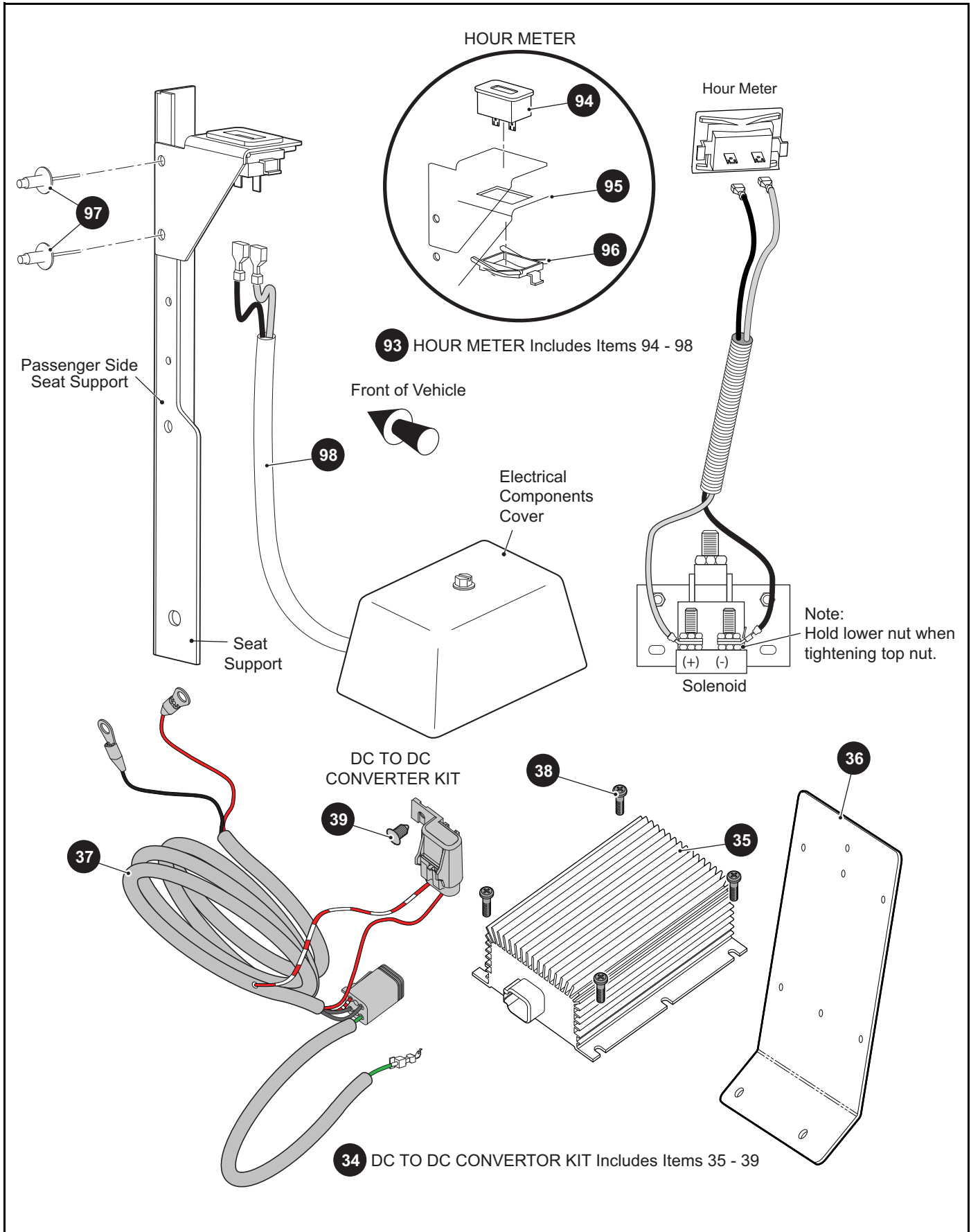
TAILLIGHT



79 TURN SIGNAL KIT Includes items 80 - 85



ELECTRICAL SYSTEM



ELECTRICAL SYSTEM

When ordering parts, please specify the model and serial number of the product.

* Indicates a component that is not available as an individual part.

*** Indicates consult Customer Service Department for additional information.

ITEM	PART NO.	1 2 3 4 5	DESCRIPTION	QTY.
1	73311G03		CHARGER HARNESS / RECEPTACLE (INCLUDES ITEMS 2 - 11)	1
2	602822		CHARGER HARNESS	1
3	73051G30		CHARGER HARNESS RECEPTACLE (INCLUDES ITEMS 4 - 11)	1
4	73051G22		RECEPTACLE BOTTOM	1
5	73051G21		RECEPTACLE COVER.....	1
6	73051G08		SCREW, #10 - 32 X 1/2" LG	2
7	73051G09		SCREW, #6 - 32 X 1 3/4" LG	3
8	73051G10		LOCK NUT, #6 - 32	3
9	25978G25		WIRE, RED JUMPER, 18 GA.	1
10	73051G23		FEMALE CONTACT.....	1
11	73051G24		FEMALE CONTACT, INSULATED	1
12	71055G01		RIVET, 3/16" X 1" LG	4
13				
14				
15	73349G01		POWER HARNESS	1
16				
17				
18	00993G01		LOCK WASHER, 5/16"	4
19	28418G01		NUT, 5/16 - 18.....	4
20	27327G0*		CLAMP.....	1
21	10570G11		RIVET, 3/16" X 3/4" LG (STAINLESS STEEL).....	1
22				
23	XXXXXG**		6 VOLT BATTERY	8
24	612867		BATTERY RETAINER.....	1
25	01101G01		HOLD DOWN BOLT.....	2
26	11027G1		LOCK NUT, 5/16 - 18	6
27	70386G01		HOLD DOWN BOLT.....	4
28	70387G01		BATTERY RETAINER.....	2
29				
30	25971G18		4 GA WIRE (BLK 6").....	4
31	25971G16		4 GA WIRE (BLK 19").....	1

ELECTRICAL SYSTEM

When ordering parts, please specify the model and serial number of the product.

* Indicates a component that is not available as an individual part.

*** Indicates consult Customer Service Department for additional information.

ITEM	PART NO.	1 2 3 4 5	DESCRIPTION	QTY.
32	25971G13		4 GA WIRE (BLK 10 1/2").....	2
33	00702G2		NUT, 5/16 - 18	16
34	605988		DC TO DC CONVERTER KIT (INCLUDES ITEMS 35 - 39)	1
35	604884		DC TO DC CONVERTER	1
36	607426		BRACKET	1
37	606018		DC TO DC WIRING HARNESS	1
38	00379G4		PHILIPS PAN HEAD SCREW, #10-24 X 1/2	6
39	16816G5		CHRISTMAS TREE RIVET, 0.187 X 0.55.....	1
40				
41	18602G1			
42	00568G6		LOCK WASHER, 3/4"	1
43	17137G1		FACE NUT.....	1
44	17955G1		IGNITION SWITCH (WITHOUT LIGHTS, NON-STANDARD KEY)	1
45	18027G1		IGNITION SWITCH (WITHOUT LIGHTS, INDIVIDUALLY KEYED).....	1
46	33639G01		IGNITION SWITCH (WITH LIGHTS, STANDARD KEY)	1
47	33639G02		IGNITION SWITCH (WITH LIGHTS, NON-STANDARD KEY).....	1
48	33639G03		IGNITION SWITCH (WITH LIGHTS, INDIVIDUALLY KEYED)	1
49	22674G1		FUSE BLOCK.....	1
50	01041G01		RIVET, 5/32" X 3/8" LG.....	2
51	18392G1		FUSE, 15 AMP	3
52	619156		WIRE HARNESS (ACCESSORY).....	1
53	73030G06		CONSOLE INSERT PLATE.....	1
54	74320G01		LABEL, DIRECTION SELECTOR AND STATE OF CHARGE METER.....	1
55	74322G01		LABEL, LIGHTS, DIRECTION SELECTOR & STATE OF CHARGE METER.	1
56	74323G01		DIRECTION SELECTOR SWITCH	1
57	33636G05		STATE OF CHARGE METER (VERTICAL).....	1
58	33623G02		RIVET, 3/16" X 3/8" LG.....	2
59	609067		SOC FUSE HARNESS.....	1
60	73334G01		HARNESS (CONTROL)	1
61	25978G74		18 GA WIRE (RED 6").....	1
62	73290G02		BUZZER	1

ELECTRICAL SYSTEM

When ordering parts, please specify the model and serial number of the product.

* Indicates a component that is not available as an individual part.

*** Indicates consult Customer Service Department for additional information.

ITEM	PART NO.	1 2 3 4 5	DESCRIPTION	QTY.
63	01041G01		RIVET, 5/32" X 3/4" LG	2
64	32860G1		HORN.....	1
65				
66	614497		HEADLIGHT W/O TURN SIGNAL (PASSANGER SIDE)	1
67	614501		HEADLIGHT W/O TURN SIGNAL (DRIVER SIDE).....	1
68	618556		LED HEADLIGHT W/O TURN SIGNAL (PASSANGER SIDE)	1
69	618555		LED HEADLIGHT W/O TURN SIGNAL (DRIVER SIDE).....	1
70	71597G01		SELF THREADING NUT.....	8
71	71781G02		VINYL TAPE.....	2
72				
73				
74	618257		WIRE HARNESS (ACCESSORY), 48V DC,SWB.....	1
75	618260		JUMPER PLUG, TAIL LIGHT.....	1
76				
77	32739G2		TAIL LIGHT	1
78				
79	622712		TURN SIGNAL KIT (INCLUDES 80 - 85).....	1
80	619102		TURN SIGNAL BULB	1
81	611810		TURN SIGNAL SWITCH ASSEMBLY	1
82	32307G3		FLEX LOOM, 3/8" X 8" LG	1
83	17618G1		WIRE TIE.....	2
84	20965G3		STEERING COLUMN COVER.....	1
85	21640G01		FLASHER UNIT.....	1
86	17318G1		HORN SWITCH	1
87	17318G2		HORN SWITCH CAP AND NUT	2
88	27068G01		HORN SWITCH BOOT	1
89	608397		HORN SWITCH LABEL	1
90	01041G01		RIVET, 5/32" X 3/4" LG	2
91				
92				
93	75113G06		HOUR METER KIT (INCLUDES ITEMS 94 - 98).....	1

ELECTRICAL SYSTEM

When ordering parts, please specify the model and serial number of the product.

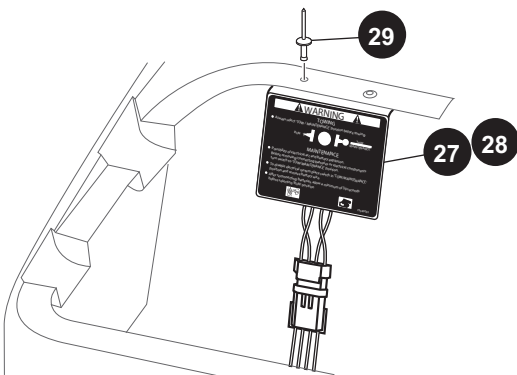
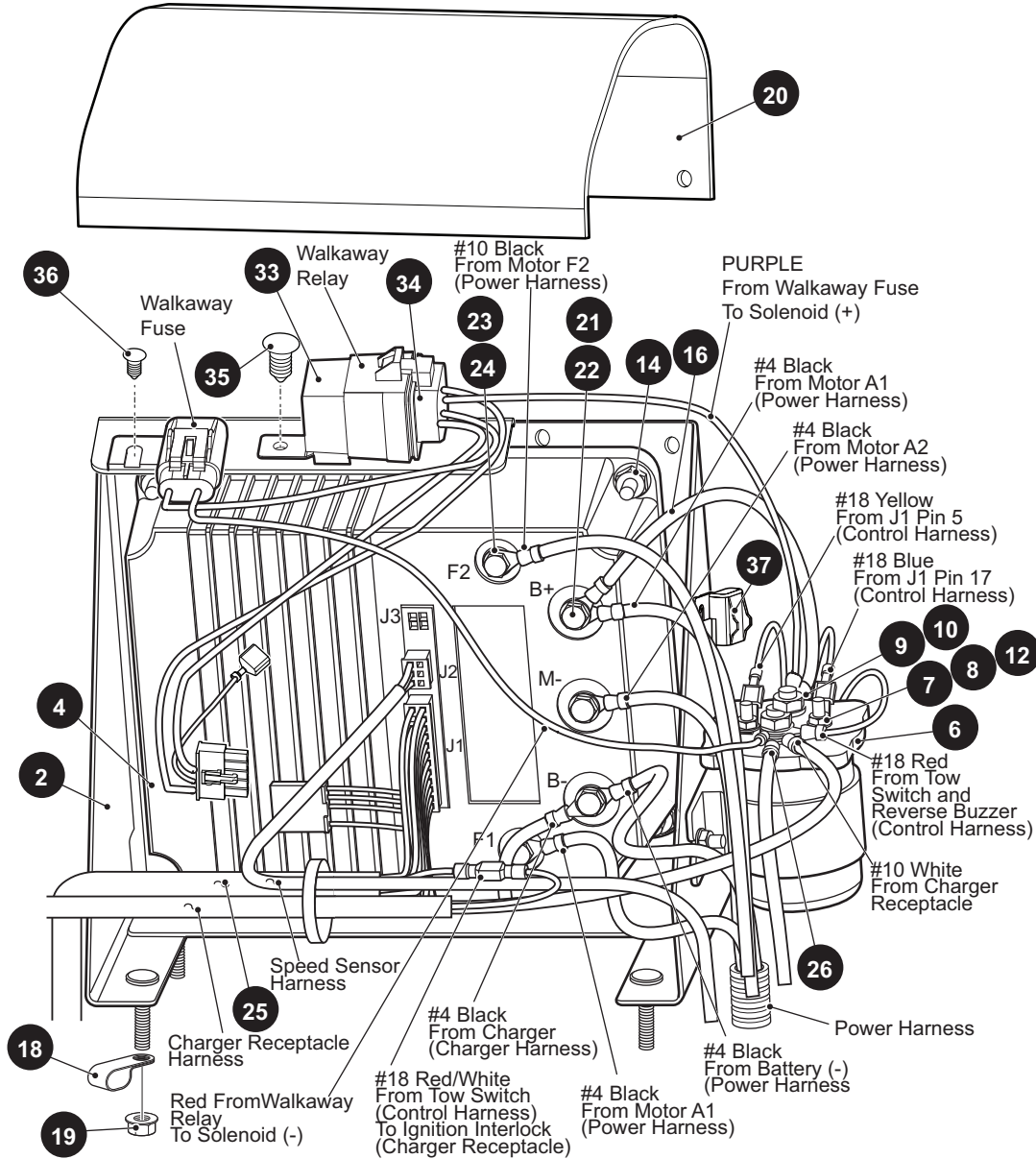
* Indicates a component that is not available as an individual part.

*** Indicates consult Customer Service Department for additional information.

ITEM	PART NO.	1	2	3	4	5	DESCRIPTION	QTY.
94	74665G02						HOUR METER	1
95	74716G01						HOUR METER BRACKET	1
96	74696G01						RETAINER CLIP	1
97	10570G11						RIVET, 3/16" X .70	2
98	75117G04						WIRE HARNESS (HOUR METER).....	1

ELECTRONIC SPEED CONTROL

1 ELECTRONIC SPEED CONTROL ASSEMBLY Includes Items 2 - 16, 31 - 37



30

Code	System	Component	Corrective Action
P1	WALKAWAY RELAY	WALKAWAY RELAY	REPLACE WALKAWAY RELAY
P2	WALKAWAY FUSE	WALKAWAY FUSE	REPLACE WALKAWAY FUSE
P3	WALKAWAY RELAY	WALKAWAY RELAY	REPLACE WALKAWAY RELAY
P4	WALKAWAY FUSE	WALKAWAY FUSE	REPLACE WALKAWAY FUSE
P5	WALKAWAY RELAY	WALKAWAY RELAY	REPLACE WALKAWAY RELAY
P6	WALKAWAY FUSE	WALKAWAY FUSE	REPLACE WALKAWAY FUSE
P7	WALKAWAY RELAY	WALKAWAY RELAY	REPLACE WALKAWAY RELAY
P8	WALKAWAY FUSE	WALKAWAY FUSE	REPLACE WALKAWAY FUSE
P9	WALKAWAY RELAY	WALKAWAY RELAY	REPLACE WALKAWAY RELAY
P10	WALKAWAY FUSE	WALKAWAY FUSE	REPLACE WALKAWAY FUSE
P11	WALKAWAY RELAY	WALKAWAY RELAY	REPLACE WALKAWAY RELAY
P12	WALKAWAY FUSE	WALKAWAY FUSE	REPLACE WALKAWAY FUSE
P13	WALKAWAY RELAY	WALKAWAY RELAY	REPLACE WALKAWAY RELAY
P14	WALKAWAY FUSE	WALKAWAY FUSE	REPLACE WALKAWAY FUSE
P15	WALKAWAY RELAY	WALKAWAY RELAY	REPLACE WALKAWAY RELAY
P16	WALKAWAY FUSE	WALKAWAY FUSE	REPLACE WALKAWAY FUSE
P17	WALKAWAY RELAY	WALKAWAY RELAY	REPLACE WALKAWAY RELAY
P18	WALKAWAY FUSE	WALKAWAY FUSE	REPLACE WALKAWAY FUSE
P19	WALKAWAY RELAY	WALKAWAY RELAY	REPLACE WALKAWAY RELAY
P20	WALKAWAY FUSE	WALKAWAY FUSE	REPLACE WALKAWAY FUSE
P21	WALKAWAY RELAY	WALKAWAY RELAY	REPLACE WALKAWAY RELAY
P22	WALKAWAY FUSE	WALKAWAY FUSE	REPLACE WALKAWAY FUSE
P23	WALKAWAY RELAY	WALKAWAY RELAY	REPLACE WALKAWAY RELAY
P24	WALKAWAY FUSE	WALKAWAY FUSE	REPLACE WALKAWAY FUSE
P25	WALKAWAY RELAY	WALKAWAY RELAY	REPLACE WALKAWAY RELAY
P26	WALKAWAY FUSE	WALKAWAY FUSE	REPLACE WALKAWAY FUSE
P27	WALKAWAY RELAY	WALKAWAY RELAY	REPLACE WALKAWAY RELAY
P28	WALKAWAY FUSE	WALKAWAY FUSE	REPLACE WALKAWAY FUSE
P29	WALKAWAY RELAY	WALKAWAY RELAY	REPLACE WALKAWAY RELAY
P30	WALKAWAY FUSE	WALKAWAY FUSE	REPLACE WALKAWAY FUSE
P31	WALKAWAY RELAY	WALKAWAY RELAY	REPLACE WALKAWAY RELAY
P32	WALKAWAY FUSE	WALKAWAY FUSE	REPLACE WALKAWAY FUSE
P33	WALKAWAY RELAY	WALKAWAY RELAY	REPLACE WALKAWAY RELAY
P34	WALKAWAY FUSE	WALKAWAY FUSE	REPLACE WALKAWAY FUSE
P35	WALKAWAY RELAY	WALKAWAY RELAY	REPLACE WALKAWAY RELAY
P36	WALKAWAY FUSE	WALKAWAY FUSE	REPLACE WALKAWAY FUSE
P37	WALKAWAY RELAY	WALKAWAY RELAY	REPLACE WALKAWAY RELAY
P38	WALKAWAY FUSE	WALKAWAY FUSE	REPLACE WALKAWAY FUSE
P39	WALKAWAY RELAY	WALKAWAY RELAY	REPLACE WALKAWAY RELAY
P40	WALKAWAY FUSE	WALKAWAY FUSE	REPLACE WALKAWAY FUSE
P41	WALKAWAY RELAY	WALKAWAY RELAY	REPLACE WALKAWAY RELAY
P42	WALKAWAY FUSE	WALKAWAY FUSE	REPLACE WALKAWAY FUSE
P43	WALKAWAY RELAY	WALKAWAY RELAY	REPLACE WALKAWAY RELAY
P44	WALKAWAY FUSE	WALKAWAY FUSE	REPLACE WALKAWAY FUSE
P45	WALKAWAY RELAY	WALKAWAY RELAY	REPLACE WALKAWAY RELAY
P46	WALKAWAY FUSE	WALKAWAY FUSE	REPLACE WALKAWAY FUSE
P47	WALKAWAY RELAY	WALKAWAY RELAY	REPLACE WALKAWAY RELAY
P48	WALKAWAY FUSE	WALKAWAY FUSE	REPLACE WALKAWAY FUSE
P49	WALKAWAY RELAY	WALKAWAY RELAY	REPLACE WALKAWAY RELAY
P50	WALKAWAY FUSE	WALKAWAY FUSE	REPLACE WALKAWAY FUSE

DIAGNOSTIC FAULT CODES

- The LED will flash a diagnostic fault code when a fault is detected.
- Some faults may only be detected by operating the vehicle with the rear of the vehicle raised and supported on safety stands.
- Always turn the 'TOYOTA MAINTENANCE' switch located on the battery compartment to the 'TOYOTA MAINTENANCE' position before performing any repair or maintenance to the vehicle.
- Select 'TRIP' before entering the vehicle to service.

ELECTRONIC SPEED CONTROL

When ordering parts, please specify the model and serial number of the product.

* Indicates a component that is not available as an individual part.

*** Indicates consult Customer Service Department for additional information.

ITEM	PART NO.	1 2 3 4 5	DESCRIPTION	QTY.
1	73348G04		ELECTRONIC SPEED CONTROL ASSEMBLY (INCLUDES ITEMS 2 - 16, 31 - 37)	1
2	73351G01		CONTROLLER MOUNT	1
3				
4	611173		ELECTRONIC SPEED CONTROLLER.....	1
5				
6	73231G01		48 VOLT SOLENOID (INCLUDES ITEMS 7 - 10)	1
7	*		LOCK WASHER, #10.....	2
8	*		NUT, #10 - 32	2
9	*		LOCK WASHER, 5/16"	2
10	*		JAM NUT, 5/16 - 24.....	2
11				
12	73446G01		FASTON TAB.....	4
13				
14	11027G2		LOCK NUT, 1/4 - 20.....	6
15				
16	25971G17		4 GA WIRE (BLK 9").....	1
17				
18	73053G01		DOUBLE TUBE CLAMP	1
19	11027G2		LOCK NUT, 1/4 - 20	4
20	73523G01		CONTROLLER COVER.....	1
21	73296G01		BOLT, 8MM X 16MM LG	3
22	00993G01		LOCK WASHER, 5/16"	3
23	73346G01		BOLT, 6MM X 1 X 12MM LG.....	2
24	00993-G02		LOCK WASHER, 1/4"	2
25	73334G01		CONTROL HARNESS	1
26	25971G06		4 GA WIRE (BLK 59 1/2") (SOL - BATTERY +).....	1
27	74878G01		TOW-MAINTENANCE SWITCH (SHUTTLE 4/6)	1
28	73347G03		TOW-MAINTENANCE SWITCH (SHUTTLE 2)	1
29	71055G01		RIVET, 5/32" X 3/4" LG	2
30	73398G01		DIAGNOSTIC LABEL (FAULT CODE).....	1

ELECTRONIC SPEED CONTROL

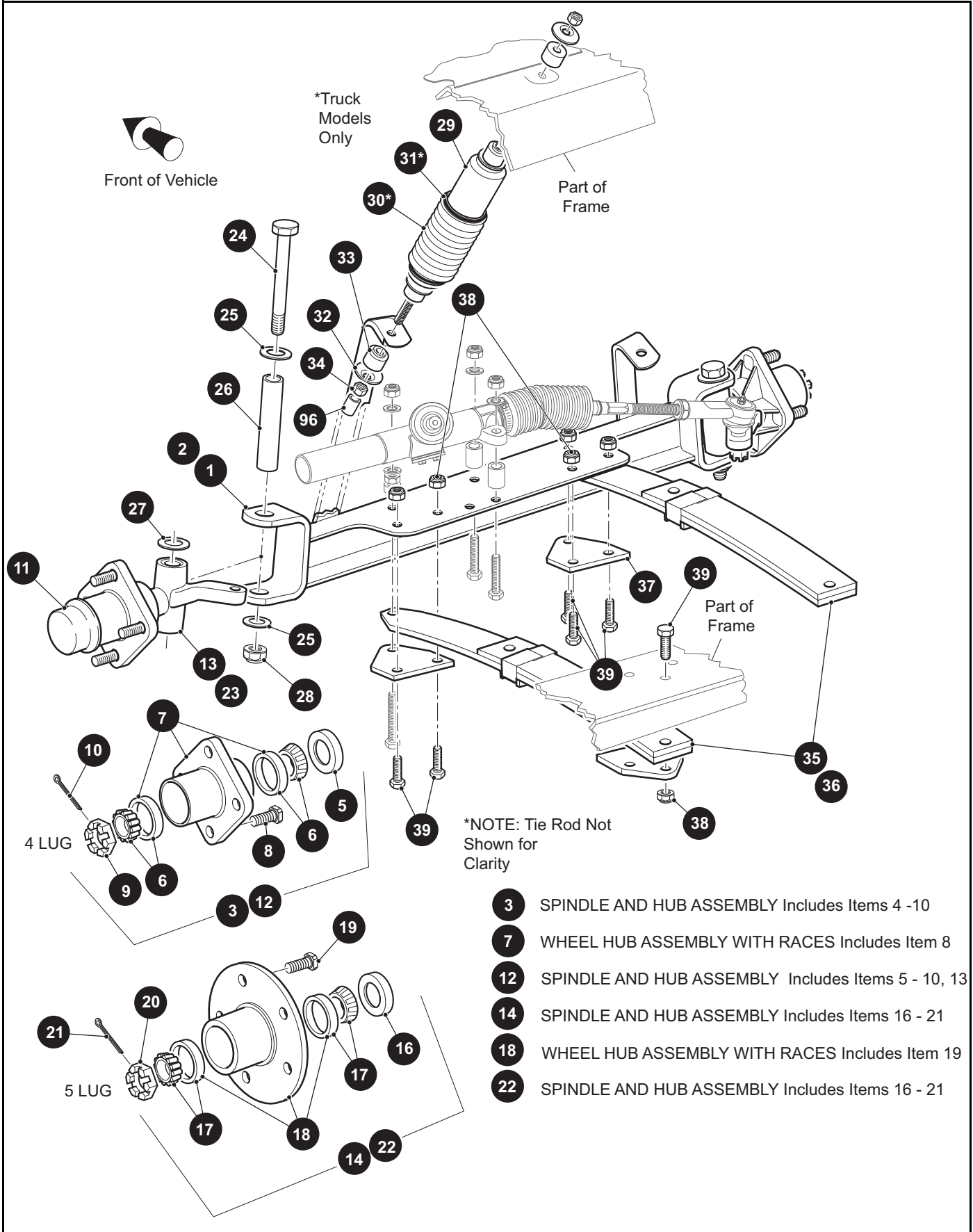
When ordering parts, please specify the model and serial number of the product.

* Indicates a component that is not available as an individual part.

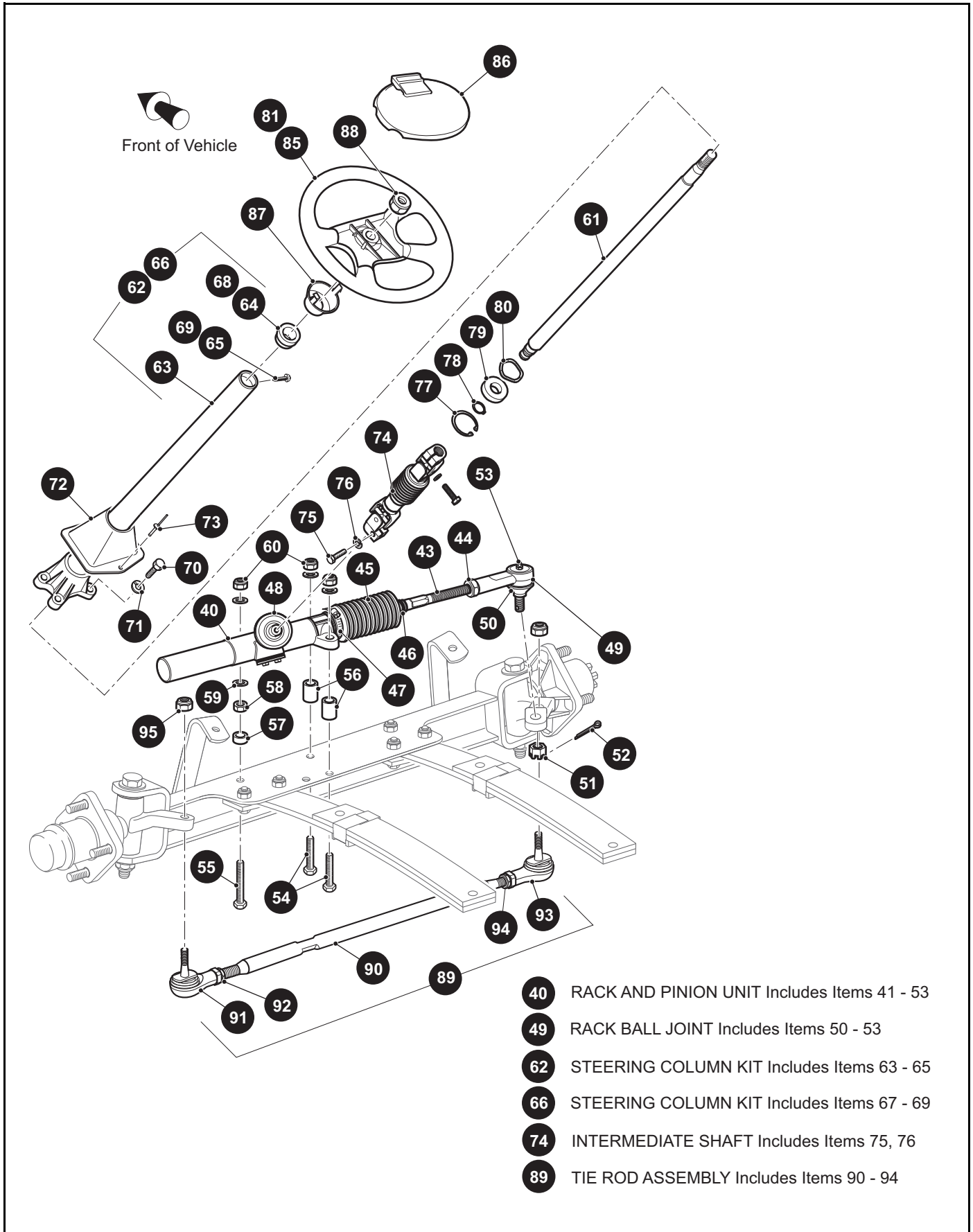
*** Indicates consult Customer Service Department for additional information.

ITEM	PART NO.	1	2	3	4	5	DESCRIPTION	QTY.
31	615551						ELECTRONIC SPEED CONTROLLER SVC KIT (Includes 4, 32-37).....	1
32	17618G1						NYLON WIRE TIE.....	1
33	608931						WALKAWAY RELAY HARNESS ASSEMBLY (includes 34)	1
34	604110						RELAY	1
35	16816G5						RIVET, 0.18 X 0.55.....	1
36	16816G2						RIVET, 0.25 X 0.88.....	1
37	73499G01						FUSE COVER.....	1

FRONT SUSPENSION / STEERING



FRONT SUSPENSION / STEERING



FRONT SUSPENSION / STEERING

When ordering parts, please specify the model and serial number of the product.

* Indicates a component that is not available as an individual part.

*** Indicates consult Customer Service Department for additional information.

ITEM	PART NO.	1 2 3 4 5	DESCRIPTION	QTY.
1	602513		FRONT AXLE	1
2	602327		FRONT AXLE WITH FRONT DISC BRAKES	1
3	70942G03		SPINDLE AND HUB ASSEMBLY, 4 LUG (PASSENGER SIDE) (INCLUDES ITEMS 4 - 10).....	1
4	70942G04		SPINDLE ASSEMBLY (PASSENGER SIDE).....	1
5	25146G1		GREASE SEAL	1
6	50892G1		ROLLER BEARING AND RACE ASSEMBLY	2
7	70589G01		WHEEL HUB ASSEMBLY WITH RACES, 4 LUG (INCLUDES ITEM 8) ..	1
8	19862G1		LUG BOLT, 1/2 - 20 X 1 3/16" LG.....	4
9	12093G1		CASTELLATED NUT, 1 - 14.....	1
10	00798G8		COTTER PIN, 5/32" X 1 3/4" LG.....	1
11	12091G2		SPINDLE CAP	2
12	70673G03		SPINDLE AND HUB ASSEMBLY, 4 LUG (DRIVER SIDE) (INCLUDES ITEMS 5 - 10, 13).....	1
13	70673G04		SPINDLE ASSEMBLY (DRIVER SIDE)	1
14	602288		SPINDLE AND HUB ASSEMBLY WITH FRONT DISC BRAKES (PASSENGER SIDE)(INCLUDES ITEMS 16 - 21).....	1
15				
16	12092G1		GREASE SEAL	1
17	50892G1		ROLLER BEARING AND RACE ASSEMBLY	2
18	74673G01		WHEEL HUB ASSEMBLY WITH RACES, (INCLUDES ITEM 19).....	1
19	30143G1		LUG BOLT, 1/2 - 20 X 1 7/32" LG	5
20	12093G1		CASTELLATED NUT, 1 - 14.....	1
21	00798G8		COTTER PIN, 5/32" X 1 3/4" LG.....	1
22	602281		SPINDLE AND HUB ASSEMBLY, WITH FRONT DISC BRAKES (DRIVER SIDE)(INCLUDES ITEMS 15 - 20)	1
23				
24	00407G6		BOLT, 1/2 - 13 X 6" LG	2
25	00560G3		FLAT WASHER, 1/2"	4
26	70745G01		KING PIN TUBE	2
27	70754G01		THRUST WASHER, 1" (STAINLESS STEEL).....	2
28	14390G6		LOCK NUT, 1/2 - 13.....	2
29	76419G01		SHOCK ABSORBER.....	2

FRONT SUSPENSION / STEERING

When ordering parts, please specify the model and serial number of the product.

* Indicates a component that is not available as an individual part.

*** Indicates consult Customer Service Department for additional information.

ITEM	PART NO.	1 2 3 4 5	DESCRIPTION	QTY.
30	70509G01		SHOCK ABSORBER BOOT	2
31	31539G1		WIRE TIE	4
32	10435G1		SHOCK ABSORBER WASHER.....	8
33	10194G1		RUBBER BUSHING	8
34	00532G6		NUT, 3/8 - 24	4
35				
36	70664G03		LEAF SPRING (HEAVY DUTY) (SEE PART NUMBER ON SPRING).....	2
37	70163G03		SPRING PLATE	4
38	00734G1		LOCK NUT, 7/16 - 14	11
39	00463G11		BOLT, 7/16 - 14 X 1 3/4" LG.....	11
40	70964G01		RACK AND PINION UNIT (COMPLETE) (INCLUDES ITEMS 41 - 53).....	1
41	70965G01		STEERING RACK COVER & BEARING	1
42	*		STEERING BOX INSTALLATION TAG	1
43	70694G01		RACK EXTENSION	1
44	*		JAM NUT, 1/2 - 20	1
45	70961G01		RACK BOOT	1
46	12416G2		WIRE TIE.....	1
47	11391G8		CLAMP, 1 13/16 - 2 3/8"	1
48	70638G01		PINION SEAL	1
49	70695G01		RACK BALL JOINT (INCLUDES ITEMS 50 - 53).....	1
50	50641P1		RUBBER BOOT	1
51	50209P2		CASTELLATED NUT, 7/16 - 20.....	1
52	10387G2		COTTER PIN, 3/32" X 1" LG.....	1
53	10389G3		GREASE FITTING, STRAIGHT	1
54	00464G6		BOLT, 7/16 - 14 X 2 3/4" LG.....	2
55	01068G01		BOLT, 7/16 - 14 X 3 1/2" LG.....	1
56	70667G02		SPACER.....	2
57	70667G03		SPACER (SHORT).....	1
58	00532G7		NUT, 7/16 - 14	1
59	00560G2		FLAT WASHER, 7/16"	7
60	00734G1		LOCK NUT, 7/16 - 14	3

FRONT SUSPENSION / STEERING

When ordering parts, please specify the model and serial number of the product.

* Indicates a component that is not available as an individual part.

*** Indicates consult Customer Service Department for additional information.

ITEM	PART NO.	1 2 3 4 5	DESCRIPTION	QTY.
61	70607G01		STEERING SHAFT	1
62	70758G06		STEERING COLUMN KIT (INCLUDES ITEMS 63 - 65)	1
63	70610G03		STEERING COLUMN	1
64	28569G01		STEERING COLUMN BUSHING	1
65	01022G01		SCREW, #6 - 20 X 5/16" LG	1
66	70758G08		STEERING COLUMN KIT (HORN) (INCLUDES ITEMS 67 - 69)	1
67	70610G04		STEERING COLUMN	1
68	28569G01		STEERING COLUMN BUSHING	1
69	01022G01		SCREW, #6 - 20 X 5/16" LG	1
70	01006G01		BOLT, 3/8 - 16 X 1 1/4" LG	4
71	00879G1		LOCK WASHER, 3/8"	4
72	70997G01		COVER	1
73	71055G01		RIVET, 3/16" X 1" LG (ALUMINUM)	1
74	70580G01		INTERMEDIATE SHAFT (INCLUDES ITEMS 75, 76)	1
75	01055G01		BOLT, M8 X 1.25 - 05	1
76	00565G8		LOCK WASHER, 5/16"	1
77	70751G01		RETAINING RING (INTERNAL)	1
78	70888G01		RETAINING RING (EXTERNAL)	1
79	15112G1		BALL BEARING	1
80	70887G01		WAVE WASHER	1
81				
82				
83				
84				
85	602979		STEERING WHEEL	1
86	607925		CLIPBOARD	1
87	71949G01		HUB COVER	1
88	14390G2		LOCK NUT, 5/8 - 18	1
89	70876G02		TIE ROD ASSEMBLY (INCLUDES ITEMS 90 - 94)	1
90	70897G02		THREADED ROD (24" LG)	1
91	70902G01		TIE ROD END (LEFT HAND THREADS)	1

FRONT SUSPENSION / STEERING

When ordering parts, please specify the model and serial number of the product.

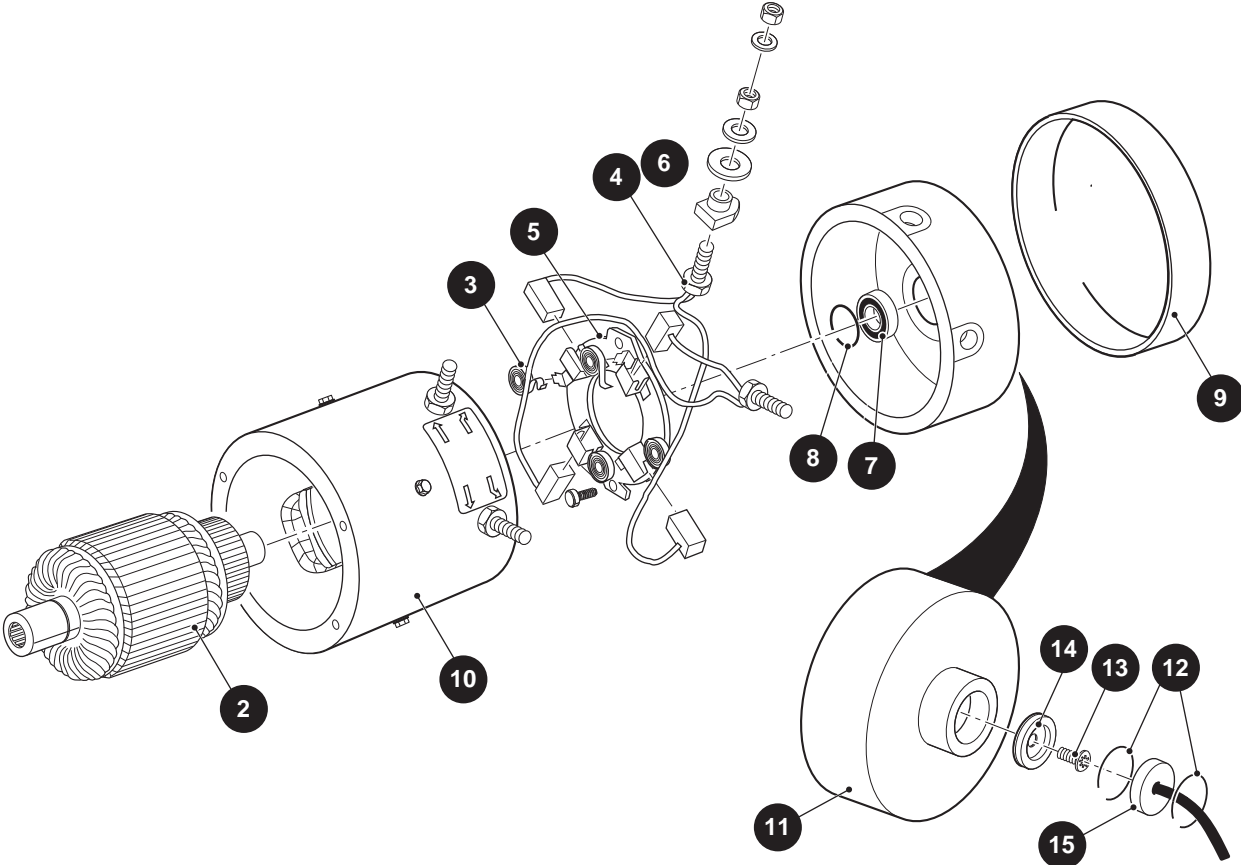
* Indicates a component that is not available as an individual part.

*** Indicates consult Customer Service Department for additional information.

ITEM	PART NO.	1 2 3 4 5	DESCRIPTION	QTY.
92	01069G01		JAM NUT, M12 X 1.25 - 05 (LEFT HAND THREADS)	1
93	70902G02		TIE ROD END (RIGHT HAND THREADS)	1
94	01069G02		JAM NUT, M12 X 1.25 - 05 (RIGHT HAND THREADS).....	1
95	00734G1		LOCK NUT, 7/16 - 14	2
96	10044G01		CAP, VINYL.....	2

MOTOR

1 MOTOR Includes Items 2 - 12



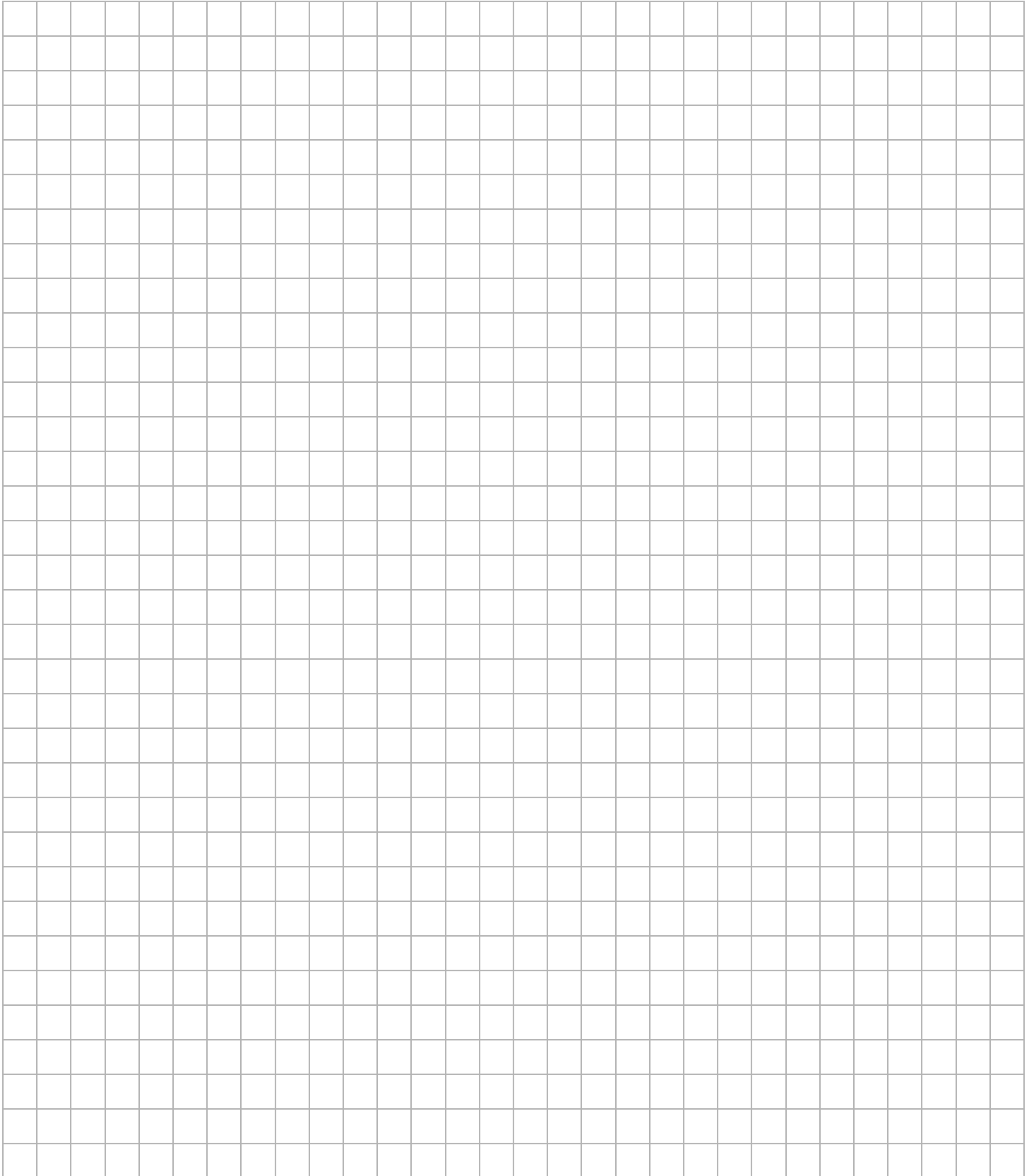
When ordering parts, please specify the model and serial number of the product.

* Indicates a component that is not available as an individual part.

*** Indicates consult Customer Service Department for additional information.

ITEM	PART NO.	1 2 3 4 5	DESCRIPTION	QTY.
1	73291G04		MOTOR (SEPARATELY EXCITED) (INCLUDES ITEMS 2-12)	1
2	73120G36		ARMATURE	1
3	73120G38		BRUSH SPRING	8
4	73120G39		BRUSH	8
5	73120G40		BRUSH BOX	1
6	73120G41		BRUSH REPLACEMENT KIT (INCLUDES HARDWARE)	1
7	73120G07		BEARING	1
8	73120G06		SNAP RING	1
9	73120G43		HEADBAND	1
10	73120G37		FRAME AND FIELD COIL (INCLUDES HARDWARE)	1
11	73120G42		COVER COMMUTATOR END	1
12	73277G01		RETAINING RING	1
13	01037G02		SCREW, #10 - 32 X 1/2" LG	1
14	73328G01		MAGNET	2
15	73327G02		SPEED SENSOR	1

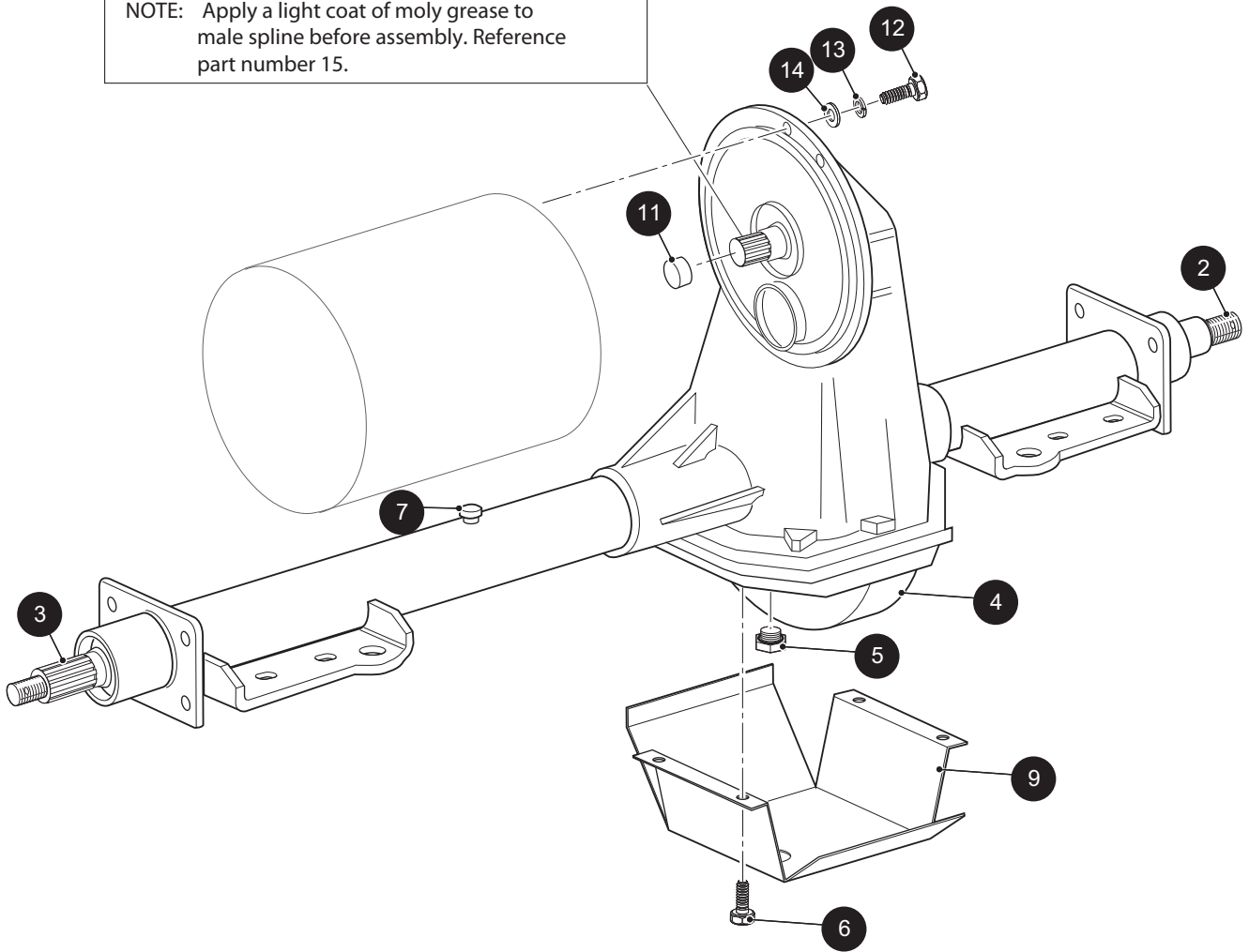
Notes:

A large grid area for taking notes, consisting of approximately 30 columns and 40 rows of small squares.

REAR AXLE

1 REAR AXLE ASSEMBLY Includes Items 2 - 7

NOTE: Apply a light coat of moly grease to male spline before assembly. Reference part number 15.



REAR AXLE

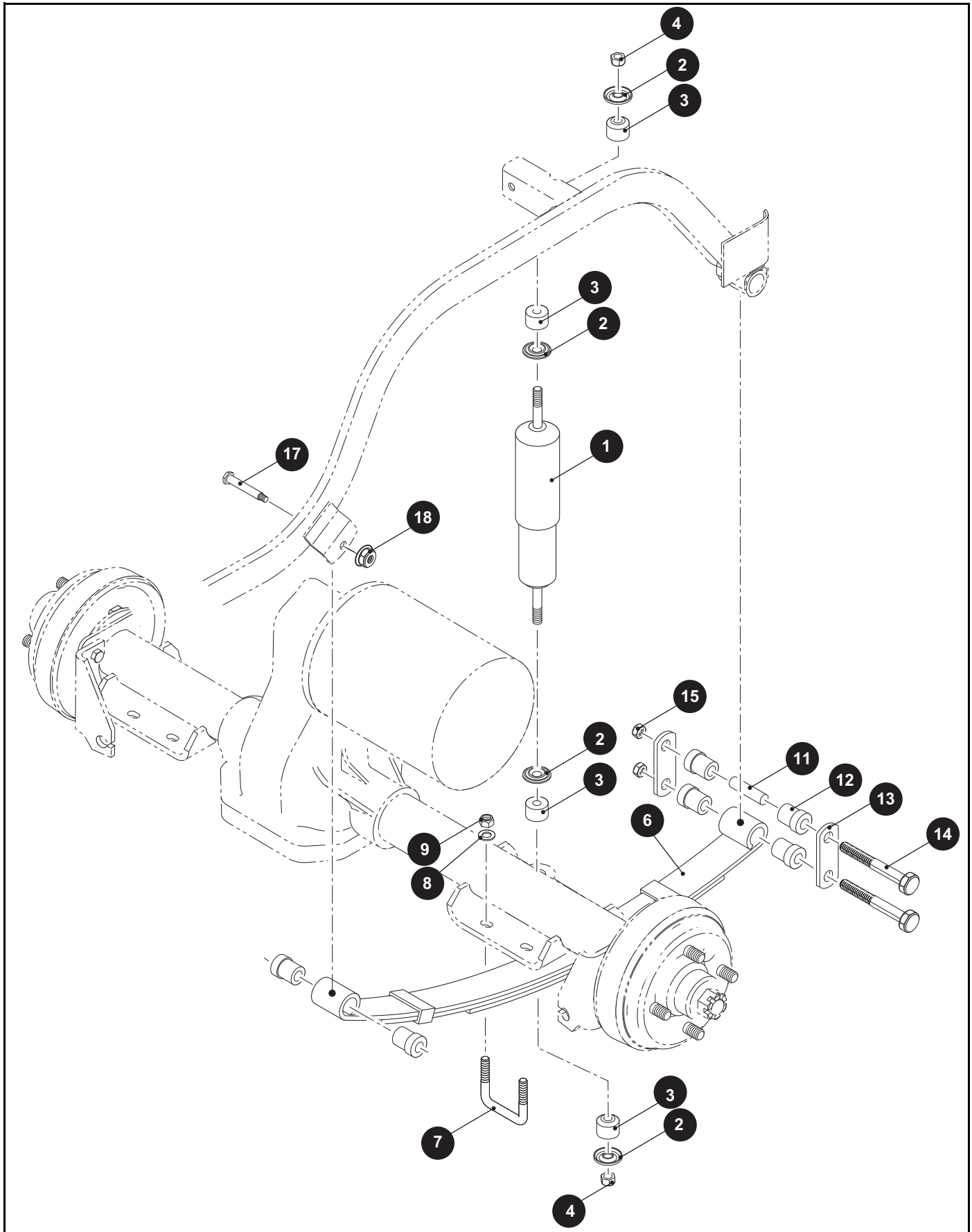
When ordering parts, please specify the model and serial number of the product.

* Indicates a component that is not available as an individual part.

*** Indicates consult Customer Service Department for additional information.

ITEM	PART NO.	1 2 3 4 5	DESCRIPTION	QTY.
1	74612G01		REAR AXLE ASSEMBLY 14.76:1 (INCLUDES ITEMS 2 - 7).....	1
2	617609		AXLE SHAFT (PASSENGER SIDE).....	1
3	617608		AXLE SHAFT (DRIVER SIDE)	1
4	*		DIFFERENTIAL COVER	1
5	601081		FILL PLUG WITH 'O' RING	1
6	15558G1		BOLT, 5/16 - 18 X 3/4" LG	10
7	73050G01		VENT	1
8				
9	72763-G02		SCUFF GUARD	1
10				
11	24261G1		SPLINE BUMPER.....	1
12	00797G2		BOLT, 1/4 - 20 X 1 1/4" LG.....	3
13	00664G7		LOCK WASHER, 1/4" (STAINLESS STEEL).....	3
14	01110G01		WASHER, 1/4" (STAINLESS STEEL).....	3
15	12719G1		ANTI-SIEZE	AR

REAR SUSPENSION



REAR SUSPENSION

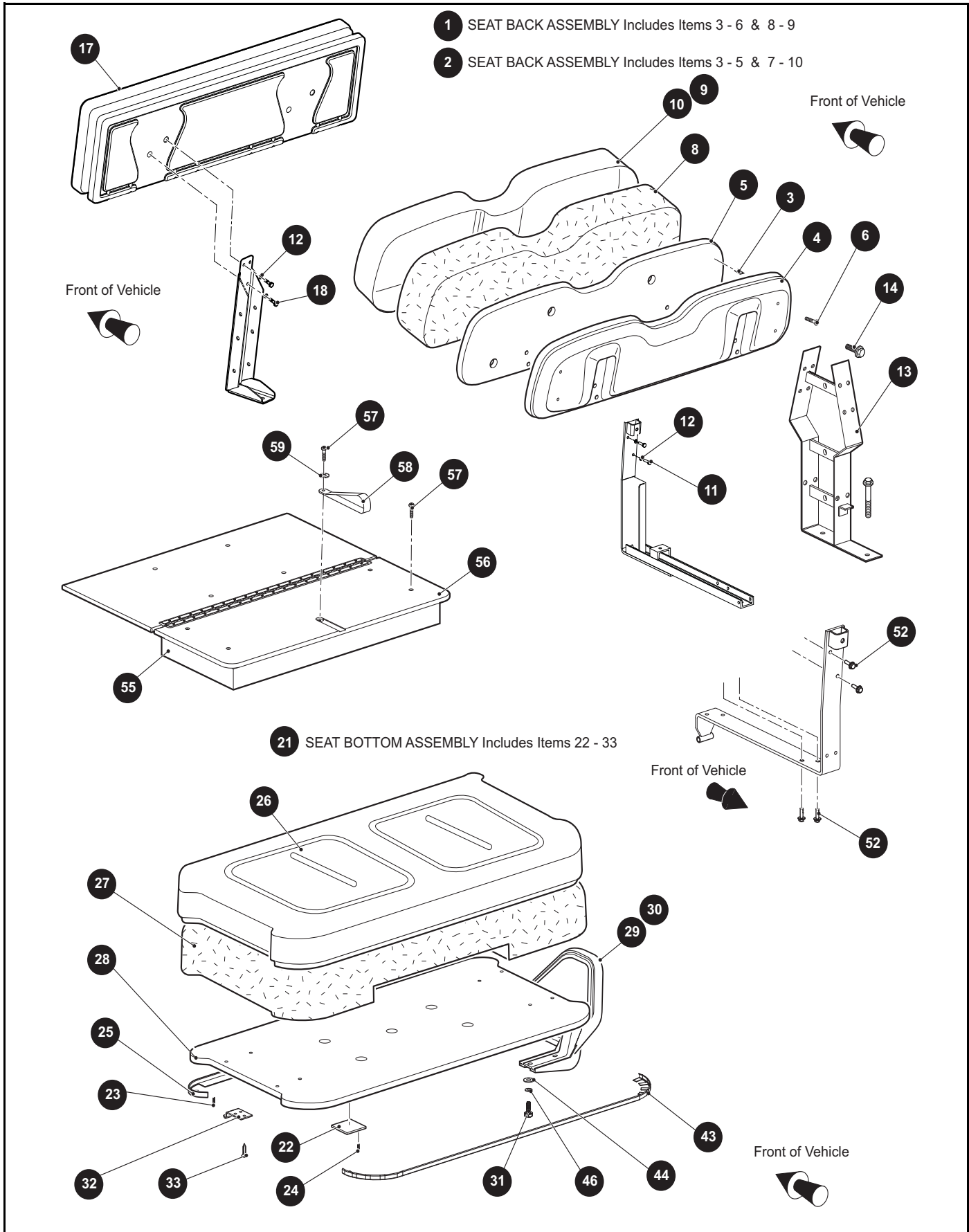
When ordering parts, please specify the model and serial number of the product.

* Indicates a component that is not available as an individual part.

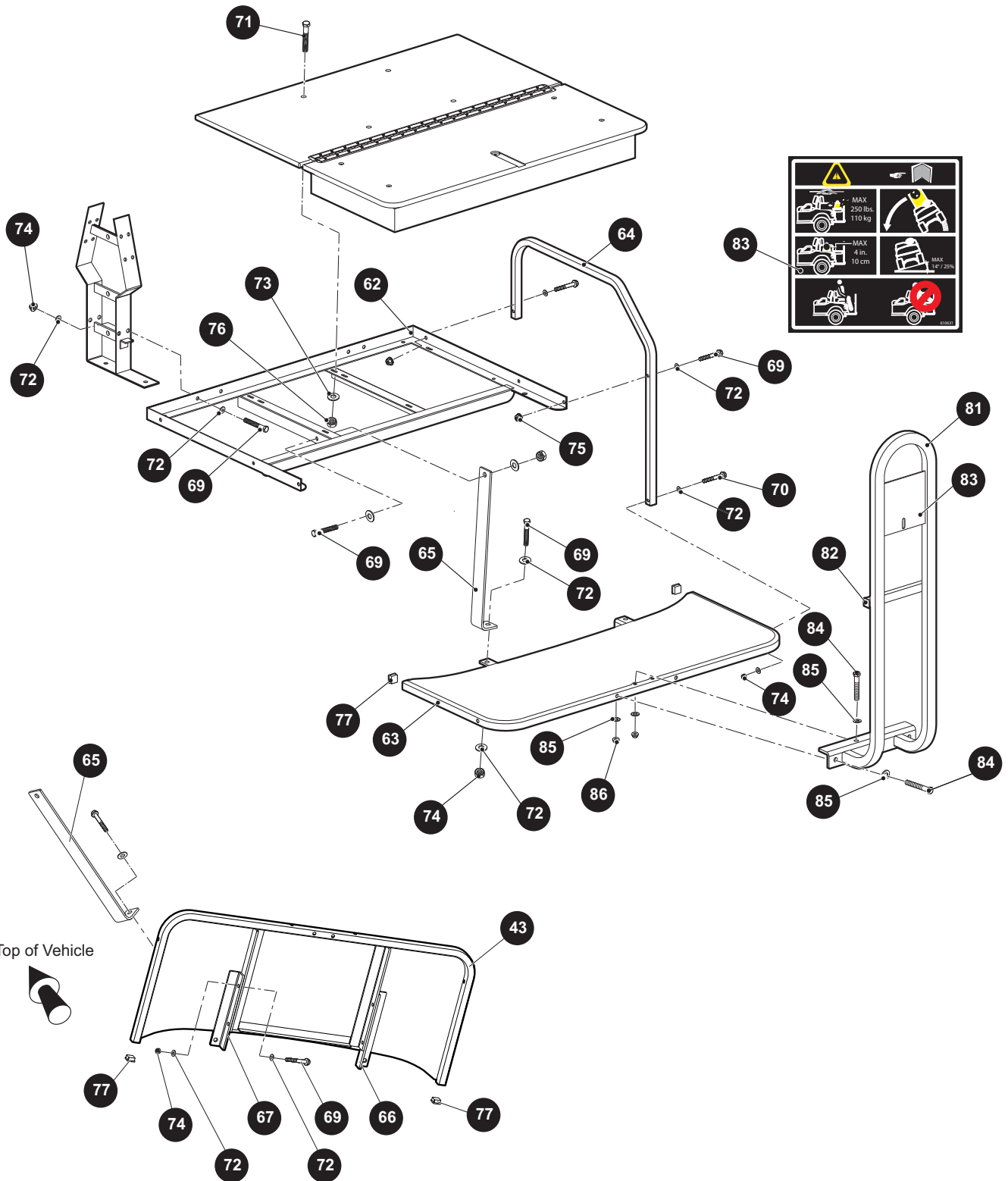
*** Indicates consult Customer Service Department for additional information.

ITEM	PART NO.	1 2 3 4 5	DESCRIPTION	QTY.
1	76418G01		SHOCK ABSORBER	2
2	10435G1		SHOCK ABSORBER WASHER.....	8
3	10194G1		RUBBER SHOCK ABSORBER BUSHING.....	8
4	00532G6		NUT, 3/8 - 24	4
5				
6	74207G03		LEAF SPRING (HEAVY DUTY)	2
7	72618G01		"U" BOLT, 3/8 - 16 X 2" X 2 1/2" LG	4
8	00560G1		FLAT WASHER, 3/8"	8
9	11098G5		LOCK NUT, 3/8 - 16	8
10				
11	70289G02		SPACER.....	4
12	70291G01		RUBBER BUSHING	12
13	70290G02		SHACKLE PLATE	4
14	00665G9		BOLT, 3/8 - 16 X 3 1/2" LG (STAINLESS STEEL)	4
15	11098G5		LOCK NUT, 3/8 - 16	4
16				
17	14158G1		SHOULDER BOLT, 3/8 - 16 X 3 1/4" LG	2
18	12262G1		LOCK NUT, 3/8 - 16	2

SEATING

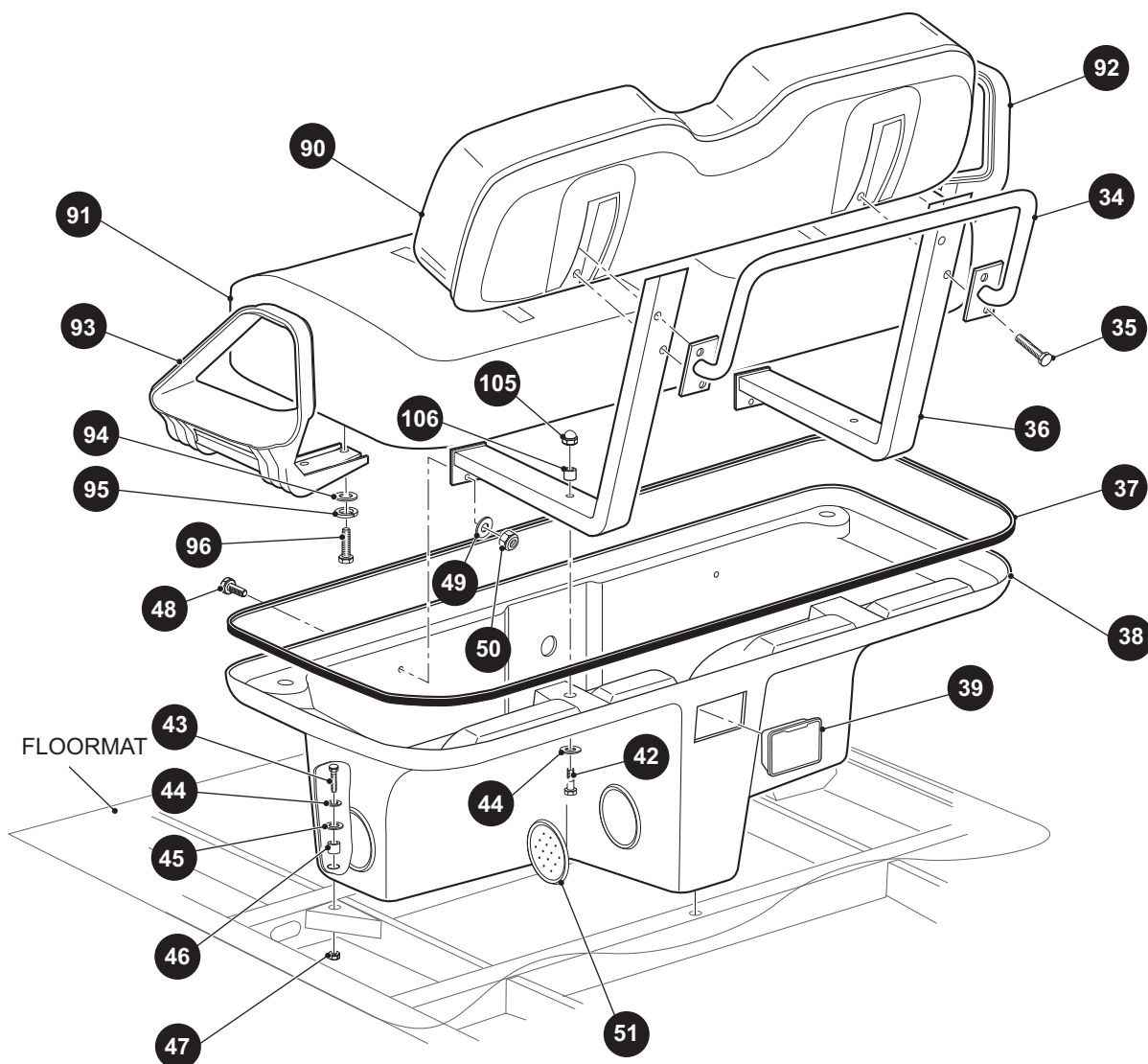


80 HANDRAIL KIT, FLIP FLOP SEAT Includes Items 81 - 86



SHUTTLE 4 and 6

91 SEAT BOTTOM ASSEMBLY Includes Items 92 - 96



When ordering parts, please specify the model and serial number of the product.

* Indicates a component that is not available as an individual part.

*** Indicates consult Customer Service Department for additional information.

ITEM	PART NO.	1 2 3 4 5	DESCRIPTION	QTY.
1	***		SEAT BACK ASSEMBLY (INCLUDES ITEMS 3 - 5 & 7 - 10)..... 71751G01 WHITE 71751G02 GRAY 71751G03 OYSTER 71751G04 TAN 71751G06 BROWN 71751G07 BLACK 606828 RED/BLACK 604908 WHITE/BLUE	1
2				
3	*		FLAT STAPLE.....	95
4	71752G01		PLASTIC SEAT BACK COVER.....	1
5	76414G01		SEAT BACK (WOOD).....	1
6	01107G01		SCREW, #8 X 3/8" LG (STAINLESS STEEL).....	4
7	607535		PAN HEAD SCREW.....	4
8	71754G01		FOAM PADDING (SEAT BACK).....	1
9	***		VINYL SEAT BACK COVER..... 71753G01 WHITE 71753G02 GRAY 71753G03 OYSTER 71753G04 TAN 71513G06 BROWN 71513G07 BLACK 604912G0304 RED/BLACK 604912G0102 WHITE/BLUE	1
10				
11	00661G8		HEX HEAD SCREW 1/4 - 20 X 1/2"	4
12	00664G7		LOCK WASHER, .255 x .263.....	4
13	615730		SEAT BACK SUPPORT	1
14	71204G01		SCREW 1/4 - 20 X 2"	8
15				

SEATING

When ordering parts, please specify the model and serial number of the product.

* Indicates a component that is not available as an individual part.

*** Indicates consult Customer Service Department for additional information.

ITEM	PART NO.	1 2 3 4 5	DESCRIPTION	QTY.
16				
17	***		SEAT BACK ASSEMBLY..... 71274G03 TAN 71274G04 GRAY 71274G05 OYSTER	1
18	605056		SCREW 1/4 - 20 X 1.....	4
19				
20				
21	***		SEAT BOTTOM ASSEMBLY (INCLUDES ITEMS 22 - 33) 71611G01 WHITE 71611G03 GRAY 71611G05 OYSTER 71611G07 TAN	1
22	17074G1		RUBBER PAD.....	2
23	*		FLAT STAPLE.....	110
24	*		FLAT STAPLE.....	36
25	71012G01		VINYL TRIM (SEAT BOTTOM).....	1
26	***		VINYL SEAT BOTTOM COVER 71602G01 WHITE 71602G02 GREY 71602G03 OYSTER 71602G04 TAN	1
27	71603G02		FOAM PADDING (SEAT BOTTOM).....	1
28	76411G01		SEAT BOTTOM (WOOD).....	1
29	71702G01		HIP RESTRAINT (DRIVER SIDE).....	1
30	710701G01		HIP RESTRAINT (PASSENGER SIDE).....	1
31	71204G01		SCREW 1/4 - 20 X 7/8.....	8
32	71610G01		SEAT HINGE.....	2
33	00720G08		SCREW #12 -14 X 1".....	6
34	71632G01		REAR HAND HOLD BAR.....	1
35	71204G02		BOLT, 1/4 - 20 X 2" LG.....	4

When ordering parts, please specify the model and serial number of the product.

* Indicates a component that is not available as an individual part.

*** Indicates consult Customer Service Department for additional information.

ITEM	PART NO.	1 2 3 4 5	DESCRIPTION	QTY.
36	71868G01		SEAT BACK BRACKET	2
37	32805G6		TRIM, BLACK.....	1
38	70836G0**		SEAT POD	1
39	27731G01		ASHTRAY	1
40	15717G5		ACORN NUT, 3/8 - 16.....	2
41	23726G4		SPACER, 5/16"	2
42	00427G8		BOLT, 3/8 - 16 X 2" LG.....	2
43	00439G8		BOLT, 5/16 - 18 X 2" LG.....	3
44	00675G1		WASHER, 3/8" (STAINLESS STEEL).....	5
45	71883G01		RUBBER WASHER, 5/8"	3
46	23726G9		SPACER, 3/4"	3
47	11098G6		LOCK NUT, 5/16 - 18 (STAINLESS STEEL).....	3
48	00976G06		SCREW, 5/16 - 18 X 3/4" LG (STAINLESS STEEL).....	2
49	01110G01		FLAT WASHER, 1/4" (STAINLESS STEEL)	2
50	11098G6		LOCK NUT, 1/4 - 20 (STAINLESS STEEL).....	2
51	71599G01		VENT PLUG.....	4
52	71204G01		SCREW 1/4 - 20 X 7/8	12
53				
54				
55	***		FLIP FLOP SEAT BOTTOM..... 617902 GRAY 617903 TAN 617905 BROWN 617907 WHITE/RED 617906 WHITE/BLUE 617908 RED/BLACK 617911 BLACK	
56	617137		DECK BOARD ASSEMBLY.....	1
57	16705G1		SCREW, STAINLESS STEEL 1/4 - 20 X 1".....	5
58	617402		SEAT STRAP	1
59	00559G7		FLAT WASHER, 1/4"	1

SEATING

When ordering parts, please specify the model and serial number of the product.

* Indicates a component that is not available as an individual part.

*** Indicates consult Customer Service Department for additional information.

ITEM	PART NO.	1	2	3	4	5	DESCRIPTION	QTY.
60								
61								
62	615712						SEAT FRAME WELDMENT	1
63	615714						FOOTREST WELDMENT	1
64	615729						ARMREST, REAR SEAT	2
65	615713						SEAT FRAME SUPPORT.....	2
66	615728						FOOTREST BRACKET, PASSENGER SIDE	1
67	615727						FOOTREST BRACKET, DRIVER SIDE	1
68	01006G01						HEX HEAD SCREW, 3/8 X 1.25.....	4
69	00427G4						HEX HEAD SCREW, 3/8 - 16 X 1.5	16
70	00429G2						HEX HEAD SCREW, 3/8 - 16 X 3.25	2
71	16705G9						SCREW SS, 1/4 - 20 X 1.25.....	4
72	614221						FLAT WASHER, 318	32
73	01110G01						FLAT WASHER, 1/4	4
74	11098G5						PLASTIC LOCK NUT, 3/8 - 16.....	14
75	11027G5						FLANGED LOCK NUT, 3/8 - 16.....	4
76	14390G4						PLASTIC LOCK NUT, 1/4 - 20.....	4
77	19853G1						SQUARE CAP TUBE, 1"	2
78								
79								
80	617901						HANDRAIL KIT, FLIP-FLOP SEAT (INCLUDES ITEMS 81 - 86)	1
81	615721						FOOTREST HANDLE WELDMENT	1
82	19859G1						SQUARE CAP TUBE, 3/4".....	2
83	610631						DECAL	1
84	00427G8						HEX HEAD SCREW, 3/8 - 16 X 2.0	4
85	614221						FLAT WASHER, 3/8.....	8
86	11098G5						PLASTIC LOCK NUT, 3/8 - 16	4
87								
88								
89								
90	71751G**						SEAT BACK ASSEMBLY.....	1

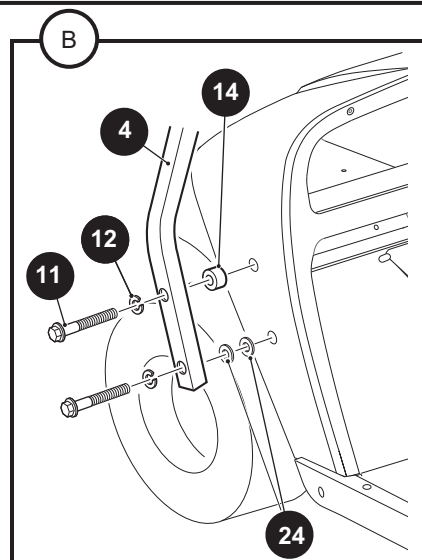
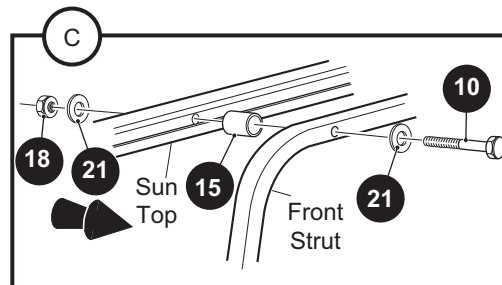
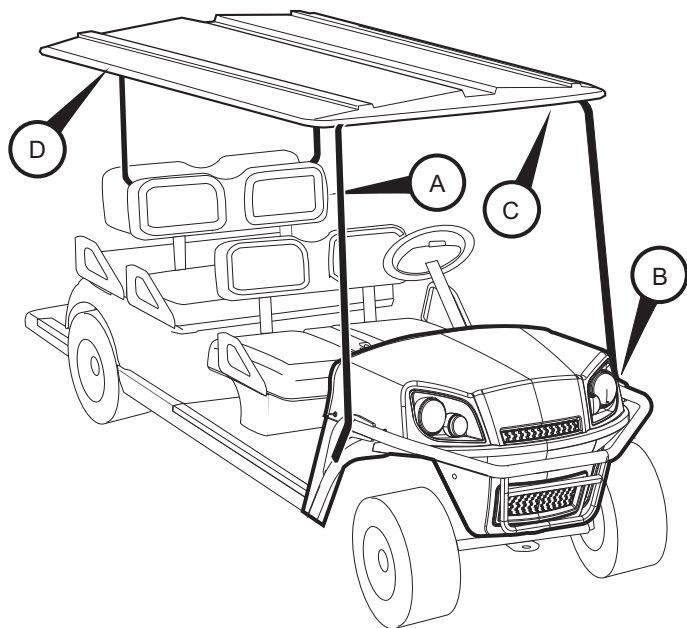
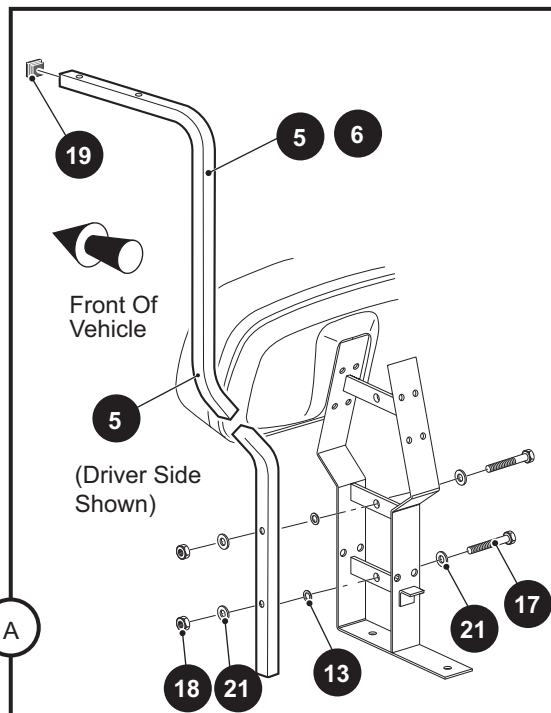
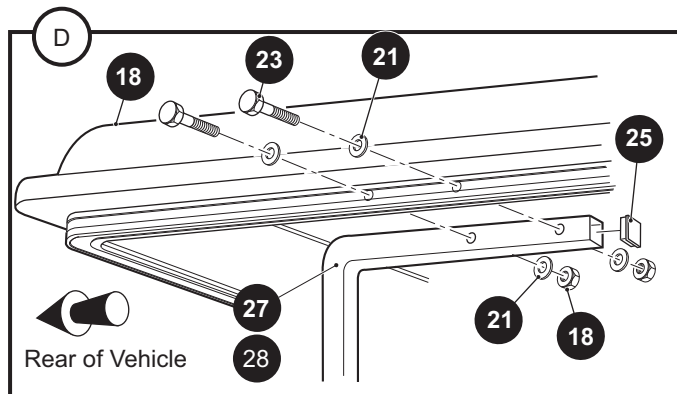
When ordering parts, please specify the model and serial number of the product.

* Indicates a component that is not available as an individual part.

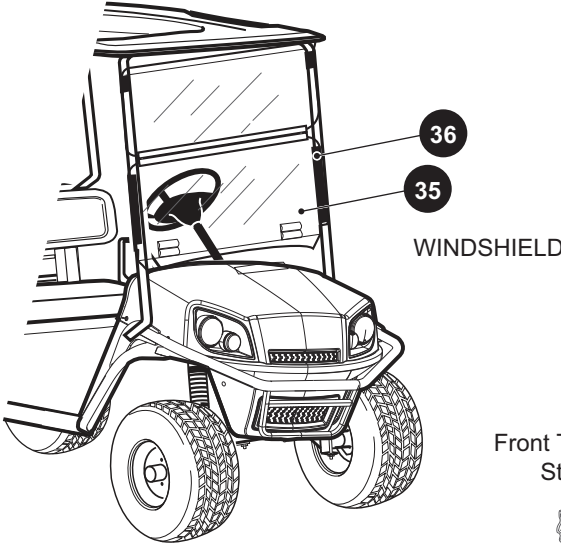
*** Indicates consult Customer Service Department for additional information.

ITEM	PART NO.	1 2 3 4 5	DESCRIPTION	QTY.
91	71888G**		SEAT BOTTOM (INCLUDES ITEMS 92 - 96) (SHUTTLE 4 & 6).....	1
92	71701G01		HIP RESTRAINT (PASSENGER SIDE)	1
93	71702G01		HIP RESTRAINT (DRIVER SIDE).....	1
94	01110G01		FLAT WASHER, 1/4" (STAINLESS STEEL).....	8
95	00664G7		LOCKWASHER, 1/4" (STAINLESS STEEL).....	8
96	00415G2		BOLT, 1/4 - 20 X 1 1/4" LG	8

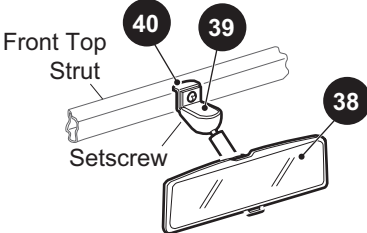
WEATHER PROTECTION



- 1** SUN TOP KIT BLACK Includes items 4 - 6, 7, 10
- 2** SUN TOP KIT WHITE Includes items 4 - 6, 8, 10
- 3** SUN TOP KIT BEIGE Includes items 4 - 6, 9, 10
- 29** SUN TOP KIT WHITE Includes items 4, 8, 10
- 30** SUN TOP KIT BLACK Includes items 4, 7, 10
- 31** SUN TOP KIT BEIGE Includes items 4, 9, 10

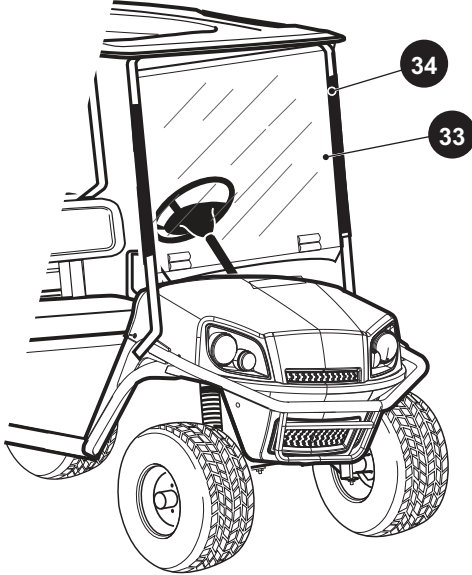


WINDSHIELD



REAR VIEW MIRROR

37 REAR VIEW MIRROR KIT Includes items 38 - 40



WINDSHIELD

WEATHER PROTECTION

When ordering parts, please specify the model and serial number of the product.

* Indicates a component that is not available as an individual part.

*** Indicates consult Customer Service Department for additional information.

ITEM	PART NO.	1 2 3 4 5	DESCRIPTION	QTY.
1	610266		SUN TOP KIT BLACK (INCLUDES ITEMS 4 - 6, 7, 10 - 25)	1
2	610268		SUN TOP KIT, WHITE (INCLUDES ITEMS 4 - 6, 8, 10 - 25).....	1
3	610267		SUN TOP KIT, BEIGE (INCLUDES ITEMS 4 - 6,9 - 25	
4	610260		FRONT SUPPORT	1
5	610262		REAR SUPPORT (DRIVER SIDE)	1
6	610261		REAR SUPPORT (PASSENGER SIDE).....	1
7	610263		SUN TOP, BLACK.....	1
8	610264		SUN TOP, WHITE	1
9	610264		SUN TOP, BEIGE	
10	608138		SUN TOP HARDWARE KIT (INCLUDES ITEMS 11 -27)	1
11	00440G2		BOLT, 5/16 - 18 X 2 1/4" LG	2
12	00905G8		LOCK WASHER, 5/16"	4
13	00771G5		NYLON WASHER, 3/8"	4
14	75048G01		SPACER, 1/2"	2
15	18716G1		ALUMINIUM SPACER, 3" LG.....	2
16	00674G8		BOLT, 3/8 - 16 X 5" LG-SS	2
17	00665G5		BOLT, 3/8 - 16 X 1 3/4" LG (STAINLESS STEEL).....	4
18	00665G6		BOLT, 3/8 - 16 X 2" LG (STAINLESS STEEL).....	2
19	00891G5		LOCK NUT, 3/8 - 16.....	4
20	00559G8		FLAT WASHER 5/16", BLACK	4
21	00653G1		FLAT WASHER, 5/8 - SS	20
22	24647G1		SPACER, 1/4" THICK	2
23	00665G3		BOLT, 3/8 - 16 X 2 1/2" LG (STAINLESS STEEL).....	4
24	00879G1		LOCK WASHER, 3/8".....	4
25	19853G1		END CAP, 1"	2
26				
27	611701		REAR SUPPORT (SHUTTLE 2).....	2
28	611700		CROSS REAR SUPPORT (SHUTTLE 2)	1
29	611702		SUN TOP KIT, WHITE (INCLUDES ITEMS 4, 8, 10 - 25).....	1
30	611707		SUN TOP KIT, BLACK (INCLUDES ITEMS 4, 7, 10 - 25).....	1
31	611706		SUN TOP KIT, BEIGE (INCLUDES ITEMS 4, 9, 10 - 25).....	1

WEATHER PROTECTION

When ordering parts, please specify the model and serial number of the product.

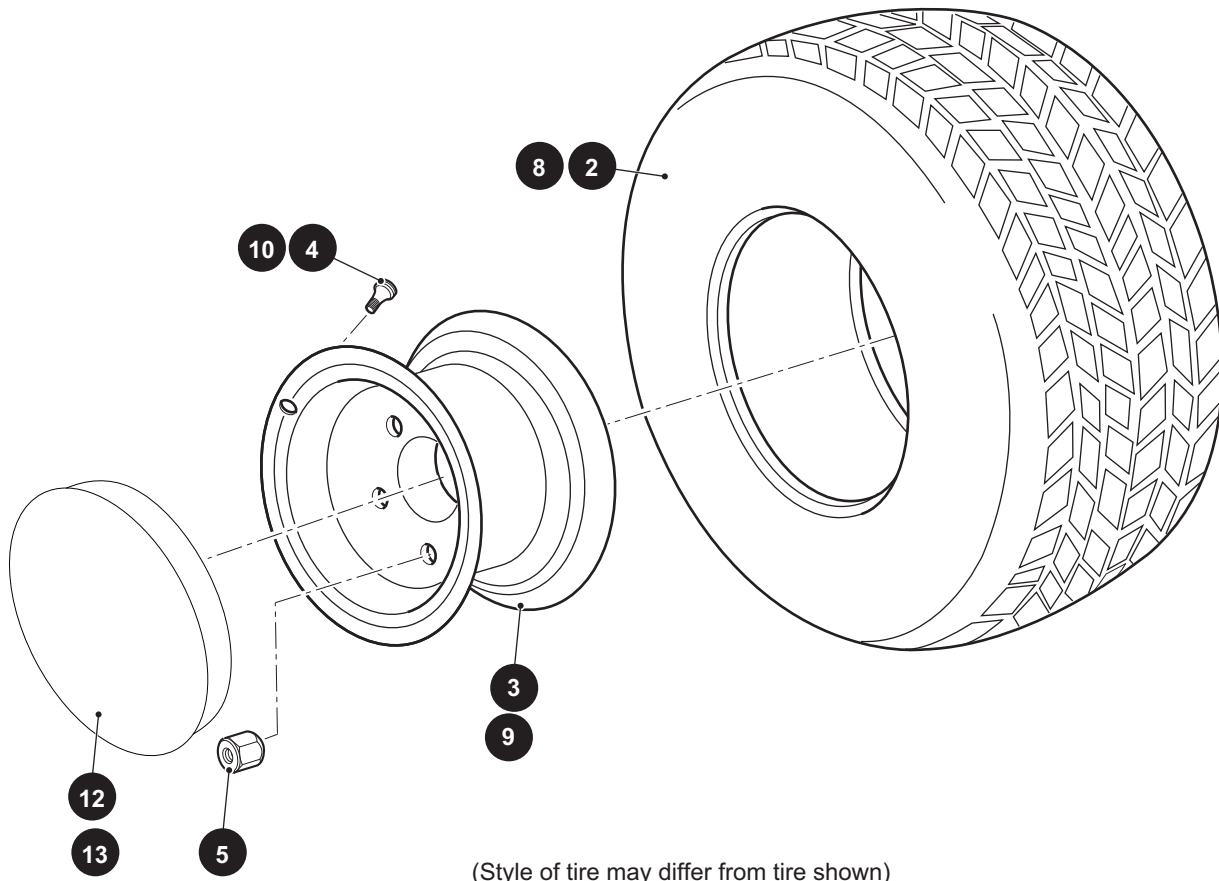
* Indicates a component that is not available as an individual part.

*** Indicates consult Customer Service Department for additional information.

ITEM	PART NO.	1 2 3 4 5	DESCRIPTION	QTY.
32				
33	611099		WINDSHIELD KIT	1
34	615662		SASH, 26".....	2
35	611100		WINDSHIELD KIT	1
36	615661		SASH, 12".....	2
37	19528G2		REAR VIEW MIRROR KIT (INCLUDES 33 - 35).....	1
38	19496G1		REAR VIEW MIRROR.....	1
39	19502G2		SUPPORT BRACKET.....	1
40	19527G1		SCREW, # 8 - 32 X 5/8" LG (STAINLESS STEEL).....	1

WHEELS AND TIRES

- 1 TIRE AND WHEEL ASSEMBLY Includes Items 2 - 4
- 7 TIRE AND WHEEL ASSEMBLY Includes Items 8 - 10



WHEELS AND TIRES

When ordering parts, please specify the model and serial number of the product.

* Indicates a component that is not available as an individual part.

*** Indicates consult Customer Service Department for additional information.

ITEM	PART NO.	1 2 3 4 5	DESCRIPTION	QTY.
1	28842G01		TIRE AND WHEEL ASSEMBLY (INCLUDES ITEMS 2, 3, 4).....	4
2	28764G01		TIRE, 18 X 8.50 - 8 LINKS®	1
3	28759G01		WHEEL RIM	1
4	11657G2		VALVE STEM.....	1
5	14723G1		LUG NUT, 1/2 - 20.....	16
6				
7	612772		TIRE AND WHEEL ASSEMBLY (INCLUDES ITEMS 2, 3, 4).....	4
8	612771		TIRE, 18 X 8.50 - 8 LINKS®	1
9	612770		WHEEL RIM	1
10	11657G2		VALVE STEM.....	1
11				
12	611321		HUB CAP SILVER.....	4
13	615617		HUB CAP GOLD	4



CUSHMAN™

E-Z-GO Division of Textron Inc.,
1451 Marvin Griffin Road, Augusta, Georgia 30906 - 3852 USA

TO CONTACT US...

North America:

Technical Assistance & Warranty
Service Parts

Phone: 1-800-774-3946, FAX: 1-800-448-8124

Phone: 1-888-GET-E-Z-GO (1-888-438-3946), FAX: 1-800-752-6175

International:

Phone: 001-706-798-4311, FAX: 001-706-771-4609

Service Parts Manuals, as well as Repair and Service Manuals
are available from a local Distributor, an authorized Branch,
Genuine E-Z-GO Parts & Accessories Department or at www.shopezgo.com.

ISO 9001
ISO 14001

BUREAU VERITAS
Certification



Copyrighted Material
This manual may not be reproduced in whole or
in part without the express permission of
E-Z-GO Division of Textron Inc.
Technical Communications Department