



CUSHMAN™

Gasoline Service Parts Manual



624957

ISSUED SEPTEMBER 2011

REVISED DECEMBER 2011

SERVICE PARTS MANUAL

GASOLINE POWERED UTILITY VEHICLE

SHUTTLE 2

SHUTTLE 4

SHUTTLE 6

STARTING MODEL YEAR 2012

DISCLAIMER: The E-Z-GO Division of Textron Inc. (E-Z-GO) reserves the right to incorporate engineering and design changes to products in this Manual, without obligation to include these changes on units leased/sold previously.

The information contained in this Manual may be revised periodically E-Z-GO, and therefore is subject to change without notice.

E-Z-GO DISCLAIMS LIABILITY FOR ERRORS IN THIS MANUAL, and E-Z-GO SPECIFICALLY DISCLAIMS LIABILITY FOR INCIDENTAL AND CONSEQUENTIAL DAMAGES RESULTING FROM THE USE OF THE INFORMATION AND MATERIALS IN THIS MANUAL.

TO CONTACT US

NORTH AMERICA:

TECHNICAL ASSISTANCE & WARRANTY PHONE: 1-800-774-3946, FAX: 1-800-448-8124

SERVICE PARTS PHONE: 1-888-GET-EZGO (1-888-438-3946), FAX: 1-800-752-6175

INTERNATIONAL: PHONE: 001-706-798-4311, FAX: 001-706-771-4609

E-Z-GO DIVISION OF TEXTRON INC., 1451 MARVIN GRIFFIN RD., AUGUSTA, GEORGIA USA 30906-3852

GENERAL INFORMATION

To obtain a copy of the limited warranty applicable to the vehicle, call or write a local Distributor, authorized Branch or the Warranty Department with vehicle serial number and manufacturer code.

The use of non Original Equipment Manufacturer (OEM) parts may void the warranty.

Overfilling of batteries may void the warranty.

BATTERY PROLONGED STORAGE

All batteries will self discharge over time. The rate of self discharge varies depending on the ambient temperature and the age and condition of the batteries.

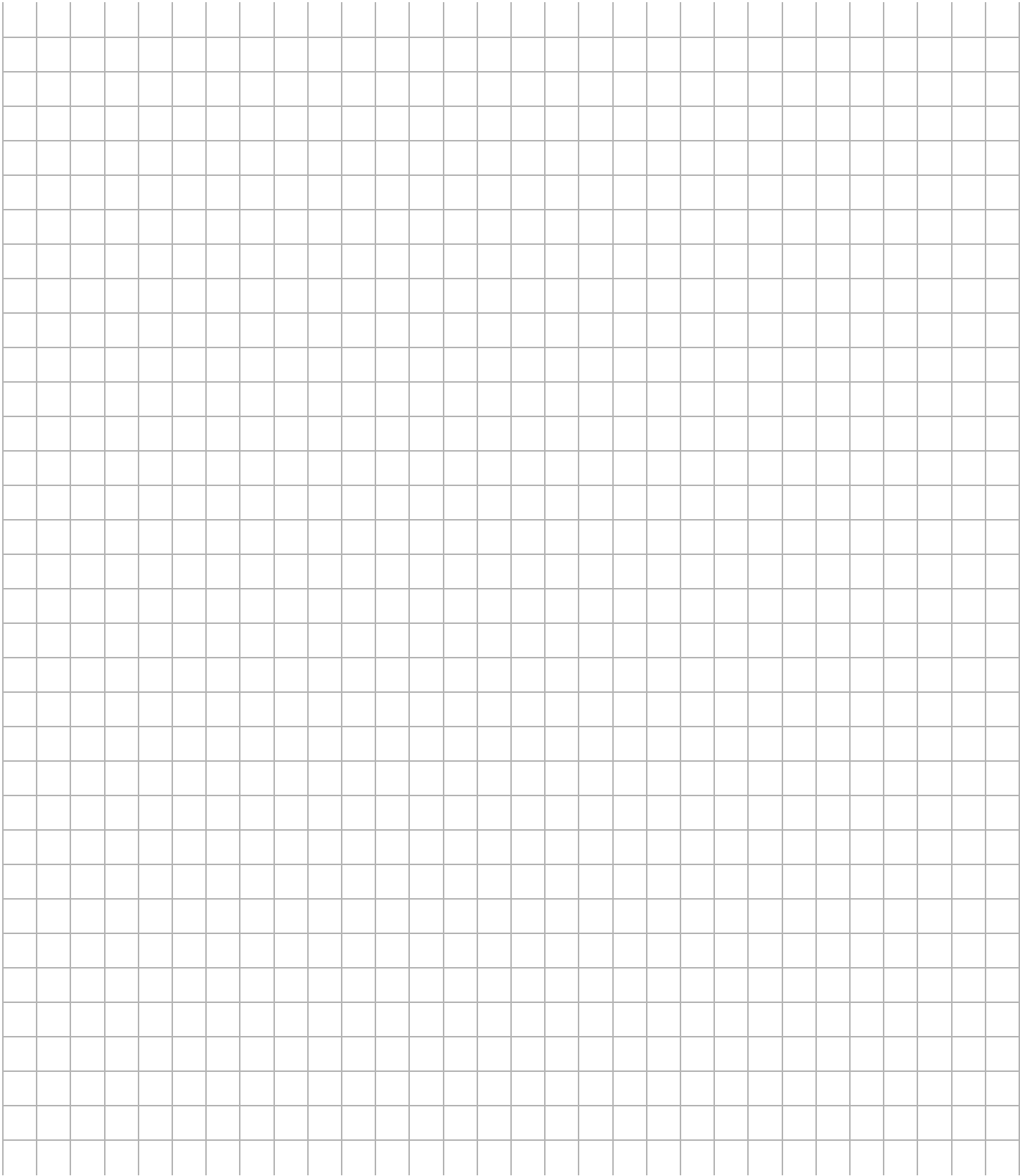
A fully charged battery will not freeze in winter temperatures unless the temperature falls below -75° F (-60° C).

As with all electric vehicles, the batteries must be checked and recharged as required or at a minimum of 30 day intervals.

TABLE OF CONTENTS

SECTION	Page No.
HOW TO USE THE SERVICE PARTS MANUAL	Vii
ACCELERATOR	A - 1
AIR FILTER	B - 1
BODY	C - 1
BRAKES - FRONT DISC	D - 1
BRAKES - MECHANICAL	E - 1
CARBURETOR	F - 1
CLUTCH	G - 1
DIRECTION SELECTOR	H - 1
ELECTRICAL SYSTEM	J - 1
ENGINE AND MUFLER	K - 1
ENGINE MOUNTING	L - 1
FRONT SUSPENSION AND STEERING	M - 1
FUEL SYSTEM	N - 1
REAR AXLE	P - 1
REAR SUSPENSION	Q - 1
SEATING	R - 1
STARTER / GENERATOR	S - 1
WEATHER PROTECTION	T - 1
WHEELS AND TIRES	U - 1

NOTES



HOW TO USE THE SERVICE PARTS MANUAL

This manual is divided into several sections:

- GENERAL INFORMATION
- ILLUSTRATED PARTS BREAKDOWN
- APPENDIX

The first section, GENERAL INFORMATION, contains the following information:

- WARRANTY INFORMATION
- GENERAL INDEX
- HOW TO USE THE SERVICE PARTS MANUAL

The second section, ILLUSTRATED PARTS BREAKDOWN, contains illustrations and parts lists for all systems of your vehicle.

The third section, APPENDIX, contains a listing of specialty products and accessories.

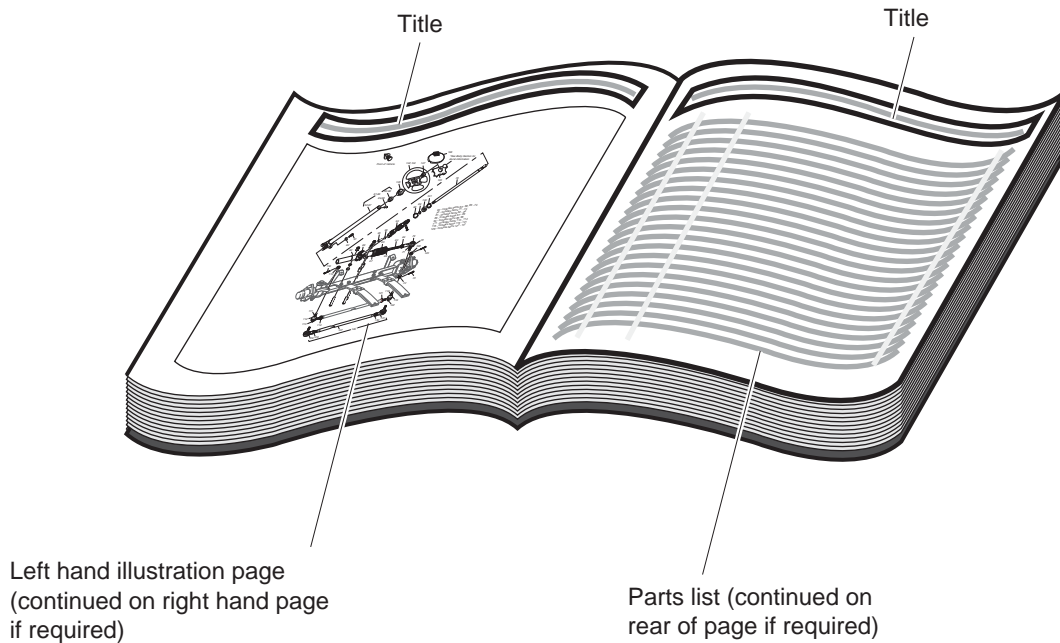
USE OF THE MANUAL

To use this manual, consult the GENERAL INDEX to locate the information or illustration required.

Introduction of some revisions varies due to supply of components; therefore, it is possible that various combinations of components may be found that are not directly reflected by each illustration. Consult the illustration that best suits your situation and then contact the Service Parts Department. It is important that the serial number of your vehicle and its model number be supplied to Service Parts when ordering any replacement components.

Locate the serial number plate (see BODY located in the Illustrated Parts Breakdown section of this manual for its location) and note the complete number shown on the plate.

HOW TO USE THE SERVICE PARTS MANUAL



1. WHEN THE PART NUMBER IS NOT KNOWN

- Determine the function and application of the part required. Turn to the General Index and select the most appropriate title.
- Turn to the page number indicated and locate the desired part on the illustration.
- From the illustration, obtain the item number assigned to the desired part. Refer to the accompanying description for specific information regarding the part.

2. IF YOU KNOW THE PART NUMBER

- Locate the part number or description in the appropriate column on the parts list page.

NOTE: It is suggested that you confirm that the part selected is correct by verifying it with the pictorial representation on the illustrated page.

Should an asterisk (*) appear in the part number column on the parts list page, read upwards until a part number is found. The part number is the lowest assembly sold by Service Parts and the asterisk (*) indicates that the part depicted is not available for purchase.

NOTE: Descriptions are indented under the assembly that they are used on. That assembly is, in turn listed under the assembly that it is used on. This process is repeated until the highest final assembly is reached.

To facilitate the maintenance and repair of the vehicle, a Technician's Repair and Service Manual is available from the Service Parts Department.

HOW TO USE THE SERVICE PARTS MANUAL

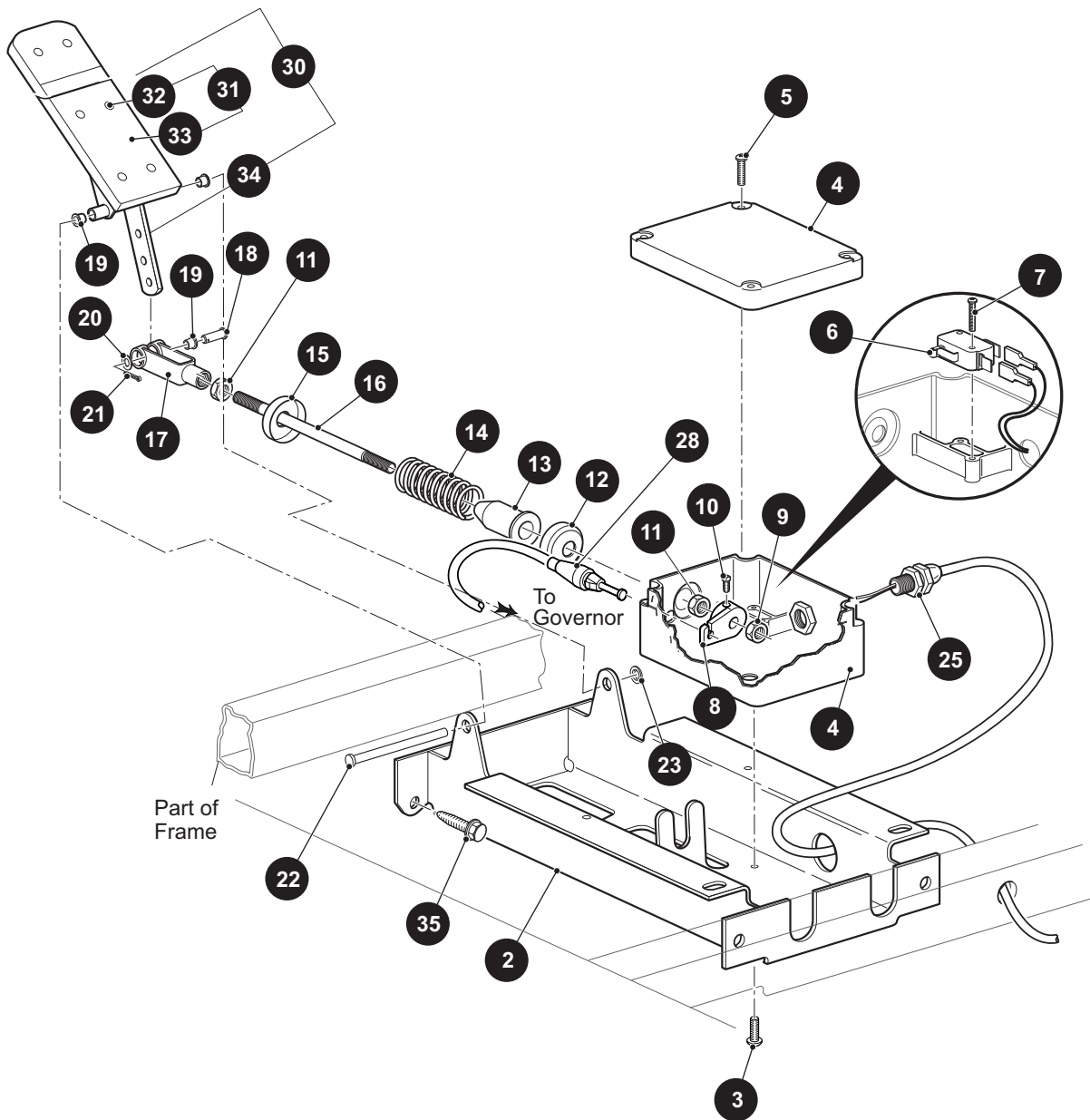
3. COLOR CODE FOR BODY COMPONENTS

The last two digits of the part number for the body part will denote the color code, locate the part number for the cowl, rear body, seat pod, side panel or seat wrap then locate your color in the list below, replace the last ** or XX with the two digit color code.

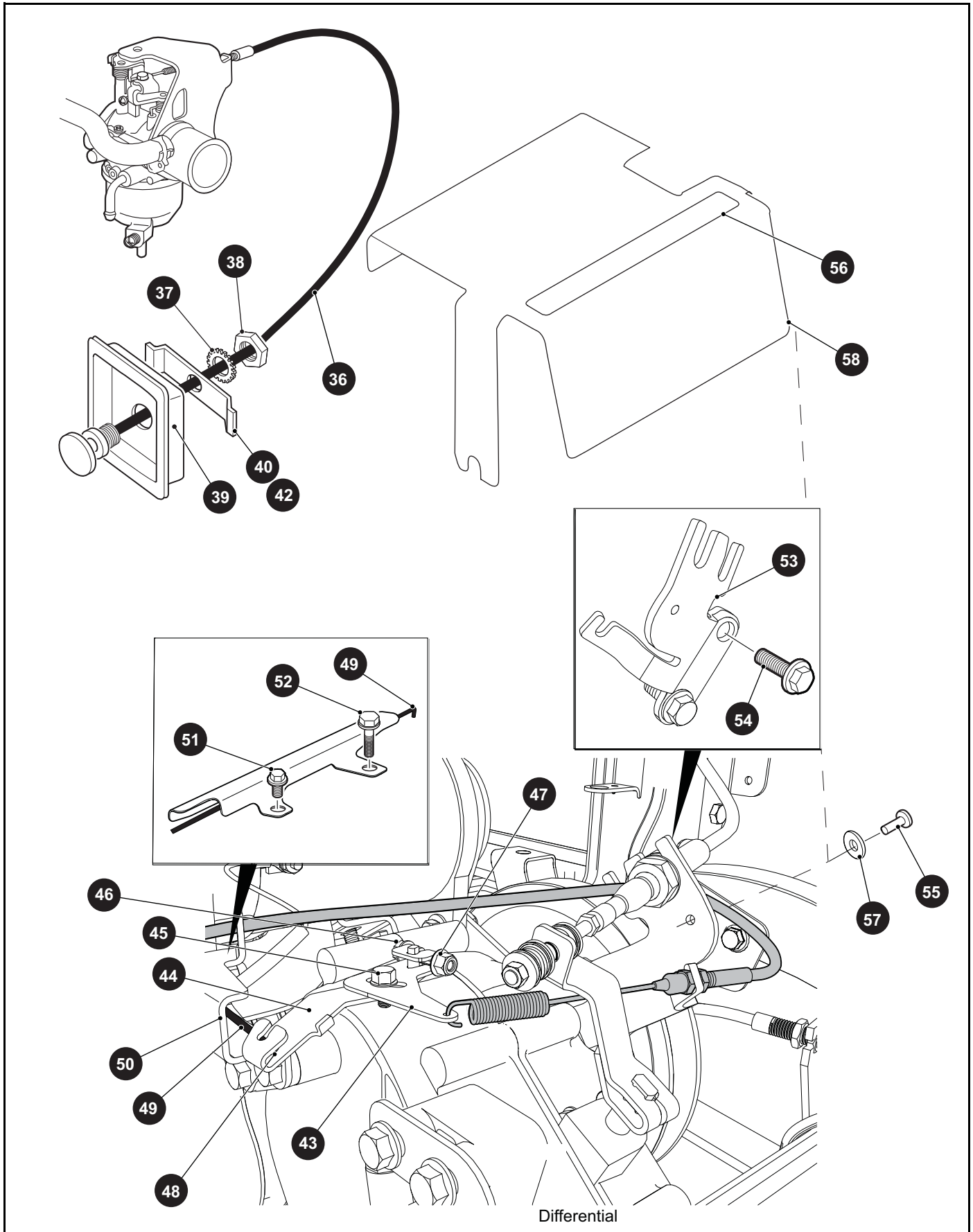
<u>CODE #</u>	<u>DESCRIPTION</u>	<u>CODE #</u>	<u>DESCRIPTION</u>
01	NO PAINT	53	MOSSY OAK NEW BREAK UP - DIPPED
02	SPECIAL COLOR	54	MOSSY OAK OBSESSION - DIPPED
05	JACOBSEN ORANGE	55	REALTREE ADVANTAGE MAX 4 - DIPPED
06	LIGHT GOLD PEARL	56	REALTREE HARDWOOD BROWN - DIPPED
07	SILVER PEARL METALIC	57	REALTREE AP HOT PINK - DIPPED
11	BLACK	58	BLACK / SILVER MARBLE - DIPPED
12	EMERALD GREEN PEARL	59	RED / SILVER MARBLE - DIPPED
13	CLOUD GREY	60	HOT PINK / SILVER MARBLE - DIPPED
14	VIPER BLUE METALLIC	61	REALTREE AP
19	PATRIOT BLUE PEARL	62	REALTREE MAX 4
20	INFERNO RED METALLIC	63	MOSSY OAK BREAKUP
23	ADVANTAGE CLASSIC CAMO	64	MOSSY OAK TREESTAND
24	NATURAL	65	REALTREE APG
25	VIVID NEW HOLLAND BLUE	66	REALTREE MAX 1
26	STEEL BLUE PEARL	67	REALTREE AP PINK
27	BRIGHT SILVER METALLIC	68	REALTREE AP - DIPPED
29	PRIMER ONLY		
30	HD ADVANTAGE CAMO		
31	METALLIC CHARCOAL		
32	LIGHT ALMOND PEARL		
33	TIMBERLINE GREEN		
34	DEEP MOLTEN RED		
35	SAFETY YELLOW		
36	CHAMPAGNE BEIGE		
37	HUNTER GREEN		
38	BRIGHT WHITE		
39	FLAME RED		
40	BLACK		
41	ELECTRIC BLUE		
42	PLATINUM		
43	BURGUNDY		
44	ALMOND		
45	BLACK		
46	FLAME RED		
47	BURLINGTON GREEN		
48	BLACK		
49	FLAME RED		
50	RECON GREEN		
51	SUNBURST ORANGE		
52	BRITISH RACING GREEN		

ACCELERATOR

1 PEDAL BOX ASSEMBLY Includes Items 3 - 39



ACCELERATOR



Differential

ACCELERATOR

When ordering parts, please specify the model and serial number of the product.

* Indicates a component that is not available as an individual part.

*** Indicates consult Customer Service Department for additional information.

ITEM	PART NO.	1 2 3 4 5	DESCRIPTION	QTY.
1	606992		PEDAL BOX ASSEMBLY (INCLUDES ITEMS 2 - 39,	1
2	70116G02		ACCELERATOR PEDAL BRACKET	1
3	01051G01		SCREW, #8 - 16 X 1/2" LG	4
4	25853G03		PEDAL BOX AND COVER	1
5	00684G6		SCREW, #8 - 32 X 3/4" LG (STAINLESS STEEL)	2
6	25861G01		MICRO SWITCH	1
7	01050G01		SCREW, #4 - 20 X 5/8" LG	2
8	72716G01		MICRO SWITCH CAM	1
9	15126G1		LOCK NUT, 5/16 - 24	1
10	00487G3		SETSCREW, 1/4 - 20 X 3/8" LG	1
11	00532G4		NUT, 5/16 - 24	2
12	17677G1		SPRING RETAINER	1
13	17979G1		ACCELERATOR ROD BUSHING	1
14	73046G01		COMPRESSION SPRING	1
15	17677G2		SPRING RETAINER	1
16	72072G01		ACCELERATOR ROD	1
17	10385G4		CLEVIS YOKE (ADJUSTABLE)	1
18	10386G3		CLEVIS PIN, 5/16" X 13/16" LG	1
19	17838G1		NYLON BUSHING	3
20	17255G1		TEFLON WASHER, 5/16"	1
21	10387G3		COTTER PIN, 3/32" X 3/4" LG	1
22	74432G01		PEDAL PIVOT PIN	1
23	12064G6		PUSH NUT, 9/32"	1
24	12730G1		WHEEL BEARING GREASE (NOT ILLUSTRATED)	A/R
25	72201G04		WIRE HARNESS (PEDAL BOX)	1
26				
27				
28	608618		ACCELERATOR CABLE	1
29				
30	25799G03		ACCELERATOR PEDAL ASSEMBLY (INCLUDES ITEMS 31- 33)	1
31	27844G01		ACCELERATOR PEDAL PAD KIT (INCLUDES ITEMS 32- 33)	1

ACCELERATOR

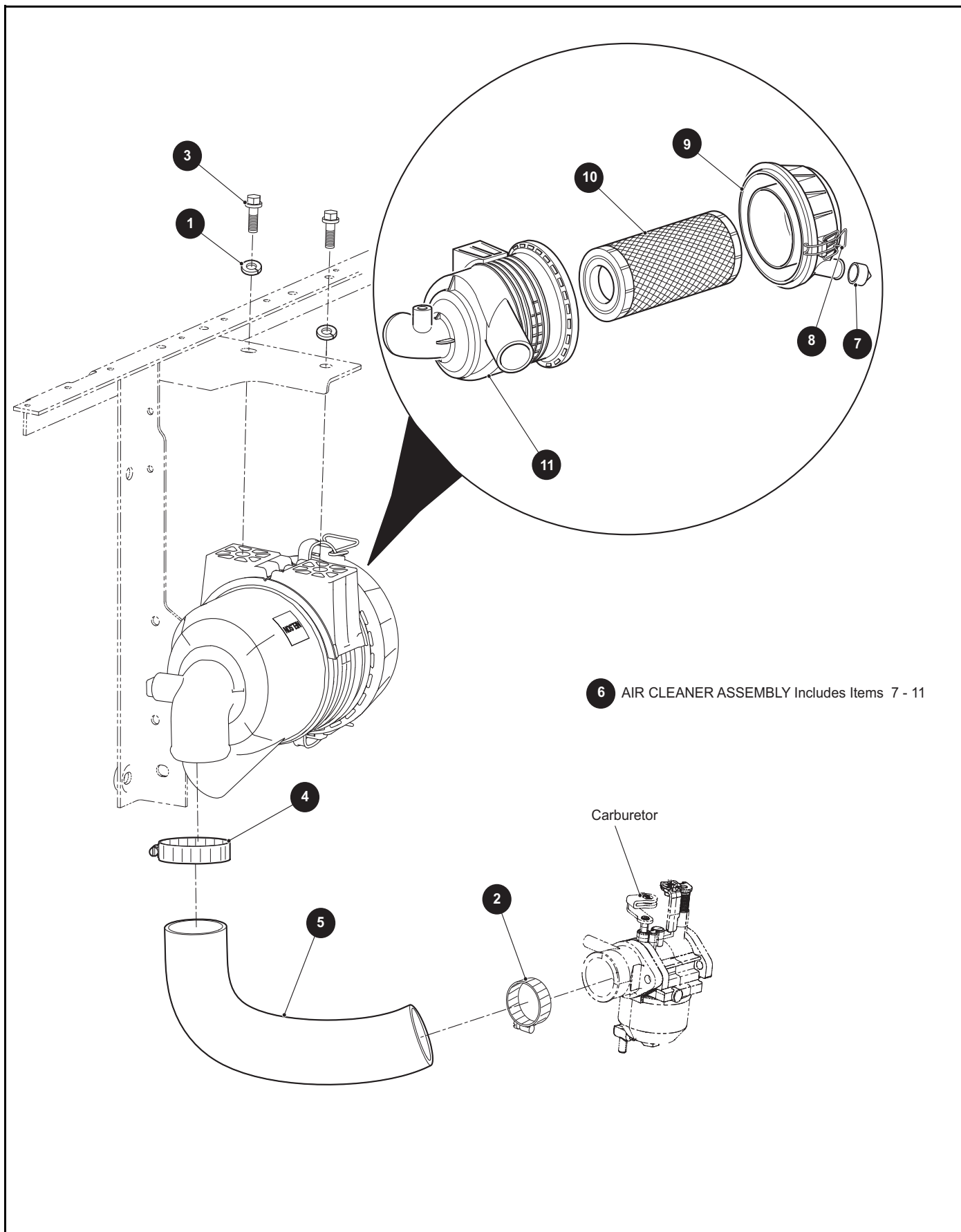
When ordering parts, please specify the model and serial number of the product.

* Indicates a component that is not available as an individual part.

*** Indicates consult Customer Service Department for additional information.

ITEM	PART NO.	1 2 3 4 5	DESCRIPTION	QTY.
32	16409G1		OVAL RIVET, 3/16" X 7/16" LG	6
33	27512G01		ACCELERATOR PEDAL PAD	1
34	*		ACCELERATOR PEDAL	
35	00715G2		BOLT, 5/16 -18 X 4/5" LG.....	4
36	605795		CHOKE CABLE ASSY	1
37	00568G4		LOCK WASHER, 9/16"	1
38	00545G4		JAM NUT, 9/16 - 18.....	1
39	72154G01		CHOKE CABLE ADAPTER.....	1
40	72155G02		RETAINER (SHUTTLE -2)	1
41				
42	72155G01		RETAINER (SHUTTLE 4 -6)	1
43	606083		UPPER GOVERNOR BRACKET.....	1
44	606005		LOWER GOVERNOR BRACKET	1
45	606265		BOLT, M6 - 1 X 12.....	1
46	606421		BOLT, M6 - 1 X 30.....	1
47	450452		NUT, M6 - 1.0.....	1
48	606283		GOVERNOR LEVER BUSHING	1
49	606284		GOVERNOR ROD	1
50	603890		GOVERNOR ROD GUARD	1
51	606264		BOLT, M6 - 1 X 20.....	1
52	606262		BOLT, M8 - 1.25 X 16.....	1
53	606074		GOVERNOR CABLE / DIRECTION SELECTOR BRACKET	1
54	606256		BOLT, M10 - 1.25 X 16.....	2
55	14601G11		RIVET 3/16 X 9/16	1
56	608527		GOVERNOR WARNING DECAL.....	1
57	00915G1		FLAT WASHER 1/4.....	1
58	606199		GOVERNOR COVER	1
59	17618G1		NYLON CLAMP	2

AIR FILTER



AIR FILTER

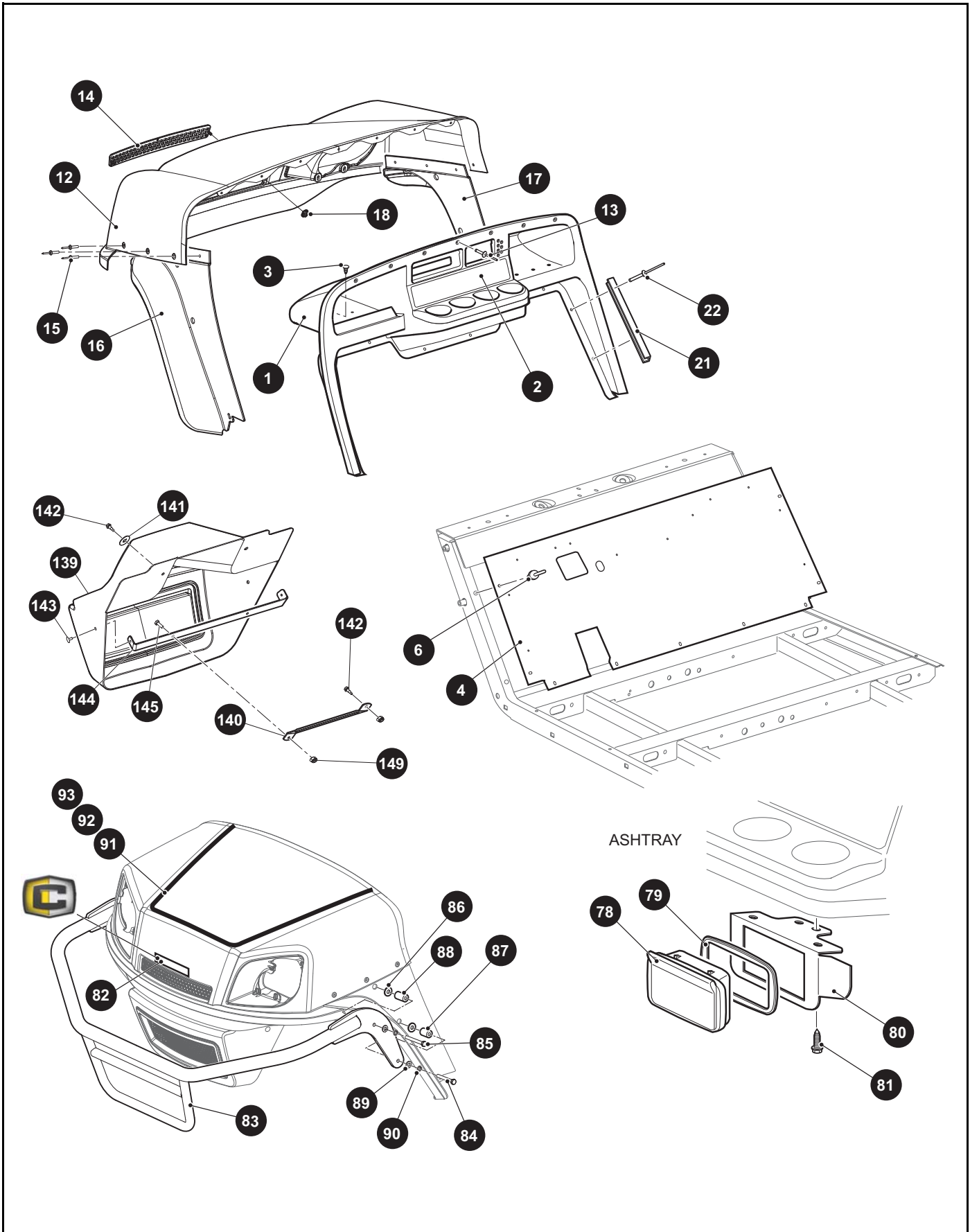
When ordering parts, please specify the model and serial number of the product.

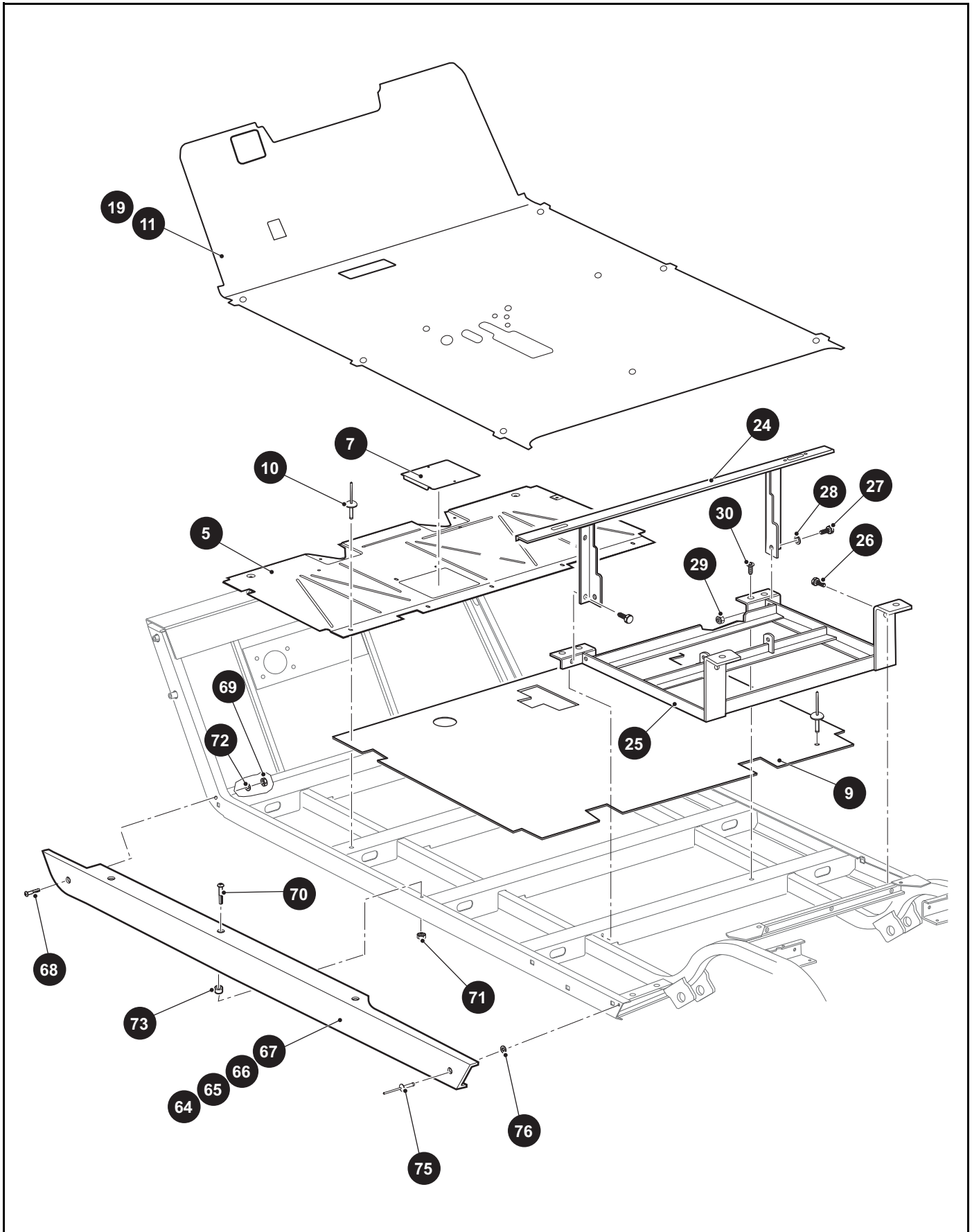
* Indicates a component that is not available as an individual part.

*** Indicates consult Customer Service Department for additional information.

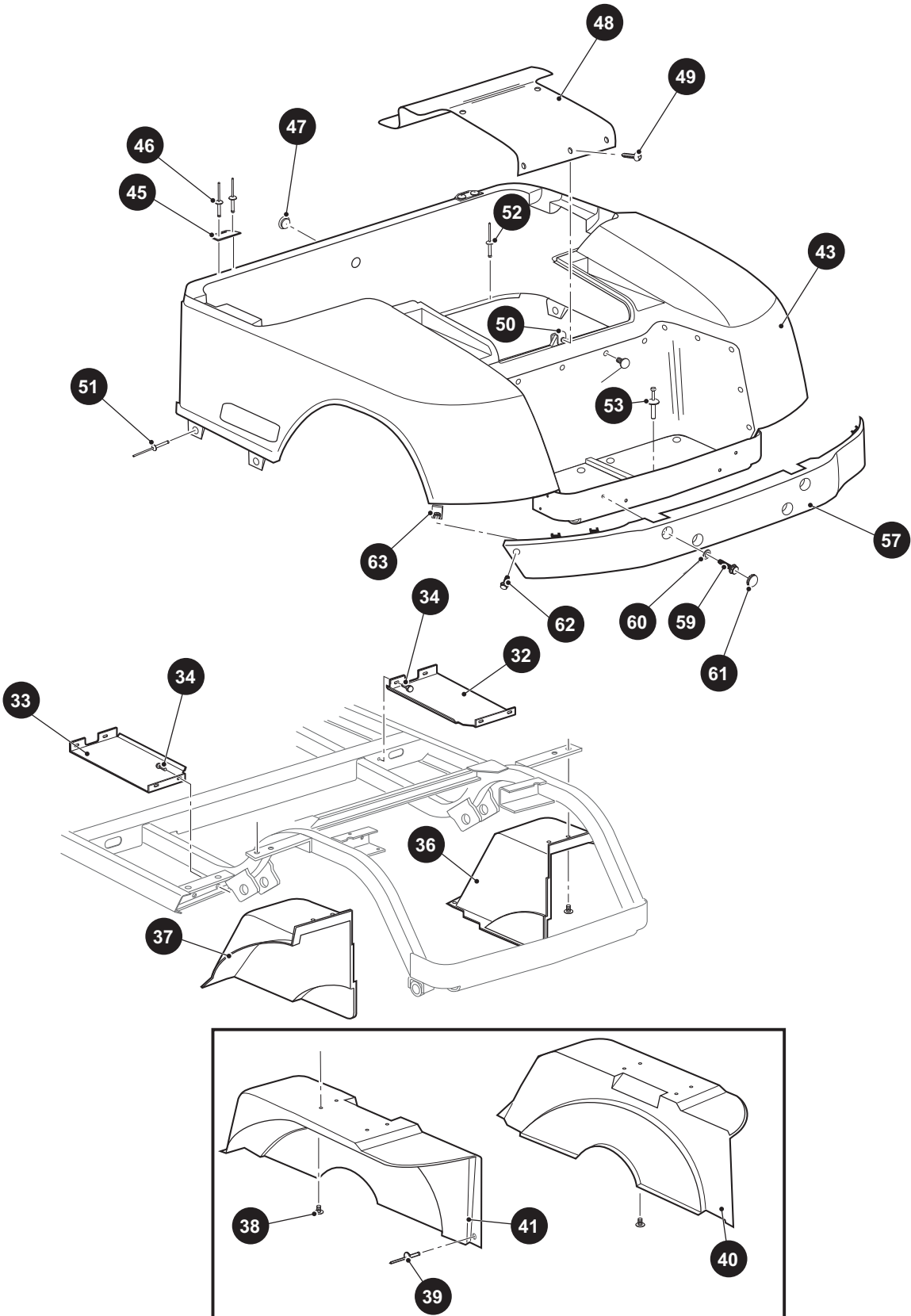
ITEM	PART NO.	1 2 3 4 5	DESCRIPTION	QTY.
1	606272		LOCK WASHER, 8 MM.....	2
2	11391G1		HOSE CLAMP, 1.31	1
3	606261		HEXAGONAL HEAD BOLT M8, 25 X 20	2
4	11391G7		HOSE CLAMP, 1.56.....	1
5	607950		AIR FILTER HOSE	1
6	614852		AIR CLEANER ASSEMBLY (INCLUDES ITEMS 7 - 11)	1
7	28462G01		DUST EJECTOR VALVE	1
8	72604G01		AIR CLEANER CLIP.....	2
9	72599G01		AIR CLEANER COVER.....	1
10	28463G01		AIR FILTER	1
11	615390		AIR CLEANER.....	1

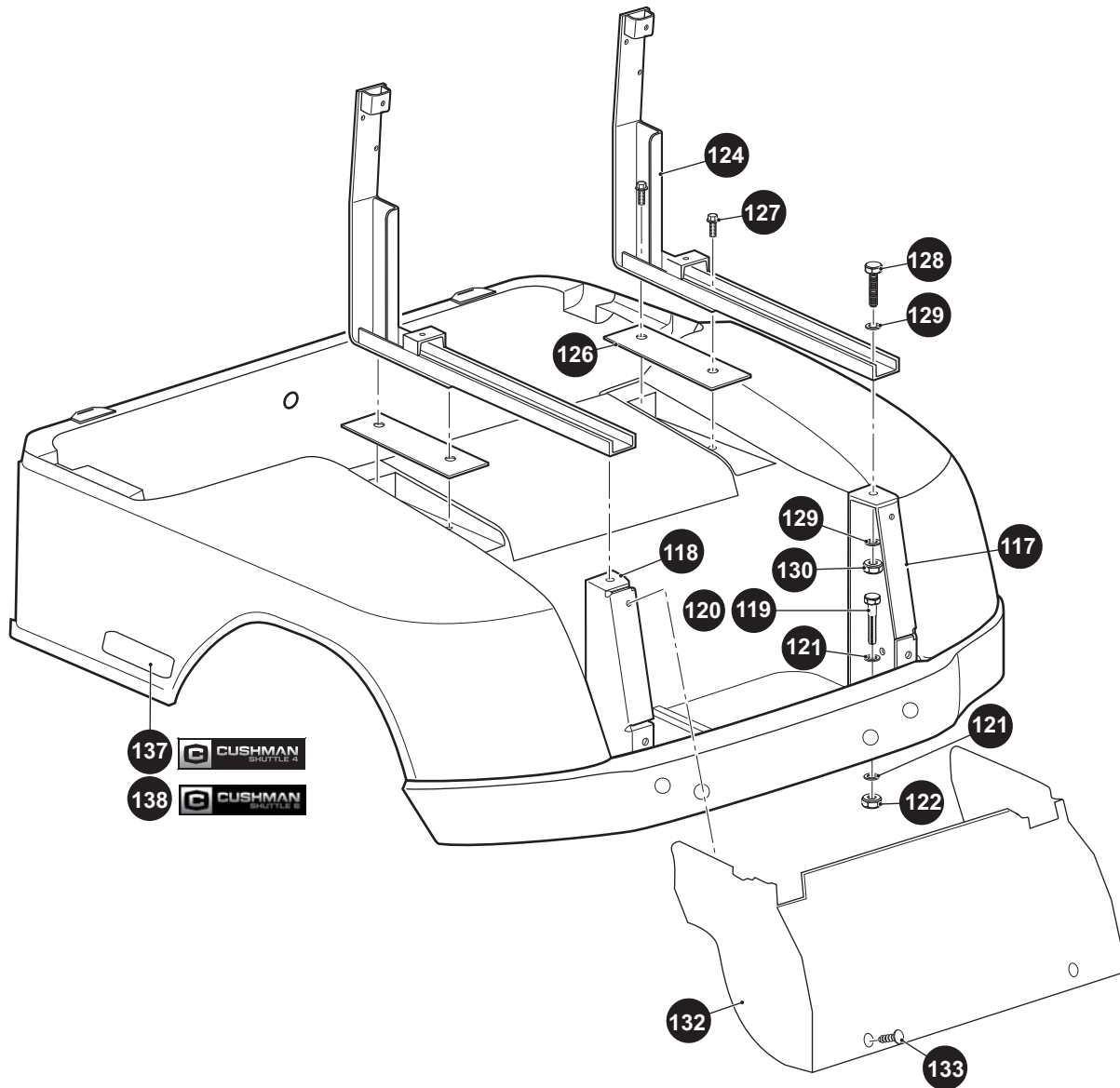
BODY



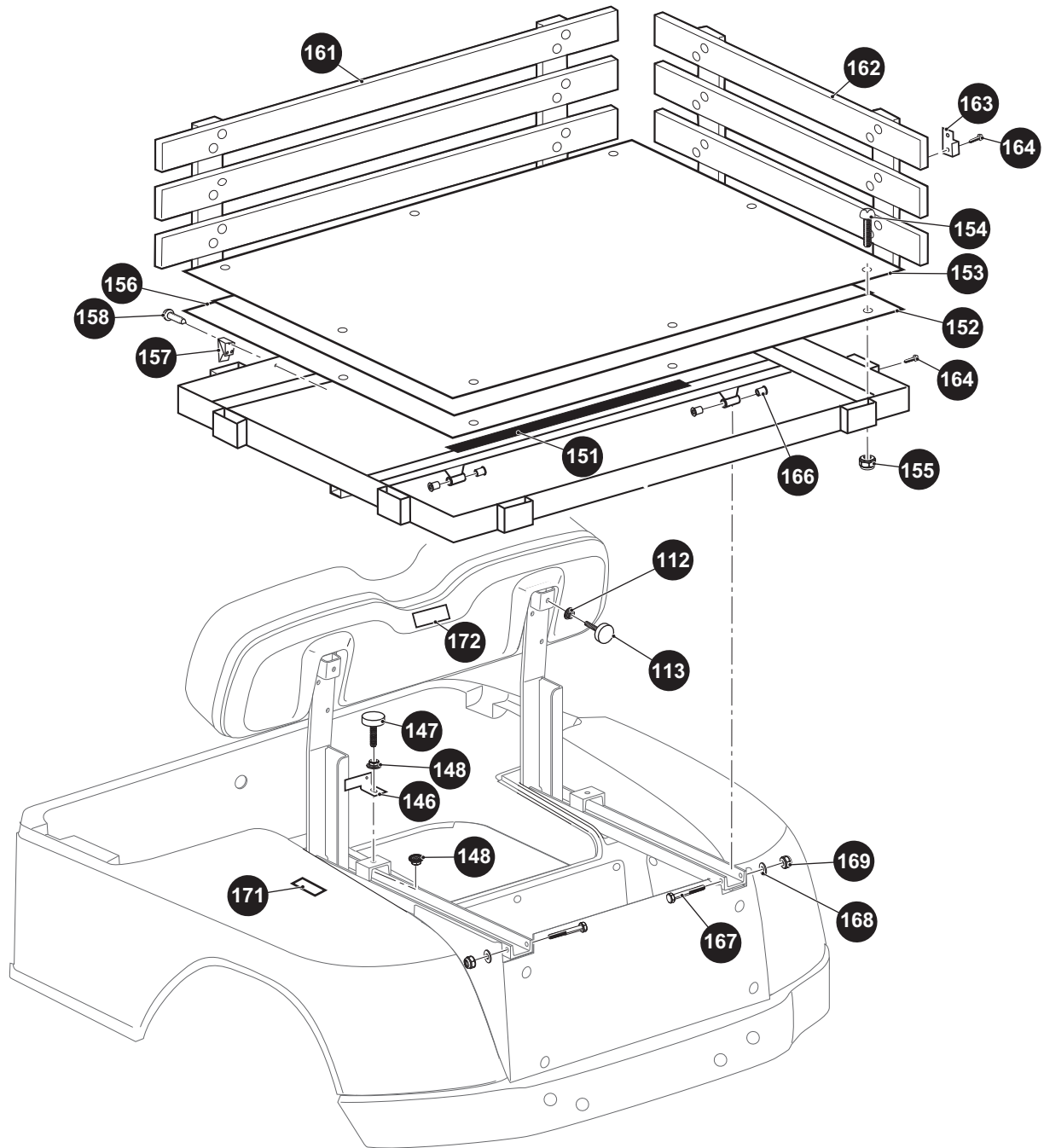


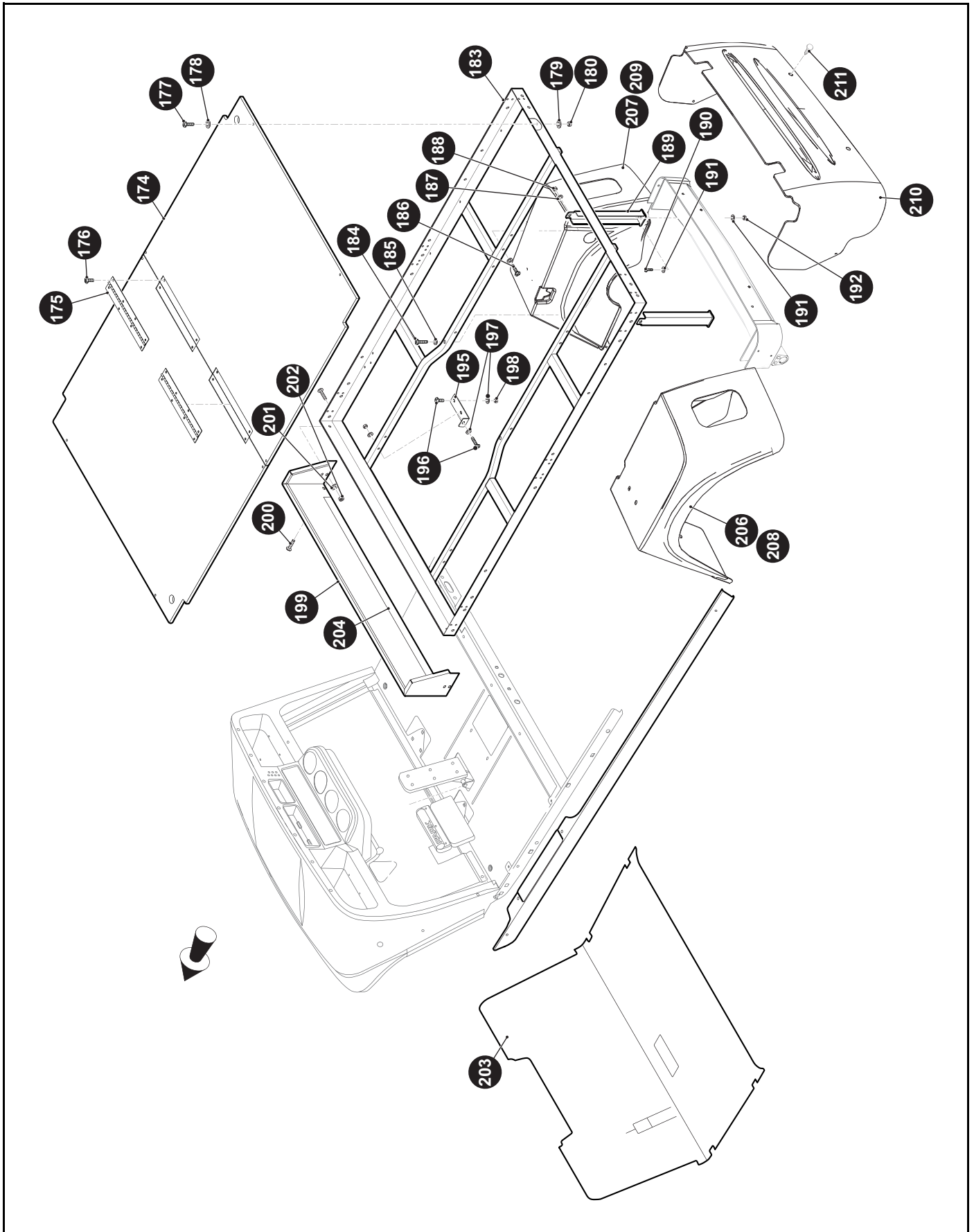
56 REAR BUMPER ASSEMBLY Includes Items 57 - 63

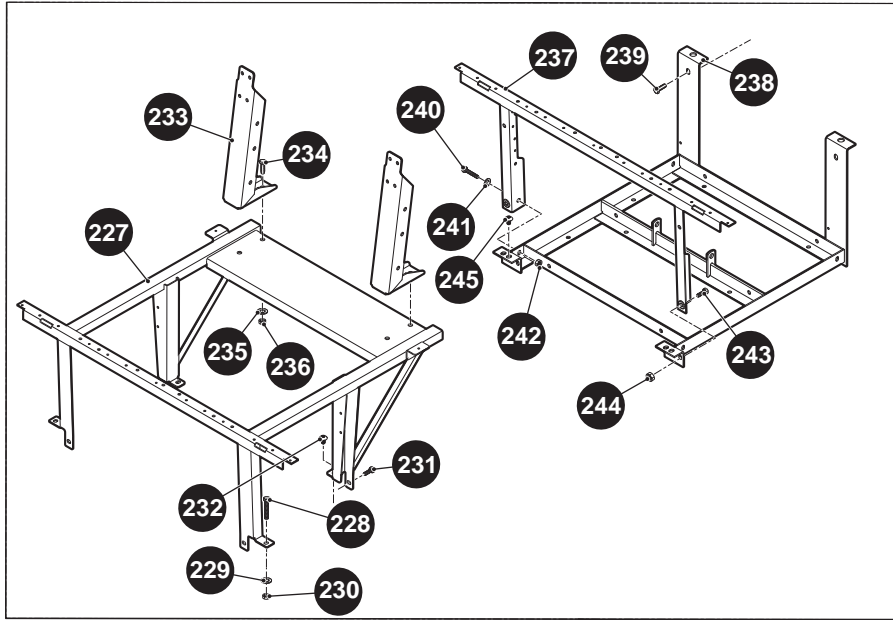




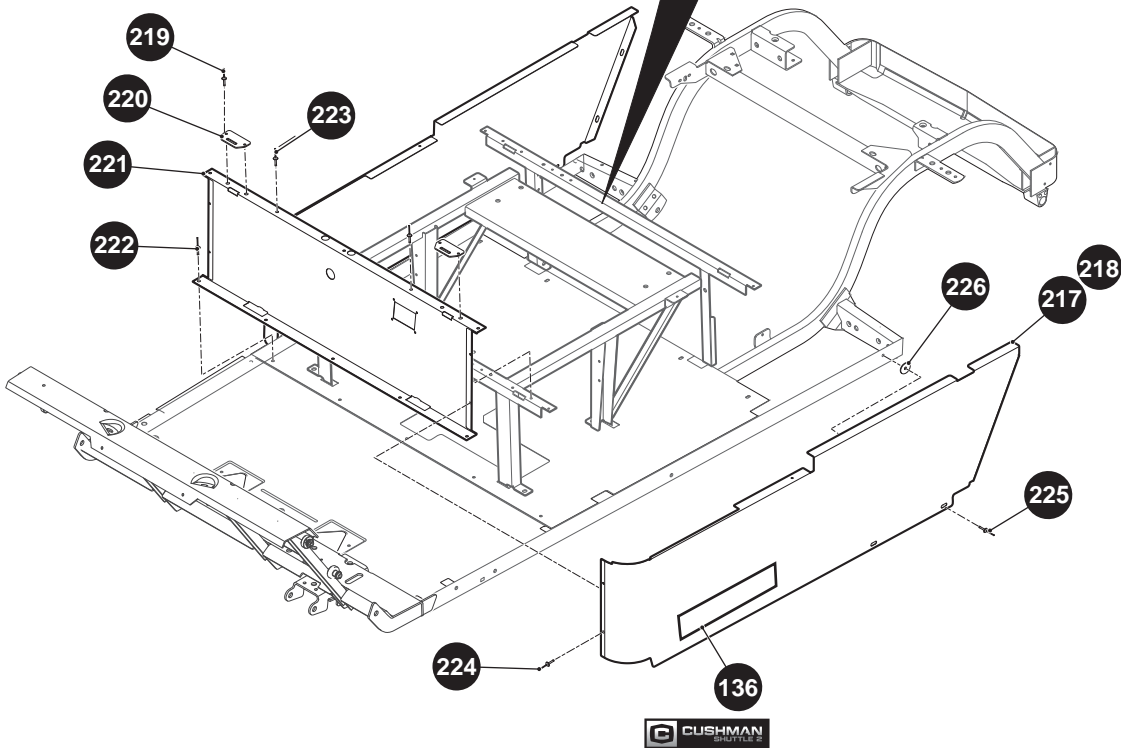
BODY







SHUTTLE 2



When ordering parts, please specify the model and serial number of the product.

* Indicates a component that is not available as an individual part.

*** Indicates consult Customer Service Department for additional information.

ITEM	PART NO.	1 2 3 4 5	DESCRIPTION	QTY.
1	71151G03		INSTRUMENT PANEL ASSEMBLY	1
2	601781		OPERATOR INSTRUCTION DECAL.....	1
3	16816G2		RATCHET FASTENER, 1/4" X 3/4" LG.....	4
4	70662G01		UPPER FLOORPAN	1
5	70451G01		LOWER FLOORPAN	1
6	14601G11		RIVET, 3/16" X 9/16" LG (ALUMINUM).....	16
7	70452G01		ACCESS COVER.....	1
8				
9	70823G01		REAR FLOORPAN.....	1
10	10570G10		RIVET, 5/32" X 9/16" LG (STAINLESS STEEL).....	5
11	70668G0*		FLOORMAT	1
12	613036GXXX		COWL	1
13	71055G01		RIVET, 3/16.....	7
14	617643		GRILL COVER.....	1
15	71055G01		RIVET, 3/16" X 1" LG.....	6
16	614378		FENDER FLARE (DRIVER SIDE)	1
17	613274		FENDER FLARE (PASSENGER SIDE).....	1
18	71597G01		SELF-THREADING NUT	2
19	70663G04		FLOOR MAT WITH HORN HOLE.....	1
20				
21	71115G01		VINYL TRIM.....	2
22	71055G01		RIVET, 3/16" X 1" LG	10
23				
24	70441G01		SEAT FRAME	1
25	70046G02		BATTERY RACK.....	1
26	00715G2		BOLT, 5/16 - 18 X 13/16" LG.....	4
27	00438G6		BOLT, 5/16 - 18 X 3/4" LG.....	2
28	00559G8		FLAT WASHER, 5/16".....	2
29	11098G6		LOCK NUT, 5/16 - 18	2
30	70200G01		SCREW, 3/8 - 16 X 3/4" LG	2
31				

BODY

When ordering parts, please specify the model and serial number of the product.

* Indicates a component that is not available as an individual part.

*** Indicates consult Customer Service Department for additional information.

ITEM	PART NO.	1 2 3 4 5	DESCRIPTION	QTY.
32	70385G01		SPLASH PAN (PASSENGER SIDE)	1
33	70385G02		SPLASH PAN (DRIVER SIDE)	1
34	00715G2		BOLT, 5/16 - 18 X 13/16" LG	8
35				
36	71812G01		FENDER, PASSENGER SIDE	1
37	71812G02		FENDER, DRIVER SIDE	1
38	16816G2		RATCHET FASTENER	8
39	14601G17		RIVET	2
40	74892G01		FENDER, PASSENGER SIDE (SHUTTLE 2)	1
41	74892G02		FENDER, PASSENGER SIDE (SHUTTLE 2)	1
42				
43	71333G1XX		REAR BODY WITH LNR and WITH LIGHT (SEE COLOUR CODE IN HOW TO USE SECTION)	1
44				
45	71609G01		HINGE PLATE	2
46	10570G11		RIVET, 3/16" X 3/4" LG (STAINLESS STEEL)	4
47	71316G01		PLUG	1
48	71320G01		ACCESS PANEL	1
49	01107G01		SCREW, #8 X 5/8" LG	5
50	71364G02		'J' CLIP	1
51	10570G12		RIVET, 1/4" X 9/16" LG (ALUMINUM)	4
52	10570G10		RIVET, 5/32" X 9/16" LG (STAINLESS STEEL)	6
53	18436G1		PLASTIC DRIVE RIVET, 1/4" X 9/16" LG	2
54				
55				
56	74087G01		REAR BUMPER ASSEMBLY (INCLUDES ITEMS 57 - 63)	1
57	*		REAR BUMPER	1
58				
59	71102G01		BOLT, 1/4 - 20 X 1 1/4" LG	4
60	00571G2		FLAT WASHER, 5/16"	4
61	71455G01		BUMPER PLUG	4
62	71102G03		BOLT, 1/4 - 20 x 11/16" LG	2

When ordering parts, please specify the model and serial number of the product.

* Indicates a component that is not available as an individual part.

*** Indicates consult Customer Service Department for additional information.

ITEM	PART NO.	1 2 3 4 5	DESCRIPTION	QTY.
63	71554G01		J-TYPE NUT RETAINER, 1/4 - 20.....	2
64	619094		ROKER PANEL, DRIVER SIDE	1
65	619095		ROKER PANEL, PASSENDER SIDE	1
66	618889		ROCKER PANEL, DRIVER SIDE (SHUTTLE 2)	1
67	618888		ROCKER PANEL, PASSENGER SIDE (SHUTTLE 2).....	1
68	00789G2		SCREW #10 - 24 X 1 1/4".....	2
69	14390G10		LOCK NUT, 10 - 24	2
70	16705G1		SCREW 1/4 - 20 X 1".....	6
71	14390G4		LOCK NUT, 1/4 - 20	6
72	00660G5		FLAT WASHER #10	2
73	23726G4		SPACER, 5/16"	6
74				
75	15058G6		RIVET, 3/16" X 15/16" LG (ALUMINUM).....	4
76	19247G3		SPACER, REAR STRUT.....	2
77				
78	27731G01		ASHTRAY	1
79	27736G01		GASKET.....	1
80	75108G02		BRACKET	1
81	00100G4		SCREW, 10 - 16 X .50	4
82	619135		DECAL , CUSHMAN COWL	1
83	617620		BRUSHGUARD.....	1
84	00440G2		SCREW, 5/16 - 18.....	2
85	00440G6		SCREW, 5/16 - 18.....	2
86	00570G2		FLAT WASHER, 5/16.....	4
87	75048G04		SPACER.....	2
88	75048G01		SPACER.....	2
89	00559G8		FLAT WASHER 5/16".....	4
90	00905G8		LOCK WASHER 5/16"	4
91	603728		PINSTRIPING TAPE (PEWTER)	1
92	75372G04		PINSTRIPING TAPE (BLACK).....	1
93	75372G08		PINSTRIPING TAPE (SILVER).....	1

BODY

When ordering parts, please specify the model and serial number of the product.

* Indicates a component that is not available as an individual part.

*** Indicates consult Customer Service Department for additional information.

ITEM	PART NO.	1	2	3	4	5	DESCRIPTION	QTY.
94								
95								
96								
97								
98								
99								
100								
101	610631						LABEL (WARNING) (EC)	1
102								
103								
104								
105								
106								
107								
108								
109								
110								
111	70113G01						ADJUSTABLE BUMPER	4
112	11027G1						LOCK NUT, 5/16 - 18.....	6
113								
114								
115								
116								
117	4126G01						VERTICAL FRAME SUPPORT (PASSENGER SIDE)	1
118	74126G02						VERTICAL FRAME SUPPORT (DRIVER SIDE).....	1
119	00427G4						BOLT, 3/8 - 16 X 1 1/2" LG (SHUTTLE 4)	2
120								
121	00560G1						LOCK WASHER, 3/8"	4
122	11098G5						LOCK NUT, 3/8 - 16.....	2
123								
124	74111G01						SEAT BACK SUPPORT (SHUTTLE).....	2

When ordering parts, please specify the model and serial number of the product.

* Indicates a component that is not available as an individual part.

*** Indicates consult Customer Service Department for additional information.

ITEM	PART NO.	1 2 3 4 5	DESCRIPTION	QTY.
125				
126	70364G01		SPACER (SHUTTLE 6).....	2
127	00427G02		BOLT, 3/8 - 16 X 1 1/4" LG.....	4
128	00426G8		BOLT, 3/8 - 16 X 1" LG.....	2
129	00560G1		LOCK WASHER, 3/8"	4
130	11098G5		LOCK NUT, 3/8 - 16	2
131				
132	74890G01		VALANCE PANEL	1
133	16816G2		RATCHET FASTENER, 1/4" X 3/4" LG.....	2
134				
135				
136	619144		LABEL -CUSHMAN (SHUTTLE 2).....	1
137	619146		LABEL - CUSHMAN (SHUTTLE 4).....	1
138	619148		LABEL - CUSHMAN (SHUTTLE 6).....	1
139	613273		FRONT FASCIA	1
140	70725G02		FRONT SHIELD BRACE	2
141	16469G1		FENDER WASHER 1 1/4"	2
142	01038G01		BOLT, 1/4 - 20 X 3/4"	4
143	15058G1		ALUMINUM RIVET	2
144	618653		FASCIA BRACKET	1
145	300464		BOLT, 1/4 - 20 X 3/4.....	2
146	72914G01		HOLD DOWN BRACKET	1
147	70113G01		ADJUSTABLE BUMPER.....	2
148	11027G1		LOCK NUT, 5/16 - 18	4
149	14390G4		NUT 1/4 - 20.....	2
150	74080G01		CARGO DECK (SHUTTLE 4)	1
151	23052G1		NOISE SUPPRESSOR.....	1
152	74082G01		STEEL DECK.....	1
153	74097G01		CARGO BED MAT	1
154	16705G3		SCREW, 1/4 - 20 X 3/4" LG (STAINLESS STEEL)	8
155	14390G4		LOCK NUT, 1/4 - 20	8

BODY

When ordering parts, please specify the model and serial number of the product.

* Indicates a component that is not available as an individual part.

*** Indicates consult Customer Service Department for additional information.

ITEM	PART NO.	1 2 3 4 5	DESCRIPTION	QTY.
156	608984		TAPE, DOUBLE SIDED	40"
157	72913G01		LATCH	1
158	00100G6		SCREW - 10 -16 X 3/4	3
159				
160				
161	34280G02		FRONT/REAR CARGO RACK	2
162	34280G01		SIDE CARGO RACK	2
163	74079G01		TAILGATE RETAINER BRACKET	2
164	00666G6		SCREW, #10 - 12 X 3/4" LG	10
165				
166	17838G1		BUSHING	4
167	00440G4		BOLT, 5/16 - 18 X 2 1/2" LG	2
168	00559G8		FLAT WASHER, 5/16"	2
169	11098G6		LOCK NUT, 5/16 - 18	2
170				
171	74099G01		LABEL (WARNING) (BED LATCH - SHUTTLE 4)	1
172	74095G01		LABEL (WARNING) (LOAD BED - SHUTTLE 4)	1
173				
174	72966G01		CARGO DECK (SHUTTLE 2)	2
175	33121G01		HINGE	2
176	16705G3		SCREW, 1/4 - 20 X 3/4" LG (STAINLESS STEEL)	16
177	16705G9		SCREW, 1/4 - 20 X 1 1/4" LG (STAINLESS STEEL)	4
178	00559G7		FLAT WASHER, 1/4"	4
179	00559G7		FLAT WASHER, 1/4"	4
180	00654G2		LOCK NUT, 1/4 - 20	4
181				
182				
183	72956G01		BED FRAME	1
184	01075G01		SCREW, 3/8 - 16 X 2 3/4" LG	2
185	00571G3		FLAT WASHER, 3/8	2
186	00439G6		SCREW, 5/16 - 18 X 1 3/4" LG	4

When ordering parts, please specify the model and serial number of the product.

* Indicates a component that is not available as an individual part.

*** Indicates consult Customer Service Department for additional information.

ITEM	PART NO.	1 2 3 4 5	DESCRIPTION	QTY.
187	00559G8		FLAT WASHER, 5/16.....	8
188	11098G6		LOCK NUT, 5/16 - 18.....	4
189	72982G01		BRACKET.....	2
190	00438G6		BOLT, 5/16 - 18 X 3/4" LG.....	2
191	00559G8		FLAT WASHER, 5/16.....	4
192	11098G6		LOCK NUT, 5/16 - 18.....	2
193				
194				
195	72983G01		BED MOUNT BRACKET.....	2
196	16705G3		SCREW, 1/4 - 20 X 3/4" LG (STAINLESS STEEL).....	4
197	00559G7		FLAT WASHER, 1/4".....	4
198	00654G2		LOCK NUT, 1/4 - 20.....	4
199	72967G01		BULKHEAD.....	1
200	16705G3		SCREW, 1/4 - 20 X 3/4" LG (STAINLESS STEEL).....	4
201	00559G7		FLAT WASHER, 1/4".....	4
202	00654G2		LOCK NUT, 1/4 - 20.....	4
203	70663G03		FLOORMAT.....	1
204	22524G1		FOAM TAPE.....	40"
205				
206	74892G01		FENDER (DRIVER SIDE).....	1
207	74892G02		FENDER (PASSENGER SIDE).....	1
208	74892G03		FENDER WITH TAILLIGHT (DRIVER SIDE).....	1
209	74892G04		FENDER WITH TAILLIGHT (PASSENGER SIDE).....	1
210	74890G01		REAR PANEL.....	1
211	16816G2		RATCHET TYPE FASTENER 1/4" X 3/4".....	4
212				
213				
214				
215				
216				
217	602037G01		SIDE PANEL, DRIVER SIDE.....	1

BODY

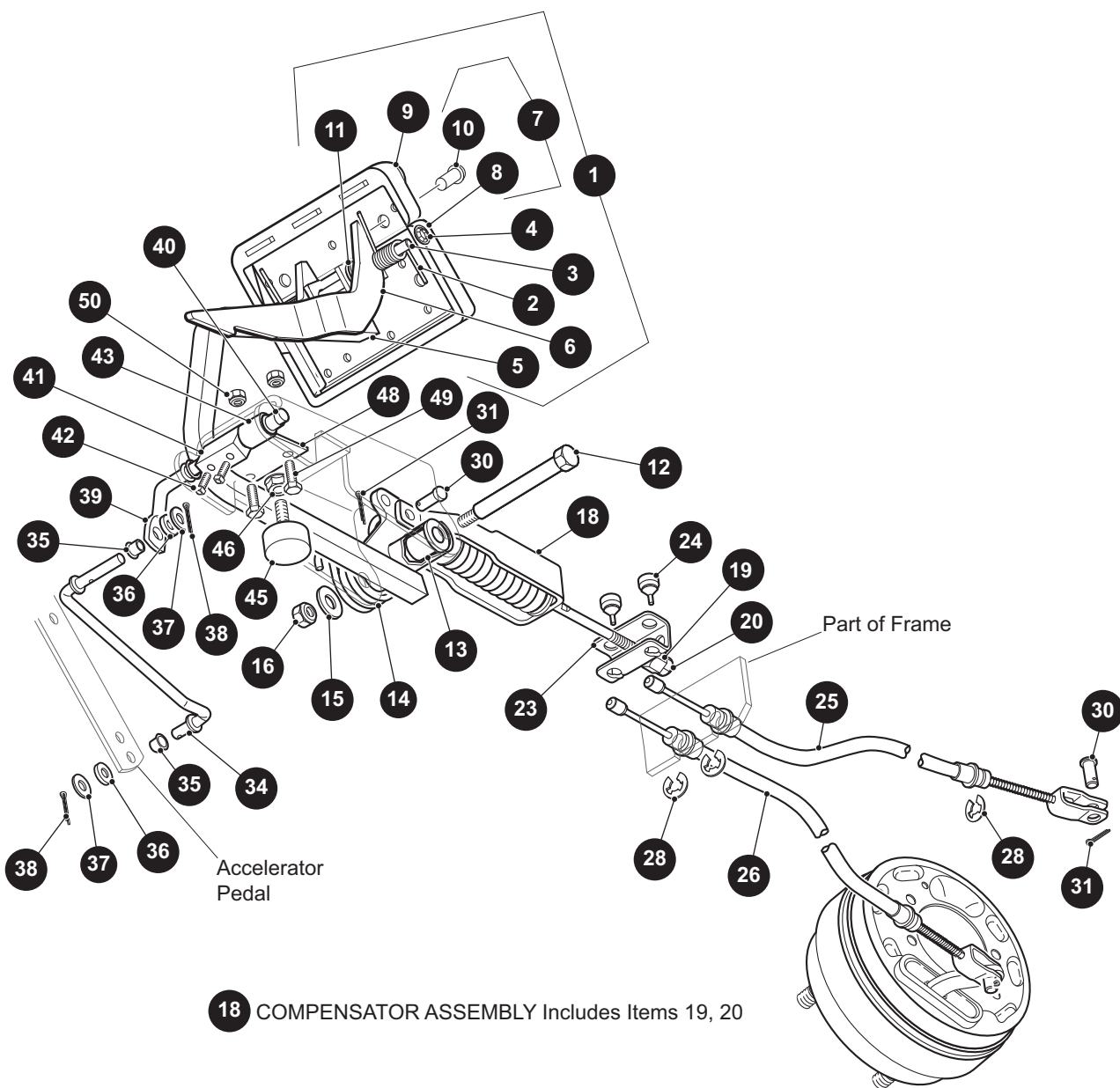
When ordering parts, please specify the model and serial number of the product.

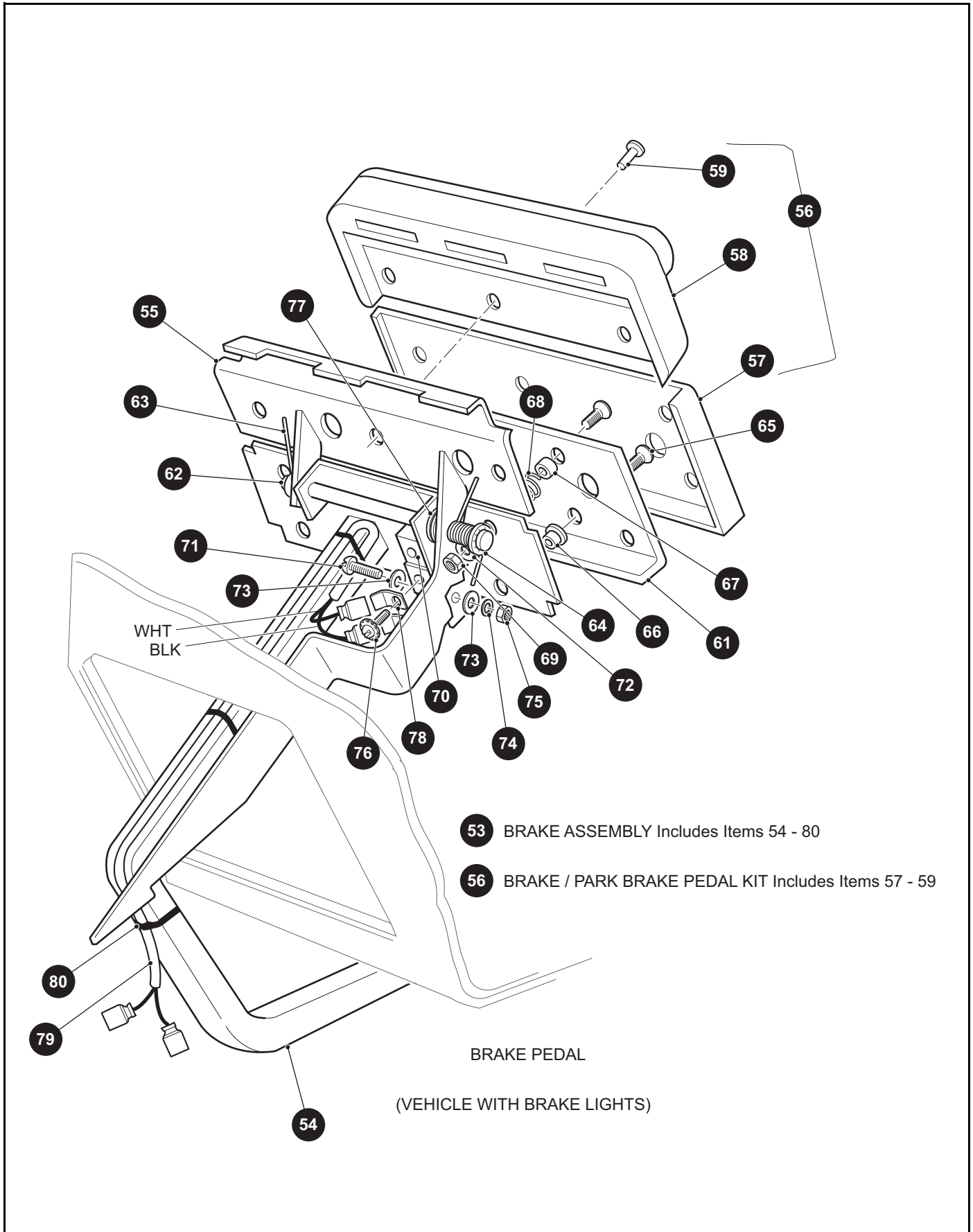
* Indicates a component that is not available as an individual part.

*** Indicates consult Customer Service Department for additional information.

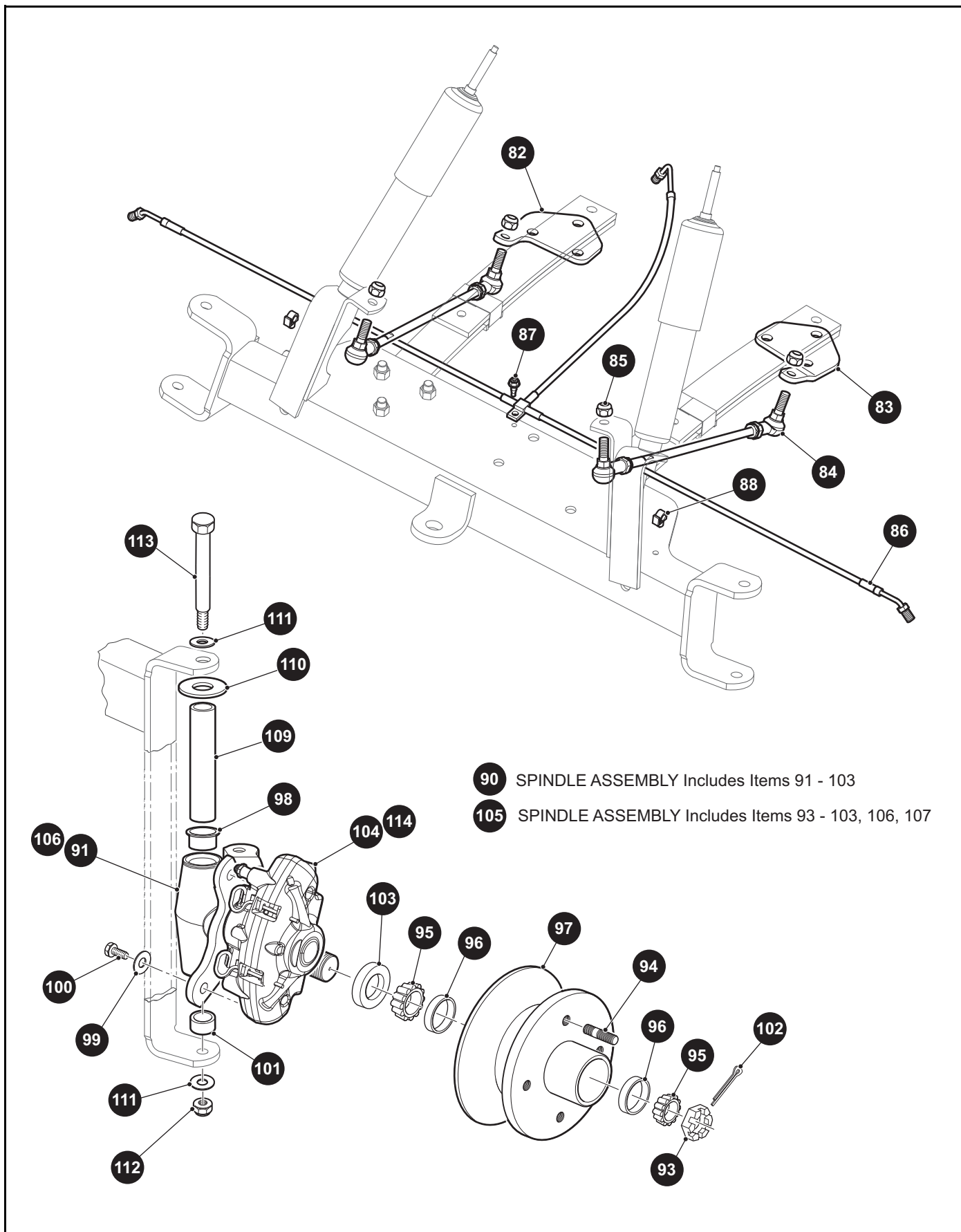
ITEM	PART NO.	1	2	3	4	5	DESCRIPTION	QTY.
218	602029G02						SIDE PANEL, PASSENGER SIDE	1
219	10570G11						RIVET, 3/16" X 3/4" LG (STAINLESS STEEL)	4
220	71609G01						SEAT HINGE	2
221	600034G01						SEAT WRAP PANEL	1
222	10570G10						RIVET, 5/32" X 9/16" LG (STAINLESS STEEL)	5
223	10570G10						RIVET, 5/32" X 9/16" LG (STAINLESS STEEL)	2
224	10570G10						RIVET, 5/32" X 9/16" LG (STAINLESS STEEL)	4
225	10570G12						RIVET, 1/4" X 9/16" LG.....	2
226	16469G01						FLAT WASHER, 1/4"	4
227	600038G01						SEAT FRAME WELDMENT	1
228	00438G8						BOLT, 5/16 - 18 x 1"LG	2
229	00559G8						FLAT WASHER, 5/16	2
230	11098G6						LOCK NUT, 5/16 - 18.....	2
231	00715G2						BOLT, 5/16 - 18 X 13/16" LG	4
232	70200G01						BOLT, 3/8 - 16 X 3/4" LG	2
233	612023G02						SEAT BACK BRACKET.....	2
234	00427G8						BOLT, 3/8 - 16 X 1" LG	4
235	00560G1						LOCK WASHER, 3/8"	4
236	11098G5						LOCK NUT, 3/8 - 16.....	4
237	70441G01						SEAT FRAME	1
238	70046G02						BATTERY RACK WELDMENT.....	1
239	00715G2						BOLT, 5/16 - 18 X 13/16" LG	4
240	00438G8						BOLT, 5/16 - 18 x 1"LG	2
241	00559G8						FLAT WASHER, 5/16	2
242	11098G6						LOCK NUT, 5/16 - 18.....	2
243	00715G2						BOLT, 5/16 - 18 X 13/16" LG	2
244	11098G6						LOCK NUT, 5/16 - 18.....	2
245	70200G01						BOLT, 3/8 - 16 X 3/4" LG	2

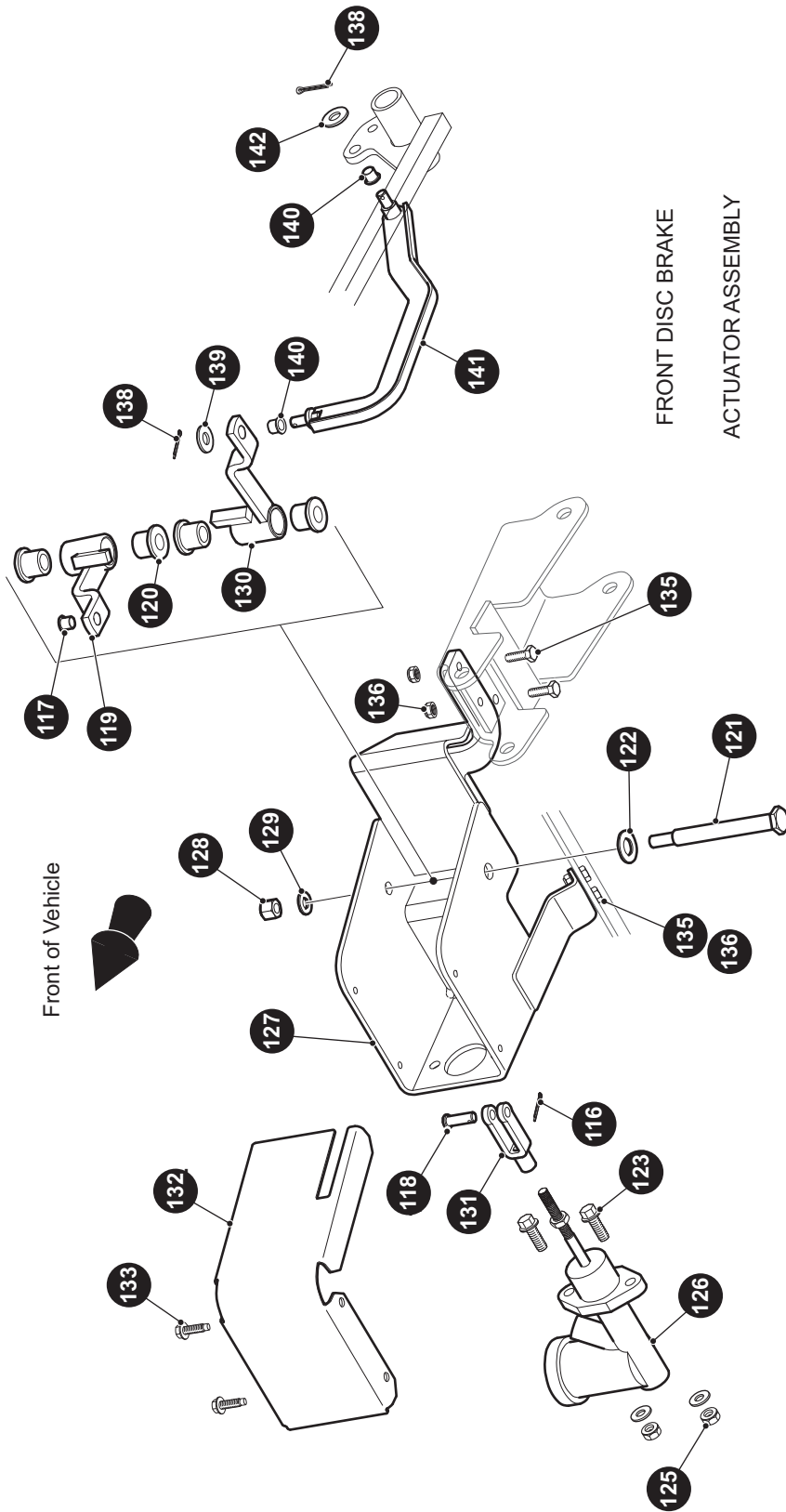
BRAKES - FRONT DISC





BRAKES - FRONT DISC





115 FRONT DISC BRAKE ACTUATOR ASSEMBLY Includes items 116 -133

BRAKES - FRONT DISC

When ordering parts, please specify the model and serial number of the product.

* Indicates a component that is not available as an individual part.

*** Indicates consult Customer Service Department for additional information.

ITEM	PART NO.	1 2 3 4 5	DESCRIPTION	QTY.
1	74723G01		BRAKE PEDAL ASSEMBLY (WITHOUT BRAKE LIGHTS) (INCLUDES ITEMS 2 - 11)	1
2	70681G01		TORSION SPRING	2
3	70682G01		PIVOT PIN	1
4	01071G01		PUSHNUT, 5/16"	1
5	70259G02		BRAKE PEDAL	1
6	74724G01		PARK BRAKE PEDAL.....	1
7	70274G01		BRAKE/PARK BRAKE PEDAL PAD KIT (INCLUDES ITEMS 8 - 10)	1
8	70257G01		SERVICE BRAKE PAD.....	1
9	70256G01		PARK BRAKE PEDAL PAD	1
10	15766G1		OVAL RIVET, 3/16" X 15/32" LG	9
11	20835G1		WASHER, TEFLON, 3/8"	2
12	70582G01		SHOULDER BOLT, 3/8 - 16 X 4" LG	1
13	70581G01		FLANGED BUSHING	2
14	70676G01		TORSION SPRING	1
15	00643G1		LOCK WASHER, 3/8"	1
16	11098G5		LOCK NUT, 3/8 - 16.....	1
17				
18	612558		COMPENSATOR ASSEMBLY (INCLUDES ITEMS 19 - 23).....	1
19	00963G01		SPHERICAL NUT, 5/16 - 24.....	1
20	11098G9		LOCK NUT, 5/16 - 24	1
21				
22				
23	28082G01		EQUALIZER BRACKET	1
24	28083G01		BRAKE COMPENSATOR BUMPER	2
25	70968G08		BRAKE CABLE (DRIVER SIDE)	1
26	70968G08		BRAKE CABLE (PASSENGER SIDE).....	1
27				
28	01111G01		RETAINING RING, S.S.....	4
29				

BRAKES - FRONT DISC

When ordering parts, please specify the model and serial number of the product.

* Indicates a component that is not available as an individual part.

*** Indicates consult Customer Service Department for additional information.

ITEM	PART NO.	1 2 3 4 5	DESCRIPTION	QTY.
30	10386G3		CLEVIS PIN, 5/16" X 1" LG.....	4
31	10387G3		COTTER PIN, 3/32" X 3/4" LG.....	2
32				
33				
34	70601G01		KICK-OFF LINK	1
35	17838G1		NYLON BUSHING	2
36	20835G1		TEFLON WASHER, 3/8"	2
37	00559G8		FLAT WASHER, 5/16".....	2
38	10387G3		COTTER PIN, 3/32" X 3/4" LG.....	2
39	70098G01		KICK-OFF CAM PIVOT.....	1
40	10097G6		FLANGED BEARING	2
41	70587G01		KICK-OFF CAM	1
42	71215G01		SETSCREW, 1/4 - 20 X 1/2" LG	2
43	14134G4		SPACER.....	1
44				
45	70113G01		ADJUSTABLE BUMPER.....	1
46	11027G1		LOCK NUT, 5/16 - 18	1
47				
48	70080G02		CATCH BRACKET	1
49	00414G8		BOLT, 1/4 - 20 X 3/4" LG.....	2
50	00891G2		LOCK NUT, 1/4 20	2
51				
52				
53	74874G01		BRAKE PEDAL ASSEMBLY (WITH BRAKE LIGHTS) (INCLUDES ITEMS 54 - 80)	1
54	*		BRAKE PEDAL.....	1
55	74724G01		PARK BRAKE PEDAL	1
56	70274G01		BRAKE/PARK BRAKE PEDAL PAD KIT (INCLUDES ITEMS 57 - 59)	1
57	70257G01		SERVICE BRAKE PAD	1
58	70256G01		PARK BRAKE PAD	1

BRAKES - FRONT DISC

When ordering parts, please specify the model and serial number of the product.

* Indicates a component that is not available as an individual part.

*** Indicates consult Customer Service Department for additional information.

ITEM	PART NO.	1	2	3	4	5	DESCRIPTION	QTY.
59	15766G1						OVAL RIVET, 3/16" X 15/32" LG	9
60								
61	70258G03						BRAKE PEDAL PLATE	1
62	70682G01						PIVOT PIN	1
63	70681G01						TORSION SPRING	2
64	01071G01						PUSHNUT, 5/16"	1
65	00737G8						SCREW, #10 - 24 X 1" LG	4
66	00739G1						RUBBER NUT, #10 - 24	2
67	74535G01						BRAKE PEDAL STANDOFF	2
68	27137G01						CONICAL SPRING	2
69	14390G10						LOCK NUT, #10 - 24	2
70	10606G8						MICRO SWITCH	1
71	00957G1						SCREW, #6 - 32 X 1 1/4" LG	2
72	00559G5						FLAT WASHER, #10	2
73	00559G3						FLAT WASHER, #6	4
74	00565G3						LOCK WASHER, #6	2
75	00525G5						NUT, #6 - 32	2
76	13514G1						SCREW AND LOCK WASHER, #6	2
77	20835G1						WASHER, TEFLON, 3/8"	2
78	14628G1						FASTON TAB	2
79	24605G1						WIRE HARNESS (BRAKE LIGHT)	1
80	17618G1						WIRE TIE	3
81								
82	74731G02						SPRING PLATE (PASSENGER SIDE)	1
83	74731G01						SPRING PLATE (DRIVER SIDE)	1
84	74730G01						FOUR LINK ROD	2
85	01084G01						LOCK NUT, M10-1.25	4
86	74736G01						BRAKE LINE	1
87	01038G01						SCREW, 1/4 - 20 X 1/2" LG	1
88	74875G01						WIRE RETAINER	2

BRAKES - FRONT DISC

When ordering parts, please specify the model and serial number of the product.

* Indicates a component that is not available as an individual part.

*** Indicates consult Customer Service Department for additional information.

ITEM	PART NO.	1 2 3 4 5	DESCRIPTION	QTY.
89				
90	602281		SPINDLE, CALIPER AND DISC HUB ASSEMBLY (DRIVER SIDE) (INCLUDES ITEMS 91 - 103)	1
91	602176		DISC BRAKE SPINDLE (DRIVER SIDE)	1
92				
93	12093G1		SLOTTED NUT 1-14	1
94	74864G01		DRIVE FLANGE STUD	4
95	11750G2		ROLLER BEARING	2
96	51141G1		BEARING RACE	2
97	74673G01		DISC BRAKE HUB	1
98	70648G01		FLANGED BEARING	1
99	00566G1		WASHER, 3/8"	2
100	00426G8		BOLT, 3/8 - 16 X 1	2
101	70749G01		BEARING	1
102	00798G8		COTTER PIN 5/32 X 1-3/4	1
103	25146G1		GREASE SEAL	1
104	74733G02		CALIPER (DRIVER SIDE)	1
105	602288		SPINDLE, CALIPER AND DISC HUB ASSEMBLY (PASSENGER SIDE) (INCLUDES ITEMS 93 - 103, 106, 107)	1
106	602158		DISC BRAKE SPINDLE (PASSENGER SIDE).....	1
107				
108				
109	70745G01		KINGPIN TUBE.....	2
110	70754G01		THRUST WASHER SS	2
111	00560G3		FLAT WASHER, 1/2"	4
112	14390G6		LOCK NUT, 1/2 - 13	2
113	00407G6		HEX HEAD SHOULDER BOLT, 1/2 - 13 X 6" LG	2
114	74733G01		CALIPER (PASSENGER SIDE).....	1
115	608706		FRONT DISC BRAKE ACTUATOR ASSEMBLY (INCLUDES ITEMS 116 - 133).....	1
116	10387G3		COTTER PIN, 3/32 X 3/4" LG	1

BRAKES - FRONT DISC

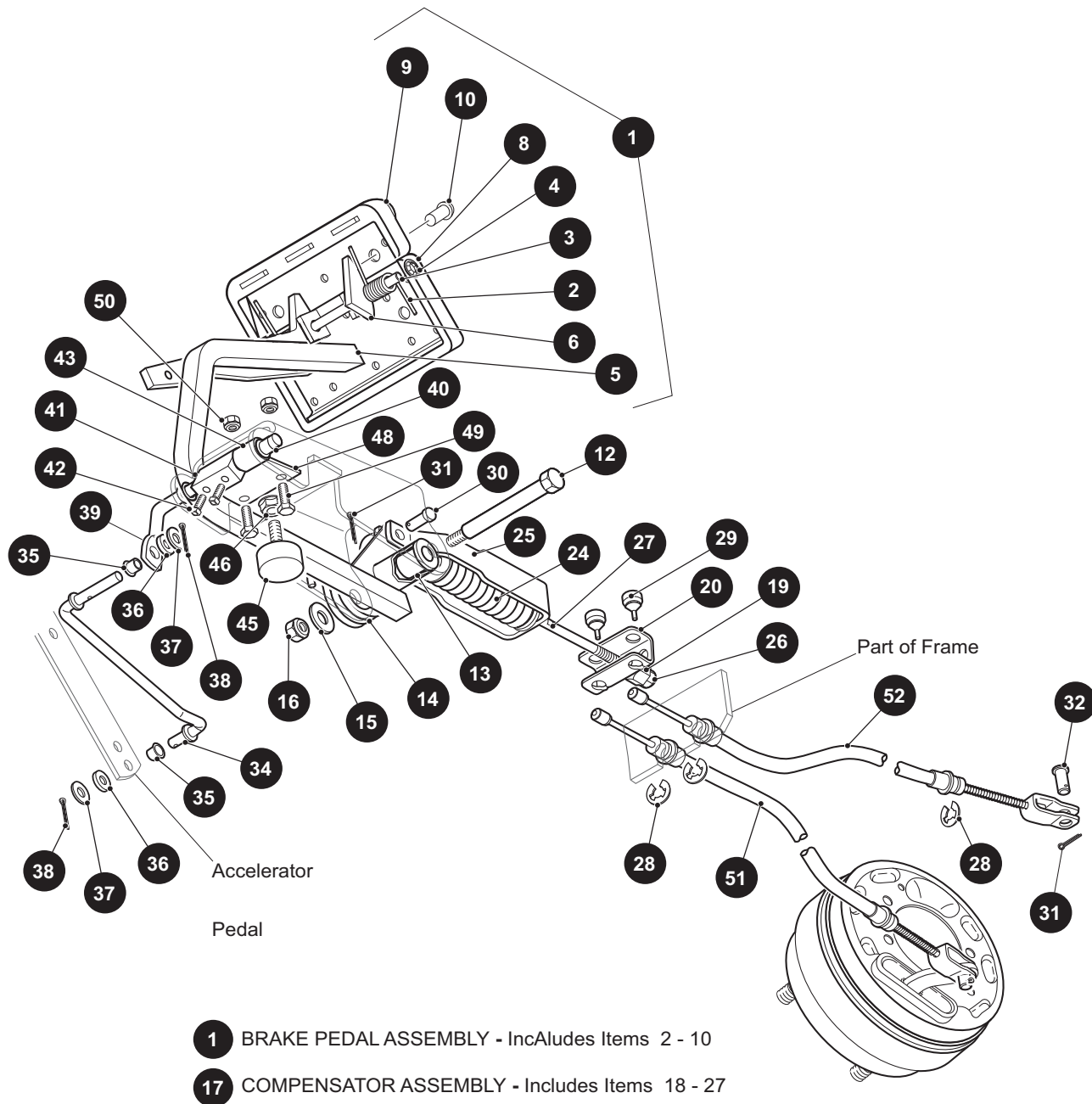
When ordering parts, please specify the model and serial number of the product.

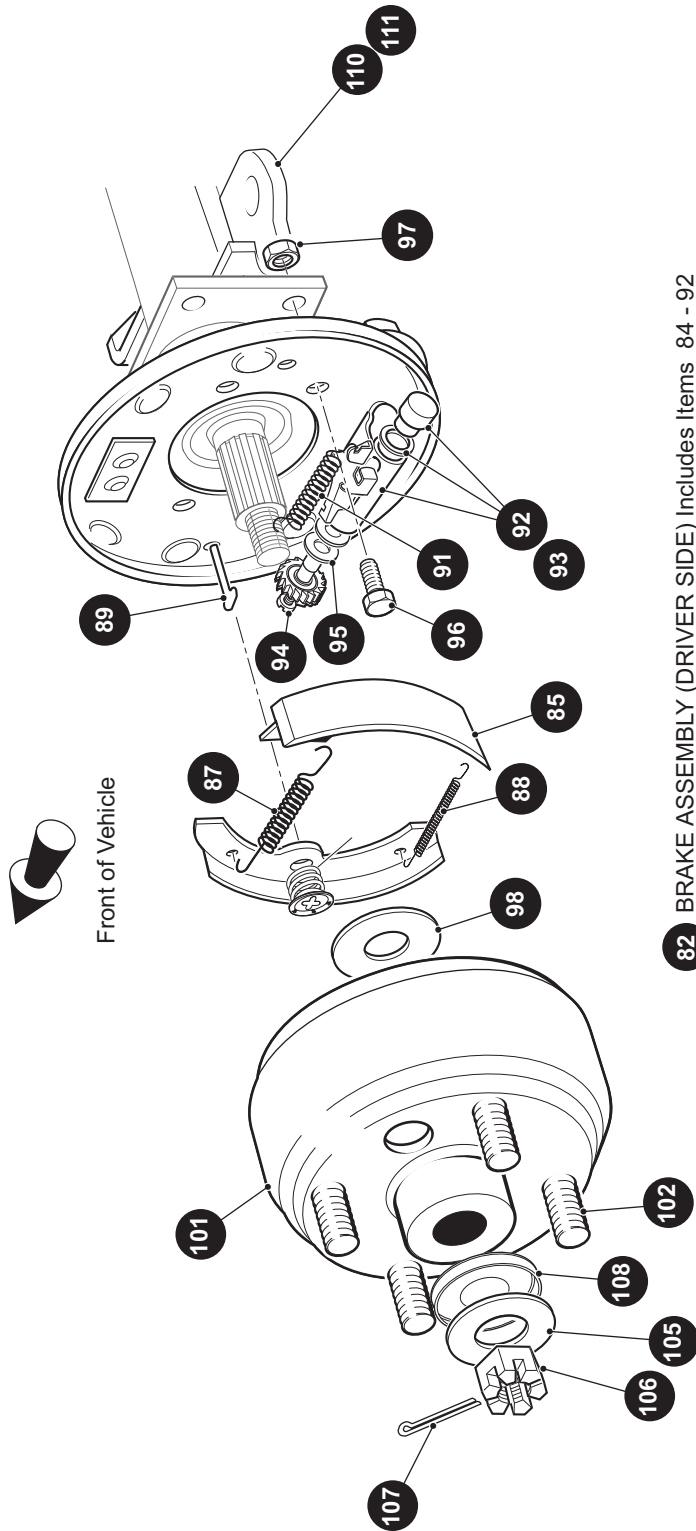
* Indicates a component that is not available as an individual part.

*** Indicates consult Customer Service Department for additional information.

ITEM	PART NO.	1	2	3	4	5	DESCRIPTION	QTY.
117								
118	10386G3						CLEVIS PIN, 5/16 X 1" LG.....	1
119	608122						UPPER ACTUATOR PIVOT	1
120	70581G02						ACETAL BUSHING	4
121	74711G01						SHOULDER BOLT 3/4 - 16 X 4 3/4"	1
122								
123	00439G1						BOLT, 1/2 - 13 X 6" LG.....	2
124								
125	11098G06						LOCKNUT, 5/16 - 18	2
126	887364						MASTER CYLINDER	1
127	612706						MASTER CYLINDER BRACKET	1
128	11098G5						LOCKNUT, 3/8 - 16	1
129	00679G1						LOCK WASHER, 3/8" STAINLESS	2
130	608118						LOWER ACTUATOR PIVOT.....	1
131								
132	612704						ACTUATOR ASSEMBLY COVER.....	1
133	01038G01						SCREW, 1/4 -20 SWAGEFORM.....	3
134								
135	00414G8						BOLT, 1/4 - 20 X 1 1/4" LG	4
136	00891G2						LOCKNUT, 1/4 - 20.....	4

BRAKES - MECHANICAL





82 BRAKE ASSEMBLY (DRIVER SIDE) Includes Items 84 - 92

83 BRAKE ASSEMBLY (PASSENGER SIDE) Includes Items 84 - 93

84 BRAKE SHOE KIT Includes Item 85

86 BRAKE SPRING KIT Includes Items 87 - 91

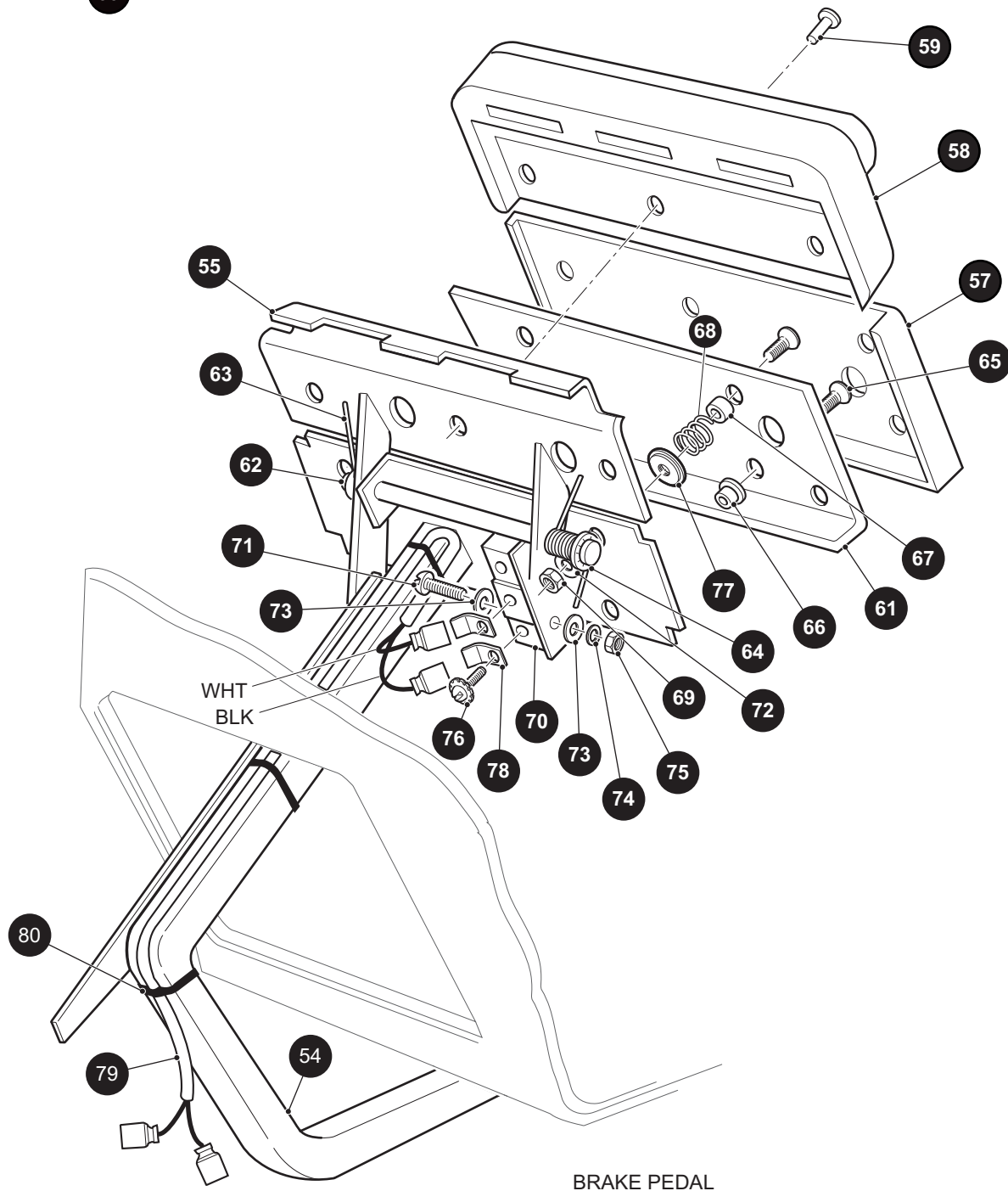
92 BRAKE ADJUSTER KIT (DRIVER SIDE) Includes Items 94 - 95

93 BRAKE ADJUSTER KIT (PASSENGER SIDE) Includes Items 94 - 95

100 BRAKE DRUM ASSEMBLY Includes Items 101 - 102

BRAKES - MECHANICAL

53 BRAKE PEDAL ASSEMBLY Includes Items 54 - 80



BRAKES - MECHANICAL

When ordering parts, please specify the model and serial number of the product.

* Indicates a component that is not available as an individual part.

*** Indicates consult Customer Service Department for additional information.

ITEM	PART NO.	1 2 3 4 5	DESCRIPTION	QTY.
1	70612G02		Z (WITHOUT BRAKE LIGHTS) (INCLUDES ITEMS 2 - 10)	1
2	70681G01		TORSION SPRING.....	2
3	70682G01		PIVOT PIN.....	1
4	01071G01		PUSHNUT, 5/16"	1
5	70259G02		BRAKE PEDAL.....	1
6	70611G02		PARK BRAKE PEDAL	1
7				
8	70257G01		SERVICE BRAKE PAD.....	1
9	70256G01		PARK BRAKE PEDAL PAD	1
10	16409G1		OVAL RIVET, 3/16" X 3/8" LG	9
11	12416G2		NYLON WIRE TIE.....	6
12	70582G01		SHOULDER BOLT, 3/8 - 16 X 4" LG.....	1
13	70581G01		FLANGED BUSHING.....	2
14	70676G01		TORSION SPRING	1
15	00643G1		LOCK WASHER, 3/8"	1
16	11098G5		LOCK NUT, 3/8 - 16	1
17	612558		COMPENSATOR ASSEMBLY (INCLUDES ITEMS 18 - 27)	1
18	00532G4		HEX NUT 5/16 - 24.....	2
19	00963G01		HEX SPHERICAL NUT 5/16 - 24	1
20	28082G01		EQUALIZER BRACKET	1
21	15121G1		FLAT WASHER 3/8"	2
22	17979G1		ACCELERATOR ROD BUSHING.....	1
23	23061G2		TUBE	1
24	23463G1		COMPRESSION SPRING	1
25	27330G01		BRAKE YOKE	1
26	11098G9		HEX LOCK NUT 5/16 - 24.....	1
27	612557		COMPENSATOR LINK ROD.....	1
28	01111G01		RETAINING RING, S.S.	4
29	28083G01		BRAKE COMPENSATOR BUMPER.....	2
30	10386G3		CLEVIS PIN, 5/16" X 1" LG.....	3

BRAKES - MECHANICAL

When ordering parts, please specify the model and serial number of the product.

* Indicates a component that is not available as an individual part.

*** Indicates consult Customer Service Department for additional information.

ITEM	PART NO.	1 2 3 4 5	DESCRIPTION	QTY.
31	10387G3		COTTER PIN, 3/32" X 3/4" LG	3
32	14443G2		CLEVIS PIN, 5/16" X 3/4" LG	2
33				
34	70601G01		KICK-OFF LINK.....	1
35	17838G1		NYLON BUSHING.....	2
36	20835G1		TEFLON WASHER, 3/8"	2
37	00559G8		FLAT WASHER, 5/16"	2
38	10387G3		COTTER PIN, 3/32" X 3/4" LG	7
39	70098G01		KICK-OFF CAM PIVOT	1
40	10097G6		FLANGED BEARING	2
41	70587G01		KICK-OFF CAM.....	1
42	71215G01		SETSCREW, 1/4 - 20 X 1/2" LG.....	2
43	14134G4		SPACER	1
44				
45	70113G01		ADJUSTABLE BUMPER	1
46	11027G1		LOCK NUT, 5/16 - 18.....	1
47				
48	70080G02		CATCH BRACKET	1
49	00414G6		BOLT, 1/4 - 20 X 3/4" LG	2
50	14390G4		LOCK NUT, 1/4 - 20.....	2
51	70968G09		BRAKE CABLE, 68.00"	1
52	70968G08		BRAKE CABLE, 58.31"	1
53	70690G02		BRAKE PEDAL ASSEMBLY (WITH BRAKE LIGHTS) (INCLUDES ITEMS 54 - 80).....	1
54	70686G02		BRAKE PEDAL	1
55	70611G02		PARK BRAKE PEDAL.....	1
56				
57	70257G01		SERVICE BRAKE PAD	1
58	70256G01		PARK BRAKE PAD	1
59	16409G1		OVAL RIVET, 3/16" x 3/8" LG	9
60				
61	70258G03		BRAKE PEDAL PLATE	1

BRAKES - MECHANICAL

When ordering parts, please specify the model and serial number of the product.

* Indicates a component that is not available as an individual part.

*** Indicates consult Customer Service Department for additional information.

ITEM	PART NO.	1 2 3 4 5	DESCRIPTION	QTY.
62	70682G01		PIVOT PIN.....	1
63	70681G01		TORSION SPRING.....	2
64	01071G01		PUSHNUT, 5/16"	1
65	00737G8		SCREW, #10 - 24 X 1" LG.....	4
66	00739G1		RUBBER NUT, #10 - 24	2
67	74535G01		BRAKE PEDAL STANDOFF.....	2
68	27137G01		CONICAL SPRING.....	2
69	14390G10		LOCK NUT, #10 - 24.....	2
70	10606G8		MICRO SWITCH	1
71	00645-G2		SCREW, #6 - 32 X 1 1/4" LG.....	2
72	00559G5		FLAT WASHER, #10	2
73	00559G3		FLAT WASHER, #6	4
74	00565G3		LOCK WASHER, #6	2
75	00525G5		NUT, #6 - 32	2
76	13514G1		SCREW AND LOCK WASHER, #6 - 32 X 7/32.....	2
77	00642-G8		FLAT WASHER, 5/16"	2
78	14628G1		FASTON TAB.....	2
79	24605G1		WIRE HARNESS (BRAKE LIGHT).....	1
80				
81				
82	70998G01		BRAKE ASSEMBLY (DRIVER SIDE) (INCLUDES ITEMS 84 - 92).....	1
83	70998G02		BRAKE ASSEMBLY (PASSENGER SIDE) (INCL. ITEMS 84 - 91, 93).....	1
84	70794G01		BRAKE SHOE KIT (INCLUDES ITEM 85)	2
85	*		BRAKE SHOE.....	2
86	27944G01		BRAKE SPRING KIT (INCLUDES ITEMS 87 - 91)	2
87	*		UPPER SPRING	1
88	*		LOWER SPRING	1
89	*		PIN	2
90	*		CUP AND SPRING	2
91	*		ADJUSTER SPRING	1
92	72582G01		BRAKE ADJUSTER KIT (DRIVER SIDE) (INCLUDES ITEMS 94, 95)....	1

BRAKES - MECHANICAL

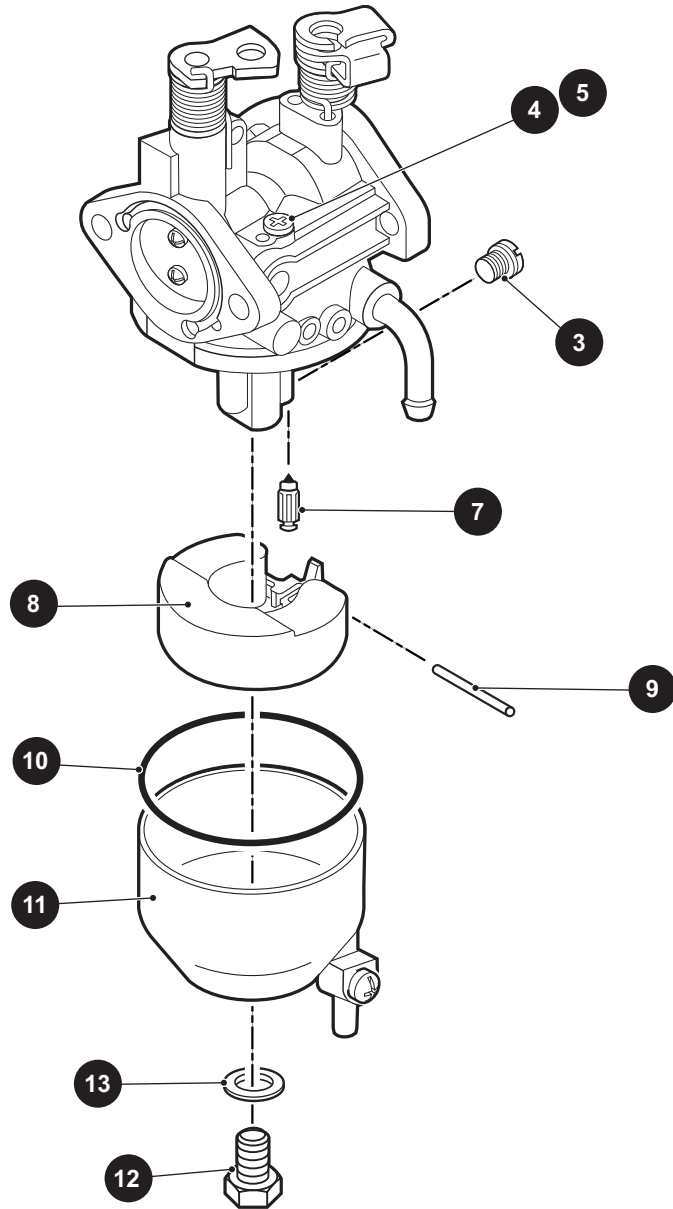
When ordering parts, please specify the model and serial number of the product.

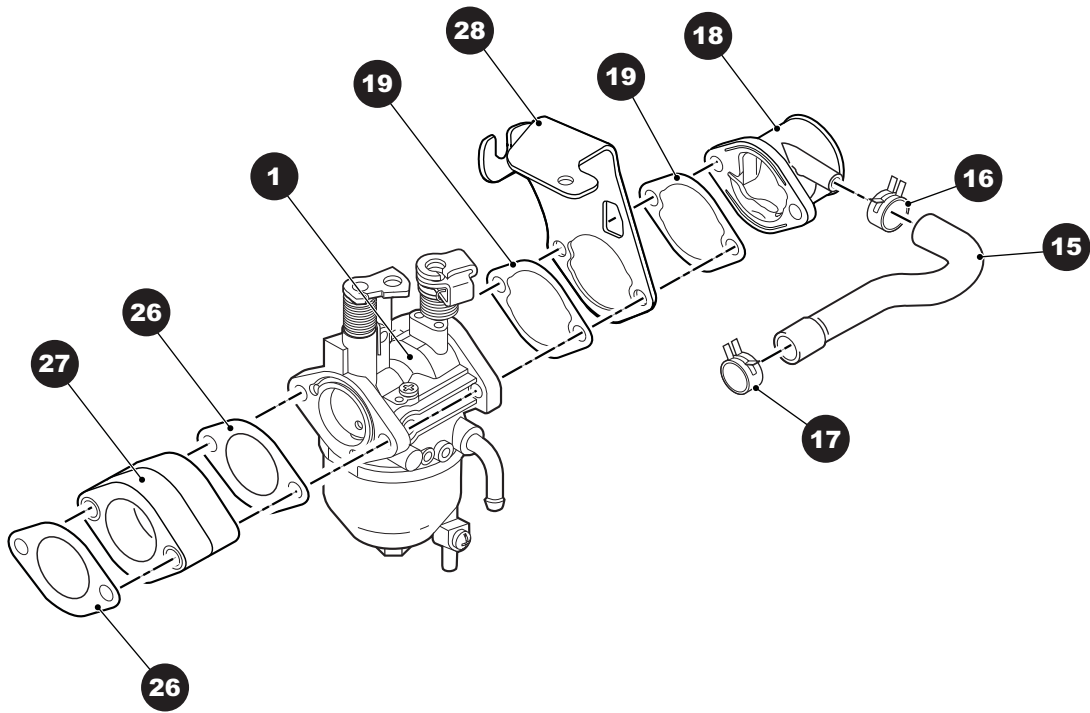
* Indicates a component that is not available as an individual part.

*** Indicates consult Customer Service Department for additional information.

ITEM	PART NO.	1	2	3	4	5	DESCRIPTION	QTY.
93	72582G02						BRAKE ADJUSTER KIT (PASSENGER SIDE) (INCL ITEMS 94, 95).....	1
94	*						ADJUSTER.....	1
95	*						TEFLON WASHER.....	2
96	17083G2						BOLT, 5/16 - 24 X 1" LG	8
97	15126G1						LOCK NUT, 5/16 - 24.....	8
98	21809G1						INNER BRAKE DRUM WASHER, 1 5/16" OD X 1" ID X 1/32"	2
99								
100	21807G2						BRAKE DRUM ASSEMBLY (INCLUDES ITEMS 101 - 102).....	2
101	*						BRAKE DRUM	1
102	19862G1						LUG BOLT, 1/2 - 20.....	4
103								
104								
105	606945						OUTER BRAKE DRUM WASHER	2
106	606403						SLOTTED NUT, 3/4 - 16.....	2
107	10387G1						COTTER PIN, 1/8" X 1 1/2" LG	2
108	607033						SPINDLE CAP.....	2
109								
110	608200						BRAKE CABLE BRACKET (PASSENGER SIDE).....	1
111	608201						BRAKE CABLE BRACKET (DRIVER SIDE)	1

CARBURETOR





CARBURETOR

When ordering parts, please specify the model and serial number of the product.

* Indicates a component that is not available as an individual part.

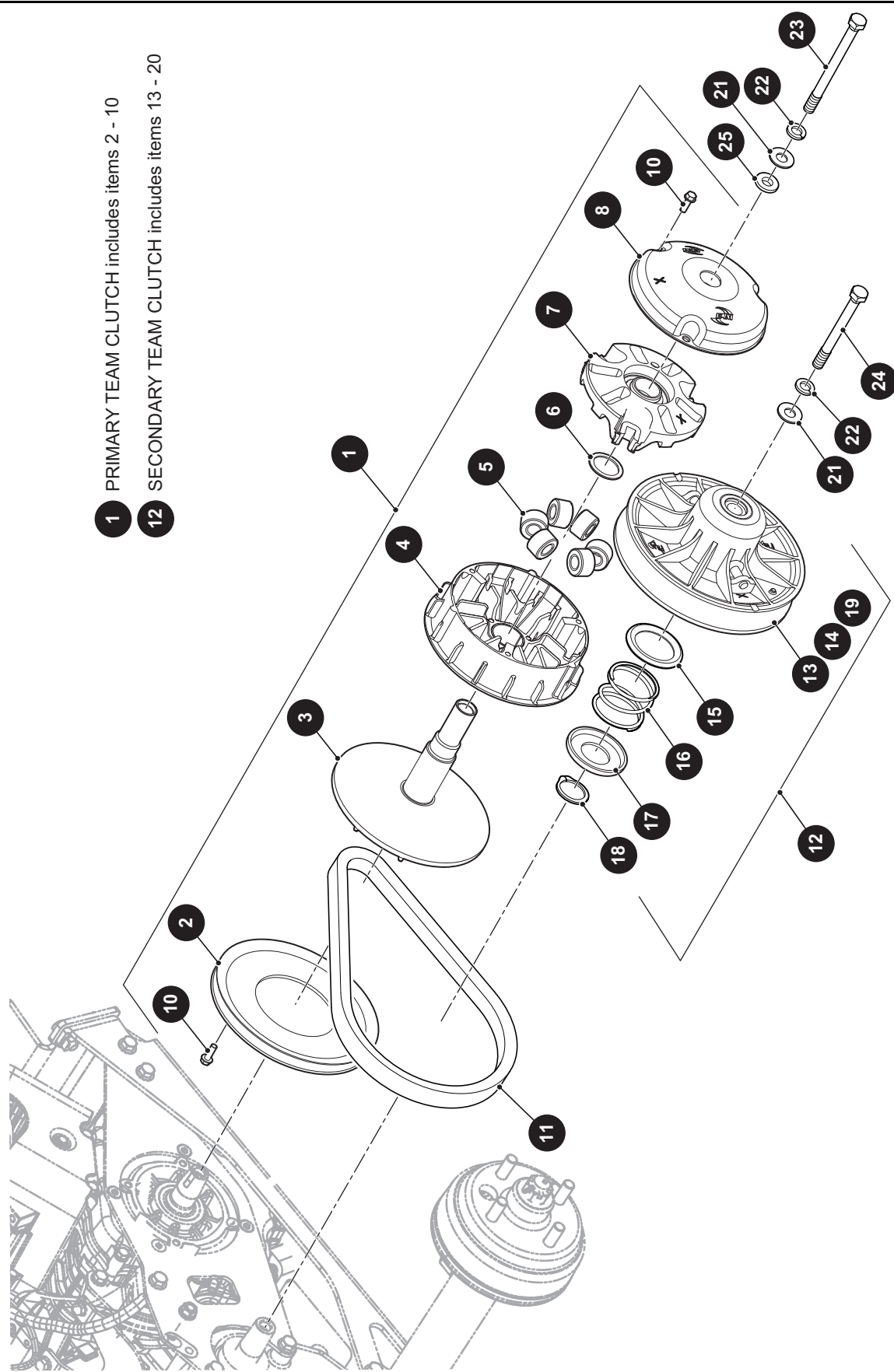
*** Indicates consult Customer Service Department for additional information.

ITEM	PART NO.	1	2	3	4	5	DESCRIPTION	QTY.
1	607954						CARBURETOR (INCLUDES ITEMS 3 - 21).....	1
2								
3	607683						MAIN JET (#104)	1
4	608021						PILOT JET (#44)	1
5	603585						PLUG	1
6								
7	603586						NEEDLE VALVE.....	1
8	603587						FLOAT.....	1
9	603588						FLOAT PIN.....	1
10	603589						FLOAT BOWL GASKET.....	1
11	603590						FLOAT CHAMBER.....	1
12	603592						BOWL SCREW	1
13	603591						BOWL GASKET	1
14								
15	603598						BREATHER TUBE	1
16	603596						CLAMP, INTAKE TUBE.....	1
17	603597						CLAMP CYLINDER HEAD TUBE	1
18	603594						INTAKE TUBE	1
19	603593						CHOKE GASKET.....	2
20	603595						NUT, M6 X 1.0.....	2
21	608023						THROTTLE ROD ATTACHMENT BUSHING.....	1
22								
23	607684						MAIN JET (#102) (FOR ELEVATIONS OF 6000 FT - 10000 FT).....	1
24	607683						MAIN JET (#104) (FOR ELEVATIONS OF 3000 FT - 6000 FT).....	1
25								
26	603580						CARBURETOR MOUNT GASKET.....	2
27	603581						CARBURETOR INSULATOR	1

CLUTCH

1 PRIMARY TEAM CLUTCH includes items 2 - 10

12 SECONDARY TEAM CLUTCH includes items 13 - 20



When ordering parts, please specify the model and serial number of the product.

* Indicates a component that is not available as an individual part.

*** Indicates consult Customer Service Department for additional information.

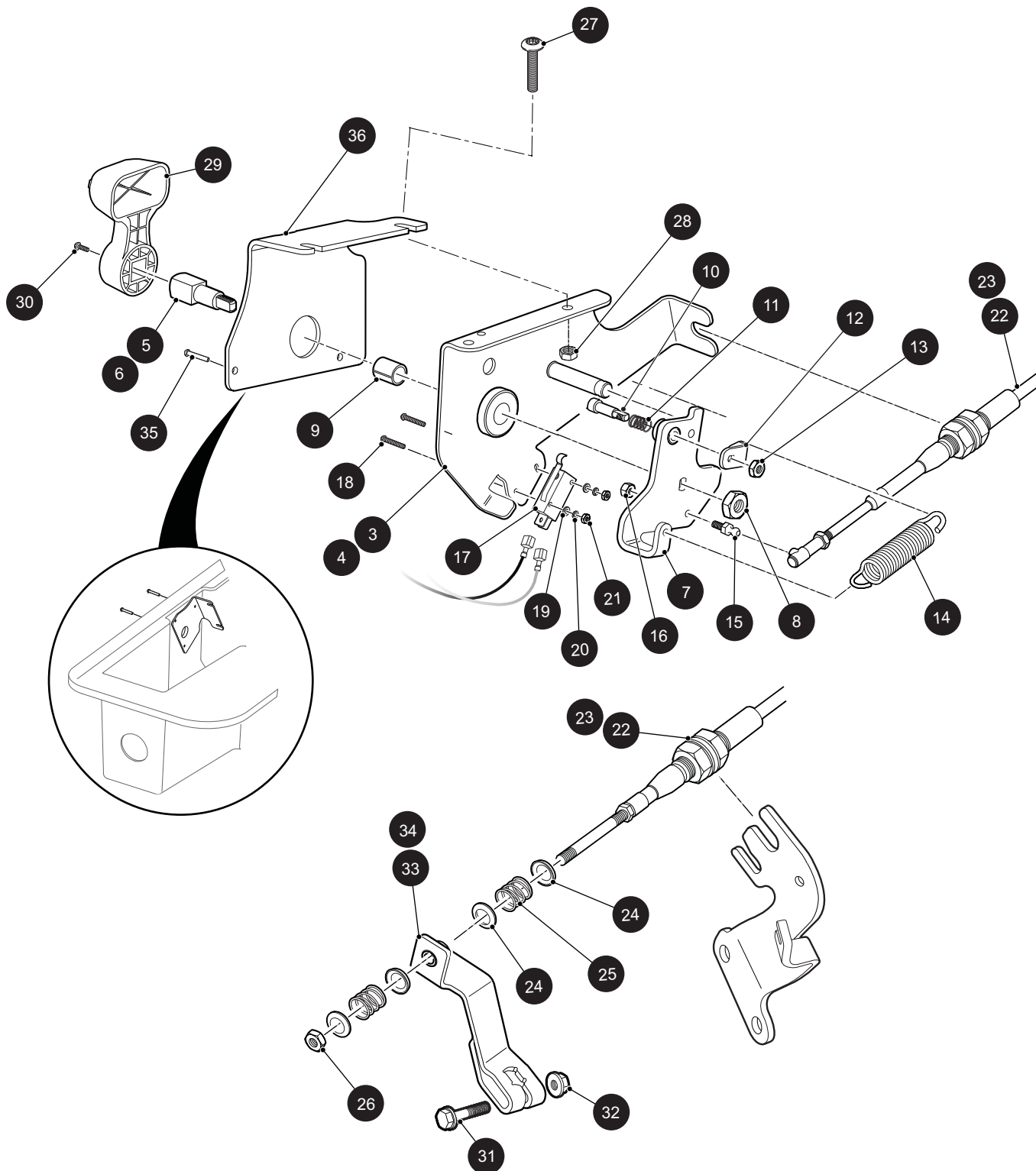
ITEM	PART NO.	1 2 3 4 5	DESCRIPTION	QTY.
1	623948		PRIMARY TEAM CLUTCH (INCLUDES ITEMS 2 - 10)	1
2	619333		PRIMARY STARTER PULLY, 195 - SVC.....	1
3	619334		STATIONARY ASSEMBLY	1
4	619335		MOVEABLE PRIMARY ASSEMBLY	1
5	624112		SHIFT ROLLER ASSEMBLY.....	6
6	619337		SHIM, 39.5 X 31.75	1
7	619338		PRIMARY SPIDER ASSEMBLY	1
8	619339		PRIMARY DUST COVER ASSEMBLY.....	1
9				
10	619332		BOLT, 1/4 - 20 X.75	7
11	618630		DRIVE BELT	1
12	623949		SECONDARY TEAM CLUTCH (INCLUDES ITEMS 13 - 20)	1
13	*		SECONDARY STATIONARY, 9.5.....	1
14	*		MOVEABLE SECONDARY, 9.5.....	1
15	619327		INNER RETAINER SPRING.....	1
16	624111		COMPRESSION SPRING, 2.70 OD.....	1
17	619329		OUTER SPRING RETAINER	1
18	619330		RETAINER RING.....	1
19	619331		THRUST WASHER, 1.530 x 1.830 x 1.....	1
20			
21	606239		CONICAL WASHER, M12	2
22	00566G3		SPRING TYPE LOCK WASHER	2
23	606245		HEX BOLT, M12 - 1.25 X 160	1
24	606243		HEX BOLT, M12 - 1.25 X 120	1
25	606230		CLUTCH WASHER.....	1
26				

Notes:

DIRECTION SELECTOR

1 DIRECTION SELECTOR ASSEMBLY includes Items 3, 5, 7 - 22, 24 - 33

2 DIRECTION SELECTOR ASSEMBLY includes Items 4, 6, 7 - 21, 23 - 33



DIRECTION SELECTOR

When ordering parts, please specify the model and serial number of the product.

* Indicates a component that is not available as an individual part.

*** Indicates consult Customer Service Department for additional information.

ITEM	PART NO.	1 2 3 4 5	DESCRIPTION	QTY.
1	606170		DIRECTION SELECTOR ASSEMBLY (INCLUDES ITEMS 3, 5, 7-22, 24-33)...	1
2	606077		DIRECTION SELECTOR ASSEMBLY (INCLUDES ITEMS 4, 6, 7-21, 23-33)...	1
3	603627		DIRECTION SELECTOR BRACKET WITH BUSHING (INCLUDES ITEM 9)	1
4	608830		DIRECTION SELECTOR BRACKET WITH BUSHING (INCLUDES ITEM 9)	1
5	70233G01		DIRECTION SELECTOR SHAFT.....	1
6	606266		DIRECTION SELECTOR SHAFT.....	1
7	603700		DIRECTION SELECTOR CAM.....	1
8	14390G1		LOCK NUT, 3/8 - 24.....	1
9	*		BUSHING	1
10	72724G01		NEUTRAL LOCK PIN	1
11	72733G01		COMPRESSION SPRING, 3/8" X 5/8" LG	1
12	72729G01		NEUTRAL LOCK BRACKET	1
13	00734G2		LOCK NUT, 1/4 - 28.....	1
14	28574G01		EXTENSION SPRING	1
15	72732G01		BALL STUD, 1/4".....	1
16	00734G5		LOCK NUT, #10 - 32.....	1
17	72736G01		MICRO SWITCH	1
18	01062G01		SCREW, #4 - 40 X 1" LG	2
19	00559G1		LOCK WASHER, 5/8"	2
20	00565G1		LOCK WASHER, 3/4"	2
21	00526G2		NUT, #4 - 40	2
22	605808		PUSH / PULL SHIFTER CABLE	1
23	605809		PUSH / PULL SHIFTER CABLE	1
24	25727G01		CUP WASHER, 1/4"	4
25	72735G01		COMPRESSION SPRING, 19/32" X 1" LG	2
26	00734G5		LOCK NUT, #10 - 32.....	1
27	70227G01		SCREW, 1/4 - 20 X 7/8" LG	2
28	11027G2		LOCK NUT, 1/4 - 20	2
29	71205G01		DIRECTION SELECTOR HANDLE	1
30	00740G4		SCREW, #10 - 32 X 1/2" LG (STAINLESS STEEL).....	1

DIRECTION SELECTOR

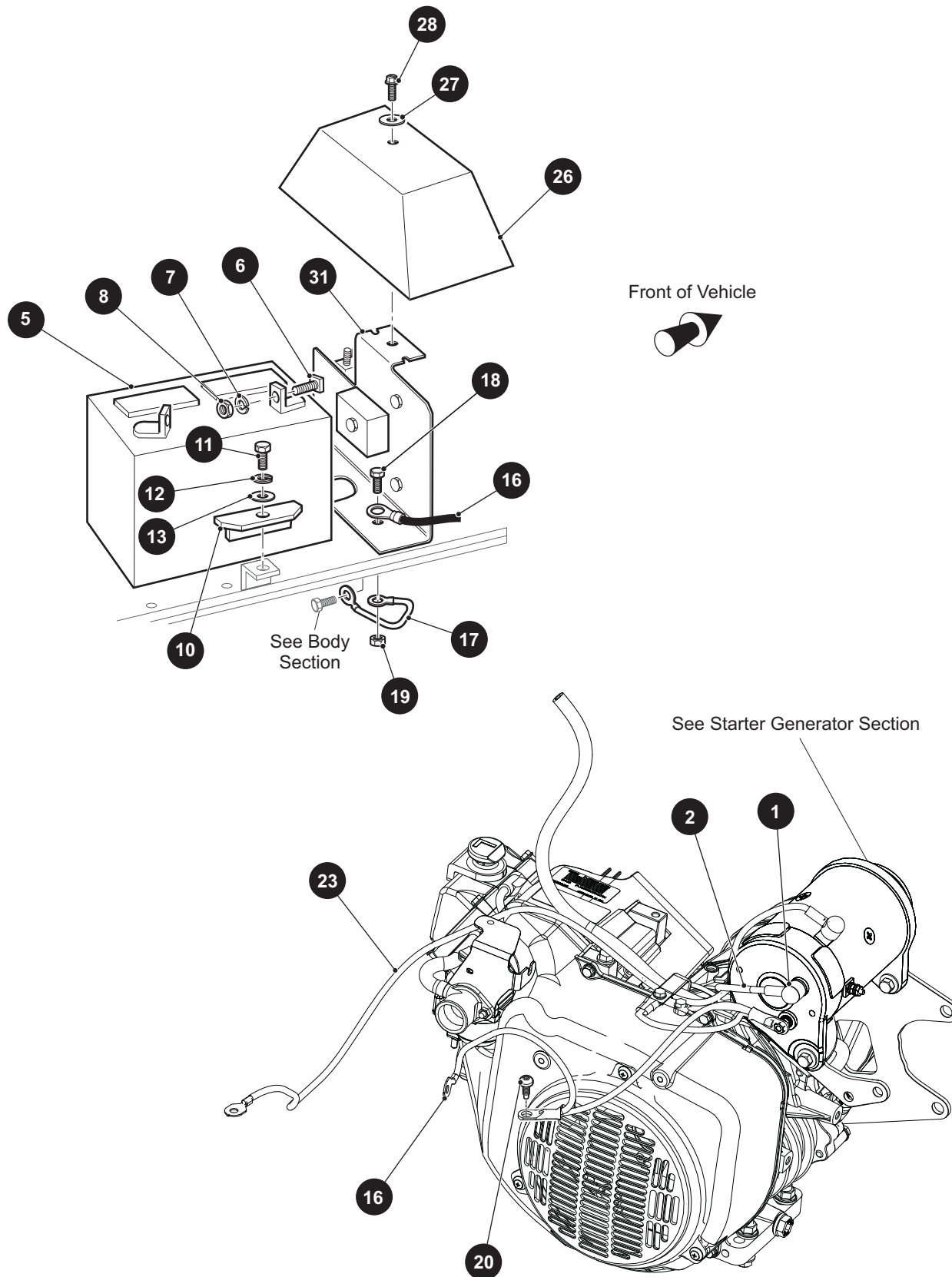
When ordering parts, please specify the model and serial number of the product.

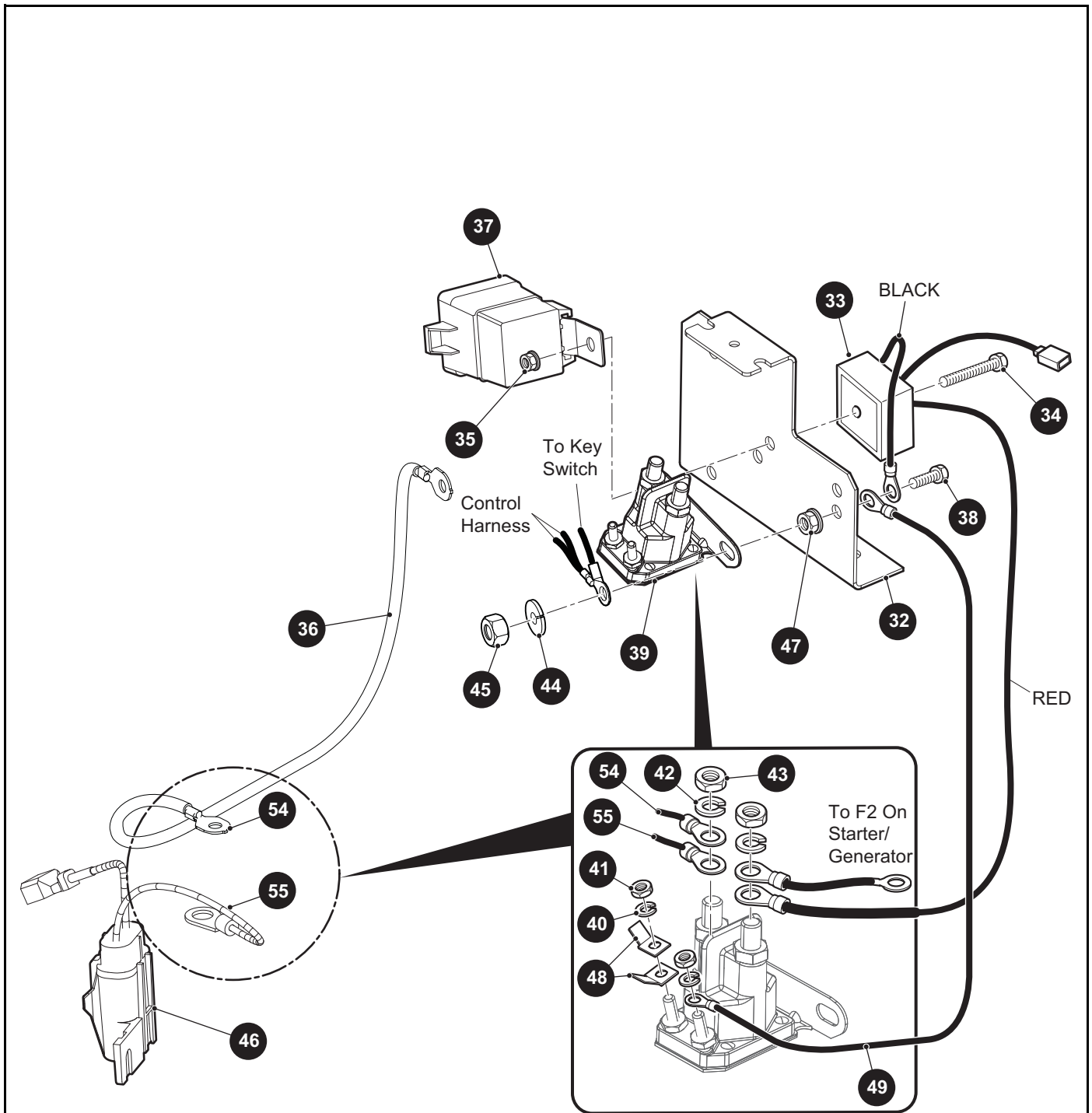
* Indicates a component that is not available as an individual part.

*** Indicates consult Customer Service Department for additional information.

ITEM	PART NO.	1 2 3 4 5	DESCRIPTION	QTY.
31	606421		BOLT, M6 - 1.00 X 30	1
32	450452		NUT, M6 - 1.00	1
33	608832		SHIFTER ARM (INCLUDES ITEM 34)	1
34	*		BUSHING, FLIP LOK, 0.25	1
35	71055G01		RIVET 3/16 X .38 GRIP	3
36	605869		MOUNTING BRACKET	1

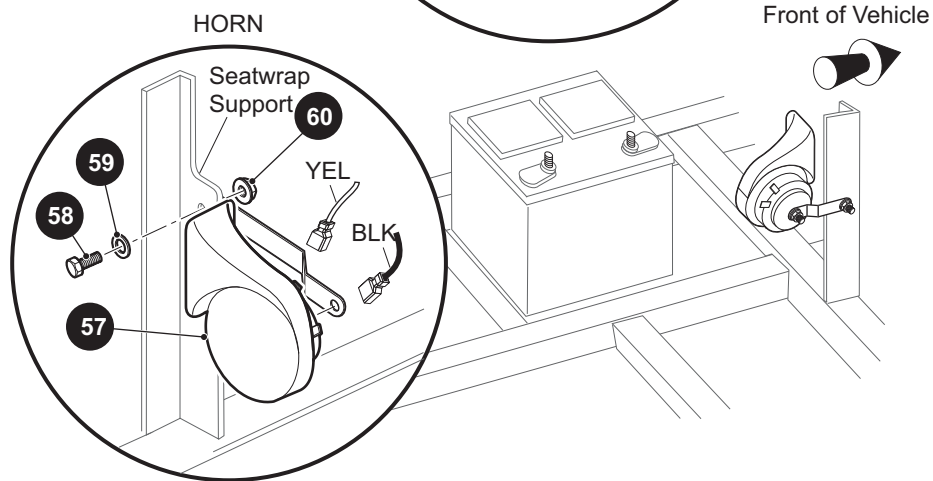
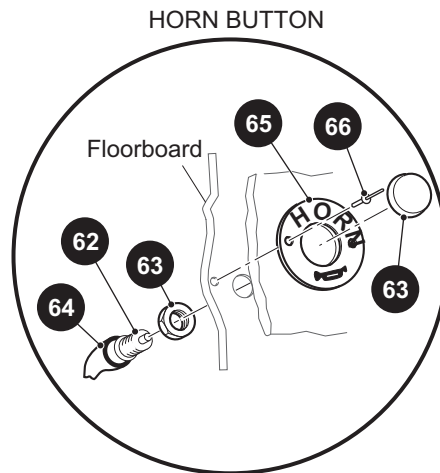
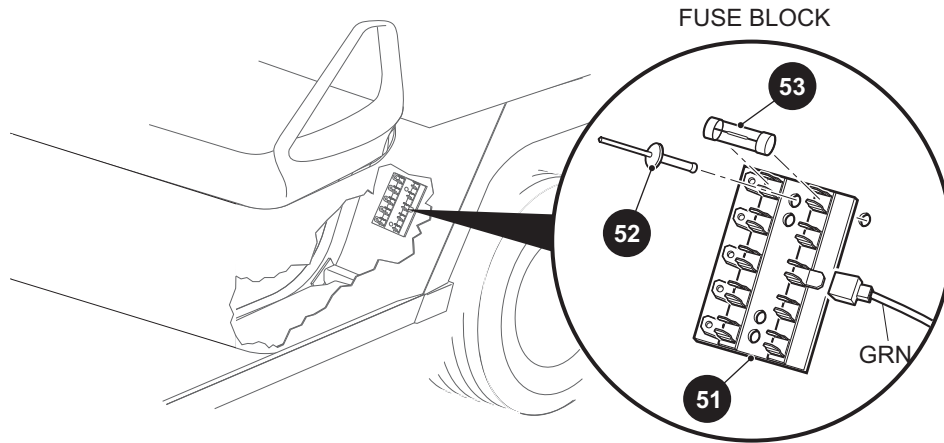
ELECTRICAL SYSTEM

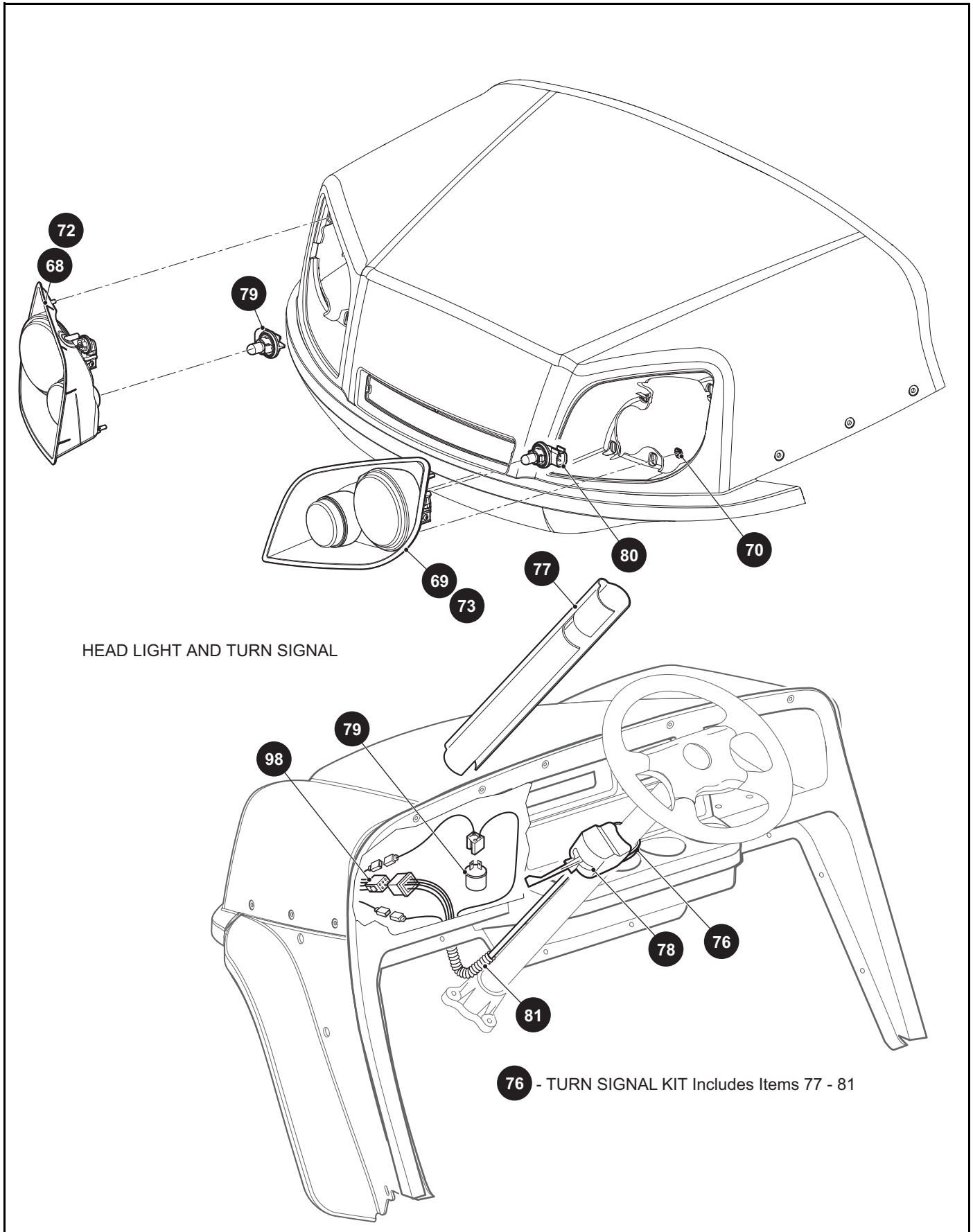




31 ELECTRICAL PLATE ASSEMBLY Includes Items 32 - 49

ELECTRICAL SYSTEM

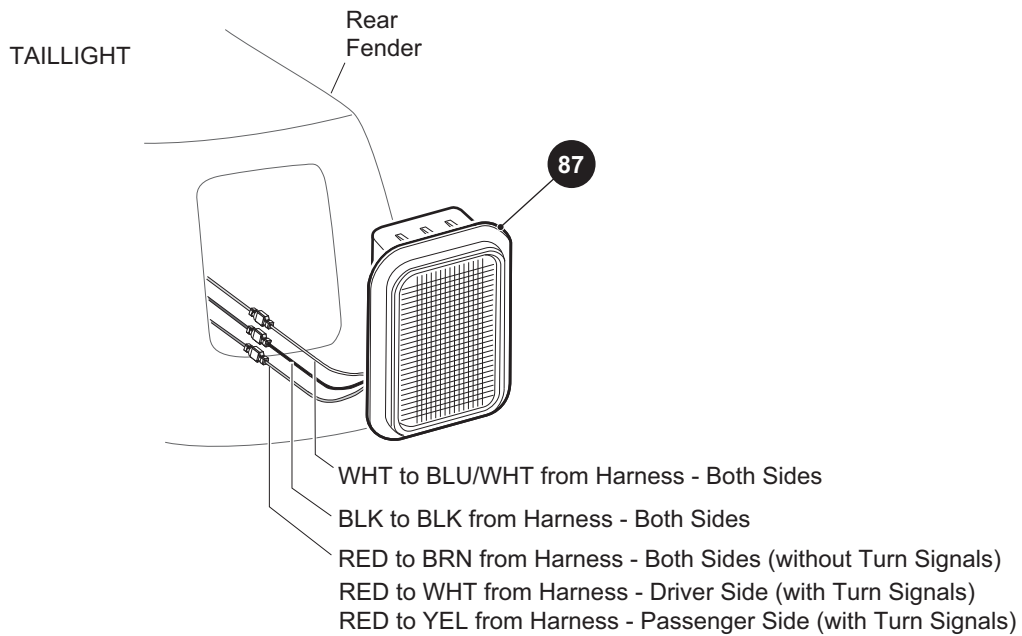




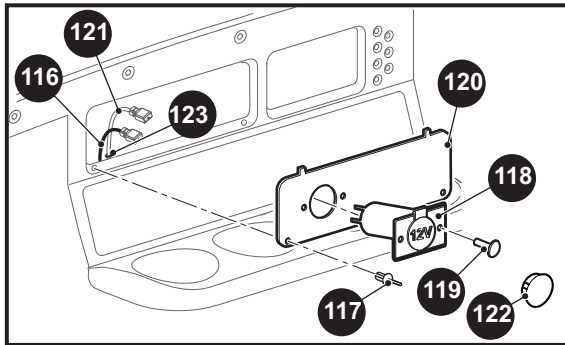
HEAD LIGHT AND TURN SIGNAL

76 - TURN SIGNAL KIT Includes Items 77 - 81

ELECTRICAL SYSTEM

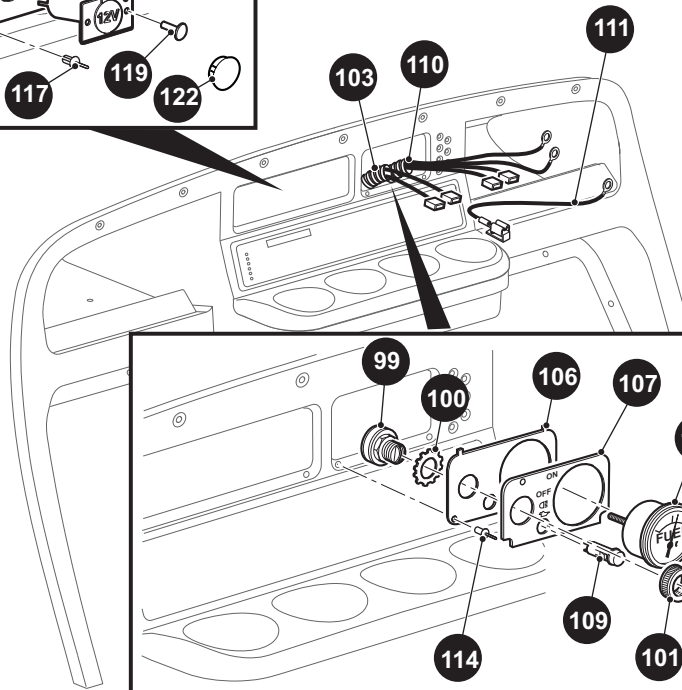


CONSOLE INSERT PLATE (WITH POWER OUTLET SHOWN)



113 ASSEMBLY CONSOLE INSERT Includes Items 120, 122

115 POWER OUTLET 12V Includes Items 116 - 121



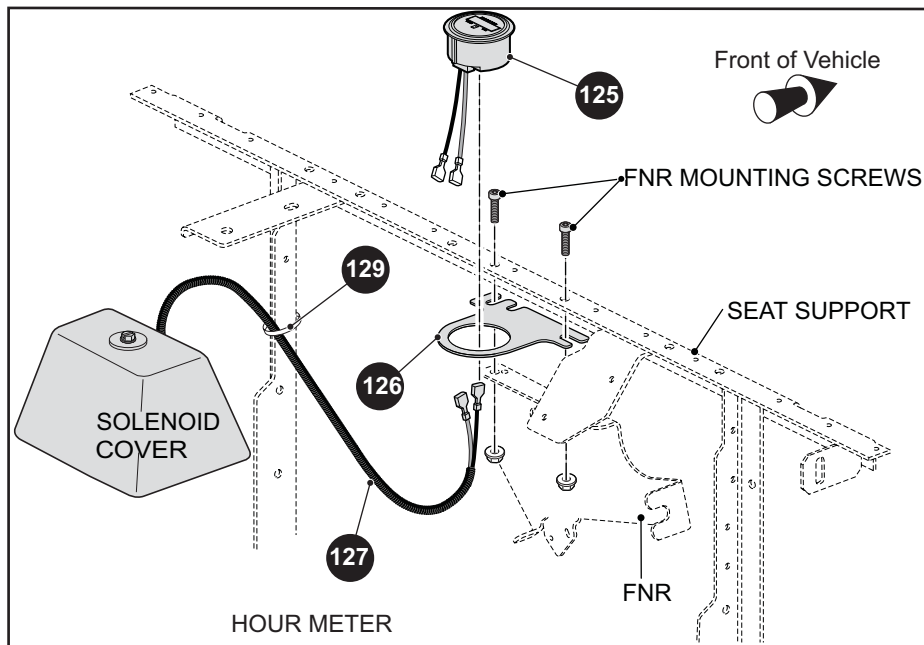
KEY SWITCH, INDICATOR LIGHT(S), AND FUEL GAUGE

Front of Vehicle



124 HOUR METER KIT Includes Items 125 - 127

128 HOUR METER KIT Includes Items 125 - 127



ELECTRICAL SYSTEM

When ordering parts, please specify the model and serial number of the product.

* Indicates a component that is not available as an individual part.

*** Indicates consult Customer Service Department for additional information.

ITEM	PART NO.	1 2 3 4 5	DESCRIPTION	QTY.
1	607053		6 GA WIRE (BLACK 6", F1 - A2).....	1
2	25682G01		TERMINAL COVER.....	3
3				
4				
5	24775G*		BATTERY, 12V	1
6	*		BOLT, 5/16 - 18 X 1 1/4" LG.....	2
7	*		LOCK WASHER, 5/16" (SILICON BRONZE).....	2
8	*		NUT, 5/16 - 18 (SILICON BRONZE)	2
9				
10	72101G02		BATTERY HOLD DOWN	1
11	00438G6		BOLT, 5/16 - 18 X 3/4" LG	3
12	00565G8		LOCK WASHER, 5/16"	1
13	00571G2		FLAT WASHER, 5/16" (STAINLESS STEEL).....	1
14				
15				
16	27044G03		GROUND CABLE.....	1
17	25976G19		14 GA WIRE (BLACK 6").....	1
18	00438G6		BOLT, 5/16 - 18 X 3/4" LG	2
19	11027G1		LOCK NUT, 5/16 - 18.....	2
20	26676G01		FLANGED BOLT M6 X 1.0 X 23MM.....	1
21				
22				
23	607103		6 GA WIRE (42" LONG)	1
24	605777		WIRE HARNESS (CONTROL).....	1
25	17618G1		WIRE TIE (NOT ILLUSTRATED)	AR
26	73049G01		COVER FNR	1
27	16469G1		FLAT WASHER, 1/4"	1
28	00114G6		SCREW, 1/4 - 14 X 3/4" LG.....	1
29				
30				
31	605563		ELECTRICAL PLATE ASSEMBLY (INCLUDES ITEMS 32 - 49)	1

ELECTRICAL SYSTEM

When ordering parts, please specify the model and serial number of the product.

* Indicates a component that is not available as an individual part.

*** Indicates consult Customer Service Department for additional information.

ITEM	PART NO.	1 2 3 4 5	DESCRIPTION	QTY.
32	73057G01		BRACKET.....	1
33	27739G01		VOLTAGE REGULATOR.....	1
34	00415G4		BOLT, 1/4 - 20 X 1 1/4" LG.....	1
35	11027G2		LOCK NUT, 1/4 - 20.....	1
36	25972G33		WIRE ASSEMBLY 6 GA.....	1
37	603282		RELAY.....	1
38	00661G8		BOLT, 1/4 - 20 X 1" LG.....	1
39	612813		SOLENOID.....	1
40	*		LOCK WASHER, #10.....	2
41	*		NUT, #10 - 32.....	2
42	*		LOCK WASHER, 5/16".....	2
43	*		NUT, 5/16 - 24.....	2
44	00664G7		LOCK WASHER - SS - .255/.263.....	1
45	00532G1		NUT, 1/4 - 20.....	1
46	600418G01		FUSE HOLDER ASSEMBLY.....	1
47	11027G2		LOCK NUT, 1/4 - 20.....	1
48	73446G01		FASTON TAB, 90°.....	2
49	25978G56		18 GA WIRE (BLACK 5 3/4").....	1
50				
51	22674G1		FUSE BLOCK.....	1
52	01041G01		RIVET, 1/8" X 13/16" LG.....	2
53	18392G1		15 AMP FUSE.....	3
54	25972G33		#6 GA WIRE ASSEMBLY.....	1
55	20216G1		16 GA WIRE (RED).....	1
56				
57	32860G1		HORN.....	1
58	00414G5		BOLT, 1/4 - 20 x 5/8" LG.....	1
59	00559G7		LOCK WASHER, 1/4" (STAINLESS STEEL).....	1
60	14390G4		LOCK NUT, 1/4 - 20.....	1
61				
62	17318G1		HORN SWITCH.....	1

ELECTRICAL SYSTEM

When ordering parts, please specify the model and serial number of the product.

* Indicates a component that is not available as an individual part.

*** Indicates consult Customer Service Department for additional information.

ITEM	PART NO.	1 2 3 4 5	DESCRIPTION	QTY.
63	17318G2		HORN SWITCH CAP AND NUT	1
64	27068G01		HORN SWITCH BOOT.....	1
65	19233G1		HORN SWITCH LABEL.....	1
66	71055G01		RIVET, 3/16" X 1" LG (ALUMINUM)	2
67				
68	614497		RIGHT HEAD LIGHT ASSEMBLY.....	1
69	614501		LEFT HEADLIGHT ASSEMBLY	1
70	71597G01		SELF THREADING NUT 5 X 10 X 15 MM	8
71				
72	618556		LED HEADLIGHT W/O TURN SIGNAL (RH ASSEMBLY).....	1
73	618555		LED HEADLIGHT W/O TURN SIGNAL (LH ASSEMBLY)	1
74				
75	622712		TURN SIGNAL KIT (INCLUDES ITEMS 76 - 82)	1
76	17618G1		NYLON CLAMP	2
77	20965G3		STEERING COLUMN COVER	1
78	611810		TURN SIGNAL SWITCH ASSEMBLY.....	1
79	619102		TURN SIGNAL BULB.....	2
80	32307G3		FLEX ZIP LOOM	1
81				
82				
83				
84				
85				
86				
87	22288G1		TAIL LIGHT ASSEMBLY COMPLETE.....	2
88				
89				
90				
91				
92				
93				

ELECTRICAL SYSTEM

When ordering parts, please specify the model and serial number of the product.

* Indicates a component that is not available as an individual part.

*** Indicates consult Customer Service Department for additional information.

ITEM	PART NO.	1 2 3 4 5	DESCRIPTION	QTY.
94				
95				
96				
97				
98	619092		WIRE HARNESS, LONG (ACCESSORY)	1
99	33639G01		IGNITION SWITCH (WITH LIGHTS)	1
100	00568G6		LOCK WASHER, 3/4"	1
101	17137G1		FACE NUT, 3/4 - 20.....	1
102	17063G1		IGNITION KEY	1
103	605866		WIRE HARNESS (KEY SWITCH).....	1
104				
105				
106	73030G04		PLATE (FUEL GAUGE AND OIL LIGHT)	1
107	71131G01		LABEL (OIL LIGHT AND FUEL GAUGE WITH HEADLIGHTS)	1
108	21553G1		FUEL GAUGE	1
109	23474G1		INDICATOR LIGHT	1
110	74311G01		HARNESS (OIL LIGHT/FUEL GAUGE).....	1
111	25978G122		18 GA WIRE (RED 6")	1
112				
113	74693G02		CONSOLE INSERT PLATE ASSY (INCLUDES ITEMS 120, 122)	1
114	33623G02		RIVET, BLACK PLATIC 3/16 X3/8	2
115	612143		POWER OUTLET 12V (INCLUDES ITEMS 116 - 121)	1
116	612107		WIRE HARNESS, POWER OUTLET 12V	1
117	33623G02		RIVET, BLACK PLATIC 3/16 X 3/8	3
118	71078G01		OUTLET, POWER 12V	1
119	14601G10		RIVET, ALUMINIUM 5/32	2
120	73522G03		CONSOLE PLATE (E-COAT)	1
121	35212G01		FUSE, AUTOMTIVE ATC TYPE, 15A	1
122	20271G01		HOLE PLUG	1
123	17618G1		NYLON CLAMP.....	1
124	607285		HOUR METER KIT (INCLUDES ITEMS 125 - 127).....	1

ELECTRICAL SYSTEM

When ordering parts, please specify the model and serial number of the product.

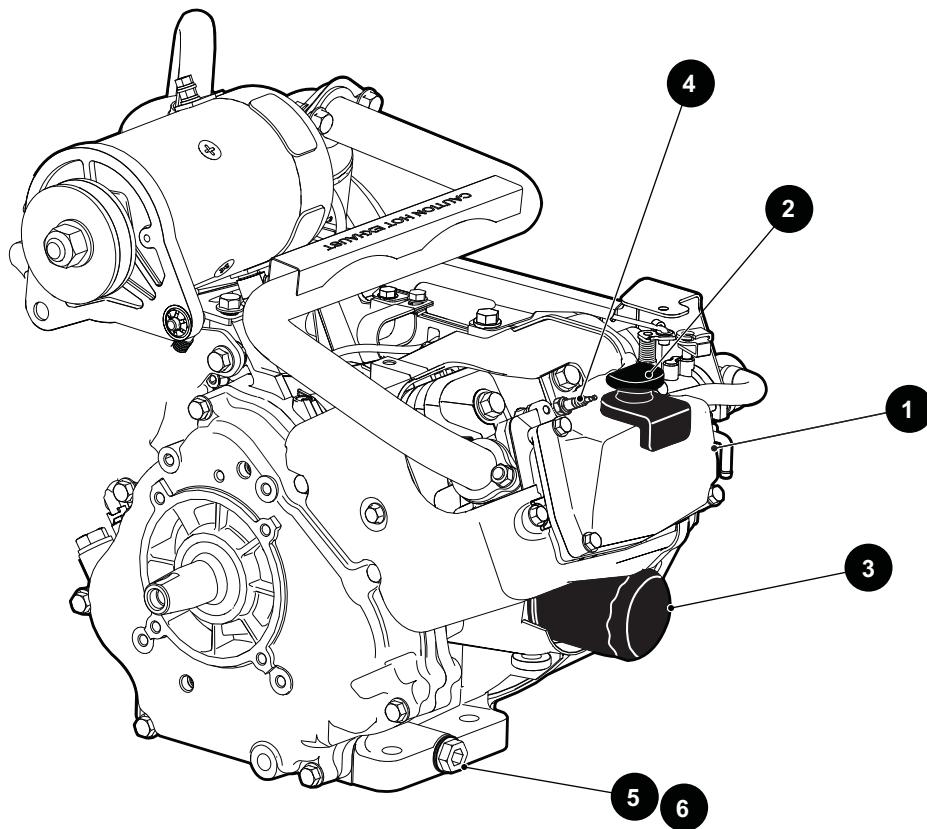
* Indicates a component that is not available as an individual part.

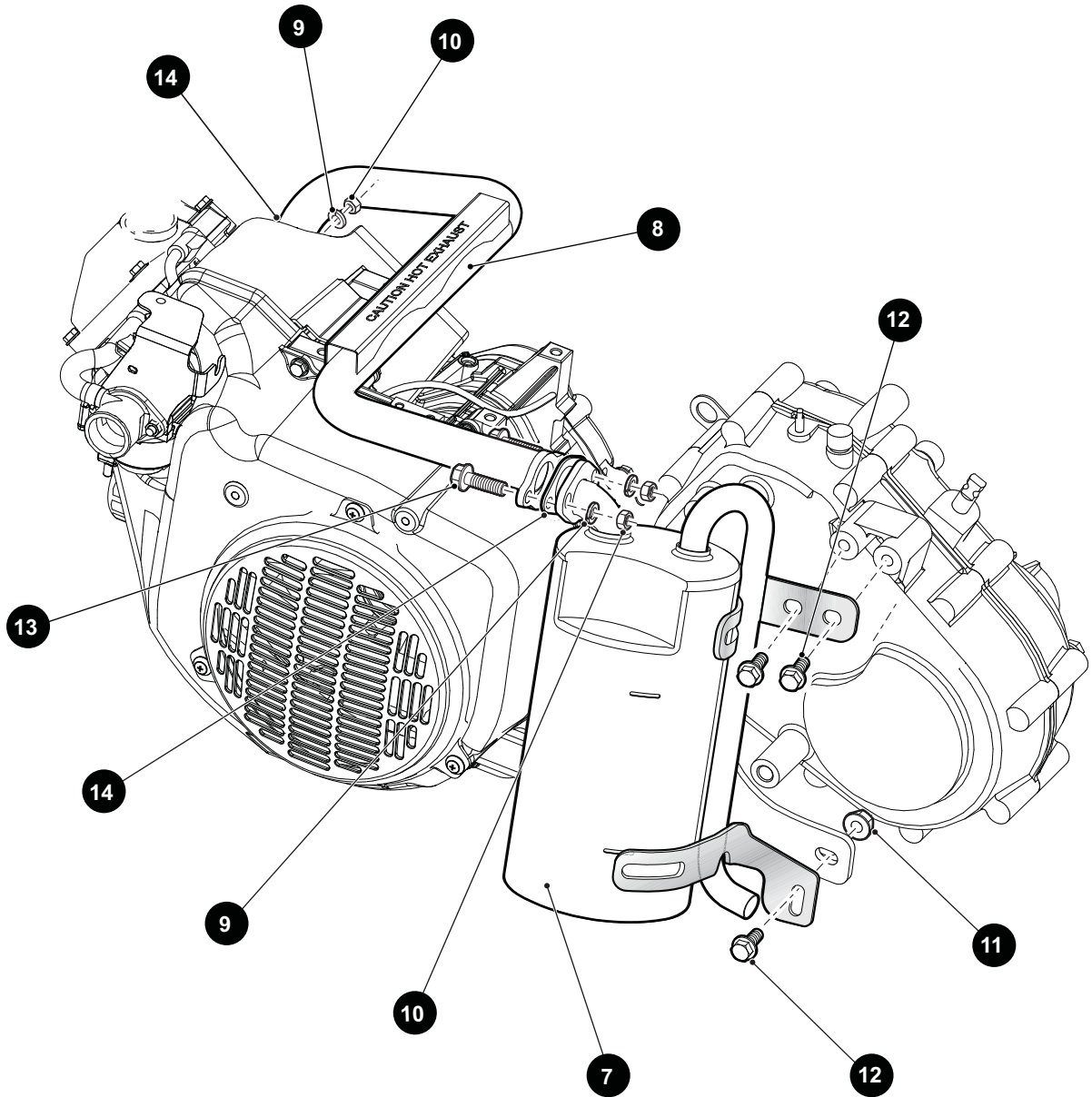
*** Indicates consult Customer Service Department for additional information.

ITEM	PART NO.	1	2	3	4	5	DESCRIPTION	QTY.
125	617074						HOUR METER.....	1
126	603721						HOUR METER BRACKET	1
127	606254						WIRE HARNESS (HOUR METER).....	1
128	607284						HOUR METER KIT (INCLUDES ITEMS 125 - 127)	1
129	31539G1						NYLON CLAMP 15.5" (NOT ILLUSTRATED)	AR
130	73290G03						CONTINUOUS TONE POTTED BUZZER (NOT SHOWN).....	1

ENGINE AND MUFFLER

6 GAS ENGINE Includes items 2 - 6





ENGINE AND MUFFLER

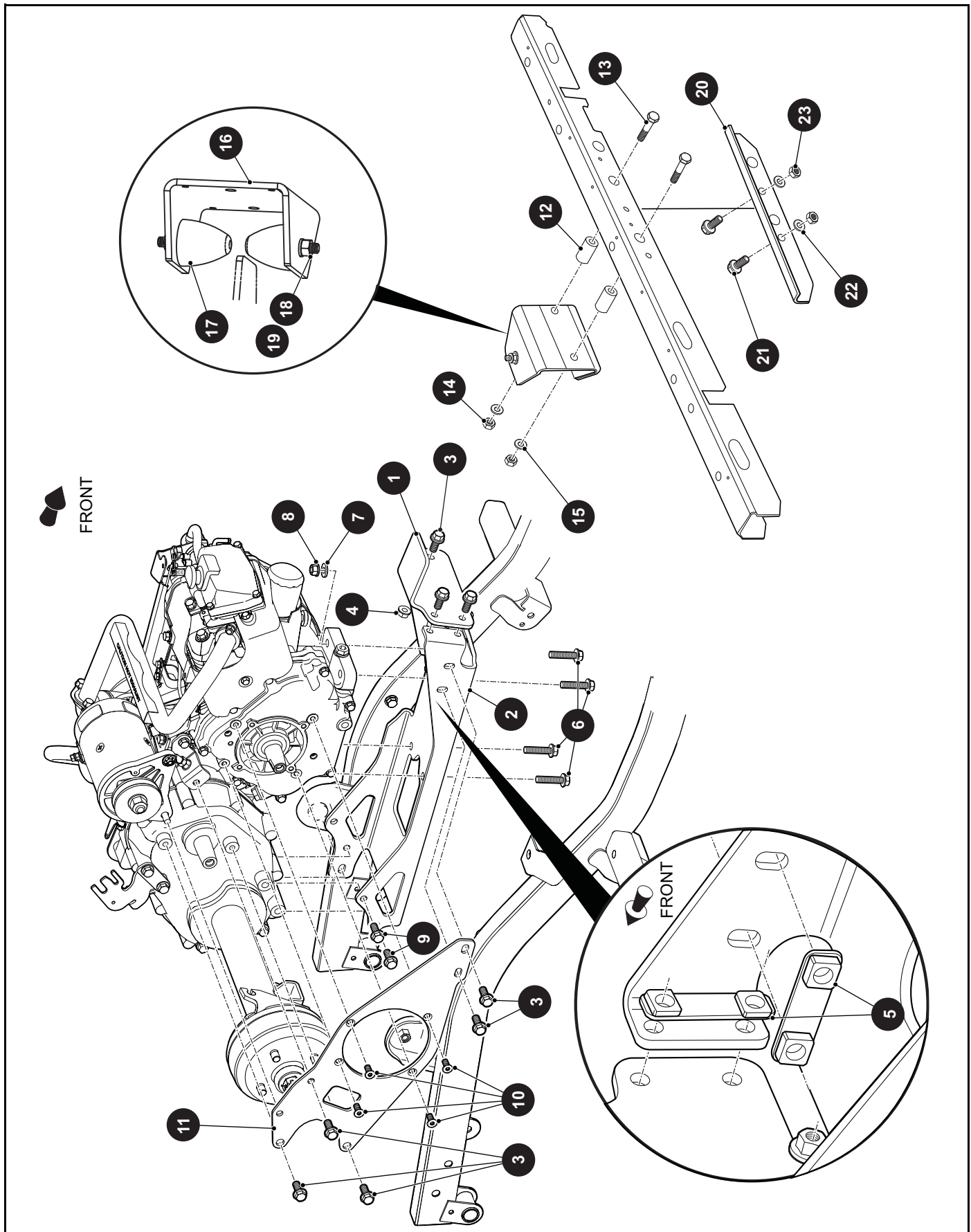
When ordering parts, please specify the model and serial number of the product.

* Indicates a component that is not available as an individual part.

*** Indicates consult Customer Service Department for additional information.

ITEM	PART NO.	1 2 3 4 5	DESCRIPTION	QTY.
1	607154		ENGINE, GAS, 13HP, NON-GOLF (INCLUDES ITEMS 2- 6).....	1
2	606390		DIP STICK.....	1
3	607454		OIL FILTER	1
4	607462		SPARK PLUG (BPR2ES).....	1
5	603557		OIL DRAIN PLUG	1
6	603562		'O' RING, 16MM	1
7	612266		MUFFLER.....	1
8	606982		EXHAUST PIPE	1
9	606272		LOCK WASHER, 8MM	4
10	606267		NUT, M8 X 1.25	4
11	606279		NUT, M10 - 1.25	1
12	606256		BOLT, M10 - 1.25 X 25	3
13	602330		BOLT, M8 - 1.25 X 30	2
14	603599		EXHAUST GASKET	2

ENGINE MOUNTING



ENGINE MOUNTING

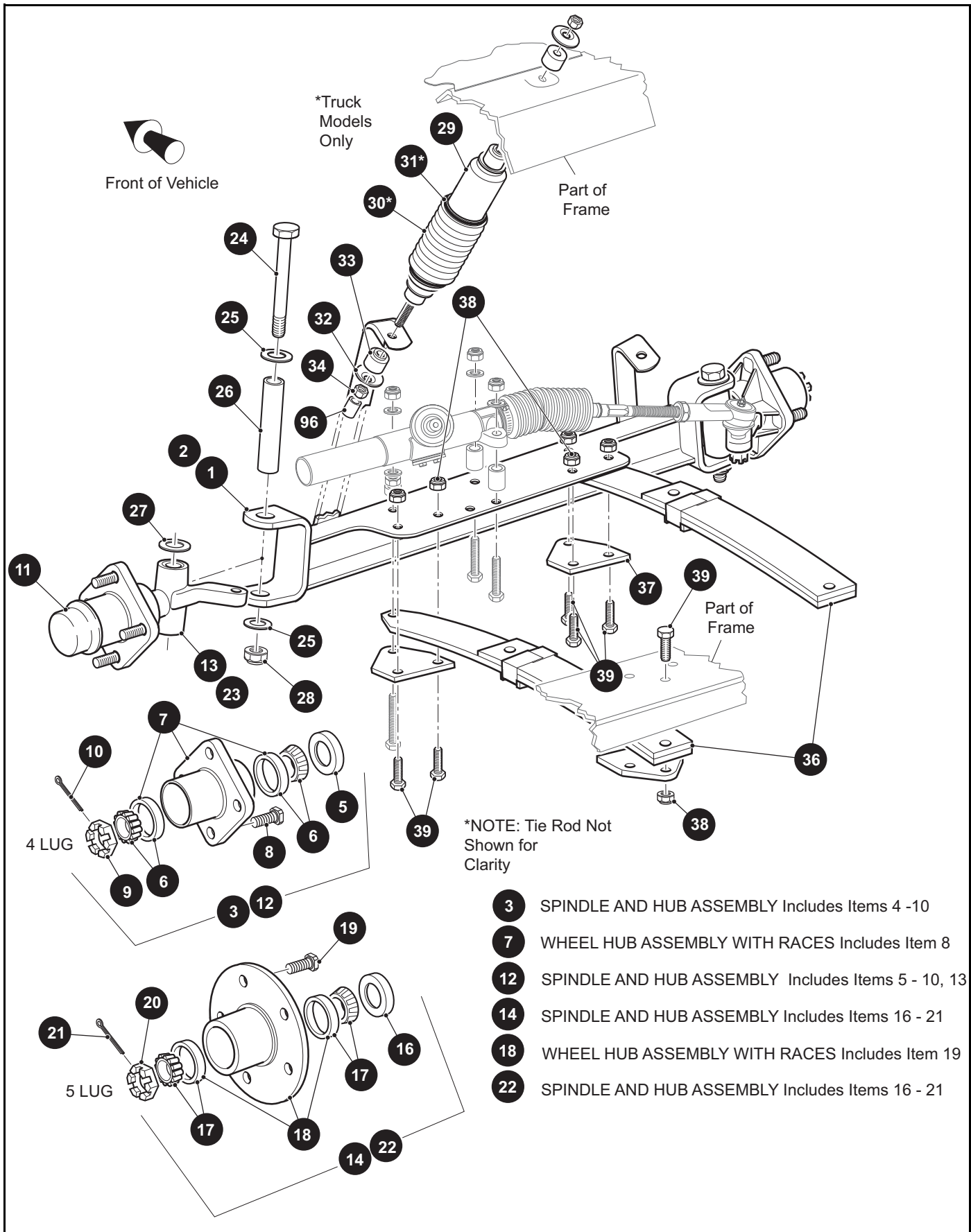
When ordering parts, please specify the model and serial number of the product.

* Indicates a component that is not available as an individual part.

*** Indicates consult Customer Service Department for additional information.

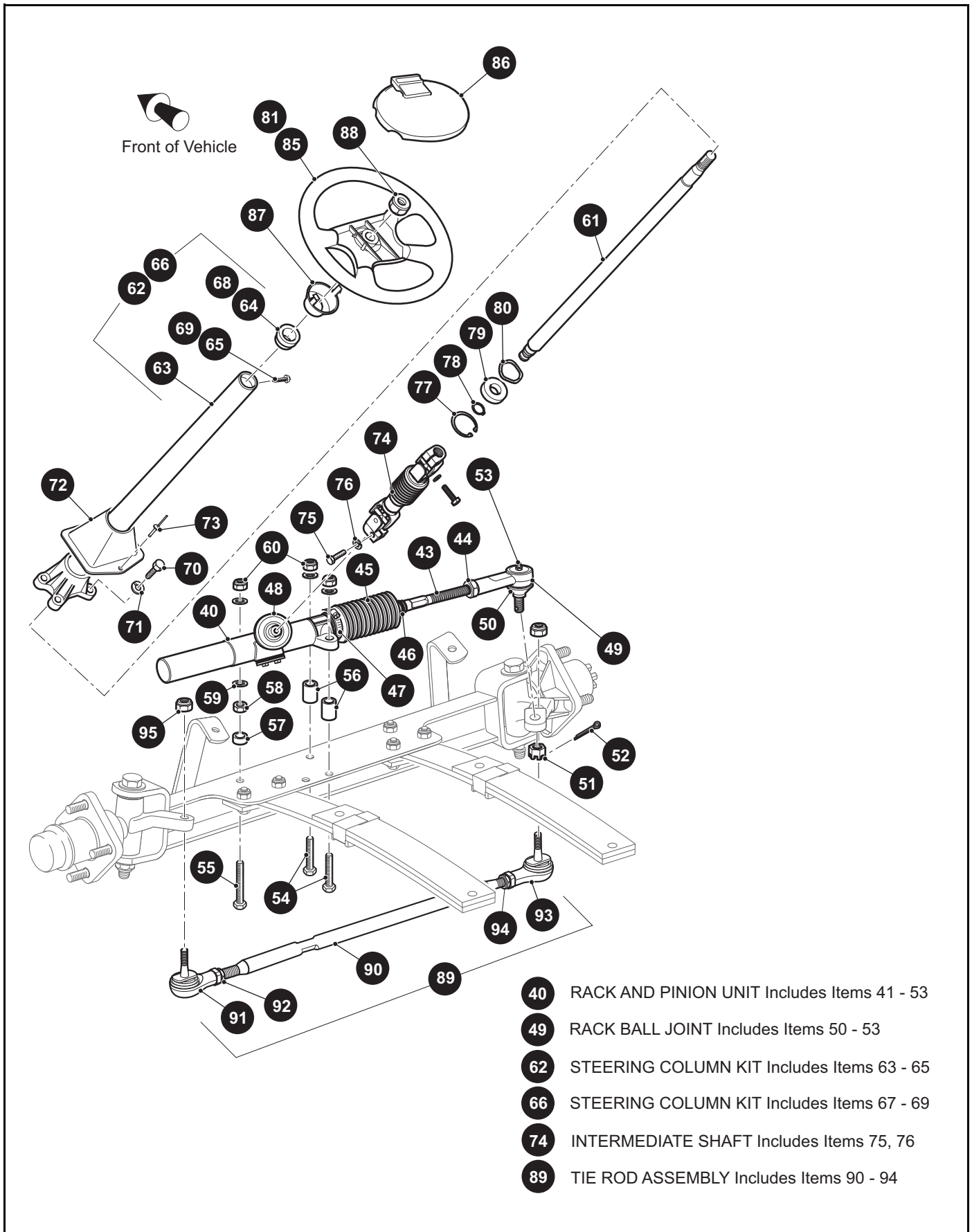
ITEM	PART NO.	1 2 3 4 5	DESCRIPTION	QTY.
1	606007		FRONT ENGINE MOUNT.....	1
2	603101		ENGINE PAN MOUNT	1
3	606256		BOLT, M10 - 1.25 X 25.....	8
4	606279		NUT, M10 - 1.25.....	1
5	606096		NUT PLATE.....	2
6	606259		BOLT, M10 - 1.25 X 45.....	4
7	603823		FLAT WASHER, M10 X 22 - 2.5	4
8	606279		NUT, M10 - 1.25.....	4
9	608020		BOLT, M10 - 1.25 X 34.....	4
10	606246		FLAT HEAD SCREW, M6 - 1 X 12.....	4
11	602146		DIFFERENTIAL PLATE	1
12	72016G01		TUBE SPACER	2
13	00428G8		HEX HEAD 3/8 - 16 X 2.75	2
14	11098G5		PLASTIC INSERT LOCK NUT 3/8 - 16"	2
15	00643G1		FLAT WASHER 3/8 X1.0 X .063	2
16	605995		TS2 FRONT MOUNT BRACKET	1
17	605757		RUBBER BUMPER.....	2
18	00974G01		HEX - NUT M10 X 1.5.....	2
19	608654		LOCK WASHER 10MM.....	2
20	70269G02		CROSSMEMBER BRACE	1
21	00438G7		HEX HEAD BOLT 5/16 - 18 X 7/8".....	2
22	00559G8		FLAT WASHER 5/16.....	2
23	01109G01		PLASTIC INSERT LOCK NUT 5/16 - 18.....	2

FRONT SUSPENSION / STEERING



- 3** SPINDLE AND HUB ASSEMBLY Includes Items 4 - 10
- 7** WHEEL HUB ASSEMBLY WITH RACES Includes Item 8
- 12** SPINDLE AND HUB ASSEMBLY Includes Items 5 - 10, 13
- 14** SPINDLE AND HUB ASSEMBLY Includes Items 16 - 21
- 18** WHEEL HUB ASSEMBLY WITH RACES Includes Item 19
- 22** SPINDLE AND HUB ASSEMBLY Includes Items 16 - 21

FRONT SUSPENSION / STEERING



FRONT SUSPENSION / STEERING

When ordering parts, please specify the model and serial number of the product.

* Indicates a component that is not available as an individual part.

*** Indicates consult Customer Service Department for additional information.

ITEM	PART NO.	1 2 3 4 5	DESCRIPTION	QTY.
1	602513		FRONT AXLE	1
2	602327		FRONT AXLE WITH FRONT DISC BRAKES	1
3	70942G03		SPINDLE AND HUB ASSEMBLY, 4 LUG (PASSENGER SIDE) (INCLUDES ITEMS 4 - 10).....	1
4	70942G04		SPINDLE ASSEMBLY (PASSENGER SIDE).....	1
5	25146G1		GREASE SEAL.....	1
6	50892G1		ROLLER BEARING AND RACE ASSEMBLY	2
7	70589G01		WHEEL HUB ASSEMBLY WITH RACES, 4 LUG (INCLUDES ITEM 8) ..	1
8	19862G1		LUG BOLT, 1/2 - 20 X 1 3/16" LG.....	4
9	12093G1		CASTELLATED NUT, 1 - 14.....	1
10	00798G8		COTTER PIN, 5/32" X 1 3/4" LG.....	1
11	12091G2		SPINDLE CAP	2
12	70673G03		SPINDLE AND HUB ASSEMBLY, 4 LUG (DRIVER SIDE) (INCLUDES ITEMS 5 - 10, 13).....	1
13	70673G04		SPINDLE ASSEMBLY (DRIVER SIDE)	1
14	602288		SPINDLE AND HUB ASSEMBLY WITH FRONT DISC BRAKES (PASSENGER SIDE)(INCLUDES ITEMS 16 - 21).....	1
15				
16	12092G1		GREASE SEAL.....	1
17	50892G1		ROLLER BEARING AND RACE ASSEMBLY	2
18	74673G01		WHEEL HUB ASSEMBLY WITH RACES, (INCLUDES ITEM 19).....	1
19	30143G1		LUG BOLT, 1/2 - 20 X 1 7/32" LG	5
20	12093G1		CASTELLATED NUT, 1 - 14.....	1
21	00798G8		COTTER PIN, 5/32" X 1 3/4" LG.....	1
22	602281		SPINDLE AND HUB ASSEMBLY, WITH FRONT DISC BRAKES (DRIVER SIDE)(INCLUDES ITEMS 15 - 20)	1
23				
24	00407G6		BOLT, 1/2 - 13 X 6" LG	2
25	00560G3		FLAT WASHER, 1/2"	4
26	70745G01		KING PIN TUBE	2
27	70754G01		THRUST WASHER, 1" (STAINLESS STEEL).....	2
28	14390G6		LOCK NUT, 1/2 - 13.....	2
29	76419G01		SHOCK ABSORBER.....	2

FRONT SUSPENSION / STEERING

When ordering parts, please specify the model and serial number of the product.

* Indicates a component that is not available as an individual part.

*** Indicates consult Customer Service Department for additional information.

ITEM	PART NO.	1 2 3 4 5	DESCRIPTION	QTY.
30	70509G01		SHOCK ABSORBER BOOT	2
31	31539G1		WIRE TIE	4
32	10435G1		SHOCK ABSORBER WASHER.....	8
33	10194G1		RUBBER BUSHING	8
34	00532G6		NUT, 3/8 - 24.....	4
35				
36	70664G03		CANTILEVER LEAF SPRING (HEAVY DUTY).....	2
37	70163G03		SPRING PLATE	4
38	00734G1		LOCK NUT, 7/16 - 14	11
39	00463G11		BOLT, 7/16 - 14 X 1 3/4" LG.....	11
40	70964G01		RACK AND PINION UNIT (COMPLETE) (INCLUDES ITEMS 41 - 53).....	1
41	70965G01		STEERING RACK COVER & BEARING	1
42	*		STEERING BOX INSTALLATION TAG	1
43	70694G01		RACK EXTENSION.....	1
44	*		JAM NUT, 1/2 - 20	1
45	70961G01		RACK BOOT	1
46	12416G2		WIRE TIE.....	1
47	11391G8		CLAMP, 1 13/16 - 2 3/8"	1
48	70638G01		PINION SEAL	1
49	70695G01		RACK BALL JOINT (INCLUDES ITEMS 50 - 53).....	1
50	50641P1		RUBBER BOOT	1
51	50209P2		CASTELLATED NUT, 7/16 - 20.....	1
52	10387G2		COTTER PIN, 3/32" X 1" LG.....	1
53	10389G3		GREASE FITTING, STRAIGHT	1
54	00464G6		BOLT, 7/16 - 14 X 2 3/4" LG.....	2
55	01068G01		BOLT, 7/16 - 14 X 3 1/2" LG.....	1
56	70667G02		SPACER.....	2
57	70667G03		SPACER (SHORT).....	1
58	00532G7		NUT, 7/16 - 14.....	1
59	00560G2		FLAT WASHER, 7/16".....	7
60	00734G1		LOCK NUT, 7/16 - 14	3

FRONT SUSPENSION / STEERING

When ordering parts, please specify the model and serial number of the product.

* Indicates a component that is not available as an individual part.

*** Indicates consult Customer Service Department for additional information.

ITEM	PART NO.	1 2 3 4 5	DESCRIPTION	QTY.
61	70607G01		STEERING SHAFT	1
62	70758G06		STEERING COLUMN KIT (INCLUDES ITEMS 63 - 65)	1
63	70610G03		STEERING COLUMN	1
64	28569G01		STEERING COLUMN BUSHING	1
65	01022G01		SCREW, #6 - 20 X 5/16" LG	1
66	70758G08		STEERING COLUMN KIT (HORN) (INCLUDES ITEMS 67 - 69)	1
67	70610G04		STEERING COLUMN	1
68	28569G01		STEERING COLUMN BUSHING	1
69	01022G01		SCREW, #6 - 20 X 5/16" LG	1
70	01006G01		BOLT, 3/8 - 16 X 1 1/4" LG	4
71	00879G1		LOCK WASHER, 3/8"	4
72	70997G01		COVER	1
73	71055G01		RIVET, 3/16" X 1" LG (ALUMINUM)	1
74	70580G01		INTERMEDIATE SHAFT (INCLUDES ITEMS 75, 76)	1
75	01055G01		BOLT, M8 X 1.25 - 05	1
76	00565G8		LOCK WASHER, 5/16"	1
77	70751G01		RETAINING RING (INTERNAL)	1
78	70888G01		RETAINING RING (EXTERNAL)	1
79	15112G1		BALL BEARING	1
80	70887G01		WAVE WASHER	1
81				
82				
83				
84				
85	602979		STEERING WHEEL	1
86	607925		CLIPBOARD	1
87	71949G01		HUB COVER	1
88	14390G2		LOCK NUT, 5/8 - 18	1
89	70876G02		TIE ROD ASSEMBLY (INCLUDES ITEMS 90 - 94)	1
90	70897G02		THREADED ROD (24" LG)	1
91	70902G01		TIE ROD END (LEFT HAND THREADS)	1

FRONT SUSPENSION / STEERING

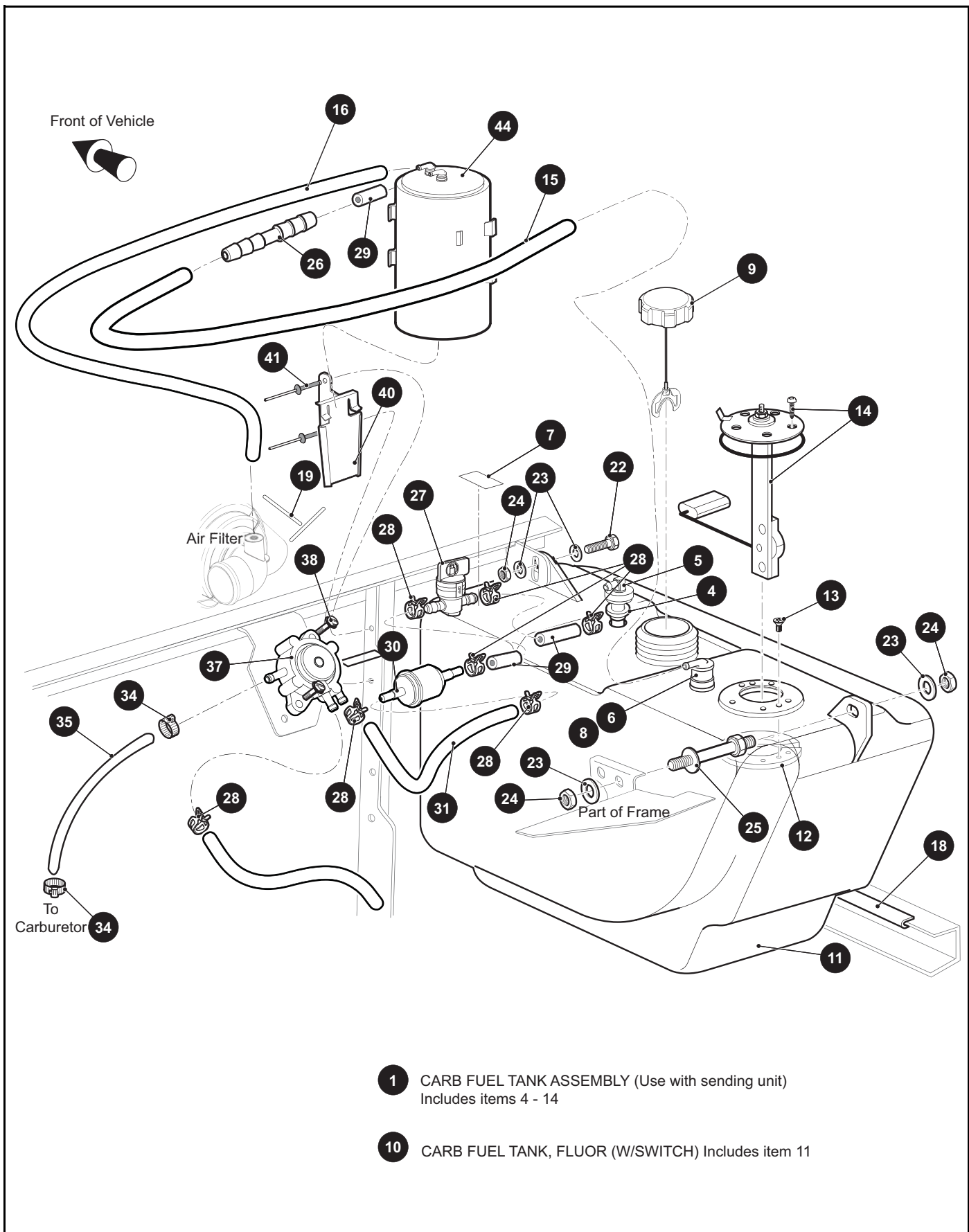
When ordering parts, please specify the model and serial number of the product.

* Indicates a component that is not available as an individual part.

*** Indicates consult Customer Service Department for additional information.

ITEM	PART NO.	1 2 3 4 5	DESCRIPTION	QTY.
92	01069G01		JAM NUT, M12 X 1.25 - 05 (LEFT HAND THREADS)	1
93	70902G02		TIE ROD END (RIGHT HAND THREADS)	1
94	01069G02		JAM NUT, M12 X 1.25 - 05 (RIGHT HAND THREADS).....	1
95	00734G1		LOCK NUT, 7/16 - 14	2
96	10044G01		CAP, VINYL.....	2

FUEL SYSTEM



FUEL SYSTEM

When ordering parts, please specify the model and serial number of the product.

* Indicates a component that is not available as an individual part.

*** Indicates consult Customer Service Department for additional information.

ITEM	PART NO.	1 2 3 4 5	DESCRIPTION	QTY.
1	620181		CARB FUEL TANK ASSEMBLY (Use with sending unit) (Includes items 4 - 14)	1
2				
3				
4	70988G01		SIPHON TUBE GROMMET	1
5	18287G3		SIPHON TUBE ASSEMBLY	1
6	606068		ROLLOVER VALVE GROMMET	1
7	617886		EPA FUEL TANK LABEL	1
8	606067		ROLLOVER VALVE	1
9	617885		FUEL TANK CAP (RATCHET).....	1
10	607479		CARB FUEL TANK, (W/SWITCH) (Includes item 11).....	1
11	618669		FUEL TANK, W/ SENDER UNIT	1
12	72229G01		FUEL TANK ADAPTER	1
13	72230G01		FLAT HEAD MACHINE SCREW 6 - 32 X 1/2"	2
14	20048G2		FUEL LEVEL SENDER	1
15	607546		LOW PRESSURE FUEL HOSE, 3/16 I.D. X 3/8 O.D. X 17.00 LONG (CARB)	1
16	606966		LOW PRESSURE FUEL HOSE, 3/16 I.D. X 3/8 O.D. X 34.00 LONG (CARB)	1
17				
18	32372G6		BLACK TRIM, 6.25 LONG	1
19	17618G1		NYLON CLAMP	2
20				
21				
22	00438G8		HEX HEAD BOLT, 5/16 - 18 X 1	1
23	00559G8		FLAT WASHER, 5/16	4
24	11098G6		LOCK NUT, 5/16 - 18	3
25	70483G01		SPACER BOLT, 5/16 - 18.....	1
26	615346		HOSE REDUCER-ID 1/4 X 3/16	1
27	611181		FUEL SHUT-OFF VALVE	1
28	18292G1		HOSE CLAMP,.50 DIAMETER	7
29	615350		FUEL SYSTEM HOSE, ID6.35, 2.00"	3
30	72084G01		FUEL LINE FILTER.....	1
31	606969		FUEL SYSTEM HOSE,.25 I.D. X.50 O.D. X 8.00 LONG	1

FUEL SYSTEM

When ordering parts, please specify the model and serial number of the product.

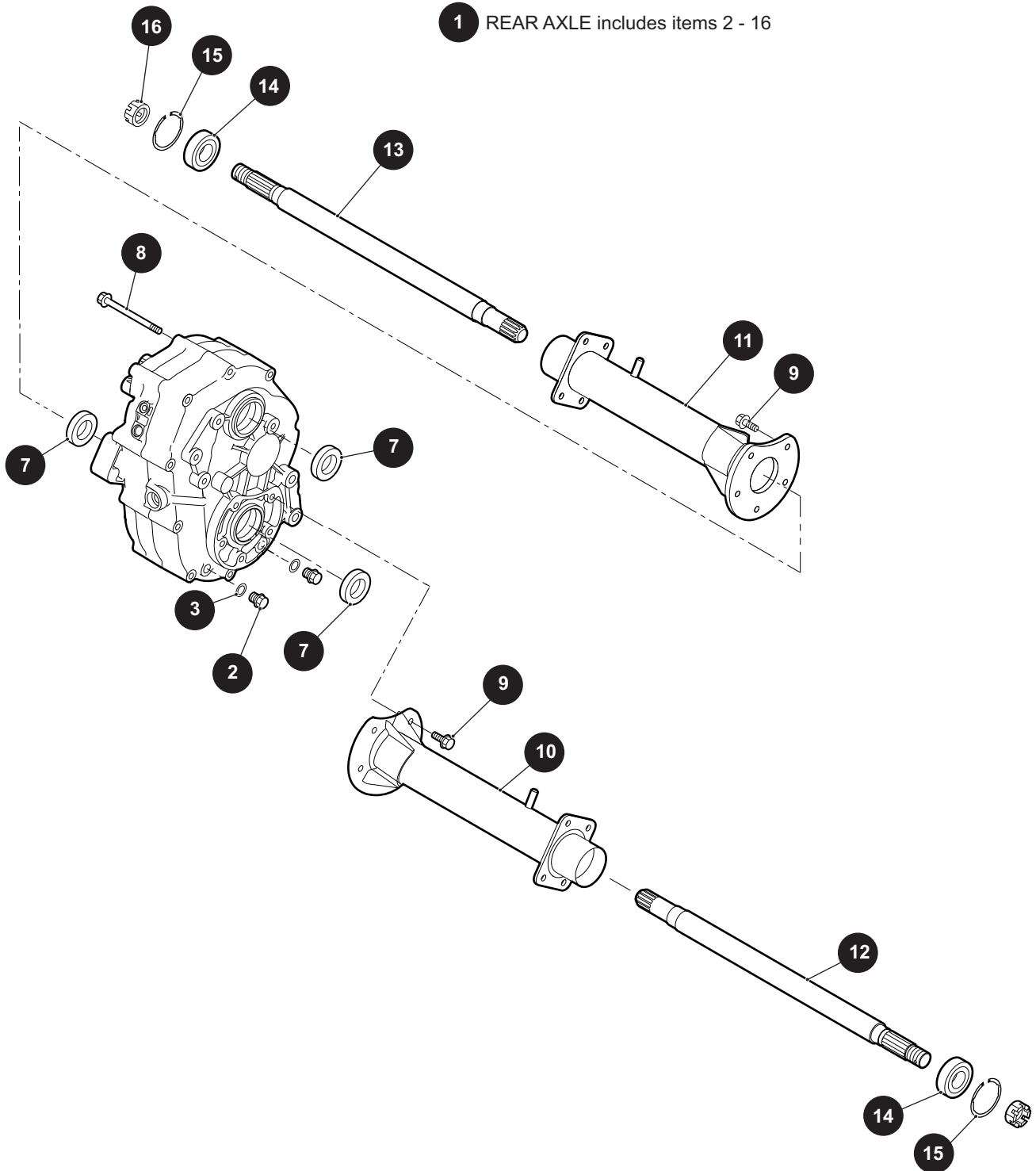
* Indicates a component that is not available as an individual part.

*** Indicates consult Customer Service Department for additional information.

ITEM	PART NO.	1	2	3	4	5	DESCRIPTION	QTY.
32								
33								
34	11391G4						HOSE CLAMP, .25 - .63 DIA	2
35	604597						CARB FUEL SYSTEM HOSE,.25 I.D. X.50 O.D. X 26.00 LONG	1
36								
37	602061						FUEL PUMP	1
38	00114G6						HEX WASHER HEAD SLOTTED TAPPING SCREW, 1/4 - 14 X .75.....	2
39								
40	606310						CARBON CANISTER MOUNTING BRACKET	1
41	10570G11						RIVET, 3/16 DIA X .70	2
42								
43								
44	606071						CARBON CANISTER	1

REAR AXLE

1 REAR AXLE includes items 2 - 16



REAR AXLE

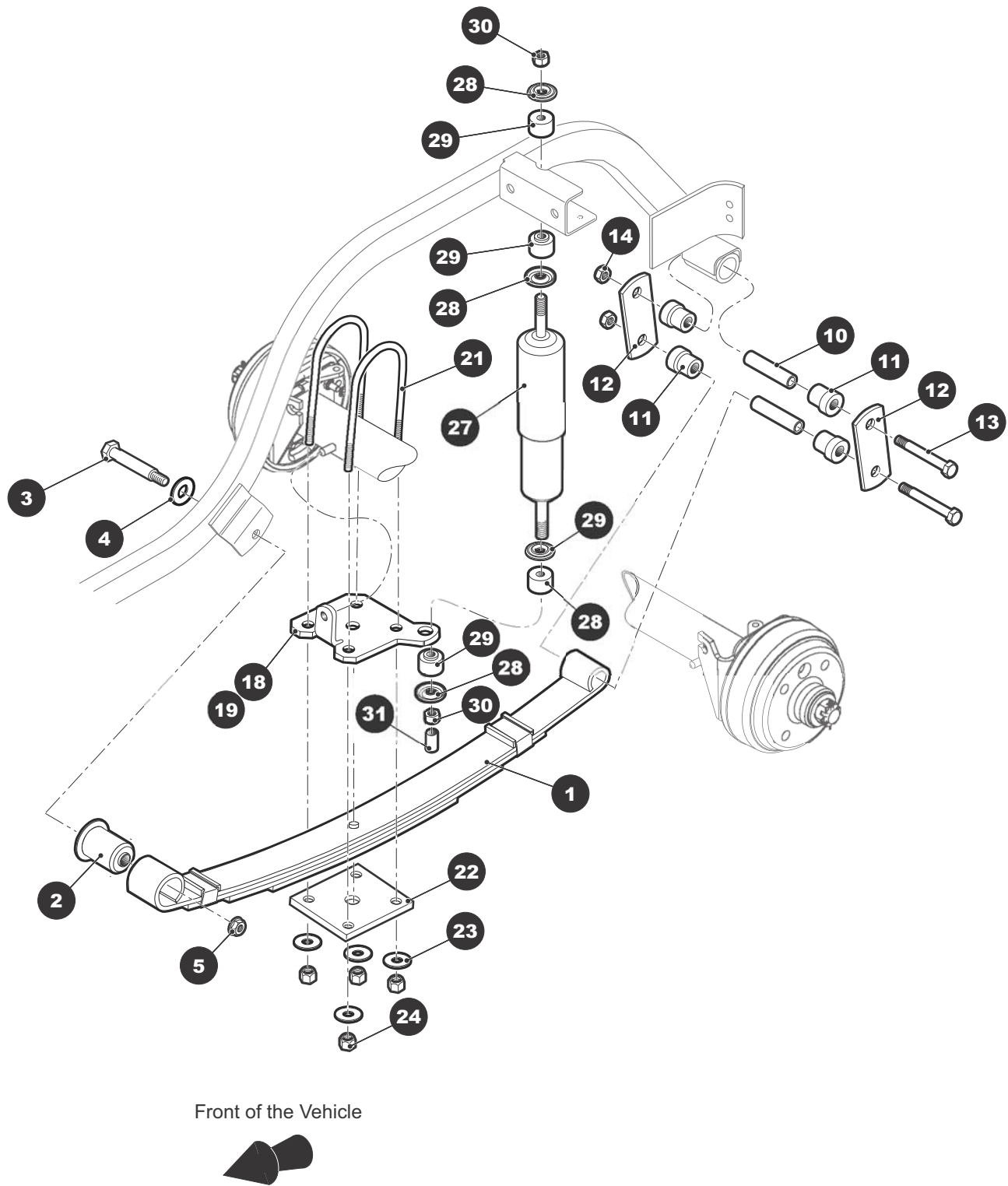
When ordering parts, please specify the model and serial number of the product.

* Indicates a component that is not available as an individual part.

*** Indicates consult Customer Service Department for additional information.

ITEM	PART NO.	1 2 3 4 5	DESCRIPTION	QTY.
1	605891		REAR AXLE (Includes Items 2 - 16)	1
2	26770-G01		OIL DRAIN PLUG	2
3	26771-G01		GASKET	2
4				
5				
6				
7	72259-G01		OIL SEAL 28 X 47 X 9	3
8	26823-G01		FLANGE BOLT M8 X 1.25 X 100	10
9	72260-G01		FLANGE BOLT M10 X 1.5 X 23	10
10	607940		AXLE TUBE (PASSENGER SIDE)	1
11	607939		AXLE TUBE (DRIVER SIDE)	1
12	607988		AXLE SHAFT (PASSENGER SIDE)	1
13	607987		AXLE SHAFT (DRIVER SIDE)	1
14	26811-G01		BALL BEARING	2
15	26814-G01		SNAP RING	2
16	606403		SLOTTED NUT M22 X 1.5	2
17				
18	617488		REAR AXLE LIMITED SLIP (NOT SHOWN) (INCLUDES ITEMS 2 - 16)	1

REAR SUSPENSION



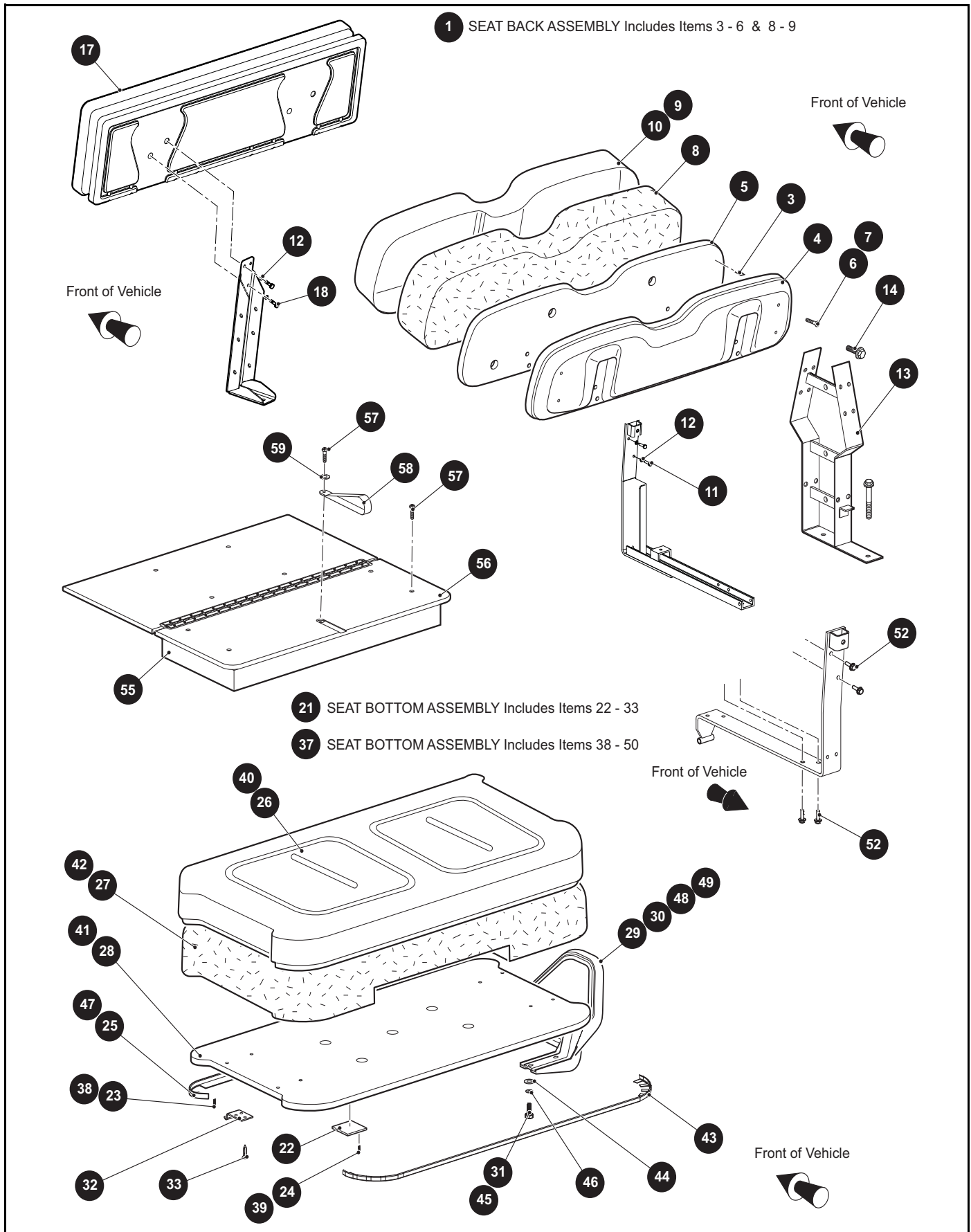
REAR SUSPENSION

When ordering parts, please specify the model and serial number of the product.

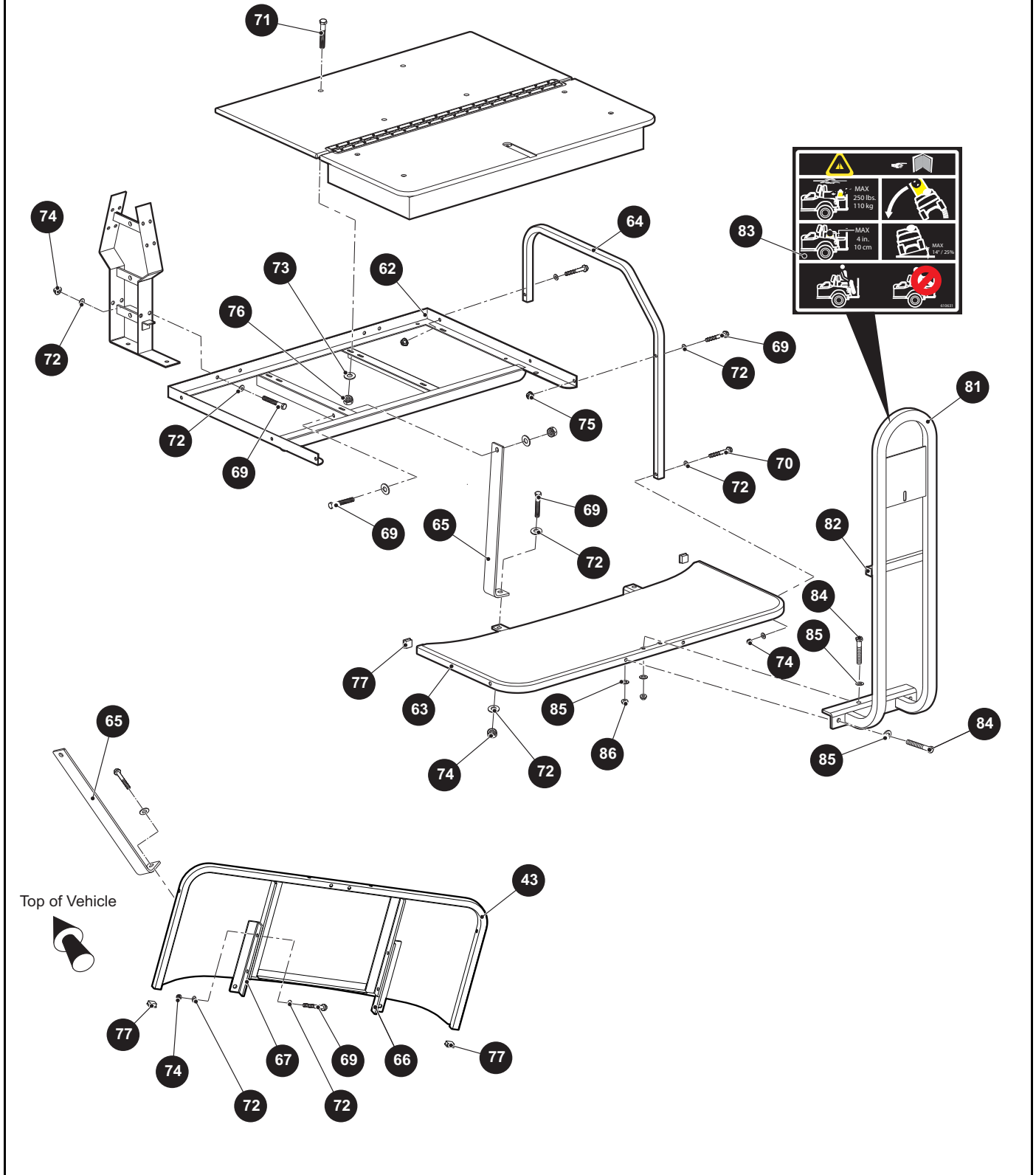
* Indicates a component that is not available as an individual part.

*** Indicates consult Customer Service Department for additional information.

ITEM	PART NO.	1 2 3 4 5	DESCRIPTION	QTY.
1	605721		HEAVY DUTY LEAF SPRING.....	2
2	605445		LEAF SPRING BUSHING, FRONT	2
3	00665G9		HEX HEAD SHOULDER BOLT, SS 3/8 - 16 X 3.5 LG	2
4	00643G1		FLAT WASHER, .411 I.D. X 1.00 O.D. X .06	2
5	12262G1		FLANGED LOCK NUT, 3/8 - 16	2
6				
7				
8				
9				
10	70289G02		SPLIT STEEL SPACER	4
11	70291G01		FLANGED URETHANE BUSHING	8
12	70270G02		SHACKLE PLATE	4
13	00665G9		HEX HEAD BOLT, SS 3/8 - 16 X 3.5 LG	4
14	11098G5		LOCK NUT, 3/8 - 16	4
15				
16				
17				
18	605938		AXLE BRACKET, DRIVER SIDE	1
19	605958		AXLE BRACKET, PASSTENGER SIDE.....	1
20				
21	32195G3		U-BOLT 2 - 3/8.....	4
22	605956		REAR SUSPENSION PLATE	2
23	00643G1		FLAT WASHER, .411 I.D. X 1.00 O.D. X .06	8
24	11098G5		LOCK NUT, 3/8 - 16	8
25				
26				
27	70248G01		SHOCK ABSORBER	2
28	10435G1		SHOCK ABSORBER WASHER.....	8
29	10194G1		RUBBER SHOCK BUSHING	8
30	00532G6		HEX NUT, 3/8 - 24.....	4
31	10044G01		VINYL CAP	2

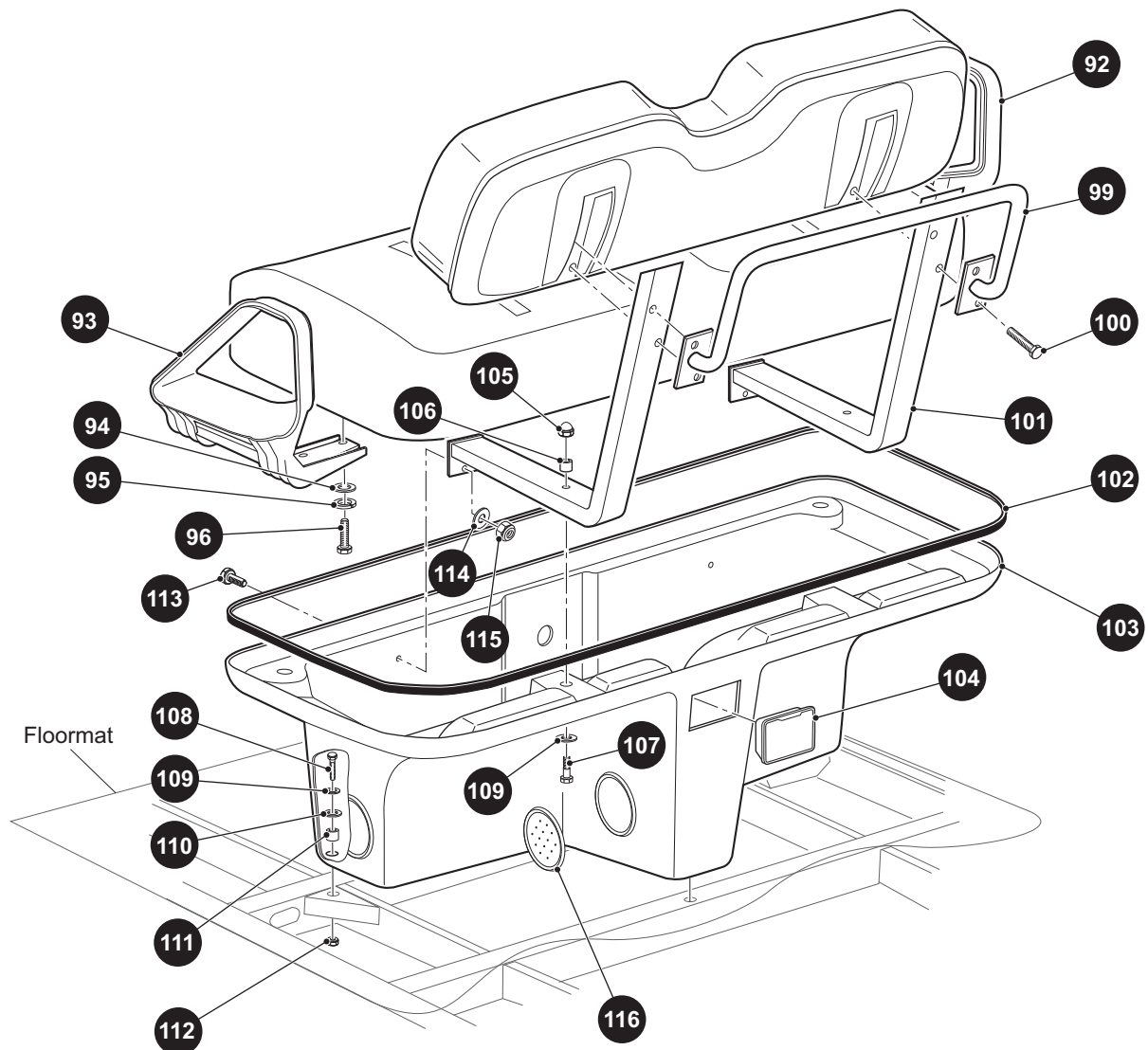


80 HANDRAIL KIT, FLIP FLOP SEAT Includes Items 81 - 86



SEATING

91 SEAT BOTTOM ASSEMBLY Includes Items 92 - 96



When ordering parts, please specify the model and serial number of the product.

* Indicates a component that is not available as an individual part.

*** Indicates consult Customer Service Department for additional information.

ITEM	PART NO.	1 2 3 4 5	DESCRIPTION	QTY.
1	***		SEAT BACK ASSEMBLY (INCLUDES ITEMS 3 - 5 & 7 - 10)..... 71751G02 GRAY 71751G03 OYSTER 71751G04 TAN 71751G06 BROWN 71751G07 BLACK 604908 WHITE WITH BLUE 604907 WHITE WITH RED 606828 RED WITH BLACK	1
2				
3	*		FLAT STAPLE.....	95
4	71752G01		PLASTIC SEAT BACK COVER.....	1
5	76414G01		SEAT BACK (WOOD).....	1
6	01107G01		SCREW, #8 X 3/8" LG (STAINLESS STEEL).....	4
7	607535		PAN HEAD SCREW.....	4
8	71754G01		FOAM PADDING (SEAT BACK).....	1
9	***		VINYL SEAT BACK COVER..... 71753G02 GRAY 71753G03 OYSTER 71753G04 TAN 71753G06 BROWN 71753G07 BLACK 604916G0102 WHITE/BLUE 604916G0103 WHITE/RED 604916G0304 RED/BLACK	1
10				
11	00661G8		HEX SCREW 1/4 - 20.....	4
12	00664G7		LOCK WASHER .255/.263.....	4
13	615730		SEAT BACK SUPPORT.....	1
14	71204G01		SCREW 1/4 - 20 X 7/8".....	8

SEATING

When ordering parts, please specify the model and serial number of the product.

* Indicates a component that is not available as an individual part.

*** Indicates consult Customer Service Department for additional information.

ITEM	PART NO.	1	2	3	4	5	DESCRIPTION	QTY.
15								
16								
17	***						SEAT BACK ASSEMBLY	1
							71274G03 TAN	
							71274G04 GRAY	
							71274G05 OYSTER	
							71274G06 SPECIAL	
18	605056						SCREW 1/4 - 20 X 1	4
19								
20								
21	***						SEAT BOTTOM ASSEMBLY (INCLUDES ITEMS 22 - 33)	1
							71611G03 GRAY	
							71611G05 OYSTER	
							71611G07 TAN	
							71611G09 SPECIAL	
							71611G16 BROWN	
							71611G17 BLACK	
							71611G35 RED ON BLACK	
							604902 WHITE WITH RED	
							604906 WHITE WITH BLUE	
22	17074G1						RUBBER PAD	2
23	*						FLAT STAPLE	110
24	*						FLAT STAPLE	36
25	71012G01						VINYL TRIM (SEAT BOTTOM)	1
26	***						VINYL SEAT BOTTOM COVER	1
							71602G02 GREY	
							71602G03 OYSTER	
							71602G04 TAN	
							71602G05 SPECIAL	
							71602G06 BLACK	
							71602G07 BROWN	

When ordering parts, please specify the model and serial number of the product.

* Indicates a component that is not available as an individual part.

*** Indicates consult Customer Service Department for additional information.

ITEM	PART NO.	1 2 3 4 5	DESCRIPTION	QTY.
			604912G0103 WHITE ON RED	
			604912G0102 WHITE/BLUE	
27	71603G02		FOAM PADDING (SEAT BOTTOM)	1
28	76411G01		SEAT BOTTOM (WOOD)	1
29	71702G01		HIP RESTRAINT (DRIVER SIDE)	1
30	710701G01		HIP RESTRAINT (PASSENGER SIDE).....	1
31	71204G01		SCREW 1/4 - 20 X 7/8	8
32	71610G01		SEAT HINGE.....	2
33	00720G08		SCREW #12 -14 X 1".....	6
34				
35				
36				
37	***		SEAT BOTTOM ASSEMBLY (INCLUDES ITEMS 38 - 50).....	1
			74139G02 GRAY	
			74139G03 OYSTER	
			74139G04 TAN	
			74139G06 BROWN	
			74139G07 BLACK	
38	*		FLAT STAPLE.....	110
39	*		FLAT STAPLE.....	48
40	***		VINYL SEAT BOTTOM COVER	1
			71602G02 GRAY	
			71602G03 OYSTER	
			71602G04 TAN	
			71602G07 BROWN	
			71602G06 BLACK	
41	76417G01		SEAT BOTTOM (WOOD)	1
42	71603G02		FOAM PADDING (SEAT BOTTOM)	1
43	74140G01		VINYL TRIM FRONT	1
44	01110G01		FLAT WASHER 1/4	8
45	00661G8		BOLT 1/4 - 20 X 1	8

SEATING

When ordering parts, please specify the model and serial number of the product.

* Indicates a component that is not available as an individual part.

*** Indicates consult Customer Service Department for additional information.

ITEM	PART NO.	1	2	3	4	5	DESCRIPTION	QTY.
46	00664G7						LOCK WASHER 1/4.....	8
47	71012G01						VINYL TRIM (SEAT BOTTOM)	1
48	71702G01						HIP RESTRAINT (DRIVER SIDE).....	1
49	710701G01						HIP RESTRAINT (PASSENGER SIDE)	1
50								
51								
52	71204G01						SCREW 1/4 - 20 X 7/8.....	12
53								
54								
55	***						REAR FACING SEAT BOTTOM.....	
							621027 TAN	1
							621031 WHITE/BLUE	1
							621032 WHITE/RED	1
							621033 RED/BLACK	1
							621036 BLACK	1
							617895 GRAY	1
							617897 BROWN	1
56	617137						DECK BOARD ASSEMBLY	1
57	16705G1						STAINLESS STEEL SCREW 1/4 - 20 X 1"	5
58	617402						SEAT STRAP	1
59	00559G7						FLAT WASHER 1/4.....	1
60								
61								
62	615712						SEAT FRAME WELDMENT	1
63	615714						FOOTREST WELDMENT	1
64	615729						ARMREST, REAR SEAT	2
65	615713						SEAT FRAME SUPPORT.....	2
66	615728						FOOTREST BRACKET, PASSENGER SIDE	1
67	615727						FOOTREST BRACKET, DRIVER SIDE	1
68	01006G01						HEX HEAD SCREW, 3/8 X 1.25.....	4
69	00427G4						HEX HEAD SCREW, 3/8 - 16 X 1.5	16

When ordering parts, please specify the model and serial number of the product.

* Indicates a component that is not available as an individual part.

*** Indicates consult Customer Service Department for additional information.

ITEM	PART NO.	1 2 3 4 5	DESCRIPTION	QTY.
70	00429G2		HEX HEAD SCREW, 3/8 - 16 X 3.25	2
71	16705G9		SCREW SS, 1/4 - 20 X 1.25	4
72	614221		FLAT WASHER, 3/8	32
73	01110G01		FLAT WASHER, 1/4	4
74	11098G5		PLASTIC LOCK NUT, 3/8 - 16	14
75	11027G5		FLANGED LOCK NUT, 3/8 - 16	4
76	14390G4		PLASTIC LOCK NUT, 1/4 - 20	4
77	19853G1		SQUARE CAP TUBE, 1"	2
78				
79				
80	617901		HANDRAIL KIT, FLIP-FLOP SEAT (INCLUDES ITEMS 81 - 86).....	1
81	615721		FOOTREST HANDLE WELDMENT	1
82	19859G1		SQUARE CAP TUBE, 3/4"	2
83	610631		DECAL.....	1
84	00427G8		HEX HEAD SCREW, 3/8 - 16 X 2.0	4
85	614221		FLAT WASHER, 3/8	8
86	11098G5		PLASTIC LOCK NUT, 3/8 - 16.....	4
87				
88				
89				
90				
91	71888-G**		SEAT BOTTOM (INCLUDES ITEMS 92 - 96) (SHUTTLE 4 & 6).....	1
92	71701-G01		HIP RESTRAINT (PASSENGER SIDE)	1
93	71702-G01		HIP RESTRAINT (DRIVER SIDE)	1
94	01110-G01		WASHER, 1/4" (STAINLESS STEEL)	8
95	00664-G7		LOCK WASHER, 1/4" (STAINLESS STEEL).....	8
96	00415-G2		BOLT, 1/4 - 20 X 1 1/4" LG	8
97				
98				
99	71632-G01		REAR HAND HOLD BAR.....	1
100	71204-G02		BOLT, 1/4 - 20 X 2" LG.....	4

SEATING

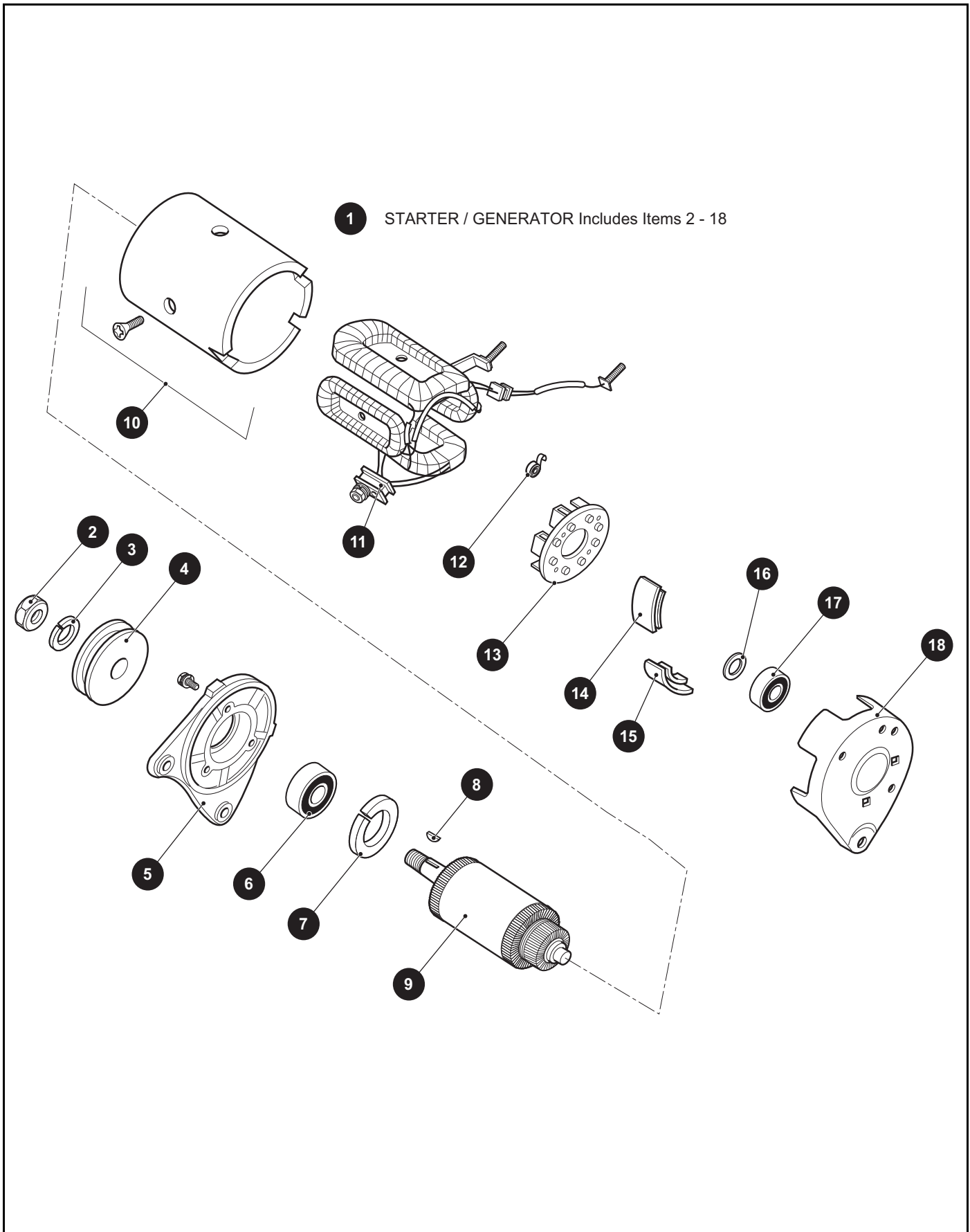
When ordering parts, please specify the model and serial number of the product.

* Indicates a component that is not available as an individual part.

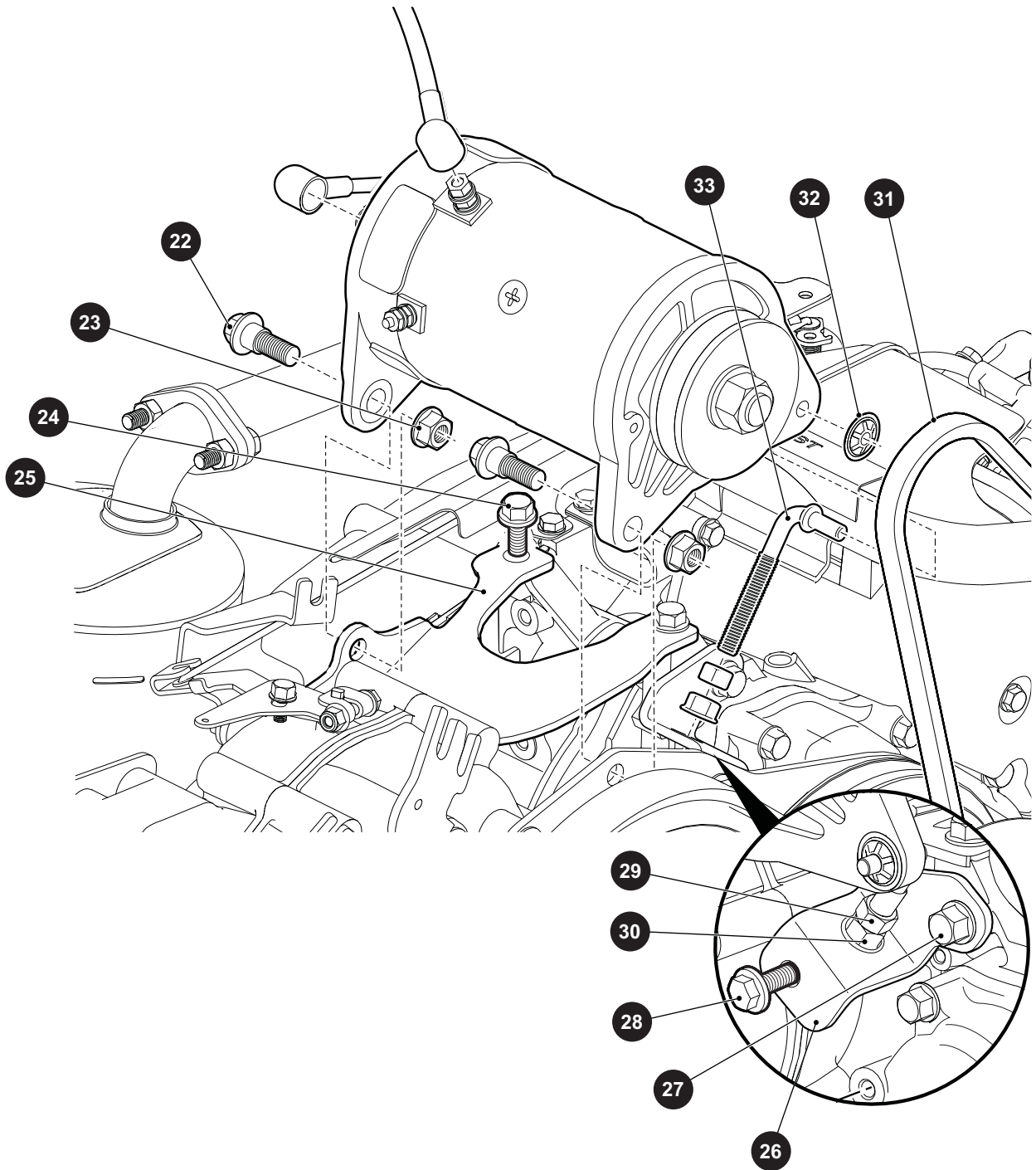
*** Indicates consult Customer Service Department for additional information.

ITEM	PART NO.	1 2 3 4 5	DESCRIPTION	QTY.
101	71868-G01		SEAT BACK BRACKET	2
102	32805-G6		TRIM, BLACK	1
103	70836-G0**		SEAT POD.....	1
104	27731-G01		ASHTRAY	1
105	15717-G5		ACORN NUT, 3/8 - 16	2
106	23726-G4		SPACER, 5/16"	2
107	00427-G8		BOLT, 3/8 - 16 X 2" LG	2
108	00439-G8		BOLT, 5/16 - 18 X 2" LG	3
109	00675-G1		WASHER, 3/8" (STAINLESS STEEL)	5
110	71883-G01		RUBBER WASHER, 5/8"	3
111	23726-G9		SPACER, 3/4"	3
112	11098-G6		LOCK NUT, 5/16 - 18 (STAINLESS STEEL)	3
113	00976-G06		SCREW, 5/16 - 18 X 3/4" LG (STAINLESS STEEL)	2
114	01110-G01		LOCK WASHER, 1/4" (STAINLESS STEEL).....	2
115	11098-G6		LOCK NUT, 1/4 - 20 (STAINLESS STEEL)	2
116	71599-G01		VENT PLUG	4

STARTER GENERATOR



STARTER GENERATOR



STARTER GENERATOR

When ordering parts, please specify the model and serial number of the product.

* Indicates a component that is not available as an individual part.

*** Indicates consult Customer Service Department for additional information.

ITEM	PART NO.	1 2 3 4 5	DESCRIPTION	QTY.
1	617120		STARTER / GENERATOR (INCLUDES 2 - 18).....	1
2	612029		NUT.....	1
3	612030		LOCKWASHER.....	1
4	617172		PULLEY	1
5	612032		FRONT COVER.....	1
6	612033		BEARING	1
7	612034		RETAINING RING.....	1
8	612035		KEY	1
9	612036		ARMATURE ASSEMBLY	1
10	612037		FRAME & FIELD ASSEMBLY	1
11	612038		BRUSH LEAD & TERMINAL SERVICE PKG	1
12	612039		BRUSH SPRING.....	1
13	612040		BRUSH BOX ASSEMBLY	1
14	612041		BRUSH 1 COVER.....	2
15	612042		BRUSH 2 COVER.....	2
16	612043		WAVY WASHER	1
17	612044		BEARING.....	1
18	612045		REAR COVER	1
19				
20				
21				
22	606235		HEX HEAD SHOULDER BOLT, M10 - 1.25 X 20	2
23	606279		NUT, M10 - 1.25	2
24	606261		BOLT, M8 - 1.25 X 20	3
25	602141		STARTER / GENERATOR BRACKET.....	1
26	602145		TENSIONER BRACKET.....	1
27	606261		BOLT, M8 - 1.25 X 20	1
28	606256		BOLT, M10 - 1.25 X 25	1
29	606255		NUT, M10 - 1.25	1
30	606274		NUT, M10 - 1.25	1

STARTER GENERATOR

When ordering parts, please specify the model and serial number of the product.

* Indicates a component that is not available as an individual part.

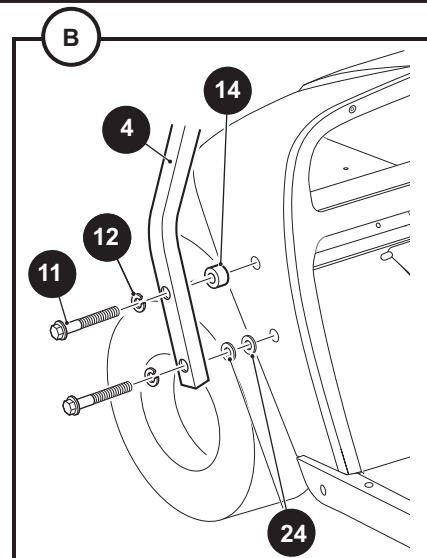
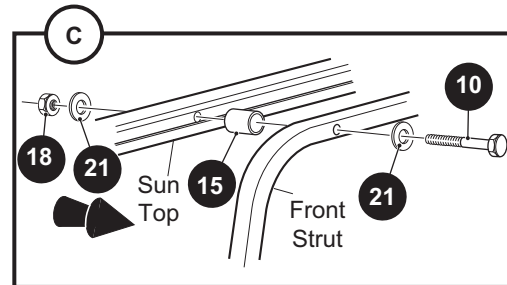
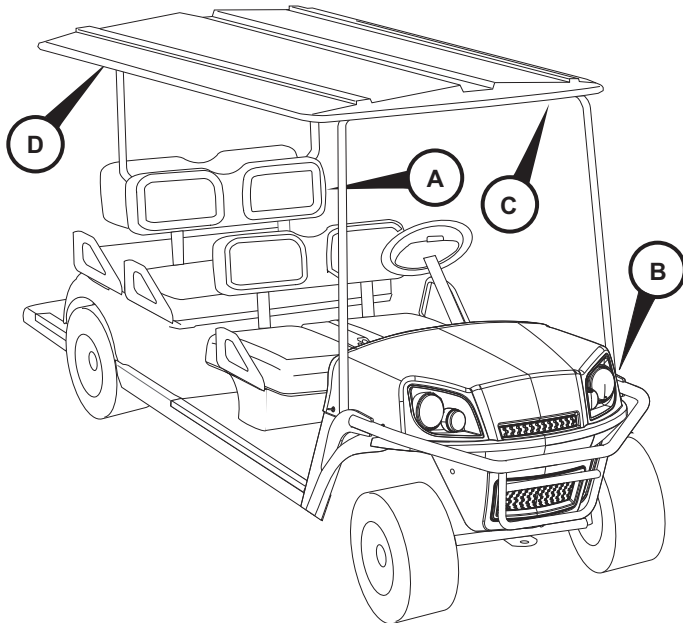
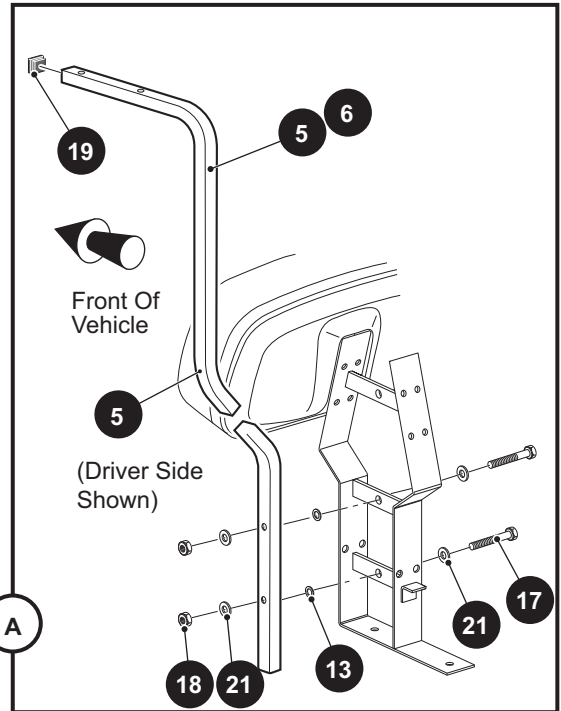
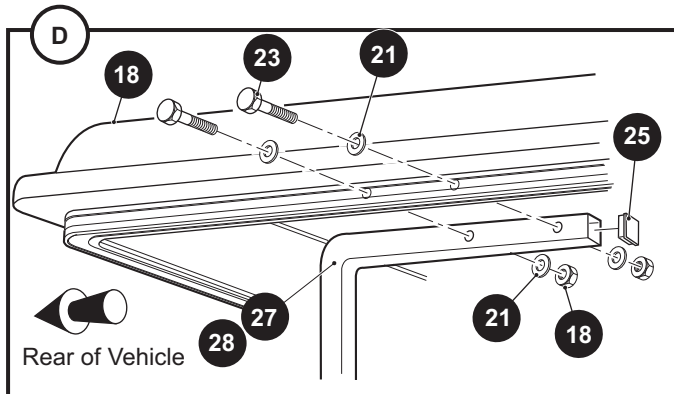
*** Indicates consult Customer Service Department for additional information.

ITEM	PART NO.	1 2 3 4 5	DESCRIPTION	QTY.
31	16548G1		STARTER / GENERATOR BELT	1
32	12064G6		PUSH NUT, 5/16"	1
33	625705		TENSIONER BOLT	1

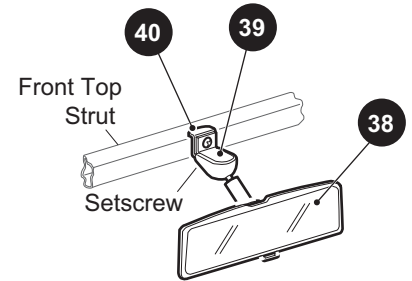
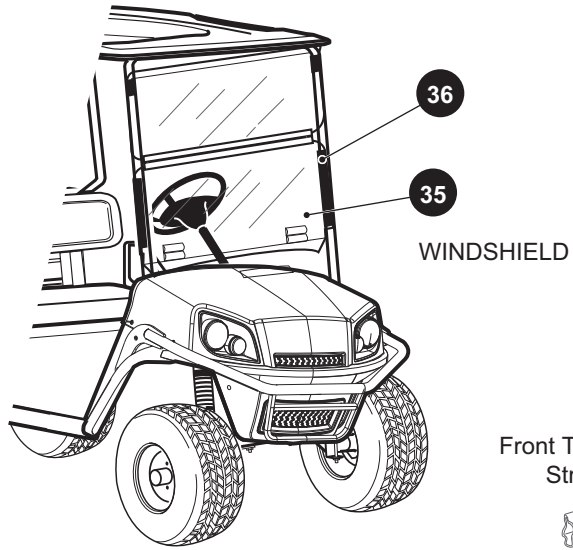
Notes:

A large, empty grid of graph paper, consisting of 25 columns and 30 rows of small squares, intended for taking notes.

WEATHER PROTECTION

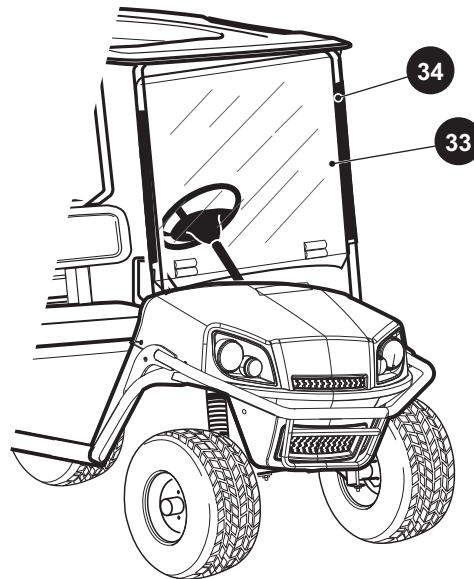


- 1 SUN TOP KIT BLACK Includes items 4 - 6, 7, 10
- 2 SUN TOP KIT WHITE Includes items 4 - 6, 8, 10
- 3 SUN TOP KIT BEIGE Includes items 4 - 6, 9, 10
- 29 SUN TOP KIT WHITE Includes items 4, 8, 10
- 30 SUN TOP KIT BLACK Includes items 4, 7, 10
- 31 SUN TOP KIT BEIGE Includes items 4, 9, 10



37 - REAR VIEW MIRROR KIT Includes items 38 - 40

REAR VIEW MIRROR



WINDSHIELD

WEATHER PROTECTION

When ordering parts, please specify the model and serial number of the product.

* Indicates a component that is not available as an individual part.

*** Indicates consult Customer Service Department for additional information.

ITEM	PART NO.	1 2 3 4 5	DESCRIPTION	QTY.
1	610266		SUN TOP KIT BLACK (INCLUDES ITEMS 4 - 6, 7, 10 - 25)	1
2	610268		SUN TOP KIT, WHITE (INCLUDES ITEMS 4 - 6, 8, 10 - 25)	1
3	610267		SUN TOP KIT, BEIGE (INCLUDES ITEMS 4 - 6,9 - 25	
4	610260		FRONT SUPPORT	1
5	610262		REAR SUPPORT (DRIVER SIDE)	1
6	610261		REAR SUPPORT (PASSENGER SIDE)	1
7	610263		SUN TOP, BLACK	1
8	610264		SUN TOP, WHITE	1
9	610264		SUN TOP, BEIGE	
10	610259		SUN TOP HARDWARE KIT (INCLUDES ITEMS 11 -27)	1
11	00440G2		BOLT, 5/16 - 18 X 2 1/4" LG	2
12	00905G8		LOCK WASHER, 5/16"	4
13	00771G5		NYLON WASHER, 3/8"	4
14	75048G01		SPACER, 1/2"	2
15	18716G1		ALUMINIUM SPACER, 3" LG	2
16	00674G8		BOLT, 3/8 - 16 X 5" LG-SS	2
17	00665G5		BOLT, 3/8 - 16 X 1 3/4" LG (STAINLESS STEEL)	4
18	00665G6		BOLT, 3/8 - 16 X 2" LG (STAINLESS STEEL)	2
19	00891G5		LOCK NUT, 3/8 - 16	4
20	00559G8		FLAT WASHER 5/16", BLACK	4
21	00653G1		FLAT WASHER, 5/8 - SS	20
22	24647G1		SPACER, 1/4" THICK	2
23	00665G3		BOLT, 3/8 - 16 X 2 1/2" LG (STAINLESS STEEL)	4
24	00879G1		LOCK WASHER, 3/8"	4
25	19853-G1		END CAP, 1"	2
26				
27				
28				
29				
30				
31				

WEATHER PROTECTION

When ordering parts, please specify the model and serial number of the product.

* Indicates a component that is not available as an individual part.

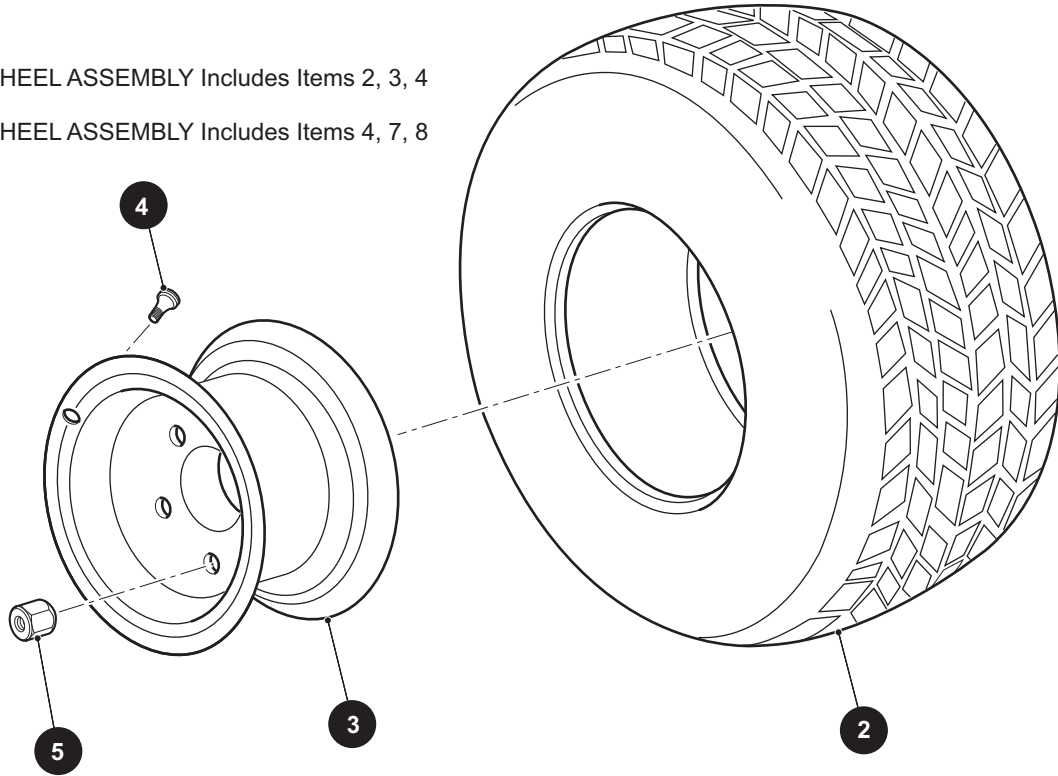
*** Indicates consult Customer Service Department for additional information.

ITEM	PART NO.	1 2 3 4 5	DESCRIPTION	QTY.
32				
33	611099		SERVICE KIT (INCLUDES 2 OF ITEM 34).....	1
34	615662		SASH, 26".....	2
35	611100		SERVICE KIT (INCLUDES 2 OF ITEM 36).....	1
36	615661		SASH, 12".....	2
37	19528G2		REAR VIEW MIRROR KIT (INCLUDES 33 - 35).....	1
38	19496G1		REAR VIEW MIRROR.....	1
39	19502G2		SUPPORT BRACKET.....	1
40	19527G1		SCREW, # 8 - 32 X 5/8" LG (STAINLESS STEEL).....	1

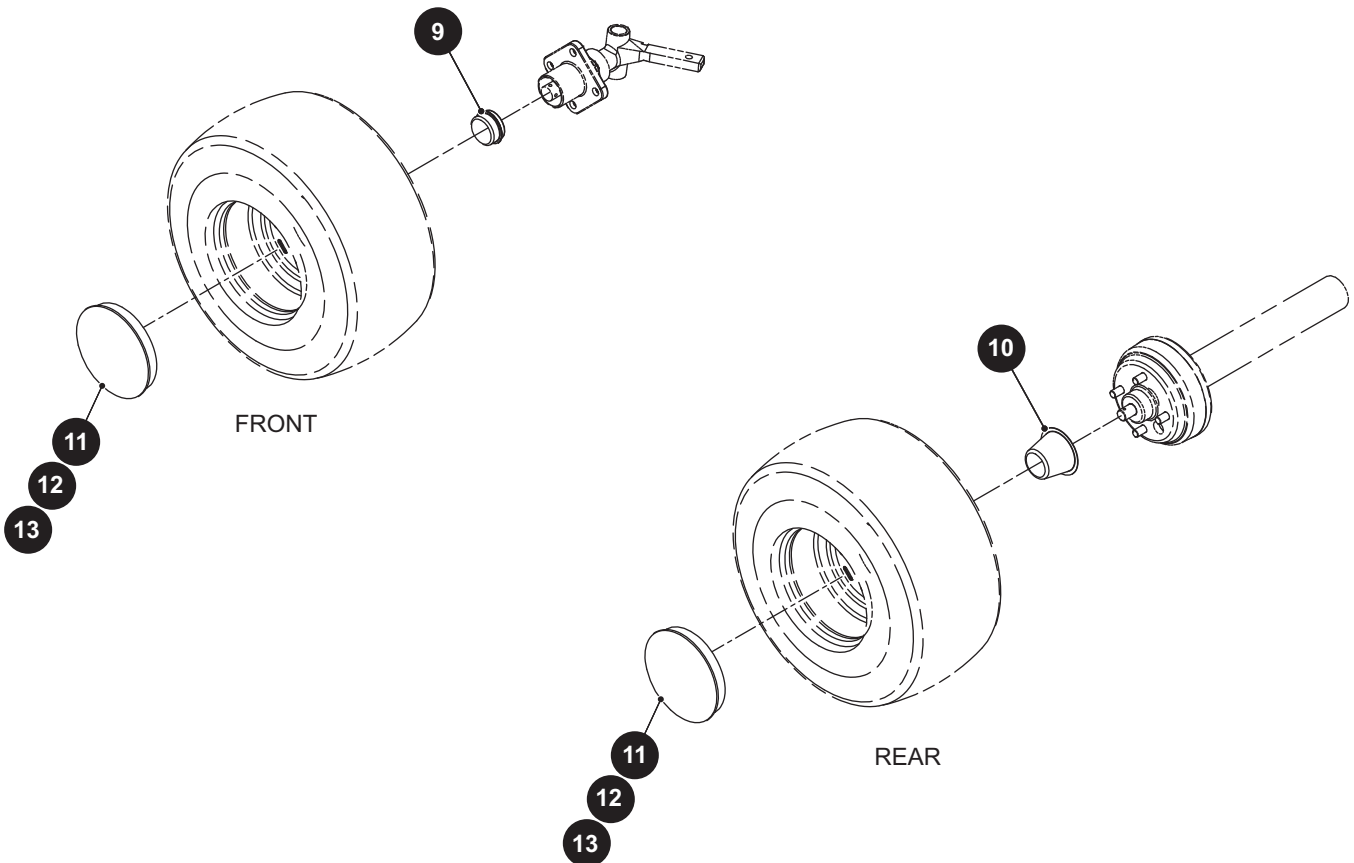
WHEELS AND TIRES

1 TIRE AND WHEEL ASSEMBLY Includes Items 2, 3, 4

6 TIRE AND WHEEL ASSEMBLY Includes Items 4, 7, 8



(Style of tire may differ from tire shown)



WHEELS AND TIRES

When ordering parts, please specify the model and serial number of the product.

* Indicates a component that is not available as an individual part.

*** Indicates consult Customer Service Department for additional information.

ITEM	PART NO.	1 2 3 4 5	DESCRIPTION	QTY.
1	612772		TIRE AND WHEEL ASSEMBLY (INCLUDES ITEMS 2, 3, 4).....	AR
2	612771		KENDA TIRE	1
3	612770		WHEEL RIM	1
4	11657G2		VALVE STEM.....	1
5	14723G1		LUG NUT, 1/2 - 20.....	AR
6	28842-G01		TIRE AND WHEEL ASSEMBLY (INCLUDES ITEMS 4, 7 AND 8)	1
7	28764-G06		TRAIL TIRE	1
8	28759-G01		WHEEL RIM	1
9	12091-G2		SPINDLE CAP	2
10	74175-G01		MOLDED DUST CAP.....	2
11	16042-G1		6"CHROME E-Z-GO WHEEL COVER.....	4
12	615618		HUB CAP SILVER.....	4
13	615617		HUB CAP GOLD	4

Notes:

A large grid area for taking notes, consisting of 30 columns and 25 rows of small squares.



CUSHMAN™

E-Z-GO Division of Textron Inc.,
1451 Marvin Griffin Road, Augusta, Georgia 30906 - 3852 USA

TO CONTACT US...

North America:

Technical Assistance & Warranty
Service Parts

Phone: 1-800-774-3946, FAX: 1-800-448-8124

Phone: 1-888-GET-E-Z-GO (1-888-438-3946), FAX: 1-800-752-6175

International:

Phone: 001-706-798-4311, FAX: 001-706-771-4609

Service Parts Manuals, as well as Repair and Service Manuals
are available from a local Distributor, an authorized Branch,
Genuine E-Z-GO Parts & Accessories Department or at www.shopezgo.com.

ISO 9001
ISO 14001

BUREAU VERITAS
Certification



Copyrighted Material
This manual may not be reproduced in whole or
in part without the express permission of
E-Z-GO Division of Textron Inc.
Technical Communications Department