



4175887-Rev B



Parts & Maintenance Manual

Cushman® Turf Truckster®

With Four Post Roll Over Protective Structure

84063 – Kubota® D1105-E3B Diesel Engine, MT

84064 – Kubota® D1105-E3B Diesel Engine, MT, EC

84056 – Suzuki® K6 Gas Engine, MT

84057 – Suzuki® K6 Gas Engine, AT

84061 – Suzuki® K6 Gas Engine, RV and Utility

WARNING

If incorrectly used, this machine can cause severe injury. Those who use and maintain this machine should be trained in its proper use, warned of its dangers and should read the entire manual before attempting to set up, operate, adjust, or service the machine.



When Performance Matters.™

FOREWORD

This manual contains adjustment, maintenance, troubleshooting instructions and parts list for your new Jacobsen® machine. This manual should be stored with the equipment for reference during operation.

Before you operate your machine, you and each operator you employ should read the manual carefully in its entirety. By following the safety, operating and maintenance instructions you will prolong the life of your equipment and maintain its maximum efficiency.

If additional information is needed contact your Jacobsen Dealer.

The serial plate is located on the frame rail under the steering wheel. Jacobsen recommends you record these numbers below for easy reference.

JACOBSEN <small>A Textron Company</small>		CHARLOTTE, NC, USA 1 800 848 1636 Jacobsen.com	
MODEL	xxxxx		
DATE CODE	xxxxx		
LABEL #	xxxxxxx	Lb/kg W Batt	
SERIAL #	*xxxxxxx*	Norm Power Hp/kw	
			

Suggested Stocking Guide

To Keep your equipment fully operational and productive, Jacobsen suggests you maintain a stock of the more commonly used maintenance items. We have also included part numbers for additional support materials and training aids.

To order any of the following material:

1. Write your full name and complete address on your order form.

2. Explain where and how to make shipment:

UPS

Regular Mail

Overnight

2nd Day

3. Order by the quantity desired, the part number, and the description of the part.

4. Send or bring the order to your authorized Jacobsen Dealer.

Service Parts

Qty.	Part No.	Description	Qty.	Part No.	Description
	4113986	Diesel Engine Oil Filter		2701908	Gas Engine Oil Filter
	550489	Diesel Engine Fuel Filter Element		2701898	Gas Engine Fuel Filter
	4175560	Diesel Alternator-Power Steering Belt		4139265	Gas Alternator-Power Steering Belt
	4117092	Diesel Hydraulic Pump Belt		4139351	Gas Governor-Hydraulic Pump Belt
	5000919	Diesel Engine Air Filter Element		840352	Gas Engine Air Filter Element
				885249	Hydraulic Filter Element

Service Support Material

Qty.	Part No.	Description
	4175886	Safety & Operation Manual
	4175887	Parts & Maintenance
	4160162	Kubota D1105 Engine Parts Manual
	4140632	Suzuki K6A Engine Parts Manual

Qty.	Part No.	Description
	4171642	MT Truck Service Manual
	4171675	AT Truck Service Manual
	4171985	Suzuki K6A Service Manual

Proposition 65 Warning

This product contains or emits chemicals known to State of California to cause cancer and birth defects or other reproductive harm.

© Copyright 2010, Jacobsen, A Textron Company. "All rights reserved, including the right to reproduce this material or portions thereof in any form."

Table of Contents

1	Safety				
1.1	Operating Safety	4	5.11	Charging Battery	22
1.2	Important Safety Notes	5	5.12	Hydraulic Hoses	23
2	Vehicle Identification Numbers		5.13	Hydraulic Reservoir and Filter	23
2.1	Vehicle Identification Number	6	5.14	Fuel	25
2.2	Engine Identification Numbers	6	5.15	Fuel System	25
3	Specifications		5.16	Tire Pressure	26
3.1	Product Identification	7	5.17	Tire Removal and Installation	26
3.2	Engine	7	5.18	Raising the vehicle	27
3.3	vehicle	8	5.19	Towing the Vehicle	28
3.4	Gear Ratios	8	5.20	Governor Oil Level	28
3.5	Weights and Dimensions	8	5.21	Hydraulic Brakes	29
3.6	Accessories & Support Literature	9	5.22	Differential Fluid	30
3.7	Declaration of Conformity	10	5.23	Diesel Engine Manual Transmission	30
4	Adjustments		5.24	Gas Engine Manual Transmission	31
4.1	General	12	5.25	Gas Engine Automatic Transmission	31
4.2	Engine Access	12	5.26	Electrical System	32
4.3	Front Cowl Access	13	5.27	Dash Panel	32
4.4	Access Panels	13	5.28	Headlight Replacement	33
4.5	Diesel Engine Alternator Belt	14	5.29	Tail Light Replacement	33
4.6	Diesel Engine Hydraulic Pump Belt	14	5.30	EFI Diagnostic Check	34
4.7	Gas Engine Power Steering - Alternator Belt	14	5.31	Care and Cleaning	35
4.8	Gas Engine Hydraulic Pump Belt	15	5.32	Storage	35
4.9	Parking Brake Cable	15	6	Troubleshooting	
4.10	Torque Specification	16	6.1	General	36
5	Maintenance		7	Maintenance & Lubrication Charts	
5.1	General	17	7.1	General	37
5.2	Engine	17	7.2	Lubrication Chart	37
5.3	Engine Oil	18	7.3	Maintenance Charts	38
5.4	Power Steering Reservoir	19	7.4	Common Replacement Parts	39
5.5	Muffler and Exhaust	19	7.5	Kubota Diesel Engine Service Parts	39
5.6	Engine Overheat Procedure	19	8	Notes	
5.7	Cooling System	20	9	Parts Catalog	
5.8	Air Filter	21	9.1	How To Use The Parts Catalog	41
5.9	Jump Starting	21	9.2	To Order Parts	41
5.10	Battery	22	9.3	Table Of Contents	42

1 SAFETY

1.1 OPERATING SAFETY



EQUIPMENT OPERATED IMPROPERLY OR BY UNTRAINED PERSONNEL CAN BE DANGEROUS.

Familiarize yourself with the location and proper use of all controls. Inexperienced operators should receive instruction from someone familiar with the equipment before being allowed to operate the machine.

1. Safety is dependent upon the awareness, concern and prudence of those who operate or service the equipment. Never allow minors to operate any equipment.
2. It is your responsibility to read this manual and all publications associated with this equipment (Safety & Operation Manual, Engine Manual, accessories, and attachments). If the operator cannot read English it is the owner's responsibility to explain the material contained in this manual to them.
3. Learn the proper use of the machine, the location and purpose of all the controls and gauges before you operate the equipment. Working with unfamiliar equipment can lead to accidents.
4. Never allow anyone to operate or service the machine or its attachments without proper training and instructions or while under the influence of alcohol or drugs.
5. Wear all the necessary protective clothing and personal safety devices to protect your head, eyes, ears, hands, and feet. Operate the machine only in daylight or in good artificial light.
6. Evaluate the terrain to determine what accessories and attachments are needed to properly and safely perform the job. Only use accessories and attachments approved by Jacobsen.
7. Stay alert for holes in the terrain and other hidden hazards.
8. Inspect the area where the equipment will be used. Pick up all the debris you can find before operating. Beware of overhead obstructions (low tree limbs, electrical wires, etc.) and also underground obstacles (sprinklers, pipes, tree roots, etc.) Enter a new area cautiously. Stay alert for hidden hazards.
9. Never allow anyone near the machine while in operation. The owner/operator can prevent, and is responsible for, injuries inflicted to themselves, to bystanders, and damage to property.
10. Do not carry passengers. Keep bystanders and pets a safe distance away.
11. Never operate equipment that is not in perfect working order or is without decals, guards, shields, or other protective devices securely fastened in place.
12. Never disconnect or bypass any switch.
13. Do not change the engine governor setting or overspeed the engine.
14. Carbon monoxide in the exhaust fumes can be fatal when inhaled. Never operate the engine without proper ventilation or in an enclosed area.
15. Fuel is highly flammable; handle with care.
16. Keep the engine clean. Allow the engine to cool before storing and always remove the ignition key.
17. Place transmission in Neutral, depress clutch and engage parking brake before starting the engine (motor). Start the engine only when sitting in operator's seat never while standing beside the unit.
18. Equipment must comply with the latest federal, state, and local requirements when driven or transported on public roads. Watch out for traffic when crossing or operating on or near roads.
19. Local regulations may restrict the age of the operator.
20. Operate the machine up and down the face of the slopes (vertically) not across the face (horizontally).
21. To prevent tipping or loss of control do not start or stop suddenly on slopes. Reduce speed when making sharp turns. Use caution when changing directions.
22. Always use the seat belt when operating vehicles equipped with a Roll Over Protective Structure (ROPS).
Never use a seat belt when operating vehicle without a ROPS.
Accessory ROPS will continue to be offered for all equipment currently covered. This allows for the outfitting of any machines without previous ROPS installations or replacement of damaged structures.
23. Keep legs, arms, and body inside the seating compartment while the vehicle is in motion.
24. Always shift transmission to 1st Gear (Manual Transmission) or Park (Automatic Transmission), engage parking brake, and stop engine before leaving the vehicle.
25. Charge batteries in an open well ventilated area away from spark and flames. Unplug charger before connecting and disconnecting charger from battery. Wear protective clothing and use insulated tools.
26. Disconnect the battery cables before performing any welding operations on this vehicle.

1.2 IMPORTANT SAFETY NOTES



This safety alert symbol is used to alert you to potential hazards.

DANGER - Indicates an imminently hazardous situation which, if not avoided, **WILL** result in death or serious injury.

WARNING - Indicates a potentially hazardous situation which, if not avoided, **COULD** result in death or serious injury.

CAUTION - Indicates a potentially hazardous situation which, if not avoided, **MAY** result in minor or moderate injury, and property damage. It may also be used to alert against unsafe practices.

NOTICE - Indicates a potentially hazardous situation which, if not avoided, **MAY** result in property damage. It may also be used to alert against unsafe practices.

For pictorial clarity some illustrations in this manual may show shields, guards or plates open or removed. Under no circumstances should this equipment be operated without these devices securely fastened in place.



WARNING

The Interlock System on this vehicle prevents the vehicle from starting unless the clutch pedal is depressed (Manual Transmission) or gear selector is in Park (P) or Neutral (N) (Automatic Transmission).

NEVER operate vehicle unless the Interlock System is working.



WARNING

1. Before leaving the operator's position for any reason:
 - a. Remove foot from accelerator pedal.
 - b. Slow vehicle using service brake.
 - c. Depress clutch and shift transmission to 1st Gear (Manual Transmission, or Park (Automatic Transmission).
 - d. Engage parking brake.
 - e. Stop engine and remove the ignition key.
2. Keep hands, feet, and clothing away from moving parts. Wait for all movement to stop before you clean, adjust or service the machine.
3. Keep the area of operation clear of all bystanders and pets.
4. Never carry passengers unless a seat is provided for them.

By following all instructions in this manual you will prolong the life of your machine and maintain its maximum efficiency. Adjustments and maintenance should always be performed by a qualified technician.

If additional information or service is needed contact your Authorized Jacobsen Dealer who is kept informed of the latest methods to service this equipment and can provide prompt and efficient service.

2 VEHICLE IDENTIFICATION NUMBERS

2.1 VEHICLE IDENTIFICATION NUMBER

The Vehicle Identification Number (VIN), consisting of the model number, date code, and serial number, is printed on the Nameplate/Identification Decal attached to the cross member under the dash.

The serial number is also stamped on the cross member. It is located to the left of the Nameplate/Identification Decal.

NOTE: *Reference to the Front, Rear, Left, and Right sides of the vehicle are always determined by the operator's seated position.*

Record the Vehicle Identification information below for easy reference.

Model Number: _____

Date Code: _____

Serial Number: _____

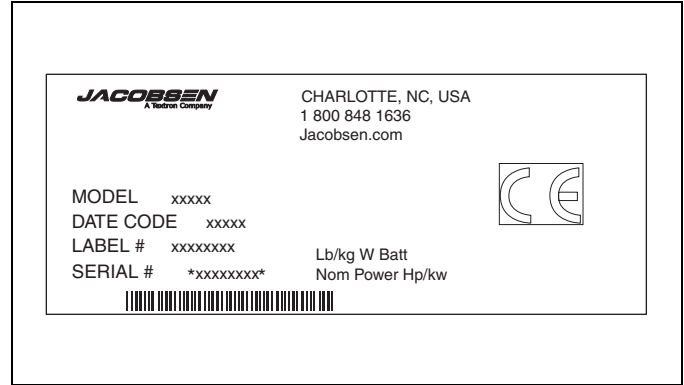


Figure 2A

Always provide the Vehicle Identification Number of the unit when ordering replacement parts or requesting service information. Vehicle Identification Numbers must appear on all correspondence concerning this vehicle.

2.2 ENGINE IDENTIFICATION NUMBERS

The Truckster is equipped with either a Kubota® three cylinder, diesel powered, liquid cooled, four cycle engine or a Suzuki® three cylinder gas powered, liquid cooled, four cycle engine.

The Engine Serial Number for the Kubota engine is on a plate located on the valve cover.

The Engine Serial Number for the Suzuki engine is stamped onto the upper engine block on the right side of the engine under the engine mount and may be partially hidden by the electrical harness. The serial number is also hand printed on the fuel rail.

Record the Engine Serial Number below for easy reference.

Engine Serial Number: _____

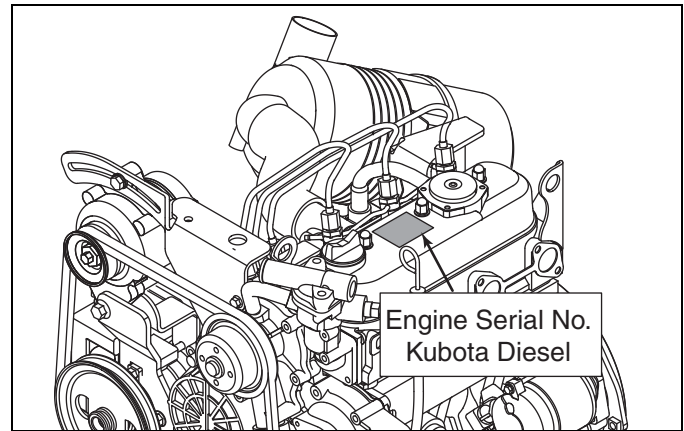
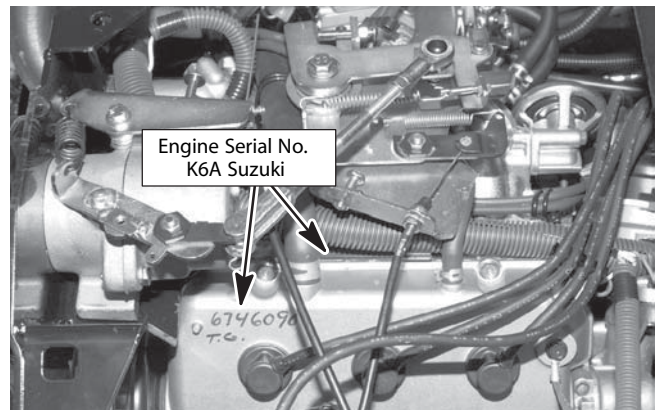


Figure 2B



3.1 PRODUCT IDENTIFICATION

84063	Turf Truckster, liquid cooled diesel engine, 4 speed manual transmission, 11.16:1 2 speed differential, mechanical PTO, and four post ROPS.	84057	differential, and four post ROPS. Turf Truckster liquid cooled gas engine, 3 speed automatic transmission, 14.21:1 2 speed differential, and four post ROPS.
84064	Turf Truckster liquid cooled diesel engine, 4 speed manual transmission, 11.16:1 2 speed differential, mechanical PTO, and four post ROPS. EC approved.	84061	Turf Truckster liquid cooled gas engine, 5 speed manual transmission, 11.16:1 2 speed differential, and four post ROPS.
84056	Turf Truckster liquid cooled gas engine, 5 speed manual transmission, 14.21:1 2 speed		

Product	EEC Sound Power	Operator Ear	Vibration M/S ²	
			Arms	Body
84064	103 dB(A)	84 dB(A)	2.14	.096

3.2 ENGINE

Diesel Engine:

MakeKubota
 ModelD1105-E3B
 Horsepower.....26 hp (19.4 kW) @3000 rpm
Note: Actual sustained horsepower will likely be lower than listed in specifications due to operating limitations and environmental factors
 Displacement68.5 cu. in. (1123 cc)
 Torque52.7 ft. lbs. (71.5 Nm) @ 2200 rpm
 Fuel:
 Type.....No. 2 Low or Ultra Low Sulfur Diesel
 Rating.....Cetane Rating-45
 Capacity6.55 U.S. Gal. (24.5 liters)

Gas Engine:

MakeSuzuki
 ModelK6
 Horsepower.....32 hp (23.8 kW) @ 4450 rpm
 Displacement40.2 cu. in. (658 cc)
 Torque38.3 ft. lbs. (51.9 Nm) @3200 rpm
 Fuel:
 Type.....Unleaded Gasoline
 Rating.....Min. Octane rating 87
 Capacity6.55 U.S. Gal. (24.5 liters)

Governor.....All Speed Mechanical
 Low Idle1300 RPM
 High Idle3180 RPM
 Lubrication:
 Capacity5.4 quarts (5.1 liters)
 Below 32° F (0° C) . SAE 10W or 10W-30/10W-40
 32-77° F (0-25° C)... SAE 20W or 10W-30/10W-40
 Above 77° F (25 ° C)SAE 30W or 10W-30/10W-40
 API Classification ... CD or CE
 Air Filter.....Dry type with evacuator valve.
 Alternator60 amp
 Cooling System.....Liquid Cooled
 Capacity5.1 qt. (4.8 l) 50/50 water ethylene glycol mix

 Governor.....External Mechanical
 Low Idle950 RPM
 High Idle4450 RPM
 Lubrication:
 Capacity3.3 quarts (3.0 liters)
 Below 32° F (0° C) . SAE 10W30
 32-86° F (0-30° C)... SAE 10W30
 Above 86° F (30 ° C)SAE 10W30W or 10W40
 API Classification ... SJ
 Air Filter.....Dry type with evacuator valve.
 Alternator60 amp
 Cooling System.....Liquid Cooled
 Capacity3.3 qt. (3.0 l) 50/50 water ethylene glycol mix

 Spark Plugs:
 NGK 3932DCPR7E Gap
 Denso.....XU22EPR-U
 Gap0.032 - 0.035 in. (0.8 - 1.27 mm)

NOTICE

The use of any fuel containing greater than 10% ethanol may harm the engine's emission control system and therefore invalidate the emission-related warranty through the improper action of the operator.

3 SPECIFICATIONS

3.3 VEHICLE

Tires:		actuated
Front.....	20 x 10 - 10 Multi Rib	Steering
Rear	24 x 13 -12 Titan Ultra Trac	Front wheel power steering
Tire Pressure:		Hitch Capacity:
Front.....	20 psi (1.38 BAR)	Max. trailer GVWR....
Rear	15 - 18 psi (1 - 1.2 BAR)	Tounge Weight.....
Battery:		Vehicle Rated Capacity ..
Type	12 Volt Lead/Acid	NOTE: <i>When calculating load weight, include 118 lb. (53.5 kg) for the standard four post ROPS. Do not exceed Vehicle Rated Capacity.</i>
Group.....	24	
Service Brake	4 Wheel hydraulic drum brakes	
Brake Fluid.....	DOT 3	
Parking Brake	Integral to rear drum, hand lever	

3.4 GEAR RATIOS

84056 Gear Ratios:

5th Gear	1.000:1
4th Gear	1.264:1
3rd Gear	1.908:1
2nd Gear.....	3.017:1
1st Gear	5.106:1
Reverse.....	5.151:1
Hypoid Differential...	14.21:1 with 3.2:1 Reduction

84057 Gear Ratios:

3rd Gear	1.000:1
2nd Gear.....	1.536:1
1st Gear	2.727:1
Reverse.....	2.222:1
Hypoid Differential...	14.21:1 with 3.2:1 Reduction

84061 Gear Ratios:

5th Gear.....	1.000:1
4th Gear	1.264:1
3rd Gear	1.908:1
2nd Gear.....	3.017:1
1st Gear	5.106:1
Reverse	5.151:1
Hypoid Differential ...	11.16:1 with 3.2:1 Reduction

84063 and 84064 Gear Ratios:

4th Gear	1.000:1
3rd Gear	1.423:1
2nd Gear.....	1.947:1
1st Gear	3.652:1
Reverse	3.463:1
Hypoid Differential ...	11.16:1 with 3.2:1 Reduction

3.5 WEIGHTS AND DIMENSIONS

Dimensions:	Inches	(mm)	Weights:	Lbs.	(kg)
Length.....	114	(2897)	84063	1838	(834)
Height	74.5	(1892)	84064	1849	(838)
Wheel Base	58.2	(1478)	84056	1690	(766)
Turning Radius (Outside).....	242	(6146)	84057	1503	(682)
			84061	1690	(766)

3.6 ACCESSORIES & SUPPORT LITERATURE

Contact your area Jacobsen Dealer for a complete listing of accessories and attachments.



CAUTION

Use of other than Jacobsen authorized parts, excluding emission related components defined in the Emission Warranty, and accessories may cause personal injury or damage to the equipment.

Flatbeds and Boxes

47 in. Quick Disconnect Flatbed	889983
60 in. Quick Disconnect Flatbed	894769
47 in. Box Assembly (Requires 889983)	890010
60 in. Box Assembly (Requires 894769)	2703394
Poly Box Assembly	892530
Box Liner (for 890010)	888532

Hitches

Fifth Wheel Ball Hitch	894690
Receiver Style Drawbar Hitch	4114386
Flat bar Style Hitch	4114566

ROPS Attachments

Upper ROPS (Roll Over Protective Structure)	894761
Steel Door, Left Side (Requires 894761)	2701303
Steel Door, Right Side (Requires 894761)	2701304
Outside Mirrors (Left and Right)	894768
Rear Window	894758
Windshield with Wiper	894757
Replacement Four Post ROPS	4205580

NOTE: *The four post ROPS equipped as standard equipment on this vehicle cannot be used with cab attachments. If an enclosed cab is desired, the four post ROPS must be replaced with Upper ROPS 894761.*

Hydraulic Attachments

High/Low Gas Hydraulics	4147940
High/Low Diesel Hydraulics	894713
Implement Lift (A-Frame)	892493
Dry Seal Coupler, 1 set	894604
Hydraulic PTO (Requires 894712 and 894713)	894644

Truck Attachments

Heavy Duty Mechanical PTO	4112981
Quick Aerator	2701529
Ram Mount (Sprayer Control Mount)	4119631
1500 Top Dresser	2701650
Turn Signal with Right Taillight	894764
VICON Spreader (Requires 2701601 or 2701602)	2701600

VICON Hydraulic Power Kit	2701601
VICON Mechanical Power Kit	2701602
Back-up Alarm	2703183
Exhaust Spark Arrestor	882574
Heater Defroster	894760

Support Literature

Safety & Operation Manual	4175886
Parts & Maintenance Manual	4175887
Suzuki Engine Parts Manual	4140632
Kubota Engine Parts Manual	4160162
Service & Repair Manual	

3 SPECIFICATIONS

3.7 DECLARATION OF CONFORMITY

DECLARATION OF CONFORMITY • ДЕКЛАРАЦИЯ ЗА СЪОТВЕТСТВИЕ • PROHLÁŠENÍ O SHODĚ • OVERENSSTEMMELSESERKLÆRING • CONFORMITEITSVERKLARING • VASTAVUSDEKLARATSIOON • VAATIMUSTENMUKAISUUSVAKUUTUS • DECLARATION DE CONFORMITE • KONFORMITÄTSEKTLÄRUNG • ΔΗΛΩΣΗ ΣΥΜΜΟΡΦΩΣΗΣ • MEGFELELŐSÉGI NYILATKOZAT • DICHIARAZIONE DI CONFORMITÀ • ATBILSTĪBAS DEKLARĀCIJA • ΑΤΙΤΙΚΤΙΕΣ ΔΕΚΛΑΡΑΚΙJA • ΔΙΚJΑΡΑΖΖJONΙ ΤΑΛ-ΚΟΝΦΟΜΙΤĀ • DEKLARACJA ZGODNOŚCI • DECLARAÇÃO DE CONFORMIDADE • DECLARAȚIE DE CONFORMITATE • VYHLÁSENIE O ZHODE • IZJAVA O SKLADNOSTI • DECLARACIÓN DE CONFORMIDAD • DEKLARATION OM ÖVERENSSTÄMMELSE

Business name and full address of the manufacturer • Търговско име и пълен адрес на производителя • Obchodní jméno a plná adresa výrobce • Producentens firmanavn og fulde adresse • Bedrijfsnaam en volledig adres van de fabrikant • Tootja ärinimi ja täielik address • Valmistajan toiminimi ja täydellinen osoite • Nom commercial et adresse complète du fabricant • Firmenname und vollständige Adresse des Herstellers • Εταιρεία και ταχυδρομική διεύθυνση κατασκευαστή • A gyártó üzleti neve és teljes címe • Ragione sociale e indirizzo completo del fabbricante • Uzņēmuma nosaukums un pilna ražotāja adrese • Verslo pavadinimas ir pilnas gamintojo adresas • Isem kummerčiali u indirizz sñiħ tal-fabbrikant • Nazwa firmy i pełny adres producenta • Nome da empresa e endereço completo do fabricante • Denumirea comercială și adresa completă a producătorului • Obchodný názov a úplná adresa výrobcu • Naziv podjetja in polni naslov proizvajalca • Nombre de la empresa y dirección completa del fabricante • Tillverkarens företagsnamn och kompletta adress	Jacobsen, A Textron Company 11524 Wilmar Blvd. Charlotte, NC 28273, USA
Product Code • Код на продукта • Kód výrobku • Produktkode • Productcode • Toote kood • Tuotekoodi • Code produit • Produktcode • Κωδικός προϊόντος • Termékkód • Codice prodotto • Produkta kods • Produktu kodus • Kodici tal-Prodott • Kod produktu • Código do Produto • Cod produs • Kód výrobku • Oznaka proizvoda • Código de producto • Produktkod	84064
Machine Name • Наименование на машината • Název stroje • Maskinnavn • Machinenaam • Masina nimi • Laitteen nimi • Nom de la machine • Maschinenbezeichnung • Ονομασία μηχανήματος • Gérnév • Denominazione della macchina • Iekārtas nosaukums • Mašinos pavadinimas • Isem tal-Magna • Nazwa urządzenia • Nome da Máquina • Numele echipamentului • Názov stroja • Naziv stroja • Nombre de la máquina • Maskinens namn	Diesel Turf Truckster
Designation • Предназначение • Označení • Betegnelse • Benaming • Nimetus • Tuuppimerkintä • Pažymėjimas • Bezeichnung • Χαρακτηρισμός • Megnevezés • Funzione • Apzīmējums • Lithuanian • Denominazzjoni • Oznaczenie • Designação • Specificație • Označenje • Namen stroja • Descripción • Beteckning	Article 13
Serial Number • Серийн номер • Sériové číslo • Seriennummer • Seriennummer • Seerianumber • Valmistusnumero • Numéro de série • Seriennummer • Σειριακός αριθμός • Sorozatszám • Numero di serie • Sērijas numurs • Serijos numeris • Numru Serjali • Numer seryjny • Número de Série • Număr de serie • Sériové číslo • Serijska številka • Número de serie • Seriennummer	8406401651-8406404500
Engine • Двигател • Motor • Motor • Motor • Mootor • Moottori • Moteur • Motor • Μηχανή • Modulnėv • Motore • Dzinējs • Variklis • Sahha Netta Installata • Silnik • Motor • Motor • Motor • Motor • Motor • Motor	Kubota D1105-E3B
Net Installed Power • Нетна инсталирана мощност • Čistý instalovaný výkon • Installeret nettoeffekt • Netto geïnstalleerd vermogen • Installeeritud netovõimsus • Asennettu nettoteho • Puissance nominale nette • Installierte Nettoleistung • Καθαρή εγκατεστημένη ισχύς • Nettó beépített teljesítmény • Potenza netta installata • Paredzētā tīkla jauda • Grynoji galia • Wisa' tal-Qtugh • Moc zainstalowana netto • Potência instalada • Puterea instalată netă • Čistý inštalovaný výkon • Neto vgrajena moč • Potencia instalada neta • Nettoeffekt	18,5 kW @ 3200 RPM
Cutting Width • Ширина на рязане • Šírka fezu • Skærebredde • Maaibreedte • Lõikelaius • Leikkuleveys • Largeur de coupe • Schnittbreite • Μήκος μισάνης • Vágási szélesség • Larghezza di taglio • Griešanas platumis • Pjovimo plotis • Tikkonforma mad-Direttivi • Szerokość cięcia • Largura de Corte • Lățimea de tăiere • Šírka záberu • Širina reza • Anchura de corte • Klippbredd	NA
Conforms to Directives • В съответствие с директивите • Splūņe podminty smērnīc • Er i overensstemmelse med direktiver • Voldoet aan de richtlijnen • Vastab direktiivide • Direktiivien mukainen • Conforme aux directives • Entspricht Richtlinien • Ακολουθώ τις προδιαγραφές • Megfelel az irányelveknek • Conforme alle Direttive • Atbilst direktīvām • Atitinka direktivų reikalavimus • Valutazzjoni tal-Konformità • Dyrektywy związane • Cumpre as Directivas • Respectă Directivete • Je v súlade so smernicami • Skladnost z direktivami • Cumple con las Directivas • Uppfyller direktiv	2004/108/EC 2006/42/EC 2004/14/EC, 2005/88/EC 2006/66/EC
Conformity Assessment • Оценка за съответствие • Hodnocení plnění podmínek • Overensstemmelsesvurdering • Conformiteitsbeoordeling • Vastavushindamine • Vaatimustenmukaisuuden arviointi • Evaluation of conformity • Konformitätsbeurteilung • Διαπίστωση Συμμόρφωσης • Megfelelőség-értékelés • Valutazione della conformità • Atbilstības novērtējums • Atitiktības įvertinimas • Livell tal-Qawwa tal-Foss Imkejjel • Ocena zgodności • Avaliação de Conformidade • Evaluarea conformității • Vyhodnotenie zhodnosti • Ocena skladnosti • Evaluación de conformidad • Bedømming av overensstemmelse	2006/42/EC Annex VIII
Measured Sound Power Level • Измерено ниво на звукова мощност • Naměřený akustický výkon • Målte lydstyrkeniveau • Gemeten geluidsniveau • Mõõdetud helivõimsuse tase • Mitattu äänitehotaso • Niveau de puissance sonore mesuré • Gemessener Schalldruckpegel • Στρωμιασμένο επίπεδο ηχητικής ισχύος • Mért hangteljesítményszint • Livello di potenza sonora misurato • Izmērtais skaņas jaudas līmenis • Išmatuotas garso stiprumo lygis • Livell tal-Qawwa tal-Foss Iggarranti • Moc akustyczna mierzona • Nivel sonoro medido • Nivelul măsurat al puterii acustice • Nameranā hladina akustiského výkonu • Izmerjena raven zvočne moči • Nivel de potencia sonora medido • Uppmätt ljudeffektsnivå	103 dB(A) LWA
Guaranteed Sound Power Level • Гарантирано ниво на звукова мощност • Garantovaný akustický výkon • Garanteret lydstyrkeniveau • Gegarandeerd geluidsniveau • Garantieitud helivõimsuse tase • Taattu äänitehotaso • Niveau de puissance sonore garanti • Garantierter Schalldruckpegel • Εγγυημένο επίπεδο ηχητικής ισχύος • Szavatolt hangteljesítményszint • Livello di potenza sonora garantito • Garantētais skaņas jaudas līmenis • Garantuotas garso stiprumo lygis • Livell tal-Qawwa tal-Foss Iggarranti • Moc akustyczna gwarantowana • Nivel sonoro garantido • Nivelul garantat al puterii acustice • Garantovaná hladina akustického výkonu • Zajamčena raven zvočne moči • Nivel de potencia sonora garantizado • Garanterad ljudeffektsnivå	104 dB(A) LWA
Conformity Assessment Procedure (Noise) • Оценка за съответствие на процедурата (Шум) • Postup hodnocení plnění podmínek (hluk) • Procedure for overensstemmelsesvurdering (Støj) • Procedure van de conformiteitsbeoordeling (geluid) • Vastavushindamismenetlus (müra) • Vaatimustenmukaisuuden arviointimenetely (Melu) • Procédure d'évaluation de conformité (bruit) • Konformitätsbeurteilungsverfahren (Geräusch) • Διαδικασία Αξιολόγησης Συμμόρφωσης (Θόρυβος) • Megfelelőség-értékelési eljárás (Zaj) • Procedura di valutazione della conformità (rumore) • Atbilstības novērtējuma procedūra (troksnis) • Atitiktības įvertinimo procedūra (garsas) • Procedura tal-Valutazzjoni tal-Konformità (Foss) • Procedura ocený zgodności (poziom hałas) • Processo de avaliação de conformidade (nivel sonoro) • Procedura de evaluare a conformității (zgomot) • Postup vyhodnocovania zhodnosti (hluk) • Postopek za ugotavljanje skladnosti (hrup) • Procedimiento de evaluación de conformidad (ruido) • Procedur för bedømming av överensstemmelse (buller)	2000/14/EC Annex V
UK Notified Body for 2000/14/EC • Нотифициран орган в Обединеното кралство за 2000/14/EO • Úřad certifikovaný podle směrnice č. 2000/14/EC • Det britiske bemyndigede organ for 2001/14/EF • Engels adviesorgaan voor 2000/14/EG • Uhendkuningriigi teavitatud asutus direktiivi 2000/14/EÜ mõistes • Direktiivin 2000/14/EY mukainen ilmoitettu tarkastuslaitos Iosssa-Britanniassa • Organisme notifié concernant la directive 2000/14/CE • Britische benannte Stelle für 2000/14/EG • Κοινοποιημένος Οργανισμός Ηνωμένου Βασιλείου για 2000/14/EK • 2000/14/EK – egyesült királyságbeli bejelentett szervezet • Organismo Notificato in GB per 2000/14/CE • 2000/14/EK AK reģistrētā organizācija • JK notifikuotais iestais 2000/14/EC • Korp Notifikat tar-Renju Unit għal 2000/14/KE • Dopuszczona jednostka badawcza w Wielkiej Brytanii wg 2000/14/WE • Entidade notificada no Reino Unido para 2000/14/EG • Organism notificat in Marea Britanie pentru 2000/14/CE • Notifikovaný orgán Spojeného královstva pre smernicu 2000/14/ES • Britanski priglašeni organ za 2000/14/ES • Cuerpo notificado en el Reino Unido para 2000/14/CE • Anmält organ för 2000/14/EG i Storbritannien	Number: 1088 Sound Research Laboratories Limited Holbrook House, Little Walsingham Sudbury, Suffolk CO10 0TH
Operator Ear Noise Level • Оператор на нивото на доловим от ухото шум • Hladina hluku v oblasti uší operátora • Støjniveau i førers ørehøjde • Geluidsniveau oor bestuurder • Müratase operatoori kõrvas • Melutaso käyttäjän korvan kohdalla • Niveau de bruit à hauteur des oreilles de l'opérateur • Schallpegel am Bedienerohr • Επίπεδο θορύβου σε λειτουργία • A kezelő fülénél mért zajszint • Livello di potenza sonora all'orecchio dell'operatore • Trokšņa līmenis pie operatora ausis • Dirbančiojo su mašina patiriamio triukšmo lygis • Livell tal-Foss fil-Widna tal-Operatur • Dopuszczalny poziom hałasu dla operatora • Nivel sonoro nos ouvidos do operador • Nivelul zgomotului la urechea operatorului • Hladina hluku pôsobiac na dľa operátora • Raven hrupa pri užesu upravljavca • Nivel sonoro en el oído del operador • Ljudnivå vid förarens öra	84 dB(a) Leq (2006/42/EC)

<p>Harmonised standards used • Използвани хармонизирани стандарти • Použité harmonizované normy • Brugte harmoniserede standarder • Gebruikte geharmoniseerde standaards • Kasutatud ühtlustatud standardid • Käytetyt yhdenmukaistetut standardit • Normes harmonisées utilisées • Angewandte harmonisierte Normen • Εναρμονισμένα πρότυπα που χρησιμοποιήθηκαν • Harmonizált szabványok • Standard armonizzati applicati • Izmantotie saskaņotie standarti • Panaudoti suderinti standartai • Standards armonizzati usati • Normy spójne powiązane • Normas harmonizadas usadas • Standardele armonizate utilizate • Použité harmonizované normy • Uporabljeni usklajeni standardi • Estándares armonizados utilizados • Harmoniserede standarder som används</p>	<p>BS EN ISO 20643 BS EN ISO 5349-1 BS EN ISO 5349-2</p>
<p>Technical standards and specifications used • Използвани технически стандарти и спецификации • Použité technické normy a specifikace • Brugte tekniske standarder og specifikationer • Gebruikte technische standaards en specificaties • Kasutatud tehnilised standardid ja spetsifikatsioonid • Käytetyt tekniset standardit ja eritelmät • Spécifications et normes techniques utilisées • Angewandte technische Normen und Spezifikationen • Τεχνικά πρότυπα και προδιαγραφές που χρησιμοποιήθηκαν • Műszaki szabványok és specifikációk • Standard tecnici e specifiche applicati • Izmantotie tehniskie standarti un specifikācijas • Panaudoti techniniai standartai ir techninė informacija • Standards u specifikacijonijiet techniki užati • Normy i specyfikacje techniczne powiązane • Normas técnicas e especificações usadas • Standardele tehnice și specificațiile utilizate • Použité technické normy a špecifikácie • Uporabljeni tehnični standardi in specifikacije • Estándares y especificaciones técnicas utilizadas • Tekniska standarder och specifikationer som används</p>	<p>ISO 2631-1 SAE 21299</p>
<p>The place and date of the declaration • Место и дата на декларацията • Místo a datum prohlášení • Sted og dato for erklæringen • Plaats en datum van de verklaring • Deklaratsiooni väljastamise koht ja kuupäev • Vakuutuksen paikka ja päivämäärä • Lieu et date de la déclaration • Ort und Datum der Erklärung • Τόπος και ημερομηνία δήλωσης • A nyilatkozat kelte (hely és idő) • Luogo e data della dichiarazione • Deklarācijas vieta un datums • Deklaracijos vieta ir data • Il-post u d-data tad-dikjarazzjoni • Miejsce i data wystawienia deklaracji • Local e data da declaração • Locul și data declarației • Miesto a dátum vyhlásenia • Kraj in datum izjave • Lugar y fecha de la declaración • Plats och datum för deklarationen</p>	<p>Jacobsen, A Textron Company 11524 Wilmar Blvd. Charlotte, NC 28273, USA March 26th, 2010</p>
<p>Signature of the person empowered to draw up the declaration on behalf of the manufacturer, holds the technical documentation and is authorised to compile the technical file, and who is established in the Community. Подпис на човека, упълномощен да състави декларацията от името на производителя, който поддържа техническата документация и е оторизиран да изготви техническия файл и е регистриран в общността. Podpis osoby oprávněné sestavit prohlášení jménem výrobce, držitel technickou dokumentaci a osoby oprávněné sestavit technické soubory a založené v rámci Evropského společenství. Underskrift af personen, der har fuldmagt til at udarbejde erklæringen på vegne af producenten, der er indehaver af dokumentationen og er bemyndiget til at udarbejde den tekniske journal, og som er baseret i nærområdet. Handtekening van de persoon die bevoegd is de verklaring namens de fabrikant te tekenen, de technische documentatie bewaart en bevoegd is om het technische bestand samen te stellen, en die is gevestigd in het Woongebied. Ühenduse registrisse kantud isiku allkirj, kes on volitatud tootja nimel deklaratsiooni koostama, kes omab tehnilist dokumentatsiooni ja kellel on õigus koostada tehniline toimik. Sen henkilö allekirjoitus, jolla on valmistajan valtuutus vakuutuksen laadintaan, jolla on hallussaan tekniset asiakirjat, joka on valtuutettu laatimaan tekniset asiakirjat ja joka on sijoittautunut yhteisöön. Signature de la personne habilitée à rédiger la déclaration au nom du fabricant, à détenir la documentation technique, à compiler les fichiers techniques et qui est implantée dans la Communauté. Unterschrift der Person, die berechtigt ist, die Erklärung im Namen des Herstellers abzugeben, die die technischen Unterlagen aufbewahrt und berechtigt ist, die technischen Unterlagen zusammenzustellen, und die in der Gemeinschaft niedergelassen ist. Υπογραφή ατόμου εξουσιοδοτημένου για την σύνταξη της δήλωσης εκ μέρους του κατασκευαστή, ο οποίος κατέχει την τεχνική έκθεση και έχει την εξουσιοδότηση να ταξινομήσει τον τεχνικό φάκελο και ο οποίος είναι διορισμένος στην Κοινότητα. A gyártó nevében meghatalmazott személy, akinek jogában áll módosítani a nyilatkozatot, a műszaki dokumentációt őrzi, engedéllyel rendelkezik a műszaki fájl összeállításához, és aki a közösségben letelepedett személy. Firma della persona autorizzata a redigere la dichiarazione a nome del fabbricante, in possesso Della documentazione tecnica ed autorizzata a costituire il fascicolo tecnico, che deve essere stabilita nella Comunità. Tās personas paraksts, kura ir pilnvarota deklarācijas sastādīšanai ražotāja vārdā, kurai ir tehniskā dokumentācija, kura ir pilnvarota sagatavot tehnisko reģistru un kura ir apstiprināta Kopienā. Asmuo, kuris yra gana žinomas, kuriam gamintojas suteiki įgaliojimus sudaryti šią deklaraciją, ir kuris ją pasirašė, turi visą techninę informaciją ir yra įgaliotas sudaryti techninės informacijos dokumentą. Il-firma tal-persuna awtorizzata li tfassal id-dikjarazzjoni f'isem il-fabbrikant, għandha d-dokumentazzjoni teknika u hija awtorizzata li tikkompila l-fajl tekniku u li hija stabbilita fil-Komunità. Podpis osoby upoważnionej do sporządzenia deklaracji w imieniu producenta, przechowującej dokumentację techniczną, upoważnioną do stworzenia dokumentacji technicznej oraz wyznaczonej ds. wspólnotowych. Assinatura da pessoa com poderes para emitir a declaração em nome do fabricante, que possui a documentação técnica, que está autorizada a compilar o processo técnico e que está estabelecida na Comunidade. Semnătura persoanei împuternicite să elaboreze declarația în numele producătorului, care deține documentația tehnică, este autorizată să compileze dosarul tehnic și este stabilită în Comunitate. Podpis osoby poverenej vystavením vyhlásenia v mene výrobcu, ktorá má technickú dokumentáciu a je oprávnená spracovať technické podklady a ktorá je umiestnená v Spoločenstve. Podpis osebe, pooblaščenega za izdelavo izjave v imenu proizvajalca, ki ima tehnično dokumentacijo in lahko sestavlja spis tehnične dokumentacije, ter ima sedež v Skupnosti. Firma de la persona responsable de la declaración en nombre del fabricante, que posee la documentación técnica y está autorizada para recopilar el archivo técnico y que está establecido en la Comunidad. Underteknas av den som bemyndigad att upprätta deklarationen å tillverkarens vägnar, innehar den tekniska dokumentationen och är bemyndigad att sammanställa den tekniska informationen och som är etablerad i gemenskapen.</p>	<p>2006/42/EC Annex II 1.A.2</p> <p>Tim Lansdell Technical Director Ransomes Jacobsen Limited West Road, Ransomes Europark, Ipswich, IP3 9TT, England</p> <p>2006/42/EC Annex II 1.A.10</p> <p><i>Ryan Weeks</i></p> <p>Ryan Weeks VP of Engineering March 26th, 2010 Jacobsen, A Textron Company 11524 Wilmar Blvd, Charlotte, NC 28273, USA</p>
<p>Certificate Number • Номер на сертификат • Číslo osvědčení • Certifikatnummer • Certificaatnummer • Sertifikaadi number • Hyväksyntänumero • Numéro de certificat • Bescheinigungsnummer • Αριθμός Πιστοποιητικού • Hitelesítési szám • Numero del certificato • Sertifikata numurs • Sertifikato numeris • Numru ta-Certifikat • Numer certyfikatu • Número do Certificado • Număr certificat • Číslo osvedčenia • Številka certifikata • Número de certificado • Certifikatsnummer</p>	<p>4175887 Rev B</p>

GB	BG	CZ	DK	NL	EE	FI	FR	DE	GR	HU
English	български	čeština	dansk	Nederlands	eesti	suomi	français	Deutsch	Ελληνικά	magyar
IT	LV	LT	MT	PL	PT	RO	SK	SI	ES	SE
italiano	latviešu valoda	lietuvių kalba	Malki	polski	português	Română	slovenčina	slovenščina	Ελληνικά	Svenska

4 ADJUSTMENTS

4.1 GENERAL

WARNING

To prevent injury, depress clutch pedal and shift transmission to Neutral, engage parking brake, stop engine, and remove key from ignition switch before making any adjustments or performing maintenance.

Make sure the vehicle is parked on a solid and level surface. Never work on a vehicle that is supported only by the jack. Always use jack stands.

If only the front or rear of the vehicle is raised, place chocks in front of and behind the wheels that are not raised.

1. Adjustments and maintenance should always be performed by a qualified technician. If proper adjustment cannot be made, contact an authorized Cushman Dealer.

2. Replace, do not adjust, worn, or damaged components.
3. Long hair, jewelry, or loose fitting clothing may get tangled in moving parts.

CAUTION

Be careful to prevent entrapment of the hands and fingers between moving and fixed components of the machine.

4. Do not change governor settings or overspeed the engine.
5. Keep hands and feet away from moving parts. If possible do not make adjustments with the engine running.

4.2 ENGINE ACCESS

Never remove or install the engine cover while the engine is running. The engine cover is a *machinery guard* and its removal exposes you to moving parts. Keep hands, hair, and clothing away from flywheel, radiator cooling fan, alternator fan, engine belts, pulleys, and air intake.

WARNING

Keep clothing, hands, and hair away from moving parts. These items could become entangled, causing serious personal injury.

For servicing the engine and related components, the engine cover can be tilted forward or removed.

To gain access to the engine, unlock key-lock if installed, push the engine cover latch towards the rear of the unit and tilt cover forward.

When replacing the engine cover, make sure the retaining tabs located at the front corners of the engine cover are inserted into the slots in the floorboard. Tilt seat to the rear until the engine latch engages. Lock key-lock if equipped.

WARNING

Failure to latch the seat properly can result in the engine cover tipping forward causing loss of control of the vehicle and possible personal injury.

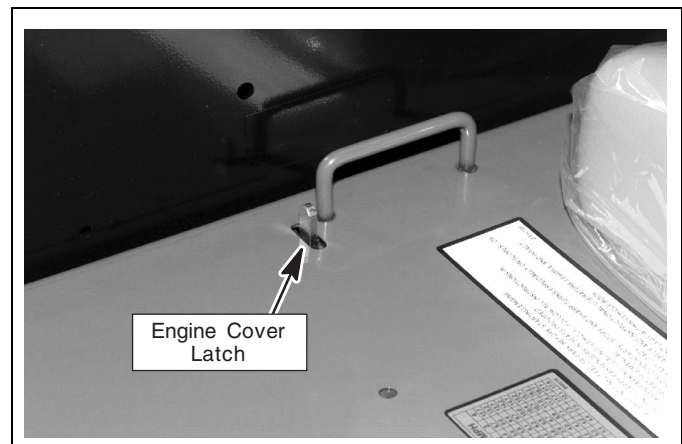


Figure 4A

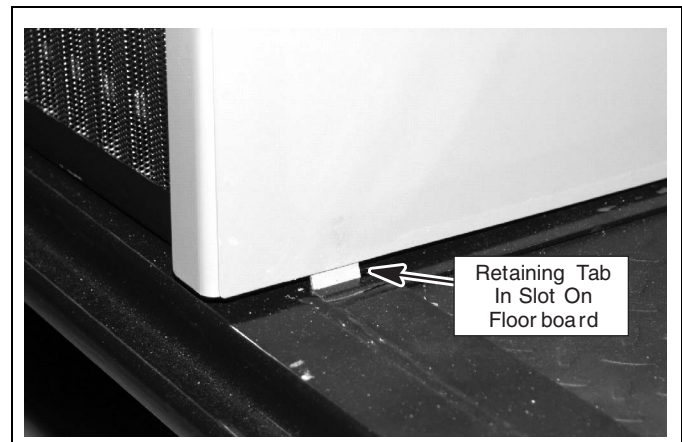


Figure 4B

4.3 FRONT COWL ACCESS

The front cowl opens to gain access to two access panels, fuse panel, horn, and master cylinder reservoir.

To open the front cowl locate the release lever at the upper left corner of front clip near the left side headlight.

Pull the lever toward the headlight to release the front cowl latch and at the same time pull up on the front cowl.

Fully open the cowl and allow it to rest on the steering wheel (or upper ROPS structure if installed).

The front cowl will not *spring up* when the release lever is pulled and so must be lifted manually.

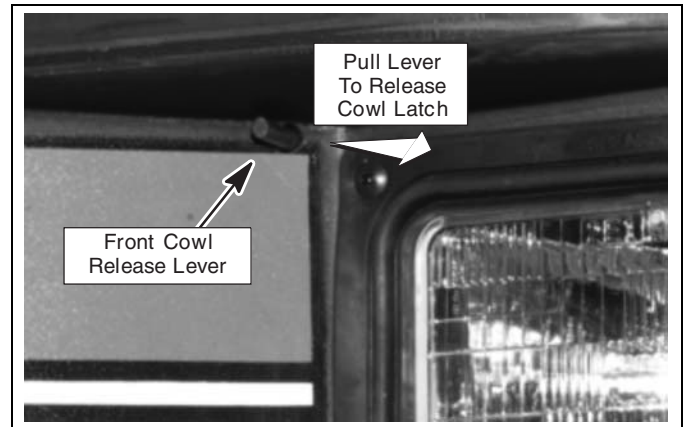


Figure 4C

4.4 ACCESS PANELS

There are two access panels located under the front cowl and one located in the middle of the floorboard.

Remove panel **(A)** under cowl to access the shifter linkage and wiring for the instrument panel.

Remove panel **(B)** under cowl to access the front suspension.

Remove the center panel **(C)** in the middle of floorboard to access the throttle cable, accelerator pedal linkage, wire harness, and rear hydraulic brake line.

NOTE: *It will be necessary to remove the accelerator pedal in order to completely remove the center floorboard panel.*

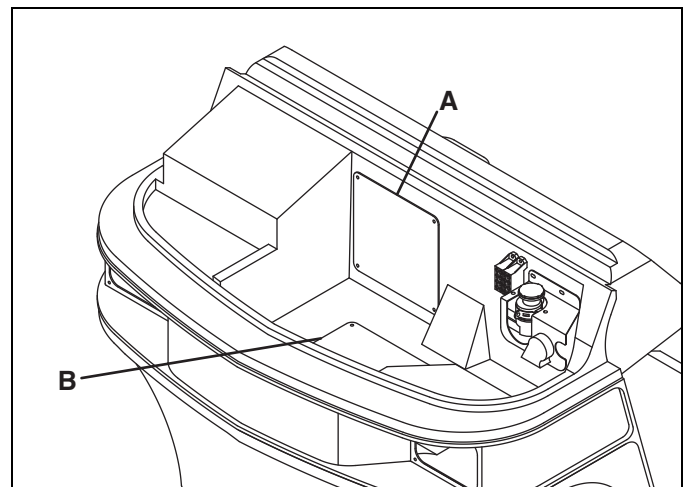


Figure 4D

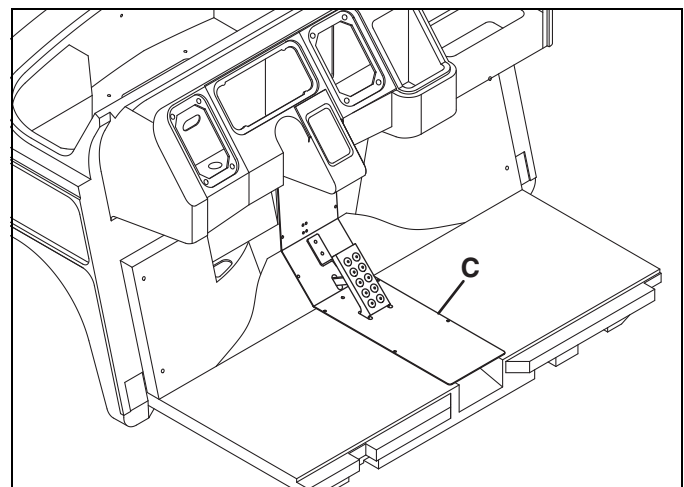


Figure 4E

4 ADJUSTMENTS

4.5 DIESEL ENGINE ALTERNATOR BELT

Inspect and adjust new belt after first 24-48 hours of operation. Adjust every 200 hours thereafter.

Adjust alternator pulley so belt deflects 1/4 to 1/2 in. (6 to 12 mm) with a 20 lb. push at midpoint between water pump and alternator pulleys.

If tension is incorrect loosen alternator mounting bolts (**D**) and adjust alternator until proper belt tension is achieved.

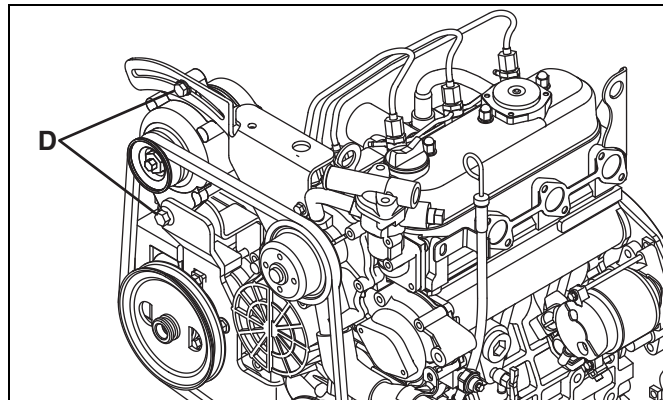


Figure 4F

4.6 DIESEL ENGINE HYDRAULIC PUMP BELT

Inspect and adjust new belt after first 24-48 hours of operation. Adjust every 200 hours thereafter.

Adjust hydraulic pump belt so belt deflects 1/4 to 1/2 in. (6 to 12 mm) with a 20 lb. push at midpoint between pulleys.

If tension is incorrect loosen pump mounting bolts (**E**) and carefully pry pump away from the engine until proper belt tension is achieved.

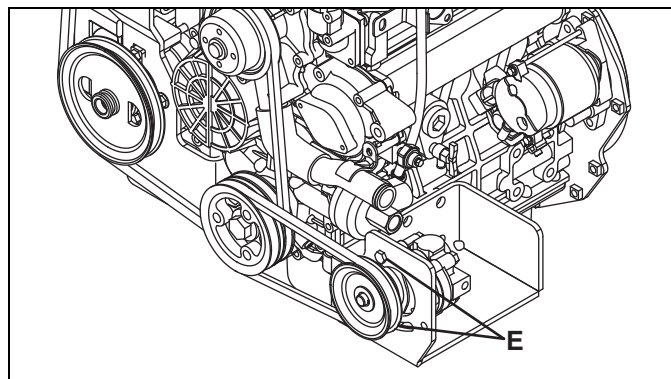


Figure 4G

4.7 GAS ENGINE POWER STEERING - ALTERNATOR BELT

Inspect and adjust new belt after first 24-48 hours of operation. Adjust every 200 hours thereafter.

Adjust power steering pump so belt deflects 1/4 to 1/2 in. (6 to 12 mm) with a 39 lb. push at midpoint between pulleys.

If tension is incorrect loosen power steering pump mounting bolts (**F**) and carefully pry pump away from the engine until proper belt tension is achieved.

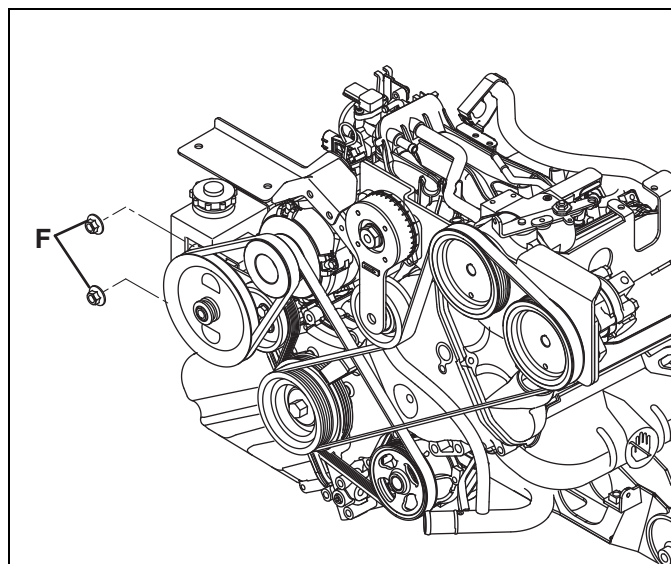


Figure 4H

4.8 GAS ENGINE HYDRAULIC PUMP BELT

Inspect new belt after first 24-48 hours of operation.

Belt is dynamically adjusted with a spring loaded tensioner to 12 ft-lbs. *No adjustment is required.*

To remove belt rotate tensioner towards radiator to release tension and remove belt from pulleys.

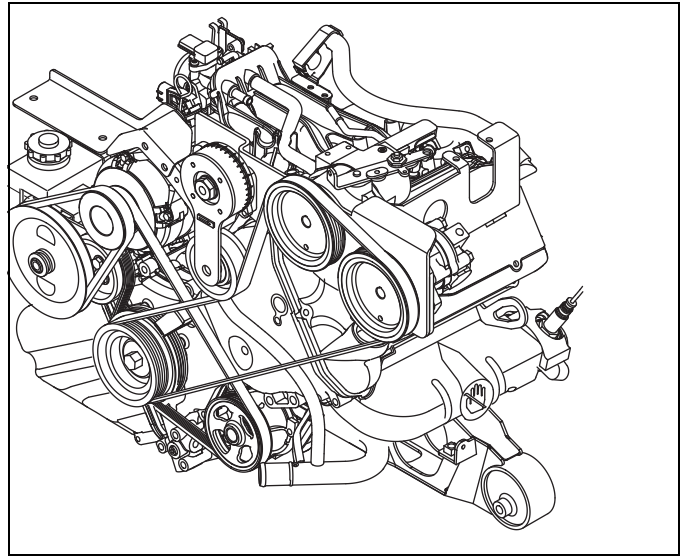


Figure 4I

4.9 PARKING BRAKE CABLE

1. Remove the engine cover. Put chocks in front of and behind at least two wheels at opposite corners of vehicle.
2. Engage parking brake. If handle is at an angle greater than 45° to the panel, adjustment is required.
3. Disengage parking brake.
4. Tighten adjustment nut (**G**) a couple of turns.
5. Engage parking brake. Repeat steps 3 and 4 until handle is at an approximate 45° angle when parking brake is engaged.

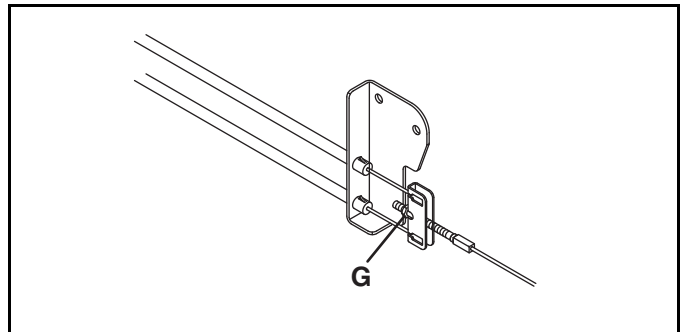


Figure 4J



4 ADJUSTMENTS



4.10 TORQUE SPECIFICATION






NOTICE

All torque values included in these charts are approximate and are for reference only. Use of these torque values is at your sole risk. Jacobsen is not responsible for any loss, claim, or damage arising from the use of these charts. **Extreme caution should always be used when using any torque value.**

Jacobsen uses Grade 5 (Inch) or Grade 8.8 (Metric) bolts as standard, unless otherwise noted.

AMERICAN NATIONAL STANDARD FASTENERS			
SIZE	UNITS	 GRADE 5	 GRADE 8
#6-32	in-lbs (Nm)	20 (2.3)	–
#8-32	in-lbs (Nm)	24 (2.7)	30 (3.4)
#10-24	in-lbs (Nm)	35 (4.0)	45 (5.1)
#10-32	in-lbs (Nm)	40 (4.5)	50 (5.7)
#12-24	in-lbs (Nm)	50 (5.7)	65 (7.3)
1/4-20	in-lbs (Nm)	95 (10.7)	125 (14.1)
1/4-28	in-lbs (Nm)	95 (10.7)	150 (17.0)
5/16-18	in-lbs (Nm)	200 (22.6)	270 (30.5)
5/16-24	in-lbs (Nm)	240 (27.1)	300 (33.9)
3/8-16	ft-lbs (Nm)	30 (40.7)	40 (54.2)
3/8-24	ft-lbs (Nm)	35 (47.5)	45 (61.0)

AMERICAN NATIONAL STANDARD FASTENERS			
SIZE	UNITS	 GRADE 5	 GRADE 8
7/16-14	ft-lbs (Nm)	50 (67.8)	65 (88.1)
7/16-20	ft-lbs (Nm)	55 (74.6)	70 (94.9)
1/2-13	ft-lbs (Nm)	75 (101.7)	100 (135.6)
1/2-20	ft-lbs (Nm)	85 (115.3)	110 (149.2)
9/16-12	ft-lbs (Nm)	105 (142.4)	135 (183.1)
9/16-18	ft-lbs (Nm)	115 (155.9)	150 (203.4)
5/8-11	ft-lbs (Nm)	150 (203.4)	195 (264.4)
5/8-18	ft-lbs (Nm)	160 (217.0)	210 (284.8)
3/4-10	ft-lbs (Nm)	170 (230.5)	220 (298.3)
3/4-16	ft-lbs (Nm)	175 (237.3)	225 (305.1)
7/8-14	ft-lbs (Nm)	300 (406.8)	400 (542.4)

METRIC FASTENERS							
SIZE	UNITS	 4.8	 5.8	 8.8	 10.9	 12.9	Non Critical Fasteners into Aluminum
M4	Nm (in-lbs)	1.2 (11)	1.7 (15)	2.9 (26)	4.1 (36)	5.0 (44)	2.0 (18)
M5	Nm (in-lbs)	2.5 (22)	3.2 (28)	5.8 (51)	8.1 (72)	9.7 (86)	4.0 (35)
M6	Nm (in-lbs)	4.3 (38)	5.7 (50)	9.9 (88)	14.0 (124)	16.5 (146)	6.8 (60)
M8	Nm (in-lbs)	10.5 (93)	13.6 (120)	24.4 (216)	33.9 (300)	40.7 (360)	17.0 (150)
M10	Nm (ft-lbs)	21.7 (16)	27.1 (20)	47.5 (35)	66.4 (49)	81.4 (60)	33.9 (25)
M12	Nm (ft-lbs)	36.6 (27)	47.5 (35)	82.7 (61)	116.6 (86)	139.7 (103)	61.0 (45)
M14	Nm (ft-lbs)	58.3 (43)	76.4 (55)	131.5 (97)	184.4 (136)	219.7 (162)	94.9 (70)

5.1 GENERAL

WARNING

Before you clean, adjust, or repair this equipment, depress clutch pedal and shift transmission to Neutral, engage parking brake, stop engine, and remove key from ignition switch to prevent injuries.

Make sure the vehicle is parked on a solid and level surface. Never work on a vehicle that is supported only by a jack. Always use jack stands.

1. Adjustment and maintenance should always be performed by a qualified technician. If proper adjustments cannot be made contact an Authorized Cushman Dealer.
2. Inspect the equipment on a regular basis, establish a maintenance schedule, and keep detailed records.
 - a. Keep the equipment clean.
 - b. Keep all moving parts properly adjusted and

5.2 ENGINE

IMPORTANT: A separate Engine Manual, prepared by the engine manufacturer, is supplied with this vehicle. Read the Engine Manual carefully until you are familiar with the operation and maintenance of the engine. Proper attention to the engine manufacturer's directions will assure maximum service life of the engine. To order replacement engine manuals contact the engine manufacturer.

The proper break-in of a new engine can make a considerable difference to the performance and life of the engine.

NOTICE

The vehicle is designed to operate most efficiently at the preset governor setting. Do not change the engine governor settings or overspeed the engine.

During the break-in period Jacobsen recommends the following:

1. During the first 50 hours of operation a new engine should be allowed to reach an operating temperature of at least 140°F (60°C) prior to operation at full load.
2. Check the engine oil level twice daily during the first 50 hours of operation. Higher than normal oil consumption is not uncommon during the break-in period.
3. Change engine oil and oil filter element after first 35 hours of operation.

- a. lubricated.
 - c. Replace worn or damaged parts before operating the machine.
 - d. Keep all fluids at their proper levels.
 - e. Keep shields in place and all hardware securely fastened.
 - f. Keep tires properly inflated.
3. Long hair, jewelry, or loose fitting clothing may get tangled in moving parts.
 4. Use the illustrations in the **Parts & Maintenance Manual** as reference for the disassembly and assembly of components.
 5. Recycle or dispose of all hazardous materials (batteries, fuel, lubricants, anti-freeze, etc.) according to federal, state, and local regulations.
 6. Keep hands and feet away from moving parts. Whenever possible do not make adjustments with the engine running.

4. Check and adjust hydraulic pump and alternator belts. See **Sections 4.5, 4.6, 4.7 and 4.8.**
5. Refer to **Section 7.3** and Engine Manual for specific maintenance intervals.
6. If the injection pump, injectors, or the fuel system require service contact an authorized Jacobsen Dealer.

Keep your engine clean. If dirt has accumulated on the engine it should be washed with a nonflammable solvent or strong detergent.

When washing becomes necessary it can be carried out concurrent with servicing the vehicle.

In order to maintain reliable service from your engine a regular check-up and maintenance schedule should be followed. Proper maintenance will prolong the engine's life and avoid premature overhaul.

5 MAINTENANCE

5.3 ENGINE OIL

Check the engine oil at the start of each day before starting the engine.

To check the engine oil remove the dipstick and wipe it with a clean rag. Reinsert the dipstick until it contacts the oil tube. Remove the dipstick and read the oil level.

The oil level should always be between the ADD and FULL mark on the dipstick. If oil level is below the ADD mark remove the filler cap and add oil to bring the level up between marks. *Do Not Overfill.*

NOTE: *If the engine has recently been running allow time (with engine turned off) to let the oil settle to obtain an accurate oil level reading.*

Diesel Engine: Use only engine oils with API classification CD or CE.

Gas Engine: Use only engine oils with API classification SJ.

Using oil other than the service class listed or oil change intervals longer than recommended could reduce engine life. Damage to engine due to improper maintenance or use of incorrect oil quality and/or viscosity is not covered by the engine warranty.

Diesel Engine: Perform initial oil change after first 35 hours of operation and every 75 hours or two months thereafter. See Engine Manual.

Gas Engine: Perform initial oil change after first 50 hours of operation and every 100 hours or three months thereafter. See Engine Manual.

Significant oil loss can damage the engine. Considerable oil loss could be due to a loose or incorrectly installed drain plug, cracked gaskets, or a loose oil filter.

Drain plugs are located beneath the engine in the oil pan. Remove both plugs when changing the oil.

Check drain plugs and oil for metal chips that could indicate engine damage. Immediately replace drain plugs with damaged gasket surfaces.

After oil has completely drained clean excess oil from oil pan and drain plugs. Install drain plugs and tighten securely. Refer to Engine Manual for proper torque.

Always replace the engine oil filter when changing the engine oil. Apply a light coat of engine oil to the rubber gasket surface of new filter before installing.

Diesel Engine: Fill Kubota engine with approximately 5.4 qts. (5.1 l) of clean engine oil. Check oil level and add additional oil if required.

Gas Engine: Fill Suzuki engine with approximately 3.3 qts. (3.0 l) of clean engine oil. Check oil level and add additional oil if required.

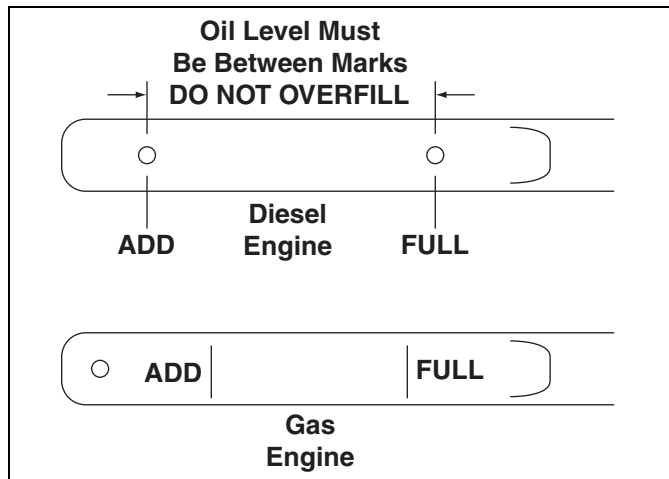


Figure 5A

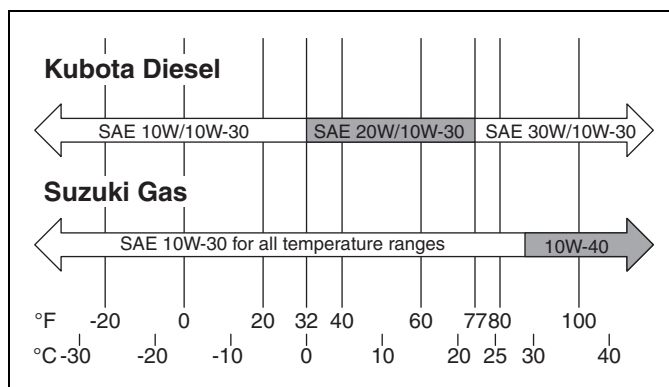


Figure 5B

Diesel Engine:	
Above 77°F (25°C)	SAE 30W or SAE10W30/10W40
32 to 77°F (0 to 25°C)	SAE 20W or SAE 10W30/10W40
Below 32° (0°C)	SAE10W or SAE 10W30/10W40
Gas Engine:	
All temperature ranges	SAE 10W30
Above 85° F (29° C)	SAE 10W 40

Replacement Oil Filters

Kubota Diesel	4113986
Suzuki Gas	2701908

5.4 POWER STEERING RESERVOIR

WARNING

Before servicing or doing any maintenance work around the engine area make sure the engine has had time to cool. Serious burns can result if the engine or surrounding surfaces are hot.

The power steering reservoir is located on the right side of the engine below the alternator.

The level in the reservoir should be checked after the first 35 and again at 70 hours. After that the level should be checked every 100 hours.

When checking the fluid level before the engine has been warmed up the level should be at the COLD mark on the dipstick. After the engine has been warmed up and the fluid is warm the level should be between the COLD and HOT marks. Use General Motors® Power Steering Fluid as required to bring fluid up to proper level.

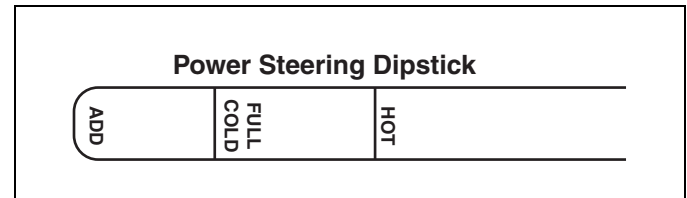


Figure 5C

5.5 MUFFLER AND EXHAUST

WARNING

Exhaust fumes contain carbon monoxide that is toxic and can be fatal when inhaled.

NEVER operate an engine without proper ventilation.

To protect from carbon monoxide poisoning inspect the complete exhaust system regularly and always replace a defective muffler.

If you notice a change in the color or sound of the exhaust stop the engine immediately. Identify the problem and have the system repaired.

Torque all exhaust manifold hardware evenly. Tighten or replace exhaust clamps.

5.6 ENGINE OVERHEAT PROCEDURE

During vehicle operation if the water temperature gauge shows 230° F (110° C) or above and/or the overheat warning buzzer sounds follow this procedure.

1. **Stop** the vehicle. **DO NOT shut the engine off.** Place vehicle in Neutral and engage the parking brake.
2. Immediately disengage any accessories that are operating.
3. Slow the engine speed to a fast idle.
4. Remove any dirt, chaff, debris, etc. from the radiator intake screen located on the right side of the vehicle.

Temperature gauge needle should start to go down approximately 30 seconds after the screen is cleaned. If temperature does not go down STOP the engine and check the following:

1. Check to see if cooling fan is operating. Fan should be turning with coolant above 180° F (82° C) on diesel units or 208° F (97.7° C) on gas units even with ignition switch in OFF position.
2. Check engine oil level.
3. Check for a leak in the cooling system. **Do not** open radiator when hot. Check coolant levels after system completely cools.

Failure to heed the overheat warning and properly maintain the cooling system will cause permanent engine damage.

CAUTION

Be careful when opening the engine access cover or cleaning the intake screen. Metal surfaces near the radiator and engine may be hot to the touch. Use a brush or gloves to clean screen.

5 MAINTENANCE

5.7 COOLING SYSTEM

This vehicle is equipped with a radiator, temperature controlled fan, temperature gauge, and an overheat buzzer.



WARNING

To prevent serious bodily injury from hot coolant or steam blow-out, never attempt to remove the radiator cap while the engine is running. Stop the engine and wait several hours until it is cool. Even then, use extreme care when removing the cap.



CAUTION

Do not pour cold water into a hot radiator. Do not operate engine without a proper coolant mixture. Install cap and tighten securely.



WARNING

The cooling fan is controlled by a temperature switch and may start at any time coolant temperature is above 150° F (65 ° C), even with the ignition switch in the OFF position. Do not attempt to service the cooling system without first disconnecting the negative battery cable or removing the fan fuse.

NEVER add straight antifreeze to the radiator. Mix equal amounts of clean water with ethylene glycol based antifreeze in a separate container before adding it to the cooling system. Do not use a mixture of more than 50% antifreeze.

Always recycle or dispose of used antifreeze in a responsible manner. Used antifreeze can be harmful to the environment.

1. Check coolant level daily. Radiator should be full and recovery bottle should be up to the **cold** mark.
 - a. Tilt engine cover forward to gain access to the radiator.
 - b. With the engine stopped and cool, remove radiator cap and check coolant level. The coolant level should be at or within 1/4 in. (6 mm) of the filler port. Fill with a 50/50 antifreeze/water mixture if required.
 - c. Visually check the reservoir tank. Coolant level should be at or above **FULL** line but less than 4 in. (102 mm). Add a 50/50 antifreeze/water mixture if required.
2. Drain and refill cooling system every 400 hours or 9 months, whichever comes first. Allow system to cool before draining.
 - a. Remove the cooling fan fuse
 - b. Remove the radiator cap.
 - c. Open the engine block drain and the radiator drain. Remove lower radiator hose. Close both drains and install lower radiator hose once system has completely drained.
 - d. Empty and clean the recovery bottle.
 - e. Fill radiator to the bottom of the filler neck with 50/50 antifreeze/water mixture.
 - f. Fill recovery bottle to full mark with 50/50 antifreeze/water mixture.
3. Keep radiator air passages clean. Use compressed air (30 psi maximum) to clean the fins. Water left between the fins will collect dirt and reduce the amount of air flow to properly cool the engine.
4. To provide proper air flow, do not obstruct the air intake screen on the right side of the vehicle. Keep screen clean.
5. Replace clamps and hoses every two years.
6. If you have to add coolant more than once a month, or add more than one quart at a time, have a authorized Cushman Dealer check the cooling system.

5.8 AIR FILTER

Do not remove the element for inspection or cleaning. Unnecessary removal of the filter increases the risk of injecting dust and other impurities into the engine.

When service is required first clean the outside of the filter housing, then remove the old element as gently as possible and discard.

1. Carefully clean the inside of the filter housing without allowing dust into the air intake.
2. Inspect the new element. Do not use a damaged element and never use an incorrect element.
3. Assemble the new element and make sure it seats properly.
4. Reassemble cap making sure it seals completely around the filter housing. Dust evacuator **(A)** must be facing down.
5. Check all hoses and air ducts. Tighten hose clamps.

Replacement (Diesel Only)

1. Clean the outside of the filter housing, especially around hose connections and cover.
2. Note location of hoses. Loosen hose clamps and remove both hoses from air cleaner. Use caution to prevent dust or other debris from entering engine intake hose.
3. Remove air cleaner mounting hardware **(B)**. Air filter is secured with a single screw and nut.
4. Lift the air cleaner assembly out of the vehicle.

5.9 JUMP STARTING

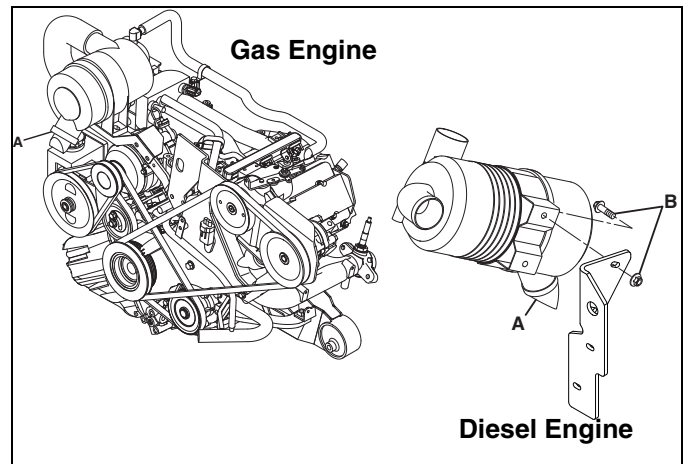
Before attempting to *jump start* the vehicle check the condition of the discharged battery.

Engage parking brake of both vehicles, shift transmission to Neutral and turn off all electrical loads.

WARNING

Batteries generate explosive hydrogen gas. To reduce the chance of an explosion avoid creating sparks near battery. Always connect the Negative jumper cable to the frame of the vehicle with the discharged battery away from the battery.

5. Unsnap retaining clamps and remove the old element as gently as possible and discard.
6. Carefully clean the inside of the filter housing without allowing dust into the air intake.
7. Inspect the new element. Do not use a damaged element and never use an incorrect element.
8. Assemble the new element and make sure it seats properly.
9. Assemble cap making sure it seals completely around the filter housing. Dust evacuator **(A)** must be facing down.
10. Install air cleaner assembly into the vehicle. Secure with hardware **(B)**.
11. Connect both hoses and tighten hose clamps.



When connecting jumper cables:

1. Stop the engine on the vehicle with a good battery.
2. Connect RED jumper cable to the Positive (+) terminal on the good battery and to the Positive (+) terminal on the discharged battery.
3. Connect the BLACK jumper cable from the Negative (-) terminal on the good battery to the frame of the vehicle with the discharged battery.

After cables have been connected start the engine on the vehicle with the good battery then start the vehicle with the discharged battery.

5 MAINTENANCE

5.10 BATTERY

Make absolutely certain the ignition switch is OFF and the key has been removed before servicing the battery.



CAUTION

Always use insulated tools, wear protective glasses or goggles, and protective clothing when working with batteries. You must read and obey all battery manufacturer's instructions.

Tighten cables securely to battery terminals and apply a light coat of silicone dielectric grease to terminals and cable ends to prevent corrosion. Keep vent caps and terminal covers in place.

Keep the top of the battery clean and free of corrosion by washing battery with a solution of baking soda and water. Rinse with clean water.

Verify battery polarity before connecting or disconnecting the battery cables.

1. When installing the battery, always assemble the Positive (RED) (+) battery cable first and the Negative (BLACK) (-) battery cable last.
2. When removing the battery, always remove the Negative (BLACK) (-) battery cable first and Positive (RED) (+) battery cable last.
3. Make sure battery is properly installed and secured to the battery tray.



WARNING

Battery posts, terminals, and related accessories contain lead and lead compounds, chemicals known to the State of California to cause cancer and reproductive harm. **Wash your hands after handling.**

5.11 CHARGING BATTERY



WARNING

Charge battery in a well ventilated area. Batteries generate explosive gases. To prevent an explosion keep any device that may create sparks or flames away from the battery.

To prevent injury stand away from battery when the charger is turned on. A damaged battery could explode.

1. Refer to **Section 5.10**. Read the Battery's and Charger's manuals for specific instructions.
2. Whenever possible remove the battery from the vehicle before charging. If battery is not sealed check that the electrolyte covers the plates in all the cells.

Battery cables must be disconnected before using a *fast charger* or damage to the alternator may result.

3. Make sure the charger is Off. Then connect the charger to the battery terminals as specified in the charger's manual.
4. Always turn the charger Off before disconnecting charger from the battery terminals.

5.12 HYDRAULIC HOSES

WARNING

To prevent serious injury from hot, high pressure oil never use your hands to check for oil leaks; use paper or cardboard.

Hydraulic fluid escaping under pressure can have sufficient force to penetrate skin. If fluid is injected into the skin it must be surgically removed within a few hours by a doctor familiar with this form of injury or gangrene may result.

1. Always disengage all drives, engage parking brake, stop engine, and remove key before inspecting or disconnecting hydraulic lines or hoses.
2. Check visible hoses and tubes daily. Look for wet hoses or oil spots. Replace worn or damaged hoses and tubes before operating the machine.
3. The replacement tube or hoses must be routed in the same path as the existing hose. Do not move clamps, brackets, and ties to a new location.
4. Thoroughly inspect all tubes, hoses, and connections every 250 hours.

5.13 HYDRAULIC RESERVOIR AND FILTER

Refer to **Section 7.3** for specific maintenance intervals.

Normally the hydraulic system will not need additional fluid. Sometimes a leak may develop causing the system to require repair and refilling. If you notice hydraulic fluid escaping when the system is being used or if a leak is suspected **turn off all hydraulic functions and stop the engine.**

Periodically check the hydraulic fluid level (hydraulic level should be checked every **100 hours** of operation). Loss of fluid can signal a small leak before it becomes worse.

To check the fluid level:

1. Place vehicle on a flat and level surface. Fully lower any accessory attachment, including the dump box. Stop the vehicle engine.
2. Remove the dipstick/breather tube from the top of the tank. Wipe the dipstick then place in tank with the threaded flange resting on the tank (do not screw in). Fluid should show on the knurled portion of the dipstick. Add GreensCare 68™ fluid as required.

The hydraulic system is protected by one 10 micron filter. The filter is located under the side console near the parking brake lever.

IMPORTANT: The hydraulic system can be permanently damaged if the oil becomes contaminated. Before disconnecting any hydraulic component clean the area around the fittings and the hose ends to keep impurities out of the system.

- a. Before disconnecting any hydraulic component tag or mark the location of each hose then clean the area around the fittings.
- b. As you disconnect the component be prepared to assemble plugs or caps to the hose ends and open ports. This will keep impurities out of the hydraulic system and also prevent oil spills.
- c. Make sure O-rings are clean and hose fittings are properly seated before tightening.
- d. Keep the hose from twisting. Twisted hoses can cause couplers to loosen as the hose flexes during operation resulting in oil leaks.
- e. Kinked or twisted hoses can restrict the oil flow causing the system to malfunction, the oil to overheat and also lead to hose failure.

To replace hydraulic oil filter:

1. Remove the old filter.
2. Fill new filter with GreensCare 68 fluid then install new filter. *Hand tighten only.*
3. Operate engine at idle speed with hydraulic system in Neutral for five minutes.
4. Check hydraulic oil level and fill with GreensCare 68 to knurled mark on gauge.

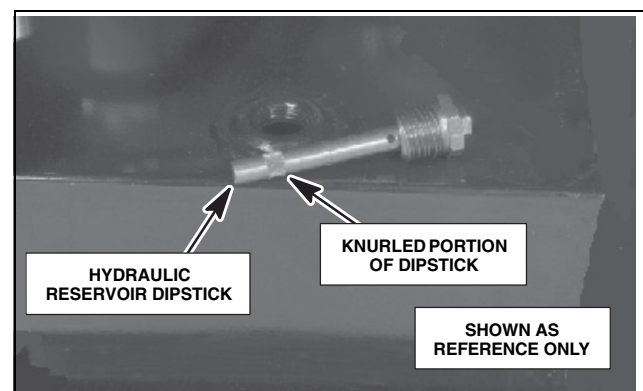


Figure 5E

5 MAINTENANCE

5.14 FUEL

Handle fuel with care - it is highly flammable. Use an approved container. The spout must fit inside the fuel filler neck. *Do not use* cans and funnels to transfer fuel.



WARNING

Remove the fuel cap slowly. Fuel may be under pressure. Spray could cause serious injury.

Never remove the fuel cap from the fuel tank or add fuel when the engine is running or while the engine is hot.

Do not smoke when handling fuel. Never fill or drain the fuel tank indoors.

Do not spill fuel and clean spilled fuel immediately.

Never handle or store fuel containers near an open flame or any device that may create sparks and ignite the fuel or fuel vapors.

Be sure to reinstall and tighten fuel cap securely.

1. Fill the fuel tank to within 1 in. (25 mm) of the bottom of the filler neck.
2. Store fuel according to federal, state and local ordinances and recommendations from your fuel supplier.
3. Never overfill or allow the tank to become empty. Check fuel level in the tank by turning the ignition switch to the ON position and reading the level indicated by the fuel gauge.

5.15 FUEL SYSTEM

Refer to **Section 7.3** for specific maintenance intervals.

Before replacing any filter thoroughly clean the filter housing and the area around the filter. Dirt must not be allowed to enter into fuel system.

Turn the key switch to the ON position to start the fuel pump and bleed the fuel system if the fuel filter and lines have been removed or the fuel tank has become empty. See Engine Manual.

4. Check fuel lines and clamps every 50 hours. Replace fuel lines and clamps at the first sign of damage.
5. The fuel tank capacity is 6.5 gal. (24.5 l). Fill tank using the following fuel recommendations:

Diesel Engine

- a. Use clean, fresh, #2 Low or Ultra Low Sulfur Diesel fuel. Minimum Cetane rating 45. Refer to Engine Manual for additional information.
- b. Use clean, fresh, #1 Low or Ultra Low Sulfur Diesel fuel when operating temperature is below 20° F (-7° C). If #1D fuel is not available a winterized blend of #1D and #2D may be available. This blended fuel is usually called #2D and may be used in colder climates. Do not use #2D unless you are sure it has been **winterized**. Cold temperatures may cause it to thicken which will keep your vehicle from running properly.
- c. **DO NOT** use Aviation Fuel JP4. Refer to Engine Manual for additional information.

Gas Engine: Use clean, fresh Unleaded Gasoline with 87 octane or higher rating.

NOTICE

The use of any fuel containing greater than 10% ethanol may harm the engine's emission control system and therefore invalidate the emission-related warranty through the improper action of the operator.

5.16 TIRE PRESSURE

Keep tires properly inflated to prolong tire life. Check inflation pressure while the tires are cool. Inspect tread wear.

Lower pressure will help avoid leaving tire marks in soft turf. Higher pressures may be required for heavier loads. Rear tire pressure must be set at 28 psi (1.93 BAR) when operating with a full load. *Never* exceed the maximum pressure indicated on the tire.

Check the pressure with an accurate, low pressure tire gauge. Due to the low volume of air needed over-inflation may be reached in a matter of two to three seconds.

Keep tires inflated to:

Front - 20 psi - (1.38 BAR)

Rear - Varies, determined by load. (See Chart)

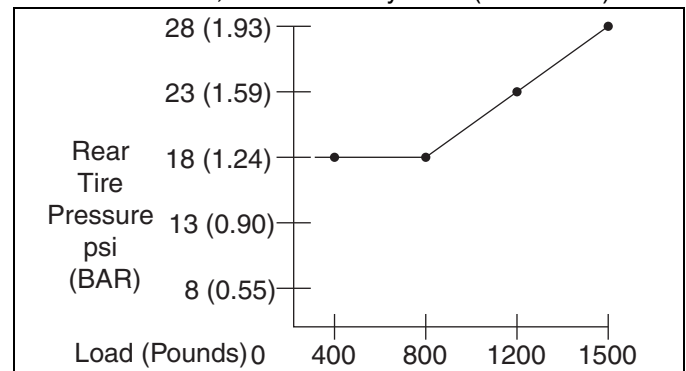


Figure 5F

5.17 TIRE REMOVAL AND INSTALLATION

Removal:

1. Park the vehicle on a flat and level surface. Apply parking brake, shut off engine, and shift transmission to 1st gear (manual) or Park (automatic).
2. Refer to **Section 5.18** for proper lifting procedures. Always use jack stands. Never rely only on a jack for support.

Raise the vehicle only enough to remove the tire. Never place feet, hands, or any part of your body under the vehicle when raising it.

3. Remove the wheel retaining nuts and remove wheel and tire assembly from the hub.
4. Perform required service on tire.



CAUTION

Unless you have the proper training, tools, and experience, **DO NOT** attempt to mount a tire on a rim. Improper mounting can produce an explosion which may result in serious injury.

Installation:

1. Remove dirt, grease, and oil from stud thread. Do not lubricate threads.
2. Position wheel on hub and inspect to ensure full contact between mounting surface of wheel and hub or brake drum. Make sure valve stem is located towards the outside. Finger tighten all hardware then torque hardware in criss-cross order. Always tighten nuts in the top position.
3. Check and retorque daily until 70-100 ft lbs (95-140 Nm) torque is maintained.

5 MAINTENANCE

5.18 RAISING THE VEHICLE



WARNING

Make sure the vehicle is parked on a solid and level surface. Never work on a vehicle that is supported only by a jack. Always use jack stands.

Whenever possible empty the truck bed before raising the vehicle. Loads moving inside the bed can cause an unbalanced load that could tip the vehicle.

Never raise the vehicle with the engine running or with a person sitting in the operator's seat.

Always block the tire diagonally opposite the tire being raised.

Never place hands, feet, or any part of your body under the vehicle when raising it with a hoist or if vehicle is not properly supported by jack stands.

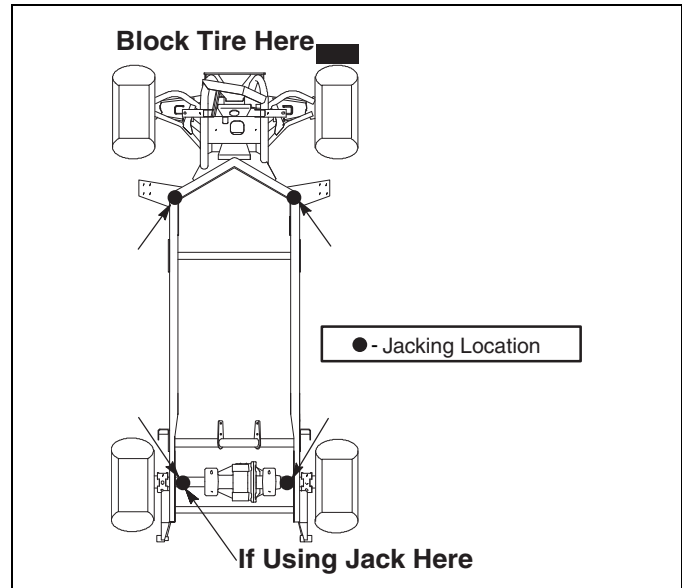


Figure 5G

A scissors type jack or a floor jack with a 1-1/2 ton (minimum) capacity that can be lowered to a height of 3-3/8 in. (86 mm) is required. Refer to **Figure 5G** for jacking locations.

Shift the transmission into 1st gear (manual) or Park (automatic) and apply the parking brake. Chock or block the tire diagonally opposite the side being raised. Raise the vehicle only enough to perform maintenance required.

Jack the vehicle to an appropriate height and place jack stands or equivalent support beneath the frame near the jack. Lower the jack and allow the vehicle to rest on jack stands. *Do not remove jack.*

When using a hoist to raise the vehicle use the same procedure for supporting the frame and blocking the tires as you would when using a jack.

To prevent damage to the vehicle or attached accessory never use a hoist to raise only one corner of the vehicle. Always raise BOTH front or rear corners equally.

5.19 TOWING THE VEHICLE

WARNING

To prevent injury or vehicle damage the following guidelines should always be followed.

- **Never** accelerate or stop suddenly when towing a vehicle.
- **Never** change the direction of the vehicle abruptly or make sharp turns on an incline when towing a vehicle.
- **Never** tow the vehicle faster than 5 mph (8 km/h). Towing at excessive speed could cause either vehicle to lose proper steering control.
- Adjust your speed for weather and surface conditions (rain, snow, ice, hills, etc.) when towing.
- Use care when loading or unloading machine onto a trailer or truck.

If for any reason the vehicle needs to be towed follow the procedures below:

1. If towing the vehicle with a tow-rope or chain an operator is required to steer the towed vehicle and to control the brakes.
2. Attach a tow-rope to the front vertical frame member on either side of the vehicle only.
3. Shift transmission into Neutral and release parking brake.

5.20 GOVERNOR OIL LEVEL

Suzuki Gas Engine only.

Check the oil level in the governor every 100 hours of use. Check only when engine is cool. To check the level remove the plug from the back side of the governor. Oil level should be up to the level of the plug opening.

Governor Oil Capacity1.5 oz. (44 me)

Oil TypeSAE 20W engine oil

If fluid level is low add the recommended oil type.

Remove the plug from the rear of the governor and remove the plug from the top of the governor. Add SAE 20W motor oil until the oil begins to leak from the rear port. Replace both plugs.

When replacing the plugs use Teflon[®] tape or a Permatex[®] 20 sealant (or equivalent pipe thread sealant) on the threads of the plug.

Torque the plugs to 95 ±10 in lb (10.7± 1 Nm).

4. Slowly drive towing vehicle forward until tow-line is pulled tight.
5. While towing, try to keep the tow-line taught at all times. Be careful going down inclines and turning corners.

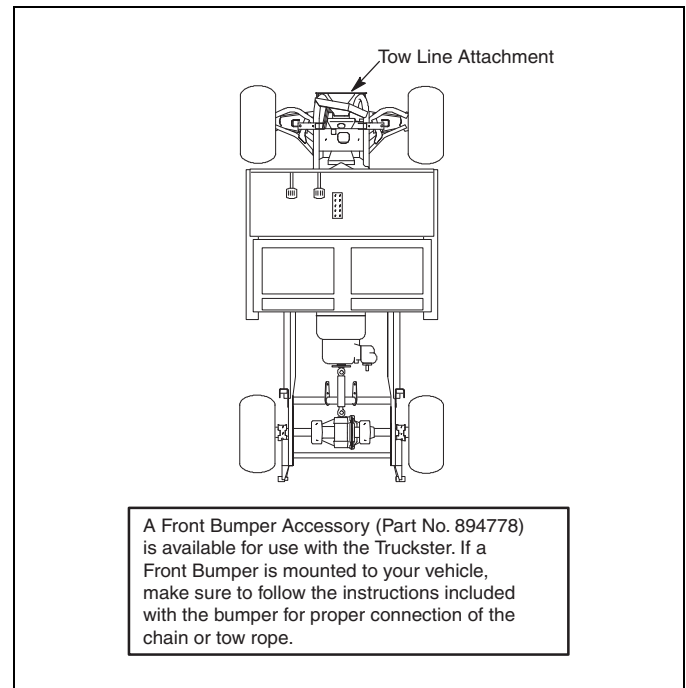


Figure 5H

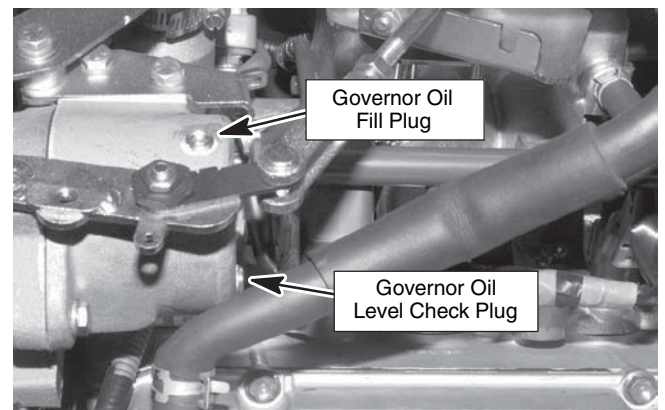


Figure 5I

5 MAINTENANCE

5.21 HYDRAULIC BRAKES

WARNING

Improper maintenance of the brake system may result in loss of vehicle control by the operator. Losing control of the vehicle due to brake loss may cause injury to the operator or bystanders and vehicle damage.

This vehicle is equipped with four-wheel hydraulic brakes controlled by the brake pedal and a hand operated parking brake lever.

Keep your brake system clean and properly maintained. Do not operate the truck if the brakes do not stop vehicle properly.

The brake fluid master cylinder reservoir is located under the front cowl.

The fluid level in the master cylinder reservoir must be kept between the **MIN** (minimum) and **MAX** (maximum) marks. Add DOT 3 type brake fluid as necessary.

If the brake fluid indicator light comes on and remains on check the fluid level in the reservoir.

Bleeding Hydraulic Brakes:

If the brakes do not hold properly, if they feel spongy, or if the brake fluid reservoir is allowed to run dry it may be required to bleed the system in order to remove air from the brake lines.

1. Bleed the brakes in the following order: Left Rear, Right Rear, Right Front and Left Front.
2. Attach a hose to the bleeder screw and place the other end of the hose in a container to catch fluid from brake when bleeding the system.
3. Bleed brake.
 - a. Have an assistant push down on the brake pedal and hold the pedal down.
 - b. Loosen the bleeder screw allowing fluid to flow.
 - c. Tighten the bleeder screw.
 - d. Have assistant release pedal.

NOTE: *Do Not* release brake pedal until the bleeder screw is tightened or air will be sucked back into the brake lines.

- e. Repeat **Steps a** through **d** as required until all air bubbles are purged from the system and a steady flow of fluid comes from the brake line.
- f. Periodically check fluid level in reservoir. Do not allow the reservoir to fully empty or bleeding procedure will need to be repeated.

4. Repeat **Step 3** for each brake.
5. Most communities have a disposal system for **DOT 3** brake fluid. Please dispose of fluids properly.

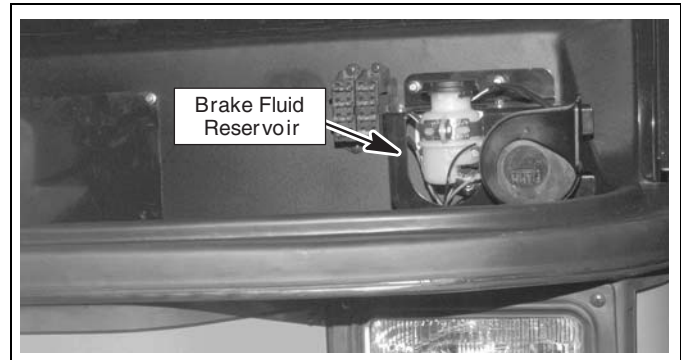


Figure 5J

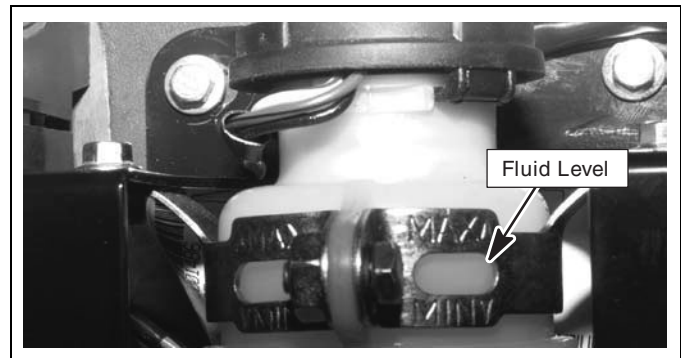


Figure 5K

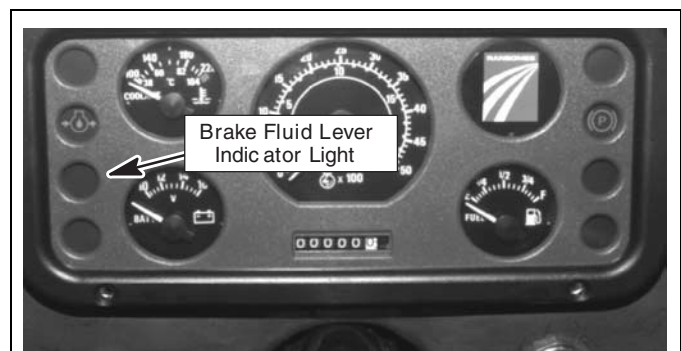


Figure 5L

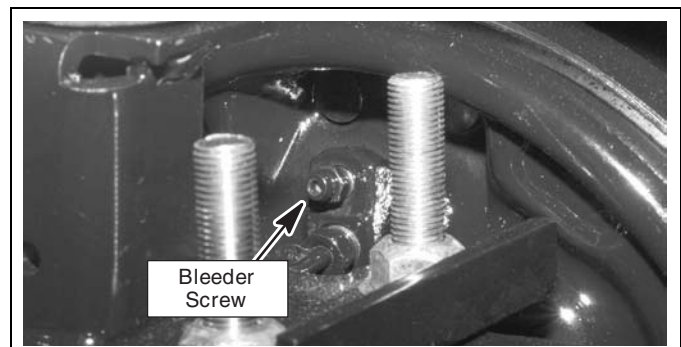


Figure 5M

5.22 DIFFERENTIAL FLUID

The differential fluid should be checked every 100 hours or 3 months. Fluid should be changed after the first 100 hours and every 600 hours (or yearly) thereafter.

Differential Fluid Capacity 5.2 pints (2.5 l)

Fluid Type..... SAE EP 80-90 gear lube

To check differential fluid level remove the filler plug from the front of the differential. Fluid should be level with the bottom of filler hole.

If fluid is low add gear lube until fluid begins to leak from hole. Apply pipe thread sealant and install filler plug.

To change differential fluid remove drain plug from rear of differential.

Allow fluid to drain into a suitable container. Dispose of used fluid properly according to federal, state, and local regulations.

Apply pipe thread sealer to drain plug and install.

Fill differential with gear lube until fluid begins to leak from hole. Apply pipe thread sealant and install filler plug.

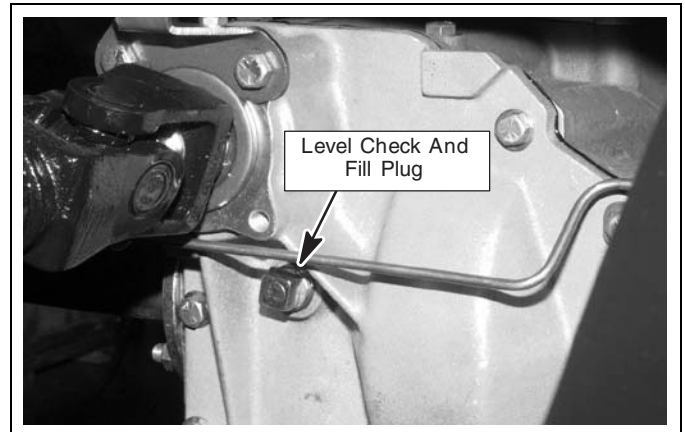


Figure 5N

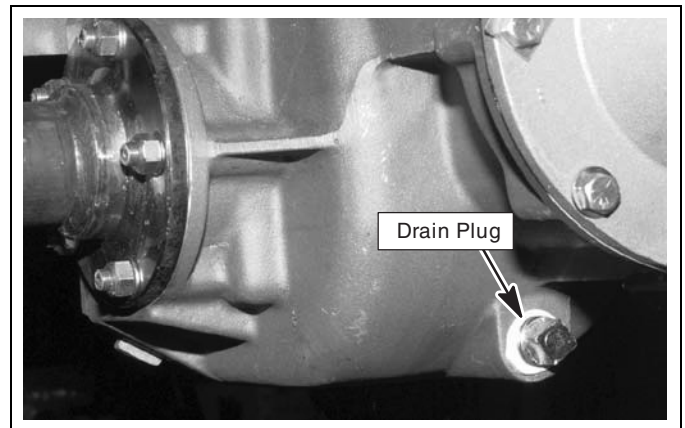


Figure 5O

5.23 DIESEL ENGINE MANUAL TRANSMISSION

The transmission fluid should be checked every 100 hours or 3 months. Fluid should be changed every 600 hours (or yearly).

Transmission Fluid Capacity .. 1.35 its (1.3 l)

Fluid Type..... SAE EP 80-90 gear lube

To check transmission fluid level remove the filler plug from the front of the transmission. Fluid should be level with the bottom of filler hole.

If fluid is low add gear lube until fluid begins to leak from hole. Apply pipe thread sealant and install filler plug.

To change fluid remove drain plug from rear of transmission.

Allow fluid to drain into a suitable container. Dispose of used fluid properly according to federal, state, and local regulations.

Apply pipe thread sealer to drain plug and install.

Fill transmission with gear lube until fluid begins to leak from hole. Apply pipe thread sealant and install filler plug.

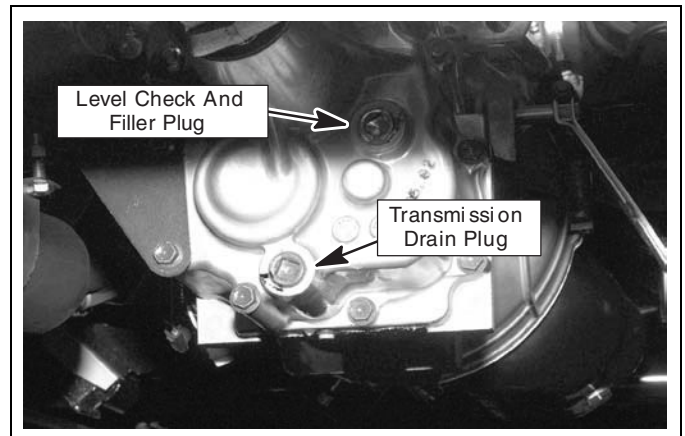


Figure 5P

5 MAINTENANCE

5.24 GAS ENGINE MANUAL TRANSMISSION

The transmission fluid should be checked every 100 hours or 3 months. Fluid should be changed every 600 hours (or yearly).

Transmission Fluid Capacity .. 1.3 its (1.2 l)

Fluid Type SAE EP 80-90 gear lube

To check transmission fluid level remove the filler plug from the front of the transmission. Fluid should be level with the bottom of filler hole.

If fluid is low add gear lube until fluid begins to leak from hole. Apply pipe thread sealant and install filler plug.

To change fluid remove drain plug from rear of transmission.

Allow fluid to drain into a suitable container. Dispose of used fluid properly according to federal, state, and local regulations.

Apply pipe thread sealer to drain plug and install.

Fill transmission with gear lube until fluid begins to leak from hole. Apply pipe thread sealant and install filler plug

Fill transmission with gear lube until fluid begins to leak from hole. Apply pipe thread sealant and install filler plug.

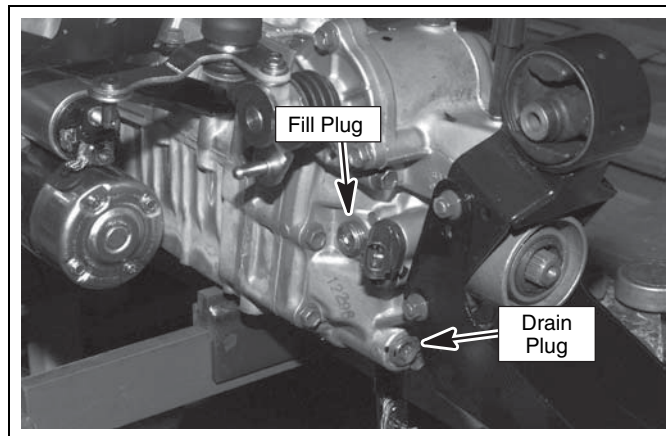


Figure 5Q

5.25 GAS ENGINE AUTOMATIC TRANSMISSION

The transmission fluid should be checked every 100 hours or 3 months. Fluid should be changed every 600 hours (or yearly).

Transmission Fluid Capacity .. 3.7 its (4.2 l)

Fluid Type Mercon/Dextron II

To check transmission fluid level the engine must be running. Place the gear selector in Park (P), apply the parking brake and start the engine.

With engine running remove the dipstick and wipe it with a clean rag. Insert the dipstick into the extension tube until it contacts the tube. Remove the dipstick and read the fluid level.

Fluid must be kept between the two marks on the dipstick. If fluid is low add fluid to obtain the proper level. **Do Not Overfill.** Add fluid using the extension tube as a fill tube.

To change fluid remove drain plug from bottom of transmission.

Allow fluid to drain into a suitable container. Dispose of used fluid properly according to federal, state, and local regulations.

Apply pipe thread sealer to drain plug and install.

Fill transmission until fluid reaches proper mark on dipstick.

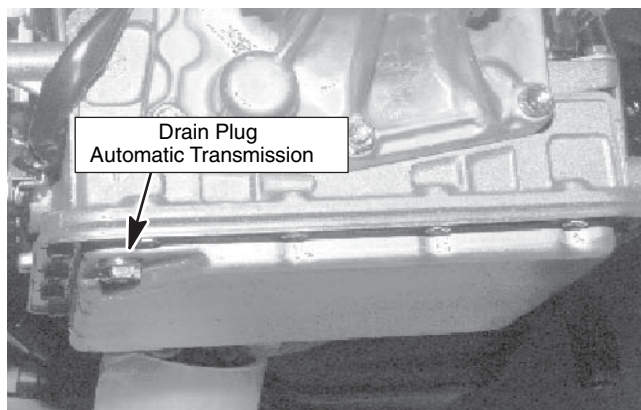
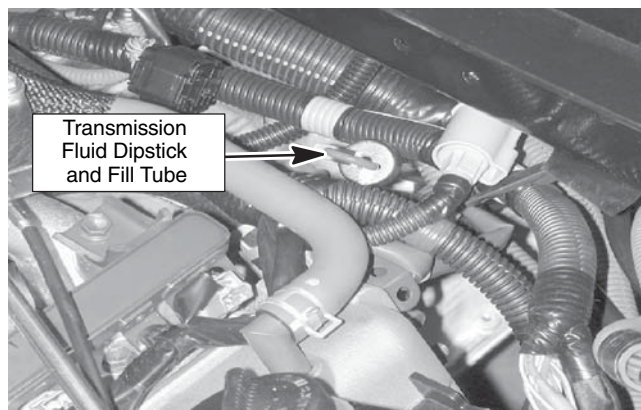


Figure 5R

5.26 ELECTRICAL SYSTEM

⚠ CAUTION

Always turn the ignition switch to the OFF position and remove the Negative (BLACK) battery cable before inspecting or working on the electrical system.

General precautions that can be taken to reduce electrical problems are listed below:

1. Ensure all terminals and connections are clean and properly secured.
2. Check the Interlock System and fuses regularly.
If the Interlock System does not function properly and the problem cannot be corrected contact an authorized Jacobson Dealer.
3. Keep the wire harness and all individual wires away from moving parts to prevent damage.
4. Check the battery and battery charging circuit.
5. Do not wash or pressure spray around electrical connections and components.
6. Circuits are protected by fuses located under the front cowl and a fuse located near the cooling fan.

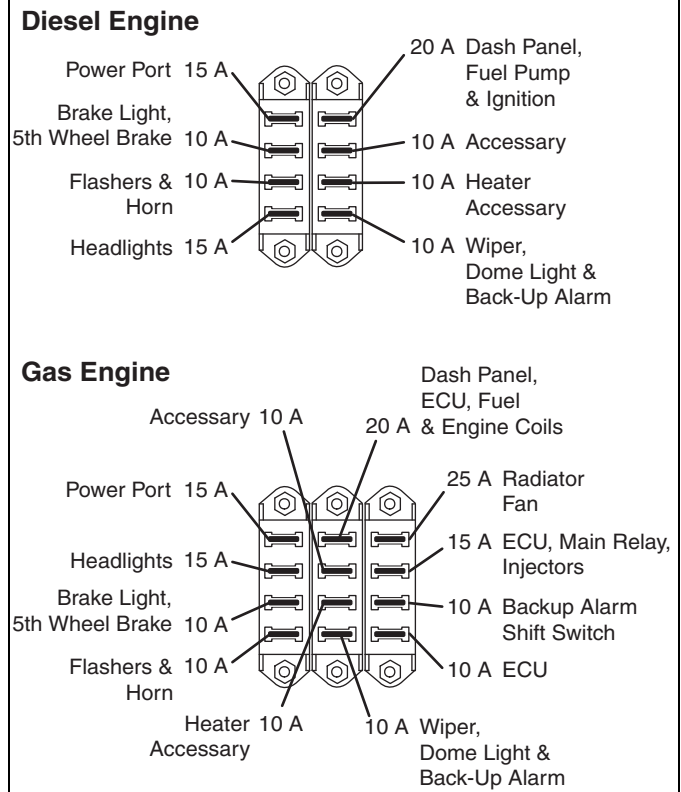


Figure 5S

5.27 DASH PANEL

The dash panel contains gauges and instrument lights to display unit functions. Maintenance of the panel is limited to replacing bulbs and setting the DIP switches.

Remove the four screws securing the instrument panel to the dash.

Pull panel out, tilt panel forward and disconnect electrical connector for easier access to rear of panel.

Light Bulb Replacement:

1. Determine which bulb needs to be replaced.
2. Rotate bulb holder 1/4 turn counter-clockwise and pull up and away from dash panel.
3. Replace old bulb with a new bulb of equal type.

Location	Replacement Bulb
A Voltmeter.....	C658
B Temperature Gauge.....	C658
C Fuel Gage.....	C658
D Hour Meter.....	C658
E Tachometer.....	C161
F Left Turn Signal.....	C161
G Oil Pressure.....	C161
H Glow Plug.....	C161
J Brake Fluid.....	C161

- K Right Turn.....C161
- L Parking Brake.....C161
- M High Beam.....C658
- N Alternator / Battery.....C161

4. Place bulb and holder back into panel. Turn holder 1/4 turn clockwise to secure into panel. Ensure base of holder is properly seated in panel.

5 MAINTENANCE

Tachometer DIP Switch Setting:

The dash panel uses a DIP Switch sequence code to identify the number of input pulses per engine revolution and engine type to correctly display the engine RPM on the tachometer.

If you are replacing the dash panel or if the tachometer is not operating correctly check to be sure the sequence code is set correctly.

The Truckster with a Kubota Diesel engine uses the following sequence code for 10.5 pulses / revolution.

Kubota Diesel Sequence Code: 0 0 0 1 0 1 0 0

The Truckster with a Suzuki Gas engine uses the following sequence code for 1.5 pulses / revolution.

Suzuki Gas Sequence Code: 0 0 0 0 0 0 1 0

Using a small blade screwdriver or similar tool push the switch levers either up or down to match the sequence code for this unit.

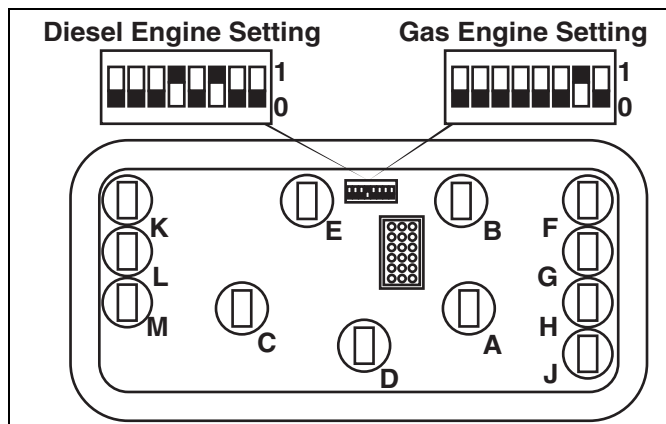


Figure 5T

5.28 HEADLIGHT REPLACEMENT

The headlight should be replaced as soon as it stops functioning or is damaged. The headlight is a sealed unit and can only be replaced as a complete unit.

Description.....	bulb type	Jacobson Part No.
Headlight.....	H6545	837303

1. Disconnect the Negative (BLACK) battery cable.
2. Remove the four screws securing the headlight bezel to the front cowl.
3. Pull headlight and bezel forward and out of the front clip opening.
4. Disconnect the electrical connector from the rear of the headlight.

5. Remove the headlight from the bezel. Properly dispose of old bulb.
6. Install new headlight in reverse order of removal.

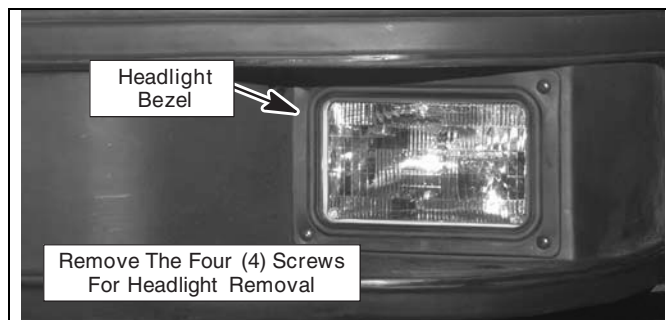


Figure 5U

5.29 TAIL LIGHT REPLACEMENT

The tail light should be repaired as soon as it stops functioning or is damaged. The tail light bulb and lens are replaceable components. Damage to the body of the tail light requires a complete replacement.

Description.....	bulb type	Jacobson Part No.
Tail light bulb	1157	822049

1. Remove the two screws securing lens. Remove lens and gasket.
2. Push bulb in, turn 1/4 turn and remove bulb. Dispose of old bulb properly.
3. Install new bulb in reverse order of removal. Ensure lens gasket is properly positioned.
4. To remove complete tail light assembly remove two nuts and shake proof washer securing tail light to frame. Disconnect harness and remove tail light from frame.

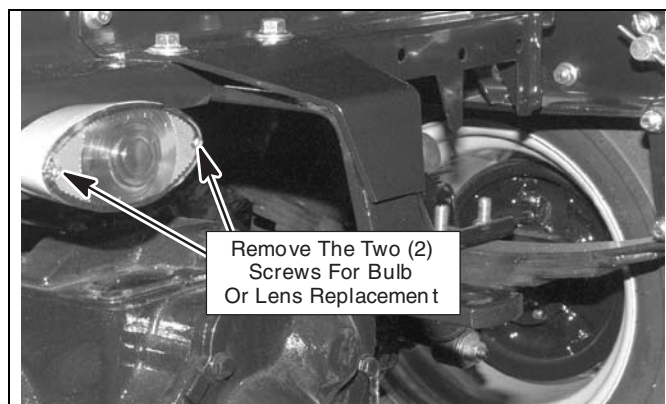


Figure 5V

5.30 EFI DIAGNOSTIC CHECK

Suzuki Gas Engine units only

The electrical system is equipped with a plug-in connector which, when used with the diagnostic jumper accessory (Part No. 2700920), will perform diagnostic checks on various engine components.

Manual transmission: Engage parking brake, shift transmission to Neutral, and turn the ignition switch to the OFF position.

Automatic Transmission: Engage parking brake, place gear selector in Park, and turn the ignition switch to the OFF position.

Open the front cowl and locate the plug-in connector (Black/White and Black wires) coming from the wire harness below the brake fluid reservoir.

To run the diagnostic test plug the diagnostic jumper into the plug-in connector. Turn ignition switch to the ON

position. The brake fluid light at the lower left corner of the dash panel will flash a diagnostic code.

The first digit of the code will be given first with a one second pause between each 0.3 second flash followed by the second digit with no pause.

A code of 12 (System Normal) would turn the light on for 0.3 seconds, a one second pause then two fast flashes. **(Flash-Pause-Flash-Flash)**

A code of 46 (Shift switch) would turn the light on four times for 0.3 seconds and a one second pause then six fast flashes. **(Flash-Pause-Flash-Pause-Flash-Pause-Flash-Flash-Flash-Flash-Flash)**

The following list shows **which code number corresponds to which component and lists possible causes for each fault.**

Code	Engine Component	Possible Causes
11	Pressure Sender	Voltage at pin 25 (Green/Yellow wire) of the 34 pin ECU connector is higher than 4.5 Volts or lower than 0.19 Volts.
12	Normal	System operating normally.
13	Throttle Sensor	Voltage at pin 33 (Gray/Yellow wire) of the 34 pin ECU connector is higher than 4.73 Volts or lower than 0.25 Volts.
14	O ₂ Sensor	No signal for a length of time at pin 24 (Red/Blue wire) of the 34 pin ECU connector.
15	Crank Angle Sensor	While in starting mode, no signal is seen at pin 16 (Brown/Red wire) of the 34 pin ECU connector.
16	Vehicle Speed Sensor	No signal for a length of time at pin 16 (Orange wire) of the 26 pin ECU connector.
19	Water Temperature Sensor	Voltage at pin 32 (Green/White wire) of the 34 pin ECU connector is higher than 4.85 Volts or lower than 0.15 Volts.
41	Shift Solenoid #1 (Automatic Transmission only)	Open or short circuit at pin 27 (Blue/Black wire) of the 34 pin ECU connector. Should be 12 Volts if gear selector is in the L position.
42	Shift Solenoid #2 (Automatic Transmission only)	Open or short circuit at pin 28 (Blue/White wire) of the 34 pin ECU connector. Should be 12 Volts if gear selector is in the L or 2 position.
43	Shift Solenoid #3 (Automatic Transmission only)	Open or short circuit at pin 29 (Blue/Red wire) of the 34 pin ECU connector.
46	Shift Switch (Automatic Transmission only)	No signal present at pin 18 (Green/Pink wire) and pin 19 (Orange Blue wire) and pin 20 (Orange/Green wire) and pin 24 (Green/Blue wire) and pin 25 (Green wire) and pin 26 (Red wire) of the 26 pin ECU connector. OR signal present at more than one of pins 18, 19, 20, 24, 25 and 26 of the 26 pin ECU connector.

5 MAINTENANCE

5.31 CARE AND CLEANING

Wash the vehicle after each use. Keep the equipment clean.

Note: Do not wash any portion of the equipment while it is hot. Do not use high pressure spray or steam. Use cold water and automotive cleaners.

1. Use compressed air to clean engine and radiator fins. A special blow gun is available through Cushman Dealer.
2. Use only fresh water for cleaning your equipment.

Note: Use of salt water or affluent water has been known to encourage rust and corrosion of metal parts resulting in premature deterioration or failure. Damage of this nature is not covered by the factory warranty.

5.32 STORAGE

General

1. Wash the vehicle thoroughly and lubricate as necessary. Repair and paint damaged or exposed metal.
2. Inspect the vehicle, tighten all hardware, replace worn or damaged components.
3. Drain and refill radiator.
4. Clean the tires thoroughly and store the vehicle so the load is off the tires. If vehicle is not on jack stands check tires at regular intervals and reinflate as necessary.
5. Keep the machine and all its accessories clean, dry and protected from the elements during storage.



WARNING

Never store equipment near an open flame or spark which could ignite fuel or fuel vapors.

Battery

1. Remove, clean and store battery in upright position on a nonconductive surface (wood) in a cool, dry place. To prevent accelerated discharge do not store battery on concrete or steel surface.
2. Check and recharge battery every 60 to 90 days while in storage.
3. To reduce the self discharge rate room temperature should not rise above 80°F (27°C). Room temperature should not fall below 20°F (-7°C) to prevent electrolyte from freezing.

3. Do not spray water directly at the dash panel, ignition switch, controls, or any other electrical components, or at bearing housings and seals.
4. Clean all plastic or rubber trim with a mild soap solution or use commercially available vinyl/rubber cleaners.

Repair damaged metal surfaces and use touch-up paint. Wax the equipment for maximum paint protection.



CAUTION

Clean grass and debris from drives, muffler, and engine to prevent fires.

Engine (General)

1. While the engine is warm remove the drain plug, drain the oil from the crankcase, and change oil filter. Install drain plug and refill with fresh oil. Let engine cool before storing.
2. Clean exterior of engine. Paint exposed metal or apply a light coat of rust preventative oil.

Add a fuel conditioner or biocide to prevent gelling or bacterial growth in fuel. See your local fuel supplier.

If storing indoors drain fuel from tank.

Close fuel shut off valve.

After Storage

1. Check and reinstall battery.
2. Check or service fuel filter and air cleaner.
3. Check the radiator coolant level.
4. Check oil level in the engine crankcase.
5. Fill the fuel tank with fresh fuel. Open fuel shut off valve and bleed the fuel system.
6. Make certain that the tires are properly inflated.
7. Start and operate the engine at 1/2 throttle. Allow sufficient time for the engine to become properly warmed and lubricated.



WARNING

Never operate the engine without proper ventilation. Exhaust fumes can be fatal when inhaled.

6.1 GENERAL

The troubleshooting chart below lists basic problems that may occur during start up and operation. For more detailed information regarding the electrical system contact your area Jacobson Dealer.

Symptoms	Possible Causes	Action
Engine will not start.	<ol style="list-style-type: none"> 1. Clutch pedal not depressed. 2. Battery low on charge or defective. 3. Fuel tank empty or dirty. Fuel shut off valve closed. 4. Fuse blown. 	<ol style="list-style-type: none"> 1. Check start up procedure. 2. Inspect condition of battery and battery connections. 3. Fill with fresh fuel. Change fuel filter. Bleed fuel lines. Open fuel shut off valve. 4. Replace fuse.
Engine hard to start or runs poorly.	<ol style="list-style-type: none"> 1. Fuel level low. Fuel or fuel filter dirty. 2. Air cleaner dirty. 3. Injectors, fuel pump. 4. Engine problem. 	<ol style="list-style-type: none"> 1. Fill with fresh fuel. Change fuel filter. Bleed fuel lines. 2. Inspect and replace air filter. 3. Consult engine manual. 4. Consult engine manual.
Engine stops.	<ol style="list-style-type: none"> 1. Fuel tank empty. 	<ol style="list-style-type: none"> 1. Fill with fresh fuel and bleed fuel lines.
Engine overheating.	<ol style="list-style-type: none"> 1. Coolant level low. 2. Air intake restricted. 3. Water pump belt broken or loose. 4. Engine overload. 	<ol style="list-style-type: none"> 1. Inspect and add coolant. 2. Clean cooling air intake. 3. Replace or tighten belt. 4. Reduce forward speed.
Vehicle does not react to throttle pedal.	<ol style="list-style-type: none"> 1. Parking brake engaged. 2. Transmission in Neutral. 3. Clutch Pedal Depressed. 	<p>Disengage parking brake.</p> <p>Depress brake and clutch pedals. Shift to proper gear for desired ground speed. Release brake pedal. Slowly let out clutch while pressing the throttle pedal.</p> <p>Slowly let out clutch pedal.</p>

7 MAINTENANCE & LUBRICATION CHARTS

7.1 GENERAL



WARNING

Before you clean, adjust, or repair this equipment, disengage all drives, lower implements to the ground, engage parking brake, stop engine and remove key from ignition switch to prevent injuries

1. Always clean the grease fitting before and after lubricating.

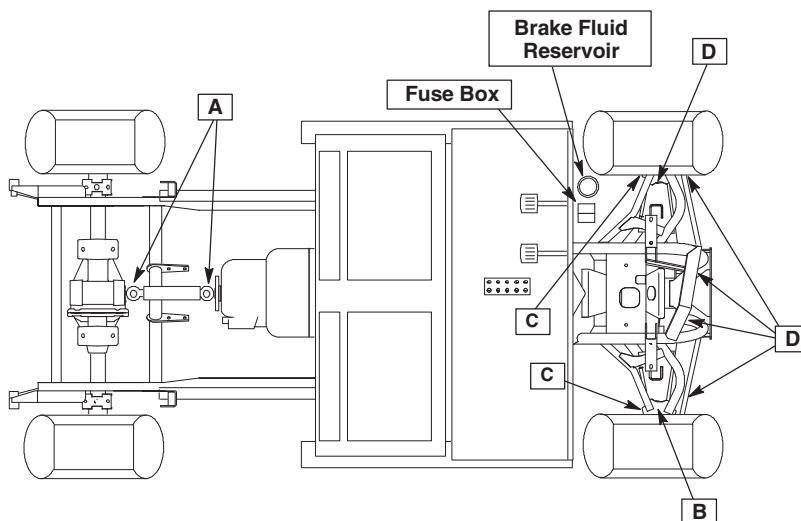
2. Lubricate with grease that meets or exceeds NLGI Grade 2 LB specifications. Apply grease with a manual grease gun and fill slowly until grease begins to seep out. *Do not use compressed air guns.*

3. For smooth operation of all levers, pivot points and other friction points that are not shown on the lubrication chart apply several drops of SAE 30 oil every 40 hours or as necessary.

4. Grease fittings every 100 hours. Do not over grease drive shaft fittings (**A**). Too much grease will damage the seals.

7.2 LUBRICATION CHART

Fitting	Description	Qty
A	Drive Shaft	2
B	Upper Ball Joints	2
C	Lower Ball Joints	2
D	Tie Rod Ends	4



MAINTENANCE & LUBRICATION CHARTS 7

7.3 MAINTENANCE CHARTS

Recommended Service and Lubrication Intervals

	Daily	First 35 Hours	Every 75 Hours or 2 Months	Every 100 Hours or 3 Months	Every 200 Hours or 6 Months	Every 400 Hours or 9 Months	Every 600 Hours or 12 Months	See Section	Lubricant Type
Air Filter					R**			5.8	
Alternator							I		
Battery			I				C	5.10	
Belts	I-A*			I-A			I-A	4., 4.2	
Brake Fluid				I-A				5.21	VI
Brake Linings		I-A*		I-A			I-A		
Clutch				I-A					
Cooling System	I-C-A				I	R		5.7	IV
Differential Fluid				I-R*			R	5.22	III
Electrical System		I*		I				5.26	
Engine Glow Plugs							I		
Engine Idle Speed		I*					I		
Engine Noise / Vibration	I								
Engine Oil (Suzuki)	I	R*****		R**				5.3	
Engine Oil Filter (Suzuki)	I	R*****		R**				5.3	
Engine Oil (Kubota)	I	R*	R**					5.3	II
Engine Oil Filter (Kubota)	I	R*	R**					5.3	
Engine Valve Clearance		I****				I****			
Fluid Leaks	I-R								
Fuel System		I*					I	5.15	
Fuel Filter				R				5.15	
Fuel Water Separator (Diesel Only)	I-C								
Governor Fluid				I-A					IX
Hydraulic Filter							R		
Hydraulic Fluid				I-A			R		VIII
Injection Pump / Timing							I		
Lubricate Chassis				L			L	7.2	I
Muffler and Exhaust	I			I				5.5	
Radiator Screens	I-C/AR							5.7	
Power Steering Fluid		I*		I				5.4	V
Spark Plugs (Gas only)							C-A-R		
Starter Motor Brushes							I		
Tires	I	I-A						5.16	
Transmission Fluid (Manual Transmission)				I			R	5.23 5.24	III
Transmission Fluid (Automatic Transmission)				I			R	5.25	VII
Wheel Bearings							Repack		

A - Add or Adjust C - Clean I - Inspect L - Lubricate R - Repair or Replace AR - As Required

7 MAINTENANCE & LUBRICATION CHARTS

Notes:

- * Indicates initial service for new machines.
- ** Engine oil, oil filter and air filter may require more frequent replacement depending on operating conditions.
- *** Inspect visible hoses and tubes for leaks or oil marks.
- **** Must be done at Authorized Dealer.
- ***** Change oil and filter on Suzuki Engines after first fifty hours.

Lubricants

- I Manual grease gun with NLGI Grade 2 (Service Class LB).
- II Engine Oil - See **Section 5.3**
- III SAE EP 80-90 gear lube
- IV Capacity: 3qt. (2.8 l) 50/50 water ethylene glycol mix
- V GM Power Steering Fluid
- VI DOT 3 brake fluid
- VII Mercon/Dextron II automatic transmission fluid
- VIII GreensCare 68 hydraulic fluid
 - 5003102 55-gallon drum GreensCare 68
 - 5003103 5-gallon pail GreensCare 68
- IX SAE 20W oil

7.4 COMMON REPLACEMENT PARTS

Part Number	Part Description
5000919	Diesel Air Filter Element
840352	Gas Air Filter Element
4113986	Diesel Oil Filter
2701809	Gas Oil Filter
4183591	Diesel Fuel Filter
2701898	Gas Fuel Filter
4175560	Diesel Alternator Belt

Part Number	Part Description
4117092	Diesel Hydraulic Pump Belt
4139265	Gas Alternator - Power Steering Belt
4139351	Gas Hydraulic Pump Belt
4119606	NGK 3932 (DCPR7E) Spark Plug
2701832	Denso XU22EPR-U Spark Plug

7.5 KUBOTA DIESEL ENGINE SERVICE PARTS

The following common engine parts are provided for reference only. Refer to the Engine Parts Manual for a complete list of service parts.

Part Number	Part Description
2811021	Fuel Solenoid
5000894	Injection Pump
5000901	Injection Pipe #1
5000902	Injection Pipe #2
5000903	Injection Pipe #3
4183586	Fuel Injector
5001265	Injector Return Pipe
4177227	Glow Plug
556412	Thermostat
4134370	Thermostat Gasket
4165525	Water Pump
557867	Water Pump Gasket
4177260	Oil Pan Drain Plug
2500811	Oil Pan Drain Plug Gasket
4113986	Oil Filter
4145944	Oil Fill Cap
2809955	Oil Fill Cap Seal

Part Number	Part Description
2500856	Valve Cover Gasket
557888	Starter Motor
4183623	Alternator

9 PARTS CATALOG

9.1 HOW TO USE THE PARTS CATALOG

Abbreviations

N/S - Not serviced separately. Can only be obtained by ordering main component or kit.

AR -Variable quantity or measurement is required to obtain correct adjustment.

Symbols such as ● next to the item number indicates that a note exists which contains additional information important in ordering that part.

Indented Items

Indented items indicate component parts that are included as part of an assembly or another component. These parts can be ordered separately or as part of the main component.

Item	Part No.	Qty	Description	Serial Numbers/Notes
● 1	123456	1	Mount, Valve	<i>Indicates a piece part</i>
2	789012	1	Valve, Lift	<i>Includes Items 2, and 3</i>
3	345678	1	• Handle	<i>Serviced part included with Item 2</i>
4	N/S	1	• Seal Kit	<i>Non serviced part included with Item 2</i>
5	901234	1	Screw, 1/4-20 x 2" Hex Head	

9.2 TO ORDER PARTS

1. Write your **full** name and **complete** address on the order.
2. Explain where and how to make shipment.
3. Give product number, name and serial number that is stamped on the name plate or serial plate of your product.
4. Order by the quantity desired, the part number and description of the part as given in the parts list.
5. Send or bring the order to an authorized Jacobsen Distributor.
6. Inspect all shipments on receipt. If any parts are damaged or missing file a claim with the carrier before accepting.
7. Do not return material without a letter of explanation listing the parts being returned. Transportation charges must be prepaid.

Use of other than Jacobsen authorized parts will void the warranty.

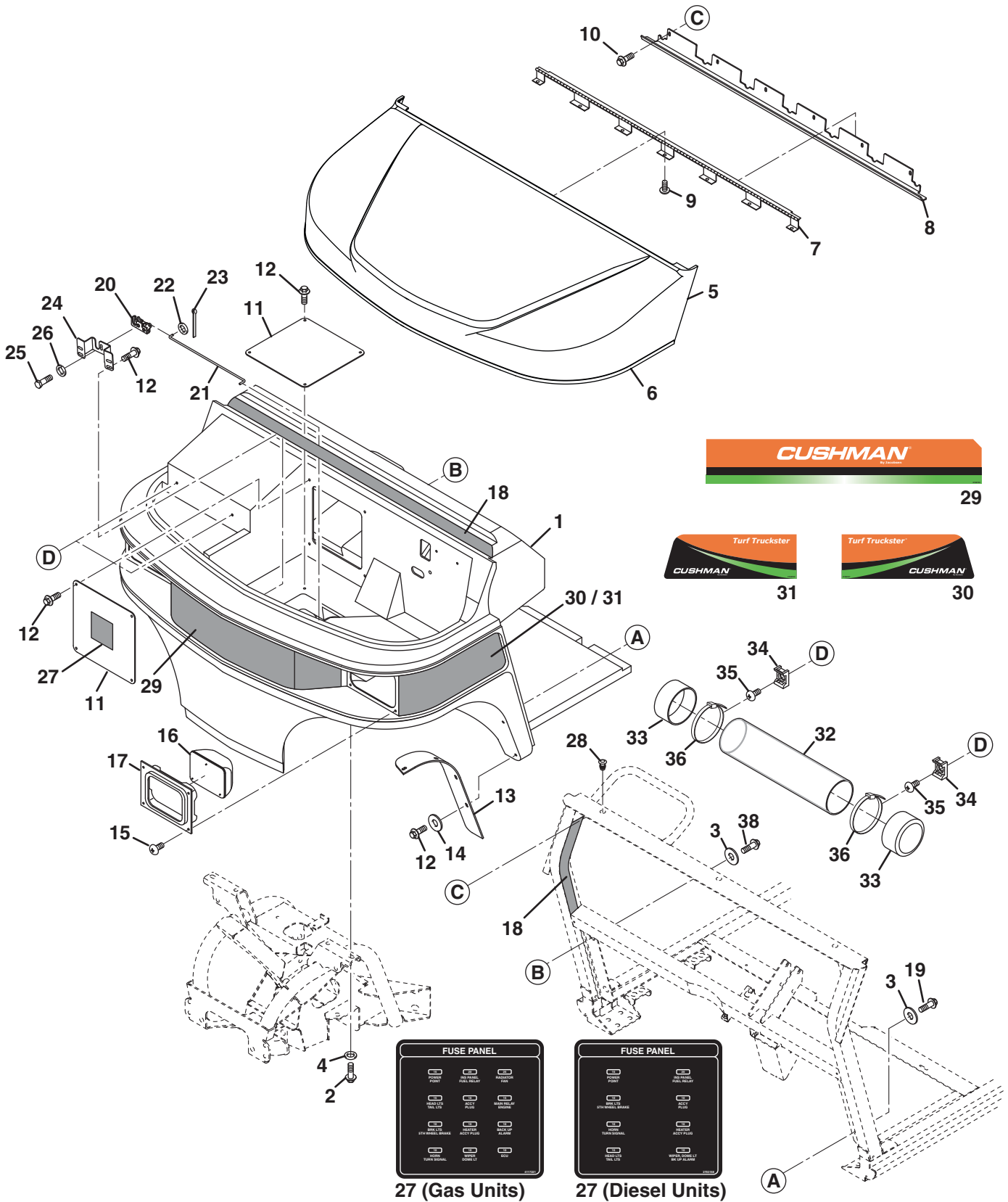
9.3 TABLE OF CONTENTS

1.1	Front Body	42
2.1	Engine Cover	44
2.2	Engine Cover	46
3.1	Four Post ROPS	48
4.1	Upper ROPS	50
5.1	Throttle Control	52
6.1	Control Console	54
7.1	Parking Brake and High-Low Speed Control	56
8.1	Brake Pedal	58
9.1	Clutch Pedal Linkage	60
10.1	Manual Transmission Shifter Linkage	62
11.1	Manual Transmission Shifter Linkage	64
12.1	Automatic Transmission Shifter	66
13.1	Automatic Transmission Oil Cooler	67
14.1	Frame Attachments	68
15.1	Frame, Lower ROPS and Platform	70
16.1	Rear Axle	72
17.1	Front Control Arms	74
18.1	Steering Linkage	76
19.1	Front Brakes	78
20.1	Steering Column	80
21.1	Diesel Radiator	82
22.1	Gas Radiator	84
23.1	Diesel Engine and Transmission Mounting	86
24.1	Gas Engine and MT Mounting	88
25.1	Gas Engine and AT Mounting	90
26.1	Diesel Engine and Clutch	92
27.1	Suzuki Gas Engine	94
28.1	Diesel Engine Speed Control	96
29.1	Diesel Engine Exhaust and Remote Oil Filter	98
30.1	Gas Engine Governor Linkage	100
31.1	Gas Engine Governor	102
32.1	Gas Engine Remote Oil Fill	104
33.1	Gas Engine Exhaust	105
34.1	Diesel Fuel System	106
35.1	Gas Fuel System	108
36.1	Gas Fuel System	110
37.1	Hydraulic Tank and Filter	112
38.1	Hydraulic Pump and Filter	114
39.1	Lift Cylinder Circuit	116
40.1	Diesel Electrical Components	118
41.1	Gas Electrical Components	120
42.1	Differential Assembly	122
43.1	Differential Housing	124
44.1	Axle Tubes and Shafts	126
45.1	Front and Shifter Cover	128
46.1	Input, Main and Jack Shafts	130
47.1	Transmission Clutch Release-Shift Selector	132
48.1	Transmission Case	134
49.1	Input and Main Shaft	136
50.1	Gear Shift Fork Linkage	138
51.1	Mechanical PTO	140
52.1	Diesel Engine Main Harness	142
53.1	Diesel Engine and Fan Harness	144
54.1	Gas Main Harness	146
54.1	Gas Main Harness (Continued)	148
55.1	Gas Engine Electrical Schematic	150
56.1	Gas Engine Schematic	154
57.1	Diesel Engine Electrical Schematic	156

TURF TRUCKSTER

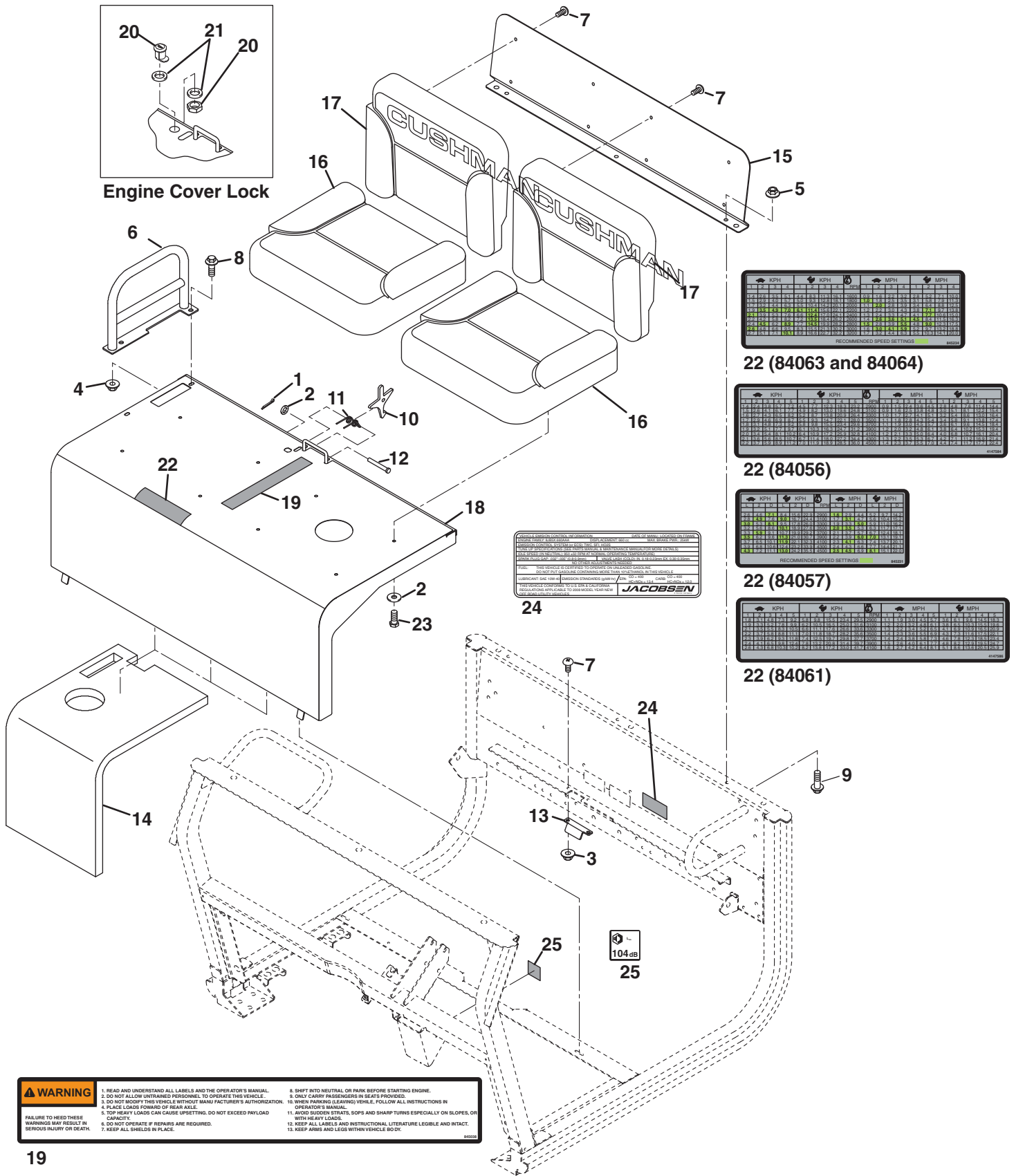
1.1 Front Body

Serial No. All



2.1 Engine Cover

Vehicles without ROPS



Engine Cover Lock

KPH	KPH	MPH	MPH
0	0	0	0
10	10	16	16
20	20	32	32
30	30	48	48
40	40	64	64
50	50	80	80
60	60	96	96
70	70	112	112
80	80	128	128
90	90	144	144
100	100	160	160
110	110	176	176
120	120	192	192
130	130	208	208
140	140	224	224
150	150	240	240
160	160	256	256
170	170	272	272
180	180	288	288
190	190	304	304
200	200	320	320
210	210	336	336
220	220	352	352
230	230	368	368
240	240	384	384
250	250	400	400
260	260	416	416
270	270	432	432
280	280	448	448
290	290	464	464
300	300	480	480

RECOMMENDED SPEED SETTINGS

22 (84063 and 84064)

KPH	KPH	MPH	MPH
0	0	0	0
10	10	16	16
20	20	32	32
30	30	48	48
40	40	64	64
50	50	80	80
60	60	96	96
70	70	112	112
80	80	128	128
90	90	144	144
100	100	160	160
110	110	176	176
120	120	192	192
130	130	208	208
140	140	224	224
150	150	240	240
160	160	256	256
170	170	272	272
180	180	288	288
190	190	304	304
200	200	320	320
210	210	336	336
220	220	352	352
230	230	368	368
240	240	384	384
250	250	400	400
260	260	416	416
270	270	432	432
280	280	448	448
290	290	464	464
300	300	480	480

RECOMMENDED SPEED SETTINGS

22 (84056)

KPH	KPH	MPH	MPH
0	0	0	0
10	10	16	16
20	20	32	32
30	30	48	48
40	40	64	64
50	50	80	80
60	60	96	96
70	70	112	112
80	80	128	128
90	90	144	144
100	100	160	160
110	110	176	176
120	120	192	192
130	130	208	208
140	140	224	224
150	150	240	240
160	160	256	256
170	170	272	272
180	180	288	288
190	190	304	304
200	200	320	320
210	210	336	336
220	220	352	352
230	230	368	368
240	240	384	384
250	250	400	400
260	260	416	416
270	270	432	432
280	280	448	448
290	290	464	464
300	300	480	480

RECOMMENDED SPEED SETTINGS

22 (84057)

KPH	KPH	MPH	MPH
0	0	0	0
10	10	16	16
20	20	32	32
30	30	48	48
40	40	64	64
50	50	80	80
60	60	96	96
70	70	112	112
80	80	128	128
90	90	144	144
100	100	160	160
110	110	176	176
120	120	192	192
130	130	208	208
140	140	224	224
150	150	240	240
160	160	256	256
170	170	272	272
180	180	288	288
190	190	304	304
200	200	320	320
210	210	336	336
220	220	352	352
230	230	368	368
240	240	384	384
250	250	400	400
260	260	416	416
270	270	432	432
280	280	448	448
290	290	464	464
300	300	480	480

RECOMMENDED SPEED SETTINGS

22 (84061)

Model	Year	Engine	Power	Capacity
22	2014-2015	1800cc	15.5kW	1200kg
22	2016-2017	1800cc	15.5kW	1200kg
22	2018-2019	1800cc	15.5kW	1200kg
22	2020-2021	1800cc	15.5kW	1200kg
22	2022-2023	1800cc	15.5kW	1200kg

FINAL: THIS VEHICLE IS CERTIFIED TO OPERATE ON UNRAISED GRADES.
DO NOT EXCEED GRADES EXCEEDING ABOVE MAXIMUM GRADES ON THIS VEHICLE.
LUBRICANT SEE USER'S EMISSION STANDARDS MANUAL FOR OIL TYPE AND GRADE.
PERFORMANCE CHARACTERISTICS ARE BASED ON ISO 9001:2015.
REGULATIONS APPLICABLE TO THIS MODEL YEAR NEW VEHICLE.
JACOBSEN

24

104dB
25

WARNING

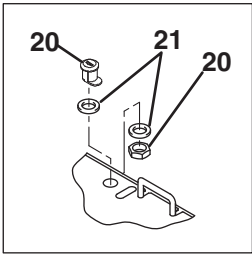
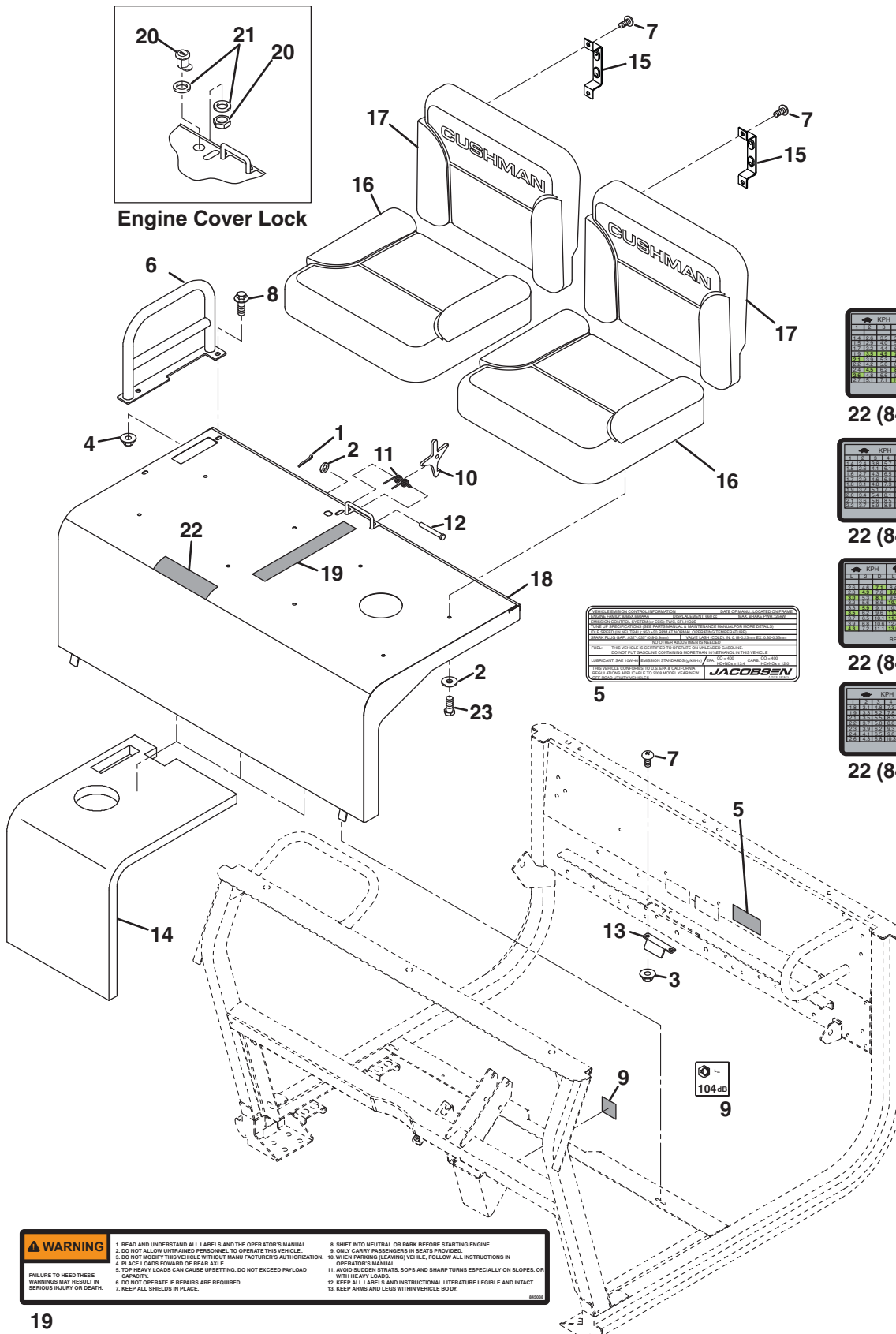
1. READ AND UNDERSTAND ALL LABELS AND THE OPERATOR'S MANUAL.
2. DO NOT ALLOW UNTRAINED PERSONNEL TO OPERATE THIS VEHICLE.
3. DO NOT REOPI THIS VEHICLE WITHOUT MANUFACTURER'S AUTHORIZATION.
4. PLACE LOADS FORWARD OF REAR AXLE.
5. TOP HEAVY LOADS CAN CAUSE SPINNING. DO NOT EXCEED PAYLOAD CAPACITY.
6. DO NOT OPERATE IF REPAIRS ARE REQUIRED.
7. KEEP ALL SHIELDS IN PLACE.
8. SHIFT INTO NEUTRAL OR PARK BEFORE STARTING ENGINE.
9. ONLY CARRY PASSENGERS IN SEATS PROVIDED.
10. WHEN PARKING (LEAVING) VEHICLE, FOLLOW ALL INSTRUCTIONS IN OPERATOR'S MANUAL.
11. AVOID SLOTTED STRATS, SOPS AND SHARP TURNS ESPECIALLY ON SLOPES, OR WITH HEAVY LOADS.
12. KEEP ALL LABELS AND INSTRUCTIONAL LITERATURE LEGIBLE AND INTACT.
13. KEEP ARMS AND LEGS WITHIN VEHICLE BODY.

Item	Part No.	Qty.	Description	Serial Numbers/Notes
1	306328	1	Cotter Pin, 3/32 x 3/4 in.	
2	308090	9	Washer, 1/4	
3	450452	2	Nut, M6-1 Hex Flange	
4	450453	2	Nut, M8-1.25 Hex Flange	
5	450454	3	Nut, M10-1.5 Hex Flange	
6	893541	1	Handold, Right Side	
7	450541	10	Screw, M6-1 x 16 mm Hex Flange	
8	452388	2	Screw, M8-1.25 x 20 mm Hex Flange	
9	452398	3	Screw, M10-1.5 x 20 mm Hex Flange	
10	523085	1	Latch, Engine Cover	
11	816401	1	Spring, Torsion	
12	830784	1	Clevis Pin, 1/4 x 1-7/8 in.	
13	2702199	1	Catch, Engine Latch	
14	4139939	1	Insulation, Engine Cover	
15	842030	1	Mount, Backrest	
16	601937	2	Seat Base	
17	893322	2	Backrest	
18	2701223	1	Cover, Engine	
19	845038	1	• Decal, Operation	Located centered between lower seats. Position so text can be read from driver's position
20	840636	1	Lock, Engine Cover	Optional, Required in Europe
21	309488	2	Washer	Optional, Required in Europe
22	845234	1	Decal, Ground Speed	Diesel Engines, 84063 and 84064
22	4147584	1	Decal, Ground Speed	Gas Engine, MT 84056
22	845231	1	Decal, Ground Speed	Gas Engine, AT84057
22	4147586	1	Decal, Ground Speed	Gas Engine, MT 84061
23	302288	8	Screw, 1/4-20 x 1 in. Hex Head	
24	REF	1	Decal, Emission	Gas Units
25	4139724	1	Decal, 104 dBa Noise	Diesel CE Units Only

> Change from previous revision

2.2 Engine Cover

Vehicles with Four Post ROPS



Engine Cover Lock

KPH		MPH	
1	1.6	1	1.6
2	3.2	2	3.2
3	4.8	3	4.8
4	6.4	4	6.4
5	8.0	5	8.0
6	9.6	6	9.6
7	11.2	7	11.2
8	12.8	8	12.8
9	14.4	9	14.4
10	16.0	10	16.0
11	17.6	11	17.6
12	19.2	12	19.2
13	20.8	13	20.8
14	22.4	14	22.4
15	24.0	15	24.0
16	25.6	16	25.6
17	27.2	17	27.2
18	28.8	18	28.8
19	30.4	19	30.4
20	32.0	20	32.0
21	33.6	21	33.6
22	35.2	22	35.2
23	36.8	23	36.8
24	38.4	24	38.4
25	40.0	25	40.0
26	41.6	26	41.6
27	43.2	27	43.2
28	44.8	28	44.8
29	46.4	29	46.4
30	48.0	30	48.0
31	49.6	31	49.6
32	51.2	32	51.2
33	52.8	33	52.8
34	54.4	34	54.4
35	56.0	35	56.0
36	57.6	36	57.6
37	59.2	37	59.2
38	60.8	38	60.8
39	62.4	39	62.4
40	64.0	40	64.0
41	65.6	41	65.6
42	67.2	42	67.2
43	68.8	43	68.8
44	70.4	44	70.4
45	72.0	45	72.0
46	73.6	46	73.6
47	75.2	47	75.2
48	76.8	48	76.8
49	78.4	49	78.4
50	80.0	50	80.0
51	81.6	51	81.6
52	83.2	52	83.2
53	84.8	53	84.8
54	86.4	54	86.4
55	88.0	55	88.0
56	89.6	56	89.6
57	91.2	57	91.2
58	92.8	58	92.8
59	94.4	59	94.4
60	96.0	60	96.0
61	97.6	61	97.6
62	99.2	62	99.2
63	100.8	63	100.8
64	102.4	64	102.4
65	104.0	65	104.0
66	105.6	66	105.6
67	107.2	67	107.2
68	108.8	68	108.8
69	110.4	69	110.4
70	112.0	70	112.0
71	113.6	71	113.6
72	115.2	72	115.2
73	116.8	73	116.8
74	118.4	74	118.4
75	120.0	75	120.0
76	121.6	76	121.6
77	123.2	77	123.2
78	124.8	78	124.8
79	126.4	79	126.4
80	128.0	80	128.0
81	129.6	81	129.6
82	131.2	82	131.2
83	132.8	83	132.8
84	134.4	84	134.4
85	136.0	85	136.0
86	137.6	86	137.6
87	139.2	87	139.2
88	140.8	88	140.8
89	142.4	89	142.4
90	144.0	90	144.0
91	145.6	91	145.6
92	147.2	92	147.2
93	148.8	93	148.8
94	150.4	94	150.4
95	152.0	95	152.0
96	153.6	96	153.6
97	155.2	97	155.2
98	156.8	98	156.8
99	158.4	99	158.4
100	160.0	100	160.0

22 (84063 and 84064)

KPH		MPH	
1	1.6	1	1.6
2	3.2	2	3.2
3	4.8	3	4.8
4	6.4	4	6.4
5	8.0	5	8.0
6	9.6	6	9.6
7	11.2	7	11.2
8	12.8	8	12.8
9	14.4	9	14.4
10	16.0	10	16.0
11	17.6	11	17.6
12	19.2	12	19.2
13	20.8	13	20.8
14	22.4	14	22.4
15	24.0	15	24.0
16	25.6	16	25.6
17	27.2	17	27.2
18	28.8	18	28.8
19	30.4	19	30.4
20	32.0	20	32.0
21	33.6	21	33.6
22	35.2	22	35.2
23	36.8	23	36.8
24	38.4	24	38.4
25	40.0	25	40.0
26	41.6	26	41.6
27	43.2	27	43.2
28	44.8	28	44.8
29	46.4	29	46.4
30	48.0	30	48.0
31	49.6	31	49.6
32	51.2	32	51.2
33	52.8	33	52.8
34	54.4	34	54.4
35	56.0	35	56.0
36	57.6	36	57.6
37	59.2	37	59.2
38	60.8	38	60.8
39	62.4	39	62.4
40	64.0	40	64.0
41	65.6	41	65.6
42	67.2	42	67.2
43	68.8	43	68.8
44	70.4	44	70.4
45	72.0	45	72.0
46	73.6	46	73.6
47	75.2	47	75.2
48	76.8	48	76.8
49	78.4	49	78.4
50	80.0	50	80.0
51	81.6	51	81.6
52	83.2	52	83.2
53	84.8	53	84.8
54	86.4	54	86.4
55	88.0	55	88.0
56	89.6	56	89.6
57	91.2	57	91.2
58	92.8	58	92.8
59	94.4	59	94.4
60	96.0	60	96.0
61	97.6	61	97.6
62	99.2	62	99.2
63	100.8	63	100.8
64	102.4	64	102.4
65	104.0	65	104.0
66	105.6	66	105.6
67	107.2	67	107.2
68	108.8	68	108.8
69	110.4	69	110.4
70	112.0	70	112.0
71	113.6	71	113.6
72	115.2	72	115.2
73	116.8	73	116.8
74	118.4	74	118.4
75	120.0	75	120.0
76	121.6	76	121.6
77	123.2	77	123.2
78	124.8	78	124.8
79	126.4	79	126.4
80	128.0	80	128.0
81	129.6	81	129.6
82	131.2	82	131.2
83	132.8	83	132.8
84	134.4	84	134.4
85	136.0	85	136.0
86	137.6	86	137.6
87	139.2	87	139.2
88	140.8	88	140.8
89	142.4	89	142.4
90	144.0	90	144.0
91	145.6	91	145.6
92	147.2	92	147.2
93	148.8	93	148.8
94	150.4	94	150.4
95	152.0	95	152.0
96	153.6	96	153.6
97	155.2	97	155.2
98	156.8	98	156.8
99	158.4	99	158.4
100	160.0	100	160.0

22 (84056)

KPH		MPH	
1	1.6	1	1.6
2	3.2	2	3.2
3	4.8	3	4.8
4	6.4	4	6.4
5	8.0	5	8.0
6	9.6	6	9.6
7	11.2	7	11.2
8	12.8	8	12.8
9	14.4	9	14.4
10	16.0	10	16.0
11	17.6	11	17.6
12	19.2	12	19.2
13	20.8	13	20.8
14	22.4	14	22.4
15	24.0	15	24.0
16	25.6	16	25.6
17	27.2	17	27.2
18	28.8	18	28.8
19	30.4	19	30.4
20	32.0	20	32.0
21	33.6	21	33.6
22	35.2	22	35.2
23	36.8	23	36.8
24	38.4	24	38.4
25	40.0	25	40.0
26	41.6	26	41.6
27	43.2	27	43.2
28	44.8	28	44.8
29	46.4	29	46.4
30	48.0	30	48.0
31	49.6	31	49.6
32	51.2	32	51.2
33	52.8	33	52.8
34	54.4	34	54.4
35	56.0	35	56.0
36	57.6	36	57.6
37	59.2	37	59.2
38	60.8	38	60.8
39	62.4	39	62.4
40	64.0	40	64.0
41	65.6	41	65.6
42	67.2	42	67.2
43	68.8	43	68.8
44	70.4	44	70.4
45	72.0	45	72.0
46	73.6	46	73.6
47	75.2	47	75.2
48	76.8	48	76.8
49	78.4	49	78.4
50	80.0	50	80.0
51	81.6	51	81.6
52	83.2	52	83.2
53	84.8	53	84.8
54	86.4	54	86.4
55	88.0	55	88.0
56	89.6	56	89.6
57	91.2	57	91.2
58	92.8	58	92.8
59	94.4	59	94.4
60	96.0	60	96.0
61	97.6	61	97.6
62	99.2	62	99.2
63	100.8	63	100.8
64	102.4	64	102.4
65	104.0	65	104.0
66	105.6	66	105.6
67	107.2	67	107.2
68	108.8	68	108.8
69	110.4	69	110.4
70	112.0	70	112.0
71	113.6	71	113.6
72	115.2	72	115.2
73	116.8	73	116.8
74	118.4	74	118.4
75	120.0	75	120.0
76	121.6	76	121.6
77	123.2	77	123.2
78	124.8	78	124.8
79	126.4	79	126.4
80	128.0	80	128.0
81	129.6	81	129.6
82	131.2	82	131.2
83	132.8	83	132.8
84	134.4	84	134.4
85	136.0	85	136.0
86	137.6	86	137.6
87	139.2	87	139.2
88	140.8	88	140.8
89	142.4	89	142.4
90	144.0	90	144.0
91	145.6	91	145.6
92	147.2	92	147.2
93	148.8	93	148.8
94	150.4	94	150.4
95	152.0	95	152.0
96	153.6	96	153.6
97	155.2	97	155.2
98	156.8	98	156.8
99	158.4	99	158.4
100	160.0	100	160.0

22 (84057)

KPH		MPH	
1	1.6</		

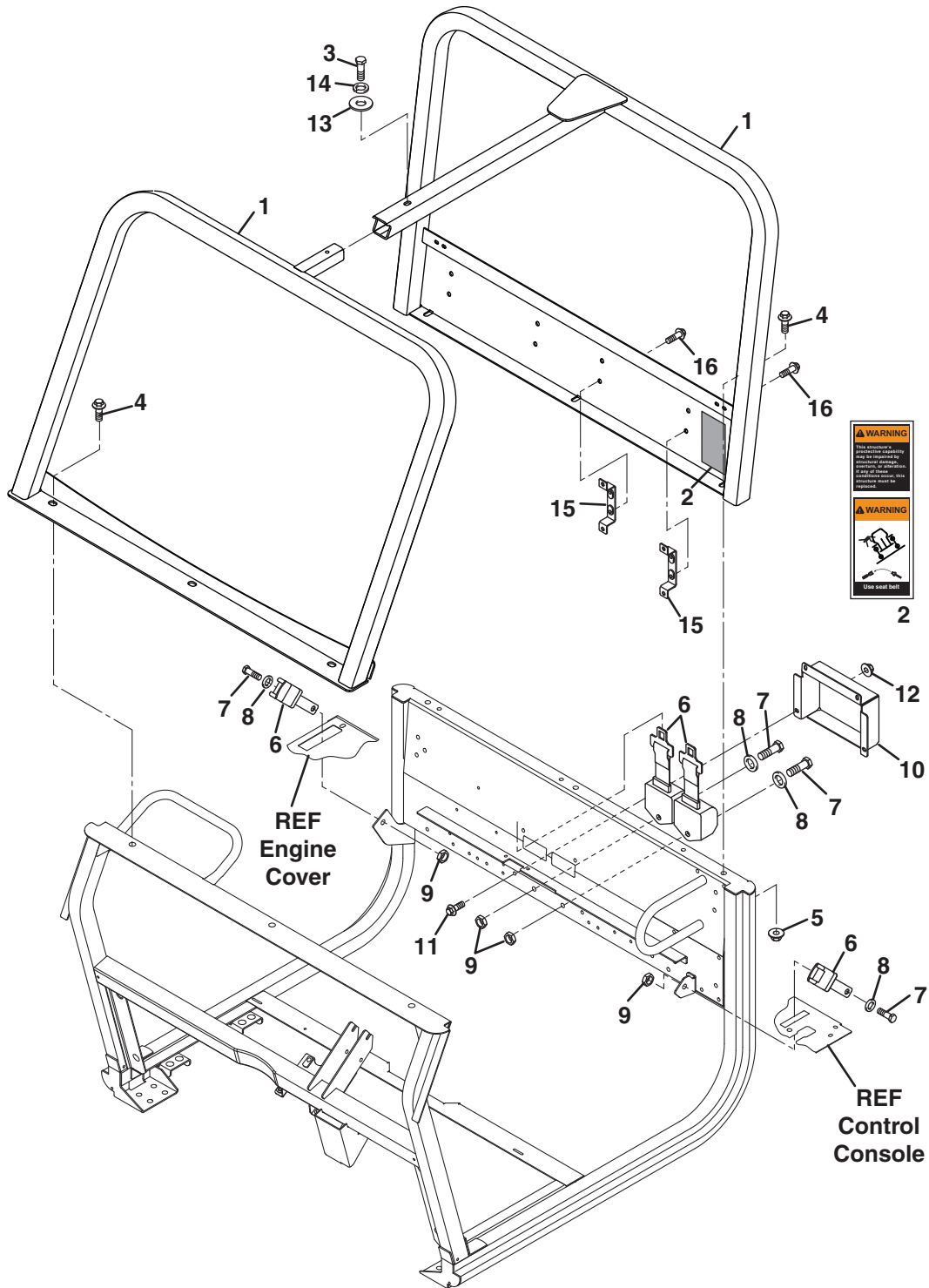
Item	Part No.	Qty.	Description	Serial Numbers/Notes
1	306328	1	Cotter Pin, 3/32 x 3/4 in.	Gas Units CE Diesel Units Only See 3.1, or See 4.1
2	308090	9	Washer, 1/4	
3	450452	2	Nut, M6-1 Hex Flange	
4	450453	2	Nut, M8-1.25 Hex Flange	
5	REF	1	Decal, Emission	
6	893541	1	Handold, Right Side	
7	450541	10	Screw, M6-1 x 16 mm Hex Flange	
8	452388	2	Screw, M8-1.25 x 20 mm Hex Flange	
9	4139724	1	Decal, 104 dBa Noise	
10	523085	1	Latch, Engine Cover	
11	816401	1	Spring, Torsion	
12	830784	1	Clevis Pin, 1/4 x 1-7/8 in.	
13	2702199	1	Catch, Engine Latch	
14	4139939	1	Insulation, Engine Cover	
15	893632	4	Mount, Backrest	
16	601937	2	Seat Base	
17	893322	4	Backrest	
18	2701223	1	Cover, Engine	
19	845038	1	• Decal, Operation	Located centered between lower seats. Position so text can be read from driver's position
20	840436	1	Lock, Engine Cover	Optional, Required in Europe
21	309488	2	Washer	Optional, Required in Europe
22	845234	1	Decal, Ground Speed	Diesel Engines, 84063 and 84064
22	4147584	1	Decal, Ground Speed	Gas Engine, MT 84056
22	845231	1	Decal, Ground Speed	Gas Engine, AT84057
22	4147586	1	Decal, Ground Speed	Gas Engine, MT 84061
23	302288	8	Screw, 1/4-20 x 1 in. Hex Head	

> Change from previous revision

TURF TRUCKSTER

3.1 Four Post ROPS

Serial No. All



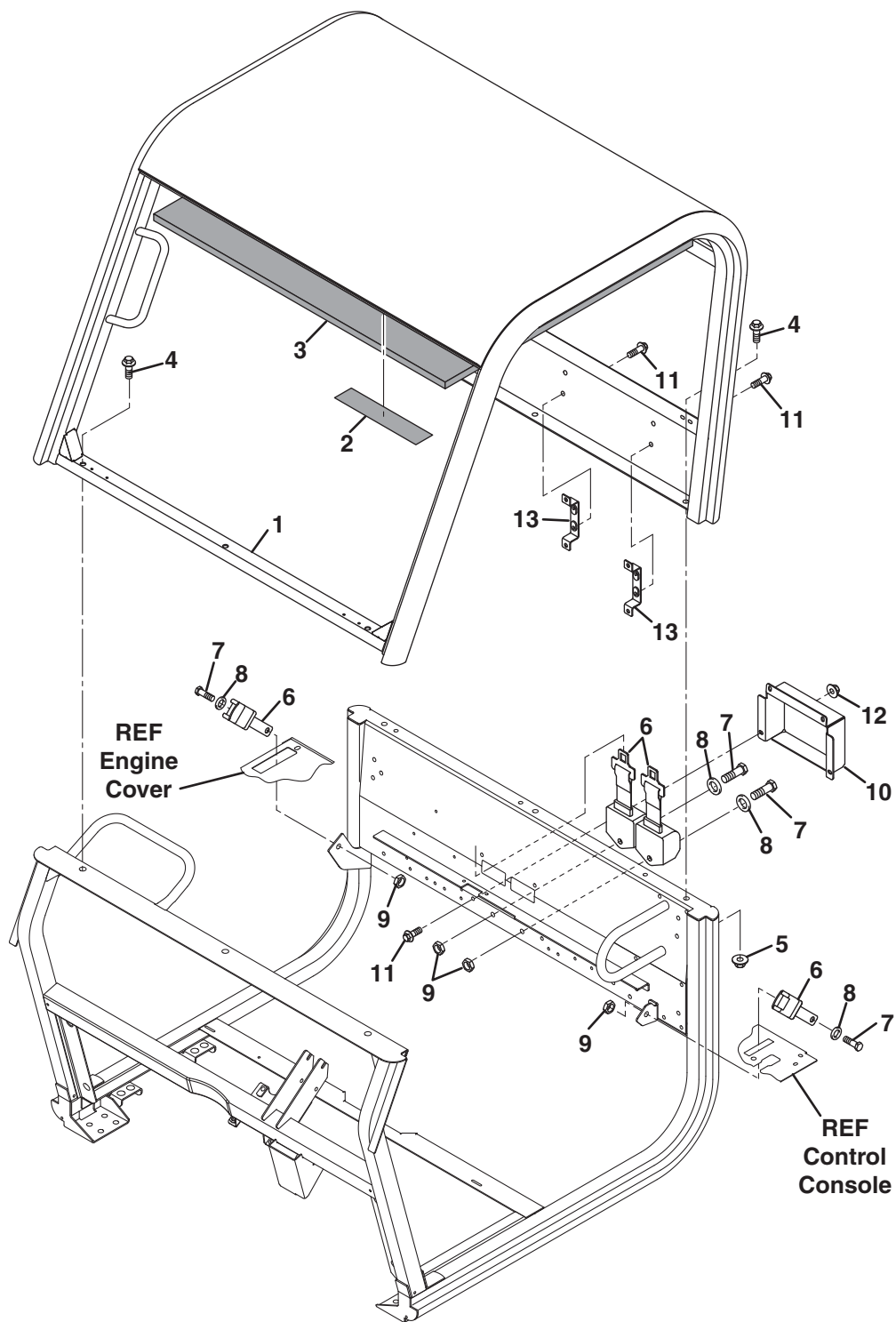
Item	Part No.	Qty.	Description	Serial Numbers/Notes
1	4205580	1	Four Post ROPS	
2		1	• Decal, ROPS Warning	
3	800547	1	• Screw, M10-1.25 x 20 mm Hex Head	
4	452411	6	• Screw, M12-1.75 x 40 mm Flange	
5	450455	3	• Nut, M12-1.75 Hex Flange	
6	4140269	2	• Seat Belt Assembly	
7	N/S	2	• • Screw, 7/16-20 x 1 in. Hex Head	
8	N/S	2	• • Flat Washer, 7/16	
9	N/S	2	• • Nut, 7/16-20 Hex	
10	841799	1	• Guard, Seat Belt	
11	800930	4	• Screw, M8-1.25 x 16 mm Flange	
12	450453	4	• Nut, M8-1.25 Hex Flange	
13	450401	1	• Flat Washer, M10	
14	450412	1	• Lockwasher, M10	
15	893632	4	Support, Backrest	See 2.2
16	800930	8	Screw, M8-1.25 x 16 mm Flange	

> Change from previous revision

TURF TRUCKSTER

Serial No. All

4.1 Upper ROPS Optional Kit



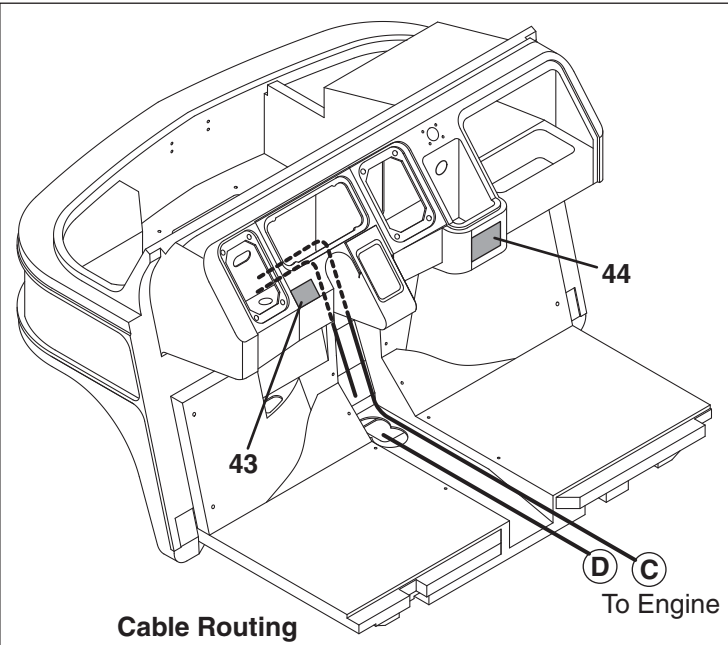
PART NUMBER: 892146 Meets SAE: J1040 MAY94
Only to be used on Cubman truck models with matching lower structure.
Manufactured by JACOBSM's Traction Company
1124 Wilson Blvd, Charlotte, NC 28223

WARNING
The protection offered by this ROPS will be impaired if it has been subjected to any modification or structural damage.
This ROPS must be replaced after a rollover. Seat belts must be worn at all times.

Item	Part No.	Qty.	Description	Serial Numbers/Notes
1	4184320	1	Upper ROPS	
2	4175340	1	• Decal, Warning and ROPS Cert.	
3	844988	1	Foam, 1/2 in. Perforated ROPS	
4	452411	6	Screw, M12-1.75 x 40 mm Flange	
5	450455	3	Nut, M12-1.75 Hex Flange	
6	4140269	2	Seat Belt Assembly	
7	N/S	2	• Screw, 7/16-20 x 1 in. Hex Head	
8	N/S	2	• Flat Washer, 7/16	
9	N/S	2	• Nut, 7/16-20 Hex	
10	841799	1	Guard, Seat Belt	
11	800930	12	Screw, M8-1.25 x 16 mm Flange	
12	450453	4	Nut, M8-1.25 Hex Flange	
13	893632	4	Support, Backrest	See 2.2

> Change from previous revision

5.1 Throttle Control

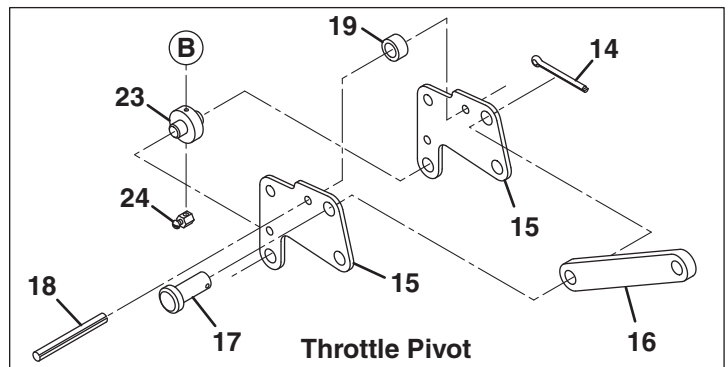
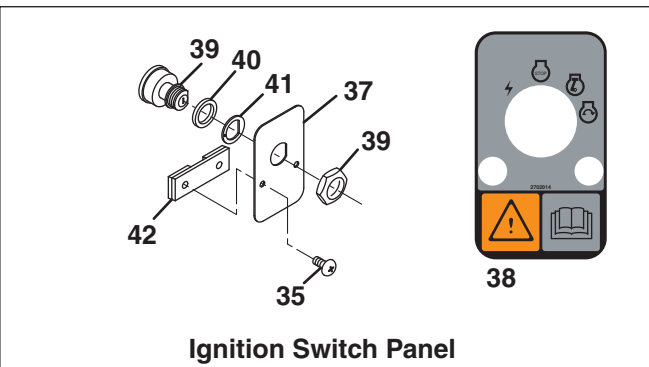
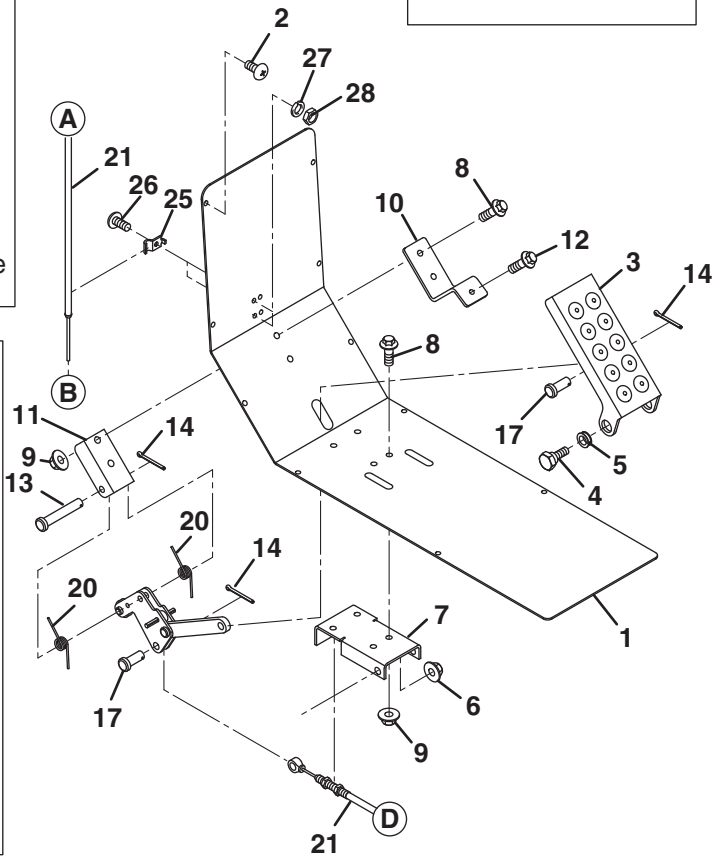
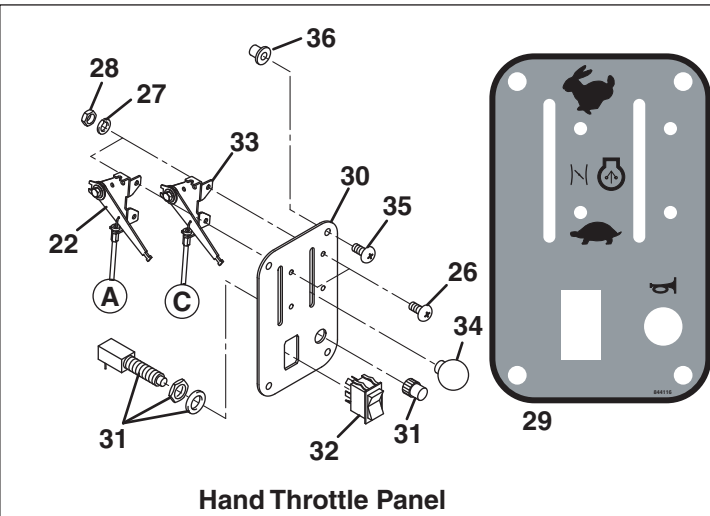
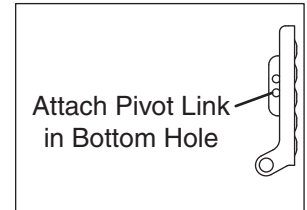


WARNING
Failure to follow this warning can cause severe personal injury or death.
This vehicle is designed and constructed for OFF-ROAD USE ONLY. Do not use this vehicle on any public roadway where automobiles or other motor vehicles are present. Such use can be hazardous to the operator and other drivers, passengers or bystanders.
291 05021

43

NOTICE
THIS UNIT IS NOT A MOTOR VEHICLE WITHIN THE DEFINITION OF THE NATIONAL TRAFFIC MOTOR VEHICLE SAFETY ACT. IT IS NOT DESIGNED OR MANUFACTURED FOR USE ON ROADS, STREETS OR HIGHWAYS, NOR IS IT APPROPRIATE FOR SUCH USE. IT IS NOT MEANT TO BE LICENSED AS A MOTOR VEHICLE.
021018

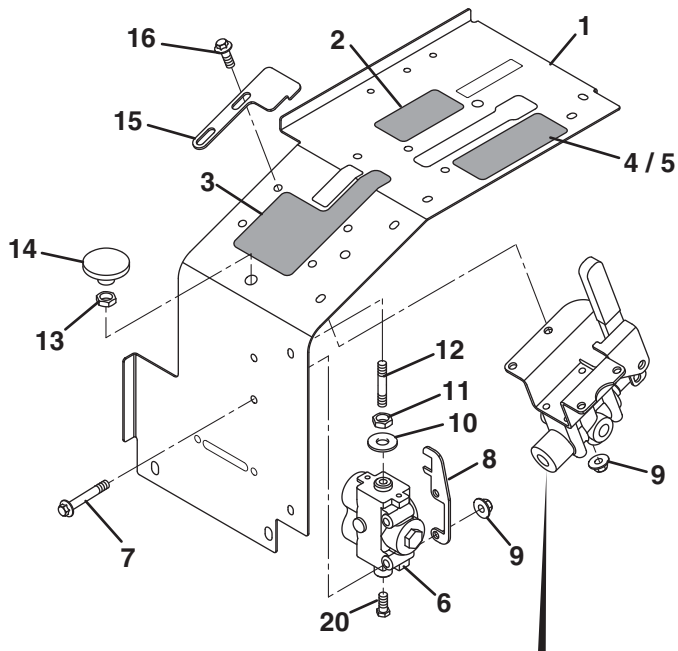
44



All Views Rotated 90° for Clarity

Item	Part No.	Qty.	Description	Serial Numbers/Notes
1	841663	1	Panel, Floor Access	
2	800943	10	Screw, #10-14 x 5/8 in. Self Tapping	
3	894159	1	Pedal, Throttle	
4	524633	2	Bolt, 5/16-18 x 1 in. Shoulder	
5	524643	2	Bearing, Split	
6	548911	2	Nut, 5/16-18 Flange	
7	2703257.7	1	Bracket, Foot Throttle	
8	452378	6	Screw, M6-1 x 20 mm Flange	
9	450452	6	Nut, M6-1 Flange	
10	843997	1	Bracket, Pedal Stop	
11	843562	1	Mount, Channel	
12	452695	1	Screw, M6-1 x 20 mm Self Tapping	
13	830784	1	Clevis Pin, 1/4 x 1-7/8 in.	
14	306328	4	Cotter Pin, 3/32 x 3/4 in.	
15	843563	2	Plate, Pivot	
16	843561	1	Link, Throttle Pivot	
17	806714	3	Clevis Pin, 5/16 x 3/4 in.	
18	844224	2	Roll Pin, 3/16 x 1-3/4 in.	
19	515268	2	Bushing	
20	844223	2	Spring, Torsion	
21	2703683	1	Throttle Cable	Diesel Vehicles, See 28.1
22	2703684	1	Throttle Cable	Gas Vehicles, See 30.1
23	828049	1	Throttle, Hand	
24	843607	1	Bushing, Throttle Cable	
25	817104	1	Stop, Wire	
26	111898	2	Clamp, Cable	
27	800271	6	Screw, #10-24 x 1/2 in. Pan Head	
28	120052	6	Lockwasher, #10	
29	306531	6	Nut, #10-24 Hex	
30	844116	1	Decal, Speed Control Panel	
31	841264	1	Panel, Speed Control	
32	830366	1	Switch, Horn	
33	843581	1	Switch, Light	
34	844130	1	Cable, Governor Control	See 28.1 or See 31.1
35	827821	2	Knob	
36	800582	6	Screw, 1/4-10 x 3/4 in. Truss Head	
37	2700496	4	Insert, 1/4-20 Threaded	
38	2701850.7	1	Panel, Ignition Switch	
39	2702014	1	Decal, Ignition Switch Panel	
40	837295	1	Ignition Switch	
41	837298	1	Spacer, 3/16 in.	
42	29165G01	1	Decal, Off Road Use	
43	2702012	1	Strap Nut, 1/4-20 x 2 in.	
44	821071	1	Decal, Not Motor Vehicle Notice	

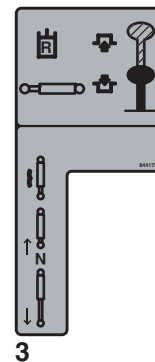
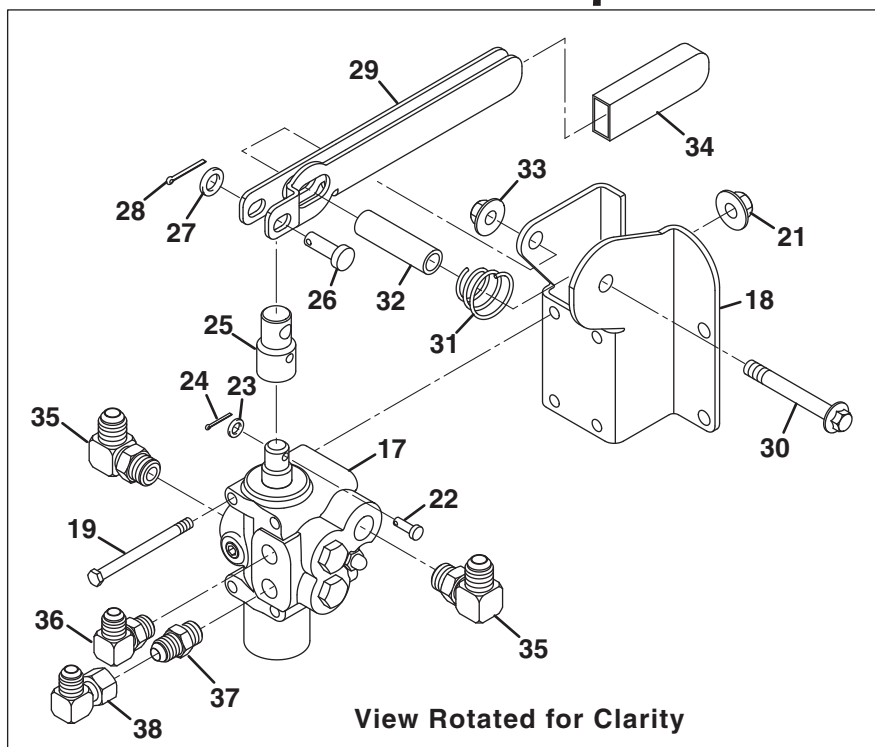
> Change from previous revision



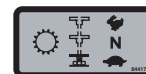
5



4



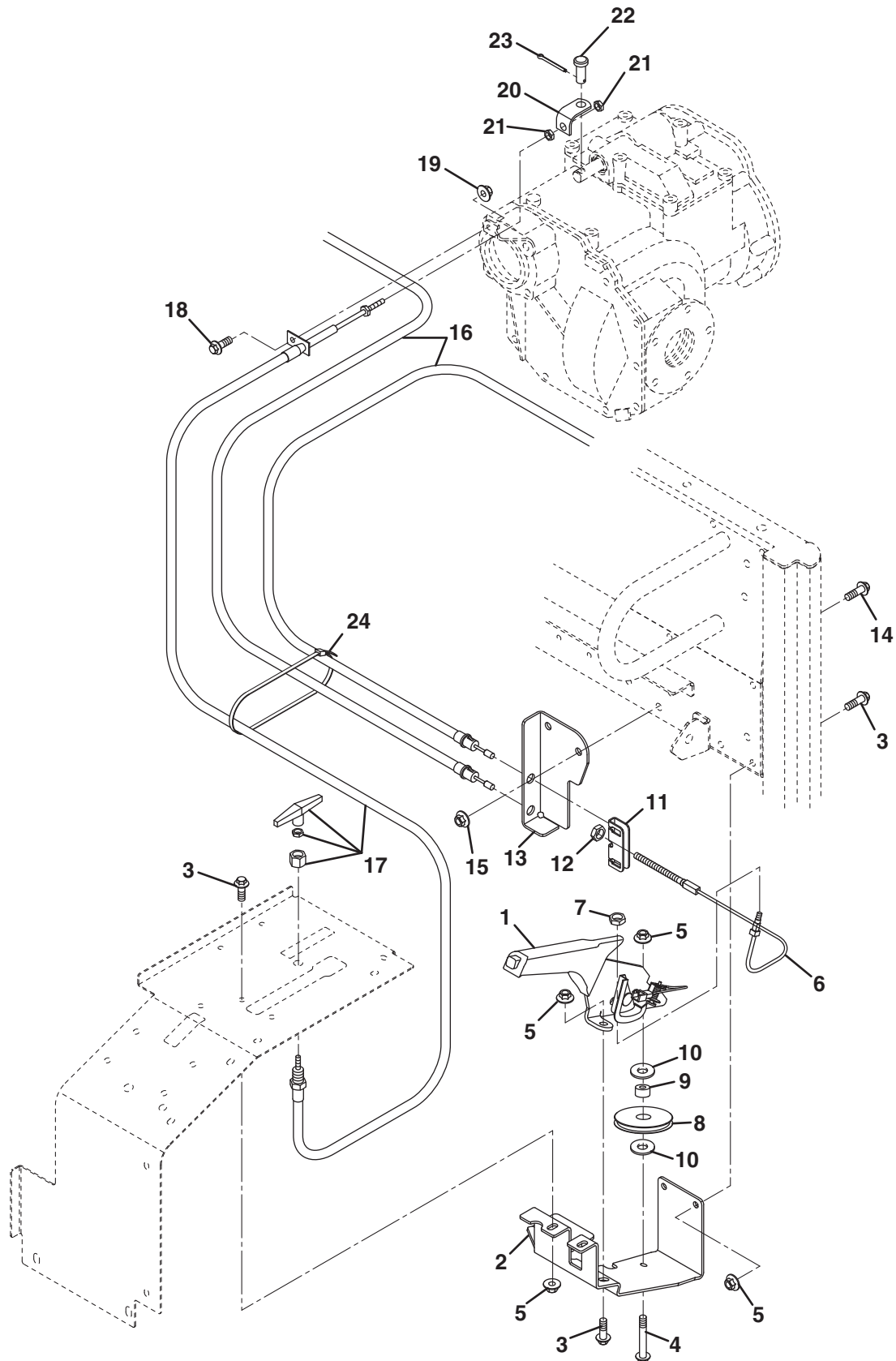
3



2

Item	Part No.	Qty.	Description	Serial Numbers/Notes
1	2700796	1	Console	Used on all, except 84064
1	2700797	1	Console, EC	Used on 84064 Only
2	844177	1	• Decal, Aux. Transmission	
3	844179	1	• Decal, Hydraulic Controls	
4	822819	1	• Decal, Parking Brake	Used on all, except 84064
5	845185	1	• Decal, EC Parking Brake	Used on 84064 Only
6	894696	1	Valve, Hydraulic Selector	
7	452392	2	Screw, M8-1.25 x 50 mm Flange	
8	832798	1	Plate, Stop	
9	450453	6	Nut, M8-1.25 Hex Flange	
10	822419	1	Washer, 1-5/8 in. Diameter	
11	304632	1	Nut, 3/8-16 Hex Jam	
12	844582	1	Rod, Extension Handle	
13	306388	1	Nut, 3/8-24 Hex Jam	
14	548171	1	Knob	
15	844051	1	Plate, Float Latch	
16	800930	4	Screw, M8-1.25 x 16 mm Flange	
17	886270	1	Valve, Hydraulic Lift Control	Discard Decal included with Valve
18	843355	1	Mount, Lift Control Valve	
19	316907	4	Screw, 1/4-20 x 2-3/4 in. Hex Head	
20	306834	1	Screw, 3/8-16 x 3/4 in. Hex Head	
21	548910	4	Nut, 1/4-20 Hex Flange	
22	823225	1	Clevis Pin, 3/16 x 1 in.	
23	308089	1	Flat Washer, #10	
24	306463	1	Cotter Pin, 1/16 x 1/2 in.	
25	839213	1	Connector, Valve	
26	814079	1	Clevis Pin, 5/16 x 1-1/8 in.	
27	103867	1	Flat Washer, 5/16	
28	306328	1	Cotter Pin, 3/32 x 3/4 in.	
29	843758	1	Handle, Lift Control Valve	
30	452404	1	Screw, M10-1.5 x 70 mm Flange	
31	825538	1	Spring, Compression	
32	843759	1	Bushing, Lift Control Valve	
33	450454	1	Nut, M10-1.5 Hex Flange	
34	521144	1	Cover, Handle	
35	826558	2	Adapter, 90° Fitting	ORB to JIC 37° Flare
36	828057	1	Adapter, 90° Fitting	ORB to JIC 37° Flare
37	823118	1	Adapter, Straight Fitting	ORB to JIC 37° Flare
38	828056	1	Adapter, 90° Swivel Fitting	JIC 37° Flare

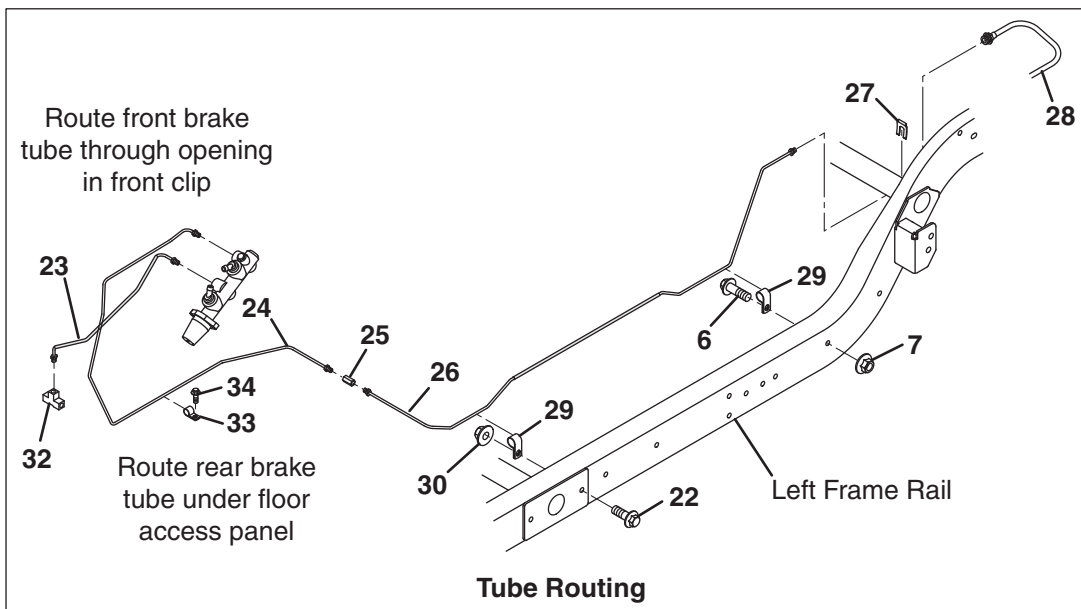
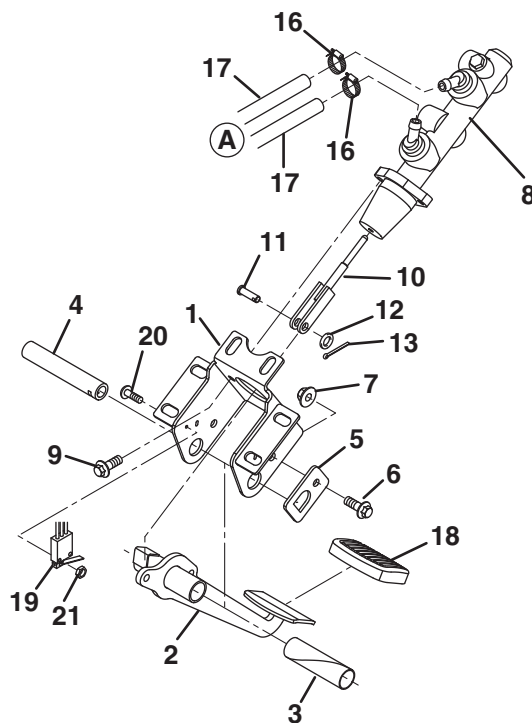
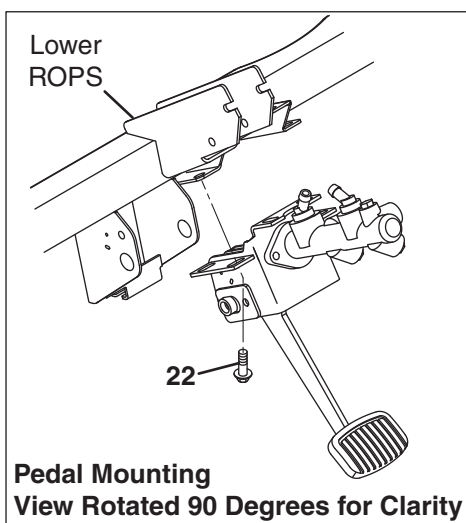
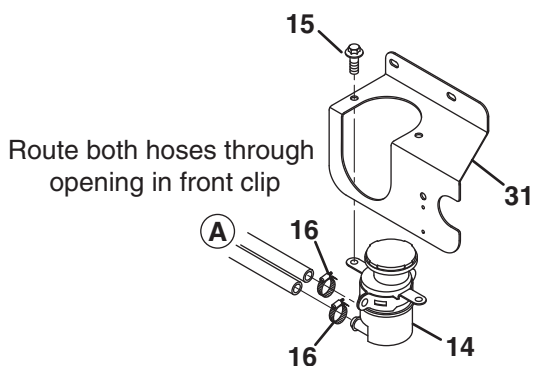
> Change from previous revision



Item	Part No.	Qty.	Description	Serial Numbers/Notes
1	4202860	1	Lever, Parking Brake	
2	845134	1	Bracket, Parking Brake Lever	
3	452388	5	Screw, M8-1.25 x 20 mm Flange	
4	452391	1	Screw, M8-1.25 x 40 mm Flange	
5	450453	6	Nut, M8-1.25 Flange	
6	845133	1	Cable, Parking Brake	
7	450377	1	Nut, M6-1 Staytite	
8	827182	1	Pulley, 3 in. Cable	
9	843359	1	Bushing, Pulley	
10	809152	2	Flat Washer, 5/16 x 1-3/16 in.	
11	843356	1	Equalizer, Parking Brake	
12	800446	1	Locknut, 5/16-24	
13	843158	1	Bracket, Parking Brake Cables	
14	452398	2	Screw, M10-1.5 x 20 mm Flange	
15	450454	2	Nut, M10-1.5 Flange	
16	REF	2	Parking Brake Cables	See 42.1
17	893067	1	Cable, High - Low Speed Control	
18	452378	1	Screw, M6-1 x 12 mm Flange	
19	450452	1	Nut, M6-1 Flange	
20	837043	1	Bracket, High - Low Cable	
21	2702244	2	Nut, #10-32 Hex	Apply Locktite® 242
22	806703	1	Clevis Pin, 5/16 x 31/32 in.	
23	306328	1	Cotter Pin, 9/32 x 3/4 in.	
24	320107	1	Cable Tie, 7-1/2 in.	

> Change from previous revision

8.1 Brake Pedal



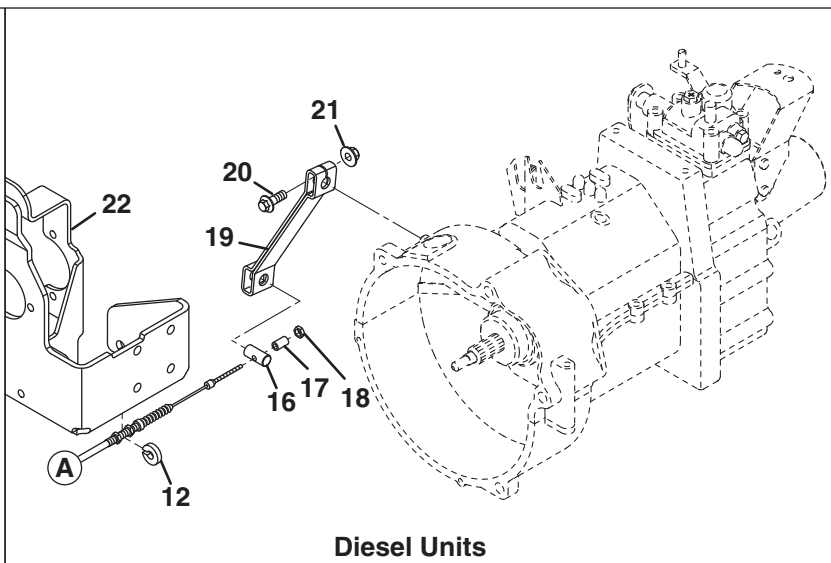
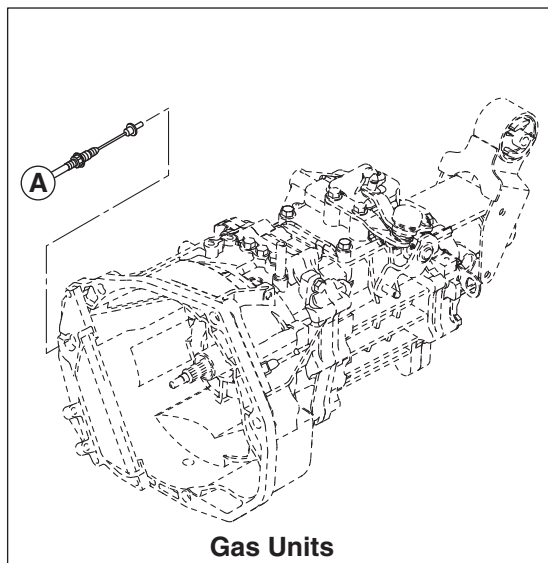
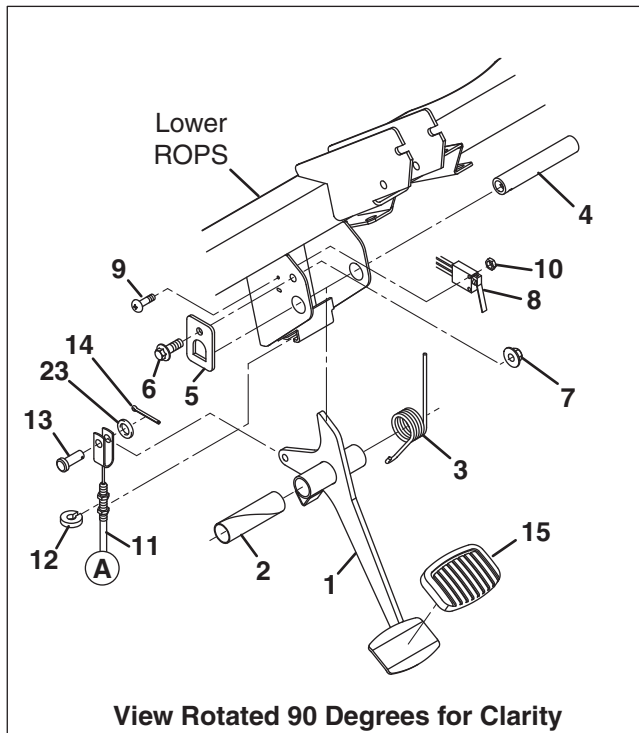
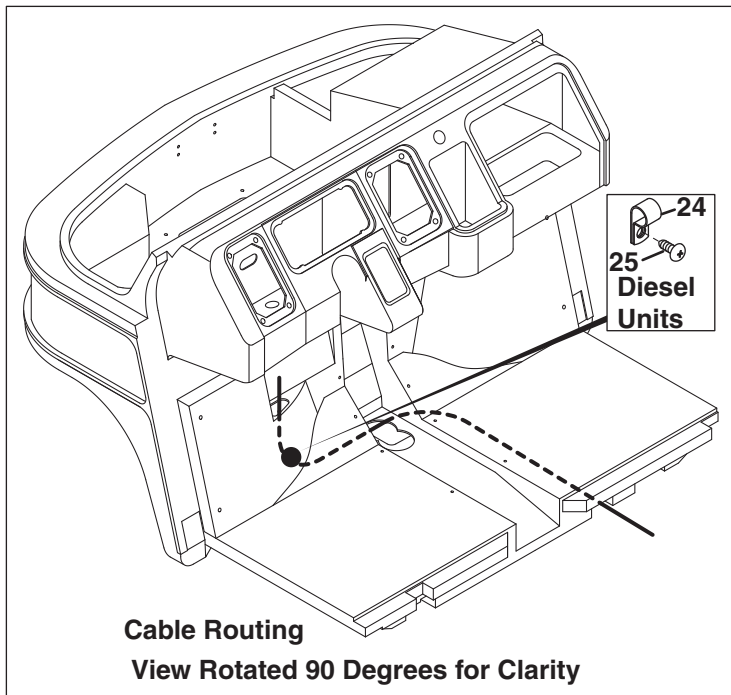
Item	Part No.	Qty.	Description	Serial Numbers/Notes
1	2701737.7	1	Bracket, Master Cylinder	
2	892921	1	Pedal, Brake	
3	840726	1	Bearing, Brake Pivot	
4	840725	1	Tube, Brake Pivot	
5	842935	1	Tab, Locking	
6	452388	2	Screw, M8-1.25 x 20 mm Flange	
7	450453	2	Nut, M8-1.25 Flange	
8	895113	1	Master Cylinder	
9	800930	2	Screw, M8-1.25 x 16 mm Flange	
10	894167	1	Rod, Brake	
11	806714	1	Clevis Pin, 5/16 x 15/16 in.	
12	103867	1	Flat Washer, 5/16	
13	306328	1	Cotter Pin, 3/32 x 3/4 in.	
14	894456	1	Reservoir, Brake Fluid	
	2702215	1	• Reservoir	
	826006	1	• Electrical Connector, 2 Wire	
	825886	2	• Terminal, 1/4 L Male	
15	800934	2	Screw, M6-1 x 16 mm Flange	
16	830930	4	Clamp, Hose	
17	4194500	2	Hose, 5/16 x 18 in. Brake	
18	810152	1	Pad, Pedal	
19	894308	1	Switch, Brake Micro	
20	450410	2	Screw, M3-0.5 x 20 mm Pan Head	
21	452424	2	Nut, M3-0.5 Hex	
22	452398	7	Screw, M10-1.5 x 20 mm Flange	
23	843021	1	Tube, Front Brake	
24	4194421	1	Tube, Rear Brake	
25	842103	1	Union, M10-1	
26	4194420	1	Tube, Rear Brake Line	
27	809137	1	Clip, Brake Line	
28	REF	1	Rear Brake Hose	See 42.1
29	810435	2	Clamp, Brake Tube	
30	450454	1	Nut, M10-1.5 Flange	
31	REF	1	Bracket, Reservoir / Horn	See 40.1 and 41.1
32	REF	1	Tee, M10-1.0 Flare Union	See 19.1
33	812445	1	Clamp, Tube	
34	800943	1	Screw, #10-14 x 5/8 in. Self Tapping	

> Change from previous revision

TURF TRUCKSTER

9.1 Clutch Pedal Linkage

Serial No. 84063 All
Serial No. 84064 All
Serial No. 84056 All
Serial No. 84061 All

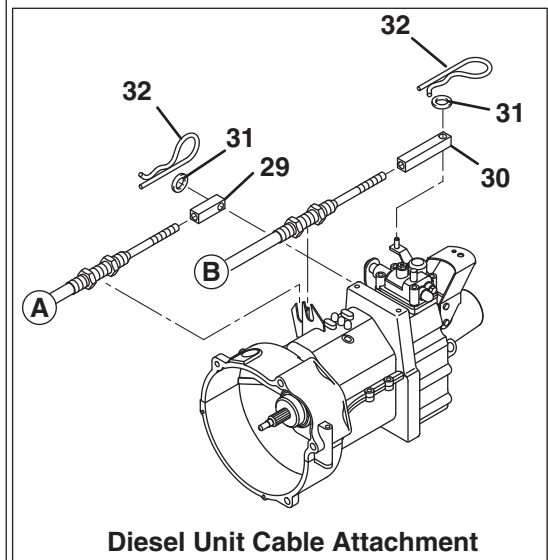
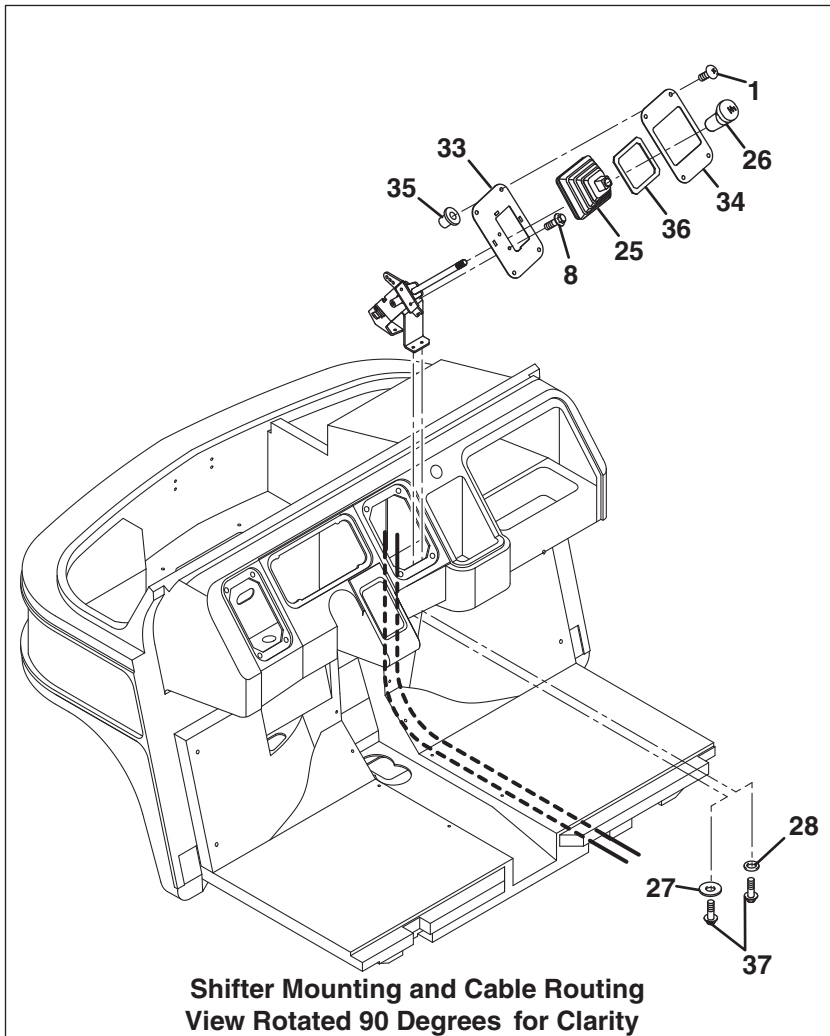
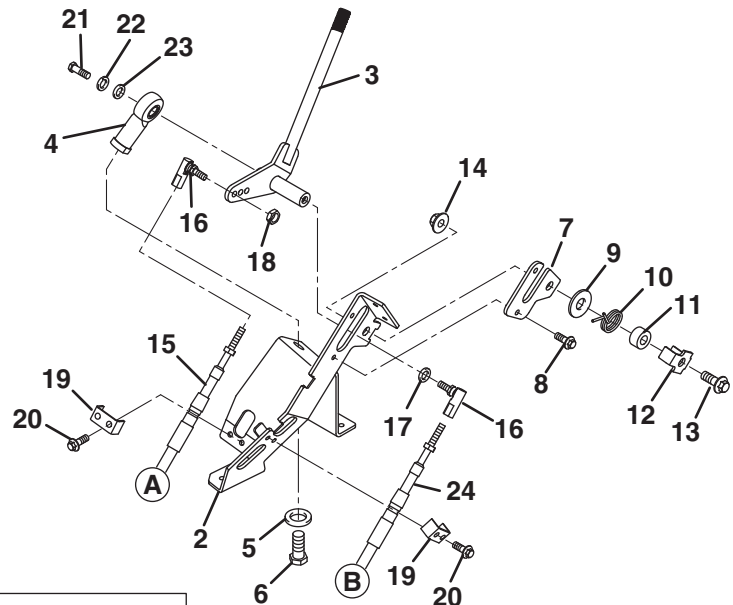


Item	Part No.	Qty.	Description	Serial Numbers/Notes
1	892933	1	Pedal, Clutch	
2	840726	1	Bearing, Brake Pivot	
3	844611	1	Spring, Torsion	
4	840725	1	Tube, Pedal Pivot	
5	842935	1	Tab, Locking	
6	452388	1	Screw, M8-1.25 x 20 mm Flange	
7	450453	1	Nut, M8-1.25 Flange	
8	894308	1	Switch, Clutch Micro	
9	450510	2	Screw, M3-0.5 x 20 mm Pan Head	
10	452424	2	Nut, M3-0.5 Flange	
11	4192281	1	Cable, Clutch	Diesel Units
11	4154481	1	Cable, Clutch	Gas Units
12	844202	2	Washer, Slotted	
13	806703	1	Clevis Pin, 5/16 x 31/32 in.	
14	306328	1	Cotter Pin, 3/32 x 3/4 in.	
15	810152	1	Pad, Pedal	
16	842010	1	Bushing, Clutch Release Arm	Diesel Units Only
17	833273	1	Bushing	Diesel Units Only
18	450377	1	Nut, M6-1 Nylock	Diesel Units Only
19	23266-85002	1	Arm, Clutch Release	Diesel Units Only
20	01550-08353	1	Screw	Diesel Units Only
21	2703002	1	Nut	Diesel Units Only
22	REF	1	Rear Alternator Bracket	Diesel Units Only, See 26.1
23	103867	1	Flat Washer	
24	2700757	1	Clamp, 1-7/16 I.D.	Diesel Units Only
25	452695	1	Screw, M6-1 x 20 mm Taptite	Diesel Units Only

> Change from previous revision

10.1 Manual Transmission Shifter Linkage Diesel Units

Serial No. 84063 All
Serial No. 84064 All



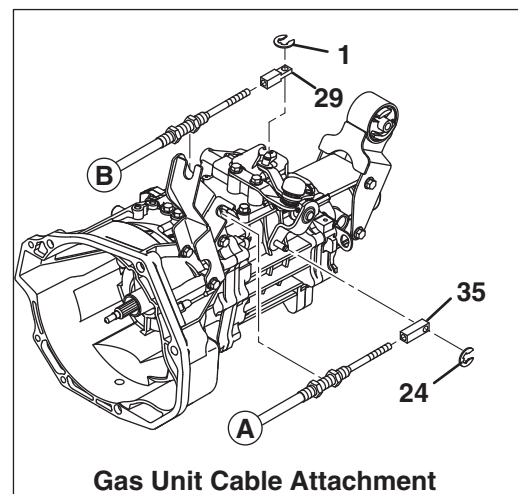
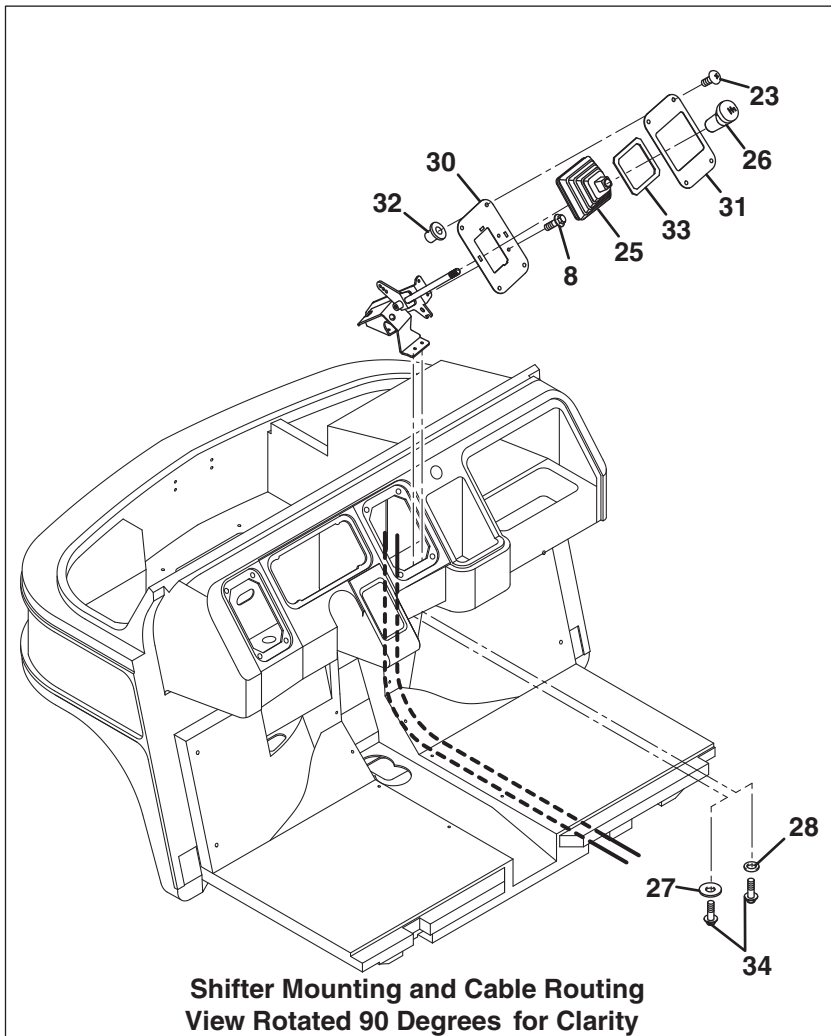
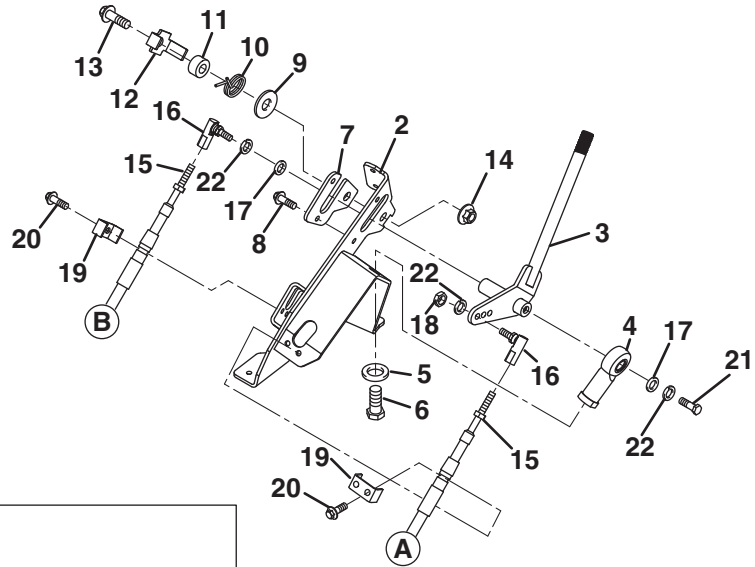
Item	Part No.	Qty.	Description	Serial Numbers/Notes
1	800582	4	Screw, 1/4-20 x 3/4 in. Truss Head	Diesel Units
2	2703956.7	1	Mount, Shifter	
3	2703953	1	Selector, Gear	
4	842773	1	Rod End, 1/2-20	
5	308091	1	Flat Washer, 1/2	
6	311763	1	Screw, 1/2-20 x 2-1/4 in. Hex Head	
7	843679	1	Plate, Wear	
8	452692	4	Screw, M6-1 x 12 mm Self Tap	
9	604174	1	Flat Washer, 3/8 in.	
10	843614	1	Spring, Torsion	
11	843685	1	Bushing, Spring	
12	2703951	1	Tab, Locating	
13	452401	1	Screw, M10-1.5 x 40 mm Flange	
14	450454	1	Nut, M10-1.5 Flange	
15	894179	1	Cable, Shifter	
16	842774	2	Ball Joint, 1/4-28	
17	816307	1	Flat Washer, 1/4	
18	306397	1	Nut, 1/4-28 Hex	
19	843724	2	Clamp, Cable	
20	452695	4	Screw, M6-1 x 20 mm Self Tap	
21	300977	1	Screw, 1/4-28 x 5/8 in. Hex Head	
22	306396	2	Lockwasher, 1/4	
23	308090	1	Flat Washer, 1/4	
24	894179	1	Cable, Shifter	
25	2702696	1	Boot, Control Lever	
26	2702695	1	Knob, Shifter	
27	548175	3	Flat Washer, 1/4 x 1-1/4 in.	
28	308090	1	Flat Washer, 1/4	
29	843778	1	Connector, Shift Cable	
30	2703707	1	Connector, Shift Cable	
31	103867	2	Flat Washer, 5/16	
32	821164	2	Hair Pin	
33	2703964.7	1	Panel, Right Side Dash	
34	843792	1	Plate, Shifter Boot	
35	2700496	4	Insert, 1/4-20 Threaded	
36	2703931.7	1	Ring, Boot Hold Down	
37	452695	4	Screw, M6-1 x 20 mm Self Tap	

> Change from previous revision

11.1 Manual Transmission Shifter Linkage

Gas Units

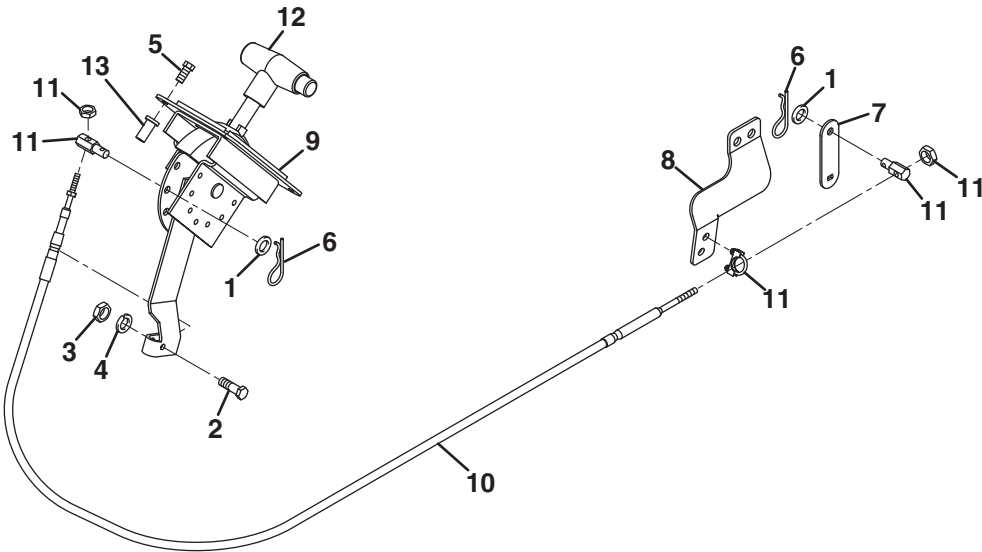
Serial No. 84056 All
Serial No. 84061 All



Item	Part No.	Qty.	Description	Serial Numbers/Notes
1	4146819	1	Retaining Ring M6	
2	4142630	1	Mount, Shifter	
3	4142627	1	Selector, Gear	
4	842773	1	Rod End, 1/2-20	
5	308091	1	Flat Washer, 1/2	
6	311763	1	Screw, 1/2-20 x 2-1/4" Hex Head	
7	843679	1	Plate, Wear	
8	452692	4	Screw, M6-1 x 12 mm Self Tap	
9	604174	1	Flat Washer, 3/8"	
10	843614	1	Spring, Torsion	
11	843685	1	Bushing, Spring	
12	2703951	1	Tab, Locating	
13	452401	1	Screw, M10-1.5 x 40 mm Flange	
14	450454	1	Nut, M10-1.5 Flange	
15	2701273	2	Cable, Shifter	
16	842774	2	Ball Joint, 1/4-28	
17	816307	2	Flat Washer, 1/4	
18	306397	1	Nut, 1/4-28 Hex	
19	843724	2	Clamp, Cable	
20	452695	4	Screw, M6-1 x 20 mm Self Tap	
21	300977	1	Screw, 1/4-28 x 5/8" Hex Head	
22	306396	3	Lockwasher, 1/4	
23	800582	4	Screw, 1/4-20 x 3/4" Truss Head	
24	4146818	1	Retaining Ring M5	
25	2702696	1	Boot, Control Lever	
26	4140431	1	Knob, Shifter	
27	548175	3	Flat Washer, 1/4 x 1-1/4"	
28	308090	1	Flat Washer, 1/4	
29	4142796	1	Connector, Shift Cable	
30	2703964.7	1	Panel, Right Side Dash	
31	843792	1	Plate, Shifter Boot	
32	2700496	4	Insert, 1/4-20 Threaded	
33	2703931.7	1	Ring, Boot Hold Down	
34	452695	4	Screw, M6-1 x 20 mm Self Tap	
35	2701371	1	Connector, Shift Cable	

> Change from previous revision

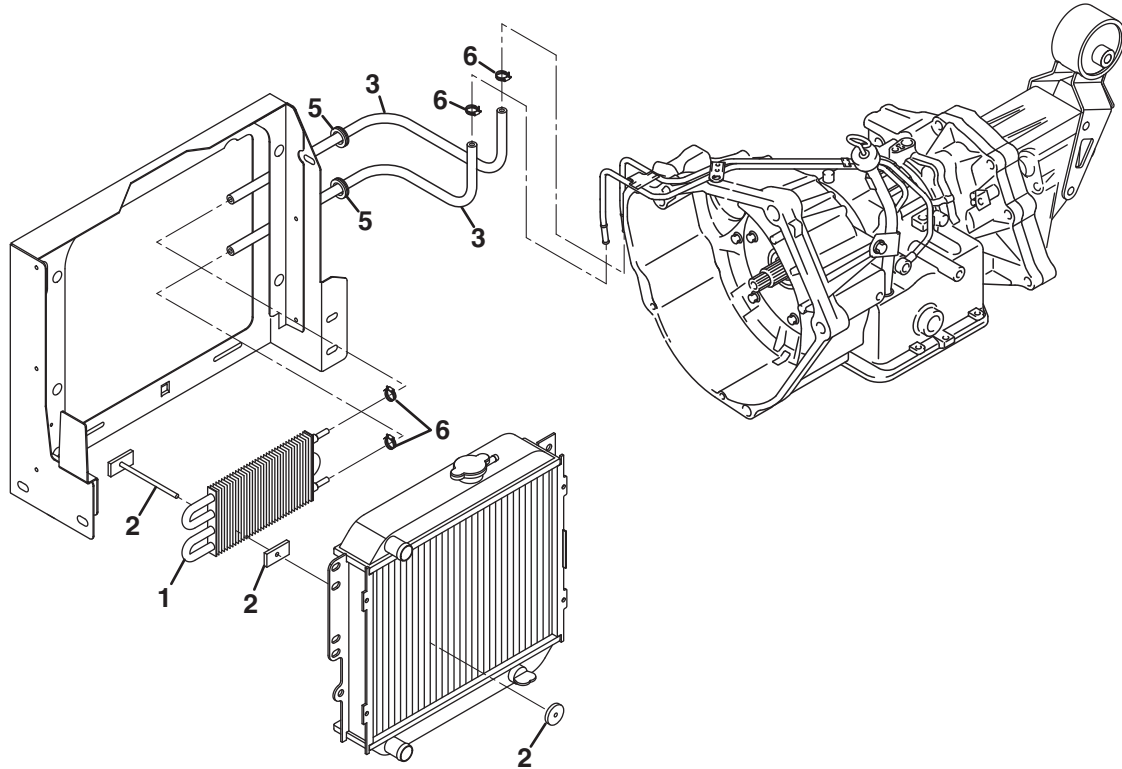
12.1 Automatic Transmission Shifter



Item	Part No.	Qty.	Description	Serial Numbers/Notes
1	103867	2	Flat Washer, 5/16	
2	302030	1	Screw, 1/4-20 x 1-1/4 in.	
3	306375	1	Nut, 1/4-20 Hex	
4	306396	1	Lockwasher, 1/4	
5	800582	4	Screw, 1/4-20 x 3/4 in.	
6	821164	2	Hair Pin, 1/4 x 1-1/8 in.	
7	842740	1	Lever, Shifter	
8	845345.7	1	Bracket, Shifter Cable Mount	
9	894584	1	Shifter with Cable	
10	894508	1	• Cable, Shifter	
11	892164	1	• Kit, Cable Mounting Hardware	
12	869154	1	• Shifter Handle	
13	2700496	4	Insert, 1/4-20	

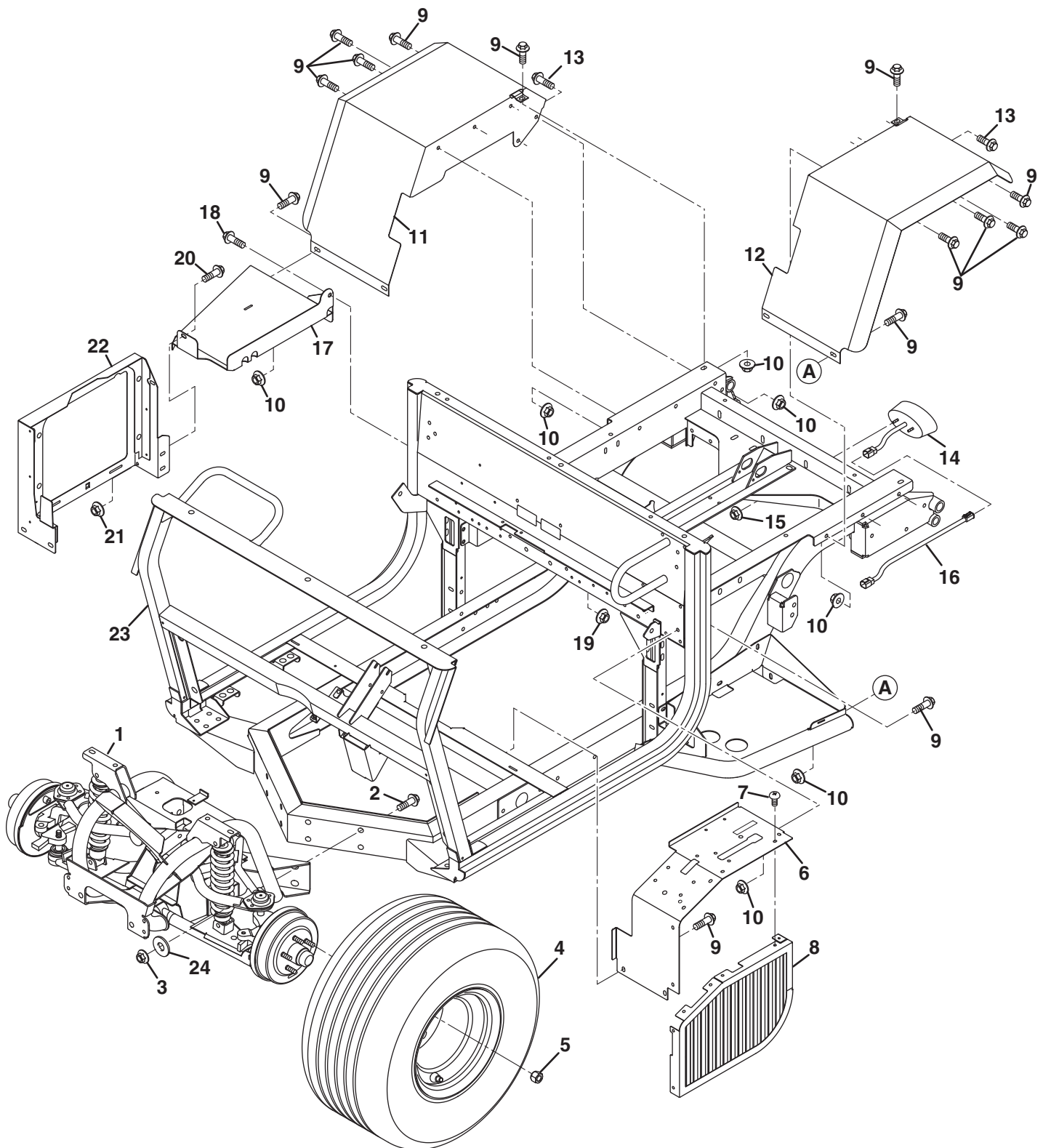
> Change from previous revision

13.1 Automatic Transmission Oil Cooler



Item	Part No.	Qty.	Description	Serial Numbers/Notes
1	838340	1	Oil Cooler	Not Shown
2	800789	1	Kit, Oil Cooler Mounting	
3	826590	AR	Hose, 5/16 I.D.	
4	821893	AR	Trim, Push On	
5	809231	2	Grommet	
6	825624	4	Hose Clamp	

> Change from previous revision



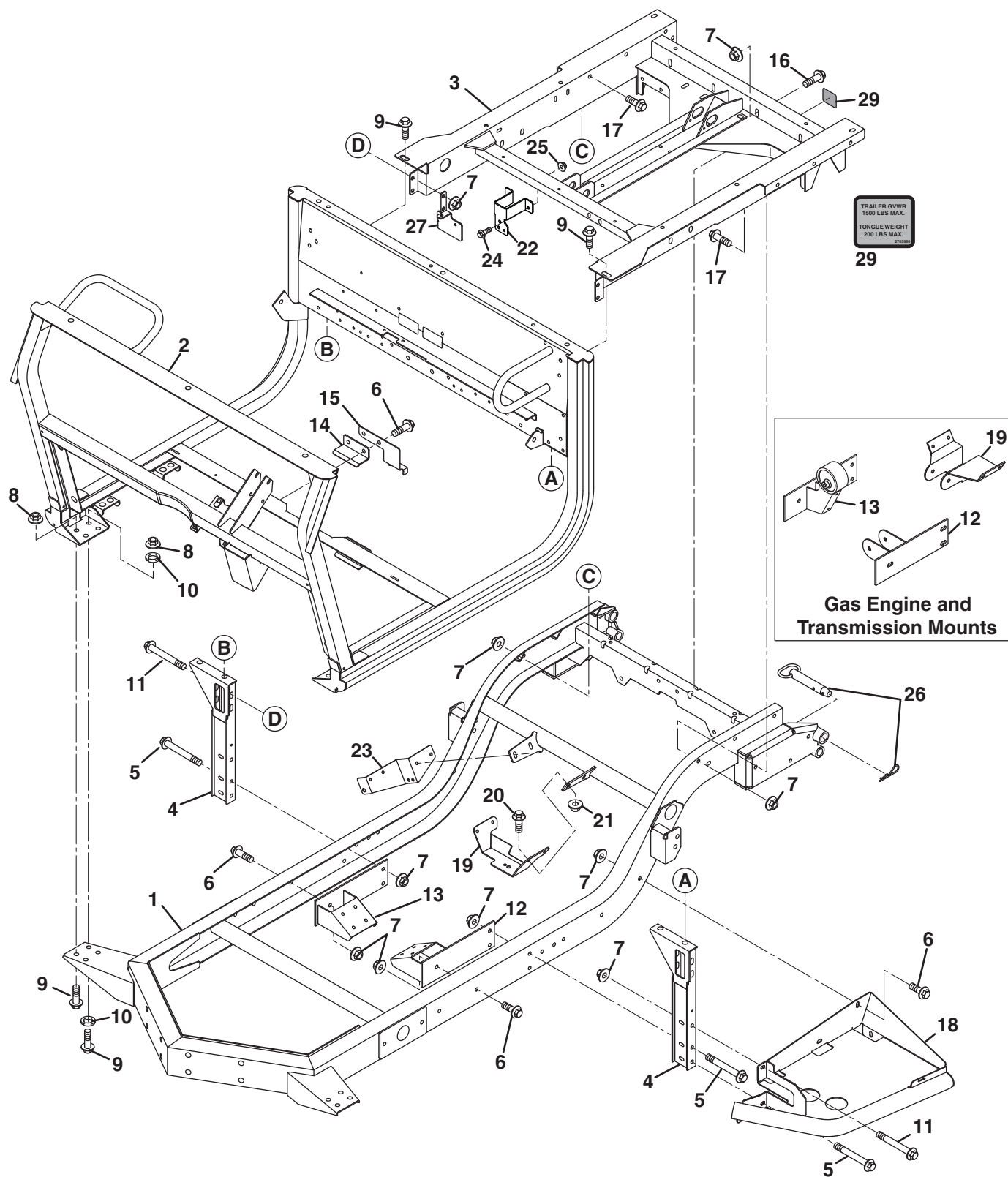
Item	Part No.	Qty.	Description	Serial Numbers/Notes
1	REF	1	Front Suspension	See 17.1, 18.1 and 19.1
2	452415	8	Screw, M12-1.75 x 80 mm Flange	
3	450455	8	Nut, M12-1.75 Hex Flange	
4	4139806G03	2	Wheel and Tire, Multi Rib	Standard
4	4139806G01	2	Wheel and Tire, Turf Master	Optional
4	4139806G02	2	Wheel and Tire, USA Trail	Optional
	4139793	1	• Rim, 10.00 x 7 in. Five Bolt	3.94 in. Bolt Circle
	N/S	1	• Tire, 20 x 10.00 - 10 Multi Rib	Used on 4139806G03, Obtain Locally
	N/S	1	• Tire, 20 x 10.00 - 10 Turf Master	Used on 4139806G01, Obtain Locally
	N/S	1	• Tire, 20.5 x 8.00 - 10 USA Trail	Used on 4139806G02, Obtain Locally
	886735	1	• Valve Stem	
5	800909	10	Nut, M12-1.5 Wheel Lug	
6	REF	1	Panel, Console	See 6.1
7	800026	7	Screw, 1/4-20 Truss Head	
8	4179842	1	Cover, Left Side Engine	
9	452398	18	Screw, M10-1.5 x 20 mm Flange	
10	450454	18	Nut, M10-1.5 Hex Flange	
11	893488	1	Fender, Right Side	
12	893487	1	Fender, Left Side	
13	452399	2	Screw, M10-1.5 x 25 mm Flange	
14	893602	1	Stop and Tail Light	
	822049	1	• Bulb, No. 1157	
	312288	2	• Lens, Screw	
	829099	1	• Lens and Gasket	Includes License Illuminator Lens
15	548910	2	Nut, 1/4-20 Serrated Flange	
16	894313	1	Harness, Taillight Wire	
17	4117153.7	1	Support, Fuel Tank	
18	800177	1	Screw, 5/16-18 x 3/4 in. Truss	
19	548911	1	Nut, 5/16-18 Hex Flange	
20	800930	1	Screw, M8-1.25 x 16 mm Flange	
21	450453	1	Nut, M8--1.25 Hex Flange	
22	REF	1	Radiator Support	
23	REF	1	Frame, Lower ROPS and Platform	See 15.1
24	809180	8	Washer, 1/2 x 1-1/8 in.	

> Change from previous revision

TURF TRUCKSTER

15.1 Frame, Lower ROPS and Platform

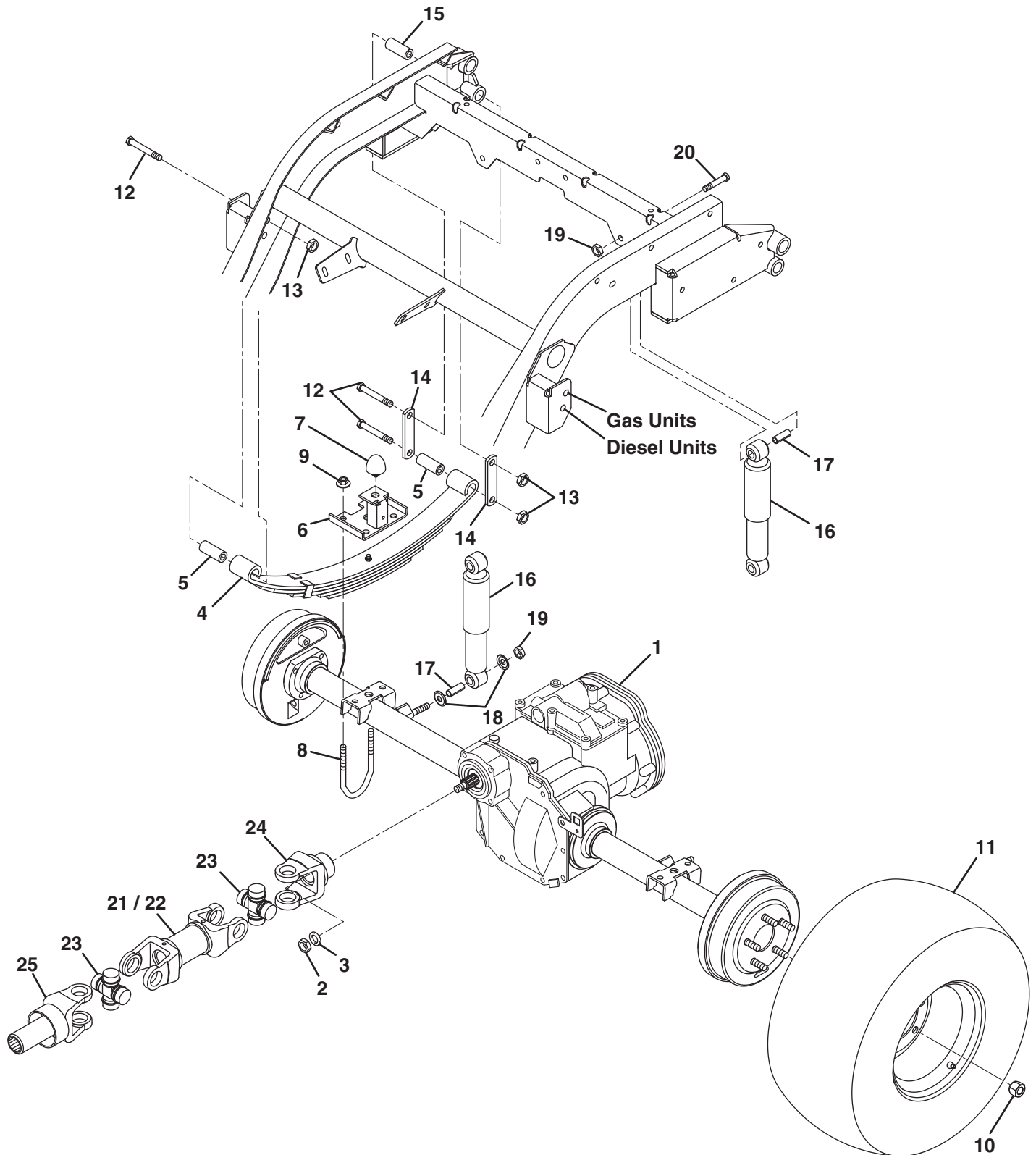
Serial No. All



Item	Part No.	Qty.	Description	Serial Numbers/Notes
1	N/S	1	Frame, Main 4 Wheel	Standard Frame, Painted Black
1	N/S	1	Frame, Galvanized Main 4 Wheel	Optional Galvanized Frame
2	893145.7	1	ROPS, Lower	
3	893199.7	1	Platform, Truckster	Standard Platform, Painted Black
3	893199G02	1	Platform, Galvanized Truckster	Optional Galvanized Platform
4	893525G01	2	Support, Platform	
5	452406	4	Screw, M10-1.5 x 90 mm Flange	Grade 8.8
6	452398	5	Screw, M19-1.5 x 20 mm Flange	Grade 8.8
7	450454	20	Nut, M10-1.5 Hex Flange	
8	450455	8	Nut, M12-1.75 Hex Flange	
9	452410	12	Screw, M12-1.75 x 30 mm Flange	
10	309067	2	Lockwasher, 1/2 Shakeproof	
11	452405	5	Screw, M10-1.5 x 80 mm Flange	
12	894581	1	Mount, Left Side Diesel Engine	Diesel Units
12	894998.7	1	Mount, Left Side Gas Engine	Gas Units
13	894582	1	Mount, Right Side Diesel Engine	Diesel Units
13	2701697.7	1	Mount, Right Side Gas Engine	Gas Units
14	842870	1	Angle, Support	
15	844647G01	1	Angle, Hold Down	
16	452403	4	Screw, M10-1.5 x 60 mm Flange	
17	452402	6	Screw, M10-1.5 x 50 mm Flange	
18	2703294.7	1	Guard, Hydraulic Tank	
19	4174281	1	Transmission Mount	Diesel Units
19	4179803	1	Transmission Mount	Gas Units
20	452389	4	Screw, M8-1.25 x 25 mm Flange	
21	450453	4	Nut, M8-1.25 Flange	
22	4185540	1	Bracket, Fuel System	Diesel Units
23	2701693.7	1	Bracket, Fuel System	Gas Units
24	452378	2	Screw, M6-1 x 20 mm Hex Flange	
25	450452	2	Nut, M6-1 Hex Flange	
26	882971	2	Pin, Box Pivot	
27	4145325	1	Bracket, Starter Solenoid	Gas Units Only
28	821893	4	INTRIM Push-On Black .2 ED	Not Shown
29	2703960	1	Decal, Hitch Capacity	

> Change from previous revision

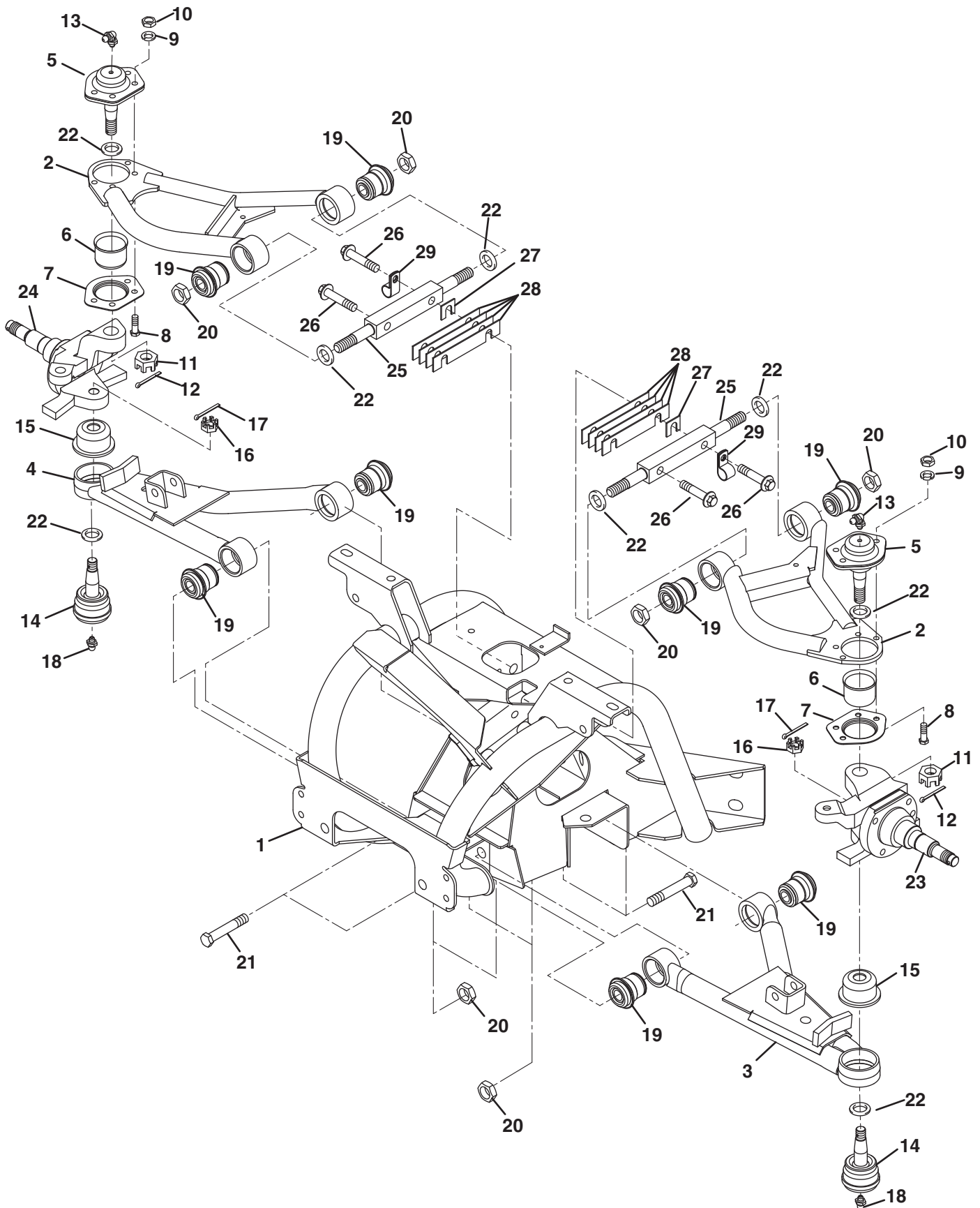
16.1 Rear Axle



Item	Part No.	Qty.	Description	Serial Numbers/Notes
1	894825	1	11.16:1 Rear Differential Assembly	84063, 84064 and 84061, See 42.1
1	894826	1	14.21:1 Rear Differential Assembly	84056 and 84057, See 42.1
2	800198	1	Locknut, 1/2-20	
3	809180	1	Flat Washer, 1/2	
4	893862	2	Spring, Leaf	
5	843238	2	• Bushing, Nylatron	
6	893613	2	Upstop	
7	813850	2	Bumper, Travel Limiting	
8	829044	4	U-Bolt, 2 x 5-1/4 in.	
9	548061	8	Nut, 7/16-14	
10	800909	10	Nut, M12-1.5 Wheel Lug	
11	893492	2	Wheel and Tire Assembly	
	N/S	1	• Tire, 24 x 13-12 4 Ply	
	2218140-01	1	• Tire, 24 x 13-12 6 Ply	Optional Tire
	841434	1	• Rim, 12 x 10.50	
	886735	1	• Stem, Valve	
12	311398	6	Screw, 1/2-13 x 3-1/2 in. Hex Head	
13	800602	6	Nut, 1/2-13 Nylon Insert	
14	843876	4	Shackle, Rear Spring	
15	843238	2	Bushing, Nylatron	
16	807332	2	Shock Absorber	
17	823621	4	Bushing	
18	825500	4	Washer, 7/16 Cupped	
19	800294	4	Locknut, 7/16-14 Center	
20	311396	2	Screw, 7/16-14 x 2-1/4 in. Hex Head	
21	4174288	1	Driveshaft, Complete	Diesel Engine
21	4144334	1	Driveshaft, Complete	Gas Engine, MT
21	4140071	1	Driveshaft, Complete	Gas Engine, AT
22	4174287	1	• Shaft, Drive	Diesel Engine
22	4144345	1	• Shaft, Drive	Gas Engine, MT
22	4140067	1	• Shaft, Drive	Gas Engine, AT
23	554663	2	• Cross and Bearing Kit	Includes Grease Fitting
24	4140069	1	• Yoke, Differential	
25	4140075	1	• Yoke, Transmission	Diesel Engine
25	4140072	1	• Yoke, Transmission	Gas Engine

> Change from previous revision

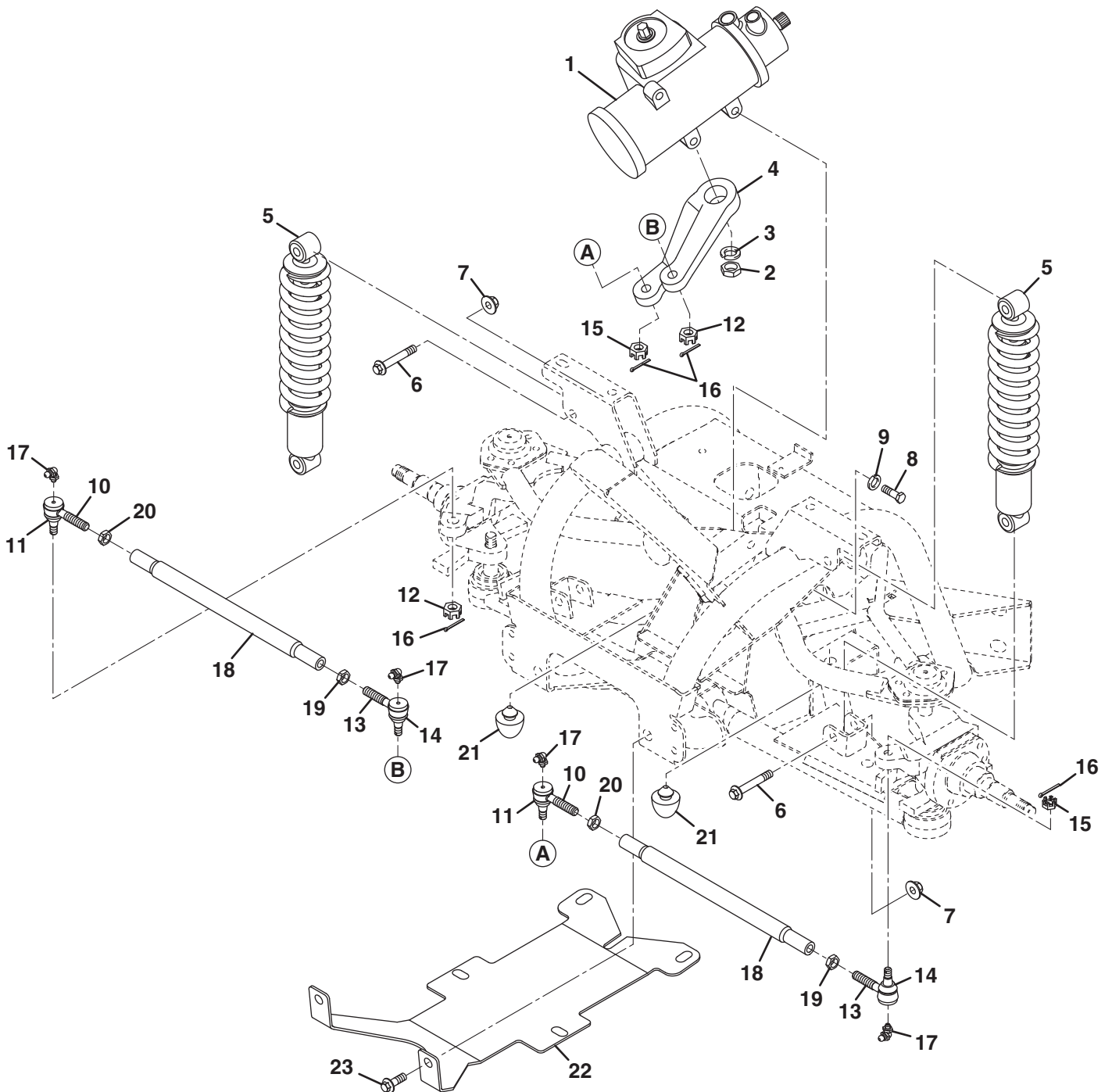
17.1 Front Control Arms



Item	Part No.	Qty.	Description	Serial Numbers/Notes
1	4120138	1	Frame, 4 Wheel Steering	
2	893266	2	Upper Control Arm	
3	893233	1	Left Side Lower Control Arm	
4	893234	1	Right Side Lower Control Arm	
5	844148	2	Upper Ball Joint	
6	N/S	1	• Boot	
7	N/S	1	• Boot Retainer	
8	N/S	4	• Screw, 5/16-24 x 1 in. Hex Head	Black Oxide Finish, Grade 8
9	N/S	4	• Lockwasher, 5/16	Black Oxide Finish
10	548079	4	• Nut, 5/16-24 Hex	Black Oxide Finish
11	306839	1	• Nut, 5/8-18 Slotted Hex	
12	460030	1	• Cotter Pin, 1/8 x 1-1/4 in.	
13	471221	1	• Grease Fitting, 1/4-28 90°	
14	841429	2	Lower Ball Joint	
15	N/S	1	• Boot	
16	800861	1	• Nut, 9/16-18 Slotted Hex	
17	460030	1	• Cotter Pin, 1/8 x 1-1/4 in.	
18	548224	1	• Grease Fitting, 1/4-28 Straight	Special Drive Thread
19	841167	8	Bushing, Silentbloc	
20	450382	8	Nut, M16-2 Locking Insert	
21	450077	4	Bolt, M16-2 x 90 mm Hex Head	Grade 8.8
22	450393	8	Washer, M16	
23	894573	1	Knuckle, Left Side Steering	
24	894574	1	Knuckle, Right Side Steering	
25	841630	2	Trunnion, Control Arm	
26	800945	4	Bolt, M12-1.75 x 60 mm Hex Head	Grade 10.9
27	841738	AR	Shim, .024 in. Thick	Add or remove shims as required to adjust CASTER angle.
28	841737	AR	Shim, .060 in. Thick	Add or remove shims as required to adjust CAMBER angle.
29	810437	2	Clamp	

> Change from previous revision

18.1 Steering Linkage



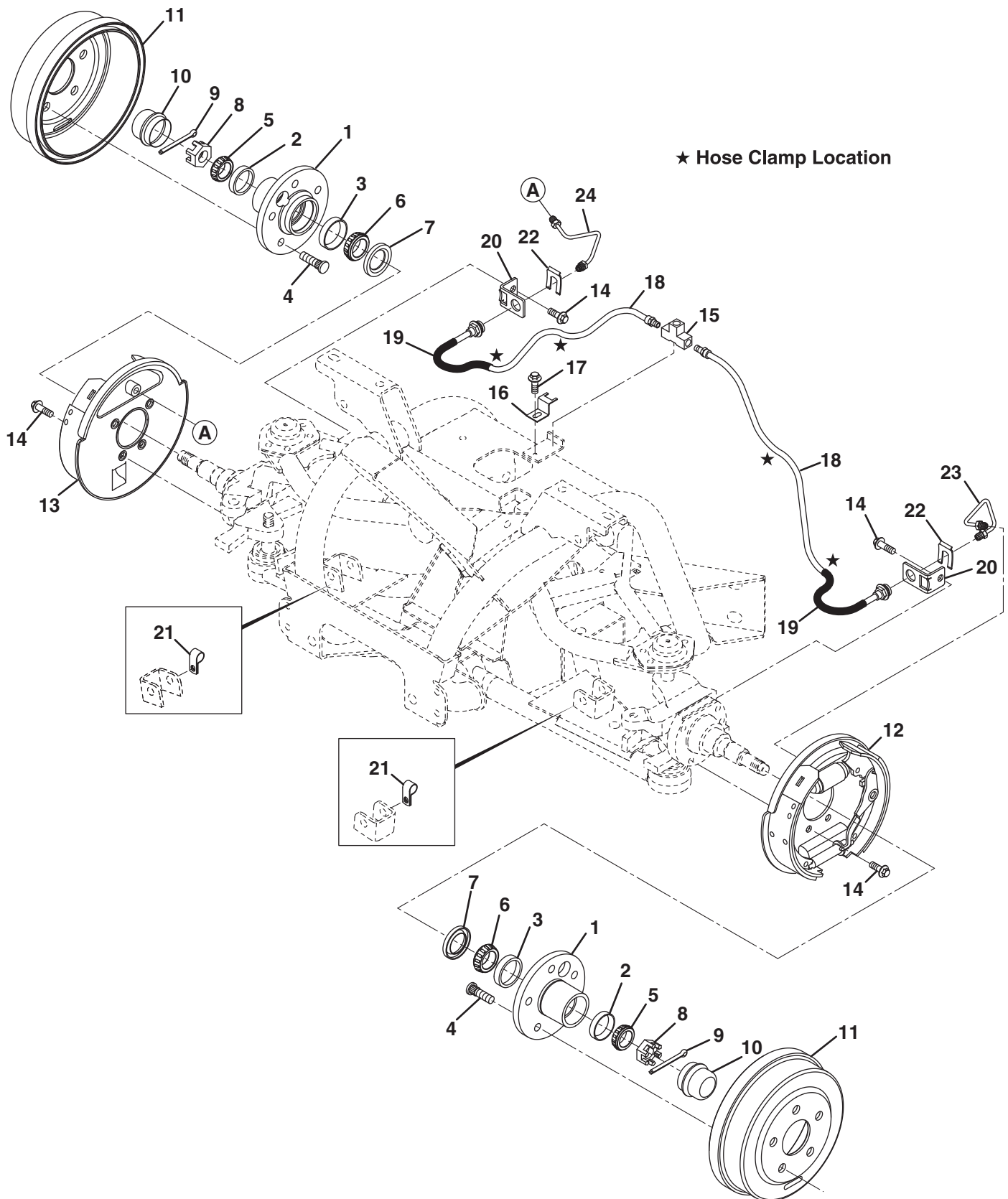
Item	Part No.	Qty.	Description	Serial Numbers/Notes
1	841255	1	Steering Gear	
2	305134	1	• Nut, 7/8-14 Hex Jam	
3	308008	1	• Lockwasher, 7/8	
4	841336	1	Arm, Pitman	
5	894635	2	Strut Assembly	
6	452413	4	Screw, M12-1.75 x 60 mm Hex Head	
7	450455	4	Nut, M12-1.75 Hex Flange	Grade 10.9
8	311392	3	Screw, 7/16-14 x 2 in. Hex Head	
9	303269	3	Lockwasher, 7/16	
10	889681	2	End, Left Hand Thread Tie Rod	
11	816586	1	• Retainer, Grease	
12	306825	1	• Nut, 7/16-20 Castle	
13	889682	2	End, Right Hand Thread Tie Rod	
14	816586	1	• Retainer, Grease	
15	306825	1	• Nut, 7/16-20 Castle	
16	304636	4	Cotter Pin, 1/8 x 1-1/8 in.	
17	831405	4	Grease Fitting	
18	841404	2	Tie Rod	
19	800485	1	Nut, 9/16-18 Left Hand Thread Jam	
20	302944	2	Nut, 9/16-18 Right Hand Thread Jam	
21	813850	2	Bumper, Travel Limiting	
22	842033	1	Plate, Skid	
23	452408	6	Screw, M10-1.75 x 20 mm	Grade 10.9

> Change from previous revision

TURF TRUCKSTER

Serial No. All

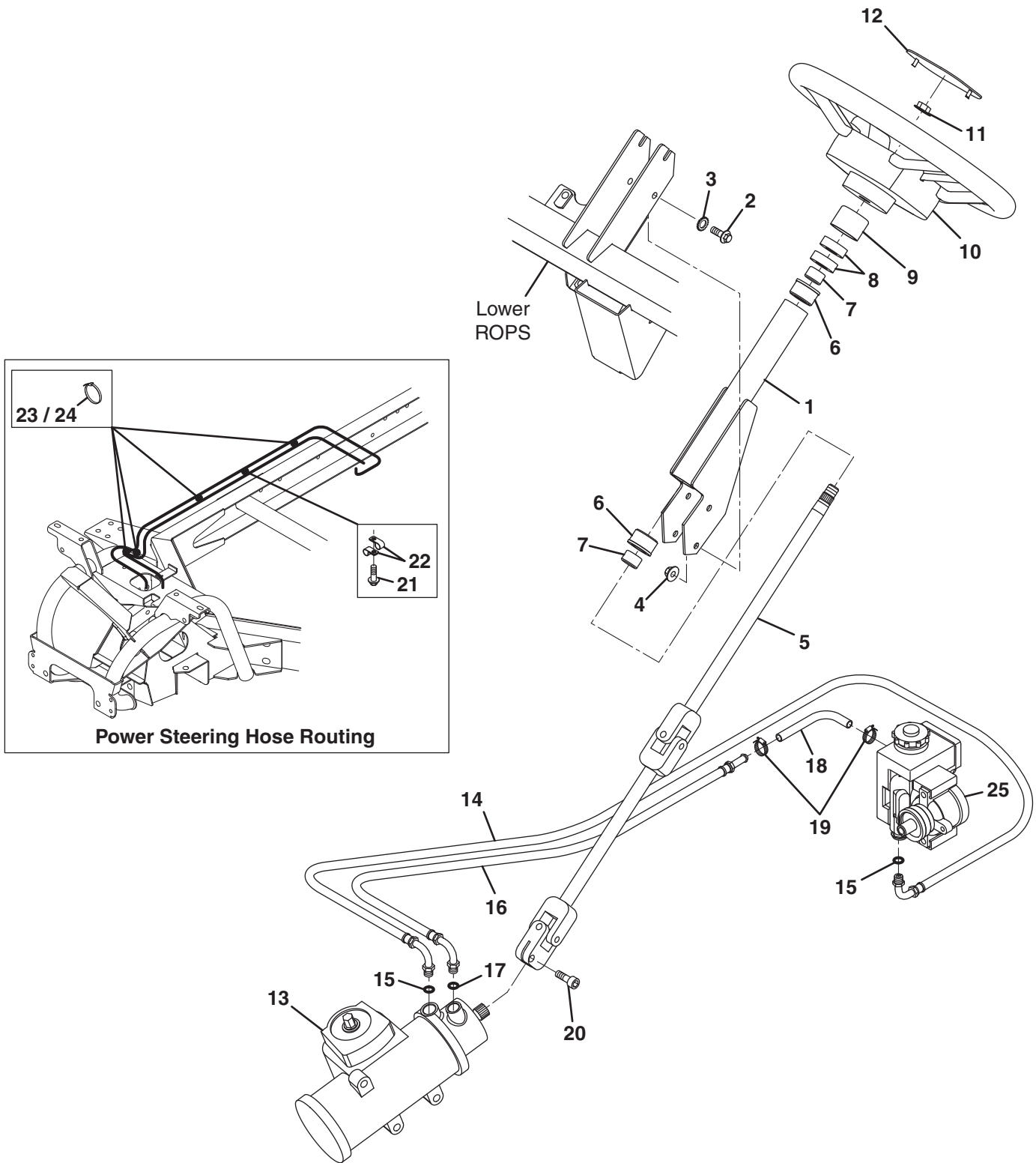
19.1 Front Brakes



Item	Part No.	Qty.	Description	Serial Numbers/Notes
1	2702257.7	2	Front Hub	
2	808088	1	• Outer Bearing Cup	
3	814474	1	• Inner Bearing Cup	
4	800908	4	• Bolt, M12-1.5 x 42 mm Wheel	
5	385174	2	Outer Bearing Cone	
6	815403	2	Inner Bearing Cone	
7	817928	2	Seal, Grease	
8	2702247	2	Nut, 3/4-16 Castle	
9	304636	2	Cotter Pin, 1/8 x 1-1/8 in.	
10	817250	2	Cap, Grease	
11	841430	2	Brake Drum	
12	893585	1	Front Left Side Brake Assembly	
	894930	1	• Kit, Brake Cylinder	Replacement of Cylinder
	894931	1	• Kit, Brake Cylinder Repair	Repair of Cylinder
	894932	1	• Kit, Brake Shoe	Includes Left and Right sides
	894933	1	• Kit, Left Side Spring	
	894935	1	• Kit, Left Side Adjuster Repair	
13	893586	1	Front Right Side Brake Assembly	
	894930	1	• Kit, Brake Cylinder	Replacement of Cylinder
	894931	1	• Kit, Brake Cylinder Repair	Repair of Cylinder
	894932	1	• Kit, Brake Shoe	Includes Left and Right sides
	894934	1	• Kit, Right Side Spring	
	894936	1	• Kit, Right Side Adjuster Repair	
14	452398	10	Screw, M10-1.5 x 20 mm Hex Flange	Grade 8.8
15	841842	1	Tee, M10-1.0 Flare Union	
16	843418	1	Clamp, Tee	
17	452692	1	Screw, M6-1.0 x 12 mm Taptite	
18	841841	2	Hose, Brake	
19	2703081	2	Protector, Brake Hose	
20	842104	2	Bracket, Brake Tube	
21	810437	2	Clamp, Hose	
22	809137	2	Clip, Brake Hose Retaining	
23	2702217	1	Tube, Left Front Brake	
24	841839	1	Tube, Right Front Brake	

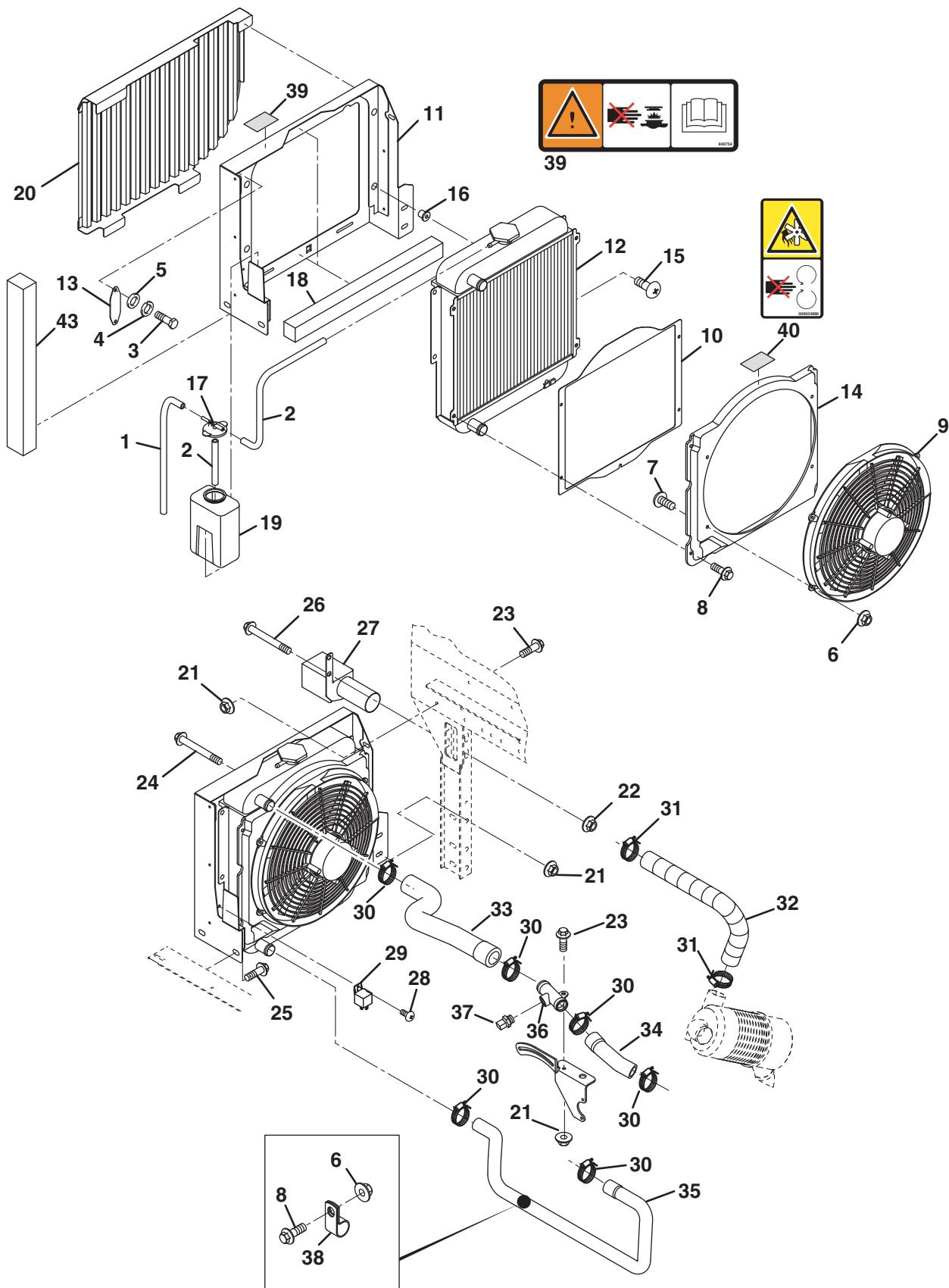
> Change from previous revision

20.1 Steering Column



Item	Part No.	Qty.	Description	Serial Numbers/Notes
1	893571	1	Tube, Steering Mount	See 18.1
2	800930	4	Screw, M8-1.25 x 16 mm Flange	
3	306799	4	Lockwasher, 5/16 External Tooth	
4	450453	4	Nut, M8-1.25 Flange	
5	893344	1	Shaft, Steering	
	887259	2	Bearing Assembly	
6	828590	1	• Housing, Bearing	
7	808060	1	• Bearing, Needle	
8	819923	2	Collar, Foam	
9	2700453	1	Cover, Steering Tube	
10	892228	1	Steering Wheel	
11	450457	1	Nut, M16-2 Flange	
12	840017	1	Cover, Steering Wheel	
13	841255	1	Gear, Steering	
14	843767	1	Hose, Power Steering Pressure	
15	111838	2	• O-Ring	
16	843768	1	Hose, Power Steering Return	
17	111838	1	• O-Ring	
18	840222	1	Hose, Formed	
19	830930	2	Clamp, Hose	
20	450739	1	Screw, M10-1.5 x 30 mm Socket	
21	800943	1	Screw, #10-14 x 5/8 in. Self Tapping	
22	809092	2	Clamp, Tube	
23	320107	3	Cable Tie, 7-1/2 in.	
24	823549	4	Cable Tie, 15-1/2 in.	Secure Hoses to Frame
25	892534	1	Power Steering Pump with Reservoir	See 26.1 or 27.1 for mounting. Service parts for pump are available at most automotive parts centers. Refer to 1991-1992 Buick Regal with a 3.8 liter V6 Engine. (Saginaw Pump # 26025515)
	2700573	1	• Cap, Steering Reservoir	

> Change from previous revision



Item	Part No.	Qty.	Description	Serial Numbers/Notes	
1	843862	AR	Tube, 1/4 in. I.D. Clear Vinyl	10 Foot Length, Cut to 12 in.	
2	835805	AR	Hose, Radiator Overflow		
3	300646	2	Screw, 1/4-20 x 3/4 in. Hex Head		
4	306396	2	Lockwasher, 1/4		
5	308090	2	Flat Washer, 1/4		
6	450452	6	Nut, M6-1 Hex Flange		
7	450541	4	Screw, M6-1 x 16 mm Hex Flange		
8	452378	6	Screw, M6-1 x 20 mm Hex Flange		
9	4176887	1	Fan, 12 in. Hi-Perf Puller		
10	600992	1	Panel, Shroud		
11	601591	1	Frame, Radiator		
12	601592	1	Radiator		
13	601595	1	Plate, Blockoff		
14	4177253	1	Shroud, 12 in. Fan		
15	800177	4	Screw, 5/16-18 x 3/4 in.		
16	831846	4	Nut, Isolation		
17	833440	1	Cap, Overflow Bottle		
18	833512	2	Seal, Radiator Foam		
19	889050	1	Overflow Bottle		
20	4175402	1	Screen, Right Side		
21	450453	3	Nut, M8-1.25 Hex Flange		
22	450454	2	Nut, M10-1.5 Hex Flange		
23	452388	2	Screw, M8-1.25 x 20 mm Hex Flange		
24	452395	1	Screw, M8-1.25 x 80 mm Hex Flange		
25	452398	2	Screw, M10-1.5 x 20 mm Hex Flange		
26	452405	2	Screw, M10-1.5 x 80 mm Hex Flange		
27	601585	1	Box, Air		
28	800146	1	Screw, #10 x 3/4 Thread Cutting		
29	2700867	1	Relay, 12V 70A		
30	820889	6	Clamp, Hose		
31	11391G7	2	Clamp, Hose		
32	36092-G01	1	Hose, 2 in. x 16 in. High Temp Air		
33	4174820	1	Hose, Upper Radiator		
34	4174660	1	Hose, Upper		
35	4174563	1	Hose, Lower Radiator		
36	894348	1	Tube, Fan Switch		
37	17680-50F70	1	Switch, Fan		
38	825884	2	Clamp, Hose		
39	840754	1	Decal, Radiator Pressure Warning		
40	009034880	1	Decal, Fan Warning		
41	4179801	1	Harness, Radiator Fan Wiring		Not Shown, See 53.1
42	4174321	1	Harness, Kubota Engine Wiring		Not Shown, See 53.1
43	4140090	1	Foam 1.25 x 1.00 x 13.50		
44	4179800	1	Harness, Oil Cooler Fan Wiring		Not Shown, See 53.1

> Change from previous revision

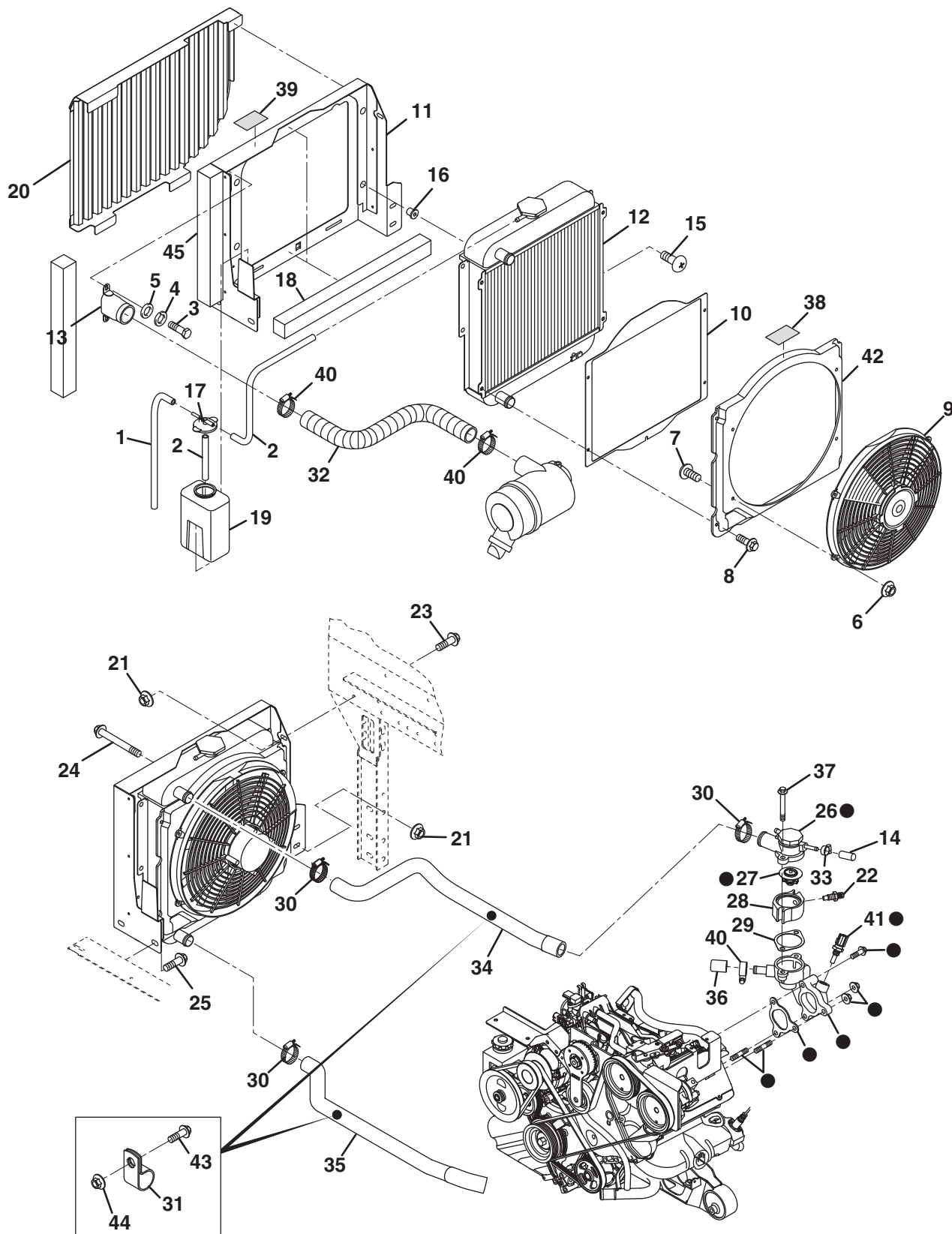
TURF TRUCKSTER

22.1 Gas Radiator

Serial No. 84056 All

Serial No. 84057 All

Serial No. 84061 All



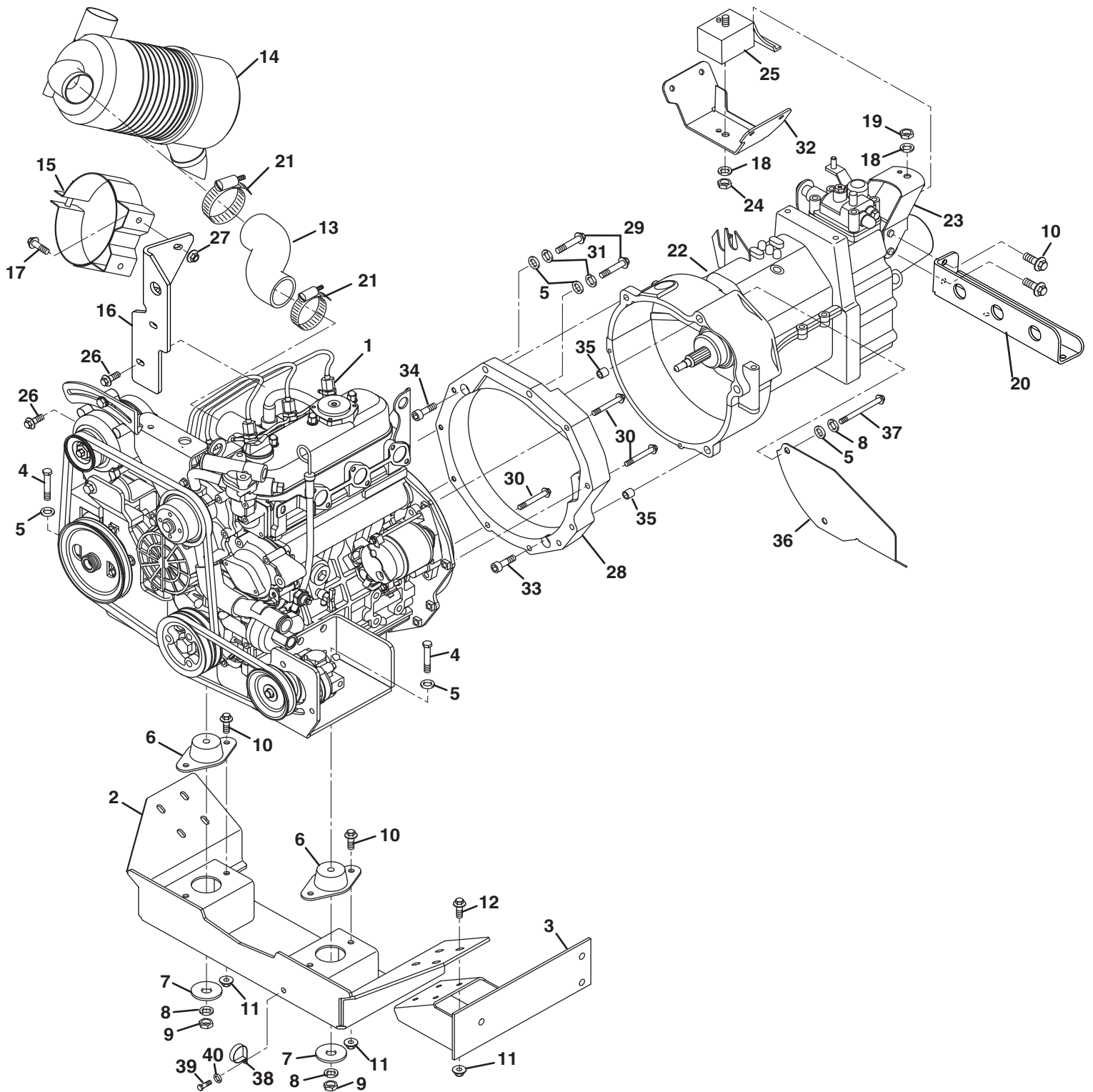
Item	Part No.	Qty.	Description	Serial Numbers/Notes
1	843862	AR	Tube, 1/4 in. I.D. Clear Vinyl	10 Foot Length, Cut to 12"
2	835805	AR	Hose, Radiator Overflow	
3	300646	2	Screw, 1/4-20 x 3/4 in. Hex Head	
4	306396	2	Lockwasher, 1/4	
5	308090	2	Flat Washer, 1/4	
6	450452	4	Nut, M6-1 Hex Flange	
7	450541	4	Screw, M6-1 x 16 mm Hex Flange	
8	452378	4	Screw, M6-1 x 20 mm Hex Flange	
9	4115033	1	Fan, 13 in. Radiator	
10	600992	1	Panel, Shroud	
11	601591	1	Frame, Radiator	
12	601592	1	Radiator	
13	888549	1	Connector, Hose	
14	845224	1	Cap, 1/4 x 1 in.	
15	800177	4	Screw, 5/16-18 x 3/4 in.	
16	831846	4	Nut, Isolation	
17	833440	1	Cap, Overflow Bottle	
18	833512	2	Seal, Radiator Foam	
19	889050	1	Overflow Bottle	
20	4175402	1	Screen, Right Side	
21	450453	3	Nut, M8-1.25 Hex Flange	
22	843857	1	Sender, Temperature	
23	452388	2	Screw, M8-1.25 x 20 mm Hex Flange	
24	452395	1	Screw, M8-1.25 x 80 mm Hex Flange	
25	452398	2	Screw, M10-1.5 x 20 mm Hex Flange	
● 26	4120076	1	Cap, Water Thermostat	
● 27	4148206	1	Thermostat	
28	2701442	1	Housing, Temperature Sender	
29	2701513	1	Gasket, Thermostat	
30	820889	4	Clamp, Hose	
31	2701108	2	Clamp, Hose	
32	36092G01	1	Hose, 2 in. x 16 in. High Temp Air	
33	11391G4	1	Clamp, 1/4 to 5/8 in. Worm Drive	
34	4139442	1	Hose, Upper	
35	4115400	1	Hose, Lower Radiator	
36	833715	1	Plug, Tube	
37	452392	2	Screw, M8-1.25 x 50 mm Flange	
38	009034880	1	Decal, Fan Warning	
39	840754	1	Decal, Radiator Pressure Warning	
40	11391G7	3	Clamp, Hose	
● 41	4148150	1	Sensor, Water Temperature	
42	601596	1	Fan Shroud	
43	548827	2	Screw, 1/4-20 x 1/2 in. Hex Flange	
44	548910	2	Nut, 1/4-20 Hex Flange	
45	4140090	1	Foam, 1-1/4 x 1 x 13 in.	

> Change from previous revision

TURF TRUCKSTER

23.1 Diesel Engine and Transmission Mounting

Serial No. 84063 All
Serial No. 84064 All



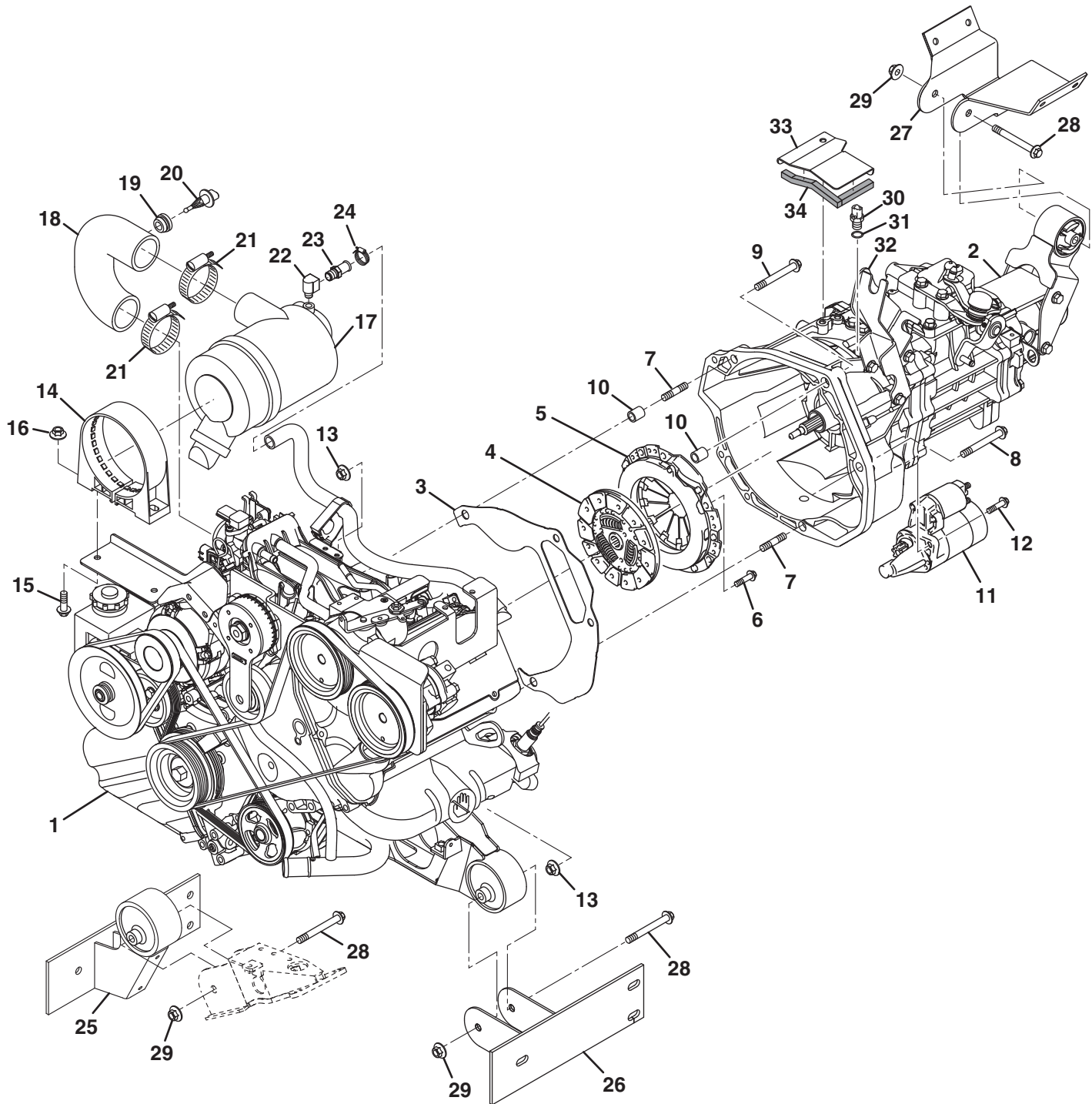
Item	Part No.	Qty.	Description	Serial Numbers/Notes
1	REF	1	Engine and Clutch	See 26.1
2	4192125	1	Frame, Engine Mount	
3	REF	1	Mount, Engine	See 14.1, Left shown, right similar
4	306836	2	Screw, 3/8-16 x 2-1/4 in. Hex Head	
5	306981	6	Flat Washer, 3/8	
6	841885	2	Mount, Engine Isolation	
7	809174	2	Washer, Isolator	
8	120177	4	Lockwasher, 3/8	
9	306562	2	Nut, 3/8-16 Hex	
10	452388	6	Screw, M8-1.25 x 20 mm Flange	
11	450453	12	Nut, M8-1.25 Flange	
12	452389	8	Screw, M8-1.25 x 25 mm Flange	
13	4174620	1	Hose, Intake	
14	3001965	1	Air Filter	
	5000919	1	• Element, Air Filter	
	5000920	1	• Cover	
	5000921	1	• Valve	
15	3001388	1	Bracket, Air Filter	
16	4174285	1	Bracket, Air Filter Mount	
17	400184	1	Screw, 5/16-18 x 3/4 in. Hex Head	
18	450412	2	Lockwasher, M10	
19	800571	1	Nut, M10-1.25 Hex	
20	4191140	1	Bracket, Muffler	
21	11391G7	2	Clamp, Hose	
22	894066	1	Transmission, Suzuki MT5	Includes Clutch Disc and Cover
23	11741-85200	1	• Support, Transmission	
24	08310-00103	1	• Nut	
25	11710-77100	1	• Bracket, Rear Mount	
26	452390	3	Screw, M8-1.25 x 30 mm Flange	
27	445795	1	Nut, 3/8-16 Spiralock Flange	
28	4173062	1	Adapter, Transmission	
29	838602	2	Screw, M10-1.5 x 50 mm Hex Head	
30	452393	5	Screw, M8-1.25 x 60 mm Flange	
31	303269	2	Lockwasher, 7/16	
32	4174281	1	Mount, Transmission	See 14.1
33	800949	1	Screw, M10-1.25 x 50 mm Socket	
34	800948	1	Screw, M10-1.25 x 35 mm Socket	
35	842961	2	Sleeve, Alignment	
36	4174286	1	Cover, Starter Hole	
37	548849	2	Screw, 3/8-16 x 4-3/4 in. Hex Head	
38	825884	1	Clamp	
39	400108	1	Screw, 1/4-20 x 1" Hex Head	
40	452004	1	Flat Washer, 1/4	

> Change from previous revision

TURF TRUCKSTER

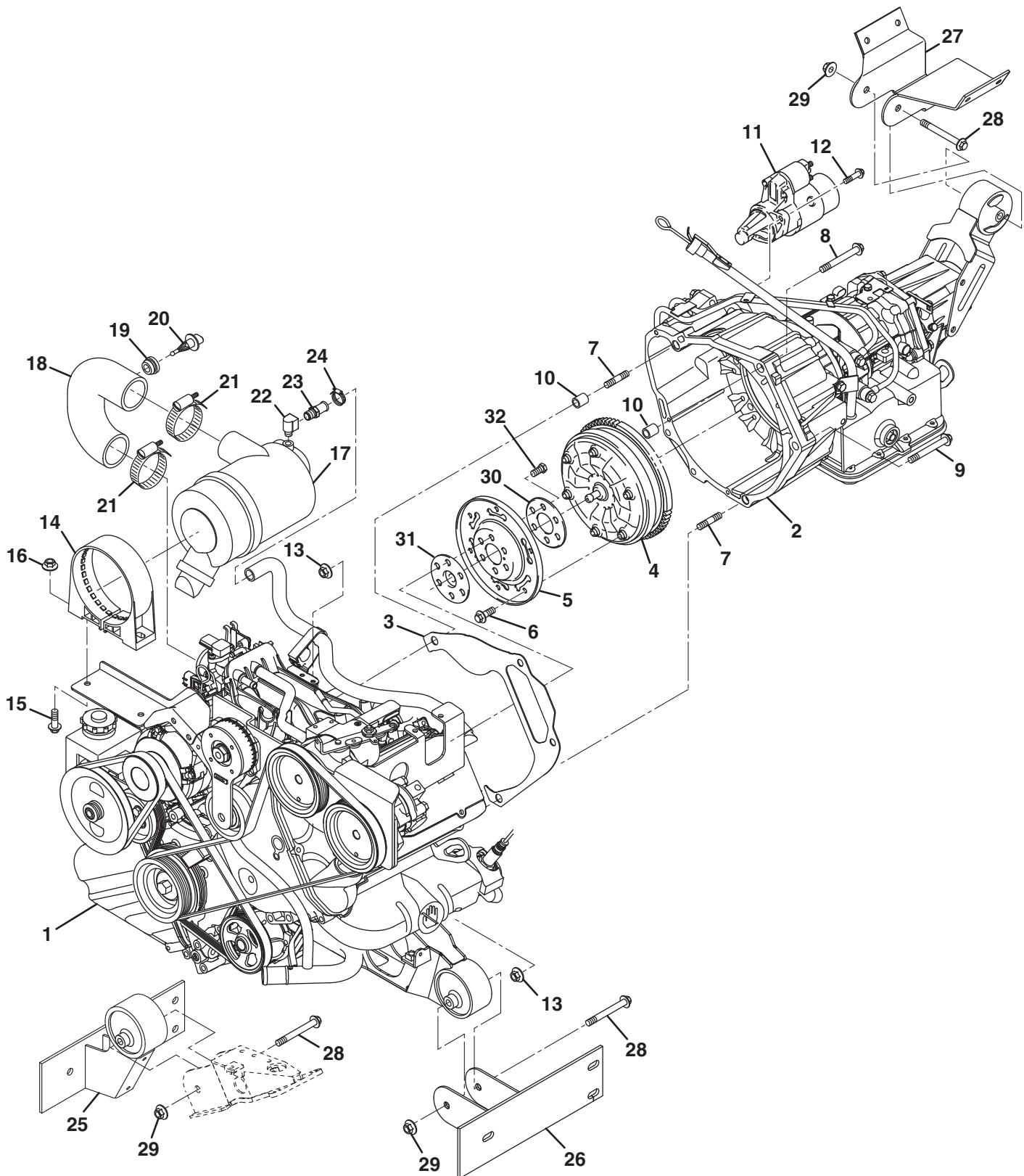
24.1 Gas Engine and MT Mounting

Serial No. 84056 All
Serial No. 84061 All



Item	Part No.	Qty.	Description	Serial Numbers/Notes
1	REF	1	Engine Assembly	See 27.1
2	N/S	1	Manual Transmission	Order with engine
3	4140899	1	Plate, Clutch Housing	
4	2702548	1	Clutch Disc	
5	4117900	1	Pressure Plate	
6	2702547	6	Screw, M8-1.25 x 16 mm Lockwasher	
7	2702688	2	Stud, M10-1.25 x 65 mm	
8	2702687	1	Screw, M10-1.25 x 75 mm Flange	
9	2702686	1	Screw, M10-1.25 x 55 mm Flange	
10	2702690	2	Alignment Pins	
11	4148360	1	Starter, Manual Transmission	
12	2702470	2	Screw, M8-1.25 x 30 mm Hex Flange	
13	2702689	2	Nut, M10-1.25 Hex Flange	
14	842915	1	Bracket, Air Filter	
15	452389	2	Screw, M8-1.25 x 25 mm Hex Flange	
16	450453	2	Nut, M8-1.25 Hex Flange	
17	4118027	1	Air Filter	
	840352	1	• Element, Air Filter	
18	4139211	1	Hose, Engine Air Intake	
19	4140617	1	Grommet	
20	4140618	1	Sensor, Air Temp	
21	11391G7	2	Clamp, 2-3/4 in. Worm Drive	
22	4118423	1	Elbow, 1/4 NPT Street	
23	4118422	1	Hose Fitting, 1/4 NPT Brass	
24	2702484	1	Clamp	
25	894998.7	1	Left Engine Mount	See 14.1
26	2701697.7	1	Right Engine Mount	See 14.1
27	4179803	1	Transmission Mount	See 14.1
28	452405	3	Screw, M10--1.5 x 80 mm Flange	
29	450454	3	Nut, M10-1.5 Hex Flange	
30	4138391	1	Switch, Reverse	
31	4148082	1	O-Ring	
32	4142772	1	Bracket, Cable Mounting	
33	4198260	1	Cover, Vent Hole	
34	4203360	1	Seal	Cut into two pieces. One 4-1/2 in. (114 mm), one 2-1/4 in. (57 mm)

> Change from previous revision



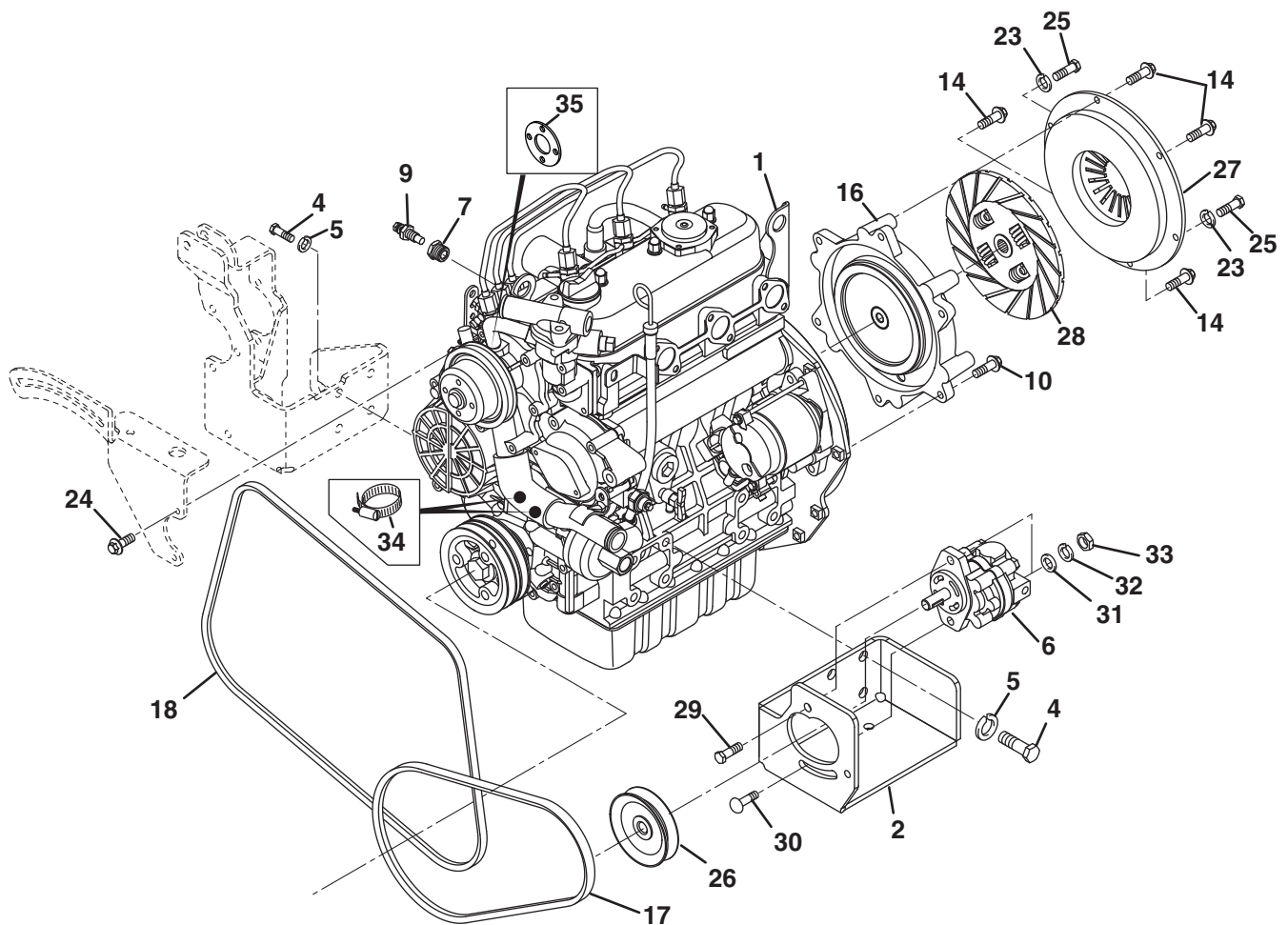
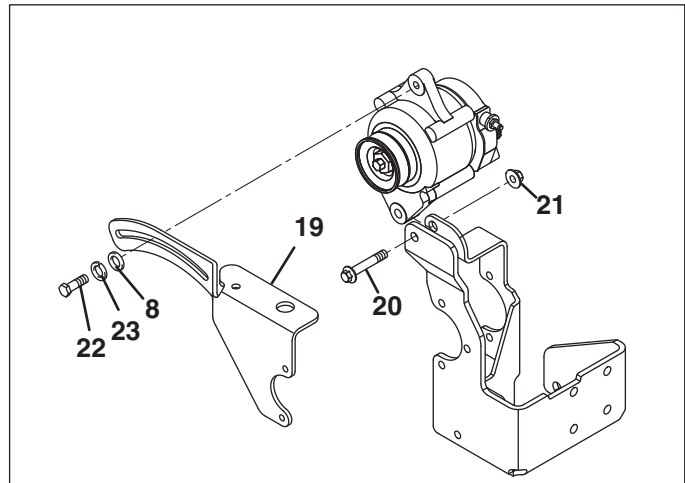
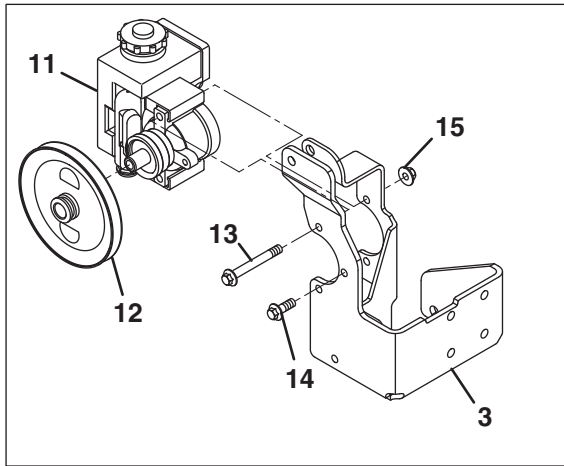
Item	Part No.	Qty.	Description	Serial Numbers/Notes	
1	REF	1	Engine Assembly	See 27.1	
2	4148212	1	Automatic Transmission		
3	4140900	1	Plate, Transmission Housing		
4	4148213	1	Torque Converter		
5	4120097	1	Plate, Drive		
6	4148065	6	Screw, M8-1.25 x 9.5 mm Flange		
7	2702688	2	Stud, M10-1.25 x 65 mm		
8	2702686	1	Screw, M10-1.25 x 55 mm Flange		
9	2702756	1	Screw, M10-1.25 x 50 mm Flange		
10	2702690	2	Alignment Pins		
11	4148361	1	Starter, Automatic Transmission		
12	2702470	2	Screw, M8-1.25 x 30 mm Hex Flange		
13	2702689	2	Nut, M10-1.25 Hex Flange		
14	842915	1	Bracket, Air Filter		
15	452389	2	Screw, M8-1.25 x 25 mm Hex Flange		
16	450453	2	Nut, M8-1.25 Hex Flange		
17	4118027	1	Air Filter		
	840352	1	• Element, Air Filter		
18	4139210	1	Hose, Engine Air Intake		
19	4140617	1	Grommet		
20	4140618	1	Sensor, Air Temp		
21	1131G7	2	Clamp, 2-3/4 in. Worm Drive		
22	4118423	1	Elbow, 1/4 NPT Street		
23	4118422	1	Hose Fitting, 1/4 NPT Brass		
24	2702484	1	Clamp		
25	894998.7	1	Left Engine Mount		See 14.1
26	2701697.7	1	Right Engine Mount		See 14.1
27	4179803	1	Transmission Mount		See 14.1
28	452405	3	Screw, M10--1.5 x 80 mm Flange		
29	450454	3	Nut, M10-1.5 Hex Flange		
30	4120098	1	Plate, Rear Drive		
31	4120096	1	Flange, Drive Plate		
32	4119955	6	Screw, M10-1.25 x 18.5 mm		

> Change from previous revision

TURF TRUCKSTER

26.1 Diesel Engine and Clutch

Serial No. 84063 All
Serial No. 84064 All



Item	Part No.	Qty.	Description	Serial Numbers/Notes
1	4173201	1	Engine, Kubota D1105 E3B	
	4113986	1	• Engine Oil Filter	
	4183623	1	• Alternator	
2	4174200	1	Bracket, Hydraulic Pump	
3	4174440	1	Mount, Right Side Engine	
4	800547	8	Screw, M10-1.25 x 20 mm Flange	
5	303269	8	Lockwasher, 7/16	
6	887994	1	Pump, Hydraulic	See 38.1
7	4174260	1	Reducer, 3/8 NPSF to 1/8 BPT	
8	103867	1	Flat Washer, 5/16	
9	843857	1	Temperature Sender	
10	452389	9	Screw, M8-1.25 x 25 mm Flange	
11	892534	1	Pump, Power Steering	See 20.1
12	600993	1	Pulley, 5.8 in. Power Steering	
13	452395	2	Screw, M8-1.25 x 80 mm Flange	
14	452388	5	Screw, M8-1.25 x 20 mm Flange	
15	450453	2	Nut, M8-1.25 Flange	
16	4173262	1	Ring, Pressure Plate	
17	4117092	1	Belt, Hydraulic Pump	
18	4175560	1	Belt, Alternator - Power Steering	
19	4174282	1	Bracket, Alternator Adjusting	
20	452402	1	Screw, M10-1.5 x 50mm Flange	
21	450454	1	Nut, M10-1.5 Flange	
22	361005	1	Screw, M8-1.25 x 25 mm Hex Head	
23	306325	3	Lockwasher, 5/16	
24	2500917	2	Screw, M6-1 x 25 mm Flange	Included with Engine
25	09111-08035	2	Screw, M8-1.25 Special	Included with Transmission
26	4173980	1	Pulley, Hydraulic Pump Drive	
27	22100-85200	1	Cover, Clutch	Included with Transmission
28	22400-85141	1	Disc, Clutch	Included with Transmission
29	306835	1	Screw, 3/8-16 x 1-1/4 in. Hex Head	
30	800073	1	Carriage Bolt, 3/8-16 x 1-1/4 in.	
31	306981	2	Flat Washer, 3/8	
32	120177	2	Lockwasher, 3/8	
33	306562	2	Nut, 3/8-16 Hex	
34	820899	2	Clamp, Hose	Used to protect hose from belt
35	4186780	1	Plate, Spacer	Located behind water pump pulley

> Change from previous revision

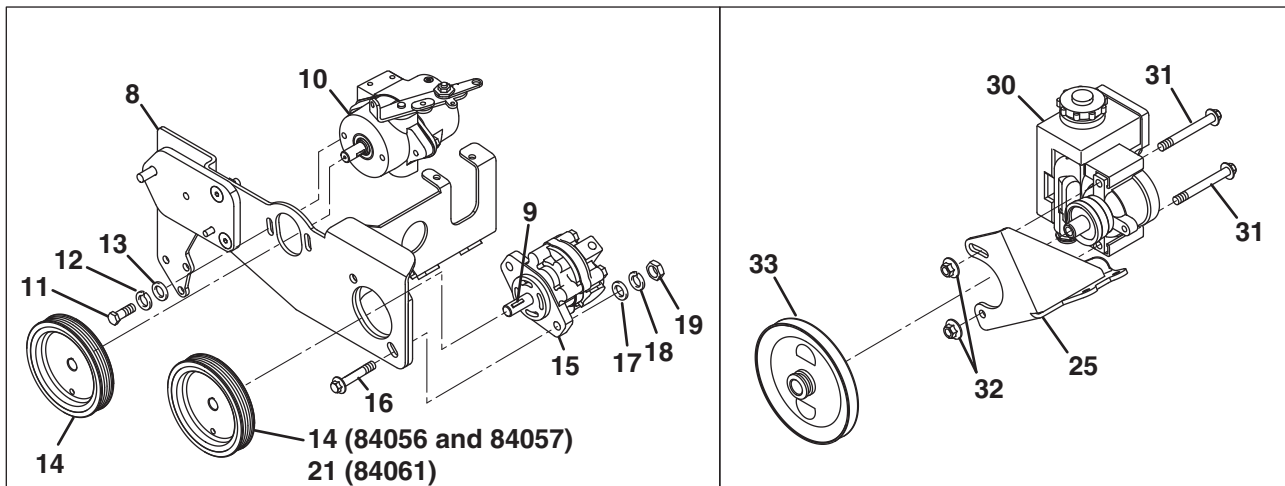
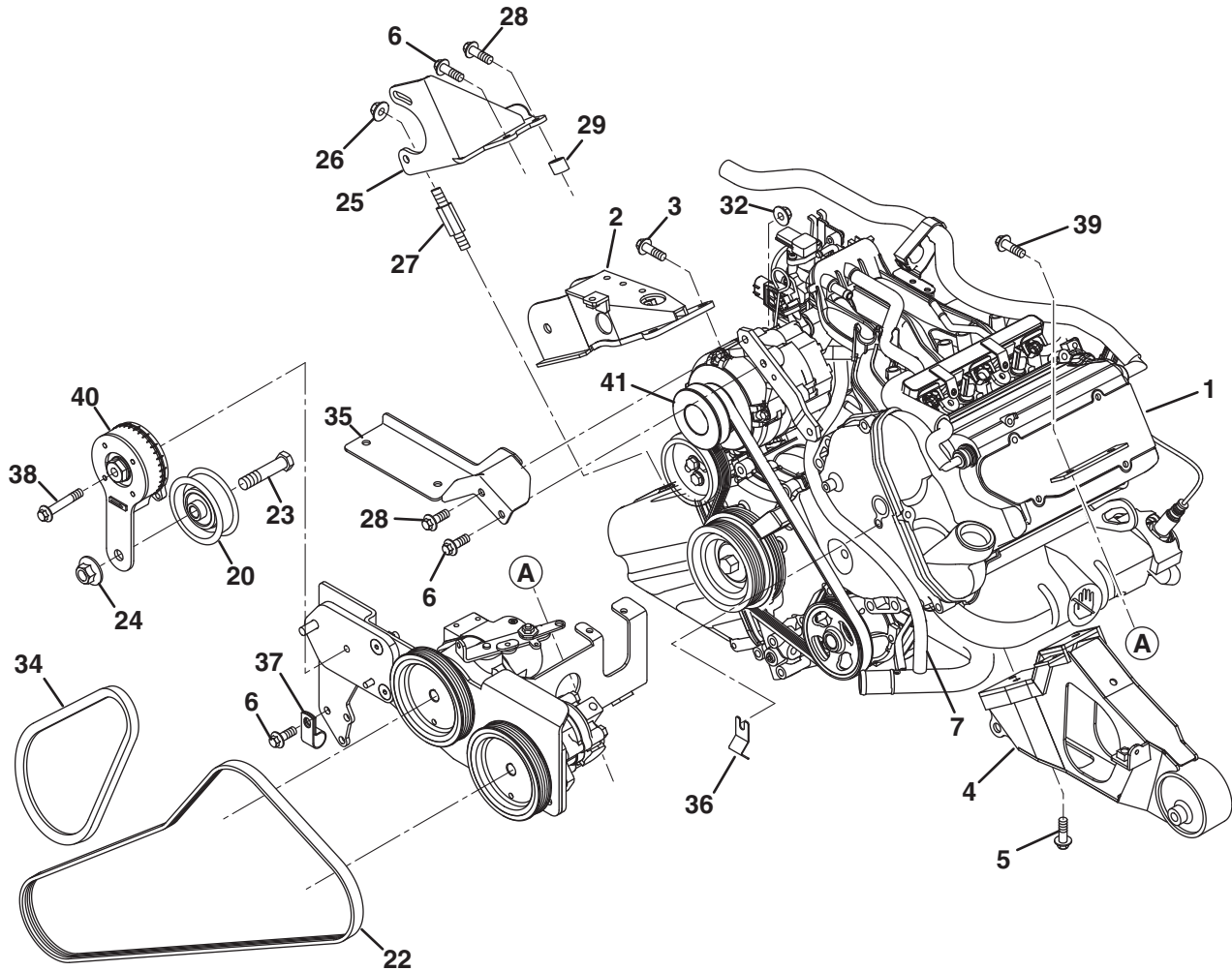
TURF TRUCKSTER

27.1 Suzuki Gas Engine

Serial No. 84056 All

Serial No. 84057 All

Serial No. 84061 All

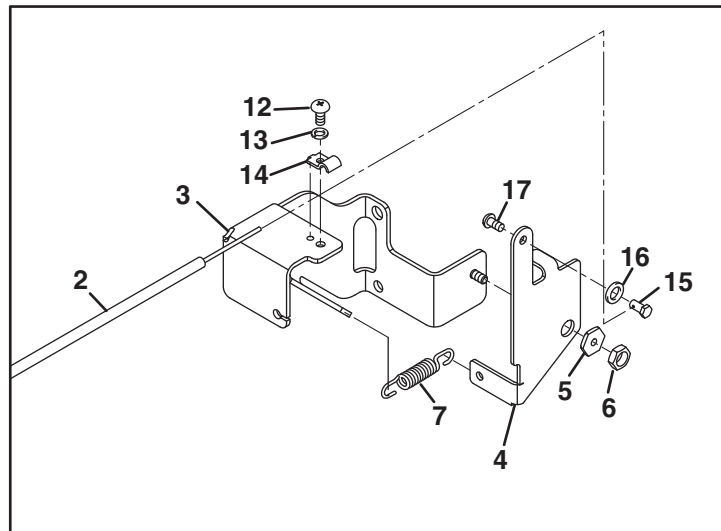
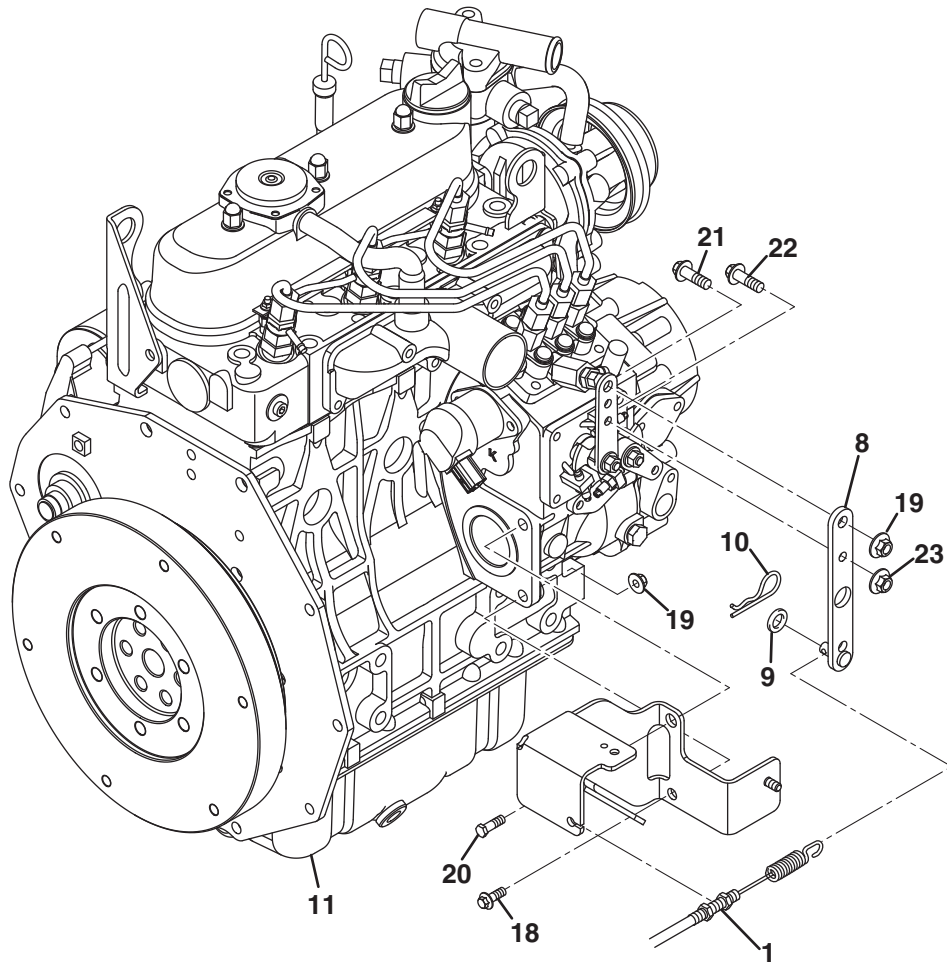


Item	Part No.	Qty.	Description	Serial Numbers/Notes
1	N/S	1	Suzuki K6 Engine	See Engine Parts Manual
	2701908	1	• Oil Filter	
	4140919	1	• Belt, Water Pump and Alternator	
2	4120017	1	• Right Side Engine Mount	
3	4140905	3	• Bolt, Right Side Engine Mount	
4	4120018	1	• Left Side Engine Mount	
5	2701827	4	• Bolt, Left Side Engine Mount	
6	2702469	4	• Bolt	
7	830425	AR	Fuel Hose, 1/4 in.	25 Foot Roll, Cut to 24 Inches
8	4188387	1	Bracket, Governor	See 32.1
9	2702249	1	Key, Woodruff 1/8 x 1/2 in.	
10	4141425	1	Governor	See 31.1
11	306450	2	Screw, 5/16-18 x 3/4 in. Hex Head	
12	306325	2	Lockwasher, 5/16	
13	548155	2	Flat Washer, 5/16	
14	4139288	AR	Pulley, 4 Groove Micro-V 4.4 in. Dia.	Includes two set screws
15	887994	1	Pump, Hydraulic	See 38.1
16	13437G5	2	Screw, 3/8-16 x 1-1/2 in. Whizlock	
17	306981	2	Flat Washer, 3/8	
18	120177	2	Lockwasher, 3/8	
19	306562	2	Nut, 3/8-16 Hex	
20	4144332	1	Pulley, 2-3/4" Idler	
21	4144005	1	Pulley, 4 Groove Micro-V 4.06 in. Dia.	Used on 84061 Only
22	4139351	1	Belt, 52.8 in. Micro-V	Used on 84056 and 84057
22	4144006	1	Belt, 52.5 in. Micro-V	Used on 84061
23	312176	1	Screw, 1/2-13 x 1-3/4 in. Hex Head	
24	800602	1	Nut, 1/2-13 Nylon Insert	
25	4139259	1	Bracket, Power Steering Pump	
26	450452	1	Mut, M6-1 Hex Flange	
27	4147588	1	Stand Off, M6-1	
28	452389	2	Screw, M8-1.25 x 25 mm Hex Flange	
29	4140264	1	Spacer, 7/16 x 25/64 in.	
30	892534	1	Pump, Power Steering	See 20.1
31	452395	2	Screw, M8-1.25 x 80 mm Hex Flange	
32	450453	3	Nut, M8-1.25 Hex Flange	
33	600993	1	Pulley, 5.80 in. Diameter	
34	4139265	1	Belt, 7/16 x 26-1/2 in. V	Alternator and Power Steering
35	4140241	1	Bracket, Air Cleaner	
36	4146490	1	Plate, Hose Clamp	
37	831225	1	Clamp, Hose	
38	4150138	1	Screw, 3/8-16 x 2-1/4 in. Hex Flange	
39	548971	2	Screw, 5/16-18 x 5/8 in. Hex Flange	
40	4143072	1	Tensioner, Rotary	
41	4149901	1	Pulley, Alternator	

> Change from previous revision

28.1 Diesel Engine Speed Control

Serial No. 84063 All
Serial No. 84064 All



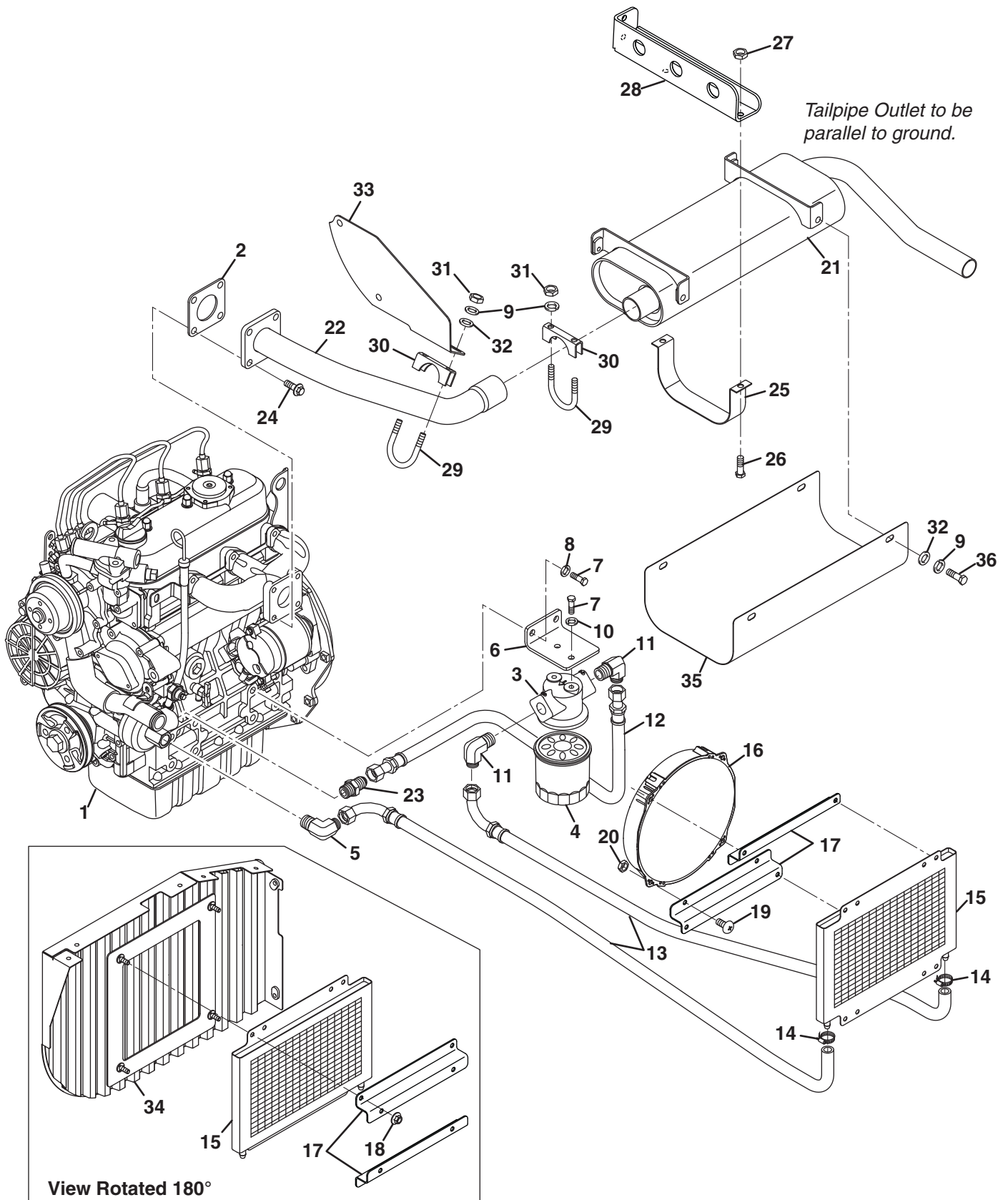
Item	Part No.	Qty.	Description	Serial Numbers/Notes
1	2703683	1	Throttle Cable	See 5.1 for other end of cable
2	844130	1	Cable, Governor Control	See 5.1 for other end of cable
3	4174720	1	Bracket, Throttle	
4	4174662	1	Lever, Governor	
5	835271	1	Nut, 1/4-20 Lever Pivot	
6	130728	1	Nut, 1/4-20 Hex Jam	
7	840473	1	Spring, Governor Lever	
8	4175021	1	Lever, Throttle	
9	103867	1	Flat Washer, 5/16	
10	821164	1	Hair Pin	
11	REF	1	Kubota Diesel Engine	See 26.1
12	800271	1	Screw, #10-24 x 1/2 in. Pan Head	
13	120052	1	Lockwasher, #10	
14	111898	1	Clamp, Cable	
15	831888	1	Swivel	
16	831889	1	Washer, Swivel	
17	831890	1	Screw, Swivel Throttle Cable	
18	452390	1	Screw, M8-1.25 x 30 mm Flange	
19	450453	2	Nut, M8-1.25 Flange	
20	800547	1	Screw, M8-1.25 x 16 mm Hex Head	
21	452388	1	Screw, M8-1.25 x 20 mm Flange	
22	452738	1	Screw, M6-1 x 20 mm Flange	
23	450452	1	Nut, M6-1 Flange	

> Change from previous revision

TURF TRUCKSTER

29.1 Diesel Engine Exhaust and Remote Oil Filter

Serial No. 84063 All
Serial No. 84064 All



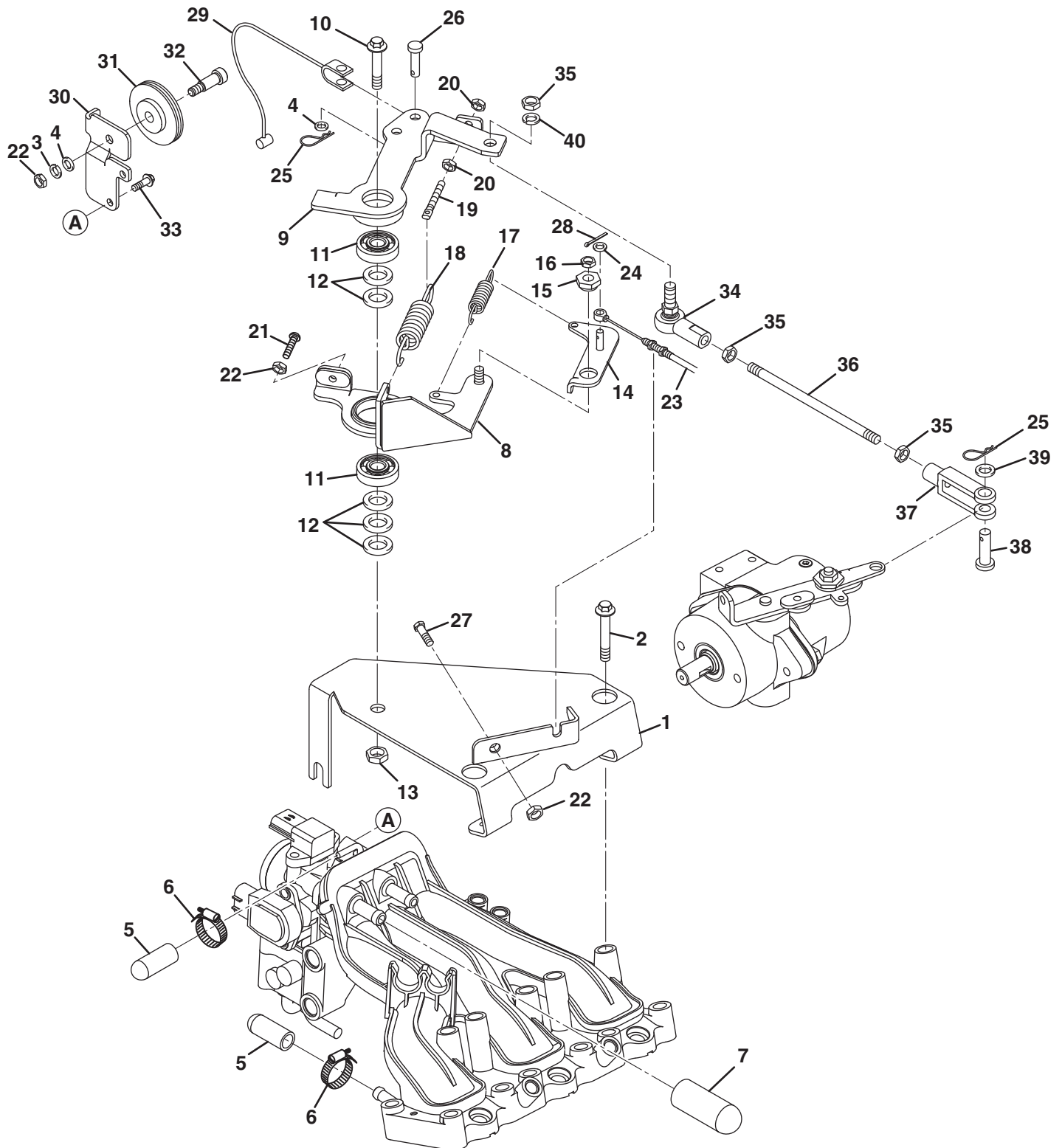
Item	Part No.	Qty.	Description	Serial Numbers/Notes
1	REF	1	Kubota Engine	See 26.1
2	553020	1	• Gasket, Exhaust	
3	4183634	1	• Head, Remote Filter	
4	4113986	1	• Engine Oil Filter	
5	4190701	1	Fitting, 90°	
6	4174290	1	Bracket, Remote Filter	
7	800547	4	Screw, M10-1.25 x 20 mm Hex Head	
8	303269	2	Lockwasher, 7/16	
9	306325	8	Lockwasher, 5/16	
10	120177	2	Lockwasher, 3/8	
11	4175620	2	Fitting, 90°	
12	4175561	1	Hose, Remote Oil Filter	
13	4175562	2	Hose, Remote Oil Cooler	
14	48540-01	2	Clamp, Hose	
15	4176960	1	Remote Oil Cooler	
16	4177560	1	Fan, 7-1/2 in. Push	
17	4185240	2	Bracket, Fan Mount	
18	548910	4	Nut, 1/4-20 Hex Flange	
19	800017	4	Screw, 1/4-20 x 1 in. Pan Head	
20	443102	4	Nut, 1/4-20 Hex	
21	4179161	1	Muffler	
22	4174560	1	Tube, Exhaust Inlet	
23	4190700	1	Fitting, Straight	
24	452389	4	Screw, M8-1.25 x 25 mm Flange	
25	838295.8	1	Strap, Muffler Hanger	
26	450193	2	Screw, M8-1.25 x 30 mm Hex Head	
27	450378	2	Locknut, M8-1.25	
28	4191140	1	Bracket, Muffler	See 23.1
	841982	2	Clamp, 1-1/2 in. Exhaust	
29	N/S	1	• U-Bolt	
30	N/S	1	• Bracket	
31	N/S	2	• Nut, 5/16-18 Hex	
32	103867	6	Flat Washer, 5/16	
33	4174286	1	Cover, Starter Hole	See 23.1
34	4179842	1	Left Side Screen	See 14.1
35	4119867.8	1	Shield, Muffler	
36	306450	4	Screw, 5/16-18 x 3/4 in. Hex Head	
37	306325	8	Lockwasher, 5/16	

> Change from previous revision

TURF TRUCKSTER

30.1 Gas Engine Governor Linkage

Serial No. 84056 All
Serial No. 84057 All
Serial No. 84061 All



Item	Part No.	Qty.	Description	Serial Numbers/Notes	
1	4139208	1	Plate, Governor	Included with Engine	
2	4141031	2	Bolt, Intake Manifold		
3	306396	1	Lockwasher, 1/4		
4	308090	1	Flat Washer, 1/4		
5	845224	2	Plug, Tube		
6	11391G4	2	Clamp, 1/4 in. to 5/8 in. Worm Drive		
7	4144145	1	Plug, 3/8 x 1 in. Tube		
8	2700540	1	Lever, Governor		
9	2700859	1	Lever, Governor Arm		
10	01116G01	1	Screw, M10-1.5 x 40 mm Hex Flange		
11	830140	2	Ball Bearing		
12	306981	5	Flat Washer, 3/8		
13	450454	1	Nut, M10-1.5 Hex Flange		
14	2701129	1	Arm, Throttle		
15	835271	1	Nut, Governor		
16	130728	3	Nut, 1/4-20 Hex Jam		
17	2700335	1	Spring, Governor		
18	2700334	1	Spring, Governor		
19	111893	1	Screw, #10-32 Special		
20	2702244	2	Nut, #10-32 Hex		
21	800024	1	Screw, 1/4-20 x 1-1/2 in. Truss Head		
22	306375	3	Nut, 1/4-20 Hex		
23	2703684	1	Throttle Cable		See 5.1
24	308089	1	Flat Washer, M6		
25	821164	2	Hair Pin, 1/4 x 1-1/8 in.		
26	818395	1	Clevis Pin, 1/4 x 1/2 in.		
27	302288	1	Screw, 1/4-20 x 1 in.		
28	306372	1	Cotter Pin, 3/32 x 1/2 in.		
29	4139209	1	Cable, Throttle		
30	2701510	1	Bracket, Throttle Cable		
31	843013	1	Pulley, Governor		
32	800927	1	Shoulder Bolt, 1/4-20 x 5/8 in.		
33	REF	2	Bolt		Part of Engine
34	831586	1	Ball Joint		
35	306320	3	Nut, 5/16-24 Hex		
36	4139210	1	Rod, Governor		
37	810722	1	Yoke		
38	806703	1	Clevis Pin, 5/16 x 31/32 in.		
39	103867	1	Flat Washer, 5/16		
40	306325	1	Lockwasher, 5/16 Special		

> Change from previous revision

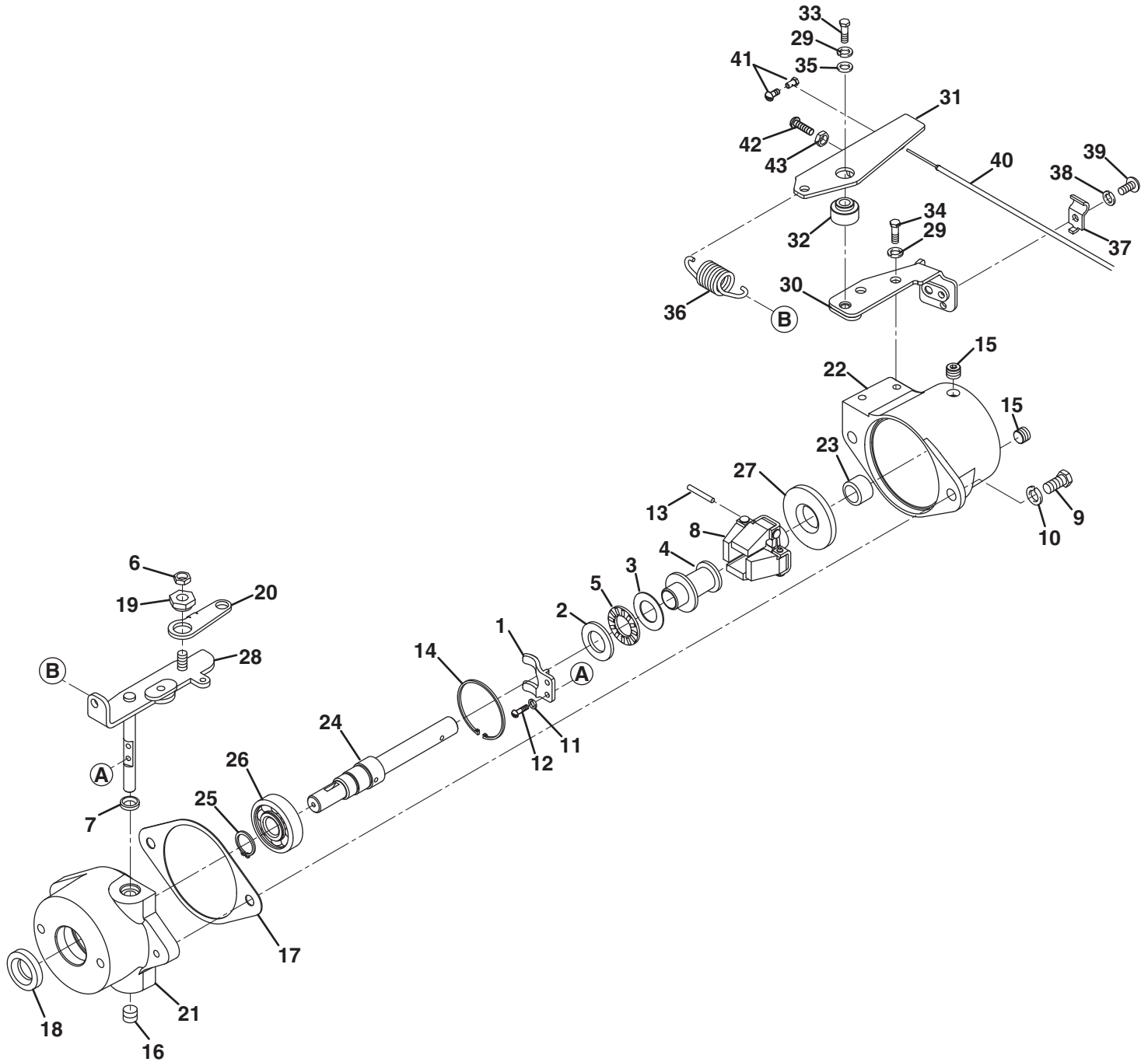
TURF TRUCKSTER

31.1 Gas Engine Governor

Serial No. 84056 All

Serial No. 84057 All

Serial No. 84061 All



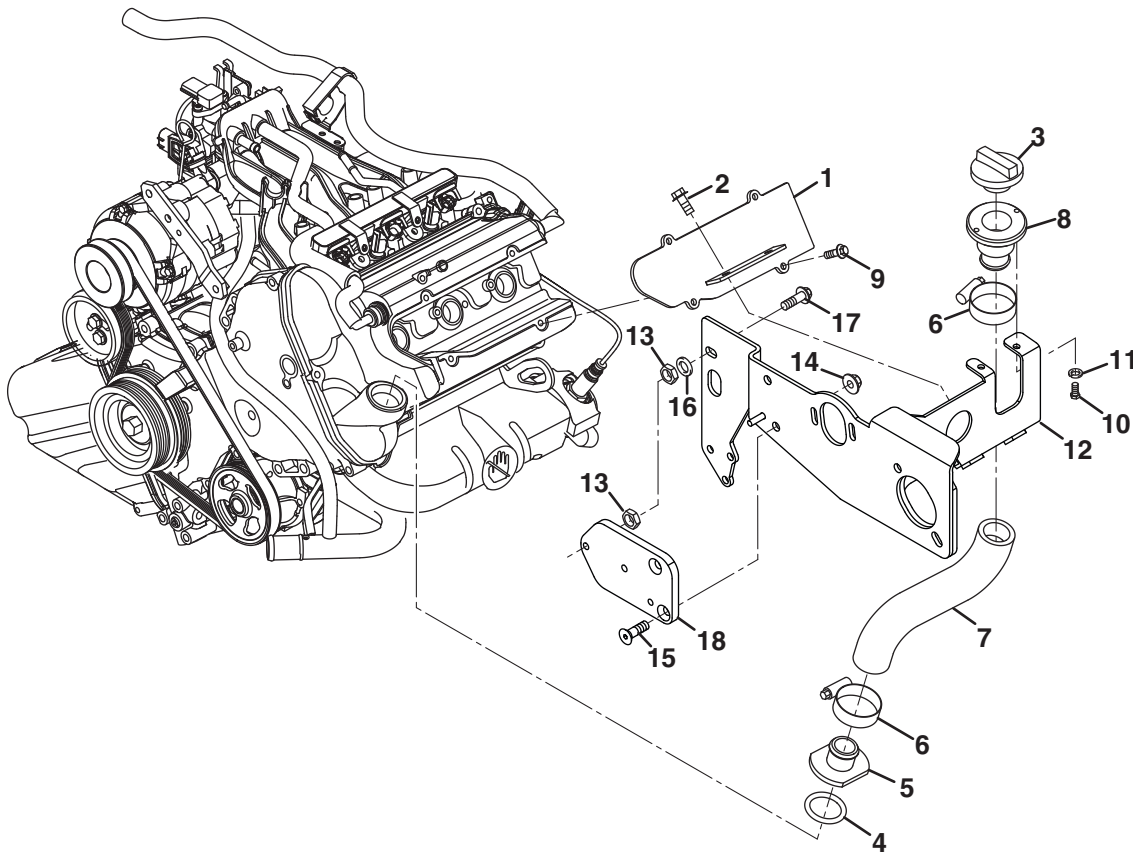
Item	Part No.	Qty.	Description	Serial Numbers/Notes
	4141425	1	Governor	
1	111812	1	• Yoke, Spool	
2	111814	1	• Washer, Thrust	
3	111816	1	• Washer, Thrust	
4	111817	1	• Spool, Governor	
5	112840	1	• Bearing, Thrust	
6	130728	1	• Nut, 1/4-20 Hex Jam	
7	111813	1	• Seal, Shaft	
8	160410	1	• Carrier & Weights	
9	302288	2	• Screw, 1/4-20 x 1 in. Hex Head	
10	306396	2	• Lockwasher, 1/4	
11	306506	2	• Lockwasher, #6	
12	306915	2	• Screw, #6-32 x 5/16 in. Machine	
13	603102	1	• Roll Pin, 1/8 x 3/4 in.	
14	548325	1	• Ring, Retaining	
15	800227	2	• Plug, 1/8 NPT	
16	800558	1	• Set Screw, 3/8-16 x 5/16 in.	
17	833056	1	• Gasket, Governor	
18	4189960	1	• Seal, Oil	
19	835271	1	• Nut, Governor Arm	
20	843537	1	• Bracket, Governor Knee	
21	4114867	1	• Head, Governor	
22	894471	1	• Reservoir, Governor	
23	833103	1	• • Bearing, Needle	
24	4150957	1	• Shaft, Governor Complete	
25	833104	1	• • Ring, Retaining	
26	833345	1	• • Bearing, Ball	
27	4115584	1	• Ring, Support	
28	2700525	1	• Lever, Governor Control	
29	306396	3	Lockwasher, 1/4	
30	894435	1	Bracket, Throttle	
31	894434	1	Arm	
32	843866	1	Bushing, Governor	
33	302288	1	Screw, 1/4-20 x 1 in. Hex Head	
34	00414G5	2	Screw, Hex Head	
35	308090	1	Flat Washer, 1/4	
36	833101	1	Spring, Extension	
37	111898	2	Clamp, Cable	
38	120052	1	Lockwasher, #6	
39	800271	1	Screw, #10-24 x 1/2 in. Pan Head	
40	844130	1	Governor Cable	See 5.1
41	817104	1	Stop, Wire	
42	800024	1	Screw, 1/4-20 x 1-1/2 in.	
43	306375	1	Nut, 1/4-20 Hex	

> Change from previous revision

TURF TRUCKSTER

32.1 Gas Engine Remote Oil Fill

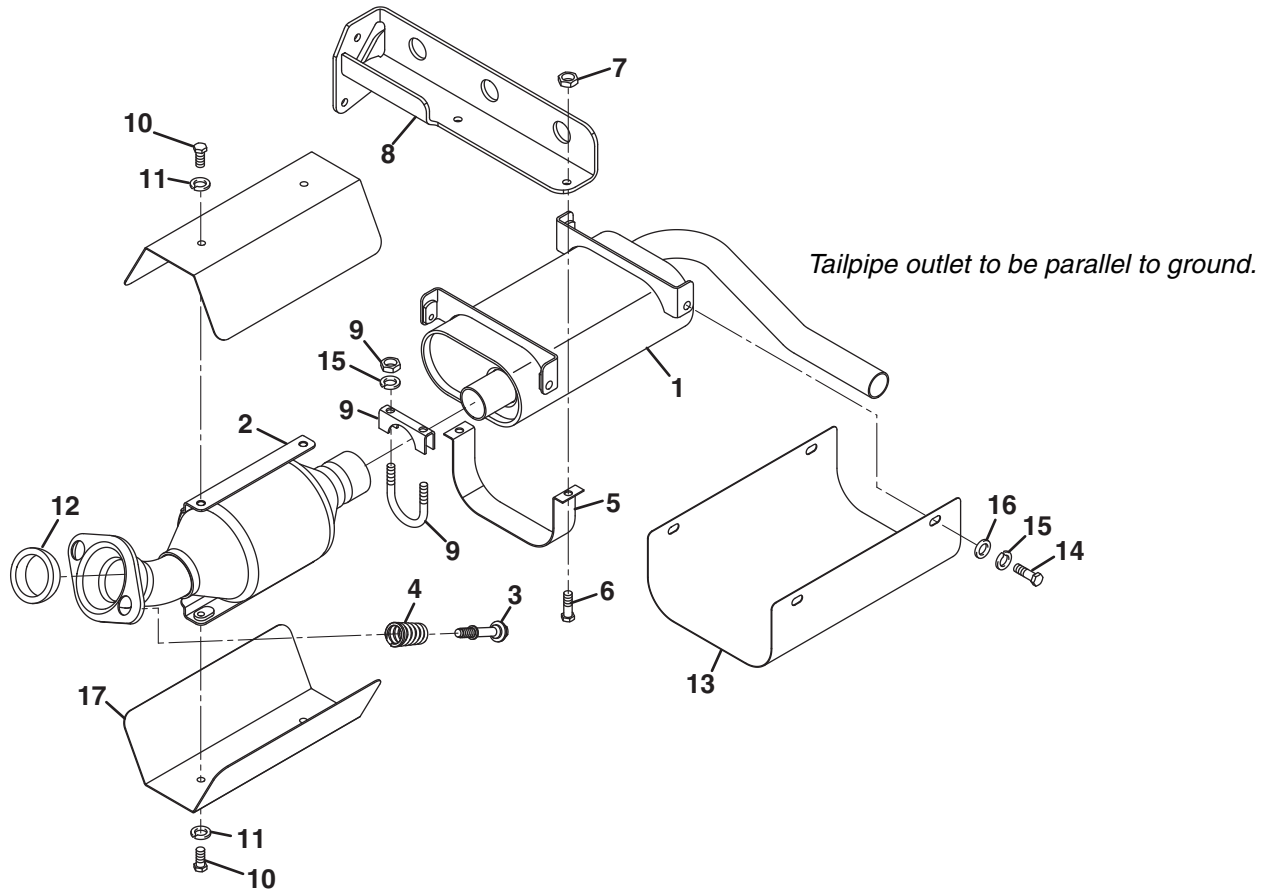
Serial No. 84056 All
 Serial No. 84057 All
 Serial No. 84061 All



Item	Part No.	Qty.	Description	Serial Numbers/Notes
1	4188041	1	Bracket, Valve Cover	Included with Engine See 27.1
2	548971	2	Screw, 5/16-18 x 5/8" Hex Flange	
3	4148202	1	Cap, Oil Fill	
4	843420	1	O-Ring	
5	843399	1	Adapter, Valve Cover	
6	836206	2	Clamp, 1-7/8" Worm Drive	
7	4139271	1	Hose, Remote Oil Fill	
8	2701640	1	Adapter, Oil Cap	
9	4117892	4	Screw, M6-1 x 16 mm Hex Flange	
10	800425	2	Screw, M6-1 x 12 mm Hex Head	
11	306396	2	Lockwasher, 1/4	
12	4188387	1	Bracket, Governor	
13	304632	2	• Nut, 3/8-16 Hex Jam	
14	548804	2	• Nut, 3/8-16 Whizlock	
15	548041	2	• Screw, 3/8-16 x 1" Flat Socket Head	
16	306981	1	• Flat Washer, 3/8	
17	800711	1	• Screw, 3/8-16 x 1-3/4" Hex Flange	
18	N/S	1	• Plate, Tensioner	

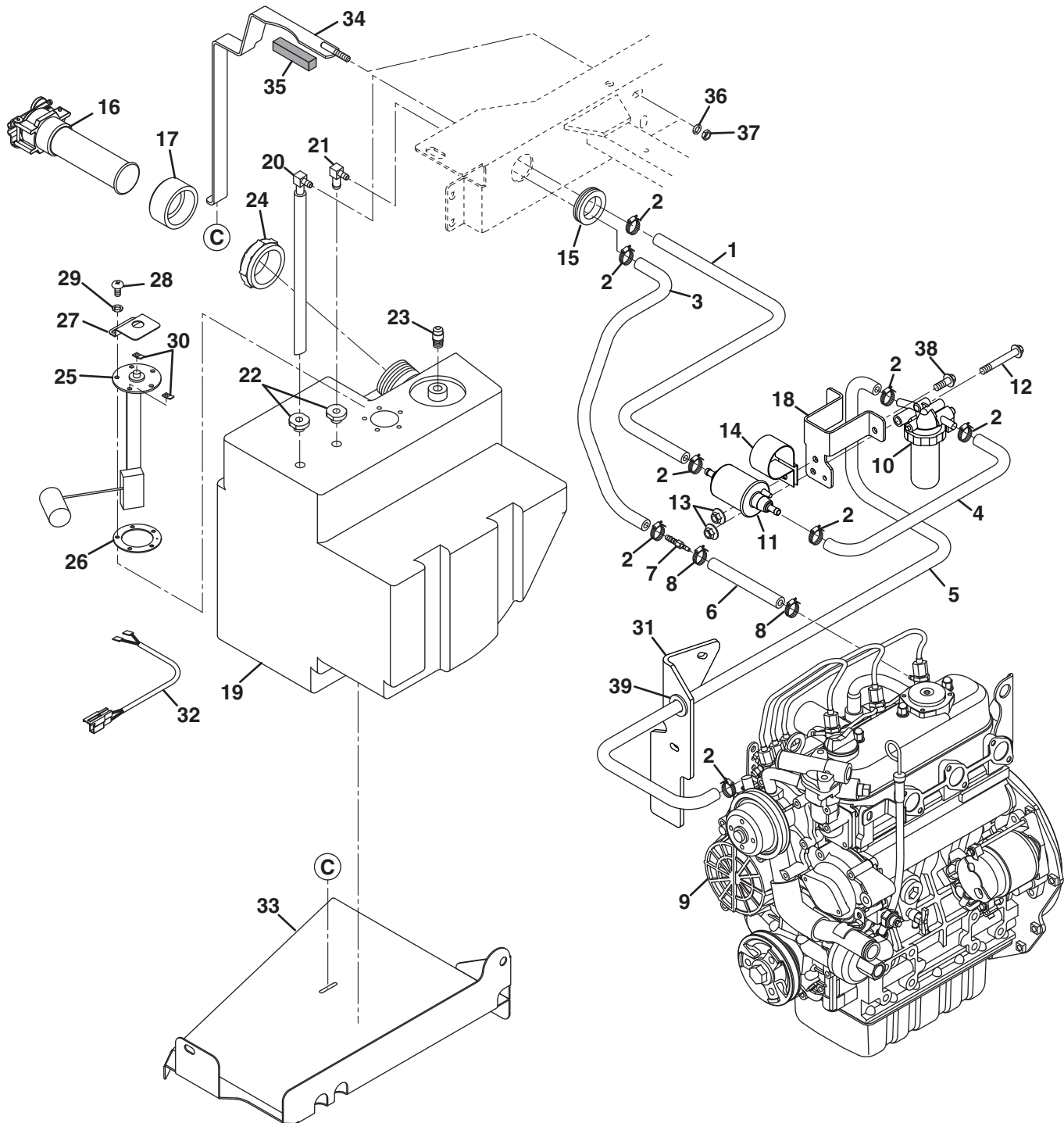
> Change from previous revision

33.1 Gas Engine Exhaust



Item	Part No.	Qty.	Description	Serial Numbers/Notes
1	4142914	1	Muffer	
2	4144338	1	Catalytic Converter	
3	2702502	2	Bolt, Muffler Flange	
4	2702501	2	Spring, Muffler Flange	
5	838295.8	1	Strap, Muffler Hanger	
6	450193	2	Screw, M8-1.25 x 30 mm Hex Head	
7	450378	2	Locknut, M8-1.25	
8	4150237	1	Bracket, Muffler	Attaches to Transmission Case
9	841982	1	Clamp, 1-1/2 in. Exhaust	
10	306419	4	Screw, 1/4-20 x 1/2 in. Hex Head	
11	306396	4	Lockwasher, 1/4	
12	4148153	1	Ring, Muffler Flange	
13	4121517.8	1	Shield, Muffler	
14	306450	4	Screw, 5/16-18 x 3/4 in. Hex Head	
15	306325	6	Lockwasher, 5/16	
16	103867	4	Flat Washer, 5/16	
17	4144336	2	Shield, Catalytic Converter	

> Change from previous revision



Item	Part No.	Qty.	Description	Serial Numbers/Notes
1	826590	1	Hose, Fuel Tank to Fuel Pump 5/16 in.	25 Foot Roll, Cut to 10 in.
2	4113022	8	Clamp, Hose	
3	826590	1	Hose, Fuel Return	25 Foot Roll, Cut to 21-1/2 in.
4	826590	1	Hose, Pump to Fuel Filter 5/16 in.	25 Foot Roll, Cut to 7 in.
5	826590	1	Hose, Fuel Filter to Engine 5/16 in.	25 Foot Roll, Cut to 19-1/2 in.
6	831039	1	Hose, Engine Fuel Return 3/16 in.	25 Foot Roll, Cut to 2-3/4 in.
7	4139967	1	Connector, 5/16 to 3/16 in. Hose	
8	825264	2	Clamp, Hose	
9	REF	1	Engine	
10	5001947	1	• Fuel Filter	
	550489	1	• • Element, Fuel Filter	
11	894638	1	Pump, Electric Fuel	
12	452394	1	Screw, M8-1.25 x 70 mm Flange	
13	450453	2	Nut, M8-1.25 Flange	
14	838154	1	Bracket, Fuel Pump Mounting	
15	829997	1	Grommet	
16	834691	1	Cap, Protectoseal	Optional Accessory
17	841853	1	Coupler, Gas Cap	Optional Accessory
18	4185540	1	Bracket, Fuel System	See 15.1
19	841969	1	Fuel Tank	
20	843726	1	• Tube, Fuel Pick Up	
21	843727	1	• Elbow, 90° Fuel	
22	84310	2	• Grommet, Fuel Tank	
23	836852	1	• Breather	
24	4179802	1	Cap, Diesel Fuel	
25	843298	1	Sender, Fuel Level	
26	829954	1	Gasket, Fuel Tank	
27	833953	1	Cover, Fuel Sender	
28	800021	5	Screw, #10-32 x 1/2 in. Pan Head	
29	120052	5	Lockwasher, #10	
30	829787	2	Terminal, 1/4 in. Male	
31	4174285	1	Bracket, Air Filter Mount	See 23.1
32	894201	1	Harness, Fuel Sender	
33	4117153.7	1	Support, Tank	See 14.1
34	4180601	1	Strap, Tank	
35	834005	1	Seal, Foam	
36	103867	1	Flat Washer, 5/16	
37	800221	1	Locknut, 5/16-18 Center	
38	452388	1	Screw, M8-1.25 x 20 mm Flange	
39	809231	1	Grommet, Split	

> Change from previous revision

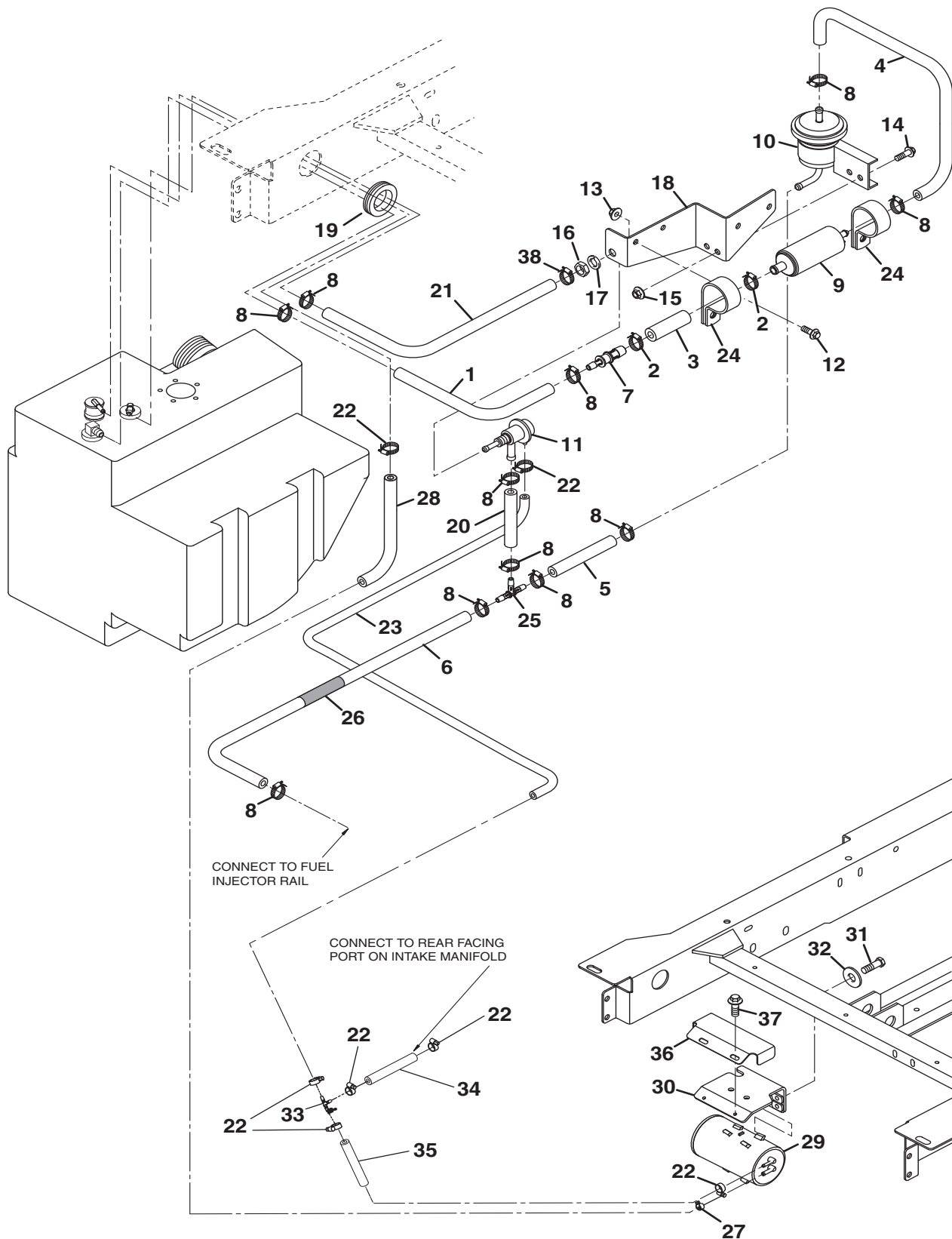
TURF TRUCKSTER

35.1 Gas Fuel System

Serial No. 84056 All

Serial No. 84057 All

Serial No. 84061 All



TURF TRUCKSTER

Item	Part No.	Qty.	Description	Serial Numbers/Notes
1	4166085	1	Hose, Fuel Tank to Adapter 5/16 in.	Cut to 14 in.
2	830930	2	Clamp, Hose	
3	4166086	1	Hose, Adapter to Pump 7/16 in.	Cut to 3 in.
4	4166085	1	Hose, Pump to Fuel Filter 5/16 in.	Cut to 9 in.
5	4166085	1	Hose, Fuel Filter to Tee 1/4 in.	Cut to 4-1/4 in.
6	4166085	1	Hose, Tee to Engine 1/4 in.	Cut to 29 in.
7	4113019	1	Adapter, 5/16 to 7/16 in. Hose	
8	4113022	10	Clamp, Hose Clutch Type .31 BS	
9	2700174	1	Pump, Electric Fuel	
10	2700176	1	Fuel Filter	
11	2700177	1	Regulator, Fuel	
12	452378	2	Screw, M6-1 x 20 mm Hex Flange	
13	450452	2	Nut, M6-1 Hex Flange	
14	800930	2	Screw, M8-1.25 x 16 mm Hex Flange	
15	450453	2	Nut, M8-1.25 Hex Flange	
16	800875	1	Nut, M12-1.25 Hex	
17	309067	1	Lockwasher, 1/2 in. External Tooth	
18	2701693.7	1	Bracket, Fuel Pump	See 15.1
19	829997	1	Grommet	
20	4166085	2	Hose, Adapter to Regulator 1/4	Cut to 2 in.
21	4166084	1	Hose, Tank Return to Adapter	Cut to 20 in.
22	825624	2	Clamp, Hose	
23	7326	1	Hose, Regulator to Tee	Cut to 2 in.
24	2700166	1	Clamp, Filter	
25	4113020	1	Adapter, 1/4 in. Tee	
26	7301	1	Flex Guard	Cut to 5 in.
27	18292-G1	1	Clamp, Tubing	
28	4166084	1	Hose, Rollover Valve to Canister	Cut to 17-1/2 in.
29	4170802	1	Canister, Carbon	
30	4172648	1	Bracket, Canister	
31	400188	2	Screw, 5/16 - 18 x 1 in. Hex HD	
32	452006	2	Washer, Flat	
33	4168143	1	Adapter, 5/32 in. Tee	
34	7326	1	Hose, Tee to Engine Intake Manifold	Cut to 20 in.
35	7326	1	Hose, Tee to Carbon Canister	Cut to 17-1/4 in.
36	4180501	1	Clamp, Canister	
37	452692	2	Screw, M6-1 x 12mm Taptite	
38	11391G4	1	Clamp, Hose	

> Change from previous revision

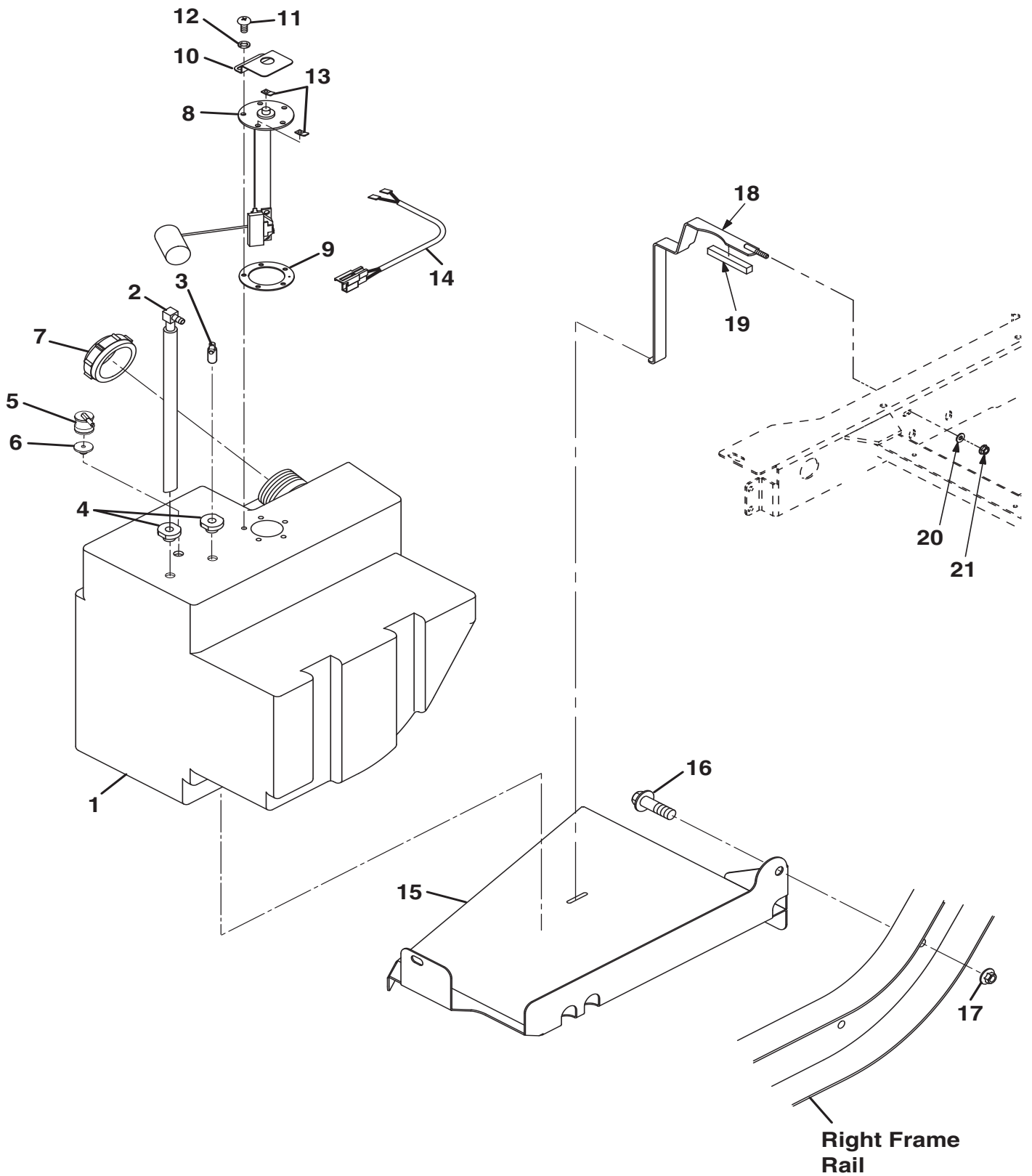
TURF TRUCKSTER

36.1 Gas Fuel System

Serial No. 84056 All

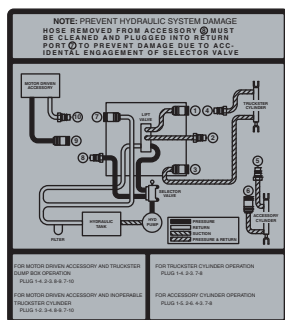
Serial No. 84057 All

Serial No. 84061 All



Item	Part No.	Qty.	Description	Serial Numbers/Notes
1	4166842	1	Fuel Tank AY	
2	843726	1	• Tube, Fuel Pick Up	
3	4166841	1	• Elbow, 90 1/4	
4	361117	2	• Bushing	
5	4170840	1	• Rollover Valve	
6	4168131		• Grommet, Fuel Tank	
7	4166840	1	Cap, Unvented Fuel Ratchet	
8	843298	1	Sender, FuelTank	
9	829954	1	Gasket, Fuel Tank	
10	833953	1	Cover, Fuel Sender	
11	800021	5	Screw, #10-32 x 1/2 in. Pan Head	
12	120052	5	Flat Washer	
13	829787	2	Terminal, Male	
14	894201	1	Harness, Fuel Sender	
15	4117153.7	1	Support, Fuel Tank	
16	452399	1	Screw, 5/16-18 x 3/4 in. Truss	
17	450454	3	Nut, M10-1.5 Hex Flange	
18	4180601	1	Strap Assembly, Fuel Tank	
19	834005	1	Seal, Foam	
20	103867	1	Washer, Flat	
21	800221	1	Nut, Hex Crownlock 5/16 - 24	

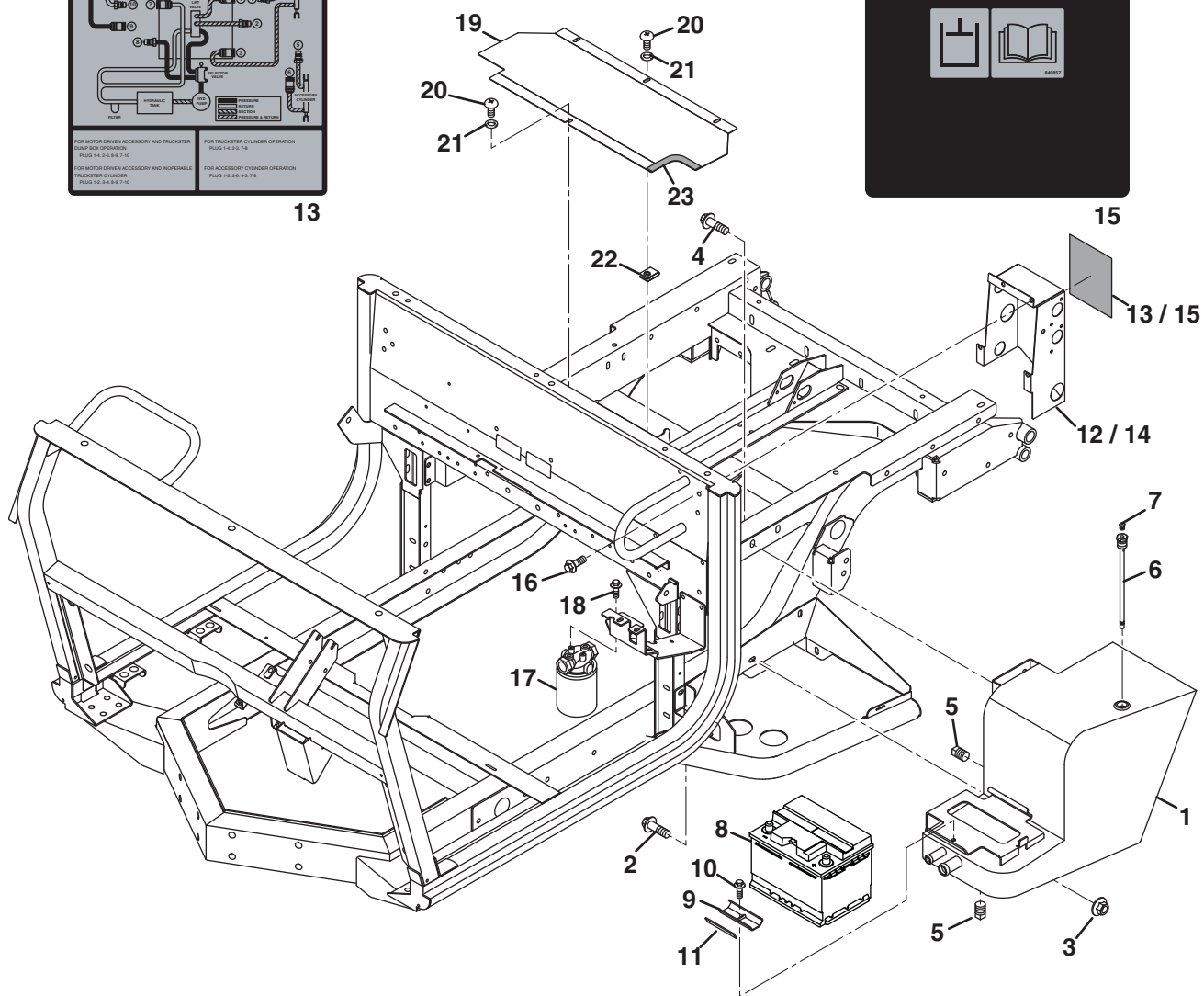
> Change from previous revision



13

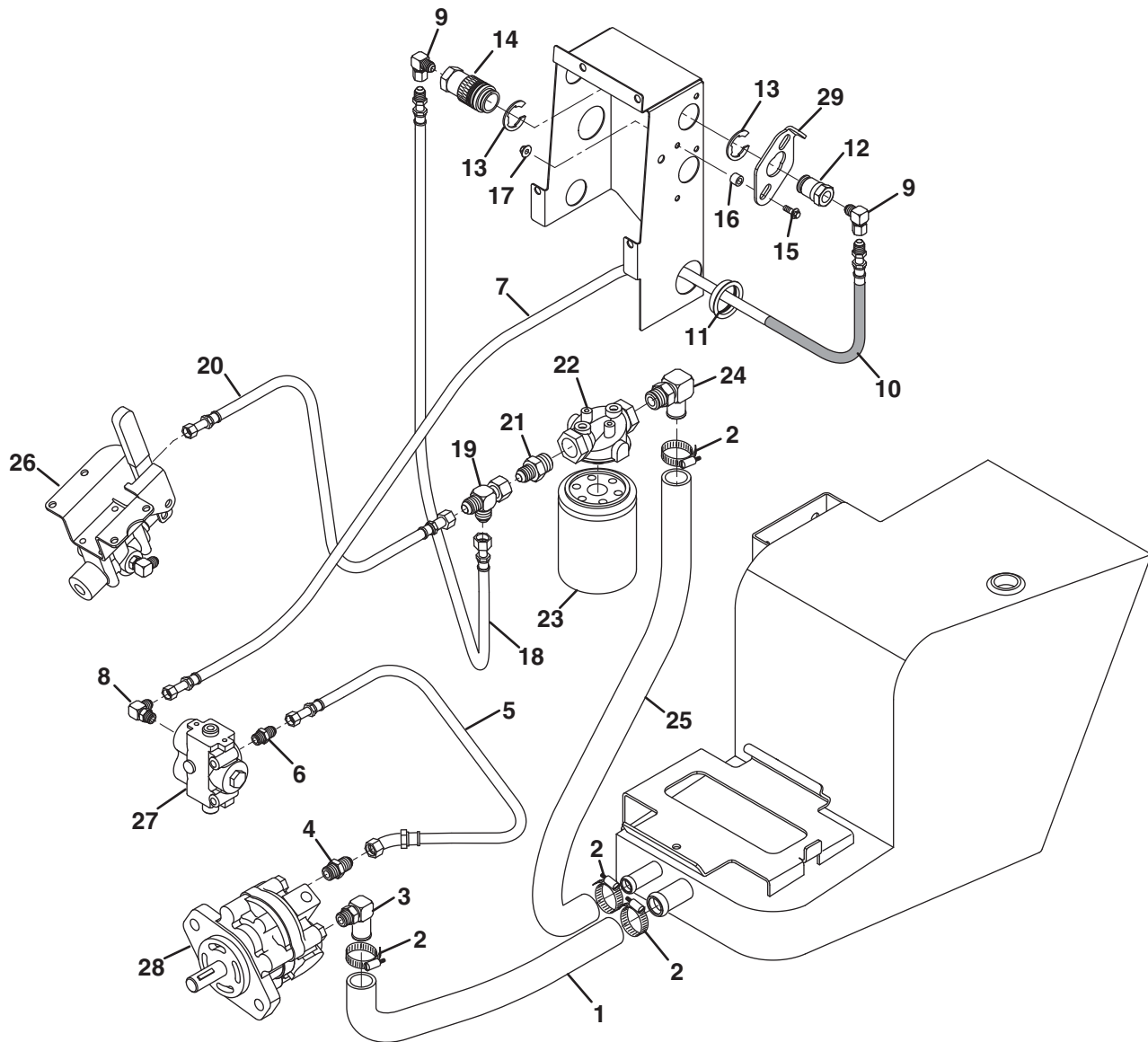


15



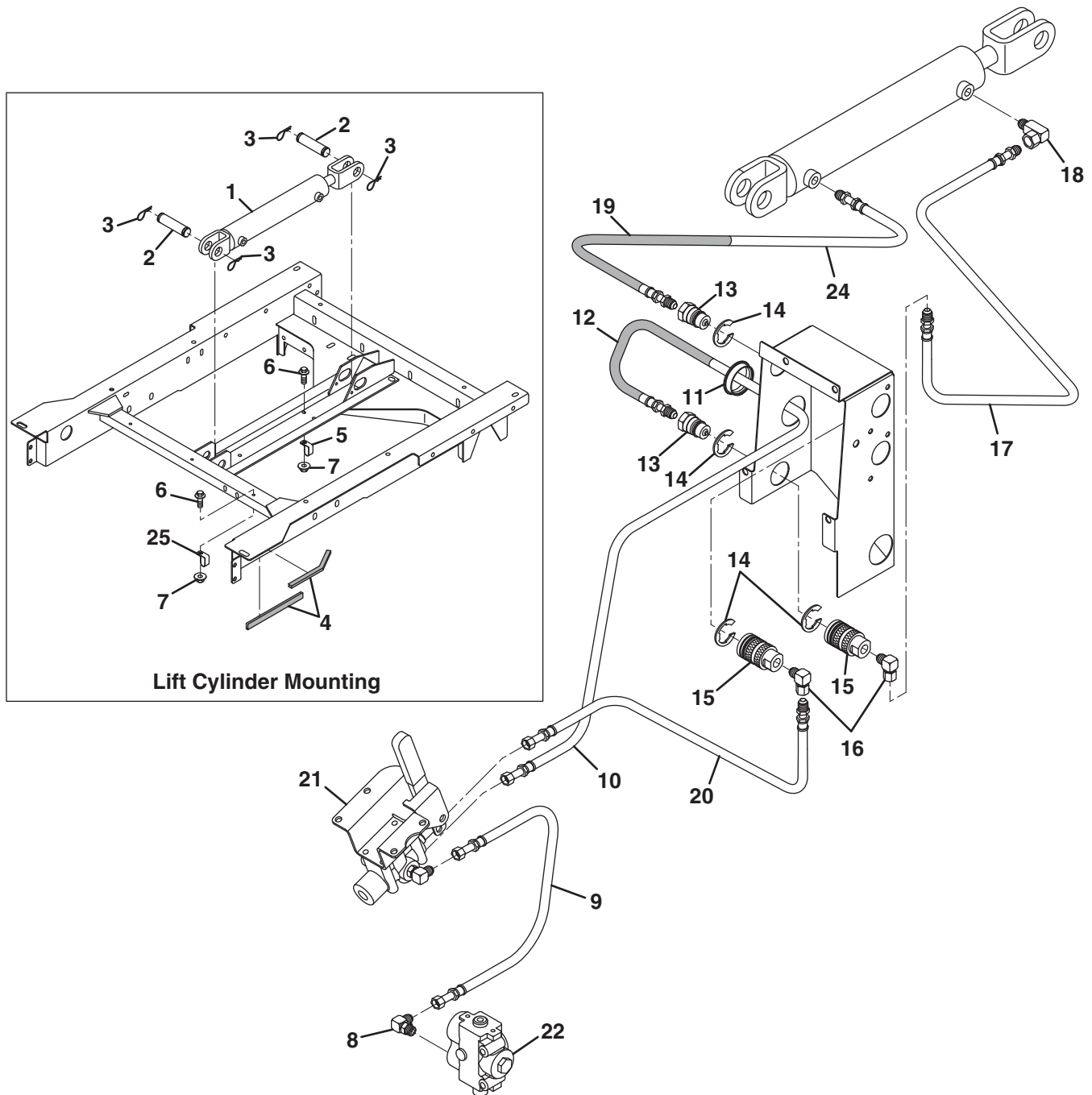
Item	Part No.	Qty.	Description	Serial Numbers/Notes
1	894675G01	1	Tank, Hydraulic	
2	452388	2	Screw, M8-1.25 x 20 mm Flange	
3	450453	2	Nut, M8-1.25 Hex Flange	
4	452399	2	Screw, M10-1.5 x 25 mm Flange	
5	800113	2	Plug, 1/2 NPT	
6	893539	1	Dipstick, Hydraulic Tank	
7	827486	1	Valve, Pressure Relief	
8	N/S	1	Battery, 12 Volt	
9	844601	1	Bracket, Battery Clamp	
10	452389	1	Screw, M8-1.25 x 25 mm Flange	
11	844729	AR	Spacer, Battery Clamp	Add as required to secure battery
12	2700800	1	Hydraulic Cover	Used on all, except 84064
13	837270	1	• Decal, Hydraulic Connections	
14	2700801	1	Hydraulic Cover, EC	Used on 84064 Only
15	840857	1	• Decal, Hydraulic Connections	
16	800930	4	Screw, M8-1.25 x 16 mm Flange	
17	REF	1	Hydraulic Filter	
18	548827	2	Screw, 1/4-20 x 1/2 in. Hex Flange	
19	2701107.7	1	Panel, Access	Diesel Vehicles
19	841805	1	Panel, Access	Gas Vehicles
20	300646	4	Screw, 1/4-20 x 3/4 in. Truss	
21	308090	4	Flat Washer, 1/4	
22	800279	4	Nut, 1/4-20 Speed	
23	821893	1	Trim, Push On	

> Change from previous revision



Item	Part No.	Qty.	Description	Serial Numbers/Notes
1	844564	1	Hose, Tank to Filter	
2	836206	4	Clamp, Hose	
3	844583	1	Fitting, 90°	
4	844566	1	Fitting, Straight	
5	844628	1	Hose, Pump to Selector Valve	
6	844652	1	Fitting, 9/16-18 x 3/4-16 Straight	
7	844600	1	Hose, Selector Valve to Coupler	
8	844571	1	Fitting, 9/16-18 x 3/4-16 90°	
9	835101	2	Fitting, 3/8 in. NPT 90°	
10	840877	1	Sleeve, Nylon	
11	844584	1	Bushing, Flip Lock	
12	894702	1	Coupler Half, Dry Seal Male	
13	832414	2	Ring, Retaining	
14	894701	1	Coupler Half, Dry Seal Female	
15	452380	2	Screw, M6-1 x 00 mm Flange	
16	844973	2	Bushing	
17	450452	2	Nut, M6-1 Hex Flange	
18	844600	1	Hose, Coupler to Filter	
19	844627	4	Fitting, 3/4-16 Tee	
20	4118760	1	Hose, Control Valve to Filter	
21	844590	1	Fitting, 3/4-16 x 1-1/16-12 Straight	
22	894691	1	Head, Filter	
23	885249	1	Filter Element	
24	523768	1	Fitting, 90°	
25	844565	1	Hose, Filter to Tank	
26	REF	1	Control Valve	See 6.1
27	894696	1	Selector Valve	See 6.1
	4156544	1	• Seal Kit	
28	887994	1	Pump, Hydraulic	
	306560	1	• Key, Woodruff #5	
	887017	1	• Seal Kit	
29	844937	1	Plate, Coupler Retainer	
30	320107	2	Tie, 7-1/2 in. Cable	Not Shown, Secures Nylon Sleeve

> Change from previous revision



Item	Part No.	Qty.	Description	Serial Numbers/Notes
1	882993	1	Cylinder, Dump Box	
	883236	1	• Seal Kit	Texas Hydraulics
	884574	1	• Seal Kit	Columbus Hydraulics
	886001	1	• Seal Kit	DANA Hydraulics
2	830810	2	Pin, Clevis	
3	809265	4	Hair Pin	
4	821893	AR	Trim, Push On	
5	817320	1	Clamp, Hose	
6	452378	2	Screw, M6-1 x 20 mm Hex Flange	
7	450452	2	Nut, M6-1 Hex Flange	
8	826558	1	Fitting, 9/16-18 90°	
9	844019	1	Hose, Selector Valve to Control Valve	
10	4124567	1	Hose, Control Valve to Coupler	Control Valve Port B
11	844584	1	Bushing, Flip Lock	
12	840877	1	Sleeve, Nylon	
13	832408	2	Coupler Half, Male	
14	832414	4	Ring, Retaining	
15	832409	2	Coupler Half, Female	
16	835101	2	Fitting, 3/8 in. NPT 90°	
17	832900	1	Hose, Lift Cylinder to Coupler	
18	823119	1	Fitting, 1/4 in. NPT	
19	840877	1	Sleeve, Nylon	
20	844598	1	Hose, Control Valve to Coupler	Control Vale Port A
21	REF	1	Control Valve	See 6.1
22	REF	1	Selector Valve	See 6.1
23	320107	4	Tie, 7-1/2 in. Cable	Not Shown, Secures Nylon Sleeve
24	4124568	1	Hose, Lift Valve to Coupler	
25	842800	1	Clamp, Hose	

> Change from previous revision

Item	Part No.	Qty.	Description	Serial Numbers/Notes
1	450452	4	Nut, M6-1 Hex Flange	
2	452378	2	Screw, M6-1 x 20 mm Hex Flange	
3	2701465	1	Solenoid, Starter	
	120052	2	• Lockwasher, #10	
	132520	2	• Nut, #10-32 Hex	
	306325	2	• Lockwasher, 5/16	
	306932	2	• Nut, 5/16-18 Hex	
4	844167	1	Bracket, Horn, Brake Fluid Reservoir	
5	800943	7	Screw, #10-16 x 3/4 in. Thread Cutting	
6	886425	1	Horn	
7	800934	3	Screw, M6-1 x 16 mm Hex Flange	
8	894266	1	Harness, Main	See 52.1
9	843942	1	Socket, 12V Accessory Plug	
10	4152157	1	Panel, Instrument with Tachometer	
11	890000	1	Buzzer, High Temperature	Located inside front clip, behind dash panel
12	831225	4	Clamp, Wire Harness	
13	306419	2	Screw, 1/4-20 x 1/2 in. Hex Head	
14	306488	1	Lockwasher, 1/4 External Tooth	
15	828231	1	Insulator	
16	548175	1	Flat Washer, 1/4	
17	4183303	1	Positive (RED) Battery Cable	
18	4183301	1	Negative (BLACK) Battery Cable	Battery to Transmission
19	306325	1	Lockwasher, 5/16	
20	450324	1	Nut, M8-1.25 Hex	
21	894602	1	Cable, 32 in. Ground	Transmission to Right Frame Rail
22	450453	1	Nut, M8-1.25 Hex Flange	
23	452388	1	Screw, M8-1.25 x 20 mm Flange	
24	306396	1	Lockwasher, 1/4	

> Change from previous revision

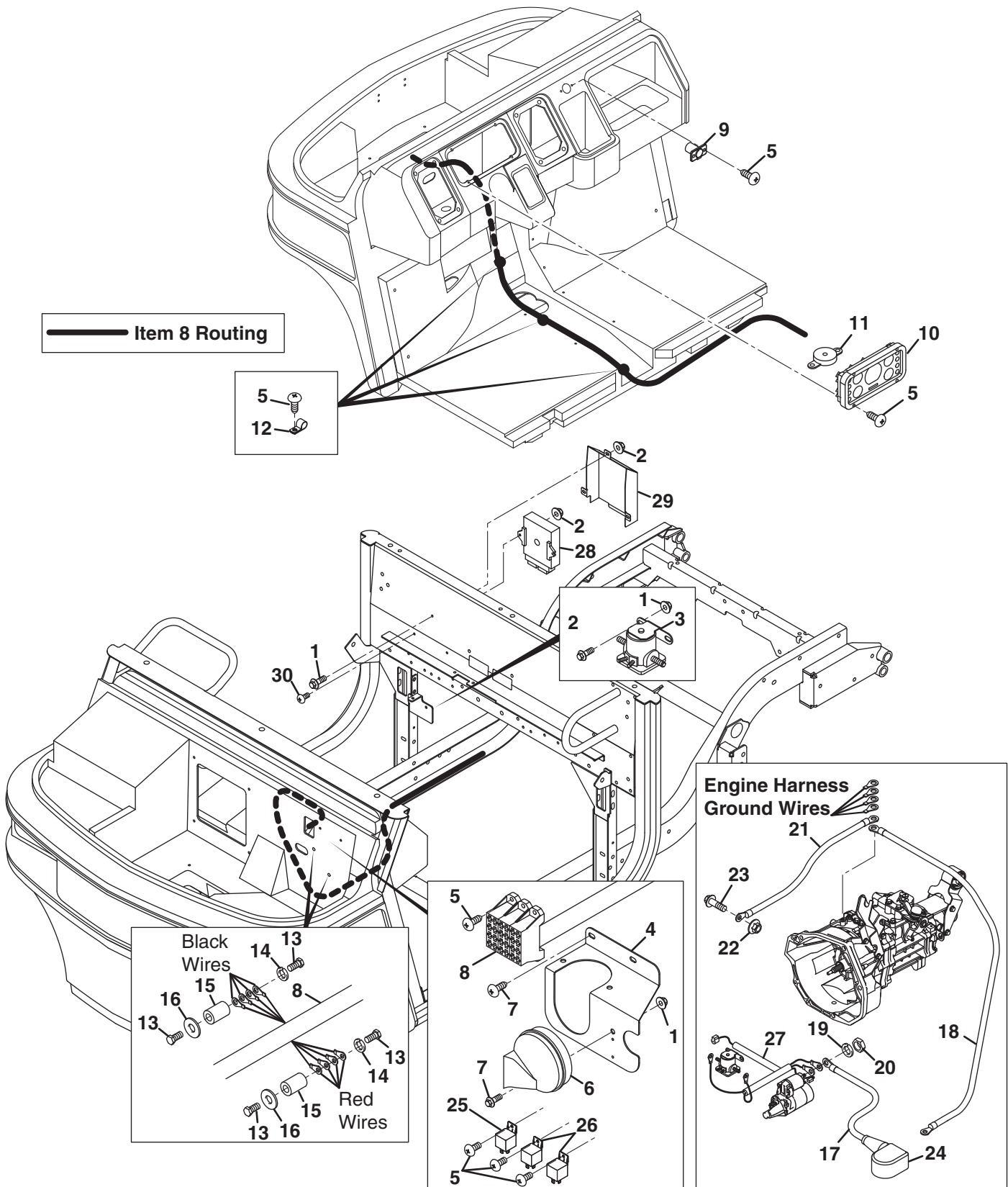
TURF TRUCKSTER

41.1 Gas Electrical Components

Serial No. 84056 All

Serial No. 84057 All

Serial No. 84061 All



Item	Part No.	Qty.	Description	Serial Numbers/Notes
1	450452	8	Nut, M6-1 Hex Flange	
2	452378	5	Screw, M6-1 x 20 mm Hex Flange	
3	2701464	1	Solenoid, Starter	
	120052	2	• Lockwasher, #10	
	132520	2	• Nut, #10-32 Hex	
	306325	2	• Lockwasher, 5/16	
	306932	2	• Nut, 5/16-18 Hex	
4	844167	1	Bracket, Horn, Brake Fluid Reservoir	
5	800943	7	Screw, #10-16 x 3/4 in. Thread Cutting	
6	886425	1	Horn	
7	800934	3	Screw, M6-1 x 16 mm Hex Flange	
8	4115709	1	Harness, Main	See 52.1
9	843942	1	Socket, 12V Accessory Plug	
10	4152157	1	Panel, Instrument with Tachometer	
11	890000	1	Buzzer, High Temperature	Located inside front clip, behind dash panel
12	831225	4	Clamp, Wire Harness	
13	306419	4	Screw, 1/4-20 x 1/2 in. Hex Head	
14	306488	2	Lockwasher, 1/4 External Tooth	
15	828231	1	Insulator	
16	548175	2	Flat Washer, 1/4	
17	4183304	1	Positive (RED) Battery Cable	Manual Transmission
17	4183303	1	Positive (RED) Battery Cable	Automatic Transmission
18	4183301	1	Negative (BLACK) Battery Cable	Battery to Manual Transmission
18	4183302	1	Negative (BLACK) Battery Cable	Battery to Automatic Transmission
19	306325	1	Lockwasher, 5/16	
20	450324	1	Nut, M8-1.25 Hex	
21	894602	1	Cable, Frame Ground	Manual Transmission
21	884513	1	Cable, Frame Ground	Automatic Transmission
22	450453	1	Nut, M8-1.25 Hex Flange	
23	452389	1	Screw, M8-1.25 x 25 mm Flange	
24	4154081	1	Cover, Positive Battery Terminal	
25	2700867	1	Relay, EFI 12 V 70A SP	
26	843167	2	Relay, 12V 15A DPST	
27	4116017	1	Harness, Generator	
28	4147117	1	Controller, EFI Engine	Manual Transmission
28	4147118	1	Controller, EFI Engine	Automatic Transmission
29	2700993G01	1	Cover, Engine Controller	
30	450544	2	Screw, M6 x 30 mm Pan Head	

> Change from previous revision

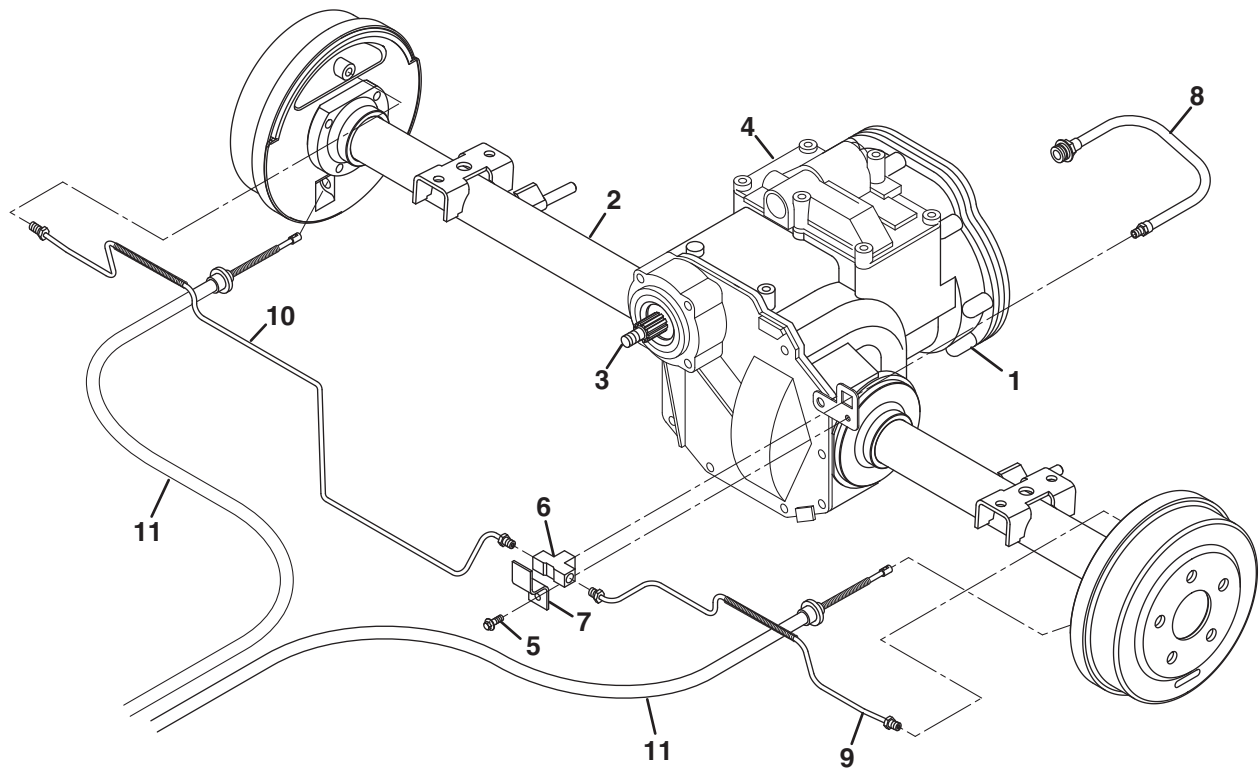
TURF TRUCKSTER

42.1 Differential Assembly

Serial No. All

Part Number 894826 (14.21:1 Differential)

Part Number 894825 (11.16:1 Differential)



Item	Part No.	Qty.	Description	Serial Numbers/Notes
	894826	1	Differential Assembly	14.21:1 Differential
	894825	1	Differential Assembly	11.16:1 Differential
1	891829	1	• Differential Housing	See 43.1
2	N/S	1	• Axle Tubes and Shafts	See 44.1
3	N/S	1	• Input, Main and Jack Shaft	See 46.1
4	N/S	1	• Front and Shift Cover	See 45.1
5	112050	1	Screw, 1/4-20 x 5/8 in. Self Tap	
6	841842	1	Fitting, Hydraulic Brake Tee	
7	832584	1	Clamp, Tee Fitting	
8	841844	1	Hose, Brake	
9	841838	1	Tube, Left Side Brake	
10	841837	1	Tube, Right Side Brake	
11	893583	2	Cable, Parking Brake	

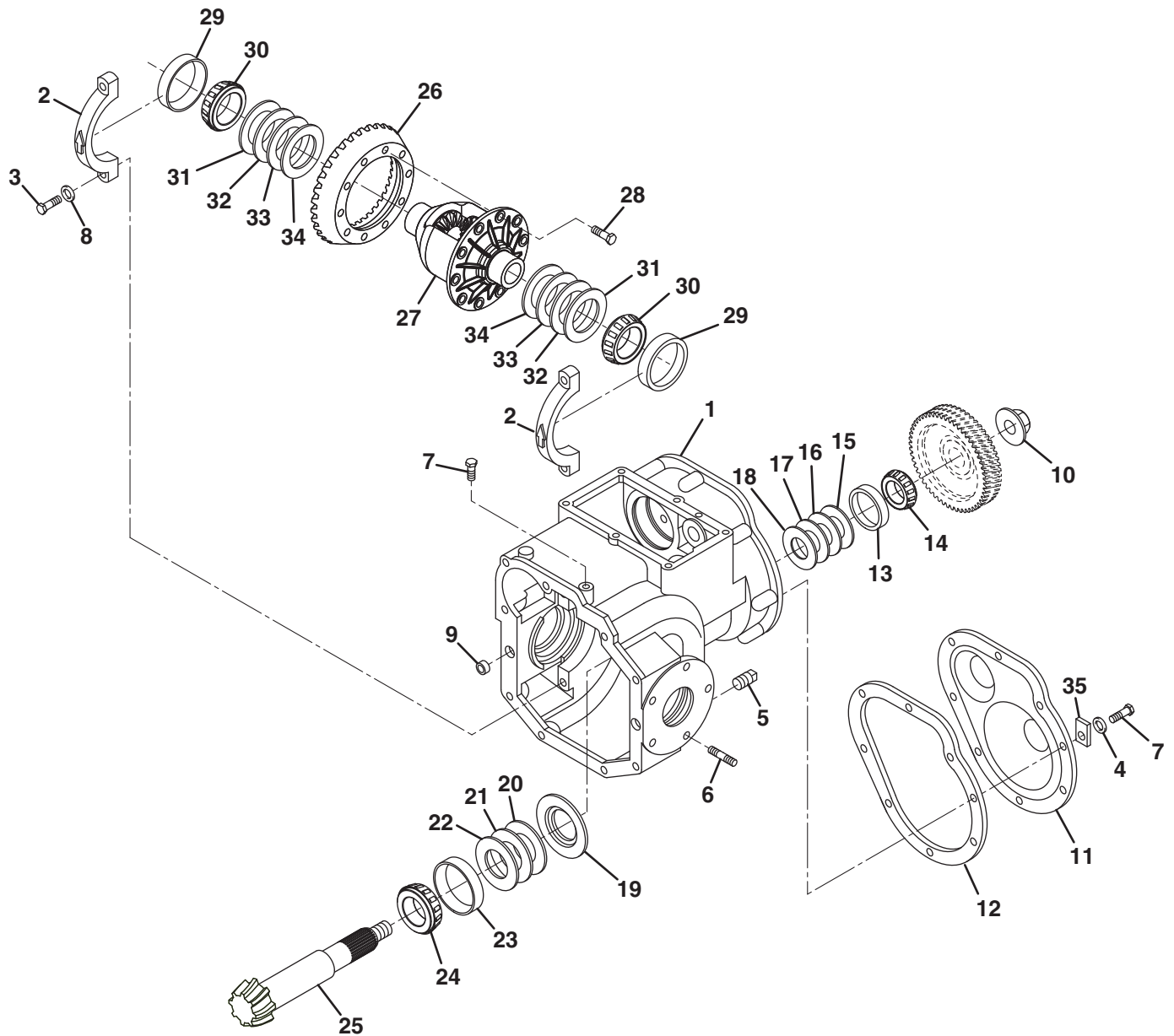
> Change from previous revision

TURF TRUCKSTER

43.1 Differential Housing

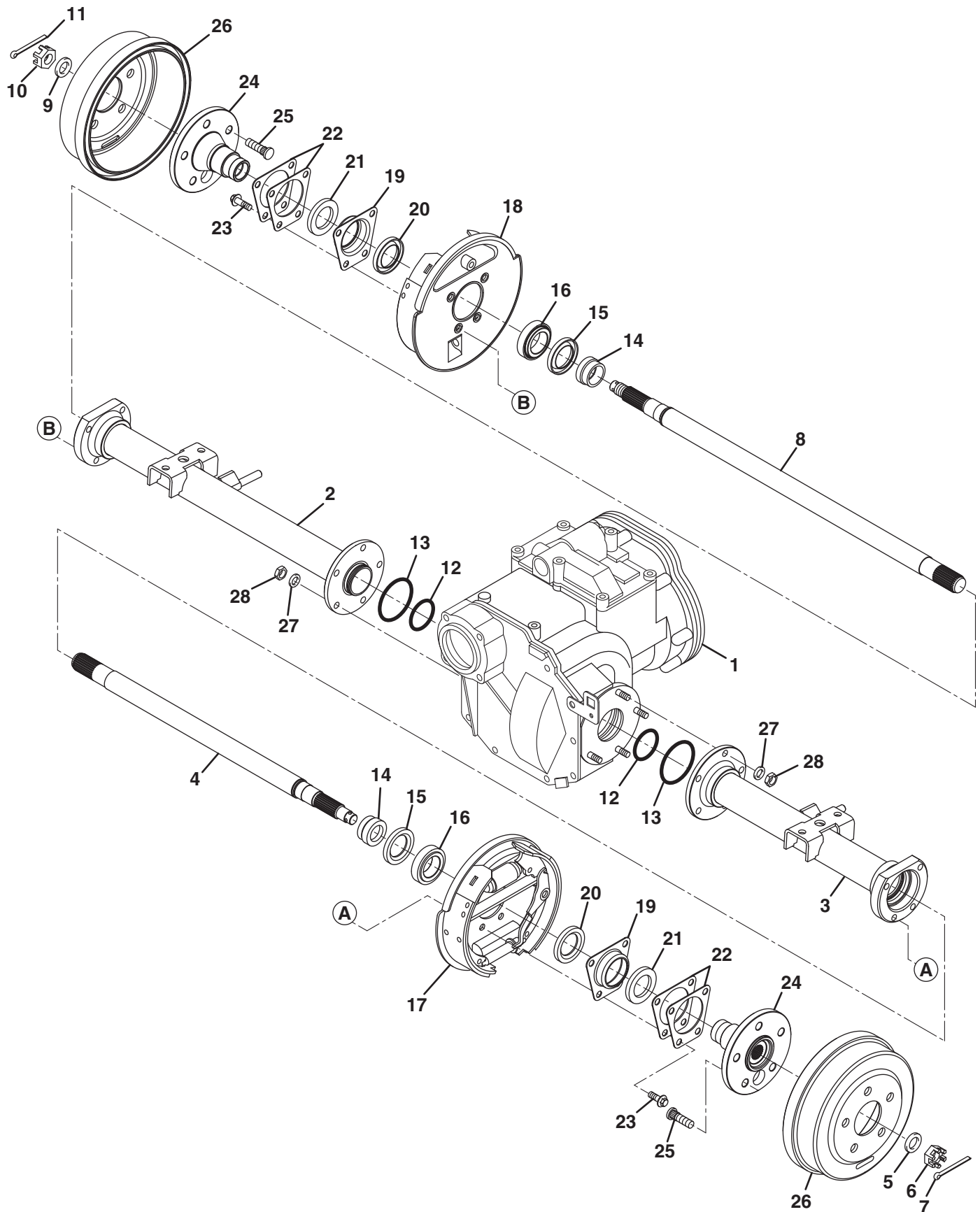
Part Number 891829

Serial No. All



Item	Part No.	Qty.	Description	Serial Numbers/Notes		
1	891829	1	Differential Housing			
2	N/S	2	• Bearing Caps			
3	306829	4	• Screw, 7/16-14 x 2 in. Hex Head			
4	103867	8	• Flat Washer, 5/16			
5	111074	1	• Plug, Drain			
6	111758	10	• Stud, 3/8-16 & 3/8-24 x 1-23/32			
7	306416	9	• Screw, 5/16-18 x 7/8 in. Hex Head			
8	306982	4	• Flat Washer, 7/16			
9	517226	2	• Bushing			
10	800973	1	• Nut, 3/4-16 Hex Lock			
11	836443	1	• Rear Cover			
12	2702146	1	• Spacer, Differential		Used on 14.21:1 Differential Only	
13	814476	1	• Cup, Bearing (2-17/32 in. O.D.)			
14	836680	1	• Cone, Bearing (1-1/8 in. I.D.)			
15	836688	AR	• Shim, .003 Thick		Add or remove shims as required to adjust gear backlash	
16	836689	AR	• Shim, .005 Thick			
17	836690	AR	• Shim, .010 Thick			
18	836691	AR	• Shim, .030 Thick			
19	836692	1	• Baffle, Oil			
20	836685	AR	• Shim, .003 Thick		Add or remove shims as required to adjust gear backlash	
21	836686	AR	• Shim, .005 Thick			
22	836687	AR	• Shim, .010 Thick			
23	836677	1	• Cup, Bearing (2.84 in. O.D.)			
24	836678	1	• Cone Bearing (1-3/8 in. I.D.)			
25	889870	1	• Gear Set			
26	N/S	1	• • Pinion Gear and Shaft			
	N/S	1	• • Ring Gear			
27	889871	1	• Differential Carrier			
28	800717	10	• Screw, 3/8-24 x 13/16 Hex Head			
29	836675	2	• Cup, Bearing (2.89 in. O.D.)			
30	836676	2	• Cone, Bearing, (1-5/8 in. I.D.)			
31	836681	AR	• Shim, .003 Thick			Add or remove shims as required to adjust gear backlash
32	836682	AR	• Shim, .005 Thick			
33	836683	AR	• Shim, .010 Thick			
34	836684	AR	• Shim, .030 Thick			
35	839948	1	Tag, 14.21:1 Ratio			

> Change from previous revision



Item	Part No.	Qty.	Description	Serial Numbers/Notes
1	894826	1	Differential Assembly	14.21:1 Differential
1	894825	1	Differential Assembly	11.16:1 Differential
2	2702535.7	1	• Tube, Right Side Axle	
3	2702534.7	1	• Tube, Left Side Axle	
4	2700530	1	• Left Side Axle Assembly	
	2700514	1	• • Shaft, Left Side Axle	
5	845356	1	• • Washer	
6	800743	1	• • Nut, 5/8-18 Slotted Hex	
7	304636	1	• • Cotter Pin, 1/8 x 1-1/8 in.	
8	2700531	1	• Right Side Axle Assembly	
	2700515	1	• • Shaft, Right Side Axle	
9	845356	1	• • Washer	
10	800743	1	• • Nut, 5/8-18 Slotted Hex	
11	304636	1	• • Cotter Pin, 1/8 x 1-1/8 in.	
12	836694	2	• Seal, 1-3/4 in. I.D. O-Ring	
13	2703481	2	• Seal, 2 in. I.D. O-Ring	
14	4171761	2	• Collar, Axle Bearing	
15	838539	2	• Seal, Oil	
16	836695	2	• Bearing, Tapered Roller	
17	893581	1	• Left Side Brake Assembly	Includes Parking Brake Lever
	894930	1	• • Kit, Brake Cylinder	Replacement of Cylinder
	894931	1	• • Kit, Brake Cylinder Repair	Repair of Cylinder
	894932	1	• • Kit, Brake Shoe	Includes Left and Right sides
	894933	1	• • Kit, Left Side Spring	
	894935	1	• • Kit, Left Side Adjuster Repair	
18	893582	1	• Right Side Brake Assembly	Includes Parking Brake Lever
	894930	1	• • Kit, Brake Cylinder	Replacement of Cylinder
	894931	1	• • Kit, Brake Cylinder Repair	Repair of Cylinder
	894932	1	• • Kit, Brake Shoe	Includes Left and Right sides
	894934	1	• • Kit, Right Side Spring	
	894936	1	• • Kit, Right Side Adjuster Repair	
19	893519	2	• Retainer , Complete	
20	838539	1	• • Seal, Oil	
21	2703309	2	• Washer, Hardened	
22	844813	4	• Ring, Backing	
23	800944	8	• Screw, M10-1.5 x 25 mm	
24	2701408	2	• Hub, Rear Wheel	
25	800908	5	• • Bolt, Wheel	
26	841430	2	• Drum, Brake	
27	306405	10	• Washer, 3/8	
28	805387	10	• Locknut, 3/8-24 Special	

> Change from previous revision

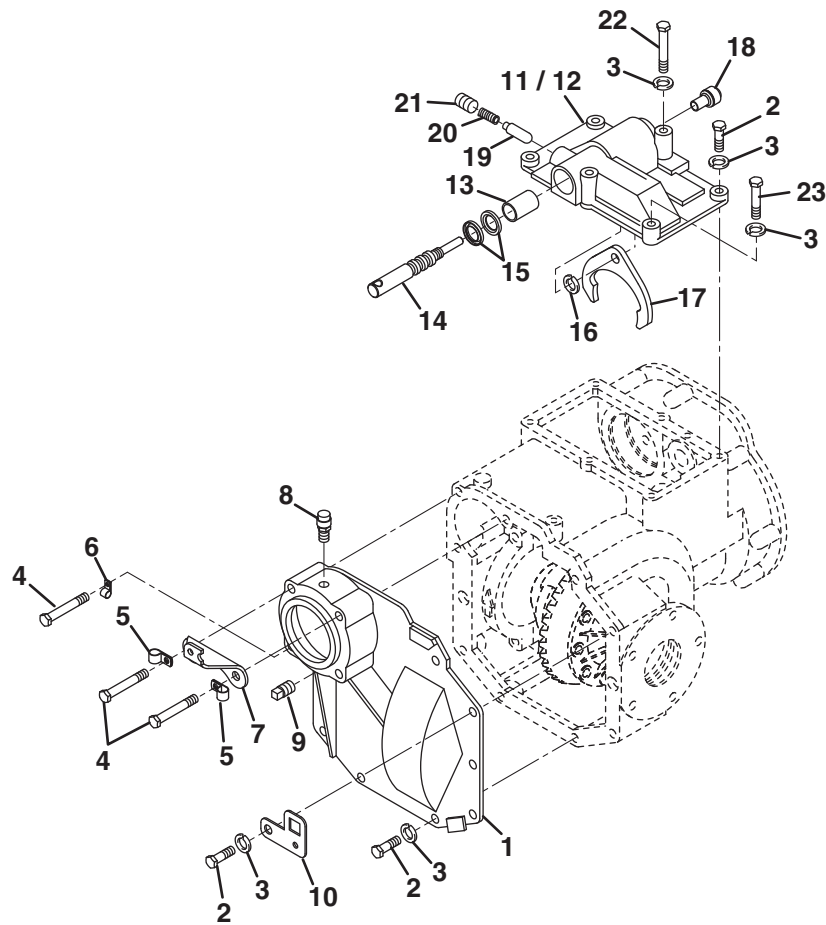
TURF TRUCKSTER

45.1 Front and Shifter Cover

Serial No. All

14.21:1 Differential (894826)

11.16:1 Differential (894825)



Item	Part No.	Qty.	Description	Serial Numbers/Notes
1	836431	1	Cover, Front	14.21:1 Differential Only Right Side Brake Tube
2	306322	12	Screw, 5/16-18 x 7/8 in. Hex Head	
3	103867	14	Flat Washer, 5/16	
4	307776	3	Screw, 3/8-16 x 2-3/4 in. Hex Head	
5	810437	2	Clamp, 1/2 in. P	
6	810435	1	Clamp	
7	836841	1	Bracket, Shift Cable	
8	836852	1	Breather	
9	111074	1	Plug, Fill	
10	836959	1	Bracket, Brake Tee Mounting	
11	889780	1	Shift Cover Assembly	
12	889925	1	• Cover	
13	N/S	1	• • Bushing	
14	836658	1	• Shaft, Shift	
15	831099	2	• Seal, Oil	
16	548937	1	• Lockwasher, 7/16	
17	836657	1	• Fork, Shift	
18	836662	1	• Bushing, Guide	
19	807366	1	• Button, Positioning	
20	2700493	1	• Spring	
21	548204	1	• Set Screw, 3/8-16 x 3/8 in.	
22	306423	2	Screw, 5/16-18 x 1-3/4 in. Hex Head	
23	306435	1	Screw, 5/16-18 x 1-1/4 in. Hex Head	

> Change from previous revision

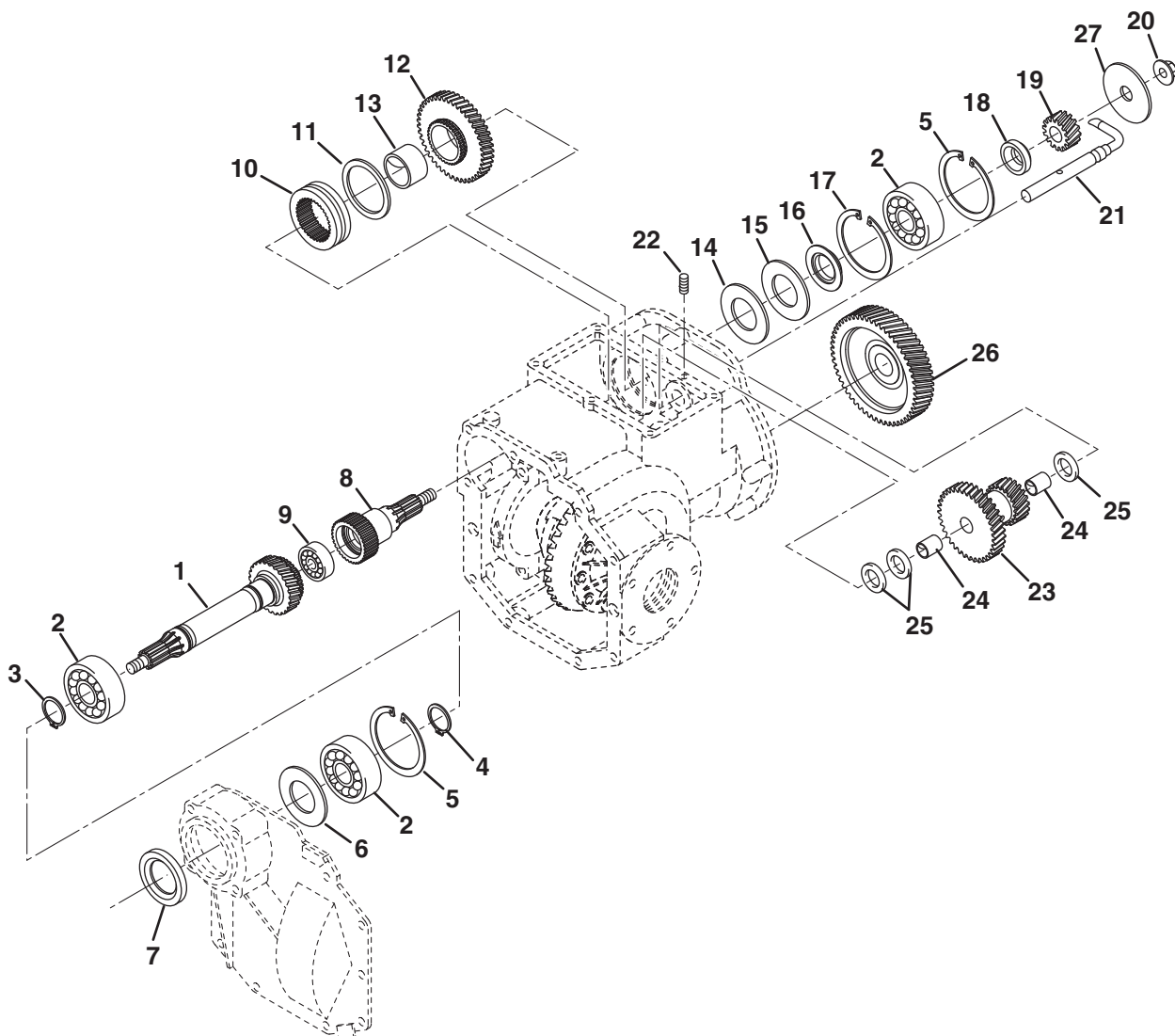
TURF TRUCKSTER

46.1 Input, Main and Jack Shafts

Serial No. All

14.21:1 Differential (894826)

11.16:1 Differential (894825)



Item	Part No.	Qty.	Description	Serial Numbers/Notes
1	836421	1	Shaft, Input	
2	836693	3	Bearing, Ball	
3	809254	1	Ring, External Retaining	
4	800695	1	Ring, External Retaining	
5	800737	2	Ring, Internal Retaining	
6	837020	1	Baffle, Vent	
7	812335	1	Seal, Oil	
8	836422	1	Shaft, Main	
9	812009	1	Bearing, Ball	
10	836429	1	Collar, Engaging	
11	844956	1	Bearing, Bronze Thrust	
12	894886	1	Gear, Driven	
13	812006	1	• Bushing	
14	811993	1	Bearing, Thrust	
15	844951	AR	Shim, .003 Thick	
15	844952	AR	Shim, .005 Thick	
15	844953	AR	Shim, .010 Thick	
16	845034	1	Collar, Thrust	14.21:1 Differential (894826) 11.16:1 Differential (894825)
17	548952	1	Lockring	
18	836420	1	Spacer, Pinion	
19	842359	1	Pinion, 15 Tooth	
19	836440	1	Pinion, 18 Tooth	
20	800559	1	Nut, 1/2-20 Crown Lock	
21	891089	1	Jackshaft	
22	548201	1	Set Screw, 5/16-18 x 5/16	
23	894519	1	Cluster Gear	
24	844087	2	• Bushing	
25	811992	3	Shim, CLuster Gear	
26	842360	1	Gear, 52 Tooth	
26	836441	1	Gear, 49 Tooth	
27	837198	1	Baffle, Oil Scoop	

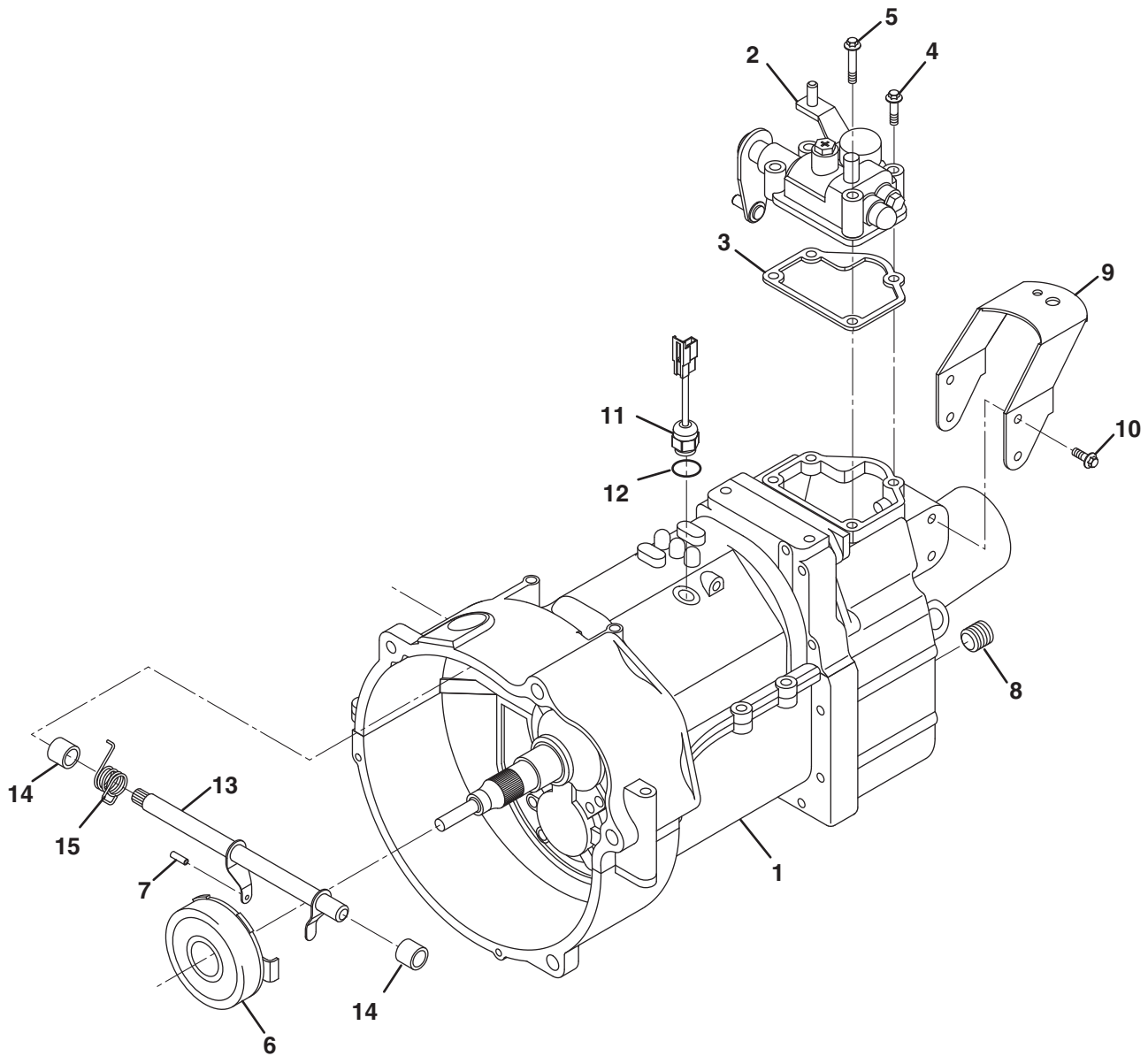
> Change from previous revision

TURF TRUCKSTER

47.1 Transmission Clutch Release-Shift Selector

Diesel Engine Only

Serial No. 84063 - All
Serial No. 84064 - All



Item	Part No.	Qty.	Description	Serial Numbers/Notes
1	REF	1	Transmission Case	See 48.1
2	REF	1	Shift Assembly	See 50.1
3	845223	1	Gasket, Shift Case	
4	2702659	3	Screw, M8-1.25 x 40 mm	
5	01550-08553	1	Screw, M8-1.25 x 55 mm	
6	23265-85200	1	Bearing, Clutch Release	
7	09205-03019	1	Roll Pin	
8	2702684	1	Plug, Drain	
9	11741-85200	1	Support, Transmission	
10	2702475	4	Screw	
11	37610-80043	1	Switch, Backup Light	
12	09280-11002	1	• O-Ring	
13	23260-85203	1	Shaft, Clutch Release	
14	09300-14017	2	Bushing, Clutch Release	
15	09448-20007	1	Spring, Clutch Release	

> Change from previous revision

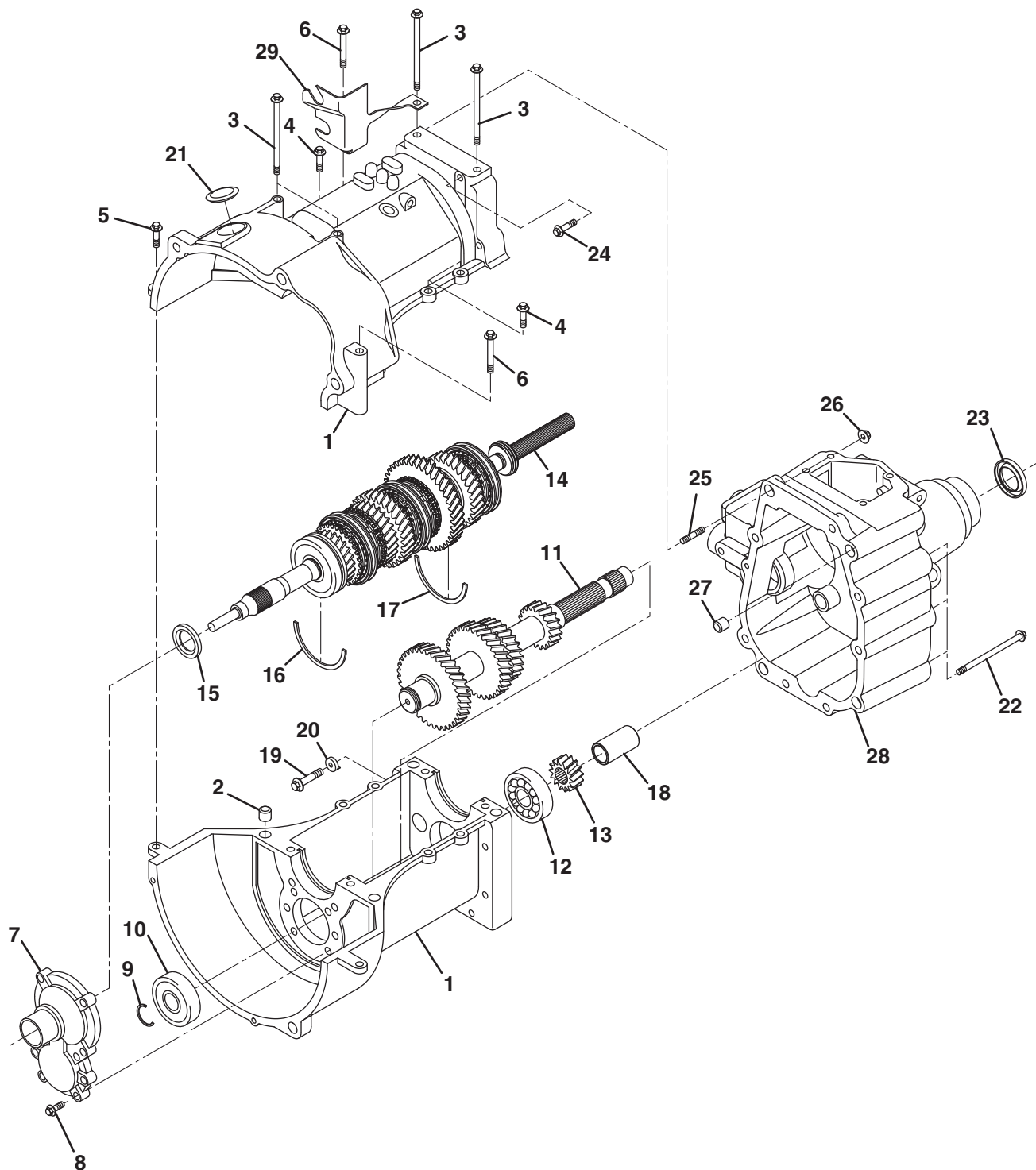
TURF TRUCKSTER

48.1 Transmission Case

Diesel Engine Only

Serial No. 84063 - All

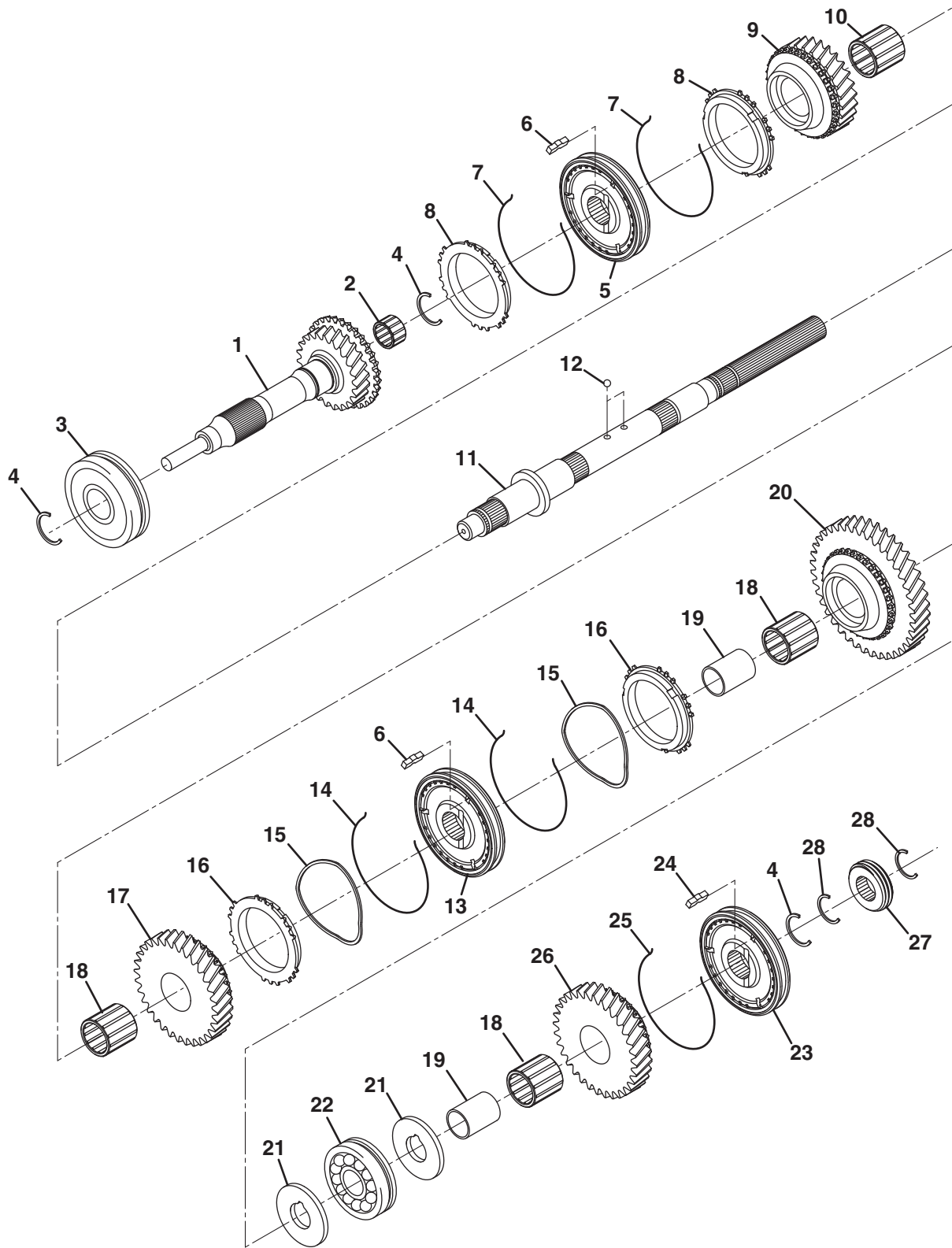
Serial No. 84064 - All



TURF TRUCKSTER

49.1 Input and Main Shaft

Serial No. 84063 - All
Serial No. 84064 - All

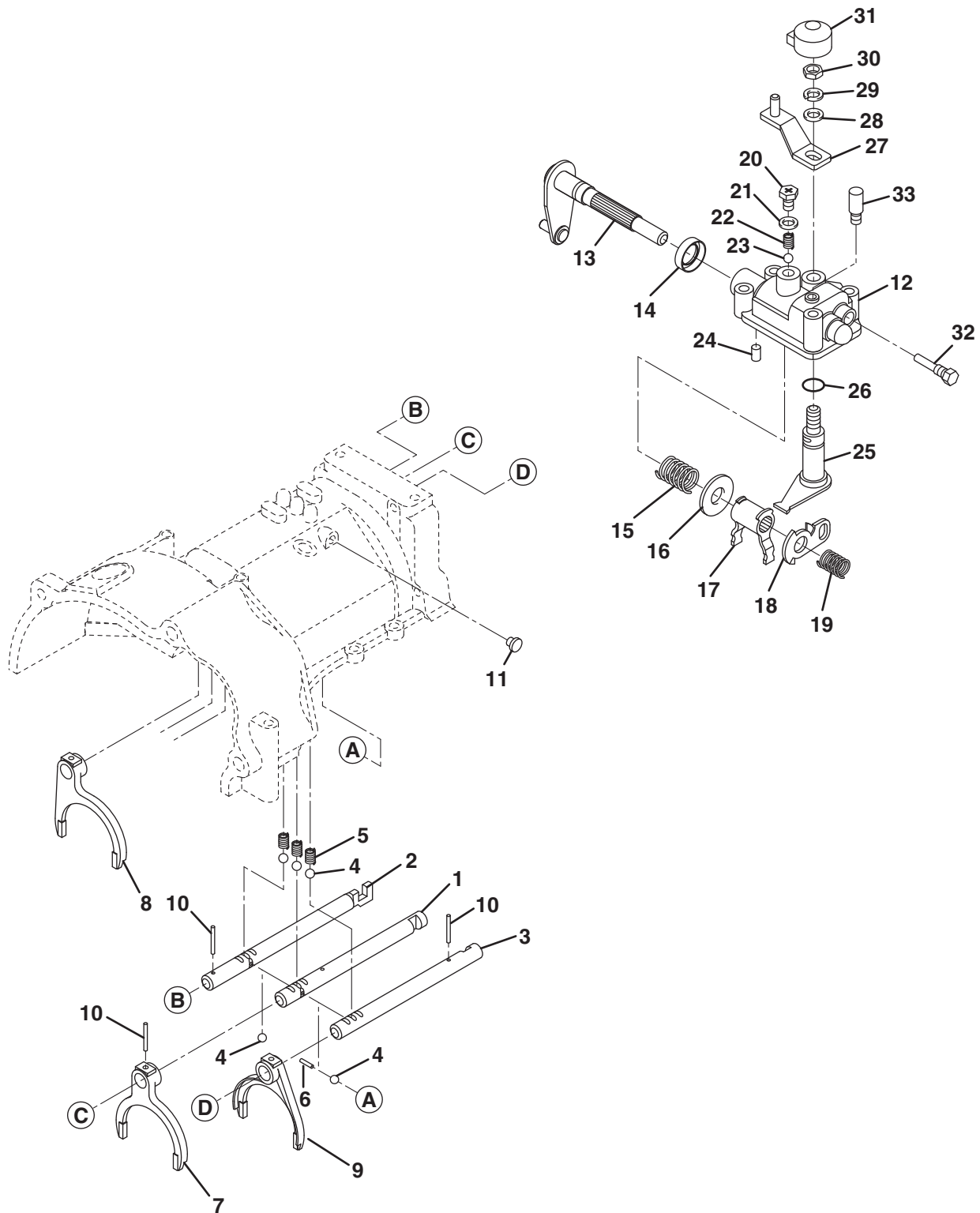


Item	Part No.	Qty.	Description	Serial Numbers/Notes	
1	24110-80410	1	Shaft, Input	4th Gear	
2	2702561	1	Bearing, Needle		
3	4141037	1	Bearing, Input Shaft Ball		
4	09380-28007	3	Cir Clip		
5	24410-83000	1	High Speed Synchroniser	Includes Hub and Sleeve	
6	24471-60A00	6	Key, Synchronizer		
7	24442-81A20	2	Spring, High Speed Synchronizer		
8	24432-83001	3	Ring, Synchronizer		
9	24230-83001	1	Gear, Main Shaft 3rd	3rd Gear	
10	09263-30031	1	Bearing, Needle	Includes Hub and Sleeve	
11	24121-85252	1	Shaft, Main		
12	06111-06003	2	Ball		
13	24400-83000	1	Low Speed Synchronizer		
14	24436-83000	2	Spring, Low Speed Synchronizer		
15	24441-85F41	2	Spring, Low Speed		
16	24431-83001	2	Ring, Low Speed Synchronizer		
17	24220-60A01	1	Gear, Main Shaft 2nd		2nd Gear
18	09263-35015	3	Bearing, Needle		
19	09300-30003	2	Bushing		
20	24211-83011	1	Gear, Main Shaft Low	1st Gear	
21	09166-30007	2	Washer	Includes Hub and Sleeve	
22	09262-30086	1	Bearing, Ball		
23	24420-83000	1	Synchronizer, Reverse Drive		
24	24473-70D10	3	Key, Synchronizer		
25	2703581	1	Spring, Reverse Synchronizer	Reverse Gear	
26	24681-83000	1	Gear, Main Shaft Reverse		
27	26121-85202	1	Gear, Speedometer Drive		
28	2702559	2	Cir Clip		

> Change from previous revision

50.1 Gear Shift Fork Linkage

Serial No. 84063 - All
Serial No. 84064 - All



Item	Part No.	Qty.	Description	Serial Numbers/Notes
1	25411-85201	1	Shaft, Low Speed Fork	1st and 2nd Gear
2	25420-85201	1	Shaft, High Speed Fork	3rd and 4th Gear
3	25451-85261	1	Shaft, Reverse Fork	Reverse
4	06111-12004	5	Ball	
5	25415-83000	3	Spring, Detent	
6	09261-03017	1	Roller	
7	25211-85201	1	Fork, Low Gear Shift	1st and 2nd Gear
8	25221-85202	1	Fork, High Gear Shift	3rd and 4th Gear
9	25221-83002	1	Fork, Reverse Gear Shift	Reverse
10	09205-05012	3	Pin, 4 x 25 mm Spring	
11	09250-10006	1	Plug, Locating	
12	25121-85051	1	Case, Gear Shift Lever	
13	25520-85203	1	Shaft, Gear Shift Lever	
14	09284-17004	1	Seal, Oil	
15	25576-70D00	1	Spring	
16	09160-17035	1	Washer, 17 x 32 x 1.2 mm	
17	25541-85201	1	Lever, Gear Select	
18	25545-85055	1	Dog, Reverse Shift Limit	
19	25546-60C01	1	Spring	
20	09128-10002	1	Bolt, M10 x 9 mm Retaining	
21	09168-10007	1	Gasket	
22	25547-70D00	1	Spring	
23	09135-08005	1	Ball	
24	2701953	1	Pin	
25	25530-79501	1	Shaft, Gear Select	
26	09286-09001	1	Seal, Oil	
27	25535-85412	1	Arm, Gear Select	
28	09162-08008	1	Washer	
29	2702883	1	Washer	
30	2702494	1	Nut, M8-1.25 Hex	
31	25536-84200	1	Boot, Gear Select	
32	09135-08005	1	Bolt, Retaining	
33	24821-09001	1	Plug, Breather	

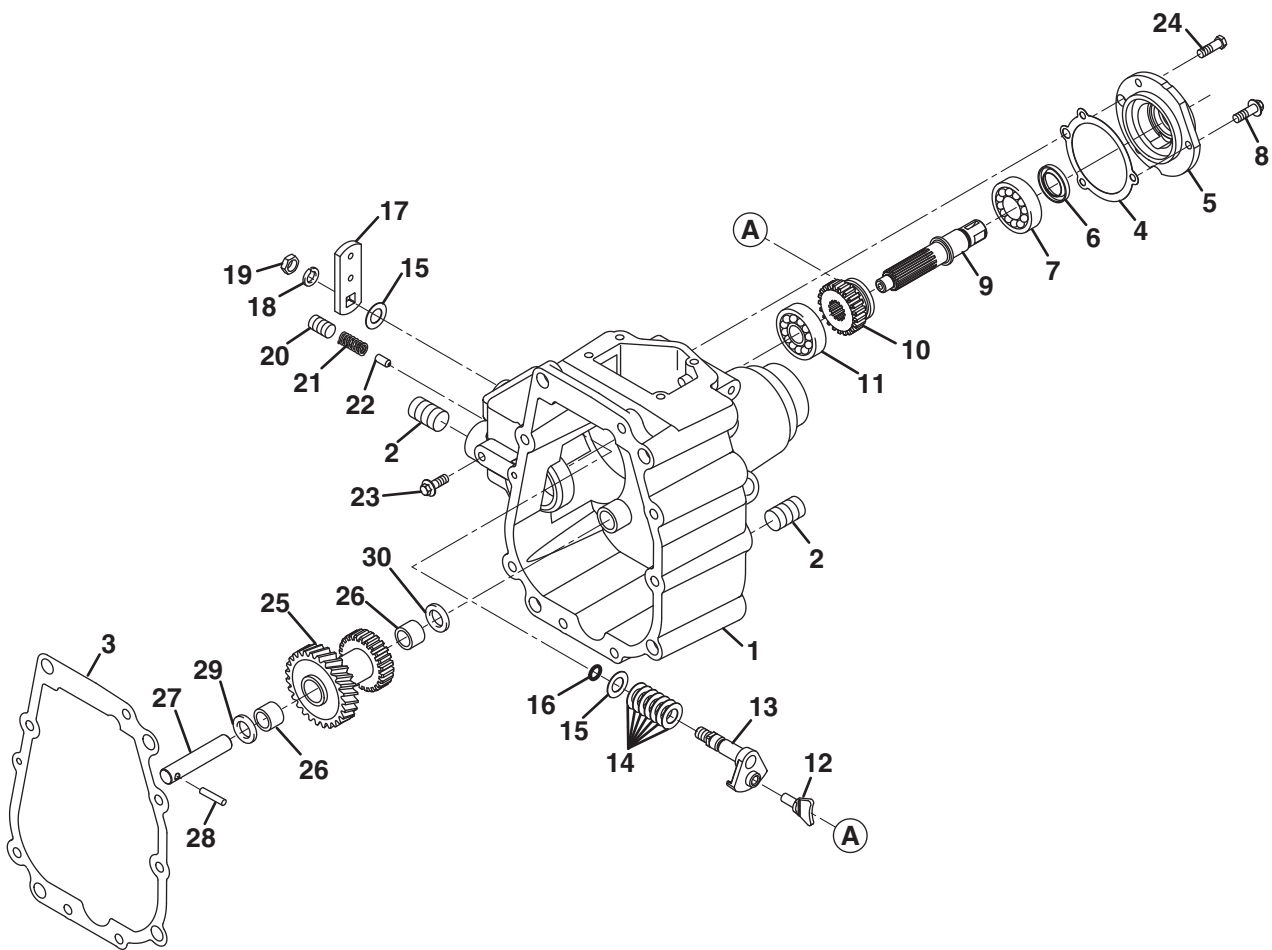
> Change from previous revision

TURF TRUCKSTER

51.1 Mechanical PTO

Diesel Units Only

Serial No. All



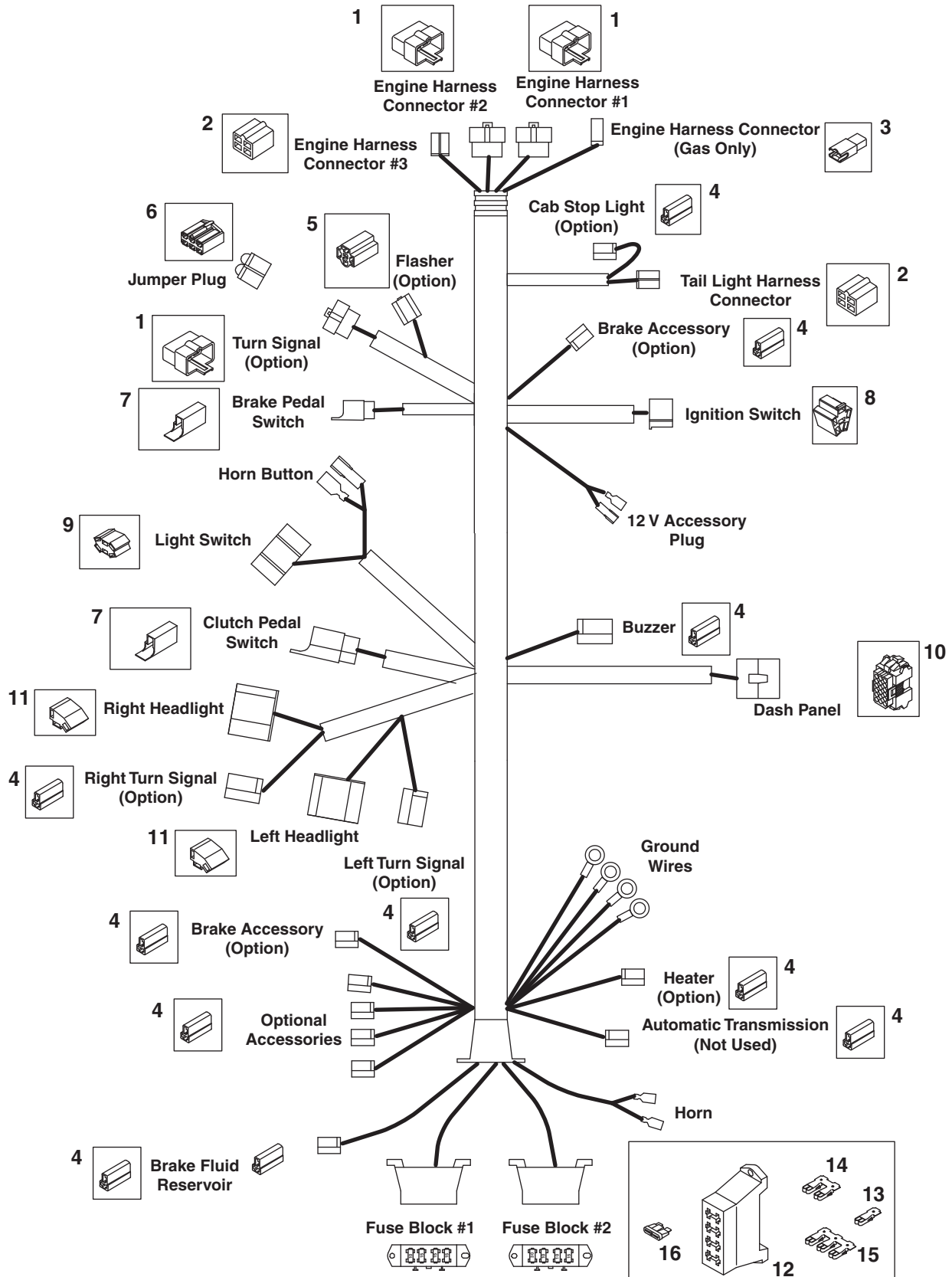
Item	Part No.	Qty.	Description	Serial Numbers/Notes
1	844181	1	Housing, Mechanical PTO	
2	N/S	1	Bushing, Output Shaft	
3	2700121	1	Gasket, PTO Housing to Transmission	
4	2700120	1	Gasket, Bearing Housing	
5	894989	1	Housing, Bearing	
6	844188	1	• Seal, Oil	
7	815093	1	• Bearing, Ball	
8	452389	3	Screw, M8-1.25 x 25 mm Flange	
9	844185	1	Shaft, PTO Output	
10	815182	1	Gear, 21 Tooth PTO Sliding	
11	844187	1	Bearing, Ball	
12	815085	1	Fork, Sliding	
13	879807	1	Arm, PTO Shifter	
14	548477	AR	Shim	
15	812419	AR	Shim, Transmission	
16	807624	1	O-Ring	
17	817397	1	Arm, PTO Shifter	
18	120166	1	Lockwasher, 1/2	
19	301988	1	Nut, 1/2-20 Hex	
20	548204	1	Set Screw, 3/8-16 x 3/8	
21	815012	1	Spring	
22	815013	1	Button	
23	452380	1	Screw, M6-1 x 30 mm Flange	
24	800425	1	Screw, M6-1 x 12 mm Hex Head	
25	894965	1	Gear, Idler	
26	N/S	2	• Bushing, Countershaft	
27	894947	1	Shaft, Idler	
28	316942	1	• Pin, 1/4 x 1/2 in. Spirol	
29	09166-16014	1	Washer	
30	805307	1	Washer, 5/8 x 1	
31	09246-16010	2	Plug, 1/2 NPT	

> Change from previous revision

52.1 Diesel Engine Main Harness

Part Number 894266

Serial No. All

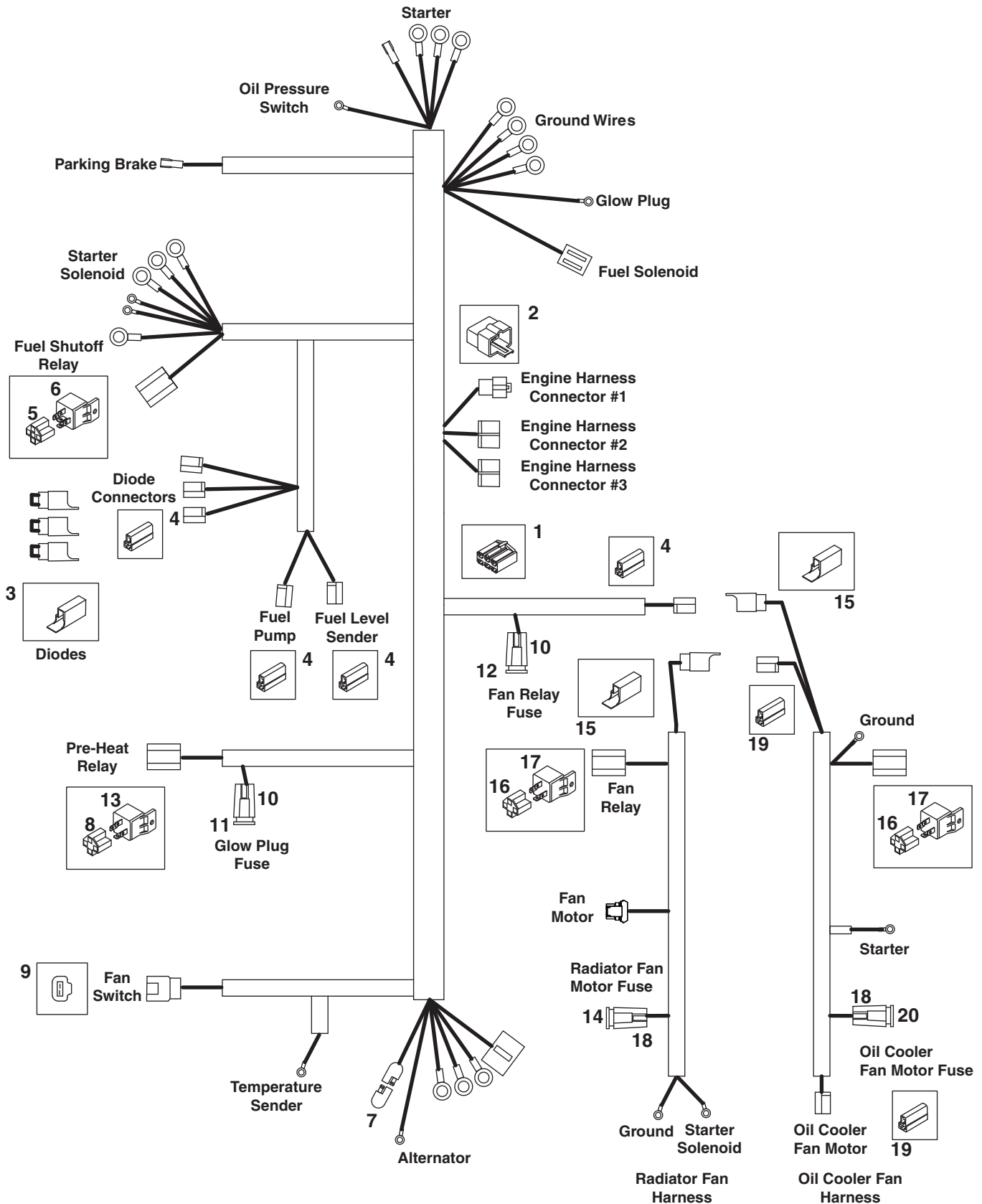


Item	Part No.	Qty.	Description	Serial Number / Notes
1	825973	3	Connector, Six Male Terminal	
	825886	AR	Terminal, 1/4 in. Male 14-16 Gauge	Single Wire
	825961	AR	Terminal, 1/4 in. Male 10 Gauge	Two Wire
2	829630	2	Connector, Four Female Terminal	
	825748	AR	Terminal, 1/4 in. Female 14-16 Gauge	Single Wire
	825878	AR	Terminal, 1/4 in. Female 10 Gauge	Two Wire
3	826726	1	Connector, One Female Terminal	
	825886	AR	Terminal, 1/4 in. Male 14-16 Gauge	
4	826005	13	Connector, Two Female Terminal	
	825748	AR	Terminal, 1/ in. Female 14-16 Gauge	Single Wire
	825878	AR	Terminal, 1/4 in. Female 10 Gauge	Two Wire
5	825894	1	Connector, Flasher	
	825899	AR	Terminal, 5/16 in. Female 14-16 Gauge	
6	825877	1	Connector, Six Female Terminal	
	825748	AR	Terminal, 1/4 in. Female 14-16 Gauge	Single Wire
	825878	AR	Terminal, 1/4 in. Female 10 Gauge	Two Wire
7	826006	2	Connector, Two Male Terminal	
	825886	AR	Terminal, 1/4 in. Male 14-16 Gauge	
8	837296	1	Connector, Ignition Switch	
	825748	AR	Terminal, 1/4 in. Female 14-16 Gauge	Single Wire
	825878	AR	Terminal, 1/4 in. Female 10 Gauge	Two Wire
9	843598	1	Connector, Rocker Switch	
	825748	AR	Terminal, 1/4 in. Female 14-16 Gauge	Single Wire
	825878	AR	Terminal, 1/4 in. Female 10 Gauge	Two Wire
10	843550	1	Connector, Eighteen Terminal	
	843551	AR	Terminal	
11	837301	2	Connector, Headlight	
	825899	AR	Terminal, 5/16 in. Female 14-16 Gauge	One Wire
	828629	AR	Terminal, 5/16 in. Female 14-16 Gauge	Two Wire
12	825996	1	Fuse Holder	
13	825997	4	Fuse Clip, 1 Term., 14-16 Gauge	
14	825998	6	Fuse Clip, 1 Term, 10 Gauge	
15	825999	2	Fuse Clip, 3 Term. 14-16 Gauge	
16	836892	5	Fuse, 10 Amp	
16	842983	2	Fuse, 15 Amp	
16	826000	1	Fuse, 20 Amp	

> Change from previous revision

53.1 Diesel Engine and Fan Harness

Part Numbers 4174321, 4179800, and 4179801



Item	Part No.	Qty.	Description	Serial Numbers/Notes
	4174321	1	Engine Harness	
1	825877	2	• Connector, Six Female Terminal	
	825748	AR	• Terminal, 1/4 in. Fem. 14-16 Gauge	Single Wire
	825878	AR	• Terminal, 1/4 in. Fem. 10 Gauge	Two Wire
2	829630	1	• Connector, Four Male Terminal	
	825961	AR	• Terminal, 1/4 in. Male 10 Gauge	Two Wire
3	884398	3	• Diode Connector Assembly	
4	826005	6	• Connector, Two Female Terminal	
	825748	AR	• Terminal, 1/4 in. Fem. 14-16 Gauge	Single Wire
	825878	AR	• Terminal, 1/4 in. Fem. 10 Gauge	Two Wire
5	843168	1	• Connector, Relay	
	842966	AR	• Terminal, Female Relay	
6	843167	1	• Relay, 12V 15 Amp DPST	
7	558019	1	• Resistor Plug	
8	2700868	1	• Connector, 70 Amp Relay	
	842966	AR	• Terminal, Female Relay	
	2700869	AR	• Terminal, 3/8 in. Female Relay	
9	842959	1	• Connector, 2 Contact	
	833257	2	• Terminal, 3/32 in. Female	
	838463	2	• Seal, Wire	
10	NS	2	• Block, Maxi Fuse	
11		1	• Fuse, 50 Amp Maxi Fuse	
12	4113261	1	• Fuse, 25 Amp	
13	2700867	1	Relay, 12V, 70 Amp SPST	
	4179801	1	Radiator Fan Harness	
14	836536	1	• Fuse, 40 Amp	
15	826006	1	• Connector, Two Male Terminal	
	825886	AR	• Terminal, 1/4 in. Male 14-16 Gauge	
16	2700868	1	• Connector, 70 Amp Relay	
	842966	AR	• Terminal, Female Relay	
	2700869	AR	• Terminal, 3/8 in. Female Relay	
17	2700867	1	• Relay, 12V, 70 Amp SPST	
18	826584	2	• Block, Single Fuse	
	825997	AR	• Fuse Clip, 1 Term., 14-16 Gauge	
			•	
	4179800	1	Oil Cooler Fan Harness	Includes Items 15~18
19	826005	1	• Connector, Two Female Terminal	
	825748	AR	• Terminal, 1/4 in. Fem. 14-16 Gauge	
20	842983	1	Fuse, 40 Amp	

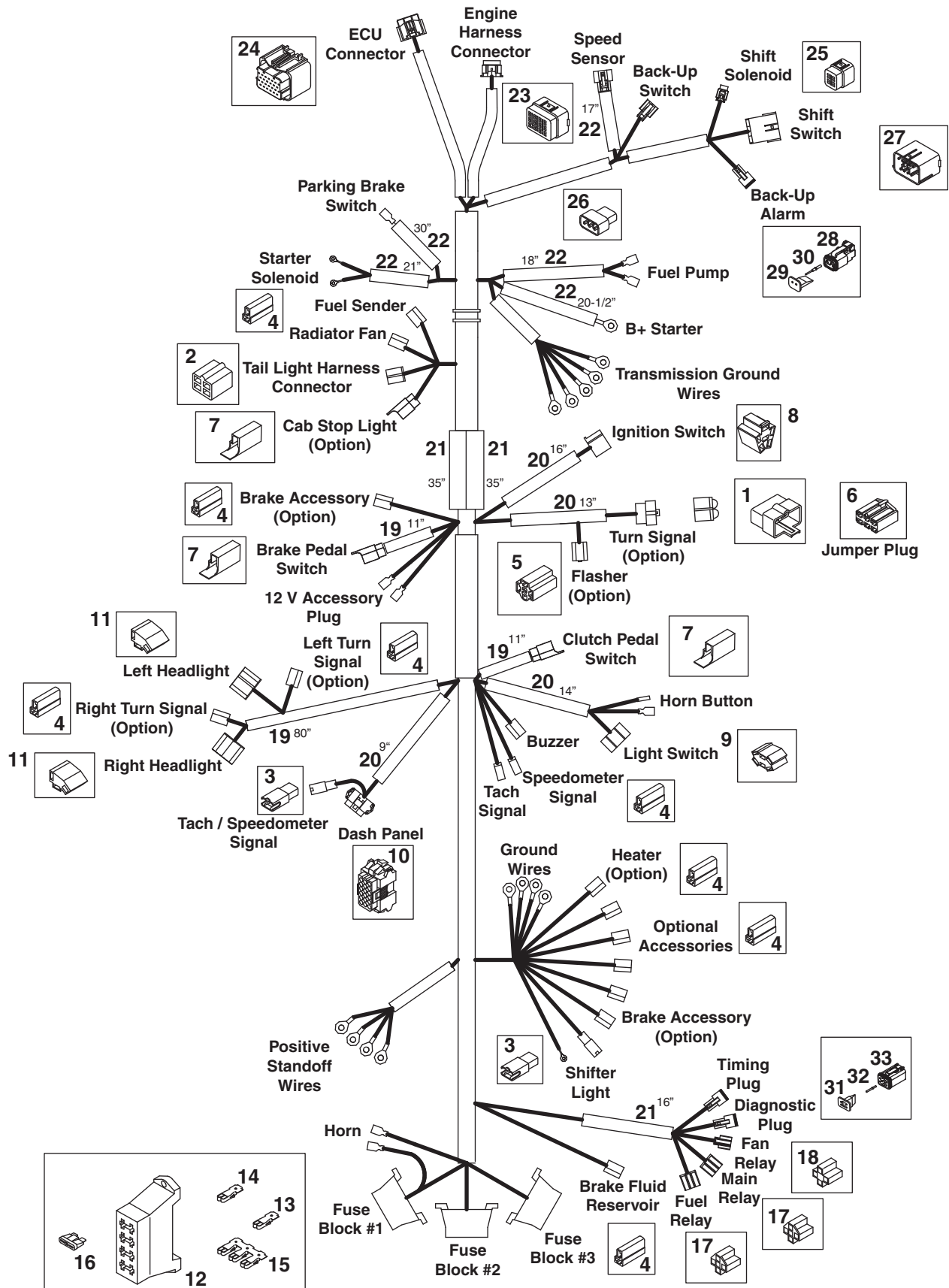
> Change from previous revision

TURF TRUCKSTER

54.1 Gas Main Harness

Part Number 4115709

Serial No. All



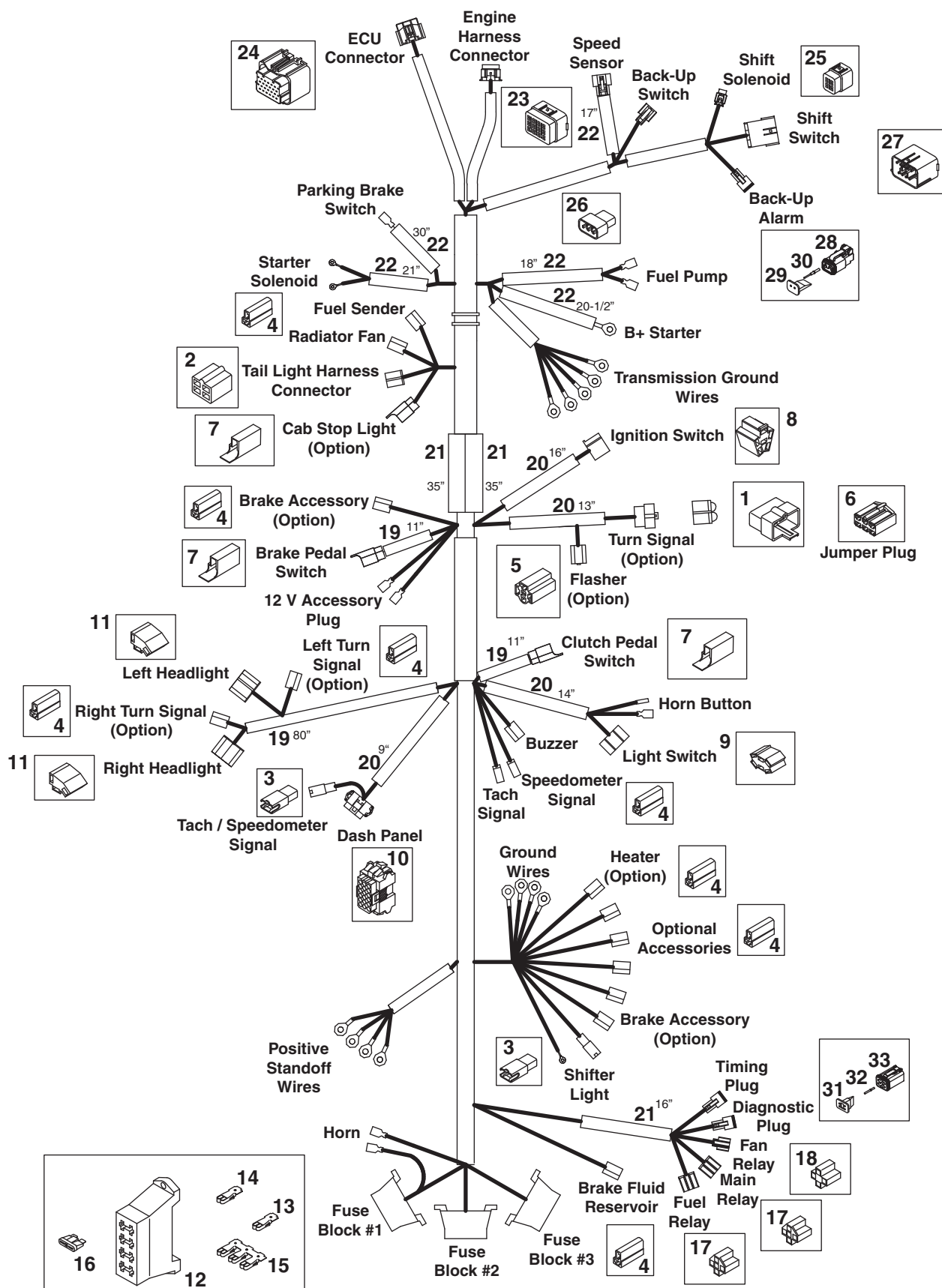
TURF TRUCKSTER

Item	Part No.	Qty.	Description	Serial Number / Notes
1	825973	1	Connector, Six Male Terminal	
	825886	AR	Terminal, 1/4 in. Male 14-16 Gauge	Single Wire
	825961	AR	Terminal, 1/4 in. Male 10 Gauge	Two Wire
2	829631	1	Connector, Four Female Terminal	
	825748	AR	Terminal, 1/4 in. Female 14-16 Gauge	Single Wire
	825878	AR	Terminal, 1/ in. Female 10 Gauge	Two Wire
3	826726	2	Connector, One Female Terminal	
	825886	AR	Terminal, 1/4 in. Male 14-16 Gauge	
4	826005	12	Connector, Two Female Terminal	
	825748	AR	Terminal, 1/4 in. Female 14-16 Gauge	Single Wire
	825878	AR	Terminal, 1/4 in. Female 10 Gauge	Two Wire
5	825894	1	Connector, Flasher	
	825889	AR	Terminal, 5/16 in. Female 14-16 Gauge	
6	2700913	1	Jumper Plug, Taillight	
	825877	1	• Connector, Six Female Terminal	
	825748	AR	• Terminal, 1/4 in. Female 14 Gauge	Single Wire
	825878	AR	• Terminal, 1/4 in. Female 10 Gauge	Two Wire
7	826006	3	Connector, Two Male Terminal	
	825886	AR	Terminal, 1/4 in. Male 14-16 Gauge	
8	837296	1	Connector, Ignition Switch	
	825748	AR	Terminal, 1/4 in. Female 14-16 Gauge	Single Wire
	825878	AR	Terminal, 1/4 in. Female 10 Gauge	Two Wire
9	843598	1	Connector, Rocker Switch	
	825748	AR	Terminal, 1/4 in. Female 14-16 Gauge	Single Wire
	825878	AR	Terminal, 1/4 in. Female 10 Gauge	Two Wire
10	843550	1	Connector, Eighteen Terminal	
	843551	AR	Terminal	
11	837301	2	Connector, Headlight	
	825889	AR	Terminal, 5/16 in. Female 14-16 Gauge	One Wire
	828629	AR	Terminal, 5/16 in. Female 14-16 Gauge	Two Wire
12	825996	3	Fuse Holder	
13	825997	12	Fuse Clip, 1 Term., 14-16 Gauge	
14	825998	6	Fuse Clip, 1 Term, 10 Gauge	
15	825999	2	Fuse Clip, 3 Term. 14-16 Gauge	
16	836892	7	Fuse, 10 Amp	
16	842983	3	Fuse, 15 Amp	
16	826000	1	Fuse, 20 Amp	
16	4113261	1	Fuse, 25 Amp	
17	843168	2	Connector, 15 Amp Relay	
	842966	8	Terminal, Female Relay	
	2700868	1	Connector, 70 Amp Relay	
18	842966	2	Terminal, 1/4 in. Female Relay	
	2700869	2	Terminal, 3/8 in. Female Relay	
19	826190	AR	Tubing, 3/8 in. I.D. Black Convuluted	50 Foot Bulk
20	826191	AR	Tubing, 1/2 in. I.D. Black Convuluted	25 Foot Bulk

TURF TRUCKSTER

54.1 Gas Main Harness (Continued)

Part Number 4115709

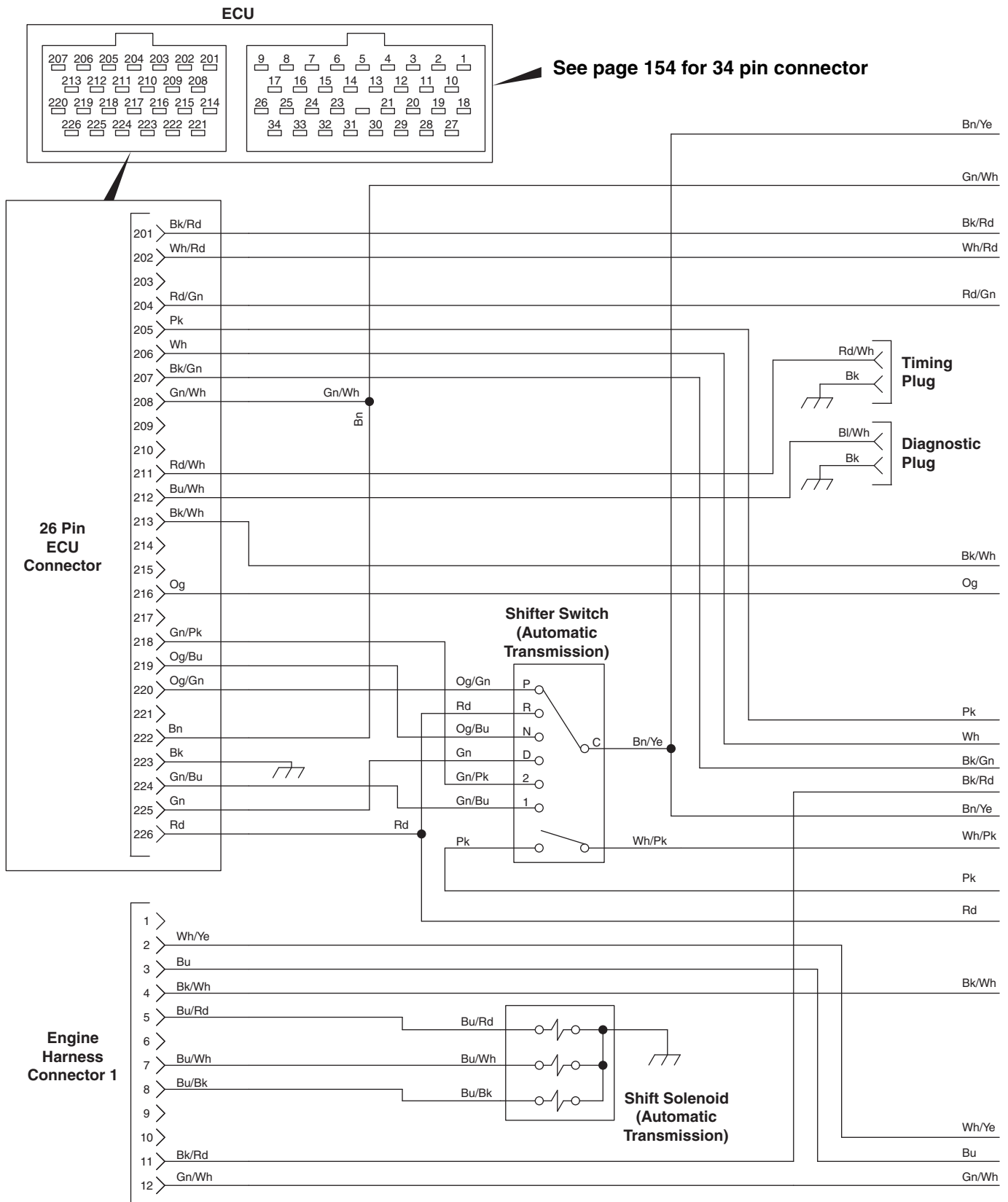


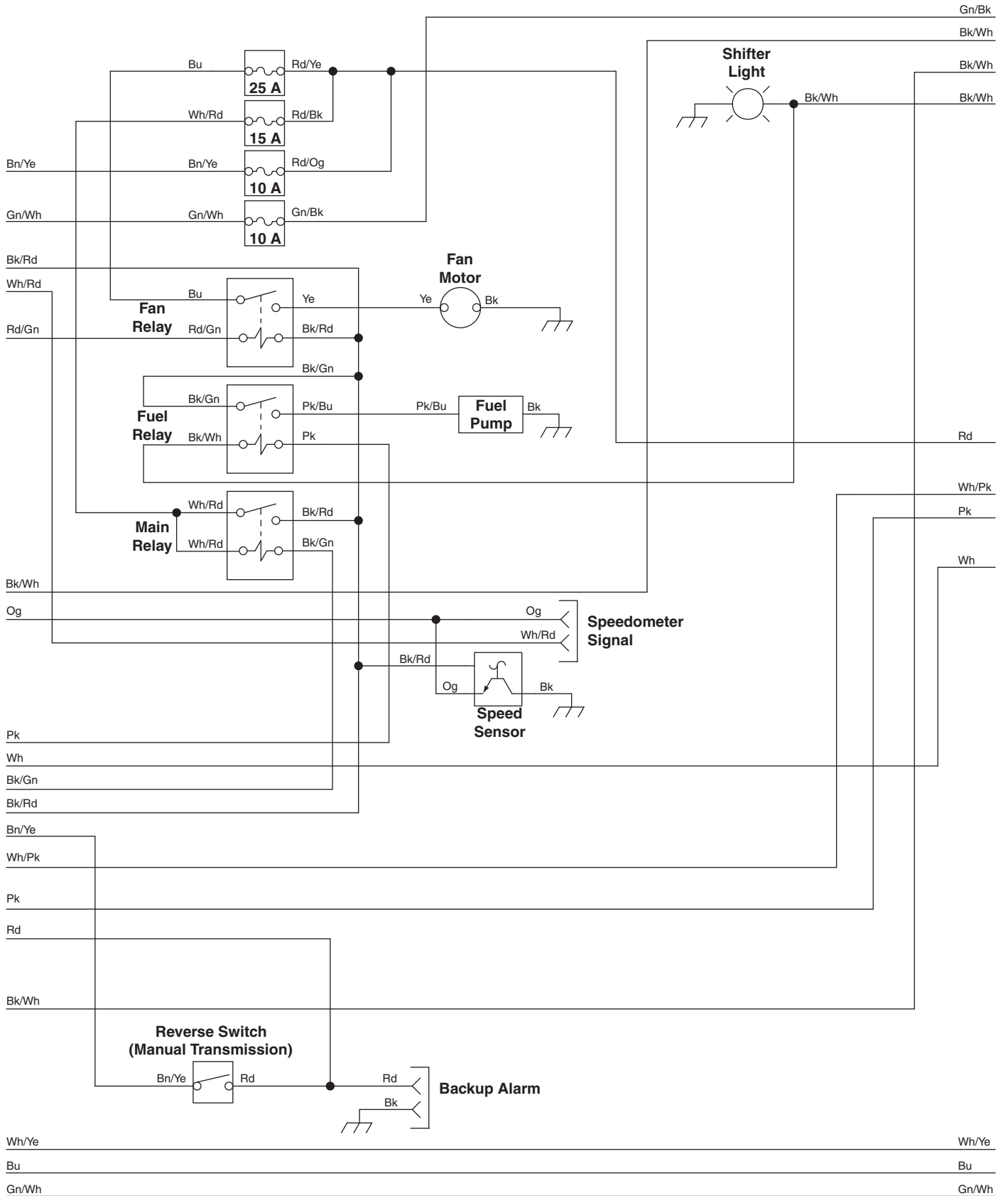
TURF TRUCKSTER

Item	Part No.	Qty.	Description	Serial Number / Notes
21	826192	AR	Tubing, 3/4 in. I.D. Black Convolute	25 Foot Bulk
22	826193	AR	Tubing, 7/16 in. I.D. Green Convolute	25 Foot Bulk
23	4116015	1	Connector, 12 Contact Male	
	833257	8	Terminal, Female	
	838463	8	Seal, Wire	
	2700933	4	Plug, Cavity	
24	845329	1	Connector, 26 Contact Male	
	2700852	1	Lock, 26 Contact	
	2700470	19	Terminal, Female	
	2700851	19	Seal, Wire	
	4118039	7	Plug, ECU Connector	
25	845330	1	Connector, 4 Contact Male	
	833257	4	Terminal, Female	
	838463	4	Seal, Wire	
26	845327	1	Connector, 3 Contact Female	
	2700380	3	Terminal	
	2700381	3	Seal, Wire	
27	845328	1	Connector, 9 Contact Female	
	2700385	2	Terminal	
	2700387	2	Seal, Wire	
	2700384	7	Terminal	
	2700386	7	Seal, Wire	
28	839917	1	Plug, 2 Wire Deutsch	
29	839921	1	Lock, 2 Wire Deutsch	
30	524358	2	Terminal, 18-20 AWG Male Pin	
31	838768	2	Lock, 4 Wire Deutsch	
32	838769	4	Terminal, 18-20 AWG Socket	
33	838770	2	Plug, 4 Wire Deutsch	

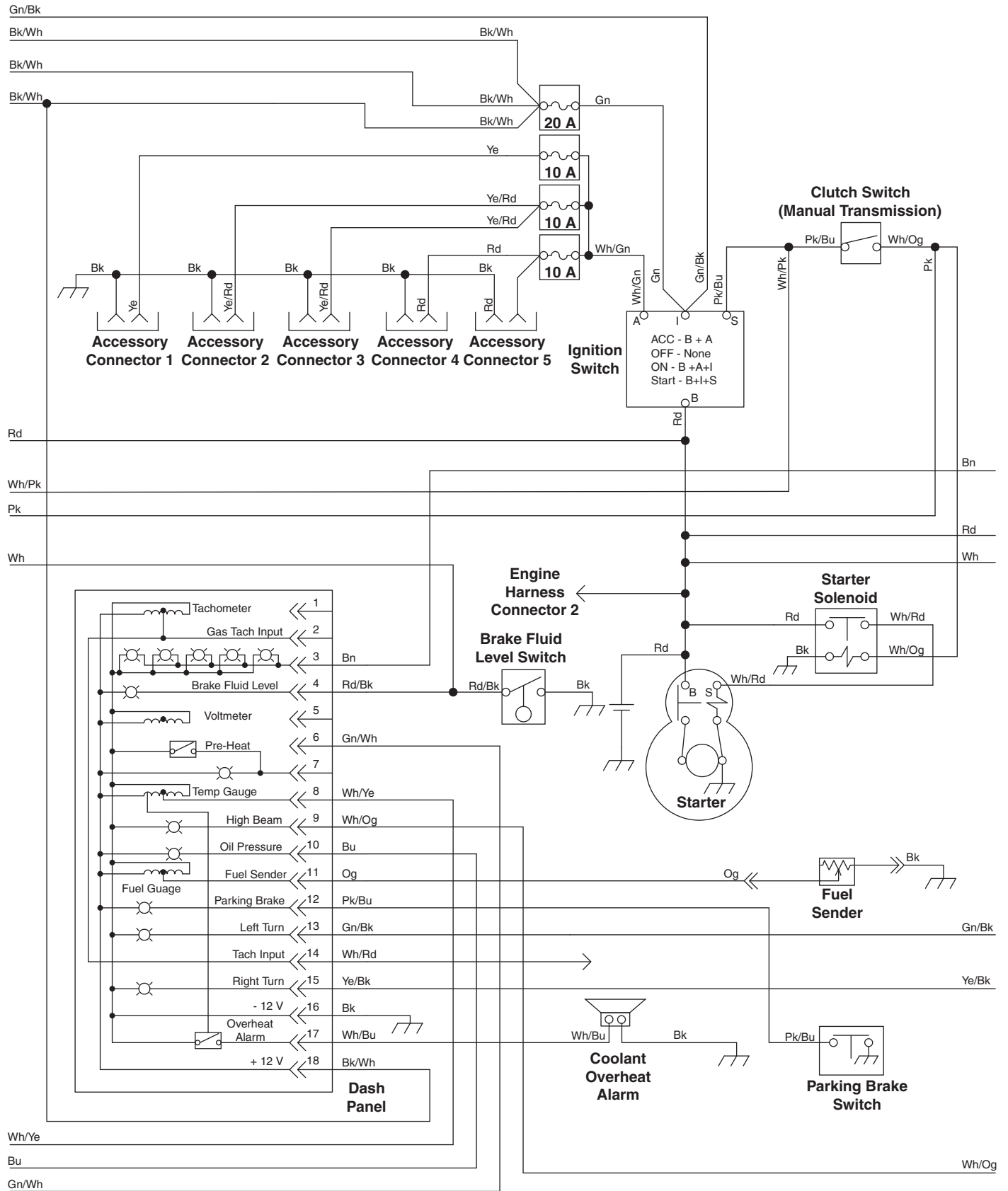
55.1 Gas Engine Electrical Schematic

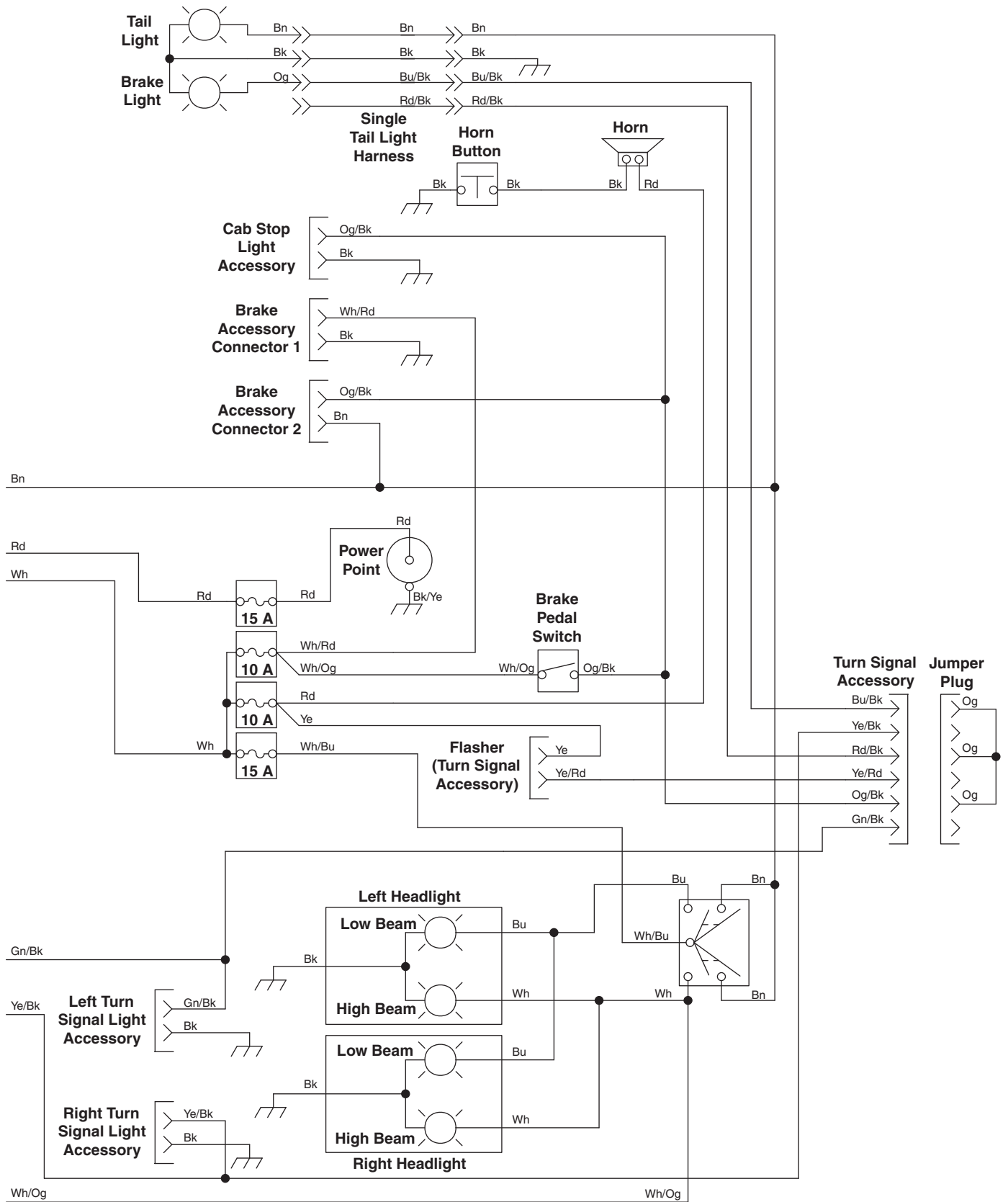
Serial No. 84056 All
 Serial No. 84057 All
 Serial No. 84061 All





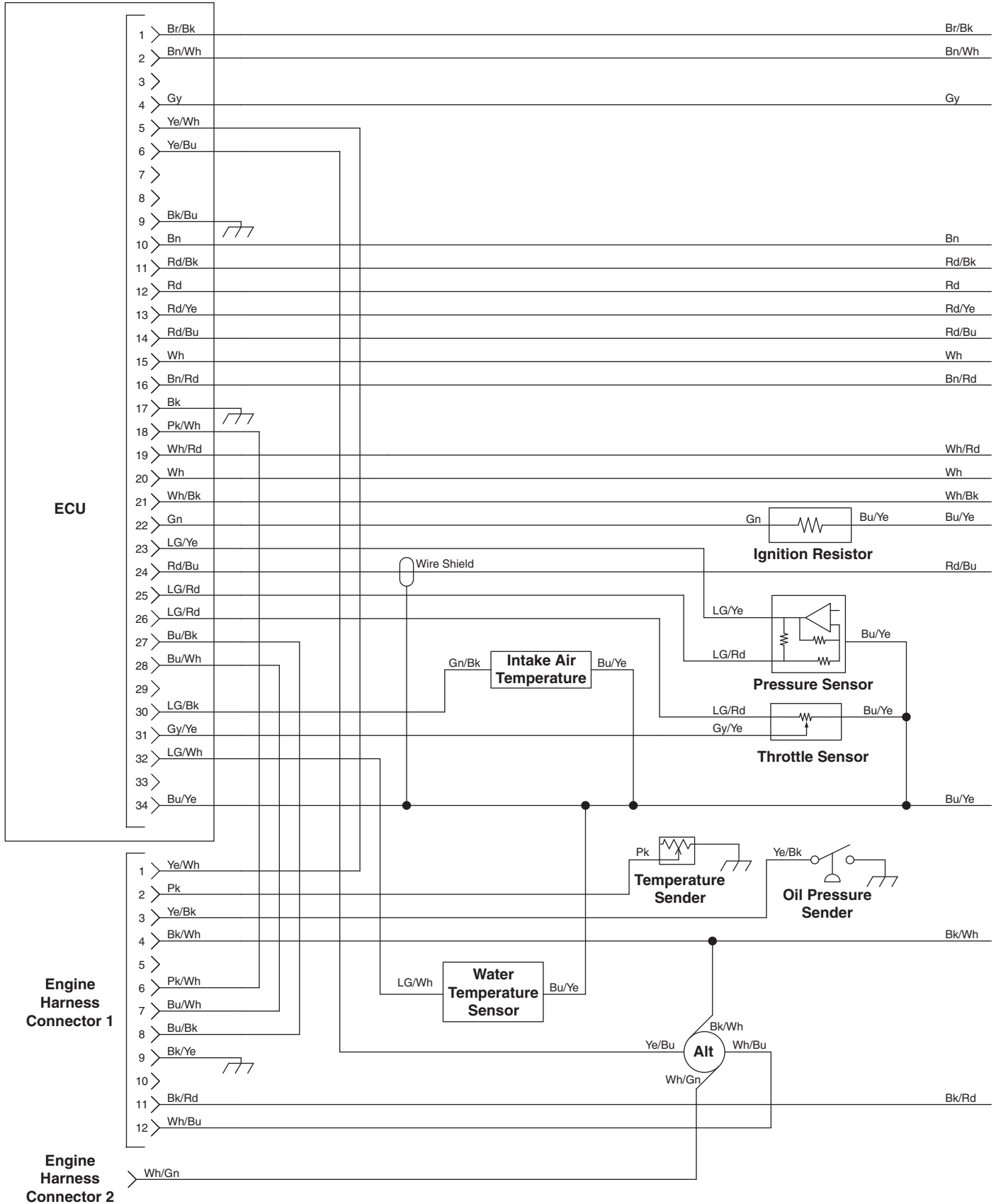
TURF TRUCKSTER

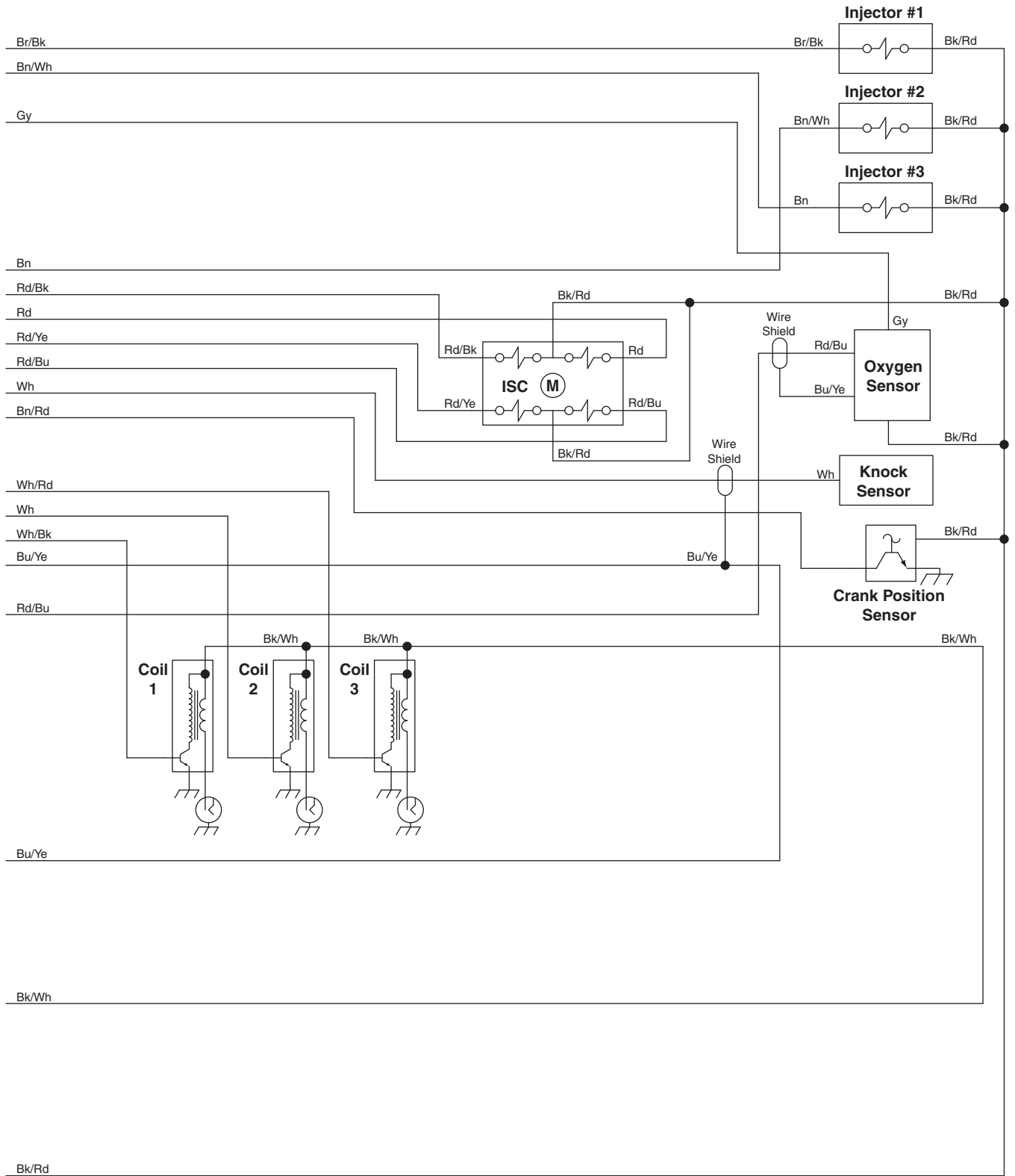




TURF TRUCKSTER

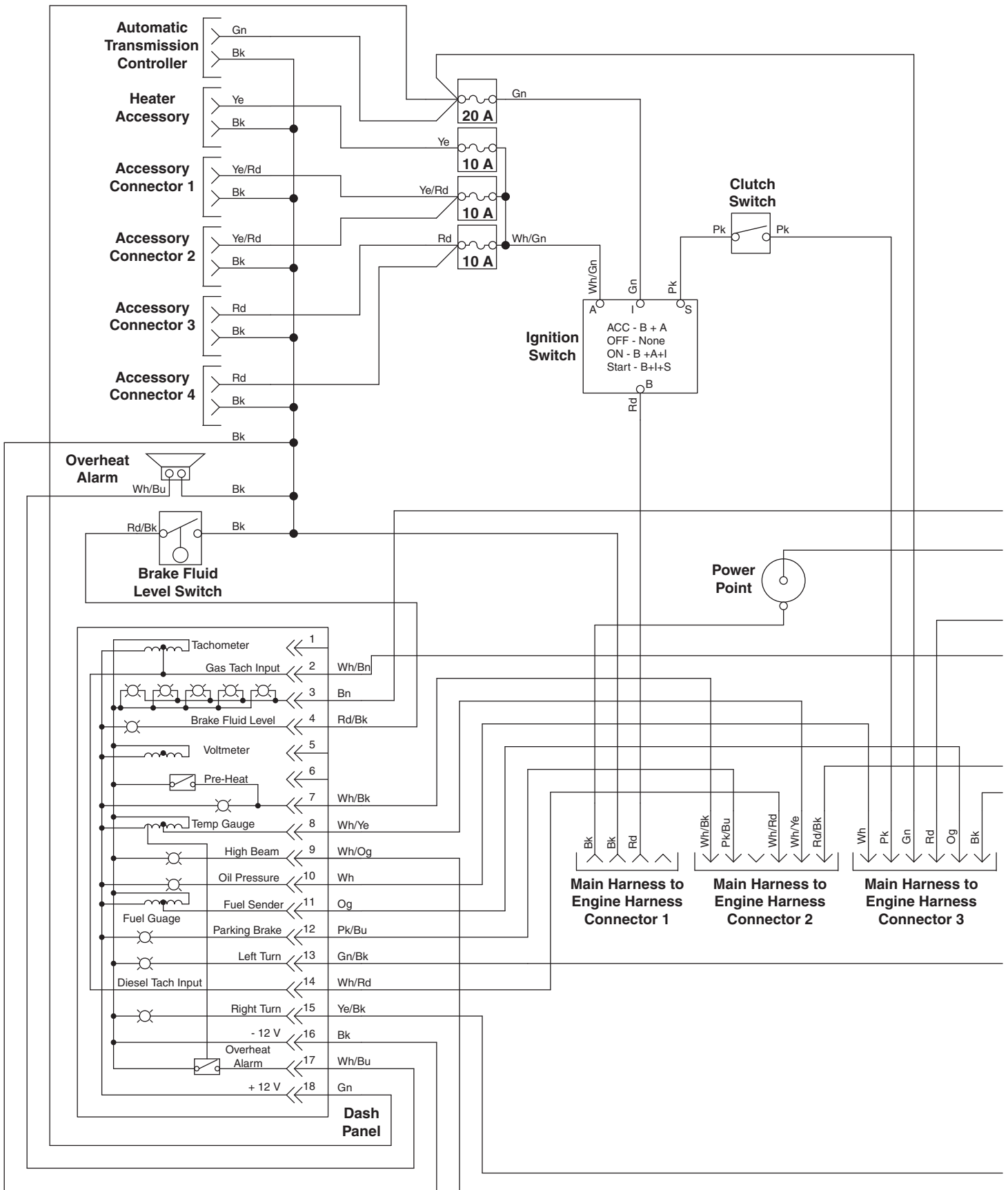
56.1 Gas Engine Schematic

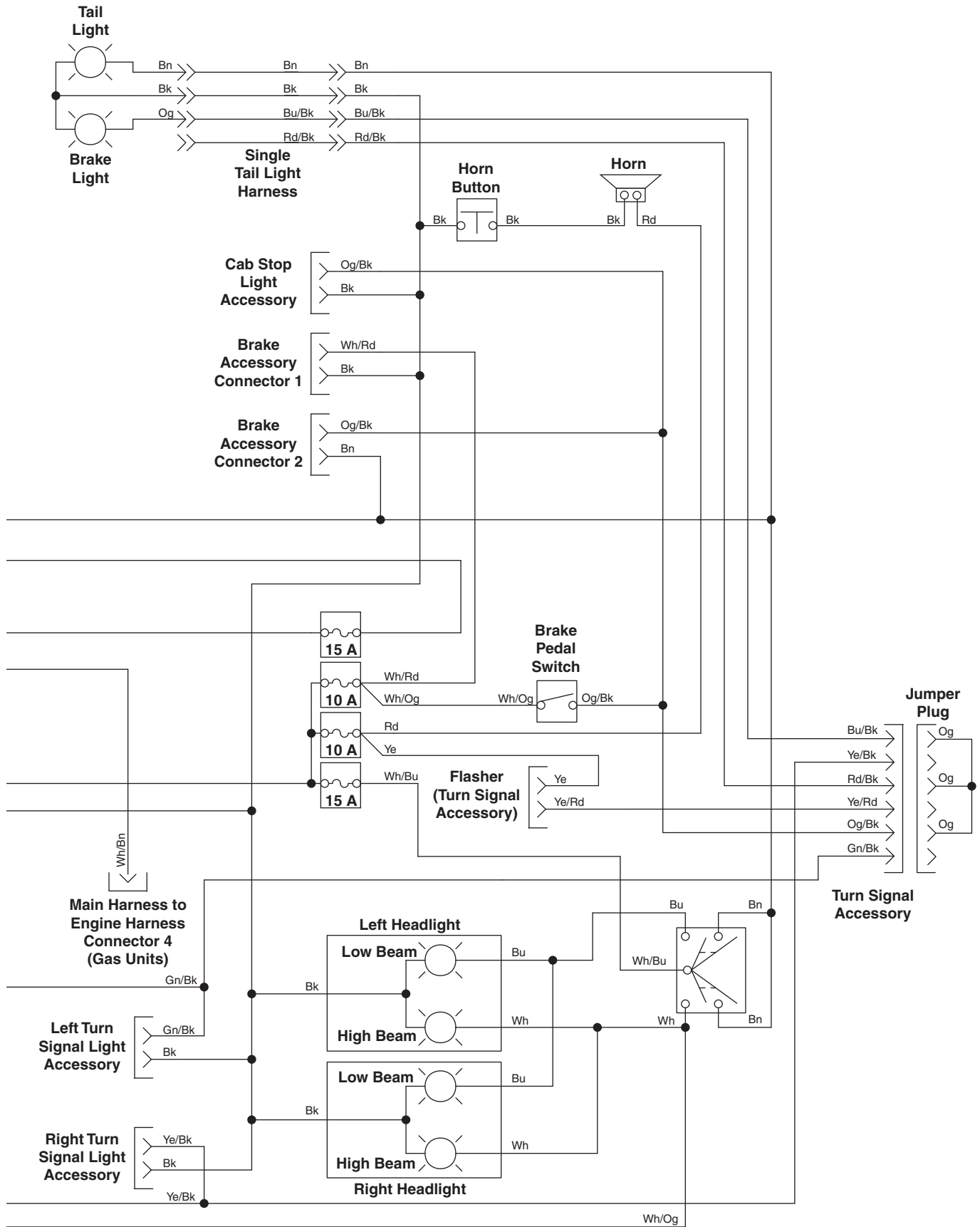


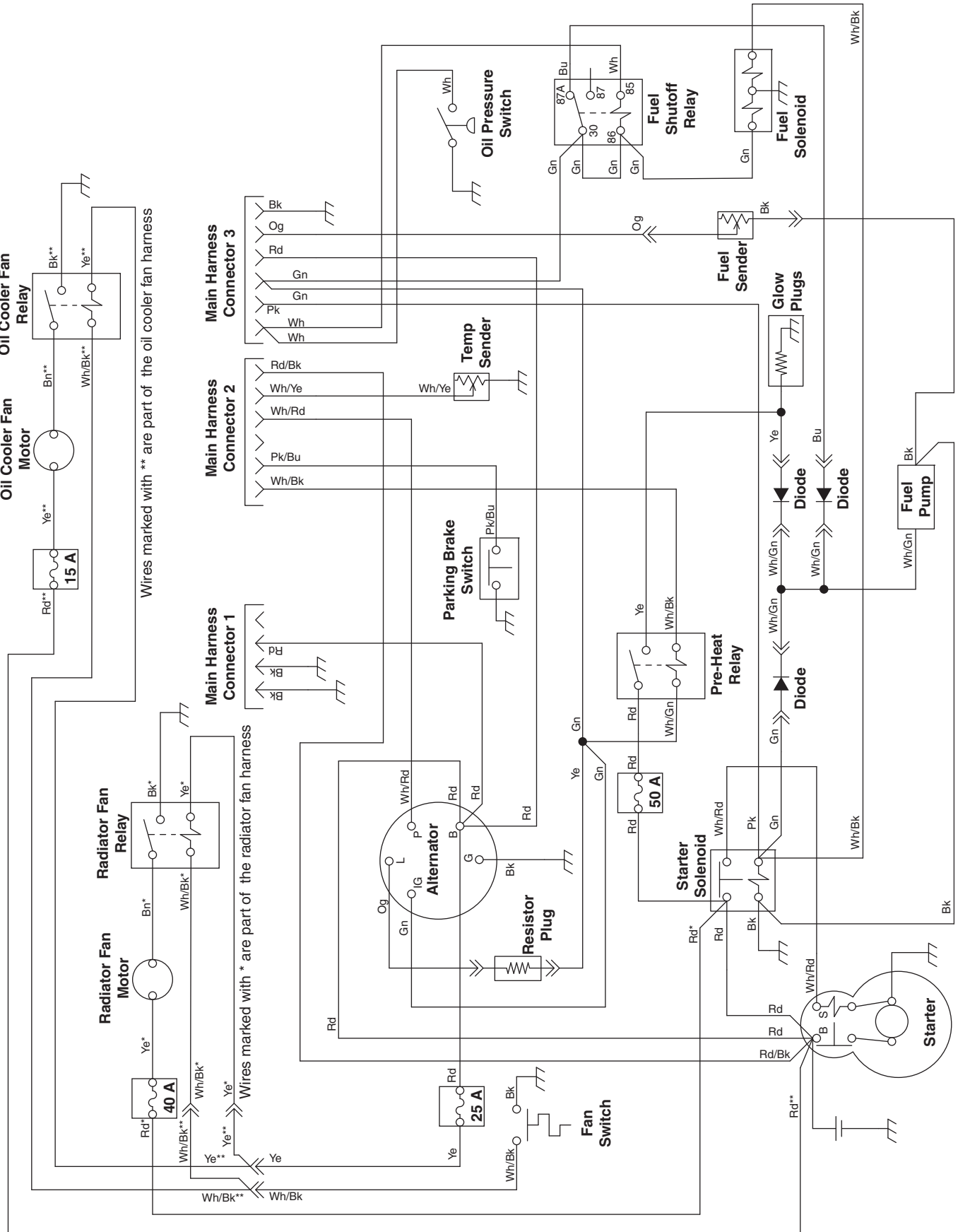


57.1 Diesel Engine Electrical Schematic

Serial No. 84063 All
Serial No. 84064 All







INDEX

00414-G5.....	103	11391G7 ...	83, 85, 87, 89	25576-70D00	139	2701953	139
009034880.....	83, 85	11710-77100.....	87	26121-85202	137	2702012	53
01116-G01.....	101	11741-85200.....	87, 133	2700120	141	2702014	53
01421-08303.....	135	120052 .53, 97, 103, 107,		2700121	141	2702198	43
01550-08353.....	61	111, 119, 121		2700166	109	2702199	45, 47
01550-08553.....	133	120166.....	141	2700174	109	2702215	59
06111-06003.....	137	120177	87, 93, 99	2700176	109	2702217	79
06111-12004.....	139	130728.....	97, 101, 103	2700177	109	2702244	57, 101
08310-00103.....	87	132520	119, 121	2700334	101	2702247	79
09103-08131.....	135	160410.....	103	2700335	101	2702257.7	79
09103-08152.....	135	17680-50F70.....	83	2700380	149	2702470	89, 91, 135
09111-08035.....	93	18292-G1.....	109	2700381	149	2702471	135
09128-10002.....	139	22100-85200.....	93	2700384	149	2702475	133
09135-08005.....	139	2218140-01.....	73	2700385	149	2702484	89, 91
09160-17035.....	139	22400-85141.....	93	2700386	149	2702494	139
09162-08008.....	139	23260-85203.....	133	2700387	149	2702501	105
09166-16014.....	141	23265-85200.....	133	2700453	81	2702502	105
09166-30007.....	137	23266-85002.....	61	2700470	149	2702534.7	127
09168-10007.....	139	24110-80410.....	137	2700493	129	2702535.7	127
09205-03019.....	133	24121-85252.....	137	2700496	53, 63, 65, 66	2702547	89
09205-05012.....	139	24131-83002.....	135	2700514	127	2702548	89
09246-16010.....	141	24211-83011.....	137	2700515	127	2702559	137
09250-10006.....	139	24220-60A01	137	2700525	103	2702561	137
09261-03017.....	139	24230-83001.....	137	2700530	127	2702659	133, 135
09262-28019.....	135	24400-83000.....	137	2700531	127	2702662	135
09262-28020.....	135	24410-83000.....	137	2700540	101	2702684	133
09262-30086.....	137	24420-83000.....	137	2700573	81	2702686	89, 91
09263-30031.....	137	24431-83001.....	137	2700757	61	2702687	89
09263-35015.....	137	24432-83001.....	137	2700792	43	2702688	89, 91
09280-11002.....	133	24436-83000.....	137	2700796	55	2702689	89, 91
09283-25088.....	135	24441-85F41.....	137	2700797	55	2702690	89, 91, 135
09284-17004.....	139	24442-81A20	137	2700800	113	2702695	63
09286-09001.....	139	24471-60A00	137	2700801	113	2702696	65
09300-14017.....	133	24473-70D10	137	2700851	149	2702756	91
09300-30003.....	137	24671-83000.....	135	2700852	149	2702883	139
09380-28007.....	135, 137	24681-83000.....	137	2700859	101	2702996	63
09390-62010.....	135	24700-85200.....	135	2700867	83, 121, 145	2703002	61
09390-68002.....	135	24741-83001.....	135	2700868	145, 147	2703081	79
09448-20007.....	133	24821-09001.....	139	2700869	145, 147	2703158	43
10386755, 59, 61, 63, 66,		2500917	93	2700913	147	2703257.7	53
.. 93, 97, 99, 101,		25121-85051.....	139	2700933	149	2703294.7	71
105, 107, 111,		25211-85201.....	139	2700993-G01	121	2703309	127
125,	129	25221-83002.....	139	2701107.7	113	2703481	127
111074.....	125, 129	25221-85202.....	139	2701129	101	2703581	137
111758.....	125	25411-85201.....	139	2701223	45, 47	2703683	53, 97
111812.....	103	25415-83000.....	139	2701273	65	2703684	53, 101
111813.....	103	25420-85201.....	139	2701371	65	2703707	63
111814.....	103	25451-85261.....	139	2701408	127	2703835.8	87
111816.....	103	25520-85203.....	139	2701442	85	2703931.7	63, 65
111817.....	103	25530-79501.....	139	2701465	119, 121	2703951	63, 65
111838.....	81	25535-85412.....	139	2701510	101	2703953	63
111893.....	101	25536-84200.....	139	2701513	85	2703956.7	63
111898.....	53, 97, 103	25541-85201.....	139	2701693.7	71, 109	2703960	71
112050.....	123	25545-85055.....	139	2701697.7	71, 89, 91	2703964.7	63, 65
112840.....	103	25546-60C01	139	2701737.7	59	28391-85202	135
11391G4.....	85, 109	25547-70D00	139	2701850.7	53	29165G01.....	53

INDEX

3001388.....	87	309067.....	71, 109	4139442.....	85	4166084.....	109
3001965.....	87	309488.....	45, 47	4139691.....	43	4166085.....	109
300646.....	83, 85, 113	311392.....	77	4139724.....	45, 47	4166086.....	109
300977.....	63, 65	311396.....	73	4139793.....	69	4166840.....	111
301988.....	141	311398.....	73	4139806G01.....	69	4166841.....	111
302030.....	66	311763.....	63, 65	4139806G02.....	69	4166842.....	111
302288..	45, 47, 101, 103	312288.....	69	4139806G03.....	69	4168131.....	111
302944.....	77	316907.....	55	4139939.....	45, 47	4168143.....	109
303269.....	77, 87, 93, 99	316942.....	141	4139967.....	107	4170802.....	109
303952.....	43	320107..	57, 81, 115, 117	4140067.....	73	4170840.....	111
304632.....	55, 104	36092-G01.....	83, 85	4140069.....	73	4171761.....	127
304636.....	77, 79, 127	361005.....	93	4140071.....	73	4173062.....	87
305134.....	77	361117.....	111	4140072.....	73	4173201.....	93
306320.....	101	37610-80043.....	133	4140075.....	73	4173262.....	93
306322.....	129	38061A.....	43	4140090.....	83, 85	4173980.....	93
306325..	93, 99, 101, 105, 119, 121	385174.....	79	4140269.....	49, 51	4174200.....	93
30632845..	47, 53, 55, 57, 59, 61	38541.....	43	4140431.....	65	4174201.....	87
306372.....	101	400108.....	87	4140617.....	89, 91	4174260.....	93
306375.....	66, 101, 103	400184.....	87	4140618.....	89, 91	4174281.....	87
306388.....	55	400188.....	109	4140899.....	89	4174282.....	93
30639663..	65, 66, 83, 85, 101, 103, 105, 119	4113019.....	109	4141031.....	101	4174285.....	87, 107
306397.....	63, 65	4113020.....	109	4141037.....	137	4174286.....	87, 99
306405.....	127	4113022.....	107, 109	4141425.....	103	4174287.....	73
306416.....	125	4113261.....	145, 147	4142627.....	65	4174288.....	73
306419..	43, 105, 119, 121	4113986.....	93, 99	4142630.....	65	4174290.....	99
306423.....	129	4114867.....	103	4142772.....	89	4174321.....	83, 145
306435.....	129	4115033.....	85	4142796.....	65	4174440.....	93
306450.....	99, 105	4115400.....	85	4144334.....	73	4174560.....	99
306463.....	43, 55	4115584.....	103	4144345.....	73	4174563.....	83
306488.....	43, 119, 121	4115709.....	121	4145325.....	71	4174620.....	87
306506.....	103	4116015.....	149	4146818.....	65	4174660.....	83
306531.....	53	4116017.....	121	4146819.....	65	4174662.....	97
306560.....	115	4117092.....	93	4147117.....	121	4174720.....	97
306562.....	87, 93	4117153.7..	69, 107, 111	4147118.....	121	4174820.....	83
306799.....	81	4117221.....	43	4147584.....	45, 47	4175021.....	97
306825.....	77	4117900.....	89	4147586.....	45, 47	4175340.....	51
306829.....	125	4118027.....	89, 91	4148065.....	91	4175401.....	69
306834.....	55	4118039.....	149	4148082.....	89	4175402.....	83, 85
306835.....	93	4118422.....	89, 91	4148150.....	85	4175560.....	93
306836.....	87	4118423.....	89, 91	4148153.....	105	4175561.....	99
306839.....	75	4118760.....	115	4148206.....	85	4175562.....	99
306891.....	87	4119866.8.....	99	4148212.....	91	4175620.....	99
306915.....	103	4119867.8.....	99	4148213.....	91	4176248.....	109
306932.....	119, 121	4119955.....	91	4148360.....	89	4176887.....	83
306981.....	93, 101, 104	4120076.....	85	4148361.....	91	4176960.....	99
306982.....	125	4120096.....	91	4149901.....	95	4177253.....	83
307776.....	129	4120097.....	91	4150138.....	95	4177560.....	99
308008.....	77	4120098.....	91	4150957.....	103	4179800.....	83, 145
308089.....	55, 101	4120138.....	75	4152157.....	119, 121	4179801.....	83, 145
30809045..	47, 63, 65, 83, 85, 101, 103, 113	4124567.....	117	4154081.....	121	4179802.....	107
308091.....	63, 65	4124568.....	117	4154480.....	61	4179803.....	71, 89, 91
		4138391.....	89	4154481.....	61	4179842.....	99
		4139208.....	101	4156544.....	115	4180501.....	109
		4139209.....	101	4158740.....	43	4180601.....	107, 111
		4139210.....	101	4158741.....	43	4183301.....	119, 121
		4139211.....	89	4158742.....	43	4183302.....	121

INDEX

4183303.....	119, 121	452006.....	109	548175 ..	43, 63, 65, 119, 121	800602	73
4183304.....	121	45237853, 57, 71, 83, 85, 109, 117, 119, 121		548201	131	800695	131
4183623.....	93	452380.....	115, 141	548204.....	129, 141	800711	104
4183634.....	99	452381.....	135	548224.....	75	800717	125
4184320.....	51	45238845, 47, 57, 59, 61, 83, 85, 87, 93, 97, 107, 113, 119		548325.....	103	800737	131
4185240.....	99	45238943, 71, 87, 89, 91, .93, 99, 113, 121		548477.....	141	800743	127
4185540.....	71, 107	452390.....	87, 97	548804.....	104	800789	67
4186780.....	93	452391.....	57	548827.....	113	800861	75
4188387.....	95, 104	452392.....	55, 85	548849.....	87	800875	109
4189960.....	103	452393.....	87	548910.....	55, 69, 99	800908	79, 127
4190700.....	99	452394.....	107	548911.....	53, 69	800909	69, 73
4190701.....	99	452395.....	83, 85, 93	548937.....	129	800927	101
4191140.....	99	452396.....	135	548952.....	131	80093043, 49, 51, 55, 59, .69, 81, 109, 113	
4194420.....	59	45239845, 57, 59, 69, 71, 79, 83, 85		550489.....	107	800934 .	43, 59, 119, 121
4194421.....	59	452399.....	69, 111, 113	553020.....	99	800943 ...	43, 53, 59, 81, 119, 121
4194500.....	59	452401.....	63, 65	554663.....	73	800944	127
4198260.....	89	452402.....	71, 93	558019.....	145	800945	75
4202860.....	57	452403.....	71	600992.....	83, 85	800948	87
4203360.....	89	452404.....	55	600993.....	93	800949	87
4205580.....	49	452405.....	71, 83, 89, 91	601585.....	83	800973	125
4206760.....	43	452406.....	71	601591.....	83, 85	805307	141
4208620.....	43	452408.....	77	601592.....	83, 85	805387	127
443102.....	99	452410.....	71	601595.....	83	806703	57, 61, 101
445795.....	87	452411.....	49, 51	601596.....	85	806714	53, 59
450077.....	75	452413.....	77	601937.....	45, 47	807332	73
450193.....	99, 105	452415.....	69	603102.....	103	807366	129
450324.....	119, 121, 135	452424.....	59, 61	604174.....	63, 65	807624	141
450377.....	57, 61	452692	63, 65, 79, 109	7033	83	808060	81
450378.....	99, 105	452695 43, 53, 61, 63, 65		7156	71	808088	79
450382.....	75	452738.....	97	7162	83, 85	809092	81
450393.....	75	460030.....	75	7301	109	809137	59, 79
450400.....	43	471221.....	75	7326	109	809152	57
450401.....	49	48540-01.....	99	800017.....	99	809174	87
450410.....	59	5000919.....	87	800021.....	107, 111	809180	69, 73
450412.....	49, 87	5000920.....	87	800024.....	101, 103	809231	67, 107
45045245, 47, 53, 57, 71, .. 83, 85, 97, 109, 115, 117, 119, 121		5000921.....	87	800026.....	69	809254	131
45045345, 47, 49, 51, 55, 57, 59, 61, 69, 71, 81, 83, 85, 87, 89, 91, 93, 97, 107, 109, 113, 119, 121		5001947.....	107	800073.....	93	809265	117
45045445, 55, 57, 59, 63, 65, 69, 71, 83, 89, .. 91, 93, 101, 111		515268.....	53	800113.....	113	810152	59, 61
450455.....	49, 51, 71, 77	517226.....	125	800146.....	83	810435	59, 129
450457.....	81	521144.....	55	800177.....	69, 83, 85	810437	75, 79, 129
450510.....	61	523085.....	45, 47	800198.....	73	810722	101
450541 43, 45, 47, 83, 85		523768.....	115	800221.....	107, 111	811992	131
450544.....	121	524358.....	149	800227.....	103	811993	131
450739.....	81	524633.....	53	800271.....	53, 97, 103	812006	131
452004.....	87	524643.....	53	800279.....	113	812009	131
		548041.....	104	800294.....	73	812335	131
		548061.....	73	800344.....	43	812419	141
		548079.....	75	800425.....	141	812445	59
		548159.....	43	800446.....	57	813850	73, 77
		548171.....	55	800485.....	77	814079	55
				800547.....	49, 93, 97, 99	814474	79
				800558.....	103	814476	125
				800559.....	131	815012	141
				800571.....	87	815013	141
				800582.....	53, 63, 65, 66		

INDEX

815085.....	141	827182.....	57	836429.....	131	840222.....	81
815093.....	141	827486.....	113	836431.....	129	840352.....	89, 91
815182.....	141	827821.....	53	836440.....	131	840436.....	45, 47
815403.....	79	828049.....	53	836441.....	131	840473.....	97
816307.....	63, 65	828056.....	55	836443.....	125	840508.....	43
816401.....	45, 47	828057.....	55	836536.....	145	840725.....	59, 61
816586.....	77	828231.....	119, 121	836657.....	129	840726.....	59, 61
817104.....	53, 103	828382.....	43	836658.....	129	840754.....	83, 85
817250.....	79	828590.....	81	836662.....	129	840857.....	113
817320.....	117	828629.....	143, 147	836675.....	125	840877.....	115, 117
817397.....	141	829044.....	73	836676.....	125	841167.....	75
817928.....	79	829099.....	69	836677.....	125	841255.....	77, 81
818395.....	101	829630.....	143, 145	836678.....	125	841264.....	53
819923.....	81	829631.....	147	836680.....	125	841336.....	77
820889.....	85	829787.....	107, 111	836681.....	125	841404.....	77
820899.....	83, 93	829954.....	107, 111	836682.....	125	841428.....	43
821071.....	53	829997.....	107, 109	836683.....	125	841429.....	75
821164.....	63, 66, 97, 101	830140.....	101	836684.....	125	841430.....	79, 127
821893.....	67, 113, 117	830366.....	53	836685.....	125	841434.....	73
822049.....	69	830784.....	45, 47, 53	836686.....	125	841477G01.....	43
822419.....	55	830810.....	117	836687.....	125	841630.....	75
822819.....	55	830930.....	59, 81	836688.....	125	841637.....	43
823118.....	55	831039.....	107	836689.....	125	841663.....	53
823119.....	117	831099.....	129	836690.....	125	841715.....	43
823225.....	55	831225.....	119, 121	836691.....	125	841737.....	75
823549.....	43, 81	831405.....	77	836692.....	125	841738.....	75
823621.....	73	831586.....	101	836693.....	131	841753.....	43
825264.....	67, 107, 109	831846.....	83, 85	836694.....	127	841799.....	49, 51
825500.....	73	831888.....	97	836695.....	127	841805.....	113
825538.....	55	831889.....	97	836841.....	129	841837.....	123
825748.....	143, 145, 147	831890.....	97	836852.....	107, 129	841838.....	123
825866.....	143, 145	832408.....	117	836892.....	143, 147	841839.....	79
825877.....	143, 145, 147	832409.....	117	836959.....	129	841841.....	79
825878.....	143, 145, 147	832414.....	115, 117	837020.....	131	841842.....	79, 123
825884.....	83, 87	832584.....	123	837043.....	57	841844.....	123
825886.....	59, 143, 147	832798.....	55	837198.....	131	841853.....	107
825889.....	147	832900.....	117	837270.....	113	841885.....	87
825894.....	143, 147	833056.....	103	837295.....	53	841913.....	43
825899.....	143, 147	833101.....	103	837296.....	143, 147	841969.....	107
825961.....	143, 145, 147	833103.....	103	837298.....	53	841982.....	99, 105
825973.....	143, 147	833104.....	103	837301.....	143, 147	842010.....	61
825996.....	143, 147	833257.....	145, 149	837303.....	43	842030.....	45
825997.....	143, 145, 147	833273.....	61	838154.....	107	842033.....	77
825998.....	143, 147	833345.....	103	838295.8.....	99, 105	842103.....	59
825999.....	143, 147	833440.....	83, 85	838340.....	67	842104.....	79
826000.....	143, 147	833512.....	83, 85	838463.....	145, 149	842359.....	131
826005.....	143, 145, 147	833715.....	85	838539.....	127	842360.....	131
826006.....	59, 145	833953.....	107, 111	838602.....	87	842740.....	66
826190.....	147	834005.....	107, 111	838768.....	149	842773.....	63, 65
826191.....	147	834691.....	107	838769.....	149	842774.....	63, 65
826192.....	149	835101.....	115, 117	838770.....	149	842800.....	117
826193.....	149	835271.....	97, 101, 103	839213.....	55	842870.....	71
826558.....	55, 117	836206.....	115	839917.....	149	842915.....	89, 91
826584.....	145	836420.....	131	839921.....	149	842935.....	59, 61
826590.....	67, 107	836421.....	131	839948.....	125	842959.....	145
826726.....	143, 147	836422.....	131	840017.....	81	842961.....	87

INDEX

842966.....	145, 147	844188.....	141	886001.....	117	894201.....	107, 111
842983.....	143, 145, 147	844202.....	61	886270.....	55	894266.....	119
843013.....	101	844223.....	53	886425.....	119, 121	894308.....	59, 61
843021.....	59	844224.....	53	886735.....	69, 73	894313.....	69
84310.....	107	844293.....	43	887017.....	115	894348.....	83
843158.....	57	844564.....	115	887259.....	81	894434.....	103
843167.....	121, 145	844565.....	115	887994.....	93, 95, 115	894435.....	103
843168.....	145, 147	844566.....	115	888549.....	85	894456.....	59
843238.....	73	844571.....	115	889050.....	83, 85	894471.....	103
843298.....	107, 111	844582.....	55	889681.....	77	894508.....	66
843355.....	55	844583.....	115	889682.....	77	894509.....	127
843356.....	57	844584.....	115, 117	889780.....	129	894519.....	131
843359.....	57	844590.....	115	889870.....	125	894573.....	75
843418.....	79	844598.....	117	889871.....	125	894574.....	75
843537.....	103	844600.....	115	889925.....	129	894581.....	71
843550.....	143, 147	844601.....	113	890000.....	119, 121	894582.....	71
843551.....	143, 147	844611.....	61	890930.....	109	894584.....	66
843561.....	53	844627.....	115	891089.....	131	894602.....	119, 121
843562.....	53	844628.....	115	891829.....	123, 125	894635.....	77
843563.....	53	844647G01.....	71	892164.....	66	894638.....	107
843568.....	71	844652.....	115	892228.....	81	894675.....	113
843581.....	53	844729.....	113	892534.....	81, 93, 95	894691.....	115
843598.....	143, 147	844813.....	127	892921.....	59	894696.....	55, 115
843607.....	53	844906.....	135	892933.....	61	894701.....	115
843614.....	63, 65	844937.....	115	893067.....	57	894702.....	115
843679.....	63, 65	844951.....	131	893145.....	71	894825.....	73, 123
843685.....	63, 65	844952.....	131	893145.7.....	71	894826.....	73, 123
843724.....	63, 65	844953.....	131	893199.7.....	71	894886.....	131
843726.....	107, 111	844956.....	131	893199-G02.....	71	894930.....	79, 127
843727.....	107	844973.....	115	893233.....	75	894931.....	79, 127
843758.....	55	844988.....	51	893234.....	75	894932.....	79, 127
843759.....	55	845034.....	131	893266.....	75	894933.....	79, 127
843767.....	81	845038.....	45, 47	893322.....	45, 47	894934.....	79, 127
843768.....	81	845133.....	57	893344.....	81	894935.....	79, 127
843778.....	63	845134.....	57	893487.....	69	894936.....	79, 127
843792.....	63, 65	845135.7.....	69	893488.....	69	894947.....	141
843857.....	85, 93	845185.....	55	893491.....	127	894965.....	141
843862.....	85	845223.....	133	893492.....	73	894989.....	141
843866.....	103	845224.....	85	893519.....	127	894998.7.....	71, 89, 91
843876.....	73	845231.....	45, 47	893525.....	71	895113.....	59
843942.....	119, 121	845234.....	45, 47	893539.....	113		
843997.....	53	845327.....	149	893541.....	45, 47		
844019.....	117	845328.....	149	893571.....	81		
844051.....	55	845329.....	149	893581.....	127		
844087.....	131	845330.....	149	893582.....	127		
844116.....	53	845345.7.....	66	893583.....	123		
844130.....	53, 97, 103	845356.....	127	893585.....	79		
844148.....	75	869154.....	66	893586.....	79		
844167.....	119, 121	879807.....	141	893602.....	69		
844177.....	55	882971.....	71	893613.....	73		
844179.....	55	882993.....	117	893632.....	47, 49, 51		
844181.....	141	883236.....	117	893862.....	73		
844184.....	135	884398.....	145	894066.....	87		
844185.....	141	884513.....	121	894159.....	53		
844186.....	135	884574.....	117	894167.....	59		
844187.....	141	885249.....	115	894179.....	63		

World Class Quality, Performance And Support

Equipment from Jacobsen is built to exacting standards ensured by ISO 9001 and ISO 14001 registration at all of our manufacturing locations.

A worldwide dealer network and factory trained technicians backed by Genuine Jacobsen Parts provide reliable, high-quality product support.



When Performance Matters.™

CUSHMAN JACOBSEN RANSOMES