



Parts manual

Jacobsen AR3

Series:EK

Product codes: AR30001 - 68" Width of Cut

Series: FZ

Product codes: AR30002 - 72" Width of Cut

Series:GX

Product codes: AR30003 - 68" Width of Cut

Series:KG

Product codes: AR30004 - 68" Width of Cut



WARNING: If incorrectly used this machine can cause severe injury. Those who use and maintain this machine should be trained in its proper use, warned of its dangers and should read the entire manual before attempting to set up, operate, adjust or service the machine.

DESCRIPTION	PAGE	DESCRIPTION	PAGE
CHASSIS	8	MANIFOLD & BRACKET	104
FRONT AXLE & UNIT MOUNTING	12	ROTARY DECK MOTOR FRONT	106
OPERATORS PLATFORM (From Serial No EK000604)	16	ROTARY DECK MOTOR CENTRE	108
OPERATORS PLATFORM (From Serial No EK000603)	18	ROTARY DECK MOTOR BREAKDOWN	110
PLATFORM SUPPORT	20	HYDRAULIC CIRCUIT	112
FOOTSTEP LH	22	NADI ENGINE & MOUNTING	114
FOOTSTEP RH	24	TURBO ENGINE AND MOUNTING.....	116
FOOTGUARD LH	26	EXHAUST MOUNTING	120
FOOTGUARD RH	28	EXHAUST	122
LH FRONT STOP	30	RADIATOR & COWLING	124
RH FRONT STOP	32	AIR CLEANER MOUNTING	126
FUEL TANK PART 1	34	EXPANSION TANK	128
FUEL TANK PART 2	36	ENGINE HOOD	130
HYDRAULIC TANK PART 1	38	DECALS	132
HYDRAULIC TANK PART 2	40	SEAT & MOUNTING PLATE	134
REAR WHEEL SUPPORT	42	MICHIGAN V-5300 SERIES SEAT	136
STEERING CYLINDER	44	GRAMMER MSG 85 SEAT (4137966) - SUSPENSION	138
STEERING TOWER	46	GRAMMER MSG 85 SEAT -SEAT TOP	140
BATTERY & TRAY	48	TRACTION PEDAL	142
FUSE BRACKET	50	TRACTION PEDAL DAMPER	144
ELECTRICAL CIRCUIT INSTRUMENT	52	DAMPER CONTROL	146
ELECTRICAL CIRCUIT MAIN	56	TRACTION PEDAL NEUTRAL SWITCH	148
FRONT WHEEL & MOTOR POCLAIN	58	INSTRUMENT PANEL	150
FRONT WHEEL & MOTOR (SAUER DANFOSS)	62	CONTROL PANEL	152
FRONT WHEEL MOTOR	64	DECK YOKE & MOUNTING	154
REAR WHEEL & MOTOR	66	DECK HOUSING & CASTER WHEELS (Non Trim TrimTek™)	156
MOTOR-WHEEL, Eaton Series 2000 (4184181)	68	DECK FRAME (Non Trim TrimTek™)	158
MOTOR-WHEEL, DANFOSS OMSW400	70	DECK FRAME TrimTek™	160
PUMPS	72	DECK ROLLER	164
PUMP (SAUER-DANFOSS M25)(008005950)	76	OPS FRAME(LMAC164)	166
PUMP (CASAPPA)	80	WORKING LAMP KIT (LMAC163)	168
LIFT VALVE	82	NARROW WIDTH OF CUT KIT (LMAC199)	170
LIFT VALVE (STERLING)	84	72" WIDTH OF CUT KIT (AR30002)	172
LIFT VALVE (INTEGRATED)	86	INCLINOMETER KIT (LMAC 380)	174
LIFT VALVE PROTECTION (AR30001 ONLY)	88	TRANSPORT STOPS-AR3 (LMAC 174)	176
FLUSHING VALVE	90		
FLUSHING VALVE (INTERGRATED HYDRAULICS)	92		
CUTTER & BRAKE VALVE	94		
CUTTER & BRAKE VALVE (STERLING)	96		
CUTTER & BRAKE VALVE (INTEGRATED)	98		
BRAKE RELEASE VALVE	100		
HYDRAULIC FILTER	102		

INTRODUCTION

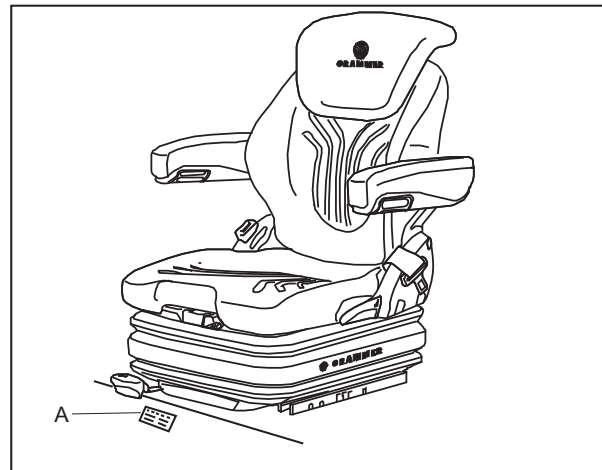
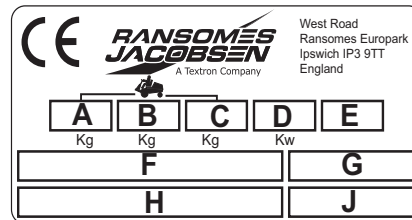
PRODUCT IDENTIFICATION

PRODUCT IDENTIFICATION

- A Maximum front axle load in Kg (for machines being driven on the highway)
- B Gross weight (mass) in Kg
- C Maximum rear axle load in Kg (for machines being driven on the highway)
- D Power in Kw
- E Date code
- F Machine type (Designation)
- G Product code
- H Product name
- J Serial number

Serial Plate Location

The serial plate A is located on the chassis under the operators seating position.



SPARES STOCKING GUIDE

To keep your equipment fully operational and productive, Ransomes suggests you maintain a stock of the more commonly used maintenance items. We have included part numbers for the additional support materials and training aids.

SERVICE SUPPORT MATERIAL			
Part No.	Description	Part No.	Description
16271-32090	Engine Oil Filter	2198147-01	Air Cleaner Element
4136009	Engine Fuel Filter	178025	Hydraulic Filter (Suction)
006890160	In-line Fuel Filter	008089620	Hydraulic Filter (Charge)
4126806	Electric Fuel Pump	4163101	Cutter Blade 26.62 Combo Series FZ
4199061	Filter Element, 10 Micron Absolute	4129639	Cutter Blade, 27" Mulching Series EK
24715g-gb	Safety & Maintenance Manual	2198147	Air Filter
4233963	Front Tyre	008230310	Battery
008170780	Rear Tyre	LMAC163	Working Lamp Kit

HOW TO USE THE PARTS MANUAL

ITEM NUMBER

Each part which is identified in the illustrations has an item number. Parts which do not have an item number may not be readily identified in the illustration but are usually closely associated with the immediately adjacent part.

ASSEMBLIES

A complete assembly, e.g. a wheel motor or hydraulic motor or roll assembly, is listed as a complete item with subsequent individual components listed separately.

The assembly is listed under its part number with component parts being listed offset to the right, e.g.:-

ITEM	PART NO.	DESCRIPTION	QTY	REMARKS
4295	MBG2504	Bracket	1	
4296	MBG3848	Latch	2	
4298	450865	Screw, M8 X 20, Sckt Csk Hd	2	
4300	450378	Nut, M8 Nyloc	2	
4301	WI001	Set Of Wheels	1	
4301.1	008162130	• Wheel & Hub Assy	1	(Rear)
4301.2	008170390	•• Tyre	1	
4301.3	008161830	•• Rim	1	
4301.4	008169140	•• Hub Assy.	1	
4301.5	008169150	•• Cap	1	
4301.6	002993010	•• Lubricator	1	
4301.7	008161990	• Wheel & Tyre	2	(Front)
4301.8	008170780	•• Tyre	2	

It may not be possible to illustrate every item. With certain items purchased from outside suppliers some component parts may not be available from Ransomes and may need to be specially ordered from the supplier.

QUANTITIES

Quantities shown are for one assembly or sub-assembly.

USING THE PARTS LIST

Determine the function and application of the part required. Turn to the main index page and select the appropriate section. Locate the part on the illustration and parts list and read off the quantity from the appropriate MODEL column.

NUMERICAL INDEX

This is a summary of all part numbers used in the manual arranged in numerical sequence and showing the page and item number under which the parts appear.

ORDERING OF SPARE PARTS

When ordering replacement parts, it is most important to quote the SERIAL NUMBER of the machine, PART NUMBER, DESCRIPTION and QUANTITY required.

Any arbitrary modifications carried out on this machine may relieve the manufacturer of liability for any resulting damage or injury.

ABBREVIATIONS

N/A Not Available

ARAs Required

GUIDELINES FOR THE DISPOSAL OF SCRAP PRODUCTS

DURING SERVICE LIFE

Used oil, oil filters and engine coolant are hazardous materials and should be handled in a safe and environmentally responsible way.

In the event of a fluid leak, contain the spill to prevent it entering the ground or drainage system. Local legislation will dictate how such spills are to be treated.

Following the maintenance procedures laid out in this manual will ensure that the impact the machine has on the local environment is controlled.

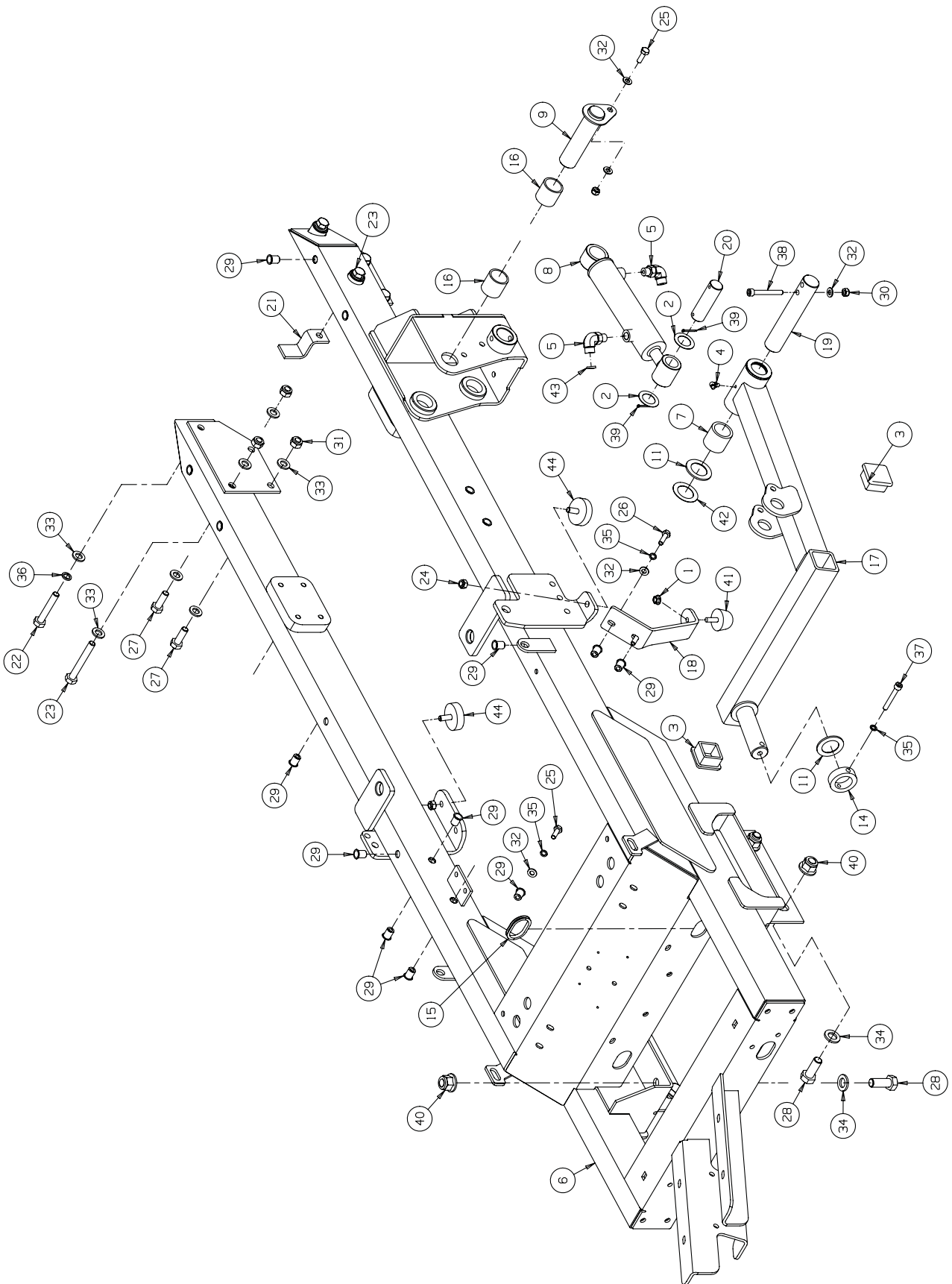
When it has been identified that a turf care product has no further functional value and requires disposal, the following actions should be taken.

END OF SERVICE LIFE

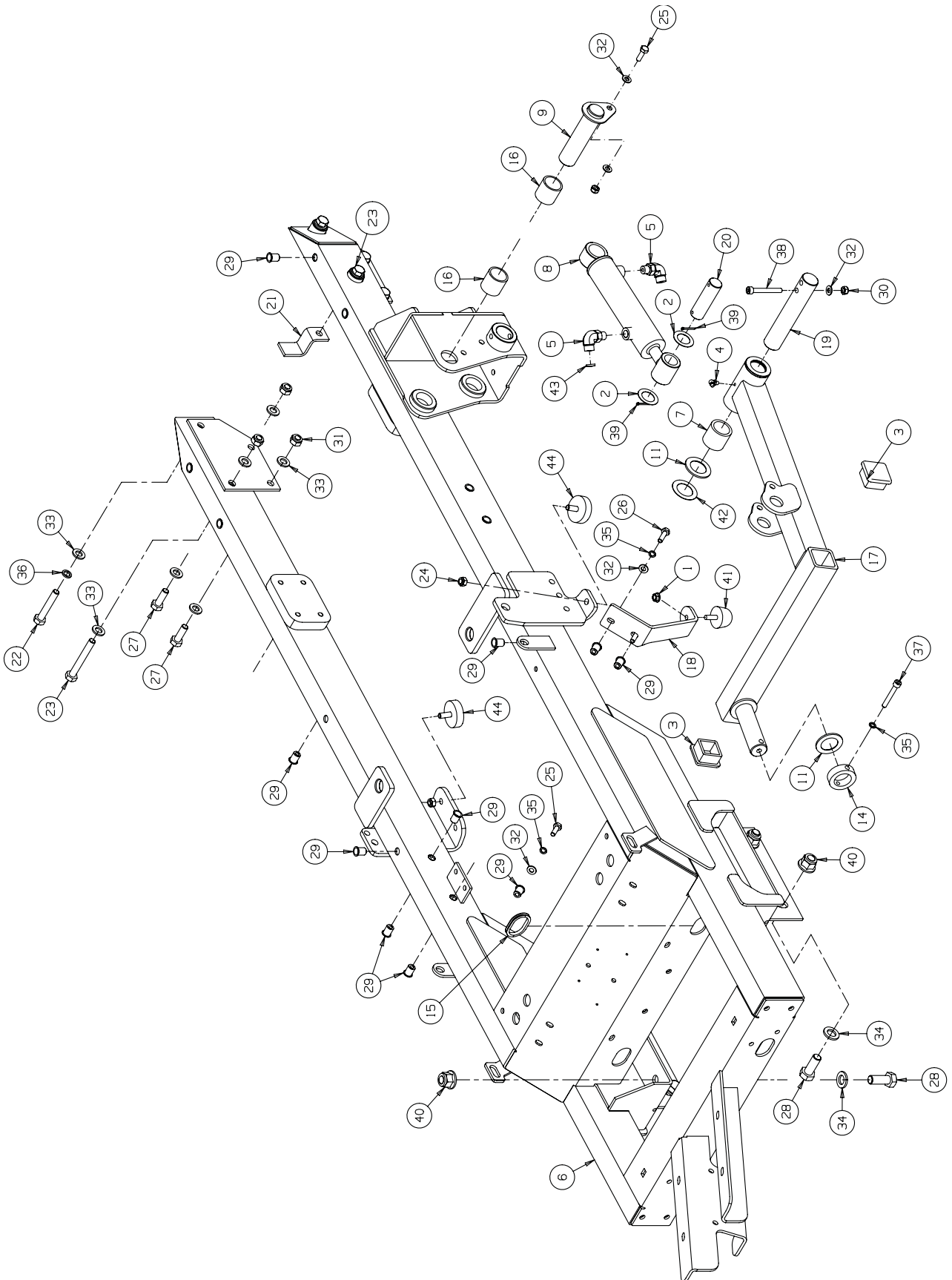
These guidelines should be used in conjunction with applicable Health, Safety and Environmental legislation and use of approved local facilities for waste disposal and recycling.

- Position the machine in a suitable location for any necessary lifting equipment to be used.
- Use appropriate tools and Personal Protective Equipment (PPE) and take guidance from the technical manuals applicable to the machine.
- Remove and store appropriately:
 1. Batteries
 2. Fuel residue
 3. Engine coolant
 4. Oils
- Disassemble the structure of the machine referring to the technical manuals where appropriate. Special attention should be made for dealing with 'stored energy' within pressurised elements of the machine or tensioned springs.
- Any items that still have a useful service life as second hand components or can be re-serviced should be separated and returned to the relevant centre.
- Other worn out items should be separated into material groups for recycling and disposal consistent with available facilities. More common separation types are as follows:
 - Steel
 - Non ferrous metals
 - Aluminium
 - Brass
 - Copper
 - Plastics
 - Identifiable
 - Recyclable
 - Non recyclable
 - Not identified
 - Rubber
 - Electrical & Electronic Components
- Items that cannot be separated economically into different material groups should be added to the 'General waste' area.
- Do not incinerate waste.

Finally update machinery records to indicate that the machine has been taken out of service and scrapped. Provide this serial number to Ranmsomes Jacobsen Warranty department to close off relevant records.



ITEM	PART NO.	DESCRIPTION	QTY.	REMARKS
1	001393010	Nut-Hex 5/16-18 Whiz	1	
2	001593072	Wshr-Thrust 1 x 1.562 x .030/.032	2	From Serial No. EK000457
3	002952633	End Cap-50 x 50 x 5	2	
4	0029993160	Lubricator-M6 x 90ş	1	
5	158007-01	90-M/M 11/16 ORFS x 9/16 SAE	2	
6	4130029	Wldmt-Chassis	1	
7	4130255	Bush-Devol 1-1/4 x 1-5/8 x 1-1/2	2	
8	4130603	Cylinder-Unit Lift	1	To S/N GX000523
8	4244287	D/A Hyd Cyl, 20 x 127, Lift	1	From S/N GX000524
*	4288991	• Seal Kit for 4244287		
9	4131142	Wldmt-Lift Arm Pin	1	
10	4131462	Wldmt-Yoke, 27" Deck	1	
11	4131628	Wshr-Nylon 32 x 50 x 3	3	
12	4133902	Hyd Hose Assembly	1	Rear Lift Ram to Lift Manifold
13	4133903	Hyd Hose Assembly	1	Rear Lift Ram to Drain Manifold
14	4134461	Coller-Pivot Shaft, 1-1/4"	1	
15	4135333	Grommeting	0.13 m	
16	4136819	Spacer-Lift Cylinder Pin	2	
17	4140815	Wldmt-Lift Arm Ctr	1	From Serial No. EK000445
18	4140881	Bracket-Bumper Stop	1	for NARROW CUT ONLY
19	4141086	Shaft-Pivot, Lift Arm	1	From Serial No. EK000457
20	4146510	Pin-Lift Ram	1	From Serial No.EK000457
21	4179043	Rear Trans Hose Guide	1	
22	450054	Bolt-Hex M12 x 70	2	
23	450058	Bolt-Hex M12 x 90	2	
24	450120398	Nut-Hex 3/8-16 Nyloc Thin	2	
25	450192	Scrw-Hex M8 x 25	3	
26	450193	Scrw-Hex M8 x 30	2	
27	450242	Scrw-Hex M12 x 35	4	
28	450270	Scrw-Hex M16 x 40	8	
29	450369	M8 Nutsert	21	
30	450378	Nut-Hex M8 Nyloc	2	
31	450380	Nut-Hex M12 Nyloc	6	
32	450390	Wshr-M8 x 17 x 1.8	7	
33	450392	Wshr-M12 x 24 x 2.7	4	
34	450393	Wshr-M16 x 30 x 3.3	8	
35	450411	Lockwshr-M8 x 12.75 x 2	5	
36	450413	Lockwshr-M12 x 17.9 x 2.5	2	
37	450730	Capscrw-Sckt M8 x 55	1	
38	450732	Capscrw-Sckt M8 x 65	1	From Serial No. EK000457
39	451241	22 x 3.2 Dia. Split Pin	2	
40	452439	Nut-Hex M16 Fling Nyloc	8	
*	158061-01	• O Ring	1	11/16" ORFS

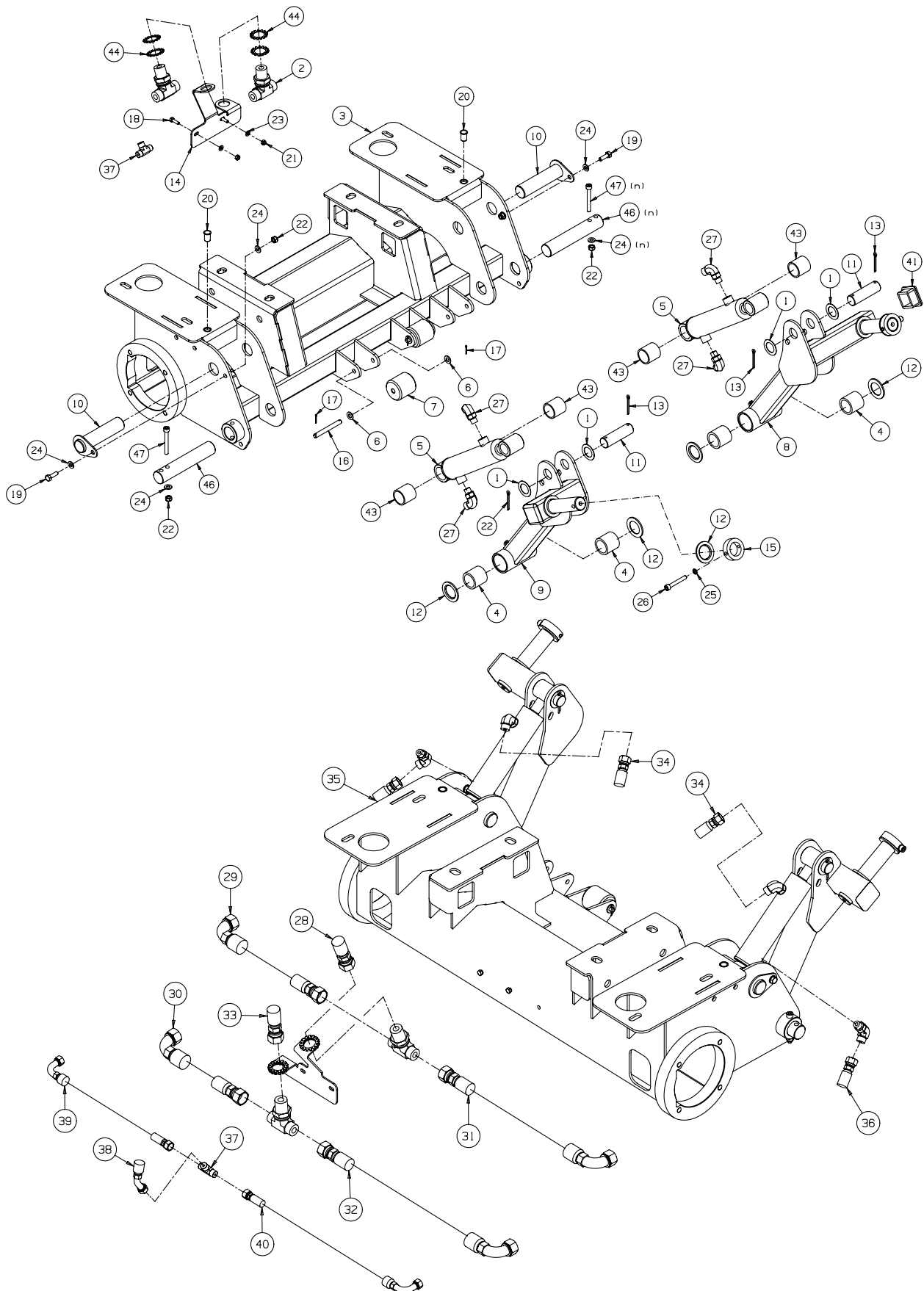


ITEM	PART NO.	DESCRIPTION	QTY.	REMARKS
*	002218065	• O Ring	1	9/16" SAE
41	523126	Rubber Bumper	1	
42	62464-4A	Wshr-Thrust 1.250 x 1.937 x .030	2	Fit as required
43	69068-03	11/16 ORFS .028" Disc	1	
44	J361723	Bumper Stop	2	

JACOBSEN AR3

FRONT AXLE & UNIT MOUNTING

Illustration Number: 4133553-a

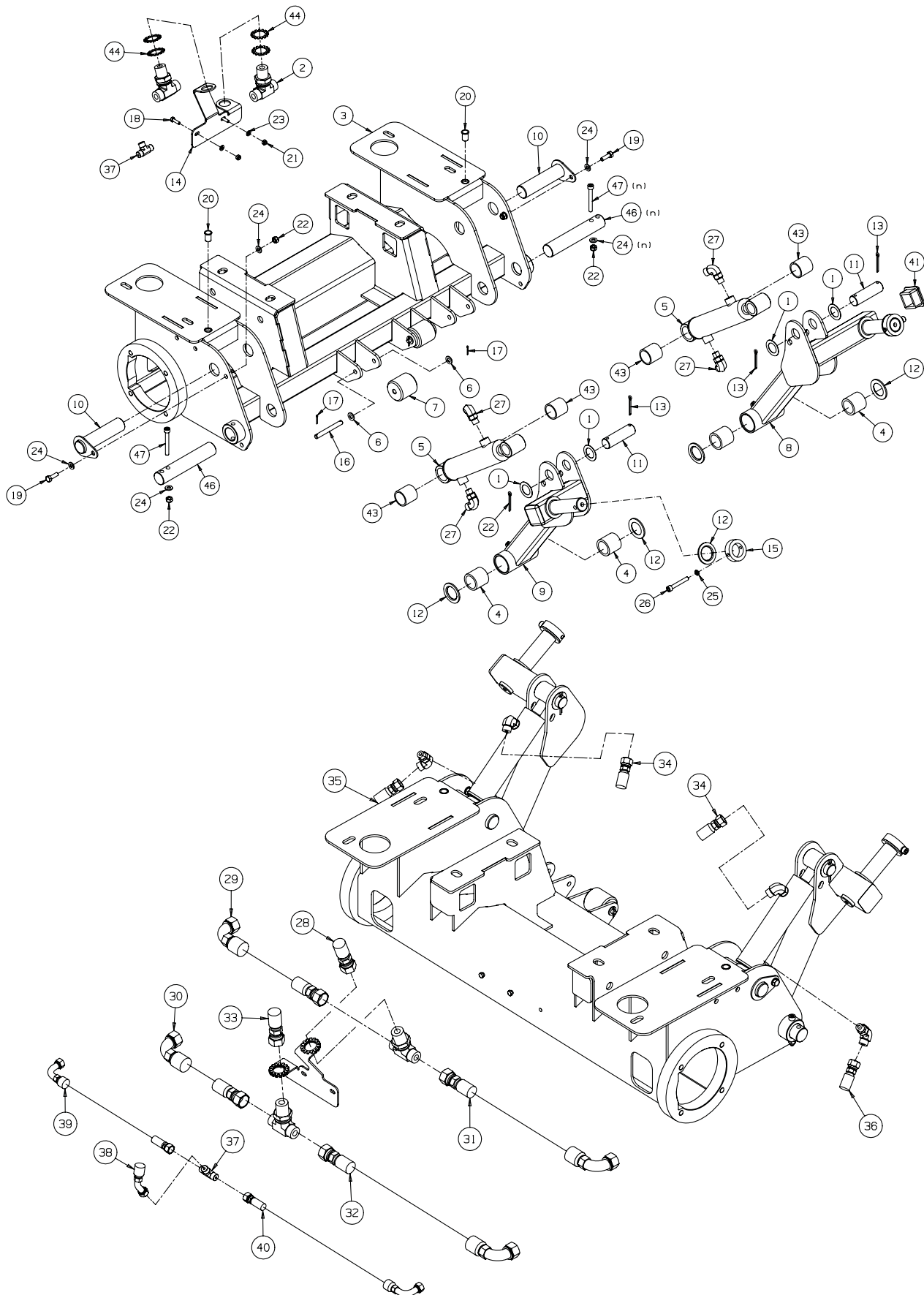


ITEM	PART NO.	DESCRIPTION	QTY.	REMARKS
1	001593072	Wshr-Thrust 1 x 1.562 x .030/.032	4	From Serial No.GX000524
2	4127319	Tee-M/M/Blkhd 1 ORFS	2	For Sauer Danfoss wheel motors
*	158061-08	• O Ring	3	1" ORFS
3	4130180	Wldmt-Front Axle	1	For Sauer Danfoss wheel motors
4	4130255	Bush-Devol 1-1/4 x 1-5/8 x 1-1/2	4	
5	4130603	Cylinder-Unit Lift	2	To S/N GX000523
5	4244287	D/A Hyd Cyl, 20 x 127, Lift	1	From S/N GX000524
*	4288991	• Seal Kit for 4244287	1	
6 *	4130833	Roller-10 x 50.8 x 35	1	To Serial No. EK000404
6	452000326	Wshr-3/8 x 3/4 x .072	4	From Serial No. EK000405
7	4130834	Roller-10 x 50.8 x 51.8	2	
8	4130836	Wldmt-Lift Arm LH	1	To Serial No. EK000444
8	4308418	Wldmt-Lift Arm LH	1	From Serial No. EK000445
9	4308420	Wldmt-Lift Arm RH	1	
10	4131142	Wldmt-Lift Arm Pin	2	
11	4131144	Wldmt-Ram Pin	2	To Serial No. GX000524
11	4146510	Pin-Lift Ram	2	From Serial No. GX000524
12	4131628	Wshr-Nylon 32 x 50 x 3	6	
13	4131629	Wshr-Nylon 26 x 38 x 5.5	4	To Serial No. EK000438
13	454000572	Split Pin-3/16 x 1-3/4	4	From Serial No. EK000439
14	4133581	Bracket-Bulkhead Ftgs	1	For Sauer Danfoss wheel motors
15	4134461	Collar-Pivot Shaft, 1-1/4"	2	
16 *	450021	Bolt-Hex M8 x 65	1	To Serial No. EK000404
16	4142371	Pivot Pin, Roller	2	From Serial No. EK000445
17	450026	Bolt-Hex M8 x 90	2	To Serial No. EK000444
17	451225	Split Pin-2.5 x 20	2	From Serial No. EK000445
18	450171	Scrw-Hex M6 x 20	2	
19	450192	Scrw-Hex M8 x 25	2	
20	450370	M8 Nutsert	2	
21	450377	Nut-Hex M6 Nyloc	2	
22	450378	Nut-Hex M8 Nyloc	4	
23	450389	Wshr-M6 x 12.5 x 1.8	2	
24	450390	Wshr-M8 x 17 x 1.8	6	
25	450411	Lockwshr-M8 x 12.75 x 2	2	
26	450730	Capscrw-Sckt M8 x 55	2	
27	158007-01	90-M/M 11/16 ORFS x 9/16 SAE	4	
*	158061-01	• O Ring	1	11/16" ORFS
*	002218065	• O Ring	1	9/16" SAE
28	4133856	Hyd Hose Assembly	1	Trans Pump 'B' to Front Motor 'T' For Sauer Danfoss wheel motors
29	4133857	Hyd Hose Assembly	1	LH Motor - Top Hose For Sauer Danfoss wheel motors

JACOBSEN AR3

FRONT AXLE & UNIT MOUNTING

Illustration Number: 4133553-a

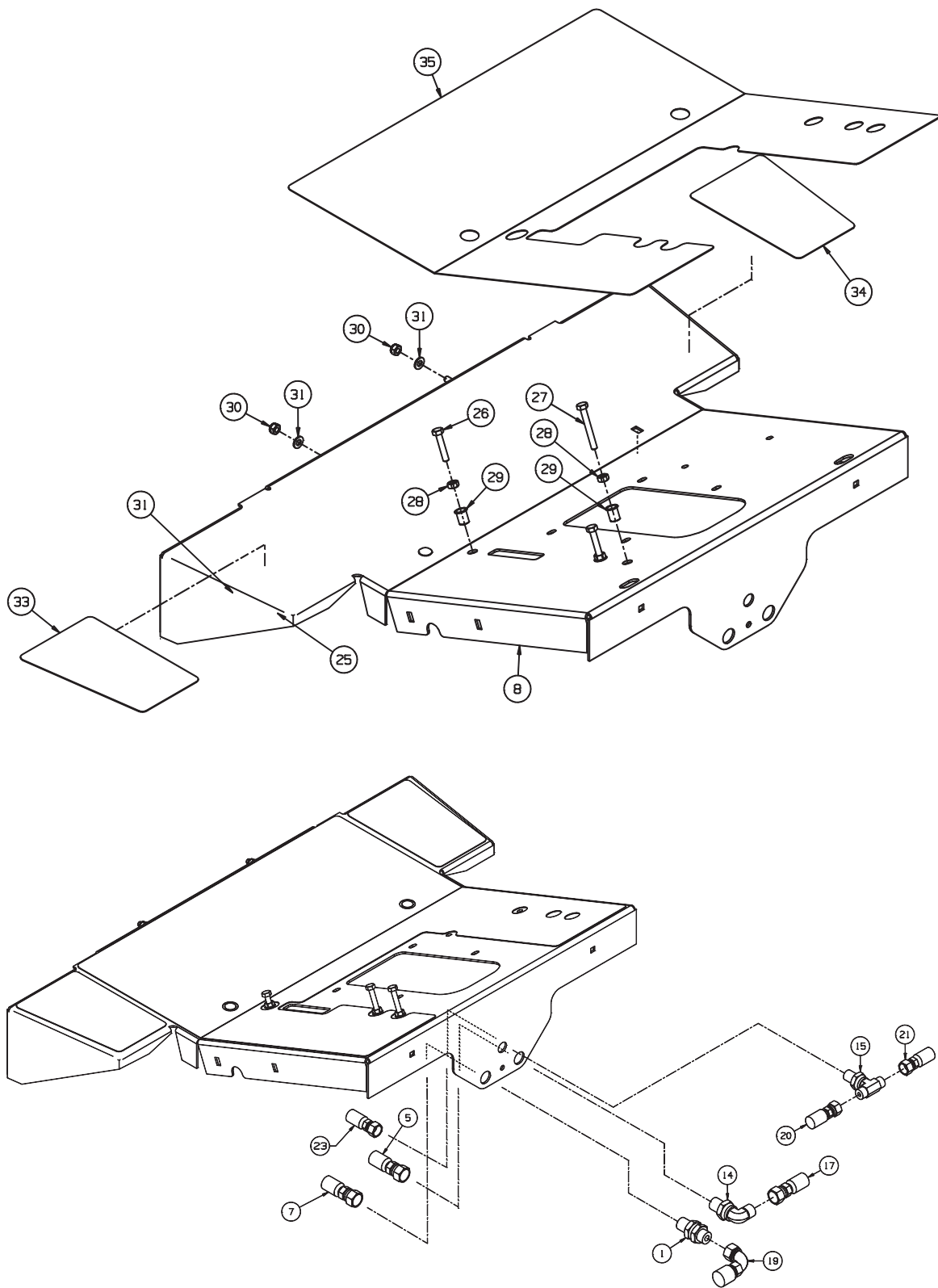


ITEM	PART NO.	DESCRIPTION	QTY.	REMARKS
30	4133858	Hyd Hose Assembly	1	LH Motor - Bottom Hose For Sauer Danfoss wheel motors
31	4133859	Hyd Hose Assembly	1	RH Motor - Top Hose For Sauer Danfoss wheel motors
32	4133860	Hyd Hose Assembly	1	RH Motor - Bottom Hose For Sauer Danfoss wheel motors
33	4133861	Hyd Hose Assembly	1	Front Motor 'T' to Flush Valve (to serial no. EK000304)
33	4137208	Hyd Hose Assembly	1	Front Motor 'T' to Flush Valve (from serial no. EK000305) For Sauer Danfoss wheel motors
34	4133901	Hyd Hose Assembly	2	Front Lift Ram to Lift Manifold
35	4133904	Hyd Hose Assembly	1	LH Lift Ram to Drain Manifold
36	4133905	Hyd Hose Assembly	1	RH Lift Ram to Drain Manifold
37	002542050	Tee-M/M/M 9/16 ORFS	1	For Sauer Danfoss wheel motors
*	158061-18	• O Ring	1	9/16" ORFS
38	4133853	Hyd Hose Assembly	1	Rotary Valve 'A' to 'T' Front Brake Line For Sauer Danfoss wheel motors
39	4133854	Hyd Hose Assembly	1	LH Motor Brake Line to 'T' For Sauer Danfoss wheel motors
40	4133855	Hyd Hose Assembly	1	RH Motor Brake Line to 'T' For Sauer Danfoss wheel motors
41	002952633	End Cap-50 x 50 x 5	2	
42	002993160	Lubricator-M6 x 90§	2	
43	4136819	Spacer-Lift Cylinder Pin	4	
44	J447030	Lockwshr-Tooth, Ext 1"	4	For Sauer Danfoss wheel motors
47	450732	M8 x 65 capscrew	2	
48	4141086	Shaft Pivot Pin	2	

JACOBSEN AR3

OPERATORS PLATFORM (From Serial No EK000604)

Illustration Number: 4133601-1 & 4133601-2

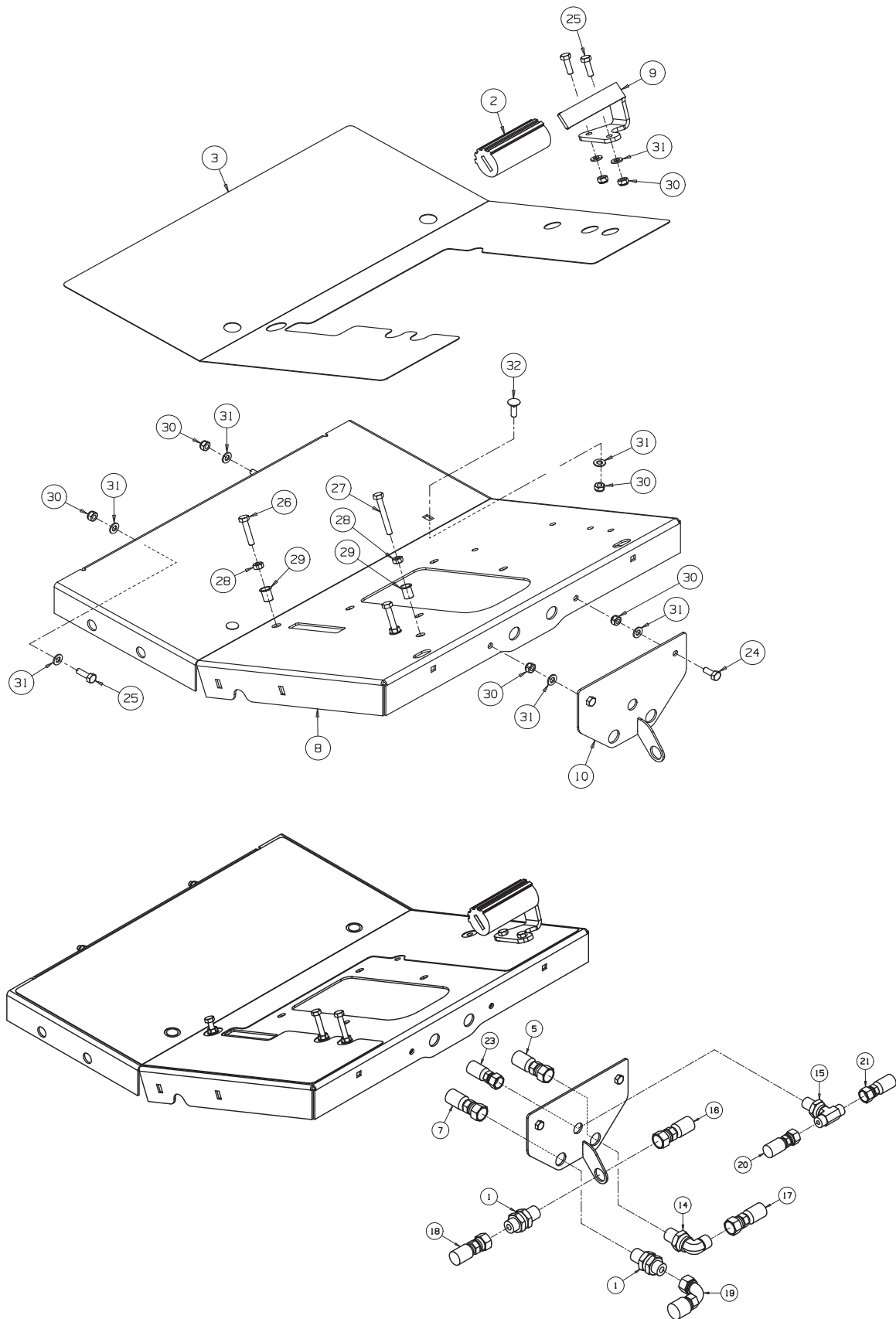


ITEM	PART NO.	DESCRIPTION	QTY.	REMARKS
5	4133069	Pads Front-LH	1	
8	4165394	Wldmt-Footplate, Ops Platform	1	From Serial no
25	450192	Scrw-Hex M8 x 25	2	
26	450195	Scrw-Hex M8 x 40	1	
27	450199	Scrw-Hex M8 x 60	2	
28	450324	Nut-Hex M8	3	
29	450369	Nutsert-M8 A-L x 17.5	2	
30	450378	Nut-Hex M8 Nyloc	4	
31	450390	Wshr-M8 x 17 x 1.8	6	
32	452564	Bolt-Crg M8 x 25	2	
1	158067-04	Ftg-Blkhd M/M 13/16 ORFS	1	
*	158061-02	• O Ring	1	13/16" ORFS
5	4133910	Hyd Hose Assembly	1	Cutter Valve 'M1' to LH Blkhd
7	4133912	Hyd Hose Assembly	1	RH Blkhd to Rear Motor 'IN'
14	4136395	90 Blkhd-M/M 13/16 ORFS	1	
*	158061-02	• O Ring	2	13/16" ORFS
15	4136396	Tee-M/M/Blkhd 11/16 ORFS	1	
*	158061-01	• O-Ring	3	11/16" ORFS
17	4136409	Hyd Hose Assembly	1	LH Str Blkhd to LH Motor 'IN'
19	4136411	Hyd Hose Assembly	1	RH 90 Blkhd to RH Motor 'OUT'
20	4136412	Hyd Hose Assembly	1	RH Motor Drain to Blkhd 'T'
21	4136413	Hyd Hose Assembly	1	LH Motor Drain to Blkhd 'T'
23	4136382	Hyd Hose Assembly	1	Front Blkhd Tee to Manifold (to serial number EK000304)
23	4137213	Hyd Hose Assembly	1	(from serial number EK000304)

JACOBSEN AR3

OPERATORS PLATFORM (From Serial No EK000603)

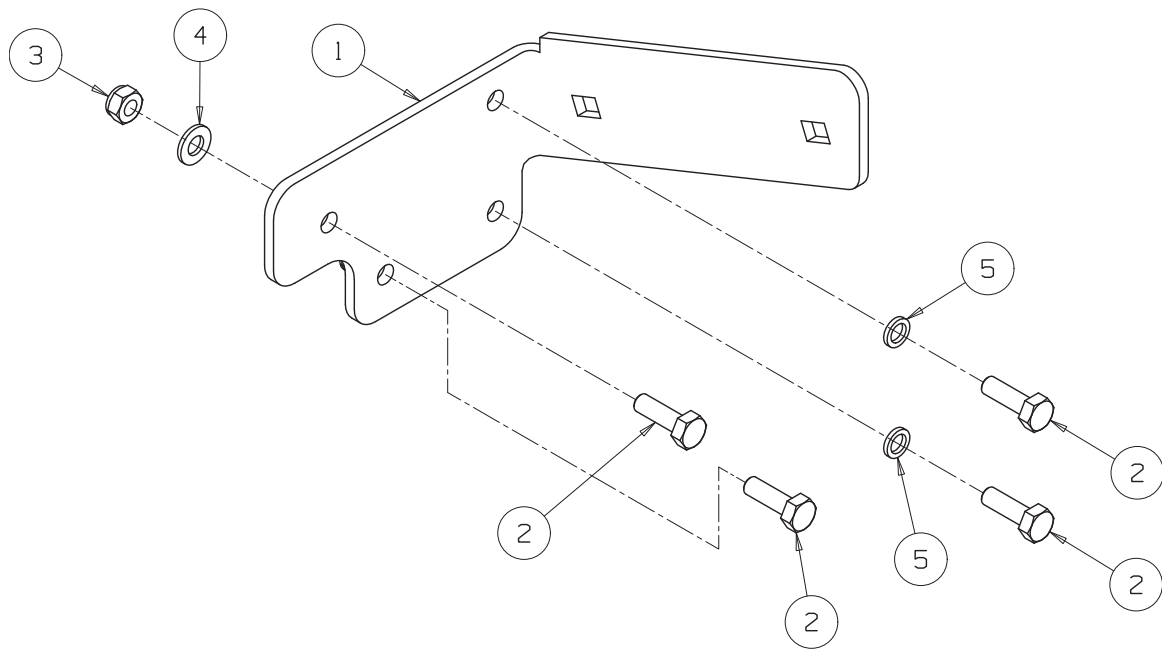
Illustration Number: 4133601-1-early & 4133601-2-early



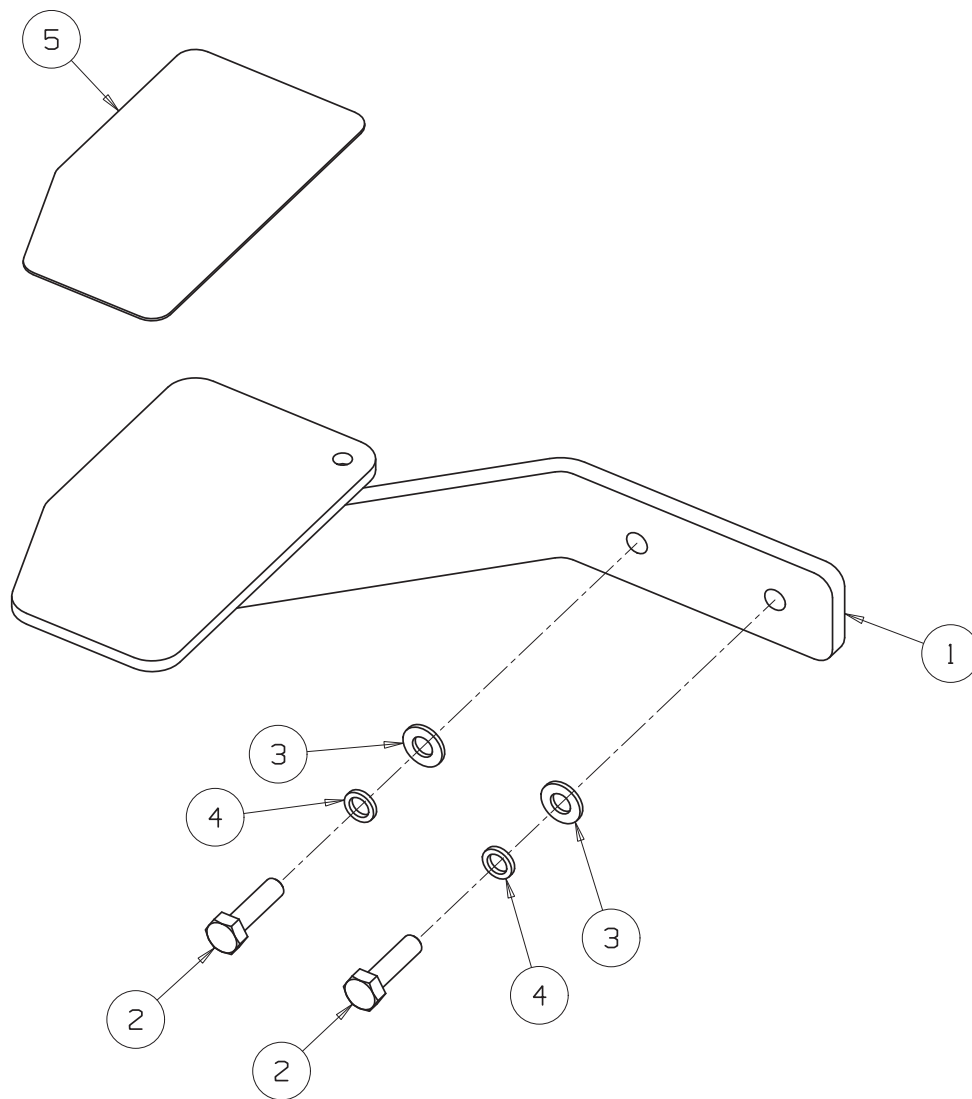
ITEM	PART NO.	DESCRIPTION	QTY.	REMARKS
2	3003475	Grip-Pedal	1	
3	4133602	Pad-Platform	1	
8	4135108	Wldmt-Footplate, Ops Platform	1	
9	4135601	Foot Support	1	
10	4136185	Wldmt-Bulkhead	1	
24	450191	Scrw-Hex M8 x 20	2	
25	450192	Scrw-Hex M8 x 25	4	
26	450195	Scrw-Hex M8 x 40	1	
27	450199	Scrw-Hex M8 x 60	2	
28	450324	Nut-Hex M8	3	
29	450369	Nutsert-M8 A-L x 17.5	2	
30	450378	Nut-Hex M8 Nyloc	4	
31	450390	Wshr-M8 x 17 x 1.8	6	
32	452564	Bolt-Crg M8 x 25	2	
1	158067-04	Ftg-Blkhd M/M 13/16 ORFS	1	
*	158061-02	• O Ring	1	13/16" ORFS
5	4133910	Hyd Hose Assembly	1	Cutter Valve 'M1' to LH Blkhd
7	4133912	Hyd Hose Assembly	1	RH Blkhd to Rear Motor 'IN'
14	4136395	90 Blkhd-M/M 13/16 ORFS	1	
*	158061-02	• O Ring	2	13/16" ORFS
15	4136396	Tee-M/M/Blkhd 11/16 ORFS	1	
*	158061-01	• O-Ring	3	11/16" ORFS
16	4136408	Hyd Hose Assembly	1	LH 90 Bulkhd to LH Motor 'OUT'
17	4136409	Hyd Hose Assembly	1	LH Str Blkhd to LH Motor 'IN'
18	4136410	Hyd Hose Assembly	1	RH Str Bulkhd RH Motor 'IN'
19	4136411	Hyd Hose Assembly	1	RH 90 Blkhd to RH Motor 'OUT'
20	4136412	Hyd Hose Assembly	1	RH Motor Drain to Blkhd 'T'
21	4136413	Hyd Hose Assembly	1	LH Motor Drain to Blkhd 'T'
23	4136382	Hyd Hose Assembly	1	Front Blkhd Tee to Manifold (to serial number EK000304)
23	4137213	Hyd Hose Assembly	1	(from serial number EK000304)

PLATFORM SUPPORT

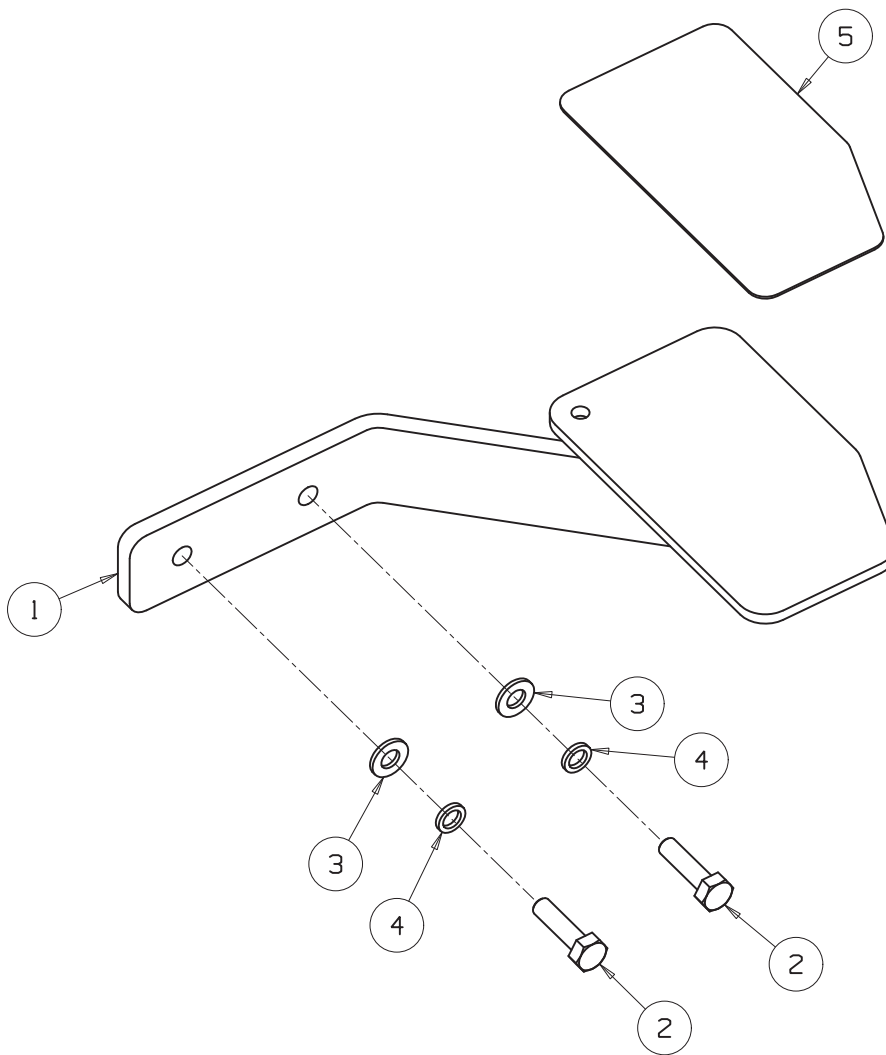
Illustration Number: 4131602



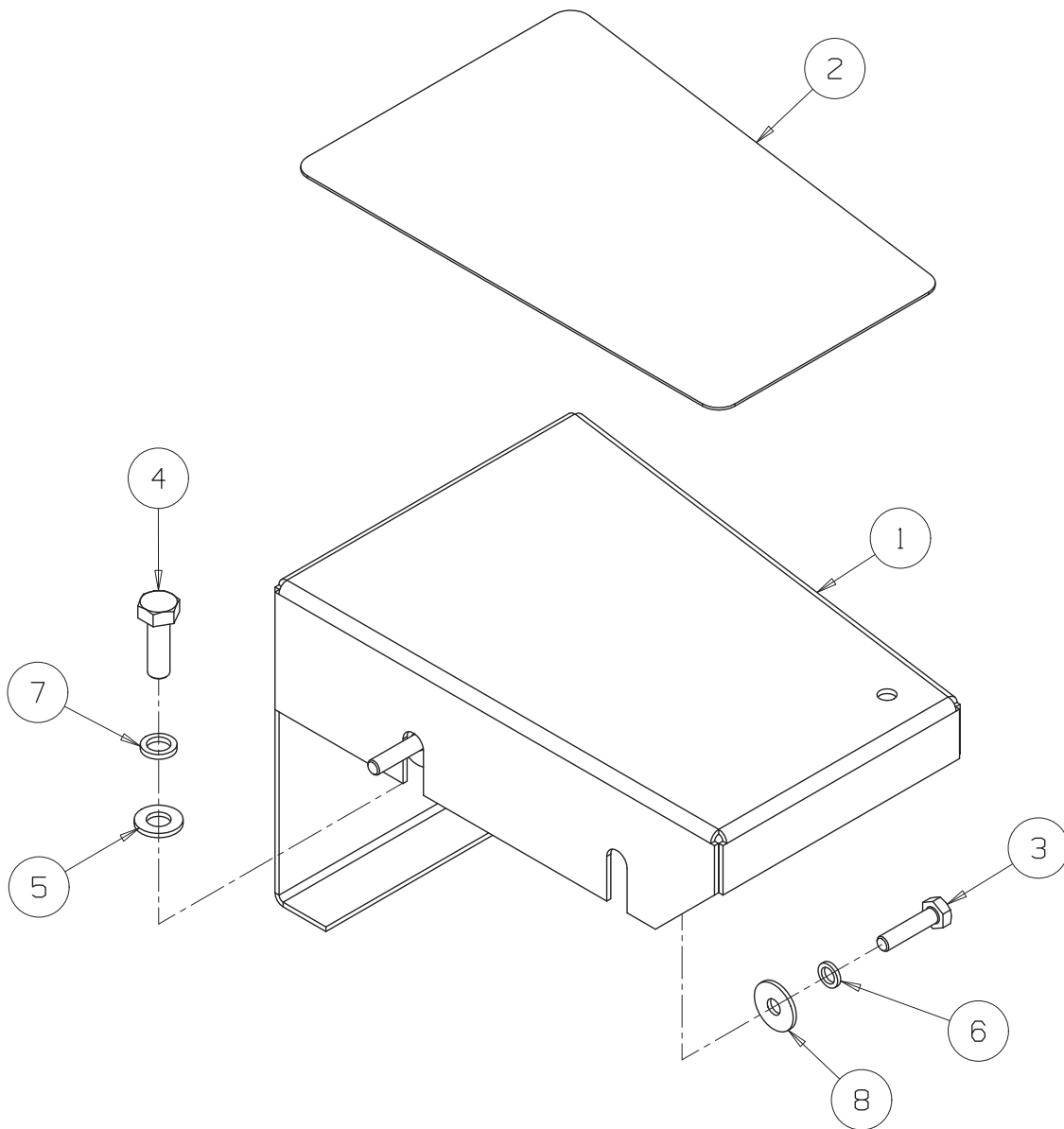
ITEM	PART NO.	DESCRIPTION	QTY.	REMARKS
1	4134966	Bracket-Platform Support	1	
2	450192	Scrw-Hex M8 x 25	4	
3	450378	Nut-Hex M8 Nyloc	2	
4	450390	Wshr-M8 x 17 x 1.8	2	
5	450411	Lockwshr-M8 x 12.75 x 2	2	



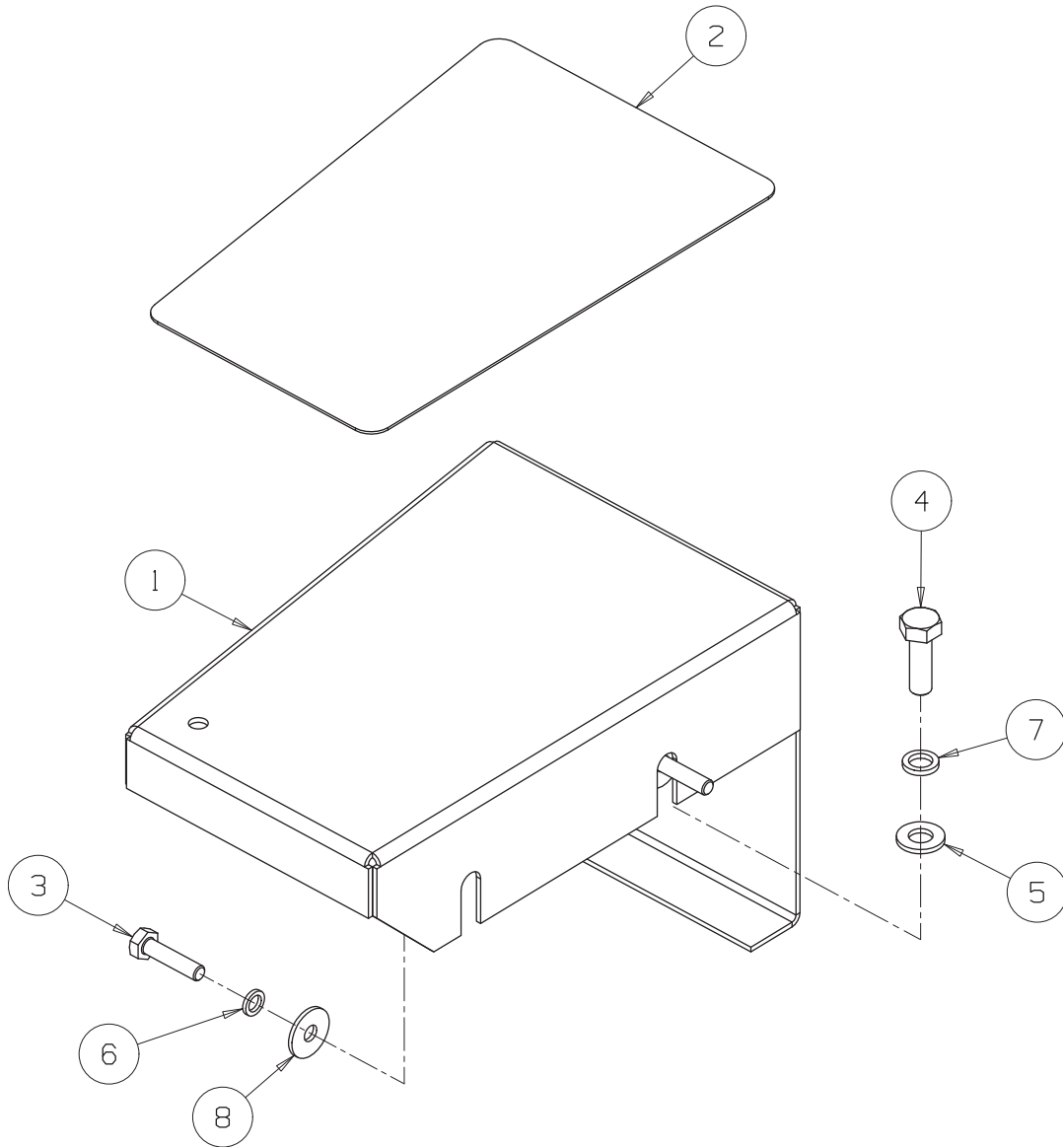
ITEM	PART NO.	DESCRIPTION	QTY.	REMARKS
1	4132973	WLDMT-FOOTSTEP LH	1	
2	450014	BOLT-HEX M8 x 30	2	
3	450390	WSHR-M8 x 17 x 1.8	2	
4	450411	WSHR-SLW M8	2	
5	MBG4796	PAD-STEP RH	1	



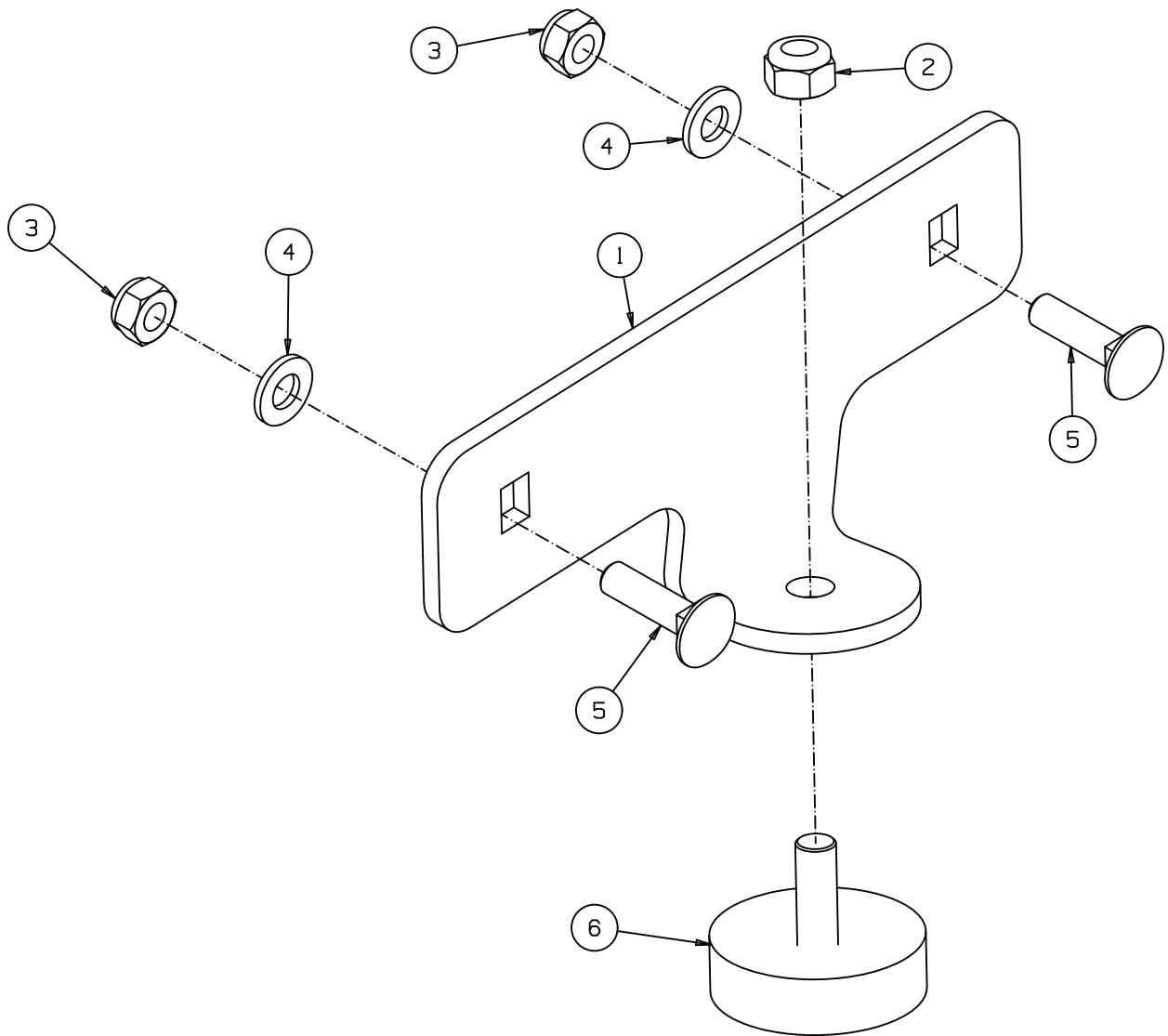
ITEM	PART NO.	DESCRIPTION	QTY.	REMARKS
1	4132972	WLDMT- FOOTSTEP RH	1	
2	450014	BOLT-HEX M8 x 30	2	
3	450390	WSHR-M8 x 17 x 1.8	2	
4	450411	WSHR-SLW M8	2	
5	MBG4795	PAD-STEP LH	1	



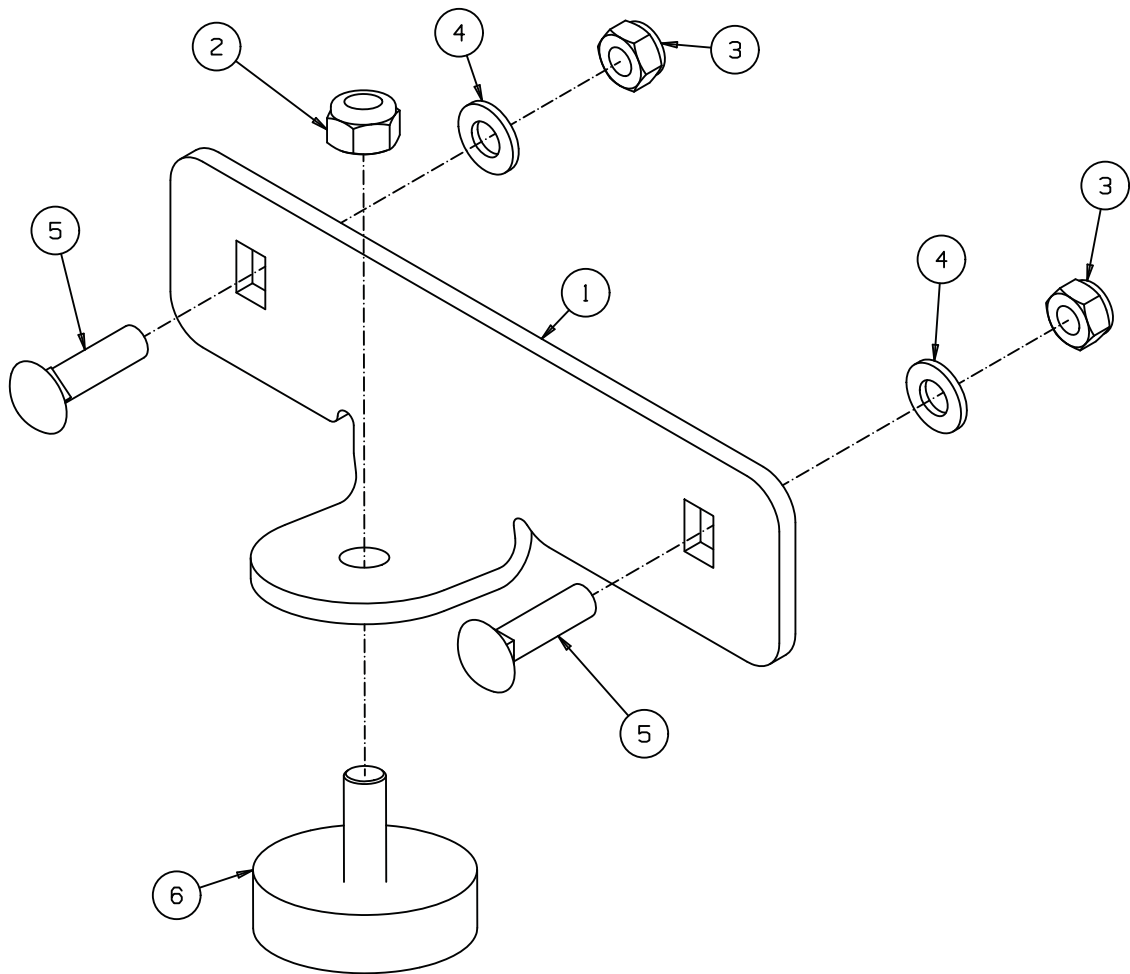
ITEM	PART NO.	DESCRIPTION	QTY.	REMARKS
1	4133058	Footguard LH	1	
2	4133068	Pad-Footguard LH	1	
3	450172	Scrw-Hex M6 x 25	2	
4	450192	Scrw-Hex M8 x 25	1	
5	450390	Wshr-M8 x 17 x 1.8	1	
6	450410	Lockwshr-M6 x 9.6 x 1.5	2	
7	450411	Lockwshr-M8 x 12.75 x 2	1	
8	452000237	Wshr-1/4 x 3/4 x .064	2	



ITEM	PART NO.	DESCRIPTION	QTY.	REMARKS
1	4133059	Footguard RH	1	
2	4133069	Pad-Footguard RH	1	
3	450172	Scrw-Hex M6 x 25	2	
4	450192	Scrw-Hex M8 x 25	1	
5	450390	Wshr-M8 x 17 x 1.8	1	
6	450410	Lockwshr-M6 x 9.6 x 1.5	2	
7	450411	Lockwshr-M8 x 12.75 x 2	1	
8	452000237	Wshr-1/4 x 3/4 x .064	2	



ITEM	PART NO.	DESCRIPTION	QTY.	REMARKS
1	4308425	Bracket LH Front Stop	1	
2	450120398	Nut Hex 3/8-16, Nyloc Thin	1	
3	450378	Nut Hex M8-1.25, Gr 8, Nyloc	2	
4	450390	Washer M8 X 17 X 1.8	2	
5	452565	Bolt-Crg M8 X 30	2	
6	J361723	Bumper Stop	1	

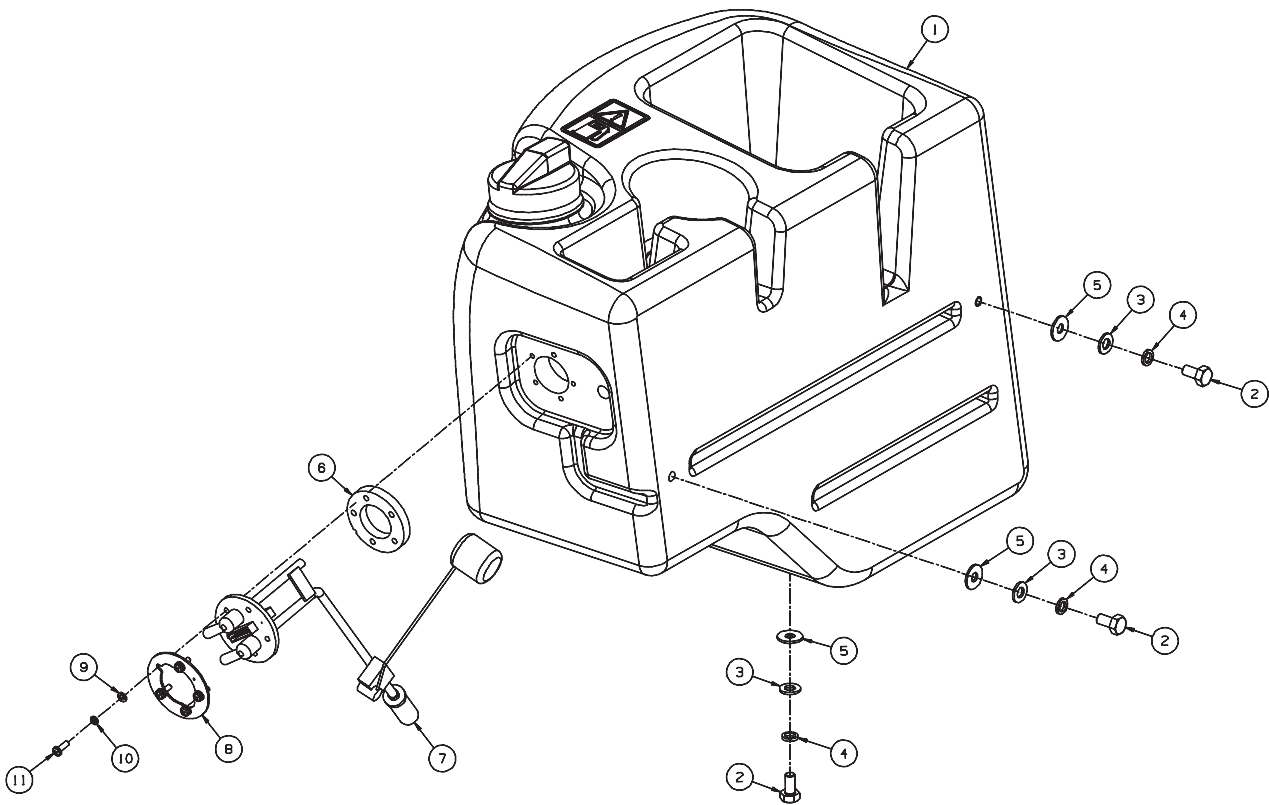


ITEM	PART NO.	DESCRIPTION	QTY.	REMARKS
1	4308426	Bracket RH Front Stop	1	
2	450120398	Nut Hex 3/8-16, Nyloc Thin	1	
3	450378	Nut Hex M8-1.25, Gr 8, Nyloc	2	
4	450390	Washer M8 X 17 X 1.8	2	
5	452565	Bolt Crg M8 X 30	2	
6	J361723	Bumper Stop	1	

JACOBSEN AR3

FUEL TANK PART 1

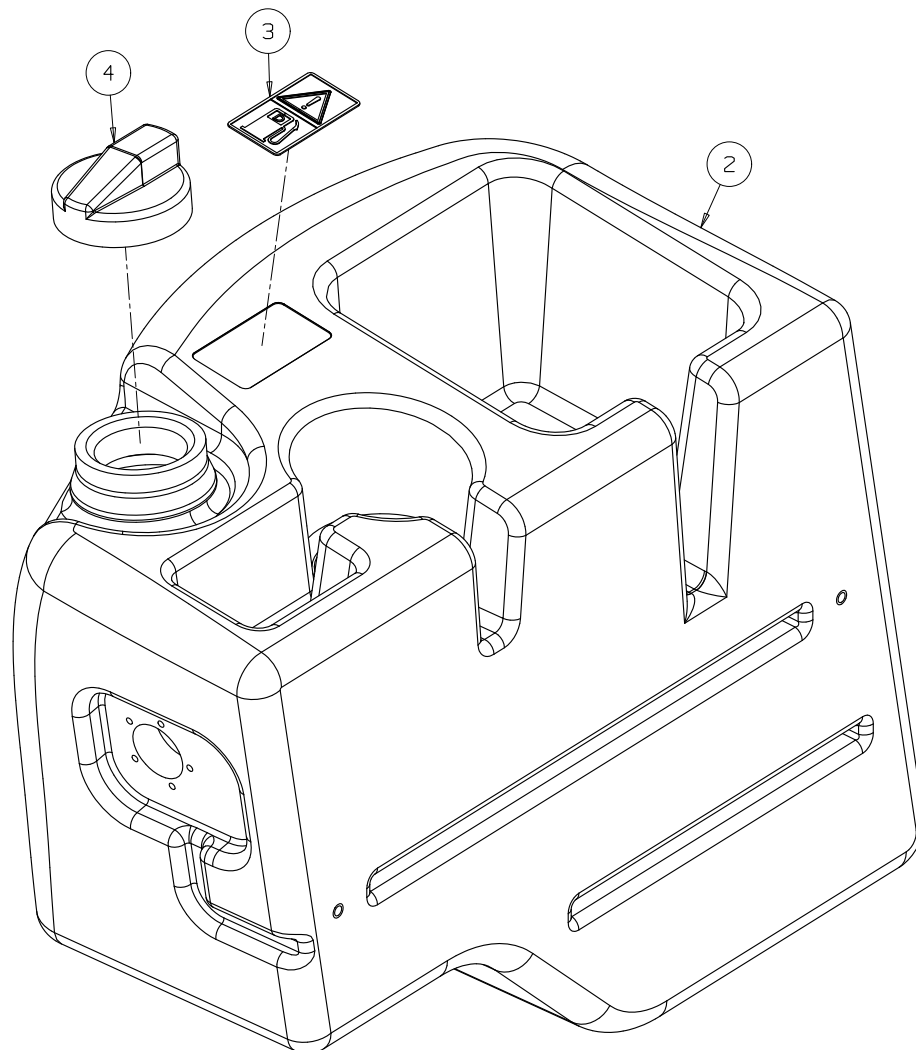
Illustration Number: 4133675



ITEM	PART NO.	DESCRIPTION	QTY.	REMARKS
1	4133692	Asm-Fuel Tank	1	
2	450213	Scrw-Hex M10 x 20	3	
3	450391	Wshr-M10 x 21 x 2.2	3	
4	450412	Lockwshr-M10 x 15.9 x 2.5	3	
5	452000368	Wshr-3/8" x 1" x .080"	3	
6	4204200	Gasket-Fuel Tank	1	
7	4132363	Fuel Sender	1	
8	4134639	Collar-Fuel Sender	1	
9	450388	Wshr-M5 x 10 x 1.1	5	
10	450409	Lockwshr-M5 x 8.55 x 1.5	5	
11	450528	Scrw-Pan Hd M5 x 16	5	

FUEL TANK PART 2

Illustration Number: 4133692

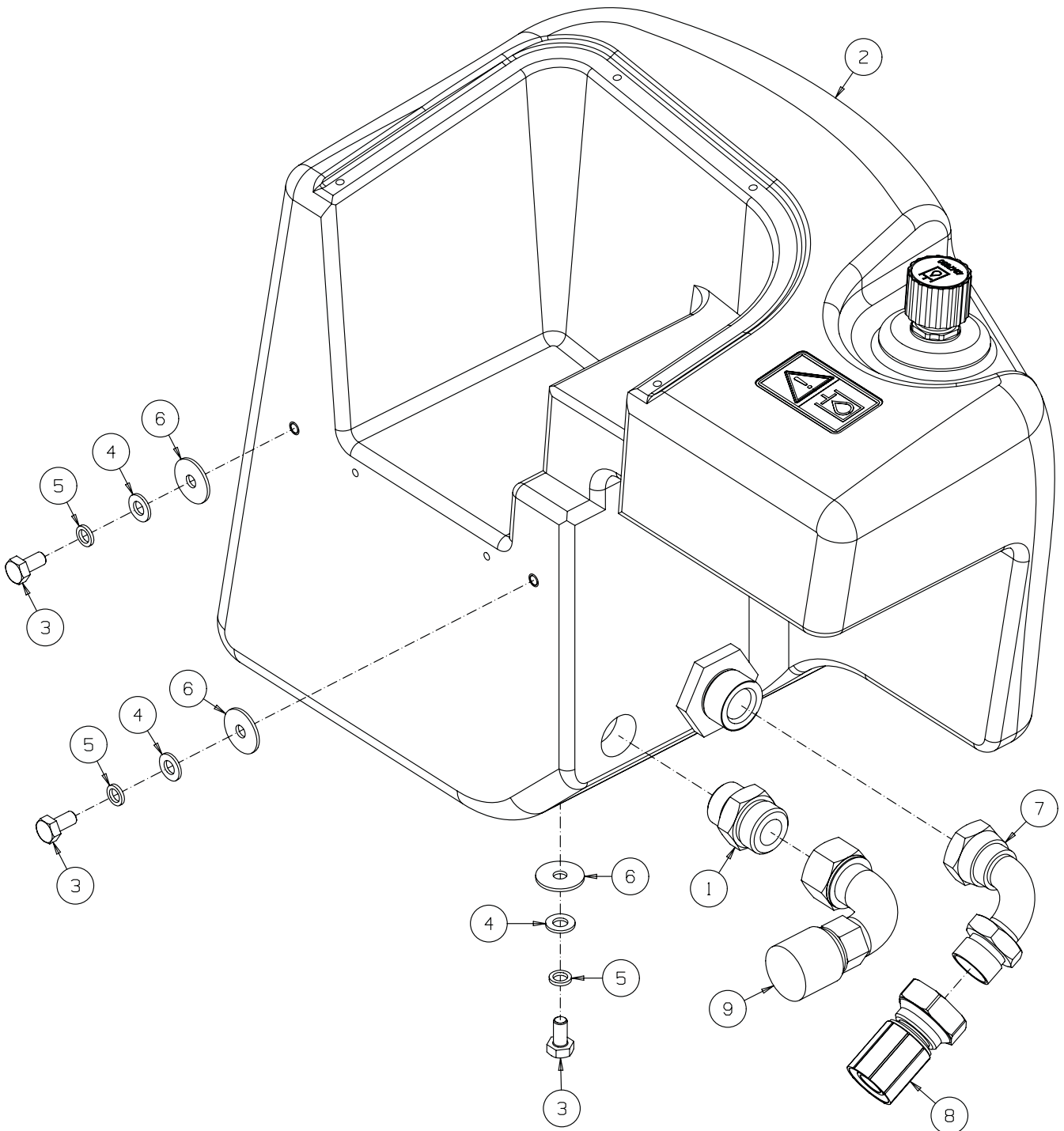


ITEM	PART NO.	DESCRIPTION	QTY.	REMARKS
2	4131114	Tank-Fuel	1	
3	4133706	Decal-Diesel	1	
4	4133832	Cap-Fuel Tank	1	

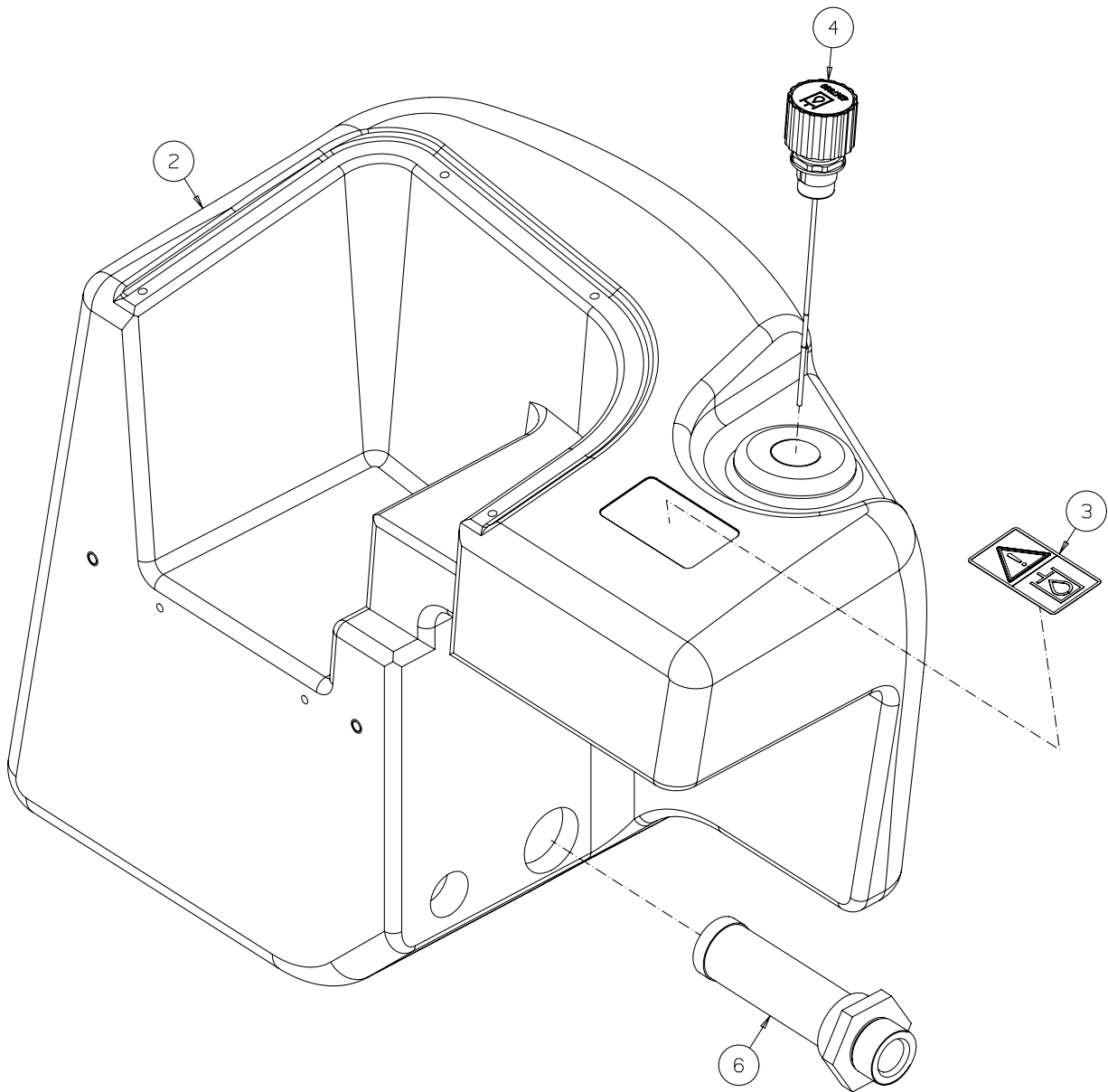
JACOBSEN AR3

HYDRAULIC TANK PART 1

Illustration Number: 4133676



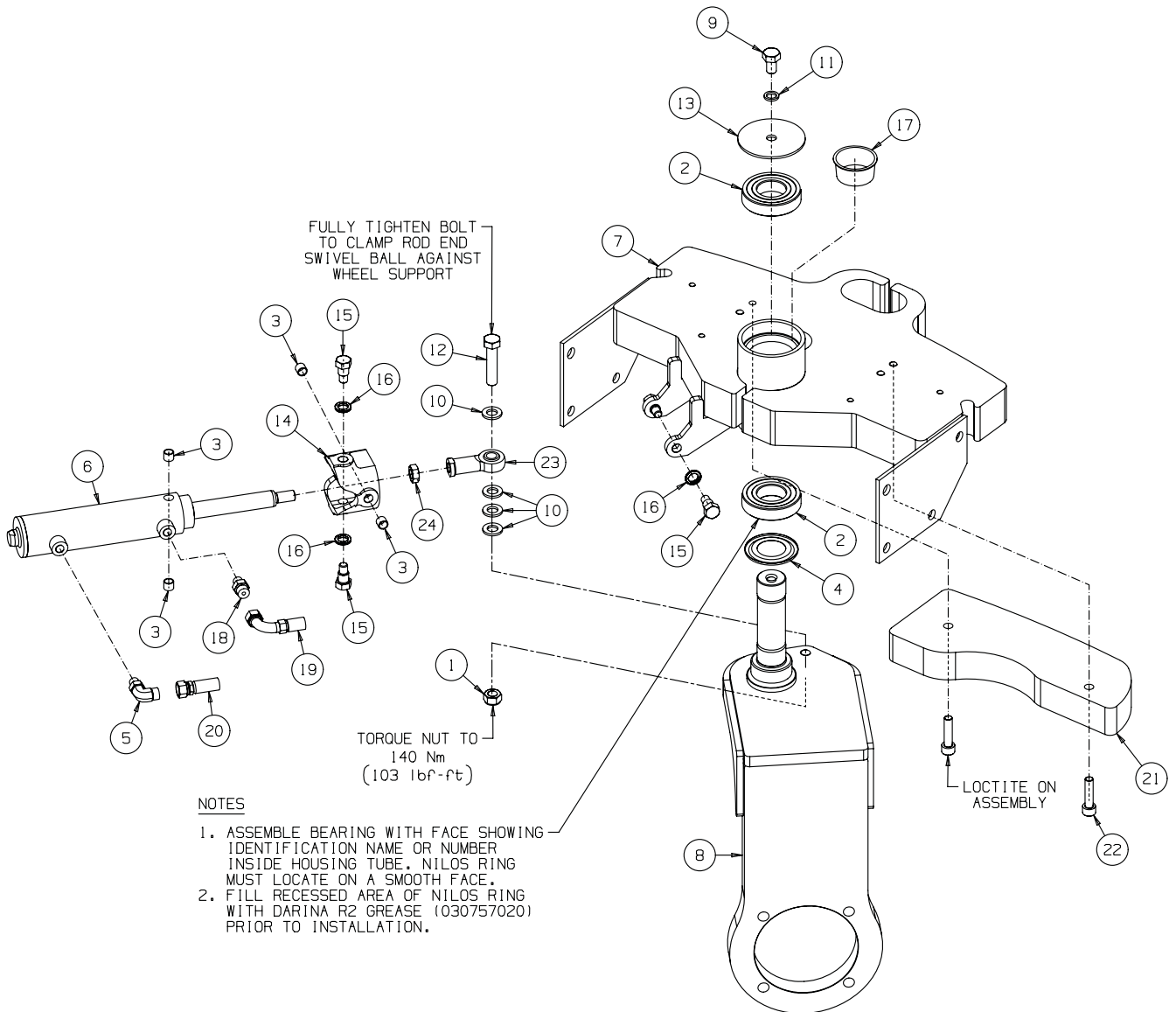
ITEM	PART NO.	DESCRIPTION	QTY.	REMARKS
1	002515050	Ftg-1-7/16 ORFS x 1-5/16 SAE	2	
*	158061-19	• O Ring	1	1-7/16" ORFS
*	002218140	• O Ring	1	1-5/16" SAE
2	4133693	Asm-Hydraulic Tank	1	
3	450213	Scrw-Hex M10 x 20	3	
4	450391	Wshr-M10 x 21 x 2.2	3	
5	450412	Lockwshr-M10 x 15.9 x 2.5	3	
6	452000368	Wshr-3/8" x 1" x .080"	3	
7*	4135924	Cap-Hydraulic Filler	1	To S/N GX000484
7	4216340	90-M/F 1 BSPP x 1 BSPP Long Drop	1	From S/N
8	4133849	Hose-Tandem Pump Suction to Tank	1	To S/N GX000631 EJ000907 FG000684
8	4283831	Hose-Tandem Pump Suction to Tank	1	From S/N GX000632 EJ000908 FG000685
9	4133914	Hyd Hose Assembly	1	Manifold to Tank



ITEM	PART NO.	DESCRIPTION	QTY.	REMARKS
2	4131113	Tank-Hydraulic	1	
3	4133705	Decal-Hydraulic Oil	1	Non-Service Part
4	4135924	Cap-Hydraulic Filler	1	To S/N GX000484
4	4247930	Filler / Breather Cap	1	From S/N GX000485
*	4292311	• Filler/Breather Metal seal	1	
*	4292312	• Filler/Breather seal O ring	1	
5	459005226	Magnetic Drain Plug	1	To GX000631
5	4153597	Strainer-Suction, 125 micron	1	From GX000632

REAR WHEEL SUPPORT

Illustration Number: 4130629

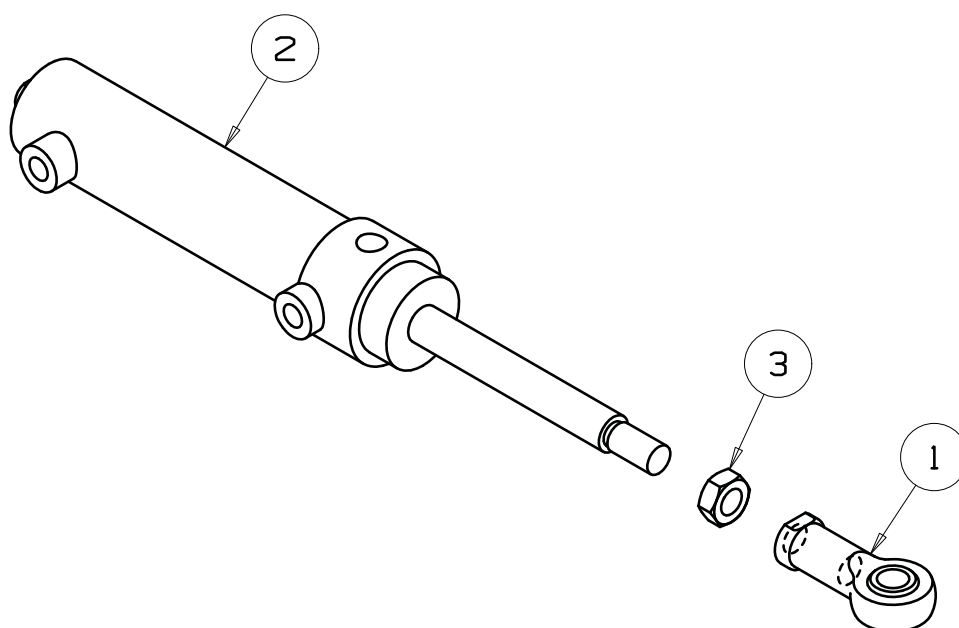


ITEM	PART NO.	DESCRIPTION	QTY.	REMARKS
1	001399032	Nut-Hex 1/2-20 Nyloc	1	
2	002036070	Brg-Ball 35 x 72 x 17	2	
3	002143004	Bush-DX 10 x 12 x 10	4	
4	002282070	Nilos Ring	1	
5	002525020	90-M/M 9/16 ORFS x 7/16 SAE	1	
*	158061-18	• O Ring	1	9/16" ORFS
*	002218049	• O Ring	1	7/16" SAE
6	4122541	ARRGT - Steering Cylinder	1	Not a Service Part
6	4244289	D/A Hyd Cyl, 20 x 100, Steering	1	From S/N GX000524
*	4291657	Seal Kit for 4244289		
7	4130630	Wldmt-Wheel Pivot	1	Welded assy
8	4130652	Wldmt-Wheel Support	1	Sauer Danfoss Wheel Motor
8	4186621	Wldmt-Wheel Support	1	Eaton Wheel Motor
9	450213	Scrw-Hex M10 x 20	1	To S/N EJ000784 FG000581 GX000437
10	450392	Wshr-M12 x 24 x 2.7	3	
11	450412	Lockwshr-M10 x 15.9 x 2.5	1	To S/N EJ000784 FG000581 GX000437
12	451030625	Bolt-Hex 1/2-20 x 2	1	
13	MBA2397A	Wshr-11 x 82 x 3	1	
14	MBC5942	Journal	1	
15	MBC5959A	Bolt	2	
16	MBC5962	Tab Washer	4	To S/N EJ000902 FG000682 GX000620
16	4273470	AV Wshr-13 x 19.5 x 2.5	4	To S/N EJ000903 FG000683 GX000621
17	4133599	Plug-Tapered, 49 Dia	1	
18	002515000	Ftg-9/16 ORFS x 7/16 SAE	1	
*	158061-18	• O Ring	1	9/16" ORFS
*	002218049	• O Ring	1	7/16" SAE
19	4133894	Hyd Hose Assembly	1	Steer unit 'L' to steer ram
20	4133896	Hyd Hose Assembly	1	Steer unit 'R' to steer ram frt port
*	450214	M10 x 25 hex hd bolt	2	
21	4153820	Wheel Pivot Weight	1	When 4130630 fitted
22	450741	M10 x 40 bolt	2	
23	008145256	Rod End 1/2-20 UNF	1	
24	450020281	Nut-Hex 1/2-20 Thin	1	
100*	450239	Scrw-Hex M12 x 20	1	From S/N EJ000784 FG000581 GX000437
101*	450413	Lockwshr-M12 x 17.9 x 2.5	1	From S/N EJ000784 FG000581 GX000437

* Not Illustrated

STEERING CYLINDER

Illustration Number: 4122541

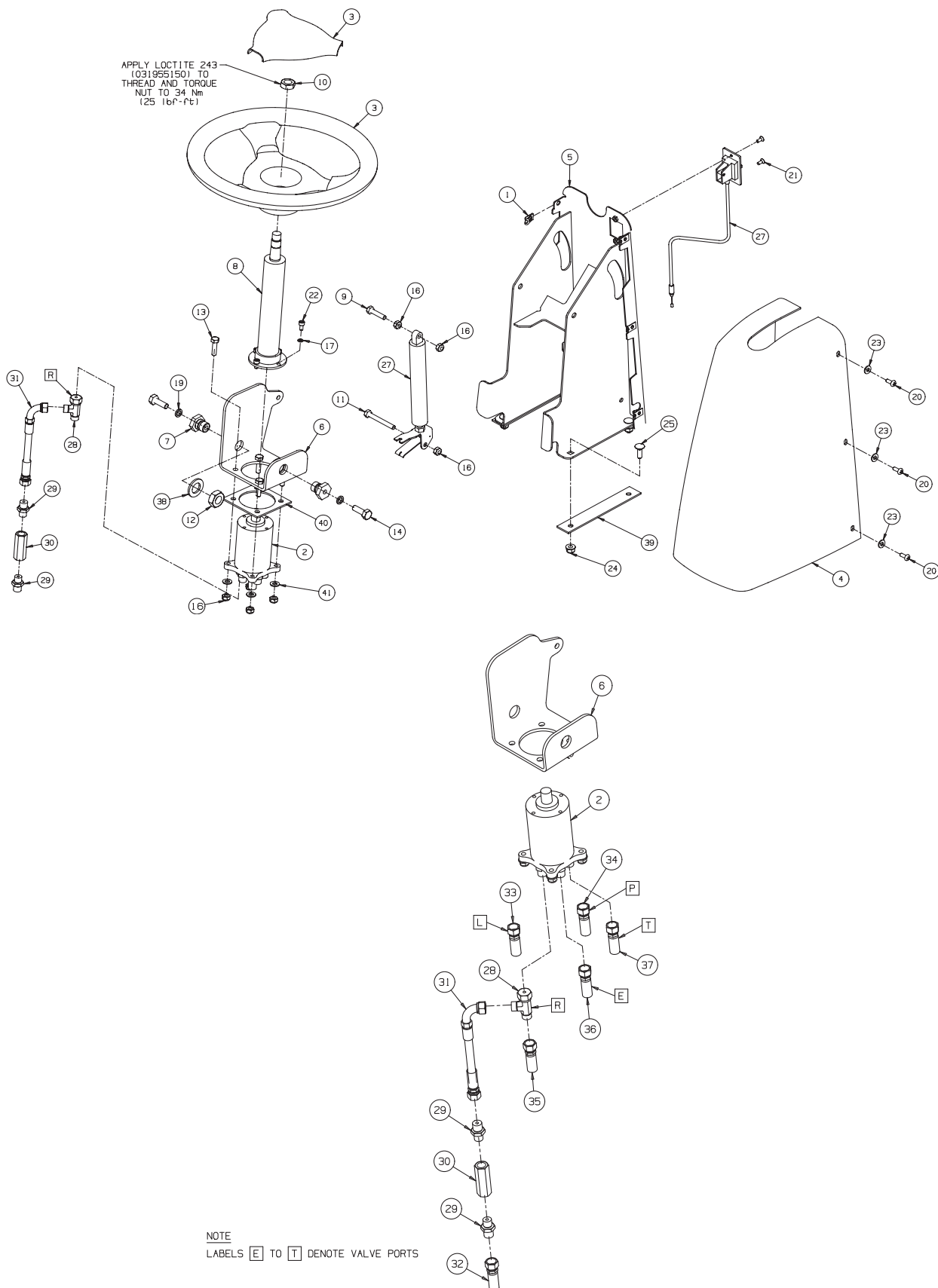


ITEM	PART NO.	DESCRIPTION	QTY.	REMARKS
1	008145256	Rod End 1/2-20 UNF	1	
2	4139914	Cylinder-Steering	1	To S/N GX000523
*	008015040	• Seal Kit	1	
2	4244289	D/A Hyd Cyl, 20 x 100, Steering	1	From S/N GX000524
*	4291657	Seal Kit for 4244289	A/R	
3	450020281	Nut-Hex 1/2-20 Thin	1	

JACOBSEN AR3

STEERING TOWER

Illustration Number: 4130672

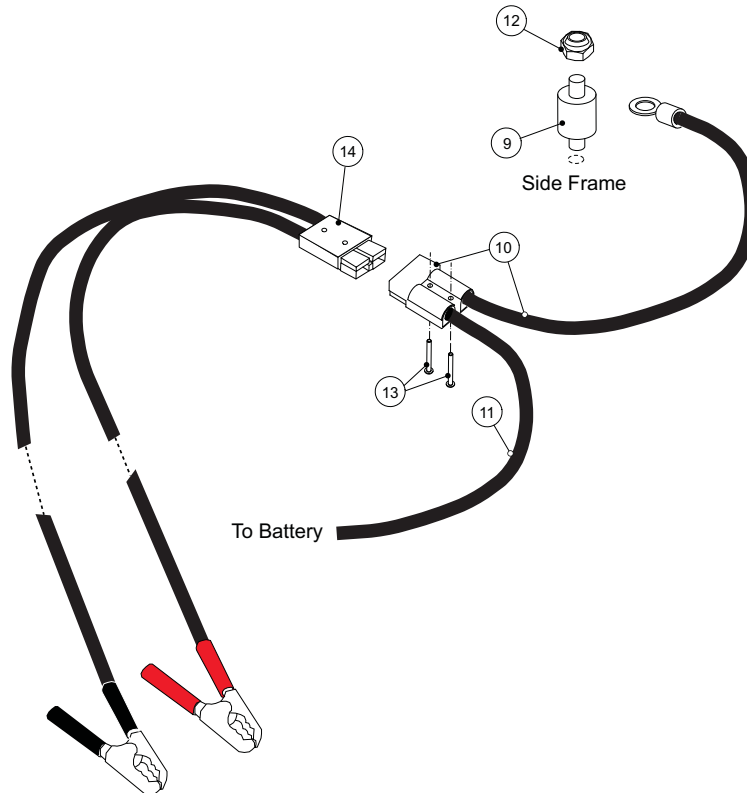
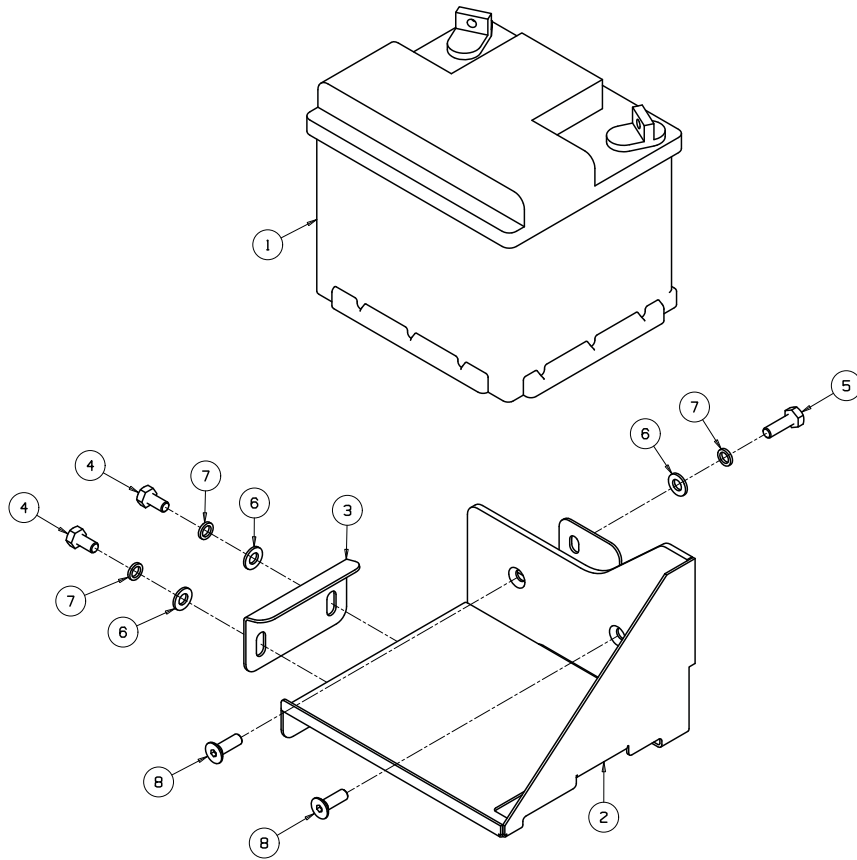


ITEM	PART NO.	DESCRIPTION	QTY.	REMARKS
1	001394016	Nut-Speed M6	6	
2	008011990	Steering Unit	1	
3	2811364	Steering Wheel	1	
*	2811365	• Cap-Steering Wheel	1	
4	3010651	Cover-Steering Tower	1	
5	4130330	Wldmt-Steering Tower	1	
6	4130373	Brkt-Pivot, Steering Unit	1	
7	4130398	Bolt-Pivot, Steering Unit	2	
8	4132076	Steering Column, 220 Lg	1	
9	450015	Bolt-Hex M8 x 35	1	
10	450020338	Nut-Hex 5/8-18 Thin	1	
11	450021	Bolt-Hex M8 x 65	1	
12	450120136	Nut-Hex 3/4-10 Thin	2	
13	450193	Scrw-Hex M8 x 30	4	
14	450215	Scrw-Hex M10 x 30	2	
16	450378	Nut-Hex M8 Nyloc	7	
17	450410	Lockwshr-M6 x 9.6 x 1.5	4	
19	450412	Lockwshr-M10 x 15.9 x 2.5	2	
20	450541	Scrw-Pan Hd M6 x 16	6	
21	450605	Scrw-Csk M5 x 12	2	
22	450710	Capscrw-Sckt M6 x 12	4	
23	452100019	Wshr-1/4 x 5/8 x .064	6	
24	452436	Nut-Hex M8 Flng Nyloc	4	
25	452564	Bolt-Crg M8 x 25	4	
27	1003460	Asm-Actuator, Tilt Spring	1	
*	J5002918	• Gas Spring, Locking	1	
*	J5002919	• Actuator	1	
28	002590480	Tee-M/F/M 9/16 ORFS	1	
*	158061-18	• O Ring	1	9/16" ORFS
29	002590750	Ftg-9/16 ORFS x 1/4 BSPP	2	
*	158061-18	• O Ring	1	9/16" ORFS
30	008011210	Inline Check Valve	1	
31	4133897	Hyd Hose Assembly	1	Check valve to steer valve 'R'
32	4133893	Hyd Hose Assembly	1	Rotary valve 'C' to check valve
33	4133894	Hyd Hose Assembly	1	Steer unit 'L' to steer ram
34	4133895	Hyd Hose Assembly	1	Steer pump to Steer unit 'P'
35	4133896	Hyd Hose Assembly	1	Steer unit 'R' to steer ram frt port
36	4133898	Hyd Hose Assembly	1	Steer unit 'E' to lift valve 'SP'
37	4133899	Hyd Hose Assembly	1	Lift valve 'T' to Steer unit 'T'
38	450394	Wshr-M20 x 37 x 3	2	
39	4139700	Pad-Steering Tower	2	
40	4139701	Pad-Steering Unit	1	
41	450390	Wshr-M8 x 17 x 1.8	4	

JACOBSEN AR3

BATTERY & TRAY

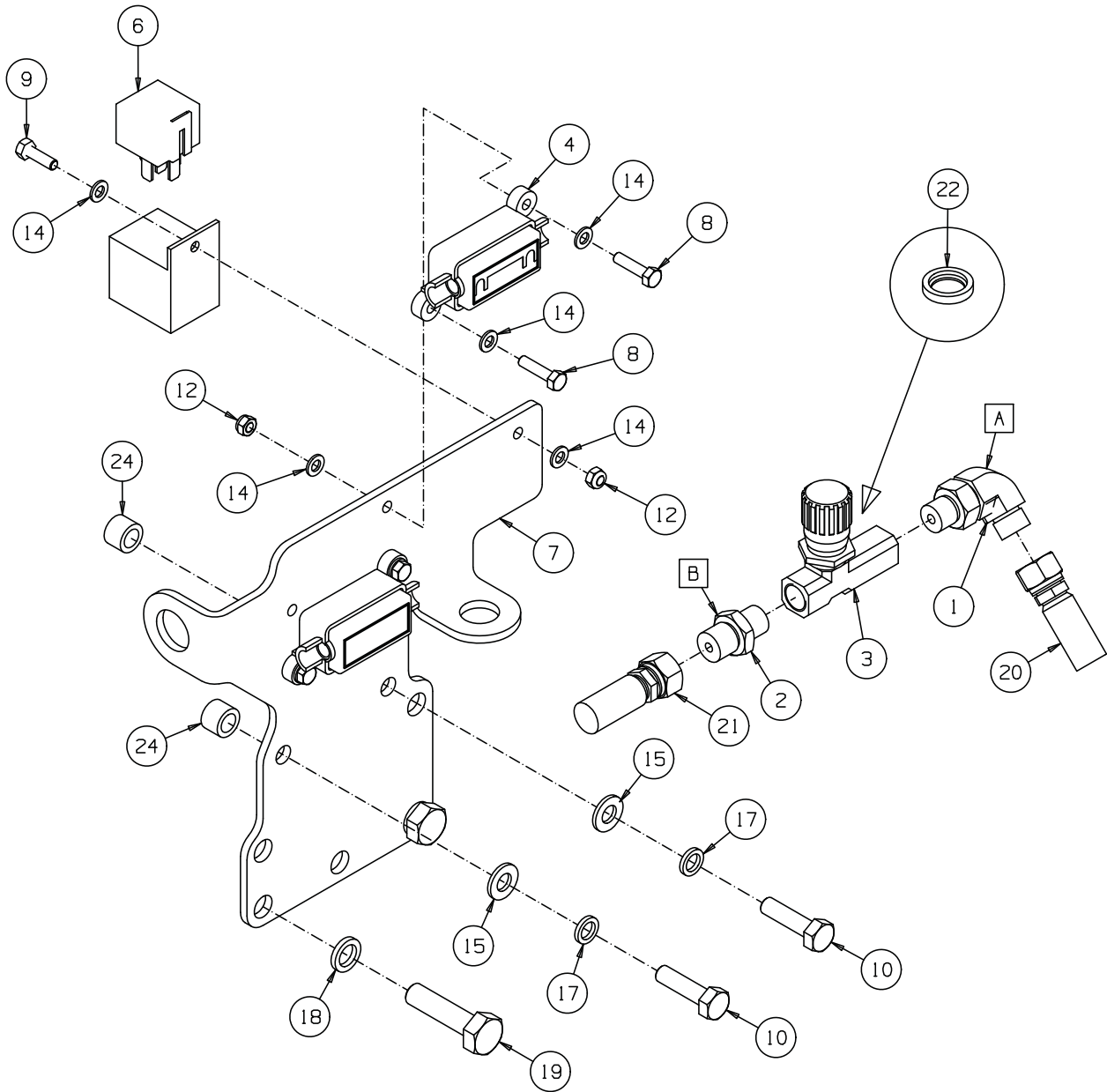
Illustration Number: 4131540



ITEM	PART NO.	DESCRIPTION	QTY.	REMARKS
1	008230310	Battery-Type 093	1	
2	4131542	Weldment - Battery Tray	1	
3	4132961	Clamp-Battery	1	
4	450190	Screw - Hex M8 x 16	2	
5	450192	Screw - Hex M8 x 25	1	
6	450390	Washer - M8 x 17 x 1.8	3	
7	450411	Lockwasher - M8 x 12.75 x 2	3	
8	450866	Screw - Socket Countersunk M8 x 25	2	
	LMAC261	Jump Start Kit		
	EL110	• Electrical Kit	1	
9	4160783	•• Rubber AV Mount	1	
10	4160782	•• Slave Plug Lead	1	
11	4160781	•• Starter Cable (200 mm)	1	
12	450378	•• Nut - Hex M8 Nyloc	1	
*	450369	• Nutsert - M8	1	
13	451129	• Screw - Pan Head No6 x 19	2	
14	4160780	Plug Assembly	1	

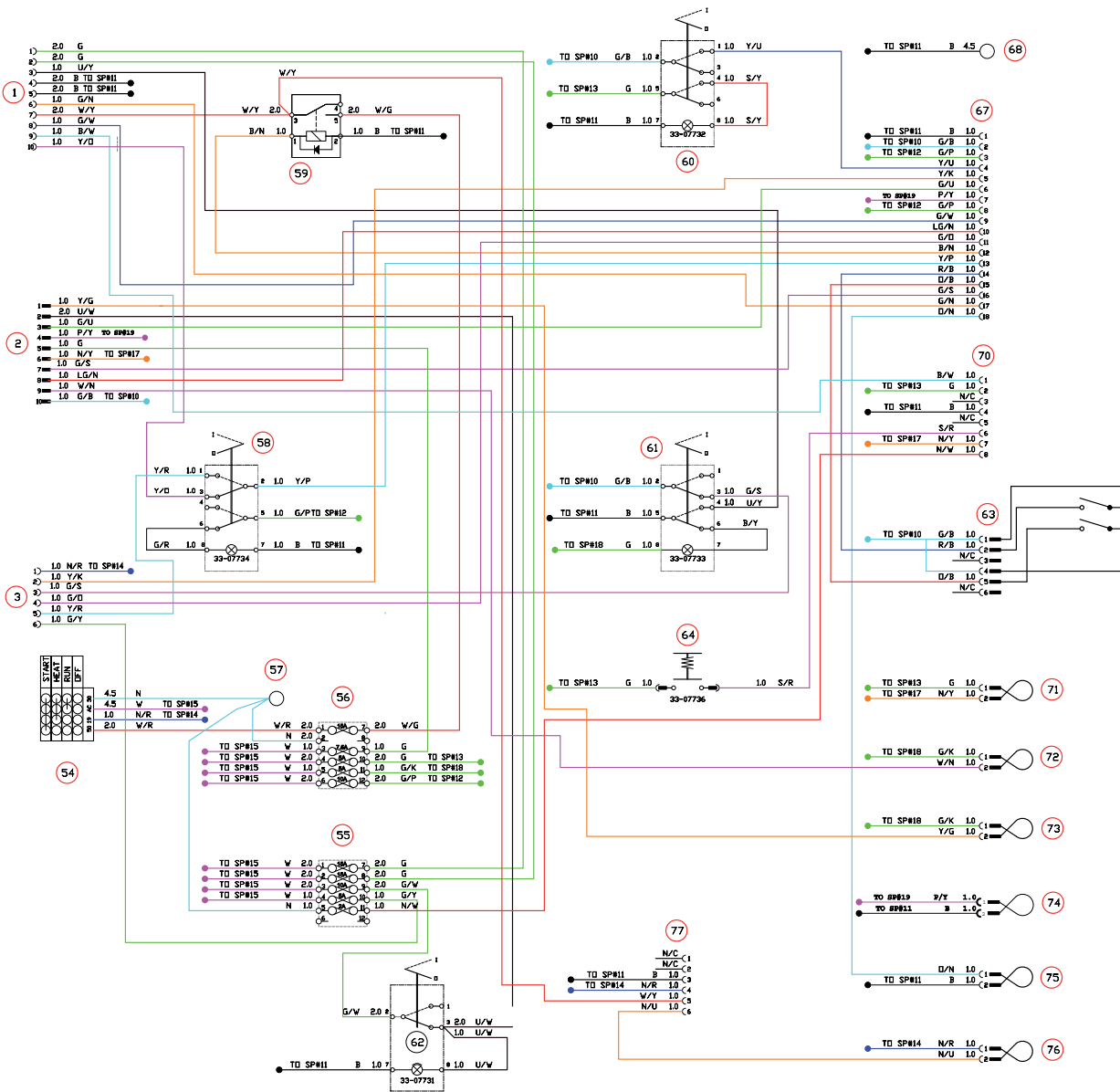
FUSE BRACKET

Illustration Number: 4131909



NOTE
LABELS **A** TO **B** DENOTE VALVE PORTS

ITEM	PART NO.	DESCRIPTION	QTY.	REMARKS
1	002590370	90-M/M 9/16 ORFS x 1/4 BSPP	1	
*	158061-18	• O Ring	1	9/16" ORFS
2	002590750	Ftg-9/16 ORFS x 1/4 BSPP	1	
*	158061-18	• O Ring	1	9/16" ORFS
3	008012590	Needle Valve	1	
4	008233350	Strip Fuse Holder	2	
5 *	008233370	40 Amp Strip Fuse	2	
6	008244720	70 Amp Relay	1	
7	4131905	Bracket-Fuse Mounting	1	
8	450152	Scrw-Hex M5 x 20	4	
9	450151	Scrw-Hex M5 x 16	1	
10	450193	Scrw-Hex M8 x 30	2	
11				
12	450376	Nut-Hex M5 Nyloc	5	
13				
14	450388	Wshr-M5 x 10 x 1.1	10	
15	450390	Wshr-M8 x 17 x 1.8	2	
16				
17	450411	Lockwshr-M8 x 12.75 x 2	2	
18	450412	Lockwshr-M10 x 15.9 x 2.5	2	
19	452746	Bolt-Hex M10-1.25 x 40	2	
20	4135211	Hyd Hose Assembly	1	Free Wheel Valve to Trans Pump 'B'
21	4135212	Hyd Hose Assembly	1	Free Wheel Valve to Trans Pump 'A'
22	4139864	Valve Spacer	1	
23				
24	AF09010	Spacer-9 x 13.9 x 10	2	



KEY TO WIRING DIAGRAM

CABLE COLOUR CODE

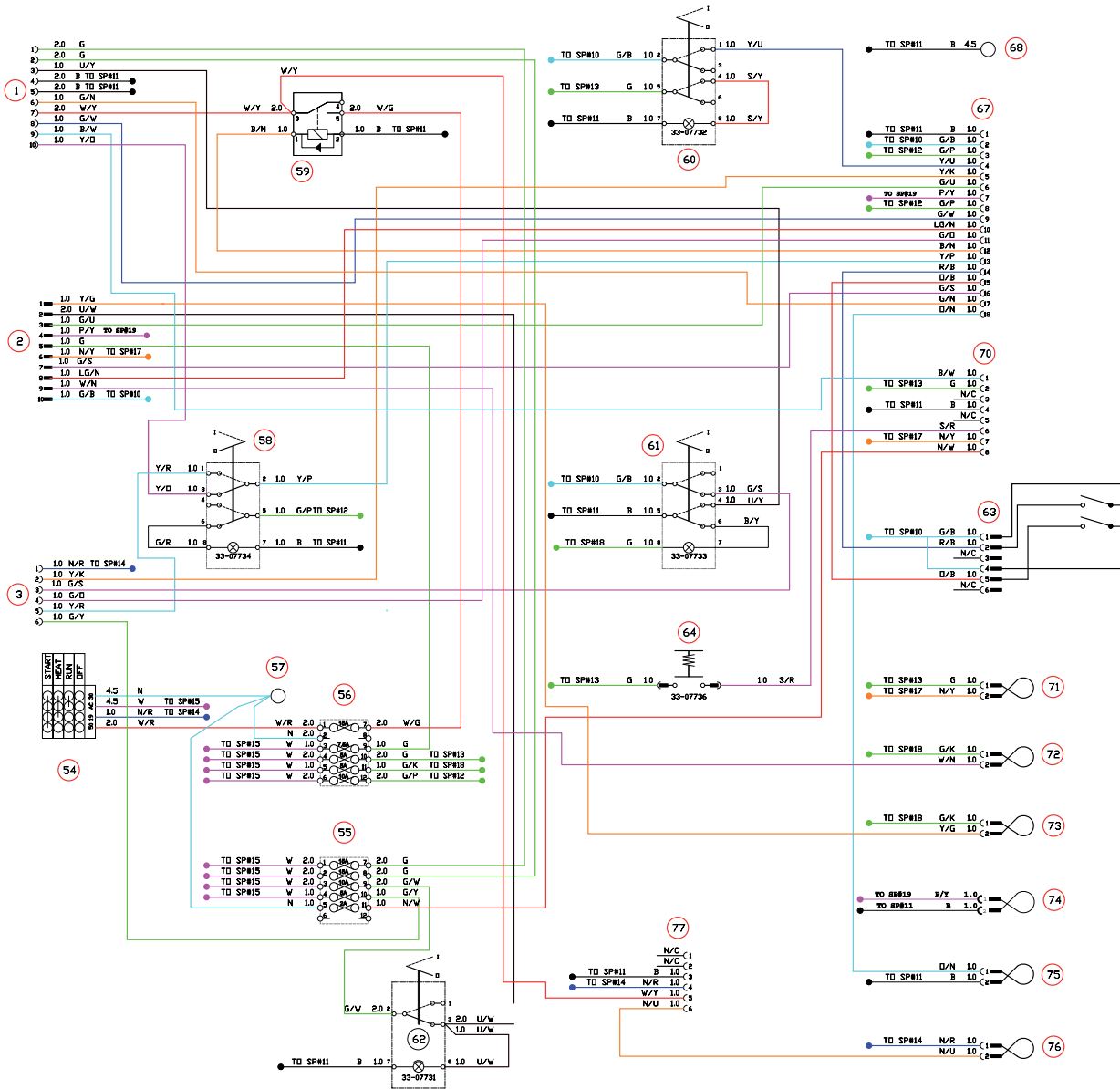
- 1 Split to Main Harness
- 2 Split to Main Harness
- 3 Split to Main Harness
- 54 Key switch
- 55 Fuse Box 1
- 56 Fuse Box 2
- 57 Battery, Positive
- 58 Weight Transfer Switch
- 59 Start Relay
- 60 Mow Switch
- 61 Parking Brake Switch
- 62 Working Lamp Switch
- 63 Joystick
- 64 Setup Switch (Multi Function Guage)
- 67 Module (Control)
- 68 Battery, Negative
- 70 Multi Function Guage
- 71 Alternator Lamp
- 72 Engine Oil Pressure Lamp
- 73 Hydraulic Filter Warning Lamp
- 74 Engine Over Temperature Warning Lamp
- 75 Module Fault Warning Lamp
- 76 Glow Plug Timer Lamp
- 77 Glow Plug Timer

- R Red
- G Green
- O Orange
- S Grey
- B Black
- W White
- K Pink
- P Violet
- Y Yellow
- U Blue
- N Brown
- LG Light Green

E.G. R/W = Red/White

63 Joystick Connections

- 1 SV Input
- 2 Raise Switch
- 5 Lower Switch



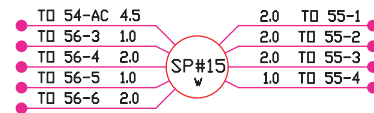
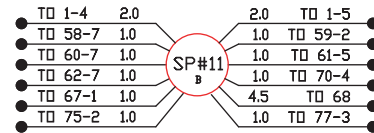
67 Module Connections

- 1 0V
- 2 5V O/P
- 3 +12V IGP Input
- 4 5V Input from Mow Switch
- 5 12V Mow Solenoid O/P
- 6 Temperature Switch
- 7 12V Over Temperature Switch O/P
- 8 +12V IGP Input
- 9 12V Raise Solenoid O/P
- 10 12V Fuel Solenoid O/P
- 11 12V Backlap Solenoid O/P
- 12 12V Start Relay O/P
- 13 12V Lower Solenoid O/P
- 14 5V Raise Signal I/P
- 15 5V Lower Signal I/P
- 16 5V Park Brake Signal I/P
- 17 5V Seat Switch Signal I/P
- 18 12V Warning Lamp O/P

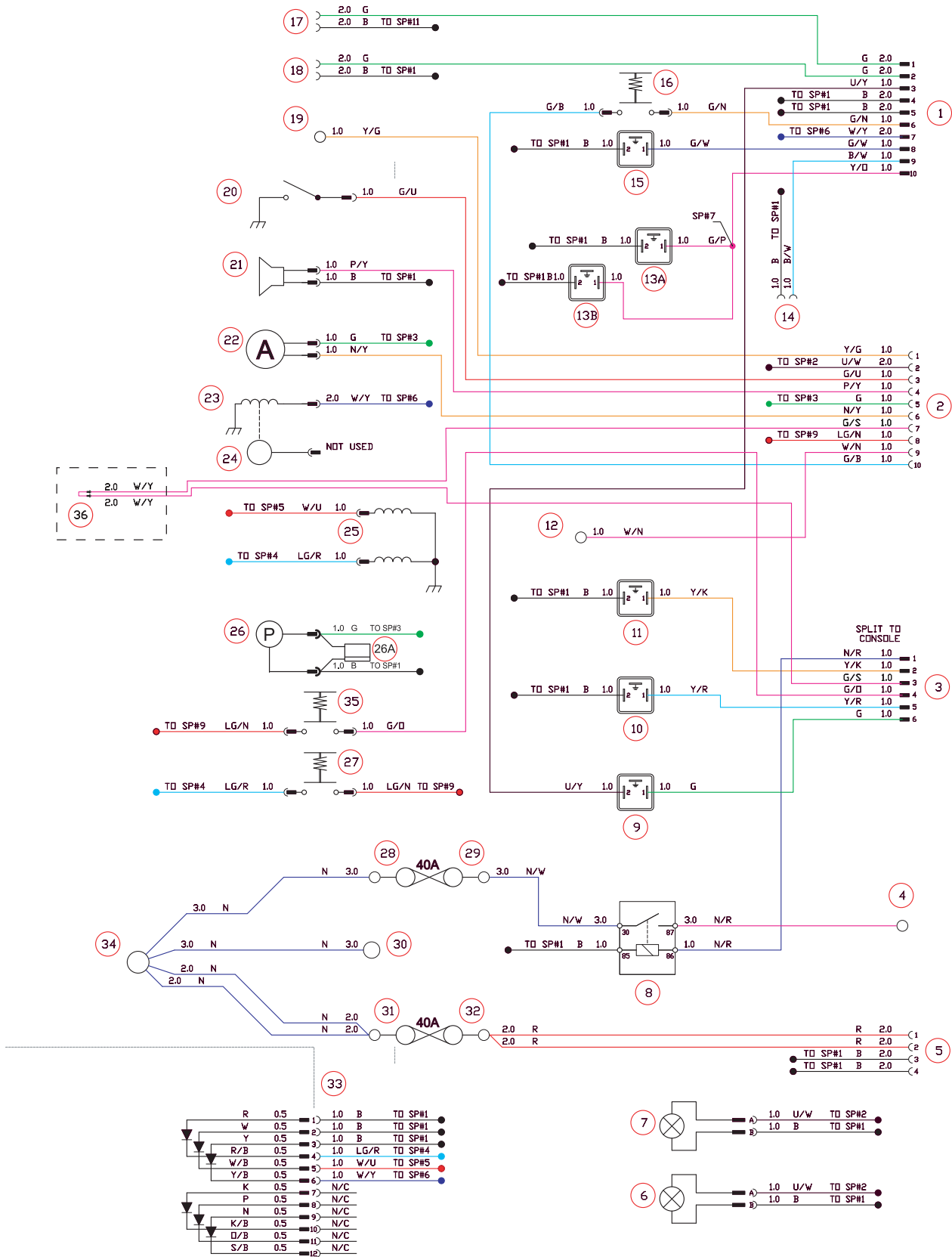
70 Multi Function Guage Connections

- 1 Fuel Sender
- 2 IGP
- 3 Not Used
- 4 Ground
- 5 Not Used
- 6 Set Up Enable
- 7 Alternator Lamp
- 8 Battery +ve Fuse

Consol Splices



ELECTRICAL CIRCUIT MAIN



KEY TO WIRING DIAGRAM

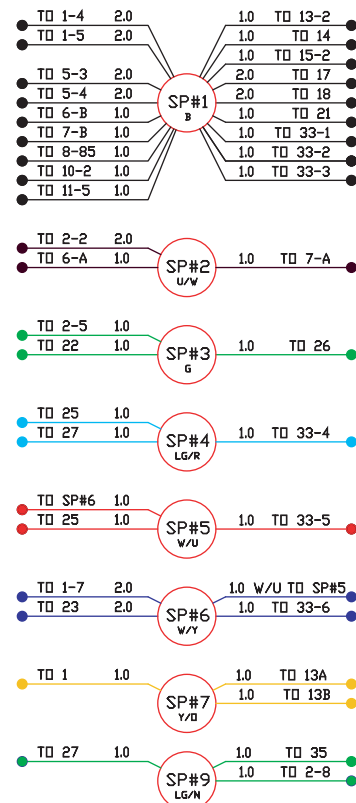
- 1 Split to Console
- 2 Split to Console
- 3 Split to Console
- 4 Glow Plugs
- 5 Split to Cab
- 6 Working Lamp
- 7 Working lamp
- 8 Glow Plug Relay
- 9 Brake Solenoid
- 10 Lower Solenoid
- 11 Cutter Solenoid
- 12 Engine Oil Pressure Switch
- 13a Weight Transfer Solenoid
- 13b Weight Transfer Solenoid
- 14 Fuel Level Sender
- 15 Raise Solenoid
- 16 Seat Switch
- 17 Accessory Socket 1
- 18 Accessory Socket 2
- 19 Hydraulic Oil Filter Switch
- 20 Engine Temperature Switch
- 21 Horn
- 22 Alternator Rotor
- 23 Starter Solenoid
- 24 Back Start Connector (not used)
- 25 Fuel Solenoid
- 26 Fuel Pump
- 26 A Suppreser
- 27 Brake Safety Switch
- 28 Glow Plug Fuse Connector
- 29 Glow Plug Fuse Connector
- 30 Alternator O/P
- 31 Cab Fuse Connector
- 32 Cab Fuse Connector
- 33 Diode Module
- 34 Starter Main Terminal
- 35 Backlap Selector Switch
- 36 Traction Pedal Switch Connection

CABLE COLOUR CODE

- R Red
- G Green
- O Orange
- S Grey
- B Black
- W White
- K Pink
- P Violet
- Y Yellow
- U Blue
- N Brown
- LG Light Green

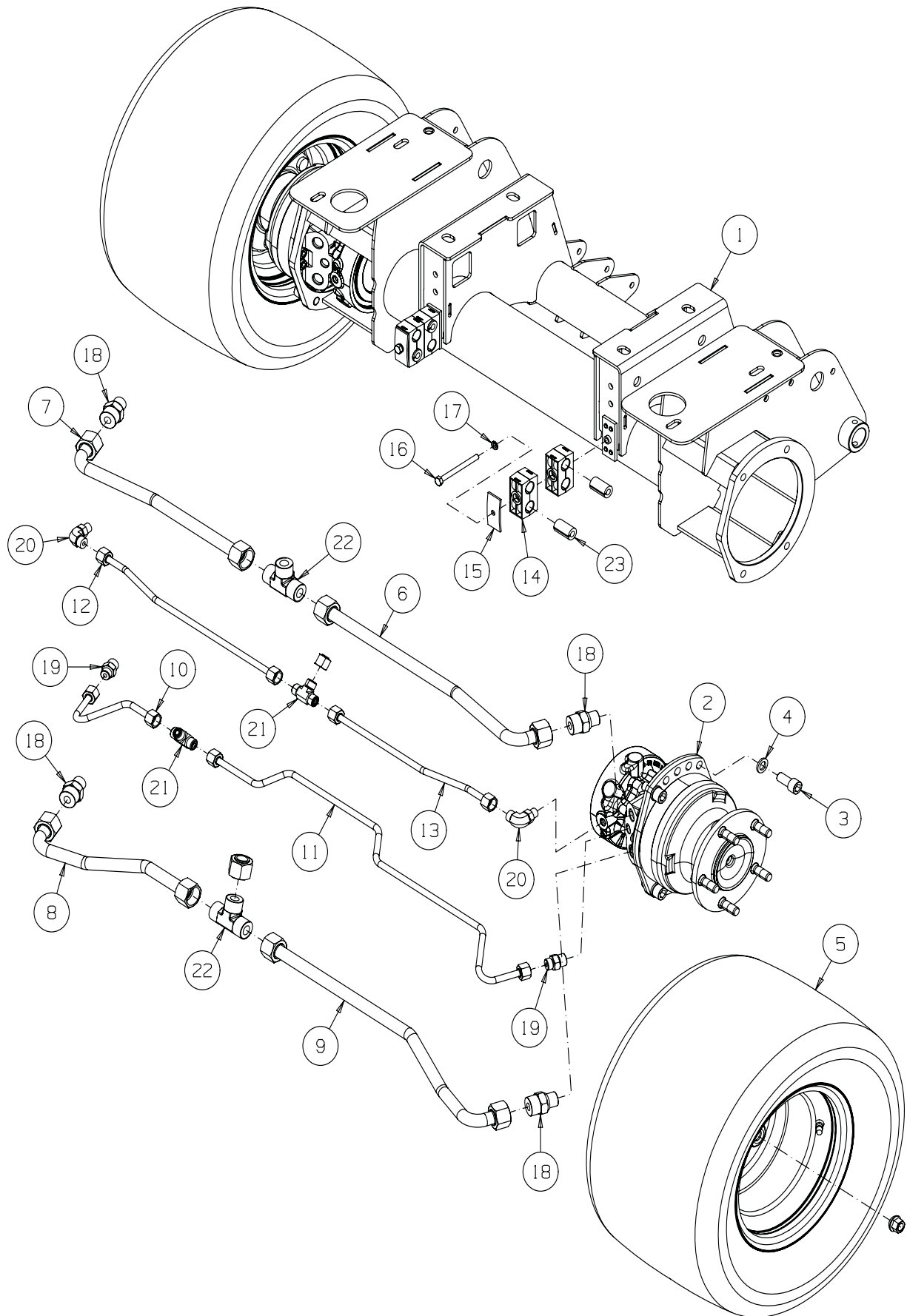
E.G. R/W = Red/White

Main Harness Splices



FRONT WHEEL & MOTOR POCLAIN

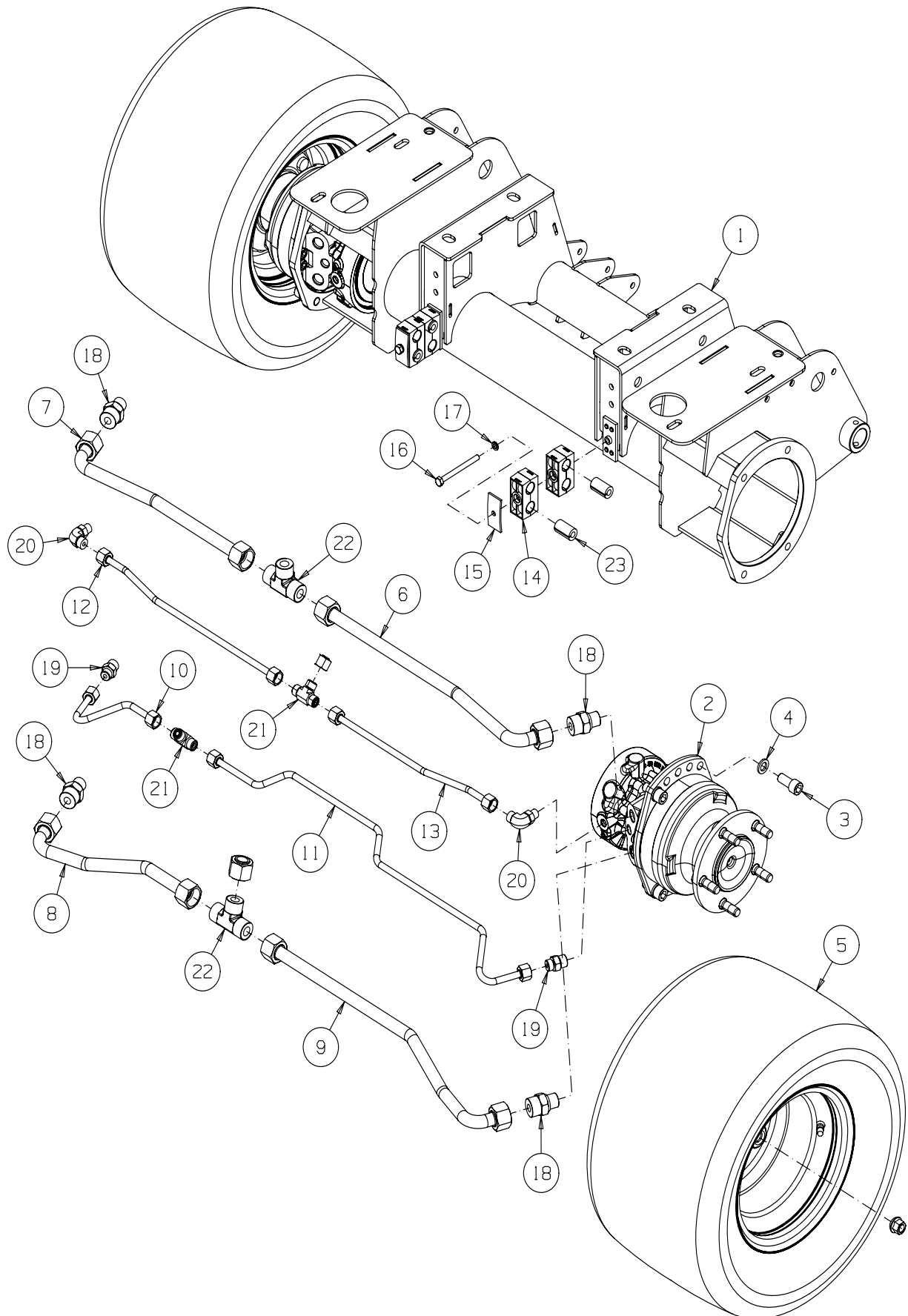
Illustration Number: 4277991



ITEM	PART NO.	DESCRIPTION	QTY.	REMARKS
1	4238888	From S/N's GX100638 - EK000305 Wldmt-Front Axle (Poclair)	1	
2	4252567	213cc Piston Wheel Mtr (SAE Ports)	2	
*	4229520	• Motor Seal Kit	1	
*	4229521	• Multi-Disc Brake Seal Kit	1	
*	008008460	• Wheel Nut, M14 Spherical	5	Torque to 95 - 108NM
3	4228802	Capscrw-Hex Sckt M14-1.5 x 30	8	
4	001594200	Lockwshr-M14 x 24.1 x 3	8	
5	4271150	Wheel & Tyre Asm, 20x12x10	2	
*	4233963	• Tyre	1	
*	4271151	• Rim	1	
*	4220940	• Valve	1	
6	4283257	Hose-RH Mtr (Top Port) to Tee	1	To S/N EK000304, GX100637
6	4277993	Steel Tube-RH Mtr (Top Port) to Tee	1	From S/N EK000305, GX100638
7	4283258	Hose-LH Mtr (Top Port) to Tee	1	To S/N EK000304, GX100637
7	4277992	Steel Tube-LH Mtr (Top Port) to Tee	1	From S/N EK000305, GX100638
8	4277994	Steel Tube-LH Mtr (Lwr Port) to Tee	1	From S/N EK000305, GX100638
8	4283259	Hose LH Mtr (Lwr Port) to Tee	1	To S/N EK000304, GX100637
9	4283260	Hose-RH Mtr (Lwr Port) to Tee	1	To S/N EK000304, GX100637
9	4277995	Steel Tube-RH Mtr (Lwr Port) to Tee	1	From S/N EK000305, GX100638
10	4283261	Hose-LH Mtr (Drain Port) to Tee	1	To S/N EK000304, GX100637
10	4277996	Steel Tube-LH Mtr (Drain Port) to Tee	1	From S/N EK000305, GX100638
11	4283262	Hose-RH Mtr (Drain Port) to Tee	1	To S/N EK000304, GX100637
11	4277997	Steel Tube-RH Mtr (Drain Port) to Tee	1	From S/N EK000305, GX100638
12	4283263	Hose-LH Mtr (Brake Port) to Tee	1	To S/N EK000304, GX100637
12	4277998	Steel Tube-LH Mtr (Brake Port) to Tee	1	From S/N EK000305, GX100638
13	4283264	Hose-RH Mtr (Brake Port) to Tee	1	To S/N EK000304, GX100637
13	4277999	Steel Tube-RH Mtr (Brake Port) to Tee	1	From S/N EK000305, GX100638
14	4251379	Twin Tube Clamp, 3/4" Dia	4	
15	009079310	Top Plate-Tube Clamp	2	
16	450295	Screw-Hex M8-1.25 x 90	2	To S/N EK000304, GX100637
16	450205	Scrw-Hex M8-1.25 x 90, Gr 8.8	2	From S/N EK000305, GX100638
17	4258312	AV Wshr-8.7 x 13.5 x 2.5	2	
18	002515010	Ftg-M/M 1-3/16 ORFS x 7/8 SAE	4	
*	158061-09	• O-Ring	1	1-3/16" ORFS
*	002218104	• O-Ring	1	7/8" SAE
19	158006-13	Ftg-11/16 ORFS x 3/4 SAE	2	
*	158061-01	• O-Ring	1	11/16" ORFS
*	002218081	• O-Ring	1	3/4" SAE
20	158007-01	90-M/M 11/16 ORFS x 9/16 SAE	2	
*	158061-01	• O-Ring	1	11/16" ORFS
*	002218065	• O-Ring	1	9/16" SAE
21	158011-01	Tee-M/M/M 11/16 ORFS	2	
*	158061-01	• O-Ring	1	11/16" ORFS
22	158011-04	Tee-M/M/M 1.3/16-12 ORFS	2	
*	158061-09	• O-Ring	1	1-3/16" ORFS
23	4278000	Rubber Sleeve 10 x 20 x 35	4	To S/N EK000304, GX100664

FRONT WHEEL & MOTOR POCLAIN

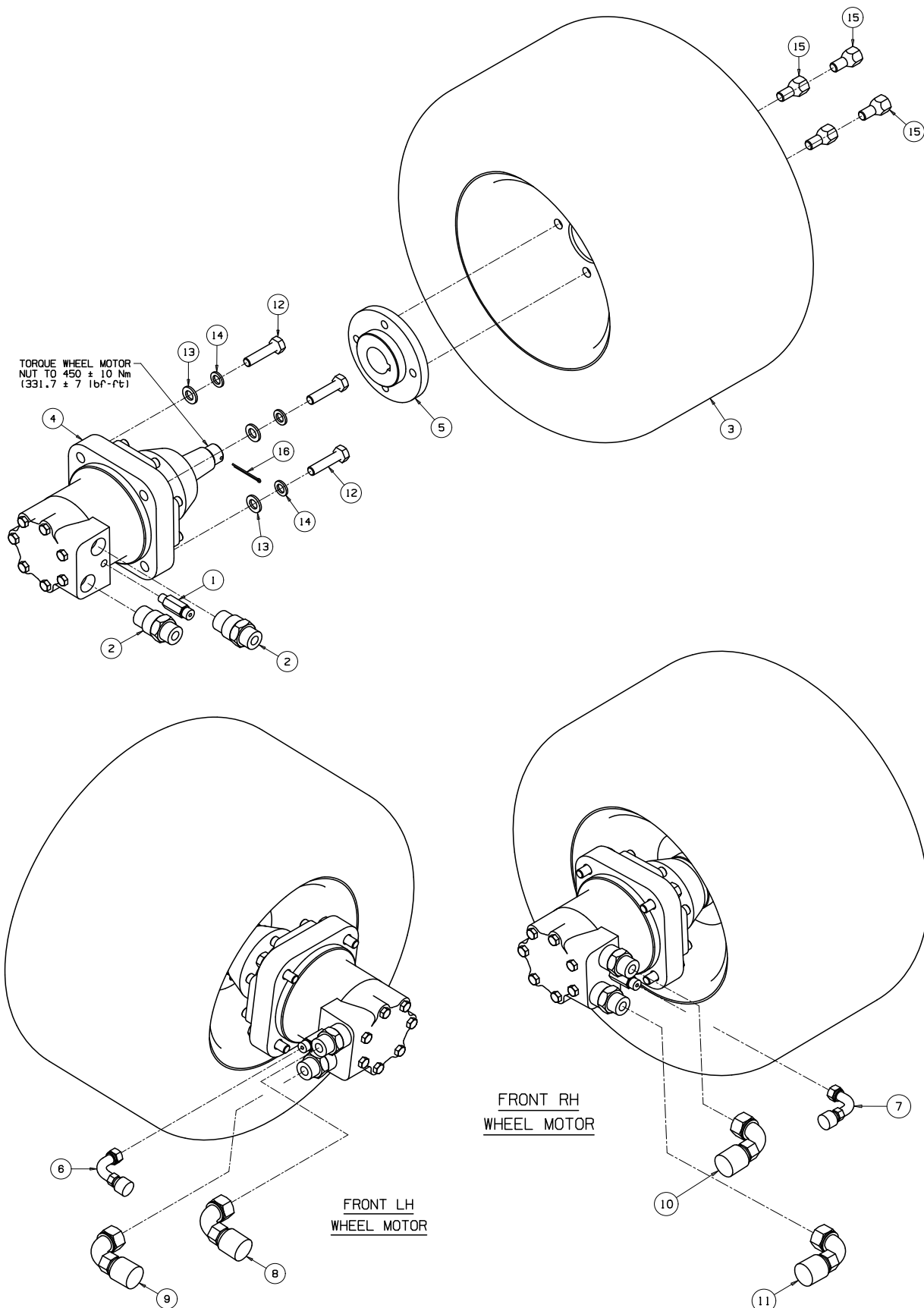
Illustration Number: 4277991



ITEM	PART NO.	DESCRIPTION	QTY.	REMARKS
24 *	4283265	Hose-Trans Pump 'B' to Mtr Tee	1	
25 *	4283266	Hose-Mtr Tee to Flush Valve 'RM2' Tee	1	
26 *	4283268	Hose-Brake Tee to Brake Valve	1	
27 *	4283267	Hose-Drain Tee to Manifold	1	

FRONT WHEEL & MOTOR (SAUER DANFOSS)

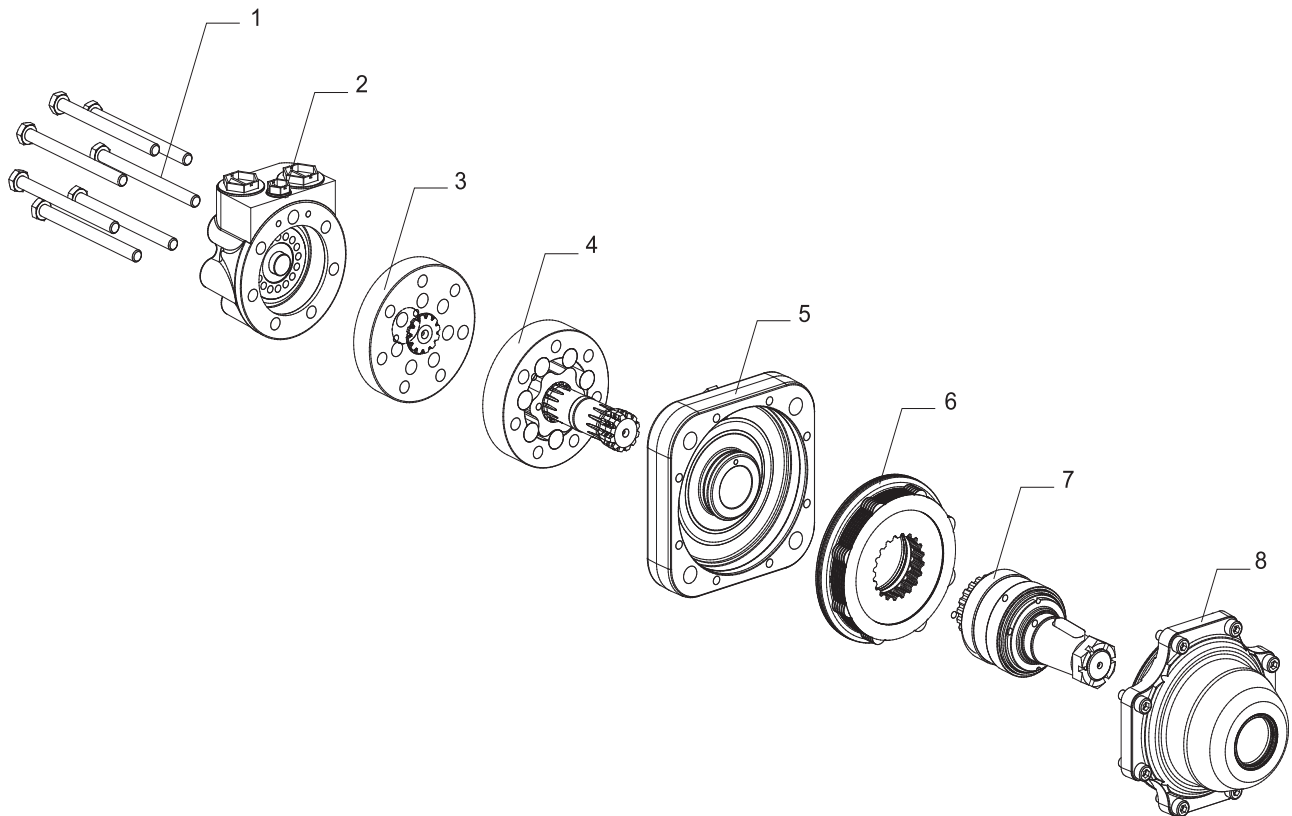
Illustration Number: 4130769



ITEM	PART NO.	DESCRIPTION	QTY.	REMARKS
1	4127555	Ftg-Lg 9/16 ORFS x 7/16 SAE	1	
*	158061-08	• O Ring	1	9/16" ORFS
*	002218049	• O Ring	1	7/16" SAE
2	4130606	Ftg-Lg 1 ORFS x 1-1/16 SAE	2	
*	158061-08	• O Ring	1	1" ORFS
*	002218120	• O Ring	1	1-1/16" SAE
3	4262990	Asm-Wheel 20x12x10 - 4 Bolt Mount	2	
*	4233963	• Tyre 20x12x10-4 Ply Otr	1	
*	4257491	•Rim 8 x 7 Contour 4 Bolt O/S 89	1	
*	4220940	• Tyre Valve Assy	1	
4	4130773	Motor-Wheel, Danfoss TMK200FL	1	
5	4130774	Wldmt-Wheel Hub, Front	1	
*	4171164	Casting - Wheel hub, Front	1	From Serial No EK635 FZ473
6	4133854	Hyd Hose Assembly	1	LH Motor Brake Line to 'T'
7	4133855	Hyd Hose Assembly	1	RH Motor Brake Line to 'T'
8	4133857	Hyd Hose Assembly	1	LH Motor - Top Hose
9	4133858	Hyd Hose Assembly	1	LH Motor - Bottom Hose
10	4133859	Hyd Hose Assembly	1	RH Motor - Top Hose
11	4133860	Hyd Hose Assembly	1	RH Motor - Bottom Hose
12	450050	Bolt-Hex M12 x 50	4	
13	450392	Wshr-M12 x 24 x 2.7	4	
14	450424	Lockwshr-M12 x 21 x 2.5	4	
15	64220-01	Bolt-Whl 1/2-20 x .88 60 D	4	Torque to 95 - 108NM
16	454000328	Split Pin-1/8 x 1-3/4	1	

FRONT WHEEL MOTOR

Illustration Number: 4130773

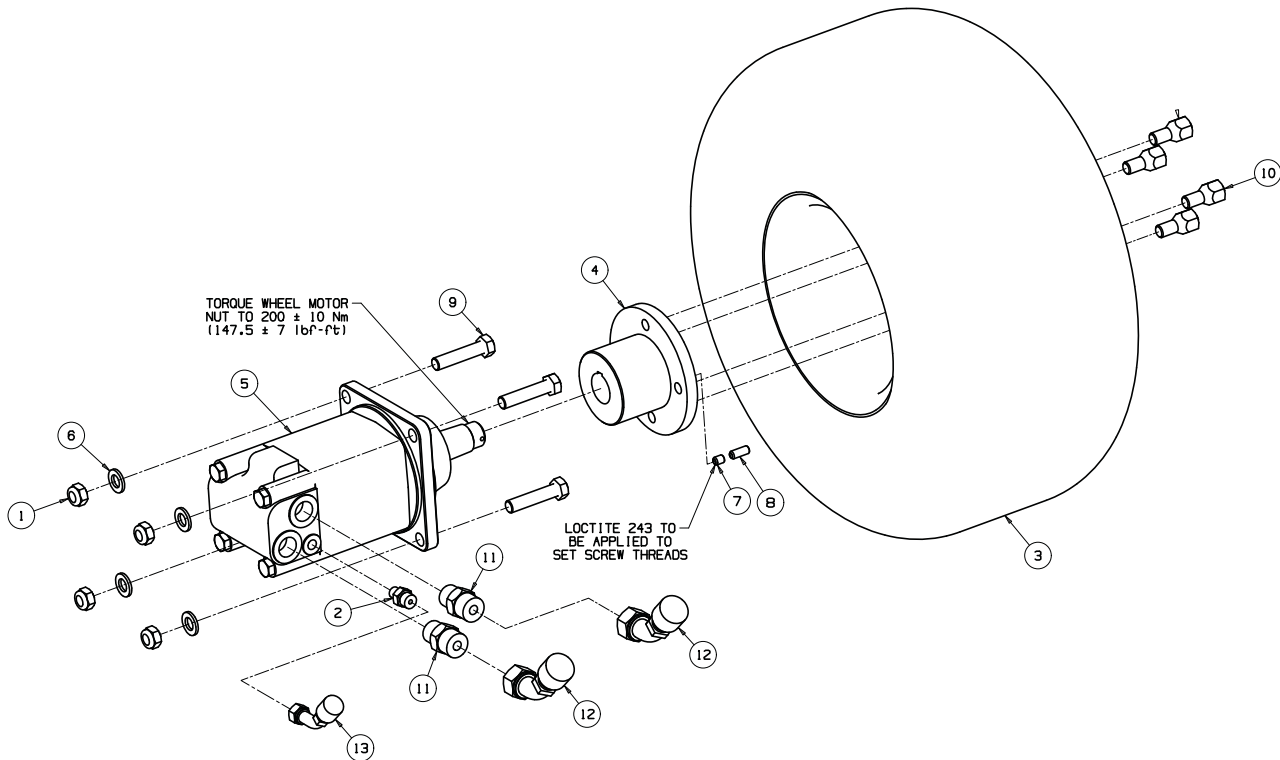


ITEM	PART NO.	DESCRIPTION	QTY.	REMARKS
1	4134010	• Screw Module	1	
2	4134012	• End Cover	1	
3	4134013	• Valve Module	1	
4	4134014	• Gear Set	1	
5	4134015	• Mounting Flange Module	1	
6	4134016	• Brake Module	1	
7	4134018	• Shaft Module	1	
8	4134019	• Bearing Housing Module	1	
100	4134020	• Seal Kit	1	

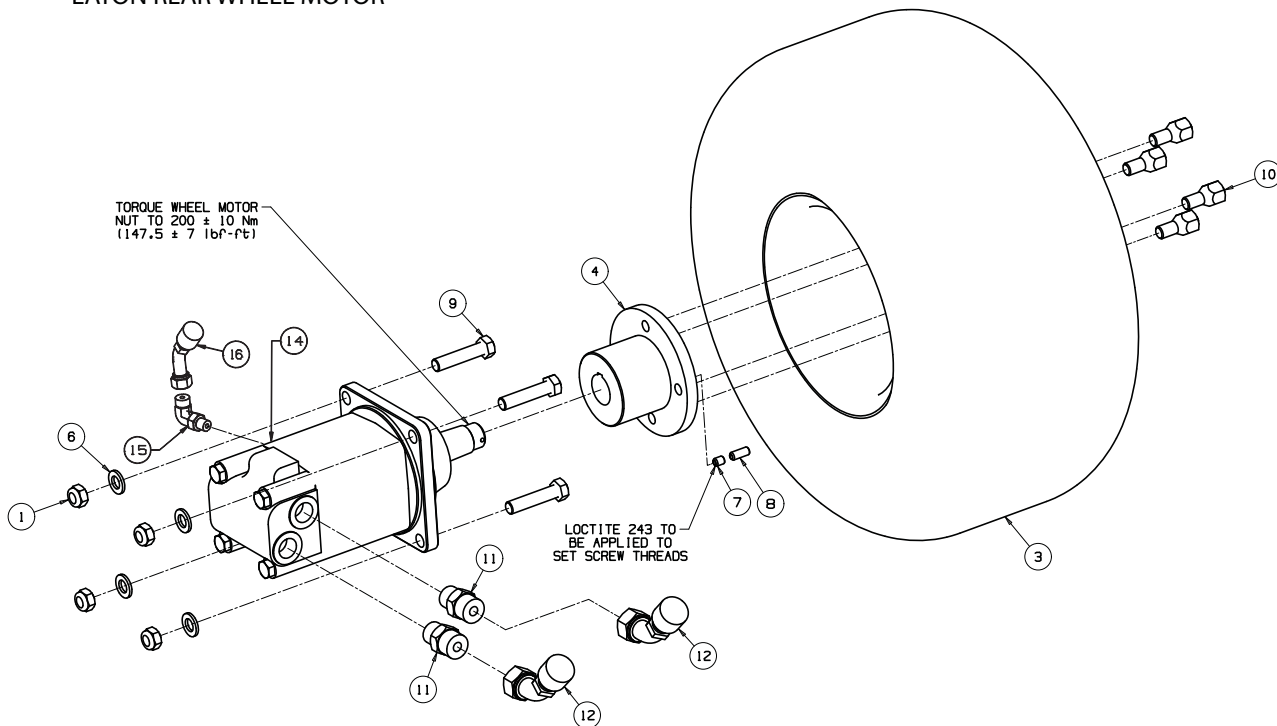
REAR WHEEL & MOTOR

Illustration Number: 4130769-1

SAUER REAR WHEEL MOTOR



EATON REAR WHEEL MOTOR

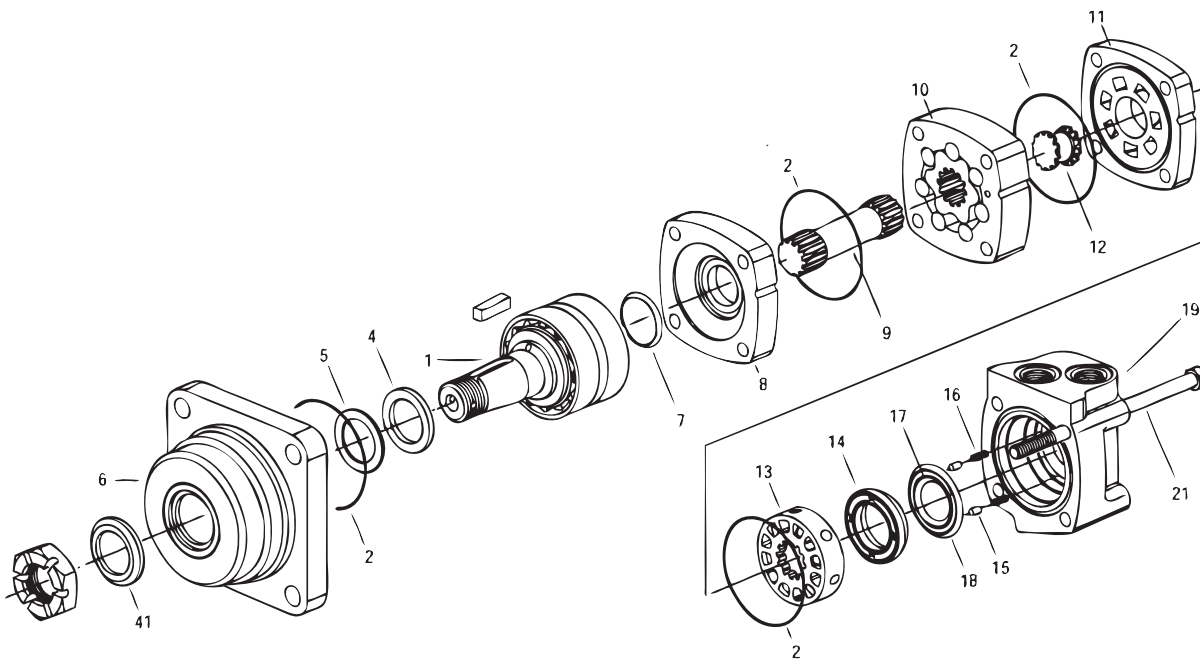


ITEM	PART NO.	DESCRIPTION	QTY.	REMARKS
1	450380	Nut-Hex M12 Nyloc	4	
2	002515000	Ftg-9/16 ORFS x 7/16 SAE	1	
3	008162460	Asm-Wheel 20x10.00-8	1	From S/N GX100767 KG000302
*	4293444	•i Piece Rim 8 x 7 Contour 4 Bolt	1	
*	008170780	• Tyre-20x10.00-8, 4 ply	1	
4	4171160	Casting - Wheel Hub, Rear	1	To S/N EJ000685, FG00502
4	4186860	Casting-Wheel Hub, Rear	1	From S/N EJ000686, FG00503
5	4131109	Motor-Wheel, Danfoss OMSW400	1	To S/N EJ000685, FG00502
*	4227380	Screw M10 x 180	1	
6	450392	Wshr-M12 x 24 x 2.7	4	
7	450968	Scrw-Set M8 x 10, Cup Pnt	1	Apply Loctite 243 to thread
8	450971	Scrw-Set M8 x 20, Cup Pnt	1	
9	450052	Bolt-Hex M12 x 60	4	
10	64220-01	Bolt-Whl 1/2-20 x .88 60D	4	Torque to 95 - 108NM
11	158006-07	Ftg-M/M 1 ORFS x 7/8 SAE	2	
12	4137209	Hyd Hose Assembly	2	
13	4133889	Hyd Hose Assembly	1	
14	4184181	Motor-Wheel, Eaton	1	From S/N EJ000686, FG00503
15	002525020	Ftg-9/16 ORFS x 7/16 SAE	1	
16	4192180	Hyd Hose Assembly	1	

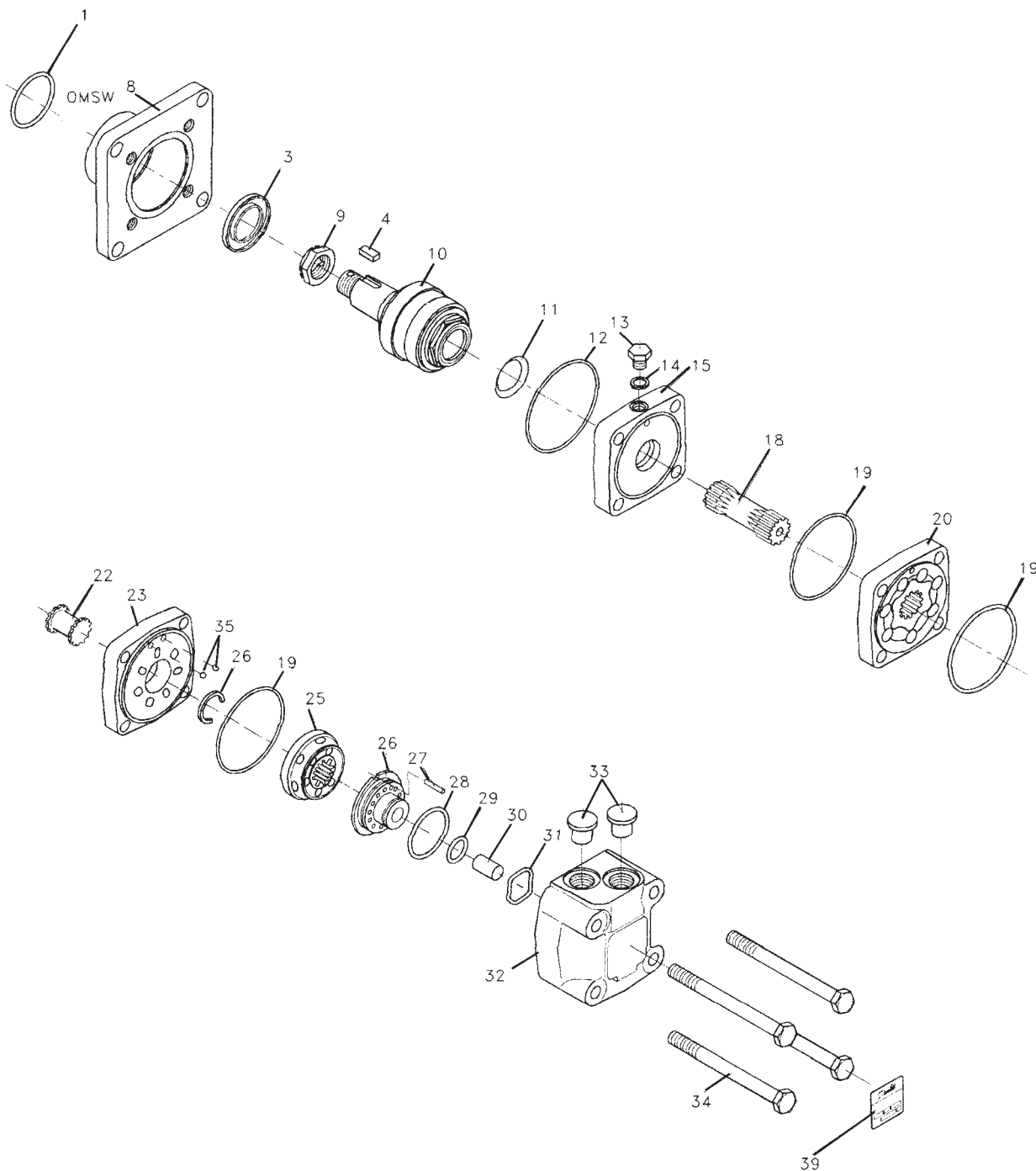
JACOBSEN AR3

MOTOR-WHEEL, Eaton Series 2000 (4184181)

Eaton series 2000 motor



ITEM	PART NO.	DESCRIPTION	QTY.	REMARKS
1	4184181	Wheel Motor	1	
		Shaft & Bearing Kit	1	21618-003
		Nut Hex	1	14163-000
		Key	1	14392-006
2		seal	4	See Seal Kit
3		Seal Exclusion	1	See Seal Ki
4		Seal, Shaft	1	See Seal Ki
5		Ring, Back-up	1	See Seal Ki
6		Housing, Bearing, Wheel Mount	1	21578-003
7		Seal, Shaft Face	1	See Seal Ki
8		Plate, Wear	1	22102-000
9		Drive, Main	1	21371-008
10		Geroler	1	21625-008
11		Plate, Wear	1	22134-000
12		Drive Valve	1	8433-000
13		Valve	1	21466-000
14		Balance Ring	1	8915-000
15		Pin, Balance Ring	2	14351-000
16		Spring, Compression	2	7383-000
17		Seal, Face, Inner	1	See Seal Ki
18		Seal, Face, Outer	1	See Seal Ki
19		Housing, Valve	1	21564-001
21		Screw, Cap	4	14384-014
	4196620	Seal Kit	1	61263-000
41	4196621	Guard Seal	1	14628-002

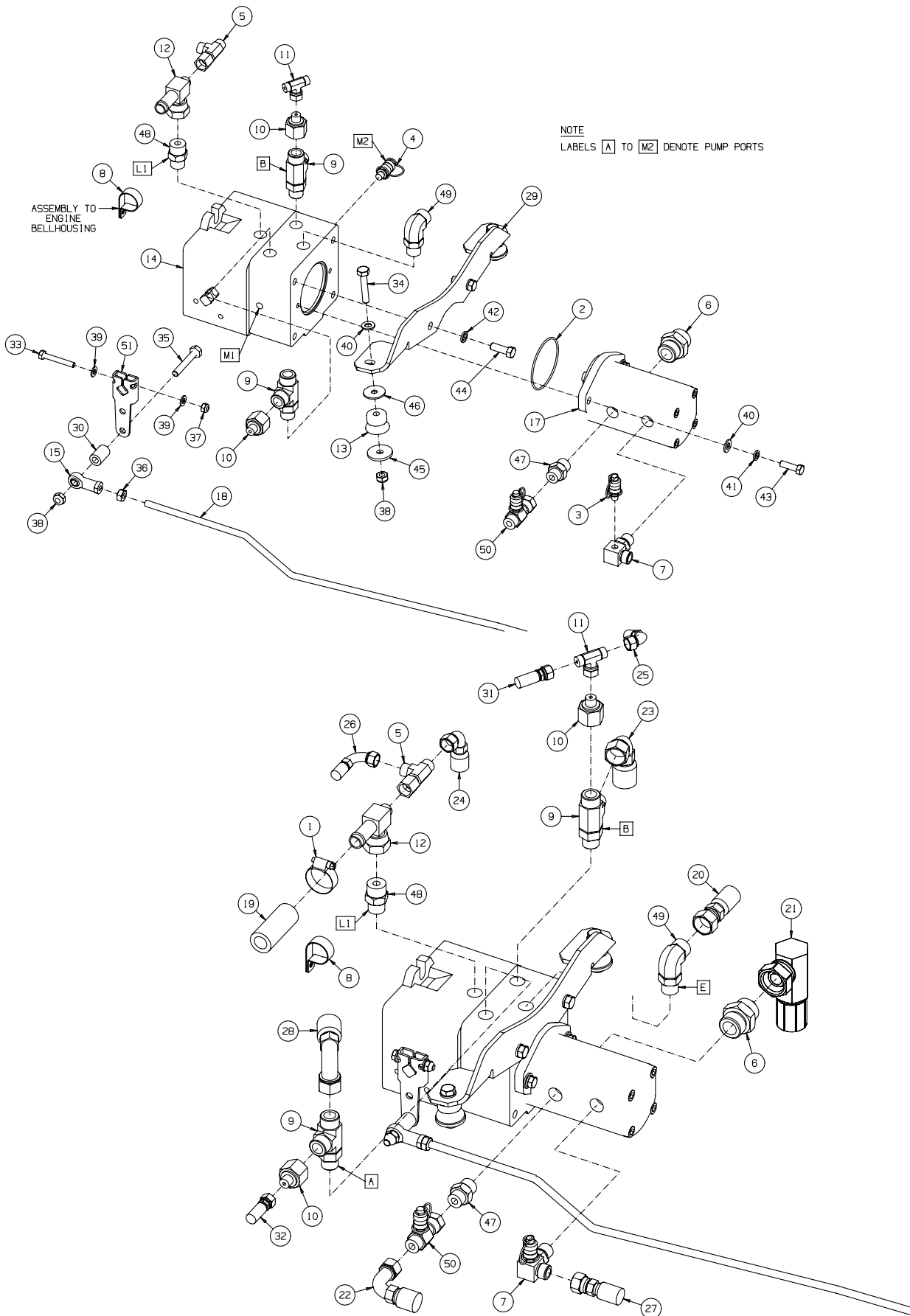


ITEM	PART NO.	DESCRIPTION	QTY.	REMARKS
1	4131109	Motor-Wheel, Danfoss OMSW 400	1	
	+	• O Ring	1	
3	+	• Shaft Seal	1	
4	008007810	• Parallel Key 5/16 x 5/16 x 1 1/4	1	
8		• Bearing Housing	1	
9	008007820	• Castellated Nut (1-20 UNEF)	1	
10	4257730	• Shaft and Bearing Kit	1	
11	+	• Seal Ring	1	
12	+	• O Ring	1	
13	4118786	• Drain Plug GL (ISO228/1)	1	
14	4118787	• Washer 13.5 x 17.5 x 1.5 mm	1	
15		• Intermediate Plate	1	
18		• Cardan Shaft	1	
19	+	• O Ring	3	
20		• Gear Wheel Set	1	
22	4118800	• Valve Drive	1	
23		• Channel Plate	1	
25	4118812	• Disc Valve	1	
26	4176300	• Balance Plate	1	
27	4176301	• Guide Pin 4 mm Dia x 20 mm Lg	1	
28	+	• O Ring	1	
29	+	• O Ring	1	
30	4118816	• Spacer	1	
31		• Spring Washer	1	
32	N/A	• Valve Housing	1	
33		• Seal Plug	2	
34		• Bolt	4	
35		• Guide Pin 4 mm Dia x 6 mm Lg	1	
39	N/A	• Name Plate	1	
100	002300620	Items Marked + Part of • Seal Kit	1	Items : 1,3,11,12,19,28 & 29

JACOBSEN AR3

PUMPS

Illustration Number: 4130884

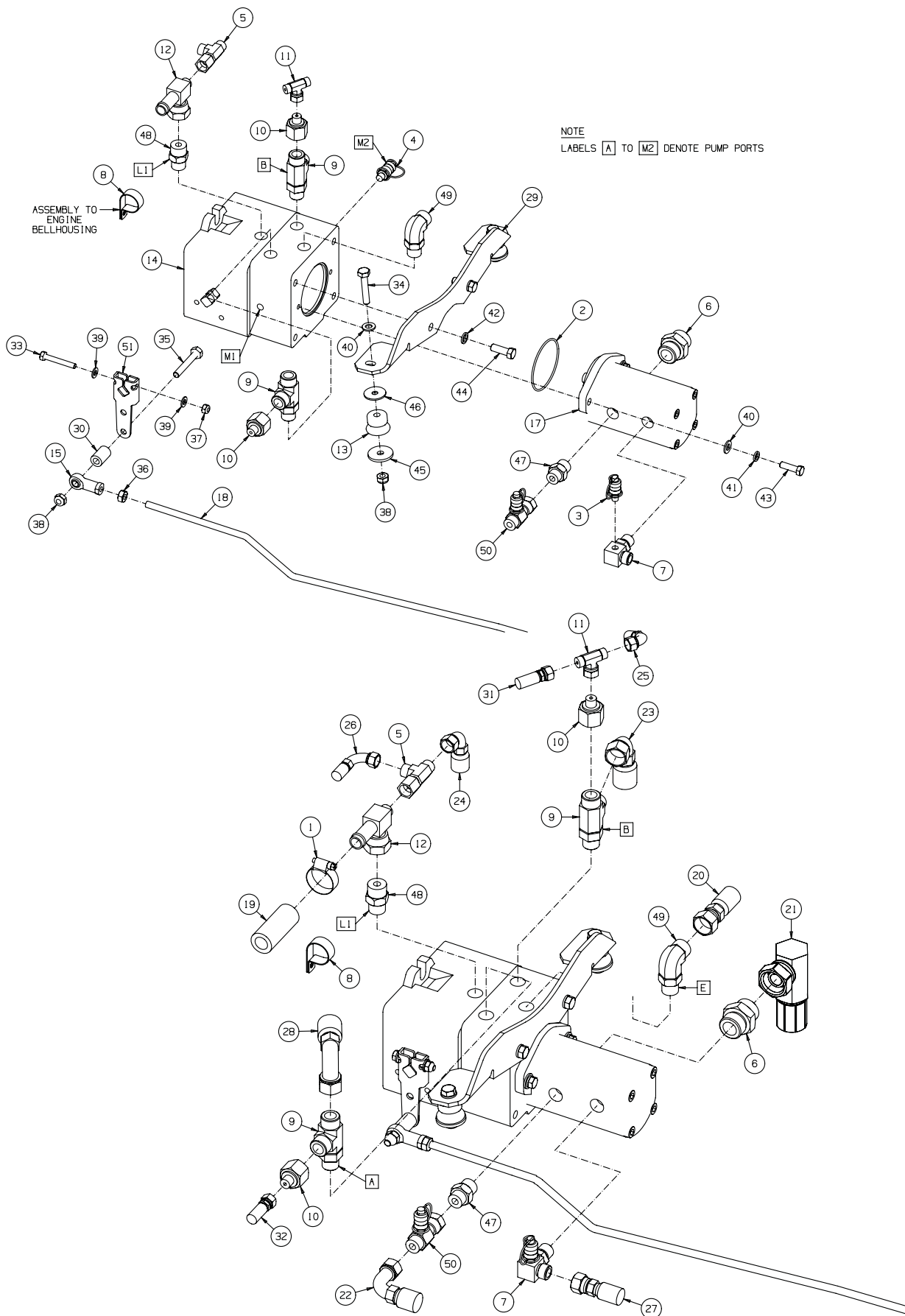


ITEM	PART NO.	DESCRIPTION	QTY.	REMARKS
1	001925400	Hose Clamp, 19-40	1	
2	002211520	O-Ring 82.22 ID x 2.62 Sect	1	
3	002449048	Test Point-1/8 BSPP x M16	1	
4	002449056	Test Point-7/16 SAE x M16	1	
*	002218040	• O Ring	1	7/16" SAE
5	002498400	Tee-M/F/M 11/16 ORFS	1	
*	158061-01	• O Ring	3	11/16" ORFS
6 *	002515050	Ftg-1-7/16 ORFS x 1-5/16 SAE	1	
*	158061-19	• O Ring	1	1-7/16" ORFS
*	002218140	• O Ring	1	1-5/16" SAE
6	4165262	Ftg-M/M 1 BSPP x 1-5/16 SAE		
*	002218140	• O Ring	1	1-5/16" SAE
7	002590050	90-M/M/F 13/16 ORFS x 7/8 x 1/8 BSP	1	
*	158061-02	• O Ring	1	13/16" ORFS
*	002218104	• O Ring	1	7/8" SAE
8	48228-06	Clamp	1	
9	002590130	Tee-M/M/M 1 ORFS (2) x 7/8 SAE	2	
*	158061-08	• O Ring	2	1" ORFS
*	002218040	• O Ring	1	7/16" SAE
10	002590440	Reducer-F/M 1 ORFS x 9/16 ORFS	2	
*	158061-08	• O Ring	1	1" ORFS
*	58061-18	• O Ring	1	9/16" ORFS
11	002590470	Tee-M/M/F 9/16 ORFS	1	
*	158061-18	• O Ring	2	9/16" ORFS
12	002590520	Tee-M/M/F 11/16 ORFS x 3/4 x 1	1	
*	158061-01	• O Ring	1	11/16" ORFS
*	158061-08	• O Ring	2	1" ORFS
13	002994043	Mount-ISO, Engine	2	
14	008005950	Pump-Transmission, M25-2081	1	
15	008145450	Rod End M10	1	
16	172364A.07	Arm-Control Hd	1	To S/N EK000647 and FZ000490
17	4131108	Pump-Cutter & Steering	1	To S/N EK000647 & FZ000490
17	4177940	Pump-Cutter & Steering	1	From S/N EK000648 & FZ000491
*	4177942	Seal Kit for 4177940		
18	4132836	Rod-Pump Control	1	
19	4133845	Hyd Hose Assembly	1	Trans Pump 'L' to Cooler 'IN'
20	2692224-05	Hyd Hose Assembly	1	Trans Pump 'E' to Filter 'OUT'
20	4133848	Hyd Hose Assembly	1	Trans Pump 'E' to Filter 'OUT'
21	4133849	Hose-Tandem Pump Suction to Tank	1	To S/N EK000647 and FZ000490
21	4283831	Hose-Tandem Pump Suction to Tank	1	From S/N EK000648 and FZ000491
22	4133850	Hyd Hose Assembly	1	Cutter Pump to Cutter Valve 'CP'
23	4133856	Hose-Trans Pump 'B' to Mtr Tee	1	For Sauer-Danfoss wheel motors
23	4283265	Hose-Trans Pump 'B' to Mtr Tee	1	For Poclain wheel motors

JACOBSEN AR3

PUMPS

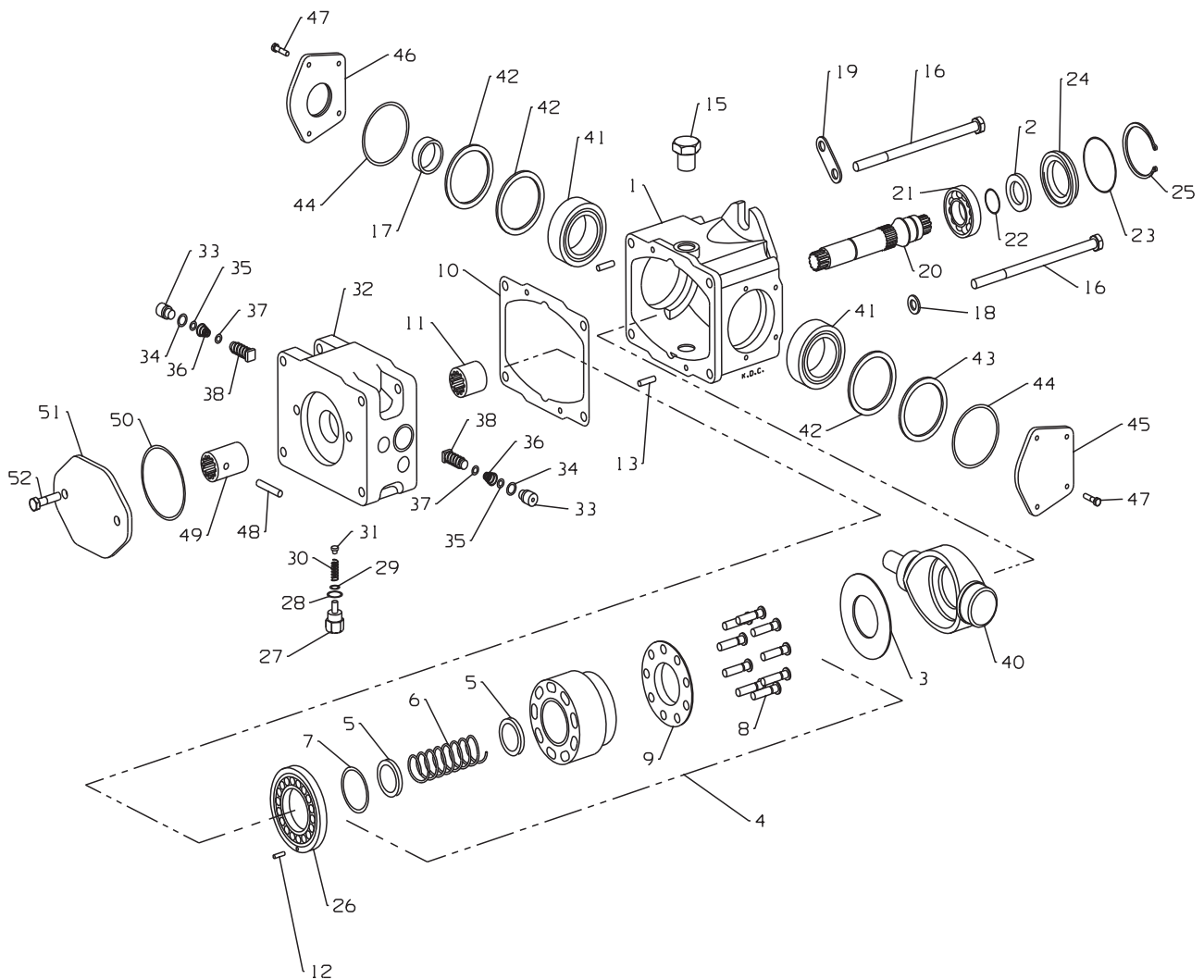
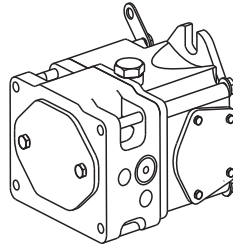
Illustration Number: 4130884



ITEM	PART NO.	DESCRIPTION	QTY.	REMARKS
24	4133890	Hose-Flush Valve 'DR' to Trans Pump 'L'	1	To S/N EK000304
24	4137210	Hose-Flush Valve 'DR' to Trans Pump 'L'	1	From S/N EK000305
25	4133891	Hose-Flush Valve 'PP' to Trans Pump 'B'	1	To S/N EK000304
25	4137211	Hose-Flush Valve 'PP' to Trans Pump 'B'	1	From S/N EK000305
26	4133892	Hyd Hose Assembly	1	Brake valve 'DR1' to Manifold
27	4133895	Hyd Hose Assembly	1	Steer Pump to Steer Unit 'P'
28	4133918	Hose-Trans Pump 'A' to Flush Valve Lower 'T'	1	To S/N EK000304
28	4137212	Hose-Trans Pump 'A' to Flush Valve Lower 'T'	1	From S/N EK000305
29	4134774	Bracket-Engine, Front	1	
30	4135072	Spacer-11 x 20 x 30	1	
31	4135211	Hose-Free Wheel Valve to Trans Pump 'B'	1	
32	4135212	Hose-Free Wheel Valve to Trans Pump 'A'	1	
33	450019	Bolt-Hex M8 x 55	1	
34	450033	Bolt-Hex M10 x 55	2	
35	450035	Bolt-Hex M10 x 65	1	
36	450325	Nut-Hex M10	1	
37	450378	Nut-Hex M8 Nyloc	1	
38	450379	Nut-Hex M10 Nyloc	3	
39	450390	Wshr-M8 x 17 x 1.8	4	
40	450391	Wshr-M10 x 21 x 2.2	2	
41	450412	Lockwshr-M10 x 15.9 x 2.5	2	
42	450413	Lockwshr-M12 x 17.9 x 2.5	2	
43	456110448	Scrw-Hex 3/8-16 x 1-1/4	2	
44	456110757	Scrw-Hex 7/16-14 x 1-1/4	2	
45	MBC0175	Wshr-10.5 x 40 x 4	2	
46	442003927	Wshr-3/8 x 1.375 x .092	2	
47	158006-06	Ftg-M/M 13/16 ORFS x 7/8 SAE	1	
*	158061-02	• O Ring	1	13/16" ORFS
*	002218104	• O Ring	1	7/8" SAE
48	158006-07	Ftg-M/M 1 ORFS x 7/8 SAE	1	
*	158061-08	• O Ring	1	1" ORFS
*	002218104	• O Ring	1	7/8" SAE
49	158007-05	90-M/M 1 ORFS x 7/8 SAE	1	
*	158061-08	• O Ring	1	1" ORFS
*	002218104	• O Ring	1	7/8" SAE
50	4137784	Test Point Tee, 13/16 ORFS	1	
*	158061-02	• O Ring	1	13/16" ORFS
51	4184180	Wldmt-Control Arm	1	

JACOBSEN AR3

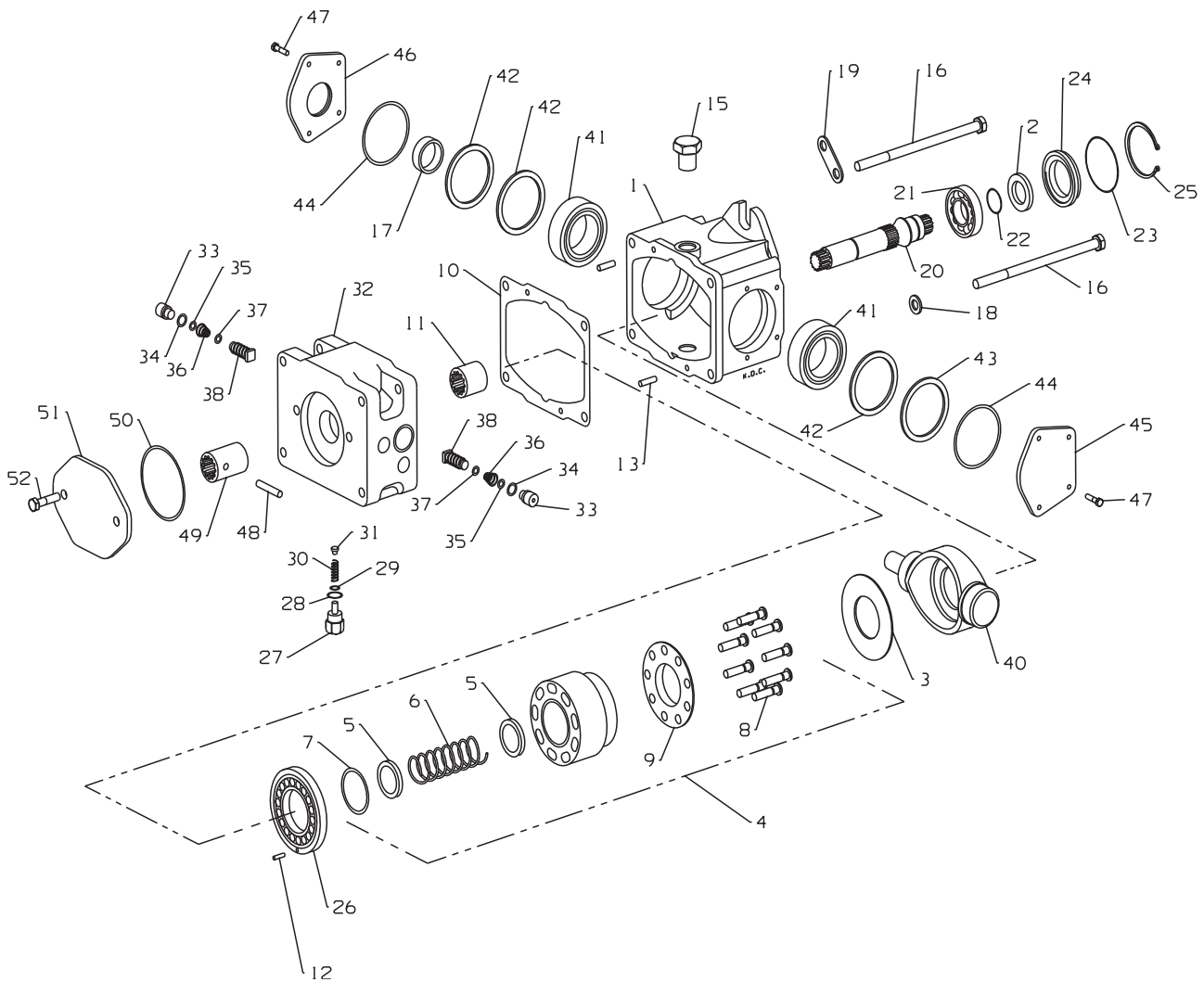
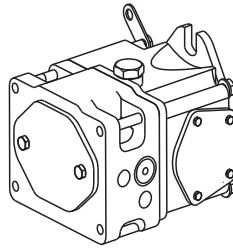
PUMP (SAUER-DANFOSS M25)(008005950)



ITEM	PART NO.	DESCRIPTION	QTY.	REMARKS
	008005950	Transmission Pump	1	
1	N/A	• Pump Housing	1	
2 +	4134667	• Lip Seal	1	
3 •		Thrust Plate	1	
4 •		Cylinder Block Kit	1	
5 •		Washer	2	
6				
7 •		Cylinder Block Spring	1	
8 •		Retaining Ring	1	
9 •		Piston Assembly	9	
10		• Slipper Retainer	1	
11 +		• End Cap Gasket	1	
12		• Needle Bearing	1	
13		• Pin	1	
14 +		•O-Ring	3	
15	4134668	• Hex Plug	3	
16	008008060	• Screw 875-14	4	
17 +		• Lip Seal	1	
18		• Washer	3	
19		• Lifting Bracket	1	
20		• Shaft	1	
21		• Ball Bearing	1	
22		• Retaining Ring	1	
23 +	4134670	• O-Ring	1	
24	4134671	• Seal Carrier	1	
25	4134672	• Internal Retaining Ring	1	
26		• Valve Plate RH	1	
27	4134673	• Plug Assembly	1	
28 +		• O-Ring	1	
29	4134674	• Shim Kit	1	
30	4134675	• Spring	1	
31	4134676	• Charge Relief Poppet	1	
32		• End Cap	1	
33		• Special Plug	2	
34 +		• O-Ring	2	
35 +		• O-Ring	2	
36	4134669	• Hex Plug	2	
37 +		• O-ring	2	
38	008008410	• Scr Valve /210 Bar	1	
39	008008410	• Scr Valve /210 Bar	1	
40		• Swash Plate	1	

JACOBSEN AR3

PUMP (SAUER-DANFOSS M25)(008005950)

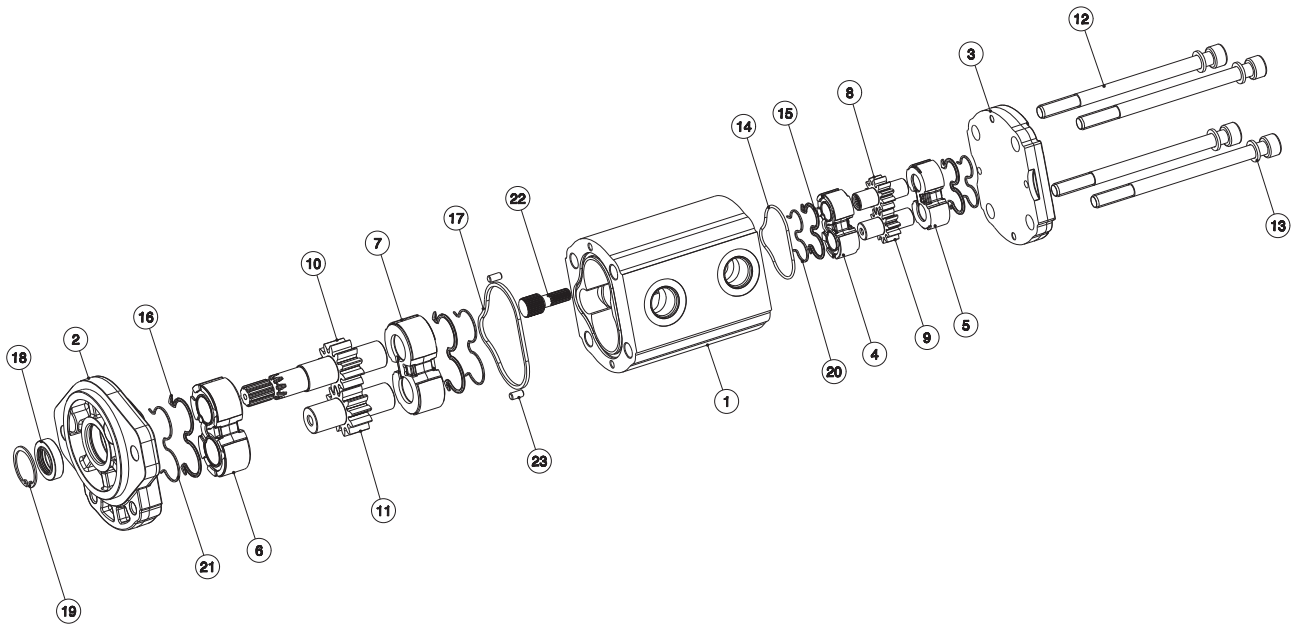


ITEM	PART NO.	DESCRIPTION	QTY.	REMARKS
41		• Taper Roller Bearing	2	
42				
43				
44 +	4134677	• O-Ring	2	
45	4134678	• Trunnion Cover	1	
46	4134679	• Trunnion Cover Assembly	1	
47	4134680	• Thread Rolling Screw	8	
48		• Spring Pin	1	
49		• Coupling, 9 Tooth	1	
50 +	4134681	• Pad Seal	1	
51	4134682	• Cover Plate	1	
52	4134683	• Hex Screw	2	
		+ Included In Overhaul Seal and Gasket Kit 008005930		

JACOBSEN AR3

PUMP (CASAPPA)

Illustration Number: 4131108

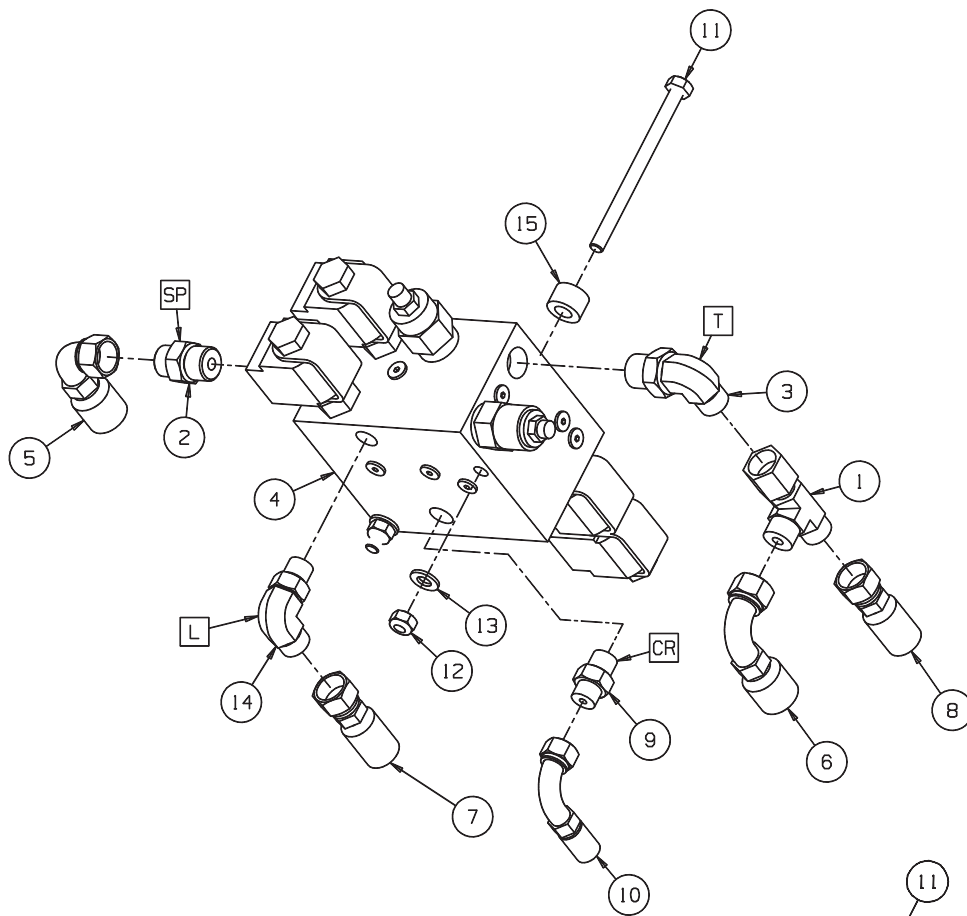


ITEM	PART NO.	DESCRIPTION	QTY.	REMARKS
*	4131108	Tandem Pump	1	To S/N EK000647 & FZ000490
1	4136965	Body	1	
2	4136966	Front Cover	1	
3	4136967	Twin Rear Cover	1	
4	4136968	Thrust Plate	1	
5	4136969	Thrust Plate	1	
6	4136970	Thrust Plate	1	
7	4136971	Thrust Plate	1	
8	4136972	Drive Gear	1	
9	4136974	Driven Gear	1	
10	4136975	Drive Shaft	1	
11	4136976	Driven Gear	1	
12	4136977	Screw	4	
13	4136978	Washer	4	
14 +		O-Ring	1	
15 +		Seal	2	
16 +		Seal	2	
17 +		Seal	1	
18 +	4136982	Shaft Seal	1	
19	4136979	Ring	1	
20 +		Back-Up Ring	2	
21 +		Back-Up Ring	2	
22	4136980	Hub	1	
23	4136981	Dowel Pin	2	
100	4177942	Seal Kit	1	Contains items marked

JACOBSEN AR3

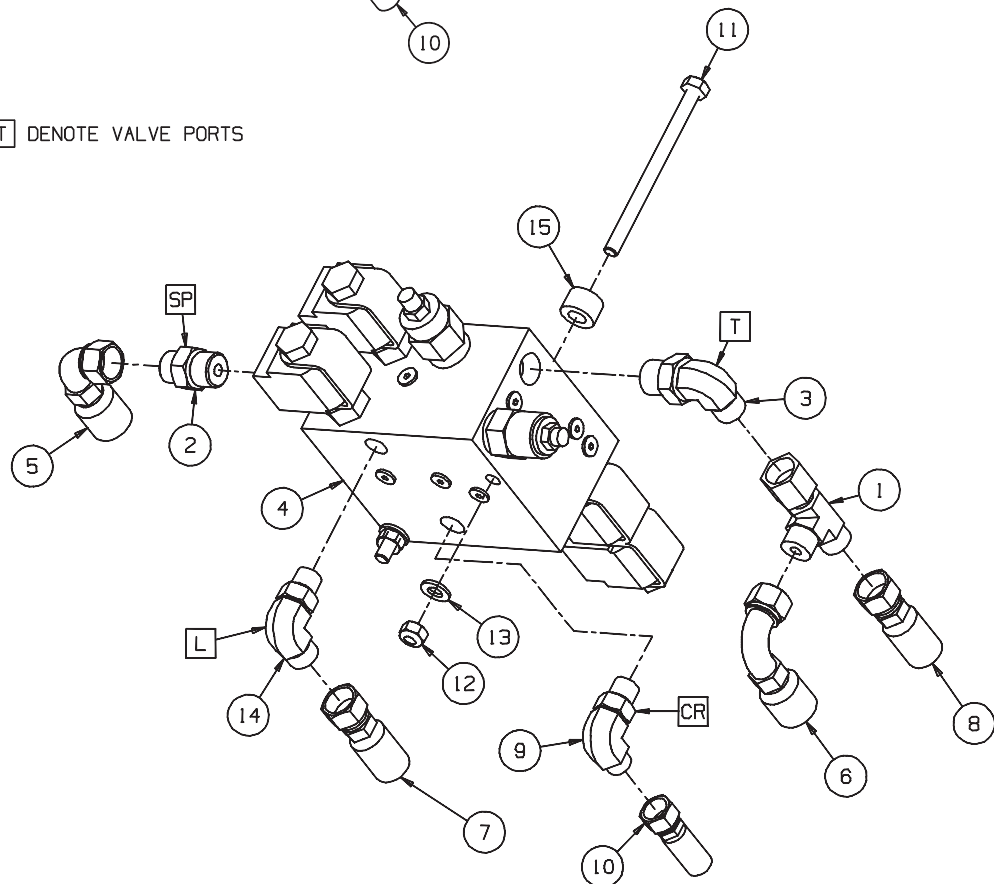
LIFT VALVE

Illustration Number: 4131603



NOTE

LABELS **CR** TO **T** DENOTE VALVE PORTS

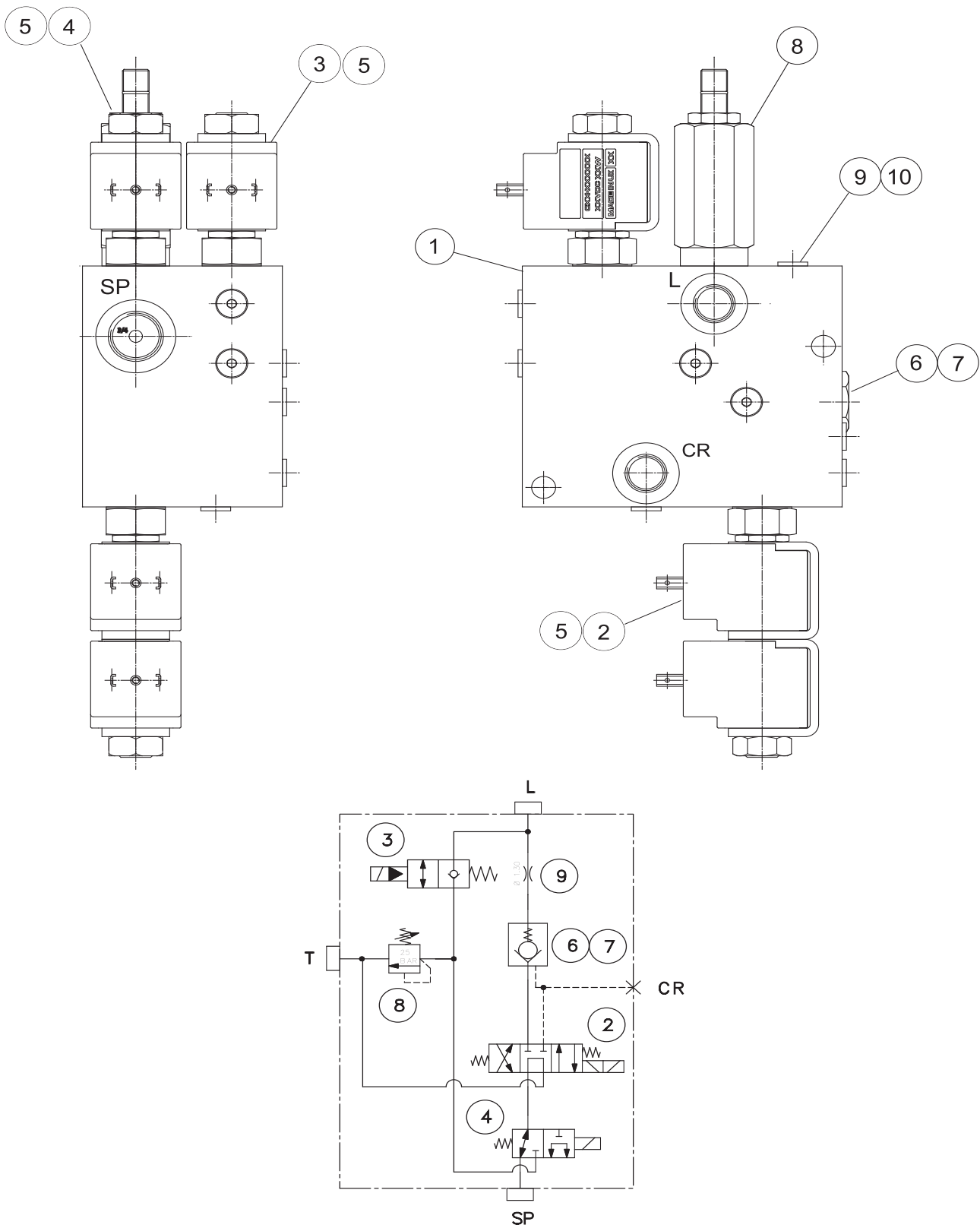


ITEM	PART NO.	DESCRIPTION	QTY.	REMARKS
1	002498400	Tee-M/F/M 11/16 ORFS	1	
*	158061-01	• O Ring	3	11/16" ORFS
2	158006-13	Ftg-11/16 ORFS x 3/4 SAE	1	
*	158061-01	• O Ring	1	11/16" ORFS
*	002218081	• O Ring	1	3/4" SAE
3	158007-10	90-M/M 11/16 ORFS x 3/4 SAE	1	
*	158061-01	• O Ring	1	11/16" ORFS
*	002218081	• O Ring	1	3/4" SAE
4	4131111	Hydraulic Lift Valve	1	(To S/N EK000315)
	4169021	Hydraulic Lift Valve	1	(From S/N EK000316)
5	4133898	Hyd Hose Assembly	1	Steer Unit 'E' to Lift Valve 'SP'
6	4133899	Hyd Hose Assembly	1	Lift Valve 'T' to Steer Unit 'T'
7	4133900	Hyd Hose Assembly	1	Lift valve 'L' to Lift Manifold Front Port
8	4133906	Hyd Hose Assembly	1	Lift Valve 'T' to Return 'T'
9	4136312	Ftg-9/16 ORFS x 5/16 SAE	1	(To S/N EK000315)
*	158061-18	• O Ring	1	9/16" ORFS
*	459290	• O Ring	1	5/16" SAE
9	002515100	Ftg-9/16 ORS x 9/16 SAE	1	(From S/N EK000316 - EK000316)
*	158061-18	• O Ring	1	9/16" ORFS
*	002218065	• O Ring	1	9/16" SAE
9	002525010	90-M/M 9/16 ORS x 9/16 SAE	1	(From S/N EK000316)
*	158061-18	• O Ring	1	9/16" ORFS
*	002218065	• O Ring	1	9/16" SAE
10	4136380	Hyd Hose Assembly	1	Lift Valve 'CR' to Manifold (To S/N EK000304)
10	4137215	Hyd Hose Assembly	1	(From S/N EK000305 - EK000305)
10	4194980	Hose-Lift Valve 'CR' to Manifold	1	(From S/N EK000305)
11	450028	Bolt-Hex M8 x 110	2	
12	450378	Nut-Hex M8 Nyloc	2	
13	450390	Wshr-M8 x 17 x 1.8	2	
14	158007-01	90-M/M 11/16 ORFS x 9/16 SAE	1	
*	158061-01	• O Ring	1	11/16" ORFS
*	002218065	• O Ring	1	9/16" SAE
15	MBE3454	Spacer-10.5 x 20 x 13	2	

JACOBSEN AR3

LIFT VALVE (STERLING)

Illustration Number: 4131111



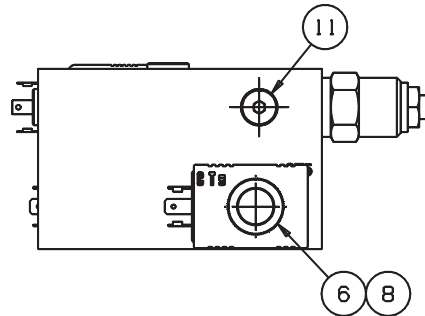
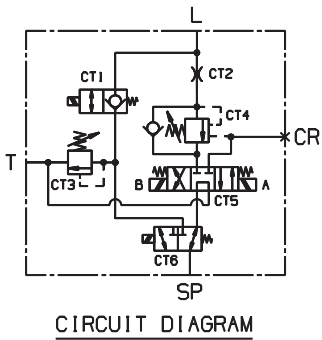
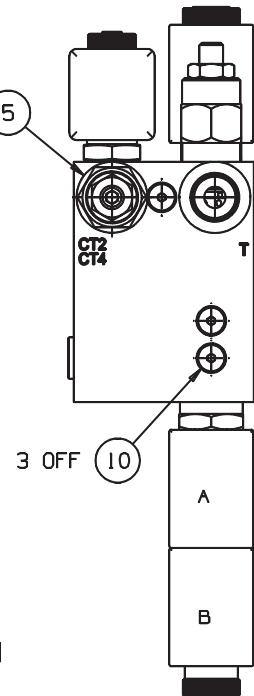
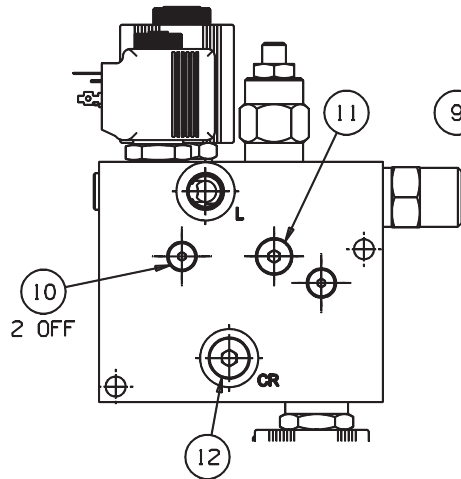
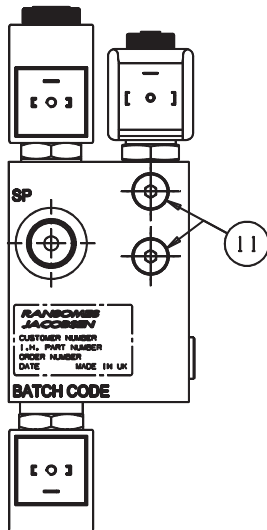
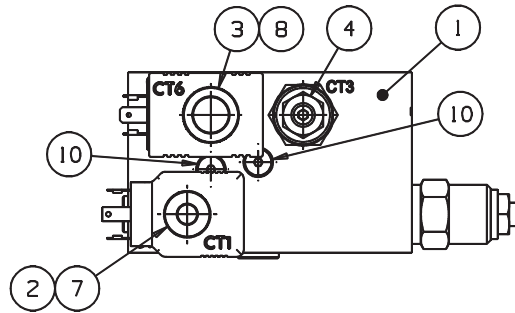
ITEM	PART NO.	DESCRIPTION	QTY.	REMARKS
1	4131111	Hydraulic Lift Valve	1	
		• Block	1	
2	4134873	• Solenoid Valve	1	Torque 30 Nm
*	4137264	•• Seal Kit	1	
3	4134876	• Solenoid Valve	1	Torque 30 Nm
*	4137265	•• Seal Kit	1	
4	4134877	• Solenoid Valve	1	Torque 30 Nm
*	4137266	•• Seal Kit	1	
5	4134878	• Coil	4	Torque 4.1 Nm
6	4134879	• Check Valve	1	Torque 40 Nm
*	4137267	•• Seal Kit	1	
7	4134880	• Pilot Piston	1	
*	4137268	•• Seal Kit	1	
8	4134881	• Relief Valve	1	Torque 50Nm
*	4137269	•• Seal Kit	1	
9	4134882	• Orifice Plug	1	Torque 3 Nm
10		• Hollow Hex Plug	9	Torque 6.5 Nm

JACOBSEN AR3

LIFT VALUE (INTEGRATED)

Illustration Number: 4169021

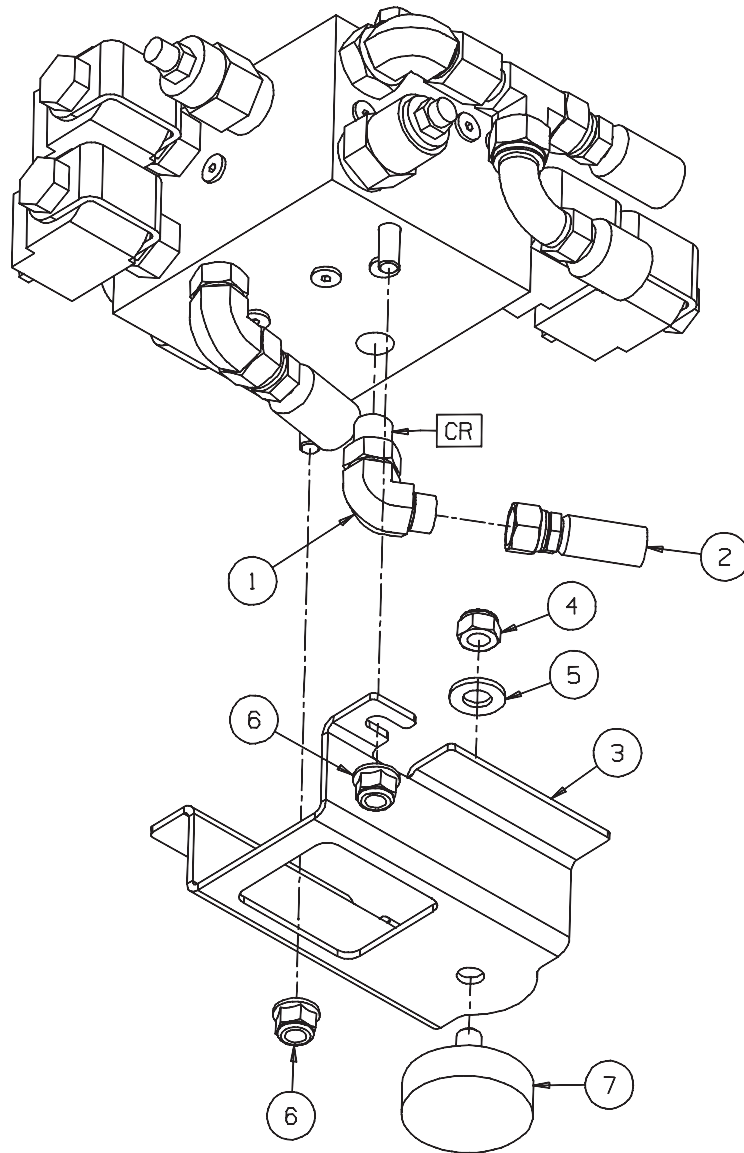
Fitted from S/N
EK000603
EJ000632
FZ000337



ITEM	PART NO.	DESCRIPTION	QTY.	REMARKS
1	4169021	Hydraulic Lift Valve	1	
		• Block	1	
2	4171460	• Solenoid Valve	1	Torque 20 Nm
*	4171365	•• Seal Kit	1	
3	4171461	• Solenoid Valve	1	Torque 30 Nm
*	4171462	•• Seal Kit	1	
4	4171463	• Relief Valve	1	Torque 45 Nm
*	4171464	•• Seal Kit	1	
5	4171465	• Overcentre Valve	1	Torque 45 Nm
*	4171466	•• Seal Kit	1	
6	4171467	• Solenoid Valve	1	Torque 30 Nm
*	4171468	•• Seal Kit	1	
7	4171444	• 12VDC Coil	1	
8	4171469	• 12VDC Coil	3	
9	4171470	• M6x0.75 JAT (1.3mm oriface)	1	Torque 2.0-2.5 Nm
10	4171445	• 1/8" SAE Blanking Plug	7	Torque 4.5 Nm + Loctite
11	4171446	• 3/8" SAE Blanking Plug	4	Torque 12.5 Nm + Loctite
12	4171447	• 1/2" SAE Blanking Plug	1	Torque 20 Nm + Loctite

LIFT VALVE PROTECTION (AR30001 ONLY)

Illustration Number: 4194982

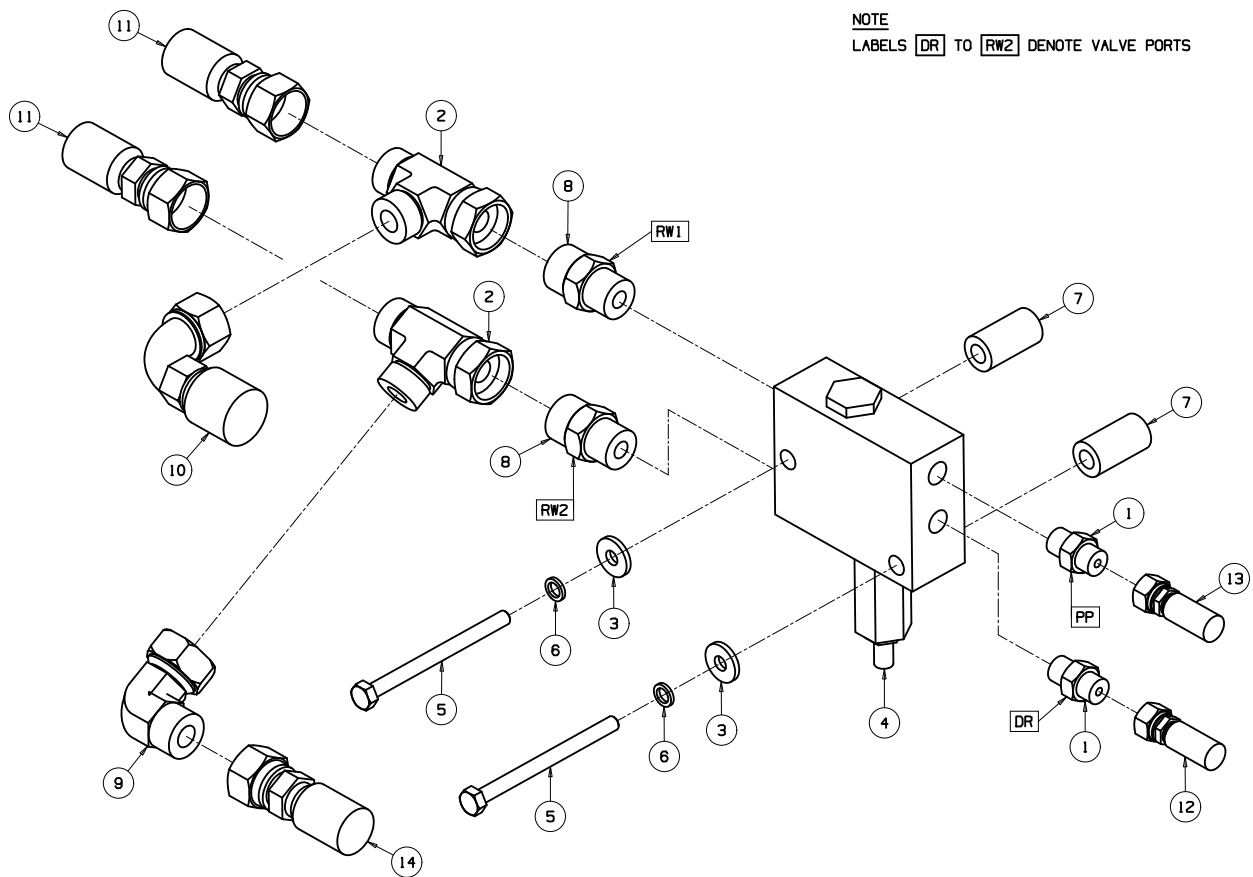


ITEM	PART NO.	DESCRIPTION	QTY.	REMARKS
1	LMAC357	Kit-Lift Valve Protection, AR3	1	
	002525010	90-M/M 9/16 ORS x 9/16 SAE	1	
*	158061-18	• O Ring	1	9/16" ORFS
*	002218065	• O Ring	1	9/16" SAE
2	4194980	Hose-Lift Valve 'CR' to manifold	1	
3	4194981	Bracket-Lift Valve	1	
4	450120398	Nut-Hex 3/16-16 Nyloc Thin	1	
5	450391	Washer-M10 x 21 x 2.2	1	
6	452436	Nut-Hex M8 Flange Nyloc	1	
7	J361723	Bumper Stop	1	

JACOBSEN AR3

FLUSHING VALVE

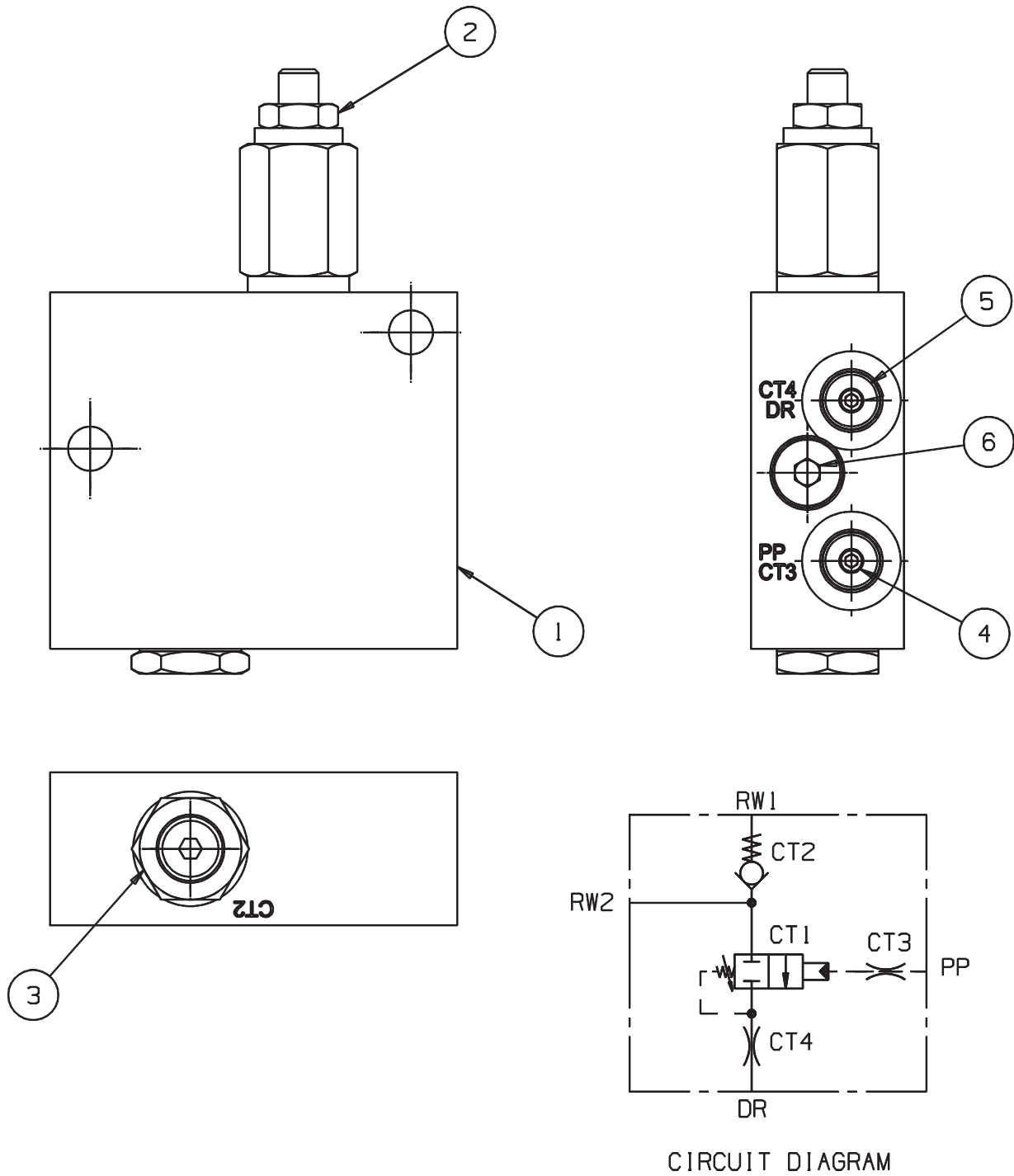
Illustration Number: 4131612



ITEM	PART NO.	DESCRIPTION	QTY.	REMARKS
1	002515100	Ftg-9/16 ORFS x 9/16 SAE	2	
*	158061-18	• O Ring	1	9/16" ORFS
*	002218065	• O Ring	1	9/16" SAE
2	002590110	Tee-M/F/M 1 ORFS	2	
*	158061-08	• O Ring	3	1" ORFS
3	009072070	Wshr-M8 x 22 x 3	2	
4	4187320	Hydraulic Valve-Flushing	1	
5	450027	Bolt-Hex M8 x 100	2	
6	450411	Lockwshr-M8 x 12.75 x 2	2	
7	MBE3454	Spacer-10.5 x 20 x 20	2	(to serial no. EJ000304)
7	4137200	Spacer-10.5 x 20 x 37	2	(from serial no. EJ000305)
8	158006-07	Ftg-M/M 1 ORFS x 7/8 SAE	2	
*	158061-08	• O Ring	1	1" ORFS
*	002218104	• O Ring	1	7/8" SAE
9	002590080	90-M/F 1 ORFS	1	
*	158061-08	• O Ring	2	1" ORFS
10	4133861	Hyd Hose Assembly	1	Front Motor 'T' to Flush Valve (to serial no. EJ000304)
10	4137208	Hyd Hose Assembly	1	Front Motor 'T' to Flush Valve (from serial no. EJ000305) For Sauer-Danfoss wheel motors
10	4283266	Hose-Front Mtr Tee to Flush Valve	1	For Poclain wheel motors
11	4133862	Hyd Hose Assembly	2	Rear Motor to Flush Valve (to serial no. EJ000304)
11	4137209	Hyd Hose Assembly	2	Rear Motor to Flush Valve (from serial no. EJ000305)
12	4133890	Hyd Hose Assembly	1	Flush Valve 'DR' to Trans Pump 'L' (to serial no. EJ000304)
12	4137210	Hyd Hose Assembly	1	Flush Valve 'DR' to Trans Pump 'L' (from serial no. EJ000305)
13	4133891	Hyd Hose Assembly	1	Flush Valve 'PP' to Trans Pump 'B' (to serial no. EJ000304)
13	4137211	Hyd Hose Assembly	1	Flush Valve 'PP' to Trans Pump 'B' (from serial no. EJ000305)
14	4133918	Hyd Hose Assembly	1	Trans Pump 'A' to Flush Valve Lower 'T' (to serial no. EJ000304)
14	4137212	Hyd Hose Assembly	1	Trans Pump 'A' to Flush Valve Lower 'T' (from serial no. EJ000305)

FLUSHING VALVE (INTERGRATED HYDRAULICS)

Illustration Number: 4131110

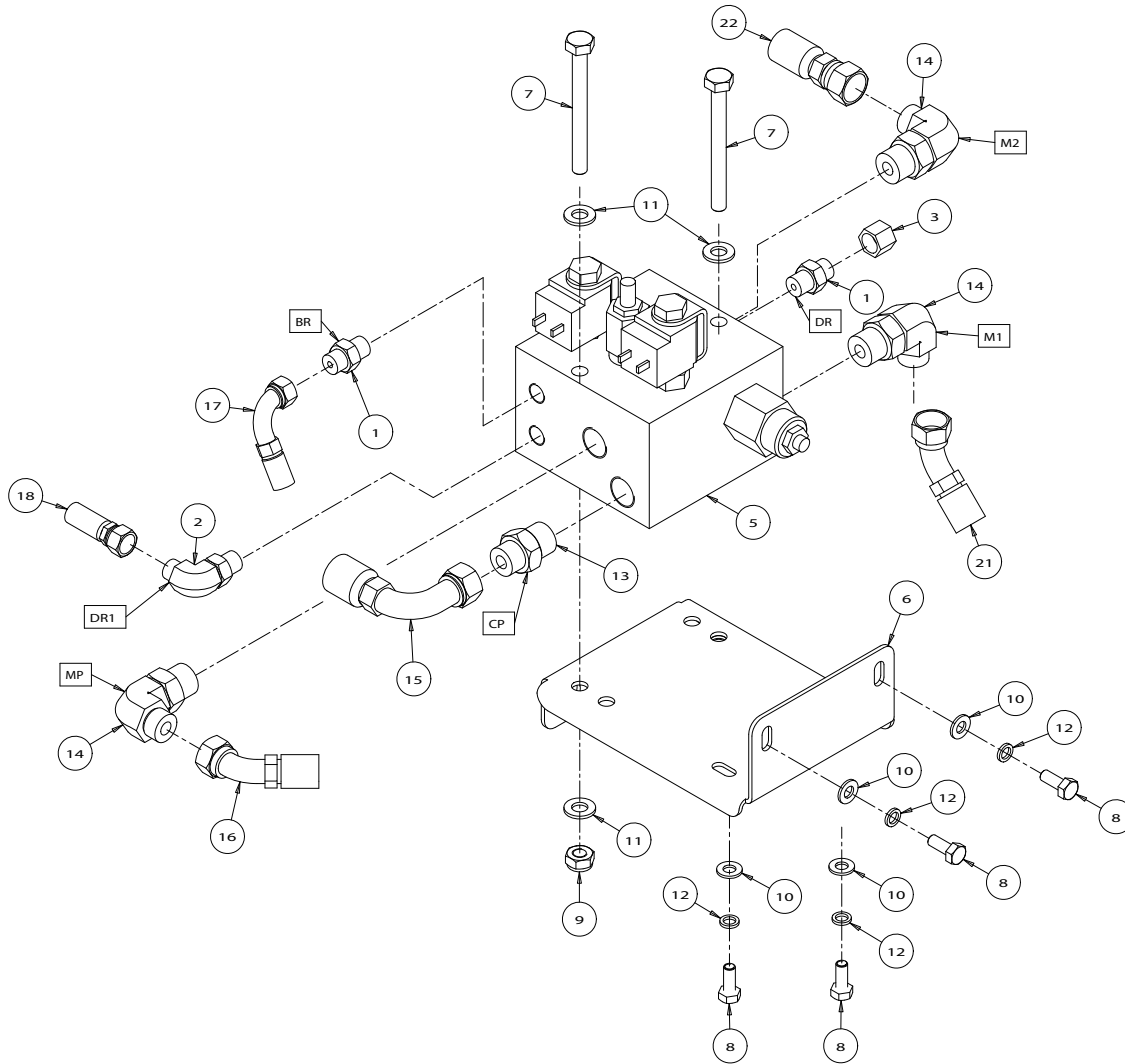


ITEM	PART NO.	DESCRIPTION	QTY.	REMARKS
	4187320	Flusing Valve		Intergrated Hydraulics
1	N/A	• Block	1	
2	4187401	• P.O. Spool Valve	1	Torque 60Nm
3	4187402	• Check Valve	1	Torque 60Nm
4	4187901	• Oriface Plug	1	Torque 2.0 to 2.5 Nm
5	4187900	• Oriface Plug	1	Torque 2.0 to 2.5 Nm
*	4171447	• Blanking Plug 3/8	1	Torque 20Nm

JACOBSSEN AR3

CUTTER & BRAKE VALVE

Illustration Number: 4131613

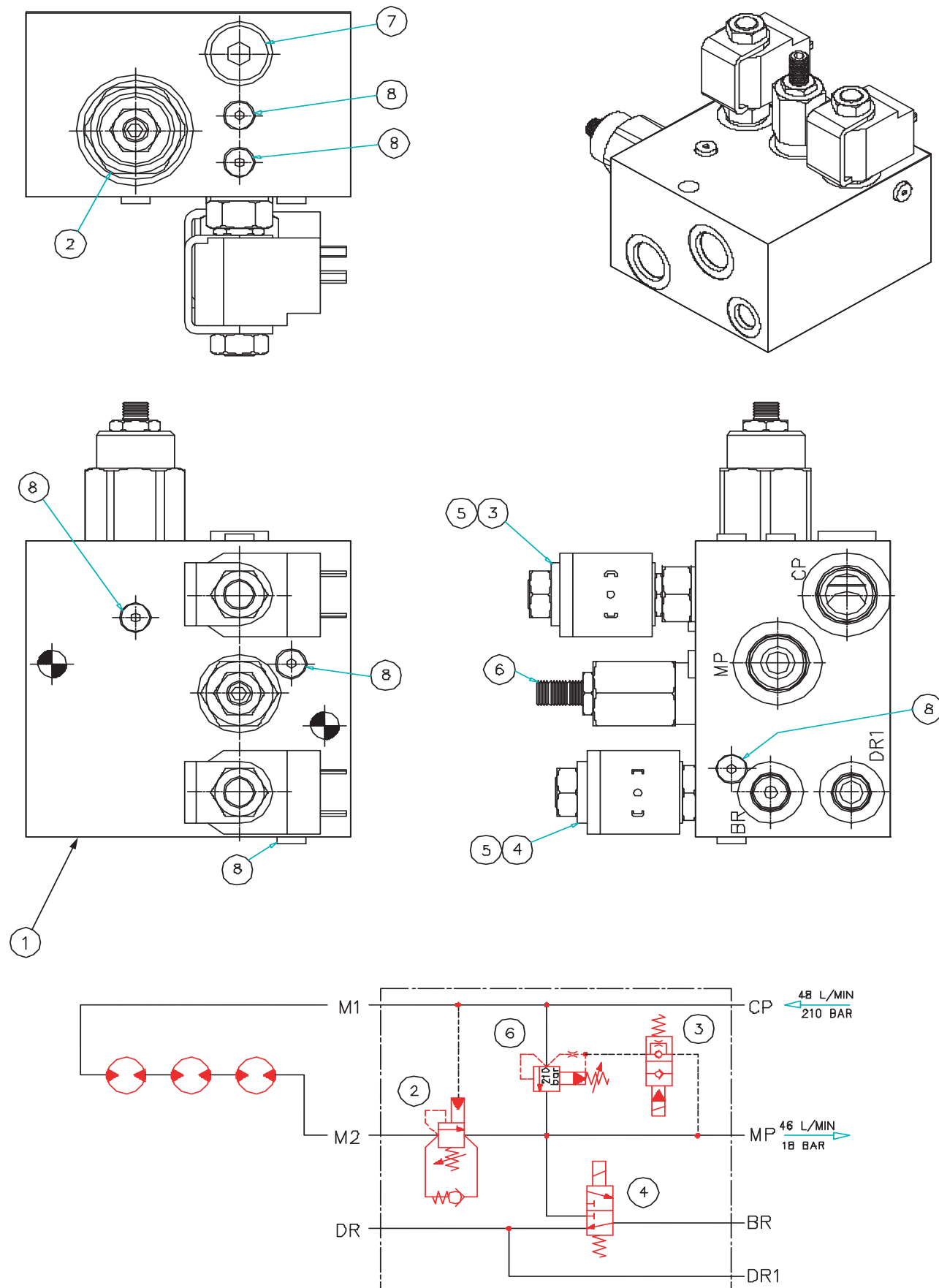


NOTE
LABELS **BR** TO **MP** DENOTE VALVE PORTS

ITEM	PART NO.	DESCRIPTION	QTY.	REMARKS
1	002515100	Ftg-9/16 ORFS x 9/16 SAE	2	
2	002525010	90-M/M 9/16 ORFS x 9/16 SAE	1	
*	158061-18	• O Ring	1	9/16" ORFS
*	002218065	• O Ring	1	9/16" SAE
3	002560010	Cap-9/16 ORFS	1	
5	4232000	Cutter & Brake Valve	1	Integrated CXP23968-04 From S/N: FR000633, FY000368, GX000348, EJ000750, FG000553.
6	4131615	Brkt-Cutter / Brake Valve Mtg	1	
7	450041	Bolt-Hex M10 x 100	2	
8	450191	Scrw-Hex M8 x 20	4	
9	450379	Nut-Hex M10 Nyloc	2	
10	450390	Wshr-M8 x 17 x 1.8	4	
11	450391	Wshr-M10 x 21 x 2.2	4	
12	450411	Lockwshr-M8 x 12.75 x 2	4	
13	158006-06	Ftg-M/M 13/16 ORFS x 7/8 SAE	1	
*	158061-02	• O Ring	1	13/16" ORFS
*	002218104	• O Ring	1	7/8" SAE
14	158007-03	90-M/M 13/16 ORFS x 7/8 SAE	3	
*	158061-02	• O Ring	1	13/16" ORFS
*	002218104	• O Ring	1	7/8" SAE
15	4133850	Hyd Hose Assembly	1	Cutter Pump to Cutter valve 'CP'
16	4133851	Hyd Hose Assembly	1	Filter 'IN' to Cutter valve 'MP'
17	4133852	Hyd Hose Assembly	1	Rotary Valve 'B' to Cutter Valve 'BR'
18	4133892	Hyd Hose Assembly	1	Brake Valve 'DR1' to Manifold Block
21	4133910	Hyd Hose Assembly	1	Cutter Valve 'M1' to LH Str Blkhd
22	4133913	Hyd Hose Assembly	1	Rear Cutter 'OUT' to Cutter Valve 'M2'

CUTTER & BRAKE VALVE (STERLING)

Illustration Number: 4131112

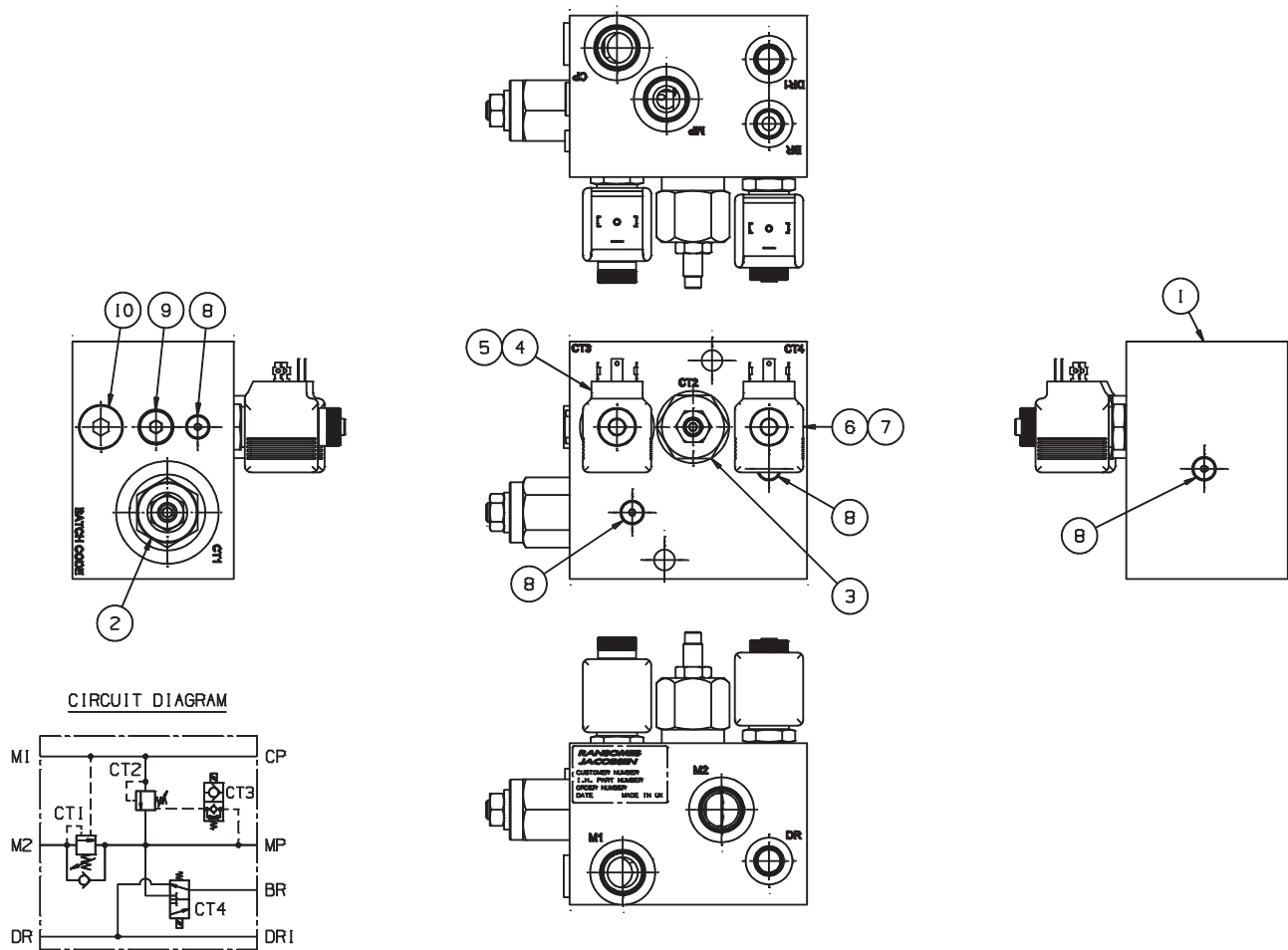


ITEM	PART NO.	DESCRIPTION	QTY.	REMARKS
1	4131112	Hyd Cutter & Brake Valve Manifold	1	
2	4134891	• Load Control Valve	1	Torque 68 Nm
*	4137270	•• Seal Kit	1	
3	4134892	• Solenoid Valve	1	Torque 30 Nm
*	4137265	•• Seal kit	1	
4	4134893	• Solenoid Valve	1	Torque 27 Nm
*	4137271	•• Seal Kit	1	
5	4134894	• Coil	2	Torque 4.1 Nm
6	4134895	• Relief Valve	1	Torque 50 Nm
*	4137272	•• Seal Kit	1	
7		• Hollow Hex Plug	1	Torque 50 Nm
8		• Hollow Hex Plug	6	Torque 6.5 Nm

JACOBSEN AR3

CUTTER & BRAKE VALVE (INTEGRATED)

Illustration Number: 4169020

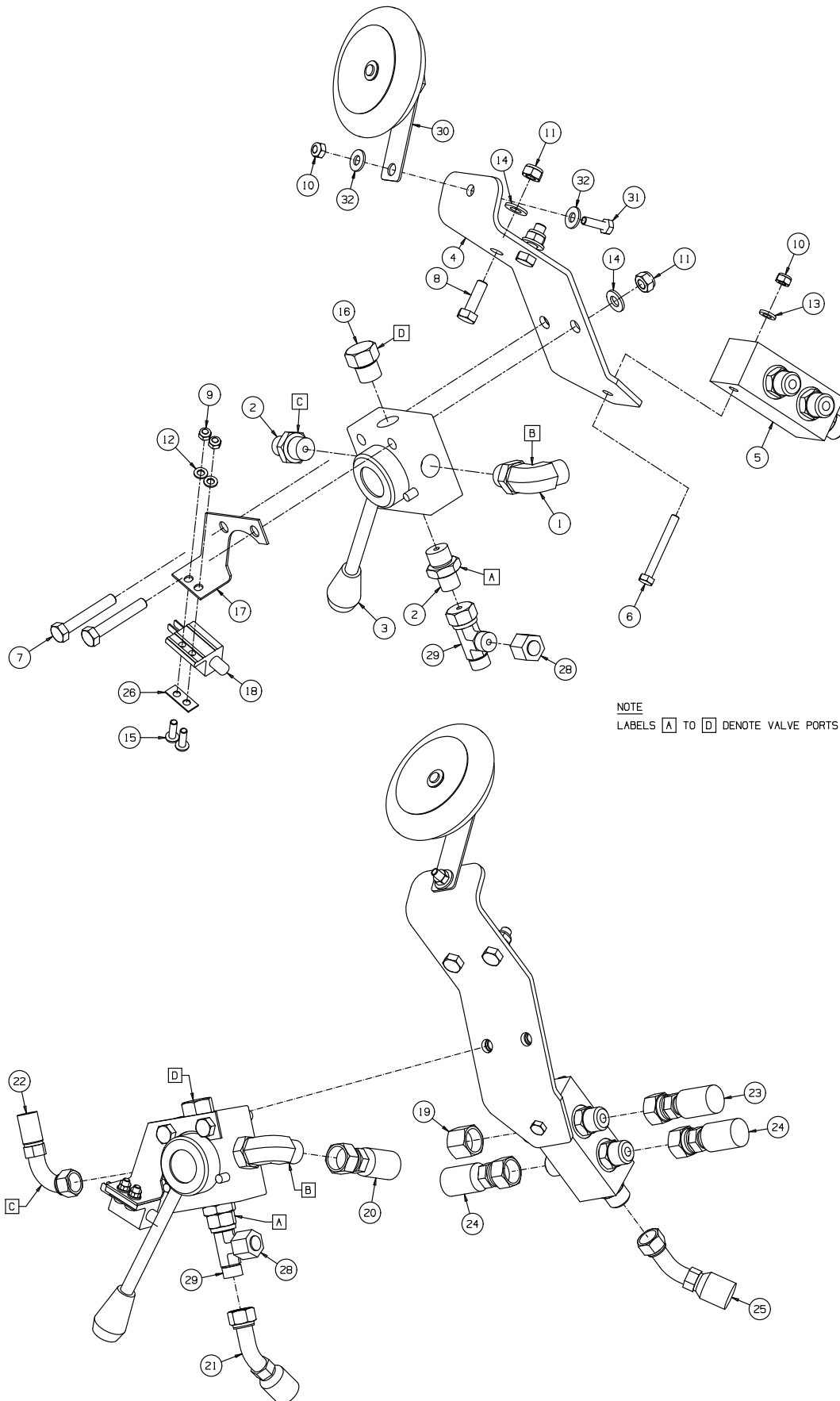


ITEM	PART NO.	DESCRIPTION	QTY.	REMARKS
	4232000	Cutter & Brake Valve	1	From S/N: FR000633, FY000368, GX000348, EJ000750, FG000553.
1		• Block	1	
2	4171360	• Overcentre Valve	1	Torque 60 Nm
*	4171361	•• Seal Kit	1	
3	4232860	• Relief Valve	1	Torque 75 Nm
*	4232001	•• Seal Kit	1	
4	4171364	• Solenoid Valve	1	Torque 30 Nm
*	4171365	•• Seal Kit	1	
5	4171441	• 12VDC 22 Watt Coil	1	Torque 3.4 Nm
6	4171442	• Solenoid Valve	1	Torque 20 Nm
*	4171443	•• Seal Kit		
7	4171444	• 12VDC 14 Watt Coil	1	Torque 3.4 Nm
8	4171446	• 1/8" SAE Blanking Plug	4	Torque 4.5 Nm + Loctite
*	4171445	• 1/8" SAE Blanking Plug	1	
9	4171447	• 3/8" SAE Blanking Plug	1	Torque 20 Nm + Loctite
10	4171448	• 1/2" SAE Blanking Plug	1	Torque 55 Nm + Loctite

JACOBSEN AR3

BRAKE RELEASE VALVE

Illustration Number: 4132185

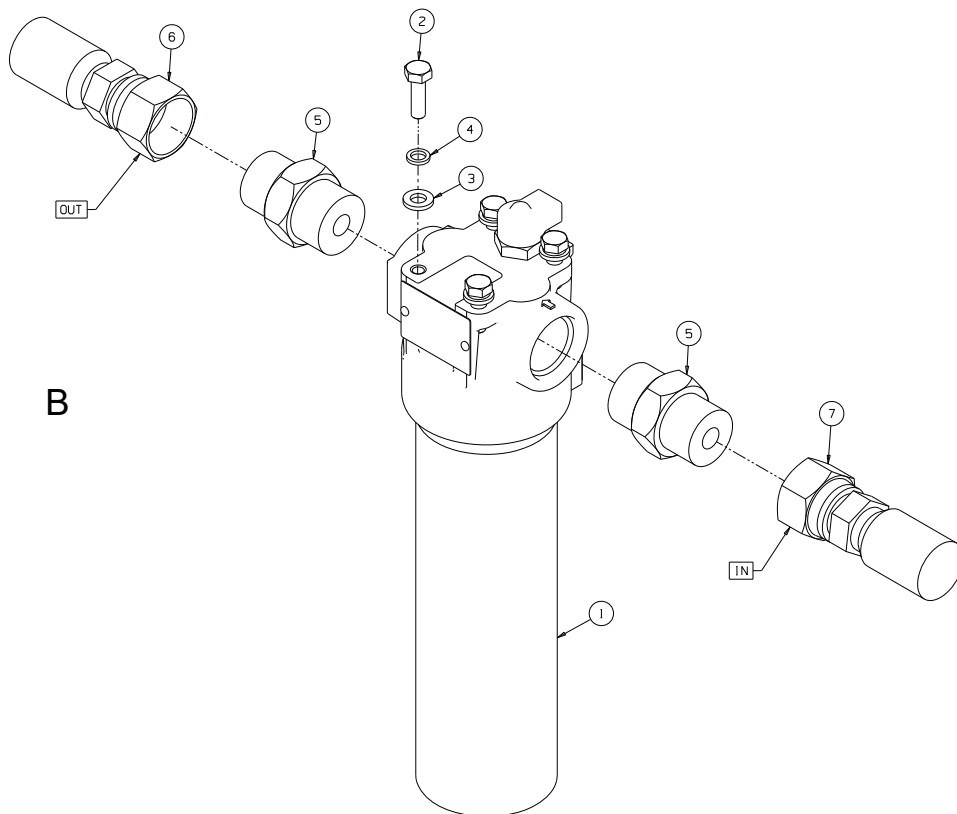
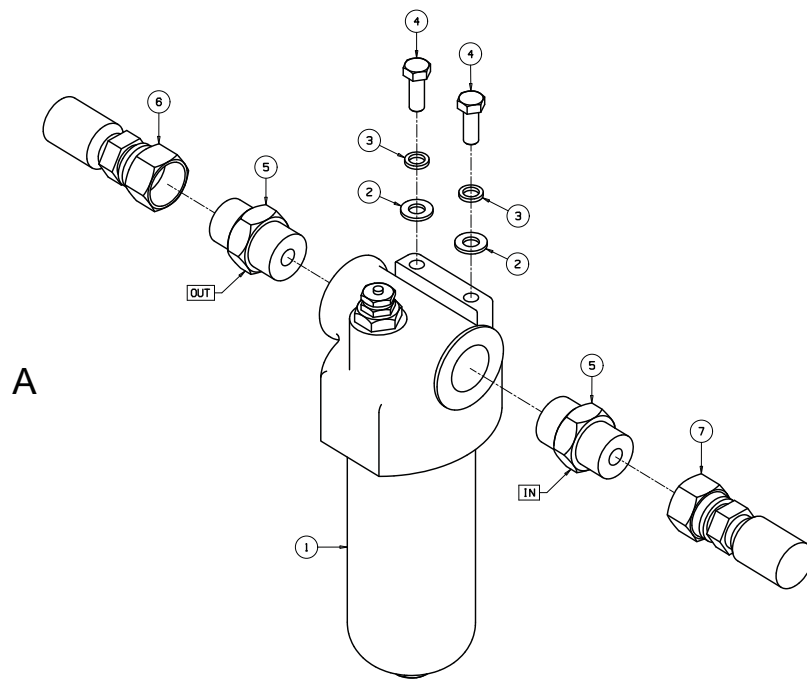


ITEM	PART NO.	DESCRIPTION	QTY.	REMARKS
1	002590240	90-M/M 11/16 ORFS x 3/8 BSPP	1	
*	158061-01	• O Ring	1	11/16" ORFS
2	002590730	Ftg-9/16 ORFS x 3/8 BSPP	2	
*	158061-18	• O Ring	1	9/16" ORFS
3	008028345	4-Port Rotary Valve	1	
*	001710252	• Ext Circlip, 25 mm	1	
*	640002048	• O-Ring	2	
4	4132248	Bracket-Brake Valve	1	
5	4133237	Manifold-5 Port 11/16 ORFS	1	
*	158061-01	• O Ring	5	11/16" ORFS
6	450005	Bolt-Hex M6 x 50	1	
7	450018	Bolt-Hex M8 x 50	2	
8	450192	Scrw-Hex M8 x 25	2	
9	450376	Nut-Hex M5 Nyloc	2	
10	450377	Nut-Hex M6 Nyloc	4	
11	450378	Nut-Hex M8 Nyloc	4	
12	450388	Wshr-M5 x 10 x 1.1	2	
13	450389	Wshr-M6 x 12.5 x 1.8	1	
14	450390	Wshr-M8 x 17 x 1.8	4	
15	450528	Scrw-Pan Hd M5 x 16	2	
16	459100236	Plug-3/8 BSPP	1	
17	MBG3284A	Brkt-Microswitch	1	
18	W038383	Switch, Normally Closed	1	
19	002568020	Cap-11/16 ORFS	1	
20	4133852	Hose-Rotary Valve 'B' to Cutter Valve 'BR'	1	
21	4133853	Hose-Rotary Valve 'A' to Motor Brake Tee	1	For Sauer-Danfoss wheel motors
21	4283268	Hose-Rotary Valve 'A' to Motor Brake Tee	1	For Poclain wheel motors
22	4133893	Hose-Rotary Valve 'C' to Check Valve	1	
23	4133900	Hose-Lift Valve 'L' to Lift Manifold	1	
24	4133901	Hose-LH & RH Lift Rams to Lift Manifold	2	
25	4133902	Hose-Rear Lift ram to Lift Manifold	1	
26	MBF0918	Clamp Plate	1	
28	002560010	Cap-9/16 ORS	1	From S/N EK000681 & FZ000554
29	002590480	Tee-M/F/M 9/16 ORS	1	From S/N EK000681 & FZ000554
30	008239720	Horn	1	
31	450171	Scrw-Hex M6-1.0 x 20, Gr 8.8	1	
32	452100019	Wshr-1/4 x 5/8 x .064	2	

JACOBSEN AR3

HYDRAULIC FILTER

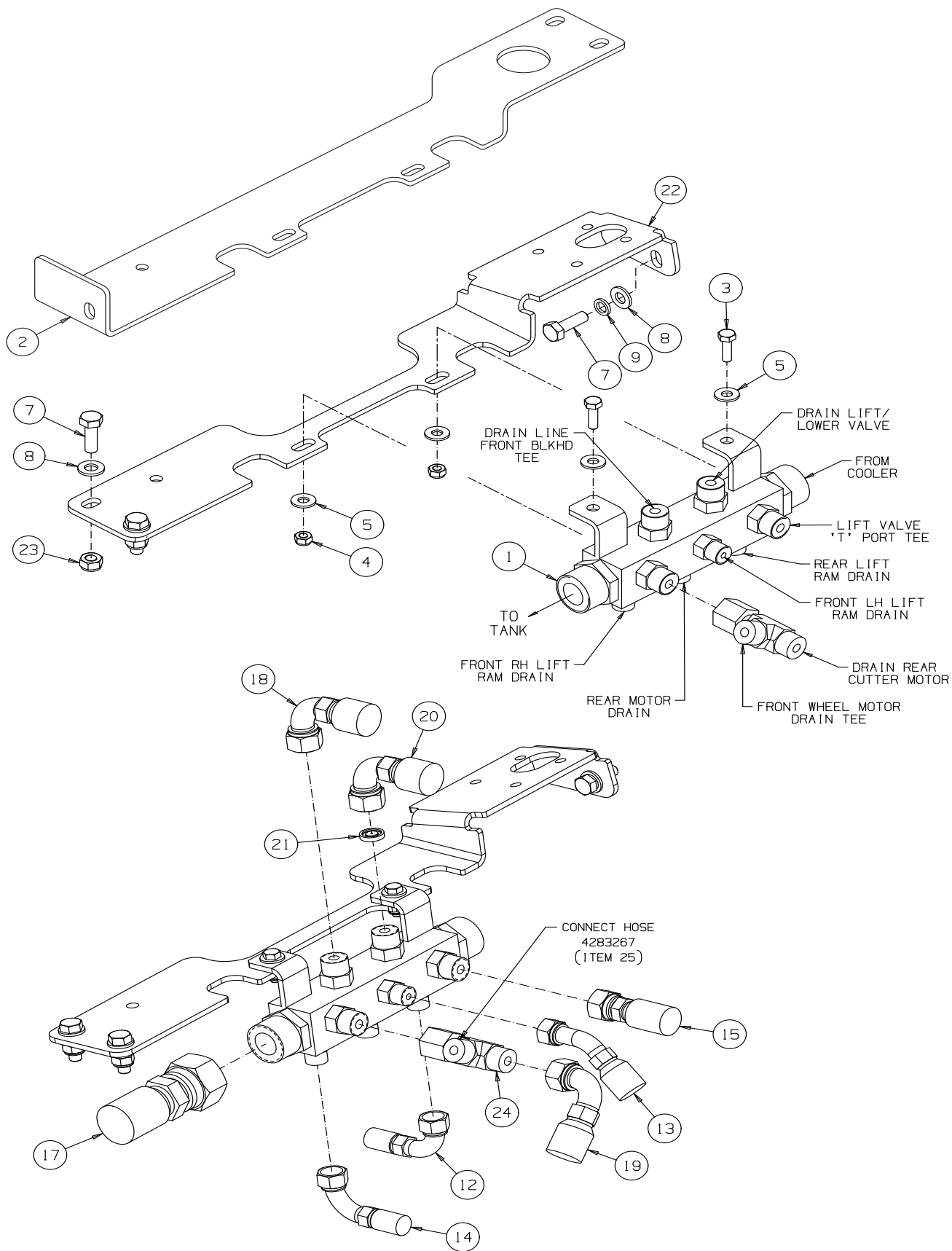
Illustration Number: 4127922



ITEM	PART NO.	DESCRIPTION	QTY.	REMARKS
A				
1	4151777	Filter-Hyd, 9.6 micron	1	
*	008089620	• Filter Element	1	
*	008089810	• Single Post Electrical Sensor	1	
2	450390	Wshr-M8 x 17 x 1.8	2	
3	450411	Lockwshr-M8 x 12.75 x 2	2	
4	456110341	Scrw-Hex 5/16-18 x 7/8	2	
5	158006-11	Ftg-M/M 1 ORFS x 1-1/16 SAE	2	
*	158061-08	• O Ring	1	1" ORFS
*	002218120	• O Ring	1	1-1/16" SAE
6	4133848	Hyd Hose Assembly	1	Trans Pump 'E' to Filter 'Out'
7	4133851	Hyd Hose Assembly	1	Cutter valve 'MP' to Filter 'In'
B				
1	4252570	Filter-Hyd, 7 Bar, 10 micron ABS	1	
*	4204702	• Filter Bowl D0621	1	
*	4204701	• O-Ring 50 x 21	1	
*	4199061	• Filter Element, 10 Micron Absolute	1	
2	450171	Screw M6 x 20	4	
3	450389	Washer M6	4	
4	450410	S L Washer M6	4	
5	158006-11	Ftg-M/M 1 ORFS x 1-1/16 SAE	2	
*	158061-08	• O Ring	1	1" ORFS
*	002218120	• O Ring	1	1-1/16" SAE
6	4133848	Hyd Hose Assembly	1	Trans Pump 'E' to Filter 'Out'
7	4133851	Hyd Hose Assembly	1	Cutter valve 'MP' to Filter 'In'

MANIFOLD & BRACKET

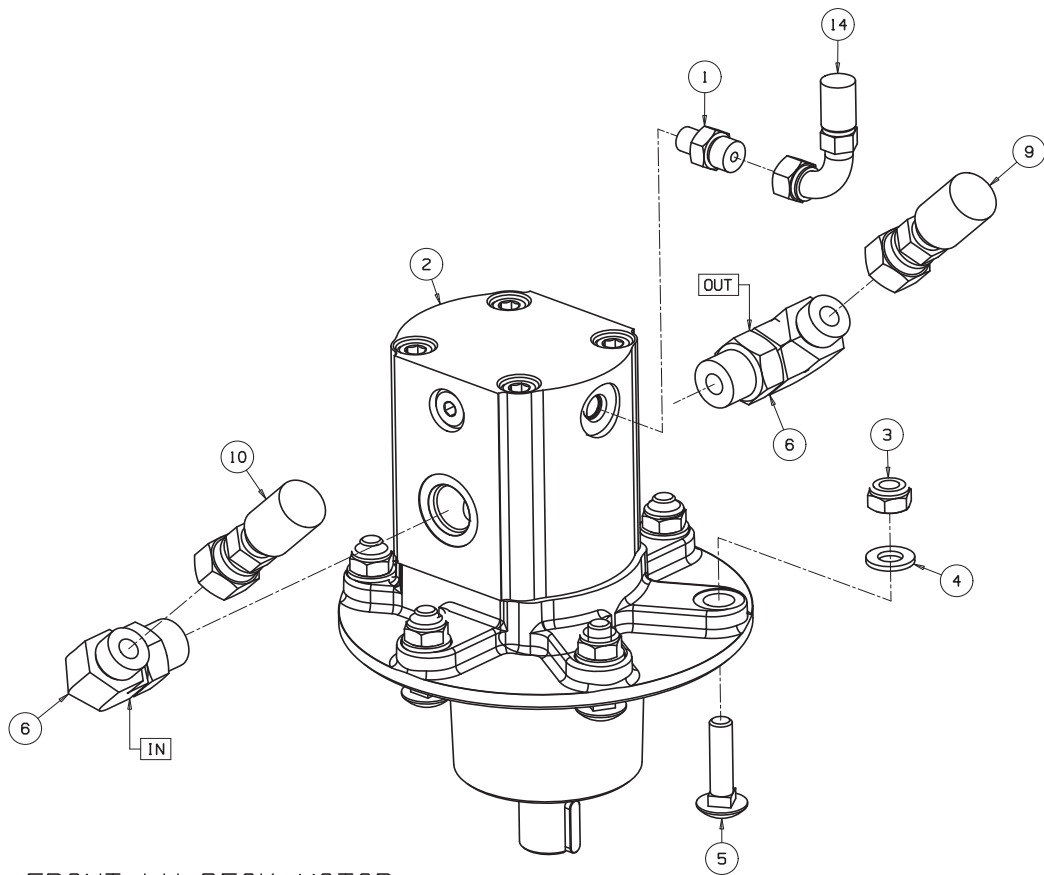
Illustration Number: 4133037



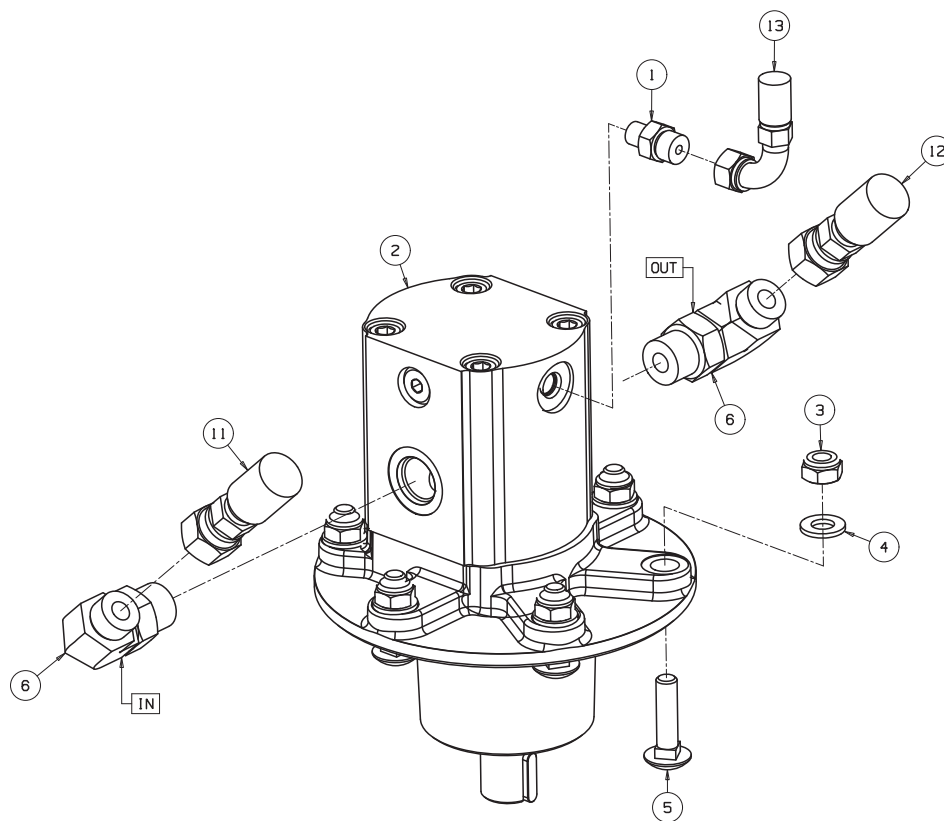
ITEM	PART NO.	DESCRIPTION	QTY.	REMARKS
1	4133036	Manifold	1	
*	002515100	• Ftg-9/16 ORFS x 9/16 SAE	4	
*	158061-18	• O Ring	4	9/16" ORFS
*	4136856	• Ftg-M/M 1-3/16 ORFS x 3/4 SAE	2	
*	158061-09	• O Ring	1	1-3/16" ORFS
*	4136862	• Ftg-M/M 1 ORFS x 9/16 SAE	1	
*	158061-08	• O Ring	1	1" ORFS
*	158006-01	• Ftg-M/M 11/16 ORFS x 9/16 SAE	1	
*	158061-01	• O Ring	1	11/16" ORFS
2	4133038	Bracket-Manifold Mtg	1	T
3	450171	Scrw-Hex M6 x 20	3	
4	450377	Nut-Hex M6 Nyloc	3	
5	452100019	Wshr-1/4 x 5/8 x .064	6	
6	008239720	Horn	1	
7	450192	Scrw-Hex M8 x 25	1	
8	450390	Wshr-M8 x 17 x 1.8	1	
9	450411	Lockwshr-M8 x 12.75 x 2	1	
10	4133846	Hyd Hose Assembly	1	Cooler 'OUT' to Return Manifold
11	4133889	Hyd Hose Assembly	1	Rear Motor Drain to Manifold
12	4133903	Hyd Hose Assembly	1	Rear Lift Ram to Manifold
13	4133904	Hyd Hose Assembly	1	Frnt LH Lift Ram to Manifold
14	4133905	Hyd Hose Assembly	1	Frnt RH Lift Ram to Manifold
15	4133906	Hyd Hose Assembly	1	Lift valve 'T' to Manifold
16	4133909	Hyd Hose Assembly	1	Cutter Drain Manifold only fitted to serial no.EJ000304
17	4133914	Hyd Hose Assembly	1	Manifold to Tank
18	4137213	Hyd Hose Assembly	1	Frnt Lift Blkhd Tee to Manifold
19	4137214	Hyd Hose Assembly	1	Rear cutter Drain to Manifold
20	4137215	Hyd Hose Assembly	1	Lift/Lower Valve Drain to Manifold From S/N EK000680 & FZ000552
20	4194980	Hose-Lift Valve 'CR' to Manifold	1	From S/N EK000681 & FZ000553
21	69068-05	Orifice Disk 0.089"	1	From S/N EK000681 & FZ000553
22	4190100	RH Manifold Mount	1	
23	4190101	LH Manifold Mount	1	
24	002498400	Tee-M/F/M 11/16 ORFS	1	
*	158061-01	• O Ring	1	11/16" ORFS
25*	4283267	Hose Assy	1	To front motor drain tee

ROTARY DECK MOTOR FRONT

Illustration Number: 4134872 & 4172880



FRONT LH DECK MOTOR

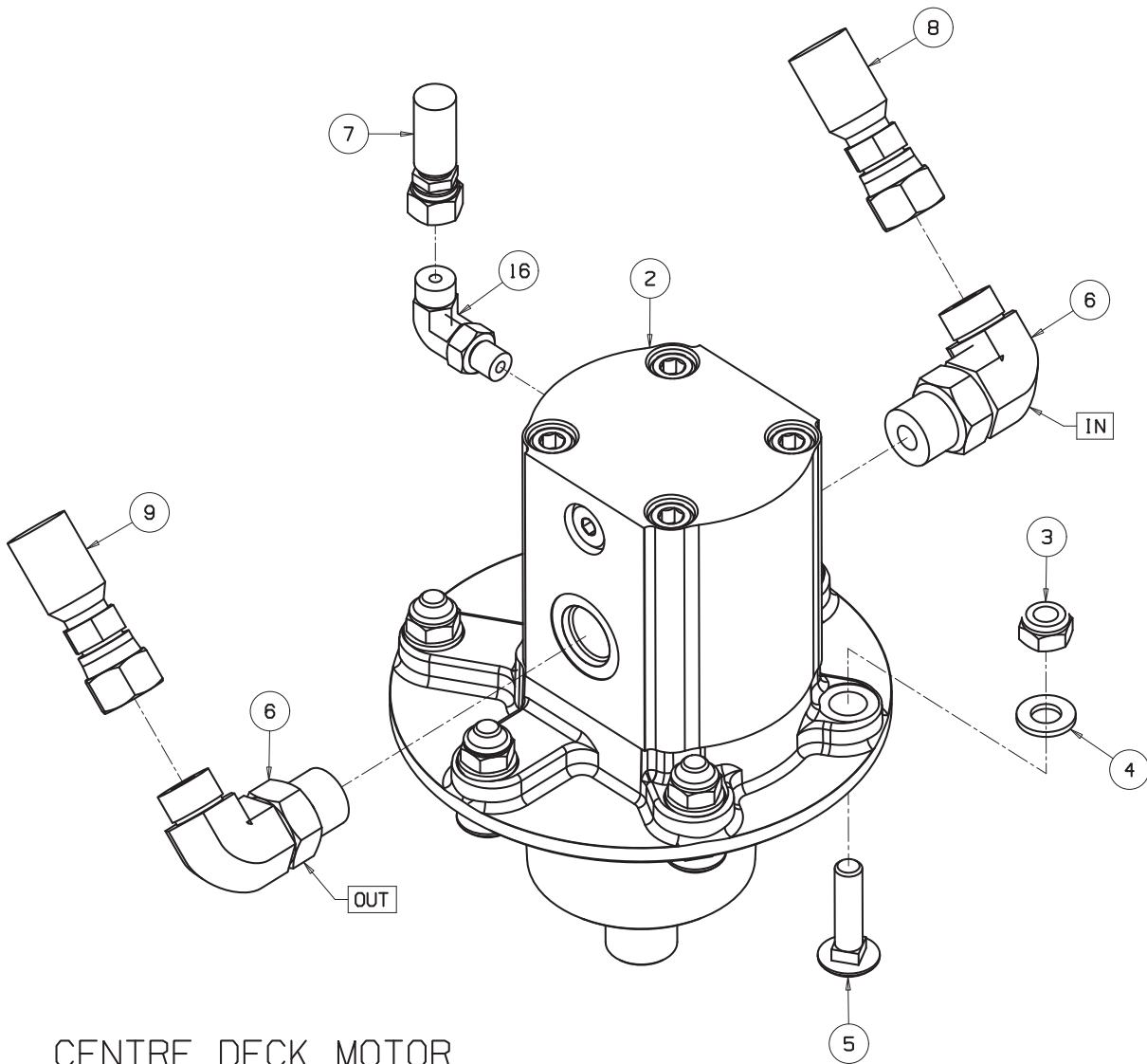


FRONT RH DECK MOTOR

ITEM	PART NO.	DESCRIPTION	QTY.	REMARKS
FRONT LH DECK MOTOR				
1	002515000	Ftg-9/16 ORFS x 7/16 SAE	1	
*	158061-18	• O Ring	1	9/16" ORFS
*	002218049	• O Ring	1	7/16" SAE
2	4118247	Motor-Deck CW Rotation	1	
*	4138728	Motor - Deck CCW Rotation	1	Painted Black
3	450379	Nut-Hex M10 Nyloc	6	
4	450391	Wshr-M10 x 21 x 2.2	6	
5	452588	Bolt-Crg M10 x 40	6	
6	158007-03	90-M/M 13/16 ORFS x 7/8 SAE	2	
*	158061-02	• O Ring	1	13/16" ORFS
*	002218104	• O Ring	1	7/8" SAE
9	4136408	Hyd Hose Assembly	1	Blkhd to Frt Mtrs & Rear Mtr to Cutter Valve 'M2'
10	4136409	Hyd Hose Assembly	1	90 Blkhd to LH Motor 'IN'
14	4136413	Hyd Hose Assembly	1	LH Motor Drain to Blkhd 'T'
		Items 9 & 10 reversed when CCW motor is fitted		
FRONT RH DECK MOTOR				
1	002515000	Ftg-9/16 ORFS x 7/16 SAE	1	
*	158061-18	• O Ring	1	9/16" ORFS
*	002218049	• O Ring	1	7/16" SAE
2	4118247	Motor-Deck CW Rotation	1	
*	4138728	Motor - Deck CCW Rotation	1	Painted Black
3	450379	Nut-Hex M10 Nyloc	6	
4	450391	Wshr-M10 x 21 x 2.2	6	
5	452588	Bolt-Crg M10 x 40	6	
6	158007-03	90-M/M 13/16 ORFS x 7/8 SAE	2	
*	158061-02	• O Ring	1	13/16" ORFS
*	002218104	• O Ring	1	7/8" SAE
11	4136410	Hyd Hose Assembly	1	RH Str Blkhd to RH Motor 'IN'
12	4136411	Hyd Hose Assembly	1	RH 90 Blkhd to RH Motor 'OUT'
13	4136412	Hyd Hose Assembly	1	RH Motor Drain to Blkhd 'T'
		Items 11 & 12 reversed when CCW motor is fitted		

ROTARY DECK MOTOR CENTRE

Illustration Number: 4134872-3 & 4172880-3



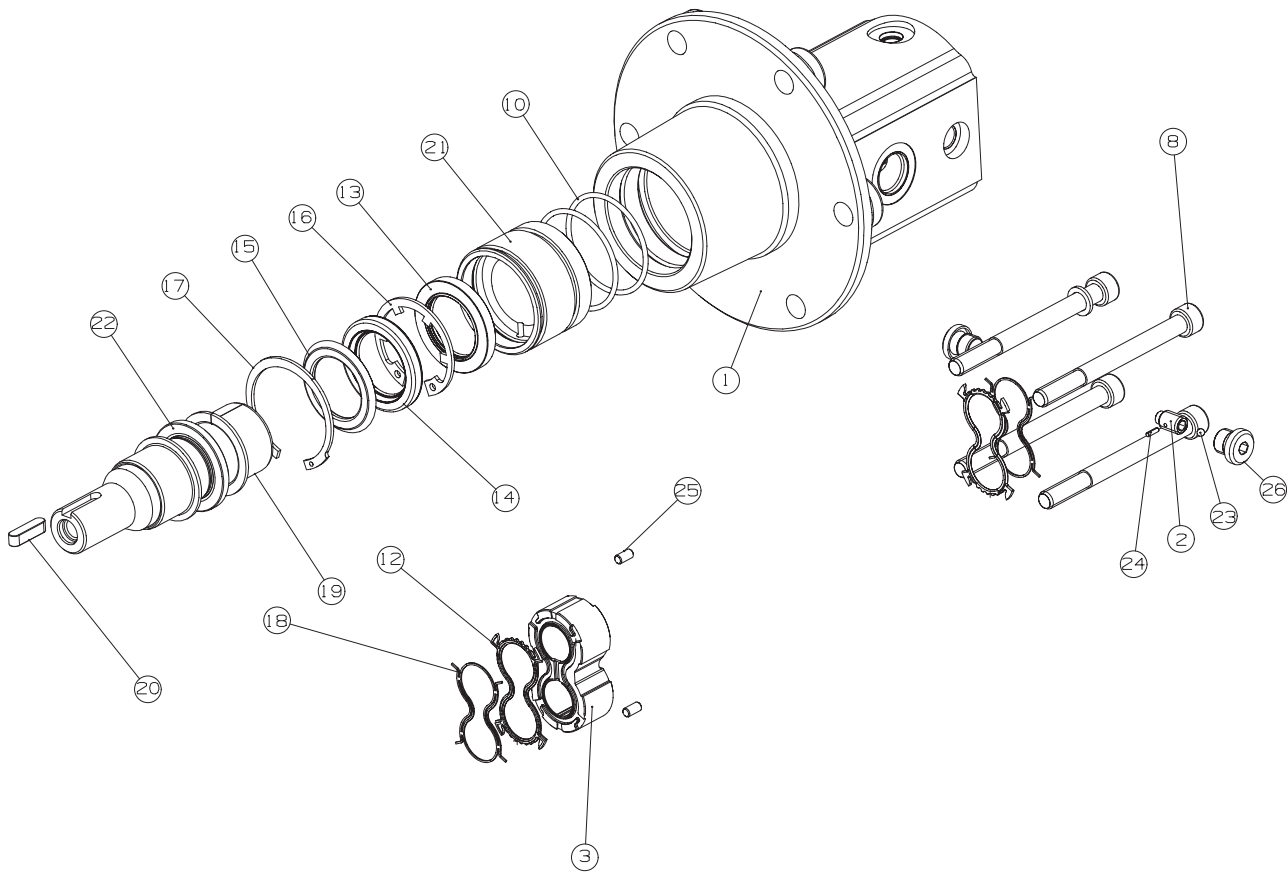
CENTRE DECK MOTOR

ITEM	PART NO.	DESCRIPTION	QTY.	REMARKS
		CENTRE DECK MOTOR		
2	4118247	Motor-Deck CW Rotation	1	
*	4138728	Motor - Deck CCW Rotation	1	Painted Black
3	450379	Nut-Hex M10 Nyloc	6	
4	450391	Wshr-M10 x 21 x 2.2	6	
5	452588	Bolt-Crg M10 x 40	6	
6	158007-03	90-M/M 13/16 ORFS x 7/8 SAE	2	
*	158061-02	• O Ring	1	13/16" ORFS
*	002218104	• O Ring	1	7/8" SAE
7	4133907	Hyd Hose Assembly	1	Rear Cutter Drain to Manifold (to serial number EK000304)
7	4137214	Hyd Hose Assembly	1	(from serial number EK000305)
8	4133912	Hyd Hose Assembly	1	Blkhd to Rear Motor 'IN'
9	4136408	Hyd Hose Assembly	1	Blkhd to Frt Mtrs & Rear Mtr to Cutter Valve 'M2'
16	002525020	90-M/M 9/16 ORFS x 7/16 SAE	1	
*	158061-18	• O Ring	1	9/16" ORFS
*	002218049	• O Ring	1	7/16" SAE
		Items 8 & 9 reversed when CCW motor is fitted		

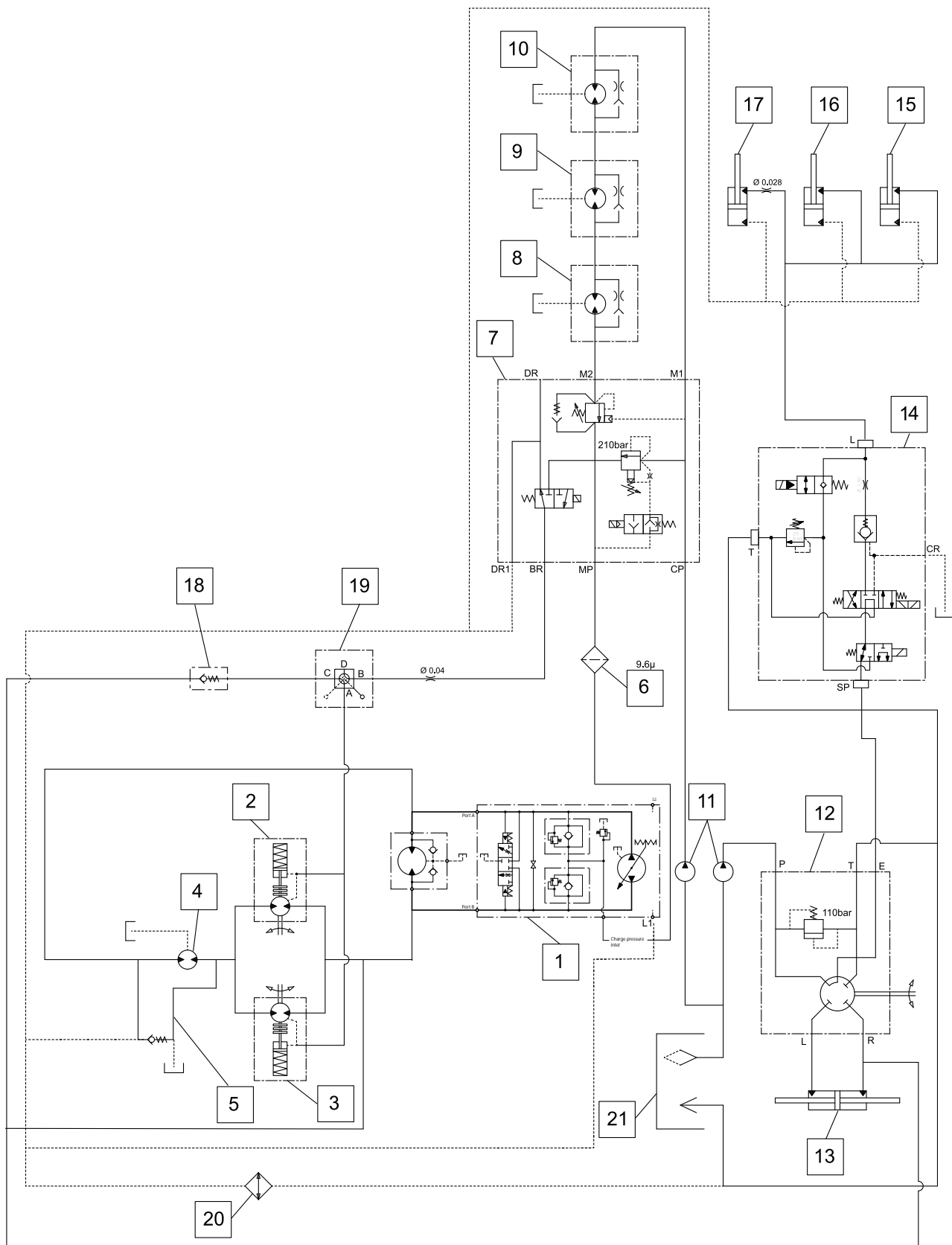
JACOBSEN AR3

ROTARY DECK MOTOR BREAKDOWN

Illustration Number: 4118247



ITEM	PART NO.	DESCRIPTION	QTY.	REMARKS
	4118247	Hydraulic Motor	1	Casappa
1		• Front Cover	1	
2		• Check Valve Body	1	
3		• Thrust Plate	1	
4		• Thrust Plate	1	
5		• Thrust Plate	1	
6		• Drive shaft	1	
7		• Driven gear	1	
8		• Screw	4	
9		• Washer	4	
10		• Seal	2	
11		• O Ring	1	
12		• Seal	2	
13		• Shaft Seal	1	
14		• Shaft Seal	1	
15		• Shaft Seal	1	
16		• Steel Ring	1	
17		• Steel Ring	1	
18		• Anti Extrusion Ring	2	
19		• Sleeve Bearing	2	
20		• Key	1	
21		• Sleeve Bearing Holder	1	
22		• Support Shaft	1	
23		• Ball	1	
24		• Dowl Pin	1	
25		• Dowl Pin	2	
26		• Steel Plug	2	
27		• Body	1	
	4157422	Seal Kit	1	

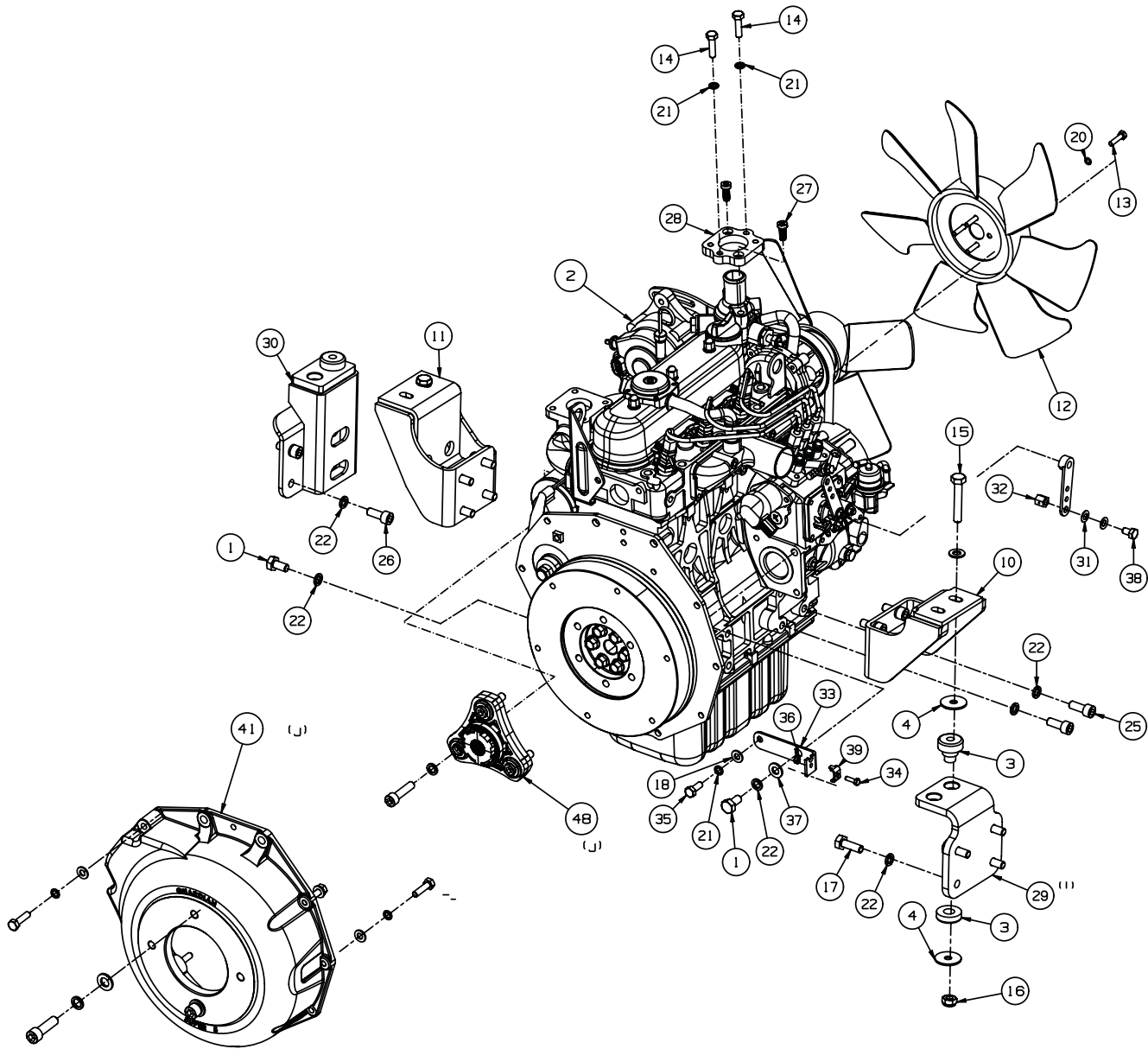


KEY TO HYDRAULIC DIAGRAM

- 1 Transmission Pump
- 2 Hydraulic Wheel Motor Front
- 3 Hydraulic Wheel Motor Front
- 4 Hydraulic Wheel Motor Rear
- 5 Hydraulic Flushing Valve
- 6 Hydraulic Filter
- 7 Hydraulic Cutter & Brake Valve
- 8 Hydraulic Deck Motor
- 9 Hydraulic Deck Motor
- 10 Hydraulic Deck Motor
- 11 Cutter & Steering Pump
- 12 Hydraulic Steering Unit
- 13 Hydraulic Steering Cylinder
- 14 Hydraulic Lift Valve
- 15 Hydraulic Lift Cylinder
- 16 Hydraulic Lift Cylinder
- 17 Hydraulic Lift Cylinder
- 18 Hydraulic Check Valve
- 19 Hydraulic Brake Valve
- 20 Hydraulic Oil Cooler
- 21 Hydraulic Tank

NADI ENGINE and MOUNTING

Illustration Number: 4134029_NADI.eps

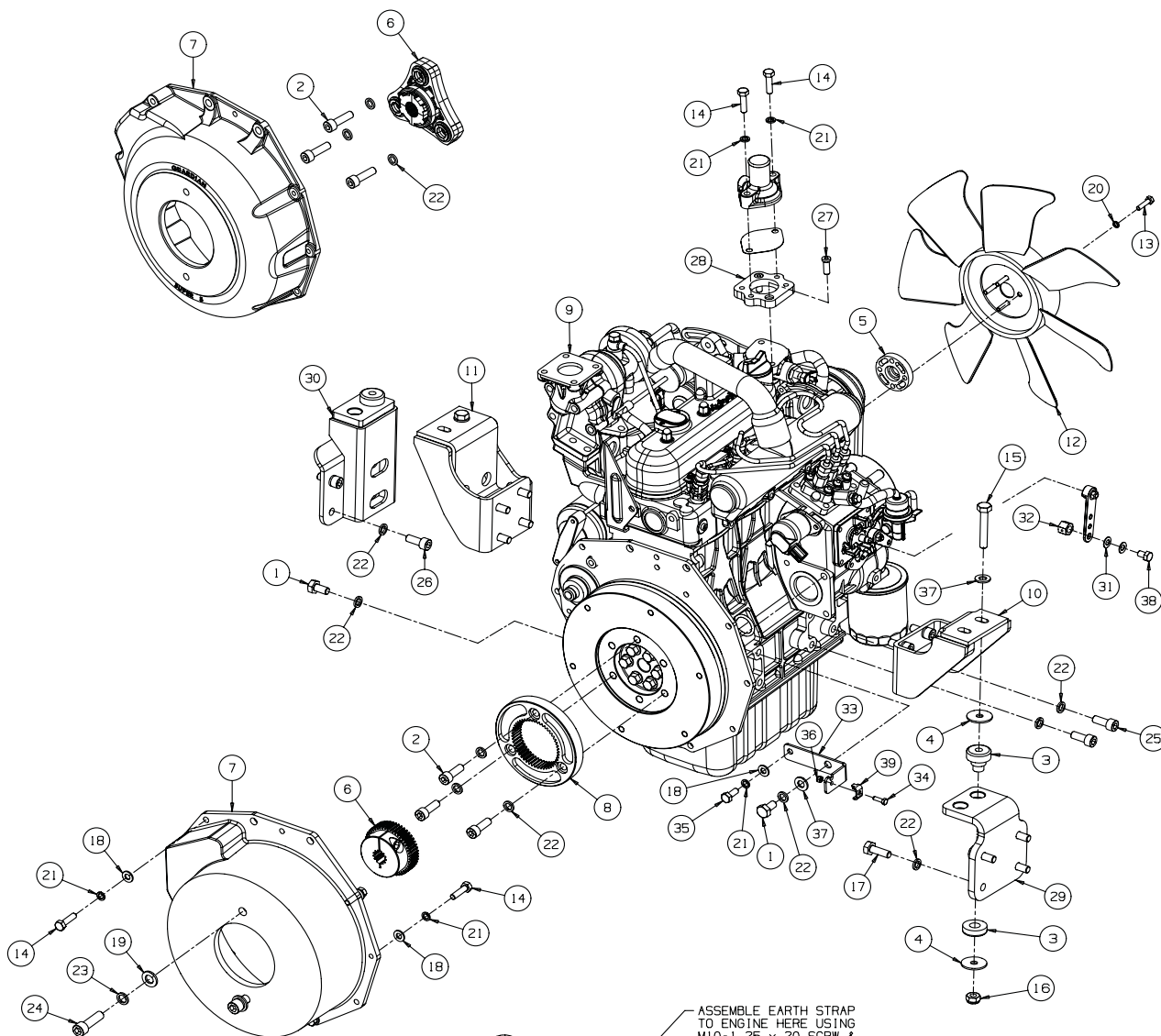


ITEM	PART NO.	DESCRIPTION	QTY.	REMARKS
1	001190327	Screw Hex M10-1.25 X 20	2	KG Series Tier4 NADI DIESEL From S/N KG000301
2	4303995	Kubota - D1105 Non-turbo - Tier 4	1	
3	4139702	Isolation Mount	2	
4	452101510	Washer-3/8 X 1.375 X.092	4	
6	008902420	Pump Hub	1	
7	2208048-01	Bell Housing	1	
8	2208048-02	Nylon Flange Fle135	1	
10	4137114	Engine Mount LH	1	
11	4137117	Engine Mount RH	1	
12	4130987	Fan-370 Dia, 7-blade	1	
13	450000	Bolt Hex M6-1.0 X 25	4	
14	450014	Bolt Hex M8-1.25 X 30	10	
15	450034	Bolt Hex M10-1.5 X 60	2	
16	450379	Nut Hex M10-1.5 Nyloc	2	
17	450215	Screw Hex M10-1.5 X 30	4	
18	450390	Washer M8 X 17 X 1.8	9	
19	450392	Washer M12 X 24 X 2.7	2	
20	450410	Lock Washer M6 X 9.6 X 1.5	4	
21	450411	Lock Washer M8 X 12.75 X 2	11	
22	450412	Lock Washer M10 X 15.9 X 2.5	18	
23	450413	Lock Washer M12 X 17.9 X 2.5	2	
24	450756	Cap Screw Hex M12-1.75 X 40	2	
25	452740	Cap Screw Hex M10-1.25 X 25	8	
26	450738	Cap Screw Hex M10-1.5 X 25	4	
27	4285631	Cap Screw Hex M8-1.25 X 20	2	
28	MBG4164	Spacer-thermo	1	
29	4179140	Bracket ISO Mount	1	
30	4137121	ISO Mount RH	1	
31	002920501	Spring-disc 8.2 X 16 X 0.9	2	
32	172084	Throttle Clamp	1	
33	MBG2027A	Throttle Bracket	1	
34	450151	Screw Hex M5-0.8 X 16	1	
35	450191	Screw Hex M8-1.25 X 20	1	
36	450376	Nut Hex M5-0.8 Nyloc	1	
37	450391	Washer M10 X 21 X 2.2	3	
38	456010161	Screw Hex 5/16-24 X 1/2	1	
39	W022372	Throttle Clamp	1	
43	001191520	Screw Hex M10 X 35	2	
41	4172800	Bell Housing	1	
40	4172805	Coupling	1	
42	4177860	Cap Screw M10 X 40	3	
46	450014	Bolt M8 X 30	4	
45	450020	Bolt Hex M8 X 60	2	
44	450192	Screw Hex M8 X 25	2	

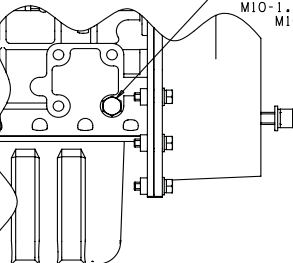
JACOBSEN AR3

ENGINE & MOUNTING

Illustration Number: 4130885



ASSEMBLE EARTH STRAP
TO ENGINE HERE USING
M10-1.25 x 20 SCR &
M10 LOCKWSHR



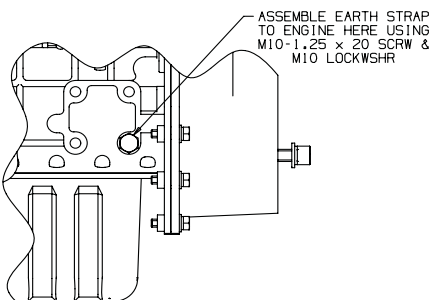
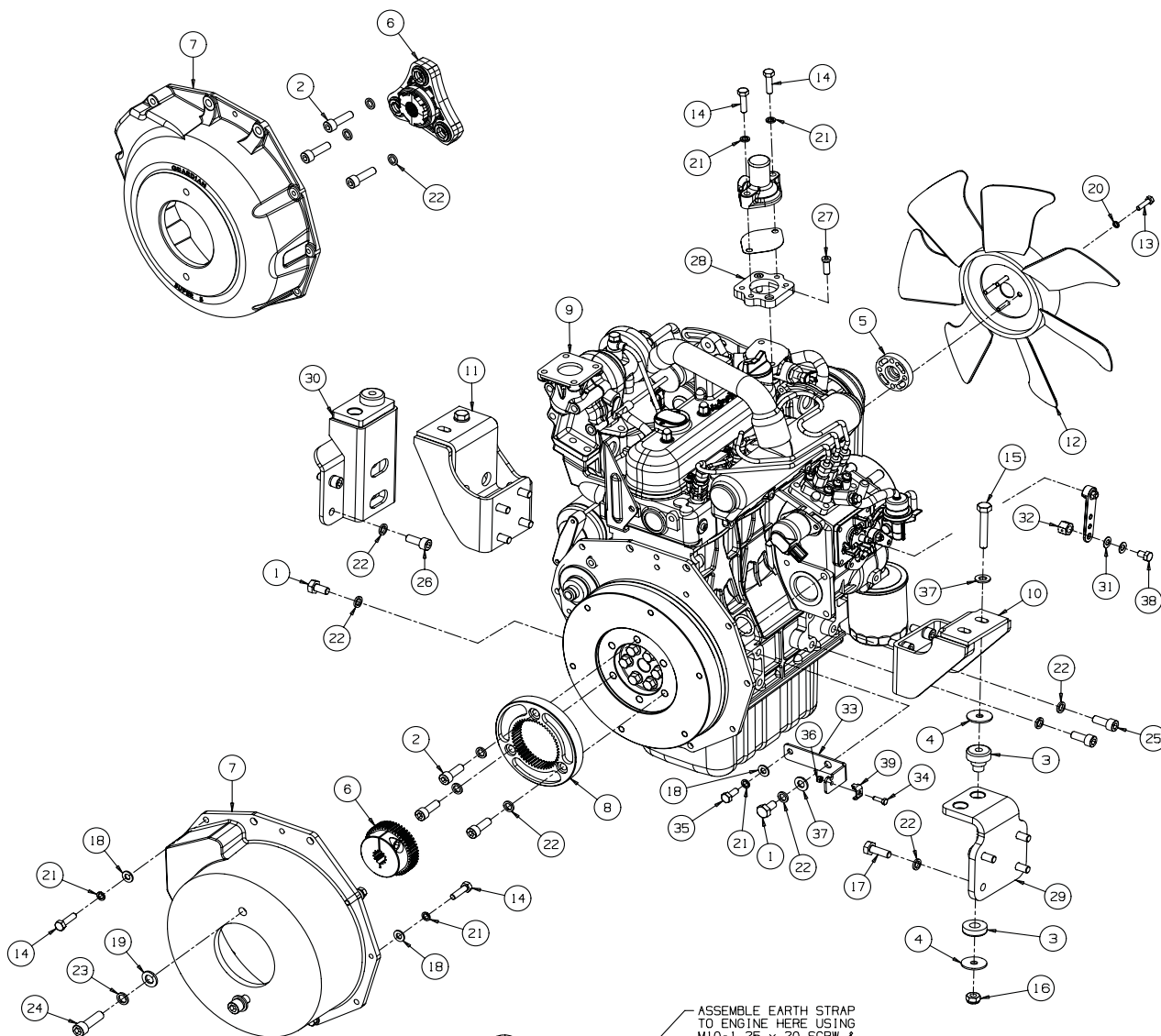
VIEW OF RH SIDE OF ENGINE SHOWING
POSITION TO ASSEMBLE EARTH STRAP

ITEM	PART NO.	DESCRIPTION	QTY.	REMARKS
1	001190327	Scrw-Hex M10-1.25 x 20	2	
2	001290140	Capscrw-Sckt M10-1.25 x 30	3	
3	4139702	Isolation Mount	2	
4	442003927	Wshr-3/8 x 1.375 x 0.092	4	
5	006822150	Fan Spacer-10 mm	1	
6	008902420	Pump Hub	1	
6	4196203	Coupling-13T, Delta Super 5	1	From S/N GX000489
7	2208048-01	Bell Housing	1	
7	4172800	Bell Housing (Cast Iron)	1	
8	2208048-02	Nylon Flange FLE135	1	
9	4174101	Engine-Kubota D1105T-E3B	1	Tier 3b compliant turbo engine
*	1178025	• Engine Oil Filter	1	
10	4137114	Wldmt-Engine Mount LH	1	
11	4137117	Wldmt-Engine Mount RH	1	
12	4130987	Fan-370 Dia, 7-Blade	1	
13	450000	Bolt-Hex M6 x 25	4	
14	450014	Bolt-Hex M8 x 30	10	
15	450034	Bolt-Hex M10 x 60	2	
16	450379	Nut-Hex M10 Nyloc	2	
17	450215	Scrw-Hex M10 x 30	4	
18	450390	Wshr-M8 x 17 x 1.8	8	
19	450392	Wshr-M12 x 24 x 2.7	2	
20	450410	Lockwshr-M6 x 9.6 x 1.5	4	
21	450411	Lockwshr-M8 x 12.75 x 2	11	
22	450412	Lockwshr-M10 x 15.9 x 2.5	21	
23	450413	Lockwshr-M12 x 17.9 x 2.5	2	
24	450756	Capscrw-Sckt M12 x 40	2	
25	452740	Capscrw-Sckt M10-1.25 x 25	8	
26	450738	Capscrw-Sckt M10 x 25	4	
27	MBG4067	Scrw-Thermo Hsg	2	To S/N GX000638
27	4285631	Capscrw-Hex Sckt M8-1.25 x 20	2	From S/N GX000639
28	LMSE210	Kit-Thermo Hsg Spacer & Screws	1	
29	4179140	Wldmt - Bracket - Iso Mount LH	1	
30	4137121	Wldmt - Iso Mount RH	1	
31	002920501	Sprg-Disc 8.2 x 16 x 0.9	2	
32	172084	Throttle Clamp	1	
33	4137049	Throttle Bracket	1	To S/NGX000638
33	MBG2027A	Throttle Bracket	1	From S/N GX000639
34	450151	Scrw-Hex M5x 16	1	
35	450191	Scrw-Hex M8 x 20	1	
36	450376	Nut-Hex M5 Nyloc	1	
37	450391	Wshr-M10 x 21 x 2.2	3	
38	456010161	Scrw-Hex 5/16-24 x 1/2	1	

JACOBSEN AR3

ENGINE & MOUNTING

Illustration Number: 4130885



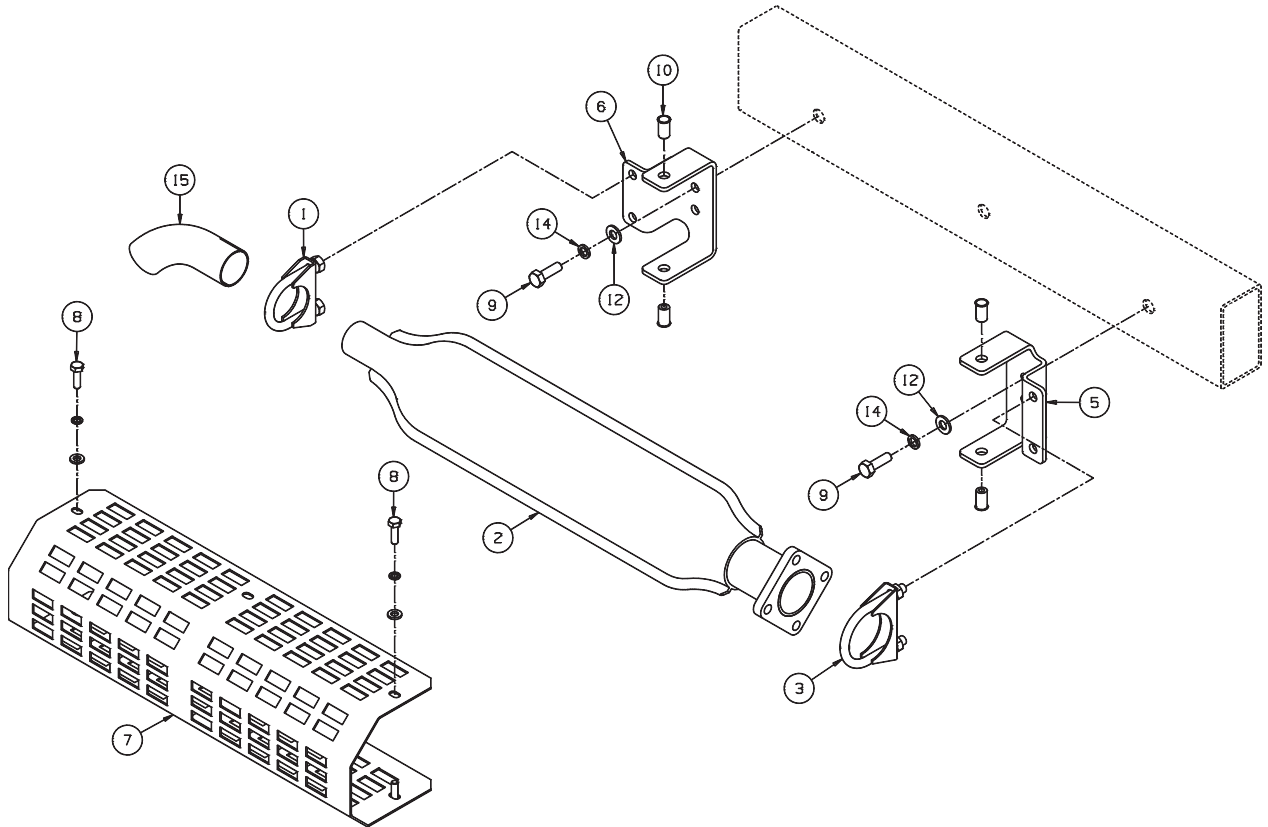
VIEW OF RH SIDE OF ENGINE SHOWING
POSITION TO ASSEMBLE EARTH STRAP

ITEM	PART NO.	DESCRIPTION	QTY.	REMARKS
39	W022372	Throttle Clamp	1	
*	LMAC311	Coupling Kit	1	
*	LMAC312	Bell Housing Kit	1	
*	LMAC313	Bell Housing & Coupling Kit	1	
*	4176380	Kit-Bell Housing & Coupling	1	To S/N GX000488

JACOBSEN AR3

EXHAUST MOUNTING

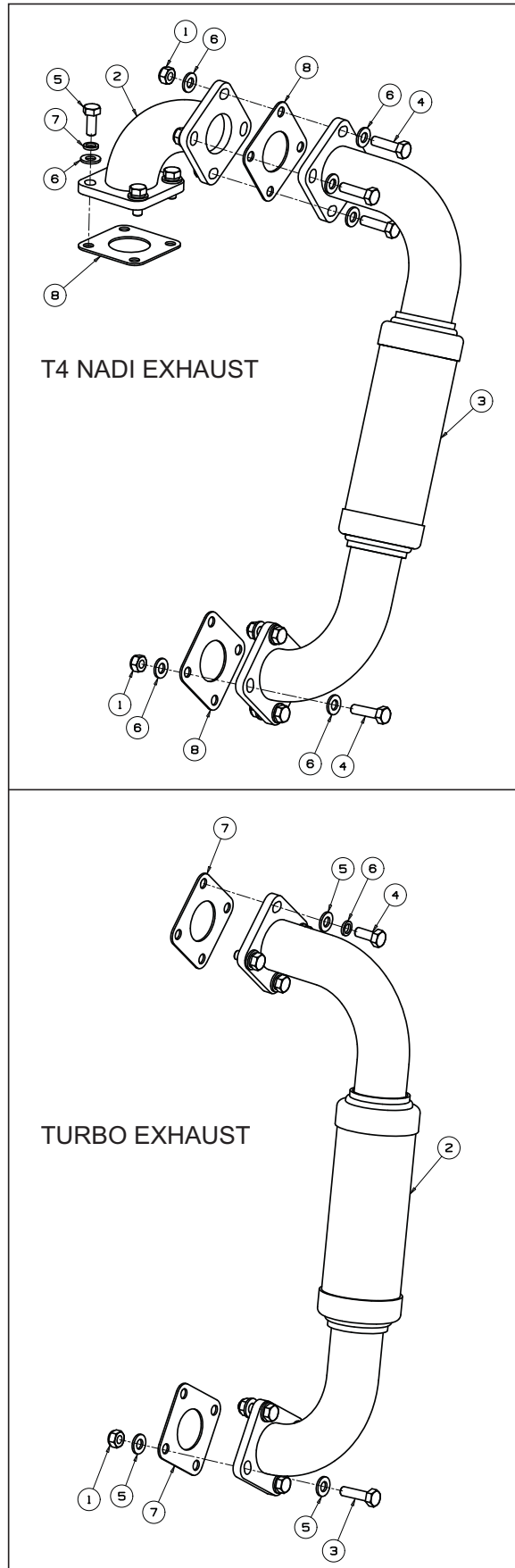
Illustration Number: 4135867



ITEM	PART NO.	DESCRIPTION	QTY.	REMARKS
1	001990399	U-clamp, 1-3/8"	1	
2	4174421	Muffler	1	
3	4116132	U-clamp, 48 mm	1	
5	4135830	Bracket-Exhaust Mtg, Front	1	
6	4135831	Bracket-Exhaust Mtg, Rear	1	
7	4135847	Cover-Exhaust	1	
8	450171	Scrw-Hex M6 x 20	4	
9	450192	Scrw-Hex M8 x 25	2	
10	450358	Nutsert-M6 A-K x 17.3	4	
11	450389	Wshr-M6 x 12.5 x 1.8	4	
12	450390	Wshr-M8 x 17 x 1.8	2	
13	450410	Lockwshr-M6 x 9.6 x 1.5	4	
14	450411	Lockwshr-M8 x 12.75 x 2	2	
15	MBC1264	Tailpipe	1	

EXHAUST

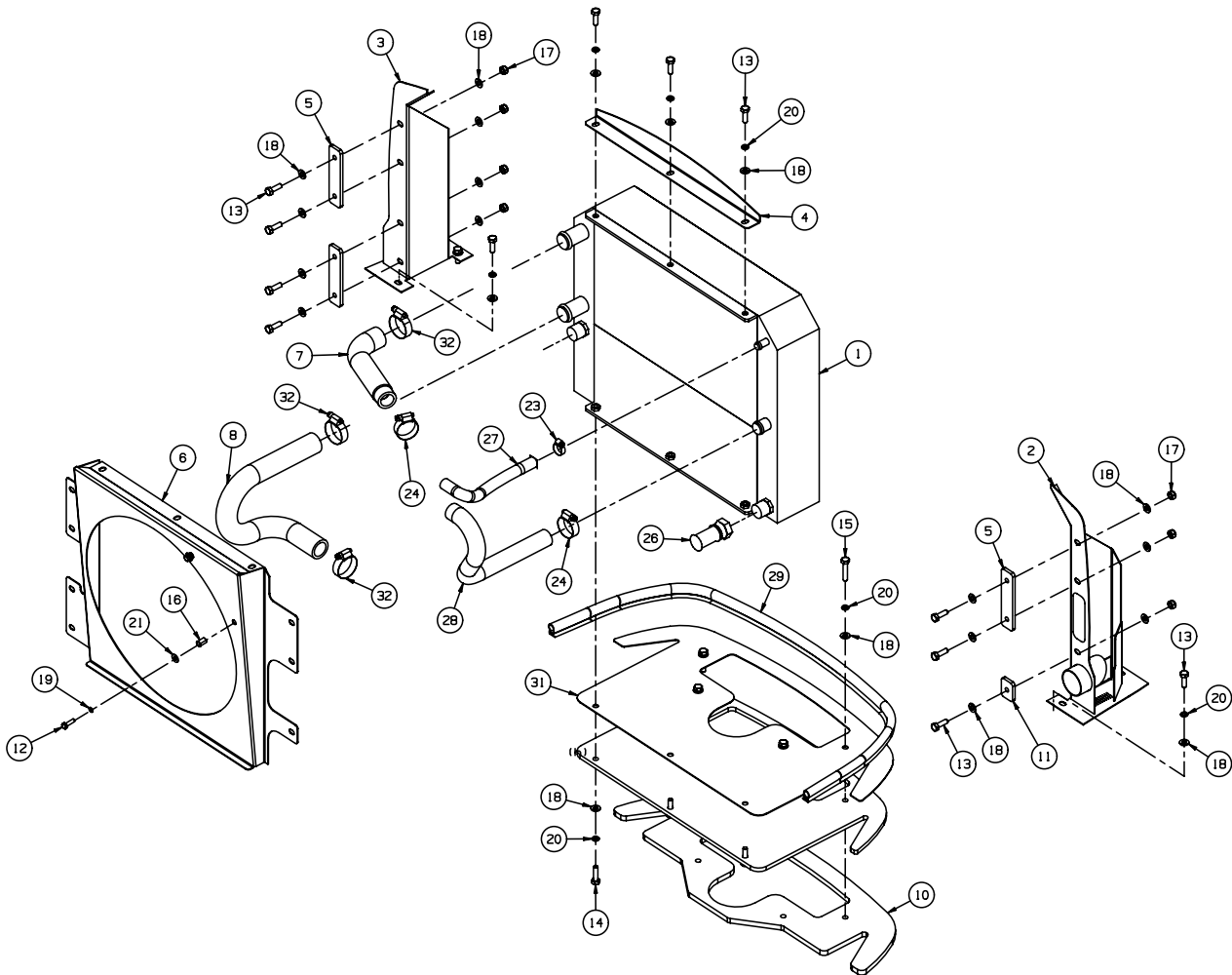
Illustration Number: AR3_Exhausts.eps



ITEM	PART NO.	DESCRIPTION	QTY.	REMARKS
		TURBO EXHAUST		
1	001339050	Nut Hex M8 Staytite	4	
2	4136098	Exhaust Assembly	1	
3	450014	Bolt Hex M8 x 30	4	
4	450191	Screw Hex M8 x 20	4	
5	450390	Washer-M8 x 17 x 1.8	12	
6	450411	Washer - SLW M8	4	
7	553020	Gasket, Muffler	2	
		NADI EXHAUST T4		KG Series
1	001339050	Nut Hex M8 Staytite	4	From S/N KG000301
2	4136075	Wldmt-Exhaust Pipe	1	
3	4136098	Exhaust Assembly	1	
4	450014	Bolt Hex M8 x 30	8	
5	450191	Screw Hex M8 x 20	4	
6	450390	Washer-M8 x 17 x 1.8	20	
7	450411	Washer - SLW M8	4	
8	553020	Gasket, Muffler	3	

RADIATOR & COWLING

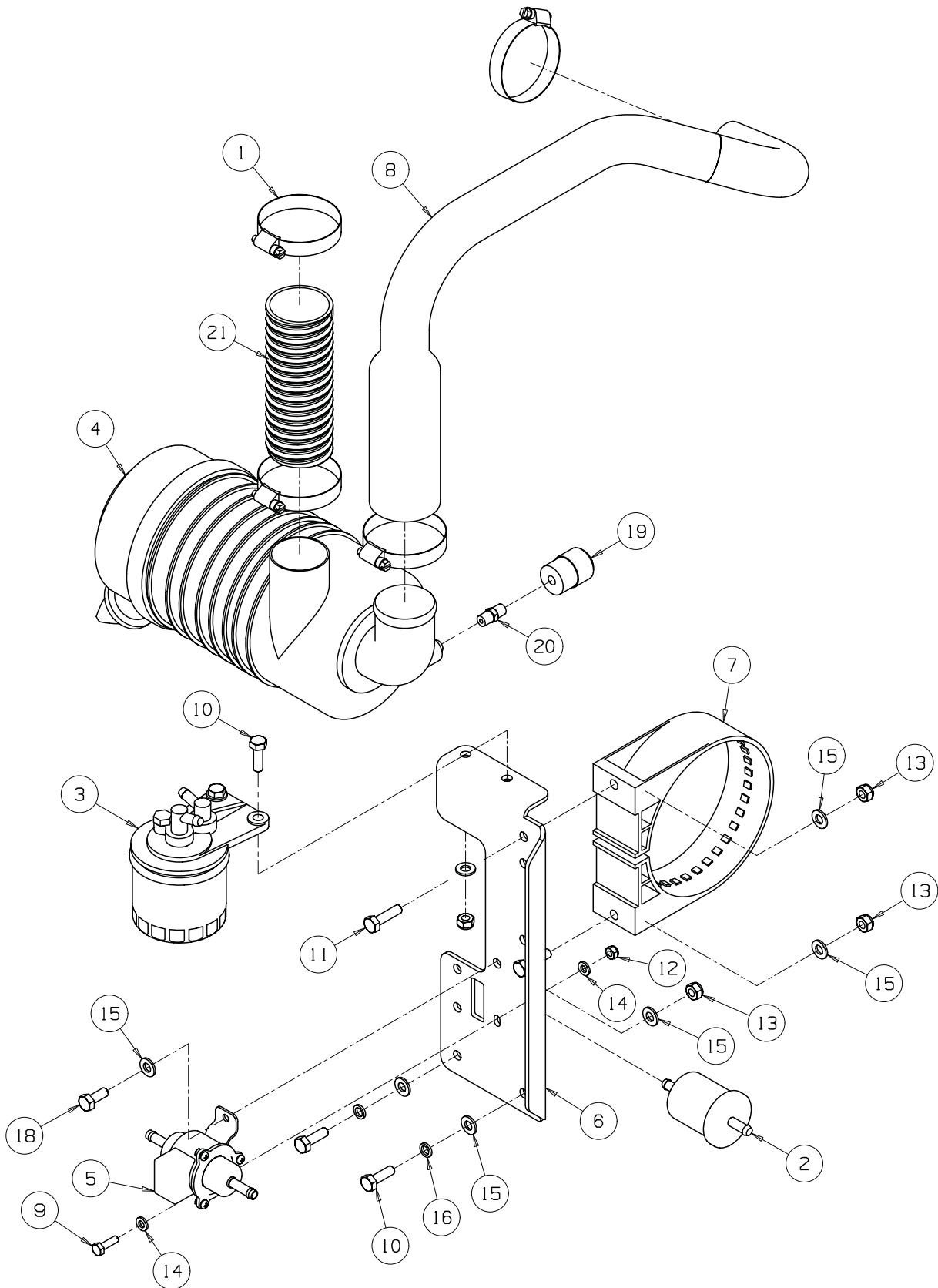
Illustration Number: 4130886



ITEM	PART NO.	DESCRIPTION	QTY.	REMARKS
1	4130963	Asm-Radiator / Cooler	1	
2	4131095	Wldmt-Radiator Support LH	1	
3	4131096	Wldmt-Radiator Support RH	1	
4	4131123	Flange-Top, Radiator	1	
5	4131130	Spacer-Cowling	3	
6	4131165	Cowling-Radiator	1	
7	4132109	Hose-Upper Radiator	1	
8	4132119	Hose-Lower Radiator	1	
9	4133116	Plate-Radiator Mtg	1	
10	4133117	Plate-Radiator Mtg	1	
11	4133225	Spacer-Cowling	1	
12	450171	Scrw-Hex M6 x 20	2	
13	450192	Scrw-Hex M8 x 25	14	
14	450193	Scrw-Hex M8 x 30	3	
15	450195	Scrw-Hex M8 x 40	4	
16	450357	M6 Nutsert	2	
17	450378	Nut-Hex M8 Nyloc	7	
18	450390	Wshr-M8 x 17 x 1.8	28	
19	450410	Lockwshr-M6 x 9.6 x 1.5	2	
20	450411	Lockwshr-M8 x 12.75 x 2	14	
21	452100019	Wshr-1/4 x 5/8 x .064	2	
22 *	4238802	Bulk-Channel, Flx Trim	1.3	Quantity = metres
23	001925220	Hose Clamp, 8-22	1	
24	001925400	Hose Clamp, 19-40	2	
25	4133845	Hyd Hose Assembly	1	Trans Pump 'L' to Cooler 'IN'
26	4133846	Hyd Hose Assembly	1	Cooler 'OUT' to Return Manifold Side
27	4259813	Hose-Exp Tank to Radiator	1	
28	4133916	Hose-Exp Tank to Radiator	1	
29	002989360	Seal-Engine Hood	1.1	Quantity = metres
31	4136834	Plate-Hood Seal	1	
32	108094-01	Hose Clamp, 19-44	3	

AIR CLEANER MOUNTING

Illustration Number: 4131759

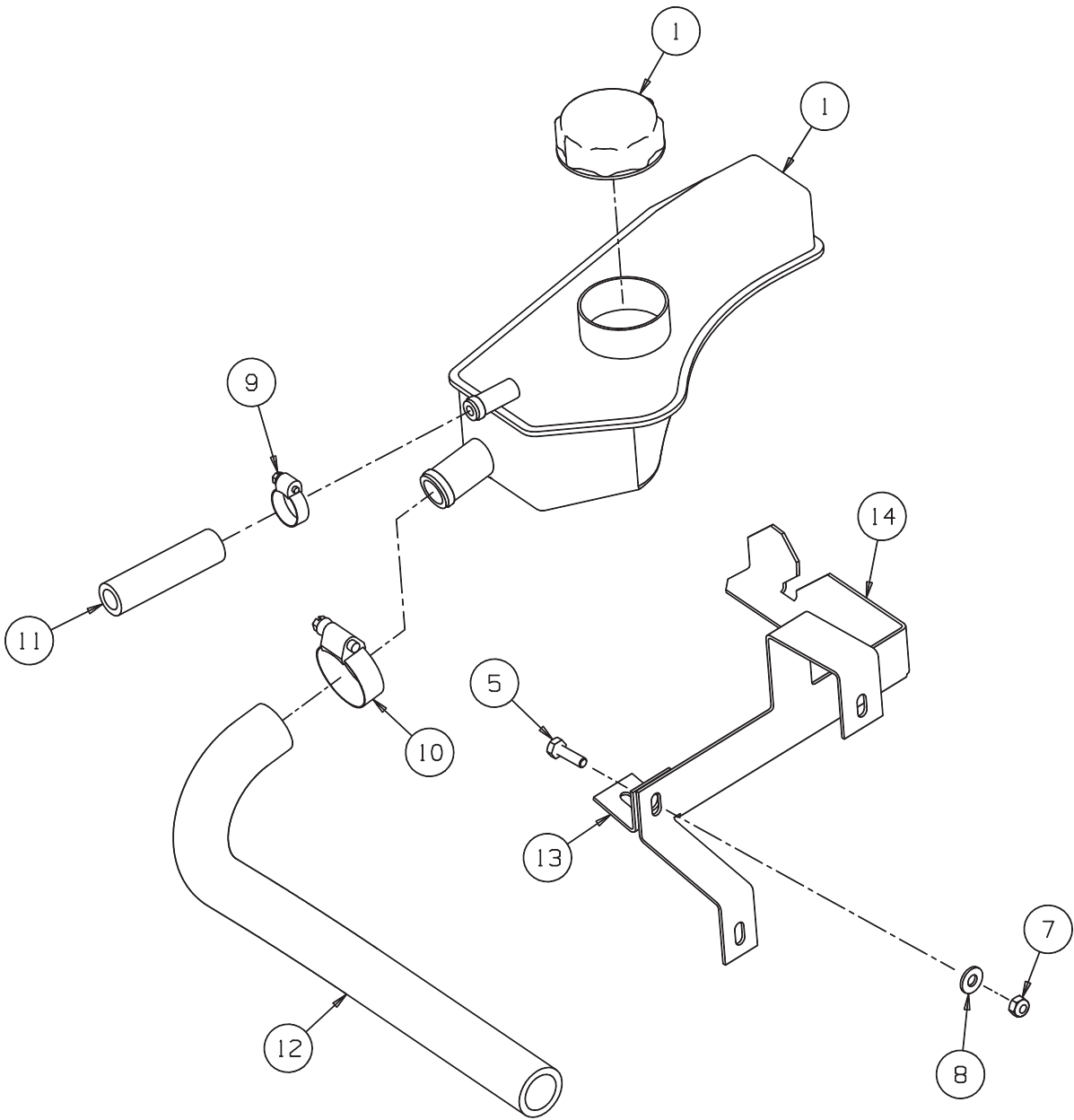


ITEM	PART NO.	DESCRIPTION	QTY.	REMARKS
1	001925700	Hose Clamp 23-70	4	
2	006890160	In-Line Fuel Filter	1	
3	4136011	Fuel Filter	1	
	4136009	• Filter Canister	1	
4	2198147	Air Cleaner	1	
*	2198147-01	• Element	1	
*	2198147-02	• Valve-Dust Unloader	1	
*	2198147-03	• Cover	1	
*	2198147-04	• S-Cover Clip	1	
5	4126806	Electric Fuel Pump	1	
6	4243082	Bracket-Air Cleaner Mtg	1	
7	4133245	Mounting Band-5" Plastic	1	
8	4135927	Air Cleaner Hose	1	
9	450619	Scrw-Hex M6 x 20	1	
10	450192	Scrw-Hex M8 x 25	4	
11	450193	Scrw-Hex M8 x 30	2	
12	450377	Nut-Hex M6 Nyloc	1	
13	450378	Nut-Hex M8 Nyloc	5	
14	450389	Wshr-M6 x 12.5 x 1.8	2	
15	450390	Wshr-M8 x 17 x 1.8	8	
16	450411	Lockwshr-M8 x 12.75 x 2	2	
17*	680001941	Cable Tie-300 x 4.8	1	
18	450633	Scrw-Hex M8 x 20	1	
19	008109680	Restriction Indicator	1	
20	840346	Adaptor-Gauge	1	
21	4137196	Hose-Air Cleaner Intake	1	

JACOBSEN AR3

EXPANSION TANK

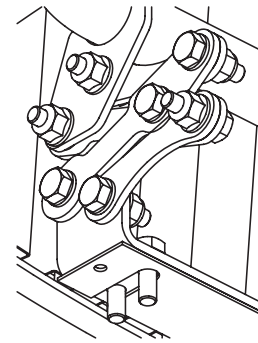
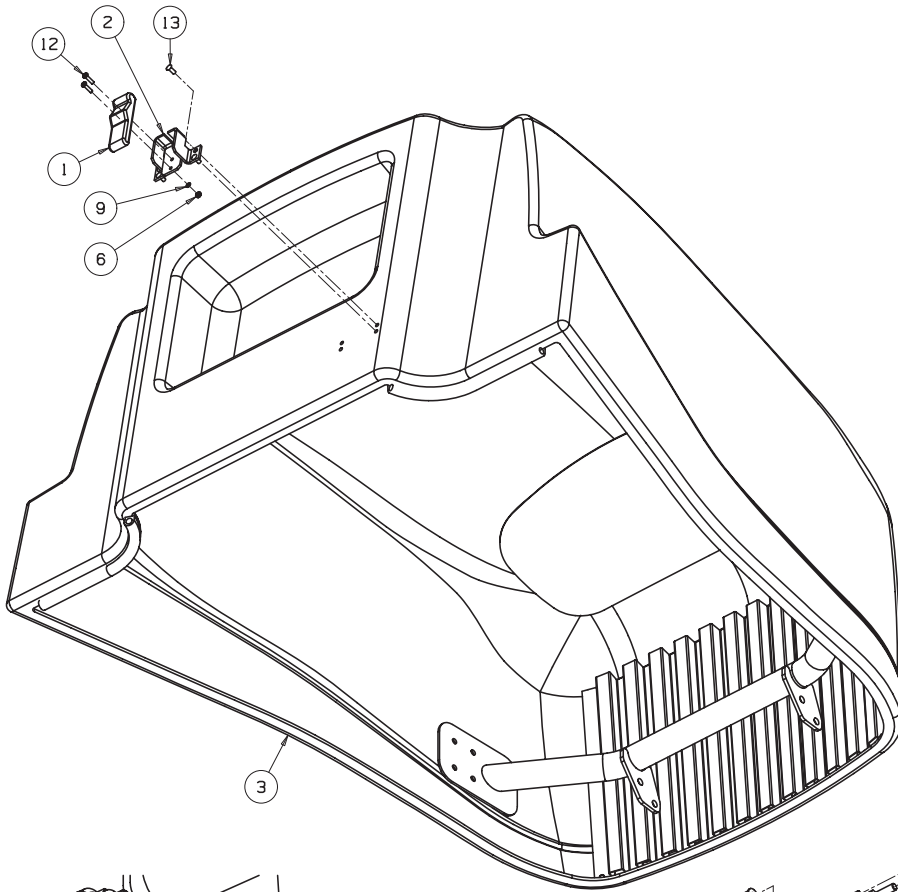
Illustration Number: 4133518



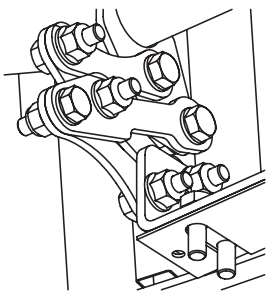
ITEM	PART NO.	DESCRIPTION	QTY.	REMARKS
1	4123826	Expansion Tank & Cap	1	
*	4123828	• Pressure Cap-13 PSI	1	
5	450171	Scrw-Hex M6 x 20	1	
7	450377	Nut-Hex M6 Nyloc	1	
8	452100019	Wshr-1/4 x 5/8 x .064	2	
9	001925220	Hose Clamp, 8-22	1	
10	001925400	Hose Clamp, 19-40	1	
11	4133915	Hose-Exp Tank to Radiator	1	
12	4133916	Hose-Exp Tank to Radiator	1	
13	4165391	Bracket-Expansion Tank	1	
14	4165392	Bracket-Expansion Tank	1	

ENGINE HOOD

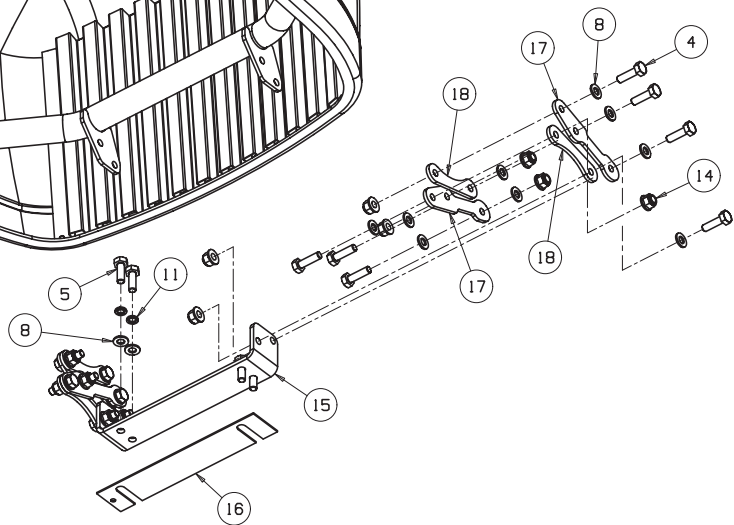
Illustration Number: 4131967



ENGINE HOOD HINGE ASSEMBLY
VIEWED FROM OUTSIDE HOOD



ENGINE HOOD HINGE ASSEMBLY
VIEWED FROM INSIDE HOOD

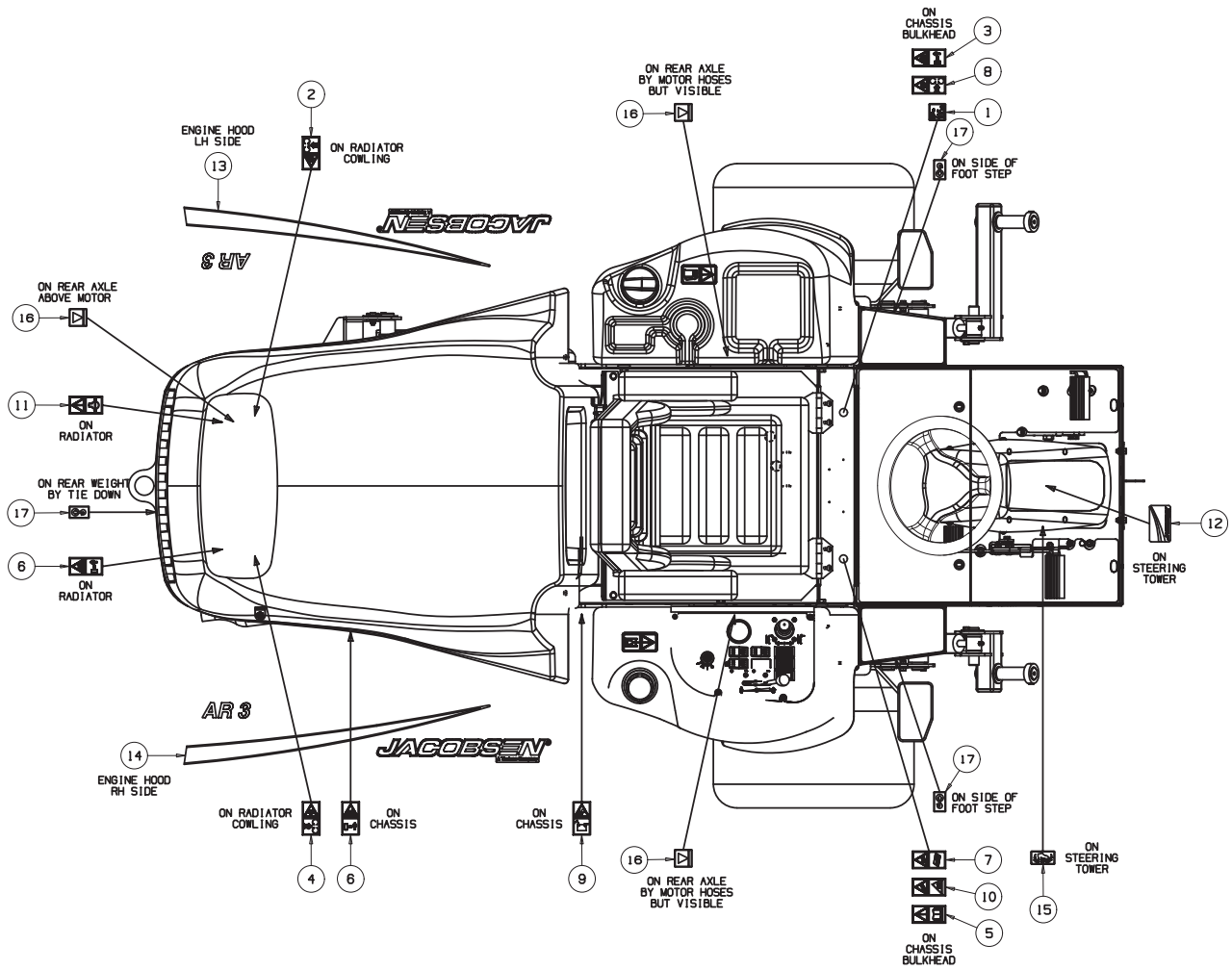


ITEM	PART NO.	DESCRIPTION	QTY.	REMARKS
1	2198112	Latch	1	Complete Draw Latch Assembly
2	4131199	Brkt-Latch, Hood	1	
3	4171040	Asm-Engine Hood	1	
*	4137560	• Seal-Side Tube	2	
4	450029	Bolt-Hex M10 x 35	14	
5	450215	Scrw-Hex M10 x 30	4	
6	450321	Nut-Hex M4	2	
8	450391	Wshr-M10 x 21 x 2.2	22	
9	450408	Lockwshr-M4 x 6.95 x 1.2	2	
11	450412	Lockwshr-M10 x 15.9 x 2.5	4	
12	450519	Scrw-Pan Hd M4 x 16	2	
13	001496044	Rivet-Pop 4.8 x 12	4	
14	452437	Nut-Hex M10 Flange Nyloc	14	
15	MBG6824	Bonnet Bracket	1	
16	MBG7076	Bonnet Spacer	1	
17	4137174	Hinge Bracket-Long	4	
18	MBG7112	Hinge Bracket-Short	4	
*	4207360	Cargo Net	1	

JACOBSEN AR3

DECALS

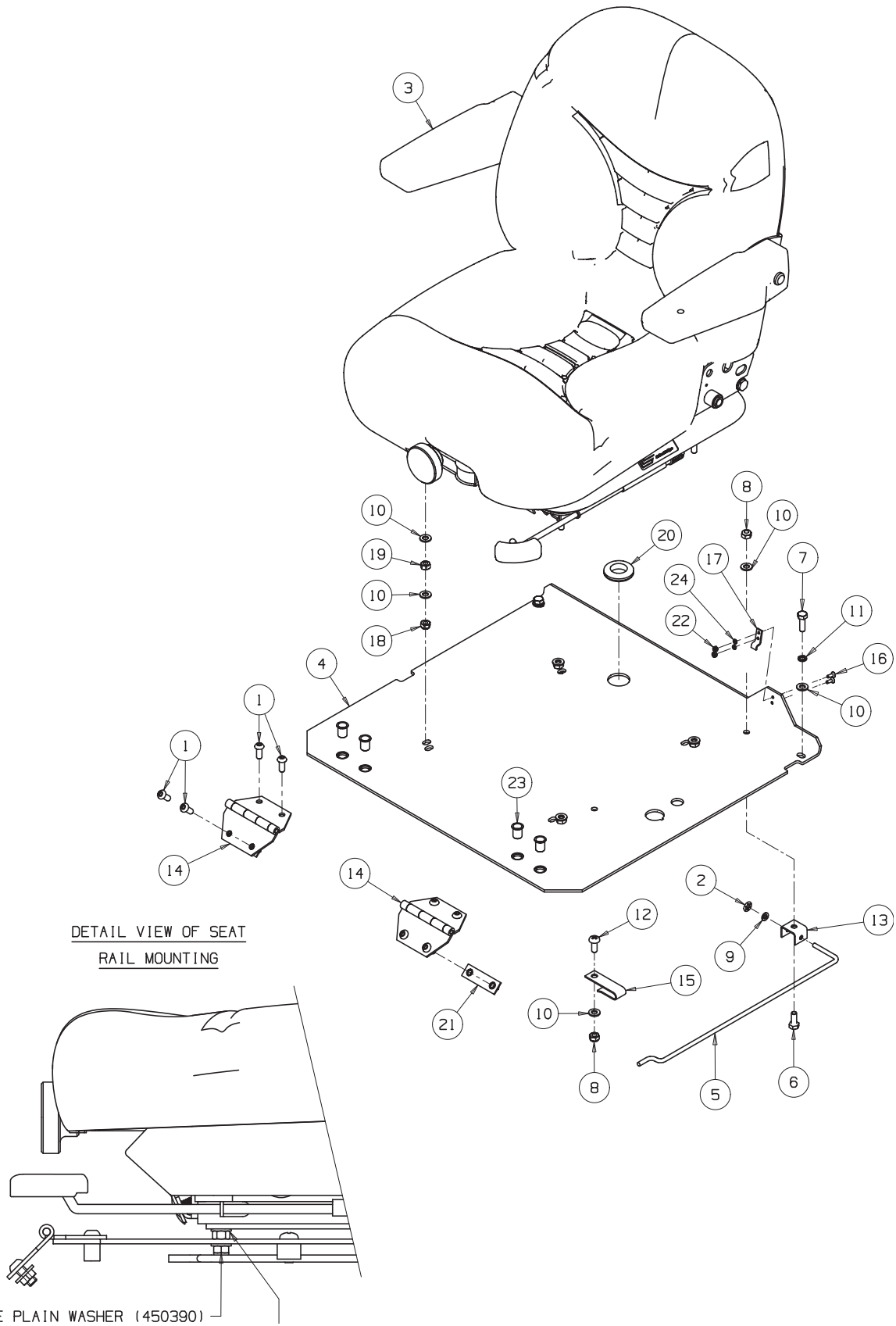
Illustration Number: 4133967



ITEM	PART NO.	DESCRIPTION	QTY.	REMARKS
	IDL146	Kit-Decal, AR3		
1 +	009034770	• Decal-Noise 105dB	1	
2	009034880	• Decal-Fan	1	
3	009034890	• Decal-Bystander Warning	1	
4	009034900	• Decal-Belt	1	
5	009034910	• Decal-Instruction	1	
6	009034920	• Decal-Hot	2	
7	009034930	• Decal-Hyd Pressure Leak	1	
8	009034960	• Decal-Rotating Blades	1	
9	009114100	• Decal-Battery	1	
10	009114160	• Decal-Slope 15 Deg	1	
11	4118415	• Decal-Coolant Hazard	1	
12	4124182	• Emblem-Jacobsen	1	
13	4133929	• Decal-Hood LH, AR3	1	
14	4133931	• Decal-Hood RH, AR3	1	
15 +		•• Decal-Fwd/Rev	1	
16 +		•• Decal-Jacking	3	
17 +		•• Decal-Hooking	3	
18*	4146857	• Decal-Seat Belt Rops	1	
19*	4153197	• Decal-Pressure Wash	1	
+		Included in Decal Set 4134053		

SEAT & MOUNTING PLATE

Illustration Number: 4137386

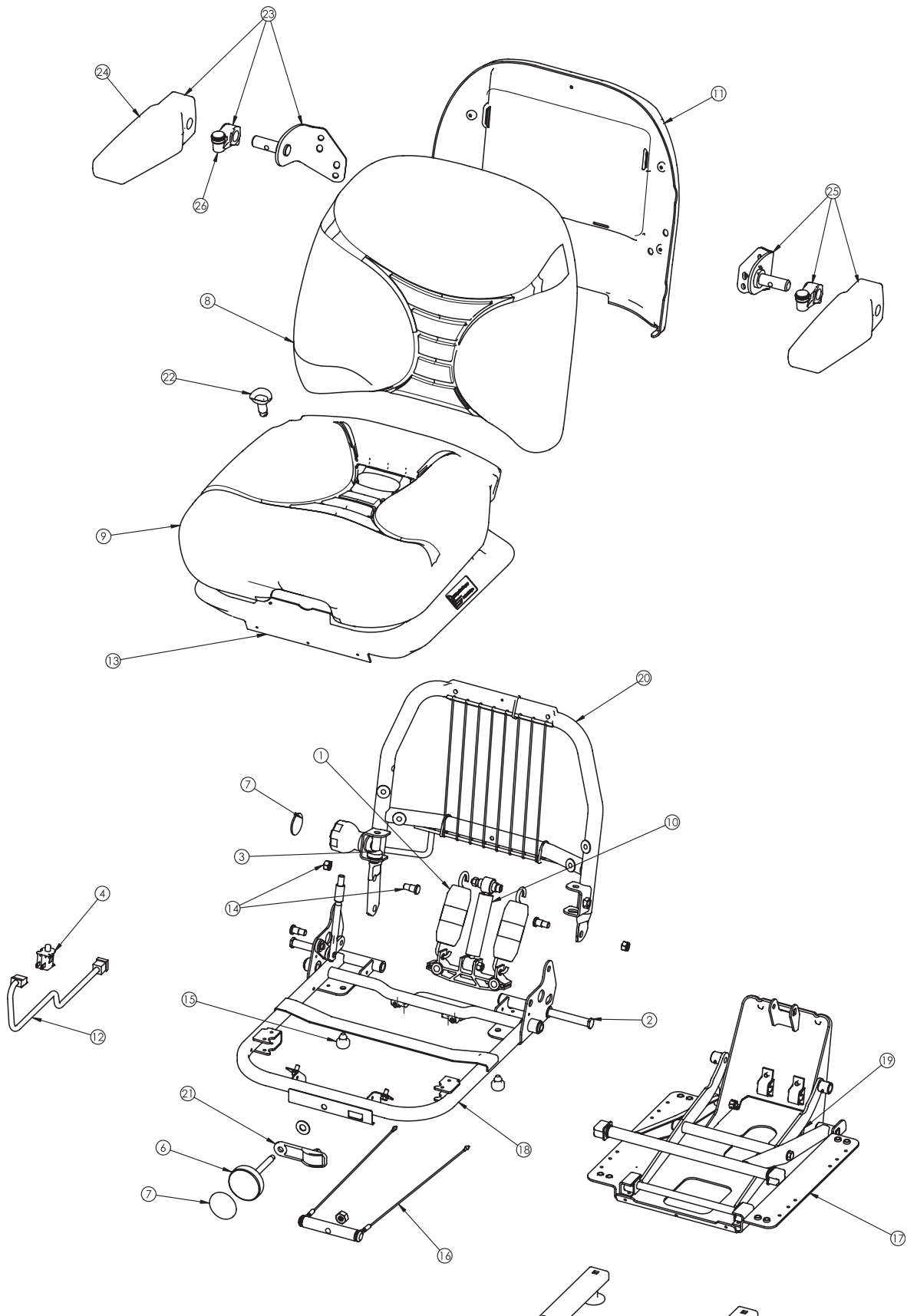


ITEM	PART NO.	DESCRIPTION	QTY.	REMARKS
1	4142288	Scrw-Pan Hd M8 x 20 Torx	8	
2	001399139	Star Ring 6 mm	1	
3	4136247	Seat-Michigan V-5300 series	1	
3	4137966	Seat-Grammer MSG85	1	
4	4131166	Plate-Seat Mtg	1	
5	4132991	Seat Stay	1	
6	450191	Scrw-Hex M8 x 20	1	
7	450192	Scrw-Hex M8 x 25	2	
8	450378	Nut-Hex M8 Nyloc	2	
9	450389	Wshr-M6 x 12.5 x 1.8	1	
10	450390	Wshr-M8 x 17 x 1.8	12	
11	450411	Lockwshr-M8 x 12.75 x 2	2	
12	450552	Scrw-Pan Hd M8 x 20	1	
13	MBG0993.07	Bracket-Stay	1	
14	MBG2013.07	Hinge-Seat Stay	2	
15	MBG3241	Clip	1	
16	450594	Scrw-Csk M4 x 12	2	
17	2198112	Latch	1	Complete Draw Latch Assembly
18	001393222	Nut-Hex 5/16-18 Nyloc	4	
19	450120021	Nut-Hex 5/16-18	4	
20	002953420	Grommet-25.4 x 44.5 x 9.9	1	
21	4118558	Wldmt-Keep Plate	2	
22	450321	Nut-Hex M4	2	
23	450369	Nutsert-M8 A-L x 17.5	4	
24	450408	Lockwshr-M4 x 6.95 x 1.2	2	
25*	002989470	Foam	1.5m	

JACOBSEN AR3

MICHIGAN V-5300 SERIES SEAT

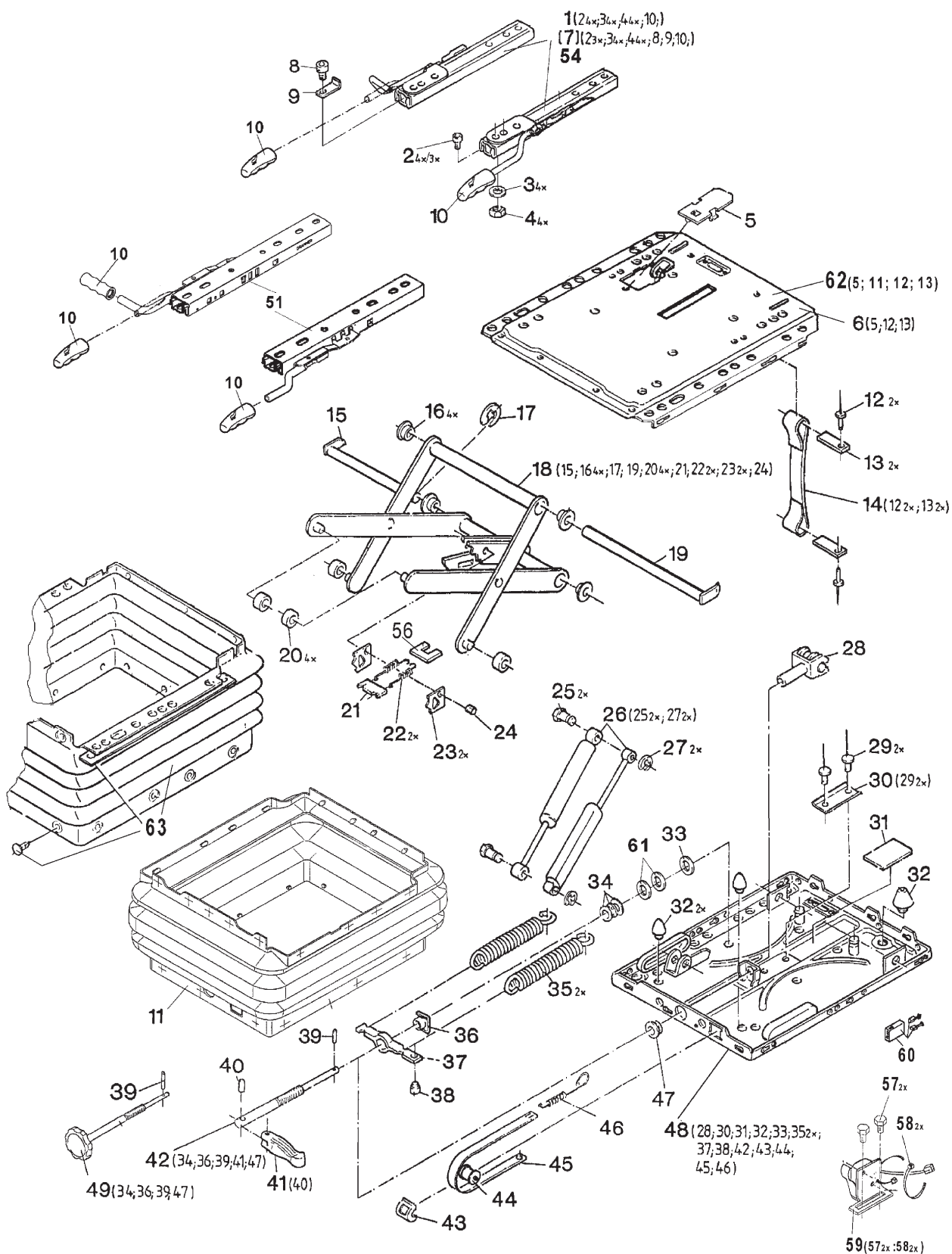
Illustration Number: 4136247-3



ITEM	PART NO.	DESCRIPTION	QTY.	REMARKS
1	4136899	Spring & Saddle Kit	1	
2	4136900	Shaft / Bearing Kit	1	
3	4136901	Gear Kit	1	
4	4136902	Switch - Snap Mount Kit	1	
5	4136903	Slide Kit	1	
6	4136904	Knob Kit	1	
7	4136905	Label Kit	1	
8	4136906	Back Cushion Kit	1	
9	4136907	Seat Cushion Kit	1	
10	4136908	Shock Absorber Kit	1	
11	4136909	Back Panel Kit	1	
12	4136910	Wire Harness Kit	1	
13	4136911	Boot Kit	1	
14	4136912	Pivot Bolt Kit	1	
15	4136913	Bumper Kit	1	
16	4136914	Weight Adjust Kit	1	
17	4136915	Susp. Base Weldment Kit	1	
18	4136916	Seat Frame Weldment Kit	1	
19	4136917	Linkage Assy Kit	1	
20	4136918	Back Frame Weldment Kit	1	
21	4136919	Weight Ind Assy Kit	1	
22	4136920	Water Drain Kit	1	
23	4136921	Armrest Assy RH Kit	1	
24	4136922	Armrest, Moulded Kit	1	
25	4136923	Armrest Assy LH Kit	1	
26	4136924	Armrest Stop Assy	1	

GRAMMER MSG 85 SEAT (4137966) - SUSPENSION

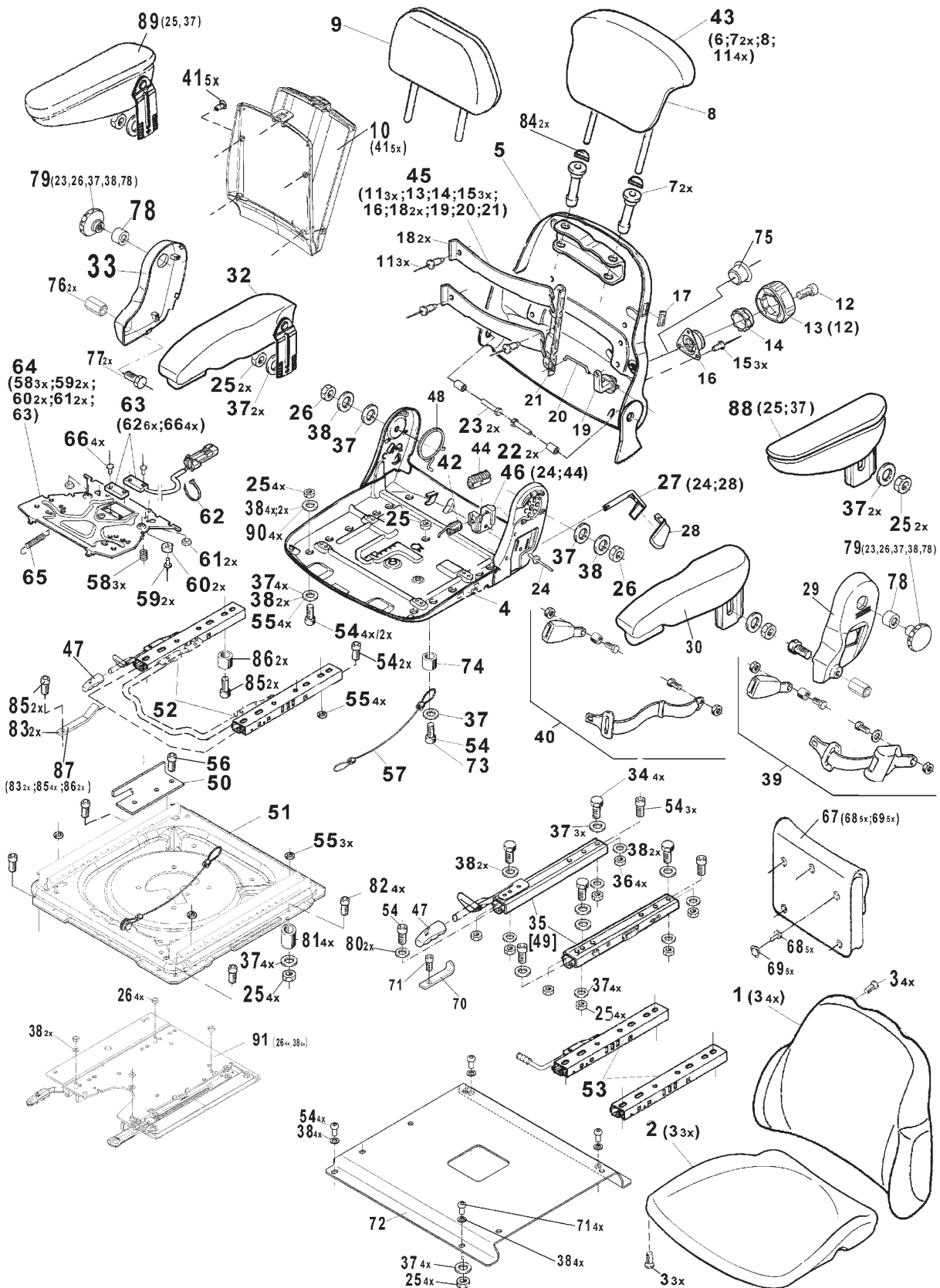
Illustration Number: 4137966-3



ITEM	PART NO.	DESCRIPTION	QTY.	REMARKS
5	008173680	Cover	1	
6		Kit, Suspension Upper	1	
11		Kit, Bellow	1	
15	008173790	Bolt	1	
16	008173800	Bushing	4	
18	008199900	Swing Arm Kit	1	
19		Bolt	1	
20	008173780	Roller	4	
21	008173820	Plate	1	
22		Tension Spring	2	
23	008173830	Release Plate	2	
24	008173840	Bolt	1	
25	008173710	Bolt, M8 x 22, Yellow	2	
26	008199680	Kit, Shock Absorber, S	1	
27	008173720	Washer, Retaining, 5 mm	2	
28	4197067	Fork	1	
29	008173740	Rivet, 4.0 x 10.0	2	
30		Bracket, U-Shaped Pro	1	
31	008173760	Rubber Plate	1	
32	008173730	Bumper Set	1	
33	008173870	Thrust Washer Kit	1	
35	008144410	Spring, Tension	2	
36	008173880	Nut, M12, Flange	1	
37	008173910	Spring Bracket	1	
38	008173930	Plug, Retainer	1	
39		Pin, 3.0 x 16	1	
40		Pin, 4 x 28	1	
41		Handle (Toggle)	1	
42		Adjustment Spindle	1	
43	008173950	Guide	1	
44	008193960	Roller	1	
45	008193920	Band, Weight, 130 kg	1	
46	008173940	Tension Spring	1	
47		Bushing	1	
52		Suspension Lower Par	1	
53		Fixing Parts	1	
55		Suspension MSG85	1	
57		Screw, M6 x 12	2	
58		Ties, Cable, 2.5 x 102	2	
59	4160220	Switch	1	
60	008174000	Connector, Electrical	1	

GRAMMER MSG 85 SEAT -SEAT TOP

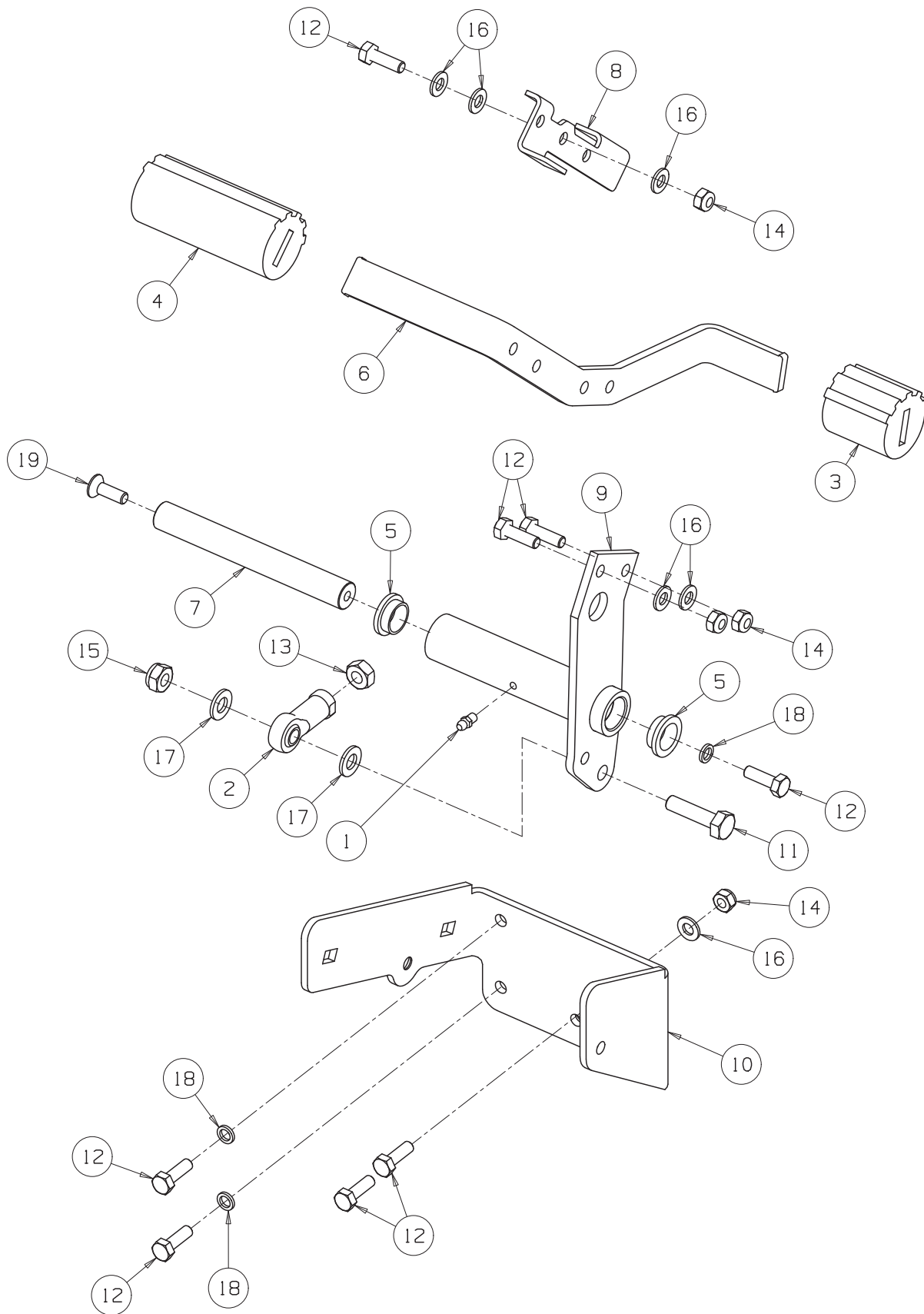
Illustration Number: 4137966-5



ITEM	PART NO.	DESCRIPTION	QTY.	REMARKS
1	4185280	Assy, Cushion, Backrest	1	142219
2	4178162	Assy, Cushion, Seat	1	142220
3		Screw, M5 x 25, Pan Hd	7	1054392
4		Seat Pan	1	1075488
5		Backrest Pan Kit	1	140682
7		Tube	2	138686
8		Backrest Extension	1	1105077
22		Tube	2	138686
23		Screw, M8-1.25 x 40	2	118558
24		Rivet, 6 x 12	1	1103259
25		Nut, Hex, M8-1.25	6	110291
26	113048	Nut, Hex, M8-1.25	2	113048
27		Lever	1	140675
28		Handle, Grey	1	139454
29		Cover, LH, Blk	1	1078696
33		Cover, RH, Blk	1	1078701
34		Screw M8 x 16	4	111030
35		Set of Adjustment Rails	1	135236
36		Nut, Hex M8-1.25	4	139843
37		Washer, Flat, M8	11	113290
38		Washer 8.4-Hv140	6	110489
39		Kit, Seatbelt, 2 Retractable	1	902133
40		Seatbelt, 2 Non-retractable	1	902125
42		Spring, Spiral	1	1046892
44		Stop	1	142257
46		Bearing Kit	1	139255
48		Spring, Leg, Backrest	1	142152
49		Set of Adjustment Rails	1	136243
54		Screw, M8 x 16, Hex Socket	4	122949
67		Literature Box	1	One supplied
*		Literature Holder (net)	1	
68		Blind Rivet 3.2 x 11.2	5	135786
69		Ball	5	106408
88	4188242	Armrest	1	141172
89	4188244	Armrest	1	141173

TRACTION PEDAL

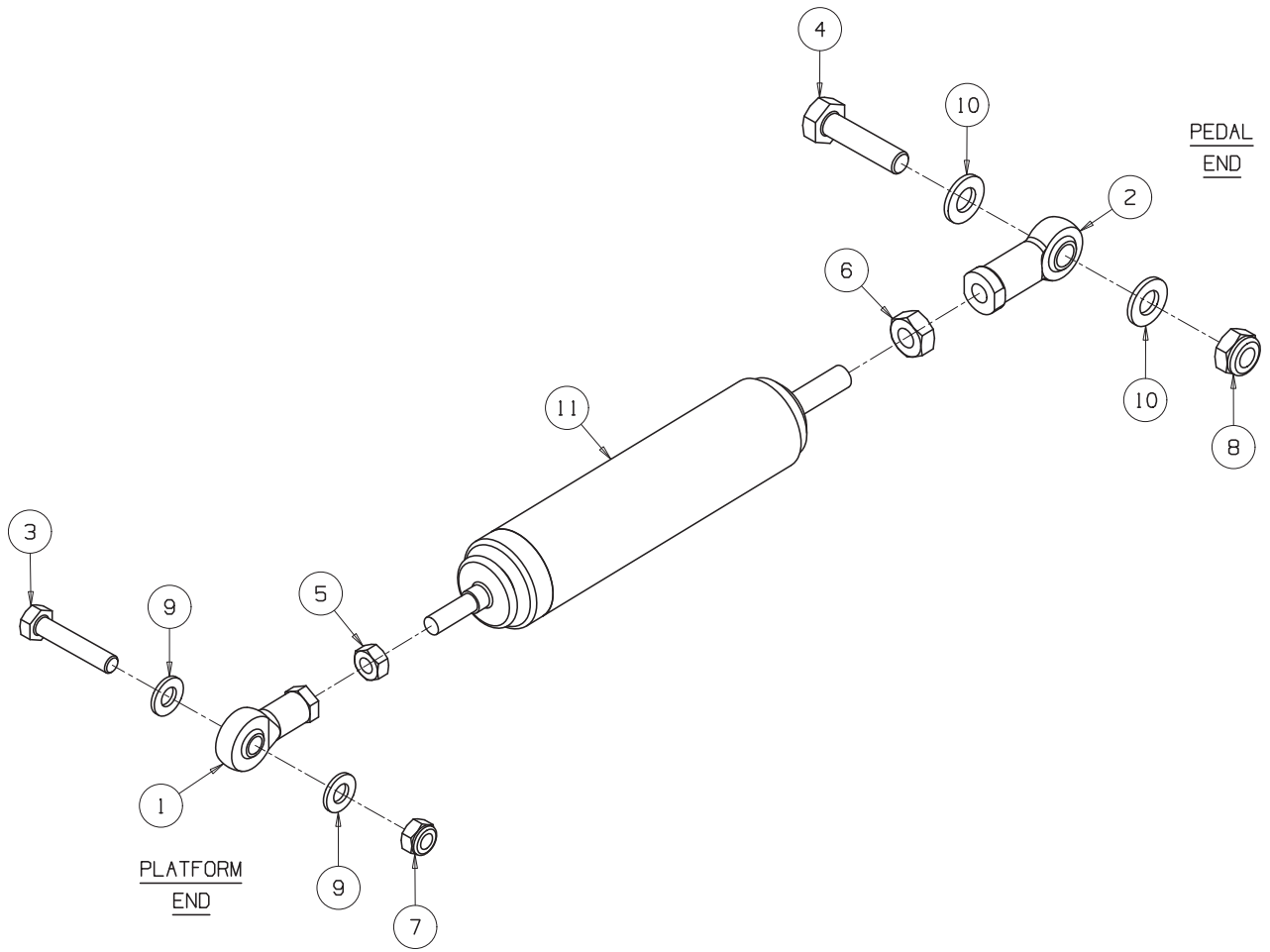
Illustration Number: 4130703



ITEM	PART NO.	DESCRIPTION	QTY.	REMARKS
1	002993013	Lubricator-M6 Straight	1	
2	008145450	Rod End M10	1	
3	3003474	Grip-Pedal	1	
4	3003475	Grip-Pedal	1	
5	4130415	Bush-Fling 3/4 x 7/8 x 3/8	2	
6	4130704	Pedal-Traction	1	
7	4130705	Shaft-Pivot, Pedal	1	
8	4130706	Stop-Mow Speed	1	
9	4130707	Wldmt-Lever, Pedal	1	
10	4134965	Bracket-Pedal Mounting	1	
11	450030	Bolt-Hex M10 x 40	1	
12	450192	Scrw-Hex M8 x 25	8	
13	450325	Nut-Hex M10	1	
14	450378	Nut-Hex M8 Nyloc	5	
15	450379	Nut-Hex M10 Nyloc	1	
16	450390	Wshr-M8 x 17 x 1.8	7	
17	450391	Wshr-M10 x 21 x 2.2	2	
18	450411	Lockwshr-M8 x 12.75 x 2	3	
19	450866	Scrw-Sckt Csk M8 x 25	1	

TRACTION PEDAL DAMPER

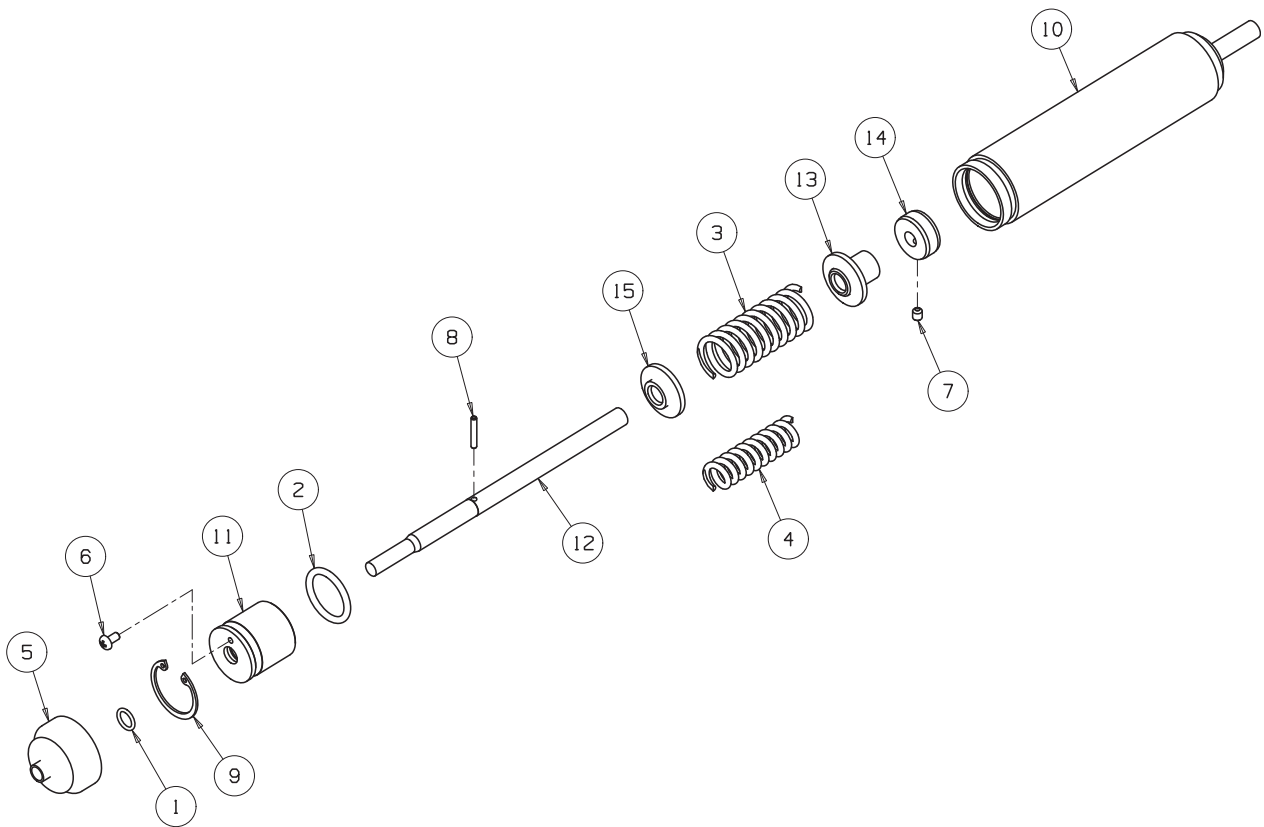
Illustration Number: 4135110



ITEM	PART NO.	DESCRIPTION	QTY.	REMARKS
1	008145117	Rod End-M8 RH	1	
2	008145450	Rod End M10	1	
3	450016	Bolt-Hex M8 x 40	1	
4	450030	Bolt-Hex M10 x 40	1	
5	450324	Nut-Hex M8	1	
6	450325	Nut-Hex M10	1	
7	450378	Nut-Hex M8 Nyloc	1	
8	450379	Nut-Hex M10 Nyloc	1	
9	450390	Wshr-M8 x 17 x 1.8	2	
10	450391	Wshr-M10 x 21 x 2.2	2	
11	4135777	Asm-Damper Control	1	

DAMPER CONTROL

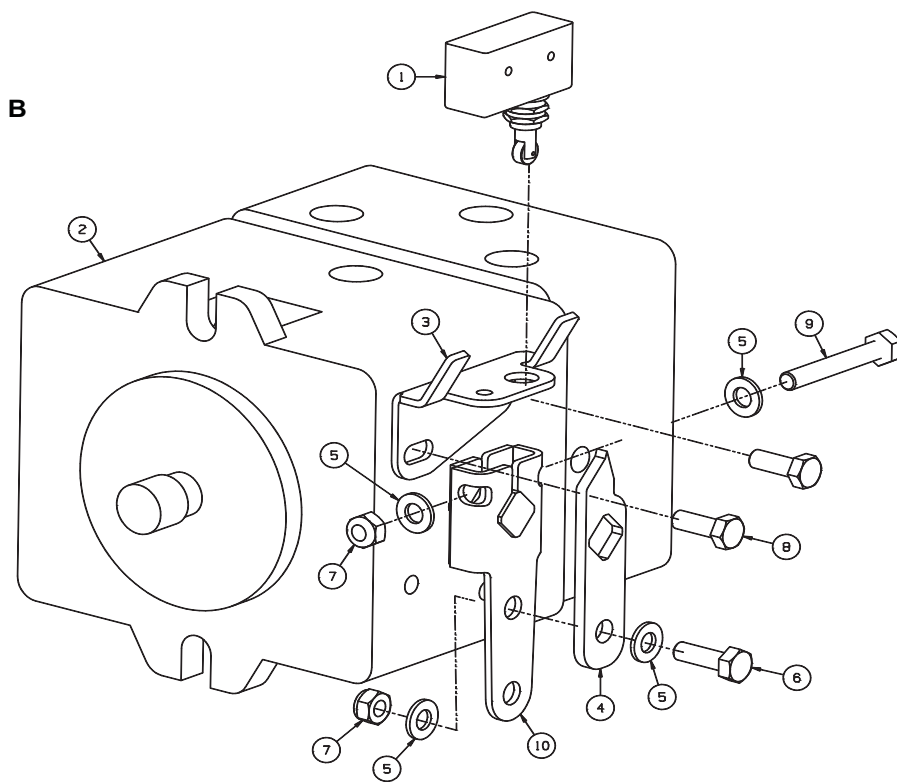
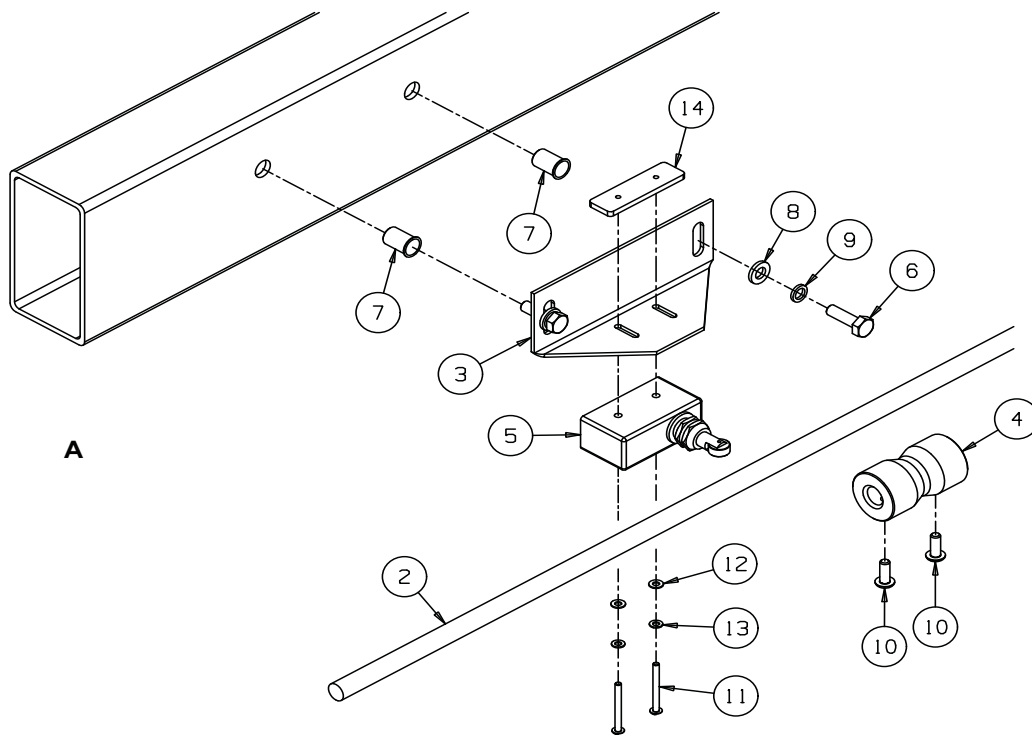
Illustration Number: 4135777



ITEM	PART NO.	DESCRIPTION	QTY.	REMARKS
1	002210122	O-Ring 9.25 ID x 1.78 Sect	1	
2	002212140	O-Ring 25 ID x 3.53 Sect	1	
3	002911170	Sprg-Comp 25.4 x 3.25 x 76.2	1	
4	002911220	Sprg-Comp 15.88 x 2.34 x 76.2	1	
5	009134850	Gaiter	1	
6	450515	Scrw-Pan Hd M4 x 8	1	
7	450950	Scrw-Set M5 x 6, Cup Pnt	1	
8	451581	Pin-Tension 3 x 20	1	
9	451962	Circlip-Int 32 x 1.2 T	1	
10	MBE2480B.7	Wldmt-Cylinder (Black)	1	
11	MBE2483B	End Cap	1	
12	MBE2484C	Piston Rod	1	
13	MBE2485A	Reaction Sleeve	1	
14	MBE2486A	Piston	1	
15	MBE2495A	Reaction Sleeve	1	

TRACTION PEDAL NEUTRAL SWITCH

Illustration Number: 4139745

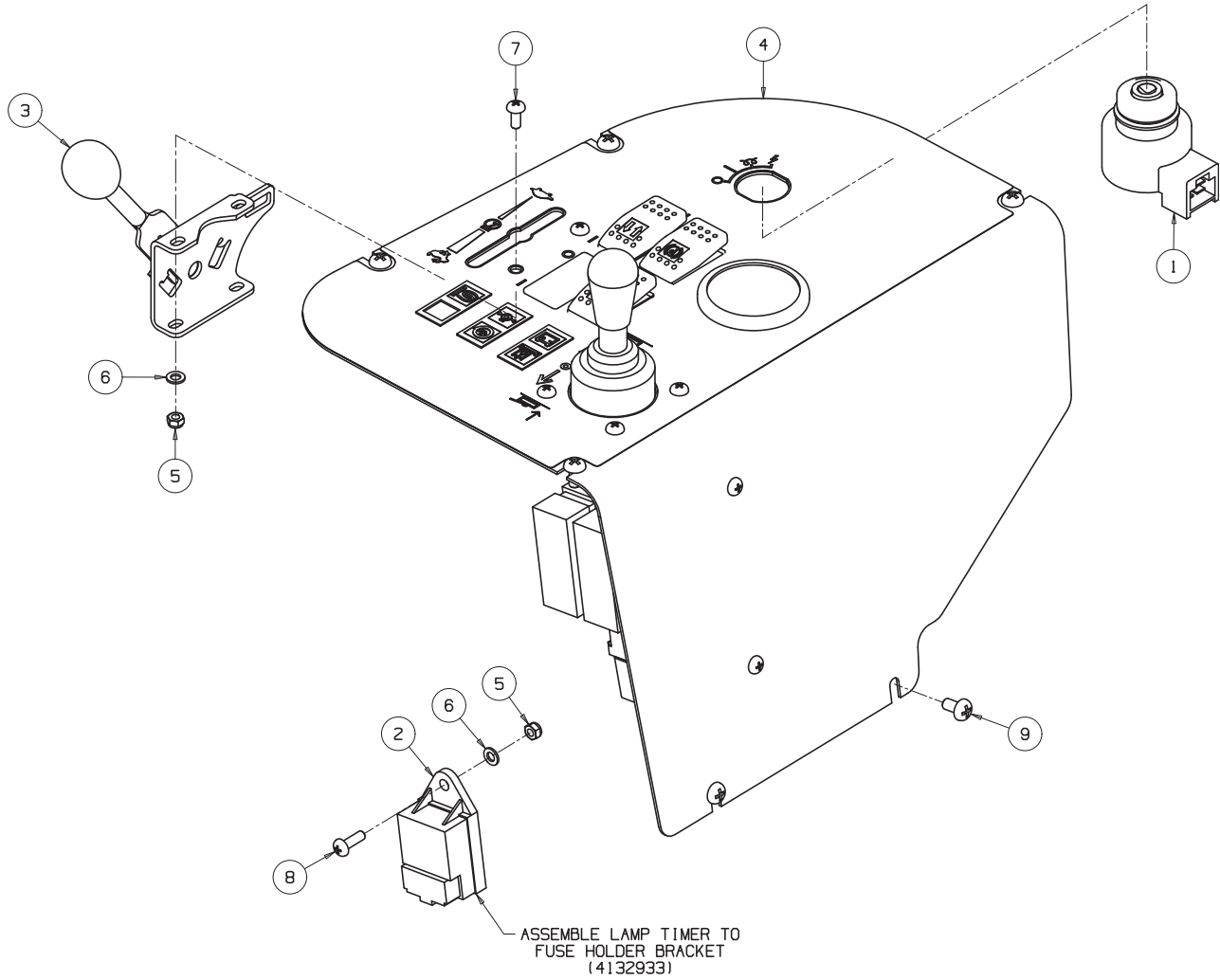


ITEM	PART NO.	DESCRIPTION	QTY.	REMARKS
A				
2	4132836	Rod-Pump Control	1	
3	4139707	Bracket-Neutral Switch	1	before s/n EK000435
3	4141587	Bracket-Neutral Switch	1	from s/n EK000436
4	4139708	Actuator-Neutral Switch	1	
5	4139733	Microswitch	1	
6	450171	Scrw-Hex M6 x 20	2	
7	450357	Nutsert-M6 A-K x 14.7	2	
8	450389	Washer-M6 x 12.5 x 1.8	2	
9	450410	Lockwasher-M6 x 9.6 x 1.5	2	
10	451144	Scrw-Pan Hd No.10 x 13	2	
11	001814310	Scrw-Pan Hd M3 x 30	2	from s/n EK000436
12	001830030	Wshr-M3 x 7 x 0.6, Brass	2	from s/n EK000436
13	001863037	Wshr-M3 x 6.4 x 0.61, Crinkle	2	from s/n EK000436
14	4141588	Plate-Switch Mounting	1	from s/n EK000436
B				
1	4199940	Microswitch	1	from s/n EK000724 and FZ000594
1 *	4139733	Microswitch	1	before s/n EK000723 and FZ000593
2	008005950	Pump-Transmission, M25-2081	1	
3	4199960	Bracket-Neutral Switch	1	from s/n EK000724 and FZ000594
3 *	4184220	Bracket-Neutral Switch	1	before s/n EK000723 and FZ000593
4	4166940	Arm-Control Hd	1	from s/n EK000603 and FZ000342
4 *	172364A.07	Arm-Control Hd	1	before s/n EK000602 and FZ000341
5	450390	Washer-M8 x 17 x 1.8	2	
6	450192	Screw-Hex M8 x 25	1	
7	450378	Nut-Hex M8 Nyloc	1	
8	456110341	Scrw-Hex 5/16-18 x 7/8	2	
*	4162020	Neutral Switch Ext Lead	1	
9	450019	Bolt-Hex M8 x 55	1	
10	4184180	Wldmt-Control Arm	1	from s/n EK000603 and FZ000342

JACOBSEN AR3

INSTRUMENT PANEL

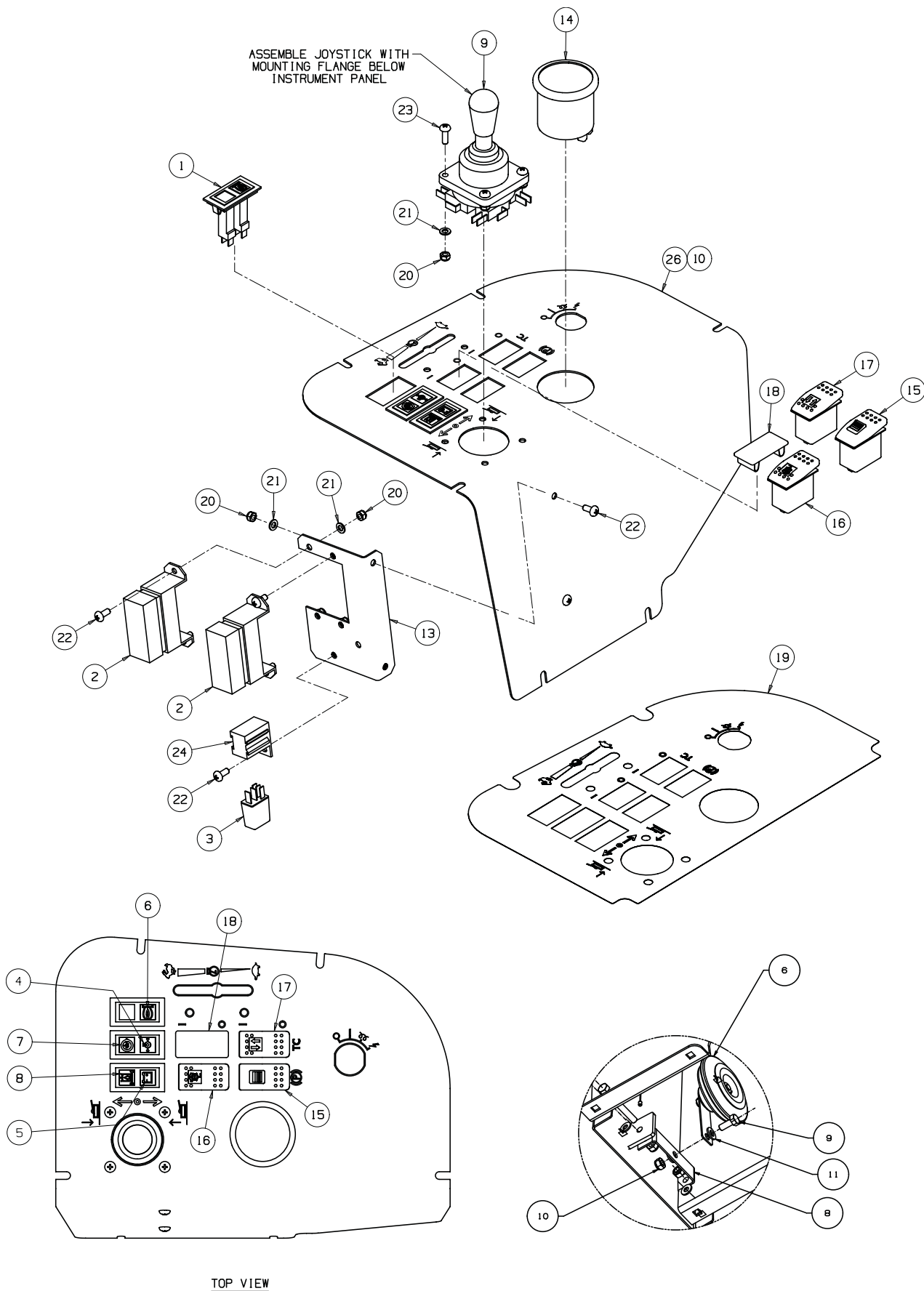
Illustration Number: 4132733



ITEM	PART NO.	DESCRIPTION	QTY.	REMARKS
1	2811020	Starter Switch	1	Kubota
2	15694-65992	Lamp Timer	1	Kubota
3	4132751	Throttle Control	1	
*	4134746	• Knob-Throttle Control	1	
*	4134751	• Cable - Throttle Control	1	
4	4135383	Panel Assembly - Complete	1	
5	450376	Nut-Hex M5 Nyloc	3	
6	450388	Wshr-M5 x 10 x 1.1	3	
7	450526	Scrw-Pan Hd M5 x 12	2	
8	450528	Scrw-Pan Hd M5 x 16	1	
9	450539	Scrw-Pan Hd M6 x 12	6	

CONTROL PANEL

Illustration Number: 4135383

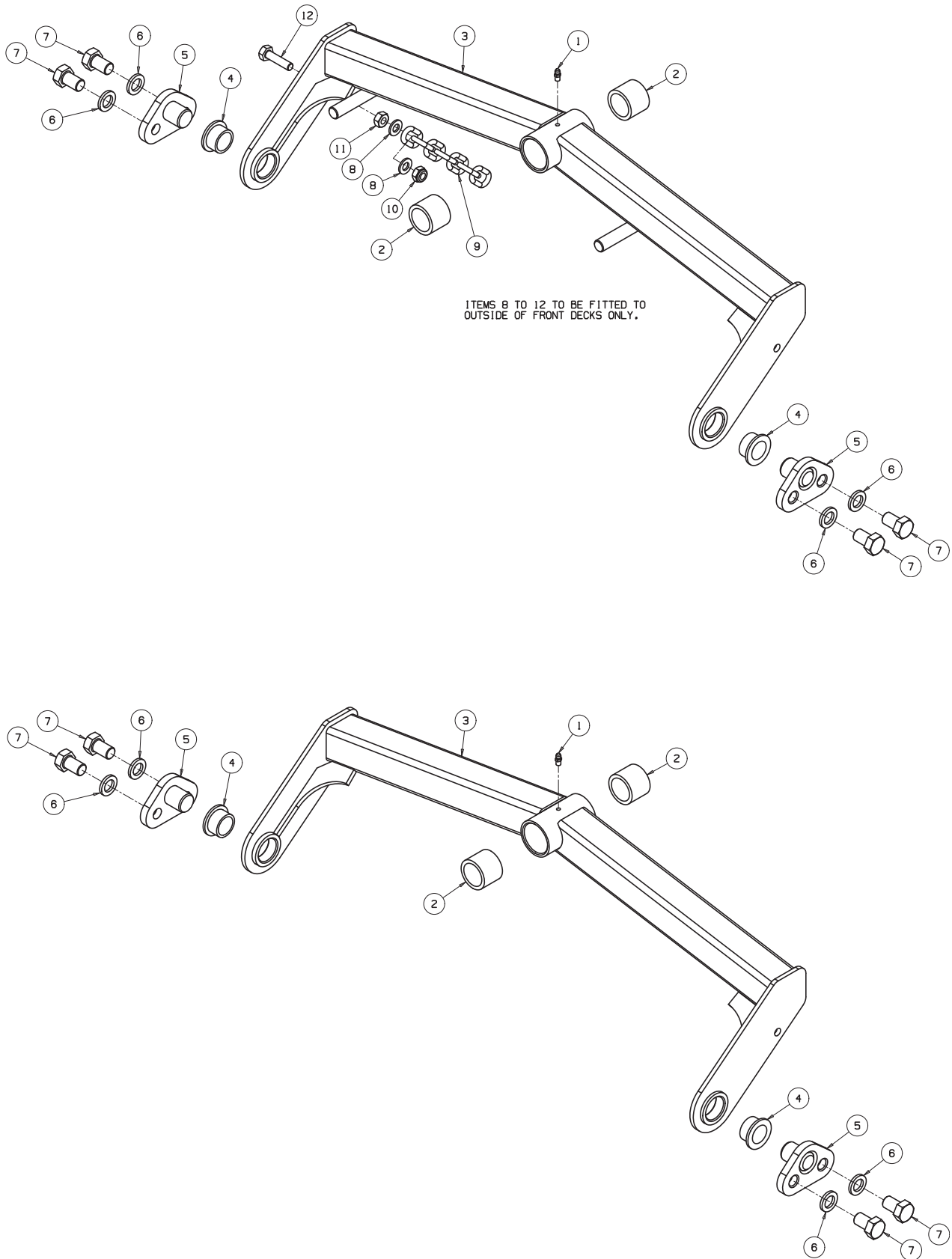


ITEM	PART NO.	DESCRIPTION	QTY.	REMARKS
1	8231870	Twin Pilot Lamp	3	
2	8238350	Fuse Holder	2	
3	8244700	Relay Micro 12V	1	
4	8295630	Lens-Engine Oil Pressure (Red)	1	
5	8295640	Lens-Battery Charge (Red)	1	
6	8295650	Lens-Engine Pre-Heater (Green)	1	
7	8295710	Lens-Engine Overheat	1	
8	8295980	Lens-Filter Blocked	1	
9	1004290	Joystick c/w Harness	1	
11	4139765	Logic Controller	1	
12*	4132367	Harness-Console Loom	1	to s/n GX000395
12*	4139780	Harness-Console Loom	1	from s/n GX000396
	4139570	Kit- Control Module Update	1	Prior to s/n GX000396
		• Short Wire	1	230mm (Engine Overheat Warning Lamp to Module Malfunction Warning Lamp
		• Long Wire	1	1550mm (Engine Over Heat Lamp to Horn) Warning
		• Cable Tie	6	
13	4132933	Bracket-Fuse Holder	1	
14	4237722	EnGage II without Buttons	1	From s/n: GX000396
14*	4133446	EnGage II with Buttons	1	use 4237722
15	4135850	Rocker Switch - Park Brake	1	to s/n GX000395
15	4139764	Rocker Switch - Park Brake (Lock)	1	from s/n GX000396
16	4135851	Rocker Switch - Mow	1	
17	4135852	Rocker Switch - WT/Transfer	1	
18	4135853	VHP Mounting Panel Plug	1	
20	450376	Nut-Hex M5 Nyloc	11	
21	450388	Wshr-M5 x 10 x 1.1	11	
22	450526	Scrw-Pan Hd M5 x 12	7	
23	450529	Scrw-Pan Hd M5 x 20	4	
24	8244710	Relay Base	1	Part of Harness-Console Loom
26	4284331	Instrument Panel (Screen Printed)		Superceedes Items 10 and 19
		Engine Overheat Horn		LMAC508 - From GX1000655 EJ1000919 FG100690
6	008239720	Horn	1	
8	4288832	Horn Bracket	1	
9	450191	Screw Hex M8 1.25 x 20	2	
10	450378	Nut hex M8 1.25 Nyloc	2	
11	450390	Washer M8 17 x 1.8	8	
*	4287151	Lmac508 loom	1	for new horn location

JACOBSEN AR3

DECK YOKE & MOUNTING

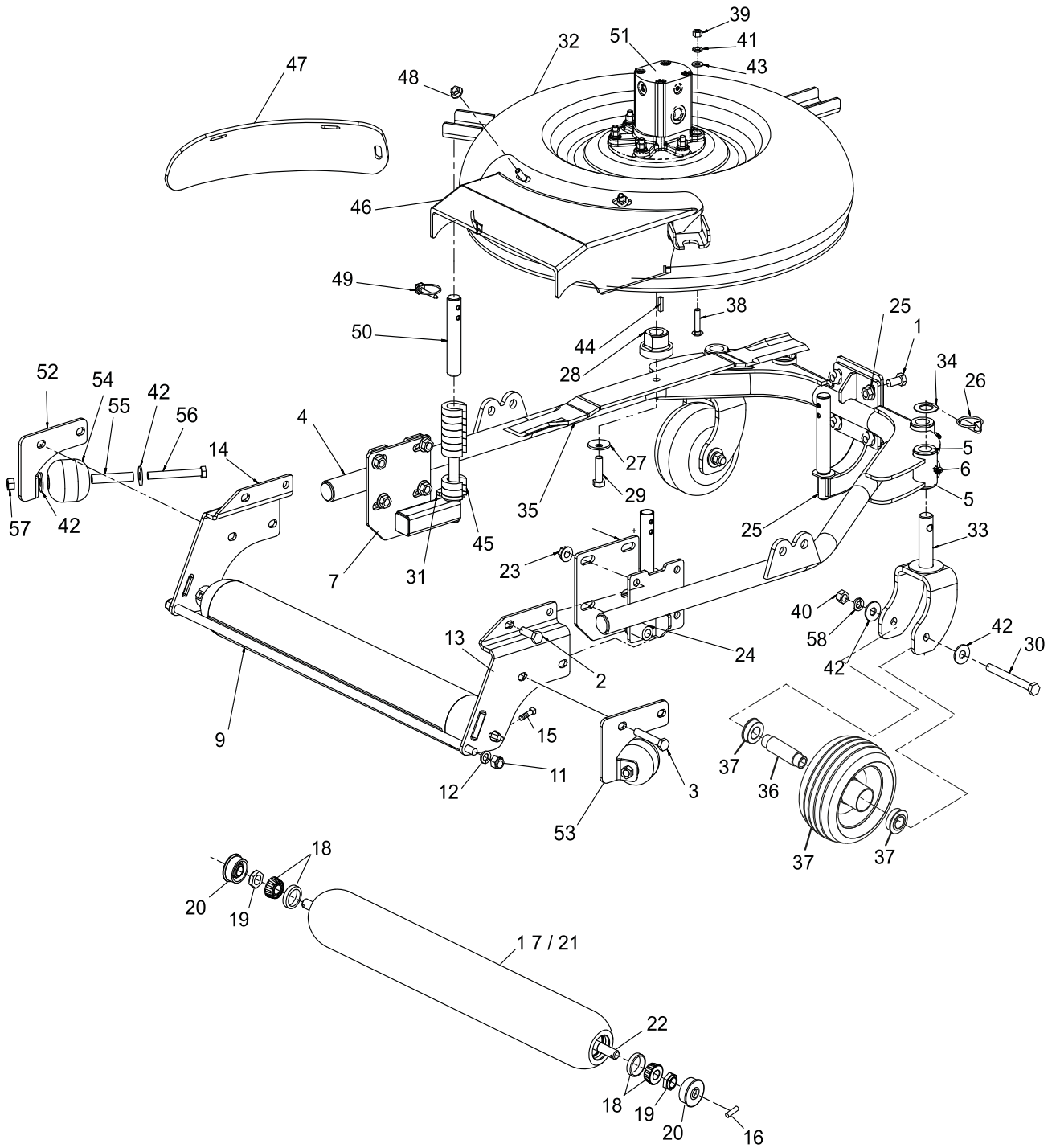
Illustration Number: 4137586 & 4137587



ITEM	PART NO.	DESCRIPTION	QTY.	REMARKS
1	002993013	Lubricator-M6 Str	1	
2	4130256	Bush-Devol 1-1/4 x 1-5/8 x 1-1/4	2	
3	4131462	Wldmt-Yoke Rear, 27" Deck	1	Rear Yoke
3	4137533	Wldmt-Yoke Front, 27" Deck	1	Front Yoke
4	4131889	Bush-Fling 1 x 1-1/4 x 3/4	2	
5	4135710	Wldmt-Deck Pivot, AR3	2	
6	450425	Lockwshr-M16 x 27.3 x 3.5	4	
7	456011248	Scrw-Hex 5/8-18 x 1	4	
8	450391	Wshr-M10 x 21 x2.2	2	Outside Front Deck Only
9	W158001	Chain (7 Links)	1	Outside Front Deck Only
10	450379	Nut-Hex Nyloc M10	1	Outside Front Deck Only
11	450325	Nut-Hex M10	1	Outside Front Deck Only
12	450217	Scrw-Hex M10 x 40	1	Outside Front Deck Only

JACOBSEN AR3

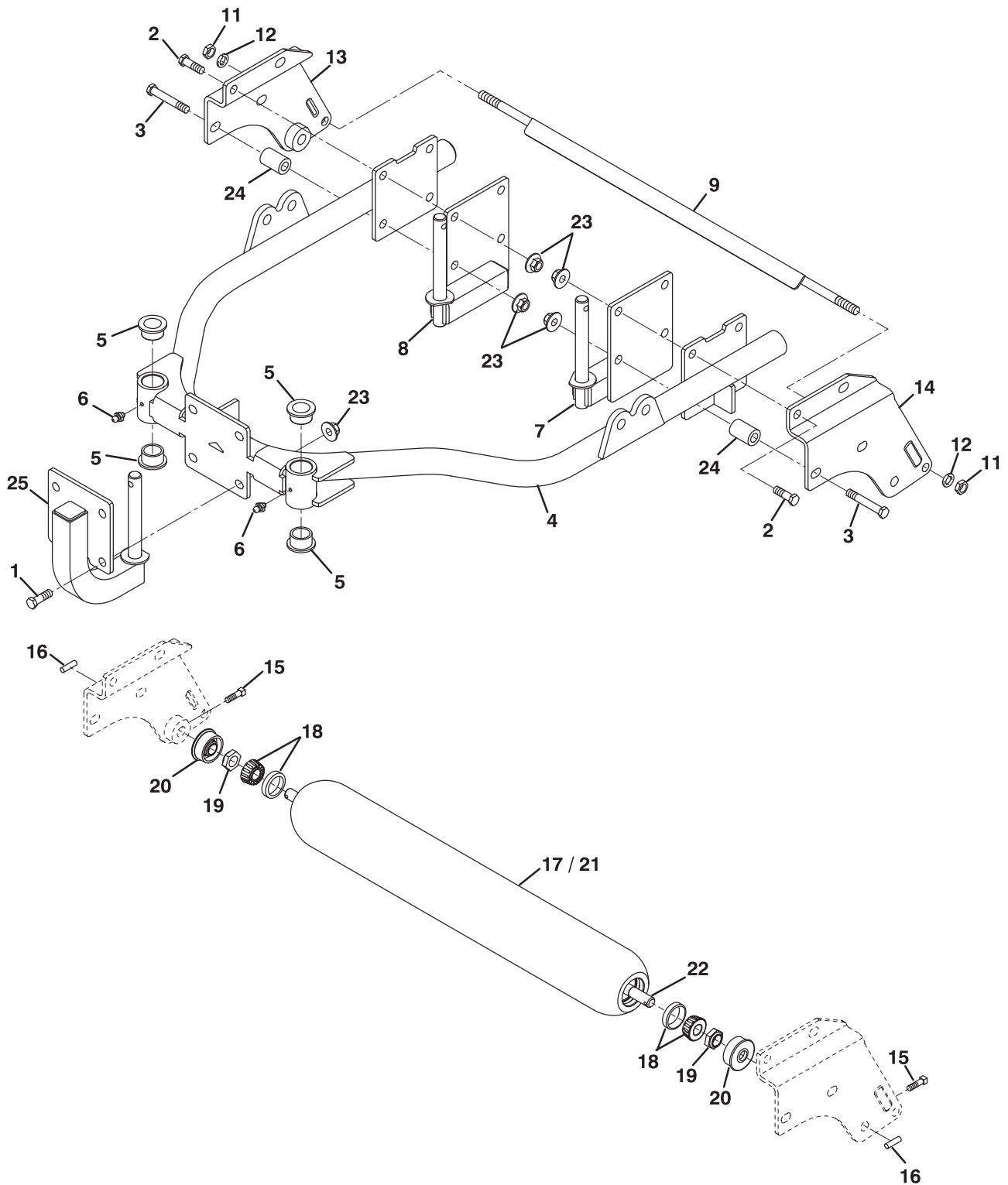
DECK HOUSING & CASTER WHEELS (Non Trim TrimTek™)



ITEM	PART NO.	DESCRIPTION	QTY.	REMARKS
26	3004894	Pin, 7/16 x 1-3/4" Snap Ring	2	
27	3007764	Washer, Blade	1	
28	3008388	Adapter, Blade	1	
29	400410	Screw, 1/2-13 x 1-3/4" Hex Head	1	
30	400426	Screw, 1/2-13 x 5" Hex Head	2	
31	4117807	Spacer	3	
32	4129605	Deck Housing	1	
33	4124066	Caster Wheel Yoke	2	
34	4124076	Flat Washer, 1"	7	
35	4129639	Blade, 27" Mulching	1	
36	4174960	Spacer, Wheel	1	
37	4173922	Caster Wheel, 6-1/4 x 3	2	
	4173923	• Ball Bearing, Flange	2	
38	440124	Carriage Bolt, 3/8-16 x 1-3/4"	6	
39	443110	Nut, 3/8-16 Hex	6	
40	443118	Nut, 1/2-13 Hex	2	
41	446142	Lockwasher, 3/8 Heavy	6	
42	452012	Flat Washer, 1/2	8	
43	453011	Flat Washer, 3/8	6	
44	557523	Key, 1/4 Square x 1"	1	
45	PJH1054	Spacer, Cutting Height	27	
46	4132519	Chute, Rear Discharge	1	
47	4132520	Cover, Mulching	1	
48	445783	Nut, 3/8-16 Whizlock Flange	3	
49	365948	Pin, 1/4 x 1-3/4" Snap Ring	3	
50	4133007	Sleeve, Cutting Height	3	
51	4118247	Motor, Deck	1	
52	4137521	Bracket, Skid LH	1	
53	4137520	Bracket, Skid RH	1	
54	2198153	Roller 3"	2	
55	4137534	Sleeve, Roller	2	
56	400422	Screw 1/2" - 13 UNC x 4 Hex ~Hd	2	
57	444758	Nut, Hex Lock 1/2" - 13 UNC	2	
58	446154	Lockwasher, 1/2 Heavy	2	

JACOBSEN AR3

DECK FRAME (Non Trim TrimTek™)

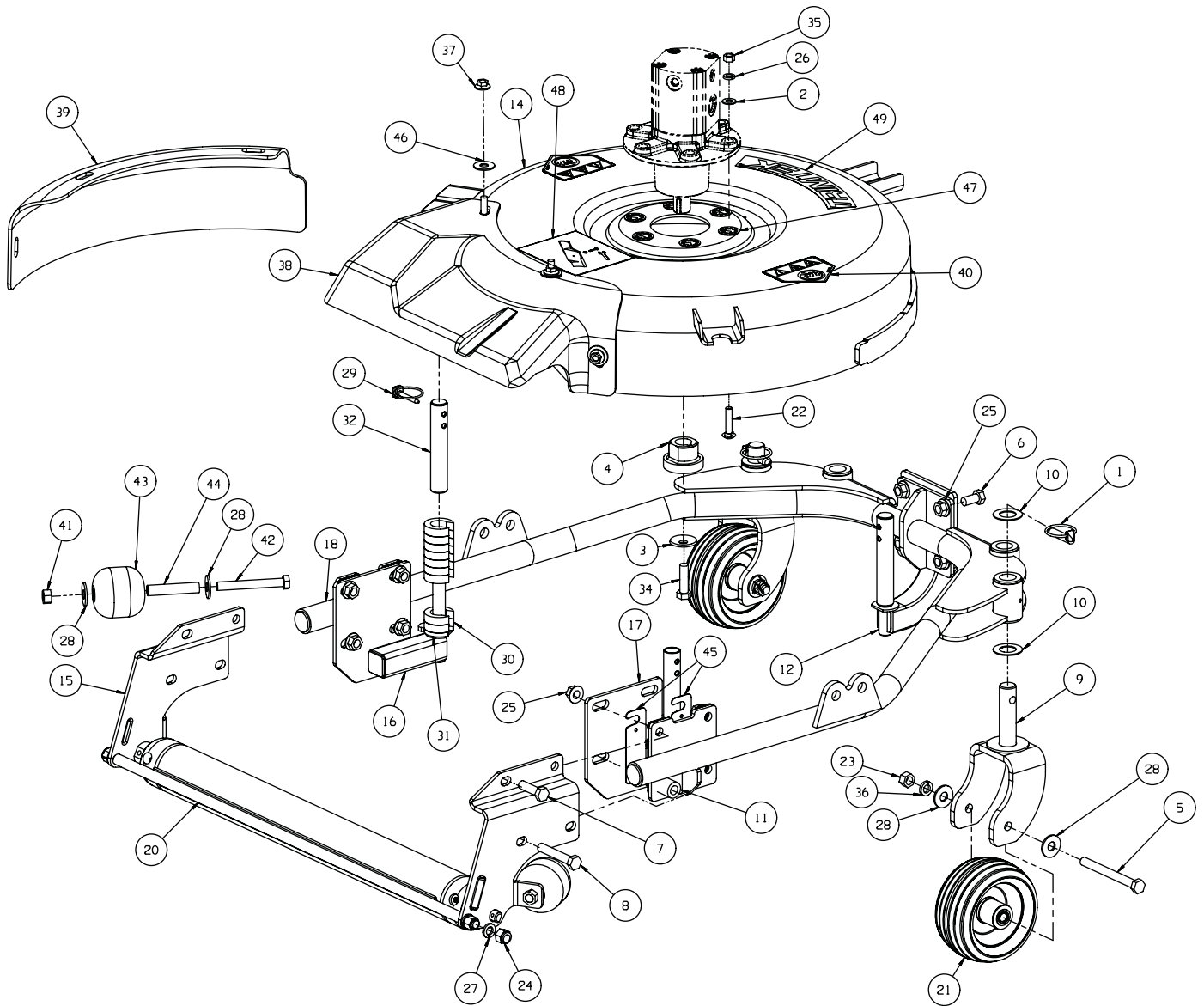


ITEM	PART NO.	DESCRIPTION	QTY.	REMARKS
1	400404	Screw, 1/2-13 x 1" Hex Head	4	
2	400408	Screw, 1/2-13 x 1-1/2" Hex Head	4	
3	400418	Screw, 1/2-13 x 3" Hex Head	4	
4	4129638	Deck Frame	1	
5	4127478	• Flanged Bushing	4	
6	471214	• Straight Grease Fitting	2	
7	4129636	LH Rear Cutting Height Bracket	1	
8	4129637	RH Rear Cutting Height Bracket	1	
9	4130527	Scraper, Roller	1	
10	445771	Nut, 1/2-13 Hex Nylon Insert	2	
11	446152	Lockwasher, 1/2	2	
12	3007764	Washer	2	
13	4129614	RH Roller Bracket	1	
14	4129615	LH Roller Bracket	1	
15	412017	Screw, 5/16-18 x 3/4" Square Head	2	
16	461339	Pin, Groove	2	
17	4129612	Roller	1	
18	503378	• Bearing Cup and Cone	2	
19	367029	• Locknut, 3/4-16 Hex Jam	1	
20	3010210	• Seal	2	
21	4129607	• Tube, Roller	1	
22	4129609	• Shaft, Roller	1	
23	445789	Nut, 1/2-13 Spiralock Flange	2	
24	4124129	Spacer	2	
25	4135429	Front Cutting Height Bracket	1	

JACOBSEN AR3

DECK FRAME TrimTek™

Illustration Number: Deck June 07 4163180

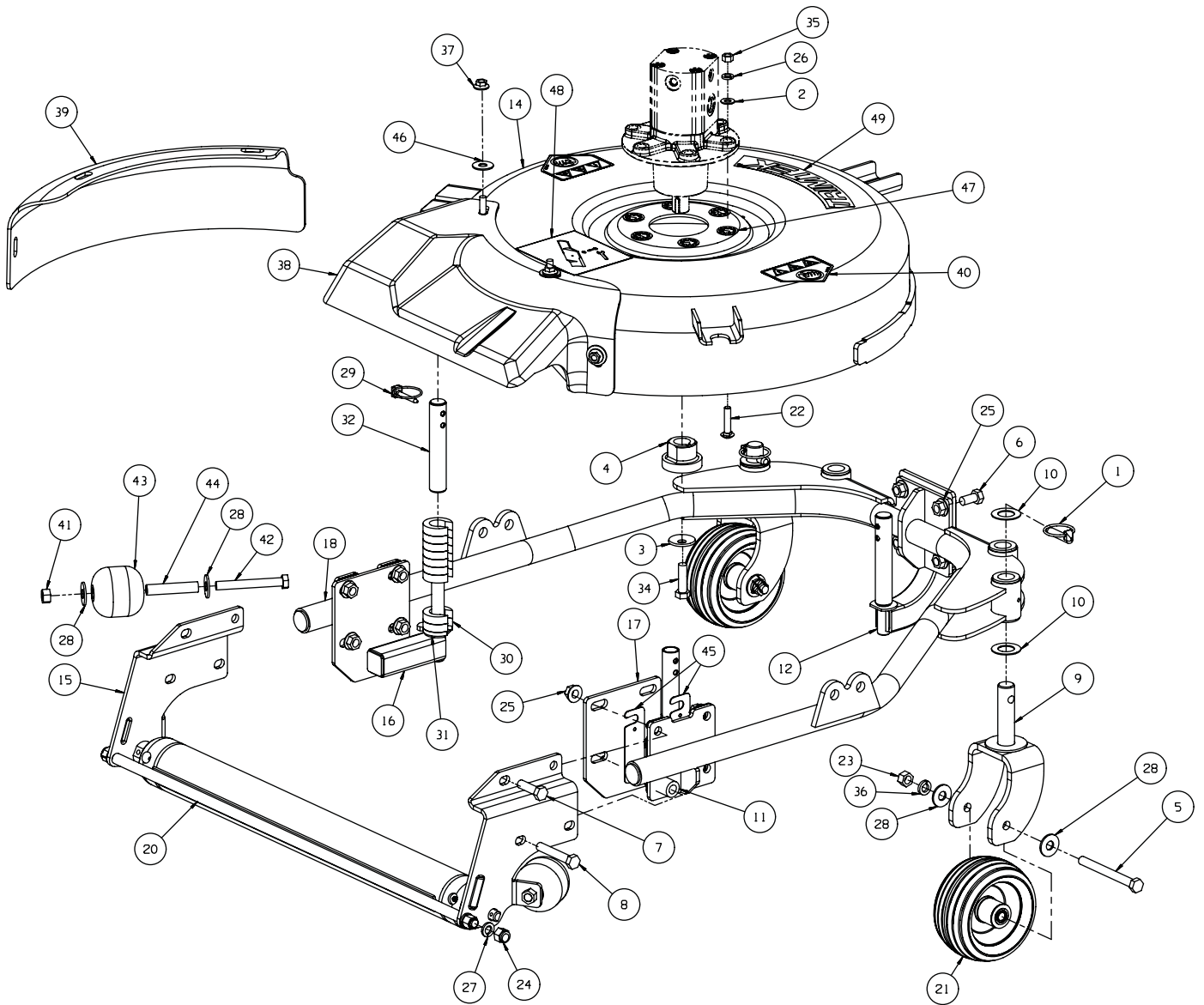


ITEM	PART NO.	DESCRIPTION	QTY.	REMARKS
	4163180	Deck Assembly	3	Per Machine
1	3004894	Pin - Klik Type	2	
2	453011	Flat Washer, 3/8	6	
3	3007764	Washer, Blade	1	
4	3008388	Adapter - Blade	1	
5	400426	Screw, 1/2-13 X 5.00" Hex Hd	2	
6	400404	Screw, 1/2-13 X 1" Hex Hd	4	
7	400410	Screw, 1/2-13 X 1-3/4" Hex Hd	4	
8	400418	Screw, 1/2-13 UNC X 3.00 Hex Hd	4	
9	4124066	Weldment, Caster Yoke	2	
10	4124076	Washer, 1.00 Id X 1.75 OD	4	
11	4124129	Spacer	4	
12	4135429	Hoc Assy, Front	1	
14	4163080	Deck Weldment	1	
15	4163181	Assembly, Roller	1	
16	4129636	Weldment, 27 In Deck Hoc LH	1	
17	4129637	Weldment, 27 In Deck Hoc RH	1	
18	4138528	Weldment, Deck Frame	1	
20	4130527	Weldment, 27" Scraper	1	
21	4173922	Wheel, Caster, Ar-5	2	
22	440124	Bolt Carriage 3/8-16 X 1.75 Sn	6	
23	443118	Nut, 1/2-13 Hex	2	
24	445771	Nut, 1/2-13 Hex Jam Nylon	2	
25	800379	Nut, 1/2-13	12	
26	446142	Lockwasher, 3/8	6	
27	446152	Washer, Lock 1/2 Reg.	2	
28	452012	Flat Washer, 1/2	8	
29	365948	Pin, Snap Ring	3	
30	PJH1054	Spacer	27	
31	4117807	Spacer	3	
32	4133007	Weldment, Hoc Sleeve	3	
34	401237	Screw, 1/2-13 X 1-3/4 Hex Hd LH	1	
35	443110	Nut, 3/8-16 Hex	6	
36	446154	Lockwasher, 1/2	2	
37	445783	Nut 3/8-16 Whizlock Large Flange	3	
38	4163103	Deflector Ar3	1	
39	4163104	Cover Mulch	1	
40	4164381	Decal, Keep Hands And Feet Away	2	
41	444758	Nut, Hex Lock 1/2-13 UNC	2	
42	400422	Screw 1/2-13 UNC X 4.00 Hex Hd	2	
43	2198153	Roller-3	"2	
44	4137534	Sleeve, Roller	2	
45	4161960	Spacer, Deck Hoc Bracket	12	

JACOBSEN AR3

DECK FRAME TrimTek™

Illustration Number: 4163083

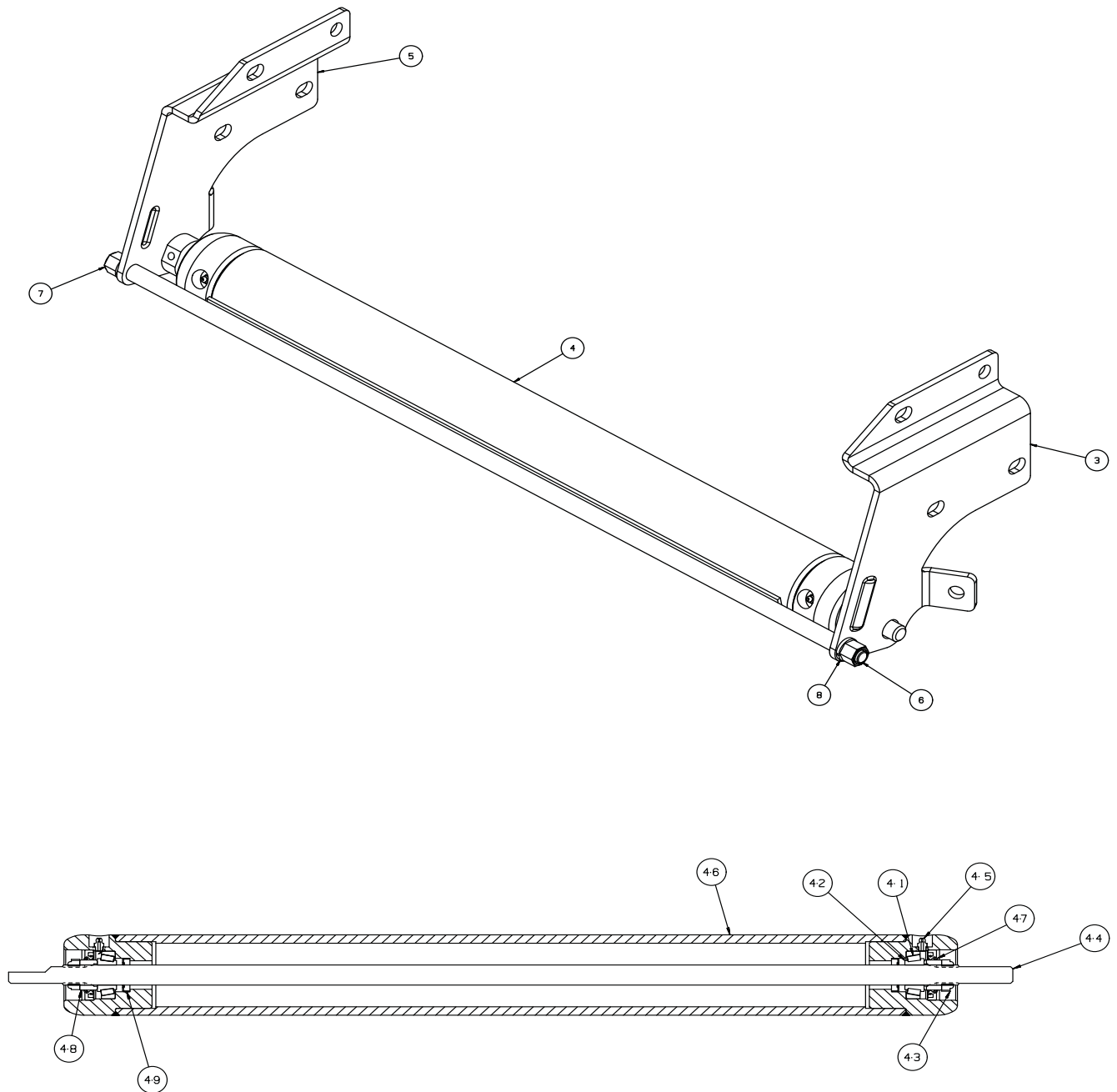


ITEM	PART NO.	DESCRIPTION	QTY.	REMARKS
46	452010	Washer, Flat 7/16 Wide	3	
47	4139787	Washer, 3/8 Retaining	6	
48	4176547	Blade Bolt, Decal	1	
49	4179022	Decal, Trimtek	1	

JACOBSEN AR3

DECK ROLLER

Illustration Number: DECK ROLL FEB_07

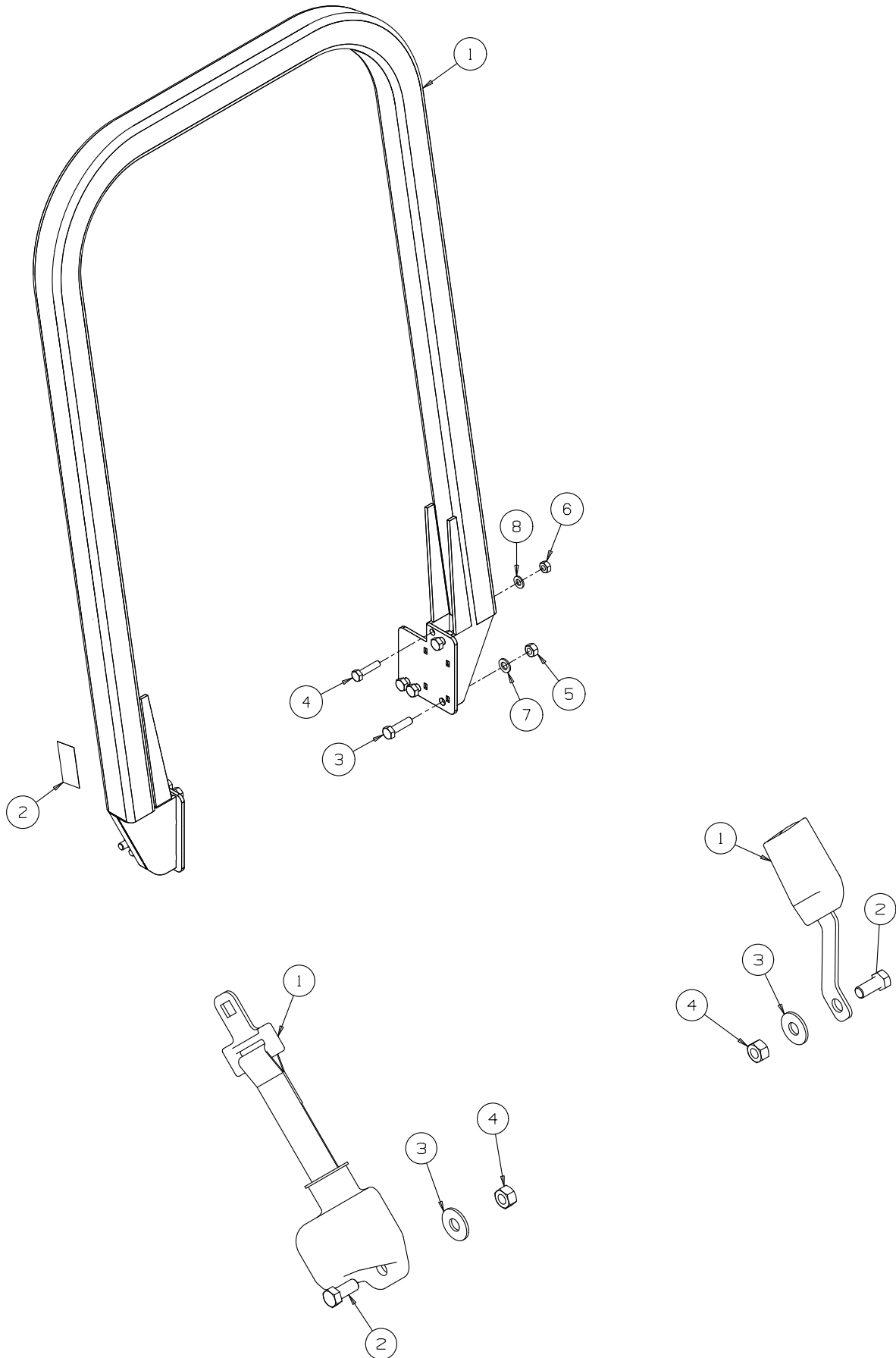


ITEM	PART NO.	DESCRIPTION	QTY.	REMARKS
3	4163089	Weldment, Roller Bracket RH	1	
4	4285651	Assembly, Roller	1	
4.1	4135151	• Bearing Cup Roller	2	
4.2	4135152	• Bearing Cone, Roller	2	
4.3	367029	• Nut 3/4 - 16 unf Lock Jam	2	
4.4	4285652	• Shaft, roller	1	
4.5	471214	• Fitting, Grease 1/4-28	2	
4.6	4285653	• Weldment, Roller	1	
4.7	3004882	• Seal - Excluder	2	
4.8	3005156	• Sleeve, Wear	2	
4.9	338647	• Oil Seal	2	
5	4163087	Weldment, Roller Bracket LH	1	
6	4200721	Weldment, Scraper	1	
7	64237-06	Locknut, Nylon Insert	2	
8	446152	Washer, Lock 1/2in	2	

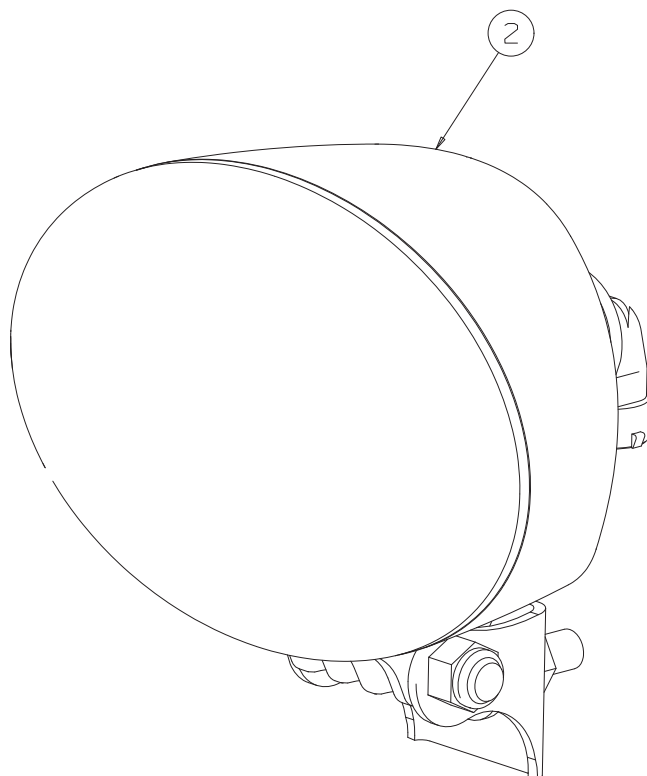
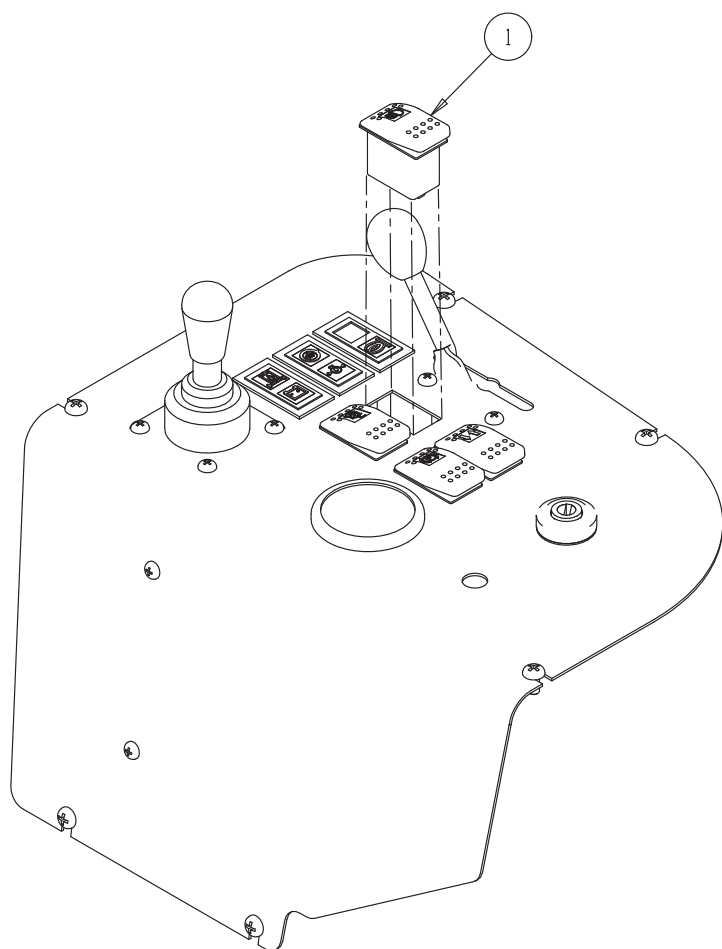
JACOBSEN AR3

OPS FRAME(LMAC164)

Illustration Number: 4137350 & 4137585



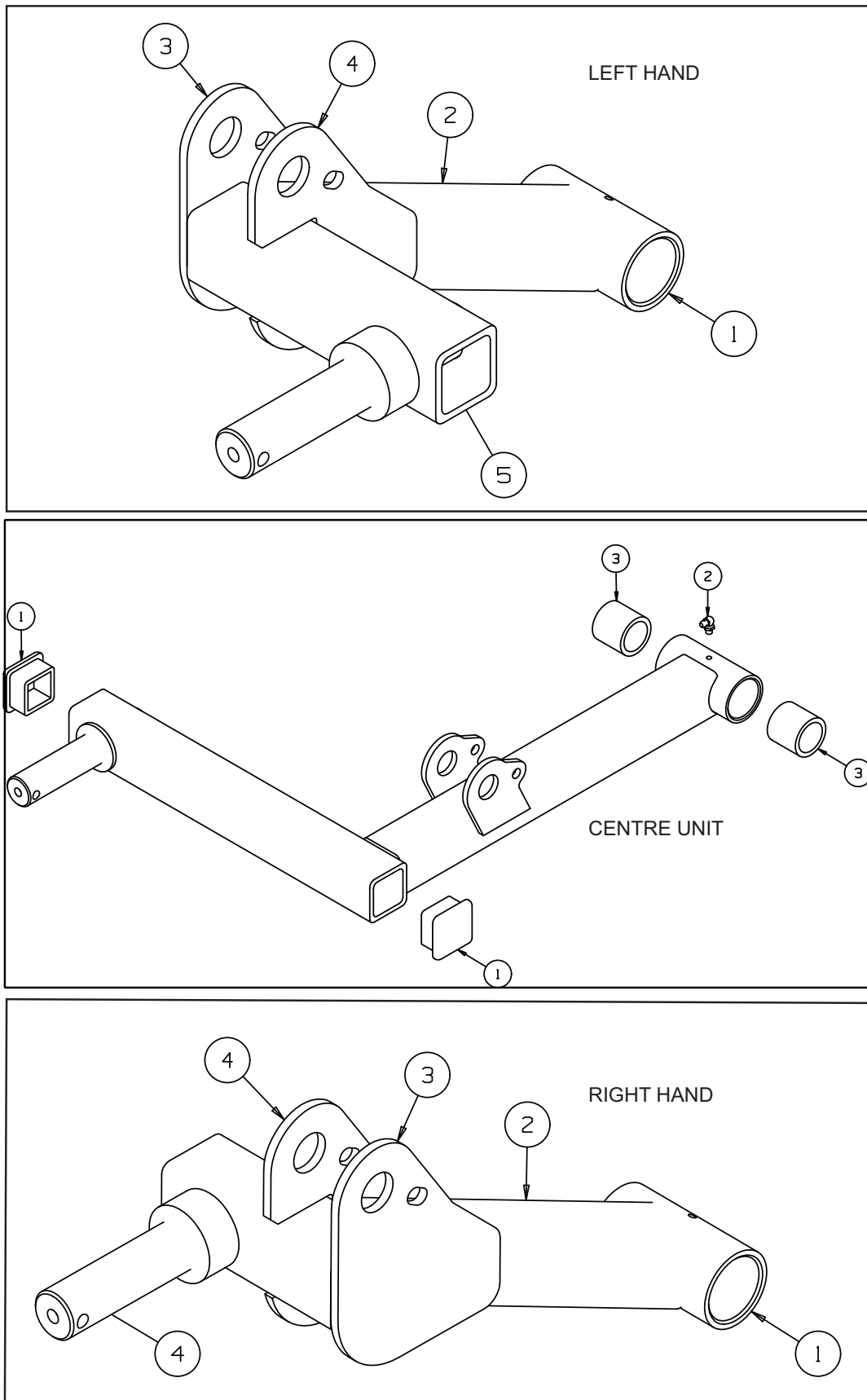
ITEM	PART NO.	DESCRIPTION	QTY.	REMARKS
2	4137350	OPS Kit (ABT)	1	Comprising Items 3 - 8
	AR3-01	Roll Bar	1	
		Label	1	
3	4270936	Bolt Kit for AR3 / TR3 OPS Frame	1	
4		• Hex Bolt - M12 x 45 Gd 10.9	8	
5		• Hex Bolt - M10 x 45 Gd 10.9	2	
6		• Hex Nut (Stover M12)	8	
7		• Hex Nut (Stover M10)	2	
8		• Plain Washer M12	8	
9		• Plain Washer M10	2	
9	4137585	Seat Belt Kit-AR3 / TR3	11	4133937 Seat Belt Assembly 1
	4135347	Seat Belt - Hardware Kit	1	Comprising Items 2 - 4
2		• Scrw-Hex 7/16" x 20 x 1	2	
3		• Nut-Hex Lock 7/16" x 20	2	
4		• Wshr - 1/2" x 1 1/4" x 0.104	2	



ITEM	PART NO.	DESCRIPTION	QTY.	REMARKS
1	4135848	Work lamp Switch	1	
2	4122840	Worklamp	2	
*	4123183	Bulb, 886, 12.8v	A/R	

NARROW WIDTH OF CUT KIT (LMAC199)

Illustration Number: Right_Left_Lift.eps

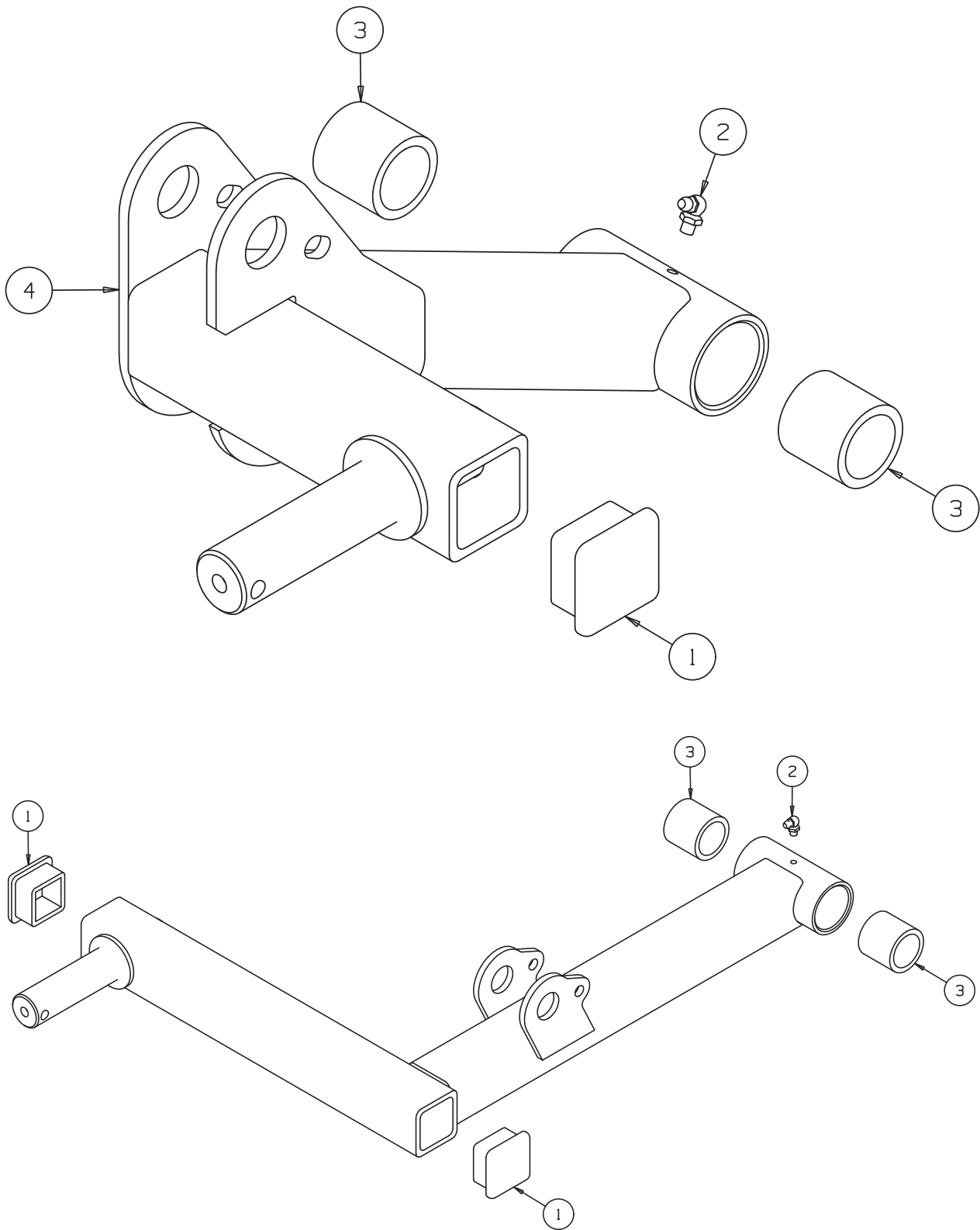


ITEM	PART NO.	DESCRIPTION	QTY.	REMARKS
	4308418	Lift Arm-Front LH	1	
1	4130843	Tube-lift Arm	1	
2	4130857	Tube-lift Arm	1	
3	4130865	Plate-lift Arm	1	
4	4130874	Plate-lift Arm	1	
5	4308421	Pivot Pin, Front LH Lift Arm	1	
	4308420	Lift Arm-Front RH		
1	4130843	Tube-lift Arm	1	
2	4130857	Tube-lift Arm	1	
3	4130865	Plate-lift Arm	1	
4	4130874	Plate-lift Arm	1	
5	4308422	Pivot Pin	1	
	LMSE195	Lift Arm-Centre	1	
1	002952633	• End Cap-RHS 50x50x5	2	
2	002993160	• Lubricator-M6 x 90 Deg	1	
3	4130255	• Bush-Devol 1-1/4 x 1-5/8 x 1-1/2	2	
4	4140815	• Wldmt-Lift Arm Ctr	1	
5	4140881	Bracket-Bumper Stop	1	

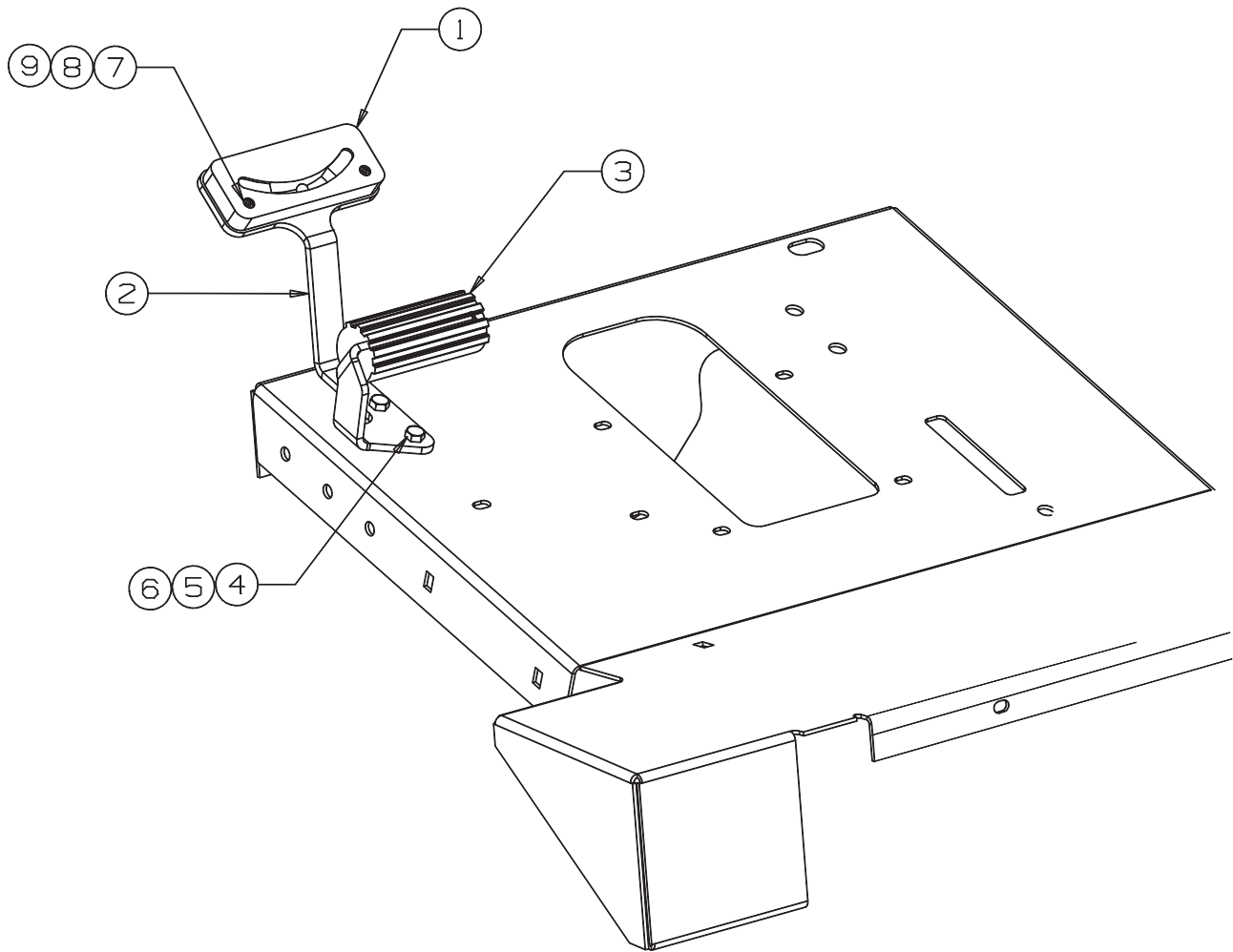
JACOBSEN AR3

72" WIDTH OF CUT KIT (AR30002)

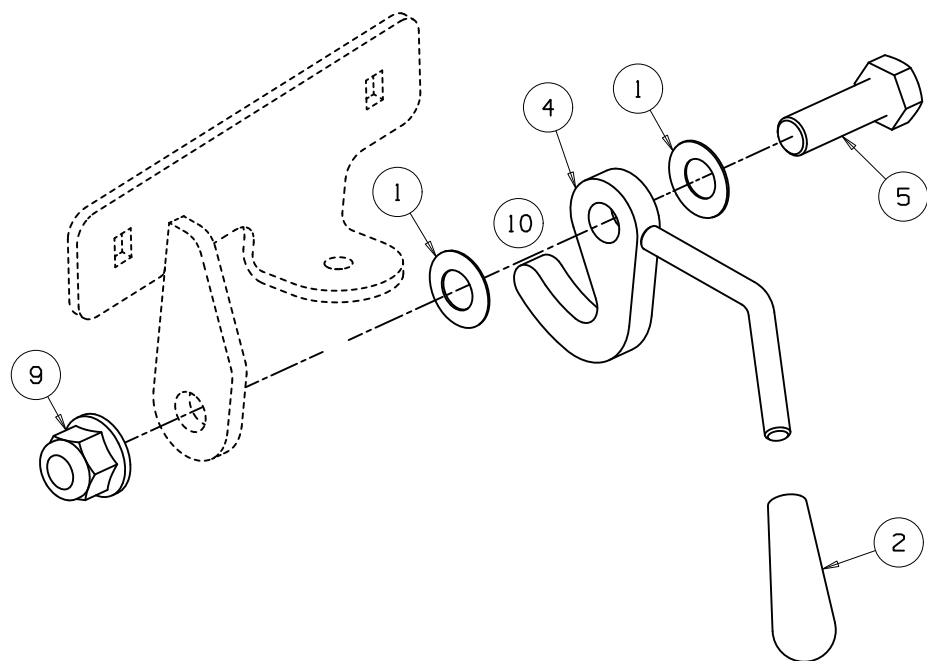
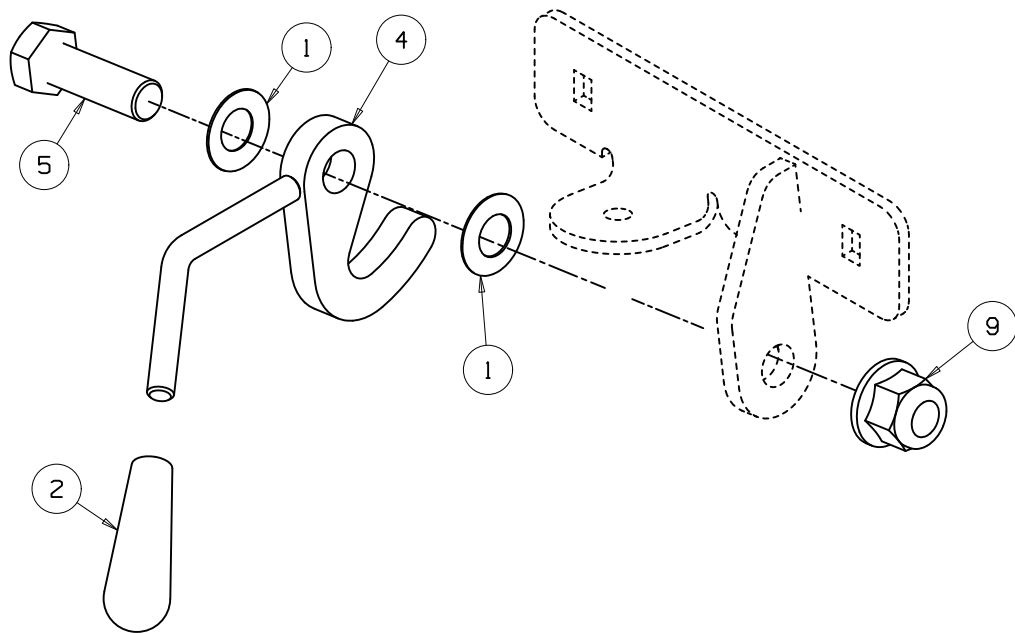
Illustration Number: 4130836 & 4130838



ITEM	PART NO.	DESCRIPTION	QTY.	REMARKS
		Lift Arm-Front LH	1	
1	002952633	• End Cap-RHS 50x50x5	1	
2	002993160	• Lubricator-M6 x 90 Deg	1	
3	4130255	• Bush-Devol 1-1/4 x 1-5/8 x 1-1/2	2	
4	4130836	• Wldmt-Lift Arm LH	1	
		Lift Arm-Centre	1	
1	002952633	• End Cap-RHS 50x50x5	2	
2	002993160	• Lubricator-M6 x 90 Deg	1	
3	4130255	• Bush-Devol 1-1/4 x 1-5/8 x 1-1/2	2	
4	4130838	• Wldmt-Lift Arm Ctr	1	
5	4131709	Bracket-Bumper Stop	1	



ITEM	PART NO.	DESCRIPTION	QTY.	REMARKS
1	4212921	• Ball Inclinometer	1	
2	4206788	• Footrest and Inclinometer Bracket	1	
3	3003475	• Grip-Pedal	1	
4	450192	• Screw M8 x 25	2	
5	450390	• Washer 8mm	2	
6	450378	• Nyloc Nut M8	2	
7	450699	• Hex Hd Screw M5	2	
8	450388	• Washer 5mm	2	
9	450376	• Nyloc Nut M5	2	



ITEM	PART NO.	DESCRIPTION	QTY.	REMARKS
1	002921109	Sprg-Disc 16.3 x 31.5 x 0.8	4	Removed from Machine EK000355
2	002990227	Knob	2	Removed from Machine EK000355
4	4137435	Transport Hook W/A	2	Removed from Machine EK000355
5	450069	Bolt-Hex M16 x 50	2	Removed from Machine EK000355
9	452439	Nut-Hex M16 Flng Nyloc	2	Removed from Machine EK000355



Ransomes Jacobsen Limited
West Road, Ransomes Europark, Ipswich,
England, IP3 9TT
English Company Registration No. 1070731
www.ransomesjacobsen.com

Jacobsen, A Textron Company
11108 Quality Drive, Charlotte,
NC 28273, USA
www.Jacobsen.com