



Parts Manual

Jacobsen Fairway 250 305 and 405 Ride on Reel Mower

Fairway 250

Series: JZ

Product code: JGZZ250

Fairway 305

Series: JN

Product code: JGPP305

Series: KD

Product code: JGPP305P

Series: JT

Product code: JGPP305C

Fairway 405

Series: JP

Product code: JHAA405

Series: KE

Product code: JHAA405P

Series: JU

Product code: JHAA405C

WARNING

WARNING: If incorrectly used this machine can cause severe injury. Those who use and maintain this machine should be trained in its proper use, warned of its dangers and should read the entire manual before attempting to set up, operate, adjust or service the machine.

Ransomes Jacobsen Limited reserves the right to make design changes without obligation to make these changes on units previously sold and the information contained in this manual is subject to change without notice.

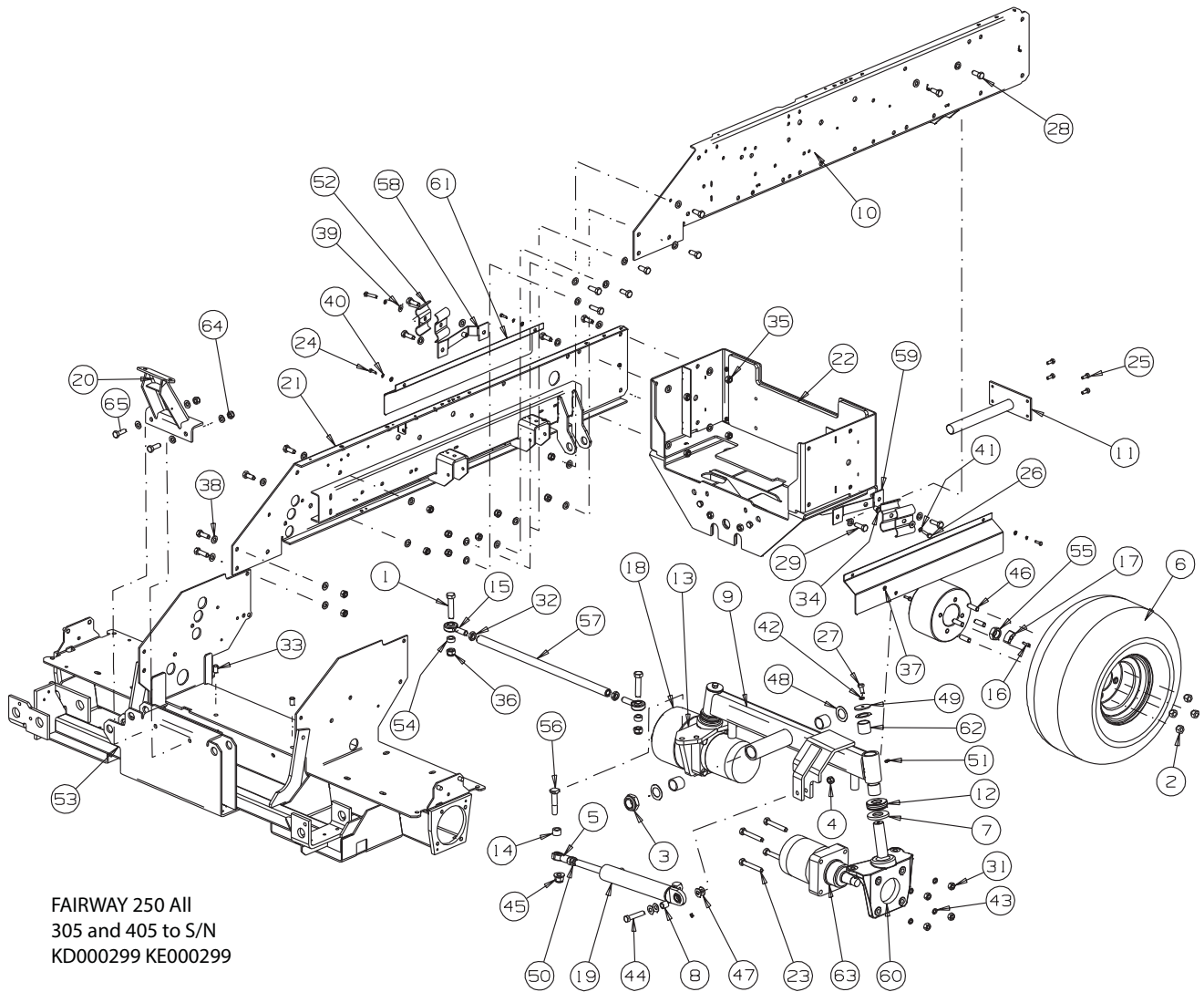
DESCRIPTION	PAGE
FRAME AND REAR AXLE	4
HYDRAULIC TRACTION MOTOR REAR	8
ENGINE MOUNTING SERIES JZ, JN, JP	10
ENGINE EXHAUST AND MOUNTING - SERIES KD, JT, KE, JU	12
ENGINE / HYDRAULIC TRANSMISSION DRIVE	14
SERVO PUMP & THROTTLE CONTROLS	16
AIR FILTER MOUNTING AND BULKHEAD series JZ, JN, JP	18
RADIATOR & OIL COOLER MOUNTING SERIES JZ, JN, JP	20
RADIATOR, OIL COOLER AND AIR FILTER MOUNTING SERIES JT, KD, JU, KE	22
STEERING WHEEL AND PEDAL MOUNTING	24
FRONT LIFT ARMS	30
REAR LIFT ARMS	34
WING LIFT ARMS-FAIRWAY 405	38
ROPS	42
HYDRAULIC TRACTION MOTOR FRONT SERIES JZ, JN, JP	44
FRONT AXLE MOTOR and WHEEL - SERIES JT, JU	46
HYDRAULIC RESERVOIR-FUEL TANK and BATTERY	48
BONNET AND REAR BUMPER	52
SEAT MOUNTING	54
GRAMMER MSG 85 SEAT (4137966) - SUSPENSION	56
GRAMMER MSG 85 SEAT (4137966) -SEAT TOP	58
SEAT BREAKDOWN GRAMMER (S 85 / 90R)	62
SEAT SUSPENSION BREAKDOWN GRAMMER DS85H	66
JOYSTICK ASSEMBLY FAIRWAY 405	70
ELECTRICS - INSTRUMENT PANEL SERIES JZ, JN, JP	72
ELECTRICS - INSTRUMENT PANEL SERIES JT, KE, JU, KE	73
ELECTRICS - VARIOUS COMPONENTS	74
ELECTRICAL SECTION SERIES JT KD	76
ELECTRICAL SECTION SERIES JZ JP JN	78
HYDRAULIC VALVE MOUNTING FAIRWAY 250 AND 305	82
HYDRAULIC VALVE MOUNTING FAIRWAY 405	86
SERVO TRANSMISSION PUMP-SAUER SUNDSTRAND	90
TANDEM PUMP	92
HYDRAULIC STEER GEAR	94
SOLENOID LIFT CONTROL VALVE FAIRWAY 250 AND 305	96
SOLENOID LIFT CONTROL VALVE FAIRWAY 405	98
SOLENOID VALVE	100
REEL DRIVE VALVE	102
VALVE, WEIGHT TRANSFER	104
GROUP BRAKE VALVE SERIES JT, KD, JU, KE	106
BRAKE VALVE (4201021)	108
VALVE 4 WHEEL DRIVE SERIES JZ, JN, JP	110
4WD TRANSMISSION VALVE SERIES JT, KD, JU, KE	112
HYDRAULIC DIAGRAM TRACTION SERIES JZ, JN, JP	114
HYDRAULIC DIAGRAM TRACTION SERIES JT, KD, JU, KE	118
HYDRAULIC DIAGRAM - 250 305 CUTTING, STEERING & LIFT	122
HYDRAULIC DIAGRAM - 405 CUTTING, STEERING & LIFT	130
DECALS	138
MAIN FRAME & MOUNTING	142
COMMON PARTS-BOTTOM BLOCK & CONCAVE	144
COMMON PARTS-CONCAVE	146
COMMON PARTS-CYLINDER BEARING HOUSINGS	148
COMMON PARTS-REAR ROLL SMOOTH	150
CUTTING CYLINDER & FRONT PLAIN ROLL (FLOATING HEAD)	152
CUTTING CYLINDER & FRONT GROOVED ROLL 22" and 26"	153
REAR ROLL BRUSH KIT FOR 22" & 26" RH DRIVE UNIT	154
REAR ROLL BRUSH KIT FOR 22" & 26" LH DRIVE UNIT	156
CUTTING UNIT DRIVE MOTORS	158
GRASSBOX AND FITTINGS	160
CABIN	162

IMPORTANT! READ!

You have purchased a first class mower and the useful life you obtain from your machine depends to a large extent on proper maintenance & operation. Before attempting to use your mower, read your operator's Manual carefully. Make yourself familiar with the operation, controls, adjustments, lubrication and maintenance sections. ALL references to left and right are from operator's position.

FRAME AND REAR AXLE

Illustration: Frame and rear axle



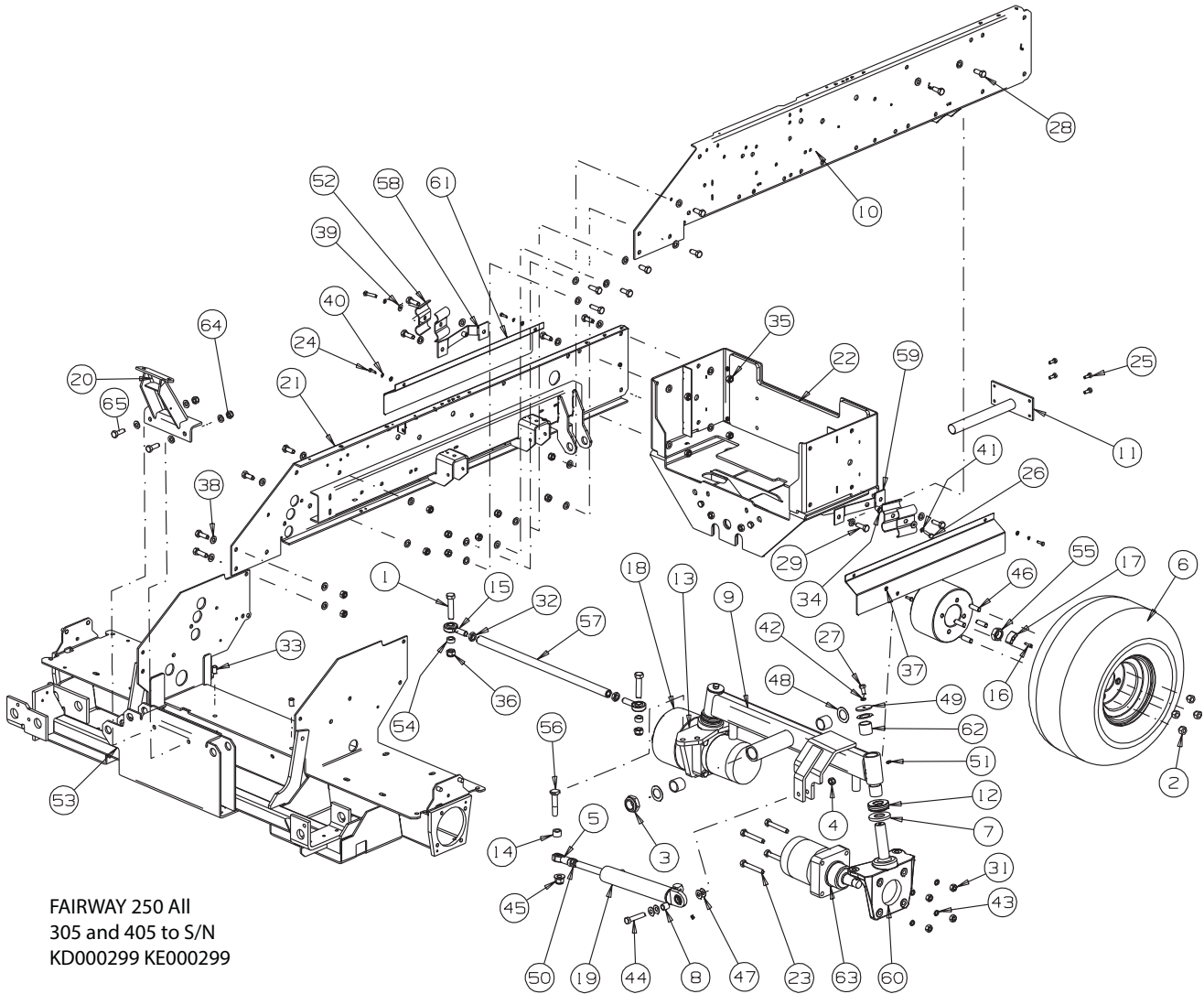
FAIRWAY 250 All
305 and 405 to S/N
KD000299 KE000299

ITEM	PART NO.	DESCRIPTION	QTY	
1	001009740	Bolt - Hex M16 - 2 X 70	2	
2	001341110	Nut, Wheel	8	80Nm
3	001393820	Nut - Hex 1 - 1/4 - 12 Nyloc	1	
4	001399032	Nut - Hex 1/2 - 20 Nyloc	1	
5	008145530	Rod End	1	
6	4237070	Wheel Assembly 20x10x8 4 Bolt 4Ply	1	Standard Wheel Kit
*	4233962	• Tyre 20 x 10 x 8 - 4 Ply Grassmaster	1	
*	4293444	• 1 Piece Rim 8 x 7 I Contour 4 Bolt	1	From S/N JZ000317 KD000315
7	173042	Spacer - Spindle	2	KE000311
8	2203049	Bushing - Steering Cylinder	1	
9	2206013G	Rear Axle - Welded Assy	1	
10	4251130	Weldment - Frame Rail LH	1	
11	4287231	Weldment - Rear Axle Pivot	1	
12	2721223	Bearing - Thrust	2	
13	4140252	Plate - Rear Motor RH	1	
14	4141565	Spacer (25x16.2x17.5lg)	1	
15	4182920	Rod End	2	
16	4183560	Capscrew - Socket M8x20	2	
17	4192800	Hub Wheel Nut	2	
18	4193480	Wheel Hub, Rear	2	
19	4244282	D/A Hydraulic Cylinder, Steering	1	
20	4287191	Platform Brace Welded Assembly	1	
21	4251132	Weldment - Frame Rail, RH	1	
22	4252630	Weldment - Rear Frame	1	
23	450056	Bolt - Hex M12 - 1.75 X 80	8	
24	450171	Screw - Hex M6 - 1.0 X 20	4	
25	450191	Screw - Hex M8 - 1.25 X 20	4	
26	450194	Screw - Hex M8 - 1.25 X 35	2	
27	450213	Screw - Hex M10 - 1.5 X 20	2	
28	450241	Screw - Hex M12 - 1.75 X 30	10	
29	450242	Screw - Hex M12 - 1.75 X 35	16	
30	450243	Screw - Hex M12 - 1.75 X 40	2	
31	450326	Nut - Hex M12 - 1.75, Gr 8	8	
32	450334	Nut - Hex M16 - 2.0	2	
33	450360	M8 - 1.25 Nutsert	2	
34	450369	M8 - 1.25 Nutsert	2	
35	450380	Nut - Hex M12 - 1.75 Nyloc	20	
36	450382	Nut - Hex M16 - 2.0 Nyloc	2	
37	450389	Washer - M6 X 12.5 X 1.8	4	
38	450392	Washer - M12 X 24 X 2.7	50	
39	450400	Washer - M8 X 21 X 1.8	2	
40	450410	Lock Washer - M6 X 9.6 X 1.5	4	
41	450411	Lock Washer - M8 X 12.75 X 2	2	

* Not Illustrated

FRAME AND REAR AXLE

Illustration: Frame and rear axle

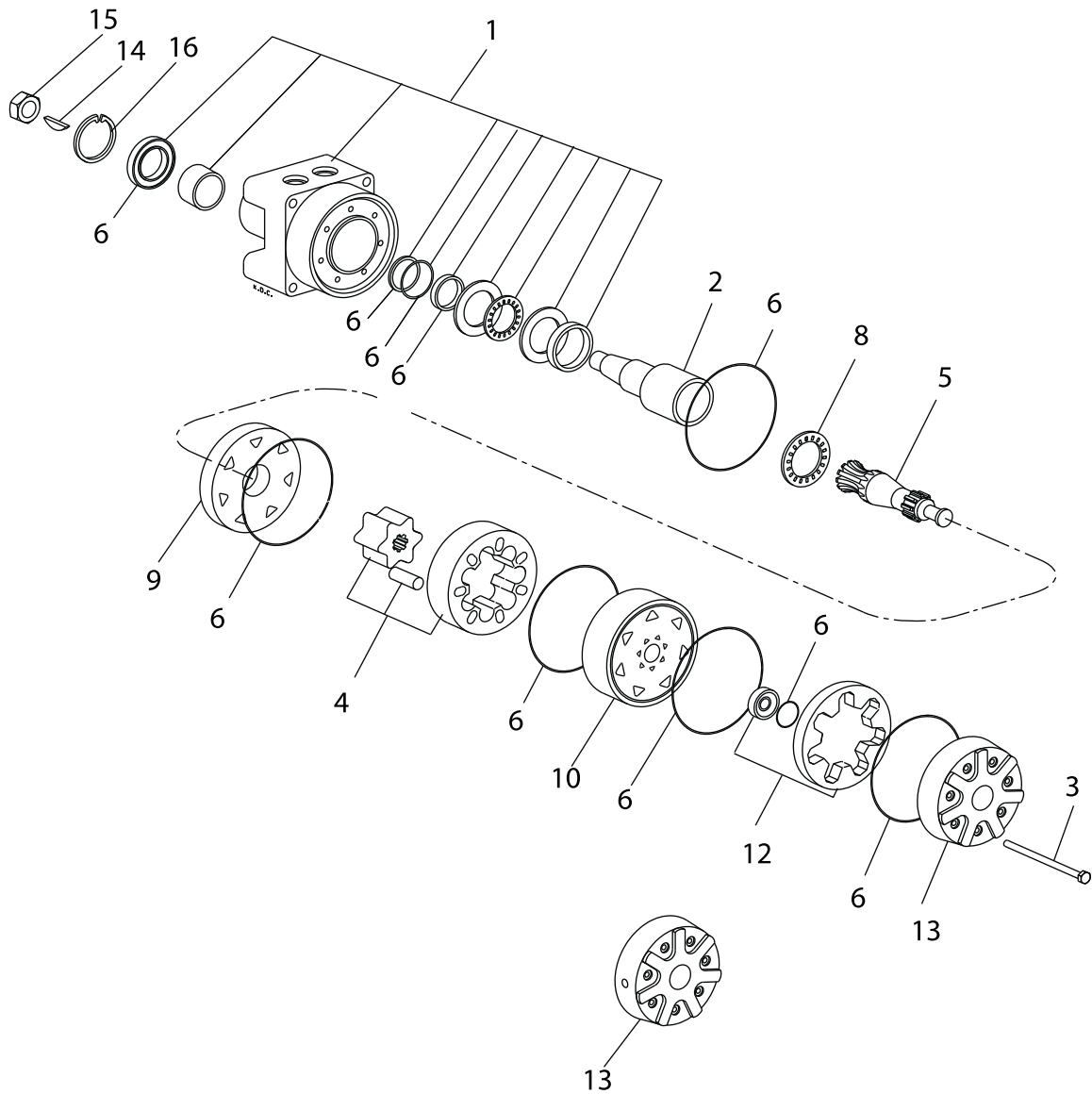


FAIRWAY 250 All
305 and 405 to S/N
KD000299 KE000299

ITEM	PART NO.	DESCRIPTION	QTY	
42	450412	Lock Washer - M10 X 15.9 X 2.5	2	
43	450413	Lock Washer - M12 X 17.9 X 2.5	8	
44	451030667	Bolt - Hex 1/2 - 20 X 2.1/2	1	
45	452439	Nut - Hex M16 Flange Nyloc	1	
46	456800237	Stud - 1/2 - 20x1 - 1/2	8	
47	461901679	Spring - Disc 13 X 28 X 1	4	
48	62464 - 4a	Washer - Thrust 1.250 X 1.937 X 030	4	
49	64163 - 17	Washer - 25/64 X 2 X 11g	2	
50	800490	Nut - Hex M14	1	
51	842000044	Lubricator - 1/4" Straight	3	
52	MBE1265	Bracket	4	
53	MBF0199J	Front Frame 305 405	1	To S/N KD000299 KE000299
53	2206131E.07	Front Frame 250	1	
54	MBF1270A	Spacer Tie - Rod End	2	
55	MBF1355	Wheel Motor Nut 1" - 20 UNEF	2	270Nm
56	MBF1544A	Bolt - Motor Mount	1	
57	MBG2163	Tie - Rod	1	
58	MBG5362	Bracket RH	1	
59	MBG5363	Bracket LH	1	
60	MBG5538	Plate - Rear Motor	1	
61	MBG6303	Hose Cover, Fairway 405	2	
62	W108003	Bush - 1 - 1/4 X 1 - 1/2 X 1 - 1/4	6	
63	W148141 - 07	Motor	2	
64	452437	Nut Hex M10 Flange Nyloc	2	
65	450881	Screw Socket M10	2	

HYDRAULIC TRACTION MOTOR REAR

Illustration: hydraulic traction motor

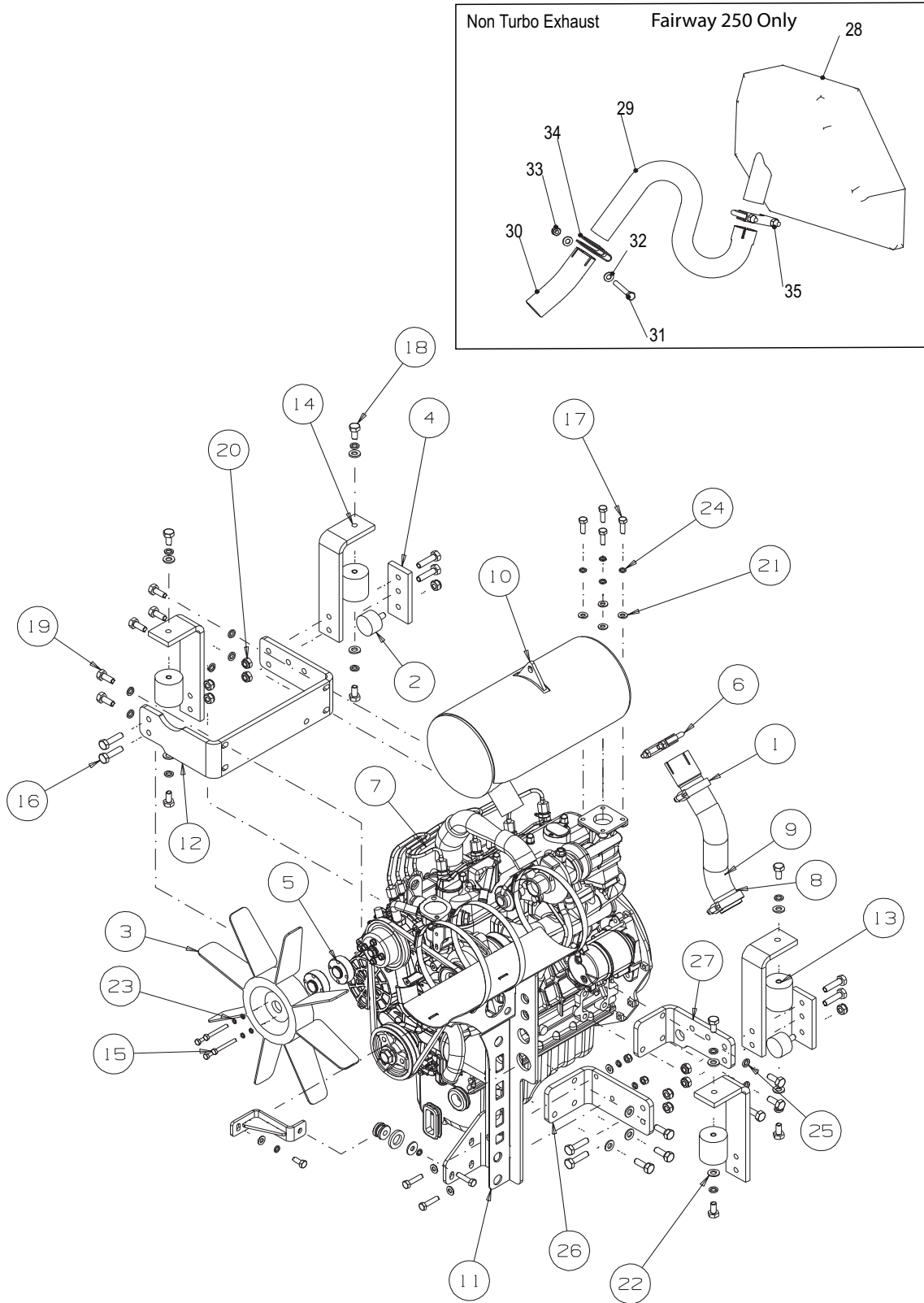


ITEM	PART NO.	DESCRIPTION	QTY	
	148141 - 07	Rear Wheel Motor ME	2	
1	008000500	• Housing Assembly	1	
2	N/A	• Coupling Shaft	1	
3	N/A	• Bolt	7	
4	N/A	• Rotor Set	1	
5	N/A	• Impeller		
6	008000460	• Seal Kit	1	
8	N/A	• Thrust Bearing	1	
9	N/A	• Wear Plate	1	
10	N/A	• Manifold	1	
11	N/A	• Commutator Assembly	1	
13	N/A	• End Cover Assembly	1	
14	008006270	• Key	1	
15	008006260	• Castle Nut	1	Torque 270nm
16	N/A	• Circlip	1	

* Not Illustrated

ENGINE MOUNTING SERIES JZ, JN, JP

Illustration Number: 4271431_Engine_mounting_and_exhaust

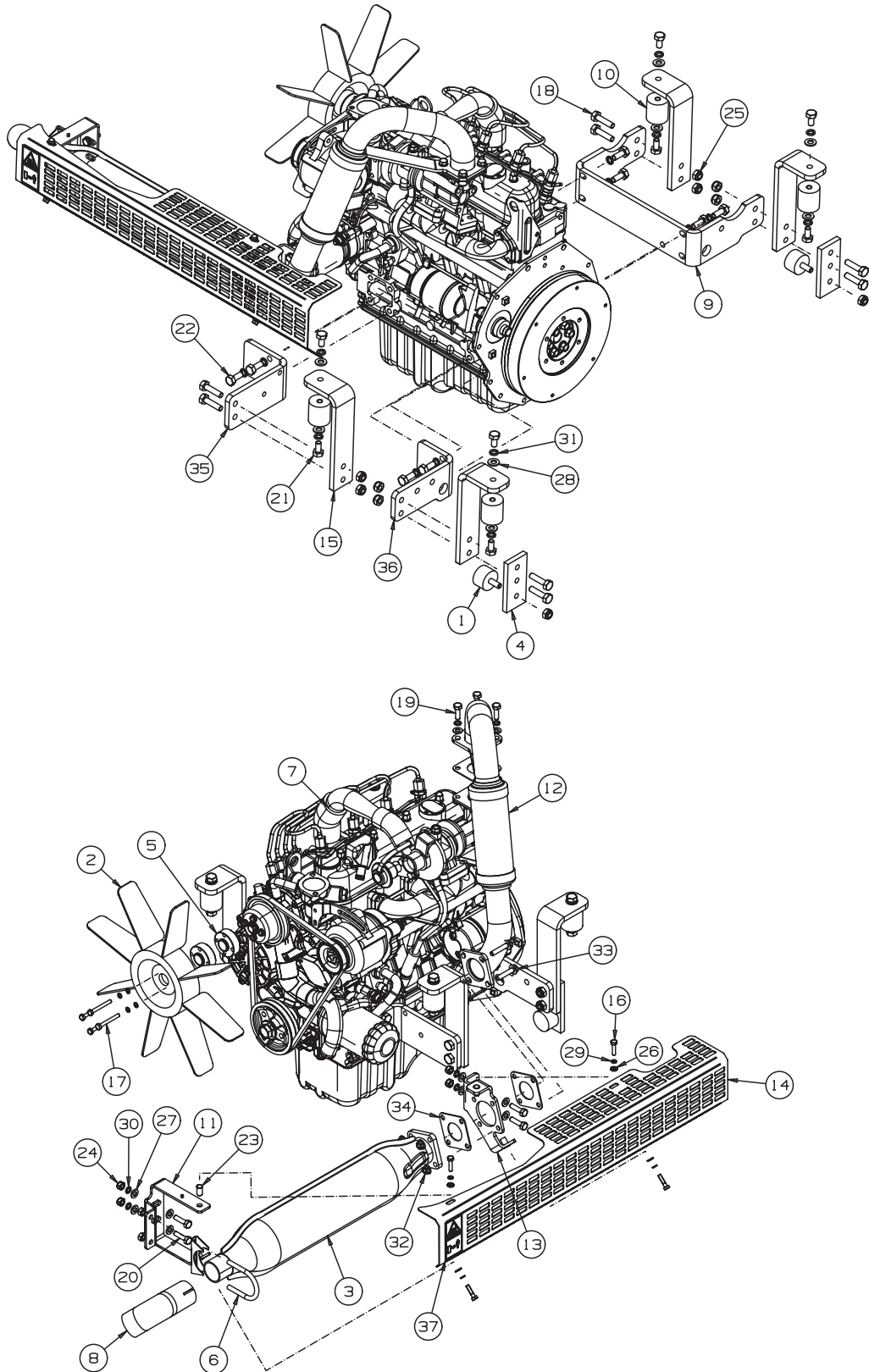


ITEM	PART NO.	DESCRIPTION	QTY	
1	001925570	Hose Clamp, 34 - 57	2	
2	002994060	Rubber Mount	2	
3	006911340	Fan 8 Blade	1	
4	2202160A	Stop - Rear Reel	2	
5	2203099	Spacer - Fan	2	
6	4116132	U - clamp 48 mm	1	
7	4116764	Engine - Kubota V1505 - T Turbo	1	Fairway 305 & 405
7	006821820	Engine - Kubota V1505 Non Turbo	1	Fairway 250
*	4246790	• Pipe, with Flange, Turbo Oil	1	
*	4246791	• Pipe, with Banjo's, Turbo Oil	1	
8	4123939	Exhaust Pipe	1	
9	4135618	Knitted Silica Sleeve	1	
10	4140832	Turbo Exhaust	1	
11	4187140	Turbo Muffler Bracket Assembly	1	
12	4261010	Engine Bracket LH	1	
13	4261170	Mount - Isolation	4	
14	4261171	Bracket - Engine Mounting	4	
15	450005	Bolt - Hex M6	4	
16	450030	Bolt - Hex M10	8	
17	450192	Screw - Hex M8	4	
18	450213	Screw - Hex M10	8	
19	450214	Screw - Hex M10	8	
20	450379	Nut - Hex M10 Nyloc	10	
21	450390	Washer - M8 X 17 X 1.8	4	
22	450391	Washer - M10 X 21 X 2.2	8	
23	450410	Lock Washer - M6 X 9.6 X 1.5	4	
24	450411	Lock Washer - M8 X 12.75 X 2	4	
25	450412	Lock Washer - M10 X 15.9 X 2.5	16	
26	MBG6852	Engine Bracket RH Rear	1	
27	MBG6853	Engine Bracket RH Front 405	1	
28	37410 - 88518	Exhaust Muffler	1	Fairway 250
29	4121697	Exhaust Downpipe	1	
30	4122690	Chrome Tailpipe	1	
31	450022	Bolt M8 X 70	1	
32	450390	M8 Washer	2	
33	450378	M8 Nyloc	1	
34	006911200	Exhaust Band	1	
35	4116132	U - clamp 48 mm	1	

* Not Illustrated

ENGINE EXHAUST AND MOUNTING - SERIES KD, JT, KE, JU

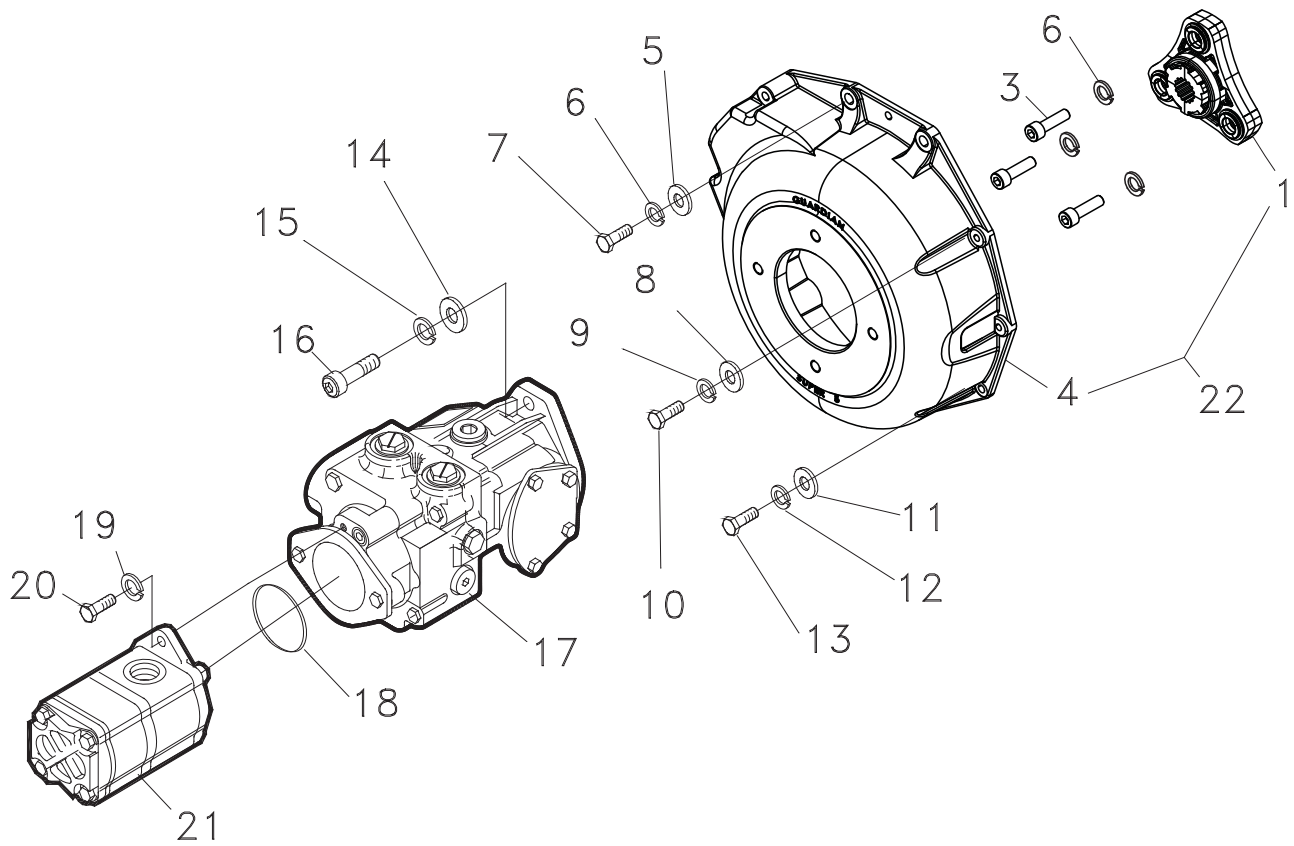
Illustration: 4271431 405 Engine Exhaust and Mount.eps



ITEM	PART NO.	DESCRIPTION	QTY	
1	002994060	Rubber Mount	2	
2	006911340	Fan 8 Blade	1	
3	16293 - 12111	Muffler	1	
4	2202160a	Stop - rear Reel	2	
5	2203099	Spacer - fan	2	
6	4116132	U - clamp 48 Mm	1	
7	4116764	Engine - Kubota V1505 - T Turbo	1	Fairway 305 & 405
8	4249830	Tailpipe	1	
9	4261010	Engine Bracket LH	1	
10	4286091	Mount Isolation	4	
11	4280231	Bracket Exhaust Rear	1	
12	4280274	Exhaust Tube	1	
13	4280651	Bracket Exhaust Front	1	
14	4281691	Fairway Exhaust Shroud	1	
15	4286031	Bracket Mounting	4	
16	450000	Bolt - Hex M6 - 1.0 X 25	4	
17	450005	Bolt - Hex M6 - 1.0 X 50	4	
18	450030	Bolt - Hex M10 - 1.5 X 40	8	
19	450192	Screw - Hex M8 - 1.25 X 25	4	
20	450193	Screw - Hex M8 - 1.25 X 30	4	
21	450213	Screw - Hex M10 - 1.5 X 20	8	
22	450214	Screw - Hex M10 - 1.5 X 25	11	
23	450358	M6 - 1.0 Nutsert	4	
24	450378	Nut - Hex M8 - 1.25, Nyloc	4	
25	450379	Nut - Hex M10 - 1.5 Nyloc	10	
26	450389	Washer - M6 X 12.5 X 1.8	4	
27	450390	Washer - M8 X 17 X 1.8	12	
28	450391	Washer - M10 X 21 X 2.2	8	
29	450410	Lock Washer - M6 X 9.6 X 1.5	8	
30	450411	Lock Washer - M8 X 12.75 X 2	8	
31	450412	Lock Washer - M10 X 15.9 X 2.5	19	
32	450453	Nut - Hex M8 - 1.25	4	Verbus Ripp
33	450474	Screw - Hex M8 - 1.25 X 40,	4	Verbus Ripp
34	553020	Gasket, Muffler	3	
35	Mbg6852	Eng.Bracket RH Rear	1	
36	Mbg6853	Eng.Bracket RH Front	1	
37	009034920	Decal - hot	1	

ENGINE / HYDRAULIC TRANSMISSION DRIVE

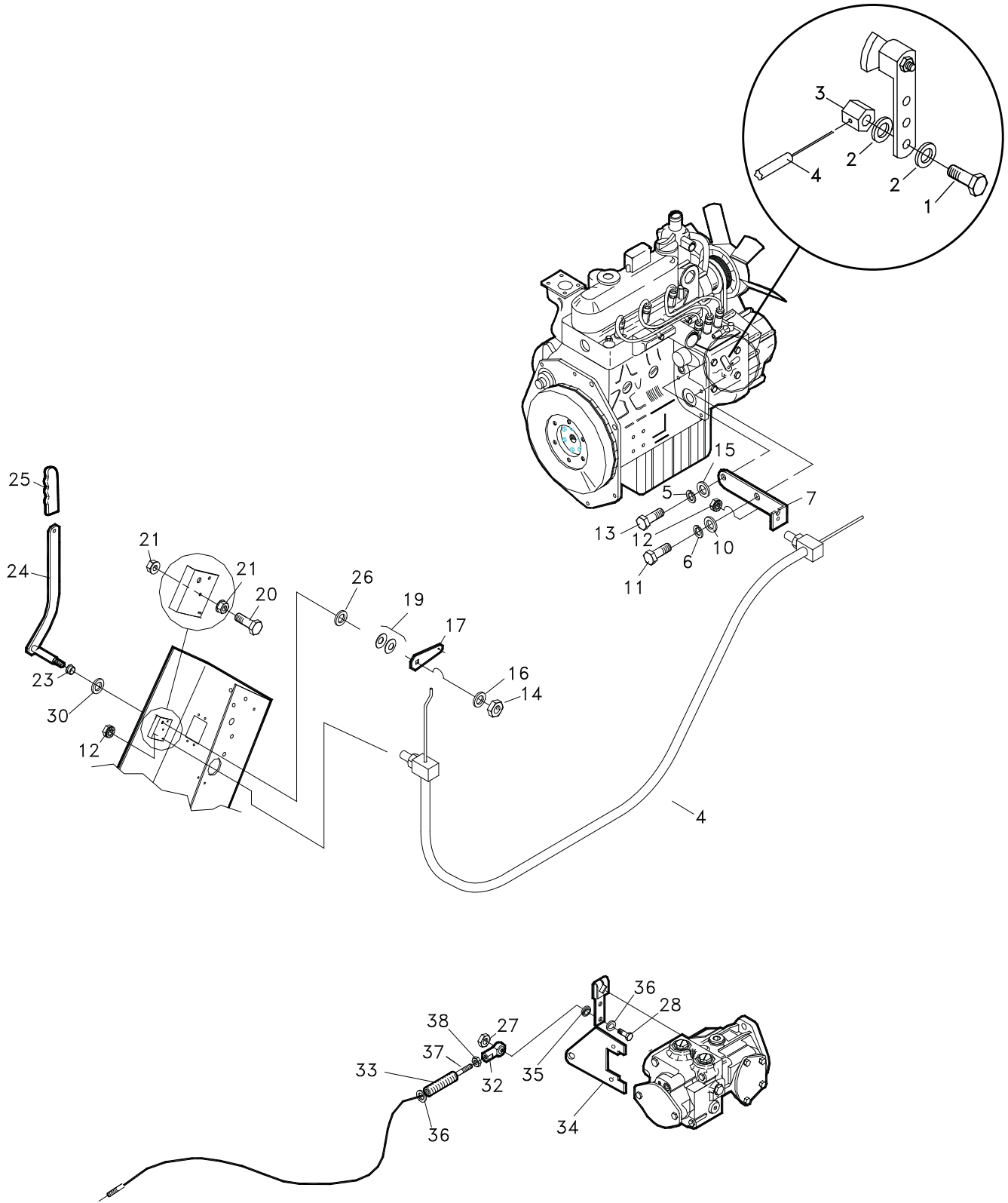
Illustration Number: TRANSMISSION DRIVE



ITEM	PART NO.	DESCRIPTION	QTY	
1	4239642	Coupling 15t, Delta Super 5	1	
3	001290140	Cap Screw - Socket M10	3	
4	4196202	Bell Housing	1	
5	450391	Washer - M10 X 21 X 2.2	2	
6	450412	Lock Washer M10 X 15.9 X 2.5	5	
7	001191520	Screw - Hex M10	2	
8	450390	Washer - M8 X 17 X 1.8	1	
9	450411	Lock Washer M8 X 12.75 X 2	1	
10	450015	Bolt - Hex M8	1	
11	450390	Washer - M8	3	
12	450411	Lock Washer M8 X 12.75 X 2	3	
13	450014	Bolt - Hex M8	3	
14	450392	Washer M12	2	
15	452200168	Lock Washer 1/2" X .768 X .116"	2	
16	800770	Screw,.5 - 13 1.75 BS HS	2	
17	008006380	Transmission Pump	1	
*	008008860	• Seal Kit For 008006380	1	
18	W1580604	O - Ring 3.237 Id X .103 Sect	1	
19	452200087	Lock Washer 3/8" X .590" X .092"	2	
20	451110134	Bolt - Hex 3/8" UNC X 1/2"	2	
21	4181600	Tandem Pump Fairway 405	1	
21	008005940	Tandem Pump Fairway 305/250	1	
22	4176382	Bell Housing Kit	1	Consists Of Items 1 & 4

SERVO PUMP & THROTTLE CONTROLS

Illustration: PARTS_Hydrostat&ThrottleAssy (old)

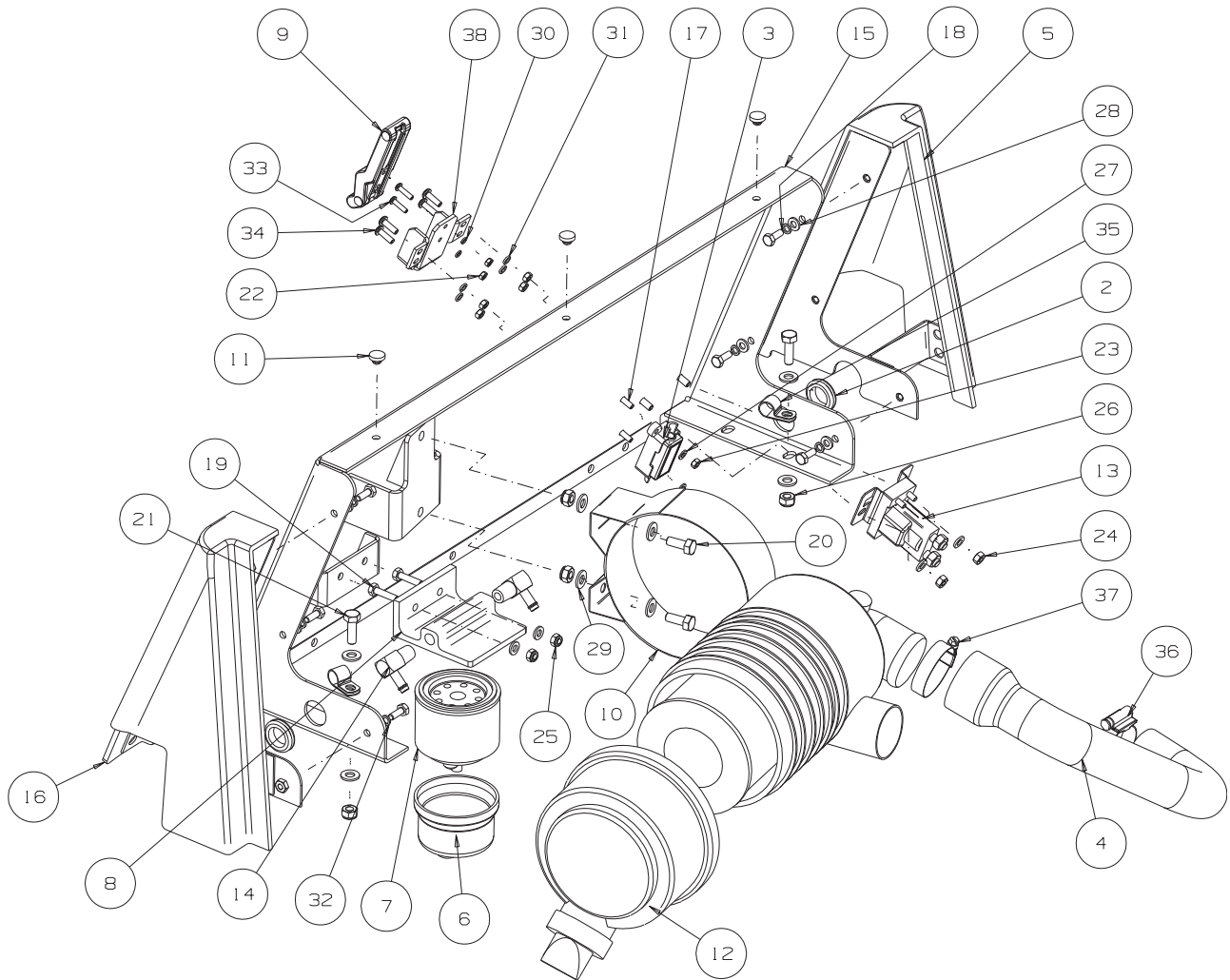


ITEM	PART NO.	DESCRIPTION	QTY	
1	456010161	Screw - Hex 5/16 - 24x1/2	1	
2	002920501	Disc Spring	2	
3	172084	Clamp - Throttle	1	
4	4145165	Cable - Throttle	1	
5	450411	Lock Washer M8	1	
6	450412	Lock Washer M10	1	
7	MBG2027A	Throttle Bracket	1	
10	450391	Washer, M10	1	
11	001190327	Screw M10	1	
13	450191	Screw, M8 Hex HD	1	
14	452436	Nut, M8 Flanged	1	
15	450390	Washer, M8	1	
16	450392	Washer, M12	1	
17	172088	Throttle Arm	1	
19	H083031	Disc Spring	2	
20	450195	Screw M8 HD	2	
21	450324	Nut, M8	4	
23	W118047 - 02	Bushing Slip Lok 1/2	1	
24	MBF1971.07	Throttle Lever Assembly Crank	1	
25	W038404 - 02	Grip	1	
26	MBF1691	Collar	1	
27	450323	Nut Nyloc M6	1	
28	450000	Bolt - Hex M6	1	
30	MBF1720	Clamping Collar	1	
32	128079	Rod End, 1/4 Female	1	
33	002910859	Spring	2	
34	MBG4501.07	Cable Bracket	1	
35	MBF1105A	Boss	1	
36	450389	Washer M6	2	
37	009067640	Traction Cable	1	
38	001393141	Nut M6	1	
39	450388	Washer M5	5	

* Not Illustrated

AIR FILTER MOUNTING AND BULKHEAD series JZ, JN, JP

Illustration: 4271432_air_cleaner_and_bulkhead

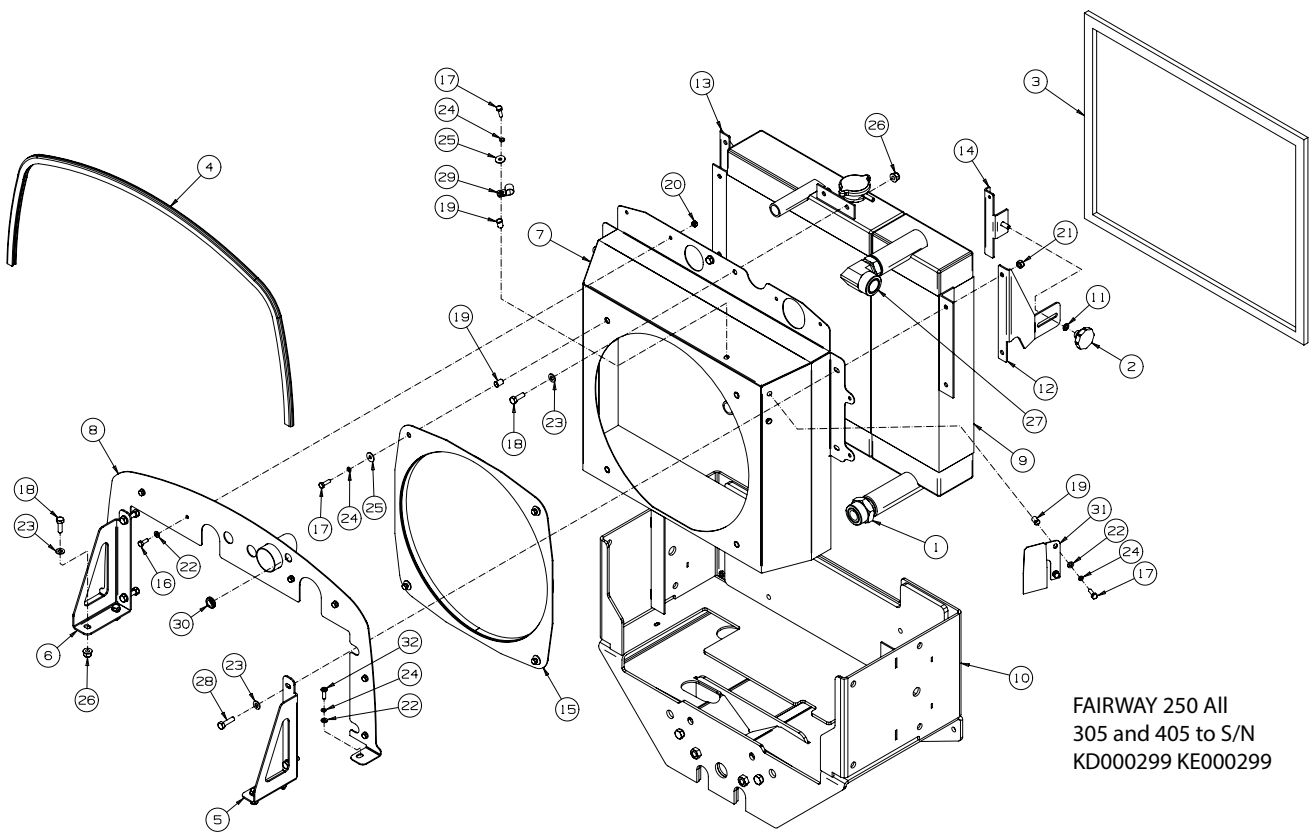


ITEM	PART NO.	DESCRIPTION	QTY	
1	001992113	Cable Tie - 140 X 3.6	2	
2	002953223	Grommet - 20 X 31 X 7.5	2	
3	008233350	Strip Fuse Holder	1	
4	009100800	Air Inlet Hose (Turbo)	1	
4	009100790	Air Inlet Hose 250	1	
5	4266050	Side Panel RH Assembly - 405 / ROPS	1	
5	009135920	Side Panel RH Assembly - 405 / Cab	1	
5	009135880	Side Panel RH Assembly - 305 / 250	1	
6	178077	Sight Bowl	1	
7	178078	Coalescent Filter	1	
8	178081	Filter Head	1	
9	2198112	Draw Latch	1	
10	2198114	Clamp - Air Cleaner	1	
11	2198125	Bumper	3	
12	2198147	Air Cleaner	1	
12	4155780	Air Cleaner (Straight Outlet)	1	305/405 From S/N KD000300 KE000300
*	4245110	• Housing	1	
13	38665	Solenoid	1	
14	4240442	90 - M/M 1/4 NPTF X 5/16 Barb	2	
15	4251210	Landing Panel Weldment	1	
16	4266030	Side Panel LH Assembly - 405 / ROPS	1	
16	009135900	Side Panel LH Assembly - 405 / Cab	1	
16	009135870	Side Panel LH Assembly - 305 /250	1	
17	450151	Screw - Hex M5	2	
18	450170	Screw - Hex M6	8	
19	450172	Screw - Hex M6	2	
20	450191	Screw - Hex M8	2	
21	450192	Screw - Hex M8	2	
22	450321	Nut - Hex M4	2	
23	450322	Nut - Hex M5	6	
24	450323	Nut - Hex M6 -	2	
25	450377	Nut - Hex M6 Nyloc	2	
26	450378	Nut - Hex M8 Nyloc	4	
27	450388	Washer - M5 X 10 X 1.1	4	
28	450389	Washer - M6 X 12.5 X 1.8	12	
29	450390	Washer - M8 X 17 X 1.8	8	
30	450408	Lock Washer - M4 X 6.95 X 1.2	2	
31	450409	Lock Washer - M5 X 8.55 X 1.5	4	
32	450410	Lock Washer - M6 X 9.6 X 1.5	6	
33	450519	Screw - Pan HD M4	2	
34	450528	Screw - Pan HD M5	4	
35	469016517	P - clip	2	
36	48383	Clamp SAE #32	1	
37	48396	Hose Clamp (27 - 51mm)	1	
38	MBG6720	Bracket, Hood Latch	1	

* Not Illustrated

RADIATOR & OIL COOLER MOUNTING SERIES JZ, JN, JP

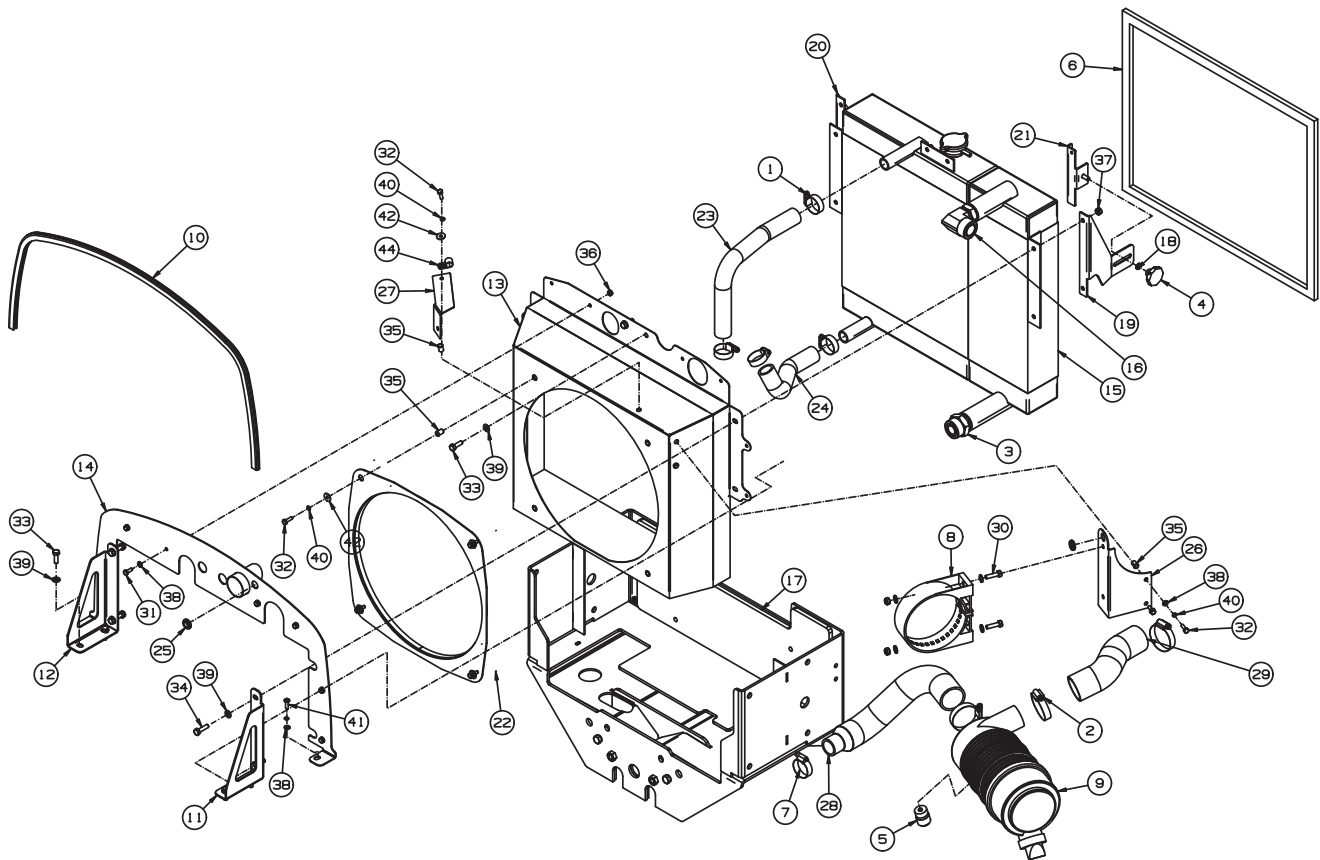
Illustration: 4253730_rad_oil_cooler



ITEM	PART NO.	DESCRIPTION	QTY	
1	002515800	Fitting 1 - 11/16 ORS X 1 - 5/16 SAE	1	
*	158061 - 15	• O Ring (For 1.11/16 UNF)	1	
*	002218146	• O Ring (For 1.5/16 UNF)	1	
2	002990293	Plastic Star Knob - M8 X 40	2	
3	009001840	Bug Screen	1	
4	379050522	Sealing Strip	1	
5	4239983	Mounting Bracket LH	1	
6	4239984	Mounting Bracket RH	1	
7	4239985	Radiator Shroud	1	
8	4239993	Radiator Baffle Wldmt	1	
9	4240282	Radiator & Oil Cooler	1	
10	4252630	Weldment - Rear Frame	1	
11	4258312	AV Washer - 8.7 X 13.5 X 2.5	2	
12	4263270	LH Bracket - Bug Screen	1	
13	4263430	RH Bracket - Bug Screen	1	
14	4263510	Slider Bracket Weldment	2	
15	4263570	Fan Plate Wldmnt	1	
16	450170	Screw - Hex M6	8	
17	450171	Screw - Hex M6	7	
18	450192	Screw - Hex M8	8	
19	450357	M6 - 1.0 Nutsert	7	
20	450377	Nut - Hex M6 Nyloc	8	
21	450378	Nut - Hex M8 Nyloc	6	
22	450389	Washer - M6 X 12.5 X 1.8	10	
23	450390	Washer - M8 X 17 X 1.8	12	
24	450410	Lock Washer - M6 X 9.6 X 1.5	7	
25	452000237	Washer - 1/4 X 3/4 X .064	5	
26	452436	Nut - Hex M8 Flange Nyloc	2	
27	4252230	Fitting - 1 11/16" ORFS 1 5/16" 90x	1	
28	450193	Screw - Hex M8	4	
29	469016517	P - Clip	1	
*	4294763	Radiator Cap	1	
*	4305335	Shroud Plate	2	From S/N JZ000318 KE000315
*	4211480	Screw M6 X 16 Button Flange Head	4	KD000318 JT000303 JU000301
*	452435	Nut Hex M6 Flange Nyloc	4	

RADIATOR, OIL COOLER AND AIR FILTER MOUNTING SERIES JT, KD, JU, KE

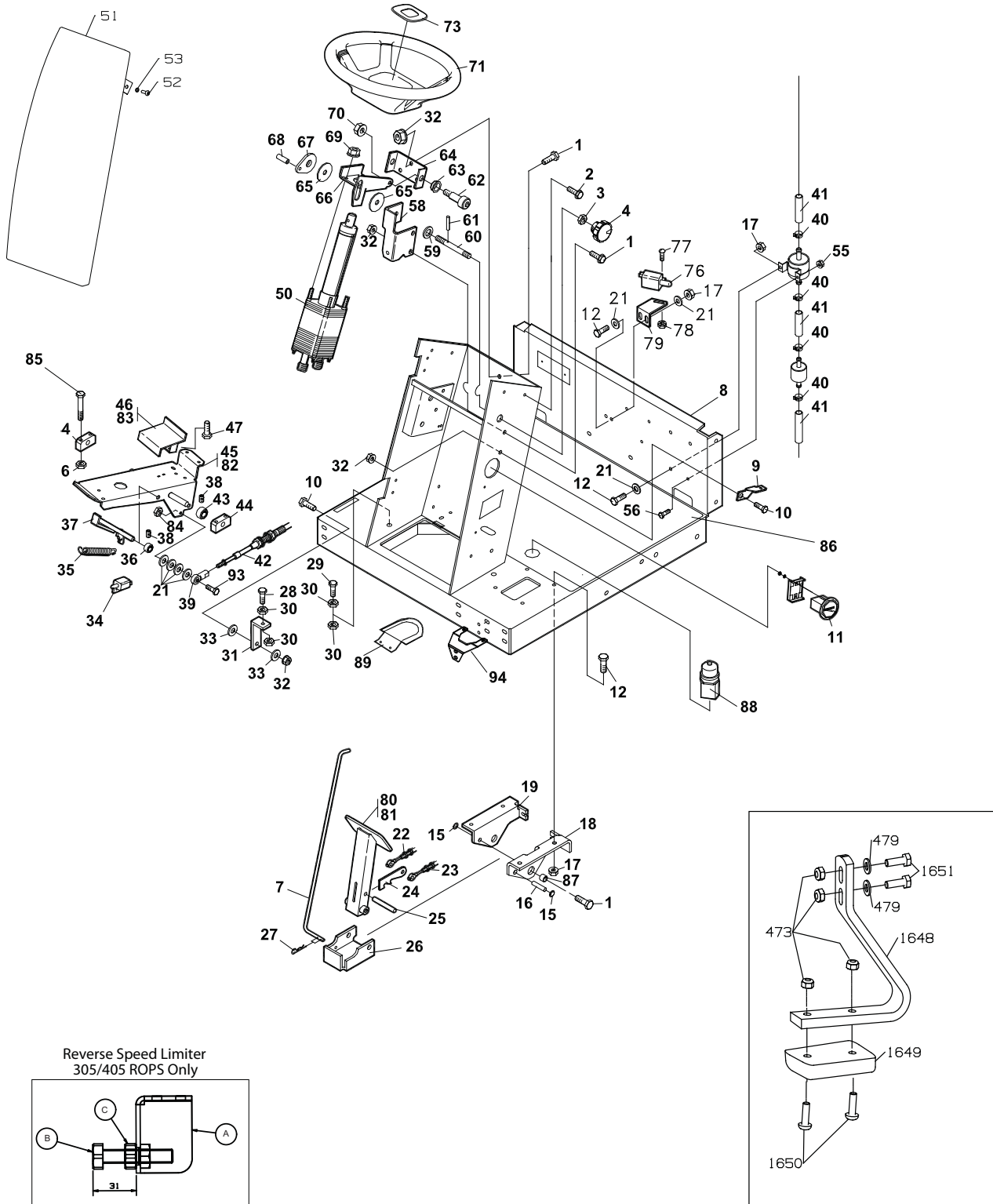
Illustration: 4290166 - 2 305 405 cooler.eps



ITEM	PART NO.	DESCRIPTION	QTY	
1	4277551	Clip Jubilee	4	
2	48383	Clamp Hose	3	
3	2515800	Ftg 1 - 11/16 Ors X 1 - 5/16 Sae	1	
4	2990293	Plastic Star Knob M8 X 40	2	
5	8109680	Restriction Indicator	1	
6	9001840	Bugscreen	1	
7	108094 - 01	Hose Clamp, 19 - 44 (Parker S2000)	1	
8	4133245	Mounting Band 5" Plastic	1	
9	4155780	Air Cleaner (Straight Outlet)	1	
10	379050522	Sealing Strip	1	
11	4239983	Mounting Bracket Lh	1	
12	4239984	Mounting Bracket Rh	1	
13	4239985	Radiator Shroud	1	
14	4239993	Radiator Baffle Wldmt	1	
15	4240282	Radiator & Oil Cooler	1	
16	4252230	Ftg 1 11/16" Orfs 1 5/16" 90deg	1	
17	4252630	Rear Frame	1	
18	4258312	AV Washer - 8.7 X 13.5 X 2.5	2	
19	4263270	LH Bracket - Bug Screen	1	
20	4263430	Rh Bracket - Bug Screen	1	
21	4263510	Slider Bracket	2	
22	4263570	Fan Plate	1	
23	4271730	Top Radiator Hose - Fairway	1	
24	4271731	Lower Radiator Hose - Fairway	1	
25	4273392	Grommet 22x6.4x12.5	2	
26	4281771	Air Cleaner Bracket	1	
27	4281772	Upper Air Cleaner Bracket	1	
28	4282774	Hose Engine Air Intake 305/405		
29	4283391	Hose Air Intake	1	
30	450014	Bolt - hex M8 - 1.25 X 30	2	
31	450170	Screw - hex M6 - 1.0 X 16	8	
32	450171	Screw - hex M6 - 1.0 X 20	7	
33	450192	Screw - hex M8 - 1.25 X 25	6	
34	450193	Screw - hex M8 - 1.25 X 30	4	
35	450357	M6 - 1.0 (A - k) Nutsert (0.7 - 4.2 G/l)	7	
36	450377	Nut - hex M6 - 1.0 Nyloc	8	
37	450378	Nut - hex M8 - 1.25 Nyloc	6	
38	450389	Washer M6 X 12.5 X 1.8	12	
39	450390	Washer M8 X 17 X 1.8	14	
40	450410	Lock Washer M6 X 9.6 X 1.5	9	
41	450542	Screw - pan Hd M6 - 1.0 X 20	2	
42	452000237	Washer - 1/4 X 3/4 X .064	5	
44	469016517	P - clip	1	
*	4305335	Shroud Plate	2	From S/N JZ000318 KE000315
*	4211480	Screw M6 X 16 Button Flange Head	4	KD000318 JT000303 JU000301
*	452435	Nut Hex M6 Flange Nyloc	4	

STEERING WHEEL AND PEDAL MOUNTING

Illustration: PARTS_SteeringTowerAssy

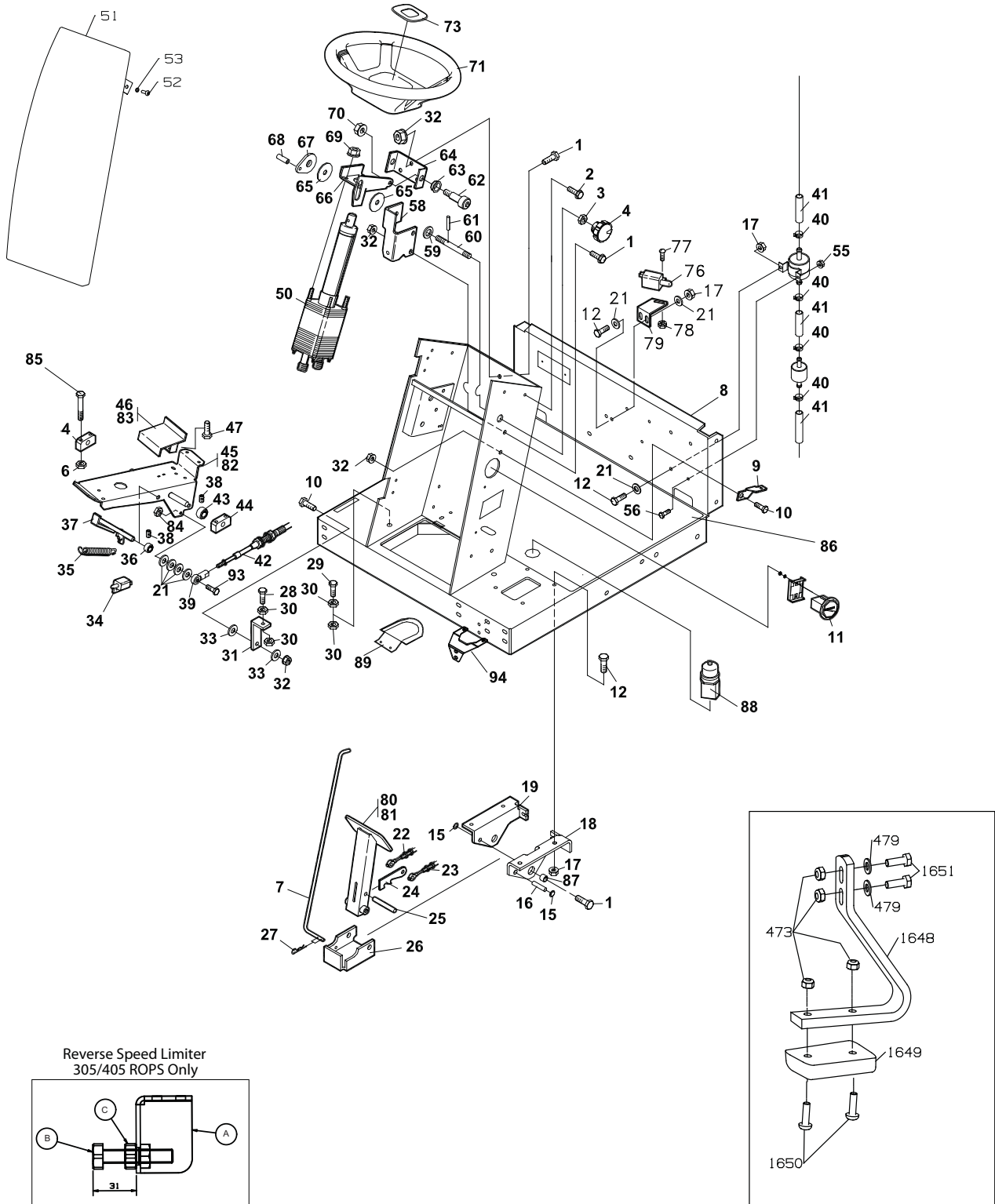


ITEM	PART NO.	DESCRIPTION	QTY	
1	450213	Screw - Hex MI 0	3	
2	452692	Screw - M6 Taptite	4	
3	64008	Nut - Hex Jam 1113	1	
4	W038124 - 01	Knob	1	
6	450377	Locknut Nyloc M6	4	
7	2203070.07	Rod - Brake Release	1	
8	2206029g.07	Steering Tower Welded Assembly	1	
9	2202159.07	Guide - Brake Rod	1	
10	450214	Bolt M10 - 1.5x25	2	
11	008109660	Hour meter	1	
15	W64175 - 04	Push Nut 3/8 Dia	2	
16	2203067	Pin - Brake	1	
18	2202149.07	Bracket Brake LH	1	
19	2202150.07	Bracket Brake RH	1	
*	MBG5314.07	Bracket	1	
22	W128025 - 04	Cable - Brake	1	
23	W128025 - 03	Cable - Brake	1	
24	2202154.07	Latch - Brake	1	
25	2203069	Pin - Brake Pedal	1	
26	2202148a.07	Release - Brake	1	
27	001490006	Cotter Pin	2	
28	450019	Bolt - Hex M8	1	
29	450020	Bolt - Hex M8	1	
30	450324	Nut Hex M8	4	
31	2202161.07	Bracket - Speed Control	1	
32	450379	Locknut Nylon MI 0 - 1.5	6	
33	64209 - 07	Washer, Conical MI 0	2	
34	38383	Switch	1	
35	699527153	Spring - Extension	1	
36	MBF0654A	Collar - Set 3/8 Id	2	
37	MBF1280	Weldment - Neutral Control	1	
38	001290379	Setscrew 1/4 - 20x114	4	
39	128079	Rod End	1	
*	002910859	Spring	1	
*	MBG4471.07	Cable Bracket	1	
40	001925160	Jubilee Clip	4	
41	148263	Fuel Line	1	
42	009067640	Traction Cable	1	
43	W43067a	Collar, Set Plate	2	
44	MBG5073	Bearing Block	2	
45	2196117	Forward / Reverse Pedal w/Mat	1	
46	146082	Pedal Adapter w/mat	1	
47	001190377	Bolt 1/4" - 20 X 1/2"	2	

* Not Illustrated

STEERING WHEEL AND PEDAL MOUNTING

Illustration: PARTS_SteeringTowerAssy

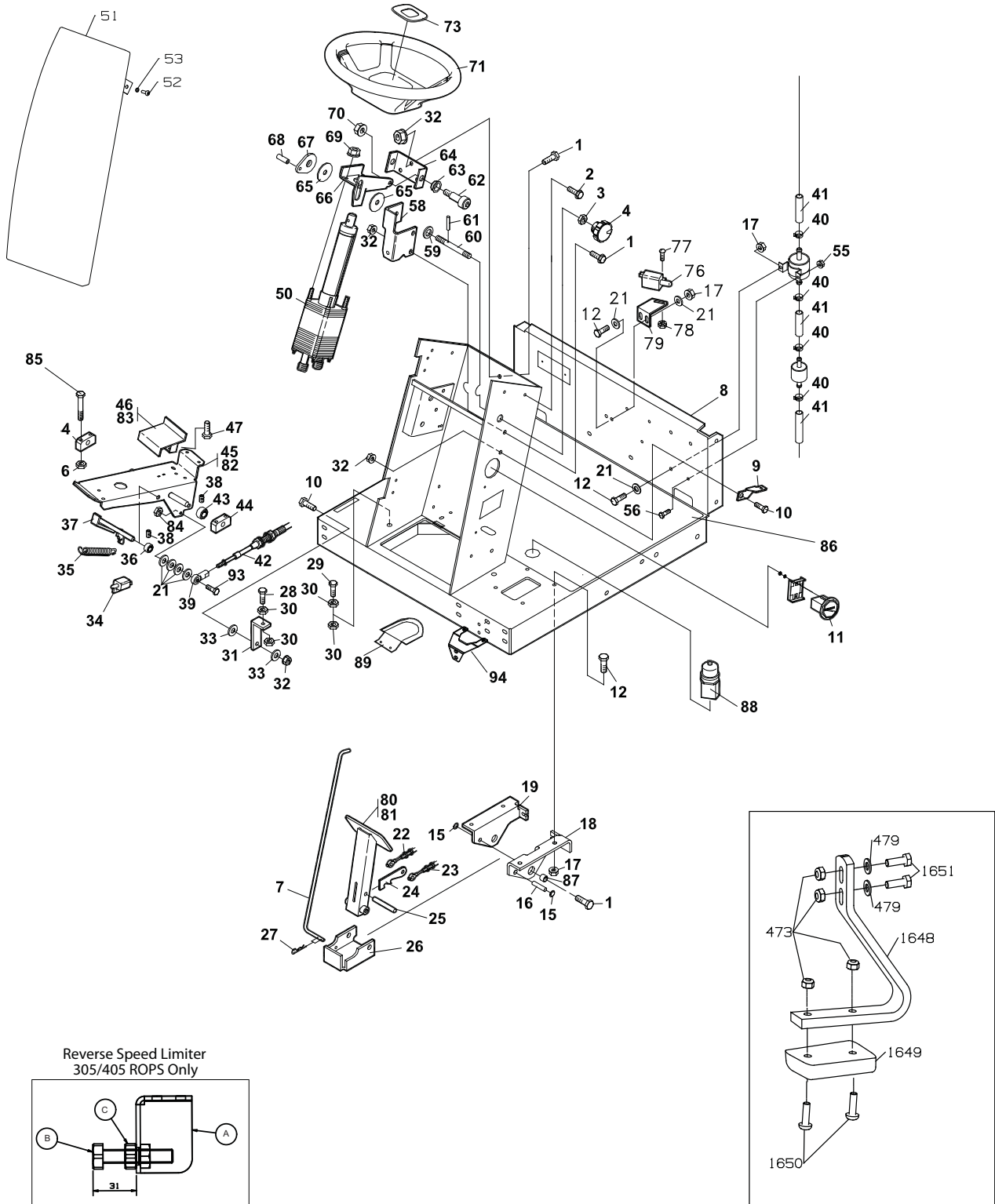


ITEM	PART NO.	DESCRIPTION	QTY	
*	452200029	Lock Washer 1/4" X .425 X .072"	2	
*	452000211	Washer - 1/4" X 9/16" X 0.56"	2	
50	2208142	Valve Power Steering	1	
	22081401	• Seal Kit	Ar	
	22081402	• Bearing Kit	Ar	
	22081403	• Cap Kit	Ar	
	22081404	• Relief Valve	Ar	
51	4266130	Front Tower Cover	1	
52	450542	Screw - Pan M6	2	
53	450410	Lock Washer M6	2	
55	450377	Nut Nyloc M6	1	
56	450170	Screw - Hex M6	1	
58	172304.07	Bracket - Tilt Wheel	1	
59	001594080	Washer .516 Id	1	
60	173006	Shaft Locking	1	
61	001419072	Roll Pin	1	
62	64166 - 17	Shoulder Bolt	2	
63	W1180402	Bushing, Flip Lok 1/2	2	
64	172042a.07	Bracket - Steering	1	
65	178138	Washer - Friction	2	
66	172298.07	Support - Steering	1	
67	176100.07	Weldment Friction Washer	1	
68	001496248	Roll Pin	1	
69	001393117	Nut - 5/16 - 18	4	
70	450120267	Locknut	2	
71	2198130	Steering Wheel	1	(Includes Item 73)
*	640626	Roll Pin	1	
73	839862	S - Logo Cover	1	
76	W38382	Switch Normally On	1	
77	450151	Screw - Hex M5 X 16	2	
78	450378	Nut Nyloc M6	2	
79	2202117.07	Backlap Switch Bracket	1	
80	2206054	Brake Pedal	1	
81	2198129	Mat Non Skid	1	
82	48436	Mat Non Skid	1	
83	48013 - 06A	Mat Non Skid	1	
84	450323	Nut - Hex M6	1	
85	450003	Bolt - Hex M6	4	
86	2208052	Mat - Platform	1	
87	MBF0838A	Bushing - Brake	2	
88	2208099	Foot Switch	1	
89	MBE3313C.07	Pad Assembly For Foot Switch	1	
*	450605	Screw - Countersunk M5 X 12	2	
*	450388	Washer M5	2	

* Not Illustrated

STEERING WHEEL AND PEDAL MOUNTING

Illustration: PARTS_SteeringTowerAssy

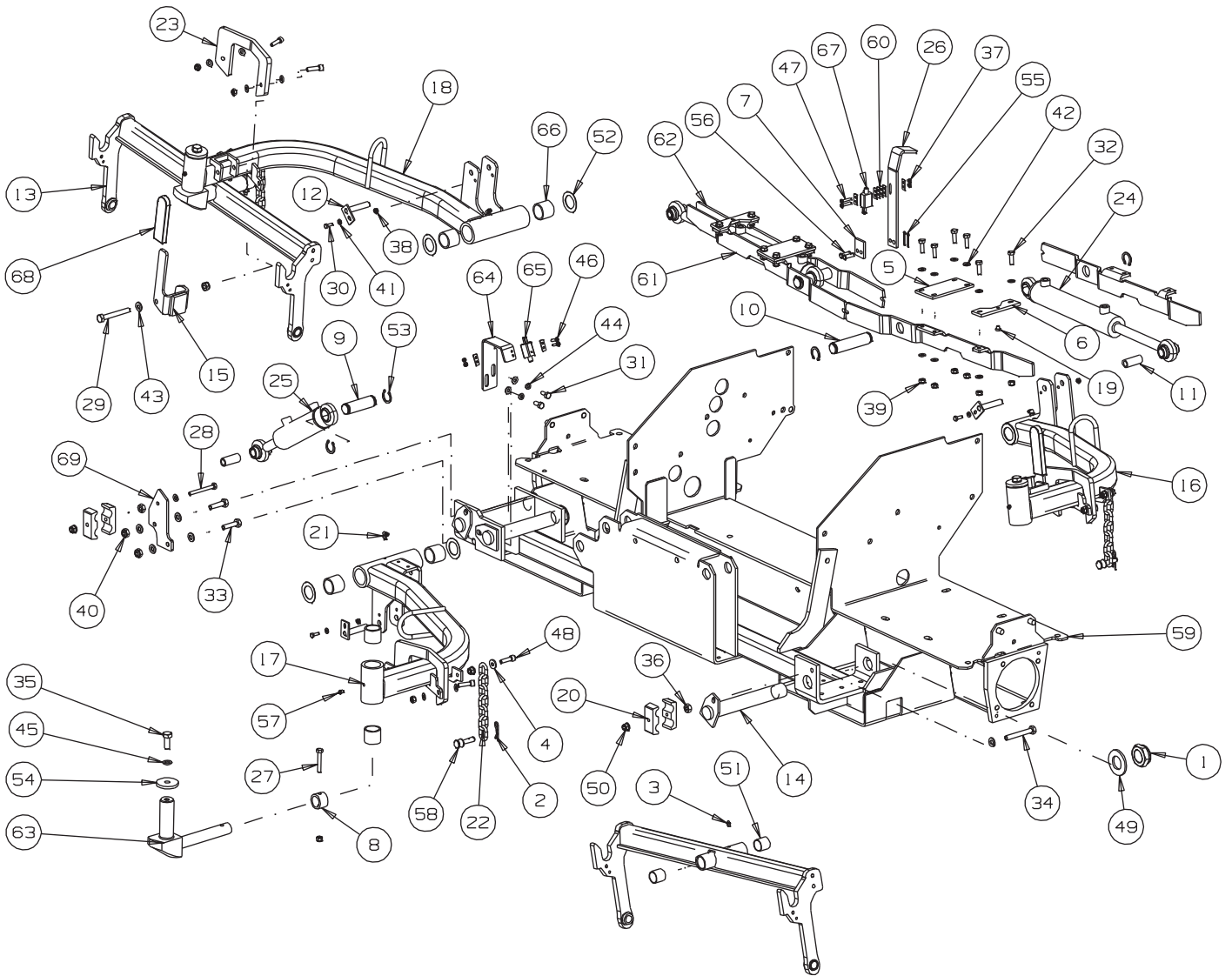


ITEM	PART NO.	DESCRIPTION	QTY	
*	450376	Nut Nyloc M5	2	
93	450001	Bolt - Hex M6	1	
94	MBG5314	Bumper Bracket	1	
473	450378	Nut Nyloc, M8	4	
479	450390	Washer, M8	2	
1648	4123144	Bump Stop Bracket	1	
1649	4124120	Rubber Stop	1	
1650	450553	Cap Screw, M8	2	
1651	450192	Screw, M8	2	
*	MBG5314.07	Support Bracket Front Bump Stop	1	
1648	4139003	Bump Stop Bracket	1	
1649	4139004	Rubber Stop	1	
		Reverse Speed Limiter		
A	4303759	Stop Bracket	1	Fairway 305/405 ROPS Only
B	450219	M10 50mm	1	Serial Numbers
C	450325	M10 Nut Hex	1	KD000301 to KD000305 KD000307 to KD000310 KE000301 to KE000303 KE000306 to KE000308 From KD000311 KE000309

* Not Illustrated

FRONT LIFT ARMS

Illustration: 4273310_front_lift_arms234

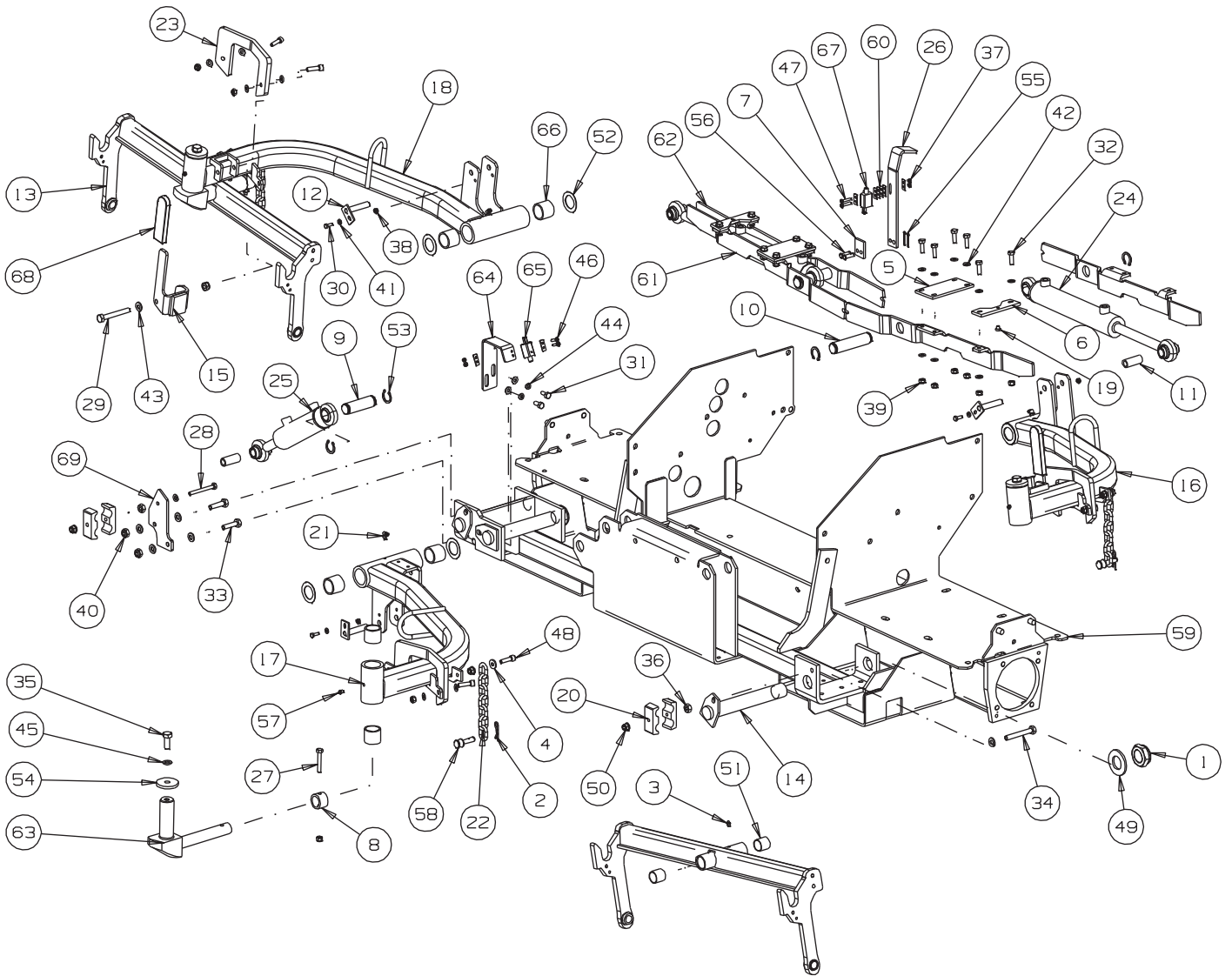


ITEM	PART NO.	DESCRIPTION	QTY	
1	001393820	Nut Hex 1 - 1/4 - 12 Nyloc	3	
2	001490226	R - Clip	3	
3	002993013	Lubricator - M6 Straight	3	
4	009072070	Washer - M8 X 22 X 3	3	
5	2202170	Plate - Lift Stop	2	
6	2202171A	Plate - Lift Stop	2	
7	2202173	Plate - Lift Stop Backing	1	
8	2203047	Retainer - Reel	3	
9	2203048 - 2	Pin - Reel Cylinder	1	
10	2203048 - 3	Pin - Reel Cylinder	2	
11	2203083A	Sleeve - Cylinder	3	
12	2206032	Weldment - Cylinder Pin	3	
13	2206042B	Yoke 26inch - Welded Assembly	3	Fairway 305 405
13	2206004B.07	Yoke 22inch Weldment Assembly	3	Fairway 250
14	2206051.07	Weldment - Pivot Pin Rear	3	
15	2206057	Weldment - Pivot Lever	2	
16	2206090B	Reel Arm LH Front	1	26" Fairway 305 405
16	2206016A.07	Reel Arm LH Front	1	22" Fairway 250
17	2206091C	Reel Arm Centre Front	1	26" Fairway 305 405
17	2206017B.07	Reel Arm Centre Front	1	22" Fairway 250
18	2206092B	Reel Arm RH Front	1	26" Fairway 305 405
18	2206018A.07	Reel Arm RH Front	1	22" Fairway 250
19	2208067	Bumper - rubber	2	
20	2208139	5/8 Bore Hose Clamp	4	
21	35027n	Lubricator, 1/4 - 28 X 90	3	
22	4139933	Chain - 178mm Lg.	3	
23	4189520	Stop	3	
24	4244284	D/A Hydraulic Cylinder, 20 X 203, Lift	2	
*	4288991	• Lift Arm Seal Kit	A/R	
25	4244285	D/A Hydraulic Cylinder, 20 X 95, Lift	1	
*	4288991	• Lift Arm Seal Kit	A/R	
26	4265871	Lift Lever - Foot	1	
27	450018	Bolt - Hex M8	3	
28	450022	Bolt - Hex M8	1	
29	450038	Bolt - Hex M10	2	
30	450170	Screw Hex M6	3	
31	450191	Screw Hex M8	2	
32	450192	Screw Hex M8	12	
33	450217	Screw Hex M10	2	
34	450224	Screw Hex M10	1	
35	450241	Screw Hex M12	3	
36	450325	Nut Hex M10	2	
37	450376	Nut Hex M5 Nyloc	4	

* Not Illustrated

FRONT LIFT ARMS

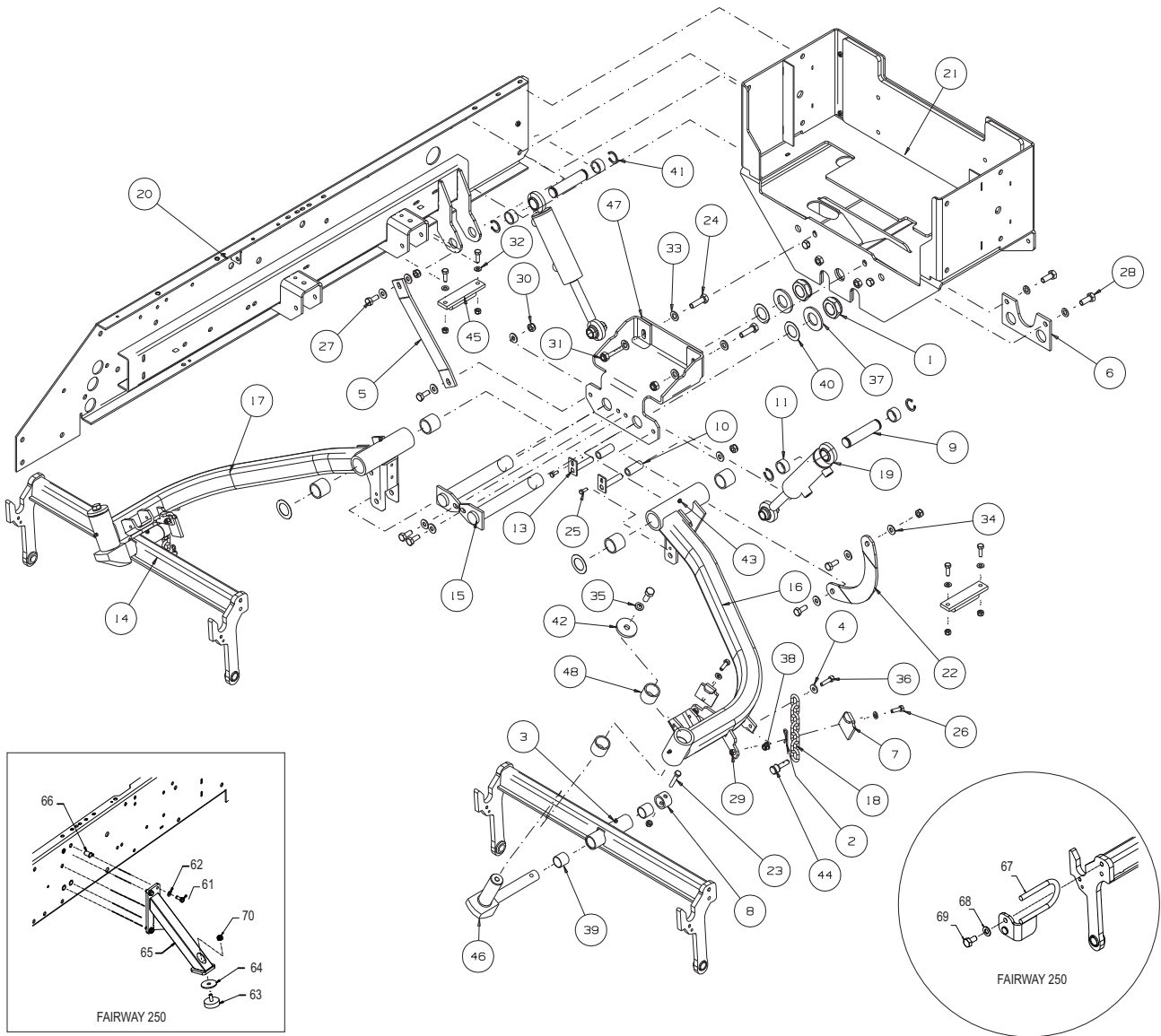
Illustration: 4273310_front_lift_arms234



ITEM	PART NO.	DESCRIPTION	QTY	
38	450377	Nut Hex M6 Nyloc	3	
39	450378	Nut Hex M8 Nyloc	21	
40	450379	Nut Hex M10 Nyloc	4	
41	450389	Washer - M6 X 12.5 X 1.8	3	
42	450390	Washer - M8 X 17 X 1.8	39	
43	450391	Washer - M10 X 21 X 2.2	7	
44	450422	Lock Washer - M8 X 14.85 X 2.1	2	
45	450424	Lock Washer - M12 X 21 X 2.65	3	
46	450529	Screw - Pan HD M5	2	
47	450530	Screw - Pan HD M5	2	
48	450725	Cap Screw Socket M8	9	
49	452000693	Washer - 1.1/4 X 2 - 3/8 X .176	3	
50	452436	Nut Hex M8 Nyloc	5	
51	593000232	Bush - Wrapped 1 X 1 - 1/8 X 1	6	
52	62464 - 4A	Thrust Washer	6	
53	64144 - 13	Circlip - External 1 X 0.078 T	6	
54	64163 - 74	Washer - .516 X 2 X .25	3	
55	64168 - 2	Cotter - Hairpin .08 X 1.19 All Models	2	
56	64188 - 2	Locking Pin All Models	2	
57	85010	Straight Lubricator	3	
58	MBC1561A	Pin	3	
59	MBF0199j	Front Frame	1	
60	MBF0918	Clamp Plate	8	
61	2202168A	Lift Stop RH	2	Fairway 250
61	MBG1398B	Lift Stop RH	1	Fairway 305/405
62	2202169A	Lift Stop LH	2	Fairway 250
62	MBG1399B	Lift Stop LH	1	Fairway 305/405
63	MBG1842	Pivot Pin	3	
64	MBG4566	Switch Bracket	1	
65	W038383	Switch, Normally Closed	1	
66	W108003	Bush - 1 - 1/4 X 1 - 1/2 X 1 - 1/4	12	
67	W38382	Switch, Normally Open (2way Conn)	1	
68	W68160A	Spout Handle Grip	2	
69	MBG5428	Front Bulkhead Bracket Fairway 250	1	
80	4118433	Switch Bracket	1	Fitted To Item 50
81	W38382	Switch	1	
82	450526	Screw - Pan HD M5	2	
83	452692	Screw Hex M6 Taptite	2	
84	450388	Washer - M5 X 10 X 1.1	2	
85	450376	Nut Hex M5 Nyloc	2	

REAR LIFT ARMS

Illustration: 4271672_rear_lift_arms

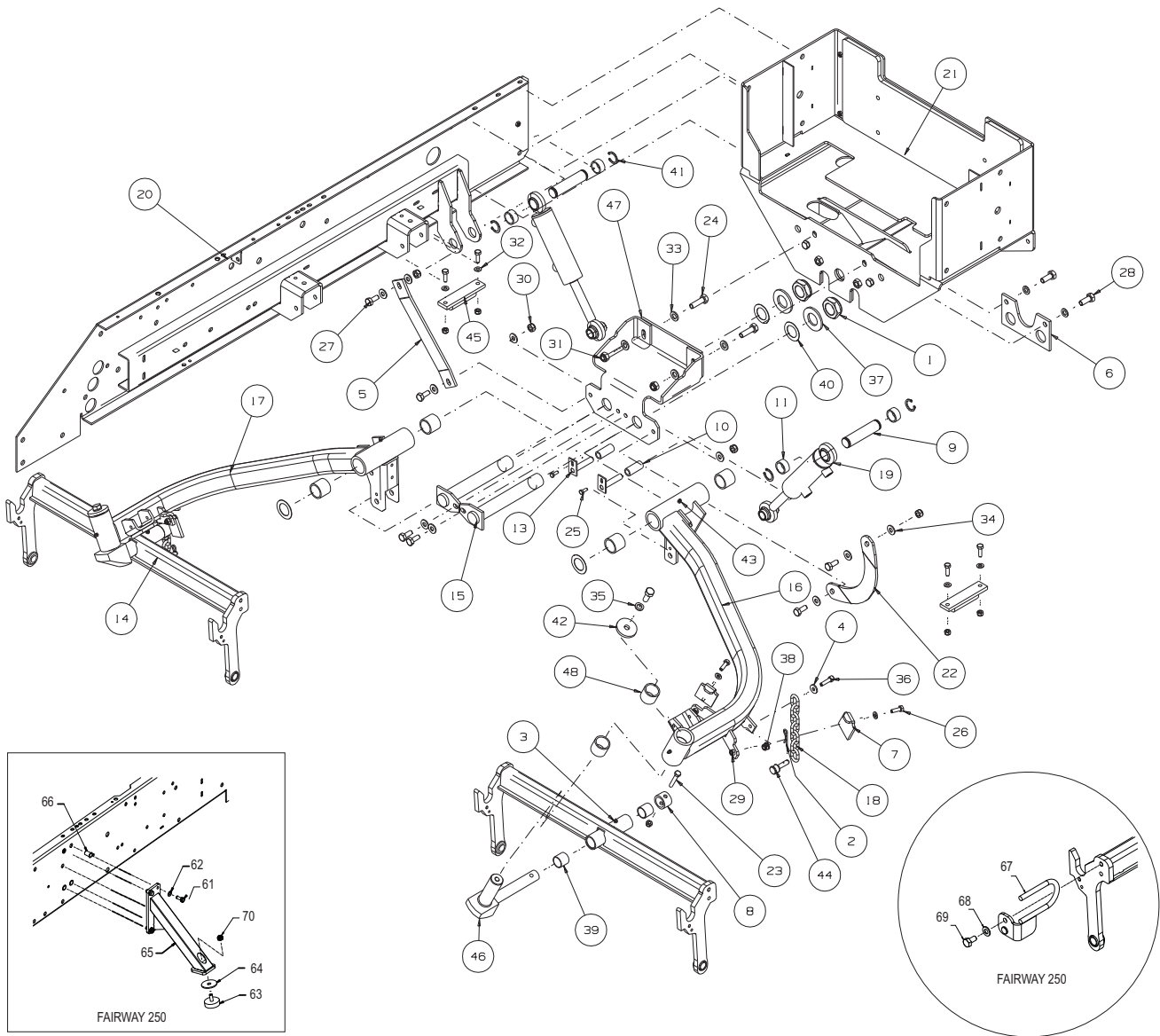


ITEM	PART NO.	DESCRIPTION	QTY	
1	001393820	Nut Hex 1 - 1/4 - 12 Nyloc	2	
2	001490226	'R' - Clip	2	
3	002993013	Lubricator - M6 Straight	2	
4	009072070	Washer - M8 X 22 X 3	2	
5	2202092a	Brace - Rear Reel	1	
6	2202146	Plate	1	
7	2202209	Stop - Reel Pivot	4	
8	2203047	Retainer - Reel	4	
9	2203048 - 03	Pin - Reel Cylinder 108.37lg	2	
10	2203083A	Sleeve - Cylinder	2	
11	2203098	Spacer - Cylinder	4	
12	2206024H	Side Rail LH	1	
13	2206032	Weldment - Cylinder Pin	2	
14	2206042b	Yoke 26 Inch - Welded Assembly	2	26" Fairway 305 405
14	2202003B	Yoke 22 Inch - Welded Assembly	2	22" Fairway 250
15	2206051.07	Weldment - Pivot Pin Rear	2	
16	2206093A	Reel Arm LH Rear.	1	26" Fairway 305 405
16	2206020.07	Reel Arm LH Rear	1	22" Fairway 250
17	2206094A	Reel Arm RH Rear.	1	26" Fairway 305 405
17	2206019.07	Reel Arm, RH Rear	1	22" Fairway 250
18	4139933	Chain - 178mm Lg.	2	
19	4244285	D/A Hydraulic Cylinder, 20x95, Lift	2	
*	4288991	• Lift Arm Seal Kit	A/R	
20	4251132	Weldment - Frame Rail, RH	1	
21	4252630	Weldment - Rear Frame	1	
22	4254450	Brace - Rear Wheel	1	
23	450018	Bolt - Hex M8	2	
24	450048	Bolt - Hex M12	2	
25	450170	Screw Hex M6	2	
26	450192	Screw Hex M8	8	
27	450214	Screw Hex M10	6	
28	450241	Screw Hex M12	4	
29	450378	Nut Hex M8 Nyloc	10	
30	450379	Nut Hex M10 Nyloc	6	
31	450380	Nut Hex M12Nyloc	2	
32	450390	Washer - M8 X 17 X 1.8	8	
33	450392	Washer - M12 X 24 X 2.7	4	
34	450401	Washer - M10 X 24 X 2.2	10	
35	450424	Lock Washer - M12 X 21 X 2.65	4	
36	450725	Cap Screw Socket M8	2	
37	452000693	Washer - 1.1/4 X 2 - 3/8 X .176	2	
38	452436	Nut Hex M8 Flange Nyloc	2	
39	593000232	Bush - Wrapped 1 X 1 - 1/8 X 1	4	

* Not Illustrated

REAR LIFT ARMS

Illustration: 4271672_rear_lift_arms



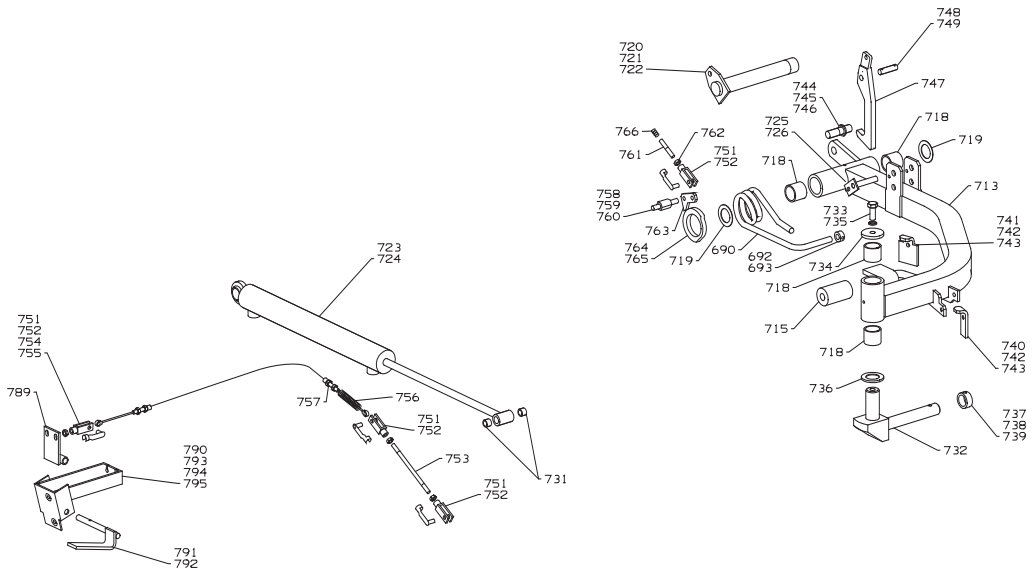
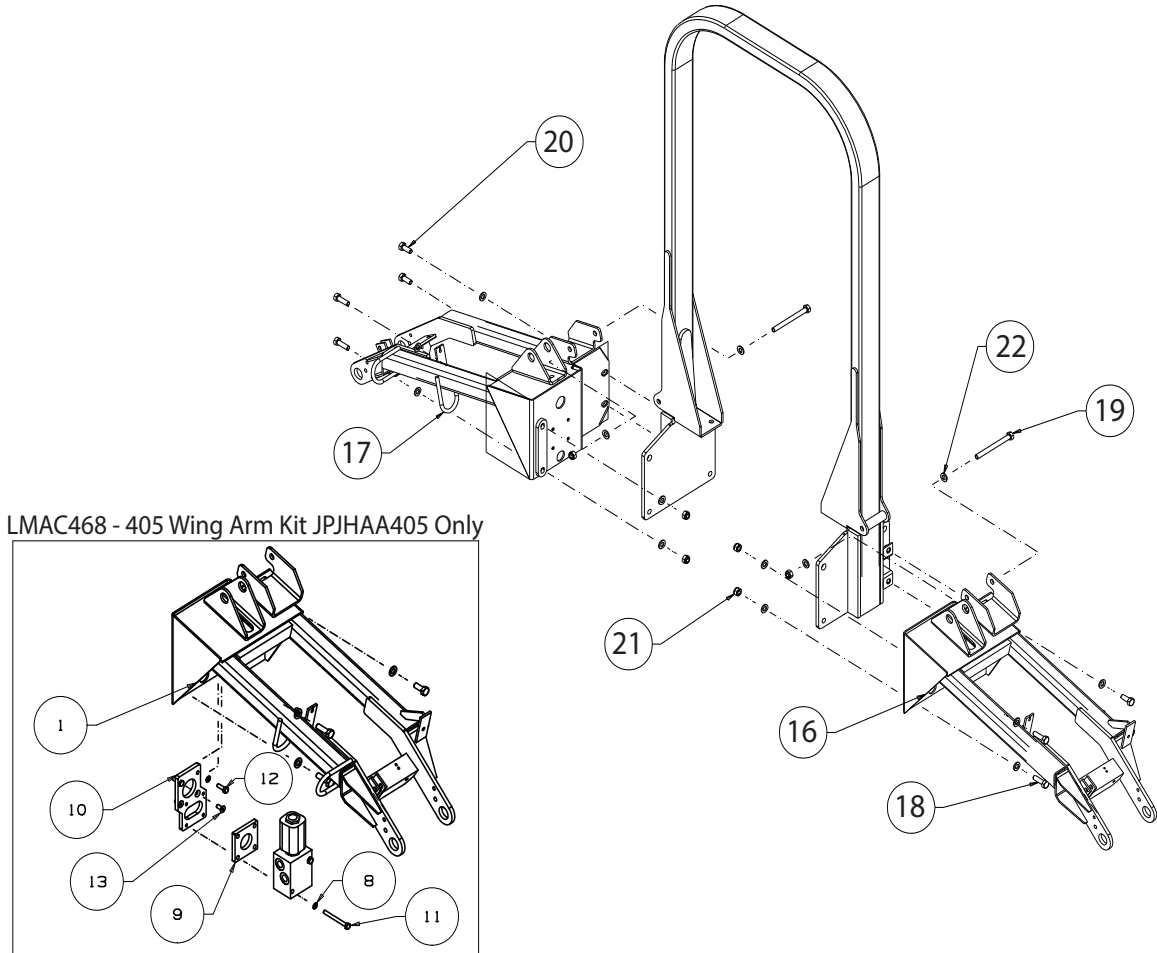
ITEM	PART NO.	DESCRIPTION	QTY	
40	62464 - 4a	Washer - Thrust 1.250 X 1.937 X .030	4	Fairway 250
41	64144 - 13	Circlip - External 1 X 0.078 T	4	
42	64163 - 74	Washer - .516 X 2 X .25	2	
43	842000044	Lubricator - 1/4" Straight	4	
44	MBC1561A	Pin	2	
45	MBF0744	Stop - Welded Assy.	2	
46	MBG1842	Pivot Pin	2	
47	MBG5612	Bracket - Rear Arm	1	
48	W108003	Bush - 1 - 1/4 X 1 - 1/2 X 1 - 1/4	8	
61	450191	Screw Hex M8	8	
62	450390	Washer - M8 X 17 X 1.8	8	
63	J361723	Bumper Stop	2	
64	64163 - 27	Washer 0.453" X 2" X 11ga	4	
65	4273957	Reel Stop	2	
66	450370	Nutsert M8 - 1.25	8	
67	4276972	Wing Arm Hose Retainer	1	
68	450391	Washer - M10	1	
69	450213	Screw Hex M10	1	
70	450120398	Nut Hex 3/8" - 16 Nyloc Thin	2	

* Not Illustrated

WING LIFT ARMS - FAIRWAY 405

Illustration: 405_wing_unt_mounting

Fairway 405 Wing Lift Arms When ROPS Fitted



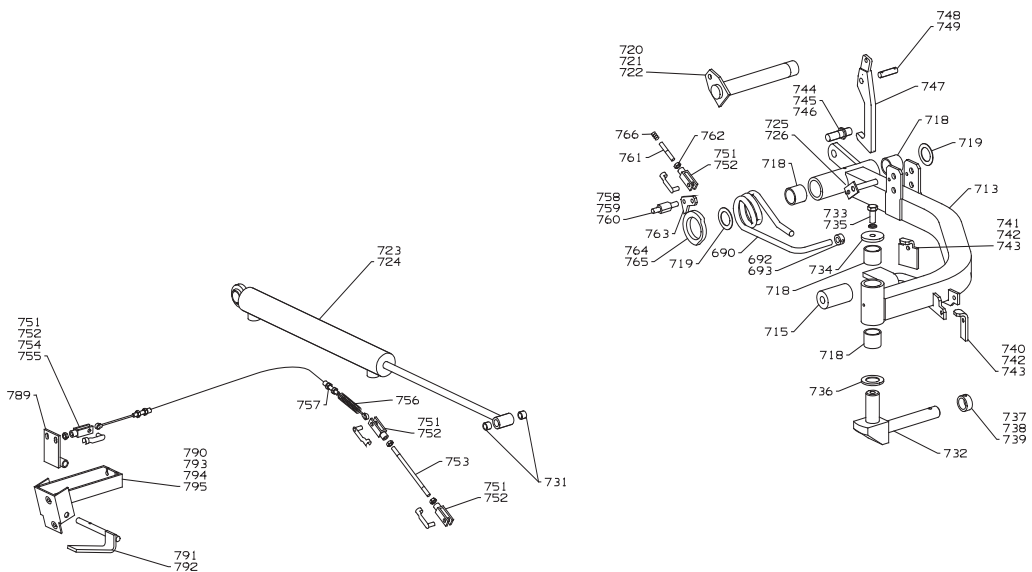
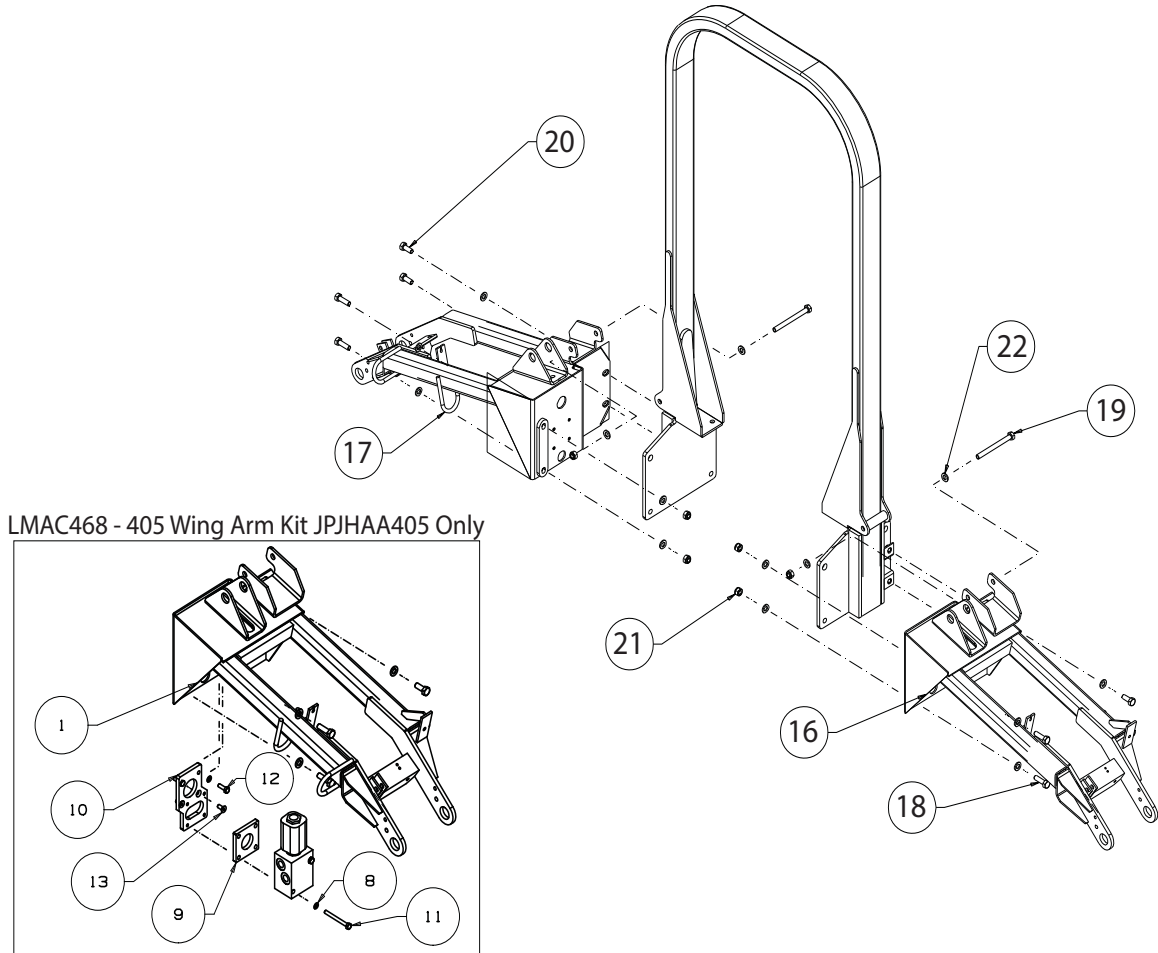
ITEM	PART NO.	DESCRIPTION	QTY	
16	4251134	Wing Unit RH Welded Assembly	1	
17	4251135	Wing Unit LH Welded Assembly	1	
18	450048	Bolt - Hex M12	4	
19	450062	Bolt - Hex M12	2	
20	450241	Screw - Hex M12	4	
21	450380	Nut - Hex M12 Nyloc	6	
22	450392	Washer - M12 X 24 X 2.7	16	
690	009063110	Torsion Spring LH	1	
691*	009063120	Torsion Spring RH	1	
692	W43067A	Collar Set.	2	
693*	001290379	Screw, 1/4 UNC X 1/4	2	
713	MBF0620A	Weldment - Wing Lift Arm LH	1	
714*	MBF0621A	Weldment - Wing Lift Arm RH	1	
715	MBG1642	Roller - Wing Cutting Units	2	
716*	450215	Screw, M10 Hex HD	2	
717*	450379	Nut, M10 Staytite	2	
718	W108003	Bearing	8	
719	62464 - 4A	Washer - Thrust 1.25	4	
720	2206051	Weldment - Pivot Pin Rear	2	
721*	450214	Screw, M10 Hex HD	2	
722*	450379	Nut, M10 Staytite	2	
723	4244303	D/A Hyd Cyl, 20 X 395, Lift	2	
*	4291653	• Lift Arm Seal Kit	A/R	
724*	64144 - 13	Retaining Ring	4	
725	2206032.07	Weldment - Cylinder Pin	2	
726	64139 - 20	Wiz Bolt M6	2	
727*	158001 - 06	Chain 6.7 Lg Plated	2	
*	MBC1561A	Pin - Chain To Unit	2	
*	001490006	Spring Clip - For MBC1561A	2	
*	450391	Washer M10 - For MBC1561A	2	
728*	450192	Screw, M8 Hex HD	2	
729*	00159401	Washer, 0.328"	2	
730*	450378	Nut, M8 Staytite	2	
731	W138024 - 02	Bearing - DX, .500 ID	4	
732	MBG1842.07	Pivot Pin	2	
733*	450241	Screw, M12 Hex HD	4	
734	001599052	Washer, 33/64"	2	
735*	450413	Lock Washer, M12	4	
736	64163 - 74	Washer 0.516 ID X 2 X .25	2	
737	2203047.07	Retainer - Reel	2	
738*	450018	Bolt, M8 Hex HD	2	
739*	450378	Nut, M8 Staytite	2	
740	2202096.07	Stop - Reel Pivot	2	

* Not Illustrated

WING LIFT ARMS - FAIRWAY 405

Illustration: 405_wing_unt_mounting

Fairway 405 Wing Lift Arms When ROPS Fitted

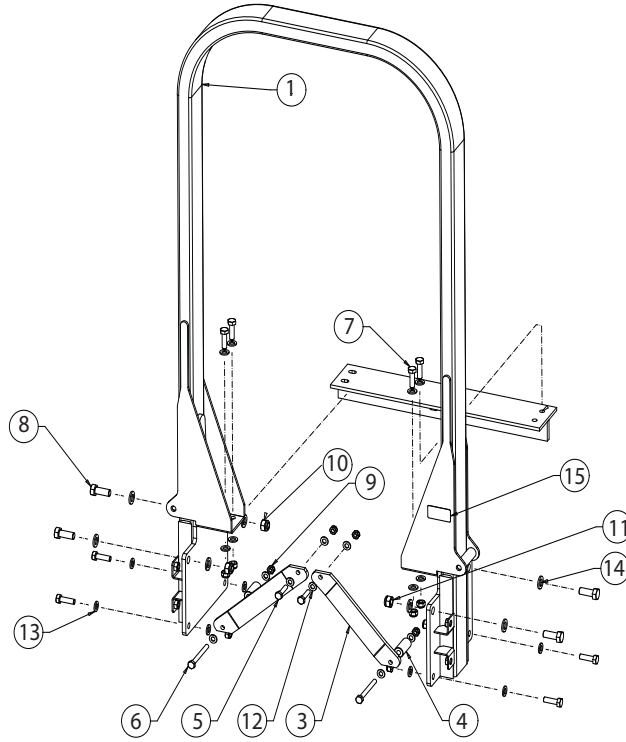


ITEM	PART NO.	DESCRIPTION	QTY	
741	2202209.07	Stop - Reel Pivot	2	
742*	450192	Screw, M8 X 25, Hex HD	4	
743*	450378	Nut, M8 Staytite	4	
744	4232260	Wing Unit Latch Bolt	2	
745*	452439	Nut, Flanged Nyloc	2	
746	450334	Nut, M16	2	
747	MBG5932	Hook Plate - Wing C/units	2	
748	MBF0664a	Pin - Hook Pivot	2	
749*	451241	Split Pin, 3.2 X 22	4	
750*	451683	Tension Pin, 6 X 32	2	
751	001949039	Clevis, M8	8	
752	001490608	Spring Pin	8	
753	MBF0661	Screwed Rod	2	
754*	450015	Bolt, M8 X 35, Hex HD	2	
755*	450324	Nut, M8	6	
756	002910794	Spring	2	
757	W128025 - 03	Brake Cable	2	
758	MBF0637	Pin	2	
759*	450378	Nut, M8 Staytite	4	
760*	450390	Washer, M8	2	
761	Mbf0638	Pin	2	
762*	450324	Nut, M8	2	
763	MBF0636	Lever	2	
764	MBF0635	Cam Ring	2	
765*	450171	Screw, M6 Hex HD	2	
766	00291054 0	Spring	2	
789	MBF0658.07	Weldment - Lever Plate	1	
790	MBF0659.07	Weldment - Cable Abutment	1	
791	MBF0655.07	Weldment - Heel Lever	1	
792*	451655	Tension Pin, 5 X 20	1	
793*	450369	Nutsert, M8 A - I 1st Grip	2	
794*	450191	Screw, M8 Hex HD	2	
795*	450390	Washer M8	2	
865*	MBG1827A.07	Motor Guard (RH Cutting Unit)	1	
866*	450151	Screw, M5 Hex HD	2	
867*	450322	Nut, M5	2	
		LMAC468 405 Only		From S/n KE000301 JP000337
1	4251134	Wing Unit Rh (Wldmnt)	1	
8	450433	Lock Washer M8	8	
9	4265570	Valve Spacer	2	
10	4301731	Adapter Plate	2	
11	450024	Bolt-hex M8-1.25 X 80	4	
12	450192	Screw-hex M8-1.25 X 25	4	
13	450865	Screw Hex Socket M8	4	

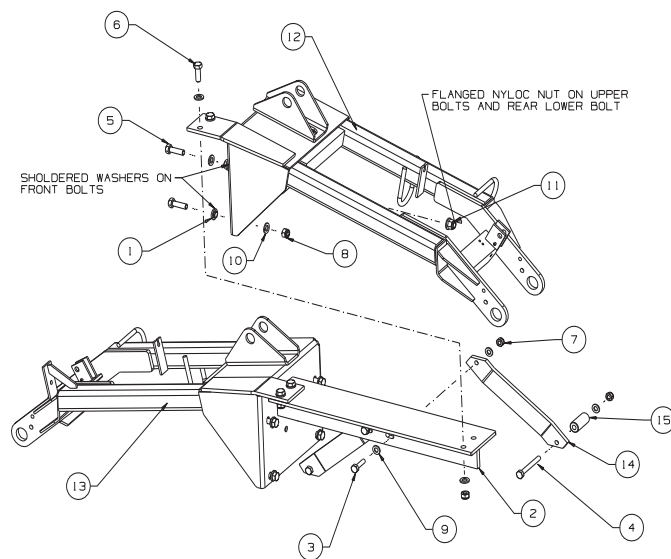
* Not Illustrated

ROPS

Illustration: ROPS frame



Fairway 405 Wing Unit Lift Arms When Cab Fitted



ITEM	PART NO.	DESCRIPTION	QTY	
1	4250190	ROPS Welded Assembly	1	
2	4251111	Cross Member Weldmnt	1	
3	4251113	Cross Member Strut	2	
4	MBG1667.07	Spacer - Bracket, Frame Mounting	2	
5	450031	Bolt - Hex M10	2	
6	450041	Bolt - Hex M10	2	
7	450048	Bolt - Hex M12	8	
8	450270	Screw - Hex M16	4	
9	450379	Nut - Hex M10, Nyloc	4	
10	450380	Nut - Hex M12 Nyloc	8	
11	450382	Nut - Hex M16 Nyloc	4	
12	450391	Washer - M10	8	
13	450392	Washer - M12	16	
14	450393	Washer - M16	8	
15		Serial Plate Fairway ROPS Fairway 405 Wing Unit Lift Arms When Cab Fitted	1	
1	4210741	Shouldered Washer	4	
2	4268290	Cross Member Welded assembly	1	
3	450030	Bolt - Hex M10	2	
4	450040	Bolt - Hex M10	2	
5	450048	Bolt - hex M12	8	
6	450242	Screw - Hex M12	4	
7	450379	Nut - Hex M10Nyloc	4	
8	450380	Nut - Hex M12 Nyloc	6	
9	450391	Washer - M10 X 21 X 2.2	6	
10	450392	Washer - M12 X 24 X 2.7	14	
11	452438	Nut - Nyloc M12 Flange	6	
12	MBF0622b.07	Frame Wing Unit LH Weld Assembly	1	
13	MBF0623b.07	Frame Wing Unit RH Weld Assembly	1	
14	MBG1657.07	Strut Mounting Frame	2	
15	MBG1667.07	Spacer Bracket Frame Mounting.	2	

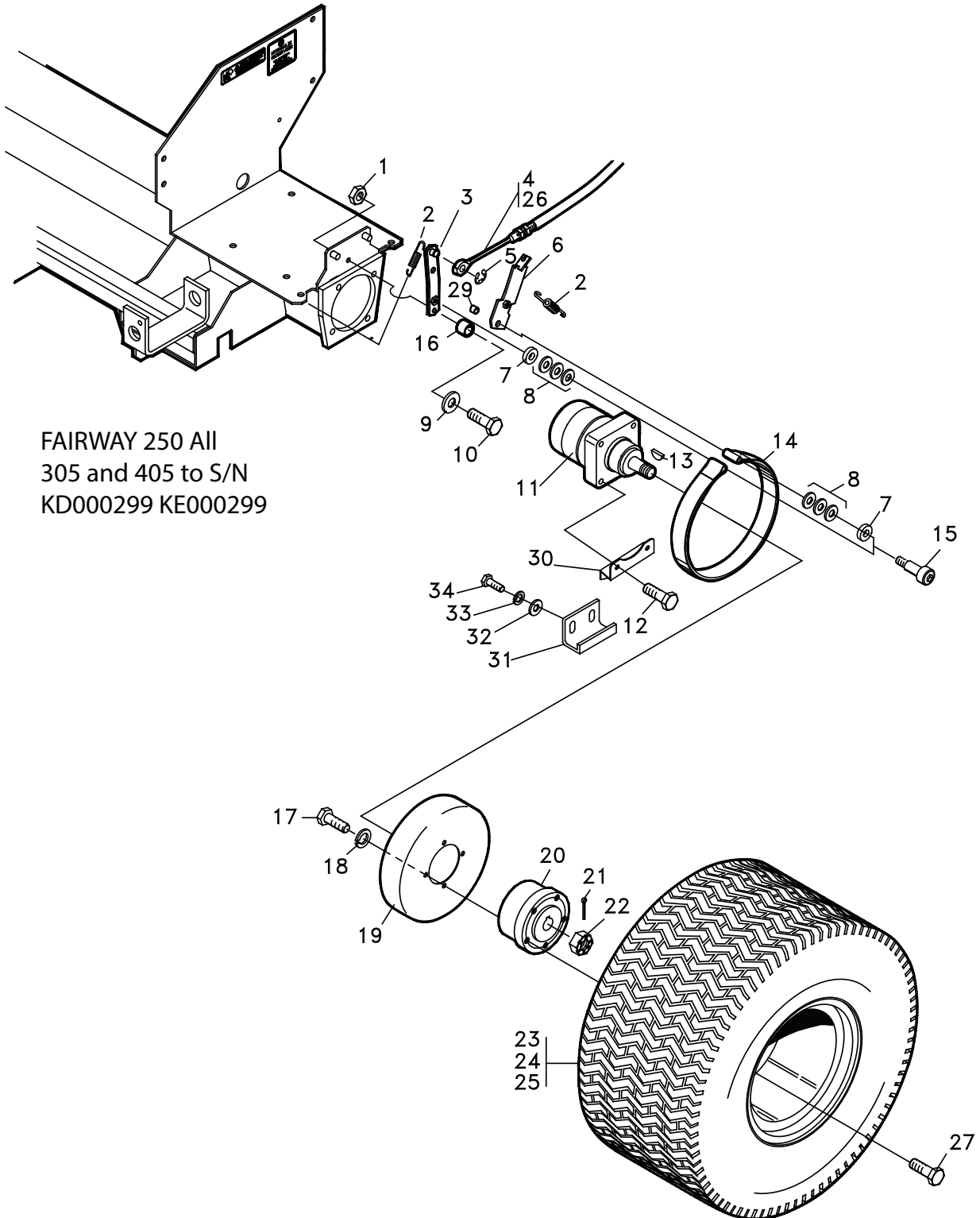
DRIVE WHEELS AND BRAKES SERIES - JZ, JN, JP,

Illustration: Drive Wheels and Brakes

Product code: JGZZ250 Series: JZ,

Product code: JGPP305 Series: JN

Product code: JHAA405 Series: JP

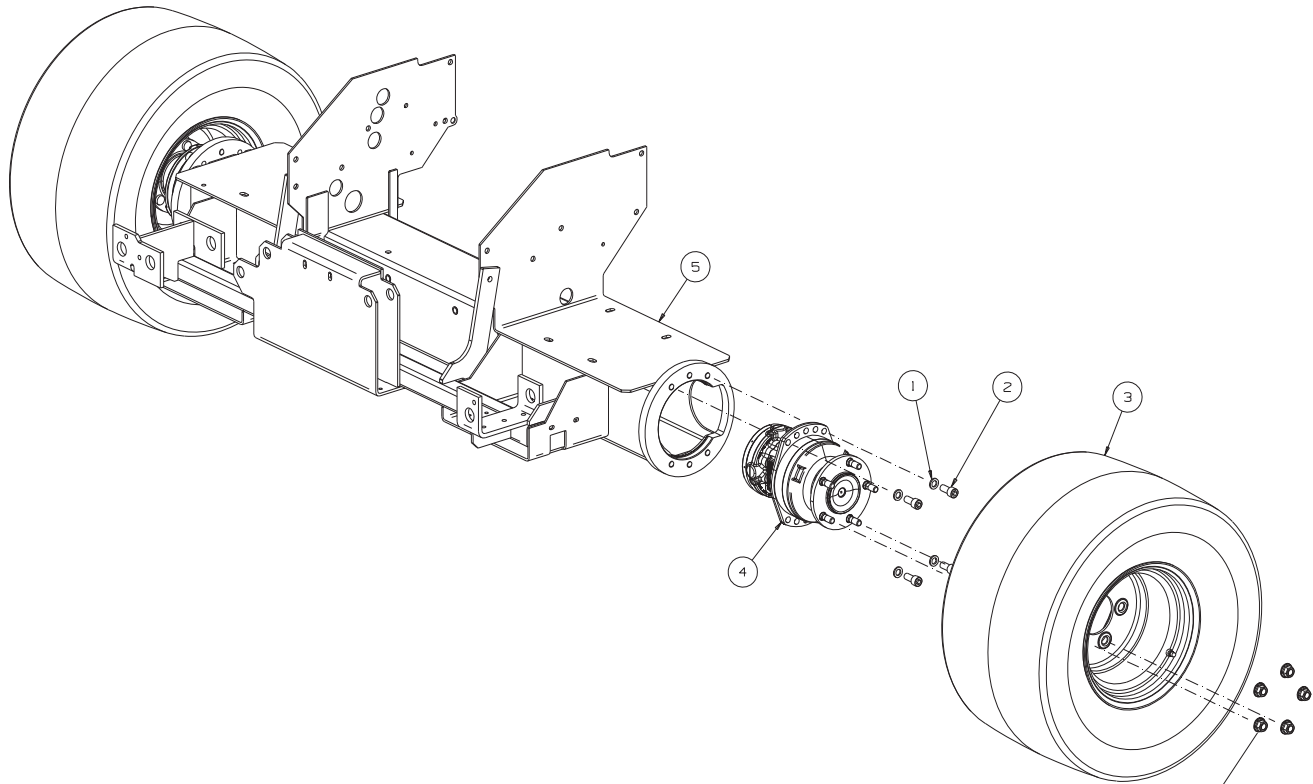


ITEM	PART NO.	DESCRIPTION	QTY	
1	450379	Nut - Nyloc M10	2	
2	699527153	Spring	4	
3	2206031	Weldment - Brake Arm	2	
4	W128025 - 03	Cable, Brake	1	(Use For Left Hand Brake)
5	64144 - 30	Snap Ring .375	2	
6	2206032.07	Weldment - Brake Arm	2	
7	MBF1283	Spacer	4	
8	001599688	Washer	12	
9	450391	Washer	2	
10	450215	Screw M10	2	
11	008007150	Wheel Motor	2	
*	002301080	• Seal Kit	1	
12	450052	Bolt - M11.75x50	8	
13	008007460	#1008 Woodruff Key	2	
14	W178013	Brake Band	2	
15	MBG3598	Bolt M0	4	
16	MBF0838A	Bushing Brake	2	
17	64123 - 15	Bolt Hex 3/8	8	
18	64006 - 04	Lock Washer	8	
19	172060	Brake Drum	2	
20	W2171004A	Hub	2	
21	451264	Cotter Pin	2	
22	008007470	Castle Nut	2	Torque 290nm
23	2208290	Assembly Wheel & Tyre	2	
24	2208291	• Rim With Valve Stem & Cap	1	
25	2208065 - 02	• Tyre 26.5 x 14.00 - 12	1	Ultra Chevron 6pr
26	W128025 - 04	Cable - Brake	1	(Use For Right Hand Brake)
27	64220 - 01	Bolt - Wheel 1 20x.88 OD	10	Torque 95 - 108nm
30	MBF1907.07	Stop - Brake Band	2	
31	MBG5305	Keep Bracket	2	
32	450191	Washer M8	4	
33	450411	Lock Washer M8	4	
34	450390	Screw - Hex M8	4	

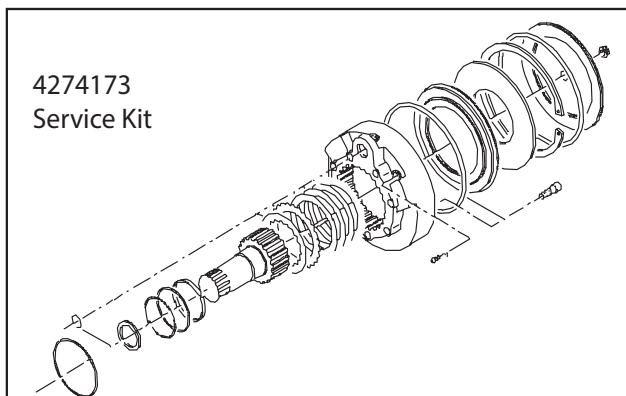
* Not Illustrated

FRONT AXLE MOTOR and WHEEL - SERIES JT, KD, JU, KE

Illustration: 4290371_Poclair front Axle.eps



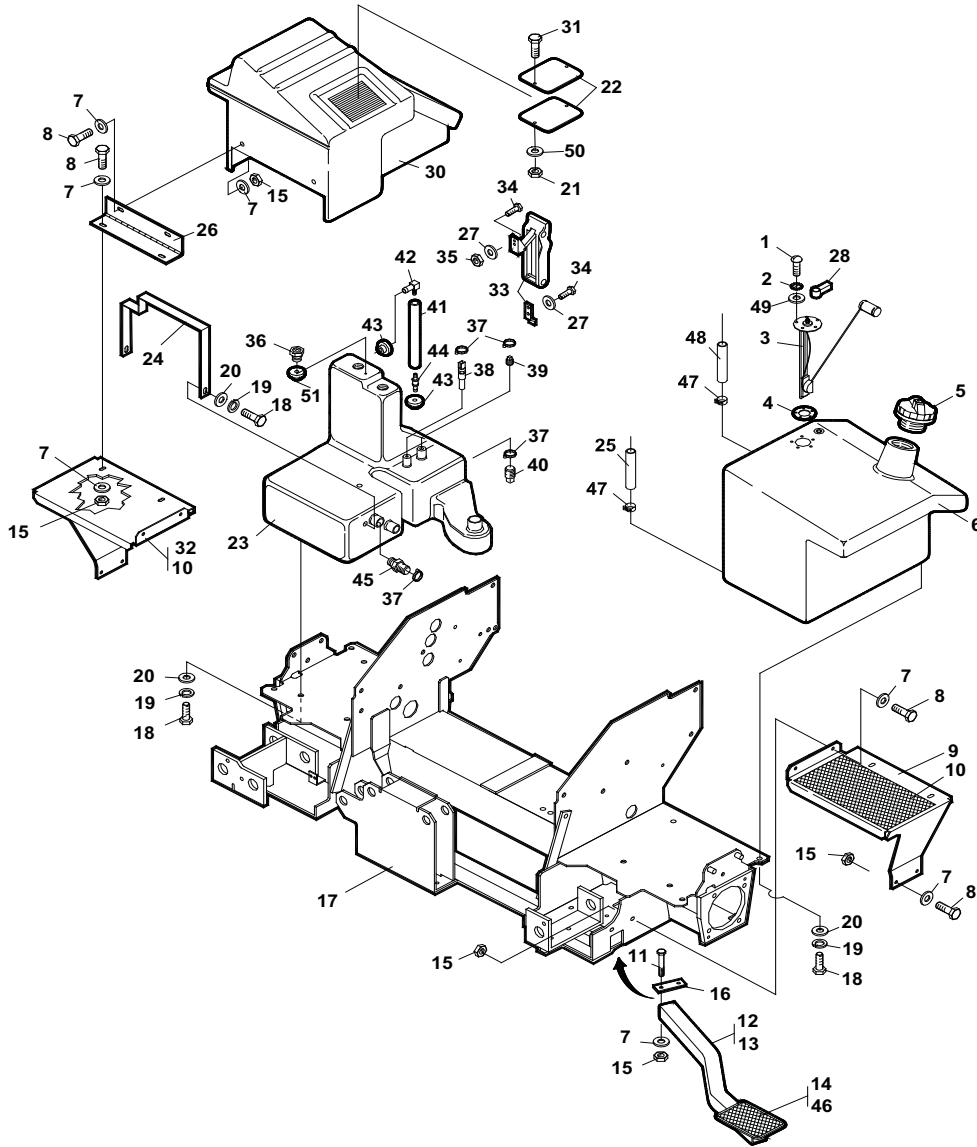
TORQUE REQUIREMENTS		
THREAD SIZE	GRADE	TIGHTENING TORQUE (Nm)
M14x1.5	12.9	282



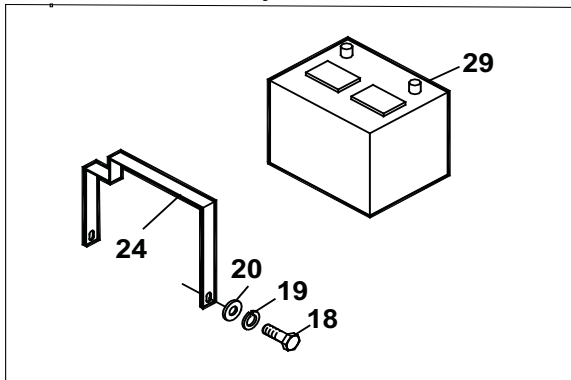
ITEM	PART NO.	DESCRIPTION	QTY	
1	001594200	Lock Washer M14 X 24.1 X 3	8	
2	4228802	Screw, Socket M14 - 1.5 X 30	8	
3	4284778	Wheel & Tyre Assembly 26.5 x 14 x 12	2	
	4220940	• Tubeless Tyre Valve Assembly	1	
	4233943	• Tyre 26.5 x 14 x 12 - 6 Ply	1	OTR U/Chevron
	4220441	• Rim 12 x 10.5 5bolt	1	
4	4304895	Motor, Wheel, Front	2	From S/N KE000316 KD000318
	4274173	• Service Kit	AR	JT000303 JU000301
5	4282092	Fairway Front Frame	1	
*	4274170	Complete Seal Kit		
*	4274171	Brake Seal Kit		
*	4274172	Kit - Brake Assembly		
*	4274173	Kit - Brake Disc		
*	4274174	Bearing - Taper In		
*	4274175	Bearing - Taper Out		
*	4274176	Kit - Bearing Support Assembly		
*	4274177	Cam Ring		

HYDRAULIC RESERVOIR - FUEL TANK and BATTERY

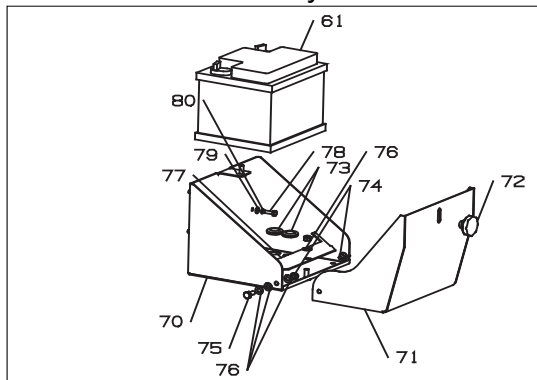
Illustration: hydraulic reservoir & fuel tank



Fairway 305 250



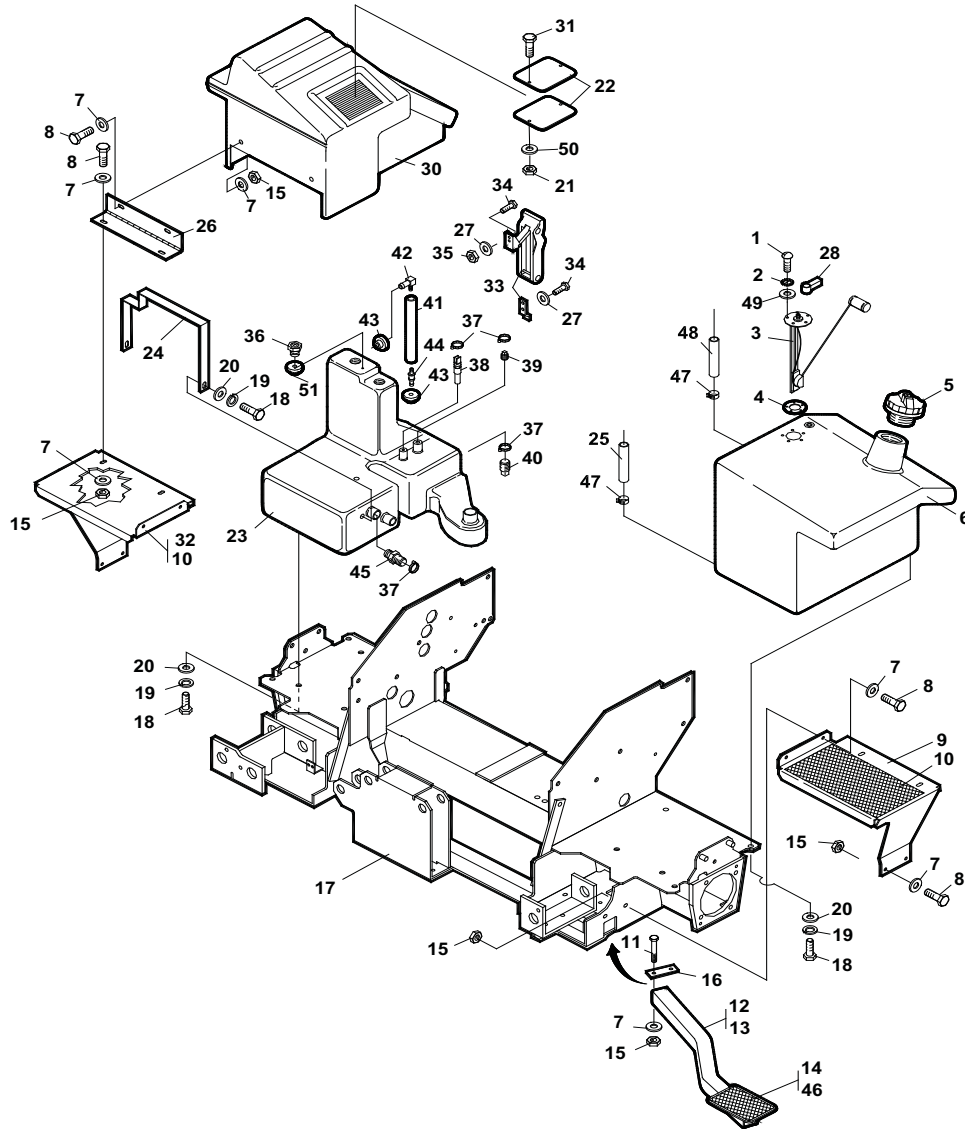
Fairway 405



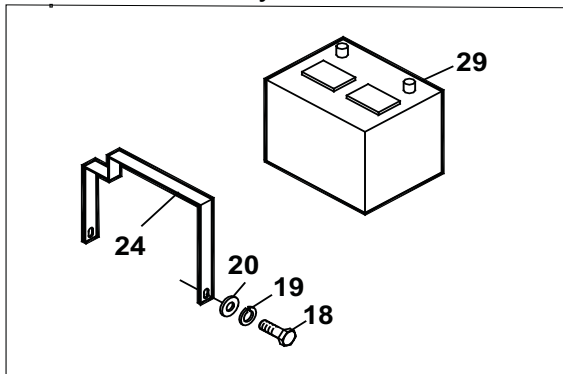
ITEM	PART NO.	DESCRIPTION	QTY	
1	641505	10 - 32 X 1/2 Machine Screw	5	
2	450409	Lock Washer M5	5	
3	2208073	Sender - Fuel Level	1	
4	W148081	Gasket	1	
5	W178105	Cap - Locking	1	(Use Key 178105 - 01)
6	2208109	Tank - Fuel	1	
7	450390	Washer M8	20	
8	450191	Screw M8 X 20	12	
9	MBG0618A	Step LH	1	All 250/305 and 405 To S/N KD000299 KE000299
9	4283159	Step LH	1	405 From S/N KD000300 KE000300
10	2208054	Mat - Step	2	
11	450020	Bolt M8 X 60	4	
12	2206109	Step LH Lower	1	
13	2206110A	Step RH Lower	1	
14	2208071	Mat - Step	1	
15	450378	Nut Nyloc M8	16	
16	2202138.07	Plate - Step Clamp	2	
17	MBF0199J.07	Front Frame	1	
18	450213	Bolt Hex M10 X 20	10	
19	450412	Lock Washer M10	10	
20	450391	Washer M10	10	
21	450377	Nut Nyloc M6	2	
22	2202166A.07	Plate - Reservoir Cover	2	
23	2208031	Reservoir - Hydraulic	1	
24	2202103.07	Hold Down - battery 250/305	1	
25	148263	Fuel Pipe	1	
26	MBG4553.07	Hinge - Reservoir	1	
27	450388	Washer	4	
28	2198091	Boot, Fuel Sender	1	
29	008230310	Battery Type 093 250/305	1	
30	2208110	Cover - Hyd Res	1	Fairway 305 405
30	2208034	Cover - Hyd Res	1	Fairway 250
31	450541	Screw - Pan M6 X 16	2	
32	MBG0617A	Step RH	1	All 250/305 and 405 To S/N KD000299 KE000299
32	4283157	Step RH	1	405 From S/N KD000300 KE000300
33	W178142	Latch - Rubber	1	
34	450528	Screw Pan M5 X 16	4	
35	450376	Nut Nyloc M5	4	
36	4180161	Breather	1	

HYDRAULIC RESERVOIR - FUEL TANK and BATTERY

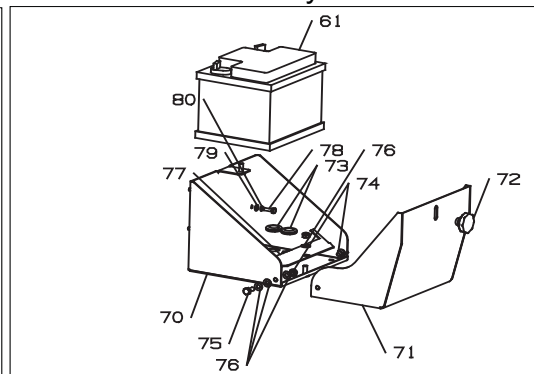
Illustration: hydraulic reservoir & fuel tank



Fairway 305 250



Fairway 405

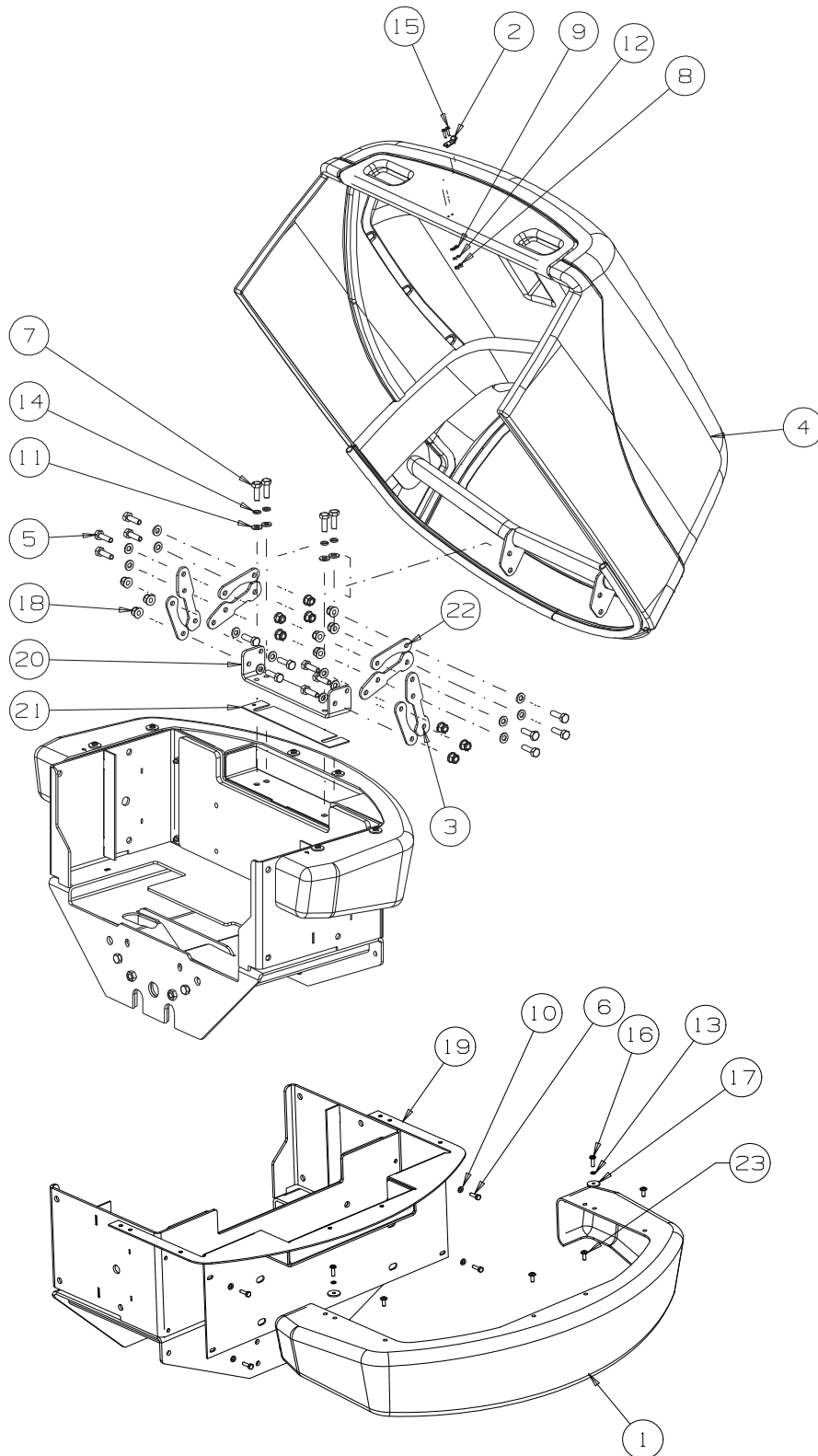


ITEM	PART NO.	DESCRIPTION	QTY	
37	108094 - 06	Clamp	4	
38	008296050	Switch - Temperature 175F/80C°	1	
39	690501	Pipe Plug	1	
40	108029	Plug, Magnetic	1	
41	1581202	Tubing - Sight Class 8"	1	
42	148231	S - Elbow - 90 3/16 Fining	1	
43	48310	S - Bushing	2	
44	22080301	Ftg - 3/1 6 Barb Straight	1	
45	158065 - 03	Ftg - 13/16 - 16/1114	1	
46	MBG4795	Mat - Step	1	
47	001925160	Hose Clip	2	
48	148263	Fuel Pipe	1	
49	642102	Washer 3/16"	5	
50	450389	Washer M6	2	
51	4132325	Grommet	1	
60	MBG7075	Battery Clamp	1	
61	008230310	Battery 093	1	
62	MBG7085	Battery Tray	1	
63	450215	Screw M10	3	
64	450391	Washer M10	4	
65	450412	Lock Washer M10	2	
66	450379	Nut Nyloc M10	1	
70	4121310	Battery Tray	1	
71	4120155	Battery Lid	1	
72	002990293	Knob	1	
73	002953223	Grommet	2	
74	450378	M8 Nyloc	2	
75	450191	Screw M8	2	
76	450390	M8 Washer	7	
77	4121307	Battery Clamp	1	
78	450171	Screw M6	3	
79	450410	M6 Washer	3	
80	450389	M6 Washer	3	
	MBG6303.07	Hose Cover	2	
81	4138308	Washer	1	

* Not Illustrated

BONNET AND REAR BUMPER

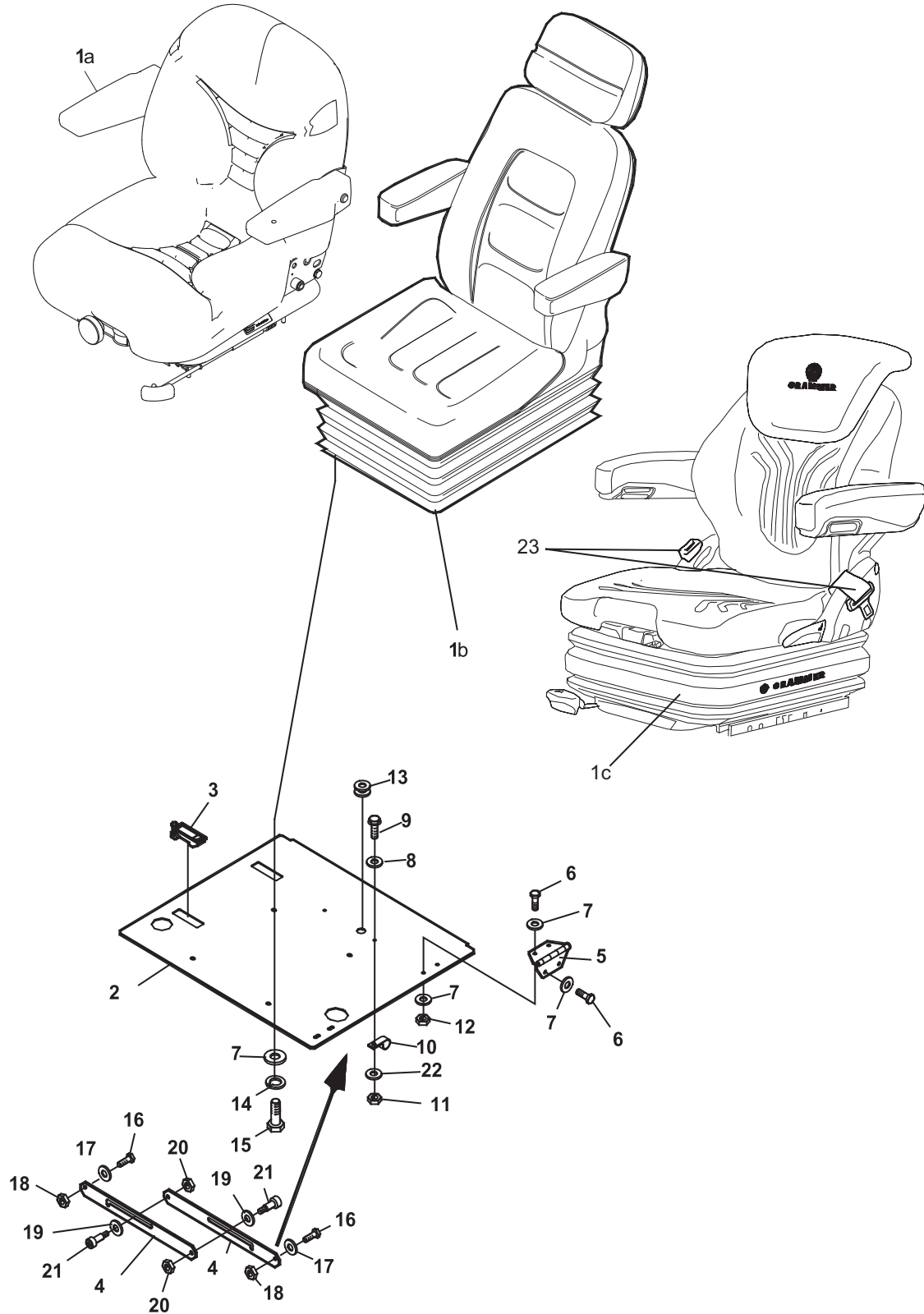
Illustration: 4273016_bonnet



ITEM	PART NO.	DESCRIPTION	QTY	
1	009135840	Plastic Bumper	1	
2	2198112	Draw Latch	1	
3	4272991	Hinge Bracket Long	4	
4	4259290	Fairway Plastic Hood	1	
5	450029	Bolt - Hex M10	14	
6	450171	Screw - Hex M6	4	
7	450215	Screw - Hex M10	4	
8	450321	Nut - Hex M4	2	
9	450387	Washer - M4	2	
10	450389	Washer - M6	4	
11	450391	Washer - M10	18	
12	450408	Lock Washer - M4	2	
13	450410	Lock Washer - M6	6	
14	450412	Lock Washer - M10	4	
15	450519	Screw - Pan HD M4	2	
16	450542	Screw - Pan HD M6	6	
17	452101667	Washer - 1/4 X 1 X.104	6	
18	452437	Nut Nyloc M10 Flange	14	
19	MBF2299	Hinge Sealing Welded Assembly	1	
20	MBG6824	Bonnet Bracket	1	
21	MBG7076	Bonnet Spacer	1	
22	MBG7112	Hinge Bracket Short	4	
23	4211480	Screw - M6 X 16 Flange	4	

SEAT MOUNTING

Illustration: Seat Mounting

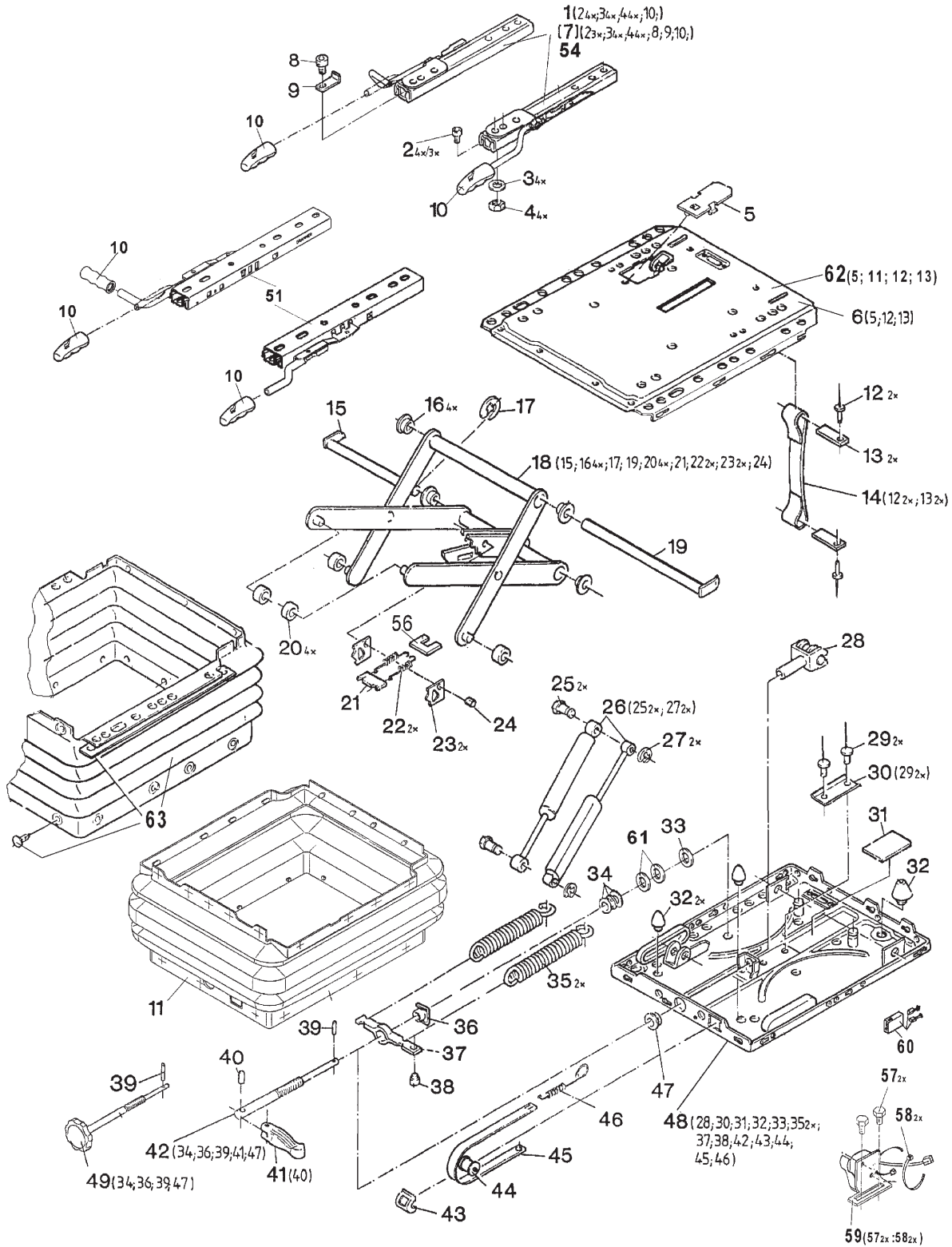


ITEM	PART NO.	DESCRIPTION	QTY	
1a	4137966	Seat, Grammer MSG85	1	Multi Function Arm
1b	008199400	Seat, Grammer S85/90R	1	
1c	4149463	Seat - Grammer MSG75/521	1	
	4164150	Seat - Grammer MSG75 with MFA	1	Multi Function Arm
2	MBF0603b.06	Seat Plate W/a	1	
*	450214	Screw M10	2	Seat Plate To Frame
*	450391	Washer M10	2	Seat Plate To Frame
*	450412	Lock Washer M10	2	Seat Plate To Frame
3	2208075	Latch - Adjustable Lever	2	
4	2202118.07	Seat Support	2	
5	MBG2013.07	Seat Hinge	2	
6	450191	Screw - Hex M8	8	
7	450390	Washer M8	17	
8	450389	Washer M6	1	
9	450172	Screw - Hex M6	1	
10	469016517	P - Clip	1	
11	450377	Nyloc M6	1	
12	450378	Nyloc M8	8	
13	002953223	Grommet	1	
14	450411	Washer Lock Washer M8	4	
15	450192	Screw - Hex M8	4	
16	450214	Screw - Hex M10	2	
17	450391	Washer M10	2	
18	450379	Nyloc M10	2	
19	001599264	3/8" Washer	2	
20	001393222	3/8" Nyloc	2	
21	W64166 - 03	Shoulder Bolt 3/8"	2	
22	MBF1605	Spacer	1	
23	4142205	Retracting Lap Belt	1	For Use With Rops Frame Or Cab
*	450392	Washer M12	2	For Item 23
*	456010967	Screw, Hex 7/20 X 1	6	For Item 23
*	4176261	Spacer 12 X 18 X 9	2	For Item 23

* Not Illustrated

GRAMMER MSG 85 SEAT (4137966) - SUSPENSION

Illustration: 4137966 - 3

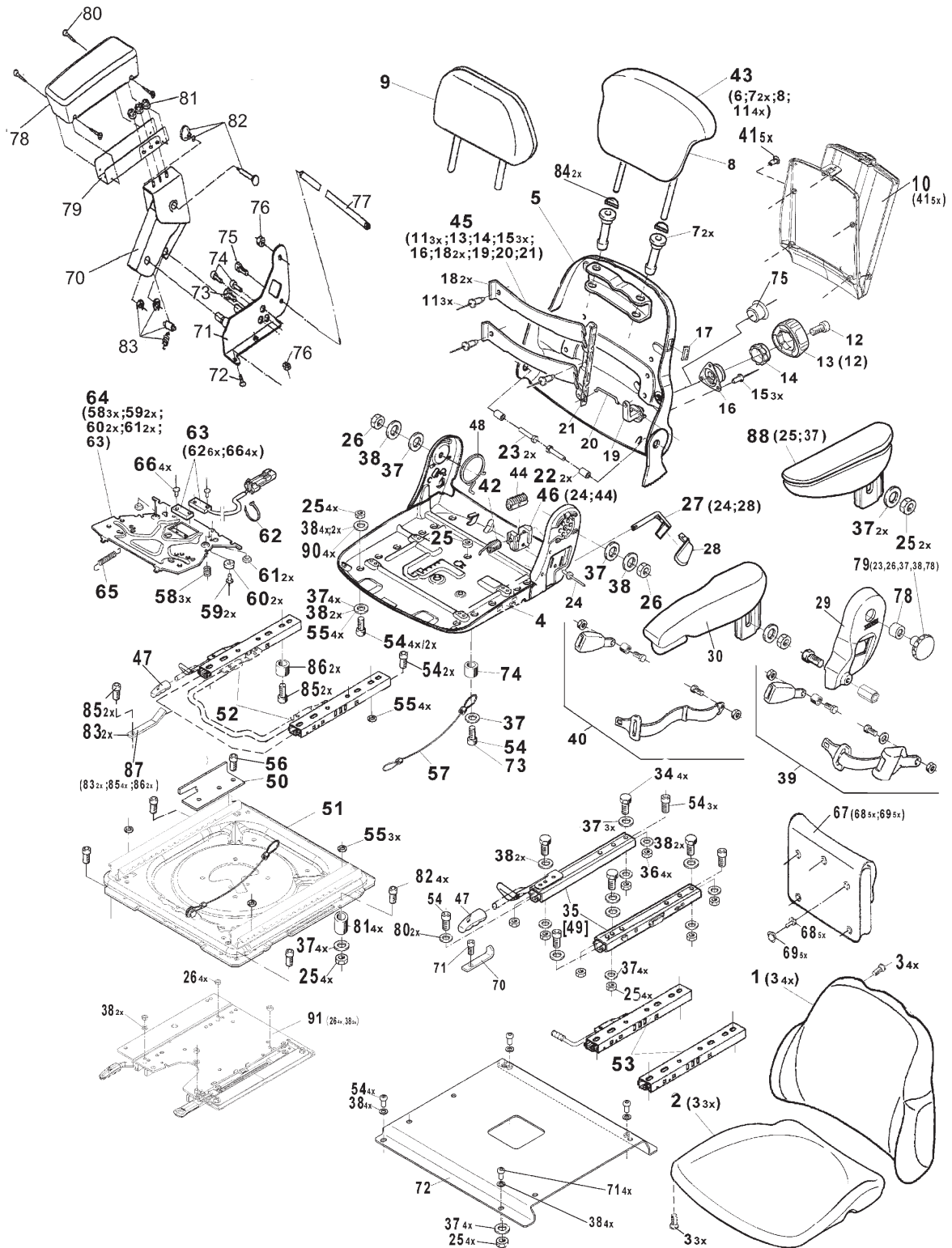


ITEM	PART NO.	DESCRIPTION	QTY	
5	008173680	Cover	1	
6		Kit, Suspension Upper	1	
11		Kit, Bellow	1	
15	008173790	Bolt	1	
16	008173800	Bushing	4	
18	008199900	Swing Arm Kit	1	
19		Bolt	1	
20	008173780	Roller	4	
21	008173820	Plate	1	
22		Tension Spring	2	
23	008173830	Release Plate	2	
24	008173840	Bolt	1	
25	008173710	Bolt, M8 Yellow	2	
26	008199680	Kit, Shock Absorber, S	1	
27	008173720	Washer, Retaining, 5 mm	2	
28		Fork	1	
29	008173740	Rivet, 4.0 x 10.0	2	
30		Bracket, U - Shaped Pro	1	
31	008173760	Rubber Plate	1	
32	008173730	Bumper Set	1	
33	008173870	Thrust Washer Kit	1	
35	008144410	Spring, Tension	2	
36	008173880	Nut, M12, Flange	1	
37	008173910	Spring Bracket	1	
38	008173930	Plug, Retainer	1	
39		Pin, 3.0 x 16	1	
40		Pin, 4 x 28	1	
41		Handle (Toggle)	1	
42		Adjustment Spindle	1	
43	008173950	Guide	1	
44	008193960	Roller	1	
45	008193920	Band, Weight, 130 kg	1	
46	008173940	Tension Spring	1	
47		Bushing	1	
52	4228181	Suspension Lower Par	1	
53		Fixing Parts	1	
55	4228180	Suspension MSG85	1	
57		Screw, M6	2	
58		Ties, Cable, 2.5 x 102	2	
59		Switch	1	
60	008174000	Connector, Electrical	1	

* Not Illustrated

GRAMMER MSG 85 SEAT (4137966) - SEAT TOP

Illustration: grammer MSG85 seat 405

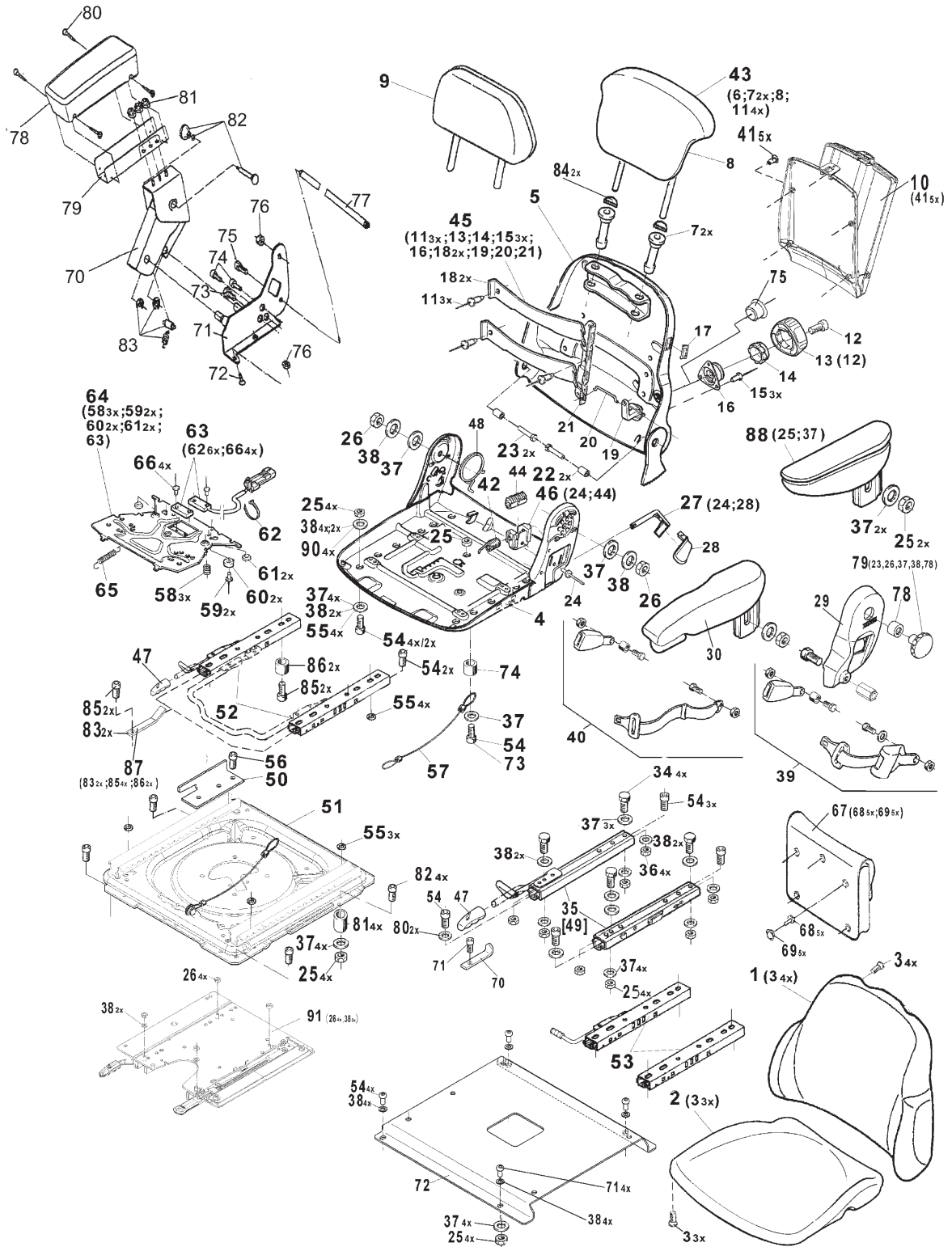


ITEM	PART NO.	DESCRIPTION	QTY	
1		Assy, Cushion, Backrest	1	
2		Assy, Cushion, Seat	1	
3		Screw, M5 Pan HD	7	
4		Seat Pan	1	
5		Backrest Pan Kit	1	
7		Tube	2	
8		Backrest Extension	1	
22		Tube	2	
23		Screw, M8	2	
24		Rivet, 6 x 12	1	
25		Nut, Hex, M8	6	
26	113048	Nut, Hex, M8	2	
27		Lever	1	
28		Handle, Grey	1	
29		Cover, LH, Blk	1	
33		Cover, RH, Blk	1	
34		Screw M8	4	
35		Set of Adjustment Rails	1	
36		Nut, Hex M8	4	
37		Washer, Flat, M8	11	
38		Washer 8.4 - Hv140	6	
39		Kit, Seatbelt, 2 Retractable	1	
40		Seatbelt, 2 Non - retractable	1	
42		Spring, Spiral	1	
44		Stop	1	
46		Bearing Kit	1	
48		Spring, Leg, Backrest	1	
49		Set of Adjustment Rails	1	
54		Screw, M8 Socket	4	
67		Literature Box	1	One supplied
*		Literature Holder (net)	1	
68		Blind Rivet 3.2 x 11.2	5	
69		Ball	5	
88		Armrest	1	
	4138707	Multi - Function Arm Rest	1	
70		• Adjustment Unit	1	
71		• Arm Rest Support	1	
72		• Screw	1	
73		• Screw	1	
74		• Screw	2	
75		• Screw	2	
76		• Nut	2	
77		• Tube	178	• Arm Cushion1

* Not Illustrated

GRAMMER MSG 85 SEAT (4137966) - SEAT TOP

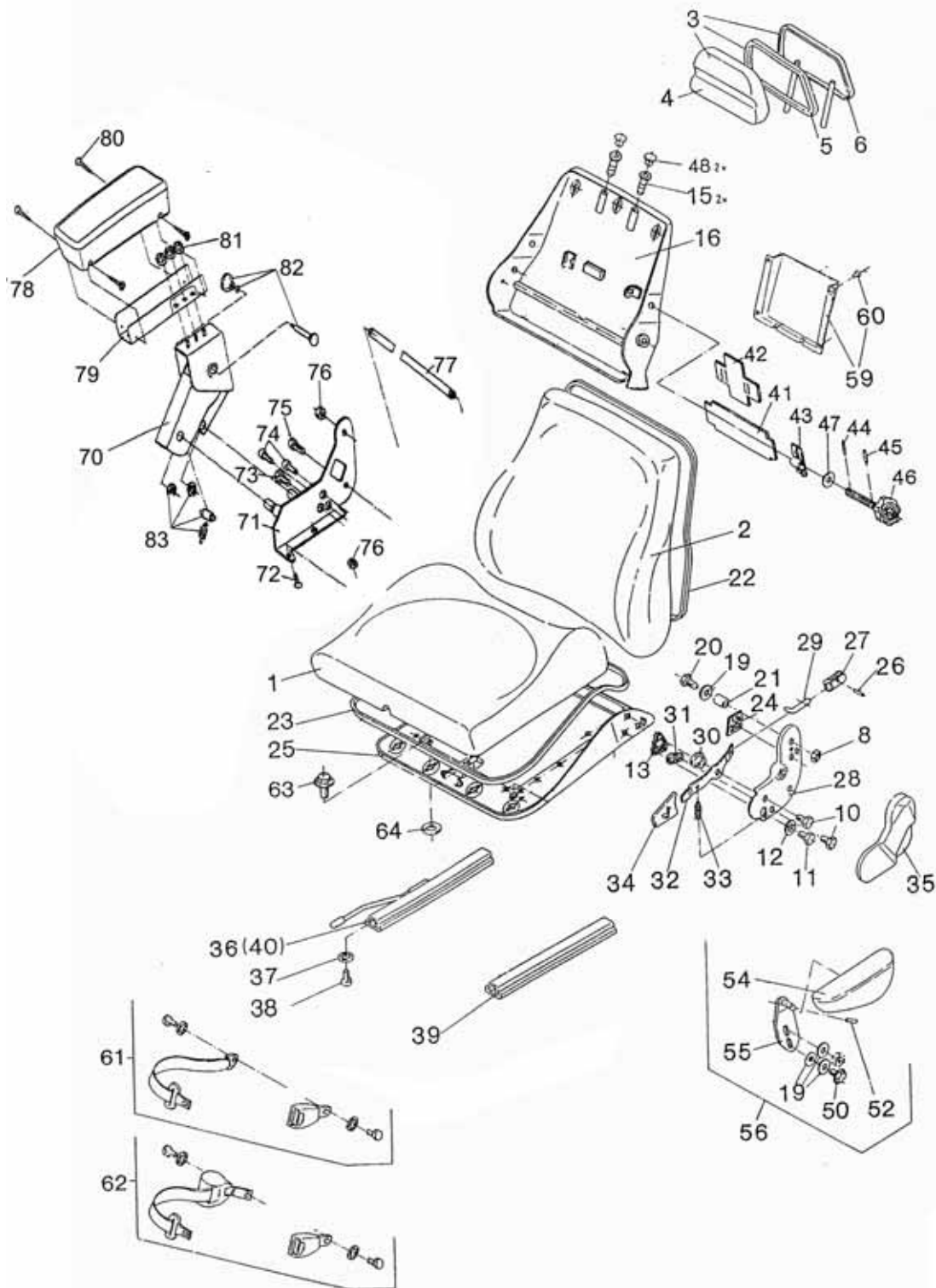
Illustration: grammer MSG85 seat 405



ITEM	PART NO.	DESCRIPTION	QTY	
79		• U - profile	1	
80		• Screw	4	
81		• Nut	3	
82		• Adjustment Spindle	1	
83		• Adjustment Service KIT	1	

SEAT BREAKDOWN GRAMMER (S 85 / 90R)

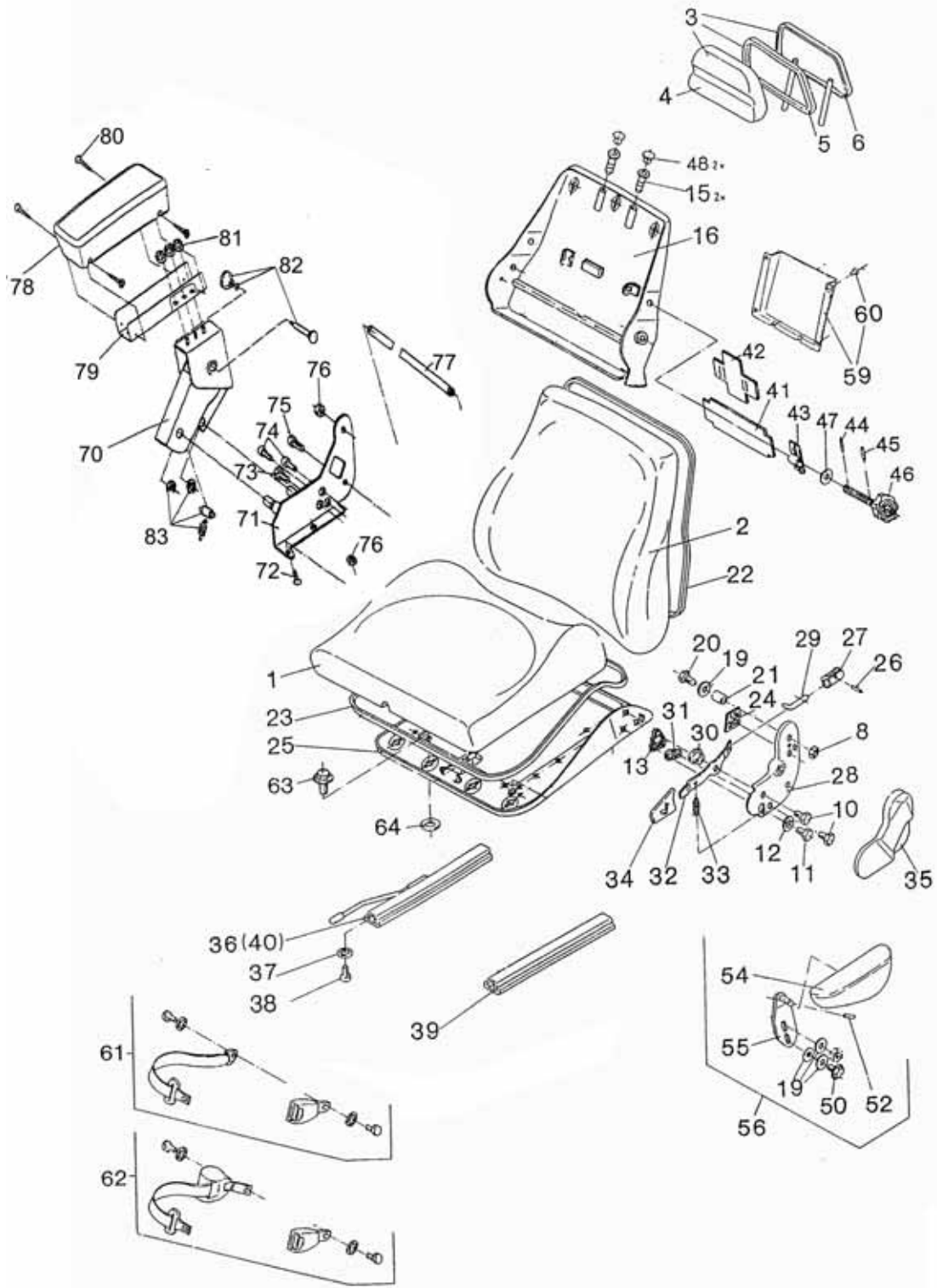
Illustration: 405 Seat assy



ITEM	PART NO.	DESCRIPTION	QTY	
1	008199400	Seat Assy complete	1	including suspension but not multi - function armrest
2	008199450	seat cushion	1	
3	008199460	Back Rest cushion	1	
4	008199560	Head Rest Assy.	1	
5	008199470	Head Rest cushion	1	
6	008173520	Edge Strip	1	
8	N/A	Head Rest Frame	1	
10	008173370	Nut	2	
11	008173390	Screw	4	
12	008173400	Screw	2	
13	008173410	SP Washer	2	
15	008173420	Distance Plate	2	
16	008173440	Bush	2	
17	008199690	Back Plate	1	
18	008173450	Tube	1	
19	008173460	Spring	1	
20	008173470	Washer	2	
21	008173480	Screw	2	
22	008173490	Tube	1	
23	008173500	Edge Strip	1	
24	008173510	Edge Strip	1	
25	008173530	Distance Piece	1	
26	008173540	Seat Plate	1	
27	008199650	Pin	1	
28	008199660	Detent	1	
29	008173550	Mounting LH	1	
30	008199670	Rod	1	
31	008173560	Bush	1	
32	008173570	Distance Piece	1	
33	008173350	Lever	1	
34	008173360	Spring	1	
35	008199860	Handle	1	
36	008173580	Cover LH	1	
37	008199640	Rail with Lever	1	
38	008173590	Washer	4	
39	008173600	Screw	4	
41	008199750	Rail	1	
42	008173610	Plate	1	
43	008173620	Plate	1	
44	008199700	Nut	1	
	008199710	Pin	1	

SEAT BREAKDOWN GRAMMER (S 85 / 90R)

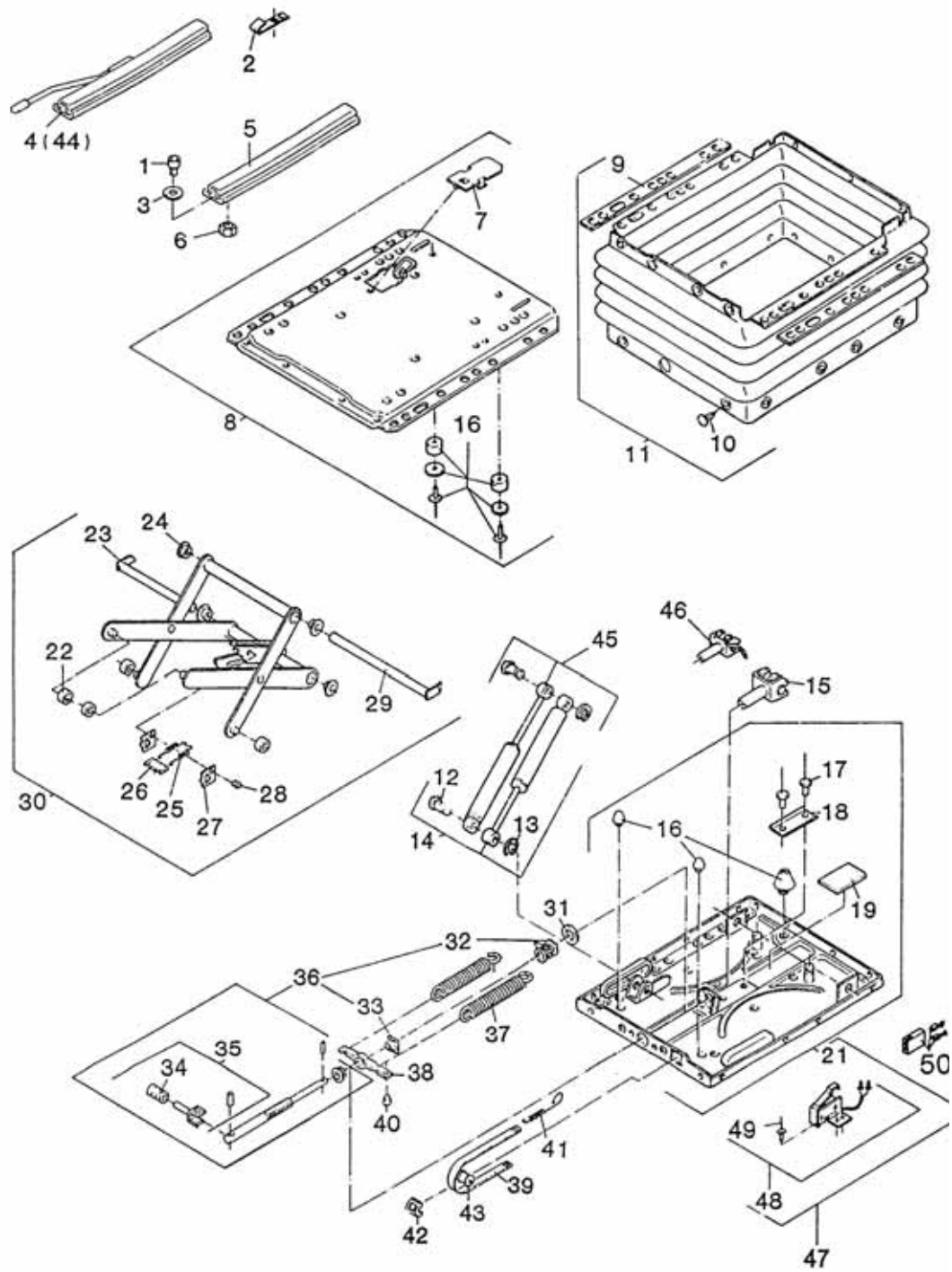
Illustration: 405 Seat assy



ITEM	PART NO.	DESCRIPTION	QTY	
45	008199720	Pin	1	
46	008199730	Adjusting Spindle	1	
47	008199740	Washer	1	
48	N/A	Plug	2	
49	008199550	Arm Rest RH	1	
50	N/A	Screw	2	
51	N/A	Support RH	1	
52	N/A	Pin	2	
53	008199850	Arm Rest Assy. RH	1	
54	008173630	Arm Rest LH	1	
55	N/A	Support LH	1	
56	008199860	Arm Rest Assy. LH	1	
59	N/A	Cover Assy	1	
60	N/A	Screw	1	
61	N/a	Seat Belt Fixed	1	
62	N/a	Seat Belt Reel	1	
63	N/a	Screw		
64	N/a	Washer		
	4117954	Multi - function Arm Rest	1	Includes parts below
70	137390	• Adjustment unit	1	
71	137062	• Arm Rest Support	1	
72	113046	• Screw M8	1	
73	113771	• Screw 7 - 20 UNF x 35	1	
74	450723	• Screw M8	2	
75	450725	• Screw M8	2	
76	113048	• Nut M8	2	
77	137057	• Tube	1	
78	139818	• Arm Cushion	1	
79	139816	• U - Profile	1	
80	111027	• Screw St4, 8x 9,5 - C	4	
81	100938	• Nut M6	3	
82	137385	• Adjustment Spindle	1	
83	137387	• Adjustment Service Kit	1	

SEAT SUSPENSION BREAKDOWN GRAMMER DS85H

Illustration: Grammer DS85H Suspension breakdown

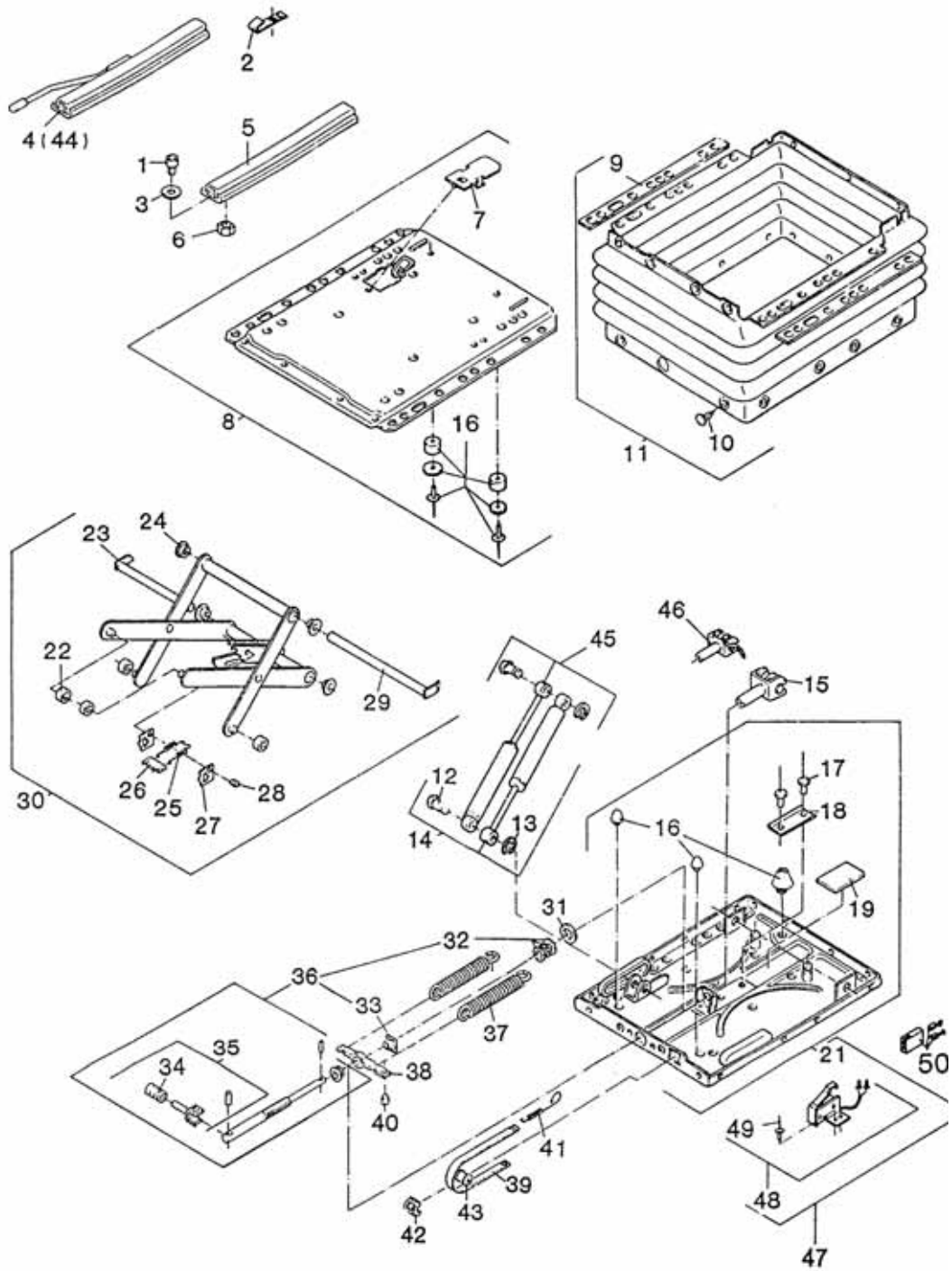


ITEM	PART NO.	DESCRIPTION	QTY	
1	008173640	Screw	6	
2	008173650	Stop	1	
3	008173660	Washer	2	
4	008199640	Slide With Lever	1	
5	008199750	Slide	1	
6	008173670	Nut	6	
7	008173680	Cover	1	
8	008173690	Base Assy.	1	
9	008173700	Plate	2	
10	008199790	Pin	21	
11	008199840	Gaiter Assy.	1	
12	008173710	Pin	2	
13	008173720	E Clip	2	
14	008199680	Damper Assy	1	
16	008173730	Buffer Assy.	1	
17	008173740	Rivet	2	
18	008173750	Runner	1	
19	008173760	Plate	1	
20	008173770	Suspension Assy.	1	
22	008173780	Roller	4	
23	008173790	Pin	1	
24	008173800	Bush	4	
25	008173810	Spring	2	
26	008173820	Plate	1	
27	008173830	Plate	2	
28	008173840	Bolt	1	
29	008173850	Pin	1	
30	008199900	Hinge	1	
31	008173860	Washer	1	
32	008173870	Bearing	1	
33	008173880	Nut	1	
34	008173890	Handle	1	
35	008173900	Lever Assy.	1	
36	008199920	Weight Adjuster	1	
37	008199410	Spring	2	
38	008173910	Spring Hook	1	
39	008173920	Weight Indicator	1	
40	008173930	Stop	1	
41	008173940	Spring	1	
42	008173950	Window	1	
43	008173960	Roller	1	
46	008173970	Fork	1	
47	008173980	Spring Frame	1	

* Not Illustrated

SEAT SUSPENSION BREAKDOWN GRAMMER DS85H

Illustration: grammer DS85H Suspension breakdown

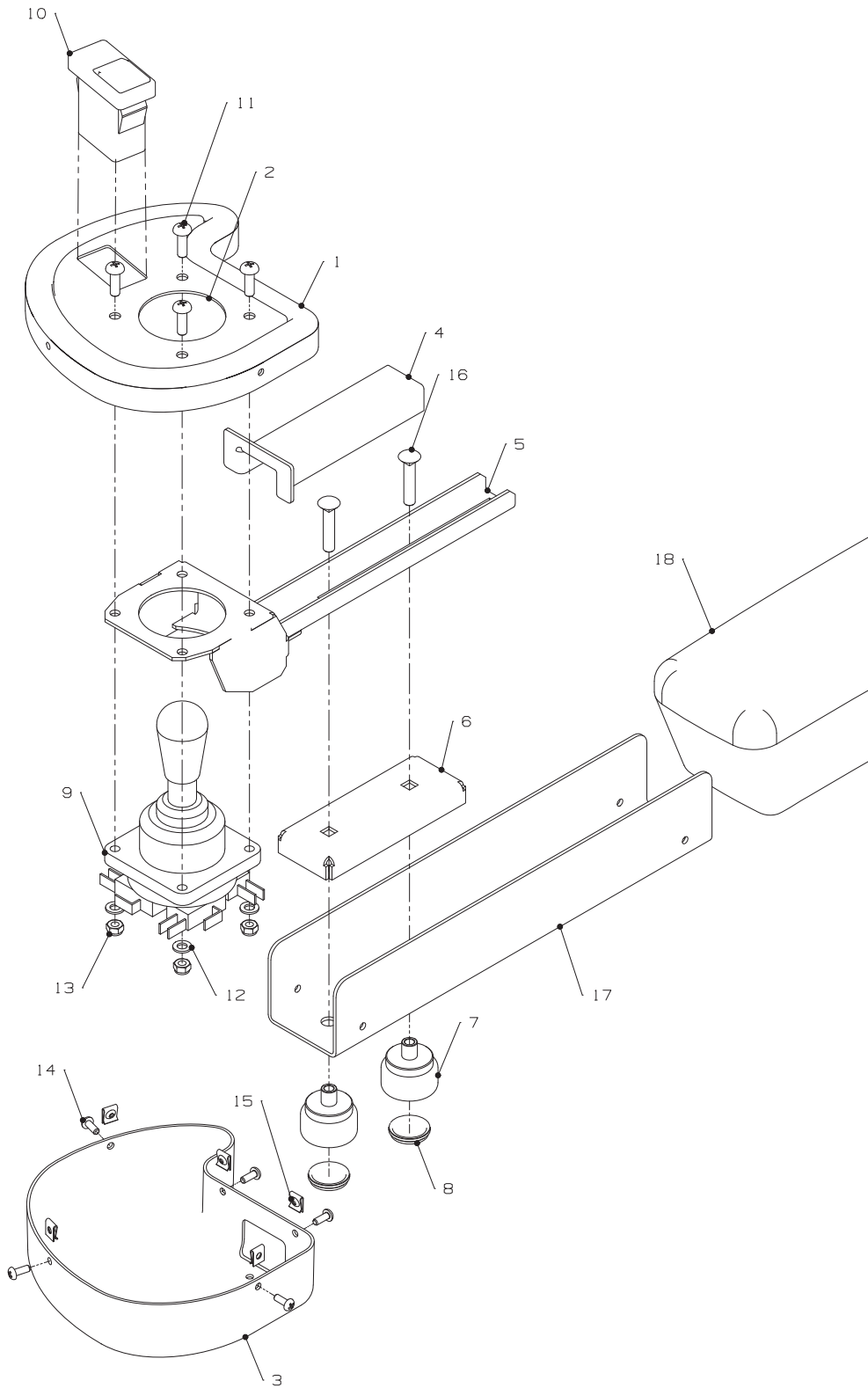


ITEM	PART NO.	DESCRIPTION	QTY	
48	009054480	Microswitch	1	
49	008173990	Screw	2	
50	008174000	Connector	1	

* Not Illustrated

JOYSTICK ASSEMBLY FAIRWAY 405

Illustration: JOYSTICK_EXPLODE



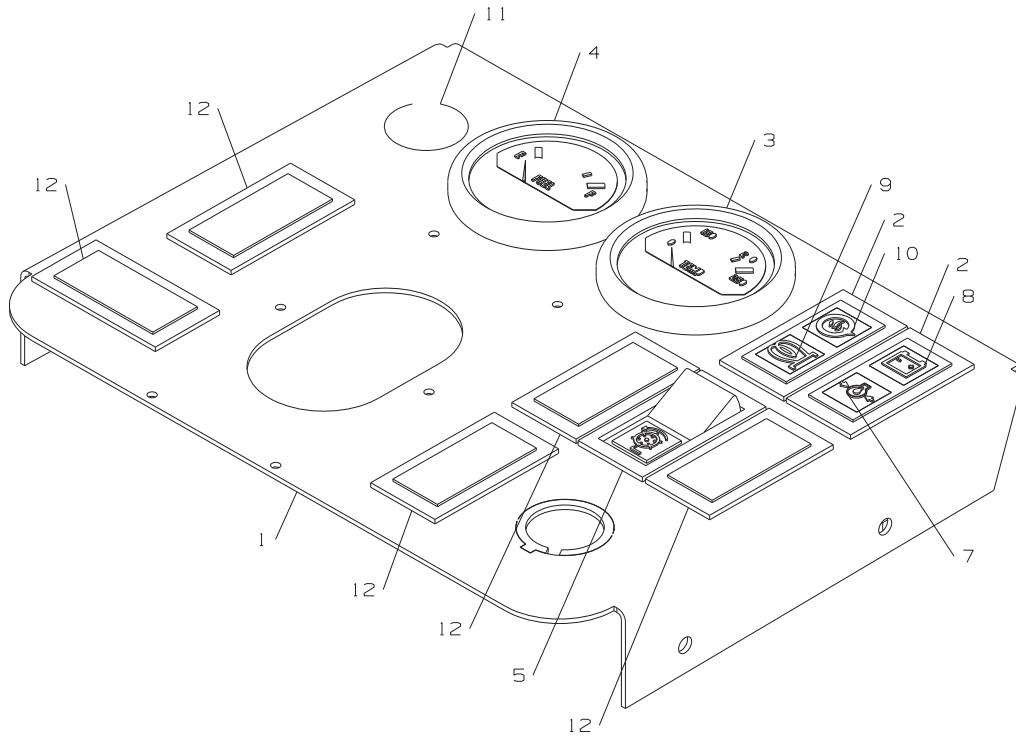
ITEM	PART NO.	DESCRIPTION	QTY	
*	4118403	Joystick Complete	1	
1	009135710	Cover - Top Rim	1	
2	009135700	Cover - Top Insert	1	
3	009135720	Cover - Bottom	1	
4	4118224	Cover Channel	1	
5	MBF2262	Joystick Support Bracket	1	
6	MBG6649	Clamp Bracket	1	
7	MBG6651	Clamp Handle	2	
8	642000284	Grommet	2	
9	4118404	Joystick and Harness	1	
9a	4118223	2 Axis Cross Gate Function	1	
9b	4118405	Joystick Harness	1	
10	4118384	Switch	1	
11	641550	Screw Torx Head M5	4	
12	450388	Washer M5	4	
13	450376	Nut - M5 Nyloc	4	
14	001192140	Screw - Pan No.6 X 3/8"	5	(Stainless steel)
15	001394040	No.6 Speed Nut	5	
16	452544	Bolt Cup Hd Sqare Neck M6 X 30	2	
17	450377	Nut - M6 Nyloc	2	

* Not Illustrated

PARTS MANUAL

ELECTRICS-INSTRUMENT PANEL SERIES JZ, JN, JP

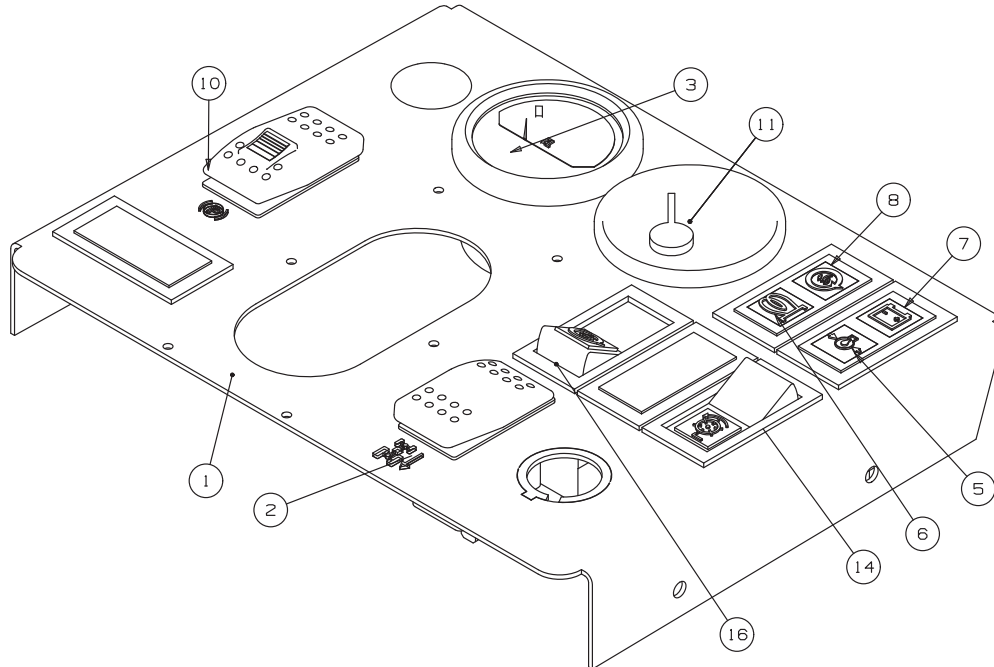
Illustration: Instrument panel 405



ITEM	PART NO.	DESCRIPTION	QTY	
1	009050490 MBG5127A	Includes All Items 1 To 12 Instrument Panel	1	
2	008231870	Twin Pilot Light	2	
3	1780903	Water Temp Gauge	1	
4	1780904	Fuel Gauge	1	
5	2208066-01	Cutter Switch	1	
6	008295870	Lens-Mow Engage	1	
7	008295630	Lens-Eng Pre-Heat	1	
8	008295640	Lens-Battery Charge	1	
9	008295650	Lens-Pre-Heat	1	
10	008295710	Lens-Eng O\Heat	1	
11	002952146	Domed Plug (7/8")	1	
12	008295210	Blanking Plug	5	
*	009055920	Harness-Instrument Panel	1	
*	MBE3961B.07	Bezel-Steering	1	
*	009134160	Gaiter (Steel Frame)	1	
*	451126	Screw Pan Hd No.6 X 9.5	6	
*	4118385	Pic Module-Joystick Ctrl	1	
*	4118856	Clip-Pic Module Holder	1	
*	4118805	Pic Module Holder	1	
*	001394016	Nut Speed M6	1	Fairway 405 to S/N KD000299 KE000299
*	450539	Screw-Pan Hd M6 X 12	1	
*	450410	Lock Washer M6	1	

ELECTRICS-INSTRUMENT PANEL SERIES KD, JT, KE, JU

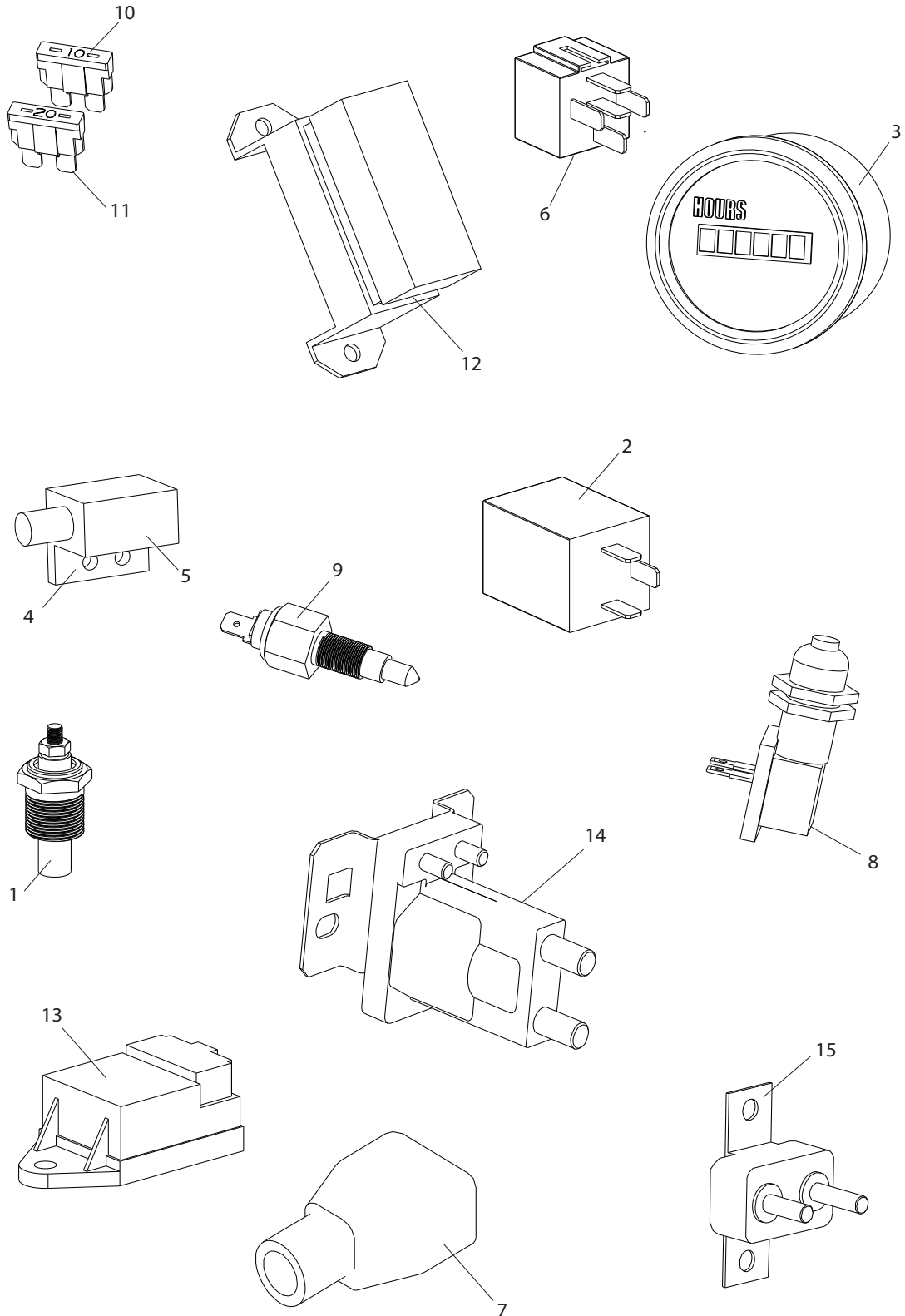
Illustration:4288654 Instrument Panel Poclairn 405.eps



ITEM	PART NO.	DESCRIPTION	QTY	
1	4288551	Instrument Panel	1	
*	4288891	Instrument Panel Screen Print		
*	4288654	Instrument Panel Complete	1	
3	W178092-04	Fuel Gauge	1	
4	008231870	Twin Pilot Lamp	2	
5	008295630	Lens-eng Oil Pressure (Red)	1	
6	008295650	Lens-engine Pre-heater (Green)	1	
7	008295640	Lens-battery Charge (Red)	1	
8	008295710	Lens-engine Overheat	2	
10	4139764	Switch-Park Brake Lock	1	
11	4152717	Gauge-temp	1	
14	2208066-01	Mow Engage Switch	1	
14a	008295870	Lens-mow Engage	1	
*	008295211	Blanking Plug	2	
*	002952146	Plug A295214	1	
*	009055920	Harness-Instrument Panel	1	
16	4212122	Coolant Temp Alarm	1	
*	178092-13	Single Switch Blank	A/R	
*	4118385	Pic Module-Joystick Ctrl	1	
*	4118856	Clip-Pic Module Holder	1	
*	4289915	Pic Module Holder	1	
*	4241138	30/40A Relay	1	
*	4142655	Buzzer Assembly	1	

ELECTRICS - VARIOUS COMPONENTS

Illustration: AR250 ELECTRIC COMPONENTS

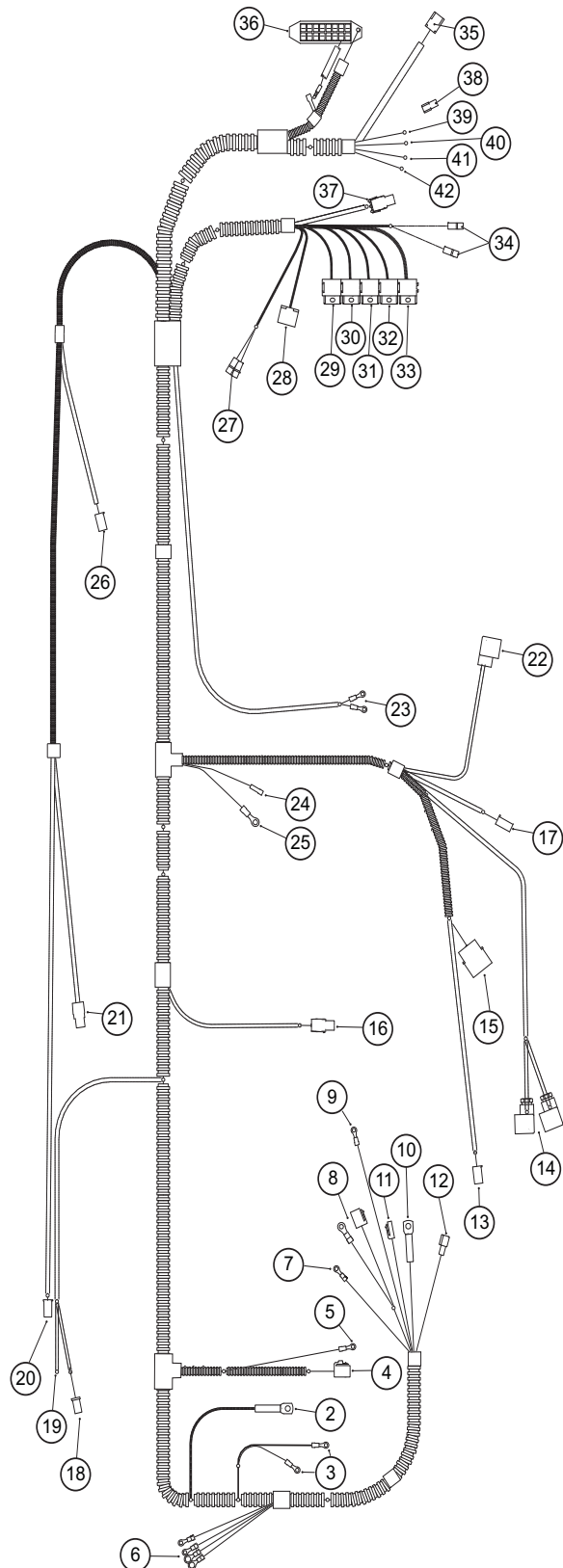


ITEM	PART NO.	DESCRIPTION	QTY	
*	4118387	Main Harness	1	
*	178083	Cable - Battery Negative	1	
*	148164	Cable - Battery Positive	1	
*	009055750	Harness Earth Strap/Fuel Pump	1	
*	008220920	Splices (Amp 34318)	2	
1	W148270	Sender -Temp	1	
2	008244640	Seat Switch Delay	1	
3	008109660	Hour Meter LCD 2 Terminal	1	
4	W038383	Switch N/c	5	
5	W38382	Switch N/o	2	
6	008244730	Relay 30 Amp	5	
*	008238340	Relay Block	5	
*	450149	Screw Hex - M5	2	Hardware For Relay Block
*	450376	Nut Nyloc M5	2	
7	4139551	Insulation Boot	1	
8	2208099	Foot Switch	1	
9	008296050	Temperature Switch -175F/80C°	1	
*	008233156	Fuse 5 Amp	1	
10	008233164	Fuse 10 Amp	2	
11	008233180	Fuse 20 Amp	1	
*	008233203	Fuse 30 Amp	1	
12	008238350	Fuse Carriage	1	
*	450529	Screw-Pan M5	2	Hardware For Fuses
*	450376	Nut Nyloc M5	2	
13	008244670	Lamp Timer	1	
*	450149	Screw-Hex M6	1	Hardware For Lamp Timer
*	450377	Nut Nyloc M6	1	
14	38665	Solenoid	1	
15	48524	Circuit Breaker 40amp	1	
*	008233370	Fuse, Strip Link	1	
*	4175160	Red Insulation Boot	1	
*	4175141	Rubber Boot - Black	2	

* Not Illustrated

ELECTRICAL SYSTEM 305 - SERIES JT, KD

Illustration Number: Electrics 305 ver2.eps

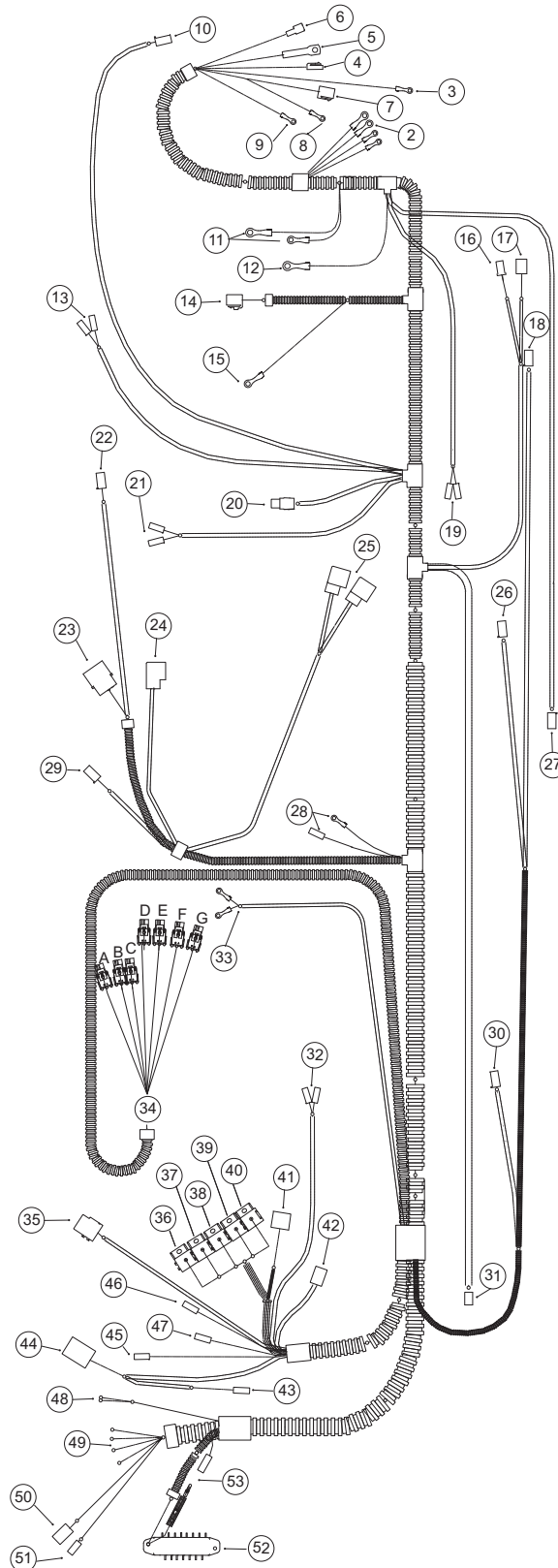


ITEM	PART NO.	DESCRIPTION	QTY	WIRING HARNESS COLOURS
1	4288792	Main Harness Complete	1	COLOUR
2		Engine Ground		B
3		40A Circuit Breakers		R
4		Fuel Solenoid		G/Y U/G B
5		Glow Plugs		B
6		Heater Relay		R W Gr B
7		Oil Pressure Warning		B
8		Alternator		R B O/U
9		Water Temp Gauge		Y/B
10		Starter		N
11		Start Solenoid		N
12		Back Start		G/Y
13		Oil Temp		O/B B
14		4WD Solenoid		U/K B
15		Oil Leak Sensor		O/U B
16		Cutter Solenoid		W/R B
17		Backlap Switch		W/U O
18		Air Seat		G/O B
19		Seat Switches		W/U O
20		Transport Switches		U/B
21		Centre Arm Reel Switch		U/B N/B
22		Brake Solenoid		O/B B/R
23		Fuel Sender		B/W B
24		Fuel Pump Feed		O/U
25		Fuel Pump Ground		B
26		Neutral Switch		U/W O
27		Foot Switch		N/B W/B
28		Lamp Timer		B G G/W R/W
29		Cutter Relay		O B W/R W/B
30		Start Delay		U/Y B R/W N U/G
31		EC Relay		W/B B W/B N/B
32		Seat Relay		O U/G
33		Over Temp Relay		B B/S O Y/S B
34		Hour Meter		O B
35		Latched 4-way		G R R/W O
36		Fuse Box		R O O O W/U O
37		Cab Power		O B
38		Sounder		Y/S O
39		Weather Pack Female		B/R R/W R/W
40		Split to Panel 1		O/B G/W P K B/W Y/W
41		Weather pack Male		U/B G O/N B N/W B/S
42		Split to Panel 2		U/K O N/W B U/Y U/W

* Not Illustrated

ELECTRICAL SYSTEM 405 - SERIES KE, JU

Illustration Number: Electrics 405 ver2.eps

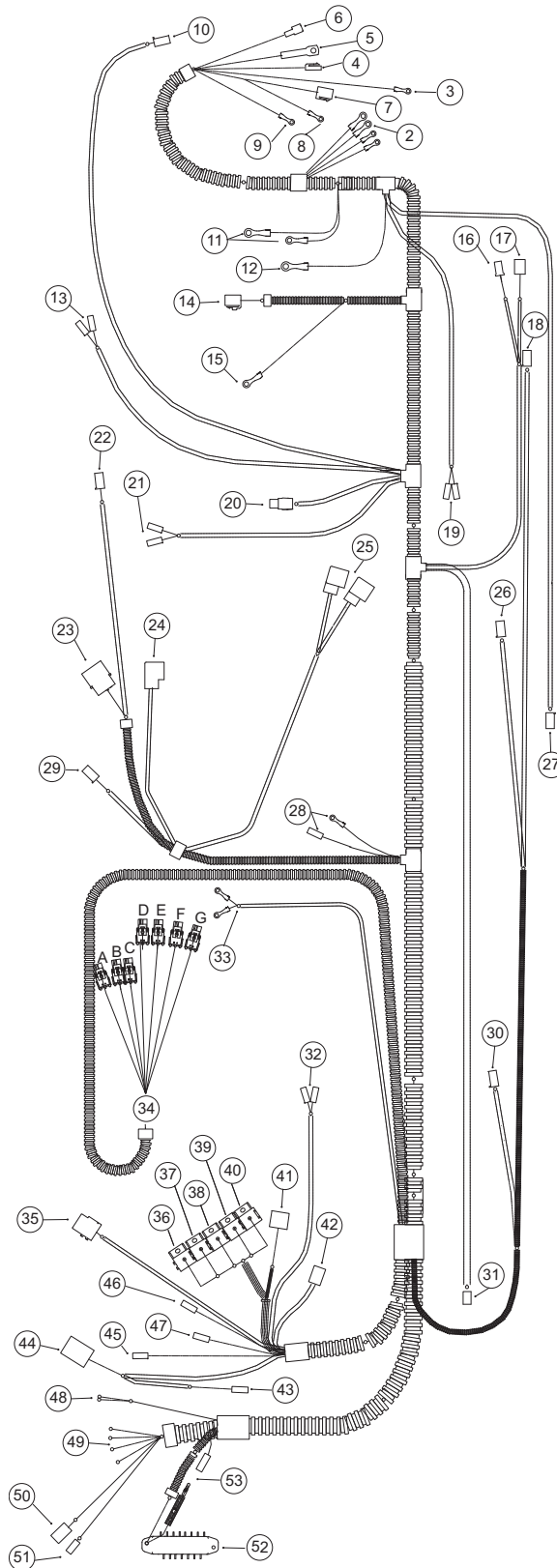


ITEM	PART NO.	DESCRIPTION	QTY	WIRING HARNESS COLOURS
1	4288791	Main Harness Complete	1	
2		Heater Relays		R W G B
3		Water Temp		Y/B
4		Starter Solenoid		N
5		Starter Power		N
6		Back Start		G/Y
7		Alternator Rotor		K O/U
8		Alternator O/P		R
9		Oil Pressure		P
10		L/H Lift Arm		Y/S Y/B
11		40A Circuit Breaker		R
12		Engine Ground		B
13		L/H Solenoid		Y/R B
14		Run Solenoid		G/Y U/G B
15		Glow Plug		W
16		Air Seat		G/O B
17		Seat Switch		O W/U
18		Connector		U/B N/B
19		R/H Solenoid		Y/W B
20		Centre Solenoid		B Y/G
21		Flow Divider		Y/G B
22		Connector		O/B B
23		Oil Leak Sensor		O/U B N/W B
24		Brake Solenoid		O/G B/R
25		4WD Reverse Solenoid		U/K B
26		Reel Arm		U/B
27		R/H Lift Arm		Y Y/U
28		Fuel Pump		O/U B
29		Back Lap Switch		W/U O
30		Neutral Switch		U/W O
31		Arm Rest Joystick		R/B O/B W/U W/B S/U B G/B
32		Foot Switch		W/R
33		Fuel Sender		B/W B
34		Solenoids		
A		L/H Lower		Y B
B		R/H Lower		Y/B B
C		Centre Lower		G/R B
D		R/H Raise		K B
E		L/H Raise		O B
F		Centre Raise		W B
G		Master Flow		G B
35		Temperature Relay		B B/S O

* Not Illustrated

ELECTRICAL SYSTEM 405 - SERIES KE, JU

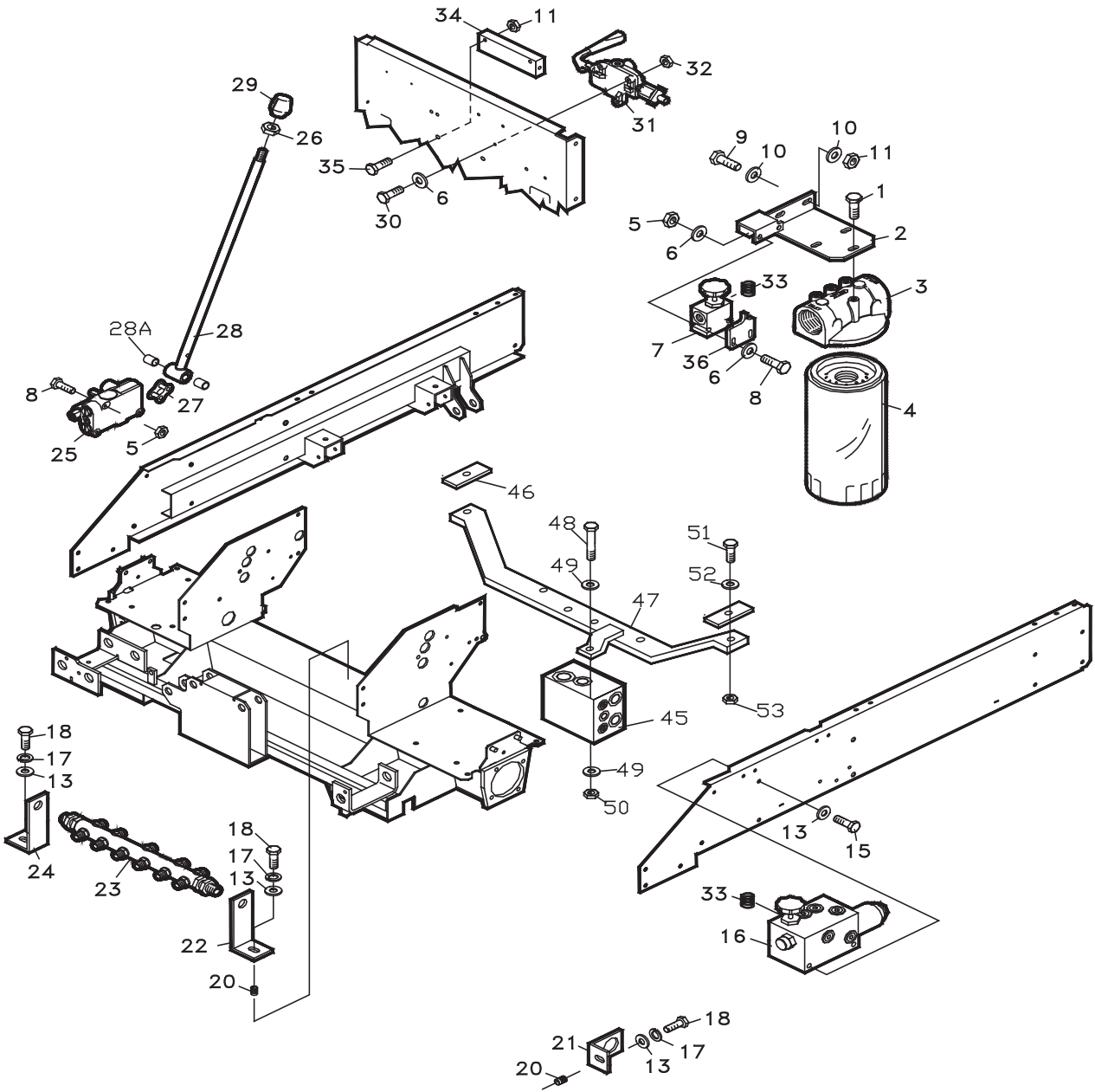
Illustration Number: Electrics 405 ver2.eps



ITEM	PART NO.	DESCRIPTION	QTY	WIRING HARNESS COLOURS
36		L/H Relay		W/R B Y/S Y/R
37		Centre Relay		W/R B Y/K Y/G
38		R/H Relay		W/R B Y Y/W
39		Cutter Relay		O B N/B W/R
40		Start Relay		U/Y B R/W N U/G
41		Lamp Timer		B G R/W G/W
42		Cab Supply		O B
43		Hour Meter		O
44		Seat Delay		O U/G
45		R/H Bridge Diode		Y/U
46		Centre Bridge Diode		Y/K
47		L/H Bridge Diode		Y/B
48		Controller Split		
		A		B G/B U/B S/U G
		B		O K W Y Y/B G/R R/B O/B W/U W/B
49		Split to Panel		
		1		O/B G/W P K P/W Y/B
		2		U/K O N/W B U/Y U/W
		3		U/B G O/N B N/W B/S
		4		B/R R/W R/W
50		Key Switch		G R R/W O
51		Temp Alarm		Y/S O
52		Fuse Box		R O O O W/U U/B O G/O O/U O/N O
				U/G U/B O/G
53		Diode		U/G

HYDRAULIC VALVE MOUNTING - SERIES JZ, JN, JP

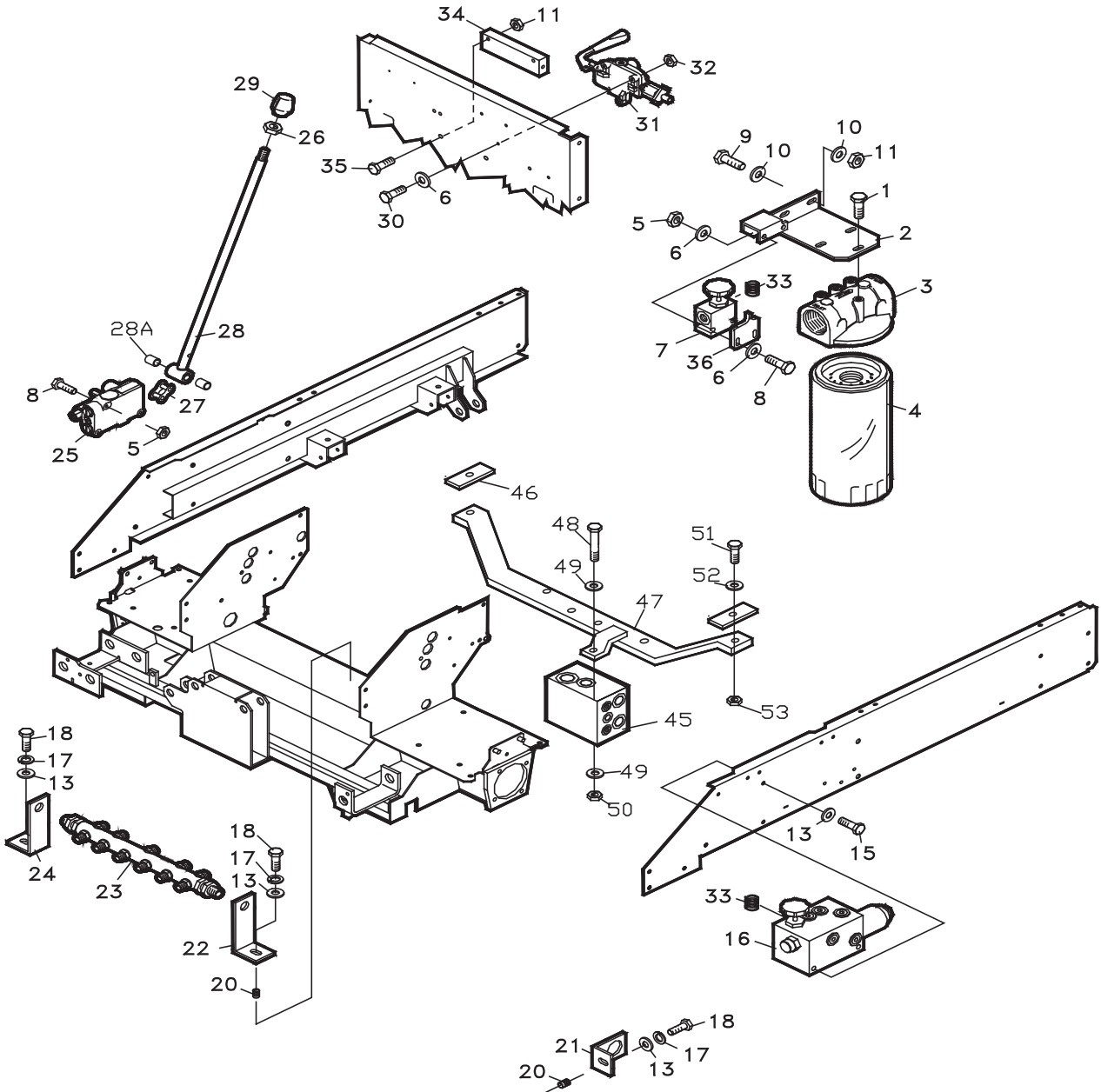
Illustration: valve Mount



ITEM	PART NO.	DESCRIPTION	QTY	
1	001190034	Bolt - Wlf 5/16 - 18 X 3/4	3	
2	2202091.07	Bracket - Filter	1	
3	2208038	Filter Head - Spin On	1	
4	4298273	Filter - Spin On	1	
5	450377	Locknut Nyloc M6	6	
6	450389	Washer - M6	10	
7	2208046	Valve Bkck - Back Pressure	1	
*	64044 - 17	Screw - Set For Back Pressure	1	
8	450005	Hex Bolt M6 - 1 .0 X 50	4	
9	450191	Bolt Hex M8 X 20	2	
10	450390	Washer - M8	4	
11	450378	Locknut Nyloc M8	4	
12	2198235	Valve - Deck	1	
13	450392	Washer - M10	4	
15	450214	Screw - Hex M10 X 25	2	
16	2208146	Cylinder Drive Valve	1	
17	450412	Lock Washer	2	
18	4290433	Screw Btn Hd M10 X 25	2	
20	450371	Nutsert - M10	1	
21	2202112.07	Brackett - Hydraulic Fitting	1	
22	2202114.07	Bracket - Return Valve LH	1	
23	2208028	Manifold - Return	1	
24	2202115.07	Bracket - Return Valve RH	1	
25	2208144	Lift Valve (Danfoss)	1	
*	148023 - 01	• Seal Kit	1	
*	148023 - 0	• Detent Kit 2	1	
*	148023 - 03	• Pilot Check Kit	1	
25	4171203	Lift Valve (Eaton)	1	
*	4171203 - 01	• Seal Kit	1	
26	450120816	Nut - jam 3/8 - 16	1	
27	003802027	Master Link #50 Chain	1	
28	2206026A.0.7	Wldmt - Lift Handle	1	
28a	590002574	Oilite Bush 1/2" X 5/8" X 5/8"	2	
29	W068156A	Handle Knob, Black	1	
30	450001	Bolt M6 X 30	3	
31	2208047	Cylinder Control Valve	1	Danfoss
*	008011620	• Seal Kit	1	
8	008011820	Handle Kit	1	
31	4212460	Cylinder Control Valve	1	Roquet
*	4210960	Cylinder Cont Valve - Spacer	1	Use With Roquet Valve Only
*	4213780	Bracket Backlap Switch	1	Use With Roquet Valve Only
32	450377	Nut - M6 Nyloc	3	
33	2208085	Spring - Compression	2	

HYDRAULIC VALVE MOUNTING - SERIES JZ, JN, JP

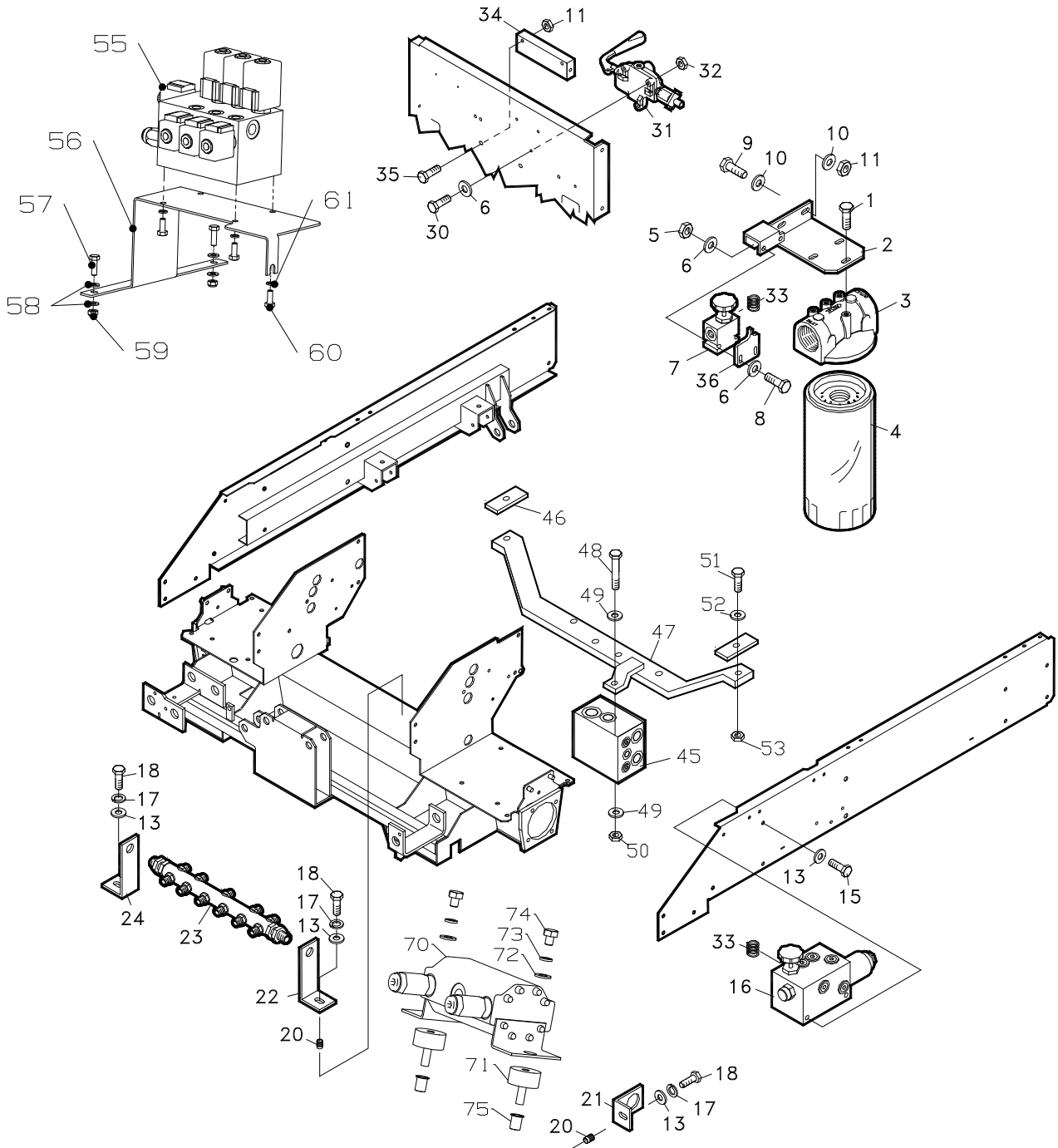
Illustration: valve Mount



ITEM	PART NO.	DESCRIPTION	QTY	
34	2208051	Manifold - Lift	1	
35	450195	Screw Hex M8	2	
36	2202211	Stop - Back Pressure	1	
39	450390	Washer M8	2	
45	2208191	Valve - 4WD	1	All Fairway 250 Fairway 305 405 to to S/N KD000299 KE000299
	2208191 - 01	• Seal Kit	1	
46	MBG1574	Plate - Stiffener	2	
47	MBF1611.07	4wd Valve Bracket	1	
48	450026	Bolt - Hex M8	2	
49	450390	Washer M8	4	
50	450378	Nut M8 Nyloc	2	
51	450214	Screw Hex M10	2	
52	450391	Washer M10	2	
53	450379	Nut M10 Nyloc	2	

HYDRAULIC VALVE MOUNTING - SERIES KD, JT, KE, JU

Illustration: PARTS_Hydraulic_Valve_Mount

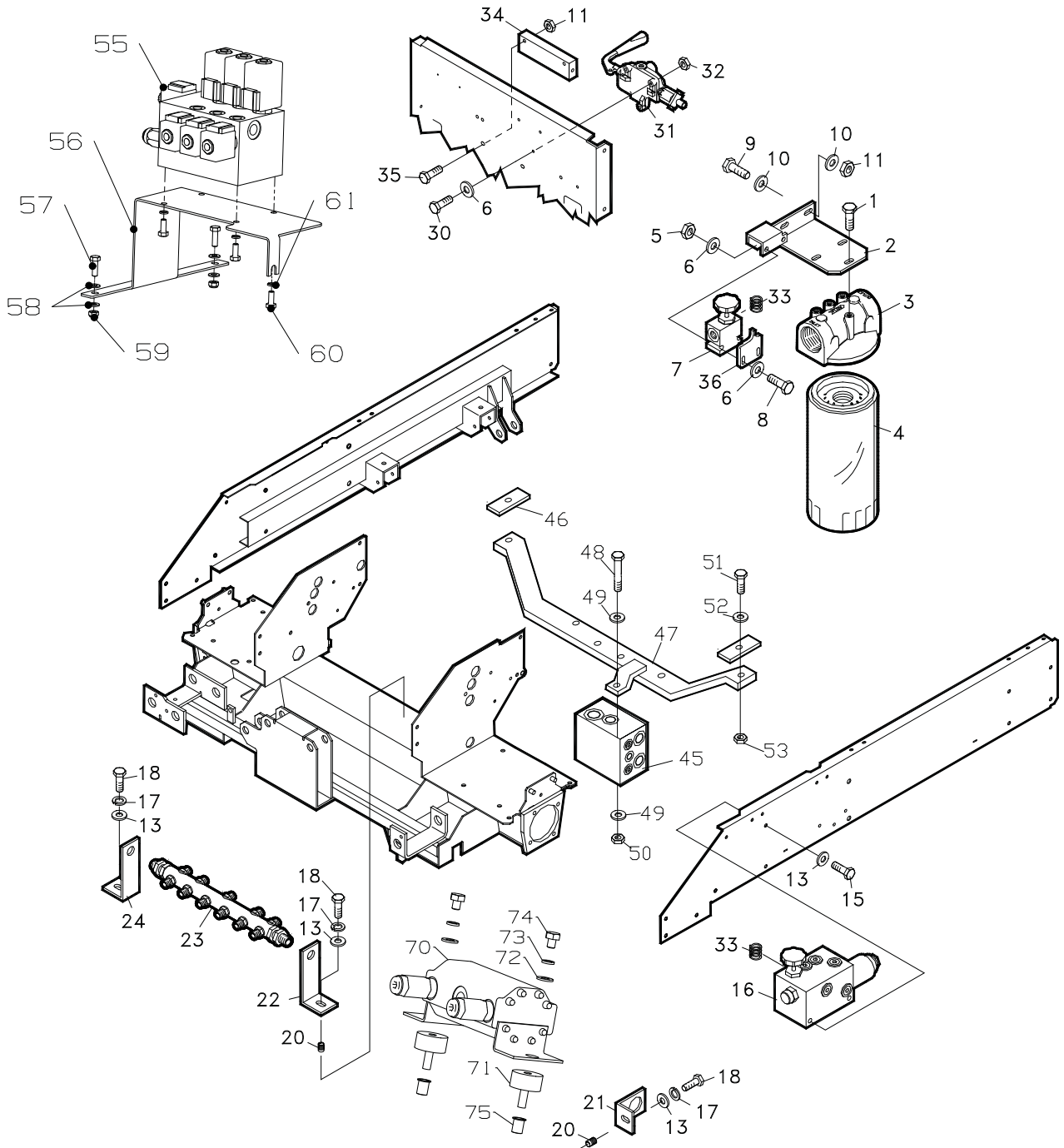


ITEM	PART NO.	DESCRIPTION	QTY	
1	001190034	Bolt - Wlf 5/16 - 18 X 3/4	3	
2	2202091.07	Brkt - Filter	1	
3	2208038	Filter Head - Spin On	1	
4	4298273	Filter - Spin On	1	
5	450377	Locknut Nyloc M6	6	
6	450389	Washer - M6	10	
7	2208046	Valve Bkck - Back Pressure	1	
*	64044 - 17	Screw - Set For Back Pressure	1	
8	450005	Hex Bolt M6 - 1 .0 X 50	4	
9	450191	Bolt Hex M8 X 20	2	
10	450390	Washer - M8	4	
11	450378	Locknut Nyloc M8	4	
12	2198235	Valve - Deck	1	
13	450392	Washer - M10	4	
15	450214	Screw - Hex M10 X 25	2	
16	008011870	Cylinder Drive Valve	1	
17	450412	Lock Washer	2	
18	4290433	Screw Btn Hd M10 X 25	2	
20	450371	Nutsert - M10	1	
21	2202112.07	Brkt - Hyd Fitting	1	
22	2202114.07	Brkt - Return Valve Lh	1	
23	2208028	Manifold - Return	1	
24	2202115.07	Brkt - Return Valve Rh	1	
30	450001	Bolt M6 X 30	3	
31	2208047	Cylinder Control Valve	1	
32	450377	Nut - M6 Nyloc	3	
33	2208085	Spring - Compression	2	
34	2208051	Manifold - Lift	1	
35	450195	Screw - Hex M8 X 40	2	
36	2202211	Stop - Back Pressure	1	
39	450390	Washer - M8	2	
45	2208191	Valve 4WD	1	To S/N KD000299 KE000299
	2208190	• Seal Kit	1	
45	4207762	Valve 4WD POCLAIN Motor	1	From S/N KD000300 KE000300
46	MBG1574	Plate - Stiffener	2	
47	MBF1611.07	4WD Valve Bracket	1	To S/N KD000299 KE000299
47	4288251	4WD Valve Bracket	1	From S/N KD000300 KE000300
48	450026	Bolt - Hex M8 X 90	2	
49	450390	Washer M8	4	
50	450378	Nut M8 Nyloc	2	
51	450214	Screw - Hex M10 X 25	2	
52	450391	Washer M10	2	
53	450379	Nut M10 Nyloc	2	

* Not Illustrated

HYDRAULIC VALVE MOUNTING - SERIES KD, JT, KE, JU

Illustration: PARTS_Hydraulic_Valve_Mount

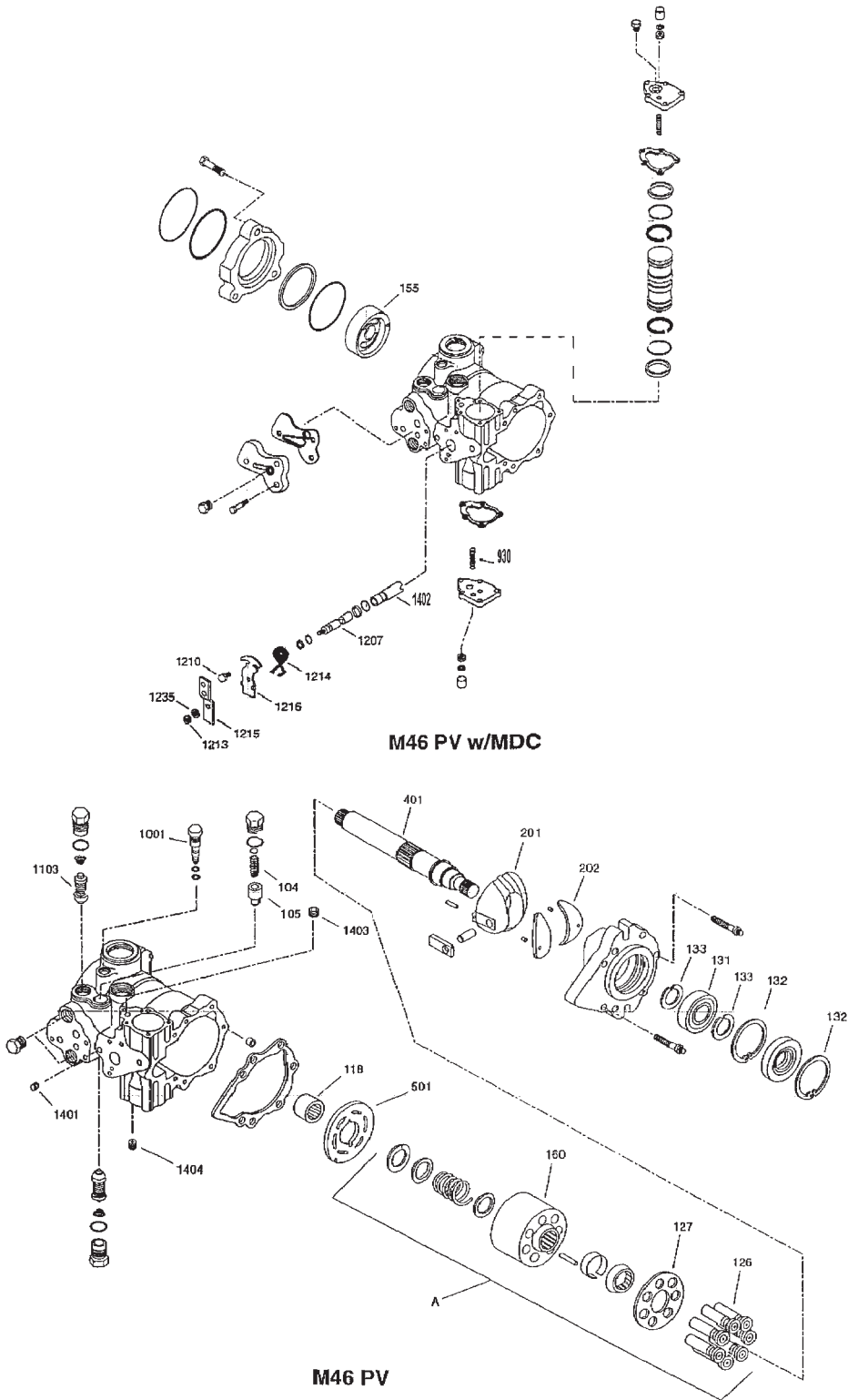


ITEM	PART NO.	DESCRIPTION	QTY	
55	009028170	Solenoid Lift Control Valve	1	
56	MBG6974	Valve Bracket	1	
57	450192	Screw Hex M8	2	
58	450390	Washer M8	4	
59	450378	Nyloc Nut M8	2	
60	456010179	Screw 5/16" UNC	4	
61	450433	Washer M8	4	
70	008089480	Flow Divider	1	
71	008950230	Rubber Mount	2	
72	450391	M10 Lock Washer	2	
73	450412	M10 Lock Washer	2	
74	450210	Screw M10	2	
75	450371	M10 Nutsert	2	Fitted Front Axle

* Not Illustrated

SERVO TRANSMISSION PUMP - SAUER SUNDRAND

Illustration: SAUER Pump

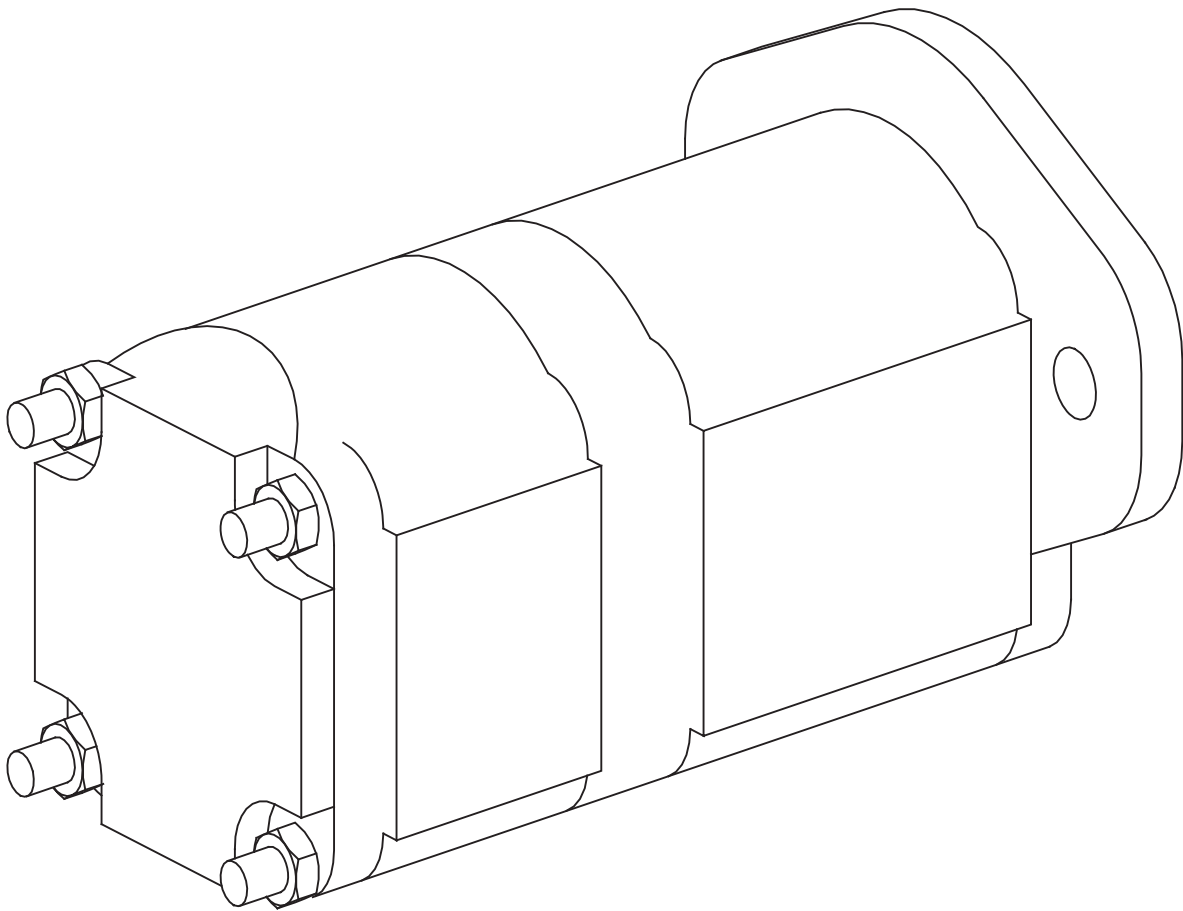


ITEM	PART NO.	DESCRIPTION	QTY	
	008006380	Transmission Pump	1	
A	008008580	• Cylinder Block Kit	1	
104	008008590	• Spring	1	
105	008008600	• Poppet	1	Charge Relief Valve
118	008008610	• Needle Bearing	1	Charge Relief Valve
126	008008620	• Piston	7	
127	008008630	• Slipper Retainer	1	
131	008008640	• Shaft Bearing	1	
132	008008650	• Circlip	2	
133	008008660	• Circlip	2	
155	008008670	• Charge Pump Housing	1	
160	008008680	• Cylinder Block	1	
201	008008690	• Swashplate	1	
202	008008700	• Swashplate Bearing	2	
401	008008710	• Drive Shaft	1	
501	008008720	• Valve Plate	1	
930	008008730	• Adjuster Screw	1	
1001	008008740	• By - pass Valve	1	
1103	008008890	• Relief Valve Cartridge	2	
1207	008008760	• Rotary Spool	1	
1210	008008770	• Adjuster Screw	1	
1213	008008780	• Locknut	1	
1214	008008790	• Return Spring	1	
1215	008008800	• Control Lever	1	
1216	008008810	• Cam Plate	1	
1235	008008820	• Lock Washer	1	
1401	008008830	• Orifice	1	
1402	008008840	• Sleeve	1	
1403	008008850	• Orifice	1	
1404	008008850	• Orifice	1	
*	008008860	• Seal Kit	1	

* Not Illustrated

TANDEM PUMP

Illustration: TANDEM PUMP (ULTRA)

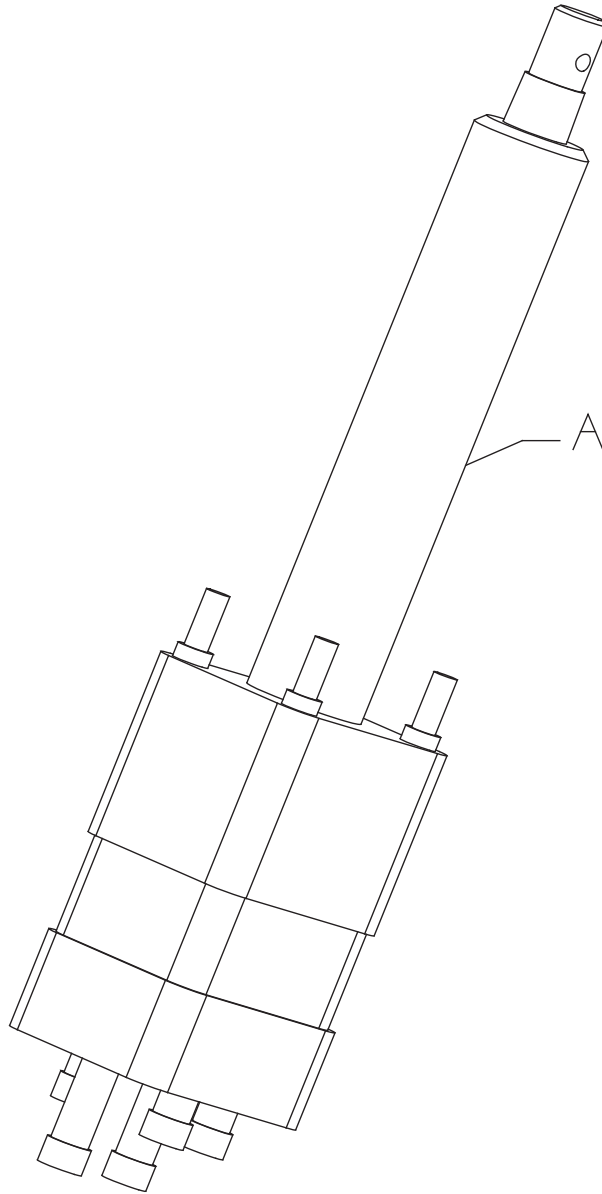


ITEM	PART NO.	DESCRIPTION	QTY	
	4181600	Tandem Pump	1	Fairway 405
	008005940	Tandem Pump	1	Fairway 305
	2208041	Tandem Pump	1	Fairway 250
*	002300650	• Lift And Steer Pump •• Seal Kit	1	
*	002300640	• Cutter Pump •• Seal Kit	1	

* Not Illustrated

HYDRAULIC STEER GEAR

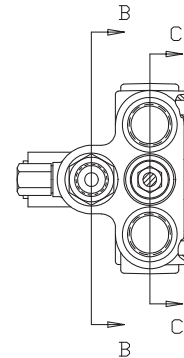
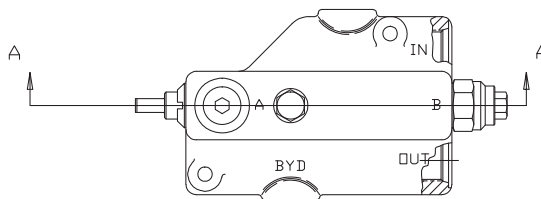
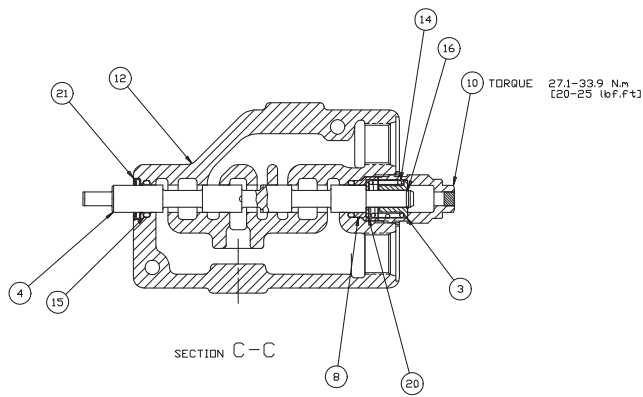
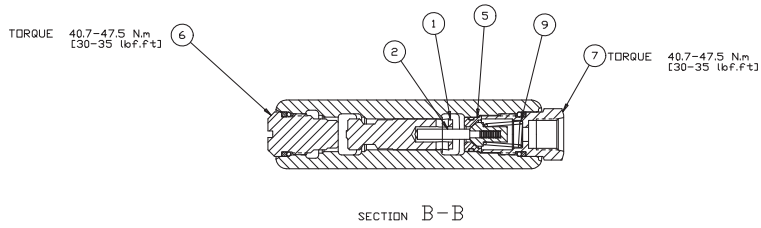
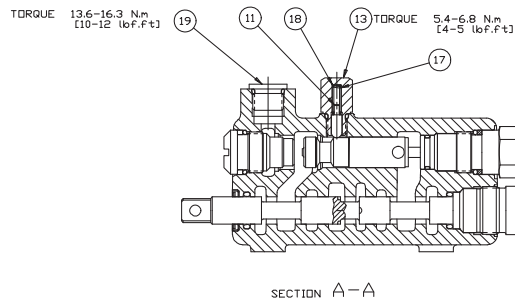
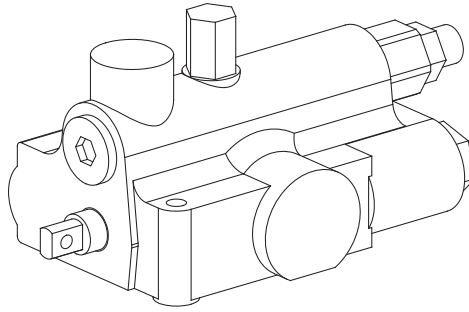
Illustration: Steer Gear



ITEM	PART NO.	DESCRIPTION	QTY	
A	2208142	Hydraulic steer gear	1	
*	2208142 - 02	• Bearing	1	
*	2208142 - 03	• Cap		
*	2208142 - 01	• Seal kit	1	
*	2208142 - 04	• Relief Valve	1	

* Not Illustrated

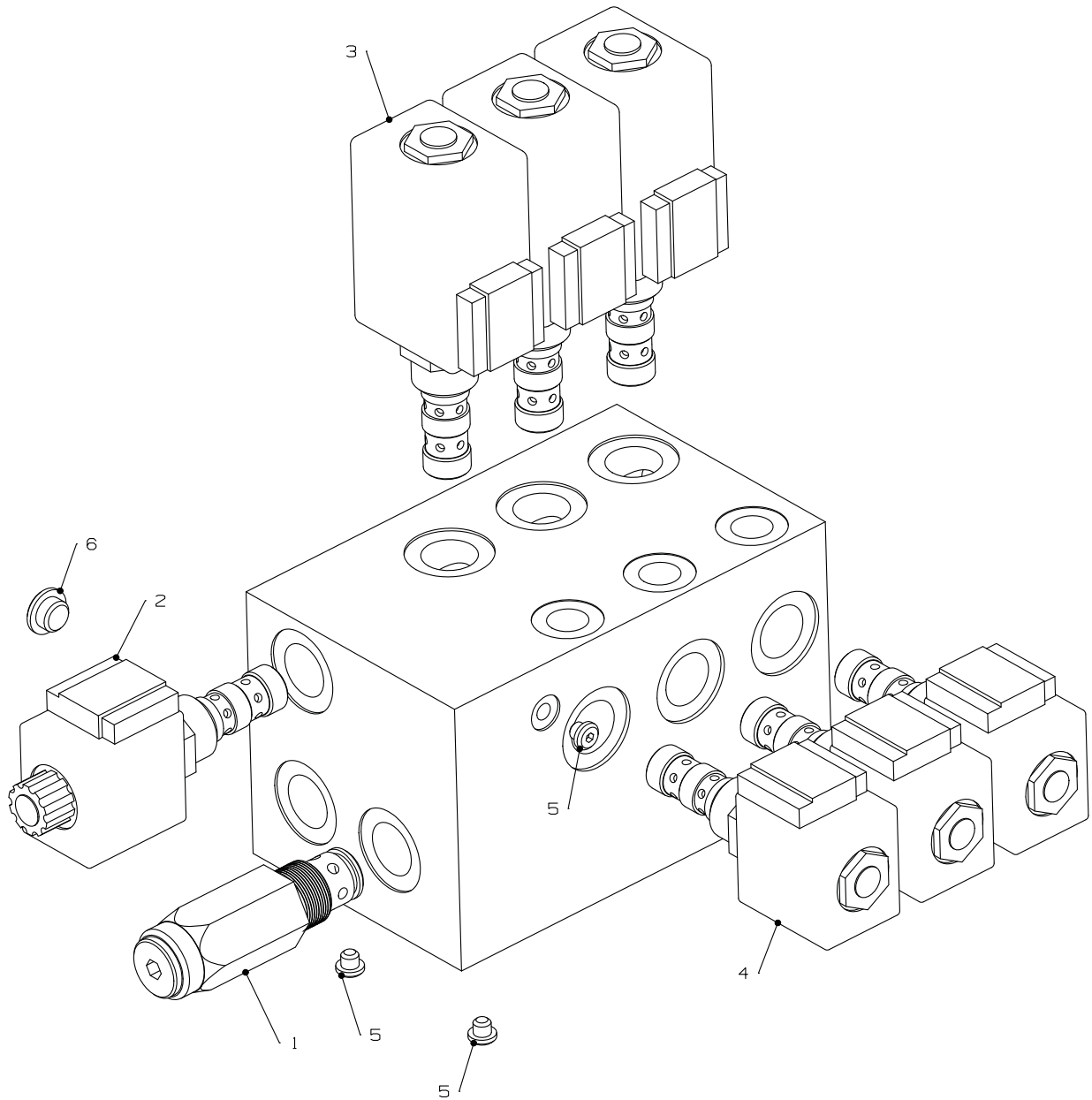
SOLENOID LIFT CONTROL VALVE FAIRWAY 250 AND 305



ITEM	PART NO.	DESCRIPTION	QTY	
	4171203	Valve, Lift	1	
1		• Plunger	1	
2		• Poppet Assembly	1	
3		• Spacer	1	
4	N/A	• Spool	1	
5		• Seat Assembly	1	
6		• Plug Assembly	1	
7		• Plug Assembly	1	
8		• Bushing	1	
9		• Spring	1	
10		• Cap Assembly	1	
11		• Detent Plunger	1	
12	N/A	• Body	1	
13		• Plug Assembly	1	
14		• Spring	1	
15		• O Ring	2	
16		• Retaining Ring	1	
17		• Spring	1	
18		• Disc	AR	
19		• Plug Assembly	1	
20		• Washer	1	
21		• Wiper Seal	1	
	4171203 - 01	• Seal Kit	AR	

SOLENOID LIFT CONTROL VALVE FAIRWAY 405

Illustration: 009028170

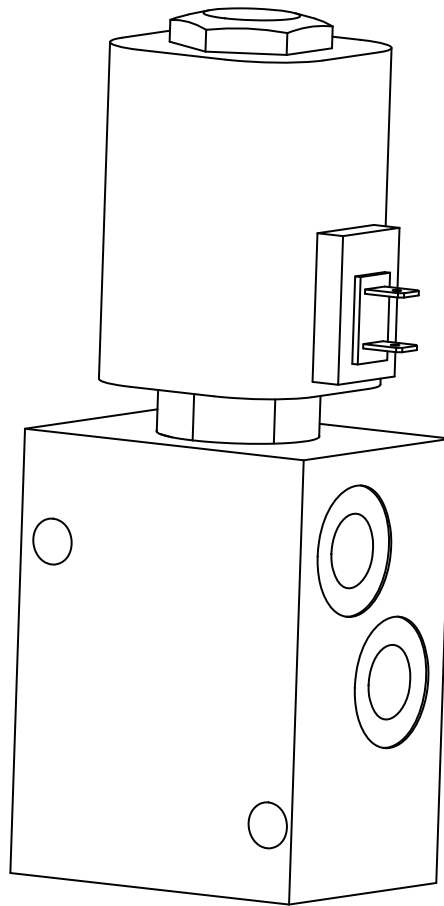


ITEM	PART NO.	DESCRIPTION	QTY	
	009028170	Solenoid Lift Control Valve	1	
*	4118770	• Complete Seal Kit	1	
1	4118765	Relief Valve 3000psi	1	
2	4118763	Solenoid Valve Master Lift	1	
	4221464	• Cartridge	1	
	4221463	• Coil	1	
3	4118762	Lift Solenoid Valve	3	
	4221460	• Cartridge	1	
	4221461	• Coil	1	
4	4118764	Lower Solenoid Valve	3	
	4221462	• Cartridge	1	
	4221463	• Coil	1	
5	4118771	Blanking Plug	3	
6	4118002	Blanking Plug	1	

* Not Illustrated

SOLENOID VALVE

Illustration: 008012610

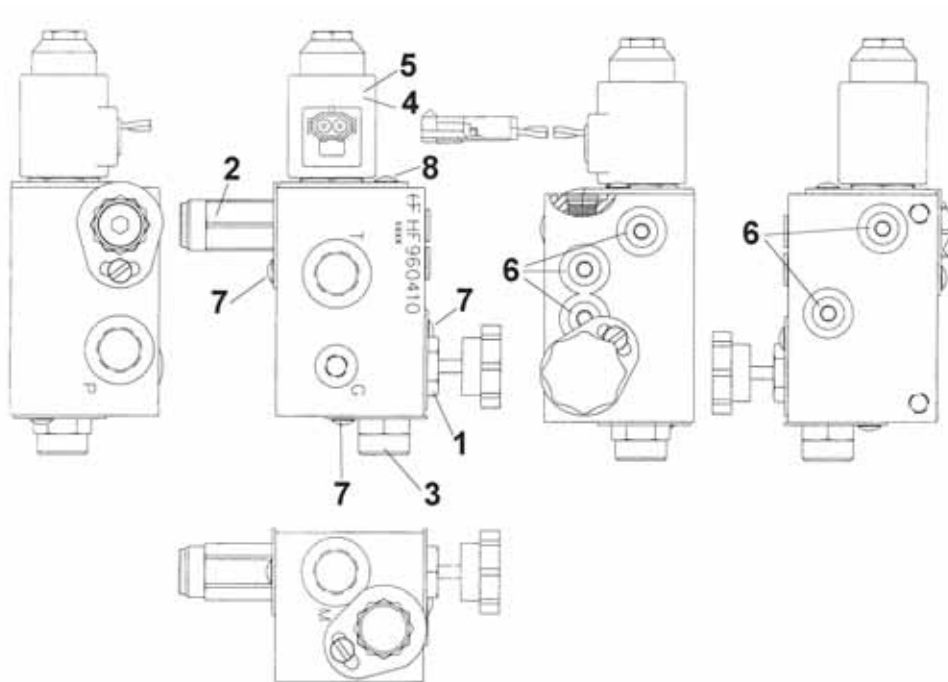
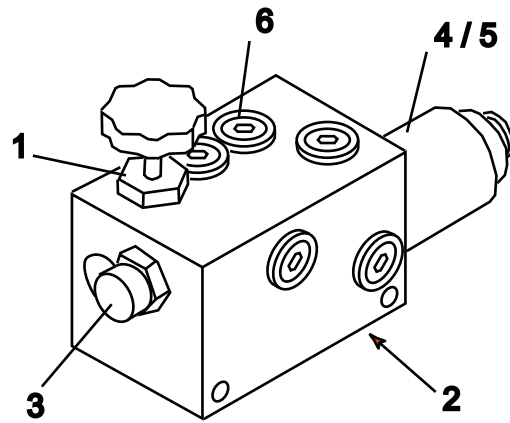


ITEM	PART NO.	DESCRIPTION	QTY	
*	008012610	• Solenoid Valve	1	
	008089920	• Seal Kit	1	
	4122181	• Solenoid Coil	1	

* Not Illustrated

REEL DRIVE VALVE

Illustration: Rdvalve

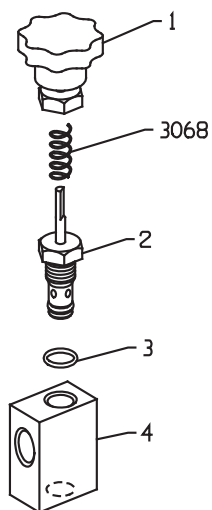
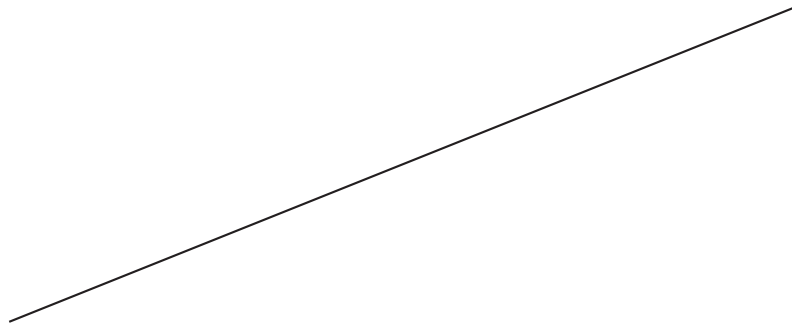
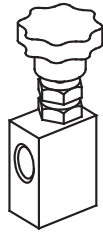


ITEM	PART NO.	DESCRIPTION	QTY	
A	2208146	Reel Drive Valve	1	
1	178102 - 37	• NV10 - 21E - 0 - N	1	
*	178102 - 08	•• Seal Kit	1	
2	178102 - 12	• RV10 - 22H - 0 - N - 35/30	1	
*	178102 - 40	•• Seal Kit	1	
4	178102 - 39	• Coil (6359412)	1	
5	178102 - 16	• SV10 - 21W - 0 - N - 00	1	
*	178102 - 01	•• Seal Kit	1	
6	178102 - 18	• SAE Plug (6118006)	6	
*	178102 - 10	•• Seal Kit	1	
7	178102 - 55	• 5399000	3	
8	178102 - 56	• 5960110	1	

* Not Illustrated

VALVE, WEIGHT TRANSFER

Illustration: VALVE REEL SPEED

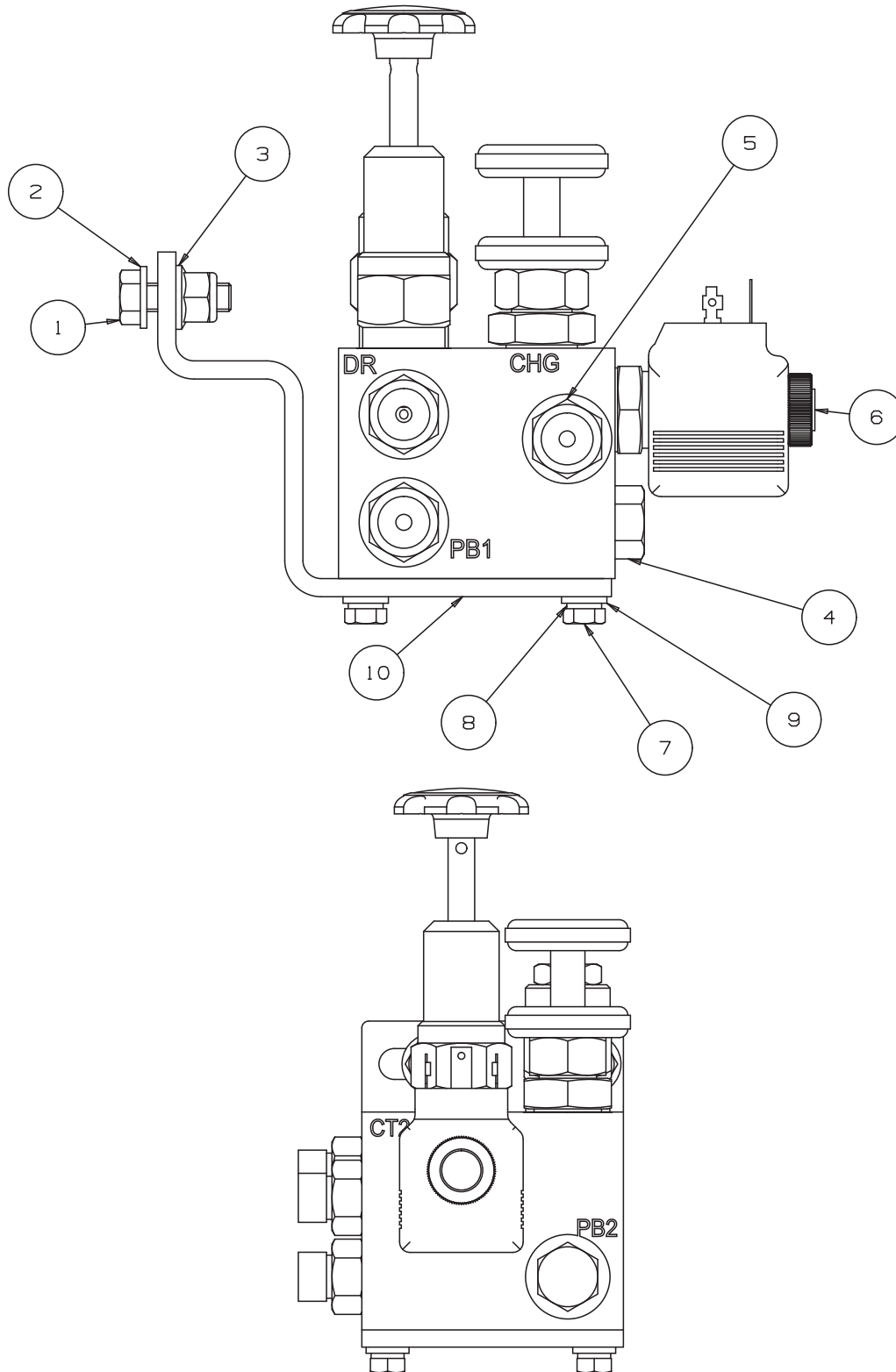


ITEM	PART NO.	DESCRIPTION	QTY	
	2208046	Valve (Hydraforce NV 10)	1	
3068	2208085	Spring - SS Compression	1	
1	N/A	• Knob	1	
2	N/A	• Cartridge	1	
3	N/A	• O Ring Seal	1	
4	N/A	• Ported Body	1	

* Not Illustrated

GROUP BRAKE VALVE SERIES JT, KD, JU, KE

Illustration: 4286252 Group Brake Valve.eps

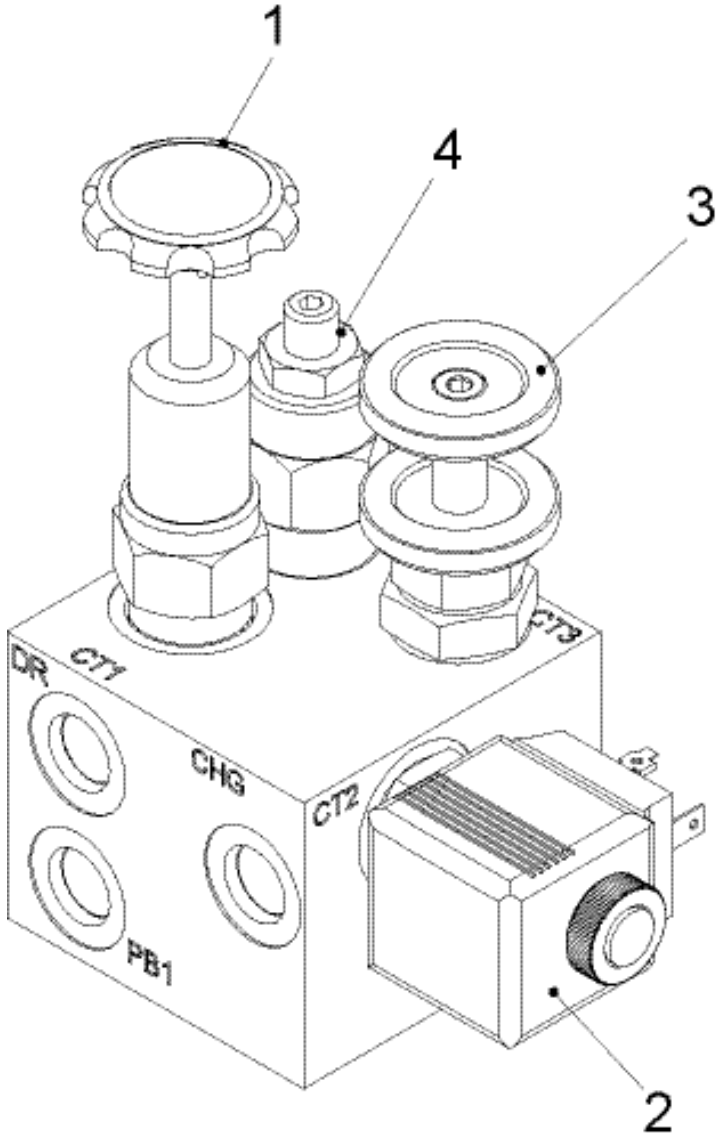


ITEM	PART NO.	DESCRIPTION	QTY	
1	450192	Screw Hex M8	2	
2	450390	Washer M8	2	
3	452436	Nut Hex M8 Nyloc	2	
4	2444056	Plug-9/16 SAE	1	
5	158006-15	Fitting-9/16 ORS X 9/16 SAE	5	
6	4201021	Brake Valve	1	
7	450170	Screw Hex M6	2	
8	450410	Lock Washer M6	2	
9	450389	Washer M6	2	
10	4283992	Bracket Brake Valve	1	

* Not Illustrated

BRAKE VALVE (4201021)

Illustration Number: 4201021

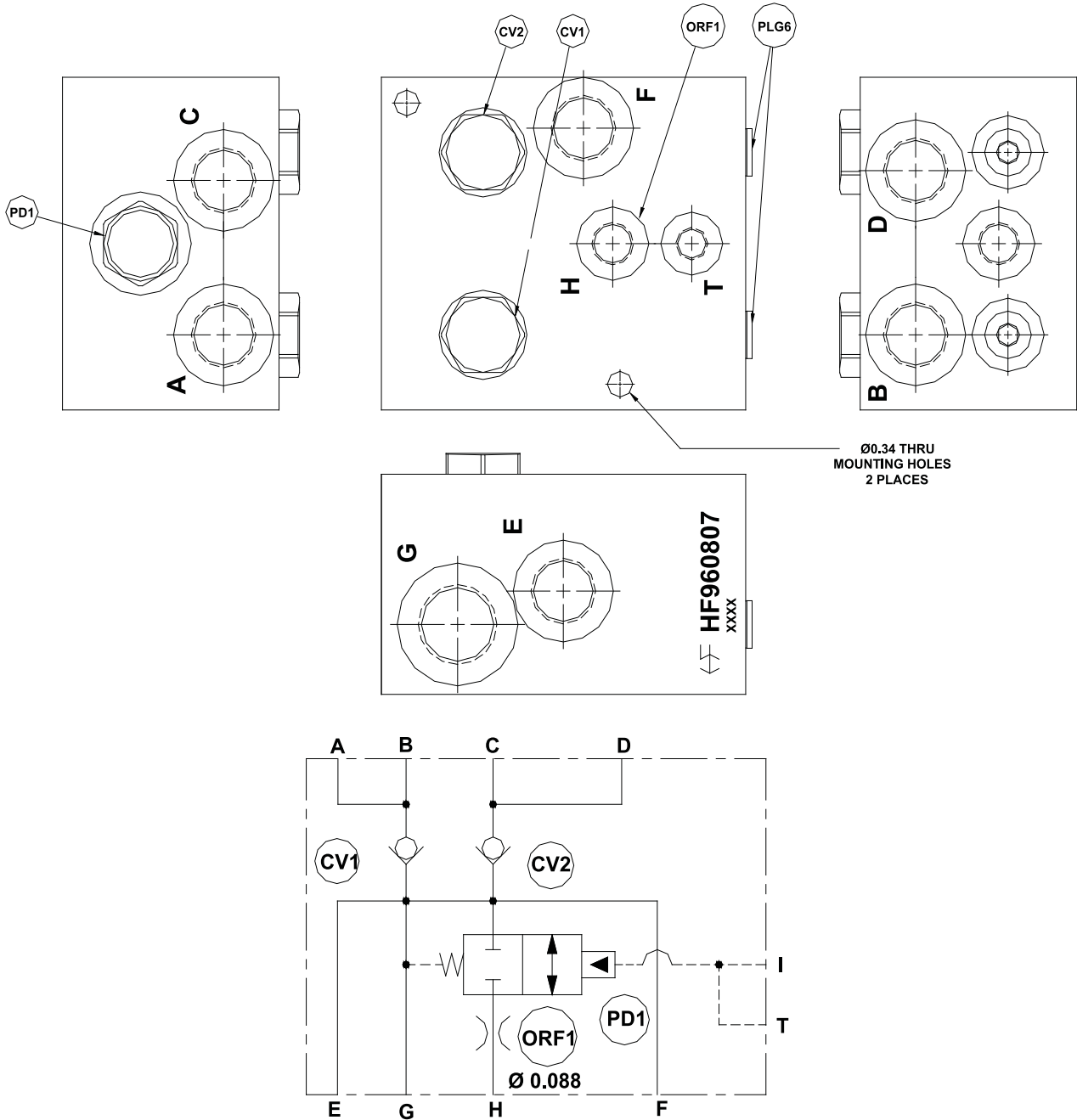


BRAKE VALVE (4201021)

ITEM	PART NO.	DESCRIPTION	QTY.	
1	4201021	Brake Valve	1	
1	4259424	• Hand Pump	1	Torque 40 Nm
2	4280751	• Solenoid Valve	1	Torque 20 Nm
3	4280752	• Needle Valve	1	Torque 30 Nm
4	4280753	• Relief Valve 70 Bar	1	Torque 45 Nm

VALVE 4 WHEEL DRIVE SERIES JZ, JN, JP

Illustration: PARTS_4WD_Valve

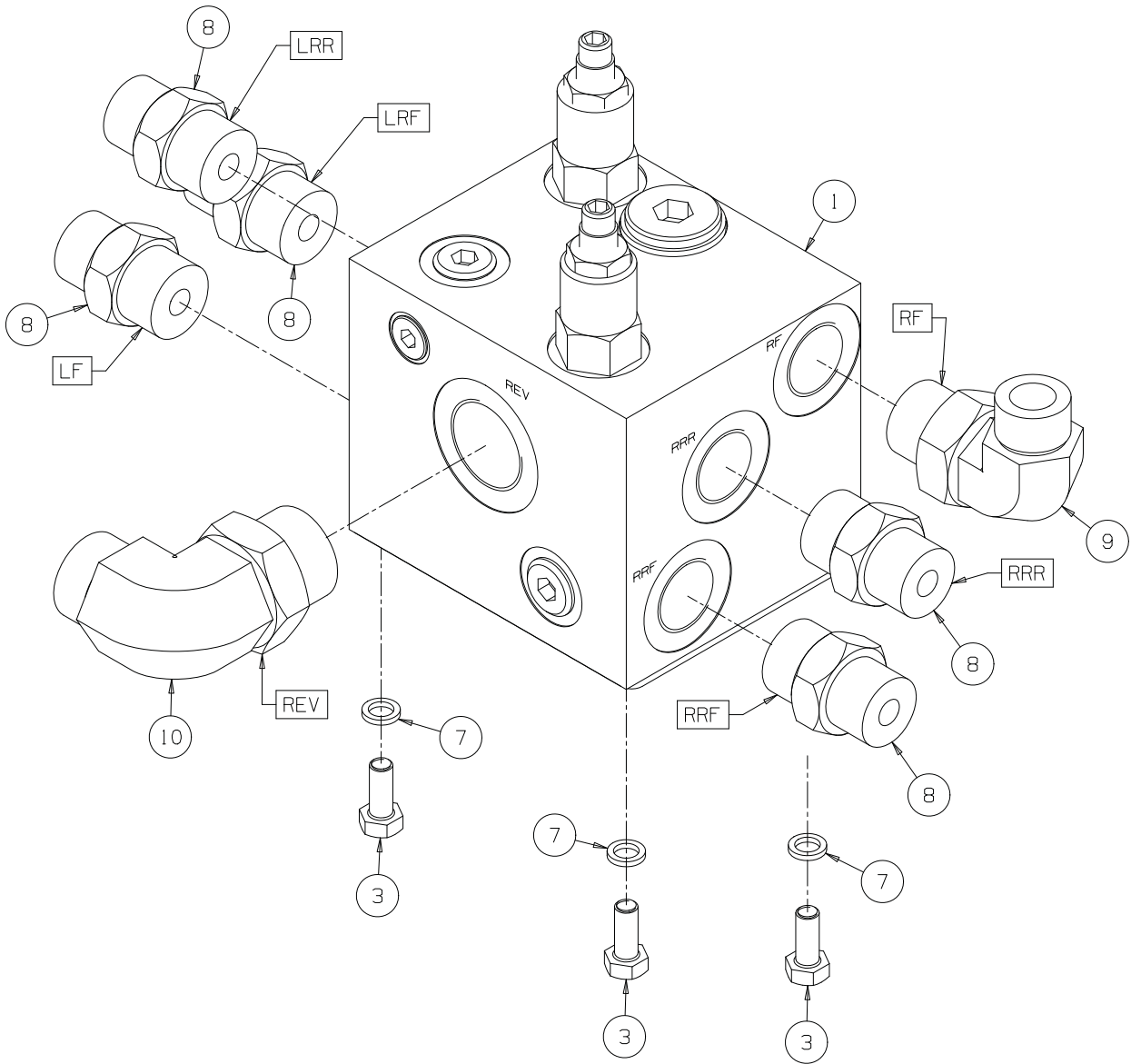


ITEM	PART NO.	DESCRIPTION	QTY	
	2208191	Valve 4 Wheel Drive	1	
CV1	178102 - 78	• Valve	1	
	178102 - 01	•• Seal Kit	1	
CV2	178102 - 78	• Valve	1	
	178102 - 01	•• Seal Kit	1	
PD1	178102 - 53	• Valve	1	
	178102 - 54	•• Seal Kit	1	
PLG6	178102 - 61	• Plug	2	
	178102 - 63	•• Seal	1	
DRF1	178102 - 51	• Orifice Plug	1	

* Not Illustrated

4WD TRANSMISSION VALVE SERIES JT, KD, JU, KE

Illustration Number:4207762 4WD Trans Valve - Poclair.eps

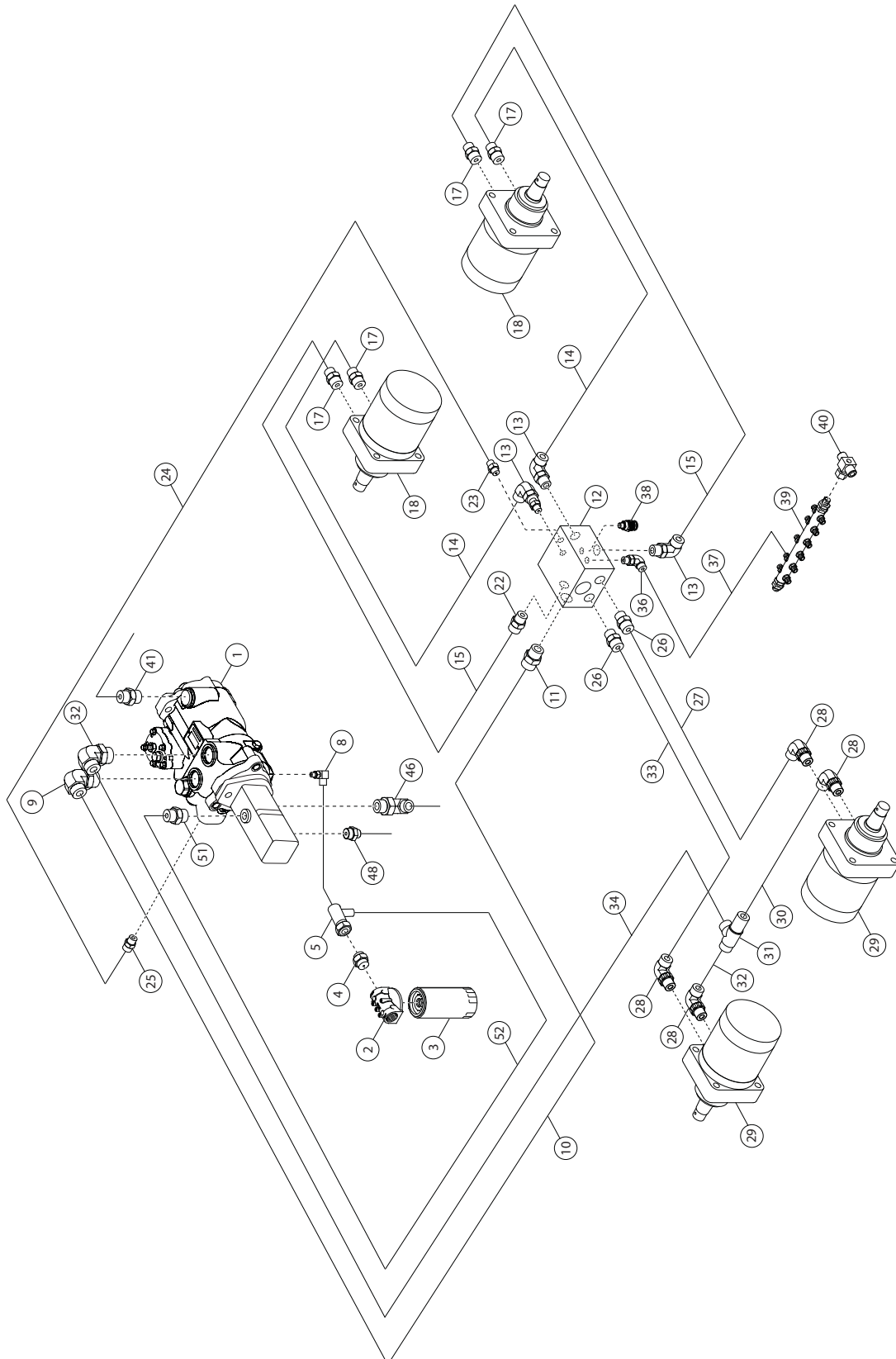


4WD TRANSMISSION VALVE SERIES JT, KD, JU, KE

ITEM	PART NO.	DESCRIPTION	QTY.	
1	4207762	Transmission Valve - 4WD POCLAIN	1	
*	4227560	• Cartridge / Actuator Assy - Complete	1	
*	4227561	•• Actuator + Lock Nut (no coil)	1	
*	4227564	•• Solenoid Coil	1	
3	450191	Screw - Hex M8 x 20	3	
7	450411	Lock Washer - M8 x 12.75 x 2.1	3	
8	158006 - 11	Ftg - M/M 1 ORFS x 1.1/16 SAE	5	
*	158061 - 08	• O Ring (For 1 UNF)	1	
*	002218120	• O Ring (For 1.1/16 UNF)	1	
9	158007 - 06	90 - M/M 1 ORFS x 1.1/16 SAE	1	
*	158061 - 08	• O Ring (For 1 UNF)	1	
*	002218120	• O Ring (For 1.1/16 UNF)	1	
10	158007 - 08	90 - M/M 1.3/16 ORFS x 1.5/16 SAE	1	
*	158061 - 09	• O Ring (For 1.3/16 UNF)	1	
*	002218146	• O Ring (For 1.5/6 UNF)	1	

HYDRAULIC DIAGRAM TRACTION SERIES JZ, JN, JP

Illustration: 250_305_405_traction.eps

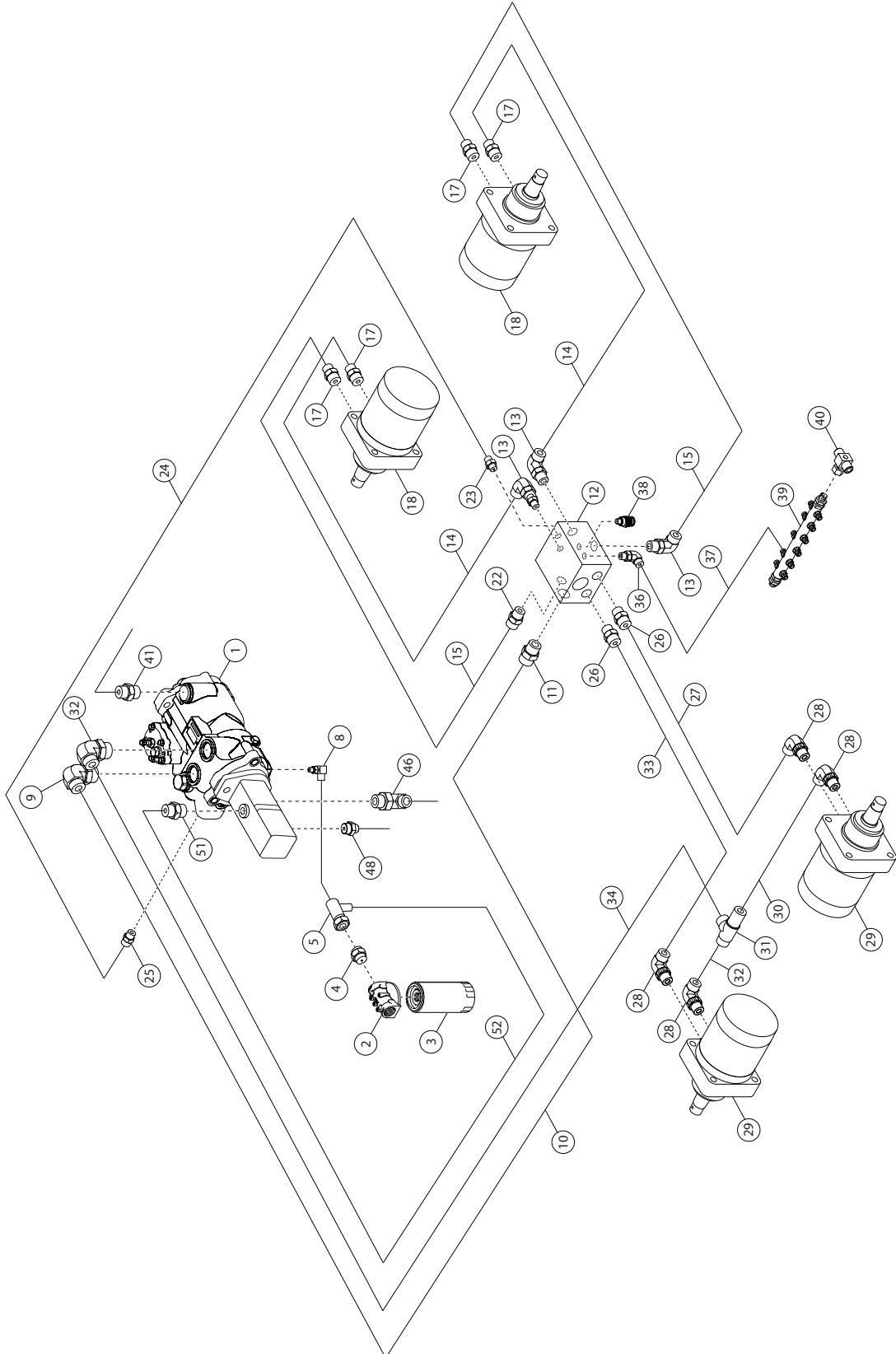


ITEM	PART NO.	DESCRIPTION	QTY	
1	008006380	Pump (Traction)	1	
2	2208038	Filter Head	1	
3	4298273	Filter Canister	1	
4	158006-12	Fitting-M/M 2 ORFS x 1-7/8 SAE	1	
*	00029V75	• O Ring (For 2 UNF)	1	
*	00924V75	• O Ring (For 1-7/8 UNF)	1	
5	009100320	Manifold - Inlet	1	
6	009121710	Suction Hose	1	
7	108094-01	Hose Clamp	4	
8	158058-03	90° Male Elbow x 1-5/16 SAE	1	
*	002218146	• O Ring (For 1.5/16 UNF)	1	
9	158007-08	90-M/M 1-3/16 ORFS x 1-5/16 SAE	1	
9	002590600	90-M/M 1-3/16 ORFS x 1-5/16 SAE	1	Fairway 250
*	158061-09	• O Ring (For 1-3/16 UNF)	1	
*	002218146	• O Ring (For 1-5/6 UNF)	1	
10	002498870	Hydraulic Hose Assembly	1	
10	007996130	Hydraulic Hose Assembly	1	Fairway 250
11	158006-08	Fitting-M/M 1.3/16 ORFS x 1.1/16 SAE	1	
*	158061-09	• O Ring (For 1.3/16 UNF)	1	
*	002218120	• O Ring (For 1.1/16 UNF)	1	
12	2208191	Valve Block Transmission	1	
13	158007-05	90-M/M 1 ORFS x 7/8 SAE	3	
*	158061-08	• O Ring (For 1 UNF)	1	
*	002218104	• O Ring (For 7/8 UNF)	1	
14	007998160	Hydraulic Hose Assembly	2	
15	007998170	Hydraulic Hose Assembly	2	
17	158006-07	Fitting-M/M 1 ORFS x 7/8 SAE	4	
*	158061-08	• O Ring (For 1 UNF)	1	
*	002218104	• O Ring (For 7/8 UNF)	1	
18	148141-07	Wheel Motor Me	2	
22	158006-07	Fitting-M/M 1 ORFS x 7/8 SAE	1	
*	158061-08	• O Ring (For 1 UNF)	1	
*	002218104	• O Ring (For 7/8 UNF)	1	
23	002498520	Fitting-M/M 11/16 ORFS x 9/16 SAE	1	
23	002515100	Fitting-M/M 11/16 ORFS x 9/16 SAE	1	Fairway 250
*	158061-01	• O Ring (For 11/16 UNF)	2	
*	002218065	• O Ring (For 9/16 UNF)	1	
24	007996160	Hydraulic Hose Assembly	1	
25	002498520	Fitting-M/M 11/16 ORFS x 9/16 SAE	1	
*	158061-01	• O Ring (For 11/16 UNF)	2	
*	002218065	• O Ring (For 9/16 UNF)	1	
26	158006-07	Fitting-M/M 1 ORFS x 7/8 SAE	2	
*	158061-08	• O Ring (For 1 UNF)	1	
*	002218104	• O Ring (For 7/8 UNF)	1	
27	007996120	Hydraulic Hose Assembly	1	
28	158007-05	90-M/M 1 ORFS x 7/8 SAE	4	
*	158061-08	• O Ring (For 1 UNF)	1	
*	002218104	• O Ring (For 7/8 UNF)	1	
29	008007150	Wheel Motor Mj29	2	Fairway 250 305 and 405 To S/NKD000299 KE000299

* Not Illustrated

HYDRAULIC DIAGRAM TRACTION SERIES JZ, JN, JP

Illustration: 250_305_405_traction.eps

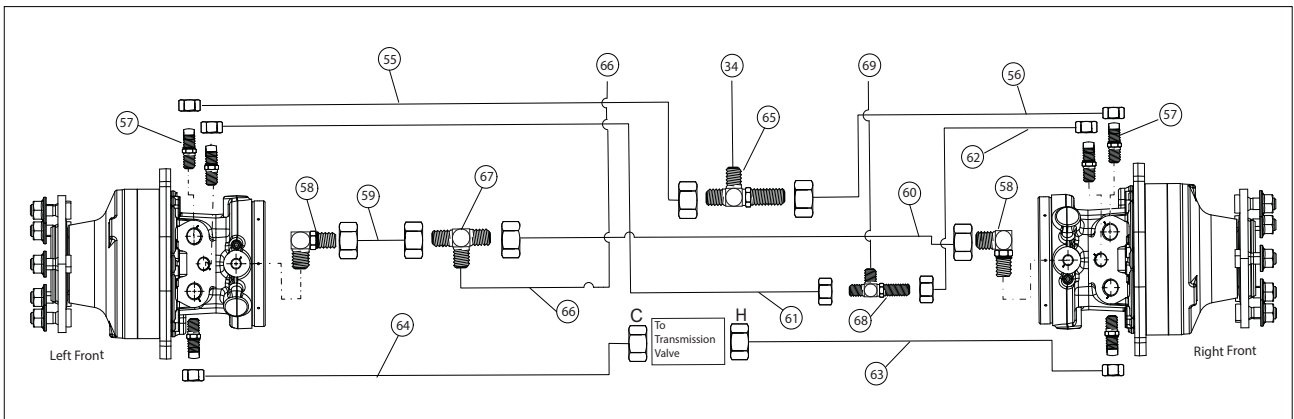
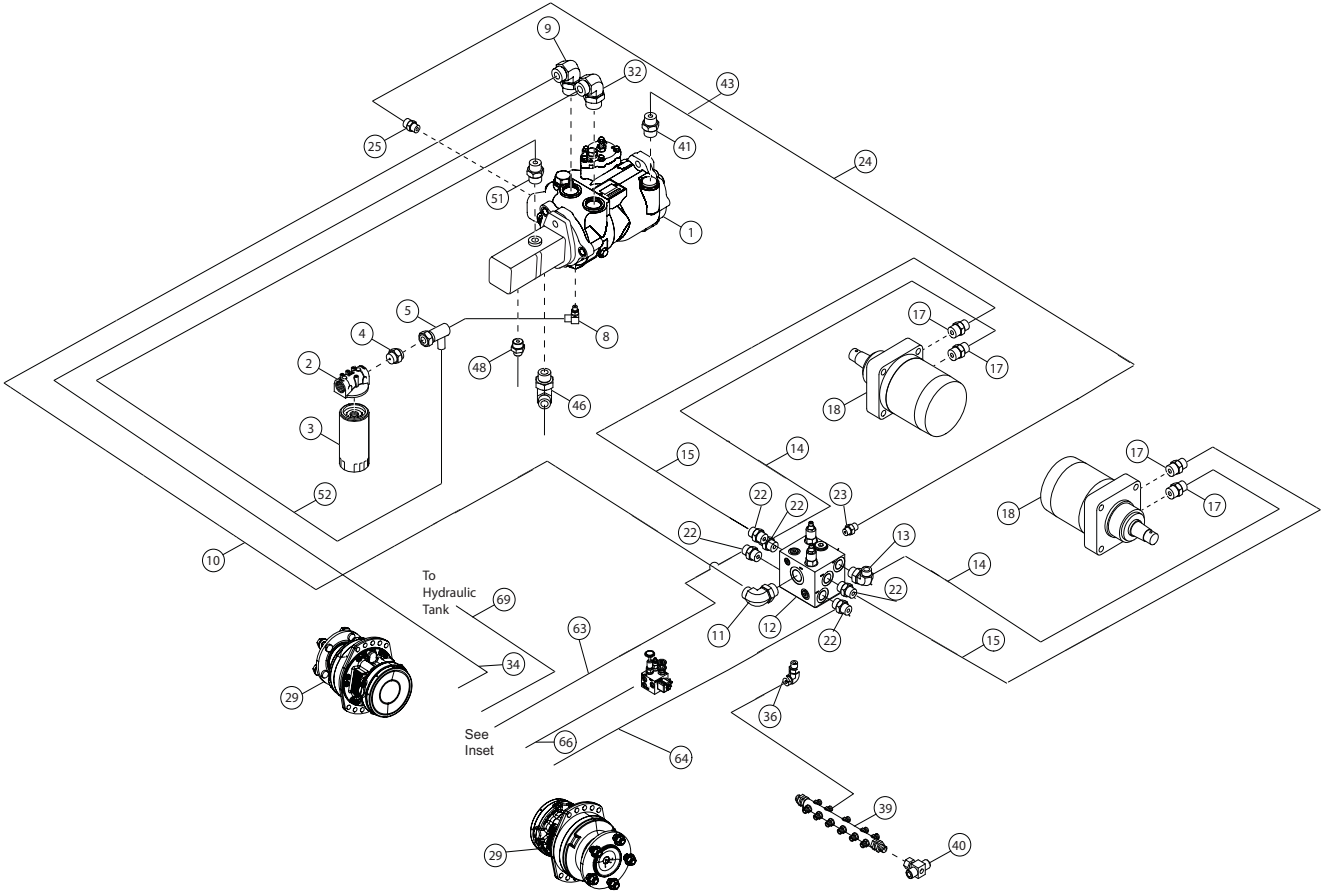


ITEM	PART NO.	DESCRIPTION	QTY	
29	4265651	POCLAIN Motor	2	Fairway 305 405 From S/N KD000300 KE000300
30	4298573	Hydraulic Hose Assembly	1	
31	69056-01	Bulkhead Run Tee ORFS	1	
32	4298571	Hydraulic Hose Assembly	1	
33	007996110	Hydraulic Hose Assembly	1	
34	4139168	Hydraulic Hose Assembly	1	
35	158007-08	90-M/M 1-3/16 ORFS x 1-5/16 SAE	1	
35	002590610	90-M/M 1-3/16 ORFS x 1-5/16 SAE	1	Fairway 250
*	158061-09	• O Ring (For 1-3/16 UNF)	1	
*	002218146	• O Ring (For 1-5/6 UNF)	1	
36	158007-01	90-M/M 11/16 ORFS x 9/16 SAE	1	
*	158061-01	• O Ring (For 11/16 UNF)	1	
*	002218065	• O Ring (For 9/16 UNF)	1	
37	007996280	Hydraulic Hose Assembly	1	
38	002449056	Test Fitting	1	
39	2208028	Manifold - Return	1	
40	69057-01	Swivel Nut Branch Tee	1	
41	158006-11	Fitting-M/M 1 ORFS x 1.1/16 SAE	4	
*	158061-08	• O Ring (For 1 UNF)	1	
*	002218120	• O Ring (For 1.1/16 UNF)	1	
42	002590770	90°-F/M 1 ORFS x 1 BARB	1	
*	158061-08	• O Ring (For 1 UNF)	1	
43	4266430	Hose - SAE 100 R3	1	
43	108092-11	Hose - SAE 100 R3	1	Fairway 250 to Oil Cooler
44	108094-01	Hose Clamp	1	
*	002449006	Test Port	1	Fairway 250
*	002498980	Hex Plug 1 1/16 SAE	1	Fairway 250
46	158007-06	90-M/M 1 ORFS x 1.1/16 SAE	1	
*	158061-08	• O Ring (For 1 UNF)	1	
*	002218120	• O Ring (For 1.1/16 UNF)	1	
47	007991340	Hydraulic Hose Assembly	1	
47	2692258-01	Hydraulic Hose Assembly	1	Fairway 250
48	158006-03	Fitting-M/M 11/16 ORFS x 7/8 SAE	1	
*	158061-01	• O Ring (For 11/16 UNF)	1	
*	002218104	• O Ring (For 7/8 UNF)	1	
*	002525010	90-M/M 9/16 ORS x 9/16 SAE	3	
49	2692215-18	Hydraulic Hose Assembly	1	
50	4181600	Tandem Pump	1	
50	2208041	Tandem Pump	1	Fairway 250
51	69060-03	Male Connector	1	Fairway 405
51	002493518	Male Connector	1	Fairway 250/305
52	009121720	Suction Hose	1	

* Not Illustrated

HYDRAULIC DIAGRAM TRACTION SERIES JT, KD, JU, KE

Illustration: 305_405_traction POCLAIN.eps

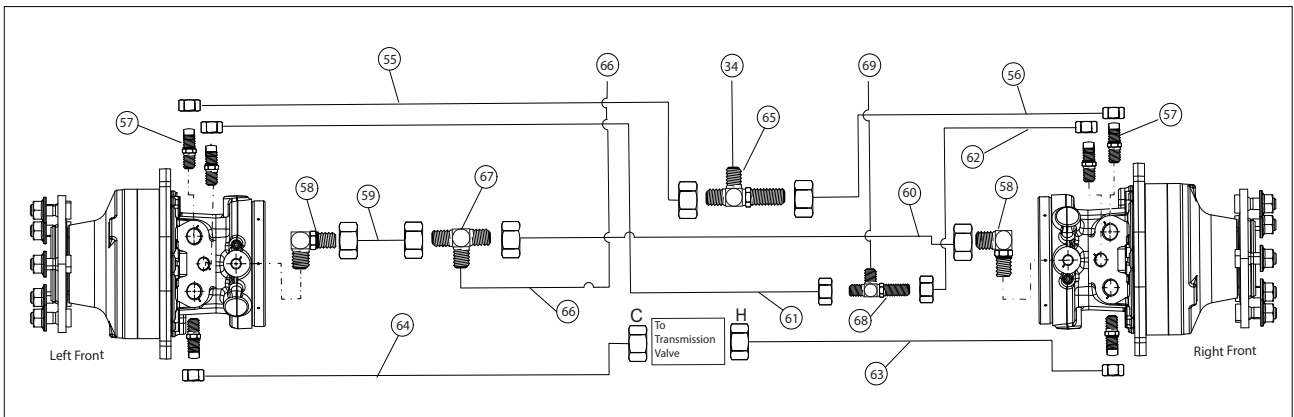
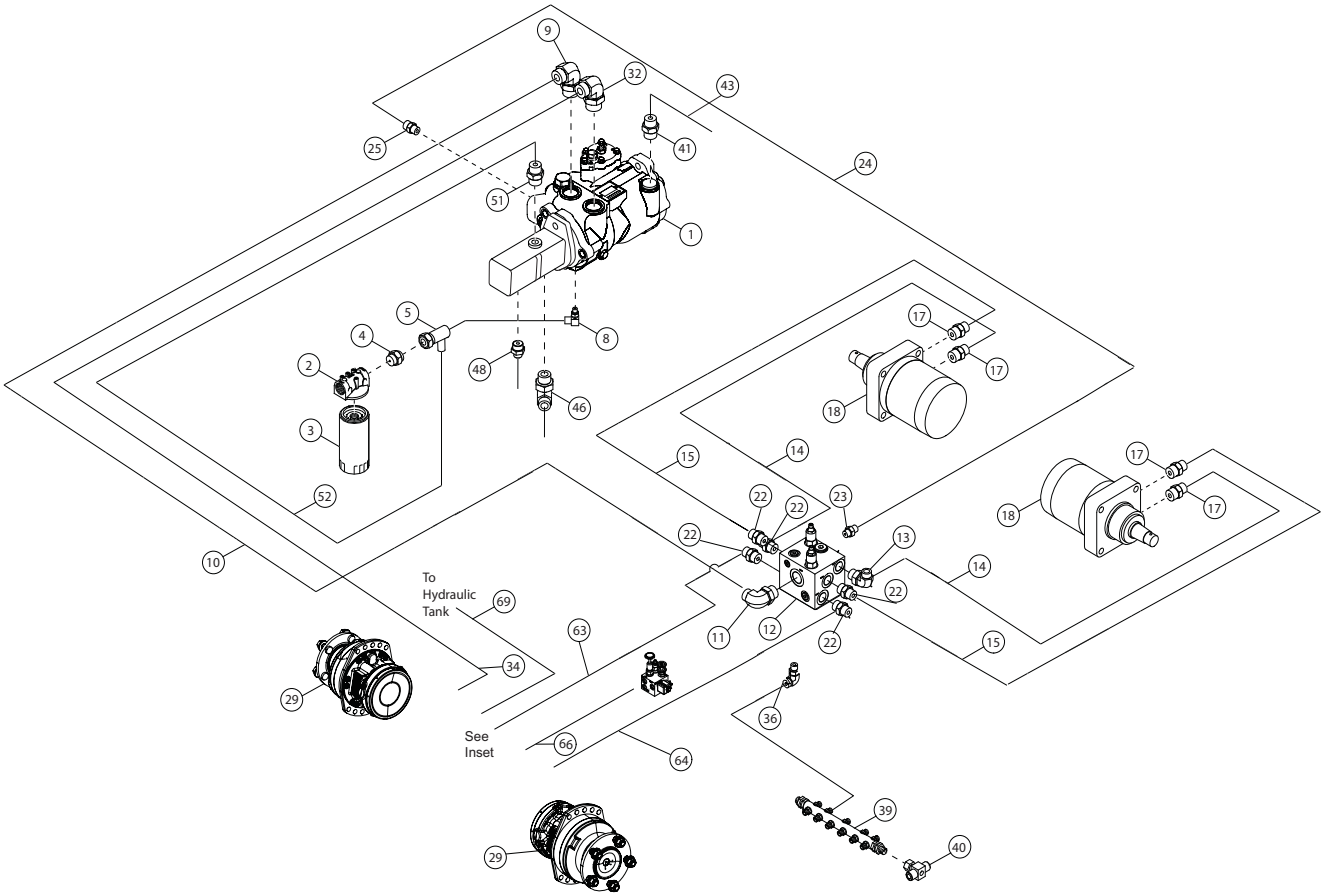


ITEM	PART NO.	DESCRIPTION	QTY	
1	008006380	Pump (Traction)	1	
2	2208038	Filter Head	1	
3	4298273	Filter Canister	1	
4	158006 - 12	Fitting - M/M 2 ORFS x 1 - 7/8 SAE	1	
*	00029V75	• O Ring (For 2 UNF)	1	
*	00924V75	• O Ring (For 1 - 7/8 UNF)	1	
5	009100320	Manifold - Inlet	1	
8	158058-03	90° Male Elbow 1 - 5/16 SAE	1	
*	002218146	• O Ring (For 1.5/16 UNF)	1	
9	158007-08	90 - M/M 1 - 3/16 ORFS x 1 - 5/16 SAE	1	
*	158061 - 09	• O Ring (For 1 - 3/16 UNF)	1	
*	002218146	• O Ring (For 1 - 5/6 UNF)	1	
10	002498870	Hydraulic Hose Assembly	1	
11	158006 - 08	Fitting - M/M 1.3/16 ORFS x 1.1/16 SAE	1	
*	158061 - 09	• O Ring (For 1.3/16 UNF)	1	
*	002218120	• O Ring (For 1.1/16 UNF)	1	
12	4207762	Valve Block Transmission	1	
13	158007-06	90-M/M 1 ORFS x 1.1/16 SAE	1	
*	158061-08	• O Ring (For 1 UNF)	1	
*	002218120	• O Ring (For 1.1/16 UNF)	1	
14	007998160	Hydraulic Hose Assembly	2	
15	007998170	Hydraulic Hose Assembly	2	
17	158006 - 07	Fitting - M/M 1 ORFS x 7/8 SAE	4	
*	158061 - 08	• O Ring (For 1 UNF)	1	
*	002218104	• O Ring (For 7/8 UNF)	1	
18	148141 - 07	Wheel Motor Me	2	
22	158006-11	Ftg-M/M 1 ORFS x 1.1/16 SAE	5	
*	158061-08	• O Ring (For 1 UNF)	1	
*	002218120	• O Ring (For 1.1/16 UNF)	1	
23	002498520	Fitting - M/M 11/16 ORFS x 9/16 SAE	1	
*	158061 - 01	• O Ring (For 11/16 UNF)	2	
*	002218065	• O Ring (For 9/16 UNF)	1	
24	007996160	Hydraulic Hose Assembly	1	
25	002498520	Fitting - M/M 11/16 ORFS x 9/16 SAE	1	
*	158061 - 01	• O Ring (For 11/16 UNF)	2	
*	002218065	• O Ring (For 9/16 UNF)	1	
29	4304895	POCLAIN Motor	2	
32	158007-08	90 - M/M 1 - 3/16 ORFS x 1 - 5/16 SAE	1	
34	009121710	Hydraulic Hose Assembly	1	
36	158007 - 01	90 - M/M 11/16 ORFS x 9/16 SAE	1	
*	158061 - 01	• O Ring (For 11/16 UNF)	1	
*	002218065	• O Ring (For 9/16 UNF)	1	
39	2208028	Manifold - Return	1	
40	69057 - 01	Swivel Nut Branch Tee	1	
41	158006 - 11	Fitting - M/M 1 ORFS x 1.1/16 SAE	1	
*	158061 - 08	• O Ring (For 1 UNF)	1	
*	002218120	• O Ring (For 1.1/16 UNF)	1	
43	4266430	Hose - SAE 100 R3	1	
*	158061 - 08	• O Ring (For 1 UNF)	1	
46	158007 - 06	90 - M/M 1 ORFS x 1.1/16 SAE	1	
*	158061 - 08	• O Ring (For 1 UNF)	1	

* Not Illustrated

HYDRAULIC DIAGRAM TRACTION SERIES JT, KD, JU, KE

Illustration: 305_405_traction POCLAIN.eps

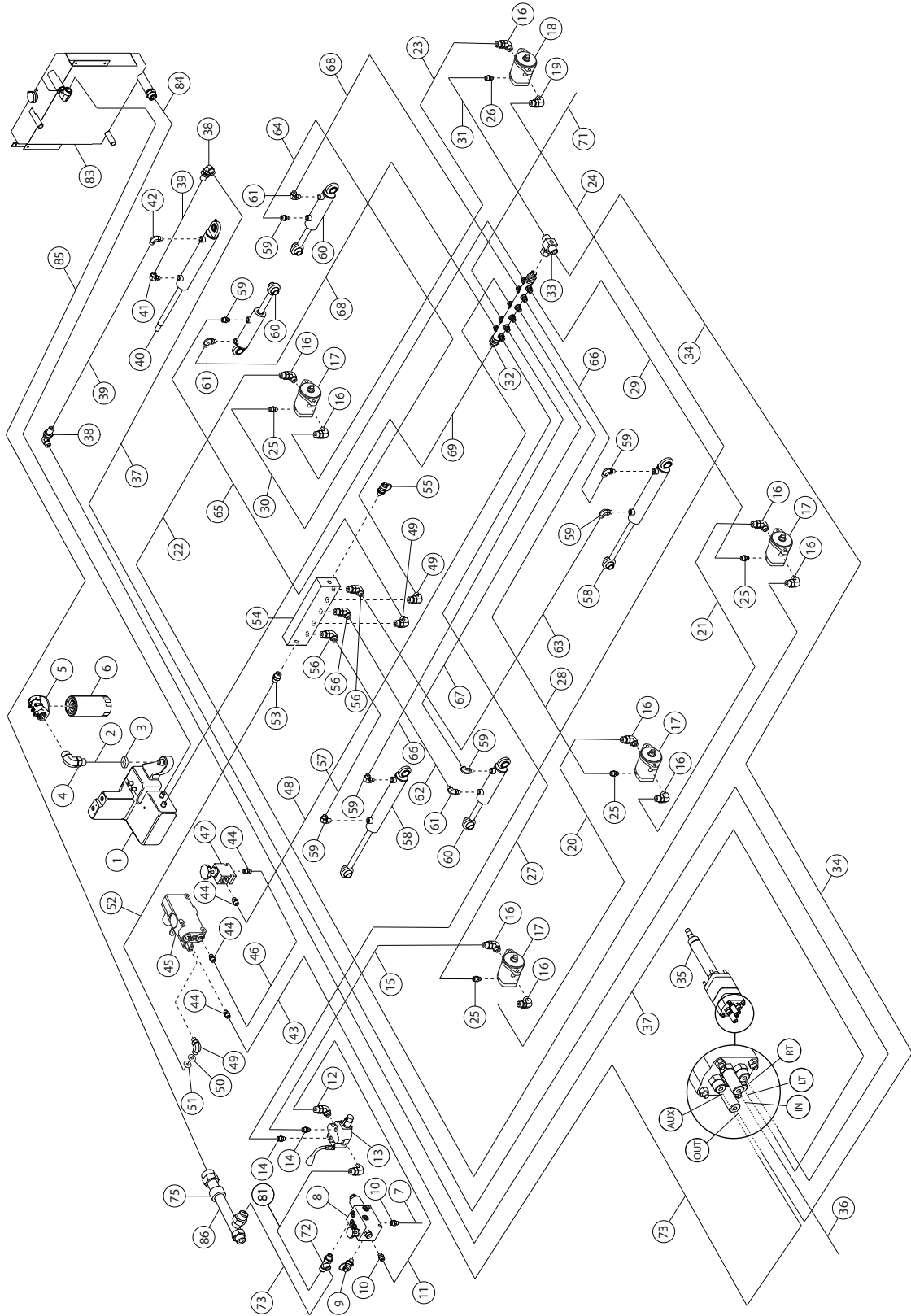


ITEM	PART NO.	DESCRIPTION	QTY	
*	002218120	• O Ring (For 1.1/16 UNF)	1	
48	158006 - 03	Fitting - M/M 11/16 ORFS x 7/8 SAE	1	
*	158061-01	• O Ring (For 11/16 UNF)	1	
*	002218104	• O Ring (For 7/8 UNF)	1	
51	69060 - 03	Male Connector	1	
55	4292381	Hydraulic Hose Assembly	1	
56	4292383	Hydraulic Hose Assembly	1	
57	002515010	Ftg 1-3/16 Ors X 7/8 SAE	6	
*	158061-09	• O Ring (For 1.3/16 UNF)	2	
*	002218104	• O Ring (For 7/8 UNF)	2	
58	002525010	Ftg. 90-m/m 9/16 Ors X 9/16 SAE	2	
*	002218065	• O Ring (For 9/16 UNF)	2	
59	4292376	Hydraulic Hose Assembly	1	
60	4292377	Hydraulic Hose Assembly	1	
61	4292378	Hydraulic Hose Assembly	1	
62	4292379	Hydraulic Hose Assembly	1	
63	4292384	Hydraulic Hose Assembly	1	
64	4292382	Hydraulic Hose Assembly	1	
65	69056-01	Fitting-ors Run Tee	1	
66	4292375	Hydraulic Hose Assembly	1	
67	4292214	Ftg, Tee M/m/m 9/16 Orfs - B/head	1	
68	002590090	Tee-m/blkhd/m 11/16 Ors	1	
69	4305495	Hydraulic Hose Assembly	1	

* Not Illustrated

HYDRAULIC DIAGRAM - 250 305 CUTTING, STEERING & LIFT

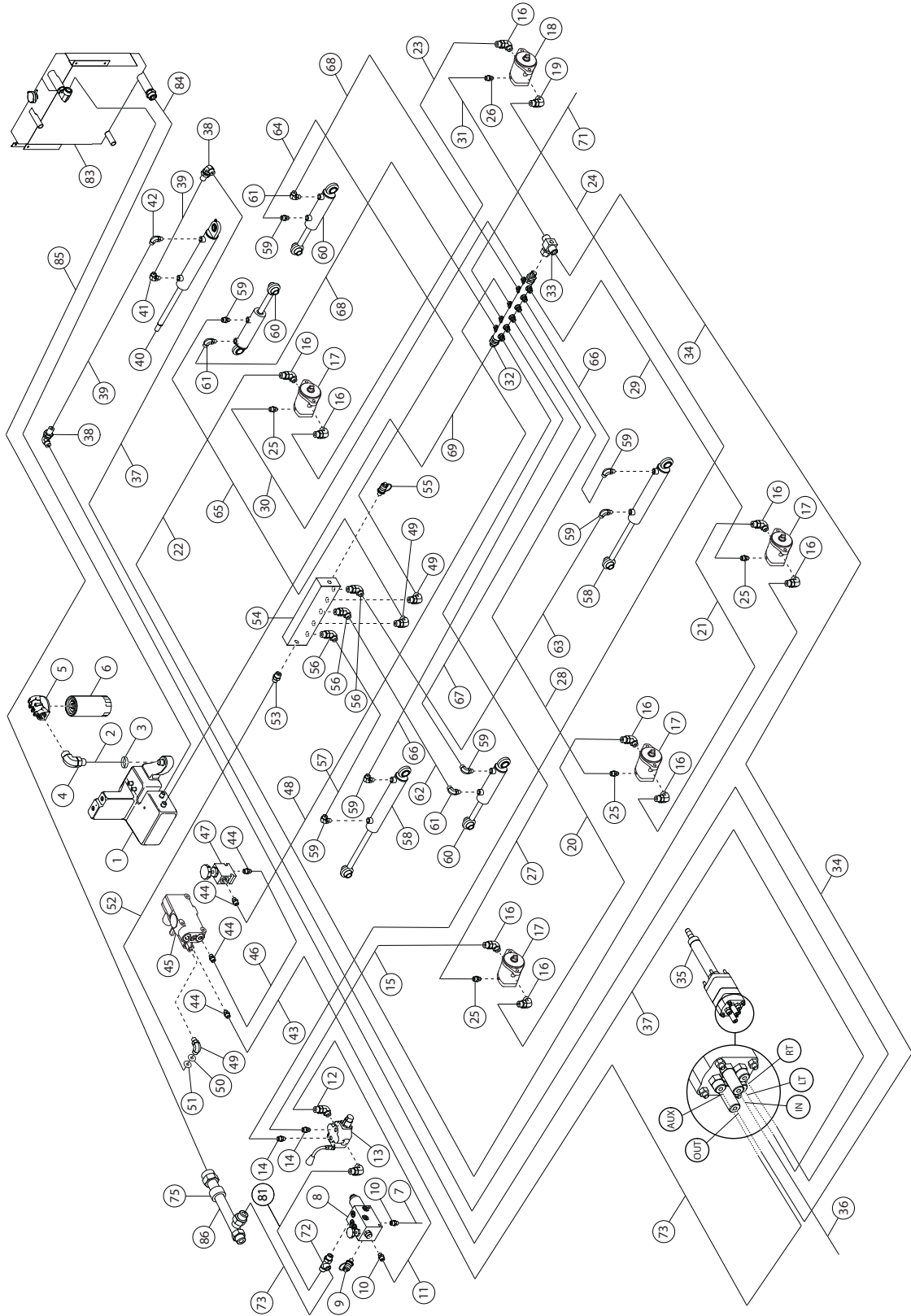
Illustration: 305_Cutting_Steering_Lift.eps



ITEM	PART NO.	DESCRIPTION	QTY	
1	2208031	Hydraulic Tank	1	
2	2692233-01	Hose	1	
3	48396	Hose Clamp 2"	AR	
4	158058-08	90-M/M 1-7/8 SAE x 1.50 BARB	1	
*	00924V75	• O Ring (For 1-7/8 UNF)	1	
5	2208038	Filter Head	1	
6	4298273	Filter Canister	1	
7	2692222-01	Hose	1	
8	2208146	Valve, Reel Drive	1	
9	002449056	Test Point	1	
10	158006-05	Fitting-13/16 ORFS X 3/4 SAE	2	
*	158061-02	• O Ring (For 13/16 UNF)	1	
*	002218081	• O Ring (For 3/4 UNF)	1	
11	2692219-02	Hose	1	
12	4192320	90 Fitting M/M 1/2" BSP X 13/16" ORF	2	
*	158061-02	• O Ring (For 13/16 UNF)	1	
12	W158007-03	90 Male Elbow 7/8 UNF	1	Fairway 250
13	4246870	Valve, Reel Drive, Fwd/rev	1	
13	2208047	Valve, Reel Drive, Fwd/rev	1	Danfoss
13	4212460	Valve, Reel Drive, Fwd/rev	1	Roquet
*	4192320	90 Fitting M/M 1/2" BSP X 13/16" ORF	2	USE WITH ROQUET VALVE
*	002590190	Fitting-STR M/M 1/2" BSP X 13/16" ORF	2	USE WITH ROQUET VALVE
14	002590190	Fitting-STR 1/2" BSP X 13/16" ORF	2	
*	158061-02	• O Ring (For 13/16 UNF)	1	
14	W158006-05	Male Connector 3/4 UNF	2	Fairway 250
15	007994760	Hydraulic Hose Assembly	1	
15	4298712	Hydraulic Hose Assembly	1	Fairway 250
16	158007-03	90-M/M 13/16 ORFS x 7/8 SAE	8	
*	158061-02	• O Ring (For 13/16 UNF)	1	
*	002218104	• O Ring (For 7/8 UNF)	1	
17	008006820	Hydraulic Motor	5	
*	A809615	• Seal Kit	1	
18	008006810	Hydraulic Motor	1	
*	A809615	• Seal Kit	1	
19	158007-03	90-M/M 13/16 ORFS x 7/8 SAE	1	
*	158061-02	• O Ring (For 13/16 UNF)	1	
*	002218104	• O Ring (For 7/8 UNF)	1	
20	007994750	Hydraulic Hose Assembly	1	
21	007994770	Hydraulic Hose Assembly	1	
22	007996270	Hydraulic Hose Assembly	1	
23	4120599	Hydraulic Hose Assembly	1	
23	007996250	Hydraulic Hose Assembly	1	Fairway 250
*	158061-01	• O Ring (For 11/16 UNF)	1	

HYDRAULIC DIAGRAM - 250 305 CUTTING, STEERING & LIFT

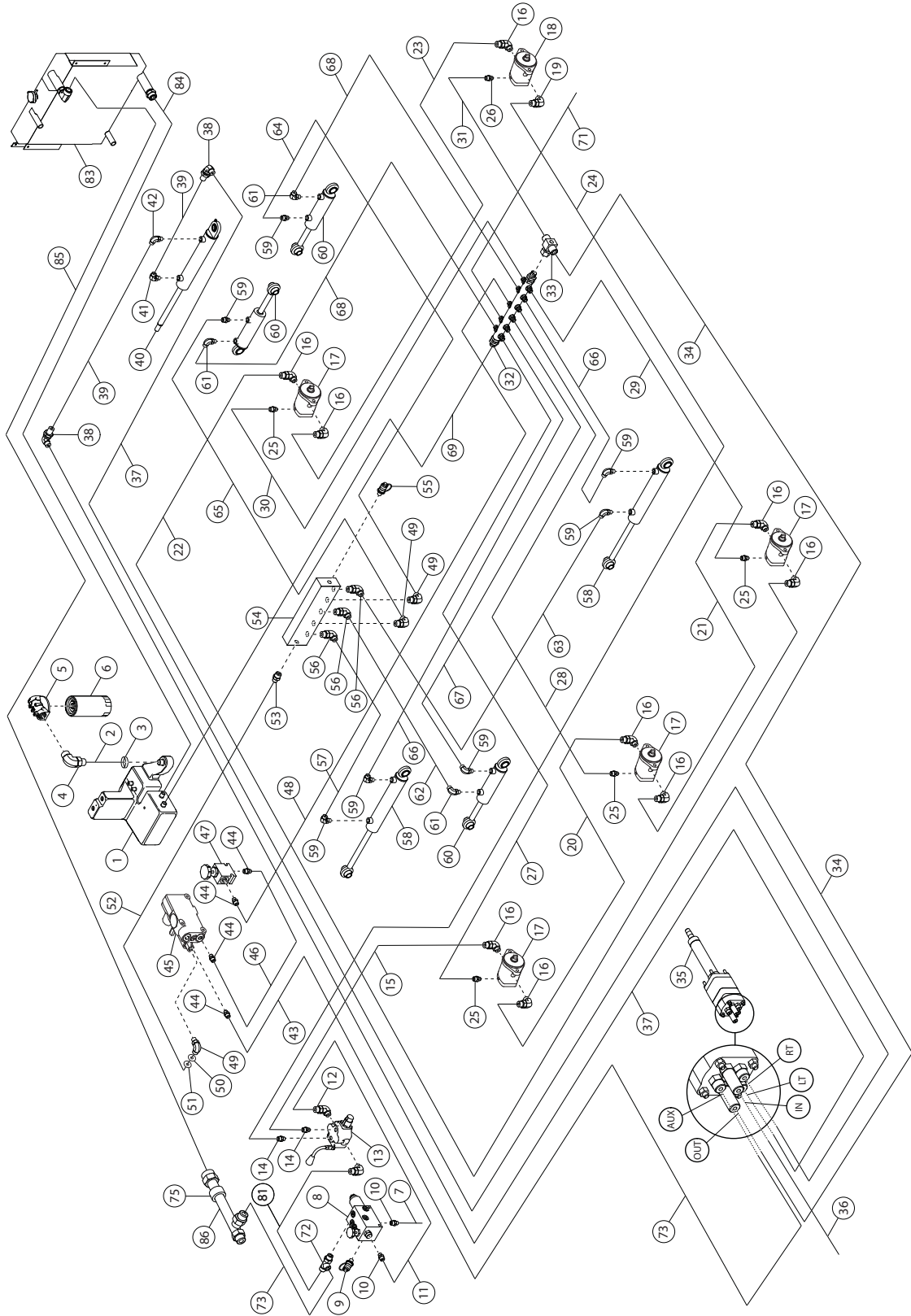
Illustration: 305_Cutting_Steering_Lift.eps



ITEM	PART NO.	DESCRIPTION	QTY	
24	4120600	Hydraulic Hose Assembly	1	
24	4254250	Hydraulic Hose Assembly	1	Fairway 250
*	158061-02	• O Ring (For 13/16 UNF)	1	
25	158006-01	Fitting-m/m 11/16 ORFS X 9/16 SAE	4	
*	158061-01	• O Ring (For 11/16 UNF)	1	
*	002218065	• O Ring (For 9/16 UNF)	1	
26	158007-01	90-m/m 11/16 ORFS X 9/16 SAE	1	
*	158061-01	• O Ring (For 11/16 UNF)	1	
*	002218065	• O Ring (For 9/16 UNF)	1	
27	007995580	Hydraulic Hose Assembly	1	
28	007991180	Hydraulic Hose Assembly	1	
28	4298713	Hydraulic Hose Assembly	1	Fairway 250
29	007991140	Hydraulic Hose Assembly	1	
30	007996220	Hydraulic Hose Assembly	1	
31	4285351	Hydraulic Hose Assembly	1	
*	158006-06	Fitting For 4285351	1	
31	4120599	Hydraulic Hose Assembly	1	Fairway 250
32	2208028	Manifold, Return	1	
33	69057-01	Swivel Nut Branch Tee 11/16	1	
*	158061-01	• O Ring (For 11/16 UNF)	3	
34	4287292	Hydraulic Hose Assembly	1	
34	2692214-13	Hydraulic Hose Assembly	1	Fairway 250
35	4136800	Steering Unit And Column	1	
35	2208142	Steering Unit And Column	1	Fairway 250
36	2692215-18	Hydraulic Hose Assembly	1	
37	007996200	Hydraulic Hose Assembly	2	
38	69055-01	90 Blkhd-m/m 11/16 ORFS	2	
*	158061-01	• O Ring (For 11/16 UNF)	1	
39	2692217-03	Hydraulic Hose Assembly	2	
40	4244282	D/A Hyd Cyl, 20 X 203.2, Steering	1	Fairway 250
40	198040	Steering Ram	1	To S/N DH000613
40	4244282	D/A Hyd Cyl, 20 X 203.2, Steering	1	From S/N DH000614
41	158007-01	90-m/m 11/16 ORFS X 9/16 SAE	1	
*	158061-01	• O Ring (For 11/16 UNF)	1	
*	002218065	• O Ring (For 9/16 UNF)	1	
42	158006-01	Male Connector 9/16 UNF	1	
43	2692215-17	Hydraulic Hose Assembly	1	Fairway 250
44	158006-05	Fitting-13/16 ORFS X 3/4 SAE	2	
*	158061-02	• O Ring (For 13/16 UNF)	1	
*	002218081	• O Ring (For 3/4 UNF)	1	
45	2208144	Valve-Lift (Danfoss)	1	
45	4171203	VALVE-LIFT (Eaton)	1	

HYDRAULIC DIAGRAM - 250 305 CUTTING, STEERING & LIFT

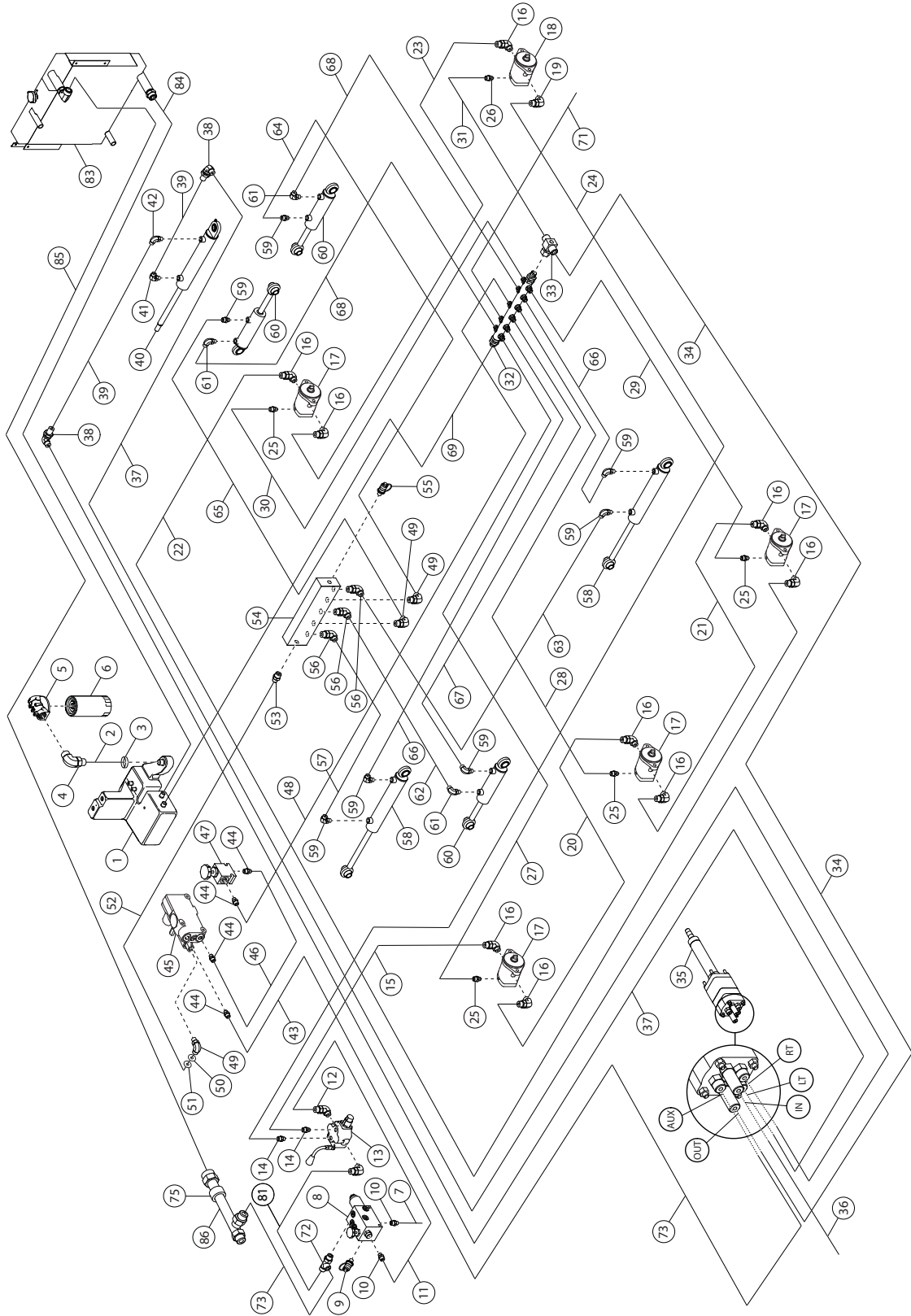
Illustration: 305_Cutting_Steering_Lift.eps



ITEM	PART NO.	DESCRIPTION	QTY	
46	2208068	Tube Lift Valve	1	
47	2208046	Valve, Reel Speed	1	
48	2692219-01	Hydraulic Hose Assembly	1	
49	158007-01	90-M/M 11/16 ORFS x 9/16 SAE	3	
*	158061-01	• O Ring (For 11/16 UNF)	1	
*	002218065	• O Ring (For 9/16 UNF)	1	
50	69068-01	Orifice 0.054"	2	
51	W158061-01	O Ring 0.364id X 0.07 Sect	3	
52	2692216-01	Hydraulic Hose Assembly	1	
53	158006-01	Male Connector 9/16 UNF	1	
54	2208051	Manifold	1	
55	002449056	Test Point	1	
56	158007-01	90-M/M 11/16 ORFS x 9/16 SAE	1	
*	158061-01	• O Ring (For 11/16 UNF)	1	
*	002218065	• O Ring (For 9/16 UNF)	1	
57	007991150	Hydraulic Hose Assembly	2	
58	4244284	D/A Hyd Cyl, 20 X 203, Lift	2	
	4288991	• Seal Kit	1	Fairway 250
59	158007-01	90-M/M 11/16 ORFS x 9/16 SAE	6	
*	158061-01	• O Ring (For 11/16 UNF)	1	
*	002218065	• O Ring (For 9/16 UNF)	1	
60	4244285	D/A Hyd Cyl, 20 X 95, Lift	3	
	4288991	• Seal Kit	1	Fairway 250
61	W158006-01	Fitting-M/M 11/16 ORFS x 9/16 SAE	3	
*	158061-01	• O Ring (For 11/16 UNF)	1	
*	002218065	• O Ring (For 9/16 UNF)	1	
62	007991170	Hydraulic Hose Assembly	1	
63	007991150	Hydraulic Hose Assembly	1	
64	007996180	Hydraulic Hose Assembly	1	
65	007996180	Hydraulic Hose Assembly	1	
66	007991130	Hydraulic Hose Assembly	2	
67	007991200	Hydraulic Hose Assembly	1	
68	007996170	Hydraulic Hose Assembly	2	
69	2692222-02	Hydraulic Hose Assembly	1	
70	158065-03	Fitting ORFS / NPTF	1	
71	007996280	Hydraulic Hose Assembly	1	
72	158056-01	Male Tee 3/4 UNF 13/16 ORFS	1	
*	158061-02	• O Ring (For 13/16 UNF)	2	
*	002218081	• O Ring (For 3/4 UNF)	1	
73	2692223-03	Hydraulic Hose	1	
75	69059-05	Clamp	Ar	
81	4238722	Hydraulic Hose	1	
83	4253730	Radiator / Oil Cooler Assembly	1	

HYDRAULIC DIAGRAM - 250 305 CUTTING, STEERING & LIFT

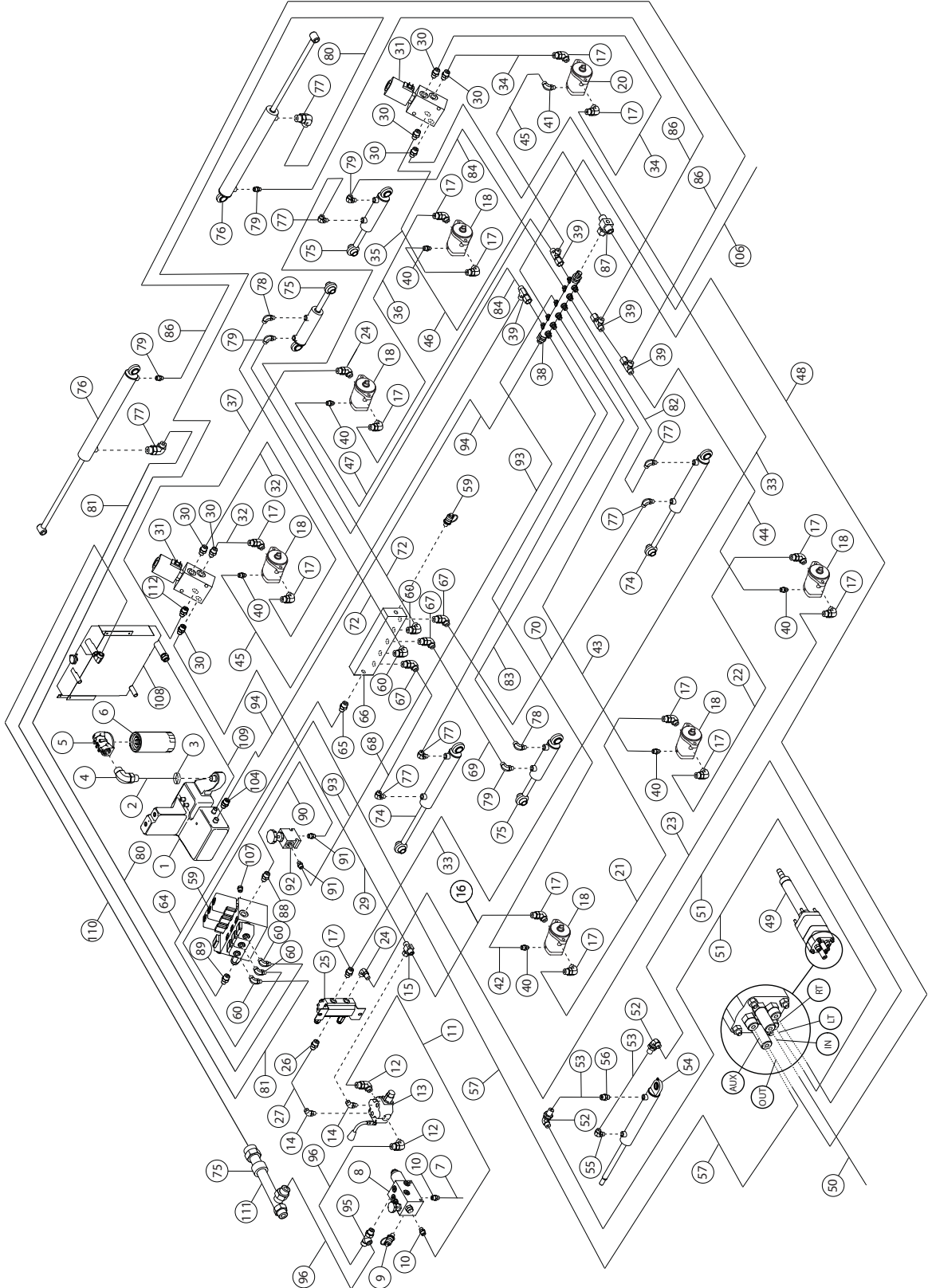
Illustration: 305_Cutting_Steering_Lift.eps



ITEM	PART NO.	DESCRIPTION	QTY	
84	4260850	Hose (20R4-00-20F-1700)	1	
85	4252150	Hose, Oil Cooler In	1	
86	4252610	Tube-oil Cooler Fairway 250	1	
76	108092-11	Hose SAE 100 R3 2	1	See Item 43 Traction
78	4116484	90° Male Elbow With Hose	2	
79	2203053	Tube, Oil Cooler RH	1	
79	4211040	Tube, Oil Cooler RH	1	Use With 4196940 Cooler
80	69059-02	Hose 100R3	1	Tank To Manifold
82	006911620	Oil Cooler (Setrab)	1	
82	4196940	Oil Cooler (Thermal Transfer)	1	
*	48383	Hose Clamp 2 1/2	6	
*	W158061-02	O-Ring 0.489 ID x 0.07 Sect	3	
*	158006-13	Str-Con UNF-ORFS	1	
*	158059-03	45 Male UNF-ORFS 13/16-3/4	1	
*	001992040	12mm Clip	1	

HYDRAULIC DIAGRAM - 405 CUTTING, STEERING & LIFT

Illustration: 405_Cutting_Steering_Lift.eps

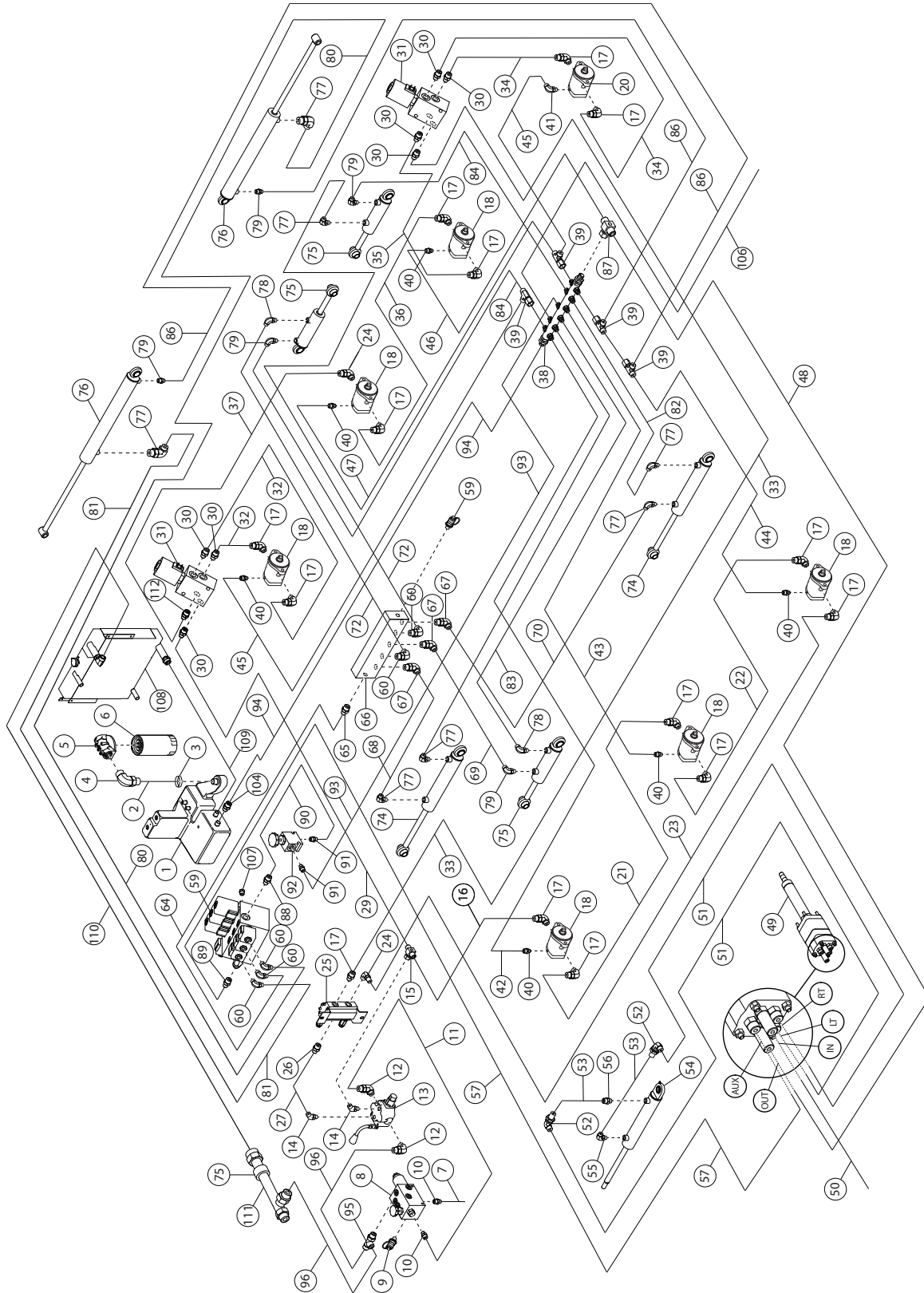


ITEM	PART NO.	DESCRIPTION	QTY	
1	2208031	Hydraulic Tank	1	
2	2692233-01	Hose	1	
3	48396	Hose Clamp 2"	1	
4	158058-08	90-M/M 1-7/8 SAE x 1.50 BARB	1	
*	00924V75	• O Ring (For 1-7/8 UNF)	1	
5	2208038	Filter Head	1	
6	4298273	Filter Canister	1	
7	007991340	Hose Assembly	1	
8	008011870	Reel Drive Valve	1	
9	002449056	Test Point	1	
10	002498520	Fitting-M/M 11/16 ORFS x 9/16 SAE	2	
*	158061-01	• O Ring (For 11/16 UNF)	2	
*	002218065	• O Ring (For 9/16 UNF)	1	
11	007991350	Hose Assembly	1	
12	4192320	90 Fitting M/M 1/2"BSP X 13/16" ORF	2	
*	158061-02	• O Ring (For 13/16 UNF)	1	
13	4246870	Valve, Reel Drive, Fwd/rev	1	
14	002590190	Fitting-STR 1/2" BSP X 13/16" ORF	2	
*	158061-02	• O Ring (For 13/16 UNF)	1	
15	002540010	Swivel Nut Branch Tee	1	
16	007994800	Hydraulic Hose Assembly	1	
17	158007-03	90-M/M 13/16 ORFS x 7/8 SAE	16	
*	158061-02	• O Ring (For 13/16 UNF)	1	
*	002218104	• O Ring (For 7/8 UNF)	1	
18	008006800	Hydraulic Gear Motor And	6	
*		• Seal Kit	1	
20	008006790	Hydraulic Gear Motor And	1	
*		• Seal Kit	1	
21	007994750	Hydraulic Hose Assembly	1	
22	007994770	Hydraulic Hose Assembly		
23	4285772	Hydraulic Hose Assembly	1	
24	158006-06	Fitting-M/M 13/16 ORFS x 7/8 SAE	3	
*	158061-02	• O Ring (For 13/16 UNF)	1	
*	002218104	• O Ring (For 7/8 UNF)	1	
25	008089480	Rotary Flow Divider	1	
26	158006-07	Fitting-M/M 1 ORFS x 7/8 SAE	1	
*	158061-08	• O Ring (For 1 UNF)	1	
*	002218104	• O Ring (For 7/8 UNF)	1	
27	007997990	Hydraulic Hose Assembly	1	
28	158006-11	Fitting-M/M 1 ORFS x 1-1/16 SAE	4	
*	158061-08	• O Ring (For 1 UNF)	1	
*	002218120	• O Ring (For 1.1/16 UNF)	1	
29	007996230	Hydraulic Hose Assembly	1	

* Not Illustrated

HYDRAULIC DIAGRAM - 405 CUTTING, STEERING & LIFT

Illustration: 405_Cutting_Steering_Lift.eps

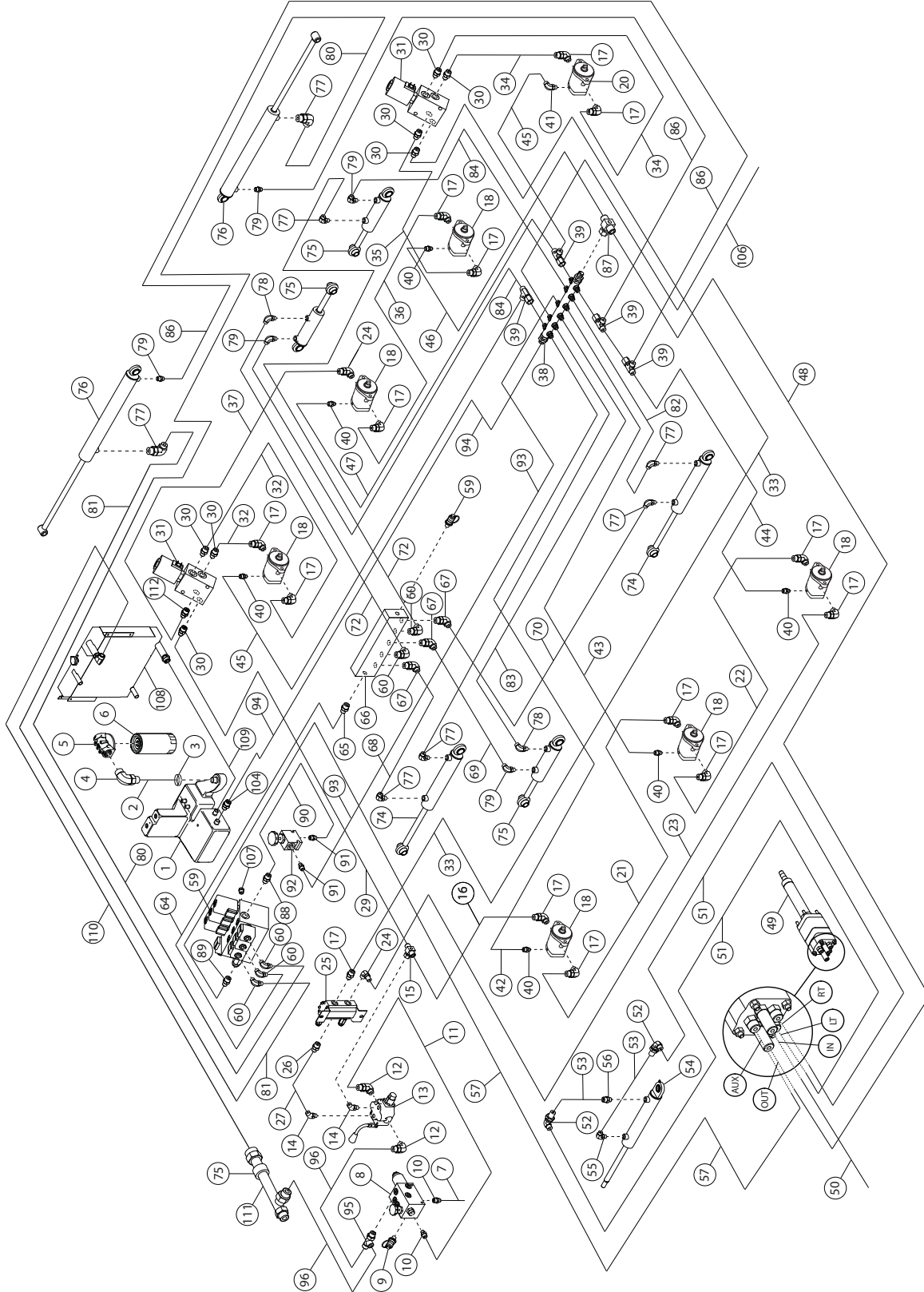


ITEM	PART NO.	DESCRIPTION	QTY	
30	158006-05	Fitting-13/16 ORFS X 3/4 SAE	8	
*	158061-02	• O Ring (For 13/16 UNF)	1	
*	002218081	• O Ring (For 3/4 UNF)	1	
31	008012610	Solenoid Valve	2	
32	4266450	Hydraulic Hose Assembly	2	
33	007998000	Hydraulic Hose Assembly	1	
34	4266450	Hydraulic Hose Assembly	2	
35	4120598	Hydraulic Hose Assembly	1	
36	4120600	Hydraulic Hose Assembly	1	
37	4285775	Hydraulic Hose Assembly	1	
38	2208028	Manifold	1	
39	002498400	TEE-M/F/M 11/16 ORFS	4	
*	158061-01	• O Ring (For 11/16 UNF)	2	
40	158006-01	Fitting-M/M 11/16 ORFS x 9/16 SAE	6	
*	158061-01	• O Ring (For 11/16 UNF)	1	
*	002218065	• O Ring (For 9/16 UNF)	1	
41	158007-01	90-M/M 11/16 ORFS x 9/16 SAE	1	
*	158061-01	• O Ring (For 11/16 UNF)	1	
*	002218065	• O Ring (For 9/16 UNF)	1	
42	007995580	Hydraulic Hose Assembly	1	
43	007991180	Hydraulic Hose Assembly	1	
44	007991140	Hydraulic Hose Assembly	1	
45	007991530	Hydraulic Hose Assembly	2	
46	4120599	Hydraulic Hose Assembly	1	
47	007996220	Hydraulic Hose Assembly	1	
48	4287292	Hydraulic Hose Assembly	1	
49	4136800	Steering Unit and column	1	
50	2692215-18	Hydraulic Hose Assembly	1	
51	007996200	Hydraulic Hose Assembly	2	
52	69055-01	90 BLKHD-M/M 11/16 ORFS	2	
*	158061-01	• O Ring (For 11/16 UNF)	1	
53	2692217-03	Hydraulic Hose Assembly	2	
54	4244282	D/A Hyd Cyl, 20 X 203.2, Steering	1	
55	158007-01	90-M/M 11/16 ORFS x 9/16 SAE	1	
*	158061-01	• O Ring (For 11/16 UNF)	1	
*	002218065	• O Ring (For 9/16 UNF)	1	
56	158006-01	Fitting-M/M 11/16 ORFS x 9/16 SAE	1	
*	158061-01	• O Ring (For 11/16 UNF)	1	
*	002218065	• O Ring (For 9/16 UNF)	1	
57	007998640	Hydraulic Hose Assembly	1	
59	009028170	Lift Valve	1	

* Not Illustrated

HYDRAULIC DIAGRAM - 405 CUTTING, STEERING & LIFT

Illustration: 405_Cutting_Steering_Lift.eps

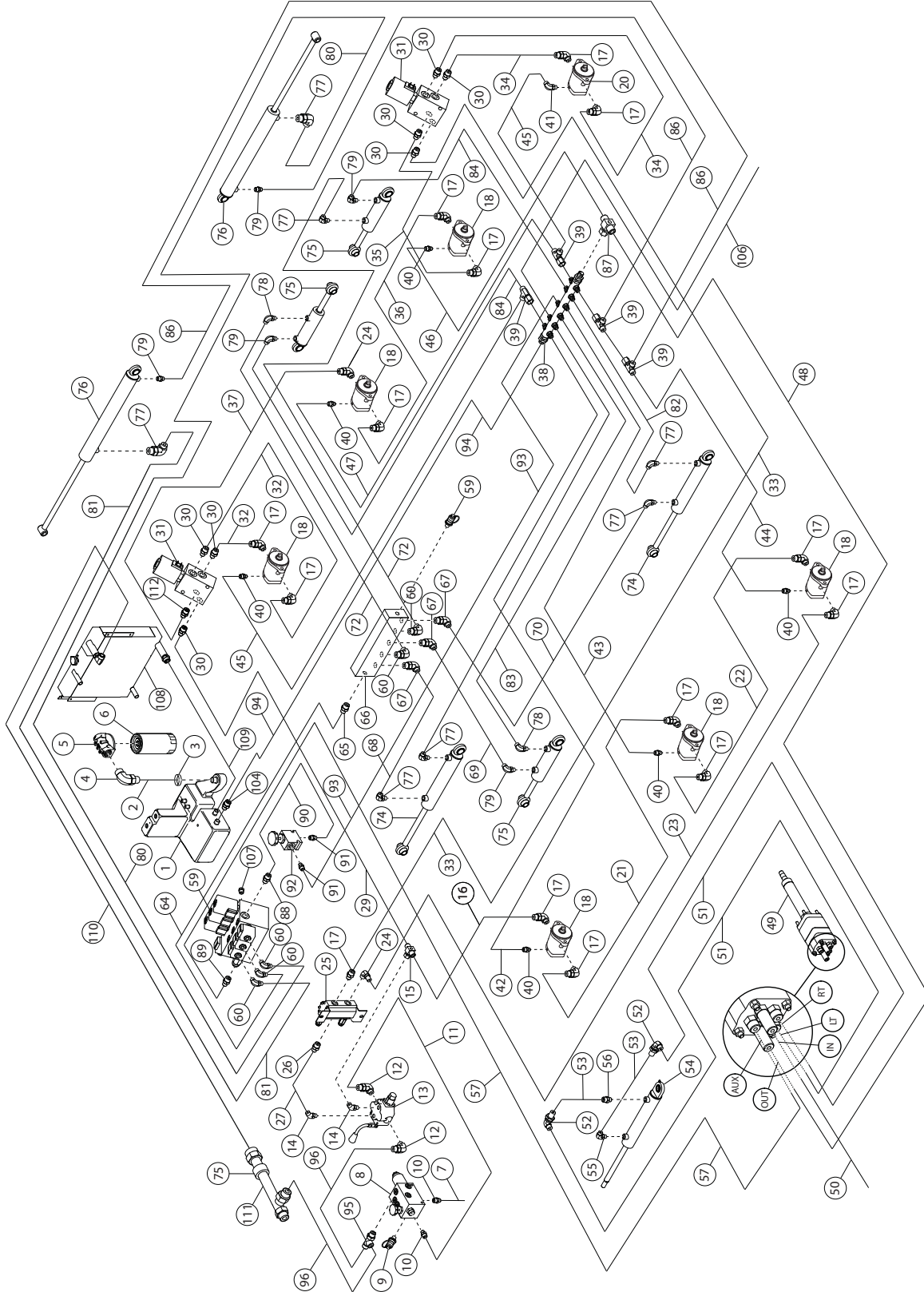


ITEM	PART NO.	DESCRIPTION	QTY	
60	158007-01	90-M/M 11/16 ORFS x 9/16 SAE	2	
*	158061-01	• O Ring (For 11/16 UNF)	1	
*	002218065	• O Ring (For 9/16 UNF)	1	
61	MBG1879	Dual Restrictor	2	
62	158061-04	O Ring	4	
63	69068-05	Orifice	1	
64	007998630	Hydraulic Hose Assembly	1	
65	158006-01	Male Connector 9/16 UNF	1	
66	2208051	Manifold	1	
67	158007-01	90-M/M 11/16 ORFS x 9/16 SAE	3	
*	158061-01	• O Ring (For 11/16 UNF)	1	
*	002218065	• O Ring (For 9/16 UNF)	1	
68	007991150	Hydraulic Hose Assembly	1	
69	007991170	Hydraulic Hose Assembly	1	
70	007991150	Hydraulic Hose Assembly	1	
71	69068-01	Orifice	2	
72	007996180	Hydraulic Hose Assembly	2	
73	002449056	Test Point	1	
74	4244284	D/A Hyd Cyl, 20 X 203, Lift	2	
75	4244285	D/A Hyd Cyl, 20 X 95, Lift	3	
76	4244303	D/A Hyd Cyl, 20 X 395, Lift	2	
77	158007-01	90-M/M 11/16 ORFS x 9/16 SAE	7	
*	158061-01	• O Ring (For 11/16 UNF)	1	
*	002218065	• O Ring (For 9/16 UNF)	1	
78	158007-01	90-M/M 11/16 ORFS x 9/16 SAE	2	
*	158061-01	• O Ring (For 11/16 UNF)	1	
*	002218065	• O Ring (For 9/16 UNF)	1	
79	158006-01	Male Connector 9/16 UNF	5	
80	007998610	Hydraulic Hose Assembly	1	
81	007998620	Hydraulic Hose Assembly	1	
82	007991130	Hydraulic Hose Assembly	2	
83	007991200	Hydraulic Hose Assembly	1	
84	007996170	Hydraulic Hose Assembly	1	
86	4285773	Hydraulic Hose Right	1	
86	4285774	Hydraulic Hose Left	1	
87	69057-01	Swivel Nut Branch Tee 11/16	1	
88	158007-02	90-M/M 13/16 ORFS x 3/4 SAE	1	
*	158061-02	• O Ring (For 13/16 UNF)	1	
*	002218081	• O Ring (For 3/4 UNF)	1	
89	158007-10	90 Elbow 3/4 SAE X 11/16 ORFS	1	
*	158061-01	• O Ring (For 11/16 UNF)	1	
*	002218081	• O Ring (For 3/4 UNF)	1	
90	4117994	Tube Lift Valve	1	

* Not Illustrated

HYDRAULIC DIAGRAM - 405 CUTTING, STEERING & LIFT

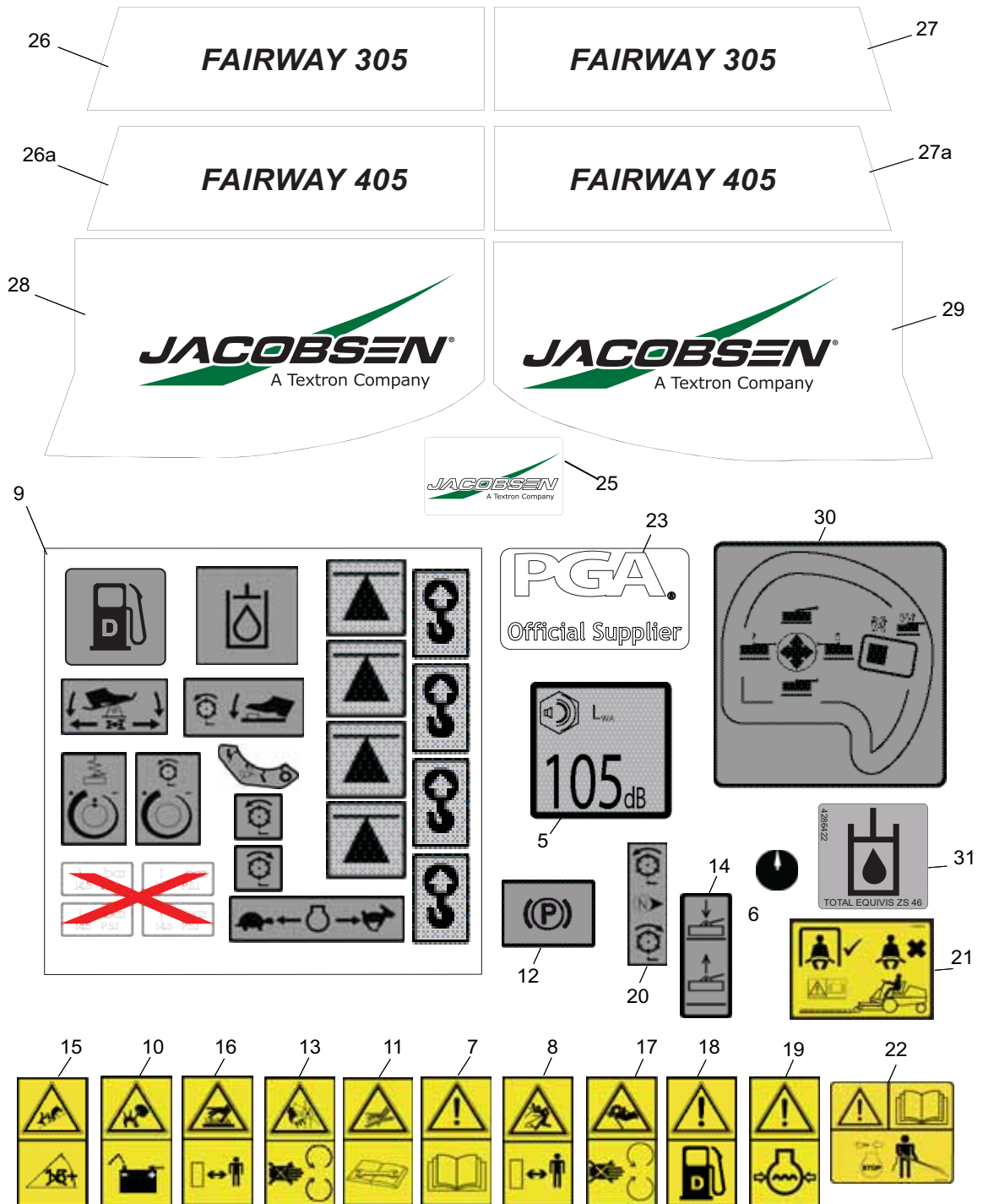
Illustration: 405_Cutting_Steering_Lift.eps



ITEM	PART NO.	DESCRIPTION	QTY	
91	158006-05	Fitting-13/16 ORFS X 3/4 SAE	2	
*	158061-02	• O Ring (For 13/16 UNF)	1	
*	002218081	• O Ring (For 3/4 UNF)	1	
92	2208046	Valve Block Back Pressure	1	
93	2692219-01	Hydraulic Hose Assembly	1	
94	2692222-02	Hydraulic Hose Assembly	1	
95	158056-03	Tee-M/M/M 1-3/16 ORFS x 1-1/16 SAE	1	
*	158061-09	• O Ring (For 1.3/16 UNF)	2	
*	002218120	• O Ring (For 1.1/16 UNF)	1	
96	4285771	Hydraulic Hose Assembly	1	
104	158065-03	Connector	1	
106	007996280	Hydraulic Hose Assembly	1	
107	4118002	Plug 7/16 SAE	1	
108	4253730	Fairway Radiator/oil Cooler Assembly	1	
109	4260850	Hose	1	
110	4252150	Hose, Oil Cooler In	1	
111	4252610	Tube-Oil Cooler	1	
112	158007-02	90-M/M 13/16 ORFS X 3/4 SAE	1	
*	158061-02	• O Ring (For 13/16 UNF)	1	
*	002218081	• O Ring (For 3/4 UNF)	1	

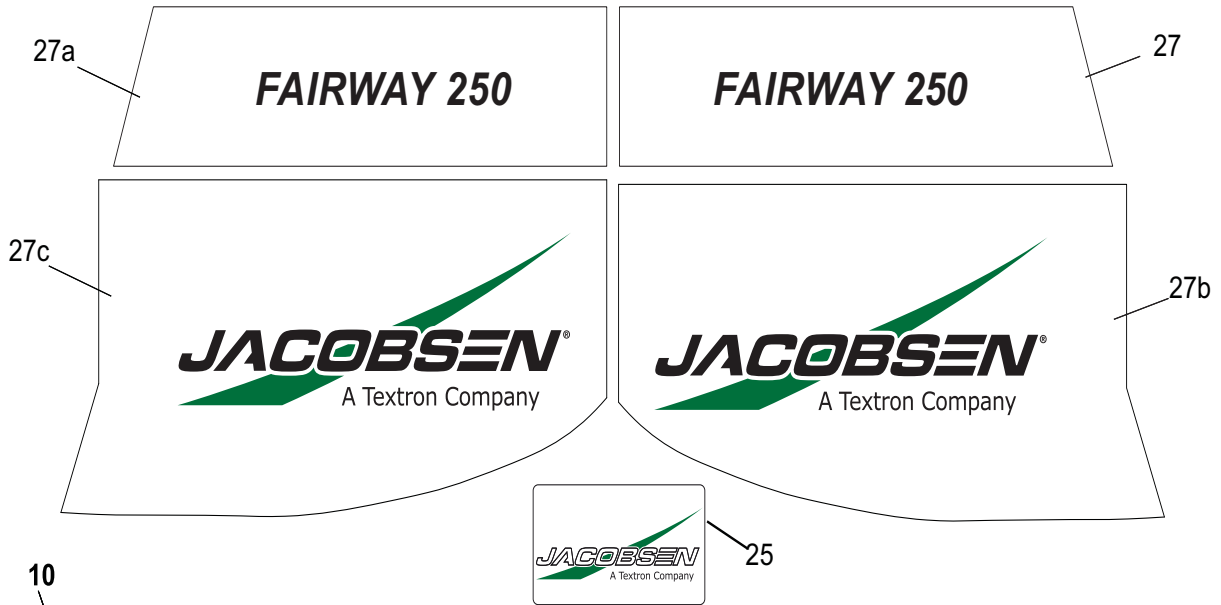
DECALS

Illustration: Decals

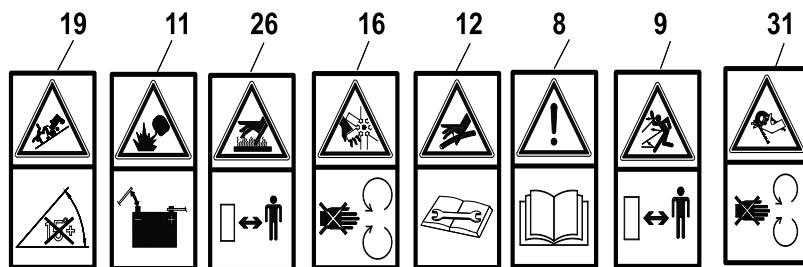
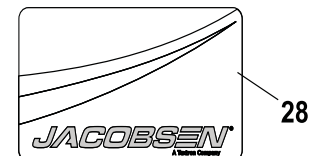
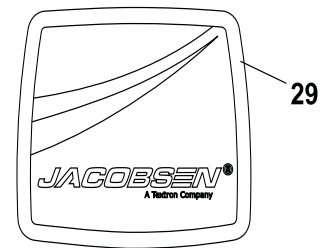
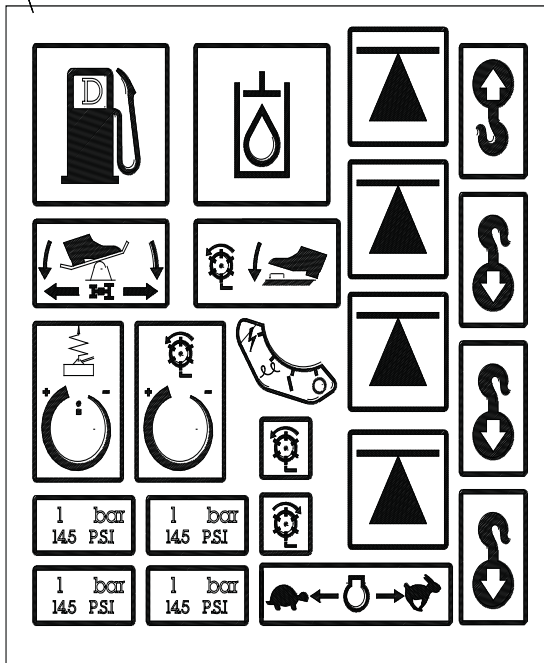


ITEM	PART NO.	DESCRIPTION	QTY	
	IDL170	Decal Kit Fairway 305		
	IDL171	Decal Kit Fairway 405		
5	009034770	• Decal - Noise 105 Db(a)	1	
6	2000616	• Label, Adjust Knobs	2	
7	009034910	• Decal - Instruction	1	
8	009034890	• Decal - Bystander Warning	1	
9	009033420	• Set Of Decals	1	
10	009114100	• Decal - Battery	1	
11	009034930	• Decal - Hyd Press Leak	3	
12	009039700	• Decal - Parking Brake	1	
13	009034880	• Decal - Fan	1	
14	009039510	• Label - Reel Lift	1	
15	009114160	• Decal - Slope 15 Deg	1	
16	009034920	• Decal - Hot	2	
17	009034900	• Decal - Belt	1	
18	009114340	• Decal - Diesel Hazard	1	
19	4118415	• Decal - Coolant Hazard	1	
20	009039800	• Decal - Mow Valve	1	
21	4146857	• Decal - Seat Belt / ROPS Instruction	1	
22	4153197	• Decal - Jet Wash Warning	1	
23	4153861	• Decal - PGA Logo	2	
25	4199981	• Emblem - Jacobsen (3 Colour)	1	
26	4268150	• Decal - LH Fairway 305	1	
26a	4268130	• Decal - LH Fairway 405	1	
27	4268151	• Decal - RH Fairway 305	1	
27a	4268131	• Decal - RH Fairway 405	1	
28	4268110	• Decal - LH Jacobsen Fairway	1	
29	4268111	• Decal - RH Jacobsen Fairway	1	
30	4118382	• Decal - Joystick Control (405 only)	1	
31	4286422	• Decal - EQUIVIS ZS 46 Hyd Fluid	1	

DECALS



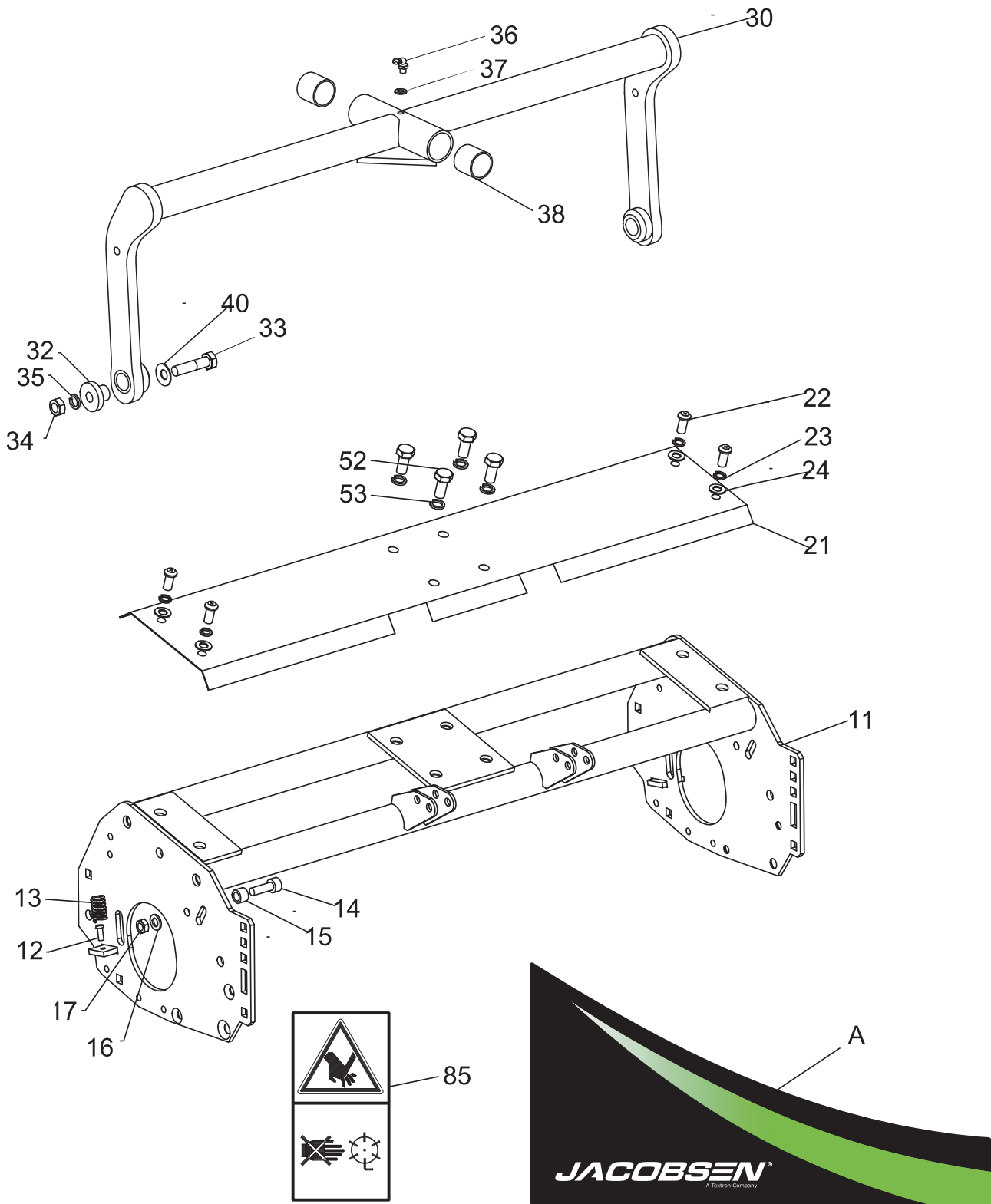
10



ITEM	PART NO.	DESCRIPTION	QTY	
	Idl105	Decal Kit Fairway 250	1	
1	009034770	• Decal - Noise 105 db(a)	1	
4	2000616	• Decal, Adjust Knobs	1	
8	009034910	• Decal - Instruction	1	
9	009094890	• Decal - Bystander	1	
10	009033420	• Set Of Decals	1	
11	009114100	• Decal - Battery	1	
12	009034930	• Decal - Hyd Press Leak	3	
14	009039700	• Decal - Parking Brake	1	
16	009034880	• Decal - Fan	1	
19	009114160	• Decal - Slope 15 De	1	
20	009039800	• Decal - Mow Direction	1	
25	4199981	• Decal - Jacobsen Textron	2	
26	009034920	• Decal - Hot	2	
27	4284291	• Decal - Fairway 250	1	Engine Cover L/H
27a	4284292	• Decal - Fairway 250	1	Engine Cover R/H
27b	4268110	• Decal - Jacobsen	1	Engine Cover L/H
27c	4268111	• Decal - Jacobsen	1	Engine COver R/H
28	4124182	• Decal - Jacobsen	2	Steering Column
29	4124005	• Decal - Jacobsen	2	Steering Wheel Centre
30	009114340	• Decal - Caution Diesel Fuel	1	
31	009034900	• Decal - Engine Running	1	
32	4118382	• Decal - Joystick Decal	1	
33*	4146857	• Decal - seat Belt Rops	1	
34*	4153197	• Decal - pressure Wash	1	

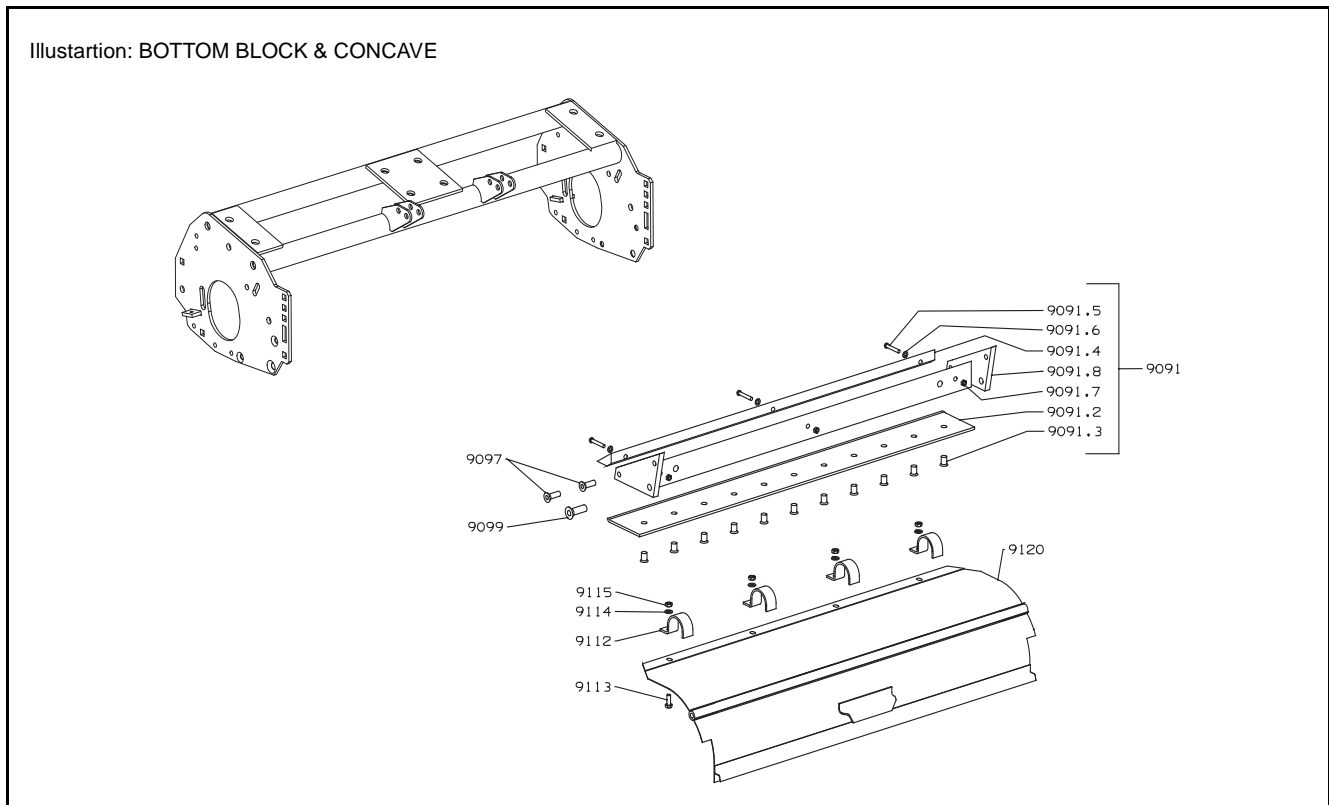
MAIN FRAME & MOUNTING

Illustration: mainframe and mounting



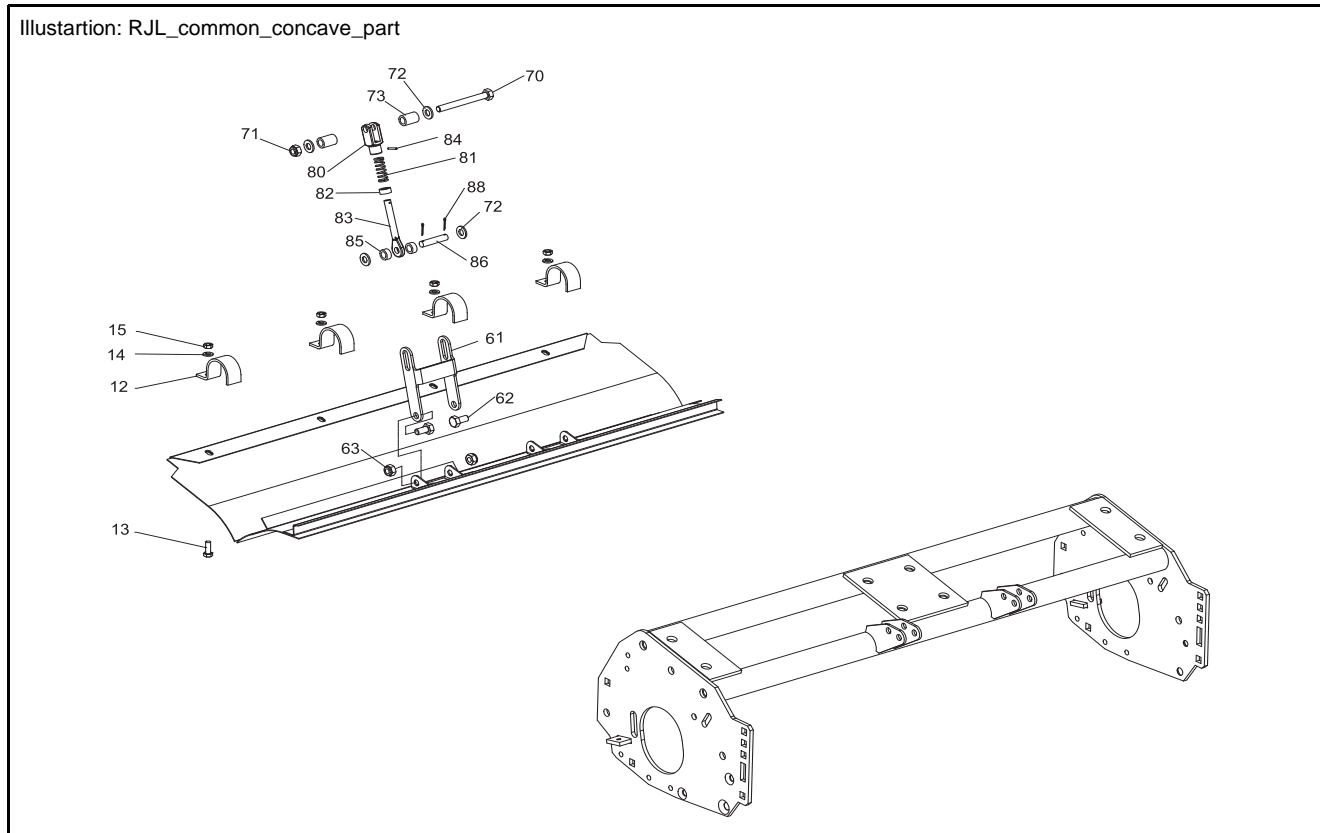
ITEM	PART NO.	DESCRIPTION	QTY.	REMARKS
11	MBF1368.06	Main Frame	1	(Fairway 305, 405)
11	MBF1369.06	Main Frame	1	(Fairway 250)
12	001280538	Screw No.12 x 13	2	
13	461003665	Spring	2	
14	450724	Screw M8	2	
15	AF09010	Spacer	2	
16	450390	Washer 8mm	2	
17	450378	Stiffnut M8	2	
18*	MBF0715	Stop Bar	1	(Fairway 250)
*	001399171	Star Ring, 8mm	2	(Fairway 250)
21	MBG2043.06	Top Cover	1	(Fairway 250)
22	001191307	Screw M6	4	(Fairway 250)
22	001102047	Screw M6	4	(Fairway 305, 405)
23	450410	S.L.Washer 6mm	4	
24	450389	Washer 6mm	4	
30	2206042B.07	Yoke	1	(Fairway 305, 405)
30	2206004B.07	Yoke	1	(Fairway 250)
*	593000232	Bush	2	(Fairway 250)
32	2203001	Pivot Bush	2	(Fairway 250, 305, 405)
33	450034	Bolt M10	2	(Fairway 250, 305, 405)
34	450379	Stiffnut M10	2	
35	450391	S.L.Washer 10mm	2	
36	002993160	Lubricator 45°	1	
37	450389	Washer 6mm	1	
38	593000232	Bush	2	
40	002920836	Disc Spring	2	
51	MBE1941A.06	Top Plate	1	(Fairway 250, 305, 405)
52	450214	Screw M10	4	
53	450412	S.L.Washer 10mm	4	
85	009034940	Label - Caution Rotating Blades	1	
A	4124833	Decal - Jacobsen	1	

COMMON PARTS - BOTTOM BLOCK & CONCAVE



ITEM	PART NO	DESCRIPTION	QTY	REMARKS
1	LMAB533.07	Bottom Block Assy (26")	1	26" Fairway 305, 405
1	LMAB534.07	Bottom Block Assy (22")	1	22" Fairway 250
2	MBA7103	• Bottom Blade	1	26" Fairway 305, 405
2	MBA7116A	• Bottom Blade	1	22" Fairway 250
3	001190081	Screw	11	
4	A913440	• Wood Fillet	1	
5	450532	• Screw M5 x 35	3	
6	450388	• Washer 5mm	3	
7	450322	• Nut M5	3	
8	N/A	• Bottom Block	1	
9	450879	Screw M10	2	
10	450865	Screw M8	4	
11	MBE1967	Clamp Bracket	4	
13	450170	Screw M6	4	
14	450389	Washer 6mm	4	
15	450377	Stiffnut M6	4	
22	450026	Bolt M8	2	
*	002920501	Disc spring	2	
24	450390	8mm Washer	11	
*	030314301	Anti - seize spray	A/R	
26	009120090	Rubber washer	1	
20	MBF0578C.06	Wldmt - Concave	1	26" Fairway 305 405
20	MBF0820.06	Wldmt - Concave	1	22" Fairway 250

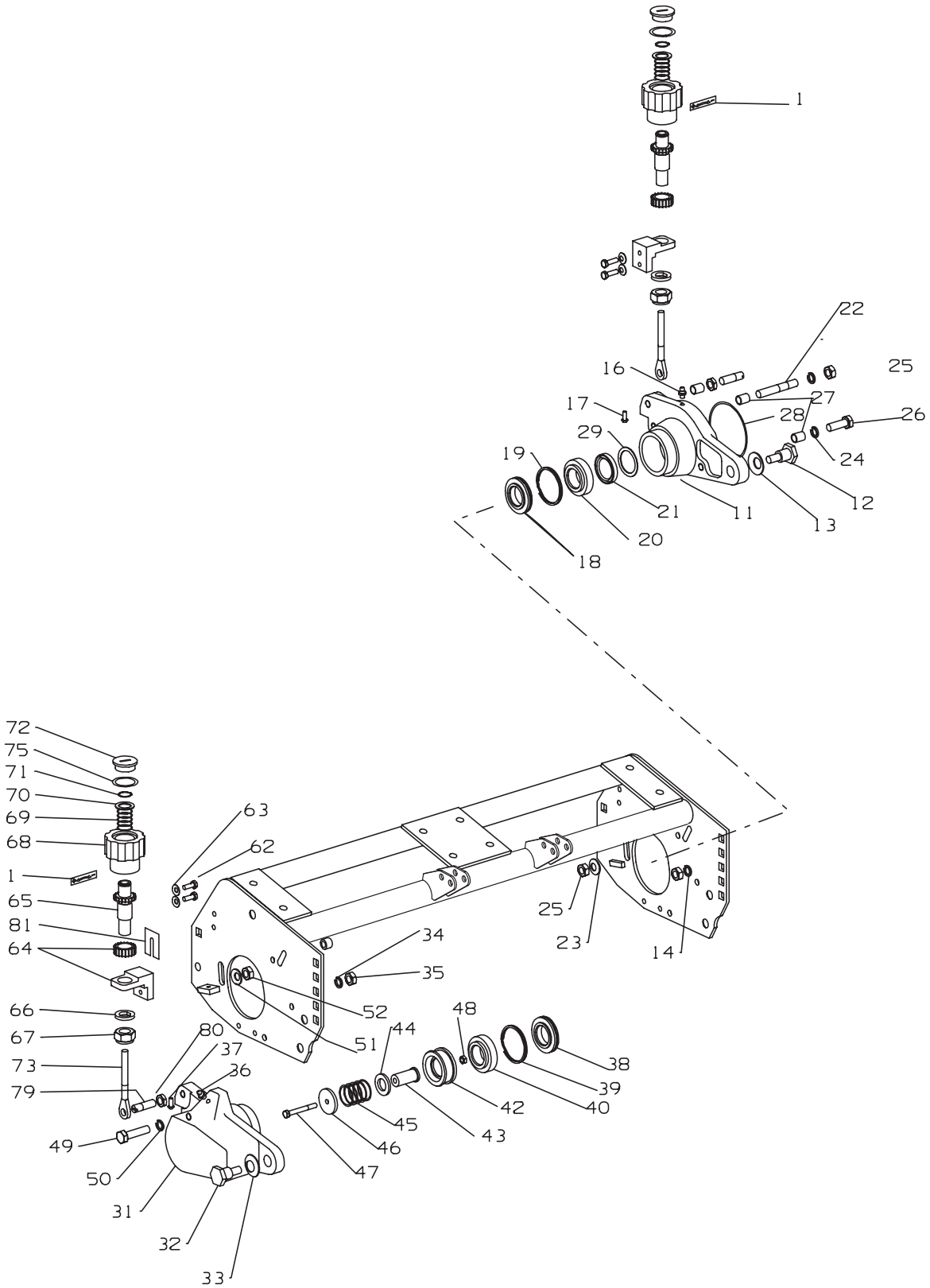
COMMON PARTS - CONCAVE



ITEM	PART NO	DESCRIPTION	QTY	REMARKS
12	MBE1967	Clamp Bracket	4	
13	450170	Screw M6	4	
14	450389	Washer 6mm	4	
15	450377	Stiffnut M6	4	
61	2202027	Lever	1	
62	450190	Screw, M8	2	
63	450378	Nut, M8 Nyloc	2	
70	450023	Bolt, M8	1	
71	450378	Nut, M8 Nyloc	1	
72	450390	Washer, M8	4	
73	AF9020	Spacer	2	
80	MBE1969	Clevis	1	
81	002910702	Spring	1	
82	AF09006	Spacer	1	
83	MBE1970A	Eye Rod	1	
84	451344	Spiral Pin	1	
85	AF09006	Spacer	2	
86	MBE1980B	Pivot Pin	1	
88	451208	Split Pin 2 x 14		

COMMON PARTS - CYLINDER BEARING HOUSINGS

Illustration: RJL_Cylinder_Bearing_Housings

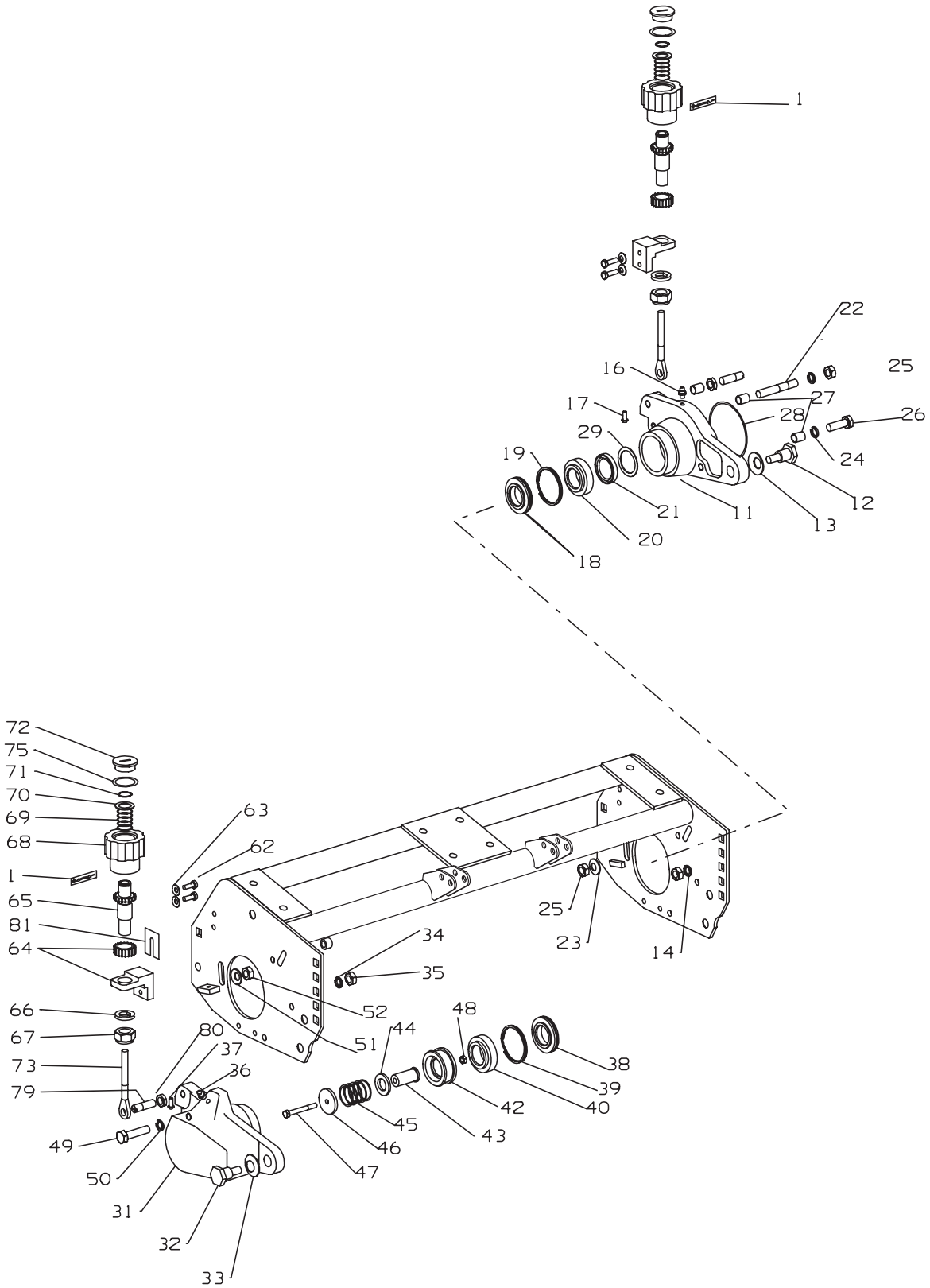


ITEM	PART NO.	DESCRIPTION	QTY.	REMARKS
1	GSF3702SZ	Label	2	
11	2201002.06	Bearing Housing RH	1	
12	MBC7671	Shoulder pin	1	
13	461901564	Disc Spring	1	
14	450412	S.L.Washer 10mm	1	
16	002993013	Lubricator	1	
17	451153	Screw No.12 x 13	1	
18	MBE2231	Ring Carrier	1	
19	002300130	Seal Ring	1	
20	002090440	Taper Roller Bearing	1	
21	002300190	Rotary Shaft Seal	1	
22	MBE2374B	Stud	1	26"
22	2203038	Stud, 10mm / 8mm	1	22"
23	002920836	Disc Spring	1	
24	450412	S.L.Washer 10mm	2	26"
24	001594010	Washer , 0.328	2	22"
25	450379	Stiffnut M10	1	
26	450215	Screw M10	1	26"
26	2203039	Stud, 10mm / 8mm	1	22"
27	001993020	Helicoil Insert	3	
28	002210310	O Ring	1	
29	MBE4676	Spacer	1	
30	450378	Nut, M8 Nyloc	1	22"
31	MBE2982B.06	Bearing Housing LH	1	26"
32	MBC7671	Shoulder Pin	1	
33	H083023	Disc Spring	1	
34	450412	S.L.Washer 10mm	1	
35	450325	Nut M10	1	
36	A299301	Lubricator	1	
37	451153	Screw No.12 x 13	1	
38	MBE2231	Ring Carrier	1	
39	002300130	Seal Ring	1	
40	002090440	Taper Roller Bearing	1	
42	MBC9175	Plunger	1	
42	MBG1392	Plunger	1	22"
43	MBC9178	Guide	1	26"
44	450393	Washer 16mm	1	
45	002910948	Compression Spring	1	
46	MBC9177	Plate	1	26"
46	MBF0544	Plate	1	22"
47	450005	Bolt M6 x 50	1	
48	450377	Stiffnut M6	1	
49	450217	Screw M10	1	

* Not Illustrated

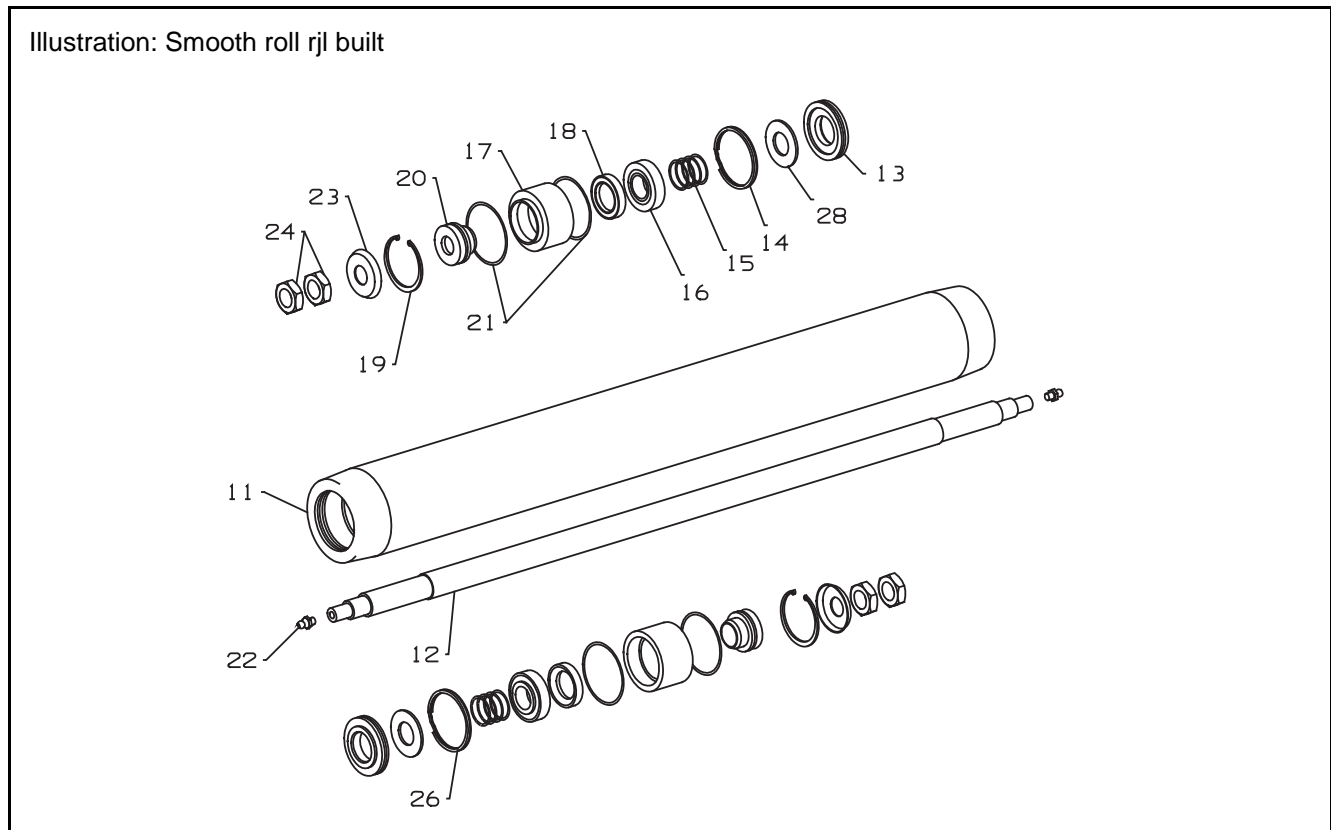
COMMON PARTS - CYLINDER BEARING HOUSING

Illustration: R JL_Cylinder_Bearing_Housings



ITEM	PART NO.	DESCRIPTION	QTY.	REMARKS
50	450412	S.L.Washer 10mm	1	
51	00292083	Disc Spring	1	
52	450379	Stiffnut M10	1	
61	MBF0324	Abutment	2	26"
62	450170	Screw M6	4	
63	002920280	Disc Spring	4	
64	2201011	Abutment	2	26"
65	MBE2969	Adjuster	2	
66	MBC9251	Spacer Collar	2	26"
66	450393	Washer M16	2	22"
67	450382	Stiffnut M16	2	
68	002990544	Handwheel	2	
69	002910930	Compression Spring	2	
70	001894202	Nylon Washer	2	
71	452042	Circlip	2	
72	002491118	Screw Plug	2	
73	MBE3222A	Adjuster Rod	2	
75	002210261	O Ring	2	
79	MBE2659	Pivot Stud	2	
80	450332	Thin Nut M10	2	
81	MBC9642	Shim	4	

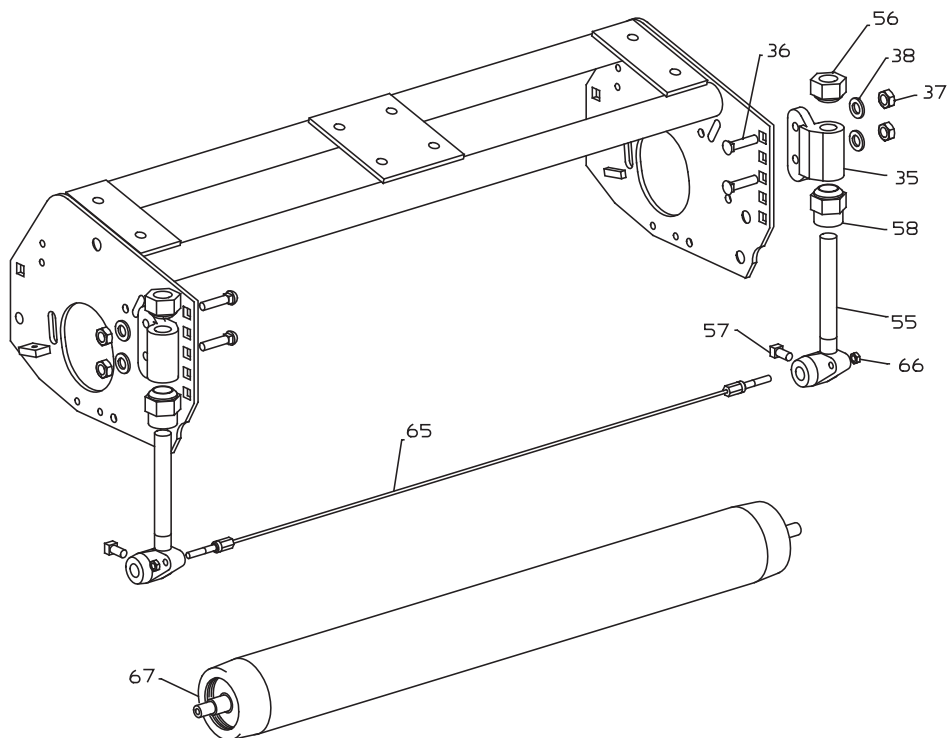
COMMON PARTS - REAR ROLL SMOOTH



ITEM	PART NO	DESCRIPTION	QTY	REMARKS
	LMAC085	Plain Roll Assembly 22	1	Use LMAC085A from April 2010
	LMAC075	Plain Roll Assembly 26	1	Use LMAC075A from April 2010
11	MBF0818	• Roller Tube 22"	1	
11	MBE1761D	• Roller Tube 26"	1	
12	MBG2045	• Spindle 22	1	
12	MBE1752C	• Spindle 26	1	
13	MBF0001	• Ring Carrier	2	
14	002300130	• Seal Ring	1	
15	002911150	• Compression Spring	2	
16	002059297	• Taper Roller Bearing	2	
17	MBE2429	• Bearing Housing	2	
18	002202540	• Rotary Lip Seal	2	
19	451982	• Circlip	2	
20	MBE2430	• Seal Journal	2	002300210 Seal Ring
21	002211370	• O Ring	4	
22	002993013	• Lubricator	2	
23	MBE2431B	• Shield	2	
23	MBE2431B	• Shield	2	
24	450334	• Thin Nut M16	4	
26	002300210	• Seal Ring	1	
28	MBF0002	• Washer	2	

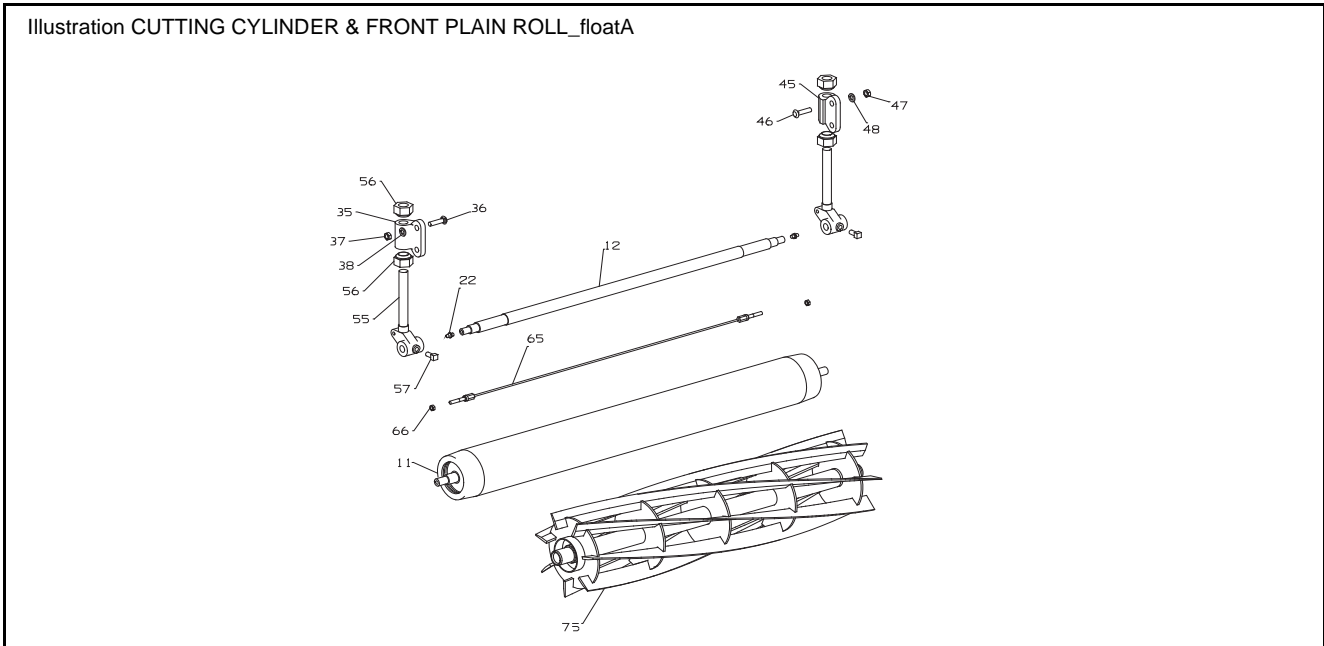
COMMON PARTS - REAR ROLL SMOOTH

Illustration: RJL_rear_roll_plain_new



ITEM	PART NO	DESCRIPTION	QTY	REMARKS
35	MBE3986	Housing - Rear	2	
36	452565	Bolt M8 x 30	4	
37	450378	Stiffnut M8	4	
38	450390	Washer 8mm	4	
55	MBE3982A	Carriage - Rear	2	
56	MBE4001	Carriage Nut **	2	
57	452464	Screw M8	2	
58	MBE4017	Carriage Nut	2	
65	009067420	Scraper Cable	1	
66	450323	Nut M6	2	
67	LMAC085A	Roller - 76 x 565 Plain 22	1	From April 2010
67	LMAC075A	Roller - 76 x 665 Plain 26	1	From April 2010
	4200160	• Service Kit - Rollers	A/R	

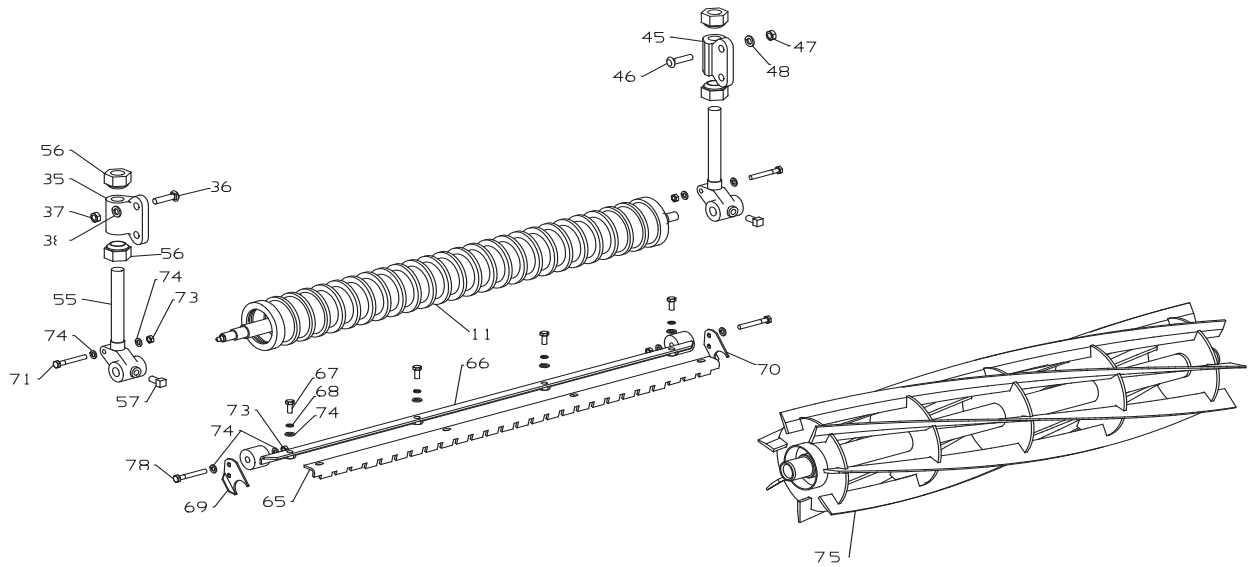
CUTTING CYLINDER & FRONT PLAIN ROLL (FLOATING HEAD)



ITEM	PART NO	DESCRIPTION	QTY	REMARKS
11	LMAC085A	Roller - 76 x 565 Plain 22	1	From April 2010
11	LMAC075A	Roller - 76 x 665 Plain 26	1	From April 2010
	4200160	• Service Kit - Rollers	A/R	
35	MBE3984	Housing Front LH	1	
36	452565	Bolt M8 x 30	4	
37	450378	Stiffnut M8	4	
38	450390	Washer 8mm	4	
45	MBE3985	Housing Front RH	1	
46	452565	Bolt M8 x 30	1	
47	450378	Stiffnut M8	1	
48	450390	Washer 8mm	1	
55	MBE3982	Carriage Front	2	
56	MBE4001	Carriage Nut	4	
57	452464	Screw M8 x 16	2	
65	A906704	Scraper Cable	1	
66	450323	Nut M6	2	
75	MBF0325B.07	Cutting Cylinder 7K	1	26"
75	MBF0326B.07	Cutting Cylinder 11K	1	26"
75	MBF0821B.07	Cutting Cylinder 7K	1	22"
75	MBF0822B.07	Cutting Cylinder 11K	1	22"

CUTTING CYLINDER & FRONT GROOVED ROLL 22in and 26in

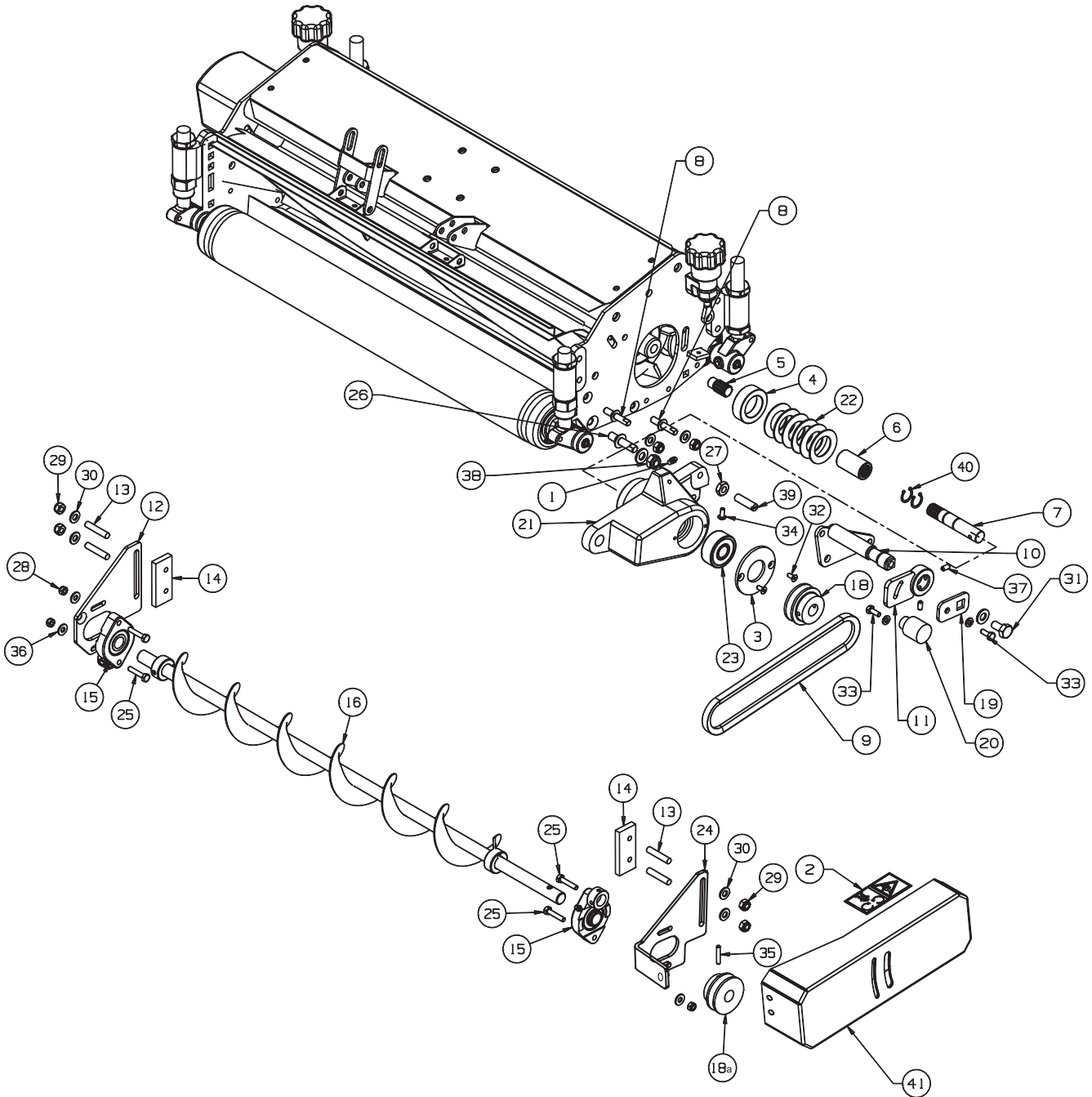
Illustration: CUTTING CYLINDER & FRONT GROOVED ROLL_RevC



ITEM	PART NO	DESCRIPTION	QTY	REMARKS
11	LMAC078A	Assy - Roller Grooved 26	"1	Fairway 305, 405
11	LMAC079A	Assy - Roller Grooved 22	"1	Fairway 250
*	4200160	• Service Kit - Rollers	1	
35	MBE3984	Housing Front LH	1	
36	452565	Bolt M8	1	
37	450378	Stiffnut M8	1	
38	450390	Washer 8mm	1	
45	MBE3985	Housing Front RH	1	
46	452565	Bolt M8 x 30	1	
47	450378	Stiffnut M8	1	
48	450390	Washer 8mm	1	
55	MBE3982B	Carriage Front	2	
56	MBE4001	Carriage Nut	4	
57	452464	Screw M8	2	
65	MBG1982	Scraper 26	"1	Fairway 305 405
65	MBG2052	Scraper 22	"1	Fairway 250
66	MBE3791	Carrier W/Assy 26	"1	Fairway 305 405
66	MBF0823	Carrier W/Assy 22	"1	Fairway 250
67	450170	Screw M6 x 16	4	
68	450410	Dia 6 Lock Washer	4	
69	MBE4333A	LH Scraper Bracket	1	
70	MBE4334A	RH Scraper Bracket	1	
71	450002	Bolt M6	2	
72	450003	Bolt M6	2	
73	450377	M6 Staytite Nut	4	
74	450389	Washer 6mm	12	
75	MBF0325B.07	Cutting Cylinder 7K Tang Drive 26	"1	Fairway 305 405
75	MBF0326B.07	Cutting Cylinder 11K Tang Drive 26	"1	Fairway 305, 405
75	MBF0821B.07	Cutting Cylinder 7K 22	"1	Fairway 250
75	MBF0822B.07	Cutting Cylinder 11K 22	"1	Fairway 250

REAR ROLL BRUSH KIT FOR 22" & 26" LH DRIVE UNIT

Illustration: 4185942_GW

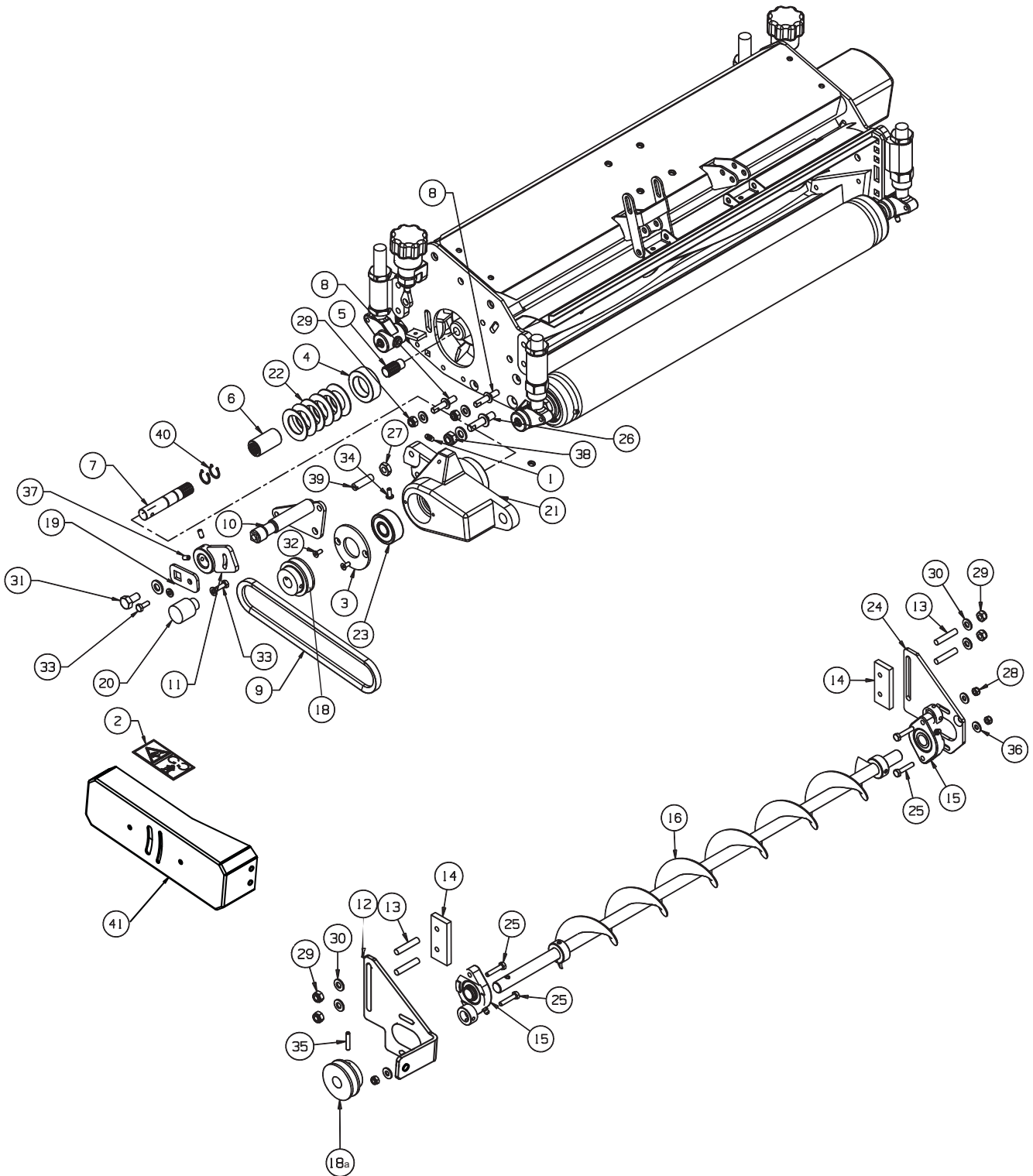


ITEM	PART NO.	DESCRIPTION	QTY.	REMARKS
	LMAC184	Kit - Rear Roller Brush	1	For 22" LH Drive Cutting Unit
	LMAC186	Kit - Rear Roller Brush	1	For 26" LH Drive Cutting Unit
1	002993013	Lubricator - M6 Str	1	
2	009034900	Decal - Belt	1	
3	4139870	Cover	1	
4	4191060	Thrust Ring	1	
5	4141665	Splined Drive, M14 LH Thread	1	
6	4139873	Sleeve	1	
7	4189042	Drive Shaft	1	
8	4177182	Stud M8/M8	2	
9	4197380	Vee Belt	1	
10	4182281	Plate RH W/A	1	
11	4182340	Tensioner Bracket W/A	1	
12	4188406	Mounting Plate	1	
13	4139881	Stud M8	4	
14	4139882	Plate, Tapped M8	2	
15	4139884	Flange Bearing	2	
16	4139885	Brush Shaft (723mm Lg)	1	For 22" Cutting Unit
17	4139886	Brush Shaft (823 mm Lg)	1	For 26" Cutting Unit
18	4139887	Pulley, Brush	2	For 22" Cutting Unit
18a	4193920	Pulley, Brush	1	For 26" Cutting Unit
19	4182403	Guard Support	1	
20	4182622	Tensioner	1	
21	4189041	Housing - Cyl, RH	1	
22	002911320	Sprg - Disc 30 x 50 x 1.5	6	
23	4193434	Brg - Align 17 x 47 x 19	1	
24	4278371	Mounting Plate	1	
25	450001	Bolt - Hex M6 x 30	4	
26	4177181	Stud M10/M10	1	
27	450332	Nut - Hex M10 Thin	1	
28	450377	Nut - Hex M6 Nyloc	4	
29	450378	Nut - Hex M8 Nyloc	6	
30	450390	Washer - M8	6	
31	450213	Screw M10	1	
32	450605	Scrw - Csk M5	2	
33	450170	Screw M6 x 16	2	
34	451153	Scrw - Pan Hd No.12 x 13	1	
35	451663	Pin - Tension 5 x 40	2	
36	452100019	Washer - 1/4 x 5/8 x 0.064	4	
37	450961	Grubscrew M6	2	
38	450379	Nut - Hex M10 Nyloc	2	
39	MBE2659	Pivot Stud	1	
40	452042	Circlip - Ext 17 x 1 T	2	
41	4194080	Brush Guard W/A	1	
*	4193422	Shoulder Pin	1	
*	450192	Screw Hex M8	5	
*	450411	Lock Washer - M8	5	

* Not Illustrated

REAR ROLL BRUSH KIT FOR 22" & 26" RH DRIVE UNIT

Illustration: 4185941_GW

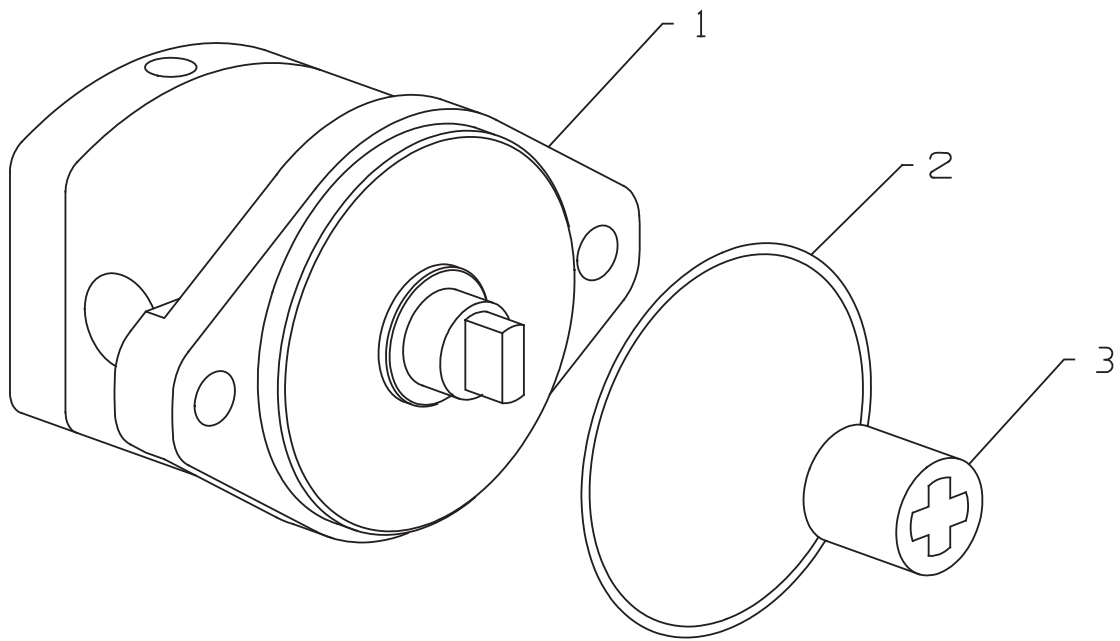


ITEM	PART NO.	DESCRIPTION	QTY.	REMARKS
	LMAC183	Kit - Rear Roller Brush	1	For 22" RH Drive Cutting Unit
	LMAC185	Kit - Rear Roller Brush	1	For 26" RH Drive Cutting Unit
1	002993013	Lubricator - M6 Str	1	
2	009034900	Decal - Belt	1	
3	4139870	Cover	1	
4	4191060	Thrust Ring	1	
5	4139872	Splined Drive, M14 RH Thread	1	
6	4139873	Sleeve	1	
7	4189042	Drive Shaft	1	
8	4177182	Stud M8/M8	2	
9	4197380	Vee Belt	1	
10	4182280	Plate LH W/A	1	
11	4182340	Tensioner Bracket W/A	1	
12	4276437	Mounting Plate	1	
13	4139881	Stud M8 x 40	4	
14	4139882	Plate, Tapped M8	2	
15	4139884	Flange Bearing	2	
16	4139885	Brush Shaft (723mm Lg)	1	For 22" Cutting Unit
16	4139886	Brush Shaft (823 mm Lg)	1	For 26" Cutting Unit
18	4139887	Pulley, Brush	2	For 22" Cutting Unit
18	4193920	Pulley, Brush	1	For 26" Cutting Unit
19	4182403	Guard Support	1	
20	4182622	Tensioner	1	
21	4189040	Housing - Cyl, LH	1	
22	002911320	Sprg - Disc 30 x 50 x 1.5	6	
23	4193434	Brg - Align 17 x 47 x 19	1	
24	4188406	Mounting Plate	1	
25	450001	Bolt - Hex M6 x 30	4	
26	4177181	Stud M10/M10	1	
27	450332	Nut - Hex M10 Thin	1	
28	450377	Nut - Hex M6 Nyloc	4	
29	450378	Nut - Hex M8 Nyloc	6	
30	450390	Washer - M8	11	
31	450213	Screw M10 x 20	1	
32	450605	Screw - Csk M5 x 12	2	
33	450170	Screw M6 x 16	2	
34	451153	Screw - Pan Hd No.12 x 13	1	
35	451663	Pin - Tension 5 x 40	2	
36	452100019	Washer - 1/4	4	
37	450961	Grubscrew M6 x 12	2	
38	450379	Nut - Hex M10 Nyloc	2	
39	MBE2659	Pivot Stud	1	
40	452042	Circlip - Ext 17 x 1 T	3	
41	4194080	Brush Guard W/A	1	
*	4193422	Shoulder Pin	1	
*	450192	Screw Hex M8	5	
*	450411	Lock Washer - M8	5	

* Not Illustrated

CUTTING UNIT DRIVE MOTORS

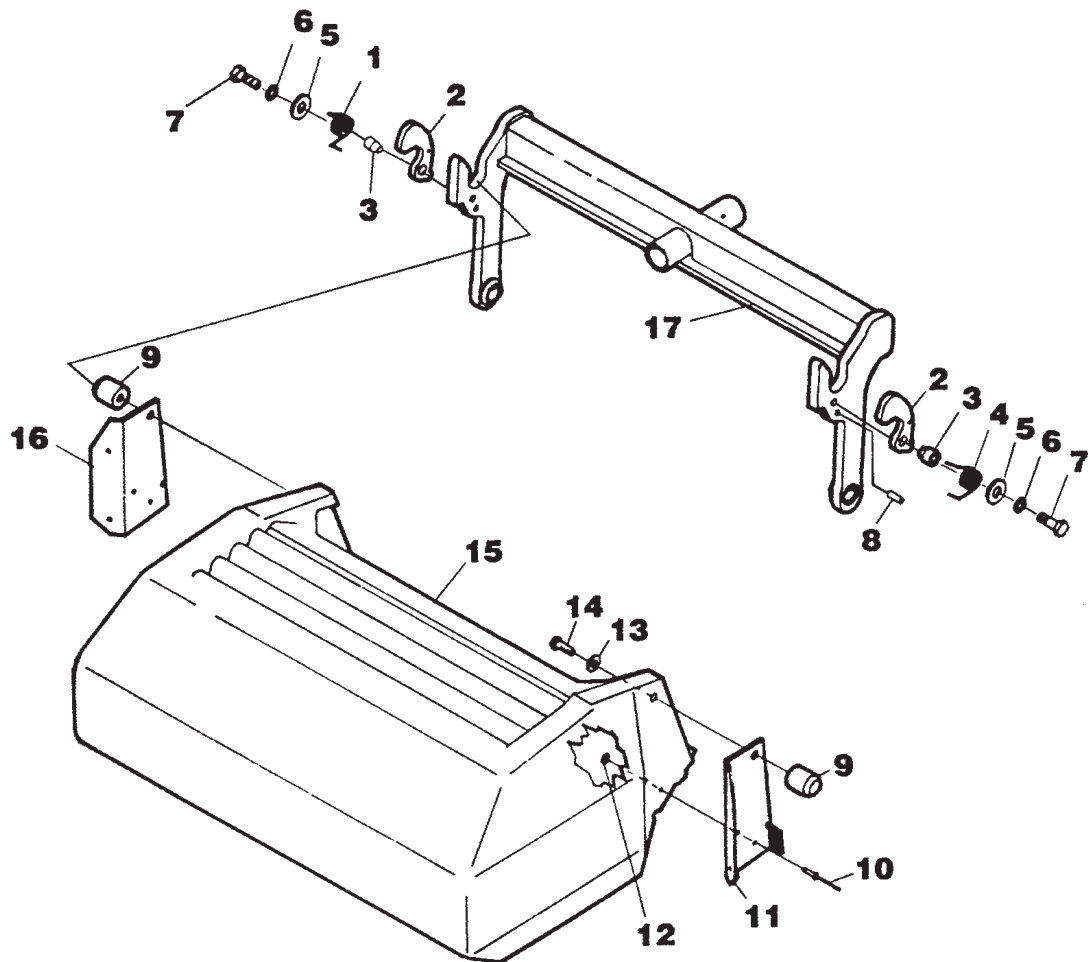
Illustration: Drive assembly



ITEM	PART NO.	DESCRIPTION	QTY
1	008007150	Fairway 250 Hydraulic Motor	1
*	002301080	• Seal Kit	1
2	002210310	Sealing O ' Ring	1
3	008089140	Drive Coupling (Tang)	1
1	008006820	Fairway 305 Hydraulic Motor	4
*	008096158	• Seal Kit	1
2	002210310	Sealing O ' Ring	1
3	008089140	Drive Coupling (Tang)	1
1	008006810	Fairway 305 Hydraulic Motor	1
*	008096158	• Seal Kit	1
2	002210310	Sealing O ' Ring	1
3	008089140	Drive Coupling (Tang)	1
1	008006800	Fairway 405 Hydraulic Motor	6
*	008096158	• Seal Kit	1
2	002210310	Sealing O ' Ring	1
3	008089140	Drive Coupling (Tang)	1
1	008006790	Fairway 405 Hydraulic Motor	1
*	008096158	• Seal Kit	1
2	002210310	Sealing O ' Ring	1
3	008089140	Drive Coupling (Tang)	1

* Not Illustrated

Illustration: TEECU - 11

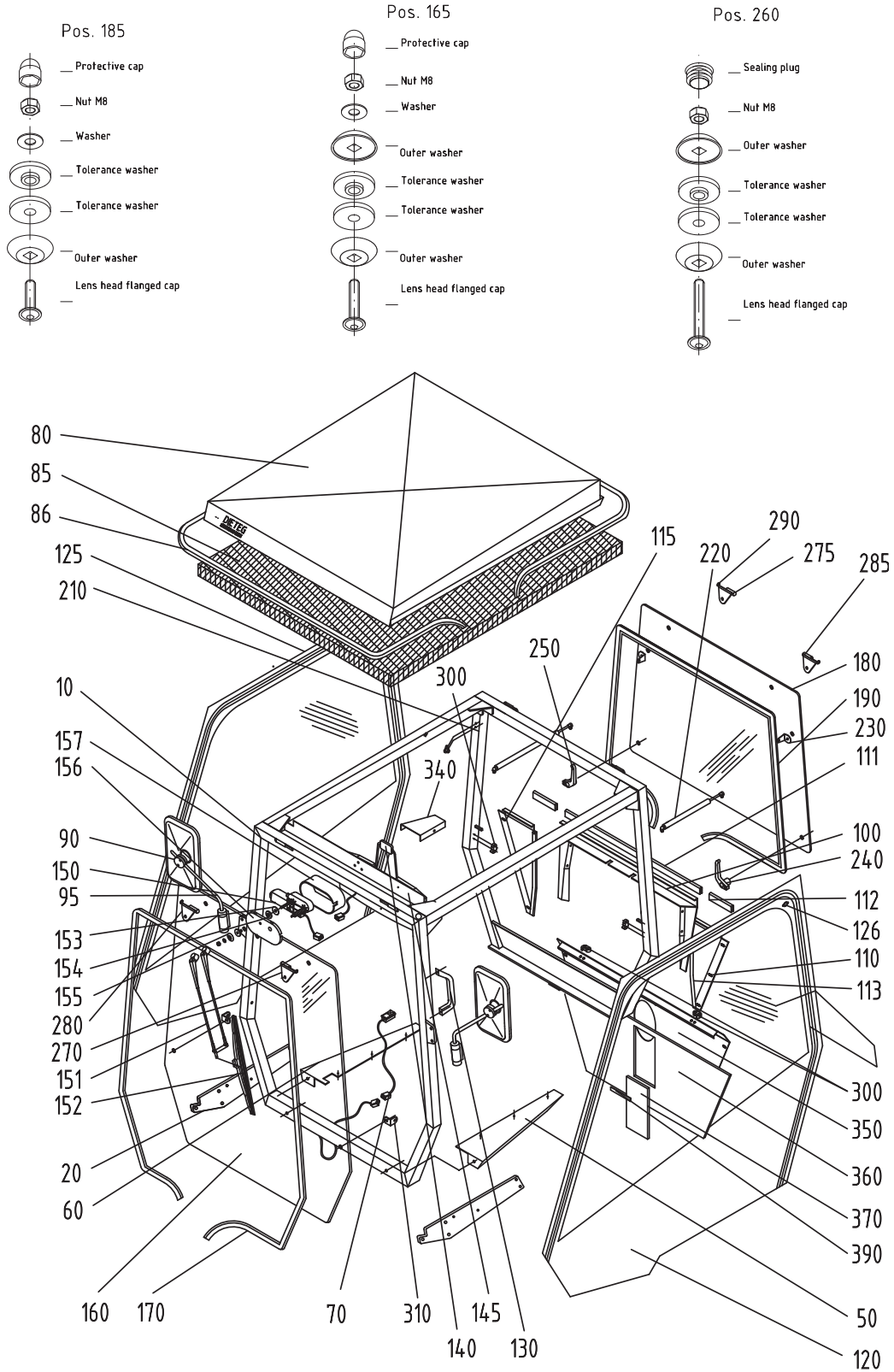


ITEM	PART NO.	DESCRIPTION	QTY	
1	2208014	Latch Spring LH	1	
2	2202019	Latch Catcher	2	
3	2203029	Bushing	2	
4	2208015	Latch Spring RH	2	
5	64163 - 29	Washer	2	
6	A151008	S.I.washer	2	
7	A100307	Bolt M8 X 35	2	
8	640634	Roll Pin	2	
9	2203030	Pin Catcher	2	
10	64215 - 03	Pop Rivet	8	
11	2202024	Plate	1	
12	642102	Washer	8	
13	64163 - 61	Washer	2	
14	A110404	Screw M10 X 20	2	
15	2208016	Grass Box 22" - Grey	1	(Fairway 250)
15	2208095	Grass Box 26" - Grey	1	(Fairway 305, 405)
16	2202023	Plate - Catcher RH	1	
17	2206042B.07	Yoke 26"	1	(Fairway 305, 405)
17	2206004B.07	Yoke 22"	1	(Fairway 250)

* Not Illustrated

CABIN FAIRWAY 305, 405

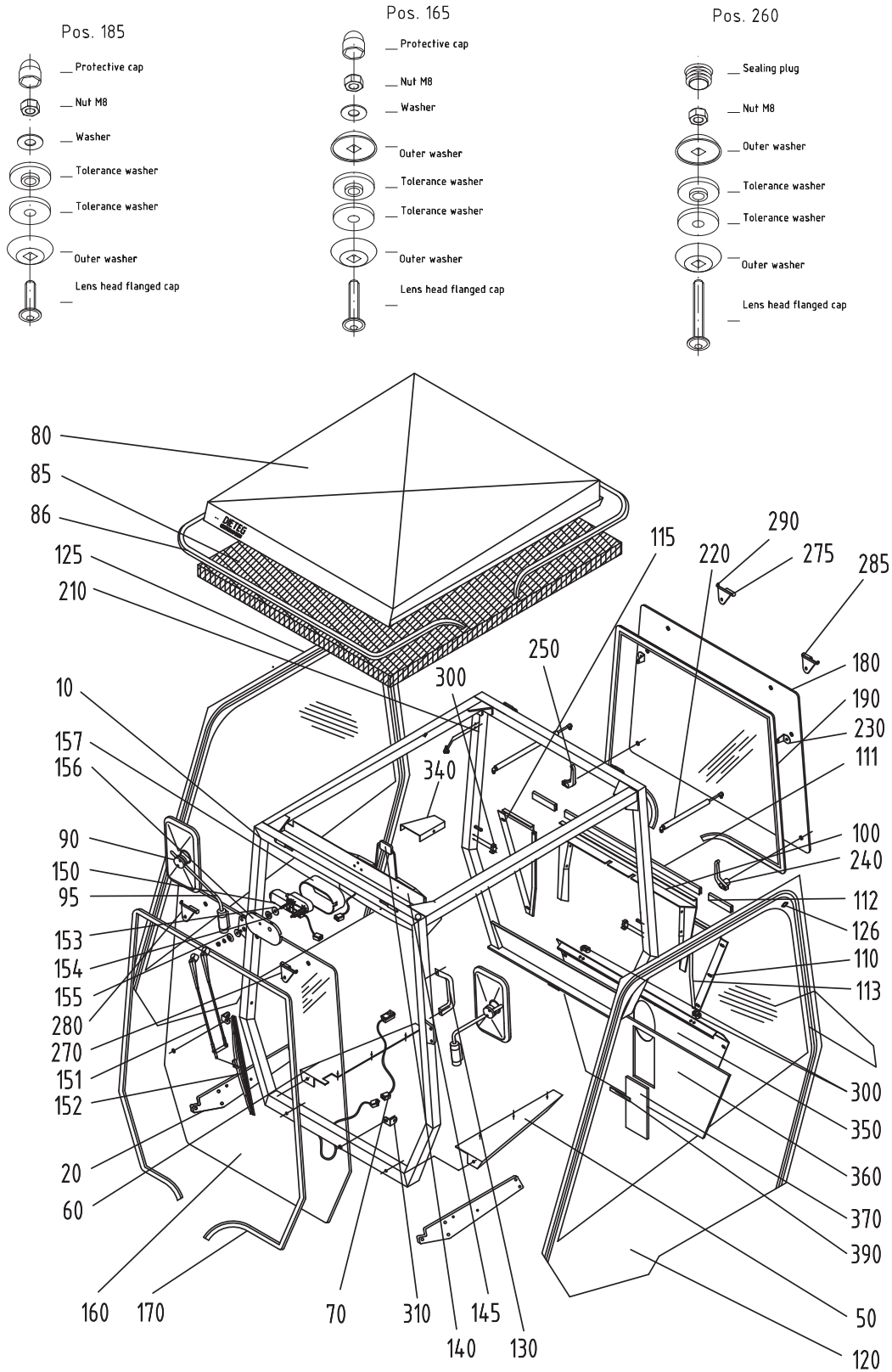
Illustration: 405_cabin_explosion



ITEM	PART NO.	DESCRIPTION	QTY	
20		Side Plate Frame	2	
50		Door Tread Plate Left	1	
60		Door Tread Plate Right	1	
70		Wiring Harness With Switch	1	
71		Toggle Switch	1	
72		Symbol "Windscreen Wiper	1	
73		Fixed Plug, Four-pole	1	
80		Roof Complete	1	
85		Roof Sound-absorb.	1	
86		Seal Strip	4	
90		Mirror 247x157mm Black	2	
95		Mirror Fitting Complete	2	
100		Cover For Engine Hood	1	
110		Rear Trim Left	1	
111		Edge Trim, 0.63M	AR	
112		Edge Trim, 0.332M	AR	
113		Seal Strip 0.56M	AR	
115		Rear Trim Right	1	
120	4139929	PVC Side Section Left	1	
125	4139930	PVC Side Section Right	1	
126		Rotary Locking Device	2	
130		Grab Handle/Plastic	1	
140		Sun Visor	1	
145		Front Trim	1	
150		Wiper Motor 110 Degrees	1	
151	009093420	Parallel Wiper Arm 400mm	1	
152	009091880	Wiper Blade 500mm	1	
153		Washer A8.4 Din 9021	1	
154		Centre Window Pane	2	
155		Exterior Window Pane	1	
156		Lower Housing Section	1	
157		Upper Housing Section	1	
160	009094620	Windscreen Tinted Green	1	
165	008400488	Mounting Kit B	2	
170	009092020	Sealing Strip 4.5M	AR	
180	009094450	Rear Window Tinted Green	1	
185		Mounting Kit "A"	2	
190		Sealing Strip	4	
200		Handle On Rear Window	1	
210		Coat Hook	1	
220	008400420	Gas-pressurized Spring 60	2	
230		Gas-pressurized Spring Fit	3	
240		Cover Grip Left	1	

CABIN (009093660) FAIRWAY 305, 405

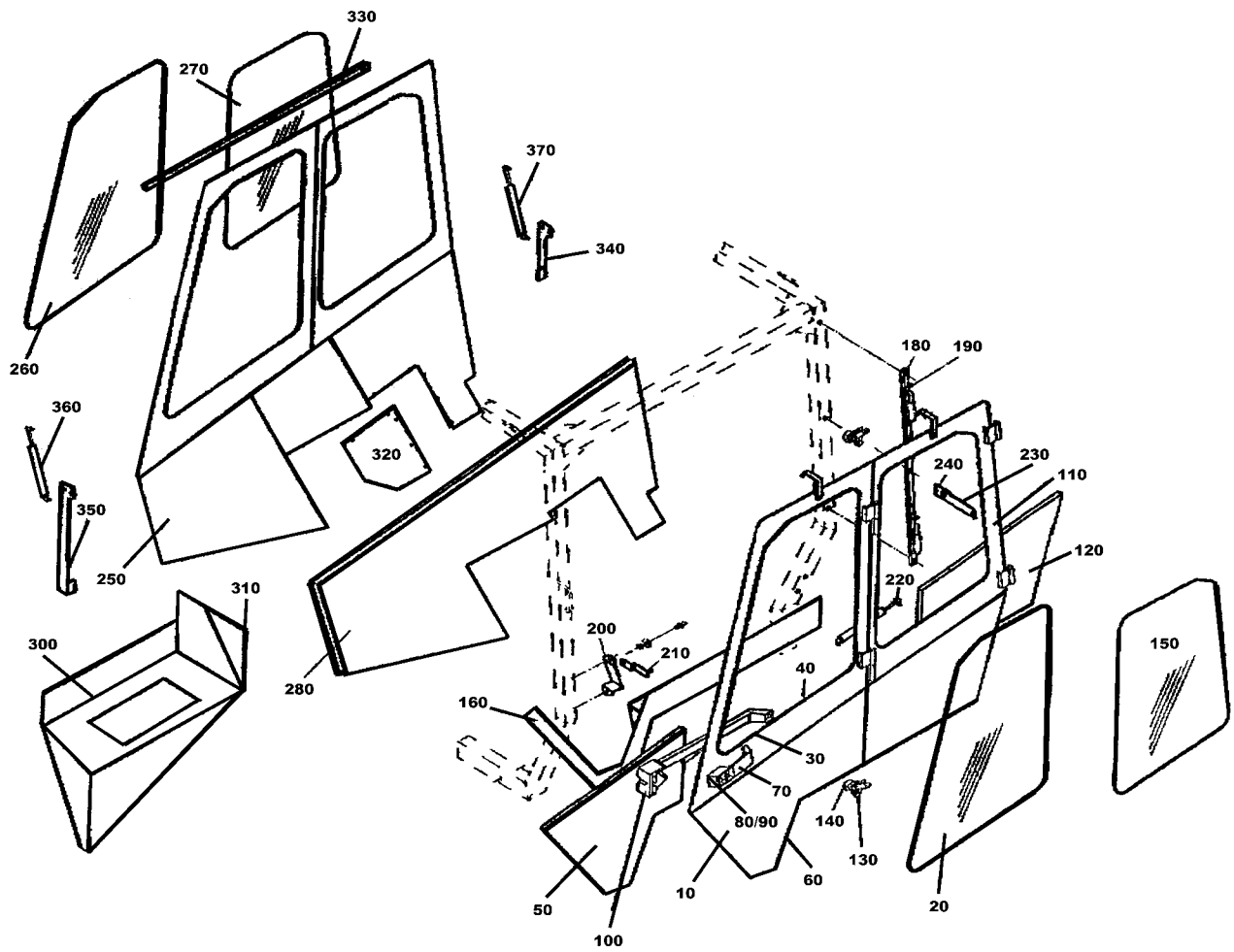
Illustration:



ITEM	PART NO.	DESCRIPTION	QTY	
250	4199562	Cover Grip Right	1	
260	4199560	Mounting Kit "V"	2	
270		Hinge	1	
275	009093040	Rear Hinge Right	1	
280		Hinge	1	
285	009094960	Rear Hinge Left	1	
290		Brass Ring 10mm	4	
300		Plastic Catch Piece	2	
310		Gas-pressurized Spring Fit	3	
315	4199563	Gas-pressurized 175mm/150	2	
320		Can Holder	1	
330		Grab Handle / Plastic Not I	1	
340		Side Cover Sheet Right	1	
350		Rear Sheet Metal, New Re	1	
360		Rear panel Sound-absorb.	1	
370		Bonnet Latch Cover Rear	1	
380		Burring Tape 20mm Black	2	
390		Fastener Rear	1	

CABIN DOORS FAIRWAY 305, 405

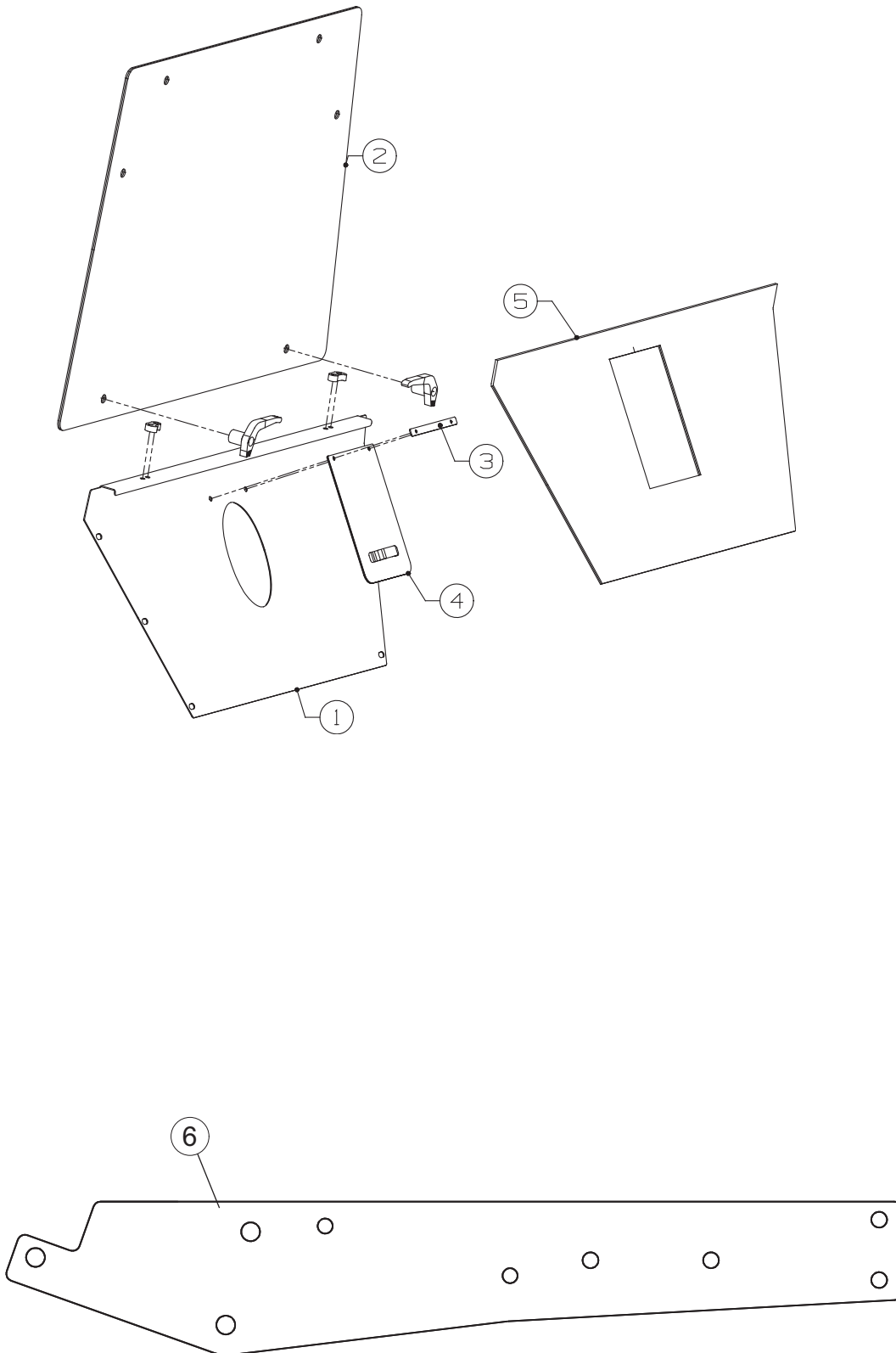
Illustration: image 4



ITEM	PART NO.	DESCRIPTION	QTY	
10		Door LH Front	1	
20	009096050	Door Glass LH And RH Front	1	
30	4209960	Rubber Seal; Profile 4/1,5, 2.6M	AR	
40	4209961	Filler Profile 7/6, 2.6M	AR	
50		Sound Isolation Door LH Front	1	
60	008400585	Seal Profile, 4.5M	AR	
70	009096110	Door Handle	1	
80	009092760	Support 25 X 4mm	1	
90	009092740	Support 43 X 61mm	1	
100	009093270	Handle; Inside; Lockable	1	
110		Door LH Rear	1	
120		Sound Isolation Door LH Rear	1	
130	009092980	Lock With Spring M10	1	
140		Control Button M10 / Ø44	1	
150	4195280	Door Glass LH And RH Rear	1	
160		Door Covering LH	1	
170*	4195281	Edge Protector, 1.9M	AR	
180		Hinge LH	1	
190	008400404	Ring; Brass 10mm	1	
200	4212520	Bracket Lock LH	1	
210		Bracket; Door Open	1	
220	009093890	Gas Strut 340mm / 150N	1	
230		Lock Rear	1	
240	4125090	Mounting Lock Rear	1	
250		Wing Door RH	1	
260	009096050	Door Glass LH And RH Front	1	
270		Door Glass LH And RH Rear	1	
280		Sound Isolation Door RH	1	
290*		Handle / Plastic	1	
300		Door Covering RH	1	
310		Compensating Cover Door	1	
320		Cover Fairway	1	
330		Hinge RH	1	
340	009096080	Bracket Gas Strut RH Rear	1	
350		Bracket Gas Strut RH Front	1	
360	009094780	Gas Strut 445mm / 500N	1	
370	009095120	Gas Strut 445mm / 200N	1	

CABIN REAR WINDOW AND INFILL FAIRWAY 305, 405

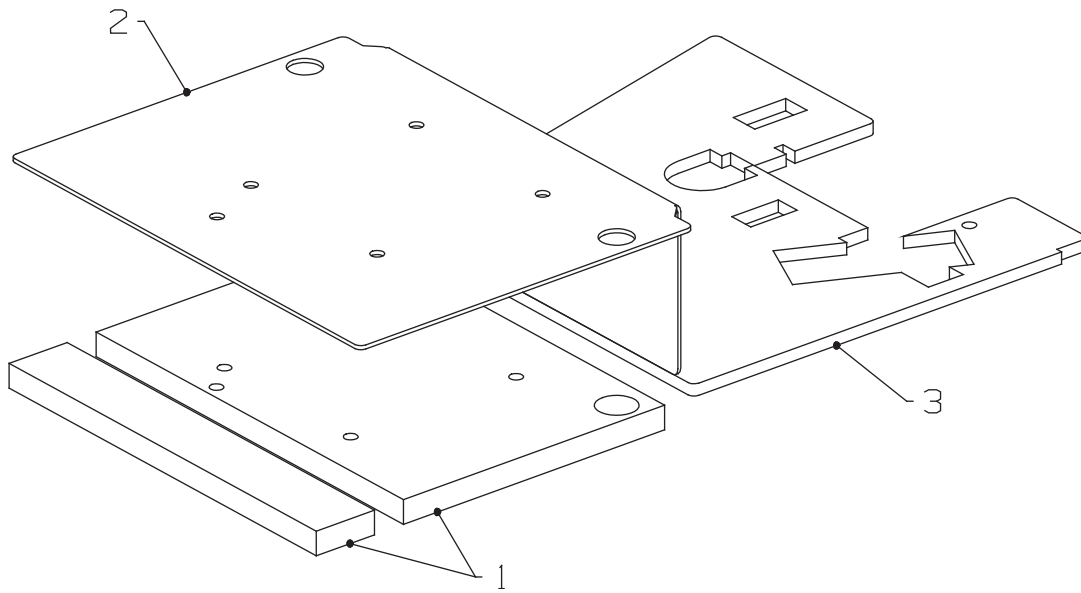
Illustration: Rear window-infill-and-gusse



ITEM	PART NO.	DESCRIPTION	QTY	
*	440445000	Fairway Cab Upgrade Kit	1	
1		Rear Panel (Re-styled)	1	
*	002989340	Bottom Seal Strip	1	
2		Rear Window (Re-styled)	1	
*		Window Seal	1	
3		Cover Brace	1	
4		Bonnet Latch Cover	1	
5		Rear Panel Insulation	1	
6	MBG5741	Strengthening Gusset	2	
*	450194	Screw M8 X 35	4	
*	450216	Screw M10 X 35	4	
*	450379	Nut-hex M10 Nyloc	4	
*	450242	Screw-hex M12 X 35	6	

CAB NOISE REDUCTION (009094990) FAIRWAY 305, 405

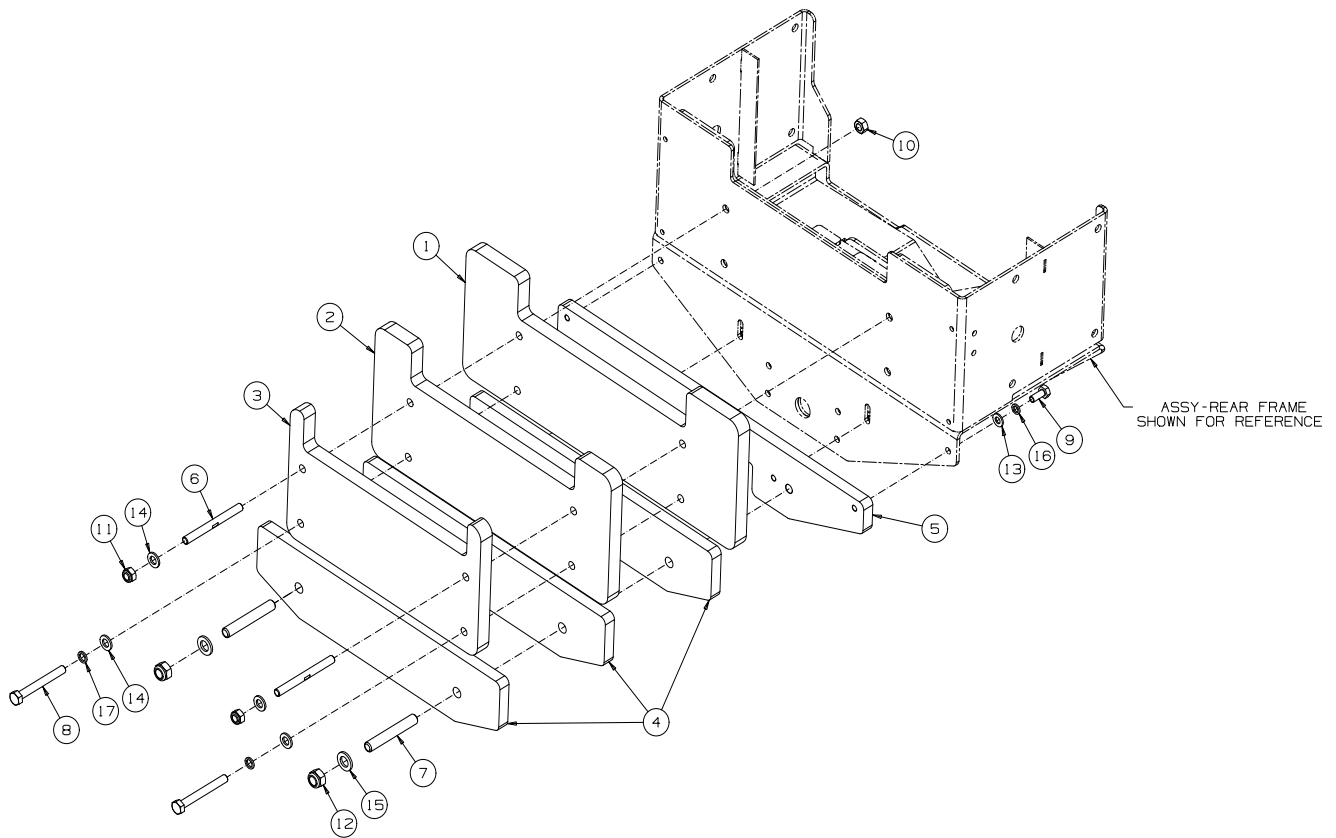
Illustration: Sound_Asorb_Ass



ITEM	PART NO.	DESCRIPTION	QTY	
*	009094990	Cabs Sound Installation Kit	1	
1	009095000	• Floor mat	1	
2	009095010	• Nap mat + Noise Installation	1	
3	009095030	• Noise Installation	1	
4	009095040	• Cover - Steering Tower	1	
5	009095050	• Noise Installation -black	1	
6	009095060	• Velcro tape - "Hook"	1	
7	009095020	• Noise Installation-seat	1	
8	009095070	• Velcro tape - "Mushroom"	1	
9	009095080	• Hood Cover	1	
10	009095090	• Seam Of Artificial Leather	1	
11	009095100	• Velcro Self Adhesive "Hook"	1	

CAB WEIGHTS

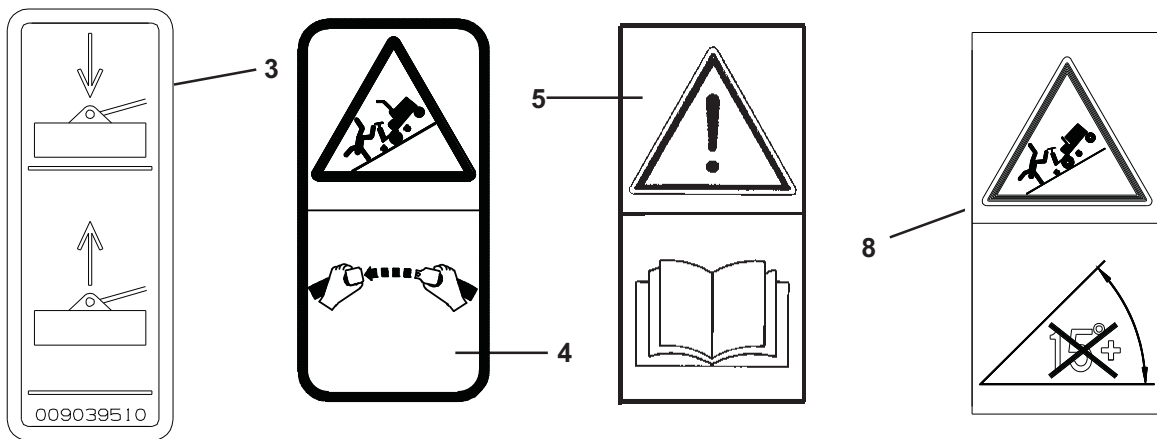
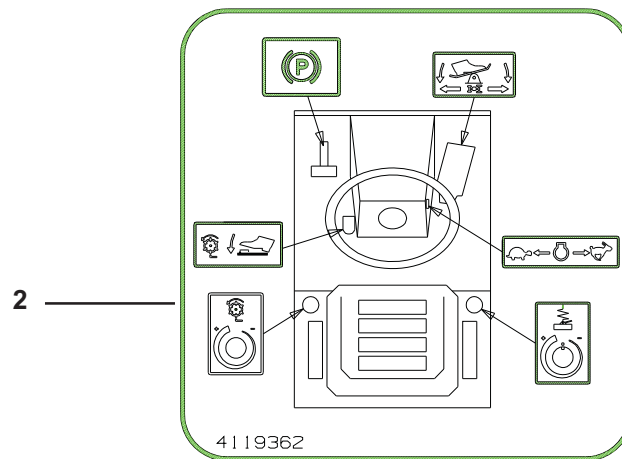
Illustration: 4302894-weight kit cab



ITEM	PART NO.	DESCRIPTION	QTY	
1	MBG6872	Weight 22.8kg	1	
2	MBG6873	Weight 19.1kg	1	
3	MBG6875	Weight 14.5kg	1	
4	MBG6708	Weight Lower	3	
5	MBG1430C	C - B Fitting Weight	1	
6	MBG7126	Stud M12	2	
7	MBG7081	M16 Stud.	2	
8	450059	Bolt - Hex M12-1.75 X 100	2	
9	450214	Screw - Hex M10-1.5 X 25	4	
10	450326	Nut - Hex M12-1.75	2	
11	450380	Nut - Hex M12-1.75, Nyloc	2	
12	450382	Nut - Hex M16-2.0, Nyloc	2	
13	450391	Washer - M10 X 21 X 2.2	4	
14	450392	Washer - M12 X 24 X 2.7	4	
15	450393	Washer - M16 X 30 X 3.3	2	
16	450412	Lock Washer - M10 X 15.9 X 2.5	4	
17	450413	Lock Washer - M12 X 17.9 X 2.5	2	

CAB DECALS

Illustration: Cab Decals

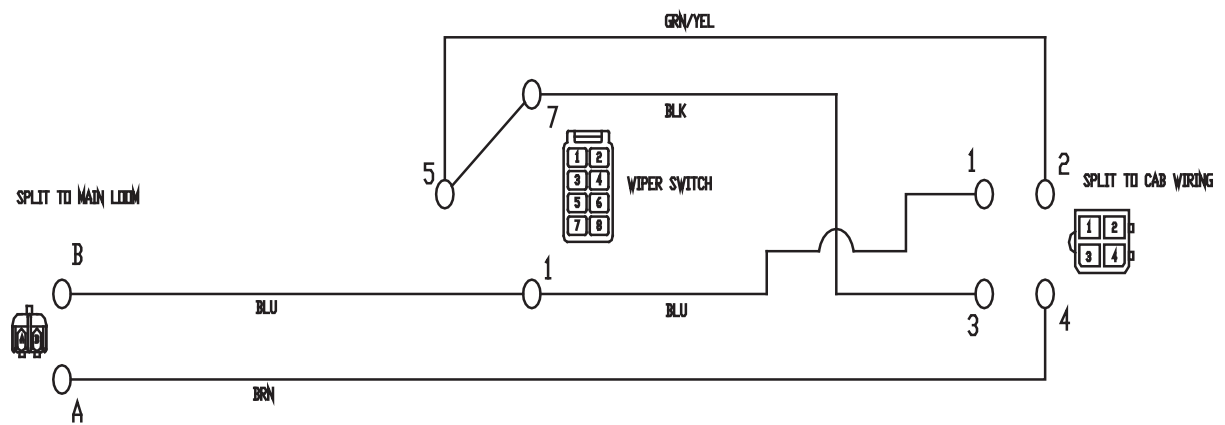


ITEM	PART NO.	DESCRIPTION	QTY	
2	4119362	Decal : Cab Controls	1	
3	009039510	Label : Reel Lift	1	305 only
4	009114380	Decal : Fasten Seat Belt	1	
5	009034910	Decal : Instruction	1	
8	009114160	Decal : Max Slope 15 Deg	1	

PARTS MANUAL

CAB WIRING

Illustration: 009057490_electrics



ITEM	PART NO.	DESCRIPTION	QTY	
*	ELO55	Electrical Kit - Fairway Cab	1	
1*	009057490	Wiring Harness, Cab	1	
2*	008232860	Wiper Motor Lens	1	Required. Item 3.
3*	008295465	Main-dip Beam Switch	1	



Europe & Rest of The World Except North & South America

Ransomes Jacobsen Limited
West Road, Ransomes Europark, Ipswich, IP3 9TT
English Company Registration No. 1070731
www.ransomesjacobsen.com

North & South America

Jacobsen, A Textron Company
11108 Quality Drive, Charlotte,
NC 28273, USA
www.Jacobsen.com