



Parts & Maintenance Manual

Lightweight Fairway Mower

- 67868 – LF 3400™, Kubota V1305-E, 5 Gang, 2WD
- 67869 – LF 3400™, Kubota V1305-E, 5 Gang, 4WD
- 67866 – LF 3800™, Kubota V1505-E, 5 Gang, 2WD
- 67867 – LF 3800™, Kubota V1505-E, 5 Gang, 4WD
- 67889 – LF 3400™ Turbo, Kubota V1505-TE, 5 Gang, 4WD
- 67915 – LF 4675™ Turbo, Kubota V1505-TE, 7 Gang, 4WD
- 67916 – LF 4677™ Turbo, Kubota V1505-TE, 7 Gang, 4WD
- 67936 – LF 3800™ Turbo, Kubota V1505-TE, 5 Gang, 4WD



WARNING: If incorrectly used this machine can cause severe injury. Those who use and maintain this machine should be trained in its proper use, warned of its dangers and should read the entire manual before attempting to set up, operate, adjust or service the machine.

To Order Parts

1. Write your **full** name and **complete** address on the order.
2. Explain where and how to make shipment.
3. Give product number, name and serial number that is stamped on the name plate or serial plate of your product.
4. Order by the quantity desired, the part number, paint code, and description of the part as given in the parts list.
5. Send or bring the order to an authorized Textron Turf Care And Specialty Products Dealer.
6. Inspect all shipments on receipt. If any parts are damaged or missing, file a claim with the carrier before accepting.
7. Do not return material without a letter of explanation, listing the parts being returned. Transportation charges must be prepaid.

Use of other than authorized parts will void the warranty.

Table of Contents

Safety

- 1.1 Operating Safety 4
- 1.2 Important Safety Notes 5

Specifications

- 2.1 Product Identification 6
- 2.2 V1305-E Engine 6
- 2.3 V1505-E Engine 6
- 2.4 V1505-TE Engine 7
- 2.5 Tractor 7
- 2.6 Weights and Dimensions 7
- 2.7 Cutting Units 8
- 2.8 Accessories 8
- 2.9 Support Literature 8

Adjustments

- 3.1 General 9
- 3.2 Bedknife-To-Reel 9
- 3.3 Bedknife Adjustment 10
- 3.4 Cutting Height 10
- 3.5 Flash Attach 11
- 3.6 Down Pressure 11
- 3.7 Mow Speed 12
- 3.8 Belt 12
- 3.9 Brakes 12
- 3.10 Neutral Adjustment 13
- 3.11 Forward / Reverse Speed 13
- 3.12 Front Reel Limit Switch 14
- 3.13 Wing Reel Limit Switch (7 Gang Only) 14
- 3.14 Steering Toe-In 15
- 3.15 Torque Specification 16

Maintenance

- 4.1 General17
- 4.2 Engine17
- 4.3 Engine Oil17
- 4.4 Air filter18
- 4.5 Fuel18
- 4.6 Fuel System18
- 4.7 Battery19
- 4.8 Jump Starting19
- 4.9 Charging Battery19
- 4.10 Muffler and Exhaust20
- 4.11 Hydraulic Hoses20
- 4.12 Hydraulic Oil20
- 4.13 Hydraulic Filters21
- 4.14 Electrical System21
- 4.15 Radiator22
- 4.16 Rollover Protection Structure (ROPS)22
- 4.17 Tires22
- 4.18 Wheel Mounting Procedure23
- 4.19 Care and Cleaning23
- 4.20 Reel Backlapping24
- 4.21 Storage25

Troubleshooting

- 5.1 General26
- 5.2 Controller Lamps27
- 5.3 Electrical Circuits28

Maintenance & Lubrication charts

- 6.1 General29
- 6.2 Maintenance Chart29
- 6.3 Lubrication Chart30

Parts Catalog

- 7.1 Table of Contents31

This manual is designed for the Maintenance and Adjustment of this equipment.

Use the maintenance and adjustment instructions included in this manual and the operating instructions included in the **Safety and Operation Manual** to service the machine.

The **Safety and Operation Manual** must be kept in the pouch on the back of the seat at all times for reference by the operator.

Copyright 1999 Textron Inc.

"All rights reserved, including the right to reproduce this material or portions thereof in any form."

All information in this publication is based on information available at time of approval for printing. Textron Turf Care And Specialty Products reserves the right to make changes at any time without notice and without incurring any obligation.

Litho In U.S.A 2-2005

Suggested Stocking Guide

To Keep your Equipment fully operational and productive, maintain a stock of the more commonly used maintenance items. We have included part numbers for additional support materials and training aids. A more complete listing of accessories and attachments can be found in the Specifications Section

Service Parts

Qty.	Part No.	Description	Qty.	Part No.	Description
	557759	Engine Oil Filter		5002785	Engine Fan Belt
	555405	Engine Fuel Filter Element		5000527	Headlight Bulb
	5000039	Ignition Key			
	5000919	Air Cleaner Element			
	556418	Charge Filter Element			
	557772	Return Filter Element			

Service Support Material

Qty.	Part No.	Description
	4100740	Safety & Operation Manual
	4100741	Parts & Maintenance Manual
	4100120	Video Operation - 7-Gang
	5003094	Video Operation - 5-Gang
	3008923	Engine Parts Catalog

Qty.	Description
	Service Manual

How To Use This Manual

Abbreviations

N/S - Not serviced separately, can only be obtained by ordering main component or kit.

AR -Variable quantity or measurement is required to obtain correct adjustment.

Symbols such as ▲, next to the item number, indicate that a note exists which contain additional information important in ordering that part.

Indented Items

Bulleted items indicate component parts that are included as part of an assembly or another component. These parts can be ordered separately or as part of the main component.

Item	Part No.	Qty	Description	Serial Numbers/Notes
▲ 1	123456	1	Mount, Valve	Indicates a piece part with note
2	789012	1	Valve, Lift	Includes Items 3 and 4
3	345678	1	• Handle	Serviced part included with Item 2
4	N/S	1	• Seal Kit	Non serviced part included with Item 2
5	901234	1	Screw, 1/4-20 x 2" Hex Head	Indicates Piece Part

1 SAFETY

1.1 OPERATING SAFETY



WARNING

EQUIPMENT OPERATED IMPROPERLY OR BY UNTRAINED PERSONNEL CAN BE DANGEROUS.

Familiarize yourself with the location and proper use of all controls. Inexperienced operator's should receive instruction from someone familiar with the equipment before being allowed to operate the machine.

1. Safety is dependent upon the awareness, concern and prudence of those who operate or service the equipment. Never allow minors to operate any equipment.
2. It is your responsibility to read this manual and all publications associated with this equipment (Safety and operation manual, engine manual, accessories and attachments). If the operator can not read English it is the owner's responsibility to explain the material contained in this manual to them.
3. Learn the proper use of the machine, the location and purpose of all the controls and gauges before you operate the equipment. Working with unfamiliar equipment can lead to accidents.
4. Never allow anyone to operate or service the machine or its attachments without proper training and instructions; or while under the influence of alcohol or drugs.
5. Wear all the necessary protective clothing and personal safety devices to protect your head, eyes, ears hands and feet. Operate the machine only in daylight or in good artificial light.
6. Inspect the area where the equipment will be used. Pick up all the debris you can find before operating. Beware of overhead obstructions (low tree limbs, electrical wires, etc.) and also underground obstacles (sprinklers, pipes, tree roots, etc.) Enter a new area cautiously. Stay alert for hidden hazards.
7. Never direct discharge of material toward bystanders, nor allow anyone near the machine while in operation. The owner/operator can prevent and is responsible for injuries inflicted to themselves, to bystanders and damage to property.
8. Never operate equipment that is not in perfect working order or is without decals, guards, shields, discharge deflectors or other protective devices securely fastened in place.
9. Never disconnect or bypass any switch.
10. Carbon monoxide in the exhaust fumes can be fatal when inhaled. Never operate the engine without proper ventilation.
11. Fuel is highly flammable, handle with care.
12. Keep the engine clean. Allow the engine to cool before storing and always remove the ignition key.
13. Disengage all drives and engage parking brake before starting the engine (motor). Start the engine only when sitting in operator's seat, never while standing beside the unit.
14. Equipment must comply with the latest federal, state, and local requirements when driven or transported on public roads.
15. Never use your hands to search for oil leaks. Hydraulic fluid under pressure can penetrate the skin and cause serious injury.
16. Operate the machine up and down the face of the slopes (vertically), not across the face (horizontally).
17. To prevent tipping or loss of control, do not start or stop suddenly; reduce speed when making sharp turns. Use caution when changing direction on slopes.
18. Always use the seat belt when operating tractors equipped with a ROPS.
Never use a seat belt when operating tractors without a ROPS.
19. Keep legs, arms and body inside the seating compartment while the vehicle is in motion.

This machine is to be operated and maintained as specified in this manual and is intended for the professional maintenance of specialized turf grasses. It is not intended for use on rough terrain or long grasses.

1.2 IMPORTANT SAFETY NOTES



This safety alert symbol is used to alert you to potential hazards.

DANGER - Indicates an imminently hazardous situation which, if not avoided, **WILL** result in death or serious injury.

WARNING - Indicates a potentially hazardous situation which, if not avoided, **COULD** result in death or serious injury.

CAUTION - Indicates a potentially hazardous situation which, if not avoided, **MAY** result in minor or moderate injury and property damage. It may also be used to alert against unsafe practices.

For pictorial clarity, some illustrations in this manual may show shields, guards or plates open or removed. Under no circumstances should this equipment be operated without these devices securely fastened in place



WARNING

The interlock system on this tractor prevents the tractor from starting unless the brake pedal is engaged, mower switch is off and traction pedal is in neutral. The system will stop the engine if the operator leaves the seat without the traction pedal in neutral, engaging the parking brake and setting the mower switch off.

NEVER operate tractor unless the interlock system is working.



WARNING

1. Before leaving the operator's position for any reason:
 - a. Return traction pedal to neutral.
 - b. Disengage all drives.
 - c. Lower all implements to the ground.
 - d. Engage parking brake.
 - e. Stop engine and remove the ignition key.
2. Keep hands, feet, and clothing away from moving parts. Wait for all movement to stop before you clean, adjust or service the machine.
3. Keep the area of operation clear of all bystanders and pets.
4. Never carry passengers, unless a seat is provided for them.
5. Never operate mowing equipment without the discharge deflector securely fastened in place.

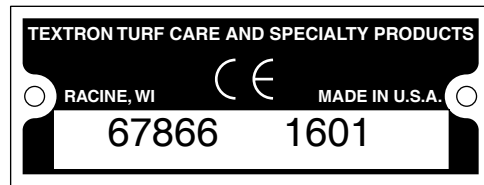
By following all instructions in this manual, you will prolong the life of your machine and maintain its maximum efficiency. Adjustments and maintenance should always be performed by a qualified technician.

If additional information or service is needed, contact your Authorized Textron Turf Care And Specialty Products Dealer who is kept informed of the latest methods to service this equipment and can provide prompt and efficient service. **Use of other than original or authorized Textron Turf Care And Specialty Products parts and Accessories will void the warranty.**

2 SPECIFICATIONS

2.1 PRODUCT IDENTIFICATION

67866.....	LF 3800, 5 Gang 2WD, uses 7" (178 mm) diameter reel
67867.....	LF 3800, 5 Gang 4WD, uses 7" (178 mm) diameter reel
67868.....	LF 3400, 5 Gang 2WD, uses 5" (127 mm) diameter reel
67869.....	LF 3400, 5 Gang 4WD, uses 5" (127 mm) diameter reel
67889.....	LF 3400 Turbo, 5 Gang 4WD, uses 5" (127 mm) diameter reel
67915.....	LF 4675 Turbo, 7Gang 4WD, uses 5" (127 mm) diameter reel
67916.....	LF 4677 Turbo, 7 Gang 4WD, uses 7" (178 mm) diameter reel
67936.....	LF 3800 Turbo, 5 Gang 4WD, uses 7" (178 mm) diameter reel
Serial Number	An identification plate, like the one shown, listing the serial number, is attached to the frame of the tractor and is located on the operator's right just over the rear axle.



Always provide the serial number of the unit when ordering replacement parts or requesting service information.

Product	EEC Sound Power	Sound Pressure Level Operator Ear	Vibration M/S ²	
			Arms	Body
67866	99 dba	83.4 dba	.924	.011
67867	99 dba	83.4 dba	.924	.011
67868	100 dba	81.9 dba	.629	.0928
67869	100 dba	81.9 dba	.629	.0928

2.2 V1305-E ENGINE

Make	Kubota
Model	V1305E Diesel, 4 cycle, Liquid Cooled
Horsepower	33.5 Hp (25 kW) @ 3000 rpm
Displacement	81.5 in ³ (1335 cm ³)
Torque	63 ft. lbs. (85.4 Nm) @ 2500 rpm
Fuel:	
Type	No. 2 Diesel
Rating	Min. cetane rating 45
Capacity	17 U.S. gal. (64.3 liters)

Governor Setting:	
High Idle	3150 rpm
Low Idle	1200 rpm
Lubrication:	
Capacity.....	5.5 U.S. qts.(5.2 liter)
Type.....	SAE 10W30
API Classification	CD/CE
Air Filter	Donaldson, dry type with evacuator valve and service indicator.
Alternator.....	40 Amp

2.3 V1505-E ENGINE

Make	Kubota
Model	V1505E Diesel, 4 cycle, Liquid Cooled
Horsepower	37.5 Hp (28 Kw) @ 3000 rpm
Displacement	91.4 in. ³ (1498 cm ³)
Torque	73 ft. lbs. (99 Nm) @ 2100 rpm
Fuel:	
Type	No. 2 Diesel
Rating	Min. cetane rating 45
Capacity	17 U.S gal. (64.3 liters)

Low Idle	1200 rpm
Lubrication:	
Capacity.....	5.5 U.S. qts. (5.2 liter)
Type.....	SAE 10W30
API Classification.....	CD/CE
Air Filter	Donaldson, dry type with evacuator valve and service indicator.
Alternator.....	40 Amp

Governor Setting:	
High Idle.....	3150 rpm

2.4 V1505-TE ENGINE

Make.....Kubota
 Model.....V-1505TE Diesel, 4 cycle, Liquid Cooled
 Horsepower.....44.2 Hp (33.0 Kw) @ 3000 rpm
 Displacement.....91.4 in.³ (1498 cm³)
 Torque.....93 ft. lbs. (1357 Nm)
 Fuel:
 TypeNo. 2 Diesel
 Rating.....Min. cetane rating 45
 Capacity17 U.S gal. (64.3 liters)

Governor Setting:
 High Idle.....3150 rpm
 Low Idle.....1200 rpm
 Lubrication:
 Capacity5.5 U.S. qts. (5.2 liter)
 TypeSAE 10W30
 API ClassificationCD/CE
 Air Filter.....Donaldson, dry type with evacuator valve and service indicator.
 Alternator40 Amp

2.5 TRACTOR

Tires:
 Front26.5 x 14 - 12: (4 ply)
 Rear20 x 10 - 8: (2 ply)
 Pressure10-12 psi (69 - 83 kPa)
 Battery:
 Type12V, 600 Cold Cranking Amps
 GroupBCI 24
 Brakes:
 ServiceDynamic braking through traction circuit.
 Parking9.25 in. (235 mm) front disc

Speed:
 Mow0 - 7 mph (0 - 11 kph)
 Transport - 2 WD0 - 12 mph (0 -19 kph)
 Reverse0 - 5 mph (0 - 8 kph)
 Production.....5.7 acres/hr. @ 7 mph
Hydraulic System:
 Capacity14 U.S. gal. (37.85 liter)
 Fluid Type10W30 or Greens Care 68
 Cooling.....Oil Cooler
 Charge Filter10 micron
 Return Line Filter10 micron
 SteeringHydrostatic power steering

2.6 WEIGHTS AND DIMENSIONS

LF 3400

Dimensions:	Inches	(mm)
Length - With grass catchers	120	(3048)
Height - Top of Steering Wheel	58.7	(1491)
Width - Mow	115	(2921)
Width - Transport	87	(2209)

Weights (2 WD Tractor):	Lbs.	(kg)
Overall (less operator).....	2550	(1156)

LF 3800

Dimensions:	Inches	(mm)
Length - With grass catchers	121	(3073)
Height - Top of Steering Wheel	58.7	(1491)
Width - Mow	115	(2921)
Width - Transport	87	(2209)

Weights (2 WD Tractor):	Lbs.	(kg)
Overall (less operator)	2750	(1247)

LF 4675/4677

Dimensions:	Inches	(mm)
Length - With grass catchers off	108	(2740)
Height - Top of Steering Wheel	58.7	(1491)
Width - Mow	155	(3930)
Width - Transport	87	(2209)

Weights (4 WD Tractor):	Lbs.	(kg)
LF 4675 (less operator).....	3180	(1442)
LF 4677 (less operator).....	3450	(1565)

2 SPECIFICATIONS

2.7 CUTTING UNITS

LF 3400, LF3400 Turbo, LF 4675

Overall cutting Width:

5 Gang..... 100 in. (2.54 m)

7 Gang..... 139 in. (3.53 m)

Number of reels:

5 Gang..... Five - three front, two rear.

7 Gang..... Seven - three front, four rear

Reel Diameter..... 5 in. (127 mm)

Reel Width..... 22 in. (559 mm)

Number of Blades/Reel... 7

Height of Cut..... .3/8 to 3/4 in. (9.5 to 19 mm)

Frequency of Cut..... 0.074 in. / 1 mph
(1.88 mm / 1 kph)

LF 3800, LF 4677, LF 3800 Turbo

Overall cutting Width:

5 Gang..... 100 in. (2.54 m)

7 Gang..... 139 in. (3.53 m)

Number of reels:

5 Gang..... Five - three front, two rear.

7 Gang..... Seven - three front, four rear

Reel Diameter..... 7 in. (178 mm)

Reel Width..... 22 in. (559 mm)

Number of Blades/Reel.. 9 or 11

Height of Cut..... .3/8 to 1-1/8 in. (9.5 to 29 mm)

Frequency of Cut :

9 Blade Reel..... 0.079 in. / 1 mph
(2.02 mm / 1 kph)

11 Blade Reel..... 0.065 in. / 1 mph
(1.65 mm / 1 kph)

2.8 ACCESSORIES

Refer to the Parts Catalog and contact your area Textron Turf Care And Specialty Products Dealer for a complete listing of accessories and attachments.

TRACTOR

Air Blow Gun..... JAC5098

Orange Touch-up Paint (12 oz. spray) 554598

2-Post ROPS with Seat Belt 67844

Canopy / Sunshade 67857

Transport Lock Bars 2812147

Hood Locking Latch 1004049

Cruise Control..... 67846

Grass Catcher..... 67891

4WD Conversion Kit (Field Installed)..... 67860

LF 4675-4677 Brake Update Kit 4118908

(Brake Update Kit required before installing Cab)

REELS

LF 3400, LF 3400 Turbo, LF 4675

7 Blade, 5" Diameter Reel - LH67877

7 Blade, 5" Diameter Reel - RH.....67879

Vertical Mower -LH.....67894

Vertical Mower -RH67895

Rear Throw Shields67918

Front Grooved Roller Scrapers67779

Rear Roller Scrapers67778

Height Cut Kit - 1-3/16" .. 67917

Turfgroomer - LH67873

Turfgroomer - RH67872

LF 3800, LF 4677

9 Blade, 7" diameter Reel67858

11 Blade, 7" Diameter Reel67849

Vertical Mower Assembly, 7" Diameter67854

Front Grooved Roller Scrapers67831

Powered Rear Roller Cleaning Brush67832

RH Catcher Mounting Hardware67919

LH Catcher Mounting Hooks67920

2.9 SUPPORT LITERATURE

Contact your Textron Turf Care And Specialty Products Dealer for a complete listing of literature.

Safety & Operation Manual..... 4100740

Parts & Maintenance 4100741

Engine Parts Catalog..... 3008923

Operator Training Video (7-Gang).....4100120

Operator Training Video (5-Gang).....5003094

Service & Repair Manual

3.1 GENERAL

! WARNING

To prevent injury, lower implements to the ground, disengage all drives, engage parking brake, stop engine and remove key from ignition switch before making any adjustments or performing maintenance.

Make sure the tractor is parked on a solid and level surface. Never work on a tractor that is supported only by the jack. Always use jack stands.

If only the front or rear of the tractor is raised, place chocks in front of and behind the wheels that are not raised.

- Adjustments and maintenance should always be performed by a qualified technician. If proper adjustment

cannot be made, contact an authorized Textron Turf Care And Specialty Products Dealer.

- Replace, do not adjust, worn or damaged components.
- Do not wear jewelry or loose fitting clothing when making adjustments or repairs.

! CAUTION

Be careful to prevent entrapment of the hands and fingers between moving and fixed components of the machine.

- Do not change governor settings or overspeed the engine.

3.2 BEDKNIFE-TO-REEL

(Pre-adjustment Check)

- Check the reel bearings for end play or radial play.
- Inspect the reel blades and bedknife to insure good sharp edges without bends or nicks.
 - The leading edge of the reel blades must be sharp, free of burrs and show no signs of rounding off.
 - The bedknife and bedknife backing must be securely tightened. The bedknife must be straight and sharp.
 - A flat surface of at least 1/16 in. (1.5 mm) minimum must be maintained on the front face of the bedknife. Use a standard flat file to dress the bedknife.
- If wear or damage is beyond the point where the reel or bedknife can be corrected by the lapping process, they must be reground.
- Proper reel-to-bedknife adjustment is critical. A gap of 0.001 to 0.003" (0.025 to 0.076 mm) must be maintained across the entire length of the reel and bedknife.
- The reel must be parallel to the bedknife. An improperly adjusted reel will lose its sharp edges prematurely and may result in serious damage to the reel and bedknife.
- Grass conditions will also affect the adjustment.
 - Dry, sparse conditions will require a wider gap to prevent heat buildup and damage to the reel and bedknife.
 - High quality grass with a good moisture content requires a closer gap (near zero).

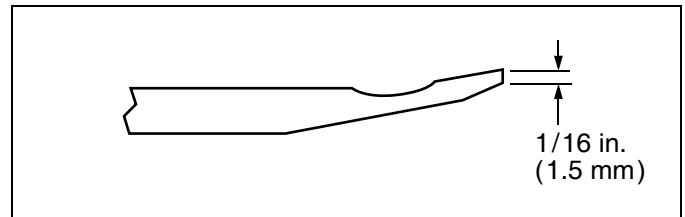


Figure 3A

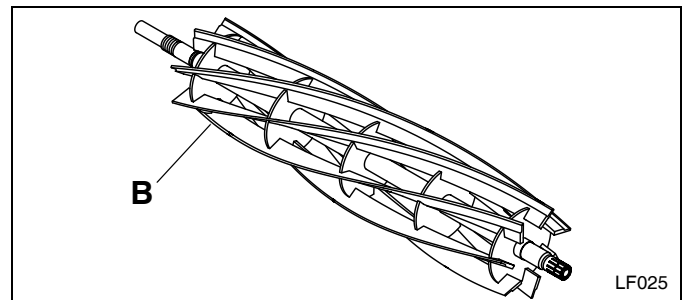


Figure 3B

3 ADJUSTMENTS

3.3 BEDKNIFE ADJUSTMENT

Read Section 3.2 before making the adjustment.

CAUTION

To prevent personal injury and damage to the cutting edges, handle the reel with extreme care

Start adjustment at leading end of reel, followed by the trailing end. The leading end of the reel blade is that end which passes over the bedknife first during normal reel rotation. (B-Figure 3B)

1. Set leading edge of reel. On 7" reels use adjuster (A), to set the bedknife-to-reel gap. Screw adjuster down (clockwise) to reduce gap.

On 5" reels use adjusters (C, D) to adjust gap. Loosen bottom screw and turn top screw down to reduce gap.

2. Slide a feeler gauge or shim stock - 0.001" to 0.003" (0.025 to 0.076 mm) - between the reel blade and the bedknife (B). Do not turn the reel.
3. Adjust the trailing end of the reel in the same manner then recheck the adjustment at the leading end.
4. When the reel is properly adjusted to the bedknife, the reel will spin freely and you should be able to cut a piece of newspaper, along the full length of the reel, when the paper is held at 90° to the bedknife.

Note: Avoid excessive tightening or damage may occur to bedknife and reel blades. Reels must turn freely.

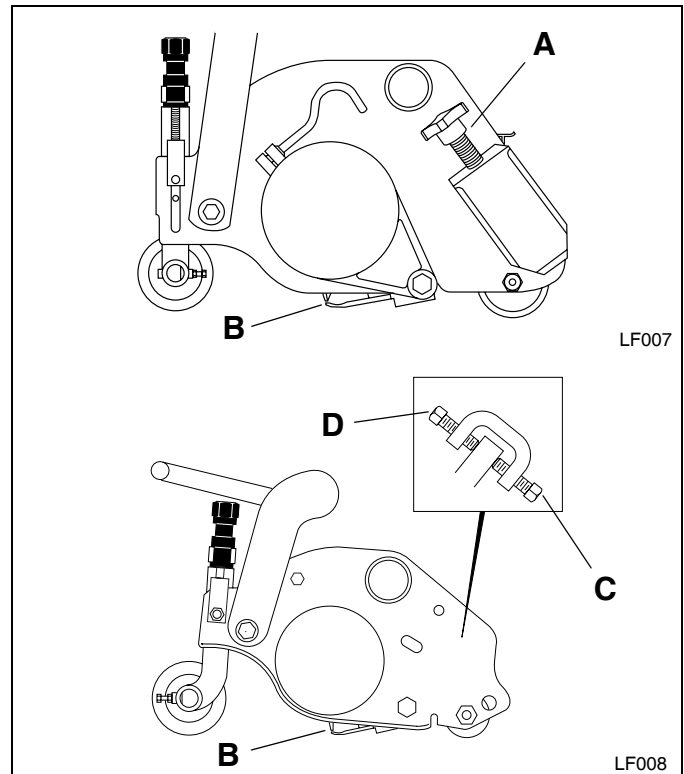


Figure 3C

3.4 CUTTING HEIGHT

Note: Always make the reel-to-bedknife adjustment before adjusting height of cut, Section 3.2 and 3.3.

1. Raise mowers to transport position then engage the parking brake, stop engine and remove key from ignition switch.
2. Set desired cutting height on the gauge (I).
 - a. Measure distance between underside of screw head and gauge block surface (J).
 - b. Adjust screw (F) to obtain desired height then tighten the wing nut.
3. Loosen the hardware on the front roller brackets (E) just enough to allow the adjuster to raise or lower the roller.
4. Place gauge (I) across bottom of front and rear rollers near one end of roller.
5. Slide the head of gauge screw over the bedknife (G) and adjust the hand knob (H) to close the gap between the screwhead and bedknife.

Tighten locknut (E). Repeat Steps 4 and 5 on opposite end. Complete adjustment to one end before adjusting opposite end.

6. Tighten hardware and recheck each end.

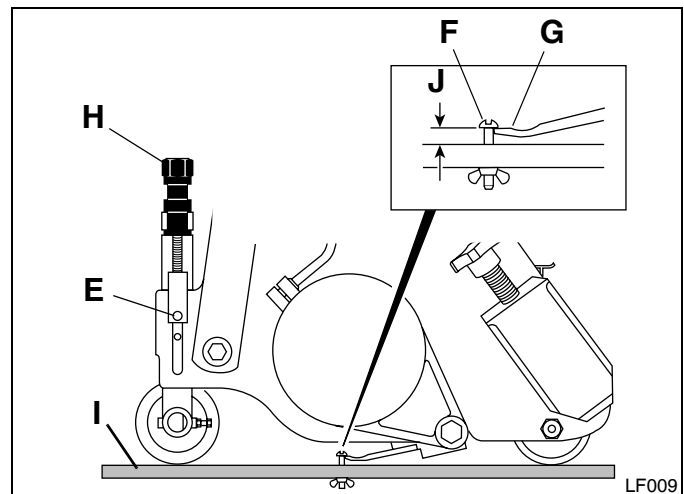


Figure 3D

3.5 FLASH ATTACH

Installing Cutting units

1. Place each cutting unit in front of its respective lift arm. Raise lift arm and position cutting unit so that yoke (T) is in line with swivel housing (S). Carefully lower arm onto yoke. Insert pin (K) through hole in yoke, fasten retaining clip (L) and install cap (M).
2. Assemble motors (N), with hoses attached, to the cutting units. Clean motor splines and coupling. Apply Moly 2 EP grease to the female spline on reel. Thoroughly clean the motor mounting surface. Slide motor into bearing housing. On 5" reels lock motor in place by inserting two motor clips (O), with loops facing center of motor, into mounting pins (P). On 7" reels hand tighten key (Q) on bearing housing.
3. Raise reels and install down pressure spring pins (V, Figure 3F). If cutting height has not changed, set pins in same position they were in when reels were removed.

Removing Cutting Units

1. Lower reels to the ground and remove down pressure spring pins (V, Figure 3F). Make note of where springs are set.
2. On 5" reels, remove motor clips (O). On 7" reels loosen key (Q) on motor housing. Pull motor straight out from cutting unit.
3. Carefully place motor and its hoses away from the cutting unit. To prevent contamination and damage to internal components cover or cap off bearing housing cavity (R).
4. Remove cap (M) on lift arm. Unfasten retaining clip (L) from pin (K) and remove pin.

5. Carefully raise arm until cutting unit can be removed.

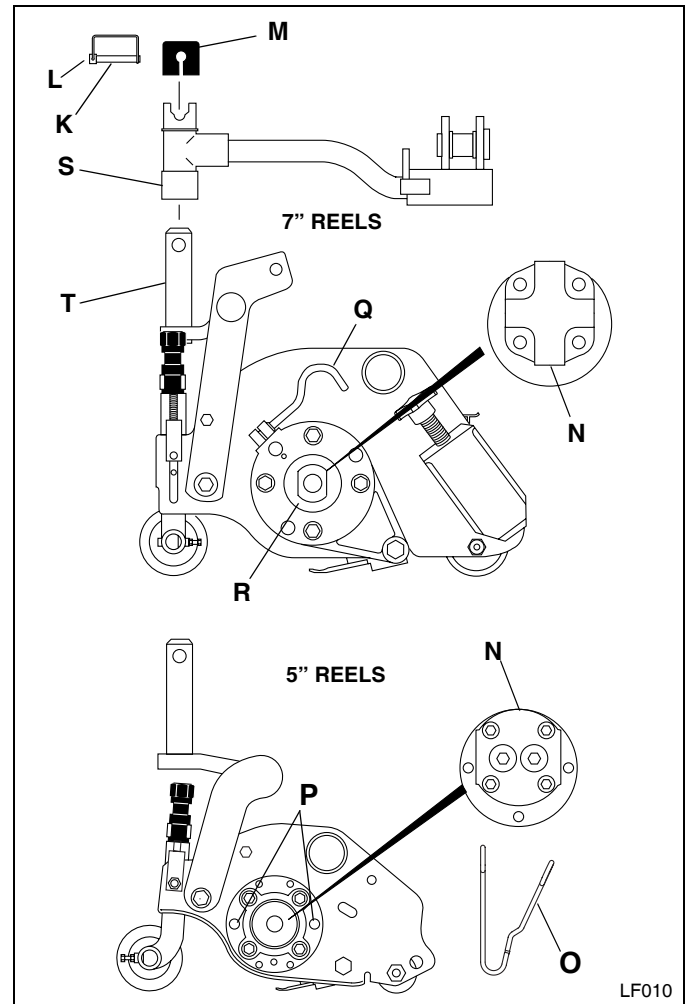


Figure 3E

3.6 DOWN PRESSURE

Each reel is equipped with a down pressure spring. Down pressure improves cutting quality by ensuring consistent contact between the reel and ground. Check and adjust down pressure any time cutting height has been changed or to optimize the cut for best performance.

1. With reels raised, place pin (V) in 4th hole from ball joint. Lower reels onto a flat surface before measuring down pressure.
2. Initially set distance between ball joint center and rod cross pin center to 8-15/16" ± 1/16" (227 mm ± 2 mm). To adjust length, loosen lock nut (W) and turn rod (U) in or out of ball joint.
3. Measure length of spring as shown on all 5 reels. Record the shortest spring dimension and set the other springs by adjusting rods (U) to that dimension ± 1/16"

(2 mm). The rod cross pin must be horizontal, then tighten locknut (W).

4. To adjust down pressure, move pin one hole towards spring to increase pressure, or one hole away from spring to decrease pressure on rear roller.

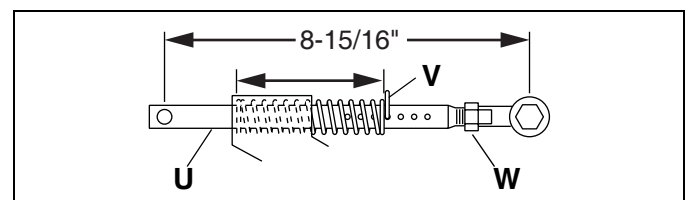


Figure 3F

3 ADJUSTMENTS

3.7 MOW SPEED

Cutting quality is better at speeds well below the transport speed of the tractor. An initial mow speed of five to six mph is set at the factory and should be satisfactory for most cutting conditions. Local turf conditions however may respond better to a different speed.

To set mow speed, loosen jam nut **(A)** and adjust stop screw up to reduce speed, down to increase speed. Tighten nut to hold adjustment in place.

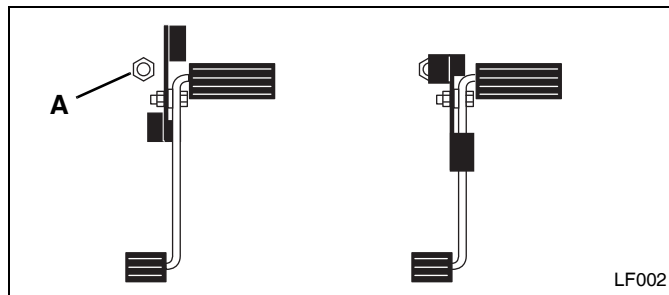


Figure 3G

3.8 BELT

Inspect and adjust new belt after first ten hours of operation. Adjust every 100 hours thereafter.

Adjust alternator pulley so belt deflects 1/4" to 5/16" (6 -8 mm) with a 20 lb. push at midpoint between pulleys. See engine manual.

If tension is incorrect, loosen alternator mounting bolts **(B)** and adjust alternator until proper belt tension is achieved.

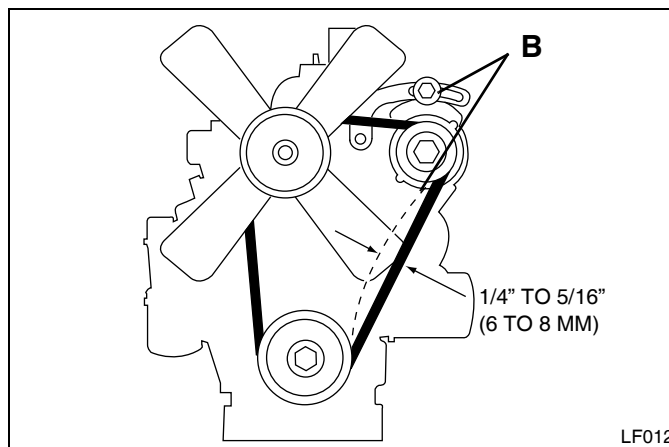


Figure 3H

3.9 BRAKES

Adjust brakes after replacing or servicing brake assembly, or if pedal travel becomes excessive.

1. When installing new brake pads, burnish pads by driving tractor at mowing speed while applying a slight pressure on brake pedal for about 5 seconds. Release and repeat five times before making the final adjustment.
2. Fully loosen adjusting nut **(E)**.
3. Disconnect brake return spring **(See Item 14, Illustration 8.1)** at caliper.
4. By hand, pull cable behind adjusting nut **(C)** away from pedal until brake pads just contact brake disk. Thread adjusting nut **(C)** up until it contacts the mounting plate. Tighten nut **(E)** to lock adjustment in place. Torque nut **(E)** to 20 ft lb (27 Nm). Do not overtorque or turn cable.
5. Connect brake return spring. Repeat for second cable.
6. If brakes wear beyond point where they can be adjusted by the cable, move brake bracket into second set of holes provided **(D)** and complete adjustment procedure.

7. Start tractor and check operation of brakes. Park tractor on an incline (approx. 16.7° slope) and engage parking brake. Brake must prevent tractor from rolling. Adjust nut **(C)** as required.

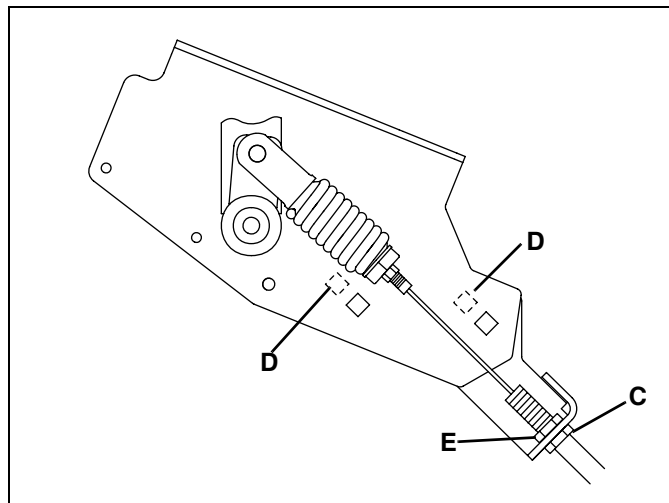


Figure 3I

3.10 NEUTRAL ADJUSTMENT

Neutral adjustment can only be made at the drive pump.

The neutral adjustment is preset at the factory on all new tractors and replacement pumps. Further adjustment is not required unless the pump has been disassembled for repair or service.

To adjust neutral:

1. Disconnect traction pedal linkage from pump.
2. Place tractor securely on jack stands so **All** wheels are raised off ground.
3. Check that tow valve **(H)** is closed
4. Engage parking brake and set mow switch to neutral. Make sure neutral switch at traction pedal is closed. (Figure 3K - **M**). Distance between the switch and metal pointer "M" must be between .060" and 1.120".
5. Loosen screws **(G)** holding pump lever bracket just enough so it can be moved. Start engine and observe wheels. Adjust bracket **(F)** in slotted holes until wheels do not turn. Turn off engine and tighten bracket in place.

6. Connect traction linkage. When connecting linkage at traction pedal make sure pointer on traction pedal bracket is centered over neutral switch **(M)** -Figure 3K).
7. Start engine and check operation of traction pedal. Wheels must not turn when pedal returns to neutral and lamp 5 on controller should light, see Section 5.2.

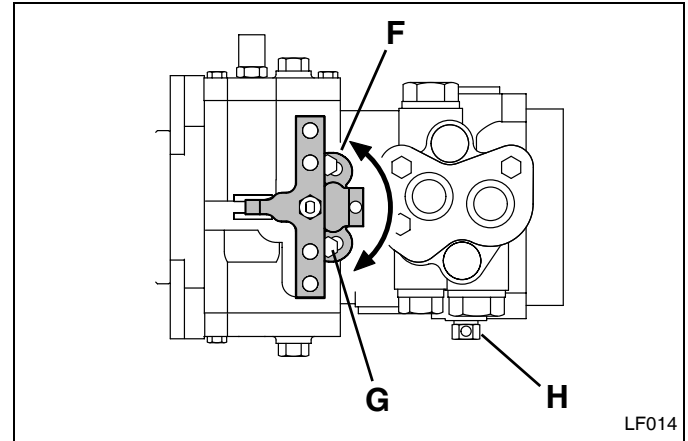


Figure 3J

3.11 FORWARD / REVERSE SPEED

Forward and reverse speeds are adjusted at the traction pedal. Set forward speed before adjusting reverse.

To adjust forward speed:

1. Make sure drive pump has been set to neutral and engine throttle is adjusted correctly.
2. Start engine and check forward travel speed with engine at full throttle and tractor in two wheel drive (2WD). Forward transport speed should measure 12 mph (19 kph)
3. Stop engine. To adjust speed, disconnect eye bolt **(K)** from pedal and loosen jam nut **(J)**. Turn eye bolt in to reduce speed, out to increase speed. Tighten jam nut to hold adjustment in place and connect eye bolt.
4. With traction pedal in neutral, check position of neutral switch **(I)**. Adjust switch up or down so pointer **(M)** on traction pedal bracket is centered over it. When adjusted correctly lamp 5 on controller will light when ignition switch is turned on.
5. Start engine and check speed. Repeat procedure until 12 mph (19 kph) forward transport speed is attained.

3. Stop engine. To adjust speed, loosen nut on reverse travel stop bolt **(L)**. Slide bolt forward in slotted hole to increase speed, back to reduce speed. Tighten nut to hold adjustment in place.
4. Start engine and check speed. Repeat procedure until 4-5 mph (6-8 kph) reverse speed is attained.

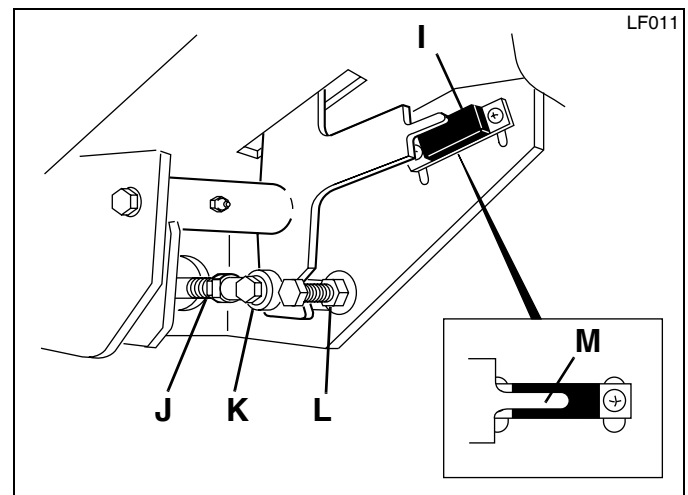


Figure 3K

To adjust reverse speed:

1. Set forward speed.
2. Start engine and check reverse travel speed with engine at full throttle. Reverse speed should measure 4-5 mph (6-8 kph)

3 ADJUSTMENTS

3.12 FRONT REEL LIMIT SWITCH

The front left and right lift arms are equipped with reed switches which signal the controller to turn off the reels. The switches are mounted to the tractor frame directly behind the lift arms. If reels continue to run when lifted, or do not run when lowered inspect switch. Adjust or replace switch as needed.

To adjust switch:

1. Park tractor on a flat, level surface.
2. Remove reel from lift arm.
3. Turn ignition key to the RUN position to activate controller. Do not run reels or start engine.
4. Add or remove shims as required to obtain air gap between switch and arm of 0.090 to 0.120 in. (2 to 3 mm).
5. Lift arm manually until it is at an angle of 17°.
6. With lift arm at 17°, adjust switch **(I)** up or down, until corresponding lamp on controller goes out (#17 for L.H, #18 for R.H.). Secure switch in this position.
7. Repeat procedure for lift arm on opposite side.

8. Start engine and check that reels turn off when raised.

Note: The reed switches set the point where the reels turn off, not how high they will raise. The reels will actually raise to a position slightly above 17°.

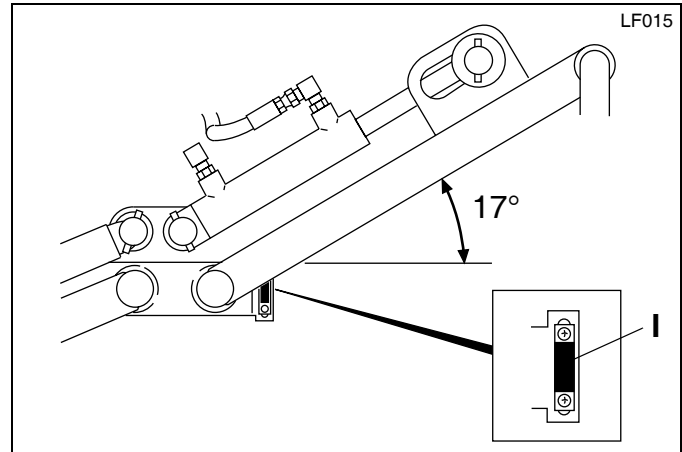


Figure 3L

3.13 WING REEL LIMIT SWITCH (7 GANG ONLY)

The left and right wing lift arms are equipped with reed switches which signal the controller to turn off the corresponding reel. The switches are mounted to the wing lift arm mounts near the lift arms. If reels continue to run when lifted, or do not run when lowered inspect switch. Adjust or replace switch as needed.

To adjust switch:

1. Park tractor on a flat, level surface.
2. Remove reel from wing lift arms.
3. Turn ignition key to the RUN position to activate controller. Do not run reels or start engine.
4. Add or remove shims as required to obtain air gap between switch and arm of 0.090 to 0.120 in. (2 to 3 mm).
5. Lift left wing arm manually until it is at an angle of 15°.
6. With lift arm at 15°, adjust switch **(I)** up or down, until corresponding lamp on controller goes out (#16 for L.H, #19 for R.H.). Secure switch in this position.
7. Repeat procedure for right wing lift arm.

8. Start engine and check that reels turn off when raised.

Note: The reed switches set the point where the reels turn off, not how high they will raise. The reels will raise to a position above 15°.

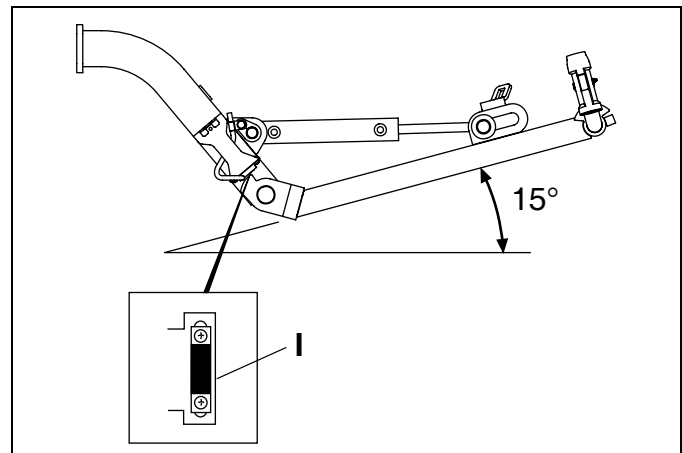


Figure 3M

3.14 STEERING TOE-IN

1. Turn wheels to straight ahead position.
2. Loosen jam nuts (**J**) on both sides of tie rod (**M**).
3. Turn tie rod (**M**) to provide proper toe-in. Toe-in must not exceed $+1/16''$ (1.5 mm) (**K**). Retighten jam nuts.
4. After adjusting tie rod, adjust steering cylinder by threading the rod (**N** in or out of ball joint so spindle arm (**L**) clears the stop on the axle by $1/32$ to $3/32$ in. (0.8 to 2 mm) (**O**) when cylinder is fully extended.

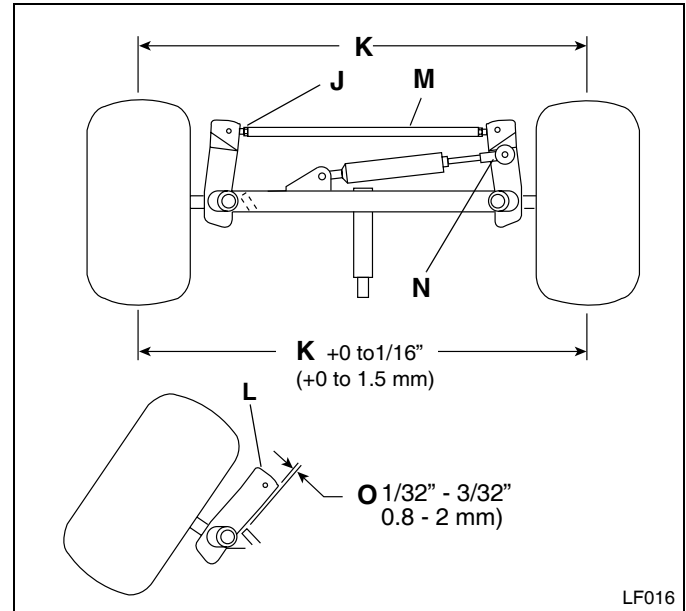


Figure 3N

3 ADJUSTMENTS





3.15 TORQUE SPECIFICATION

CAUTION





All torque values included in these charts are approximate and are for reference only. Use of these torque values is at your sole risk. Textron Turf Care And Specialty Products is not responsible for any loss, claim, or damage arising from the use of these charts. **Extreme caution should always be used when using any torque value.**

Textron Turf Care And Specialty Products uses Grade 5 Plated bolts as standard, unless otherwise noted. For tightening plated bolts, use the value given for lubricated.

AMERICAN NATIONAL STANDARD FASTENERS

SIZE	UNITS					SIZE	UNITS				
		GRADE 5		GRADE 8				GRADE 5		GRADE 8	
		Lubricated	Dry	Lubricated	Dry			Lubricated	Dry	Lubricated	Dry
#6-32	in-lb (Nm)	-	20 (2.3)	-	-	7/16-14	ft-lb (Nm)	37 (50.1)	50 (67.8)	53 (71.8)	70 (94.9)
#8-32	in-lb (Nm)	-	24 (2.7)	-	30 (3.4)	7/16-20	ft-lb (Nm)	42 (56.9)	55 (74.6)	59 (80.0)	78 (105)
#10-24	in-lb (Nm)	-	35 (4.0)	-	45 (5.1)	1/2-13	ft-lb (Nm)	57 (77.2)	75 (101)	80 (108)	107 (145)
#10-32	in-lb (Nm)	-	40 (4.5)	-	50 (5.7)	1/2-20	ft-lb (Nm)	64 (86.7)	85 (115)	90 (122)	120 (162)
#12-24	in-lb (Nm)	-	50 (5.7)	-	65 (7.3)	9/16-12	ft-lb (Nm)	82 (111)	109 (148)	115 (156)	154 (209)
1/4-20	in-lb (Nm)	75 (8.4)	100 (11.3)	107 (12.1)	143 (16.1)	9/16-18	ft-lb (Nm)	92 (124)	122 (165)	129 (174)	172 (233)
1/4-28	in-lb (Nm)	85 (9.6)	115 (13.0)	120 (13.5)	163 (18.4)	5/8-11	ft-lb (Nm)	113 (153)	151 (204)	159 (215)	211 (286)
5/16-18	in-lb (Nm)	157 (17.7)	210 (23.7)	220 (24.8)	305 (34.4)	5/8-18	ft-lb (Nm)	128 (173)	170 (230)	180 (244)	240 (325)
5/16-24	in-lb (Nm)	173 (19.5)	230 (26.0)	245 (27.6)	325 (36.7)	3/4-10	ft-lb (Nm)	200 (271)	266 (360)	282 (382)	376 (509)
3/8-16	ft-lb (Nm)	23 (31.1)	31 (42.0)	32 (43.3)	44 (59.6)	3/4-16	ft-lb (Nm)	223 (302)	298 404	315 (427)	420 (569)
3/8-24	ft-lb (Nm)	26 (35.2)	35 (47.4)	37 (50.1)	50 (67.8)	7/8-14	ft-lb (Nm)	355 (481)	473 (641)	500 (678)	668 (905)

METRIC FASTENERS

SIZE	UNITS									Non Critical Fasteners into Aluminum
		4.6		8.8		10.9		12.9		
		Lubricated	Dry	Lubricated	Dry	Lubricated	Dry	Lubricated	Dry	
M4	Nm (in-lb)	-	-	-	-	-	-	3.83 (34)	5.11 (45)	2.0 (18)
M5	Nm (in-lb)	1.80 (16)	2.40 (21)	4.63 (41)	6.18 (54)	6.63 (59)	8.84 (78)	7.75 (68)	10.3 (910)	4.0 (35)
M6	Nm (in-lb)	3.05 (27)	4.07 (36)	7.87 (69)	10.5 (93)	11.3 (102)	15.0 (133)	13.2 (117)	17.6 (156)	6.8 (60)
M8	Nm (in-lb)	7.41 (65)	9.98 (88)	19.1 (69)	25.5 (226)	27.3 (241)	36.5 (323)	32.0 (283)	42.6 (377)	17.0 (150)
M10	Nm (ft-lb)	14.7 (11)	19.6 (14)	37.8 (29)	50.5 (37)	54.1 (40)	72.2 (53)	63.3 (46)	84.4 (62)	33.9 (25)
M12	Nm (ft-lb)	25.6 (19)	34.1 (25)	66.0 (48)	88.0 (65)	94.5 (70)	125 (92)	110 (81)	147 (108)	61.0 (45)
M14	Nm (ft-lb)	40.8 (30)	54.3 (40)	105 (77)	140 (103)	150 (110)	200 (147)	175 (129)	234 (172)	94.9 (70)

4.1 GENERAL

WARNING

Before you clean, adjust, or repair this equipment, disengage all drives, lower implements to the ground, engage parking brake, stop engine and remove key from ignition switch to prevent injuries

Make sure the tractor is parked on a solid and level surface. Never work on a tractor that is supported only by the jack. Always use jack stands.

1. Adjustment and maintenance should always be performed by a qualified technician. If proper adjustments cannot be made, contact an Authorized Textron Turf Care And Specialty Products Dealer.
2. Inspect the equipment on a regular basis, establish a maintenance schedule and keep detailed records.
 - a. Keep the equipment clean.

- b. Keep all moving parts properly adjusted and lubricated.
 - c. Replace worn or damaged parts before operating the machine.
 - d. Keep all fluids at their proper levels.
 - e. Keep shields in place and all hardware securely fastened.
 - f. Keep tires properly inflated.
3. Do not wear jewelry or loose fitting clothing when making adjustments or repairs.
 4. Use the illustrations in the Parts Catalog as reference for the disassembly and reassembly of components.
 5. Recycle or dispose of all hazardous materials (batteries, fuel, lubricants, anti-freeze, etc.) according to local, state or federal regulations.

4.2 ENGINE

IMPORTANT: A separate Engine Manual, prepared by the engine manufacturer, is supplied with this tractor. Read the engine manual carefully until you are familiar with the operation and maintenance of the engine. Proper attention to the engine manufacturer's directions will assure maximum service life of the engine. To order replacement engine manuals contact the engine manufacturer.

The proper break-in of a new engine can make a considerable difference to the performance and life of the engine.

During the break-in period, Textron Turf Care And Specialty Products recommends the following:

1. During the first 50 hours of operation, a new engine should be allowed to reach an operating temperature of at least 140°F (60°C) prior to operation at full load.

2. Check the engine oil level twice daily during the first 50 hours of operation. Higher than normal oil consumption is not uncommon during the initial break-in period.
3. Change engine oil and oil filter element after first 50 hours of operation.
4. Check and adjust fan and alternator belts.
5. Refer to Section 6.2 and Engine Manual for specific maintenance intervals.

If the injection pump, injectors or the fuel system require service, contact an authorized Textron Turf Care And Specialty Products Dealer.

Note: *The tractor is designed to operate and cut most efficiently at the preset governor setting. Do not change the engine governor settings or overspeed the engine.*

4.3 ENGINE OIL

Check the engine oil at the start of each day, before starting the engine. If the oil level is low, remove oil filler cap and add oil as required.

Perform initial oil change after first 50 hours of operation and every 100 hours thereafter. See Engine Manual.

Use only engine oils with API classification CD/CE.

Above 77°F (25°C)	SAE 30W or SAE10W30/10W40
32 to 77°F (0 to 25°C)	SAE 20W or SAE 10W30/10W40
Below 32° (0°C)	SAE10W or SAE 10W30/10W40

4 MAINTENANCE

4.4 AIR FILTER

Check the service indicator daily. If red band appears in the window **(B)** replace the element.

Do not remove the element for inspection or cleaning. Unnecessary removal of the filter increases the risk of injecting dust and other impurities into the engine.

When service is required, first clean the outside of the filter housing; then remove the old element as gently as possible and discard.

1. Carefully clean the inside of the filter housing without allowing dust into the air intake.
2. Inspect the new element. Do not use a damaged element and never use an incorrect element.
3. Assemble the new element and make sure it seats properly. Reset the indicator by depressing button **(A)**.

4. Reassemble cap making sure it seals completely around the filter housing. Dust evacuator must be facing down.
5. Check all hoses and air ducts. Tighten hose clamps.

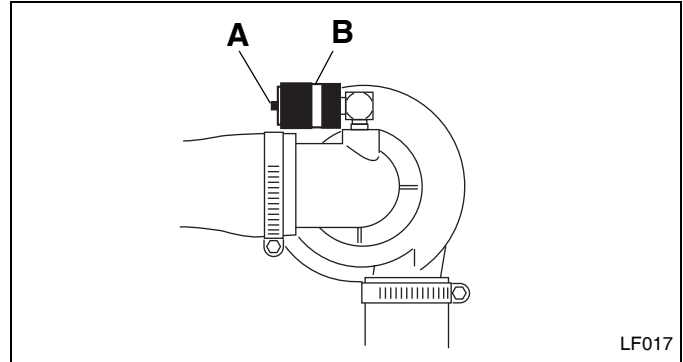


Figure 4A

4.5 FUEL

Handle fuel with care - it is highly flammable. Use an approved container, the spout must fit inside the fuel filler neck. Avoid using cans and funnels to transfer fuel.

WARNING

Never remove the fuel cap from the fuel tank, or add fuel, when the engine is running or while the engine is hot.

Do not smoke when handling fuel. Never fill or drain the fuel tank indoors.

Do not spill fuel and clean spilled fuel immediately.

Never handle or store fuel containers near an open flame or any device that may create sparks and ignite the fuel or fuel vapors.

Be sure to reinstall and tighten fuel cap securely.

- Fill the fuel tank to within 1 in. (25 mm) below the filler neck.
- Use clean, fresh, #2 Diesel fuel. Minimum Cetane Rating 45. Refer to Engine Manual for additional information.
- Check fuel lines and clamps every 50 hours. Replace fuel lines and clamps at the first sign of damage.
- Store fuel according to local, state or federal ordinances and recommendations from your fuel supplier.
- Never overfill or allow the tank to become empty.

4.6 FUEL SYSTEM

Refer to Section 6.2 for specific maintenance intervals.

Before replacing any filter, thoroughly clean the filter housing and the area around the filter. Dirt must not be allowed to enter into fuel system.

Bleed the fuel system after the fuel filter and lines have been removed, or the fuel tank has become empty. See Engine Manual.

To change fuel filter:

1. Close fuel valve on tank; then remove and discard the existing filter.
2. Apply a light coat of oil to the gasket and hand tighten new filter.
3. Fill fuel tank. Open fuel valve on tank and bleed the filter. See Engine Manual.

4.7 BATTERY

Make absolutely certain the ignition switch is “Off” and the key has been removed before servicing the battery.

CAUTION

Always use insulated tools, wear protective glasses or goggles and protective clothing when working with batteries. You must read and obey all battery manufacturer’s instructions.

Tighten cables securely to battery terminals and apply a light coat of silicone dielectric grease to terminals and cable ends to prevent corrosion. Keep vent caps and terminal covers in place

Check the electrolyte level every 100 hours. Keep the cable ends, battery and battery posts clean.

Verify battery polarity before connecting or disconnecting the battery cables.

1. When installing the battery, always assemble the RED, positive (+) battery cable first and the ground, BLACK, negative (-) cable last.
2. When removing the battery, always remove the ground, BLACK, negative (-) cable first and the RED, positive (+) cable last.
3. Make sure battery is properly installed and secured to the battery tray.

WARNING

Battery posts, terminals and related accessories contain lead and lead compounds, chemicals known to the State of California to cause cancer and reproductive harm. **Wash your hands after handling.**

4.8 JUMP STARTING

Before attempting to “jump start” the tractor, check the condition of the discharged battery. Section 4.7

WARNING

Batteries generate explosive hydrogen gas. To reduce the chance of an explosion, avoid creating sparks near battery. Always connect the negative jumper cable to the frame of the tractor with the discharged battery, away from the battery.

When connecting jumper cables:

1. Stop the engine on vehicle with good battery.
2. Connect RED jumper cable to the positive (+) terminal on the good battery and to the positive (+) terminal on the “discharged” battery.
3. Connect the BLACK jumper cable from the negative (-) terminal on the good battery to the **frame** of tractor with discharged battery.

After cables have been connected, start the engine on the vehicle with the good battery then start the tractor.

4.9 CHARGING BATTERY

WARNING

Charge battery in a well ventilated area. Batteries generate explosive gases. To prevent an explosion, keep any device that may create sparks or flames away from the battery.

To prevent injury, stand away from battery when the charger is turned on. A damaged battery could explode.

3. Make sure the charger is “Off”, then connect the charger to the battery terminals as specified in the charger’s manual.
4. Always turn the charger “Off” before disconnecting charger from the battery terminals.

1. Refer to Section 4.7. Read the Battery and Charger’s manual for specific instructions.
2. Whenever possible, remove the battery from the tractor before charging. If battery is not sealed, check that the electrolyte covers the plates in all the cells.

4 MAINTENANCE

4.10 MUFFLER AND EXHAUST



WARNING

Exhaust fumes contain carbon monoxide that is toxic and can be fatal when inhaled.

NEVER operate an engine without proper ventilation.

To protect from carbon monoxide poisoning, inspect the complete exhaust system regularly and always replace a defective muffler.

If you notice a change in the color or sound of the exhaust, stop the engine immediately. Identify the problem and have the system repaired.

Torque all exhaust manifold hardware evenly. Tighten or replace exhaust clamps.

4.11 HYDRAULIC HOSES



WARNING

To prevent serious injury from hot, high pressure oil, never use your hands to check for oil leaks, use paper or cardboard.

Hydraulic fluid escaping under pressure can have sufficient force to penetrate skin. If fluid is injected into the skin it must be surgically removed within a few hours by a doctor familiar with this form of injury or gangrene may result.

1. Always lower implements to ground, disengage all drives, engage parking brake, stop engine and remove key before inspecting or disconnecting hydraulic lines or hoses.
2. Check visible hoses and tubes daily. Look for wet hoses or oil spots. Replace worn or damaged hoses and tubes before operating the machine.
3. The replacement tube or hoses must be routed in the same path as the existing hose, do not move clamps, brackets and ties to a new location.
4. Thoroughly inspect all tubes, hoses and connections every 250 hours.

IMPORTANT: The hydraulic system can be permanently damaged if the oil becomes contaminated. Before disconnecting any hydraulic component, clean the area around the fittings and the hose ends to keep impurities out of the system.

- a. Before disconnecting any hydraulic component, tag or mark the location of each hose then clean the area around the fittings.
- b. As you disconnect the component, be prepared to assemble plugs or caps to the hose ends and open ports. This will keep impurities out of the hydraulic system and also prevent oil spills.
- c. Make sure "O" rings are clean and hose fittings are properly seated before tightening.
- d. Keep the hose from twisting. Twisted hoses can cause couplers to loosen as the hose flexes during operation resulting in oil leaks.
- e. Kinked or twisted hoses can restrict the oil flow causing the system to malfunction and the oil to overheat and also lead to hose failure.

4.12 HYDRAULIC OIL

Refer to Section 6.2 for specific maintenance intervals.

Drain and replace the hydraulic oil after a major component failure, or if you notice the presence of water or foam in the oil, or a rancid odor (indicating excessive heat).

Always replace both hydraulic filters when oil filter light stays on or when changing oil.

To change hydraulic oil:

1. Clean the area around the oil cap to prevent impurities from entering and contaminating the system.
2. Remove drain plug from bottom of tank.

3. After oil has drained install drain plug and fill with Textron Turf Care And Specialty Products Hydraulic oil.
4. Purge air from system.
 - a. To prevent reels from overheating, disconnect motors from reels.
 - b. Operate all tractor functions for about 5 minutes to purge air out of the system and stabilize the oil level. During this time, the oil level alarm may sound.
 - c. Once the level has stabilized and the air is purged, fill the tank to the full mark on dipstick. Start engine and check that oil alarm remains off.

4.13 HYDRAULIC FILTERS

The hydraulic system is protected by two 10 micron filters; a charge filter (B) and return line filter (A). Flow through the filters is monitored during operation. When pressure drop across the filters is too high the hydraulic oil filter warning light will come on. To ensure continued protection to the hydraulic system, replace both filters as soon as possible after light comes on.

Note: During cold weather the warning light may come on until oil has warmed up to operating temperature. Wait until oil has warmed up and light goes out before operating tractor.

To replace hydraulic filters:

1. Remove the old filters.
2. Install new filters. Hand tighten only.
3. Operate engine at idle speed with hydraulic system in neutral for five minutes. The oil level alarm may sound during this time.

4. Check hydraulic oil level in reservoir and fill to full mark on dipstick.

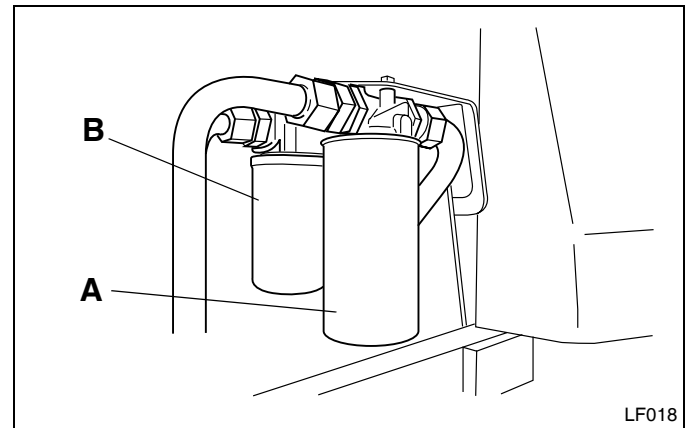


Figure 4B

4.14 ELECTRICAL SYSTEM

CAUTION

Always turn the ignition switch off and remove the negative battery cable (Black) before inspecting or working on the electrical system.

General precautions that can be taken to reduce electrical problems are listed below.

1. Make certain all terminals and connections are clean and properly secured.
2. Check the interlock system, fuses and circuit breakers regularly.
If the interlock does not function properly and the problem cannot be corrected, contact an authorized Textron Turf Care And Specialty Products Dealer.
3. Keep the wire harness and all individual wires away from moving parts to prevent damage.
4. Make sure the seat switch harness is connected to the main wire harness.
5. Check the battery and battery charging circuit.
6. Do not wash or pressure spray around electrical connections and components.

The electrical system is monitored and controlled by the electronic controller (C) located behind the operator's area. The controller is equipped with four banks of LED's which can be used when troubleshooting the electrical system, see Section 5.2

Circuits are protected by a circuit breaker, fuses and relays mounted next to the controller.

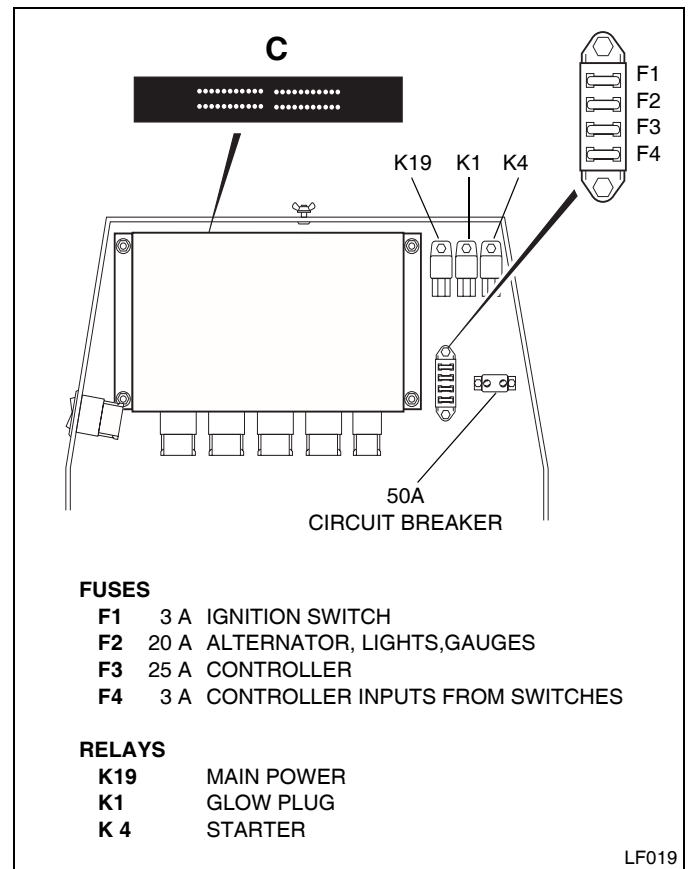


Figure 4C

4 MAINTENANCE

4.15 RADIATOR

WARNING

To prevent serious bodily injury from hot coolant or steam blow-out, never attempt to remove the radiator cap while the engine is running. Stop the engine and wait until it is cool. Even then, use extreme care when removing the cap.

CAUTION

Do not pour cold water into a hot radiator. Do not operate engine without a proper coolant mixture. Install cap and tighten securely.

Check coolant level daily. Radiator should be full and recovery bottle should be up to the **cold** mark.

Drain and refill annually. Remove the radiator cap, open the engine block drain and the radiator drain. Empty and clean the recovery bottle.

Mix clean water with ethylene glycol based anti-freeze for the coldest ambient temperature. Read and follow the instructions on the anti-freeze container and engine manual.

Keep radiator and hydraulic oil cooler air passages clean. Use compressed air (30 psi maximum) to clean the fins.

To clean radiator:

1. Turn out thumb screws **(A)** securing hydraulic oil cooler to the radiator and tip cooler away from radiator as shown.

2. Use a blow gun to clean the radiator and oil cooler fins.

Note: A sliding panel located under the frame can be loosened and pulled back to allow dirt and debris to fall through frame.

3. Fasten oil cooler to radiator.
4. Check and tighten the fan belt. Replace clamps and hoses every two years.
5. If you have to add coolant more than once a month, or add more than one quart at a time, have a Textron Turf Care And Specialty Products Dealer check the cooling system.

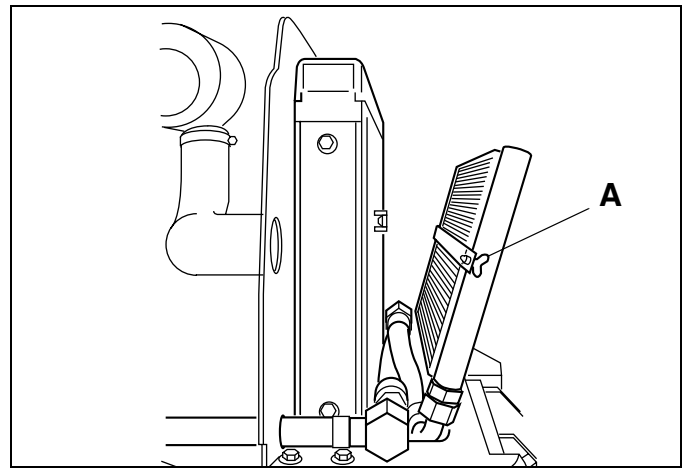


Figure 4D

4.16 ROLLOVER PROTECTION STRUCTURE (ROPS)

A Rollover Protection System (ROPS), designed for this tractor, is available as an optional accessory. If your tractor is equipped with this device, inspect it periodically and follow operating procedures described in the **Safety & Operation Manual**

CAUTION

Do not loosen or remove bolts, do not weld, drill, modify, bend or straighten a damaged structure.

1. The seat, the seat belt, mounting hardware and any accessories within the ROPS, should be inspected regularly and all damaged parts replaced immediately.
2. Once the ROPS has been subjected to any form of impact it should be replaced.
3. Check and retorque all hardware. All replacement components used for the ROPS must be as specified in the Parts Catalog.


4.17 TIRES

1. Keep tires properly inflated to prolong tire life. Check inflation pressure while the tires are cool. Inspect tread wear.
2. Check pressure every 50 hours or once a month. Use an accurate, low pressure tire gauge.
3. Keep tires inflated to 10-12 psi (69 -87 kPa).

CAUTION

Unless you have the proper training, tools and experience, **DO NOT** attempt to mount a tire on a rim. Improper mounting can produce an explosion which may result in serious injury.

4.18 WHEEL MOUNTING PROCEDURE

 WARNING
<p>Make sure the tractor is parked on a solid and level surface. Never work on a tractor that is supported only by the jack. Always use jack stands.</p> <p>If only the front or rear of the tractor is raised, place chocks in front of and behind the wheels that are not raised.</p>

1. Remove dirt, grease and oil from stud thread. Do not lubricate threads.
2. Position wheel on hub and inspect to insure full contact between mounting surface of wheel and hub or brake drum.
3. Finger tighten all hardware then torque hardware in criss-cross order; always tighten nuts in the top position.
4. Check and retorque daily until torque is maintained, 85-95 ft.lbs. (115-128 Nm)

4.19 CARE AND CLEANING

Wash the tractor and implements after each use. Keep the equipment clean.

Note: Do not wash any portion of the equipment while it is hot. Do not use high pressure spray or steam. Use cold water and automotive cleaners.


1. Use compressed air to clean engine and radiator fins. A special blow gun is available through Textron Turf Care And Specialty Products Dealer.
2. Use only fresh water for cleaning your equipment.


Note: Use of salt water or affluent water has been known to encourage rust and corrosion of metal parts resulting in premature deterioration or failure. Damage of this nature is not covered by the factory warranty.

3. Do not spray water directly at the instrument panel, ignition switch, controller or any other electrical components, or at bearing housings and seals.

4. Clean all plastic or rubber trim with a mild soap solution or use commercially available vinyl/rubber cleaners.
5. To maintain the original high luster of the fiberglass, periodically wax with a good grade of One-Step cleaner wax.

Repair damaged metal surfaces and use Textron Turf Care And Specialty Products touch-up paint. Wax the equipment for maximum paint protection.

 CAUTION
<p>Clean grass and debris from cutting units, drives, muffler and engine to prevent fires.</p>

 WARNING
<p>NEVER use your hands to clean cutting units. Use a brush to remove grass clippings from blades. Blades are extremely sharp and can cause serious injuries.</p>

4 MAINTENANCE

4.20 REEL BACKLAPPING

WARNING

To prevent severe injury, keep hands, feet and clothing away from rotating reels.

Carbon monoxide in the exhaust fumes can be fatal when inhaled, never operate the engine without proper ventilation

Check the reel and bedknife to determine if backlapping or grinding will restore the cutting edge.

If wear or damage is beyond the point where the cutting edges can be corrected by the lapping process, they must be reground.

To backlap:

1. Lower the reels to the ground, disengage all drives, engage parking brake and stop engine.
2. Loosen locknut (**D**) at valve stem.
3. Open hood and place back-lap switch (**B**) to REVERSE. Start the engine and set throttle to low idle speed.
4. Set mower switch on instrument panel to REVERSE. Reels will begin rotating.
5. Both the front and rear reel valves contain an adjustable valve (**C**) to control the speed of the reels. The front valve controls the front three reels. The back valve controls the two rear reels. Turn valve counter-clockwise to reduce reel speed. Repeat for both valves.
6. After the desired speed is set, disengage reels and stop engine. Tighten nut (**D**) to lock adjustment in place. Start engine and set mower switch to REVERSE to begin backlapping.
7. Apply lapping compound, with a long handled brush, along the entire length of the reel.
8. When the blades have been evenly honed, carefully and thoroughly wash off the remaining mixture.
9. Repeat the entire process on the other reels.
10. After backlapping, turn mow switch OFF (center position) and set backlap switch (**B**) for FORWARD rotation.

Important: The speed control valves limit reverse speed only. Once the desired backlapping speed has been set the valves can remain in this position for normal mowing. If full reverse speed is needed, for instance during operation of vertical mowers, the valve can be fully closed (turn clockwise).

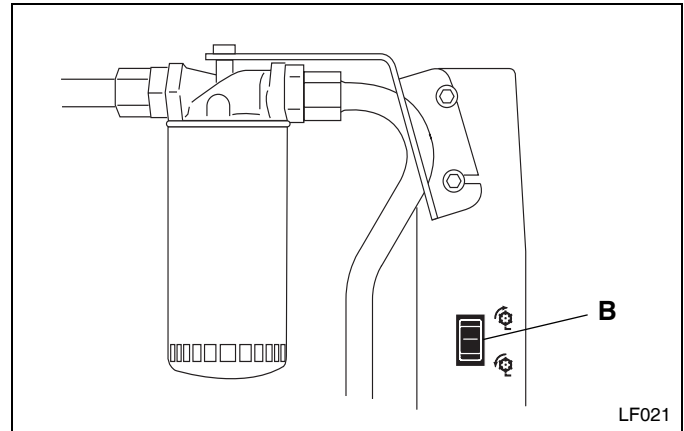


Figure 4E

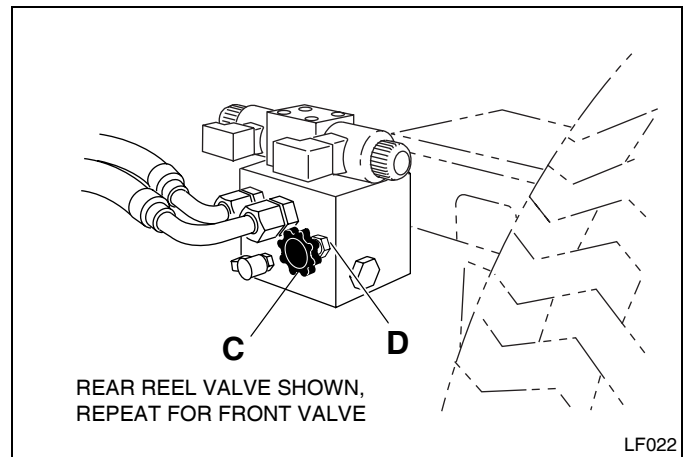


Figure 4F

4.21 STORAGE

General

1. Wash the tractor thoroughly and lubricate. Repair and paint damaged or exposed metal.
2. Inspect the tractor, tighten all hardware, replace worn or damaged components.
3. Drain and refill radiator.
4. Clean the tires thoroughly and store the tractor so the load is off the tires. If tractor is not on jack stands, check tires at regular intervals and reinflate as necessary.
5. Keep the machine and all its accessories clean, dry and protected from the elements during storage. Never store equipment near an open flame or spark which could ignite fuel or fuel vapors.

Battery

1. Remove, clean and store battery in upright position in a cool, dry place.
2. Check and recharge battery every 60 to 90 days while in storage.
3. Store batteries in a cool, dry place. To reduce the self discharge rate, room temperature should not be above 80°F (27°C) or fall below 20°F (-7°C) to prevent electrolyte from freezing.

Engine

1. While the engine is warm, remove drain plug, drain the oil from the crankcase and change oil filter. Install drain plug and refill with fresh oil. Torque drain plug to 22 ft. lb. (30 Nm).
2. Clean exterior of engine. Paint exposed metal or apply a light coat of rust preventative oil.
3. Add a fuel conditioner or biocide to prevent gelling or bacterial growth in fuel. See your local fuel supplier.

Cutting Units

1. Wash the cutting units thoroughly, then repair and paint any damaged or exposed metal.
2. Lubricate all fittings and friction points.
3. Backlap the reels then back the reel away from the bedknife. Apply a light coat of rust preventative oil to the sharpened edges of the reel and bedknife.

After Storage

1. Check and reinstall battery
2. Check or service fuel filter and air cleaner.
3. Check the radiator coolant level.
4. Check oil level in the engine crankcase and hydraulic system.
5. Fill the fuel tank with fresh fuel. Bleed the fuel system.
6. Make certain that the tires are properly inflated.
7. Remove all oil from the reels and bedknife. Adjust bedknife and cutting height.
8. Start and operate the engine at 1/2 throttle. Allow enough time for the engine to become properly warmed and lubricated.



WARNING

Never operate the engine without proper ventilation; exhaust fumes can be fatal when inhaled.



CAUTION

To prevent personal injury and damage to the cutting edges, handle the reel with extreme care

5 TROUBLESHOOTING

5.1 GENERAL

The troubleshooting chart below lists basic problems that may occur during start-up and operation. For more detailed information regarding the hydraulic and electrical systems contact your area Textron Turf Care And Specialty Products Dealer.

Symptoms	Possible Causes	Action
Engine will not start.	<ol style="list-style-type: none"> 1. Parking brake disengaged, traction pedal not in neutral or mow switch on. 2. Glow plug has not timed out. 3. Battery low on charge or defective. 4. Fuel tank empty or dirty. 5. Fuse blown. 6. Relay defective 7. Neutral switch on traction pedal out of adjustment or defective. 	<ol style="list-style-type: none"> 1. Check interlock system and start-up procedure. 2. Reset ignition switch and allow glow plug to time out before cranking engine. 3. Inspect condition of battery and battery connections. 4. Fill with fresh fuel. Change fuel filter. Bleed fuel lines. 5. Replace fuse. 6. Test and replace relay. 7. Adjust or replace switch.
Engine hard to start or runs poorly.	<ol style="list-style-type: none"> 1. Fuel level low, fuel or fuel filter dirty. 2. Air cleaner dirty. 3. Injectors, fuel pump 4. Engine problem. 	<ol style="list-style-type: none"> 1. Fill with fresh fuel. Change fuel filter. Bleed fuel lines. 2. Inspect and replace air filter. 3. Consult engine manual. 4. Consult engine manual
Engine stops.	<ol style="list-style-type: none"> 1. Fuel tank empty. 2. Interlocks not set before leaving operator's seat. 	<ol style="list-style-type: none"> 1. Fill with fresh fuel and bleed fuel lines. 2. Engage parking brake and set mow switch to OFF.
Engine overheating	<ol style="list-style-type: none"> 1. Coolant level low. 2. Air intake restricted. 3. Water pump belt broken or loose. 	<ol style="list-style-type: none"> 1. Inspect and add coolant. 2. Clean air intake at radiator. 3. Tighten or replace belt.
Battery not holding charge. Battery light on.	<ol style="list-style-type: none"> 1. Loose or corroded battery terminals. 2. Low electrolyte. 3. Alternator belt loose or broken. 4. Charging system defective. 	<ol style="list-style-type: none"> 1. Inspect and clean terminals 2. Refill to correct level. 3. Tighten or replace belt 4. See engine manual
Reels cut unevenly	<ol style="list-style-type: none"> 1. Bedknife-to-reel not adjusted correctly. 2. Engine speed too low. 3. Mow speed not adjusted for turf conditions. 4. Mow switch set in reverse. 5. Not enough rear roller pressure. 6. Front roller not following undulations adequately 	<p>Inspect bedknife-to-reel adjustment.</p> <p>Check engine speed. Run engine at full throttle.</p> <p>Adjust mow speed for best cut.</p> <p>Set for forward rotation.</p> <p>Move down pressure spring one hole towards spring.</p> <p>Move down pressure spring one hole away from spring</p>

5.2 CONTROLLER LAMPS

The controller is a solid state device that monitors and controls electrical functions. The controller receives input signals from various switches and sensors throughout the machine and transmits output signals to operate relays, solenoids and warning lights. It controls and resets timers and contains built in logic to control certain machine functions.

Each input and output signal is displayed through lamps located on top of the controller. A closed input switch

indicates an active circuit and will turn an input lamp on, an open switch an inactive circuit and will turn a lamp off. Outputs are active when their lights are on.

It is important to note that in some cases a lamp or group of lamps must be on or off for a condition to be true. For example, to start the tractor the Mow Switch must be off (lamps 25, 28, 38 off) while the Neutral Start Switch (lamp 5), Brake Switch (lamp 6) and Fuel Valve Hold coil (lamp 34) must be on.

Controller Functions by Lamp Number

Lamp On - Circuit is active

Lamp Off - Circuit is inactive

INPUTS		OUTPUTS	
Lamp	Circuit	Lamp	Circuit
1	Program active (5 Gang Only)	31	Glow Plug Relay & Indicator - Glow Plug On
2, 3	Program active - indicates controller has power	32	Light Test
4	Key Switch "Start" Post	33	Start Relay and Indicator
5	Neutral Start Switch - Traction Pedal in Neutral	34	Fuel Valve Hold Coil
6	Brake Switch - Brake On	35	Warning Horn
7	Seat Switch - Operator Seated	36	Hydraulic Oil Level Light
8	Backlap Service Switch - Set to backlap	37	Left Wing Mow Switch - Active Signal (7 Gang Only)
9	Cruise Control Switch - Off - Pin 1 (Option)	38	Center Mow Switch - Active signal
10	Cruise Control Switch - On - Pin 2 (Option)	39	Right Wing Mow Switch - Active Signal (7 Gang Only)
11	Hydraulic Oil Level Float Switch	40	Cruise Control Valve / Light (Option)
12	Hydraulic Oil Level Alarm Switch	42	Lift Valve - Center Rear Mowers (7 Gang Only)
13	Engine Oil Pressure Switch	43	Lift Valve - Lower
16	Lift Limit Switch - Left Wing (7 Gang Only)	44	Lift Valve - Raise
17	Lift Limit Switch - Left Front	45	Lift Valve - Left Wing Mower (7 Gang Only)
18	Lift Limit Switch - Right Front	46	Lift Valve - Front Mowers (7 Gang Only)
19	Lift Limit Switch - Right Wing (7 Gang Only)	47	Lift Valve - Right Wing Mower (7 Gang Only)
20	Joystick - Left Wing (7 Gang Only)		
21	Joystick - Right Wing (7 Gang Only)		
22	Joystick - Lower		
23	Joystick - Raise		
24	Left Wing Mow Switch - Forward (7 Gang Only)		
25	Center Mow Switch - Forward		
26	Right Wing Mow Switch - Forward (7 Gang Only)		
27	Left Wing Mow Switch - Reverse (7 Gang Only)		
28	Center Mow Switch - Reverse		
29	Right Wing Mow Switch - Reverse (7 Gang Only)		

Inactive lamps 5 Gang- 14, 15, 16, 19, 20, 21, 24, 26, 27, 29, 30, 37, 39, 41, 42, 45, 46, 47, 48 (not used)

Inactive lamps 7 Gang - 1, 14, 15, 30, 41, 48 (not used)

5 TROUBLESHOOTING

5.3 ELECTRICAL CIRCUITS

When troubleshooting the machine using the controller always check that Program Active lamps (1, 2 and 3 - 5 Gang)(2 and 3 - 7 Gang) are on. These indicate that the controller has power and the program is active.

Note: *The controller requires a minimum of six volts to operate.*

Individual circuits can be tested by operating an input switch, checking for the required input signal and looking for a corresponding output. Keep in mind that not all switches are located on the instrument panel. The traction pedal, reel lift limit and brakes are controlled by small reed switches mounted on the frame of the tractor.

If an input lamp does not light an inactive condition is indicated. This could be caused by a fuse, faulty switch or poor connection.

The electrical connections to the solenoids on the hydraulic valves are also equipped with small indicator lamps. When lit these lamps indicate that the output signal has reached the connection. If lamps do not come on, check wires to and from connector.

6.1 GENERAL



WARNING

Before you clean, adjust, or repair this equipment, disengage all drives, lower implements to the ground, engage parking brake, stop engine and remove key from ignition switch to prevent injuries.

1. Always clean grease fittings before and after lubrication.
2. Lubricate with grease that meets or exceeds NLGI Grade 2 LB specifications. Apply grease with a manual grease gun and fill slowly until grease begins to seep out. Do not use compressed air.
3. For smooth operation of pivot points and other friction points, apply several drops of SAE 30 oil every 50 hours or as required.
4. Remove wheels and repack bearings once a year.

6.2 MAINTENANCE CHART

Recommended Service and Lubrication Intervals

	Every 8-10 Hours	Every 50 Hours	Every 100 Hours	Every 250 Hours	Every 400 Hours	Every 500 Hours	Every 1000 Hours	Yearly	See Section	Lubricant Type
Air Cleaner			AR					R	4.4	
Battery Charge			I						4.9	
Belt	I-A*		I-A			R			3.8	
Brake		I-A*		A					3.9	
Cooling System	I-C-A							R	4.15	
Engine Oil	I	R*	R						4.2	III
Engine Oil Filter		R*	R						4.3	
Fuel Lines and Clamps		I								
Fuel Filter					R				4.6	
Grease Fittings - F1		L							6.3	II
Grease Fittings - F2			L						6.3	II
Grease Fittings - F3				L					6.3	II
Hydraulic Hoses and Tubes	I***			I					4.11	
Hydraulic Oil		I-A				R**			4.12	IV
Hydraulic Oil Filters		R*				R-AR			4.13	
Muffler and Exhaust				I					4.10	
Radiator Screens	I-C/AR								4.15	
Tires		I-A							4.17	
Steering System		I*		I-A						
Wheel Bearings								L		I
Wiring		I*		I					4.14	

A - Add or Adjust C - Clean I - Inspect L - Lubricate R - Replace AR - As Required

* Indicates initial service for new machines.

** Or Yearly whichever comes first.

*** Inspect visible hoses and tubes for leaks or oil marks.

I Pack bearings with NLGI Grade 2 (Service Class GB)

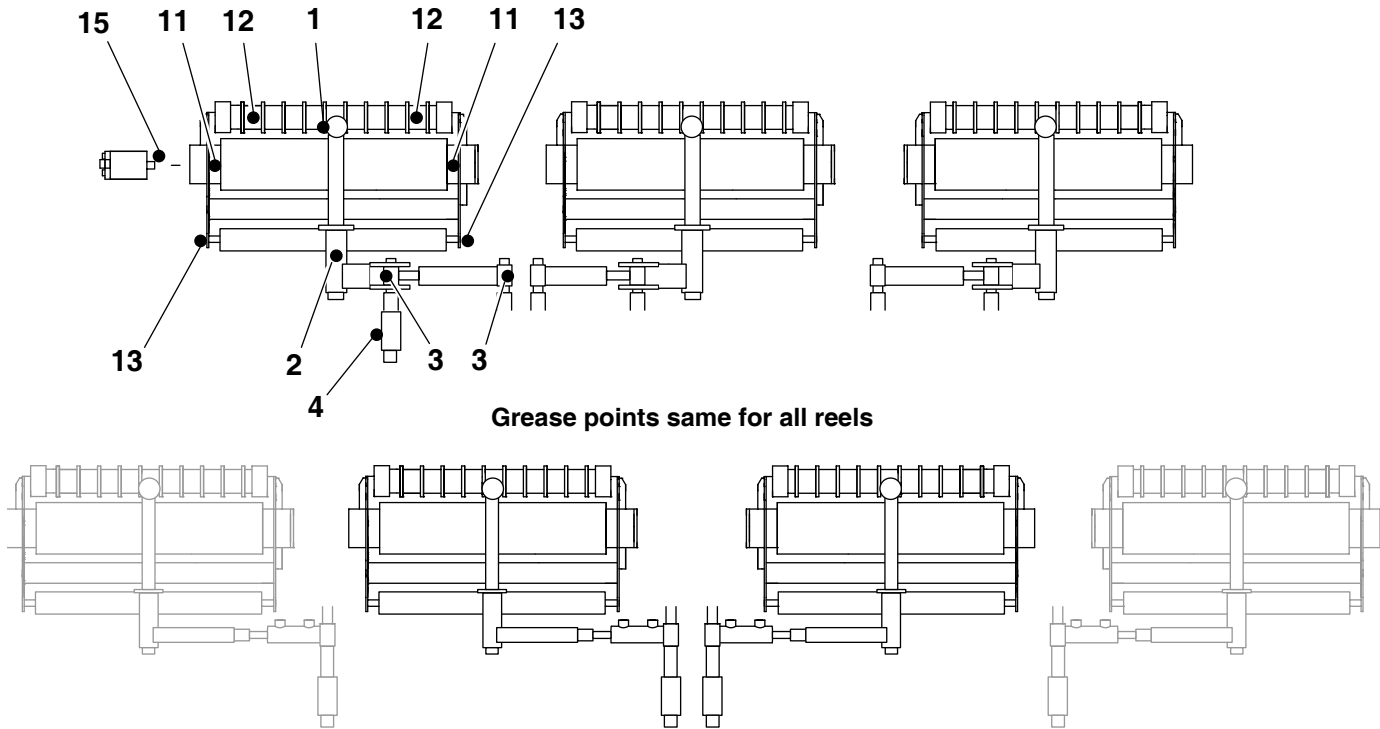
II Manual grease gun with NLGI Grade 2 (Service Class LB).

III Engine Oil - See Section 4.3

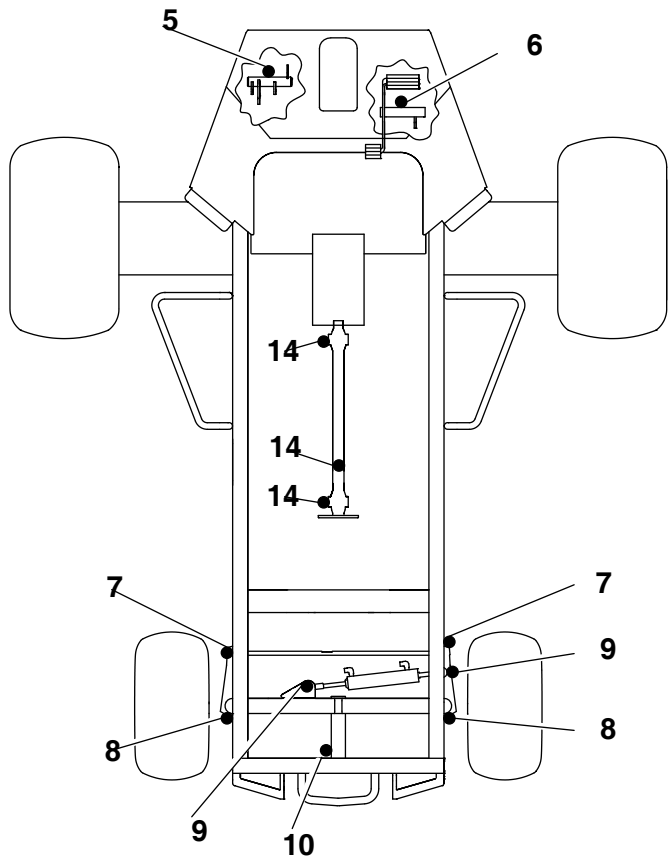
IV Textron Turf Care And Specialty Products Hydraulic Oil - SAE 10W30 or Greens Care 68

6 MAINTENANCE & LUBRICATION CHARTS

6.3 LUBRICATION CHART



Grease points same for all reels



Grease Fittings

F1 - 50 Hours (Every Week)

- 1 Swivel Housing
- 2 Lift Arm
- 3 Lift Cylinders
- 4 Lift Arm Pivot
- 5 Brake Pedal Pivot
- 6 Traction Pedal Pivot
- 7 Ball Joint
- 8 Steering Pivot
- 9 Steering Cylinder
- 10 Axle Pivot

F2 - 100 Hours

- 11 Reel Bearing Cavity
- 12 Front Roller
- 13 Rear Roller
- 14 U-joint Driveshaft

F3 - 250 Hours

- 15 Motor Spline

7.1 TABLE OF CONTENTS

1.1Decals	32	33.1Front Reel Hydraulics	79
2.1Hood	34	34.1Rear Reel Hydraulics	80
3.1Seat Pan	36	35.1Rear Reel Hydraulics	81
4.1Instrument Panel	38	36.1Lift Arms.....	82
5.1Instrument Panel	40	37.1Wing Lift Arms.....	84
6.1Traction Pedal Linkage	42	38.1Wire Harness and Controller Box.....	86
7.1Brake Pedal Linkage	44	39.1Five Inch Reel Assembly	88
8.1Frame and Front Axle.....	46	40.1Five Inch Reel Assembly	90
9.12WD Steering	48	41.1Seven Inch Reel Assembly.....	92
10.14WD Steering.....	50	42.1Seven Inch Reel Assembly.....	94
11.1Tilt Steering.....	52	43.1Down Pressure Spring.....	96
12.1Radiator and Air Cleaner	54	44.1Front Roller	97
13.1Engine Assembly and Mounting	56	45.1Rear Roller	98
14.1Engine Exhaust	58	46.1Rear Roller	99
15.1Pump Mounting	59	47.1Brake Assemblies	100
16.1Fuel and Hydraulic Tanks	60	48.1Reel Valve	101
17.12WD Traction Hydraulics	62	49.1Front Wheel Motor.....	102
18.14WD Traction Hydraulics	63	50.1Rear Wheel Motor.....	103
19.1Charge Pressure and Steering Hydraulics.....	64	51.1Lift Valve	104
20.1Charge Pressure and Steering Hydraulics.....	65	52.1Lift Valve	105
21.1Gear Pump Hydraulics	66	53.1Reel Motor.....	106
22.1Gear Pump Hydraulics	67	54.1Reel Motor.....	107
23.1Return Hydraulics	68	55.1Steering Valve.....	108
24.1Return Hydraulics	69	56.1Rear Reel Valve	110
25.1Hydraulic Valve & Filter Mounting	70	57.14WD Valve	111
26.1Hydraulic Valve and Filter Mounting	71	56.1Electrical Schematic	112
27.1Hydraulic Clamps	72	57.1Electrical Schematic	114
28.1Front Lift Hydraulics	74	58.1Hydraulic Schematic	116
29.1Wing Lift Hydraulics.....	75	59.1Hydraulic Schematic	118
30.1Rear Lift Hydraulics	76	60.1O-Ring Chart	120
31.1Rear Lift Hydraulics	77			
32.1Wing Reel Hydraulics.....	78			

LF 3400 / LF 3800

Serial No. All

1.1 Decals

OPERATION
 READ MANUAL BEFORE OPERATING.
 REPLACEMENT MANUAL AVAILABLE FROM:
 TEXTRON TURF CARE AND SPECIALTY
 PRODUCTS, SHANE, WI.

To Start	To Stop/Park
1. Parking Brake.....On	1. Traction Pedal.....Neutral
2. Traction Pedal.....Neutral	2. Mower Switch.....Off
3. Mower Switch.....Off	3. Parking Brake.....On
4. Throttle.....Half	4. Throttle.....Slow
5. Ignition.....On	5. Ignition.....Off
6. Glow Plug Light.....Off	6. Remove Key
7. Ignition.....Start	

To Drive/Transport	To Mow
1. Follow "To Start" instructions.	1. Follow "To Start" instructions.
2. Mower Switch.....On	2. Throttle.....Fast
3. Cutting Units.....Raise	3. Mower Switch.....Mow
4. Parking Brake.....Off	4. Parking Brake.....Off
5. Throttle.....Fast	5. Cutting Units.....Lower
6. Slowly depress traction pedal.	6. Slowly depress traction pedal.

LF-3400: Engine Power: 33.0 kW @ 3000 rpm.
 Vehicle Mass: 1920 kg (2900), 1238 kg (4900).
 LF-3800: Engine Power: 28.5 kW @ 3000 rpm.
 Vehicle Mass: 1920 kg (2900), 1238 kg (4900).
 HI-4500: Engine Power: 33.8 kW @ 3000 rpm.
 Vehicle Mass: 1940 kg (2900), 1245 kg (4900).
 LF-4675: Engine Power: 33.0 kW @ 3000 rpm.
 Vehicle Mass: 1470 kg.
 LF-4677: Engine Power: 33.0 kW @ 3000 rpm.
 Vehicle Mass: 1500 kg.

LF 3400/3800 & LF 4675/4677

STARTING THE TRACTOR

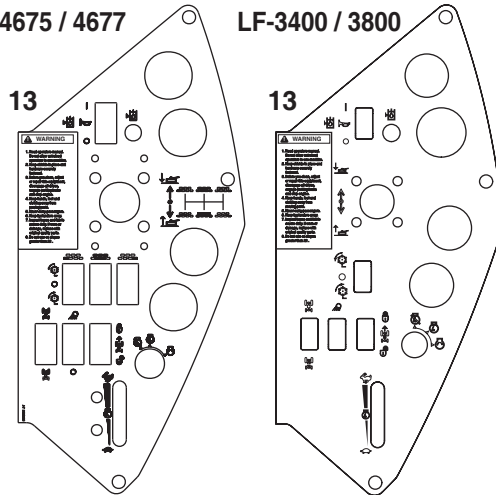
BEFORE STARTING THE TRACTOR, READ THE OPERATING MANUAL TO FAMILIARIZE YOURSELF WITH THE CONTROLS AND PROCEDURES.

CONTROLS INDICATED BY LAMP NUMBER

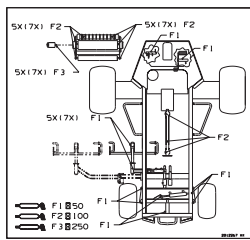
1. Glow Plug Light
 2. Ignition Switch
 3. Throttle
 4. Mower Switch
 5. Parking Brake
 6. Traction Pedal
 7. Ignition Switch
 8. Ignition Switch
 9. Ignition Switch
 10. Ignition Switch
 11. Ignition Switch
 12. Ignition Switch
 13. Ignition Switch
 14. Ignition Switch
 15. Ignition Switch
 16. Ignition Switch
 17. Ignition Switch
 18. Ignition Switch
 19. Ignition Switch
 20. Ignition Switch
 21. Ignition Switch
 22. Ignition Switch
 23. Ignition Switch
 24. Ignition Switch
 25. Ignition Switch
 26. Ignition Switch
 27. Ignition Switch
 28. Ignition Switch
 29. Ignition Switch
 30. Ignition Switch
 31. Ignition Switch
 32. Ignition Switch
 33. Ignition Switch
 34. Ignition Switch
 35. Ignition Switch
 36. Ignition Switch
 37. Ignition Switch
 38. Ignition Switch
 39. Ignition Switch
 40. Ignition Switch
 41. Ignition Switch
 42. Ignition Switch
 43. Ignition Switch
 44. Ignition Switch
 45. Ignition Switch
 46. Ignition Switch
 47. Ignition Switch
 48. Ignition Switch
 49. Ignition Switch
 50. Ignition Switch
 51. Ignition Switch
 52. Ignition Switch
 53. Ignition Switch
 54. Ignition Switch
 55. Ignition Switch
 56. Ignition Switch
 57. Ignition Switch
 58. Ignition Switch
 59. Ignition Switch
 60. Ignition Switch
 61. Ignition Switch
 62. Ignition Switch
 63. Ignition Switch
 64. Ignition Switch
 65. Ignition Switch
 66. Ignition Switch
 67. Ignition Switch
 68. Ignition Switch
 69. Ignition Switch
 70. Ignition Switch
 71. Ignition Switch
 72. Ignition Switch
 73. Ignition Switch
 74. Ignition Switch
 75. Ignition Switch
 76. Ignition Switch
 77. Ignition Switch
 78. Ignition Switch
 79. Ignition Switch
 80. Ignition Switch
 81. Ignition Switch
 82. Ignition Switch
 83. Ignition Switch
 84. Ignition Switch
 85. Ignition Switch
 86. Ignition Switch
 87. Ignition Switch
 88. Ignition Switch
 89. Ignition Switch
 90. Ignition Switch
 91. Ignition Switch
 92. Ignition Switch
 93. Ignition Switch
 94. Ignition Switch
 95. Ignition Switch
 96. Ignition Switch
 97. Ignition Switch
 98. Ignition Switch
 99. Ignition Switch
 100. Ignition Switch

LF-4675 / 4677

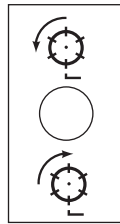
LF-3400 / 3800



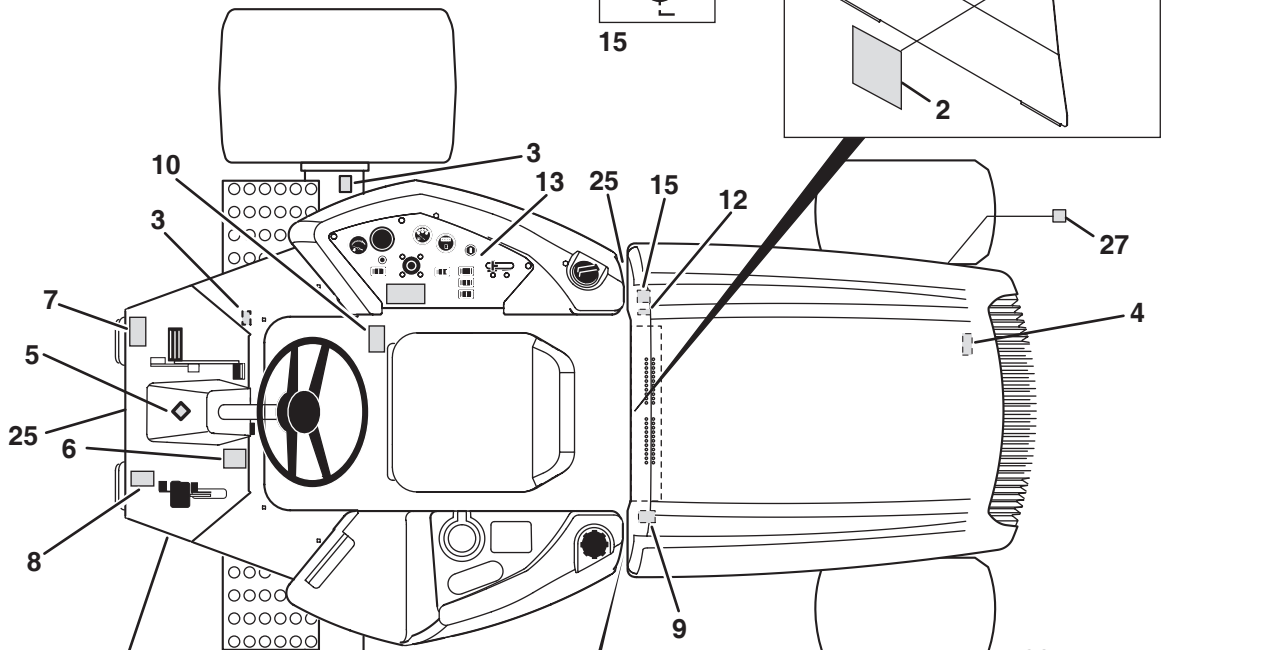
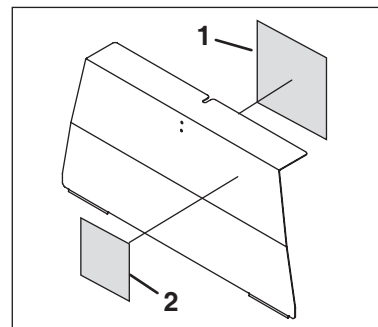
20



2

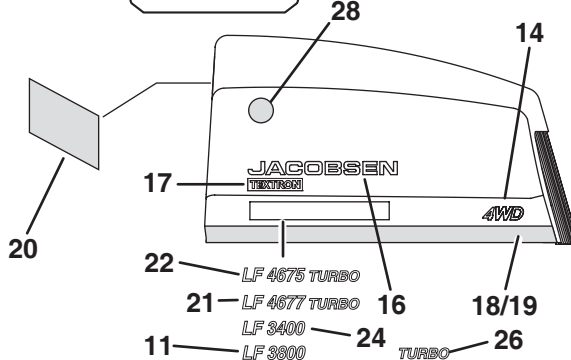


15



WARNING
 DO NOT INSTALL CAB UNLESS
 UNIT OUTFITTED WITH BRAKE
 UPDATE KIT, P/N 4118909

25



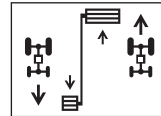


3

⚠ ATENCION

- No opere esta maquina sin previo entrenamiento, instruccion y sin haber leído el manual de operacion.
- Tenga todas las guardas en su lugar y piezas bien aseguradas.
- Neutralice todas las velocidades y apague el motor antes de vaciar los recolectores de pasto, darle servicio, limpiar, ajustar y destrabar la maquina.
- Mantenga las manos, los pies y ropa suelta lejos de piezas en movimiento.
- No deberan transportar pasajeros si no existe un asiento para ellos.
- Si no sabe leer ingles, pida que alguien le lea las calcomanias de avisos y los manuales de instruccion y operacion.

6



7

⚠ DANGER

To avoid injury when working with battery

- Always connect the black ground (-) cable last and remove it first.
- Keep sparks and flames away, and avoid contact with acid.

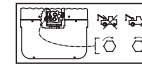
To avoid injury when jumping battery

- Connect positive (+) terminal to positive (+) terminal.
- Connect negative (-) terminal on good battery to frame of vehicle that has dead battery.

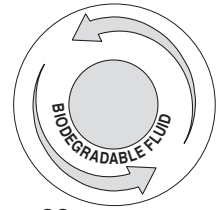
9

FlashAttach™

23



10



28

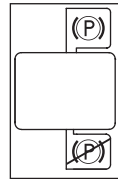
⚠ WARNING

Radiator is under pressure. Remove cap slowly to avoid personal injury

4



5

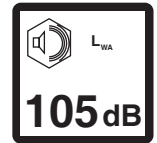


8

To Backlap

- Backlap Switch...Backlap
- Follow "To Start" Instructions.
- Cutting Units.....Lower
- Throttle.....Slow
- Reel Switch.....Backlap
- Backlap Speed Control Valves.....Adjust
- With extreme caution, apply lapping compound with long handled brush.
- Backlap switch must be returned to mow position

12

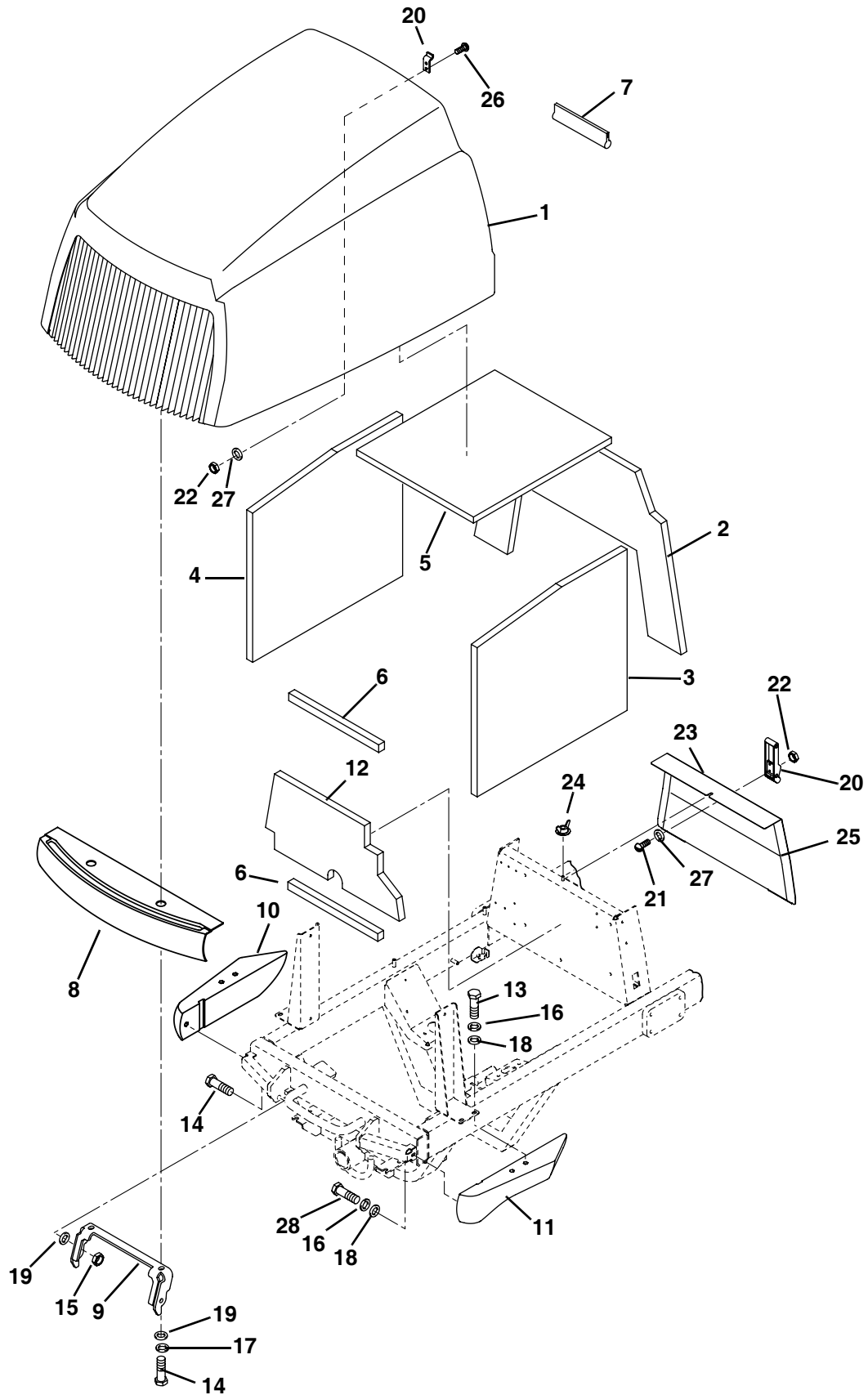


27

Item	Part No.	Qty.	Description	Serial Numbers/Notes
1	3009718	1	Decal, Controller	
2	2812267	1	Decal, Service	
3	3008683	2	Decal, Backlap	Located on Front Axle
4	365956	1	Decal, Radiator Warning	Located on top of Radiator
5	3007129	1	Emblem, Diamond J	
6	340830	1	Decal, Spanish Caution	
7	3008521	1	Decal, Traction Pedal	
8	3008522	1	Decal, Brake	
9	3001435	1	Decal, Battery Danger	Located on Controller Housing
10	3008682	1	Decal, Tow Valve	
11	3007527	2	Decal, LF 3800	
12	3009253	1	Decal, Backlap Instructions	Located on Controller Housing
13	3009528	1	Decal, Instrument Panel	LF 4675 / 4677
13	4101920	1	Decal, Instrument Panel	LF 3400 / 3800
14	3008327	1	Decal, 4WD	4WD Only
15	3002363	1	Decal, Backlap Switch	Located on Controller Housing
16	3007505	2	Decal, Jacobsen	
17	3007514	2	Decal, Textron	
18	3007750	1	Decal, Left Side Blue Stripe	
19	3007751	1	Decal, Right Side Blue Stripe	
20	2812268	1	Decal, Operating Instructions	
21	2812204	2	Decal, LF 4677	
22	2812203	2	Decal, LF 4675	
23	3008930	1	Decal, Flash Attach	
24	3007526	1	Decal, LF 3400	
25	4119004	3	Decal, Brake Update Warning	LF 4675 / LF 4677 Only
26	4119844	2	Decal, Turbo	Used on LF 3800 Turbo Only
27	4117468	1	Decal, Noise 105 dB	
28	4111408	2	Decal, Bio Fluid	

> Change from previous revision

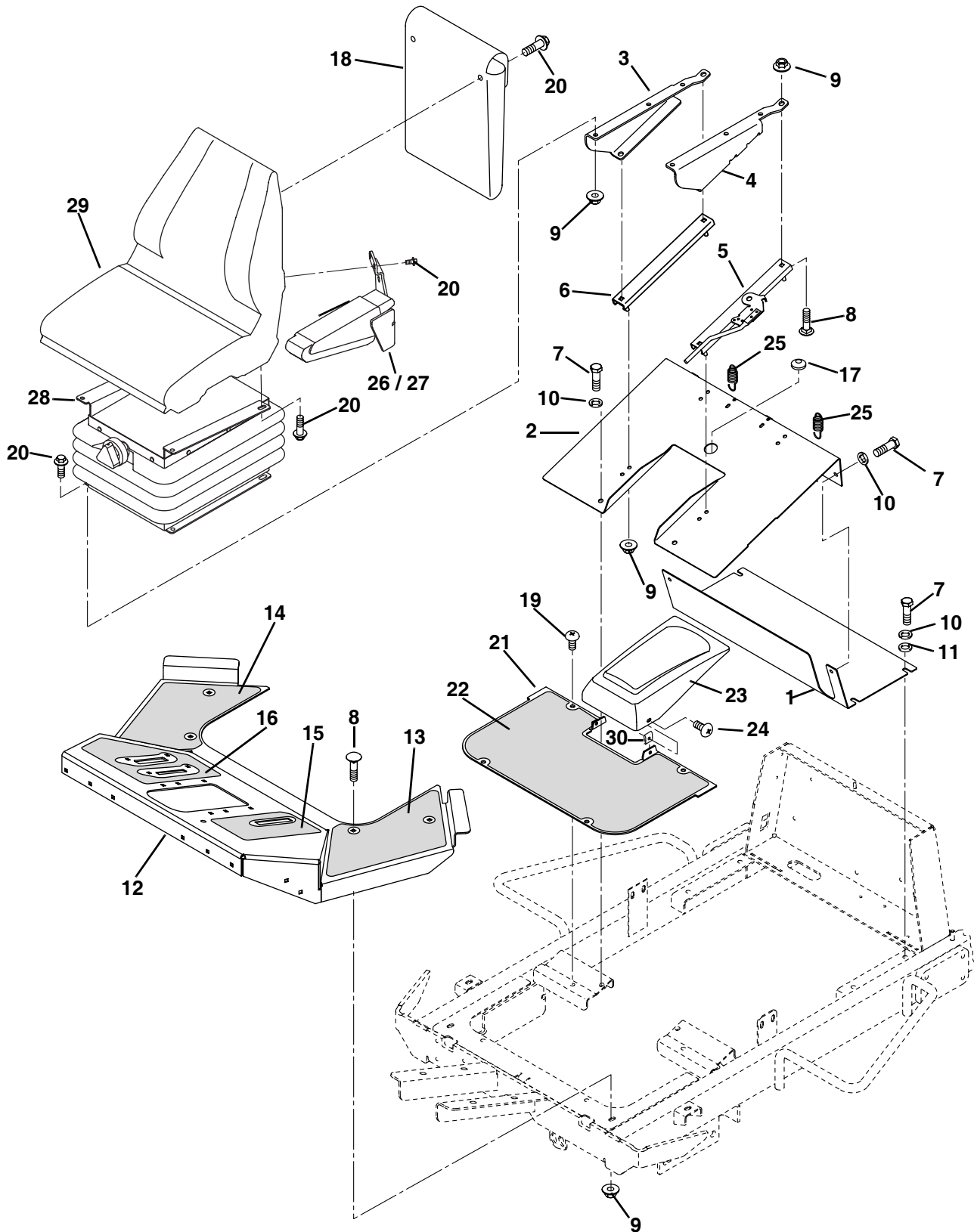
2.1 Hood



Item	Part No.	Qty.	Description	Serial Numbers/Notes
1	1003527	1	Hood Assembly, LF 3400/3800	Includes Items 16 ~ 20 on Illustration 1.1
1	1004981	1	Hood Assembly, LF 4675/4677	Includes Items 16 ~ 20 on Illustration 1.1
2	3007549	1	• Foam, Front	
3	3007550	1	• Foam, Right Side	
4	3007551	1	• Foam, Left Side	
5	3007552	1	• Foam, Top	
6	3007661	2	• Seals, Rear, Top and Bottom	
7	557620	AR	• Molding	
8	3006615	1	Shell, Bumper	
9	3006840	1	Bracket, Hood Hinge	
10	3007315	1	Seal, Left Side Air	
11	3007316	1	Seal, Right Side Air	
12	3007548	1	Foam, Control Module	
13	400182	4	Screw, 5/16-18 x 5/8" Hex Head	
14	400408	4	Screw, 1/2-13 x 1-1/2" Hex Head	
15	444758	2	Locknut, 1/2-13 Center	
16	446136	6	Lockwasher, 5/16 Heavy	
17	446154	2	Lockwasher, 1/2 Heavy	
18	452006	6	Flat Washer, 5/16	
19	453017	6	Flat Washer, 1/2	
20	366883	1	Over Center Latch	
21	402056	2	Screw, #8-32 x 3/8" Slotted Head	
22	444306	4	Nut, #8-32 Hex	
23	2812381	1	Cover, Front Mount	
24	3008195	1	Wing Nut, 1/4-20 Steel	
25	3009210	1	Foam (Cut To Length)	
26	403741	2	Screw, #8-32 x 5/8" Hex Head	
27	446110	4	Lockwasher, #8	
28	400184	2	Screw, 5/16-18 x 3/4" Hex Head	

> Change from previous revision

3.1 Seat Pan



Item	Part No.	Qty.	Description	Serial Numbers/Notes
1	1004279	1	Floorpan	
2	3009292	1	Seat Pan	
3	3006909	1	Support, Right Seat	
4	3006910	1	Support, Left Seat	
5	3009995	1	Adjuster, Latching	
6	3006988	1	Adjuster, Slave	
7	400258	9	Screw, 3/8-16 x 3/4" Hex Head	
8	441602	8	Carriage Bolt, 5/16-18 x 3/4"	
9	445795	18	Nut, 5/16-18 Spiralock Flange	
10	446142	9	Lockwasher, 3/8 Heavy	
11	452008	9	Flat Washer, 3/8	
12	5003162	1	Platform	Includes Items 6 - 8, Illustration 1.1
13	3007609	1	• Pad, Left Floorboard	
14	3007610	1	• Pad, Right Floorboard	
15	3007611	1	• Pad, Left Foot	
16	3007612	1	• Pad, Right Foot	
17	315387	1	Grommet	
18	3003928	1	Pouch, Literature	
19	404118	4	Screw, 3/8-16 x 7/8" Truss Head	
20	3001328	16	Screw, 5/16-18 x 5/8" Hex Washer	
21	5003191	1	Floorboard	
22	3007608	1	• Pad, Center Floorboard	
23	3008218	1	Cover, Hydro	
24	404016	2	Screw, 1/4-20 x 5/8" Truss Head	
25	3008374	2	Spring, Extension	
26	198059	1	Arm Rest, L.H.	
27	198066	1	Arm Rest, R.H.	
28	66171	1	Suspension, Heavy Duty Seat	
	5003568	1	• Knob Kit	
	5003569	1	• Damper Kit	
	5003567	1	• Boot Kit	
	5003468	1	• Wire, Seat Extension	
29	66172	1	Seat, One Piece 21"	
	434011	2	• Screw, 1/4-20 x 5/8" Socket Head	
	446130	2	• Lockwasher, 1/4 Heavy	
	554390	1	• Switch, Seat	
	163583	1	• Wire Harness, Seat Switch	
30	445245	2	Tinnerman Nut	

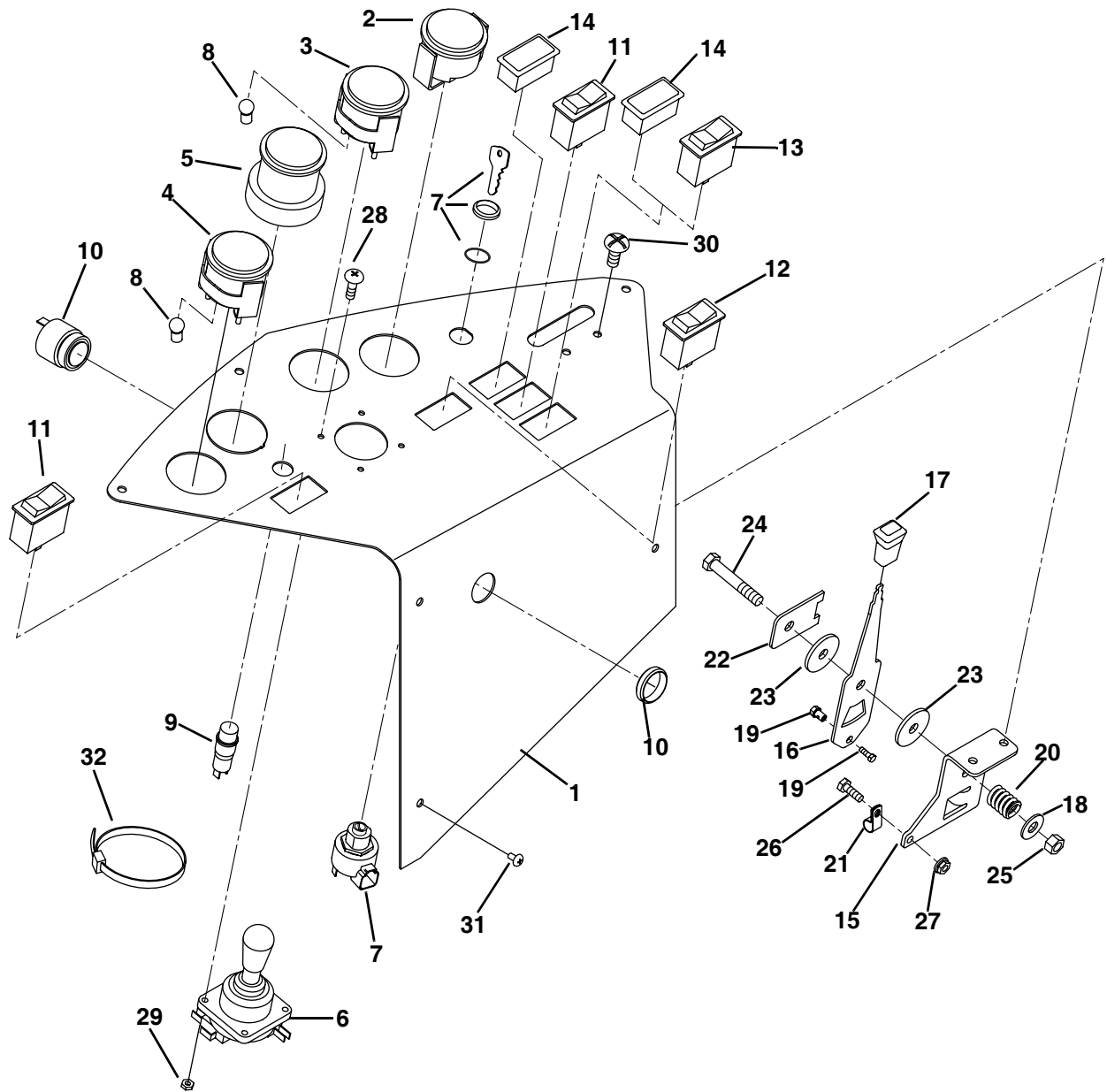
> Change from previous revision

LF 3400 / LF 3800

Serial No. All

4.1 Instrument Panel

5 Gang Units (LF 3400, LF 3800 and LF 3400 Turbo)



LF34-3

Item	Part No.	Qty.	Description	Serial Numbers/Notes
1	2811487	1	Instrument Panel	
2	162723	1	Hour Meter	
	447006	1	• Lockwasher, #10	
	444310	1	• Nut, #10	
3	365943	1	Fuel Gauge	
4	3005121	1	Water Temperature Gauge	
	447002	3	• Lockwasher, #6 External Tooth	
	444302	3	• Nut, #6-32 Hex	
	447206	2	• Lockwasher, #8 Internal Tooth	
	444306	2	• Nut, #8-32 Hex	
5	1002679	1	Light Cluster	
	5003091	4	• Light Bulb and Socket	
6	1004290	1	Joystick, 2 Switch	Single Axis Only
7	2811488	1	Switch, Ignition	
	N/S	1	• Nut	
	N/S	1	• Washer	
	2811020	1	• Key	
8	3001376	2	Bulb, Gauge	
9	366751	1	Indicator Light, Yellow	
10	366670	1	Horn	
11	3006434	2	Switch, Rocker	
12	3006449	1	Switch, Rocker	
13	3006436	1	Switch, Rocker	4WD Only
14	3006509	2	Hole Plug	2WD
14	3006509	1	Hole Plug	4WD
15	1002810	1	Bracket, Throttle	
16	3006036	1	Lever, Throttle	
17	366768	1	Knob	
18	452008	1	Flat Washer, 3/8	
19	558020	1	Swivel	
20	351956	1	Spring , Compression	
21	558021	1	Clip, Conduit	
22	3006035	1	Plate, Friction	
23	360885	2	Washer, Friction	
24	400272	1	Screw, 3/8-16 x 2-1/4" Hex Head	
25	444762	1	Locknut, 3/8-16 Center	
26	400108	1	Screw, 1/4-20 x 3/4" Hex Head	
27	445794	1	Nut, 1/4-20 Spiralock Flange	
28	403912	4	Screw, #10-24 x 5/8" Truss Head	
29	444310	4	Nut, #10-24 Hex	
30	404016	2	Screw, 1/4-20 x 5/8" Truss Head	
31	403908	6	Screw, #10-24 x 3/8" Truss Head	
32	473142	1	Cable Tie	

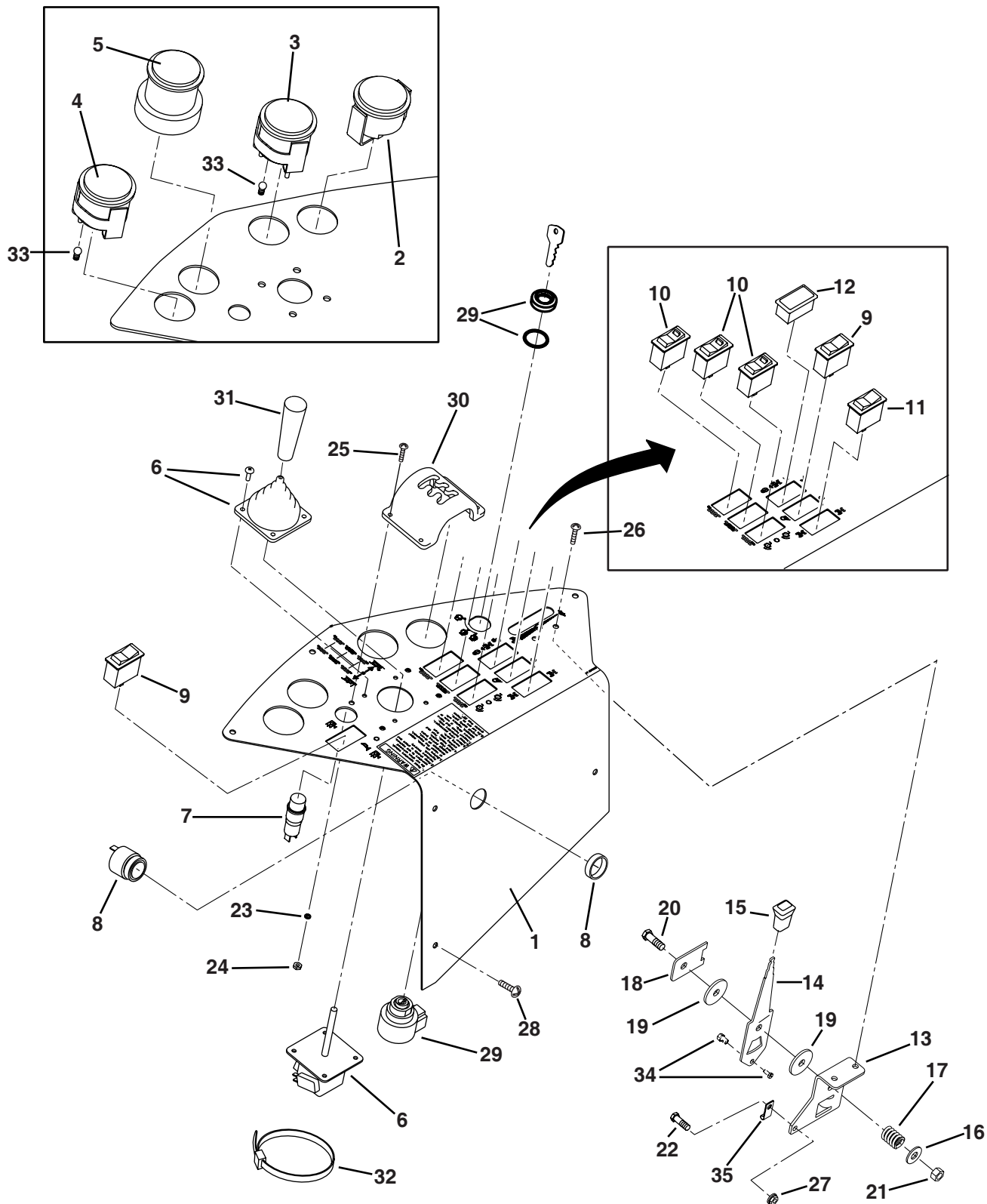
> Change from previous revision

LF 3400 / LF 3800

Serial No. All

5.1 Instrument Panel

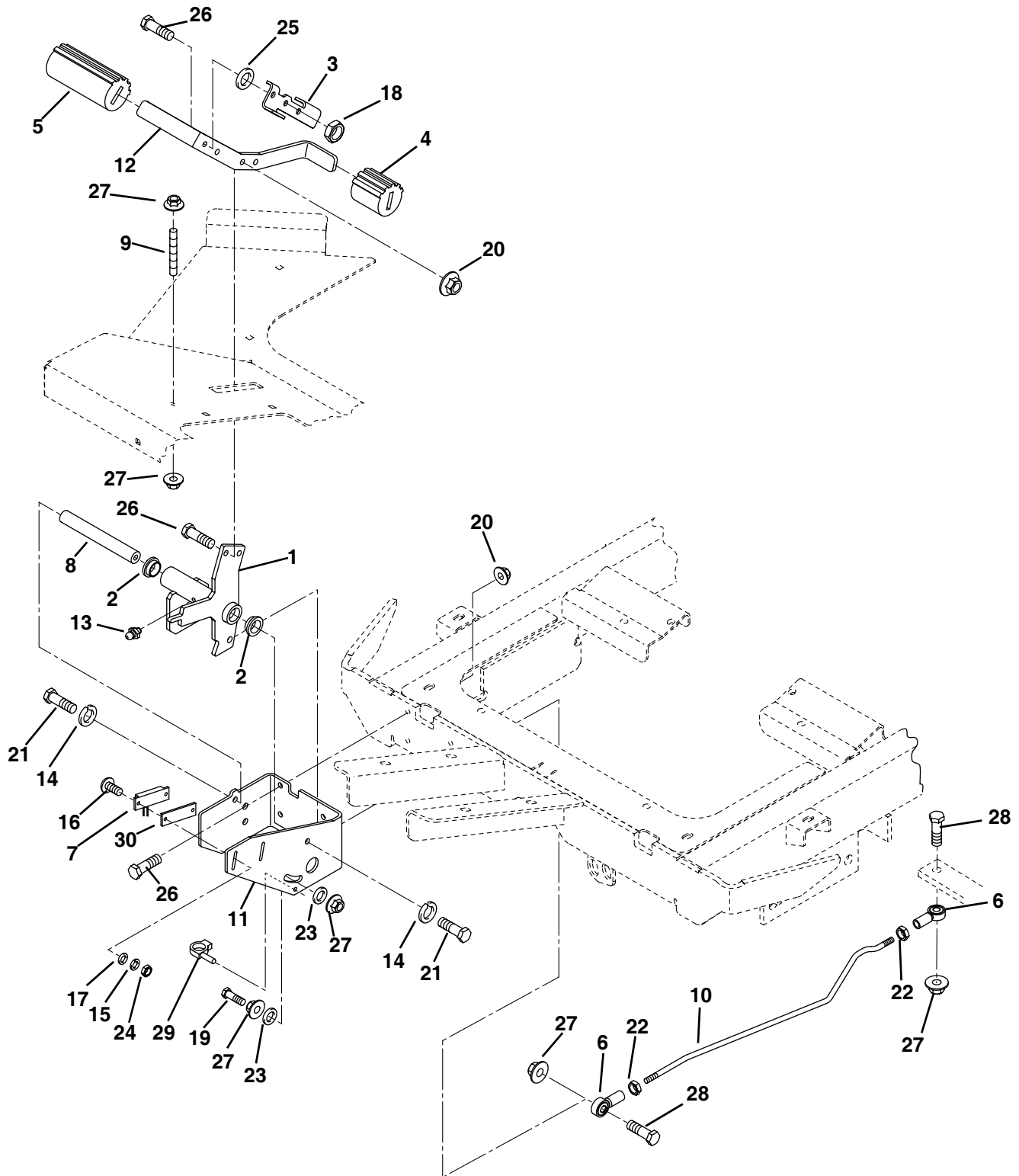
LF 4675 and 4677 Models



Item	Part No.	Qty.	Description	Serial Numbers/Notes
1	2811991	1	Instrument Panel	
2	162723	1	Hour Meter	
	447006	1	• Lockwasher, #10	
	444310	1	• Nut, #10	
3	365943	1	Fuel Gauge	
4	3005121	1	Water Temperature Gauge	
	447002	3	• Lockwasher, #6 External Tooth	
	444302	3	• Nut, #6-32 Hex	
	447206	2	• Lockwasher, #8 Internal Tooth	
	444306	2	• Nut, #8-32 Hex	
5	1002679	1	Light Cluster	
	5003091	4	• Light Bulb and Socket	
6	1002954	1	Joystick, 2 Switch	
7	366751	1	Light, Yellow Indicator	
8	366670	1	Horn	
9	3006434	2	Switch, Rocker	
10	3006449	3	Switch, Rocker	
11	3006436	1	Switch, Rocker	
12	3006509	1	Hole Plug	
13	1002810	1	Bracket, Throttle	
14	3006036	1	Lever, Throttle	
15	366768	1	Knob	
16	452008	1	Flat Washer, 3/8	
17	351956	1	Spring , Compression	
18	3006035	1	Plate, Friction	
19	360885	2	Washer, Friction	
20	400272	1	Screw, 3/8-16 x 2-1/4" Hex Head	
21	444762	1	Locknut, 3/8-16 Center	
22	400108	1	Screw, 1/4-20 x 3/4" Hex Head	
23	446118	4	Lockwasher, #10 Heavy	
24	444310	4	Nut, #10-24 Hex	
25	403912	4	Screw, #10-24 x 5/8" Truss Head	
26	404016	2	Screw, 1/4-20 x 5/8" Truss Head	
27	445794	1	Nut, 1/4-20 Spiralock Flange	
28	403908	6	Screw, #10-24 x 3/8" Truss Head	
29	2811488	1	Switch Assembly, Key (Not Shown)	
	N/S	1	• Nut	
	N/S	1	• Washer	
	2811020	1	• Key	
30	3010546	1	Cover, Joystick	
31	2809790	1	Handle, Joystick	
32	473142	1	Cable Tie	
33	3001376	2	Bulb, Gauge	
34	558020	1	Swivel	
35	558021	1	Clip, Conduit	

> Change from previous revision

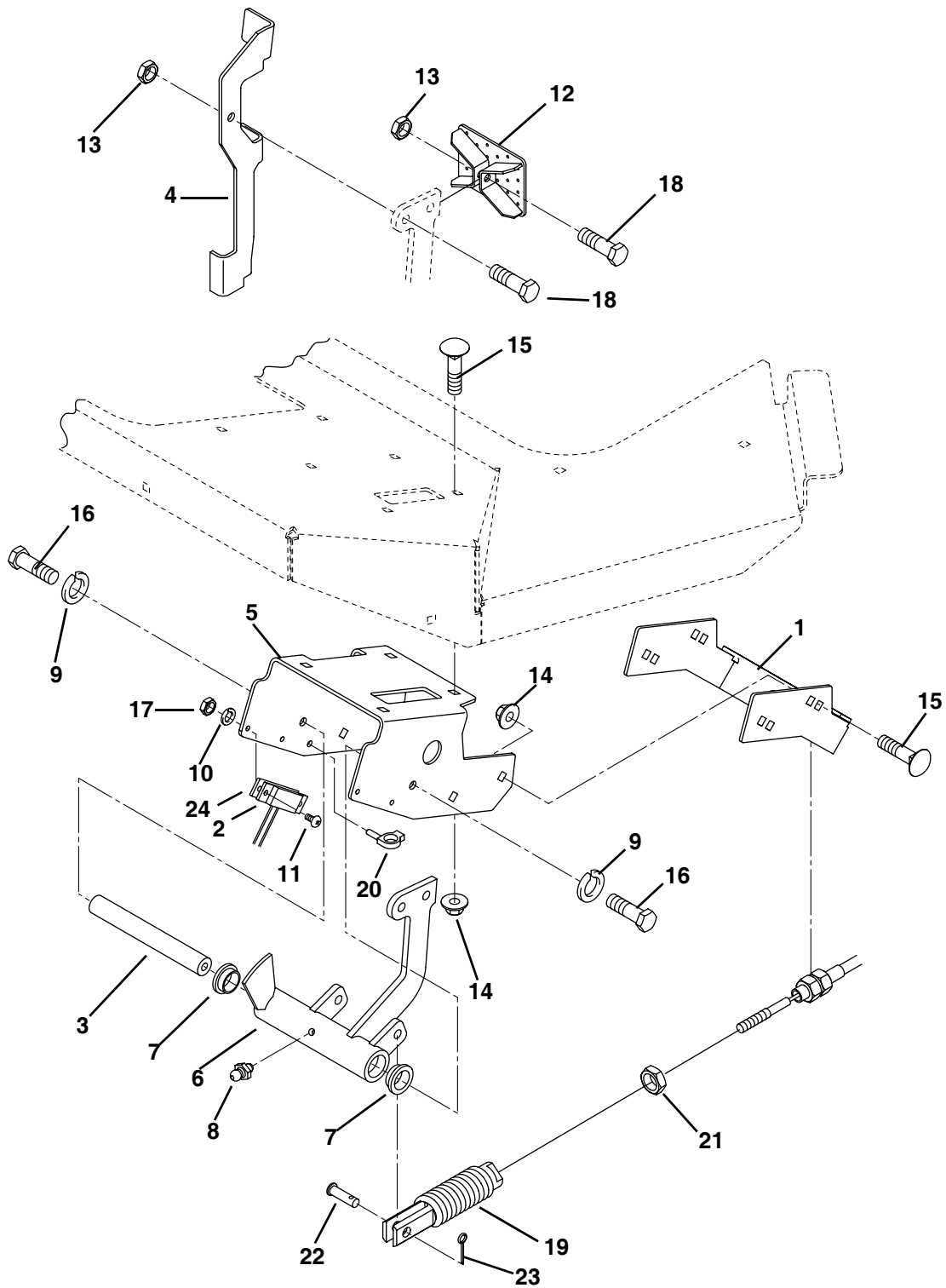
6.1 Traction Pedal Linkage



Item	Part No.	Qty.	Description	Serial Numbers/Notes
1	1003288	1	Treadle Pivot	
2	352726	2	• Bushing	
3	3007230	1	Stop, Mow Speed	
4	3003474	1	Grip, Pedal	
5	3003475	1	Grip, Pedal	
6	366974	2	Rod End	
7	3007392	1	Switch, Proximity	
8	3006327	1	Shaft, Turn Assist	
9	333542	1	Tie Stud	
10	3006998	1	Rod, Hydro	
11	3006999	1	Bracket, Hydro Mount	
12	3007001	1	Pedal, Hydro	
13	471214	1	Fitting, Grease	
14	446136	2	Lockwasher, 5/16 Heavy	
15	446110	2	Lockwasher, #8	
16	403860	2	Screw, #8-32 x 5/8" Truss Head	
17	453004	2	Flat Washer, #8	
18	444718	1	Locknut, 5/16-18 Center	
19	400272	1	Screw, 3/8-16 x 2-1/4" Hex Head	
20	445795	6	Nut, 5/16-18 Spiralock Flange	
21	400182	4	Screw, 5/16-18 x 5/8" Hex Head	
22	443112	2	Nut, 3/8-24 Hex	
23	452008	2	Flat Washer, 3/8	
24	444306	2	Nut, #8-32 Hex	
25	3002695	1	Washer	
26	400188	7	Screw, 5/16-18 x 1" Hex Head	
27	445796	6	Nut, 3/8-16 Spiralock Flange	
28	400264	2	Screw, 3/8-16 x 1-1/4" Hex Head	
29	3008383	1	Clip, Wire Harness	
30	3009193	AR	Shim, Switch	

> Change from previous revision

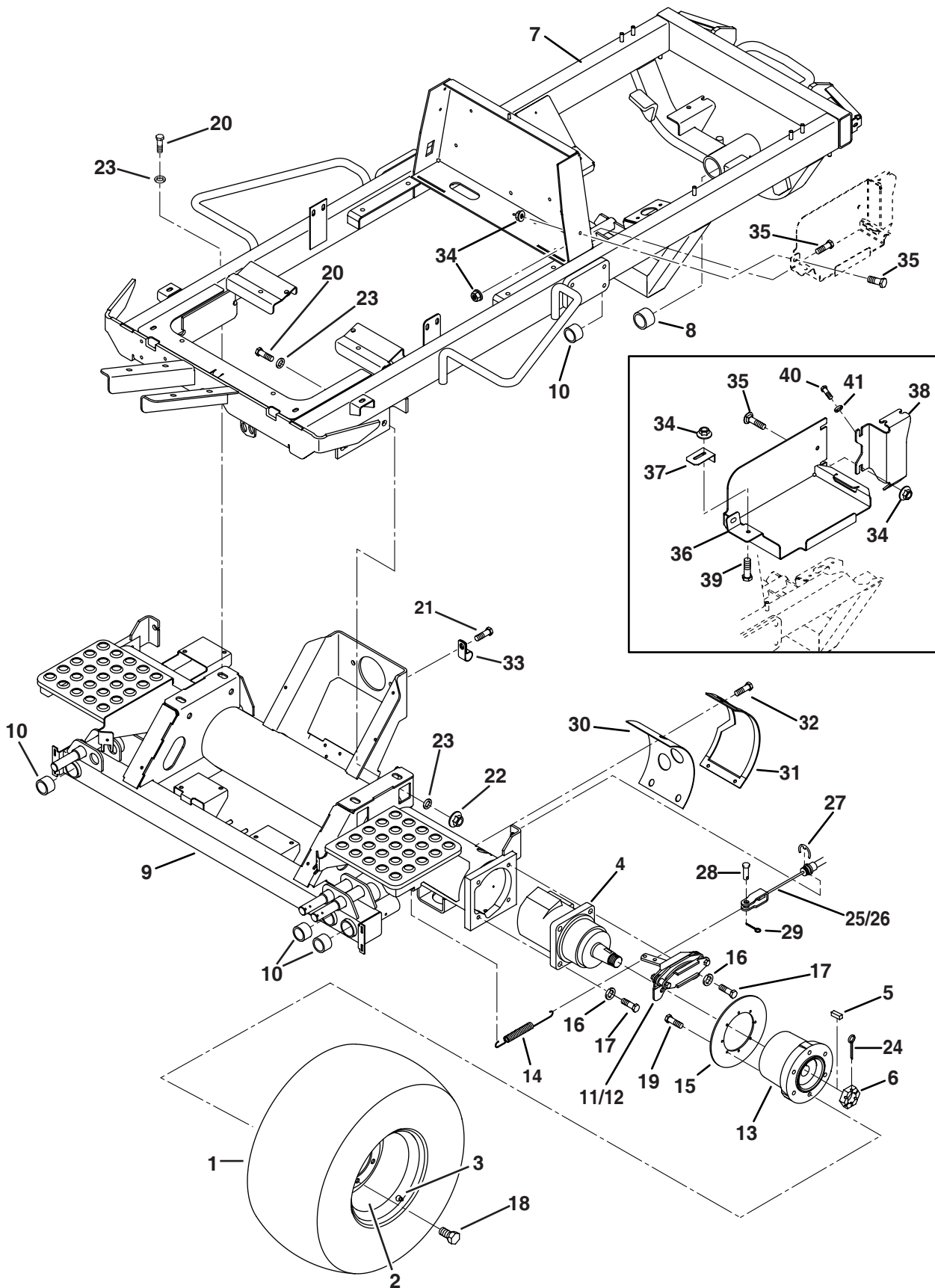
7.1 Brake Pedal Linkage



Item	Part No.	Qty.	Description	Serial Numbers/Notes
1	4118095	1	Bracket, Brake	
2	3007392	1	Switch, Proximity	
3	3006327	1	Shaft, Turn Assist	
4	3007606	1	Lever, Parking Brake	
5	3006997	1	Mount, Brake	
6	1003616	1	Brake Arm	
7	352726	2	• Bushing	
8	471214	1	Grease Fitting	
9	446136	2	Lockwasher, 5/16 Heavy	
10	446110	2	Lockwasher, #8	
11	403860	2	Screw, #8-32 x 5/8" Truss Head	
12	1003872	1	Pedal	
13	444718	2	Locknut, 5/16-18 Center	
14	445795	8	Nut, 5/16-18 Spiralock Flange	
15	441602	8	Carriage Bolt, 5/16-18 x 3/4"	
16	400182	2	Screw, 5/16-18 x 5/8" Hex Head	
17	444306	2	Nut, #8-32 Hex	
18	400188	2	Screw, 5/16-18 x 1" Hex Head	
19	4108161	2	Brake Spring Assembly	
20	3008383	1	Clip, Wire Harness	
21	443812	2	Nut, 3/8-24 Hex Jam	
22	461451	2	Clevis Pin, 5/16 x 15/16"	
23	460014	2	Cotter Pin, 3/32 x 3/4"	
24	3009193	AR	Shim	

> Change from previous revision

8.1 Frame and Front Axle



Item	Part No.	Qty.	Description	Serial Numbers/Notes
1	5002573	2	Tire	
2	5002574	2	Rim	
3	360111	2	Valve, Inflation	
4	1001757	2	Wheel Motor	See 49.1
5	557623	2	• Key	
6	557624	2	• Nut, Hex	
7	2812246	1	Frame	Includes Four (4) of Item 10
8	366871	2	• Bushing	
9	1002853	1	Front Axle	Includes Six (6) of Item 10
10	366870	10	• Bushing	
11	-	1	Brake Assembly	See 47.1
12	-	1	Brake Assembly	See 47.1
13	2000141	2	Hub, Wheel	
14	319212	2	Spring, Extension	
15	340486	2	Disk Brake	
16	446154	8	Lockwasher, 1/2 Heavy	
17	400410	8	Screw, 1/2-13 x 1-3/4" Hex Head	
18	353914	12	Wheel Bolt	
19	400108	16	Screw, 1/4-20 x 3/4" Hex Head	
20	4113047	4	Screw, 5/8-18 x 1-1/2" Hex Head	Grade 8 Bolt
21	409811	1	Screw, 5/16-18 x 5/8" Thread Cutting	
22	445817	4	Nut, 5/8-18, Spiralock Flange	
23	453020	8	Flat Washer, 5/8	
24	460093	2	Cotter Pin, 1/8 x 2-1/2"	
25	1003047	1	Cable, Right Brake	
26	1003048	1	Cable, Left Brake	
27	557771	2	• Clip, Brake Cable	
28	461493	2	Clevis Pin, 5/16 x 3/4"	
29	460014	2	Cotter Pin, 3/32 x 3/4"	
30	3007970	2	Seal, Tube	
31	3008193	2	Retainer, Seal	
32	409804	6	Screw, 1/4-20 x 5/8" Thread Cutting	
33	345666	1	Clamp	
34	445795	5	Nut, 5/16-18 Spiralock Flange	
35	441602	5	Bolt, 5/16-18 x 3/4" Carriage	
36	4103060	1	Battery Tray	
37	2810553	1	Clamp, Battery	
38	4103061	1	Bracket, Fuel Filter	
39	400188	1	Screw, 5/16-18 x 1" Hex Head	
40	400258	1	Screw, 3/8-16 x 3/4" Hex Head	
41	446142	1	Lockwasher, 3/8 Heavy	

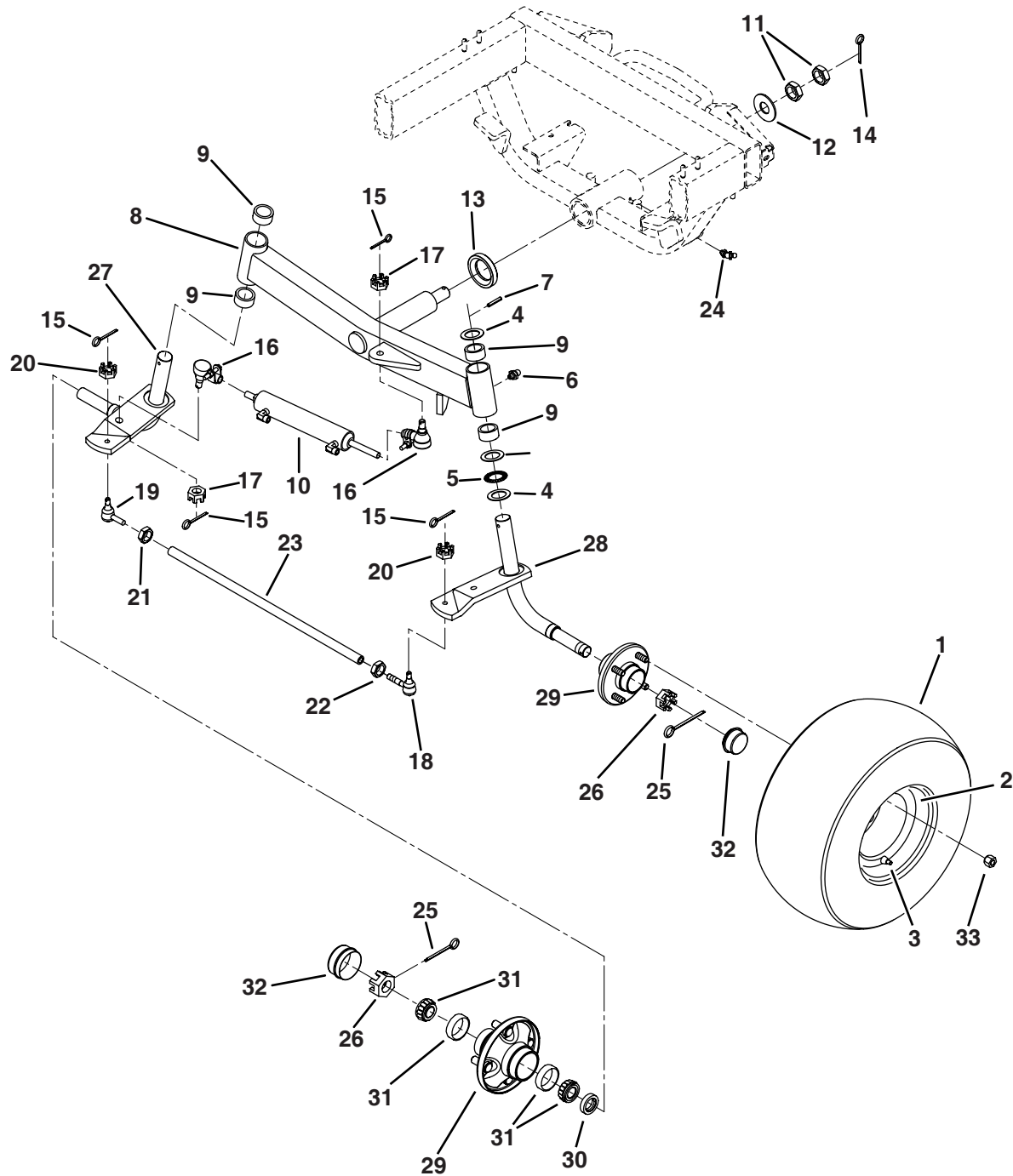
> Change from previous revision

LF 3400 / LF 3800

Serial No. 67866,67868

9.1 2WD Steering

2WD Units Only



Item	Part No.	Qty.	Description	Serial Numbers/Notes
1	3006981	2	Tire	
2	1003638	2	Rim	
3	360111	2	Inflation Valve	
4	361648	6	Washer, Thrust	
5	361647	2	Bearing, Thrust	
6	471214	2	Fitting, Grease	
7	461393	2	Pin, Spring 1/4 x 2"	
8	117139	1	Steering Axle	
9	363562	4	• Bushing	
10	340491	1	Cylinder, Steering	
	557621	1	• Seal Kit - Gold Star	Used on Gold Star Cylinders Only
	5003658	1	• Seal Kit - HDM	Used On HDM Cylinders Only
11	443840	2	Nut, 1-12 Hex Jam	
12	452022	1	Flat Washer, 1	
13	366789	1	Spacer, Axle	
14	460064	1	Cotter Pin, 1/4 x 1-1/2"	
15	460026	4	Cotter Pin, 1/8 x 3/4"	
16	153234	2	Ball Joint	
	400194	2	• Screw, 5/16-18 x 1-3/4"	
	444718	2	• Locknut, 5/16-18 Hex	
	471214	2	• Grease Fitting	
17	445666	2	• Nut, 1/2-20 Slotted Hex	
18	1002032	1	Ball Joint, Right Hand Thread	
19	1002031	1	Ball Joint, Left Hand Thread	
	471214	2	• Grease Fitting	
20	445647	2	• Nut, 3/8-24 Slotted Hex	
21	443120	1	Nut, 1/2-20 Hex Right Hand Thread	
22	445664	1	Nut, 1/2-20 Hex Left Hand Thread	
23	3009378	1	Tie Rod	
24	471227	1	45° Grease Fitting	
25	460050	2	Cotter Pin, 3/16 x 1-1/4"	
26	445710	2	Nut, 1-14 Slotted Hex	
27	2812269	1	Spindle, Right	
28	2812270	1	Spindle, Left	
29	5002910	2	Wheel Hub	
30	554329	2	• Seal, Grease	
31	500596	2	• Bearing, Cup and Cone	
32	545692	2	• Dust Cap	
33	354807	8	• Wheel Nut	

> Change from previous revision

LF 3400 / LF 3800

10.1 4WD Steering

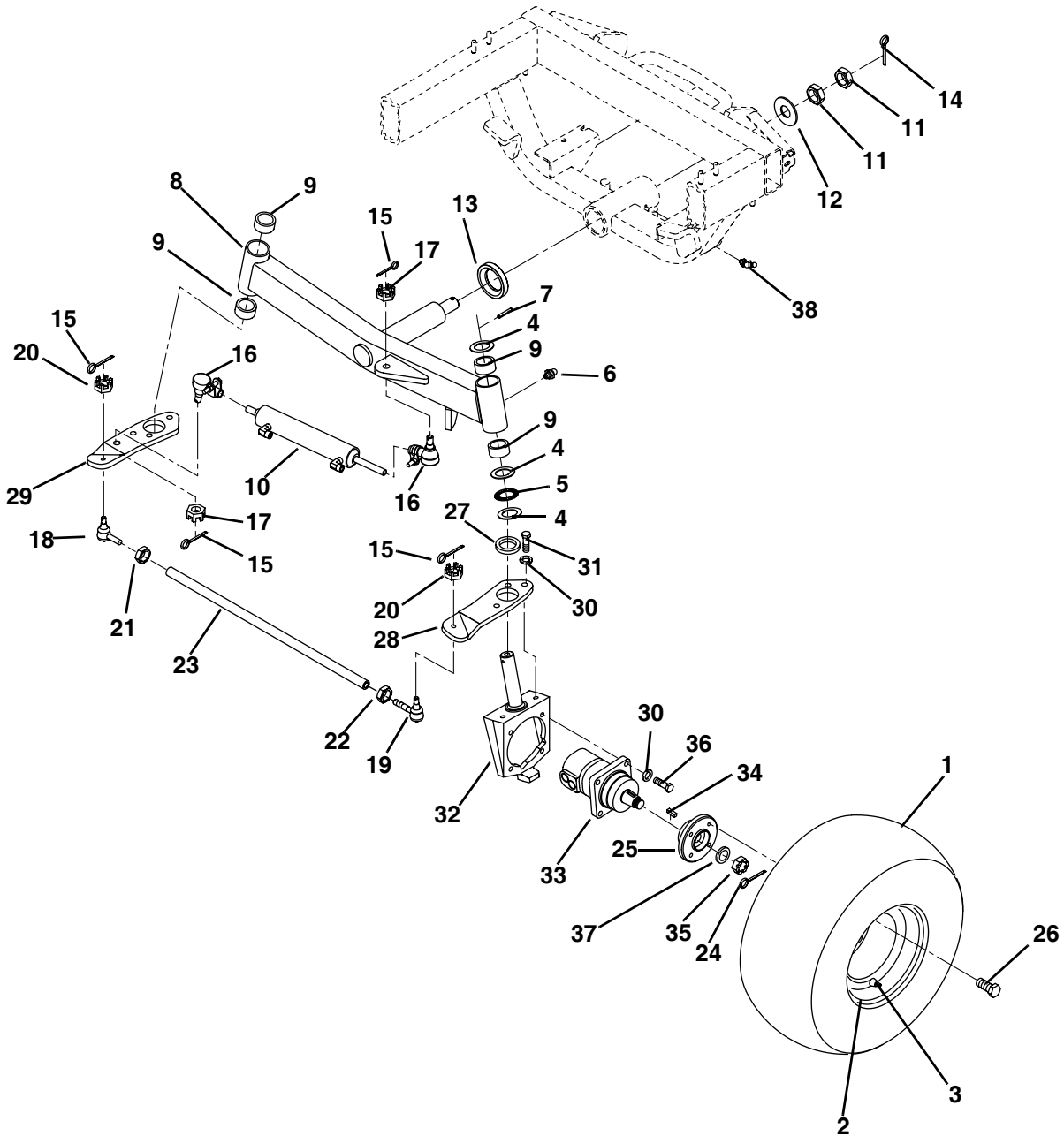
4WD Units Only

Serial No. 67915, 67916-1601 and Up

Serial No. 67867 -1601 and Up

Serial No. 67869-1601 and Up

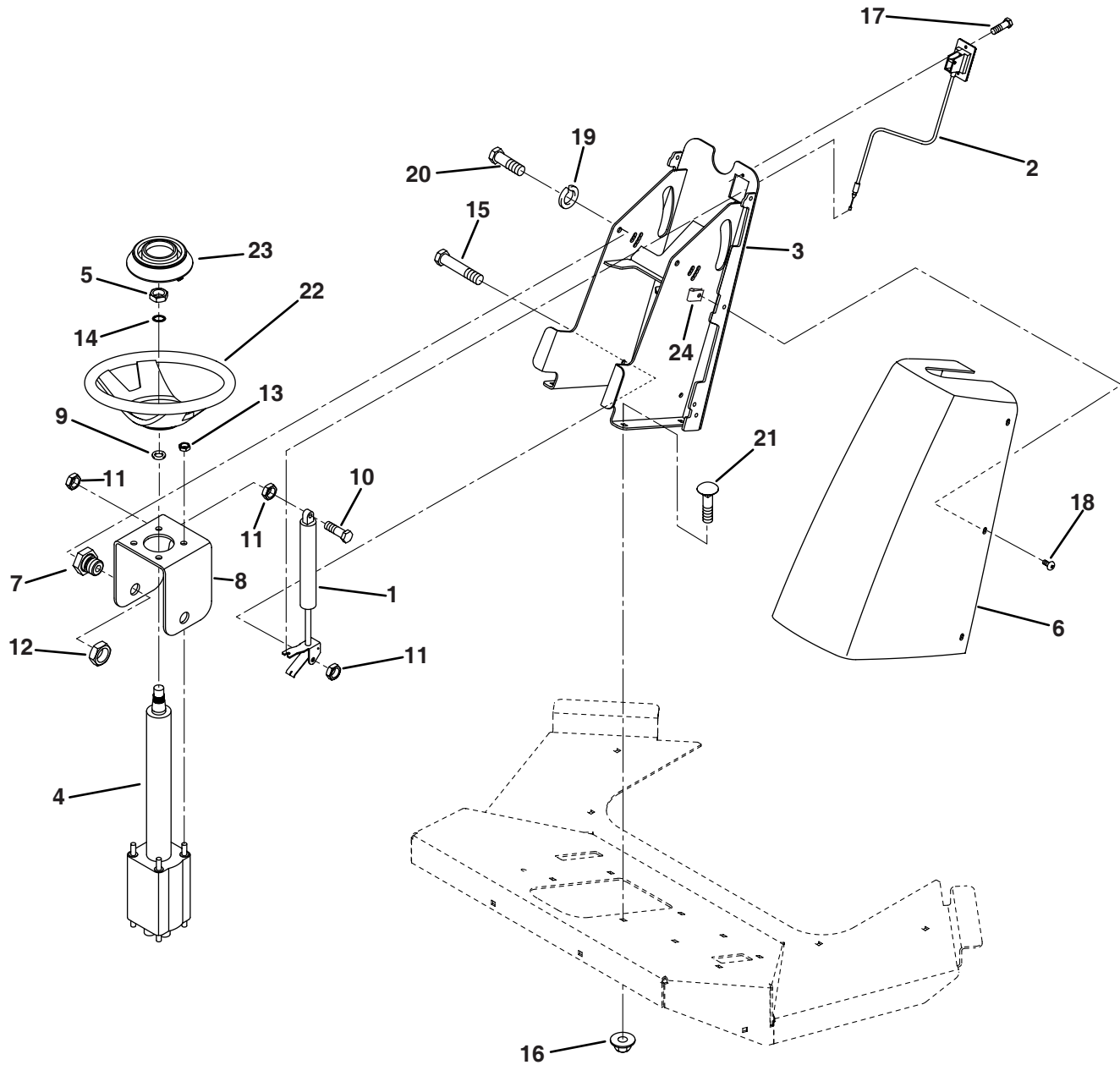
Serial No. 67889-1601 and Up



Item	Part No.	Qty.	Description	Serial Numbers/Notes
1	3006981	2	Tire	
2	1003638	2	Rim	
3	360111	2	Inflation Valve	
4	361648	6	Washer, Thrust	
5	361647	2	Bearing, Thrust	
6	471214	2	Fitting, Grease	
7	461393	2	Pin, Spring 1/4 x 2"	
8	117139	1	Steering Axle	
9	363562	4	• Bushing	
10	340491	1	Cylinder, Steering	
	557621	1	• Seal Kit - Gold Star	Used on Gold Star Cylinders Only
	5003658	1	• Seal Kit - HDM	Used On HDM Cylinders Only
11	443840	2	Nut, 1-12 Hex Jam	
12	452022	1	Flat Washer, 1	
13	366789	1	Spacer, Axle	
14	460064	1	Cotter Pin, 1/4 x 1-1/2"	
15	460026	4	Cotter Pin, 1/8 x 3/4"	
16	153234	2	Ball Joint	
	400194	2	• Screw, 5/16-18 x 1-3/4"	
	444718	2	• Locknut, 5/16-18 Hex	
17	445666	2	• Nut, 1/2-20 Slotted Hex	
18	1002032	1	Ball Joint, Right Hand Thread	
19	1002031	1	Ball Joint, Left Hand Thread	
	471214	4	• Grease Fitting	
20	445647	2	• Nut, 3/8-24 Slotted Hex	
21	443120	1	Nut, 1/2-20 Hex Right Hand Thread	
22	445664	1	Nut, 1/2-20 Hex Left Hand Thread	
23	3009378	1	Tie Rod	
24	460032	2	Cotter Pin, 1/8 x 1-1/2"	
25	2000012	2	Hub, Wheel	
26	353914	8	Wheel Bolt	
27	367350	2	Washer, Thrust	
28	2812202	1	Arm, Left Steering	
29	2812201	1	Arm, Right Steering	
30	446154	14	Lockwasher, 1/2 Heavy	
31	400406	6	Screw, 1/2-13 x 1-1/4" Hex Head	
32	2000057	2	Motor Mount	
33	390859	2	Wheel Motor, 2000 Series	See 50.1
34	554780	2	• Key	
35	554779	2	• Nut	
36	400410	8	Screw, 1/2-13 x 1-3/4" Hex Head	
37	361451	2	Washer, Thrust	
38	471227	1	45° Grease Fitting	

> Change from previous revision

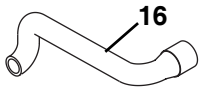
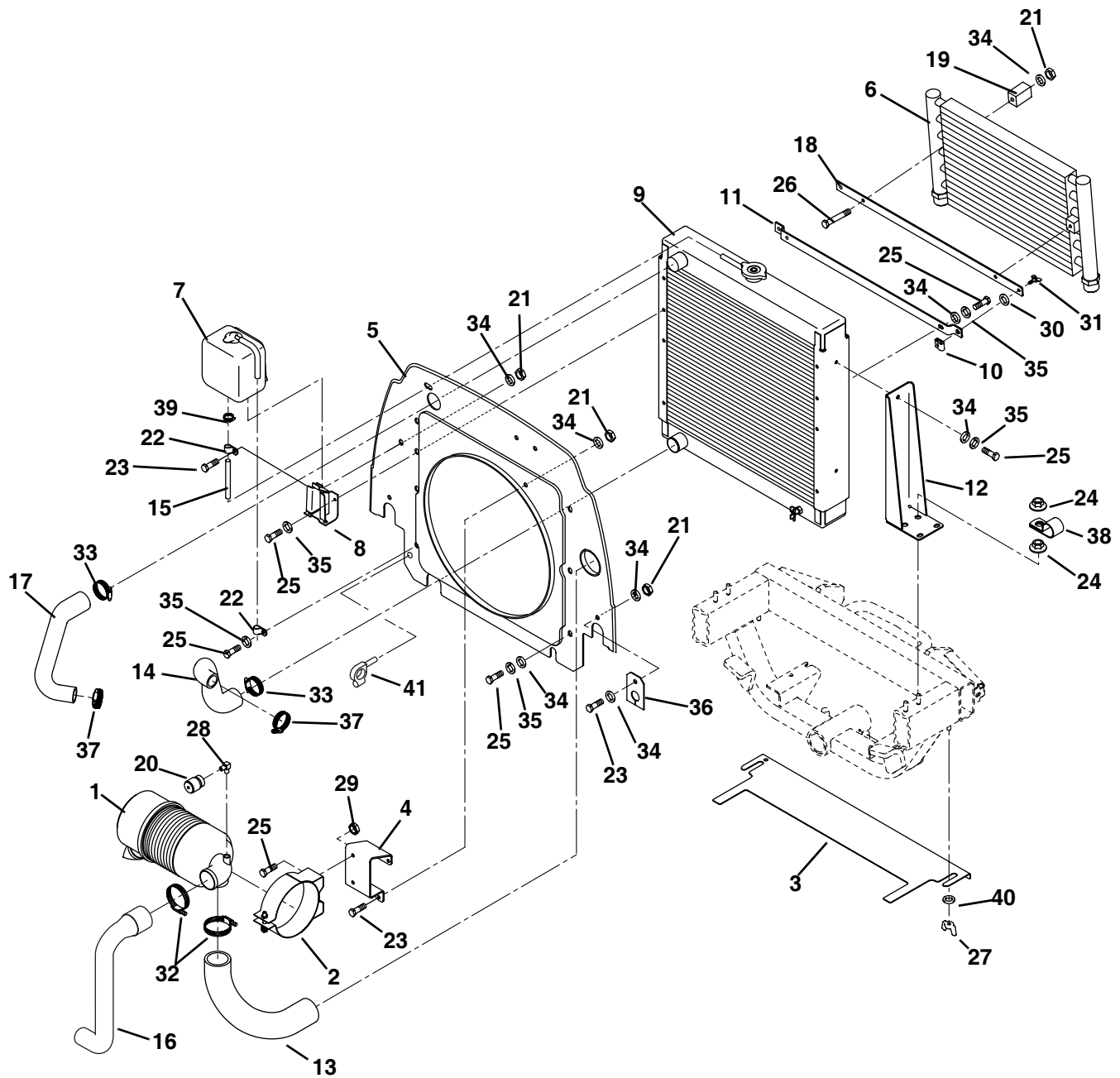
11.1 Tilt Steering



Item	Part No.	Qty.	Description	Serial Numbers/Notes
1	5002918	1	Actuator, Gas Spring	See 55.1
2	5002919	1	Cable, Actuator	
3	2811346	1	Tower, Steering	
4	1003458	1	Valve, Steering	
	339979	3	• Adapter, Straight	
	339974	2	• Adapter, Straight	
5	443828	1	• Nut, 5/8-18 Hex Jam	
6	3010651	1	Cover, Steering Tower	
7	3005934	2	Bolt, Shoulder	
8	3005981	1	Bracket, Steering Pump	
9	2811547	1	Washer	
10	400192	1	Screw, 5/16-18 x 1-1/2" Hex Head	
11	444718	3	Locknut, 5/16-18 Center	
12	444849	2	Locknut, 3/4-10 Center Jam	
13	444754	4	Locknut, 5/16-24 Center	
14	447224	1	Lockwasher, 5/8 Internal	
15	400216	1	Screw, 5/16-18 x 2-3/4" Hex Head	
16	445795	4	Nut, 5/16-18 Spiralock Flange	
17	416911	2	Screw, #10-24 x 1/2" Thread Cutting	
18	404016	6	Screw, 1/4-20 x 5/8" Truss Head	
19	446142	2	Lockwasher, 3/8 Heavy	
20	400258	2	Screw, 3/8-16 x 3/4" Hex Head	
21	441614	4	Carriage Bolt, 5/16-18 x 1"	
22	2811364	1	Steering Wheel	
23	2811365	1	• Cap, Steering Wheel	
24	445245	6	Tinnerman Clip	

> Change from previous revision

12.1 Radiator and Air Cleaner

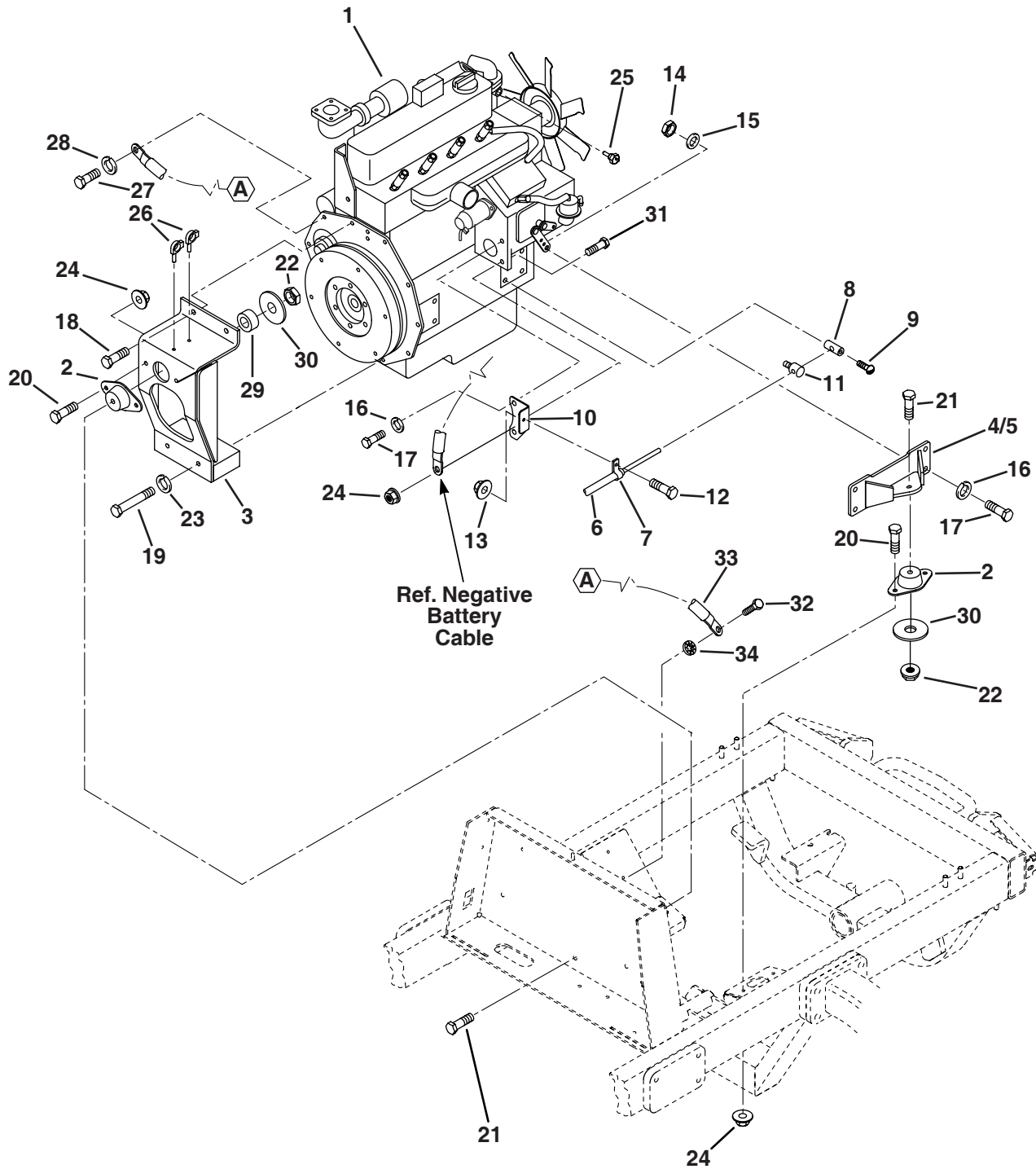


LF 3400 Turbo, □
LF 3800 Turbo, □
LF 4675, 4677 □
Units Only

Item	Part No.	Qty.	Description	Serial Numbers/Notes
1	3001965	1	Air Filter	
	5000919	1	• Air Cleaner Element	
	5000920	1	• Cover	
	5000921	1	• Valve	
2	3001388	1	Bracket, Air Filter	
3	3006094	1	Shroud, Rear Frame	
4	3006583	1	Bracket, Air Cleaner Mounting	
5	3006585	1	Shroud, Radiator Fan	
6	3005607	1	Oil Cooler	
7	557367	1	Recovery Tank	
8	557374	1	Tank, Stay	
9	5003077	1	Radiator	Includes Decal 365956
	550863	1	• Radiator Cap	
10	3005604	2	Receptacle, #85 1/4 Turn	
11	3005608	1	Mount, Radiator	
12	3006026	2	Bracket, Radiator	
13	3006584	1	Hose, Air Cleaner Intake	
14	2810158	1	Hose, Radiator Outlet	
15	5003447	1	Hose, Radiator Overflow, Bulk	
16	3006635	1	Hose, Air Cleaner to Engine	Non Turbo Units
16	3006634	1	Hose, Air Cleaner to Turbo Intake	Turbo Units
17	3006632	1	Hose, Radiator Inlet	
18	3005609	1	Mount, Oil Cooler	
19	358971	2	Mounting Block, Rubber	
20	365398	1	Indicator, Air Cleaner	
21	444718	1	Locknut, 5/16-18 Center	
22	345666	2	Clamp	
23	400188	6	Screw, 5/16-18 x 1" Hex Head	
24	445796	6	Nut, 3/8-16 Spiralock Flange	
25	400182	15	Screw, 5/16-18 x 5/8" Hex Head	
26	400200	2	Screw, 5/16-18 x 2-1/2" Hex Head	
27	445640	2	Nut, 3/8-16 Steel Wing	
28	3002195	1	Elbow, 90°	
29	445795	2	Nut, 5/16-18 Spiralock Flange	
30	3005603	2	Retainer	
31	3005605	2	Stud, #85 1/4 Turn	
32	359615	2	Clamp, Hose	
33	326112	2	Clamp, Hose	
34	452006	21	Flat Washer, 5/16	
35	446136	13	Lockwasher, 5/16 Heavy	
36	3008132	2	Seal, Tube	
37	367458	2	Clamp, Hose	
38	3008474	2	Clamp, Tube	
39	366526	1	Clamp, Hose	
40	452008	2	Flat Washer, 3/8	
41	3008383	1	Clip, Harness	

> Change from previous revision

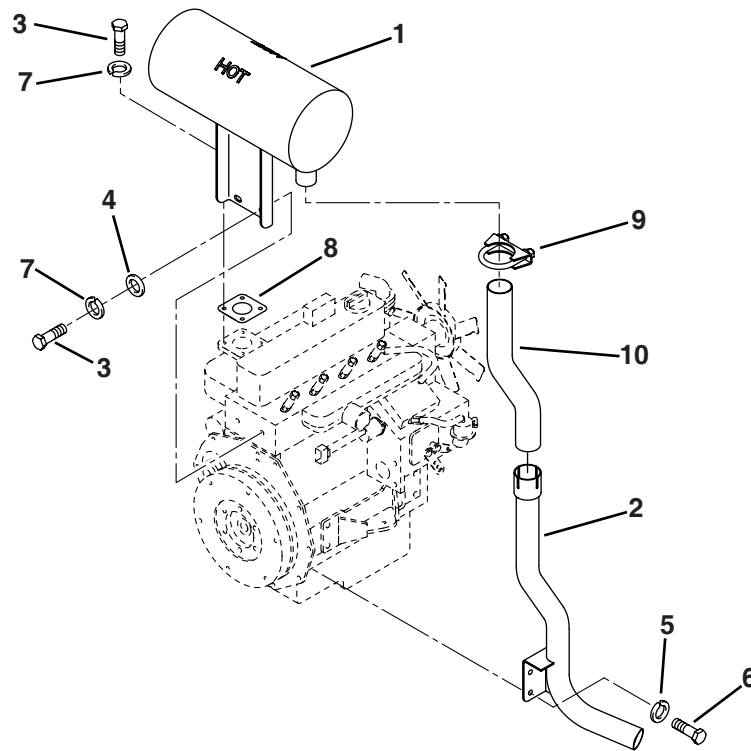
13.1 Engine Assembly and Mounting



Item	Part No.	Qty.	Description	Serial Numbers/Notes
1	1002855	1	Engine, Kubota V1305-E	LF 3400
1	1002856	1	Engine, Kubota V1505-E	LF 3800
1	1002857	1	Engine, Kubota V1505-TE	LF 3400 Turbo, LF 3800 Turbo LF 4675 & LF 4677
2	366879	3	Isolator, Engine	
3	1003239	1	Front Engine Mount	
4	1003260	1	Left Side Engine Mount	
5	1003261	1	Right Side Engine Mount	
6	164102	1	Cable, Throttle	
7	558021	1	• Clip	
8	5003460	1	• Wire Stop	
9	403740	1	• • Screw, #8-32 x 1/2" Hex Head	
10	3006797	1	Bracket, Cable Mounting	
11	3007719	1	Pivot, Throttle Cable	
12	400108	1	Screw, 1/4-20 x 3/4" Hex Head	
13	445794	1	Nut, 1/4-20 Spiralock Flange	
14	444718	1	Locknut, 5/16-18 Center	
15	452006	3	Flat Washer, 5/16	
16	363485	9	Lockwasher, M10 Heavy	
17	366884	9	Screw, M10-1.25 x 20mm Hex Head	
18	362263	2	Screw, M10-1.25 x 25mm Hex Head	
19	361695	2	Screw, M801.25 x 110mm Hex Head	
20	400188	8	Screw, 5/16-18 x 1" Hex Head	
21	400272	3	Screw, 3/8-16 x 2-1/4" Hex Head	
22	444762	3	Locknut, 3/8-16 Center	
23	446136	2	Lockwasher, 5/16 Heavy	
24	445795	7	Nut, 5/16-18 Spiralock Flange	
25	364501	1	Temperature Sender	
26	3008383	2	Clip, Wire Harness	
27	363586	1	Screw, M8-1.25 x 20 mm Hex Head	Replaces 361898
28	446134	1	Lockwasher, 5/16	
29	3010575	1	Spacer, Isolator	
30	367031	3	Washer, Isolator	
31	400190	1	Screw, 5/16-18 x 1-1/4" Hex Head	
32	409811	1	Screw, 5/16-18 x 3/4" Thread Cutting	
33	2810424	1	Cable, Ground	
34	447214	1	Lockwasher, 5/16 Internal Tooth	

> Change from previous revision

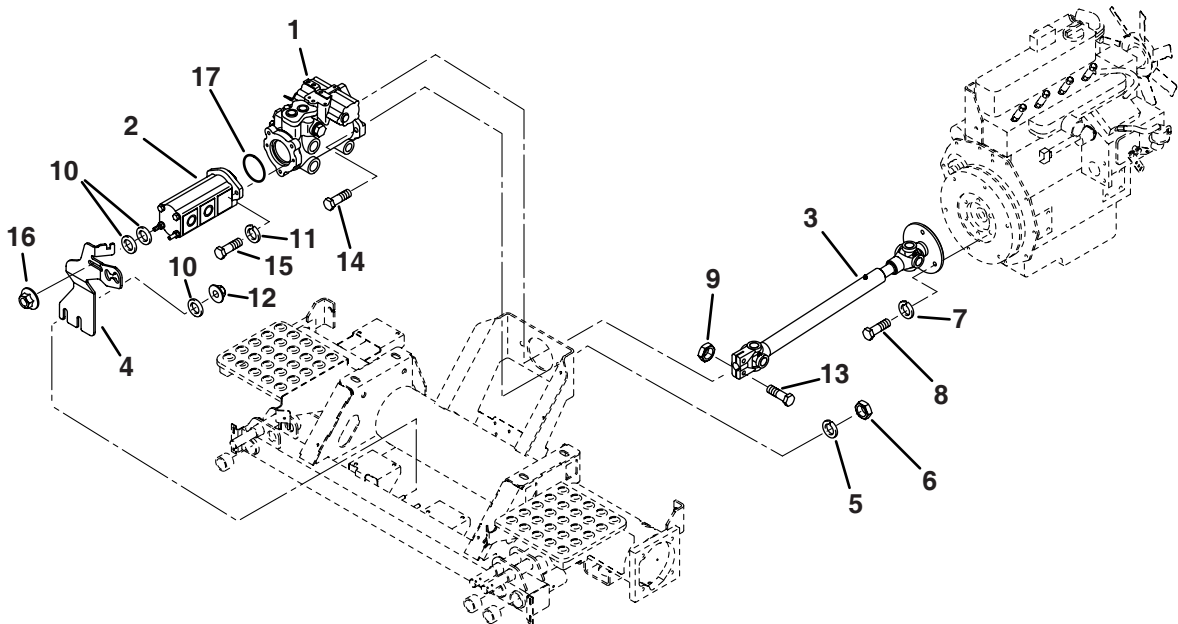
14.1 Engine Exhaust



Item	Part No.	Qty.	Description	Serial Numbers/Notes
1	1004653	1	Muffler	LF 3400 & 3800 Only
1	1002931	1	Muffler	LF 3400 Turbo, LF 4675, LF 4677
2	1004598	1	Tailpipe	
3	363586	6	Screw, M8-1.25 x 20mm Hex Head	
4	452006	2	Flat Washer, 5/16	
5	363485	2	Lockwasher, M10 Heavy	
6	366884	2	Bolt, M10-1.25 x 25mm Hex Head	
7	446136	6	Lockwasher, 5/16 Heavy	
8	553020	1	Gasket, Exhaust	
9	348856	1	Clamp, Exhaust	
10	3007889	1	Sleeve Insulating	

> Change from previous revision

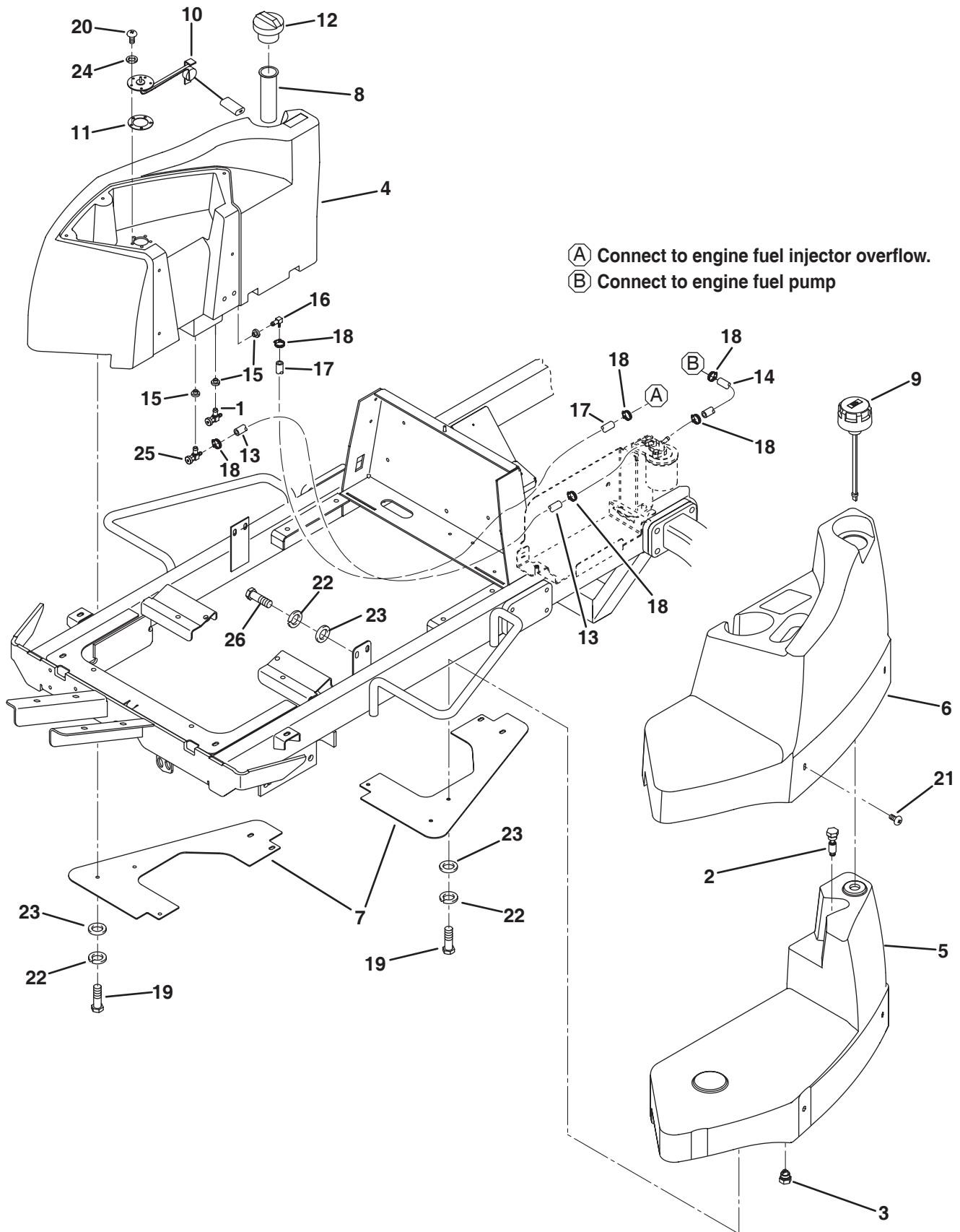
15.1 Pump Mounting



Item	Part No.	Qty.	Description	Serial Numbers/Notes
1	2810006	1	Pump, Traction	
	5003034	1	• Seal Kit	
	5003432	1	• Control Kit	
	5003433	1	• Shaft Seal Kit	
	5003434	1	• System Relief Kit	
	2810440	1	• Sleeve, Control Arm	
2	1002154	1	Pump, 3 Section Gear	5 Gang Units
2	1004002	1	Pump, 4 Section Gear	7 Gang Units
	5003036	1	• Seal Kit	
3	1002854	1	Driveshaft	
	554663	2	• Cross and Bearing Kit	
4	3008819	1	Mount, Gear Pump	5 Gang Units
4	3009071	1	Mount, Gear Pump	7 Gang Units
5	446154	2	Lockwasher, 1/2 Heavy	
6	443118	2	Nut, 1/2-13 Hex	
7	363485	3	Lockwasher, M10 Heavy	
8	362263	3	Screw, M10-1.25 x 20mm Hex Head	
9	444762	2	Locknut, 5/16-18 Center	
10	452008	4	Flat Washer, 3/8	
11	446142	2	Lockwasher, 3/8 Heavy	
12	445796	2	Nut, 3/8-16 Spirallock Flange	
13	400266	2	Screw, 3/8-16 x 1-1/2" Hex Head	
14	400410	2	Screw, 1/2-13 x 1-3/4" Hex Head	
15	400264	2	Screw, 3/8-16 x 1-1/4" hex Head	
16	2809907	1	Nut, M10 Spirallock Flange	
17	362743	1	O-Ring Seal	

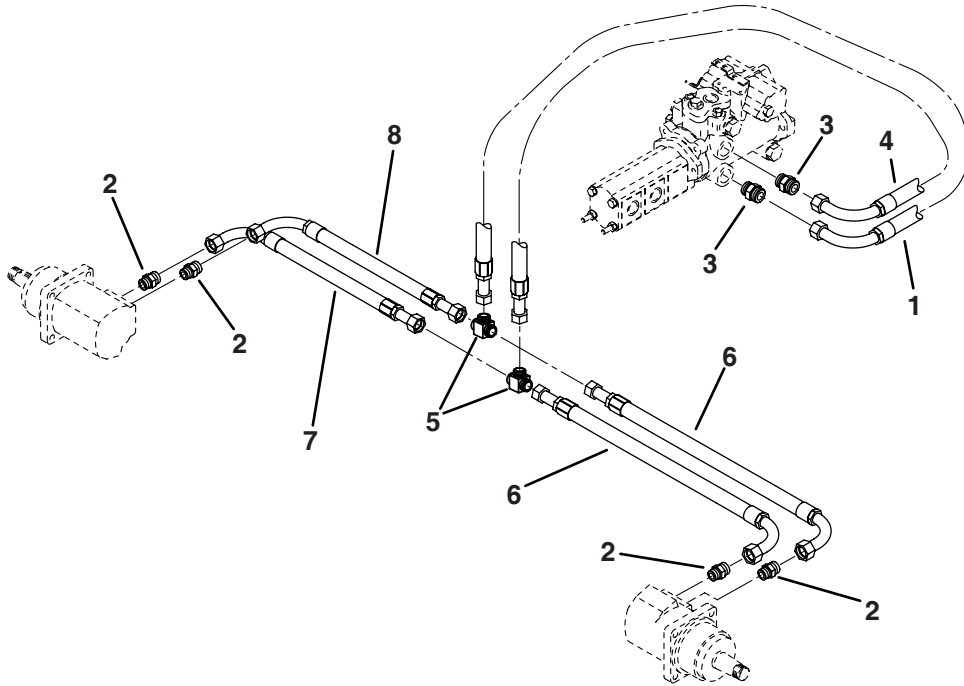
> Change from previous revision

16.1 Fuel and Hydraulic Tanks



Item	Part No.	Qty.	Description	Serial Numbers/Notes
1	132647	1	Valve, Shut Off	
2	3001279	1	Switch, Float	
3	3002397	1	Plug, Magnetic	
	339899	1	• O-Ring	
4	3009204	1	Fuel Tank	
5	3005871	1	Hydraulic Tank	
6	3005872	1	Shell, Tank Cover	
7	3006243	2	Plate, Tank Mounting	
8	3009347	1	Strainer, Fuel Filler	
9	3006332	1	Breather Filter	
10	3006337	1	Fuel Sender	
11	5003374	1	• Gasket	
> 12	2721806	1	Cap, Fuel Tank	
13	554748	1	Fuel Line, 5/16" I.D. Cut to 89 Inches	
14	554748	1	Fuel Line, 5/16" I.D. Cut to 18 Inches	
15	361117	3	Bushing, Fuel Tank	
16	361748	1	Valve, Overflow	
17	554752	1	Fuel Line, 3/16 I.D. Cut to 68 Inches	
18	366526	6	Clamp, Hose	
19	400106	10	Screw, 1/4-20 x 5/8" Hex Head	
20	403910	5	Screw, #10-24 x 1/2" Truss Head	
21	404016	5	Screw, 1/4-20 x 5/8" Truss Head	
22	446130	14	Lockwasher, 1/4 Heavy	
23	452004	14	Flat Washer, 1/4	
24	446118	5	Lockwasher, #10 Heavy	
25	2810702	1	Valve, Needle	
26	400108	4	Screw, 1/4-20 x 3/4" Hex Head	

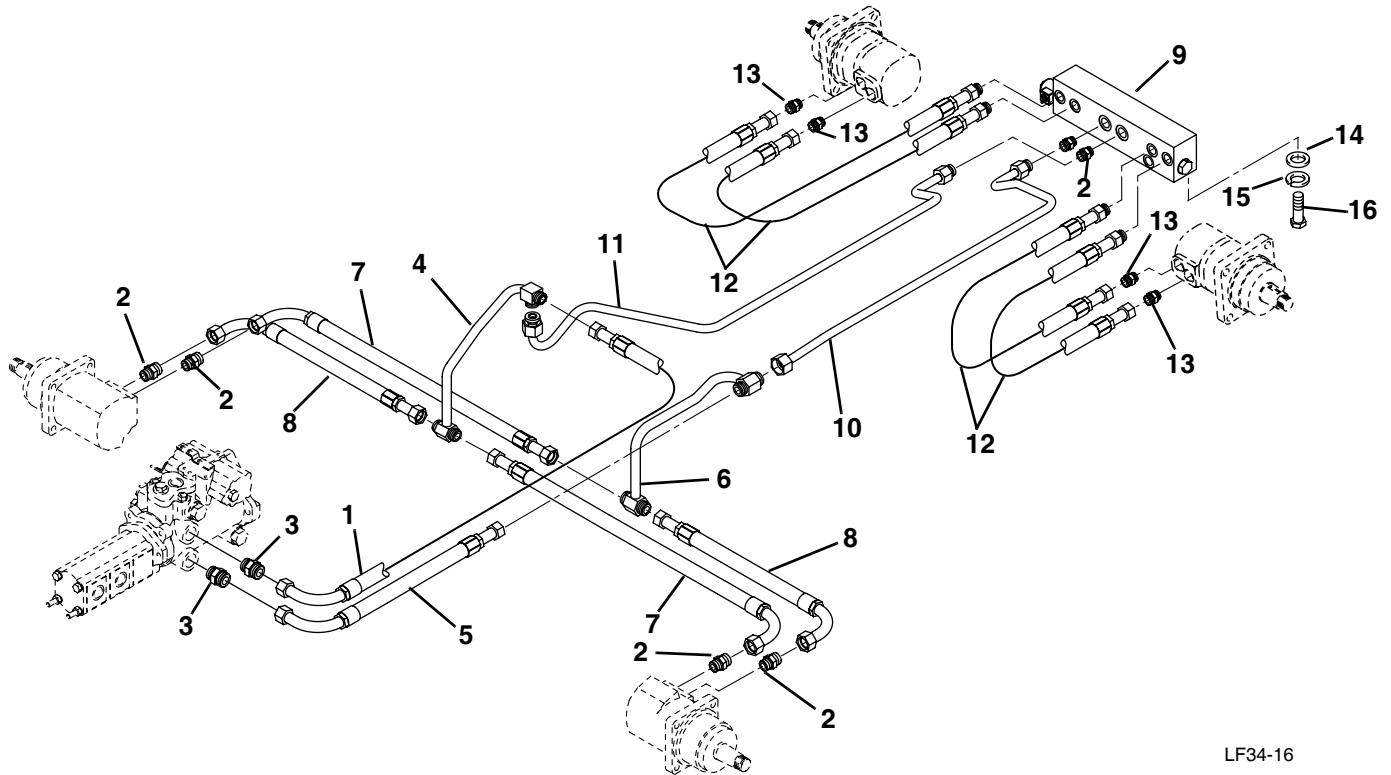
> Change from previous revision



Item	Part No.	Qty.	Description	Serial Numbers/Notes
1	1003462	1	Hose, Pump to Upper Traction Tee	
2	339994	4	Adaptor, Straight	
3	339999	2	Adaptor, Straight	
4	1003463	1	Hose, Pump to Lower Traction Tee	
5	340339	2	Tee, Union	
6	1003442	2	Hose, Motor To Tee	
7	1003441	1	Hose, Lower Motor Port To Tee	
8	1003930	1	Hose, Upper Motor Port To Tee	

> Change from previous revision

18.1 4WD Traction Hydraulics



LF34-16

Item	Part No.	Qty.	Description	Serial Numbers/Notes
1	1003440	1	Hose, Pump To Reverse 4WD Tee	See 57.1
2	339994	6	Adapter, Straight	
3	339999	2	Adapter, Straight	
4	1003457	1	Tube, Reverse 4WD Tee	
5	1003439	1	Hose, Pump To Forward 4WD Tee	
6	1003456	1	Tube, Forward 4WD Tee	
7	1003442	2	Hose, Tee To Wheel Motor	
8	1003441	2	Hose, Tee To Wheel Motor	
9	4135554	1	Valve, 4WD	
10	1003094	1	Tube, Forward 4WD Tee To Valve	
11	1003095	1	Tube, Reverse 4WD Tee To Valve	
12	1003455	4	Hose, 4WD Valve To Motors	
13	339989	4	Adapter, Straight	
14	400258	4	Screw, 3/8-16 x 3/4" Hex Head	
15	446142	4	Lockwasher, 3/8 Heavy	
16	452008	4	Flat Washer, 3/8	

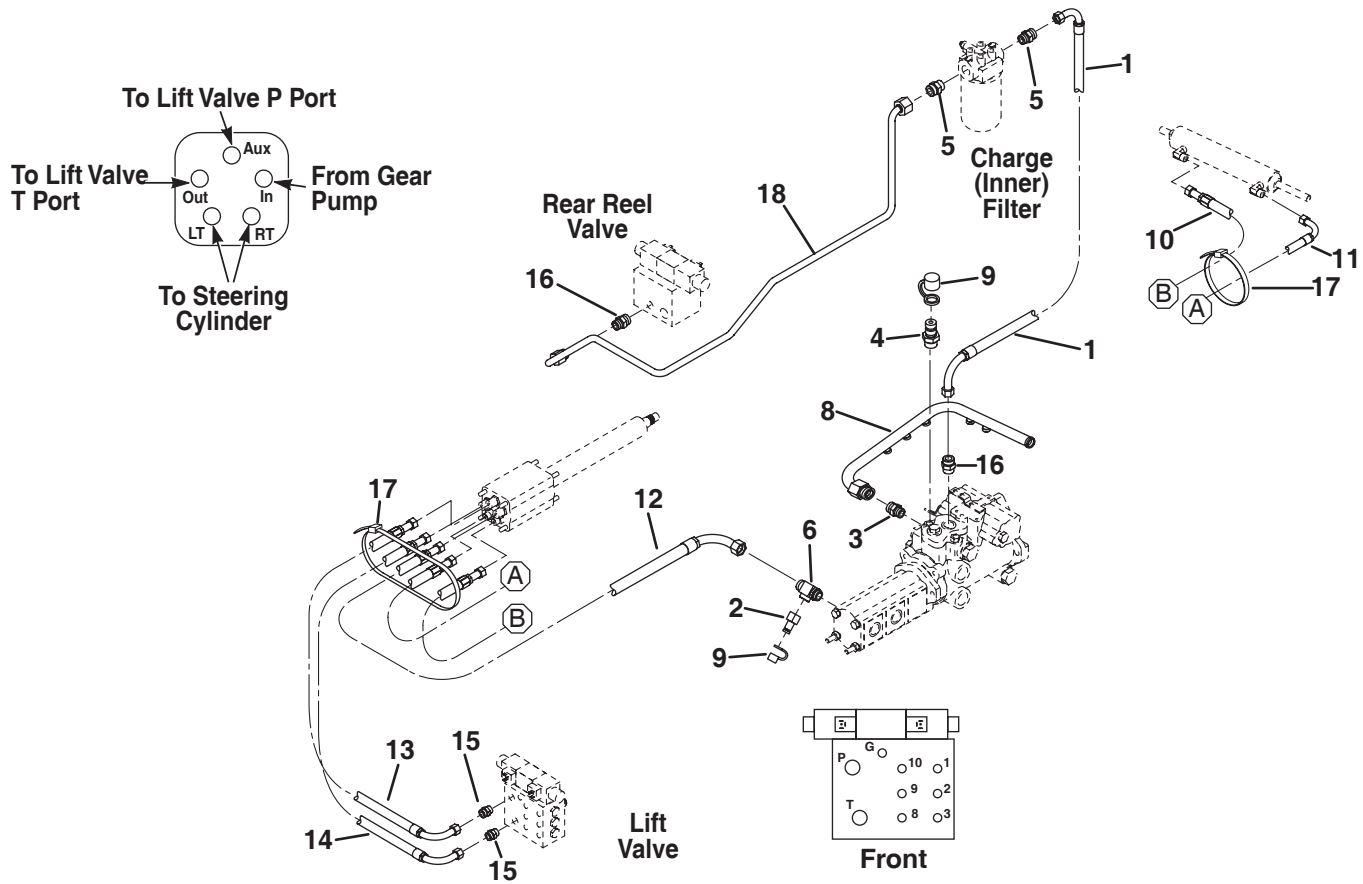
> Change from previous revision

LF 3400 / LF 3800

Serial No. All

19.1 Charge Pressure and Steering Hydraulics

5 Gang Units (LF 3400, LF 3800 and LF 3400 Turbo)

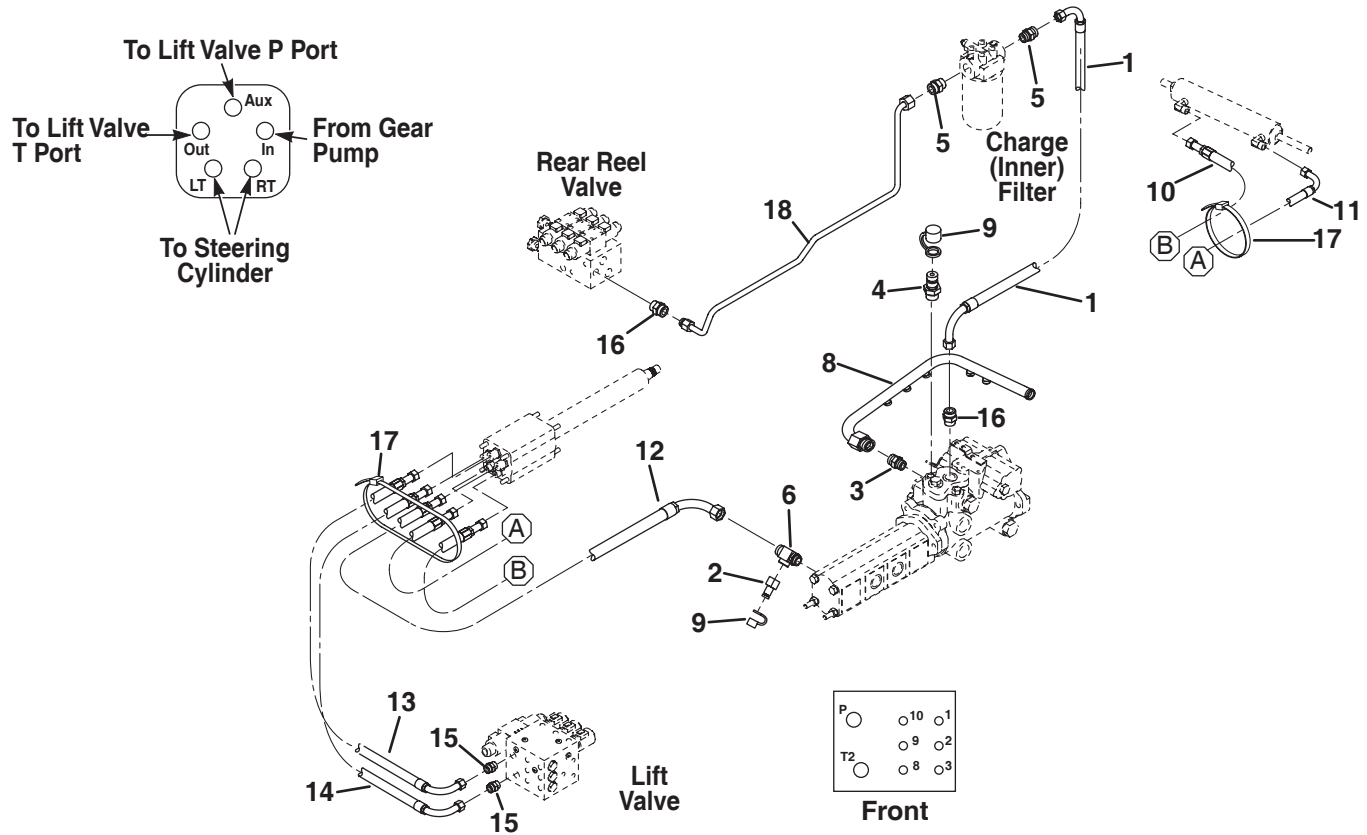


Item	Part No.	Qty.	Description	Serial Numbers/Notes
1	1003461	1	Hose, Charge Pressure Inlet	
2	364945	1	Fitting, Diagnostic	
3	339998	1	Adaptor, Straight	
4	365466	2	Fitting, Diagnostic	
5	339996	2	Adaptor, Straight	
6	340274	1	Adaptor, Tee	
7	2812272	1	Tube, Rear Reel Valve to Filter	Rear Reel Valve Port T
8	4113601	1	Tube, Case Drain	
9	363030	3	Cover, Dust	
10	1003342	1	Hose, LT Port To Steering Cylinder	
11	1003341	1	Hose, RT Port To Steering Cylinder	
12	1003334	1	Hose, Gear Pump To In Port	
13	1003339	1	Hose, Aux Port To Lift Valve P Port	
14	1003340	1	Hose, Out Port To Lift Valve T Port	
15	339985	2	Adaptor, Straight	
16	339989	2	Adaptor, Straight	
17	473142	2	Tie Wrap	

> Change from previous revision

20.1 Charge Pressure and Steering Hydraulics

7 Gang Units (LF 4675 and LF 4677)

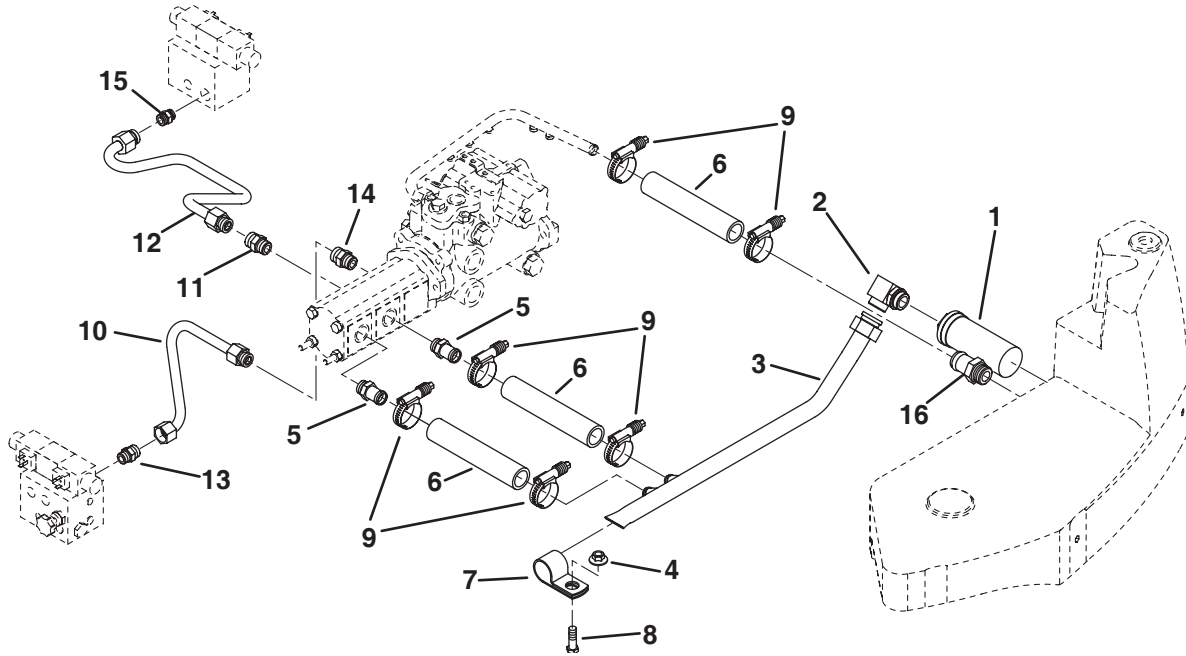


Item	Part No.	Qty.	Description	Serial Numbers/Notes
1	1003461	1	Hose, Charge Pressure Inlet	
2	364945	1	Fitting, Diagnostic	
3	339998	1	Adapter, Straight	
4	365466	2	Fitting, Diagnostic	
5	339996	2	Adapter, Straight	
6	340274	1	Adapter, Tee	
7	2812277	1	Tube, Rear Reel Valve to Filter	
8	4113601	1	Tube, Case Drain	
9	363030	3	Cover, Dust	
10	1003342	1	Hose, LT Port To Steering Cylinder	
11	1003341	1	Hose, RT Port To Steering Cylinder	
12	1003334	1	Hose, Gear Pump To In Port	
13	1003339	1	Hose, Aux Port To Lift Valve P Port	
14	1003340	1	Hose, Out Port To Lift Valve T2 Port	
15	339985	2	Adapter, Straight	
16	339989	2	Adapter, Straight	
17	473142	2	Tie Wrap	

> Change from previous revision

21.1 Gear Pump Hydraulics

5 Gang Units (LF 3400, LF 3800 and LF 3400 Turbo)

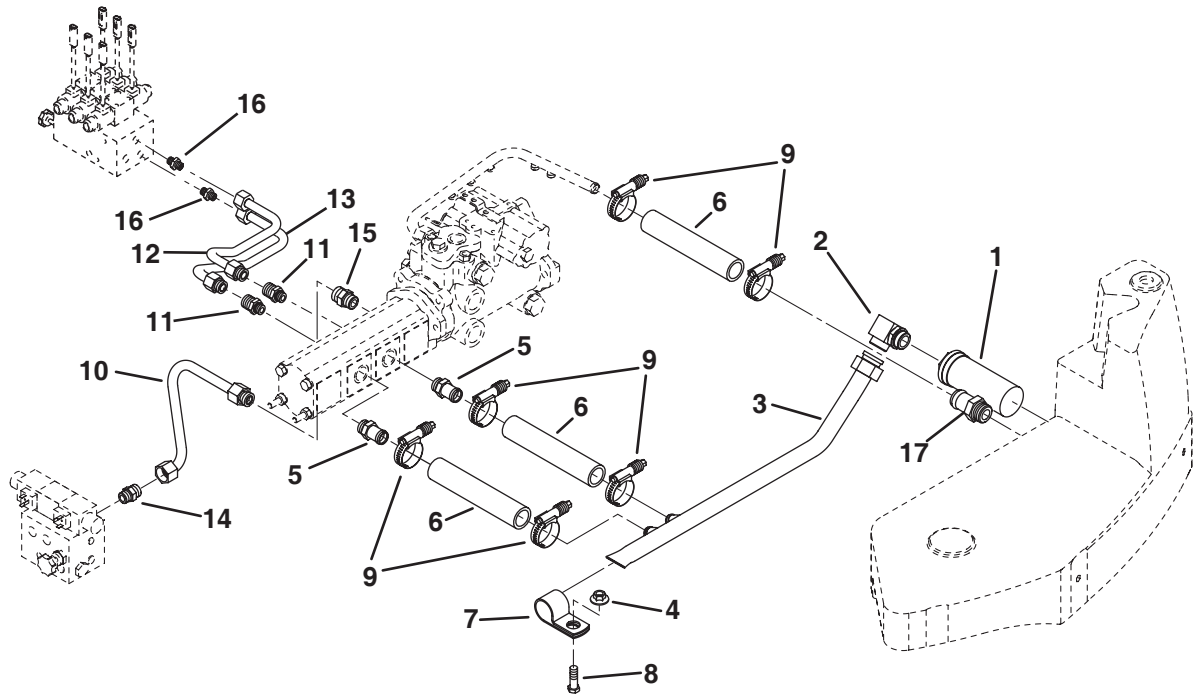


Item	Part No.	Qty.	Description	Serial Numbers/Notes
1	365959	1	Strainer, Tank Mounted	
	362743	1	• O-Ring	
2	340090	1	Adapter, 90°	
3	1003992	1	Tube, Gear Pump Inlet	
4	445796	1	Nut, 3/8-16 Spirallock Flange	
5	3001296	2	Fitting, Beaded Insert	
6	3008745	3	Hose, Gear Pump Inlet	
7	364190	1	Clamp, 1-1/2 I.D.	
8	400264	1	Screw, 3/8-16 x 1-1/4" Hex Head	
9	3008673	6	Clamp, Constant Torque	
10	2810256	1	Hose, Pump To Front Reel Valve	Front Reel Valve Port P
11	339933	1	Connector, Straight	
12	1003284	1	Tube, Pump to Rear Reel Valve	Rear Reel Valve Port P
13	339990	1	Adaptor, Straight	
14	339989	1	Adaptor, Straight	
15	339994	1	Adaptor, Straight	
16	361689	1	Fitting, Barbed	

> Change from previous revision

22.1 Gear Pump Hydraulics

7 Gang Units (LF 4675 and LF 4677)

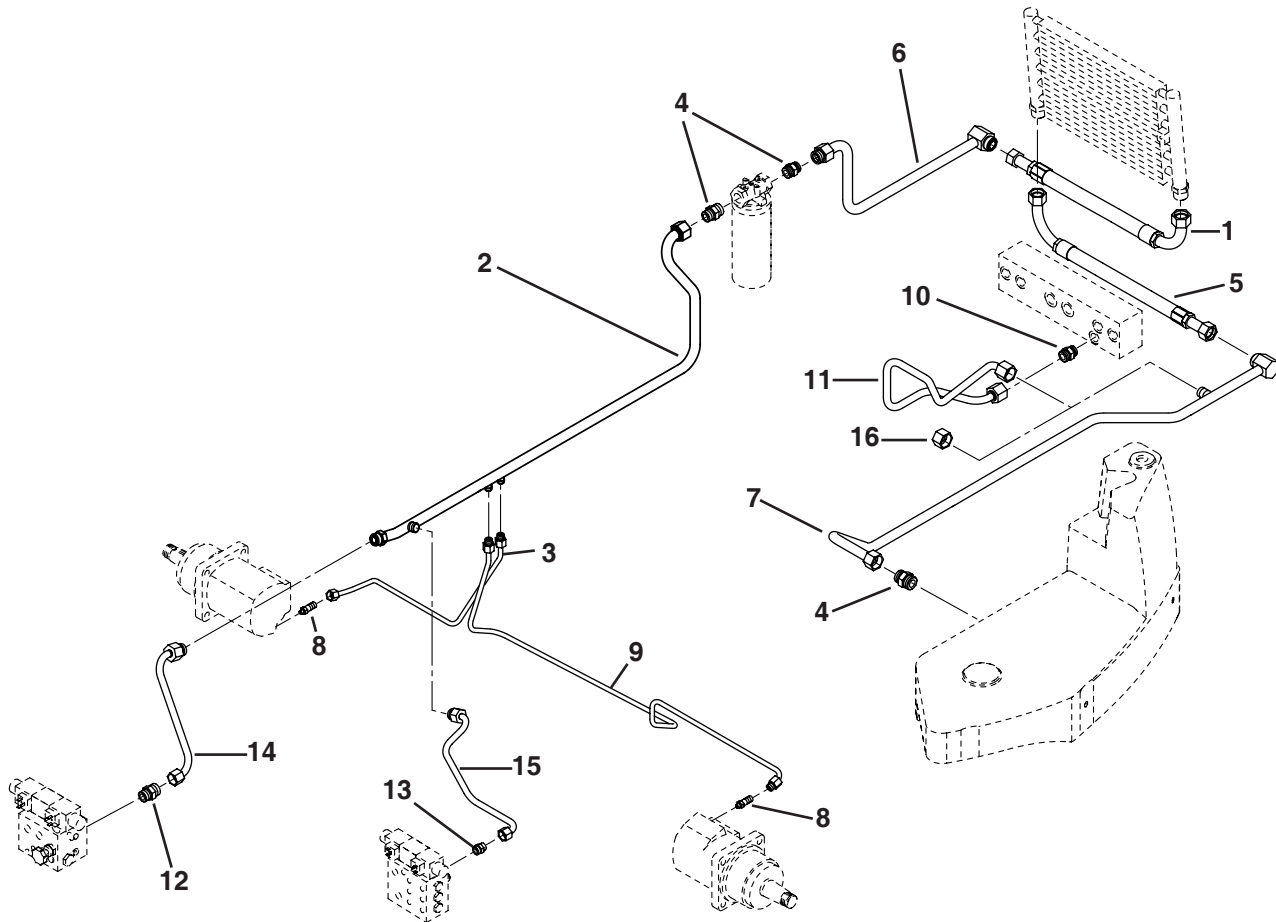


Item	Part No.	Qty.	Description	Serial Numbers/Notes
1	365959	1	Strainer, Tank Mounted	
	362743	1	• O-Ring	
2	340090	1	Adapter, 90°	
3	1003992	1	Tube, Gear Pump Inlet	
4	445796	1	Nut, 3/8-16 Spirallock Flange	
5	3001296	2	Fitting, Beaded Insert	
6	3008745	3	Hose, Gear Pump Inlet	
7	364190	1	Clamp, 1-1/2 I.D.	
8	400264	1	Screw, 3/8-16 x 1-1/4" Hex Head	
9	3008673	6	Clamp, Constant Torque	
10	2810256	1	Hose, Pump To Front Reel Valve	Front Reel Valve Port P
11	339993	2	Connector, Straight	
12	1004206	1	Tube, Pump to Rear Reel Valve	Rear Reel Valve Port WP
13	1004207	1	Tube, Pump to Rear Reel Valve	Rear Reel Valve Port CP
14	339990	1	Adaptor, Straight	
15	339989	1	Adaptor, Straight	
16	339994	2	Adaptor, Straight	
17	361689	1	Fitting, Barbed	

> Change from previous revision

23.1 Return Hydraulics

5 Gang Units (LF 3400, LF 3800 and LF 3400 Turbo)

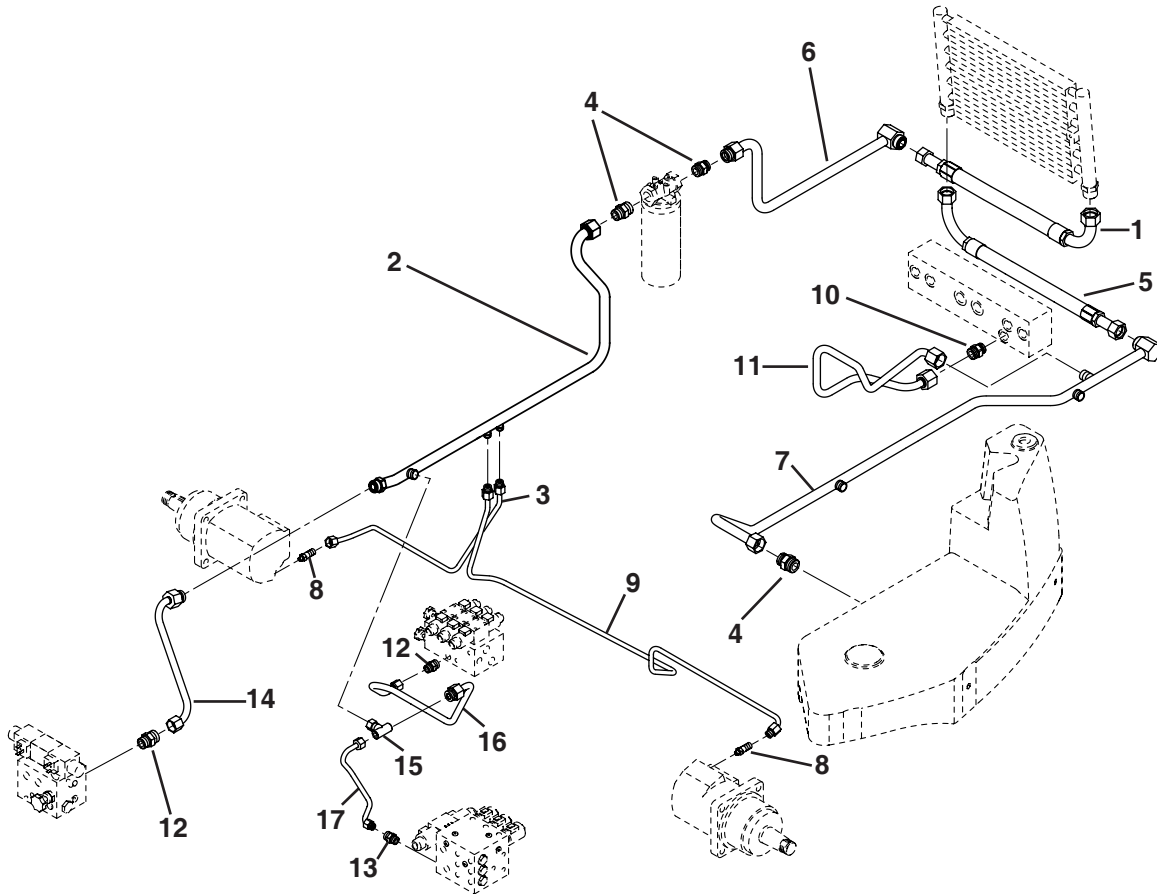


Item	Part No.	Qty.	Description	Serial Numbers/Notes
1	1003453	1	Hose, Oil Cooler	
2	2812271	1	Tube, Drain	
3	1004312	1	Tube, Right Front Motor Drain	
4	339999	3	Adaptor, Straight	
5	1003454	1	Hose, Oil Cooler	
6	1003389	1	Tube, Oil Cooler	
7	1004011	1	Tube, Return	
8	340007	2	Adaptor, Straight	
9	1004311	1	Tube, Left Front Motor Drain	
10	339979	1	Adaptor, Straight	
11	1004018	1	Tube, 4WD Valve Drain	
12	339989	2	Connector, Straight	
13	339993	1	Adaptor, Straight	
14	2812275	1	Tube, Front Reel Valve Return	Front Reel Valve Port T
15	2812273	1	Tube, Lift Valve Return	Lift Valve Port T
16	339921	1	Cap	2WD Units Only

> Change from previous revision

24.1 Return Hydraulics

7 Gang Units (LF 4675 and LF 4677)



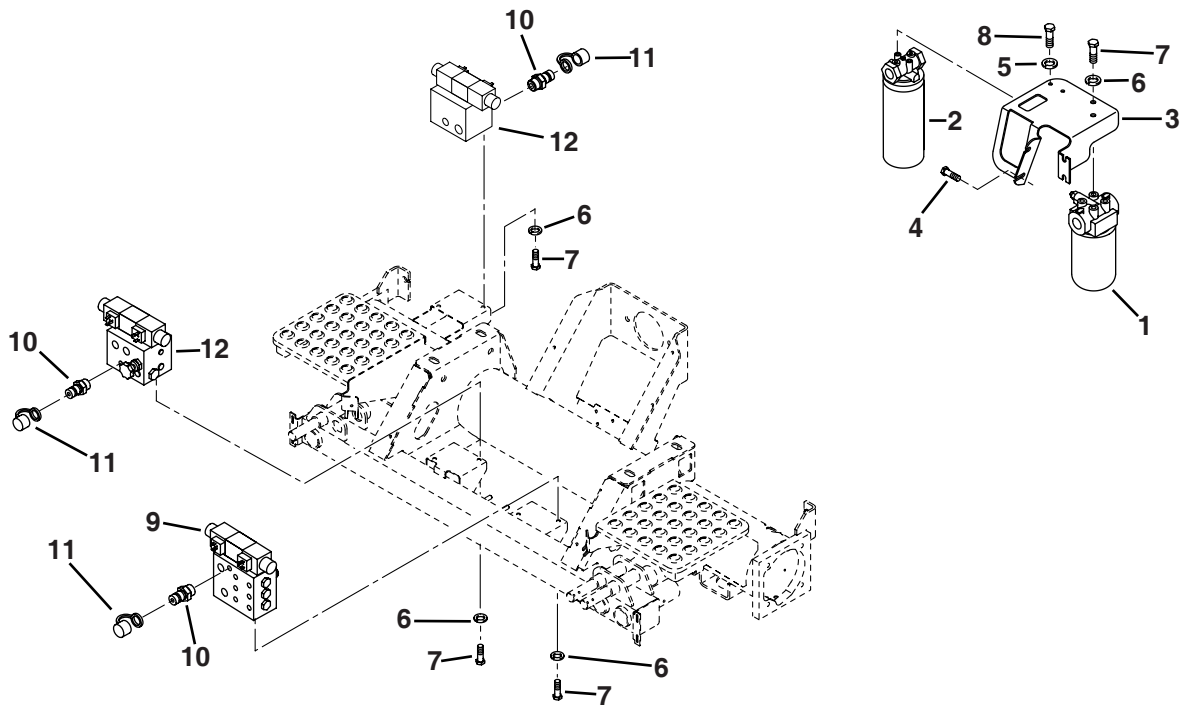
Item	Part No.	Qty.	Description	Serial Numbers/Notes
1	1003453	1	Hose, Oil Cooler	
2	2812271	1	Tube, Drain	
3	1004312	1	Tube, Right Front Motor Drain	
4	339999	3	Adaptor, Straight	
5	1003454	1	Hose, Oil Cooler	
6	1003389	1	Tube, Oil Cooler	
7	1004218	1	Tube, Return	
8	340007	2	Adaptor, Straight	
9	1004311	1	Tube, Left Front Motor Drain	
10	339979	1	Adaptor, Straight	
11	1004018	1	Tube, 4WD Valve Drain	
12	339989	3	Connector, Straight	
13	339993	1	Adaptor, Straight	
14	2812275	1	Tube, Front Reel Valve Return	Front Reel Valve Port T
15	340147	1	Adapter, Tee	
16	2812276	1	Tube, Rear Reel Valve Return	Rear Reel Valve Port T2
17	2812274	1	Tube, Lift Valve Return	Lift Valve Port T

> Change from previous revision

LF 3400 / LF 3800

25.1 Hydraulic Valve & Filter Mounting

5 Gang Units (LF 3400, 3800 and LF 3400 Turbo)

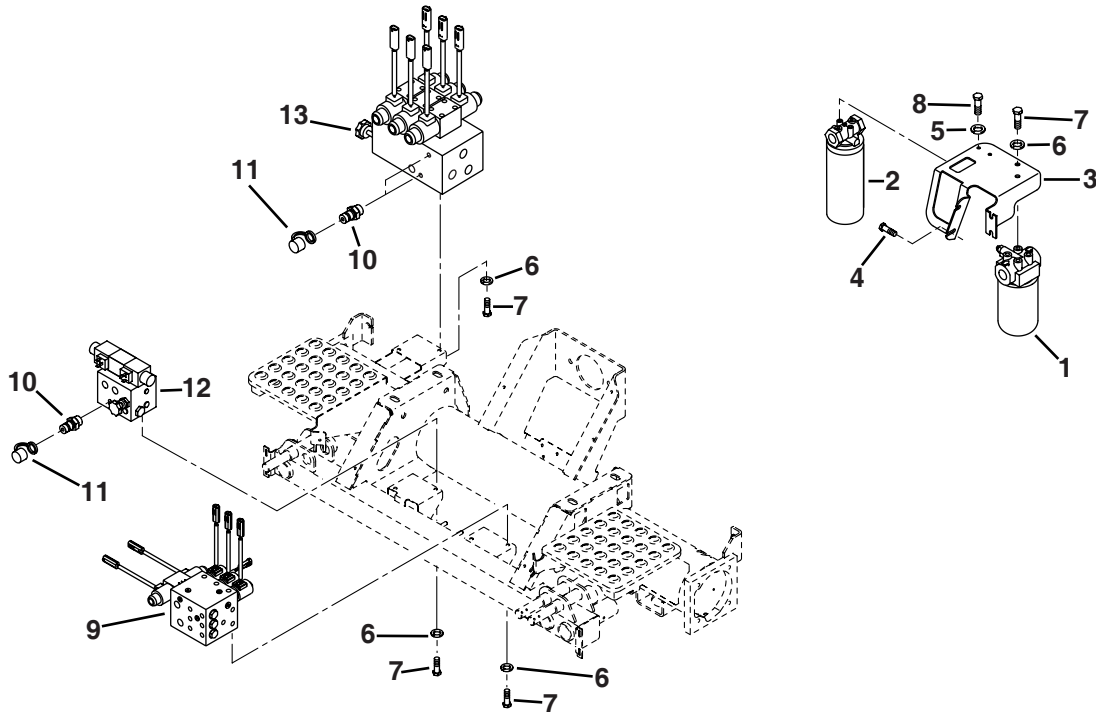


Item	Part No.	Qty.	Description	Serial Numbers/Notes
1	123015	1	Charge Filter	
	556417	1	• Head	
	2811255	1	• Oil Filter Cartridge	
	556419	1	• Charge Pressure Switch	
2	132704	1	Return Filter	
	557772	1	• Oil Filter Cartridge	
3	3007290	1	Bracket, Filter	
4	409811	4	Screw, 5/16-18 x 5/8" Thread Cutting	
5	446130	2	Lockwasher, 1/4 Heavy	
6	446142	8	Lockwasher, 3/8 Heavy	
7	400258	8	Screw, 3/8-16 x 3/4" Hex Head	
8	400108	2	Screw, 1/4-20 x 3/4" Hex Head	
9	4135566	1	Lift Valve	See 51.1
10	365466	3	Fitting, Diagnostic	
11	363030	3	Cover, Dust	
12	4135578	2	Reel Valve	See 48.1

> Change from previous revision

26.1 Hydraulic Valve and Filter Mounting

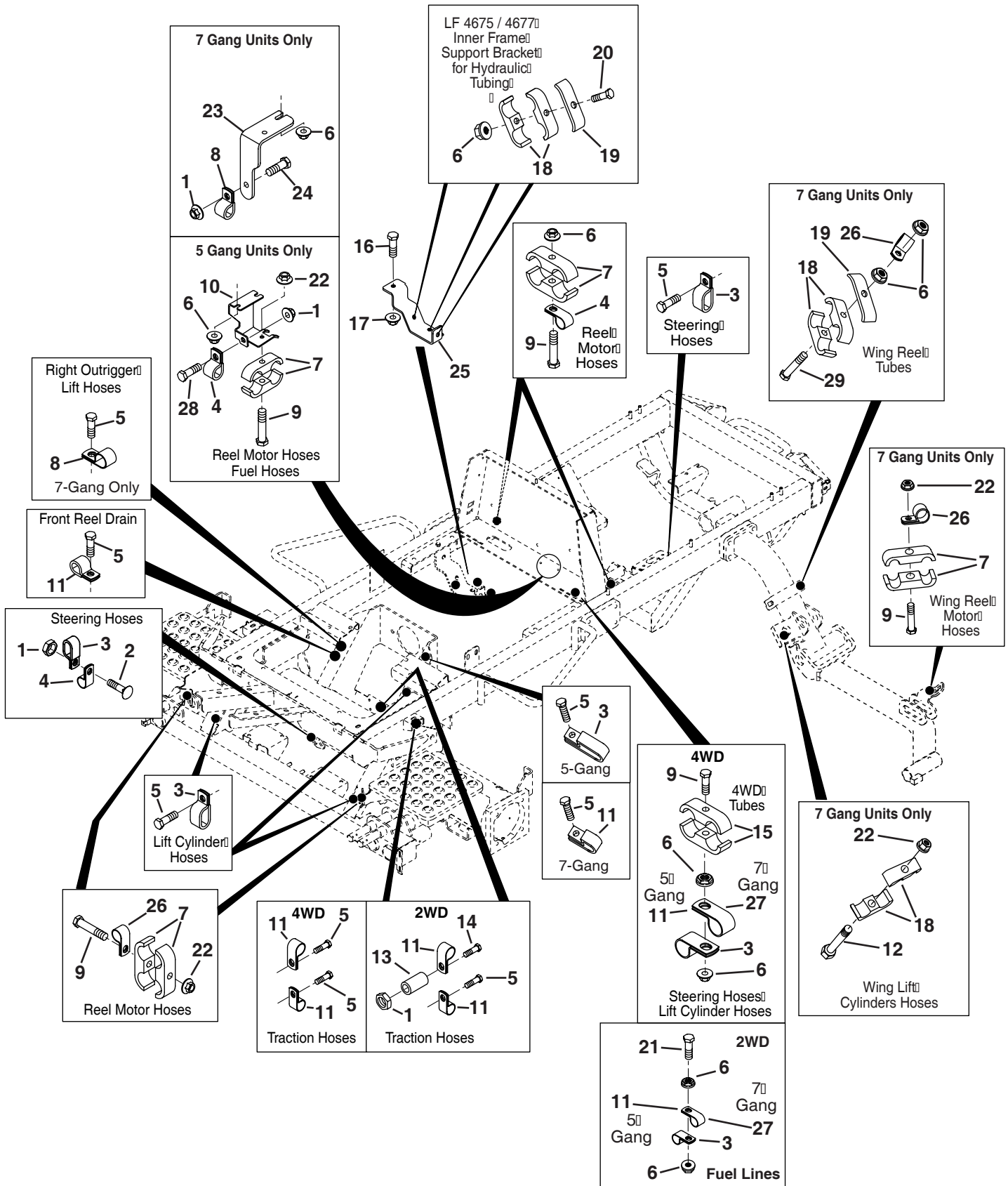
7 Gang Units (LF 4675 and LF 4677)



Item	Part No.	Qty.	Description	Serial Numbers/Notes
1	123015	1	Charge Filter	
	556417	1	• Head	
	2811255	1	• Oil Filter Cartridge	
	556419	1	• Charge Pressure Switch	
2	132704	1	Return Filter	
	557772	1	• Oil Filter Cartridge	
3	3007290	1	Bracket, Filter	
4	409811	4	Screw, 5/16-18 x 5/8" Thread Cutting	
5	446130	2	Lockwasher, 1/4 Heavy	
6	446142	4	Lockwasher, 3/8 Heavy	
7	400258	8	Screw, 3/8-16 x 3/4" Hex Head	
8	400108	2	Screw, 1/4-20 x 3/4" Hex Head	
9	4135567	1	Valve, Lift	See 52.1
10	365466	3	Fitting, Diagnostic	
11	363030	3	Cover, Dust	
12	4135578	1	Valve, Front Reel	See 48.1
13	4135579	1	Valve, Rear Reel	See 56.1

> Change from previous revision

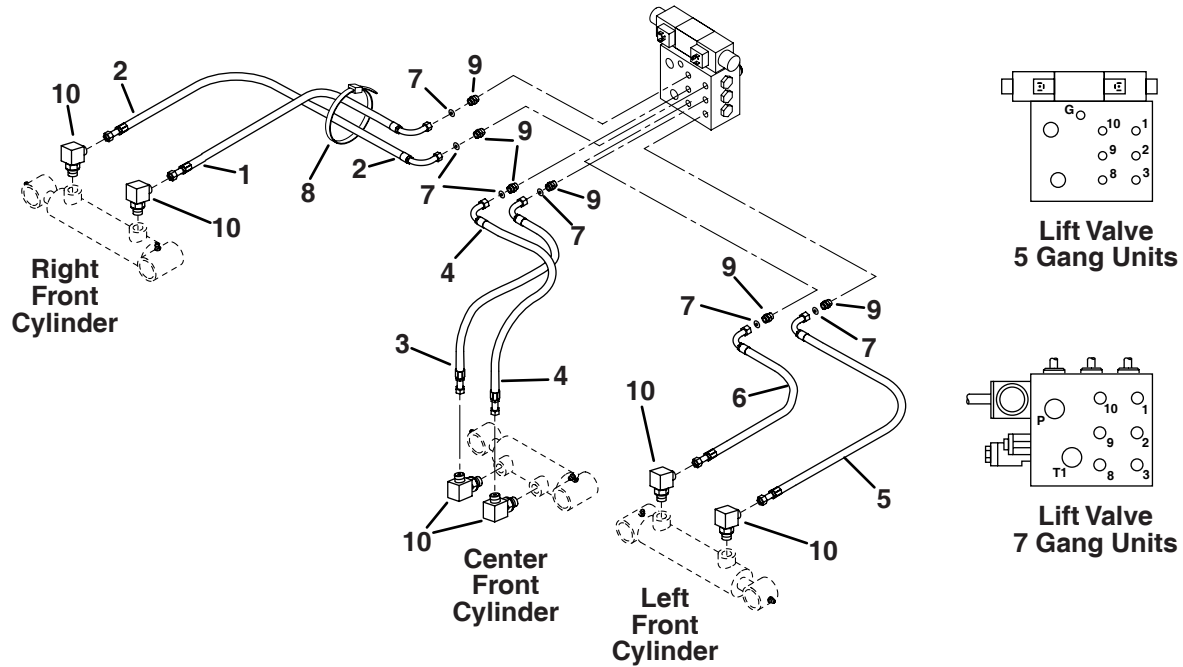
27.1 Hydraulic Clamps



Item	Part No.	Qty.	Description	Serial Numbers/Notes
1	445795	AR	Nut, 5/16-18 Spirallock Flange	
2	441614	1	Carriage Bolt, 5/16-18 x1"	
3	3007558	AR	Clamp, Double Tube	
4	345666	AR	Clamp, 1/2" I.D.	
5	409811	AR	Screw, 5/16-18 x 5/8" Thread Cutting	
6	445794	AR	Locknut, 1/4-20 Spirallock Flange	
7	3003473	AR	Clamp, Double Tube	
8	3008474	2	Clamp, 1" I.D.	7-Gang
9	400122	AR	Screw, 1/4-20 x 2-1/4" Hex Head	
10	3007567	1	Bracket, Clamp	5-Gang
11	365566	AR	Clamp, 1-1/4" I.D.	
12	400118	2	Screw, 1/4-20 x 1-3/4" Hex Head	7-Gang Units Only
13	361831	1	Tube	2WD Only
14	400196	1	Screw, 5/16-18 x 2" Hex Head	2WD Only
15	367186	1	Clamp, Double Tube	4WD Only
16	400258	1	Screw, 3/8-16 x 3/4" Hex Head	7 Gang Units Only
17	445796	1	Nut, 3/8-16 Spirallock Flange	7 Gang Units Only
18	3003110	7	Clamp, Double Tube	7 Gang Units Only
19	2812240	5	Plate, Cover	7 Gang Units Only
20	400116	3	Screw, 1/4-20 x 1-1/2" Hex Head	7 Gang Units Only
21	400112	1	Screw, 1/4-20 x 1" Hex Head	2WD
22	444708	AR	Locknut, 1/4-20 Center	
23	3009645	1	Bracket, Hose Clamp	7 Gang Units Only
24	400188	1	Screw, 5/16-18 x 1" Hex Head	7 Gang Units Only
25	3009564	1	Bracket, Tube Clamp	7 Gang Units Only
26	360970	AR	Clamp	
27	364190	1	Clamp	7 Gang Units Only
28	400182	1	Screw, 5/16-18 x 5/8"	5 Gang Units Only
29	400120	2	Screw, 1/4-20 x 2" Hex Head	7 Gang Units Only

> Change from previous revision

28.1 Front Lift Hydraulics

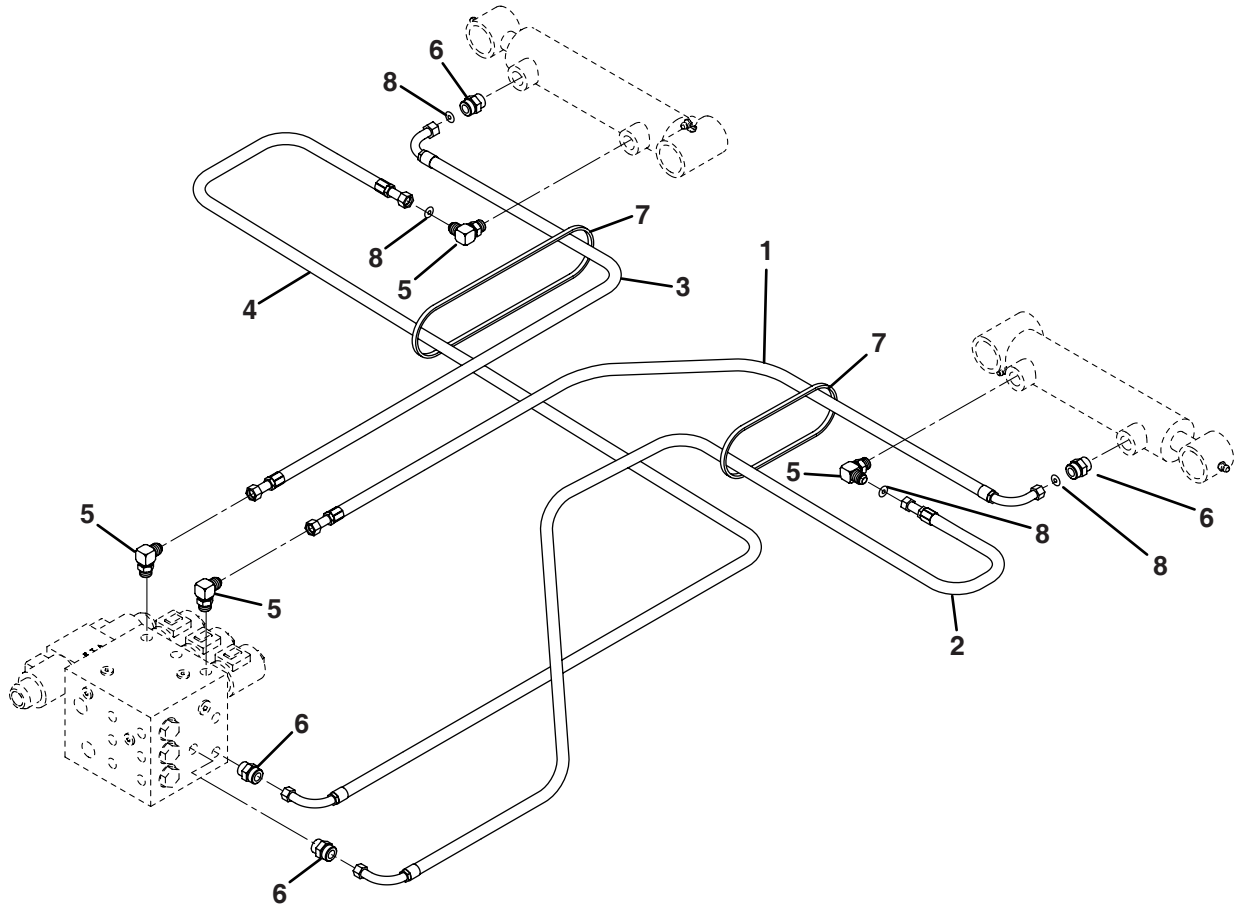


Item	Part No.	Qty.	Description	Serial Numbers/Notes
1	1003344	1	Hose, Lift Valve to Right Front	Lift Valve Port 10
2	1003343	1	Hose, Right Front to Lift Valve	Lift Valve Port 1
3	1003345	1	Hose, Center to Lift Valve	Lift Valve Port 2
4	1003346	1	Hose, Center to Lift Valve	Lift Valve Port 9
5	1003347	1	Hose, Left Front to Lift Valve	Lift Valve Port 3
6	1003348	1	Hose, Lift Valve to Left Front	Lift Valve Port 8
7	3000953	6	Disk, 0.040 Orifice	
8	473142	1	Tie Wrap	
9	339979	6	Adaptor, Straight	
10	340057	6	Adaptor, 90°	

> Change from previous revision

29.1 Wing Lift Hydraulics

7 Gang Units (LF 4675 and LF 4677)

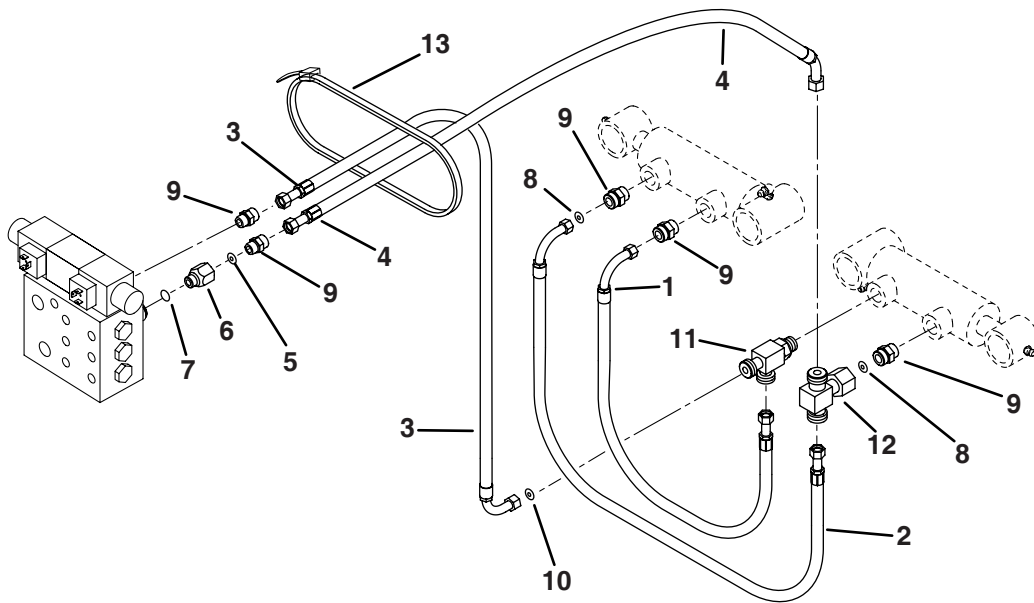


Item	Part No.	Qty.	Description	Serial Numbers/Notes
1	1004227	1	Hose, Lift Valve to Left Wing	Lift Valve Port 6
2	1004228	1	Hose, Left Wing to Lift Valve	Lift Valve Port 12
3	1004229	1	Hose, Lift Valve to Right Wing	Lift Valve Port 5
4	1004230	1	Hose, Right Wing to Lift Valve	Lift Valve Port 7
5	340061	4	Adaptor, 90°	
6	339979	4	Adaptor, Straight	
7	473142	2	Tie Wrap	
8	3000953	4	Disk, 0.040 Orifice	

> Change from previous revision

30.1 Rear Lift Hydraulics

5 Gang Units (LF 3400, LF 3800 and LF 3400 Turbo)

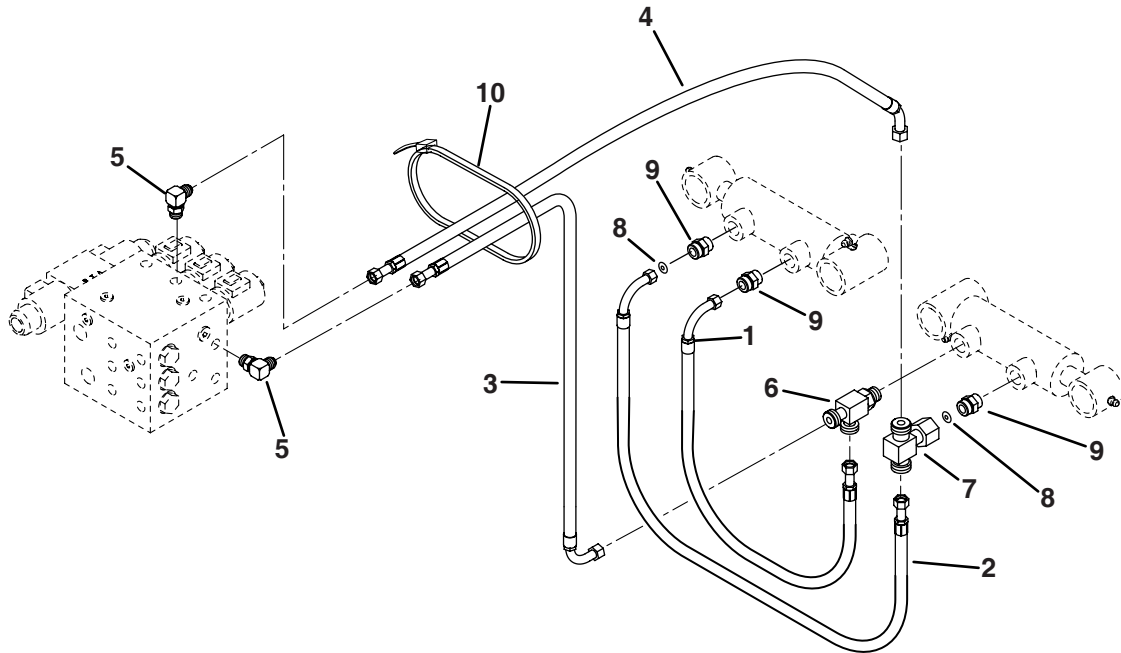


Item	Part No.	Qty.	Description	Serial Numbers/Notes
1	1003352	1	Hose, Left Rear to Right Rear	Base Ports
2	1003351	1	Hose, Left Rear to Right Rear	Rod Ports
3	1003350	1	Hose, Lift Valve to Inside Tee	Lift Valve Port 6
4	1003349	1	Hose, Lift Valve to Outside Tee	Lift Valve Port 4
5	353190	1	Plate, 0.026 Orifice	
6	337317	1	Fitting, One way Restrictor	
7	339897	1	O-Ring	
8	3000953	2	Disk, 0.040 Orifice	
9	339979	5	Adaptor, Straight	
10	3008392	1	Disk, 0.052 Orifice	
11	340263	1	Adaptor, Tee	Base Port
12	340143	1	Adaptor, Tee	Rod Port
13	473142	1	Tie Wrap	

> Change from previous revision

31.1 Rear Lift Hydraulics

7 Gang Units (LF 4675 and LF 4677)

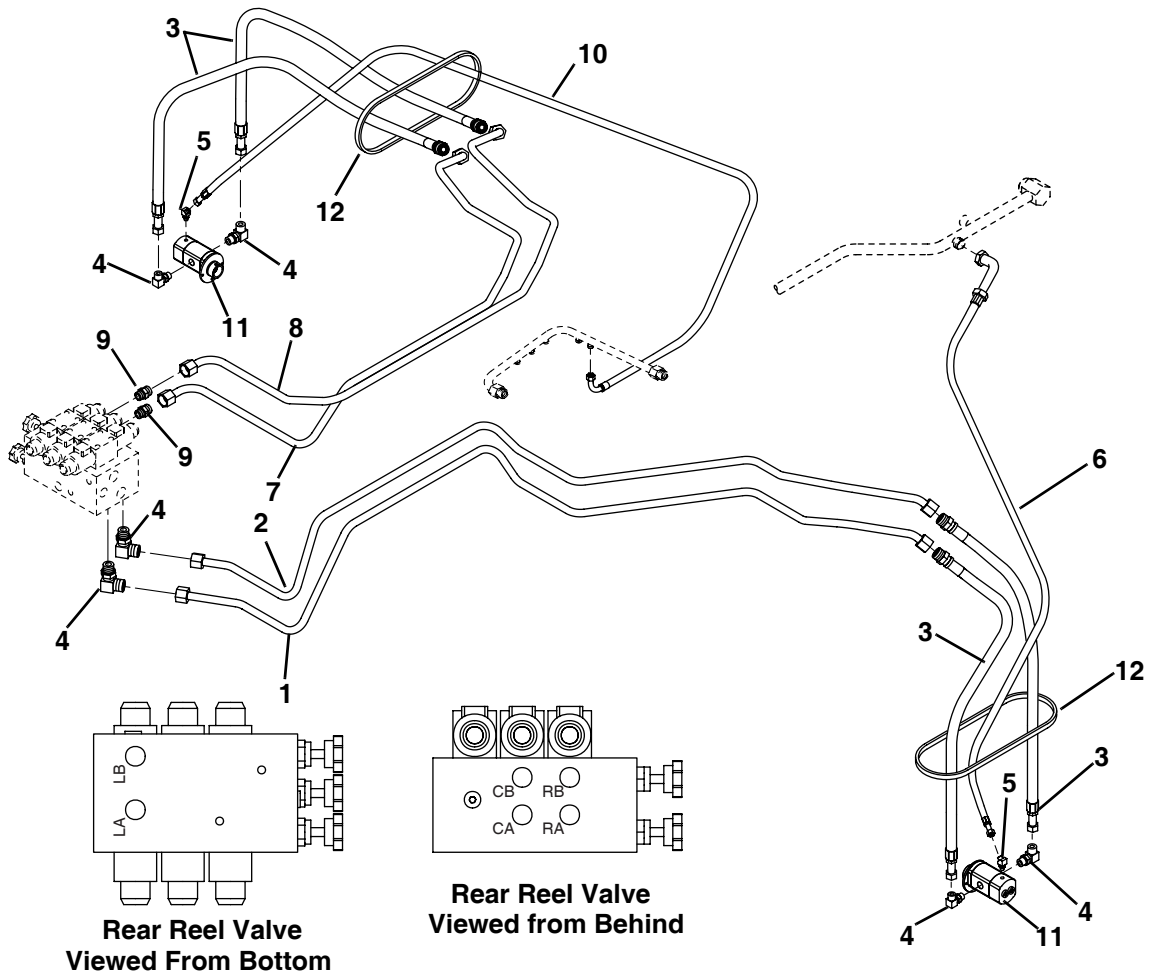


Item	Part No.	Qty.	Description	Serial Numbers/Notes
1	1003352	1	Hose, Left Rear to Right Rear	Base Ports
2	1003351	1	Hose, Left Rear to Right Rear	Rod Ports
3	1003350	1	Hose, Lift Valve to Inside Tee	Lift Valve Port 11
4	1003349	1	Hose, Lift Valve to Outside Tee	Lift Valve Port 4
5	340061	2	Adaptor, 90°	
6	340263	1	Adaptor, Tee	Base Port
7	340143	1	Adaptor, Tee	Rod Port
8	3000953	2	Disk, 0.040 Orifice	
9	339979	3	Adaptor, Straight	
10	473142	1	Tie Wrap	

> Change from previous revision

32.1 Wing Reel Hydraulics

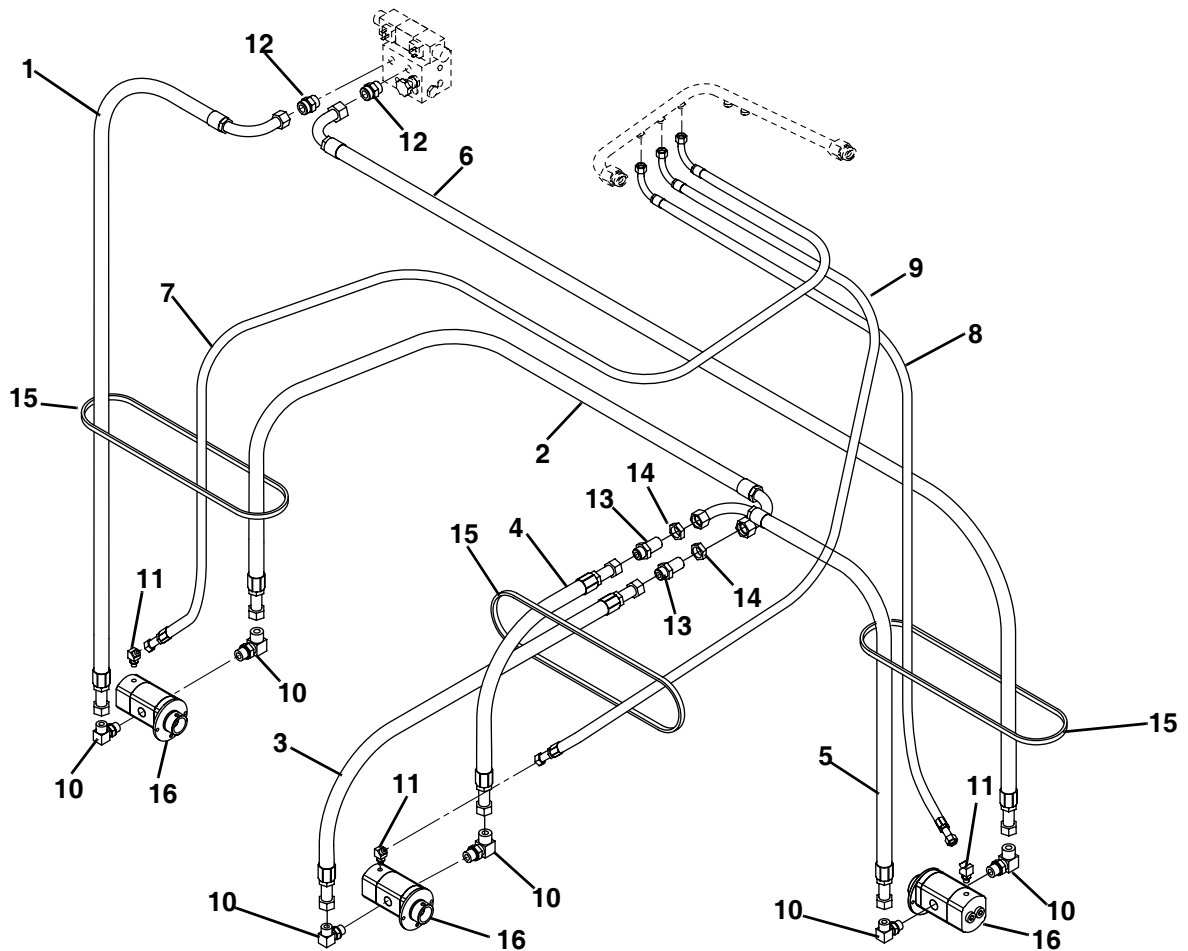
7 Gang Units Only (LF 4675 and LF 4677)



Item	Part No.	Qty.	Description	Serial Numbers/Notes
1	1004430	1	Tube, Left Wing Pressure	Rear Reel Valve Port LA
2	1004431	1	Tube, Left Wing Return	Rear Reel Valve Port LB
3	1004221	4	Hose, Wing Reel	
4	340070	6	Adapter, 90°	
5	340022	2	Adapter, 45°	
6	1004224	1	Hose, Left Wing Drain	
7	1004433	1	Tube, Right Wing Pressure	Rear Reel Valve Port RA
8	1004434	1	Tube, Right Wing Return	Rear Reel Valve Port RB
9	339989	2	Adapter, Straight	
10	1004225	1	Hose, Right Wing Drain	
11	2822503	2	Motor, 5" Diameter Reel	LF 4675, See 53.1
11	1002620	2	Motor, 7" Diameter Reel	LF 4677, See 54.1
12	473142	6	Tie Wrap	

> Change from previous revision

33.1 Front Reel Hydraulics

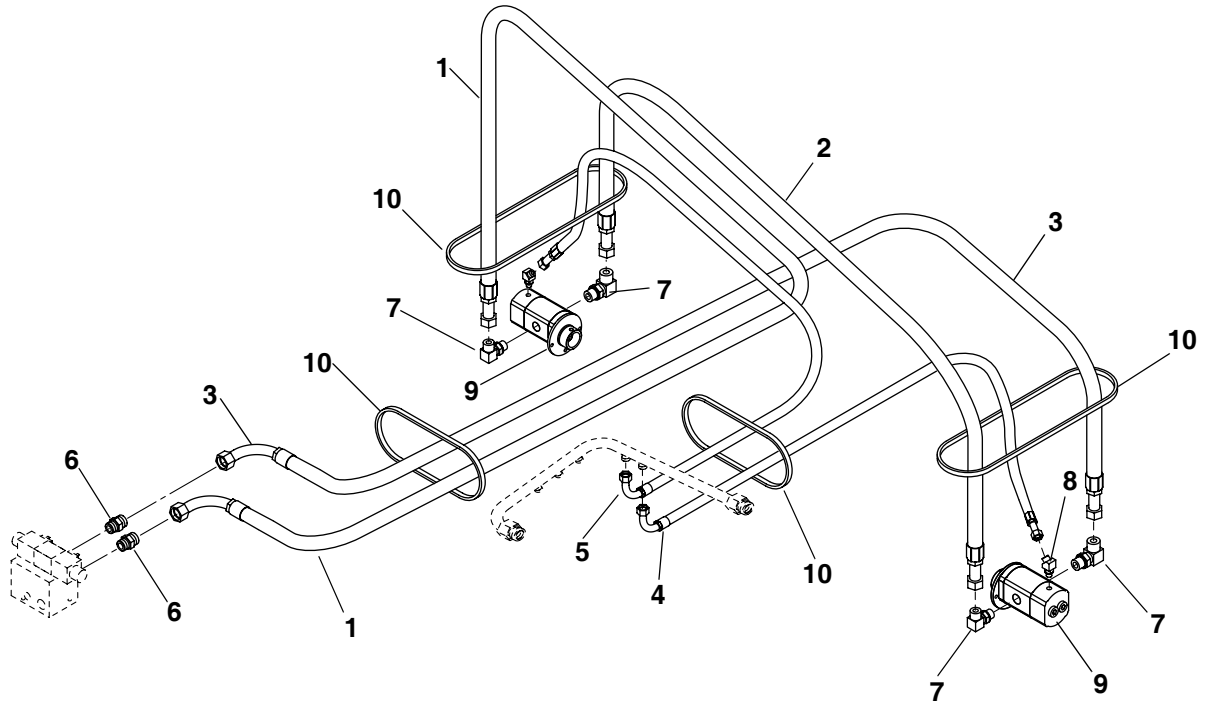


Item	Part No.	Qty.	Description	Serial Numbers/Notes
1	1003337	1	Hose, Valve to Right Front Motor	Front Reel Valve Port A
2	1003444	1	Hose, Right Front to Bulkhead	
3	1003445	1	Hose, Bulkhead to Center Motor	
4	1003446	1	Hose, Center Motor to Bulkhead	
5	1003447	1	Hose, Bulkhead to Left Front Motor	
6	1003338	1	Hose, Left Front Motor to Valve	Front Reel Valve Port B
7	2812241	1	Hose, Right Front Motor Drain	
8	2812242	1	Hose, Left Front Motor Drain	
9	1003451	1	Hose, Center Motor Drain	
10	340070	6	Adapter, 90°	
11	340022	3	Adapter, 45°	
12	339989	2	Adapter, Straight	
13	340241	2	Adapter, Union Bulkhead	
14	339963	2	Locknut, Bulkhead	
15	473142	5	Tie Wrap	
16	2822503	3	Motor, 5" Diameter Reel	LF 3400 and LF 4675, See 53.1
16	1002620	3	Motor, 7" Diameter Reel	LF 3800 and LF 4677, See 54.1

> Change from previous revision

34.1 Rear Reel Hydraulics

5 Gang Units (LF 3400, LF 3800 and LF 3400 Turbo)

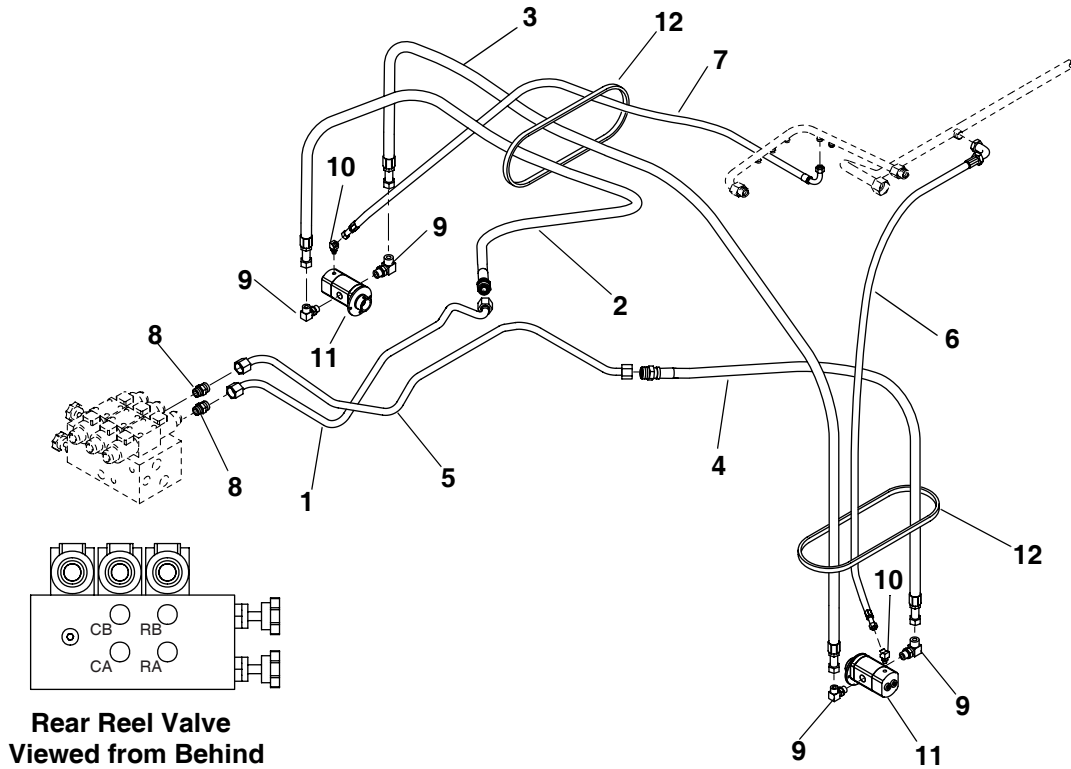


Item	Part No.	Qty.	Description	Serial Numbers/Notes
1	1003336	1	Hose, Valve to Right Rear Motor	
2	1003443	1	Hose, Right Rear to Left Rear Motor	
3	1003335	1	Hose, Left Rear Motor to Valve	
4	1003449	1	Hose, Left Rear Drain	
5	1003448	1	Hose, Right Rear Drain	
6	339989	2	Adapter, Straight	
7	340070	4	Adapter, 90°	
8	340022	2	Adapter, 45°	
9	2822503	2	Motor, 5" Diameter Reel	LF 3400 See 53.1
9	1002620	2	Motor, 7" Diameter Reel	LF 3800 See 54.1
10	473142	4	Tie Wrap	

> Change from previous revision

35.1 Rear Reel Hydraulics

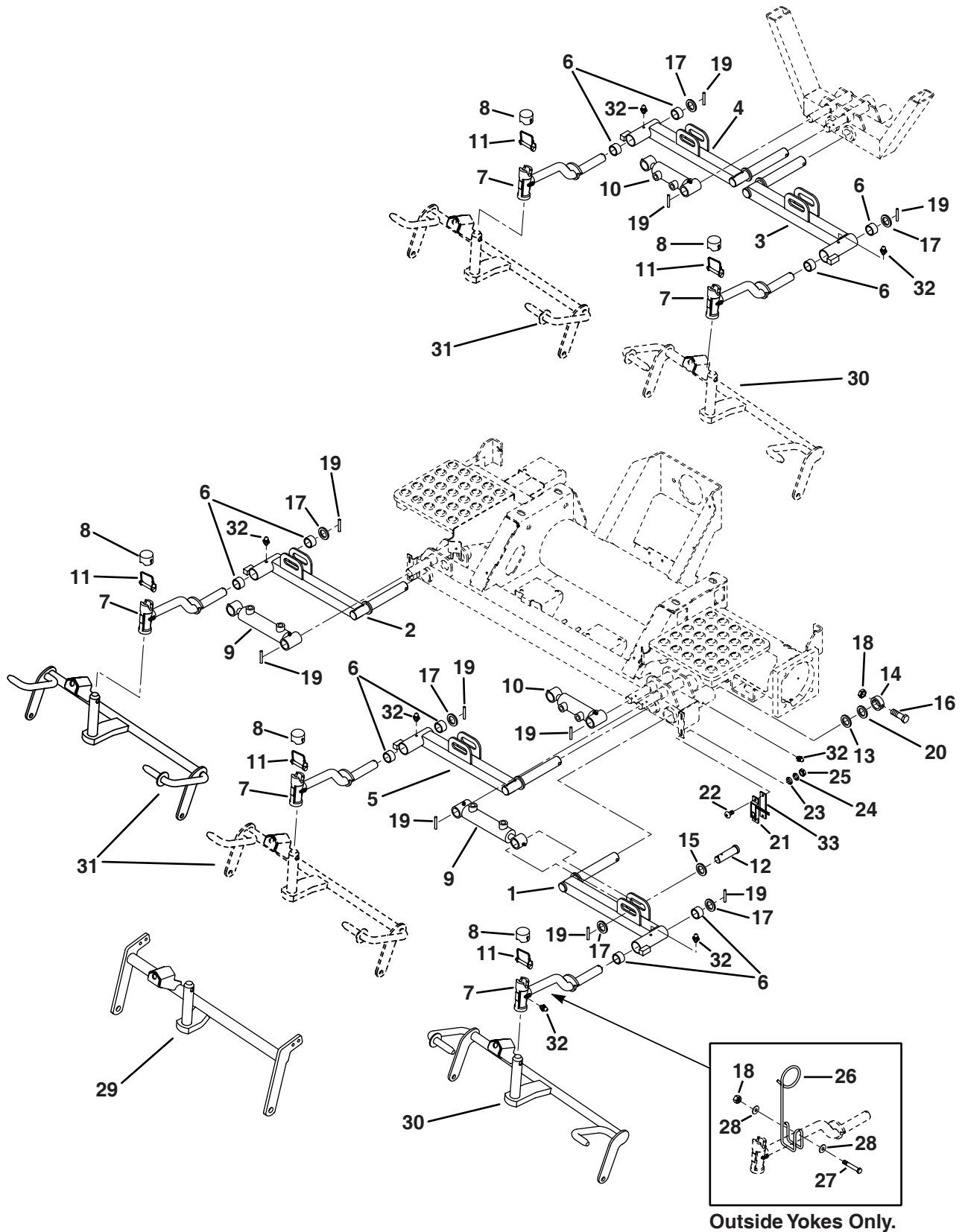
7 Gang Units (LF 4675 and LF 4677)



Item	Part No.	Qty.	Description	Serial Numbers/Notes
1	1004432	1	Tube, Rear Pressure	Rear Valve Port CA
2	1004284	1	Hose, Tube to Right Rear Motor	
3	1004285	1	Hose, Right Rear to Left Rear Motor	
4	1004283	1	Hose, Left Rear Motor to Tube	
5	1004429	1	Tube, Rear Return	Rear Valve Port CB
6	1004223	1	Hose, Left Rear Drain	
7	1003448	1	Hose, Right Rear Drain	
8	339989	2	Adapter, Straight	
9	340070	4	Adapter, 90°	
10	340022	2	Adapter, 45°	
11	2822503	2	Motor, 5" Diameter Reel	LF 4675 See 53.1
11	1002620	2	Motor, 7" Diameter Reel	LF 4677 See 54.1
12	473142	2	Tie Wrap	

> Change from previous revision

36.1 Lift Arms



Item	Part No.	Qty.	Description	Serial Numbers/Notes
1	1002483	1	Left Front Lift Arm	
2	1002484	1	Right Front Lift Arm	
3	1002485	1	Left Rear Lift Arm	
4	1002486	1	Right Rear Lift Arm	
5	1002487	1	Center Lift Arm	
6	3006539	10	• Bushing	2 Per Lift Arm
7	1002498	5	Yoke, Pivot	
8	3008432	5	Cap, Swivel Housing	
9	3009670	2	Lift Cylinder, Left and Right Front	
10	3009669	3	Lift Cylinder, Center and Rear	
	5003441	1	• Seal Kit - Gold Star	Used on Gold Star Cylinders Only
	5003658	1	• Seal Kit - HDM	Used on HDM Cylinders Only
11	3007798	5	Lock Pin	
12	3007989	5	Pin, Cylinder	
13	362824	5	Spacer, Lift Arm	
14	364248	5	Collar	
15	455004	10	Flat Washer, 1	
16	400272	5	Screw, 3/8-16 x 2-1/4" Hex Head	
17	2500477	5	Machinery Bushing	
18	444762	7	Locknut, 7/16-18 Center	
19	461409	15	Roll Pin, 3/16x x1-3/4"	
20	3009490	5	Wave Washer	
21	3007392	2	Switch, Proximity	
22	403860	4	Screw, #8-32 x 5/8" Truss Head	
23	453004	4	Flat Washer, #8	
24	446110	4	Lockwasher, #8	
25	444306	4	Nut, #8-32 Hex	
26	3007575	2	Support, Hose	
27	400276	2	Screw, 3/8-16 x 2-1/2" Hex Head	
28	358794	4	Flat Washer, 3/8	
29	1003361	5	Lift Yoke	LF 3800 & LF-4677 Only
30	1003359	2	Lift Yoke, Left Side	LF 3400 & LF-4675 Only
31	1003360	3	Lift Yoke, Right Side and Center	LF 3400 & LF-4675 Only
32	471214	15	Grease Fitting	
33	3009193	1	Shim	

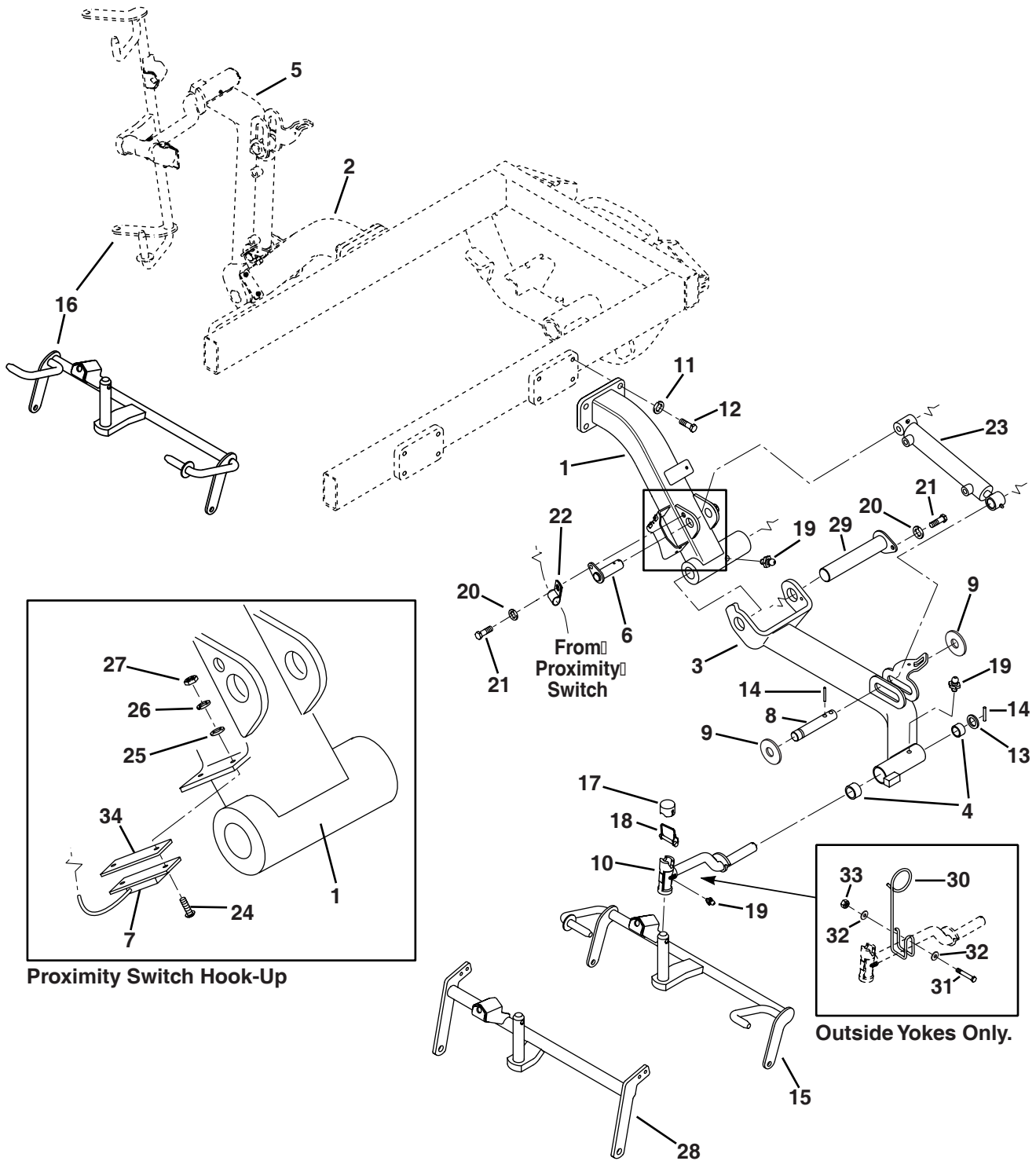
> Change from previous revision

LF 3400/ LF 3800

Serial No. All

37.1 Wing Lift Arms

7 Gang Units Only (LF 4675 and LF 4677)

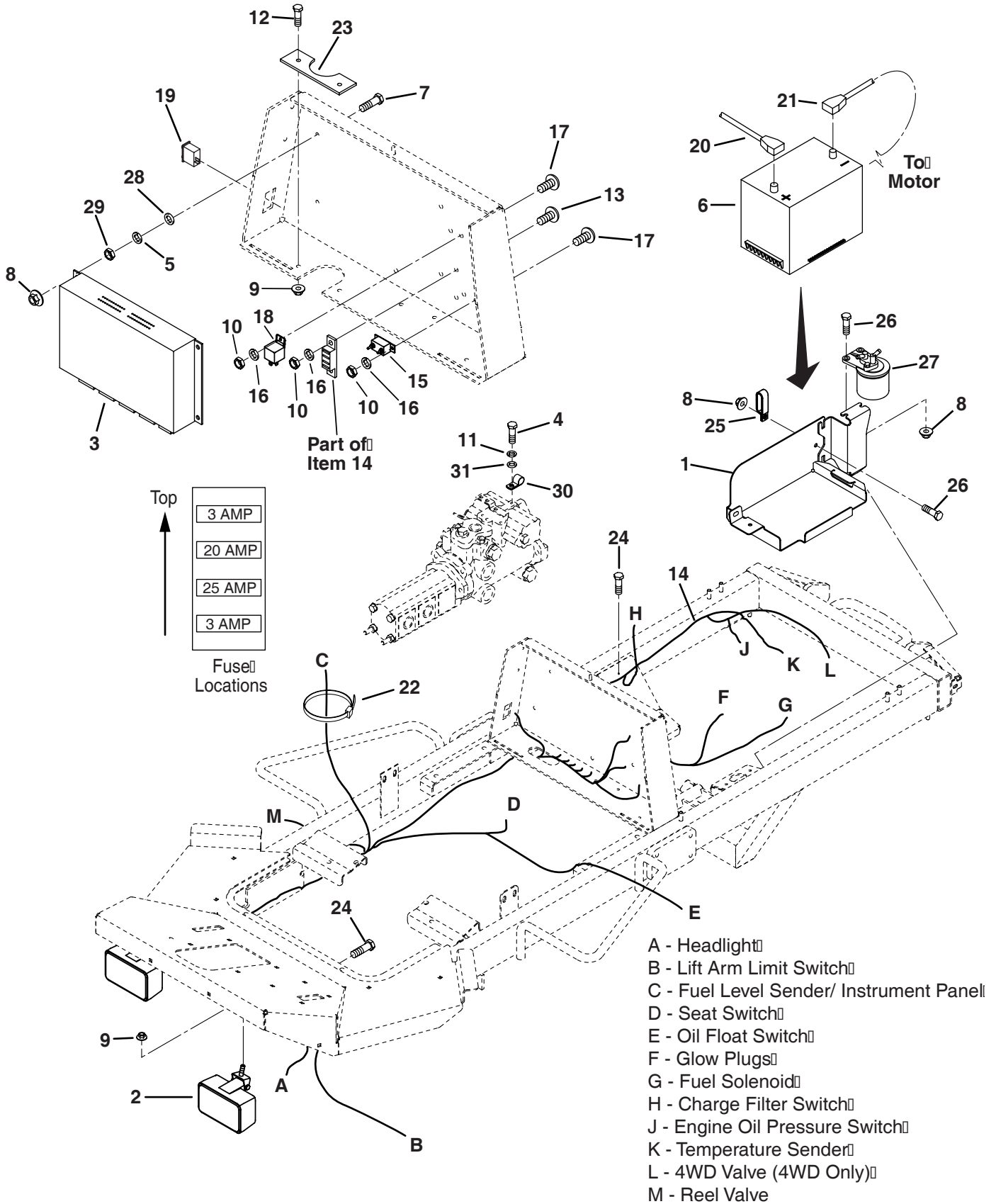


Proximity Switch Hook-Up

Outside Yokes Only.

Item	Part No.	Qty.	Description	Serial Numbers/Notes	
1	1004391	1	Wing, L.H. Mounting Assembly	2 Per Lift Arm	
2	1004392	1	Wing, R.H. Mounting Assembly		
3	1004393	1	Arm, L.H. Mounting Assembly		
4	3006539	4	• Bushing		
5	1004394	1	Arm, R.H. Mounting Assembly		
6	1004492	2	Pin, Cylinder		
7	3007392	2	Switch, Proximity		
8	3007989	2	Pin, Cylinder		
9	455004	4	Flat Washer, 1"		
10	1002498	2	Yoke Pivot		
11	446154	8	Lockwasher, 1/2 Heavy		
12	400406	8	Screw, 1/2-13 x 1-1/4" Hex Head		
13	2500477	4	Machinery Bushing		
14	461409	4	Roll Pin		
15	1003359	1	Lift Yoke, Left Side		LF-4675 Units Only
16	1003360	1	Lift Yoke, Right Side		LF-4675 Units Only
17	3008432	2	Cap, Swivel Housing		
18	3007798	2	Lock Pin		
19	471214	15	Grease Fitting		
20	446142	4	Lockwasher, 3/8 Heavy		
21	400258	4	Screw, 3/8-16 x 3/4" Hex Head		
22	367028	2	Clamp, Open		
23	3009449	2	Cylinder, Wing		
24	403860	4	Screw, #8-32 x 5/8" Truss Head		
25	453004	4	Flat Washer, 1/4		
26	446110	4	Lockwasher, #8		
27	444306	4	Nut, #8-32 Hex		
28	1003361	2	Lift Yoke		LF-4677 Units Only
29	1004416	2	Pin, Wing		
30	3007575	2	Support, Hose		
31	400276	2	Screw, 3/8-16 x 2-1/2" Hex Head		
32	358794	4	Flat Washer, 3/8		
33	444762	7	Locknut, 7/16-18 Center		

38.1 Wire Harness and Controller Box

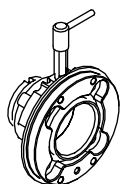
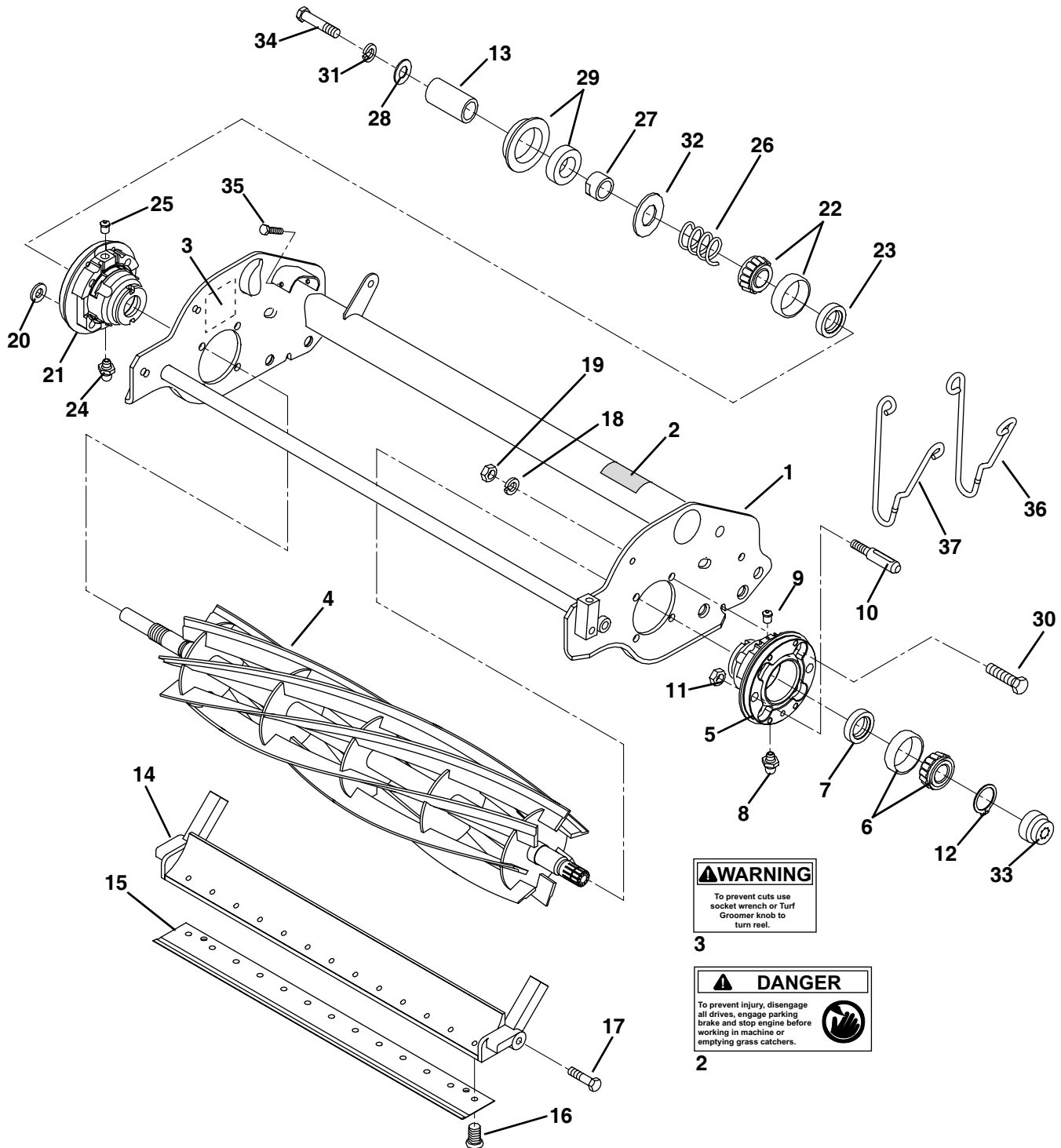


Item	Part No.	Qty.	Description	Serial Numbers/Notes	
1	-----	1	Tray, Battery	See 8.1	
2	1004776	2	Headlight		
	5000527	1	• Bulb		
	5003623	1	• Bracket		
3	2812301	1	Controller		
4	400104	1	Screw, 1/4-20 x 1/2" Hex Head		
5	446134	4	Lockwasher, 5/16		
6	366931	1	Battery		
7	400190	4	Screw, 5/16-18 x 1-1/4" Hex Head		
8	445795	9	Nut, 5/16-18 Spirallock Flange		
9	445796	5	Nut, 3/8-16 Spirallock Flange		
10	444310	7	Nut, #10-24 Hex		
11	446128	1	Lockwasher, 1/4		
12	400258	2	Screw, 3/8-16 x 3/4" Hex Head		
13	403914	2	Screw, #10-24 x 3/4" Truss Head		
14	4111120	1	Body Wire Harness		5 Gang Units
14	4117826	1	Body Wire Harness		7 Gang Units
	555486	1	• 3A Diode		
	5003276	2	• 3 Amp Fuse		
	5003282	1	• 20 Amp Fuse		
	5003283	1	• 25 Amp Fuse		
15	361439	1	Circuit Breaker, 12V 50A		
16	446118	7	Lockwasher, #10		
17	403910	5	Screw, #10-24 x 1/2" Truss Head		
18	3001307	3	Relay-SPDT With Resistor		
19	3006434	1	Switch, Rocker		
20	3007777	1	Cable, Positive Battery		
21	2810213	1	Cable, Negative Battery		
22	473142	1	Cable Tie		
23	3009251	1	Tab, Wire Harness		
24	409804	3	Screw, #10-32 x 1/2" Thread Cutting		
25	3007558	1	Clamp, Double Tube		
26	400188	3	Screw, 5/16-18 x 1" Hex Head		
27	555406	1	Fuel Filter Assembly	Included With Engine	
	2500809	1	• Fuel Filter Element		
	2501023	1	• Filter Cover		
	2501024	1	• Filter Breather Plug		
	2501025	1	• O-Ring		
	2501026	1	• Form, Mark		
28	453009	4	Flat Washer, 5/16		
29	443106	4	Nut, 5/16-18 Hex		
30	345666	1	Clamp, 1/2" I.D.		
31	453023	1	Flat Washer, 1/4		
	446128	1	Lockwasher, 1/4		

> Change from previous revision

39.1 Five Inch Reel Assembly

LF 3400, LF 3400 Turbo and LF 4675 Models



Single Point Flash Attach

LF-3400 Units with single point Flash Attach

Serial Number 67868 1601 ~ 1758

Serial Number 67869 1601 ~ 1704

Your machine was built before the two point Flash Attach (Shown Above) was introduced. To update your tractor and cutting units, Order Flash Attach Re-Work Kit Part No. 5003735

Note: The update kit will update only one cutting unit and reel motor. Five kits will be required to update all five cutting units.

Item	Part No.	Qty.	Description	Serial Numbers/Notes
1	5003087	1	Frame, Reel	
2	361877	2	• Decal, Danger	
3	1000997	1	• Decal, Warning	
4	5003053	1	7 Blade Left Hand Reel	
4	5003054	1	7 Blade Right Hand Reel	
5	1004786	1	Bearing Housing	
6	500534	1	• Bearing, Cup and Cone	
7	336962	1	• Seal, Grease	
8	471214	1	• Grease Fitting	
9	471242	1	• Vent Fitting	
10	3010296	2	• Pin, Motor Mounting	
11	444708	2	• Locknut, 1/4-20 Center	
12	458013	1	Snap Ring	
13	367164	1	Spacer	
14	5000415	1	Bedknife Backing	
15	5003150	1	Bedknife, Low Profile Fairway	Standard
15	503460	1	Bedknife, Heavy Section	Optional
16	3009138	13	Screw, 1/4-20 x 1/2" Flat Head	
17	315298	2	Bolt, 7/16 x 3/4"	
18	446136	8	Lockwasher, 5/16 Heavy	
19	443106	8	Nut, 5/16-18 Hex	
20	453009	4	Flat Washer, 5/16	
21	1000480	1	Bearing Housing	
	2000060	1	• Housing	
22	500534	1	• Bearing, Cup and Cone	
23	336962	1	• Seal, Grease	
24	471214	1	• Grease Fitting	
25	471240	1	• Vent Fitting	
26	5002151	1	Spring, Compression	
27	364900	1	Nut, Reel	
28	453011	1	Flat Washer, 3/8	
29	163892	1	Seal	
30	400192	8	Screw, 5/16-18 x 1-1/2" Hex Head	
31	446142	4	Lockwasher, 3/8 Heavy	
32	304745	1	Washer	
33	3001720	1	Coupler, Reel Motor	
34	400294	1	Screw, 3/8-24 x 1" Hex Head	
35	412503	4	Screw, 3/8-16 x 1-1/4" Square Head	
36	2810165	1	Clip, Motor	
37	2810166	1	Clip, Motor	

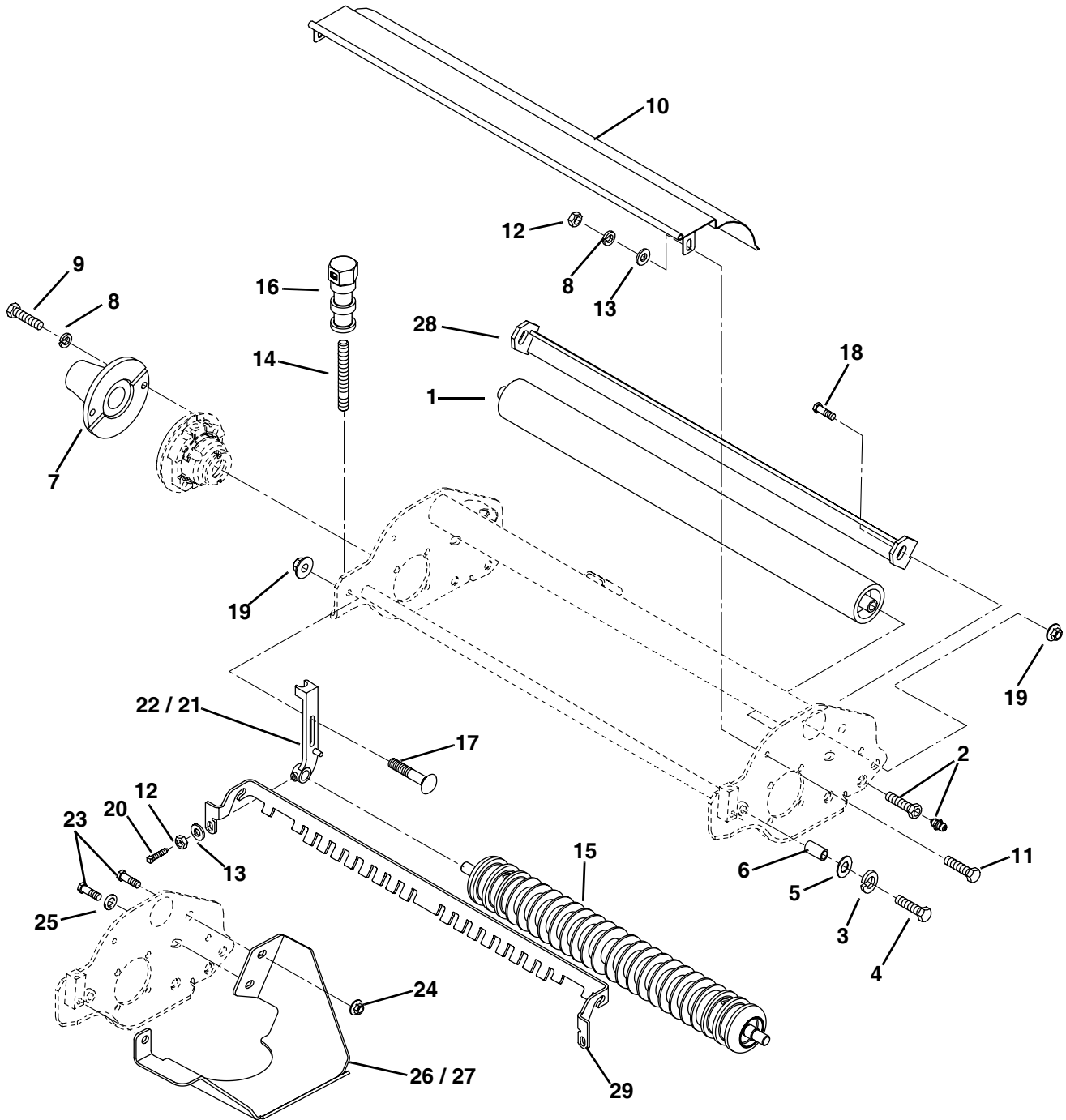
> Change from previous revision

LF 3400 / LF 3800

Serial No. All

40.1 Five Inch Reel Assembly

LF 3400, LF 3400 Turbo and LF 4675 Models

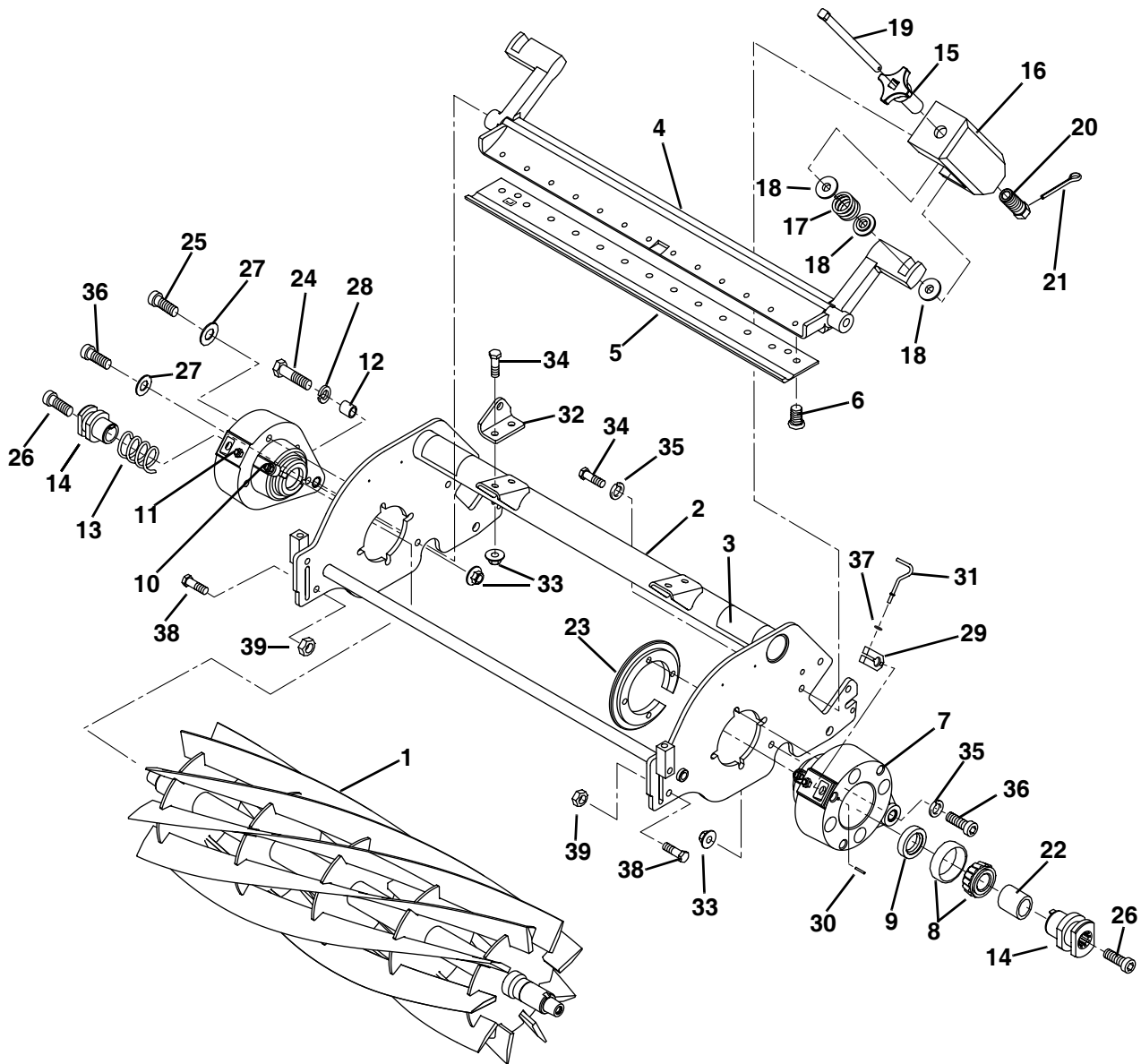


Item	Part No.	Qty.	Description	Serial Numbers/Notes
1	1000770	1	Rear Roller	See 45.1
2	1002224	2	Zerk Bolt	
3	446142	2	Lockwasher, 3/8 Heavy	
4	400264	2	Screw, 3/8-16 x 1-1/4" Hex Head	
5	453011	2	Flat Washer, 3/8	
6	345510	2	Spacer	
7	2000065	1	Casting, Counterweight	
8	446130	4	Lockwasher, 1/4 Heavy	
9	400110	2	Screw, 1/4-20 x 7/8" Hex Head	
10	2810043	1	Shield, Reel	
11	403782	2	Screw, 1/4-20 x 3/4" Truss Head	
12	443102	4	Nut, 1/4-20 Hex	
13	453023	4	Flat Washer, 1/4	
14	343616	2	Stud	
15	123268	1	Front Roller	See 44.1
16	3005692	2	Knob, Front Roller Adjusting	
17	441674	2	Carriage Bolt, 5/16-18 x 1-3/4"	
18	400186	2	Screw, 5/16-18 x 7/8" Hex Head	
19	445795	4	Locknut, 5/16-18 Hex	
20	352737	2	Screw, 1/4-20 x 7/8" Square Head	
21	3008438	1	Roller Bracket	
22	3008439	1	Roller Bracket	
23	400188	2	Screw, 5/16-18 x 1" Hex Head	Front Wing Reels Only
24	447795	2	Nut, 5/16-18 Spiralock Flange	Front Wing Reels Only
25	452006	1	Flat Washer, 5/16	Front Wing Reels Only
26	3008199	1	Skid	Left Front Reel Only
27	3008200	1	Skid	Right Front Reel Only
28	338375	1	Scraper, Rear Roller	
29	391202	1	Front Roller Scraper	

> Change from previous revision

41.1 Seven Inch Reel Assembly

LF 3800 and 4677 Models



Item	Part No.	Qty.	Description	Serial Numbers/Notes
1	2810472	1	Reel, 11 Blade	Used on 67848
1	2810471	1	Reel, 9 Blade	Used on 67858
2	5002609	1	Frame, 7" Reel	
3	361877	2	• Decal, Danger	
4	2811399	1	Bedknife Backing Assembly	
5	503460	1	• Bedknife	Standard
6	3009138	13	• Screw, 1/4-20 x 1/2" Flat Head	
7	1002811	2	Bearing Housing	
8	5002477	2	• Bearing Cup and COne	
9	3006030	2	• Seal	
10	471214	2	• Grease Fitting	
11	471242	2	• Vent Fitting	
12	2500759	2	• Bushing	
13	3004734	1	Spring, Compression	
14	3010046	2	Coupler	Replaces 3004737
	1002532	2	Bedknife Adjuster	
15	2000125	2	• Knob	
16	3004795	2	• Housing	
17	3008946	2	• Spring, Urethane	
18	3009892	6	• Spacer, Cup	Replaces 3009075
19	3009893	2	• Rod	Replaces 3004798
20	3009894	1	• Bolt, Special	Replaces 3004799
21	460026	1	• Cotter Pin, 1/8 x 3/4"	
22	3004800	1	Spacer, Reel	
23	3005210	2	Retaining Ring	
24	365501	2	Bolt, Special	
25	434039	8	Screw, 5/16-18 x 2" Socket Head	
26	434003	2	Screw, 5/16-18 x 1" Socket Head	
27	362643	8	Spacer	
28	454017	2	Spring Washer	
29	3008922	2	Block, Clamp	
30	461419	2	Roll Pin, 1/8 x 3/8"	
31	3006028	2	Pin	
32	3008601	1	Bracket, Spring	
33	445795	2	Nut, 5/16-18 Spirallock Flange	
34	400184	2	Screw, 5/16-18 x 3/4" Hex Head	
35	446136	6	Lockwasher, 5/16	
36	434036	2	Screw, 5/16-18 x 1-1/4" Socket Head	
37	455066	2	Washer	
38	400182	2	Bolt, 5/16-18 x 5/8 " Hex Head	
39	433106	2	Nut, 5/16-18 Hex	

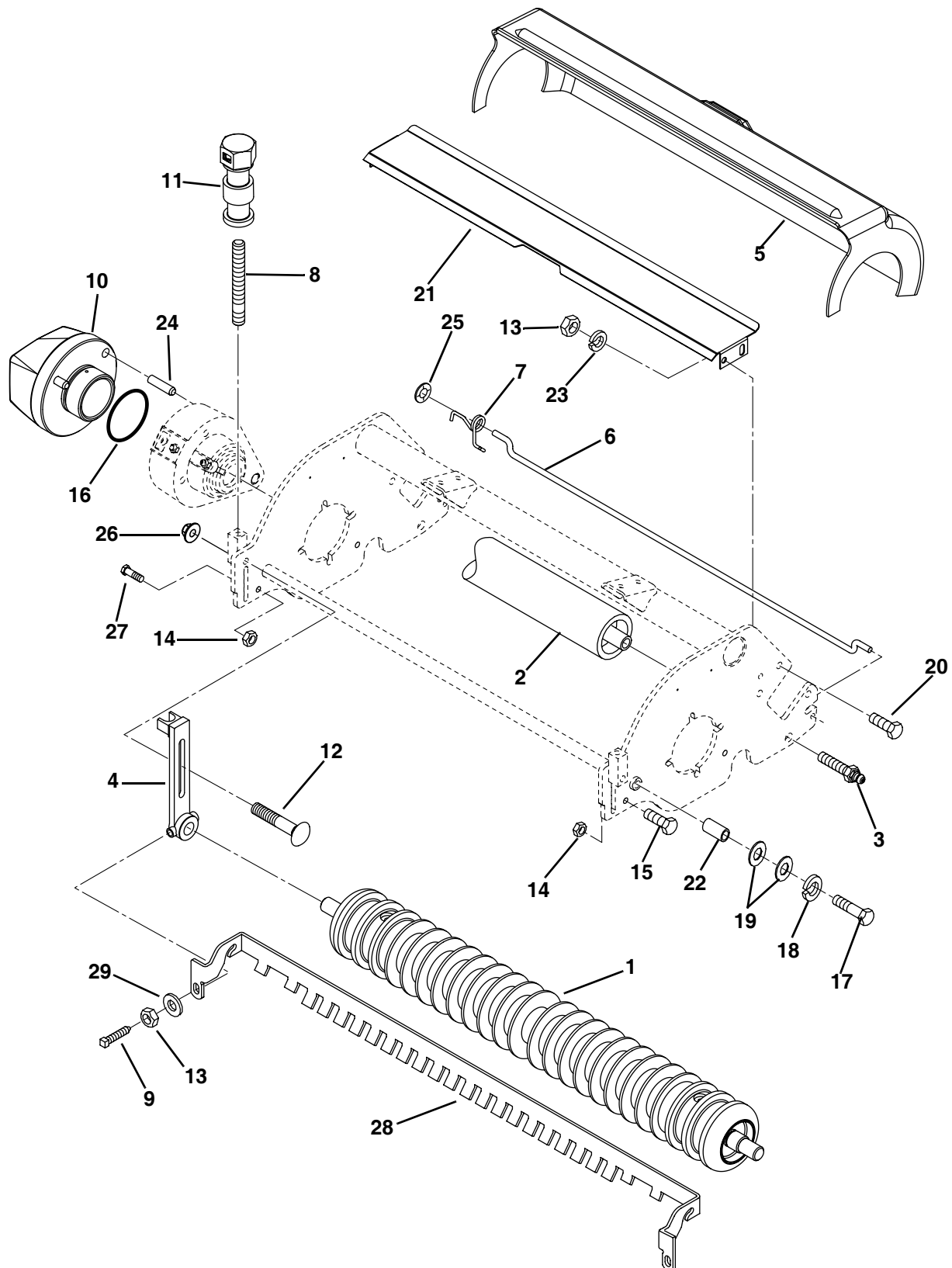
> Change from previous revision

LF 3400 / LF 3800

Serial No. All

42.1 Seven Inch Reel Assembly

LF 3800 and LF 4677 Models

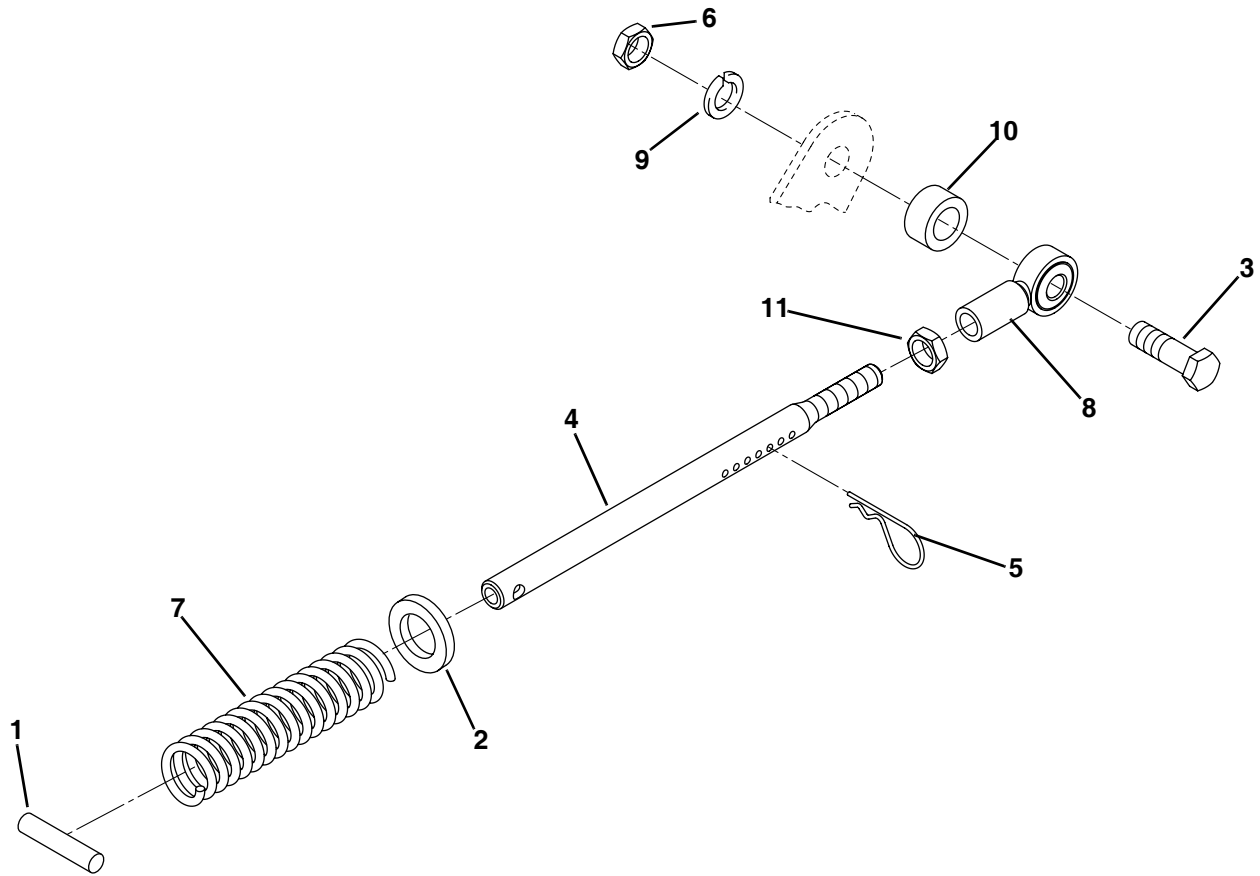


LF34-30

Item	Part No.	Qty.	Description	Serial Numbers/Notes
1	123268	1	Front Roller	See 44.1
2	1002446	1	Rear Roller, 24"	Serial No. 67848-1601 ~ 1899,See 46.1
2	1003728	1	Rear Roller, 22"	Serial No. 67848-1900 and Up,See 46.1
2	1003728	1	Rear Roller, 22"	Serial No. 67858-1601 and Up,See 46.1
3	163568	2	Zerk Bolt	
4	3004738	2	Front Roller Adjuster	
5	3005209	1	Shield	
6	3005316	1	Scraper, 24" Rear Roller	Serial No. 67848-1601 ~ 1899
6	3009280	1	Scraper, 22" Rear Roller	Serial No. 67848-1900 and Up
6	3009280	1	Scraper, 22" Rear Roller	Serial No. 67858-1601 and Up,
7	3005267	1	Spring, 24" Rear Roller Torsion	Serial No. 67848-1601 ~ 1899
7	3009281	1	Spring, 22" Rear Roller Torsion	Serial No. 67848-1900 and Up
7	3009281	1	Spring, 22" Rear Roller Torsion	Serial No. 67858-1601 and Up,
8	343616	2	Stud	
9	352737	2	Screw, 1/4-20 x 7/8" Square Head	
10	2000135	1	Counter Balance	
11	3005692	2	Knob, Roller Adjusting	
12	441674	2	Carriage Bolt, 5/16-18 x 1-3/4"	
13	443102	4	Nut, 1/4-20 Hex	
14	443106	2	Nut, 5/16-18 Hex	
15	446136	2	Lockwasher, 3/16 Heavy	
16	3006021	1	O-Ring	
17	400264	2	Screw, 3/8-16 x 1-1/4" Hex Head	
18	446142	2	Lockwasher, 3/8 Heavy	
19	453011	4	Flat Washer, 3/8	
20	400108	2	Screw, 1/4-20 x 3/4" Hex Head	
21	3006248	1	Deflector	
22	3006290	2	Bushing	
23	453023	2	Flat Washer, 1/4	
24	3006022	2	Pin	
25	445525	2	Palnut, 1/4	
26	445795	2	Nut, 5/16-18 Spiralock Flange	
27	400182	2	Screw, 5/16-18 x 5/8" Hex Head	
28	391202	1	Scraper, Front Roller	
29	453023	2	Flat Washer, 1/4	

> Change from previous revision

43.1 Down Pressure Spring

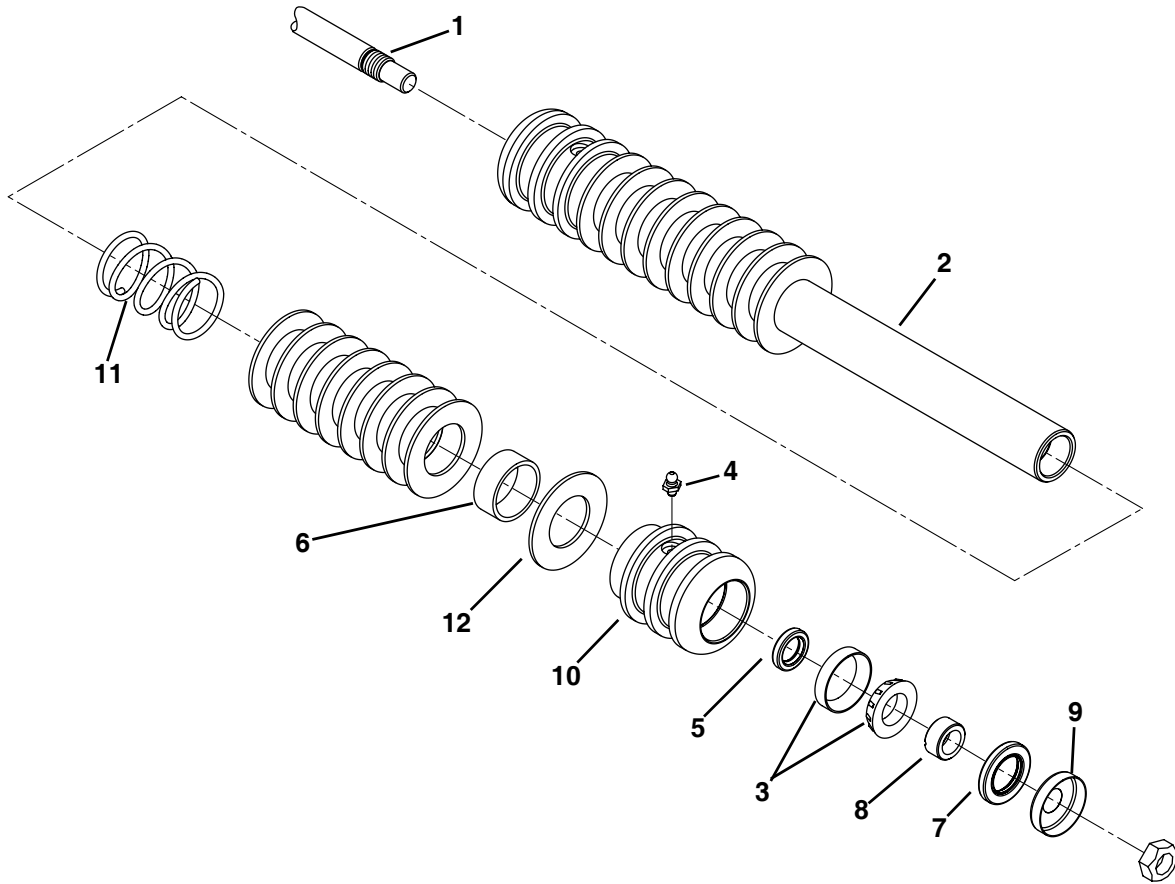


Item	Part No.	Qty.	Description	Serial Numbers/Notes
1	461397	1	Roll Pin, 1/4 x 1-1/4"	
2	453017	1	Flat Washer, 1/2	
3	400268	1	Screw, 3/8-16 x 1-3/4" Hex Head	
4	3008593	1	Tube, Down Pressure	
5	460312	1	Hairpin	
6	443110	1	Nut, 3/8-16 Hex	
7	311870	1	Spring, Compression	
8	366974	1	Rod End	
9	446142	1	Lockwasher, 3/8 Heavy	
10	352435	1	Spacer	
11	443812	1	Nut, 3/8-24 Hex	

> Change from previous revision

44.1 Front Roller

Part Number 123268

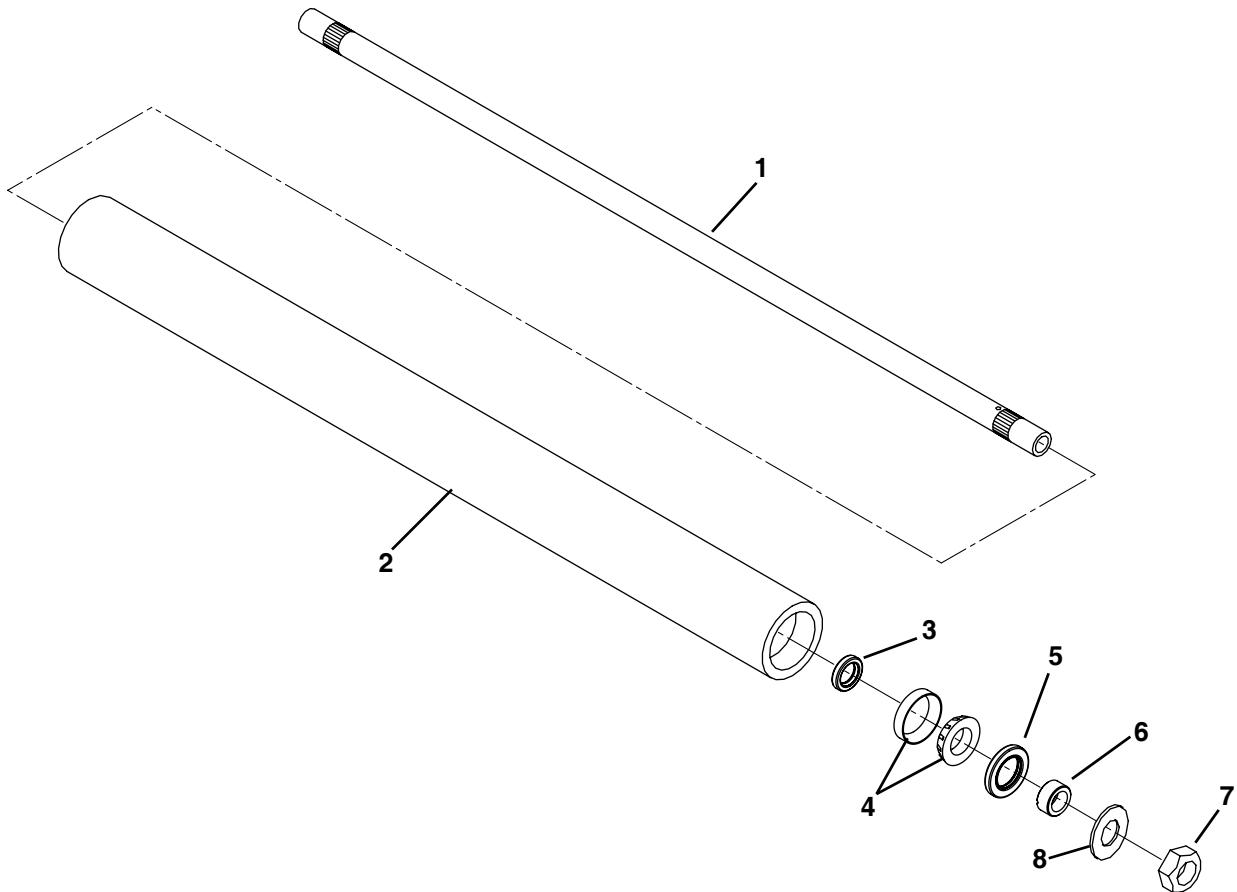


Item	Part No.	Qty.	Description	Serial Numbers/Notes	
	1	3003416	1	Shaft	
	2	3000115	1	Tube	
◆	3	500534	2	Bearing, Cup and Cone	
	4	471214	2	Grease Fitting	
◆	5	338647	2	Grease Seal	
◆	6	N/S	16	Spacer	
◆	7	3004882	2	Grease Seal	
	8	3005156	2	Sleeve, Wear	
◆	9	367029	2	Locknut	
	10	241838	2	Bearing Housing	
	11	365016	1	Spring, Heavy	
◆	12	N/S	18	Washer	
	5000097	1	Roller Rebuild Kit	Includes Items ◆	

> Change from previous revision

45.1 Rear Roller

Part Number 1000770



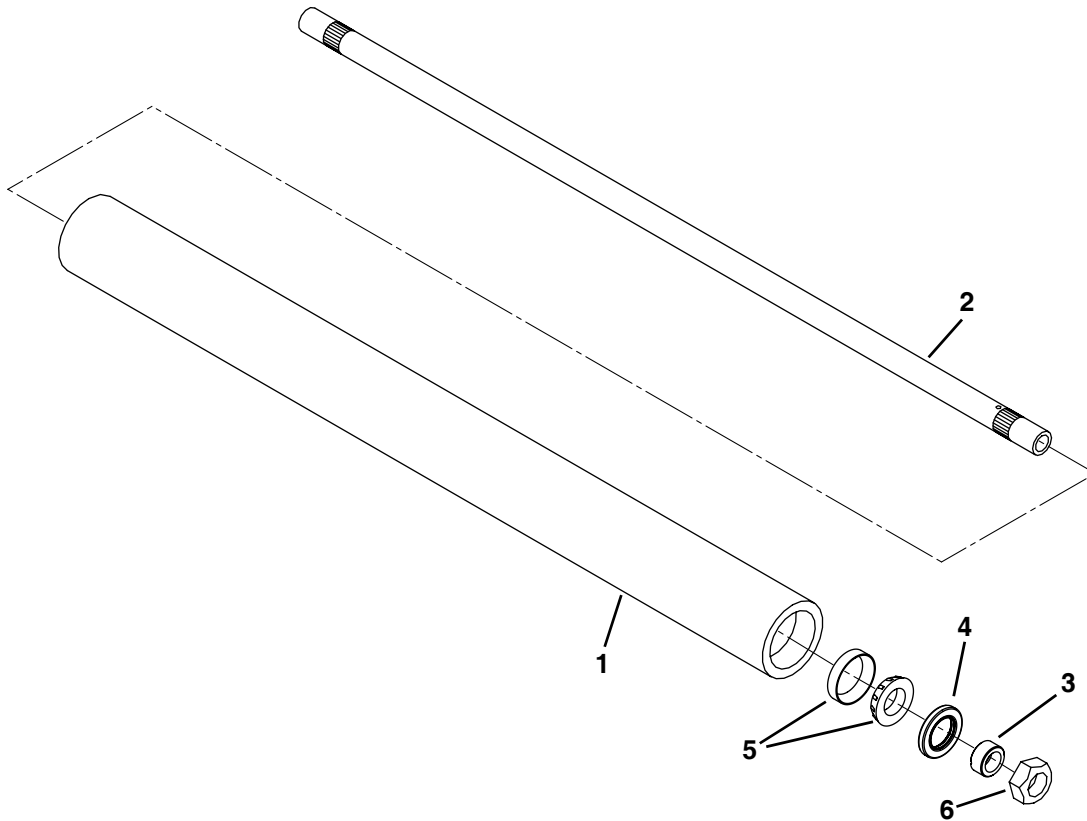
Item	Part No.	Qty.	Description	Serial Numbers/Notes
1	3001654	1	Shaft, Roller	
2	3001655	1	Tube, Roller	
3	3001656	2	Seal, Grease	
4	5000625	2	Bearing, Cup and Cone	
5	3000983	2	Seal, Grease	
6	3001762	2	Sleeve, Wear	
7	445718	2	Locknut, 5/16-18 Stover	
8	3000698	2	Washer	

> Change from previous revision

46.1 Rear Roller

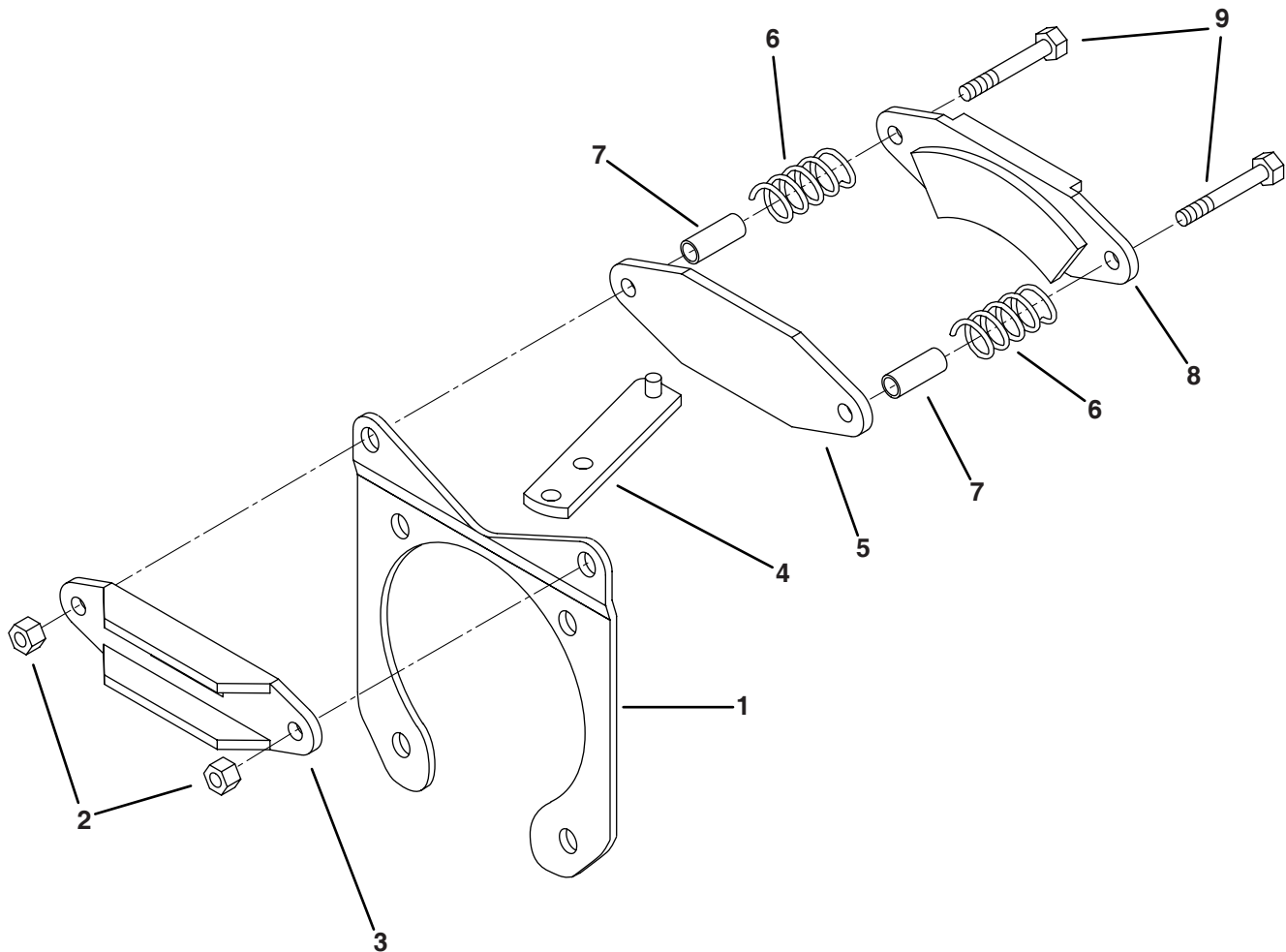
Part Number 1002446

Part Number 1003728



Item	Part No.	Qty.	Description	Serial Numbers/Notes
1	1002445	1	Tube, 24" Roller	
1	1003727	1	Tube, 22" Roller	
2	3005318	1	Shaft, 24" Roller	
2	3008027	1	Shaft, 22" Roller	
3	3005156	2	Sleeve, Wear	
4	3004882	2	Seal, Grease	
5	500534	2	Bearing, Cup and Cone	
6	445798	2	Locknut, 3/4-16 Stover	

> Change from previous revision

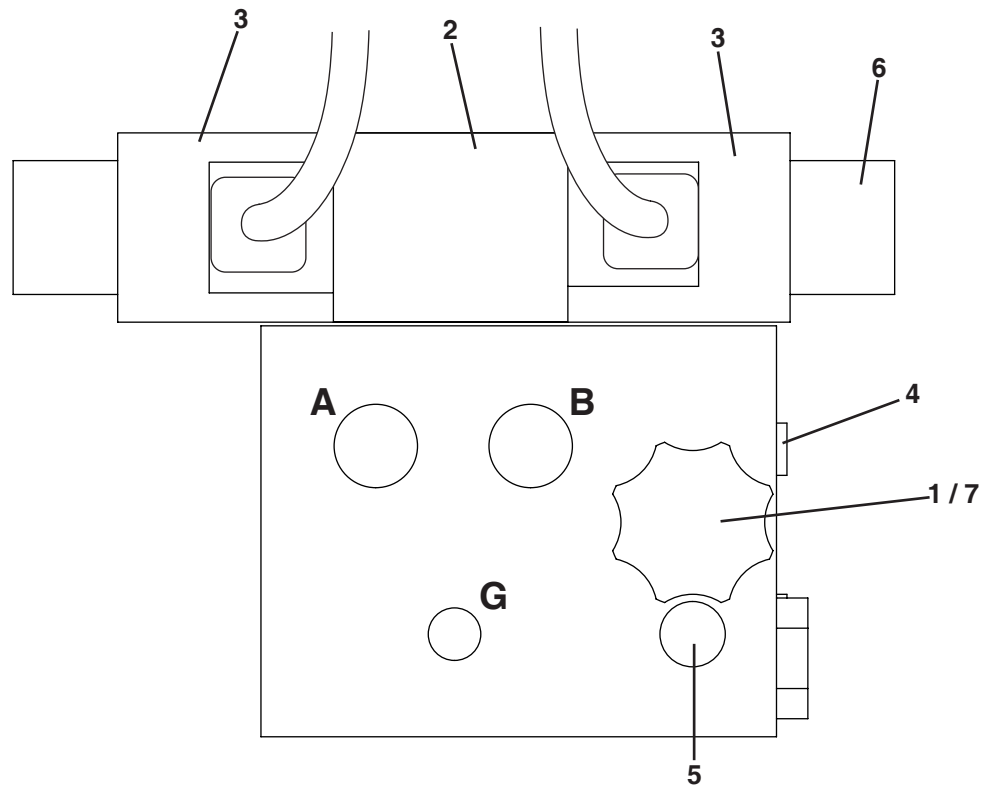


Item	Part No.	Qty.	Description	Serial Numbers/Notes
1	340603	2	Bracket, Brake Mounting	
	503308	1	Disk Brake, R.H.	
	2500722	1	Disk Brake, L.H.	
2	590259	4	• Nut, 3/8-24	
3	549441	2	• V-Plate	
4	502517	1	• Cam Lever	
5	503296	2	• Stud Plate with Lining	
6	549443	4	• Spring	
7	554579	4	• Spacer, Brake	
8	503295	2	• Rib Plate with Lining	
9	590260	4	• Screw, 3/8-24 x 2-1/4"	

> Change from previous revision

48.1 Reel Valve

Part Number 4135578



*Used to power both front and rear reels for LF 3400 and LF 3800 units and for front reels only on LF 4675 and LF 4677 units.

Item	Part No.	Qty.	Description	Serial Numbers/Notes
1	5003080	1	Flow Control	
	5003579	1	• Flow Control Seal Kit	
2	4136815	1	Solenoid Valve	
	339909	4	• O-Ring	
3	4135552	2	Coil	
4	5002157	3	Port Plug	
5	5001065	3	Port Plug	
6	4136814	2	Nut, Coil, with "O"-Ring	
7	4105980	1	Knob, Flow Control	

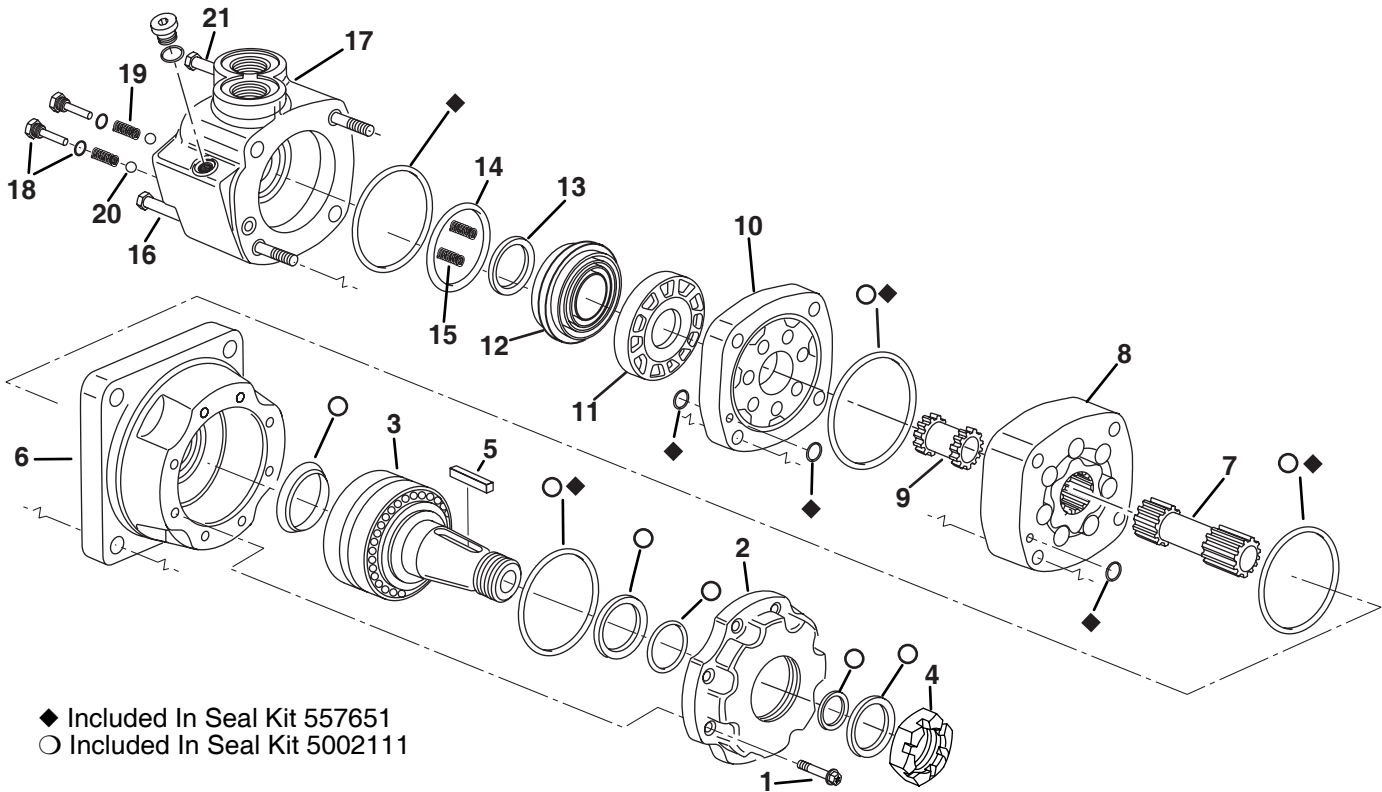
> Change from previous revision

LF 3400 / LF 3800

Serial No. All

49.1 Front Wheel Motor

Part Number 1001757



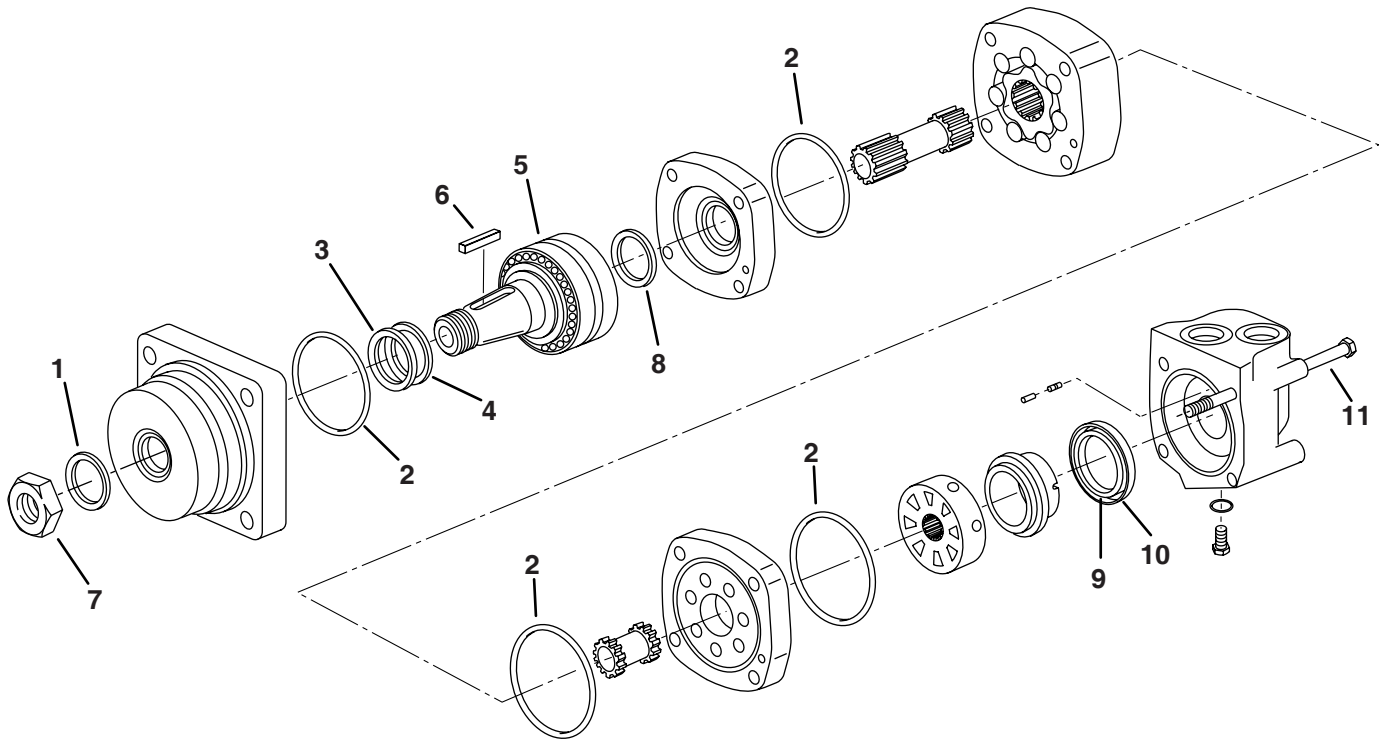
◆ Included In Seal Kit 557651
○ Included In Seal Kit 5002111

Item	Part No.	Qty.	Description	Serial Numbers/Notes
1	558066	8	Screw, Torx	
2	5002110	1	Front Retainer	
3	558063	1	Shaft and Bearing Kit	
4	557624	1	Nut, Hex	
5	557623	1	Key	
6	558064	1	Bearing Housing	
7	557629	1	Drive	
8	557630	1	Geroler	
9	557632	1	Drive, Valve	
10	557631	1	Plate, Valve	
11	557633	1	Valve	
12	557637	1	Balance Ring and Pins	
◆	13	557634	Seal, Inner Face	
◆	14	557635	Seal, Outer Face	
	15	557636	Spring	
	16	557650	Bolt, 5-3/4"	
	17	557638	Housing, Valve	
	18	557639	• Check Plug Assembly	
	19	557642	• Spring	
	20	557640	• Ball, Steel	
	21	5000318	Bolt	

> Change from previous revision

50.1 Rear Wheel Motor

Part Number 390859



Item	Part No.	Qty.	Description	Serial Numbers/Notes
1	A	1	Seal Exclusion	
2	A	4	Seal, 3" I.D.	
3	A	1	Back Up Ring	
4	A	1	Shaft Seal	
5	554781	1	Shaft and Bearing Kit	
6	554780	1	Key	
7	554779	1	Hex Nut	
8	A	1	Shaft Face Seal	
9	A	1	Inner Face Seal	
10	A	1	Outer Face Seal	
11	554782	4	Bolt	
	554783	1	Seal Kit	Includes Items Marked A

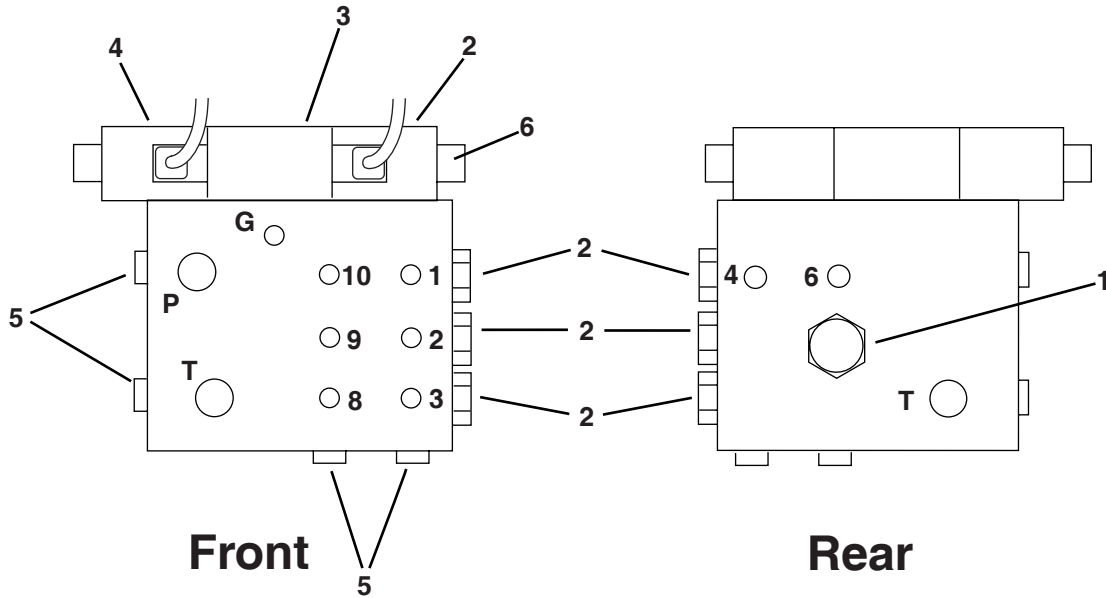
> Change from previous revision

LF 3400 / LF 3800

Serial No. All

51.1 Lift Valve

Part Number 4135566



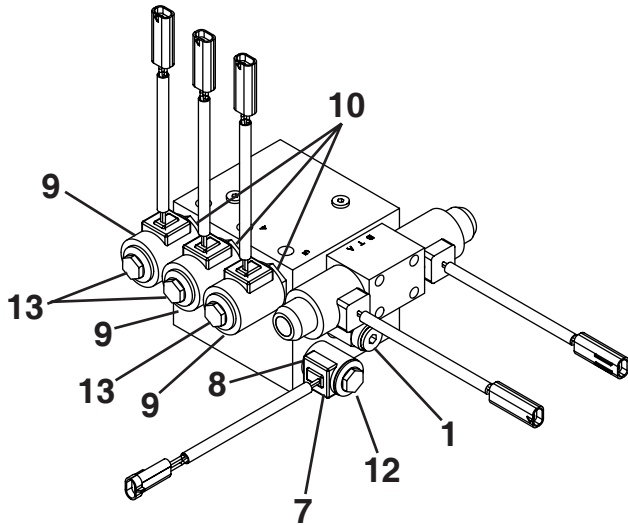
Used with LF 3400 and 3400 Turbo Models.

Item	Part No.	Qty.	Description	Serial Numbers/Notes
1	5003144	1	Relief Valve	
	5003579	1	• Relief Valve Seal Kit	
2	5001355	3	Pilot Operated Check Valve	
	5003578	1	• Check Valve Seal Kit	
3	4136815	1	Solenoid Valve	
	339909	4	• O-Ring	
4	4135552	2	Coil	
5	5002157	4	Plug, Port	
6	4136814	2	Nut, Coil, with "O"-Ring	

> Change from previous revision

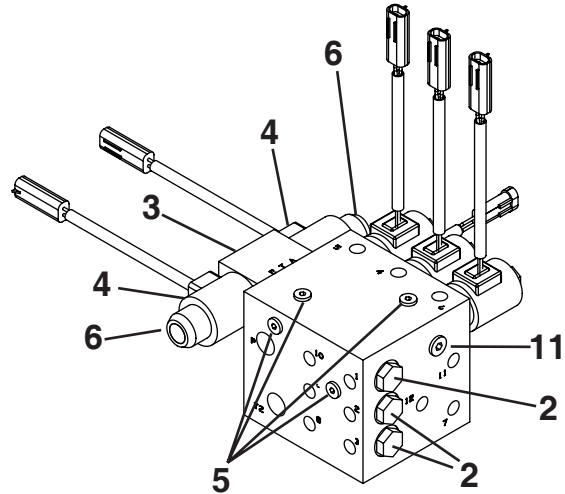
52.1 Lift Valve

Part Number 4135567



Rear

Used with LF 4675 and 4677 Models.



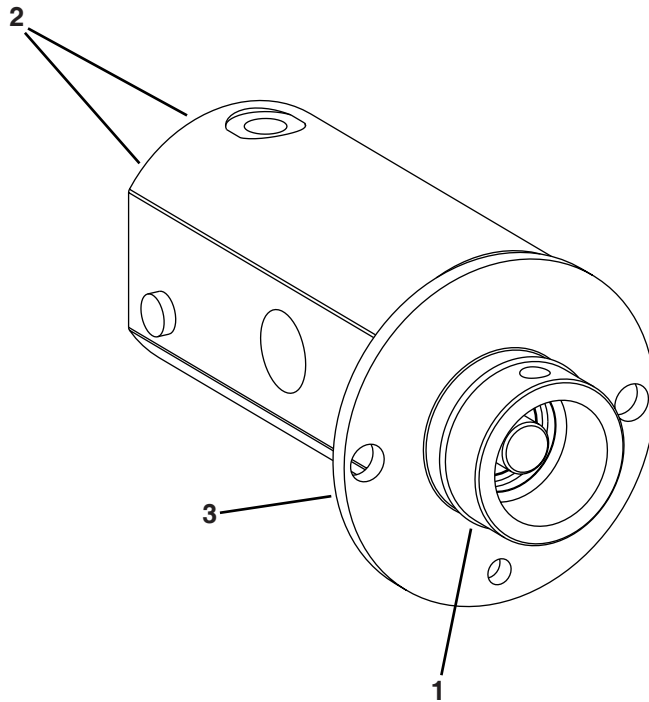
Front

Item	Part No.	Qty.	Description	Serial Numbers/Notes
1	5003144	1	Relief Valve	Front Circuit Wing and Rear Circuits
	5003579	1	• Seal Kit	
2	5001355	3	Pilot Operated Check Valve	
	5003578	1	• Seal Kit	
3	4136815	1	Solenoid Valve, Lift / Lower	
	339909	4	• O-Ring	
4	4135552	2	Coil	
5	5002157	10	Plug, Port	
6	4136814	2	Nut, Coil (Includes O-Rings)	
7	4134532	1	Coil	
8	2812373	1	Solenoid Valve	
	5003578	1	• Seal Kit	
9	4134530	3	Coil	
10	2812372	3	Solenoid Valve	
	5003578	1	• Seal Kit	
11	5001065	1	Plug, Port	
12	2811254	3	Nut, Coil Service	
13	2811353	1	Nut, Coil Service	

> Change from previous revision

53.1 Reel Motor

Part Number 2822503

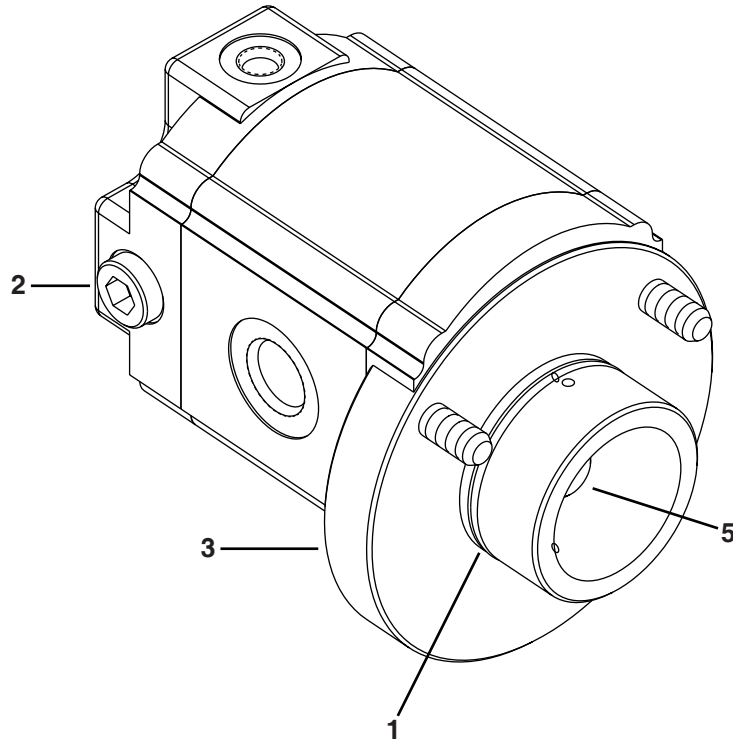


Item	Part No.	Qty.	Description	Serial Numbers/Notes
1	5001068	1	O-Ring	
2	5003140	2	Relief Valve	
3	5003688	1	Face Plate	
	5003589	1	Seal Kit	

> Change from previous revision

54.1 Reel Motor

Part Number 1002620



Used on LF 3800 and LF 4677 Models.

Item	Part No.	Qty.	Description	Serial Numbers/Notes
1	3006021	1	O-Ring	Not Shown
2	5003140	2	Relief Valve	
3	5003485	1	Face Plate	
4	5003031	1	Seal Kit	
5	4102440	1	Shaft, Output	

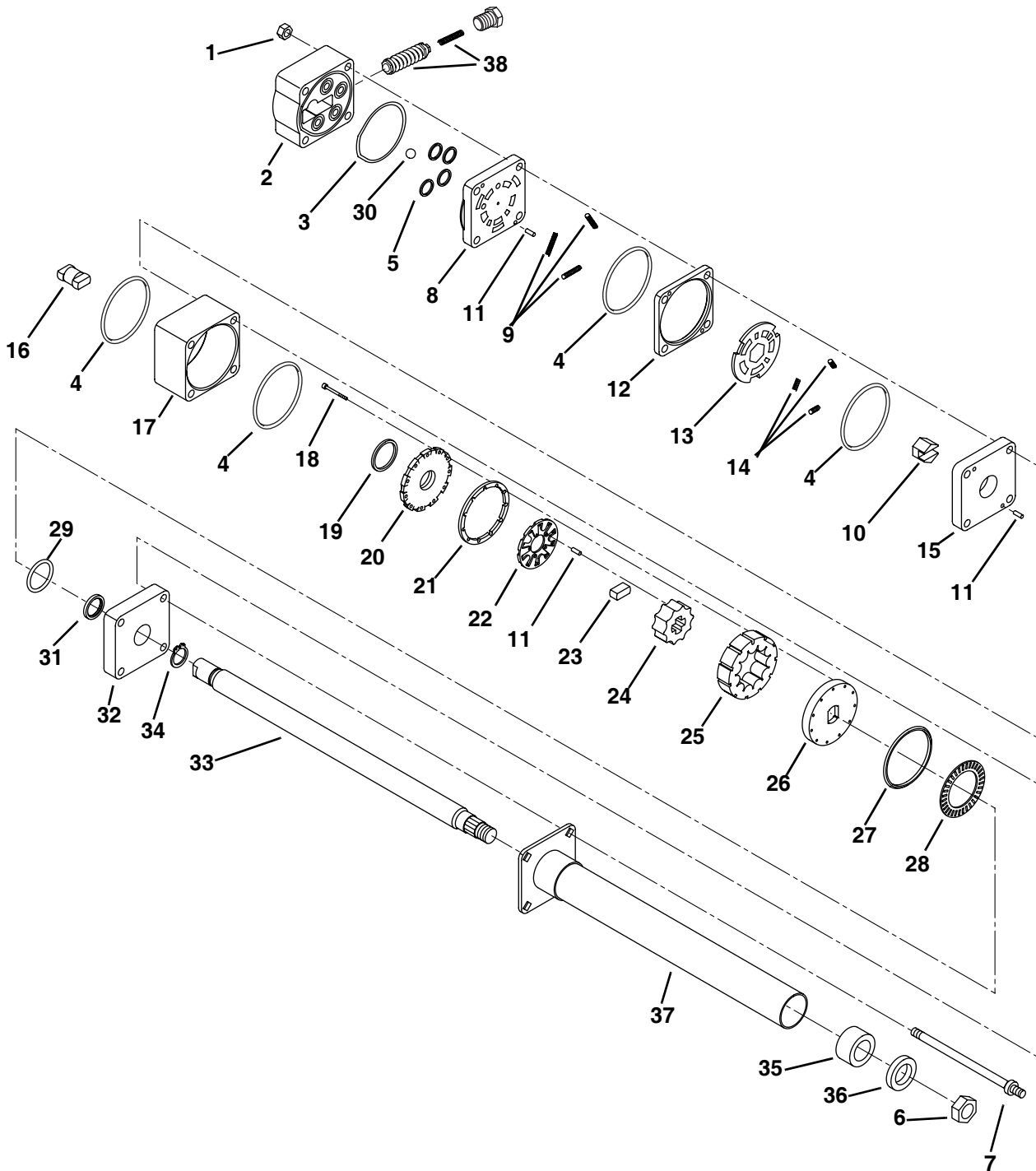
> Change from previous revision

LF 3400 / LF 3800

Serial No. All

55.1 Steering Valve

Part Number 1003458



Item	Part No.	Qty.	Description	Serial Numbers/Notes
1	443108	4	Locknut, 5/16-18 Center	
2	N/S	1	Port Cover	
3	C	1	Seal, O-Ring	
4	C	4	Seal, O-Ring	
5	C	4	Seal, O-Ring	
6	443828	1	Nut, 5/8-18 Hex Jam	
7	N/S	4	Special Bolt	
8	N/S	1	Port Manifold	
9	B	3	Spring, Port Side	
10	N/S	1	Hex Drive	
11	A and E	9	Needle Roller	
12	503398	1	Valve Ring	
13	503398	1	Valve Plate	
14	B	3	Spring, Shaft Side	
15	N/S	1	Isolation Manifold	
16	N/S	1	Drive Link	
17	N/S	1	Metering Ring	
18	A	11	Screw, Socket Head	
19	C	1	Seal, Commutator	
20	A	1	Commutator Cover	
21	A	1	Commutator Ring	
22	A	1	Commutator	
23	A	1	Spacer	
24	A	1	Rotor	
25	A	1	Stator	
26	A	1	Drive Plate	
27	554855	1	Spacer	
28	554856	1	Thrust Bearing	
29	C	1	Face Seal	
30	N/S	1	Ball, 9/32"	
31	554857	1	Seal, Spacer	
32	N/S	1	Upper Cover Plate	
33	D	1	Shaft	
34	D	1	Retaining Ring	
35	D	1	Bushing	
36	D	1	Seal	
37	D	1	Jacket	
38	557733	1	Relief Valve Cartridge	
Service Kits				
A	5003220	1	Metering Assembly Kit	
B	502924	1	Spring Kit	
C	557738	1	Seal Kit	
D	5003219	1	Jacket Tube Kit	
E	502925	1	Needle Roller Kit	

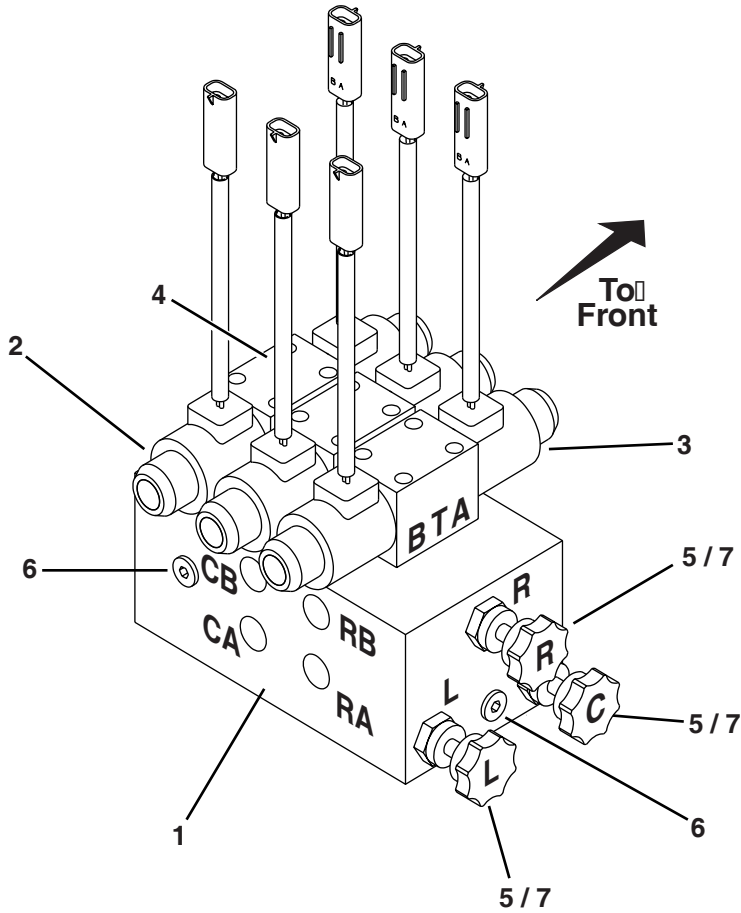
> Change from previous revision

LF 3400 / LF 3800

Serial No. All

56.1 Rear Reel Valve

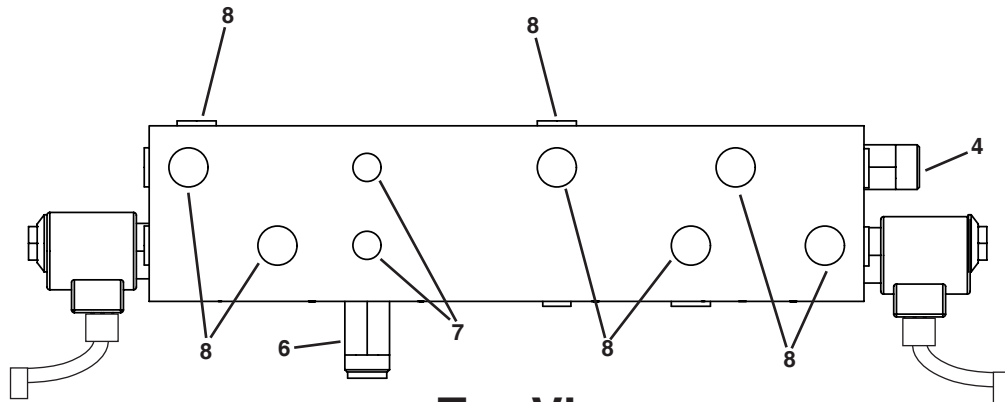
Part Number 4135579 (LF 4675 and LF 4677 Only)



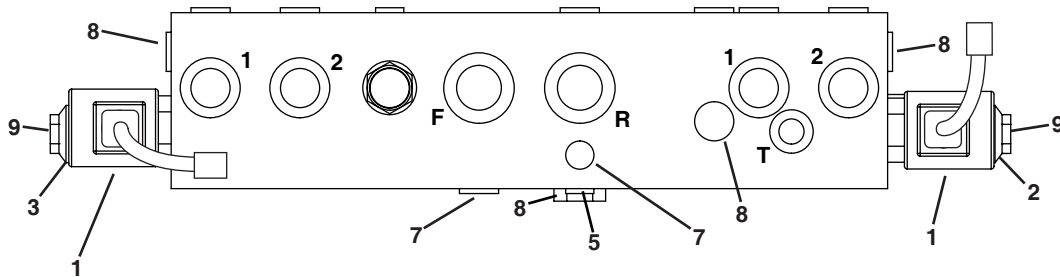
Item	Part No.	Qty.	Description	Serial Numbers/Notes
1	-----	1	Body	
2	4136814	6	Nut, Coil Service	Includes O-Rings
3	4135552	6	Coil	
4	4136815	3	Solenoid Valve	
	339909	4	• O-Ring	
5	5003080	3	Flow Control	
	5003579	1	• Seal Kit	
6	5001065	2	Plug, Port	
7	4105980	3	Knob, Flow Control	

57.1 4WD Valve

Part Number 4135554



Top View



Front View

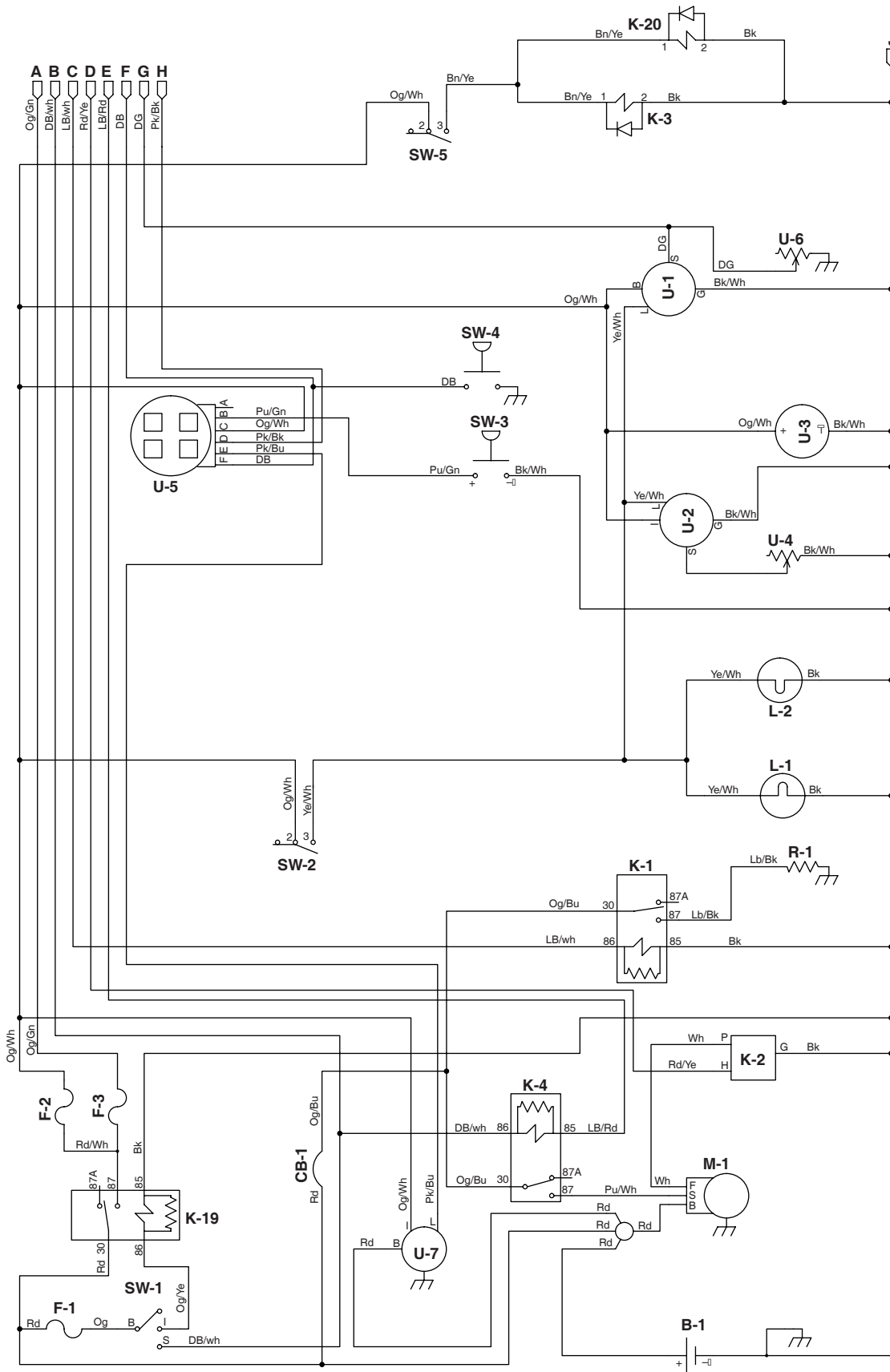
Item	Part No.	Qty.	Description	Serial Numbers/Notes
1	4134530	2	Coil	
2	5003096	1	Solenoid Valve	
	5003578	1	• Solenoid Valve Seal Kit	
3	5003121	1	Solenoid Valve	
	5003554	1	• Solenoid Valve Seal Kit	
4	5003097	1	Pilot Operated 2-Way	
	5003580	1	• 2-Way Seal Kit	
5	5003098	1	Check Valve	
	5003579	1	• Seal Kit	
6	5003099	1	Relief Valve	
	5003579	1	• Seal Kit	
7	5001065	4	Plug, Port	
8	5002541	15	Plug, Port	
9	2811254	2	Nut, Coil, with "O"-Ring	

> Change from previous revision

56.1 Electrical Schematic

5 Gang Units (LF 3400, LF 3800 and LF 3400 Turbo)

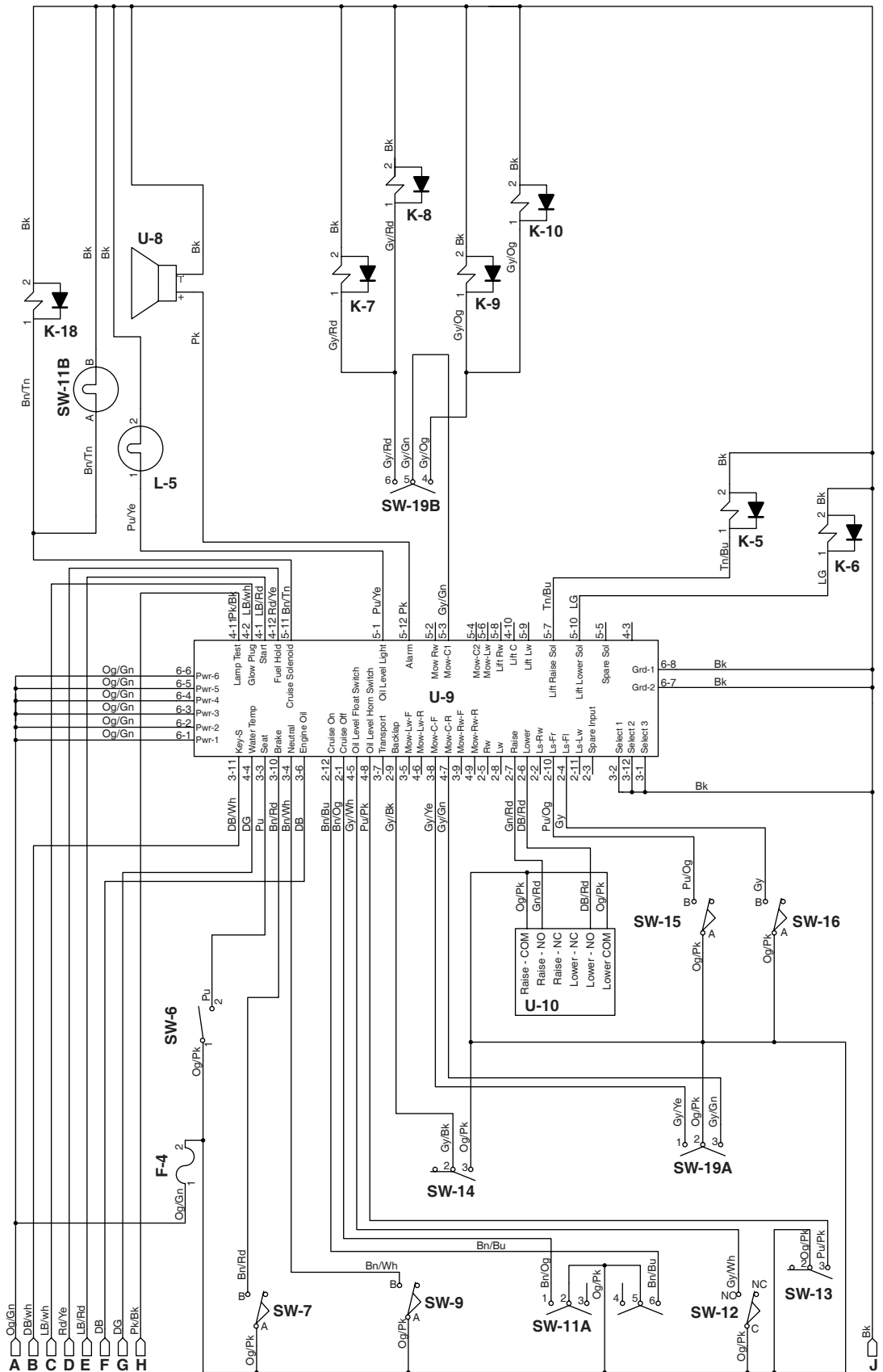
Components



- B-1 Battery
- CB-1 Circuit Breaker
- F-1 3 Amp Fuse
- F-2 20 Amp Fuse
- F-3 25 Amp Fuse
- F-4 3 Amp Fuse
- K-1 Glow Plug Relay
- K-2 Fuel Solenoid
- K-3 4WD Solenoid
- K-4 Starter Relay
- K-5 Lift Solenoid
- K-6 Lower Solenoid
- K-7 Rear Reel Valve F Solenoid
- K-8 Front Reel Valve F Solenoid
- K-9 Rear Reel Valve R Solenoid
- K-10 Front Reel Valve R Solenoid
- K-18 Cruise Solenoid
- K-19 Ignition Relay
- K-20 4WD Solenoid
- L-1 Left Work Light
- L-2 Right Work Light
- L-5 Oil Level Light
- M-1 Starter
- R-1 Glow Plugs
- SW-1 Ignition Switch
- SW-2 Light Switch
- SW-3 Filter Switch
- SW-4 Engine Oil Pressure Switch
- SW-5 4WD Switch
- SW-6 Seat Switch
- SW-7 Brake Switch
- SW-9 Neutral Switch
- SW-11 Cruise Switch
- SW-12 Oil Level Switch
- SW-13 Horn Switch
- SW-14 Backlap Switch
- SW-15 RF Limit Switch
- SW-16 LF Limit Switch
- SW-19 Mow Switch
- U-1 Temp Gauge
- U-2 Fuel Gauge
- U-3 Hour Meter
- U-4 Fuel Sender
- U-5 Light Gauge
- U-6 Temp Sender
- U-7 Alternator
- U-8 Horn
- U-9 Controller
- U-10 Joystick

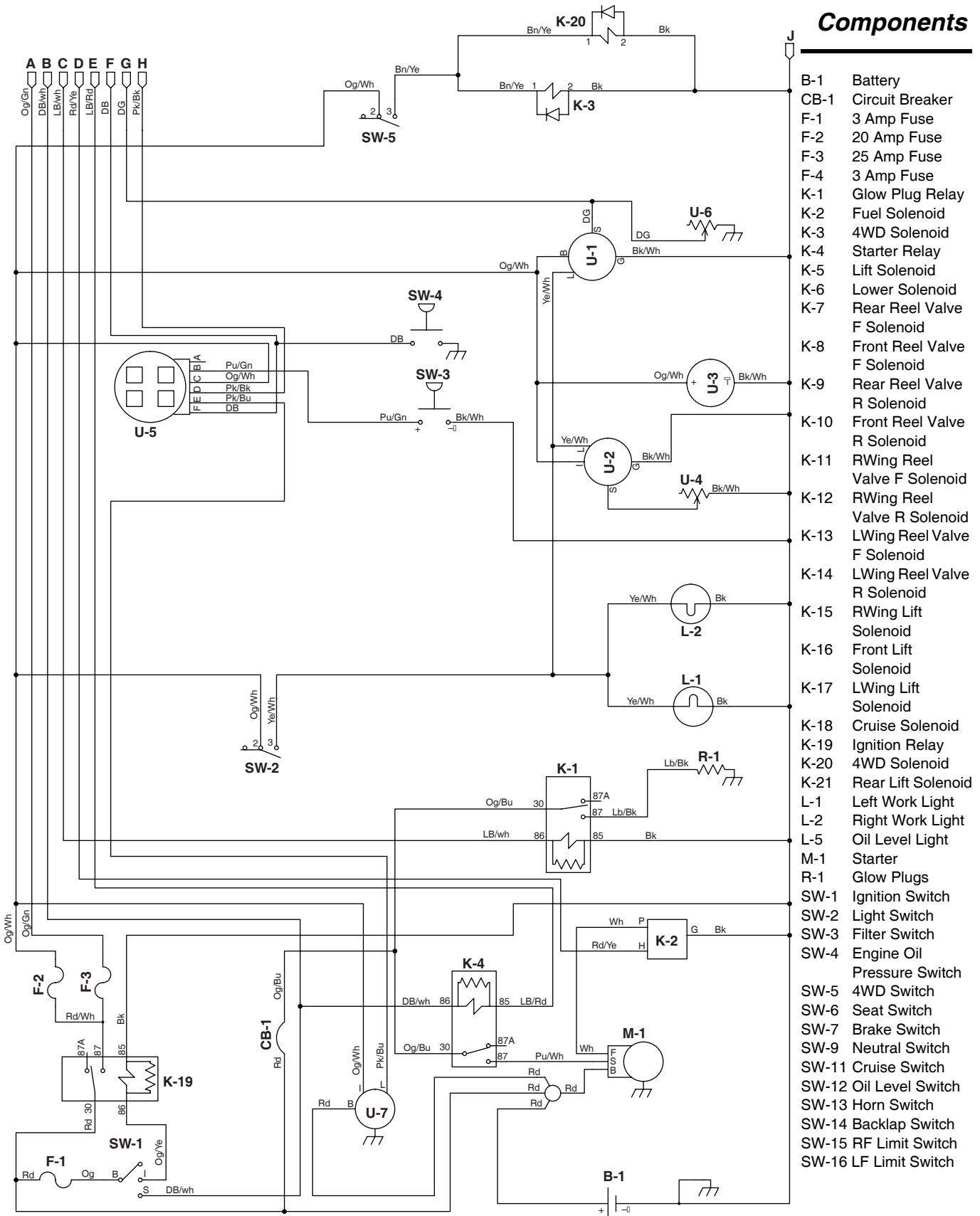
Colors

- Bk Black
- Bn Brown
- Bu Blue
- DB Dark Blue
- DG Dark Green
- Gn Green
- Gy Gray
- LB Light Blue
- LG Light Green
- Og Orange
- Pk Pink
- Pu Purple
- Rd Red
- Tn Tan
- Ye Yellow



57.1 Electrical Schematic 7 Gang Units (LF 4675 and LF 4677)

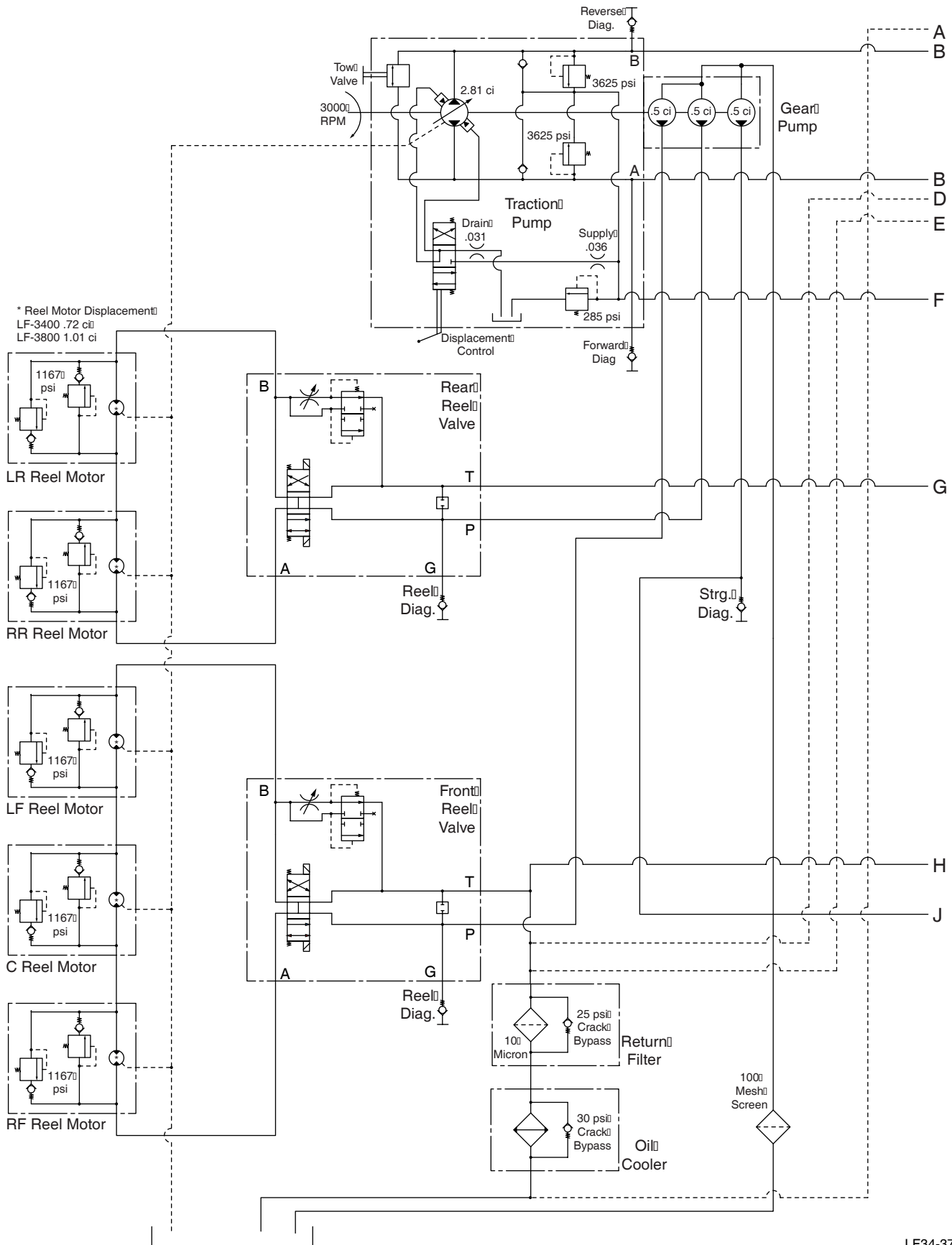
Components

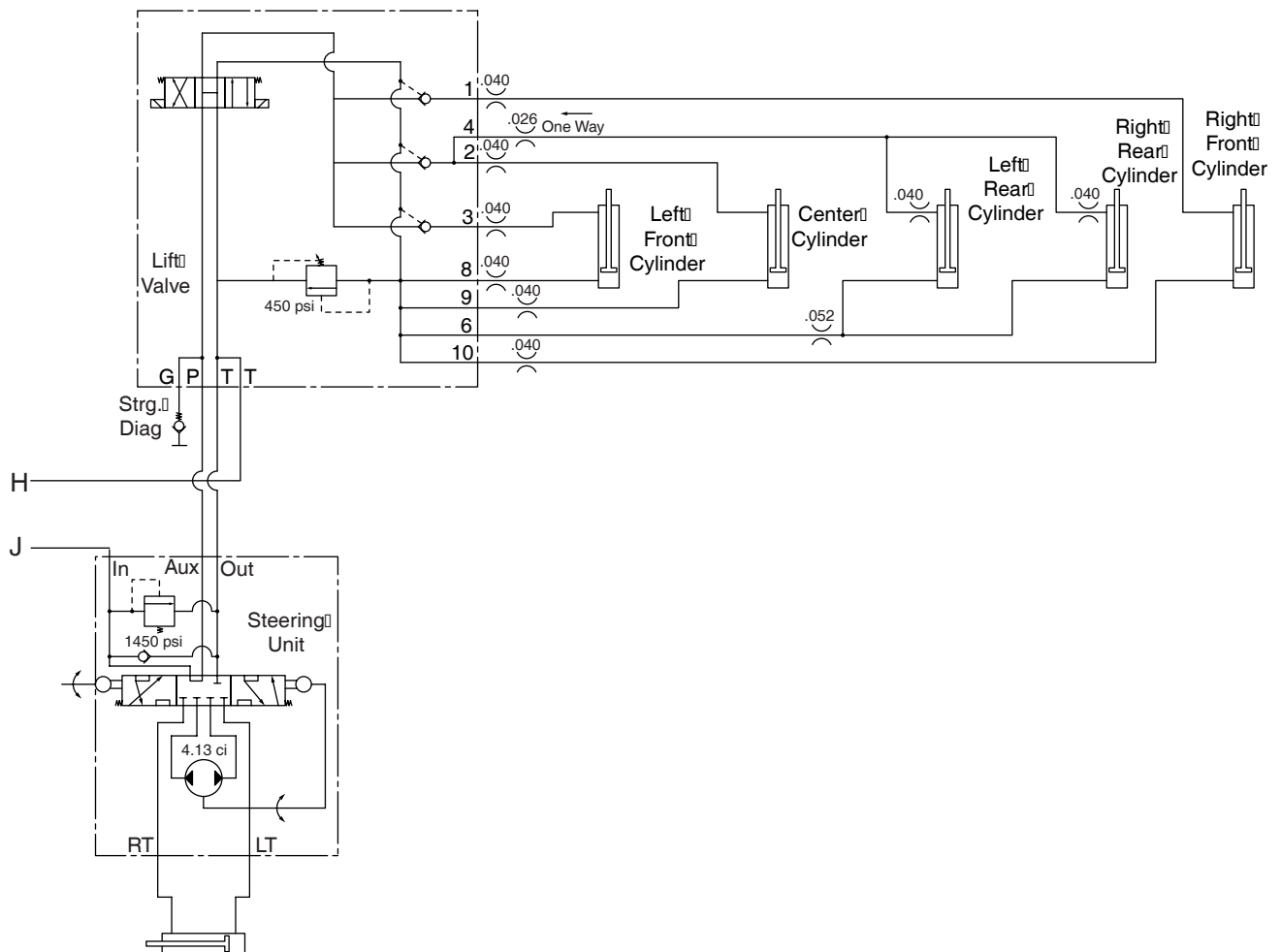
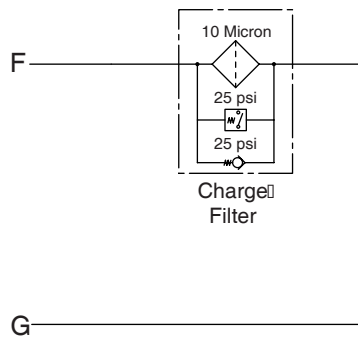
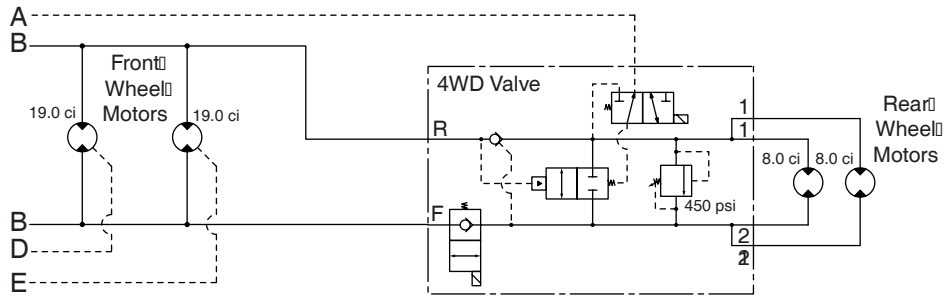


- B-1 Battery
- CB-1 Circuit Breaker
- F-1 3 Amp Fuse
- F-2 20 Amp Fuse
- F-3 25 Amp Fuse
- F-4 3 Amp Fuse
- K-1 Glow Plug Relay
- K-2 Fuel Solenoid
- K-3 4WD Solenoid
- K-4 Starter Relay
- K-5 Lift Solenoid
- K-6 Lower Solenoid
- K-7 Rear Reel Valve F Solenoid
- K-8 Front Reel Valve F Solenoid
- K-9 Rear Reel Valve R Solenoid
- K-10 Front Reel Valve R Solenoid
- K-11 RWing Reel Valve F Solenoid
- K-12 RWing Reel Valve R Solenoid
- K-13 LWing Reel Valve F Solenoid
- K-14 LWing Reel Valve R Solenoid
- K-15 RWing Lift Solenoid
- K-16 Front Lift Solenoid
- K-17 LWing Lift Solenoid
- K-18 Cruise Solenoid
- K-19 Ignition Relay
- K-20 4WD Solenoid
- K-21 Rear Lift Solenoid
- L-1 Left Work Light
- L-2 Right Work Light
- L-5 Oil Level Light
- M-1 Starter
- R-1 Glow Plugs
- SW-1 Ignition Switch
- SW-2 Light Switch
- SW-3 Filter Switch
- SW-4 Engine Oil Pressure Switch
- SW-5 4WD Switch
- SW-6 Seat Switch
- SW-7 Brake Switch
- SW-9 Neutral Switch
- SW-11 Cruise Switch
- SW-12 Oil Level Switch
- SW-13 Horn Switch
- SW-14 Backlap Switch
- SW-15 RF Limit Switch
- SW-16 LF Limit Switch

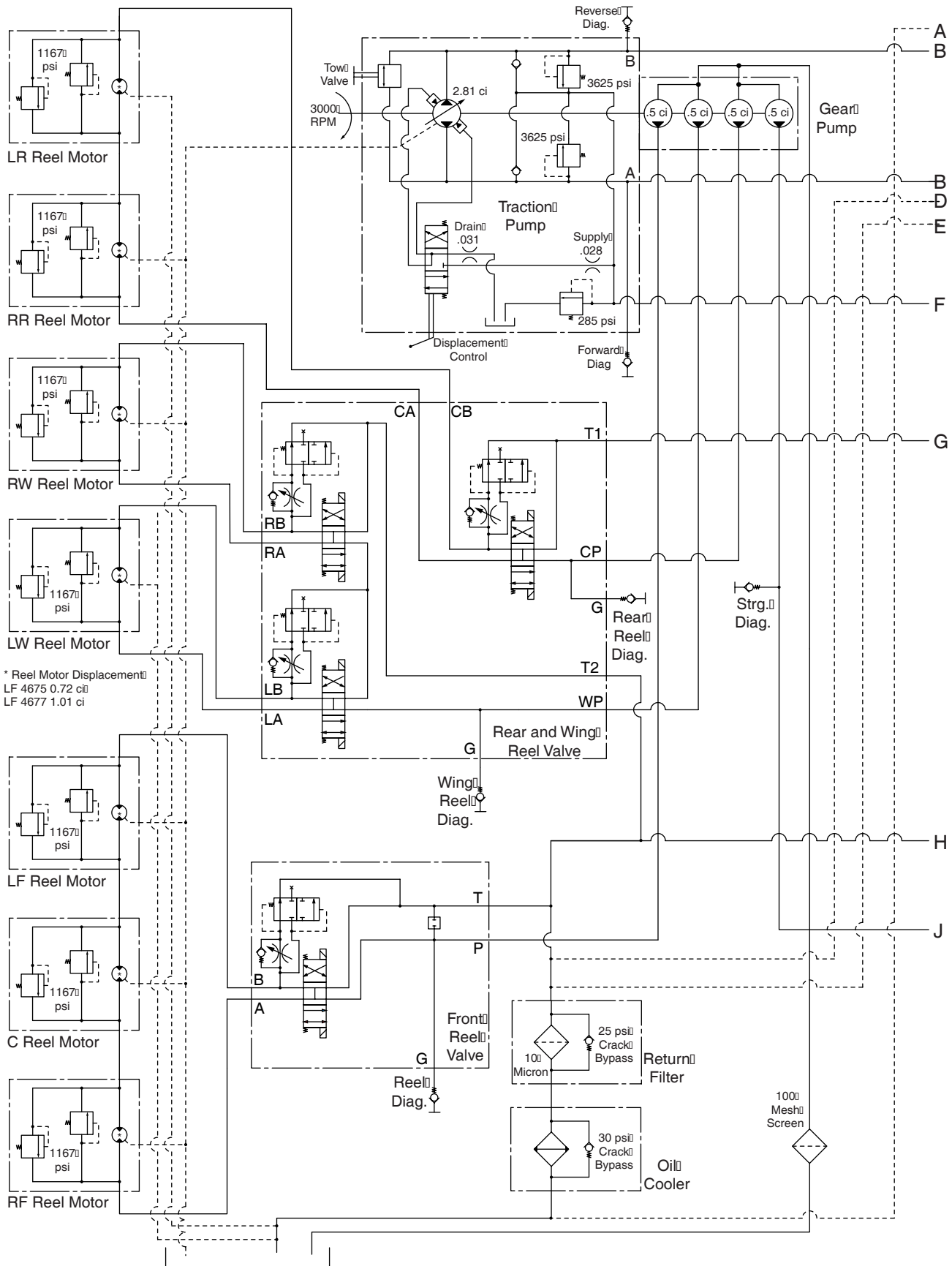
58.1 Hydraulic Schematic

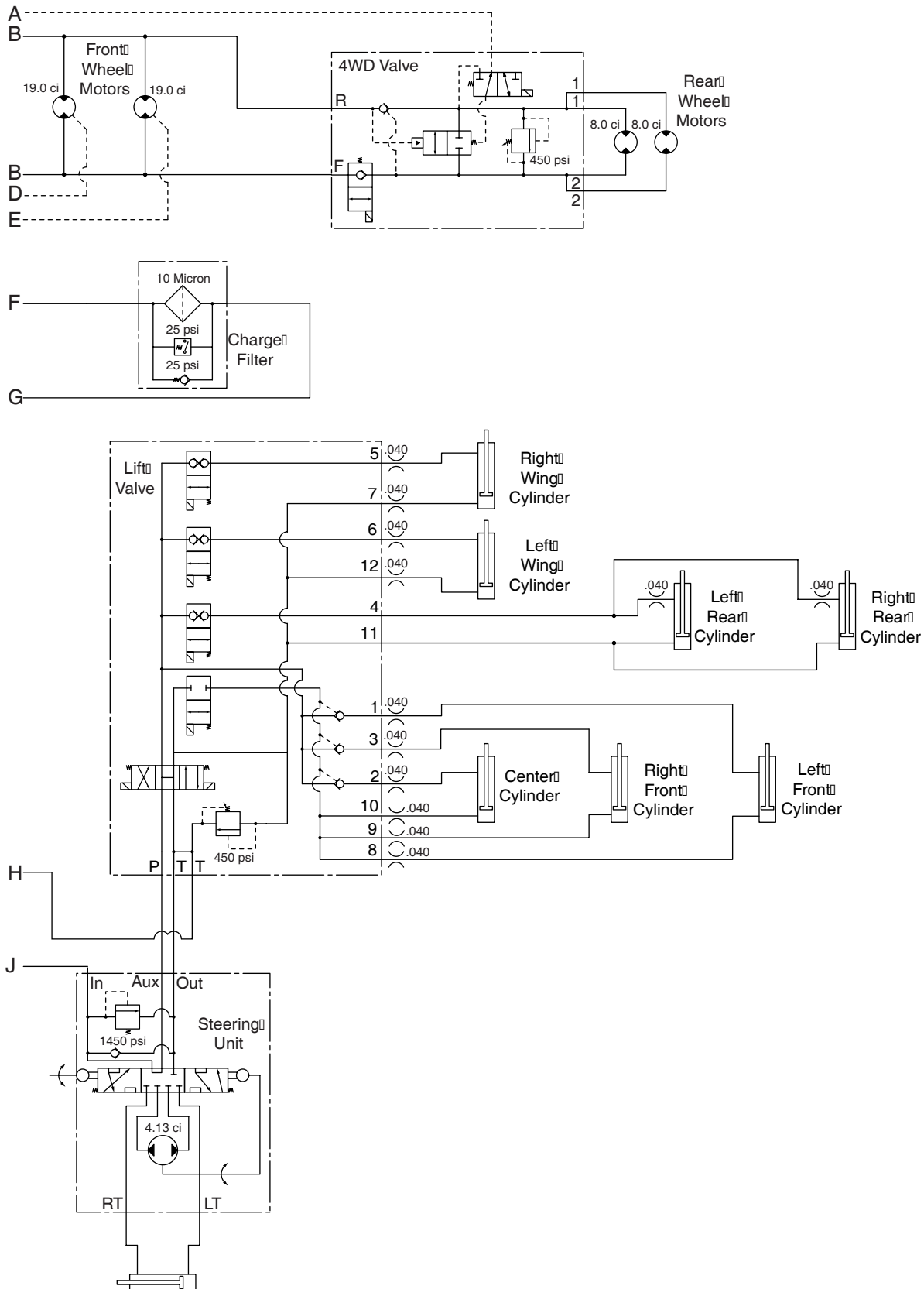
5 Gang Units (LF 3400, LF 3800 and LF 3400 Turbo)



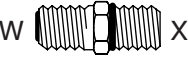
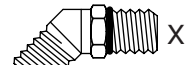

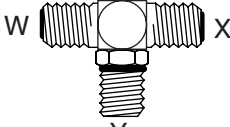
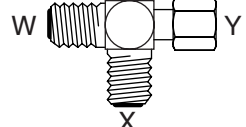
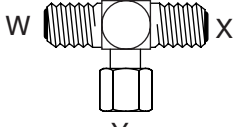
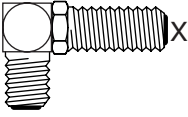
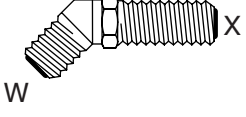
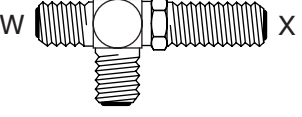
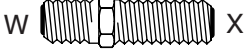
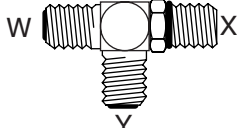

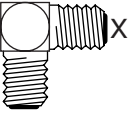
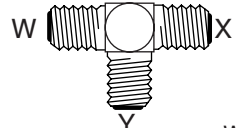
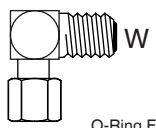
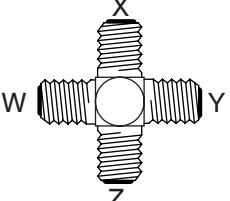



59.1 Hydraulic Schematic 7 Gang Units (LF 4675 and LF 4677)





60.1 O-Ring Chart



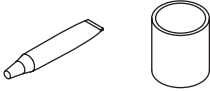
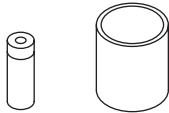
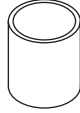
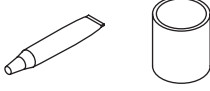

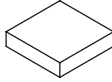
 <p>O-Ring Face¹ Seal Size — W-X — O-Ring Boss¹ Dash Size</p>	 <p>O-Ring Face¹ Seal Size — W-X — O-Ring Boss¹ Dash Size</p>	 <p>O-Ring Face¹ Seal Size — W-X — O-Ring Boss¹ Dash Size</p>
 <p>O-Ring Face¹ Seal Size — W-X-Y — O-Ring Boss¹ Dash Size O-Ring Face¹ Seal Size</p>	 <p>O-Ring Face¹ Seal Size — W-X-Y — O-Ring Not¹ Needed O-Ring Face¹ Seal Size</p>	 <p>O-Ring Face¹ Seal Size — W-X-Y — O-Ring Not¹ Needed O-Ring Face¹ Seal Size</p>
 <p>O-Ring Face¹ Seal Size — W-X — O-Ring Face¹ Seal Size</p>	 <p>O-Ring Face¹ Seal Size — W-X — O-Ring Face¹ Seal Size</p>	 <p>O-Ring Face¹ Seal Size — W-X-Y — O-Ring Face¹ Seal Size O-Ring Face¹ Seal Size</p>
 <p>O-Ring Face¹ Seal Size — W-X — O-Ring Face¹ Seal Size</p>	 <p>O-Ring Face¹ Seal Size — W-X-Y — O-Ring Face¹ Seal Size O-Ring Boss¹ Dash Size</p>	 <p>O-Ring Face¹ Seal Size — W-X — O-Ring Face¹ Seal Size</p>
 <p>O-Ring Face¹ Seal Size — W-X — O-Ring Face¹ Seal Size</p>	 <p>O-Ring Face¹ Seal Size — W-X-Y — O-Ring Face¹ Seal Size O-Ring Face¹ Seal Size</p>	 <p>O-Ring Face¹ Seal Size — W-X — O-Ring Not¹ Needed</p>
 <p>O-Ring Face¹ Seal Size — W-X-Y-Z — O-Ring Face¹ Seal Size O-Ring Face¹ Seal Size</p>		

Adapter Part Number.	Dash Size	Adapter Type	(W) O-Ring	(X) O-Ring	(Y) O-Ring	(Z) O-Ring
339974	4-6	Straight Adapter	339908	339897		
339979	6-6	Straight Adapter	339909	339897		
339985	8-10	Straight Adapter	339910	339899		
339989	10-10	Straight Adapter	339911	339899		
339990	10-12	Straight Adapter	339911	339900		
339993	12-10	Straight Adapter	339912	339899		
339994	12-12	Straight Adapter	339912	339900		
339996	12-16	Straight Adapter	339912	339901		
339998	16-12	Straight Adapter	339913	339900		
339999	16-16	Straight Adapter	339913	339901		
340007	6-4	Straight Adapter	339906	339896		
340022	4-4	45° Adapter	339908	339896		
340057	4-6	90° Adapter	339908	339897		
340070	10-10	90° Adapter	339911	339899		
340090	24-24	90° Adapter	339915	339903		
340143	6-6-6	Swivel Branch Tee	339909	339909		
340241	10-10	Union Bulkhead Adapter	339911	339911		
340263	6-6-6	Straight Thread Run Tee	339909	339897		
340274	8-10-8	Straight Thread Run Tee	339910	339899		
340339	16-16-16	Union Tee	339913	339913		

SAE Boss O-Rings			ORS Face Seal O-Rings		
Dash Size	Thread Size	O-Ring	Tube Size	Thread Size	O-Ring
2	5/16-24	459290	4	9/16-18	339908
3	3/8-24	459291	6	11/16-16	339909
4	7/16-20	339896	8	13/16-16	339910
5	1/2-20	459293	10	1-14	339911
6	9/16-18	339897	12	1 3/16-12	339912
8	3/4-16	339898	16	1 7/16-12	339913
10	7/8-14	339899	20	1 11/16-12	339914
12	1 1/16-12	339900	24	2-12	339915
14	1 3/16-12	459296			
16	1 5/16-12	339901			
20	1 5/8-12	339902			
24	1 7/8-12	339903			
32	2 1/2-12	339904			

> Change from previous revision

Fluids and Compounds

Hydraulic Fluid*		
5001405	Two 2-1/2 Gallon Container of ISO VG68 Oil	
5001404	One 5 Gallon Pail of ISO VG68 Oil	
2500548	Two 2-1/2 Gallon Container of 10W30 Oil	
2500546	One 5 Gallon Pail of 10W30 Oil	
503409	Two 2-1/2 Gallon Container of ATF Fluid	
503407	One 5 Gallon Pail of ATF Fluid	
2-Cycle Oil		
554600	Twenty Four 16 Ounce Plastic Container	
554599	Twenty Four 8 Ounce Plastic Container	
Grease		
5000067	One 5 Gallon Pail OO-Grease	
5000068	Twenty Four 8 Ounce Tube OO-Grease	
Paint		
5003469	16 Ounce Gray Aerosol	
554598	Six 12 Ounce Orange Aerosol	
2500789	Twelve 1 Quart Can Orange	
546409	Two 1 Gallon Can Orange	
Lapping Compound		
5002488	One 10 Pound Pail of 80 Grit	
5002490	One 25 Pound Pail of 80 Grit	
5002489	One 10 Pound Pail of 120 Grit	
5002491	One 25 Pound Pail of 120 Grit	
Specialty Compound		
365422	5.3 Ounce Tube of Electrical Insulating Gel	
5001581	14 Ounce Can of Lubriplate Multi Lube A	
Biodegradable Hydraulic Fluid*		
5003102	One 55 Gallon Drum Jacobsen GreensCare 68	
5003103	One 5 Gallon Pail Jacobsen GreensCare 68	
5003105	One 55 Gallon Drum Jacobsen GreensCare 46	
5003104	One 5 Gallon Pail Jacobsen GreensCare 46	
4115976	One 55 Gallon Drum Jacobsen GreensCare 32	
4115977	One 5 Gallon Pail Jacobsen Greens Care 32	
5003106	Twenty Four 14 Ounce Tube Greens Care Grease	
O-Ring Kit		
5002452	SAE O-Ring Boss (3/32 ~ 2" Tube O.D.)	
5002453	Common O-Ring Kit	
5002454	O-Ring Face Seal ORFS (-4 ~ -24 ORS Tube Size)	
Right Start Kit for New Machines		
See your local Jacobsen Dealer		
On-Time Maintenance Kit		
See your local Jacobsen Dealer		

* Refer to the Parts & Maintenance manual for the correct hydraulic oil requirements for your machine.

Jacobsen offers a High Usage Parts Catalog illustrating commonly used Parts through easy to read line Drawings. See your local Jacobsen Dealer for a copy.

INDEX

1000480.....	89	1003359.....	83, 85	1004393.....	85	2811020.....	39, 41
1000770.....	91	1003360.....	83, 85	1004394.....	85	2811254.....	105, 111
1000997.....	89	1003361.....	83, 85	1004416.....	85	2811255.....	70, 71
1001757.....	47	1003389.....	68, 69	1004429.....	81	2811353.....	105
1002031.....	49, 51	1003439.....	63	1004430.....	78	2811365.....	53
1002032.....	49, 51	1003440.....	63	1004431.....	78	2811487.....	39, 41
1002153.....	59	1003441.....	62, 63	1004432.....	81	2811488.....	39, 41
1002154.....	59	1003442.....	62, 63	1004433.....	78	2811547.....	53
1002224.....	91	1003443.....	80	1004434.....	78	2812201.....	51
1002445.....	99	1003444.....	79	1004492.....	85	2812202.....	51
1002446.....	95	1003445.....	79	1004598.....	58	2812203.....	33
1002483.....	83	1003446.....	79	1004653.....	58	2812204.....	33
1002484.....	83	1003447.....	79	1004776.....	87	2812240.....	73
1002485.....	83	1003448.....	80, 81	1004786.....	89	2812241.....	79
1002486.....	83	1003449.....	80	1004981.....	35	2812242.....	79
1002487.....	83	1003451.....	79	117139.....	49, 51	2812246.....	47
1002498.....	83, 85	1003453.....	68, 69	123015.....	70, 71	2812267.....	33
1002532.....	93	1003454.....	68, 69	123096.....	53	2812268.....	33
1002620.....	78, 79, 80, 81	1003455.....	63	123268.....	91, 95	2812269.....	49
1002657.....	53	1003456.....	63	132647.....	61	2812270.....	49
1002679.....	39, 41	1003457.....	63	132704.....	70, 71	2812272.....	64
1002693.....	39, 41	1003458.....	53	153234.....	49, 51	2812273.....	68, 69
1002810.....	39, 41	1003461.....	64, 65	162723.....	39, 41	2812275.....	68, 69
1002811.....	93	1003462.....	62	163568.....	95	2812276.....	69
1002853.....	47	1003463.....	62	163583.....	37	2812277.....	65
1002854.....	59	1003464.....	68, 69	163892.....	89	2812301.....	87
1002857.....	57	1003465.....	68, 69	164102.....	57	2812372.....	105
1003047.....	47	1003527.....	35	198059.....	37	2812373.....	105
1003048.....	47	1003616.....	45	198066.....	37	2812381.....	35
1003094.....	63	1003638.....	49, 51	2000012.....	51	2822503.....	78, 79, 80, 81
1003095.....	63	1003727.....	99	2000057.....	51	3000115.....	97
1003239.....	57	1003728.....	95	2000060.....	89	3000698.....	98
1003260.....	57	1003872.....	45	2000065.....	91	3000953.....	74, 75, 76, 77
1003261.....	57	1003930.....	62	2000125.....	93	3000983.....	98
1003283.....	66, 67	1003934.....	93	2000135.....	95	3001279.....	61
1003284.....	66	1003992.....	66, 67	2000141.....	47	3001296.....	66, 67
1003288.....	43	1004002.....	59	241838.....	97	3001307.....	87
1003334.....	64, 65	1004011.....	68	250047.....	85	3001328.....	37
1003335.....	80	1004018.....	68, 69	2500477.....	83	3001376.....	39, 41
1003336.....	80	1004206.....	67	2500722.....	100	3001388.....	55
1003337.....	79	1004207.....	67	2500759.....	93	3001435.....	33
1003338.....	79	1004218.....	69	2500809.....	87	3001654.....	98
1003339.....	64, 65	1004221.....	78	2501023.....	87	3001655.....	98
1003340.....	64, 65	1004223.....	81	2501024.....	87	3001656.....	98
1003341.....	64, 65	1004224.....	78	2501025.....	87	3001720.....	89
1003342.....	64, 65	1004225.....	78	2501026.....	87	3001762.....	98
1003343.....	74	1004227.....	75	2721806.....	61	3001965.....	55
1003345.....	74	1004228.....	75	2809790.....	41	3002195.....	55
1003346.....	74	1004229.....	75	2809907.....	59	3002363.....	33
1003347.....	74	1004230.....	75	2810043.....	91	3002397.....	61
1003348.....	74	1004279.....	37	2810165.....	89	3002695.....	43
1003349.....	76, 77	1004283.....	81	2810166.....	89	3003110.....	73
1003350.....	76, 77	1004284.....	81	2810424.....	57	3003416.....	97
1003351.....	76, 77	1004285.....	81	2810440.....	59	3003473.....	73
1003352.....	76, 77	1004391.....	85	2810553.....	47	3003474.....	43
1003357.....	68, 69	1004392.....	85	2810702.....	61	3003475.....	43

INDEX

3003928.....	37	3006981.....	49, 51	3008521.....	33	339963.....	79
3004734.....	93	3006988.....	37	3008522.....	33	339974.....	53
3004738.....	95	3006997.....	45	3008593.....	96	33997953, 68, 69, 74, 75,	
3004795.....	93	3006998.....	43	3008601.....	93	76, 77
3004800.....	93	3006999.....	43	3008673.....	66, 67	339985.....	64, 65
3004882.....	97, 99	3007001.....	43	3008682.....	33	33998963, 64, 65, 66, 67,	
3005121.....	39, 41	3007129.....	33	3008683.....	33	68, 69, 78, 79,
3005156.....	97, 99	3007230.....	43	3008745.....	66, 67	80,	81
3005209.....	95	3007290.....	70, 71	3008922.....	93	339990.....	66, 67
3005210.....	93	3007315.....	35	3008930.....	33	339993.....	67, 68, 69
3005267.....	95	3007316.....	35	3008946.....	93	339994.....	62, 63, 66, 67
3005316.....	95	3007392....	43, 45, 83, 85	3009071.....	59	339996.....	64, 65
3005318.....	99	3007505.....	33	3009138.....	89, 93	339998.....	64, 65
3005603.....	55	3007514.....	33	3009193.....	43, 45, 83	339999.....	62, 63, 68, 69
3005604.....	55	3007526.....	33	3009204.....	61	340007.....	68, 69
3005605.....	55	3007527.....	33	3009210.....	35	340022.....	78, 79, 80, 81
3005607.....	55	3007548.....	35	3009251.....	87	340057.....	74
3005608.....	55	3007549.....	35	3009253.....	33	340061.....	75, 77
3005609.....	55	3007550.....	35	3009280.....	95	340070.....	78, 79, 80, 81
3005673.....	53	3007551.....	35	3009281.....	95	340090.....	66, 67
3005692.....	91, 95	3007552.....	35	3009292.....	37	340143.....	76, 77
3005871.....	61	3007558.....	73, 87	3009347.....	61	340147.....	69
3005872.....	61	3007567.....	73	3009378.....	49, 51	340241.....	79
3005934.....	53	3007575.....	83, 85	3009449.....	85	340263.....	76, 77
3005981.....	53	3007606.....	45	3009490.....	83	340274.....	64, 65
3006021.....	95, 107	3007608.....	37	3009528.....	33	340339.....	62
3006022.....	95	3007609.....	37	3009564.....	73	340486.....	47
3006026.....	55	3007610.....	37	3009645.....	73	340491.....	49, 51
3006028.....	93	3007611.....	37	3009669.....	83	340603.....	100
3006030.....	93	3007612.....	37	3009670.....	83	340830.....	33
3006035.....	39, 41	3007661.....	35	3009718.....	33	343616.....	91, 95
3006036.....	39, 41	3007719.....	57	3009892.....	93	345510.....	91
3006094.....	55	3007750.....	33	3009893.....	93	345666.....	47, 55, 73, 87
3006243.....	61	3007751.....	33	3009894.....	93	348856.....	58
3006248.....	95	3007776.....	87	3009995.....	37	351956.....	39, 41
3006290.....	95	3007777.....	87	3010046.....	93	352435.....	96
3006327.....	43, 45	3007798.....	83, 85	3010296.....	89	352726.....	43, 45
3006332.....	61	3007838.....	33	3010546.....	41	352737.....	91, 95
3006337.....	61	3007889.....	58	3010575.....	57	353190.....	76
3006434.....	39, 41, 87	3007970.....	47	304745.....	89	353914.....	47, 51
3006436.....	39, 41	3007989.....	83, 85	311870.....	96	354807.....	49
3006449.....	39, 41	3008027.....	99	315298.....	89	358794.....	83, 85
3006509.....	39, 41	3008132.....	55	315387.....	37	358971.....	55
3006532.....	59	3008193.....	47	319212.....	47	359615.....	55
3006539.....	83, 85	3008195.....	35	326112.....	55	360111.....	47, 49, 51
3006583.....	55	3008199.....	91	333542.....	43	360885.....	39, 41
3006584.....	55	3008200.....	91	336962.....	89	360970.....	73
3006585.....	55	3008218.....	37	337317.....	76	361117.....	61
3006615.....	35	3008327.....	33	338375.....	91	361439.....	87
3006632.....	55	3008374.....	37	338647.....	97	361451.....	51
3006633.....	55	3008383....	43, 45, 55, 57	339897.....	76	361647.....	49, 51
3006634.....	55	3008392.....	76	339899.....	61	361648.....	49, 51
3006797.....	57	3008432.....	83, 85	339909.....	101, 104, 105,	361689.....	66, 67
3006840.....	35	3008438.....	91	110	361695.....	57
3006909.....	37	3008439.....	91	339921.....	68	361748.....	61
3006910.....	37	3008474.....	55, 73	339933.....	66	361831.....	73

INDEX

361877.....	89, 93	4134530.....	105	5003191.....	37	555406.....	87
362263.....	57, 59	4134532.....	105	5003219.....	109	555486.....	87
362643.....	93	4135552... 101, 104, 105,		5003220.....	109	556417.....	70, 71
362743.....	59, 66, 67	110		5003276.....	87	556419.....	70, 71
362824.....	83	4135554.....	63	5003282.....	87	557367.....	55
363030.....	64, 65, 70, 71	4135566.....	70	5003283.....	87	557374.....	55
363485.....	57, 58, 59	4135567.....	71	5003374.....	61	557620.....	35
363562.....	49, 51	4135578.....	70, 71	5003432.....	59	557621.....	49, 51
363586.....	57, 58	4135579.....	71	5003433.....	59	557623.....	47, 102
364190.....	66, 67, 73	4136814... 101, 104, 105,		5003434.....	59	557624.....	47, 102
364248.....	83	110		5003441.....	83	557629.....	102
364501.....	57	4136815... 101, 104, 105,		5003447.....	55	557630.....	102
364900.....	89	110		5003460.....	57	557631.....	102
364945.....	64, 65	5000097.....	97	5003468.....	37	557632.....	102
365016.....	97	5000318.....	102	5003485.....	107	557633.....	102
365398.....	55	5000415.....	89	5003554.....	111	557634.....	102
365466.....	64, 65, 70, 71	5000527.....	87	5003567.....	37	557635.....	102
365501.....	93	5000625.....	98	5003568.....	37	557636.....	102
365566.....	73	5000919.....	55	5003569.....	37	557637.....	102
365943.....	39, 41	5000920.....	55	5003578.... 104, 105, 111		557638.....	102
365956.....	33	5000921.....	55	5003579... 101, 104, 105,		557639.....	102
365959.....	66, 67	5001065... 101, 105, 110,		110,.....	111	557640.....	102
366526.....	55, 61	111		5003580.....	111	557642.....	102
366670.....	39, 41	5001068.....	106	5003589.....	106	557650.....	102
366751.....	39, 41	5001355.....	104, 105	5003623.....	87	557733.....	109
366768.....	39, 41	5002110.....	102	5003658.....	49, 51, 83	557738.....	109
366789.....	49, 51	5002151.....	89	5003688.....	106	557771.....	47
366790.....	51	5002157.... 101, 104, 105		500534.....	89, 97, 99	557772.....	70, 71
366870.....	47	5002476.....	93	500596.....	49	558020.....	39, 41
366879.....	57	5002477.....	93	502517.....	100	558021.....	39, 41, 57
366883.....	35	5002541.....	111	502924.....	109	558063.....	102
366884.....	57, 58	5002573.....	47	502925.....	109	558064.....	102
366931.....	87	5002574.....	47	503295.....	100	558066.....	102
366974.....	43, 96	5002609.....	93	503296.....	100	590259.....	100
367028.....	85	5002762.....	93	503308.....	100	590260.....	100
367029.....	97	5002910.....	49	503398.....	109	66171.....	37
367031.....	57	5002918.....	53	503460.....	89, 93	66172.....	37
367164.....	89	5002919.....	53	545692.....	49		
367186.....	73	5003031.....	107	549441.....	100		
367350.....	51	5003034.....	59	549443.....	100		
367458.....	55	5003036.....	59	550863.....	55		
390859.....	51	5003053.....	89	553020.....	58		
391202.....	91, 95	5003054.....	89	554329.....	49		
4101920.....	33	5003076.....	37	554390.....	37		
4102440.....	107	5003077.....	55	554579.....	100		
4105980.....	110	5003080.....	101, 110	554663.....	59		
4108161.....	45	5003087.....	89	554748.....	61		
4111120.....	87	5003091.....	39, 41	554752.....	61		
4111408.....	33	5003096.....	111	554779.....	51, 103		
4113047.....	47	5003097.....	111	554780.....	51, 103		
4113601.....	64, 65	5003098.....	111	554781.....	103		
4117468.....	33	5003099.....	111	554782.....	103		
4117826.....	87	5003121.....	111	554783.....	103		
4118095.....	45	5003140.....	106, 107	554855.....	109		
4119004.....	33	5003144.....	104, 105	554856.....	109		
4119844.....	33	5003150.....	89	554857.....	109		

World Class Quality, Performance And Support

Equipment from Jacobsen is built to exacting standards ensured by ISO 9001 and ISO 14001 registration at all of our manufacturing locations.

A worldwide dealer network and factory trained technicians backed by Textron Parts Xpress provide reliable, high-quality product support.



JACOBSEN
A Textron Company

BOBCAT BUNTON CUSHMAN EZGO JACOBSEN RANSOMES RYAN STEINER

Textron Golf, Turf & Specialty Products
PO Box 7708, Charlotte, NC 28241-7708
www.ttcsp.com