



Parts Manual

Lightweight Fairway Mower

68009 – LF510™, Kubota D1105-E4B, 5 Gang 2WD

68010 – LF510™, Kubota D1105-E4B, 5 Gang 4WD with ROPS

WARNING

Warning: If incorrectly used, this machine can cause severe injury. Those who use and maintain this machine should be trained in its proper use, warned of its dangers, and must read the entire manual before attempting to set up, operate, adjust, or service the machine.

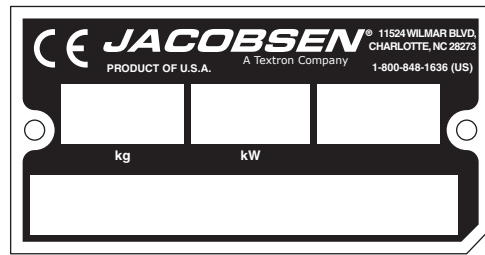
FOREWORD

This manual contains adjustment, maintenance, troubleshooting instructions and parts list for your new Jacobsen machine. This manual should be stored with the equipment for reference during operation.

Before you operate your machine, you and each operator you employ should read the manual carefully in its entirety. By following the safety, operating and maintenance instructions, you will prolong the life of your equipment and maintain its maximum efficiency.

If additional information is needed, contact your Jacobsen Dealer.

The serial plate is located on the left rear frame rail. Jacobsen recommends you record these numbers below for easy reference.



Suggested Stocking Guide

To Keep your Equipment fully operational and productive, Jacobsen suggests you maintain a stock of the more commonly used maintenance items. We have included part numbers for additional support materials and training aids.

To order any of the following material:

1. Write your full name and complete address on your order form.
2. Explain where and how to make shipment:
 - UPS
 - Regular Mail
 - Overnight
 - 2nd Day

3. Order by the quantity desired, the part number, and the description of the part.
4. Send or bring the order to your authorized Jacobsen Dealer.

Service Parts

Qty.	Part No.	Description	Qty.	Part No.	Description
	2810346	Engine Oil Filter		2811255	Charge Filter
	5000919	Element, Engine Air Filter		885249	Return Filter
	550489	Element, Engine Fuel Filter		4263654	Ignition Key
	5002785	Engine Fan Belt		4123183	Headlight Bulb

Service Support Material

Qty.	Part No.	Description
	4272914	Safety & Operation Manual
	4304639	Parts & Maintenance
	4272915	Video, Operator Training
	4304579	Diesel Engine Parts Manual

Qty.	Part No.	Description
	4279651	Service Manual

These are the original instructions verified by Jacobsen, A Textron Company.

© 2013, Jacobsen, A Textron Company/Textron Innovations Inc.
 "All rights reserved, including the right to reproduce this material or portions thereof in any form."

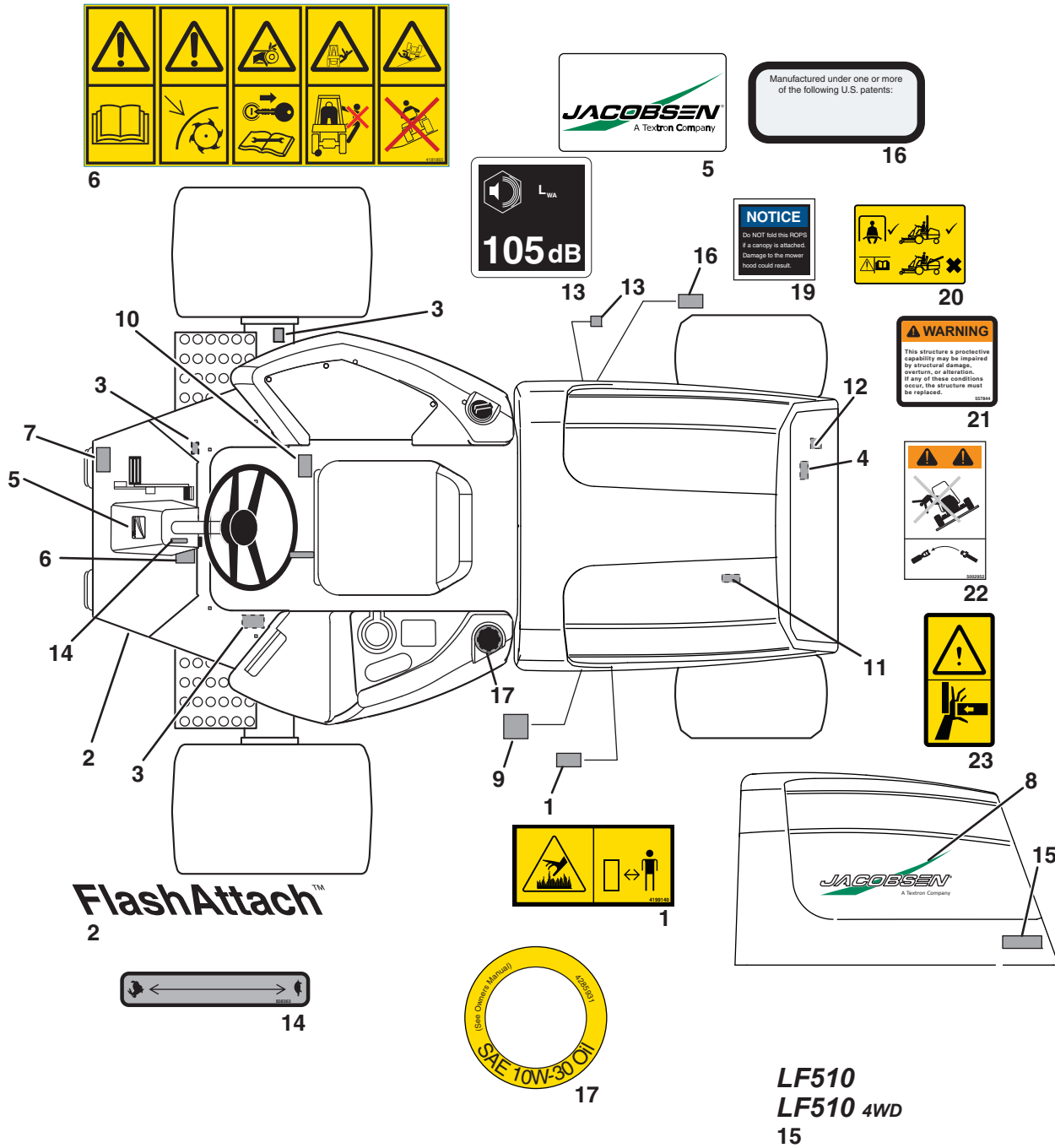
Proposition 65 Warning

This product contains or emits chemicals known to State of California to cause cancer and birth defects or other reproductive harm.

Table of Contents

1.1	Decals	4
2.1	Hood	6
3.1	Seat Pan	8
4.1	Armrest Support	10
5.1	Armrest	12
6.1	Traction Pedal	14
7.1	Mow Speed Stop	16
8.1	Frame and Front Axle	18
9.1	ROPS	20
10.1	2WD Steering	22
11.1	4WD Steering	24
12.1	Tilt Steering	26
13.1	Throttle Lever	28
14.1	Radiator and Air Cleaner	30
15.1	Engine Assembly and Mounting	32
16.1	Engine Exhaust and Pump	34
17.1	Fuel and Hydraulic Tanks	36
18.1	Hydraulic Components	38
19.1	Pump Hydraulics	40
19.2	2WD Traction Hydraulics	42
20.1	Front 4WD Traction Hydraulics	44
21.1	Rear 4WD Traction Hydraulics	46
22.1	Charge and Brake Hydraulics	48
23.1	Return Hydraulics	50
24.1	Front Reel Hydraulics	52
24.1	Front Reel Hydraulics (Continued)	54
25.1	Rear Reel Hydraulics	56
26.1	Front Lift Hydraulics	58
27.1	Rear Lift Hydraulics	60
28.1	Steering Hydraulics	62
29.1	Hydraulic Tube Clamps	64
30.1	Wire Harness and Controller Box	66
31.1	Lift Arms	68
32.1	Inner Reel	70
33.1	Outer Reel	72
34.1	Down Pressure Spring	74
35.1	Rear Roller	75
36.1	Brake Valve	76
37.1	Reel Valve	77
38.1	Reel Motor	78
39.1	Rear Wheel Motor	79
40.1	Lift Valve	80
41.1	4WD Valve	81
41.1	Traction Pump	82
42.1	2WD Hydraulic Schematic	84
43.1	4WD Hydraulic Schematic	86
44.1	Electrical Schematic	88

1.1 Decals

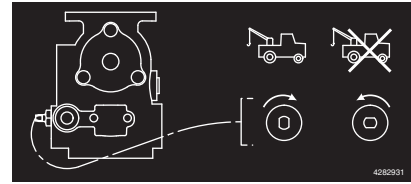




11



9



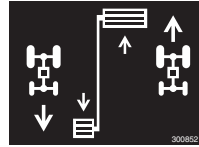
10



3



4



7



13

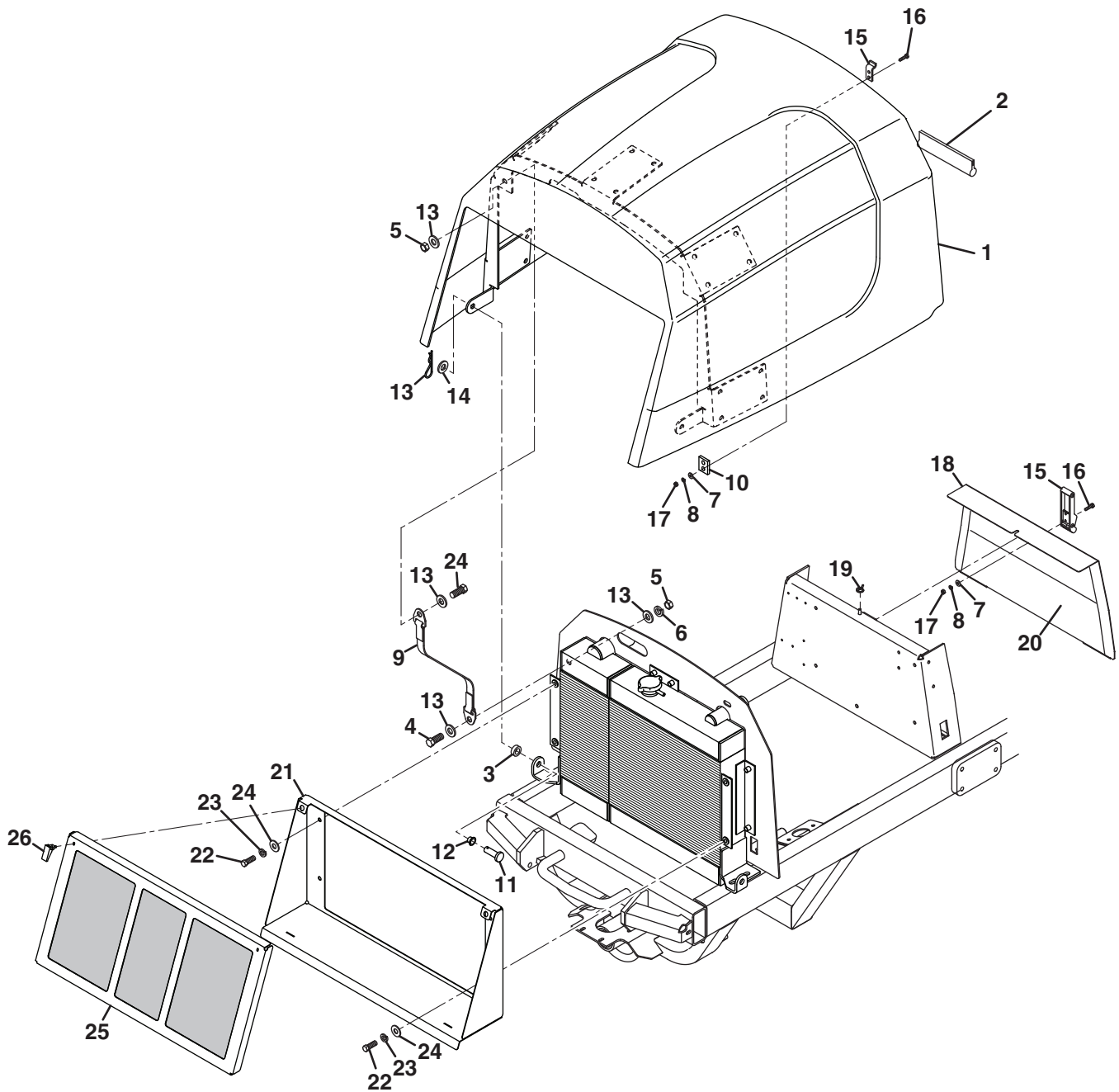


12

Item	Part No.	Qty.	Description	Serial Numbers/Notes
1	4199140	1	Decal, Heat Warning	
2	3008930	1	Decal, Flash Attach	
3	3008683	2	Decal, Backlap	Located on Front Axle
4	4181862	1	Decal, Radiator Cap Warning	Located on top of Radiator
5	4182386	1	Decal, Jacobsen Emblem	
6	4181865	1	Decal, Instruction	
7	3008521	1	Decal, Traction Pedal	
8	4179663	2	Decal, Jacobsen	
9	4181864	1	Decal, Battery Warning	Located on Frame
10	4282931	1	Decal, Tow Valve	
11	4181861	1	Decal, Start Fluids	
12	4131663	1	Decal, Backlap	Located on Radiator Shroud
13	4117468	1	Decal, Noise 105 dB	Located on Frame
14	838363	1	Decal, Throttle	
15	4272554	2	Decal, LF510	68009 Only
15	4272553	2	Decal, LF510 4WD	68010 Only
16	4194325	1	Decal, Patent	
17	4285931	1	Tag, Oil Tank	
18	4265171	1	Decal, Mow Stop	
19	4294518	1	Decal, Canopy Notice	Located on ROPS, 68010 Only
20	4194260	2	Decal, ROPS Deployment	Located on ROPS, 68010 Only
21	557844	1	Decal, ROPS Structure Warning	Located on ROPS, 68010 Only
22	5002952	1	Decal, ROPS Seat Belt Warning	Located on ROPS, 68010 Only
23	845027	2	Decal, Pinch Point	Located on ROPS, 68010 Only

> Change from previous revision

2.1 Hood

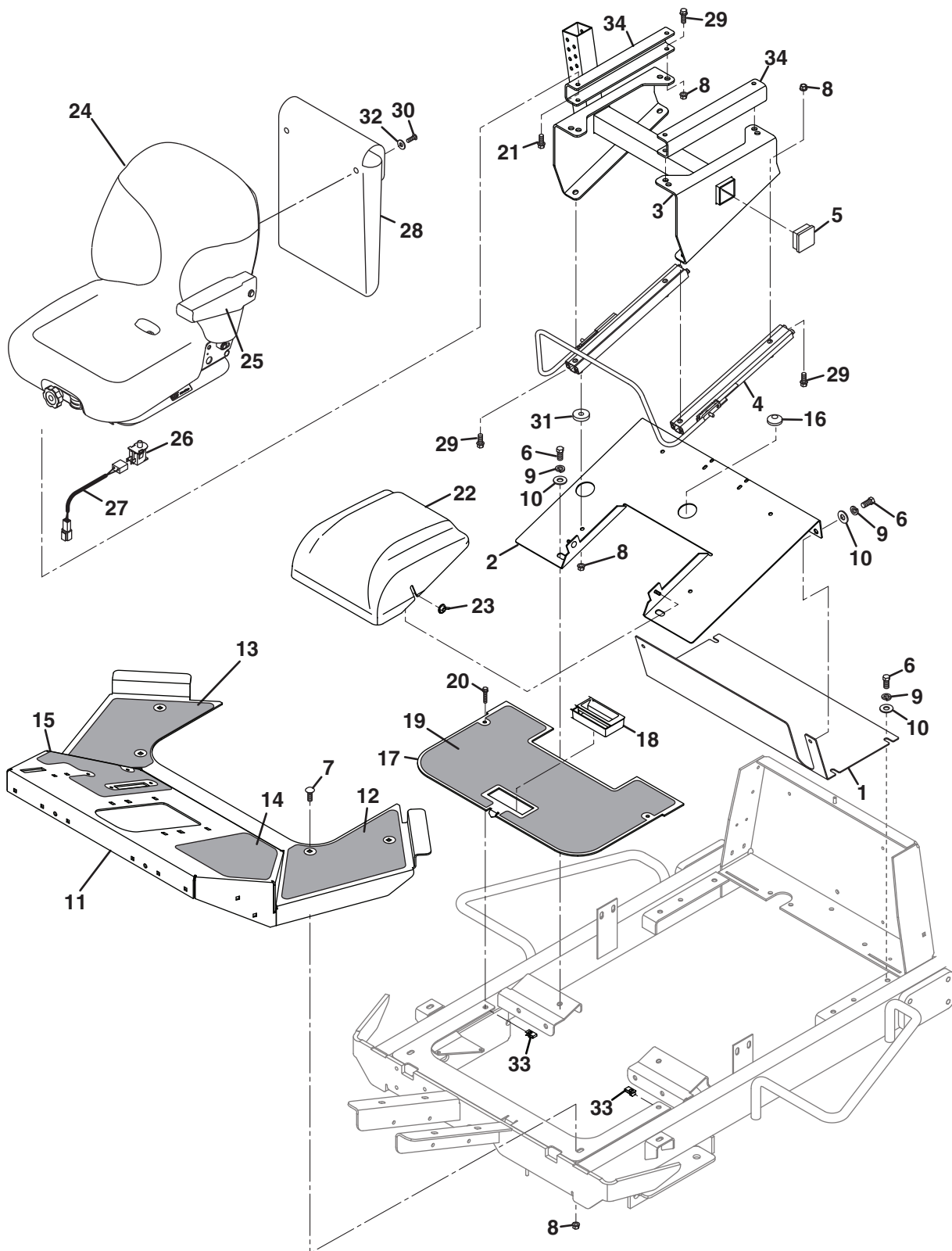


Item	Part No.	Qty.	Description	Serial Numbers/Notes
1	4285531	1	2WD Hood Assembly	Includes Decals
1	4285551	1	4WD Hood Assembly	Includes Decals
2	4130360	AR	• Seal, Trim	5 Foot Length, Cut to Size
3	4247312	2	• Spacer	
4	400404	4	• Screw, 1/2-13 Hex Head	
5	443118	4	• Nut, 1/2-13 Hex	
6	446154	2	• Lockwasher, 1/2 Heavy	
7	306975	4	• Flat Washer	
8	446118	4	• Lockwasher, #10 Heavy	
9	4287771	1	• Lanyard	
10	4212820	1	• Backer, Flex Latch Keeper	
11	548458	2	• Clevis Pin, 1/2 x 1-1/4"	
12	4255270	2	• Flange, Bearing	
13	453017	10	• Flat Washer, 1/2	
14	822529	2	• Hair Pin, 7/16 x 2 x 1/8"	
15	4212423	1	• Latch, Flexible Cover Draw	
16	450152	4	• Screw, M5-0.8 x 20 mm	
17	450322	4	• Nut, M5-0.8 Hex	
18	3006873	1	Cover, Front Mount	
19	3008195	1	Wing Nut, 1/4-20 Steel	
20	3009210	1	Foam (Cut To Length)	
	4285511	1	Radiator Screen Kit	
21	4285418	1	• Duct, Screen	
22	400262	4	• Screw, 3/8-16 x 1" Hex Head	
23	446140	4	• Lockwasher, 3/8	
24	452008	4	• Flat Washer, 3/8	
25	4271912	1	• Screen Assembly	
26	3002098	4	• Latch, Swell	

> Change from previous revision

3.1 Seat Pan

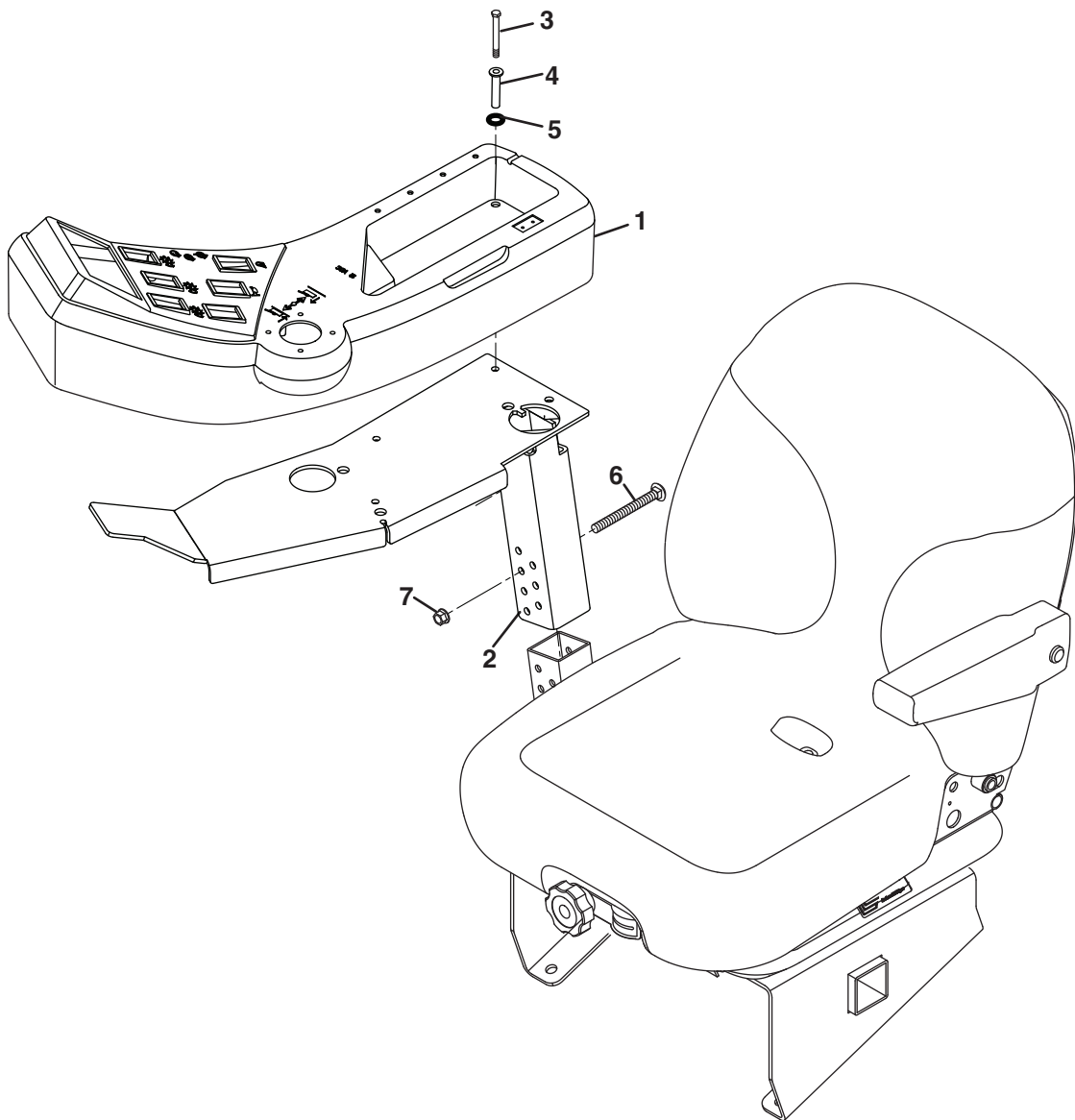
Michigan Seat



Item	Part No.	Qty.	Description	Serial Numbers/Notes
1	1004279	1	Floor Pan	
2	4247310	1	Seat Pan	
3	4217621	1	Support, Seat	
4	4210561	1	Adjuster, Double Latching	
5	4222229	2	Plug, 2 x 2" Tube	
6	400258	9	Screw, 3/8-16 x 3/4" Hex Head	
7	441602	4	Carriage Bolt, 5/16-18 x 3/4"	
8	445795	16	Nut, 5/16-18 Spiralock Flange	
9	446142	9	Lockwasher, 3/8 Heavy	
10	452008	4	Flat Washer, 3/8	
11	4292111	1	Platform	Includes Items 6 - 8, Illustration 1.1
12	3007609	1	• Pad, Left Floorboard	
13	3007610	1	• Pad, Right Floorboard	
14	4237183	1	• Pad, Left Foot	
15	4288575	1	• Pad, Right Foot	
16	4241042	1	Grommet	
17	4285471	1	Floorboard	
18	4269550	1	• Handle	
19	4268834	1	• Pad, Center Floorboard	
20	452380	2	• Screw, M6-1 x 30 mm Hex Flange	
21	409812	4	Screw, 5/16-18 x 3/4" Thread Cutting	
22	4257171	1	Cover, Hydro	
23	3008195	2	Nut, 1/4-20 Wing	
24	4280951	1	Suspension Seat Assembly	
25	4139436	1	• Arm Rest Kit	R.H. Arm Rest in kit is not used.
26	4139450	1	• Switch, Seat	REFERENCE SW-10, See 44.1
27	5003769	1	Seat Switch Harness	
28	3003928	1	Pouch, Literature	
29	403751	8	Screw, 5/16-18 X 3/4" Serr Washer	
30	800943	2	TScrew, #10-16 x 3/4" Plastic	
31	831053	4	Spacer, Seat	
32	452004	2	Flat Washer, 1/4	
33	4168402	2	Nut, M6 Speed	
34	4268426	2	Support, Seat	

> Change from previous revision

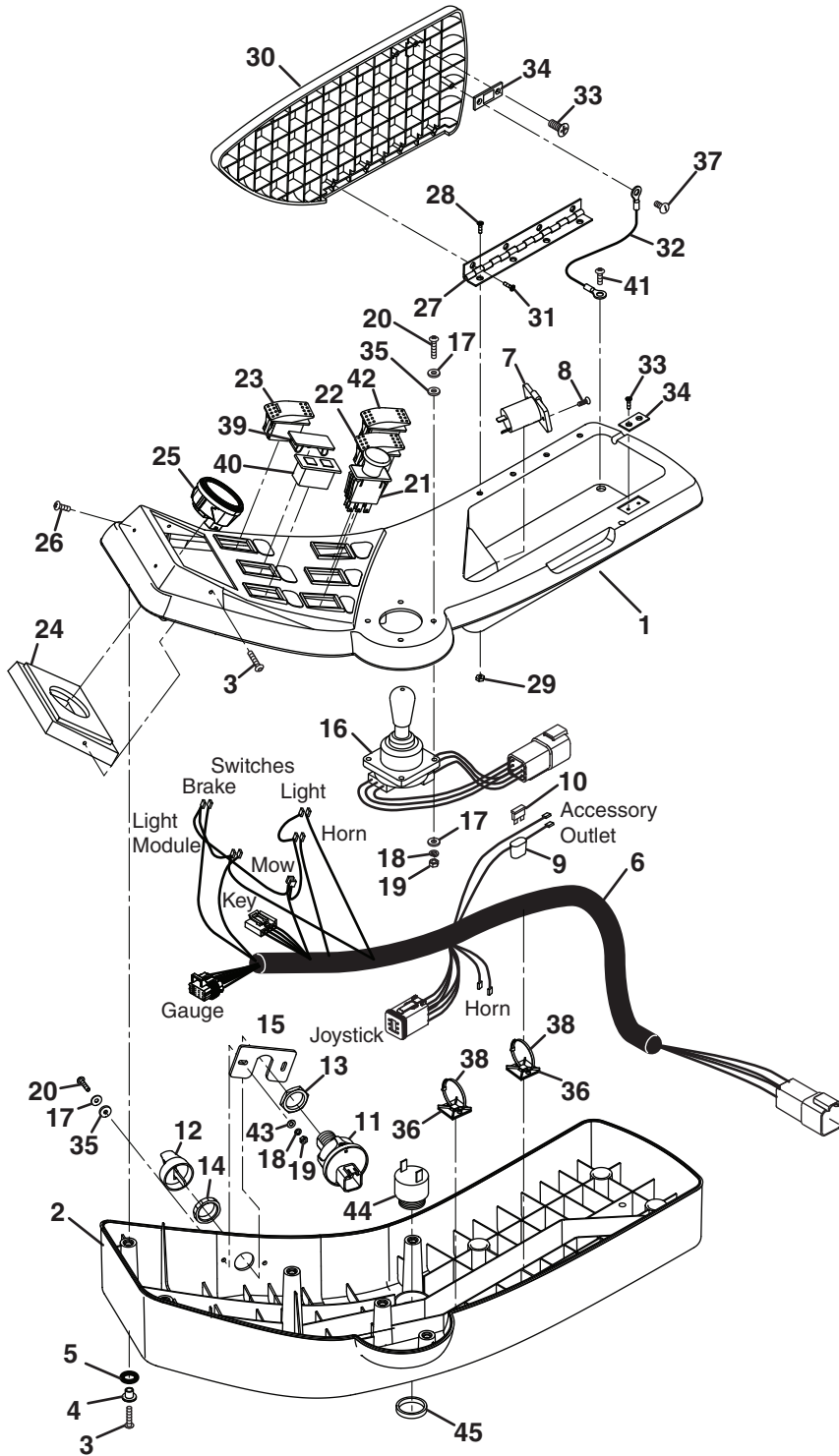
4.1 Armrest Support



Item	Part No.	Qty.	Description	Serial Numbers/Notes
1	REF	1	Armrest Assembly	
2	4270330	1	Support, Upper Armrest	
3	4189843	4	Screw, M6-1 x 65 mm Hex Head	
4	4188484	4	Flange, M6 Body Fastener	
5	473211	4	Spacer, Black Neoprene	
6	441687	3	Carriage Bolt, 5/16-18 x 3"	
7	445795	3	Nut, 5/16-18 Spiralock Flange	

> Change from previous revision

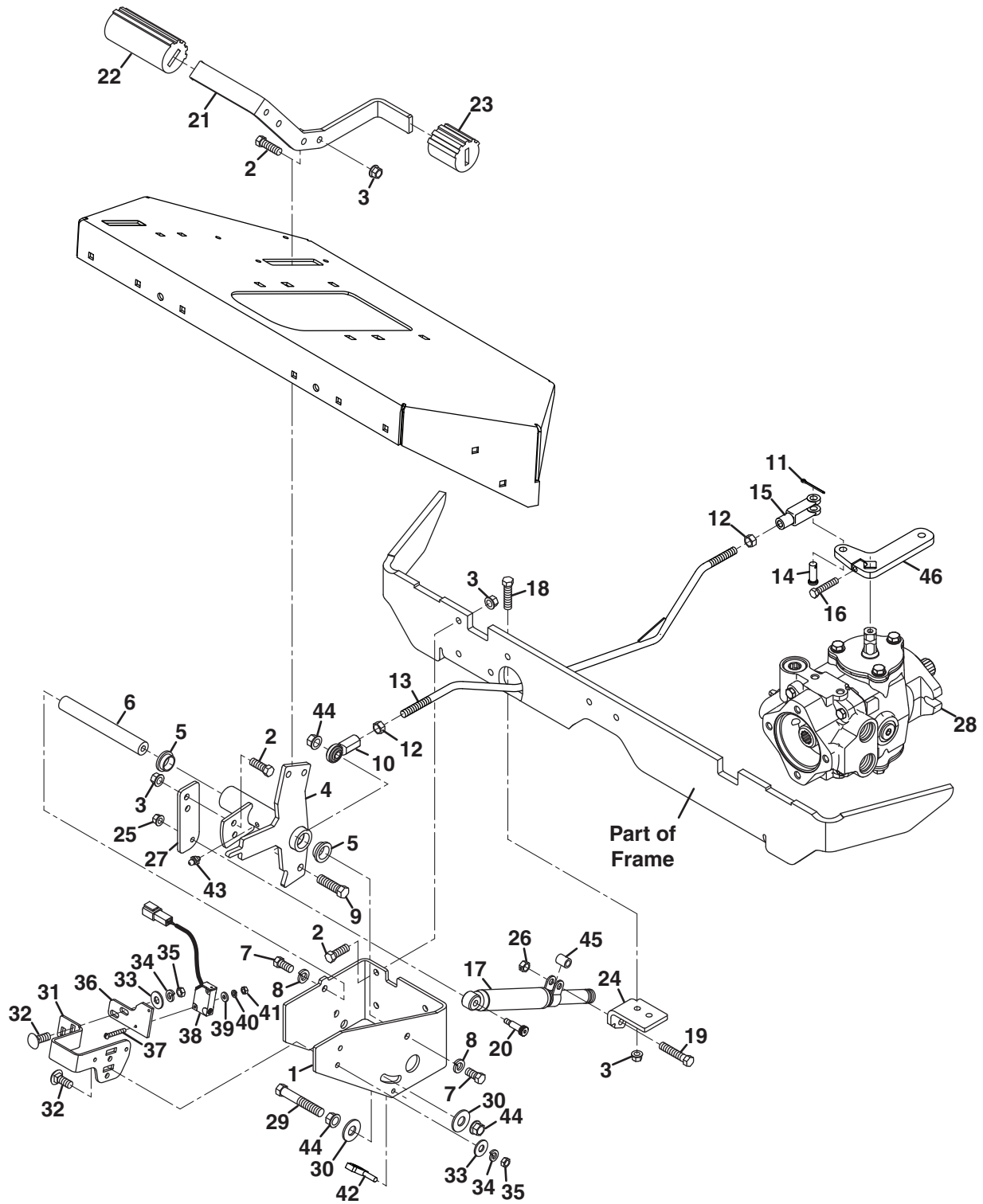
5.1 Armrest



Item	Part No.	Qty.	Description	Serial Numbers/Notes
1	4284894	1	Armrest, Upper	
2	4284892	1	Armrest, Lower	
3	4189540	8	Screw, M4-0.7 x 20 mm Torx	
4	4188480	8	Flange, M4 x 4 mm Body	
5	4188482	8	Spacer, Black Neoprene	
6	4291232	1	Harness, LDU	
7	843942	1	• Socket, 12V Accessory Plug	REFERENCE U5, See 44.1
8	N/S	2	• • Screw	
9	4131299	1	• Fuse Holder	
10	836892	1	• Fuse, 10 Amp	REFERENCE F1, See 44.1
11	4283269	1	Key Switch	REFERENCE SW5, See 44.1
12	4283654	1	• Key	
13	4283653	1	• Nut, M22-1.5 Switch Backing	
14	4283652	1	• Nut, M22-1.5 Switch Face	
15	4283276	1	Plate, Switch	
16	1004290	1	Joystick, 1 Axis	REFERENCE SW11, See 44.1
17	4189841	10	Flat Washer, 4 mm	Stainless Steel
18	450408	6	Lockwasher, 4 mm	
19	450321	6	Nut, M4-0.7 Hex	
20	4189840	6	Screw, M4-0.7 x 20 mm Pan Head	Stainless Steel
21	4174684	1	Switch, Mow	REFERENCE SW7, See 44.1
22	4130133	1	Switch, Horn	REFERENCE SW6, See 44.1
23	4139764	1	Switch, Brake	REFERENCE SW8, See 44.1
24	4267400	1	Bezel, Armrest	
25	4270811	1	Gauge, Fuel/Hourmeter	REFERENCE U3, See 44.1
26	409952	4	Screw, M4 x 13 mm Thread Cutting	Stainless Steel
27	4168564	1	Hinge, Armrest	
28	4201880	4	Screw, #6-32 x 1/2" Flat Head	
29	444304	4	Nut, #6-32 Hex	
30	4168562	1	Door, Armrest	
31	4201867	4	Screw, #6-32 x 3/8" Thread Cutting	Stainless Steel
32	4156925	1	Lanyard	
33	4201980	4	Screw, #4 x 1/2" Self Threading	
34	4168563	1	Set, Magnetic Catch	
35	4189842	6	Spacer	
36	4200540	2	Adhesive Mount, Cable Tie	
37	402006	1	Screw, #6-32 x 1/2" Slotted Head	
38	473142	2	Cable Tie	
39	4225220	1	Panel, Plug	
40	4270810	1	Module, Dual Engine Indicator	REFERENCE L3, See 44.1
41	819195	1	Screw, #8-18 x 1/2" Self Drilling	
42	4130132	1	Switch, Lights	REFERENCE SW12, See 44.1
43	450387	2	Flat Washer, M4	
44	4150539	1	Horn	REFERENCE U4, See 44.1
45	N/S	1	• Ring Nut	

> Change from previous revision

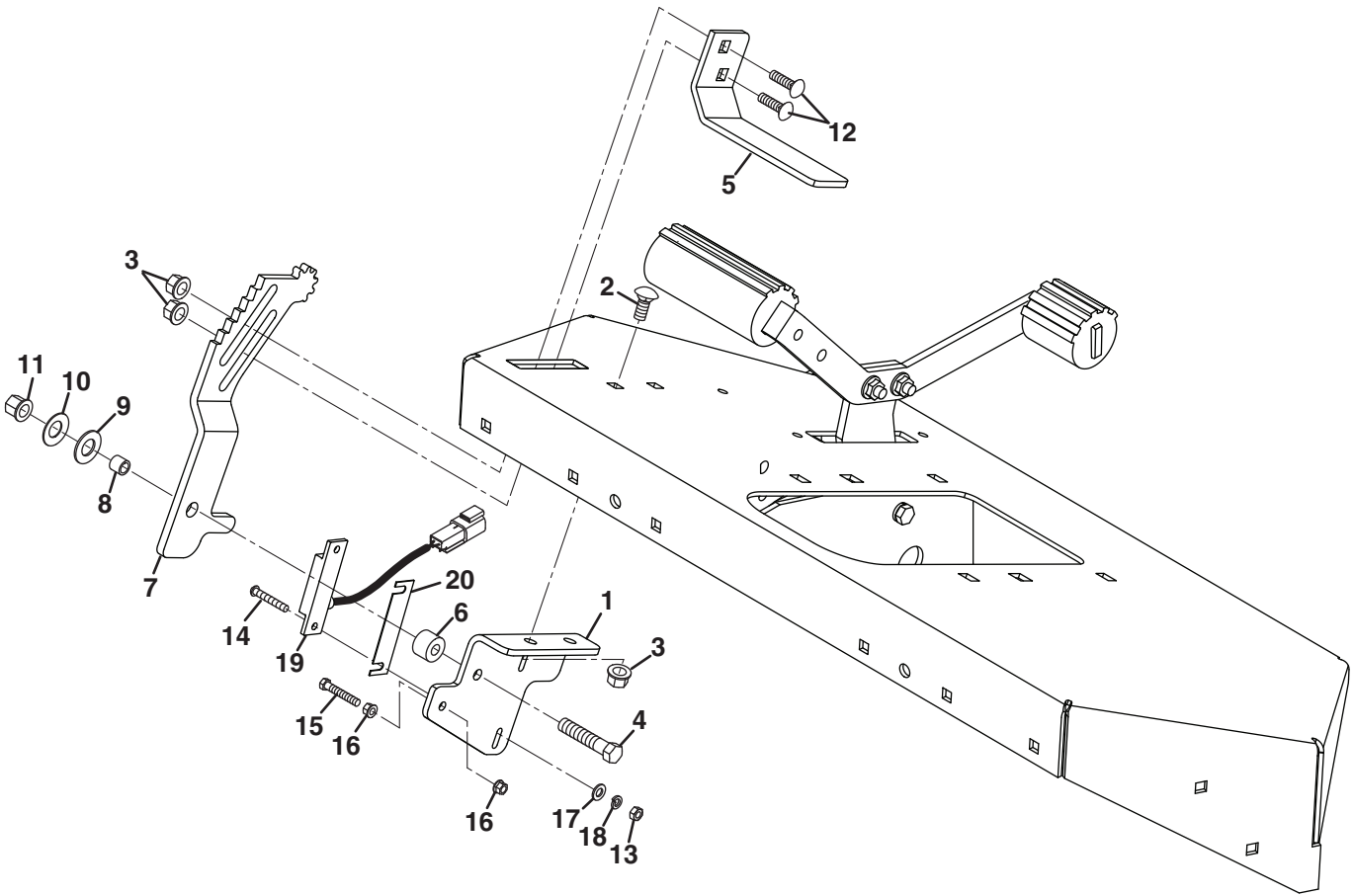
6.1 Traction Pedal



Item	Part No.	Qty.	Description	Serial Numbers/Notes
1	4176562	1	Bracket, Hydro Pedal Mount	
2	400188	8	Screw, 5/16-18 x 1" Hex Head	
3	445795	6	Nut, 5/16-18 Spirallock Flange	
4	4280151	1	Pivot, Hydro Pedal	
5	352726	2	• Bushing	
6	3006327	1	Shaft, Pedal Pivot	
7	400182	2	Screw, 5/16-18 x 5/8" Hex Head	
8	446136	2	Lockwasher, 5/16	
9	400264	1	Screw, 3/8-16 x 1-1/4" Hex Head	
10	366974	1	Rod End, 3/8-24	
11	64168-2	1	Cotter Pin, 3/32 x 1-3/16"	
12	443812	2	Nut, 3/8-24 Hex	
13	4299891	1	Rod, Hydro Linkage	
14	461465	1	Clevis Pin, 3/8 x 1-3/32"	
15	38020-01	1	Clevis Yoke, 3/8" Plate	
16	400114	1	Screw, 1/4-20 x 1-1/4" Hex Head	
17	2500175	1	Damper, Pedal	
18	400190	2	Screw, 5/16-18 x 1-1/4" Hex Head	
19	400192	2	Screw, 5/16-18 x 1-1/2" Hex Head	
20	4256511	1	Bolt, M6-1 x 30 mm Shoulder	
21	4268064	1	Pedal, Hydro	
22	3003475	1	Grip, Pedal	
23	3003474	1	Grip, Pedal	
24	4280292	1	Bracket, Damper	
25	452418	1	Nut, M6-1 Hex Flange	
26	444718	1	Nut, 5/16-18 Hex	
27	4281040	1	Bracket, Damper	
28	4268015	1	Pump, Traction	See 16.1
29	400272	1	Screw, 3/8-16 x 2-1/4" Hex Head	
30	452008	2	Flat Washer, 3/8	
31	4182392	1	Bracket, Neutral Switch	
32	440042	4	Carriage Bolt, 1/4-20 x 3/4"	
33	452004	4	Flat Washer, 1/4	
34	446128	4	Lockwasher, 1/4	
35	443102	4	Nut, 1/4-20 Hex	
36	4176580	1	Plate, Proximity Switch Mount	
37	800440	2	Screw, #4-40 x 1" Slotted Round	
38	4125831	1	Switch, Proximity	REFERENCE SW3, See 44.1
39	308404	2	Flat Washer, #4	
40	446102	2	Lockwasher, #4	
41	444302	2	Nut, #4-40 Hex	
42	3008383	1	Clip, Harness	
43	471214	1	Grease Fitting, 1/4-28 Straight	
44	445796	3	Nut, 3/8-16 Spirallock Flange	
45	366715	1	Spacer	
46	4268027	1	Lever, Hydro Pump	See 16.1

> Change from previous revision

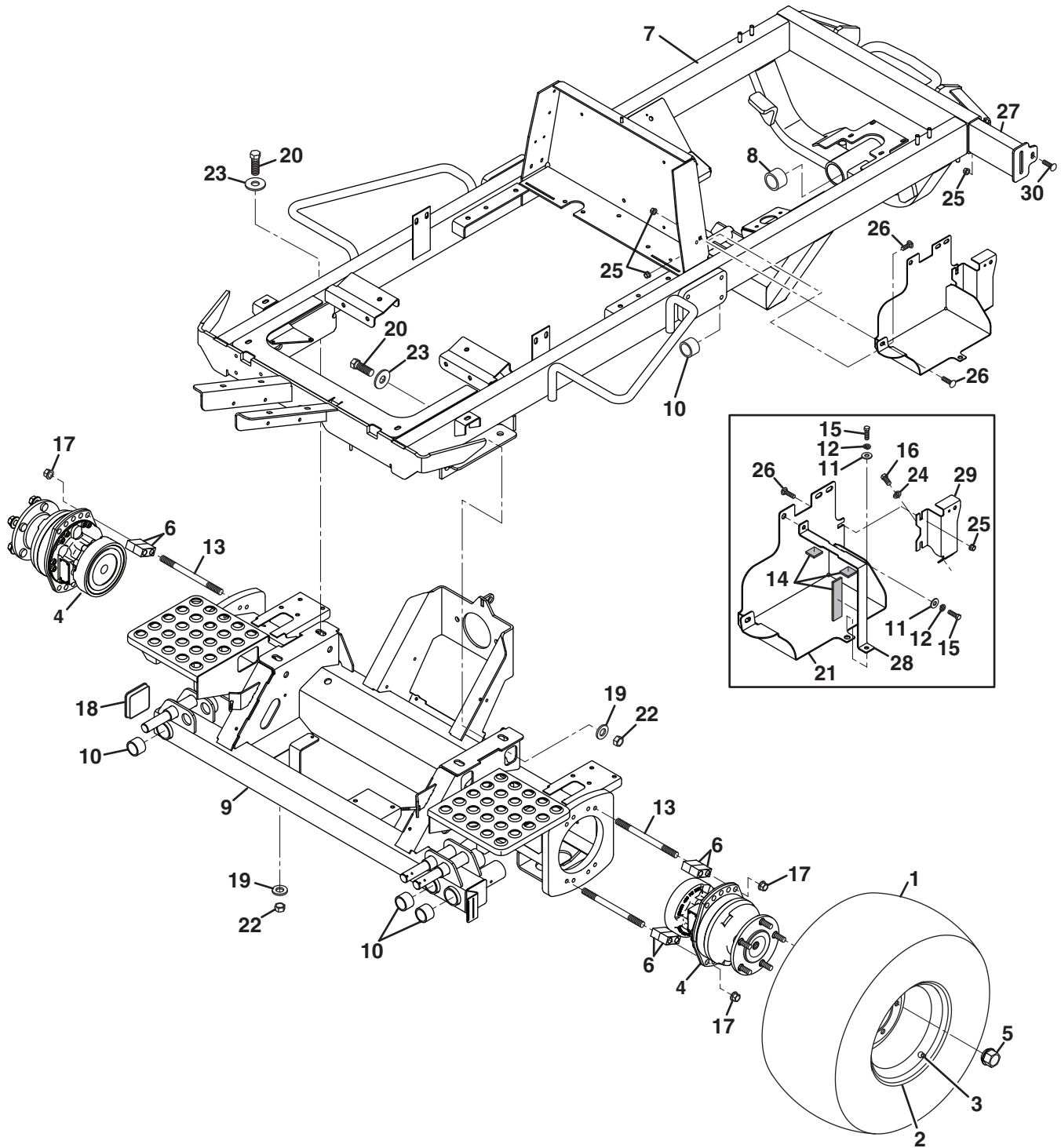
7.1 Mow Speed Stop



Item	Part No.	Qty.	Description	Serial Numbers/Notes
1	4269711	1	Mount, Mow Speed	
2	441602	2	Carriage Bolt, 5/16-18 x 3/4"	
3	445781	4	Nut, 5/16-18 Whizlock Flange	
4	400194	1	Screw, 5/16-18 x 1-3/4" Hex Head	
5	4268033	1	Stop, Upper	
6	310182	1	Spacer, 21/64 x 3/4 x 17/32"	
7	4296871	1	Stop, Mow Speed	
8	3007941	1	Spacer, 5/16 x 7/16 x 3/8"	
9	302405	1	Washer, 33/64 x 1 x 1/16"	
10	362986	1	Washer, 1/2" Bellville	
11	800697	1	Nut, 5/16-18 Hex Flange Crownlock	
12	441614	2	Carriage Bolt, 5/16-18 x 1"	
13	444306	2	Nut, #8-32 Hex	
14	402066	2	Screw, #8-32 x 1" Slotted Round Hd	
15	400116	1	Screw, 1/4-20 x 1-1/2" Hex Head	
16	444794	2	Nut, 1/4-20 Spiralock Flange	
17	64251-001	2	Washer, M5	
18	446110	2	Lockwasher, #8	
19	4140149	1	Swich, Mow Speed Stop	REFERENCE SW-14, See 44.1
20	3009193	AR	Shim, Switch	

> Change from previous revision

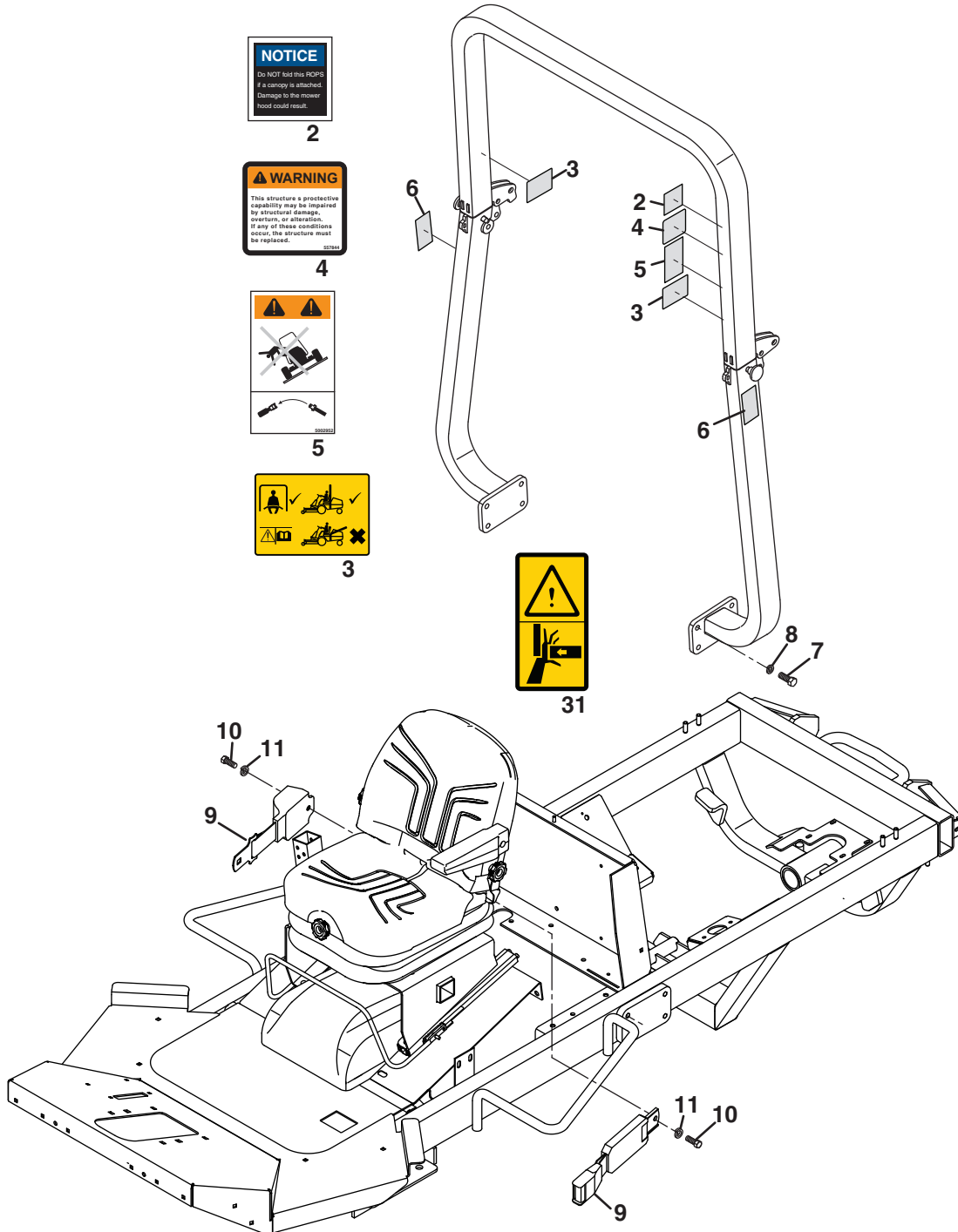
8.1 Frame and Front Axle



Item	Part No.	Qty.	Description	Serial Numbers/Notes
1	4236060	2	Tire, 26.5 x 14-12 4 Ply	
2	4251534	2	Rim, 12 x 10.5	
3	360111	2	Valve, Inflation	
4	4228801	2	Wheel Motor	
	4229520	1	• Motor Seal Kit	
	4229521	1	• Multi-Disc Seal Kit	
5	008008460	5	• Nut, M14-1.5 x 34 mm Wheel	
6	4251563	16	Mount, Wheel Motor	
7	N/S	1	Frame	Includes Four (4) of Item 10
8	366871	2	• Bushing	
9	4250810	1	Front Axle	Includes Six (6) of Item 10
10	366870	10	• Bushing	
11	452006	2	Flat Washer, 5/16	
12	446134	2	Lockwasher, 5/16	
13	400057	16	Stud, 1/2-13 x 7"	
14	558012	AR	Pad, Cork	10 Foot Roll, Cut to Length
15	400188	2	Screw, 5/16-18 x 1" Hex Head	
16	400258	1	Screw, 3/8-16 x 3/4" Hex Head	
17	400066	16	Nut, 1/2-13 Spirallock Flange	
18	4244422	1	Plug, 3" x 3" Tube	
19	4140094	6	Washer .688 x 1.313 x .150 Hard	
20	4113047	6	Screw, 5/8-18 x 1-1/2" Hex Head	Grade 8 Bolt
21	4268028	1	Battery Tray	
22	443128	6	Nut, Hex 5/8-18 UNF	
23	452016	6	Flat Washer, 5/8 1.75 x .688 x .1	
24	446142	1	Lockwasher, 3/8 Heavy	
25	445795	4	Nut, 5/16-18 Spirallock Flange	
26	441602	4	Bolt, 5/16-18 x 3/4" Carriage	
27	4243304	1	Weight, Rear Bumper	
28	4284831	1	Retainer, Battery	
29	4285318	1	Bracket, Fuel Filter	
30	441614	1	Carriage Bolt, 5/16-18 x 1"	

> Change from previous revision

9.1 ROPS

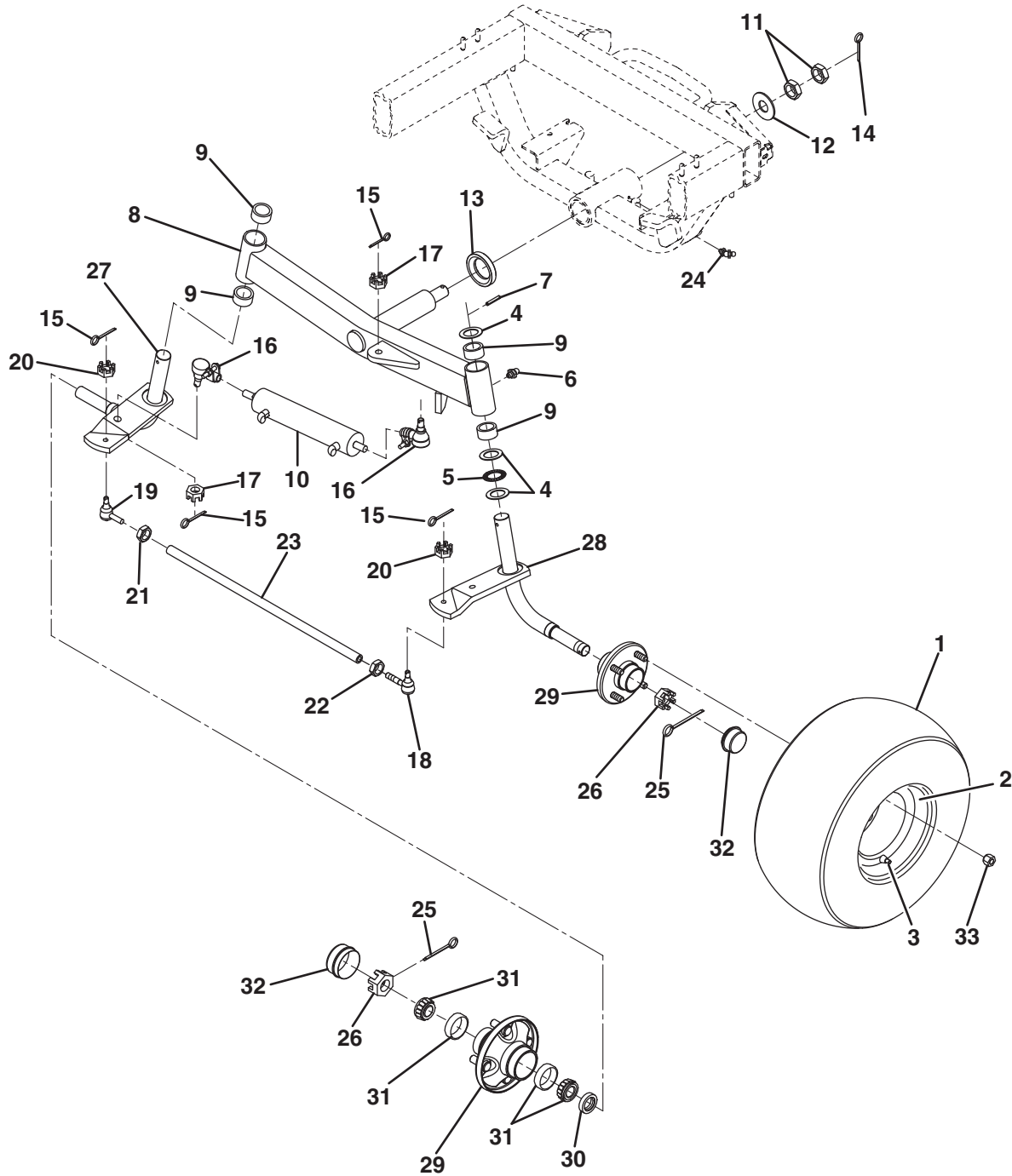


Item	Part No.	Qty.	Description	Serial Numbers/Notes
1	4292951	1	Folding ROPS Assembly	
2	4294518	1	• Decal, Canopy Notice	
3	4194260	2	• Decal, ROPS Deployment	
4	557844	1	• Decal, ROPS Structure Warning	
5	5002952	1	• Decal, ROPS Seat Belt Warning	
6	845027	2	• Decal, Pinch Point	
7	5000465	8	• Screw, 1/2-13 x 1-1/4" Hex GR 8	
8	446154	8	• Lockwasher, 1/2 Heavy	
9	4257812	1	Seat Belt Kit	
10	400370	2	Screw, 7/16-20 x 1" Hex Head	
11	446148	2	Lockwasher, 7/16 Heavy	

> Change from previous revision

10.1 2WD Steering

2WD Units Only

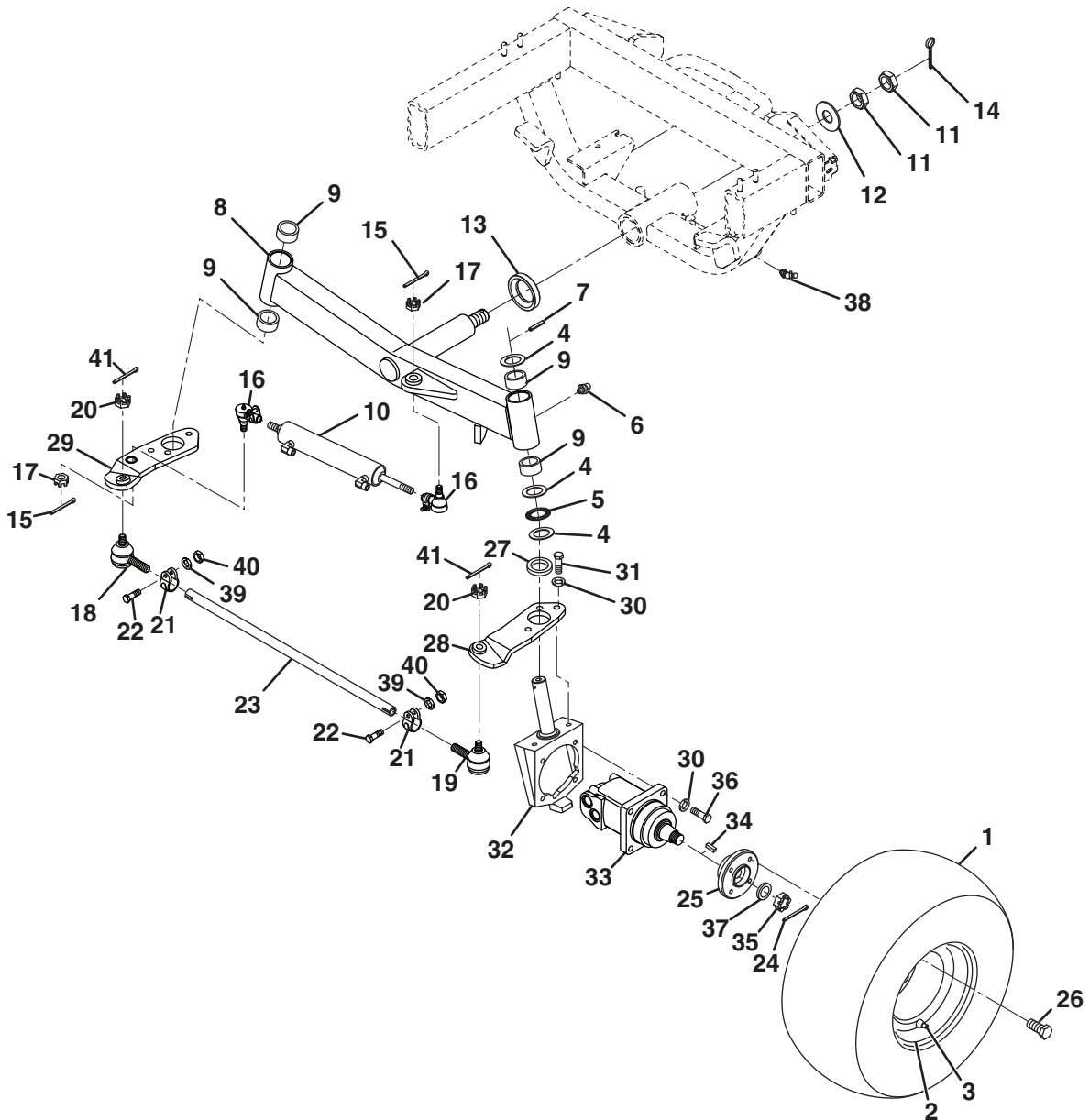


Item	Part No.	Qty.	Description	Serial Numbers/Notes
1	4236061	2	Tire, 20 x 10-8 Treaded 4-Ply	
2	4236021	2	Rim, 8 x 7"	
3	360111	2	Inflation Valve	
4	361648	6	Washer, Thrust	
5	361647	2	Bearing, Thrust	
6	471214	2	Fitting, Grease	
7	461393	2	Pin, Spring 1/4 x 2"	
8	117139	1	Steering Axle	
9	3010489	4	• Bushing	
10	4271774	1	Cylinder, Steering	
	4276851	1	• Seal Kit	
	339908	2	• O-Ring, -4 ORFS	
11	443840	2	Nut, 1-12 Hex Jam	
12	452022	1	Flat Washer, 1	
13	366789	1	Spacer, Axle	
14	460064	1	Cotter Pin, 1/4 x 1-1/2"	
15	460026	4	Cotter Pin, 1/8 x 3/4"	
16	153234	2	Ball Joint	
	400194	2	• Screw, 5/16-18 x 1-3/4"	
	444718	2	• Locknut, 5/16-18 Hex	
	471214	2	• Grease Fitting	
17	445666	2	• Nut, 1/2-20 Slotted Hex	
18	1002032	1	Ball Joint, Right Hand Thread	
19	1002031	1	Ball Joint, Left Hand Thread	
	471214	2	• Grease Fitting	
20	445647	2	• Nut, 3/8-24 Slotted Hex	
21	443120	1	Nut, 1/2-20 Hex Right Hand Thread	
22	445664	1	Nut, 1/2-20 Hex Left Hand Thread	
23	3009378	1	Tie Rod	
24	471227	1	45° Grease Fitting	
25	460050	2	Cotter Pin, 3/16 x 1-1/4"	
26	445710	2	Nut, 1-14 Slotted Hex	
27	2812269	1	Spindle, Right	
28	2812270	1	Spindle, Left	
29	5002910	2	Wheel Hub	
30	554329	2	• Seal, Grease	
31	500596	2	• Bearing, Cup and Cone	
32	545692	2	• Dust Cap	
33	354807	8	• Wheel Nut	

> Change from previous revision

11.1 4WD Steering

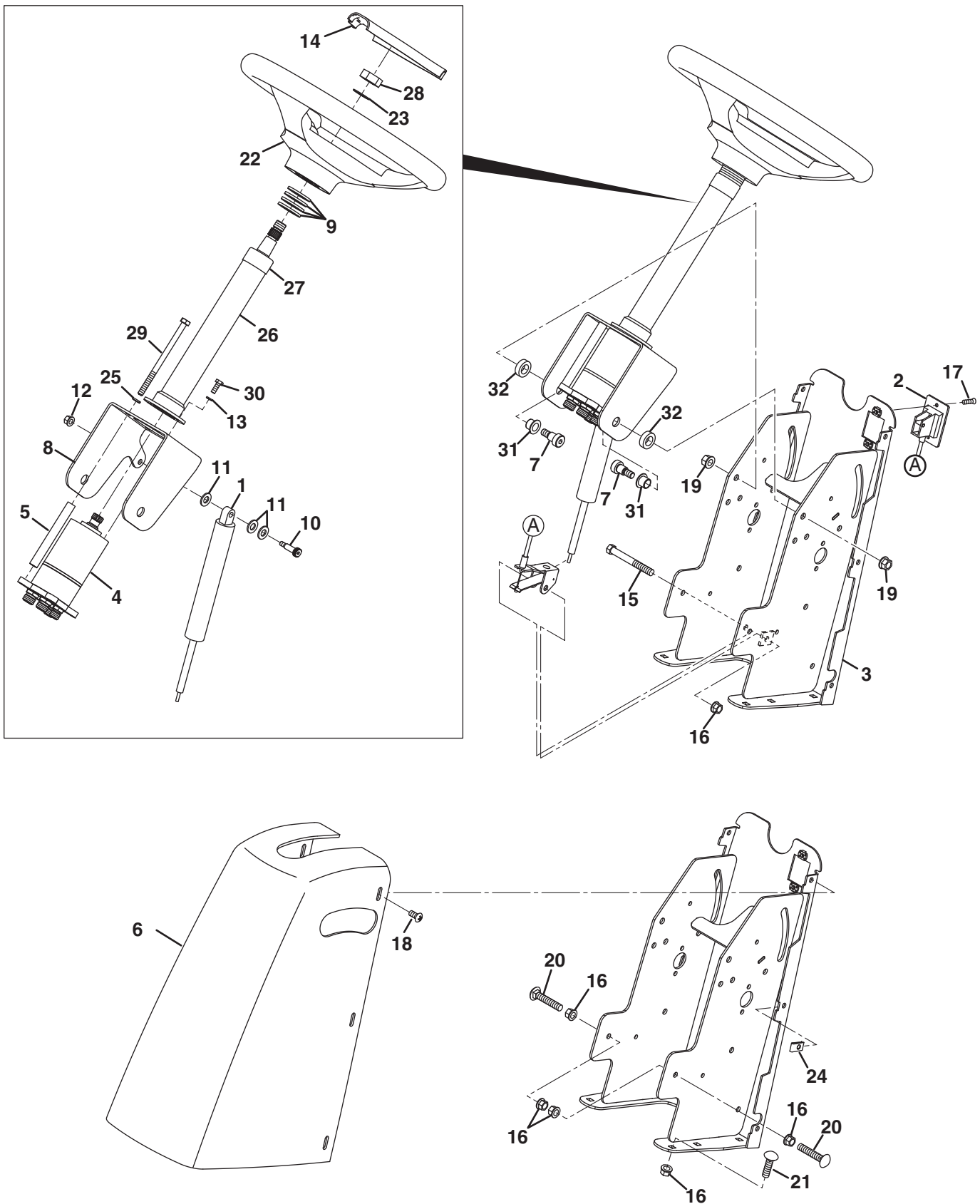
4WD Units Only



Item	Part No.	Qty.	Description	Serial Numbers/Notes
1	4236061	2	Tire, 20 x 10-8 Treaded 4-Ply	
2	4236021	2	Rim, 8 x 7"	
3	360111	2	Inflation Valve	
4	361648	6	Washer, Thrust	
5	361647	2	Bearing, Thrust	
6	471214	2	Fitting, Grease	
7	461393	2	Pin, Spring 1/4 x 2"	
8	4210701	1	Steering Axle	
9	3010489	4	• Bushing	
10	4271774	1	Cylinder, Steering	
	4276851	1	• Seal Kit	
11	443840	2	Nut, 1-12 Hex Jam	
12	452022	1	Flat Washer, 1	
13	366789	1	Spacer, Axle	
14	460064	1	Cotter Pin, 1/4 x 1-1/2"	
15	460026	2	Cotter Pin, 1/8 x 3/4"	
16	4141925	2	Ball Joint	
	400194	2	• Screw, 5/16-18 x 1-3/4"	
	444718	2	• Locknut, 5/16-18 Hex	
	471214	2	• Grease Fitting	
17	445672	2	• Nut, 5/8-18 Slotted Hex	
18	4121829	1	Ball Joint, Right Hand Thread	
19	4121828	1	Ball Joint, Left Hand Thread	
	4121986	1	• Dust Cover	
20	4124204	2	Nut, 9/16-18 Slotted Hex	
21	322847	2	Clamp	
22	400192	2	Screw, 5/16-18 x 1-1/2"	
23	4118210	1	Tie Rod	
24	460032	2	Cotter Pin, 1/8 x 1-1/2"	
25	2000012	2	Hub, Wheel	
26	353914	8	Wheel Bolt	
27	367350	2	Washer, Thrust	
28	4252432	1	Arm, Left Steering	
29	4252433	1	Arm, Right Steering	
30	446154	14	Lockwasher, 1/2 Heavy	
31	400406	6	Screw, 1/2-13 x 1-1/4" Hex Head	
32	2000057	2	Motor Mount	
33	4182425	2	Wheel Motor, 2000 Series	See 39.1
34	554780	2	• Key	
35	554779	2	• Nut	
36	400410	8	Screw, 1/2-13 x 1-3/4" Hex Head	
37	361451	2	Washer, Thrust	
38	471227	1	45° Grease Fitting	
39	446136	2	Lockwasher, 5/16 Heavy	
40	443106	2	Nut, 5/16-18 Hex	
41	460028	2	Cotter Pin, 1/8 x 1"	

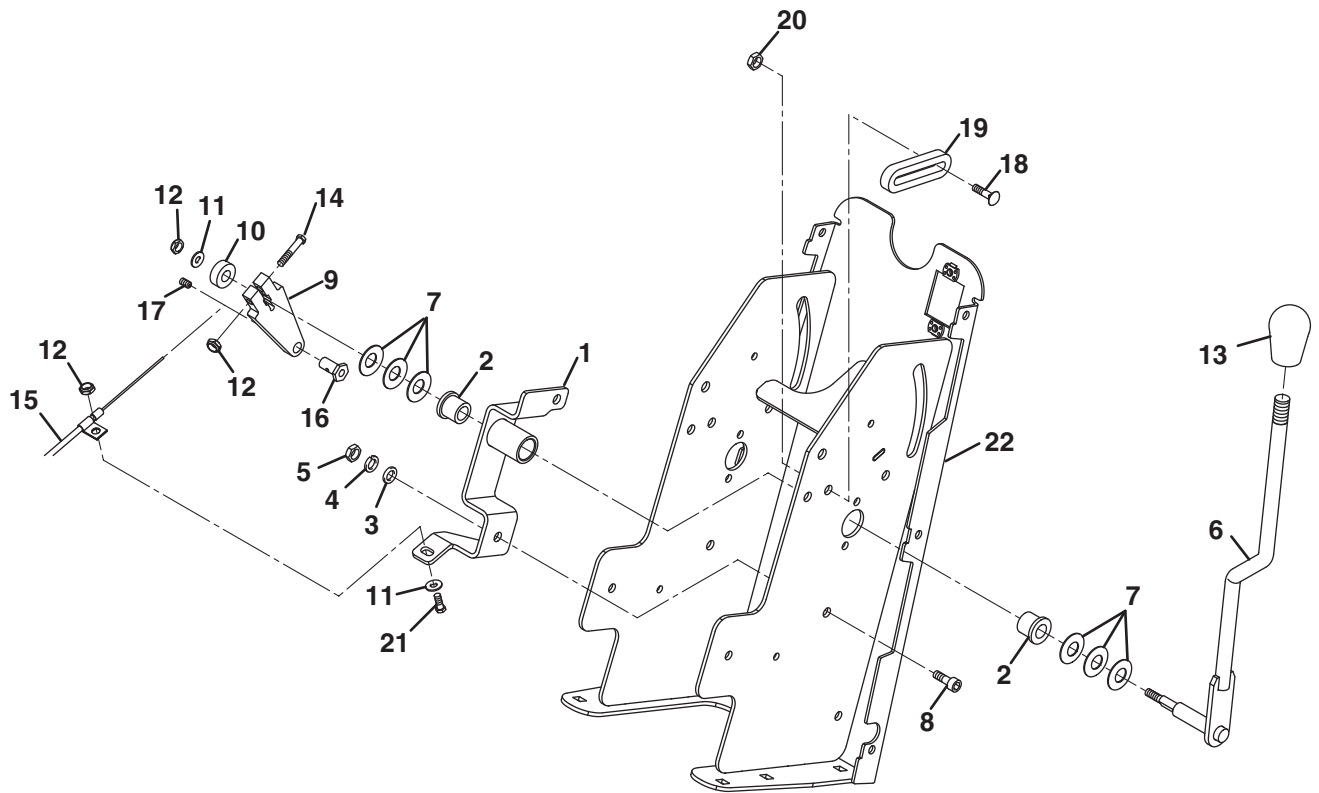
> Change from previous revision

12.1 Tilt Steering



Item	Part No.	Qty.	Description	Serial Numbers/Notes
1	5002918	1	Actuator, Gas Spring	
2	5002919	1	Cable, Actuator	
3	4253491	1	Tower, Steering	
4	4212981	1	Valve, Steering	
	4197940	1	• Seal Kit	
	339908	2	• O-Ring, -4 ORFS	
	339909	3	• O-Ring, -6 ORFS	
5	4211400	4	Spacer, Steering Valve	
6	4217620	1	Cover, Steering Tower	
7	365033	2	Bolt, Shoulder	
8	4256510	1	Bracket, Steering Pump	
9	2811547	4	Washer	
10	4256511	1	Bolt, M6-1 Shoulder	
11	450390	3	Flat Washer, M8	
12	452418	1	Nut, M6-1 Flange	
13	450410	4	Lockwasher, M6	
14	447224	1	Lockwasher, 5/8 Internal	
15	400216	1	Screw, 5/16-18 x 2-3/4" Hex Head	
16	445795	9	Nut, 5/16-18 Spirallock Flange	
17	416911	2	Screw, #10-24 x 1/2" Thread Cutting	
18	404016	6	Screw, 1/4-20 x 5/8" Truss Head	
19	548804	2	Nut, 3/8-16 Hex Flange	
20	441677	2	Carriage Bolt, 5/16-18 x 1-1/2"	
21	441614	4	Carriage Bolt, 5/16-18 x 1"	
22	2811364	1	Steering Wheel	
23	2811365	1	• Cap, Steering Wheel	
24	445245	6	Tinnerman Nut	
25	450411	4	Lockwasher, M8	
26	4212980	1	Shaft, Steering	
27	4201840	1	• Shaft Seal	
28	443828	1	• Nut, 5/8-18 Hex	
29	64205-054	4	Screw, M8-1.25 x 130 mm Hex Head	
30	450168	4	Screw, M6-1 x 12 mm Hex Head	
31	4255270	2	Flanged Bearing	
32	4247312	2	Spacer	

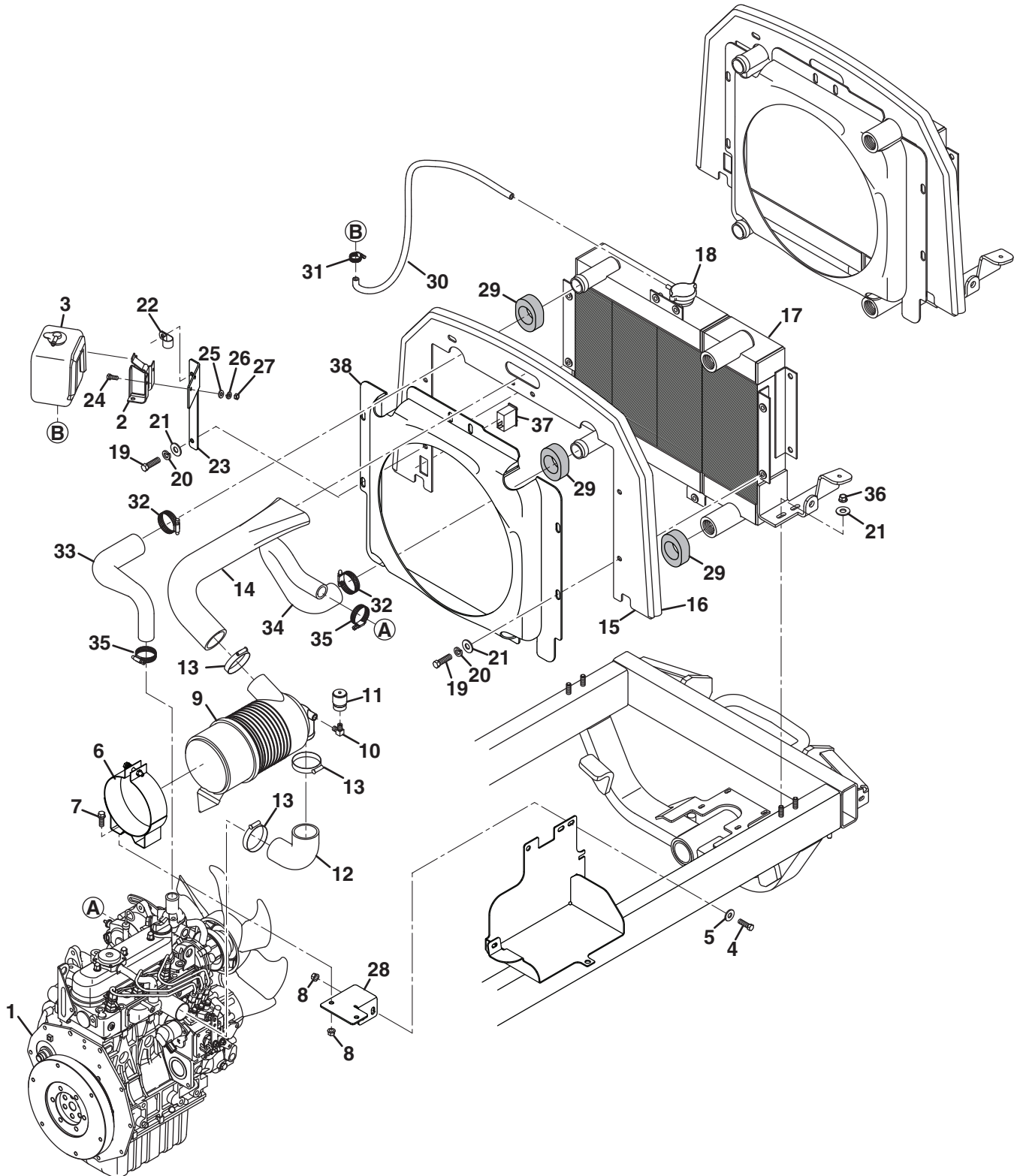
> Change from previous revision



Item	Part No.	Qty.	Description	Serial Numbers/Notes
1	4215661	1	Bracket, Throttle Support	
2	2810116	2	• Bushing, Flange	
3	453009	2	Flat Washer, 5/16	
4	446136	2	Lockwasher, 5/16 Heavy	
5	443106	2	Nut, 5/16-18 Hex	
6	4217280	1	Handle, Throttle	
7	64209-01	6	Conical Spring Washer	
8	434003	2	Screw, 5/16-18 x 1" Socket Head	
9	4212340	1	Arm, Throttle	
10	352435	1	Spacer	
11	452004	2	Flat Washer, 1/4	
12	445770	3	Nut, 1/4-20 Nylon Insert Hex	
13	4127340	1	Knob	
14	400116	1	Screw, 1/4-20 x 1-3/4" Hex Head	
15	4233120	1	Cable, Throttle	See 15.1 for engine end of cable
16	4239882	1	Pin, Brake Band	
17	400102	1	Set Screw, 1/4-20 x 3/8"	
18	441602	2	Carriage Bolt, 5/16-18 x 3/4"	
19	4217282	1	Stop, Throttle	
20	444718	2	Locknut, 5/16-18 Center	
21	400108	1	Screw, 1/4-20 x 3/4" Hex Head	
22	REF	1	Tower, Steering	See 11.1 or 12.1

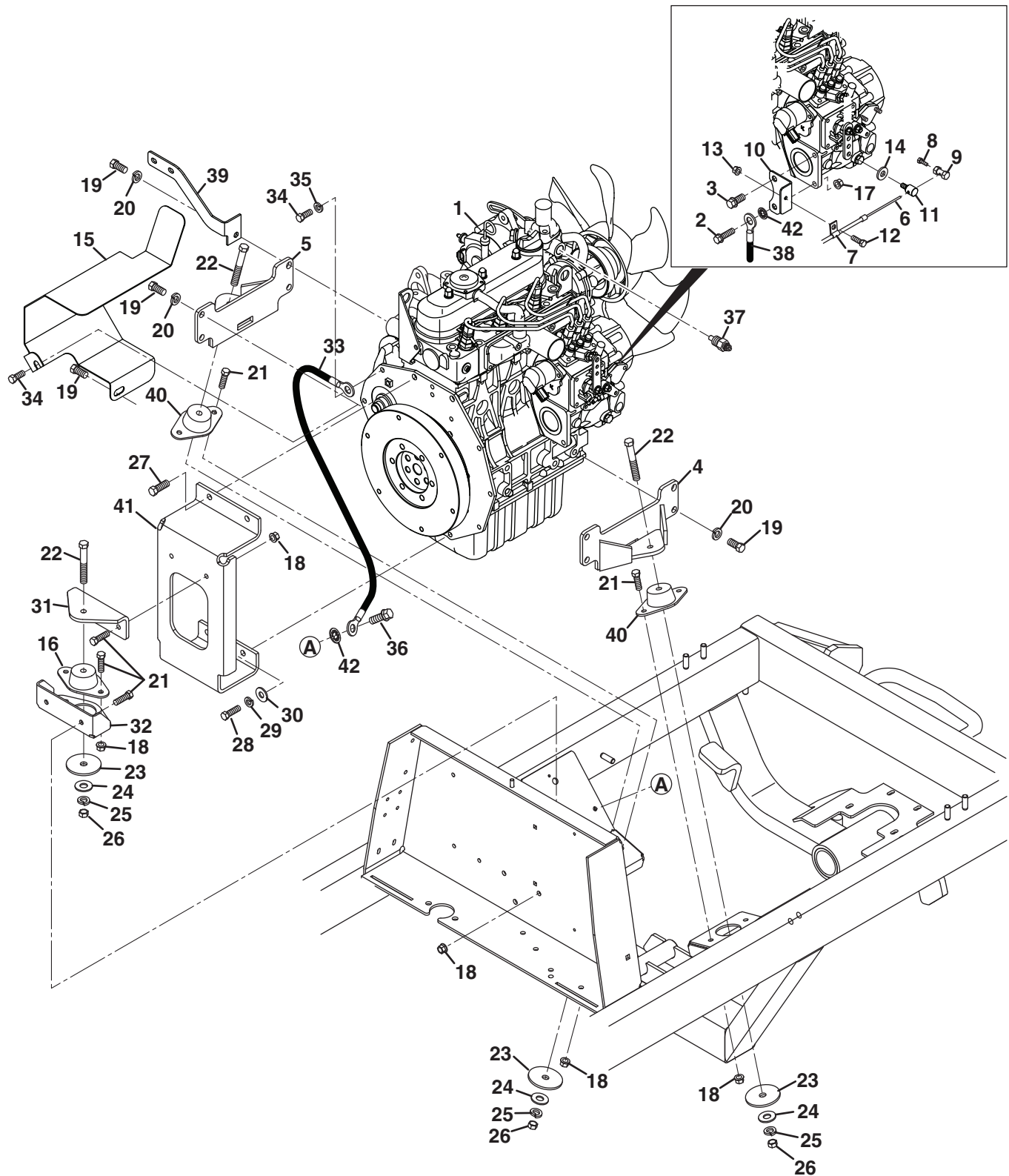
> Change from previous revision

14.1 Radiator and Air Cleaner

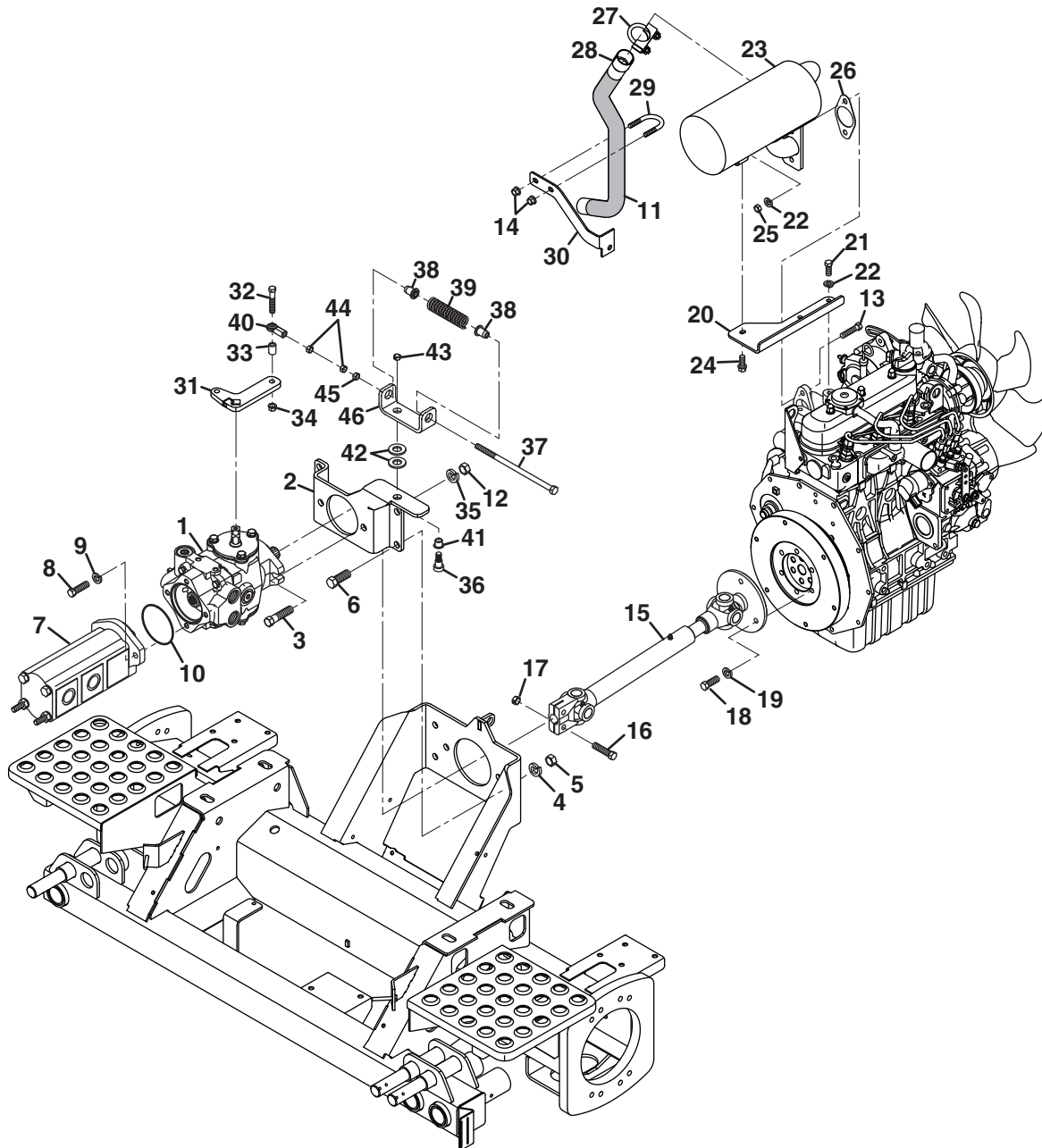


Item	Part No.	Qty.	Description	Serial Numbers/Notes
1	4304555	1	Engine, Kubota D1105-E4B	
2	557374	1	• Stay, Reserve Tank	
3	557367	1	• Tank, Reserve	
4	400188	2	Screw, 5/16-18 x 1" Hex Head	
5	452006	2	Flat Washer, 5/16	
6	3001388	1	Bracket, Air Cleaner	
7	403751	2	Screw, 5/16-18 x 3/4" Hex Flange	
8	445781	4	Nut, 5/16-18 Whizlock Flange	
9	3001965	1	Air Filter	
	5000919	1	• Air Cleaner Element	
	5000920	1	• Cover	
	5000921	1	• Valve	
10	3002195	1	Elbow, 1/8 NPT 90°	
11	365398	1	Indicator, Air Cleaner Service	
12	3006097	1	Hose, Engine Air Intake	
13	359615	3	Clamp, Hose	
14	4267770	1	Hose, Air Cleaner Intake	
15	4285512	1	Shroud, Radiator	Includes Backlap Switch Decal
16	4266292	AR	• Seal, Trim	10 Foot Roll, Cut to length
17	4270850	1	Radiator/Hydraulic Oil Cooler	
18	550863	1	• Radiator Cap	
19	400264	8	Screw, 3/8-16 x 1-1/4" Hex Head	
20	446140	8	Lockwasher, 3/8	
21	452008	10	Flat Washer, 3/8	
22	345671	1	Clamp, 3/4" I.D.	
23	4279811	1	Bracket, Reserve Tank	
24	362535	2	Screw, M6-1 x 16 mm Hex Head	
25	450399	2	Flat Washer, M6	
26	450410	2	Lockwasher, M6	
27	450323	2	Nut, M6-1 Hex	
28	4285052	1	Bracket, Air Filter Mounting	
29	3002862	1	Ring, Foam	
30	554748	AR	Hose, Radiator Overflow	10 Foot Roll, Cut to length
31	48540-01	1	Clamp, Hose	
32	326112	2	Clamp, Hose	
33	4272890	1	Hose, Upper Radiator	
34	4268041	1	Hose, Lower Radiator	
35	367458	2	Clamp, Hose	
36	445796	4	Nut, 3/8-16 Spirallock Flange	
37	3006434	1	Switch, Backlap	REFERENCE SW-4, See 44.1
38	4279291	1	Shroud, Fan	
39				

15.1 Engine Assembly and Mounting



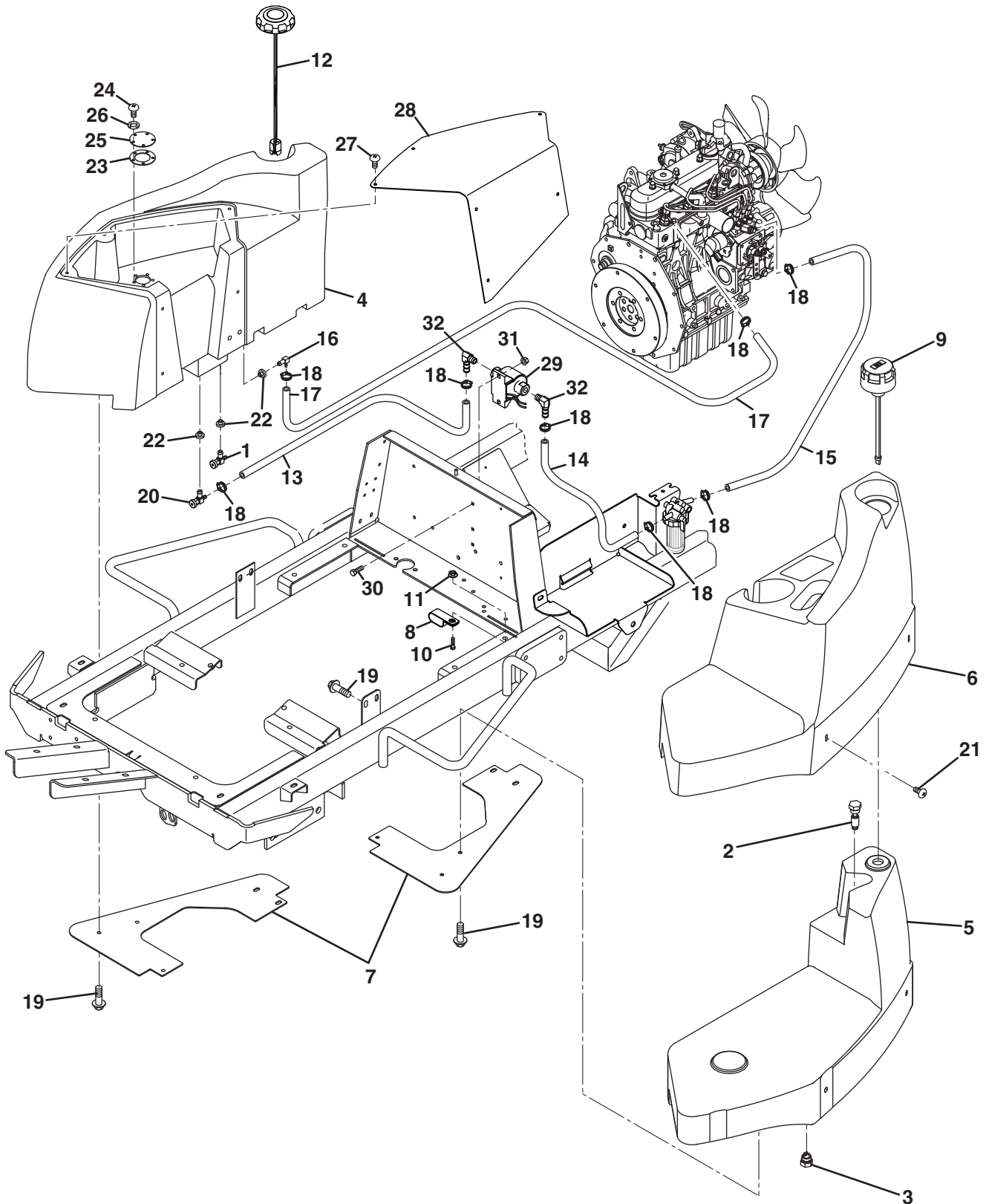
16.1 Engine Exhaust and Pump



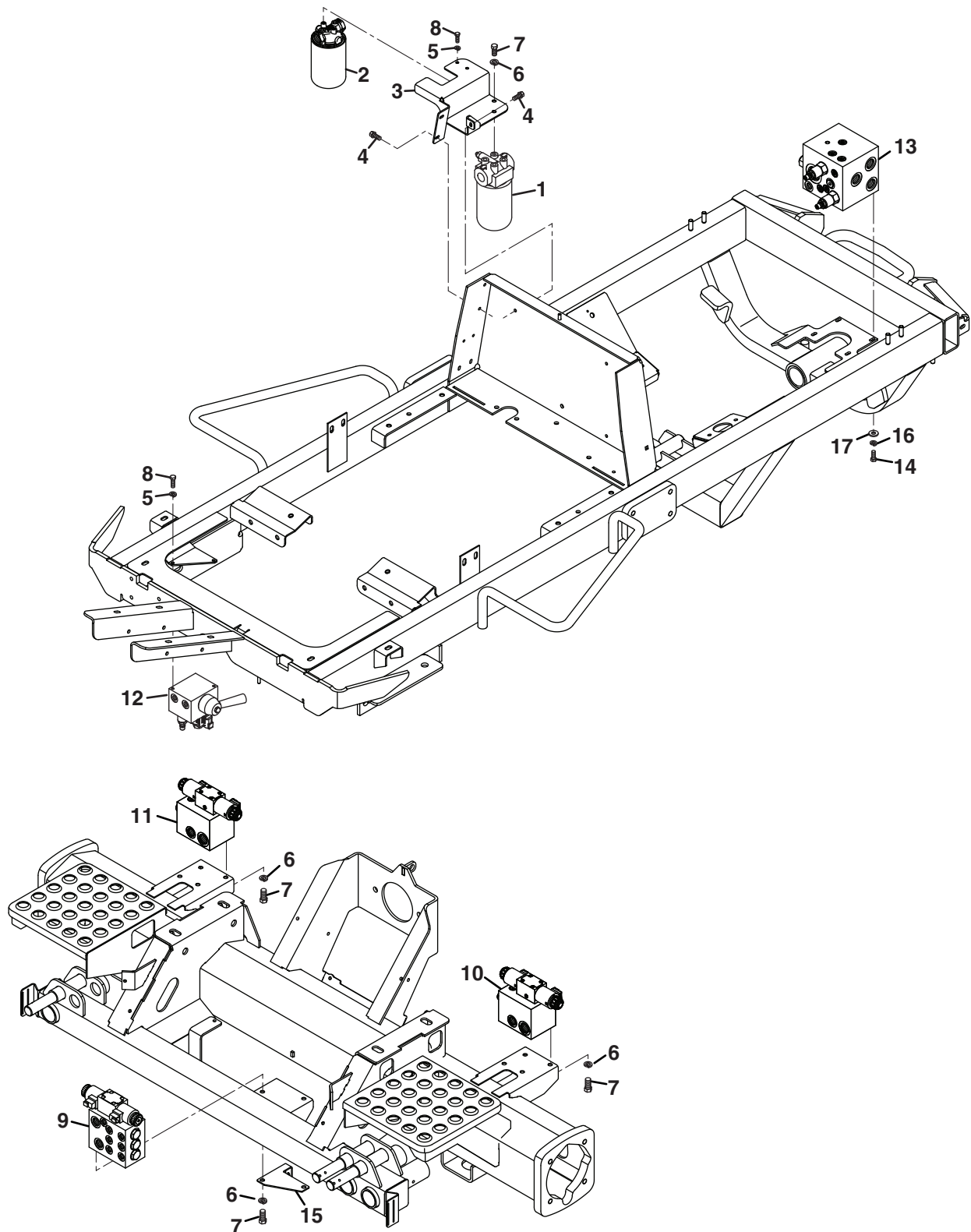
Item	Part No.	Qty.	Description	Serial Numbers/Notes
1	4268015	1	Pump, Traction	
2	4268016	1	Adapter, Pump	
3	400340	2	Screw, 7/16-14 x 1-3/4" Hex Head	
4	446154	4	Lockwasher, 1/2 Heavy	
5	443118	4	Nut, 1/2-13 Hex	
6	400406	4	Screw, 1/2-13 x 1-1/4" Hex Head	
7	1002154	1	Pump, 3 Section Gear	
	5003036	1	• Seal Kit	
8	400264	2	Screw, 3/8-16 x 1-1/4"	
9	446142	2	Lockwasher, 1/2	
10	362743	1	O-Ring	
11	3007889	1	Sleeve, Insulating	
12	443114	2	Nut, 7/16-14 Hex	
13	400192	2	Screw, 5/16-18 x 1-1/2" Hex Head	
14	445781	2	Nut, 5/16-18 Whizlock Flange	
15	4267775	1	Drive Shaft	
	554663	2	• Cross and Bearing Kit	
16	400266	2	Screw, 3/8-16 x 1-1/2" Hex Head	
17	444762	2	Locknut, 3/8-16 Hex Center	
18	362263	3	Screw, M10-1.25 x 25 mm Hex Head	
19	363485	3	Lockwasher, M10	
20	3008120	1	Bracket, Support	
21	363586	2	Screw, M8-1.25 x 20 mm Hex Head	
22	446136	4	Lockwasher, 5/16 Heavy	
23	3005936	1	Muffler	
24	403770	1	Screw, 5/16-18 x 3/4" Hex Flange	
25	443106	2	Nut, 5/16-18 Hex	
26	553020	1	Gasket, Exhaust	
27	348856	1	Clamp, 1-1/4" Exhaust	
28	4269056	1	Exhaust Tailpipe	
29	3008385	1	U-Bolt, 5/16-18 x 1" Thread	
30	3008386	1	Bracket, Exhaust	See 15.1 for bracket mounting
31	4268027	1	Lever, Hydro Pump	See 6.1
32	400270	1	Screw, 3/8-16 x 2" Hex Head	
33	367512	1	Spacer	
34	445796	1	Nut, 3/8-16 Spirallock Flange	
35	446148	2	Lockwasher, 7/16 Heavy	
36	365033	1	Bolt, Shoulder	
37	4121563	1	Rod, Neutral Return	
38	2809856	2	Guide, Spring	
39	2809634	1	Spring, Compression	
40	366974	1	Rod End	
41	4255270	1	Flange Bearing, 1/2"	
42	453020	2	Flat Washer, 5/8"	
43	445799	1	Locknut, 3/8-16 Hex Center	
44	443812	2	Nut, 3/8-24 Hex Jam	
45	443112	1	Nut, 3/8-24 Hex	
46	4279091	1	Bracket, Neutral Return	

> Change from previous revision

17.1 Fuel and Hydraulic Tanks



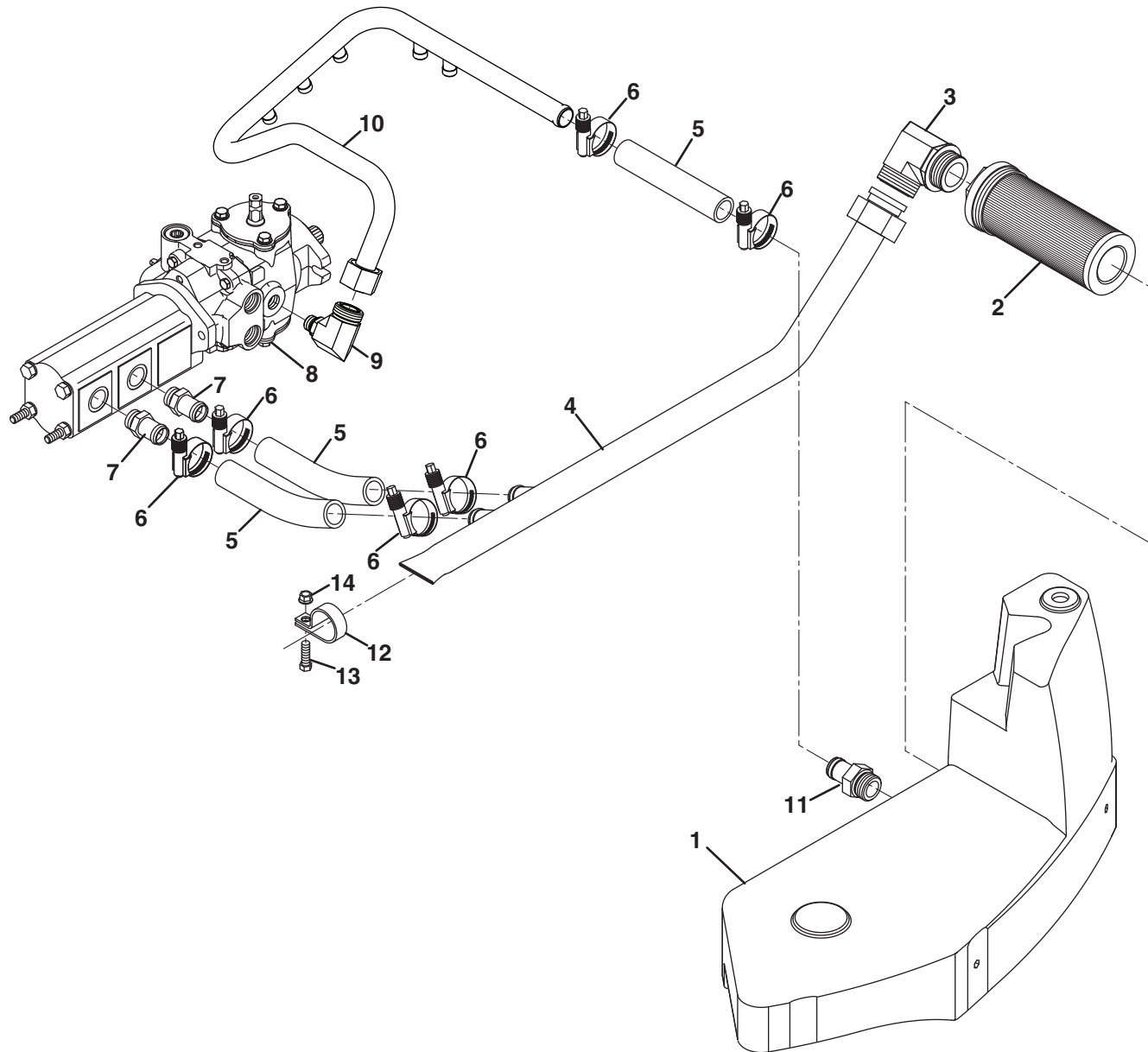
18.1 Hydraulic Components



Item	Part No.	Qty.	Description	Serial Numbers/Notes
1	123015	1	Charge Filter	See 24.1 and 27.1
	556417	1	• Head	
	2811255	1	• Oil Filter Cartridge	
	556419	1	• Charge Pressure Switch	REFERENCE SW-1, See 44.1
2	4274293	1	Return Filter	See 23.1
	885249	1	• Oil Filter Cartridge	
3	4269856	1	Bracket, Filter	
4	409811	4	Screw, 5/16-18 x 5/8" Thread Cutting	
5	446130	4	Lockwasher, 1/4 Heavy	
6	446142	8	Lockwasher, 3/8 Heavy	
7	400258	8	Screw, 3/8-16 x 3/4" Hex Head	
8	400108	4	Screw, 1/4-20 x 3/4" Hex Head	
9	4195081	1	Lift Valve	See 40.1, 26.1, and 27.1
10	4195040	1	Reel Valve, Front	See 37.1 and 26.1
11	4195040	1	Reel Valve, Rear	See 37.1 and 27.1
12	4286672	1	Valve, Brake	See 24.1
13	4209880	1	Valve, 4WD	See 23.1
14	400106	4	Screw, 1/4-20 x 5/8" Hex Head	
15	4244403	1	Bracket, Clamp	
16	446128	4	Lockwasher, 1/4	
17	453023	4	Flat Washer, 1/4	

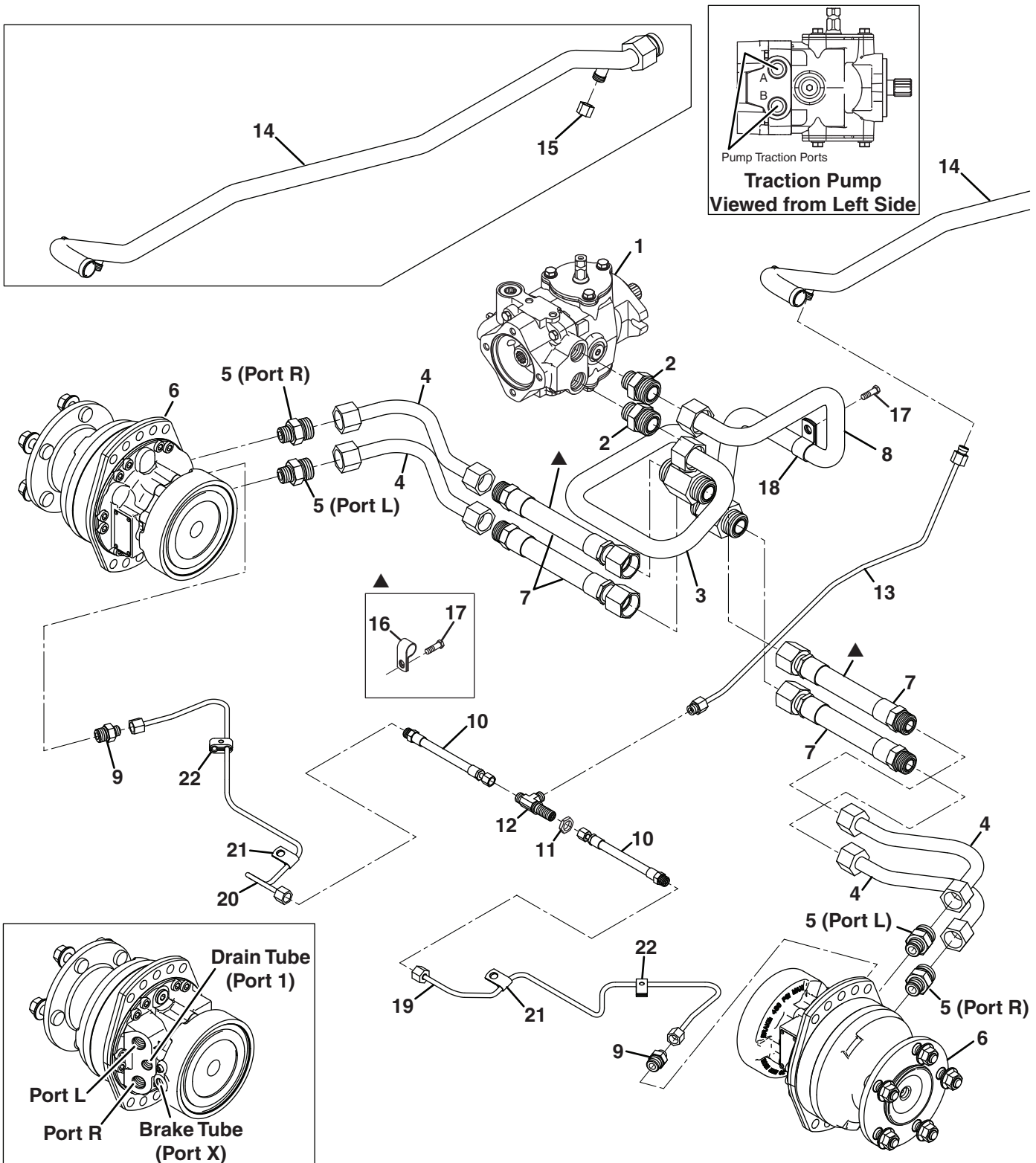
> Change from previous revision

19.1 Pump Hydraulics



Item	Part No.	Qty.	Description	Serial Numbers/Notes	
1	3005871	1	Tank, Hydraulic	See 17.1	
2	365959	1	Strainer, Tank		
	2812075	1	• O-Ring		
3	340090	1	Fitting, 24-24 90°		
	339915	1	• O-Ring, -24 ORFS		
	339903	1	• O-Ring, -24 ORB		
4	1003992	1	Tube, Gear Pump Suction		
5	4148857	3	Hose, Tank		
6	3008673	6	Clamp, Constant Torque Hose		
7	3001296	2	Fitting, -12 ORB x 1" barbed		
	339900	1	• O-Ring, -12 ORB		
8	REF	1	Pump Assembly		See 16.1
9	340091	1	Fitting, 16-8 90°		
	339913	1	• O-Ring, -16 ORFS		
	339898	1	• O-Ring, -8 ORB	See 24.1 and 25.1 for connecting tubes	
10	4268022	1	Tube, Return Manifold		
	339908	5	• O-Ring, -4 ORFS		
11	361689	1	Fitting, -16 ORB x 1" barbed	Secure tube to frame.	
	339901	1	• O-Ring, -16 ORB		
12	364190	1	Clamp, 1-1/2" Diameter		
13	400188	1	Screw, 5/16-18 x 1" Hex Head		
14	445795	1	Nut, 5/16-18 Spiralock Flange		

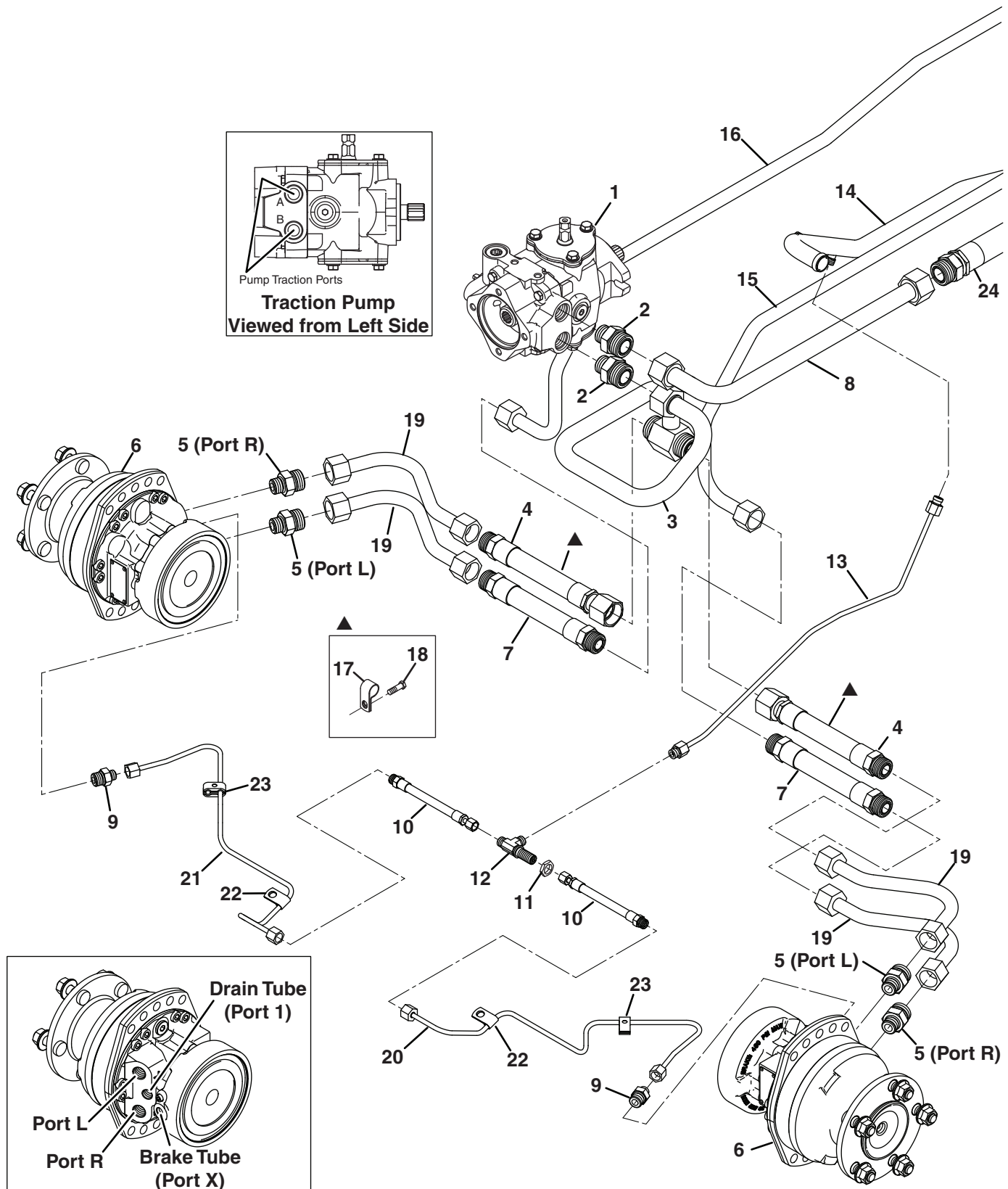
> Change from previous revision



Item	Part No.	Qty.	Description	Serial Numbers/Notes	
1	4268015	1	Pump, Traction	See 16.1	
2	339998	2	Fitting, 16-16 Straight		
	339913	1	• O-Ring, -16 ORFS		
	339900	1	• O-Ring, -12 ORB		
3	4268021	1	Tube, Forward Traction		Traction Pump Port B
	339913	2	• O-Ring, -16 ORFS		
4	4251531	4	Tube, Front Motor		
5	339993	4	Fitting, 12-10 Straight		
	339912	1	• O-Ring, -12 ORFS		
	339899	1	• O-Ring, -10 ORB		
6	4228801	2	Motor, Front Traction		See 7.1
7	4251541	2	Hose, Upper Traction Motor Port		
	339912	1	• O-Ring, -12 ORFS		
8	4251559	1	Tube, Reverse Traction		Traction Pump Port A
	339913	2	• O-Ring, -16 ORFS		
9	339980	2	Fitting, 6-8 Straight		
	339909	1	• O-Ring, -6 ORFS		
	339898	1	• O-Ring, -8 ORB		
10	4279179	2	Hose, Front Traction Motor Drain		
	339908	1	• O-Ring, -4 ORFS		
11	339961	1	Nut, 11/16-16 Bulkhead Fitting		
12	340215	1	Tee, 6-6-6 Bulkhead Run		
	339909	3	• O-Ring, -6 ORFS		
13	4279178	1	Tube, Front Motor Drain		
14	4279188	1	Tube, Oil Cooler Return	See 23.1	
	339908	2	• O-Ring, -4 ORFS		
	339909	1	• O-Ring, -6 ORFS		
15	339921	1	Cap, -6 ORFS		
16	365566	2	Hose Clamp, 1-1/4"	Upper traction hoses to axle	
17	409811	3	Screw, 5/16-18 x 5/8" Thread Cutting		
18	354080	1	Hose Clamp, 1"		
19	4279176	1	Tube, Left Front Motor Drain		
20	4279177	1	Tube, Right Front Motor Drain		
21	367028	2	Clamp, Tube		
22	364221	3	Clamp, Double Tube		
23	4251543	2	Hose, Lower Traction Motor Port		

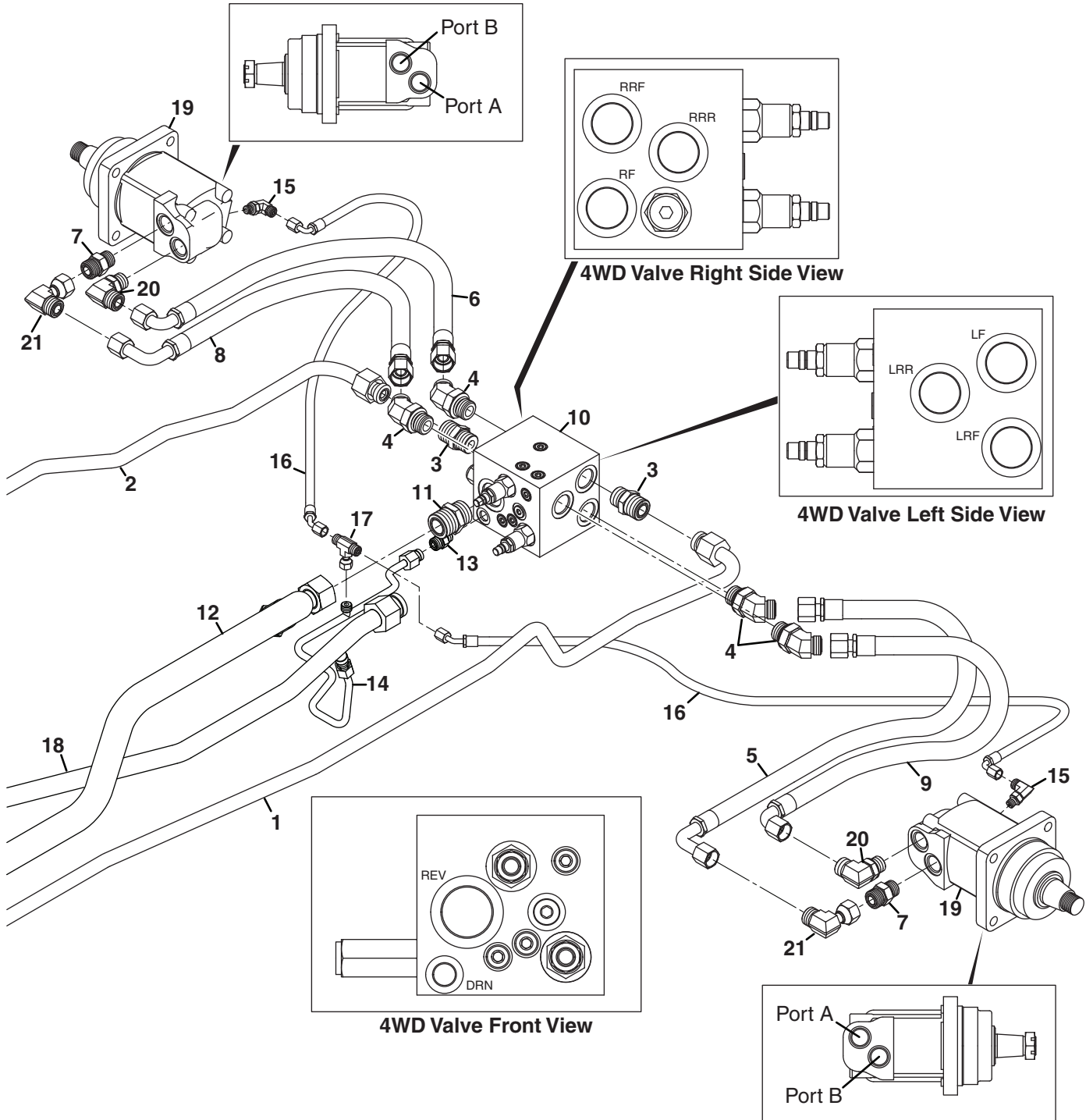
> Change from previous revision

20.1 Front 4WD Traction Hydraulics



Item	Part No.	Qty.	Description	Serial Numbers/Notes	
1	4268015	1	Pump, Traction	See 16.1	
2	339998	2	Fitting, 16-12 Straight		
	339913	1	• O-Ring, -16 ORFS		
	339900	1	• O-Ring, -12 ORB		
3	4268021	1	Tube, Forward Traction		Traction Pump Port B
	339913	2	• O-Ring, -16 ORFS		
4	4251543	2	Hose, Upper Traction Motor Port		
	339912	1	• O-Ring, -12 ORFS		
5	339993	4	Fitting, 12-10 Straight		
	339912	1	• O-Ring, -12 ORFS		
	339899	1	• O-Ring, -10 ORB		
6	4228801	2	Motor, Front Traction		See 7.1
7	4251541	2	Hose, Lower Traction Motor Port		
	339912	2	• O-Ring, -12 ORFS		
8	4268043	1	Tube, 4WD Reverse Traction		Traction Pump Port A
9	339980	2	Fitting, 6-8 Straight		
	339909	1	• O-Ring, -6 ORFS		
	339898	1	• O-Ring, -8 ORB		
10	4279179	2	Hose, Front Traction Motor Drain		
	339909	1	• O-Ring, -6 ORFS		
11	339961	1	Nut, 11/16-16 Bulkhead Fitting		
12	340215	1	Tee, 6-6-6 Bulkhead Run		
	339909	3	• O-Ring, -6 ORFS		
13	4279178	1	Tube, Front Motor Drain		
14	4279188	1	Tube, Oil Cooler Return	See 23.1	
	339908	2	• O-Ring, -4 ORFS		
	339909	1	• O-Ring, -6 ORFS		
15	4251624	1	Tube, Left 4WD Forward Traction		
16	4251621	1	Tube, Right 4WD Forward Traction		
17	365566	2	Hose Clamp	Upper traction hoses to axle	
18	409811	2	Screw, 5/16-18 x 5/8" Thread Cutting		
19	4251531	4	Tube, Front Motor		
20	4279176	1	Tube, Left Front Motor Drain		
21	4279177	1	Tube, Right Front Motor Drain		
22	367028	2	Clamp, Tube		
23	364221	2	Clamp, Double Tube		
24	4268066	1	Hose, 4WD Reverse Traction		
	339913	1	• O-Ring, -16 ORFS		

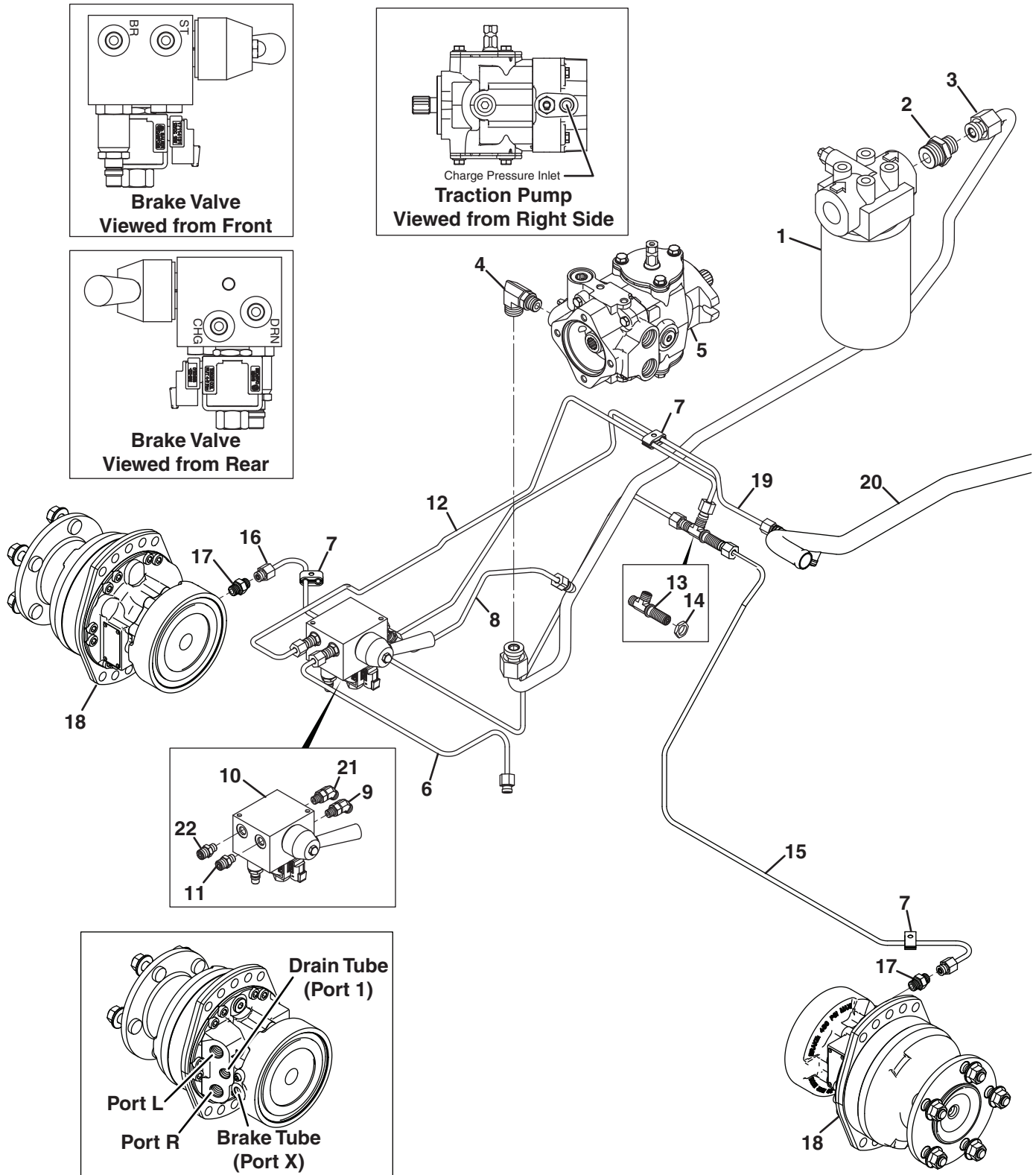
> Change from previous revision



Item	Part No.	Qty.	Description	Serial Numbers/Notes	
1	4251624	1	Tube, Left 4WD Forward Traction	4WD Valve Port LF, See 20.1	
2	4251621	1	Tube, Right 4WD Forward Traction	4WD Valve Port RF, See 20.1	
3	339994	2	Fitting, 12-12 Straight		
	339912	1	• O-Ring, -12 ORFS		
	339900	1	• O-Ring, -12 ORB		
4	340034	4	Fitting, 10-12 45°		
	339911	1	• O-Ring, -10 ORFS		
	339900	1	• O-Ring, -12 ORB		
●	5	4137607	1	Hose, 4WD Valve to Left Rear Motor	4WD Valve Port LRF Left Motor Port B
■	6	4137608	1	Hose, 4WD Valve to Right Rear Motor	4WD Valve Port RRF Right Motor Port A
	7	339989	2	Fitting, 10-10 Straight	
	339911	1	• O-Ring, -10 ORFS		
	339899	1	• O-Ring, -10 ORB		
■	8	4137607	1	Hose, Right Rear Motor to 4WD Valve	4WD Valve Port RRR Right Motor Port B
●	9	4137608	1	Hose, Left Rear Motor to 4WD Valve	4WD Valve Port LRR Left Motor Port A
	10	4209880	1	Valve, 4WD	See 18.1
	11	339999	1	Fitting, 16-16 Straight	
	339913	1	• O-Ring, -16 ORFS		
	339901	1	• O-Ring, -16 ORB		
	12	4268066	1	Tube, 4WD Reverse Traction	4WD Valve Port REV, See 20.1
	13	339979	1	Fitting, 6-6 Straight	
	339909	1	• O-Ring, -6 ORFS		
	339897	1	• O-Ring, -6 ORB		
	14	4268061	1	Tube, 4WD Valve Drain	4WD Valve Port DRN
	15	340055	1	Fitting, 4-4 90°	
	339908	1	• O-Ring, -4 ORFS		
	339896	1	• O-Ring, -4 ORB		
●■	16	4227040	2	Hose, Rear Motor Case Drain	
	17	340142	1	Tee, 4-4-4 Swivel Branch	
	339908	2	• O-Ring, -4 ORFS		
	18	4279188	1	Tube, Oil Cooler Return	See 23.1
	339908	2	• O-Ring, -4 ORFS		
	339909	1	• O-Ring, -6 ORFS		
	19	4182425	2	Motor, Rear Traction	See 11.1
	20	340070	2	Fitting, 10-10 90°	
	339911	1	• O-Ring, -10 ORFS		
	339899	1	• O-Ring, -10 ORB		
	21	340377	2	Fitting, -10 Swivel	
	339911	1	• O-Ring, -10 ORFS		
■	Included in right side hose bundle 4244543				
●	Included in left side hose bundle 4244543				

> Change from previous revision

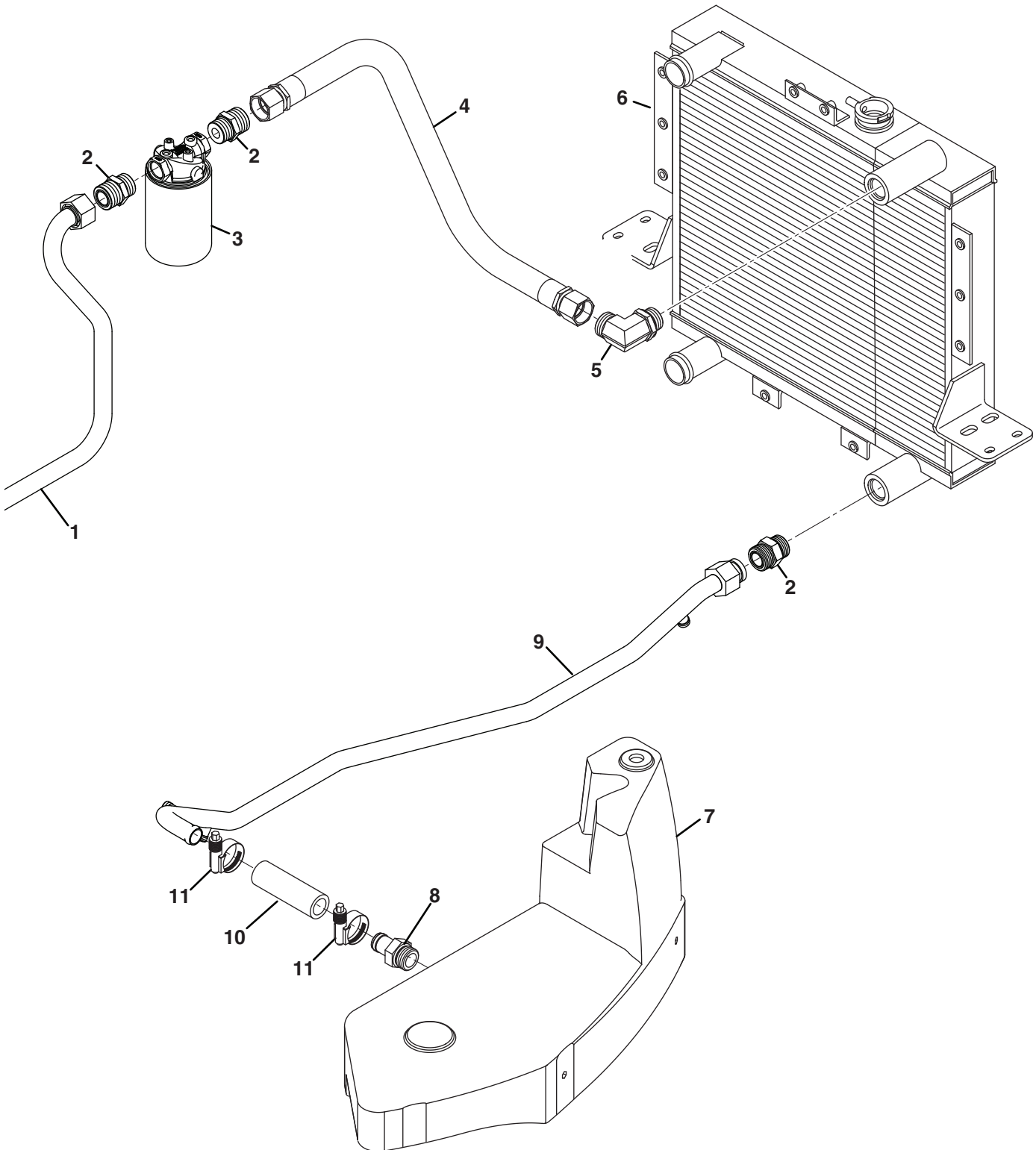
22.1 Charge and Brake Hydraulics



Item	Part No.	Qty.	Description	Serial Numbers/Notes
1	123015	1	Charge Filter	See 18.1
	556417	1	• Filter Head	
	2811255	1	• Filter Element Cartridge	
	556419	1	• 25 PSI Charge Pressure Switch	
2	340011	1	Fitting, 10-16 Straight	
	339911	1	• O-Ring, -10 ORFS	
	339901	1	• O-Ring, -16 ORB	
3	4268023	1	Tube, Charge Filter to Traction Pump	
	339908	1	• O-Ring, -4 ORFS	
4	340069	1	Fitting, 10-8 ORB 90°	
	339911	1	• O-Ring, -10 ORFS	
	339899	1	• O-Ring, -10 ORB	
5	4268015	1	Pump, Traction	See 17.2
6	4215080	1	Tube, Steering Tube to Brake Valve	Brake Valve Port ST, See 28.1
7	364221	3	Clamp, Double Tube	
8	4279187	1	Tube, Charge Tube to Brake Valve	Brake Valve Port CRG
9	340022	1	Fitting, -4 ORFS x -4 ORB 45°	
	339908	1	• O-Ring, -4 ORFS	
	339896	1	• O-Ring, -4 ORB	
10	4286672	1	Valve, Brake	See 18.1
11	339972	1	Fitting, -4 ORFS -4 ORB Straight	
	339908	1	• O-Ring, -4 ORFS	
	339896	1	• O-Ring, -4 ORB	
12	4279172	1	Tube, Brake Valve to Tee	Brake Valve Port BR
13	340215	1	Tee, 6-6-6 Bulkhead Run	
	339909	3	• O-Ring, -6 ORFS	
14	339961	1	Nut, 11/16-16 Bulkhead Fitting	
15	4279174	1	Tube, Left Motor Brake Release	Motor Port X
16	4279175	1	Tube, Right Motor Brake Release	Motor Port X
17	339979	2	Fitting, 6-6 Straight	
	339909	1	• O-Ring, -6 ORFS	
	339897	1	• O-Ring, -6 ORB	
18	4228801	2	Motor, Front Traction	See 8.1
19	4279173	1	Tube, Brake Valve to Oil Cooler Tube	Brake Valve Port DRN
20	4279188	1	Tube, Oil Cooler Return	See 23.1
	339908	2	• O-Ring, -4 ORFS	
	339909	1	• O-Ring, -6 ORFS	
21	340025	1	Fitting, -6 ORFS x -4 ORB 45°	
	339909	1	• O-Ring, -6 ORFS	
	339896	1	• O-Ring, -4 ORB	
22	339977	1	Fitting, -6 ORFS x -4 ORB Straight	
	339909	1	• O-Ring, -6 ORFS	
	339896	1	• O-Ring, -4 ORB	

> Change from previous revision

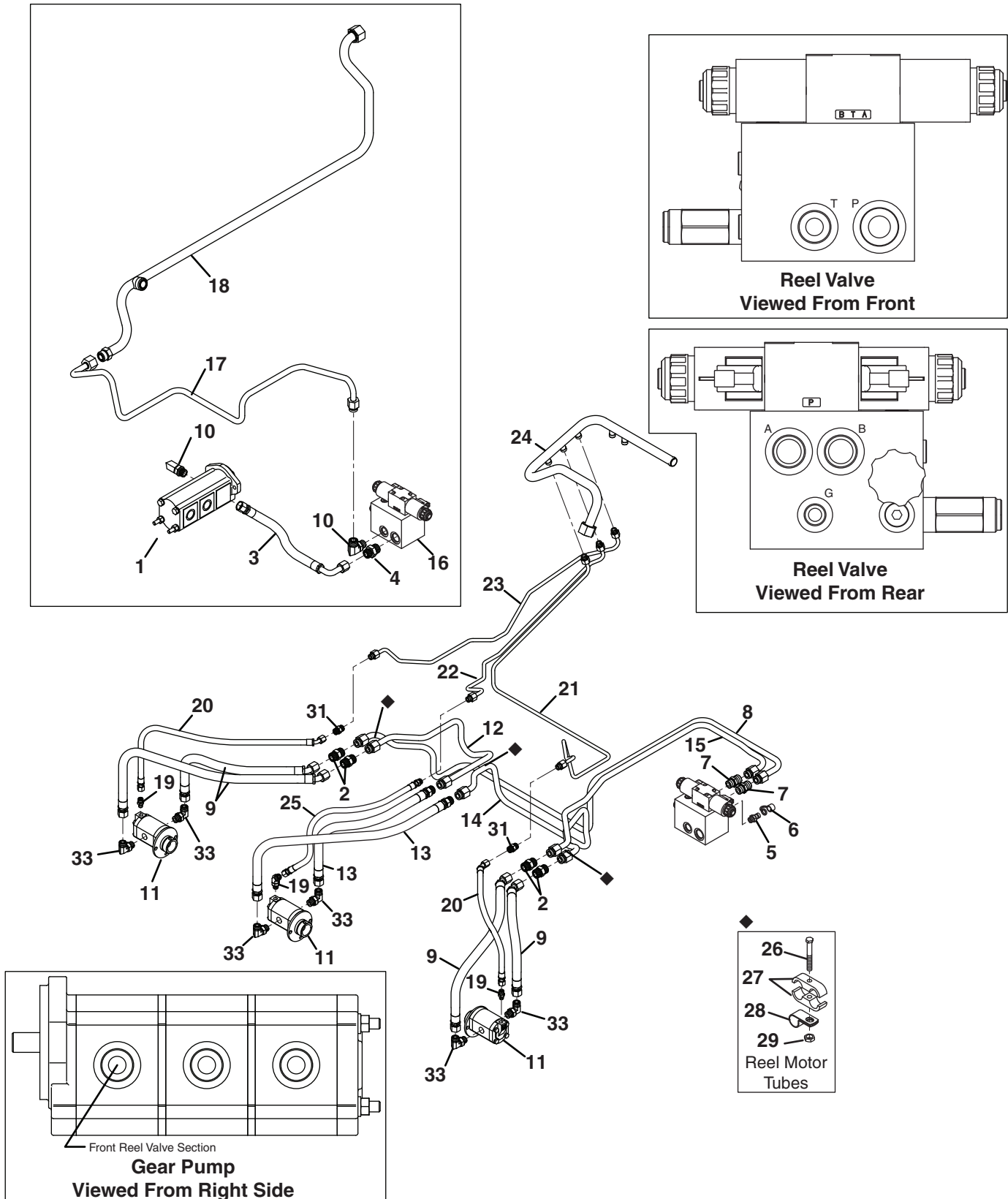
23.1 Return Hydraulics



Item	Part No.	Qty.	Description	Serial Numbers/Notes
1	4217400	1	Tube, Return Filter	See 26.1 and 27.1 for connecting tubes
	339912	1	• O-Ring, -12 ORFS	
	339913	1	• O-Ring, -16 ORFS	
2	339999	3	Fitting, 16 ORFS x -16 ORB Straight	
	339913	1	• O-Ring, -16 ORFS	
	339901	1	• O-Ring, -16 ORB	
3	4274293	1	Filter, Return Hydraulic	See 18.1
	557772	1	• Filter Element	
4	4268025	1	Hose, Return Filter to Oil Cooler	
5	340077	1	Fitting, -16 ORFS x -16 ORB 90°	
	339913	2	• O-Ring, -16 ORFS	
	339901	1	• O-Ring, -16 ORB	
6	4270850	1	Radiator/Hydraulic Oil Cooler	See 17.1
7	3005871	1	Tank, Hydraulic	
8	361689	1	Fitting, -16 ORB x 1" barbed	
	339901	1	• O-Ring, -16 ORB	See 21.1, 22.1, 23.1, and 24.1 for connecting tubes
9	4279188	1	Tube, Oil Cooler Return	
	339908	2	• O-Ring, -4 ORFS	
	339909	1	• O-Ring, -6 ORFS	
10	4124647	1	Hose, Return Tube	
11	3008673	2	Clamp, Constant Torque Hose	

> Change from previous revision

24.1 Front Reel Hydraulics

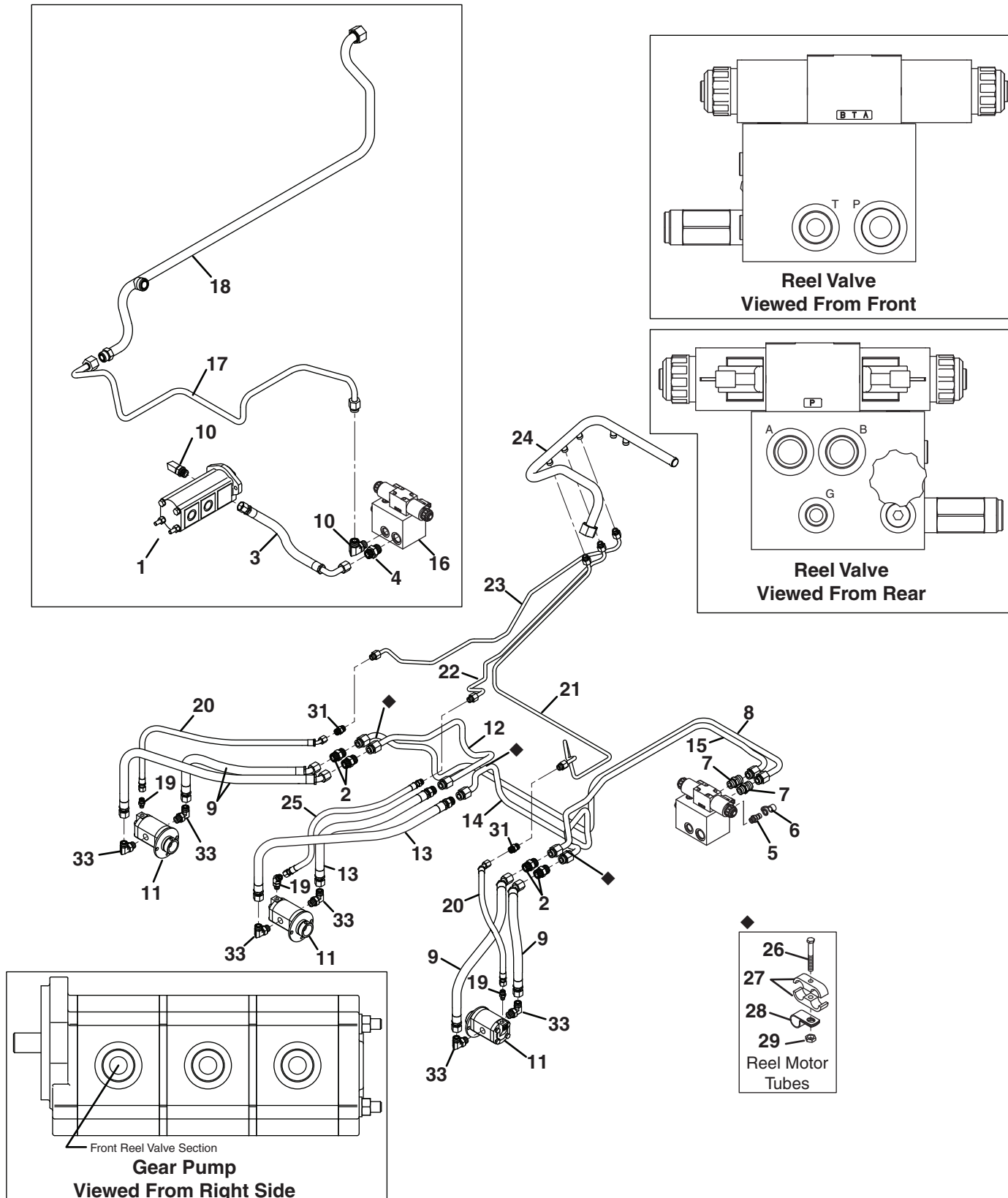


Item	Part No.	Qty.	Description	Serial Numbers/Notes
1	1002154	1	Gear Pump	See 16.1
2	340292	4	Union, -10 ORFS x -10 ORFS Straight	
	339911	2	• O-Ring, -10 ORFS	
3	4244263	1	Hose, Pump to Front Reel Valve	
4	339990	1	Fitting, -10 ORFS x -12 ORB Straight	Reel Valve Port P
	339911	1	• O-Ring, -10 ORFS	
	339900	1	• O-Ring, -12 ORB	
5	365466	1	Fitting, -6 ORB Diagnostic	Reel Valve Port G
	339897	1	• O-Ring, -6 ORB	
6	363030	1	Dust Cover	
7	339989	2	Fitting, -10 ORFS x -10 ORB Straight	
	339911	1	• O-Ring, -10 ORFS	
	339899	1	• O-Ring, -10 ORB	
8	4253599	1	Tube, Reel Valve to Right Reel	Reel Valve Port A
9	4218406	4	Hose, Left and Right Reel	
10	340070	2	Fitting, -10 ORFS x -10 ORB 90°	
	339911	1	• O-Ring, -10 ORFS	
	339899	1	• O-Ring, -10 ORB	
11	2822504	3	Reel Motor, 5" Reel	See 38.1
12	4218418	1	Tube, Right to Center Reel	
13	4216640	2	Hose, Center Reel	
14	4218419	1	Tube, Center to Left Reel	
15	4217701	1	Tube, Left Reel to Reel Valve	Reel Valve Port B
16	4195040	1	Valve, Reel	See 18.1
17	4253600	1	Tube, Reel Valve to Filter Tube	Reel Valve Port T
18	4217400	1	Tube, Return Filter	See 23.1
	339912	1	• O-Ring, -12 ORFS	
	339913	1	• O-Ring, -16 ORFS	
19	339977	2	Fitting, -6 ORFS x -4 ORB Straight	
	339909	1	• O-Ring, -6 ORFS	
	339896	1	• O-Ring, -4 ORB	
20	4260431	2	Hose, Left and Right Motor Drain	
21	4218020	1	Tube, Left Front Reel Motor Drain	
22	4218021	1	Tube, Center Reel Motor Drain	
23	4218022	1	Tube, Right Front Reel Motor Drain	
24	4268022	1	Tube, Return Manifold	See 19.1
	339908	5	• O-Ring, -4 ORFS	
25	4260430	1	Hose, Center Reel Drain	
26	400118	3	Screw, 1/4-20 x 1"	
27	3003110	3	Clamp, Double 5/8" Tube	See 29.1
28	366811	3	Clamp, 3/8" Tube	See 29.1
29	444708	3	Locknut, 1/4-20 Center	
30	473142	5	Cable Tie, 3/16" x 14"	Not Shown

Parts List Continued on Next Page

> Change from previous revision

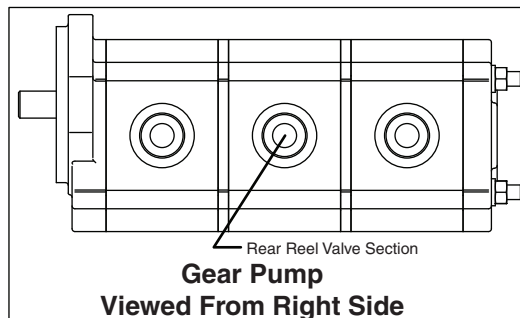
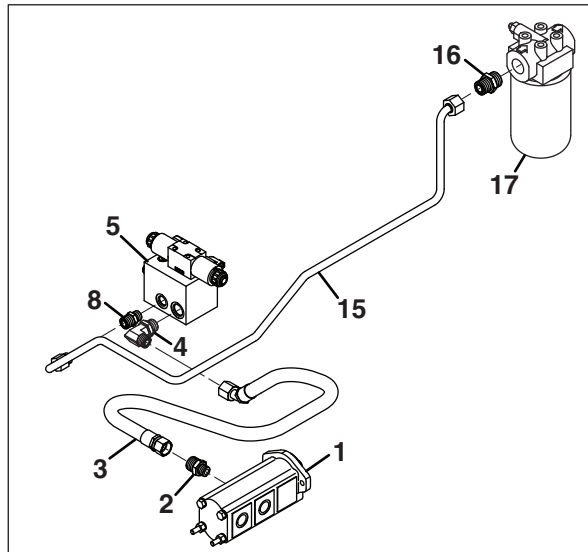
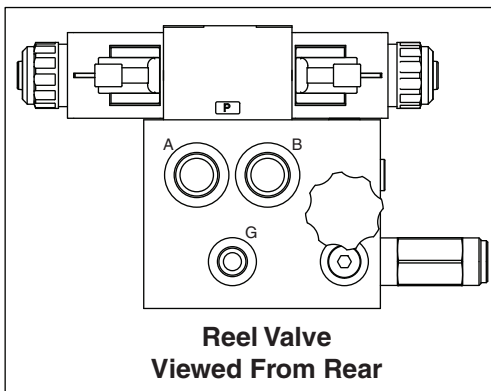
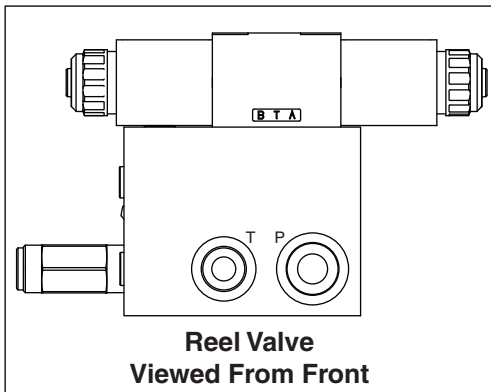
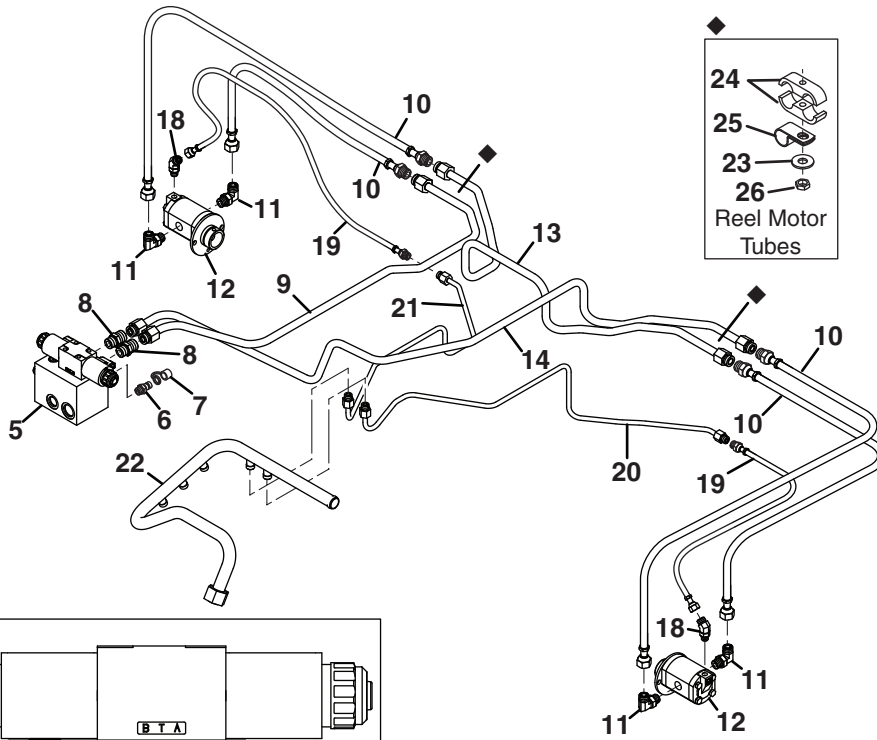
24.1 Front Reel Hydraulics (Continued)



Item	Part No.	Qty.	Description	Serial Numbers/Notes
31	340288	2	Union, -6 ORFS x -6 ORFS Straight	
	339909	2	• O-Ring, -6 ORFS	
32	340025	1	Fitting, -6 ORFS x -4 ORB 45°	
	339909	1	• O-Ring, -6 ORFS	
	339896	1	• O-Ring, -4 ORB	
33	340069	6	Fitting, -10 ORFS x -8 ORB 90°	
	339911	1	• O-Ring, -10 ORFS	
	339898	1	• O-Ring, -8 ORB	

> Change from previous revision

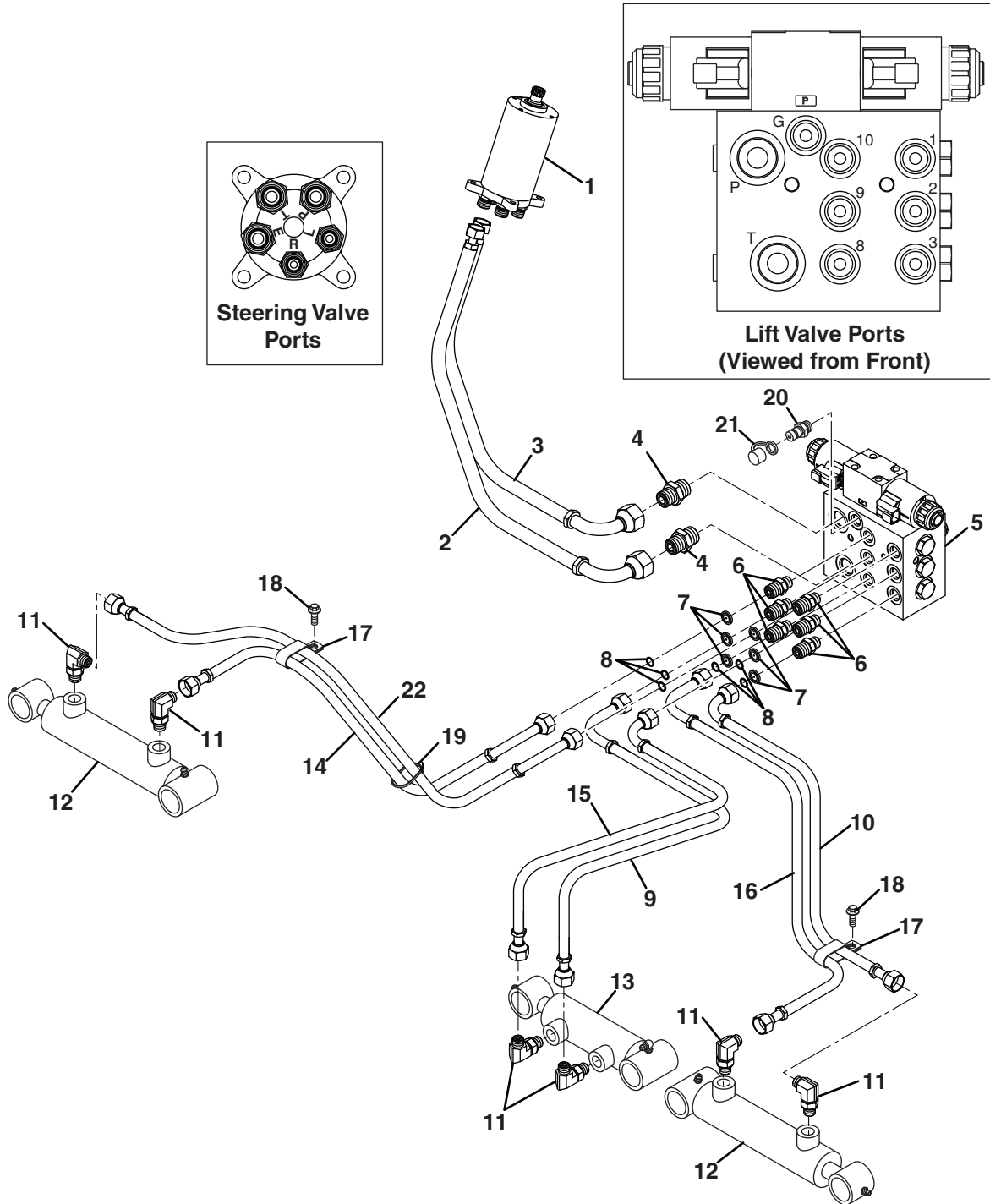
25.1 Rear Reel Hydraulics



Item	Part No.	Qty.	Description	Serial Numbers/Notes
1	1002154	1	Gear Pump	See 16.1
2	340033	1	Fitting, -10 ORFS x -10 ORB 45°	
	339911	1	• O-Ring, -10 ORFS	
	339899	1	• O-Ring, -10 ORB	
3	4244264	1	Tube, Pump to Rear Reel Valve	Reel Valve Port P
4	340071	1	Fitting, -10 ORFS x -12 ORB Straight	
	339911	1	• O-Ring, -10 ORFS	
	339900	1	• O-Ring, -12 ORB	
5	4195040	1	Reel Valve	See 18.1
6	365466	1	Fitting, -6 ORB Diagnostic	Reel Valve Port G
	339897	1	• O-Ring, -6 ORB	
7	363030	1	Dust Cover	
8	339989	3	Fitting, -10 ORFS x -10 ORB Straight	
	339911	1	• O-Ring, -10 ORFS	
	339899	1	• O-Ring, -10 ORB	
9	4216622	1	Tube, Reel Valve to Right Rear Reel	Reel Valve Port A
10	4216640	4	Hose, Rear Reel	
11	340069	4	Fitting, -10 ORFS x -8 ORB 90°	
	339911	1	• O-Ring, -10 ORFS	
	339898	1	• O-Ring, -8 ORB	
12	2822504	2	Reel Motor, 5" Reel	See 38.1
13	4268065	1	Tube, Right Rear to Left Rear Reel	
14	4216621	1	Tube, Left Rear Reel to Reel Valve	Reel Valve Port B
15	4268032	1	Tube, Reel Valve to Charge Filter	Reel Valve Port Tt
16	339996	1	Fitting, -12 ORFS x -16 ORB Straight	
	339912	1	• O-Ring, -12 ORFS	
	339901	1	• O-Ring, -16 ORB	
17	123015	1	Charge Filter	See 18.1
	556417	1	• Filter Head	
	2811255	1	• Filter Element Cartridge	
	556419	1	• 25 PSI Charge Pressure Switch	
18	339977	2	Fitting, -6 ORFS x -4 ORB Straight	
	339909	1	• O-Ring, -6 ORFS	
	339896	1	• O-Ring, -4 ORB	
19	4260430	2	Hose, Rear Reel Motor Drain	
20	4216625	1	Tube, Left Rear Reel Motor Drain	
21	4216624	1	Tube, Right Rear Reel Motor Drain	
22	4268022	1	Tube, Return Manifold	See 19.1
	339908	5	• O-Ring, -4 ORFS	
23	452004	2	Flat Washer, 1/4	
24	3003110	2	Clamp, Double 5/8" Tube	See 29.1
25	366811	2	Clamp, 3/8" Tube	See 29.1
26	444708	2	Locknut, 1/4-20 Center	
27	473142	2	Cable Tie, 3/16 x 14"	

> Change from previous revision

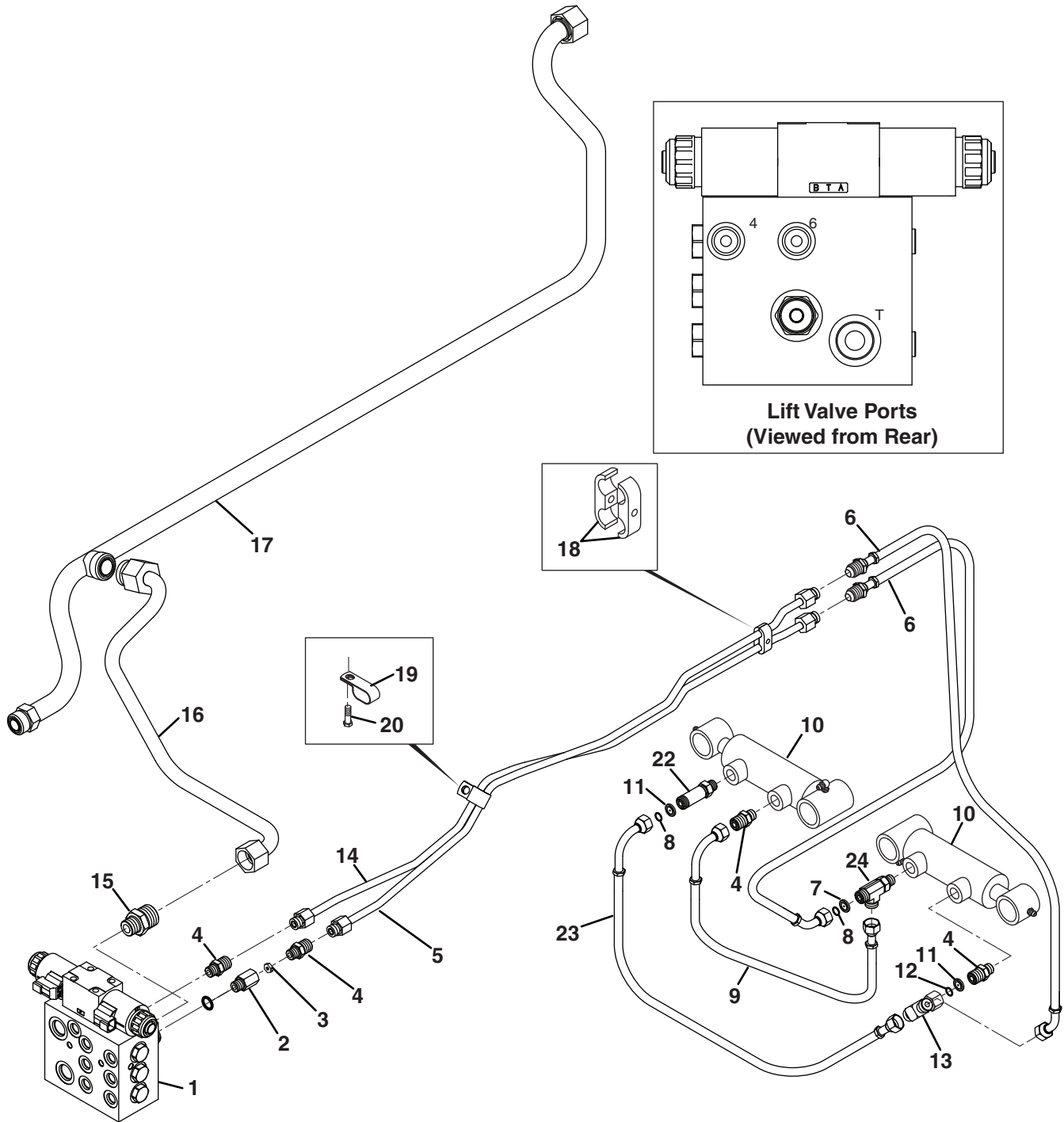
26.1 Front Lift Hydraulics



Item	Part No.	Qty.	Description	Serial Numbers/Notes
1	4212981	1	Steering Valve	See 11.1
2	1003339	1	Hose, Steering Valve to Lift Valve	Steering Valve Port T, Lift Valve Port T
3	1003340	1	Hose, Steering Valve to Lift Valve	Steering Valve Port E, Lift Valve Port P
4	339985	2	Fitting, 8-10 Straight	
	339910	1	• O-Ring, -6 ORFS	
	339899	1	• O-Ring, -10 ORB	
5	4195081	1	Lift Valve	See 18.1
6	339979	6	Fitting, 6-6 Straight	
	339909	1	• O-Ring, -6 ORFS	
	339897	1	• O-Ring, -6 ORB	
7	4287312	6	Disk, 0.040" Orifice	
8	339909	1	O-Ring, -6 ORFS	
9	4240182	1	Hose, Lift Valve to Center Cylinder	Lift Valve Port 2, Cylinder Rod Port
10	4240183	1	Hose, Lift Valve to Left Cylinder	Lift Valve Port 3, Cylinder Rod Port
11	340061	6	Fitting, 6-6 90°	
	339909	1	• O-Ring, -6 ORFS	
	339897	1	• O-Ring, -6 ORB	
12	4193221	2	Cylinder, Lift	See 31.1
13	4193220	1	Cylinder, Lift	See 31.1
14	4240023	1	Hose, Right Cylinder to Lift Valve	Lift Valve Port 8, Cylinder Base Port
15	4240024	1	Hose, Center Cylinder to Lift Valve	Lift Valve Port 9, Cylinder Base Port
16	4240025	1	Hose, Left Cylinder to Lift Valve	Lift Valve Port 10, Cylinder Base Port
17	108138-04	2	Clamp, Double Tube	
18	409811	2	Screw, 5/16-18 x 5/8" Thread Cutting	
19	473142	1	Cable Tie, 3/16 x 14"	Right Cylinder Hoses
20	365466	1	Fitting, -6 ORB Diagnostic	
	339897	1	• O-Ring, -6 ORB	
21	363030	1	Cover, Dust	
22	4240022	1	Hose, Lift Valve to Right Cylinder	Lift Valve Port 1, Cylinder Rod Port

> Change from previous revision

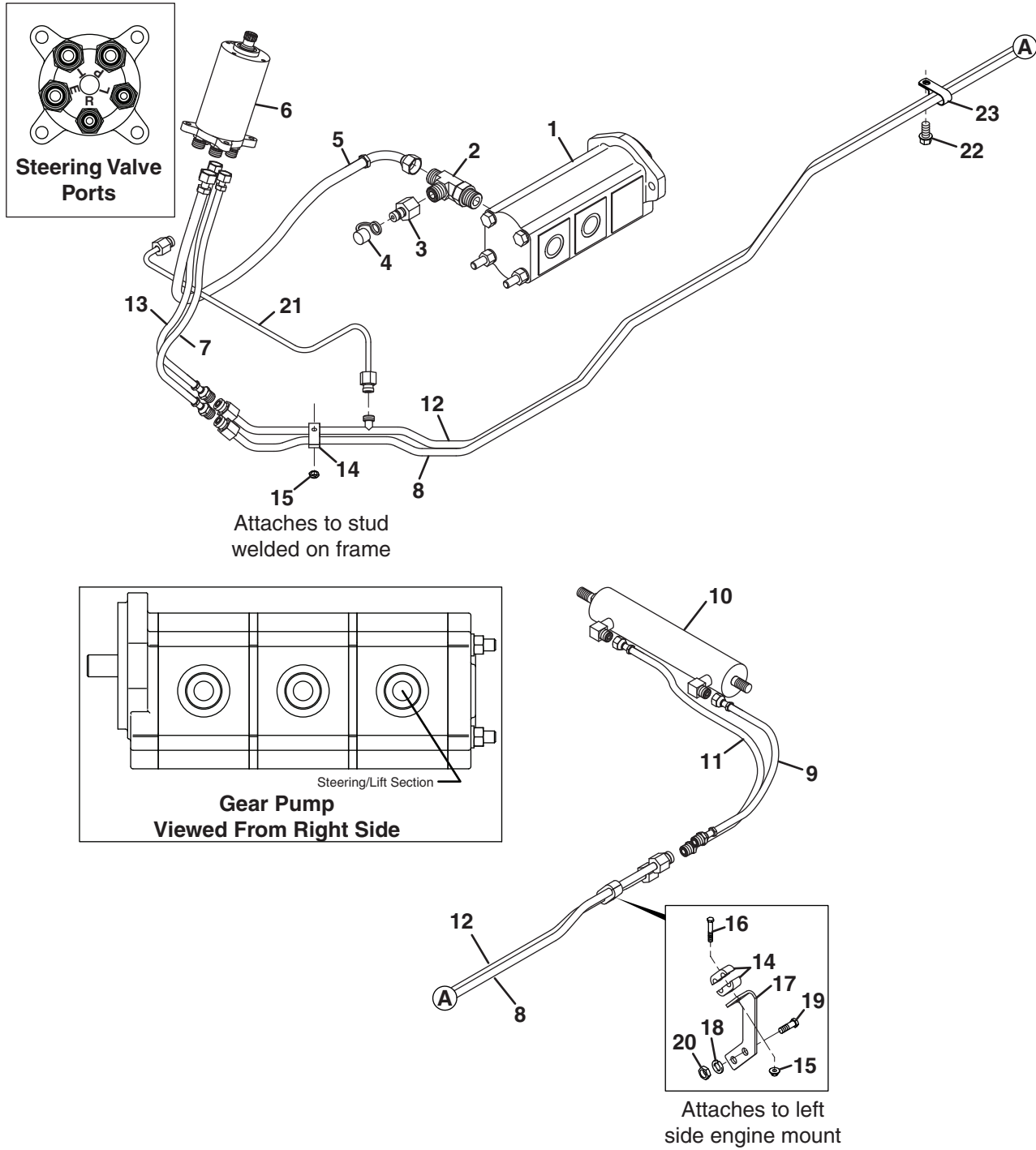
27.1 Rear Lift Hydraulics



Item	Part No.	Qty.	Description	Serial Numbers/Notes
1	4195081	1	Lift Valve	See 18.1
2	337317	1	Fitting, -6 ORB One Way Restrictor	Lift Valve Port 4
3	353190	1	Plate, 0.026" Orifice	
4	339979	4	Fitting, 6-6 Straight	Lift Valve Port 6, Cylinders
	339909	1	• O-Ring, -6 ORFS	
	339897	1	• O-Ring, -6 ORB	
5	4217161	1	Tube, Lift Valve to Rear Cylinder	
6	4212584	2	Hose, Tube to Rear Cylinder	
7	4287313	1	Disk, 0.055" Orifice	
8	339909	1	• O-Ring, -6 ORFS	
9	4120536	1	Hose, Cylinder Base Ports	
10	4193220	2	Cylinder, Rear Lift	See 31.1
11	4287312	2	Disk, 0.040" Orifice	
12	339909	1	• O-Ring, -6 ORFS	
13	340143	1	Tee, -6 ORFS Swivel Branch	
	339909	2	• O-Ring, -6 ORFS	
14	4217160	1	Tube, Rear Cylinder to Lift Valve	
15	339993	1	Fitting, 12-10 Straight	Lift Valve Rear Port T
	339912	1	• O-Ring, -12 ORFS	
	339899	1	• O-Ring, -10 ORB	
16	2812273	1	Tube, Lift Valve to Return Tube	
17	4217400	1	Tube, Return Filter	See 23.1
	339912	1	• O-Ring, -12 ORFS	
	339913	1	• O-Ring, -16 ORFS	
18	364221	1	Clamp, Double 3/8" Tube	See 29.1
19	3009272	1	Clamp, Double Hose	See 29.1
20	409811	1	Screw, 5/16-18 x 5/8 Thread Cutting	
21	339897	1	O-Ring, -6 ORB	
22	340005	1	Fitting, 6-6 Straight (Long)	
	339909	1	• O-Ring, -6 ORFS	
	339897	1	• O-Ring, -6 ORB	
23	4241202	1	Hose, Cylinder Rod Ports	
24	340263	1	Tee, 6-6 Run	
	339909	2	• O-Ring, -6 ORFS	
	339897	1	• O-Ring, -6 ORB	

> Change from previous revision

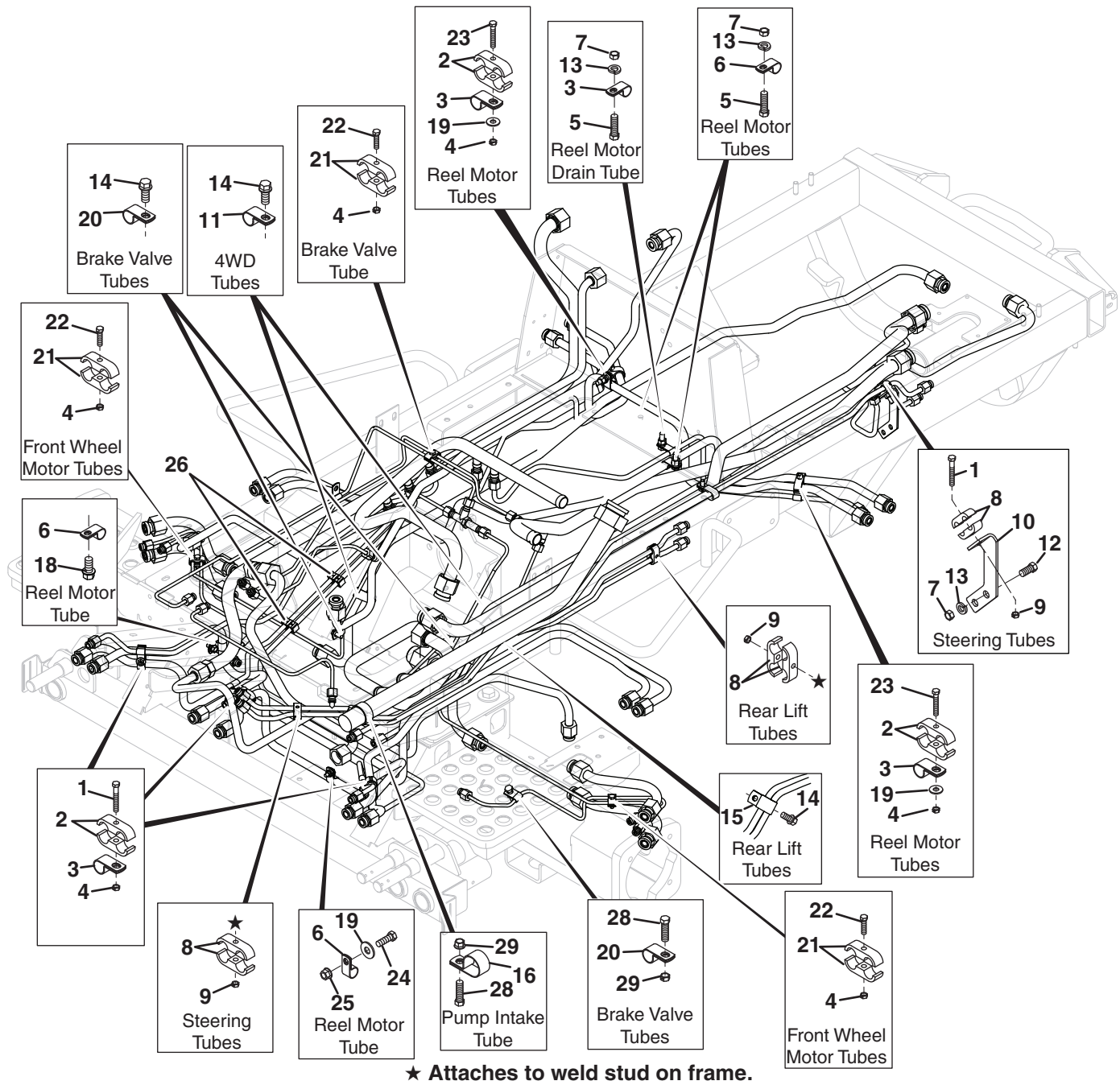
28.1 Steering Hydraulics



Item	Part No.	Qty.	Description	Serial Numbers/Notes
1	1002154	1	Gear Pump	See 16.1
2	340274	1	Tee, 8-10-8 Straight Run	
	339910	2	• O-Ring, -8 ORFS	
	339898	1	• O-Ring, -10 ORB	
3	364945	1	Fitting, -8 ORFS Diagnostic	
4	363030	1	Dust Cover	
5	1003334	1	Hose, Pump to Steering Valve	Steering Valve Port P
6	4212981	1	Steering Valve	See 11.1
	339908	2	• O-Ring, -4 ORFS	
	339909	1	• O-Ring, -6 ORFS	
7	4215600	1	Hose, Steering Valve to Outside Tube	Steering Valve Port L
	339909	1	• O-Ring, -6 ORFS	
8	4268045	1	Tube, Outside (Left Turn) Steering	
9	4215600	1	Hose, Outside Tube to Cylinder	
	339909	1	• O-Ring, -6 ORFS	
10	4271774	1	Cylinder, Steering	See 10.1 or 11.1
	4276851	1	• Seal Kit	
	339908	2	• O-Ring, -4 ORFS	
11	4215601	1	Hose, Cylinder to Inside Hose	
	339909	1	• O-Ring, -6 ORFS	
12	4268044	1	Tube, Inside (Right Turn) Steering	
	339908	1	• O-Ring, -4 ORFS	
13	4215600	1	Hose, Inside Tube to Steering Valve	Steering Valve Port R
	339909	1	• O-Ring, -6 ORFS	
14	364221	2	Clamp, Double Tube	
15	445770	2	Nut, 1/4-20 Nylon Insert Hex	
16	400118	1	Screw, 1/4-20 x 1-3/4" Hex Head	
17	4215103	1	Support, Clamp	
18	446142	2	Lockwasher, 3/8 Heavy	
19	400258	2	Screw, 3/8-16 x 3/4" Hex Head	
20	443110	2	Nut, 3/8-16 Hex	
21	4215080	1	Tube, Steering Tube to Brake Valve	Brake Valve Port ST, See 24.1
22	409811	1	Screw, 5/16-18 x 5/8" THread Cutting	
23	3007558	1	Clamp, Double Tube	

> Change from previous revision

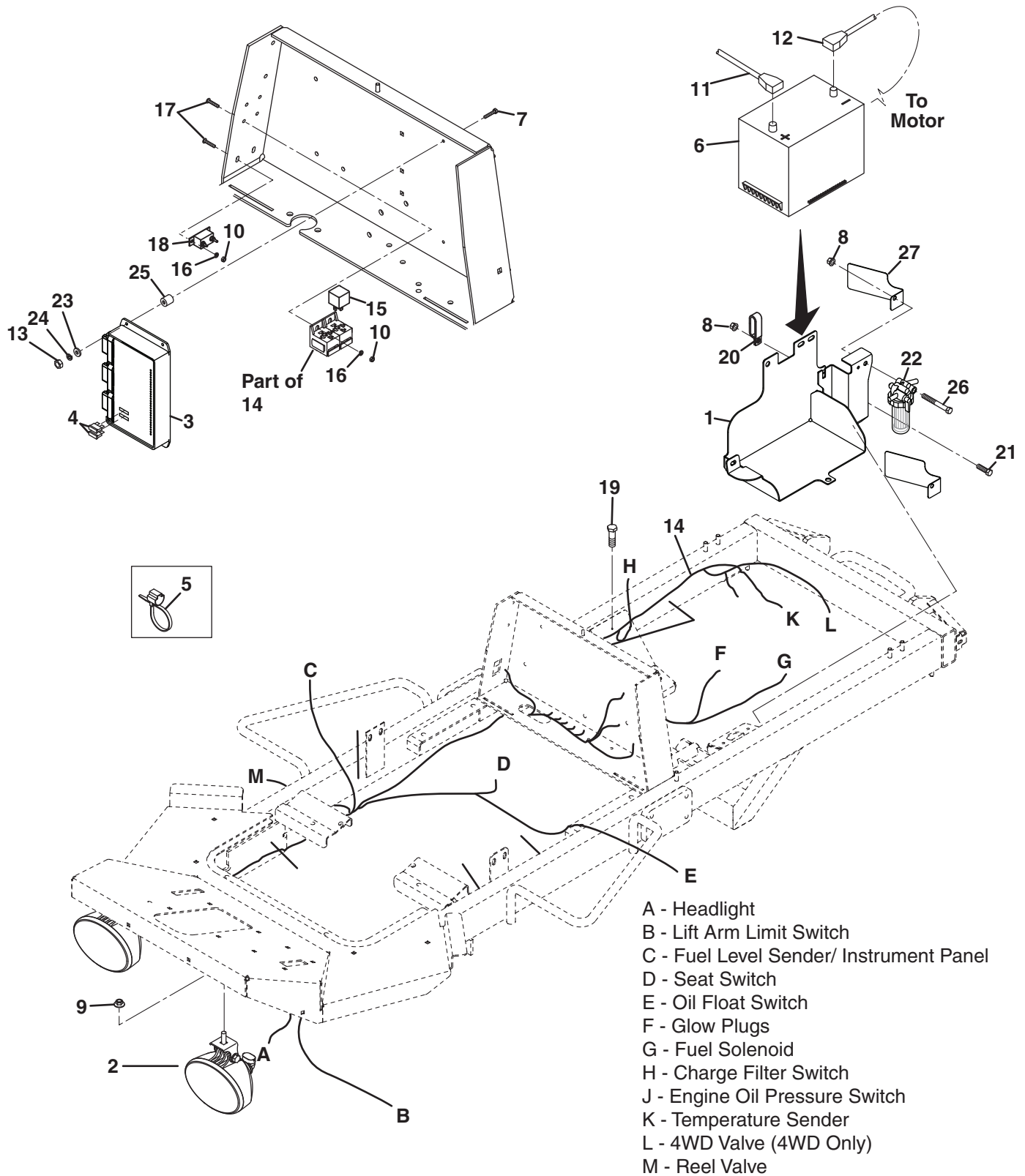
29.1 Hydraulic Tube Clamps



Item	Part No.	Qty.	Description	Serial Numbers/Notes
1	400118	4	Screw, 1/4-20 x 1-3/4"	
2	3003110	5	Clamp, Double 5/8" Tube	See 26.1 and 27.1
3	366811	6	Clamp, 3/8" Tube	See 26.1 and 27.1
4	444708	6	Locknut, 1/4-20 Hex Center	
5	400264	3	Screw, 3/8-16 x 1-1/4" Hex Head	
6	361064	3	Clamp, 5/8" Tube	
7	443110	6	Nut, 3/8-16 Hex	
8	364221	3	Clamp, Double 3/8" Tube	See 28.1 and 27.1
9	445770	3	Nut, 1/4-20 Hex Nylon Insert	
10	4215103	1	Support, Clamp	See 28.1
11	345671	2	Clamp, 3/4" Tube	
12	400258	2	Screw, 3/8-16 x 3/4" Hex Head	
13	446142	5	Lockwasher, 3/8 Heavy	
14	409811	2	Screw, 5/16-18 x 5/8" Thread Cutting	
15	3009272	1	Clamp, Double 3/8" Hose	See 27.1
16	364190	1	Clamp, 1-1/2" Diameter	See 19.1
17	445796	3	Nut, 3/8-16 Spirallock Flange	
18	409811	7	Screw, 5/16-18 x 5/8" Thread Cutting	
19	452004	3	Flat Washer, 1/4	
20	367028	5	Clamp, 3/8	
21	364221	3	Clamp	
22	400114	1	Screw, 1/4-20 x 1-1/4" Hex Head	
23	400116	2	Screw, 1/4-20 x 1-1/2" Hex Head	
24	400108	1	Screw, 1/4-20 x 3/4" Hex Head	
25	445794	1	Nut, 1/4-20 Spirallock Flange	
26	4244669	AR	Clip, Double 3/8 Tube	
27	444762	2	Locknut, 3/8-16 Hex Center	
28	400188	2	Screw, 5/16-18 x 1" Hex Head	
29	445795	2	Nut, 5/16-18 Spirallock Flange	

> Change from previous revision

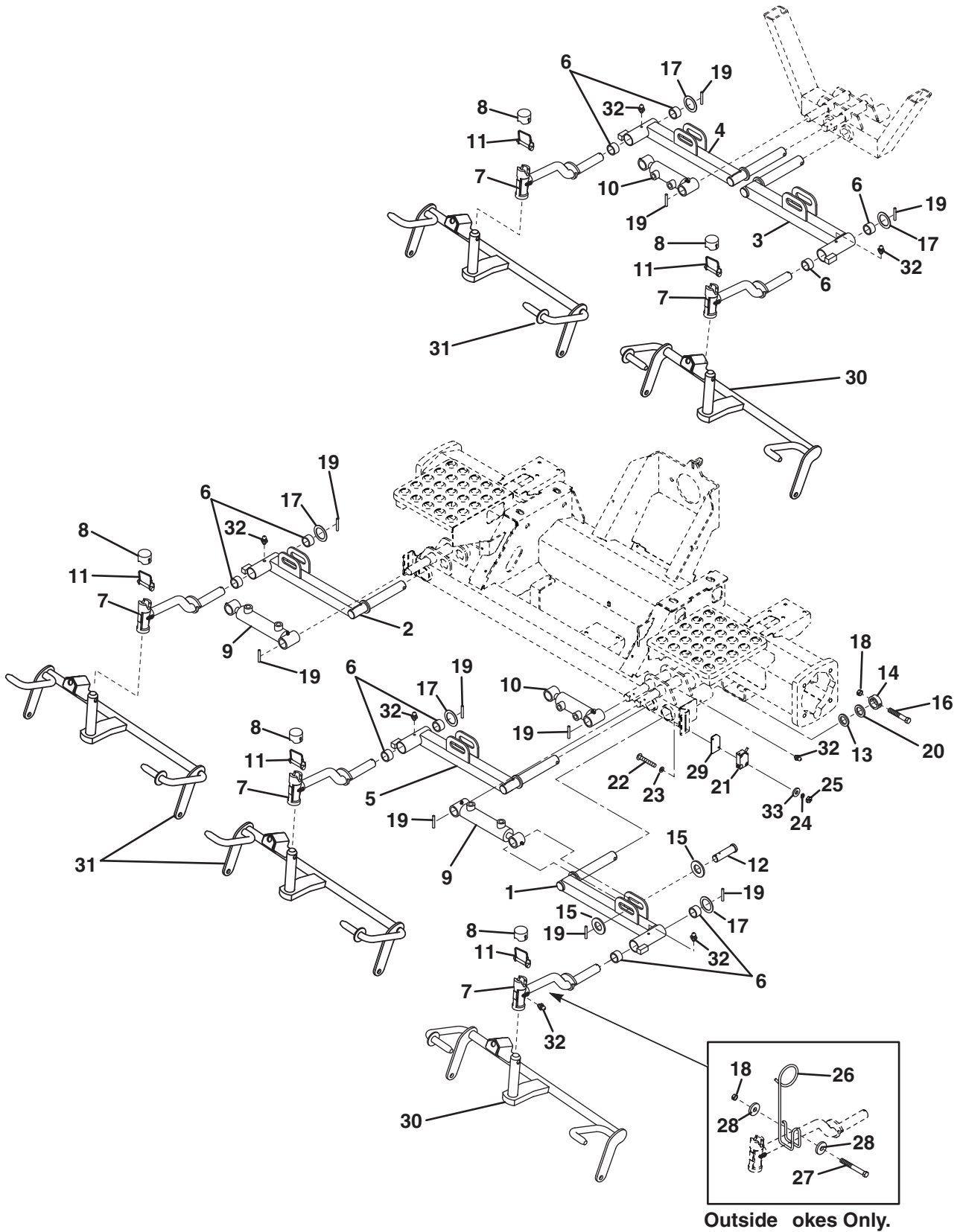
30.1 Wire Harness and Controller Box



Item	Part No.	Qty.	Description	Serial Numbers/Notes
1	-----	1	Tray, Battery	See 7.1
2	4122840	2	Headlight	
	4123183	1	• Bulb	REFERENCE L1 and L2, See 44.1
3	4270812	1	Controller	REFERENCE U2, See 44.1
4	5003282	2	• Fuse, 20 Amp	REFERENCE F3 & F4, See 44.1
5	4235060	7	Tie Strap, Push Nut Mount	Mounts to weld stud on frame.
6	N/S	1	Battery	REFERENCE B1, See 44.1
7	402066	4	Screw, #8-32 x 1" Hex Head	
8	445795	4	Nut, 5/16-18 Spirallock Flange	
9	445796	2	Nut, 3/8-16 Spirallock Flange	
10	444310	4	Nut, #10-24 Hex	
11	3007777	1	Cable, Positive Battery	
12	2810213	1	Cable, Negative Battery	
13	444306	4	Nut, #8-32 Hex	
14	4270227	1	Body Wire Harness	
15	4193880	2	• Relay-SPDT With Diode	REFERENCE K1 and K12, See 44.1
16	446118	4	Lockwasher, #10	
17	403910	4	Screw, #10-24 x 1/2" Truss Head	
18	361439	1	Circuit Breaker, 12V 50A	REFERENCE CB1, See 44.1
19	409804	3	Screw, #10-32 x 1/2" Thread Cutting	
20	3007558	1	Clamp, Double Tube	
21	400188	1	Screw, 5/16-18 x 1" Hex Head	
22	4216242	1	Fuel Filter Assembly	Included With Engine
	550489	1	• Assy Element	
	2810640	1	• O Ring, Filter Element	
	550463	1	• O Ring, Filter Cup	
	5001309	1	• Assy Cup, Filter	
	5001301	1	• • Label, Fuel	
23	453004	4	Flat Washer, #8	
24	446112	4	Lockwasher, #8 Heavy	
25	4136366	4	Spacer, 3/8 x 5/16	
26	400200	1	Screw, 5/16-18 x 2-1/2" Hex Head	
27	4285371	1	Deflector, Air	

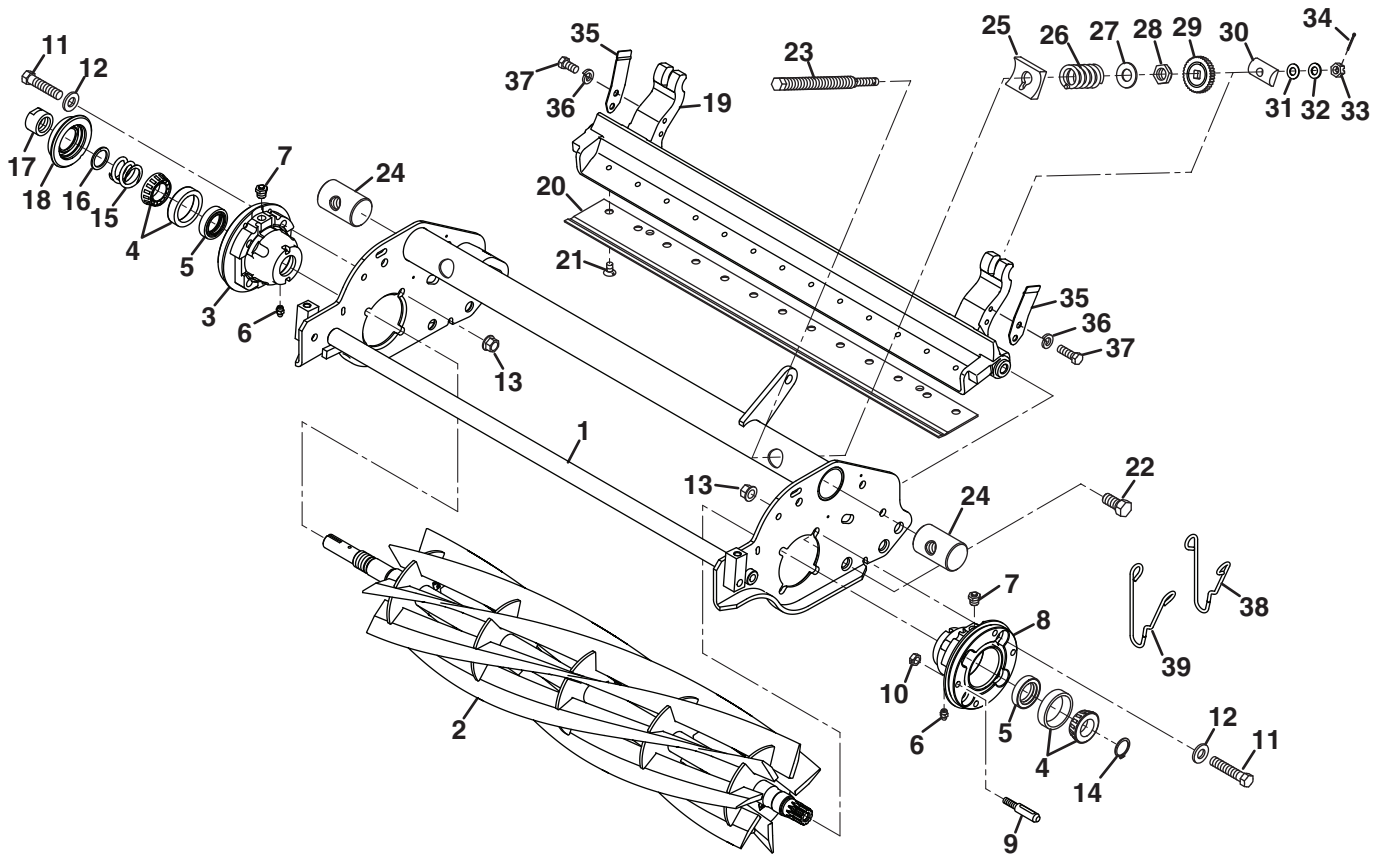
> Change from previous revision

31.1 Lift Arms



Item	Part No.	Qty.	Description	Serial Numbers/Notes	
1	4170623	1	Left Front Lift Arm	2 Per Lift Arm	
2	4170624	1	Right Front Lift Arm		
3	4170626	1	Left Rear Lift Arm		
4	4170627	1	Right Rear Lift Arm		
5	4170625	1	Center Lift Arm		
6	3006539	10	• Bushing		
7	1002498	5	Yoke, Pivot		
8	3008432	5	Cap, Swivel Housing		
9	4193221	2	Lift Cylinder, Left and Right Front		
	4194460	1	• Seal Kit		
10	4193220	3	Lift Cylinder, Center and Rear		
	4194020	1	• Seal Kit		
11	3007798	5	Lock Pin		
12	3007989	5	Pin, Cylinder		
13	362824	5	Spacer, Lift Arm		
14	364248	5	Collar		
15	455004	10	Flat Washer, 1		
16	400272	5	Screw, 3/8-16 x 2-1/4" Hex Head		
17	2500477	5	Machinery Bushing		
18	444762	7	Locknut, 3/8-16 Center		
19	461409	15	Roll Pin, 3/16x x1-3/4"		
20	3009490	5	Wave Washer		
21	4125831	1	Switch, Proximity		REFERENCE SW2, See 44.1
22	888503	4	Screw, #4-40 x 1" Truss Head		
23	308404	4	Flat Washer, #4		
24	446102	4	Lockwasher, #4		
25	444302	4	Nut, #4-40 Hex		
26	4244650	2	Support, Hose		
27	400276	2	Screw, 3/8-16 x 3" Hex Head		
28	358794	4	Flat Washer, 3/8		
29	4176860	2	Plate, Proximity Switch		
30	1003359	2	Lift Yoke, Left Side		
31	1003360	3	Lift Yoke, Right Side and Center		
32	471214	15	Grease Fitting		
33	453004	4	Washer, Flat		

> Change from previous revision



Standard Style Bedknives (Secured with screws)

Part Number	Description
503460	22" Heavy Section
▲ 5003150	22" Medium Section

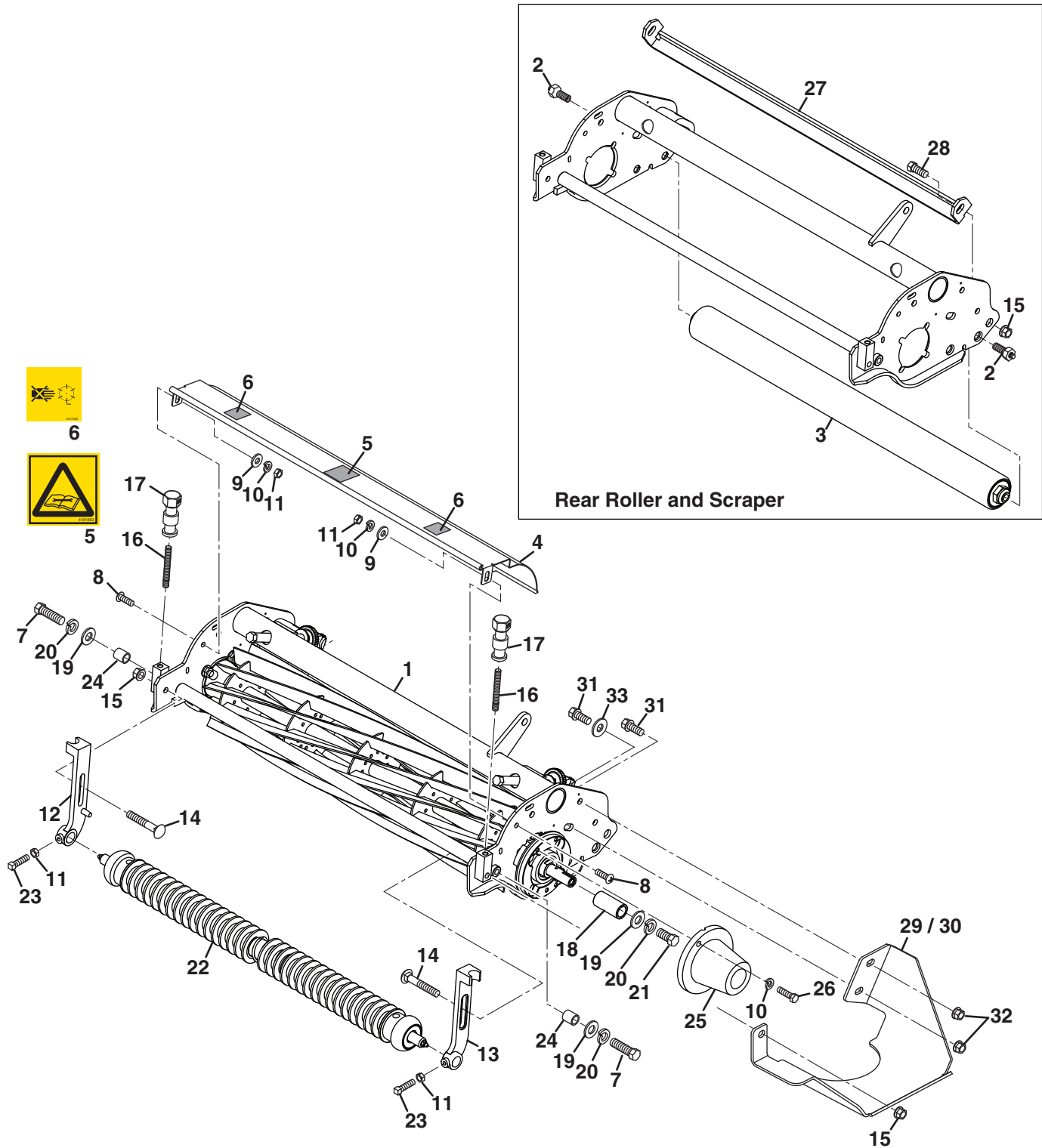
▲ Standard Bedknife

Optional MagKnife Bedknives

Part Number	Description
4131010	22" Heavy Section
4131005	22" Medium Section
4165260	Kit, Magknife, Light Fairway

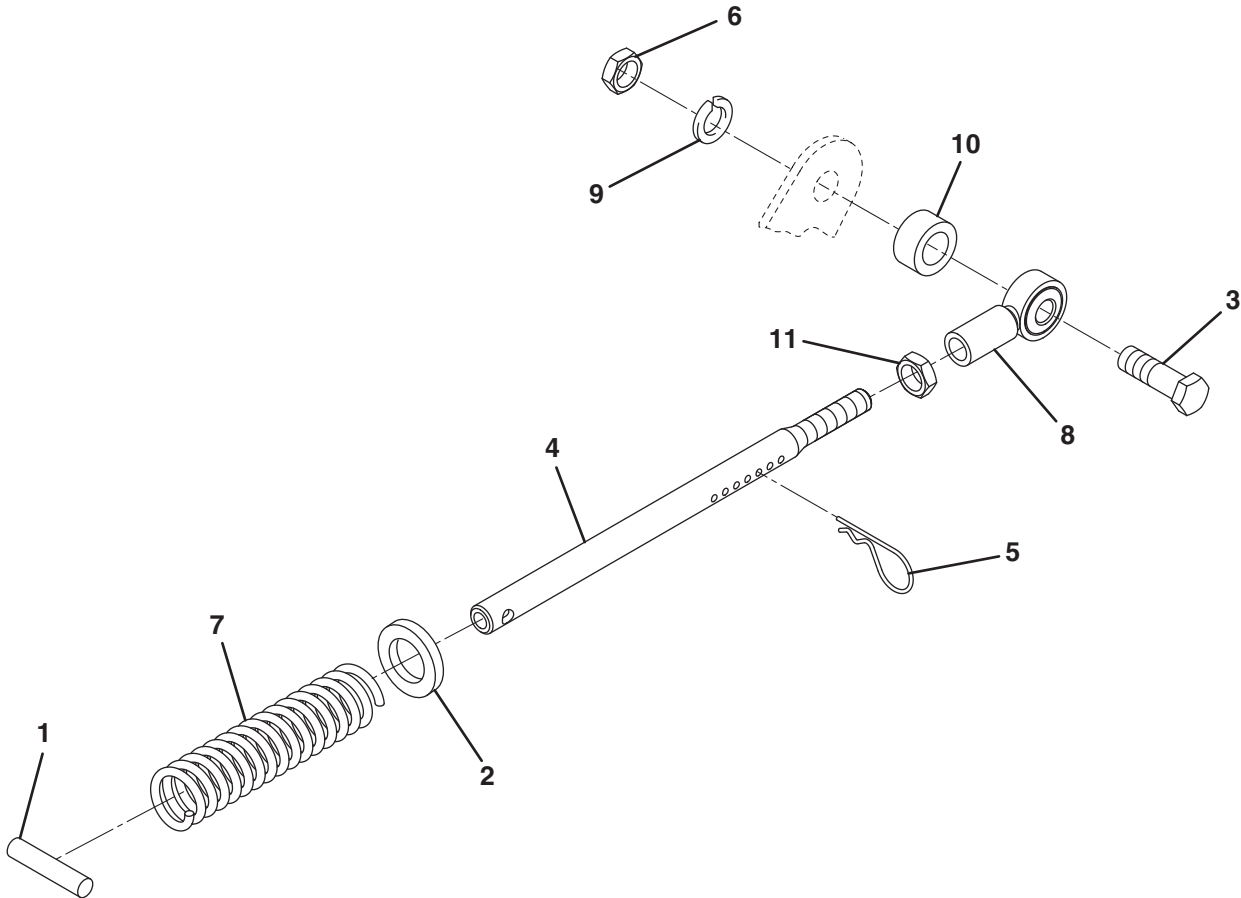
Item	Part No.	Qty.	Description	Serial Numbers/Notes
1	4256226	1	22" Reel Frame	
2	5003053	1	Reel, 22" Left Hand 7 Blade	Used with 62839
2	5003054	1	Reel, 22" Right Hand 7 Blade	Used with 62840
3	1000480	1	Housing, Bearing	
4	500534	1	• Bearing, Cup and Cone	
5	336962	1	• Seal, Grease	
6	471214	1	• Grease Fitting	
7	471240	1	• Vent Fitting	
8	1004786	1	Housing, Bearing	Includes Items 4-7
9	3010296	2	Pin, Motor Mounting	
10	444708	2	Locknut, 1/4-20 Hex Center	
11	400192	8	Screw, 5/16-18 x 1-1/2" Socket Head	
12	453009	4	Flat Washer, 5/16	
13	445795	8	Nut, 5/16-18 Spiralock Flange	
14	458013	1	Ring, Snap	
15	5002151	1	Spring, Compression	
16	304745	1	Washer, Reel Shaft	
17	364900	1	Nut, 3/4-16 Reel	
18	163892	1	Seal Assembly	
19	4255754	1	Backing, 22" Bedknife	
20	See Chart	1	Bedknife	
21	4252470	AR	Screw, Bedknife	Package of 100 Screws
22	315298	2	Bolt, 7/16-20 x 3/4" Wheel	
23	4256228	2	Rod, Bedknife Adjuster	
24	4256227	2	Trunnion, Internal	
25	4256229	2	Cradle, Tube Spring	
26	4256231	2	Spring, Compression	
27	400051	2	Washer, 1/2" Bellville	
28	400050	2	Nut, 1/2-20 Hex Jam Nylock	
29	4256233	2	Washer, Bedknife Adjustment	
30	4256232	2	Trunnion Half	
31	400052	2	Washer, 5/16 Bellville	
32	400065	AR	Washer, Shim	
33	400053	2	Nut, 5/16-24 Hex Slotted	
34	460008	2	Cotter Pin, 5/64 x 3/4"	
35	4256230	2	Spring, Detent	
36	446130	4	Lockwasher, 1/4 Heavy	
37	400104	4	Screw, 1/4-20 x 1/2" Hex Head	
38	2810165	1	Clip, Motor	
39	2810166	1	Clip, Motor	

> Change from previous revision



Item	Part No.	Qty.	Description	Serial Numbers/Notes
1	REF	1	Inner Reel	See 32.1
2	1002224	2	Zerk Bolt	
3	1000770	1	22" x 2" Ø Rear Roller	See 35.1
4	2810043	1	Shield, Grass	
5	4181863	1	Decal, Read Manual for Service	
6	4127335	2	Decal, Danger	
7	400264	2	Screw, 3/8-16 x 1-1/4" Hex Head	
8	403782	2	Screw, 1/4-20 x 3/4" Truss Head	
9	453023	2	Flat Washer, 1/4	
10	446130	4	Lockwasher, 1/4 Heavy	
11	443102	4	Nut, 1/4-20 Hex	
12	3008438	1	Bracket, Left Side Front Roller	
13	3008439	1	Bracket, Right Side Front Roller	
14	441674	2	Carriage Bolt, 5/16-18 x 1-3/4"	
15	445795	4	Nut, 5/16-18 Spiralock Flange	
16	343616	2	Stud, Front Roller Adjuster	
17	3005692	2	Knob, Front Roller Adjuster	
18	367164	1	Spacer	
19	453011	3	Flat Washer, 3/8	
20	446142	3	Lockwasher, 3/8 Heavy	
21	400294	1	Screw, 3/8-24 x 1" Hex Head	
22	REF	1	Front Roller	Not included with reel.
23	352737	2	Set Screw, 1/4-20 x 7/8" Grade 8	
24	345510	2	Spacer, Lift Yoke	
25	2000065	1	Casting, Counterweight	
26	400110	2	Screw, 1/4-20 x 7/8" Hex Head	
27	338735	1	Scraper, 22" Rear Roller	
28	400184	2	Screw, 5/16-18 x 3/4" Hex Head	
29	3008199	1	Skid, Left Front Reel	Left Front Reel Only
30	3008200	1	Skid, Right Front Reel	Right Front Reel Only
31	403770	2	Screw, 5/16-18 x 3/4" Hex Flange	Left and Right Front Reel Only
32	445795	2	Nut, 5/16-18 Spiralock Flange	
33	452006	1	Flat Washer, 5/16	

> Change from previous revision

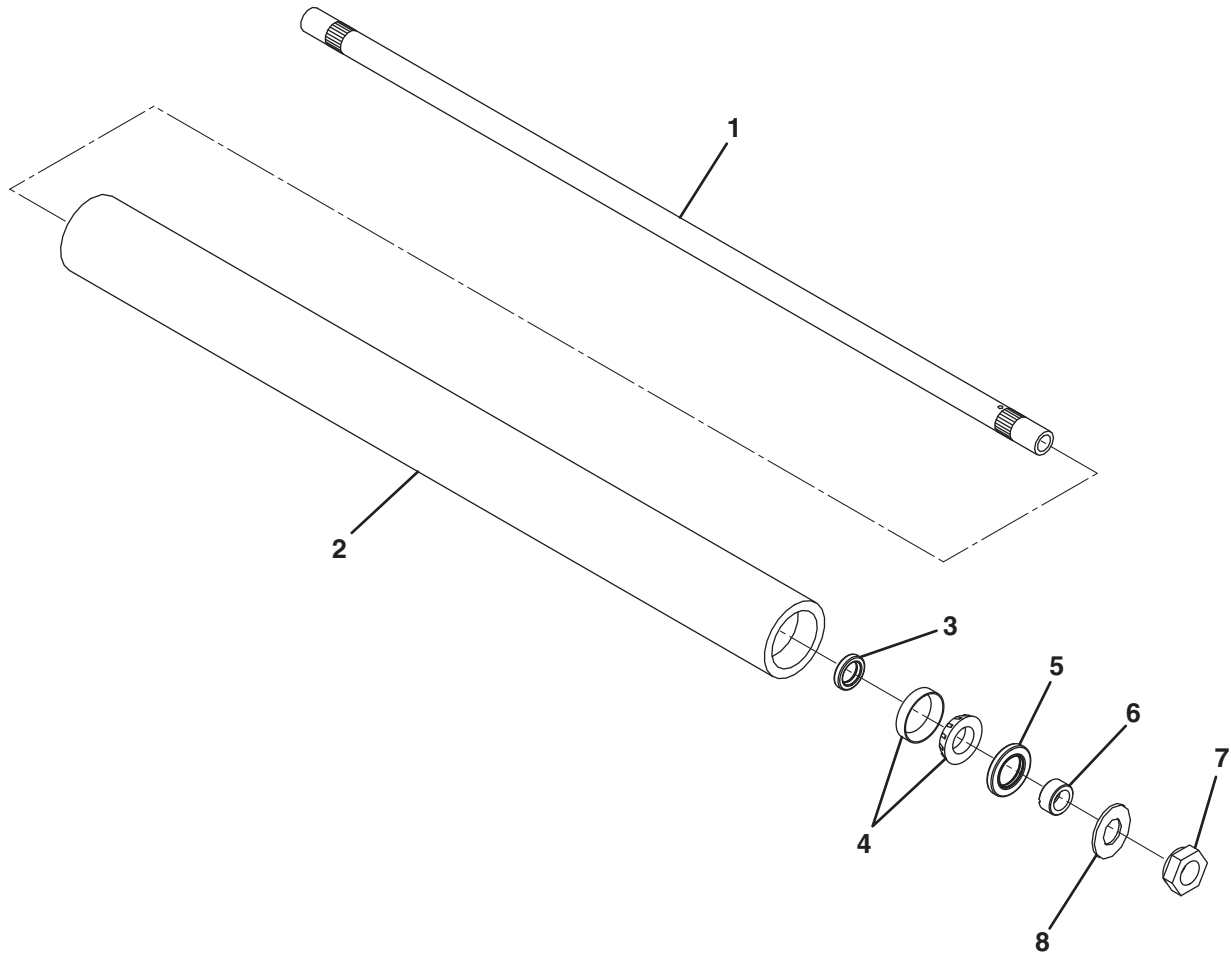


Item	Part No.	Qty.	Description	Serial Numbers/Notes
1	461397	1	Roll Pin, 1/4 x 1-1/4"	
2	453017	1	Flat Washer, 1/2	
3	400268	1	Screw, 3/8-16 x 1-3/4" Hex Head	
4	3008593	1	Tube, Down Pressure	
5	460312	1	Hairpin	
6	443110	1	Nut, 3/8-16 Hex	
7	311870	1	Spring, Compression	
8	366974	1	Rod End	
9	446142	1	Lockwasher, 3/8 Heavy	
10	352435	1	Spacer	
11	443812	1	Nut, 3/8-24 Hex	

> Change from previous revision

35.1 Rear Roller

Part Number 1000770

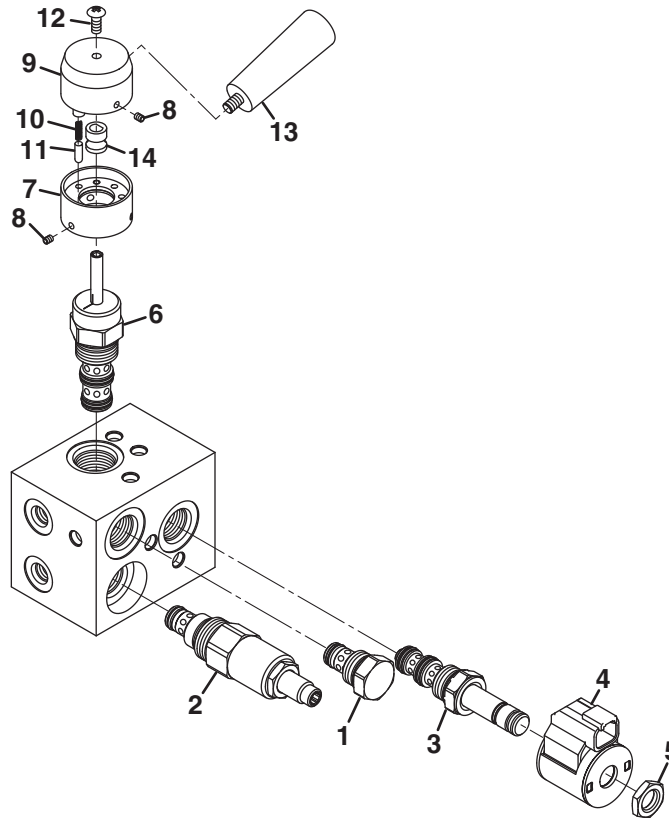


Item	Part No.	Qty.	Description	Serial Numbers/Notes
1	3001654	1	Shaft, Roller	
2	3001655	1	Tube, Roller	
3	3001656	2	Seal, Grease	
4	5000625	2	Bearing, Cup and Cone	
5	3000983	2	Seal, Grease	
6	3001762	2	Sleeve, Wear	
7	445801	2	Nut, 5/8-18 Hex Jam Lock	
8	3000698	2	Washer	

> Change from previous revision

36.1 Brake Valve

Part Number 4286672

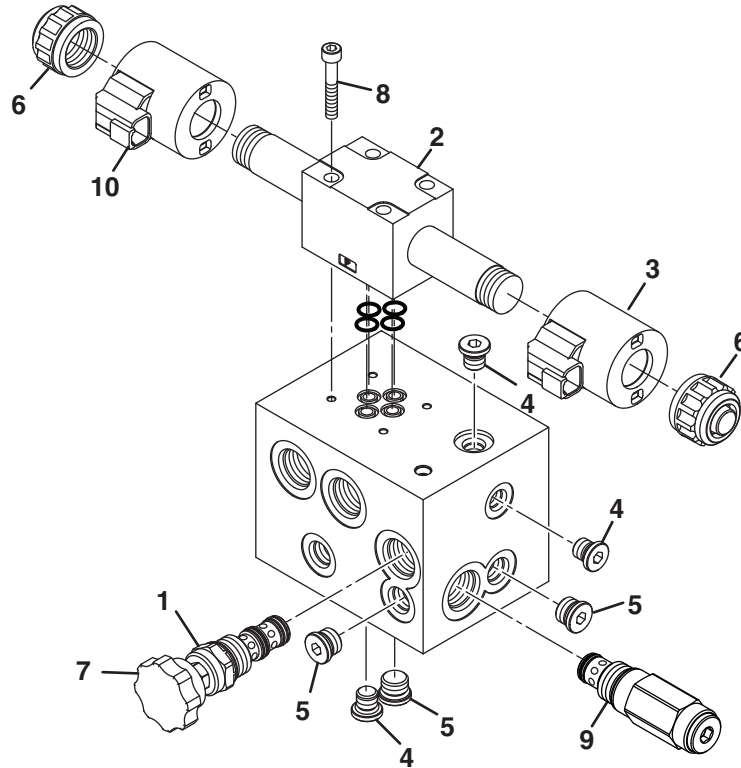


Item	Part No.	Qty.	Description	Serial Numbers/Notes
1	4286673	1	Check Valve	REFERENCE K11, See 44.1
	5003578	1	• Seal Kit	
2	4286674	1	Relief Valve, 350 psi	
	5003578	1	• Seal Kit	
3	4286675	1	Solenoid Valve	
	5003578	1	• Seal Kit	
4	4134532	1	Coil, Solenoid Valve	
5	N/S	1	Nut, Coil	
6	4286676	1	Valve, Manual Rotary	
	5003579	1	• Seal Kit	
	4286677	1	Kit, Handle	
7	N/S	1	• Adapter Plate Assembly	
8	N/S	5	• Set Screw	
9	N/S	1	• Rotator	
10	N/S	1	• Spring, Detent	
11	N/S	1	• Pin, Detent	
12	N/S	1	• Screw, Rotator	
13	N/S	1	• Handle	
14	N/S	1	• Spacer	

> Change from previous revision

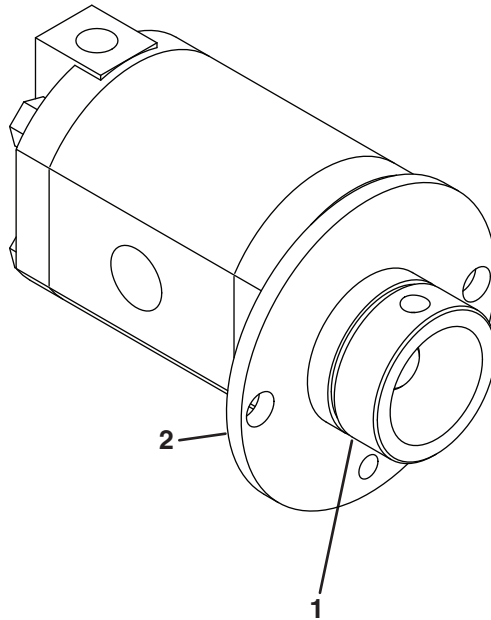
37.1 Reel Valve

Part Number 4195040



Item	Part No.	Qty.	Description	Serial Numbers/Notes
1	5003080	1	Valve, Flow Control	REFERENCE K3 and K4, See 44.1
	5003579	1	• Flow Control Seal Kit	
2	4136815	1	Solenoid Valve	
	339909	4	• O-Ring	
3	4135552	1	Coil	
4	5002157	3	Port Plug	
5	5001065	3	Port Plug	
6	4136814	2	Nut, Coil, with "O"-Ring	
7	4105980	1	Knob, Flow Control	
8	4143527	4	Bolt, D03 Service Short	
9	4143172	1	Relief Valve, 2200 psi	REFERENCE K7 and K8, See 44.1
	5003579	1	• Seal Kit	
10	4200060	1	Coil	

> Change from previous revision

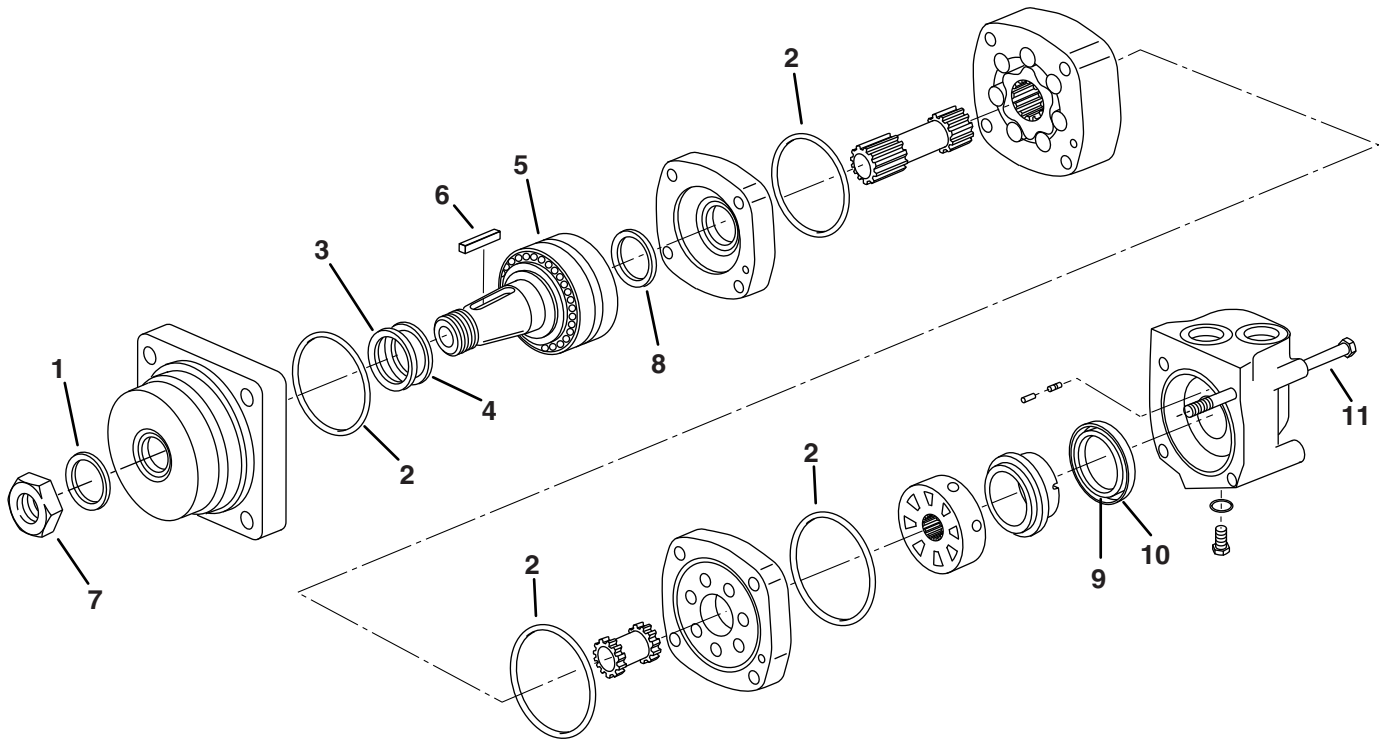


Item	Part No.	Qty.	Description	Serial Numbers/Notes
1	845279	1	O-Ring	
2	5003688	1	Face Plate	
	5003589	1	Seal Kit	

> Change from previous revision

39.1 Rear Wheel Motor

Part Number 4182425

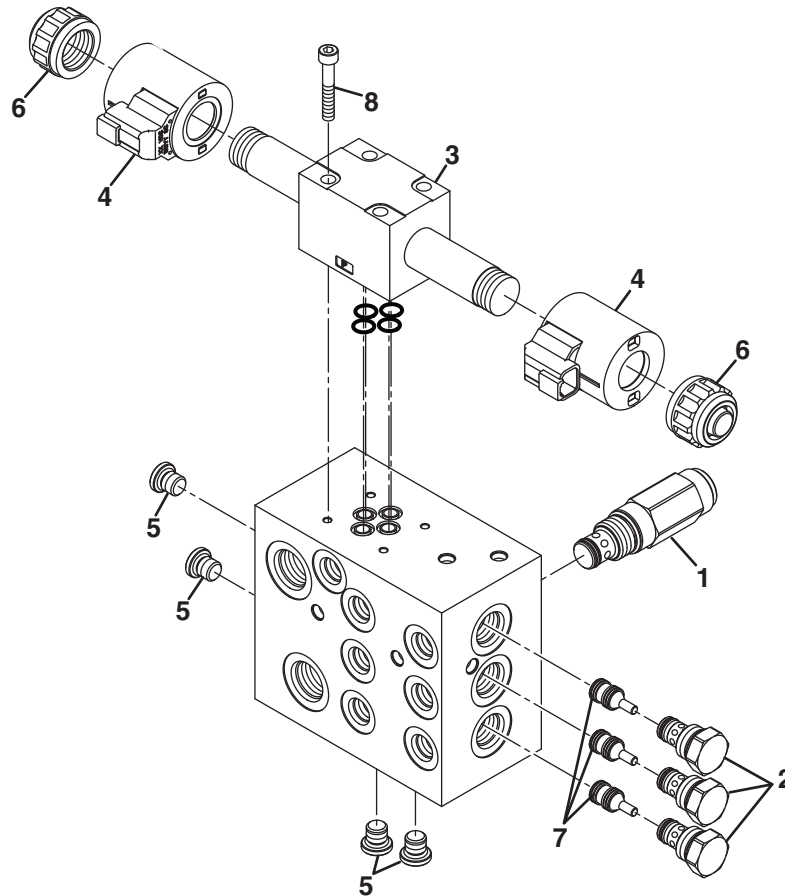


Item	Part No.	Qty.	Description	Serial Numbers/Notes
1		1	Seal Exclusion	
2		4	Seal, 3" I.D.	
3		1	Back Up Ring	
4		1	Shaft Seal	
5	5003384	1	Shaft and Bearing Kit	
6	554780	1	Key	
7	554779	1	Hex Nut	
8		1	Shaft Face Seal	
9		1	Inner Face Seal	
10		1	Outer Face Seal	
11	556450	4	Bolt	
	4178561	1	Rear Seal Kit	
	4178562	1	Front Seal Kit	

> Change from previous revision

40.1 Lift Valve

Part Number 4195081

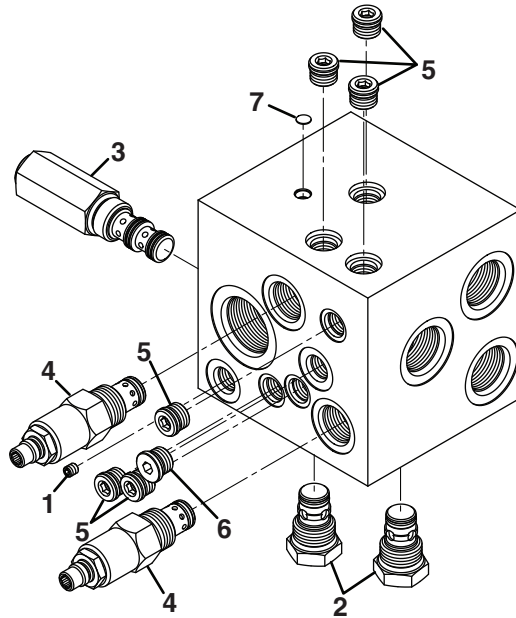


Item	Part No.	Qty.	Description	Serial Numbers/Notes
1	5003144	1	Relief Valve	REFERENCE K-5 and K-6, See 44.1
	5003579	1	• Relief Valve Seal Kit	
2	5001355	3	Pilot Operated Check Valve	
	5003578	1	• Check Valve Seal Kit	
3	4136815	1	Solenoid Valve	
	339909	4	• O-Ring	
4	4135552	2	Coil	
5	5002157	4	Plug, Port	
6	4136814	2	Nut, Coil, with "O"-Ring	
7	4154700	3	Pilot Piston	
8	4143527	4	Bolt, D03 Service Short	

> Change from previous revision

41.1 4WD Valve

Part Number 4209880



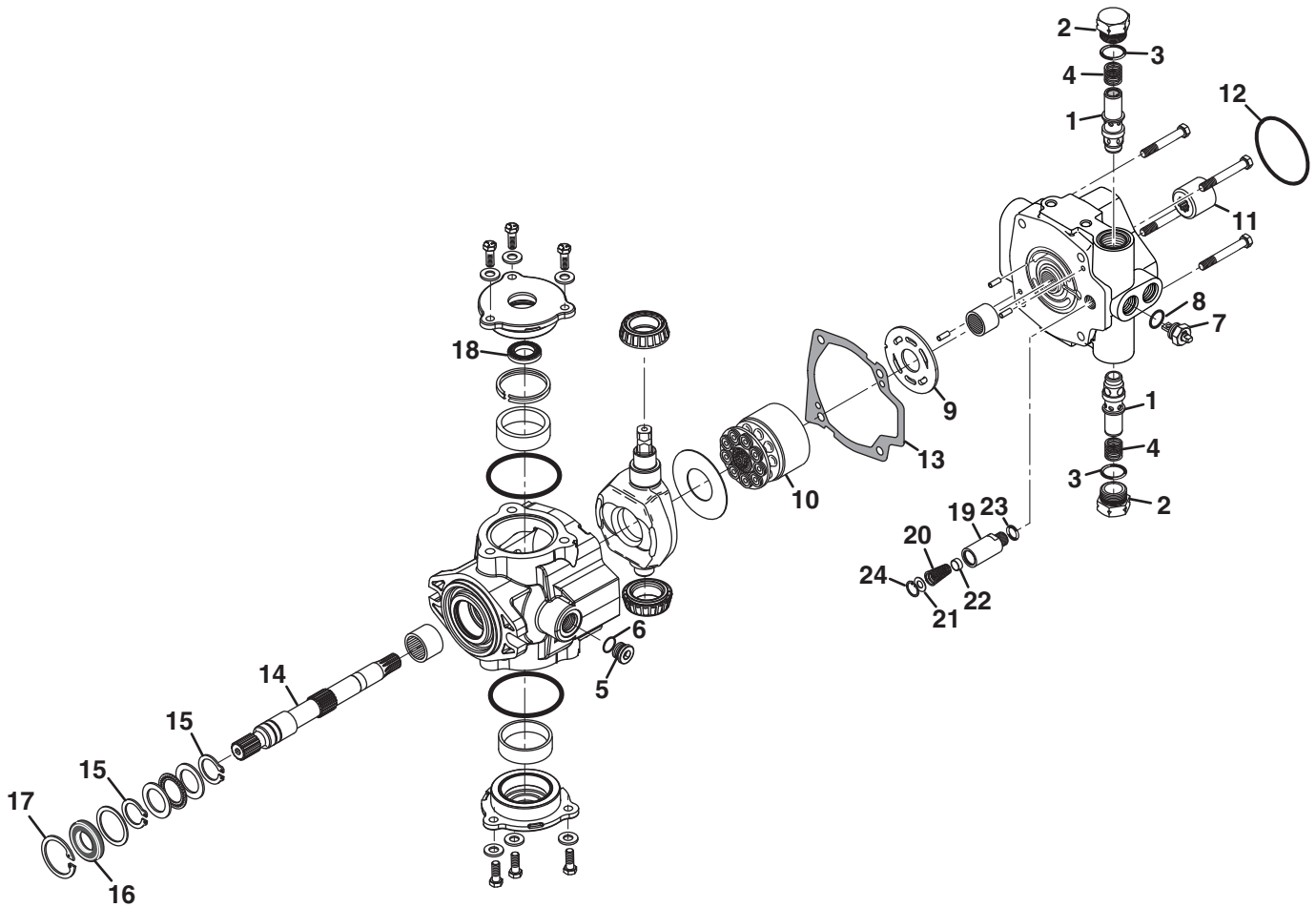
Item	Part No.	Qty.	Description	Serial Numbers/Notes
1	4216685	1	Plug, Orifice	
2	4216681	2	Check Valve	
	4219520	1	• Seal Kit	
3	4216686	1	Sequence Valve	
	4219540	1	• Seal Kit	
4	4216689	2	Relief Valve	
	4219520	1	• Seal Kit	
5	4216684	6	Plug, -6 Tapered	
6	4216683	1	Plug, -6 SAE	
7	4216461	1	Plug, 8 mm Expander	

> Change from previous revision

41.1 Traction Pump

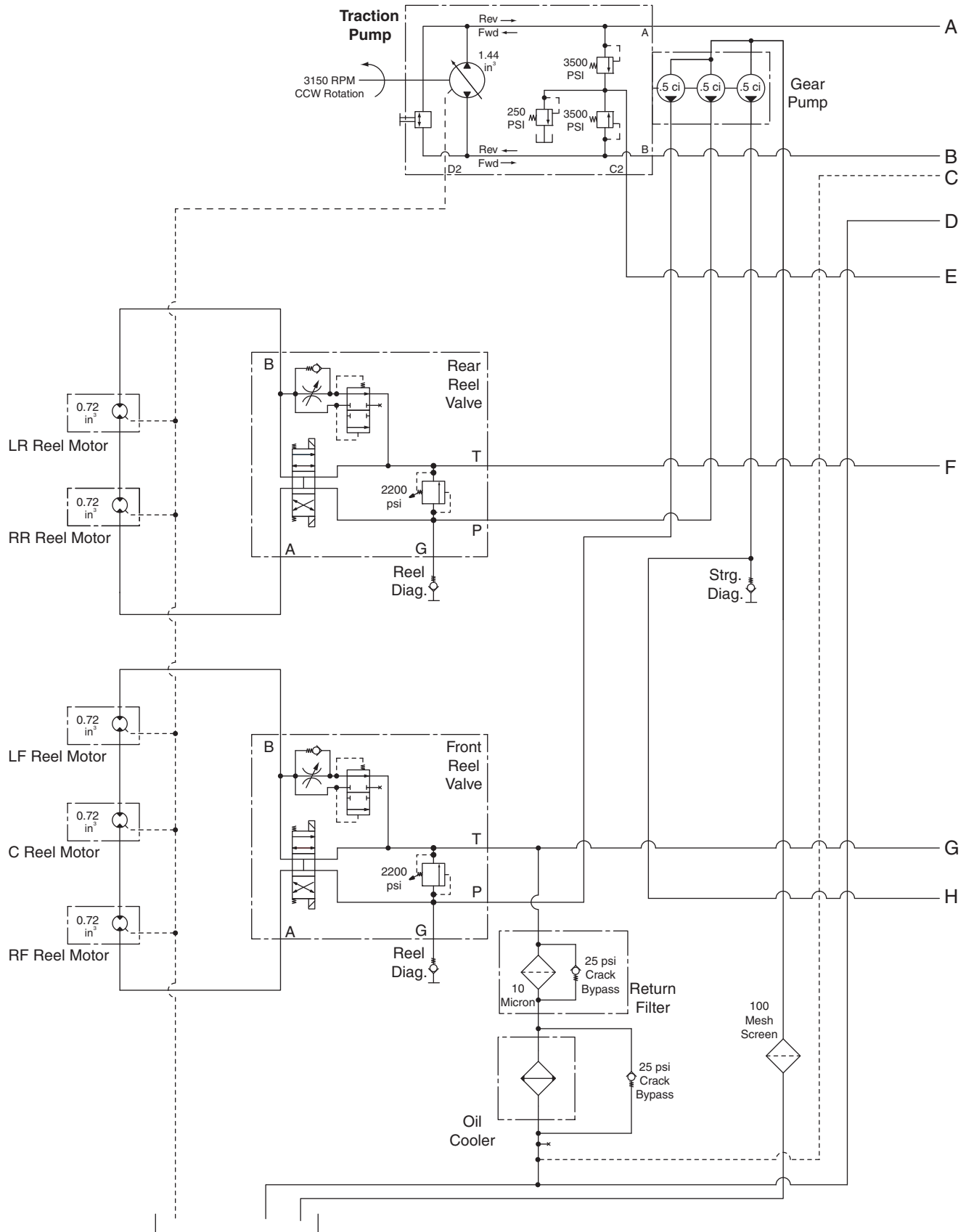
Part Number 4268015

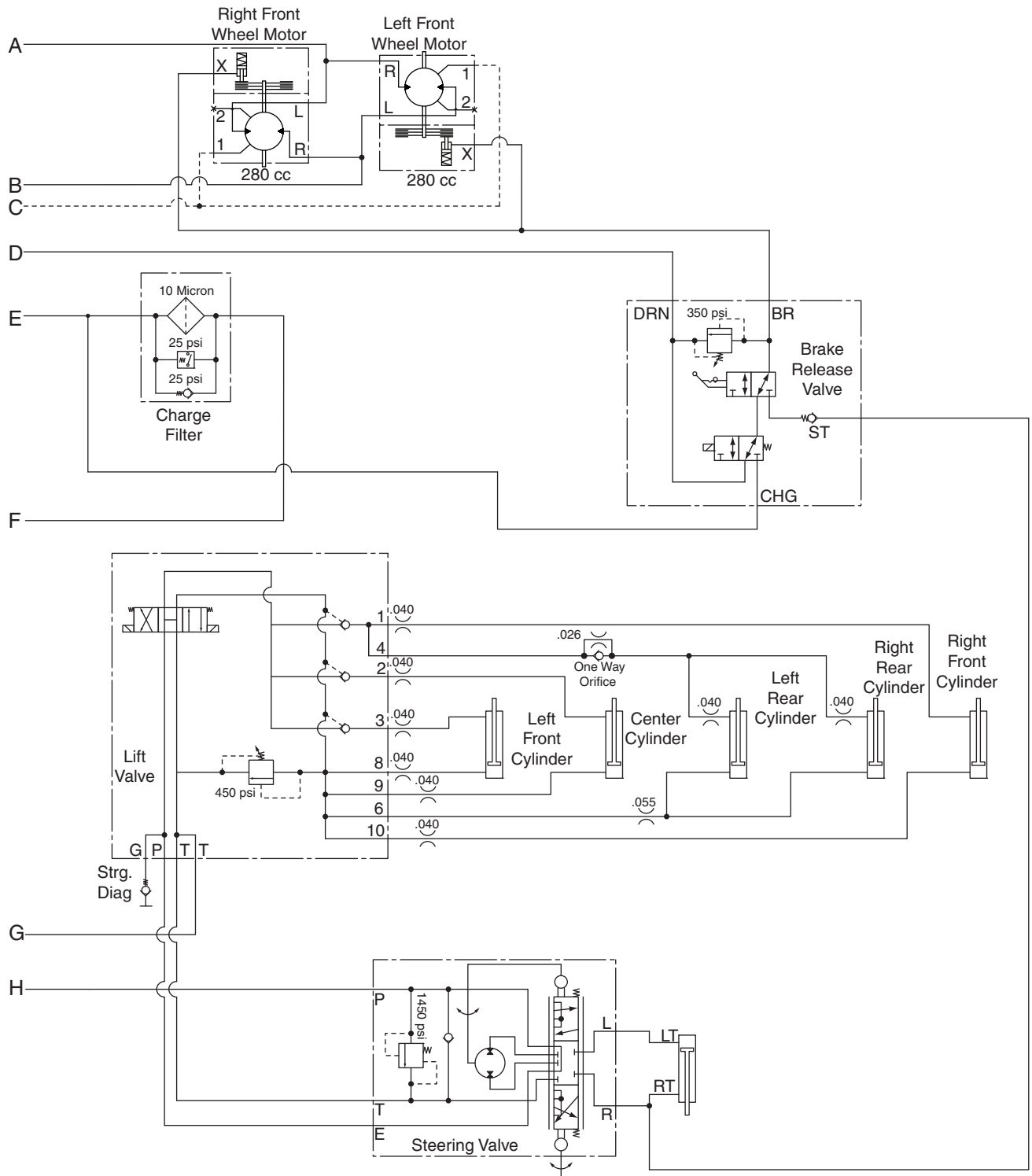
Serial No. All

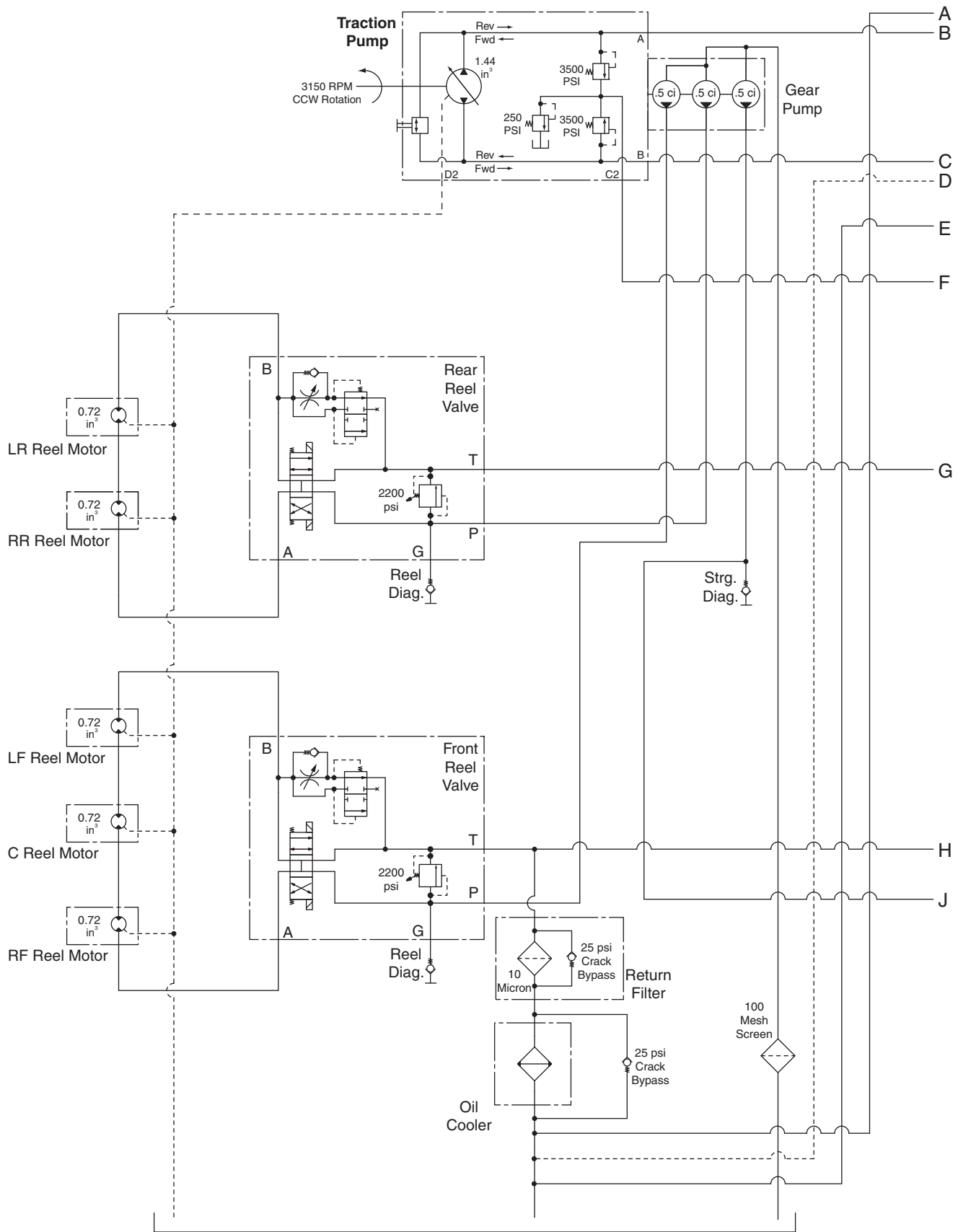


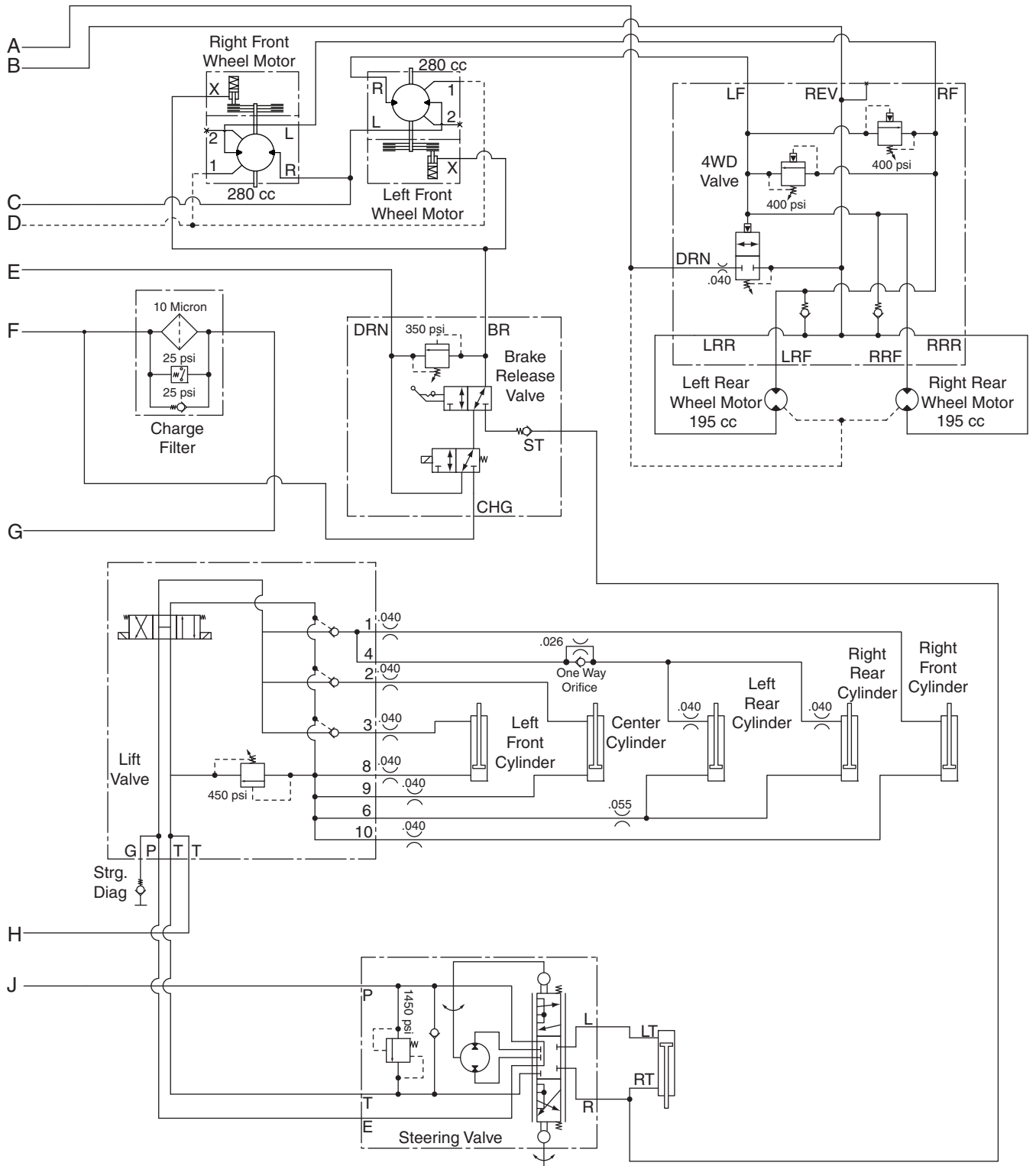
Item	Part No.	Qty.	Description	Serial Numbers/Notes
1	557445	2	Relief Valve	
2	557444	2	Plug	
● 3	N/S	1	• O-Ring	
4	557448	2	Spring, Relief Valve	
5	4162515	1	Plug, Drain Port	
● 6	N/S	1	• O-Ring	
7	557666	1	Tow Valve	
● 8	N/S	1	• O-Ring	
9	4283358	1	Valve Plate	
10	4283356	1	Rotating Group	
11	4283357	1	Coupler, Pump	
● 12	N/S	1	O-Ring, Pump	
● 13	N/S	1	Gasket, Pump	
14	4283355	1	Shaft, Pump	
● 15	N/S	2	Retaining Ring, External	
● 16	N/S	1	Seal, Shaft	
● 17	N/S	1	Retaining Ring, Internal	
● 18	N/S	1	Seal, Trunion Shaft	
19	4285411	1	Charge Relief Housing	
20	4285412	1	Spring, Relief Valve	
21	4285417	2	Washer	
22	4285415	1	Poppet, Filter Relief	
23	4285416	1	O-Ring	
24	4285414	1	Retaining Ring	
●	4283354	1	Seal Kit	

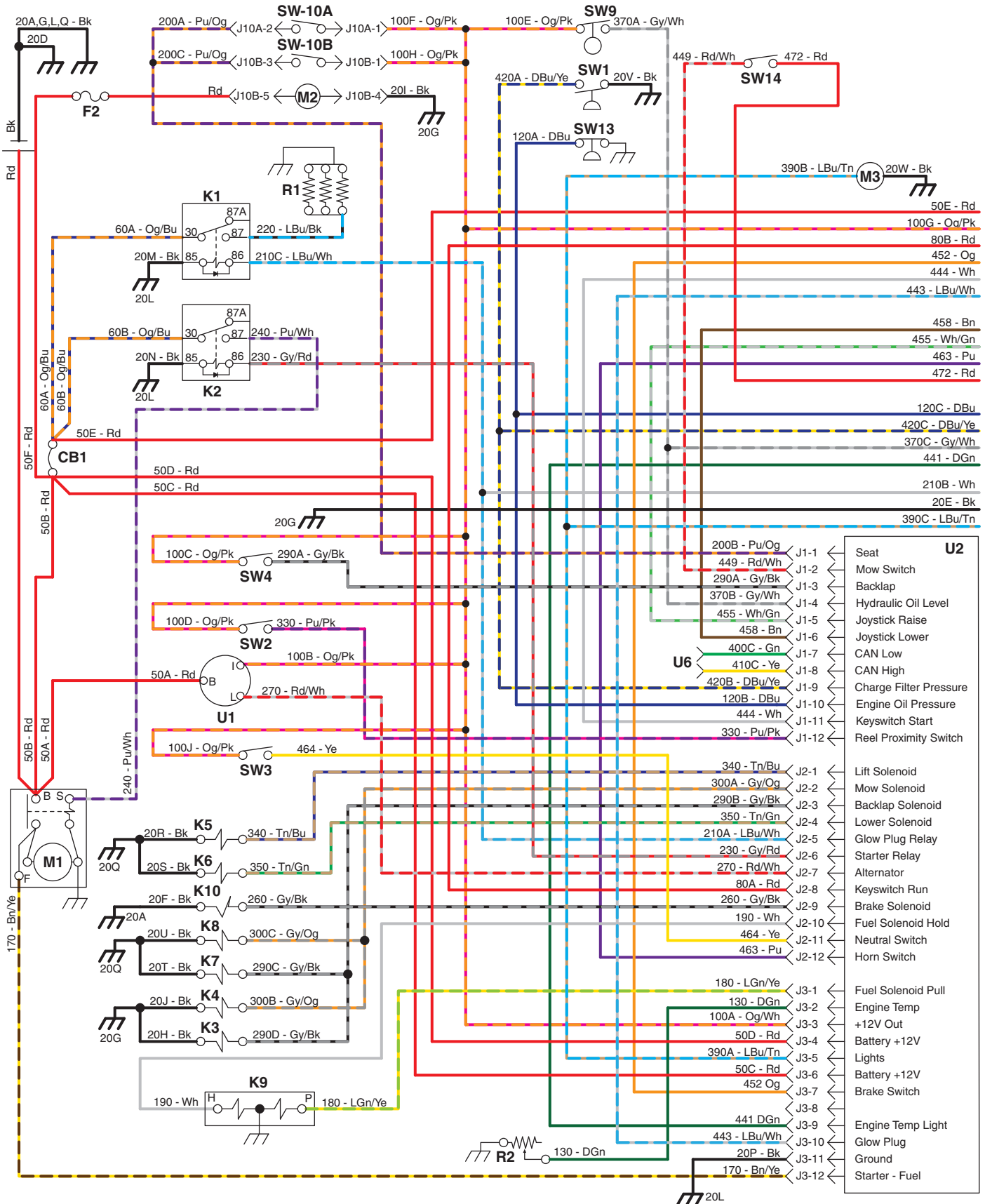
> Change from previous revision






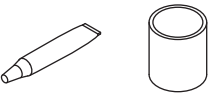
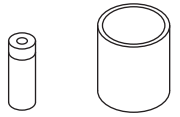
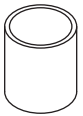
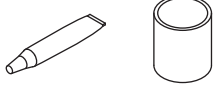

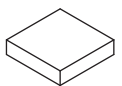






Item	Reference Illustration	Part Number	Description	Serial Numbers/Notes
B1	See 30.1	N/S	Battery	
CB1	See 30.1	361439	50 Amp Circuit Breaker (Alternator)	
F1	See 5.1	836892	10 Amp Fuse (Power Outlet)	
F2	Not Shown	836892	10 Amp Fuse (Deluxe Seat)	
K1	See 30.1	4193880	Glow Plug Relay	
K2	See 30.1	4193880	Starter Relay	
K3	See 37.1	4200060	Rear Backlap Solenoid Coil	Included in 4195041
K4	See 37.1	4135552	Rear Mow Solenoid Coil	Included in 4195041
K5	See 40.1	4135552	Lift Solenoid Coil	Included in 4195081
K6	See 40.1	4135552	Lower Solenoid Coil	Included in 4195081
K7	See 37.1	4200060	Front Backlap Solenoid Coil	Included in 4195041
K8	See 37.1	4135552	Front Mow Solenoid Coil	Included in 4195041
K9	Not Shown	2811021	Fuel Solenoid	Included in Engine
K10	See 36.1	4134532	Brake Solenoid Coil	Included in 4286672
L1	See 30.1	4123183	Left Headlight	
L2	See 30.1	4123183	Right Headlight	
L3	See 5.1	4270810	Module, Dual Engine Indicator	
M1	Not Shown	557888	Starter Motor	Included in Engine
M2	Not Shown		Deluxe Seat Motor	Included in Optional Kit
M3		4272290	Fuel Pump	
R1	Not Shown		Glow Plugs	Included in Engine
R2	See 15.1	364501	Temperature Sender	
SW1	See 22.1	556419	Hydraulic Filter Pressure Switch	
SW2	See 31.1	4125831	Right Reel Level Proximity Switch	
SW3	See 6.1	4125831	Traction Pedal Switch	
SW4	See 14.1	3006434	Back Lap Switch	
SW5	See 5.1	4283269	Ignition Switch	
SW6	See 5.1	4130133	Horn Switch	
SW7	See 5.1	4174684	Reel Switch	
SW8	See 5.1	4139764	Brake Switch	
SW9	See 17.1	3001279	Hydraulic Oil Level Switch	
SW10A	See 3.1	4136902	Seat Switch (Standard Seat)	
SW10B	Not Shown	4173566	Seat Switch (Deluxe Seat)	Included in Optional Kit
SW11	See 5.1	1004290	Joystick	
SW12	See 5.1	4130132	Light Switch	
SW13	Not Shown	554018	Engine Oil Pressure Switch	Included in Engine
SW14	See 7.1	4140149	Switch, Mow Stop	
U1	Not Shown	N/S	Alternator	Included in Engine
U2	See 30.1	4270812	Controller	
U3	See 5.1	4270810	Gauge, Fuel/Hourmeter	
U4	See 5.1	366670	Horn	
U5	See 5.1	843942	12 Volt Power Outlet	
U6	Not Shown		Diagnostic Connector	Part of Main Harness

Fluids and Compounds

Hydraulic Fluid*		
5001405	Two 2-1/2 Gallon Container of ISO VG68 Oil	
5001404	One 5 Gallon Pail of ISO VG68 Oil	
2500548	Two 2-1/2 Gallon Container of 10W30 Oil	
2500546	One 5 Gallon Pail of 10W30 Oil	
503409	Two 2-1/2 Gallon Container of ATF Fluid	
503407	One 5 Gallon Pail of ATF Fluid	
Grease		
5000067	One 5 Gallon Pail OO-Grease	
5000068	Twenty Four 8 Ounce Tube OO-Grease	
Paint		
4184140	12 Ounce Orange Aerosol Can	
838140	16 Ounce Ransomes Green Aerosol Can	
4112764	1 Quart Can Ransomes Green	
Lapping Compound		
5002488	One 10 Pound Pail of 80 Grit	
5002490	One 25 Pound Pail of 80 Grit	
5002489	One 10 Pound Pail of 120 Grit	
5002491	One 25 Pound Pail of 120 Grit	
Specialty Compound		
365422	5.3 Ounce Tube of Electrical Insulating Gel	
5001581	14 Ounce Can of Lubriplate Multi Lube A	
Biodegradable Hydraulic Fluid*		
5003102	One 55 Gallon Drum Jacobsen GreensCare 68	
5003103	One 5 Gallon Pail Jacobsen GreensCare 68	
4294332	One 55 Gallon Drum Jacobsen GreensCare 68 Plus	
4219840	One 5 Gallon Pail Jacobsen GreensCare Plus 68	
5003105	One 55 Gallon Drum Jacobsen GreensCare 46	
5003104	One 5 Gallon Pail Jacobsen GreensCare 46	
4294331	One 55 Gallon Drum Jacobsen GreensCare 46 Plus	
4219860	One 5 Gallon Pail Jacobsen GreensCare Plus 46	
4115977	One 5 Gallon Pail Jacobsen Greens Care 32	
4114701	GreensCare Bio-Flush	
5003106	Twenty Four 14 Ounce Tube Greens Care Grease	
O-Ring Kit		
5002452	SAE O-Ring Boss (3/32 ~ 2" Tube O.D.)	
5002453	Common O-Ring Kit	
5002454	O-Ring Face Seal ORFS (-4 ~ -24 ORS Tube Size)	
On-Time Maintenance Kit		
See your local Jacobsen Dealer		

* Refer to the Operator's manual or the Parts & Maintenance Manual for the correct hydraulic oil requirements for your machine. Jacobsen offers a High Usage Parts Catalog illustrating commonly used Parts through easy to read line Drawings. See your local Jacobsen Dealer for a copy.

INDEX

008008460.....	19	3001965.....	31	322847.....	25	340142.....	47
1000480.....	71	3002098.....	7	326112.....	31	340143.....	61
1000770.....	73	3002195.....	31	336962.....	71	340215.....	43, 45, 49
1002031.....	23	3002397.....	37	337317.....	61	340263.....	61
1002032.....	23	3002862.....	31	338735.....	73	340274.....	63
1002154.....	35, 53, 57, 63	3003110.....	53, 57, 65	339896.....	47, 49, 53, 55, 57	340288.....	55
1002498.....	69	3003474.....	15	33989747.....	49, 53, 57, 59,	340292.....	53
1003334.....	63	3003475.....	15	61	340377.....	47
1003339.....	59	3003928.....	9	33989841.....	43, 45, 55, 57,	345510.....	73
1003340.....	59	3004523.....	33	63	345671.....	31, 65
1003359.....	69	3005871.....	37, 41, 51	33989937.....	43, 45, 47, 49,	348856.....	35
1003360.....	69	3005872.....	37	53, 57, 59, 61	352435.....	29, 74
1003992.....	41	3005936.....	35	33990041.....	43, 45, 47, 53,	352726.....	15
1004279.....	9	3006097.....	31	57	352737.....	73
1004290.....	13, 90	3006243.....	37	339901.....	41, 47, 49, 51, 57	353190.....	61
1004786.....	71	3006327.....	15	339903.....	41	353914.....	25
108138-04.....	59	3006332.....	37	33990823.....	41, 43, 45, 47,	354080.....	43
117139.....	23	3006434.....	31, 90	49, 51, 53, 57, 63	354807.....	23
123015.....	39, 49, 57	3006539.....	69	33990943.....	45, 47, 49, 51,	358794.....	69
132647.....	37	3006797.....	33	53, 55, 57, 59,	359615.....	31
153234.....	23	3006873.....	7	61, 63, 77, 80	360111.....	19, 23, 25
163892.....	71	3007558.....	37, 63, 67	339910.....	59, 63	361064.....	65
2000012.....	25	3007609.....	9	339911.....	47, 49, 53, 55, 57	361117.....	37
2000057.....	25	3007610.....	9	33991243.....	45, 47, 49, 51,	361439.....	67, 90
2000065.....	73	3007777.....	67	53, 57, 61	361451.....	25
2500175.....	15	3007798.....	69	33991341.....	43, 45, 47, 51,	361647.....	23, 25
2500477.....	69	3007889.....	35	53, 61	361648.....	23, 25
2809634.....	35	3007941.....	17	339915.....	41	361689.....	41, 51
2809856.....	35	3007989.....	69	339921.....	43	361748.....	37
2810116.....	29	3008120.....	35	339961.....	43, 45, 49	362263.....	33, 35
2810165.....	71	3008195.....	7, 9	339972.....	49	362535.....	31
2810166.....	71	3008199.....	73	339977.....	49, 53, 57	362743.....	35
2810213.....	33, 67	3008200.....	73	339979.....	47, 49, 59, 61	362819.....	33
2810346.....	33	3008383.....	15	339980.....	43, 45	362824.....	69
2810424.....	33	3008385.....	35	339985.....	59	362986.....	17
2810640.....	67	3008386.....	33, 35	339989.....	47, 53, 57	363030.....	53, 57, 59, 63
2810702.....	37	3008432.....	69	339990.....	53	363485.....	33, 35
2811021.....	90	3008521.....	5	339993.....	43, 45, 61	363586.....	33, 35
2811255.....	39, 49, 57	3008593.....	74	339994.....	47	364190.....	41, 65
2811364.....	27	3008673.....	41, 51	339996.....	57	36422143.....	45, 49, 61, 63,
2811365.....	27	3008683.....	5	339998.....	43, 45	65
2811547.....	27	3008930.....	5	339999.....	47, 51	364248.....	69
2812075.....	41	3009193.....	17	340005.....	61	364501.....	33, 90
2812269.....	23	3009210.....	7	340011.....	49	364900.....	71
2812270.....	23	3009272.....	61, 65	340022.....	49	364945.....	63
2812273.....	61	3009378.....	23	340025.....	49, 55	365033.....	27, 35
2822504.....	53, 57	3009490.....	69	340033.....	57	365398.....	31
3000698.....	75	3010296.....	71	340034.....	47	365466.....	53, 57, 59
3000983.....	75	3010489.....	23, 25	340055.....	47	365566.....	43, 45
3001279.....	37, 90	302405.....	17	340061.....	59	365959.....	41
3001296.....	41	304745.....	71	340069.....	49, 55, 57	365976.....	37
3001388.....	31	306975.....	7	340070.....	47, 53	366670.....	90
3001654.....	75	308404.....	15, 69	340071.....	57	366715.....	15
3001655.....	75	310182.....	17	340077.....	51	366789.....	23, 25
3001656.....	75	311870.....	74	340090.....	41	366811.....	53, 57, 65
3001762.....	75	315298.....	71	340091.....	41	366870.....	19

INDEX

366884.....	33 61, 63, 65	4174684.....	13, 90	4216621.....	57
366974.....	15, 35, 74	409812.....	9	4216622.....	57	
367028.....	43, 45, 65	409952.....	13	4216624.....	57	
367350.....	25	4105980.....	77	4216625.....	57	
367458.....	31	4113047.....	19	4216640.....	53, 57	
367512.....	35	4114532.....	76	4216681.....	81	
38020-01.....	15	4117468.....	5	4216683.....	81	
400050.....	71	4118210.....	25	4216684.....	81	
400051.....	71	4120536.....	61	4216685.....	81	
400052.....	71	4121563.....	35	4216686.....	81	
400053.....	71	4121828.....	25	4216689.....	81	
400057.....	19	4121829.....	25	4217160.....	61	
400065.....	71	4121986.....	25	4217161.....	61	
400066.....	19	4122840.....	67	4217280.....	29	
400102.....	29	4123183.....	67, 90	4217282.....	29	
400104.....	71	4124166.....	33	4217400.....	51, 53, 61	
400106.....	39	4124204.....	25	4217620.....	27	
400108 29, 33, 37, 39, 65		4124647.....	51	4217621.....	9	
400110.....	73	4125831.....	15, 69, 90	4217701.....	53	
400112.....	37	4127335.....	73	4218020.....	53	
400114.....	15, 65	4127340.....	29	4218021.....	53	
400116.....	17, 29, 65	4128888.....	90	4218022.....	53	
400118.....	53, 63, 65	4130132.....	13, 90	4218406.....	53	
400182.....	15	4130133.....	13, 90	4218418.....	53	
400184.....	73	4130360.....	7	4218419.....	53	
40018815, 19, 31, 33, 41, 65, 67		4131299.....	13	4219520.....	81	
400190.....	15	4131663.....	5	4219540.....	81	
400192.....	15, 25, 35, 71	4135552.....	77, 80, 90	4222229.....	9	
400194.....	17, 23, 25	4136366.....	67	4222560.....	37	
400200.....	67	4136814.....	77, 80	4224140.....	90	
400216.....	27	4136815.....	77, 80	4225220.....	13	
400258..9, 19, 39, 63, 65		4137607.....	47	4227040.....	47	
400262.....	7	4137608.....	47	4228801....	19, 43, 45, 49	
400264 15, 31, 35, 65, 73		4139436.....	9	4229520.....	19	
400266.....	35	4139450.....	9	4229521.....	19	
400268.....	74	4139764.....	13, 90	4233120.....	29, 33	
400270.....	35	4140094.....	19	4235060.....	67	
400272.....	15, 69	4140149.....	17, 90	4236021.....	23, 25	
400274.....	33	4141925.....	25	4236060.....	19	
400276.....	69	4143172.....	77	4236061.....	23, 25	
400340.....	35	4143527.....	77, 80	4237103.....	90	
400370.....	21	4148857.....	41	4237183.....	9	
400404.....	7	4150539.....	13	4237302.....	19	
400406.....	25, 35	4154700.....	80	4237504.....	37	
400410.....	25	4156925.....	13	4237622.....	37	
402066.....	17, 67	4162515.....	83	4238043.....	37	
403740.....	33	4168402.....	9	4239882.....	29	
403751.....	9, 31	4168562.....	13	4240022.....	59	
403769.....	37	4168563.....	13	4240023.....	59	
403770.....	35, 73	4168564.....	13	4240024.....	59	
403908.....	37	416911.....	27	4240025.....	59	
403910.....	37, 67	4170623.....	69	4240182.....	59	
404016.....	27, 37	4170624.....	69	4240183.....	59	
409804.....	67	4170625.....	69	4241042.....	9	
40981133, 39, 43, 45, 59,		4170626.....	69	4241202.....	61	
		4170627.....	69	4243304.....	19	

INDEX

4244263.....	53	4268032.....	57	4283357.....	83	443128.....	19
4244264.....	57	4268033.....	17	4283358.....	83	443812.....	15, 35, 74
4244403.....	39	4268041.....	31	4283652.....	13	443828.....	27
4244422.....	19	4268043.....	45	4283653.....	13	443840.....	23, 25
4244543.....	47	4268044.....	63	4283654.....	13	444302.....	15, 69
4244650.....	69	4268045.....	63	4284512.....	83	444304.....	13
4244669.....	65	4268064.....	15	4284831.....	19	444306.....	17, 67
4247310.....	9	4268065.....	57	4284892.....	13	444310.....	67
4247312.....	7, 27	4268066.....	45, 47	4284894.....	13	444708.....	53, 57, 65, 71
4250810.....	19	4268372.....	33	4285042.....	31	444718.....	15, 23, 25, 29
4251531.....	43, 45	4268373.....	33	4285314.....	33	444762.....	35, 65, 69
4251534.....	19	4268417.....	33	4285318.....	19	444794.....	17
4251541.....	43, 45	4268426.....	9	4285371.....	67	445245.....	27
4251543.....	43, 45	4268834.....	9	4285411.....	83	445647.....	23
4251559.....	43	4269056.....	35	4285414.....	83	445664.....	23
4251563.....	19	4269550.....	9	4285415.....	83	445666.....	23
4251621.....	45, 47	4269711.....	17	4285416.....	83	445672.....	25
4251624.....	45, 47	4269856.....	39	4285417.....	83	445710.....	23
4252432.....	25	4270227.....	67	4285418.....	7	445770.....	29, 63, 65
4252433.....	25	4270330.....	11	4285471.....	9	445781.....	17, 31, 35
4252470.....	71	4270810.....	13, 90	4285491.....	17	445784.....	37
4253491.....	27	4270811.....	13	4285492.....	35	445794.....	33, 65
4253599.....	53	4270812.....	67, 90	4285493.....	15, 35	445795.....	9, 11, 15, 19, 27,
4253600.....	53	4270850.....	31, 51	4285512.....	31	33,	41, 65, 67,
4255270.....	7, 27, 35	4271774.....	23, 25, 63	4285531.....	7	71,	73
4255754.....	71	4271912.....	7	4285551.....	7	445796.....	15, 31, 35, 65, 67
4256226.....	71	4272290.....	37, 90	4286672.....	39, 49	445799.....	35
4256227.....	71	4272553.....	5	4286673.....	76	445801.....	75
4256228.....	71	4272554.....	5	4286674.....	76	446102.....	15, 69
4256229.....	71	4272890.....	31	4286675.....	76	446110.....	17
4256230.....	71	4274293.....	39, 51	4286676.....	76	446112.....	67
4256231.....	71	4276851.....	23, 25, 63	4286677.....	76	446118.....	7, 37, 67
4256232.....	71	4279091.....	35	4287312.....	59, 61	446128.....	15, 39
4256233.....	71	4279172.....	49	4287313.....	61	446130.....	39, 71
4256510.....	27	4279173.....	49	4287771.....	7	446134.....	19, 33
4256511.....	15, 27	4279174.....	49	4288575.....	9	446136.....	15, 25, 29, 33, 35
4257171.....	9	4279175.....	49	4291232.....	13	446140.....	7, 31, 33
4257812.....	21	4279176.....	43, 45	4292111.....	9	446142.....	9, 19, 35, 39, 63,
4260430.....	53, 57	4279177.....	43, 45	4292951.....	21	65,	74
4260431.....	53	4279178.....	43, 45	4294518.....	5, 21	446148.....	21, 35
4265171.....	5	4279179.....	43, 45	4296871.....	17	446154.....	7, 21, 25, 35
4266292.....	31	4279187.....	49	4299891.....	15	447214.....	33
4267400.....	13	4279188.....	43, 45, 47, 49,	4304555.....	33	447224.....	27
4267770.....	31	51		434003.....	29	450152.....	7
4267773.....	33	4279291.....	31	440042.....	15	450168.....	27
4267774.....	33	4279811.....	31	441602.....	9, 17, 19, 29	450192.....	33
4267775.....	35	4280151.....	15	441614.....	17, 19, 27	450321.....	13
4268015.....	15, 35, 43, 45,	4280292.....	15	441677.....	27	450322.....	7
49		4280951.....	9	441687.....	11	450323.....	31
4268016.....	35	4281040.....	15	443102.....	15	450387.....	13
4268021.....	43, 45	4282931.....	5	443106.....	25, 29, 35	450390.....	27
4268022.....	41, 53, 57	4283269.....	13	443110.....	33, 63, 65, 74	450399.....	31
4268023.....	49	4283276.....	13	443112.....	35	450408.....	13
4268025.....	51	4283354.....	83	443114.....	35	450410.....	27, 31
4268027.....	15, 35	4283355.....	83	443118.....	7, 35	450411.....	27
4268028.....	19	4283356.....	83	443120.....	23	450453.....	33

INDEX

452004..9, 15, 29, 57, 65	5003384..... 79
452006..... 19, 31, 33, 73	5003460..... 33
452008....7, 9, 15, 31, 33	5003578..... 76, 80
452016..... 19	5003579..... 76, 77, 80
452022..... 23, 25	5003589..... 78
452380..... 9	5003688..... 78
452390..... 33	5003769..... 9
452418..... 15, 27	500534..... 71
453004..... 67, 69	500596..... 23
453009..... 29, 71	545692..... 23
453011..... 73	548458..... 7
453017..... 7, 74	548804..... 27
453020..... 35	550463..... 67
453023..... 33, 39	550489..... 67
455004..... 69	550863..... 31
458013..... 71	553020..... 35
460008..... 71	554018..... 90
460026..... 23, 25	554329..... 23
460028..... 25	554663..... 35
460032..... 25	554748..... 31, 37
460050..... 23	554752..... 37
460064..... 23, 25	554779..... 25, 79
460312..... 74	554780..... 25, 79
461393..... 23, 25	554988..... 33
461397..... 74	556417..... 39, 49, 57
461409..... 69	556419..... 39, 49, 57, 90
461465..... 15	556858..... 76
471214 15, 23, 25, 69, 71	557367..... 31
471227..... 23, 25	557374..... 31
471240..... 71	557444..... 83
473142..... 13, 53, 57, 59	557445..... 83
473211..... 11	557448..... 83
48540-01..... 31, 37	557666..... 83
5000465..... 21	557772..... 51
5000625..... 75	557844..... 5, 21
5000919..... 31	557888..... 90
5000920..... 31	558012..... 19
5000921..... 31	558021..... 33
5001065..... 77	558450..... 79
5001301..... 67	64168-2..... 15
5001309..... 67	64205-054..... 27
5001355..... 80	64209-01..... 29
5001947..... 67	64251-001..... 17
5002151..... 71	800440..... 15, 69
5002157..... 77, 80	800547..... 33
5002910..... 23	800697..... 17
5002918..... 27	800943..... 9
5002919..... 27	819165..... 13
5002952..... 5, 21	822529..... 7
5003036..... 35	831053..... 9
5003053..... 71	836892..... 13, 90
5003054..... 71	838363..... 5
5003080..... 77	843942..... 13, 90
5003144..... 80	845027..... 5, 21
5003282..... 67	845279..... 78
5003374..... 37	885249..... 39

World Class Quality, Performance And Support

Equipment from Jacobsen is built to exacting standards ensured by ISO 9001 and ISO 14001 registration at all of our manufacturing locations.

A worldwide dealer network and factory trained technicians backed by Genuine Jacobsen Parts provide reliable, high-quality product support.



When Performance Matters.™

CUSHMAN JACOBSEN RANSOMES