



Parts Manual

Super LF 1880™ Fairway Mower with ROPS

68007 – Kubota® D1105-E4B, 2WD

68008 – Kubota® D1105-E4B, 4WD

WARNING

Warning: If incorrectly used, this machine can cause severe injury. Those who use and maintain this machine should be trained in its proper use, warned of its dangers, and must read the entire manual before attempting to set up, operate, adjust, or service the machine.

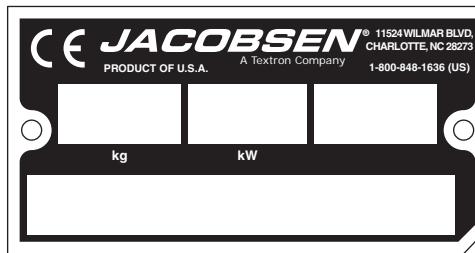
FOREWORD

This manual contains adjustment, maintenance, troubleshooting instructions, and parts list for your new Jacobsen mower. This manual should be stored with the mower for reference during operation.

Before you operate your mower, you and each operator you employ should read the manual carefully in its entirety. By following the safety, operating, and maintenance instructions, you will prolong the life of your mower and maintain its maximum efficiency.

If additional information is needed, contact your Jacobsen Dealer.

The serial plate is located on the left rear frame rail. Jacobsen recommends you record these numbers below for easy reference.



Suggested Stocking Guide

To Keep your mower fully operational and productive, Jacobsen suggests you maintain a stock of the more commonly used maintenance items. We have included part numbers for additional support materials and training aids.

To order any of the following material:

1. Write your full name and complete address on your order form.

2. Explain where and how to make shipment:

- UPS Regular Mail
 Overnight 2nd Day

3. Order by the quantity desired, the part number, and the description of the part.

4. Send or bring the order to your authorized Jacobsen Dealer.

Service Parts

Qty.	Part No.	Description	Qty.	Part No.	Description
	2810346	Engine Oil Filter		5002892	Hydraulic Return Filter
	5000919	Element, Engine Air Filter		2811255	Hydraulic Charge Filter
	550489	Element, Engine Fuel Filter			

Service Support Material

Qty.	Part No.	Description
	4160165	Safety & Operation Manual
	4304637	Parts & Maintenance
	4102141	Video, Operator Training
	4304579	Diesel Engine Parts Manual

Qty.	Part No.	Description
	4171721	Service Manual

Proposition 65 Warning

This product contains or emits chemicals known to State of California to cause cancer and birth defects or other reproductive harm.

These are the original instructions verified by Jacobsen, A Textron Company

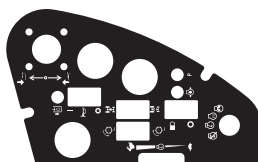
© 2014, Jacobsen, A Textron Company/Textron Innovations Inc.
 All rights reserved, including the right to reproduce this material or portions thereof in any form.

1.1	Decals	4
2.1	Body Components	6
3.1	Seat and ROPS	8
4.1	Instrument Panel	10
5.1	Traction Pedal and Linkage	12
6.1	Parking Brake	14
7.1	Frame and Front Axle	16
8.1	Steering Tower	18
9.1	2WD Steering	20
10.1	4WD Steering	22
11.1	Steering Axle Mounting	24
12.1	Air Cleaner	25
13.1	Radiator and Oil Cooler	26
14.1	Engine	28
15.1	Engine Exhaust	30
16.1	Hydraulic and Fuel Tanks	32
17.1	Hydraulic Filters and Valves	34
18.1	Tank and Filter Hydraulics	36
19.1	Traction Hydraulics	38
20.1	Front Lift Hydraulics	40
21.1	Rear Lift Hydraulics	41
22.1	Reel Hydraulics	42
23.1	Steering Hydraulics	44
24.1	Return Hydraulics	46
25.1	Hydraulic Clamping	48
26.1	Battery Tray	50
27.1	Electrical Box Mounting	51
28.1	Electrical Box	52
29.1	Harness Routing	54
30.1	Front Lift Arms	56
31.1	Rear Lift Arms	58
32.1	Outer Reel	60
33.1	Inner Reel	62
34.1	Rear Roller	64
35.1	Down Pressure	65
36.1	Front Wheel Motor	66
37.1	Rear Wheel Motor	67
38.1	Steering Cylinder	68
39.1	Lift Cylinder	69
40.1	Reel Valve	70
41.1	Lift Valve	71
42.1	4WD Valve	72
43.1	Traction Pump	73
44.1	Main Case and Input Shaft	74
45.1	Valve Plate and Charge Pump	76
46.1	Electrical Schematic	78
47.1	Hydraulic Schematic	82

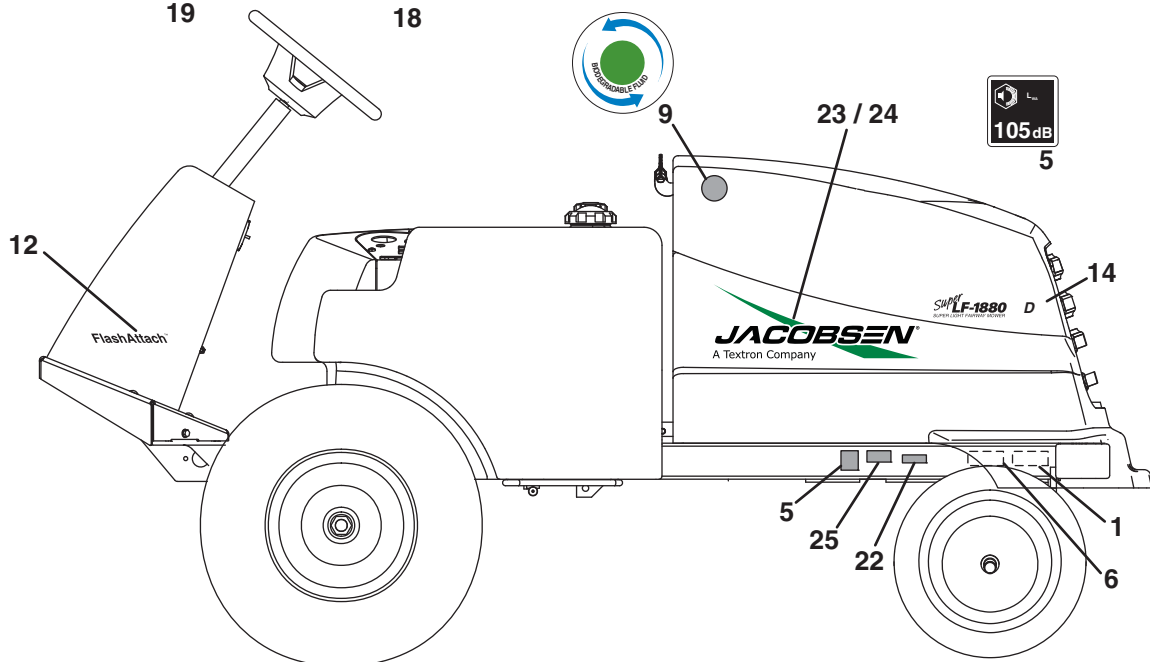
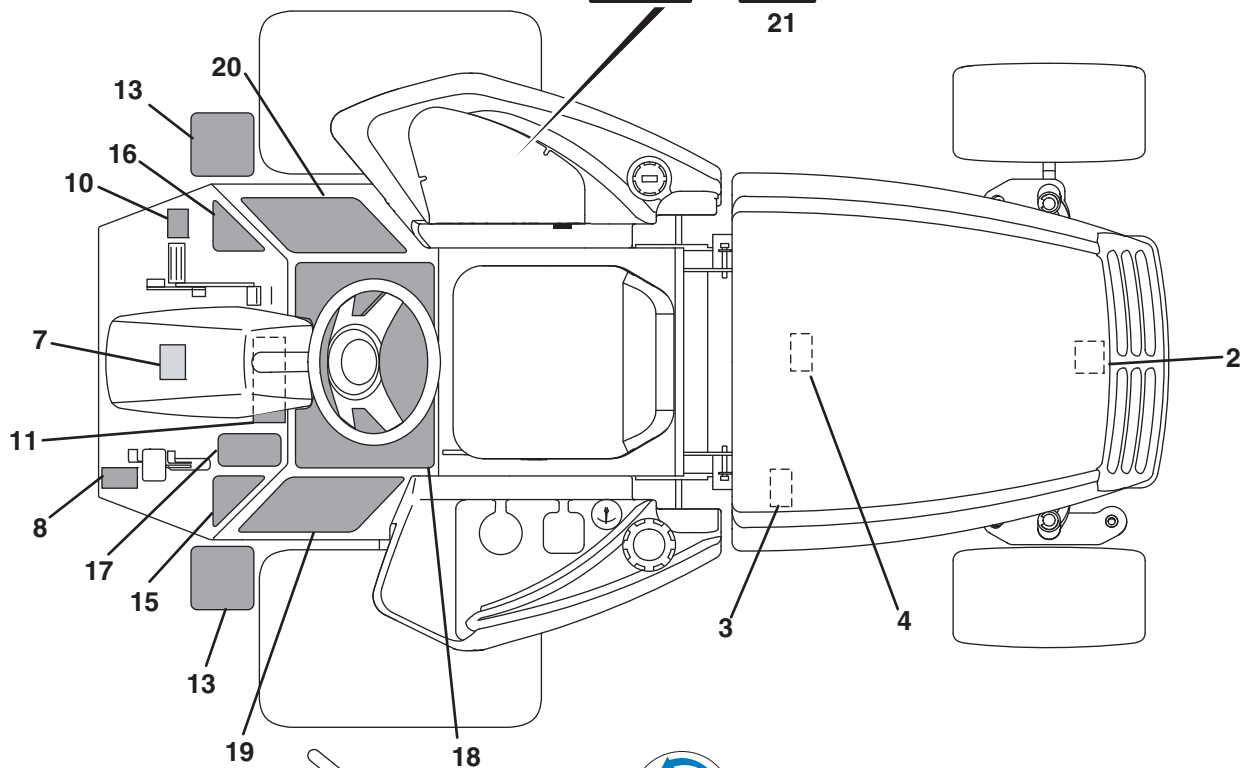
1.1 Decals



11



21

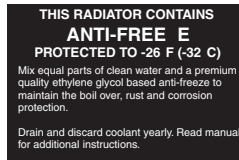




1



2



3



4



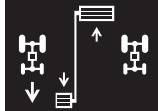
6



7



8



10

FlashAttach™

12

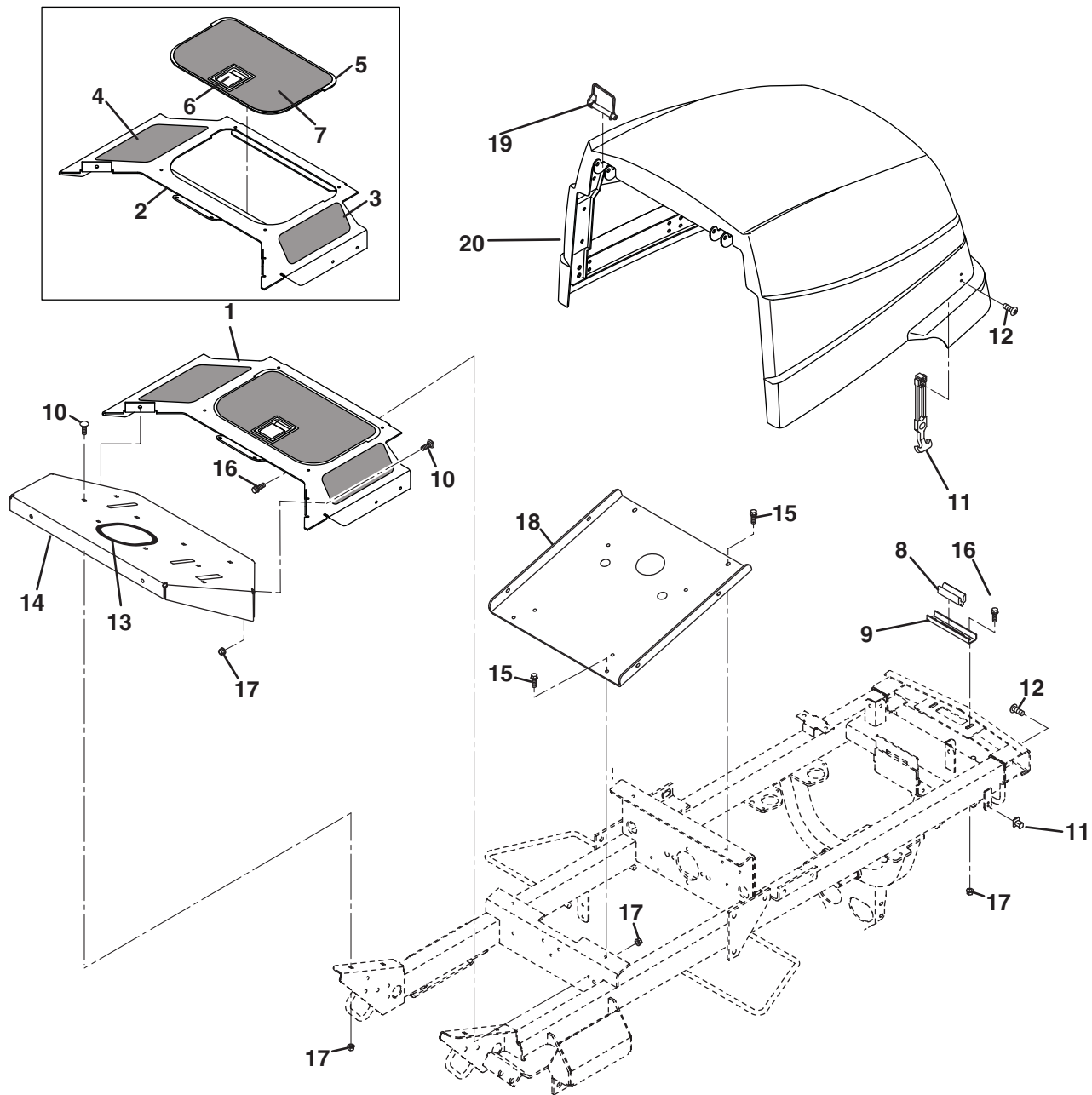


25

Item	Part No.	Qty.	Description	Serial Numbers/Notes
1	4181861	1	Decal, Starting Fluids	Located on frame near air cleaner
2	4181864	1	Decal, Battery Danger	Located on battery strap
3	363995	1	Decal, Anti-Freeze	Located on left side of radiator
4	4181862	1	Decal, Radiator Warning	Located on top of radiator
5	4117468	1	Decal, Noise 105 Db	
6	4181860	2	Decal, Read Manual	
7	4182386	1	Emblem, Jacobsen	
8	3008004	1	Decal, Brake	
9	4111408	2	Decal, 2-1/2" Biofluid	
10	3008521	1	Decal, Traction Pedal	
11	4181865	1	Decal, Instruction	
12	3008930	2	Decal, Flash Attach	
13	4117791	2	Pad, Step	
14	4118842	2	Decal, Super LF 1880 4WD	Remove 4WD Portion for 2WD Units
15	3006516	1	Pad, L.H. Platform	
16	3006517	1	Pad, R.H. Platform	
17	3006515	1	Pad, Center Platform	
18	4197482	1	Pad, Center Floorboard	
19	3006513	1	Pad, L.H. Floorboard	
20	3006514	1	Pad, R.H. Floorboard	
21	4101284	1	Decal, Instrument Panel	
22	REF	1	Serial Plate	
23	4179662	1	Decal, LH Stripe	Included with Hood
24	4179663	1	Decal, RH Stripe	Included with Hood
25	4194324	1	Decal, Patent	

> Change from previous revision

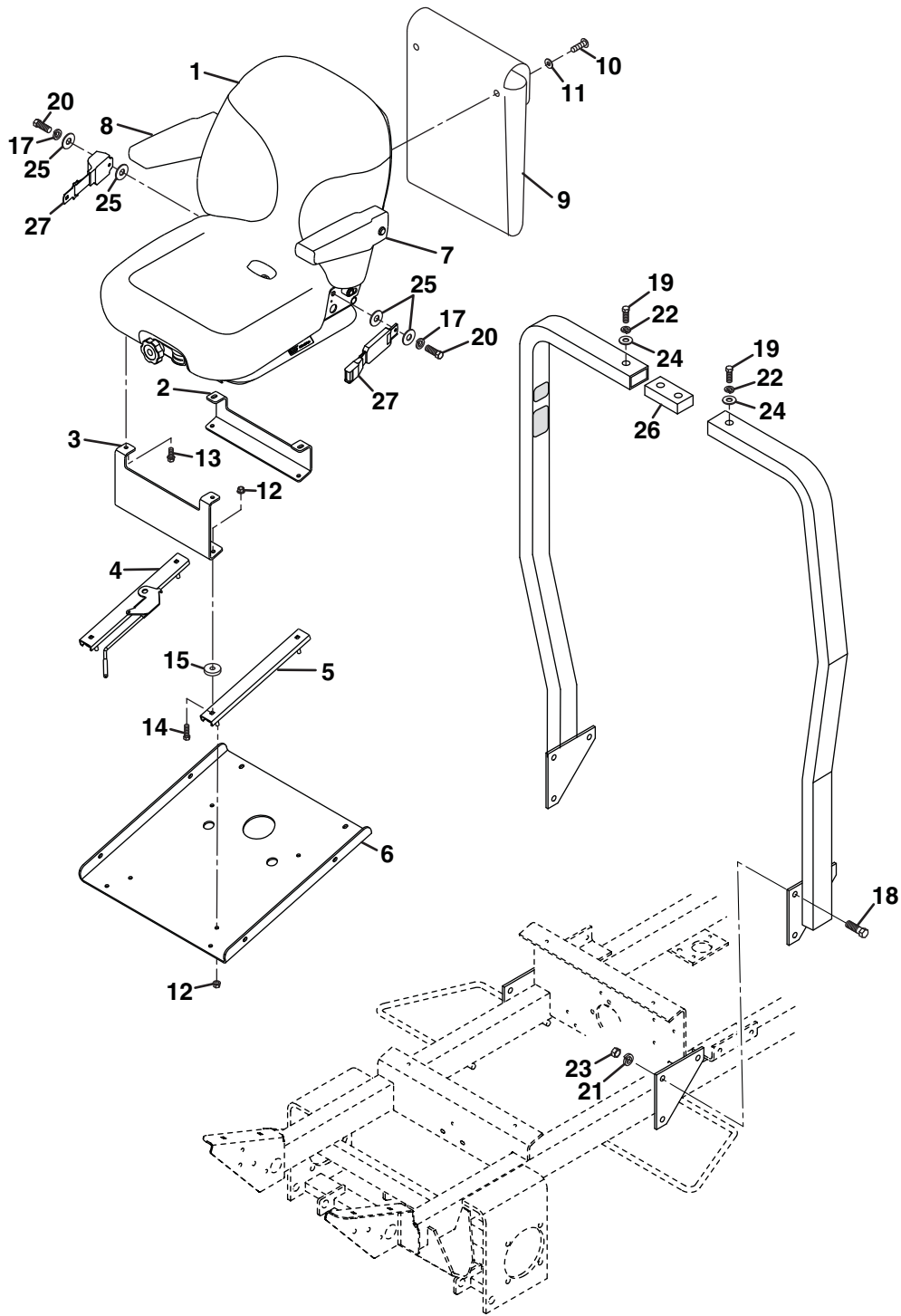
2.1 Body Components



Item	Part No.	Qty.	Description	Serial Numbers/Notes
1	4205760	1	Floorboard Assembly	
2	4205780	1	• Floorboard	
3	3006513	1	• • Pad, Left Side Floorboard	
4	3006514	1	• • Pad, Right Side Floorboard	
5	4197483	1	• Floor Plate	
6	4123723	1	• • Latch	
7	4197482	1	• • Pad, Floor Plate	
8	3006571	1	Extrusion, Hood Closure	
9	4116780	1	Channel, Mounting	
10	441602	6	Carriage Bolt, 5/16-18 x 3/4"	
11	1001758	2	Latch, Flexible Draw	
12	403910	6	Screw, #10-24 x 1/2" Truss Head	
13	557620	AR	Molding (Cut to 9 in.)	
14	4102681	1	Platform	
15	409812	4	Screw, 5/16-18 x 3/4" Thread Cut	
16	403770	2	Screw, 5/16-18 x 3/4" Hex Flange	
17	445781	8	Nut, 5/16-18 Whiz-Lock	
18	3005650	1	Seat Pan	
19	3007798	2	Lock Pin	
20	4260412	1	Hood Assembly	

> Change from previous revision

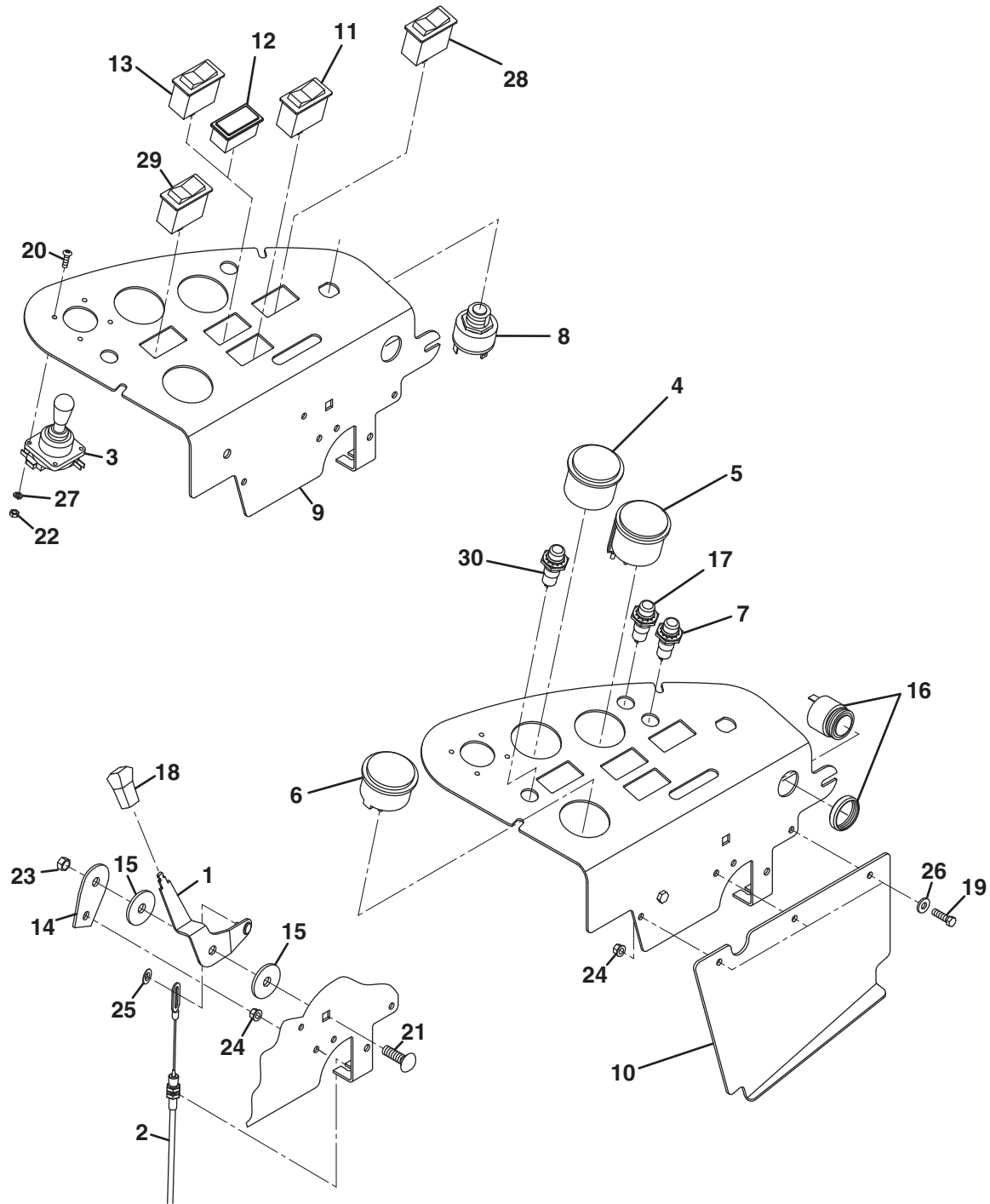
3.1 Seat and ROPS



Item	Part No.	Qty.	Description	Serial Numbers/Notes
1	4139433	1	Seat Assembly Suspension	REFERENCE SW5, See 46.1
	4139450	1	• Switch, Seat	
	5003769	1	• Wire Assembly	
2	4139169	1	Bracket, Rear Seat	See 2.1
3	4139170	1	Bracket, Front Seat	
4	523356	1	Adjuster, Latching	
5	523357	1	Adjuster, Slave	
6	3005650	1	Seat Pan	
	4139436	1	Kit, Arm Rest (V5300)	
7	4139434	1	• Kit, Arm Rest LH	
8	4139435	1	• Kit, Arm Rest RH	
9	3003928	1	Pouch, Literature	
10	800943	2	T-Screw, #10-16 x 3/4 BS PR Plastic	
11	452004	2	Flat Washer, 1/4"	
12	445781	8	Nut, 5/16-18 Spirallock Flange	
13	409812	4	Screw, 5/16-18 x 3/4" Thread Cutting	
14	400188	4	Screw, 5/16-18 x 1" Hex Head	
15	831053	4	Spacer, Seat	
16	66194	1	ROPS	
17	446148	2	• Lockwasher, 7/16	
18	400408	6	• Screw, 1/2-13 x 1-1/2 Hex Hd	
19	400262	2	• Screw, 3/8-16 x 1" Hex Hd	
20	400370	2	• Screw, 7/16-20 x 1" Hex Hd	
21	446154	6	• Lockwasher, 1/2	
22	446142	2	• Lockwasher, 3/8	
23	443118	6	• Nut, 1/2-13 Hex	
24	452008	2	• Flat Washer, 3/8	
25	452010	4	• Flat Washer, 7/16	
26	N/S	1	• Connecting Tube	
27	4257812	1	• Seat Belt	

> Change from previous revision

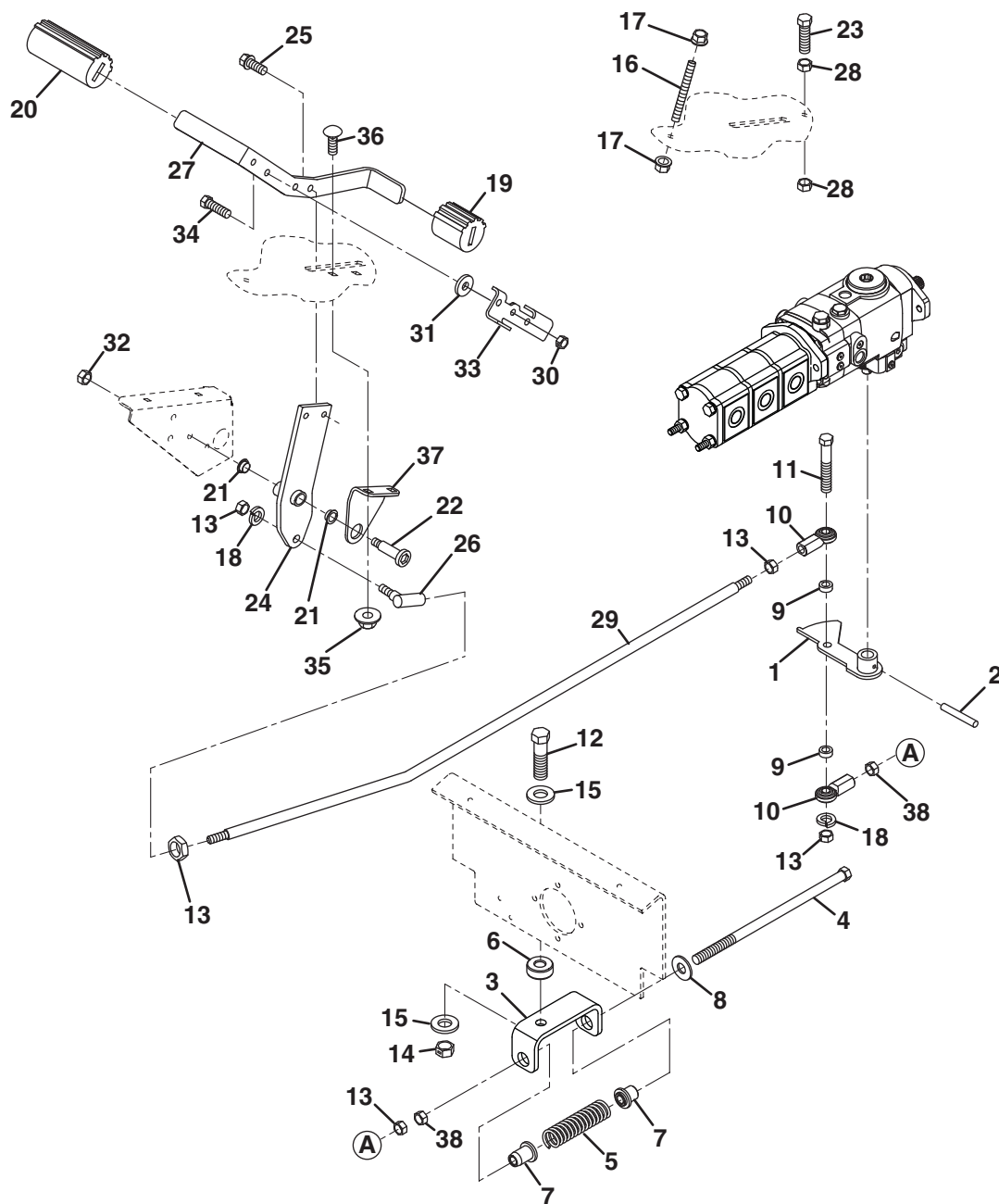
4.1 Instrument Panel



Item	Part No.	Qty.	Description	Serial Numbers/Notes
1	1002677	1	Throttle Handle	
2	1002858	1	Throttle Cable	See 14.1 for other end of the cable
3	1004290	1	Joystick, 1 Axis	REFERENCE SW12, See 46.1
4	162720	1	Temperature Gauge	REFERENCE U4, See 46.1
	447002	3	• Lockwasher, #6 External Tooth	
	444304	3	• Nut, #6-32	
	447206	2	• Lockwasher, #8 Internal Tooth	
	444306	2	• Nut, #8-32 Hex	
5	162721	1	Volt Meter	REFERENCE U5, See 46.1
	447002	3	• Lockwasher, #6 External Tooth	
	444304	3	• Nut, #6-32	
	447206	2	• Lockwasher, #8 Internal Tooth	
	444306	2	• Nut, #8-32 Hex	
6	162723	1	Hour Meter	REFERENCE U3, See 46.1
	447006	1	• Lockwasher, #10 External Tooth	
	444310	2	• Nut, #10-24 Hex	
7	164194	1	Light, Engine Oil	REFERENCE L1, See 46.1
	557761	1	• Lens, Red	
	558195	1	• Bulb	
8	2810269	1	Key Switch	REFERENCE SW1, See 46.1
	2811020	1	• Key, Replacement	
9	2811847	1	Instrument Panel	
10	3006054	1	Cover, Tank	
11	3006449	1	Switch, Reel	REFERENCE SW6, See 46.1
12	3006509	1	Plug, Panel (2WD Units)	
13	3006436	1	Switch, 4WD (4WD Units)	REFERENCE SW9, See 46.1
14	3009153	1	Plate, Friction	
15	360885	2	Washer, Friction	
16	366670	1	Horn	REFERENCE U2, See 46.1
17	366751	1	Light, Parking Brake	REFERENCE L2, See 46.1
18	366768	1	Knob, Throttle	
19	400110	3	Screw, 1/4-20 x 7/8" Hex Head	
20	403912	4	Screw, #10-24 x 5/8" Truss Head	
21	440116	1	Carriage Bolt, 3/8-16 x 7/8"	
22	444310	4	Nut, #10-24 Hex	
23	444850	1	Locknut, 3/8-16 Hex Jam	
24	445784	3	Nut, 1/4-20 Whizlock	
25	445800	1	Palnut, 3/16 rod	
26	453023	3	Flat Washer, 1/4	
27	446116	4	Lockwasher, #10	
28	3006436	1	Switch, Light	REFERENCE SW11, See 46.1
29	3006447	1	Switch, Horn	REFERENCE SW13, See 46.1
30	366751	1	Light, Hydraulic Oil	REFERENCE L5, See 46.1

> Change from previous revision

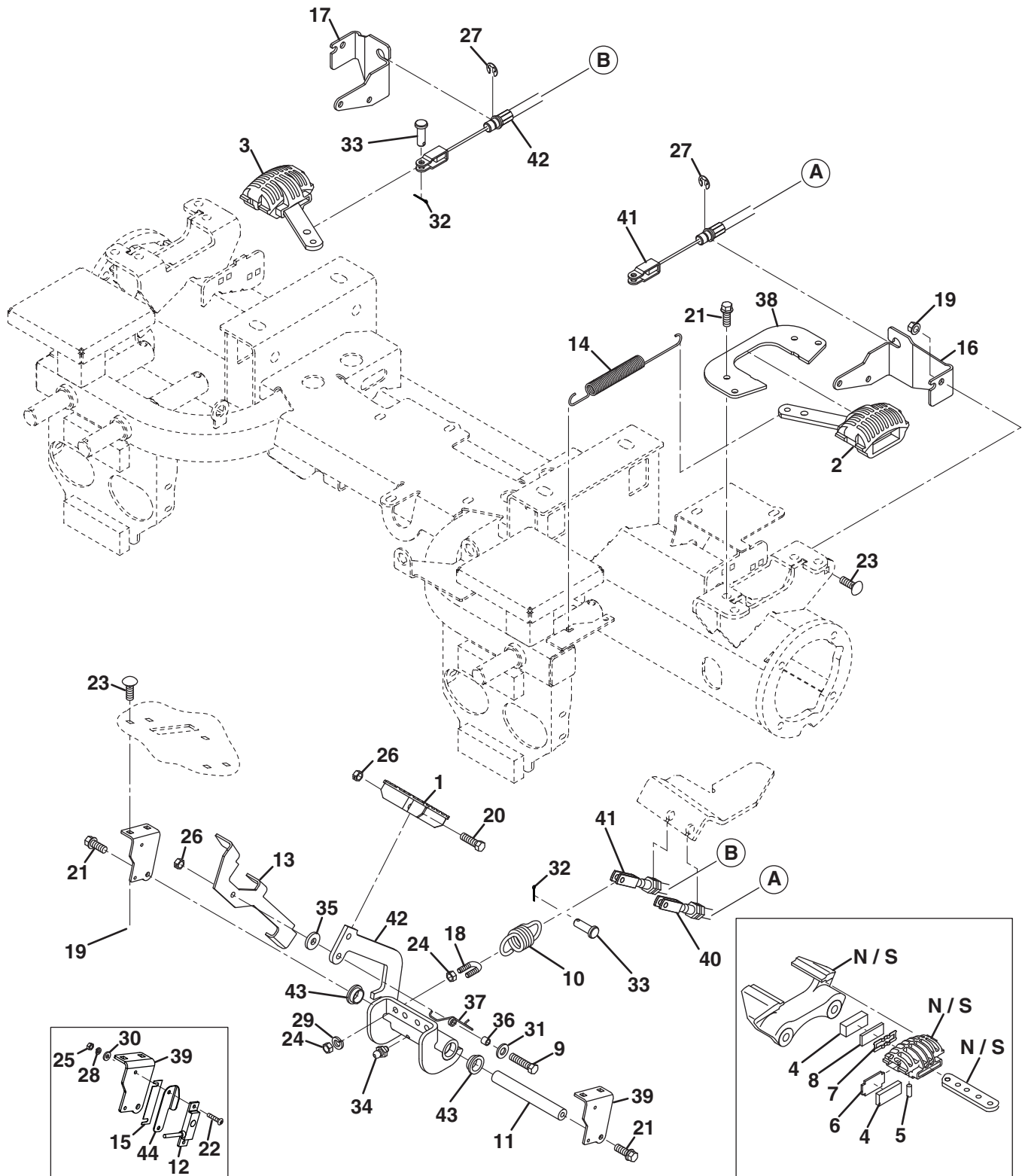
5.1 Traction Pedal and Linkage



Item	Part No.	Qty.	Description	Serial Numbers/Notes
1	2810214	1	Arm, Neutral Return	
2	4236162	1	Groove Pin, 3/16 x 1"	
3	2809632	1	Bracket, Neutral Return	
4	4121563	1	Rod, Neutral Return	
5	2809634	1	Spring, Compression	
6	2809635	1	Spacer	
7	2809856	2	Guide, Spring	
8	452008	1	Flat Washer, 3/8	
9	3005971	2	Spacer	
10	366974	2	Rod End, 3/8-24	
11	400308	1	Screw, 3/8-24 x 2-1/4" Hex Head	
12	400410	1	Screw, 1/2-13 x 1-3/4" Hex Head	
13	443112	5	Nut, 3/8-24 Hex	
14	444758	1	Locknut, 1/2-13 Center	
15	453017	2	Flat Washer, 1/2	
16	333542	1	Threaded Rod, 3/8-16 x 3-1/4"	
17	445796	2	Nut, 3/8-16 Spiralock Flange	
18	446142	2	Lockwasher, 3/8 Heavy	
19	3003474	1	Grip, Pedal	
20	3003475	1	Grip, Pedal	
21	366877	2	Bearing, Nyliner	
22	352901	1	Shoulder Bolt, 3/8-16	
23	400264	1	Screw, 3/8-16 x 1-1/4" Hex Head	
24	4107921	1	Arm, Traction Pedal	
25	409812	2	Screw, 5/16-18 x 3/4" Thread Cut	
26	310089	1	Ball Joint, 3/8-24	
27	4116048	1	Pedal, Traction	
28	443810	2	Nut, 3/8-16 Hex Jam	
29	4107640	1	Rod, Traction	
30	444718	1	Locknut, 5/16-18 Center	
31	3002695	1	Washer	
32	444744	1	Locknut, 3/8-24 Center	
33	3007230	1	Stop, Mow Speed	
34	400188	1	Screw, 5/16-18 x 1" Hex Head	
35	445781	2	Nut, 5/16-18 Whizlock	
36	441602	2	Carriage Bolt, 5/16-18 x 3/4"	
37	4101420	1	Bracket, Pedal Support	
38	443812	2	Nut, 3/8-24 Hex Jam	

> Change from previous revision

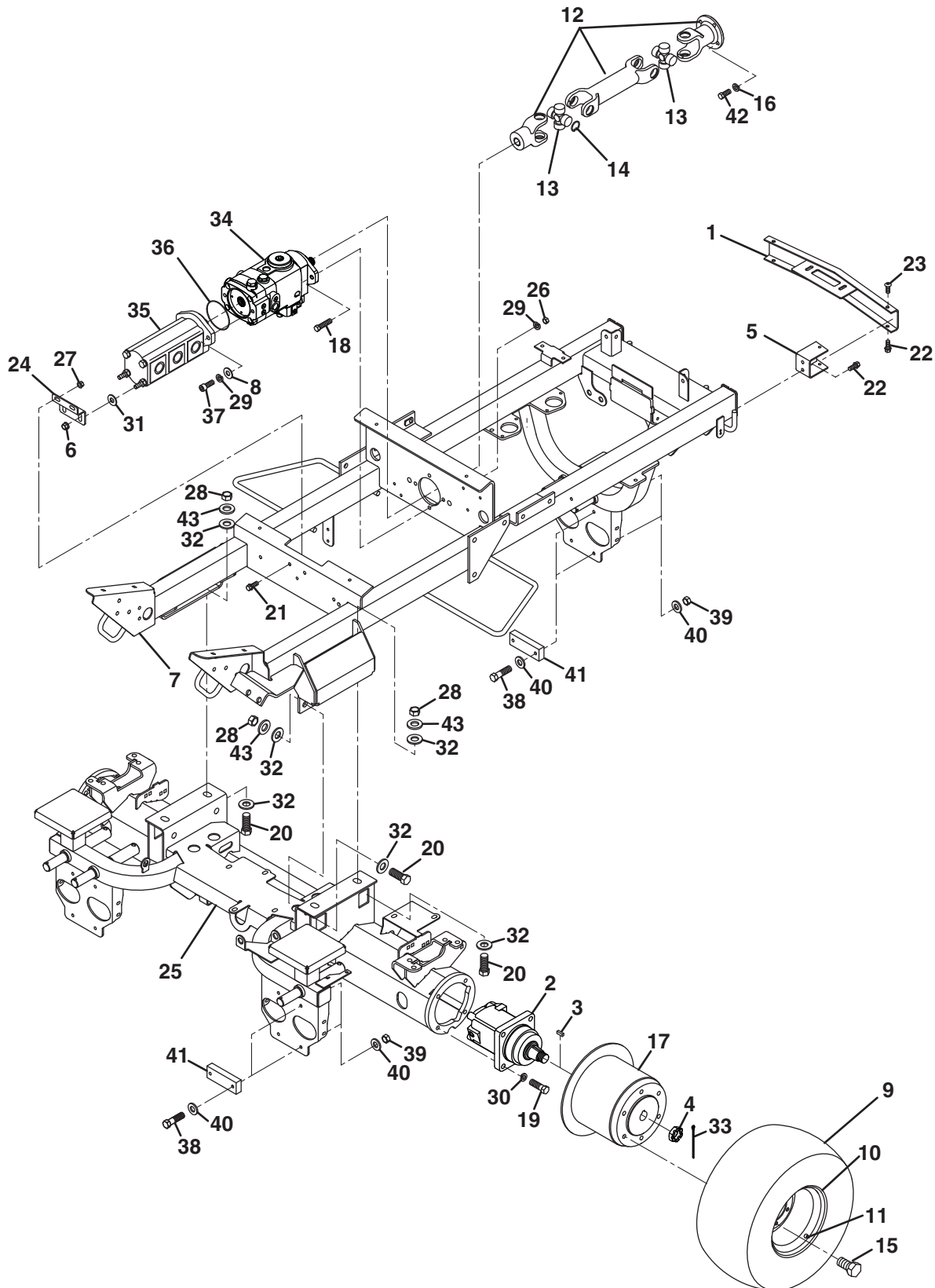
6.1 Parking Brake



Item	Part No.	Qty.	Description	Serial Numbers/Notes
1	1003872	1	Pedal, Brake	REFERENCE SW2, See 46.1
2	2811143	1	Brake Caliper, Left Side	
3	2811144	1	Brake Caliper, Right Side	
4	503660	1	• Replacement Pad Set	
5	557823	1	• Pivot Pin	
6	557824	1	• Pad, Support	
7	557825	1	• Spring, Lever Retainer	
8	557826	1	• Pad, Support	
9	400190	1	Screw, 5/16-18 x 1-1/4" Hex Head	
10	4100464	2	Spring, Extension	
11	3006327	1	Shaft, Turn Assist	
12	4140149	1	Switch, Proximity	
13	3007606	1	Lever, Parking Brake	
14	319212	2	Spring, Caliper Return	
15	3009193	AR	Shim, Switch	
16	4103033	1	Bracket, Left Side Brake Cable	
17	4103034	1	Bracket, Right Side Brake Cable	
18	362744	2	U-Bolt, 5/16-18	
19	445781	10	Nut, 5/16-18 Whizlock	
20	400188	1	Screw, 5/16-18 x 1" Hex Head	
21	403770	10	Screw, 5/16-18 x 3/4" Hex Flange	
22	403862	2	Screw, #8-32 x 3/4" Truss Head	
23	441602	10	Carriage Bolt, 5/16-18 x 3/4"	
24	443806	8	Nut, 5/16-18 Hex Jam	
25	444306	2	Nut, #8-32 Hex	
26	444718	2	Locknut, 5/16-18 Center	
27	557771	2	Snap Ring	
28	446110	2	Lockwasher, #8	
29	446134	4	Lockwasher, 5/16	
30	453004	2	Flat Washer, #8	
31	453009	1	Flat Washer, 5/16	
32	460014	4	Cotter Pin, 3/32 x 3/4"	
33	461493	4	Clevis Pin, 5/16 x 3/4"	
34	471217	1	Grease Fitting, Straight	
35	3002695	1	Washer, Spacer	
36	3007941	1	Spacer	
37	3007942	1	Spring, Torsion	
38	2811351	2	Bracket, Brake	
39	4100460	2	Arm, Brake	
40	4103038	1	Cable, Left Side Brake	
41	4103039	1	Cable, Right Side Brake	
42	4100461	1	Pedal, Brake Assembly	
43	352726	2	• Bushing	
44	4186100	1	Bracket, Switch Guard	

> Change from previous revision

7.1 Frame and Front Axle



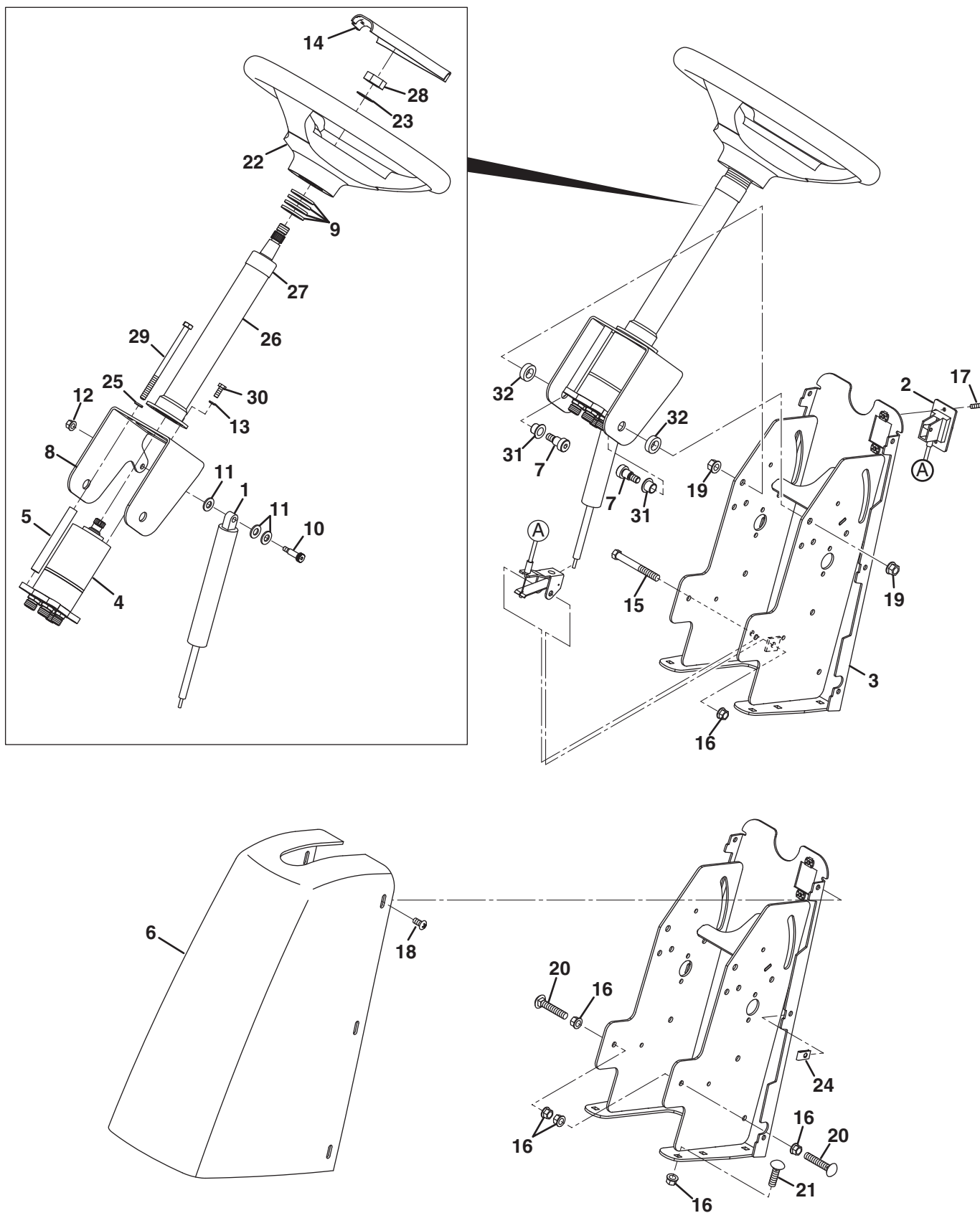
Item	Part No.	Qty.	Description	Serial Numbers/Notes
1	1003536	1	Channel, Bumper	See 36.1
2	4182425	2	Motor, Front Wheel	
3	554780	1	• Key	
4	554779	1	• Nut	
5	1004245	2	Mount, Bumper	
6	2809907	2	Nut, M10 Spirallock Flange	
7	2811692	1	Frame	
8	453011	2	Flat Washer, 3/8	
9	4108620	1	Tire, 24x13-12 Softrac	
10	4235020	1	Rim, 12x10.5	
11	360111	1	Inflation Valve	
12	4137529	1	U-Joint	
13	554663	2	• Cross and Bearing Kit	
14	N/S	4	• • Snap Rings	
15	353914	12	Wheel Bolt, 1/2-20 x 3/4"	
16	363485	3	Lockwasher, M10 Heavy	
17	2811085	2	Hub	
18	400266	2	Screw, 3/8-16 x 1-1/2" Hex Head	
19	400408	8	Screw, 1/2-13 x 1-1/2" Hex Head	
20	4113047	6	Screw, 5/8-18 x 1-1/2" Hex Head	
21	403770	2	Screw, 5/16-18 x 3/4" Hex Flange	
22	409812	4	Screw, 5/16-18 x 3/4" Self Thread	
23	403760	4	Screw, 5/16-18 x 3/4" Truss Head	
24	4101320	1	Bracket, Pump Support	
25	4103021	1	Axle, Front	
26	443110	2	Nut, 3/8-16 Hex	
27	445781	2	Nut, 5/16-18 Whiz Lock	
28	443128	4	Nut, 5/8-18 Hex	
29	446142	4	Lockwasher, 3/8 Heavy	
30	446154	4	Lockwasher, 1/2 Heavy	
31	452008	2	Flat Washer, 3/8	
32	453020	12	Flat Washer, 5/8	
33	460034	2	Cotter Pin, 1/8 x 1-5/8"	
34	4238422	1	Pump, Hydrostatic Traction	
35	2811736	1	Pump, Reel	
	5003036	1	• Seal Kit	
36	363034	1	"O" Ring	
37	434013	2	Screw, 3/8-16 x 1" Socket Head	
38	400410	12	Screw, 1/2-13 x 1-3/4" Hex Head	
39	444758	12	Locknut, 1/2-13 Center	
40	453017	24	Flat Washer, 1/2	
41	2811204	6	Stop, Lift Arm	
42	3002042	3	Bolt, M10-1.25 x 22 mm Hex Head	
43	4140094	6	Flat Washer, 5/8 Hardened	
44				

Grade 8

See 43.1

> Change from previous revision

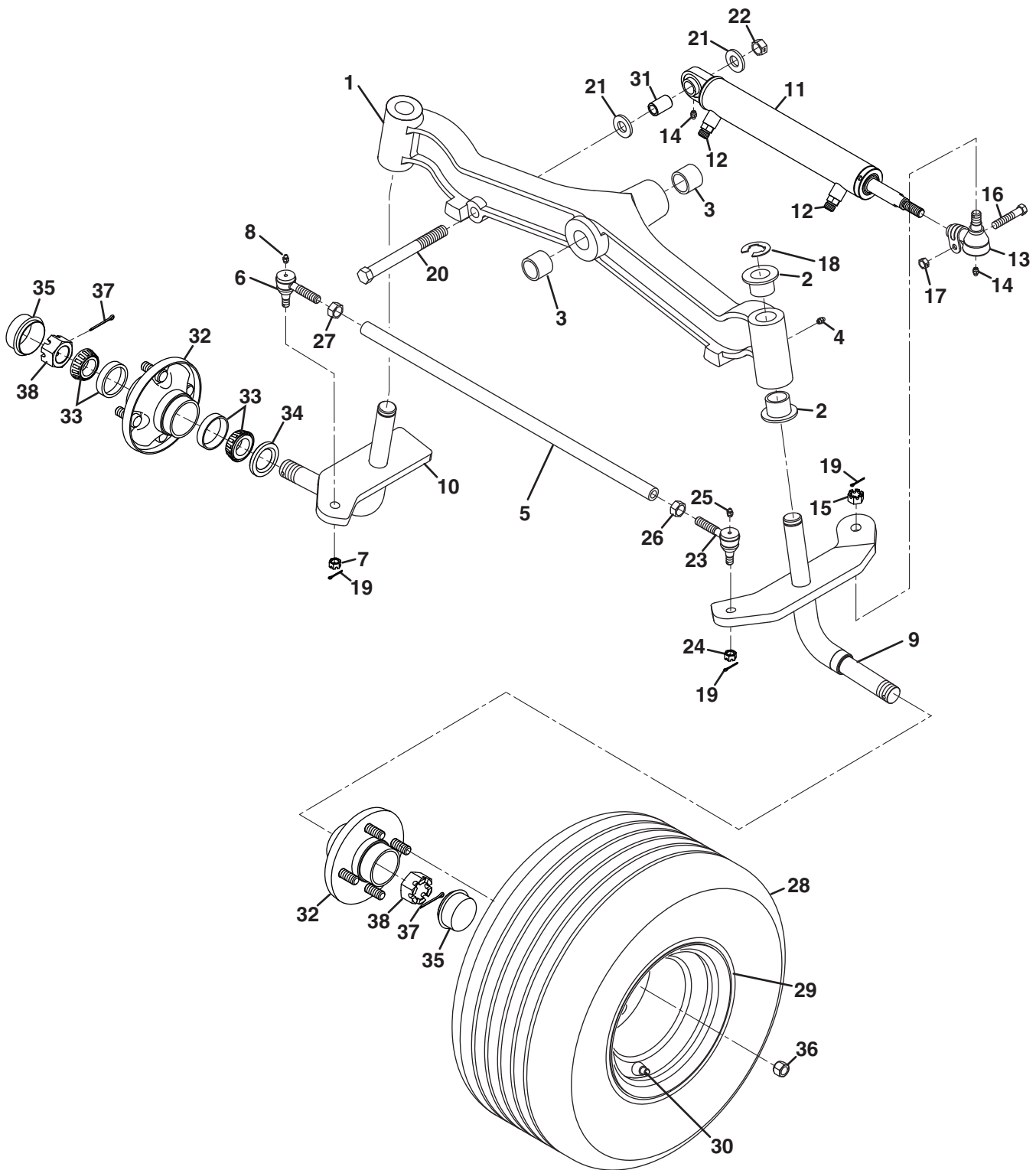
8.1 Steering Tower



Item	Part No.	Qty.	Description	Serial Numbers/Notes
1	5002918	1	Actuator, Gas Spring	
2	5002919	1	Cable, Actuator	
3	4253491	1	Tower, Steering	
4	4247250	1	Valve, Steering	
	4197940	1	• Seal Kit	
	339908	2	• O-Ring, -4 ORFS	
	339909	3	• O-Ring, -6 ORFS	
5	4211400	4	Spacer, Steering Valve	
6	3010651	1	Cover, Steering Tower	
7	365033	2	Bolt, Shoulder	
8	4256510	1	Bracket, Steering Pump	
9	2811547	4	Washer	
10	4256511	1	Bolt, M6-1 Shoulder	
11	450390	3	Flat Washer, M8	
12	452418	1	Nut, M6-1 Flange	
13	450410	4	Lockwasher, M6	
14	447224	1	Lockwasher, 5/8 Internal	
15	400216	1	Screw, 5/16-18 x 2-3/4" Hex Head	
16	445781	9	Nut, 5/16-18 Whizlock Flange	
17	416911	2	Screw, #10-24 x 1/2" Thread Cutting	
18	404016	6	Screw, 1/4-20 x 5/8" Truss Head	
19	548804	2	Nut, 3/8-16 Hex Flange	
20	441677	2	Carriage Bolt, 5/16-18 x 1-1/2"	
21	441602	4	Carriage Bolt, 5/16-18 x 1"	
22	2811364	1	Steering Wheel	
23	2811365	1	• Cap, Steering Wheel	
24	445245	6	Tinnerman Nut	
25	450411	4	Lockwasher, M8	
26	4212980	1	Shaft, Steering	
27	4201840	1	• Shaft Seal	
28	443828	1	• Nut, 5/8-18 Hex	
29	64205-054	4	Screw, M8-1.25 x 130 mm Hex Head	
30	450168	4	Screw, M6-1 x 12 mm Hex Head	
31	4255270	2	Flanged Bearing	
32	4247312	2	Spacer	

> Change from previous revision

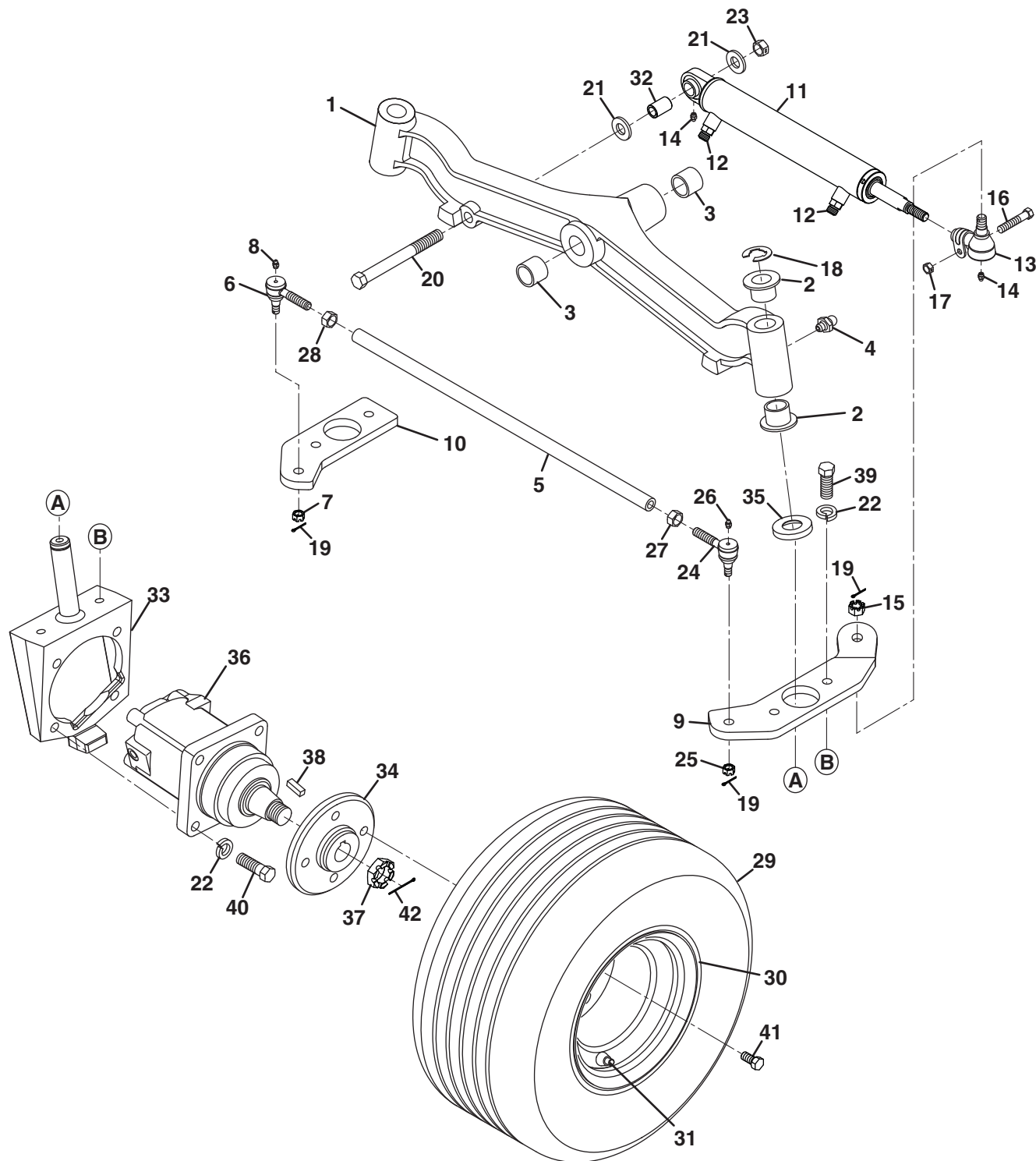
9.1 2WD Steering



Item	Part No.	Qty.	Description	Serial Numbers/Notes
1	1003027	1	Axle, Steering	See 38.1
2	3005596	4	• Bushing	
3	319867	2	• Bushing	
4	471226	3	• Grease Fitting	
5	4100800	1	Tie Rod	
6	1002031	1	Ball Joint, L.H. Threaded Tie Rod	
7	445647	1	• Nut, 3/8-24 Slotted Hex	
8	471214	1	• Grease Fitting, Straight	
9	4100641	1	Steering Arm, Left Side	
10	4100643	1	Steering Arm, Right Side	
11	4271779	1	Steering Cylinder	
	4278851	1	• Seal Kit	
12	339972	1	• Adapter, 4-4 Straight	
13	153234	1	• Ball Joint	
14	471214	2	• Grease Fitting	
15	443666	1	• Nut, 1/2-20 Slotted Hex	
16	400194	1	• Screw, 5/16-18 x 1-3/4" Hex	
17	444718	1	• Locknut, 5/16-18 Center	
18	458008	2	External Snap Rng	
19	460026	3	Cotter Pin, 1/8 x 3/4"	
20	400424	1	Screw, 1/2-13 x 4-1/2" Hex Head	
21	453017	2	Flat Washer, 1/2	
22	444758	1	Nut, 1/2-13 Hex	
23	1002032	1	Ball Joint, R.H. Threaded Tie Rod	
24	445647	1	• Nut, 3/8-24 Slotted Hex	
25	471214	1	• Grease Fitting, Straight	
26	443120	1	Nut, 1/2-20 Hex	
27	445664	1	Nut, 1/2-20 L.H. Thread	
28	4236020	2	Tire, 18 x 9.50 - 8	
29	4236021	2	Wheel	
30	360111	2	Valve, Inflation	
31	3009887	1	Spacer	
32	5002910	2	Hub, 4 Bolt	
33	500596	2	• Bearing, Cup and Cone	
34	554329	1	• Seal	
35	545692	1	• Hub, Cap	
36	345807	4	• Wheel Lug Nut, 1/2-20	
37	460050	2	Cotter pin, 3/16 x 1-1/4"	
38	445710	2	Nut, 1-14 Slotted Hex	

> Change from previous revision

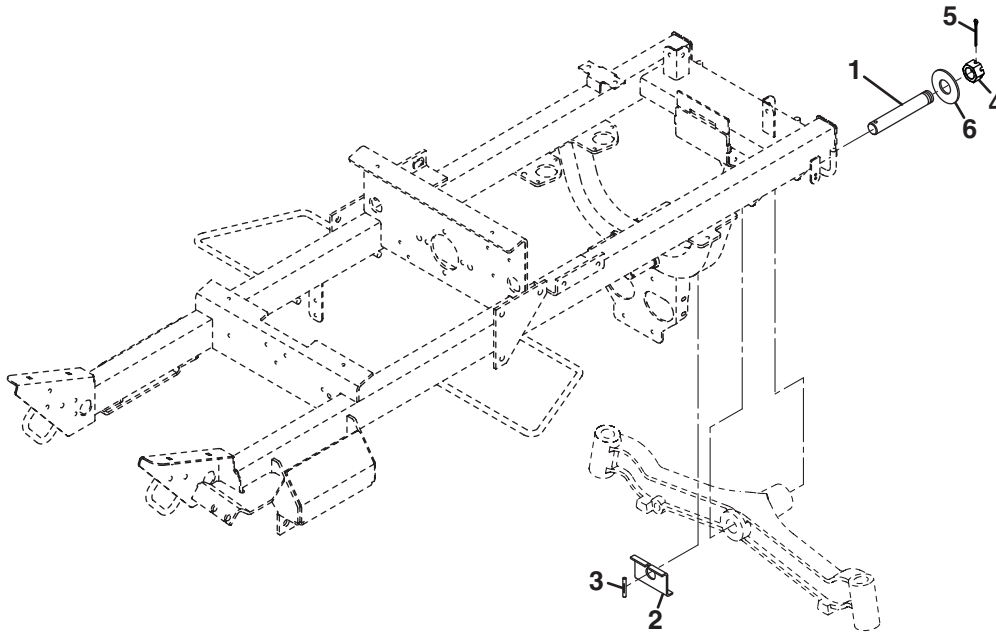
10.1 4WD Steering



Item	Part No.	Qty.	Description	Serial Numbers/Notes	
1	1003027	1	Axle, Steering	See 38.1	
2	3005596	4	• Bushing		
3	319867	2	• Bushing		
4	471226	3	• Grease Fitting		
5	4100800	1	Tie Rod		
6	1002031	1	Ball Joint, L.H. Threaded Tie Rod		
7	445647	1	• Nut, 3/8-24 Slotted Hex		
8	471214	1	• Grease Fitting, Straight		
9	4100840	1	Steering Arm, Left Side		
10	4100647	1	Steering Arm, Right Side		
11	4271779	1	Steering Cylinder		
	4278851		• Seal Kit, HDM		
12	339972	1	• Adapter, 4-4 Straight		
13	153234	1	• Ball Joint		
14	471214	1	• Grease Fitting		
15	445666	1	• Nut, 1/2-20 Slotted Hex		
16	400194	1	• Screw, 5/16-18 x 1-3/4" Hex		
17	444718	1	• Locknut, 5/16-18 Center		
18	458008	2	External Snap Rng		
19	460026	3	Cotter Pin, 1/8 x 3/4"		
20	400424	1	Screw, 1/2-13 x 4-1/2" Hex Head		
21	453017	2	Flat Washer, 1/2		
22	446154	8	Lockwasher, 1/2 Heavy		
23	444758	1	Locknut, 1/2-13 Center		
24	1002032	1	Ball Joint, R.H. Threaded Tie Rod		
25	445647	1	• Nut, 3/8-24 Slotted Hex		
26	471214	1	• Grease Fitting, Straight		
27	443120	1	Nut, 1/2-20 Hex		
28	445664	1	Nut, 1/2-20 L.H. Thread		
29	4236020	2	Tire, 18 x 9.50 - 8		
30	4236021	2	Rim, 8 x 7		
31	360111	2	Valve, Inflation		
32	3009887	1	Spacer		
33	2000129	2	Mount, Motor		
34	220299	2	Hub, Wheel		
35	3006255	2	Spacer, motor Support		See 37.1
36	4181920	2	Motor, Rear Wheel		
37	554779	1	• Nut		
38	554780	1	• Key		
39	400406	4	Screw, 1/2-13 x 1-1/4" Hex Head		
40	400408	8	Screw, 1/2-13 x 1-1/2" Hex Head		
41	353914	8	Wheel Bolt, 1/2-20 x 3/4"		
42	460032	2	Cotter Pin, 1/8 x 1-1/2"		

> Change from previous revision

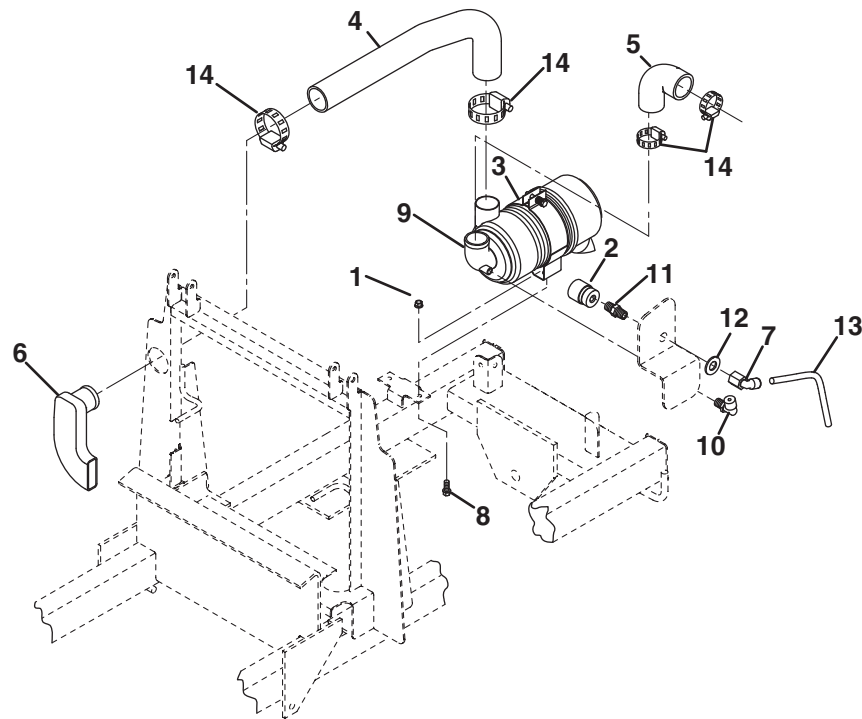
11.1 Steering Axle Mounting



Item	Part No.	Qty.	Description	Serial Numbers/Notes
1	3005667	1	Shaft, Steering Axle Mount	
2	3005668	1	Plate, Mounting	
3	316945	1	Spirol Pin, 1/4 x 1-3/4"	
4	445710	1	Nut, 1-14 Slotted Hex	
5	460068	1	Cotter Pin, 1/4 x 2"	
6	452022	1	Flat Washer, 1"	

> Change from previous revision

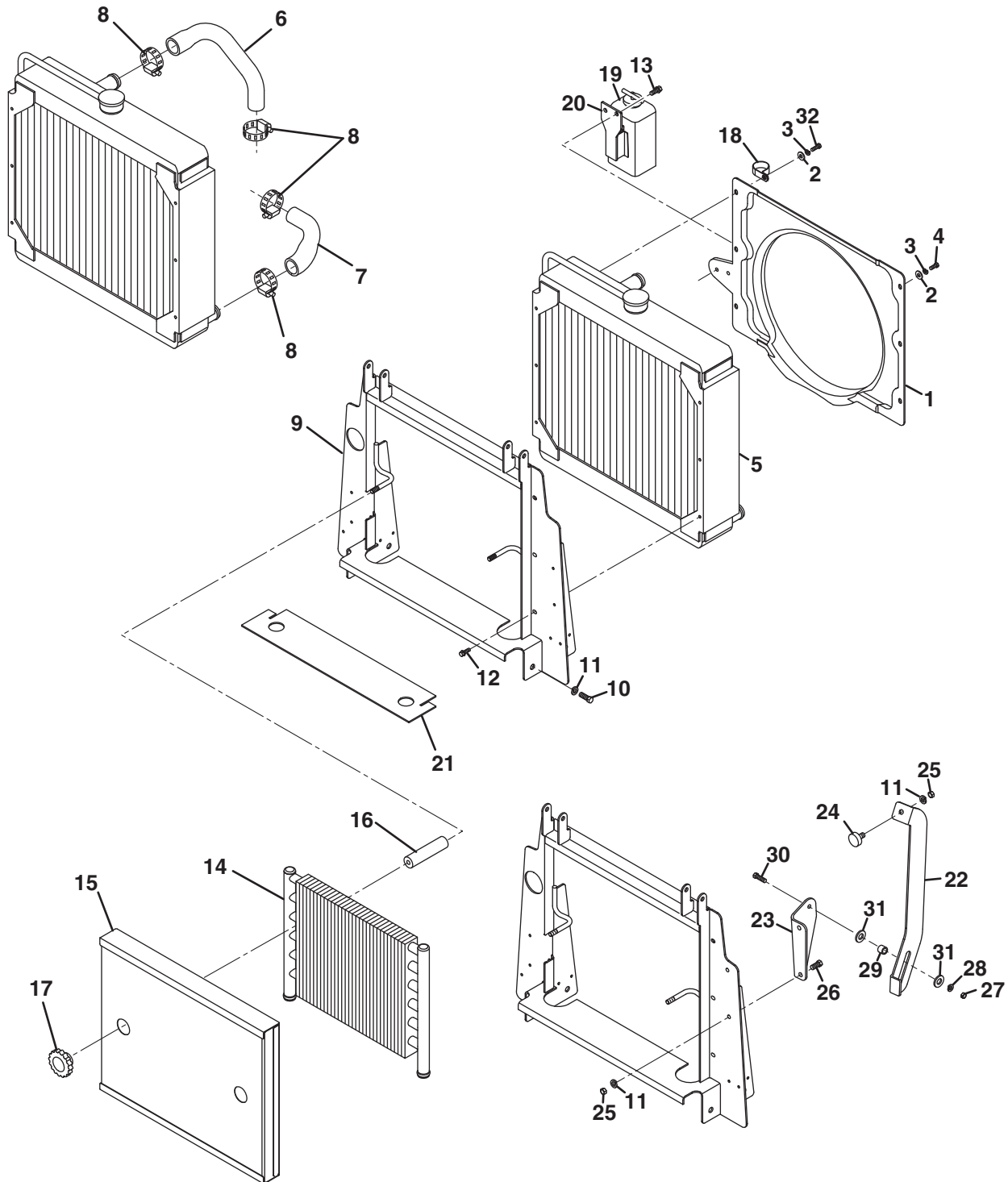
12.1 Air Cleaner



Item	Part No.	Qty.	Description	Serial Numbers/Notes
1	445781	2	Nut, 5/16-18 Whiz-Lock	
2	365398	1	Indicator, Air Cleaner Service	
3	3001388	1	Bracket, Air Filter	
4	3006096	1	Hose, Air Cleaner Inlet	
5	3006097	1	Hose, Engine Air Intake	
6	3006091	1	Plenum, Air Cleaner	
7	3007958	1	Elbow, Female	
8	403751	2	Screw, 5/16-18 x 3/4" Serr Washer	
9	3001965	1	Air Cleaner Assembly	
	5000919	1	• Air Cleaner Element	
	5000920	1	• Air Cleaner Cover	
	5000921	1	• Valve	
10	3004253	1	Elbow, Male	
11	3008144	1	Adapter	
12	453011	1	Flat Washer, 3/8	
13	5002126	9.5"	Tube, Nylon	
14	326799	AR	Clamp, Hose	

> Change from previous revision

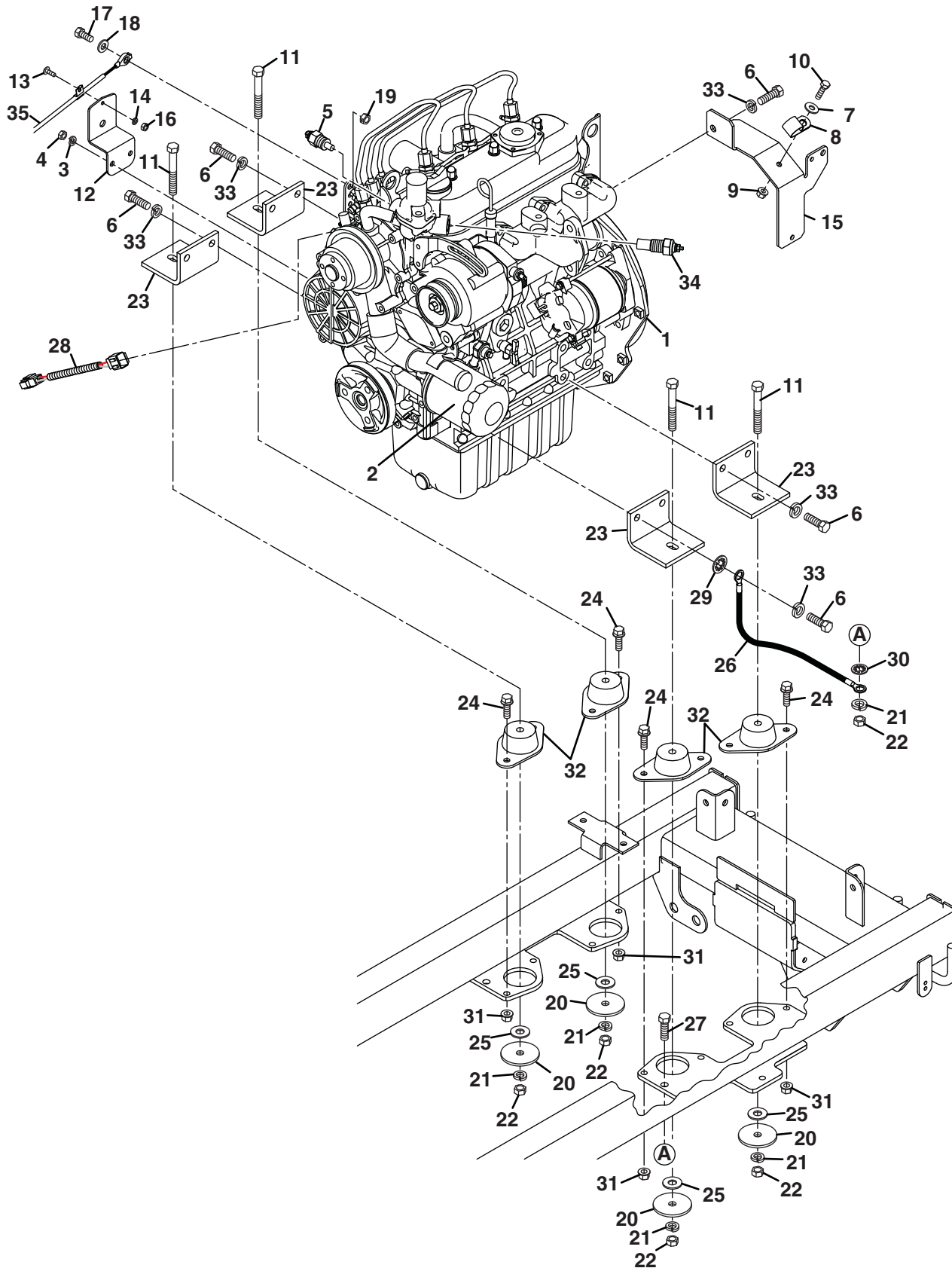
13.1 Radiator and Oil Cooler



Item	Part No.	Qty.	Description	Serial Numbers/Notes
1	1002547	1	Shroud, Fan	
2	452004	6	Flat Washer, 1/4	
3	446130	6	Lockwasher, 1/4 Heavy	
4	400106	5	Screw, 1/4-20 x 5/8" Hex Head	
5	1002548	1	Radiator	
	550863	1	• Radiator Pressure Cap	
	162479	1	• Drain Cock	
6	3006257	1	Hose, Upper Radiator	
7	3006258	1	Hose, Lower Radiator	
8	367458	4	Clamp, Hose	
9	4142451	1	Radiator Support	
10	400262	4	Screw, 3/8-16 x 1" Hex Head	
11	446142	7	Lockwasher, 3/8 Heavy	
12	403769	6	Screw, 1/4-20 x 1/2" Hex Flange	
13	403751	2	Screw, 5/16-18 x 3/4" Serr Washer	
14	3005948	1	Oil Cooler	
15	1002655	1	Screen	
16	358971	2	Iso Mount, Oil Cooler	
17	3006431	2	Knob	
18	345666	1	Hose Clamp	
19	554231	1	Stay, Reserve Tank	
20	553926	1	Reserve Tank	
21	3010078	1	Seal, Radiator	
22	3010350	1	Bracket, Prop	
23	3010351	1	Bracket	
24	361723	1	Stop, Rubber	
25	443110	3	Nut, 3/8-16 Hex	
26	400258	2	Screw, 3/8-16 x 3/4" Hex Head	
27	444718	1	Locknut, 5/16-18 Center	
28	453009	1	Flat Washer, 5/16	
29	3007941	1	Spacer	
30	400188	1	Screw, 5/16-18 x 1" Hex Head	
31	453017	2	Flat Washer, 1/2	
32	400108	1	Screw, 1/4-20 x 3/4" Hex Head	

> Change from previous revision

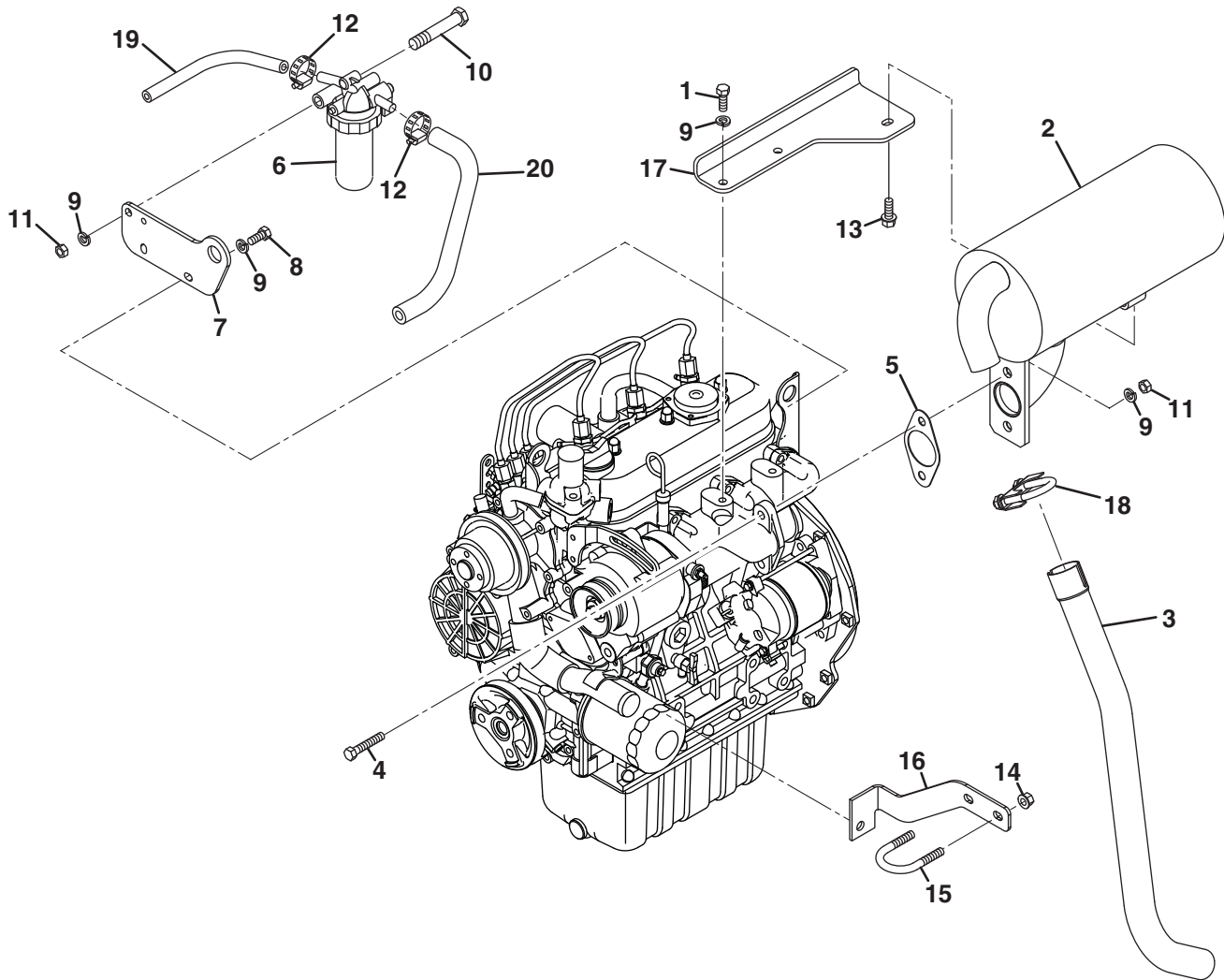
14.1 Engine



Item	Part No.	Qty.	Description	Serial Numbers/Notes	
1	4304535	1	Kubota D1105-E4B	<p>REFERENCE U7, See 46.1</p>	
2	2810346	1	• Engine Oil Filter		
3	5001160	1	• Spring Washer		
4	550395	1	• Nut		
5	364501	1	Temp Sender		
6	362263	10	Screw, M10-1.25 x 25 mm Hex Head		
7	452004	2	Flat Washer, 1/4		
8	345671	2	Clamp, Hose		
9	445794	2	Nut, 1/4-20 Spiralock Flange		
10	400108	2	Screw, 1/4-20 x 3/4" Hex Head		
11	400274	4	Screw, 3/8-16 x 2-1/2" Hex Head		
12	3005384	1	Bracket, Throttle Cable		
13	402118	1	Screw, #10-24 x 1/2" Slotted Head		
14	446116	1	Lockwasher, #10		
15	3007756	1	Bracket, Fuel Line		
16	444310	1	Nut, #10-24 Hex		
17	400184	1	Screw, 5/16-18 x 3/4" Hex Head		
18	453009	1	Flat Washer, 5/16		
19	444718	1	Locknut, 5/16-18 Center		
20	362819	4	Washer, Isolator		
21	446140	5	Lockwasher, 3/8		
22	443110	5	Nut, 3/8-16 Hex		
23	3008339	4	Bracket, Engine Mount		
24	430770	8	Screw, 5/16-18 x 3/4" Hex Flange		
25	452008	12	Flat Washer, 3/8		
26	2810424	1	Cable, Black		
27	400262	1	Screw, 3/8-16 x 1" Hex Head		
28	2811022	1	Adapter, Fuel Solenoid Harness		
29	447218	2	Lockwasher, 7/16 Internal Tooth		
30	447216	2	Lockwasher, 3/8" Internal Tooth		
31	445795	8	Nut, 5/16-18 Hex Flange		
32	366879	4	Isolator, Engine		
33	446146	10	Lockwasher, 7/16		
34	363996	1	Switch, Temp Warning		<p>REFERENCE SW4, See 46.1 See 4.1 for other end of the cable</p>
35	1002858	1	Throttle Cable		

> Change from previous revision

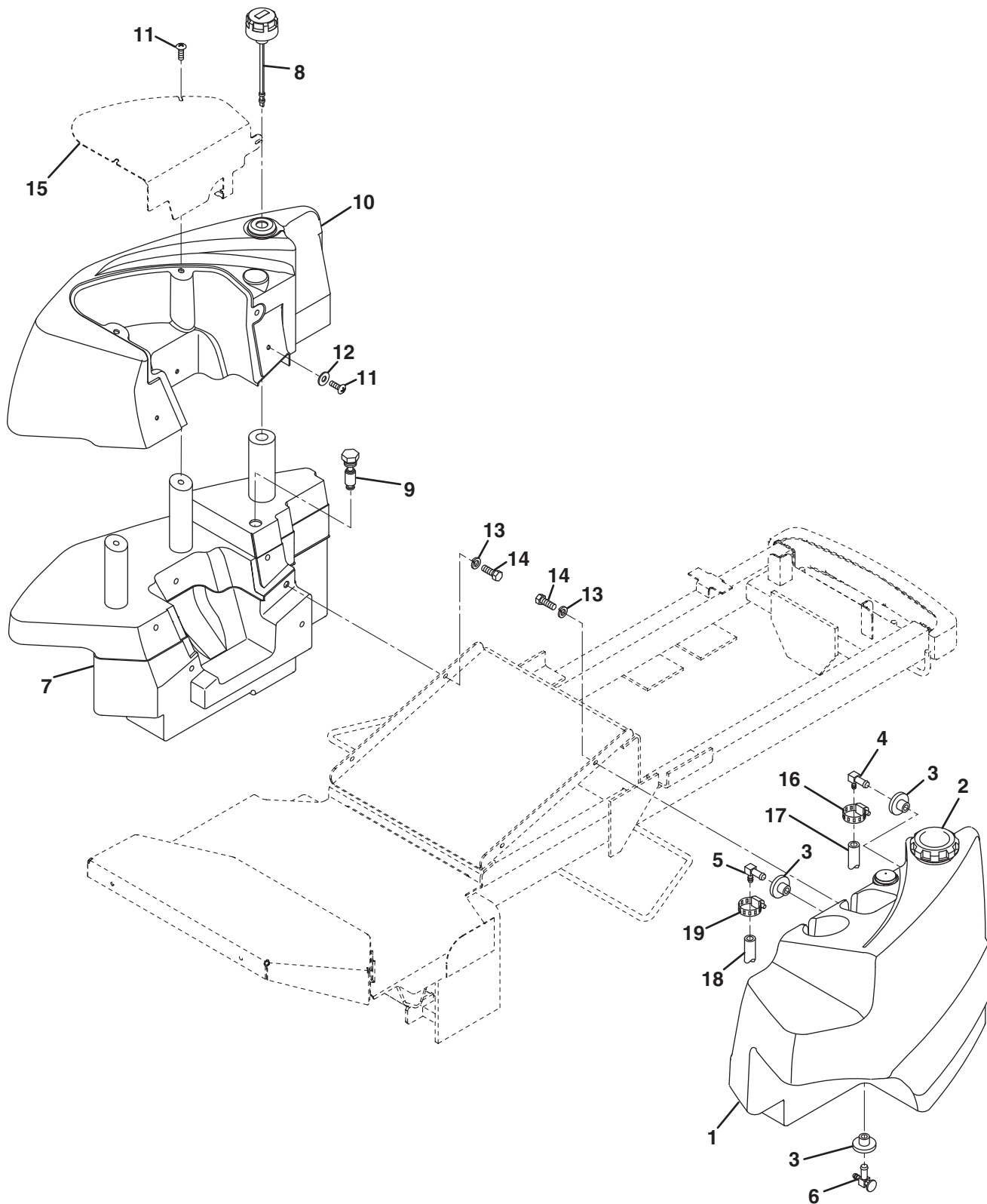
15.1 Engine Exhaust



Item	Part No.	Qty.	Description	Serial Numbers/Notes
1	363586	2	Screw, M8-1.25 x 20 MM Hex Head	
2	3005936	1	Muffler	
3	3006027	1	Tail Pipe	
4	400192	2	Screw, 5/16-18 x 1-1/2" Hex Head	
5	5003476	1	Gasket, Exhaust	Included with Engine
6	5001947	1	Fuel Filter	Included with Engine
	550489	1	• Element, Fuel Filter	
7	3006121	1	Bracket, Fuel Filter	
8	361898	2	Screw, M8-1.25 x 16 MM Hex Head	
9	446136	7	Lockwasher, 5/16 Heavy	
10	400202	1	Screw, 5/16-18 x 3" Hex Head	
11	443106	3	Nut, 5/16-18 Hex	
12	48540-01	4	Clamp, Hose	
13	403770	1	Screw, 5/16-18 x 3/4" Hex Flange	
14	445781	2	Nut, 5/16-18 Whiz-Lock	
15	3008385	1	U-Bolt	
16	3008386	1	Bracket, Exhaust	
17	3008120	1	Bracket, Support	
18	1002033	1	Muffler Clamp	
19	554748	15"	Fuel Line (Filter To Engine)	
20	554748	54"	Fuel Line (Fuel Pump to Filter)	

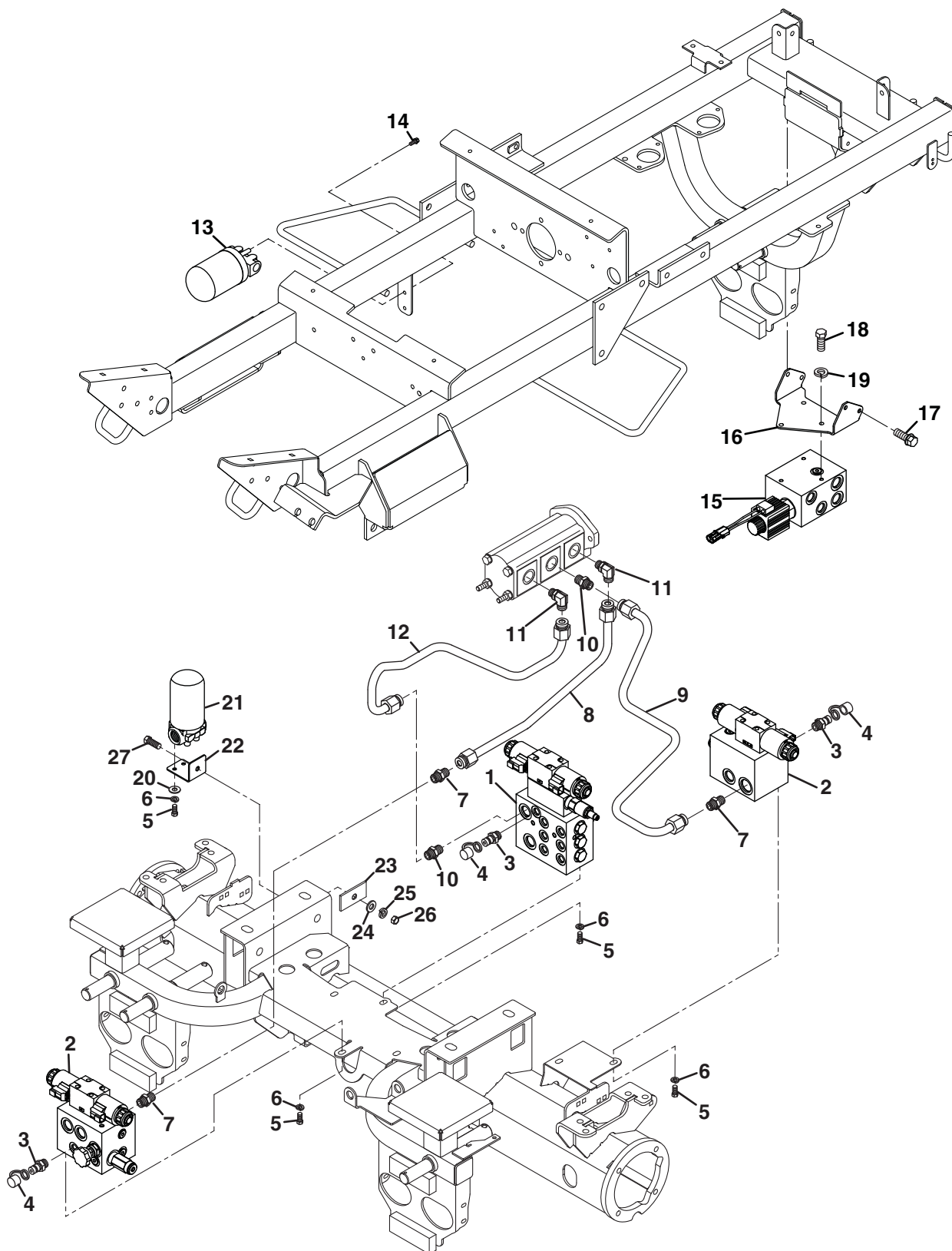
> Change from previous revision

16.1 Hydraulic and Fuel Tanks



Item	Part No.	Qty.	Description	Serial Numbers/Notes
1	N/S	1	Fuel Tank Assembly, Diesel	
	1004265	1	• Fuel Tank	
	3007111	1	• Drop Tube	
	3005996	1	• Float, Fuel Level	
	5000869	1	• • Bushing	
2	4177480	1	• Cap, Diesel Fuel	
3	361117	3	• Bushing	
4	361748	1	• Valve, Overflow	
5	3003704	1	• Elbow, Fuel	
6	132647	1	• Valve, Shutoff	
7	4118397	1	Hydraulic Tank	
8	4139842	1	Cap, Filler/Breather	
9	3001279	1	Switch, Oil Lever	REFERENCE SW14, See 46.1
10	4118398	1	Cover, Tank	
11	404016	7	Screw, 1/4-20 x 5/8" Truss Head	
12	452004	4	Flat Washer, 1/4	
13	446136	4	Lockwasher, 5/16 Heavy	
14	400184	4	Screw, 5/16-18 x 3/4" Hex Head	
15	REF	1	Instrument Panel	See 4.1
16	48540-01	6	Clamp, Hose	
17	554752	70"	Fuel Line (Engine Return to Tank)	
18	554748	15"	Fuel Line (Tank To Fuel Pump)	
19	359611	1	Clamp, Hose	

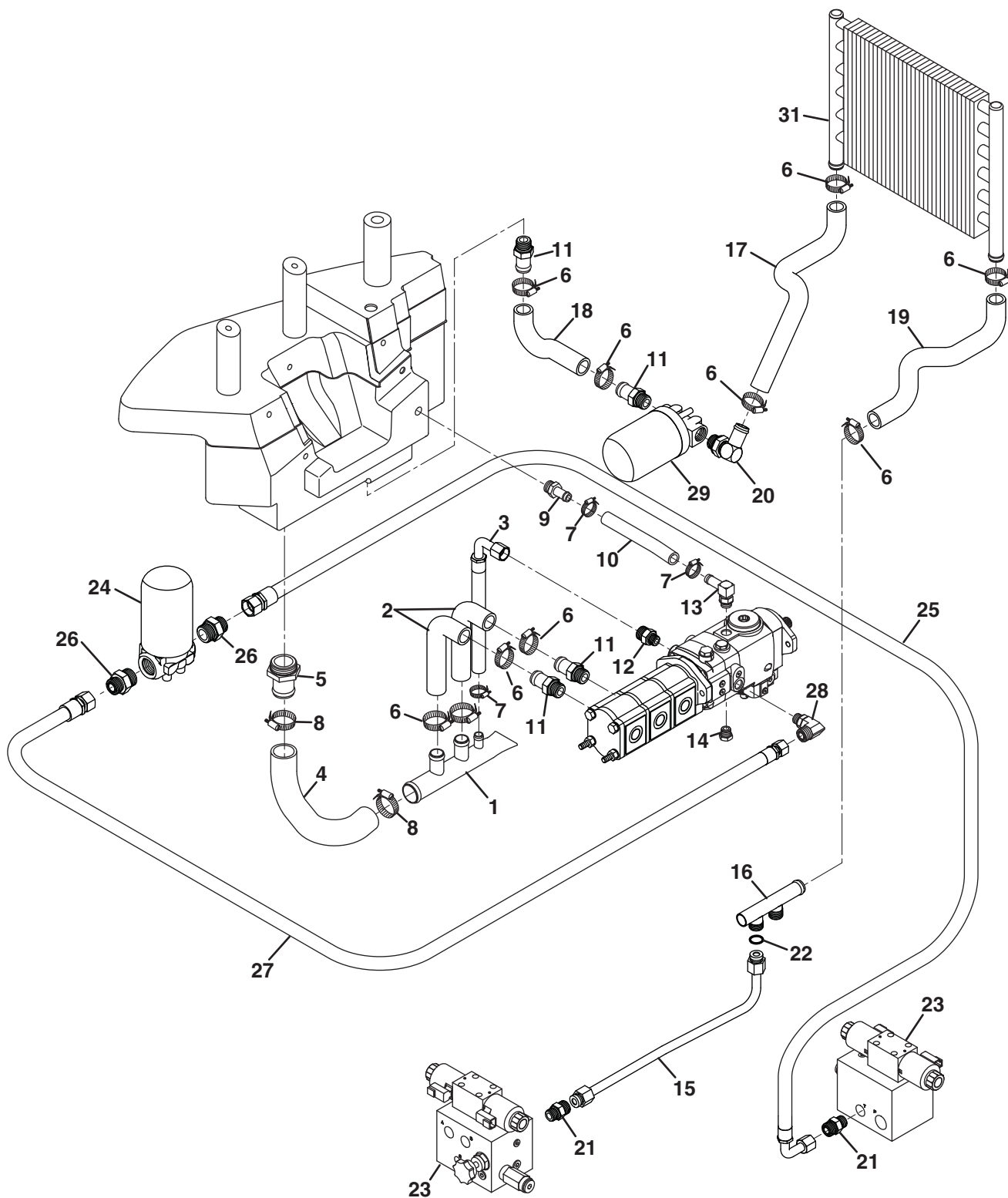
> Change from previous revision



Item	Part No.	Qty.	Description	Serial Numbers/Notes
1	4195080	1	Lift Valve	See 41.1
2	4195040	2	Reel Valve	See 40.1
3	365466	3	Fitting, Diagnostic	
	339897	1	• O-Ring, -6 ORB	
4	363030	3	Cover, Dust	
5	400258	8	Screw, 3/8-16 x 3/4" Hex Head	
6	446142	8	Lockwasher, 3/8 Heavy	
7	339990	2	Fitting, -10 ORFS x -12 ORB Straight	
	339911	1	• O-Ring, -10 ORFS	
	339900	1	• O-Ring, -12 ORB	
8	4101029	1	Tube, Front Reel Valve Pressure	
9	4101030	1	Tube, Rear Reel Valve Pressure	
10	339989	2	Fitting, -10 ORFS x -10 ORB Straight	
	339911	1	• O-Ring, -10 ORFS	
	339899	1	• O-Ring, -10 ORB	
11	340070	2	Fitting, -10 ORFS x -10 ORB 90°	
	339911	1	• O-Ring, -10 ORFS	
	339899	1	• O-Ring, -10 ORB	
12	4100222	1	Tube, Lift Valve Pressure	
13	1002807	1	Filter, Return	
	5002892	1	• Element, Filter	
14	403769	2	Screw, 1/4-20 x 1/2" Hex Flange	
15	1003142	1	4WD Valve	See 42.1
16	2811860	1	Bracket, 4WD Valve mounting	
17	408858	4	Screw, 5/16-18 x 3/4 Thread Form	
18	400184	3	Screw, 5/16-18 x 3/4" Hex Head	
19	446134	3	Lockwasher, 5/16	
20	452008	2	Flat Washer, 3/8	
21	4232560	1	Filter, Charge	
	4232561	1	• Filter Head	
	2811255	1	• Cartridge, Filter Element	
22	4232562	1	Bracket, Filter	
23	4232580	1	Plate, Washer	
24	452012	1	Flat Washer, 1/2	
25	446154	1	Lockwasher, 1/2 Heavy	
26	443118	1	Nut, 1/2-13 Hex	
27	400406	1	Screw, 1/2-13 x 1-1/2" Hex Head	

> Change from previous revision

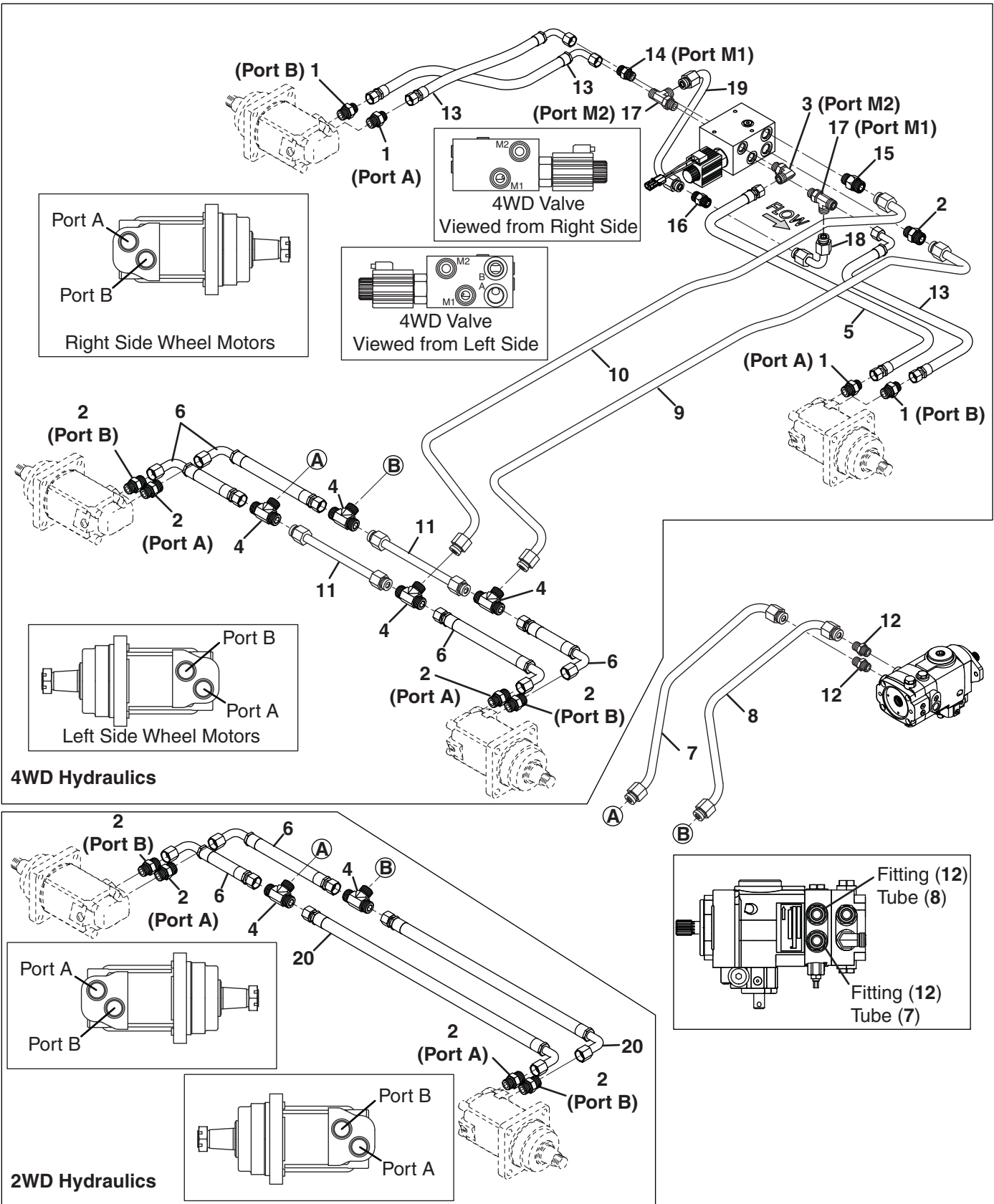
18.1 Tank and Filter Hydraulics



Item	Part No.	Qty.	Description	Serial Numbers/Notes
1	4100773	1	Tube, Manifold	
2	4100765	2	Hose, Formed Gear Pump Suction	
3	4100766	1	Hose, Charge Pump Suction	
4	4100764	1	Hose, Suction	
5	4100763	1	Fitting, -24 ORB Straight Beaded	
	339903	1	• O-Ring, -24 ORB	
6	367458	10	Clamp, Hose	
7	108094-02	3	Clamp, Hose	
8	326799	2	Clamp, Hose	
9	3007699	1	Fitting, -8 ORB Straight Beaded	
	339898	1	• O-Ring, -8 ORB	
10	3006600	1	Hose, Traction Pump Drain	
11	3001296	4	Fitting, -12 ORB Straight Beaded	
	339900	1	• O-Ring, -12 ORB	
12	339988	1	Fitting, -10 ORFS x -8 ORB Straight	
	339911	1	• O-Ring, -10 ORFS	
	339898	1	• O-Ring, -8 ORB	
13	362090	1	Fitting, -8 ORB 90° Beaded	
	339898	1	• O-Ring, -8 ORB	
14	351127	1	Plug, #8 ORB	
	339898	1	• O-Ring, -8 ORB	
15	4100778	1	Tube, Front Reel Valve Return	
16	4100777	1	Tube, Return Manifold	
17	4100768	1	Hose, Formed Cooler Outlet	
18	4100767	1	Hose, Formed Filter to Tank	
19	4100769	1	Hose, Cooler Inlet	
20	3005602	1	Fitting, -12 ORB 90° Beaded	
	339900	1	• O-Ring, -12 ORB	
21	339989	2	Fitting, -10 ORFS x -10 ORB Straight	
	339911	1	• O-Ring, -10 ORFS	
	339899	1	• O-Ring, -10 ORB	
22	339911	2	O-Ring, -10	
23	4195040	2	Reel Valve	See 17.1 for Valve Mounting
24	4232560	1	Filter, Charge	See 17.1 for Filter Mounting
	2811255	1	• Cartridge, Filter Element	
25	4232820	1	Hose, Rear Reel Valve to Filter	
26	339996	2	Fitting, -12 ORFS x -16 ORB Straight	
	339912	1	• O-Ring, -12 ORFS	
	339901	1	• O-Ring, -16 ORB	
27	4232800	1	Hose, Charge Filter to Traction Pump	
28	340069	1	Fitting, -10 ORFS x -8 ORB 90°	
	339911	1	• O-Ring, -10 ORFS	
	339898	1	• O-Ring, -8 ORB	
29	1002807	1	Filter, Return	See 17.1 for Filter Mounting
	5002892	1	• Element, Filter	

> Change from previous revision

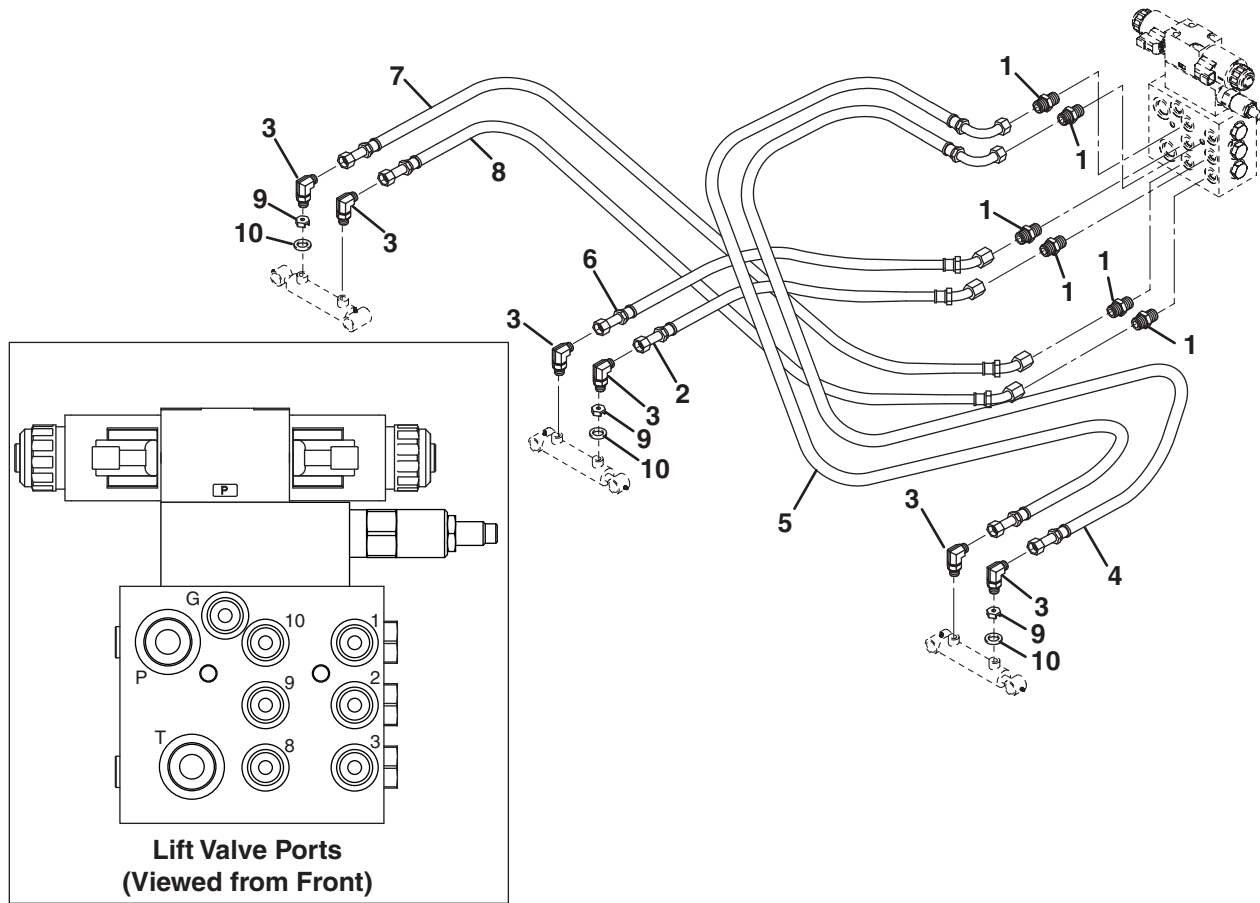
19.1 Traction Hydraulics



Item	Part No.	Qty.	Description	Serial Numbers/Notes
1	339985	4	Fitting, -8 ORFS x -10 ORB Straight	4WD Units Only
	339910	1	• O-Ring, -8 ORFS	
	339899	1	• O-Ring, -10 ORB	
2	339989	4	Fitting, -10 ORFS x -10 ORB Straight	2WD Units
2	339989	6	Fitting, -10 ORFS x -10 ORB Straight	4WD Units
	339911	1	• O-Ring, -10 ORFS	
	339899	1	• O-Ring, -10 ORB	
3	340066	1	Fitting, -8 ORFS x -8 ORB 90°	4WD Units Only
	339910	1	• O-Ring, -8 ORFS	
	339898	1	• O-Ring, -8 ORB	
4	340337	2	Fitting, -10 ORFS Union Tee	2WD Units
4	340337	4	Fitting, -10 ORFS Union Tee	4WD Units
	339911	3	• O-Ring, -10 ORFS	
5	4101032	1	Hose, Rear Wheel Motor	4WD Only, 4WD Valve Port M2
6	4101033	2	Hose, Front Wheel Motor	2WD Units
6	4101033	4	Hose, Front Wheel Motor	4WD Units
7	4108361	1	Tube, Traction Pump	
8	4108360	1	Tube, Traction Pump	
9	4101036	1	Tube, 4WD Valve	4WD Units Only
10	4101037	1	Tube, 4WD Valve	4WD Units Only
11	4101038	2	Tube, Front Motor	4WD Units Only
12	339988	2	Fitting, -10 ORFS x -8 ORB Straight	
	339911	1	• O-Ring, -10 ORFS	
	339898	1	• O-Ring, -8 ORB	
13	4119082	3	Hose, Rear Wheel Motor	4WD Only, 4WD Valve Port M1
14	339984	1	Fitting, -8 ORFS x -8 ORB Straight	4WD Units Only
	339910	1	• O-Ring, -8 ORFS	
	339898	1	• O-Ring, -8 ORB	
15	4191000	1	Valve, In-line Check	4WD Units Only
	339911	1	• O-Ring, -10 ORFS	
	339899	1	• O-Ring, -10 ORB	
16	4191001	1	Valve, In-line Check	4WD Units Only
	339910	2	• O-Ring, -8 ORFS	
17	340264	2	Tee, -8 ORFS Straight Thread Run	4WD Units Only
	339910	2	• O-Ring, -8 ORFS	
	339898	1	• O-Ring, -8 ORB	
18	4188681	1	Tube Assembly	4WD Units Only
19	4188680	1	Tube Assembly	4WD Units Only
20	4101040	2	Hose, Left Motor	2WD Units Only

> Change from previous revision

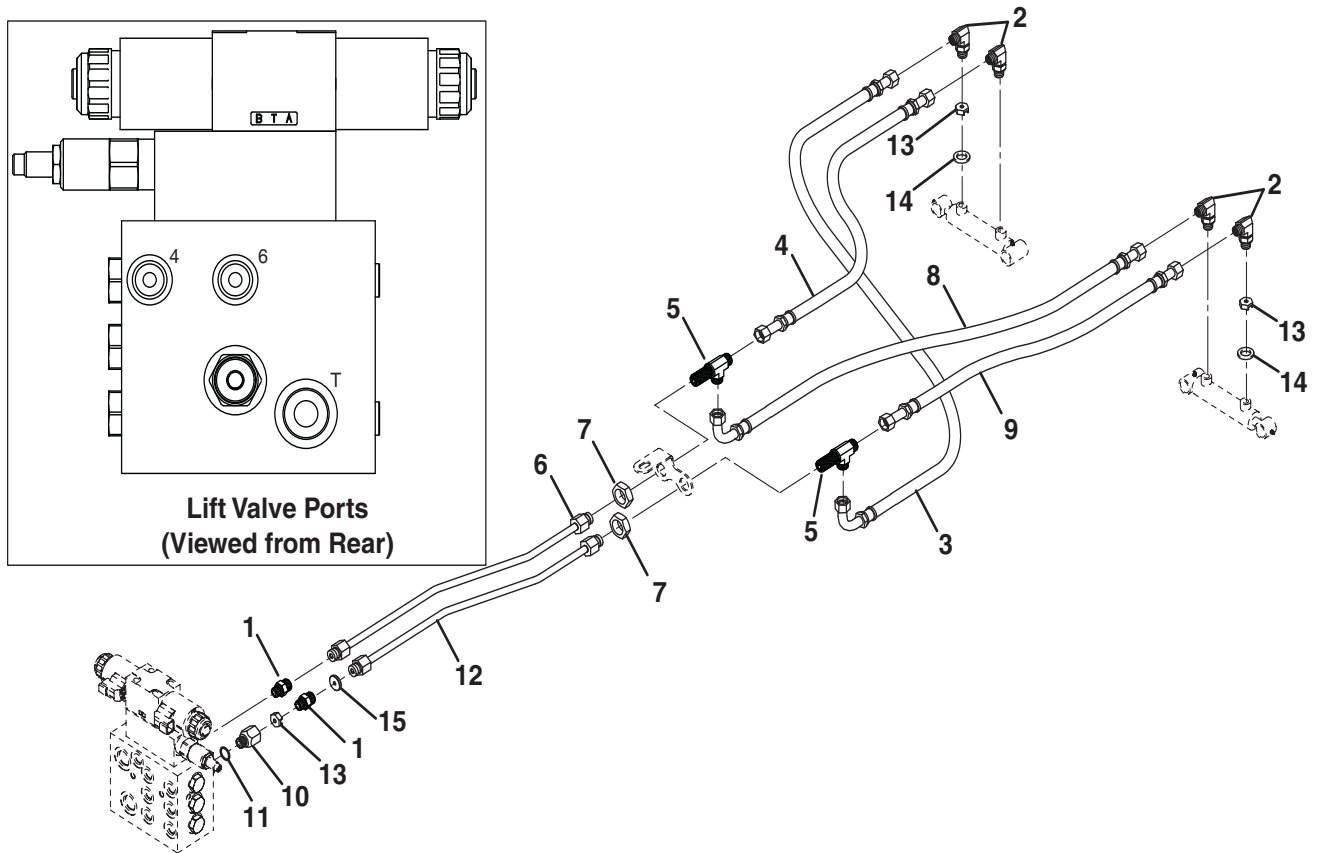
20.1 Front Lift Hydraulics



Item	Part No.	Qty.	Description	Serial Numbers/Notes
1	339974	6	Fitting, -4 ORFS x -6 ORB Straight	
	339908	1	• O-Ring, -4 ORFS	
	339896	1	• O-Ring, -6 ORB	
2	4100225	1	Hose, Center Cylinder to Valve	Lift Valve Port 2
3	340057	6	Fitting, -4 ORFS x -6 ORB 90°	
	339908	1	• O-Ring, -4 ORFS	
	339896	1	• O-Ring, -6 ORB	
4	4108182	1	Hose, Left Cylinder to Valve	Lift Valve Port 3
5	4100224	1	Hose, Valve to Left Cylinder	Lift Valve Port 10
6	4100225	1	Hose, Valve to Center Cylinder	Lift Valve Port 9
7	4100226	1	Hose, Valve to Right Cylinder	Lift Valve Port 8
8	4108183	1	Hose, Right Cylinder to Valve	Lift Valve Port 1
9	4121052	3	Orifice Plate, 0.032	
10	4121248	3	Washer, Orifice	

> Change from previous revision

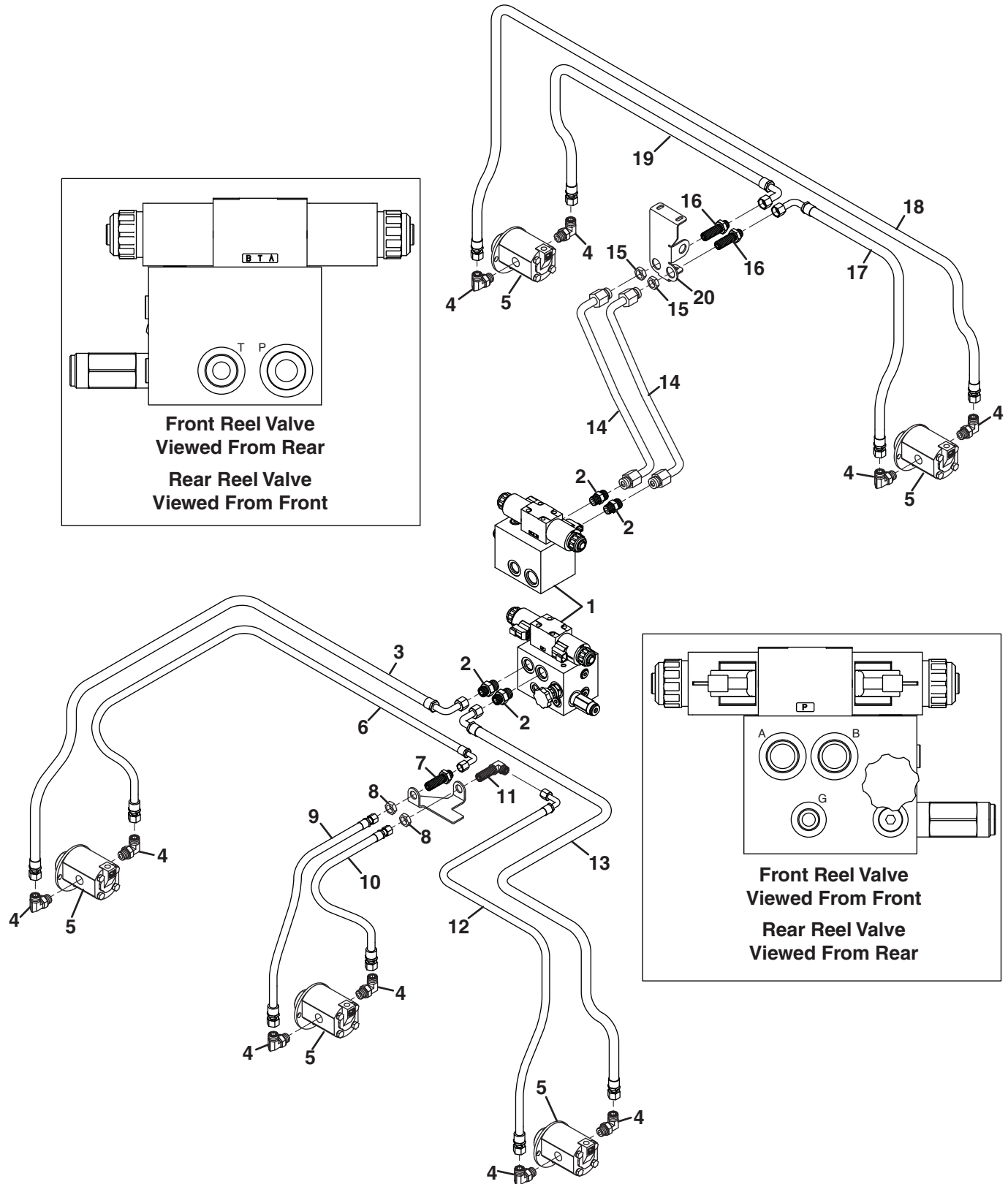
21.1 Rear Lift Hydraulics



Item	Part No.	Qty.	Description	Serial Numbers/Notes
1	339979	2	Fitting, -6 ORFS x -6 ORB Straight	
	339909	1	• O-Ring, -6 ORFS	
	339896	1	• O-Ring, -6 ORB	
2	340057	4	Fitting, -4 ORFS x -6 ORB 90°	
	339908	1	• O-Ring, -4 ORFS	
	339896	1	• O-Ring, -6 ORB	
3	4100223	1	Hose, Right Cylinder to Left Tee	
4	4110942	1	Hose, Right Tee to Right Cylinder	
5	340215	2	Tee, -6 Bulkhead Run	
	339909	1	• O-Ring, -6 ORFS	
6	4108600	1	Tube, Lift Valve to Right Tee	Lift Valve Port 6
7	339961	2	Locknut, 11/16-16 Bulkhead	
8	4110943	1	Hose, Right Tee to Left Cylinder	
9	4110942	1	Hose, Left Cylinder to Left Tee	
10	337317	1	Fitting, One way Restrictor	
11	339897	1	O-Ring, ORS System	
12	4110960	1	Tube, Left Tee to Lift Valve	Lift Valve Port 4
13	353190	3	Orifice Plate, 0.026	
14	4121248	2	Washer, Orifice	
15	4287312	1	Orifice Disc, 0.040	

> Change from previous revision

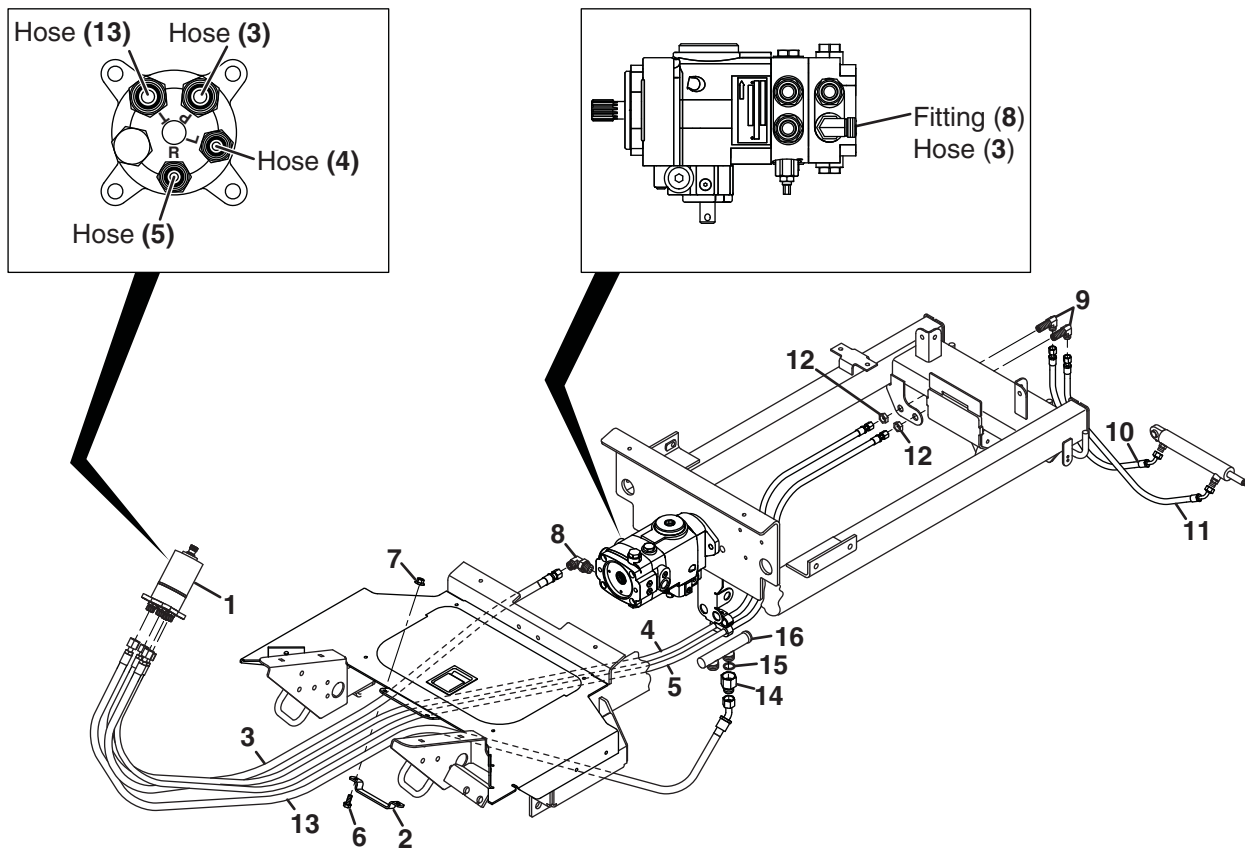
22.1 Reel Hydraulics



Item	Part No.	Qty.	Description	Serial Numbers/Notes
1	4195040	2	Reel Valve	See 17.1 For Valve Mounting
2	339985	4	Fitting, -8 ORFS x -10 ORB Straight	
	339910	1	• O-Ring, -8 ORFS	
	339899	1	• O-Ring, -10 ORB	
3	4101002	1	Hose, Reel Valve to Right Motor	
4	340066	10	Fitting, -8 ORFS x -8 ORB 90°	
	339910	1	• O-Ring, -8 ORFS	
	339898	1	• O-Ring, -8 ORB	
5	2822505	5	Motor, Reel	
	5001068	1	• O-Ring, Mount	
	5002651	1	• Seal Kit	
	5003688	1	• Kit, Front Cover	
6	4101003	1	Hose, Right Motor to Bulkhead	
7	340239	1	Fitting, -6 ORFS Straight Bulkhead	
	339909	1	• O-Ring, -8 ORFS	
8	339961	2	Locknut, 11/16-16 Bulkhead	
9	4101004	1	Hose, Bulkhead to Center Motor	
10	4108180	1	Hose, Center Motor to Bulkhead	
11	340167	1	Fitting, -6 ORFS 90° Bulkhead	
	339909	1	• O-Ring, -8 ORFS	
12	4101005	1	Hose, Bulkhead to Left Motor	
13	4101020	1	Hose, Left Motor to Reel Valve	
14	4108601	2	Tube, Reel Valve to Bulkhead	
15	339962	2	Locknut, 13/16-16 Bulkhead	
16	340240	2	Fitting, -8 ORFS Straight Bulkhead	
	339910	1	• O-Ring, -8 ORFS	
17	4101027	1	Hose, Bulkhead to Left Motor	
18	4101025	1	Hose, Left Motor to Right Motor	
19	4110920	1	Hose, Right Motor to Bulkhead	
20	4101001	1	Bracket, Clamp	See 25.1

> Change from previous revision

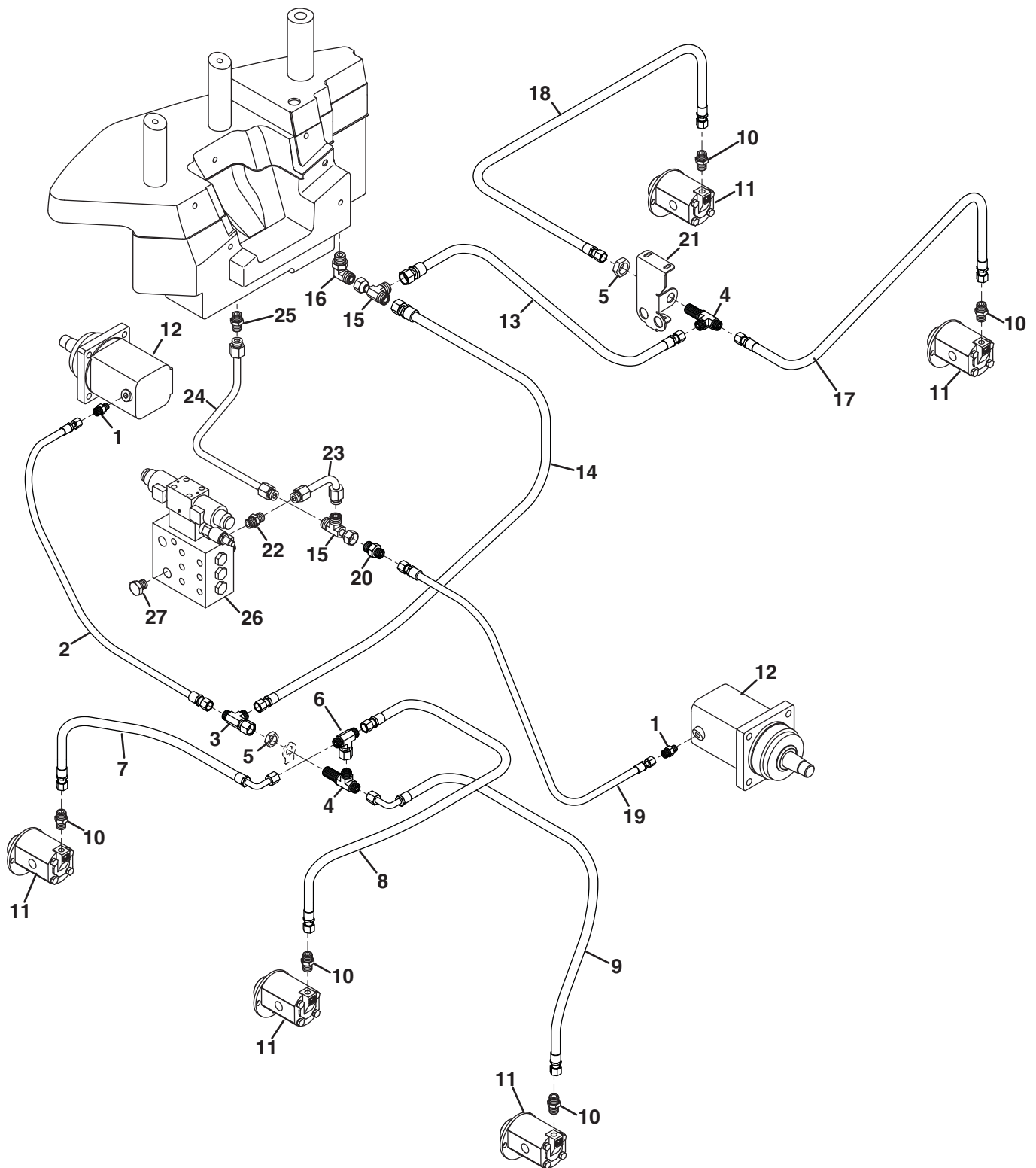
23.1 Steering Hydraulics



Item	Part No.	Qty.	Description	Serial Numbers/Notes
1	4247250	1	Valve, Steering	See 8.1
	339908	2	• O-Ring, -4 ORFS	
	339909	3	• O-Ring, -6 ORFS	
2	1004541	1	Bracket, Hose Retaining	
3	4100844	1	Hose, Pump to Steering Valve	Steering Valve IN Port
4	4100845	1	Hose, Valve to Outside Bulkhead	Steering Valve LT Port
5	4100845	1	Hose, Valve to Inside Bulkhead	Steering Valve RT Port
6	403770	2	Screw, 5/16-18 x 3/4" Hex Flange	
7	445781	2	Nut, 5/16-18 Whiz Lock	
8	340062	1	Fitting, -6 ORFS x -8 ORB 90°	Charge Pump Outlet Port
	339909	1	• O-Ring, -6 ORFS	
	339898	1	• O-Ring, -8 ORB	
9	340166	2	Fitting, -6 ORFS 90° Bulkhead	
	339909	2	• O-Ring, -6 ORFS	
10	4119084	1	Hose, Outside Bulkhead to Cylinder	Cylinder Base Port
11	4119085	1	Hose, Inside Bulkhead to Cylinder	Cylinder Rod Port
12	339960	2	Locknut, Bulkhead	
13	4233080	1	Hose, Valve to Cooler Manifold	Steering Valve OUT Port
14	4237704	1	Fitting, -10 to -8 ORFS Reducer	
	339910	1	• O-Ring, -8 ORFS	
15	339911	1	O-Ring, -10 ORFS	
16	4100777	1	Tube, Return Manifold	See 21.1

> Change from previous revision

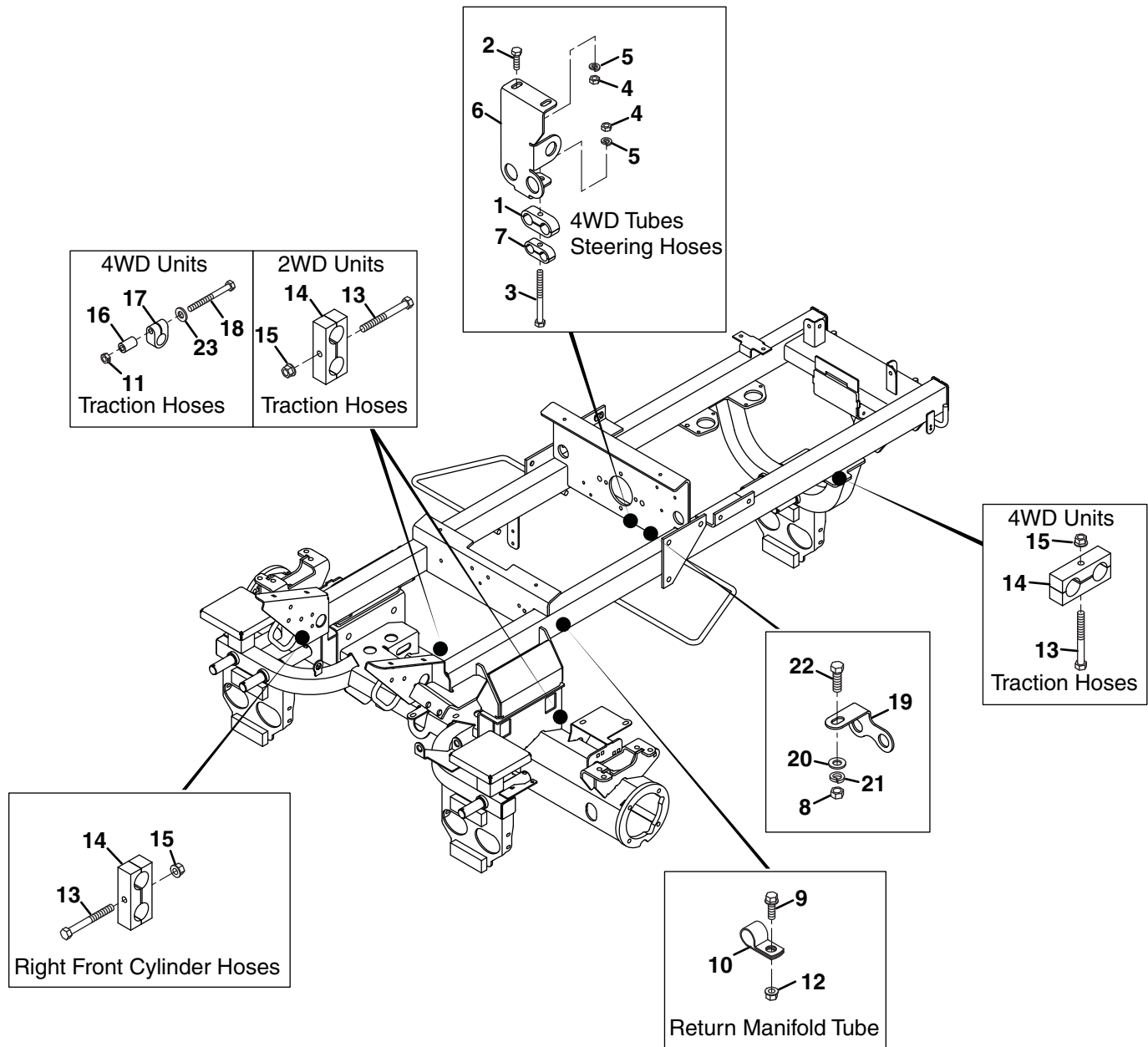
24.1 Return Hydraulics



Item	Part No.	Qty.	Description	Serial Numbers/Notes	
1	339972	2	Fitting, -4 ORFS x -4 ORB Straight		
	339908	1	• O-Ring, -4 ORFS		
	339896	1	• O-Ring, -4 ORB		
2	4110942	1	Hose, Right Wheel Motor Drain		
3	340119	1	Fitting, -6 ORFS Swivel Run Tee		
	339909	2	• O-Ring, -6 ORFS		
4	340215	2	Fitting, -6 ORFS Bulkhead Run Tee		
	339909	3	• O-Ring, -6 ORFS		
5	339961	1	Locknut, 11/16-16 Bulkhead		
6	340143	1	Fitting, -6 ORFS Swivel Branch Tee		
	339909	2	• O-Ring, -6 ORFS		
7	4153477	1	Hose, Front Right Reel Motor Drain		
8	4153478	1	Hose, Center Reel Motor Drain		
9	4153479	1	Hose, Front Left Reel Motor Drain		
10	339977	5	Fitting, -6 ORFS x -4 ORB Straight		
	339909	1	• O-Ring, -6 ORFS		
	339897	1	• O-Ring, -6 ORB		
11	2822505	5	Motor, Reel		
12	4182425	2	Motor, Front Wheel		See 7.1 For Motor Mounting
13	4177881	1	Hose, Rear Return Tee to Tank Tee		
14	4177880	1	Hose, Front Return Tee to Tank Tee		
15	340120	1	Fitting, -8 ORFS Swivel Run Tee		
	339910	2	• O-Ring, -8 ORFS		
16	340066	1	Fitting, -8 ORFS x -8 ORB 90°		
	339910	1	• O-Ring, -8 ORFS		
	339898	1	• O-Ring, -8 ORB		
17	4153480	1	Hose, Left Rear Reel Motor Drain		
18	4153481	1	Hose, Right Rear Reel Motor Drain		
19	4180800	1	Hose, Left Wheel Motor Drain		
20	340289	1	Fitting, -6 x -8 ORFS Straight Union		
	339909	1	• O-Ring, -6 ORFS		
	339910	1	• O-Ring, -8 ORFS		
21	4101001	1	Bracket, Clamp	See 25.1	
22	339985	1	Fitting, -8 ORFS x -10 ORB Straight		
	339910	1	• O-Ring, -8 ORFS		
	339899	1	• O-Ring, -10 ORB		
23	4100774	1	Tube, Lift Valve to Tee		
24	4100775	1	Tube, Tee to Tank		
25	339984	1	Fitting, -8 ORFS x -8 ORB Straight		
	339910	1	• O-Ring, -8 ORFS		
	339898	1	• O-Ring, -8 ORB		
26	4195080	1	Lift Valve	See 17.1 For Valve Mounting	
27	360651	1	Plug, -10 ORB Hex		
	339899	1	• O-Ring, -10 ORB		

> Change from previous revision

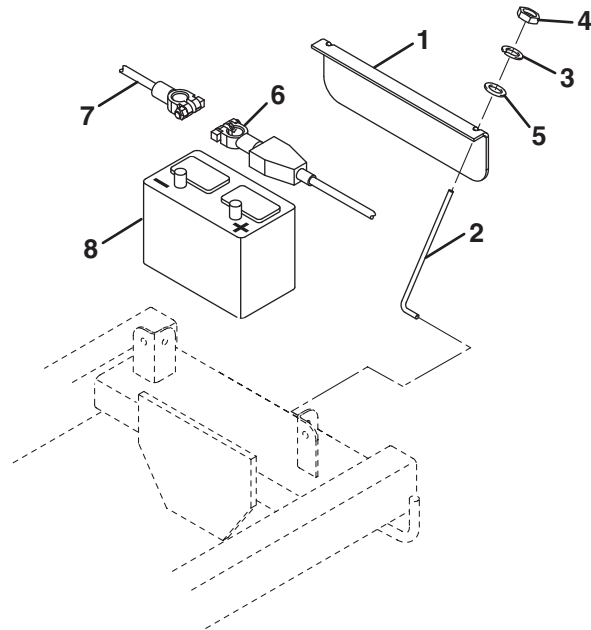
25.1 Hydraulic Clamping



Item	Part No.	Qty.	Description	Serial Numbers/Notes
1	3003110	1	Clamp, Double 5/8" Hose	
2	400108	2	Screw, 1/4-20 x 3/4" Hex Head	
3	400124	1	Screw, 1/4-20 x 2-1/2" Hex Head	
4	443102	3	Nut, 1/4-20 Hex	
5	446128	3	Lockwasher, 1/4	
6	4101001	1	Bracket, Clamp	
7	364741	2	Clamp, Double 1/2" Hose	
8	443110	1	Nut, 3/8-16 Hex	
9	403770	1	Screw, 5/16-18 x 3/4" Hex Flange	
10	3008474	1	Clamp, 1" P Hose	
11	444708	1	Locknut, 1/4-20 Center	2WD Units
11	444708	5	Locknut, 1/4-20 Center	4WD Units
12	445781	1	Nut, 5/16-18 Whizlock	
13	400200	2	Screw, 5/16-18 x 2-1/2" Hex Head	
14	4107860	2	Clamp, Double 1" Hose	
15	445795	3	Nut, 5/16-18 Spiralock Flange	
16	367176	4	Spacer, 13/16"	4WD Units Only
17	4107680	5	Clamp, Single 5/8" Hose	4WD Units Only
18	400122	4	Screw, 1/4-20 x 2-1/4" Hex Head	4WD Units Only
19	4108720	1	Bracket, Bulkhead	
20	453011	1	Flat Washer, 3/8	
21	446142	1	Lockwasher, 3/8 Heavy	
22	400262	1	Screw, 3/8-16 x 1" Hex Head	
23	453009	4	Flat Washer, 5/16	4WD Units Only

> Change from previous revision

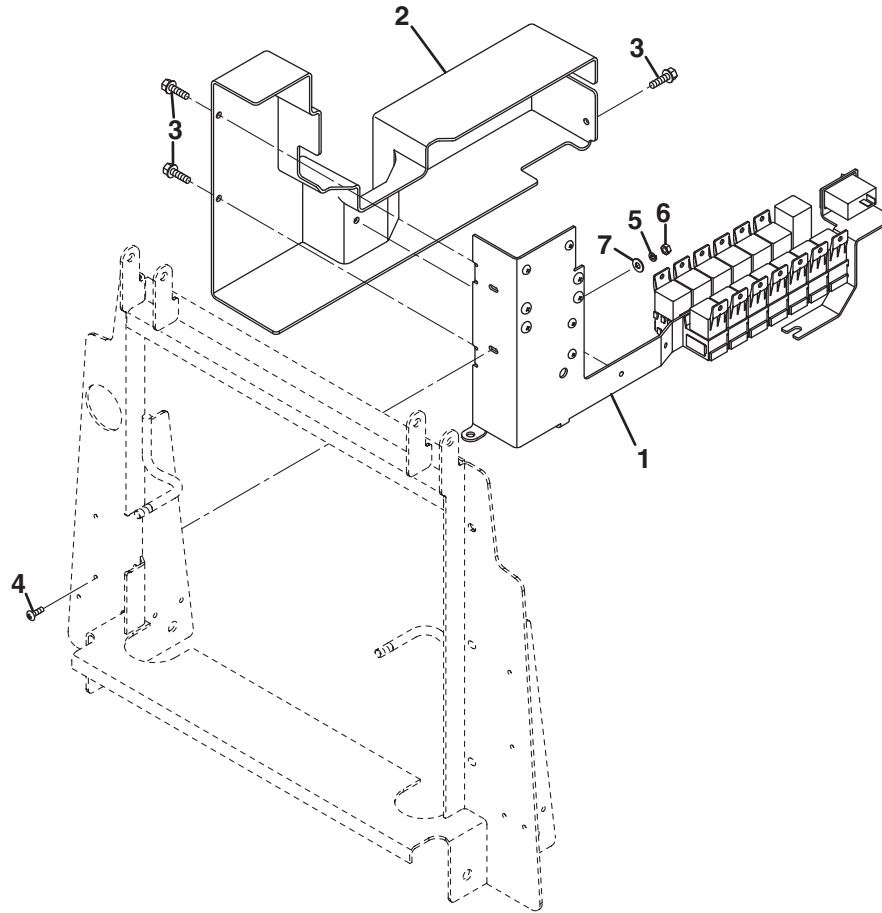
26.1 Battery Tray



Item	Part No.	Qty.	Description	Serial Numbers/Notes
1	3000525	1	Bracket, Battery	
2	3005750	2	Rod, J Hook	
3	446130	2	Lockwasher, 1/4 Heavy	
4	443102	2	Nut, 1/4-20 Hex	
5	452004	2	Flat Washer, 1/4	
6	131076	1	Cable, Positive Battery	
7	153244	1	Cable, Negative Baattery	
8	N/S	1	Battery	

> Change from previous revision

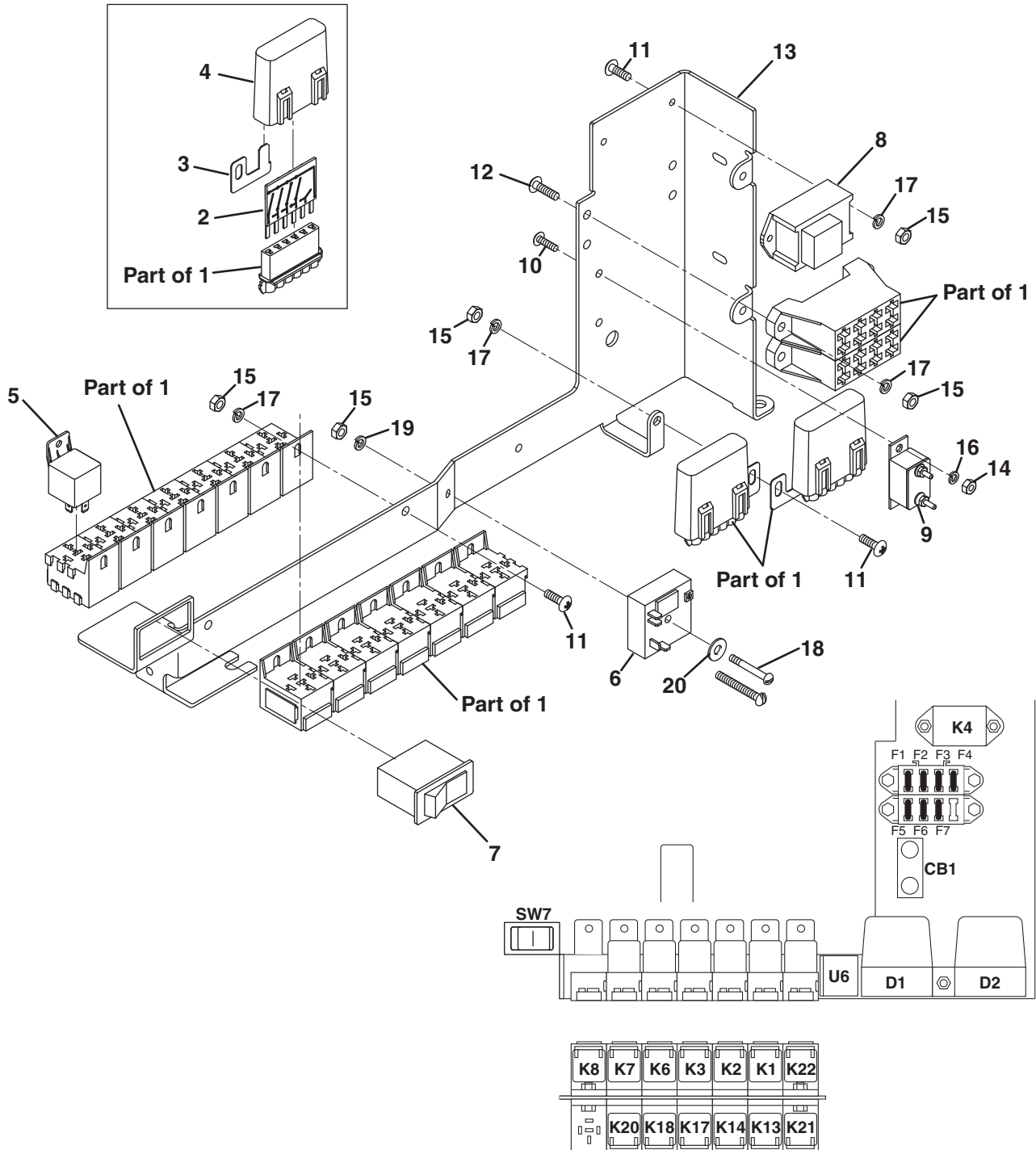
27.1 Electrical Box Mounting



Item	Part No.	Qty.	Description	Serial Numbers/Notes
1	REF	1	Electrical Box	See 28.1
2	4139099	1	Cover, Electrical Box	
3	409807	4	Screw, 1/4-20 x 3/4" Thread Cut	
4	403910	2	Screw, #10-24 x 1/2" Truss Head	
5	446116	2	Lockwasher, #10	
6	444310	2	Nut, #10-24 Hex	
7	452002	2	Flat Washer, #10	

> Change from previous revision

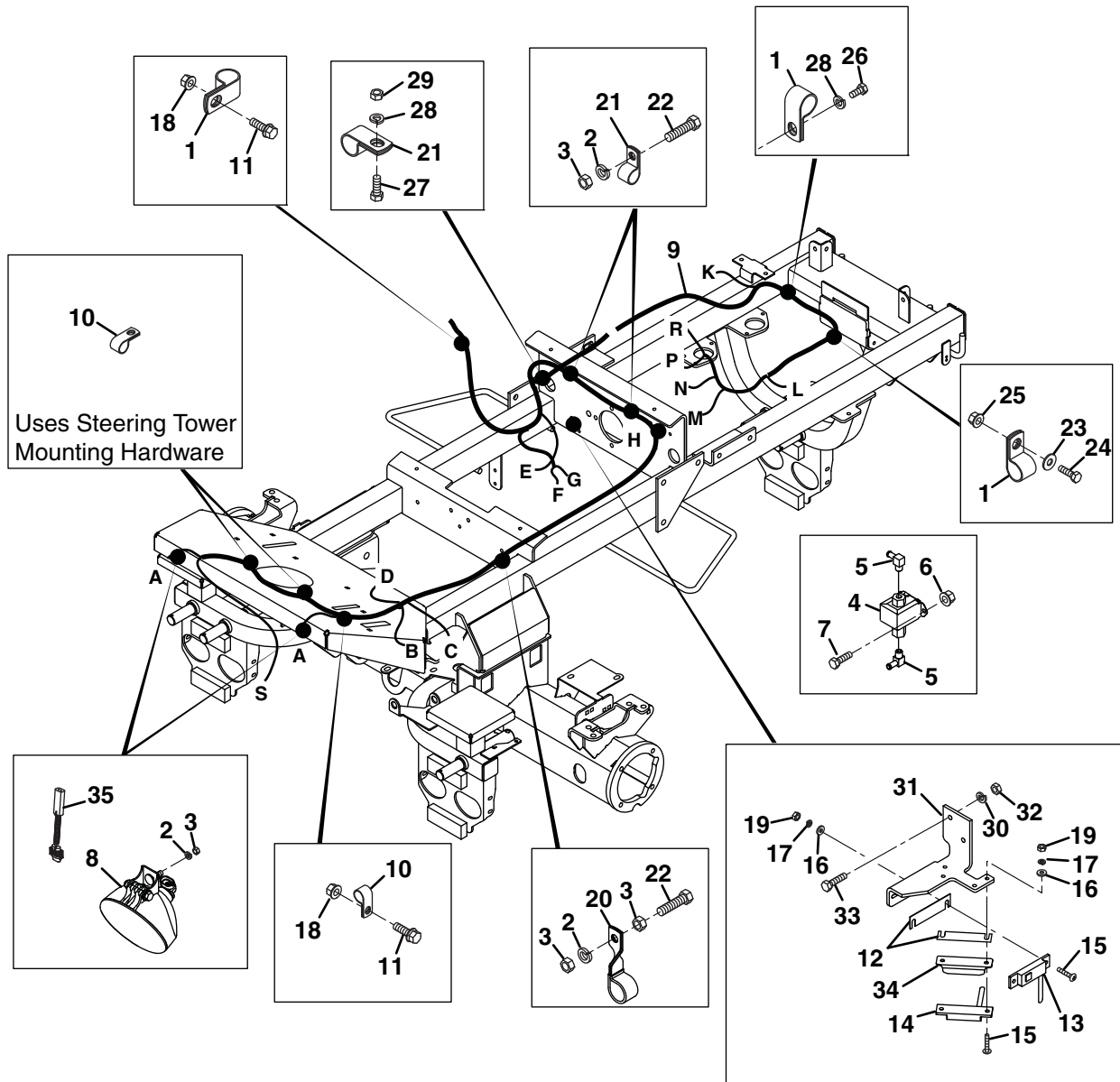
28.1 Electrical Box



Item	Part No.	Qty.	Description	Serial Numbers/Notes
1	4135544	1	Harness, Wire	REFERENCE D1 and D2, See 46.1 REFERENCE K1-K3, K6-K8, K13, K14, K17, K18, K20-K22, See 46.1 REFERENCE U6, See 46.1 REFERENCE SW7, See 46.1 REFERENCE K4, See 46.1 REFERENCE CB1, See 46.1 REFERENCE F1 and F4, See 46.1 REFERENCE F3 and F6, See 46.1 REFERENCE F2 and F7, See 46.1 REFERENCE F5, See 46.1
2	2811376	2	• Card, 4 Diode	
3	2811358	2	• Clip, Mounting	
4	2811608	2	• Cover, Diode	
5	4193880	13	Relay, SPDT with Diode	
6	4137399	1	Relay, Time Delay	
7	3006447	1	Switch, DPST Backlap	
8	3009544	1	Relay, Seat Time Delay	
9	361439	1	Circuit Breaker, 50A	
10	403860	2	Screw, #8-32 x 5/8" Truss Head	
11	403910	5	Screw, #10-24 x 1/2" Truss Head	
12	403912	4	Screw, #10-24 x 5/8" Truss Head	
13	4108200	1	Bracket, Electrical Box	
14	444306	2	Nut, #8-32 Hex	
15	444310	10	Nut, #10-24 Hex	
16	446110	9	Lockwasher, #8	
17	446116	9	Lockwasher, #10	
	5003278	2	Fuse, 5 Amp (Not Shown)	
	5003280	2	Fuse, 10 Amp (Not Shown)	
	5003282	2	Fuse, 20 Amp (Not Shown)	
	5003284	1	Fuse, 30 Amp (Not Shown)	
18	402128	1	Screw, #10-24 x 1-1/4" Slotted	
19	446114	1	Lockwasher, #10 Light	
20	452002	2	Flat Washer, #10	

> Change from previous revision

29.1 Harness Routing



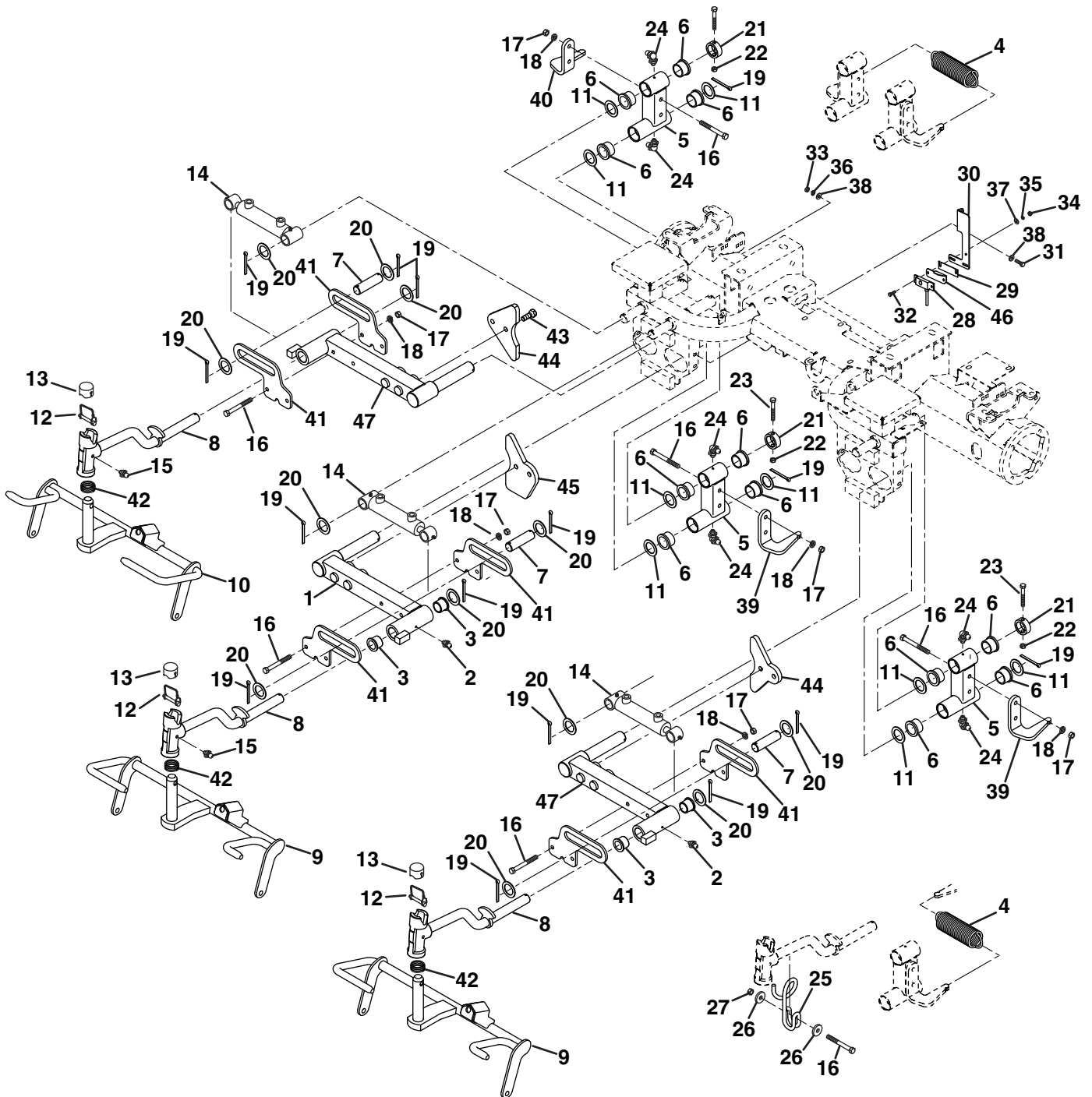
Harness Connections

- | | |
|----------------------|--------------------------|
| A - Head Lights | - Instrument Panel |
| B - Front Reel Valve | K - Glow Plugs |
| C - Rear Reel Valve | L - Starter |
| D - Lift Valve | M - Oil Pressure Switch |
| E - Seat Switch | N - Alternator |
| F - Neutral Switch | P - Temperature Sender |
| G - 4WD Switch | R - Temperature Switch |
| H - Fuel Pump | S - Reel Position Switch |

Item	Part No.	Qty.	Description	Serial Numbers/Notes
1	345671	3	Clamp, 13/16" Wire Harness	REFERENCE M2, See 46.1 REFERENCE L3 and L4, See 46.1 REFERENCE R2, See 46.1 REFERENCE SW3, See 46.1 REFERENCE SW10, See 46.1
2	446140	5	Lockwasher, 3/8	
3	443110	6	Nut, 3/8-16 Hex	
4	4272290	1	Pump, Fuel	
5	365976	2	Elbow, 90° Fuel	
6	445784	2	Nut, 1/4-20 Whiz Lock	
7	400108	2	Screw, 1/4-20 x 3/4" Hex Head	
8	4122840	2	Headlight	
	4123183	1	• Bulb, Replacement	
9	1003655	1	Harness, Engine Wire	
	558019	1	• Resistor, 75 Ohm 1 Watt	
10	345666	3	Clamp, 1/2" Wire Harness	
11	403770	2	Screw, 5/16-18 x 3/4" Hex Flange	
12	3009193	AR	Shim, Switch	
13	4140149	1	Switch, Neutral Proximity	
14	4140149	1	Switch, 4WD Drop Out Proximity	
15	403862	4	Screw, #8-32 x 3/4" Truss Head	
16	453004	4	Flat Washer, #8	
17	446110	4	Lockwasher, #8	
18	445795	2	Nut, 5/16-18 Spiralock Flange	
19	444306	4	Nut, #8-32 Hex	
20	3009269	1	Clamp, 15/16" Twisted Harness	
21	3008474	3	Clamp, 1" Wire Harness	
22	400264	3	Screw, 3/8-16 x 1-1/4" Hex Head	
23	452004	1	Flat Washer, 1/4	
24	400108	1	Screw, 1/4-20 x 3/4" Hex Head	
25	445784	1	Nut, 1/4-20 Whizlock	
26	355174	1	Screw, M6-1 x 12mm Hex Head	
27	400184	1	Screw, 5/16-18 x 5/8" Hex Head	
28	446134	2	Lockwasher, 1/4	
29	443106	1	Nut, 5/16-18 Hex	
30	446128	2	Lockwasher, 1/4	
31	3007482	1	Bracket, Switch	
32	443102	2	Nut, 1/4-20 Hex	
33	400110	2	Screw, 1/4-20 x 7/8" Hex Head	
34	4182420	1	Bracket, Switch Guard	
35	4200360	2	Harness, Headlight Adapter	

> Change from previous revision

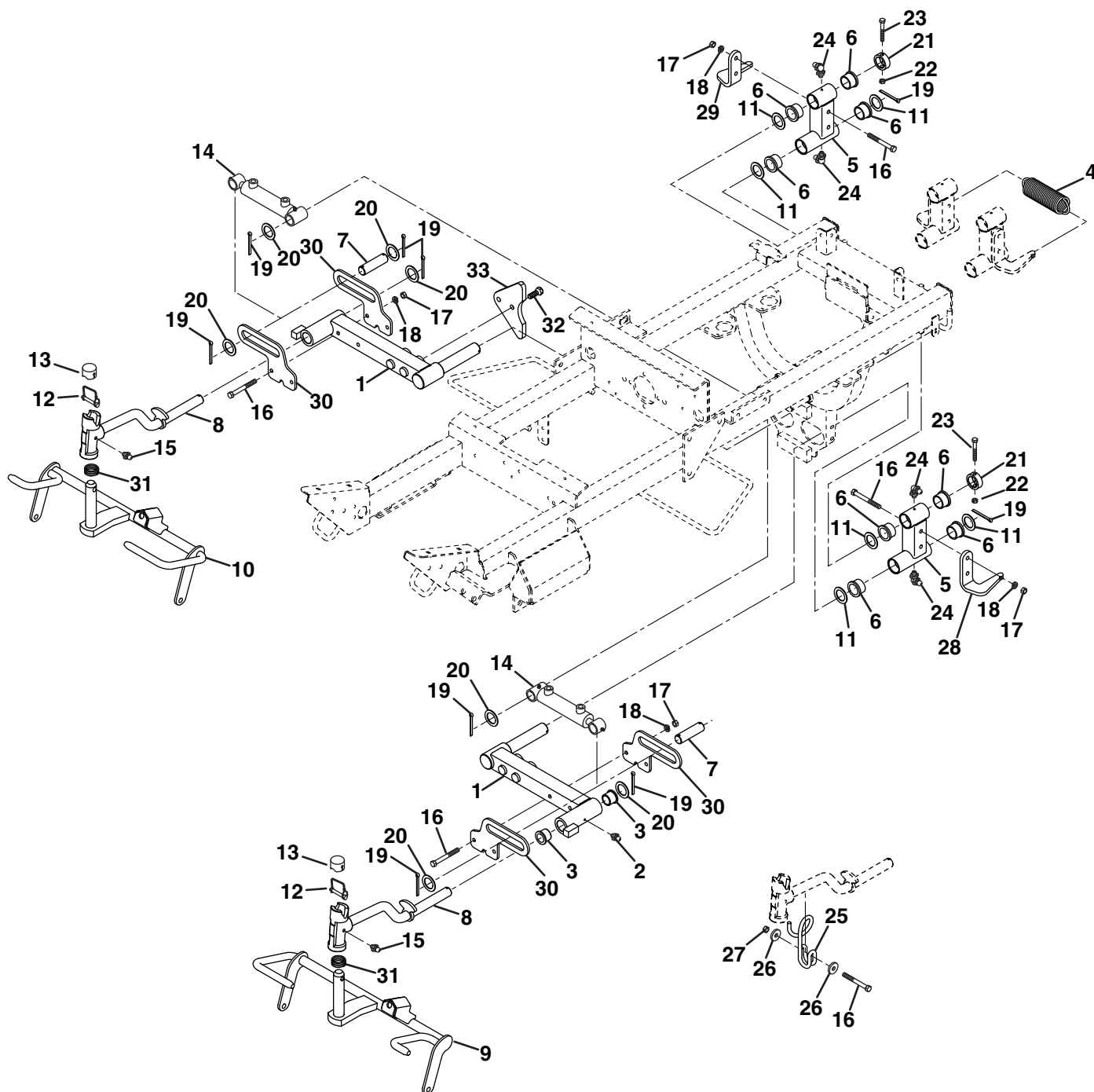
30.1 Front Lift Arms



Item	Part No.	Qty.	Description	Serial Numbers/Notes	
>	1	2811191	1	Lift Arm	
	2	471214	1	• Grease Fitting	
	3	2811198	2	• Bushing	
	4	4174061	2	Spring, Extension	
	5	4116814	3	Spring Arm	
	6	363539	4	• Bushing	
	7	2811203	3	Pin, Cylinder Float	
	8	2811244	3	Yoke, Pivot	
	9	2811246	2	Yoke, Lift	Front Left and Center
	10	2811247	1	Yoke, Lift	Front Right
	11	2500477	9	Machinery Bushing	
	12	3007798	3	Lock Pin	
	13	3008432	3	Cap, Swivel Housing	
	14	4271778	3	Lift Cylinder	See 38.1
		4280312	1	• Seal Kit	
	15	471214	3	Grease Fitting, Straight	
	16	400276	15	Screw, 3/8-16 x 3" Hex Head	
	17	443110	12	Nut, 3/8-16 Hex	
	18	446140	12	Lockwasher, 3/8	
	19	460054	15	Cotter Pin, 3/16 x 1-3/4"	
	20	455004	12	Flat Washer, 1"	
	21	4100341	3	Collar, Retaining	
	22	444718	3	Locknut, 5/16-18 Center	
	23	400196	3	Screw, 5/16-18 x 2" Hex Head	
	24	471221	6	Grease Fitting, 90°	
	25	4100340	3	Support, Hose	
	26	358794	6	Washer, Flat	
	27	444762	3	Locknut, 3/8-16 Center	
	28	4140149	1	Switch, Reel Position Proximity	REFERENCE SW8, See 46.1
	29	3009193	AR	Shim, Proximity Switch	
	30	4177700	1	Bracket, Switch	
	31	400108	2	Screw, 1/4-20 x 3/4" Hex Head	
	32	403746	2	Screw, #10-24 x 3/4" Hex Head	
	33	443102	2	Nut, 1/4-20 Hex	
	34	444310	2	Nut, #10-24 Hex	
	35	446116	2	Lockwasher, #10	
	36	446128	2	Lockwasher, 1/4	
	37	452002	2	Flat Washer, #10	
	38	453023	4	Flat Washer, 1/4	
	39	4105680	2	Arm, Spring	
	40	4105681	1	Arm, Spring	
	41	4111620	6	Plate, Float	
	42	2811195	3	Spring, Compression	
	43	4118048	6	Wheel Bolt, 1/2-20 x 1-1/8	
	44	4118081	2	Stop, Lift Arm	
	45	4119909	1	Stop, Switch Activating Lift Arm	
	46	4177701	1	Bracket, Switch Guard	
>	47	4146862	2	Lift Arm	Includes Items 2 & 3

> Change from previous revision

31.1 Rear Lift Arms



Item	Part No.	Qty.	Description	Serial Numbers/Notes
> 1	4146861	2	Lift Arm	
2	471214	1	• Grease Fitting	
3	2811198	2	• Bushing	
4	4174061	1	Spring, Extension	
5	4116814	2	Spring Arm	
6	363539	4	• Bushing	
7	2811203	2	Pin, Cylinder Float	
8	2811244	2	Yoke, Pivot	
9	2811246	1	Yoke, Lift	Rear Left
10	2811247	1	Yoke, Lift	Rear Right
11	2500477	6	Machinery Bushing	
12	3007798	2	Lock Pin	
13	3008432	2	Cap, Swivel Housing	
14	4271778	2	Lift Cylinder	See 39.1
	4280312	1	• Seal Kit, HDM Cylinder	
15	471214	2	Grease Fitting, Straight	
16	400276	10	Screw, 3/8-16 x 3" Hex Head	
17	443110	8	Nut, 3/8-16 Hex	
18	446140	8	Lockwasher, 3/8	
19	460054	10	Cotter Pin, 3/16 x 1-3/4"	
20	455004	8	Flat Washer, 1"	
21	4100341	2	Collar, Retaining	
22	444718	2	Locknut, 5/16-18 Center	
23	400196	2	Screw, 5/16-18 x 2" Hex Head	
24	471221	4	Grease Fitting, 90°	
25	4100340	2	Support, Hose	
26	358794	4	Washer, Flat	
27	444762	2	Locknut, 3/8-16 Center	
28	4105680	1	Arm, Spring	
29	4105681	1	Arm, Spring	
30	4241763	4	Plate, Float	
31	2811195	2	Spring, Compression	
32	4118048	4	Wheel Bolt, 1/2-20 x 1-1/8	
33	4118081	2	Stop, Lift Arm	

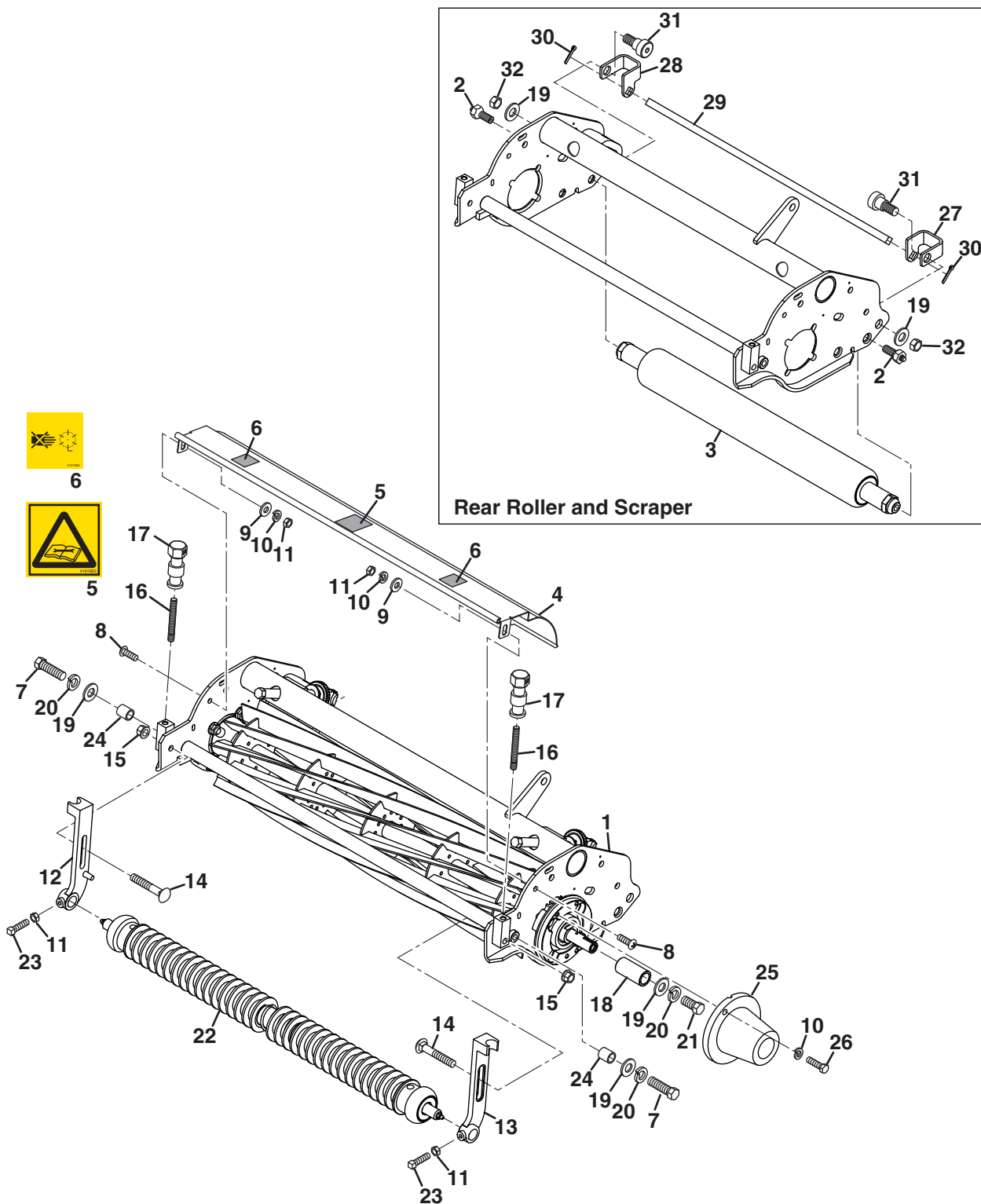
> Change from previous revision

SLF 1880

Serial No. All

32.1 Outer Reel

Left Hand Reel Shown, Right Hand Opposite



Item	Part No.	Qty.	Description	Serial Numbers/Notes
1	REF	1	Inner Reel	See 33.1
2	1002224	2	Zerk Bolt	
3	4115860	1	18" Rear Roller	See 34.1
4	2810043	1	Shield, Grass	
5	4181863	1	Decal, Read Manual for Service	
6	4127335	2	Decal, Danger	
7	400264	2	Screw, 3/8-16 x 1-1/4" Hex Head	
8	403782	2	Screw, 1/4-20 x 3/4" Truss Head	
9	453023	2	Flat Washer, 1/4	
10	446130	4	Lockwasher, 1/4 Heavy	
11	443102	4	Nut, 1/4-20 Hex	
12	3008438	1	Bracket, Left Side Front Roller	
13	3008439	1	Bracket, Right Side Front Roller	
14	441674	2	Carriage Bolt, 5/16-18 x 1-3/4"	
15	445795	2	Nut, 5/16-18 Spirallock Flange	
16	343616	2	Stud, Front Roller Adjuster	
17	3005692	2	Knob, Front Roller Adjuster	
18	367164	1	Spacer	
19	453011	5	Flat Washer, 3/8	
20	446142	3	Lockwasher, 3/8 Heavy	
21	400294	1	Screw, 3/8-24 x 1" Hex Head	
22	REF	1	Front Roller	Not included with reel.
23	352737	2	Set Screw, 1/4-20 x 7/8" Grade 8	
24	345510	2	Spacer, Lift Yoke	
25	2000065	1	Casting, Counterweight	
26	400110	2	Screw, 1/4-20 x 7/8" Hex Head	
27	4121861	1	Bracket, Left Side Scraper	
28	4121862	1	Bracket, Right Side Scraper	
29	4118379	1	Rod, Scraper	
30	460026	2	Cotter Pin, 1/8 x 3/4"	
31	365246	2	Bolt, 3/8-16 Shoulder	
32	443110	2	Nut, 3/8-16 Hex	

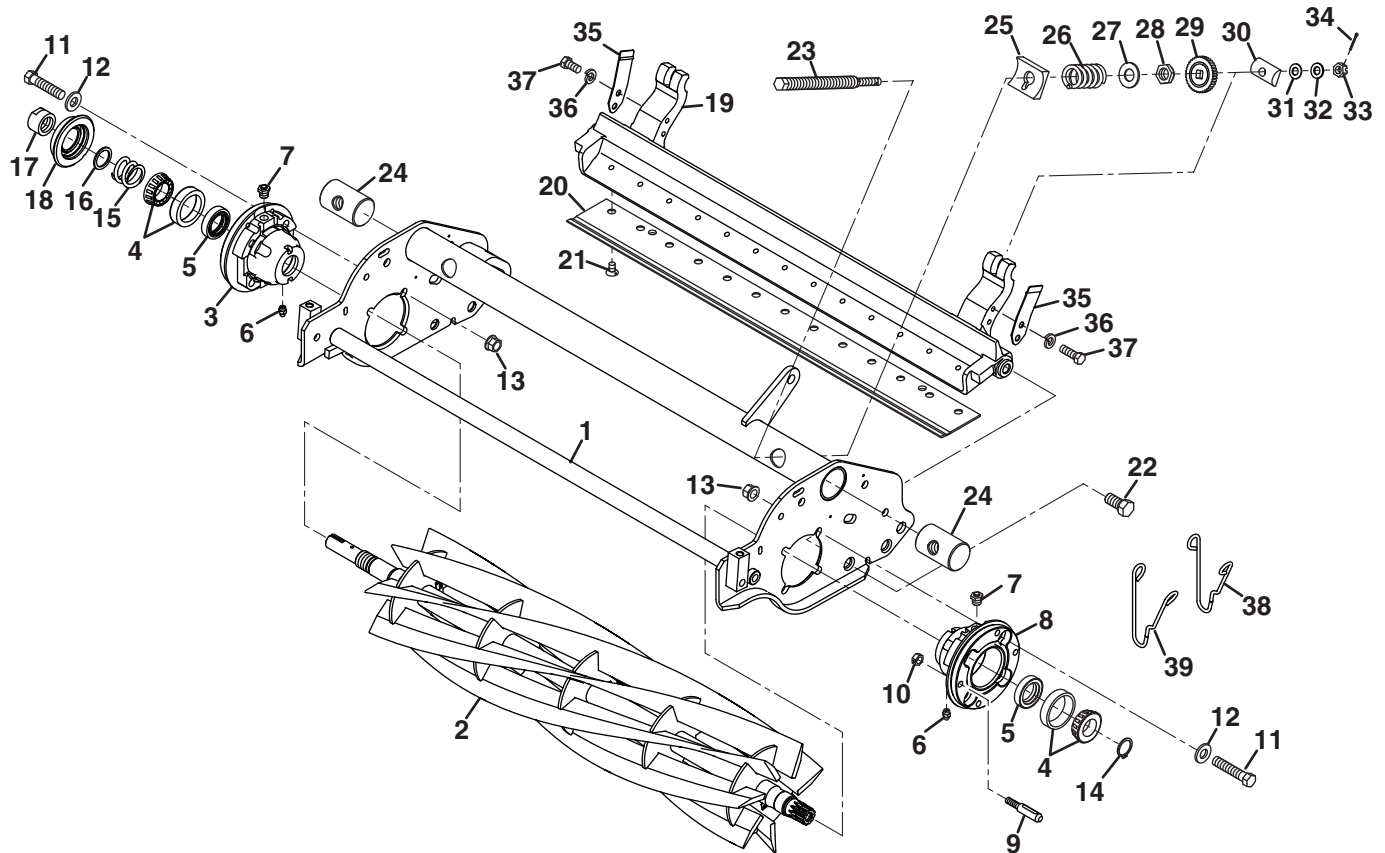
> Change from previous revision

SLF 1880

Serial No. All

33.1 Inner Reel

Right Hand Reel Shown, Left Hand Reel Opposite



Standard Style Bedknives (Secured with screws)

Part Number	Description
▲ 4118902	18" Medium Section

▲ Standard Bedknife

Optional MagKnife Bedknives

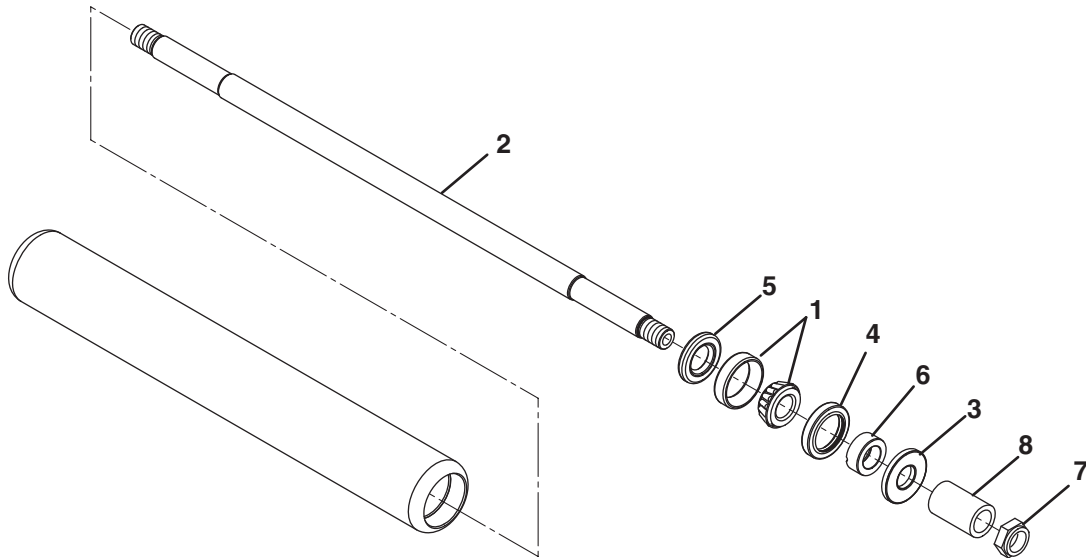
Part Number	Description
4131373	18" Light Fairway Section
4131006	18" Medium Section

Item	Part No.	Qty.	Description	Serial Numbers/Notes
1	4256223	1	18" Reel Frame	Used with 62837 and 62838
2	4119512	1	Reel, 18" 8 Blade	Used with 62837
2	4119513	1	Reel, 18" 11 Blade	Used with 62838
3	1000480	1	Housing, Bearing	
4	500534	1	• Bearing, Cup and Cone	
5	336962	1	• Seal, Grease	
6	471214	1	• Grease Fitting	
7	471240	1	• Vent Fitting	
8	1004786	1	Housing, Bearing	Includes Items 4~7
9	3010296	2	Pin, Motor Mounting	
10	444708	2	Locknut, 1/4-20 Hex Center	
11	400192	8	Screw, 5/16-18 x 1-1/2" Socket Head	
12	453009	4	Flat Washer, 5/16	
13	445795	8	Nut, 5/16-18 Spirallock Flange	
14	458013	1	Ring, Snap	
15	5002151	1	Spring, Compression	
16	304745	1	Washer, Reel Shaft	
17	364900	1	Nut, 3/4-16 Reel	
18	163892	1	Seal Assembly	
19	4255751	1	Backing, 18" Bedknife	Used with 62837 and 62838
20	See Chart	1	Bedknife	
21	4252470	AR	Screw, Bedknife	Package of 100 Screws
22	315298	2	Bolt, 7/16-20 x 3/4" Wheel	
23	4256228	2	Rod, Bedknife Adjuster	
24	4256227	2	Trunnion, Internal	
25	4256229	2	Cradle, Tube Spring	
26	4256231	2	Spring, Compression	
27	400051	2	Washer, 1/2" Belleville	
28	400050	2	Nut, 1/2-20 Hex Jam Nylock	
29	4256233	2	Washer, Bedknife Adjustment	
30	4256232	2	Trunnion Half	
31	400052	2	Washer, 5/16 Belleville	
32	400065	AR	Washer, Shim	
33	400053	2	Nut, 5/16-24 Hex Slotted	
34	460008	2	Cotter Pin, 5/64 x 3/4"	
35	4256230	2	Spring, Detent	
36	446130	4	Lockwasher, 1/4 Heavy	
37	400104	4	Screw, 1/4-20 x 1/2" Hex Head	
38	2810165	1	Clip, Motor	
39	2810166	1	Clip, Motor	

> Change from previous revision

34.1 Rear Roller

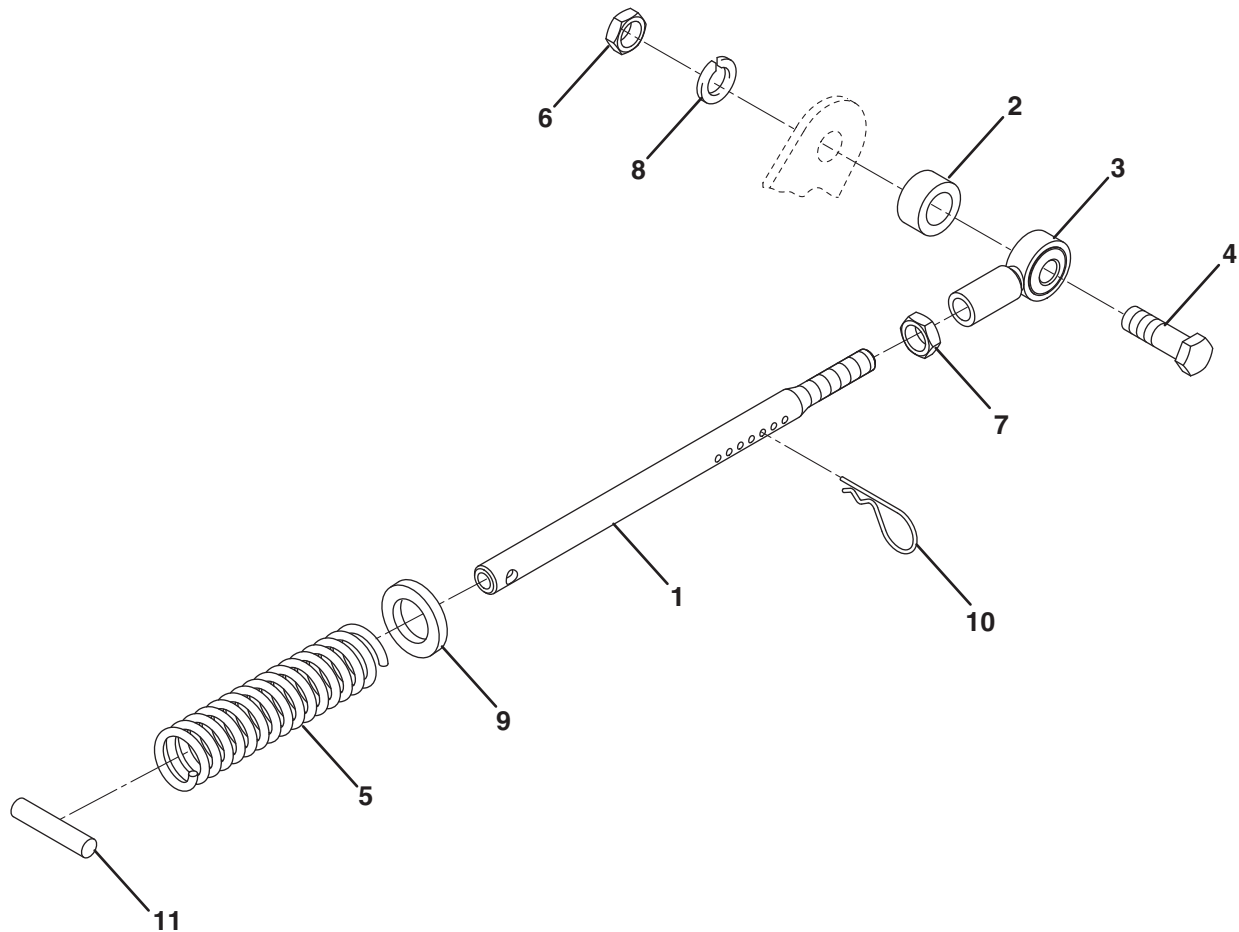
Part Number 4115860



Item	Part No.	Qty.	Description	Serial Numbers/Notes
1	5000625	2	Bearing, Cup and Cone	
2	2811039	1	Shaft, Roller	
3	4115557	2	Washer	
4	3000983	2	Oil Seal	
5	3001656	2	Seal, Oil	
6	3001762	2	Sleeve, Wear	
7	445801	2	Nut, 5/8-18 Hex Jam Nylon Insert	
8	4115523	2	Spacer	

> Change from previous revision

35.1 Down Pressure



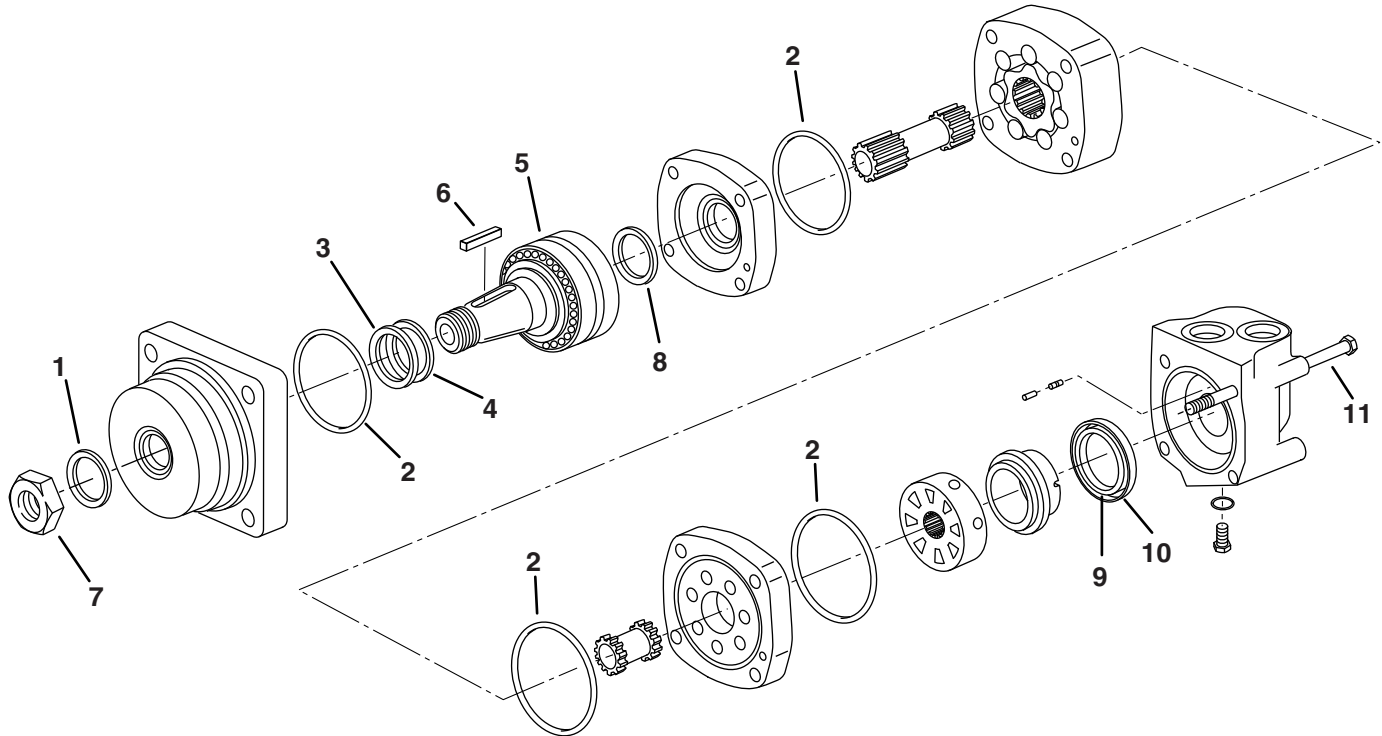
Item	Part No.	Qty.	Description	Serial Numbers/Notes
1	3008593	1	Tube, Down Pressure	
2	352435	1	Spacer	
3	366974	1	Rod End	
4	400268	1	Screw, 3/8-16 x 1-3/4" Hex Head	
5	4113001	1	Spring, Down Pressure	
6	443110	1	Nut, 3/8-16 Hex	
7	443812	1	Nut, 3/8-24 Hex Jam	
8	446142	1	Lockwasher, 3/8 Heavy	
9	453017	1	Flat Washer, 1/2	
10	460312	1	Hairpin	
11	461397	1	Roll Pin, 1/4 x 1-1/4"	

> Change from previous revision

36.1 Front Wheel Motor

Part Number 4182425

Serial No. All

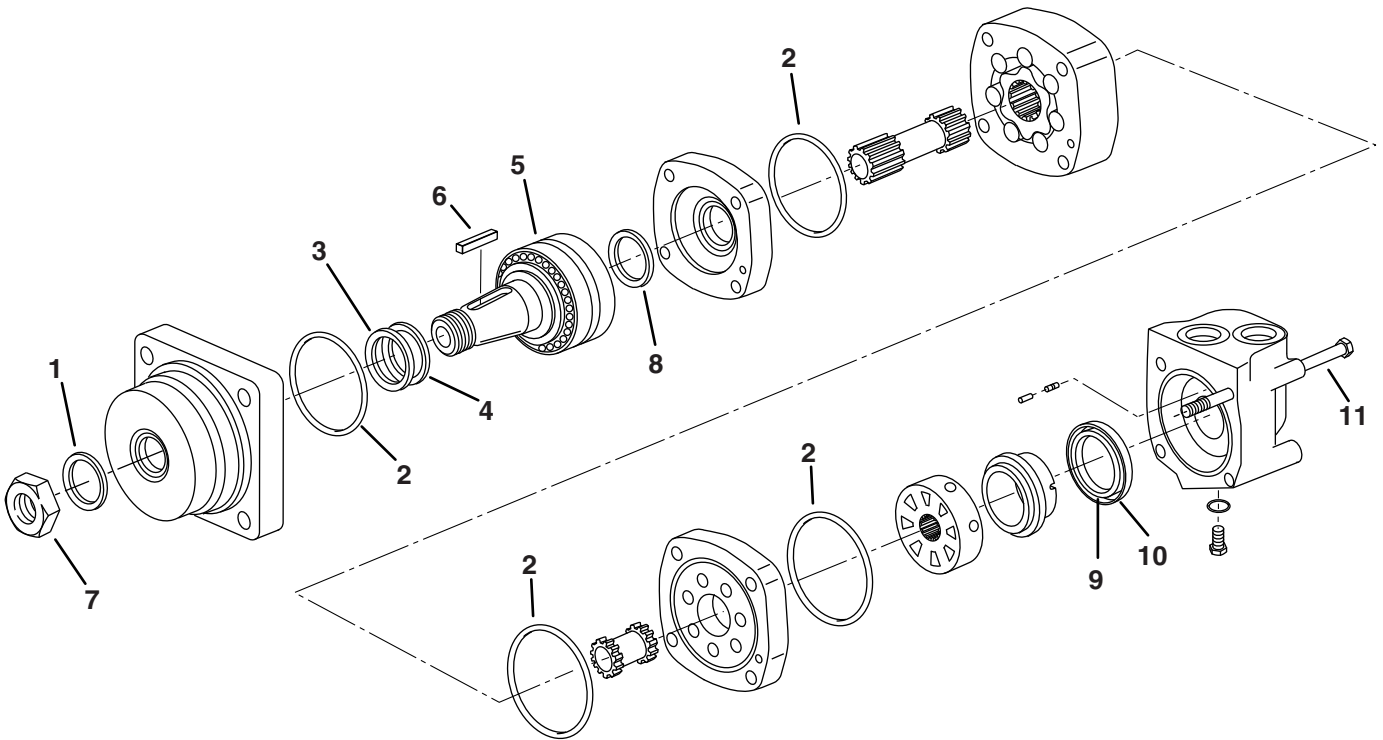


Item	Part No.	Qty.	Description	Serial Numbers/Notes
1	A	1	Seal Exclusion	
2	A	4	Seal, 3" I.D.	
3	B	1	Back Up Ring	
4	B	1	Shaft Seal	
5	5003384	1	Shaft and Bearing Kit	
6	554780	1	Key	
7	554779	1	Hex Nut	
8	A	1	Shaft Face Seal	
9	A	1	Inner Face Seal	
10	A	1	Outer Face Seal	
11	556450	4	Bolt	
	4178561	1	Rear Seal Kit	Includes Items Marked A
	4178562	1	Front Seal Kit	Includes Items Marked B

> Change from previous revision

37.1 Rear Wheel Motor

Part Number 4181920

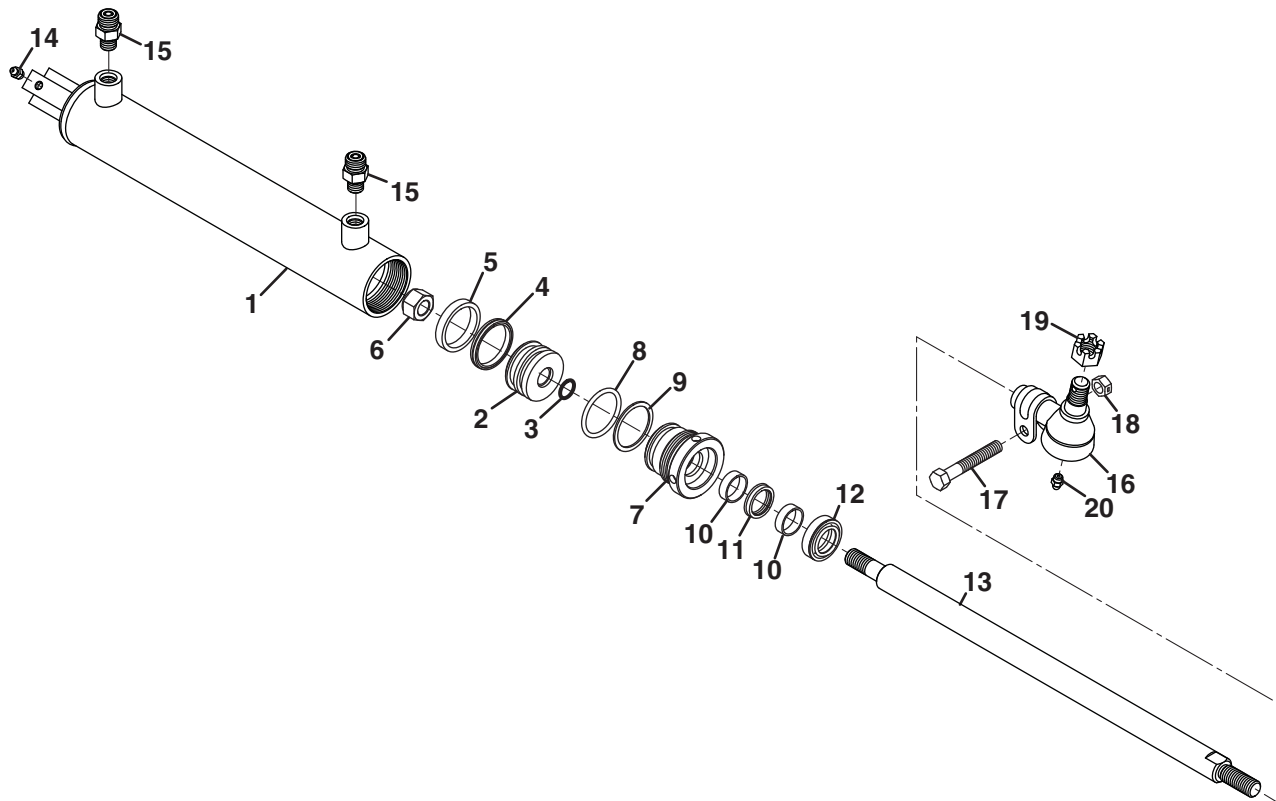


Item	Part No.	Qty.	Description	Serial Numbers/Notes
1	A	1	Seal Exclusion	
2	A	4	Seal, 3" I.D.	
3	B	1	Back Up Ring	
4	B	1	Shaft Seal	
5	554781	1	Shaft and Bearing Kit	
6	554780	1	Key	
7	554779	1	Hex Nut	
8	A	1	Shaft Face Seal	
9	A	1	Inner Face Seal	
10	A	1	Outer Face Seal	
11	554782	4	Bolt	
	4178561	1	Rear Seal Kit	Includes Items Marked A
	4178562	1	Front Seal Kit	Includes Items Marked B

> Change from previous revision

38.1 Steering Cylinder

Part Number 4271779

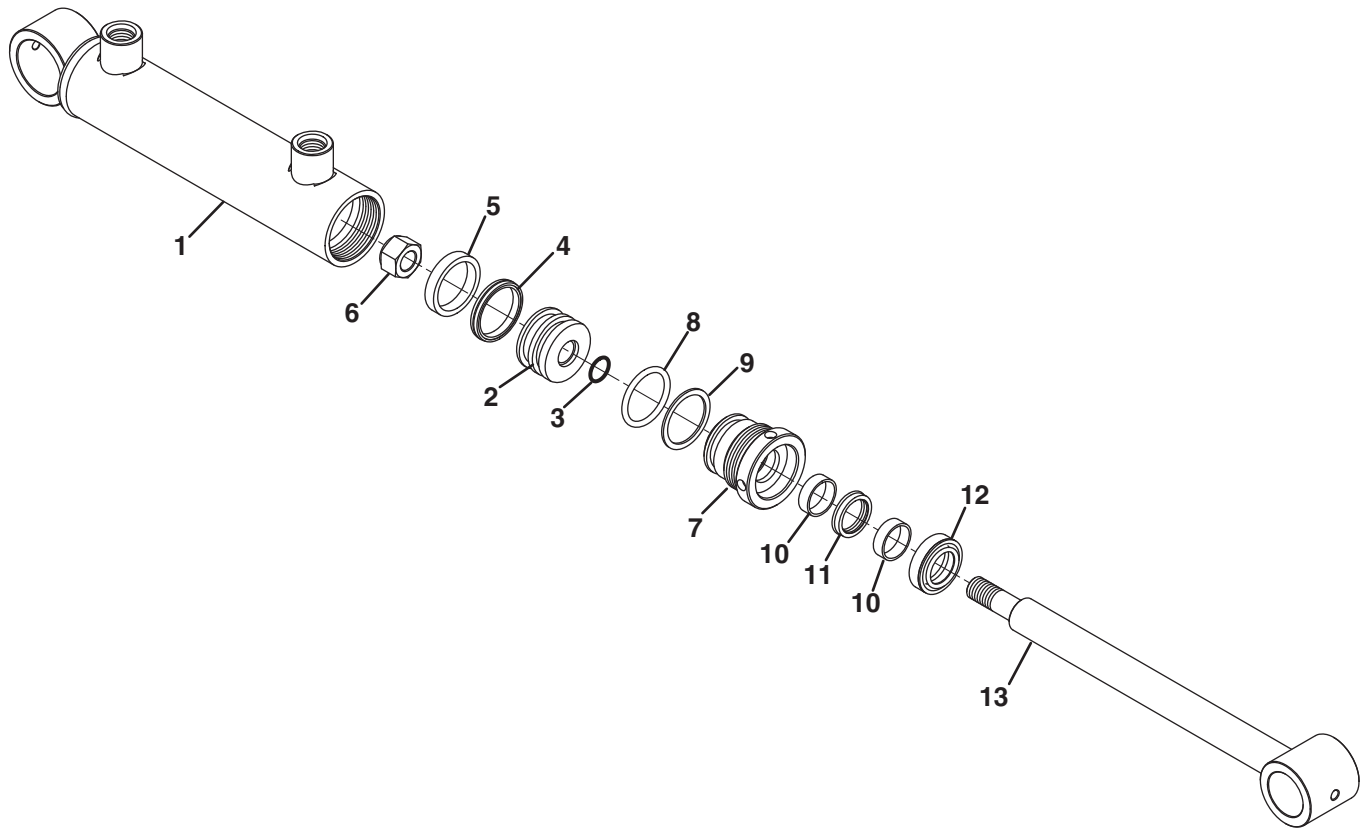


Item	Part No.	Qty.	Description	Serial Numbers/Notes
1	N/S	1	Tube, Cylinder	
2	N/S	1	Piston, 1-1/2" Tube	
3	●	1	O-Ring, Piston	
4	●	1	Seal, Piston	
5	●	1	Wear Ring, Piston	
6	N/S	1	Nut, 1/2 Hex	
7	N/S	1	Gland, Cylinder	
8	●	1	O-Ring, Gland	
9	●	1	Backup Ring, Gland	
10	●	2	Wear Sleeve, Gland	
11	●	1	Seal, Gland	
12	●	1	Wiper Seal	
13	N/S	1	Rod, Cylinder	
14	471214	1	Fitting, Grease	
15	339972	2	Fitting, -4 ORFS x -4 ORB Straight	
16	153234	1	• Ball Joint	
17	400194	1	• Screw, 5/16-18 x 1-3/4" Hex	
18	444718	1	• Locknut, 5/16-18 Center	
19	443666	1	• Nut, 1/2-20 Slotted Hex	
20	471214	1	• Fitting, Grease	
●	4276851	1	Seal Kit	Includes Items marked ●

> Change from previous revision

39.1 Lift Cylinder

Part Number 4271778



Item	Part No.	Qty.	Description	Serial Numbers/Notes
1	N/S	1	Tube, Cylinder	
2	N/S	1	Piston, 1-1/2" Tube	
3	●	1	O-Ring, Piston	
4	●	1	Seal, Piston	
5	●	1	Wear Ring, Piston	
6	N/S	1	Nut, 1/2 Hex	
7	N/S	1	Gland, Cylinder	
8	●	1	O-Ring, Gland	
9	●	1	Backup Ring, Gland	
10	●	2	Wear Sleeve, Gland	
11	●	1	Seal, Gland	
12	●	1	Wiper Seal	
13	N/S	1	Rod, Cylinder	
●	4280312	1	Seal Kit	Includes Items marked ●

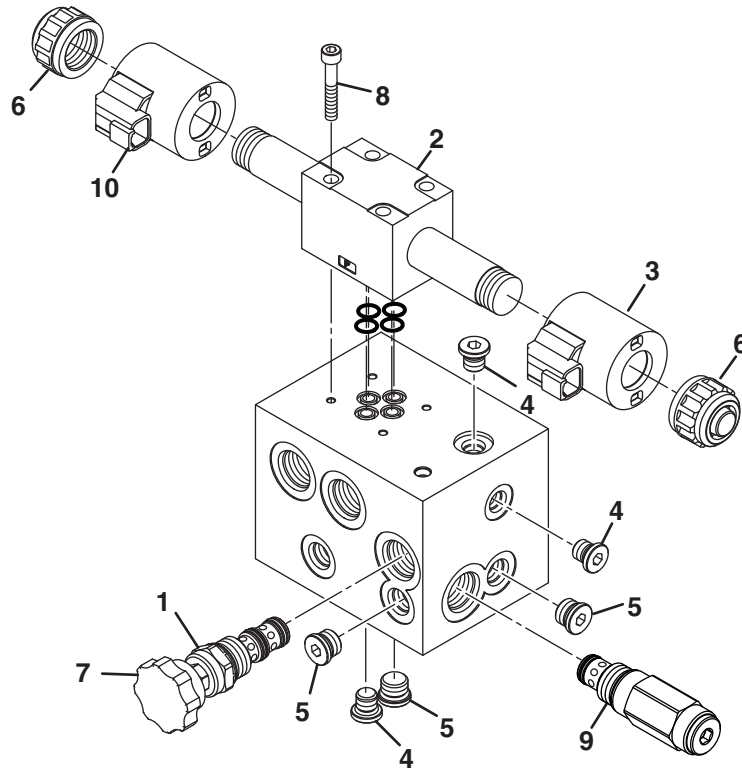
> Change from previous revision

SLF 1880

40.1 Reel Valve

Part Number 4195040

Serial No. All

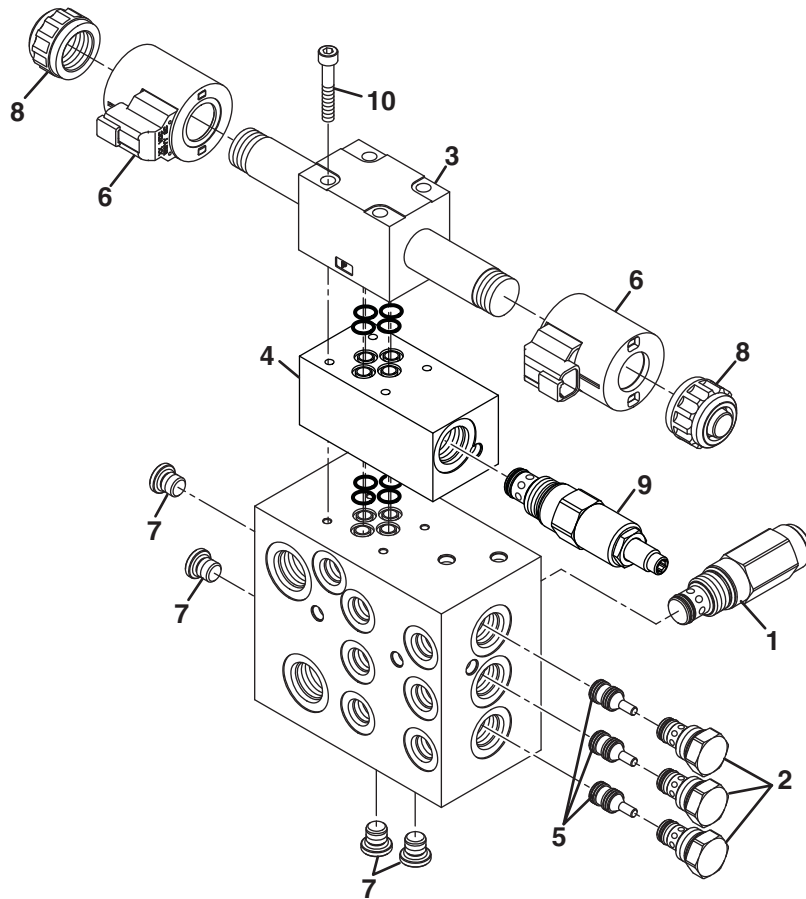


Item	Part No.	Qty.	Description	Serial Numbers/Notes
1	5003080	1	Valve, Flow Control	REFERENCE K9, K11 See 46.1
	5003579	1	• Flow Control Seal Kit	
2	4136815	1	Solenoid Valve	
	339909	4	• O-Ring	
3	4135552	1	Coil	
4	5002157	3	Port Plug	
5	5001065	3	Port Plug	
6	4136814	2	Nut, Coil, with "O"-Ring	
7	4105980	1	Knob, Flow Control	
8	4143527	4	Bolt, D03 Service Short	
9	4143172	1	Relief Valve, 2200 psi	REFERENCE K10, K12 See 46.1
	5003579	1	• Seal Kit	
10	4200060	1	Coil	

> Change from previous revision

41.1 Lift Valve

Part Number 4195080



Item	Part No.	Qty.	Description	Serial Numbers/Notes
1	5003144	1	Relief Valve	Reference K15 and K16, See 46.1
	5003579	1	• Seal Kit	
2	5001355	3	Pilot Operated Check Valve	
	5003578	1	• Seal Kit	
3	4136815	1	Solenoid Valve	
	339909	4	• O-Ring	
4	4108340	1	Sandwich, Pressure Control	
5	4154700	3	Pilot Piston	
6	4135552	2	Coil	
7	5002157	4	Plug, Port	
8	4136814	2	Nut, Coil	
9	4191281	1	Relief, Pilot Operated Spool	
10	4143526	4	Bolt, D03 Service Long	

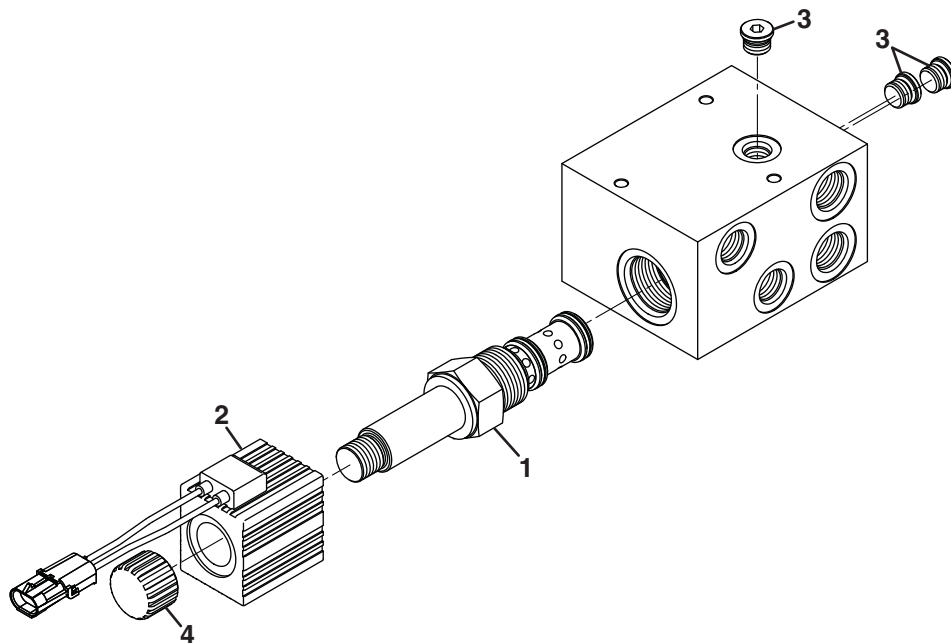
> Change from previous revision

SLF 1880

Serial No. All

42.1 4WD Valve

Part Number 1003142

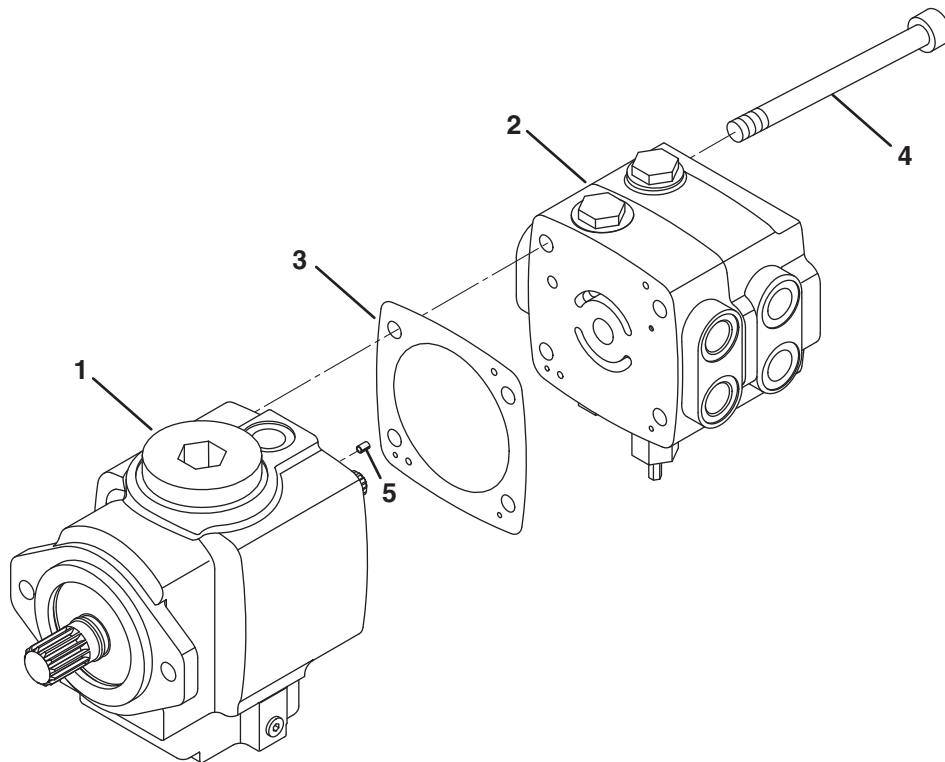


Item	Part No.	Qty.	Description	Serial Numbers/Notes
1	5002944	1	2 Position, 3 Way Solenoid Valve	REFERENCE K19, See 46.1
2	5002945	1	Coil	
3	5001065	3	Plug, -6 ORB Port	
4	5003195	1	Nut, Coil	
	5002947	1	Seal Kit	

> Change from previous revision

43.1 Traction Pump

Part Number 4238422

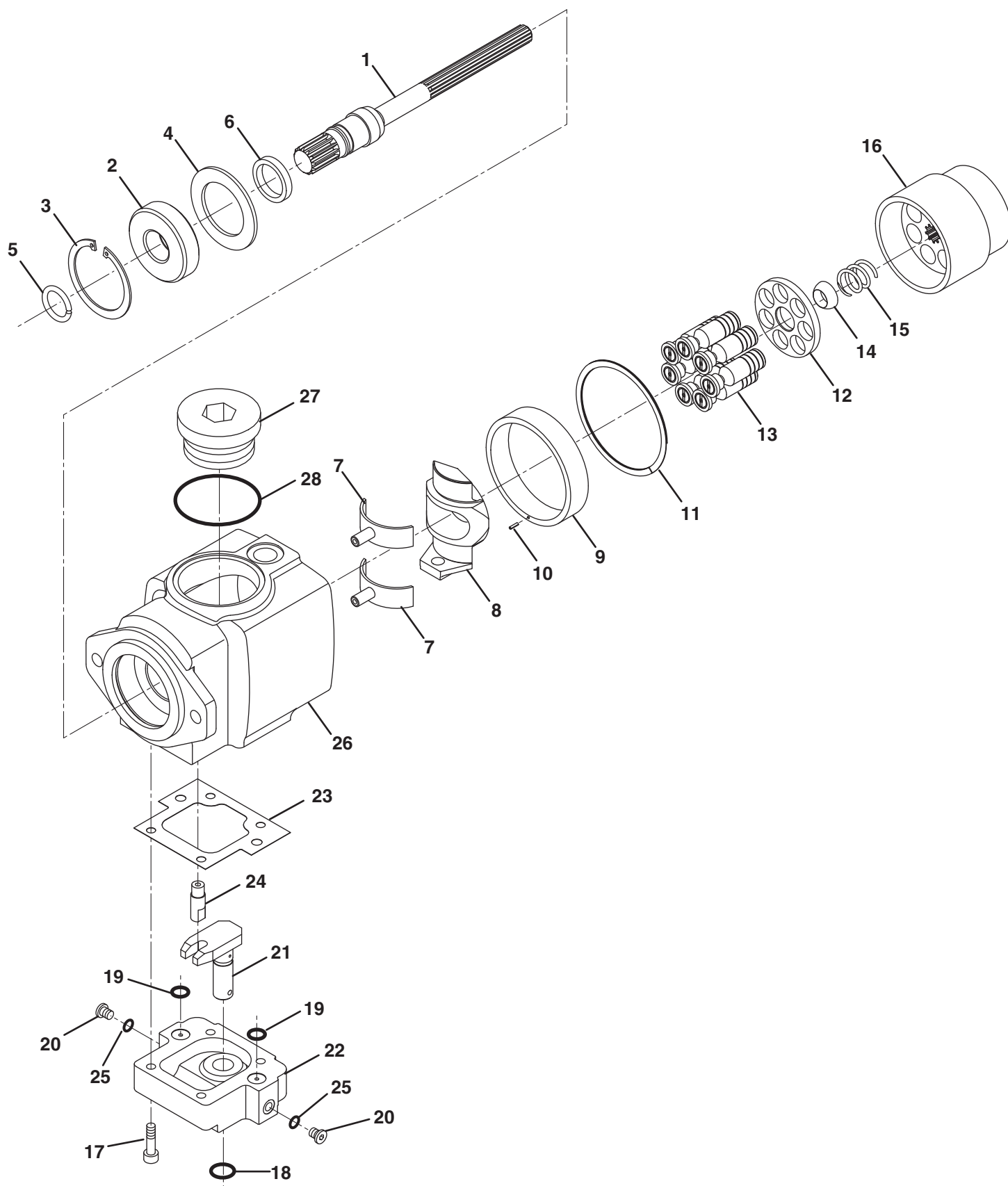


Item	Part No.	Qty.	Description	Serial Numbers/Notes
1	N/S	1	Main Case and Input Shaft	See 44.1
2	N/S	1	Valve Plate and Charge Pump	See 45.1
● 3	N/S	1	Gasket, Valve Plate	
4	N/S	4	Screw, 3/8-16 x 3-1/2" Socket Head	
5	N/S	2	Pin, Alignment	
●	Included in Seal Kit 4119859			

> Change from previous revision

44.1 Main Case and Input Shaft

Part Number 4238422 (Continued)

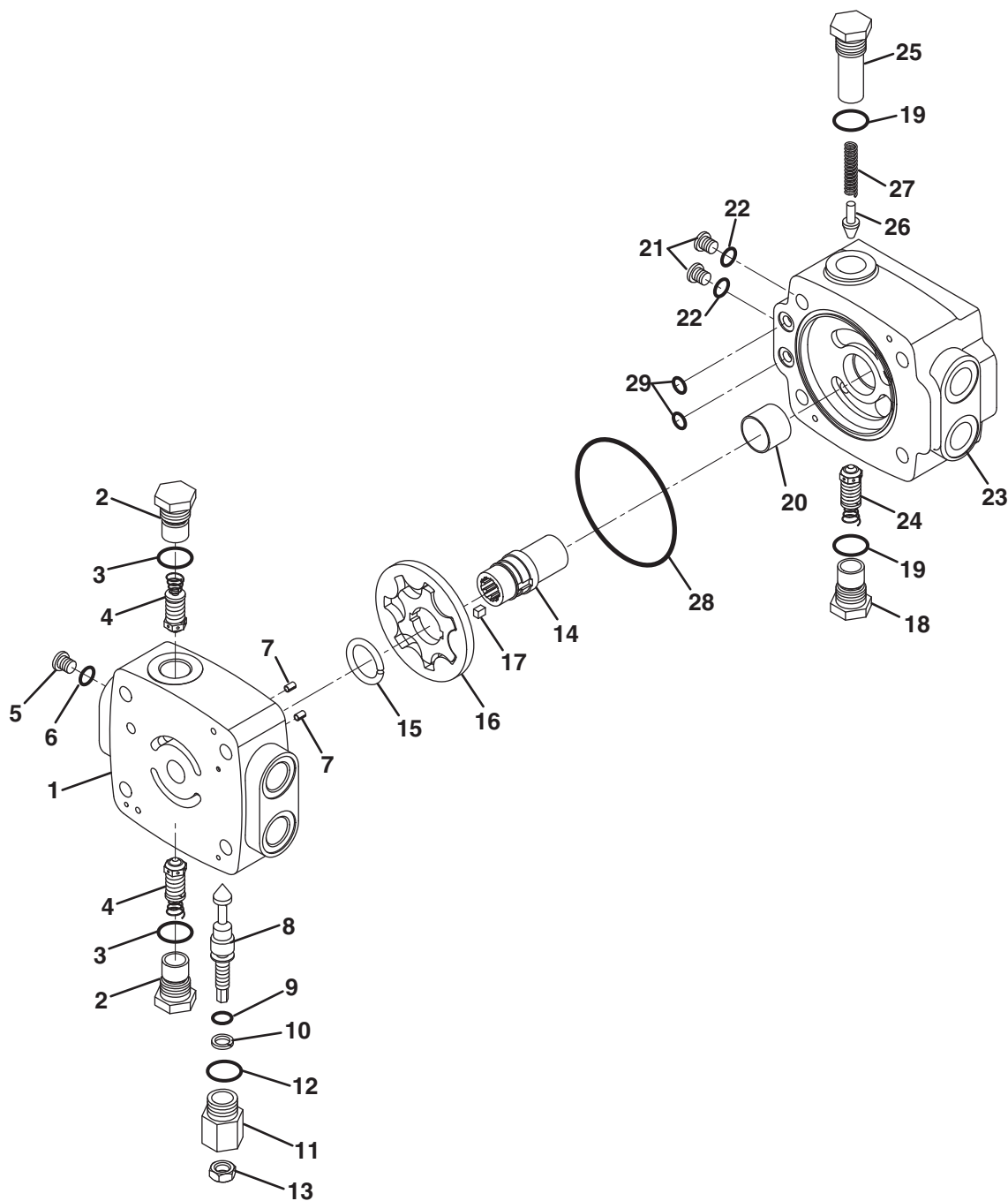


Item	Part No.	Qty.	Description	Serial Numbers/Notes
	4119328	1	Shaft and Bearing Assembly	
1	N/S	1	• Driveshaft with SAE Spline	
2	N/S	1	• Bearing, Front Driveshaft	
3	N/S	1	• Ring, Retaining	
4	N/S	1	• Retainer, Seal	
5	N/S	1	• Ring, Bearing Retaining	
● 6	N/S	1	Seal, Shaft	
	4119336	1	Kit, Saddle Bearing	
7	N/S	2	• Bearing, Saddle	
8	4119331	1	Swashblock	
	4119335	1	Rotating Group Bearing Assembly	
9	N/S	1	• Bearing, Cylinder Hydrodynamic	
10	N/S	1	• • Pin, Roll	
11	N/S	1	• Ring, Retainer	
	4119334	1	Rotating Group	
12	N/S	1	• Retainer, Shoe	
13	N/S	7	• Assembly, Piston and Shoe	
14	N/S	1	• Ball, Fulcrum	
15	N/S	1	• Spring, Shoe Retainer	
16	N/S	1	• Barrel, Cylinder	
	4260510	1	Control Housing Assembly	
17	N/S	4	• Screw, 1/4-20 x 1" Socket Head	
● 18	N/S	1	• O-Ring	
● 19	N/S	2	• O-Ring	
20	N/S	2	• Plug, #2 HP	
21	N/S	1	• Assembly, Arm and Pintle	
22	N/S	1	• Housing, Control	
● 23	N/S	1	• Gasket, Control Housing	
24	N/S	1	• Pin, Control	
● 25	N/S	2	• O-Ring	
26	N/S	1	Main Case	
27	2721564	1	• Plug, Access	
● 28	N/S	1	• O-Ring	
●	Included in Seal Kit 4149859			

> Change from previous revision

45.1 Valve Plate and Charge Pump

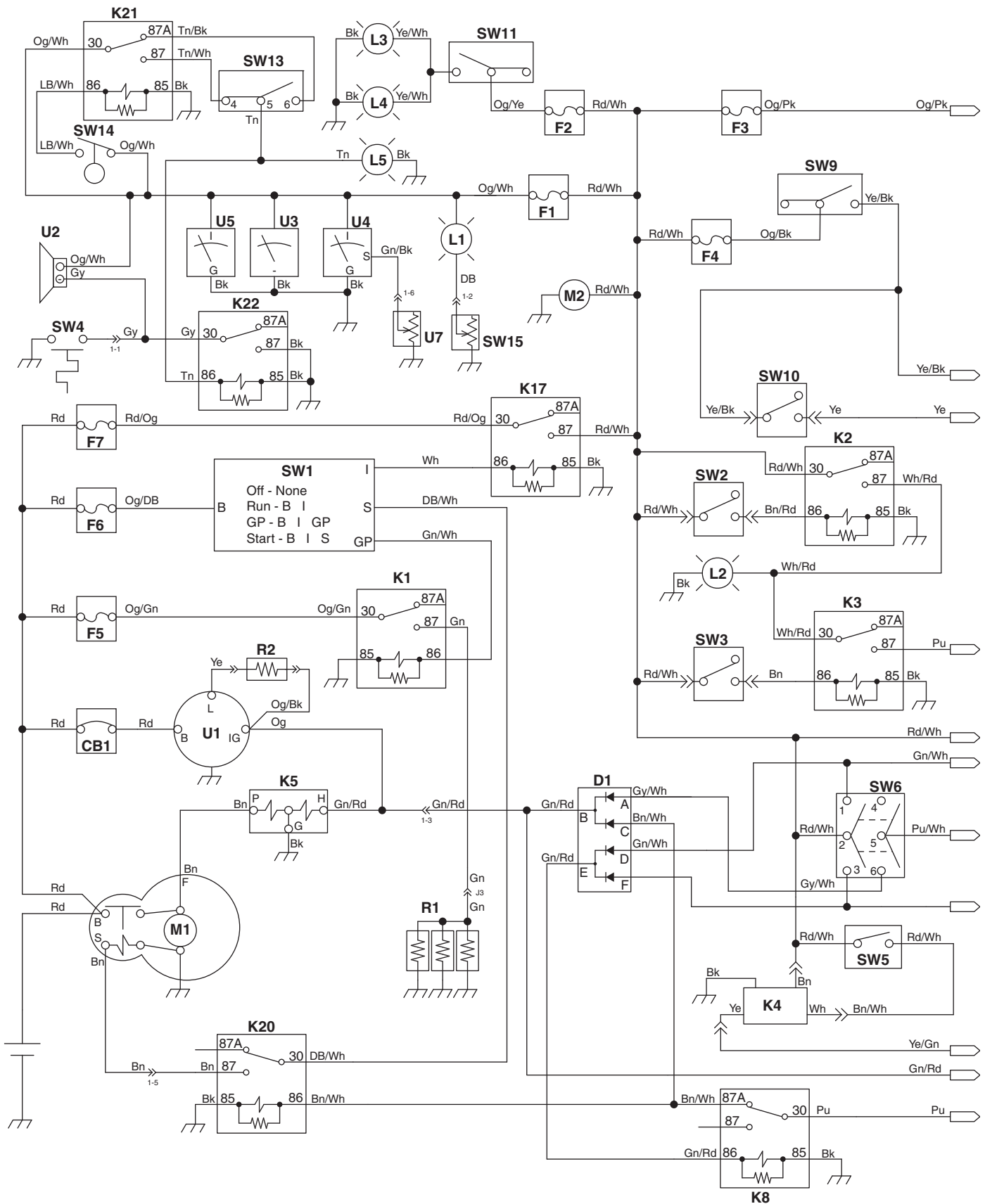
Part Number 4238422 (Continued)

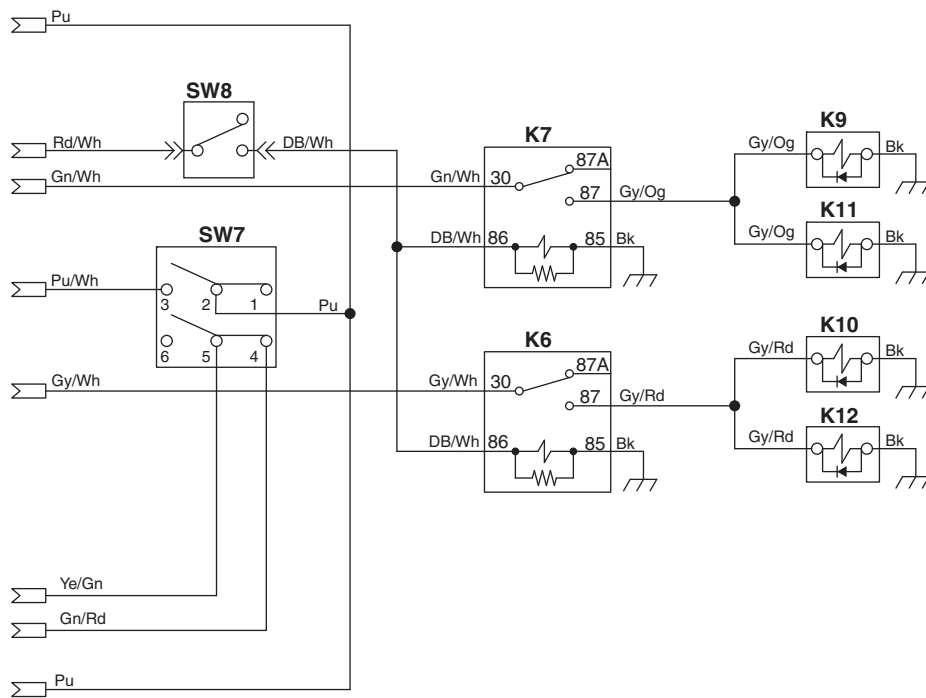
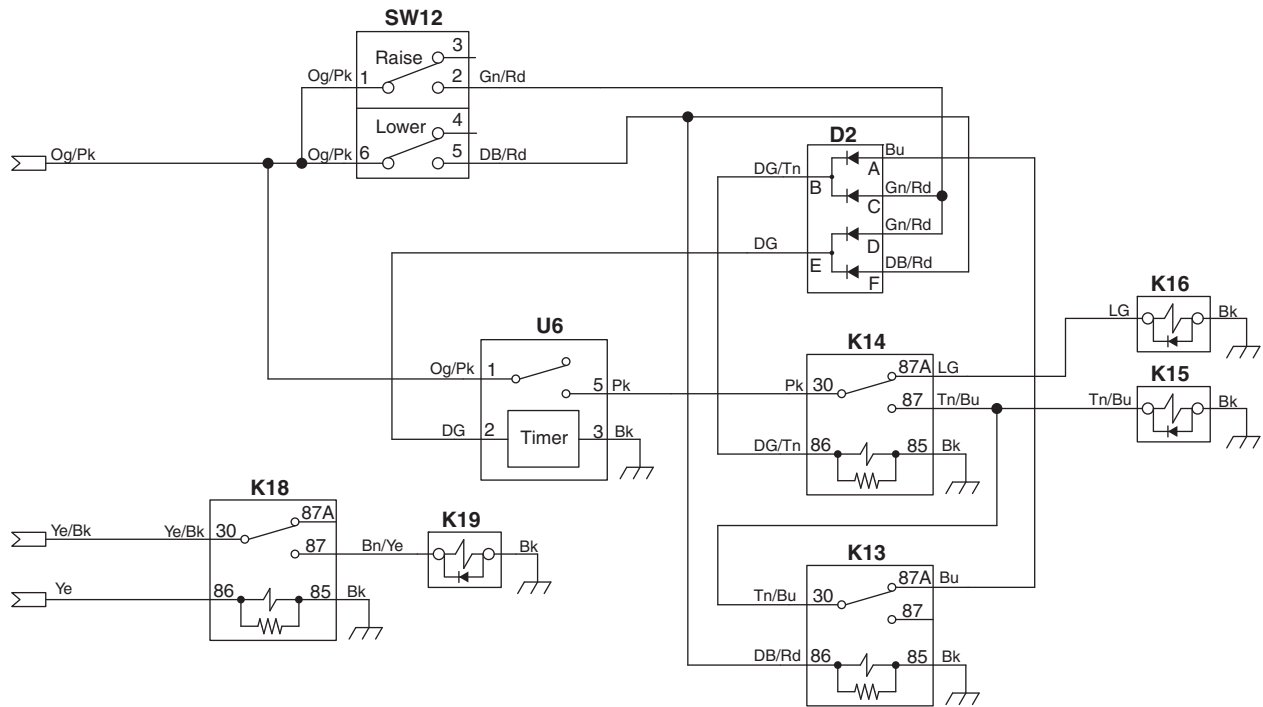


Item	Part No.	Qty.	Description	Serial Numbers/Notes
	4119330	1	Front Valve Plate Assembly	
1	N/S	1	• Valve Plate	
2	N/S	2	• Cap, Relief Valve	
● 3	N/S	2	• O-Ring	
4	4230500	2	• Relief Valve, 3045 psi	
5	N/S	1	• Plug, #3	
● 6	N/S	1	• O-Ring	
7	N/S	2	• Pin, Locating	
	5003497	1	• Tow Valve Assembly	
8	N/S	1	• • Stem, Tow Valve	
● 9	N/S	1	• • O-Ring	
● 10	N/S	1	• • Backup Ring	
11	N/S	1	• • Bonnet, Tow Valve	
● 12	N/S	1	• • O-Ring	
13	N/S	1	• • Nut, 3/8-24 Hex Jam	
	4215102	1	Gerotor and Coupling	
14	N/S	1	• Coupling, Gerotor	
15	N/S	1	• Ring, Retaining	
16	N/S	1	• Assembly, Gerotor Pump	
17	N/S	1	• Key, Gerotor Pump	
	4236702	1	Gerotor Housing	
18	N/S	1	• Cap, Relief Valve	
● 19	N/S	2	• O-Ring	
20	N/S	1	• Bushing, Coupling	
21	N/S	2	• Plug, #3	
● 22	N/S	2	• O-Ring	
23	N/S	1	• Rear Plate	
24	4230520	1	• Relief Valve, 1160 psi Implement	
25	N/S	1	• Cap, BPRV	
	4238943	1	• Valve, Charge Relief	
26	4230501	1	• • Poppet, Relief Valve	
27	4238942	1	• • Spring, 203 psi Charge Relief	
● 28	N/S	1	• O-Ring	
● 29	N/S	2	• O-Ring	
●	Included in Seal Kit 4149859			

> Change from previous revision

46.1 Electrical Schematic



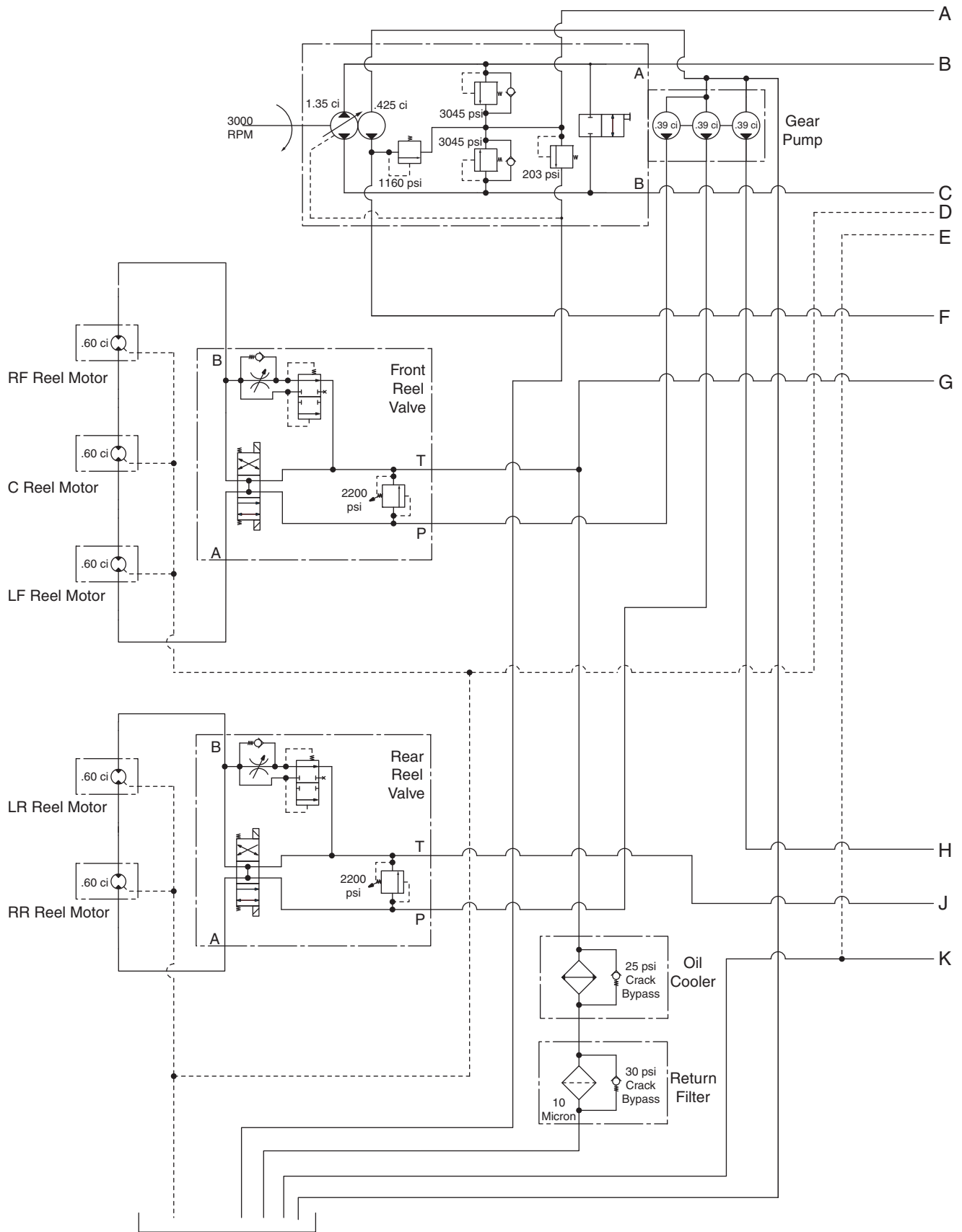


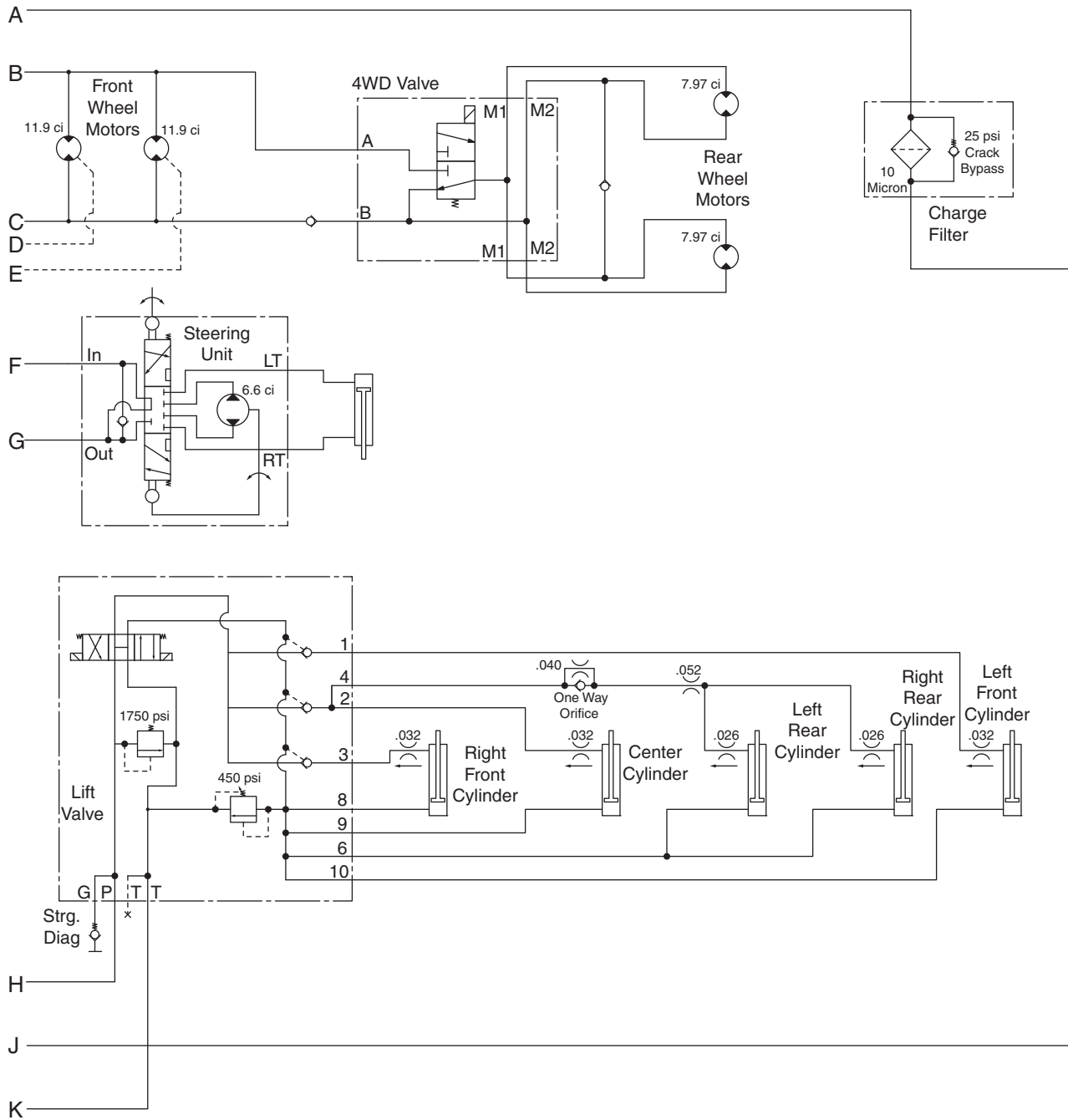
SLF 1880

Item	Reference Illustration	Part Number	Description	Serial Numbers/Notes
B1		N/S	Battery	
CB1	See 28.1	361439	50 Amp Circuit Breaker (Alternator)	
D1	See 28.1	2811376	Diode Block (Interlock)	Included in Main Harness
D2	See 28.1	2811376	Diode Block (Lift/Lower)	Included in Main Harness
F1	See 28.1	5003278	5 Amp Fuse (Guages)	Included in Main Harness
F2	See 28.1	5003282	20 Amp Fuse (Lights)	Included in Main Harness
F3	See 28.1	5003280	10 Amp Fuse (Lift/Lower)	Included in Main Harness
F4	See 28.1	5003278	5 A Fuse (4WD)	Included in Main Harness
F5	See 28.1	5003284	30 Amp Fuse (Glow Plugs)	Included in Main Harness
F6	See 28.1	5003280	10 Amp Fuse (Ignition Switch)	Included in Main Harness
F7	See 28.1	5003284	20 Amp Fuse (Ignition Circuit)	Included in Main Harness
K1	See 28.1	4126082	Glow Plug Relay	
K2	See 28.1	4126082	Brake Relay	
K3	See 28.1	4126082	Neutral Relay	
K4	See 28.1	3009544	Seat Time Delay Relay	
K5	See 14.1	2500867	Fuel Solenoid	Included in Engine
K6	See 28.1	4126082	Reel REV Roatation Relay	
K7	See 28.1	4126082	Reel FWD Rotation Relay	
K8	See 28.1	4126082	Interlock Relay	
K9	See 40.1	4135552	Front Reel Valve FWD Solenoid	Included in Front Reel Valve
K10	See 40.1	4135552	Front Reel Valve REV Solenoid	Included in Front Reel Valve
K11	See 40.1	4135552	Rear Reel Valve FWD Solenoid	Included in Rear Reel Valve
K12	See 40.1	4135552	Rear Reel Valve REV Solenoid	Included in Rear Reel Valve
K13	See 28.1	4126082	Lift Hold Relay	
K14	See 28.1	4126082	Lift Relay	
K15	See 41.1	4135552	Lift Solenoid	Included in Lift Valve
K16	See 41.1	4135552	Lower Solenoid	Included in Lift Valve
K17	See 28.1	4126082	Ignition Relay	
K18	See 28.1	4126082	4WD Relay	4WD Units Only
K19	See 42.1	5002945	4WD Solenoid	Included in 4WD Valve
K20	See 28.1	4126082	Start Relay	
K21	See 28.1	4126082	Float Relay	
K22	See 28.1	4126082	Horn Relay	
L1	See 4.1	164194	Engine Oil Light	
L2	See 4.1	366751	Parking Brake Light	
L3	See 29.1	1004776	Work Light (Right Side)	
L4	See 29.1	1004776	Work Light (Left Side)	
L5	See 4.1	366751	Hydraulic Oil Warning Light	
M1	Not Shown	N/S	Starter Motor	Included in Engine
M2	See 29.1	4272290	Fuel Pump	
R1	Not Shown	5000899	Glow Plugs	Included in Engine
R2	See 29.1	558019	Alternator Resistor, 75 Ohm 1 Watt	
SW1	See 4.1	2810269	Ignition Switch	
SW2	See 6.1	4140149	Parking Brake Proximity Switch	

Item	Reference Illustration	Part Number	Description	Serial Numbers/Notes
SW3	See 29.1	4140149	Neutral Proximity Switch	
SW4	See 14.1	363996	Water Temperature Switch	
SW5	See 3.1	554390	Seat Switch	
SW6	See 4.1	3006449	Reel Switch	
SW7	See 28.1	3006447	Back Lap Switch	
SW8	See 30.1	4140149	Reel Position Proximity Switch	
SW9	See 4.1	3006436	4WD Switch	4WD Units Only
SW10	See 29.1	4140149	4WD Drop Out Proximity Switch	4WD Units Only
SW11	See 4.1	3006436	Light Switch	
SW12	See 4.1	1004290	Joystick	
SW13	See 4.1	3006447	Horn Switch	
SW14	See 16.1	3001279	Float Switch	
SW15	Not Shown	554018	Engine Oil Pressure Switch	Included in Engine
U1	Not Shown	N/S	Alternator	Included in Engine
U2	See 4.1	366670	Horn	
U3	See 4.1	162723	Hour Meter	
U4	See 4.1	162720	Temperature Gauge	
U5	See 4.1	162721	Volt Meter	
U6	See 28.1	4137399	Lift Timer Relay	
U7	See 14.1	364501	Temperature Sender	



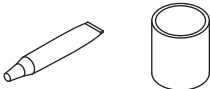
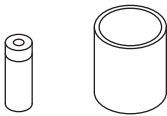

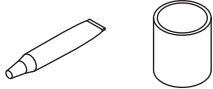


47.1 Hydraulic Schematic





> Change from previous revision

Fluids and Compounds

<p align="center">Hydraulic Fluid*</p>		
5001405	Two 2-1/2 Gallon Container of ISO VG68 Oil	
5001404	One 5 Gallon Pail of ISO VG68 Oil	
2500548	Two 2-1/2 Gallon Container of 10W30 Oil	
2500546	One 5 Gallon Pail of 10W30 Oil	
503409	Two 2-1/2 Gallon Container of ATF Fluid	
503407	One 5 Gallon Pail of ATF Fluid	
<p align="center">2-Cycle Oil</p>		
554599	Twenty Four 8 Ounce Plastic Container	
<p align="center">Grease</p>		
5000067	One 5 Gallon Pail OO-Grease	
5000068	Twenty Four 8 Ounce Tube OO-Grease	
<p align="center">Paint</p>		
4184140	12 Ounce Orange Aerosol Can	
2500789	Twelve 1 Quart Can Orange	
546409	Two 1 Gallon Can Orange	
5002631	Hunter Green Aerolol Can	
838140	16 Ounce Ransomes Green Aerosol Can	
4112764	1 Quart Can Ransomes Green	
<p align="center">Lapping Compound</p>		
5002488	One 10 Pound Pail of 80 Grit	
5002490	One 25 Pound Pail of 80 Grit	
5002489	One 10 Pound Pail of 120 Grit	
5002491	One 25 Pound Pail of 120 Grit	
<p align="center">Specialty Compound</p>		
365422	5.3 Ounce Tube of Electrical Insulating Gel	
5001581	14 Ounce Can of Lubriplate Multi Lube A	
523248	Chain Lubricant	
4136736	Zinc Spray Corrosion Protection	
<p align="center">Biodegradable Hydraulic Fluid*</p>		
5003102	One 55 Gallon Drum Jacobsen GreensCare 68	
5003103	One 5 Gallon Pail Jacobsen GreensCare 68	
5003105	One 55 Gallon Drum Jacobsen GreensCare 46	
5003104	One 5 Gallon Pail Jacobsen GreensCare 46	
4115976	One 55 Gallon Drum Jacobsen GreensCare 32	
4115977	One 5 Gallon Pail Jacobsen Greens Care 32	
4114701	GreensCare Bio-Flush	
5003106	Twenty Four 14 Ounce Tube Greens Care Grease	
<p align="center">O-Ring Kit</p>		
5002452	SAE O-Ring Boss (3/32 ~ 2" Tube O.D.)	
5002453	Common O-Ring Kit	
5002454	O-Ring Face Seal ORFS (-4 ~ -24 ORS Tube Size)	
<p align="center">Right Start Kit for New Machines</p> <p align="center">See your local Jacobsen Dealer</p>		
<p align="center">On-Time Maintenance Kit</p> <p align="center">See your local Jacobsen Dealer</p>		

* Refer to the Parts & Maintenance manual for the correct hydraulic oil requirements for your machine.

Jacobsen offers a High Usage Parts Catalog illustrating commonly used Parts through easy to read line Drawings. See your local Jacobsen Dealer for a copy.

INDEX

1001758.....	7	2811246.....	57, 59	3006509.....	11	339910.....	39, 43, 45, 47
1002031.....	21, 23	2811247.....	57, 59	3006513.....	5, 7	339911.....	35, 37, 39, 45
1002032.....	21, 23	2811255.....	35, 37	3006514.....	5, 7	339912.....	37
1002033.....	31	2811351.....	15	3006515.....	5	339960.....	45
1002547.....	27	2811358.....	53	3006516.....	5	339961.....	41, 43, 47
1002548.....	27	2811364.....	19	3006517.....	5	339962.....	43
1002655.....	27	2811365.....	19	3006571.....	7	339972.....	21, 23, 47, 68
1002677.....	11	2811376.....	53	3006600.....	37	339974.....	40
1002807.....	35, 37	2811547.....	19	3007111.....	33	339977.....	47
1002858.....	11, 29	2811608.....	53	3007230.....	13	339979.....	41
1003027.....	21, 23	2811692.....	17	3007482.....	55	339984.....	39, 47
1003142.....	35	2811736.....	17	3007606.....	15	339985.....	39, 43, 47
1003536.....	17	2811847.....	11	3007699.....	37	339988.....	37, 39
1003655.....	55	2811860.....	35	3007756.....	29	339989.....	35, 37, 39
1003872.....	15	2822505.....	43, 47	3007798.....	7, 57, 59	339990.....	35
1004245.....	17	3000525.....	50	3007941.....	15, 27	339996.....	37
1004265.....	33	3000983.....	64	3007942.....	15	340057.....	40, 41
1004290.....	11	3001279.....	33	3007958.....	25	340062.....	45
1004541.....	45	3001296.....	37	3008004.....	5	340066.....	39, 43, 47
108094-02.....	37	3001388.....	25	3008120.....	31	340069.....	37
131076.....	50	3001656.....	64	3008144.....	25	340070.....	35
132647.....	33	3001762.....	64	3008339.....	29	340119.....	47
153234.....	21, 23, 68	3001965.....	25	3008385.....	31	340120.....	47
153244.....	50	3002042.....	17	3008386.....	31	340143.....	47
162479.....	27	3002695.....	13, 15	3008432.....	57, 59	340166.....	45
162720.....	11	3003110.....	49	3008474.....	49, 55	340167.....	43
162721.....	11	3003474.....	13	3008521.....	5	340215.....	41, 47
162723.....	11	3003475.....	13	3008593.....	65	340239.....	43
164194.....	11	3003704.....	33	3008930.....	5	340240.....	43
2000065.....	61	3003928.....	9	3009153.....	11	340264.....	39
2000129.....	23	3004253.....	25	3009193.....	15, 55, 57	340289.....	47
220299.....	23	3005384.....	29	3009269.....	55	340337.....	39
2500477.....	57, 59	3005596.....	21, 23	3009544.....	53	345510.....	61
2721564.....	75	3005602.....	37	3009887.....	21, 23	345666.....	27, 55
2809632.....	13	3005650.....	7, 9	3010078.....	27	345671.....	29, 55
2809634.....	13	3005667.....	24	3010296.....	63	345807.....	21
2809635.....	13	3005668.....	24	3010350.....	27	351127.....	37
2809856.....	13	3005750.....	50	3010351.....	27	352435.....	65
2809907.....	17	3005936.....	31	3010651.....	19	352726.....	15
2810214.....	13	3005948.....	27	310089.....	13	352737.....	61
2810269.....	11	3005971.....	13	316945.....	24	352901.....	13
2810346.....	29	3005996.....	33	319212.....	15	353190.....	41
2810424.....	29	3006027.....	31	319867.....	21, 23	353914.....	17, 23
2810640.....	31	3006054.....	11	326799.....	25, 37	355174.....	55
2811020.....	11	3006091.....	25	333542.....	13	358794.....	57, 59
2811022.....	29	3006096.....	25	337317.....	41	358971.....	27
2811039.....	64	3006097.....	25	339896.....	40, 41, 47	359611.....	33
2811085.....	17	3006121.....	31	339897.....	35, 41, 47	360111.....	17, 21, 23
2811143.....	15	3006255.....	23	339898.....	37, 39, 43, 45, 47	360651.....	47
2811144.....	15	3006257.....	27	339899.....	35, 37, 39, 43, 47	360885.....	11
2811191.....	57, 59	3006258.....	27	339900.....	35, 37	361117.....	33
2811195.....	57, 59	3006327.....	15	339901.....	37	361439.....	53
2811198.....	57, 59	3006431.....	27	339903.....	37	361723.....	27
2811203.....	57, 59	3006436.....	11	339908.....	40, 41, 47	361748.....	33
2811204.....	17	3006447.....	11, 53	33990941, 43, 45, 47, 70,		361898.....	31
2811244.....	57, 59	3006449.....	11	71	362090.....	37

INDEX

362263.....	29	403760.....	17	4101040.....	39	4119331.....	75
362744.....	15	403769.....	27, 35	4101284.....	5	4119334.....	75
362819.....	29	403770.7, 15, 17, 31, 45,		4101320.....	17	4119335.....	75
363030.....	35	49,	55	4101420.....	13	4119336.....	75
363034.....	17	403860.....	53	4102681.....	7	4119859.....	73
363485.....	17	403862.....	15, 55	4103021.....	17	4119909.....	57
363539.....	57, 59	403910.....	7, 51, 53	4103033.....	15	4121052.....	40
363586.....	31	403912.....	11, 53	4103034.....	15	4121248.....	40, 41
363995.....	5	404016.....	19, 33	4103038.....	15	4121563.....	13
363996.....	29	408858.....	35	4103039.....	15	4121861.....	61
364501.....	29	409807.....	51	4104500.....	17	4121862.....	61
364741.....	49	409812.....	7, 9, 13, 17	4105680.....	57, 59	4122840.....	55
365033.....	19	4100222.....	35	4105681.....	57, 59	4123183.....	55
365246.....	61	4100223.....	41	4105980.....	70	4123723.....	7
365398.....	25	4100224.....	40	4107640.....	13	4127335.....	61
365466.....	35	4100225.....	40	4107680.....	49	4135544.....	53
365976.....	55	4100226.....	40	4107860.....	49	4135552.....	70, 71
366670.....	11	4100340.....	57, 59	4107921.....	13	4136814.....	70, 71
366751.....	11	4100341.....	57, 59	4108180.....	43	4136815.....	70, 71
366768.....	11	4100460.....	15	4108182.....	40	4137399.....	53
366877.....	13	4100461.....	15	4108183.....	40	4139099.....	51
366879.....	29	4100464.....	15	4108200.....	53	4139169.....	9
366974.....	13, 65	4100641.....	21	4108340.....	71	4139170.....	9
367176.....	49	4100643.....	21	4108360.....	39	4139434.....	9
367458.....	27, 37	4100647.....	23	4108361.....	39	4139435.....	9
400106.....	27	4100763.....	37	4108600.....	41	4139436.....	9
400108 27, 29, 49, 55, 57		4100764.....	37	4108601.....	43	4139450.....	9
400110.....	11, 55, 61	4100765.....	37	4108620.....	17	4139842.....	33
400122.....	49	4100766.....	37	4108720.....	49	4140094.....	17
400124.....	49	4100767.....	37	4110920.....	43	4140149.....	15, 55, 57
400184.....	29, 33, 35, 55	4100768.....	37	4110942.....	41, 47	4142451.....	27
400188.....	9, 13, 15, 27	4100769.....	37	4110943.....	41	4143172.....	70
400190.....	15	4100773.....	37	4110960.....	41	4143526.....	71
400192.....	31	4100774.....	47	4111408.....	5	4143527.....	70
400194.....	21, 23, 68	4100775.....	47	4111620.....	57	4145890.....	31
400196.....	57, 59	4100777.....	37, 45	4113001.....	65	4146862.....	57
400200.....	49	4100778.....	37	4113047.....	17	4149859.....	75, 77
400202.....	31	4100800.....	21, 23	4115523.....	64	4153477.....	47
400216.....	19	4100840.....	23	4115557.....	64	4153478.....	47
400258.....	27, 35	4100844.....	45	4115860.....	61	4153479.....	47
400262.....	9, 27, 29, 49	4100845.....	45	4116048.....	13	4153480.....	47
400264.....	13, 55, 61	4101001.....	43, 47, 49	4116780.....	7	4153481.....	47
400266.....	17	4101002.....	43	4116814.....	57, 59	4154700.....	71
400268.....	65	4101003.....	43	4117468.....	5	416911.....	19
400274.....	29	4101004.....	43	4117791.....	5	4174061.....	57, 59
400276.....	57, 59	4101005.....	43	4118048.....	57, 59	4177480.....	33
400308.....	13	4101020.....	43	4118081.....	57, 59	4177700.....	57
400370.....	9	4101025.....	43	4118379.....	61	4177701.....	57
400406.....	23, 35	4101027.....	43	4118397.....	33	4177880.....	47
400408.....	9, 17, 23	4101029.....	35	4118398.....	33	4177881.....	47
400410.....	13, 17	4101030.....	35	4118842.....	5	4178561.....	66, 67
400424.....	21, 23	4101032.....	39	4119082.....	39	4178562.....	66, 67
402118.....	29	4101033.....	39	4119084.....	45	4179662.....	5
402128.....	53	4101036.....	39	4119085.....	45	4179663.....	5
403746.....	57	4101037.....	39	4119328.....	75	4180800.....	47
403751.....	25, 27	4101038.....	39	4119330.....	77	4181860.....	5

INDEX

4181861.....	5	4271774.....	68	446136.....	31, 33	5001160.....	29
4181862.....	5	4271778.....	57, 59, 69	446140.....	29, 55, 57, 59	5001355.....	71
4181863.....	61	4271779.....	21, 23	446142.....	9, 13, 17, 27, 35,	5002126.....	25
4181864.....	5	4272290.....	55	49,	65	5002157.....	70
4181865.....	5	4276851.....	68	446146.....	29	5002175.....	71
4181920.....	23	4278851.....	21, 23	446148.....	9	5002651.....	43
4182420.....	55	4280312.....	57, 59, 69	446154.....	9, 17, 23, 35	5002892.....	35, 37
4182425.....	17, 47	4287312.....	41	447002.....	11	5002910.....	21
4186100.....	15	4304535.....	29	447006.....	11	5002918.....	19
4188680.....	39	430770.....	29	447206.....	11	5002919.....	19
4188681.....	39	434013.....	17	447216.....	29	5002944.....	72
4191000.....	39	440116.....	11	447218.....	29	5002945.....	72
4191001.....	39	441602.....	7, 13, 15, 19	447224.....	19	5002947.....	72
4191281.....	71	441677.....	19	450168.....	19	5003036.....	17
4193880.....	53	443102.....	49, 50, 55, 57	450390.....	19	5003080.....	70
4194324.....	5	443106.....	31, 55	450410.....	19	5003144.....	71
4195040.....	35, 37, 43	44311017, 27, 29, 49, 55,	450411.....	19	5003195.....	72
4195080.....	35, 47	57, 59, 61, 65	452002.....	51, 53, 57	5003278.....	53
4197482.....	7	443112.....	13	452004.....	27, 29, 33, 50, 55	5003280.....	53
4197483.....	7	443118.....	9, 35	452008.....	9, 13, 17, 29, 35	5003282.....	53
4200060.....	70	443120.....	21, 23	452010.....	9	5003284.....	53
4200360.....	55	443128.....	17	452012.....	35	5003384.....	66
4201840.....	19	443666.....	21, 68	452022.....	24	5003476.....	31
4205760.....	7	443806.....	15	452418.....	19	5003497.....	77
4205780.....	7	443810.....	13	453004.....	15, 55	5003578.....	71
4211400.....	19	443812.....	13, 65	453009.....	15, 27, 29, 49	5003579.....	70, 71
4212980.....	19	443828.....	19	453011.....	17, 25, 49	5003688.....	43
4215102.....	77	444304.....	11	45301713, 17, 21, 23, 27,	5003769.....	9
4230500.....	77	444306.....	11, 15, 53, 55	65	500596.....	21
4230501.....	77	444310 11, 29, 51, 53, 57	453020.....	17	503660.....	15
4230520.....	77	444708.....	49	453023.....	11, 57	523356.....	9
4232560.....	35, 37	44471813, 15, 21, 23, 27,	455004.....	57, 59	523357.....	9
4232561.....	35	29, 57, 59, 68	458008.....	21, 23	545692.....	21
4232562.....	35	444744.....	13	460014.....	15	548804.....	19
4232580.....	35	444758.....	13, 17, 21, 23	460026.....	21, 23, 61	550395.....	29
4232800.....	37	444762.....	57, 59	460032.....	23	550863.....	27
4232820.....	37	444850.....	11	460034.....	17	553926.....	27
4233080.....	45	445245.....	19	460050.....	21	554231.....	27
4236020.....	21, 23	445647.....	21, 23	460054.....	57, 59	554329.....	21
4236021.....	21, 23	445664.....	21, 23	460068.....	24	554663.....	17
4236162.....	13	445666.....	23	460312.....	65	554719.....	9
4236702.....	77	445710.....	21, 24	461397.....	65	554748.....	31, 33
4237704.....	45	445781 ..	7, 9, 13, 15, 17,	461493.....	15	554752.....	33
4238422.....	17	19, 25, 31, 45, 49	471214.....	21, 23, 57, 59, 68	554779.....	17, 23, 66, 67
4238942.....	77	445784.....	11, 55	471217.....	15	554780.....	17, 23, 66, 67
4238943.....	77	445794.....	29	471221.....	57, 59	554781.....	67
4241763.....	59	445795.....	29, 49, 55	471226.....	21, 23	554782.....	67
4247250.....	19, 45	445796.....	13	48540.....	33	556450.....	66
4247312.....	19	445800.....	11	48540-01.....	31	557260.....	7
4253491.....	19	445801.....	64	5000625.....	64	557761.....	11
4255270.....	19	446110.....	15, 53, 55	5000869.....	33	557771.....	15
4256510.....	19	446114.....	53	5000919.....	25	557823.....	15
4256511.....	19	446116 11, 29, 51, 53, 57	5000920.....	25	557824.....	15
4257812.....	9	446128.....	49, 55, 57	5000921.....	25	557825.....	15
4260412.....	7	446130.....	27, 50	5001065.....	70, 72	557826.....	15
4260510.....	75	446134.....	15, 35, 55	5001068.....	43	558019.....	55

INDEX

558195.....	11
64205-054	19
66170.....	9
66194.....	9
800943.....	9
831053.....	9

INDEX

World Class Quality, Performance And Support

Equipment from Jacobsen is built to exacting standards ensured by ISO 9001 and ISO 14001 registration at all of our manufacturing locations.

A worldwide dealer network and factory trained technicians backed by Genuine Jacobsen Parts provide reliable, high-quality product support.



When Performance Matters.™

CUSHMAN JACOBSEN RANSOMES

1.1	Decals	4
2.1	Body Components	6
3.1	Seat and ROPS	8
4.1	Instrument Panel	10
5.1	Traction Pedal and Linkage	12
6.1	Parking Brake	14
7.1	Frame and Front Axle	16
8.1	Steering Tower	18
9.1	2WD Steering	20
10.1	4WD Steering	22
11.1	Steering Axle Mounting	24
12.1	Air Cleaner	25
13.1	Radiator and Oil Cooler	26
14.1	Engine	28
15.1	Engine Exhaust	30
16.1	Hydraulic and Fuel Tanks	32
17.1	Hydraulic Filters and Valves	34
18.1	Tank and Filter Hydraulics	36
19.1	Traction Hydraulics	38
20.1	Front Lift Hydraulics	40
21.1	Rear Lift Hydraulics	41
22.1	Reel Hydraulics	42
23.1	Steering Hydraulics	44
24.1	Return Hydraulics	46
25.1	Hydraulic Clamping	48
26.1	Battery Tray	50
27.1	Electrical Box Mounting	51
28.1	Electrical Box	52
29.1	Harness Routing	54
30.1	Front Lift Arms	56
31.1	Rear Lift Arms	58
32.1	Outer Reel	60
33.1	Inner Reel	62
34.1	Rear Roller	64
35.1	Down Pressure	65
36.1	Front Wheel Motor	66
37.1	Rear Wheel Motor	67
38.1	Steering Cylinder	68
39.1	Lift Cylinder	69
40.1	Reel Valve	70
41.1	Lift Valve	71
42.1	4WD Valve	72
43.1	Traction Pump	73
44.1	Main Case and Input Shaft	74
45.1	Valve Plate and Charge Pump	76
46.1	Electrical Schematic	78
47.1	Hydraulic Schematic	82

