



## Parts manual

---

### ***Jacobsen TR3***

Series: EJ

Product codes: TR30001

Series: FG

Product codes: TR30002



**WARNING:** If incorrectly used this machine can cause severe injury. Those who use and maintain this machine should be trained in its proper use, warned of its dangers and should read the entire manual before attempting to set up, operate, adjust or service the machine.

---



# JACOBSEN TR3 Series: EJ & FG

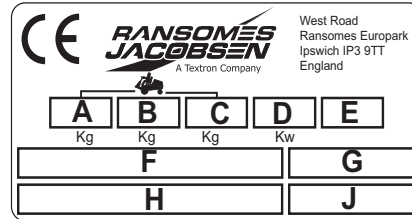
DESCRIPTION	PAGE	DESCRIPTION	PAGE
CHASSIS 8		DECALS 124	
FRONT AXLE & UNIT MOUNTING 12		SEAT & MOUNTING PLATE 126	
UNIT MOUNTING - REAR 16		MICHIGAN V-5300 SERIES SEAT 128	
OPERATORS PLATFORM (From Serial Number EJ000632/ FG000452) 18		GRAMMER MSG 85 SEAT - SUSPENSION 130	
PLATFORM SUPPORT 22		GRAMMER MSG 85 SEAT - SEAT TOP 132	
FOOTSTEP LH 24		TRACTION PEDAL 134	
FOOTSTEP RH 26		TRACTION PEDAL DAMPER 136	
FOOTGUARD LH 28		DAMPER CONTROL 138	
FOOTGUARD RH 30		TRACTION PEDAL NEUTRAL SWITCH 140	
LH FRONT STOP 32		INSTRUMENT PANEL 142	
RH FRONT STOP 34		PANEL ASSEMBLY - COMPLETE 144	
FUEL TANK PART 1 36		CUTTING UNIT IDENTIFICATION 146	
FUEL TANK PART 2 38		MAIN FRAME & MOUNTING 148	
HYDRAULIC TANK Part 1 40		REAR ROLL - PLAIN 150	
HYDRAULIC TANK Part 2 42		CYLINDER BEARING HOUSINGS 152	
REAR WHEEL SUPPORT 44		CYLINDER BEARING HOUSINGS 154	
STEERING CYLINDER 46		BOTTOM BLOCK & BLADE 156	
STEERING TOWER 48		CUTTING CYLINDER & FRONT GROOVED ROLL (FLOATING HEAD) 158	
BATTERY & TRAY 50		CUTTING CYLINDER & FRONT PLAIN ROLL (FLOATING HEAD) 160	
FUSE BRACKET 52		CUTTING CYLINDER & SKIDS ( FIXED HEAD) 162	
ELECTRICAL CIRCUIT INSTRUMENT 54		CUTTING UNIT DRIVE MOTOR 164	
ELECTRICAL CIRCUIT MAIN 56		CUTTING UNIT IDENTIFICATION 166	
FRONT WHEEL & MOTOR POCLAIN FROM S-N FG100686 58		REEL BEARING HOUSING 168	
FRONT WHEEL & MOTOR (SAUER DANFOSS) 62		ROLLER BRACKETS & SKIDS 170	
FRONT WHEEL MOTOR 64		SHIELDS & CENTER UNIT YOKE 172	
REAR WHEEL MOTOR 66		18.16aFRONT LH UNIT YOKE (from Serial No. EJ000398) 174	
MOTOR-WHEEL, Eaton Series 2000 (4184181) 68		FRONT RH UNIT YOKE (from Serial No. EJ000398) 176	
MOTOR-WHEEL, DANFOSS OMSW400 70		CENTER UNIT YOKE ( from Serial No. EJ000398) 178	
PUMPS 72		CENTRE UNIT BUMPSTOP 180	
SAUER-DANFOSS M25 PUMP (008005950) 76		MOWER FRAME, REEL, BEDKNIFE & ROLLER 182	
LIFT VALVE 80		BACKLAP VALVE (LMAC378) 184	
LIFT VALVE (STERLING) 82		OPS FRAME (LMAC164) 186	
LIFT VALVE (INTEGRATED) 84		WORKING LAMP KIT (LMAC163) 188	
FLUSHING VALVE 86		GRASSBOX KIT (LMAC182) 190	
FLUSHING VALVE (STERLING) 88		GRASSBOX & FIXINGS, TR3 LEFT & RIGHT HAND FRONT UNITS 192	
CUTTER & BRAKE VALVE 90		GRASSBOX & FIXINGS, TR3 CENTRE UNIT (LMAC193) 194	
CUTTER & BRAKE VALVE (STERLING) 92		INCLINOMETER KIT (LMAC380) 196	
CUTTER & BRAKE VALVE (INTEGRATED) 94			
BRAKE RELEASE VALVE 96			
HYDRAULIC FILTER 98			
MANIFOLD & BRACKET 100			
CUTTING CYLINDER MOTOR 102			
CUTTING CYLINDER MOTOR 104			
CUTTING CYLINDER MOTOR 106			
HYDRAULIC CIRCUIT 108			
ENGINE & MOUNTING 110			
EXHAUST MOUNTING 112			
EXHAUST 114			
RADIATOR & COWLING 116			
AIR CLEANER MOUNTING 118			
EXPANSION TANK 120			
ENGINE HOOD 122			

## INTRODUCTION

### PRODUCT IDENTIFICATION

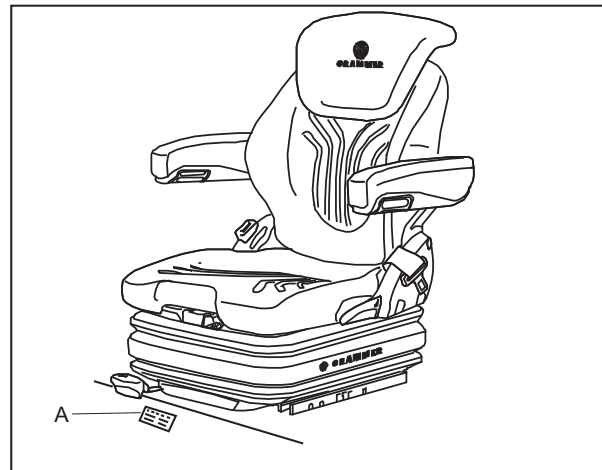
#### PRODUCT IDENTIFICATION

- A Maximum front axle load in Kg (for machines being driven on the highway)
- B Gross weight (mass) in Kg
- C Maximum rear axle load in Kg (for machines being driven on the highway)
- D Power in Kw
- E Date code
- F Machine type (Designation)
- G Product code
- H Product name
- J Serial number



#### Serial Plate Location

The serial plate A is located on the chassis under the operators seating position.



### SPARES STOCKING GUIDE

To keep your equipment fully operational and productive, Ransomes suggests you maintain a stock of the more commonly used maintenance items. We have included part numbers for the additional support materials and training aids.

SERVICE SUPPORT MATERIAL			
Part No.	Description	Part No.	Description
97898-02690	Engine Parts Manual	24715G-GB	Machine Safety & Operation Manual
16622-8916-5	Engine Operators Manual		
97897-01643	Engine Service Manual		

SERVICE PARTS			
Part No.	Description	Part No.	Description
008089620	Filter Element	1001748	Cutting Cyclinder Right Hand 7 Blade
4199061	Hydraulic Filter Element, 10 Micron	1001749	Cutting Cylinder Left & Center 7 Blade
006890160	Inline Fuel Filter	MBA7103	Bottom Blade
4136009	Fuel Filter Canister	MBA7096A	Bottom blade (Thin)
2198147-01	Air Cleaner Element	24731G	Safety, Ops & Maintenance Manual

## HOW TO USE THE PARTS MANUAL

### ITEM NUMBER

Each part which is identified in the illustrations has an item number. Parts which do not have an item number may not be readily identified in the illustration but are usually closely associated with the immediately adjacent part.

### ASSEMBLIES

A complete assembly, e.g. a wheel motor or hydraulic motor or roll assembly, is listed as a complete item with subsequent individual components listed separately.

The assembly is listed under its part number with component parts being listed offset to the right, e.g.:-

ITEM	PART NO.	DESCRIPTION	QTY	REMARKS
4295	MBG2504	Bracket	1	
4296	MBG3848	Latch	2	
4298	450865	Screw, M8 X 20, Sckt Csk Hd	2	
4300	450378	Nut, M8 Nyloc	2	
4301	WI001	Set Of Wheels	1	
4301.1	008162130	• Wheel & Hub Assy	1	(Rear)
4301.2	008170390	•• Tyre	1	
4301.3	008161830	•• Rim	1	
4301.4	008169140	•• Hub Assy.	1	
4301.5	008169150	•• Cap	1	
4301.6	002993010	•• Lubricator	1	
4301.7	008161990	• Wheel & Tyre	2	(Front)
4301.8	008170780	•• Tyre	2	

It may not be possible to illustrate every item. With certain items purchased from outside suppliers some component parts may not be available from Ransomes and may need to be specially ordered from the supplier.

### QUANTITIES

Quantities shown are for one assembly or sub-assembly.

### USING THE PARTS LIST

Determine the function and application of the part required. Turn to the main index page and select the appropriate section. Locate the part on the illustration and parts list and read off the quantity from the appropriate MODEL column.

### NUMERICAL INDEX

This is a summary of all part numbers used in the manual arranged in numerical sequence and showing the page and item number under which the parts appear.

### ORDERING OF SPARE PARTS

When ordering replacement parts, it is most important to quote the SERIAL NUMBER of the machine, PART NUMBER, DESCRIPTION and QUANTITY required.

Any arbitrary modifications carried out on this machine may relieve the manufacturer of liability for any resulting damage or injury.

### ABBREVIATIONS

N/A Not Available

ARAs Required

## GUIDELINES FOR THE DISPOSAL OF SCRAP PRODUCTS

### DURING SERVICE LIFE

Used oil, oil filters and engine coolant are hazardous materials and should be handled in a safe and environmentally responsible way.

In the event of a fluid leak, contain the spill to prevent it entering the ground or drainage system. Local legislation will dictate how such spills are to be treated.

Following the maintenance procedures laid out in this manual will ensure that the impact the machine has on the local environment is controlled.

When it has been identified that a turf care product has no further functional value and requires disposal, the following actions should be taken.

### END OF SERVICE LIFE

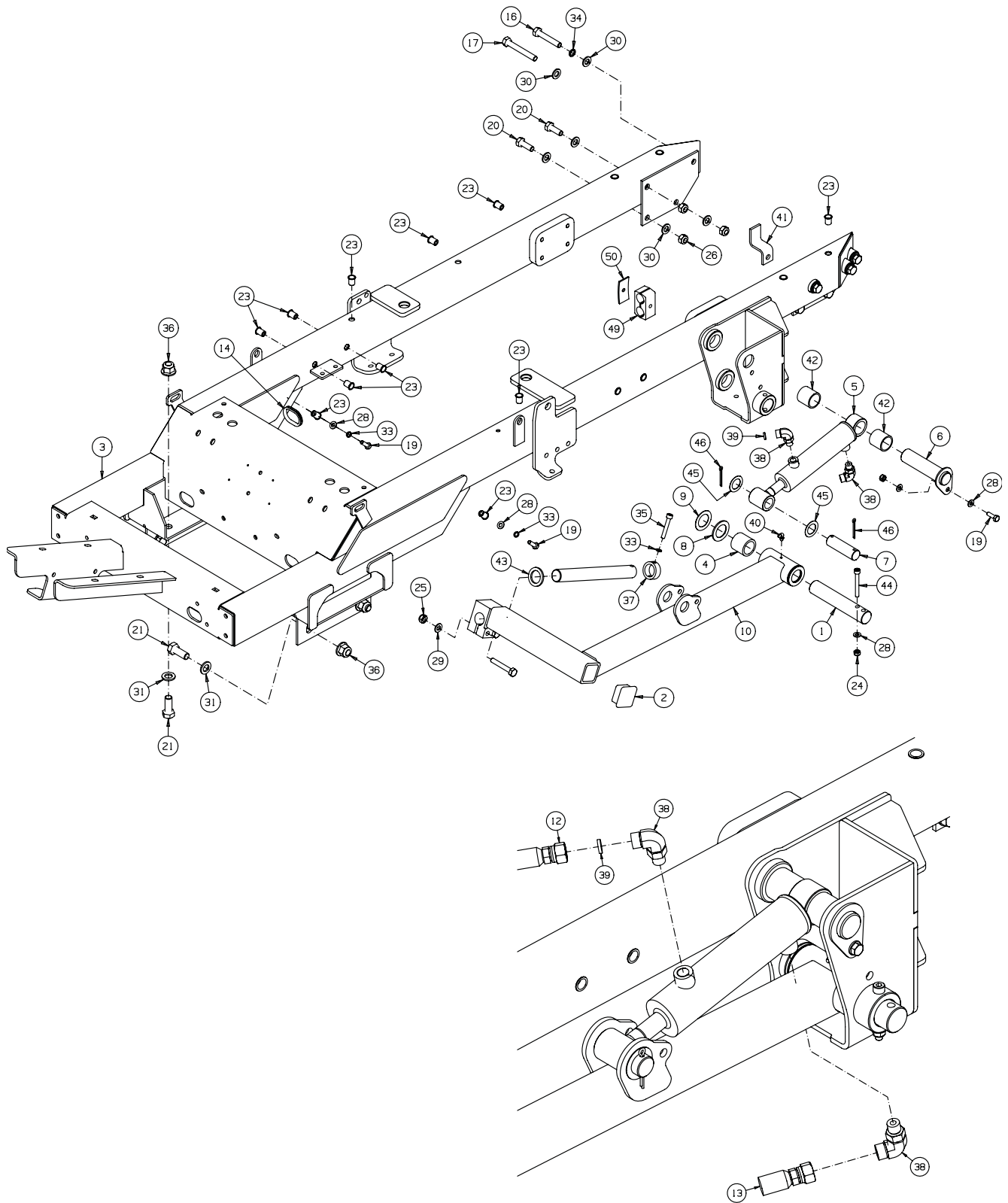
These guidelines should be used in conjunction with applicable Health, Safety and Environmental legislation and use of approved local facilities for waste disposal and recycling.

- Position the machine in a suitable location for any necessary lifting equipment to be used.
- Use appropriate tools and Personal Protective Equipment (PPE) and take guidance from the technical manuals applicable to the machine.
- Remove and store appropriately:
  1. Batteries
  2. Fuel residue
  3. Engine coolant
  4. Oils
- Disassemble the structure of the machine referring to the technical manuals where appropriate. Special attention should be made for dealing with 'stored energy' within pressurised elements of the machine or tensioned springs.
- Any items that still have a useful service life as second hand components or can be re-serviced should be separated and returned to the relevant centre.
- Other worn out items should be separated into material groups for recycling and disposal consistent with available facilities. More common separation types are as follows:
  - Steel
  - Non ferrous metals
    - Aluminium
    - Brass
    - Copper
  - Plastics
    - Identifiable
    - Recyclable
    - Non recyclable
    - Not identified
  - Rubber
  - Electrical & Electronic Components
- Items that cannot be separated economically into different material groups should be added to the 'General waste' area.
- Do not incinerate waste.

Finally update machinery records to indicate that the machine has been taken out of service and scrapped. Provide this serial number to Ranmsomes Jacobsen Warranty department to close off relevant records.

CHASSIS

Illustration : 4133989

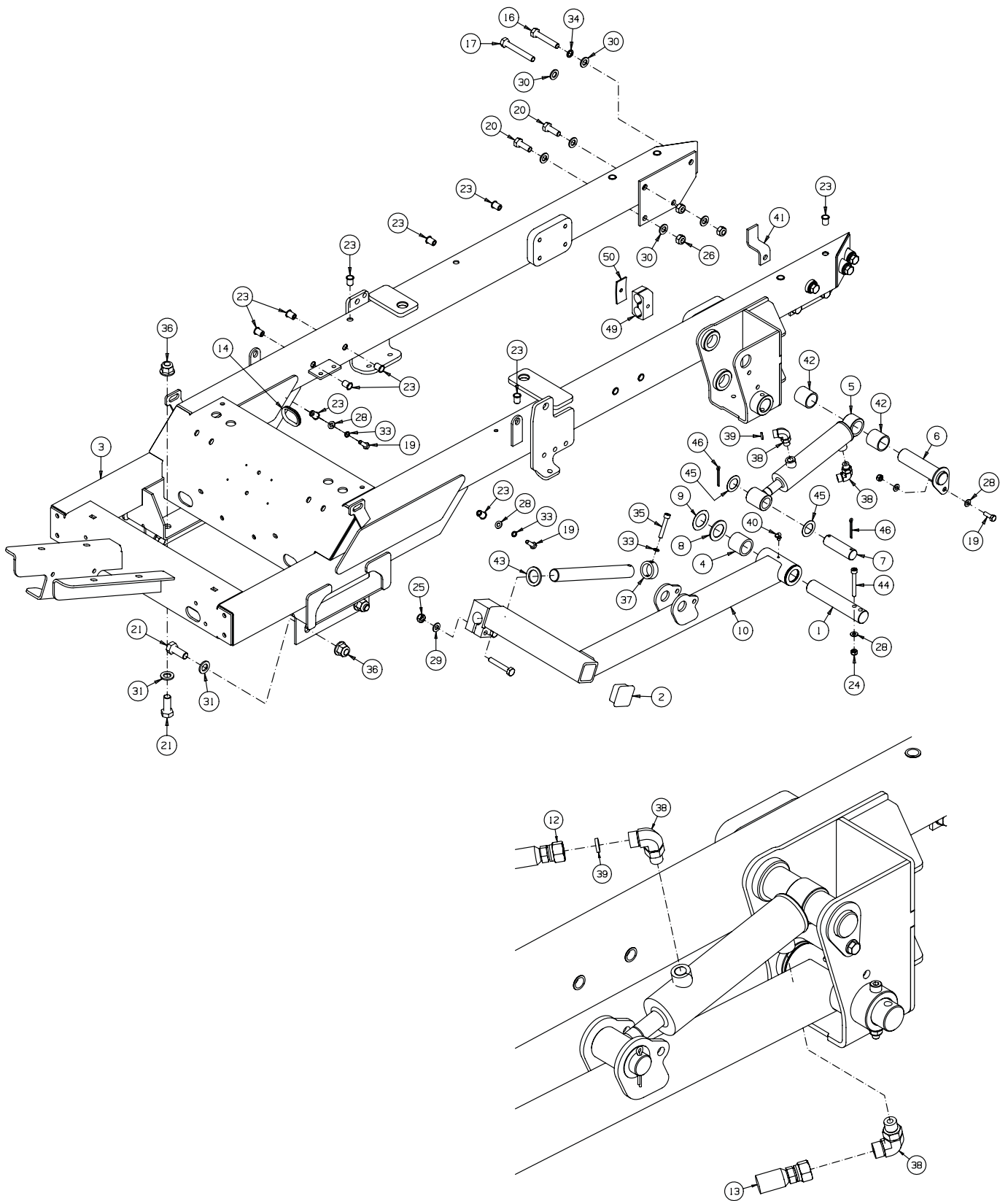




ITEM	PART NO.	DESCRIPTION	QTY.	REMARKS
1	4141086	Shaft-Pivot, Lift Arm	1	From Serial No. EJ000456
2	002952633	End Cap-50 x 50 x 5	1	
3	4130029	Wldmt-Chassis	1	
4	4130255	Bush-Devol 1-1/4 x 1-5/8 x 1-1/2	2	
5	4139500	Cylinder-Unit Lift (longer extension)	1	From S/N EJ000414 to EJ
*	002301010	• Seal Kit	1	
5	4244288	D/A Hyd Cyl, 20 x 127, Lift	1	From S/N EJ000833 & FG000625
*	4288991	Seal Kit for 4244288		
6	4131142	Wldmt-Lift Arm Pin	1	
7	4146510	Pin-Lift Ram	1	From Serial No. EJ000456
8	4131628	Washer-Nylon 32 x 50 x 3	2	
9	62464-4A	Washer-Thrust 1.250 x 1.937 x .030	2	Fit as required
10	4139896	Wldmt-Lift Arm Ctr	1	From Serial No. EJ000398
11	4138556	Shaft-Pivot, Centre Unit	1	From Serial No. EJ000398
12	4133902	Hyd Hose Assembly	1	Rear Lift Ram to Lift Manifold
13	4133903	Hyd Hose Assembly	1	Rear Lift Ram to Drain Manifold
14	4135333	Grommeting	0.13m	
15	450035	Bolt-Hex M10 x 65	2	
16	450054	Bolt-Hex M12 x 70	2	
17	450058	Bolt-Hex M12 x 90	2	
19	450192	Scrw-Hex M8 x 25	5	
20	450242	Scrw-Hex M12 x 35	4	
21	450270	Scrw-Hex M16 x 40	8	
23	450369	M8 Nutsert	21	
24	450378	Nut-Hex M8 Nyloc	2	
25	450382	Nut-Hex M16 Nyloc	2	
26	450380	Nut-Hex M12 Nyloc	6	
28	450390	Washer-M8 x 17 x 1.8	7	
29	450391	Washer-M10 x 21 x 2.2	2	
30	450392	Washer-M12 x 24 x 2.7	14	
31	450393	Washer-M16 x 30 x 3.3	8	
33	450411	LockWasher-M8 x 12.75 x 2	5	
34	450413	LockWasher-M12 x 17.9 x 2.5	2	
35	450729	Capscrw-Sckt M8 x 50	1	From Serial No. EJ000398
36	452439	Nut-Hex M16 Flng Nyloc	8	
37	4132359	Collar-Pivot Shaft, 1-1/8"	1	From Serial No. EJ000398
38	W158007-01	90-M/M 11/16 ORFS x 9/16 SAE	2	
39	69068-03	11/16 ORFS .028" DISC	1	
40	002993160	Lubricator -M6 x 90	1	
41	4179043	Hose Clamp	1	
42	4136819	Spacer-Lift Cylinder Pin	2	
43	4139763	Washer- 29.5 x 43 x 4	1	From Serial No. EJ000398
44	450732	Capscrw-Sckt M8 x 65	1	From Serial No. EJ000456
45	001593072	Washer-Thrust 1 x 1.562 x .030/.032	2	From Serial No. EJ000456

CHASSIS

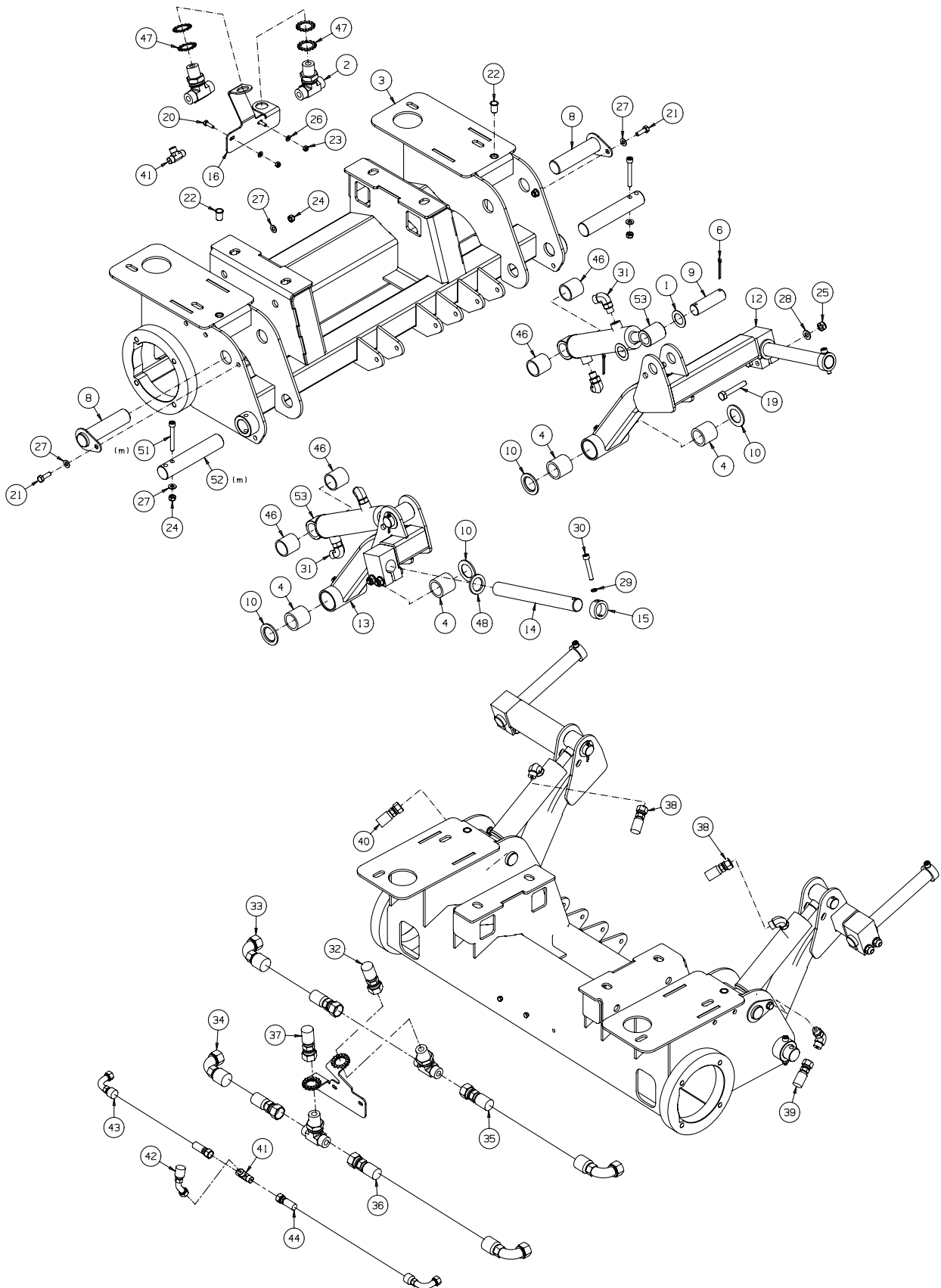
Illustration : 4133989



ITEM	PART NO.	DESCRIPTION	QTY.	REMARKS
46	454000572	Split Pin-3/16 x 1-3/4	2	From Serial No. EJ000456
47	ZA	26" Tri-King Reel	1	
48	4130575	Spacer-13 x 30 x 55	2	
49	2208139	Hose Clamp (set)	1	
50	009079310	Hose Clamp Top	1	

FRONT AXLE & UNIT MOUNTING

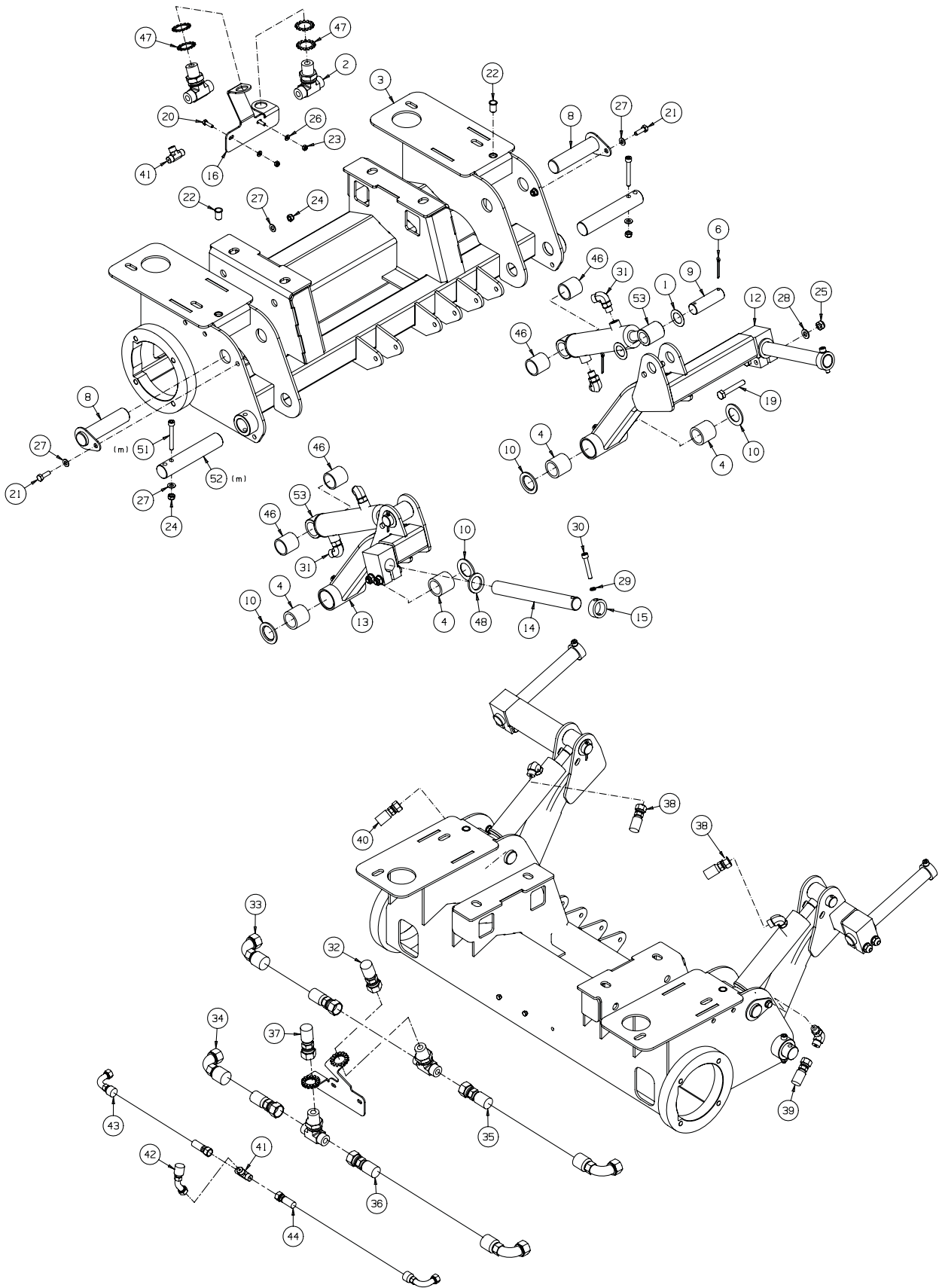
Illustration Number: 4133990



ITEM	PART NO.	DESCRIPTION	QTY.	REMARKS
1	001593072	Washer-Thrust 1 x 1.562 x .030/.032	4	
2	4127319	Tee-M/M/Blkhd 1 ORFS	2	For Sauer Danfoss wheel motors
*	158061-08	• O Ring	3	1" ORFS
3	4130180	Wldmt-Front Axle	1	For Sauer Danfoss wheel motors
4	4130255	Bush-Devol 1-1/4 x 1-5/8 x 1-1/2	4	
5	4130603	Cylinder-Unit Lift	2	To Serial No. EJ000413
5	4139500	Cylinder-Unit Lift (longer extention)	2	From S/N EJ000414
5	4244288	D/A Hyd Cyl, 20 x 127, Lift	2	From S/N EJ000833 & FG000625
*	4288991	Seal kit for 4244288		
*	002301010	• Seal Kit	1	
6	4137956	Ram Limiter	2	Not required from EJ000414
6	454000572	Split Pin-3/16 x 1-3/4	4	From Serial No.
7				
8	4131142	Wldmt-Lift Arm Pin	2	
9	4131144	Wldmt-Ram Pin	2	To Serial No.
9	4146510	Pin-Lift Ram	2	From Serial No.
10	4131628	Washer-Nylon 32 x 50 x 3	4	
11				
12	4132303	Wldmt-Lift Arm LH	1	To Serial No. EJ000397
12	4138526	Wldmt-Lift Arm LH	1	From Serial No. EJ000398
13	4132304	Wldmt-Lift Arm RH	1	To Serial No. EJ000397
13	4138527	Wldmt-Lift Arm RH	1	From Serial No. EJ000398
14	4132357	Shaft-Pivot, Front Unit	2	To Serial No. EJ000397
14	4138556	Shaft-Pivot, Front Unit	2	From Serial No. EJ000398
15	4132359	Collar-Pivot Shaft, 1-1/8"	2	
16	4133581	Bracket-Bulkhead Ftgs	1	For Sauer Danfoss wheel motors
17				
18				
19	450035	Bolt-Hex M10 x 65	4	
20	450171	Scrw-Hex M6 x 20	2	
21	450192	Scrw-Hex M8 x 25	2	
22	450370	M8 Nutsert	2	
23	450377	Nut-Hex M6 Nyloc	2	
24	450378	Nut-Hex M8 Nyloc	4	
25	450379	Nut-Hex M10 Nyloc	4	
26	450389	Washer-M6 x 12.5 x 1.8	2	
27	450390	Washer-M8 x 17 x 1.8	6	
28	450391	Washer-M10 x 21 x 2.2	4	
29	450411	LockWasher-M8 x 12.75 x 2	2	
30	450729	Capscrw-Sckt M8 x 50	2	
31	158007-01	90-M/M 11/16 ORFS x 9/16 SAE	4	
*	158061-01	• O Ring	1	11/16" ORFS
*	002218065	• O Ring	1	9/16" SAE
32	4133856	Hyd Hose Assembly	1	Trans Pump 'B' to Front Motor 'T'

FRONT AXLE & UNIT MOUNTING

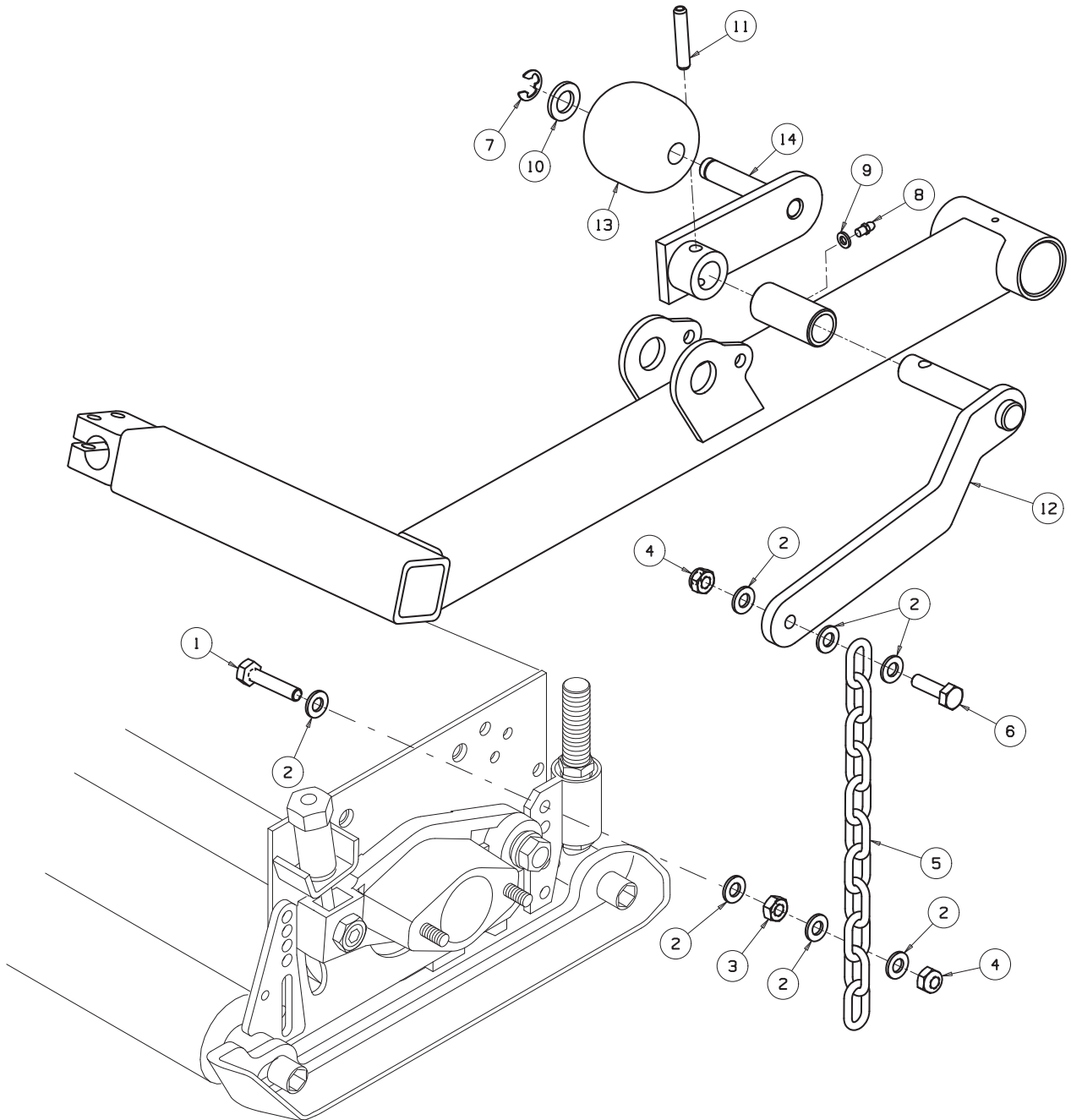
Illustration Number: 4133990



ITEM	PART NO.	DESCRIPTION	QTY.	REMARKS
				For Sauer Danfoss wheel motors
33	4133857	Hyd Hose Assembly	1	LH Motor - Top Hose
				For Sauer Danfoss wheel motors
34	4133858	Hyd Hose Assembly	1	LH Motor - Bottom Hose
				For Sauer Danfoss wheel motors
35	4133859	Hyd Hose Assembly	1	RH Motor - Top Hose
				For Sauer Danfoss wheel motors
36	4133860	Hyd Hose Assembly	1	RH Motor - Bottom Hose
				For Sauer Danfoss wheel motors
37	4133861	Hyd Hose Assembly	1	Front Motor 'T' to Flush Valve (To Serial No. EJ000304)
37	4137208	Hyd Hose Assembly	1	Front Motor 'T' to Flush Valve (from serial no. EJ000305)
				For Sauer Danfoss wheel motors
38	4133901	Hyd Hose Assembly	2	Front Lift Ram to Lift Manifold
39	4133905	Hyd Hose Assembly	1	RH Lift Ram to Drain Manifold
40	4133904	Hyd Hose Assembly	1	LH Lift Ram to Drain Manifold
41	002542050	Tee-M/M/M 9/16 ORFS	1	For Sauer Danfoss wheel motors
*	158061-18	• O Ring	1	9/16" ORFS
42	4133853	Hyd Hose Assembly	1	Rotary Valve 'A' to 'T' Front Brake Line
				For Sauer Danfoss wheel motors
43	4133854	Hyd Hose Assembly	1	LH Motor Brake Line to 'T'
				For Sauer Danfoss wheel motors
44	4133855	Hyd Hose Assembly	1	RH Motor Brake Line to 'T'
				For Sauer Danfoss wheel motors
45	002993160	Lubricator-M6 x 90ş	2	
46	4136819	Spacer-Lift Cylinder Pin	4	
47	J447030	LockWasher-Tooth, Ext 1"	4	For Sauer Danfoss wheel motors
48	4139763	Washer-29.5 x 42 x 4	2	
49				
50				
51	450732	M8 x 65 Capscrew	2	
52	4141086	Shaft - Pivot Pin	2	From Serial No.

UNIT MOUNTING - REAR

Illustration Number: 4137557

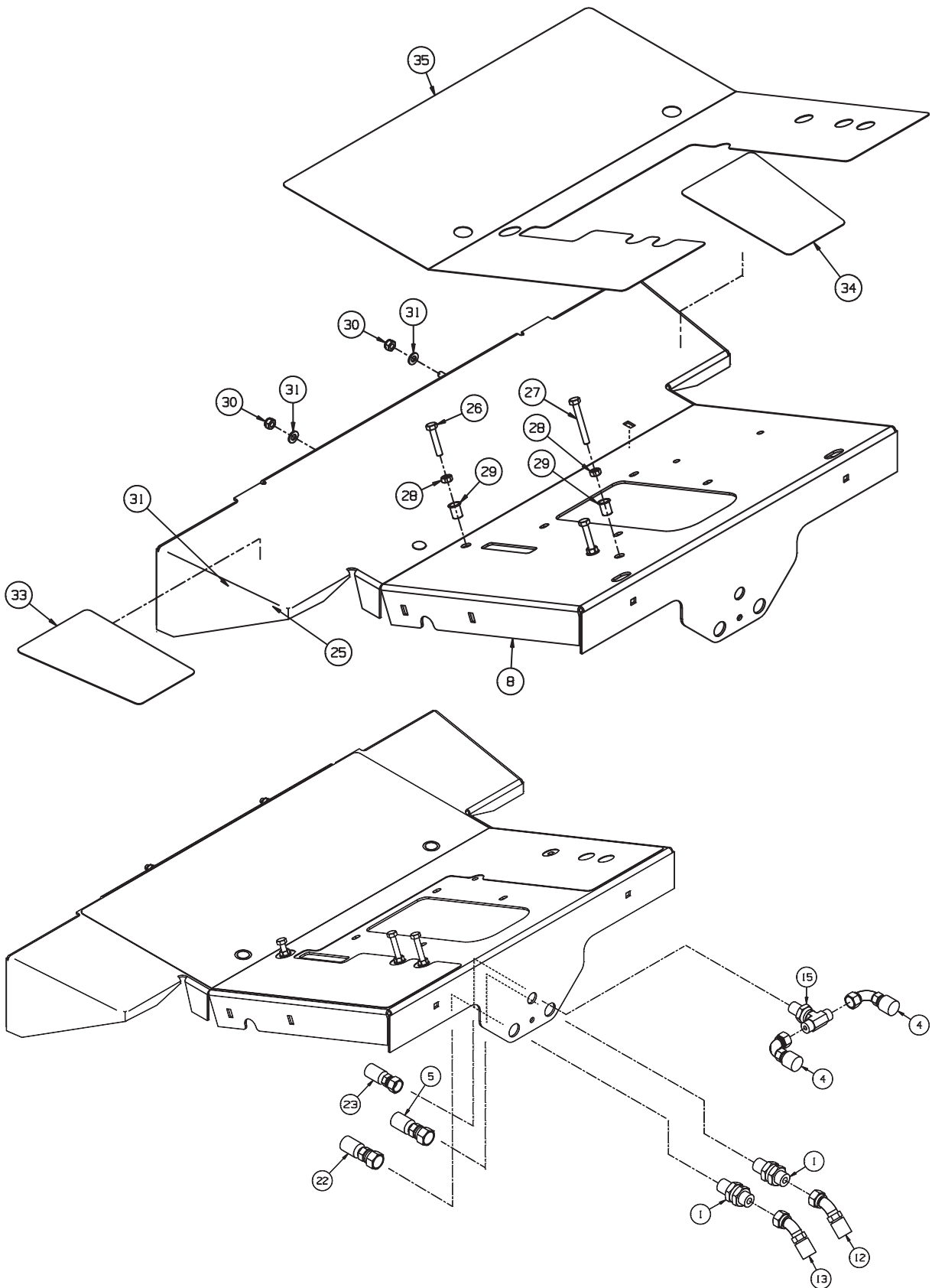




ITEM	PART NO.	DESCRIPTION	QTY.	REMARKS
1	450219	Scrw-Hex M10 x 50	1	
2	450319	Washer-M10 x 21 x 2.2	7	
3	450325	Nut-Hex M10	1	
4	450379	Nut-Hex M10 Nyloc	2	
5	4132075	Chain (Short)	1	
6	450216	Scrw-Hex M10 x 35	1	
7	64144-01	Snap Ring 5/8"	1	
8	002993013	Lubricator-M6 Str	1	
9	450389	Washer-M6 x 12.5 x 1.8	1	
10	450393	Washer-M16 x 30 x 3.3	1	
11	64061-09	Pin-Roll 3/8" x 2"	1	
12	4137349	Lift Arm Mechanism W/A	1	
13	2198153	Roller 3"	1	
14	2206170	Wldmt-Roller Arm	1	
-	4132305	Wldmt-Lift Arm Ctr	1	

OPERATORS PLATFORM (From Serial Number EJ000632/FG000452)

Illustration Number: 4133601-1 & 4133601-3

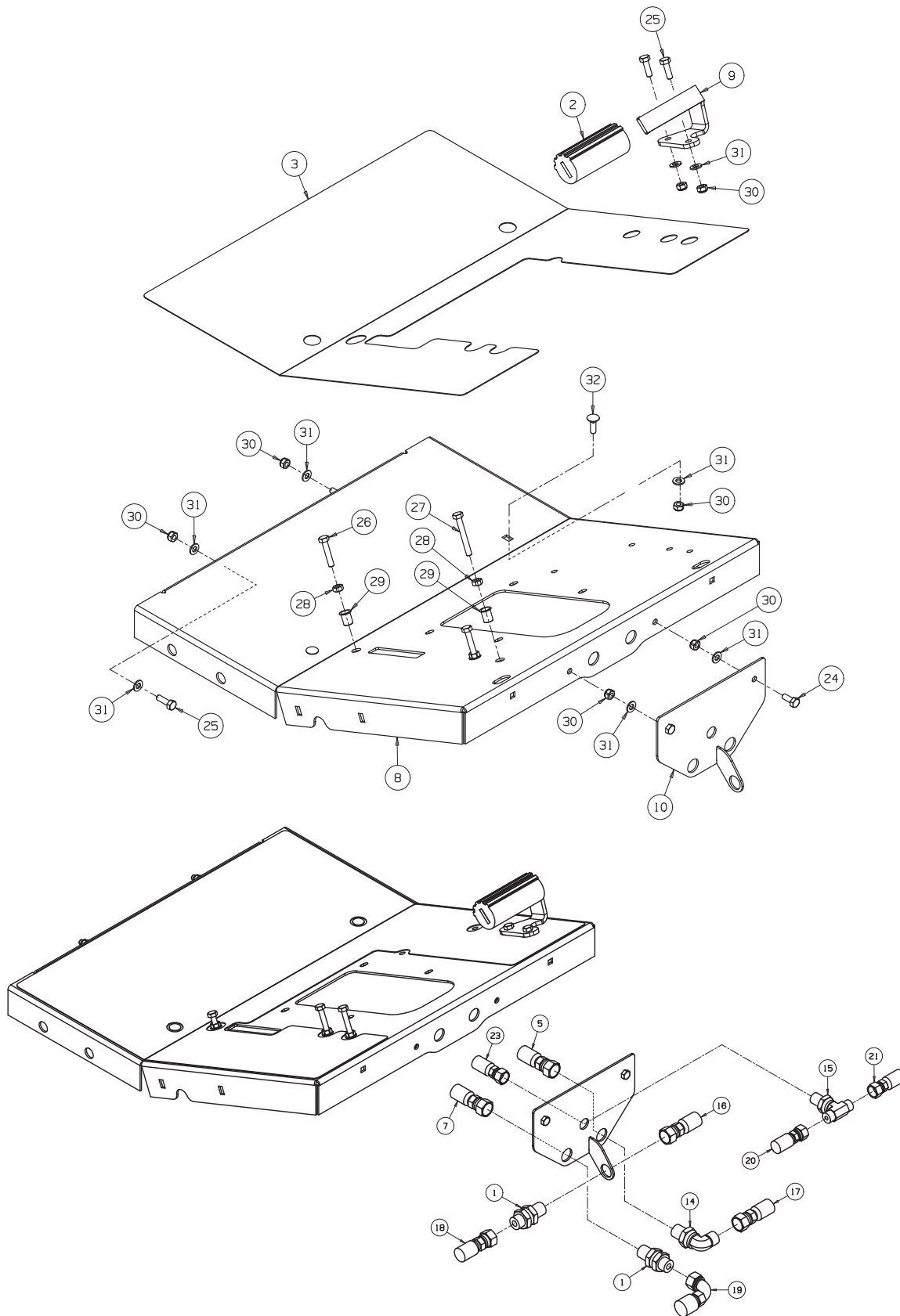


ITEM	PART NO.	DESCRIPTION	QTY.	REMARKS
4	4133068	Pads Front- RH	1	
5	4133069	Pads Front-LH	1	
8	4165394	Wldmt-Footplate, Ops Platform	1	
25	450192	Scrw-Hex M8 x 25	2	
26	450195	Scrw-Hex M8 x 40	1	
27	450199	Scrw-Hex M8 x 60	2	
28	450324	Nut-Hex M8	3	
29	450369	Nutsert-M8 A-L x 17.5	2	
30	450378	Nut-Hex M8 Nyloc	4	
31	450390	Washer-M8 x 17 x 1.8	6	
32	452564	Bolt-Crg M8 x 25	2	
1	158067-04	Ftg-Blkhd M/M 13/16 ORFS	2	
*	158061-02	• O Ring	2	13/16" ORFS
4	4133908	Hyd Hose Assembly	2	Front Cutter Drain to Blkhd
5	4133910	Hyd Hose Assembly	1	Cutter Valve 'M1' to LH Blkhd
12	4136385	Hyd Hose Assembly	1	Str Blkhd to LH Motor 'IN'
13	4136388	Hyd Hose Assembly	1	Str Blkhd to RH Motor'OUT'
15	4136396	Tee-M/M/Blkhd 11/16 ORFS	1	
*	158061-01	O-Ring	3	11/16" ORFS
22	4136471	Hyd Hose Assembly	1	LH Motor Drain to Blkhd 'T'
23	4136382	Hyd Hose Assembly	1	Front Blkhd Tee to Manifold (to serial number EJ000304)
23	4137213	Hyd Hose Assembly	1	(from serial number EJ000304)

# JACOBSEN TR3 Series: EJ & FG

## OPERATORS PLATFORM (To Serial Number EJ000631/FG000451)

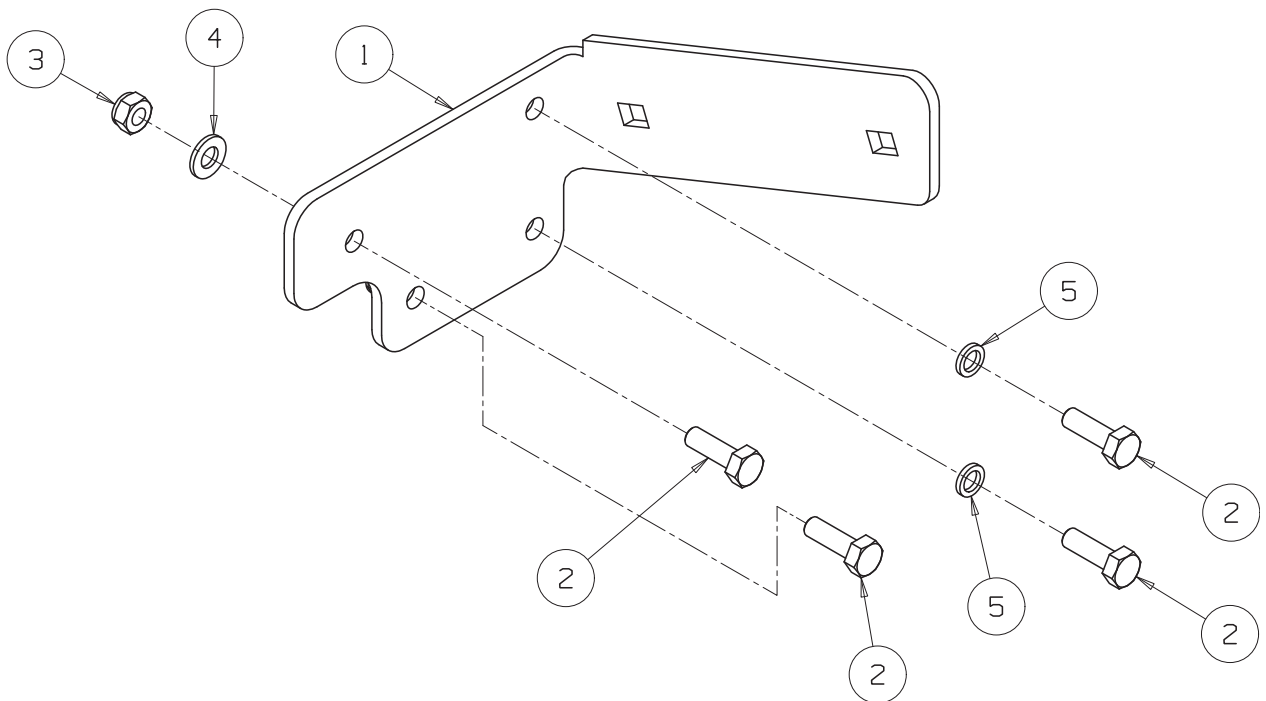
Illustration Number: 4133601-1 & 4133601-2



ITEM	PART NO.	DESCRIPTION	QTY.	REMARKS
2	3003475	Grip-Pedal	1	
3	4133602	Pad-Platform	1	
8	4135108	Wldmt-Footplate, Ops Platform	1	
9	4135601	Foot Support	1	
10	4136185	Wldmt-Bulkhead	1	
24	450191	Scrw-Hex M8 x 20	2	
25	450192	Scrw-Hex M8 x 25	4	
26	450195	Scrw-Hex M8 x 40	1	
27	450199	Scrw-Hex M8 x 60	2	
28	450324	Nut-Hex M8	3	
29	450369	Nutsert-M8 A-L x 17.5	2	
30	450378	Nut-Hex M8 Nyloc	4	
31	450390	Washer-M8 x 17 x 1.8	6	
32	452564	Bolt-Crg M8 x 25	2	
1	158067-04	Ftg-Blkhd M/M 13/16 ORFS	1	
*	158061-02	• O Ring	1	13/16" ORFS
5	4133910	Hyd Hose Assembly	1	Cutter Valve 'M1' to LH Blkhd
7	4133912	Hyd Hose Assembly	1	RH Blkhd to Rear Motor 'IN'
14	4136395	90 Blkhd-M/M 13/16 ORFS	1	
*	158061-02	• O Ring	2	13/16" ORFS
15	4136396	Tee-M/M/Blkhd 11/16 ORFS	1	
*	158061-01	• O-Ring	3	11/16" ORFS
16	4136408	Hyd Hose Assembly	1	LH 90 Bulkhd to LH Motor 'OUT'
17	4136409	Hyd Hose Assembly	1	LH Str Blkhd to LH Motor 'IN'
18	4136410	Hyd Hose Assembly	1	RH Str Bulkhd RH Motor 'IN'
19	4136411	Hyd Hose Assembly	1	RH 90 Blkhd to RH Motor 'OUT'
20	4136412	Hyd Hose Assembly	1	RH Motor Drain to Blkhd 'T'
21	4136413	Hyd Hose Assembly	1	LH Motor Drain to Blkhd 'T'
23	4136382	Hyd Hose Assembly	1	Front Blkhd Tee to Manifold (to serial number EK000304)
23	4137213	Hyd Hose Assembly	1	(from serial number EK000304)

PLATFORM SUPPORT

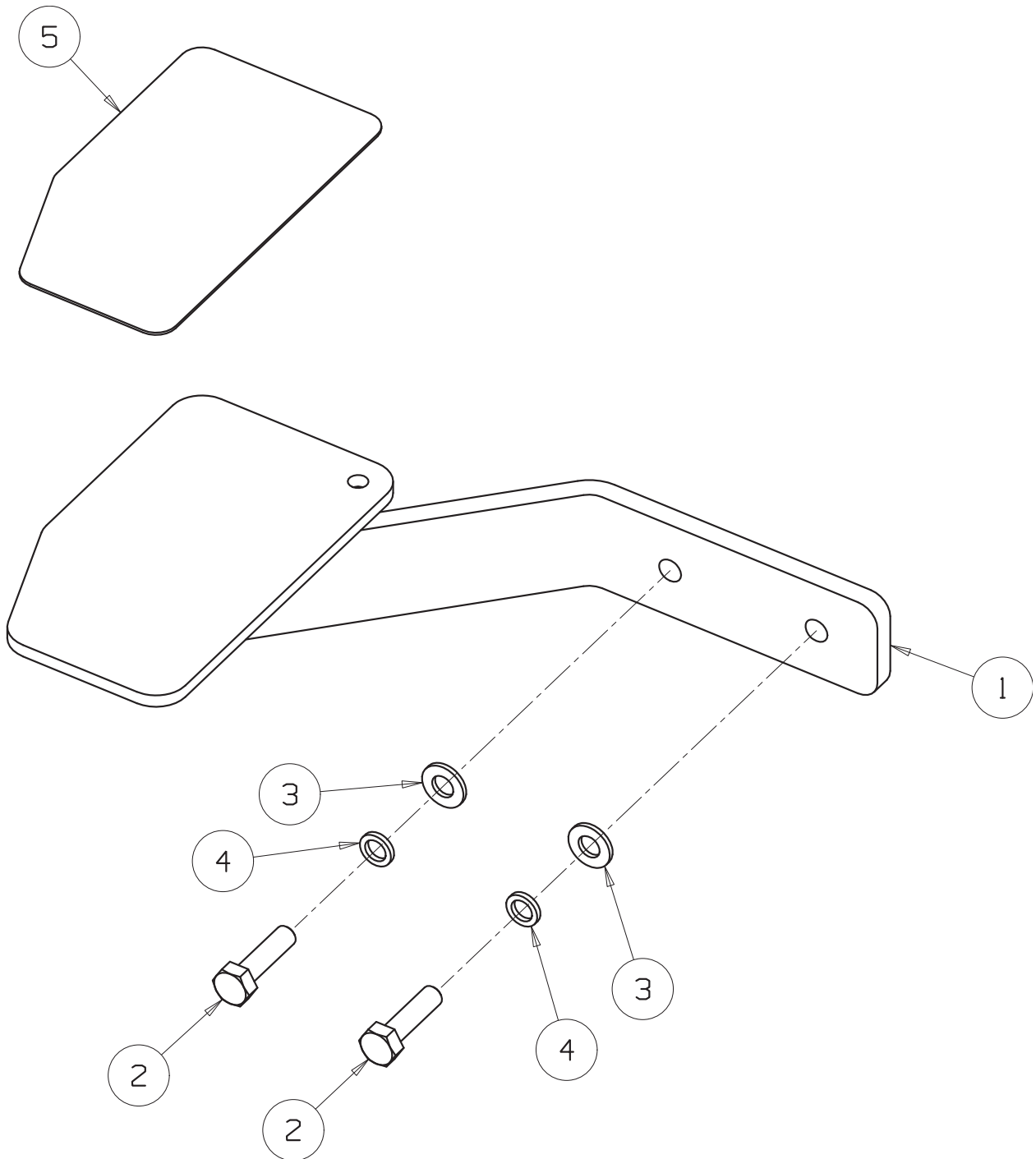
Illustration Number: 4131602



ITEM	PART NO.	DESCRIPTION	QTY.	REMARKS
1	4134966	Bracket-Platform Support	1	
2	450192	Scrw-Hex M8 x 25	4	
3	450378	Nut-Hex M8 Nyloc	2	
4	450390	Washer-M8 x 17 x 1.8	2	
5	450411	LockWasher-M8 x 12.75 x 2	2	

FOOTSTEP LH

Illustration Number: 4132989

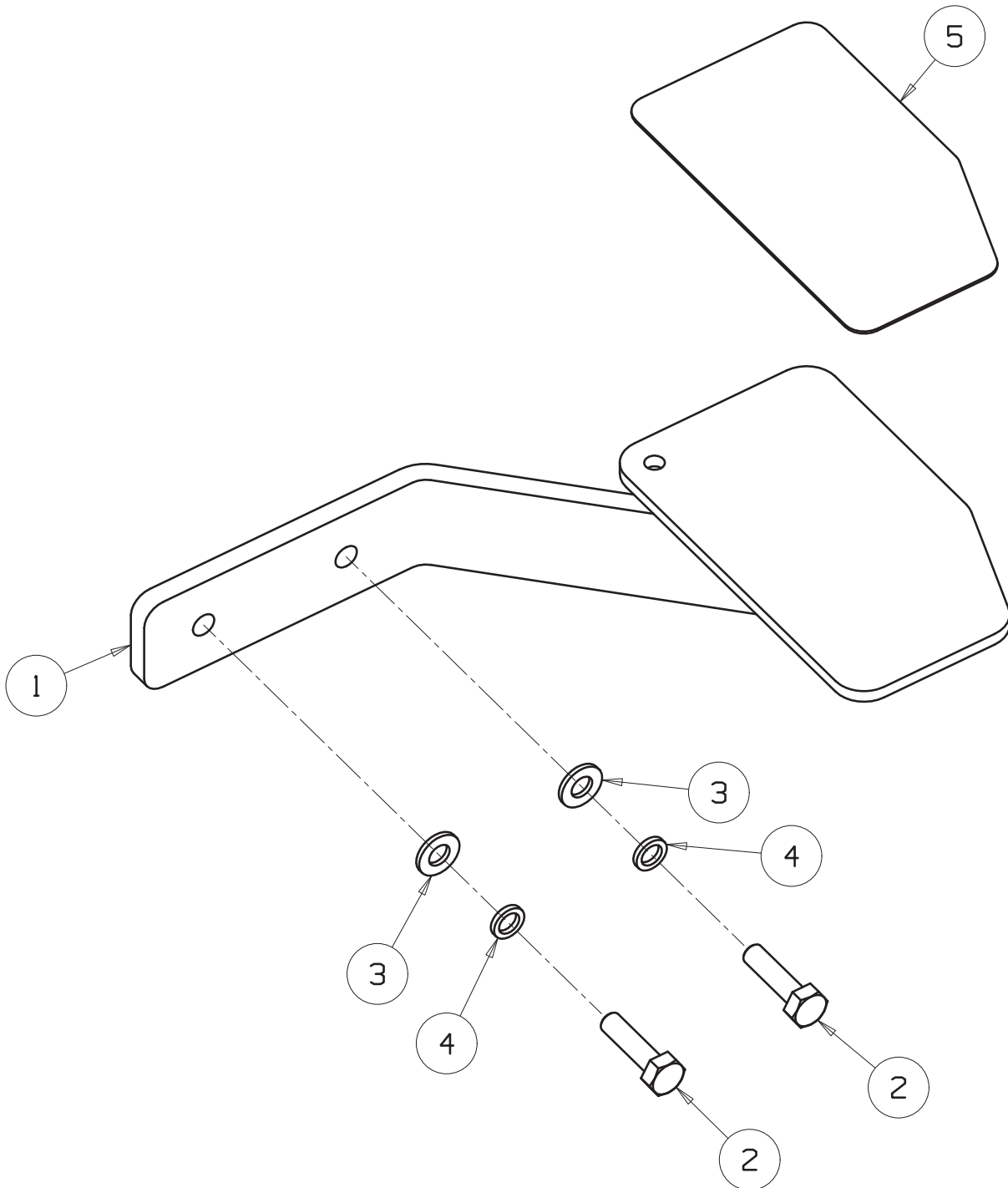




ITEM	PART NO.	DESCRIPTION	QTY.	REMARKS
1	4132973	Wldmt-Footstep LH	1	
2	450014	Bolt-Hex M8 x 30	2	
3	450390	Washer-M8 x 17 x 1.8	2	
4	450411	LockWasher-M8 x 12.75 x 2	2	
5	MBG4796	Pad-Step RH	1	

FOOTSTEP RH

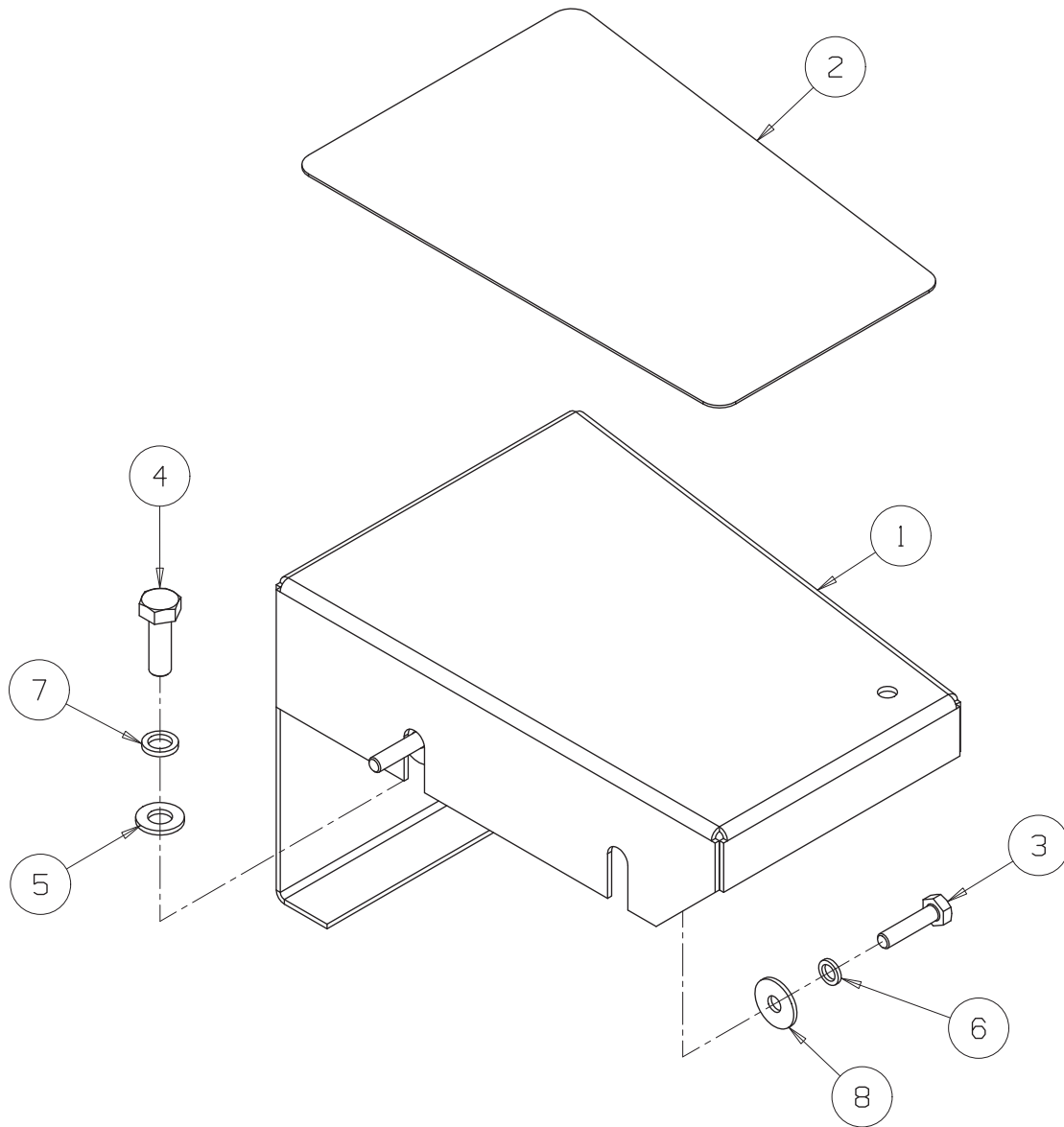
Illustration Number: 4132988



ITEM	PART NO.	DESCRIPTION	QTY.	REMARKS
1	4132972	Wldmt-Footstep RH	1	
2	450014	Bolt-Hex M8 x 30	2	
3	450390	Washer-M8 x 17 x 1.8	2	
4	450411	LockWasher-M8 x 12.75 x 2	2	
5	MBG4795	Pad-Step LH	1	

FOOTGUARD LH

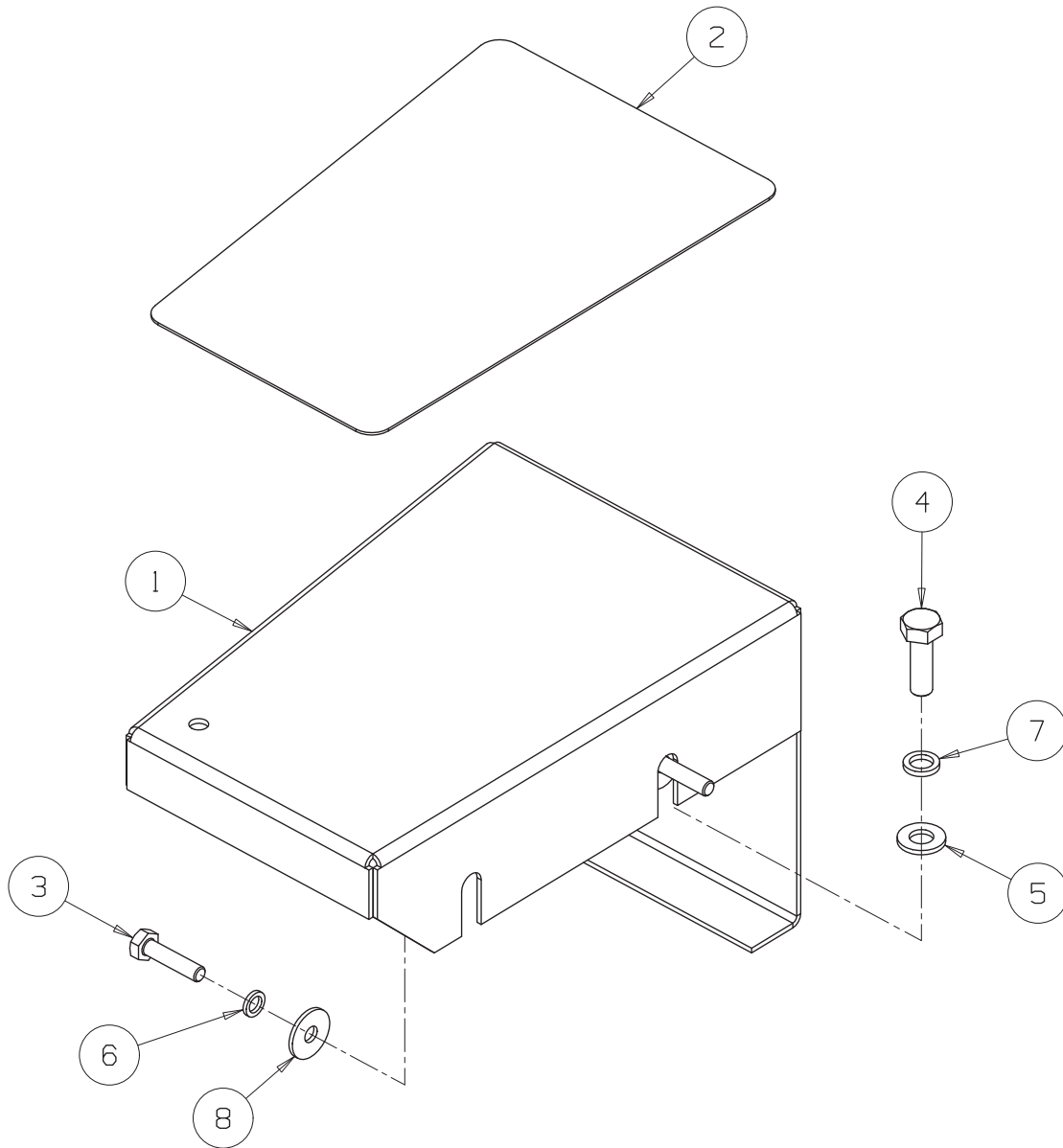
Illustration Number: 4133056



ITEM	PART NO.	DESCRIPTION	QTY.	REMARKS
1	4133058	Footguard LH	1	
2	4133068	Pad-Footguard LH	1	
3	450172	Scrw-Hex M6 x 25	2	
4	450192	Scrw-Hex M8 x 25	1	
5	450390	Washer-M8 x 17 x 1.8	1	
6	450410	LockWasher-M6 x 9.6 x 1.5	2	
7	450411	LockWasher-M8 x 12.75 x 2	1	
8	452000237	Washer-1/4 x 3/4 x .064	2	

FOOTGUARD RH

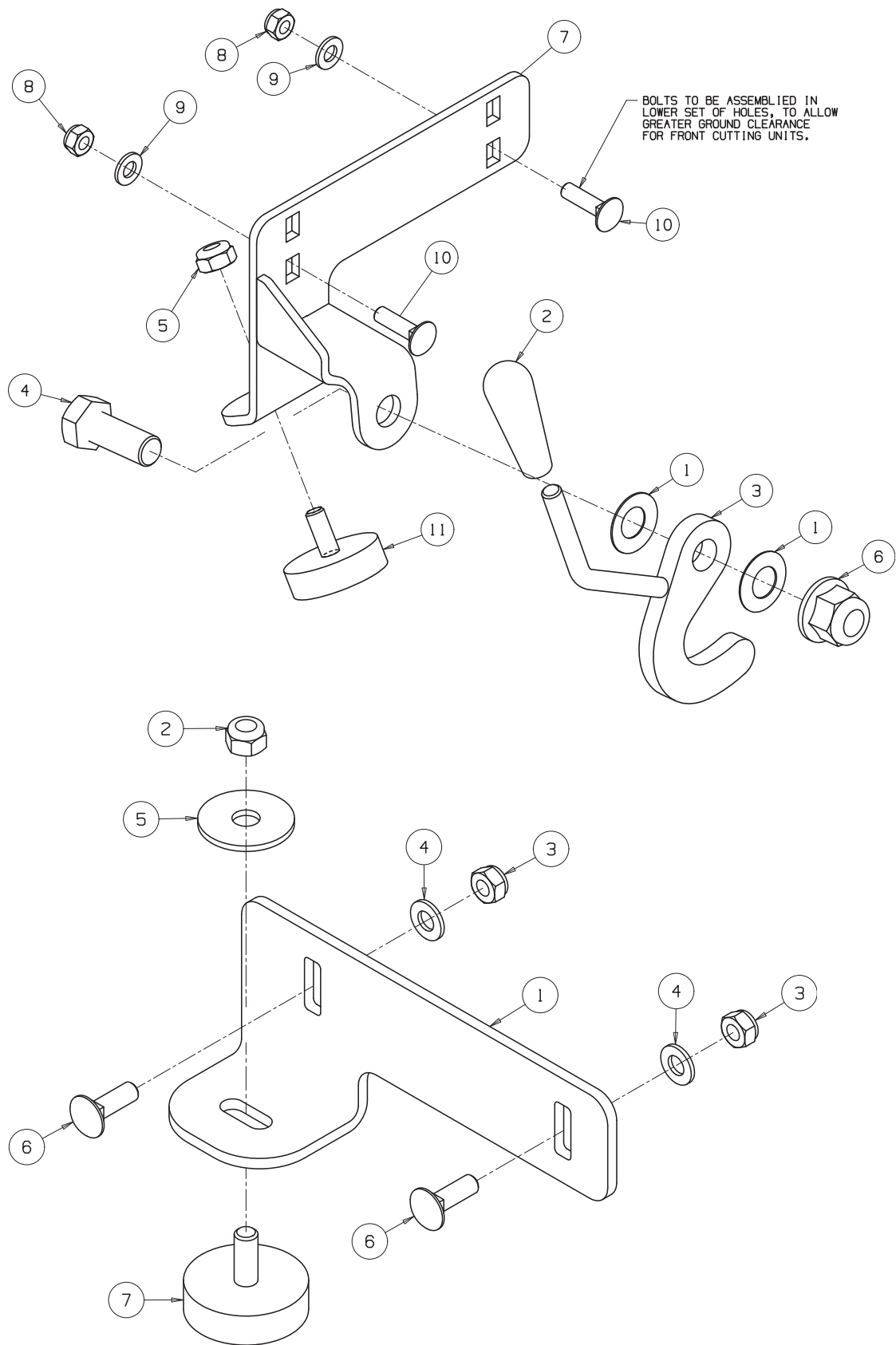
Illustration Number: 4133057



ITEM	PART NO.	DESCRIPTION	QTY.	REMARKS
1	4133059	Footguard RH	1	
2	4133069	Pad-Footguard RH	1	
3	450172	Scrw-Hex M6 x 25	2	
4	450192	Scrw-Hex M8 x 25	1	
5	450390	Washer-M8 x 17 x 1.8	1	
6	450410	LockWasher-M6 x 9.6 x 1.5	2	
7	450411	LockWasher-M8 x 12.75 x 2	1	
8	452000237	Washer-1/4 x 3/4 x .064	2	

LH FRONT STOP

Illustration Number: 4135498 & 4139866

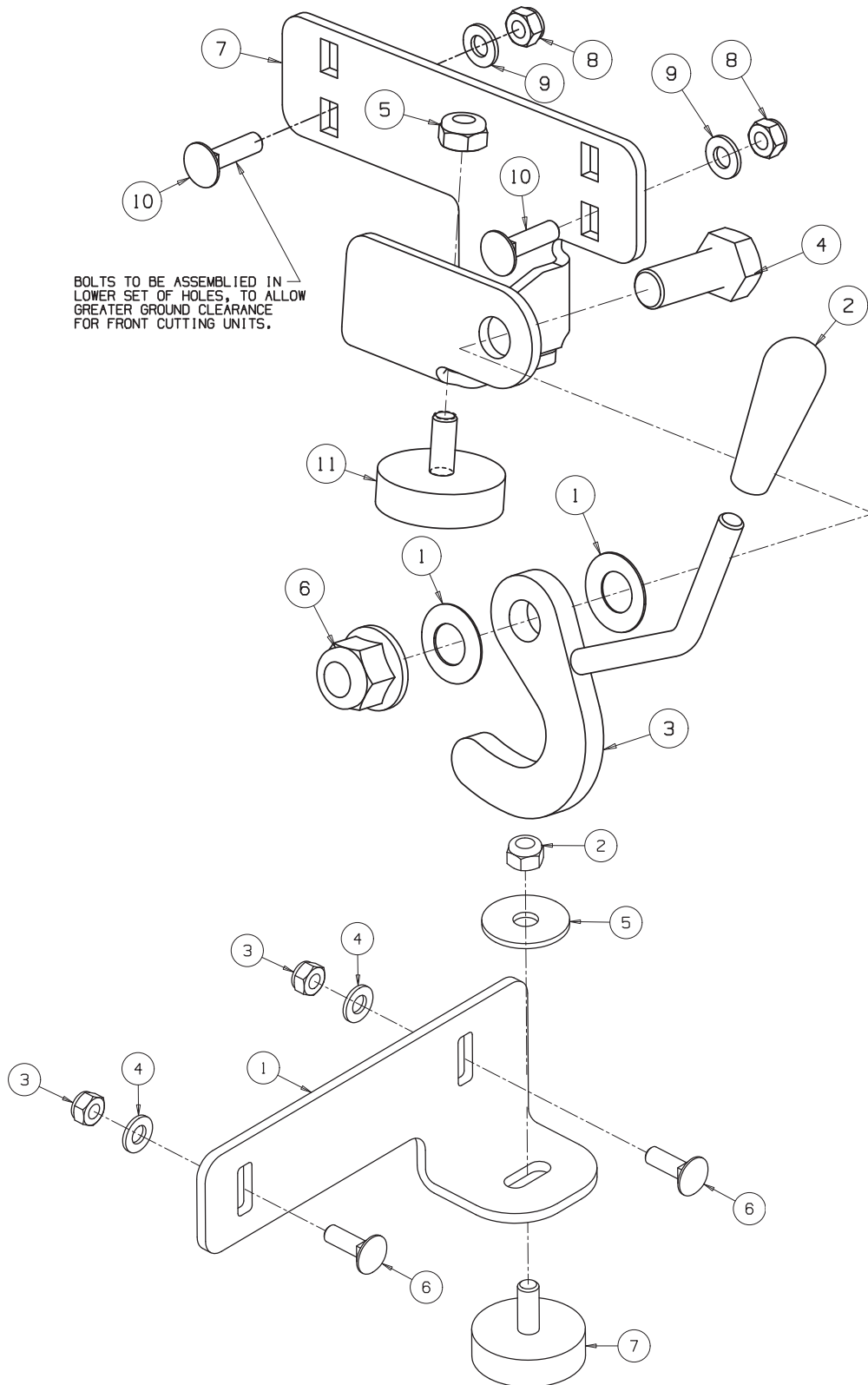




ITEM	PART NO.	DESCRIPTION	QTY.	REMARKS
		Early Machines		
1	002921109	Sprg-Disc 16.3 x 31.5 x 0.8	2	
2	002990227	Knob	1	
3	4137412	Transport Hook W/A	1	
4	450270	Scrw-Hex M16 x 40	1	
5	450120398	Nut-Hex 3/8-16 Nyloc Thin	1	
6	452439	Nut-Hex M16 Flng Nyloc	1	
7	4137401	Bracket-RH Unit Stop	1	
8	450378	Nut-Hex M8 Nyloc	2	
9	450390	Washer-M8 x 17 x 1.8	2	
10	452565	Bolt-Crg M8 x 30	2	
11	J361723	Bumper Stop	1	
		Later Machines		
				To suit 26" T-Plex 185 style units
1	4139868	Bracket-Stop, TR3	1	
2	450120398	Nut-Hex 3/8-16 Nyloc Thin	1	
3	450378	Nut-Hex M8 Nyloc	2	
4	450390	Washer-M8 x 17 x 1.8	2	
5	452101510	Washer-3/8 x 1-1/2 x .104	1	
6	452564	Bolt-Crg M8 x 25	2	
7	J361723	Bumper Stop	1	
				To suit 26" Tri-King style units
*	4164180	Bracket-Stop LH	1	
*	450120398	Nut-Hex 3/8-16 Nyloc Thin	2	
*	450378	Nut-hex M8 Nyloc	2	
*	450390	Washer-3/8 x 17 x 1.8	2	
*	452101510	Washer-3/8 x 1-1/2 x .104	2	
*	452564	Bolt-Crg M8 x 25	2	
*	J361723	Bumper Stop	2	
*	4164120	Stop Bracket W/A	1	
*	450120039	Nut-Hex 3/8-16	1	

RH FRONT STOP

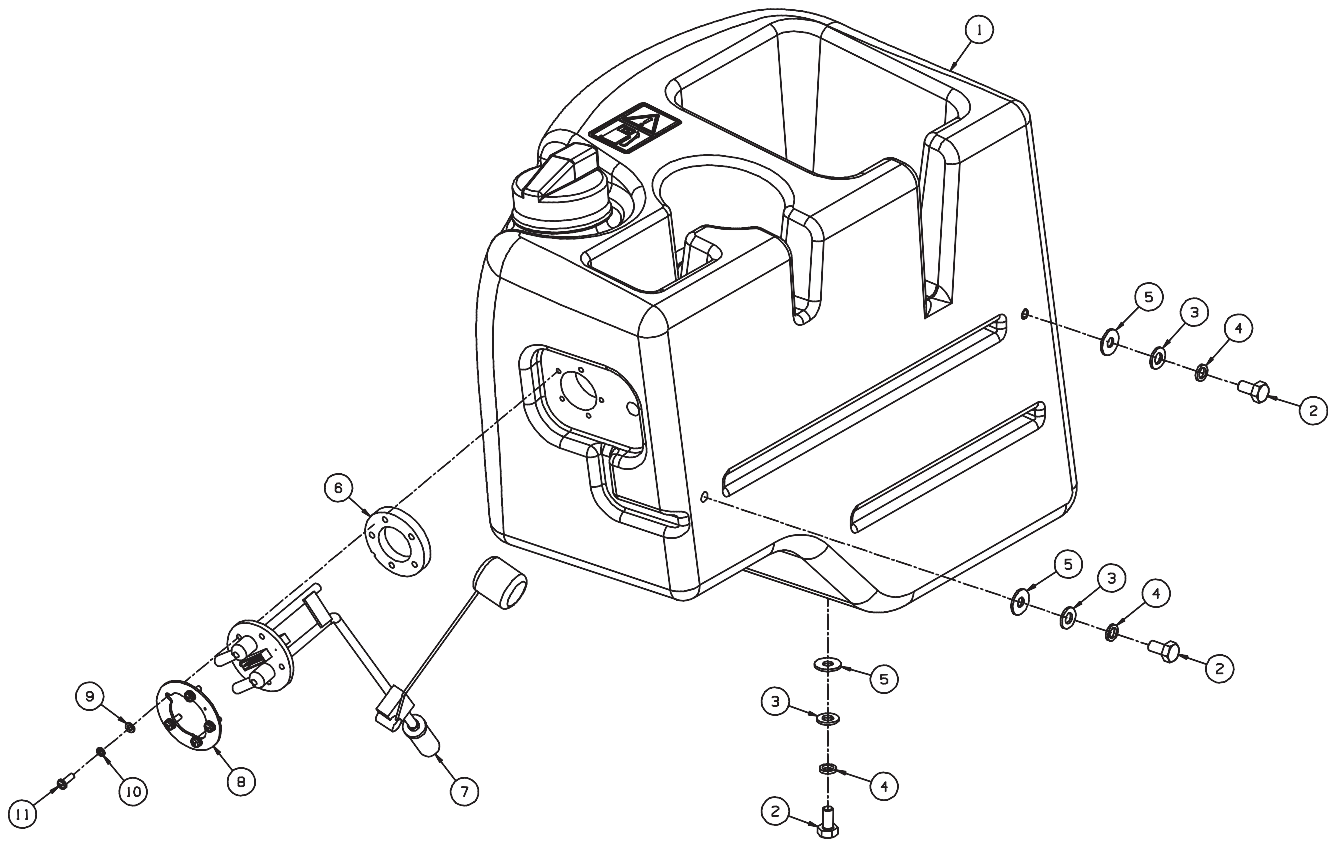
Illustration Number: 4135499 & 4139867



ITEM	PART NO.	DESCRIPTION	QTY.	REMARKS
		Early Machines		
1	002921109	Sprg-Disc 16.3 x 31.5 x 0.8	2	
2	002990227	Knob	1	
3	4137412	Transport Hook W/A	1	
4	450270	Scrw-Hex M16 x 40	1	
5	450120390	Nut-Hex 3/8-16 Nyloc Thin	1	
6	452439	Nut-Hex M16 Flng Nyloc	1	
7	4137251	Bracket-RH Unit Stop	1	
8	450378	Nut-Hex M8 Nyloc	2	
9	450390	Washer-M8 x 17 x 1.8	2	
10	452565	Bolt-Crg M8 x 30	2	
11	J361723	Bumper Stop	1	
		Later Machines		
				To suit 26" T-Plex 185 style units
1	4139869	Bracket-Stop, TR3	1	
2	450120398	Nut-Hex 3/8-16 Nyloc Thin	1	
3	450378	Nut-Hex M8 Nyloc	2	
4	450390	Washer-M8 x 17 x 1.8	2	
5	452101510	Washer-3/8 x 1-1/2 x .104	1	
6	452564	Bolt-Crg M8 x 25	2	
7	J361723	Bumper Stop	1	
				To suit 26" Tri-King style units
*	4164181	Bracket-Stop RH	1	
*	450120398	Nut-Hex 3/8-16 Nyloc Thin	2	
*	450378	Nut-hex M8 Nyloc	2	
*	450390	Washer-3/8 x 17 x 1.8	2	
*	452101510	Washer-3/8 x 1-1/2 x .104	2	
*	452564	Bolt-Crg M8 x 25	2	
*	J361723	Bumper Stop	2	
*	4164120	Stop Bracket W/A	1	
*	450120039	Nut-Hex 3/8-16	1	

FUEL TANK PART 1

Illustration Number: 4133675

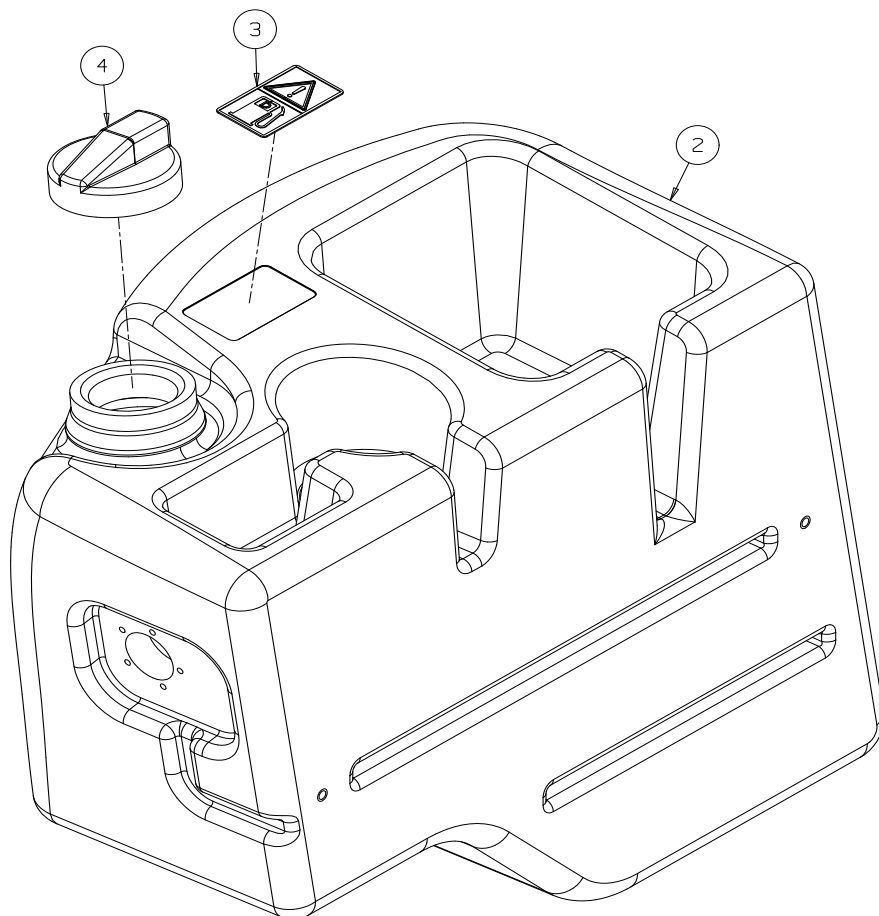


ITEM	PART NO.	DESCRIPTION	QTY.	REMARKS
1	4133692	Asm-Fuel Tank	1	
2	450213	Scrw-Hex M10 x 20	3	
3	450391	Washer-M10 x 21 x 2.2	3	
4	450412	LockWasher-M10 x 15.9 x 2.5	3	
5	452000368	Washer-3/8" x 1" x .080"	3	
6	4204200	Gasket-Fuel Tank	1	
7	4132363	Fuel Sender	1	
8	4134639	Collar-Fuel Sender	1	
9	450388	Washer-M5 x 10 x 1.1	5	
10	450409	LockWasher-M5 x 8.55 x 1.5	5	
11	450528	Scrw-Pan Hd M5 x 16	5	

FUEL TANK PART 2

---

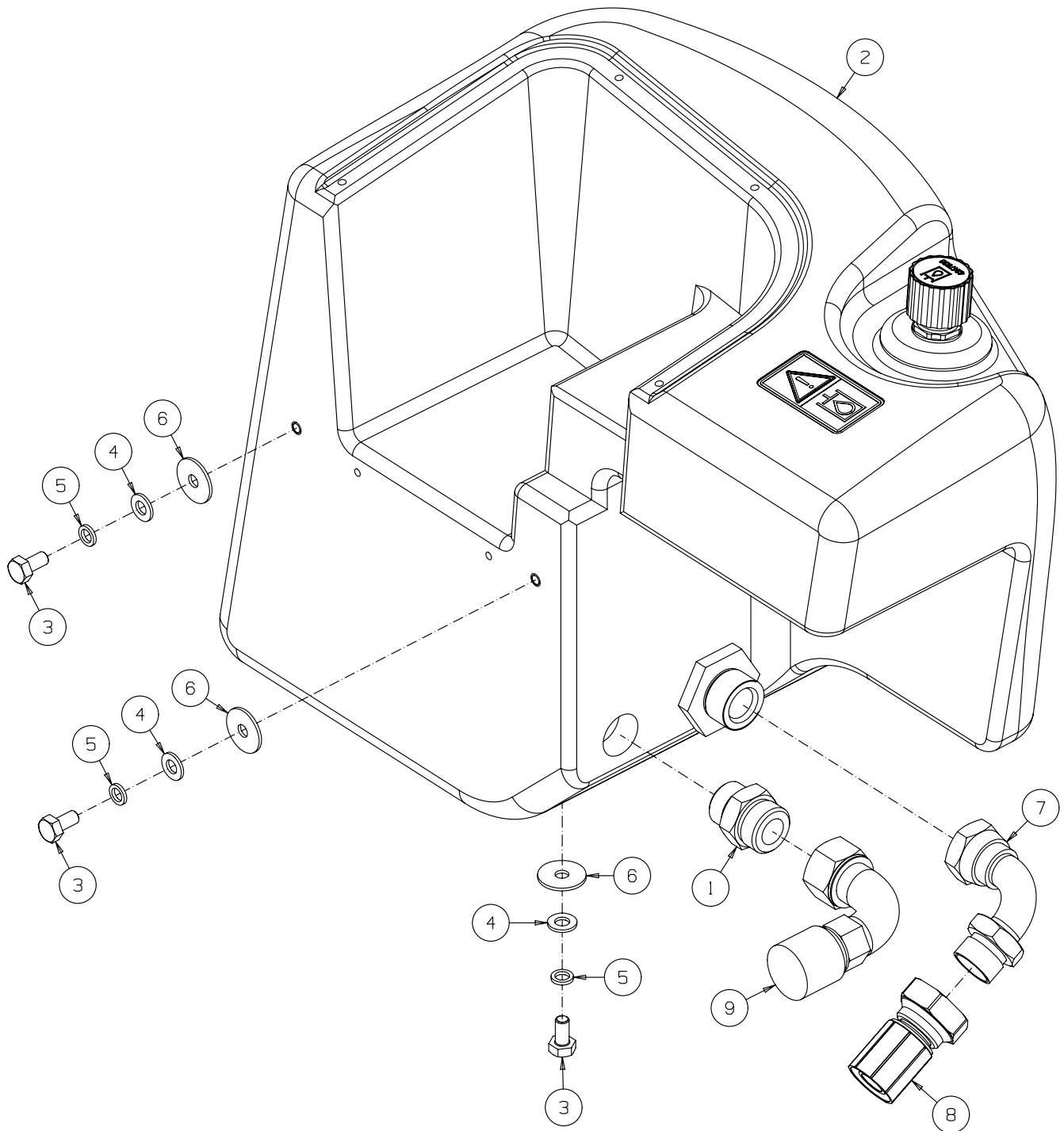
Illustration Number: 4133692



ITEM	PART NO.	DESCRIPTION	QTY.	REMARKS
2	4131114	Tank-Fuel	1	
3	4133706	Decal-Diesel	1	
4	4133832	Cap-Fuel Tank	1	

HYDRAULIC TANK Part 1

Illustration Number: 4133676

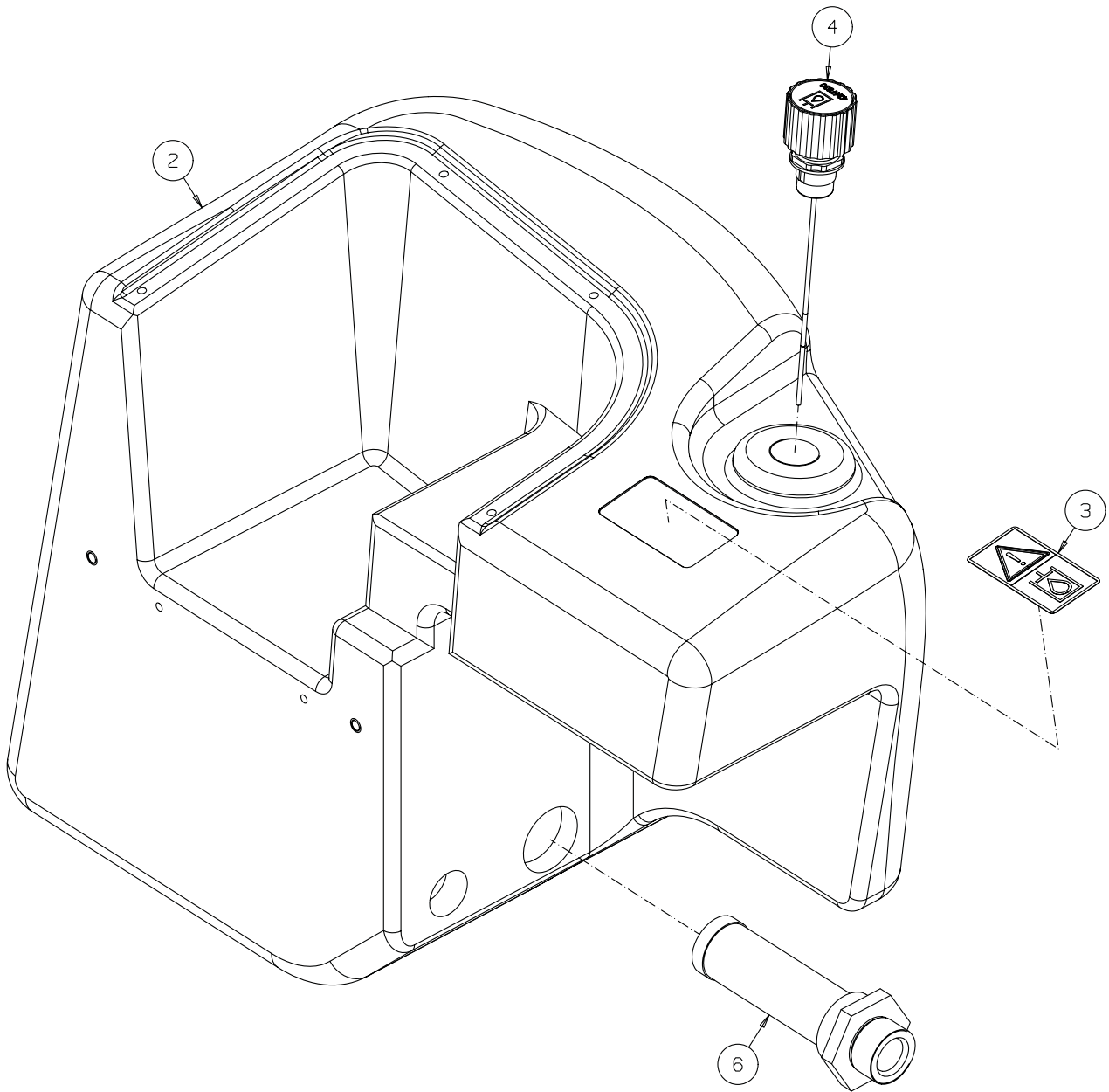




ITEM	PART NO.	DESCRIPTION	QTY.	REMARKS
1	002515050	Ftg-1-7/16 ORFS x 1-5/16 SAE	2	
*	158061-19	• O Ring	1	1-7/16" ORFS
*	002218140	• O Ring	1	1-5/16" SAE
2	4133693	Asm-Hydraulic Tank	1	
3	450213	Scrw-Hex M10 x 20	3	
4	450391	Washer-M10 x 21 x 2.2	3	
5	450412	LockWasher-M10 x 15.9 x 2.5	3	
6	452000368	Washer-3/8" x 1" x .080"	3	
7	4135924	Cap-Hydraulic Filler	1	To S/N EJ000907 & FG000684
7	4216340	90-M/F 1 BSPP x 1 BSPP Long Drop	1	From S/N EJ000908 & FG000685
8	4133849	Hose-Tandem Pump Suction to Tank	1	To S/N EJ000907 & FG000684
8	4283831	Hose-Tandem Pump Suction to Tank	1	From S/N EJ000908 & FG000685
9	4133914	Hyd Hose Assembly	1	Manifold to Tank

HYDRAULIC TANK Part 2

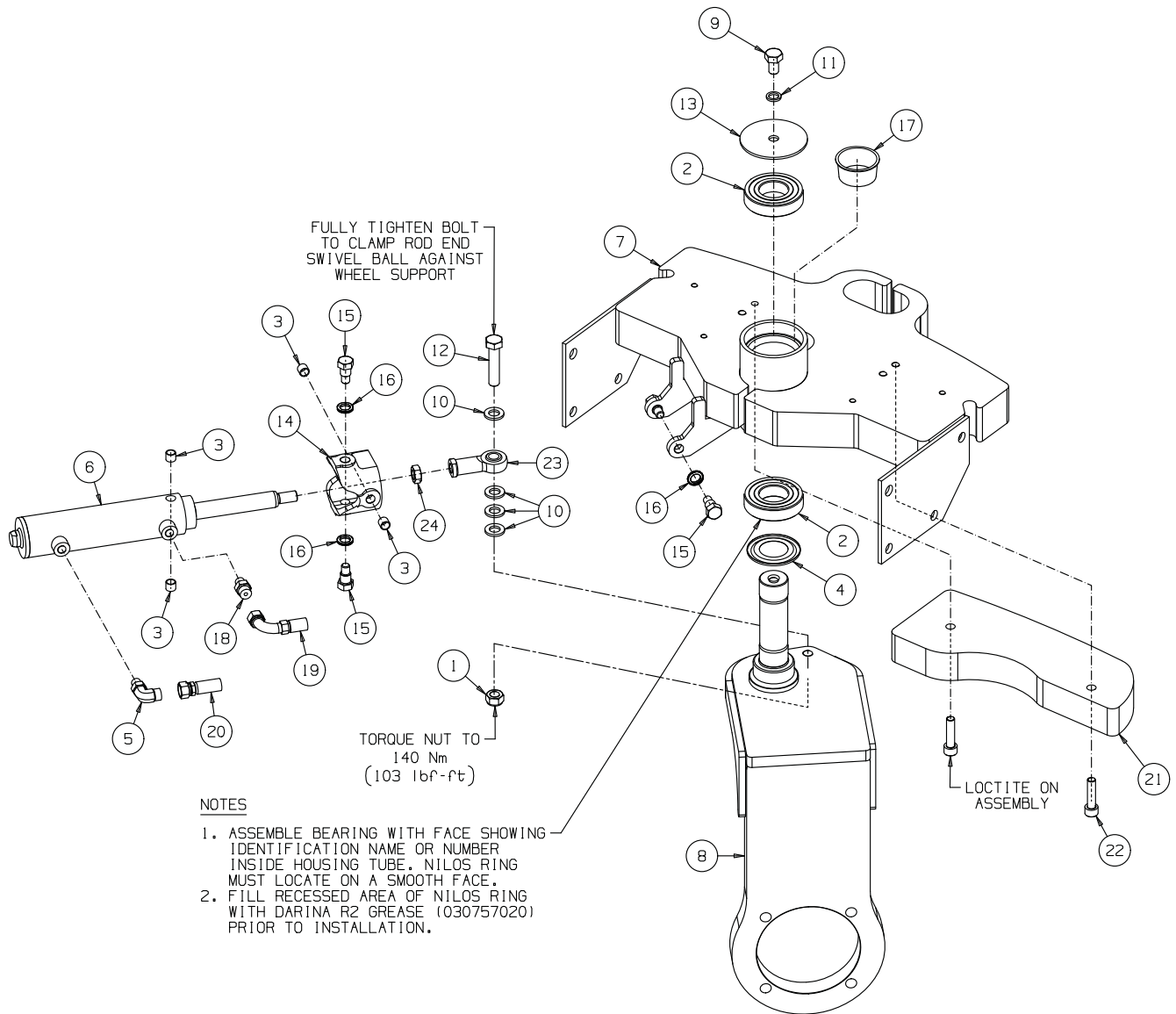
Illustration Number: 4133693



ITEM	PART NO.	DESCRIPTION	QTY.	REMARKS
2	4131113	Tank-Hydraulic	1	
3	4133705	Decal-Hydraulic Oil	1	
4	4135924	Cap-Hydraulic Filler	1	To S/N EJ000907 & FG000684
4	4247930	Filler / Breather Cap	1	From S/N EJ000908 & FG000685
*	• 4292311	Filler/Breather Meal seal	1	
*	• 4292312	Filler/Breather seal O ring	1	
5	459005226	Magnetic Drain Plug	1	To S/N EJ000907 & FG000684
6	4153597	Strainer-Suction, 125 micron	1	From S/N EJ000908 & FG000685

REAR WHEEL SUPPORT

Illustration Number: 4130629

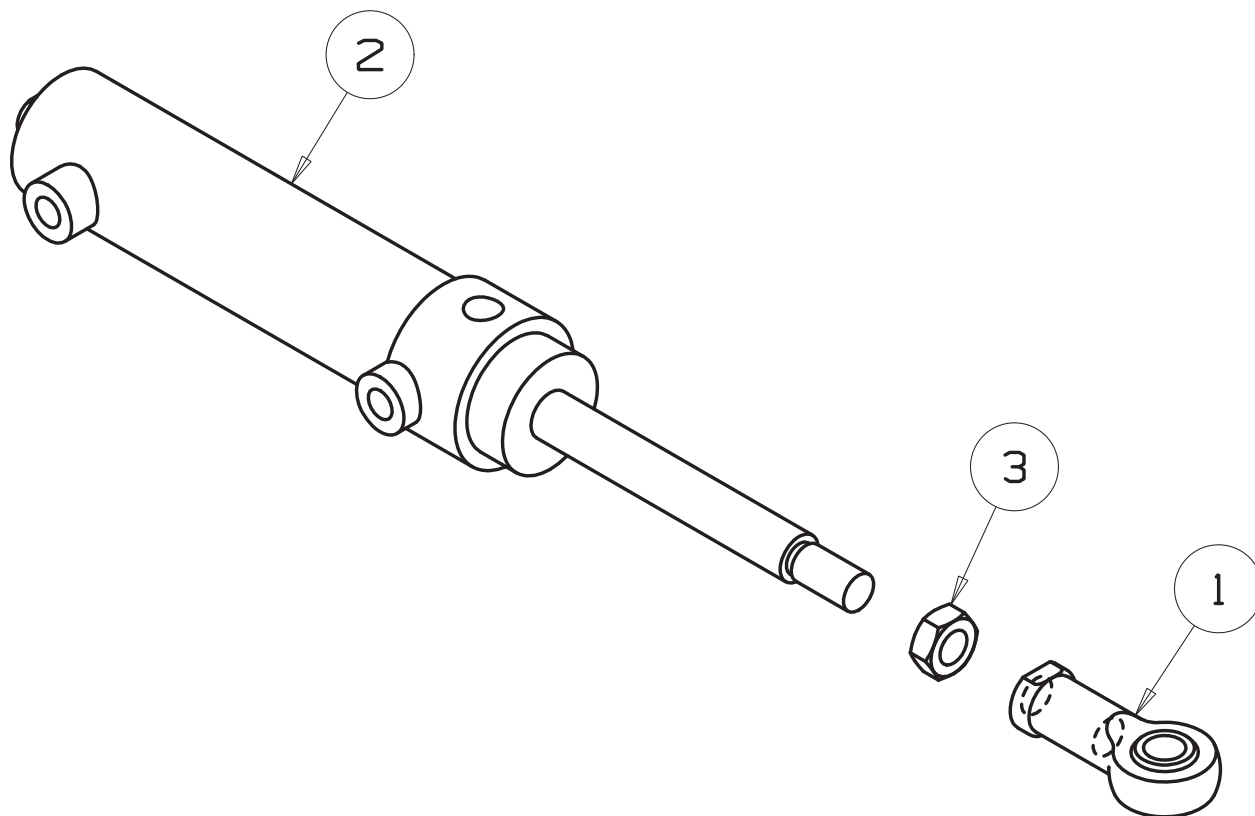


ITEM	PART NO.	DESCRIPTION	QTY.	REMARKS
1	001399032	Nut-Hex 1/2-20 Nyloc	1	
2	002036070	Brg-Ball 35 x 72 x 17	2	
3	002143004	Bush-DX 10 x 12 x 10	4	
4	002282070	Nilos Ring	1	
5	002525020	90-M/M 9/16 ORFS x 7/16 SAE	1	
*	158061-18	• O Ring	1	9/16" ORFS
*	002218049	• O Ring	1	7/16" SAE
6	4122541	Arrgt-Steering Cylinder	1	Not a Service Part
6	4244289	D/A Hyd Cyl, 20 x 100, Steering	1	From S/N EJ000833 & FG000625
*	4291657	• Seal Kit for 4244289		
7	4130630	Wldmt-Wheel Pivot	1	Welded assy
7	4171162	Wheel Pivot Plate	1	Casting
*	4153820	Wheel Pivot Weight	1	When 4130630 fitted
*	450741	M10 x 40 bolt	2	
8	4130652	Wldmt-Wheel Support	1	Sauer Danfoss Wheel Motor
8	4186621	Wldmt-Wheel Support	1	Eaton Wheel Motor
9	450213	Scrw-Hex M10 x 20	1	To S/N EJ000784 FG000581 GX000437
10	450392	Washer-M12 x 24 x 2.7	3	
11	450412	LockWasher-M10 x 15.9 x 2.5	1	To S/N EJ000784 FG000581 GX000437
12	451030625	Bolt-Hex 1/2-20 x 2	1	
13	MBA2397A	Washer-11 x 82 x 3	1	
14	4179201	Journal	1	
15	MBC5959A	Bolt	2	
16	MBC5962	Tab Washer	4	To S/N EJ000902 & FG000682
16	4273470	AV Washer-13 x 19.5 x 2.5	4	From S/N EJ000902 & FG000683
17	4133599	Plug-Tapered, 49 Dia	1	
18	002515000	Ftg-9/16 ORFS x 7/16 SAE	1	
*	158061-18	• O Ring	1	9/16" ORFS
*	002218049	• O Ring	1	7/16" SAE
19	4133894	Hyd Hose Assembly	1	Steer unit 'L' to steer ram
20	4133896	Hyd Hose Assembly	1	Steer unit 'R' to steer ram frt port
*	450214	M10 x 25 hex hd bolt	2	
22	450240	M12 x 25 hex hd bolt	4	
23	4179200	Wheel Pivot Support Plate	2	When 4171162 fitted
100*	450239	SCREW-HEX M12 x 20	1	From S/N EJ000784 FG000581 GX000437
101*	450413	LOCKWasher-M12 x 17.9 x 2.5	1	From S/N EJ000784 FG000581 GX000437

STEERING CYLINDER

---

Illustration Number: 4122541

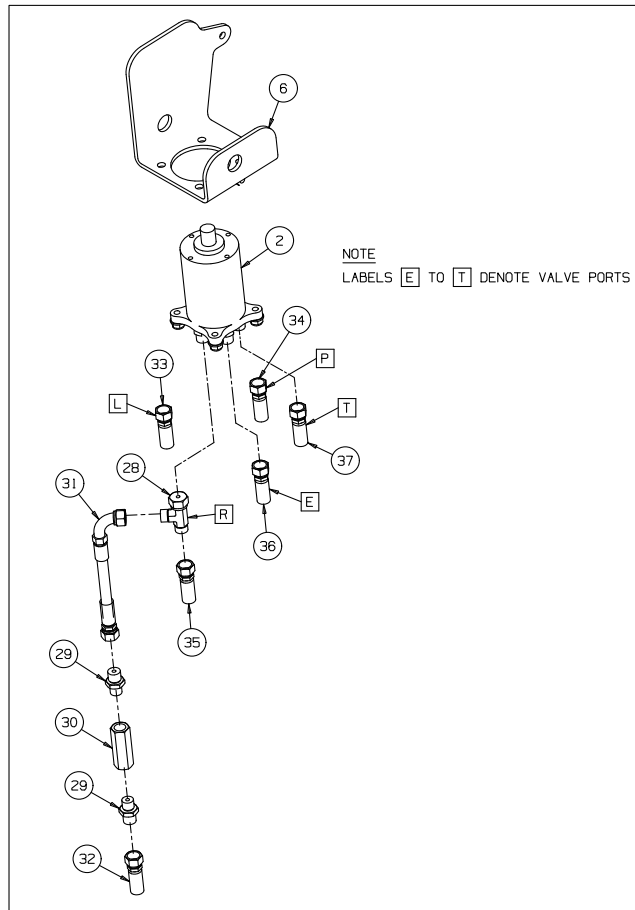
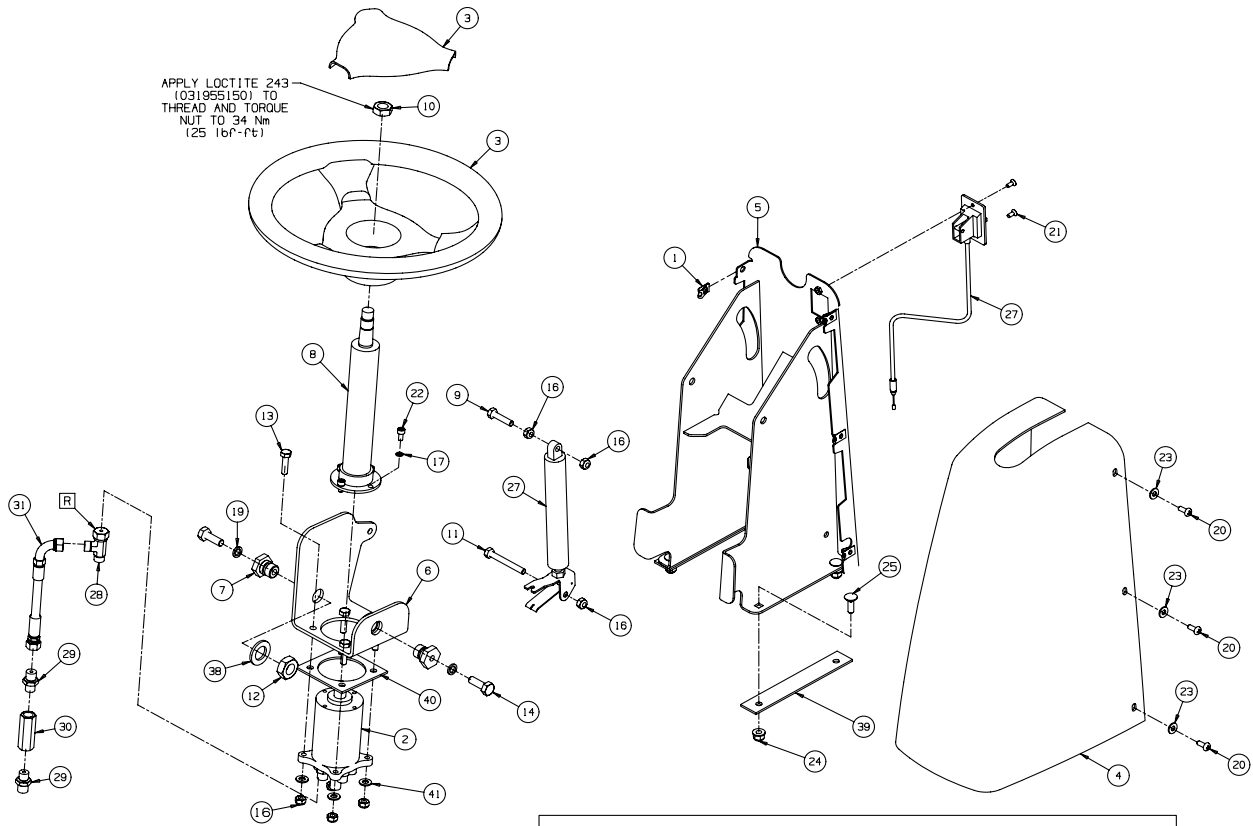


ITEM	PART NO.	DESCRIPTION	QTY.	REMARKS
1	008145256	Rod End 1/2-20 UNF	1	
2	4139914	Cylinder-Steering	1	To S/N EJ000832 & FG000624
*	008015040	• Seal Kit	1	
2	4244289	D/A Hyd Cyl, 20 x 100, Steering	1	From S/N EJ000833 & FG000625
*	4291657	• Seal Kit for 4244289		
3	450020281	Nut-Hex 1/2-20 Thin	1	

# JACOBSEN TR3 Series: EJ & FG

## STEERING TOWER

Illustration Number: 4130672

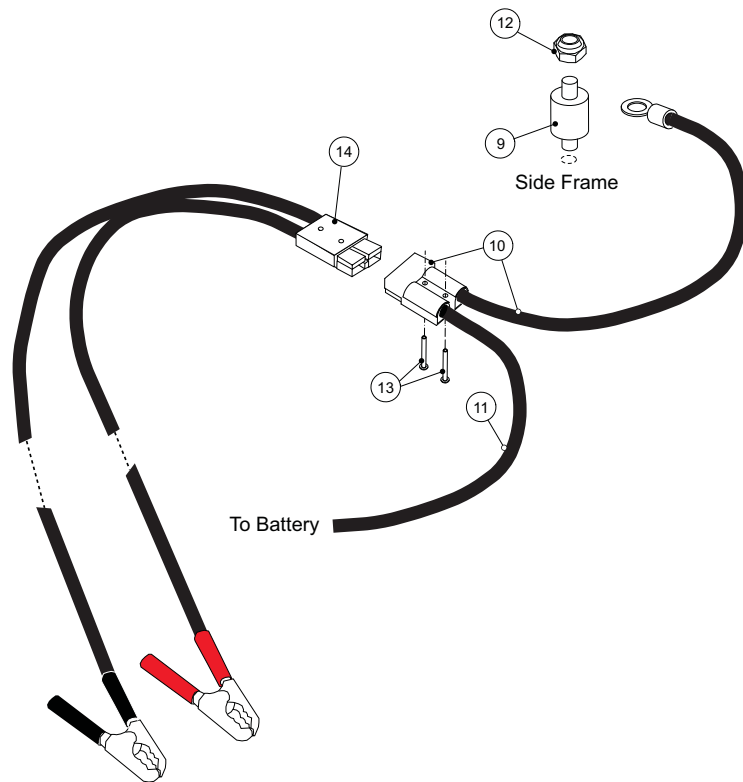
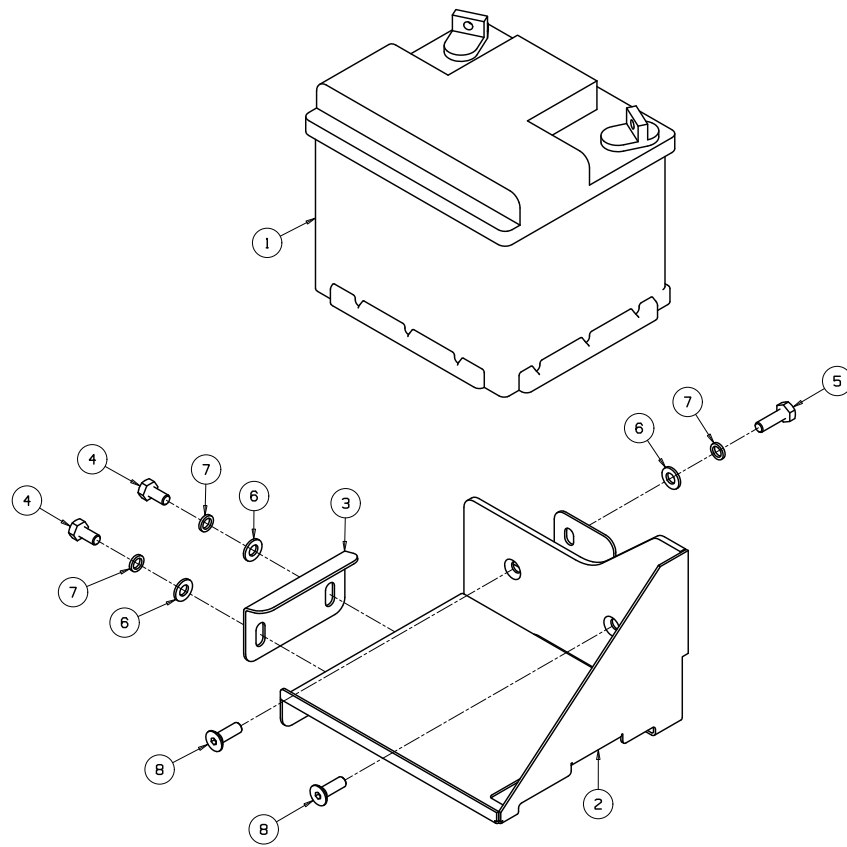




ITEM	PART NO.	DESCRIPTION	QTY.	REMARKS
1	001394016	Nut-Speed M6	6	
2	008011990	Steering Unit	1	
*	4195580	• Seal Kit	1	
3	2811364	Steering Wheel	1	
*	2811365	• Cap-Steering Wheel	1	
4	3010651	Cover-Steering Tower	1	
5	4130330	Wldmt-Steering Tower	1	
6	4130373	Brkt-Pivot, Steering Unit	1	
7	4130398	Bolt-Pivot, Steering Unit	2	
8	4132076	Steering Column, 220 Lg	1	
9	450015	Bolt-Hex M8 x 35	1	
10	450020338	Nut-Hex 5/8-18 Thin	1	
11	450021	Bolt-Hex M8 x 65	1	
12	450120136	Nut-Hex 3/4-10 Thin	2	
13	450193	Scrw-Hex M8 x 30	4	
14	450215	Scrw-Hex M10 x 30	2	
16	450378	Nut-Hex M8 Nyloc	7	
17	450410	LockWasher-M6 x 9.6 x 1.5	4	
19	450412	LockWasher-M10 x 15.9 x 2.5	2	
20	450541	Scrw-Pan Hd M6 x 16	6	
21	450605	Scrw-Csk M5 x 12	2	
22	450710	Capscrw-Sckt M6 x 12	4	
23	452100019	Washer-1/4 x 5/8 x .064	6	
24	452436	Nut-Hex M8 Fling Nyloc	4	
25	452564	Bolt-Crg M8 x 25	4	
27	1003460	Asm-Actuator, Tilt Spring	1	
*	J5002918	• Gas Spring, Locking	1	
*	J5002919	• Actuator	1	
28	002590480	Tee-M/F/M 9/16 ORFS	1	
*	158061-18	• O Ring	1	9/16" ORFS
29	002590750	Ftg-9/16 ORFS x 1/4 BSPP	2	
*	158061-18	• O Ring	1	9/16" ORFS
30	008011210	Inline Check Valve	1	
31	4133897	Hyd Hose Assembly	1	Check valve to steer valve 'R'
32	4133893	Hyd Hose Assembly	1	Rotary valve 'C' to check valve
33	4133894	Hyd Hose Assembly	1	Steer unit 'L' to steer ram
34	4133895	Hyd Hose Assembly	1	Steer pump to Steer unit 'P'
35	4133896	Hyd Hose Assembly	1	Steer unit 'R' to steer ram frt port
36	4133898	Hyd Hose Assembly	1	Steer unit 'E' to lift valve 'SP'
37	4133899	Hyd Hose Assembly	1	Lift valve 'T' to Steer unit 'T'
38	450394	Washer-M20 x 37 x 3.3	2	
39	4139700	Pad-Steering Tower	2	
40	4139701	Pad-Steering Unit	1	
41	450390	Washer-M8 x 17 x 1.8	4	

BATTERY & TRAY

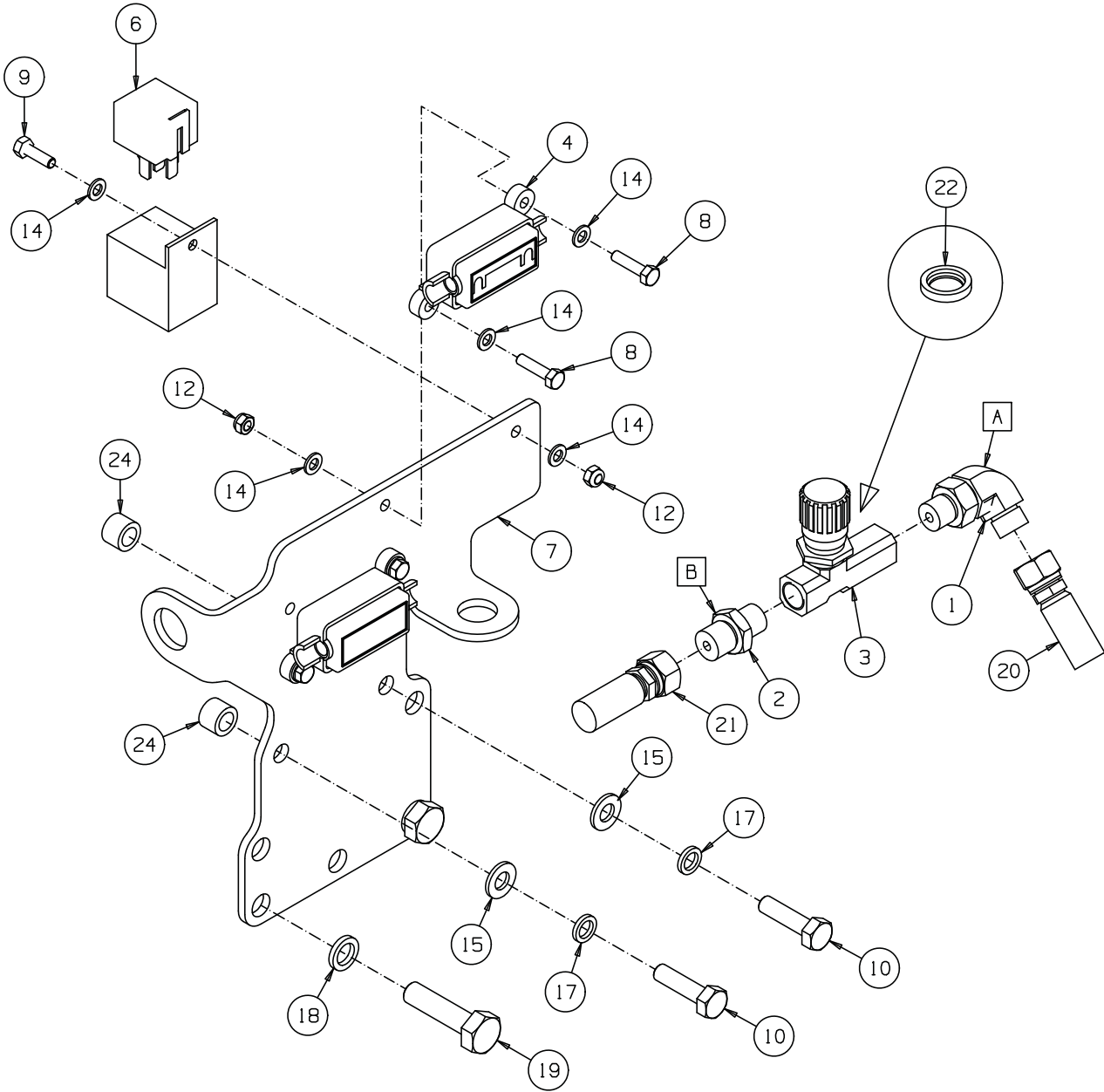
Illustration Number: 4131540



ITEM	PART NO.	DESCRIPTION	QTY.	REMARKS
1	008230310	Battery-Type 093	1	
2	4131542	Weldment - Battery Tray	1	
3	4132961	Clamp-Battery	1	
4	450190	Screw - Hex M8 x 16	2	
5	450192	Screw - Hex M8 x 25	1	
6	450390	Washer - M8 x 17 x 1.8	3	
7	450411	Lockwasher - M8 x 12.75 x 2	3	
8	450866	Screw - Socket Countersunk M8 x 25	2	
	LMAC261	Jump Start Kit		
	EL110	• Electrical Kit	1	
9	4160783	•• Rubber AV Mount	1	
10	4160782	•• Slave Plug Lead	1	
11	4160781	•• Starter Cable (200 mm)	1	
12	450378	•• Nut - Hex M8 Nyloc	1	
*	450369	• Nutsert - M8	1	
13	451129	• Screw - Pan Head No6 x 19	2	
14	4160780	Plug Assembly	1	

FUSE BRACKET

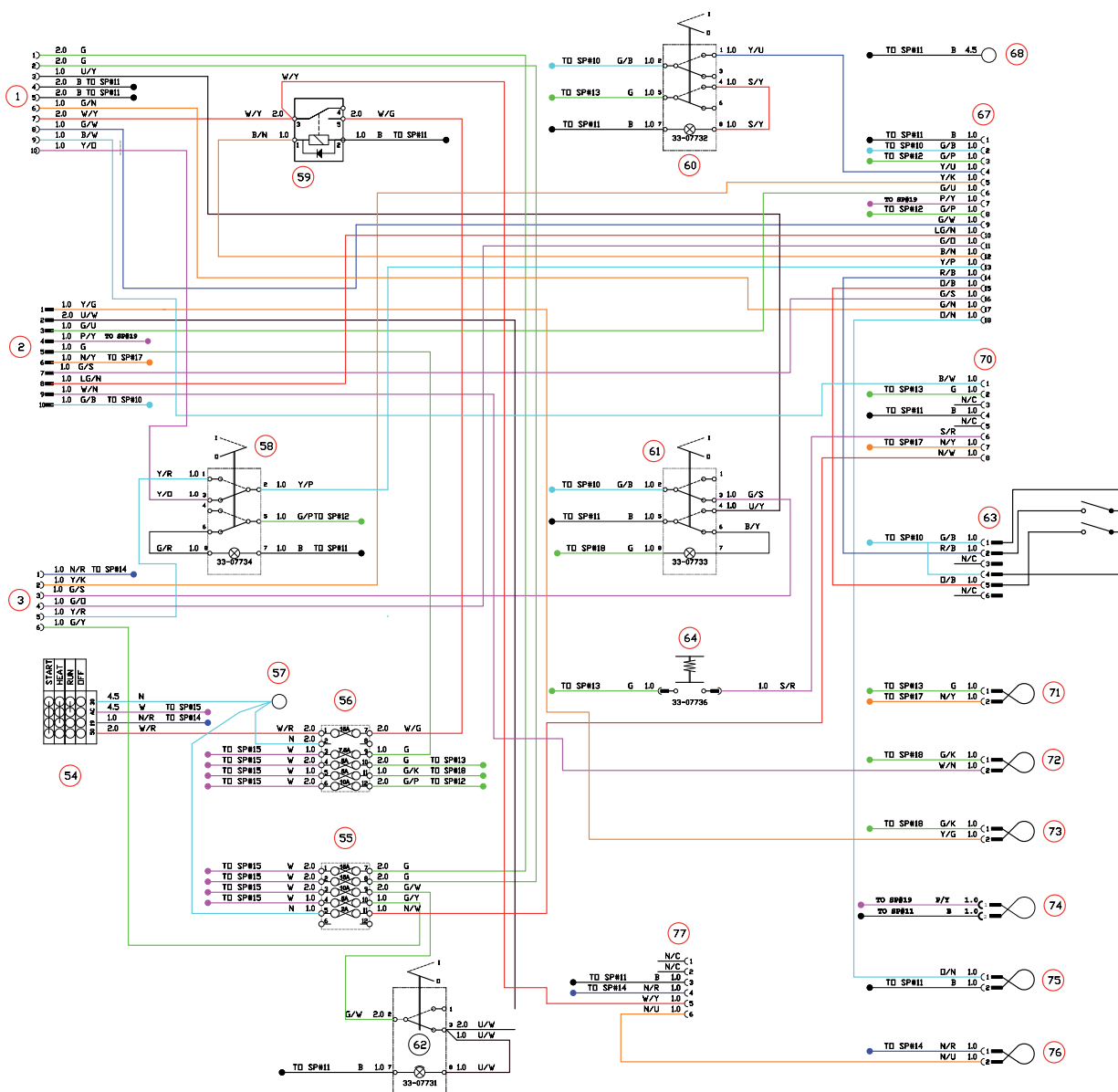
Illustration Number: 4131909



NOTE  
LABELS **A** TO **B** DENOTE VALVE PORTS

ITEM	PART NO.	DESCRIPTION	QTY.	REMARKS
1	002590370	90-M/M 9/16 ORFS x 1/4 BSPP	1	
*	158061-18	• O Ring	1	9/16" ORFS
2	002590750	Ftg-9/16 ORFS x 1/4 BSPP	1	
*	158061-18	• O Ring	1	9/16" ORFS
3	008012590	Needle Valve	1	
4	008233350	Strip Fuse Holder	2	
5 *	008233370	40 Amp Strip Fuse	2	
6	008244720	70 Amp Relay	1	
7	4131905	Bracket-Fuse Mounting	1	
8	450152	Scrw-Hex M5 x 20	4	
9	450151	Scrw-Hex M5 x 16	1	
10	450193	Scrw-Hex M8 x 30	2	
11				
12	450376	Nut-Hex M5 Nyloc	5	
13				
14	450388	Washer-M5 x 10 x 1.1	10	
15	450390	Washer-M8 x 17 x 1.8	2	
16				
17	450411	LockWasher-M8 x 12.75 x 2	2	
18	450412	LockWasher-M10 x 15.9 x 2.5	2	
19	452746	Bolt-Hex M10-1.25 x 40	2	
20	4135211	Hyd Hose Assembly	1	Free Wheel Valve to Trans Pump 'B'
21	4135212	Hyd Hose Assembly	1	Free Wheel Valve to Trans Pump 'A'
22	4139864	Valve Spacer	1	
23				
24	AF09010	Spacer-9 x 13.9 x 10	2	

## ELECTRICAL CIRCUIT INSTRUMENT



KEY TO WIRING DIAGRAM  
CABLE COLOUR CODE

- 1 Split to Main Harness
- 2 Split to Main Harness
- 3 Split to Main Harness
- 54 Key switch
- 55 Fuse Box 1
- 56 Fuse Box 2
- 57 Battery, Positive
- 58 Weight Transfer Switch
- 59 Start Relay
- 60 Mow Switch
- 61 Parking Brake Switch
- 62 Working Lamp Switch
- 63 Joystick
- 64 Setup Switch (Multi Function Guage)
- 67 Module (Control)
- 68 Battery, Negative
- 70 Multi Function Guage
- 71 Alternator Lamp
- 72 Engine Oil Pressure Lamp
- 73 Hydraulic Filter Warning Lamp
- 74 Engine Over Temperature Warning Lamp
- 75 Module Fault Warning Lamp
- 76 Glow Plug Timer Lamp
- 77 Glow Plug Timer

63 Joystick Connections

- 1 SV Input
- 2 Raise Switch
- 5 Lower Switch

67 Module Connections

- 1 0V
- 2 5V O/P
- 3 +12V IGP Input
- 4 5V Input from Mow Switch
- 5 12V Mow Solenoid O/P
- 6 Temperature Switch
- 7 12V Over Temperature Switch O/P
- 8 +12V IGP Input
- 9 12V Raise Solenoid O/P
- 10 12V Fuel Solenoid O/P
- 11 12V Backlap Solenoid O/P

CABLE COLOUR CODE

- R Red
- G Green
- O Orange
- S Grey
- B Black
- W White
- K Pink
- P Violet
- Y Yellow
- U Blue
- N Brown
- LG Light Green

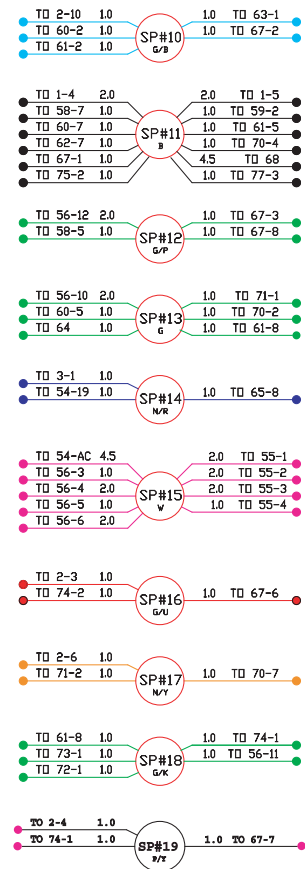
E.G. R/W = Red/White

- 12 12V Start Relay O/P
- 13 12V Lower Solenoid O/P
- 14 5V Raise Signal I/P
- 15 5V Lower Signal I/P
- 16 5V Park Brake Signal I/P
- 17 5V Seat Switch Signal I/P
- 18 12V Warning Lamp O/P

70 Multi Function Guage Connections

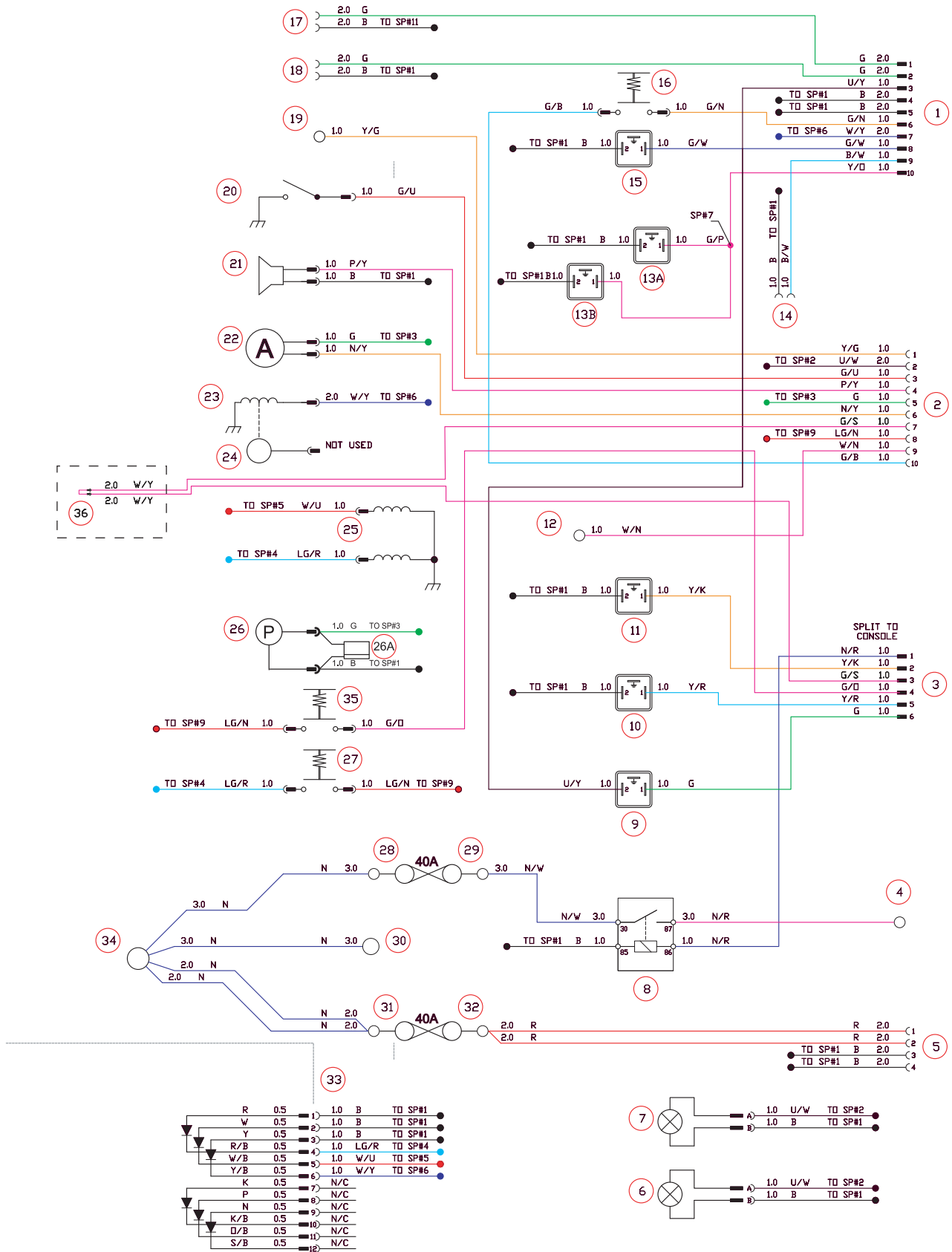
- 1 Fuel Sender
- 2 IGP
- 3 Not Used
- 4 Ground
- 5 Not Used
- 6 Set Up Enable
- 7 Alternator Lamp
- 8 Battery +ve Fuse

CONSOL SPLICES



# JACOBSEN TR3 Series: EJ & FG

## ELECTRICAL CIRCUIT MAIN





**KEY TO WIRING DIAGRAM**

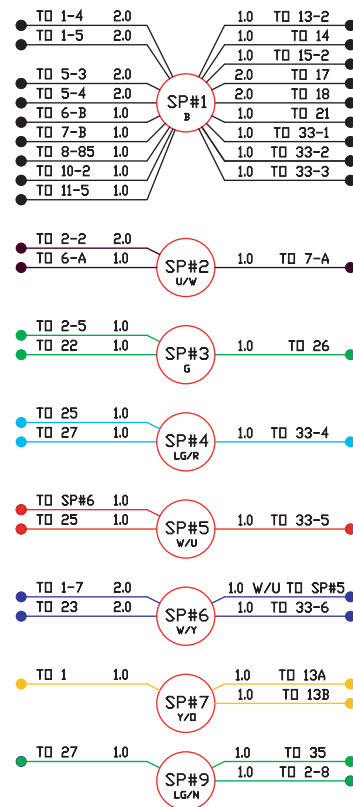
- 1 Split to Console
- 2 Split to Console
- 3 Split to Console
- 4 Glow Plugs
- 5 Split to Cab
- 6 Working Lamp
- 7 Working lamp
- 8 Glow Plug Relay
- 9 Brake Solenoid
- 10 Lower Solenoid
- 11 Cutter Solenoid
- 12 Engine Oil Pressure Switch
- 13a Weight Transfer Solenoid
- 13b Weight Transfer Solenoid
- 14 Fuel Level Sender
- 15 Raise Solenoid
- 16 Seat Switch
- 17 Accessory Socket 1
- 18 Accessory Socket 2
- 19 Hydraulic Oil Filter Switch
- 20 Engine Temperature Switch
- 21 Horn
- 22 Alternator Rotor
- 23 Starter Solenoid
- 24 Back Start Connector (not used)
- 25 Fuel Solenoid
- 26 Fuel Pump
- 26 A Suppreser
- 27 Brake Safety Switch
- 28 Glow Plug Fuse Connector
- 29 Glow Plug Fuse Connector
- 30 Alternator O/P
- 31 Cab Fuse Connector
- 32 Cab Fuse Connector
- 33 Diode Module
- 34 Starter Main Terminal
- 35 Backlap Selector Switch

**CABLE COLOUR CODE**

- R Red
- G Green
- O Orange
- S Grey
- B Black
- W White
- K Pink
- P Violet
- Y Yellow
- U Blue
- N Brown
- LG Light Green

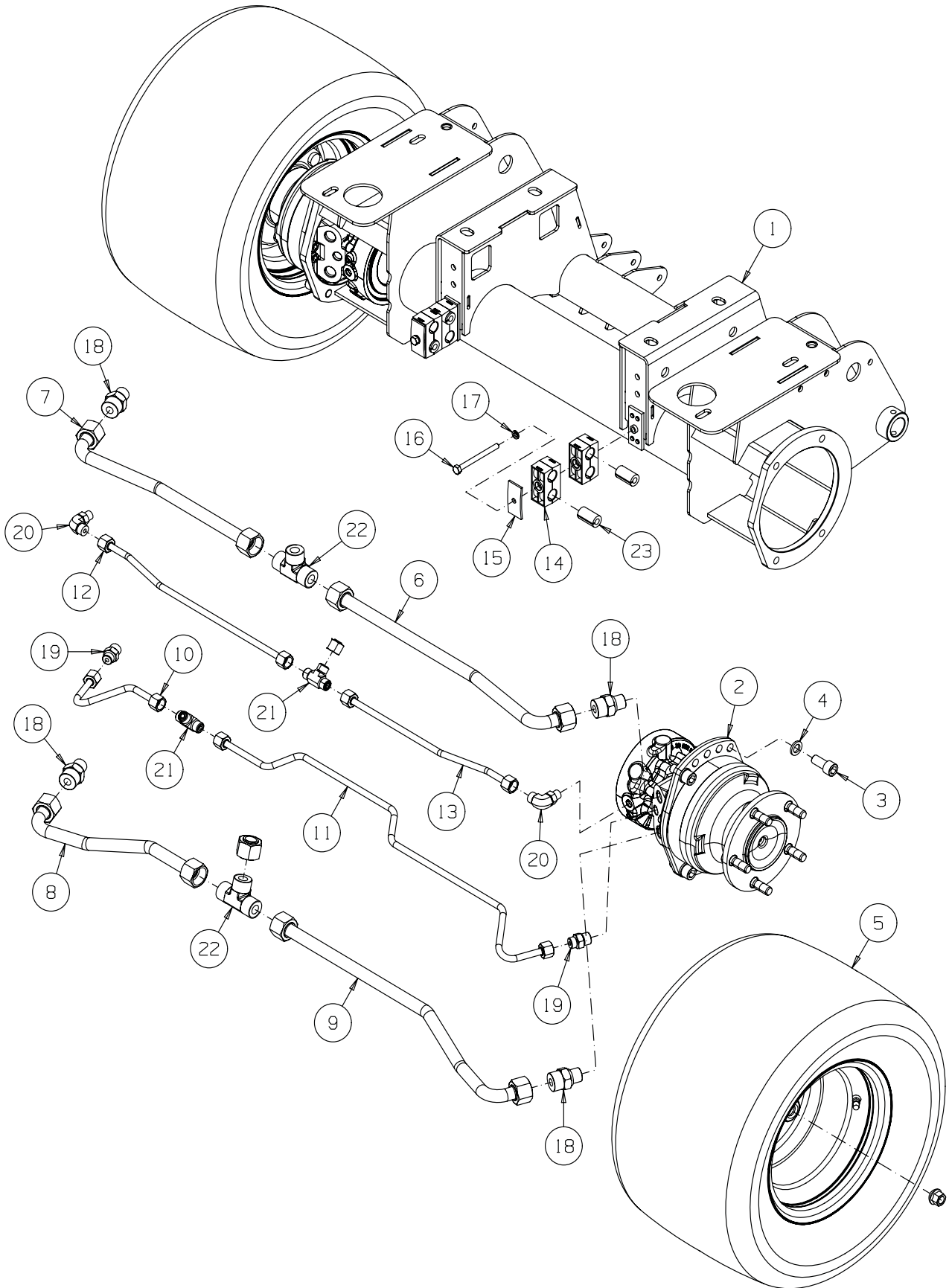
E.G. R/W = Red/White

**Main Harness Splices**



FRONT WHEEL & MOTOR POCLAIN FROM S-N FG100686

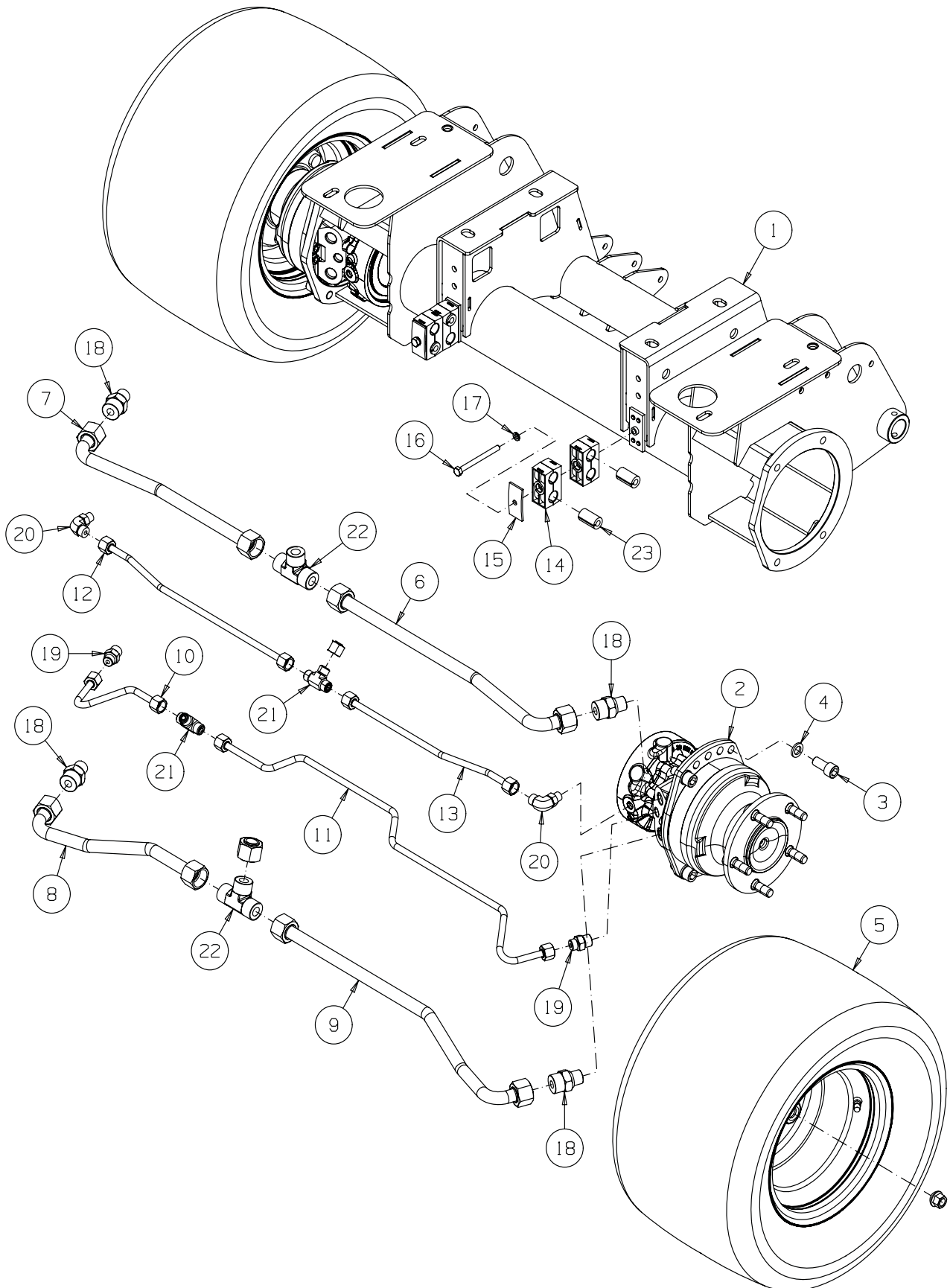
Illustration Number: 4277991



ITEM	PART NO.	DESCRIPTION	QTY.	REMARKS
1	4238888	Wldmt-Front Axle (Poclair)	1	
2	4252567	213cc Piston Wheel Mtr (SAE Ports)	2	
*	4229520	• Motor Seal Kit	1	
*	4229521	• Multi-Disc Brake Seal Kit	1	
*	008008460	• Wheel Nut, M14 Spherical	5	Torque 95 - 108NM
3	4228802	Capscrew-Hex Sckt M14-1.5 x 30	8	
4	001594200	LockWasher-M14 x 24.1 x 3	8	
5	4271150	Wheel & Tyre Asm, 20x12x10	2	
*	4233963	• Tyre	1	
*	4271151	• Rim	1	
*	4220940	• Valve	1	
6	4283257	Hose-RH Mtr (Top Port) to Tee	1	To S/N EJ100909, FG100685
6	4277993	Steel Tube-RH Mtr (Top Port) to Tee	1	From S/N EJ100910, FG100686
7	4283258	Hose-LH Mtr (Top Port) to Tee	1	To S/N EJ100909, FG100685
7	4277992	Steel Tube-LH Mtr (Top Port) to Tee	1	From S/N EJ100910, FG100686
8	4283259	Hose-LH Mtr (Lwr Port) to Tee	1	To S/N EJ100909, FG100685
8	4277994	Steel Tube-LH Mtr (Lwr Port) to Tee	1	From S/N EJ100910, FG100686
9	4283260	Hose-RH Mtr (Lwr Port) to Tee	1	To S/N EJ100909, FG100685
9	4277995	Steel Tube-RH Mtr (Lwr Port) to Tee	1	From S/N EJ100910, FG100686
10	4283261	Hose-LH Mtr (Drain Port) to Tee	1	To S/N EJ100909, FG100685
10	4277996	Steel Tube-LH Mtr (Drain Port) to Tee	1	From S/N EJ100910, FG100686
11	4283262	Hose-RH Mtr (Drain Port) to Tee	1	To S/N EJ100909, FG100685
11	4277997	Steel Tube-RH Mtr (Drain Port) to Tee	1	From S/N EJ100910, FG100686
12	4283263	Hose-LH Mtr (Brake Port) to Tee	1	To S/N EJ100909, FG100685
12	4277998	Steel Tube-LH Mtr (Brake Port) to Tee	1	From S/N EJ100910, FG100686
13	4283264	Hose-RH Mtr (Brake Port) to Tee	1	To S/N EJ100909, FG100685
13	4277999	Steel Tube-RH Mtr (Brake Port) to Tee	1	From S/N EJ100910, FG100686
14	4251379	Twin Tube Clamp, 3/4" Dia	4	
15	009079310	Top Plate-Tube Clamp	2	
16	450019	Bolt-Hex M8-1.25 x 55, Gr 8.8	2	To S/N EJ100909, FG100685
16	450205	Scrw-Hex M8-1.25 x 90, Gr 8.8	2	From S/N EJ100910, FG100686
17	4258312	AV Washer-8.7 x 13.5 x 2.5	2	
18	002515010	Ftg-M/M 1-3/16 ORFS x 7/8 SAE	4	
*	158061-09	• O-Ring	1	1-3/16" ORFS
*	002218104	• O-Ring	1	7/8" SAE
19	158006-13	Ftg-11/16 ORFS x 3/4 SAE	2	
*	158061-01	• O-Ring	1	11/16" ORFS
*	002218081	• O-Ring	1	3/4" SAE
20	158007-01	90-M/M 11/16 ORFS x 9/16 SAE	2	
*	158061-01	• O-Ring	1	11/16" ORFS
*	002218065	• O-Ring	1	9/16" SAE
21	158011-01	Tee-M/M/M 11/16 ORFS	2	
*	158061-01	• O-Ring	1	11/16" ORFS
22	158011-04	Tee-M/M/M 1.3/16-12 ORFS	2	
*	158061-09	• O-Ring	1	1-3/16" ORFS
23	469016517	P-Clip	2	To S/N EJ100909, FG100685
23	4278000	Rubber Sleeve-10 x 20 x 35	4	From S/N EJ100910, FG100686

FRONT WHEEL & MOTOR POCLAIN FROM S-N FG100686

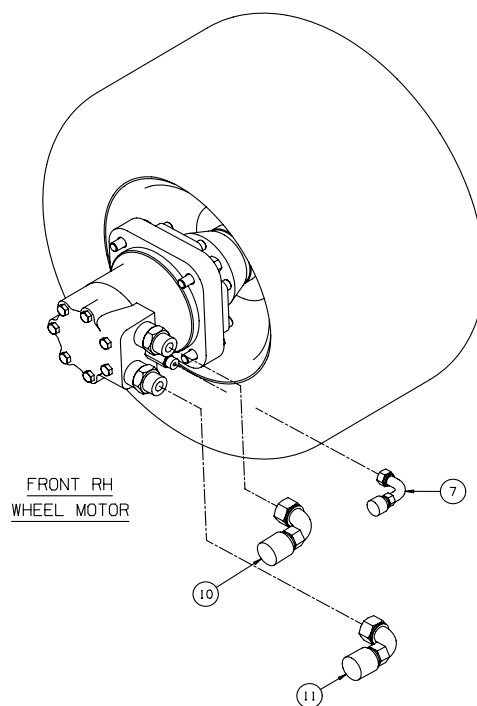
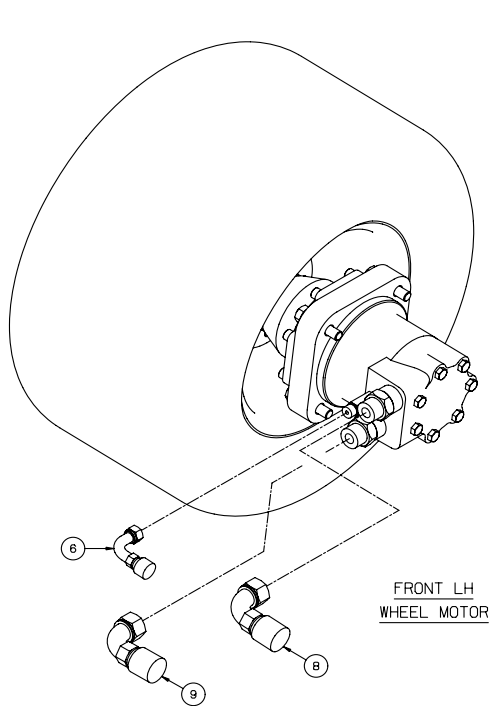
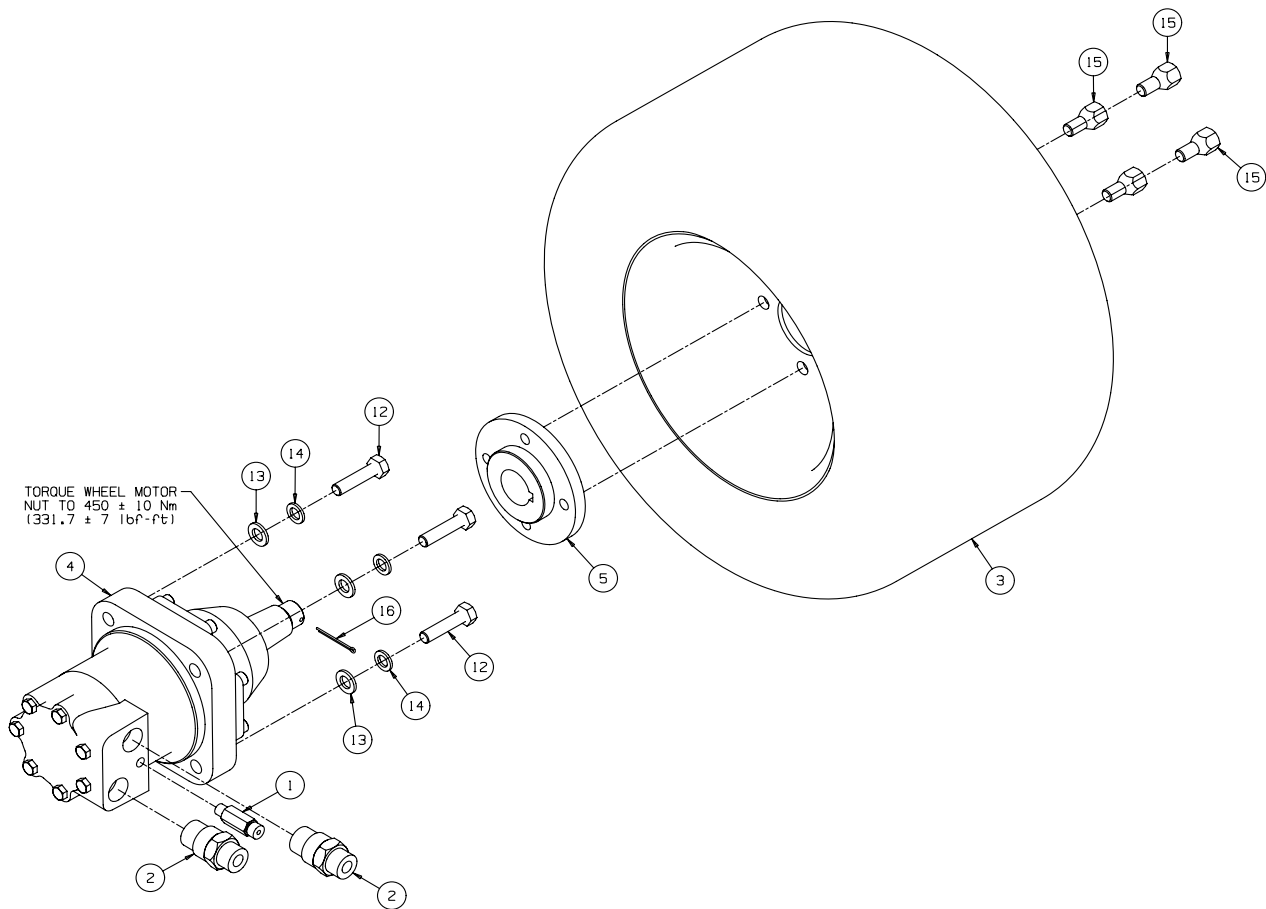
Illustration Number: 4277991



ITEM	PART NO.	DESCRIPTION	QTY.	REMARKS
24 *	4283265	Hose-Trans Pump 'B' to Mtr Tee	1	
25 *	4283266	Hose-Mtr Tee to Flush Valve 'RM2' Tee	1	
26 *	4283268	Hose-Brake Tee to Brake Valve	1	
27 *	4283267	Hose-Drain Tee to Manifold	1	
28	4283591	Single Tube Clamp, 25 mm	2	To S/N EJ100909, FG100685
29	4283592	Cover Plate	8	To S/N EJ100909, FG100685
30	450008	Bolt-Hex M6-1.0 x 65, Gr 8.8	4	To S/N EJ100909, FG100685
31	450410	LockWasher-M6 x 9.6 x 1.5	4	To S/N EJ100909, FG100685
32	450358	M6-1.0 (A-K) Nutsert	4	To S/N EJ100909, FG100685

FRONT WHEEL & MOTOR (SAUER DANFOSS)

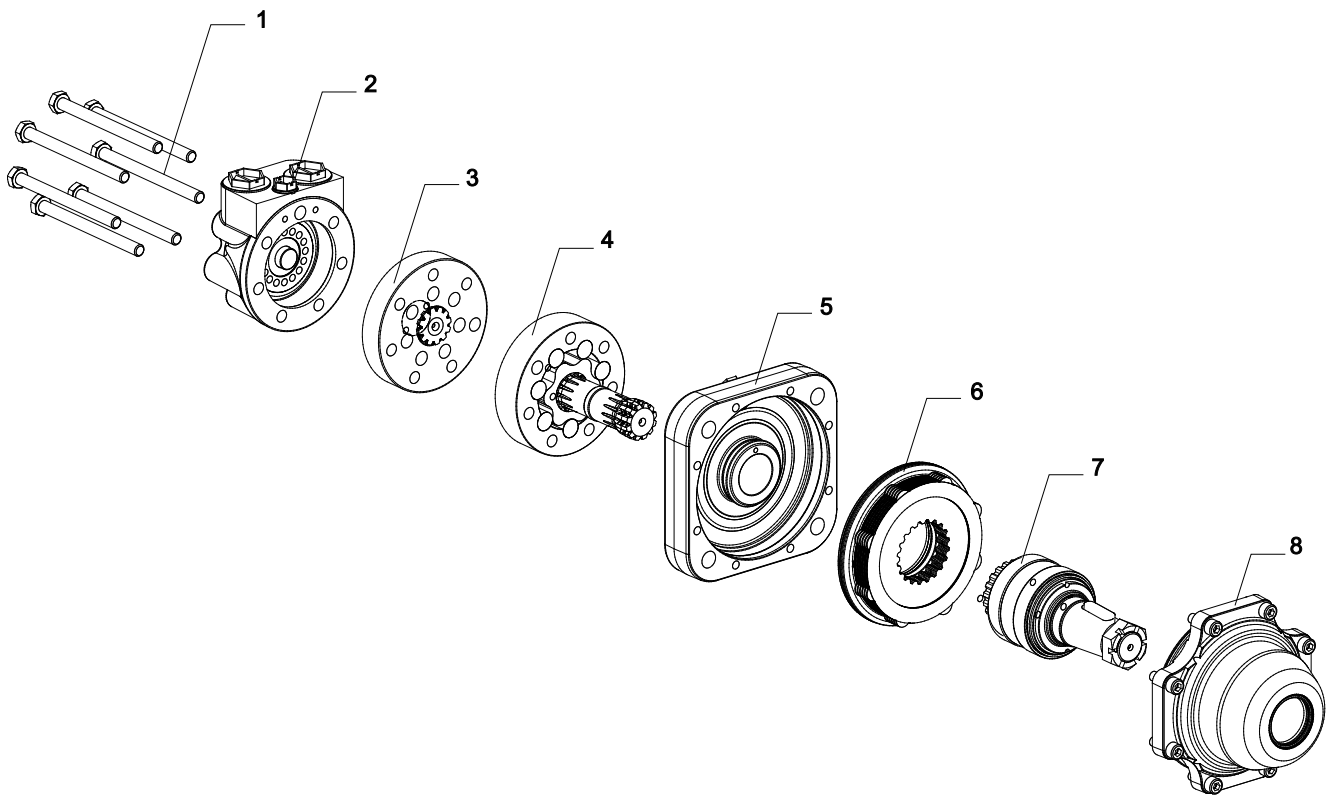
Illustration Number: 4130769



ITEM	PART NO.	DESCRIPTION	QTY.	REMARKS
1	4127555	Ftg-Lg 9/16 ORFS x 7/16 SAE	1	
*	158061-08	• O Ring	1	9/16" ORFS
*	002218049	• O Ring	1	7/16" SAE
2	4130606	Ftg-Lg 1 ORFS x 1-1/16 SAE	2	
*	158061-08	• O Ring	1	1" ORFS
*	002218120	• O Ring	1	1-1/16" SAE
3	4262990	Asm-Wheel 20x12x10 - 4 Bolt Mount	2	
*	4233963	• Tyre 20x12x10-4 Ply Otr	1	
*	4257491	• Rim 8 x 7 Contour 4 Bolt O/S 89	1	
*	4220940	• Tyre Valve Assy	1	
4	4130773	Motor-Wheel, Danfoss TMK200FL	1	
5	4130774	Wldmt-Wheel Hub, Front	1	
	4171164	Casting-Wheel Hub, Front	1	From Serial No FG513 EJ681
6	4133854	Hyd Hose Assembly	1	LH Motor Brake Line to 'T'
7	4133855	Hyd Hose Assembly	1	RH Motor Brake Line to 'T'
8	4133857	Hyd Hose Assembly	1	LH Motor - Top Hose
9	4133858	Hyd Hose Assembly	1	LH Motor - Bottom Hose
10	4133859	Hyd Hose Assembly	1	RH Motor - Top Hose
11	4133860	Hyd Hose Assembly	1	RH Motor - Bottom Hose
12	450050	Bolt-Hex M12 x 50	4	
13	450392	Washer-M12 x 24 x 2.7	4	
14	450424	LockWasher-M12 x 21 x 2.5	4	
15	64220-01	Bolt-Whl 1/2-20 x .88 60 D	4	Torque 95 - 108NM
16	454000328	Split Pin-1/8 x 1-3/4	1	

FRONT WHEEL MOTOR

Illustration Number: 4130773





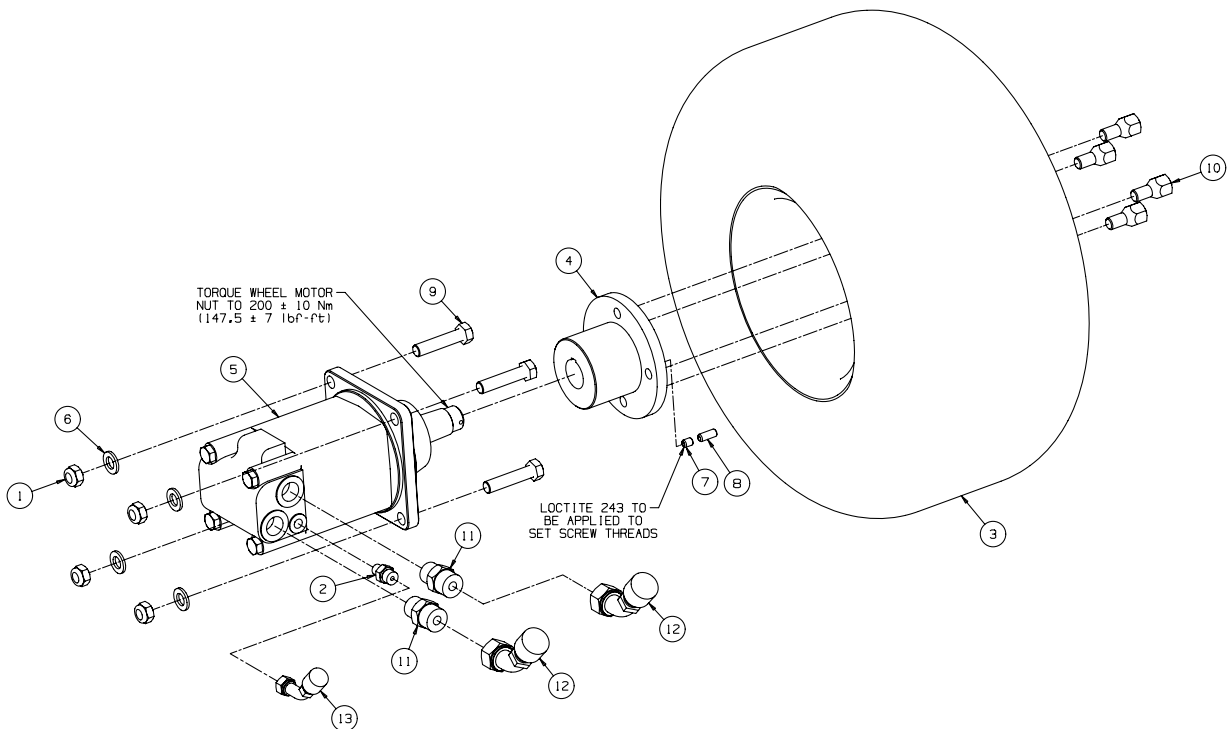
ITEM	PART NO.	DESCRIPTION	QTY.	REMARKS
1	4130773	Wheel Motor	1	
2	4134010	• Screw Module	1	
3	4134012	• End Cover	1	
4	4134013	• Valve Module	1	
5	4134014	• Gear Set	1	
6	4134015	• Mounting Flange Module	1	
7	4134016	• Brake Module	1	
8	4134018	• Shaft Module	1	
8	4134019	• Bearing Housing Module	1	
100	4134020	• Seal Kit	1	

\* Not Illustrated

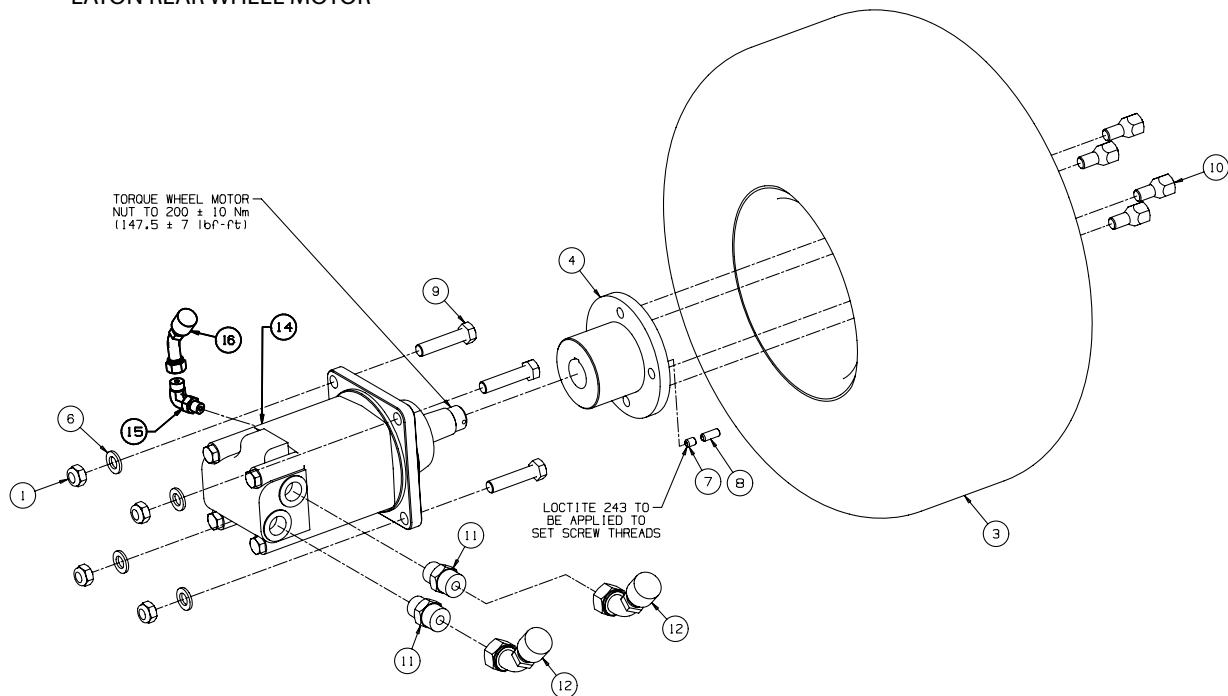
REAR WHEEL MOTOR

Illustration Number: 4132869

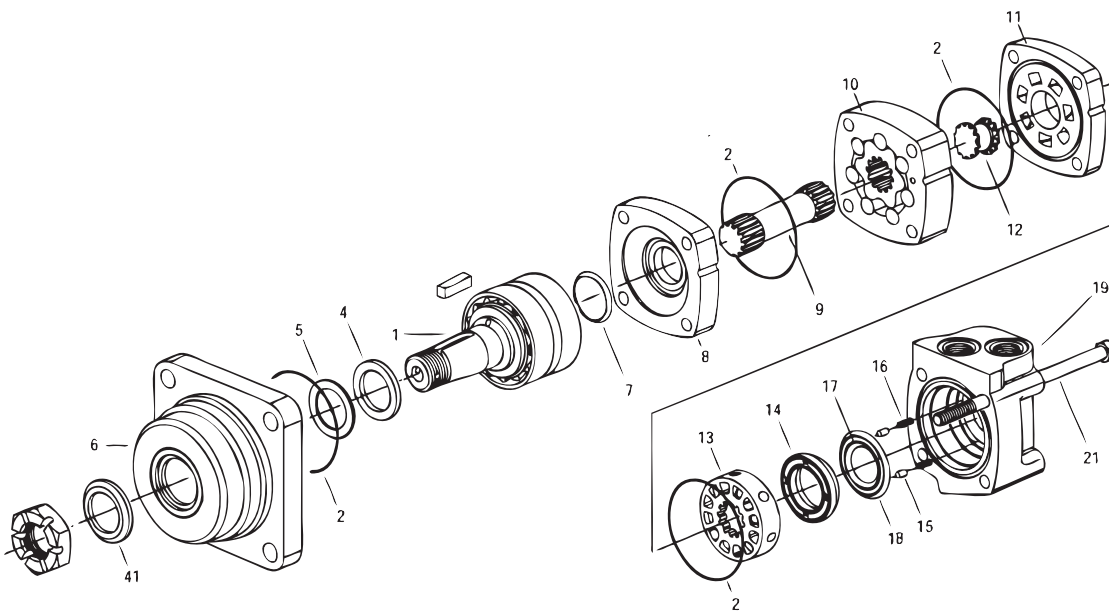
SAUER REAR WHEEL MOTOR



EATON REAR WHEEL MOTOR



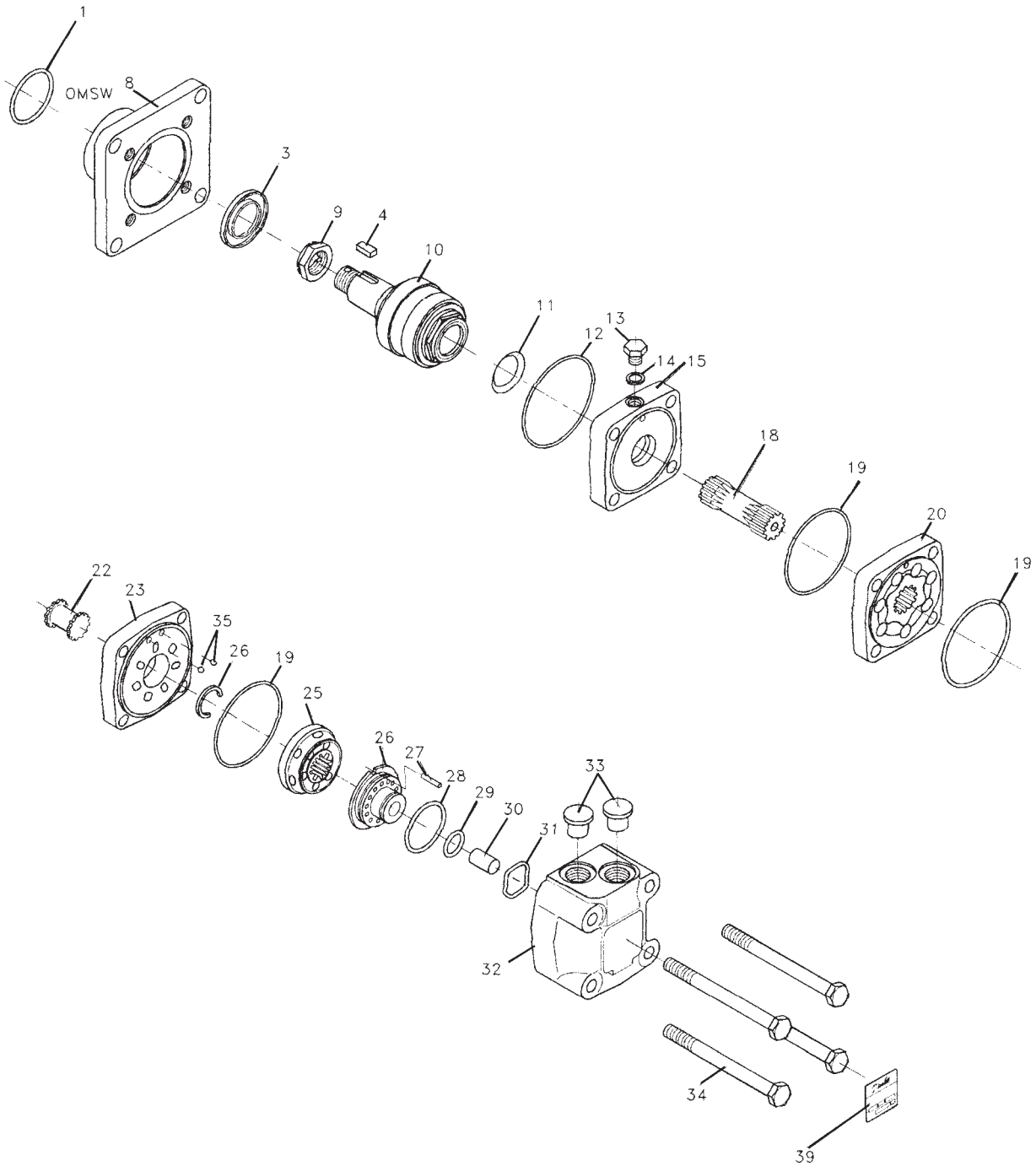
ITEM	PART NO.	DESCRIPTION	QTY.	REMARKS
1	450380	Nut-Hex M12 Nyloc	4	
2	002515000	Ftg-9/16 ORFS x 7/16 SAE	1	
3	008162460	Asm-Wheel 20x10.00-8	1	
*	4293444	•Rim 8 x 7 Contour 4 Bolt	1	From S/N FG100727 EJ000965
*	008170780	• Tyre-20x10.00-8, 4 ply	1	
4	4121393	Wldmt-Wheel Hub, Rear	1	
*	4171160	Casting - Wheel Hub, Rear	1	To S/N EK000640 FZ000469
	4186860	Casting-Wheel Hub, Rear	1	From S/N EK000641 FZ000470
5	4131109	Motor-Wheel, Danfoss OMSW400	1	To S/N EK000640 FZ000469
6	450392	Washer-M12 x 24 x 2.7	4	
7	450968	Scrw-Set M8 x 10, Cup Pnt	1	
8	450971	Scrw-Set M8 x 20, Cup Pnt	1	
9	450052	Bolt-Hex M12 x 60	4	
10	64220-01	Bolt-Whl 1/2-20 x .88 60D	4	Torque 95 - 108NM
11	158006-07	Ftg-M/M 1 ORFS x 7/8 SAE	2	
12	4137209	Hyd Hose Assembly	2	
13	4133889	Hyd Hose Assembly	1	
14	4184181	Motor-Wheel, Eaton	1	From S/N EK000641 FZ000470
15	002525020	Ftg-9/16 ORFS x 7/16 SAE	1	
16	4192180	Hyd Hose Assembly	1	



ITEM	PART NO.	DESCRIPTION	QTY.	REMARKS
1	4184181	Wheel Motor	1	
		• Shaft & Bearing Kit	1	21618-003
		• Nut Hex	1	14163-000
		• Key	1	14392-006
2		• seal	4	See Seal Kit
3		• Seal Exclusion	1	See Seal Ki
4		• Seal, Shaft	1	See Seal Ki
5		• Ring, Back-up	1	See Seal Ki
6		• Housing, Bearing, Wheel Mount	1	21578-003
7		• Seal, Shaft Face	1	See Seal Ki
8		• Plate, Wear	1	22102-000
9		• Drive, Main	1	21371-008
10		• Geroler	1	21625-008
11		• Plate, Wear	1	22134-000
12		• Drive Valve	1	8433-000
13		• Valve	1	21466-000
14		• Balance Ring	1	8915-000
15		• Pin, Balance Ring	2	14351-000
16		• Spring, Compression	2	7383-000
17		• Seal, Face, Inner	1	See Seal Ki
18		• Seal, Face, Outer	1	See Seal Ki
19		• Housing, Valve	1	21564-001
21		• Screw, Cap	4	14384-014
	4196620	• Seal Kit	1	61263-000
41	4196621	• Guard Seal	1	14628-002

MOTOR-WHEEL, DANFOSS OMSW400

Illustration Number: 4131109

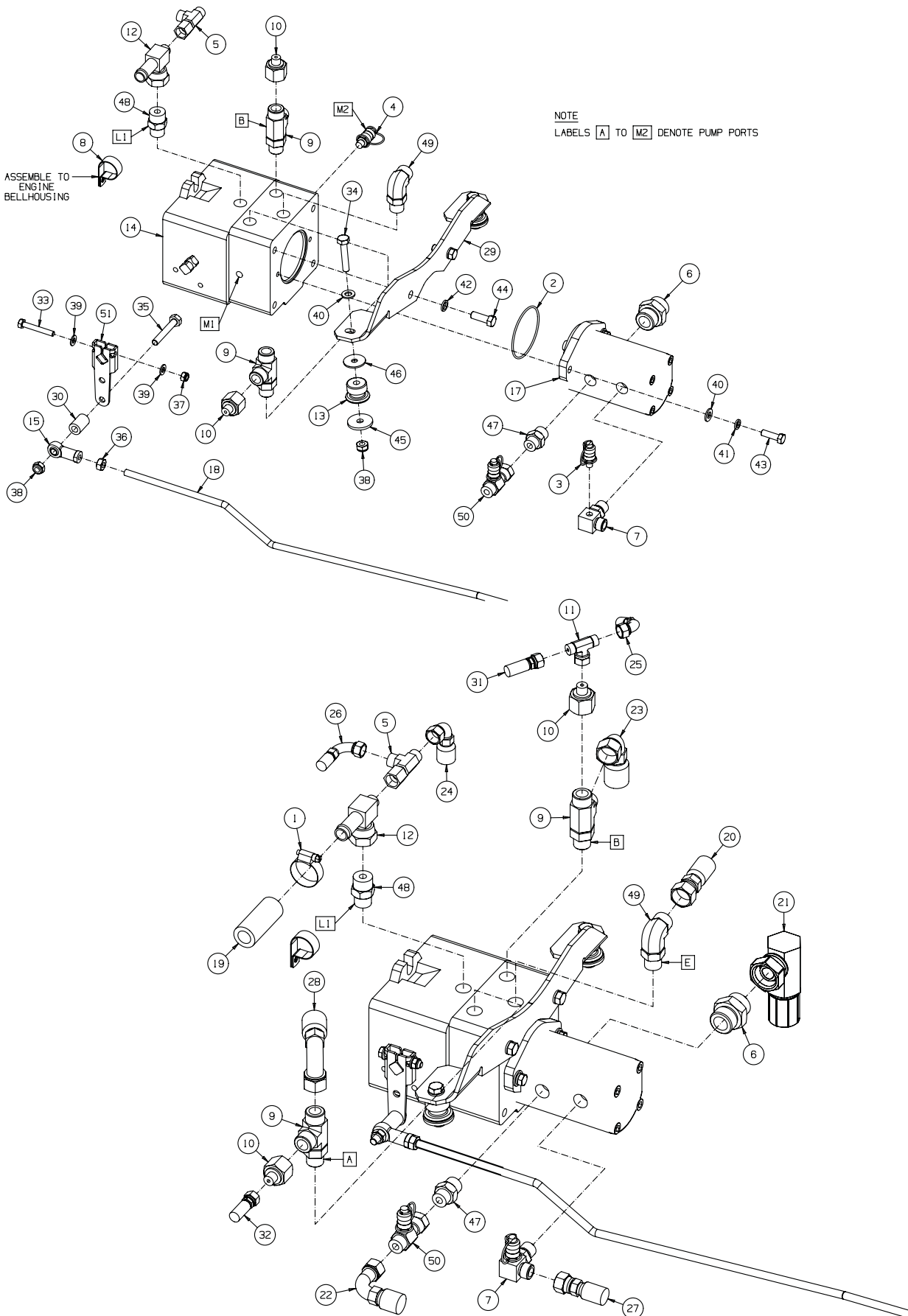


ITEM	PART NO.	DESCRIPTION	QTY.	REMARKS
1	4131109	Motor-Wheel, Danfoss OMSW 400	1	
	+	• O Ring	1	
3	+	• Shaft Seal	1	
4	008007810	• Parallel Key 5/16 x 5/16 x 1 1/4	1	
8		• Bearing Housing	1	
9	008007820	• Castellated Nut (1-20 UNEF)	1	
10	4257730	• Shaft and Bearing Kit	1	
11	+	• Seal Ring	1	
12	+	• O Ring	1	
13	4118786	• Drain Plug GL (ISO228/1)	1	
14	4118787	• Washer 13.5 x 17.5 x 1.5 mm	1	
15		• Intermediate Plate	1	
18		• Cardan Shaft	1	
19	+	• O Ring	3	
20		• Gear Wheel Set	1	
22	4118800	• Valve Drive	1	
23		• Channel Plate	1	
25	4118812	• Disc Valve	1	
26	4176300	• Balance Plate	1	
27	4176301	• Guide Pin 4 mm Dia x 20 mm Lg	1	
28	+	• O Ring	1	
29	+	• O Ring	1	
30	4118816	• Spacer	1	
31		• Spring Washer	1	
32	N/A	• Valve Housing	1	
33		• Seal Plug	2	
34		• Bolt	4	
35		• Guide Pin 4 mm Dia x 6 mm Lg	1	
39	N/A	• Name Plate	1	
100	002300620	Items Marked + Part of • Seal Kit	1	Items : 1,3,11,12,19,28 & 29

# JACOBSEN TR3 Series: EJ & FG

## PUMPS

Illustration Number: 4134773



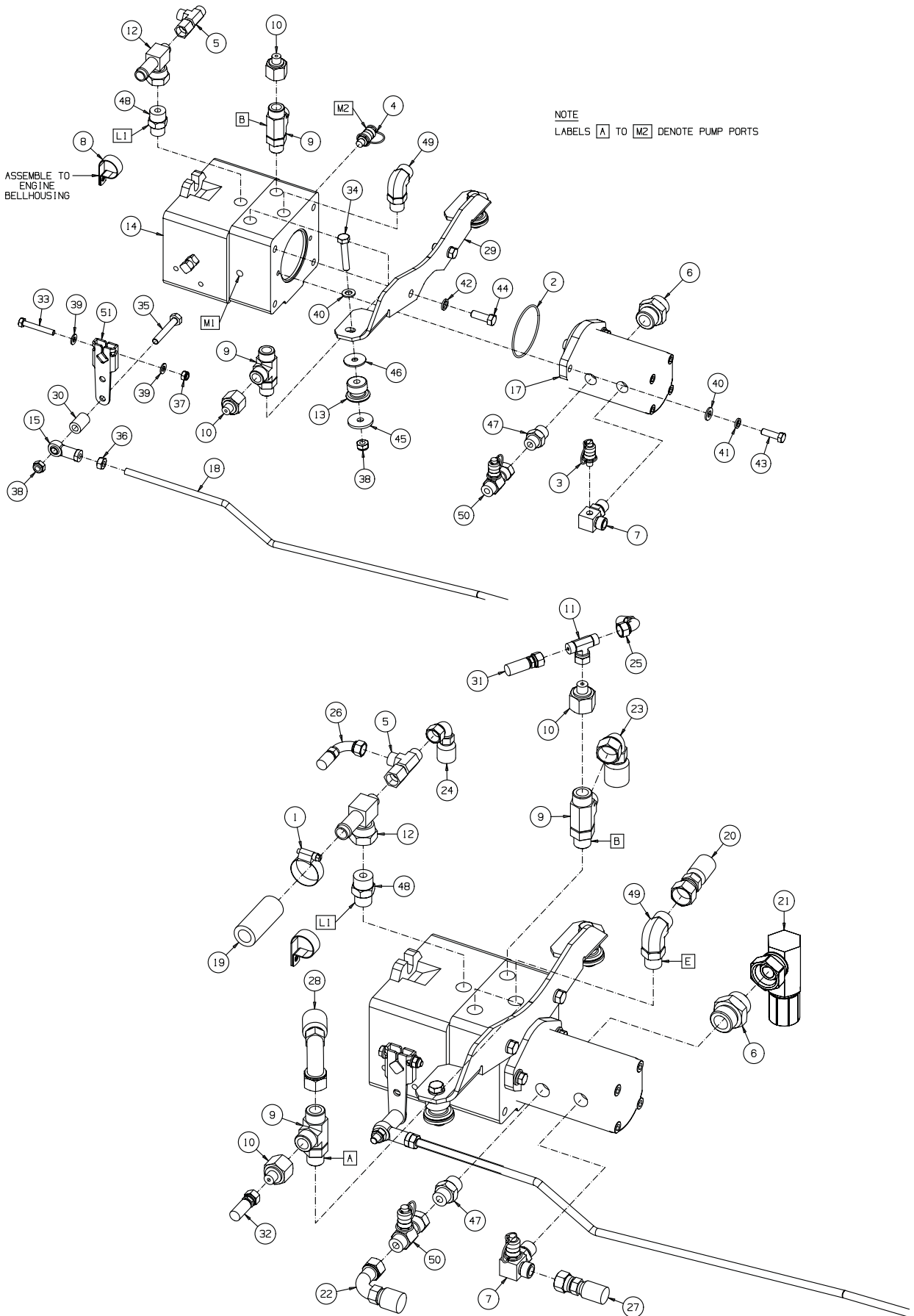


ITEM	PART NO.	DESCRIPTION	QTY.	REMARKS
1	001925400	Hose Clamp, 19-40	1	
2	002211520	O-Ring 82.22 ID x 2.62 Sect	1	
3	002449048	Test Point-1/8 BSPP x M16	1	
4	002449056	Test Point-7/16 SAE x M16	1	
*	002218049	• O Ring	1	7/16" SAE
5	002498400	Tee-M/F/M 11/16 ORFS	1	
*	158061-01	• O Ring	3	11/16" ORFS
6 *	002515050	Ftg-1-7/16 ORFS x 1-5/16 SAE	1	
*	158061-19	• O Ring	1	1-7/16" ORFS
*	002218140	• O Ring	1	1-5/16" SAE
6	4165262	Ftg-M/M 1 BSPP x 1-5/16 SAE	1	
*	002218140	• O Ring	1	1-5/16" SAE
7	002590050	90-M/M/F 13/16 ORFS x 7/8 SAE x 1/8 BSPP	1	
*	158061-02	• O Ring	1	13/16" ORFS
*	002218104	• O Ring	1	7/8" SAE
8	48228-06	Clamp	1	
9	002590130	Tee-M/M/M 1 ORFS (2) x 7/8 SAE	2	
*	158061-08	• O Ring	2	1" ORFS
*	002218049	• O Ring	1	7/16" SAE
10	002590440	Reducer-F/M 1 ORFS x 9/16 ORFS	2	
*	158061-08	• O Ring	1	1" ORFS
*	158061-18	• O Ring	1	9/16" ORFS
11	002590470	Tee-M/M/F 9/16 ORFS	1	
*	158061-18	• O Ring	2	9/16" ORFS
12	002590520	Tee-M/M/F 11/16 ORFS x 3/4 BARB x 1 ORFS	1	
*	158061-01	• O Ring	1	11/16" ORFS
*	158061-08	• O Ring	2	1" ORFS
13	002994043	Mount-ISO, Engine	2	
14	008005950	Pump-Transmission, M25-2081	1	
15	008145450	Rod End M10	1	
16	172364A.07	Arm-Control Hd	1	Square end see item 51 if rounded
17	4134071	Pump-Cutter & Steering	1	
18	4132836	Rod-Pump Control	1	
19	4133845	Hyd Hose Assembly	1	Trans Pump 'L' to Cooler 'IN'
20	2692224-05	Hyd Hose Assembly	1	Trans Pump 'E' to Filter 'OUT'
21	4133849	Hose-Tandem Pump Suction to Tank	1	To S/N EJ000xxx
21	4283831	Hose-Tandem Pump Suction to Tank	1	From S/N EJ000xxx
22	4133850	Hyd Hose Assembly	1	Cutter Pump to Cutter Valve 'CP'
23	4133856	Hose-Trans Pump 'B' to Frt Motor 'T'	1	For Sauer-Danfoss wheel motors
23	4283265	Hose-Trans Pump 'B' to Frt Motor 'T'	1	For Poclain wheel motors
24	4133890	Hose-Flush Valve 'DR' to Trans Pump 'L'	1	To S/N EJ000304
24	4137210	Hose-Flush Valve 'DR' to Trans Pump 'L'	1	From S/N EJ000305
25	4133891	Hose-Flush Valve 'PP' to Trans Pump 'B'	1	To S/N EJ000304
25	4137211	Hose-Flush Valve 'PP' to Trans Pump 'B'	1	From S/N EJ000305
26	4133892	Hose-Brake valve 'DR1' to Manifold	1	

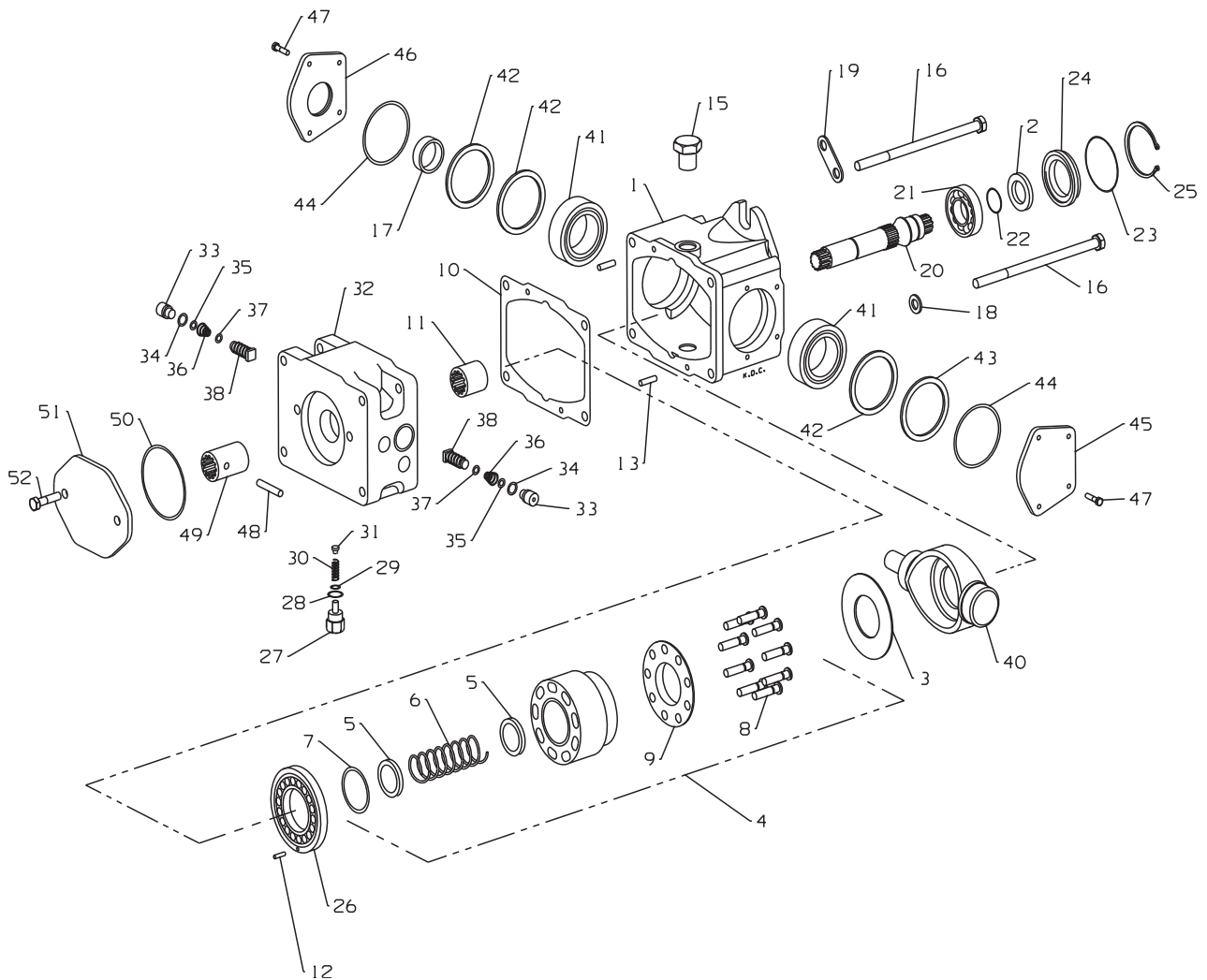
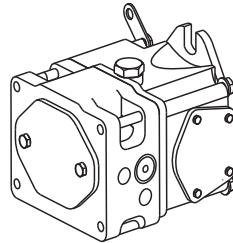
# JACOBSEN TR3 Series: EJ & FG

## PUMPS

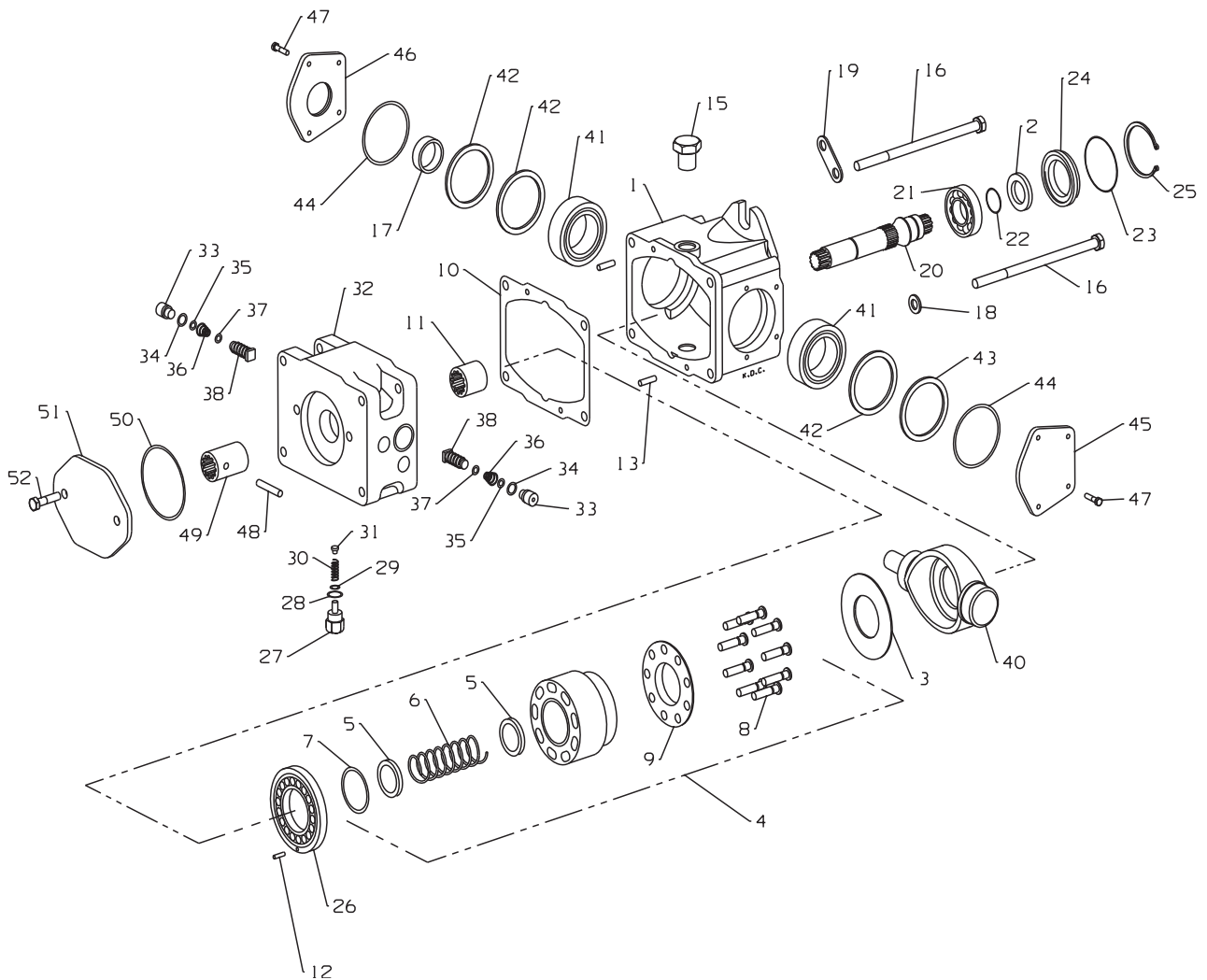
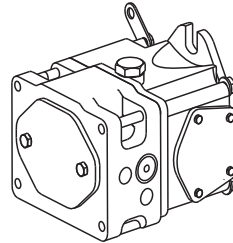
Illustration Number: 4134773



ITEM	PART NO.	DESCRIPTION	QTY.	REMARKS
27	4133895	Hose-Steer Pump to Steer Unit 'P'	1	
28	4133918	Hose-Trans Pump 'A' to Flush Valve Lower 'T'	1	To S/N EJ000304
28	4137212	Hose-Trans Pump 'A' to Flush Valve Lower 'T'	1	From S/N EJ000305
29	4134774	Bracket-Engine, Front	1	
30	4135072	Spacer-11 x 20 x 30	1	
31	4135211	Hose-Free Wheel Valve to Trans Pump 'B'	1	
32	4135212	Hose-Free Wheel Valve to Trans Pump 'A'	1	
33	450019	Bolt-Hex M8 x 55	1	
34	450033	Bolt-Hex M10 x 55	2	
35	450035	Bolt-Hex M10 x 65	1	
36	450325	Nut-Hex M10	1	
37	450378	Nut-Hex M8 Nyloc	1	
38	450379	Nut-Hex M10 Nyloc	3	
39	450390	Washer-M8 x 17 x 1.8	2	
40	450391	Washer-M10 x 21 x 2.2	2	
41	450412	LockWasher-M10 x 15.9 x 2.5	2	
42	450413	LockWasher-M12 x 17.9 x 2.5	2	
43	456110448	Scrw-Hex 3/8-16 x 1-1/4	2	
44	456110757	Scrw-Hex 7/16-14 x 1-1/4	2	
45	MBC0175	Washer-10.5 x 40 x 4	2	
46	442003927	Washer-3/8 x 1.375 x .092	2	
47	158006-06	Ftg-M/M 13/16 ORFS x 7/8 SAE	1	
*	158061-02	• O Ring	1	13/16" ORFS
*	002218104	• O Ring	1	7/8" SAE
48	158006-07	Ftg-M/M 1 ORFS x 7/8 SAE	1	
*	158061-08	• O Ring	1	1" ORFS
*	002218104	• O Ring	1	7/8" SAE
49	158007-05	90-M/M 1 ORFS x 7/8 SAE	1	
*	158061-08	• O Ring	1	1" ORFS
*	002218104	• O Ring	1	7/8" SAE
50	4137784	Test Point Tee, 13/16 ORFS	1	
*	158061-02	• O Ring	1	13/16" ORFS
51	4184180	Wldmt-Control Arm	1	Rounded end



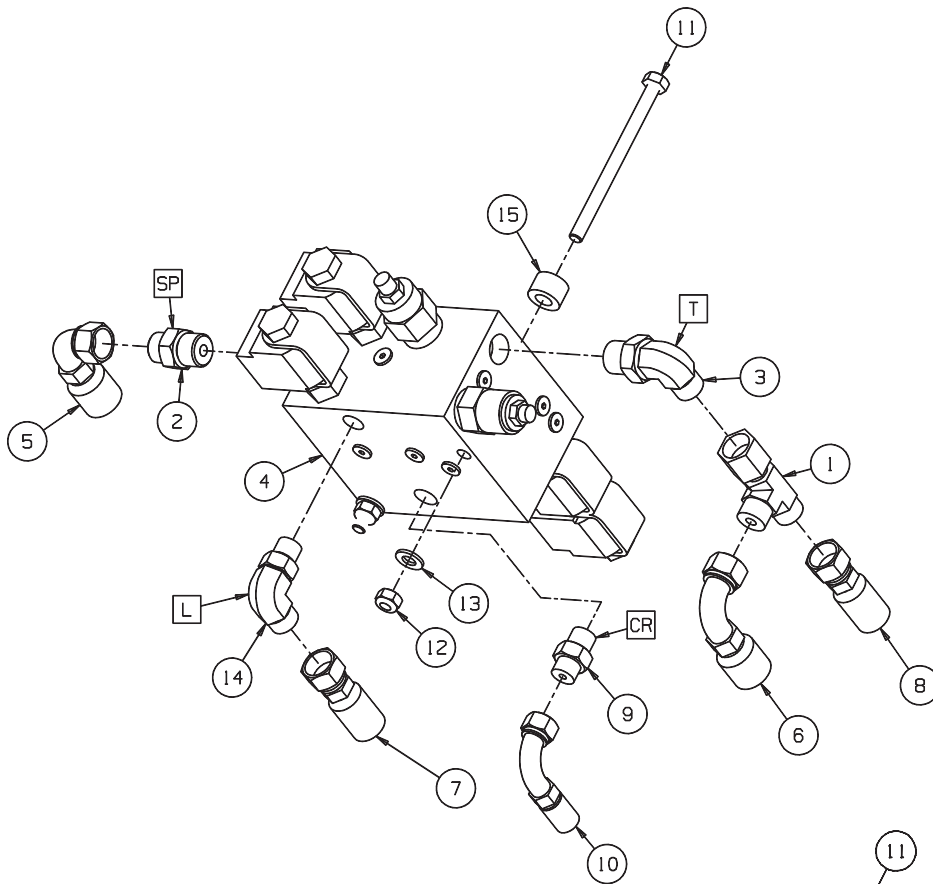
ITEM	PART NO.	DESCRIPTION	QTY.	REMARKS
1	008005950	Transmission Pump	1	
	N/A	• Pump Housing	1	
2 +	4134667	• Lip Seal	1	
3		• Thrust Plate	1	
4		• Cylinder Block Kit	1	
5		• Washer	2	
6				
7		• Cylinder Block Spring	1	
8		• Retaining Ring	1	
9		• Piston Assembly	9	
10		• Slipper Retainer	1	
11 +		• End Cap Gasket	1	
12		• Needle Bearing	1	
13		• Pin	1	
14 +		• O-Ring	3	
15	4134668	• Hex Plug	3	
16	008008060	• Screw 875-14	4	
17 +		• Lip Seal	1	
18		• Washer	3	
19		• Lifting Bracket	1	
20		• Shaft	1	
21		• Ball Bearing	1	
22		• Retaining Ring	1	
23 +	4134670	• O-Ring	1	
24	4134671	• Seal Carrier	1	
25	4134672	• Internal Retaining Ring	1	
26		• Valve Plate RH	1	
27	4134673	• Plug Assembly	1	
28 +		• O-Ring	1	
29	4134674	• Shim Kit	1	
30	4134675	• Spring	1	
31	4134676	• Charge Relief Poppet	1	
32		• End Cap	1	
33		• Special Plug	2	
34 +		• O-Ring	2	
35 +		• O-Ring	2	
36	4134669	• Hex Plug	2	
37 +		• O-ring	2	
38	008008410	• Scr Valve /210 Bar	1	
39	008008410	• Scr Valve /210 Bar	1	
40		• Swash Plate	1	



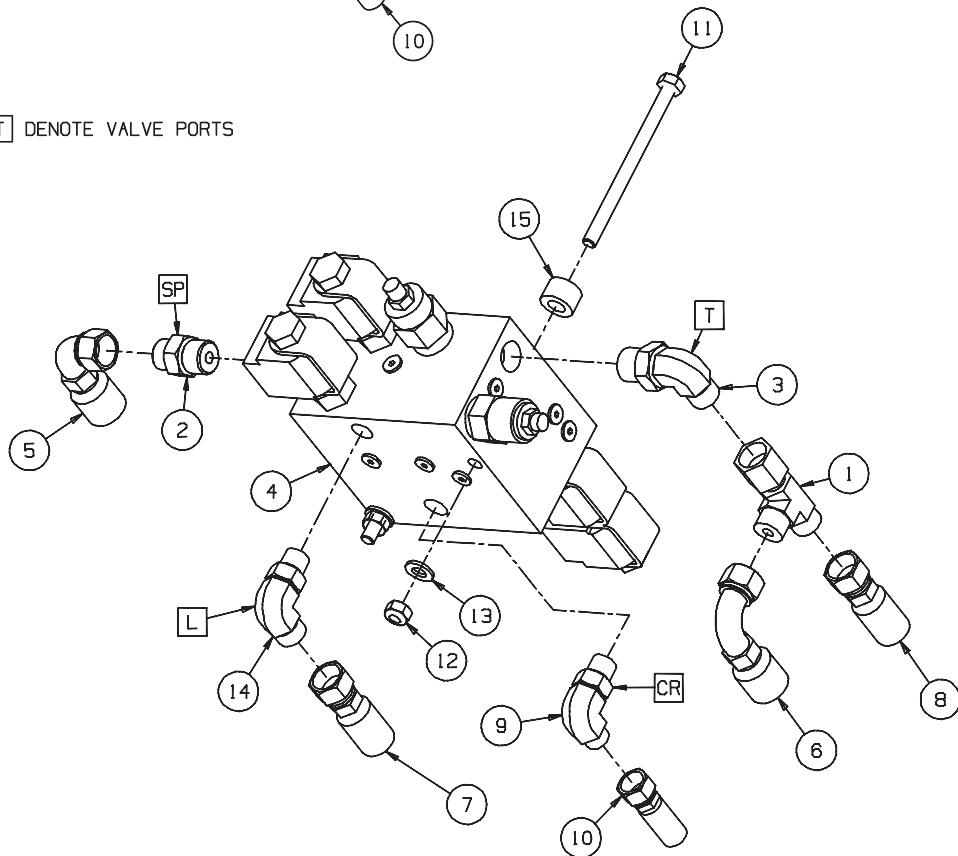
ITEM	PART NO.	DESCRIPTION	QTY.	REMARKS
41		• Taper Roller Bearing	2	
42				
43				
44 +	4134677	• O-Ring	2	
45	4134678	• Trunnion Cover	1	
46	4134679	• Trunnion Cover Assembly	1	
47	4134680	• Thread Rolling Screw	8	
48		• Spring Pin	1	
49		• Coupling, 9 Tooth	1	
50 +	4134681	• Pad Seal	1	
51	4134682	• Cover Plate	1	
52	4134683	• Hex Screw	2	
		+ Included In Overhaul Seal and Gasket Kit 008005930		

LIFT VALVE

Illustration Number: 4131603



NOTE  
LABELS **CR** TO **T** DENOTE VALVE PORTS

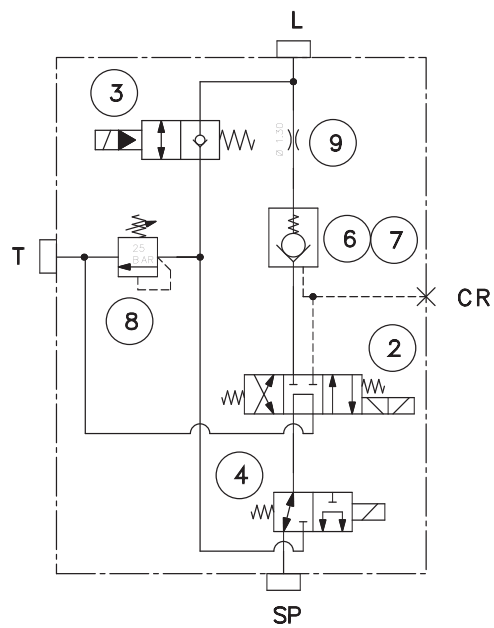
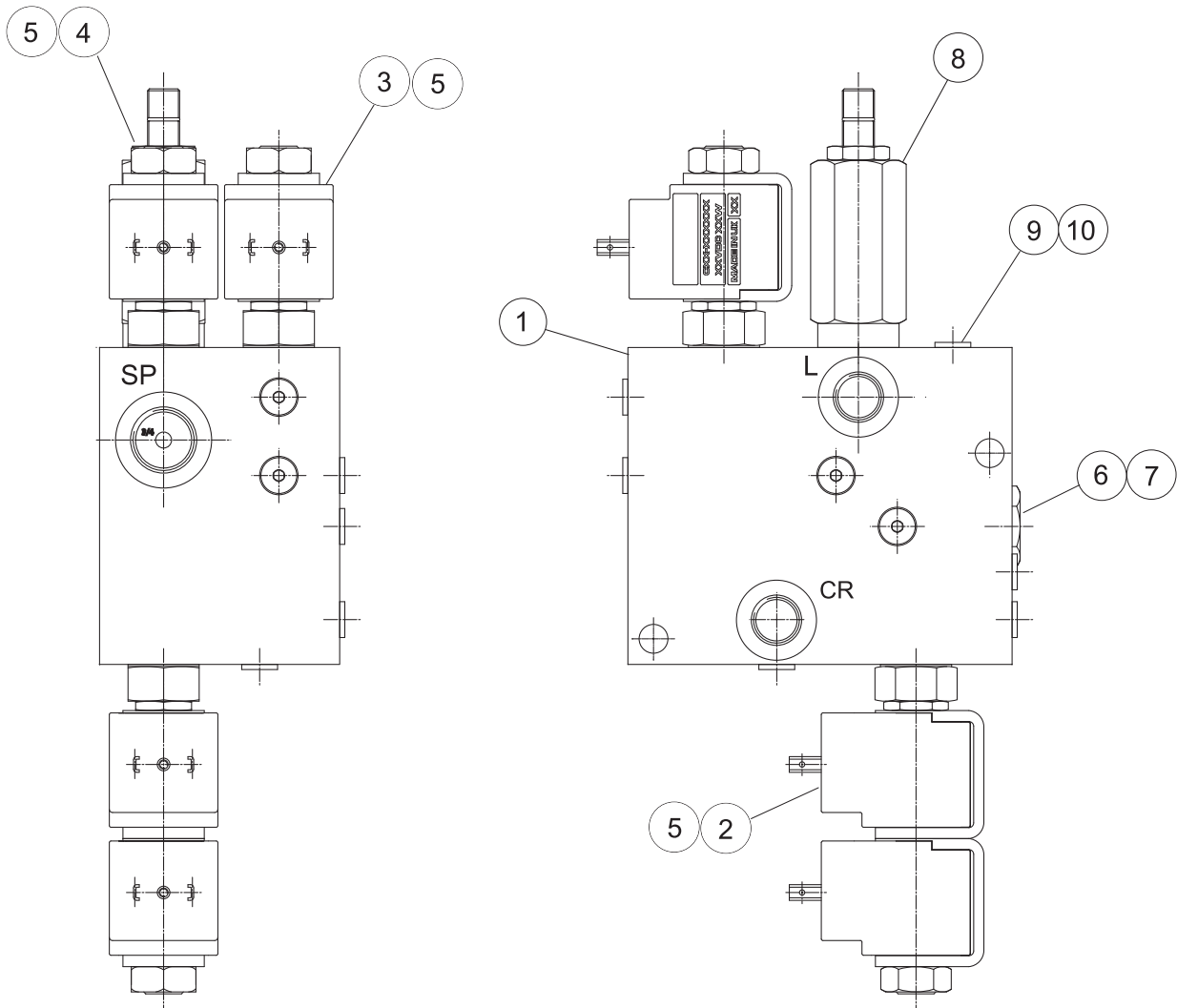




ITEM	PART NO.	DESCRIPTION	QTY.	REMARKS
1	002498400	Tee-M/F/M 11/16 ORFS	1	
*	158061-01	• O Ring	3	11/16" ORFS
2	158006-13	Ftg-11/16 ORFS x 3/4 SAE	1	
*	158061-01	• O Ring	1	11/16" ORFS
*	002218081	• O Ring	1	3/4" SAE
3	158007-10	90-M/M 11/16 ORFS x 3/4 SAE	1	
*	158061-01	• O Ring	1	11/16" ORFS
*	002218081	• O Ring	1	3/4" SAE
4	4131111	Hydraulic Lift Valve	1	(fitted up to Serial No EJ000631)
4	4169021	Hydraulic Lift Valve	1	(fitted from Serial No EJ000632)
5	4133898	Hyd Hose Assembly	1	Steer Unit 'E' to Lift Valve 'SP'
6	4133899	Hyd Hose Assembly	1	Lift Valve 'T' to Steer Unit 'T'
7	4133900	Hyd Hose Assembly	1	Lift valve 'L' to Lift Manifold Front Port
8	4133906	Hyd Hose Assembly	1	Lift Valve 'T' to Return 'T'
9	4136312	Ftg-9/16 ORFS x 5/16 SAE	1	(to serial number EJ000324)
*	158061-18	• O Ring	1	9/16" ORFS
*	459290	• O Ring	1	5/16" SAE
9	002515100	Ftg-9/16 ORS x 9/16 SAE	1	(from S/N EJ000325 to EJ000719)
*	158061-18	• O Ring	1	9/16" ORFS
*	002218065	• O Ring	1	9/16" SAE
9	002525010	90-M/M 9/16 ORS x 9/16 SAE	1	(from S/N EJ000720)
*	158061-18	• O Ring	1	9/16" ORFS
*	002218065	• O Ring	1	9/16" SAE
10	4136380	Hyd Hose Assembly	1	Lift Valve 'CR' to Manifold (to serial number EJ000304)
10	4137215	Hyd Hose Assembly	1	(from S/N EJ000305 to EJ000719)
10	4194980	Hose-Lift Valve 'CR' to Manifold	1	(from S/N EJ000720)
11	450028	Bolt-Hex M8 x 110	2	
12	450378	Nut-Hex M8 Nyloc	2	
13	450390	Washer-M8 x 17 x 1.8	2	
14	158007-01	90-M/M 11/16 ORFS x 9/16 SAE	1	
*	158061-01	• O Ring	1	11/16" ORFS
*	002218065	• O Ring	1	9/16" SAE
15	MBE3454	Spacer-10.5 x 20 x 13	2	

LIFT VALVE (STERLING)

Illustration Number: 4131111

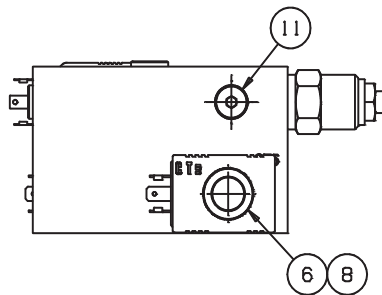
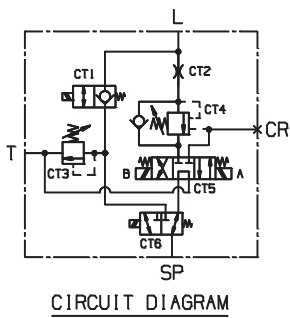
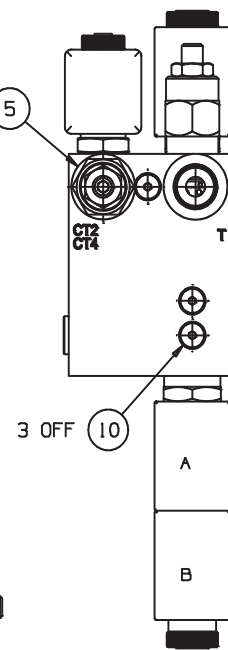
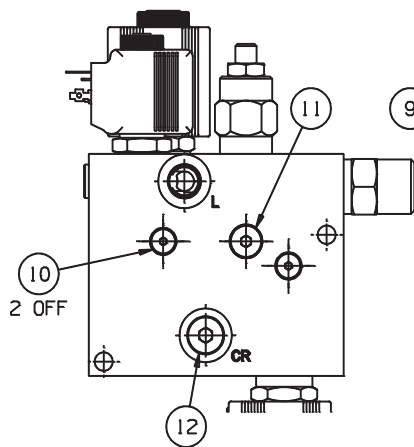
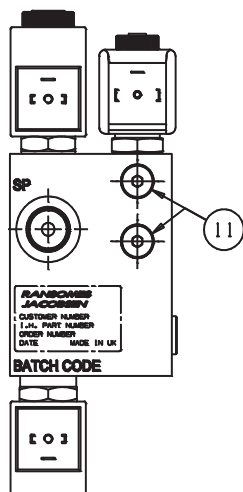
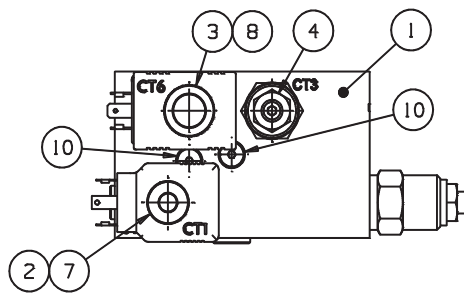


ITEM	PART NO.	DESCRIPTION	QTY.	REMARKS
1	4131111	Hydraulic Lift Valve	1	
2	4134873	• Solenoid Valve	1	Torque 30 Nm
*	4137264	•• Seal Kit	1	
3	4134876	• Solenoid Valve	1	Torque 30 Nm
*	4137265	•• Seal Kit	1	
4	4134877	• Solenoid Valve	1	Torque 30 Nm
*	4137266	•• Seal Kit	1	
5	4134878	• Coil	4	Torque 4.1 Nm
6	4134879	• Check Valve	1	Torque 40 Nm
*	4137267	•• Seal Kit	1	
7	4134880	• Pilot Piston	1	
*	4137268	•• Seal Kit	1	
8	4134881	• Relief Valve	1	Torque 50Nm
*	4137269	•• Seal Kit	1	
9	4134882	• Orifice Plug	1	Torque 3 Nm
10		• Hollow Hex Plug	9	Torque 6.5 Nm

LIFT VALVE (INTEGRATED)

Illustration Number: 4169021

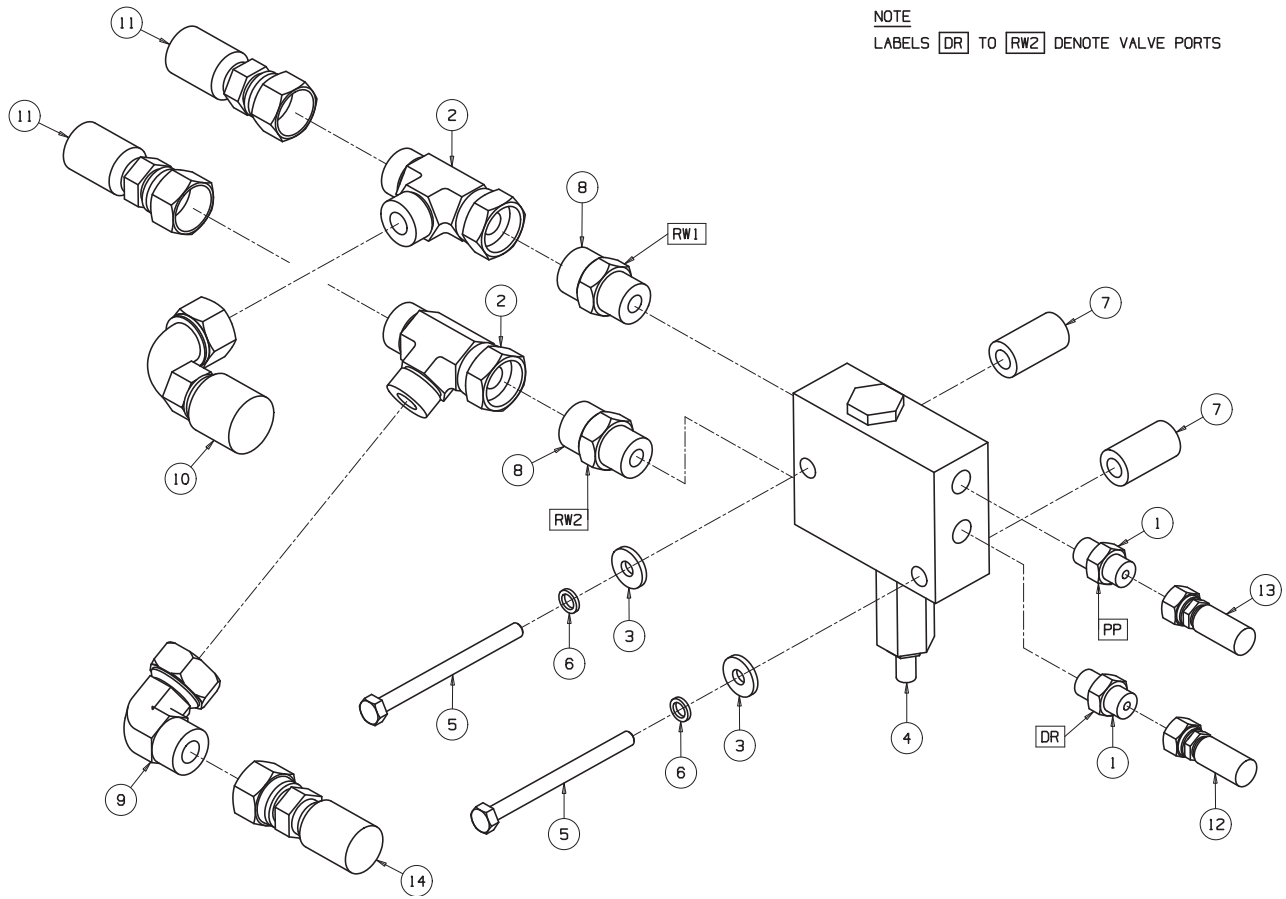
Fitted from S/N  
 EK000603  
 EJ000632  
 FZ000337



ITEM	PART NO.	DESCRIPTION	QTY.	REMARKS
1	4169021	Hydraulic Lift Valve	1	
		• Block	1	
2	4171460	• Solenoid Valve	1	Torque 20 Nm
*	4171465	•• Seal Kit	1	
3	4171461	• Solenoid Valve	1	Torque 30 Nm
*	4171462	•• Seal Kit	1	
4	4171463	• Relief Valve	1	Torque 45 Nm
*	4171464	•• Seal Kit	1	
5	4171465	• Overcentre Valve	1	Torque 45 Nm
*	4171466	•• Seal Kit	1	
6	4171467	• Solenoid Valve	1	Torque 30 Nm
*	4171468	•• Seal Kit	1	
7	4171444	• 12VDC Coil	1	
8	4171469	• 12VDC Coil	3	
9	4171470	• M6x0.75 JAT (1.3mm oriface)	1	Torque 2.0-2.5 Nm
10	4171445	• 1/8" SAE Blanking Plug	7	Torque 4.5 Nm + Loctite
11	4171446	• 3/8" SAE Blanking Plug	4	Torque 12.5 Nm + Loctite
12	4171447	• 1/2" SAE Blanking Plug	1	Torque 20 Nm + Loctite

FLUSHING VALVE

Illustration Number: 4131612

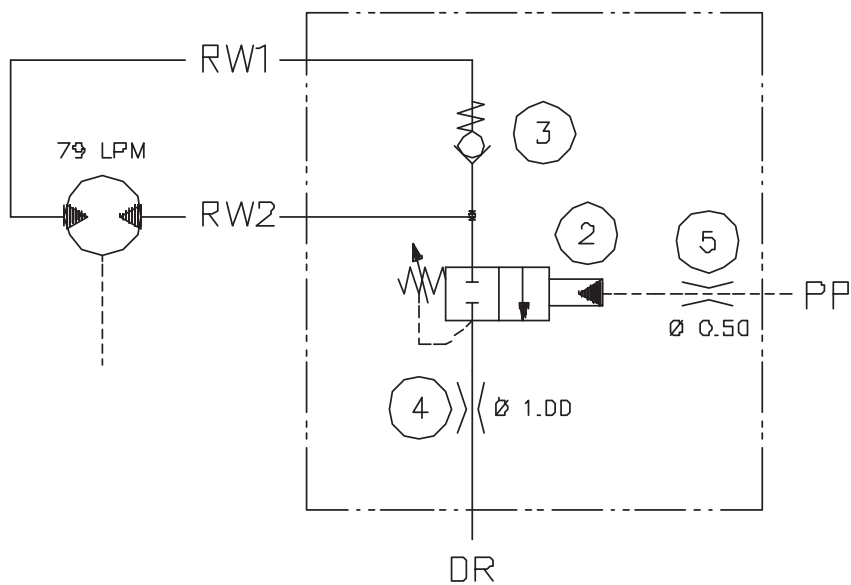
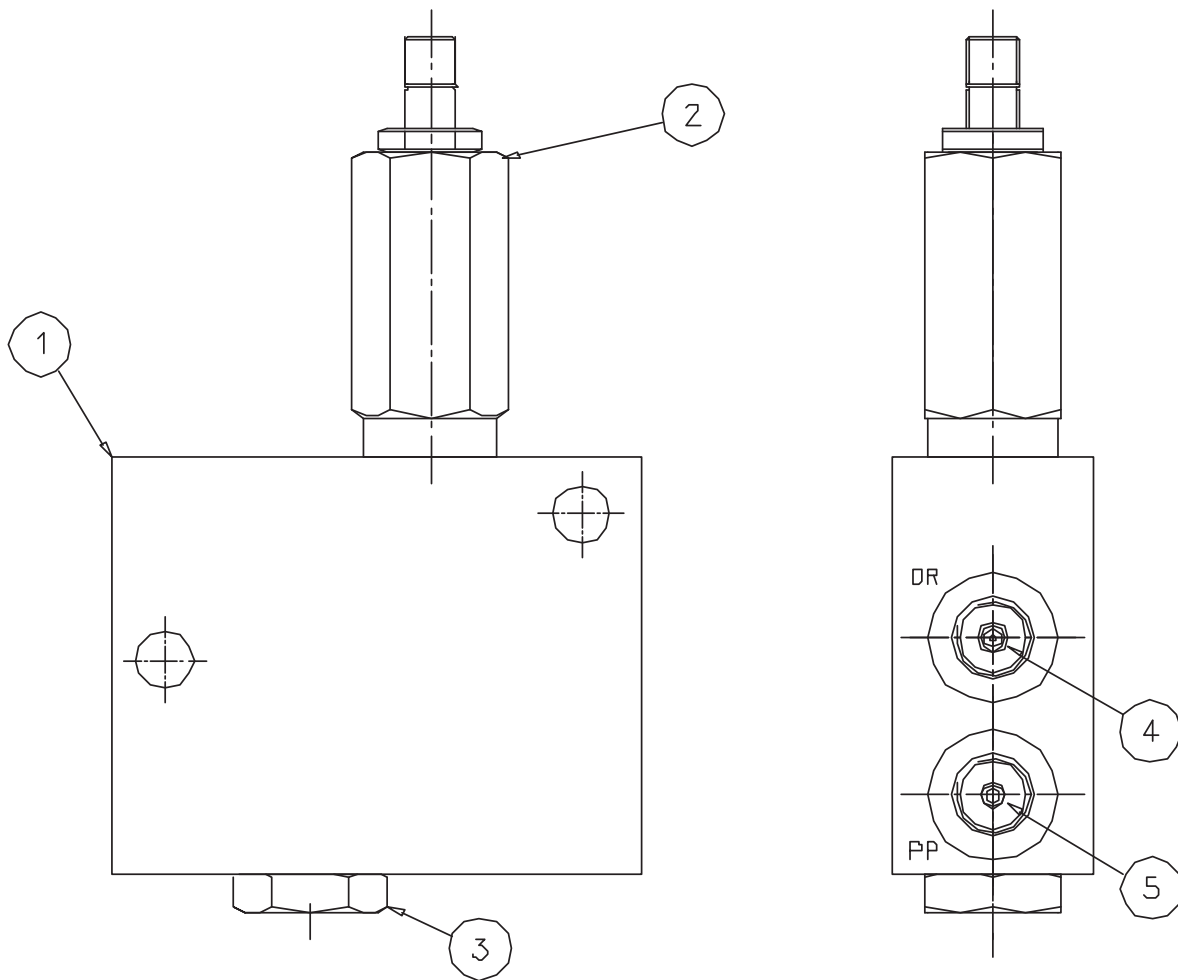


NOTE  
LABELS DR TO RW2 DENOTE VALVE PORTS

ITEM	PART NO.	DESCRIPTION	QTY.	REMARKS
1	002515100	Ftg-9/16 ORFS x 9/16 SAE	2	
*	158061-18	• O Ring	1	9/16" ORFS
*	002218065	• O Ring	1	9/16" SAE
2	002590110	Tee-M/F/M 1 ORFS	2	
*	158061-08	• O Ring	3	1" ORFS
3	009072070	Washer-M8 x 22 x 3	2	
4	4131110	Hydraulic Valve-Flushing	1	
5	450027	Bolt-Hex M8 x 100	2	
6	450411	LockWasher-M8 x 12.75 x 2	2	
7	MBE3454	Spacer-10.5 x 20 x 20	2	(to serial no. EJ000304)
7	4137200	Spacer-10.5 x 20 x 37	2	(from serial no. EJ000305)
8	158006-07	Ftg-M/M 1 ORFS x 7/8 SAE	2	
*	158061-08	• O Ring	1	1" ORFS
*	002218104	• O Ring	1	7/8" SAE
9	002590080	90-M/F 1 ORFS	1	
*	158061-08	• O Ring	2	1" ORFS
10	4133861	Hyd Hose Assembly	1	Front Motor 'T' to Flush Valve (to serial no. EJ000304)
10	4137208	Hyd Hose Assembly	1	Front Motor 'T' to Flush Valve (from serial no. EJ000305) For Sauer-Danfoss wheel motors
10	4283266	Hose-Front Mtr Tee to Flush Valve	1	For Poclain wheel motors
11	4133862	Hyd Hose Assembly	2	Rear Motor to Flush Valve (to serial no. EJ000304)
11	4137209	Hyd Hose Assembly	2	Rear Motor to Flush Valve (from serial no. EJ000305)
12	4133890	Hyd Hose Assembly	1	Flush Valve 'DR' to Trans Pump 'L' (to serial no. EJ000304)
12	4137210	Hyd Hose Assembly	1	Flush Valve 'DR' to Trans Pump 'L' (from serial no. EJ000305)
13	4133891	Hyd Hose Assembly	1	Flush Valve 'PP' to Trans Pump 'B' (to serial no. EJ000304)
13	4137211	Hyd Hose Assembly	1	Flush Valve 'PP' to Trans Pump 'B' (from serial no. EJ000305)
14	4133918	Hyd Hose Assembly	1	Trans Pump 'A' to Flush Valve Lower 'T' (to serial no. EJ000304)
14	4137212	Hyd Hose Assembly	1	Trans Pump 'A' to Flush Valve Lower 'T' (from serial no. EJ000305)

FLUSHING VALVE (STERLING)

Illustration Number: 4131110

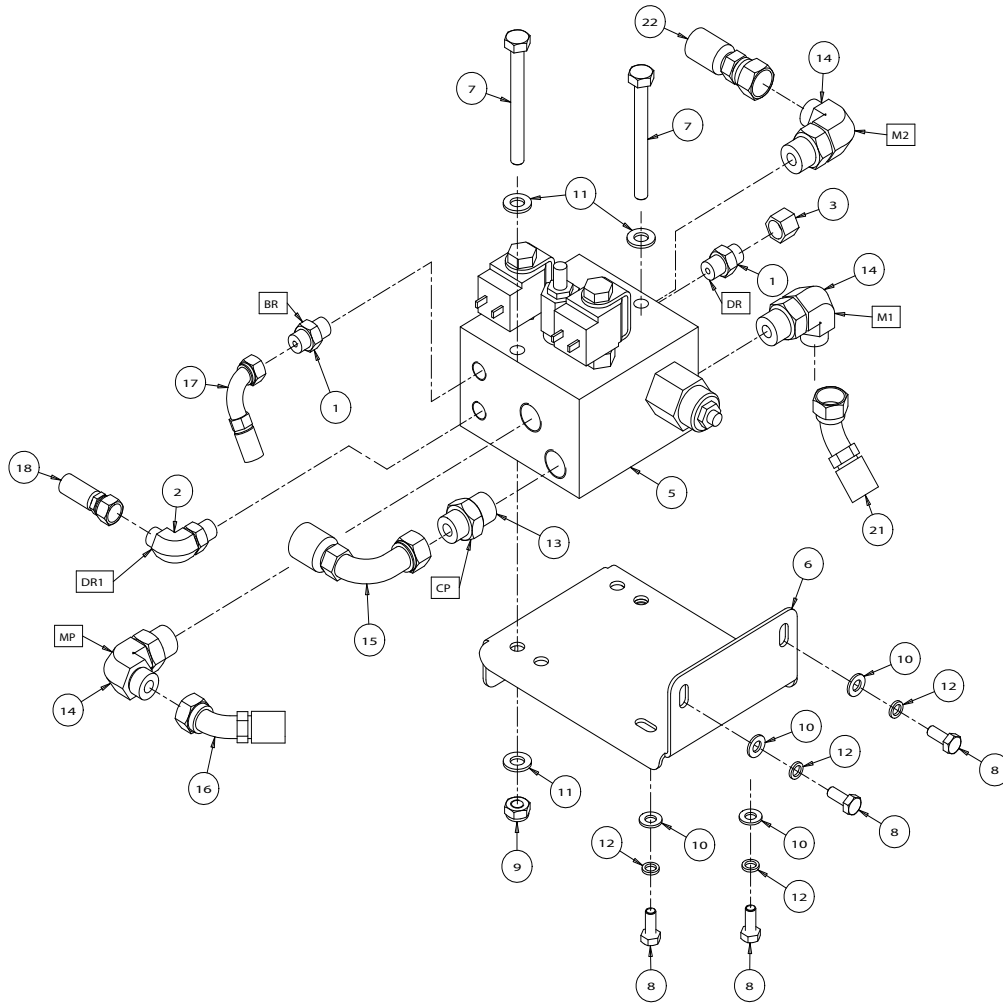




ITEM	PART NO.	DESCRIPTION	QTY.	REMARKS
1	4131110	Hydraulic Valve-Flushing Block	1	
2	4134919	• Sequence Valve	1	Torque 50 Nm
*	4137262	•• Seal Kit	1	
3	4134920	• Check Valve	1	Torque 50 Nm
*	4137263	•• Seal Kit	1	
4		• Orifice Plug (M5 x 1.00 Dia)	1	Torque 3 Nm
5		• Orifice Plug (M5 x 0.50 Dia)	1	Torque 2.5 Nm

CUTTER & BRAKE VALVE

Illustration Number: 4131613

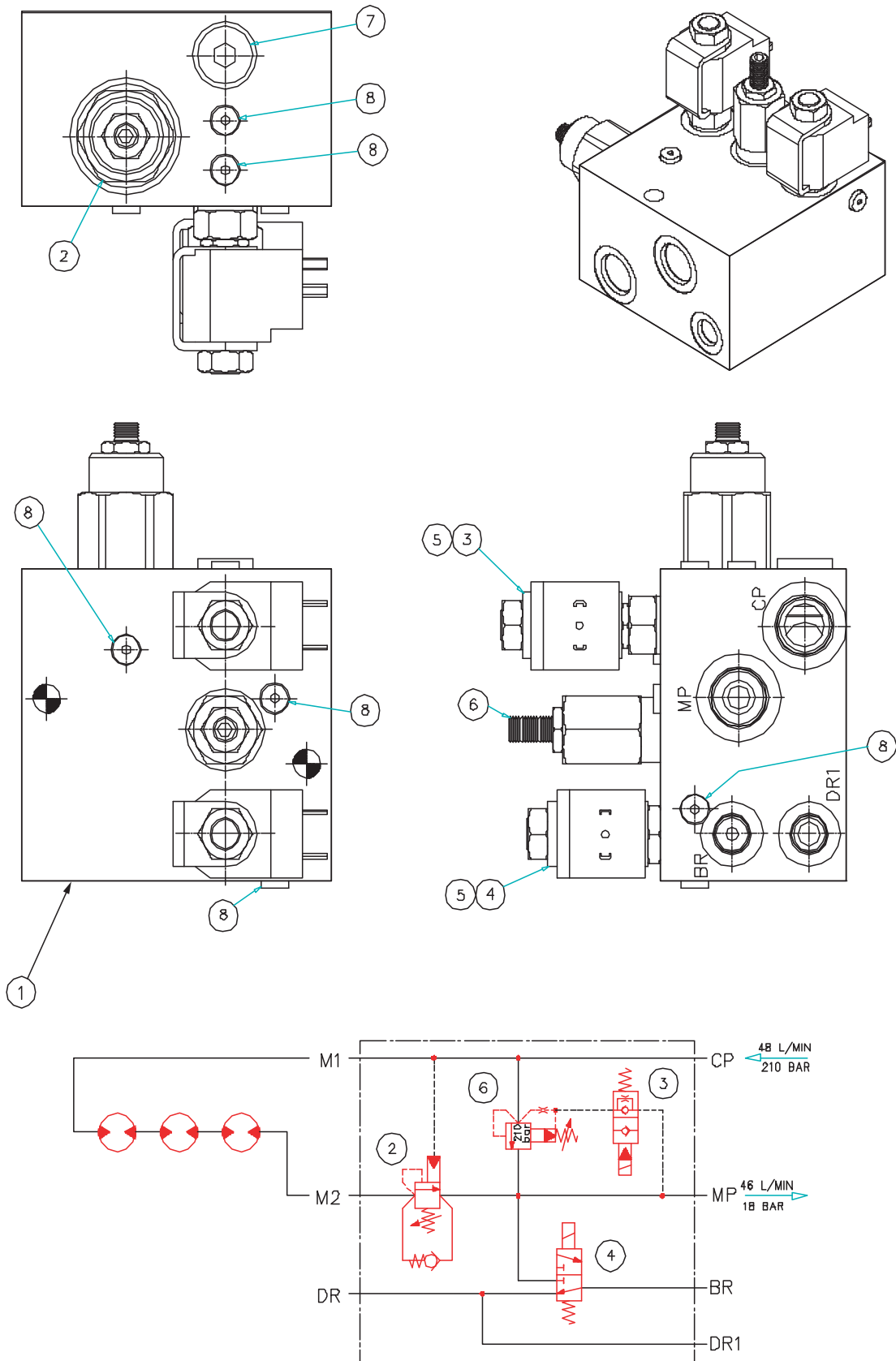


NOTE  
LABELS BR TO MP DENOTE VALVE PORTS

ITEM	PART NO.	DESCRIPTION	QTY.	REMARKS
1	002515100	Ftg-9/16 ORFS x 9/16 SAE	2	
2	002525010	90-M/M 9/16 ORFS x 9/16 SAE	1	
*	158061-18	• O Ring	1	9/16" ORFS
*	002218065	• O Ring	1	9/16" SAE
3	002560010	Cap-9/16 ORFS	1	
5	4232000	Cutter & Brake Valve	1	Integrated CXP23968-04 From S/N: FR000633, FY000368, GX000348, EJ000750, FG000553.
6	4131615	Brkt-Cutter / Brake Valve Mtg	1	
7	450041	Bolt-Hex M10 x 100	2	
8	450191	Scrw-Hex M8 x 20	4	
9	450379	Nut-Hex M10 Nyloc	2	
10	450390	Washer-M8 x 17 x 1.8	4	
11	450391	Washer-M10 x 21 x 2.2	4	
12	450411	LockWasher-M8 x 12.75 x 2	4	
13	158006-06	Ftg-M/M 13/16 ORFS x 7/8 SAE	1	
*	158061-02	• O Ring	1	13/16" ORFS
*	002218104	• O Ring	1	7/8" SAE
14	158007-03	90-M/M 13/16 ORFS x 7/8 SAE	3	
*	158061-02	• O Ring	1	13/16" ORFS
*	002218104	• O Ring	1	7/8" SAE
15	4133850	Hyd Hose Assembly	1	Cutter Pump to Cutter valve 'CP'
16	4133851	Hyd Hose Assembly	1	Filter 'IN' to Cutter valve 'MP'
17	4133852	Hyd Hose Assembly	1	Rotary Valve 'B' to Cutter Valve 'BR'
18	4133892	Hyd Hose Assembly	1	Brake Valve 'DR1' to Manifold Block
21	4133910	Hyd Hose Assembly	1	Cutter Valve 'M1' to LH Str Blkhd
22	4133913	Hyd Hose Assembly	1	Rear Cutter 'OUT' to Cutter Valve 'M2'

CUTTER & BRAKE VALVE (STERLING)

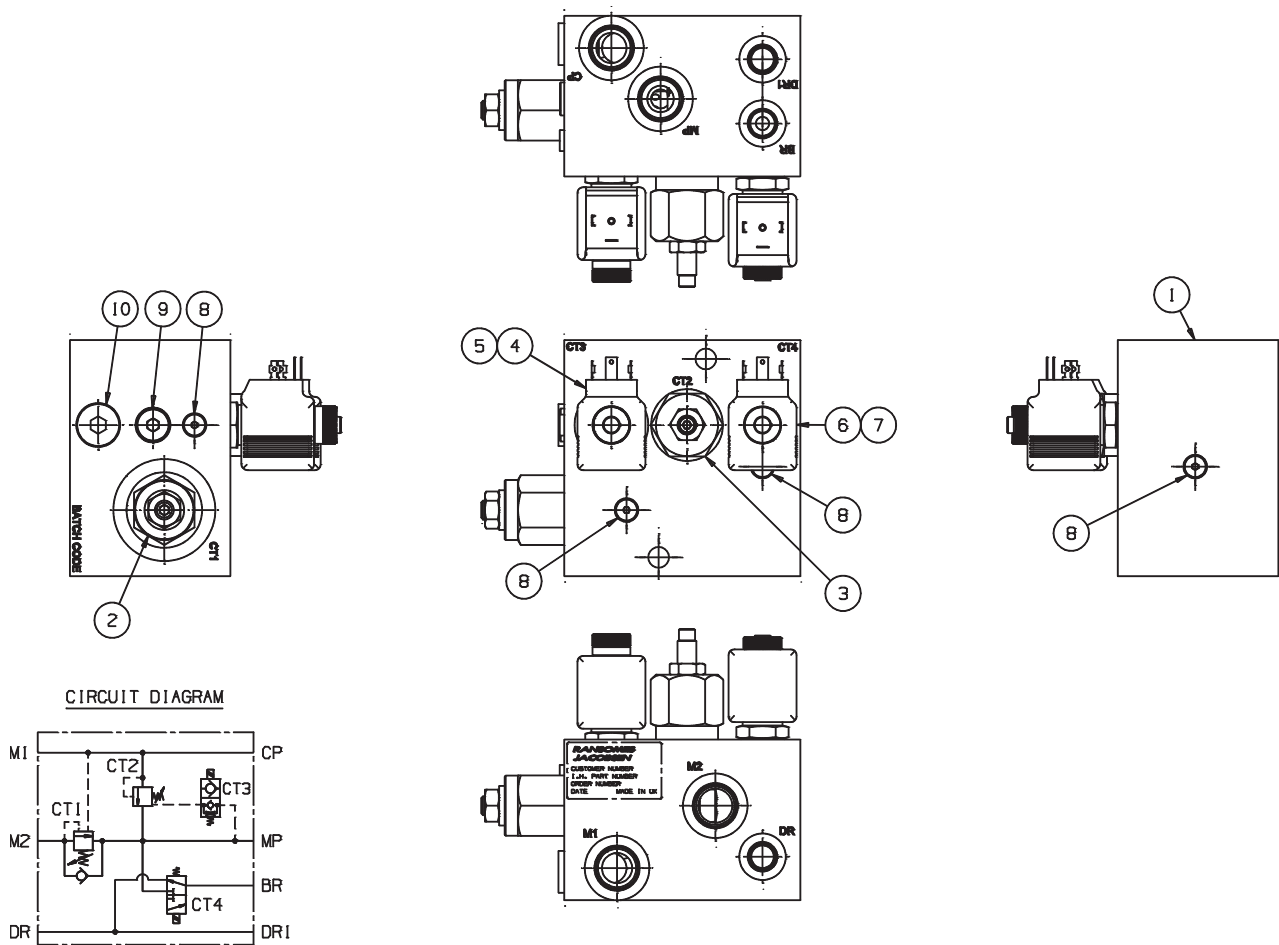
Illustration Number: 4131112



ITEM	PART NO.	DESCRIPTION	QTY.	REMARKS
1	4131112	Hyd Valve-Cutter & Brake Manifold	1	
	N/A	• Block	1	
2	4134891	• Load Control Valve	1	Torque 68 Nm
*	4137270	•• Seal Kit	1	
3	4134892	• Solenoid Valve	1	Torque 30 Nm
*	4137265	•• Seal kit	1	
4	4134893	• Solenoid Valve	1	Torque 27 Nm
*	4137271	•• Seal Kit	1	
5	4134894	• Coil	2	Torque 4.1 Nm
6	4134895	• Relief Valve	1	Torque 50 Nm
*	4137272	•• Seal Kit	1	
7		• Hollow Hex Plug	1	Torque 50 Nm
8		• Hollow Hex Plug	6	Torque 6.5 Nm

CUTTER & BRAKE VALVE (INTEGRATED)

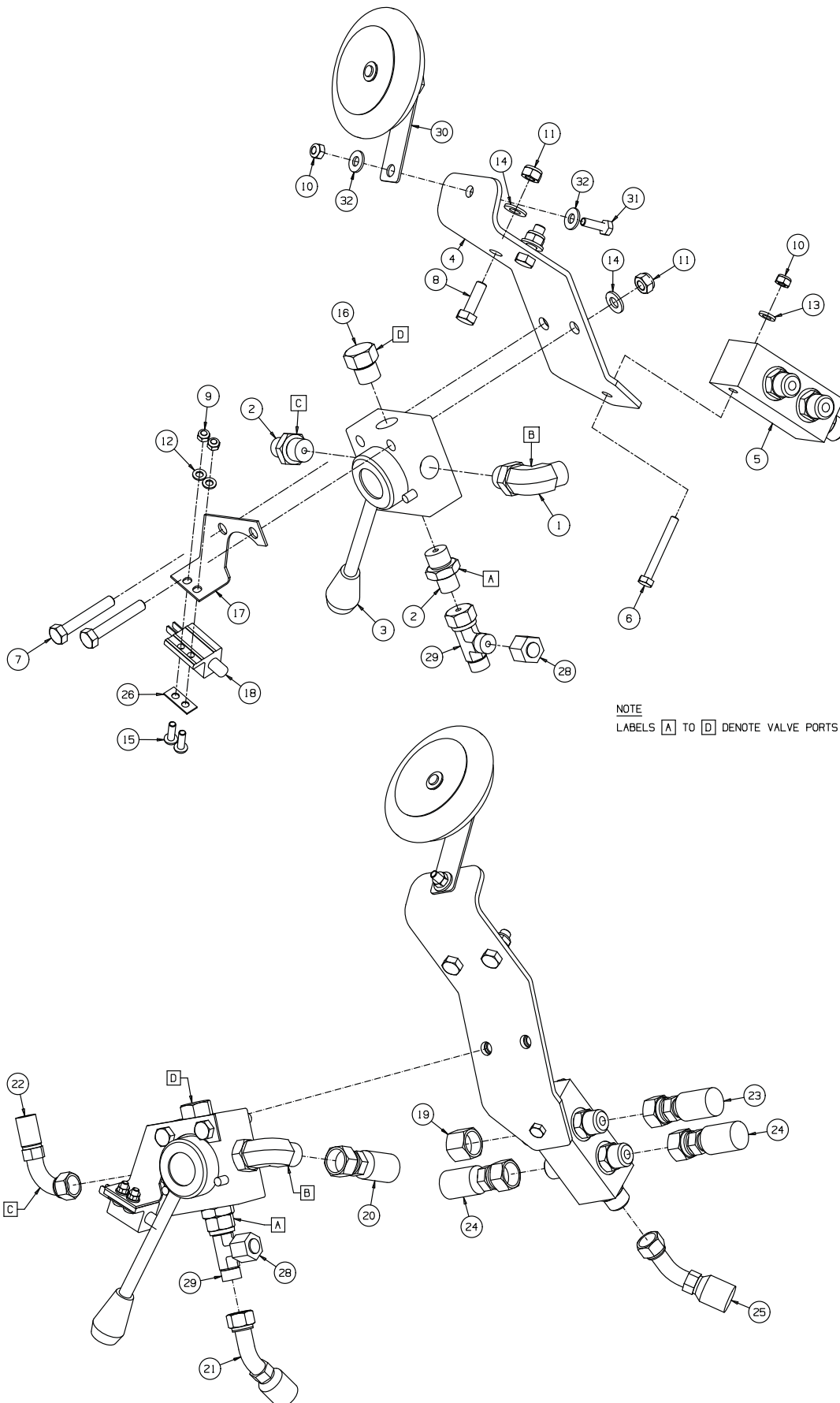
Illustration Number: 4169020



ITEM	PART NO.	DESCRIPTION	QTY.	REMARKS
	4232000	Cutter & Brake Valve	1	From S/N: FR000633, FY000368, GX000348, EJ000750, FG000553.
1		• Block	1	
2	4171360	• Overcentre Valve	1	Torque 60 Nm
*	4171361	•• Seal Kit	1	
3	4232860	• Relief Valve	1	Torque 75 Nm
*	4232001	•• Seal Kit	1	
4	4171364	• Solenoid Valve	1	Torque 30 Nm
*	4171365	•• Seal Kit	1	
5	4171441	• 12VDC 22 Watt Coil	1	Torque 3.4 Nm
6	4171442	• Solenoid Valve	1	Torque 20 Nm
*	4171443	•• Seal Kit	1	
7	4171444	• 12VDC 14 Watt Coil	1	Torque 3.4 Nm
8	4171446	• 1/8" SAE Blanking Plug	4	Torque 4.5 Nm + Loctite
9	4171447	• 3/8" SAE Blanking Plug	1	Torque 20 Nm + Loctite
10	4171448	• 1/2" SAE Blanking Plug	1	Torque 55 Nm + Loctite

BRAKE RELEASE VALVE

Illustration Number: 4132185

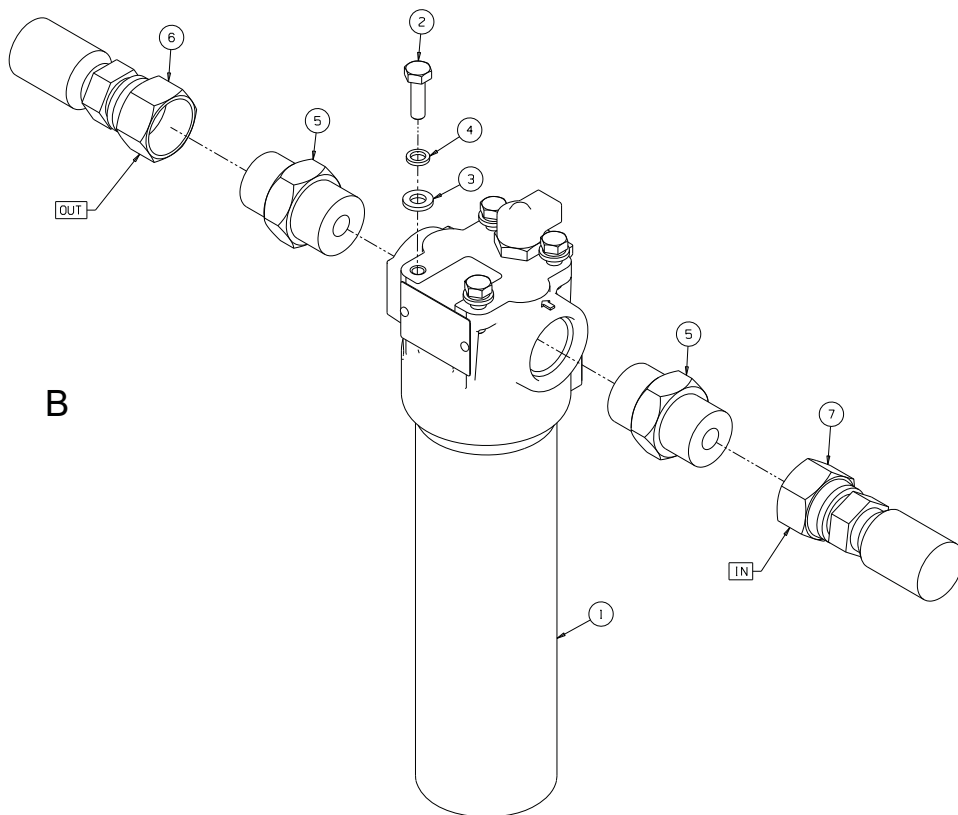
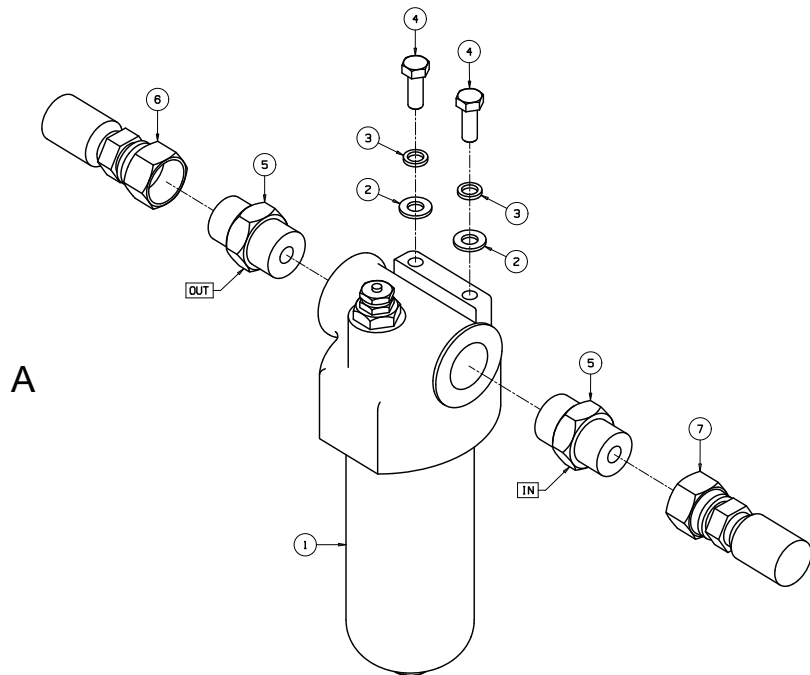




ITEM	PART NO.	DESCRIPTION	QTY.	REMARKS
1	002590240	90-M/M 11/16 ORFS x 3/8 BSPP	1	
*	158061-01	• O Ring	1	11/16" ORFS
2	002590730	Ftg-9/16 ORFS x 3/8 BSPP	2	
*	158061-18	• O Ring	1	9/16" ORFS
3	008028345	4-Port Rotary Valve	1	
*	001710252	• Ext Circlip, 25 mm	1	
*	640002048	• O-Ring	2	
4	4132248	Bracket-Brake Valve	1	
5	4133237	Manifold-5 Port 11/16 ORFS	1	
*	158061-01	• O Ring	5	11/16" ORFS
6	450005	Bolt-Hex M6 x 50	1	
7	450018	Bolt-Hex M8 x 50	2	
8	450192	Scrw-Hex M8 x 25	2	
9	450376	Nut-Hex M5 Nyloc	2	
10	450377	Nut-Hex M6 Nyloc	2	
11	450378	Nut-Hex M8 Nyloc	4	
12	450388	Washer-M5 x 10 x 1.1	2	
13	450389	Washer-M6 x 12.5 x 1.8	1	
14	450390	Washer-M8 x 17 x 1.8	4	
15	450528	Scrw-Pan Hd M5 x 16	2	
16	459100236	Plug-3/8 BSPP	1	
17	MBG3284A	Brkt-Microswitch	1	
18	W038383	Switch, Normally Closed	1	
19	002568020	Cap-11/16 ORFS	1	
20	4133852	Hose-Rotary Valve 'B' to Cutter Valve 'BR'	1	
21	4133853	Hose-Rotary Valve 'A' to Motor Brake Tee	1	For Sauer-Danfoss wheel motors
21	4283268	Hose-Rotary Valve 'A' to Motor Brake Tee	1	For Poclain wheel motors
22	4133893	Hose-Rotary Valve 'C' to Check Valve	1	
23	4133900	Hose-Lift Valve 'L' to Lift Manifold	1	
24	4133901	Hose-LH & RH Lift Rams to Lift Manifold	2	
25	4133902	Hose-Rear Lift ram to Lift Manifold	1	
26	MBF0918	Clamp Plate	1	
28	002560010	Cap-9/16 ORS	1	From S/N EJ000675 & FG000503
29	002590480	Tee-M/F/M 9/16 ORS	1	From S/N EJ000675 & FG000503
30	008239720	Horn	1	
31	450171	Scrw-Hex M6-1.0 x 20, Gr 8.8	1	
32	452100019	Washer-1/4 x 5/8 x .064	2	

HYDRAULIC FILTER

Illustration Number: 4127922



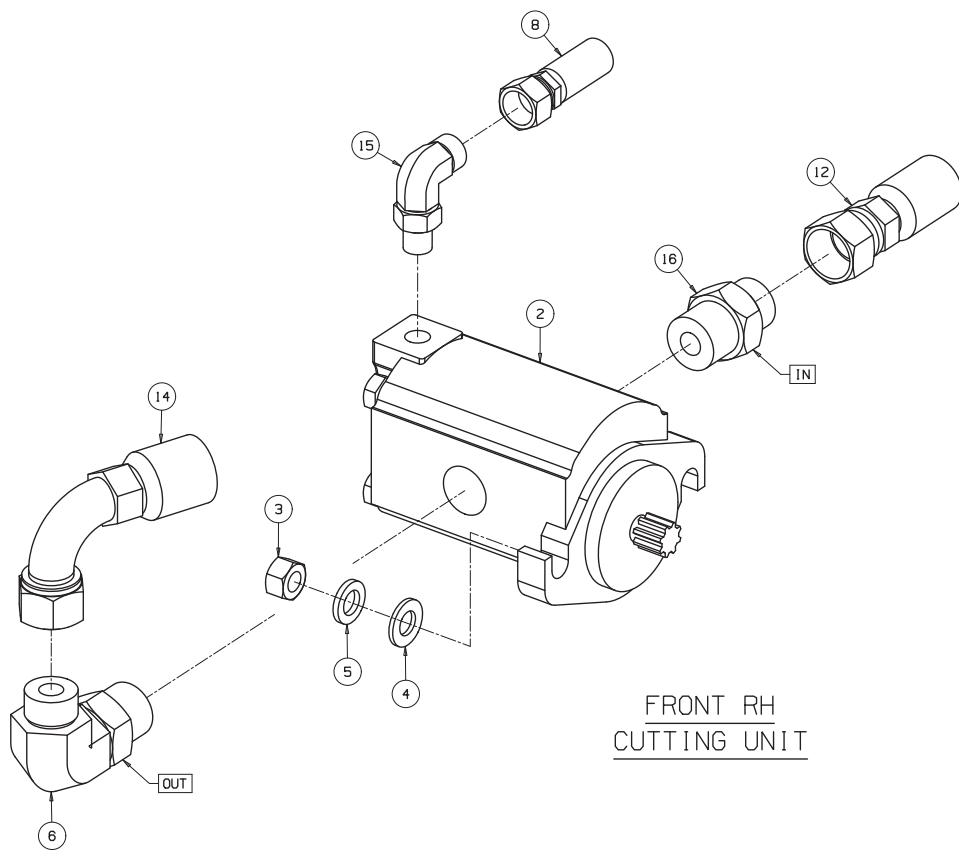
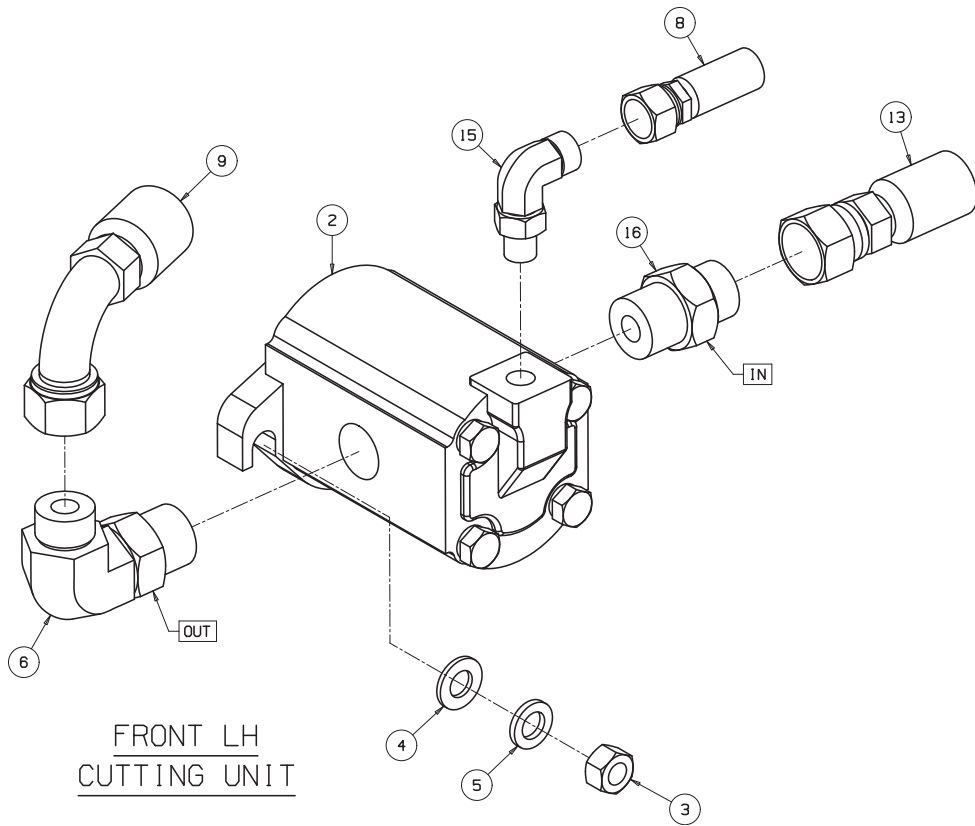
ITEM	PART NO.	DESCRIPTION	QTY.	REMARKS
A				
1	4151777	Filter-Hyd, 9.6 micron	1	
*	008089620	• Filter Element	1	
*	008089810	• Single Post Electrical Sensor	1	
2	450390	Washer-M8 x 17 x 1.8	2	
3	450411	LockWasher-M8 x 12.75 x 2	2	
4	456110341	Scrw-Hex 5/16-18 x 7/8	2	
5	158006-11	Ftg-M/M 1 ORFS x 1-1/16 SAE	2	
*	158061-08	• O Ring	1	1" ORFS
*	002218120	• O Ring	1	1-1/16" SAE
6	4133848	Hyd Hose Assembly	1	Trans Pump 'E' to Filter 'Out'
7	4133851	Hyd Hose Assembly	1	Cutter valve 'MP' to Filter 'In'
B				
1	4252570	Filter-Hyd, 10 micron ABS, 7 bar	1	
*	4204702	• Filter Bowl D0621	1	
*	4204701	• O-Ring 50 x 21	1	
*	4199061	• Filter Element, 10 Micron Absolute	1	
2	450171	Screw M6 x 20	4	
3	450389	Washer M6	4	
4	450410	S L Washer M6	4	
5	158006-11	Ftg-M/M 1 ORFS x 1-1/16 SAE	2	
*	158061-08	• O Ring	1	1" ORFS
*	002218120	• O Ring	1	1-1/16" SAE
6	4133848	Hyd Hose Assembly	1	Trans Pump 'E' to Filter 'Out'
7	4133851	Hyd Hose Assembly	1	Cutter valve 'MP' to Filter 'In'



ITEM	PART NO.	DESCRIPTION	QTY.	REMARKS
1	4133036	Manifold	1	
*	002515100	• Ftg-9/16 ORFS x 9/16 SAE	4	
*	158061-18	• O Ring	4	9/16" ORFS
*	4136856	• Ftg-M/M 1-3/16 ORFS x 3/4 SAE	2	
*	158061-09	• O Ring	1	1-3/16" ORFS
*	4136862	• Ftg-M/M 1 ORFS x 9/16 SAE	1	
*	158061-08	• O Ring	1	1" ORFS
*	158006-01	• Ftg-M/M 11/16 ORFS x 9/16 SAE	1	
*	158061-01	• O Ring	1	11/16" ORFS
2	4133038	Bracket-Manifold Mtg	1	From EJ000750, FG000553
3	450171	Scrw-Hex M6 x 20	3	
4	450377	Nut-Hex M6 Nyloc	3	
5	452100019	Washer-1/4 x 5/8 x .064	6	
6	008239720	Horn	1	
7	450192	Scrw-Hex M8 x 25	1	
8	450390	Washer-M8 x 17 x 1.8	1	
9	450411	LockWasher-M8 x 12.75 x 2	1	
10	4133846	Hyd Hose Assembly	1	Cooler 'OUT' to Return Manifold
11	4133889	Hyd Hose Assembly	1	Rear Motor Drain to Manifold
12	4133903	Hyd Hose Assembly	1	Rear Lift Ram to Manifold
13	4133904	Hyd Hose Assembly	1	Frnt LH Lift Ram to Manifold
14	4133905	Hyd Hose Assembly	1	Frnt RH Lift Ram to Manifold
15	4133906	Hyd Hose Assembly	1	Lift valve 'T' to Manifold
16	4133909	Hyd Hose Assembly	1	Cutter Drain Manifold (only fitted to serial no.EJ000304)
17	4133914	Hyd Hose Assembly	1	Manifold to Tank
18	4137213	Hyd Hose Assembly	1	Frnt Lift Blkhd Tee to Manifold
19	4137214	Hyd Hose Assembly	1	Rear cutter Drain to Manifold
20	4137215	Hyd Hose Assembly	1	Lift/Lower Valve Drain to Manifold (To S/N EJ000749 & FG000552)
20	4194980	Hose-Lift Valve 'CR' to Manifold	1	(From S/N EJ000750 & FG000553)
21	69068-01	Oriface Disk 0.052"	1	
22	4190100	RH Manifold Mount	1	(From S/N EJ000749 & FG000x552)
23	4190101	LH Manifold Mount	1	(From S/N EJ000750 & FG000553)
24	002498400	Tee-M/F/M 11/16 ORFS	1	
*	158061-01	• O Ring	1	11/16" ORFS
25*	4283267	Hose Assy	1	To front motor drain tee

CUTTING CYLINDER MOTOR

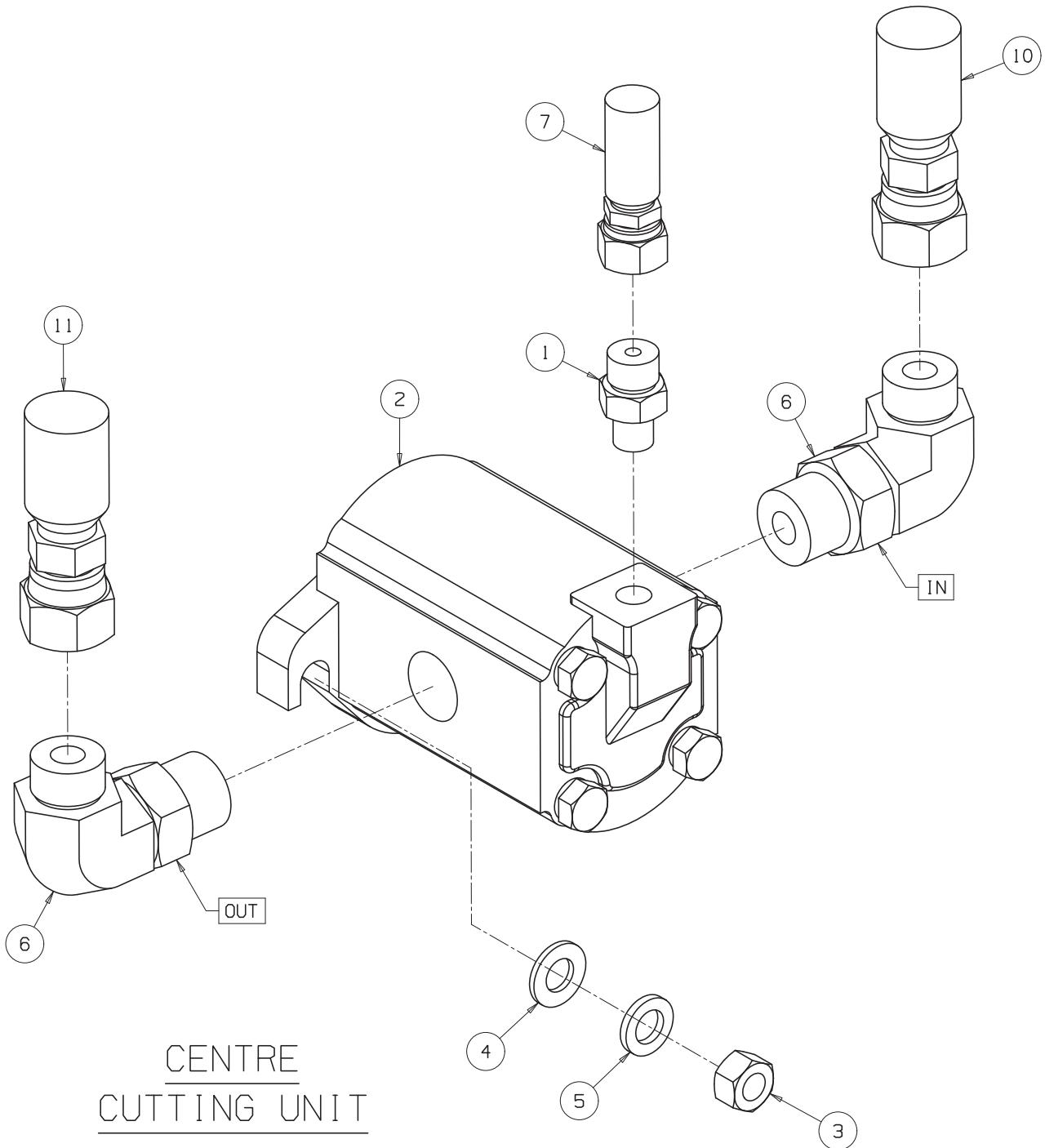
Illustration Number: 4134871-1 & 4134871-2



ITEM	PART NO.	DESCRIPTION	QTY.	REMARKS
<b>FRONT LH UNIT MOTOR</b>				
2	4131749	Motor-Reel	1	USA units
2	4140034	Motor -Reel	1	UK units
3	450120039	Nut-Hex 3/8-16	2	
4	452000326	Washer-3/8 x 3/4 x .072	2	
5	452200134	LockWasher-3/8 x .683 x .094	2	
8	4133908	Hyd Hose Assembly	1	Front Cutter Drain to Blkhd
9	4133911	Hyd Hose Assembly	1	90 Blkhd to LH Motor 'OUT'
13	4136385	Hyd Hose Assembly	1	Str Blkhd to LH Motor 'IN'
15	002525020	90-M/M 9/16 ORFS x 7/16 SAE	1	
*	158061-18	• O Ring	1	9/16" ORFS
*	002218049	• O Ring	1	7/16" SAE
16	158006-06	Ftg-M/M 13/16 ORFS x 7/8 SAE	1	
*	158061-02	• O Ring	1	13/16" ORFS
*	002218104	• O Ring	1	7/8" SAE
<b>FRONT RH UNIT MOTOR</b>				
2	4131749	Motor-Reel	1	USA units
2	4140034	Motor -Reel	1	UK units
3	450120039	Nut-Hex 3/8-16	2	
4	452000326	Washer-3/8 x 3/4 x .072	2	
5	452200134	lockWasher-3/8 x .683 x .094	2	
8	4133908	Hyd Hose Assembly	1	Front Cutter Drain to Blkhd
12	4136383	Hyd Hose Assembly	1	90 Blkhd to RH Motor 'IN'
14	4136388	Hyd Hose Assembly	1	Str Blkhd to RH Motor 'OUT'
15	002525020	90-M/M 9/16 ORFS x 7/16 SAE	1	
*	158061-18	• O Ring	1	9/16" ORFS
*	002218049	• O Ring	1	7/16" SAE
16	158006-06	Ftg-M/M 13/16 ORFS x 7/8 SAE	1	
*	158061-02	• O Ring	1	13/16" ORFS
*	002218104	• O Ring	1	7/8" SAE

CUTTING CYLINDER MOTOR

Illustration Number: 4134871-3

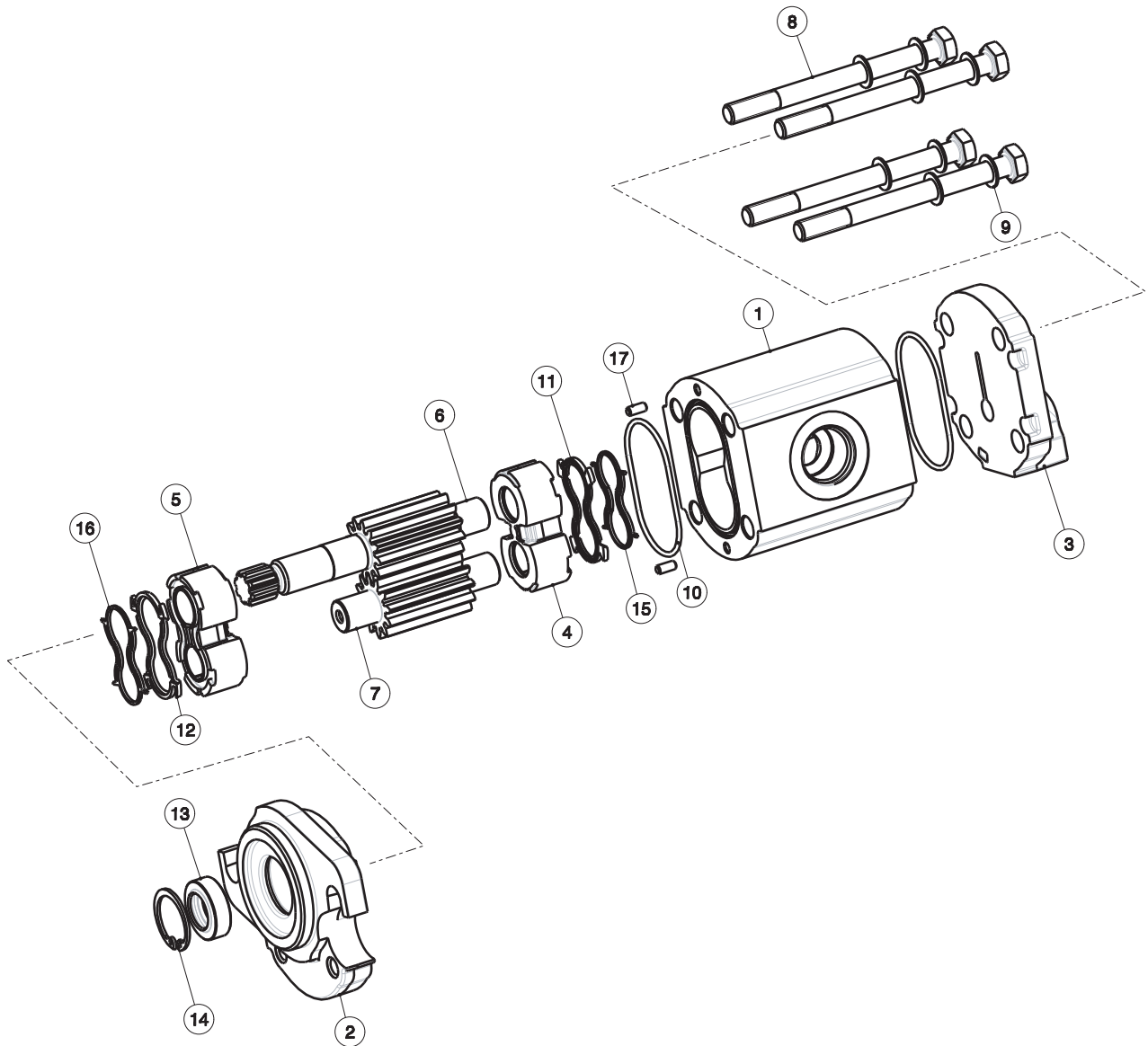




ITEM	PART NO.	DESCRIPTION	QTY.	REMARKS
		<b>CENTRE UNIT MOTOR</b>		
1	002515000	Ftg-9/16 ORFS x 7/16 SAE	1	
*	158061-18	• O Ring	1	9/16" ORFS
*	002218049	• O Ring	1	7/16" SAE
2	4131749	Motor-Reel	1	USA units
2	4140034	Motor -Reel	1	UK units
3	450120039	Nut-Hex 3/8-16	2	
4	452000326	Washer-3/8 x 3/4 x .072	2	
5	452200134	LockWasher-3/8 x .683 x .094	2	
6	158007-03	90-M/M 13/16 ORFS x 7/8 SAE	2	
*	158061-02	• O Ring	1	13/16" ORFS
*	002218104	• O Ring	1	7/8" SAE
7	4133907	Hyd Hose Assembly	1	Rear Cutter Drain to Manifold (to serial number EJ000304)
7	4137214	Hyd Hose Assembly	1	(from serial number EJ000305)
10	4133912	Hyd Hose Assembly	1	RH Blkhd to Rear Motor 'IN'
11	4133913	Hyd Hose Assembly	1	Rear Cutter 'OUT' to Cutter Valve 'M2'

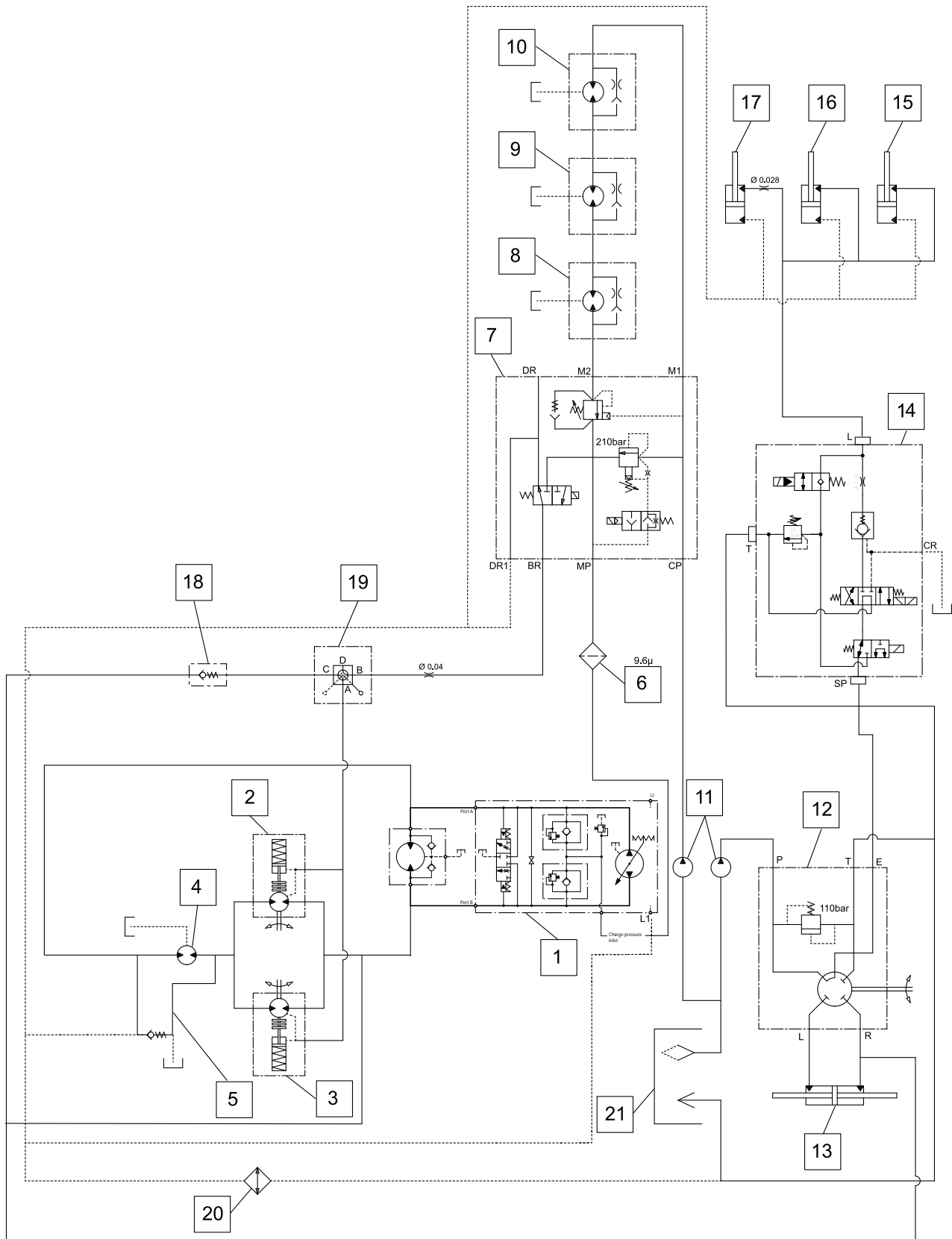
CUTTING CYLINDER MOTOR

Illustration Number: 4131749-3



ITEM	PART NO.	DESCRIPTION	QTY.	REMARKS
1	4138360	Body	1	
2	4138361	Front Cover	1	
3	4138362	Rear Cover	1	
4	4138363	Thrust Plate	1	
5	4138364	Upper Thrust Plate	1	
6	4138365	Drive Shaft	1	
7	4138366	Driven Gear	2	
8	4138367	Screw M8x95	4	
9	4138368	Washer Knurled 8	8	
10 +	4138369	O-Ring Seal	2	
11 +	4138370	Seal		
12 +	4138371	Upper Seal	1	
13 +	4138372	Shaft Seal	1	
14	4138373	Ring	1	
15 +	4138374	Antiextrusion	1	
16 +	4138375	Antiextrusion	1	
17	4138376	Dowel Pin 3.5x8	2	
100 *	2702706	Seal Kit	1	Contains items marked +

HYDRAULIC CIRCUIT

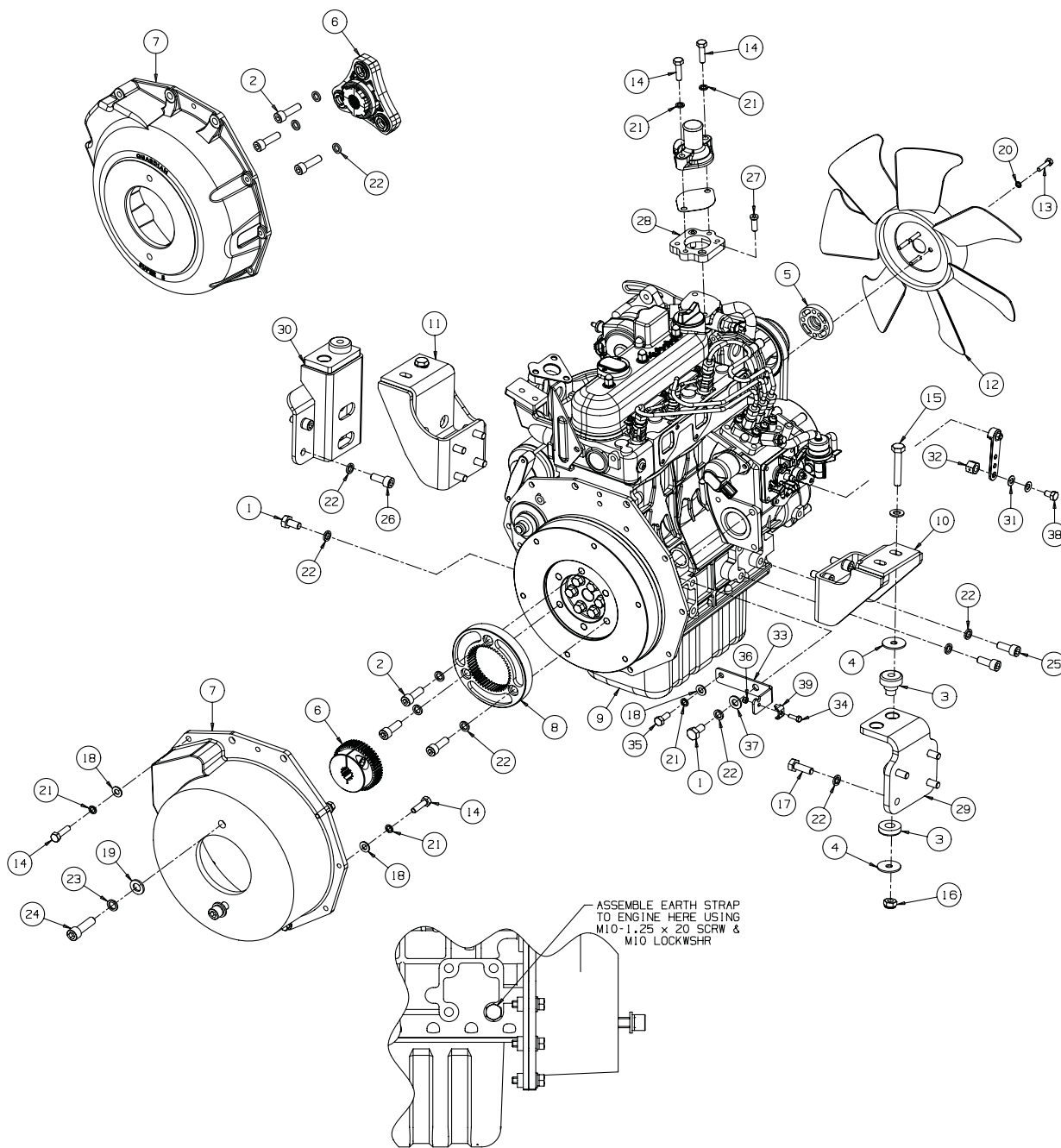


**KEY TO HYDRAULIC DIAGRAM**

- 1 Transmission Pump
- 2 Hydraulic Wheel Motor Front
- 3 Hydraulic Wheel Motor Front
- 4 Hydraulic Wheel Motor Rear
- 5 Hydraulic Flushing Valve
- 6 Hydraulic Filter
- 7 Hydraulic Cutter & Brake Valve
- 8 Hydraulic Deck Motor
- 9 Hydraulic Deck Motor
- 10 Hydraulic Deck Motor
- 11 Cutter & Steering Pump
- 12 Hydraulic Steering Unit
- 13 Hydraulic Steering Cylinder
- 14 Hydraulic Lift Valve
- 15 Hydraulic Lift Cylinder
- 16 Hydraulic Lift Cylinder
- 17 Hydraulic Lift Cylinder
- 18 Hydraulic Check Valve
- 19 Hydraulic Brake Valve
- 20 Hydraulic Oil Cooler
- 21 Hydraulic Tank
- 22 freewheel Valve
- 23 Backlap Valve
- 24 Backlap Speed Control Valve

ENGINE & MOUNTING

Illustration Number: 4134029



VIEW OF RH SIDE OF ENGINE SHOWING POSITION TO ASSEMBLE EARTH STRAP

ITEM	PART NO.	DESCRIPTION	QTY.	REMARKS
1	001190327	Scrw-Hex M10-1.25 x 20	2	
2	001290140	Capscrw-Sckt M10-1.25 x 30	3	
3	4139702	Isolation Mount	2	
4	442003927	Washer-3/8 x 1.375 x 0.092	4	
5	006822150	Fan Spacer-10 mm	1	
6	008902420	Pump Hub	1	
6	4196203	Coupling-13T, Delta Super 5	1	
7	2208048-01	Bell Housing	1	
7	4172800	Bell Housing (Cast Iron)	1	
8	2208048-02	Nylon Flange FLE135	1	
9	4303995	Engine Kubota D1105-T4	1	Tier 4 compliant engine
*	178025	• Engine Oil Filter	1	
10	4137114	Wldmt-Engine Mount LH	1	
11	4137117	Wldmt-Engine Mount RH	1	
12	4130987	Fan-370 Dia, 7-Blade	1	
13	450000	Bolt-Hex M6 x 25	4	
14	450014	Bolt-Hex M8 x 30	10	
15	450034	Bolt-Hex M10 x 60	2	
16	450379	Nut-Hex M10 Nyloc	2	
17	450215	Scrw-Hex M10 x 30	4	
18	450390	Washer-M8 x 17 x 1.8	8	
19	450392	Washer-M12 x 24 x 2.7	2	
20	450410	LockWasher-M6 x 9.6 x 1.5	4	
21	450411	LockWasher-M8 x 12.75 x 2	11	
22	450412	LockWasher-M10 x 15.9 x 2.5	21	
23	450413	LockWasher-M12 x 17.9 x 2.5	2	
24	450756	Capscrw-Sckt M12 x 40	2	
25	452740	Capscrw-Sckt M10-1.25 x 25	8	
26	450738	Capscrw-Sckt M10 x 25	4	
27	MBG4067	Scrw-Thermo Hsg	2	To S/N EJ000913 & FG000685
27	4285631	Capscrw-Hex Sckt M8-1.25 x 20	2	From S/N EJ000914 & FG000686
28	LMSE210	Kit-Thermo Hsg Spacer & Screws	1	
29	4179140	Wldmt - Bracket - Iso Mount LH	1	
30	4137121	Wldmt - Iso Mount RH	1	
31	002920501	Sprg-Disc 8.2 x 16 x 0.9	2	
32	172084	Throttle Clamp	1	
33	4137049	Throttle Bracket	1	To S/N EJ100909 & FG100685
33	MBG2027A	Throttle Bracket	1	From S/N EJ100910 & FG100685
34	450151	Scrw-Hex M5x 16	1	
35	450191	Scrw-Hex M8 x 20	1	
36	450376	Nut-Hex M5 Nyloc	1	
37	450391	Washer-M10 x 21 x 2.2	3	
38	456010161	Scrw-Hex 5/16-24 x 1/2	1	
39	W022372	Throttle Clamp	1	
*	LMAC311	Coupling Kit	1	
*	LMAC312	Bell Housing Kit	1	
*	LMAC313	Bell Housing & Coupling Kit	1	
*	4176380	Kit-Bell Housing & Coupling	1	

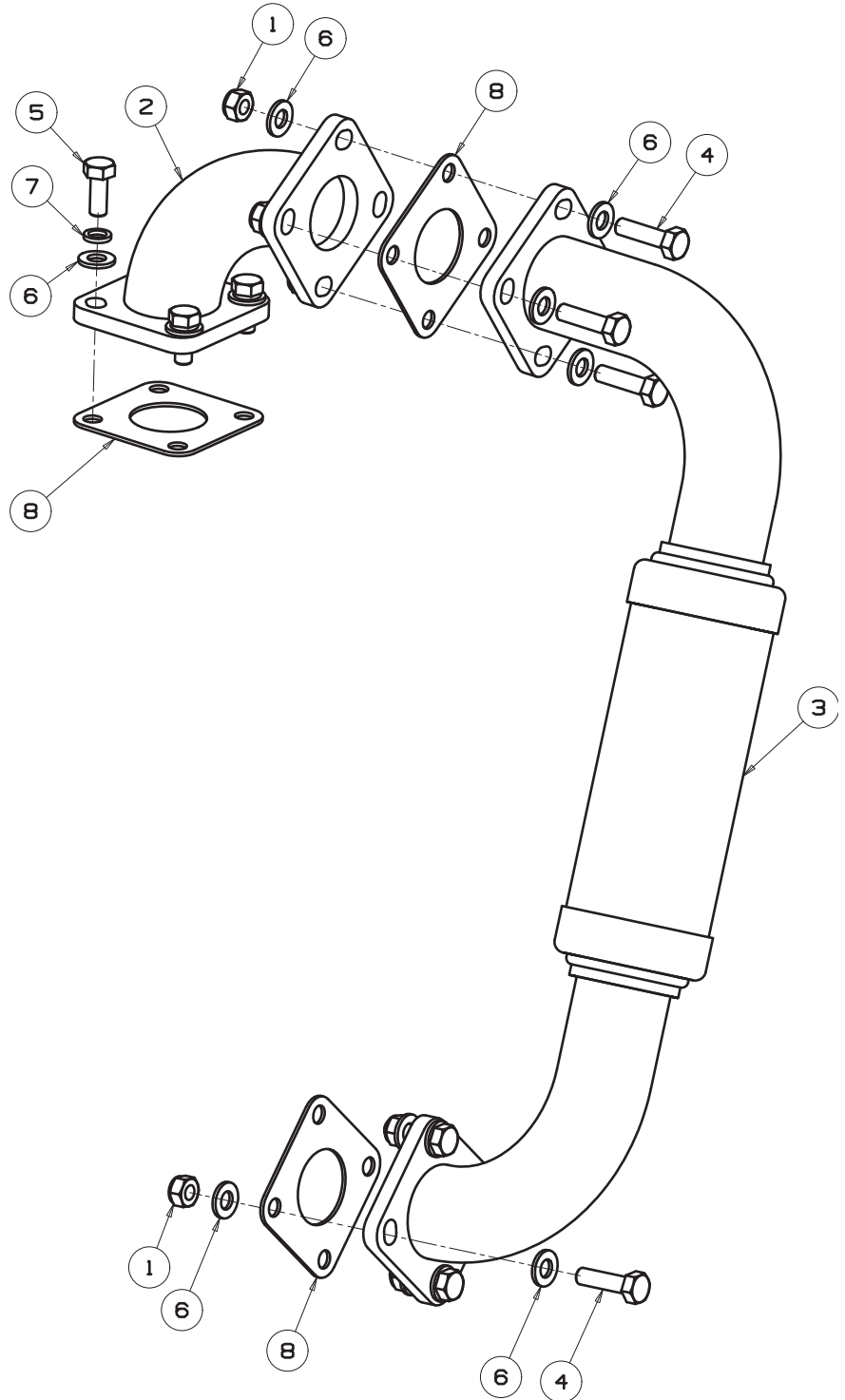




ITEM	PART NO.	DESCRIPTION	QTY.	REMARKS
1	001990399	U-clamp, 1-3/8"	1	
2	4174421	Muffler	1	
3	4116132	U-clamp, 48 mm	1	
5	4135830	Bracket-Exhaust Mtg, Front	1	
6	4135831	Bracket-Exhaust Mtg, Rear	1	
7	4135847	Cover-Exhaust	1	
8	450171	Scrw-Hex M6 x 20	4	
9	450192	Scrw-Hex M8 x 25	2	
10	450358	Nutsert-M6 A-K x 17.3	4	
11	450389	Washer-M6 x 12.5 x 1.8	4	
12	450390	Washer-M8 x 17 x 1.8	2	
13	450410	LockWasher-M6 x 9.6 x 1.5	4	
14	450411	LockWasher-M8 x 12.75 x 2	2	
15	MBC1264	Tailpipe	1	

EXHAUST

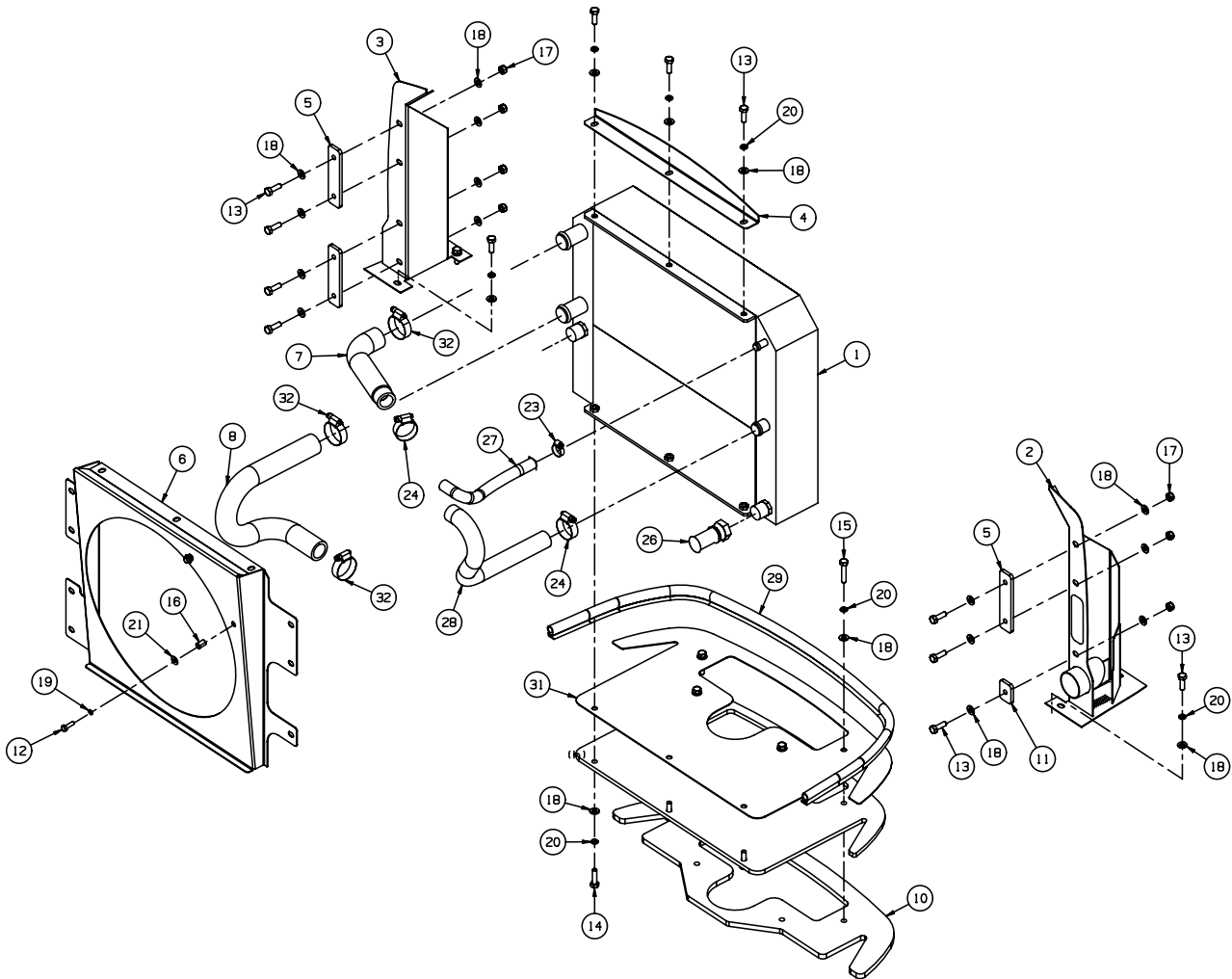
Illustration Number: 4136096



ITEM	PART NO.	DESCRIPTION	QTY.	REMARKS
1	001339050	Nut-Hex M8 Staytite	4	
2	4136075	Wldmt-Exhaust Pipe	1	
3	4136098	Exhaust Assembly	1	
4	450014	Bolt-Hex M8 x 30	8	
5	450191	Scrw-Hex M8 x 20	4	
6	450390	Washer-M8 x 17 x 1.8	20	
7	450411	Washer - SLW M8	4	
8	553020	Gasket, Muffler	3	

RADIATOR & COWLING

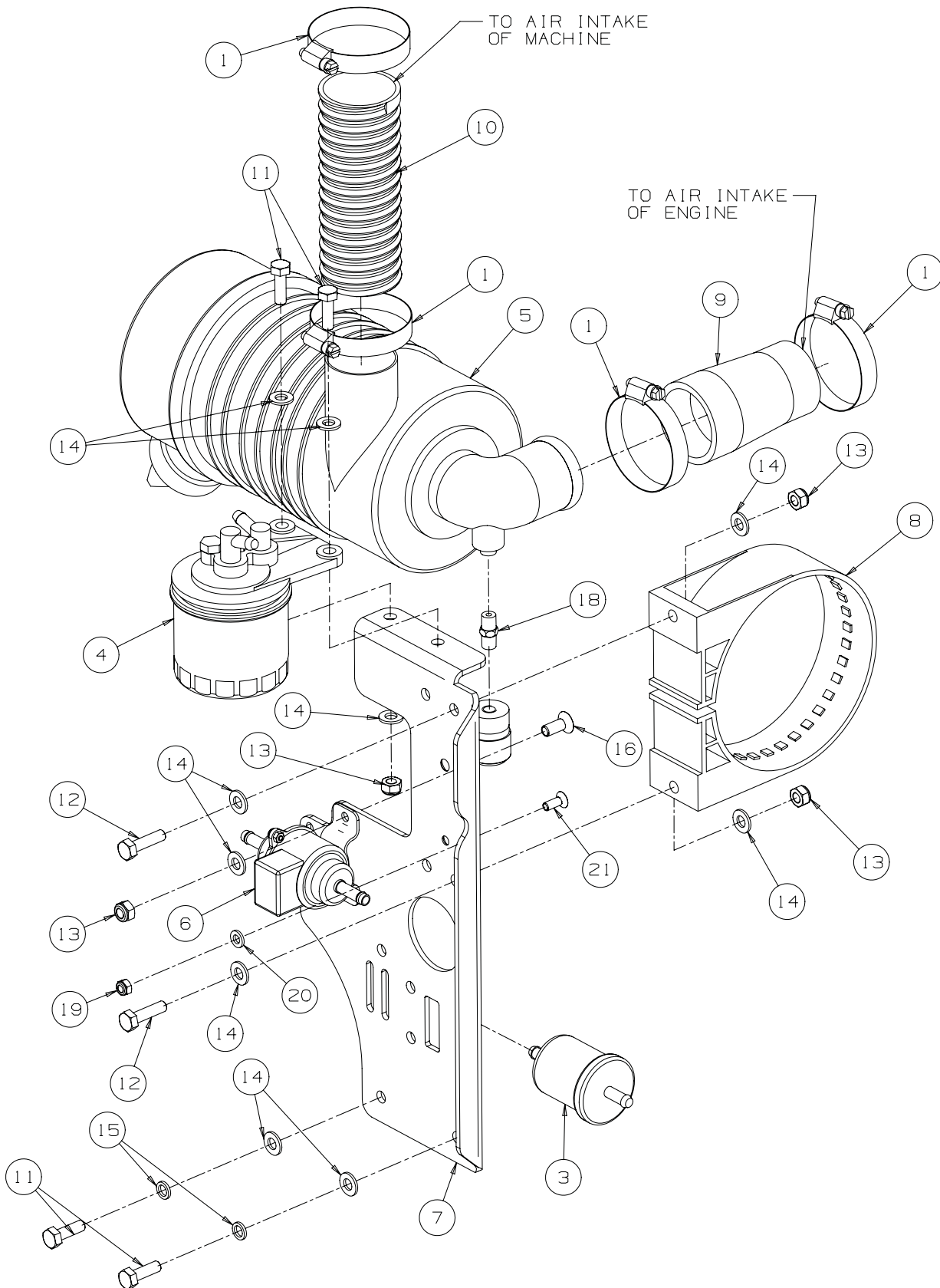
Illustration Number: 4130886



ITEM	PART NO.	DESCRIPTION	QTY.	REMARKS
1	4130963	Asm-Radiator / Cooler	1	
2	4131095	Wldmt-Radiator Support LH	1	
3	4131096	Wldmt-Radiator Support RH	1	
4	4131123	Flange-Top, Radiator	1	
5	4131130	Spacer-Cowling	3	
6	4131165	Cowling-Radiator	1	
7	4132109	Hose-Upper Radiator	1	
8	4132119	Hose-Lower Radiator	1	
9	4133116	Plate-Radiator Mtg	1	
10	4133117	Plate-Radiator Mtg	1	
11	4133225	Spacer-Cowling	1	
12	450171	Scrw-Hex M6 x 20	2	
13	450192	Scrw-Hex M8 x 25	14	
14	450193	Scrw-Hex M8 x 30	3	
15	450195	Scrw-Hex M8 x 40	4	
16	450357	M6 Nutsert	2	
17	450378	Nut-Hex M8 Nyloc	7	
18	450390	Washer-M8 x 17 x 1.8	28	
19	450410	LockWasher-M6 x 9.6 x 1.5	2	
20	450411	LockWasher-M8 x 12.75 x 2	14	
21	452100019	Washer-1/4 x 5/8 x .064	2	
22 *	4238802	Bulk-Channel, Flx Trim	1.3	Quantity = metres
23	001925220	Hose Clamp, 8-22	1	
24	001925400	Hose Clamp, 19-40	2	
25	4133845	Hyd Hose Assembly	1	Trans Pump 'L' to Cooler 'IN'
26	4133846	Hyd Hose Assembly	1	Cooler 'OUT' to Return ManifoldSide
27	4259813	Hose-Exp Tank to Radiator	1	
28	4133916	Hose-Exp Tank to Radiator	1	
29	002989360	Seal-Engine Hood	1.1	Quantity = metres
31	4136834	Plate-Hood Seal	1	
32	108094-01	Hose Clamp, 19-44	3	

AIR CLEANER MOUNTING

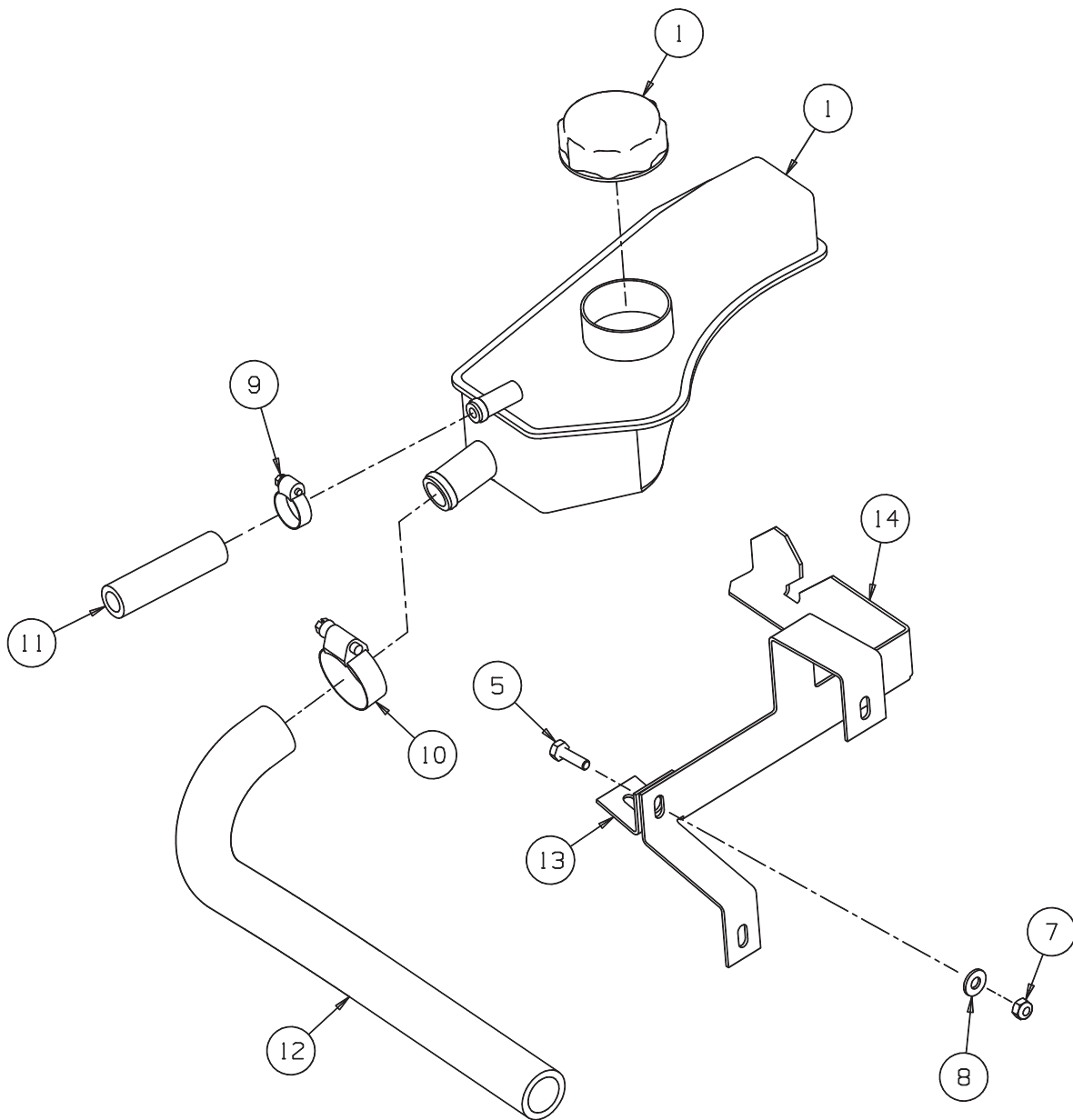
Illustration Number: 4137185



ITEM	PART NO.	DESCRIPTION	QTY.	REMARKS
1	001925700	Hose Clamp 23-70	4	
2	008109680	Restriction Indicator	1	
3	006890160	In-Line Fuel Filter	1	
4	4136011	Fuel Filter	1	
	4136009	• Filter Canister	1	
5	2198147	Air Cleaner	1	
*	2198147-01	• Element	1	
*	2198147-02	• Valve-Dust Unloader	1	
*	2198147-03	• Cover	1	
*	2198147-04	• S-Cover Clip	1	
6	4126806	Electric Fuel Pump	1	
7	4243082	Bracket-Air Cleaner Mtg	1	
8	4133245	Mounting Band-5" Plastic	1	
9	4136344	Air Cleaner Hose	1	
10	4137196	Hose-Air Cleaner Intake	1	
11	450192	Scrw-Hex M8 x 25	4	
12	450193	Scrw-Hex M8 x 30	2	
13	450378	Nut-Hex M8 Nyloc	5	
14	450390	Washer-M8 x 17 x 1.8	11	
15	450411	LockWasher-M8 x 12.75 x 2	2	
16	450633	Scrw-Csk M8 x 20	1	
17*	680001941	Cable Tie-300 x 4.8	1	
18	840346	Adaptor-Gauge	1	
19	450377	Nut-Hex M6 Nyloc	1	
20	450389	Washer-M6 x 12.5 x 1.8	1	
21	450619	Scrw-Csk M6 x 16	1	

EXPANSION TANK

Illustration Number: 4133518

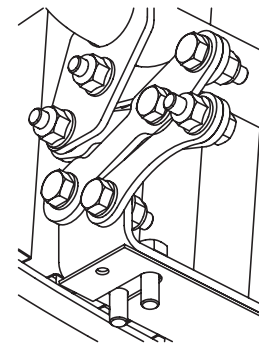
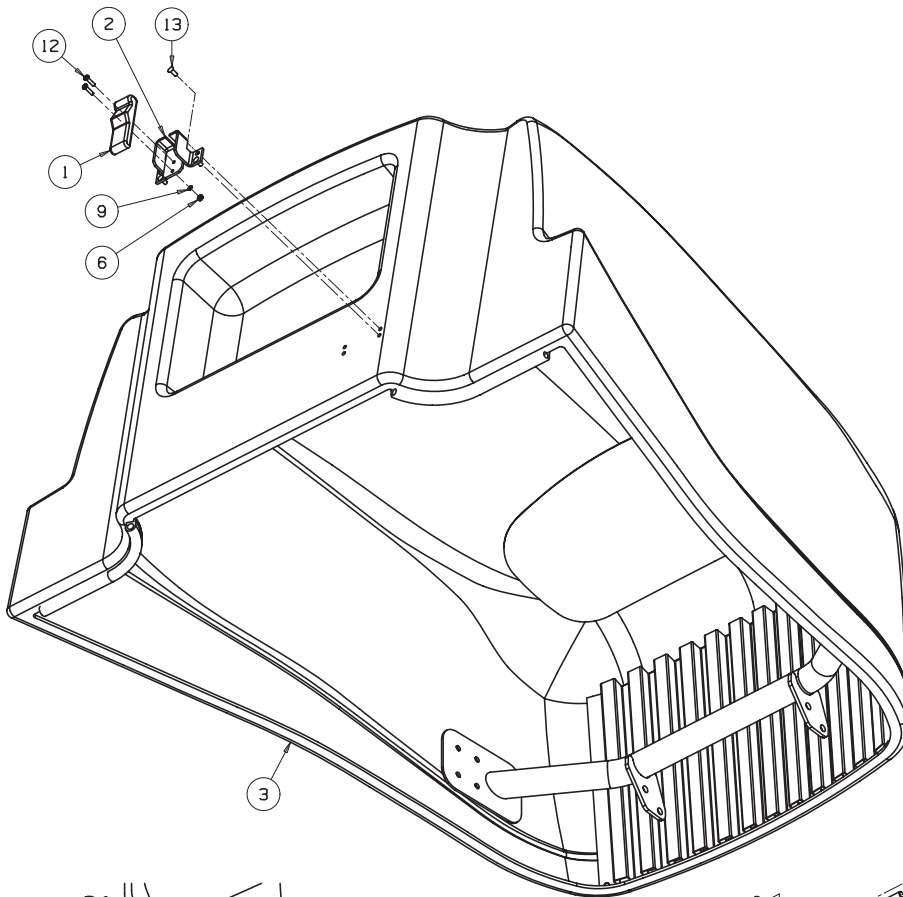




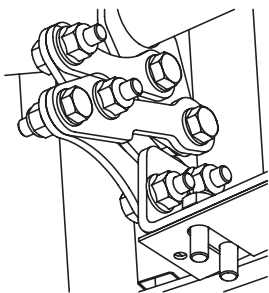
ITEM	PART NO.	DESCRIPTION	QTY.	REMARKS
1	4123826	Expansion Tank & Cap	1	
*	4123828	• Pressure Cap-13 PSI	1	
2				
3				
4				
5	450171	Scrw-Hex M6 x 20	1	
6				
7	450377	Nut-Hex M6 Nyloc	1	
8	452100019	Washer-1/4 x 5/8 x .064	2	
9	001925220	Hose Clamp, 8-22	1	
10	001925400	Hose Clamp, 19-40	1	
11	4133915	Hose-Exp Tank to Radiator	1	
12	4133916	Hose-Exp Tank to Radiator	1	
13	4165391	Bracket-Expansion Tank	1	
14	4165392	Bracket-Expansion Tank	1	

ENGINE HOOD

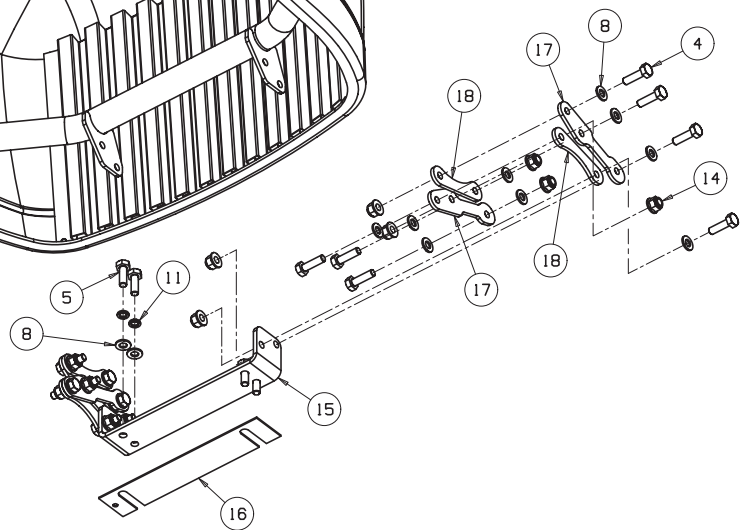
Illustration Number: 4131967



ENGINE HOOD HINGE ASSEMBLY  
VIEWED FROM OUTSIDE HOOD



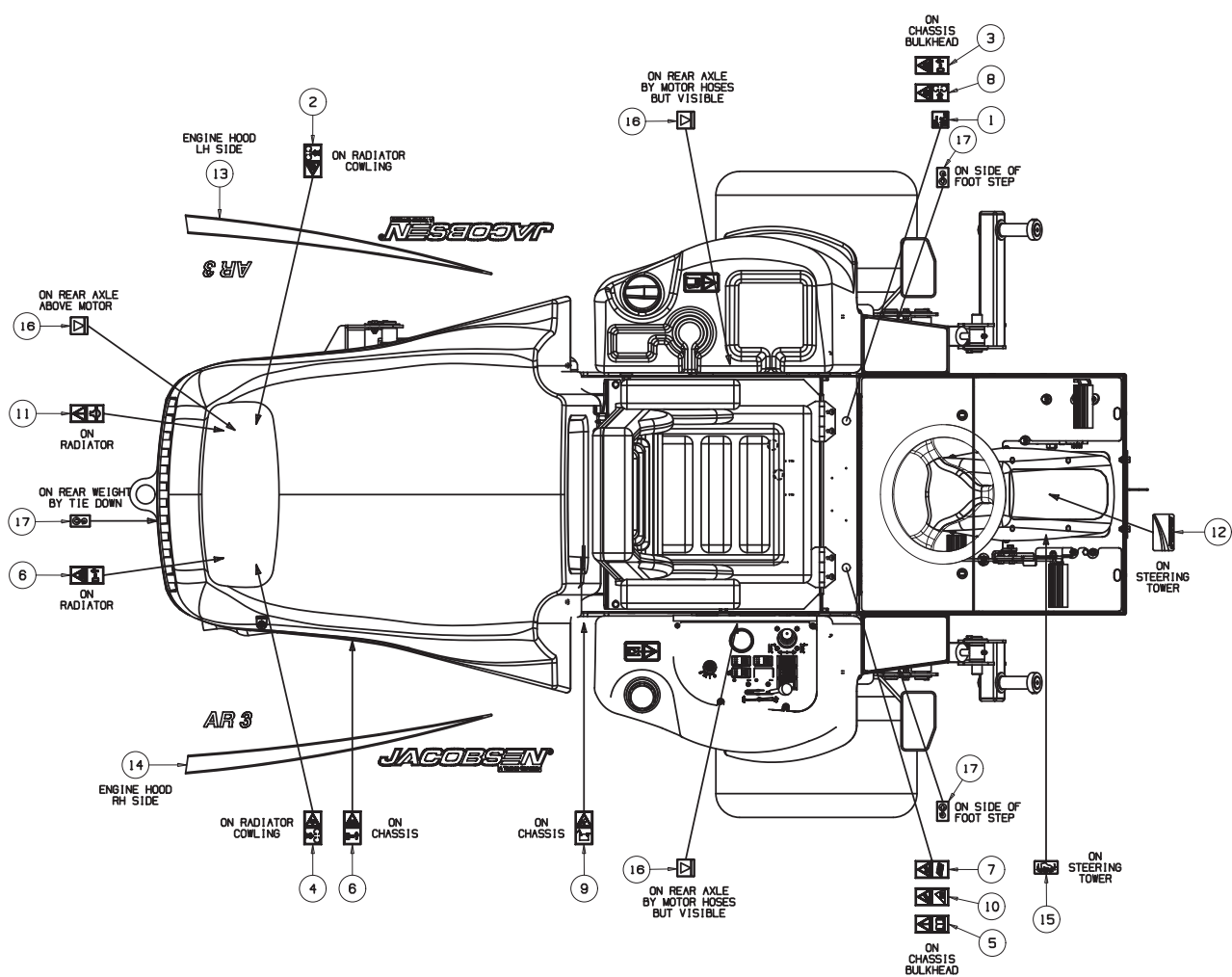
ENGINE HOOD HINGE ASSEMBLY  
VIEWED FROM INSIDE HOOD



ITEM	PART NO.	DESCRIPTION	QTY.	REMARKS
1	2198112	Latch	1	Complete Draw Latch Assembly
2	4131199	Brkt-Latch, Hood	1	
3	4171040	Asm-Engine Hood	1	
*	4137560	• Seal-Side Tube	2	
4	450029	Bolt-Hex M10 x 35	14	
5	450215	Scrw-Hex M10 x 30	4	
6	450321	Nut-Hex M4	2	
8	450391	Washer-M10 x 21 x 2.2	22	
9	450408	LockWasher-M4 x 6.95 x 1.2	2	
11	450412	LockWasher-M10 x 15.9 x 2.5	4	
12	450519	Scrw-Pan Hd M4 x 16	2	
13	001496044	Rivet-Pop 4.8 x 12	4	
14	452437	Nut-Hex M10 Flange Nyloc	14	
15	MBG6824	Bonnet Bracket	1	
16	MBG7076	Bonnet Spacer	1	
17	4137174	Hinge Bracket-Long	4	
18	MBG7112	Hinge Bracket-Short	4	
*	4207360	Cargo Net	1	

DECALS

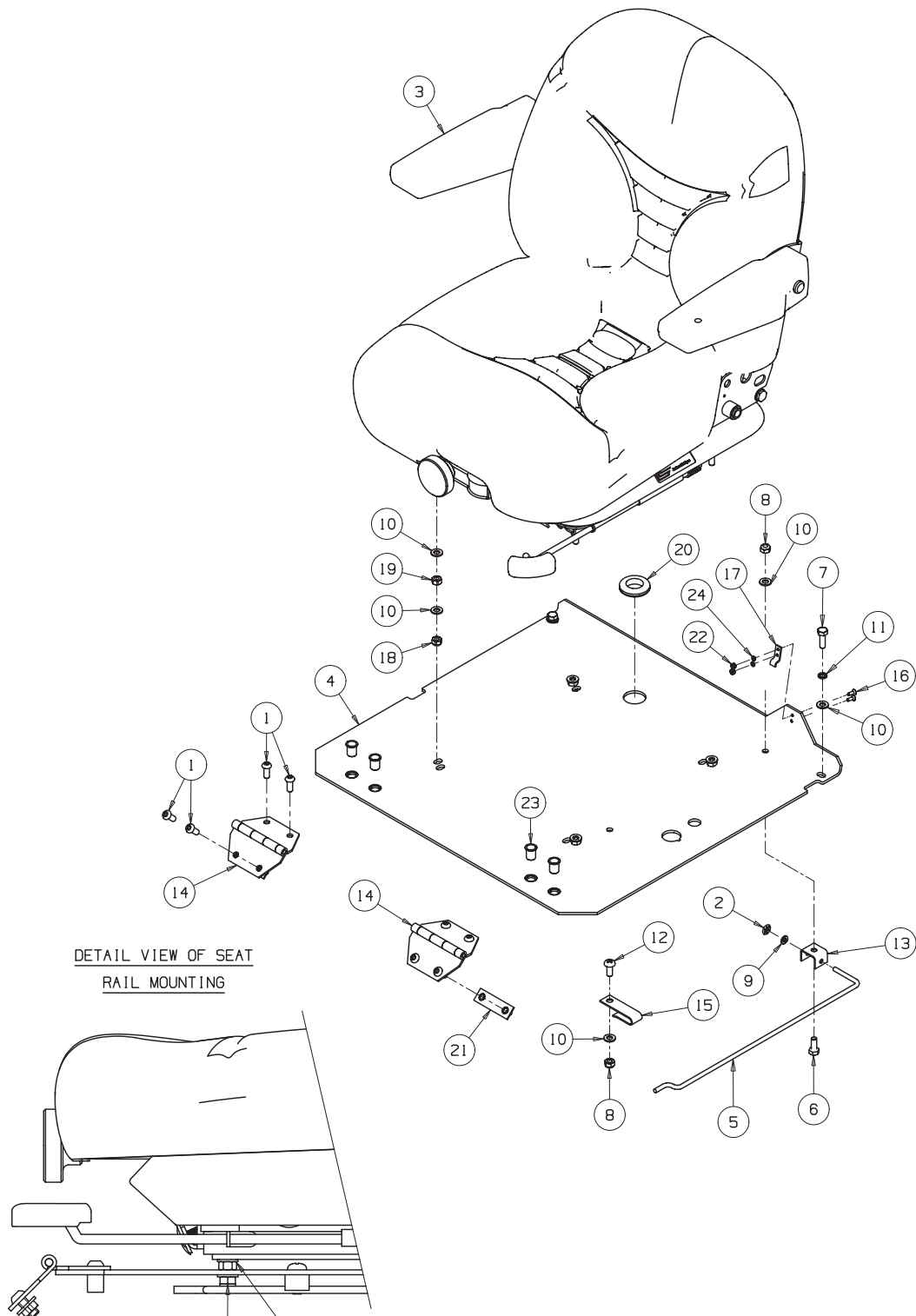
Illustration Number: 4133967



ITEM	PART NO.	DESCRIPTION	QTY.	REMARKS
	IDL147	Kit-Decal, TR3		
1 +	009034770	Decal-Noise 105dB	1	
2	009034880	Decal-Fan	1	
3	009034890	Decal-Bystander Warning	1	
4	009034900	Decal-Belt	1	
5	009034910	Decal-Instruction	1	
6	009034920	Decal-Hot	2	
7	009034930	Decal-Hyd Pressure Leak	1	
8	009034940	Decal-Cylinder Hazard	1	
9	009114100	Decal-Battery	1	
10	009114160	Decal-Slope 15 Deg	1	
11	4118415	Decal-Coolant Hazard	1	
12	4124182	Emblem-Jacobsen	1	
13	4133930	Decal-Hood LH, TR3	1	
14	4133932	Decal-Hood RH, TR3	1	
15 +		Decal-Fwd/Rev	1	
16 +		Decal-Jacking	3	
17 +		Decal-Hooking	3	
18*	4146857	Decal-Seat Belt Rops	1	
19*	4153197	Decal-Pressure Wash	1	
+		Included in Decal Set 4134053		

SEAT & MOUNTING PLATE

Illustration Number: 4137386



DETAIL VIEW OF SEAT  
RAIL MOUNTING

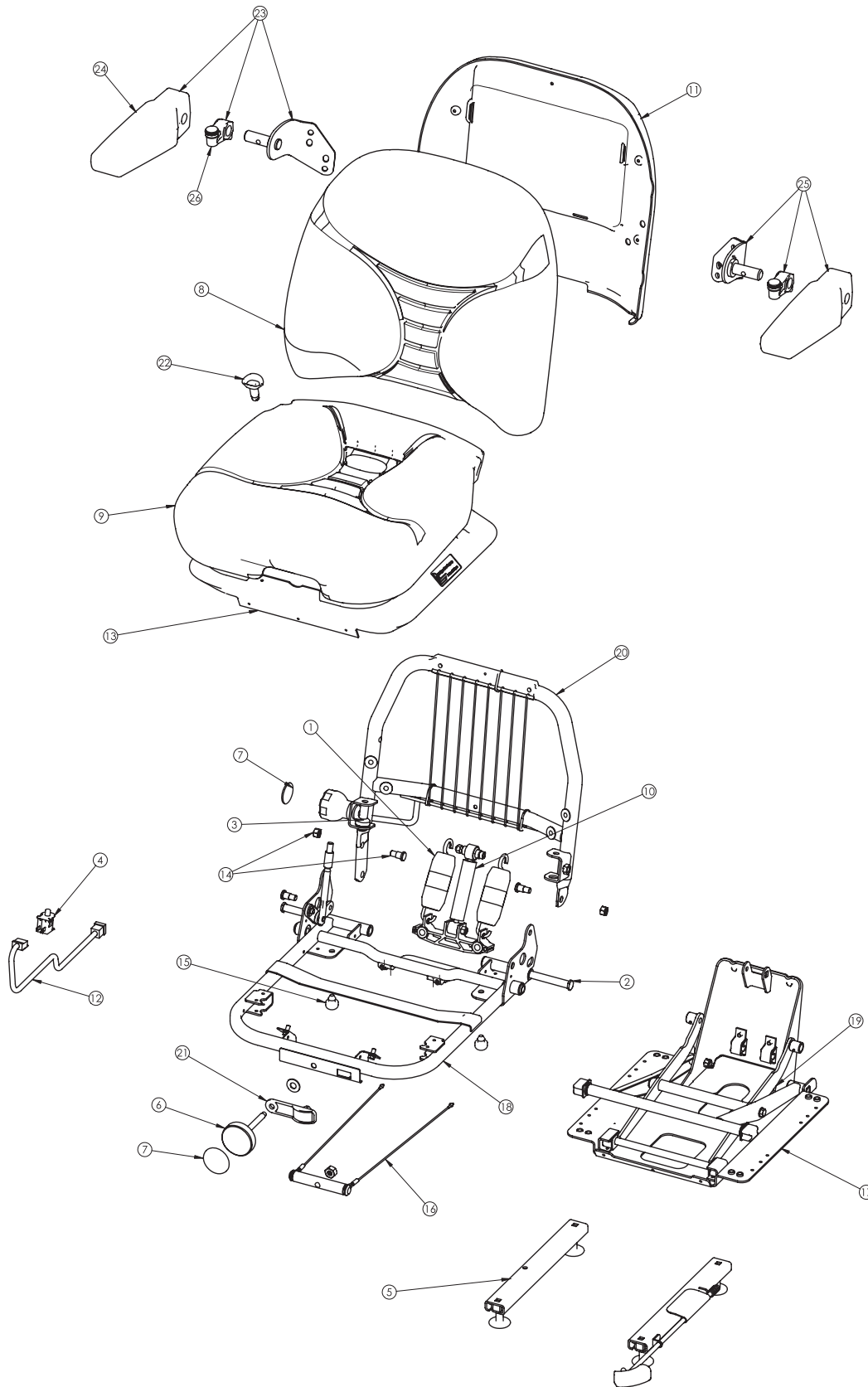
ASSEMBLE PLAIN WASHER (450390)  
AND 5/16-18 NYLOC NUT (001393222)  
BELOW SEAT PLATE

ASSEMBLE PLAIN WASHER (450390)  
AND 5/16-18 NUT (450120021)  
ONTO SEAT MOUNTING STUDS

ITEM	PART NO.	DESCRIPTION	QTY.	REMARKS
1	4142288	Scrw-Pan Hd M8 x 20 Torx	8	
2	001399139	Star Ring 6 mm	1	
3	4134111	Seat-Milsco CE-200 Deluxe	1	Up To Serial No. EJ000331
*	4136888	• Adaptor Harness	1	
3	4136247	Seat-Michigan V-5300	1	From Serial No. EJ000332
3	4137966	Seat-Grammer MSG85		
4	4131166	Plate-Seat Mtg	1	
5	4132991	Seat Stay	1	
6	450191	Scrw-Hex M8 x 20	1	
7	450192	Scrw-Hex M8 x 25	2	
8	450378	Nut-Hex M8 Nyloc	2	
9	450389	Washer-M6 x 12.5 x 1.8	1	
10	450390	Washer-M8 x 17 x 1.8	12	
11	450411	LockWasher-M8 x 12.75 x 2	2	
12	450552	Scrw-Pan Hd M8 x 20	1	
13	MBG0993.07	Bracket-Stay	1	
14	MBG2013.07	Hinge-Seat Stay	2	
15	MBG3241	Clip	1	
16	450594	Scrw-Csk M4 x 12	2	
17	2198112	Latch	1	Complete Draw Latch Assembly
18	001393222	Nut-Hex 5/16-18 Nyloc	4	
19	450120021	Nut-Hex 5/16-18	4	
20	002953420	Grommet-25.4 x 44.5 x 9.9	1	
21	4118558	Wldmt-Keep Plate	2	
22	450321	Nut-Hex M4	2	
23	450369	Nutsert-M8 A-L x 17.5	4	
24	450408	LockWasher-M4 x 6.95 x 1.2	2	
25*	002989470	Foam	1.5m	

MICHIGAN V-5300 SERIES SEAT

Illustration Number: 4136247

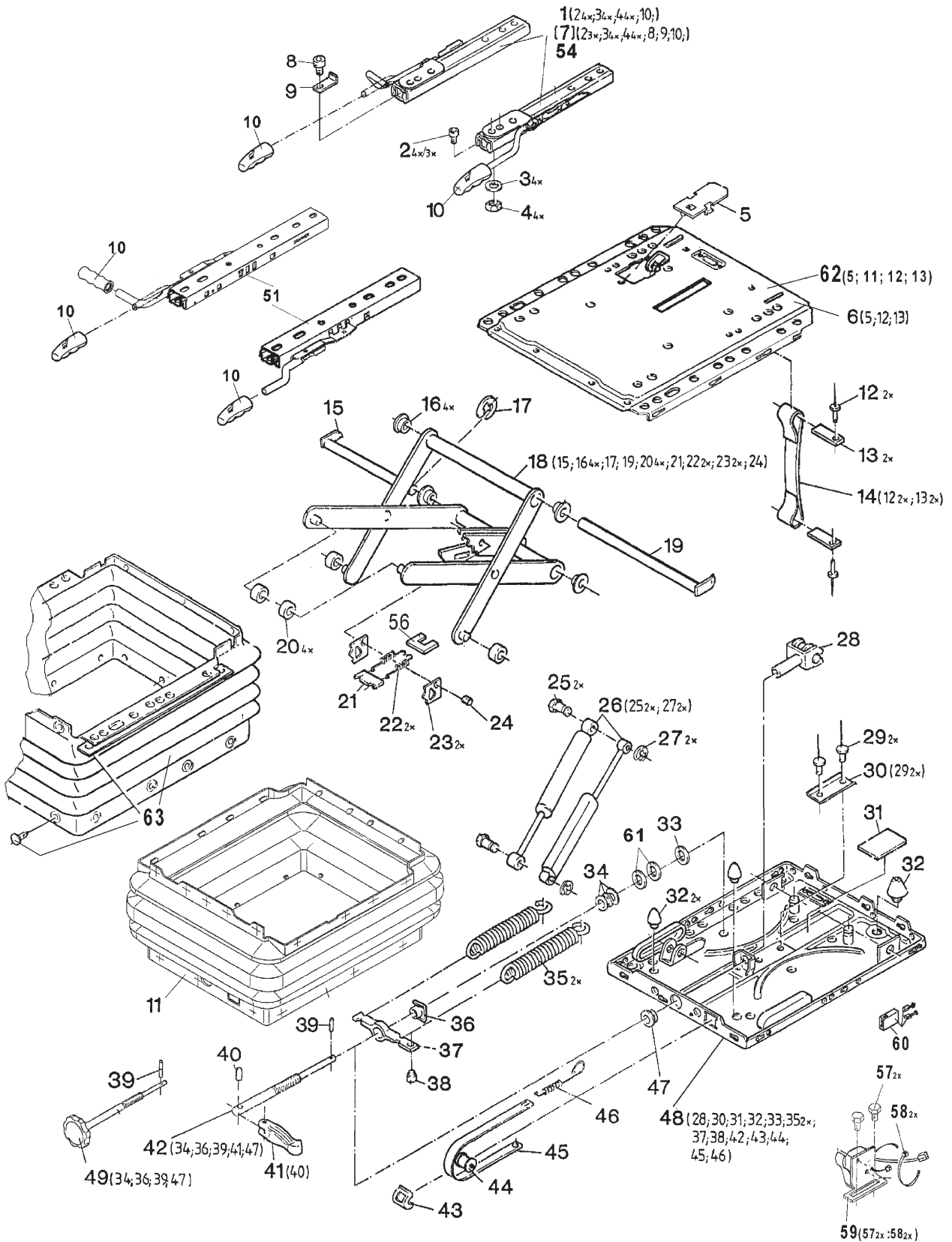




ITEM	PART NO.	DESCRIPTION	QTY.	REMARKS
1	4136899	Spring & Saddle Kit	1	
2	4136900	Shaft / Bearing Kit	1	
3	4136901	Gear Kit	1	
4	4136902	Switch - Snap Mount Kit	1	
5	4136903	Slide Kit	1	
6	4136904	Knob Kit	1	
7	4136905	Label Kit	1	
8	4136906	Back Cushion Kit	1	
9	4136907	Seat Cushion Kit	1	
10	4136908	Shock Absorber Kit	1	
11	4136909	Back Panel Kit	1	
12	4136910	Wire Harness Kit	1	
13	4136911	Boot Kit	1	
14	4136912	Pivot Bolt Kit	1	
15	4136913	Bumper Kit	1	
16	4136914	Weight Adjust Kit	1	
17	4136915	Susp. Base Weldment Kit	1	
18	4136916	Seat Frame Weldment Kit	1	
19	4136917	Linkage Assy Kit	1	
20	4136918	Back Frame Weldment Kit	1	
21	4136919	Weight Ind Assy Kit	1	
22	4136920	Water Drain Kit	1	
23	4136921	Armrest Assy RH Kit	1	
24	4136922	Armrest, Moulded Kit	1	
25	4136923	Armrest Assy LH Kit	1	
26	4136924	Armrest Stop Assy	1	

GRAMMER MSG 85 SEAT - SUSPENSION

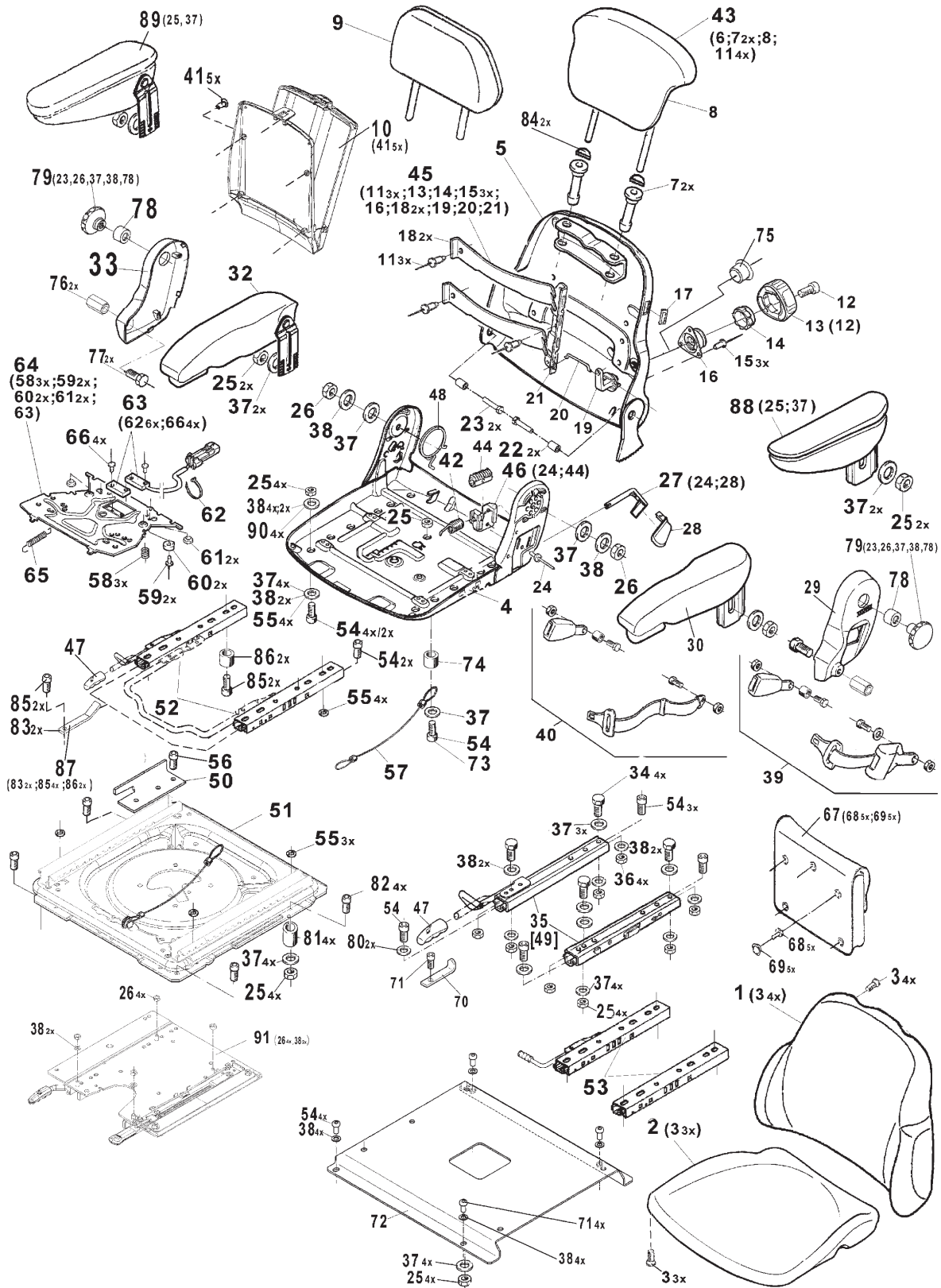
Illustration Number: 4137966-3



ITEM	PART NO.	DESCRIPTION	QTY.	REMARKS
5	008173680	Cover	1	
6		Kit, Suspension Upper	1	
11		Kit, Bellow	1	
15	008173790	Bolt	1	
16	008173800	Bushing	4	
18	008199900	Swing Arm Kit	1	
19		Bolt	1	
20	008173780	Roller	4	
21	008173820	Plate	1	
22		Tension Spring	2	
23	008173830	Release Plate	2	
24	008173840	Bolt	1	
25	008173710	Bolt, M8 x 22, Yellow	2	
26	008199680	Kit, Shock Absorber, S	1	
27	008173720	Washer, Retaining, 5 mm	2	
28		Fork	1	
29	008173740	Rivet, 4.0 x 10.0	2	
30		Bracket, U-Shaped Pro	1	
31	008173760	Rubber Plate	1	
32	008173730	Bumper Set	1	
33	008173870	Thrust Washer Kit	1	
35	008144410	Spring, Tension	2	
36	008173880	Nut, M12, Flange	1	
37	008173910	Spring Bracket	1	
38	008173930	Plug, Retainer	1	
39		Pin, 3.0 x 16	1	
40		Pin, 4 x 28	1	
41		Handle (Toggle)	1	
42		Adjustment Spindle	1	
43	008173950	Guide	1	
44	008193960	Roller	1	
45	008193920	Band, Weight, 130 kg	1	
46	008173940	Tension Spring	1	
47		Bushing	1	
52		Suspension Lower Par	1	
53		Fixing Parts	1	
55		Suspension MSG85	1	
57		Screw, M6 x 12	2	
58		Ties, Cable, 2.5 x 102	2	
59	4160220	Switch	1	
60	008174000	Connector, Electrical	1	

GRAMMER MSG 85 SEAT - SEAT TOP

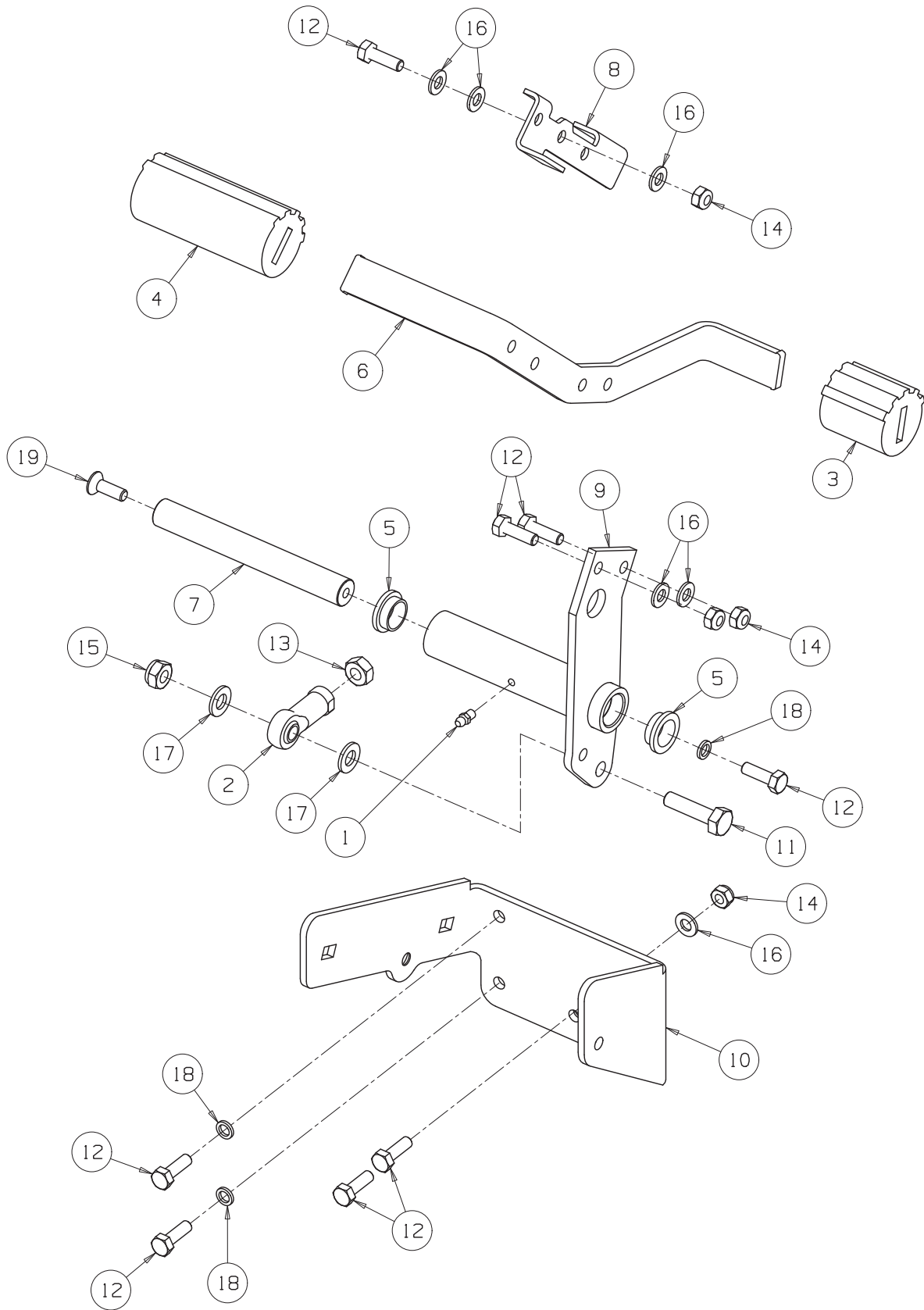
Illustration Number: 4137966-5



ITEM	PART NO.	DESCRIPTION	QTY.	REMARKS	
1	4178162	Assy, Cushion, Backrest	1	142219	
2		Assy, Cushion, Seat	1	142220	
3		Screw, M5 x 25, Pan Hd	7	1054392	
4		Seat Pan	1	1075488	
5		Backrest Pan Kit	1	140682	
7		Tube	2	138686	
8		Backrest Extension	1	1105077	
22		Tube	2	138686	
23		Screw, M8-1.25 x 40	2	118558	
24		Rivet, 6 x 12	1	1103259	
25		Nut, Hex, M8-1.25	6	110291	
26		113048	Nut, Hex, M8-1.25	2	113048
27			Lever	1	140675
28			Handle, Grey	1	139454
29			Cover, LH, Blk	1	1078696
33			Cover, RH, Blk	1	1078701
34			Screw M8 x 16	4	111030
35			Set of Adjustment Rails	1	135236
36			Nut, Hex M8-1.25	4	139843
37			Washer, Flat, M8	11	113290
38			Washer 8.4-Hv140	6	110489
39			Kit, Seatbelt, 2 Retractable	1	902133
40	Seatbelt, 2 Non-retractable		1	902125	
42	Spring, Spiral		1	1046892	
44	Stop		1	142257	
46	Bearing Kit		1	139255	
48	Spring, Leg, Backrest		1	142152	
49	Set of Adjustment Rails		1	136243	
54	Screw, M8 x 16, Hex Socket	4	122949		
67	Literature Box	1	One supplied		
*	Literature Holder (net)	1			
68	Blind Rivet 3.2 x 11.2	5	135786		
69	Ball	5	106408		
88	Armrest	1	141172		
89	Armrest	1	141173		

TRACTION PEDAL

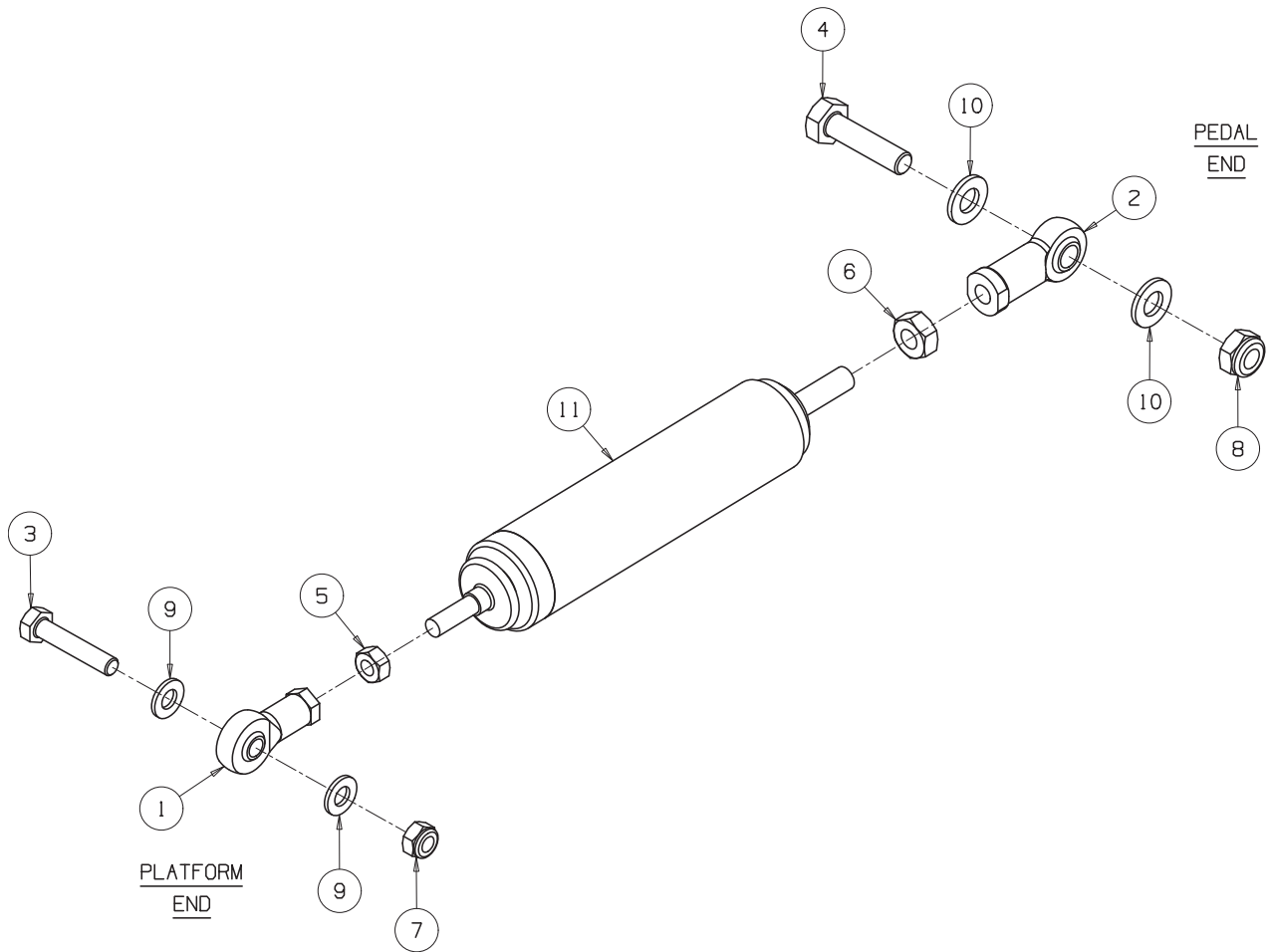
Illustration Number: 4130703



ITEM	PART NO.	DESCRIPTION	QTY.	REMARKS
1	002993013	Lubricator-M6 Straight	1	
2	008145450	Rod End M10	1	
3	3003474	Grip-Pedal	1	
4	3003475	Grip-Pedal	1	
5	4130415	Bush-Fling 3/4 x 7/8 x 3/8	2	
6	4130704	Pedal-Traction	1	
7	4130705	Shaft-Pivot, Pedal	1	
8	4130706	Stop-Mow Speed	1	
9	4130707	Wldmt-Lever, Pedal	1	
10	4134965	Bracket-Pedal Mounting	1	
11	450030	Bolt-Hex M10 x 40	1	
12	450192	Scrw-Hex M8 x 25	8	
13	450325	Nut-Hex M10	1	
14	450378	Nut-Hex M8 Nyloc	5	
15	450379	Nut-Hex M10 Nyloc	1	
16	450390	Washer-M8 x 17 x 1.8	7	
17	450391	Washer-M10 x 21 x 2.2	2	
18	450411	LockWasher-M8 x 12.75 x 2	3	
19	450866	Scrw-Sckt Csk M8 x 25	1	

TRACTION PEDAL DAMPER

Illustration Number: 4135110

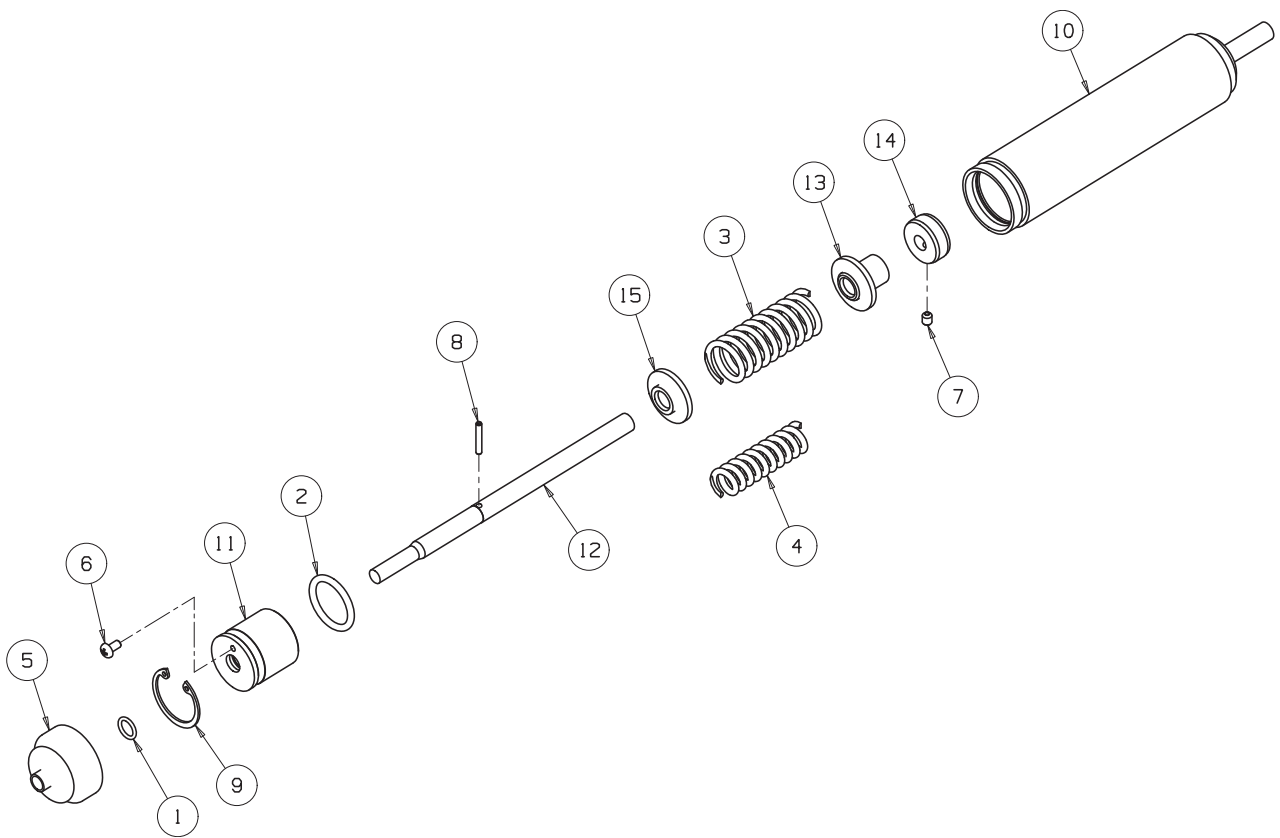




ITEM	PART NO.	DESCRIPTION	QTY.	REMARKS
1	008145117	Rod End-M8 RH	1	
2	008145450	Rod End M10	1	
3	450016	Bolt-Hex M8 x 40	1	
4	450030	Bolt-Hex M10 x 40	1	
5	450324	Nut-Hex M8	1	
6	450325	Nut-Hex M10	1	
7	450378	Nut-Hex M8 Nyloc	1	
8	450379	Nut-Hex M10 Nyloc	1	
9	450390	Washer-M8 x 17 x 1.8	2	
10	450391	Washer-M10 x 21 x 2.2	2	
11	4135777	Asm-Damper Control	1	

DAMPER CONTROL

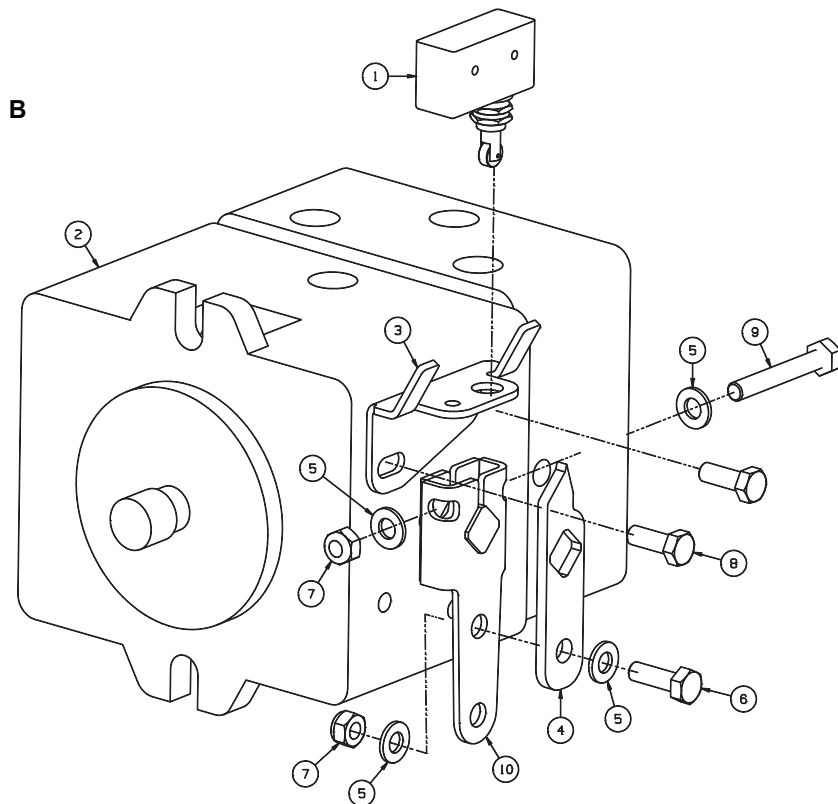
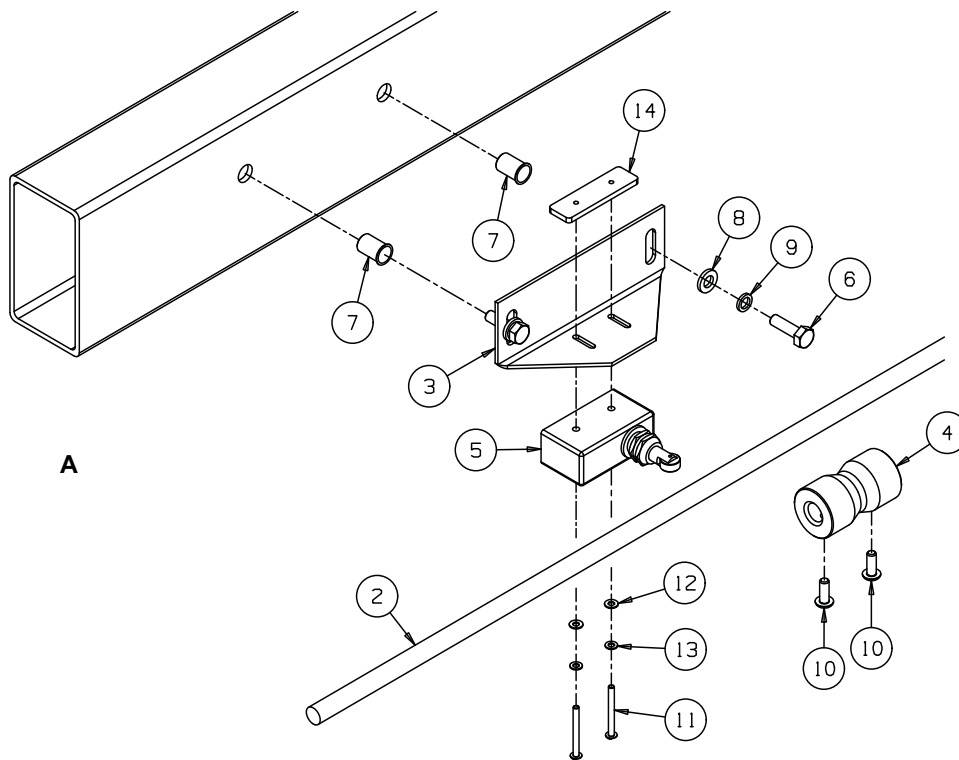
Illustration Number: 4135777



ITEM	PART NO.	DESCRIPTION	QTY.	REMARKS
1	002210122	O-Ring 9.25 ID x 1.78 Sect	1	
2	002212140	O-Ring 25 ID x 3.53 Sect	1	
3	002911170	Sprg-Comp 25.4 x 3.25 x 76.2	1	
4	002911220	Sprg-Comp 15.88 x 2.34 x 76.2	1	
5	009134850	Gaiter	1	
6	450515	Scrw-Pan Hd M4 x 8	1	
7	450950	Scrw-Set M5 x 6, Cup Pnt	1	
8	451581	Pin-Tension 3 x 20	1	
9	451962	Circlip-Int 32 x 1.2 T	1	
10	MBE2480B.7	Wldmt-Cylinder (Black)	1	
11	MBE2483B	End Cap	1	
12	MBE2484C	Piston Rod	1	
13	MBE2485A	Reaction Sleeve	1	
14	MBE2486A	Piston	1	
15	MBE2495A	Reaction Sleeve	1	

TRACTION PEDAL NEUTRAL SWITCH

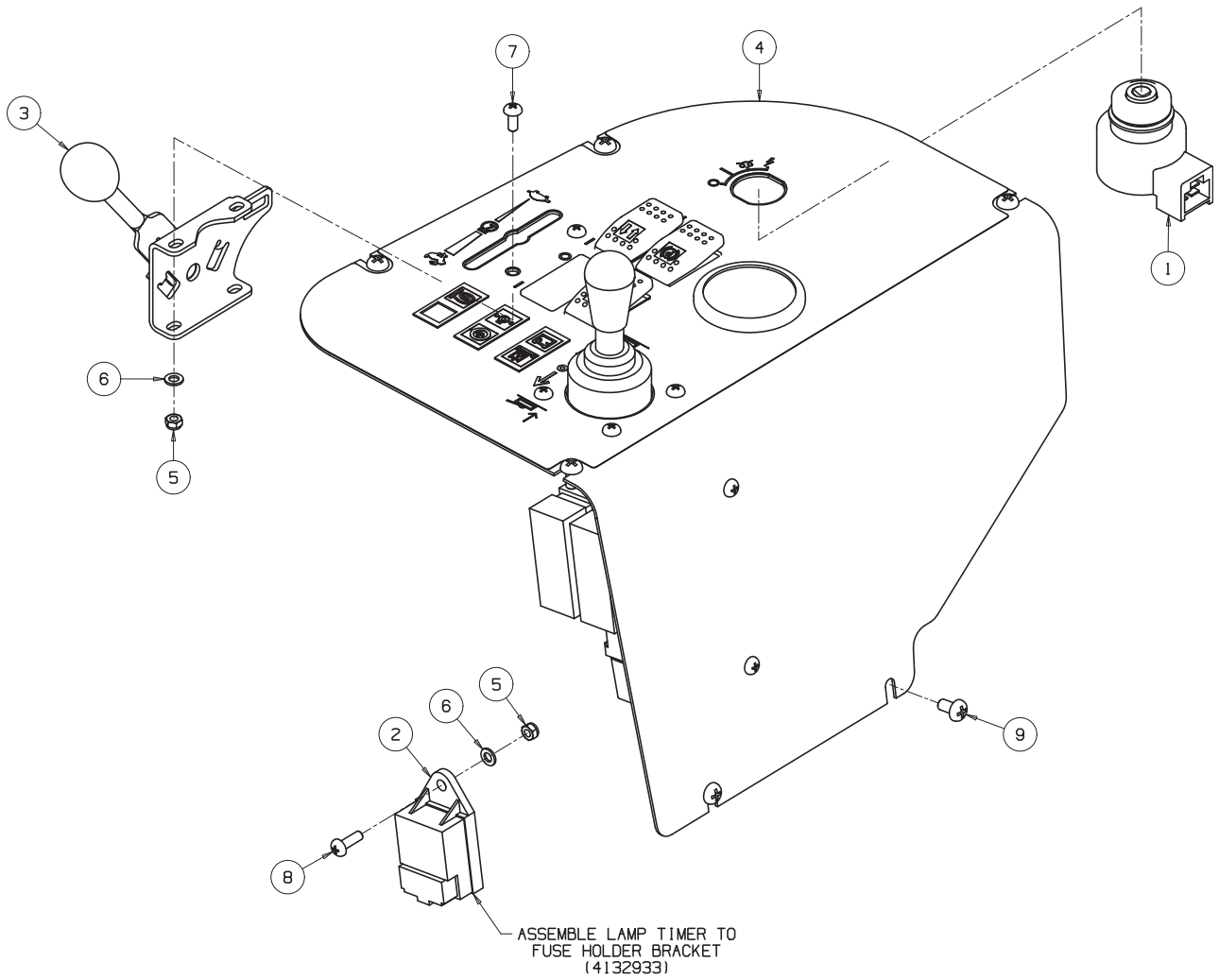
Illustration Number: 4139745 & 4139745-Rev D



ITEM	PART NO.	DESCRIPTION	QTY.	REMARKS
A				
2	4132836	Rod-Pump Control	1	
3	4139707	Bracket-Neutral Switch	1	to serial number EJ000432
3	4141587	Bracket-Neutral Switch	1	from serial number EJ000433
4	4139708	Actuator-Neutral Switch	1	
5	4139733	Microswitch	1	
6	450171	Scrw-Hex M6 x 20	2	
7	450357	Nutsert-M6 A-K x 14.7	2	
8	450389	Washer-M6 x 12.5 x 1.8	2	
9	450410	Lockwasher-M6 x 9.6 x 1.5	2	
10	451144	Scrw-Pan Hd No.10 x 13	2	
11	001814310	Scrw-Pan Hd M3 x 30	2	from serial number EJ000433
12	001830030	Washer-M3 x 7 x 0.6, Brass	2	from serial number EJ000433
13	001863037	Washer-M3 x 6.4 x 0.61, Crinkle	2	from serial number EJ000433
14	4141588	Plate-Switch Mounting	1	from serial number EJ000433
B				
1	4139733	Microswitch	1	
2	008005950	Pump-Transmission, M25-2081	1	
3	4182480	Bracket-Neutral Switch	1	from s/n EJ000728 and FG000543
3	4184220	Bracket-Neutral Switch	1	before s/n. EJ000727 and FG000542
4	172364A.07	Arm-Control Hd	1	before s/n. EJ000659 and FG000491
4	4166940	Arm-Control Hd	1	from s/n EJ000660and FG000492
5	450390	Washer-M8 x 17 x 1.8	2	
6	450192	Screw-Hex M8 x 25	1	
7	450378	Nut-Hex M8 Nyloc	1	
8	456110341	Scrw-Hex 5/16-18 x 7/8	2	
*	4162020	Neutral Switch Ext Lead	1	
9	450019	Bolt-Hex M8 x 55	1	
10	4184180	Wldmt-Control Arm	1	from s/n EJ000660and FG000492

INSTRUMENT PANEL

Illustration Number: 4132733



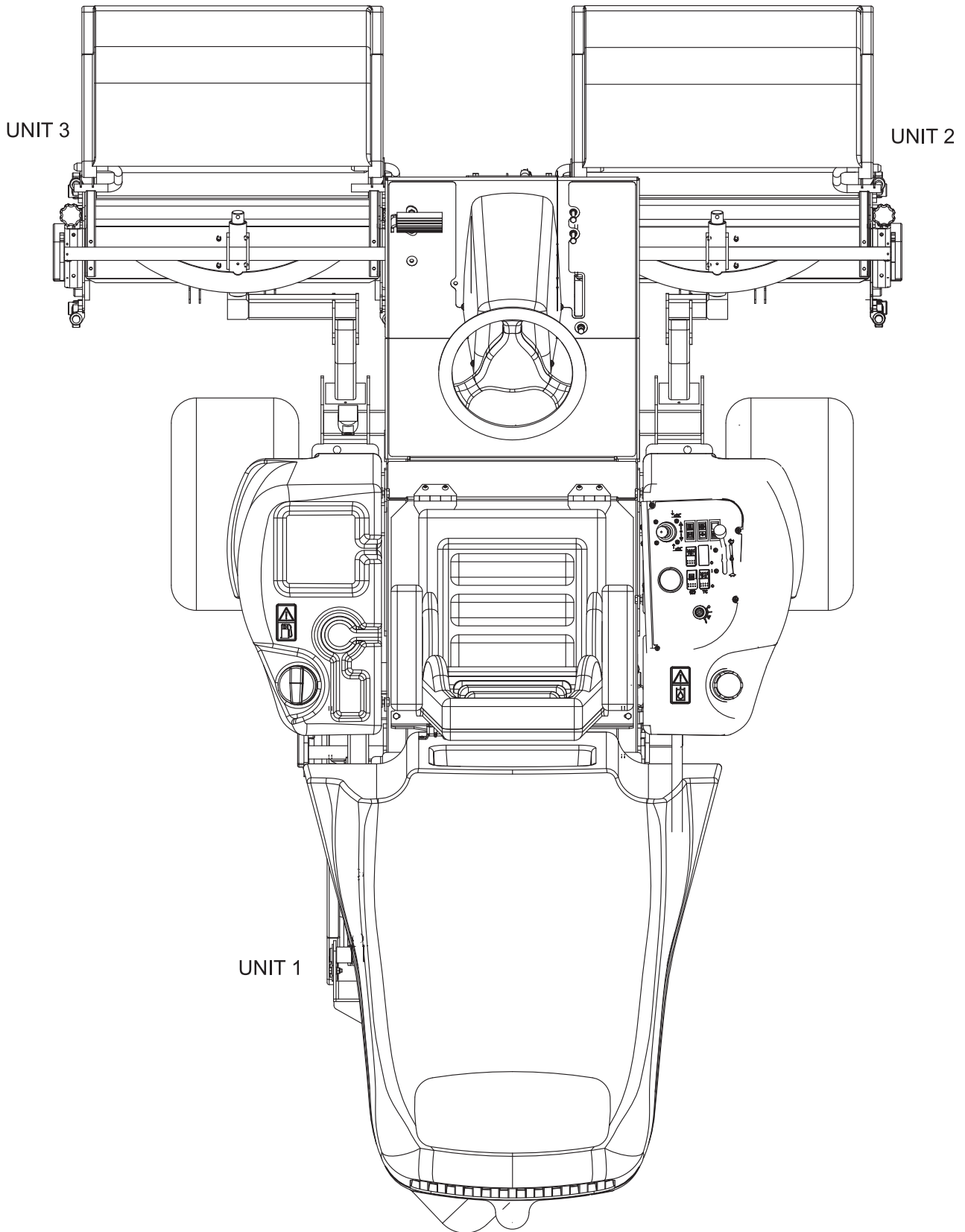
ITEM	PART NO.	DESCRIPTION	QTY.	REMARKS
1	2811020	Starter Switch	1	Kubota
2	15694-65992	Lamp Timer	1	Kubota
3	4132751	Throttle Control	1	
*	4134746	• Knob-Throttle Control	1	
*	4134751	• Cable - Throttle Control	1	
4	4135383	Panel Assembly - Complete	1	
5	450376	Nut-Hex M5 Nyloc	3	
6	450388	Washer-M5 x 10 x 1.1	3	
7	450526	Scrw-Pan Hd M5 x 12	2	
8	450528	Scrw-Pan Hd M5 x 16	1	
9	450539	Scrw-Pan Hd M6 x 12	6	





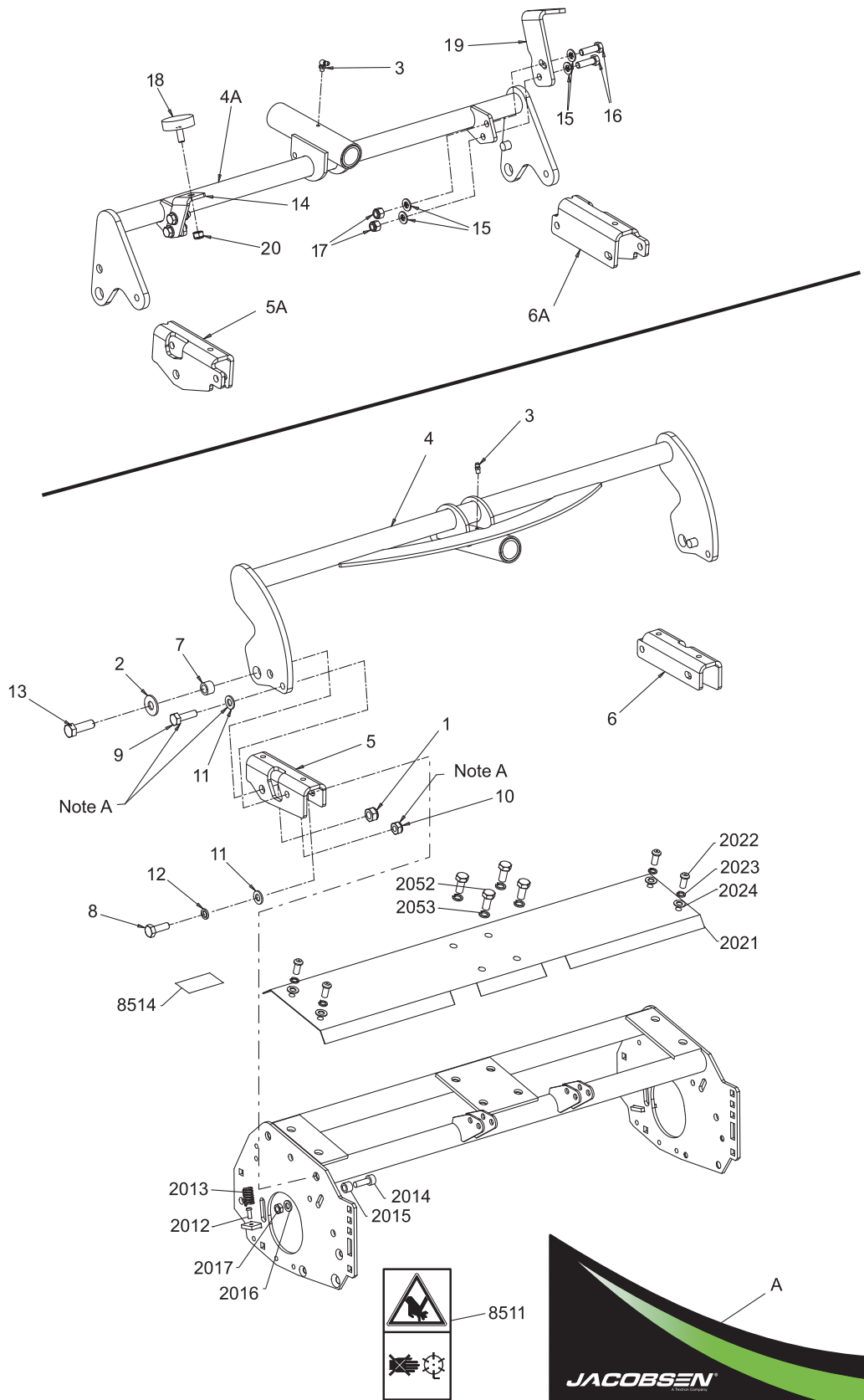
ITEM	PART NO.	DESCRIPTION	QTY.	REMARKS
1	8231870	Twin Pilot Lamp	3	
2	8238350	Fuse Holder	2	
3	8244700	Relay Micro 12V	1	
4	8295630	Lens-Engine Oil Pressure (Red)	1	
5	8295640	Lens-Battery Charge (Red)	1	
6	8295650	Lens-Engine Pre-Heater (Green)	1	
7	8295710	Lens-Engine Overheat	1	
8	8295980	Lens-Filter Blocked	1	
9	1004290	Joystick c/w Harness	1	
10	4132246	Instrument panel	1	use 4284331
11	4139765	Logic Controller	1	
12*	4132367	Harness-Console Loom	1	to s/n EJ000368
12*	4139780	Harness-Console Loom	1	from s/n EJ000369
	4139570	Kit- Control Module Update	1	Prior to s/n EJ000368
		• Short Wire	1	230mm (Engine Overheat Warning Lamp to Module Malfunction Warning Lamp
		• Long Wire	1	1550mm (Engine Over Heat Warning Lamp to Horn)
		• Cable Tie	6	
13	4132933	Bracket-Fuse Holder	1	
14	4237722	EnGage II without Buttons	1	
14*	4133446	EnGage II with Buttons	1	use 4237722
15	4135850	Rocker Switch - Park Brake	1	to s/n EJ000395
15	4139764	Rocker Switch - Park Brake (Lock)	1	from s/n EJ000396
16	4135851	Rocker Switch - Mow	1	
17	4135852	Rocker Switch - WT/Transfer	1	
18	4135853	VHP Mounting Panel Plug	1	
19	4137314	Decal - Instrument Panel	1	for item 10
20	450376	Nut-Hex M5 Nyloc	11	
21	450388	Washer-M5 x 10 x 1.1	11	
22	450526	Scrw-Pan Hd M5 x 12	7	
23	450529	Scrw-Pan Hd M5 x 20	4	
24	8244710	Relay Base	1	Part of Harness-Console Loom
26	4284331	Instrument Panel (Screen Print) Engine Overheat Horn		Supercedes Items 10 and 19 LMAC508 - From GX1000655 EJ1000919 FG100690
6	008239720	Horn	1	
8	4288832	Horn Bracket	1	
9	450191	Screw Hex M8 1.25 x 20	2	
10	450378	Nut hex M8 1.25 Nyloc	2	
11	450390	Washer M8 17 x 1.8	8	
*	4287151	Lmac508 loom	1	for new horn location

CUTTING UNIT IDENTIFICATION



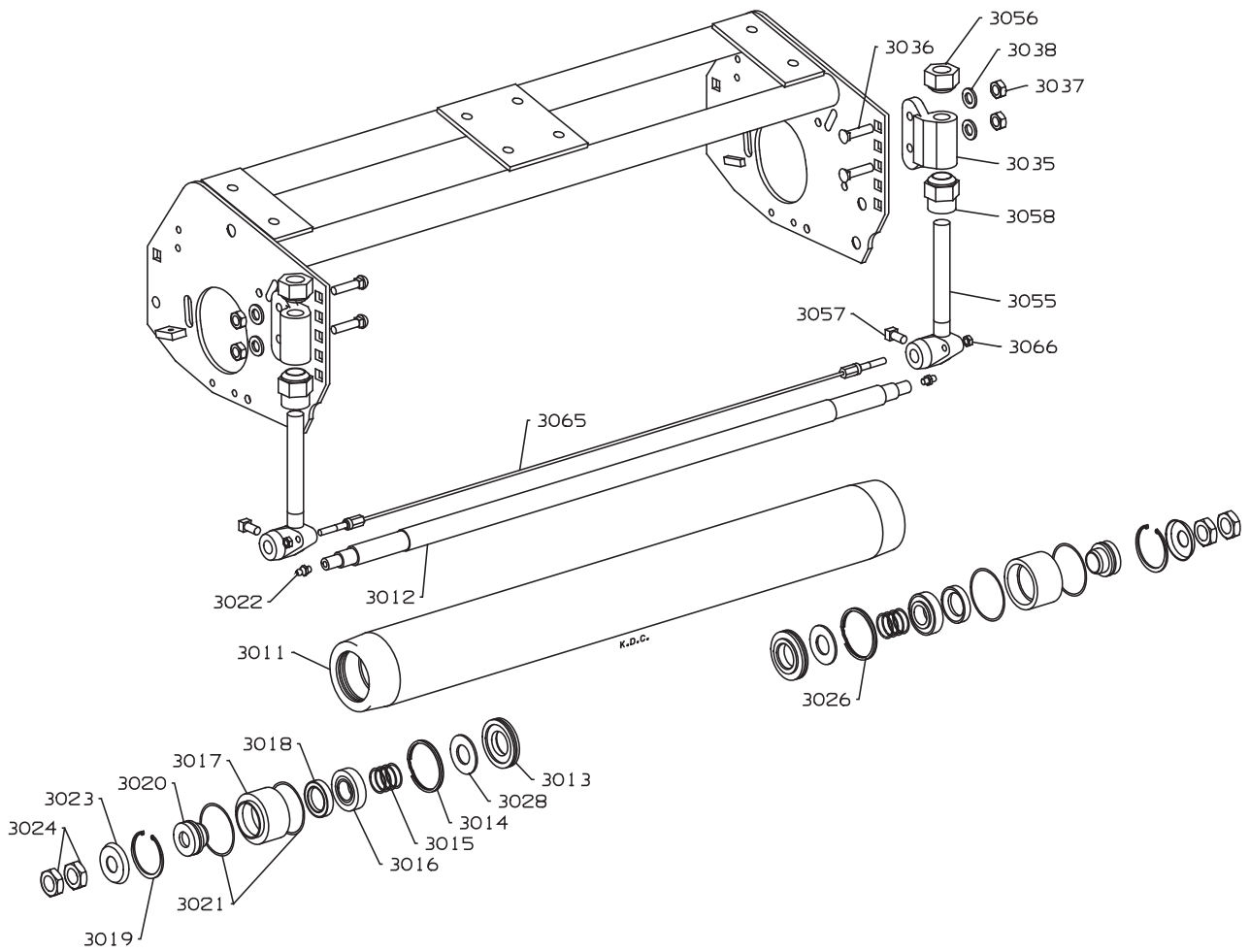
CUTTING UNIT SERIAL NUMBER PREFIX	DESCRIPTION
<p>FD100### FE100### FC100### FF100###</p> <p>FD200### FE200### FC200### FF200###</p> <p>FD300### FE300### FC300### FF300###</p>	<p>UNIT 1 = Center Unit 5 Knife Fixed Head Unit Right Hand Drive 5 Knife Floating Head Unit Right Hand Drive 7 Knife Floating Head Unit Right Hand Drive 11 Knife Floating Head Unit Right Hand Drive</p> <p>UNIT 2 =Right Hand Unit 5 Knife Fixed Head Unit Left Hand Drive 5 Knife Floating Head Unit Left Hand Drive 7 Knife Floating Head Unit Left Hand Drive 11 Knife Floating Head Unit Left Hand Drive</p> <p>UNIT 3 =Left Hand Unit 5 Knife Fixed Head Unit Right Hand Drive 5 Knife Floating Head Unit Right Hand Drive 7 Knife Floating Head Unit Right Hand Drive 11 Knife Floating Head Unit Right Hand Drive</p>

MAIN FRAME & MOUNTING



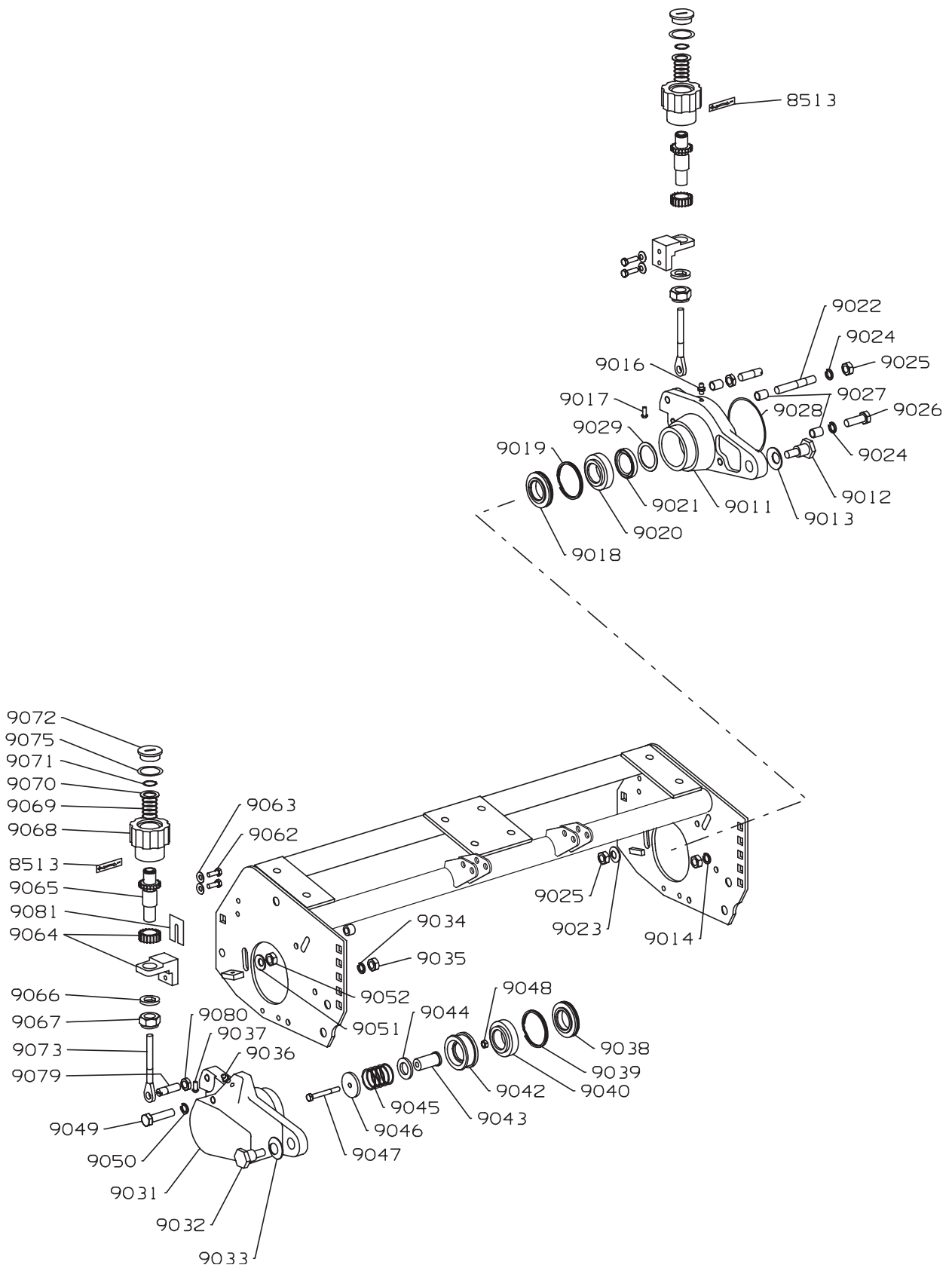
ITEM	PART NO.	DESCRIPTION	QTY.	REMARKS
1	001399032	Nut-Hex 1/2-20 Nyloc	2	
2	001599052	Washer- .526-.506 x 1-1/4 x 12GA	2	
3	002993013	Lubricator - M6 STR	1	
4	4139256	Wldmt-Pivot Arm Left Hand	1	
4*	4139257	Wldmt-Pivot Arm RightHand	1	
4A	4139591	Wldmt-Pivot Arm Centre	1	
5	4139281	Bracket-Left Hand Pivot Arm	1	
5A	4140077	Bracket-Left Hand Centre Pivot	1	
6	4139349	Bracket-Right Hand Pivot Arm	1	
6A	4140078	Bracket-Right Hand Centre Pivot	1	
7	4139374	Spacer-1/2 x 3/4 x 1/2	2	
8	450215	Screw-Hex M10 x 30	4	
9	450216	Screw-Hex M10 x 35	2	
10	450379	Nut-Hex M10 Nyloc	2	
11	450391	Washer-M10 x 21 x 2.2	6	
12	450412	Washer-SLW M10	4	
13	456010577	Screw-Hex 1/2-20 x 1-1/2	2	
14	4139923	Centre Unit Bump Bracket	1	
15	452000326	Washer 3/8 x 3/4 x .072	8	
16	456010420	Screw-Hex 3/8-24x 1 1/4	4	
17	001399105	Nut-Hex 3/8-24 Nyloc	4	
18	J361723	Bumper Stop	1	
19	4142386	Bracket-Centre Unit Stop	1	
20	450120398	Nut-Hex 3/8-16 Nyloc Thin	1	
2011	MBF1368.06	Main Frame	1	
2012	A128053	Screw No.12 x 13	2	
2013	GSF2240KT	Spring	2	
2014	450724	Screw M8 x 25	2	
2015	AF09010	Spacer	2	
2016	450390	Washer 8mm	2	
2017	450378	Stiffnut M8	2	
2021	MBG1508.06	Top Cover	1	
2022	A110204	Screw M6 x 20	4	
2023	450410	S.L.Washer 6mm	4	
2024	450389	Washer 6mm	4	
8511	A903494	Label - Caution Rotating Blades	1	
8514	MBE3628	Name Plate	1	
8515*	A149605	Rivet 1/8 x 5/16	2	
A		Decal - Jacobsen	1	
	Note A	For Fixed Head Units Only		

REAR ROLL - PLAIN



ITEM	PART NO.	DESCRIPTION	QTY.	REMARKS
	LMAC075	Plain Roll Assy.	1	
3011	MBE1761D	• Roller Tube	1	
3012	MBE1752C	• Spindle	1	
3013	MBF0001	• Ring Carrier	2	
3014	A230013	• Seal Ring	1	
3015	A291115	• Compression Spring	2	
3016	A205929	• Taper Roller Bearing	2	
3017	MBE2429	• Bearing Housing	2	
3018	A220254	• Rotary Lip Seal	2	
3019	451982	• Circlip	2	
3020	MBE2430	• Seal Journal	2	
3021	A221137	• O Ring	4	
3022	A299301	• Lubricator	2	
3023	MBE2431B	• Shield	2	
3024	450334	• Thin Nut M16	4	
3026	A230021	• Seal Ring	1	
3028	MBF0002	• Washer	2	
3035	MBE3986	Housing - Rear	2	
3036	452565	Bolt M8 x 30	4	
3037	450378	Stiffnut M8	4	
3038	450390	Washer 8mm	4	
3055	MBE3982A	Carriage - Rear	2	
3056	MBE4001	Carriage Nut	2	
3057	452464	Screw M8 x 16	2	
3058	MBE4017	Carriage Nut	2	
3065*	A906704	Scraper Cable	1	
3066*	450323	Nut M6	2	

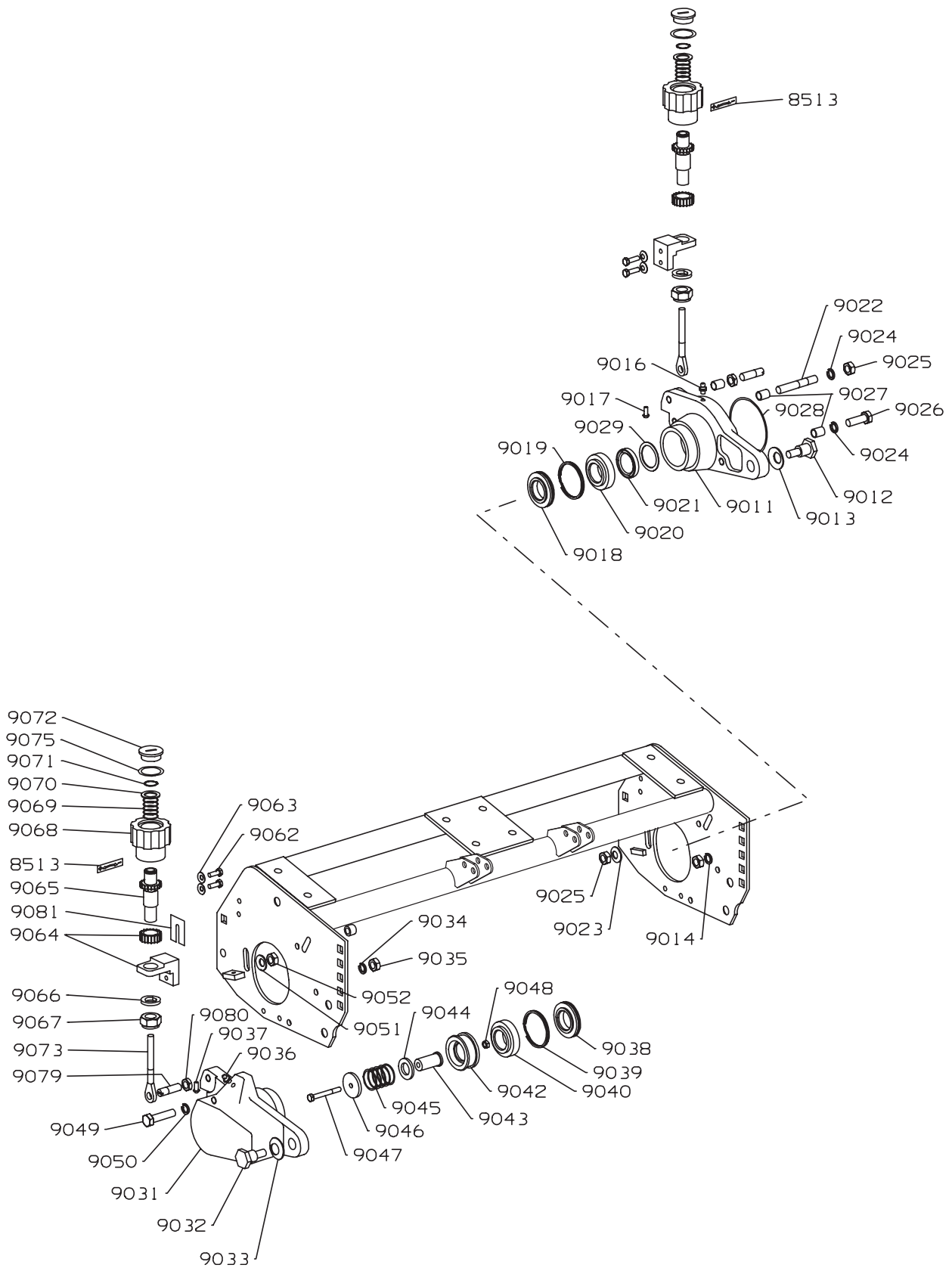
CYLINDER BEARING HOUSINGS





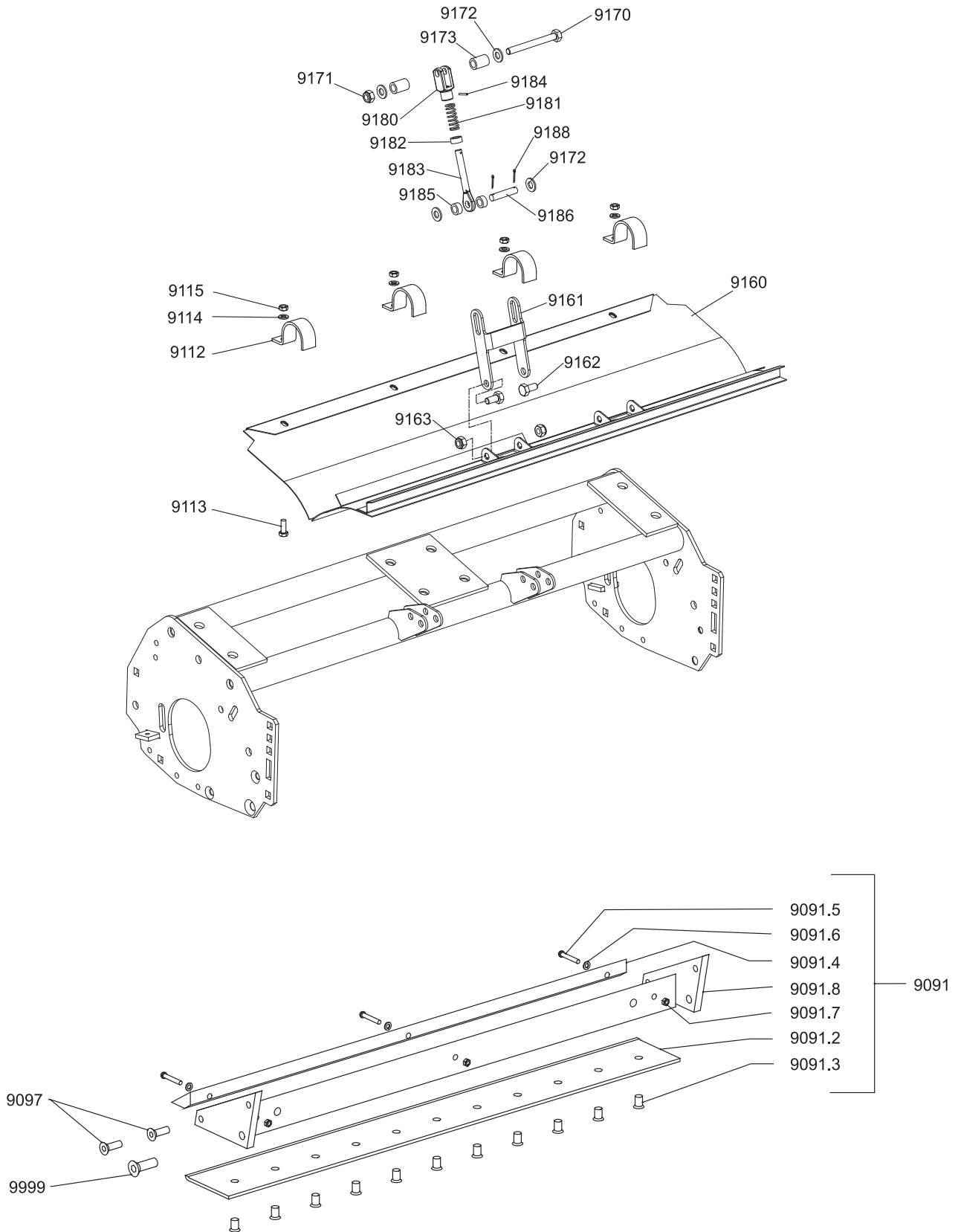
ITEM	PART NO.	DESCRIPTION	QTY.	REMARKS
8513	GSF3702SZ	Label (+<->-)	2	
9011	2201002.06	Bearing Housing RH	1	(Units 1 & 3)
*	MBG1696.06	Bearing Housing LH	1	(Unit 2)
9012	MBC7671	Shoulder pin	1	
9013	H083023	Disc Spring	1	
9014	450412	S.L.Washer 10mm	1	
9015	450325	Nut M10	1	
9016	A299301	Lubricator	1	
9017	451153	Screw No.12 x 13	1	
9018	MBE2231	Ring Carrier	1	
9019	A230013	Seal Ring	1	
9020	A209044	Taper Roller Bearing	1	
9021	A230019	Rotary Shaft Seal	1	
9022	MBE2374B	Stud	1	
9023	A292083	Disc Spring	1	
9024	A151010	S.L.Washer 10mm	2	
9025	450379	Stiffnut M10	1	
9026	A110406	Screw M10 x 30	1	
9027	A199302	Helicoil Insert	3	
9028	A221031	O Ring	1	
9029	MBE4676	Spacer	1	
9031	MBE2982B.06	Bearing Housing LH	1	(Units 1 & 3)
*	MBG1694.06	Bearing Housing RH	1	(Unit 2)
9032	MBC7671	Shoulder Pin	1	
9033	H083023	Disc Spring	1	
9034	450412	S.L.Washer 10mm	1	
9035	450325	Nut M10	1	
9036	A299301	Lubricator	1	
9037	451153	Screw No.12 x 13	1	
9038	MBE2231	Ring Carrier	1	
9039	A230013	Seal Ring	1	
9040	A209044	Taper Roller Bearing	1	
9042	MBC9175	Plunger	1	
9043	MBC9178	Guide	1	
9044	450393	Washer 16mm	1	
9045	A291094	Compression Spring	1	
9046	MBC9177	Plate	1	
9047	450005	Bolt M6 x 50	1	
9048	450377	Stiffnut M6	1	
9049	450217	Screw M10 x 40	1	
9050	450412	S.L.Washer 10mm	1	
9051	A292083	Disc Spring	1	
9052	450379	Stiffnut M10	1	
9061	MBF0324	Abutment	2	
9062	450170	Screw M6 x 16	4	
9063	A292028	Disc Spring	4	
9064	2201011	Abutment	2	

CYLINDER BEARING HOUSINGS



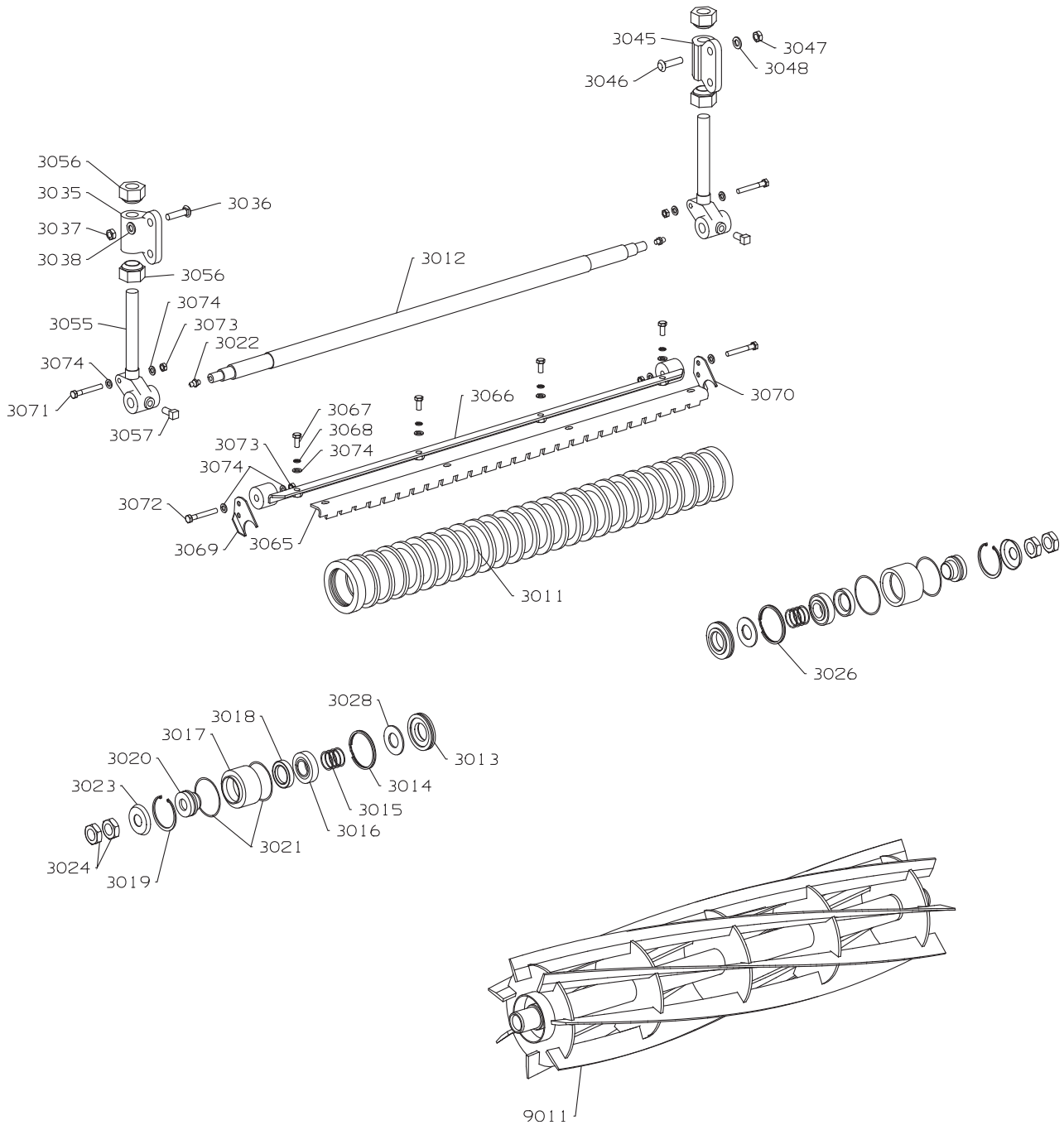
ITEM	PART NO.	DESCRIPTION	QTY.	REMARKS
9065	MBE2969	Adjuster	2	
9066	MBC9251	Spacer Collar	2	
9067	450382	Stiffnut M16	2	
9068	A299054	Handwheel	2	
9069	A291093	Compression Spring	2	
9070	A189420	Nylon Washer	2	
9071	452042	Circlip	2	
9072	A249111	Screw Plug	2	
9073	MBE3222A	Adjuster Rod	2	
9075	A221026	O Ring	2	
9079	MBE2659	Pivot Stud	2	
9080	450332	Thin Nut M10	2	
9081	MBC9642	Shim	4	

BOTTOM BLOCK & BLADE



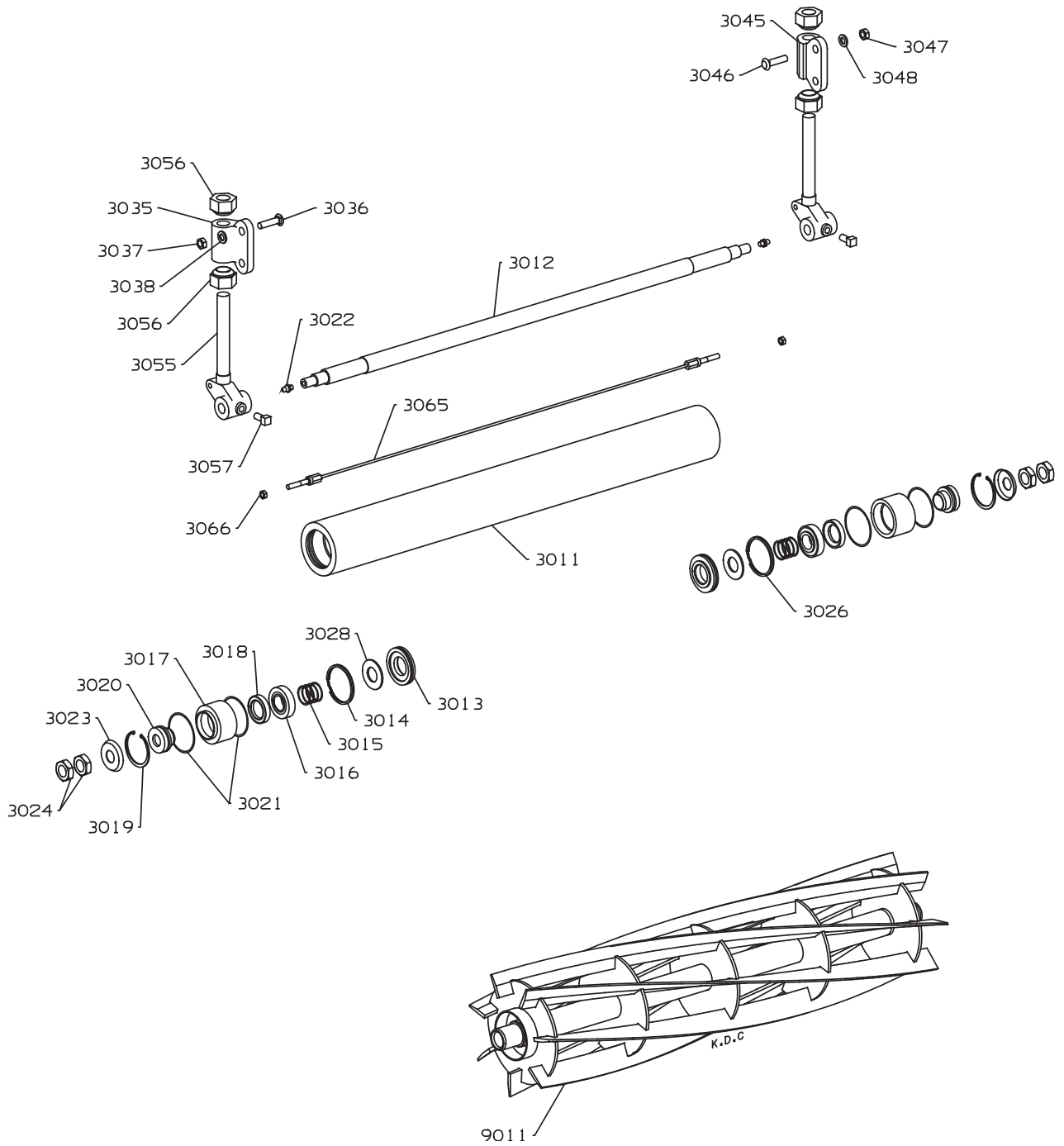
ITEM	PART NO.	DESCRIPTION	QTY.	REMARKS
9091	LMAB533.07	Bottom Block Assy (26")	1	
9091.2	MBA7103	Bottom Blade	1	
9091.3	A119001	Screw	11	
9091.4	A913440	Wood Fillet	1	
9091.5	450532	Screw M5 x 35	3	
9091.6	450388	Washer 5mm	3	
9091.7	450322	Nut M5	3	
9091.8	N/A	Bottom Block	1	
*	MBA7096A	Bottom blade (Thin)	1	
9097	450865	Screw M8 x 20	4	
9099	450879	Screw M10 x 20	2	
9112	MBE1967	Clamp Bracket	4	
9113	450170	Screw M6 x 16	4	
9114	450389	Washer 6mm	4	
9115	450377	Stiffnut M6	4	
9160	MBF0578C.06	Wldmt - Concave	1	
9161	2202027	Lever	1	
9162	450190	Screw, M8 x 16	2	
9163	450378	Nut, M8 Nyloc	2	
9164	450390	Washer, M8	2	
9170	450023	Bolt, M8 x 75	1	
9171	450378	Nut, M8 Nyloc	1	
9172	450390	Washer, M8	4	
9173	AF9020	Spacer	2	
9180	MBE1969	Clevis	1	
9181	A291070	Spring	1	
9182	AF09006	Spacer	1	
9183	MBE1970A	Eye Rod	1	
9184	451344	Spirol Pin	1	
9185	AF09006	Spacer	2	
9186	MBE1980B	Pivot Pin	1	
9187	450390	Washer, M8	2	
9188	451208	Split Pin 2 x 14	2	

CUTTING CYLINDER & FRONT GROOVED ROLL (FLOATING HEAD)



ITEM	PART NO.	DESCRIPTION	QTY.	REMARKS
	LMAC078	Grooved Roll Assy.	1	
3011	MBG1594	Roll Tube	1	
3012	MBE1752B	Spindle	1	
3013	MBF0001	Ring Carrier	2	
3014	A230013	Seal Ring	1	
3015	A291115	Compression Spring	2	
3016	A205929	Taper Roller Bearing	2	
3017	MBE2429	Bearing Housing	2	
3018	A220254	Rotary Lip Seal	2	
3019	451982	Circlip	2	
3020	MBE2430	Seal Journal	2	
3021	A221137	O Ring	4	
3022	A299301	Lubricator	2	
3023	MBE2431	Shield	2	
3024	450334	Thin Nut M16	4	
3026	A230021	Seal Ring	1	
3028	MBF0002	Washer	2	
3035	MBE3984	Housing Front LH	1	
3036	452565	Bolt M8 x 30	1	
3037	450378	Stiffnut M8	1	
3038	450390	Washer 8mm	1	
3045	MBE3985	Housing Front RH	1	
3046	452565	Bolt M8 x 30	1	
3047	450378	Stiffnut M8	1	
3048	450390	Washer 8mm	1	
3055	MBE3982	Carriage Front	2	
3056	MBE4001	Carriage Nut	4	
3057	452464	Screw M8 x 16	2	
3065	MBG1982	Scraper	1	
3066	MBE3791	Carrier W/Assy	1	
3067	450170	Screw M6 x 16	4	
3068	450410	Dia 6 Lock Washer	4	
3069	MBE4333A	LH Scraper Bracket	1	
3070	MBE4334A	RH Scraper Bracket	1	
3071	450002	Bolt M6 x 35	2	
3072	450003	Bolt M6 x 40	2	
3073	450377	M6 Staytite Nut	4	
3074	450389	Washer 6mm	12	
9011	MBF0325B.07	Cutting Cylinder 7K Tang Drive	1	
9011*	MBF0326B.07	Cutting Cylinder 11K Tang Drive	1	
*	MBF0895A.07	Cylinder-26" x 7K, LHD Tang Tang Drive LH	1	
*	MBF0896A.07	Cylinder-26" x 11K, LHD Tang Tang Drive LH	1	

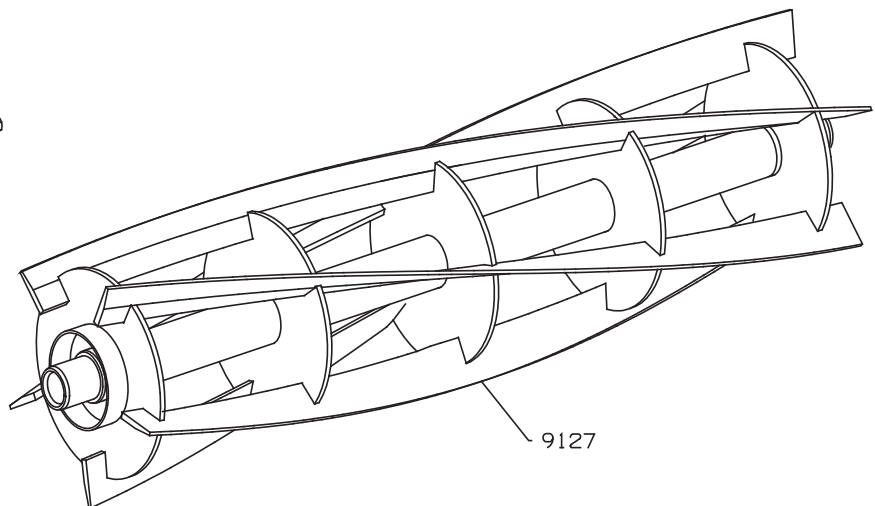
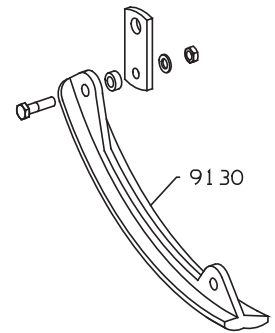
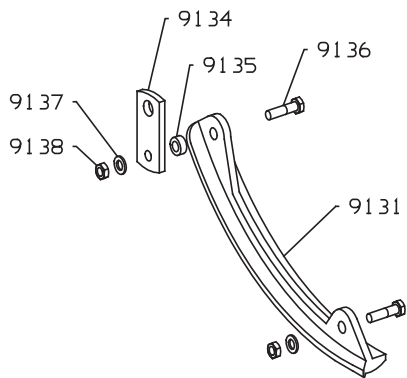
CUTTING CYLINDER & FRONT PLAIN ROLL (FLOATING HEAD)





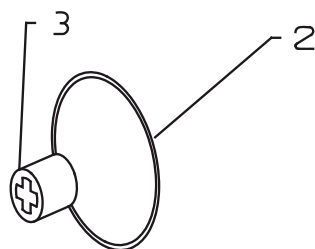
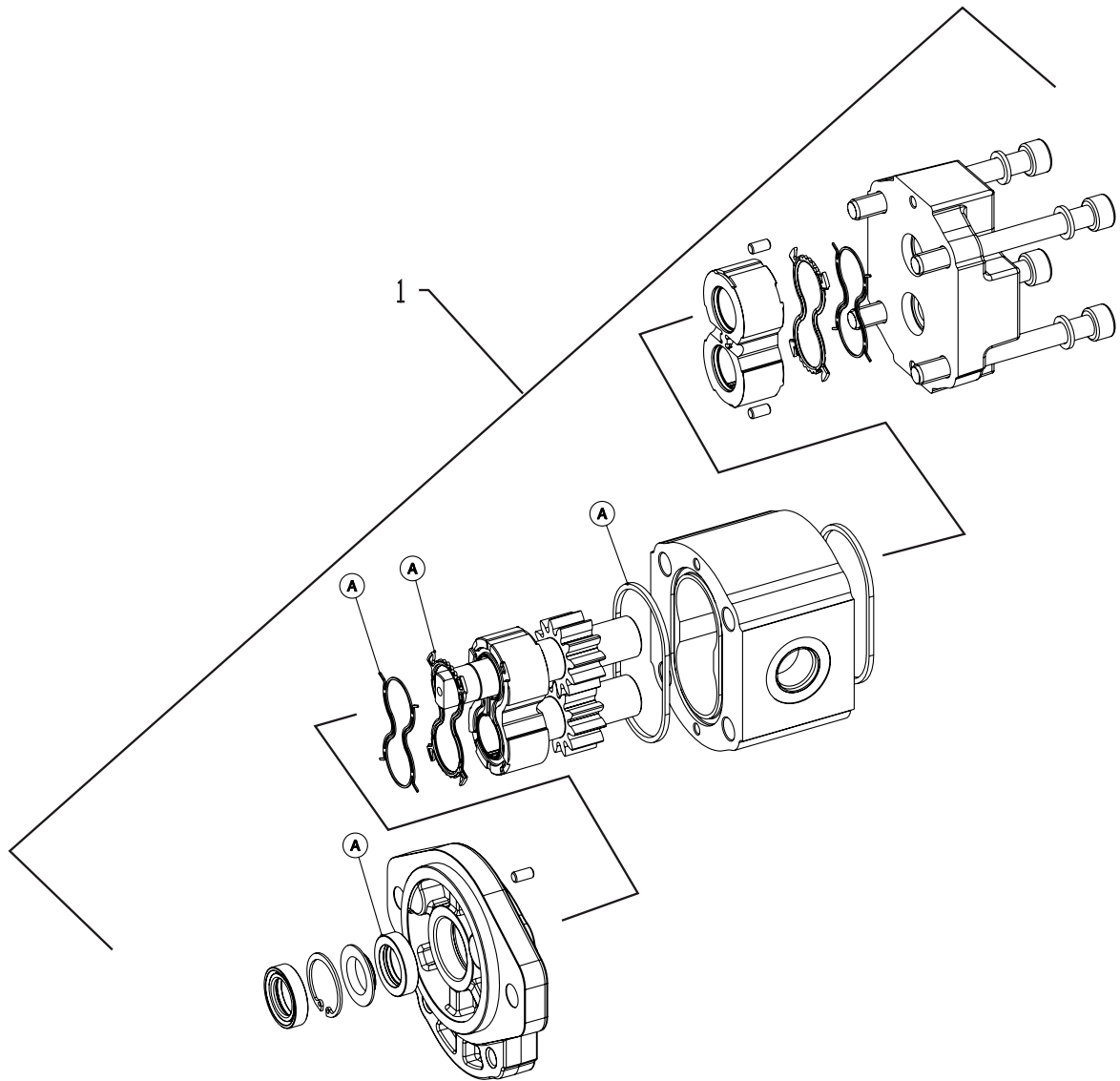
ITEM	PART NO.	DESCRIPTION	QTY.	REMARKS
	LMAC075	Plain Roll Assy.	1	
3011	MBE1761D	• Roll Tube	1	
3012	MBE1752B	• Spindle	1	
3013	MBF0001	• Ring Carrier	2	
3014	A230013	• Seal Ring	1	
3015	A291115	• Compression Spring	2	
3016	A205929	• Taper Roller Bearing	2	
3017	MBE2429	• Bearing Housing	2	
3018	A220254	• Rotary Lip Seal	2	
3019	451982	• Circlip	2	
3020	MBE2430	• Seal Journal	2	
3021	A221137	• O Ring	4	
3022	A299301	• Lubricator	2	
3023	MBE2431B	• Shield	2	
3024	450334	• Thin Nut M16	4	
3026	A230021	• Seal Ring	1	
3028	MBF0002	• Washer	2	
3035	MBE3984	Housing Front LH	1	
3036	A102306	Bolt M8 x 30	1	
3037	A133208	Stiffnut M8	1	
3038	A150008	Washer 8mm	1	
3045	MBE3985	Housing Front RH	1	
3046	A102306	Bolt M8 x 30	1	
3047	A133208	Stiffnut M8	1	
3048	A150008	Washer 8mm	1	
3055	MBE3982	Carriage Front	2	
3056	MBE4001	Carriage Nut	4	
3057	A114395	Screw M8 x 16	2	
3065	A906704	Scraper Cable	1	
3066	A130006	Nut M6	2	
9011	MBF0469B.07	Cutting Cylinder 5K RHD	1	
9011	MBF0325B.07	Cutting Cylinder 7K RHD	1	
9011	MBF0326B.07	Cutting Cylinder 11K RHD	1	
9011	MBF0894A.07	Cutting Cylinder 5K LHD	1	
9011	MBF0895A.07	Cutting Cylinder 7KLHD	1	
9011	MBF0896A.07	Cutting Cylinder 11K LHD	1	

CUTTING CYLINDER & SKIDS ( FIXED HEAD)



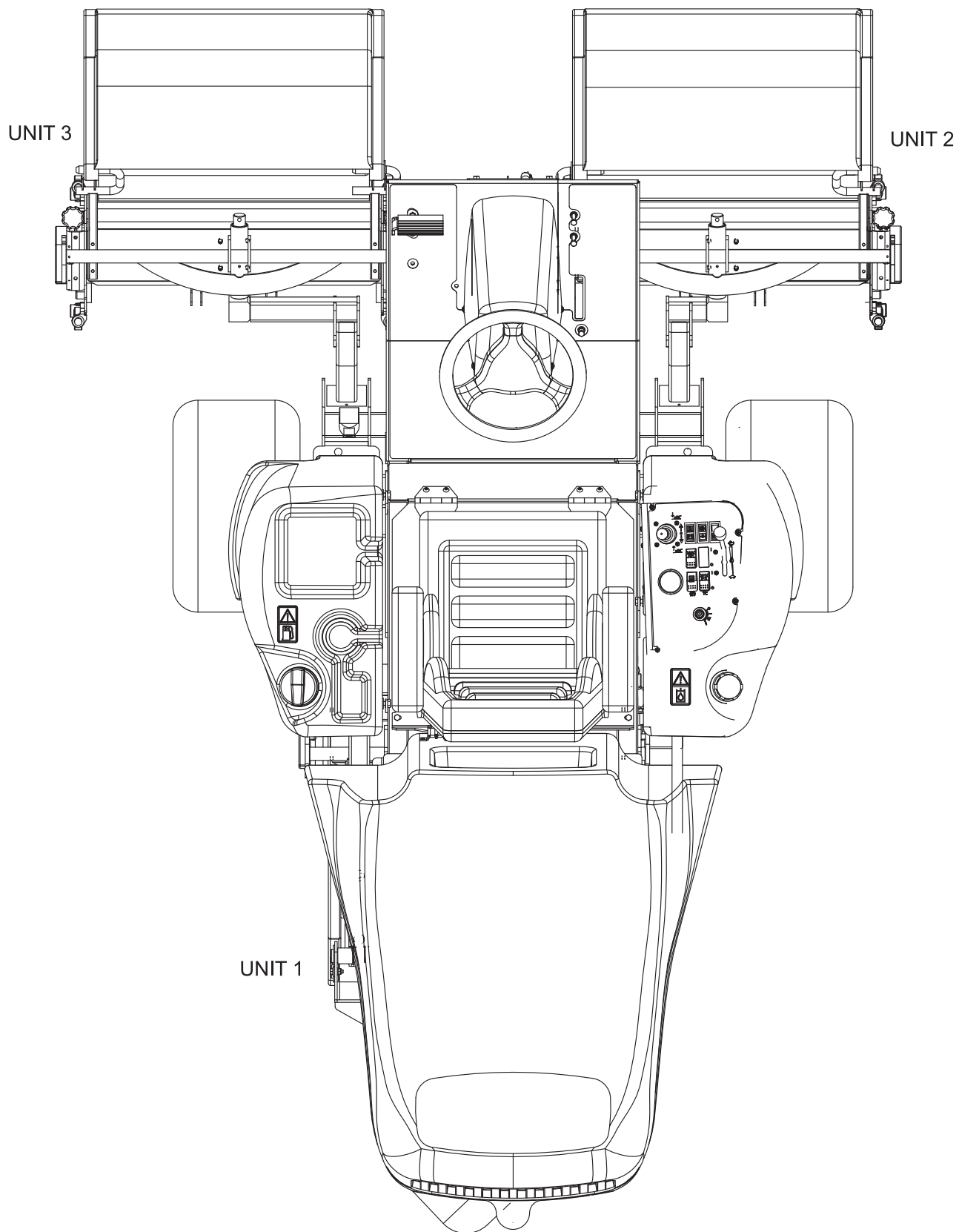
ITEM	PART NO.	DESCRIPTION	QTY.	REMARKS
9127	MBF0469B.07	Cutting Cylinder 5K LHD	1	
9127	MBF0482B.07	Cutting Cylinder 5K RHD	1	
		Fixed Head Skids & Restraint		
9130	MBE0092.06	Front Skid RH	1	
9131	MBE0093.06	Front Skid LH	1	
9134	MBG1067.06	Plate	2	
9135	MBG1068.06	Collar	2	
9136	A110204	Screw M6 x 20	4	
9137	A150006	Washer 6mm	4	
9138	A130006	Nut M6	4	
6261*	LMSD933A	Hoc Guage.	1	

CUTTING UNIT DRIVE MOTOR



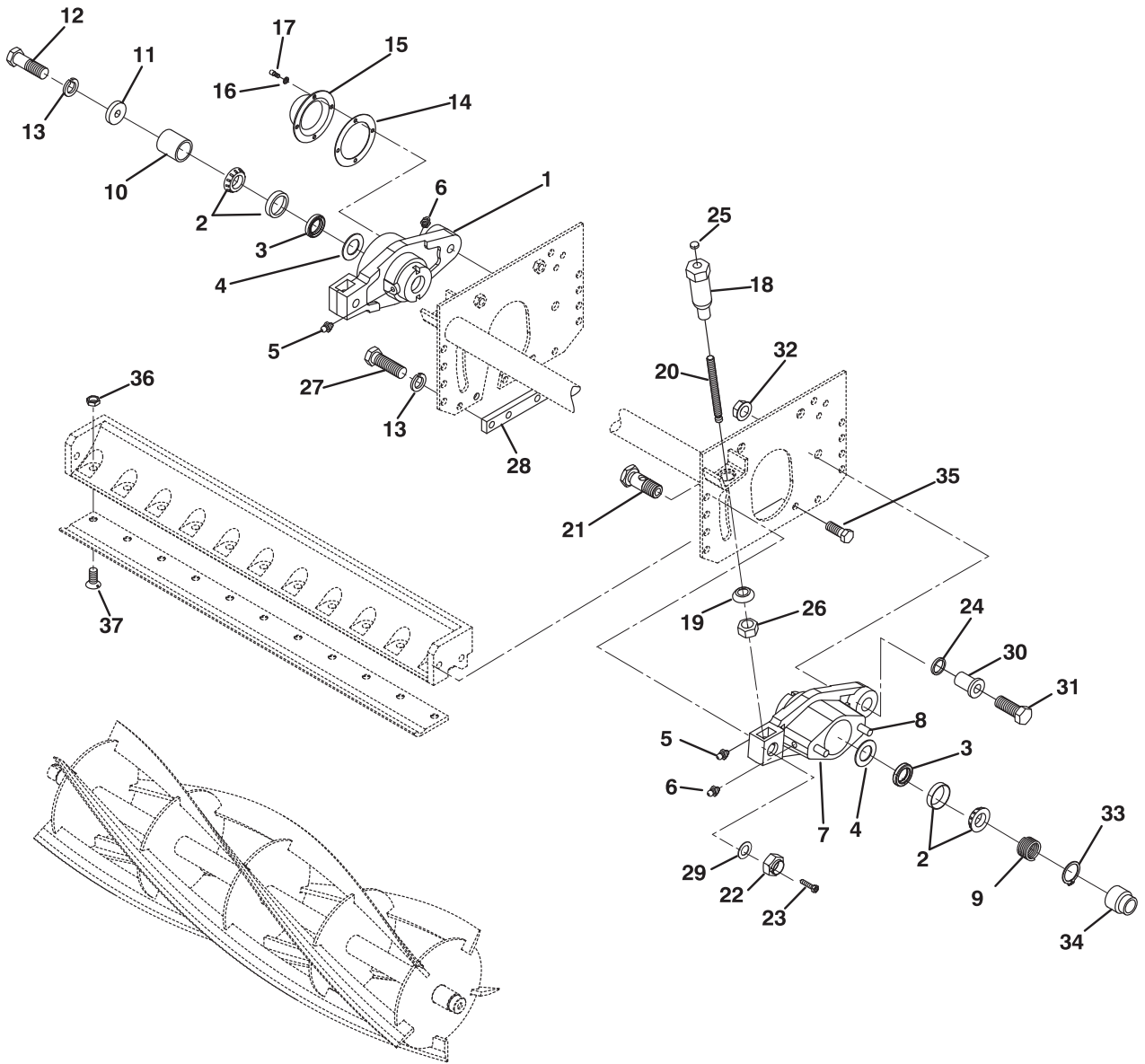
ITEM	PART NO.	DESCRIPTION	QTY.	REMARKS
1	4140034	Hydraulic Motor	1	
2	A221031	Sealing O ' Ring	1	
3	MBF1273A	Drive Coupling (Tang)	1	
A	4181160	Seal Kit	1	

CUTTING UNIT IDENTIFICATION



CUTTING UNIT SERIAL NUMBER PREFIX	DESCRIPTION
47116	UNIT 1 = Center Unit 7 Knife Fixed Head Unit Right Hand Drive
47115	UNIT 2 =Right Hand Unit 7 Knife Fixed Head Unit Left Hand Drive
47114	UNIT 3 =Left Hand Unit 7 Knife Fixed Head Unit Right Hand Drive

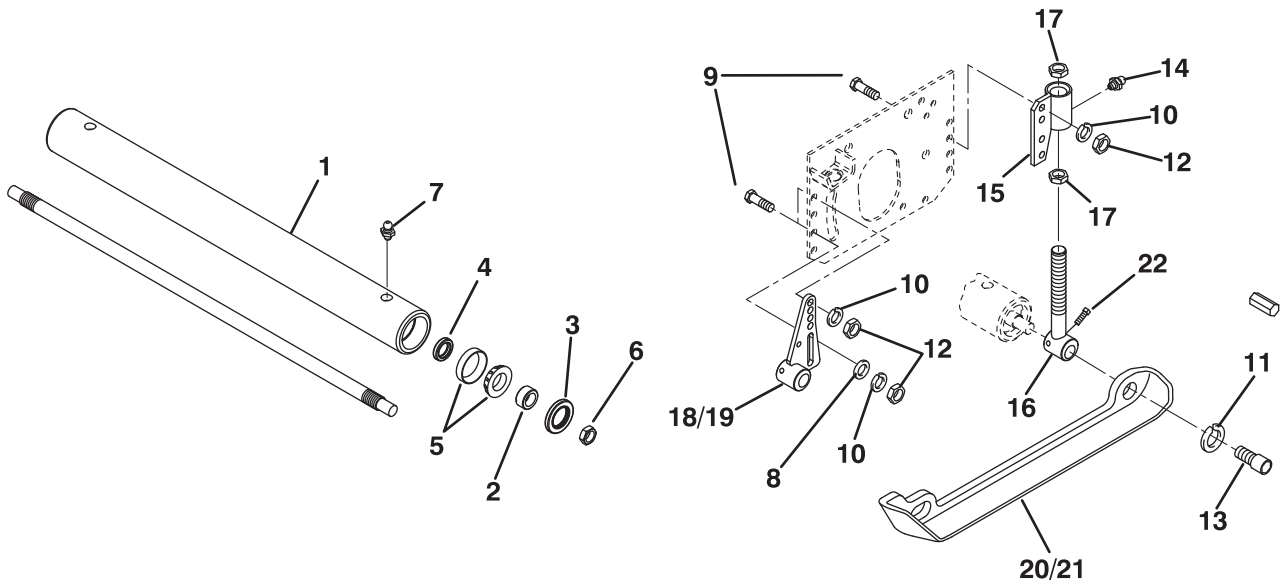
REEL BEARING HOUSING





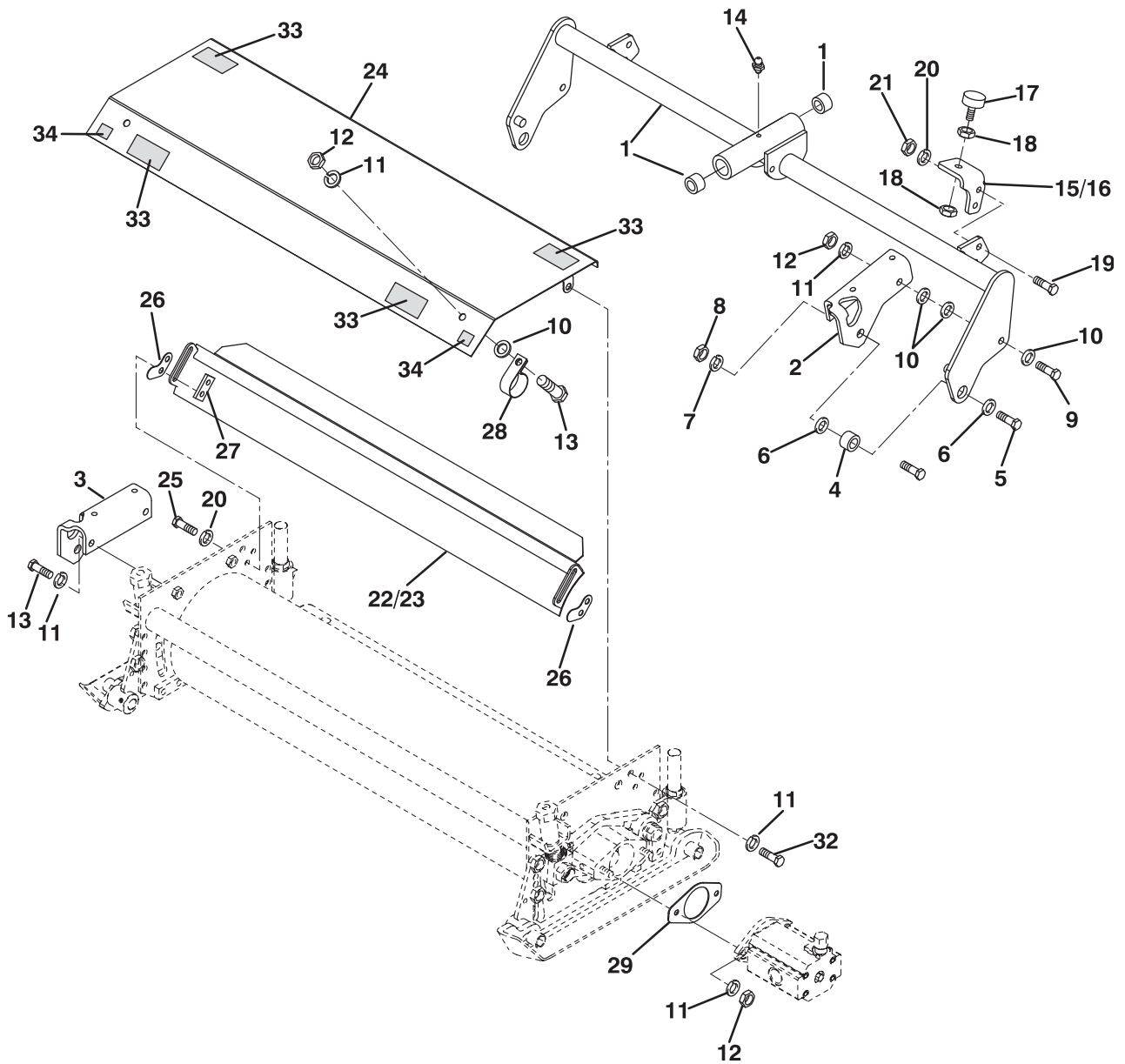
ITEM	PART NO.	DESCRIPTION	QTY.	REMARKS
1	1001464	Housing	1	
2	500596	• Bearing, Cup and Cone	2	
3	3000983	• Oil Seal	1	
4	3001152	• Washer	1	
5	471214	• Grease Fitting	1	
6	471242	• Relief Fitting	1	
7	1001458	Housing (Includes 2 ~ 6 and 8)	1	
8	3003086	• Stud	2	
9	364148	Compression Spring	1	
10	364283	Tube, Spacer	1	
11	364259	Washer, Bearing Retainer	1	
12	400264	Screw, 3/8-16 x 1-1/4" Hex Head	2	
13	446142	Lockwasher, 3/8 Hvy	6	
14	364147	Gasket, Cover	1	
15	338585	Cover	1	
16	446116	Lockwasher, #10	4	
17	434038	Screw, #10-24 x 1/2"	4	
18	3003611	Adjusting Nut	2	
19	365995	Washer	2	
20	3004189	Adjusting Screw	2	
21	3003517	Shoulder Bolt	2	
22	3004370	Locknut, 3/4-16 Thin Security	2	
23	434031	Screw, 1/4-20 x 3/4" Socket Head	2	
24	364151	Wave Washer	2	
25	472519	Plug	2	
26	445718	Nut, 5/8-18 Hex Stover Lock	2	
27	400258	Screw, 3/8-16 x 3/4" Hex Head	4	
28	364282	Support Plate	1	
29	306828	Washer	2	
30	3003389	Housing, Pivot Bushing	2	
31	400446	Screw, 1/2-20 x 2" Hex Head	2	
32	445789	Nut, 1/2-20 Spiralock	2	
33	458039	External Snap Ring	1	
34	503684	Motor Coupler	1	
35	3005890	Wheel Bolt	4	
36	445684	Locknut	AR	
37	3007308	Screw	AR	

ROLLER BRACKETS & SKIDS



ITEM	PART NO.	DESCRIPTION	QTY.	REMARKS
1	REF	Roller	1	
2	3005156	• Wear Sleeve	2	
3	3004882	• Oil Seal	2	
4	338647	• Oil Seal	2	
5	500534	• Bearing, Cup and Cone	2	
6	367029	• Nut	2	
7	471214	• Grease Fitting	2	
8	366653	Washer	2	
9	400264	Screw, 3/8-16 x 1-1/4" Hex Head	8	
10	446142	Lockwasher, 3/8 Hvy	8	
11	446174	Lockwasher, 3/4 Light	4	
12	443110	Nut, 3/8-16 Hex	8	
13	434002	Screw, 3/4-16 x 1-1/4" Sckt Head	4	
14	471214	Grease Fitting	2	
15	3007673	Housing	2	
16	132680	Rear Roller Adjuster	2	
17	3000313	Adjusting Nut	4	
18	3008359	L.H. Front Roller Bracket	1	
19	3008360	R.H. Front Roller Bracket	1	
20	207473	R.H. Skid	1	
21	207474	L.H. Skid	1	
22	412015	Set Screw, 5/16-18 x 5/8"	2	
23	554723	Skid Shoe Wrench	1	

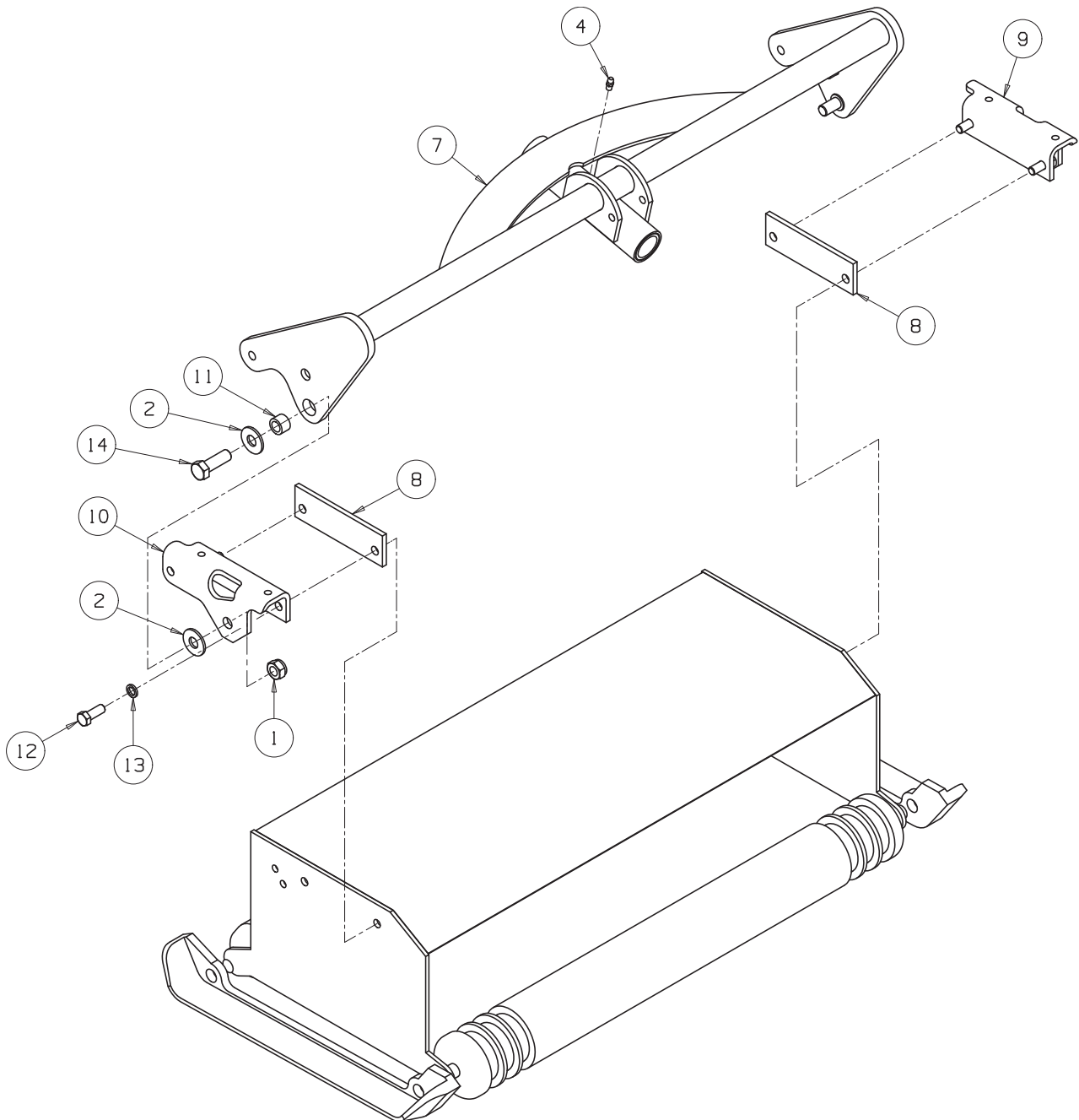
SHIELDS & CENTER UNIT YOKE



ITEM	PART NO.	DESCRIPTION	QTY.	REMARKS
1	1000848	Center Pivot Arm 26 Inch Reels	1	
1	1000847	Center Pivot Arm 30 Inch Reels	1	
	364140	• Bushing	2	
2	338561	Reel Pivot Bracket	1	
3	338562	Reel Pivot Bracket	1	
4	364302	Pivot Spacer	2	
5	400408	Screw, 1/2-13 x 1-1/2" Hex Head	2	
6	452012	Flat Washer, 1/2	4	
7	446154	Lockwasher, 1/2 Hvy	2	
8	443118	Nut, 1/2-13 Hex	2	
9	400264	Screw, 3/8-16 x 1-1/4" Hex Head	2	
10	453011	Washer, 3/8	AR	
11	446142	Lockwasher, Hvy	12	
12	443110	Nut, 3/8-16 Hex	6	
13	400260	Screw, 3/8-16 x 7/8" Hex Head	6	
14	471214	Grease Fitting	1	
22	122875.6	Rear Shield 26 Inch Reels	1	(Left and Right Only)
22	122769.6	Rear Shield 30 Inch Reels	1	(Left and Right Only)
23	1003056.6	Rear Shield 26 Inch Reels	1	(Center Only)
23	1003057.6	Rear Shield 30 Inch Reels	1	(Center Only)
24	5003650	Shield 26 Inch Reels	1	
24	5003648	Shield 30 Inch Reels	1	
25	400186	Screw, 5/16-18 x 7/8" Hex Head	4	
26	3000718	Shield Shim	2	
27	364281	Backup Nut	2	
28	364150	Clamp	2	
29	364777	Gasket	1	
32	400258	Screw, 3/8-16 x 3/4" Hex Head	2	
33	361817	Decal, Danger (2 Used on Center)	1	
34	3002379	Decal, Tight	2	

18.16a FRONT LH UNIT YOKE (from Serial No. EJ000398)

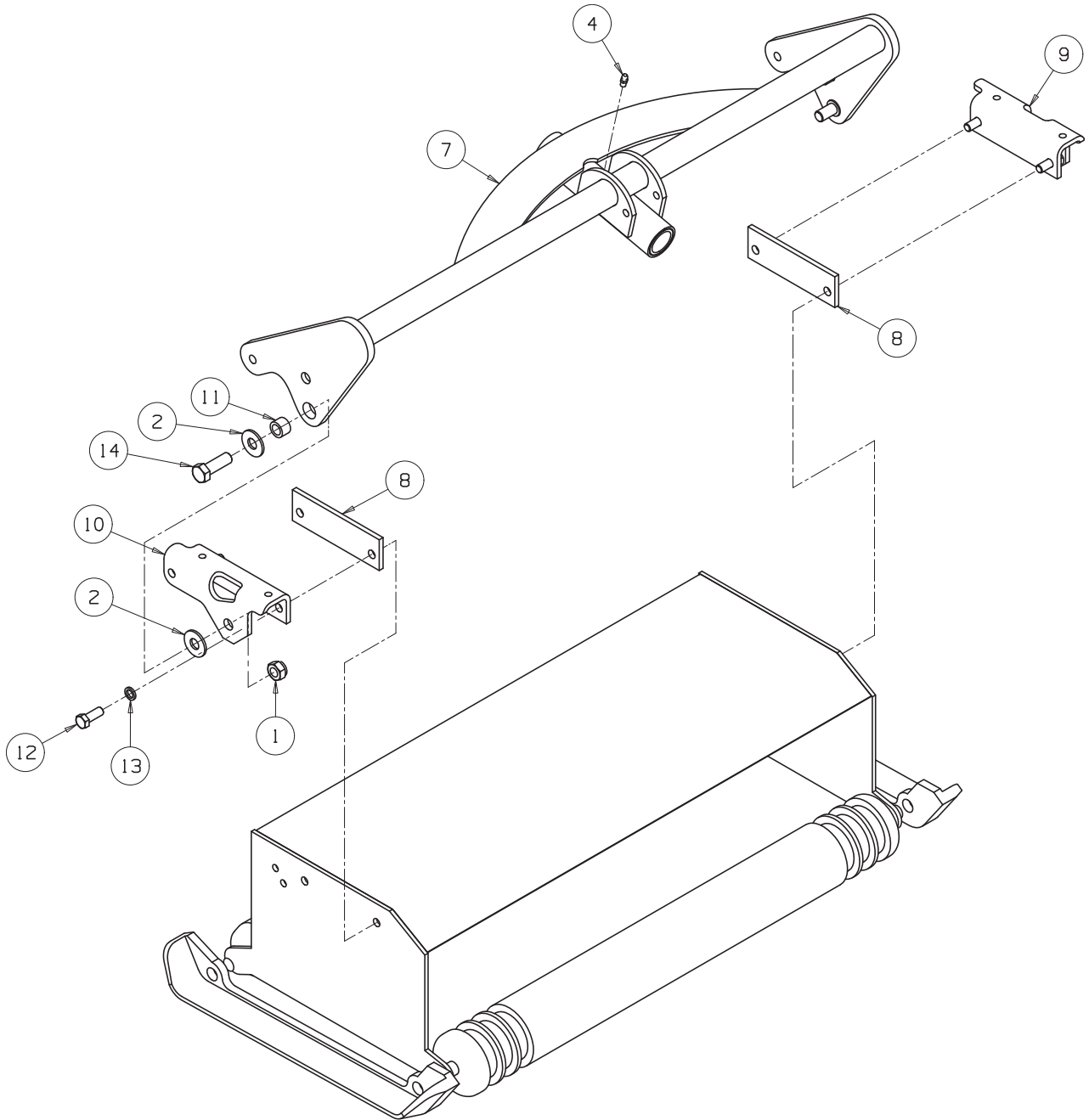
Illustration Number: 4139853



ITEM	PART NO.	DESCRIPTION	QTY.	REMARKS
1	001399032	Nut-Hex 1/2-20 Nyloc	2	
2	001599052	Washer-.526/.506 x 1-1/4 x 12GA	4	
3	002952722	End Cap-22 x 22 x 2	2	
4	002993013	Lubricator-M6 Straight	1	
7	4139696	Wldmt-Pivot Arm LH	1	
8	4139274	Spacer-Pivot Arm	2	
9	4139694	Bracket LH-Pivot Arm	1	
10	4139695	Bracket RH-Pivot Arm	1	
11	4139374	Spacer-1/2 x 3/4 x 1/2	2	
12	456110066	Screw-Hex 3/8-16 x 1	4	
13	452200087	LockWasher-3/8 x .590 x .092	4	
14	456010577	Screw-Hex 1/2-20 x 1-1/2	2	
15	4140685	Rubber Bumper	1	

FRONT RH UNIT YOKE (from Serial No. EJ000398)

Illustration Number: 4139854

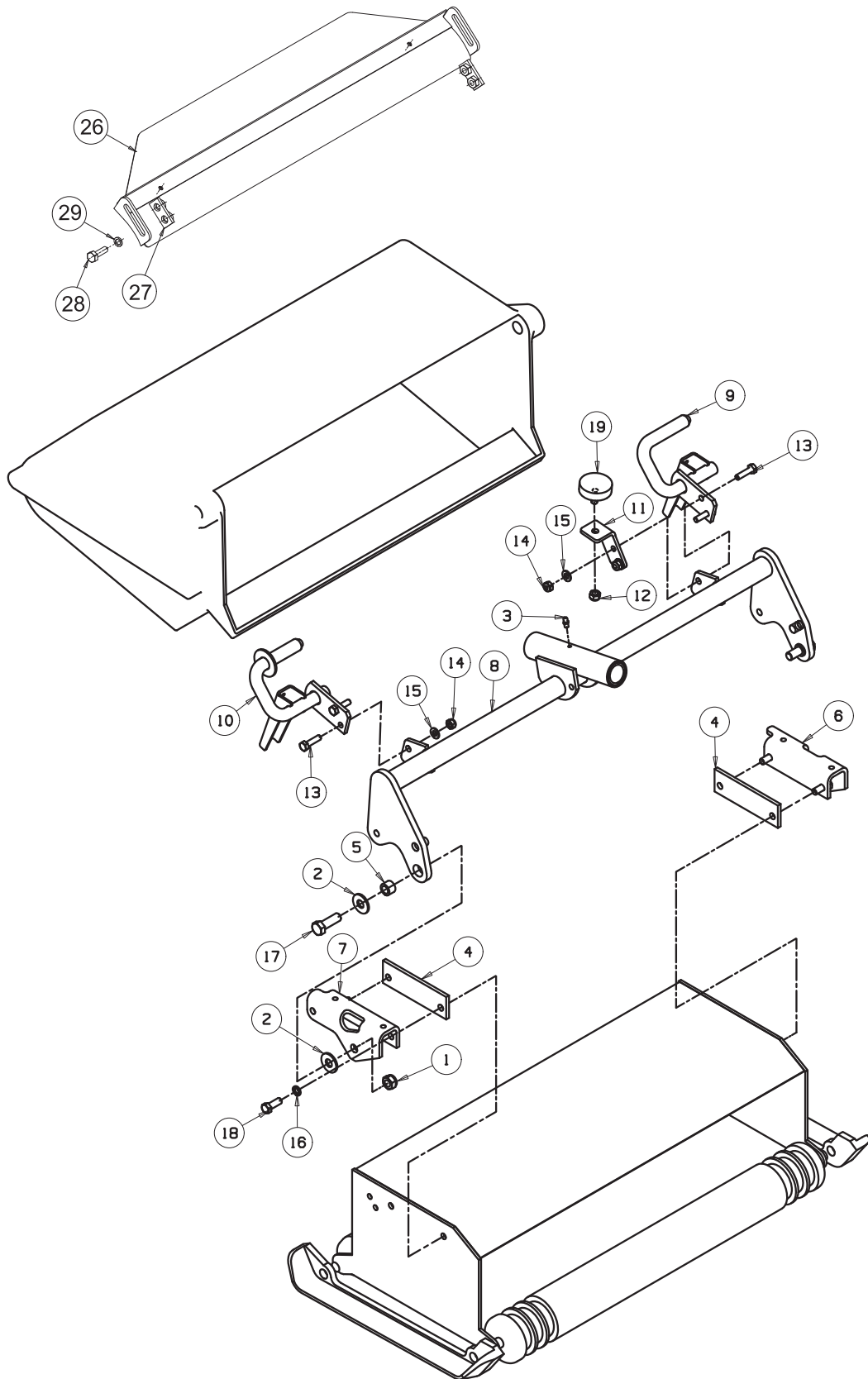




ITEM	PART NO.	DESCRIPTION	QTY.	REMARKS
1	001399032	Nut-Hex 1/2-20 Nyloc	2	
2	001599052	Washer-.526/.506 x 1-1/4 x 12GA	4	
3	002952722	End Cap-22 x 22 x 2	2	
4	002993013	Lubricator-M6 Straight	1	
7	4139697	Wldmt-Pivot Arm RH	1	
8	4139274	Spacer-Pivot Arm	2	
9	4139694	Bracket LH-Pivot Arm	1	
10	4139695	Bracket RH-Pivot Arm	1	
11	4139374	Spacer-1/2 x 3/4 x 1/2	2	
12	456110066	Screw-Hex 3/8-16 x 1	4	
13	452200087	LockWasher-3/8 x .590 x .092	4	
14	456010577	Screw-Hex 1/2-20 x 1-1/2	2	
15	4140685	Rubber Bumper	1	

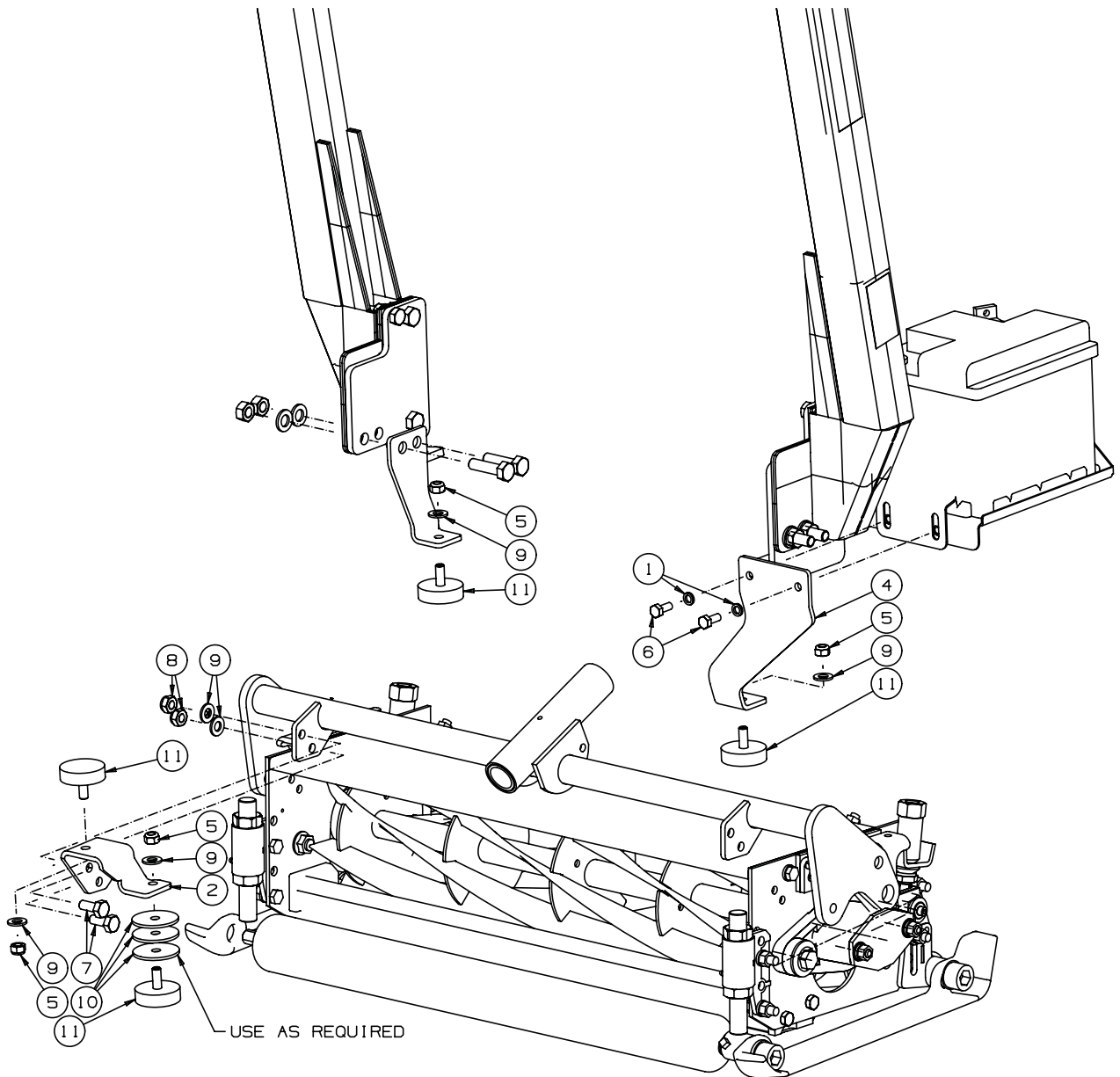
CENTER UNIT YOKE ( from Serial No. EJ000398)

Illustration Number: 4139986



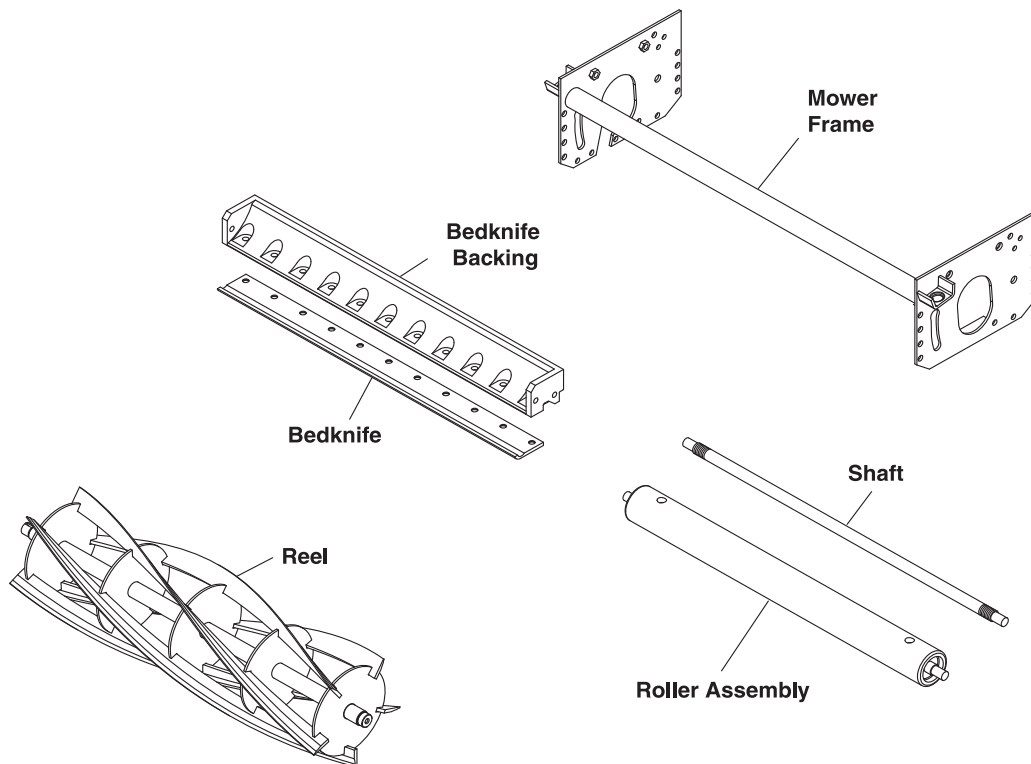
ITEM	PART NO.	DESCRIPTION	QTY.	REMARKS
1	001399032	Nut-Hex 1/2-20 Nyloc	2	
2	001599052	Washer-.526/.506 x 1-1/4 x 12GA	4	
3	002993160	Lubricator-M6 x 90 Deg	1	
4	4139274	Spacer-Pivot Arm	2	
5	4139374	Spacer- 1/2 x 3/4 x 1/2	2	
6	4139836	Wldmt-Pivot Arm centre	1	
7	4140057	Bracket LH-Pivot Arm	1	
8	4140056	Bracket RH-Pivot Arm	1	
9	4139923	Centre Unit Bump Bracket	1	
10	450120398	Nut-Hex 3/8-16 Nyloc Thin	1	
11	450193	Screw-Hex M8 x 30	4	
12	450378	Nut-Hex M8 Nyloc	4	
13	450390	Washer-M8 x 17 x 1.8	4	
14	452200087	LockWasher-3/8 x .590 x .092	4	
15	456010577	Screw-Hex 1/2-20 x 1-1/2	2	
16	456110066	Screw-Hex 3/8-16 x 1	4	
17	J361723	Bumper Stop	1	
26	4139911	Wldmt-Rear Shield, TR3	1	
27	4139916	Wldmt-Backup nut	2	
28	450192	Screw-Hex M8 x 25	4	
29	450411	Washer-Slw M8	4	

CENTRE UNIT BUMPSTOP



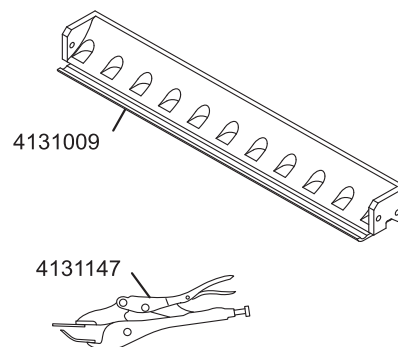
ITEM	PART NO.	DESCRIPTION	QTY.	REMARKS
1	4258312	Av Washer-8.7 X 13.5 X 2.5	2	
2	4287615	Centre Unit Bump Bracket	1	
3	4287616	Centre Unit Bkt Anti-roll	1	
4	4287617	Centre Unit Bump Stop Bracket	1	
5	450120398	Nut-hex 3/8-16, Nyloc Thin	4	
6	450191	Screw-hex M8-1.25 X 20, Gr 8.8	2	
7	450214	Screw-hex M10-1.5 X 25, Gr 8.8	2	
8	450379	Nut-hex M10-1.5, Gr 8, Nyloc	2	
9	450391	Washer-M10 X 21 X 2.2	6	
10	64163-17	Washr-25/64 X 2 X 11g	2	
11	J361723	Bumper Stop	4	

MOWER FRAME, REEL, BEDKNIFE & ROLLER



Product Number	Size In Inches	No. of Blades	Bedknife	Bedknife Backing	Roller		Location			Reel Part No.	Mower Frame
					Complete	Shaft	Left	Center	Right		
47114	26"	7	3000249	122572	132639	3003415			✓	1001749	1001644
47115	26"	7	3000249	122572	132639	3003415		✓		1001748	1001643
47116	26"	7	3000249	122572	132639	3003415	✓			1001748	1001643

MagKnife Kit 4131027		
Part No.	Qty.	Description
4130285	1	Backing, 26 Inch Mag Knife
4131009	1	Bedknife, 26 Inch Heavy Section
4129108	AR	Magnet
4129262	2	Alignment Pin
4130437	1	Decal, Mag Knife Warning
4131147	2	Bedknife Installation & Removal Tool



ITEM	PART NO.	DESCRIPTION	QTY.	REMARKS
		Magknife Kit 4131027		
	4130285	Backing, 26 Inch Mag Knife	1	
	4131009	Bedknife, 26 Inch Heavy Section	1	
	4129108	Magnet	AR	
	4129262	Alignment Pin	2	
	4130437	Decl, Mag Knife Warning	1	
	4131147	Bedknife Installation & Removal Tool	2	

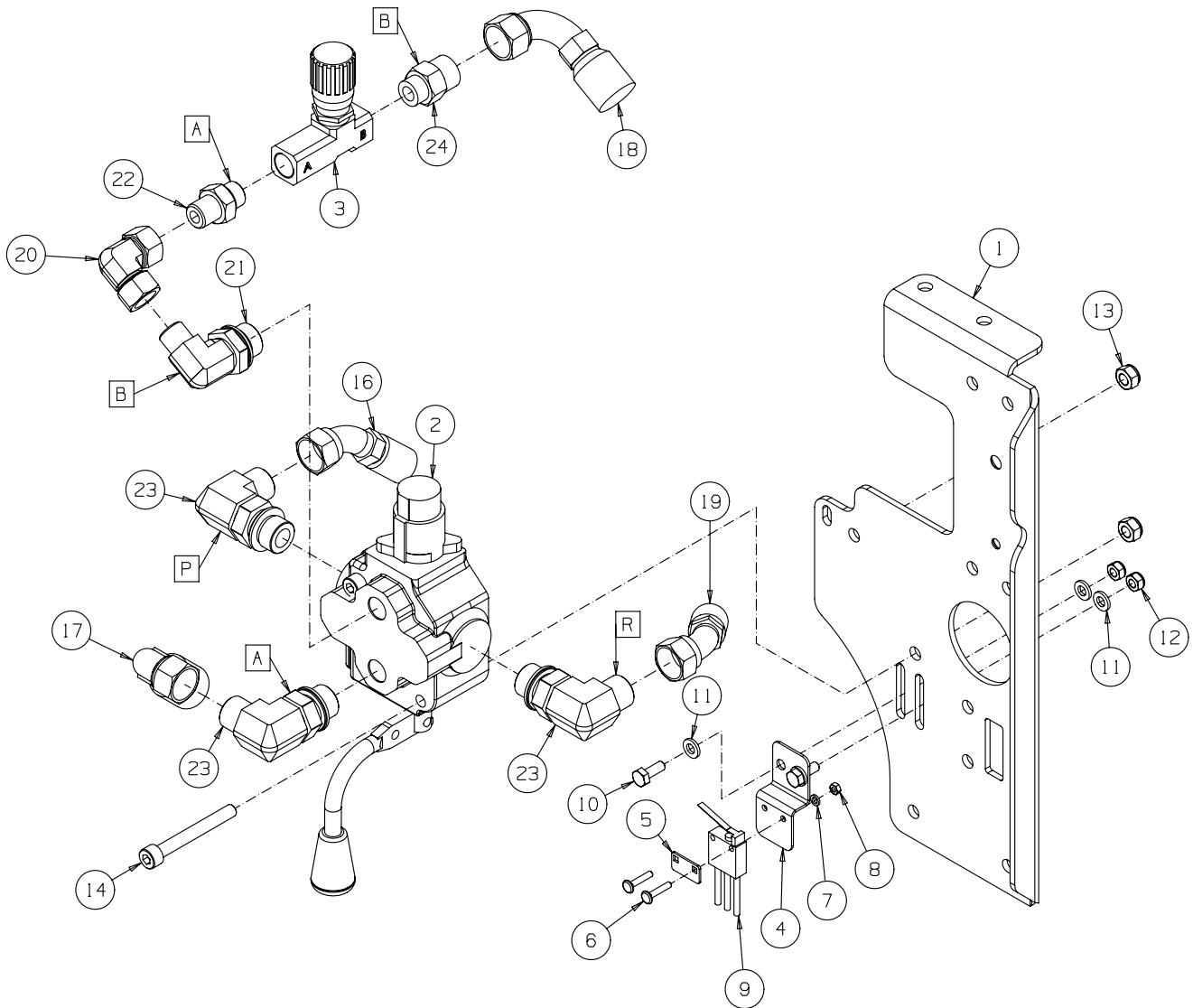
\* Not Illustrated

BACKLAP VALVE (LMAC378)

Illustration Number: LMAC378-2

NOTE

LABELS **A** TO **R** DENOTE VALVE PORTS

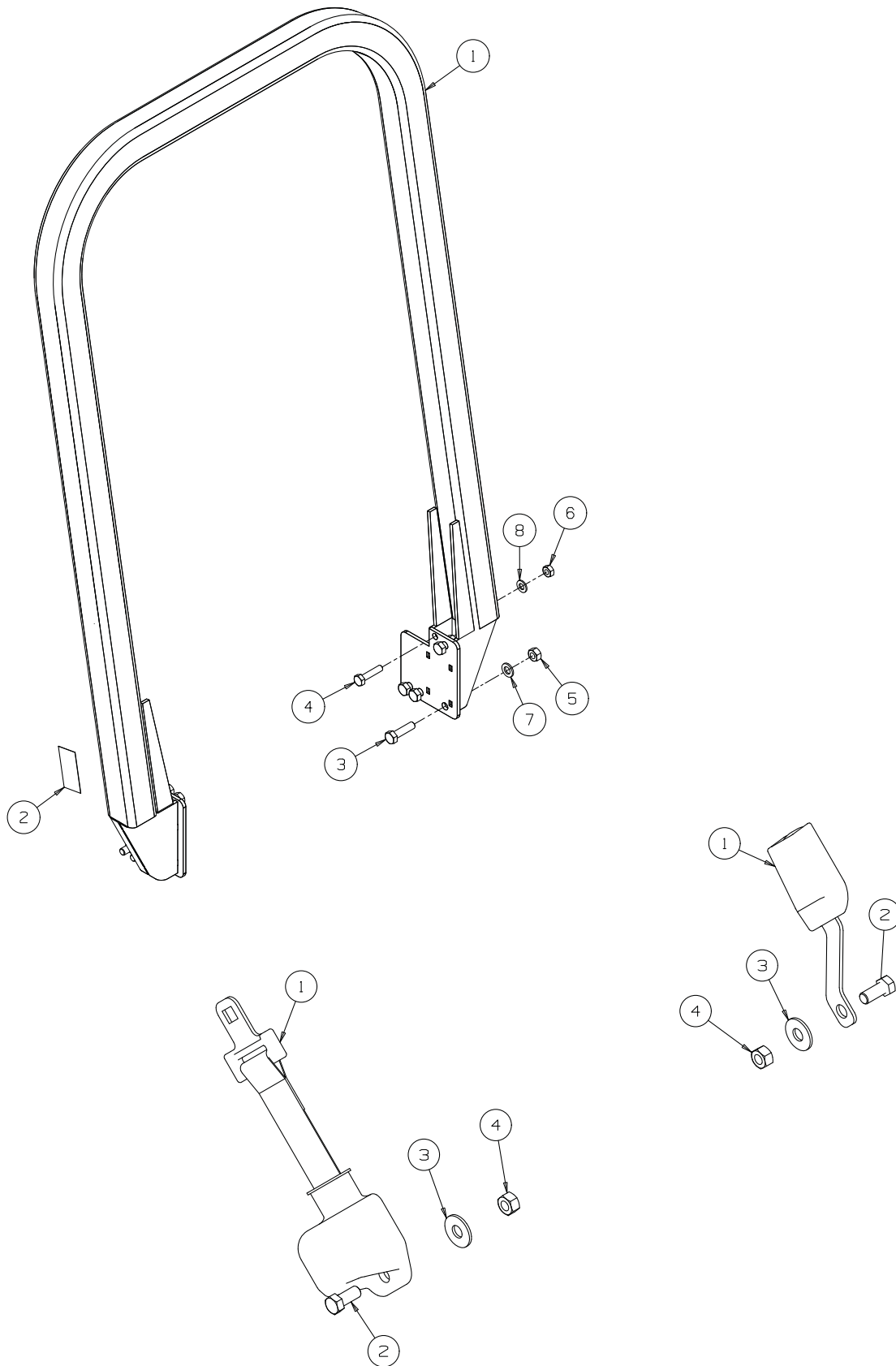




ITEM	PART NO.	DESCRIPTION	QTY.	REMARKS	
	LMAC378	Kit-Backlap			
1	4243082	Bracket-Air Cleaner Mtg	1	Not supplied with kit LMAC378	
2	4212460	Backlap Valve	1		
3	4142965	Speed Control Valve	1		
4	4244322	Bracket-Backlap Switch	1		
5	845063	Retainer-Switch	1		
6	800955	Screw, #6-32 x .75 Terminal	2		
7	450408	Washer-SLW M4	2		
8	001393400	Nut-Hex #6-32	2		
9	894521	Switch AY, N-O Lever	1		
10	450170	Scrw-Hex M6 x 16	2		
11	450389	Washer-M6 x 12.5 x 1.8	4		
12	450377	Nut-Hex M6 Nyloc	2		
13	450378	Nut-Hex M8 Nyloc	2		
14	450732	Capscrw-Scky M8 x 65	2		
16	4137102	Hyd Hose Assembly	1		Cutter Valve M1 to Backlap Valve P
17	4137103	Hyd Hose Assembly	1		Backlap Valve A to LH Cutter Motor
18	4137104	Hyd Hose Assembly	1		Speed Ctrl Valve B to Rear Cutter Mtr
19	4137105	Hyd Hose Assembly	1		Backlap Valve R to Cutter Valve M2
20	4212463	Ftg-90 F/F 3/8 BSP x 3/8 BSP	1		
21	4212464	Ftg-90 M/M 1/2 BSP x 3/8 BSP	1		
22	4212465	Ftg-Str 3/8 BSP x 3/8 BSP	1		
23	4192320	Ftg-90 M/M 1/2 BSP x 13/16 ORFS	3		
24	002590220	Ftg-13/16 ORFS x 3/8 BSP	1		

OPS FRAME (LMAC164)

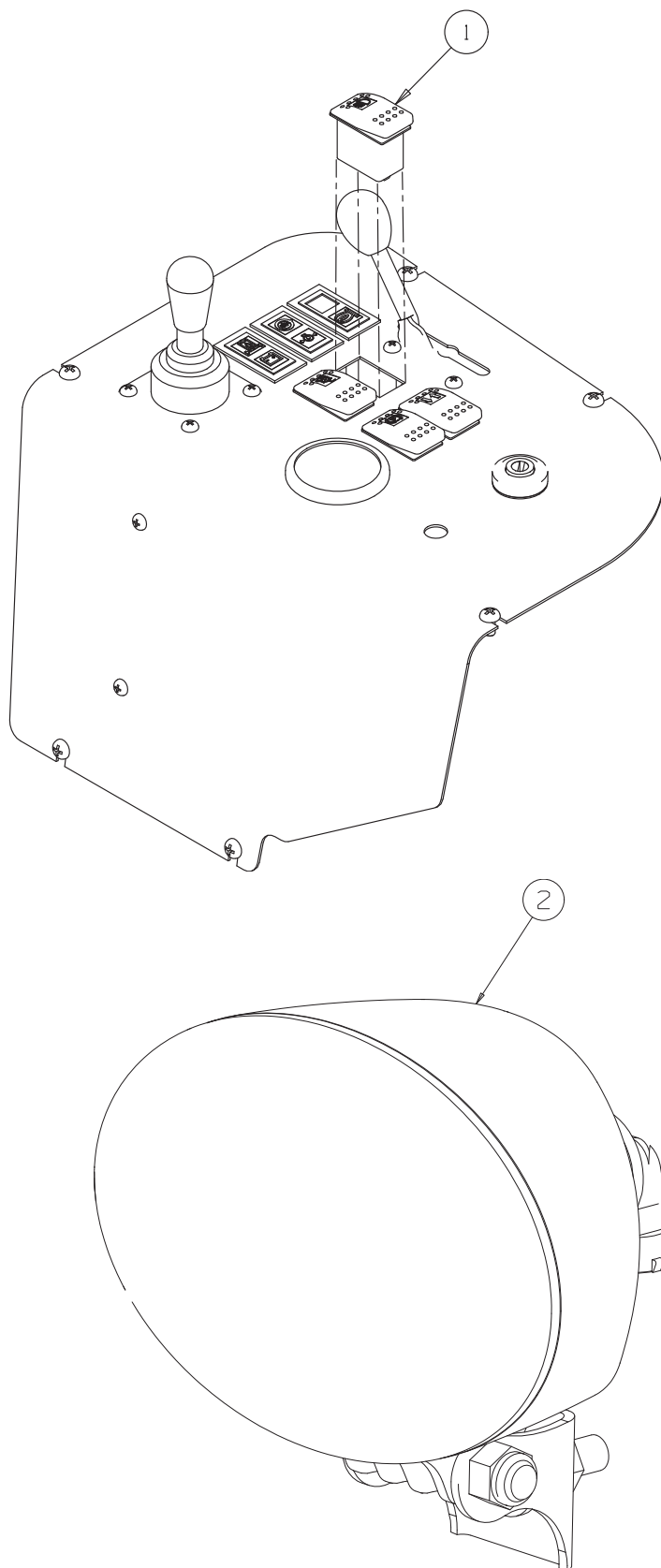
Illustration Number: 4137350 & 4137585



ITEM	PART NO.	DESCRIPTION	QTY.	REMARKS
2	4137350	OPS Kit (ABT)	1	Comprising Items 3 - 8
	AR3-01	Roll Bar	1	
		Label	1	
	4270936	Bolt Kit for AR3 / TR3 OPS Frame	1	
	3	• Hex Bolt - M12 x 45 Gd 10.9	8	
	4	• Hex Bolt - M10 x 45 Gd 10.9	2	
	5	• Hex Nut (Stover M12)	8	
	6	• Hex Nut (Stover M10)	2	
	7	• Plain Washer M12	8	
8	• Plain Washer M10	2		
9	4137585	Seat Belt Kit-AR3 / TR3	1	
	4137585	Seat Belt Kit		
1	4133937	Seat Belt Assembly	1	Comprising Items 2 - 4
	4135347	Seat Belt - Hardware Kit	1	
2	• Scrw-Hex 7/16" x 20 x 1	2		
3	• Nut-Hex Lock 7/16" x 20	2		
4	• Washer - 1/2" x 1 1/4" x 0.104	2		

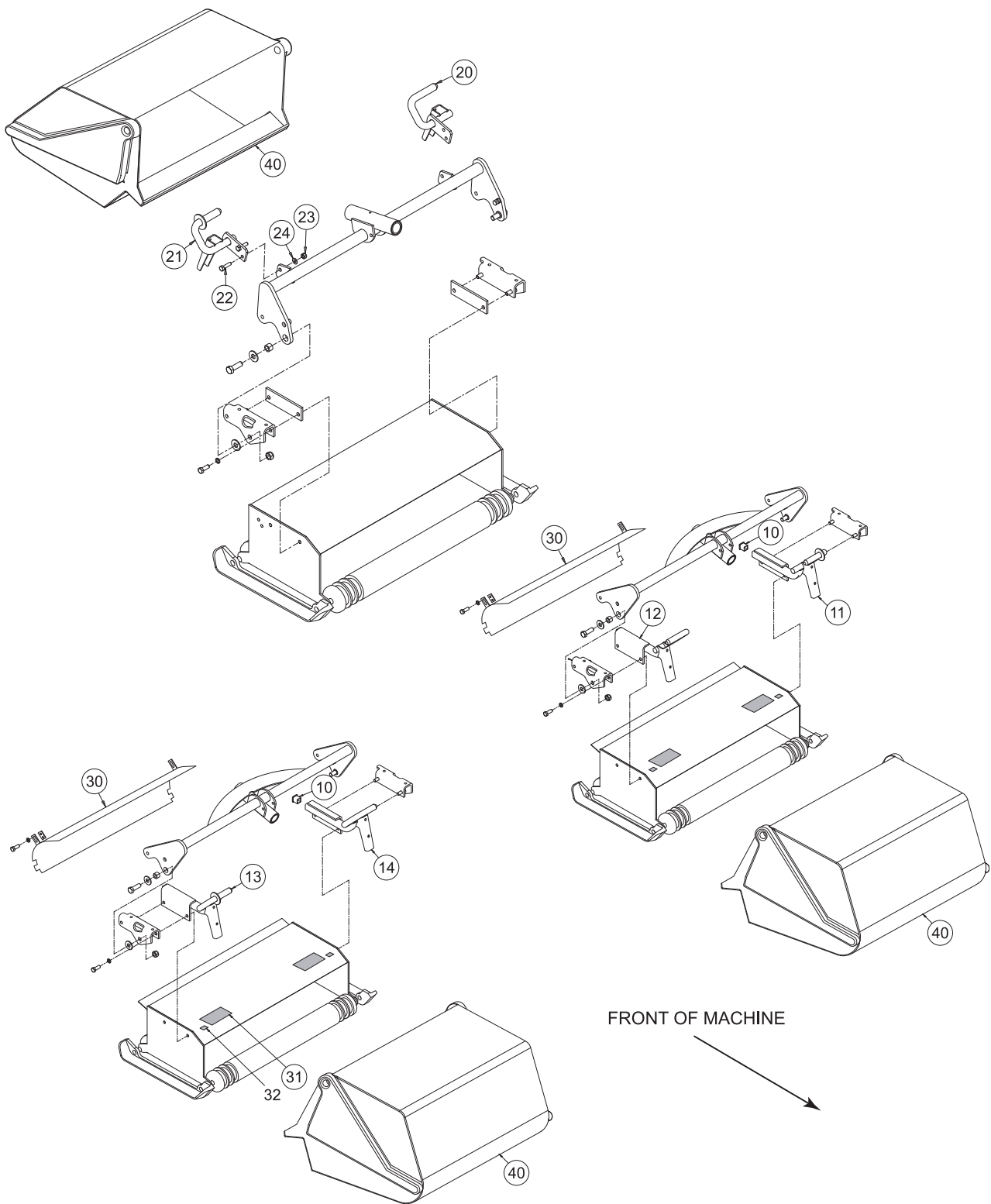
WORKING LAMP KIT (LMAC163)

---



ITEM	PART NO.	DESCRIPTION	QTY.	REMARKS
1	4135848	Work lamp Switch	1	
2	4122840	Worklamp	2	
*	4123183	Bulb, 886, 12.8v	A/R	

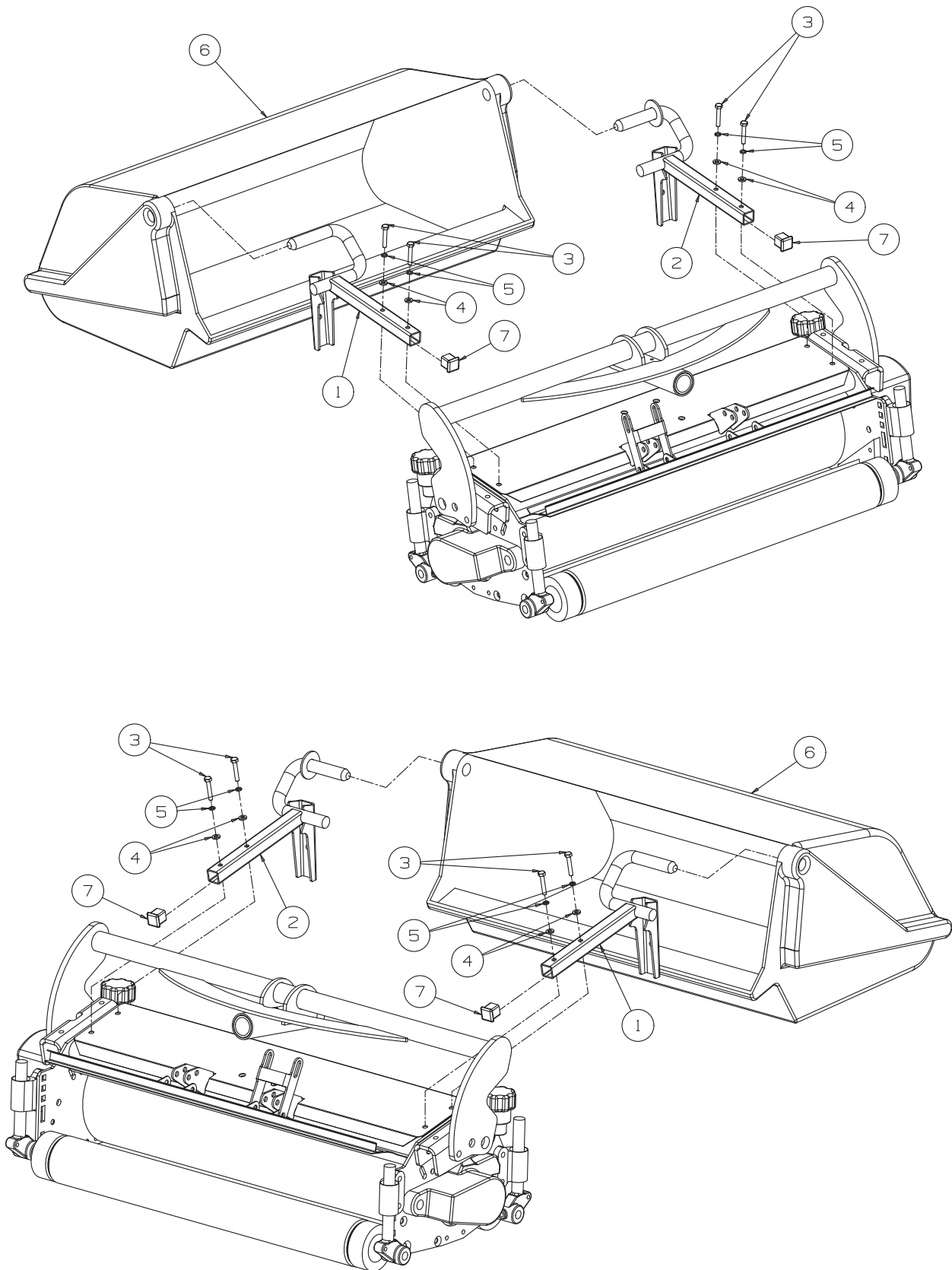
GRASSBOX KIT (LMAC182)



ITEM	PART NO.	DESCRIPTION	QTY.	REMARKS
10	002952722	End Cap	2	
11	4139188	Grassbox Arm LH Outer	1	
12	4139190	Grassbox Arm LH Inner	1	
13	4139191	Grassbox Arm RH Outer	1	
14	4139193	Grassbox Arm RH Inner	1	
20	4139855	Grassbox Arm Rear LH	1	
21	4139856	Grassbox Arm Rear RH	1	
22	450193	Screw M8 x 30	4	
23	450378	Nut M8 Nyloc	4	
24	450390	Washer M8	4	
30	122584.7	Shield	2	
31	009034940	Decal - Danger	2	For Shield
32	3002379	Decal - Tight	2	For Shield
40	3007844	Catcher 26"	3	

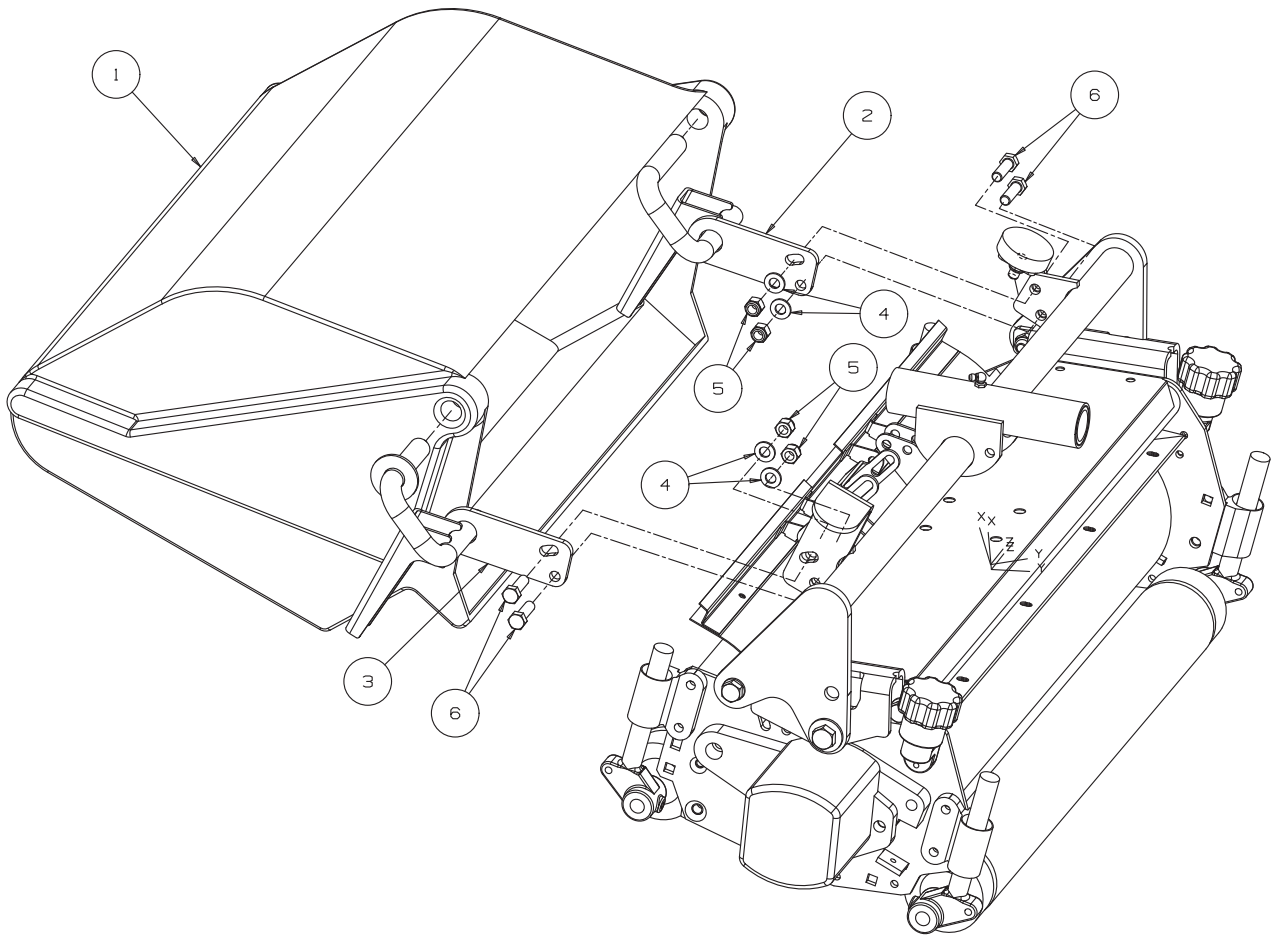
GRASSBOX & FIXINGS, TR3 LEFT & RIGHT HAND FRONT UNITS

Illustration Number: LMAC193





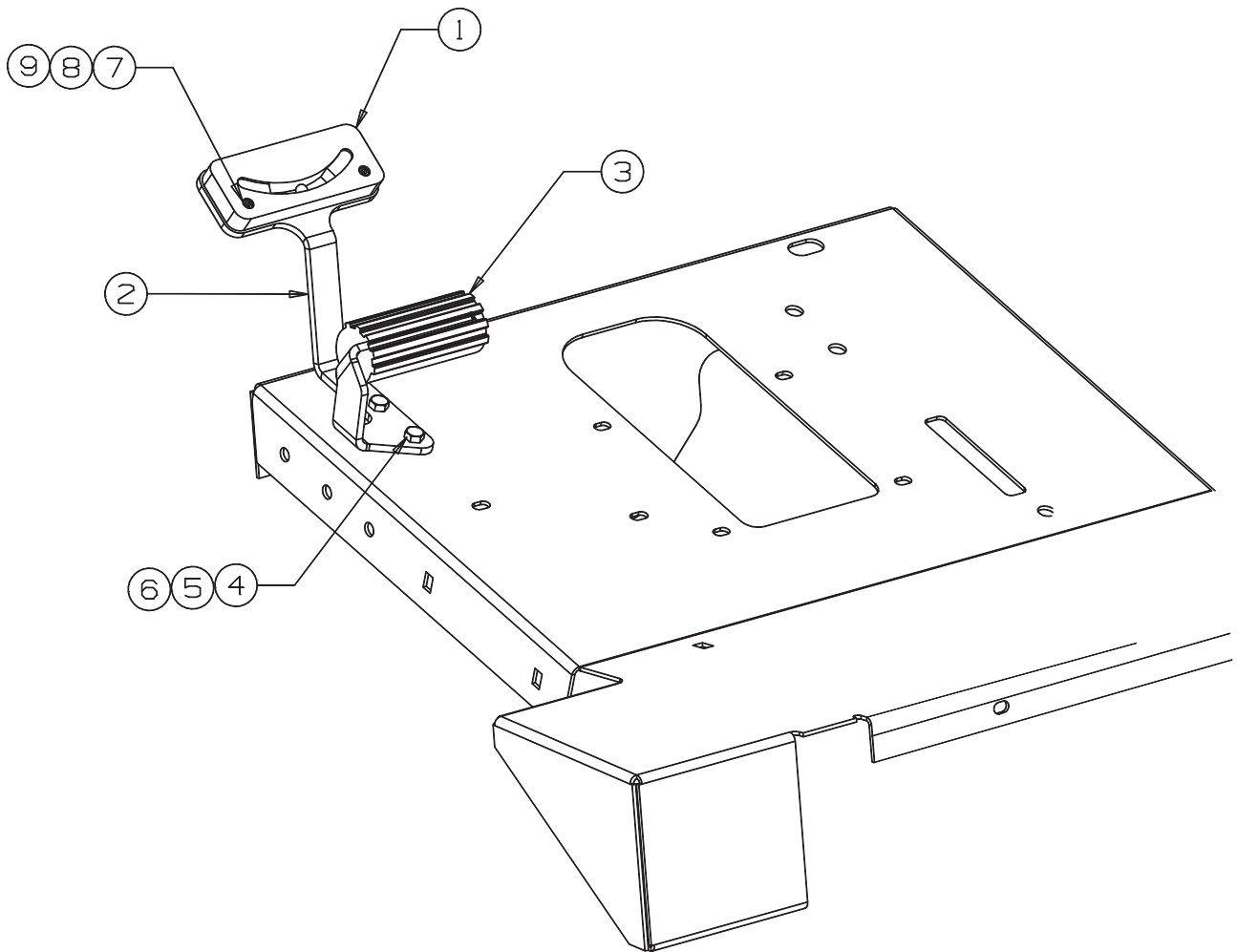
ITEM	PART NO.	DESCRIPTION	QTY.	REMARKS
		Left Hand Front Grassbox		
1	4139527	Wldmt-Grassbox Arm LH Outer	1	
2	4139528	Wldmt-Grassbox Arm LH Inner	1	
3	450002	Bolt-Hex M6 x 35	4	
4	450389	Washer-M6 x 12.5 x 1.8	4	
5	450410	Washer-SLW M6	4	
6	3007844	Grassbox	1	
7	002952722	End Cap-22 x 22 x 2	2	
		Right Hand Front Grassbox		
1	4139529	Wldmt-Grassbox Arm RH Outer	1	
2	4139530	Wldmt-Grassbox Arm RH Inner	1	
3	450002	Bolt-Hex M6 x 35	4	
4	450389	Washer-M6 x 12.5 x 1.8	4	
5	450410	Washer-SLW M6	4	
6	3007844	Grassbox	1	
7	002952722	End Cap-22 x 22 x 2	2	



ITEM	PART NO.	DESCRIPTION	QTY.	REMARKS
1	3007844	Centre Unit Grassbox Grassbox	1	
2	4140185	Wldmt-Grassbox Centre Unit LH	1	
3	4140186	Wldmt-Grassbox Centre Unit RH	1	
4	452000326	Washer-3/8 x 3/4 x .072	4	
5	001399105	Nut-Hex 3/8-24 Nyloc	4	
6	456010420	Screw-Hex 3/8-24 x 1-1/4	4	

INCLINOMETER KIT (LMAC380)

---



ITEM	PART NO.	DESCRIPTION	QTY.	REMARKS
1	4212921	• Ball Inclinometer	1	
2	4206788	• Footrest and Inclinometer Bracket	1	
3	3003475	• Grip-Pedal	1	
4	450192	• Screw M8 x 25	2	
5	450390	• Washer 8mm	2	
6	450378	• Nyloc Nut M8	2	
7	450699	• Hex Hd Screw M5	2	
8	450388	• Washer 5mm	2	
9	450376	• Nyloc Nut M5	2	







---

Ransomes Jacobsen Limited  
West Road, Ransomes Europark, Ipswich,  
England, IP3 9TT  
English Company Registration No. 1070731  
[www.ransomesjacobsen.com](http://www.ransomesjacobsen.com)

Jacobsen, A Textron Company  
11108 Quality Drive, Charlotte,  
NC 28273, USA  
[www.Jacobsen.com](http://www.Jacobsen.com)