

## Parts Manual

---

### **RANSOMES** *Matador 71*

Series: CF - Engine type: Honda GX160 K1-Q4  
Product Codes: LDDD700



**WARNING:** If in correctly used this machine can cause severe injury. Those who use and maintain this machine should be trained in its proper use, warned of its dangers and should read the entire manual before attempting to set up, operate, adjust or service the machine.





DESCRIPTION	PAGE
PRODUCT IDENTIFICATION.....	2
SERVICE PARTS .....	3
HOW TO USE THE PARTS MANUAL.....	4
GUIDELINES FOR THE DISPOSAL OF SCRAP PRODUCTS.....	5
1 CUTTING UNIT & CLUTCH .....	6
2a MAINFRAME & GRASSBOX MECHANICAL OPC .....	10
2b MAINFRAME & GRASSBOX MOTIVAR OPC .....	14
3a STANDARD HANDLEBARS, HANDLES & CONTROLS MECHANICAL OPC.....	20
3b STANDARD HANDLEBARS, HANDLES & CONTROLS MOTIVAR OPC.....	24
3c LOW CLEARANCE HANDLEBARS, HANDLES & CONTROLS MECHANICAL OPC .....	26
3d LOW CLEARANCE HANDLEBARS, HANDLES & CONTROLS MOTIVAR OPC.....	30
4 BRAKES & LANDROLL SCRAPER .....	32
5 FRONT ROLL.....	35
6 LANDROLL.....	39
7 DRIVES .....	41
8 DECALS .....	45
9a TRAILING SEAT.....	47
9b GROOVED FRONT ROLL.....	49
9c LANDROLL - RUBBER COVERED.....	51

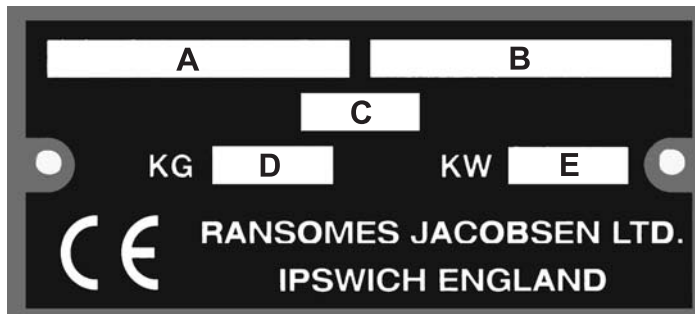
# RANSOMES MEDIUM PEDESTRIAN RANGE

---

## INTRODUCTION

### PRODUCT IDENTIFICATION

---



- A Machine Name
- B Serial Number
- C Year of Manufacture
- D Machine Weight
- E Engine Power

### SPARES STOCKING GUIDE

To keep your equipment fully operational and productive, Ransomes suggests you maintain a stock of the more commonly used maintenance items. We have included part numbers for the additional support materials and training aids.

SERVICE SUPPORT MATERIAL			
Part No.	Description	Part No.	Description



# RANSOMES MEDIUM PEDESTRIAN RANGE

---

## HOW TO USE THE PARTS MANUAL

### ITEM NUMBER

Each part which is identified in the illustrations has an item number. Parts which do not have an item number may not be readily identified in the illustration but are usually closely associated with the immediately adjacent part.

### ASSEMBLIES

A complete assembly, e.g. a wheel motor or hydraulic motor or roll assembly, is listed as a complete item with subsequent individual components listed separately.

The assembly is listed under its part number with component parts being listed offset to the right, e.g.:-

ITEM	PART NO.	DESCRIPTION	QTY	REMARKS
4295	MBG2504	Bracket	1	
4296	MBG3848	Latch	2	
4298	450865	Screw, M8 X 20, Sckt Csk Hd	2	
4300	450378	Nut, M8 Nyloc	2	
4301	WI001	Set Of Wheels	1	
4301.1	008162130	• Wheel & Hub Assy	1	(Rear)
4301.2	008170390	•• Tyre	1	
4301.3	008161830	•• Rim	1	
4301.4	008169140	•• Hub Assy.	1	
4301.5	008169150	•• Cap	1	
4301.6	002993010	•• Lubricator	1	
4301.7	008161990	• Wheel & Tyre	2	(Front)
4301.8	008170780	•• Tyre	2	

It may not be possible to illustrate every item. With certain items purchased from outside suppliers some component parts may not be available from Ransomes and may need to be specially ordered from the supplier.

### QUANTITIES

Quantities shown are for one assembly or sub-assembly.

### USING THE PARTS LIST

Determine the function and application of the part required. Turn to the main index page and select the appropriate section. Locate the part on the illustration and parts list and read off the quantity from the appropriate MODEL column.

### NUMERICAL INDEX

This is a summary of all part numbers used in the manual arranged in numerical sequence and showing the page and item number under which the parts appear.

### ORDERING OF SPARE PARTS

When ordering replacement parts, it is most important to quote the SERIAL NUMBER of the machine, PART NUMBER, DESCRIPTION and QUANTITY required.

Any arbitrary modifications carried out on this machine may relieve the manufacturer of liability for any resulting damage or injury.

### ABBREVIATIONS

N/A Not Available

ARAs Required

## GUIDELINES FOR THE DISPOSAL OF SCRAP PRODUCTS

### DURING SERVICE LIFE

Used oil, oil filters and engine coolant are hazardous materials and should be handled in a safe and environmentally responsible way.

In the event of a fluid leak, contain the spill to prevent it entering the ground or drainage system. Local legislation will dictate how such spills are to be treated.

Following the maintenance procedures laid out in this manual will ensure that the impact the machine has on the local environment is controlled.

When it has been identified that a turf care product has no further functional value and requires disposal, the following actions should be taken.

### END OF SERVICE LIFE

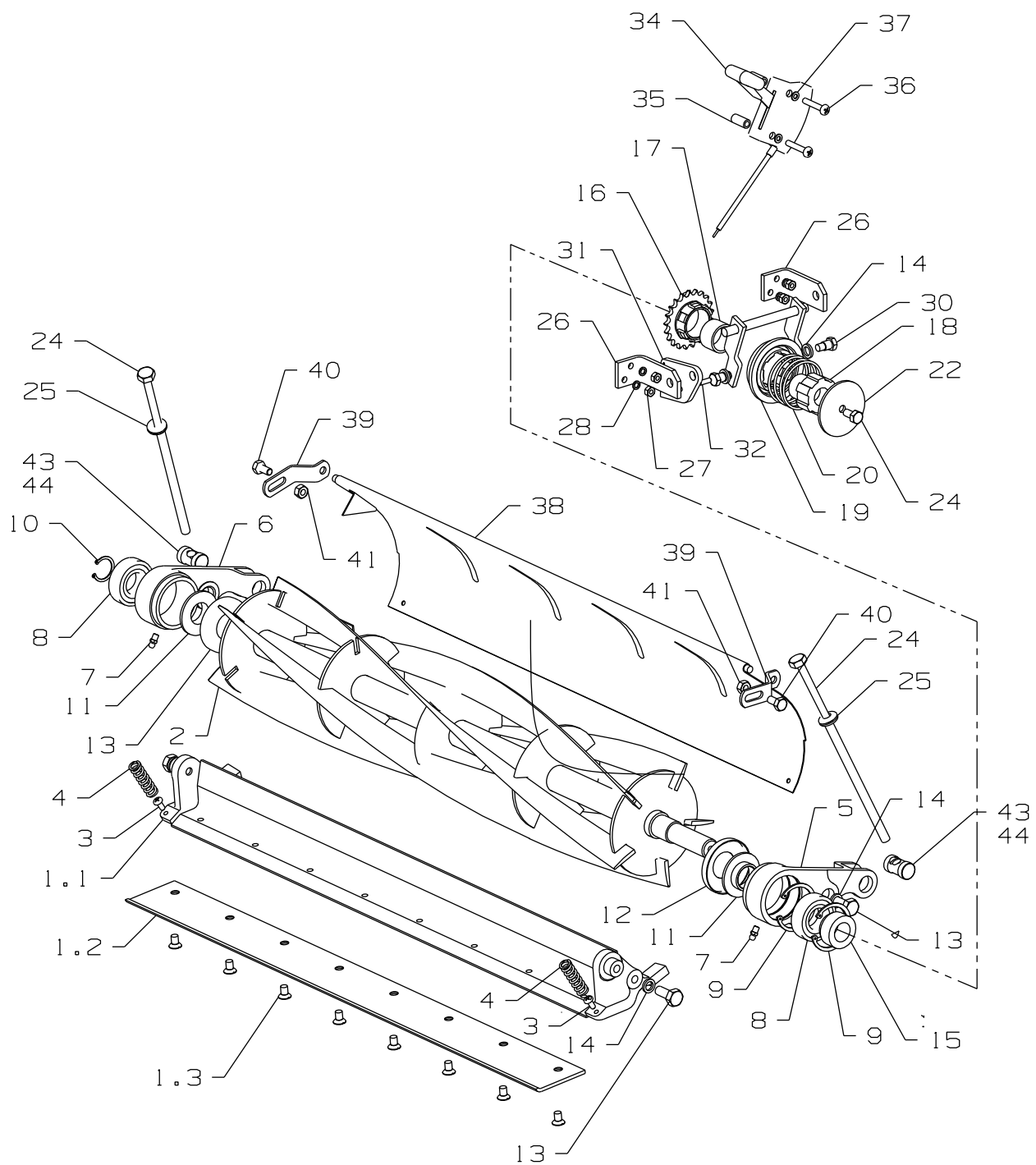
These guidelines should be used in conjunction with applicable Health, Safety and Environmental legislation and use of approved local facilities for waste disposal and recycling.

- Position the machine in a suitable location for any necessary lifting equipment to be used.
- Use appropriate tools and Personal Protective Equipment (PPE) and take guidance from the technical manuals applicable to the machine.
- Remove and store appropriately:
  1. Batteries
  2. Fuel residue
  3. Engine coolant
  4. Oils
- Disassemble the structure of the machine referring to the technical manuals where appropriate. Special attention should be made for dealing with 'stored energy' within pressurised elements of the machine or tensioned springs.
- Any items that still have a useful service life as second hand components or can be re-serviced should be separated and returned to the relevant centre.
- Other worn out items should be separated into material groups for recycling and disposal consistent with available facilities. More common separation types are as follows:
  - Steel
  - Non ferrous metals
    - Aluminium
    - Brass
    - Copper
  - Plastics
    - Identifiable
    - Recyclable
    - Non recyclable
    - Not identified
  - Rubber
  - Electrical & Electronic Components
- Items that cannot be separated economically into different material groups should be added to the 'General waste' area.
- Do not incinerate waste.

Finally update machinery records to indicate that the machine has been taken out of service and scrapped. Provide this serial number to Ransomes Jacobsen Warranty department to close off relevant records.

# RANSOMES MEDIUM PEDESTRIAN RANGE

## 1 CUTTING UNIT & CLUTCH





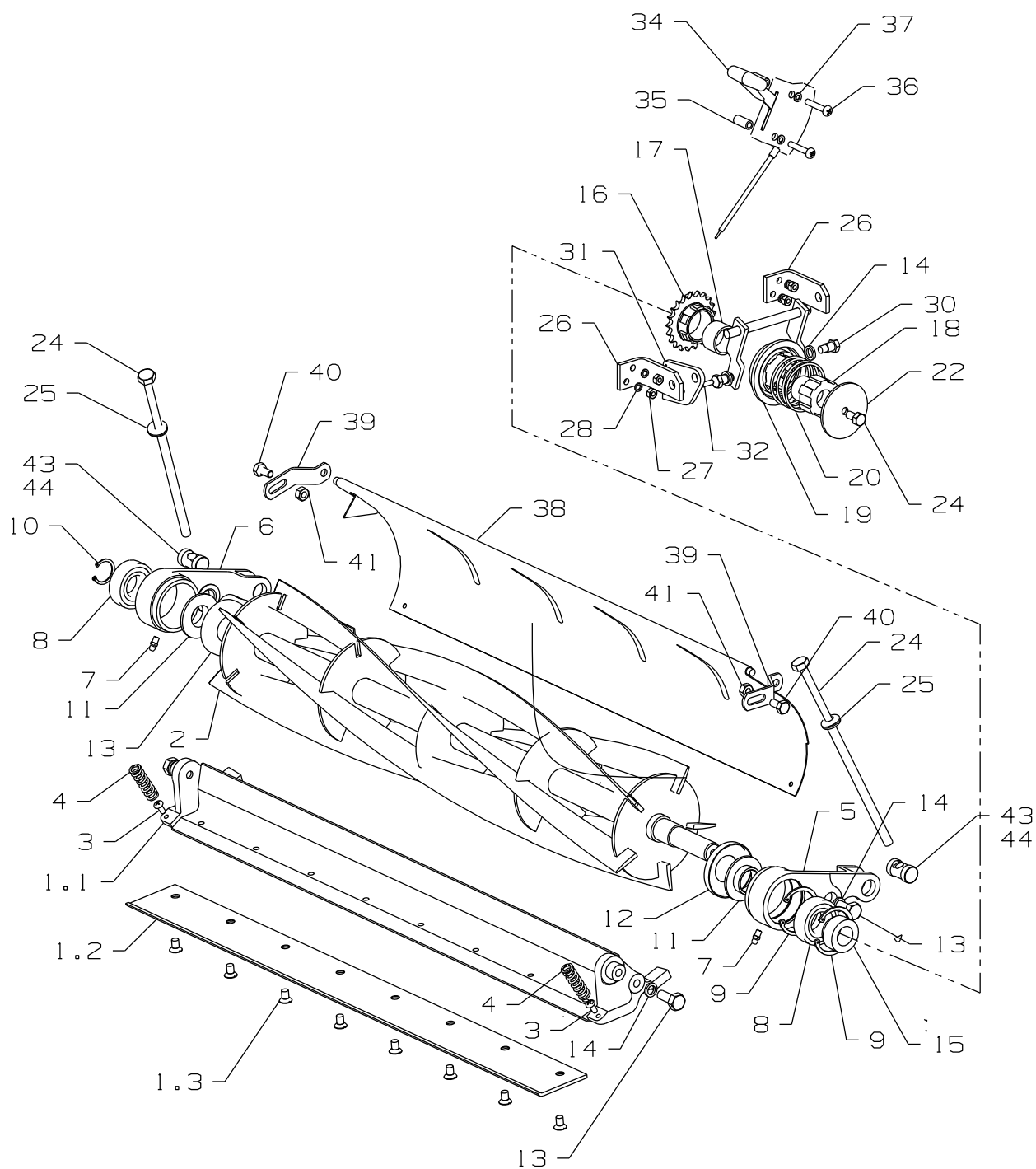
## RANSOMES MEDIUM PEDESTRIAN RANGE

ITEM	PART NO.	DESCRIPTION	QTY.	REMARKS
1	LMAA816	Btm Block & Blade As	1	
1.1		Bottom Block Assy	1	
1.2	MBA7086	Bottom Blade	1	
1.3	001190018	Scrw-ck 5/16-18x1/2 Btm Bld	8	
2	MBC3362C	Cutting Cylinder Assy	1	
3	GSF1094HC	Scrw-pan Hd #12 X 1/2	2	
4	GSF2240KT	Spring	2	
5	MBC3279	Bearing Housing Lh	1	
6	MBC3280	Bearing Housing R	1	
7	A299301	Lubricator-m6 Str	2	
8	A203605	Brg-ball 25 X 52 X 15	2	
9	451982	Circlip-int 52 X 2 T	2	
10	452050	Circlip-ext 25 X 1.2 T	1	
11	MBC3497	Bearing Seal	2	
12	MBB2701A	Dust Cover	2	
13	450214	Scrw-hex M10 X 25	4	
14	450412	Lockwshr-m10 X 15.9 X 2.5	4	
15	MBC5893	Bearing Spacer	1	
16	MBE3286A	Sprocket Assy.	1	
17	A219006	Oilite Bush	1	
18	MBC3277	Splined Collar	1	
19	MBC8223A	Sliding Clutch.	1	
20	A291071	Sprg-comp 55 X 2.64 X 28	1	
21	MBC3315	Wshr-8.46 X 63.5 X 3	1	
22	450190	Scrw-hex M8 X 16	1	
24	A109079	Scrw-adj M10-1.5 X 240	2	
25	A295319	Grommet	2	
26	MBC4222Z	Bracket	2	
27	450323	Nut-hex M6	4	
28	450410	Lockwshr-m6 X 9.6 X 1.5	4	
29	MBC5555	Clutch Lever	1	
30	MBC3496	Clutch Pin	2	
31	MBC5554Z	Operator.	1	
32	451653	Pin-tension 5 X 16	1	
33	450391	Wshr-m10 X 21 X 2.2	0	
34	008111310	Clutch Cable Cutting Cylinder	1	
35	MBG6428	Spacer-6.3 X 10 X 21.5	2	
36	450532	Scrw-pan Hd M5 X 35	2	
37	450388	Wshr-m5 X 10 X 1.1	2	
38	MBC3378	Concave Assy	1	
39	LC00328A	Link.	2	
40	450190	Scrw-hex M8 X 16	1	
41	450324	Nut-hex M8	2	

\* Not Illustrated

# RANSOMES MEDIUM PEDESTRIAN RANGE

## 1 CUTTING UNIT & CLUTCH



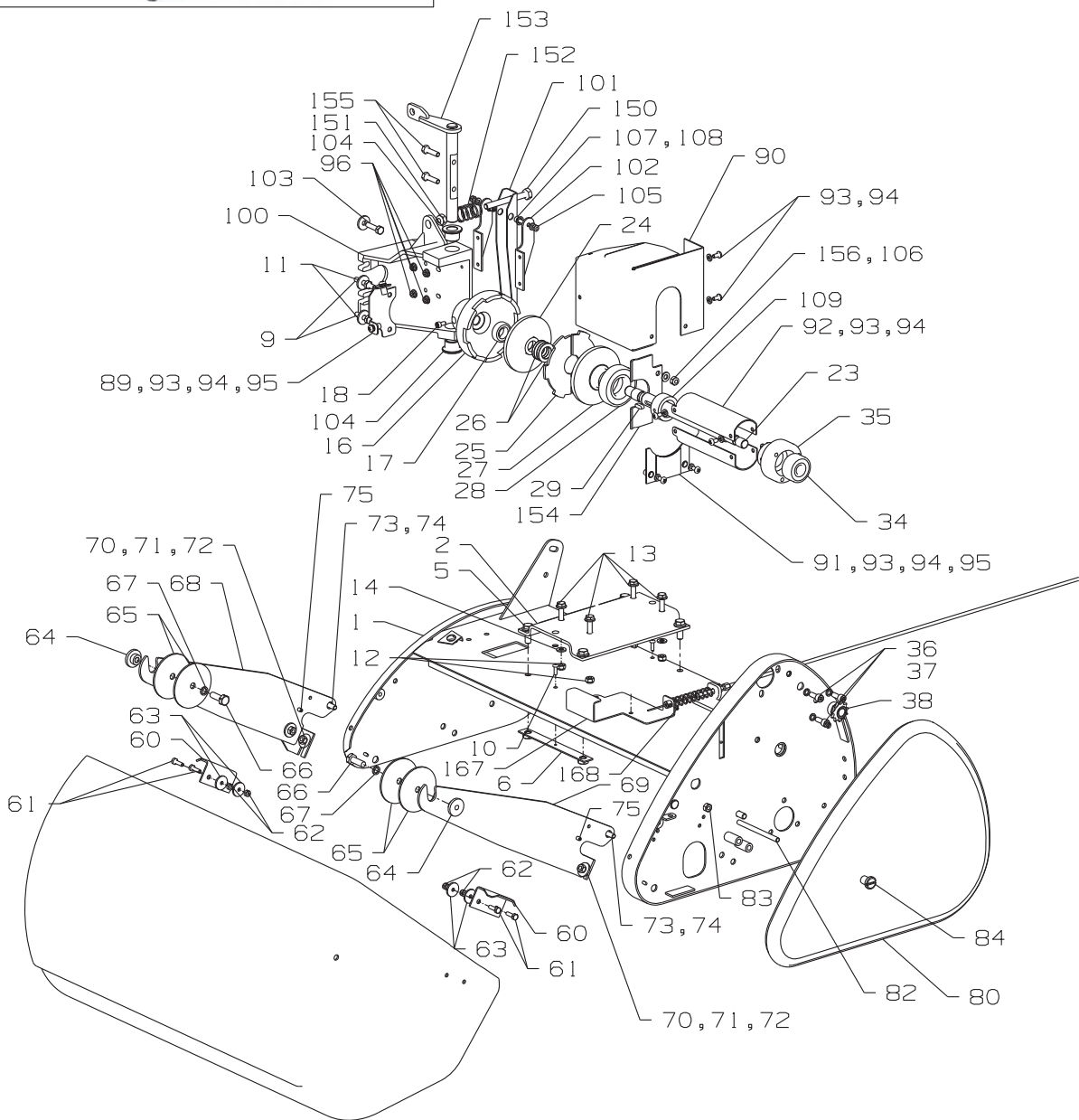
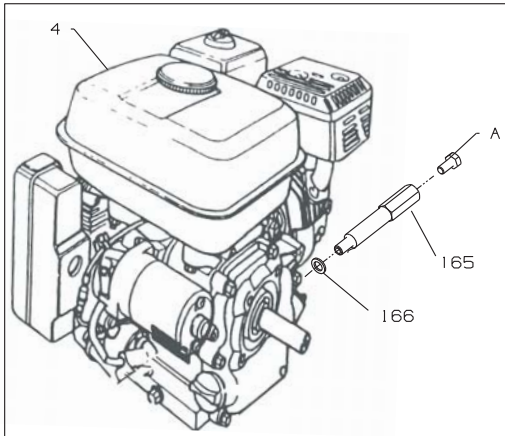
# RANSOMES MEDIUM PEDESTRIAN RANGE

ITEM	PART NO.	DESCRIPTION	QTY.	REMARKS
42	450390	Wshr-m8 X 17 X 1.8	2	
43	MBC5504	Ferrule	2	
44*	001993020	Helicoil Insert	2	

\* Not Illustrated

# RANSOMES MEDIUM PEDESTRIAN RANGE

## 2a MAINFRAME & GRASSBOX MECHANICAL OPC

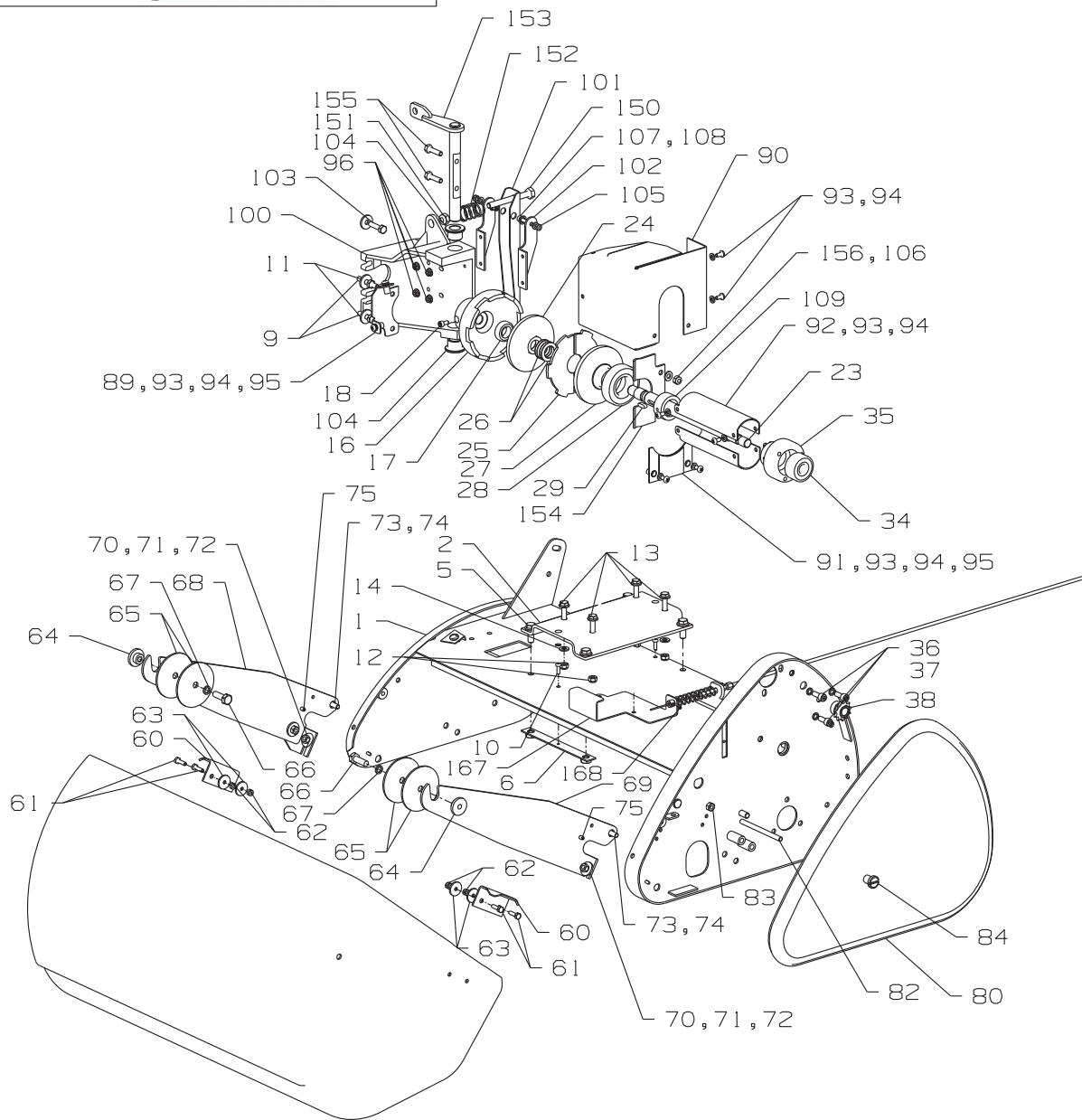
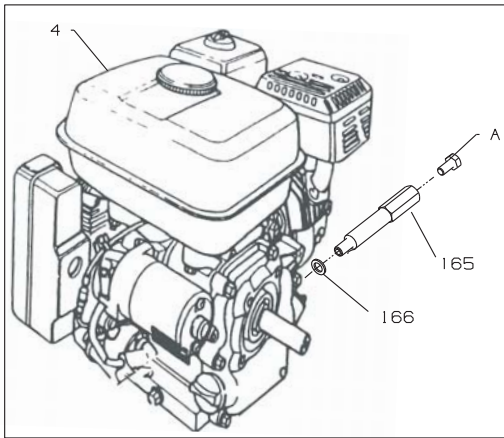


## RANSOMES MEDIUM PEDESTRIAN RANGE

ITEM	PART NO.	DESCRIPTION	QTY.	REMARKS
1	MBF2254	Wldmt-chassis, 71 Matador	1	From Serial No:EH100393
1*	4141345	Wldmt-chassis, 71 Matador	1	
2	MBC4275A	Mounting Plate	1	
3	A691159	Exhaust Deflector	1	
4	006890150	Engine-honda Gx160-q4	1	
5	450479	Scrw-hex M10 X 25 Verbus Ripp	4	
6	MBC4305	Plate Assembly	2	
7	MBF2292	Insulator-vacuum Pipe Assy	1	
9	MBG6202	Stud-clutch Mounting	2	
10	A119133	Scrw-pan Hd M5 X 16 Taptite	2	
11	MBA5289A	Wshr-8.5 X 25.5 X 3	3	
12	450378	Nut-hex M8 Nyloc	4	
13	450474	Scrw-hex M8 X 40 Verbus Ripp	4	
14	450390	Wshr-m8 X 17 X 1.8	4	
16	MBG6065	Clutch Housing	1	
17	H001202	Brg-align 17 X 40 X 12	1	
18	450710	Capscrw-sckt M6 X 12	1	
23	MBG6594	Drive Spindle 71 Mat	1	
24	MBG5955	Clutch Plate	1	
25	J555795	Split Clutch Disc	1	
26	002921240	Sprg-disc 22.4 X 34.6 X 0.5	4	
27	MBG5958	Clutch Plate-sliding	1	
28	A203607	Brg-ball 35 X 72 X 17	1	
29	452174	Key-6 X 6 X 18	1	
34	A209058	Brg-ball 17 X 47 X 22.2	1	
35	MBG6557	Housing-bearing	1	
36	A129033	Scrw-button Hd M8 X 20	3	
37	450411	Lockwshr-m8 X 12.75 X 2	5	
38	MBG6592	Drive Pinion	1	
60	MBC5587	Handle Lh	2	
61	450171	Scrw-hex M6 X 20	4	
62	450377	Nut-hex M6 Nyloc	4	
63	GSF2154AY	Wshr-1/4 X 1 X .104	4	
64	MBA2396	Pivot Boss.	2	
65	MBA2397A	Wshr-11 X 82 X 3	4	
66	GSF2002EF	Scrw-hex 3/8-24 X 1	2	
67	GSF2164j	Lockwshr-3/8 X .590 X .092	2	
68	MBC8448	Box Arm Asembly Lh	1	
69	MBC5580	Box Arm R.h.	1	
70	450324	Nut-hex M8	2	
71	450411	Lockwshr-m8 X 12.75 X 2	2	
72	MBA5289A	Wshr-8.5 X 25.5 X 3	2	
73	452702	Scrw-hex M8 X 20 Taptite	2	

# RANSOMES MEDIUM PEDESTRIAN RANGE

## 2a MAINFRAME & GRASSBOX MECHANICAL OPC

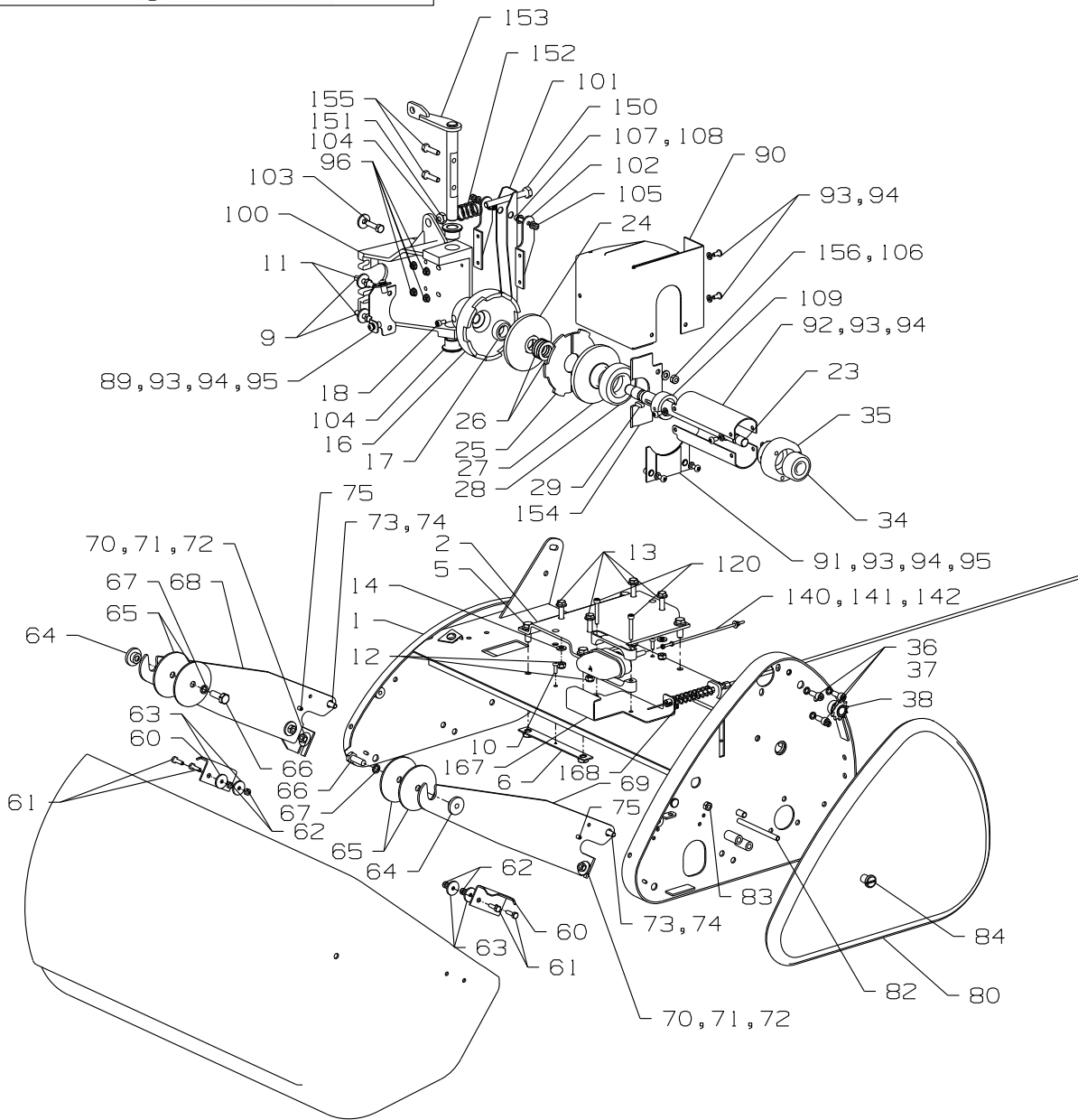
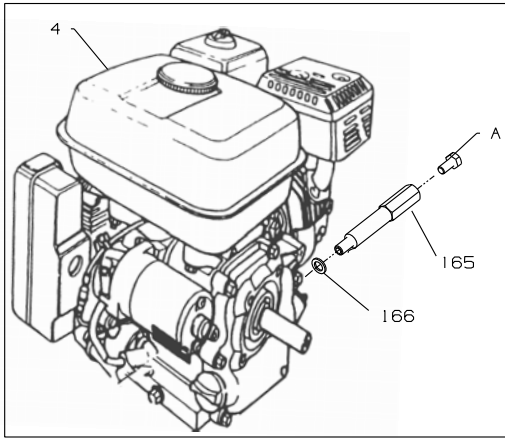


## RANSOMES MEDIUM PEDESTRIAN RANGE

ITEM	PART NO.	DESCRIPTION	QTY.	REMARKS
74	A292071	Sprg-disc 8.2 X 20 X 0.8	2	
75	451450	Pin-spirol 6 X 20	2	
80	MBC3205	Chain Cover	1	
81	A914859	Acoustic Pad	1	
82	MBC7111	Cover Stud	1	
83	450324	Nut-hex M8	1	
84	MBE3667A	Cover Nut	1	
89	MBG6527	Cover Bracket	1	
90	MBG6724	Cover-Matador	1	
91	MBF2239	Plate-cover	1	
92	MBG6626	Tube - Cover	2	
93	450539	Scrw-pan Hd M6 X 12	8	
94	450389	Wshr-m6 X 12.5 X 1.8	8	
95	450357	Nutsert-m6 A-k X 14.7	6	
96	450452	Nut-hex M6 Verbus Ripp	4	
100	MBG6195	Housing-clutch	1	
101	4132932	Lever	1	See Note A
101	MBG6668	Long Lever-pneumatic Actuator	1	See Note B
102	4132930	Bracket	2	See Note A
102	MBF2152	Wldmt-brkt, Lever Mtg	2	See Note B
103	GSF2001CD	Bolt-hex 5/16-24 X 1-1/4	1	
104	A219336	Brg-nyliner 10 X 11.6 X 2	2	
105	450377	Nut-hex M6 Nyloc	2	
106	450389	Wshr-m6 X 12.5 X 1.8	2	
107	450711	Capscrw-sckt M6 X 16	2	
108	A219022	Bush-flng 3/4 X 1 X 3/4	2	
109	MBG6239	Spacer-tapped 32 X 45 X 20	1	
110	450539	Scrw-pan Hd M6 X 12	8	
150	450040	Bolt-hex M10 X 90	1	
151	450379	Nut-hex M10 Nyloc	1	
152	J3004610	Spring	1	
153	MBF2221	Clutch Arm Assm	1	
154	J3005380	Clutch Fingers	1	
155	450014	Bolt-hex M8 X 30	2	
156	450378	Nut-hex M8 Nyloc	2	
165	MBG6288	Drain Plug Extension	1	
166	GSF3551EJ	Wshr-fibre 25/64 X 5/8 X 1/16	1	
167	MBF2367	Wldmt - Cable Clamp	1	
168	450949	Scew - Set M5 x 5	1	
170	009151094	Grassbox Complete (71cm)	1	
A	Ex Honda	Drain Plug	1	
	<b>Note A</b>	After & Including serial no.EH100308		
	<b>Note B</b>	Before & Including serial no.EH100307		

# RANSOMES MEDIUM PEDESTRIAN RANGE

## 2b MAINFRAME & GRASSBOX MOTIVAR OPC



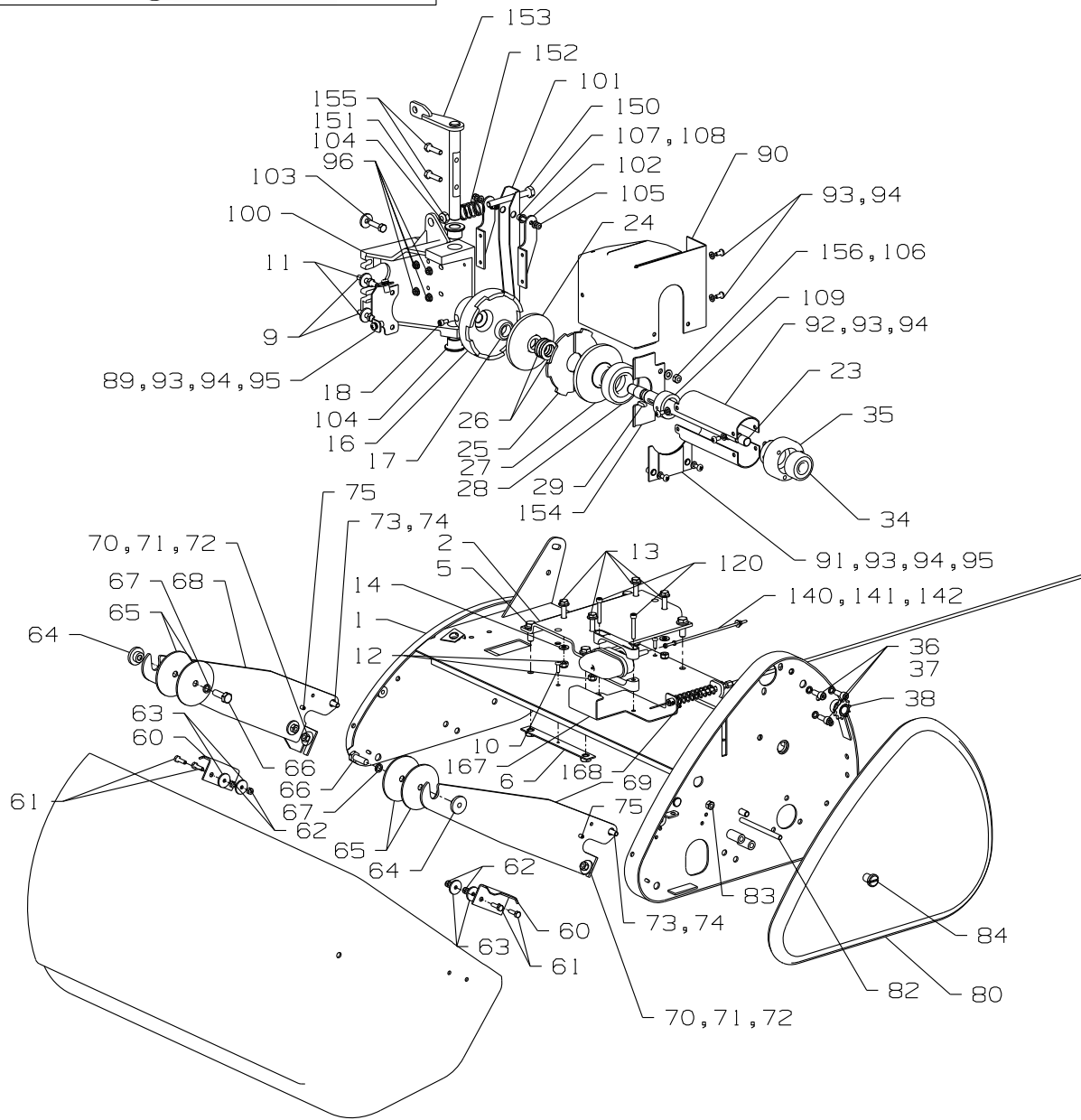
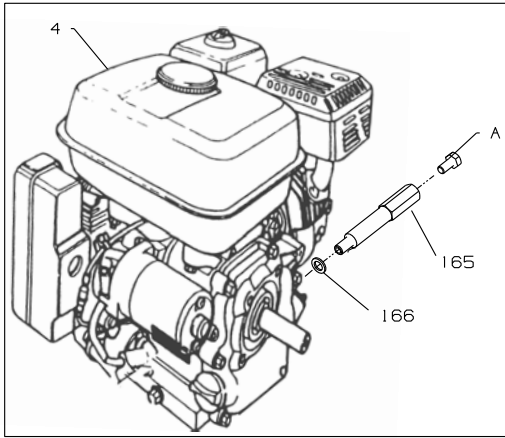


## RANSOMES MEDIUM PEDESTRIAN RANGE

ITEM	PART NO.	DESCRIPTION	QTY.	REMARKS
1	MBF2254	Wldmt-chassis, 71 Matador	1	
2	MBC4275A	Mounting Plate	1	
3	A691159	Exhaust Deflector	1	
4	006890150	Engine-honda Gx160-q4	1	
5	450479	Scrw-hex M10 X 25 Verbus Ripp	4	
6	MBC4305	Plate Assembly	2	
7	MBF2292	Insulator-vacuum Pipe Assy	1	
9	MBG6202	Stud-clutch Mounting	2	
10	A119133	Scrw-pan Hd M5 X 16 Taptite	2	
11	MBA5289A	Wshr-8.5 X 25.5 X 3	3	
12	450378	Nut-hex M8 Nyloc	4	
13	450474	Scrw-hex M8 X 40 Verbus Ripp	4	
14	450390	Wshr-m8 X 17 X 1.8	4	
16	MBG6065	Clutch Housing	1	
17	H001202	Brg-align 17 X 40 X 12	1	
18	450710	Capscrw-sckt M6 X 12	1	
23	MBG6594	Drive Spindle 71 Mat	1	
24	MBG5955	Clutch Plate	1	
25	J555795	Split Clutch Disc	1	
26	002921240	Sprg-disc 22.4 X 34.6 X 0.5	4	
27	MBG5958	Clutch Plate-sliding	1	
28	A203607	Brg-ball 35 X 72 X 17	1	
29	452174	Key-6 X 6 X 18	1	
34	A209058	Brg-ball 17 X 47 X 22.2	1	
35	MBG6557	Housing-bearing	1	
36	A129033	Scrw-button Hd M8 X 20	3	
37	450411	Lockwshr-m8 X 12.75 X 2	5	
38	MBG6592	Drive Pinion	1	
60	MBC5587	Handle Lh	2	
61	450171	Scrw-hex M6 X 20	4	
62	450377	Nut-hex M6 Nyloc	4	
63	GSF2154AY	Wshr-1/4 X 1 X .104	4	
64	MBA2396	Pivot Boss.	2	
65	MBA2397A	Wshr-11 X 82 X 3	4	
66	GSF2002EF	Scrw-hex 3/8-24 X 1	2	
67	GSF2164j	Lockwshr-3/8 X .590 X .092	2	
68	MBC8448	Box Arm Asembly Lh	1	
69	MBC5580	Box Arm R.h.	1	
70	450324	Nut-hex M8	2	
71	450411	Lockwshr-m8 X 12.75 X 2	2	
72	MBA5289A	Wshr-8.5 X 25.5 X 3	2	
73	452702	Scrw-hex M8 X 20 Taptite	2	
74	A292071	Sprg-disc 8.2 X 20 X 0.8	2	

# RANSOMES MEDIUM PEDESTRIAN RANGE

## 2b MAINFRAME & GRASSBOX MOTIVAR OPC

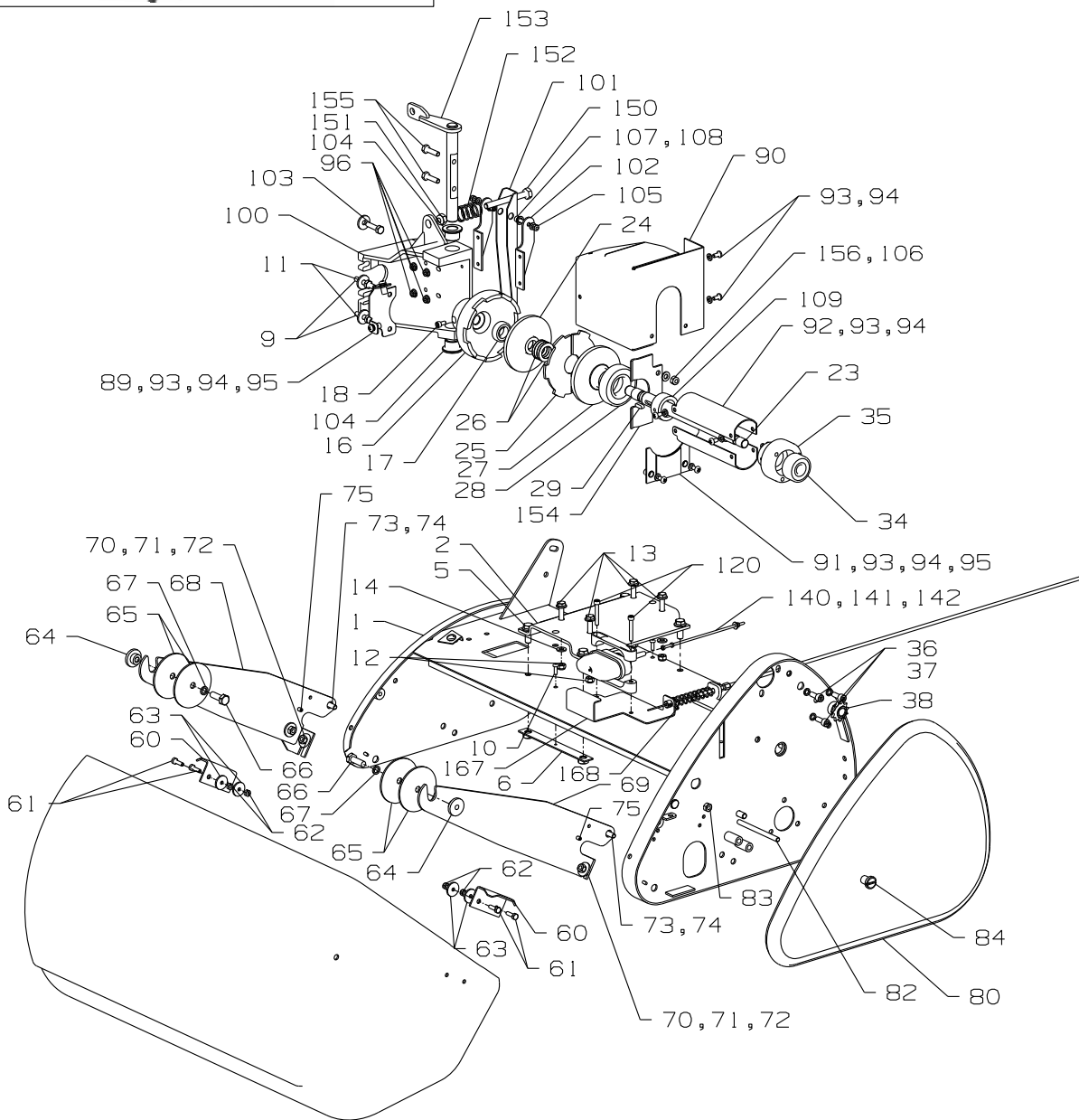
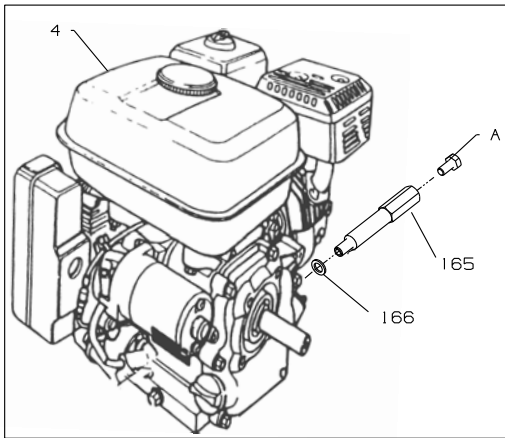


## RANSOMES MEDIUM PEDESTRIAN RANGE

ITEM	PART NO.	DESCRIPTION	QTY.	REMARKS
75	451450	Pin-spirol 6 X 20	2	
80	MBC3205	Chain Cover	1	
81	A914859	Acoustic Pad	1	
82	MBC7111	Cover Stud	1	
83	450324	Nut-hex M8	1	
84	MBE3667A	Cover Nut	1	
89	MBG6527	Cover Bracket	1	
90	MBG6724	Cover-Matador	1	
91	MBF2239	Plate-cover	1	
92	MBG6626	Tube - Cover	2	
93	450539	Scrw-pan Hd M6 X 12	8	
94	450389	Wshr-m6 X 12.5 X 1.8	8	
95	450357	Nutsert-m6 A-k X 14.7	6	
96	450452	Nut-hex M6 Verbus Ripp	4	
100	MBG6195	Housing-clutch	1	
101	MBG6668	Long Lever-pneumatic Actuator	1	
102	MBF2152	Wldmt-brkt, Lever Mtg	2	
103	GSF2001CD	Bolt-hex 5/16-24 X 1-1/4	1	
104	A219336	Brg-nyliner 10 X 11.6 X 2	2	
105	450377	Nut-hex M6 Nyloc	2	
106	450389	Wshr-m6 X 12.5 X 1.8	2	
107	450711	Capscrw-sckt M6 X 16	2	
108	A219022	Bush-flng 3/4 X 1 X 3/4	2	
109	MBG6239	Spacer-tapped 32 X 45 X 20	1	
110	450539	Scrw-pan Hd M6 X 12	8	
120	450716	Capscrw-sckt M6 X 40	2	
140	009070140	Rod-pneu Actuator/Main Clutch	1	
141	64211-02	Wshr-3/16 X .500 X .062	1	
142	450321	Nut-hex M4	4	
150	450040	Bolt-hex M10 X 90	1	
151	450379	Nut-hex M10 Nyloc	1	
152	J3004610	Spring	1	
153	MBF2221	Clutch Arm Assm	1	
154	J3005380	Clutch Fingers	1	
155	450014	Bolt-hex M8 X 30	2	
156	450378	Nut-hex M8 Nyloc	2	
165	MBG6288	Drain Plug Extension	1	
166	GSF3551EJ	Wshr-fibre 25/64 X 5/8 X 1/16	1	
167	MBF2367	Wldmt - Cable Clamp	1	
168	450949	Scew - Set M5 x 5	1	
170	009151094	Grassbox Complete (71cm)	1	
200	MBF2292	Insulator Assembly	1	Goes Between Engine and Carburettor

# RANSOMES MEDIUM PEDESTRIAN RANGE

## 2b MAINFRAME & GRASSBOX MOTIVAR OPC

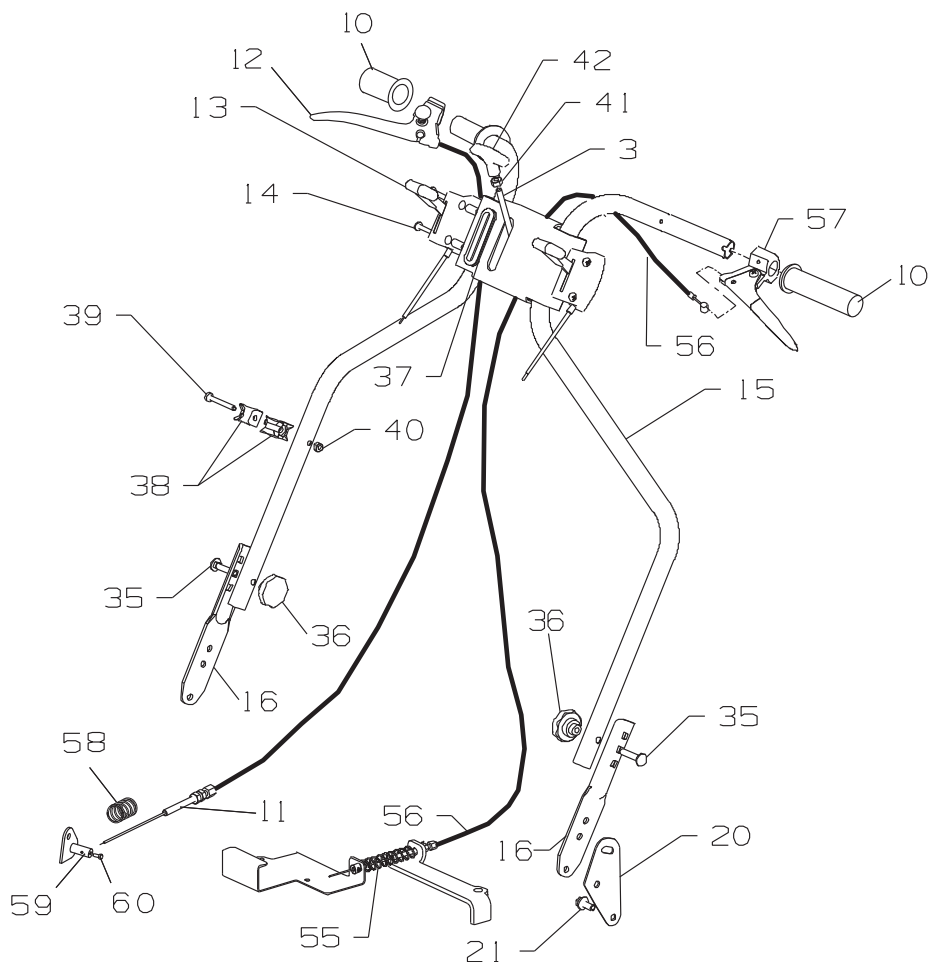
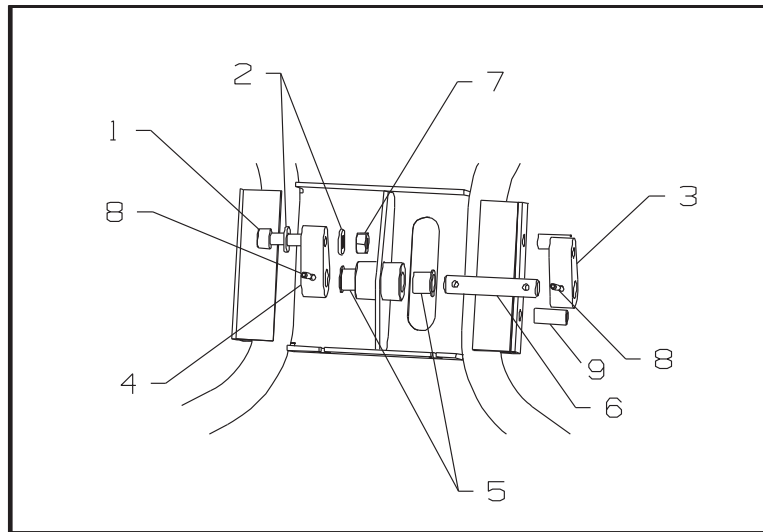


## RANSOMES MEDIUM PEDESTRIAN RANGE

ITEM	PART NO.	DESCRIPTION	QTY.	REMARKS
*	006911690	Gasket	1	Goes Between Engine and Insulator
*	006911700	Gasket	1	Goes Between Insulator and Carburettor
A	Ex Honda	Drain Plug	1	

# RANSOMES MEDIUM PEDESTRIAN RANGE

## 3a STD HANDLEBARS, HANDLES & CONTROLS MECHANICAL OPC



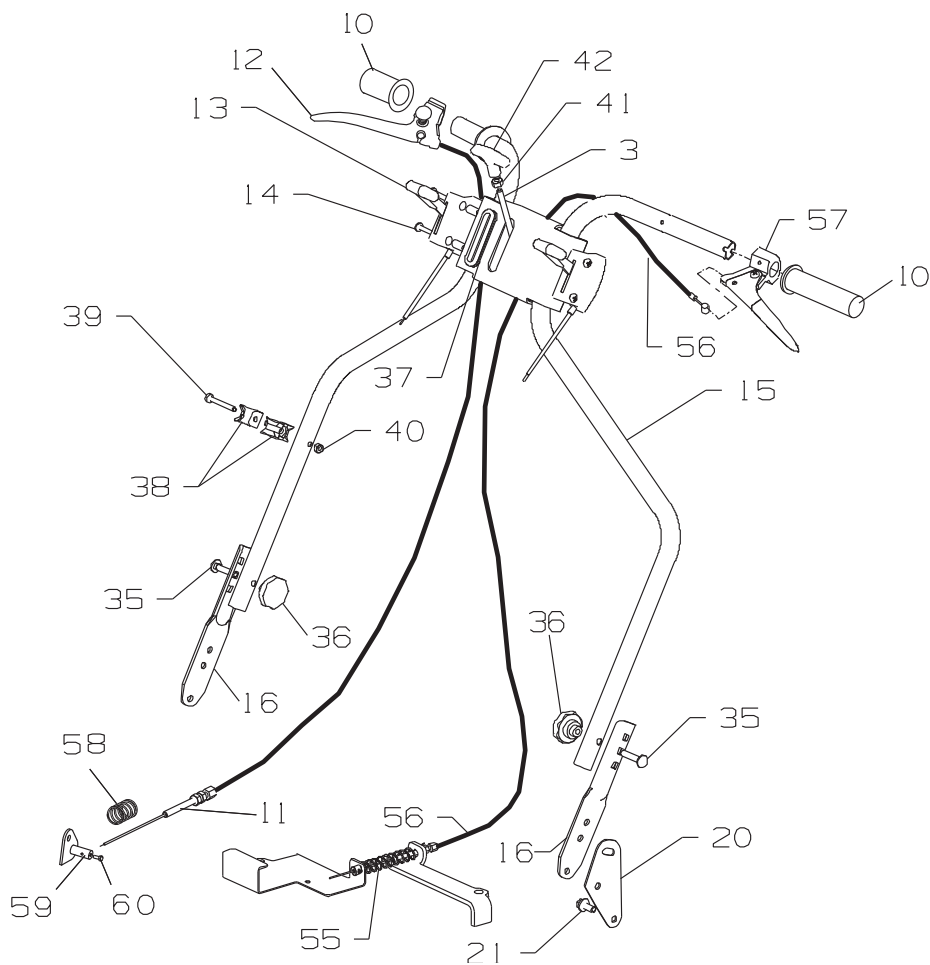
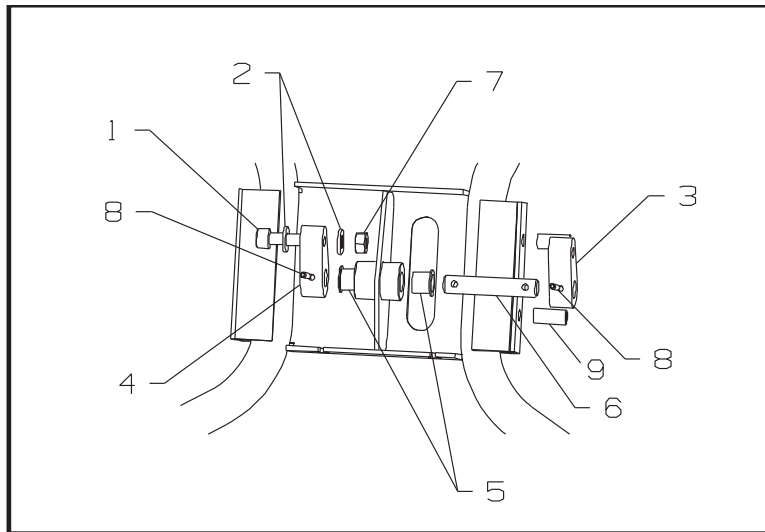
## RANSOMES MEDIUM PEDESTRIAN RANGE

ITEM	PART NO.	DESCRIPTION	QTY.	REMARKS
1	450726	Capscrw-sckt M8 X 35	1	
2	450390	Wshr-m8 X 17 X 1.8	4	
3	MBF2097	Asm-brake Lever	1	
4	MBG5994.07	Lever-brake	1	
5	A219335	Brg-nyliner 12 X 13.6 X 12	2	
6	MBG6191	Shaft	1	
7	450324	Nut-hex M8	1	
8	451617	Pin-tension 4 X 20	2	
9	MBG6428	Spacer-6.3 X 10 X 21.5	2	
10	4130984	Handle Grip	2	
11	009067840	OPC Cable	1	
12	4131062	OPC Lever Assembly	1	
12.1*	008111400	• Lever	1	
12.2*	4130979	• Handle Bracket	1	
12.3*	4130985	• Conical Spring	1	
12.4*	4130983	• Special Cap Screw	1	
12.5*	4131063	• Knurled Knob (Orange)	1	
12.6*	4130982	• Spring Spigot	1	
12.7*	450323	• Nut M6	1	
13	008111230	Cable-throttle, Pedstrns	1	
14	450545	Scrw-pan Hd M6 X 35	2	
15	MBF2150	Handlebar Assm 71	1	
16	MBG6150	Handlebar Support	2	
20	MBC5523	Bracket	1	
21	452702	Scrw-hex M8 X 20 Taptite	1	
22	MBC5534	Sleeve	2	
23	450473	Scrw-hex M8 X 30 Verbus Ripp	2	
24	450378	Nut-hex M8 Nyloc	3	
25	A292071	Sprg-disc 8.2 X 20 X 0.8	2	
26	452565	Bolt-crg M8 X 30	2	
27	450392	Wshr-m12 X 24 X 2.7	2	
28	450324	Nut-hex M8	2	
29	450390	Wshr-m8 X 17 X 1.8	2	
30	450411	Lockwshr-m8 X 12.75 X 2	2	
35	452902295	Semicircular Clamp Washer	2	
36	450017	Bolt-Hex M8 x 45	2	
37	A295339	Grommet	1	
38	A650040	Recoil Rope Guide	1	
39	GSF2002AP	Scrw-hex 1/4-28 X 2	1	
40	GSF2051AA	Nut-hex 1/4-28	1	
41	450324	Nut-hex M8	1	
42	002990800	'T' Handle	1	
55	002911350	Spring - Comp 17.6 x 11	1	

\* Not Illustrated

# RANSOMES MEDIUM PEDESTRIAN RANGE

## 3a STD HANDLEBARS, HANDLES & CONTROLS MECHANICAL OPC





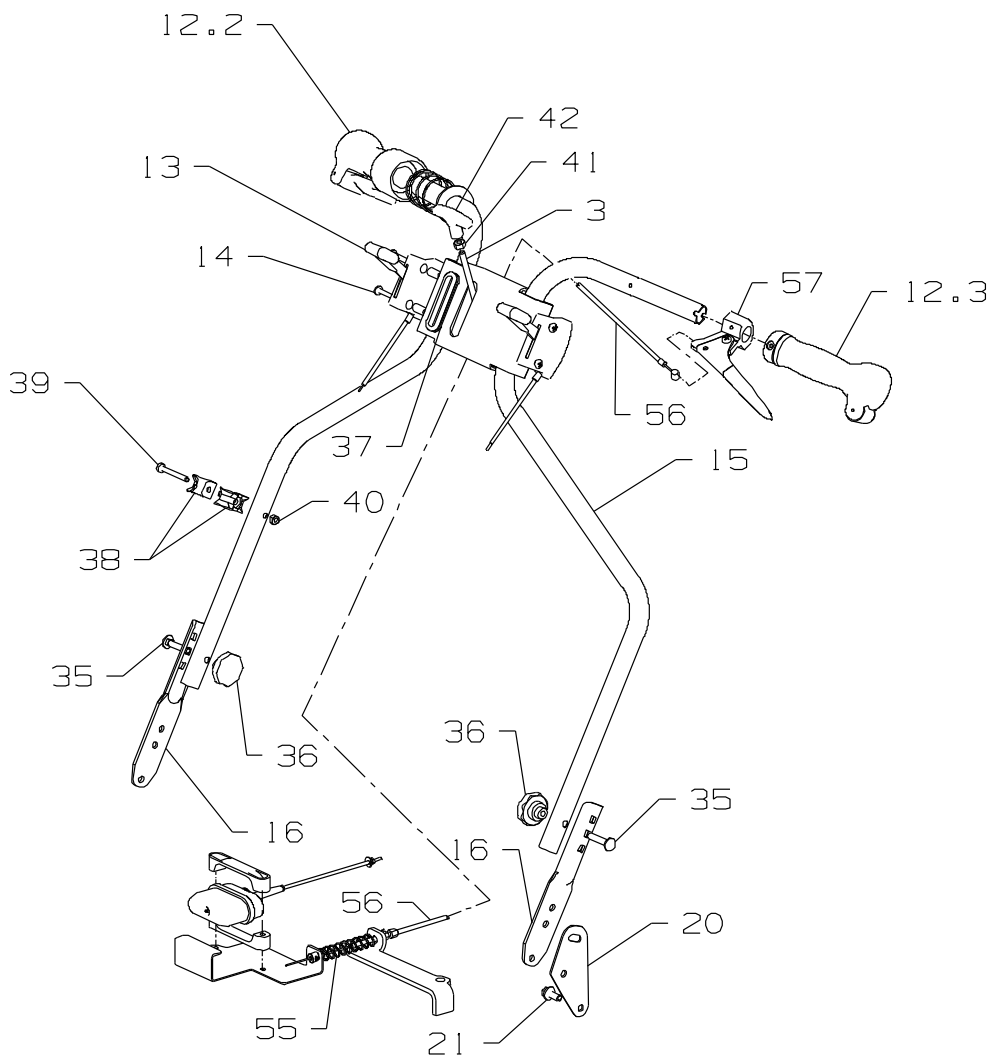
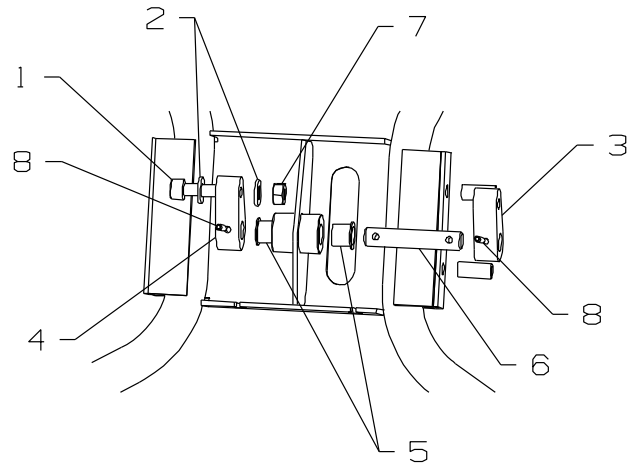
## RANSOMES MEDIUM PEDESTRIAN RANGE

ITEM	PART NO.	DESCRIPTION	QTY.	REMARKS
56	009067850	Cable - Landroll Clutch	1	
56*	4139803	Cable - Landroll Clutch	1	From Serial No: EH100393
57	008111400	Lever - landroll Clutch	1	
58	4130986	Spring, Compression	1	
59	4130976	Cable Bracket	1	
60	450159	Screw	1	

\* Not Illustrated

# RANSOMES MEDIUM PEDESTRIAN RANGE

## 3b STD HANDLEBARS, HANDLES & CONTROLS MOTIVAR OPC



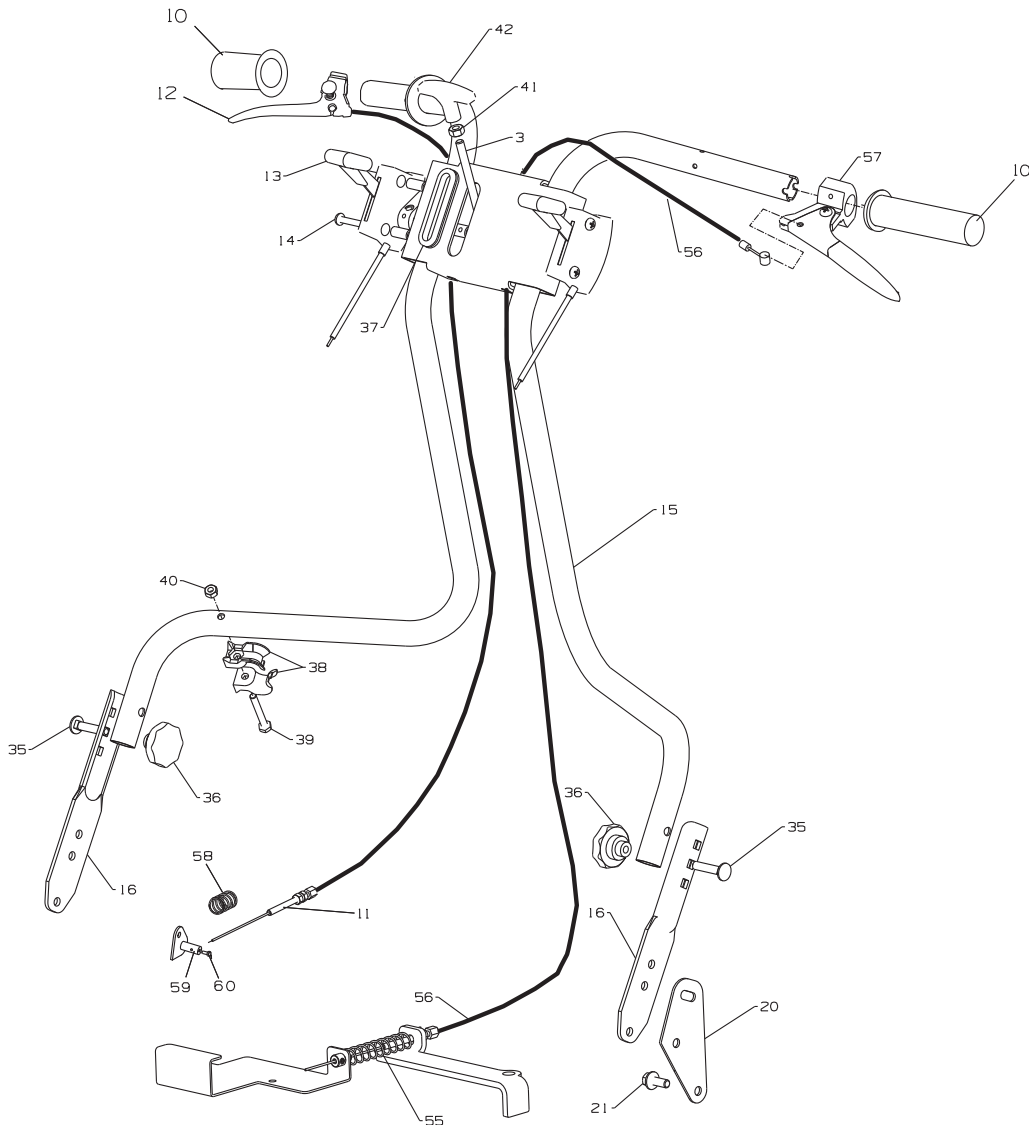
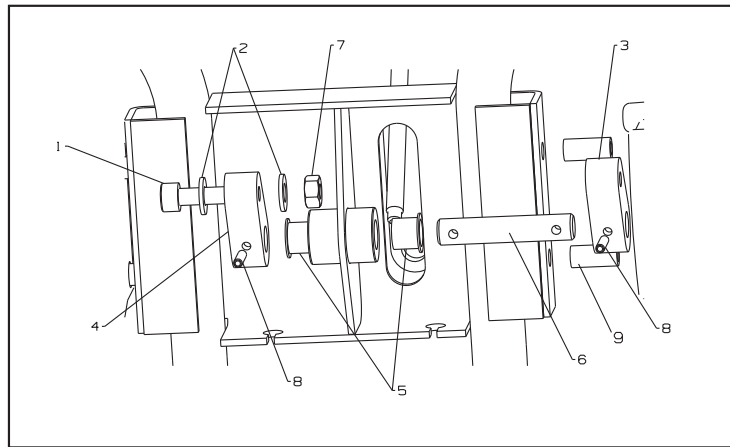
## RANSOMES MEDIUM PEDESTRIAN RANGE

ITEM	PART NO.	DESCRIPTION	QTY.	REMARKS
1	450726	Capscrew-sckt M8 X 35	1	
2	450390	Wshr-m8 X 17 X 1.8	4	
3	MBF2097	Asm-brake Lever	1	
4	MBG5994.07	Lever-brake	1	
5	A219335	Brg-nyliner 12 X 13.6 X 12	2	
6	MBG6191	Shaft	1	
7	450324	Nut-hex M8	1	
8	451617	Pin-tension 4 X 20	2	
9	MBG6428	Spacer-6.3 X 10 X 21.5	2	
11	MBG6469	Spacer, Grip	1	
12	008111220	Kit-pneumatic Opc,	1	
12.1	008111240	Vacuum Actuator C09	1	
12.2	008111250	Right Handle (Pa 6.6 Tube)	1	
12.3	4115327	Left Handle (Pa 6.6 Tube)	1	
12.4*	4115328	Chack Valve + Tube	1	
12.5	008111280	Actuator Collar	2	
12.6	4116192	Stainles Steel Circlip	1	
12.7*	4116194	Handlebar-Handle Screw	4	
13	008111230	Cable-throttle, Pedstrns	1	
14	450545	Scrw-pan Hd M6 X 35	2	
15	MBF2150	Handlebar Assm 71	1	
16	MBG6150	Handlebar Support	2	
20	MBC5523	Bracket	1	
21	452702	Scrw-hex M8 X 20 Taptite	1	
22	MBC5534	Sleeve	2	
23	450473	Scrw-hex M8 X 30 Verbus Ripp	2	
24	450378	Nut-hex M8 Nyloc	3	
25	A292071	Sprg-disc 8.2 X 20 X 0.8	2	
26	452565	Bolt-crg M8 X 30	2	
27	450392	Wshr-m12 X 24 X 2.7	2	
28	450324	Nut-hex M8	2	
29	450390	Wshr-m8 X 17 X 1.8	2	
30	450411	Lockwshr-m8 X 12.75 X 2	2	
35	452902295	Semicircular Clamp Washer	2	
36	450017	Bolt-Hex M8 x 45	2	
37	A295339	Grommet	1	
38	A650040	Recoil Rope Guide	1	
39	GSF2002AP	Scrw-hex 1/4-28 X 2	1	
40	GSF2051AA	Nut-hex 1/4-28	1	
41	450324	Nut-hex M8	1	
42	002990800	'T' Handle	1	
55	002911350	Spring - Comp 17.6 x 11	1	
56	009067850	Cable - Landroll Clutch	1	
57	008111400	Lever - landroll Clutch	1	

\* Not Illustrated

# RANSOMES MEDIUM PEDESTRIAN RANGE

## 3c LOW CLEARANCE HANDLEBARS, HANDLES & CTRLS MECH OPC



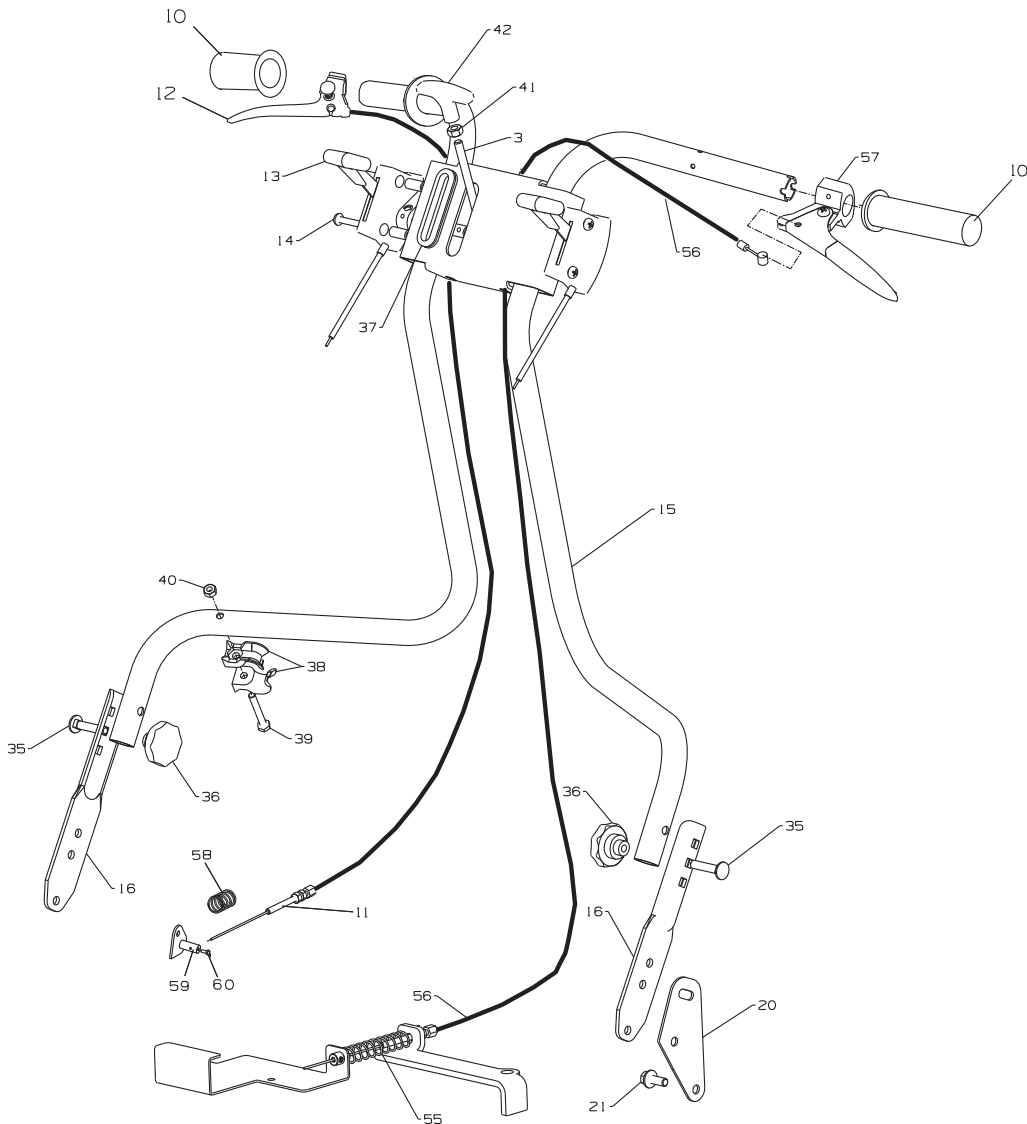
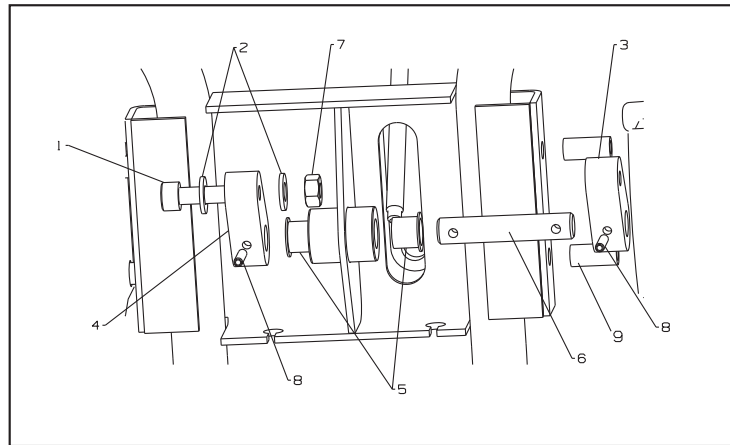
## RANSOMES MEDIUM PEDESTRIAN RANGE

ITEM	PART NO.	DESCRIPTION	QTY.	REMARKS
1	450726	Capscrw-sckt M8 X 35	1	
2	450390	Wshr-m8 X 17 X 1.8	4	
3	MBF2097	Asm-brake Lever	1	
4	MBG5994.07	Lever-brake	1	
5	A219335	Brg-nyliner 12 X 13.6 X 12	2	
6	MBG6191	Shaft	1	
7	450324	Nut-hex M8	1	
8	451617	Pin-tension 4 X 20	2	
9	MBG6428	Spacer-6.3 X 10 X 21.5	2	
10	4130984	Handle Grip	2	
11	009067840	OPC Cable	1	
12	4131062	OPC Lever Assembly	1	
12.1*	008111400	• Lever	1	
12.2*	4130979	• Handle Bracket	1	
12.3*	4130985	• Conical Spring	1	
12.4*	4130983	• Special Cap Screw	1	
12.5*	4131063	• Knurled Knob (Orange)	1	
12.6*	4130982	• Spring Spigot	1	
12.7*	450323	• Nut M6	1	
13	008111230	Cable-throttle, Pedstrns	1	
14	450545	Scr-wpan Hd M6 X 35	2	
15	MBF2370	Handlebar Assm 71	1	
16	MBG6150	Handlebar Support	2	
20	MBC5523	Bracket	1	
21	452702	Scr-w-hex M8 X 20 Taptite	1	
22	MBC5534	Sleeve	2	
23	450473	Scr-w-hex M8 X 30 Verbus Ripp	2	
24	450378	Nut-hex M8 Nyloc	3	
25	A292071	Sprg-disc 8.2 X 20 X 0.8	2	
26	452565	Bolt-crg M8 X 30	2	
27	450392	Wshr-m12 X 24 X 2.7	2	
28	450324	Nut-hex M8	2	
29	450390	Wshr-m8 X 17 X 1.8	2	
30	450411	Lockwshr-m8 X 12.75 X 2	2	
35	452902295	Semicircular Clamp Washer	2	
36	450017	Bolt-Hex M8 x 45	2	
37	A295339	Grommet	1	
38	A650040	Recoil Rope Guide	1	
39	GSF2002AP	Scr-w-hex 1/4-28 X 2	1	
40	GSF2051AA	Nut-hex 1/4-28	1	
41	450324	Nut-hex M8	1	
42	002990800	'T' Handle	1	
55	002911350	Spring - Comp 17.6 x 11	1	

\* Not Illustrated

# RANSOMES MEDIUM PEDESTRIAN RANGE

## 3c LOW CLEARANCE HANDLEBARS, HANDLES & CTRLS MECH OPC

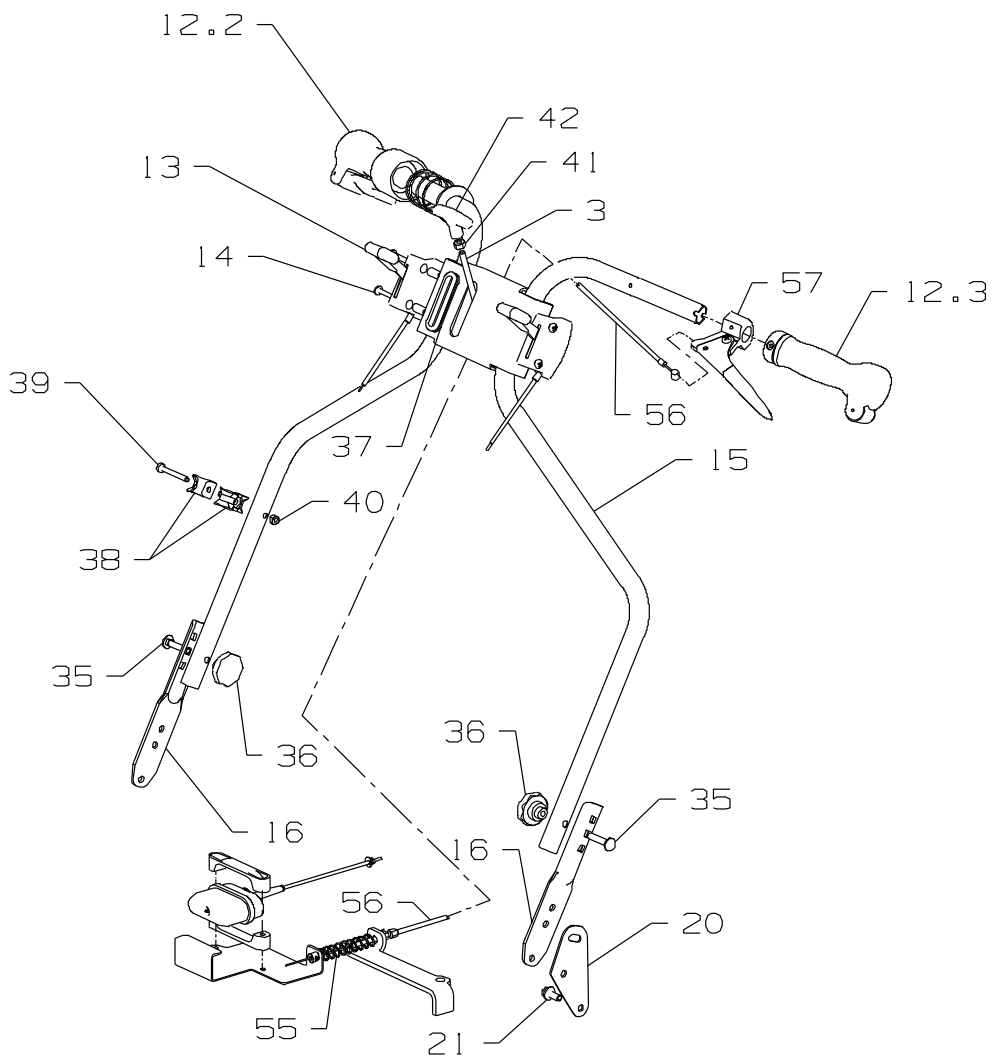
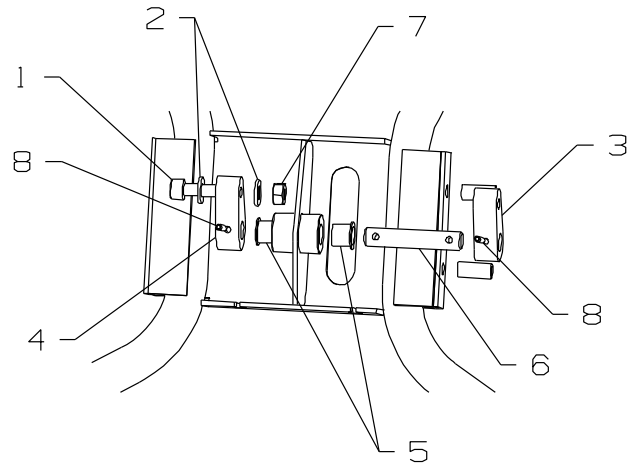


# RANSOMES MEDIUM PEDESTRIAN RANGE

ITEM	PART NO.	DESCRIPTION	QTY.	REMARKS
56	009067850	Cable - Landroll Clutch	1	
57	008111400	Lever - landroll Clutch	1	
58	4130986	Spring, Compression	1	
59	4130976	Cable Bracket	1	
60	450159	Screw	1	

# RANSOMES MEDIUM PEDESTRIAN RANGE

## 3d LOW CLEARENCE HANDLEBARS, HANDLES & CTRL MOTIVAR OPC



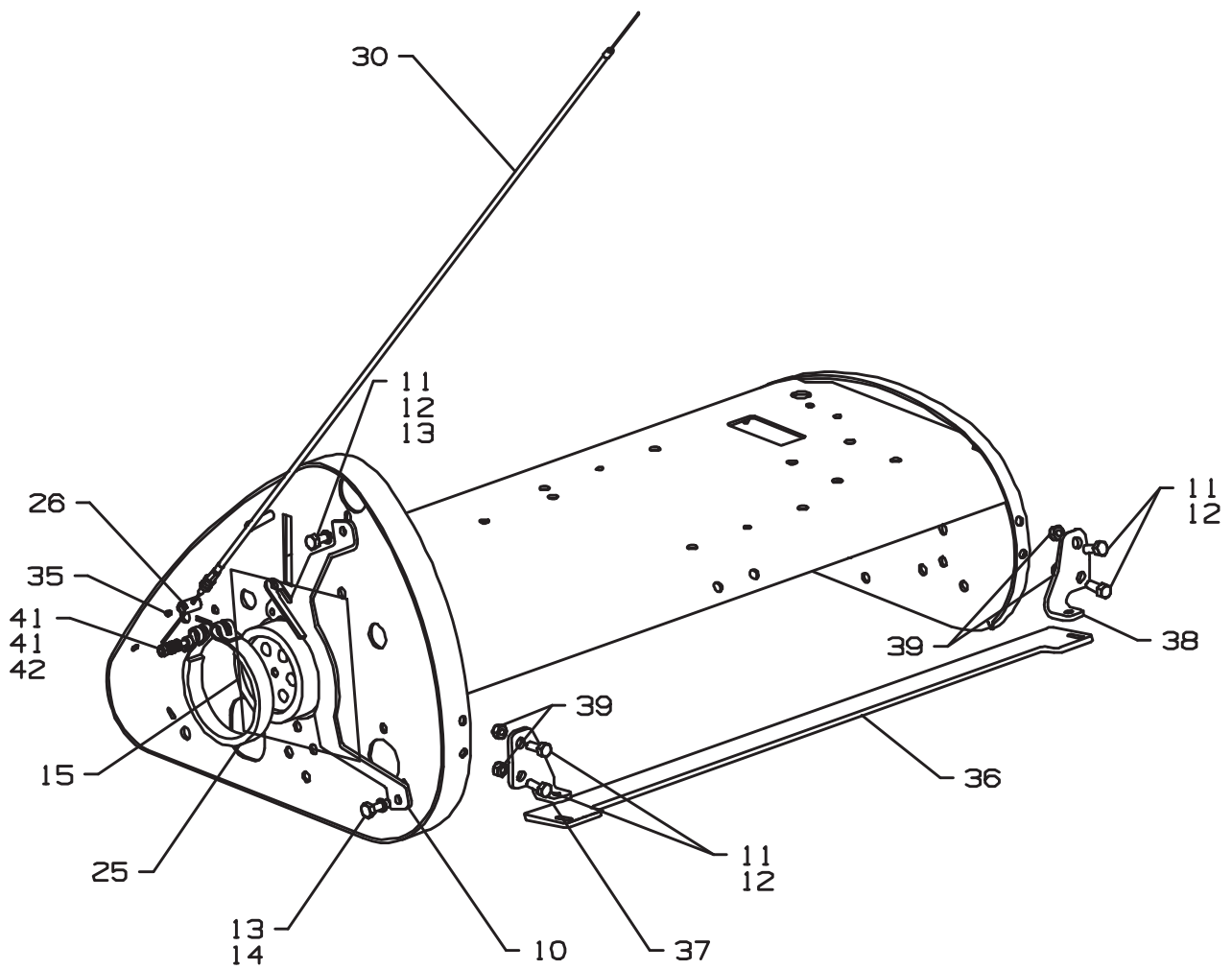


## RANSOMES MEDIUM PEDESTRIAN RANGE

ITEM	PART NO.	DESCRIPTION	QTY.	REMARKS
1	450726	Capscrew-sckt M8 X 35	1	
2	450390	Wshr-m8 X 17 X 1.8	4	
3	MBF2097	Asm-brake Lever	1	
4	MBG5994.07	Lever-brake	1	
5	A219335	Brg-nyliner 12 X 13.6 X 12	2	
6	MBG6191	Shaft	1	
7	450324	Nut-hex M8	1	
8	451617	Pin-tension 4 X 20	2	
9	MBG6428	Spacer-6.3 X 10 X 21.5	2	
11	MBG6469	Spacer, Grip	1	
12	008111220	Kit-pneumatic Opc,	1	
12.1	008111240	Vacuum Actuator C09	1	
12.2	008111250	Right Handle (Pa 6.6 Tube)	1	
12.3	4115327	Left Handle (Pa 6.6 Tube)	1	
*	4115328	Chack Valve + Tube	1	
12.5	008111280	Actuator Collar	2	
12.6	4116192	Stainles Steel Circlip	1	
12.7*	4116194	Handlebar-Handle Screw	4	
13	008111230	Cable-throttle, Pedstrns	1	
14	450545	Scrw-pan Hd M6 X 35	2	
15	MBF2370	Handlebar Assm 71	1	
16	MBG6150	Handlebar Support	2	
20	MBC5523	Bracket	1	
21	452702	Scrw-hex M8 X 20 Taptite	1	
22	MBC5534	Sleeve	2	
23	450473	Scrw-hex M8 X 30 Verbus Ripp	2	
24	450378	Nut-hex M8 Nyloc	3	
25	A292071	Sprg-disc 8.2 X 20 X 0.8	2	
26	452565	Bolt-crg M8 X 30	2	
27	450392	Wshr-m12 X 24 X 2.7	2	
28	450324	Nut-hex M8	2	
29	450390	Wshr-m8 X 17 X 1.8	2	
30	450411	Lockwshr-m8 X 12.75 X 2	2	
35	452902295	Semicircular Clamp Washer	2	
36	450017	Bolt-Hex M8 x 45	2	
37	A295339	Grommet	1	
38	A650040	Recoil Rope Guide	1	
39	GSF2002AP	Scrw-hex 1/4-28 X 2	1	
40	GSF2051AA	Nut-hex 1/4-28	1	
41	450324	Nut-hex M8	1	
42	002990800	'T' Handle	1	
55	002911350	Spring - Comp 17.6 x 11	1	
56	009067850	Cable - Landroll Clutch	1	
57	008111400	Lever - landroll Clutch	1	

\* Not Illustrated

4 BRAKES & LANDROLL SCRAPER

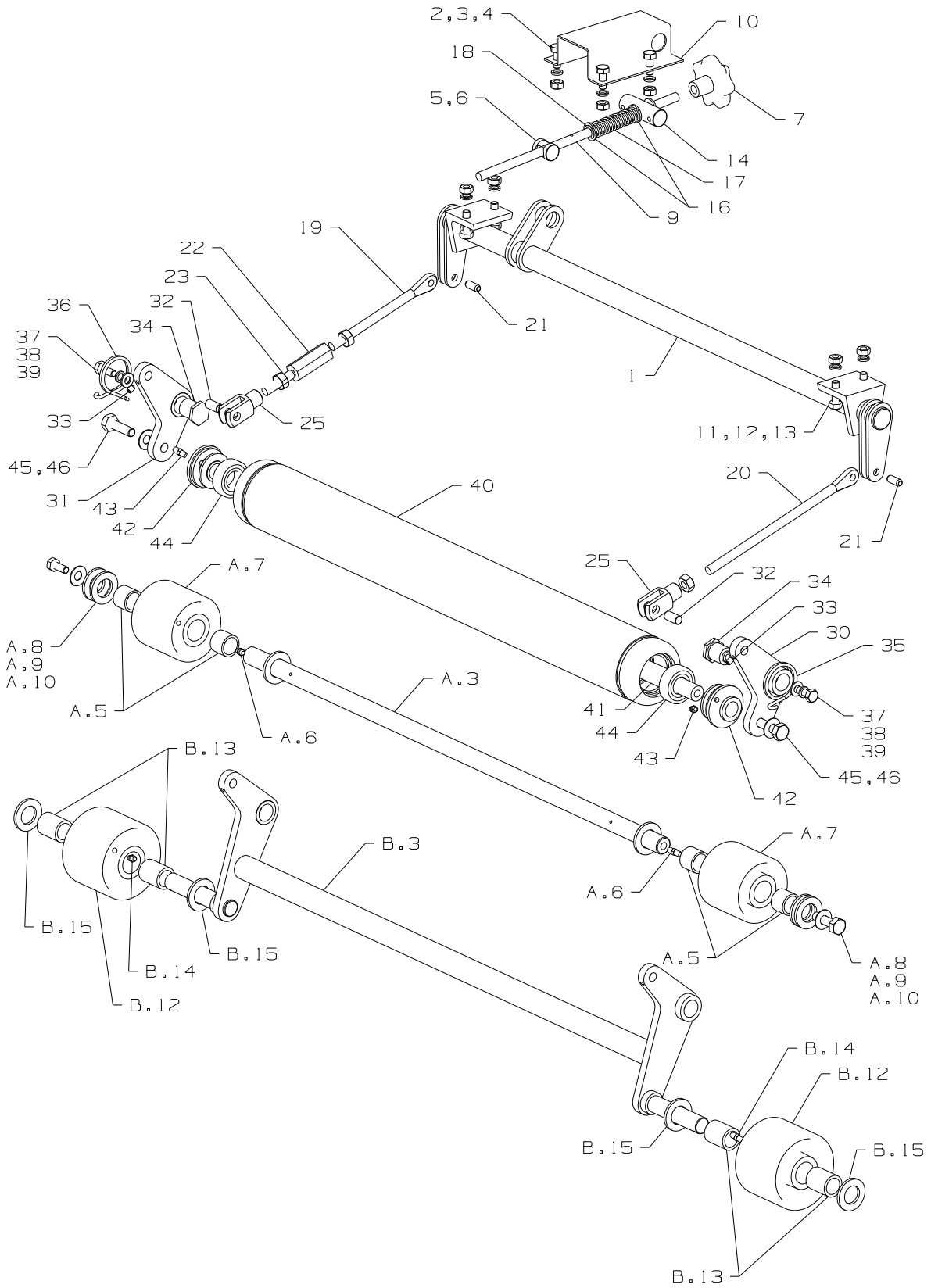


## RANSOMES MEDIUM PEDESTRIAN RANGE

ITEM	PART NO.	DESCRIPTION	QTY.	REMARKS
10	MBF2258	Brake Bracket Assy	1	
11	450191	Scrw-hex M8 X 20	5	
12	450390	Wshr-M8 X 17 X 1.8	6	
13	450411	Lockwshr-m8 X 12.75 X 2	2	
14	450192	Scrw-hex M8 X 25	1	
15	MBG6645	Brake Drum 71-Matador	1	
25	A915122	Brake Band	1	
26	MBG6091	Cable Clamp	1	
30	009067820	Cable-brake	1	
35	450949	Scrw-set M5x5, Cup Pnt	1	
36	MBG6835	Scraper Bar	1	
37	MBG6836	LH Scraper Brkt	1	
38	MBG6837	RH Scraper Brkt	1	
39	450378	Nut-hex M8 Nyloc	4	
40	450712	Capscrw-sckt M6 X 20	1	
41	MBB4758	Wshr-6.6 X 11 X 2	5	
42	450323	Nut-hex M6	1	

# RANSOMES MEDIUM PEDESTRIAN RANGE

## 5 FRONT ROLL

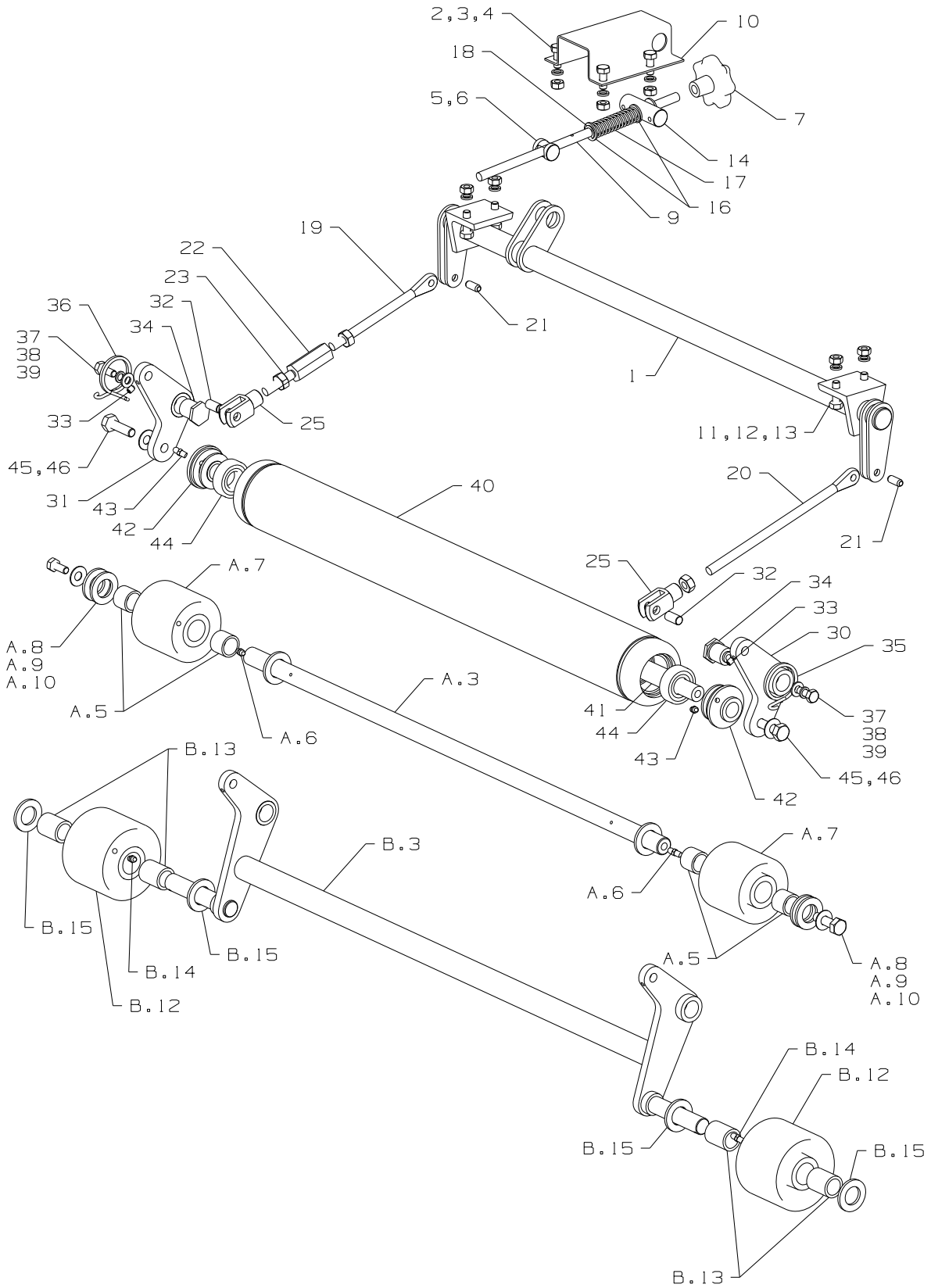


## RANSOMES MEDIUM PEDESTRIAN RANGE

ITEM	PART NO.	DESCRIPTION	QTY.	REMARKS
1	MBF2238	Front Roll Cross Shaft Assy	1	
2	450192	Scrw-hex M8 X 25	4	
3	450324	Nut-hex M8	4	
4	450411	Lockwshr-m8 X 12.75 X 2	4	
5	MBC3218	Ferrule	1	
6	A199302	Insert-helicoil M10 X 1.5d	1	
7	A299055	M10 Handwheel	1	
8	450325	Nut-hex M10	1	
9	A907103	Adjusting Screw	1	
10	MBC3347	Cover	1	
11	450191	Scrw-hex M8 X 20	4	
12	450324	Nut-hex M8	4	
13	450411	Lockwshr-m8 X 12.75 X 2	4	
14	MBC3346	Pin.	1	
15	451274	Split Pin-5 X 32	2	
16	450391	Wshr-m10 X 21 X 2.2	3	
17	A291079	Sprg-comp 15.88x1.83x63.5	1	
18	452115	E Clip, 8 Mm	1	
19	MBC5484	Connecting Link	1	
20	MBC5485A	Connecting Link	1	
21	451488	Pin-spirol 8 X 20	2	
22	MBC3498	Turnbuckle.	1	
23	452333	Stud, M10 X 40	1	
24	450325	Nut-hex M10	2	
25	A199054	Clevis, M10	2	
30	MBC3285	Carriage Assy LH	1	
30*	4116583	Asm-Front Roll Carriage LH	1	7-40mm Height of Cut
31	MBC3286	Carriage Assy RH	1	
31*	4116584	Asm-Front Roll Carriage RH	1	7-40mm Height of Cut
32	MBC3352	Pin	2	
33	450959	Scrw-set M6 X 8, Cup Pnt	2	
34	MBC4310	Pivot Pin.	2	
35	A292300	Spring Lh	1	
36	A292301	Spring Rh	1	
37	450191	Scrw-hex M8 X 20	2	
38	450390	Wshr-m8 X 17 X 1.8	2	
39	450411	Lockwshr-m8 X 12.75 X 2	2	
	4116616	Asm Smooth Front Roll	1	Consists of Items 40 - 43
40	MBC3369	• Front Roll Assy	1	
41	MBC3367	• Shaft	1	
42	MBC3318	• Boss	2	
43	A299301	• Lubricator-m6 Str	2	

# RANSOMES MEDIUM PEDESTRIAN RANGE

## 5 FRONT ROLL

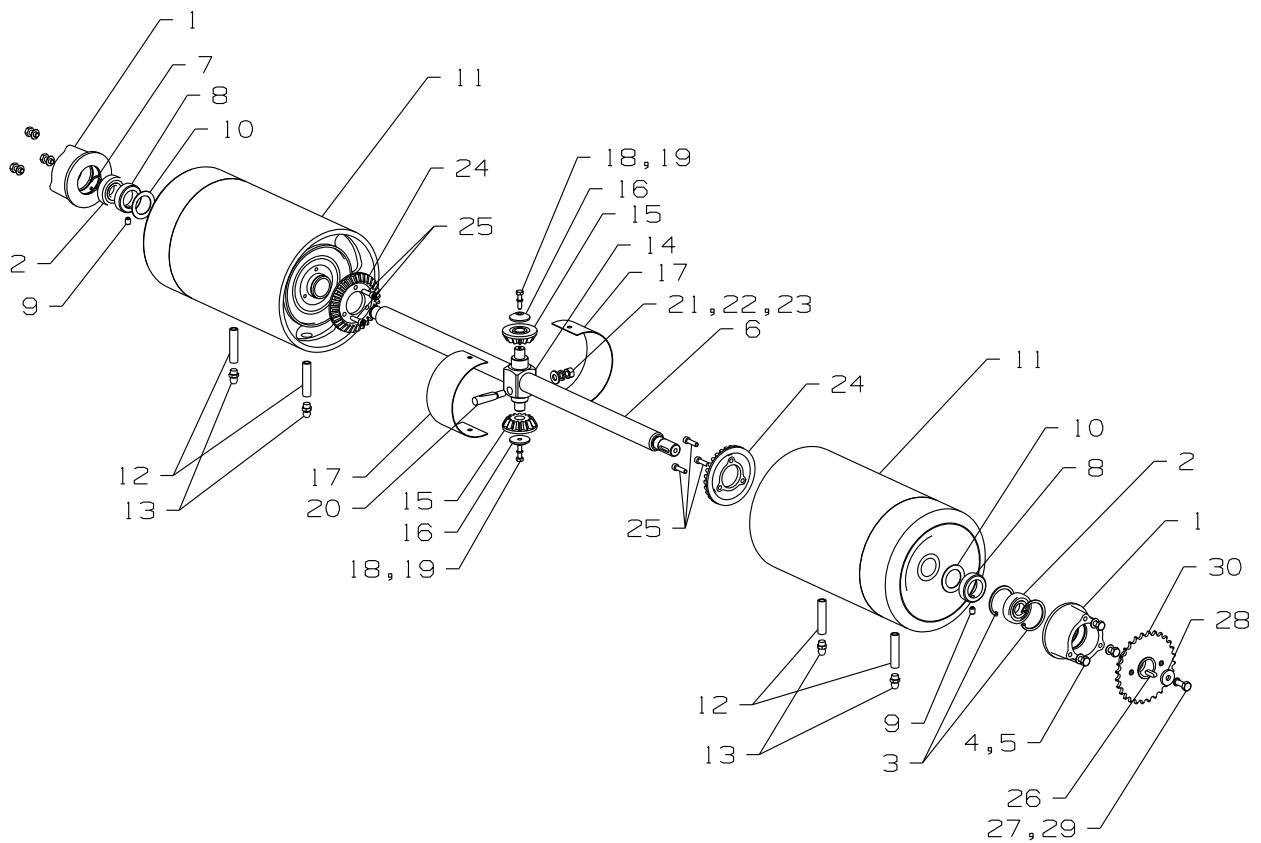


## RANSOMES MEDIUM PEDESTRIAN RANGE

ITEM	PART NO.	DESCRIPTION	QTY.	REMARKS
44	H001733	Brg-ball 20 X 42 X 12	2	
45	450216	Scrw-hex M10 X 35	2	
A	LMAA614	Side Rolls		
30	MBC3285	Carriage Assy Lh	1	
31	MBC3286	Carriage Assy Rh	1	
A.3	MBC3418	Shaft.	1	
A.5	A210137	Bush-oilite 20 X 25 X 20	4	
A.6	A299301	Lubricator-m6 Str	2	
A.7	MBC3419B	Front Side Roll	2	
A.8	450214	Scrw-hex M10 X 25	2	
A.9	A292083	Sprg-disc 10.2 X 23 X 1	2	
A.10	450394	Wshr-m20 X 37 X 3.3	6	
A.11	GSF1030GH	Split Pin-1/8 X 1-1/4	2	
B	LMAA630	Outrigger Roll		
B.3	MBC3439	Out Rigger Carriage	1	
B.12	LSD5027	Side Roll	2	
B.13	GSF3002MR	Bush-oilite 3/4 X 1 X 1-1/4	4	
B.14	GSF2540AC	Lubricator-1/4" Str	2	
B.15	450394	Wshr-m20 X 37 X 3.3	4	
B.16	GSF1030GH	Split Pin-1/8 X 1-1/4	2	

# RANSOMES MEDIUM PEDESTRIAN RANGE

## 6 LANDROLL

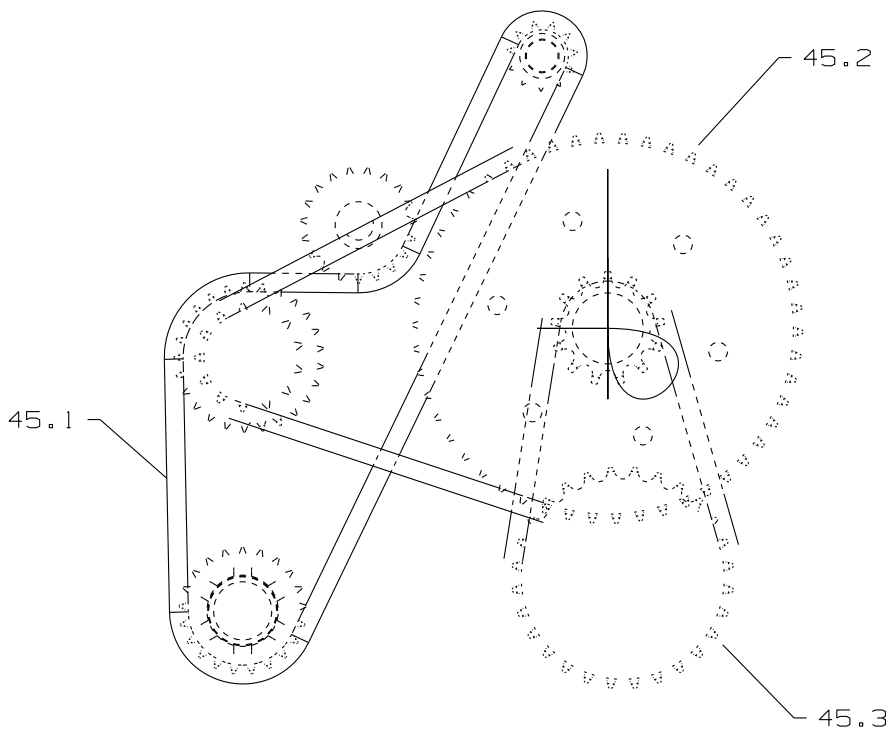
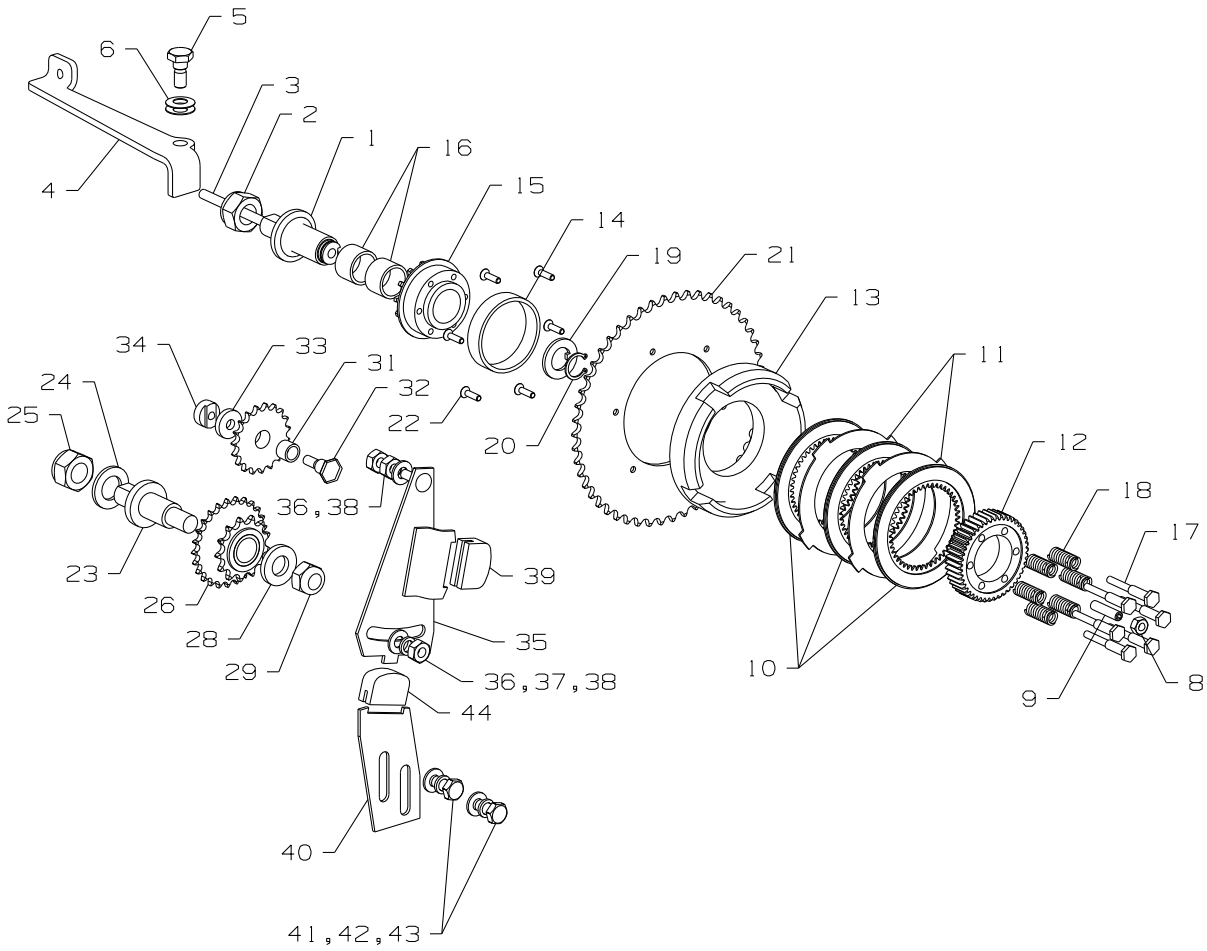




## RANSOMES MEDIUM PEDESTRIAN RANGE

ITEM	PART NO.	DESCRIPTION	QTY.	REMARKS
1	MBC9298	Housing	2	
2	A203604	Brg-ball 20 X 47 X 14	2	
3	451977	Circlip-int 47 X 1.75 T	2	
4	450190	Scrw-hex M8 X 16	6	
5	A292050	Sprg-disc 8.2 X 16 X 0.9	6	
6	MBC4829A	Shaft, Matador-71	1	
7	452045	Circlip-ext 20 X 1.2 T	1	
8	MBC4830	Adjusting Collar	2	
9	450968	Scrw-set M8 X 10 Cup Pnt	2	
10	MBC5935A	Wshr-30.5 X 45 X 1.00	2	
11	MBC7055	Landroll	2	
12	MBC3307	Grease Tube	4	
13	GSF2541AB	Grease Nipple	4	
14	MBF1371	Bevel Gear Carrier	1	
15	MBA5283	Bevel Pinion	2	
16	MBA5347A	Wshr-cham 17/64 X 1-1/4 X 5/16	2	
17	MBA5284A	Dust Shield	2	
18	450000	Bolt-hex M6 X 25	2	
19	450410	Lockwshr-m6 X 9.6 X 1.5	2	
20	A149065	Cotter Pin, 1/2"	1	
21	GSF2051AC	Nut-hex 3/8-24	1	
22	450391	Wshr-m10 X 21 X 2.2	1	
23	450412	Lockwshr-m10 X 15.9 X 2.5	1	
24	MBA5282	Bevel Gear	2	
25	GSF2015AF	Capscrw-sckt 1/4-28 X 7/8	6	
26	452176	Key-6 X 6 X 22	1	
27	450192	Scrw-hex M8 X 25	1	
28	MBB8108	Wshr-8.4 X 25 X 4	1	
29	450411	Lockwshr-m8 X 12.75 X 2	1	
30	MBE1295	Chainwheel	1	

7 DRIVES



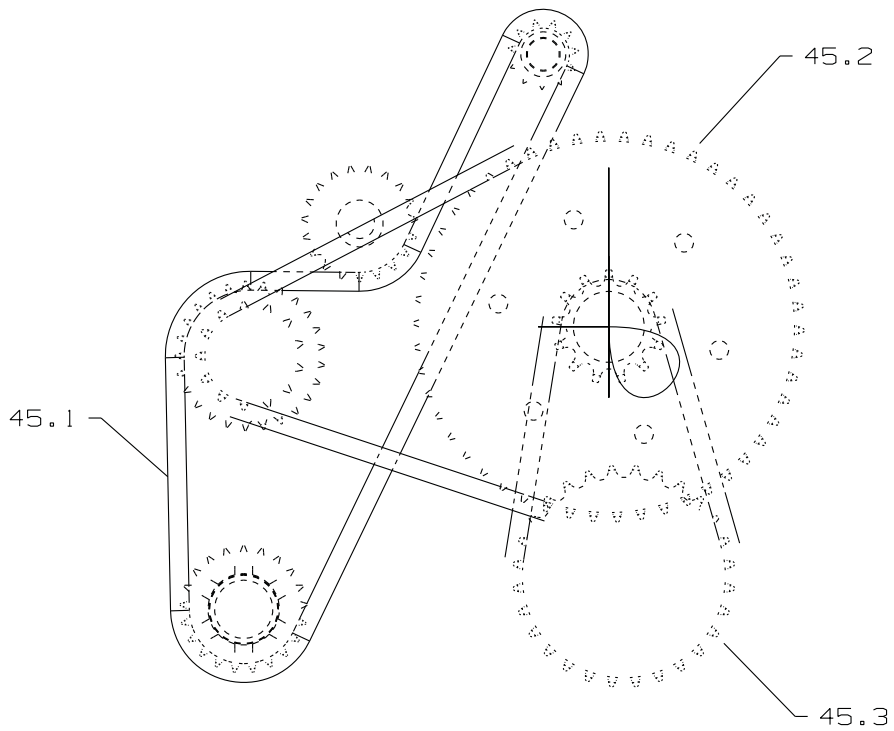
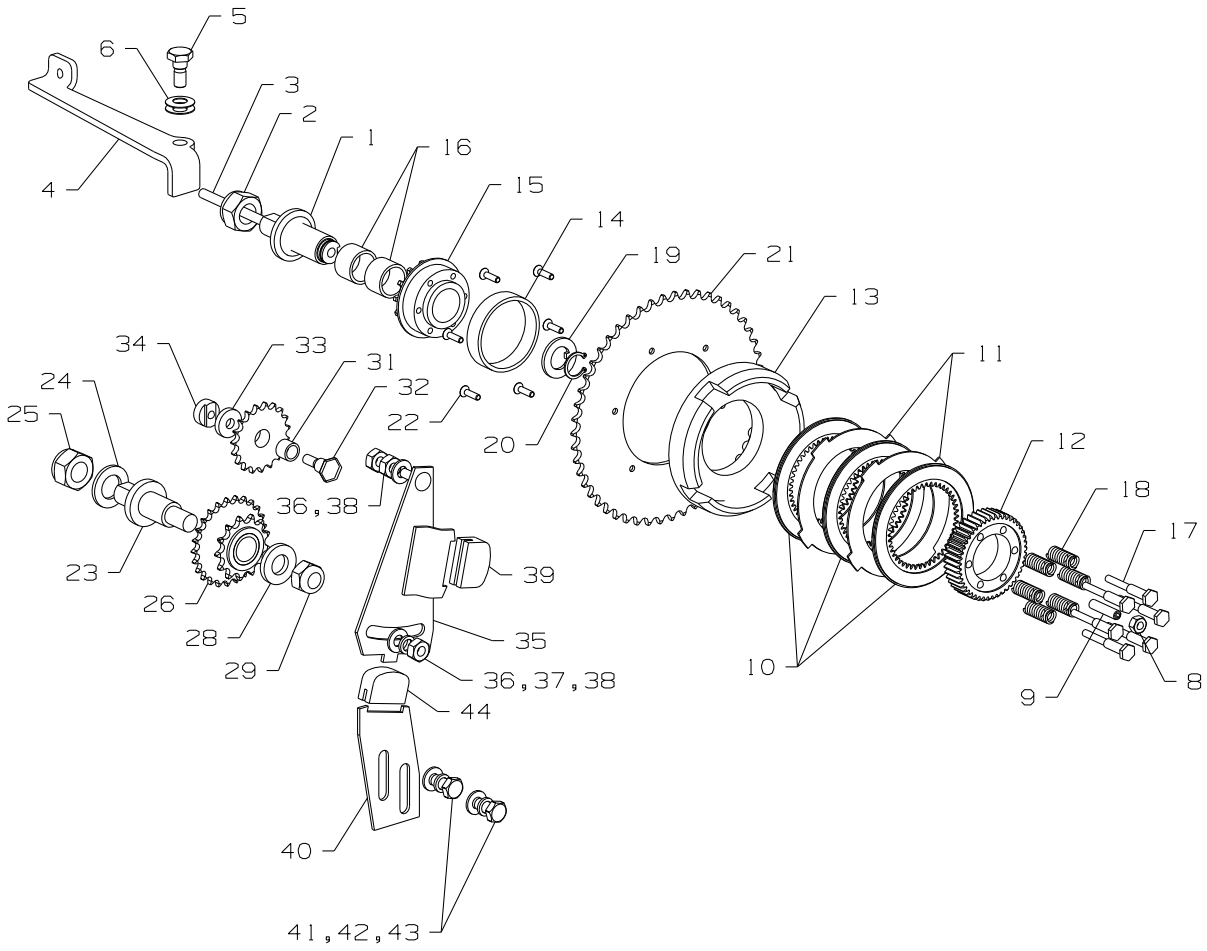
## RANSOMES MEDIUM PEDESTRIAN RANGE

ITEM	PART NO.	DESCRIPTION	QTY.	REMARKS
1	MBC3250A	Shaft	1	
2	450383	Nut-hex M20 Nyloc	1	
3	A143100	Pin, 8 X 98.5	1	
4	MBG6621	Lever-I/R Clutch	1	
4*	MBC4430	Lever -L/R Clutch	1	From Serial No: EH100393
5	MBG6468	Shoulder Pin	1	
5*	MBC5918	Shoulder Pin	1	From Serial No: EH100393
6	A292085	Sprg-disc 12.2 X 25 X 0.7	2	
8	450324	Nut-hex M8	1	
9	450974	Scrw-set M8 X 35 Cup Pnt	1	
10	MBA5173	Friction Plate Assy.	3	
11	MBA5174B	Counterface Plate	2	
12	A917024	Gear To Drawing	1	
13	MBC3260	Chain Wheel Boss	1	
14	A219003	Bush	1	
15	MBE2576A	Drive Clutch Body	1	
16	A210651	Bush-oilite 25 X 30 X 20	2	
17	MBC5894	Pin	6	
18	002911009	Sprg-comp 8.7 I/D X 30	6	
19	MBC4224	Wshr-tab 20.5 X 35.5 X 3	1	
20	452045	Circlip-ext 20 X 1.2 T	1	
21	MBE2577	Clutch Chainwheel.	1	
22	A119131	Scrw-csk M5 X 16 Taptite	6	
23	MBC4226	Shaft	1	
24	450394	Wshr-m20 X 37 X 3.3	1	
25	450383	Nut-hex M20 Nyloc	1	
26	MBC8155A	Idler And Bush Assembly	1	
28	AE35005	Wshr-16.5 X 35 X 5	1	
29	450382	Nut-hex M16 Nyloc	1	
30	MBE2572A	Sprocket.	1	
31	A210083	Bush-oilite 12 X 16 X 12	1	
32	MBC5891	Pin	1	
33	MBC5469	Collar.	1	
34	MBC5470	Block	1	
35	MBC4223	Chain Tensioner Assy	1	
36	450391	Wshr-m10 X 21 X 2.2	2	
37	450412	Lockwshr-m10 X 15.9 X 2.5	1	
38	450325	Nut-hex M10	3	
39	A913194	Chain Pressure Pad	1	
40	MBC5892	Plate	1	
41	450213	Scrw-hex M10 X 20	2	
42	450391	Wshr-m10 X 21 X 2.2	2	
43	450412	Lockwshr-m10 X 15.9 X 2.5	2	

\* Not Illustrated

# RANSOMES MEDIUM PEDESTRIAN RANGE

## 7 DRIVES

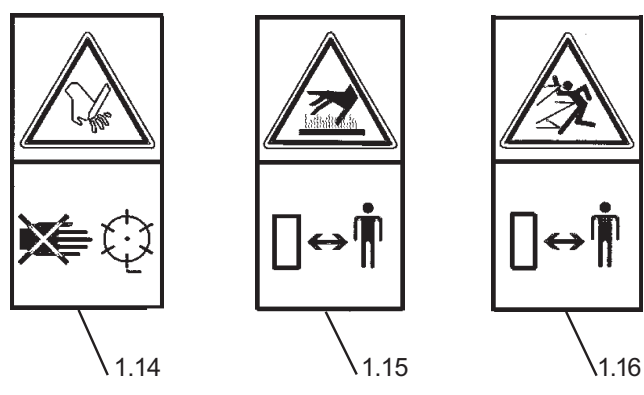
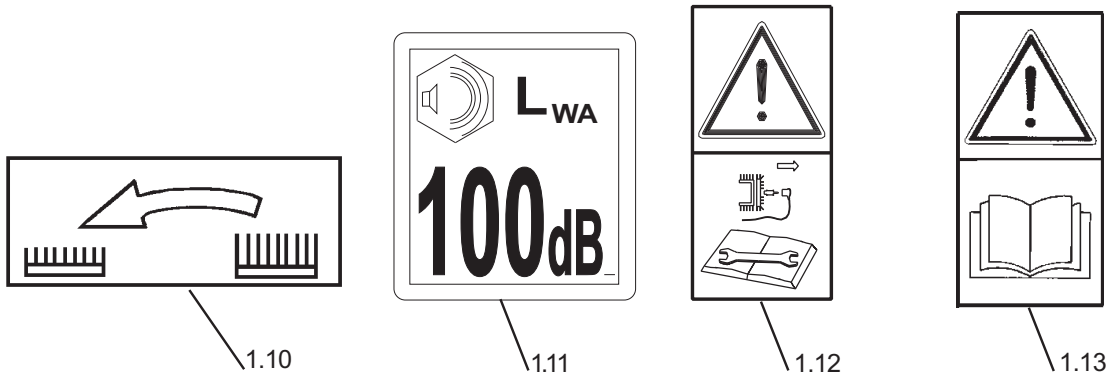


RANSOMES MEDIUM PEDESTRIAN RANGE

ITEM	PART NO.	DESCRIPTION	QTY.	REMARKS
44	A913194	Chain Pressure Pad	1	
45	A393145	Set Of Chains	1	
45.1	A300092	Primary Chain	1	
45.2	A393164	Intermediate Chain	1	
45.3	A393143	Chain - Final	1	

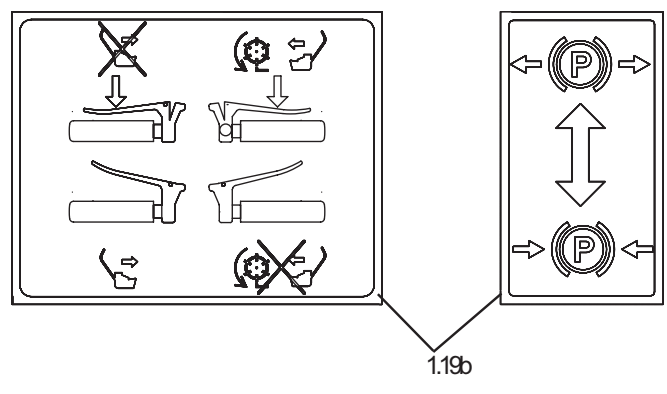
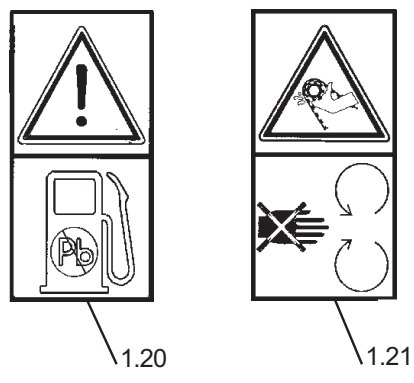
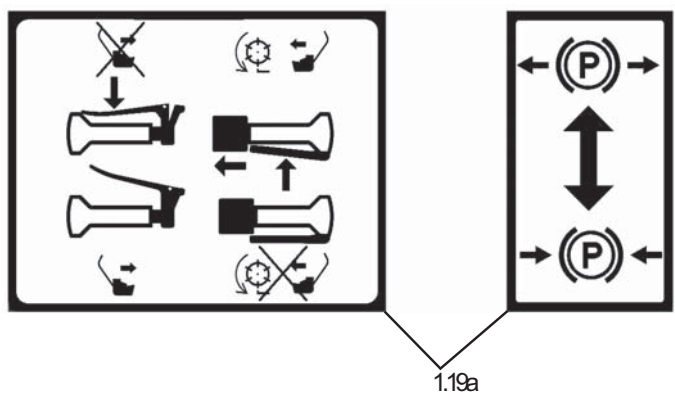
\* Not Illustrated

8 DECALS



*MATADOR 71*

1.17

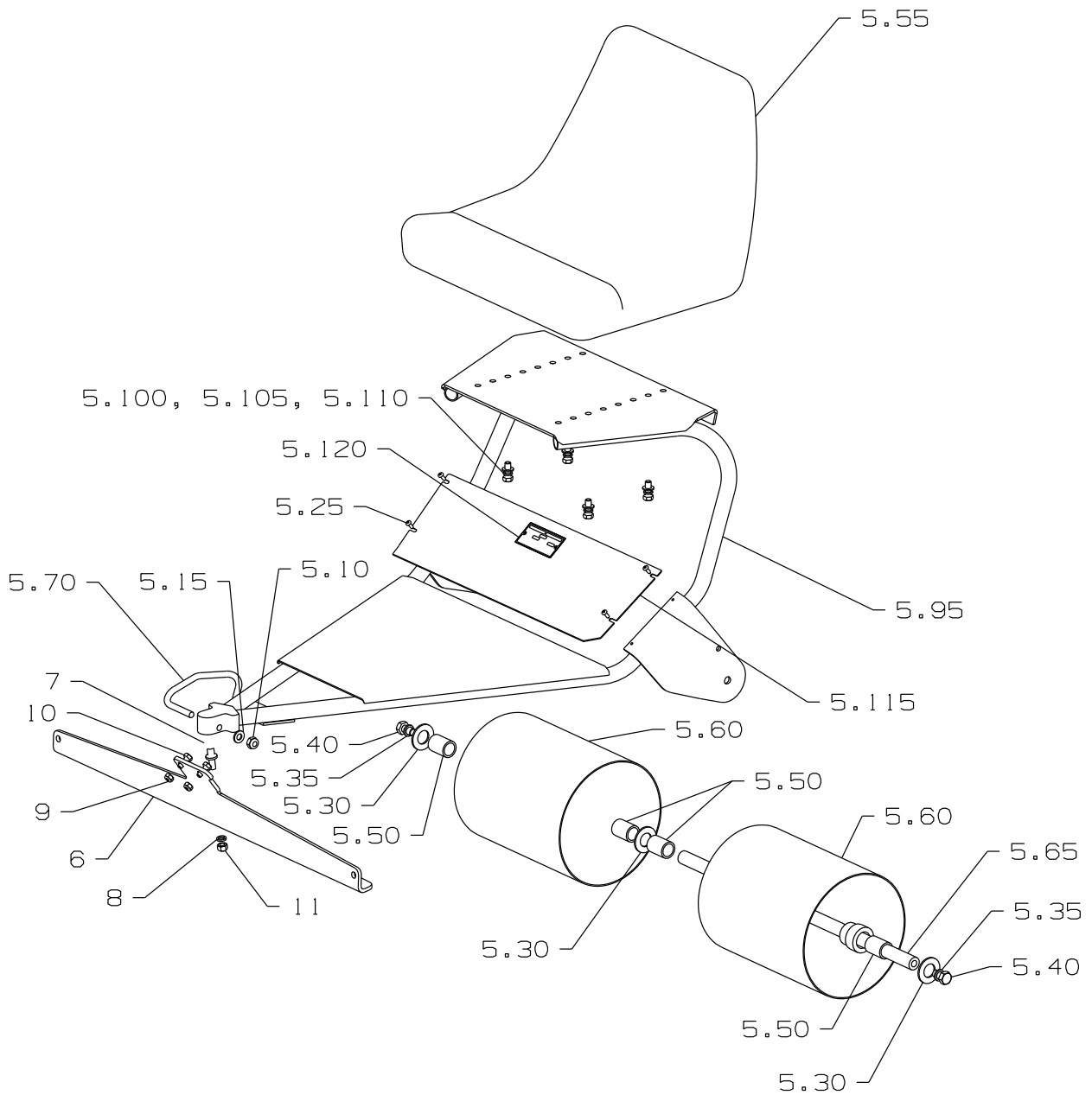


## RANSOMES MEDIUM PEDESTRIAN RANGE

ITEM	PART NO.	DESCRIPTION	QTY.	REMARKS
1	IDL039	Kit-Decal, 71 Matador	1	
1.10	009034620	Decal-Hoc Adj	1	
1.11	009034760	Decal-Noise 100	1	
1.12	009034970	Decal-Spark Plu	1	
1.13	009034910	Decal-Instruction	1	
1.14	009034940	Decal-Cylinder Hazard	1	
1.15	009034920	Decal-Hot	1	
1.16	009034890	Decal-Bystander Warning	1	
1.17		Decal-Name, Matador 71	1	
1.18		Decal-Ransomes	1	
1.19a	009114520	Decal-Opc/Brake Peds	1	Motivar
1.19b	4130883	Decal-Opc/Brake Peds	1	Mechanical
1.20	009114240	Decal-Unleaded Petrol	1	
1.21	009034900	Decal-Safety Guards	1	

# RANSOMES MEDIUM PEDESTRIAN RANGE

## 9a TRAILING SEAT





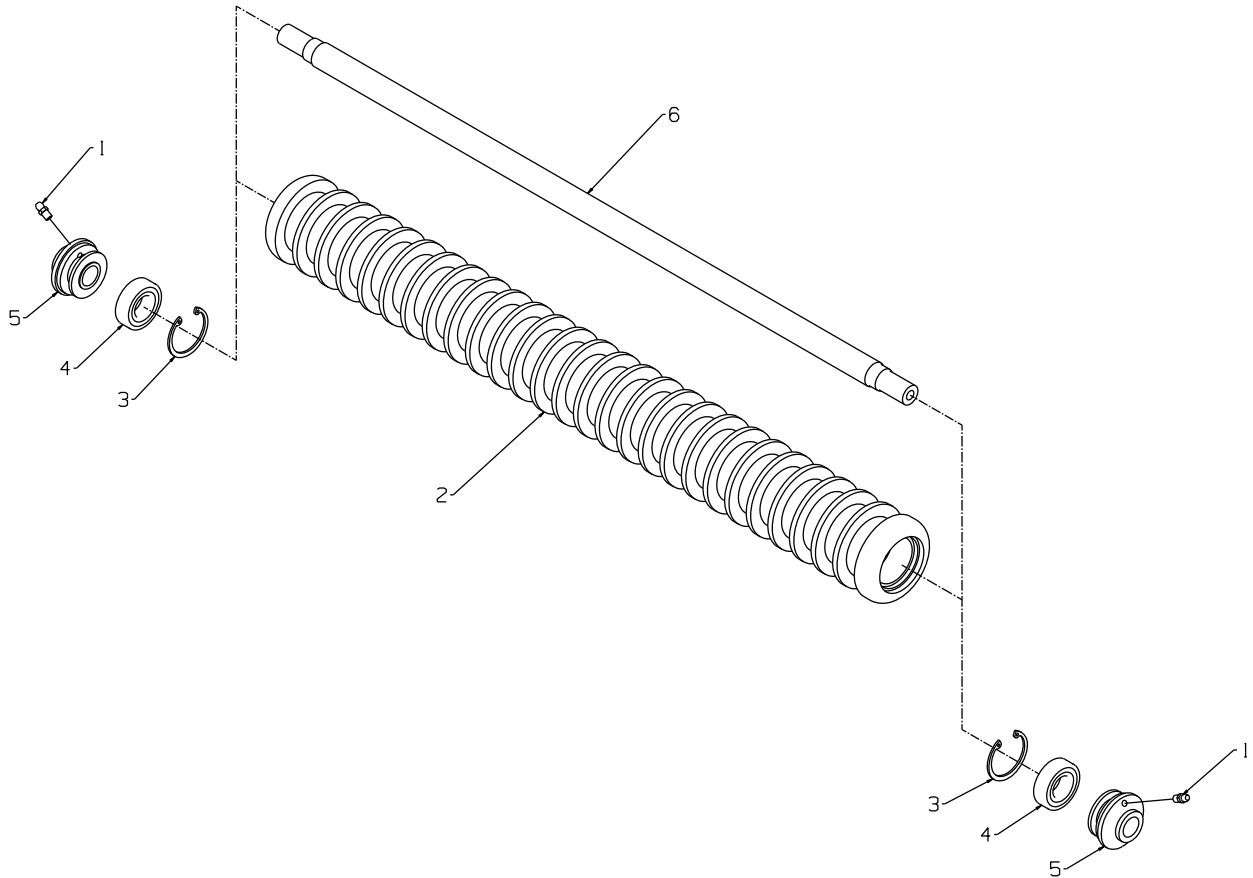
## RANSOMES MEDIUM PEDESTRIAN RANGE

ITEM	PART NO.	DESCRIPTION	QTY.	REMARKS
	LMAA628	Trailing Seat		
5.10	450379	Nut-hex M10 Nyloc	1	
5.15	450391	Wshr-m10 X 21 X 2.2	1	
5.25	451144	Scrw-pan Hd #10 X 13	4	
5.30	452100823	Wshr-15/16 X 1-3/4 X .104	3	
5.35	452200168	Lockwshr-1/2 X .763 X .116	2	
5.40	456010789	Scrw-hex 1/2-20 X 7/8	2	
5.50	590002752	Bush-oilite 7/8 X 1-1/8 X 1-1/2	4	
5.55	BAM8104	Seat Assy	1	
5.60	MBA5360	Land Roll	2	
5.65	MBA5364	Spindle	1	
5.70	MBC5869	Pin - Fabrication.	1	
5.85*	MBC7776	Anti Slip Strip	1	
5.90*	MBC7777	Anti Slip Strip	1	
5.95	MBC5881C	Seat Frame.	1	
5.100	452200087	Lockwshr-3/8 X .590 X .092	4	
5.105	456110066	Scrw-hex 3/8-16 X 1	4	
5.110	452000326	Wshr-3/8 X 3/4 X .072	4	
5.115	MBC5887A	Guard	1	
5.120	MBG5007	Serial Plate	1	
5.125*	001496052	Rivet-pop 1/8 X 5/16	2	
5.130*	MBG5209	Ec Declaration Of Incorporation	1	
	LMAAB393	Tow Bar for 71 Matador		
6	MBG6665	Scraper & Tow Bar Bracket	1	
7	MBC8043	Ball Joint	1	
8	450412	Lockwasher-m10 X 15.9 X 2.5	1	
9	450378	Nut-hex M8 Nylock	2	
10	450191	Scrw-hex M8 X 20	2	
11	450020087	Nut-hex 3/8-24	1	

\* Not Illustrated

# RANSOMES MEDIUM PEDESTRIAN RANGE

## 9b GROOVED FRONT ROLL

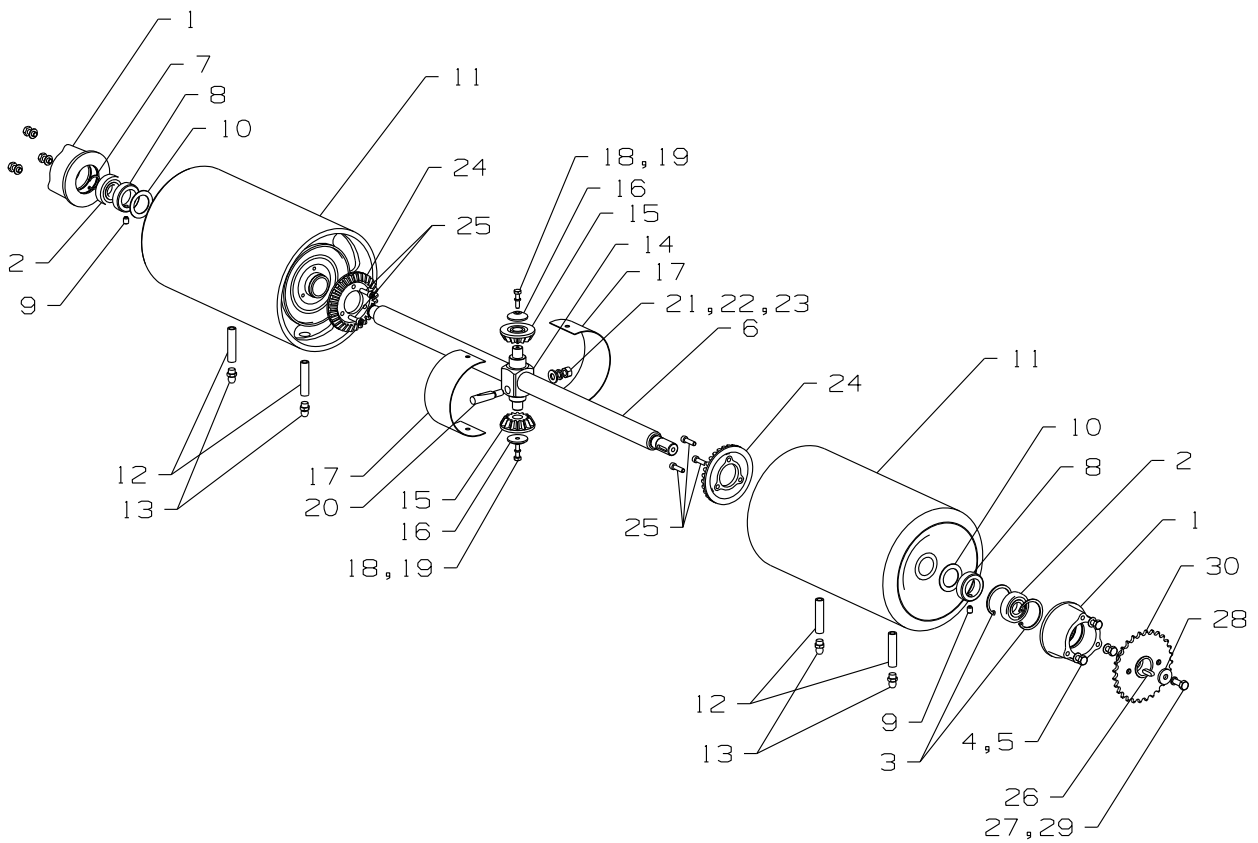


## RANSOMES MEDIUM PEDESTRIAN RANGE

ITEM	PART NO.	DESCRIPTION	QTY.	REMARKS
1	002993013	Lubricator M6 STR	2	
2	4116099	Grooved Roll Tube	1	
3	451972	Circlip Int 42 x 12	2	
4	824100333	Bearing Ball 20 x 42 x 12	2	
5	MBC3318	Boss	2	
6	MBC3367	Spindle	2	

# RANSOMES MEDIUM PEDESTRIAN RANGE

## 9c LANDROLL - RUBBER COVERED



## RANSOMES MEDIUM PEDESTRIAN RANGE

ITEM	PART NO.	DESCRIPTION	QTY.	REMARKS
1	MBC9298	Housing	2	
2	A203604	Brg-ball 20 X 47 X 14	2	
3	451977	Circlip-int 47 X 1.75 T	2	
4	450190	Scrw-hex M8 X 16	6	
5	A292050	Sprg-disc 8.2 X 16 X 0.9	6	
6	MBC4829A	Shaft, Matador-71	1	
7	452045	Circlip-ext 20 X 1.2 T	1	
8	MBC4830	Adjusting Collar	2	
9	450968	Scrw-set M8 X 10 Cup Pnt	2	
10	MBC5935A	Wshr-30.5 X 45 X 1.00	2	
11	MBC7055	Landroll	2	
	MBC3339A	Landroll-Rubber Covered	2	
12	MBC3307	Grease Tube	4	
13	GSF2541AB	Grease Nipple	4	
14	MBF1371	Bevel Gear Carrier	1	
15	MBA5283	Bevel Pinion	2	
16	MBA5347A	Wshr-cham 17/64 X 1-1/4 X 5/16	2	
17	MBA5284A	Dust Shield	2	
18	450000	Bolt-hex M6 X 25	2	
19	450410	Lockwshr-m6 X 9.6 X 1.5	2	
20	A149065	Cotter Pin, 1/2"	1	
21	GSF2051AC	Nut-hex 3/8-24	1	
22	450391	Wshr-m10 X 21 X 2.2	1	
23	450412	Lockwshr-m10 X 15.9 X 2.5	1	
24	MBA5282	Bevel Gear	2	
25	GSF2015AF	Capscrew-sckt 1/4-28 X 7/8	6	
26	452176	Key-6 X 6 X 22	1	
27	450192	Scrw-hex M8 X 25	1	
28	MBB8108	Wshr-8.4 X 25 X 4	1	
29	450411	Lockwshr-m8 X 12.75 X 2	1	
30	MBE1295	Chainwheel	1	



Ransomes Jacobsen Limited  
West Road, Ransomes Europark, Ipswich, IP3 9TT  
English Company Registration No. 1070731  
[www.ransomesjacobsen.com](http://www.ransomesjacobsen.com)

Jacobsen, A Textron Company  
11108 Quality Drive, Charlotte,  
NC 28273, USA  
[www.Jacobsen.com](http://www.Jacobsen.com)