

CR-7



**OPERATOR'S MANUAL
MAINTENANCE MANUAL
PARTS LIST**

**TURFCO[®]
CR-7
Broadcast
Top Dresser**

Product Number 85470

Starting Serial Number P00851

US Patent 6,149,079, 6,508,419 and 6,817,552

Manual Number 668369



***DANGER* - IF INCORRECTLY USED THIS MACHINE CAN CAUSE SEVERE INJURY. THOSE WHO USE AND MAINTAIN THIS MACHINE SHOULD BE TRAINED IN ITS PROPER USE, WARNED OF ITS DANGERS, AND SHOULD READ THE ENTIRE MANUAL BEFORE ATTEMPTING TO SET-UP, OPERATE OR SERVICE THE MACHINE.**

TURFCO MFG. INC.

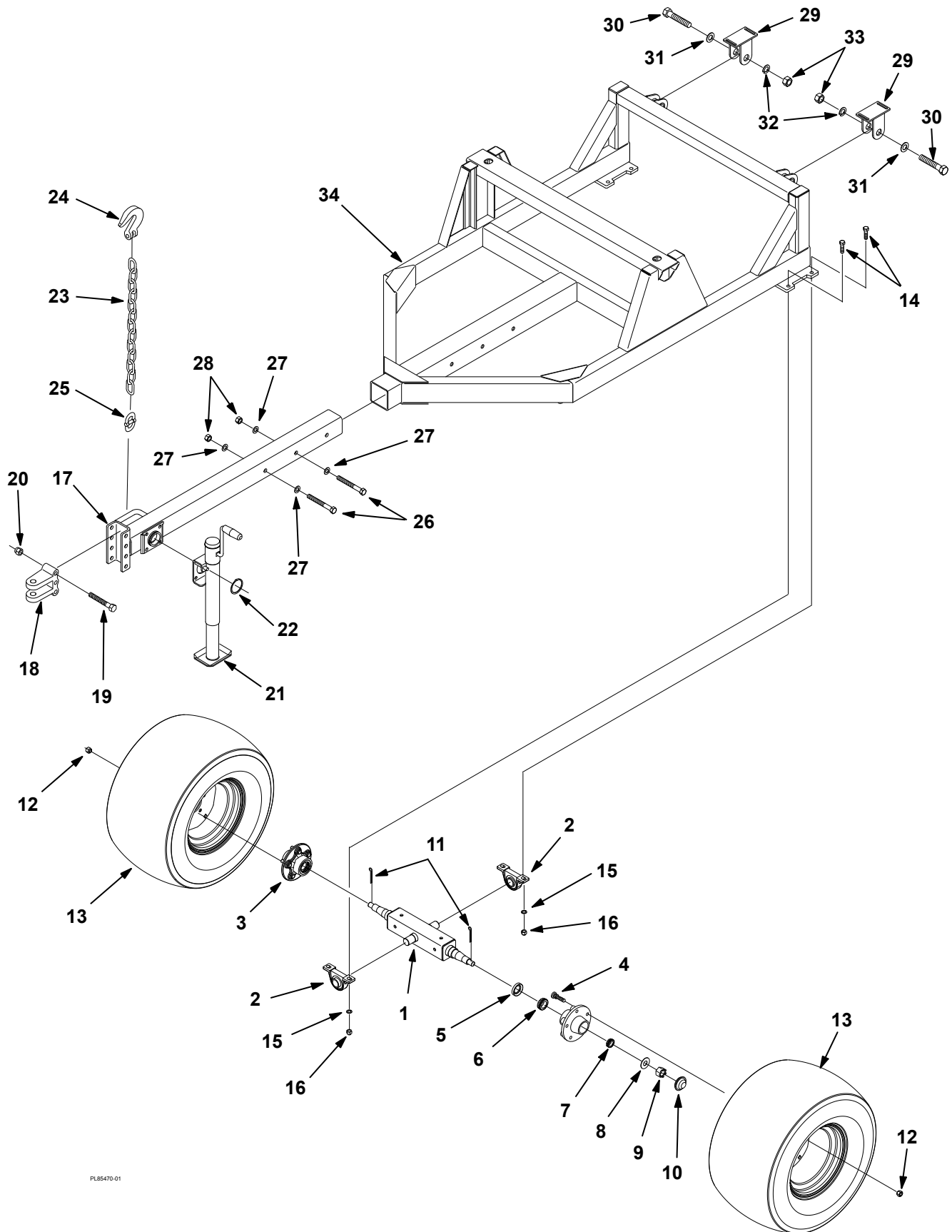
1655 101st. Avenue NE • Minneapolis, MN 55449-4420 USA

Phone (763) 785-1000 • FAX (763) 785-0556

Internet - www.turfc.com • E-Mail - service@turfc.com

2011 Turfc Mfg., Inc.

Lower Frame, Axles and Hitch

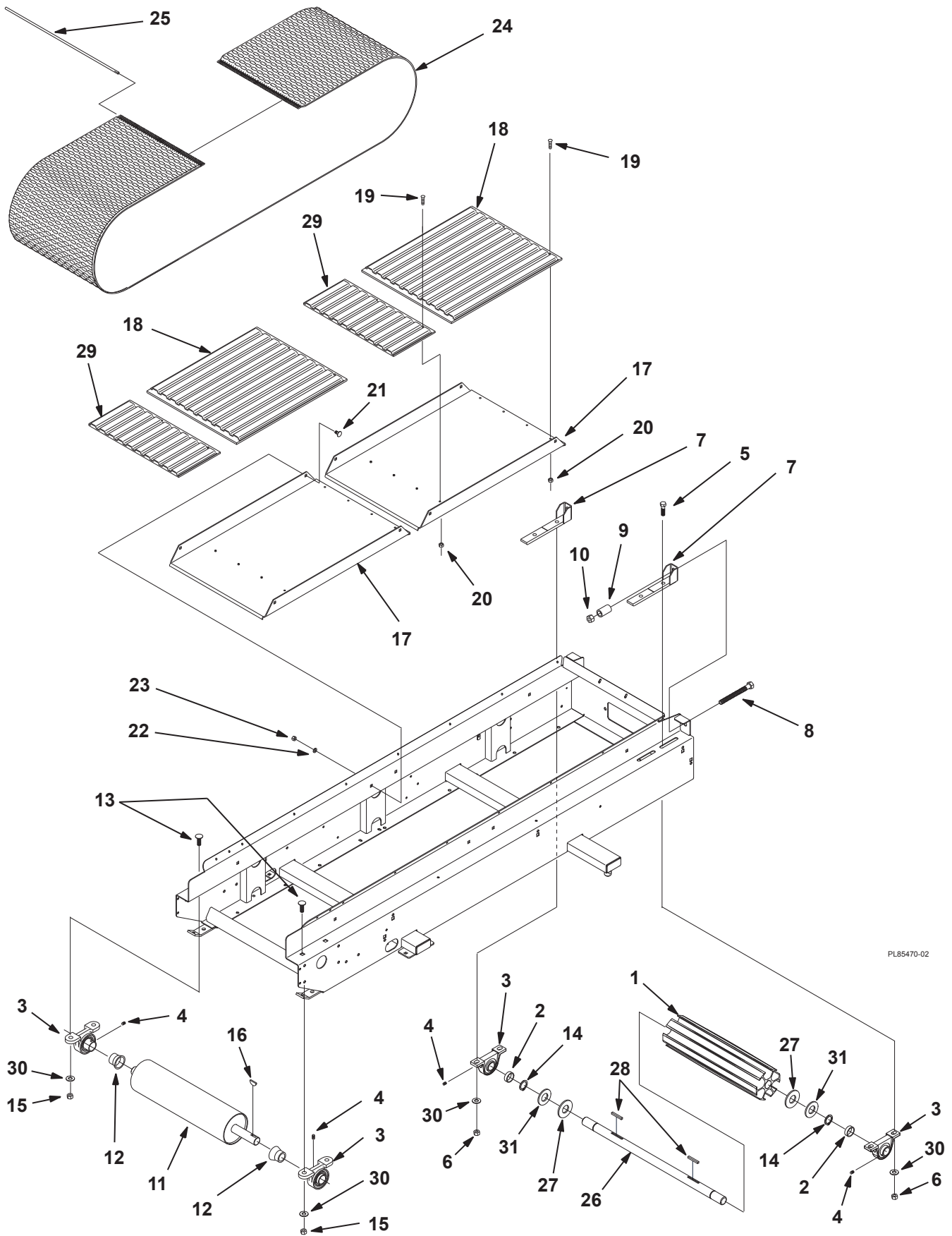


PL85470-01

Lower Frame, Axles and Hitch

| Item No. | Part No. | Description | Qty. |
|----------|----------|---|------|
| 1 | 668457 | Axle Weldment..... | 2 |
| 2 | 665429 | Bearing, Pillow Block, 1.25"..... | 4 |
| 3 | 661383 | Hub Assembly, Includes Lug Bolts, Wheel Bearings, Seal and Hub Cover | 2 |
| 4 | 661685 | Bolt, Lug 1/2"-20 (Service Part)..... | 10 |
| 5 | 661577 | Seal, Wheel Bearing..... | 2 |
| 6 | 661574 | Bearing, Wheel, Inner..... | 2 |
| 7 | 661573 | Bearing, Wheel, Outer..... | 2 |
| 8 | 499227 | Washer, Flat, 13/16" ID x 1-1/2" OD x 1/8" Thick..... | 2 |
| 9 | 445691 | Nut, Hex, 3/4"-16 Slotted..... | 2 |
| 10 | 657823 | Cover, Hub Dust Cap..... | 2 |
| 11 | 460032 | Pin, Cotter, 1/8" x 1-1/2"..... | 2 |
| 12 | 661561 | Nut, Lug, 1/2"-20..... | 10 |
| 13 | 665874 | Wheel and Tire..... | 4 |
| 14 | 400446 | Screw, Hex Head, 1/2"-20 x 2"..... | 8 |
| 15 | 452010 | Washer, Flat, .5" ID x 1.25" OD x .078" Thick..... | 8 |
| 16 | 444816 | Nut, Hex, 1/2"-20 Nylock..... | 8 |
| 17 | 668463 | Tongue..... | 1 |
| 18 | 659525 | Hitch, Clevis..... | 1 |
| 19 | 657831 | Screw, Hex Head, 5/8"-11 x 4-1/2"..... | 2 |
| 20 | 499432 | Nut, Hex, 5/8"-11 Flexloc..... | 2 |
| 21 | 659550 | Jackstand..... | 1 |
| 22 | 657571 | Ring, Retaining, Jackstand..... | 1 |
| 23 | 664275 | Chain, Safety, 3/8", 4 feet..... | 1 |
| 24 | 660146 | Hook, Safety Chain, 3/8"..... | 1 |
| 25 | 660145 | Coupling, Link, 3/8"..... | 1 |
| 26 | 659562 | Screw, Hex Head, 5/8"-11 x 5-1/2"..... | 2 |
| 27 | 499024 | Washer, Flat, 41/64" ID x 1-3/16" OD x 1/16" Thick..... | 4 |
| 28 | 660858 | Nut, Hex, 5/8"-11 Nylock..... | 2 |
| 29 | 668465 | Clevis Weldment..... | 2 |
| 30 | 660668 | Screw, Hex Head, 1"-14 x 5"..... | 2 |
| 31 | 499424 | Washer, Flat, 1.062 ID x 2" OD x 0.14" Thick..... | 2 |
| 32 | 668515 | Washer, Lock, 1"..... | 2 |
| 33 | 668516 | Nut, Hex, 1"-14..... | 2 |
| 34 | 668439 | Frame, CR-7 Carriage..... | 1 |

Conveyor Belt, Pan and Rollers

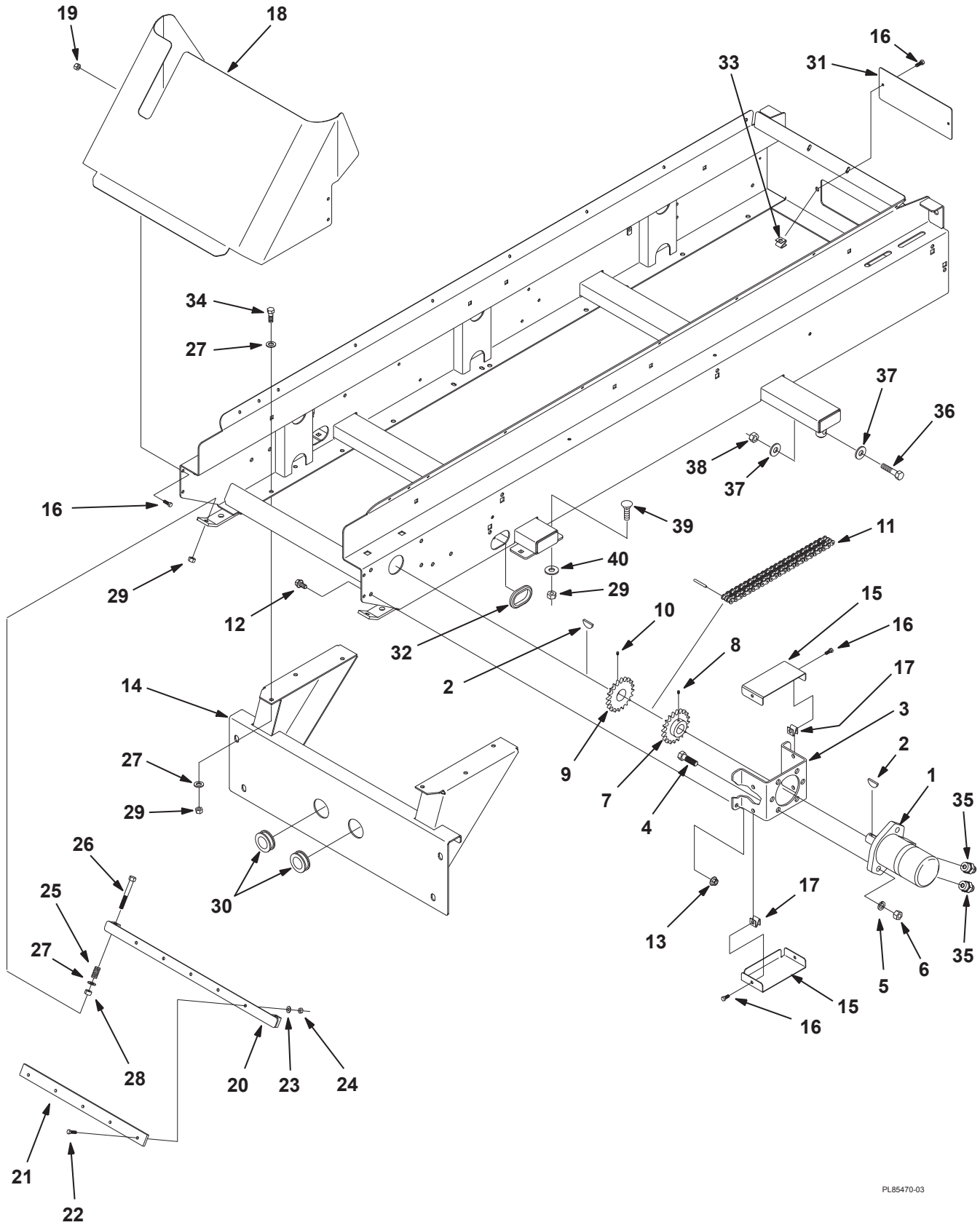


PL85470-02

Conveyor Belt, Pan and Rollers

| Item No. | Part No. | Description | Qty. |
|----------|----------|---|------|
| 1 | 668039 | Roller, Extruded, (1530 Idler Roller) | 1 |
| 2 | 653393 | Spacer, Rear, Idler Roller | 2 |
| 3 | 665429 | Bearing, Pillow Block, 1.25" Bore | 4 |
| 4 | 499051 | Set Screw, 1/4"-28 x 1/4" | 8 |
| 5 | 400446 | Screw, Hex Head, 1/2"-20 x 2" | 4 |
| 6 | 444816 | Nut, Hex, 1/2"-20 Nylock..... | 4 |
| 7 | 658073 | Plate, Sliding..... | 2 |
| 8 | 660048 | Bolt, Tap, 5/8"-11 x 6", Conveyor Belt Tension Adjuster..... | 2 |
| 9 | 660049 | Spacer, Tension Adjuster | 2 |
| 10 | 499432 | Nut, Hex, 5/8"-11 Nylock..... | 2 |
| 11 | 661433 | Roller, Drive, 1530 | 1 |
| 12 | 657998 | Spacer, Flared | 2 |
| 13 | 440194 | Bolt, Carriage, 1/2"-13 x 1-1/2" | 4 |
| 14 | 661320 | Ring, Retaining, 1-1/4" | 2 |
| 15 | 662048 | Nut, Hex, 1/2"-13 Nylock..... | 4 |
| 16 | 463031 | Key, Woodruff, 1/4" x 1" | 1 |
| 17 | 663997 | Pan, 1530 | 2 |
| 18 | 661298 | Cover, Pan..... | 2 |
| 19 | 499025 | Screw, Machine, Pan Head, 1/4"-20 x 5/8" (Service Part) | 8 |
| 20 | 499413 | Nut, Hex, 1/4"-20 KEPS (Service Part)..... | 8 |
| 21 | 657766 | Bolt, Carriage, 3/8"-16 x 3/4" | 8 |
| 22 | 446142 | Washer, Lock, 3/8" | 8 |
| 23 | 443110 | Nut, Hex, 3/8"-16 | 8 |
| 24 | 663998 | Belt, Spinner Conveyor..... | 1 |
| 25 | 655363 | Splice, Conveyor Belt | 1 |
| 26 | 668042 | Shaft, Idler Roller..... | 1 |
| 27 | 668043 | Washer, Flat, USS, 1.25 ID x 2.75 OD | 2 |
| 28 | 665363 | Key, Square, 1/4" x 2" | 2 |
| 29 | 664015 | Cover, Pan, Short | 2 |
| 30 | 452010 | Washer, Flat, 1/2" ID x 1-1/4" OD x 5/64" Thick..... | 4 |
| 31 | 499223 | Washer, Flat, 1.28 ID x 1.875 OD x .048 Thick | 2 |

Conveyor Belt Hydraulic Motor, Conveyor Belt Scraper, Rear Deflector, Dirt Shield and Inspection Panel

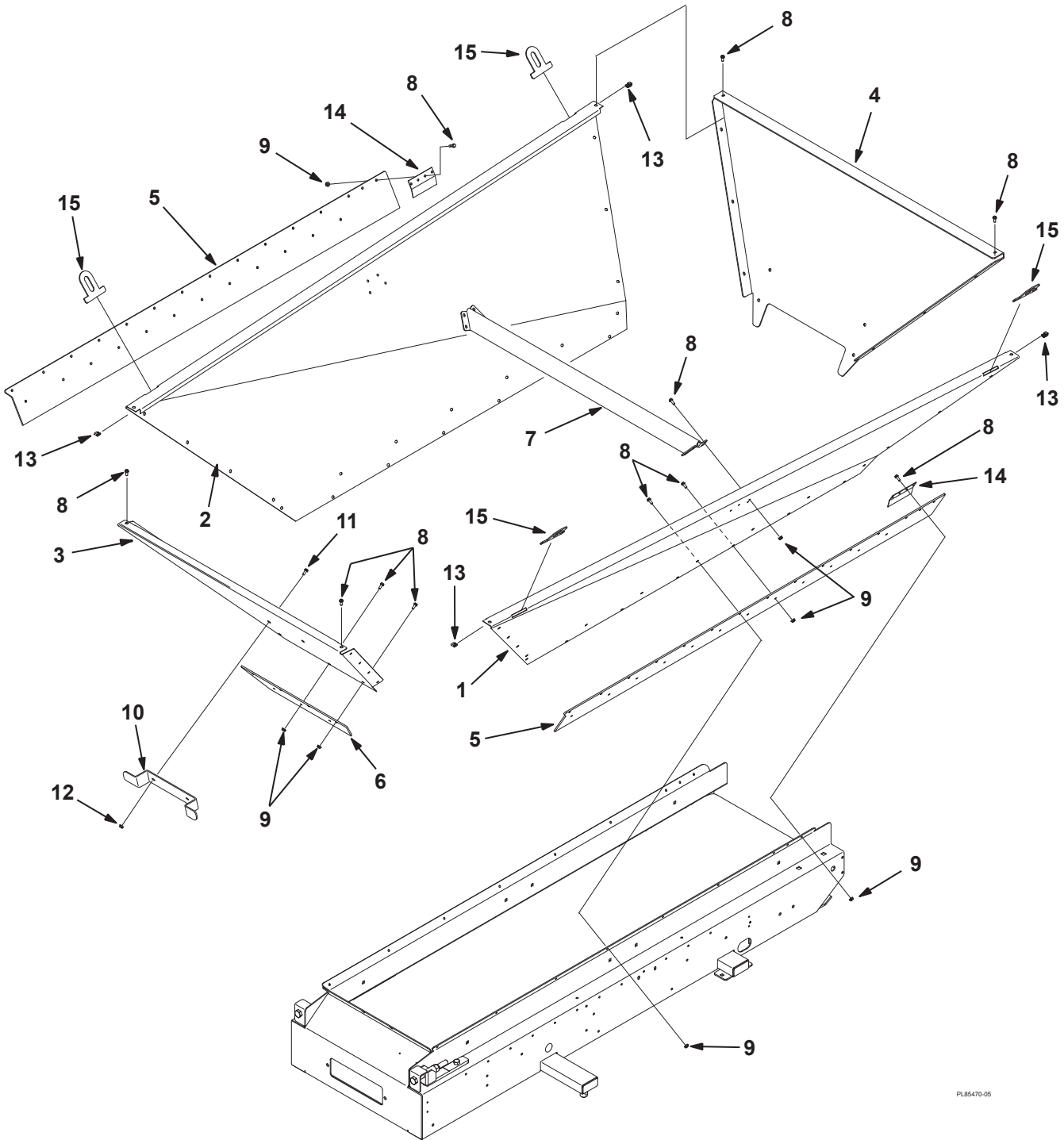


PL85470-03

**Conveyor Belt Hydraulic Motor, Conveyor Belt Scraper,
Rear Deflector, Dirt Shield and Inspection Panel**

| Item No. | Part No. | Description | Qty. |
|----------|----------|---|------|
| 1 | 665971 | Motor Hydraulic, Conveyor Belt Drive, 1540 Series | 1 |
| 2 | 463031 | Key, Woodruff, 1/4" x 1" | 2 |
| 3 | 665985 | Brace, Belt Motor | 1 |
| 4 | 400444 | Screw, Hex Head, 1/2"-20 x 1-3/4" | 2 |
| 5 | 446154 | Washer, Lock, 1/2" | 2 |
| 6 | 443120 | Nut, Hex, 1/2"-20 | 2 |
| 7 | 661372 | Coupling Half, Sprocket, 1" Bore | 1 |
| 8 | 415519 | Screw, Set, 5/16"-18 x 3/8" | 2 |
| 9 | 661371 | Coupling Half, Sprocket, 1-1/4" Bore | 1 |
| 10 | 415509 | Screw, Set, 1/4"-20 x 1/4" | 2 |
| 11 | 661373 | Chain, Coupling, Includes Link Pin | 1 |
| 12 | 660828 | Screw, Hex Head, 3/8"-16 x 3/4" Flange | 4 |
| 13 | 662050 | Nut, Hex, 3/8"-16 Flange Whizloc | 4 |
| 14 | 668479 | Spinner Mount (Green) | 1 |
| 15 | 661430 | Guard, Motor Mount | 2 |
| 16 | 661619 | Screw, Hex Head, 1/4"-20 x 5/8" Whiz-Lock | 8 |
| 17 | 659276 | Nut, Clip, 1/4"-20 | 4 |
| 18 | 665830 | Shield, Spinner (Rear Deflector) | 1 |
| 19 | 661620 | Nut, Hex, 1/4"-20 Whiz-Lock | 4 |
| 20 | 661579 | Bracket, Scraper | 1 |
| 21 | 661582 | Scraper, Plastic | 1 |
| 22 | 400108 | Screw, Hex Head, 1/4"-20 x 3/4" | 5 |
| 23 | 446128 | Washer, Lock, 1/4" | 5 |
| 24 | 443102 | Nut, Hex, 1/4"-20 | 5 |
| 25 | 661463 | Spring, Scraper Tension | 2 |
| 26 | 657671 | Screw, Hex Head, 3/8"-16 x 4" | 2 |
| 27 | 452006 | Washer, Flat, 3/8" ID x 7/8" OD x 5/64" Thick | 14 |
| 28 | 443110 | Nut, Hex, 3/8"-16 | 2 |
| 29 | 444810 | Nut, Hex, 3/8"-16 Nylock | 12 |
| 30 | 661406 | Grommet, Rubber, 1-15/64" ID | 2 |
| 31 | 668478 | Panel, Inspection (Green) | 1 |
| 32 | 668236 | Grommet, Rubber, 2" ID | 2 |
| 33 | 499410 | Nut, Clip, 1/4"-20 | 2 |
| 34 | 400264 | Screw, Hex Head, 3/8"-16 x 1-1/4" | 6 |
| 35 | 657250 | Adapter, 7/8"-14 Male O-Ring 3/4"-16 | 2 |
| 36 | 668297 | Screw, Hex Head, 7/16"-20 x 3" | 2 |
| 37 | 453013 | Washer, Flat, .47 ID x .94 OD x .06 Thick | 4 |
| 38 | 443116 | Nut, Hex, 7/16"-20 | 2 |
| 39 | 440120 | Bolt, Carriage, 3/8"-16 x 1-1/4" | 4 |
| 40 | 452008 | Washer, Flat, .48 ID x 1" OD x .078" Thick | 3 |

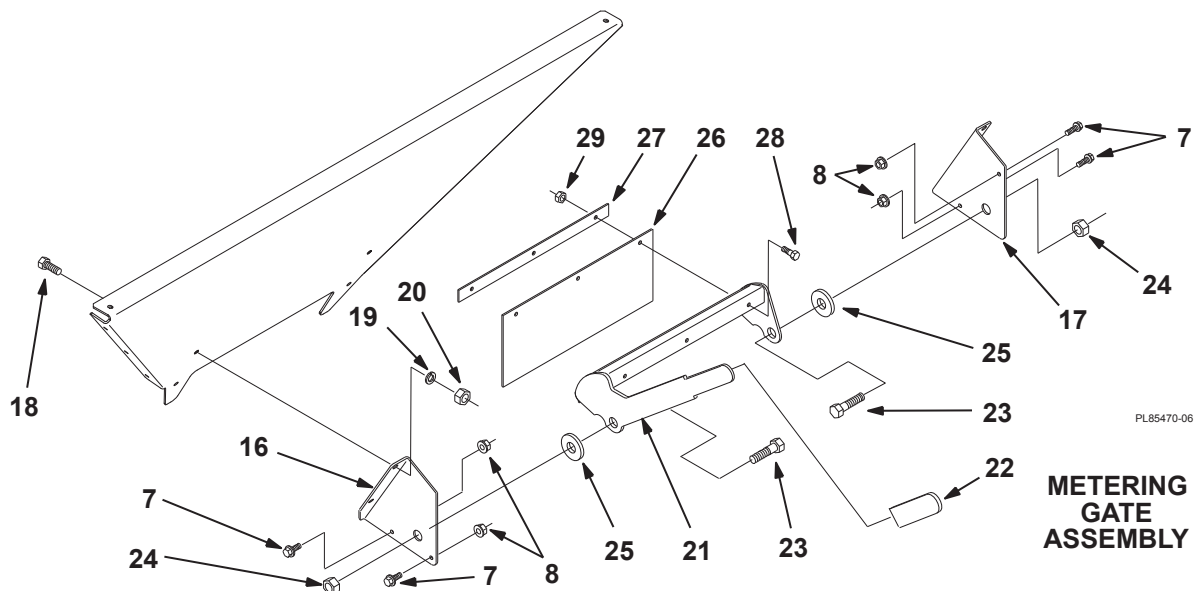
Hopper, Lifting Bracket, Conveyor Belt Scraper and Metering Gate Assembly



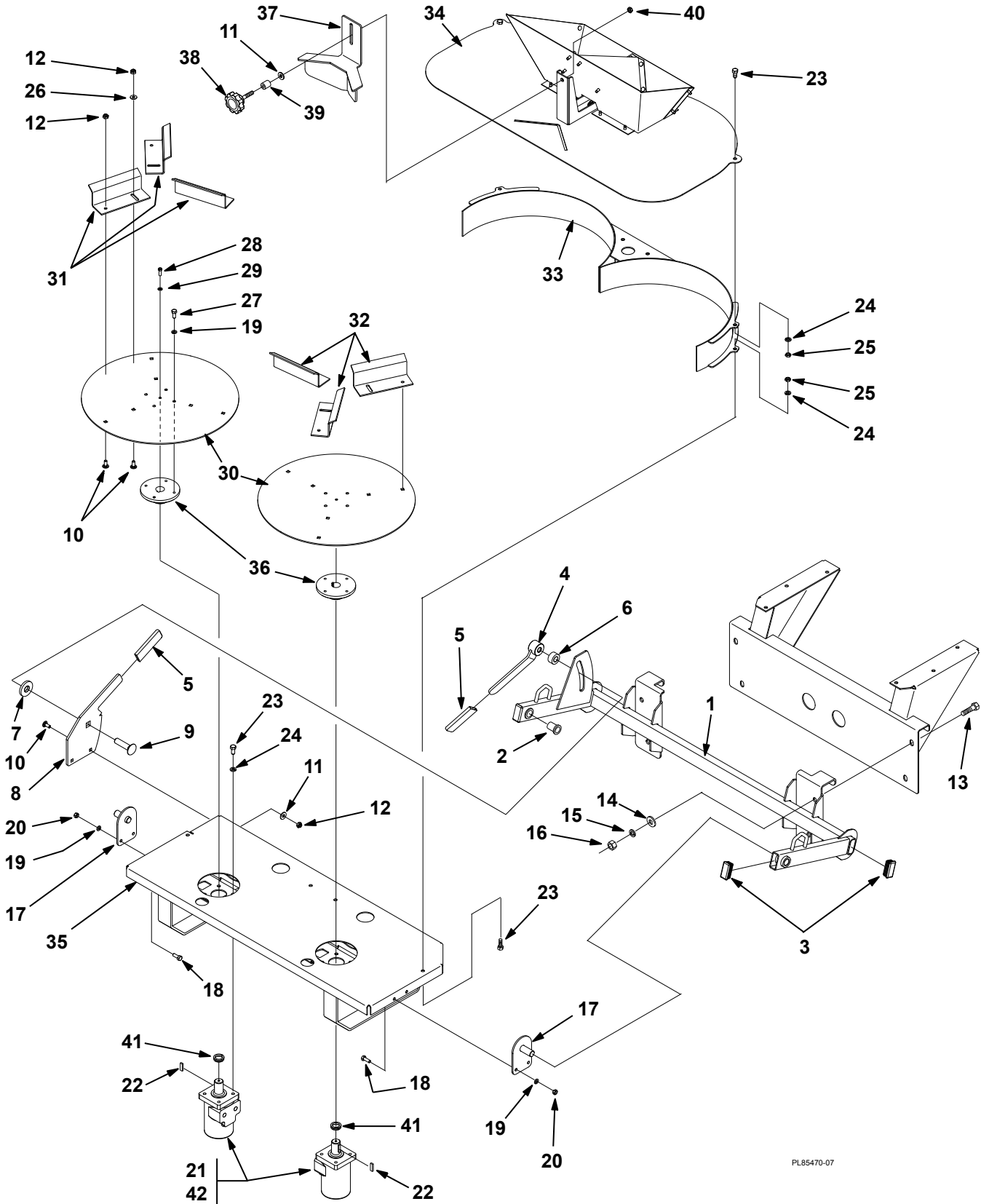
PL85470-05

Hopper, Lifting Bracket, Conveyor Belt Scraper and Metering Gate Assembly

| Item No. | Part No. | Description | Qty. |
|----------|----------|---|------|
| 1 | 668304 | Panel, Hopper, Left Hand Side, CR-7..... | 1 |
| 2 | 668303 | Panel, Hopper, Right Hand Side, CR-7 | 1 |
| 3 | 668295 | Panel, Hopper, Front, CR-7 | 1 |
| 4 | 668294 | Panel, Hopper, Rear, CR-7 | 1 |
| 5 | 664004 | Seal, Hopper, Side..... | 2 |
| 6 | 662204 | Seal, Hopper, Front | 1 |
| 7 | 668203 | Brace, Hopper, CR-7 | 1 |
| 8 | 661619 | Screw, Hex Head, 1/4"-20 x 5/8" Whizlock | 63 |
| 9 | 661620 | Nut, Hex, 1/4-20 Whizlock | 59 |
| 10 | 662014 | Bracket, Control Wire..... | 1 |
| 11 | 660828 | Screw, Hex Head, 3/8"-16 x 3/4" Whizlock | 2 |
| 12 | 662050 | Nut, Hex, 3/8"-16 Whizlock | 2 |
| 13 | 499410 | Nut, Clip, 1/4"-20 Tinnerman | 4 |
| 14 | 661610 | Retainer, Seal Strip..... | 2 |
| 15 | 665897 | Chain Hook, Lifting | 4 |
| 16 | 668371 | Bracket, Metering Gate, Left Hand | 1 |
| 17 | 662781 | Bracket, Metering gate, Right Hand | 1 |
| 18 | 400258 | Screw, Hex Head, 3/8"-16 x 3/4" | 4 |
| 19 | 446142 | Washer, Lock, 3/8" | 4 |
| 20 | 443110 | Nut, Hex, 3/8"-16 | 4 |
| 21 | 661418 | Gate, Metering | 1 |
| 22 | 657208 | Grip, Handle, Metering Gate..... | 1 |
| 23 | 660962 | Screw, Hex Head, 3/4"-16 x 1-1/4" | 2 |
| 24 | 659984 | Nut, Hex, 3/4"-16, Nylock Thin..... | 2 |
| 25 | 661020 | Washer, Special, Metering Gate, 1/4" Wide Plastic | 2 |
| 26 | 662777 | Seal, Metering Gate..... | 1 |
| 27 | 662776 | Strip, Metering Gate..... | 1 |
| 28 | 400106 | Screw, Hex Head, 1/4"-20 x 5/8" | 3 |
| 29 | 444830 | Nut, Hex, 1/4"-20 Flexloc..... | 3 |



WIDESPIN Spinner Assembly

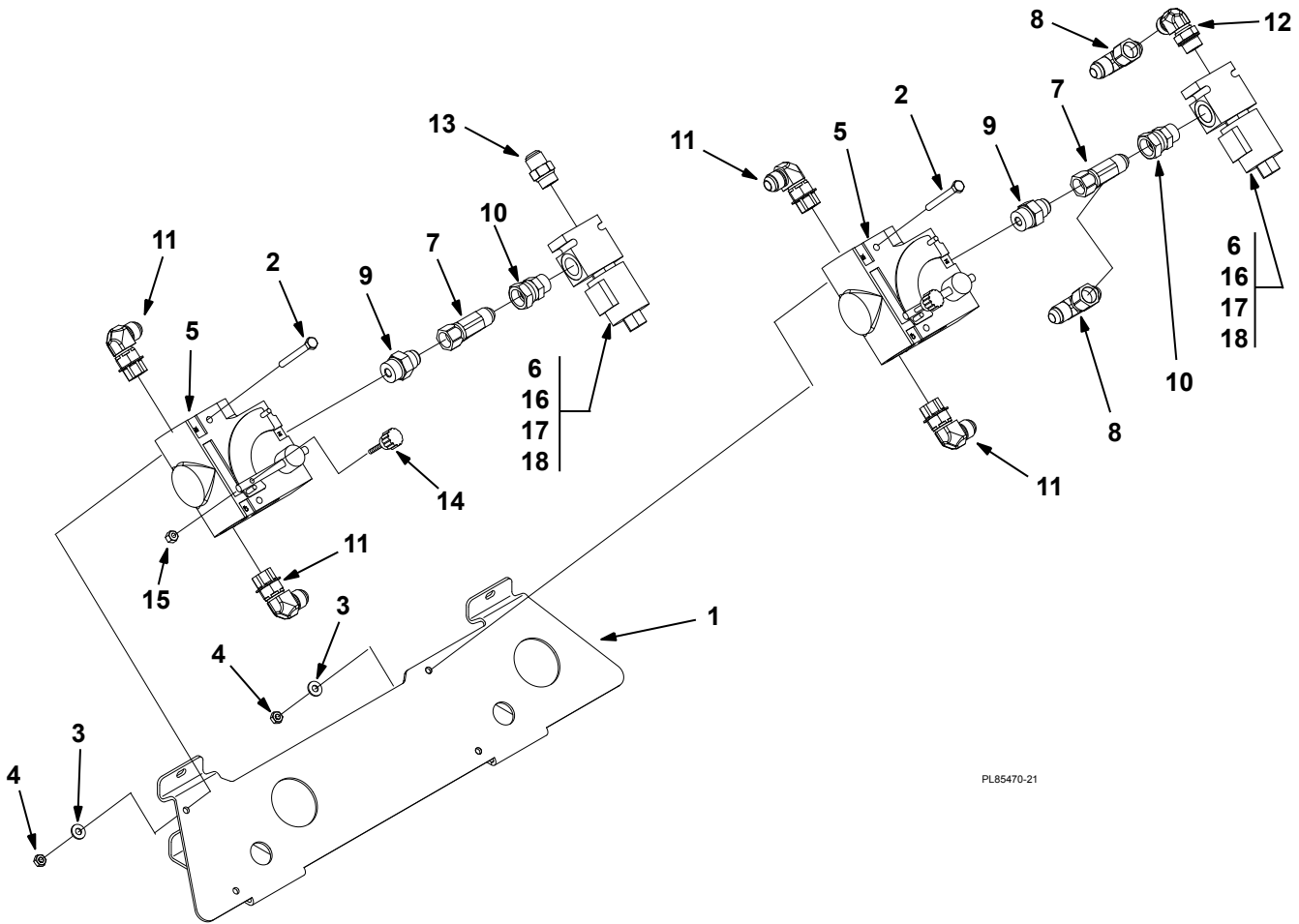


PL85470-07

WIDESPIN Spinner Assembly

| Item No. | Part No. | Description | Qty. |
|----------|--------------|--|------|
| 1 | 668302 | Support, Spinner, Includes Plastic Bearings..... | 1 |
| 2 | 661400 | Bearing, Flange, Plastic, | 2 |
| 3 | 661507 | Insert, Cap, Rectangular..... | 4 |
| 4 | 665869 | Handle, Locking..... | 1 |
| 5 | 657208 | Grip, Handle..... | 2 |
| 6 | 664632 | Spacer, Handle..... | 1 |
| 7 | 661020 | Washer, Special, Metering Gate..... | 1 |
| 8 | 665788 | Handle, Spinner Pivot..... | 1 |
| 9 | 661698 | Bolt, Carriage, 5/8"-11 x 2-1/2"..... | 1 |
| 10 | 658240 | Bolt, Carriage, 5/16"-18 x 3/4"..... | 14 |
| 11 | 452006 | Washer, Flat, 3/8" ID x 7/8" OD x 5/64" Thick..... | 3 |
| 12 | 444808 | Nut, Hex, 5/16"-18 Nylock..... | 14 |
| 13 | 400406 | Screw, Hex Head, 1/2"-13 x 1-1/4"..... | 4 |
| 14 | 499052 | Washer, Flat, 33/64" ID x 7/8" OD x 1/16" Thick..... | 4 |
| 15 | 446154 | Washer, Lock, 1/2"..... | 4 |
| 16 | 443118 | Nut, Hex, 1/2"-13..... | 4 |
| 17 | 661515 | Pivot..... | 2 |
| 18 | 400186 | Screw, Hex Head, 5/16"-18 x 7/8"..... | 4 |
| 19 | 446134 | Washer, Lock, 5/16"..... | 12 |
| 20 | 443106 | Nut, Hex, 5/16"-18..... | 4 |
| 21 | 665972 | Motor, Hydraulic, Spinner, 1540 TEC..... | 2 |
| 22 | 463031 | Key, Woodruff, 1/4" x 1"..... | 2 |
| 23 | 400258 | Screw, Hex Head, 3/8"-16 x 3/4"..... | 16 |
| 24 | 446142 | Washer, Lock, 3/8"..... | 16 |
| 25 | 443110 | Nut, Hex, 3/8"-16..... | 8 |
| 26 | 452004 | Washer, Flat, 5/16" ID x 3/4" OD x 1/16" Thick..... | 6 |
| 27 | 400184 | Screw, Hex Head, 5/16"-18 x 3/4"..... | 8 |
| 28 | 400108 | Screw, Hex Head, 1/4"-20 x 3/4"..... | 2 |
| 29 | 446128 | Washer, Lock, 1/4"..... | 2 |
| 30 | 665978 | Plate, Spinner..... | 2 |
| 31 | 665873 | Vane, Spinner, Left Hand..... | 3 |
| 32 | 665872 | Vane, Spinner, Right Hand..... | 3 |
| 33 | 661526 | Guide, Spinner..... | 1 |
| 34 | 665781 | Spinner Hopper Assembly, Small, WideSpin..... | 1 |
| 35 | 665977 | Frame, Spinner..... | 1 |
| 36 | 665981 | Coupler, Spinner..... | 2 |
| 37 | 665785 | Diverter, Heavy Spread..... | 1 |
| 38 | 665790 | Knob, Locking..... | 1 |
| 39 | 665789 | Spacer, Plastic Black..... | 1 |
| 40 | 499357 | Nut, Hex, 3/8"-16 Nylock..... | 1 |
| 41 | 668026 | Seal, Excluder (Dirt/Sand Protection Seal)..... | 2 |
| | Service Part | | |
| 42 | 668014 | Seal Kit, For Spinner Motor 665972, 1540 TEC..... | 2 |

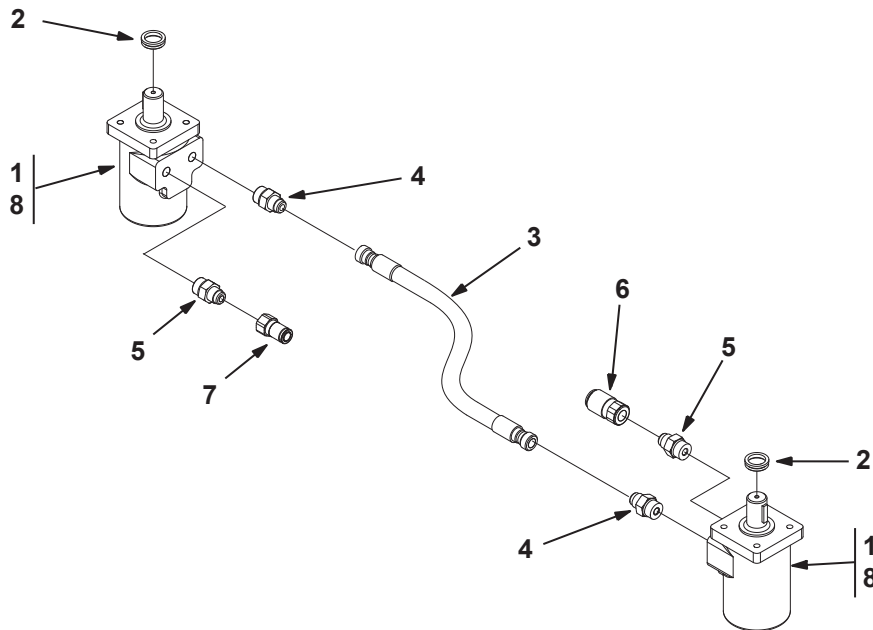
Speed Controls and Solenoid Valve Blocks



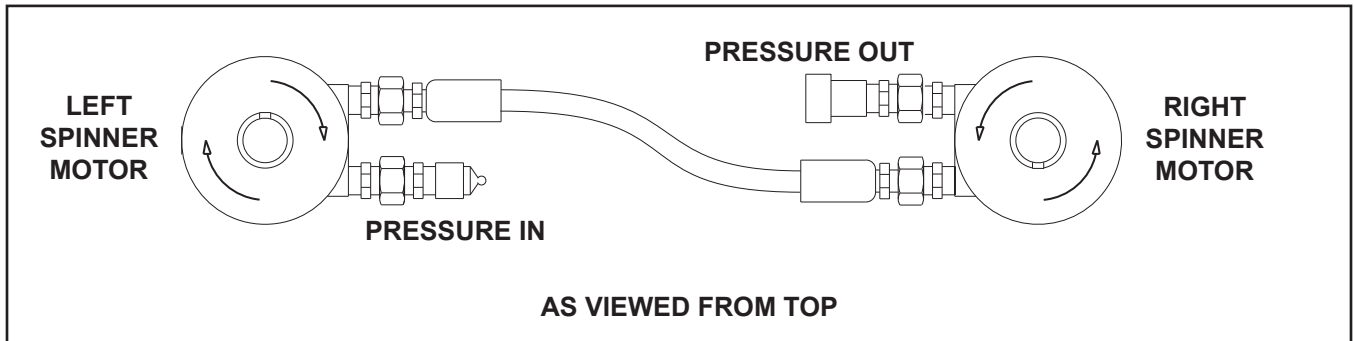
PL85470-21

| Item No. | Part No. | Description | Qty. |
|---------------|----------|---|------|
| 1 | 668119 | Bracket, Hydraulic Mounting..... | 1 |
| 2 | 658172 | Screw, Hex Head, 1/4"-20 x 2-1/2" | 4 |
| 3 | 453023 | Washer, Flat, .281 ID x .625 OD x .062 Thick | 4 |
| 4 | 444830 | Nut, Hex, 1/4"-20 Nylock..... | 4 |
| 5 | 668118 | Manifold, Manual Control (Spinner and Conveyor Speed Controls)..... | 2 |
| 6 | 661850 | Valve, Solenoid, 3/4"-16, Includes Solenoid, Cartridge and Block..... | 2 |
| 7 | 660681 | Tee, 3/4"-16 SAE O-Ring x 3/4"-16 Male 37 Degree Flare | 2 |
| 8 | 668138 | Tee, 3/4"-16 SAE O-Ring x 3/4"-16 Male JIC | 2 |
| 9 | 657250 | Adapter, 7/8"-14 Male O-Ring 3/4"-16 | 2 |
| 10 | 660408 | Adapter, 3/4"-16 SAV O-Ring 3/4"-16 37 Degree | 2 |
| 11 | 659908 | Elbow, 7/8"-14 Male O-Ring 3/4"-16 Male 37 Degree | 4 |
| 12 | 657663 | Elbow, 3/4"-16 Male O-Ring 3/4"-16 Male 37 Degree | 1 |
| 13 | 657547 | Adapter, 3/4"-16 Male O-Ring 3/4"-16 Male | 1 |
| 14 | 662657 | Knob, Locking, Flow Control..... | 1 |
| 15 | 444804 | Nut, Hex, #10-32 Flexloc (Used Prevent Lose of Locking Knob) | 1 |
| Service Parts | | | |
| 16 | 660606 | Solenoid, Coil, Solenoid Valve (Service Part)..... | 2 |
| 17 | 661565 | Cartridge, Solenoid Valve (Service Part) | 1 |
| 18 | 661566 | Seal Kit, Solenoid Valve (Service Part)..... | 1 |

Spinner Assembly Hydraulics

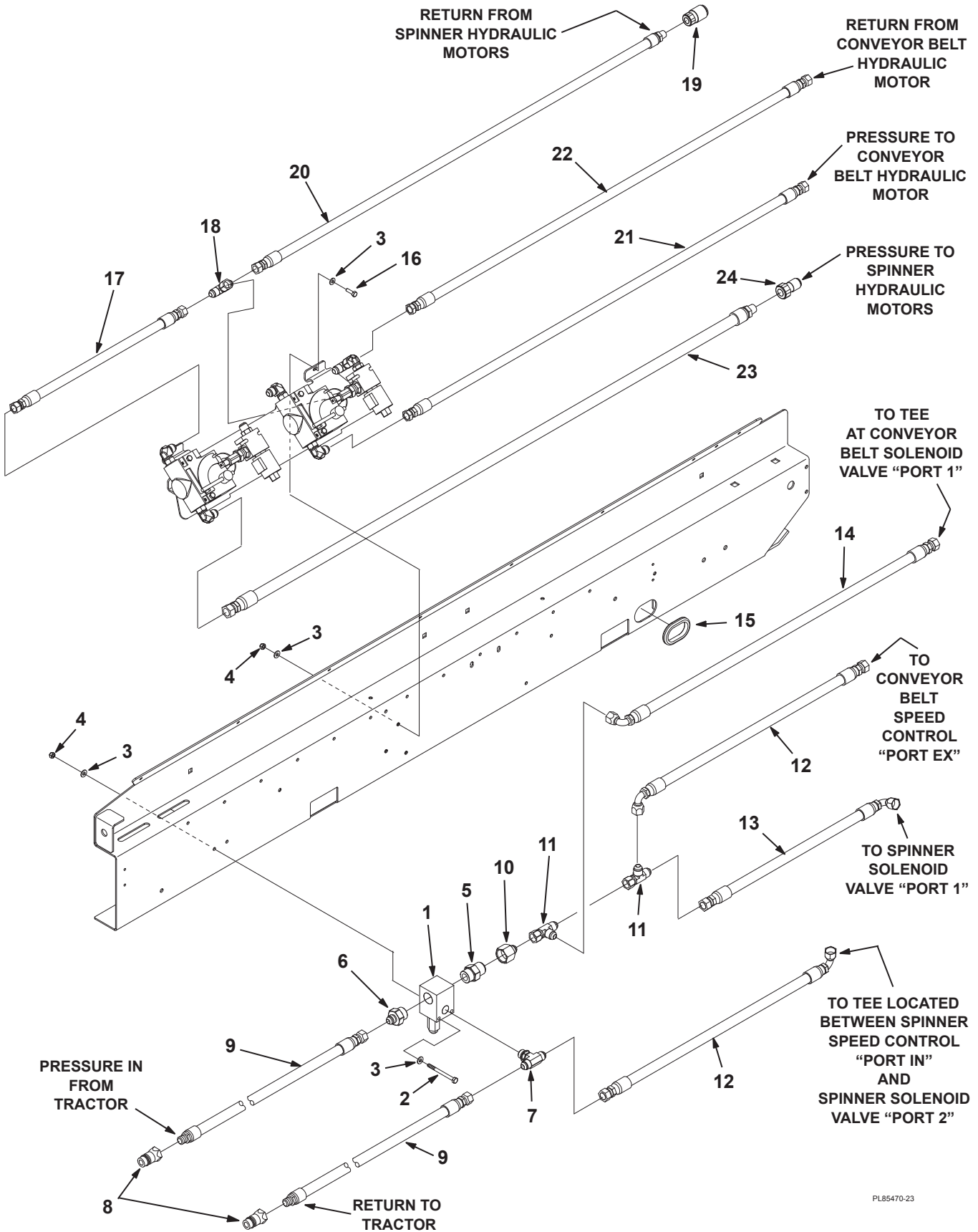


PL85840-22



| Item No. | Part No. | Description | Qty. |
|--------------|----------|---|------|
| 1 | 665972 | Motor, Hydraulic, Spinner, 1540 TEC | 2 |
| 2 | 668026 | Seal, Excluder (Dirt/Sand Protection Seal)..... | 2 |
| 3 | 665982 | Hose Assembly (Spinner Hydraulic Motor to Spinner Hydraulic Motor) | 1 |
| 4 | 657250 | Adapter, 7/8"-14 Male O-Ring to 3/4"-16 | 2 |
| 5 | 665976 | Adapter, 7/8"-14 Male O-Ring to 3/8" NPT | 2 |
| 6 | 658641 | Coupling, Quick Disconnect, Female, 3/8" | 1 |
| 7 | 658642 | Coupling, Quick Disconnect, Male, 3/8" | 1 |
| Service Part | | | |
| 8 | 668014 | Seal Kit, For Spinner Motor 665972 | 2 |

Hydraulic Hoses and Fittings

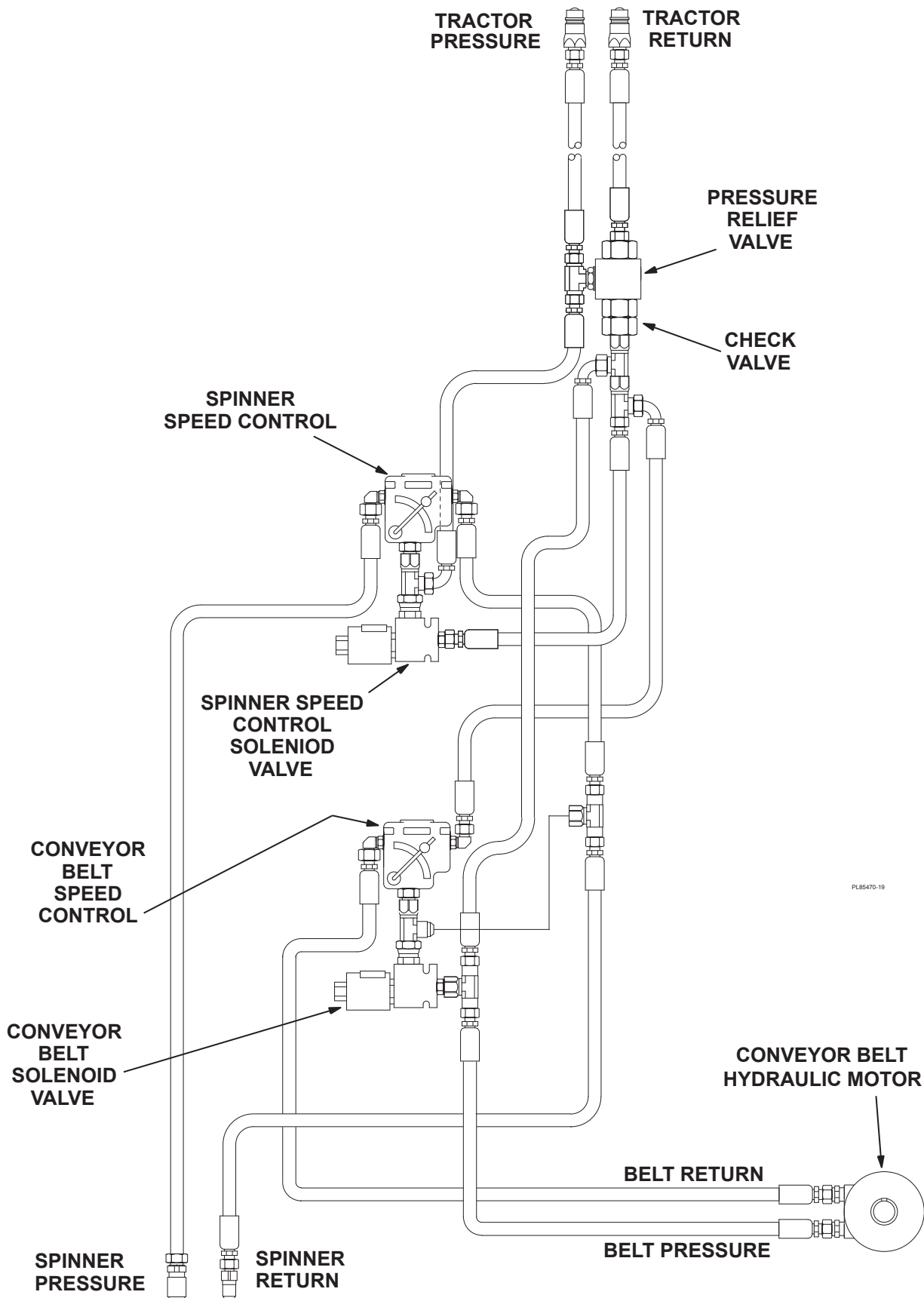


PL85470-23

Hydraulic Hoses and Fittings

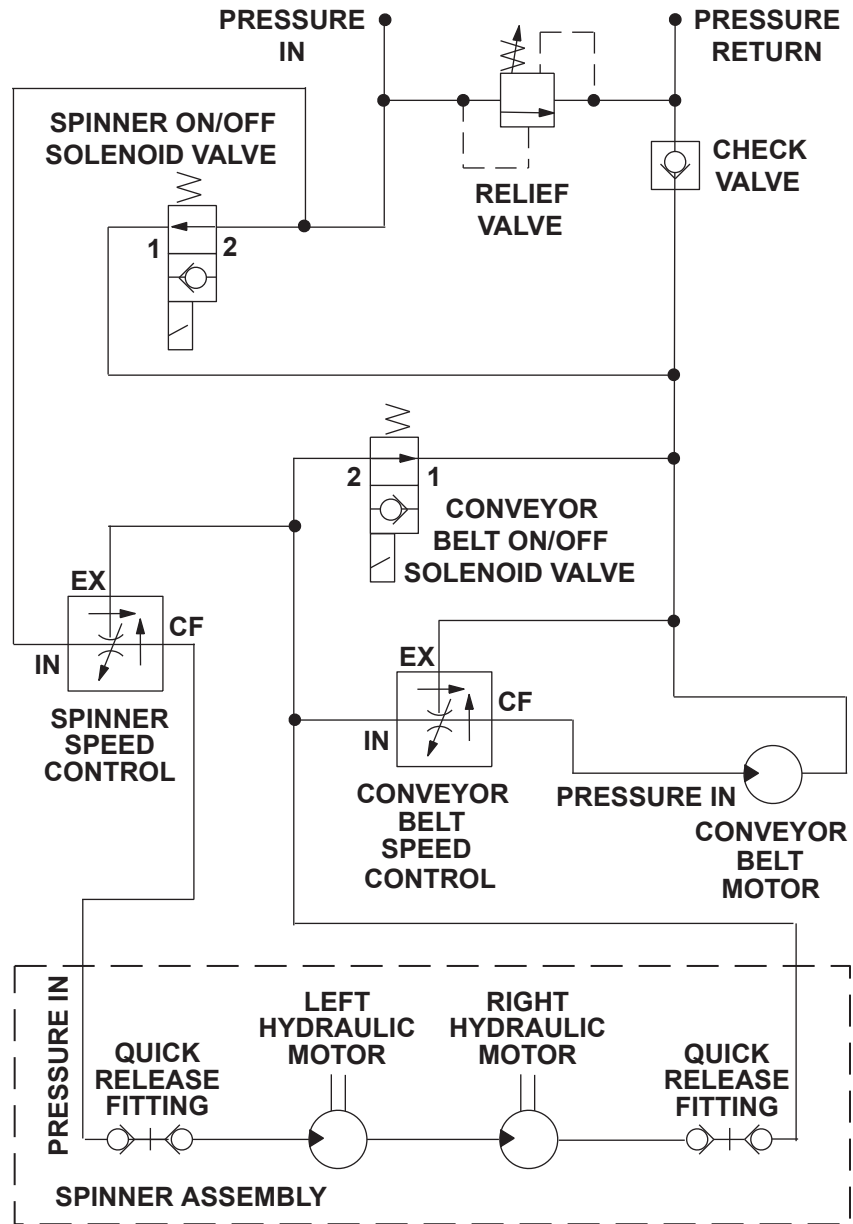
| Item No. | Part No. | Description | Qty. |
|----------|----------|---|------|
| 1 | 668518 | Valve, Pressure Relief..... | 1 |
| 2 | 665664 | Screw, Hex Head, 1/4"-20 x 2-3/4"..... | 2 |
| 3 | 453023 | Washer, Flat, .281 ID x .625" OD x .062 Thick..... | 12 |
| 4 | 444830 | Nut, Hex, 1/4"-20 Nylock..... | 6 |
| 5 | 668400 | Valve, Check, Inline..... | 1 |
| 6 | 660680 | Adapter, 1-1/16"-12 O-Ring x 3/4"-16 Male JIC..... | 1 |
| 7 | 668139 | Tee, 3/4"-16 Male O-Ring x 3/4"-16 JIC..... | 1 |
| 8 | 659971 | Coupling, Quick Disconnect, 1/2" Male..... | 2 |
| 9 | 668235 | Hose Assembly, Hydraulic, 98" Long..... | 2 |
| 10 | 668524 | Reducer, 1-1/16"-12 FJIC x 3/4"-16 MJIC..... | 1 |
| 11 | 660681 | Tee, 3/4"-16 SAE O-Ring x 3/4"-16 Male 37 Degree Flare..... | 2 |
| 12 | 668121 | Hose Assembly, Hydraulic, 26-1/2" Long..... | 2 |
| 13 | 668120 | Hose Assembly, Hydraulic, 21" Long..... | 1 |
| 14 | 668123 | Hose Assembly, Hydraulic, 36-1/2" Long..... | 1 |
| 15 | 668236 | Grommet, Rubber, 2" ID..... | 2 |
| 16 | 400110 | Screw, Hex Head, 1/4"-20 x 7/8"..... | 4 |
| 17 | 668128 | Hose Assembly, Hydraulic, 20" Long..... | 1 |
| 18 | 668138 | Tee, 3/4"-16 SAE O-Ring x 3/4"-16 Female JIC..... | 1 |
| 19 | 658641 | Coupling, Quick Disconnect, Female, 3/8"..... | 1 |
| 20 | 668127 | Hose Assembly, Hydraulic, 67" Long..... | 1 |
| 21 | 668125 | Hose Assembly, Hydraulic, 61" Long..... | 1 |
| 22 | 668124 | Hose Assembly, Hydraulic, 51" Long..... | 1 |
| 23 | 668126 | Hose Assembly, Hydraulic, 84" Long..... | 1 |
| 24 | 658642 | Coupling, Quick Disconnect, Male, 3/8"..... | 1 |

CR-7 Hydraulic Schematic



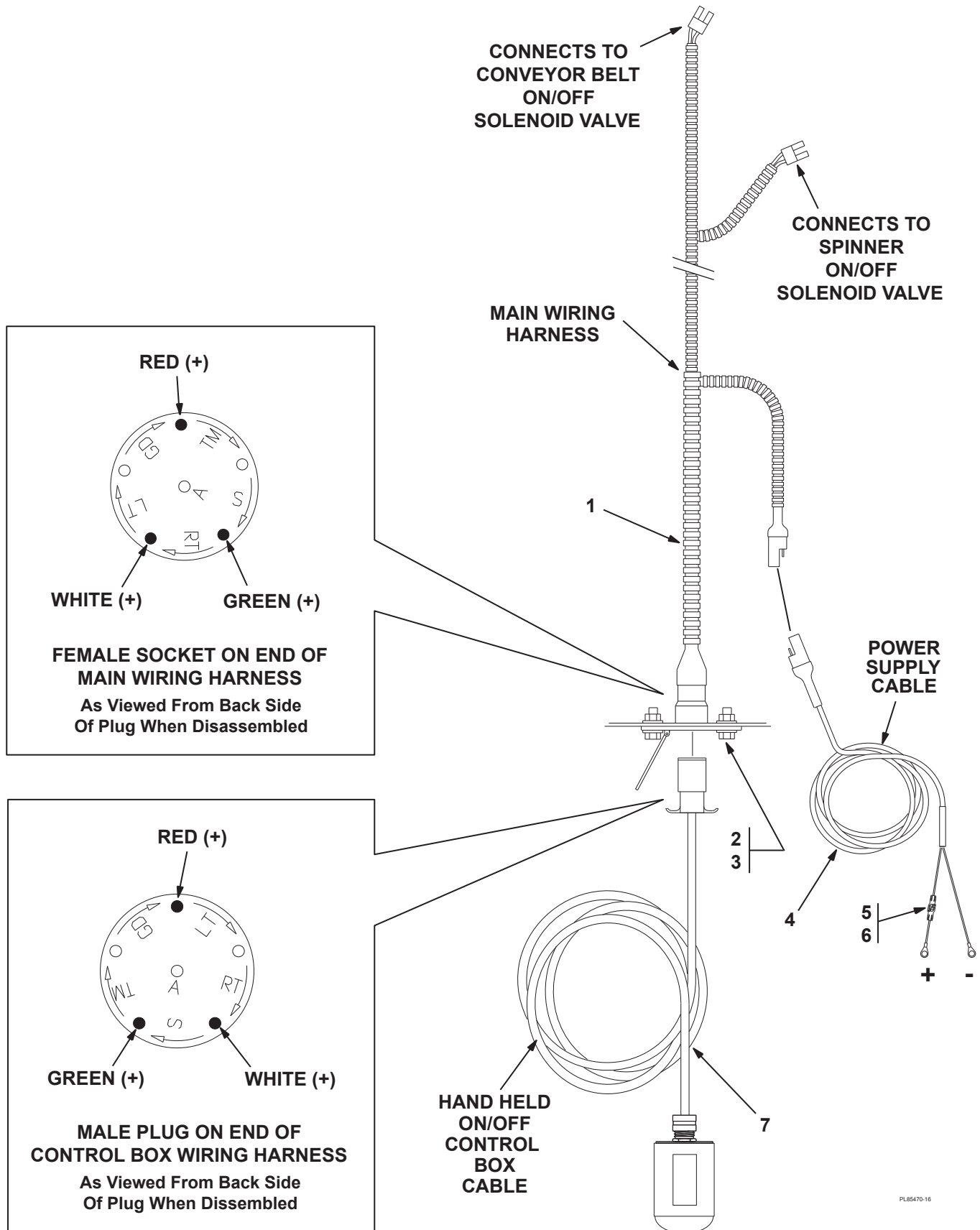
PL85470-19

CR-7 Hydraulic Schematic



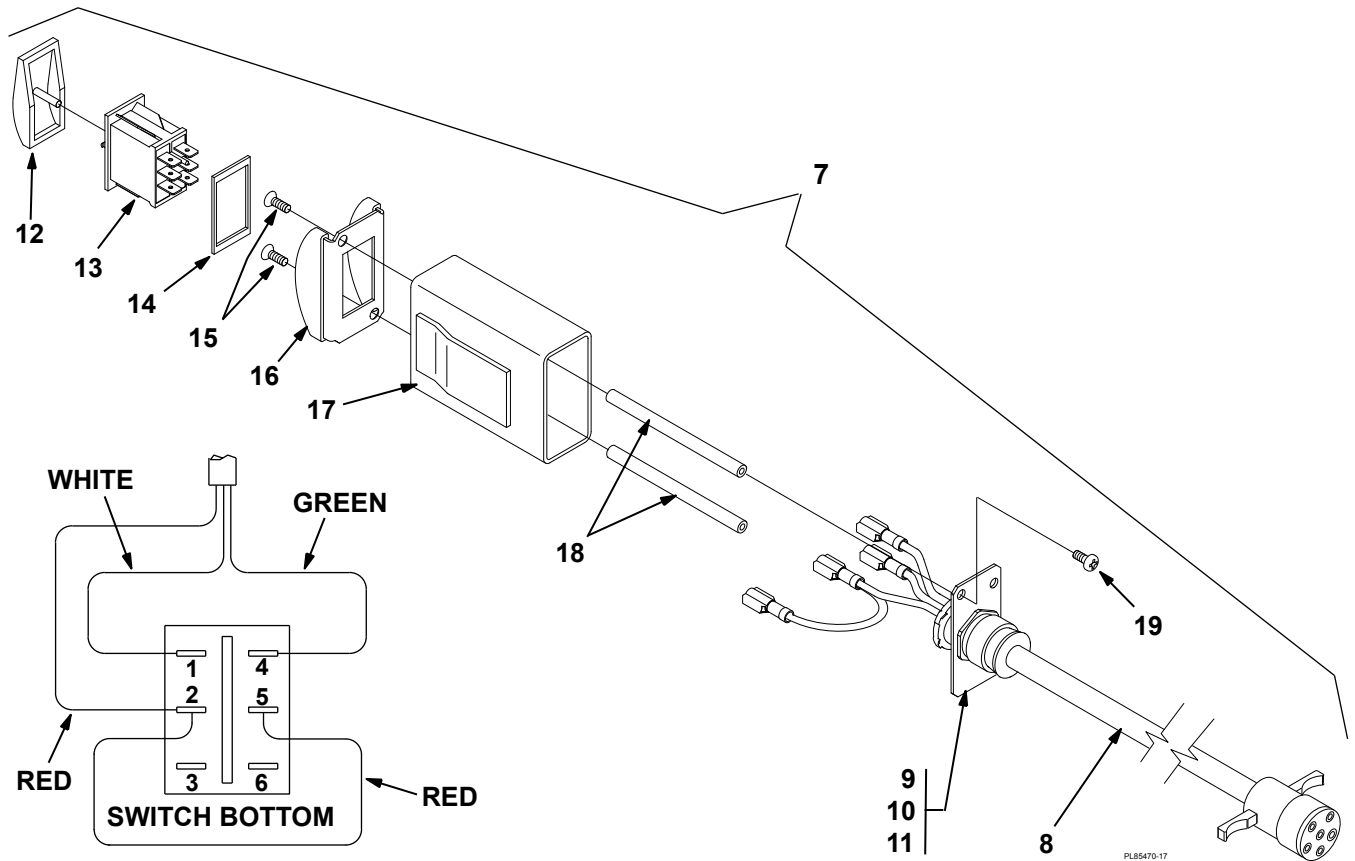
PL85470-08

Electrical Harnesses and Control Box Assembly



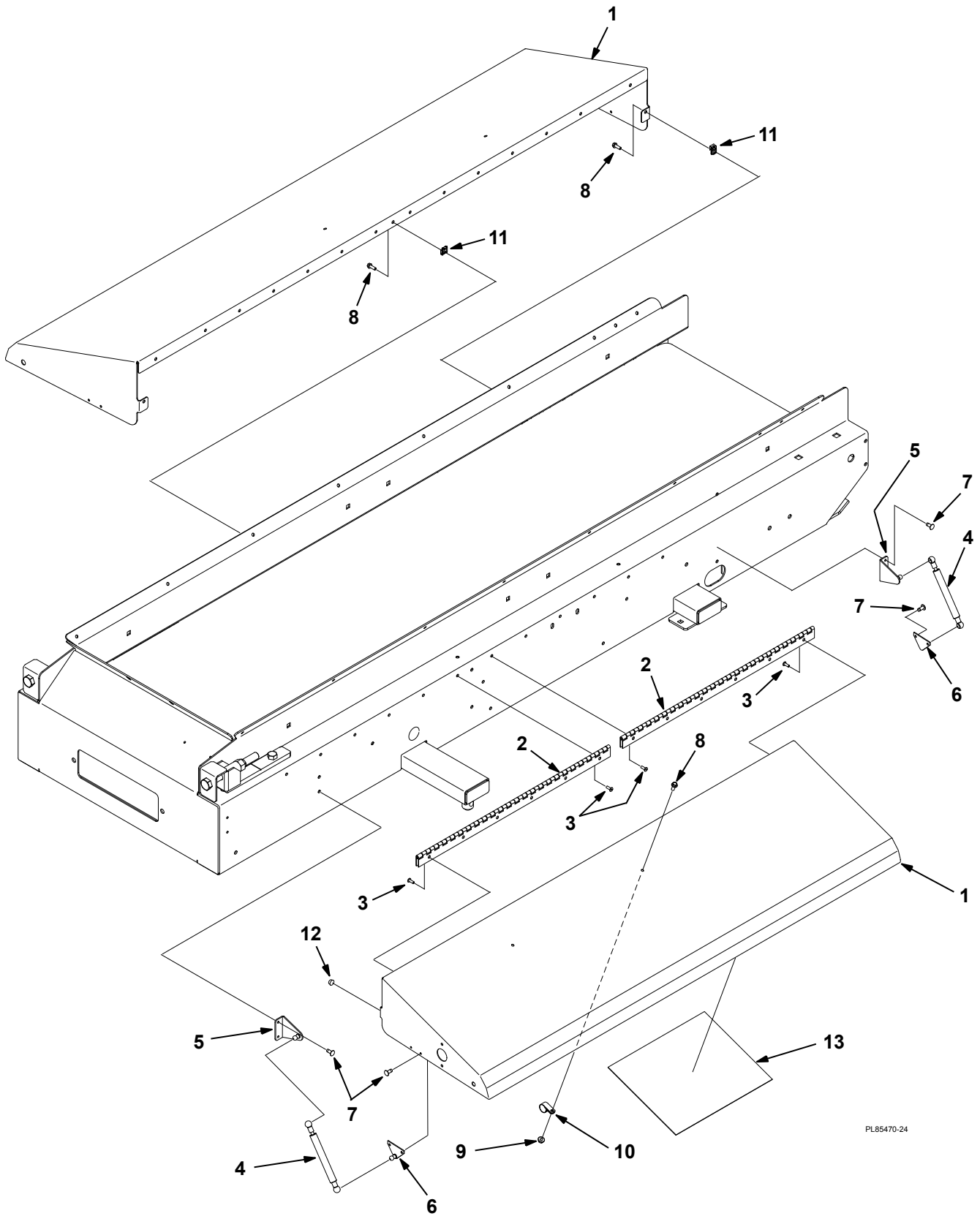
PL85470-16

Electrical Harness and Control Box Assembly



| Item No. | Part No. | Description | Qty. |
|----------|----------|--|------|
| 1 | 668363 | Wiring Harness, Main, CR-7 | 1 |
| 2 | 662046 | Screw, Hex Head, 1/4"-20 x 3/4" Whizlock..... | 2 |
| 3 | 661620 | Nut, Hex, 1/4"-20 Whizlock | 2 |
| 4 | 662094 | Wiring Harness, Power Supply (Includes Fuse Holder and Fuse)..... | 1 |
| 5 | 657917 | Fuse Holder, In-line | 1 |
| 6 | 657972 | Fuse, 6 AMP, AGC-6 | 1 |
| 7 | 668534 | Wiring Harness, Control Box Assembly (Includes Items 8 Thru 21) | 1 |
| 8 | 668535 | Wiring Harness, Control Cable Only (Includes Connector Plug and Items 9,10 and 11) | 1 |
| 9 | 657950 | Base Plate, Control Box | 1 |
| 10 | 657953 | Connector, Cord, 1/2" NPT Male | 1 |
| 11 | 657603 | Locknut, Bonding Type..... | 1 |
| 12 | 658155 | Actuator, Rocker Switch | 1 |
| 13 | 661493 | Switch, Rocker, SPTT | 1 |
| 14 | 658156 | Gasket, Rocker Switch..... | 1 |
| 15 | 657957 | Screw, Machine, 8-32 x 3/8" Phillips Flat Head..... | 2 |
| 16 | 661776 | Plate, Switch | 1 |
| 17 | 657970 | Body, Control Box | 1 |
| 18 | 657951 | Rod, Tie, Control Box..... | 2 |
| 19 | 657956 | Screw, Machine, 8-32 x 3/8" Phillips Pan Head | 2 |

Fenders

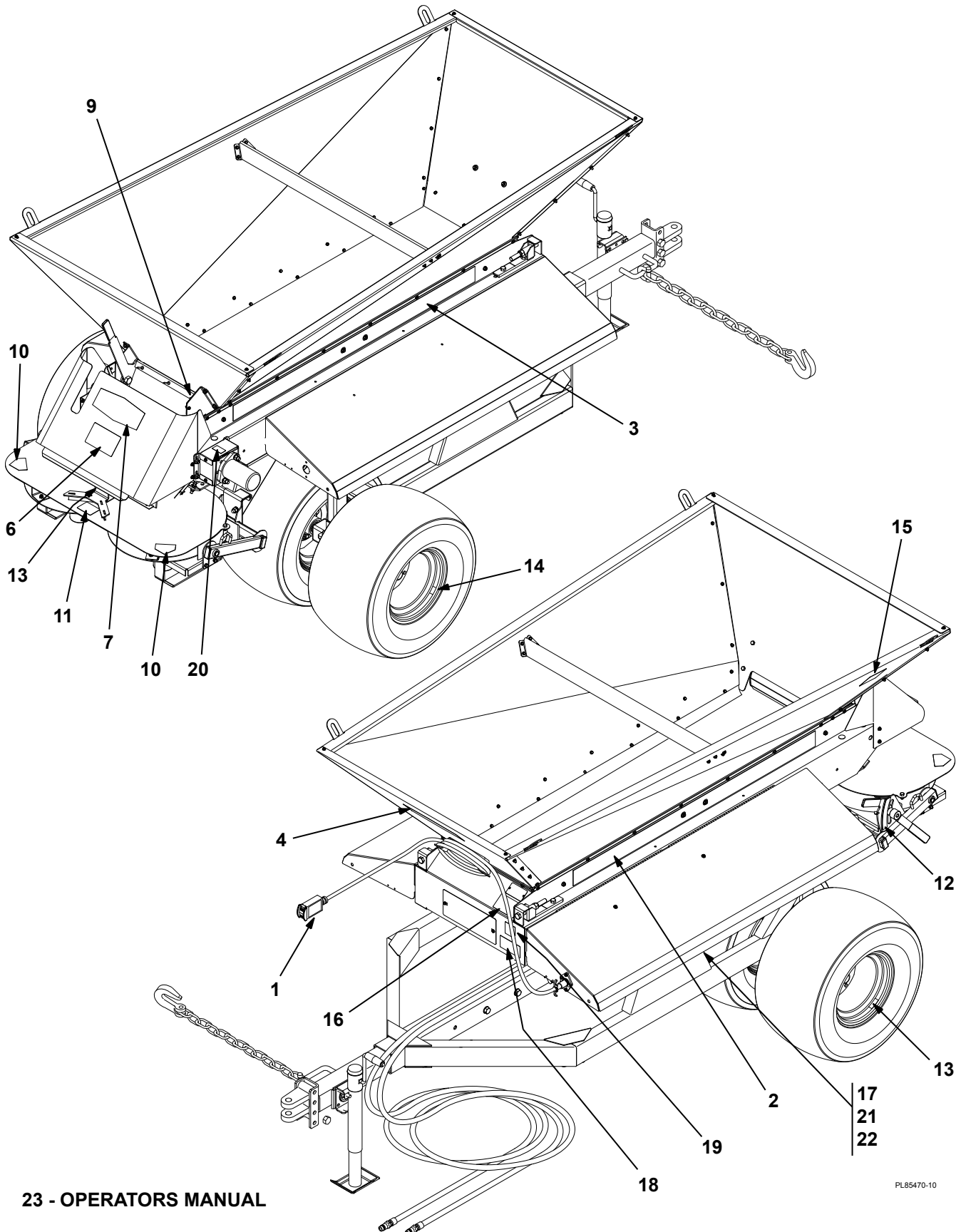


PL85470-24

Fenders

| Item No. | Part No. | Description | Qty. |
|----------|----------|---|------|
| 1 | 668298 | Fender, CR-7..... | 2 |
| 2 | 665813 | Hinge, Cover | 2 |
| 3 | 499401 | Rivet, Blind, 1/4" Steel..... | 24 |
| 4 | 665807 | Spring, Gas, Cylinder | 2 |
| 5 | 665808 | Bracket, Ball Mount..... | 2 |
| 6 | 665809 | Base, Ball Mount | 2 |
| 7 | 499431 | Rivet, Blind, 3/16" Steel..... | 8 |
| 8 | 661619 | Screw, Hex Head, 1/4"-20 x 5/8" Flange, Whizlock..... | 7 |
| 9 | 661620 | Nut, Hex, 1/4"-20 Flange, Whizlock | 2 |
| 10 | 659273 | Clamp, Loop..... | 2 |
| 11 | 499126 | Nut, Clip, 1/4"-20 | 1 |
| 12 | 659138 | Pad, Rubber, 1/2" Diameter | 2 |
| 13 | 668372 | Document Holder | 1 |

Decals



23 - OPERATORS MANUAL

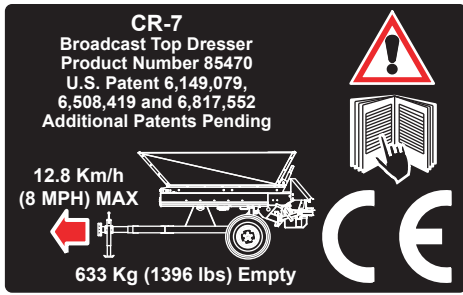
PL85470-10

Decals

| Item No. | Part No. | Description | Qty. |
|----------|----------|--|------|
| 1 | 661555 | Decal, "ON/OFF", Hand Held Control Box..... | 1 |
| 2 | 668520 | Decal, CR-7 Stripe, Left Hand | 1 |
| 3 | 668521 | Decal, CR-7 Stripe, Right Hand..... | 1 |
| 4 | 665865 | Decal, TURFCO Logo, 10" Inch..... | 1 |
| 5 | 665845 | Decal Sheet, WideSpin, Includes Items 6 thru 7 | 1 |
| 6 | | Decal, WideSpin 1530 Logo | 1 |
| 7 | | Decal, Turfco Logo, 10" | 1 |
| 8 | 668368 | Decal Sheet, Product ID, CR-7, Includes Items 9 thru 23 | |
| 9 | | Decal, Metering Gate Position | 1 |
| 10 | | Decal, "KEEP HANDS AWAY" Warning | 2 |
| 11 | | Decal, Spinner, Thrown Objects Danger Warning | 1 |
| 12 | | Decal, Spinner Assembly Tilt Angle | 1 |
| 13 | | Decal, Diverter Height Setting | 1 |
| 14 | | Decal, Tire Pressure | 2 |
| 15 | | Decal, Metering Gate, Diverter and Vane Angle Settings | 1 |
| 16 | | Decal, Product Identification, Product No. 85470 | 1 |
| 17 | | Decal, Hydraulic Pressure Hazard Warning | 1 |
| 18 | | Decal, Maximum Angle of Operation Warning..... | 1 |
| 19 | | Decal, Maximum Hopper Capacity and Load Weight Warning..... | 1 |
| 20 | | Decal, High Heat Warning | 1 |
| 21 | | Decal, Spinner Speed Control | 1 |
| 22 | | Decal, Conveyor Belt Speed Control..... | 1 |
| 23 | 664021 | Manual, Operator's and Parts List, CR-7, Product Number 85470 | 1 |

NOTE A: These Decals Are Located On the Hydraulic Speed Controls And Are Only Visible When The Fender Is Raised.

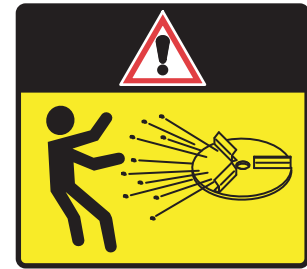
Decals



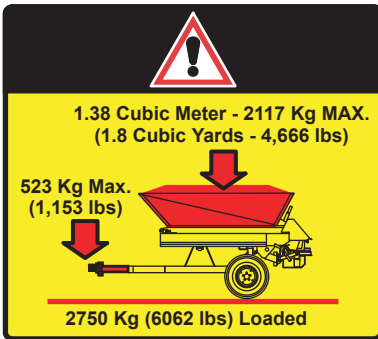
[A]



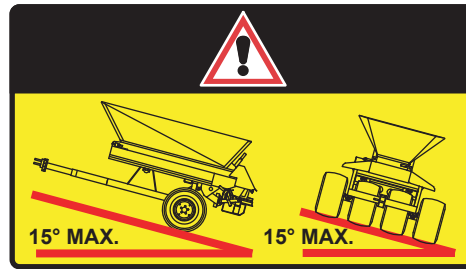
[B]



[C]



[D]



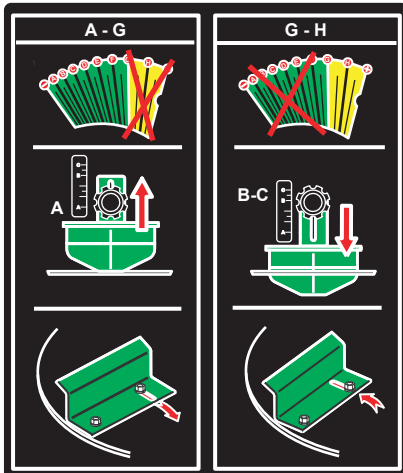
[E]



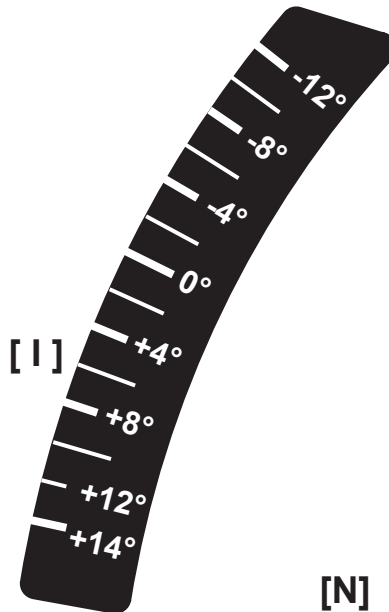
[F]



[G]



[H]



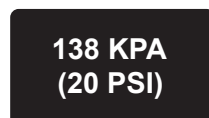
[I]



[J]



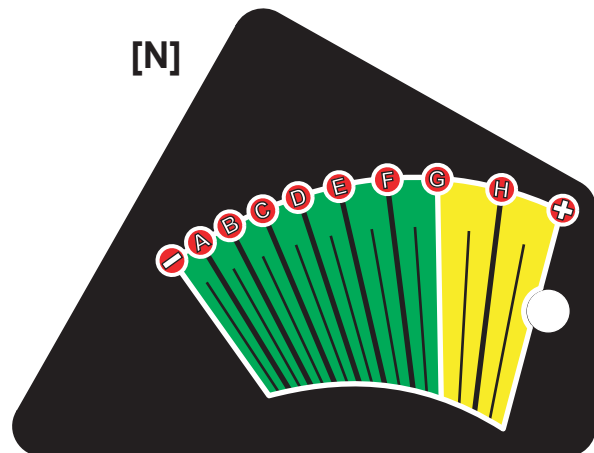
[K]



[M]



[L]



[N]

Decals

- [A] PRODUCT IDENTIFICATION DECAL
- [B] HAND HAZARD WARNING DECAL
- [C] THROWN OBJECT HAZARD WARNING DECAL
- [D] MAXIMUM CAPACITY AND TONGUE WEIGHT WARNING DECAL
- [E] MAXIMUM ANGLE OF OPERATION WARNING DECAL
- [F] HIGH HEAT HAZARD WARNING DECAL
- [G] HYDRAULIC PRESSURE HAZARD WARNING DECAL
- [H] METERING GATE, DIVERTER AND SPINNER VANE
ADJUSTMENT SETTINGS DECAL
- [I] SPINNER ASSEMBLY TILT ANGLE DECAL
- [J] SPINNER DIVERTER SETTING DECAL
- [K] CONVEYOR SPEED SETTING DECAL
- [L] SPINNER SPEED SETTING DECAL
- [M] TIRE PRESSURE DECAL
- [N] METERING GATE SETTING DECAL



TURFCO MFG. INC.

1655 101st Avenue NE • Minneapolis, MN 55449-4420 USA
Phone (763) 785-1000 • FAX (763) 785-0556

Internet - www.turfco.com

E-Mail - service@turfco.com